

BOOMS



PARTS MANUAL FOR 90', 100', 120' BOOMS HAGIE MANUFACTURING COMPANY

721 CENTRAL AVENUE WEST
BOX 273
CLARION, IOWA 50525-0273

COVERS BOOM SERIAL NUMBERS:

90' Boom 19001-19500
100' Boom 19001-19500
120' Boom 19001-19500

07-18 493817 (PC13614)
02-19

To obtain the most current parts manual for your machine,
please visit www.hagie.com.

© 2018-19 Hagie Manufacturing Company. Clarion, Iowa USA



BOOM IDENTIFICATION

Each Hagie boom is identified by means of a serial number. This serial number denotes the model, the year in which it was built, and the number of the boom. To ensure prompt, efficient service when ordering parts or requesting service repairs from local John Deere dealer, record the serial number in the space provided below.

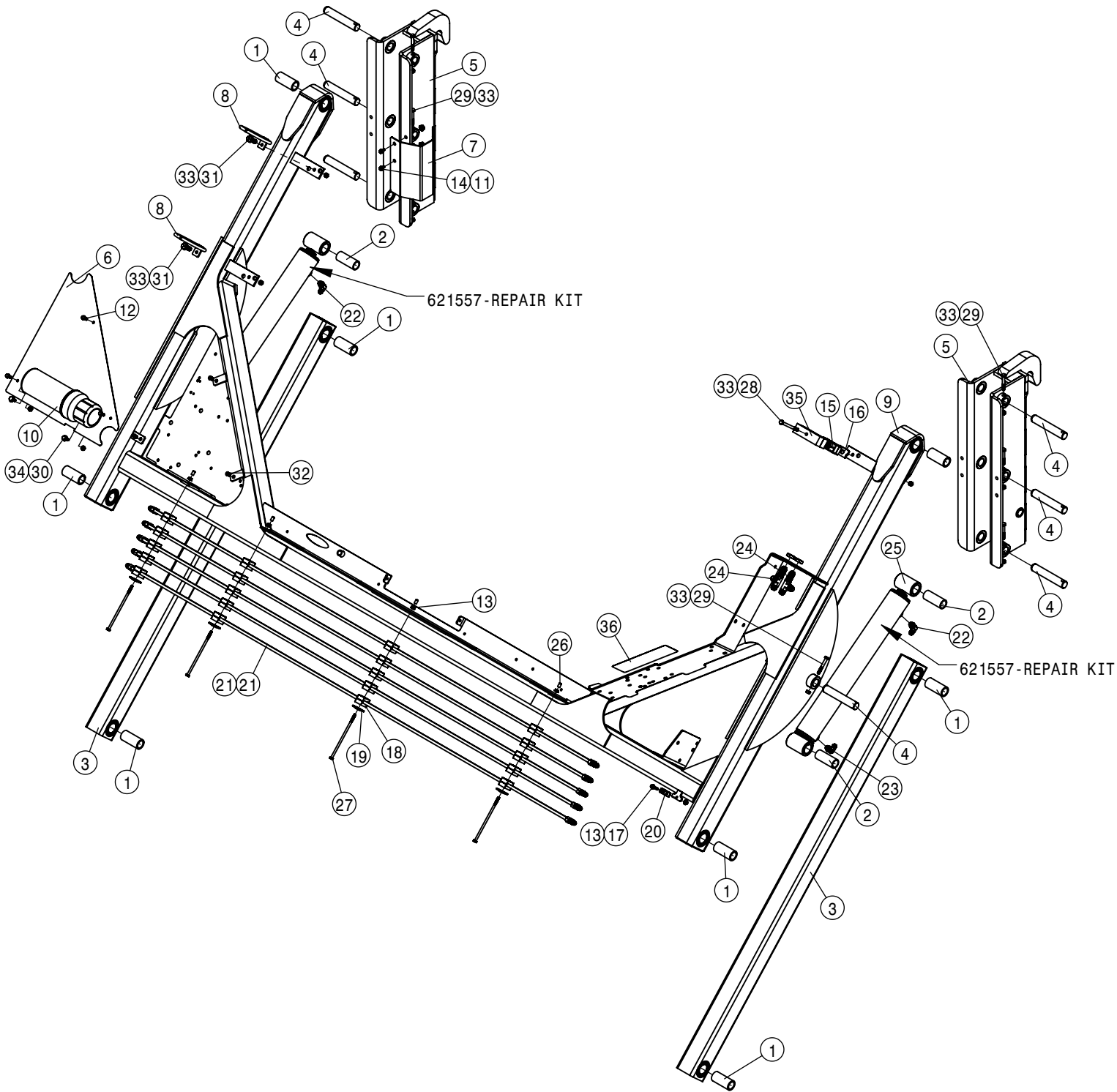
NOTE: Reference to left hand and right hand used throughout this manual refers to the position when seated in the operator's seat facing forward.

This manual is not intended to be a complete guide for machine maintenance and repairs. If you are not properly trained to perform service on this machine, contact your local John Deere dealer for assistance. Improper maintenance or repair may result in property damage, personal injury, or death.

BOOM SERIAL NUMBER

TABLE OF CONTENTS

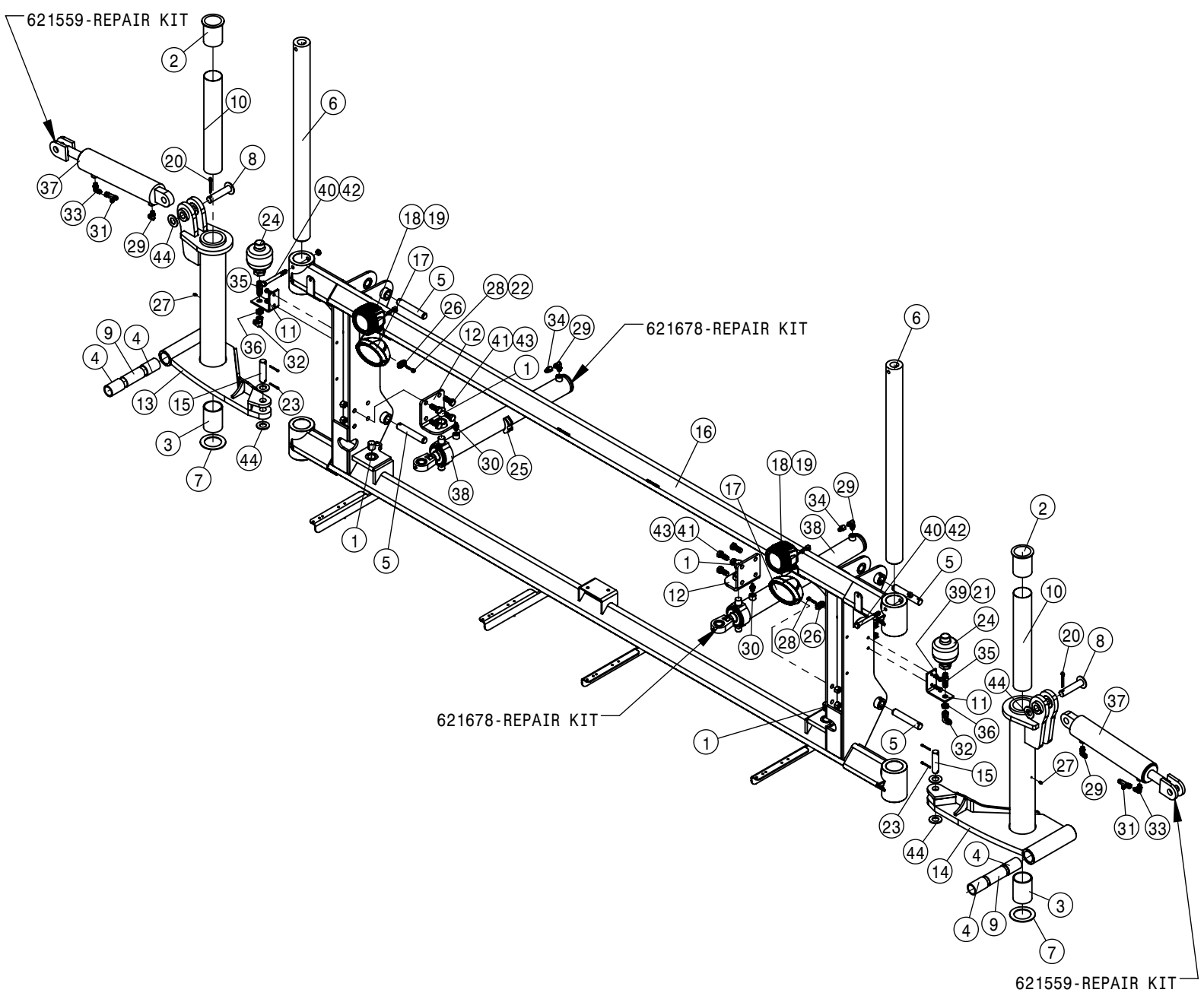
LIFTARM ASSEMBLY 90/100	4
TRANSOM ASSEMBLY 90/100	5
SECTION INDICATOR LIGHTS 90/100.	6
BOOM HYDRAULIC VALVES 90/100	7-8
NORAC HYDRAULIC VALVE 90/100	9-10
BOOM BREAKAWAY VALVE 90/100	11
MUTICOUPLER AND BALL VALVE 90/100	12-13
BOOM ASSEMBLY 90/100	14-20
NORAC SENSOR MOUNTS 90/100.	21
BOOM SUPPORTS 90/100.	22-23
BOOM STAND 90/100.	24
NIGHT SPRAY 90/100.	25
BOOM FOAMER 90/100.	26
CAM COUPLER 90/100.	27
SOLUTION VALVES 90/100	28-29
BOOM ELECTRICAL 90/100.	30
15" WET BOOM SPACING 90/100	31-37
20" WET BOOM SPACING 90/100	38-44
LIFTARM ASSEMBLY HYBRID 120.	45
TRANSOM ASSEMBLY HYBRID 120.	46
SECTION INDICATOR LIGHTS HYBRID 120.	47
BOOM HYDRAULIC VALVES HYBRID 120.	48-49
MULTICOUPLER ASSEMBLY HYBRID 120	50
HYDRAULIC HOISING HYBRID 120.	51
ACTIVE WING ROLL CYLINDER HYBRID 120.	52
NORAC HYBRID 120.	53-55
BOOM ASSEMBLY HYBRID 120	56-62
NIGHT SPRAY HYBRID 120.	63
BOOM FOAMER HYBRID 120.	64
SOLUTION VALVES HYBRID 120.	65-67
SOLUTION HOISING HYBRID 120.	68-71
15" WET BOOM SPACING HYBRID 120.	72-81
20" WET BOOM SPACING HYBRID 120.	82-91
FENCE ROW NOZZLE HYBRID 120	92
DUAL PRODUCT HYBRID 120.	93-104
REAR BOOM OPTION	105-108
HYDRAULIC DIAGRAM	110-115
WIRING DIAGRAM	116-119
ABBREVIATIONS	120



LIFTARM ASSEMBLY 90/100			
DET	QTY	P/N	DESCRIPTION
1	8	121107	LIFTARM BEARING, POLYGON
2	4	121109	LIFT CYL BRG, 3.13 POLYGON
3	2	164450	LWR LIFTARM WLD
4	8	164452	LIFT ARM MT PIVOT PIN
5	2	164800	QUICK ATTACH PLT WLD STS 04
6	1	165006	UPR LIFTARM BUSS COVER, STS05
7	1	165742	RECEPTACLE MT, STS BOOMS '12
8	2	165954	HOSE RING WLD
9	1	166004	UPR LIFTARM W/DECAL STS '19
10	1	344017	MANUAL CANISTER W/NEOPREN SEAL
11	2	470087	3/8UNC HEX SERR FLANGE NUT
12	3	470118	1/4 UNC X 3/4 SER FLG BOLT

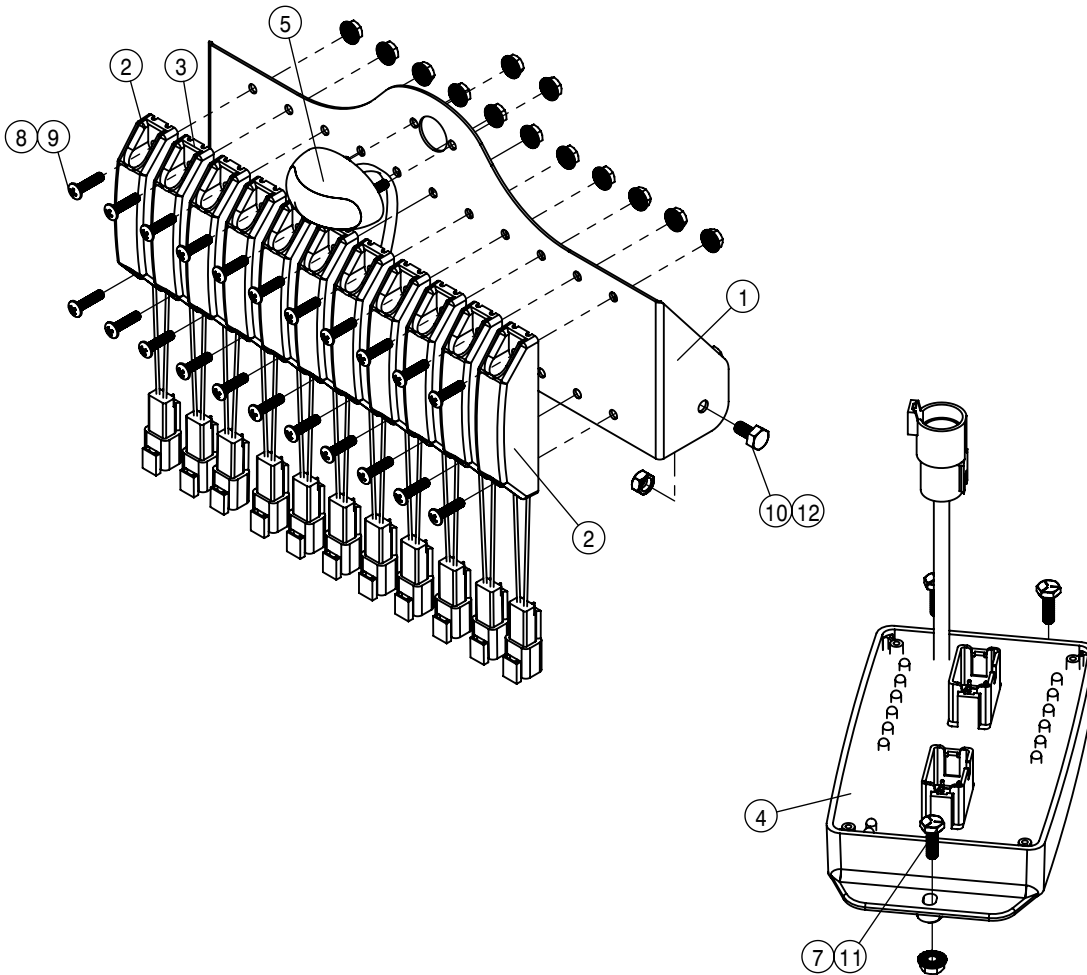
LIFTARM ASSEMBLY 90/100			
DET	QTY	P/N	DESCRIPTION
13	5	470121	1/4-20UNC HEX FLG NUT SER MC GR5
14	2	470122	1/4UNC X 1/2 HHSFB GR5 MC
15	1	470274	TUBE CLAMP BODY, .750-.750
16	1	470281	STACK BOLT SAFETY LOCK PLATE
17	1	470407	1/4UNC X 1 1/4 HHSFB GR5 MC
18	20	470473	TUBE CLAMP, HVY DTY .375-.375
19	4	470474	COVER PLATE FOR 470473 CLAMP
20	1	470888	TWIN #4 CLAMP
21	10	615852	UPPER LIFT ARM TUBE, STS LS
22	2	618119	9/16MJIC-90-9/16MOR LBO
23	2	618689	9/16MOR-90-9/16MJ .042 CHK VLV
24	2	618749	3/4MJIC BLKHD RUN TEE

LIFTARM ASSEMBLY 90/100			
DET	QTY	P/N	DESCRIPTION
25	2	621556	2.50 X 18.00 X 1.50 LIFT CYL
26	4	629770	CAPPLUGS CAP, .234 X .500 VINYL
27	4	900032	1/4UNC X 6 1/2" HEX BOLT
28	1	900076	5/16UNC X 4" HEX BOLT
29	8	900086	5/16UNC X 2 1/4 HEX BOLT
30	3	900486	5/16UNC X 3/4 HHSFB SS
31	2	900522	1/2UNF X 1 1/4 HHCS GR5 MC
32	3	910127	1/4-20 NUTSERT .027-1.65 STL
33	11	914002	5/16UNC HEX STOVER NUT
34	3	914017	5/16-18UNC STOVER NUT SS
35	1	A51729	TUBE CLAMP (PAIR)
36	1	HXE28534	LABEL, HYDRAULIC ENGLISH

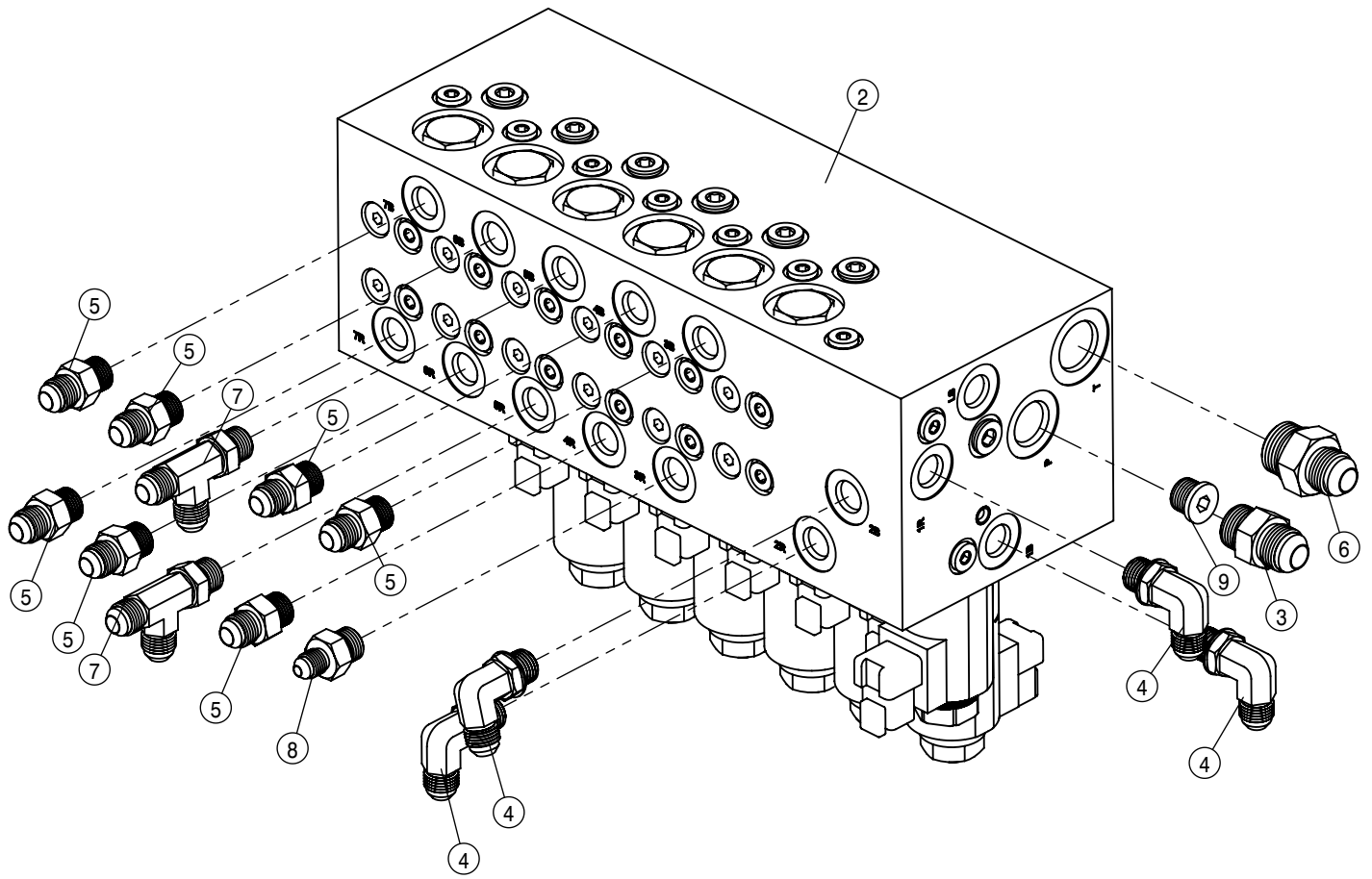


TRANSCOM ASSEMBLY 90/100			
DET	QTY	P/N	DESCRIPTION
1	4	121029	JOURNAL BRG, 1.00 ID x 1.00 LG
2	2	121101	TRANSCOM PIVOT BRG, TOP POLYGON
3	2	121103	TRANSCOM PIVOT BRG, LWR POLYGON
4	4	121104	BOOM PIVOT BEARING, POLYGON
5	4	164452	LIFT ARM MT PIVOT PIN
6	2	164481	INNER TRANSCOM PIVOT TUBE
7	2	164482	TRANSCOM PIVOT WASHER
8	2	164496	LEVEL CYL PIN WLD, TRANSCOM END
9	2	164641	BOOM PIVOT BRG SPACER
10	2	164642	TRANSCOM PIVOT BRG SPACER
11	2	165027	ACCUMULATOR MT, STLS
12	2	165828	FOLD CYL TRUNNION MT WLD 10
13	1	167416	RH TRANSCOM PIVOT WLD
14	1	167417	LH TRANSCOM PIVOT WLD
15	2	169249	CLEVIS PIN HL .994 DIA X 3.17
16	1	169549	TRANSCOM WLD STS 90/100, '19
17	2	292614	WORK LIGHT, HALOGEN FLOOD '14
18	2	292618	WORKLIGHT-TYRI LED FLOOD
19	2	294299	TYRI JUMPER HARNESS
20	2	470012	5/16 X 2 COTTER PIN
21	4	470087	3/8UNC HEX SERR FLANGE NUT
22	2	470121	1/4-20UNC HEX FLG NUT SER MC GR5

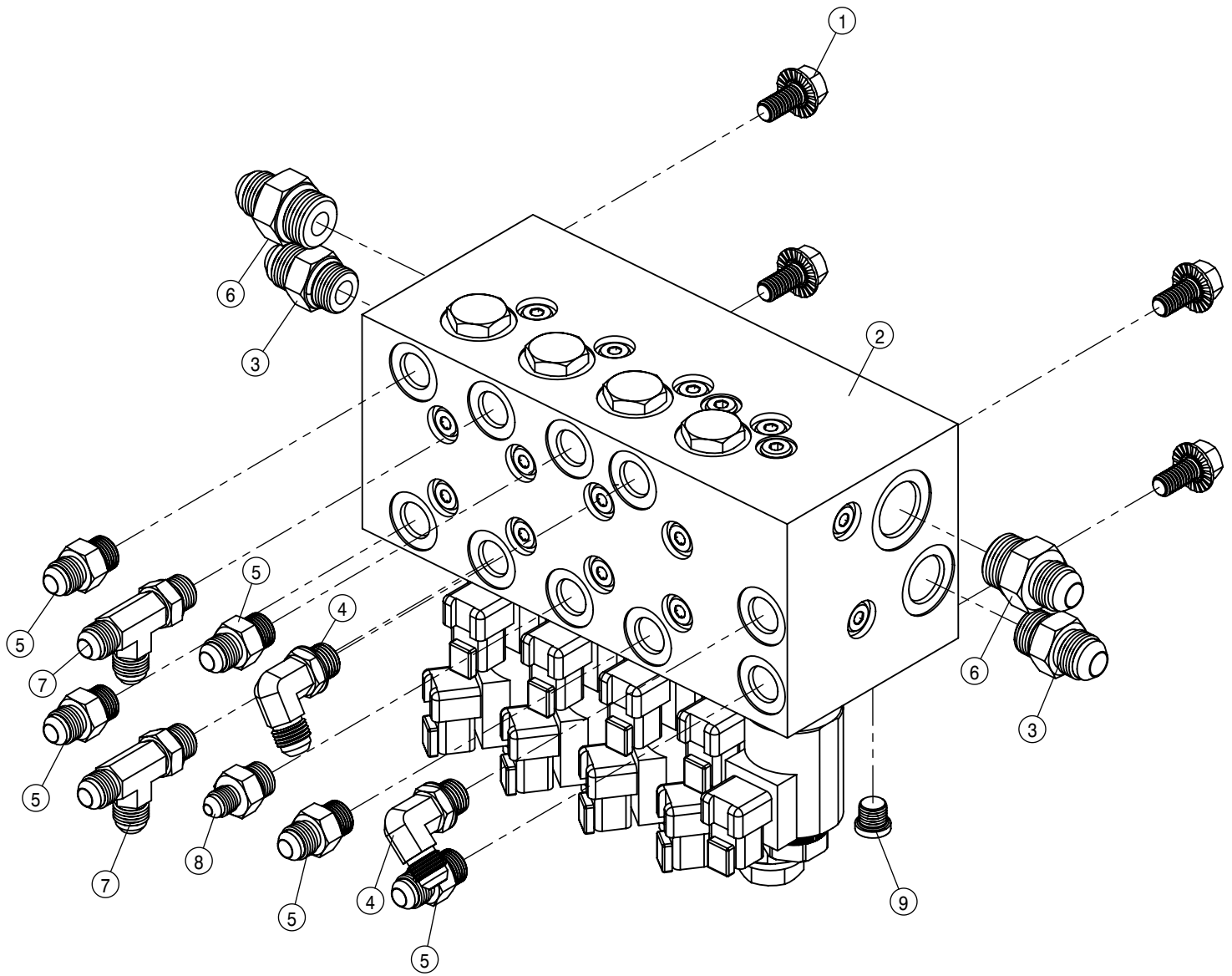
TRANSCOM ASSEMBLY 90/100			
DET	QTY	P/N	DESCRIPTION
23	4	470162	COTTER PIN 3/16 X 1 1/2 ZN
24	2	470701	ACCUMULATOR, 30CI 1,812 PSI
25	2	470887	Cylinder Saddle Clamp
26	2	470888	TWIN #4 CLAMP
27	2	471005	GREASE ZERK, 1/4-28 X 1/2
28	2	473837	1/4UNC X 1 1/2 HHSFB SS
29	4	618119	9/16MJIC-90-9/16MOR LBO
30	2	618468	7/16MJIC-9/16MOR ADPTR
31	2	618486	9/16FJIC SW RUN TEE-9/16MJIC
32	2	618609	3/4MJIC-90-3/4FJIC SWIV LBO
33	2	618689	9/16MOR-90-9/16MJ .042 CHK VLV
34	2	618733	9/16JIC .042 ORIFICE ADPTR
35	2	618743	3/4MOR-3/4MJIC BLKHD, .040 ORF
36	2	618744	3/4 THD BLKHD LOCK NUT
37	2	621558	3.00 X 11.00 X 1.38 LEVEL CYL.
38	2	621670	HYD CYL 2.50 X 21.00 X 1.375
39	4	900130	3/8UNC X 1 1/4 HEX BOLT
40	2	900284	1/2UNC X 4 3/4 HEX BOLT
41	8	900333	5/8UNC X 1 1/2 HEX BOLT
42	2	914008	1/2 UNC HEX STOVER NUT
43	8	914010	5/8UNC HEX STOVER NUT
44	6	920008	SAE FLAT WASHER 1 MC



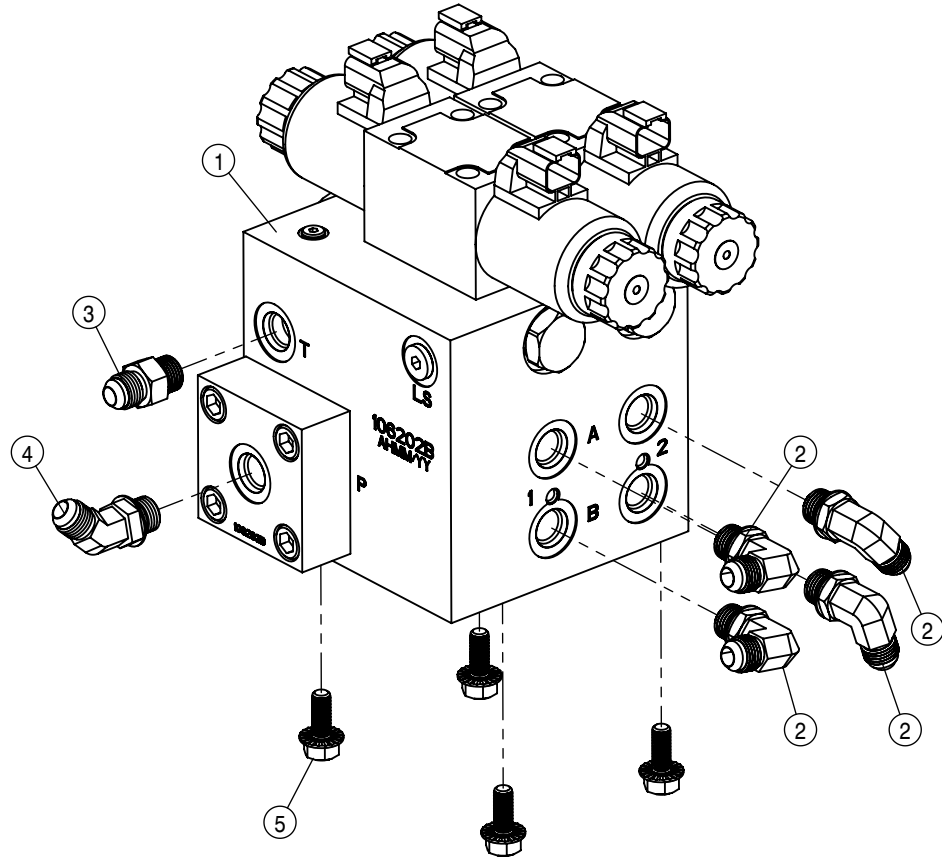
SECTION INDICATOR LIGHTS 90/100			
DET	QTY	P/N	DESCRIPTION
1	1	165994	BOOM INDICATOR LGT MT
2	2	291325	AMBER LAMP, 4" DT DEUTSCH
3	9	291326	RED LAMP, 4" DT DEUTSCH
4	1	292030	CAN POWER OUTLET MODULE
5	1	293817	MASTER SPRAY LIGHT, STS 05
NS	1	294360	HARNES, SEC LIGHT EDI
7	3	470121	1/4-20UNC HEX FLG NUT SER MC GR5
8	24	470175	10-32 SERR FLANGE NUT
9	24	472235	10-32 X 3/4 PHIL HD MACH SCR
10	2	900000	1/4UNC X 1/2 HEX BOLT
11	3	900002	1/4UNC X 3/4 HHCS GR5 MC
12	2	910000	1/4UNC HEX NUT



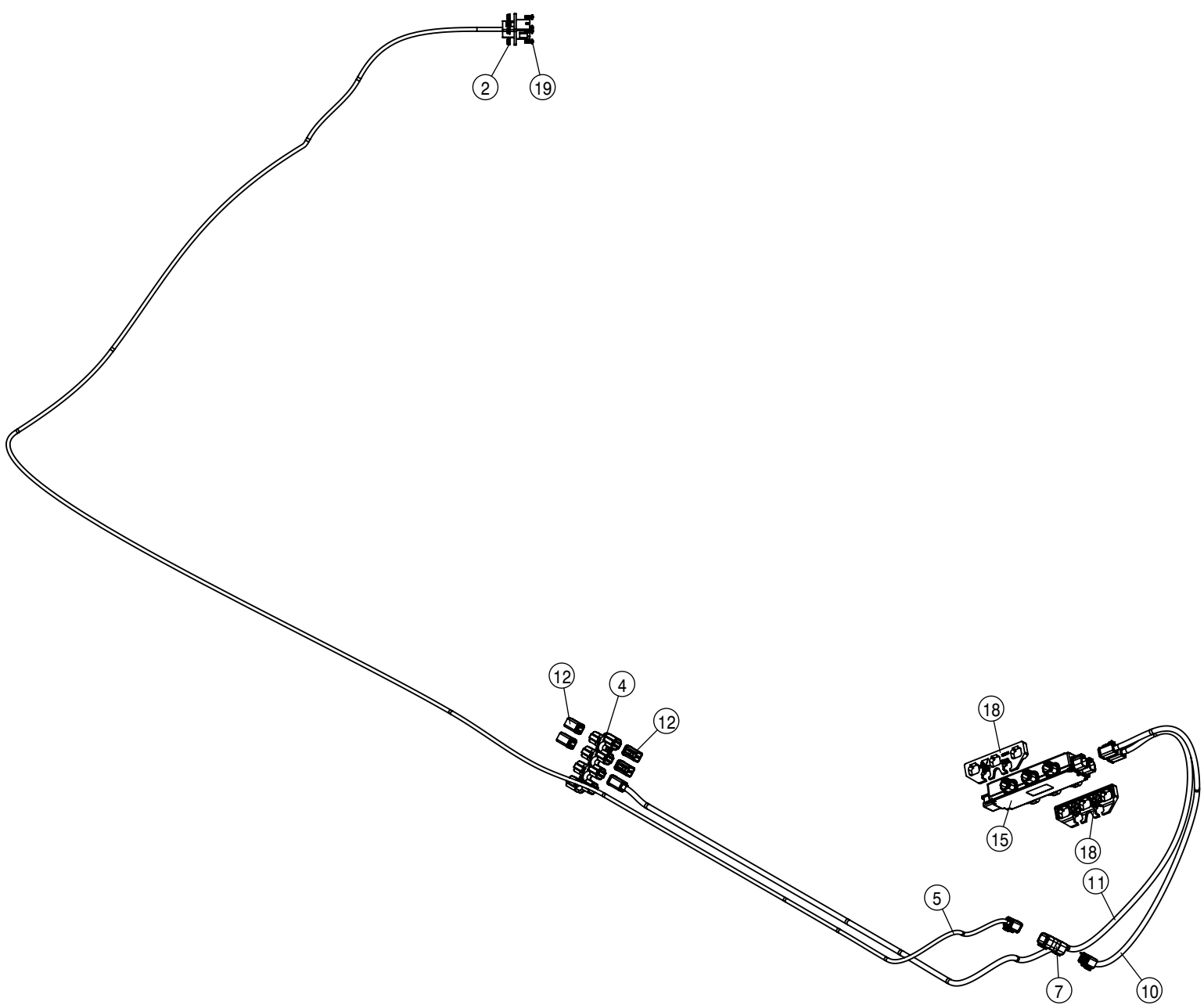
BOOM MANIFOLD ASSEMBLY-NON NORAC 90/100			
DET	QTY	P/N	DESCRIPTION
NS	1	294352	90/100 DIODE SUPPRESSION HARNES
2	1	606272	VALVE, LOAD SENSE BOOM SAUER
3	1	611125	3/4MJIC-3/4MOR ADPTR
4	4	618119	9/16MJIC-90-9/16MOR LBO
5	7	618126	9/16MJIC-9/16MOR ADPTR
6	1	618327	3/4MJIC-7/8MOR ADPTR
7	2	618444	9/16MOR RUN TEE-9/16MJIC
8	1	618468	7/16MJIC-9/16MOR ADPTR
9	1	618754	9/16 MOR PLUG, HEX SOCKET



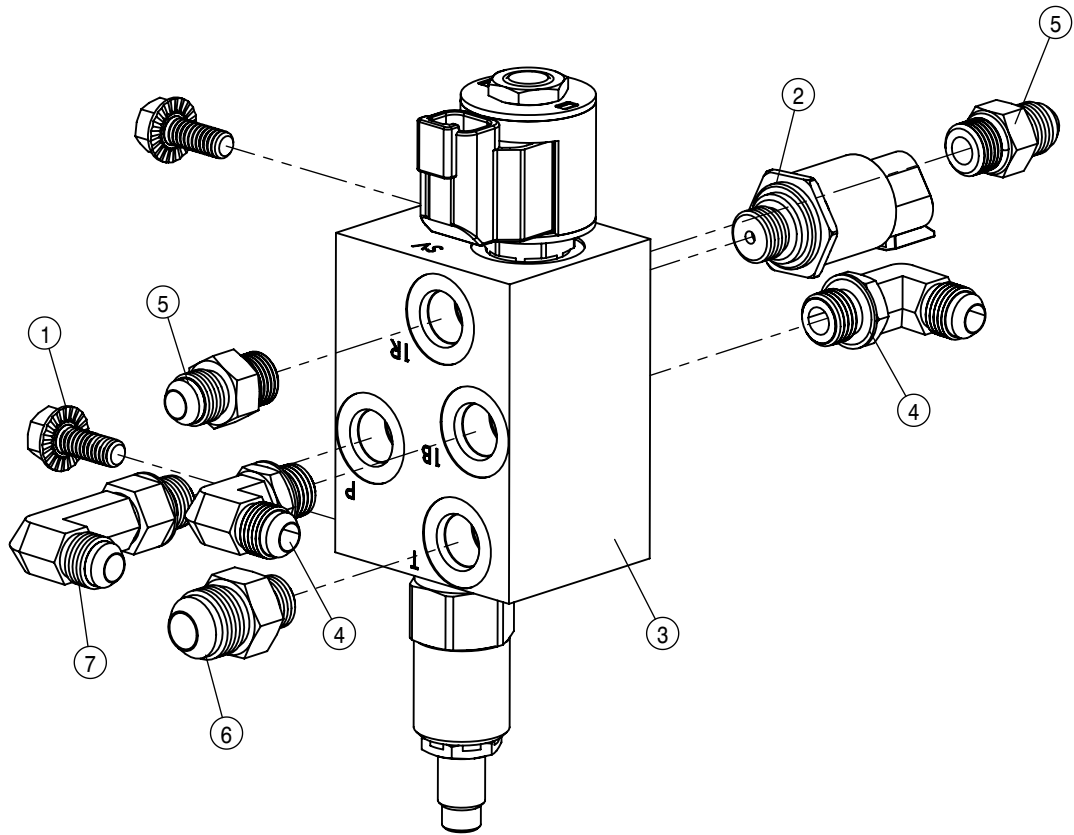
BOOM MANIFOLD ASSEMBLY-NORAC 90/100				
DET	QTY	P/N	DESCRIPTION	
1	4	470409	3/8UNC X 3/4 HHSFB GR5 MC	
2	1	606529	VALVE, LIFT-FOLD, 4-SECTION	
3	2	611125	3/4MJIC-3/4MOR ADPTR	
4	2	618119	9/16MJIC-90-9/16MOR LBO	
5	5	618126	9/16MJIC-9/16MOR ADPTR	
6	2	618327	3/4MJIC-7/8MOR ADPTR	
7	2	618444	9/16MOR RUN TEE-9/16MJIC	
8	1	618468	7/16MJIC-9/16MOR ADPTR	
9	1	618753	7/16 MOR PLUG, HEX SOCKET	



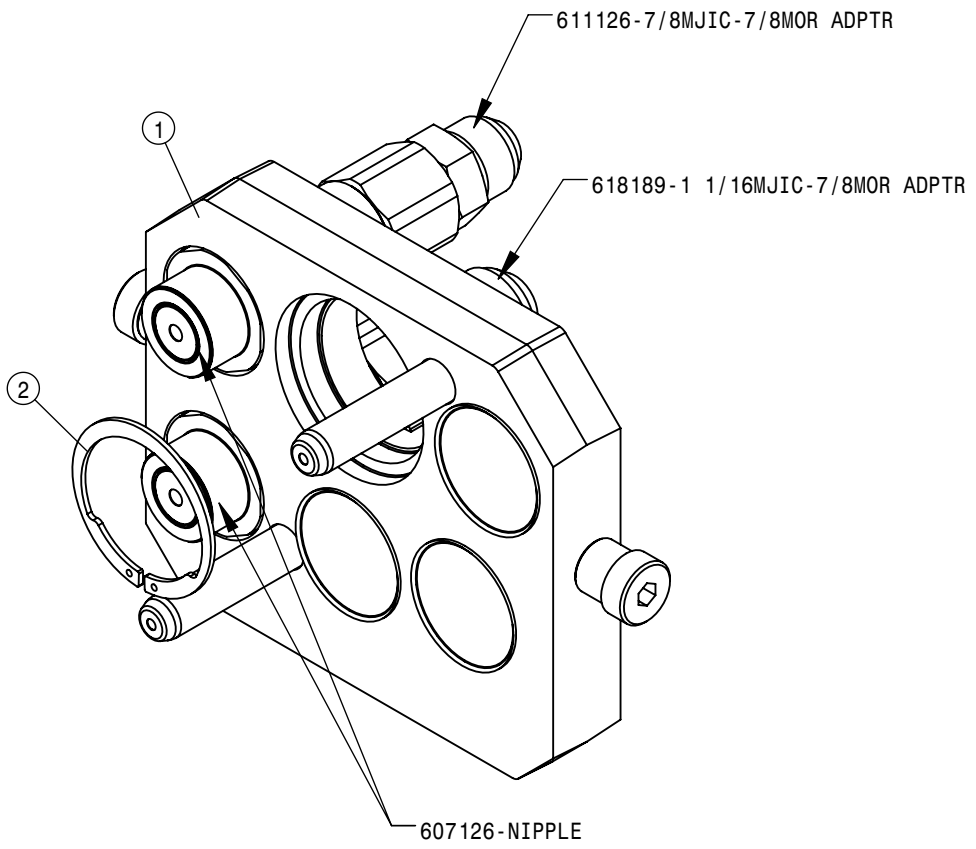
NORAC VALVE ASSEMBLY 90/100			
DET	QTY	P/N	DESCRIPTION
1	1	606455	NORAC HYD VALVE (44963D)
2	4	618119	9/16MJIC-90-9/16MOR LBO
3	1	618126	9/16MJIC-9/16MOR ADPTR
4	1	618425	9/16MJIC-45-9/16MOR LBO
5	4	900486	5/16UNC X 3/4 HHSFB SS



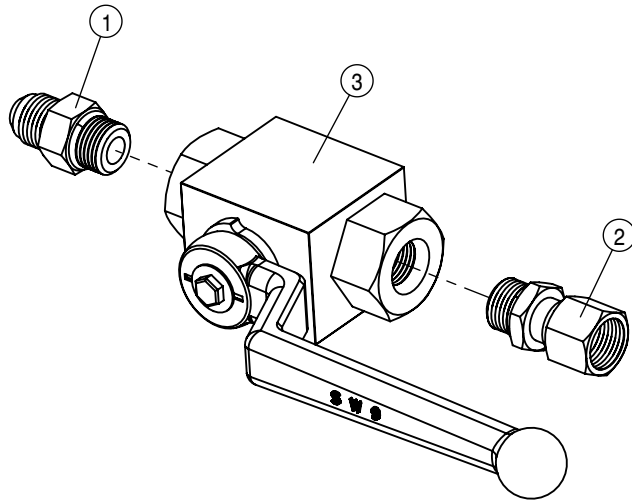
NORAC MODULE ASSEMBLY 90/100			
DET	QTY	P/N	DESCRIPTION
NS	1	294251	HARNESS-NORAC INPUT INTERFACE
2	4	470463	8-32 SERR FLANGE NUT
NS	1	693066	HARNESS, TEMP PROBE/VALVE LOCK
4	1	693131	NORAC UC5 NETWORK CPLR, 8-WAY
5	1	693135	NORAC CABLE, STS BM DISCNT, 15
NS	2	693145	NORAC CABLE, UC5 NETWORK, 10M
7	3	693146	NORAC UC5 2-WAY CPLR W/TRMNTOR
NS	2	693147	NORAC UC5 NETWORK CPLR, 3-WAY
NS	1	693161	NORAC CABLE, UC5 NETWORK, 5M
10	1	693757	UC5 NETWORK CABLE,14 AWG .5M
11	1	693758	UC5 NETWORK CABLE,14 AWG 3M
12	6	693800	UC5 NETWORK 6PIN PLUG
NS	2	693806	CABLE,UC5 12 AWG 7M
NS	2	694047	NETWORK 4 PIN CAVITY PLUG
15	1	694052	HCM1 HW/SW PASSIVE
NS	1	694053	HARNESS, NORAC VALVE 2014+
NS	1	694054	HARNESS, NORAC INTERFACE 2014+
18	2	694055	MOUNTING CLIP HCM1
19	4	903844	8-32 X 1/2 PHIL PANHD MACH SCR



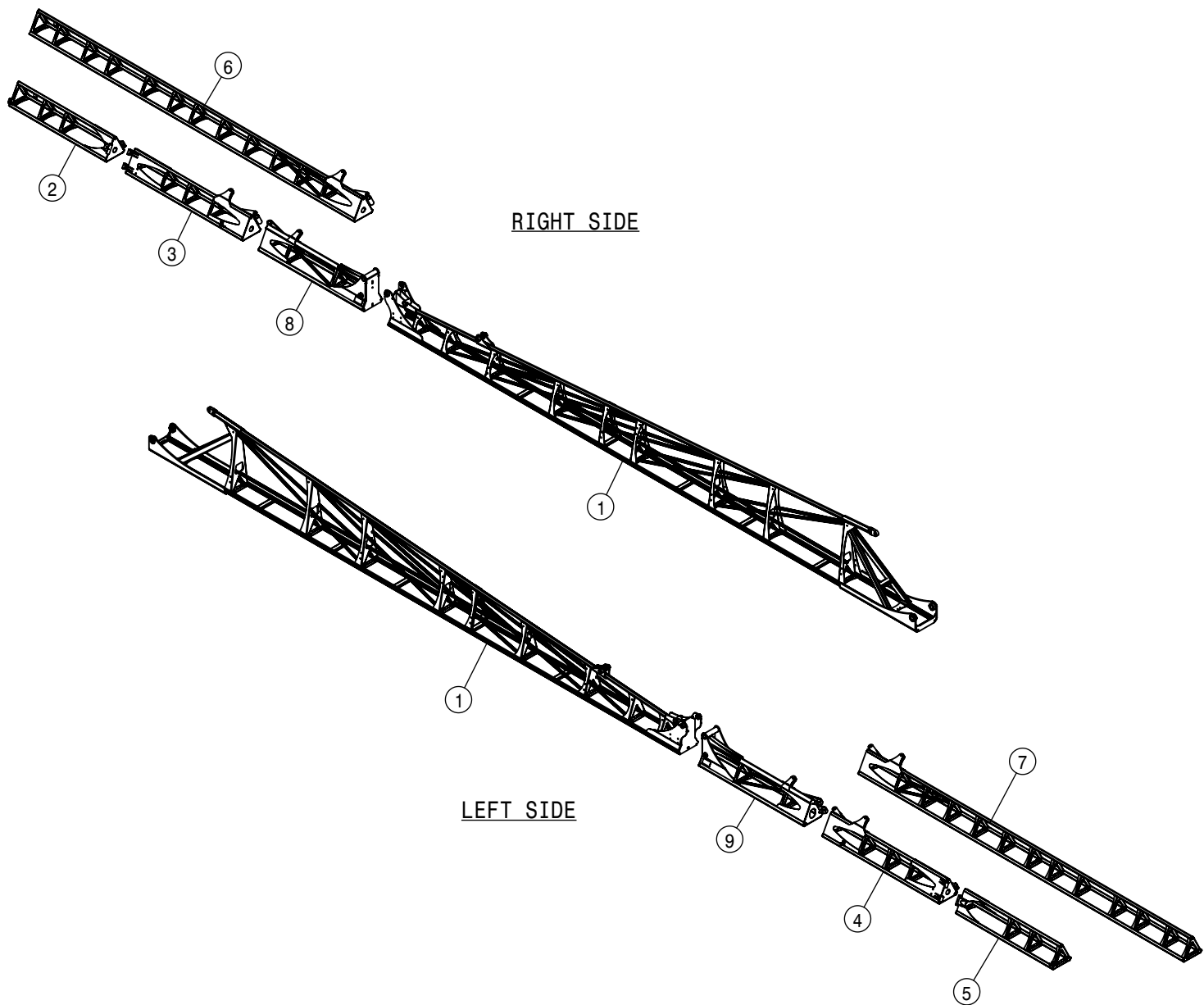
BREAKAWAY VALVE ASSEMBLY 90/100			
DET	QTY	P/N	DESCRIPTION
1	2	473837	1/4UNC X 1 1/2 HHSFB SS
2	1	606347	PRESSURE TRANSDUCER,7500PSI
3	1	607119	90/100 breakaway block
4	2	618119	9/16MJIC-90-9/16MOR LBO
5	2	618126	9/16MJIC-9/16MOR ADPTR
6	1	618360	3/4MJIC-9/16MOR ADPTR
7	1	618440	9/16MJIC-90-9/16MOR EX LG LBO



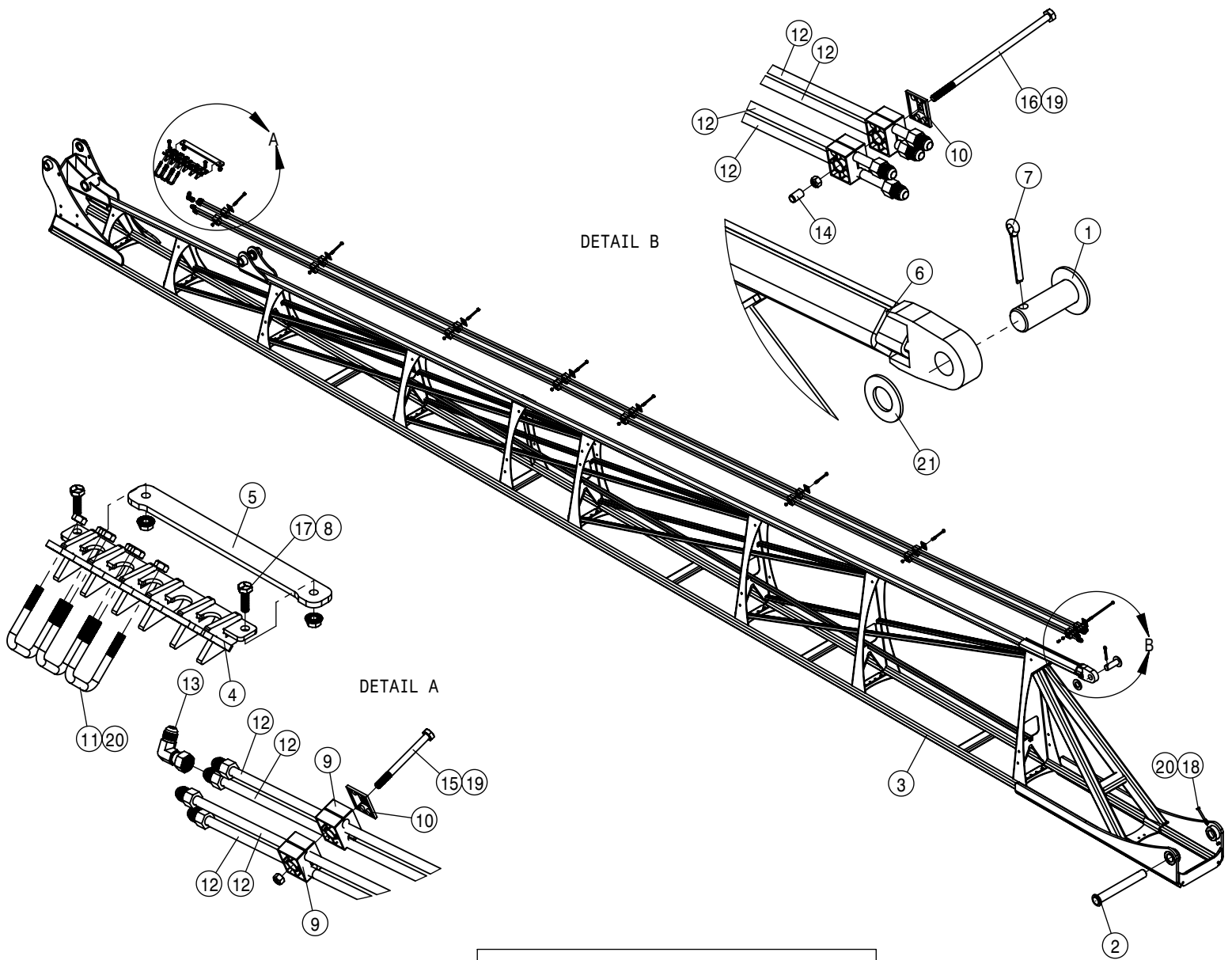
MULTICOUPLER ASSEMBLY 90/100			
DET	QTY	P/N	DESCRIPTION
1	1	607114	MOBILE HALF COUPLER ASSY, 0502
2	1	629546	SNAP RING, 1.637 EXTERNAL



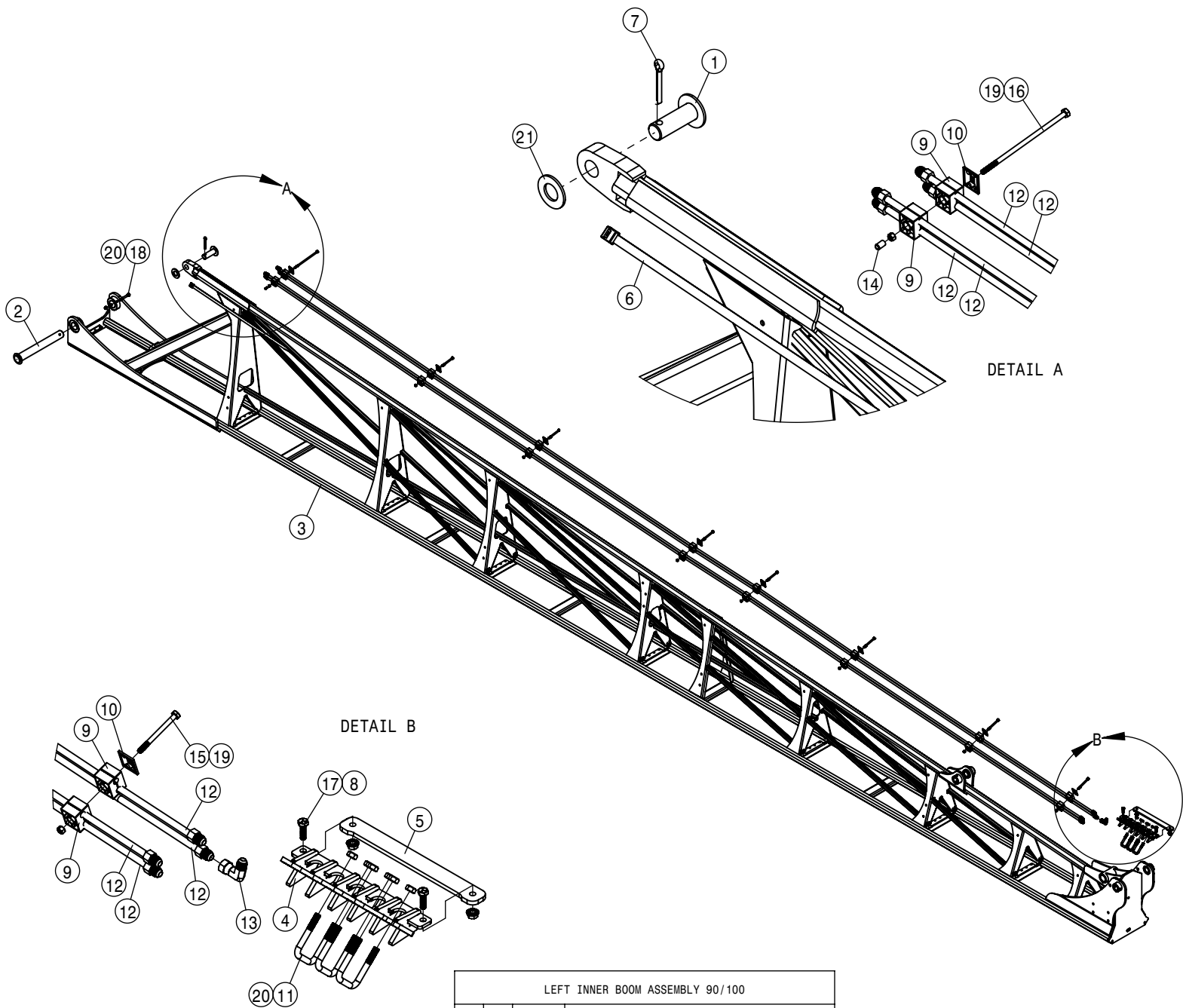
BALL VALVE ASSEMBLY			
DET	QTY	P/N	DESCRIPTION
1	1	618126	9/16MJIC-9/16MOR ADPTR
2	1	618668	9/16FJIC SWIV-9/16MOR ADPTR
3	1	696131	HIGH PRESSURE BALL VALVE



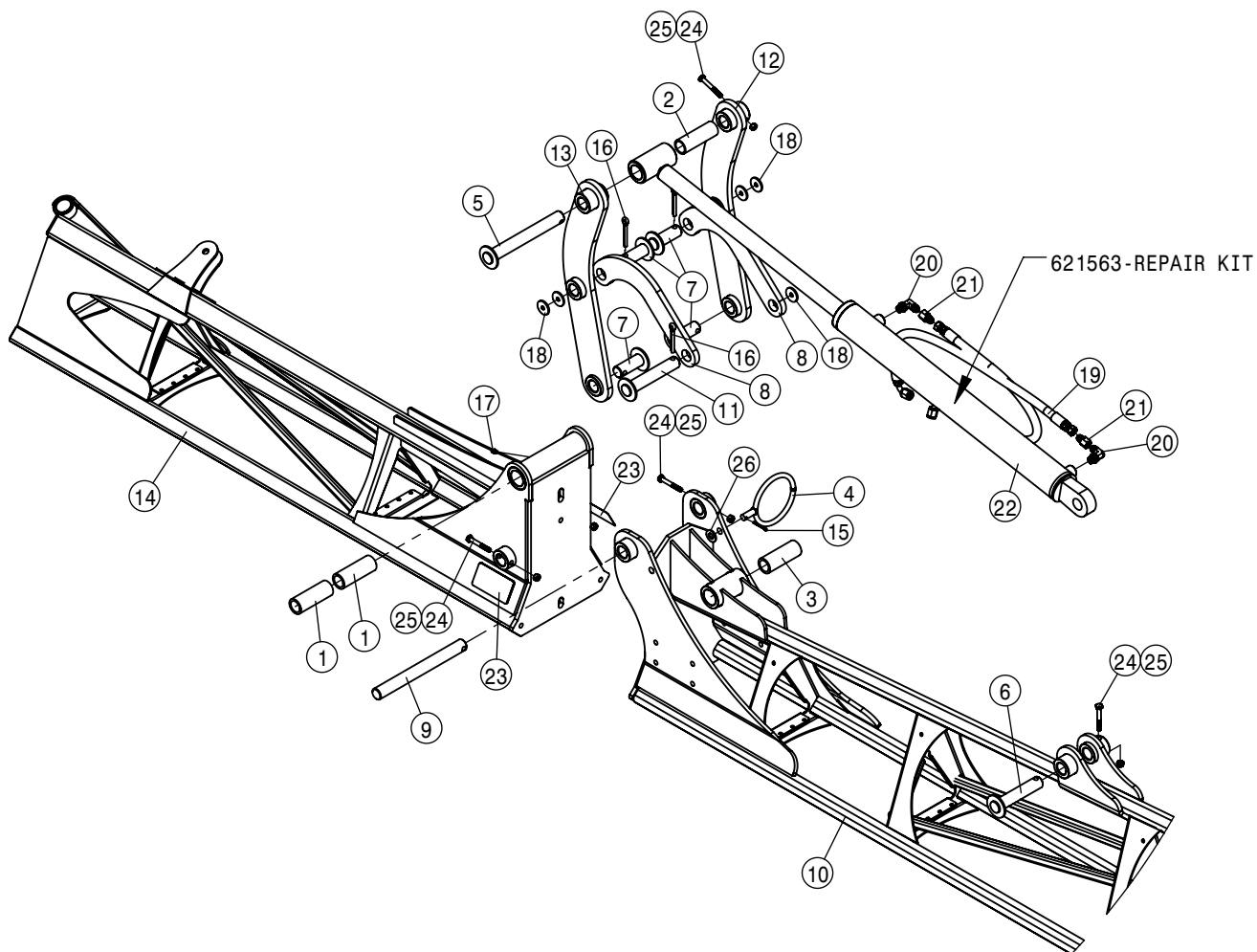
BOOM ASSEMBLY 90/100			
DET	QTY	P/N	DESCRIPTION
1	2	164880	INNER BOOM WLD, SECT-1 STS 05
2	1	164970	RH 90' BOOM TIP WLD, SECT-4
3	1	164971	RH BREAKAWAY BOOM WLD, SECT-3
4	1	164973	LH BREAKAWAY BOOM WLD, SECT-3
5	1	164975	LH 90' BOOM TIP WLD, SECT-4
6	1	165815	RH BRKWAY BM WLD,100'SECT-3'10
7	1	165816	LH BRKWAY BM WLD,100'SECT-3'10
8	1	165999	RH FLDOVR BM, SECT-2 W/DECAL
9	1	166000	LH FLDOVR BM, SECT-2 W/DECAL



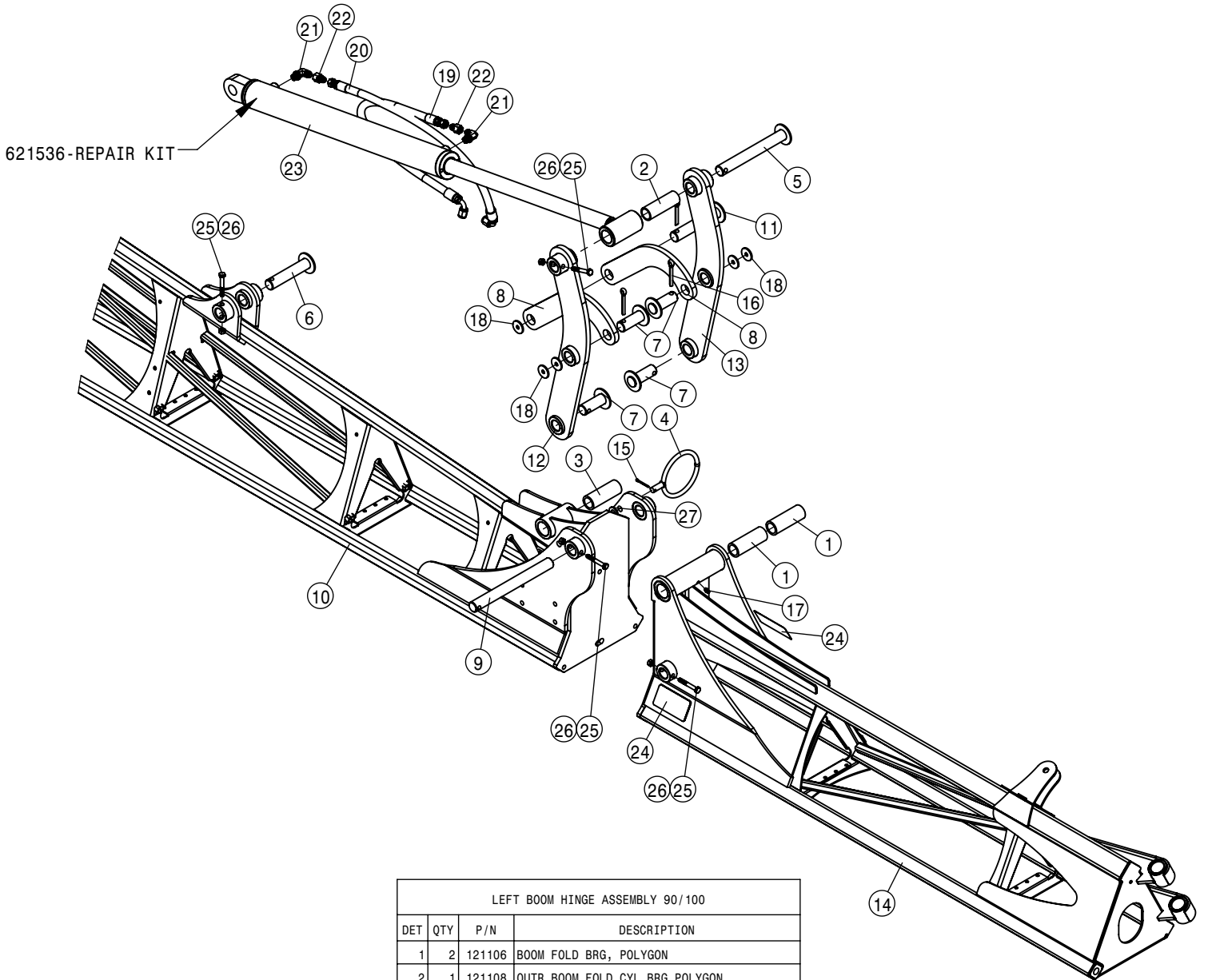
RIGHT INNER BOOM ASSEMBLY 90/100			
DET	QTY	P/N	DESCRIPTION
1	1	164500	LEVEL CYL PIN WLD, SHAFT END
2	1	164515	BOOM HINGE PIN WLD
3	1	164880	INNER BOOM WLD, SECT-1 STS 05
4	1	169303	CRADLE RAIL WLD, 90-100 BM
5	1	169305	BUMPER, CRADLE RAIL WLD
6	1	470000	.50 X 28" CABLE TIE - UV BLACK NYLON
7	1	470012	5/16 X 2 COTTER PIN
8	2	470113	5/16-18UNC HEX FLG NUT SER MC GR5
9	16	470473	TUBE CLAMP, HVY DTY .375-.375
10	8	470474	COVER PLATE FOR 470473 CLAMP
11	3	473986	5/16UNC-1 9/16ID-2 3/8 U-BOLT SS
12	4	615851	HYD TUBE, MAIN BOOM, STS LS
13	1	618618	9/16MJIC-90-9/16FJIC SWIV LBO
14	1	629770	CAPPLUGS CAP, .234 X .500 VINYL
15	7	900010	1/4UNC X 3" HEX BOLT
16	1	900032	1/4UNC X 6 1/2" HEX BOLT
17	2	900065	5/16UNC X 1 HHCS GR5 MC
18	1	900073	5/16UNC X 3 1/4 HEX BOLT
19	8	914000	1/4UNC HEX STOVER NUT
20	7	914002	5/16UNC HEX STOVER NUT
21	1	920008	SAE FLAT WASHER 1 MC



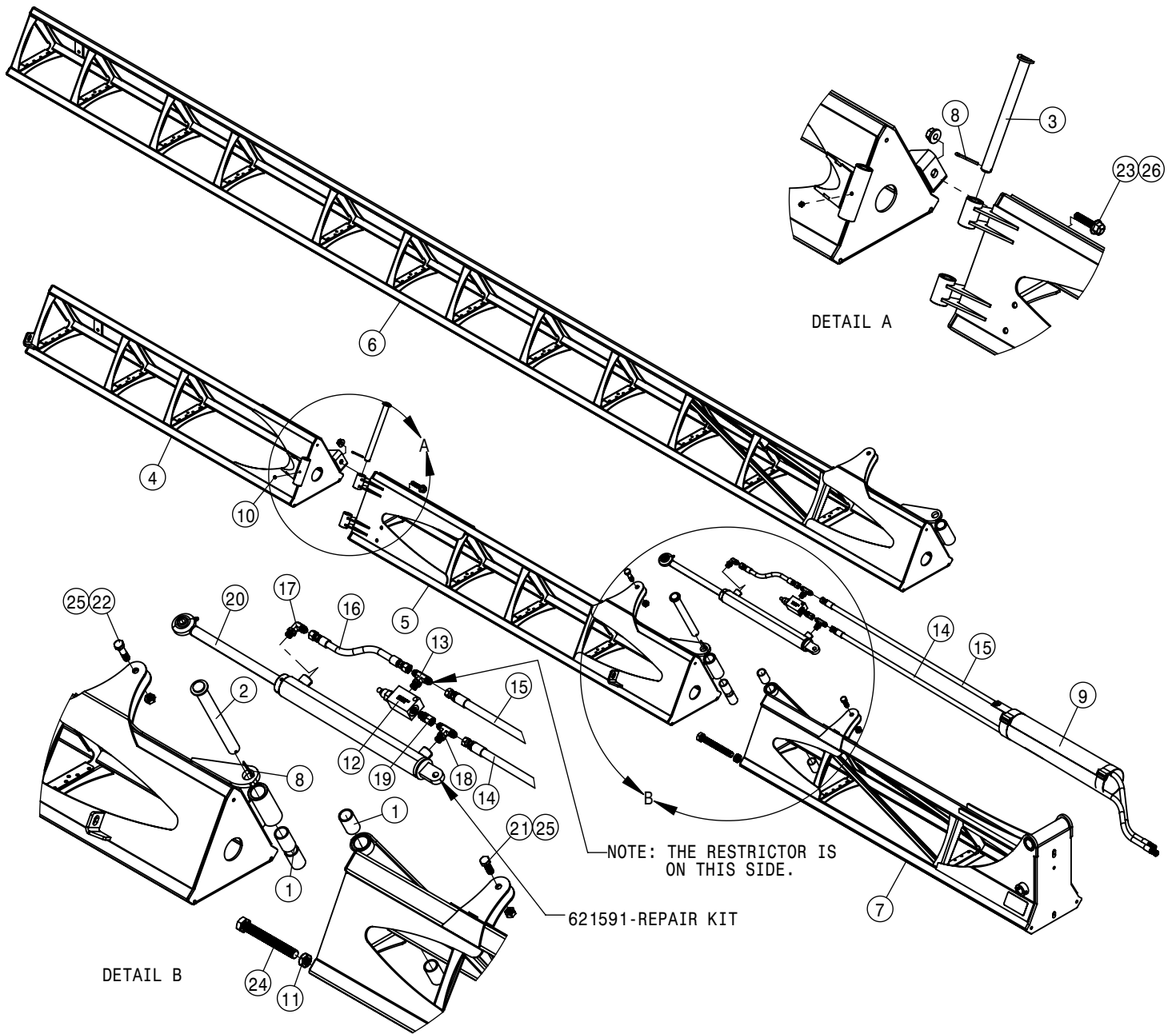
LEFT INNER BOOM ASSEMBLY 90/100			
DET	QTY	P/N	DESCRIPTION
1	1	164500	LEVEL CYL PIN WLD, SHAFT END
2	1	164515	BOOM HINGE PIN WLD
3	1	164880	INNER BOOM WLD, SECT-1 STS 05
4	1	169303	CRADLE RAIL WLD, 90-100 BM
5	1	169305	BUMPER, CRADLE RAIL WLD
6	1	470000	.50 X 28" CABLE TIE - UV BLACK NYLON
7	1	470012	5/16 X 2 COTTER PIN
8	2	470113	5/16-18UNC HEX FLG NUT SER MC GR5
9	16	470473	TUBE CLAMP, HVY DTY .375-.375
10	8	470474	COVER PLATE FOR 470473 CLAMP
11	3	473986	5/16UNC-1 9/16ID-2 3/8 U-BOLT SS
12	4	615851	HYD TUBE, MAIN BOOM, STS LS
13	1	618618	9/16MJIC-90-9/16FJIC SWIV LBO
14	1	629770	CAPPLUGS CAP, .234 X .500 VINYL
15	7	900010	1/4UNC X 3" HEX BOLT
16	1	900032	1/4UNC X 6 1/2" HEX BOLT
17	2	900065	5/16UNC X 1 HHCS GR5 MC
18	1	900073	5/16UNC X 3 1/4 HEX BOLT
19	8	914000	1/4UNC HEX STOVER NUT
20	7	914002	5/16UNC HEX STOVER NUT
21	1	920008	SAE FLAT WASHER 1 MC



RIGHT BOOM HINGE ASSEMBLY 90/100			
DET	QTY	P/N	DESCRIPTION
1	2	121106	BOOM FOLD BRG, POLYGON
2	1	121108	OUTR BOOM FOLD CYL BRG,POLYGON
3	1	121121	BEARING, 1.006-1.368-3.6POLYGON
4	1	164517	HOSE SUPPORT RING WLD
5	1	164520	BOOM CYL PIVOT PIN WLD
6	1	164522	BOOM FOLD CYL PIN WLD
7	4	164524	BOOMERANG CNTR PIVOT PIN WLD
8	2	164643	XK402 TOP ARM(LEFT) 10.35 CNTR
9	1	164678	BOOM FOLD PIVOT PIN, STS 05
10	1	164880	INNER BOOM WLD, SECT-1 STS 05
11	1	165834	BOOM FOLD CYL PIN WLD
12	1	165836	RH FOLD-OVER BOOMERANG WLD
13	1	165837	LH FOLD-OVER BOOMERANG WLD
14	1	165999	RH FLDOVR BM, SECT-2 W/DECAL
15	1	390984	1/8 X 1 1/4 COTTER PIN
16	3	470012	5/16 X 2 COTTER PIN
17	1	471005	GREASE ZERK, 1/4-28 X 1/2
18	5	483024	FENDER WASHER 5/16 MC
19	2	616356	06-451TC-06FJX-06FJX90-27 H/A
20	2	618119	9/16MJIC-90-9/16MOR LBO
21	2	618733	9/16JIC .042 ORIFICE ADPTR
22	1	621562	OUTR FOLD CYL,2.25 X 21.00 STS
23	2	650204	DECAL, WARNING, CRUSH HAZARD FP
24	5	900086	5/16UNC X 2 1/4 HEX BOLT
25	5	914002	5/16UNC HEX STOVER NUT
26	1	920004	1/2 SAE FLAT WASHER

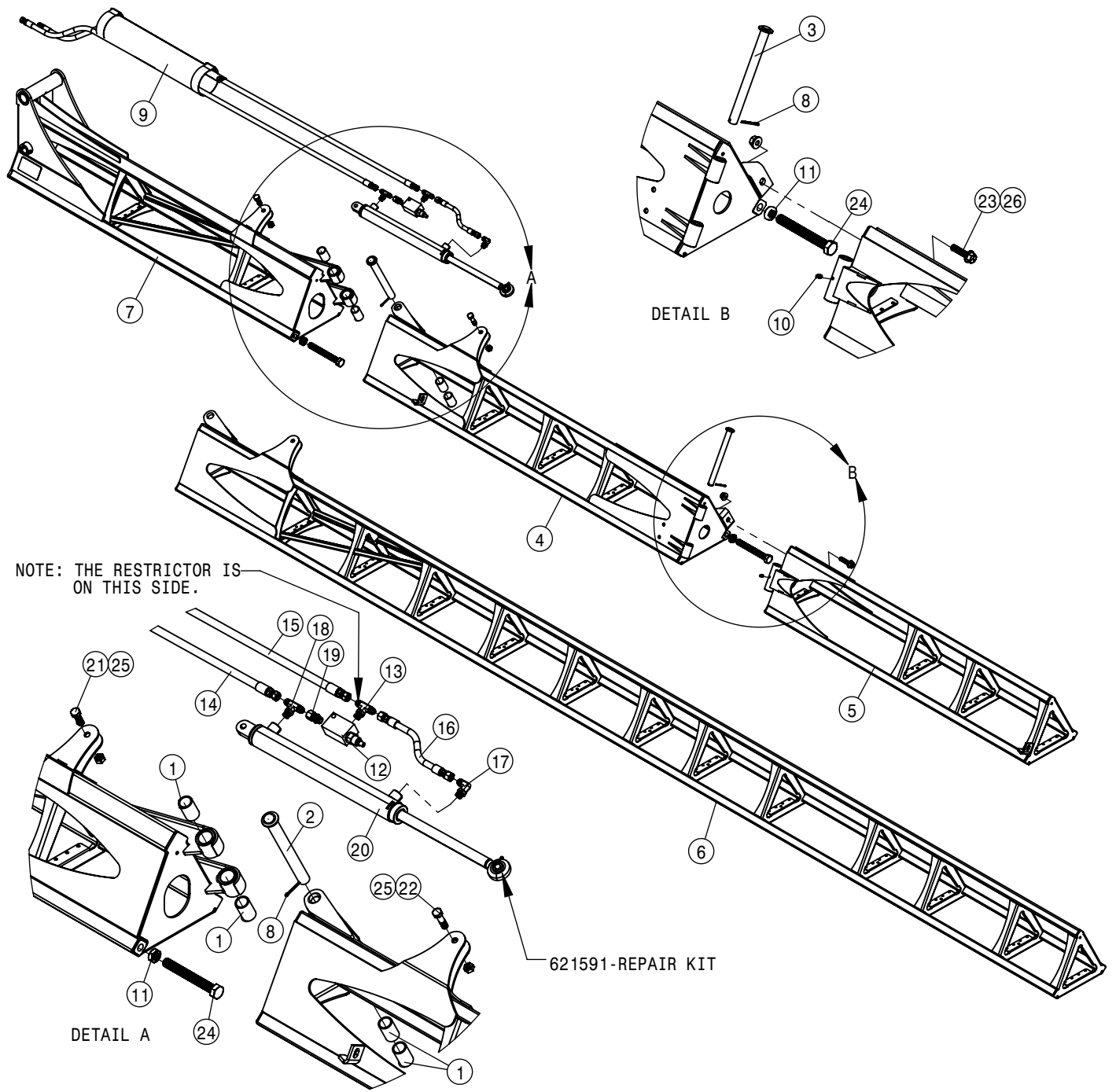


LEFT BOOM HINGE ASSEMBLY 90/100			
DET	QTY	P/N	DESCRIPTION
1	2	121106	BOOM FOLD BRG, POLYGON
2	1	121108	OUTR BOOM FOLD CYL BRG,POLYGON
3	1	121121	BEARING, 1.006-1.368-3.6PLYGON
4	1	164517	HOSE SUPPORT RING WLD
5	1	164520	BOOM CYL PIVOT PIN WLD
6	1	164522	BOOM FOLD CYL PIN WLD
7	4	164524	BOOMERANG CNTR PIVOT PIN WLD
8	2	164643	XK402 TOP ARM(LEFT) 10.35 CNTR
9	1	164678	BOOM FOLD PIVOT PIN, STS 05
10	1	164880	INNER BOOM WLD, SECT-1 STS 05
11	1	165834	BOOM FOLD CYL PIN WLD
12	1	165836	RH FOLD-OVER BOOMERANG WLD
13	1	165837	LH FOLD-OVER BOOMERANG WLD
14	1	166000	LH FLDOVR BM, SECT-2 W/DECAL
15	1	390984	1/8 X 1 1/4 COTTER PIN
16	3	470012	5/16 X 2 COTTER PIN
17	1	471005	GREASE ZERK, 1/4-28 X 1/2
18	5	483024	FENDER WASHER 5/16 MC
19	1	616356	06-451TC-06FJX-06FJX90-27 H/A
20	1	616356	06-451TC-06FJX-06FJX90-27 H/A
21	2	618119	9/16MJIC-90-9/16MOR LBO
22	2	618733	9/16JIC .042 ORIFICE ADPTR
23	1	621562	OUTR FOLD CYL,2.25 X 21.00 STS
24	2	650204	DECAL, WARNING, CRUSH HAZARD FP
25	5	900086	5/16UNC X 2 1/4 HEX BOLT
26	5	914002	5/16UNC HEX STOVER NUT
27	1	920004	1/2 SAE FLAT WASHER



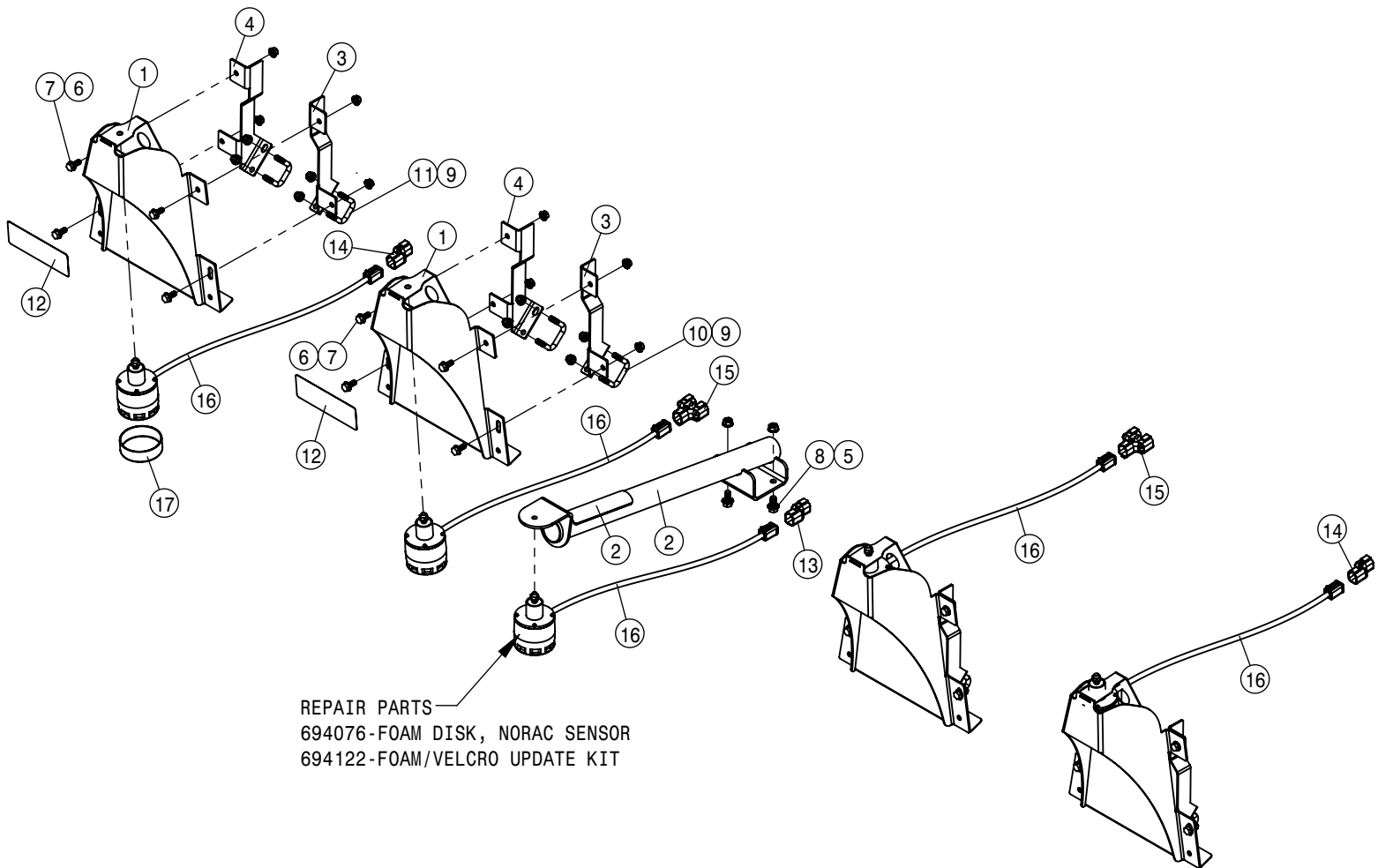
RIGHT BOOM BREAKAWAY 90/100			
DET	QTY	P/N	DESCRIPTION
1	4	121110	BOOM FOLD BRG, POLYGON
2	1	164526	BOOM BREAKAWAY PIVOT PIN WLD
3	1	164637	BOOM TIP SECTION PIN WLD
4	1	164970	RH 90' BOOM TIP WLD, SECT-4
5	1	164971	RH BREAKAWAY BOOM WLD, SECT-3
6	1	165815	RH BRKWAY BM WLD, 100' SECT-3' 10
7	1	165999	RH FLDVR BM, SECT-2 W/DECAL
8	2	470011	COTTER PIN 5/32 X 1 1/2
9	1	470378	SIDEWINDER SLEEVE, 14.06 X 21"
10	1	471005	GREASE ZERK, 1/4-28 X 1/2
11	2	472334	3/4UNC HEX JAM NUT
12	1	607540	KICK DOWN RELIEF VALVE, 800 PSI
13	1	614752	RESTRICTOR BR TEE ASSY, .042DIA

RIGHT BOOM BREAKAWAY 90/100			
DET	QTY	P/N	DESCRIPTION
14	1	616360	06-451TC-06FJX-06FJX-84 H/A
15	1	616361	06-451TC-06FJX-06FJX-86 H/A
16	1	617054	04-451TC-06FJX-06FJX-11
17	1	618119	9/16MJIC-90-9/16MOR LBO
18	1	618629	9/16MOR BRANCH TEE-9/16MJIC
19	1	618668	9/16FJIC SWIV-9/16MOR ADPTR
20	1	621590	120' TIP FOLD CYL, STS 120' BM 08
21	1	900265	1/2UNC X 1 1/2 HEX BOLT
22	1	900267	1/2UNC X 2" HEX BOLT
23	1	900519	1/2UNC X 2 HHSFB GR5 MC FT
24	2	906350	3/4UNC X 6" HEX BOLT FULL
25	2	914008	1/2 UNC HEX STOVER NUT
26	1	914015	1/2-13UNC CTRLK FLG NUT MC GR5

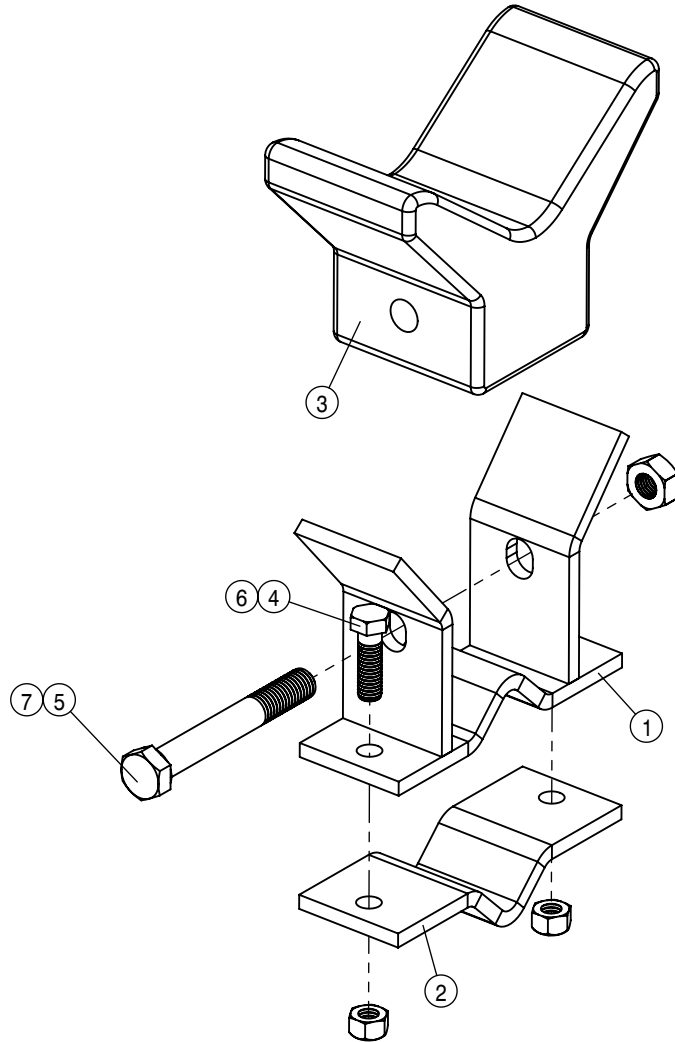


LEFT BOOM BREAKAWAY 90/100			
DET	QTY	P/N	DESCRIPTION
1	4	121110	BOOM FOLD BRG, POLYGON
2	1	164526	BOOM BREAKAWAY PIVOT PIN WLD
3	1	164637	BOOM TIP SECTION PIN WLD
4	1	164973	LH BREAKAWAY BOOM WLD, SECT-3
5	1	164975	LH 90' BOOM TIP WLD, SECT-4
6	1	165816	LH BRKWAY BM WLD,100'SECT-3' 10
7	1	166000	LH FLDOVR BM, SECT-2 W/DECAL
8	2	470011	COTTER PIN 5/32 X 1 1/2
9	1	470378	SIDEWINDER SLEEVE,14.06 X 21"
10	1	471005	GREASE ZERK, 1/4-28 X 1/2
11	2	472334	3/4UNC HEX JAM NUT
12	1	607540	KICK DOWN RELIEF VALVE, 800 PSI
13	1	614752	RESTRICTOR BR TEE ASSY, .042DIA

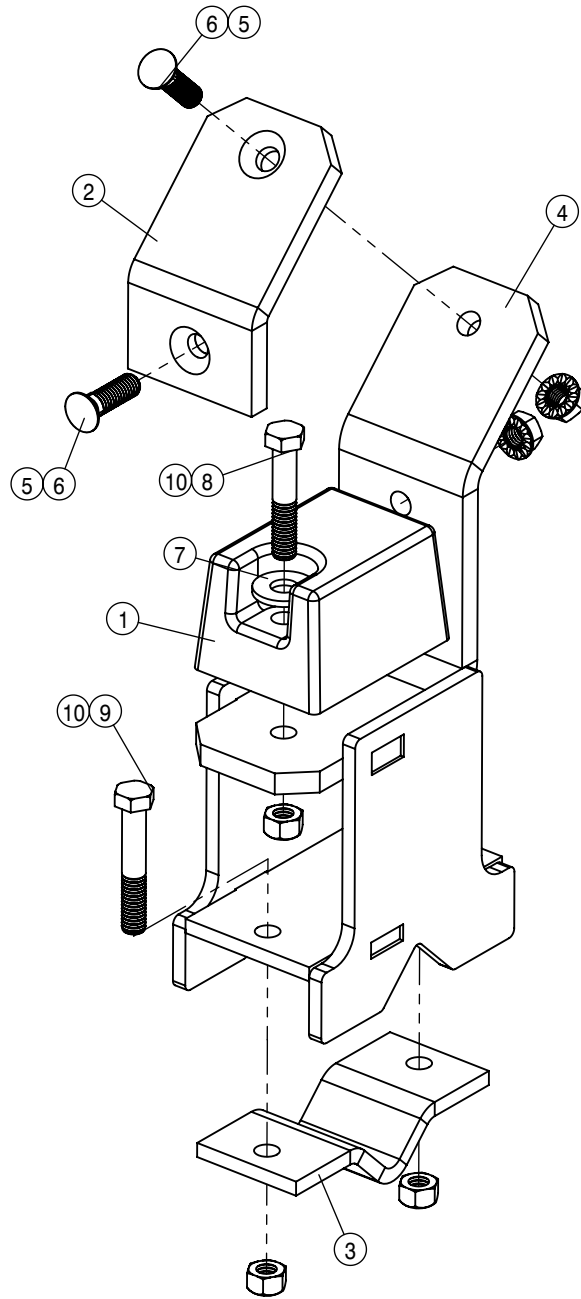
LEFT BOOM BREAKAWAY 90/100			
DET	QTY	P/N	DESCRIPTION
14	1	616360	06-451TC-06FJX-06FJX-84 H/A
15	1	616361	06-451TC-06FJX-06FJX-86 H/A
16	1	617054	04-451TC-06FJX-06FJX-11
17	1	618119	9/16MJIC-90-9/16MOR LBO
18	1	618629	9/16MOR BRANCH TEE-9/16MJIC
19	1	618668	9/16FJIC SWIV-9/16MOR ADPTR
20	1	621590	120' TIP FOLD CYL,STS 120'BM 08
21	1	900265	1/2UNC X 1 1/2 HEX BOLT
22	1	900267	1/2UNC X 2" HEX BOLT
23	1	900519	1/2UNC X 2 HHSFB GR5 MC FT
24	2	906350	3/4UNC X 6" HEX BOLT FULL
25	2	914008	1/2 UNC HEX STOVER NUT
26	1	914015	1/2-13UNC CTRLK FLG NUT MC GR5



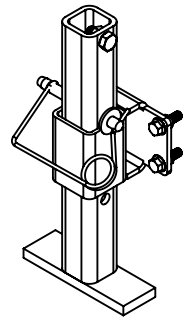
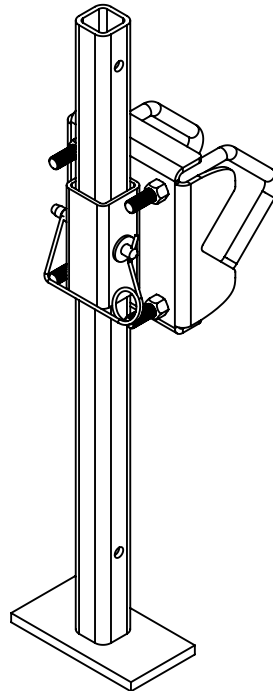
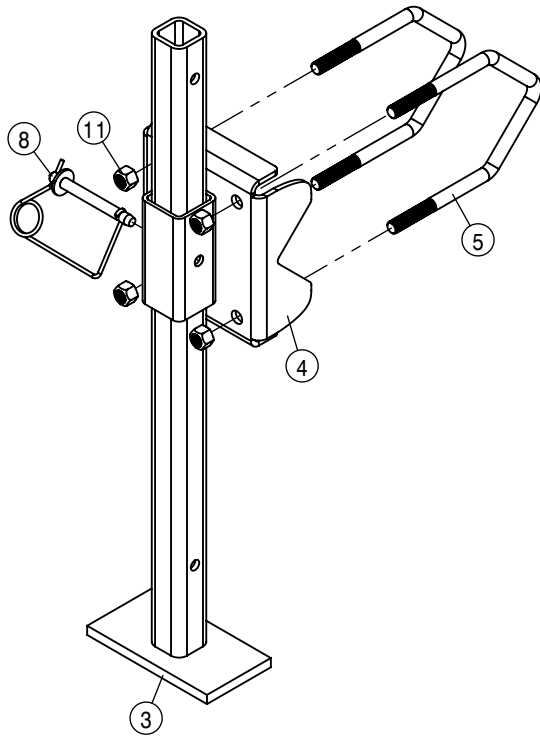
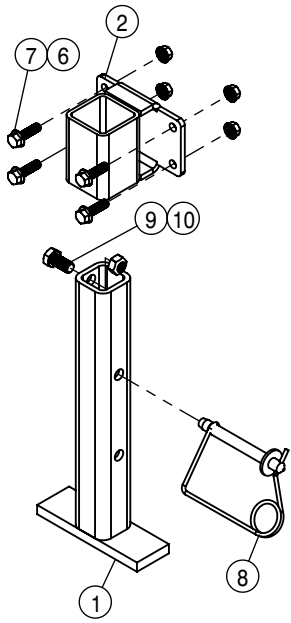
NORAC SENSOR MOUNTS 90/100			
DET	QTY	P/N	DESCRIPTION
1	4	167783	NORAC SENSOR MT W/DECAL
2	1	167785	NORAC MT WLD CTR,120 W/DECAL
3	4	169576	NORAC ADPTR BRKT, LEFT
4	4	169577	NORAC ADPTR BRKT, RIGHT
5	2	470087	3/8UNC HEX SERR FLANGE NUT
6	16	470113	5/16UNC SERR FLG LOCK NUT
7	16	470233	5/16UNC X 3/4 SERR FLG HEX BOLT
8	2	470409	3/8UNC X 3/4" SERR FLG BOLT
9	16	470570	5/16-18UNC CTRLK FLG NUT MC GR5
10	4	473949	5/16UNC-1 9/16ID-1 15/16 U-BOLT SQ
11	4	473973	5/16UNC-1 5/16ID-2"SQ U-BOLT
12	5	650210	DECAL, WARNING, UNEXPECTED MOVE
13	1	693128	NORAC UC5 NETWORK 2-WAY CPLR
14	2	693146	NORAC UC5 2-WAY CPLR W/TRMNTOR
15	2	693147	NORAC UC5 NETWORK CPLR, 3-WAY
16	5	693396	ULTRASONIC MAX SENSOR V2
17	2	694044	CAPPLUGS CAP,2.875ID X 1.0 RED



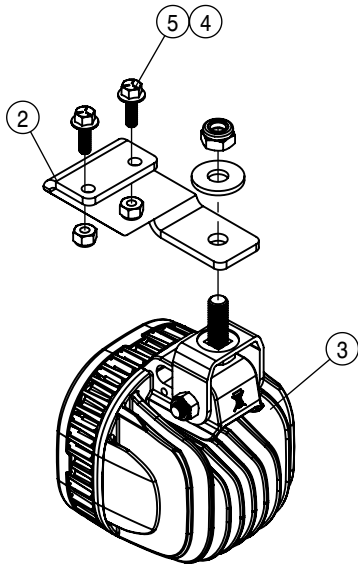
BOOM SUPPORT ASSEMBLY 90/100			
DET	QTY	P/N	DESCRIPTION
1	1	164544	FRT BOOM SUPPORT WLD, 90' BOOM
2	1	164545	FRT BOOM SUPPORT MT
3	1	470324	3" RUBBER BOW GUARD
4	2	900130	3/8UNC X 1 1/4 HEX BOLT
5	1	900273	1/2UNC X 3 3/4 HEX BOLT
6	2	914004	3/8UNC HEX STOVER NUT
7	1	914008	1/2 UNC HEX STOVER NUT



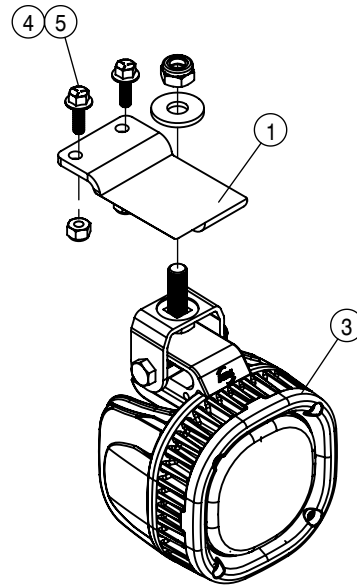
BOOM SUPPORT CRADLE ASSEMBLY 90/100			
DET	QTY	P/N	DESCRIPTION
1	1	164541	BOOM SUPPORT PAD
2	1	164542	BOOM SUPPORT CRADLE PAD
3	1	164543	BOOM SUPPORT KEEPER
4	1	164811	BOOM SUPP CRADLE WLD,80/90' 04
5	2	470087	3/8UNC HEX SERR FLANGE NUT
6	4	470328	3/8UNC X 1 1/4 #3HD PLOW BOLT
7	1	483043	3/8 REGULAR FLAT WASHER
8	1	900133	3/8UNC X 2" HEX BOLT
9	2	900170	3/8UNC X 2 1/4 HEX BOLT
10	3	914004	3/8UNC HEX STOVER NUT



BOOM STAND OPTION 90/100			
DET	QTY	P/N	DESCRIPTION
1	2	164794	BOOM STAND POST WLD, STS 04
2	2	164857	MAIN BOOM JACKSTAND WLD, STS 05
3	2	169584	BM STAND POST WLD '19
4	2	169586	TRANSOM STAND MT WLD '19
5	4	438293	5/8UNC X 6 1/4 CTR U-BOLT TRI
6	8	470087	3/8UNC HEX SERR FLANGE NUT
7	8	470329	3/8UNC X 1 1/4 SERR FLG HEX BOLT
8	4	470361	SNAP LOCK PIN, 1/2 X 3 1/2
9	2	900263	1/2UNC X 1" HEX BOLT
10	2	914008	1/2 UNC HEX STOVER NUT
11	8	914010	5/8UNC HEX STOVER NUT

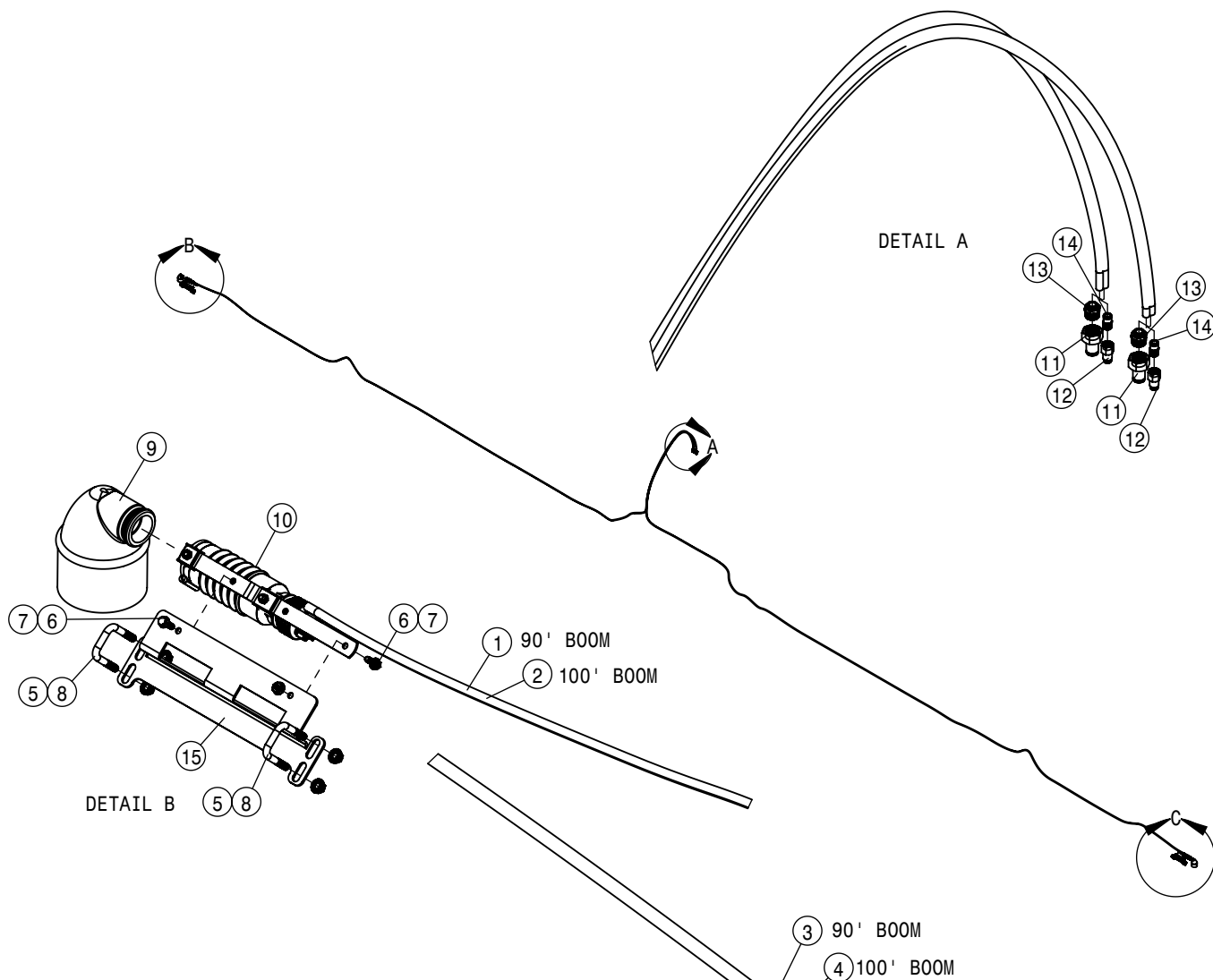


RIGHT SIDE



LEFT SIDE

NIGHT SPRAY ASSEMBLY 90/100				
DET	QTY	P/N	DESCRIPTION	
1	1	167822	LH NIGHT SPRAY 90' / 100' BRKT	
2	1	167823	RH NIGHT SPRAY 90' / 100' BRKT	
3	2	290014	LIGHT, 1010L4-BLUE POINT	
4	4	470089	1/4-20UNC NYLOCK NUT MC GR5	
5	4	470118	1/4UNC X 3/4 HHSFB GR5 MC	

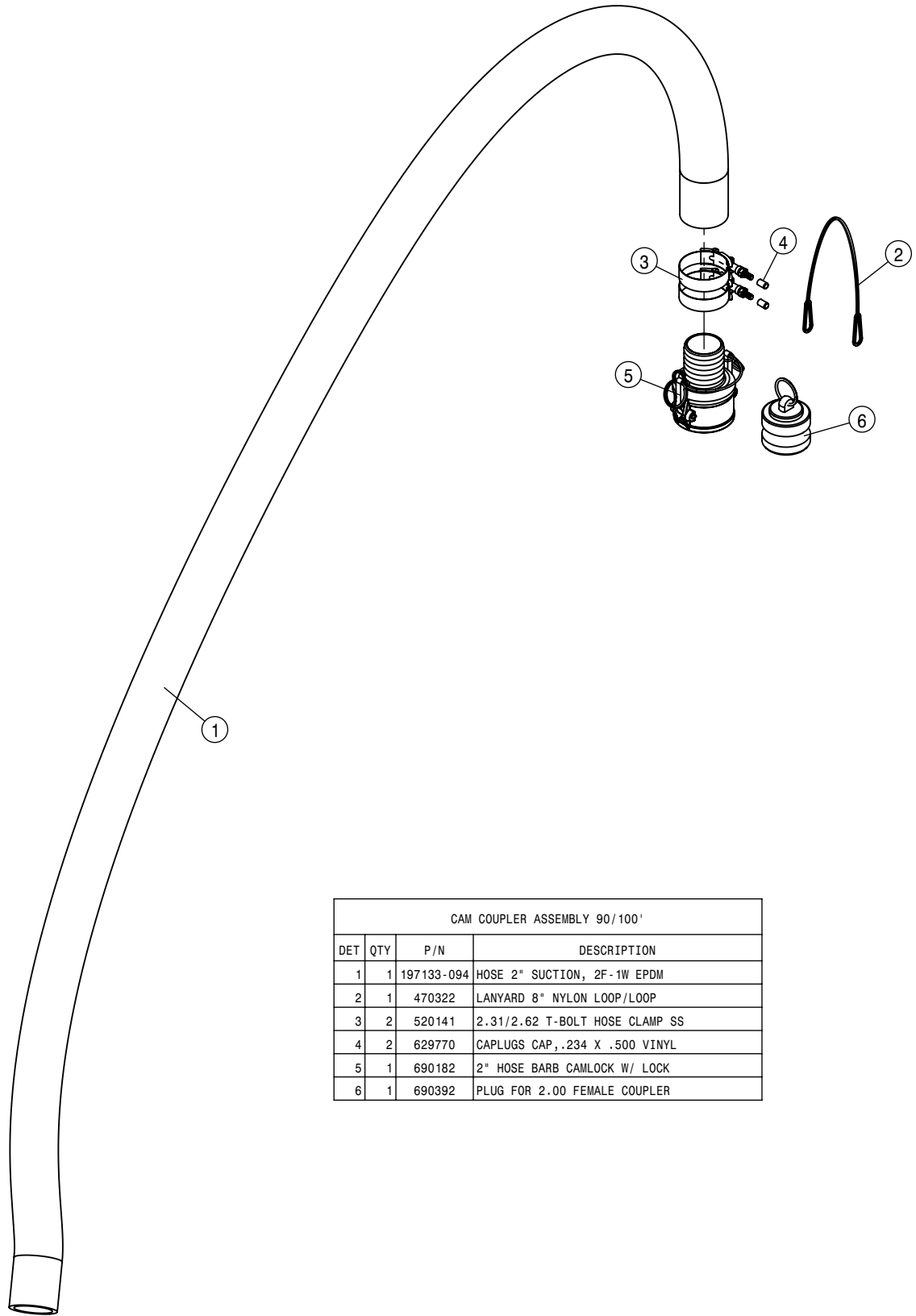


DETAIL B

DETAIL A

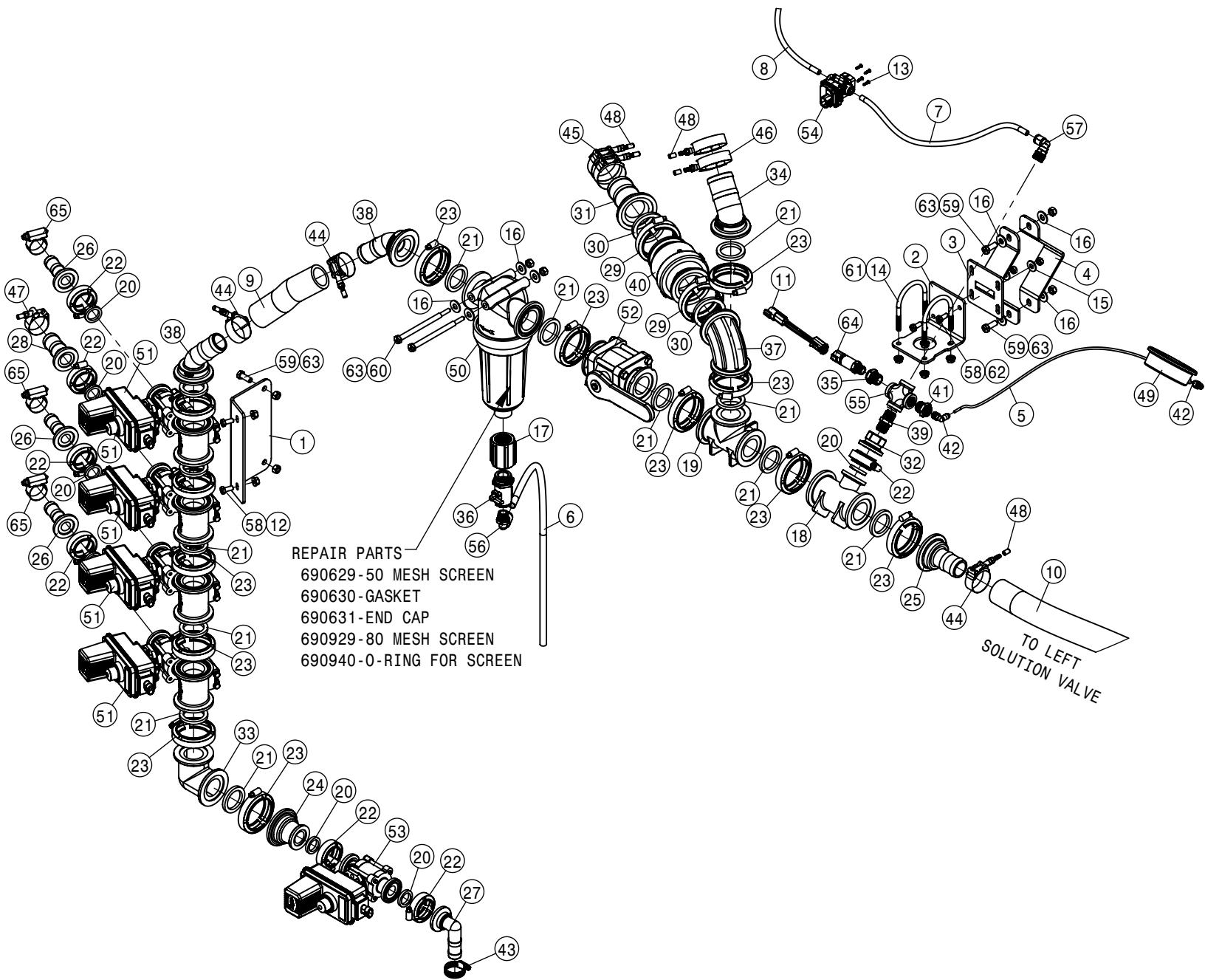
DETAIL C

BOOM FOAMER OPTION 90' 100'			
DET	QTY	P/N	DESCRIPTION
1	1	195958-602	AIR LIQUID TUBING 6-8mm
2	1	195958-670	AIR LIQUID TUBING 6-8mm
3	1	195958-681	AIR LIQUID TUBING 6-8mm
4	1	195958-741	AIR LIQUID TUBING 6-8mm
5	8	470113	5/16-18UNC HEX FLG NUT SER MC GR5
6	4	470118	1/4 UNC X 3/4 SER FLG BOLT
7	4	473832	1/4UNC HEX FLANGE LOCK NUT SS
8	4	473973	5/16UNC-1 5/16ID-2"SQ U-BOLT
9	2	701317	FOAM NOZZLE BELL
10	2	701327	FOAM NOZZLE SUB ASSY
11	2	711112	3/8OD X 3/8NPT FEM CONNECT BRS
12	2	711113	1/4OD X 1/8NPT FEM CONNECT BRS
13	2	711114	8MM OD X 3/8 NPT MALE CONNECTOR, BRS
14	2	711115	6MM OD X 1/8NPT MALE CONNECTOR, BRS
15	2	711129	FOAMER BRKT



TO SOLUTION VALVES

CAM COUPLER ASSEMBLY 90/100'			
DET	QTY	P/N	DESCRIPTION
1	1	197133-094	HOSE 2" SUCTION, 2F-1W EPDM
2	1	470322	LANYARD 8" NYLON LOOP/LOOP
3	2	520141	2.31/2.62 T-BOLT HOSE CLAMP SS
4	2	629770	CAPPLUGS CAP, .234 X .500 VINYL
5	1	690182	2" HOSE BARB CAMLOCK W/ LOCK
6	1	690392	PLUG FOR 2.00 FEMALE COUPLER

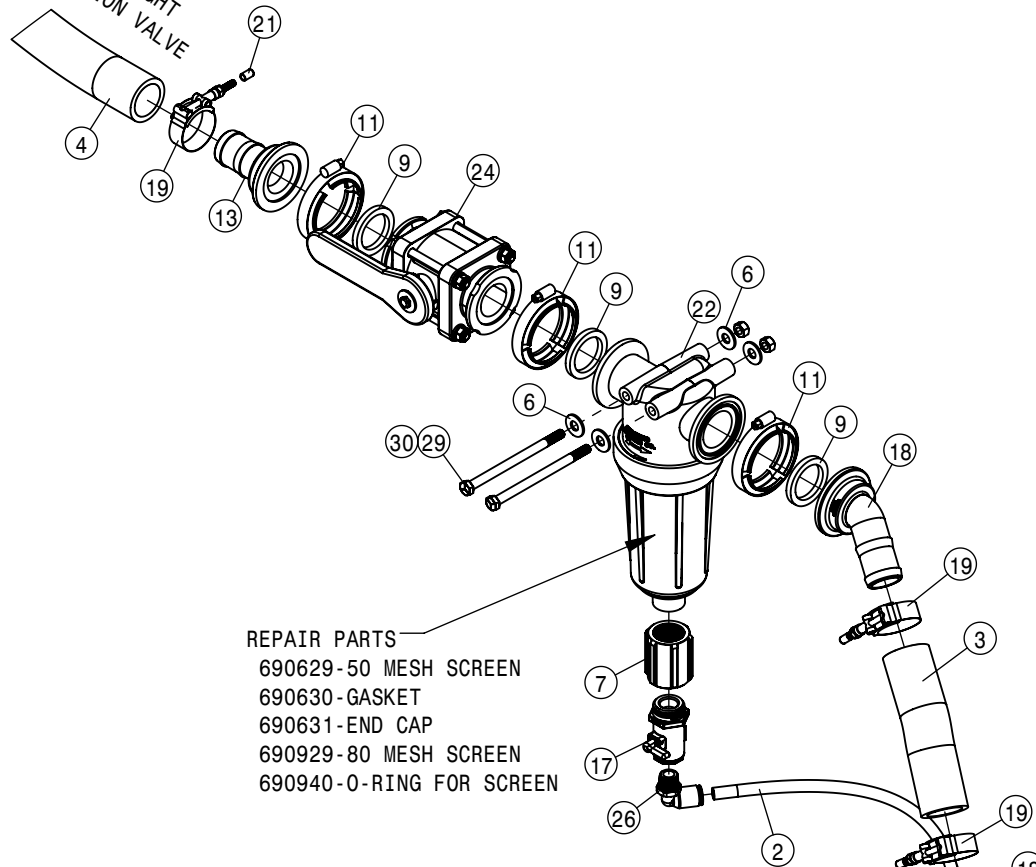


RIGHT SOLUTION VALVE ASSEMBLY 90/100'			
DET	QTY	P/N	DESCRIPTION
1	1	169551	MT SOL VALVE BANK 90/100
2	1	169552	MT SOL TEE 90/100
3	1	169557	WLD SOL TEE MT
4	1	169558	CLAMP BAND 4X4 TUBE PAINTED
5	1	195001-025	HOSE .096 X .156 POLY
6	1	195914-028	1/20D AIR BRAKE TUBING J844-B
7	1	195915-017	3/80D AIR BRAKE TUBING J844-B
8	1	195915-099	3/80D AIR BRAKE TUBING J844-B
9	1	197124-007	HOSE 1 1/2 2-FBR BR BLK EPDM
10	1	197127-064	HOSE 1 1/2" SUCTION, 2F-1W EPDM
11	1	292739	HARNESS, PRESSURE SENSOR '18
12	2	470570	5/16-18UNC CTRLK FLG NUT MC GR5
13	4	473702	18-8 SS #6 X .5 SCREW
14	2	473974	5/16UNC-2 9/16-3 1/2 U-BOLT SS
15	2	483040	USS FLAT WASHER 5/16 MC
16	8	483043	USS FLAT WASHER 3/8 MC
17	1	500147	1" NPT PIPE COUPLING, POLY
18	1	500150	2" FLANGE-1" BRANCH TEE POLY
19	1	500151	2" FLANGE TEE, POLY
20	7	500157	1" FLANGE GASKET EPDM
21	13	500158	1 1/2" GASKET FOR 2" FLANGE
22	7	500159	1" FLANGE CLAMP S.S.

RIGHT SOLUTION VALVE ASSEMBLY 90/100'			
DET	QTY	P/N	DESCRIPTION
23	13	500160	2" FLANGE CLAMP S.S.
24	1	500161	2" FLANGE-1" FLANGE ADPTR POLY
25	1	500162	2" FLANGE-1 1/2 HOSE BARB POLY
26	3	500171	1" FLANGE-1" HOSE BARB POLY
27	1	500173	1" FLANGE-90-1" HOSE BARB POLY
28	1	500184	1" FLANGE-1 1/4" HOSE BARB POLY
29	2	500194	2" FP FLANGE CLAMP S.S.
30	2	500195	2" FP FLANGE GASKET EPDM
31	1	500196	2" FP FLANGE-2" HOSE BARB POLY
32	1	500238	1" FLANGE PLUG W/1/2" FNPT POLY
33	1	500248	2" FLANGE-90-2" FLANGE LBO SHORT
34	1	500257	2" STANDARD PORT HOSE BARB 45
35	1	500286	1/2"-3/8"NPT REDU BUSH, POLY
36	1	500366	1/2 FEMALE X 1 MALE NPT VALVE
37	1	500408	2" FLANGE X 2" SWEEP -90
38	2	500457	2 FLG-45-1.50 HOSE BARB POLY
39	1	503101	1/2NPT CLOSE NIPPLE, POLY
40	1	503105	2" FP CHECK VALVE, LOW RESTRICTION
41	1	520008	1/2"-1/4"NPT REDU BUSH, POLY
42	2	520021	1/4MNPT-90-5/32 NYL TUBE LBO
43	1	520090	HOSECLAMP NO 16 STAINLESS
44	3	520133	1.81/2.06 T-BOLT HOSE CLAMP SS

RIGHT SOLUTION VALVE ASSEMBLY 90/100'			
DET	QTY	P/N	DESCRIPTION
45	2	520140	2.18/2.50 T-BOLT HOSE CLAMP SS
46	2	520141	2.31/2.62 T-BOLT HOSE CLAMP SS
47	1	520176	1.50/1.75 T-BOLT HOSE CLAMP SS
48	8	629770	CAPPLUGS CAP, .234 X .500 VINYL
49	1	690832	PRESS GA GLYCERI 160 PSI
50	1	691429	2" SP TEE STRAINER 50 MESH
51	4	691433	3/4" MANF VLV SS 2" SP, 1" FLG
52	1	696142	BALL VLV, 2" FLANGE
53	1	696196	3/4" ELEC BALL VALVE SS 1" FLG
54	1	696246	3/8 PTC 1/4"ELECT BALL VLV
55	1	701422	PIPE CROSS-.50" NPT, POLY
56	1	711042	1/2MNPT-1/2 NYL TUBE LBO
57	1	711062	1/2MNPT-90-3/8 NYL 1-TUBE LBO
58	4	900064	5/16UNC X 3/4 HHCS GR5 MC
59	4	900129	3/8UNC X 1 HHCS GR5 MC
60	2	900143	3/8UNC X 5 1/2 HHCS GR5 MC
61	4	910119	5/16-18UNC HEX FLG NUT SER SS
62	2	914002	5/16-18UNC STOVER NUT MC GR5
63	6	914004	3/8-16UNC STOVER NUT MC GR5
64	1	AKK13435	PRESSURE TRANSDUCER, 0-200 PSI
65	3	AN209299	CLAMP, HIGH TORQUE

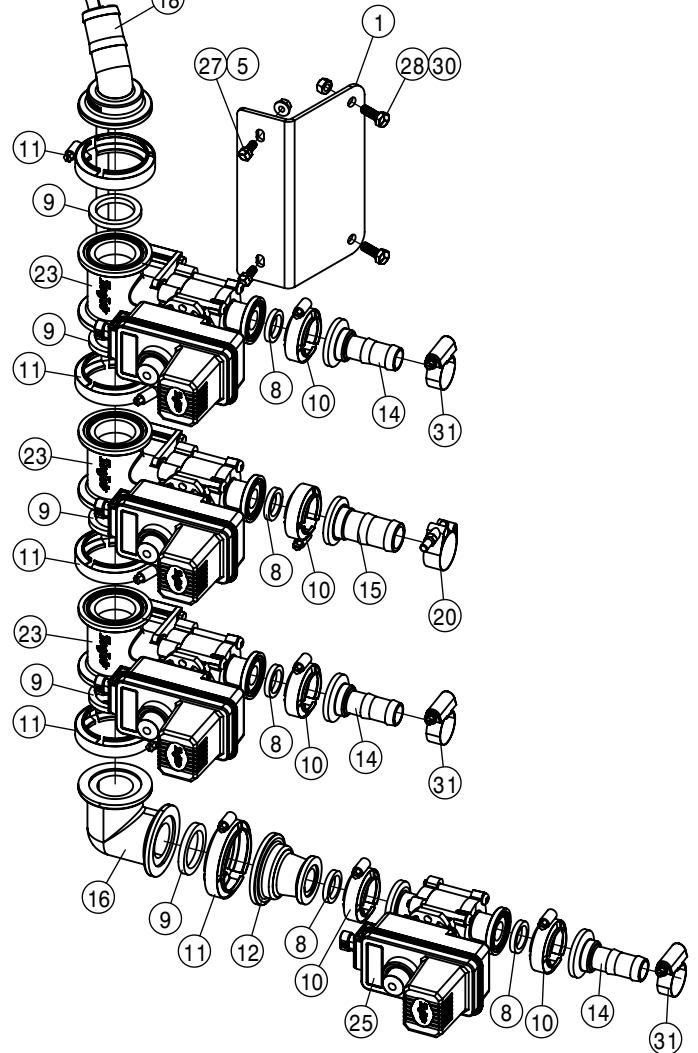
FROM RIGHT SOLUTION VALVE

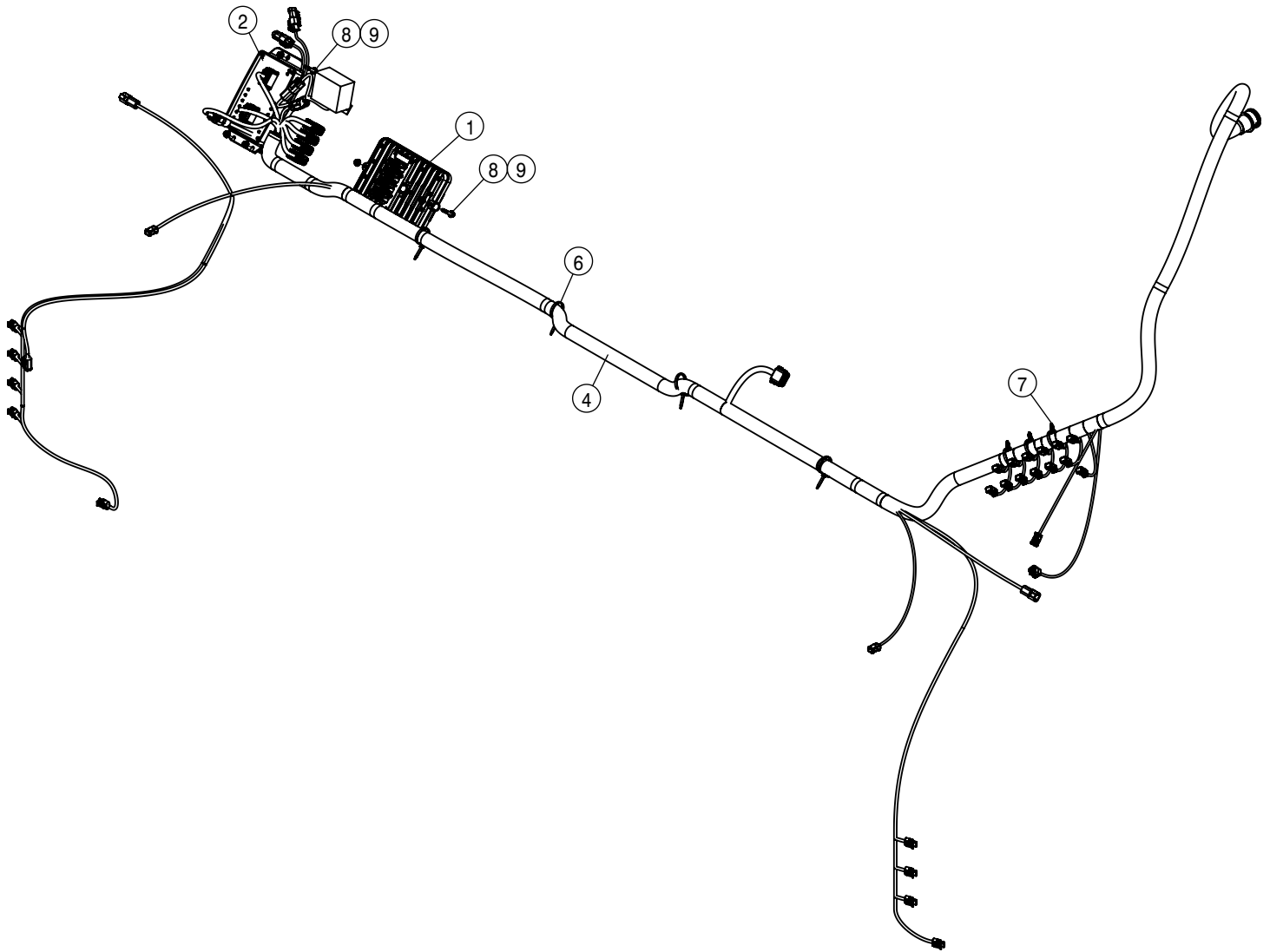


REPAIR PARTS

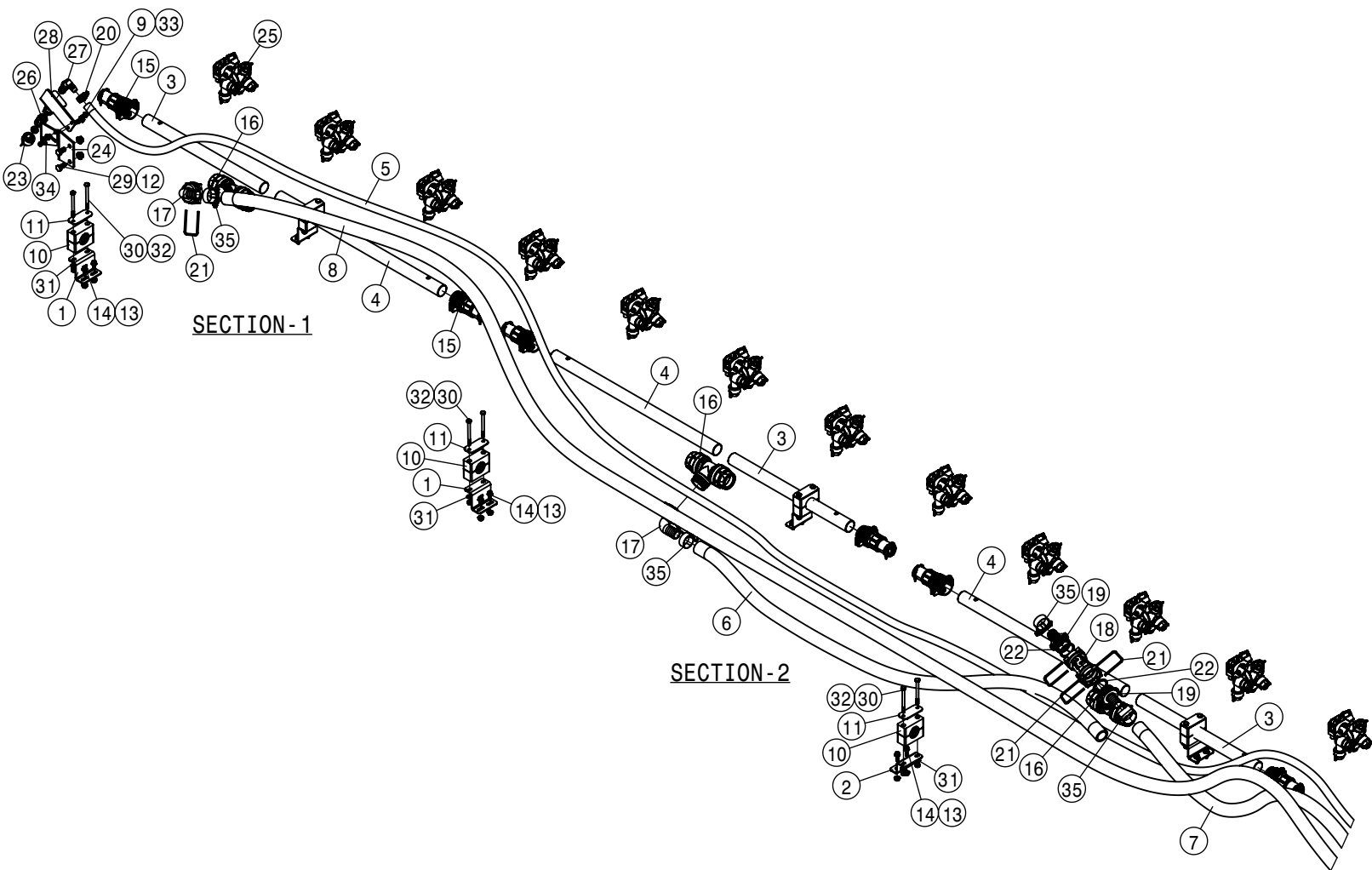
- 690629-50 MESH SCREEN
- 690630-GASKET
- 690631-END CAP
- 690929-80 MESH SCREEN
- 690940-O-RING FOR SCREEN

LEFT SOLUTION VALVE ASSEMBLY 90/100'			
DET	QTY	P/N	DESCRIPTION
1	1	169551	MT SOL VALVE BANK 90/100
2	1	195914-028	1/20D AIR BRAKE TUBING J844-B
3	1	197124-007	HOSE 1 1/2 2-FBR BR BLK EPDM
4	1	197127-064	HOSE 1 1/2" SUCTION,2F-1W EPDM
5	2	470570	5/16-18UNC CTRLK FLG NUT MC GR5
6	4	483043	USS FLAT WASHER 3/8 MC
7	1	500147	1" NPT PIPE COUPLING, POLY
8	5	500157	1" FLANGE GASKET EPDM
9	8	500158	1 1/2" GASKET FOR 2" FLANGE
10	5	500159	1" FLANGE CLAMP S.S.
11	8	500160	2' FLANGE CLAMP S.S.
12	1	500161	2" FLANGE-1"FLANGE ADPTR POLY
13	1	500162	2" FLANGE-1 1/2 HOSE BARB POLY
14	3	500171	1" FLANGE-1" HOSE BARB POLY
15	1	500184	1" FLANGE-1 1/4"HOSE BARB POLY
16	1	500248	2"FLANGE-90-2"FLANGE LBO SHORT
17	1	500366	1/2 FEMALE X 1 MALE NPT VALVE
18	2	500457	2 FLG-45-1.50 HOSE BARB POLY
19	3	520133	1.81/2.06 T-BOLT HOSE CLAMP SS
20	1	520176	1.50/1.75 T-BOLT HOSE CLAMP SS
21	4	629770	CAPPLUGS CAP, .234 X .500 VINYL
22	1	691429	2"SP TEE STRAINER 50 MESH
23	3	691433	3/4" MANF VLV SS 2"SP, 1" FLG
24	1	696142	BALL VLV, 2" FLANGE
25	1	696196	3/4" ELEC BALL VALVE SS 1" FLG
26	1	711042	1/2MNPT-1/2 NYL TUBE LBO
27	2	900064	5/16UNC X 3/4 HHCS GR5 MC
28	2	900129	3/8UNC X 1 HHCS GR5 MC
29	2	900143	3/8UNC X 5 1/2 HHCS GR5 MC
30	4	914004	3/8-16UNC STOVER NUT MC GR5
31	3	AN209299	CLAMP, HIGH TORQUE





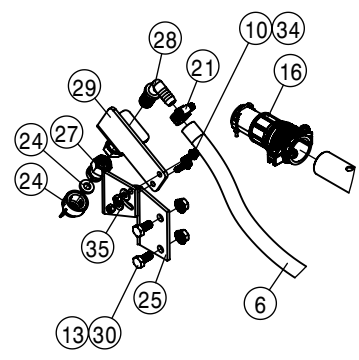
BOOM ELECTRICAL 90/100'			
DET	QTY	P/N	DESCRIPTION
1	1	292005	IQAN MC31
2	1	292030	CAN POWER OUTLET MODULE
NS	2	293860	FENCE ROW EXT HARNESS 100'STS
4	1	294381	HARNESS, 90/100 BM MAIN 19 STS
NS	2	294436	HRNS, 90/100 STS BM WING'19
6	7	470154	CABLE TIE, 11.00" BLK NYLON
7	7	470432	PUSH MT BASE FOR PLASTIC TIE
8	5	473837	1/4UNC X 1 1/2 HHSFB SS
9	5	470121	1/4-20UNC HEX FLG NUT SER MC GR5



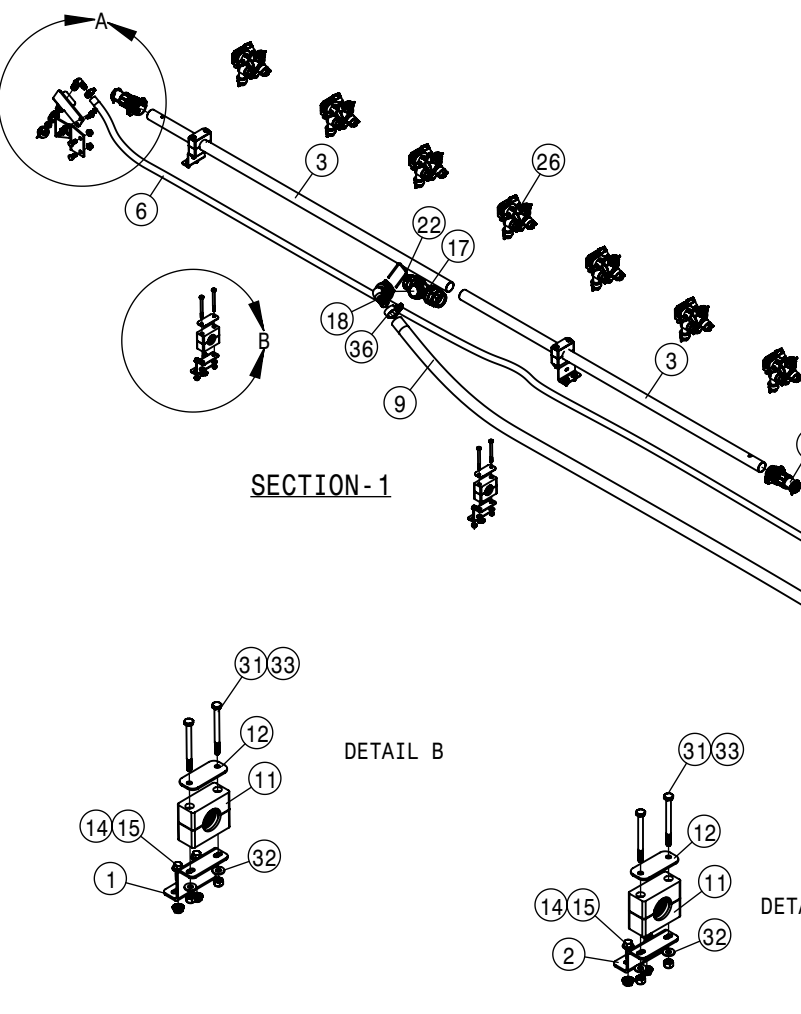
15' WET BOOM SPACING, SECTION 1-2 90' BOOM			
DET	QTY	P/N	DESCRIPTION
1	4	164716	TALL CLAMP MT BRKT, WET BOOM, STS
2	2	164859	CLAMP MT BRKT, WET BOOM, STS 04
3	3	167235	15" WET BOOM TUBE, 17.32 LG
4	3	167236	15" WET BOOM TUBE, 24.00 LG
5	1	197008-207	HOSE 1/2 1-FBR BR BLK EPDM
6	1	197125-060	HOSE 1" SUCTION, 2F-1W EPDM
7	1	197125-068	HOSE 1" SUCTION, 2F-1W EPDM
8	1	197125-197	HOSE 1" SUCTION, 2F-1W EPDM
9	2	470118	1/4 UNC X 3/4 SER FLG BOLT
10	6	470375	TUBE CLAMP BODY, 1.31 I.D. (PAIR)
11	6	470376	COVER PLATE FOR 470375
12	2	472029	3/8UNC SERR FLANGE NUT SS
13	12	473832	1/4-20UNC HEX FLG NUT SER SS
14	12	473834	1/4UNC X 3/4 HHSFB SS
15	6	500295	NOZZLE BODY END CAP
16	3	500296	EASY FIT TEE 1" PIPE
17	2	500299	T5 TO 25MM HB 90
18	1	500300	T5 FEMALE TEE

15' WET BOOM SPACING, SECTION 1-2 90' BOOM			
DET	QTY	P/N	DESCRIPTION
19	2	500301	T5 MALE TO 25MM HB
20	1	520069	HOSE CLAMP NO 6 STAINLESS
21	5	737738	FORK,D.3 DIST.42 (737731)
22	2	737763	O-RING, -221 EPDM
23	1	737822	CAP SET, YELLOW QUICK TEEJET
24	1	737908	LH FENCE ROW TIP BRKT MT
25	12	737925	QUICK TJET 5 + 1-TIP BODY 1"
26	1	737931	11/16-16F-QUICK TJET ADAPTER
27	1	737932	11/16MPS-90-1/2 HBARB NOZLBODY
28	1	737947	MTG BRKT-LH FENCE ROW NOZZLE
29	2	900128	3/8UNC X 3/4 HEX BOLT
30	12	900467	1/4UNC X 3 HHCS SS
31	12	910112	SAE FLAT WASHER 1/4 SS
32	12	910118	1/4-20UNC NYLOCK NUT SS
33	2	914000	1/4UNC HEX STOVER NUT
34	2	920000	1/4 SAE FLAT WASHER
35	4	AN209299	CLAMP, HIGH TORQUE

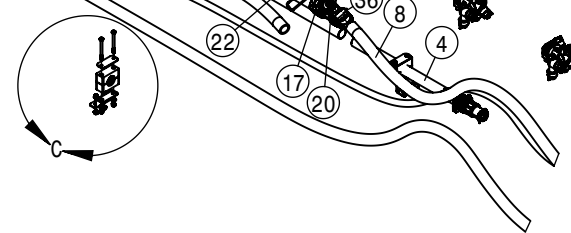
DETAIL A



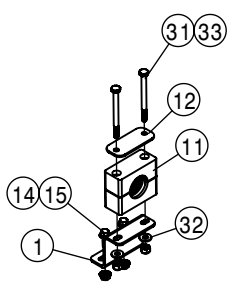
SECTION-1



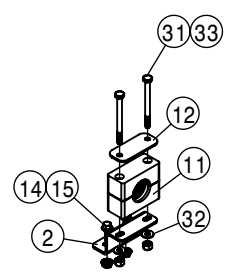
SECTION-2



DETAIL B

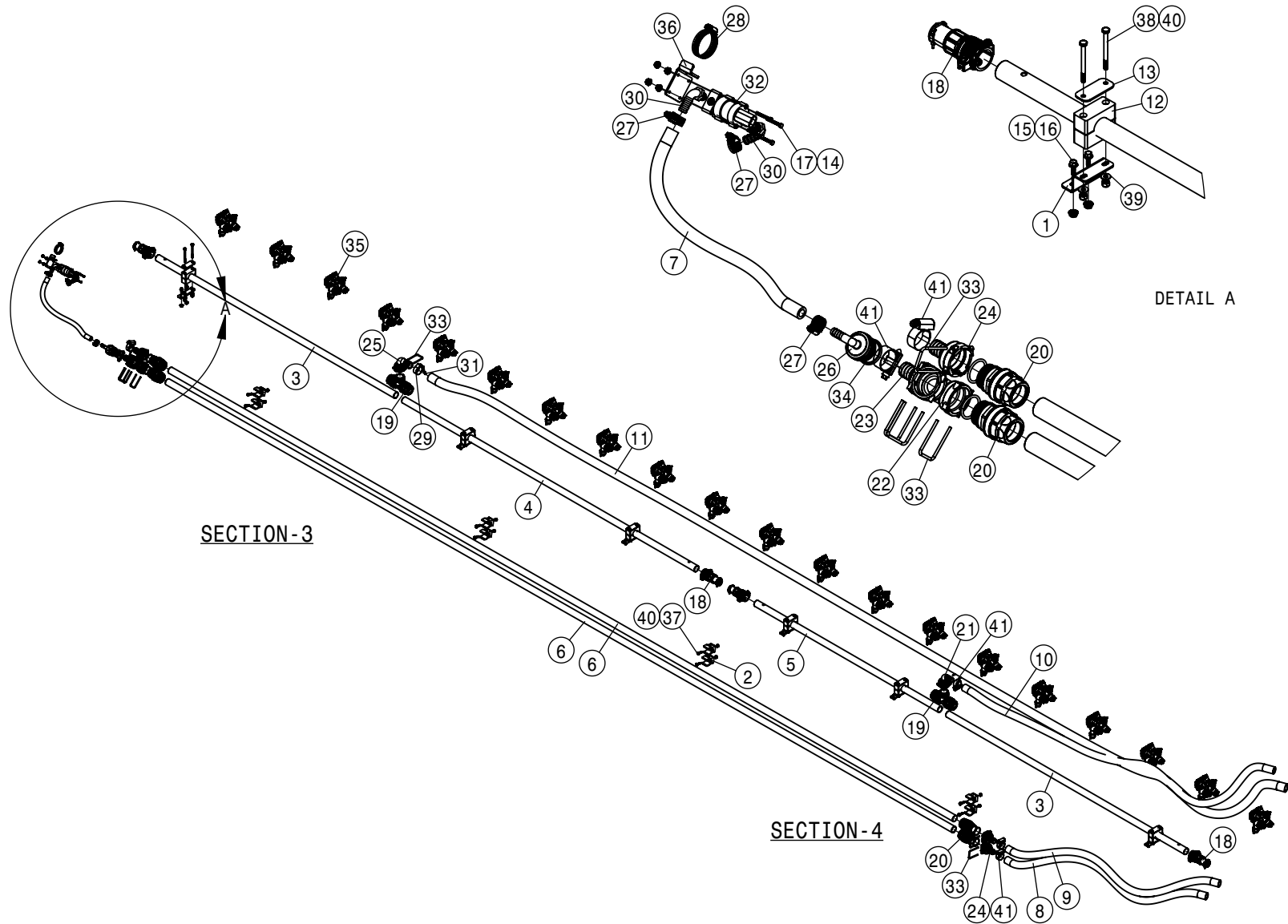


DETAIL C



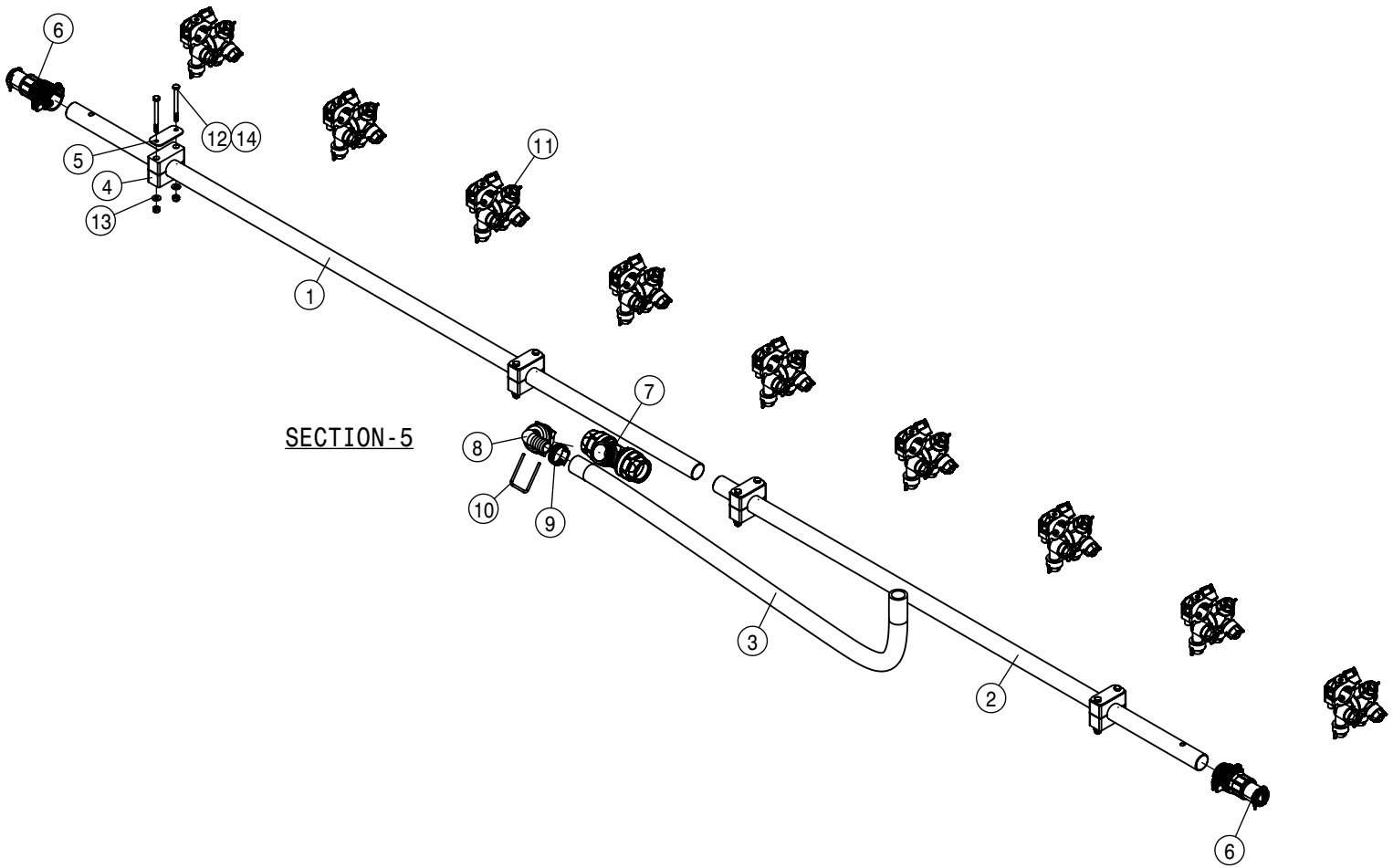
15" WET BOOM SPACING, SECTIUON 1-2 100' BOOM			
DET	QTY	P/N	DESCRIPTION
1	6	164716	TALL CLAMP MT BRKT, WET BOOM, STS
2	2	164859	CLAMP MT BRKT, WET BOOM, STS 04
3	2	167229	15" WET BOOM TUBE, 50.66 LG
4	2	167235	15" WET BOOM TUBE, 17.32 LG
5	2	167236	15" WET BOOM TUBE, 24.00 LG
6	1	197008-266	HOSE 1/2 1-FBR BR BLK EPDM
7	1	197125-061	HOSE 1" SUCTION, 2F-1W EPDM
8	1	197125-068	HOSE 1" SUCTION, 2F-1W EPDM
9	1	197125-221	HOSE 1" SUCTION, 2F-1W EPDM
10	2	470118	1/4 UNC X 3/4 SER FLG BOLT
11	8	470375	TUBE CLAMP BODY, 1.31 I.D. (PAIR)
12	8	470376	COVER PLATE FOR 470375
13	2	472029	3/8UNC SERR FLANGE NUT SS
14	16	473832	1/4-20UNC HEX FLG NUT SER SS
15	16	473834	1/4UNC X 3/4 HHSFB SS
16	6	500295	NOZZLE BODY END CAP
17	3	500296	EASY FIT TEE 1" PIPE
18	2	500299	T5 TO 25MM HB 90

15" WET BOOM SPACING, SECTIUON 1-2 100' BOOM			
DET	QTY	P/N	DESCRIPTION
19	1	500300	T5 FEMALE TEE
20	2	500301	T5 MALE TO 25MM HB
21	1	520069	HOSE CLAMP NO 6 STAINLESS
22	5	737738	FORK,D.3 DIST.42 (737731)
23	2	737763	O-RING, -221 EPDM
24	1	737822	CAP SET, YELLOW QUICK TEEJET
25	1	737908	LH FENCE ROW TIP BRKT MT
26	16	737925	QUICK TJET 5 + 1-TIP BODY 1"
27	1	737931	11/16-16F-QUICK TJET ADAPTER
28	1	737932	11/16MPS-90-1/2 HBARB NOZLBODY
29	1	737947	MTG BRKT-LH FENCE ROW NOZZLE
30	2	900128	3/8UNC X 3/4 HEX BOLT
31	16	900467	1/4UNC X 3 HHCS SS
32	16	910112	SAE FLAT WASHER 1/4 SS
33	16	910118	1/4-20UNC NYLOCK NUT SS
34	2	914000	1/4UNC HEX STOVER NUT
35	2	920000	1/4 SAE FLAT WASHER
36	4	AN209299	CLAMP, HIGH TORQUE



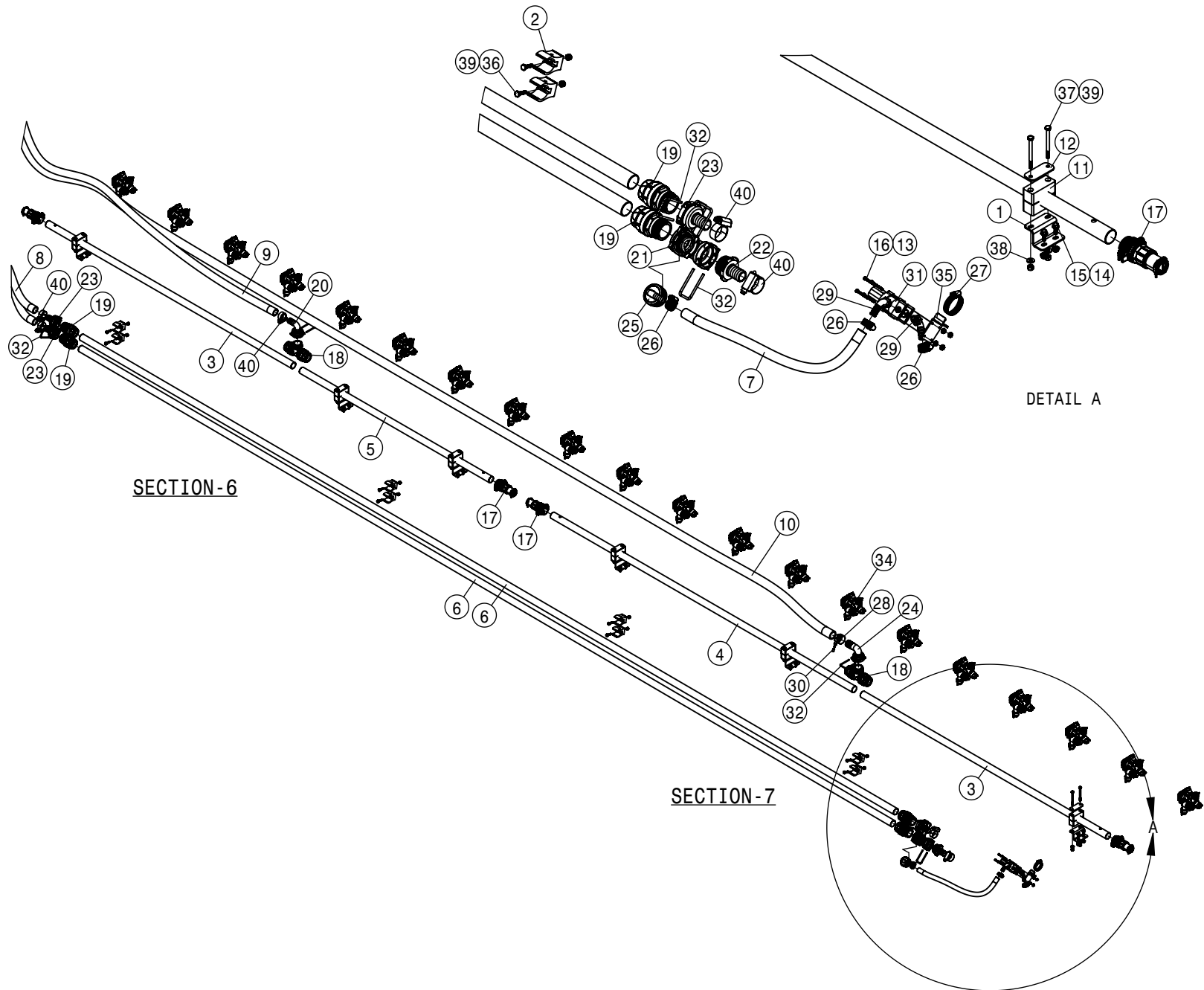
15" WET BOOM SPACING, SECTION 3-4 90/100' BOOM			
DET	QTY	P/N	DESCRIPTION
1	6	164859	CLAMP MT BRKT, WET BOOM, STS 04
2	8	166096	1" PIPE CLIP
3	2	167225	15" WET BOOM TUBE, 65.66 LG
4	1	167228	15" WET BOOM TUBE, 80.66 LG
5	1	167229	15" WET BOOM TUBE, 50.66 LG
6	2	167746	1" SCH 5 HARD LINE 217"
7	1	197008-020	HOSE 1/2 1-FBR BR BLK EPDM
8	1	197125-049	HOSE 1" SUCTION, 2F-1W EPDM
9	1	197125-052	HOSE 1" SUCTION, 2F-1W EPDM
10	1	197125-088	HOSE 1" SUCTION, 2F-1W EPDM
11	1	197126-237	HOSE 1 1/4" SUCTION, 2F-1W EPDM
12	6	470375	TUBE CLAMP BODY, 1.31 I.D. (PAIR)
13	6	470376	COVER PLATE FOR 470375
14	4	470509	6-32 SERR. FLANGE NUT
15	12	473832	1/4-20UNC HEX FLG NUT SER SS
16	12	473834	1/4UNC X 3/4 HHSFB SS
17	4	473993	6-32 X 1 1/4 HH MACH SCR
18	4	500295	NOZZLE BODY END CAP
19	2	500296	EASY FIT TEE 1" PIPE
20	4	500298	EASY FIT END T5, 1" PIPE
21	1	500299	T5 TO 25MM HB 90

15" WET BOOM SPACING, SECTION 3-4 90/100' BOOM			
DET	QTY	P/N	DESCRIPTION
22	1	500300	T5 FEMALE TEE
23	1	500301	T5 MALE TO 25MM HB
24	3	500307	T5 FEMALE TO 25MM HB
25	1	500370	T5 TO 32MM HB 90 FEMALE
26	1	500503	T5 MALE 90DEG 13MM HOSE BARB
27	3	520069	HOSE CLAMP NO 6 STAINLESS
28	1	520087	HOSE CLAMP NO 20 STAINLESS
29	1	520176	1.50/1.75 T-BOLT HOSE CLAMP SS
30	2	618556	1/4NPT-90 1/2 HOSE BARB POLY
31	1	629770	CAPPLUGS CAP, .234 X .500 VINYL
32	1	696235	1/4" ELECT SOLU SOLE VLV, 2203
33	8	737738	FORK, D.3 DIST.42 (737731)
34	2	737763	O-RING, -221 EPDM
35	20	737925	QUICK TJET 5 + 1-TIP BODY 1"
36	1	737945	MTG BRKT-SOLENOID, FENCE ROW
37	8	900449	1/4UNC X 1 HHCS SS
38	12	900467	1/4UNC X 3 HHCS SS
39	12	910112	SAE FLAT WASHER 1/4 SS
40	20	910118	1/4-20UNC NYLOCK NUT SS
41	5	AN209299	CLAMP, HIGH TORQUE



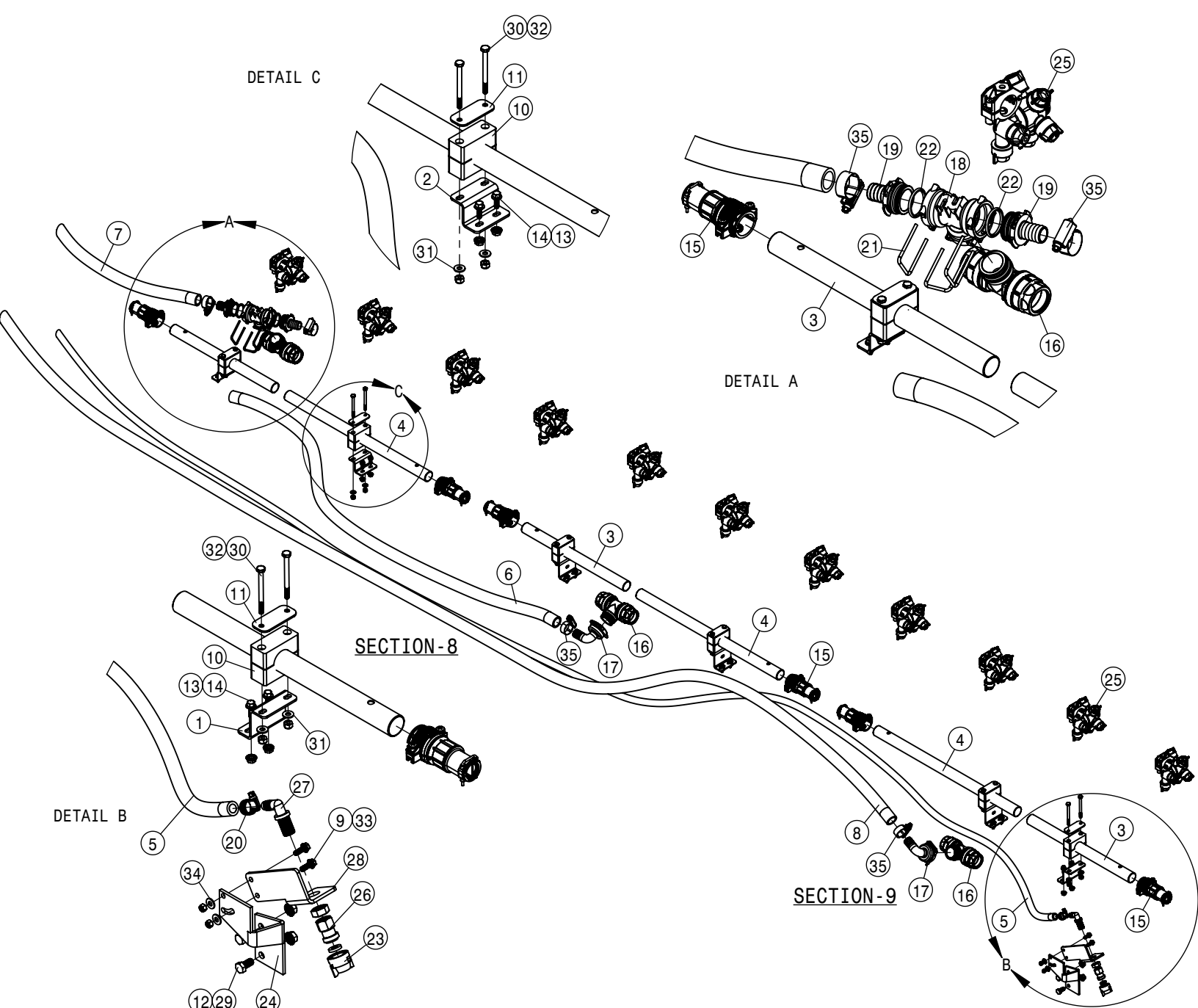
SECTION-5

15' WET BOOM SPACING, SECTION-5 90/100 BOOM			
DET	QTY	P/N	DESCRIPTION
1	1	167225	15" WET BOOM TUBE, 65.66 LG
2	1	167229	15" WET BOOM TUBE, 50.66 LG
3	1	197116-043	HOSE 1IN 1-FBR BR BLK EPDM
4	4	470375	TUBE CLAMP BODY, 1.31 I.D. (PAIR)
5	4	470376	COVER PLATE FOR 470375
6	2	500295	NOZZLE BODY END CAP
7	1	500296	EASY FIT TEE 1" PIPE
8	1	500299	T5 TO 25MM HB 90
9	1	520090	HOSECLAMP NO 16 STAINLESS
10	1	737738	FORK,D.3 DIST.42 (737731)
11	9	737925	QUICK TJET 5 + 1-TIP BODY 1"
12	8	900467	1/4UNC X 3 HHCS SS
13	8	910112	SAE FLAT WASHER 1/4 SS
14	8	910118	1/4-20UNC NYLOCK NUT SS



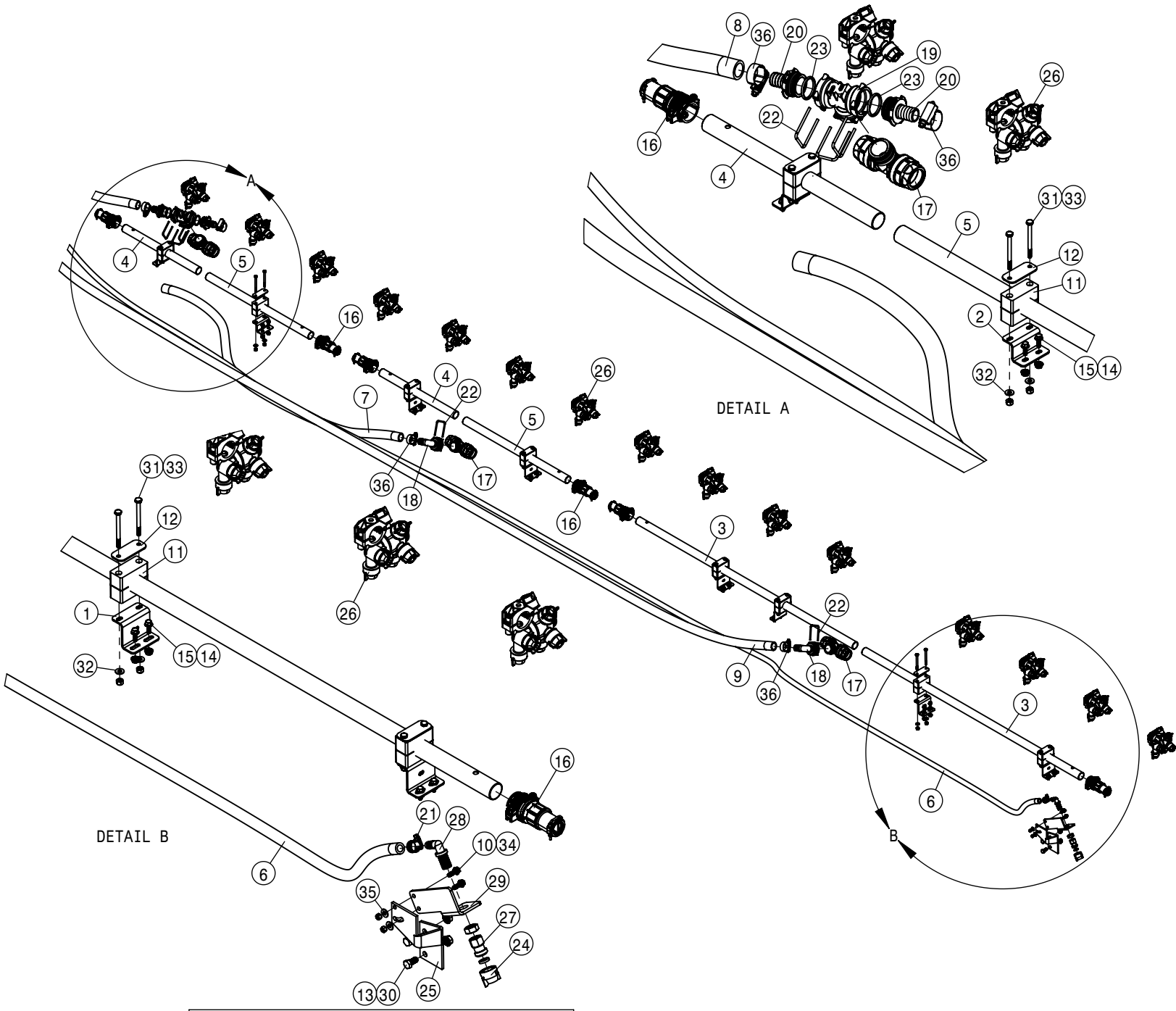
15" WET BOOM SPACING, SECTION 6-7 90/100 BOOM			
DET	QTY	P/N	DESCRIPTION
1	6	164859	CLAMP MT BRKT, WET BOOM, STS 04
2	8	166096	1" PIPE CLIP
3	2	167225	15" WET BOOM TUBE, 65.66 LG
4	1	167228	15" WET BOOM TUBE, 80.66 LG
5	1	167229	15" WET BOOM TUBE, 50.66 LG
6	2	167746	1" SCH 5 HARD LINE 217"
7	1	197008-020	HOSE 1/2 1-FBR BR BLK EPDM
8	2	197125-052	HOSE 1" SUCTION, 2F-1W EPDM
9	1	197125-088	HOSE 1" SUCTION, 2F-1W EPDM
10	1	197126-237	HOSE 1 1/4" SUCTION, 2F-1W EPDM
11	6	470375	TUBE CLAMP BODY, 1.31 I.D. (PAIR)
12	6	470376	COVER PLATE FOR 470375
13	4	470509	6-32 SERR. FLANGE NUT
14	12	473832	1/4-20UNC HEX FLG NUT SER SS
15	12	473834	1/4UNC X 3/4 HHSFB SS
16	4	473993	6-32 X 1 1/4 HH MACH SCR
17	4	500295	NOZZLE BODY END CAP
18	2	500296	EASY FIT TEE 1" PIPE
19	4	500298	EASY FIT END T5, 1" PIPE
20	1	500299	T5 TO 25MM HB 90

15" WET BOOM SPACING, SECTION 6-7 90/100 BOOM			
DET	QTY	P/N	DESCRIPTION
21	1	500300	T5 FEMALE TEE
22	1	500301	T5 MALE TO 25MM HB
23	3	500307	T5 FEMALE TO 25MM HB
24	1	500370	T5 TO 32MM HB 90 FEMALE
25	1	500503	T5 MALE 90DEG 13MM HOSE BARB
26	3	520069	HOSE CLAMP NO 6 STAINLESS
27	1	520087	HOSE CLAMP NO 20 STAINLESS
28	1	520176	1.50/1.75 T-BOLT HOSE CLAMP SS
29	2	618556	1/4NPT-90 1/2 HOSE BARB POLY
30	1	629770	CAPPLUGS CAP, .234 X .500 VINYL
31	1	696235	1/4" ELECT SOLU SOLE VLV, 2203
32	8	737738	FORK,D.3 DIST.42 (737731)
33	2	737763	O-RING, -221 EPDM
34	20	737925	QUICK TJET 5 + 1-TIP BODY 1"
35	1	737945	MTG BRKT-SOLENOID, FENCE ROW
36	8	900449	1/4UNC X 1 HHCS SS
37	12	900467	1/4UNC X 3 HHCS SS
38	12	910112	SAE FLAT WASHER 1/4 SS
39	20	910118	1/4-20UNC NYLOCK NUT SS
40	5	AN209299	CLAMP, HIGH TORQUE



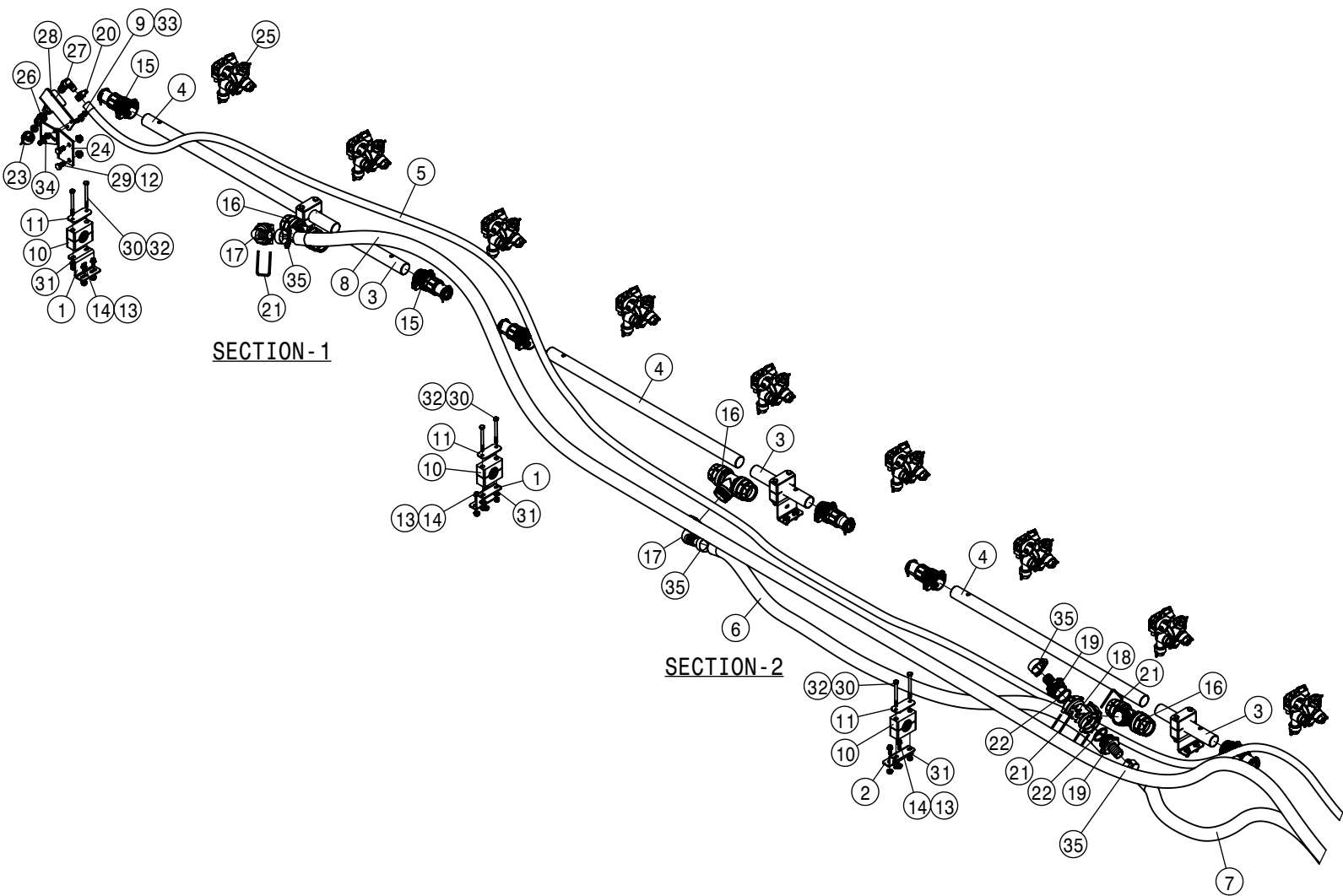
15" WET BOOM SPACING, SECTION 8-9 90' BOOM			
DET	QTY	P/N	DESCRIPTION
1	4	164716	TALL CLAMP MT BRKT, WET BOOM, STS
2	2	164859	CLAMP MT BRKT, WET BOOM, STS 04
3	3	167235	15" WET BOOM TUBE, 17.32 LG
4	3	167236	15" WET BOOM TUBE, 24.00 LG
5	1	197008-207	HOSE 1/2 1-FBR BR BLK EPDM
6	1	197125-060	HOSE 1" SUCTION, 2F-1W EPDM
7	1	197125-068	HOSE 1" SUCTION, 2F-1W EPDM
8	1	197125-197	HOSE 1" SUCTION, 2F-1W EPDM
9	2	470118	1/4 UNC X 3/4 SER FLG BOLT
10	6	470375	TUBE CLAMP BODY, 1.31 I.D. (PAIR)
11	6	470376	COVER PLATE FOR 470375
12	2	472029	3/8UNC SERR FLANGE NUT SS
13	12	473832	1/4-20UNC HEX FLG NUT SER SS
14	12	473834	1/4UNC X 3/4 HHSFB SS
15	6	500295	NOZZLE BODY END CAP
16	3	500296	EASY FIT TEE 1" PIPE
17	2	500299	T5 TO 25MM HB 90
18	1	500300	T5 FEMALE TEE

15" WET BOOM SPACING, SECTION 8-9 90' BOOM			
DET	QTY	P/N	DESCRIPTION
19	2	500301	T5 MALE TO 25MM HB
20	1	520069	HOSE CLAMP NO 6 STAINLESS
21	5	737738	FORK,D.3 DIST.42 (737731)
22	2	737763	O-RING, -221 EPDM
23	1	737822	CAP SET, YELLOW QUICK TEEJET
24	1	737907	RH FENCE ROW TIP BRKT MT
25	11	737925	QUICK TJET 5 + 1-TIP BODY 1"
26	1	737931	11/16-16F-QUICK TJET ADAPTER
27	1	737932	11/16MPS-90-1/2 HBARB NOZLBODY
28	1	737946	MTG BRKT-RH FENCE ROW NOZZLE
29	2	900128	3/8UNC X 3/4 HEX BOLT
30	12	900467	1/4UNC X 3 HHCS SS
31	12	910112	SAE FLAT WASHER 1/4 SS
32	12	910118	1/4-20UNC NYLOCK NUT SS
33	2	914000	1/4UNC HEX STOVER NUT
34	2	920000	1/4 SAE FLAT WASHER
35	4	AN209299	CLAMP, HIGH TORQUE



15" WET BOOM SPACING, SECTION 8-9 100' BOOM			
DET	QTY	P/N	DESCRIPTION
1	6	164716	TALL CLAMP MT BRKT, WET BOOM, STS
2	2	164859	CLAMP MT BRKT, WET BOOM, STS 04
3	2	167229	15" WET BOOM TUBE, 50.66 LG
4	2	167235	15" WET BOOM TUBE, 17.32 LG
5	2	167236	15" WET BOOM TUBE, 24.00 LG
6	1	197008-266	HOSE 1/2 1-FBR BR BLK EPDM
7	1	197125-061	HOSE 1" SUCTION, 2F-1W EPDM
8	1	197125-068	HOSE 1" SUCTION, 2F-1W EPDM
9	1	197125-221	HOSE 1" SUCTION, 2F-1W EPDM
10	2	470118	1/4 UNC X 3/4 SER FLG BOLT
11	8	470375	TUBE CLAMP BODY, 1.31 I.D. (PAIR)
12	8	470376	COVER PLATE FOR 470375
13	2	472029	3/8UNC SERR FLANGE NUT SS
14	16	473832	1/4-20UNC HEX FLG NUT SER SS
15	16	473834	1/4UNC X 3/4 HHSFB SS
16	6	500295	NOZZLE BODY END CAP
17	3	500296	EASY FIT TEE 1" PIPE
18	2	500299	T5 TO 25MM HB 90

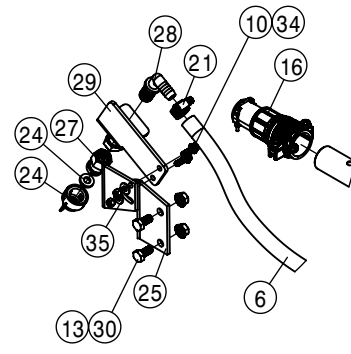
15" WET BOOM SPACING, SECTION 8-9 100' BOOM			
DET	QTY	P/N	DESCRIPTION
19	1	500300	T5 FEMALE TEE
20	2	500301	T5 MALE TO 25MM HB
21	2	520069	HOSE CLAMP NO 6 STAINLESS
22	5	737738	FORK, D.3 DIST.42 (737731)
23	2	737763	O-RING, -221 EPDM
24	1	737822	CAP SET, YELLOW QUICK TEEJET
25	1	737907	RH FENCE ROW TIP BRKT MT
26	15	737925	QUICK TJET 5 + 1-TIP BODY 1"
27	1	737931	11/16-16F-QUICK TJET ADAPTER
28	1	737932	11/16MPS-90-1/2 HBARB NOZLBODY
29	1	737946	MTG BRKT-RH FENCE ROW NOZZLE
30	2	900128	3/8UNC X 3/4 HEX BOLT
31	16	900467	1/4UNC X 3 HHCS SS
32	16	910112	SAE FLAT WASHER 1/4 SS
33	16	910118	1/4-20UNC NYLOCK NUT SS
34	2	914000	1/4UNC HEX STOVER NUT
35	2	920000	1/4 SAE FLAT WASHER
36	4	AN209299	CLAMP, HIGH TORQUE



20' WET BOOM SPACING, SECTION 1-2 90' BOOM			
DET	QTY	P/N	DESCRIPTION
1	4	164716	TALL CLAMP MT BRKT, WET BOOM, STS
2	2	164859	CLAMP MT BRKT, WET BOOM, STS 04
3	3	167234	20" WET BOOM TUBE, 8.13 LG
4	3	167263	20" WET BOOM TUBE, 28.13 LG
5	1	197008-207	HOSE 1/2 1-FBR BR BLK EPDM
6	1	197125-059	HOSE 1" SUCTION, 2F-1W EPDM
7	1	197125-064	HOSE 1" SUCTION, 2F-1W EPDM
8	1	197125-187	HOSE 1" SUCTION, 2F-1W EPDM
9	2	470118	1/4 UNC X 3/4 SER FLG BOLT
10	6	470375	TUBE CLAMP BODY, 1.31 I.D. (PAIR)
11	6	470376	COVER PLATE FOR 470375
12	2	472029	3/8UNC SERR FLANGE NUT SS
13	12	473832	1/4-20UNC HEX FLG NUT SER SS
14	12	473834	1/4UNC X 3/4 HHSFB SS
15	6	500295	NOZZLE BODY END CAP
16	3	500296	EASY FIT TEE 1" PIPE
17	2	500299	T5 TO 25MM HB 90
18	1	500300	T5 FEMALE TEE

20' WET BOOM SPACING, SECTION 1-2 90' BOOM			
DET	QTY	P/N	DESCRIPTION
19	2	500301	T5 MALE TO 25MM HB
20	1	520069	HOSE CLAMP NO 6 STAINLESS
21	5	737738	FORK, D.3 DIST.42 (737731)
22	2	737763	O-RING, -221 EPDM
23	1	737822	CAP SET, YELLOW QUICK TEEJET
24	1	737908	LH FENCE ROW TIP BRKT MT
25	9	737925	QUICK TJET 5 + 1-TIP BODY 1"
26	1	737931	11/16-16F-QUICK TJET ADAPTER
27	1	737932	11/16MPS-90-1/2 HBARB NOZLBODY
28	1	737947	MTG BRKT-LH FENCE ROW NOZZLE
29	2	900128	3/8UNC X 3/4 HEX BOLT
30	12	900467	1/4UNC X 3 HHCS SS
31	12	910112	SAE FLAT WASHER 1/4 SS
32	12	910118	1/4-20UNC NYLOCK NUT SS
33	2	914000	1/4UNC HEX STOVER NUT
34	2	920000	1/4 SAE FLAT WASHER
35	4	AN209299	CLAMP, HIGH TORQUE

DETAIL A

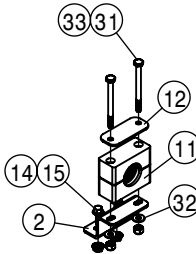
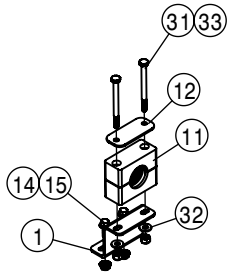


SECTION-1

SECTION-2

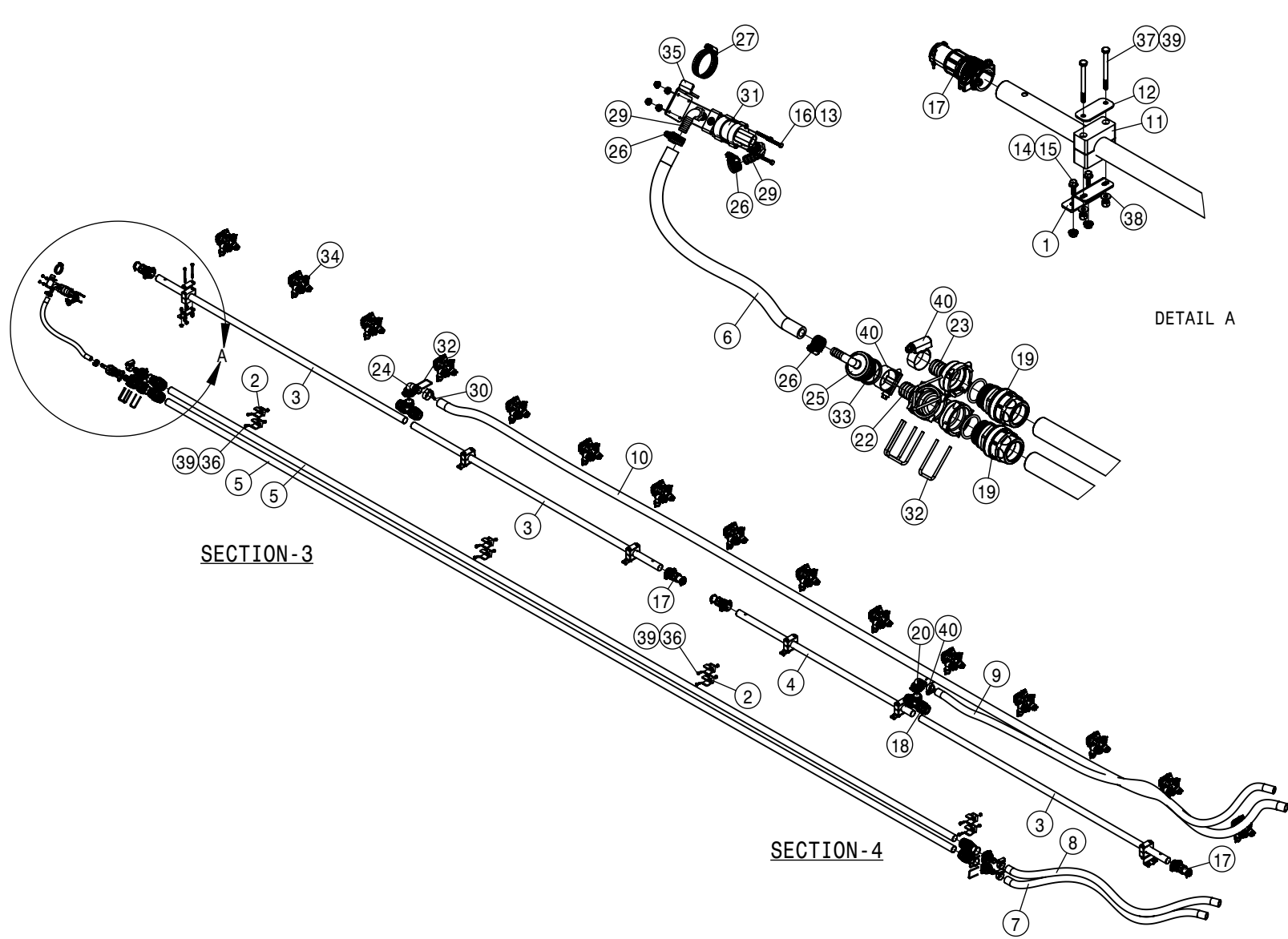
DETAIL B

DETAIL C



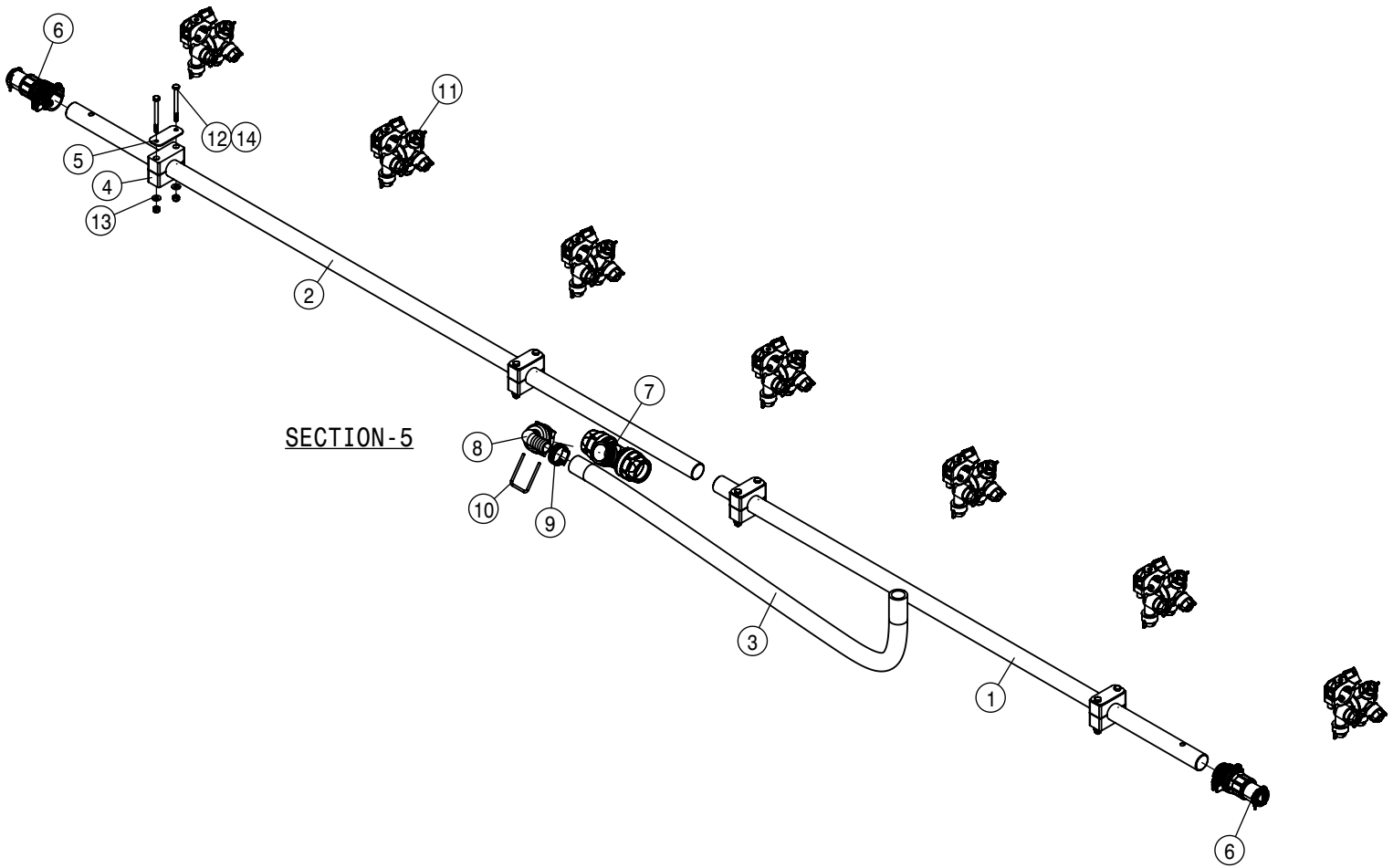
20" WET BOOM SPACING, SECTIUON 1-2 100' BOOM			
DET	QTY	P/N	DESCRIPTION
1	6	164716	TALL CLAMP MT BRKT, WET BOOM, STS
2	2	164859	CLAMP MT BRKT, WET BOOM, STS 04
3	2	167234	20" WET BOOM TUBE, 8.13 LG
4	2	167238	20" WET BOOM TUBE, 48.13 LG
5	2	167263	20" WET BOOM TUBE, 28.13 LG
6	1	197008-266	HOSE 1/2 1-FBR BR BLK EPDM
7	1	197125-060	HOSE 1" SUCTION, 2F-1W EPDM
8	1	197125-064	HOSE 1" SUCTION, 2F-1W EPDM
9	1	197125-223	HOSE 1" SUCTION, 2F-1W EPDM
10	2	470118	1/4 UNC X 3/4 SER FLG BOLT
11	8	470375	TUBE CLAMP BODY, 1.31 I.D. (PAIR)
12	8	470376	COVER PLATE FOR 470375
13	2	472029	3/8UNC SERR FLANGE NUT SS
14	16	473832	1/4-20UNC HEX FLG NUT SER SS
15	16	473834	1/4UNC X 3/4 HHSFB SS
16	6	500295	NOZZLE BODY END CAP
17	3	500296	EASY FIT TEE 1" PIPE
18	2	500299	T5 TO 25MM HB 90

20" WET BOOM SPACING, SECTIUON 1-2 100' BOOM			
DET	QTY	P/N	DESCRIPTION
19	1	500300	T5 FEMALE TEE
20	2	500301	T5 MALE TO 25MM HB
21	1	520069	HOSE CLAMP NO 6 STAINLESS
22	5	737738	FORK,D.3 DIST.42 (737731)
23	2	737763	O-RING, -221 EPDM
24	1	737822	CAP SET, YELLOW QUICK TEEJET
25	1	737908	LH FENCE ROW TIP BRKT MT
26	15	737925	QUICK TJET 5 + 1-TIP BODY 1"
27	1	737931	11/16-16F-QUICK TJET ADAPTER
28	1	737932	11/16MPS-90-1/2 HBARB NOZLBODY
29	1	737947	MTG BRKT-LH FENCE ROW NOZZLE
30	2	900128	3/8UNC X 3/4 HEX BOLT
31	16	900467	1/4UNC X 3 HHCS SS
32	16	910112	SAE FLAT WASHER 1/4 SS
33	16	910118	1/4-20UNC NYLOCK NUT SS
34	2	914000	1/4UNC HEX STOVER NUT
35	2	920000	1/4 SAE FLAT WASHER
36	4	AN209299	CLAMP, HIGH TORQUE



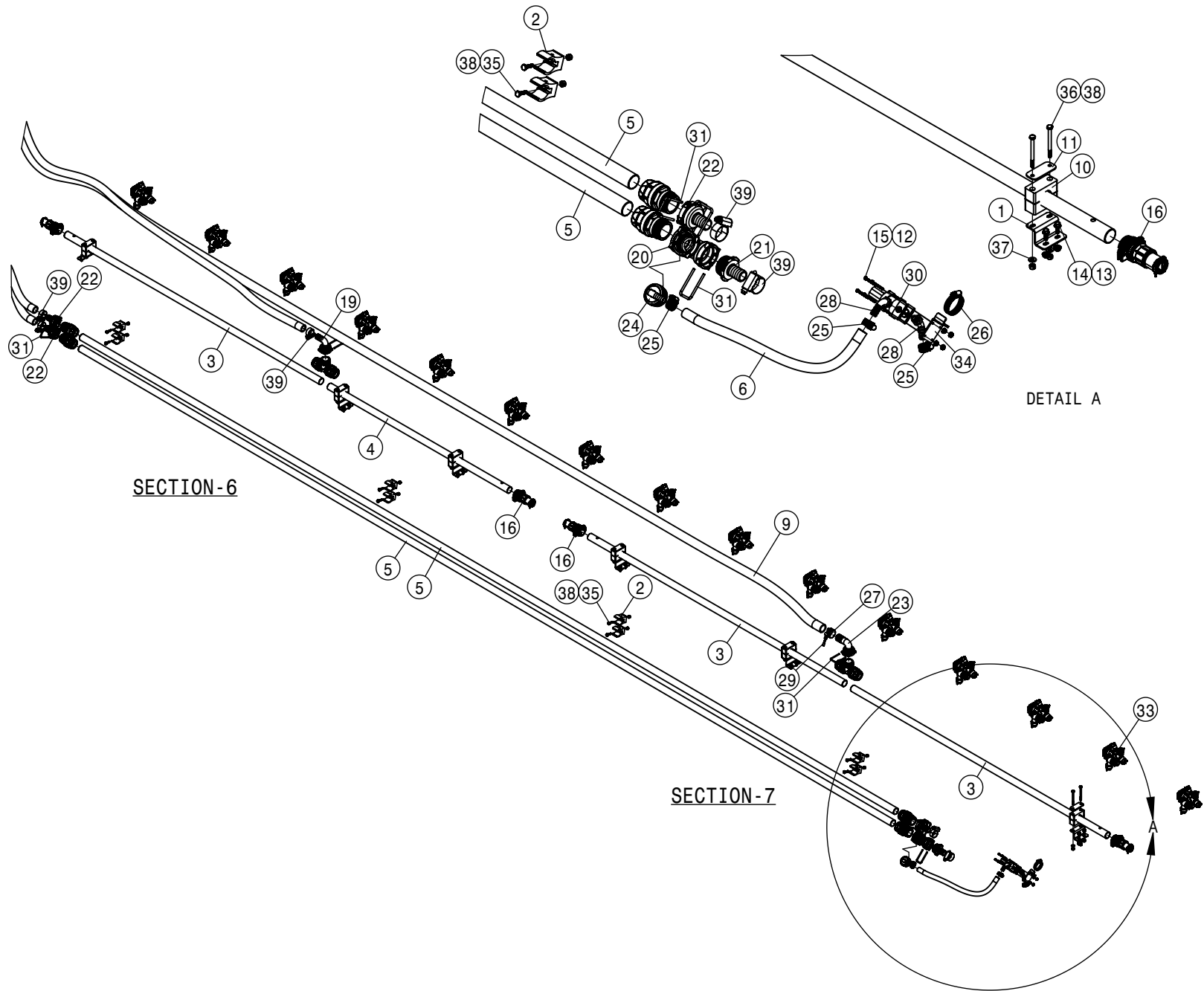
20" WET BOOM SPACING, SECTION 3-4 90/100' BOOM			
DET	QTY	P/N	DESCRIPTION
1	6	164859	CLAMP MT BRKT, WET BOOM, STS 04
2	8	166096	1" PIPE CLIP
3	3	167230	20" WET BOOM TUBE, 68.13 LG
4	1	167238	20" WET BOOM TUBE, 48.13 LG
5	2	167746	1" SCH 5 HARD LINE 217"
6	1	197008-020	HOSE 1/2 1-FBR BR BLK EPDM
7	1	197125-049	HOSE 1" SUCTION, 2F-1W EPDM
8	1	197125-052	HOSE 1" SUCTION, 2F-1W EPDM
9	1	197125-095	HOSE 1" SUCTION, 2F-1W EPDM
10	1	197126-234	HOSE 1 1/4" SUCTION, 2F-1W EPDM
11	6	470375	TUBE CLAMP BODY, 1.31 I.D. (PAIR)
12	6	470376	COVER PLATE FOR 470375
13	4	470509	6-32 SERR. FLANGE NUT
14	12	473832	1/4-20UNC HEX FLG NUT SER SS
15	12	473834	1/4UNC X 3/4 HHSFB SS
16	4	473993	6-32 X 1 1/4 HH MACH SCR
17	4	500295	NOZZLE BODY END CAP
18	2	500296	EASY FIT TEE 1" PIPE
19	4	500298	EASY FIT END T5, 1" PIPE
20	1	500299	T5 TO 25MM HB 90

20" WET BOOM SPACING, SECTION 3-4 90/100' BOOM			
DET	QTY	P/N	DESCRIPTION
21	1	500300	T5 FEMALE TEE
22	1	500301	T5 MALE TO 25MM HB
23	3	500307	T5 FEMALE TO 25MM HB
24	1	500370	T5 TO 32MM HB 90 FEMALE
25	1	500503	T5 MALE 90DEG 13MM HOSE BARB
26	3	520069	HOSE CLAMP NO 6 STAINLESS
27	1	520087	HOSE CLAMP NO 20 STAINLESS
28	1	520176	1.50/1.75 T-BOLT HOSE CLAMP SS
29	2	618556	1/4NPT-90 1/2 HOSE BARB POLY
30	1	629770	CAPPLUGS CAP, .234 X .500 VINYL
31	1	696235	1/4" ELECT SOLU SOLE VLV, 2203
32	8	737738	FORK, D.3 DIST.42 (737731)
33	2	737763	O-RING, -221 EPDM
34	15	737925	QUICK TJET 5 + 1-TIP BODY 1"
35	1	737945	MTG BRKT-SOLENOID, FENCE ROW
36	8	900449	1/4UNC X 1 HHCS SS
37	12	900467	1/4UNC X 3 HHCS SS
38	12	910112	SAE FLAT WASHER 1/4 SS
39	20	910118	1/4-20UNC NYLOCK NUT SS
40	5	AN209299	CLAMP, HIGH TORQUE



SECTION-5

20' WET BOOM SPACING, SECTION-5 90/100 BOOM			
DET	QTY	P/N	DESCRIPTION
1	1	167231	20" WET BOOM TUBE, 50.66 LG
2	1	167237	20" WET BOOM TUBE, 65.66 LG
3	1	197116-043	HOSE 1IN 1-FBR BR BLK EPDM
4	4	470375	TUBE CLAMP BODY, 1.31 I.D. (PAIR)
5	4	470376	COVER PLATE FOR 470375
6	2	500295	NOZZLE BODY END CAP
7	1	500296	EASY FIT TEE 1" PIPE
8	1	500299	T5 TO 25MM HB 90
9	1	520090	HOSECLAMP NO 16 STAINLESS
10	1	737738	FORK,D.3 DIST.42 (737731)
11	7	737925	QUICK TJET 5 + 1-TIP BODY 1"
12	8	900467	1/4UNC X 3 HHCS SS
13	8	910112	SAE FLAT WASHER 1/4 SS
14	8	910118	1/4-20UNC NYLOCK NUT SS



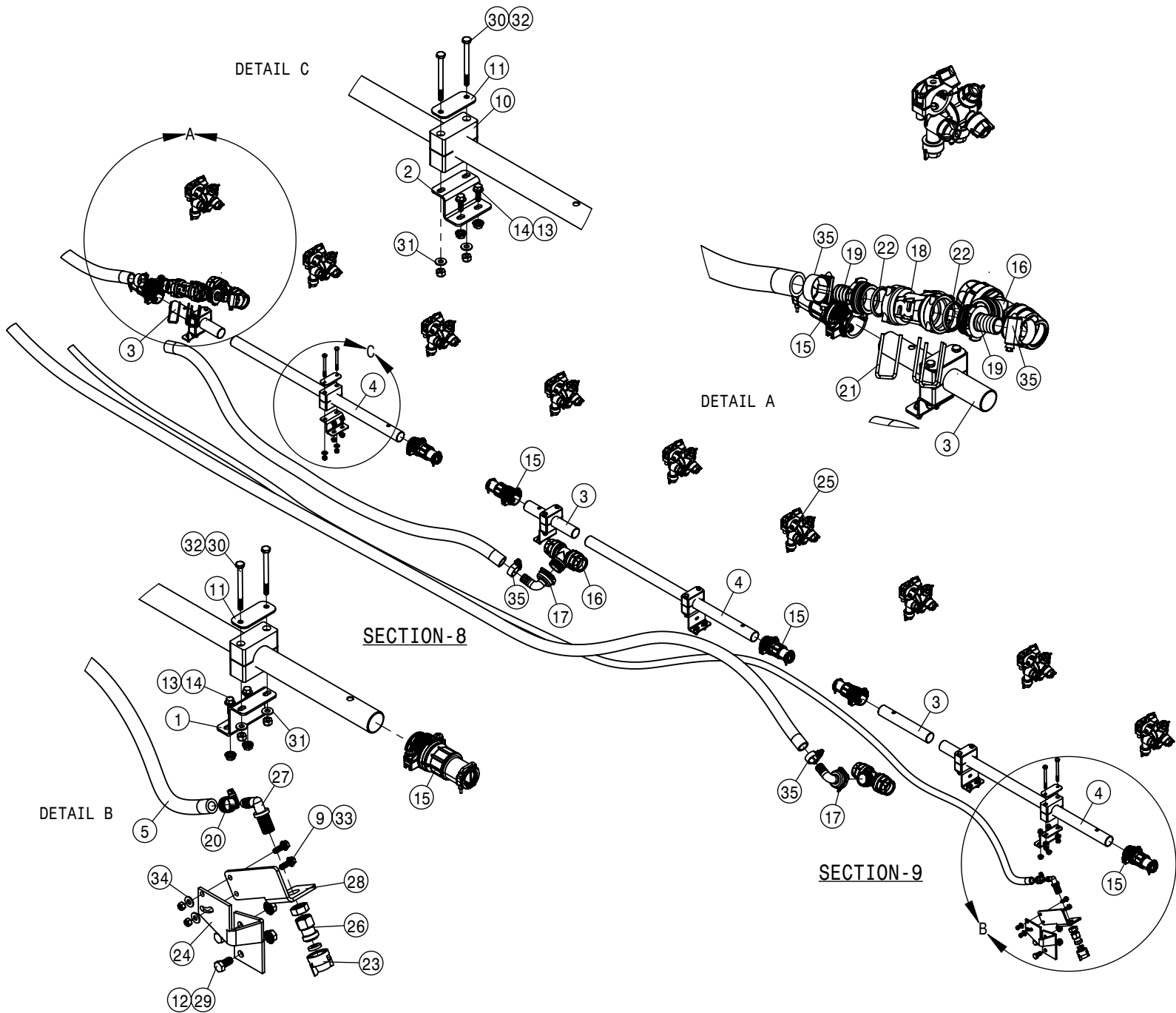
SECTION-6

SECTION-7

DETAIL A

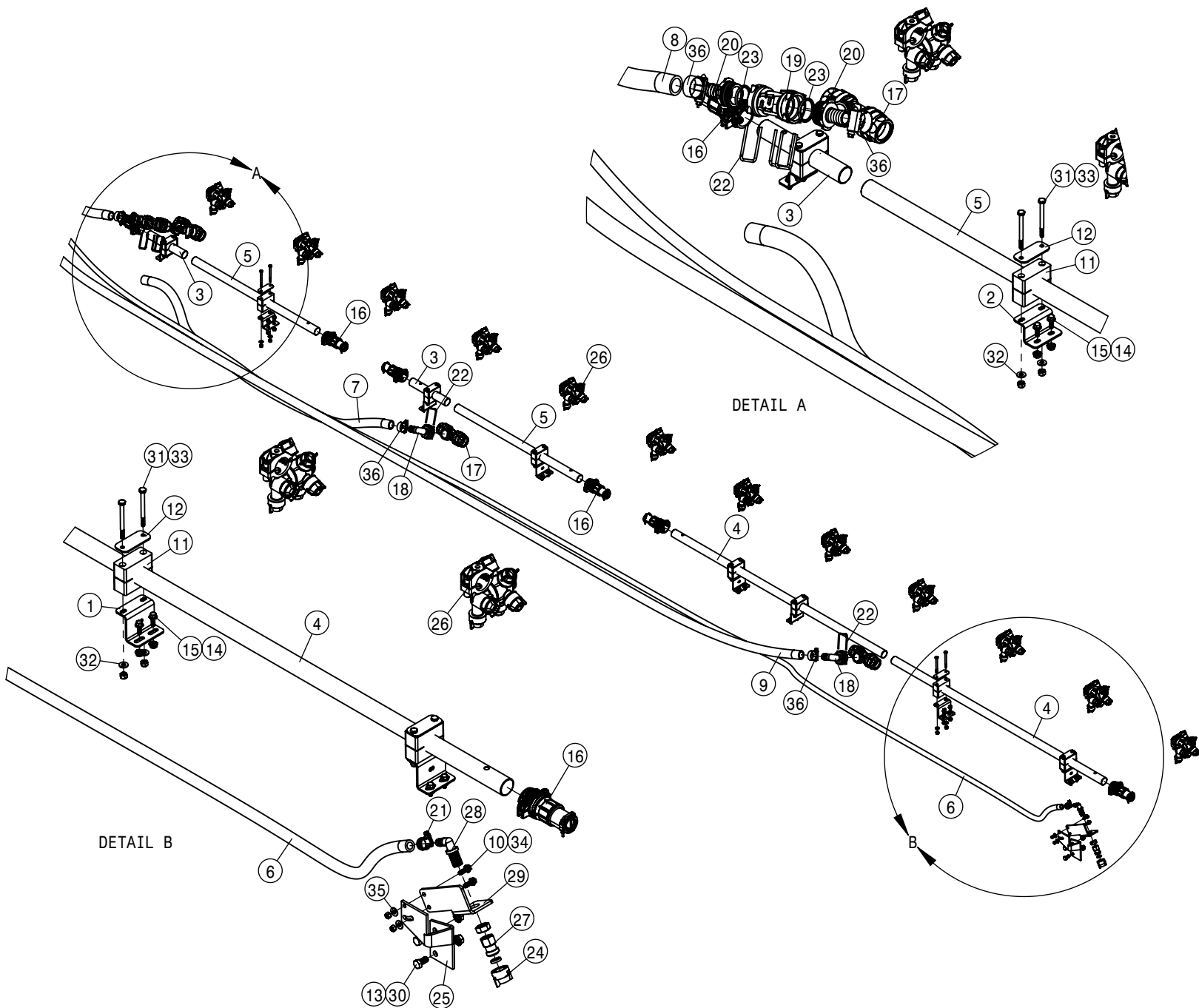
20" WET BOOM SPACING, SECTION 6-7 90/100 BOOM			
DET	QTY	P/N	DESCRIPTION
1	6	164859	CLAMP MT BRKT, WET BOOM, STS 04
2	8	166096	1" PIPE CLIP
3	3	167230	20" WET BOOM TUBE, 68.13 LG
4	1	167238	20" WET BOOM TUBE, 48.13 LG
5	2	167746	1" SCH 5 HARD LINE 217"
6	1	197008-020	HOSE 1/2 1-FBR BR BLK EPDM
7	2	197125-052	HOSE 1" SUCTION, 2F-1W EPDM
8	1	197125-095	HOSE 1" SUCTION, 2F-1W EPDM
9	1	197126-234	HOSE 1 1/4" SUCTION, 2F-1W EPDM
10	6	470375	TUBE CLAMP BODY, 1.31 I.D. (PAIR)
11	6	470376	COVER PLATE FOR 470375
12	4	470509	6-32 SERR. FLANGE NUT
13	12	473832	1/4-20UNC HEX FLG NUT SER SS
14	12	473834	1/4UNC X 3/4 HHSFB SS
15	4	473993	6-32 X 1 1/4 HH MACH SCR
16	4	500295	NOZZLE BODY END CAP
17	2	500296	EASY FIT TEE 1" PIPE
18	4	500298	EASY FIT END T5, 1" PIPE
19	1	500299	T5 TO 25MM HB 90
20	1	500300	T5 FEMALE TEE

20" WET BOOM SPACING, SECTION 6-7 90/100 BOOM			
DET	QTY	P/N	DESCRIPTION
21	1	500301	T5 MALE TO 25MM HB
22	3	500307	T5 FEMALE TO 25MM HB
23	1	500370	T5 TO 32MM HB 90 FEMALE
24	1	500503	T5 MALE 90DEG 13MM HOSE BARB
25	3	520069	HOSE CLAMP NO 6 STAINLESS
26	1	520087	HOSE CLAMP NO 20 STAINLESS
27	1	520176	1.50/1.75 T-BOLT HOSE CLAMP SS
28	2	618556	1/4NPT-90 1/2 HOSE BARB POLY
29	1	629770	CAPPLUGS CAP, .234 X .500 VINYL
30	1	696235	1/4" ELECT SOLU SOLE VLV, 2203
31	8	737738	FORK, D.3 DIST.42 (737731)
32	2	737763	O-RING, -221 EPDM
33	15	737925	QUICK TJET 5 + 1-TIP BODY 1"
34	1	737945	MTG BRKT-SOLENOID, FENCE ROW
35	8	900449	1/4UNC X 1 HHCS SS
36	12	900467	1/4UNC X 3 HHCS SS
37	12	910112	SAE FLAT WASHER 1/4 SS
38	20	910118	1/4-20UNC NYLOCK NUT SS
39	5	AN209299	CLAMP, HIGH TORQUE



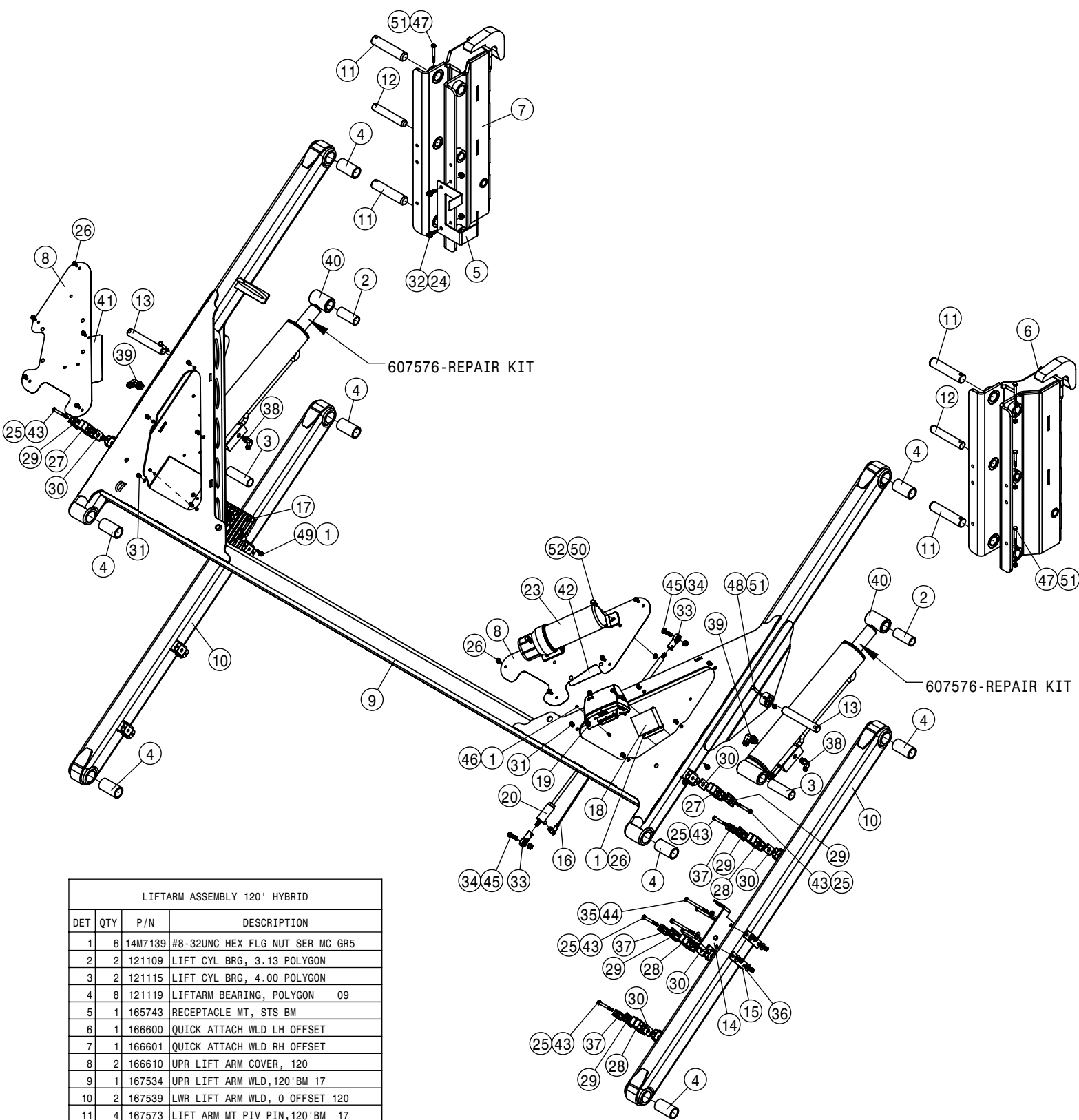
20" WET BOOM SPACING, SECTION 8-9 90' BOOM			
DET	QTY	P/N	DESCRIPTION
1	4	164716	TALL CLAMP MT BRKT, WET BOOM, STS
2	2	164859	CLAMP MT BRKT, WET BOOM, STS 04
3	3	167234	20" WET BOOM TUBE, 8.13 LG
4	3	167263	20" WET BOOM TUBE, 28.13 LG
5	1	197008-207	HOSE 1/2 1-FBR BR BLK EPDM
6	1	197125-059	HOSE 1" SUCTION, 2F-1W EPDM
7	1	197125-064	HOSE 1" SUCTION, 2F-1W EPDM
8	1	197125-187	HOSE 1" SUCTION, 2F-1W EPDM
9	2	470118	1/4 UNC X 3/4 SER FLG BOLT
10	6	470375	TUBE CLAMP BODY, 1.31 I.D. (PAIR)
11	6	470376	COVER PLATE FOR 470375
12	2	472029	3/8UNC SERR FLANGE NUT SS
13	12	473832	1/4-20UNC HEX FLG NUT SER SS
14	12	473834	1/4UNC X 3/4 HHSFB SS
15	6	500295	NOZZLE BODY END CAP
16	3	500296	EASY FIT TEE 1" PIPE
17	2	500299	T5 TO 25MM HB 90
18	1	500300	T5 FEMALE TEE

20" WET BOOM SPACING, SECTION 8-9 90' BOOM			
DET	QTY	P/N	DESCRIPTION
19	2	500301	T5 MALE TO 25MM HB
20	1	520069	HOSE CLAMP NO 6 STAINLESS
21	5	737738	FORK,D.3 DIST.42 (737731)
22	2	737763	O-RING, -221 EPDM
23	1	737822	CAP SET, YELLOW QUICK TEEJET
24	1	737907	RH FENCE ROW TIP BRKT MT
25	9	737925	QUICK TJET 5 + 1-TIP BODY 1"
26	1	737931	11/16-16F-QUICK TJET ADAPTER
27	1	737932	11/16MPS-90-1/2 HBARB NOZLBODY
28	1	737946	MTG BRKT-RH FENCE ROW NOZZLE
29	2	900128	3/8UNC X 3/4 HEX BOLT
30	12	900467	1/4UNC X 3 HHCS SS
31	12	910112	SAE FLAT WASHER 1/4 SS
32	12	910118	1/4-20UNC NYLOCK NUT SS
33	2	914000	1/4UNC HEX STOVER NUT
34	2	920000	1/4 SAE FLAT WASHER
35	4	AN209299	CLAMP, HIGH TORQUE



20" WET BOOM SPACING, SECTION 8-9 100' BOOM			
DET	QTY	P/N	DESCRIPTION
1	6	164716	TALL CLAMP MT BRKT, WET BOOM, STS
2	2	164859	CLAMP MT BRKT, WET BOOM, STS 04
3	2	167234	20" WET BOOM TUBE, 8.13 LG
4	2	167238	20" WET BOOM TUBE, 48.13 LG
5	2	167263	20" WET BOOM TUBE, 28.13 LG
6	1	197008-266	HOSE 1/2 1-FBR BR BLK EPDM
7	1	197125-060	HOSE 1" SUCTION, 2F-1W EPDM
8	1	197125-064	HOSE 1" SUCTION, 2F-1W EPDM
9	1	197125-223	HOSE 1" SUCTION, 2F-1W EPDM
10	2	470118	1/4 UNC X 3/4 SER FLG BOLT
11	8	470375	TUBE CLAMP BODY, 1.31 I.D. (PAIR)
12	8	470376	COVER PLATE FOR 470375
13	2	472029	3/8UNC SERR FLANGE NUT SS
14	16	473832	1/4-20UNC HEX FLG NUT SER SS
15	16	473834	1/4UNC X 3/4 HHSFB SS
16	6	500295	NOZZLE BODY END CAP
17	3	500296	EASY FIT TEE 1" PIPE
18	2	500299	T5 TO 25MM HB 90

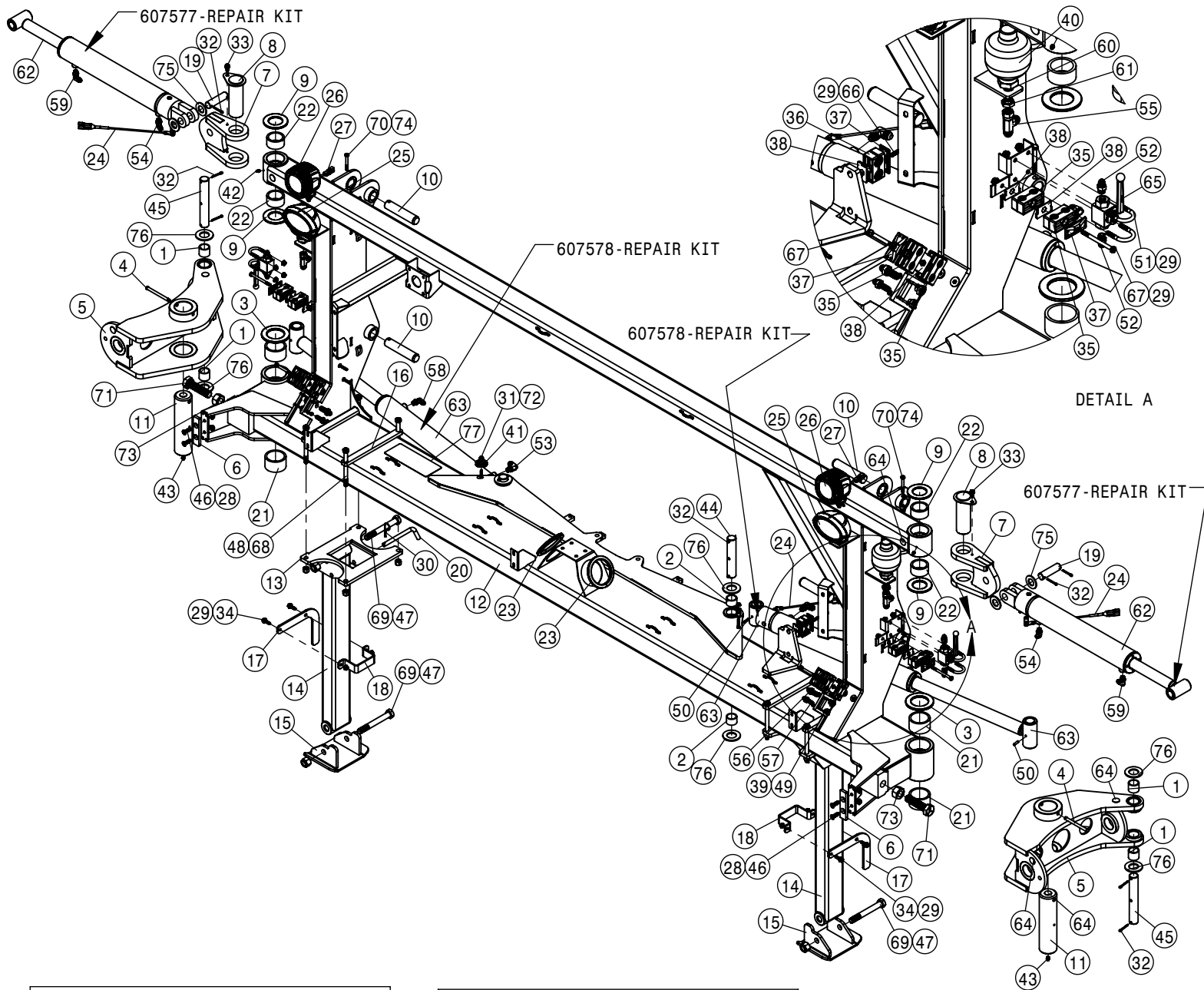
20" WET BOOM SPACING, SECTION 8-9 100' BOOM			
DET	QTY	P/N	DESCRIPTION
19	1	500300	T5 FEMALE TEE
20	2	500301	T5 MALE TO 25MM HB
21	1	520069	HOSE CLAMP NO 6 STAINLESS
22	5	737738	FORK, D.3 DIST.42 (737731)
23	2	737763	O-RING, -221 EPDM
24	1	737822	CAP SET, YELLOW QUICK TEEJET
25	1	737907	RH FENCE ROW TIP BRKT MT
26	15	737925	QUICK TJET 5 + 1-TIP BODY 1"
27	1	737931	11/16-16F-QUICK TJET ADAPTER
28	1	737932	11/16MPS-90-1/2 HBARB NOZLBODY
29	1	737946	MTG BRKT-RH FENCE ROW NOZZLE
30	2	900128	3/8UNC X 3/4 HEX BOLT
31	16	900467	1/4UNC X 3 HHCS SS
32	16	910112	SAE FLAT WASHER 1/4 SS
33	16	910118	1/4-20UNC NYLOCK NUT SS
34	2	914000	1/4UNC HEX STOVER NUT
35	2	920000	1/4 SAE FLAT WASHER
36	4	AN209299	CLAMP, HIGH TORQUE



LIFTARM ASSEMBLY 120' HYBRID			
DET	QTY	P/N	DESCRIPTION
1	6	14M7139	#8-32UNC HEX FLG NUT SER MC GR5
2	2	121109	LIFT CYL BRG, 3.13 POLYGON
3	2	121115	LIFT CYL BRG, 4.00 POLYGON
4	8	121119	LIFTARM BEARING, POLYGON 09
5	1	165743	RECEPTACLE MT, STS BM
6	1	166600	QUICK ATTACH WLD LH OFFSET
7	1	166601	QUICK ATTACH WLD RH OFFSET
8	2	166610	UPR LIFT ARM COVER, 120
9	1	167534	UPR LIFT ARM WLD, 120' BM 17
10	2	167539	LWR LIFT ARM WLD, 0 OFFSET 120
11	4	167573	LIFT ARM MT PIV PIN, 120' BM 17
12	2	167574	LIFT ARM MT PIVOT PIN 17
13	2	167575	LIFT CYL PIN, BARREL PIN, STS
14	1	167830	MULTICOUPLER LIFTARM MT
15	2	167831	MULTICOUPLER MT STRAP
16	1	291994	SENSOR HARNESS FOR AWS
17	1	292005	IQAN MC31
18	1	292027	18 WAY FUSE HOLDER ASSY
19	1	292086	IQAN-XA2 MODULE->611
20	1	292706	LINEAR POSITION SENSOR, 300MM
NS	1	294461	LH MAIN BM HARNESS 120' '17
NS	1	294462	RH MAIN HARNESS 120' BM STS
23	1	344017	MANUAL CANISTER W/NEOPREN SEAL
24	2	470087	3/8-16UNC HEX FLG NUT SER MC GR5
25	5	470113	5/16-18UNC HEX FLG NUT SER MC GR5
26	12	470118	1/4UNC X 3/4 HHSFB GR5 MC
27	2	470274	TUBE CLAMP BODY, .750-.750

LIFTARM ASSEMBLY 120' HYBRID			
DET	QTY	P/N	DESCRIPTION
28	3	470275	TUBE CLAMP BODY, 1.00-1.000
29	5	470276	CLAMP COVER PLATE, SNGL, 2.55LG
30	5	470281	STACK BOLT SAFETY LOCK PLATE
31	10	470383	1/4-20 NUTSERT .165-.260 STL
32	2	470460	3/8UNC X 1 HHSFB GR5 MC
33	2	470628	BALL END, 9.9MM BORE X 10MM THD
34	2	472029	3/8UNC SERR FLANGE NUT SS
35	4	473001	5/16-18UNC NYLOCK NUT MC GR5
36	8	483040	USS FLAT WASHER 5/16 MC
37	3	520108	CUSH HOSE CLAMP, #20, 1 1/4D X 3/4W
38	2	618119	9/16MJIC-90-9/16MOR LBO
39	2	618241	3/4MJIC-90-3/4MOR LBO
40	2	621669	HYD CYL, 3.25X16.00X1.63

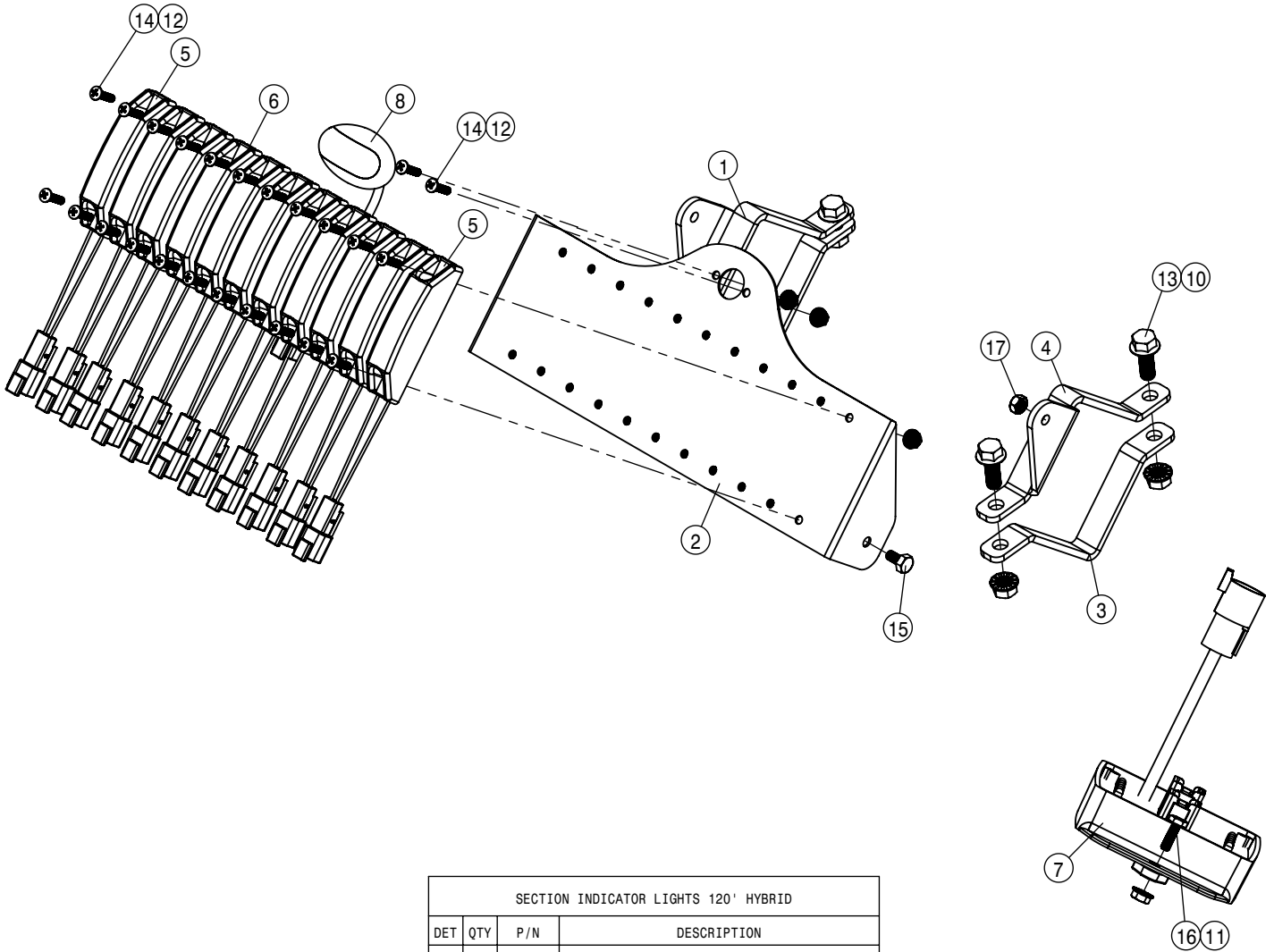
LIFTARM ASSEMBLY 120' HYBRID			
DET	QTY	P/N	DESCRIPTION
41	1	650412	RH BOOM DECAL 120'A'12
42	1	650413	LH BOOM DECAL 120'A'12
43	5	900070	5/16UNC X 2 1/2 HHCS GR5 MC
44	4	900076	5/16UNC X 4 HHCS GR5 MC
45	2	900130	3/8UNC X 1 1/4 HEX BOLT
46	2	900449	1/4UNC X 1 HHCS SS
47	4	900494	5/16UNC X 2 1/2 HHCS SS
48	4	900503	5/16UNC X 2 1/4 HHCS SS
49	2	910124	1/4UNC X 1 HHSFB SS
50	3	910126	5/16UNC X 1 HHSFB SS
51	8	910132	5/16-18UNC NYLOCK NUT SS
52	3	914002	5/16-18UNC STOVER NUT MC GR5



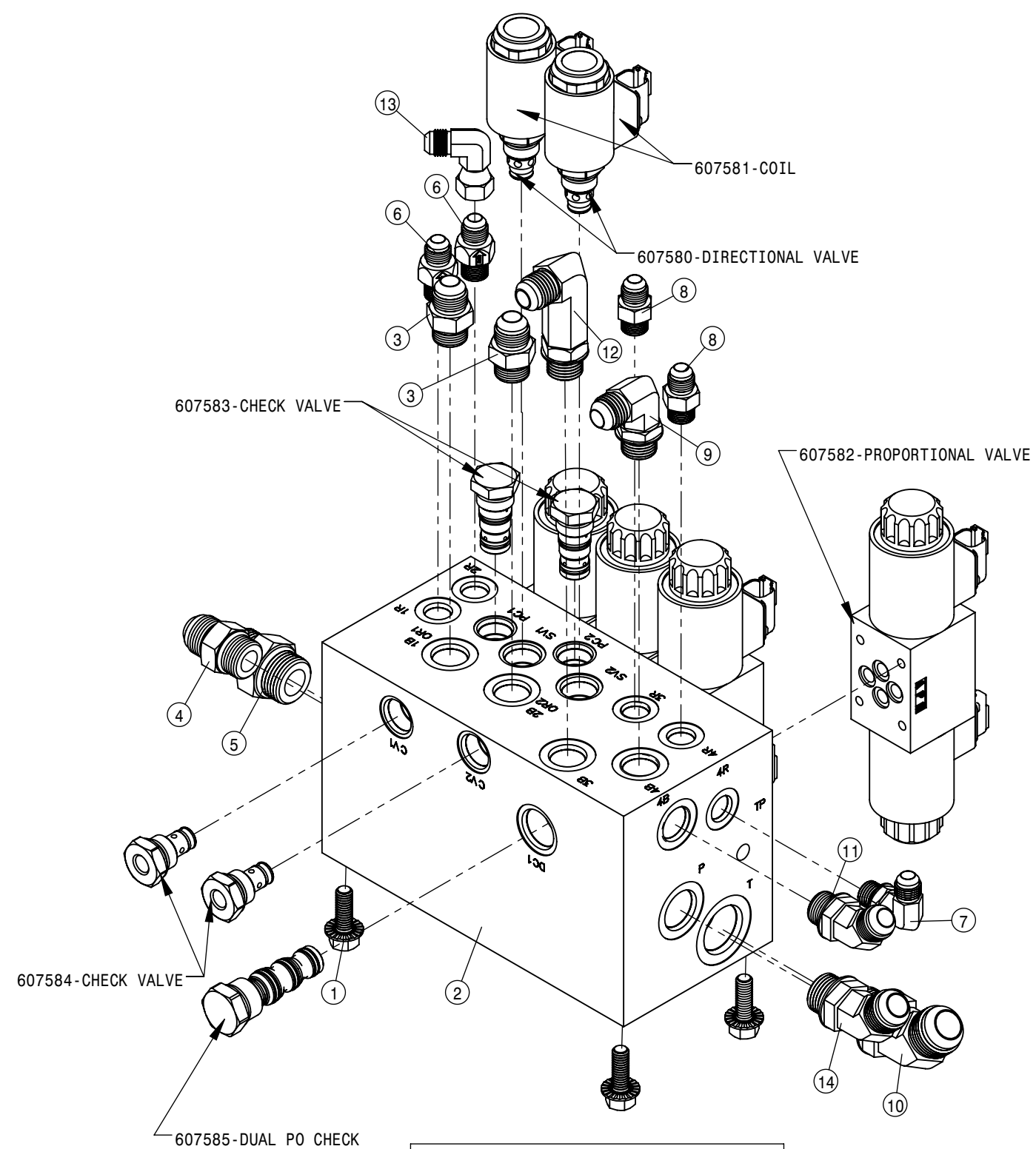
TRANSOM ASSEMBLY 120' HYBRID			
DET	QTY	P/N	DESCRIPTION
1	4	121129	BEARING, 1.25-1.51-1.25 POLYGON
2	4	121130	BEARING, 1.25-1.50-1.00 POLYGON
3	2	167030	THRUST WASH PIVOT TUBE, 120' ALUM
4	2	167292	CLEVIS PIN-LOCKING-3/8X4.06
5	2	167299	TRANSOM PIV WLD HYBRID
6	2	167464	BREAKAWAY BUMP PAD
7	2	167530	TRANSOM LEVEL WLD STS
8	2	167564	PIN 2.0 OD X 5.75
9	4	167567	THRUST WASHER
10	4	167573	LIFT ARM MT PIV PIN, 120' BM 17
11	2	167825	PIN, 2.50 OD, 9.88 LG, DRILLED
12	1	167862	TRANSOM FIXED, HYBRID W/DECAL
13	2	169201	HYBRID BM STAND MT WLD
14	2	169206	HYBRID BM STAND LEG WLD
15	2	169211	HYBRID BM SAND FT WLD
16	4	169214	HYBRID BM STAND MNT PLATE
17	2	169481	HYBRID BM STAND HANDLE
18	2	169482	HYBRID BM STAND HANDLE BRKT
19	2	169483	CLEVIS PIN HL 1.0 DIA X 2.875
20	2	169484	CLEVIS PIN - .5 DIA X 5.00 LG
21	4	169494	BRG POLYGON MRP 3 X 2.5 X 1.75
22	4	169495	BRG PLOYGON MRP 2.5 X 2 X 1.25
23	2	193016-015	QUICKEDGE TRIM .060 TO .170
24	4	291994	SENSOR HARNESS FOR AWS
25	2	292614	WORK LIGHT, HALOGEN FLOOD '14
26	2	292618	WORKLIGHT-TYRI LED FLOOD

TRANSOM ASSEMBLY 120' HYBRID			
DET	QTY	P/N	DESCRIPTION
27	2	294299	TYRI JUMPER HARNESS
28	4	470087	3/8-16UNC HEX FLG NUT SER MC GR5
29	15	470113	5/16-18UNC HEX FLG NUT SER MC GR5
30	2	470120	HAIR PIN 3/32 DIA WIRE
31	2	470121	1/4-20UNC HEX FLG NUT SER MC GR5
32	12	470162	COTTER PIN 3/16 X 1 1/2 ZN
33	2	470233	5/16UNC X 3/4 HHSFB GR5 MC
34	4	470234	5/16UNC X 1 HHSFB GR5 MC
35	8	470274	TUBE CLAMP BODY, .750-.750
36	1	470275	TUBE CLAMP BODY, 1.00-1.000
37	5	470276	CLAMP COVER PLATE, SNGL, 2.55LG
38	7	470281	STACK BOLT SAFETY LOCK PLATE
39	8	470463	#8-32UNC HEX FLG NUT SER MC GR5
40	2	470701	ACCUMULATOR, 30CI 1,812 PSI
41	2	470888	TWIN #4 CLAMP
42	2	471005	GREASE ZERK, 1/4-28 X 1/2
43	2	471021	GREASE ZERK 1/8 NPT STRAIGHT
44	2	472203	CLEVIS PIN HL 1.25 DIA X 6.08
45	2	472204	CLEVIS PIN HL 1.25 DIA X 7.58
46	4	472286	3/8UNC X 1-1/4 FLTHD SOC CAP SCR
47	4	473005	3/4-10UNC NYLOCK NUT MC GR5
48	8	473007	1/2-13UNC NYLOCK NUT MC GR5
49	8	473788	4-0.7 X 25 MPHMS PH SS
50	4	473850	ROLL PIN, 1/4 X 1 ZN
51	4	473911	5/16UNC-1.31ID-2.00 U-BOLT ZINC
52	4	618126	9/16MJIC-9/16MOR ADPTR

TRANSOM ASSEMBLY 120' HYBRID			
DET	QTY	P/N	DESCRIPTION
53	2	618249	3/4MJIC-90-9/16MOR LBO
54	2	618425	9/16MJIC-45-9/16MOR LBO
55	2	618451	3/4FJIC SW RUN TEE-3/4MJIC
56	2	618510	9/16MJIC-9/16MJIC BLKHD UNION
57	2	618511	7/16MJIC-7/16MJIC BLKHD UNION
58	2	618689	9/16MOR-90-9/16MJ .042 CHK VLV
59	2	618739	9/16MJIC-90-9/16MOR .065 CHK
60	2	618743	3/4MOR-3/4MJIC BLKHD, .040 ORF
61	2	618744	3/4 THD BLKHD LOCK NUT
62	2	620106	HYD CYL, 2.75 X 15.25 X 1.50
63	2	620150	HYD CYL, 2.50" X 20.00" X 1.75
64	8	650205	DECAL, GREASE WEEKLY
65	2	696131	HIGH PRESSURE BALL VALVE
66	1	900070	5/16UNC X 2 1/2 HHCS GR5 MC
67	4	900075	5/16UNC X 3 3/4 HHCS GR5 MC
68	8	900278	1/2UNC X 6 HHCS GR5 MC
69	4	900414	3/4UNC X 6 HHCS GR5 MC
70	4	900494	5/16UNC X 2 1/2 HHCS SS
71	2	900536	1UNC X 4 HHCS GR5 MC FT
72	2	901011	1/4UNC X 1 3/4 CARR BOLT
73	2	910017	1-8UNC HEX NUT MC GR5
74	4	910132	5/16-18UNC NYLOCK NUT SS
75	4	920008	SAE FLAT WASHER 1 MC
76	8	920009	SAE FLAT WASHER 1 1/4 MC
77	1	HXE28534	LABEL, HYDRAULIC ENGLISH

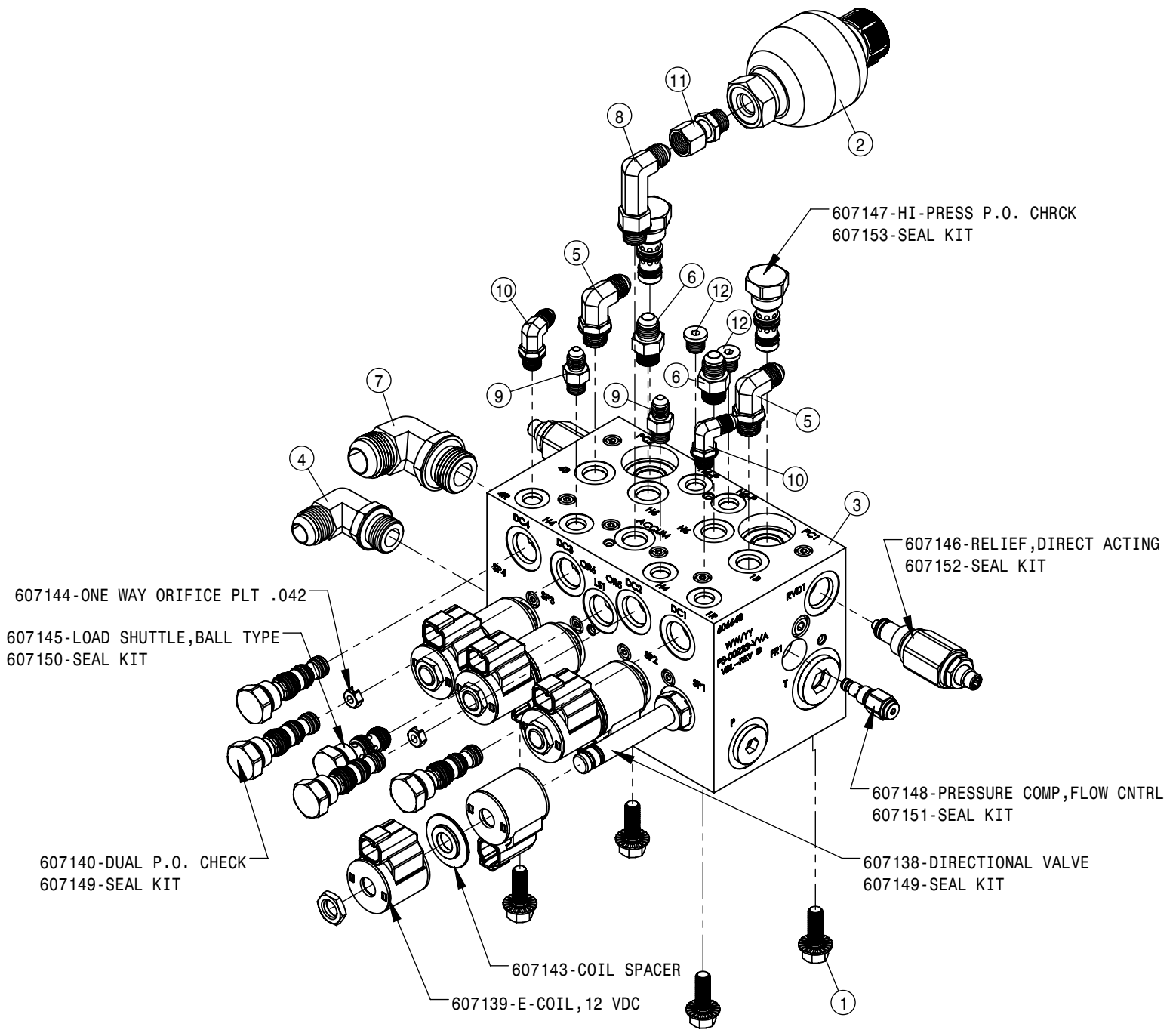


SECTION INDICATOR LIGHTS 120' HYBRID			
DET	QTY	P/N	DESCRIPTION
1	1	165993	RECEPT MTG BRKT BENT RGT
2	1	165994	BOOM INDICATOR LGT MT
3	2	165995	RECEPT MTG BRKT
4	1	165996	RECEPT MTG BRKT BENT LFT
5	2	291325	AMBER LAMP, 4" DT DEUTSCH
6	9	291326	RED LAMP, 4" DT DEUTSCH
7	1	292030	CAN POWER OUTLET MODULE
8	1	293817	MASTER SPRAY LIGHT, STS 05
NS	1	294360	HARNES, SEC LIGHT EDI
10	4	470087	3/8UNC HEX SERR FLANGE NUT
11	3	470121	1/4-20UNC HEX FLG NUT SER MC GR5
12	24	470175	10-32 SERR FLANGE NUT
13	4	470460	3/8 X 1" SERR FLG BOLT
14	24	472235	10-32 X 3/4 PHIL HD MACH SCR
15	2	900000	1/4UNC X 1/2 HEX BOLT
16	3	900002	1/4UNC X 3/4 HHCS GR5 MC
17	2	910000	1/4UNC HEX NUT

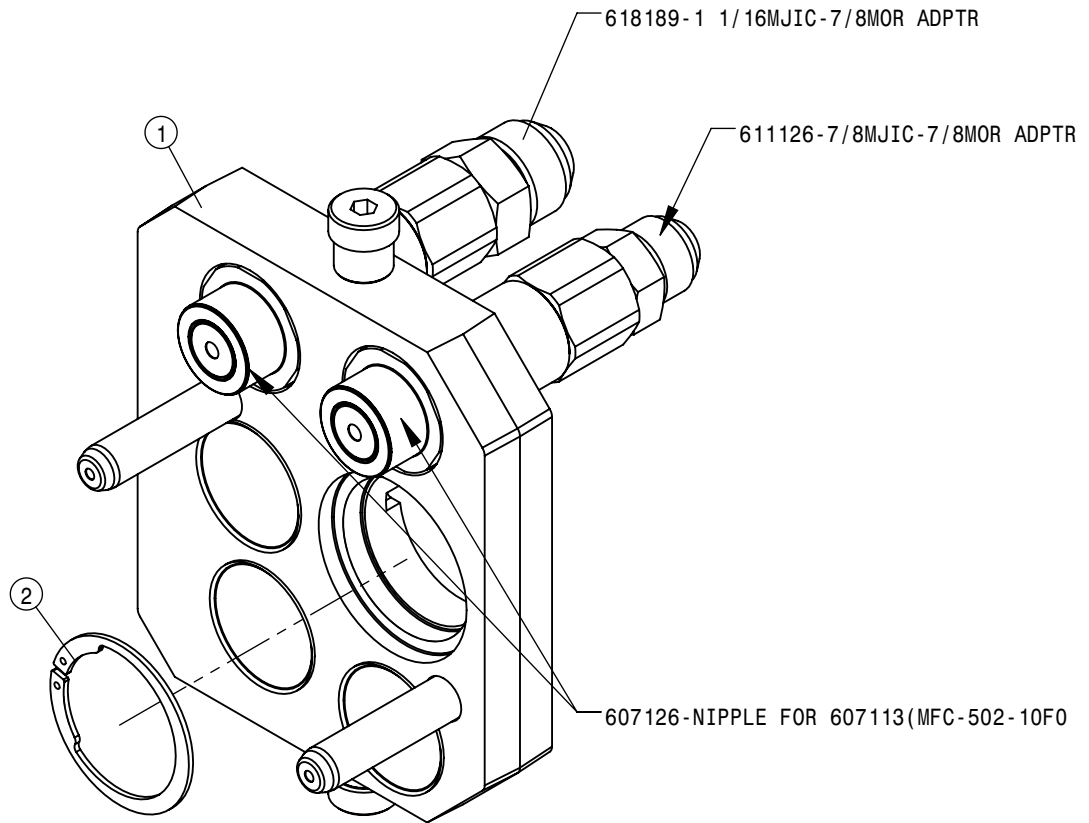


LIFT AND LEVEL VALVE ASSEMBLY 120' HYBRID

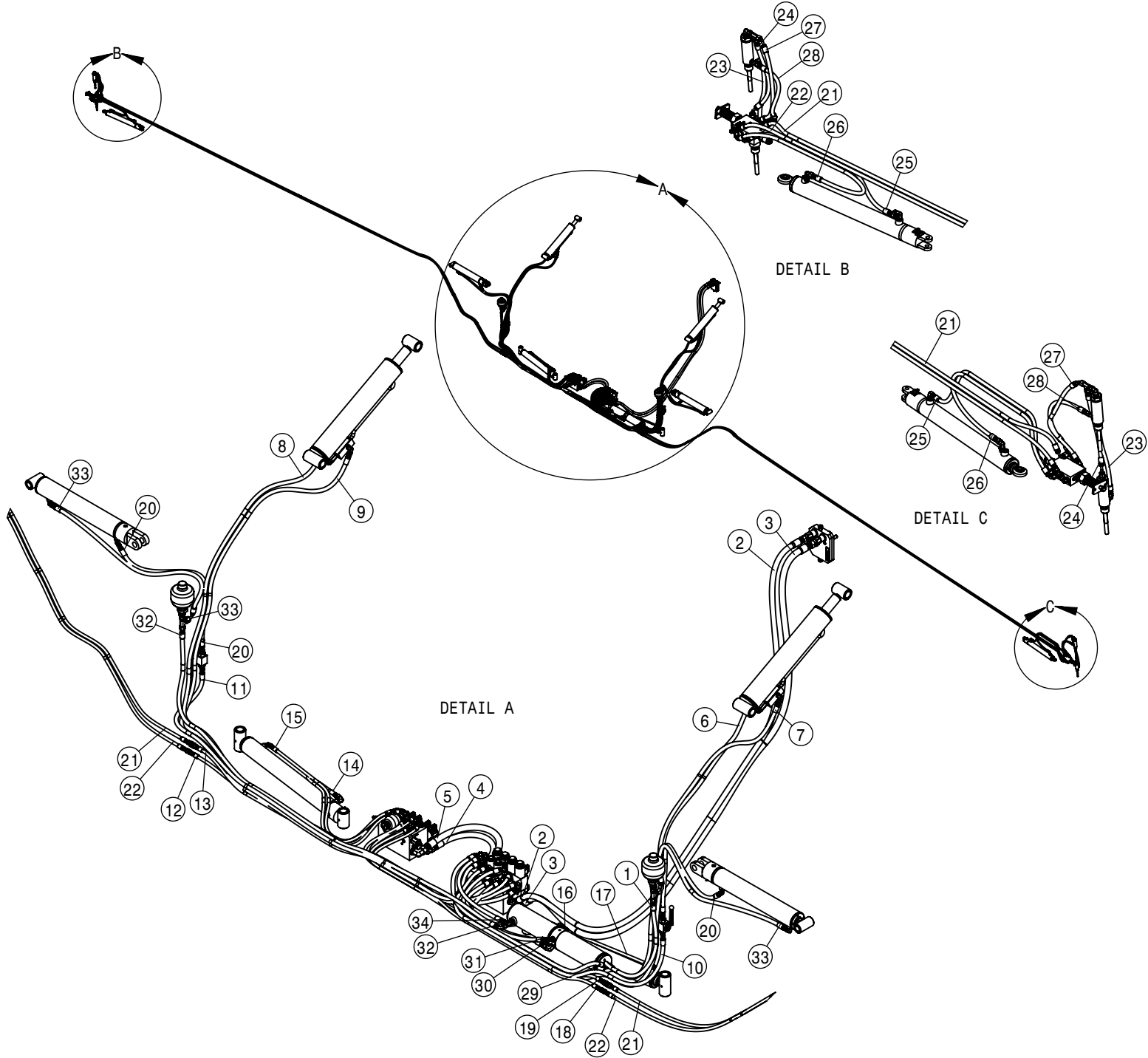
DET	QTY	P/N	DESCRIPTION
1	4	470460	3/8UNC X 1 HHSFB GR5 MC
2	1	606477	4 - SECTION LIFT/LEVEL/AWR
3	2	611125	3/4MJIC-3/4MOR ADPTR
4	1	611126	7/8MJIC-7/8MOR ADPTR
5	1	611127	1 1/16MJIC-1 1/16MOR ADPTR
6	2	614765	9/16MJIC-9/16MOR, .047 ORIFICE ADPTR
7	1	618119	9/16MJIC-90-9/16MOR LBO
8	2	618126	9/16MJIC-9/16MOR ADPTR
9	1	618241	3/4MJIC-90-3/4MOR LBO
10	1	618313	1 1/16MJIC-45-1 1/16MOR LBO
11	1	618315	3/4MJIC-45-3/4MOR LBO
12	1	618443	3/4MJIC-90-3/4MOR EX LG LBO
13	1	618618	9/16MJIC-90-9/16FJIC SWIV LBO
14	1	618644	7/8MJIC-45-7/8MOR LBO



FOLD VALVE ASSEMBLY 120' HYBRID			
DET	QTY	P/N	DESCRIPTION
1	4	470460	3/8UNC X 1 HHSFB GR5 MC
2	1	470759	ACCUMULATOR, 5CI 800 PSI
3	1	606468	VALVE, FOLD, 4-SECTION
4	1	611128	7/8MJIC-90-7/8MOR LBO
5	2	618119	9/16MJIC-90-9/16MOR LBO
6	2	618126	9/16MJIC-9/16MOR ADPTR
7	1	618248	1 1/16MJIC-90-1 1/16MOR LBO
8	1	618440	9/16MJIC-90-9/16MOR EX LG LBO
9	2	618467	7/16MJIC-7/16MOR ADPTR
10	2	618473	7/16MJIC-90-7/16MOR LBO
11	1	618668	9/16FJIC SWIV-9/16MOR ADPTR
12	2	618753	7/16 MOR PLUG, HEX SOCKET

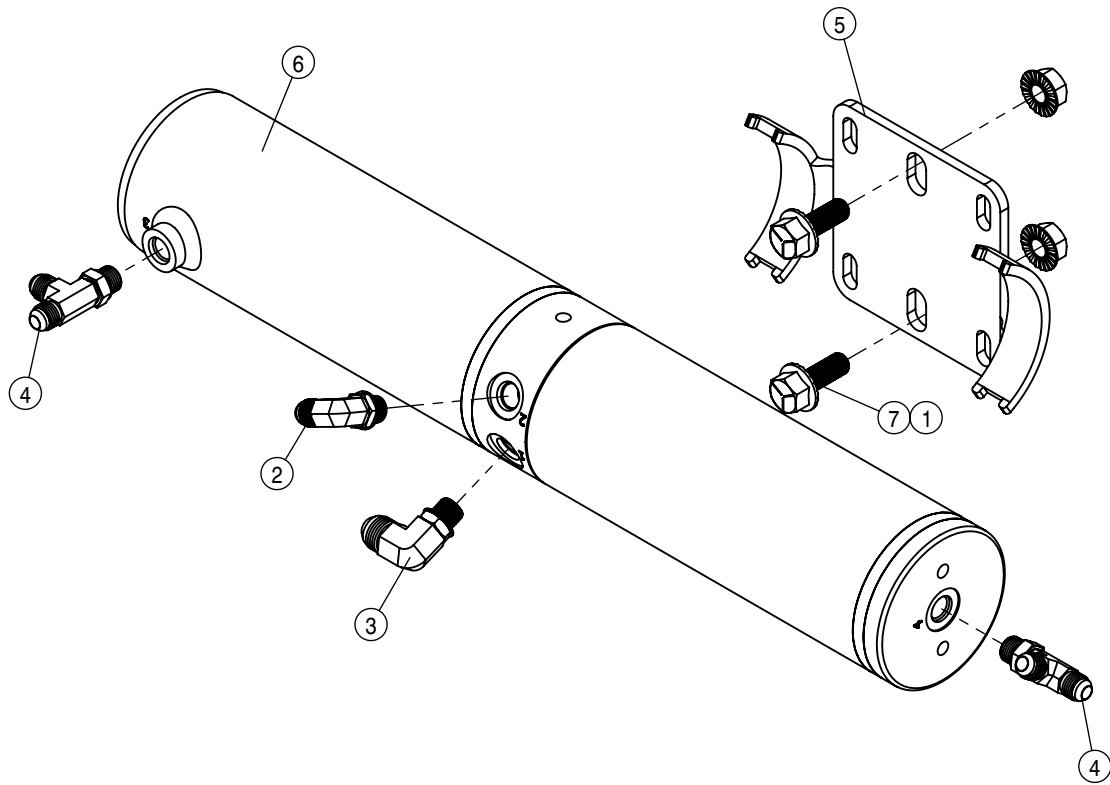


MULTICOUPLER ASSEMBLY 120' HYBRID			
DET	QTY	P/N	DESCRIPTION
1	1	607114	MOBILE HALF COUPLER ASSY, 0502
2	1	629546	SNAP RING, 1.637 EXTERNAL

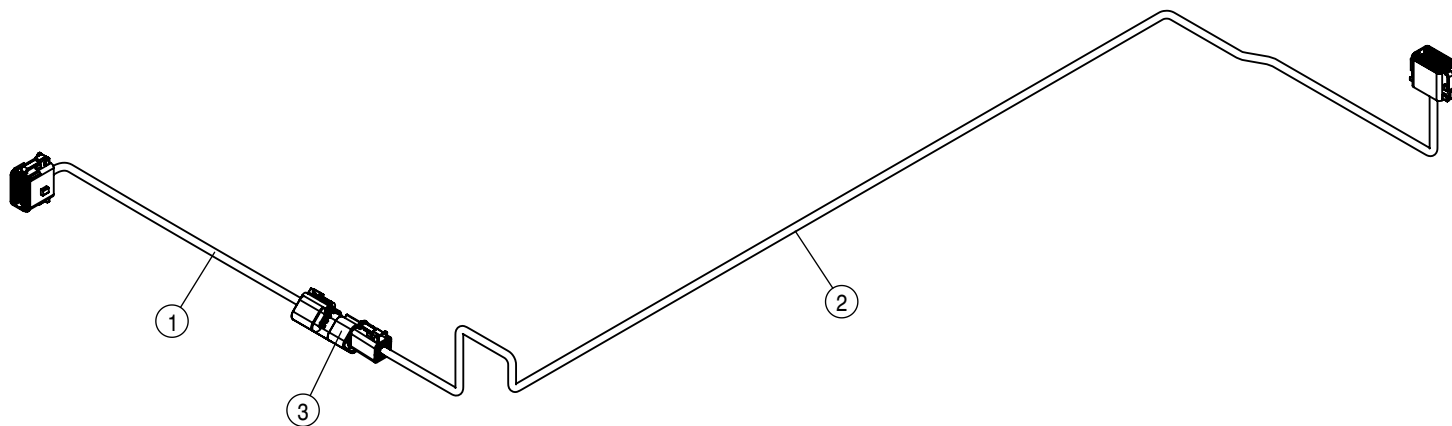


HYDRAULIC HOISING W/ACTIVE WING ROLL 120' HYBRID				
DET	QTY	P/N	DESCRIPTION	
1	1	616365	06-451TC-08FJX-06FJX90-30	H/A
2	1	617215	10-451TC-10FJX-10FJX-116	H/A
3	1	617216	12-451TC-12FJX-12FJX-114	H/A
4	1	617217	10-451TC-10FJX-10FJX90-26	H/A
5	1	617218	12-451TC-12FJX-12FJX90-28	H/A
6	1	617219	06-451TC-08FJX-08FJX90-121	H/A
7	1	617220	06-451TC-06FJX-06FJX90-120	H/A
8	1	617221	06-451TC-08FJX-08FJX-147	H/A
9	1	617222	06-451TC-06FJX-06FJX90-151	H/A
10	1	617223	06-451TC-06FJX-08FJX90-70	H/A
11	1	617224	06-451TC-06FJX-08FJX90-94	H/A
12	1	617428	04-451TC-04FJX-04FJX-49	H/A
13	1	617429	04-451TC-06FJX-06FJX-47	H/A
14	1	617430	04-451TC-08FJX-06FJX90-45	H/A
15	1	617431	04-451TC-06FJX-04FJX90-52	H/A
16	1	617432	04-451TC-08FJX-06FJX90-68	H/A
17	1	617433	04-451TC-06FJX-04FJX90-74	H/A

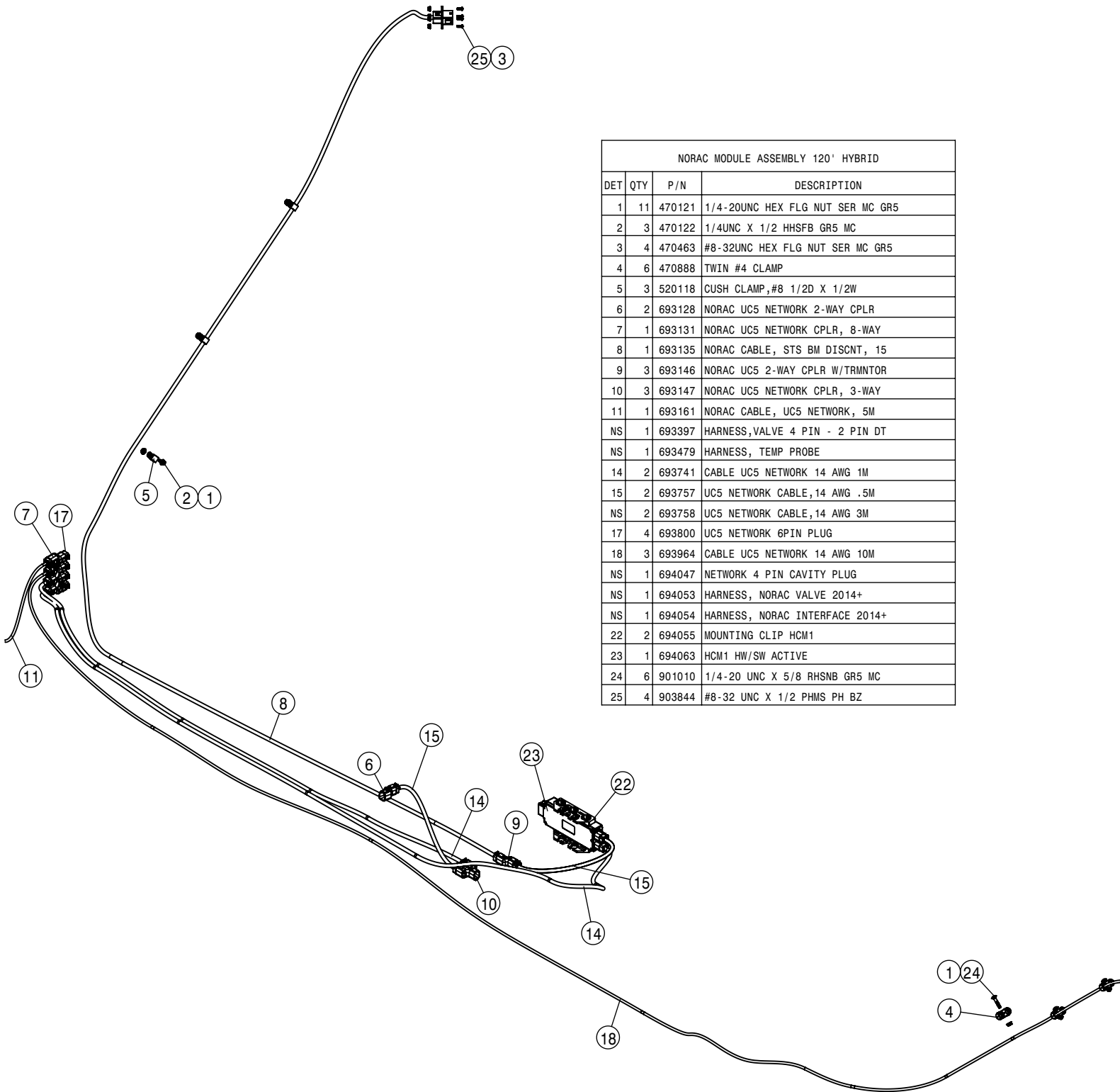
HYDRAULIC HOISING W/ACTIVE WING ROLL 120' HYBRID				
DET	QTY	P/N	DESCRIPTION	
18	1	617434	04-451TC-04FJX-04FJX-72	H/A
19	1	617435	04-451TC-06FJX-06FJX-70	H/A
20	2	617437	06-451TC-06FJX-06FJX-34	H/A
21	2	617438	04-451TC-06FJX-06FJX90-328	H/A
22	2	617439	04-451TC-04FJX-04FJX-331	H/A
23	2	617440	04-451TC-04FJX-04FJX90-14.5H/A	H/A
24	2	617441	04-451TC-06FJX-06FJX45-15	H/A
25	2	617442	04-451TC-06FJX-06FJX-35	H/A
26	2	617443	04-451TC-06FJX-04FJX90-40	H/A
27	2	617444	04-451TC-04FJX-06FJX45-19	H/A
28	2	617445	04-451TC-04FJX-06FJX45-14	H/A
29	1	619090	06-451TC-06FJX-06FJX45-55	H/A
30	1	619091	06-451TC-08FJX-08FJX-29	H/A
31	1	619092	06-451TC-06FJX-06FJX90-33	H/A
32	1	619093	06-451TC-08FJX-06FJX90-101	H/A
33	2	619095	06-451TC-06FJX-08FJX90-45	H/A
34	1	619171	06-451TC-06FJX-06FJX90-25	H/A



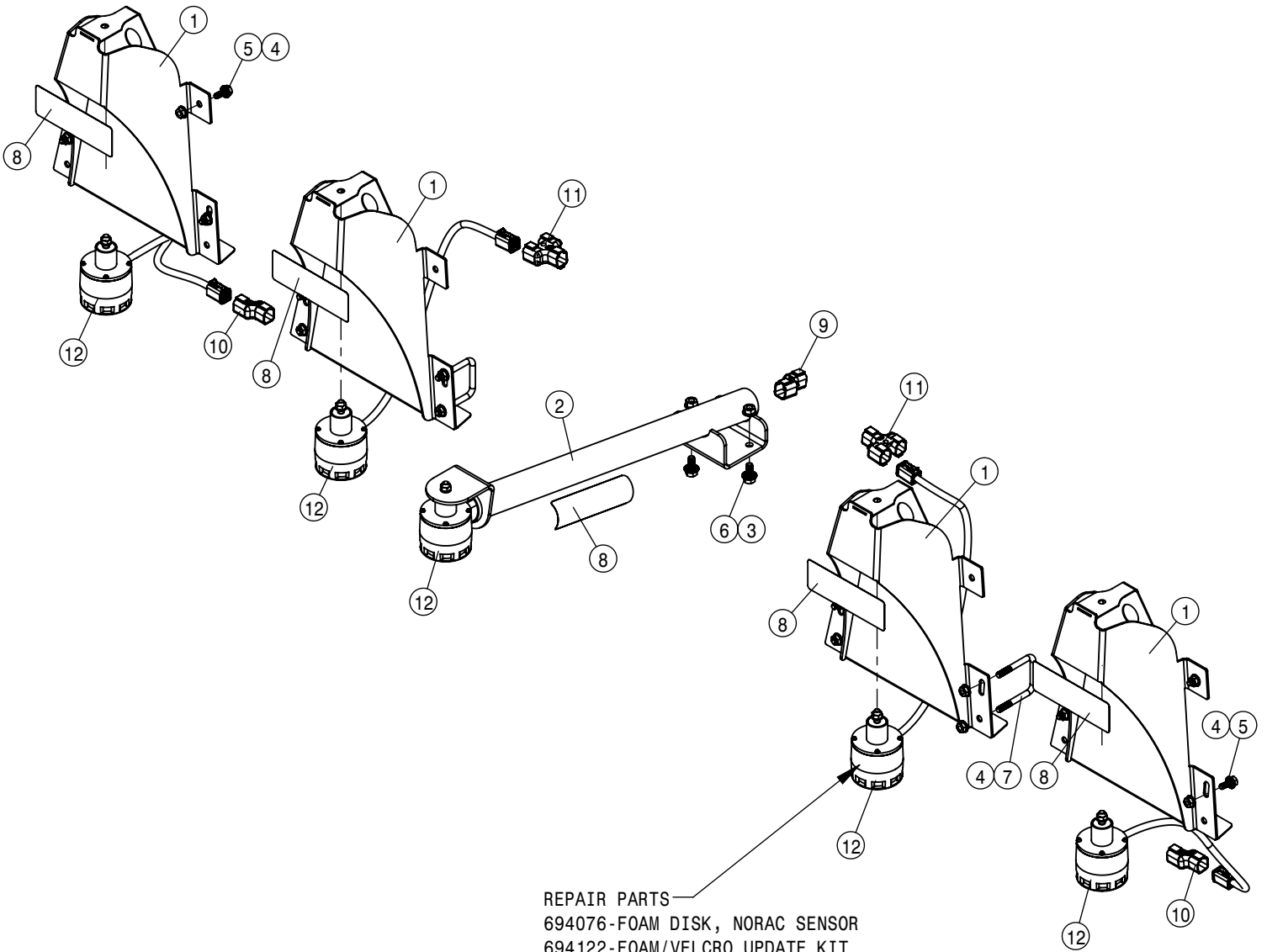
ACTIVE WING ROLL CYLINDER ASSEMBLY 120' HYBRID			
DET	QTY	P/N	DESCRIPTION
1	2	470360	1/2-13UNC HEX FLG NUT SER MC GR5
2	1	618119	9/16MJIC-90-9/16MOR LBO
3	1	618249	3/4MJIC-90-9/16MOR LBO
4	2	618444	9/16MOR RUN TEE-9/16MJIC
5	1	621674	AWR CYL BRKT
6	1	621675	AWR CYL
7	2	900517	1/2UNC X 1 1/4 HHSFB GR5 MC



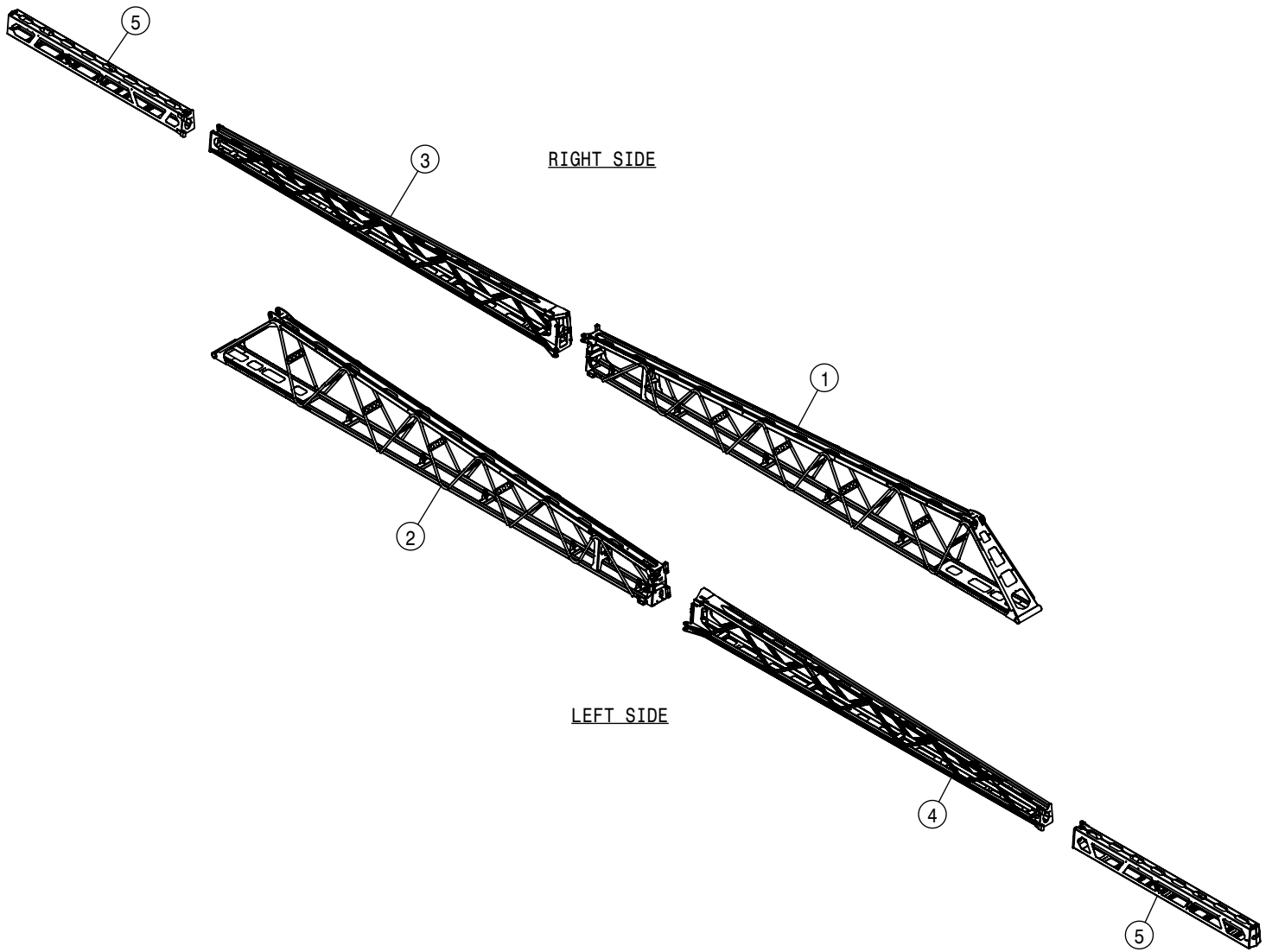
NORAC CAB TO BOOM HARNESS ASSEMBLY 120' HYBRID			
DET	QTY	P/N	DESCRIPTION
1	1	693077	NORAC CABLE, UC5 NETWORK, 10"
2	1	693078	NORAC CABLE, UC5 NETWORK, 90"
3	1	693128	NORAC UC5 NETWORK 2-WAY CPLR



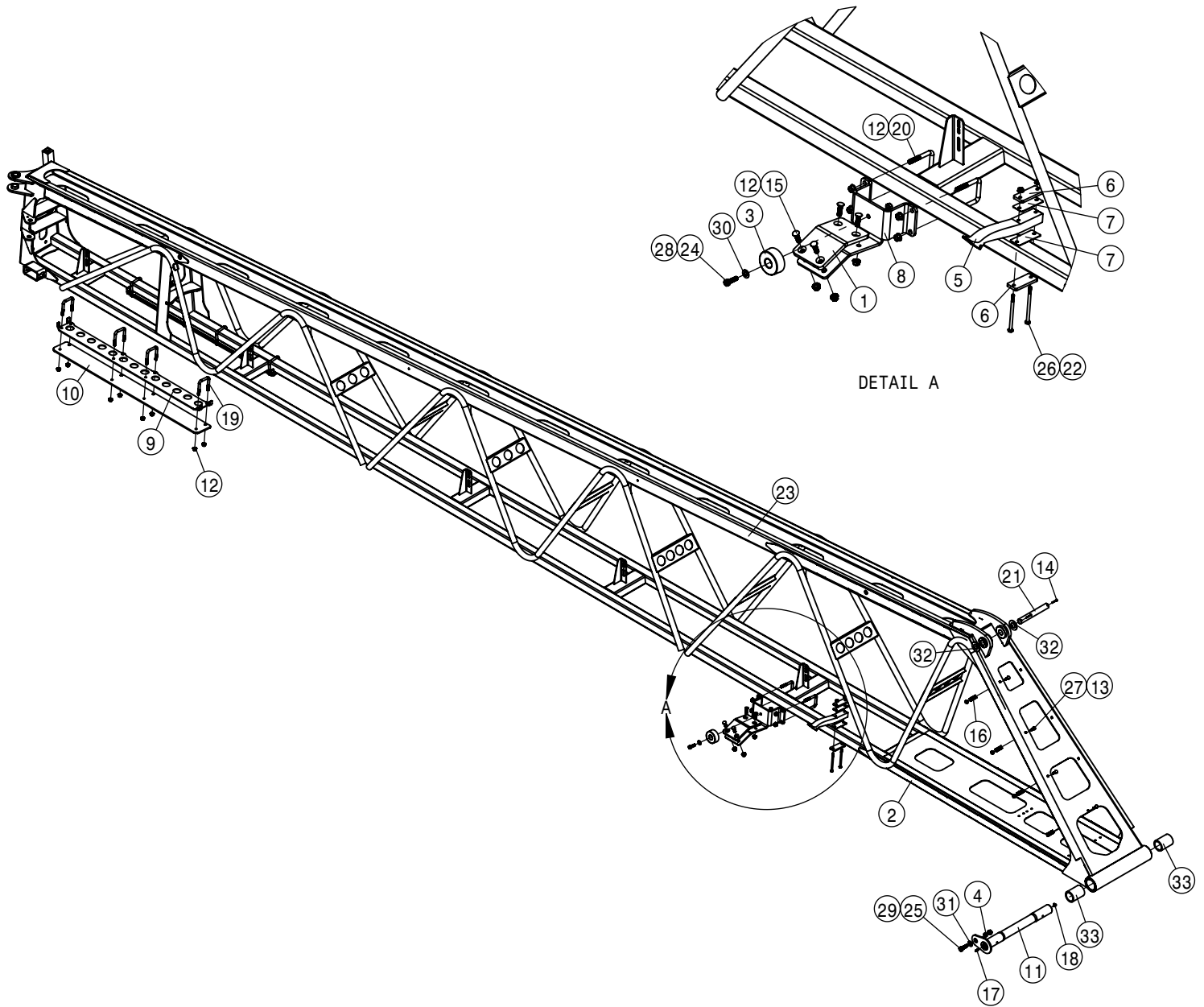
NORAC MODULE ASSEMBLY 120' HYBRID			
DET	QTY	P/N	DESCRIPTION
1	11	470121	1/4-20UNC HEX FLG NUT SER MC GR5
2	3	470122	1/4UNC X 1/2 HHSFB GR5 MC
3	4	470463	#8-32UNC HEX FLG NUT SER MC GR5
4	6	470888	TWIN #4 CLAMP
5	3	520118	CUSH CLAMP,#8 1/2D X 1/2W
6	2	693128	NORAC UC5 NETWORK 2-WAY CPLR
7	1	693131	NORAC UC5 NETWORK CPLR, 8-WAY
8	1	693135	NORAC CABLE, STS BM DISCNT, 15
9	3	693146	NORAC UC5 2-WAY CPLR W/TRMNTOR
10	3	693147	NORAC UC5 NETWORK CPLR, 3-WAY
11	1	693161	NORAC CABLE, UC5 NETWORK, 5M
NS	1	693397	HARNESS, VALVE 4 PIN - 2 PIN DT
NS	1	693479	HARNESS, TEMP PROBE
14	2	693741	CABLE UC5 NETWORK 14 AWG 1M
15	2	693757	UC5 NETWORK CABLE, 14 AWG .5M
NS	2	693758	UC5 NETWORK CABLE, 14 AWG 3M
17	4	693800	UC5 NETWORK 6PIN PLUG
18	3	693964	CABLE UC5 NETWORK 14 AWG 10M
NS	1	694047	NETWORK 4 PIN CAVITY PLUG
NS	1	694053	HARNESS, NORAC VALVE 2014+
NS	1	694054	HARNESS, NORAC INTERFACE 2014+
22	2	694055	MOUNTING CLIP HCM1
23	1	694063	HCM1 HW/SW ACTIVE
24	6	901010	1/4-20 UNC X 5/8 RHSNB GR5 MC
25	4	903844	#8-32 UNC X 1/2 PHMS PH BZ



NORAC SENSOR MOUNTS 120' HYBRID			
DET	QTY	P/N	DESCRIPTION
1	4	167783	NORAC SENSOR MT W/DECAL
2	1	167785	NORAC MT WLD CTR, 120 W/DECAL
3	2	470087	3/8-16UNC HEX FLG NUT SER MC GR5
4	16	470113	5/16-18UNC HEX FLG NUT SER MC GR5
5	8	470233	5/16UNC X 3/4 HHSFB GR5 MC
6	2	470409	3/8UNC X 3/4 HHSFB GR5 MC
7	4	474028	5/16UNC-2.06ID -2.63 U-BOLT SQ
8	5	650210	DECAL, WARNING, UNEXPECTED MOVE
9	1	693128	NORAC UC5 NETWORK 2-WAY CPLR
10	2	693146	NORAC UC5 2-WAY CPLR W/TRMNTOR
11	2	693147	NORAC UC5 NETWORK CPLR, 3-WAY
12	5	693396	ULTRASONIC MAX SENSOR V2

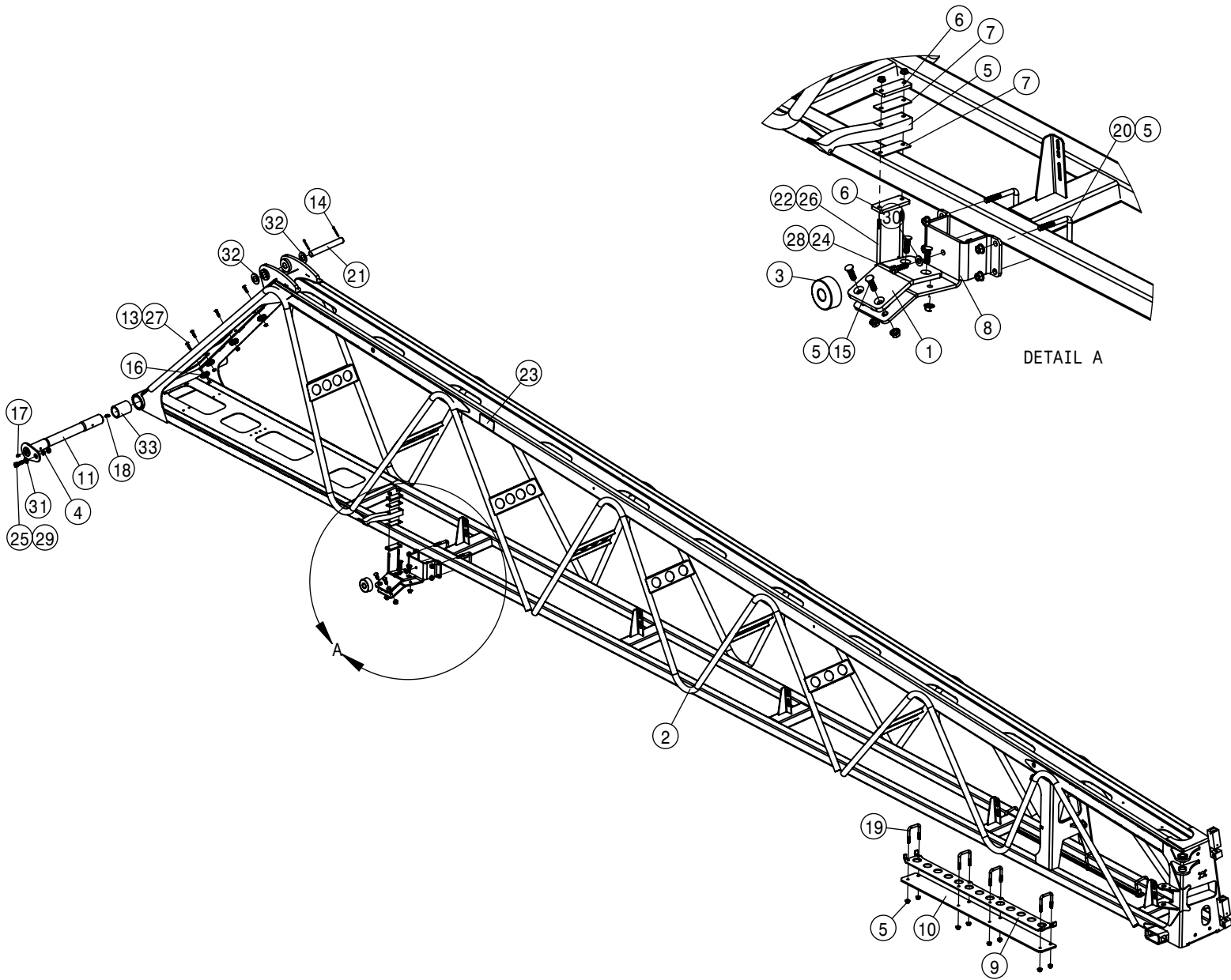


BOOM ASSEMBLY 120' HYBRID				
DET	QTY	P/N	DESCRIPTION	
1	1	167771	HYBRID BM WLD, SCT 1 RH	
2	1	167772	LH SCT 1 120' BM WLD '17	
3	1	169600	HYBRID BM WLD, SCT 2 RH	
4	1	169601	HYBRID BM WLD, SCT 2 LH	
5	2	169602	BREAKAWAY AL BM 120	



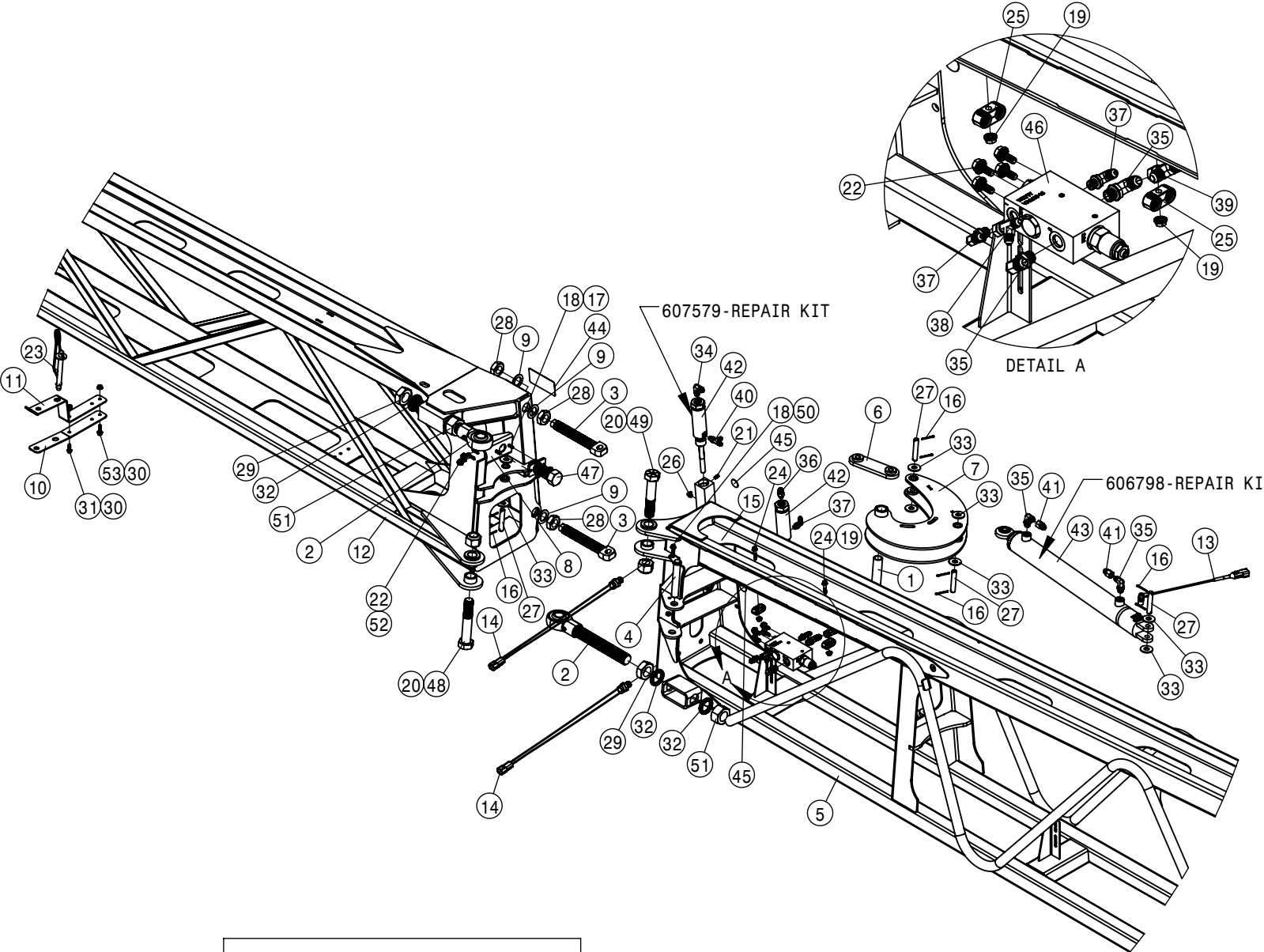
RIGHT INNER BOOM ASSEMBLY 120' HYBRID			
DET	QTY	P/N	DESCRIPTION
1	1	166092	CRADLE PAD A10
2	1	167771	HYBRID BM WLD, SCT 1 RH
3	1	167866	BUMPER-FLEXIBLE
4	1	169407	LEVEL PIN TAB BUSHING
5	1	169455	LATCH, DETENT, UHMW
6	2	169456	PLT, WASHER
7	2	169457	PLT, SHIM
8	1	169458	BM CRADLE, OTR WING
9	2	169614	BM CRADLE BUMPER REINF
10	2	169615	BM CRADLE BUMPER
11	1	169617	LEVEL PIN WLD, 120 NITRIDE
12	24	470087	3/8-16UNC HEX FLG NUT SER MC GR5
13	4	470121	1/4-20UNC HEX FLG NUT SER MC GR5
14	2	470162	3/16 X 1 1/2 COTTER PIN
15	4	470328	3/8UNC X 1 1/4 #3HD PLOW BOLT
16	4	470888	TWIN #4 CLAMP
17	1	471006	GREASE ZERK, 1/4-28 TAPER THD

RIGHT INNER BOOM ASSEMBLY 120' HYBRID			
DET	QTY	P/N	DESCRIPTION
18	1	471028	GREASE ZERK, 1/4-28 90DEG
19	8	472040	3/8UNC-2.18ID-2.81 U-BOLT SQ
20	2	472044	3/8UNC-2ID-3.00 U-BOLT SQ,ZINC
21	1	472221	CLEVIS PIN HL 1.0 DIA X 6.875
22	2	473832	1/4-20UNC HEX FLG NUT SER SS
23	1	650204	DECAL, WARNING, CRUSH HAZARD FP
24	1	900130	3/8UNC X 1 1/4 HHCS GR5 MC
25	1	900265	1/2UNC X 1 1/2 HHCS GR5 MC
26	2	900471	1/4UNC X 4 HHCS SS
27	4	901010	1/4UNC X 1 1/4 CARR BOLT
28	1	914004	3/8-16UNC STOVER NUT MC GR5
29	1	914008	1/2-13UNC STOVER NUT MC GR5
30	1	920002	SAE FLAT WASHER 3/8 MC
31	1	920004	SAE FLAT WASHER 1/2 MC
32	2	920008	SAE FLAT WASHER 1 MC
33	2	A57375	BEARING, 1.75-2.25-3.00 POLYGON



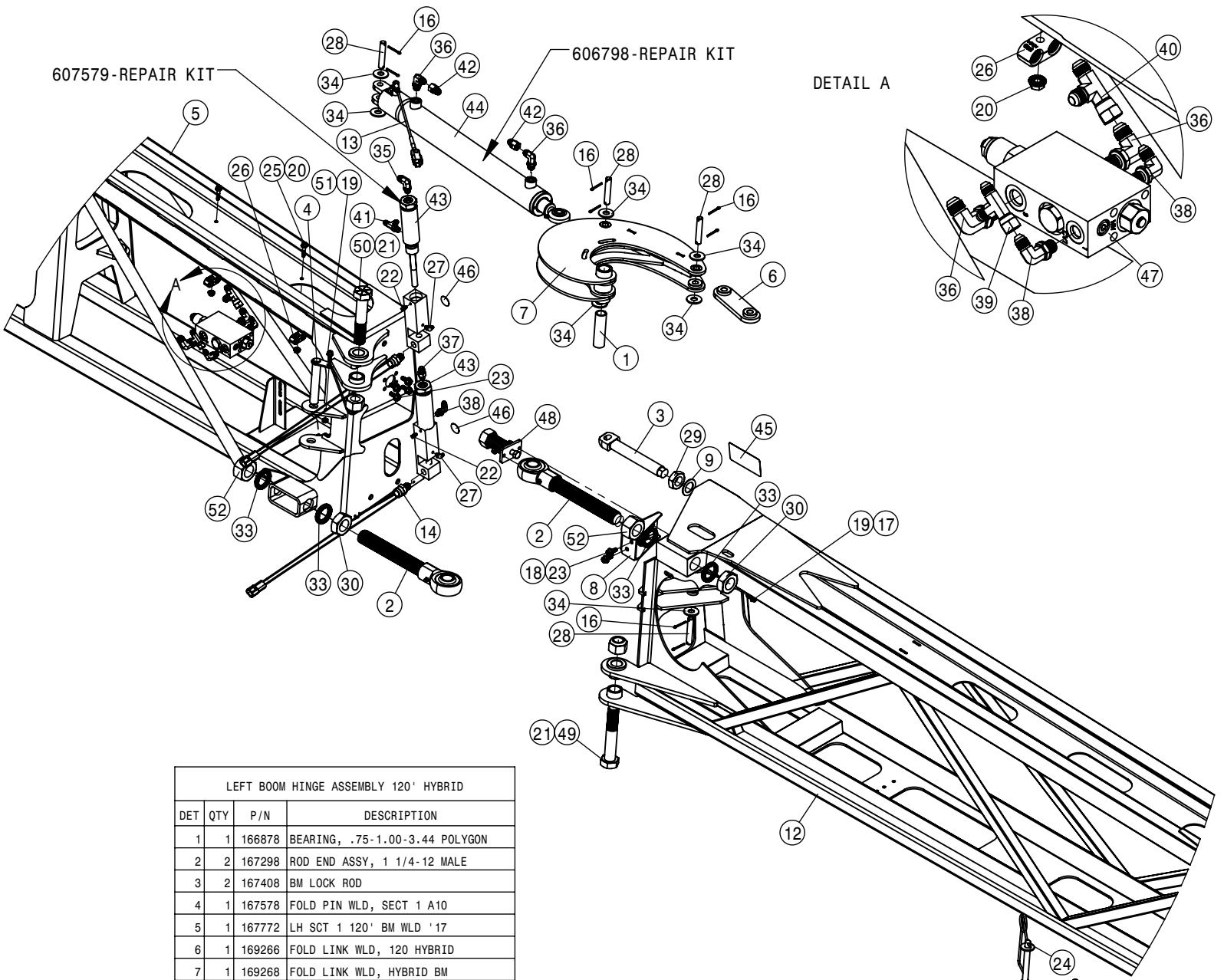
LEFT INNER BOOM ASSEMBLY 120' HYBRID			
DET	QTY	P/N	DESCRIPTION
1	1	166092	CRADLE PAD A10
2	1	167772	LH SCT 1 120' BM WLD '17
3	1	167866	BUMPER-FLEXIBLE
4	1	169407	LEVEL PIN TAB BUSHING
5	1	169455	LATCH, DETENT, UHMW
6	2	169456	PLT, WASHER
7	2	169457	PLT, SHIM
8	1	169458	BM CRADLE, OTR WING
9	2	169614	BM CRADLE BUMPER REINF
10	2	169615	BM CRADLE BUMPER
11	1	169617	LEVEL PIN WLD, 120 NITRIDE
5	24	470087	3/8-16UNC HEX FLG NUT SER MC GR5
13	4	470121	1/4-20UNC HEX FLG NUT SER MC GR5
14	2	470162	3/16 X 1 1/2 COTTER PIN
15	4	470328	3/8UNC X 1 1/4 #3HD PLOW BOLT
16	4	470888	TWIN #4 CLAMP
17	1	471006	GREASE ZERK, 1/4-28 TAPER THD

LEFT INNER BOOM ASSEMBLY 120' HYBRID			
DET	QTY	P/N	DESCRIPTION
18	1	471028	GREASE ZERK, 1/4-28 90DEG
19	8	472040	3/8UNC-2.18ID-2.81 U-BOLT SQ
20	2	472044	3/8UNC-2ID-3.00 U-BOLT SQ,ZINC
21	1	472221	CLEVIS PIN HL 1.0 DIA X 6.875
22	2	473832	1/4-20UNC HEX FLG NUT SER SS
23	1	650204	DECAL, WARNING, CRUSH HAZARD FP
24	1	900130	3/8UNC X 1 1/4 HHCS GR5 MC
25	1	900265	1/2UNC X 1 1/2 HHCS GR5 MC
26	2	900471	1/4UNC X 4 HHCS SS
27	4	901010	1/4UNC X 1 1/4 CARR BOLT
28	1	914004	3/8-16UNC STOVER NUT MC GR5
29	1	914008	1/2-13UNC STOVER NUT MC GR5
30	1	920002	SAE FLAT WASHER 3/8 MC
31	1	920004	SAE FLAT WASHER 1/2 MC
32	2	920008	SAE FLAT WASHER 1 MC
33	2	A57375	BEARING,1.75-2.25-3.00 POLYGON



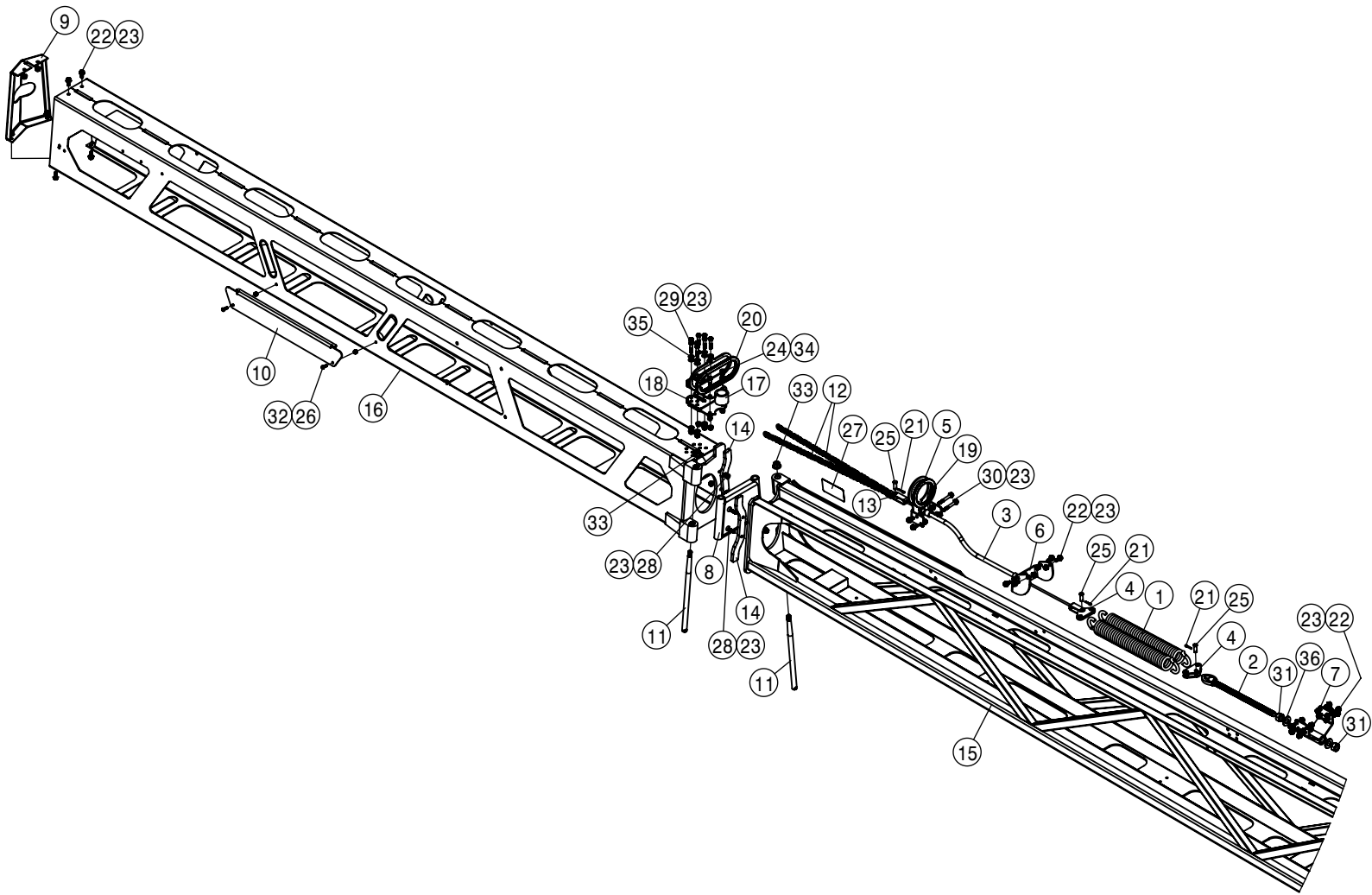
RIGHT BOOM HINGE ASSEMBLY 120' HYBRID			
DET	QTY	P/N	DESCRIPTION
1	1	166878	BEARING, .75-1.00-3.44 POLYGON
2	2	167298	ROD END ASSY, 1 1/4-12 MALE
3	2	167408	BM LOCK ROD
4	1	167578	FOLD PIN WLD, SECT 1 A10
5	1	167771	HYBRID BM WLD, SCT 1 RH
6	1	169266	FOLD LINK WLD, 120 HYBRID
7	1	169268	FOLD LINK WLD, HYBRID BM
8	1	169404	POPPET PUSHER ADJ MT WLD
9	4	169408	BM LOCK ROD WASHER SS
10	1	169477	TRANSPORT LOCK, BTM, OTR WING
11	1	169478	TRANSPORT LOCK, TOP, OTR WING
12	1	169600	HYBRID BM WLD, SCT 2 RH
13	1	291994	SENSOR HARNESS FOR AWS
14	2	292929	BM CATCH SENSOR
15	1	294309	HARNESS, BOOM WING
16	8	390984	1/8 X 1 1/4 COTTER PIN
17	2	470089	1/4-20UNC NYLOCK NUT MC GR5
18	3	470118	1/4UNC X 3/4 HHSFB GR5 MC
19	2	470121	1/4-20UNC HEX FLG NUT SER MC GR5
20	2	470144	1-8UNC NYLOCK NUT MC GR5
21	2	470199	1/4UNC X 3/8 SQHD CUP SET SCR
22	6	470233	5/16UNC X 3/4 HHSFB GR5 MC
23	1	470361	SNAP LOCK PIN, 1/2 X 3 1/2
24	2	470407	1/4UNC X 1 1/4 HHSFB GR5 MC
25	2	470888	TWIN #4 CLAMP
26	2	471028	GREASE ZERK, 1/4-28 90DEG
27	4	472292	CLEVIS PIN HL 0.5 DIA X 2.250

RIGHT BOOM HINGE ASSEMBLY 120' HYBRID			
DET	QTY	P/N	DESCRIPTION
28	4	472328	1-12UNS HEX JAM NUT MC GR5
29	2	472373	1-1/4-12UNF HEX JAM NUT MC GR5
30	3	473832	1/4-20UNC HEX FLG NUT SER SS
31	1	473834	1/4UNC X 3/4 HHSFB SS
32	4	483033	1 1/4" NORD LOCK WASHER
33	8	483041	USS FLAT WASHER 1/2 MC
34	1	618114	9/16MJIC-90-7/16MOR LBO
35	4	618119	9/16MJIC-90-9/16MOR LBO
36	1	618304	9/16MJIC-7/16MOR ADPTR
37	3	618473	7/16MJIC-90-7/16MOR LBO
38	1	618485	7/16FJIC SW RUN TEE-7/16MJIC
39	1	618486	9/16FJIC SW RUN TEE-9/16MJIC
40	1	618509	7/16MOR RUN TEE-7/16MJIC
41	2	618731	9/16 - .025 ORIFICE ADPT
42	2	620104	HYD CYL 1.00" X 1.813" X 0.50"
43	1	621667	HYD CYL, 2.00 X 15.25 X 1.25
44	1	650204	DECAL, WARNING, CRUSH HAZARD FP
45	2	650205	DECAL, GREASE WEEKLY
46	1	701627	MECHANICAL SEQUENCE VLV
47	1	701629	ASSY, POPPET PUSHER (149 LBS)
48	1	900817	1UNC X 5 1/2 HHCS GR8 MC
49	1	900850	1UNC X 5 HHCS GR8 MC
50	1	910000	1/4-20UNC HEX NUT MC GR5
51	2	910041	1-1/4-12UNF HEX NUT MC GR5
52	2	910119	5/16-18UNC HEX FLG NUT SER SS
53	2	910124	1/4UNC X 1 HHSFB SS



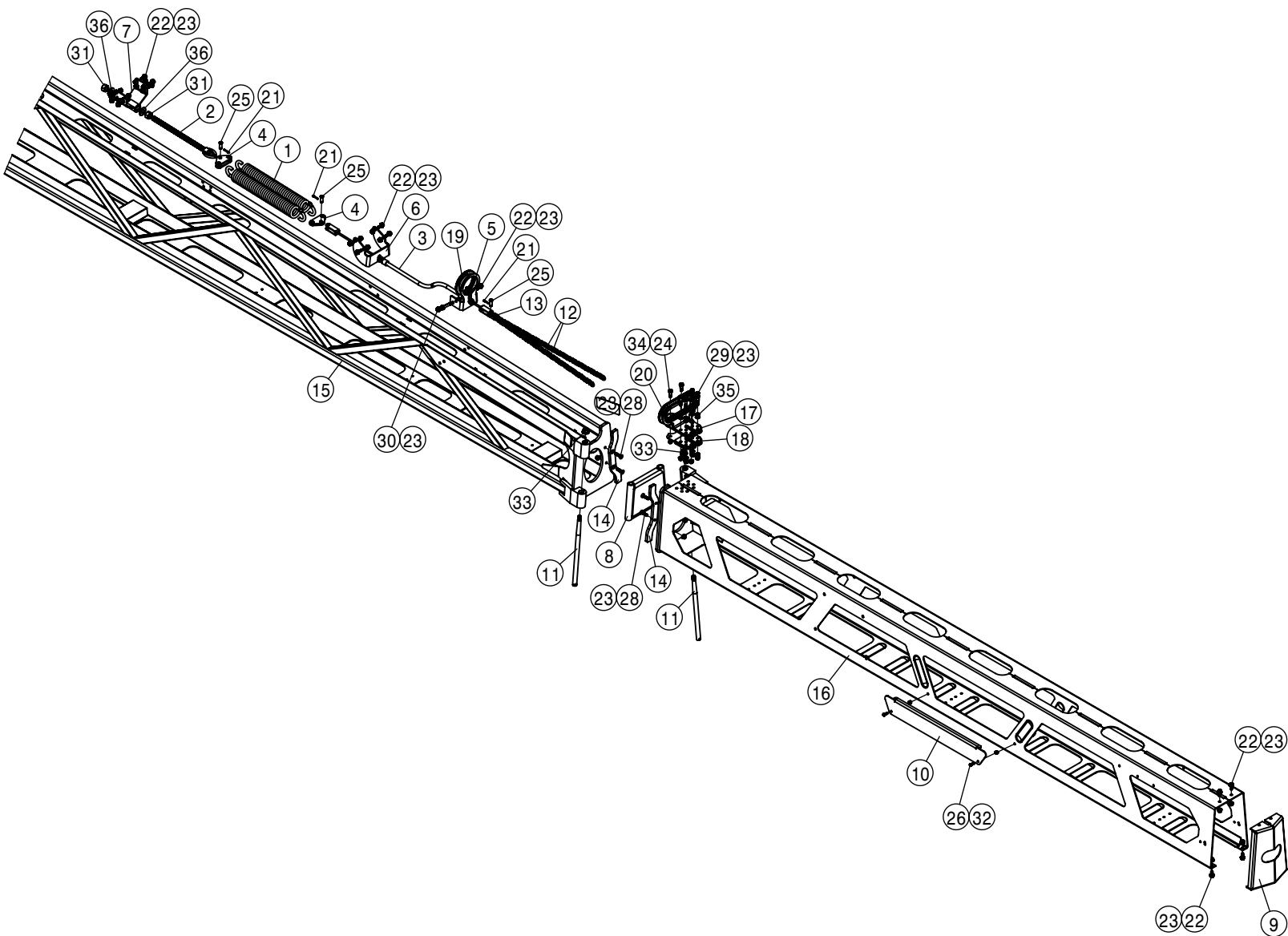
LEFT BOOM HINGE ASSEMBLY 120' HYBRID			
DET	QTY	P/N	DESCRIPTION
1	1	166878	BEARING, .75-1.00-3.44 POLYGON
2	2	167298	ROD END ASSY, 1 1/4-12 MALE
3	2	167408	BM LOCK ROD
4	1	167578	FOLD PIN WLD, SECT 1 A10
5	1	167772	LH SCT 1 120' BM WLD '17
6	1	169266	FOLD LINK WLD, 120 HYBRID
7	1	169268	FOLD LINK WLD, HYBRID BM
8	1	169404	POPPET PUSHER ADJ MT WLD
9	4	169408	BM LOCK ROD WASHER SS
10	1	169477	TRANSPORT LOCK, BTM, OTR WING
11	1	169478	TRANSPORT LOCK, TOP, OTR WING
12	1	169601	HYBRID BM WLD, SCT 2 LH
13	1	291994	SENSOR HARNESS FOR AWS
14	2	292929	BM CATCH SENSOR
NS	1	294309	HARNESS, BOOM WING
16	8	390984	1/8 X 1 1/4 COTTER PIN
17	2	470089	1/4-20UNC NYLOCK NUT MC GR5
18	2	470113	5/16-18UNC HEX FLG NUT SER MC GR5
19	3	470118	1/4UNC X 3/4 HHSFB GR5 MC
20	2	470121	1/4-20UNC HEX FLG NUT SER MC GR5
21	2	470144	1-8UNC NYLOCK NUT MC GR5
22	2	470199	1/4UNC X 3/8 SQHD CUP SET SCR
23	6	470233	5/16UNC X 3/4 HHSFB GR5 MC
24	1	470361	SNAP LOCK PIN, 1/2 X 3 1/2
25	2	470407	1/4UNC X 1 1/4 HHSFB GR5 MC
26	2	470888	TWIN #4 CLAMP
27	2	471028	GREASE ZERK, 1/4-28 90DEG
28	4	472292	CLEVIS PIN HL 0.5 DIA X 2.250
29	4	472328	1-12UNS HEX JAM NUT MC GR5
30	2	472373	1-1/4-12UNF HEX JAM NUT MC GR5
31	3	473832	1/4-20UNC HEX FLG NUT SER SS
32	1	473834	1/4UNC X 3/4 HHSFB SS

LEFT BOOM HINGE ASSEMBLY 120' HYBRID			
DET	QTY	P/N	DESCRIPTION
33	4	483033	1 1/4" NORD LOCK WASHER
34	8	483041	USS FLAT WASHER 1/2 MC
35	1	618114	9/16MJIC-90-7/16MOR LBO
36	4	618119	9/16MJIC-90-9/16MOR LBO
37	1	618304	9/16MJIC-7/16MOR ADPTR
38	3	618473	7/16MJIC-90-7/16MOR LBO
39	1	618485	7/16FJIC SW RUN TEE-7/16MJIC
40	1	618486	9/16FJIC SW RUN TEE-9/16MJIC
41	1	618509	7/16MOR RUN TEE-7/16MJIC
42	2	618731	9/16 - .025 ORIFICE ADPT
43	2	620104	HYD CYL 1.00" X 1.813" X 0.50"
44	1	621667	HYD CYL, 2.00 X 15.25 X 1.25
45	1	650204	DECAL, WARNING, CRUSH HAZARD FP
46	2	650205	DECAL, GREASE WEEKLY
47	1	701627	MECHANICAL SEQUENCE VLV
48	1	701629	ASSY, POPPET PUSHER (149 LBS)
49	1	900817	1UNC X 5 1/2 HHCS GR8 MC
50	1	900850	1UNC X 5 HHCS GR8 MC
51	1	910000	1/4-20UNC HEX NUT MC GR5
52	2	910041	1-1/4-12UNF HEX NUT MC GR5
53	2	910124	1/4UNC X 1 HHSFB SS



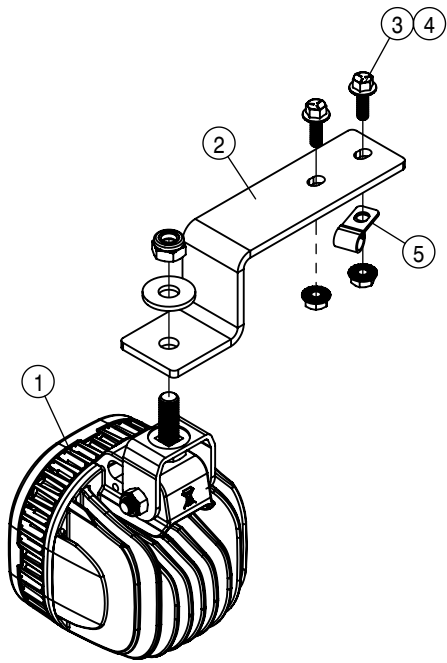
RIGHT BOOM BREAKAWAY 120' HYBRID			
DET	QTY	P/N	DESCRIPTION
1	2	167106	SPRING,BREAK AWAY 120'A'12
2	1	167107	BM SPRING ROD ASSY 120'A'12
3	1	167522	BREAKAWAY CABLE
4	4	167837	SPRING SPREADER LINK
5	1	169171	BRKWY CABLE SHEATH OTR MT
6	1	169172	BRKWY CABLE SHEATH INR MT
7	1	169175	BRKWY SPRING TENSION MT WLD
8	1	169273	BREAKAWAY PIVOT WLD, AL BOOM
9	1	169306	BREAKAWAY CAP WLD
10	1	169411	HYBRID 120' BRKWY BUMPER
11	2	169412	HYBRID BRKWY HINGE PIN
12	2	169448	HYBRID BRKWY CHAIN SS
13	1	169449	SS CONNECTING LINK
14	2	169599	UHMW BRKWY PAD
15	1	169600	HYBRID BM WLD, SCT 2 RH
16	1	169602	BREAKAWAY AL BM 120
17	1	169603	UPPER TONGUE WLD
18	1	169604	LWR TONGUE WLD

RIGHT BOOM BREAKAWAY 120' HYBRID			
DET	QTY	P/N	DESCRIPTION
19	1	193016-010	QUICKEDGE TRIM .060 TO .170
20	1	193016-015	QUICKEDGE TRIM .060 TO .170
21	3	470040	COTTER PIN 5/32 X 3/4
22	18	470233	5/16UNC X 3/4 HHSFB GR5 MC
23	32	470570	5/16-18UNC CTRLK FLG NUT MC GR5
24	2	470907	5/16-18 UNC SS SHOULDER BOLT
25	3	472205	CLEVIS PIN 3/8 DIA X 3/4 FREE
26	2	472379	1/4-20 UNC X 3/4 BHCS SS
27	1	650204	DECAL, WARNING, CRUSH HAZARD FP
28	4	900061	5/16-18 UNC X 1 1/4 FHSCS GR8 BO
29	8	900067	5/16UNC X 1 1/2 HHCS GR5 MC
30	2	900089	5/16UNC X 2 1/4 HHSFB GR5 MC
31	2	910010	5/8-11UNC HEX NUT MC GR5
32	2	910118	1/4-20UNC NYLOCK NUT SS
33	2	914015	1/2-13UNC CTRLK FLG NUT MC GR5
34	2	914017	5/16-18UNC STOVER NUT SS
35	8	920001	SAE FLAT WASHER 5/16 MC
36	2	920005	SAE FLAT WASHER 5/8 MC

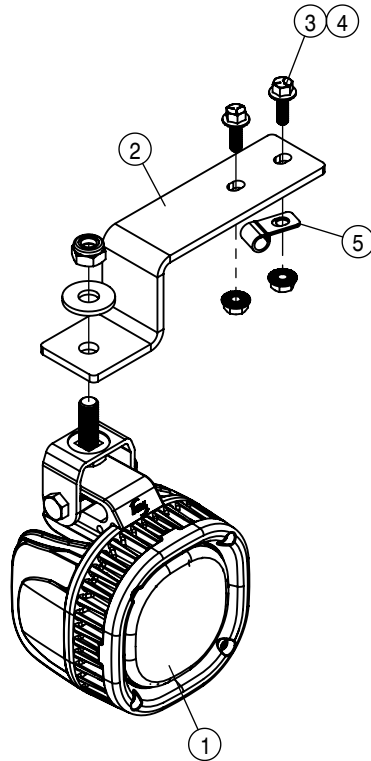


LEFT BOOM BREAKAWAY 120' HYBRID			
DET	QTY	P/N	DESCRIPTION
1	2	167106	SPRING,BREAK AWAY 120'A'12
2	1	167107	BM SPRING ROD ASSY 120'A'12
3	1	167522	BREAKAWAY CABLE
4	4	167837	SPRING SPREADER LINK
5	1	169171	BRKWKY CABLE SHEATH OTR MT
6	1	169172	BRKWKY CABLE SHEATH INR MT
7	1	169175	BRKWKY SPRING TENSION MT WLD
8	1	169273	BREAKAWAY PIVOT WLD, AL BOOM
9	1	169306	BREAKAWAY CAP WLD
10	1	169411	HYBRID 120' BRKWKY BUMPER
11	2	169412	HYBRID BRKWKY HINGE PIN
12	2	169448	HYBRID BRKWKY CHAIN SS
13	1	169449	SS CONNECTING LINK
14	2	169599	UHMW BRKWKY PAD
15	1	169601	HYBRID BM WLD, SCT 2 LH
16	1	169602	BREAKAWAY AL BM 120
17	1	169603	UPPER TONGUE WLD
18	1	169604	LWR TONGUE WLD

LEFT BOOM BREAKAWAY 120' HYBRID			
DET	QTY	P/N	DESCRIPTION
19	1	193016-010	QUICKEDGE TRIM .060 TO .170
20	1	193016-015	QUICKEDGE TRIM .060 TO .170
21	3	470040	COTTER PIN 5/32 X 3/4
22	18	470233	5/16UNC X 3/4 HHSFB GR5 MC
23	32	470570	5/16-18UNC CTRLK FLG NUT MC GR5
24	2	470907	5/16-18 UNC SS SHOULDER BOLT
25	3	472205	CLEVIS PIN 3/8 DIA X 3/4 FREE
26	2	472379	1/4-20 UNC X 3/4 BHCS SS
27	1	650204	DECAL, WARNING, CRUSH HAZARD FP
28	4	900061	5/16-18 UNC X 1 1/4 FHSCS GR8 BO
29	8	900067	5/16UNC X 1 1/2 HHCS GR5 MC
30	2	900089	5/16UNC X 2 1/4 HHSFB GR5 MC
31	2	910010	5/8-11UNC HEX NUT MC GR5
32	2	910118	1/4-20UNC NYLOCK NUT SS
33	2	914015	1/2-13UNC CTRLK FLG NUT MC GR5
34	2	914017	5/16-18UNC STOVER NUT SS
35	8	920001	SAE FLAT WASHER 5/16 MC
36	2	920005	SAE FLAT WASHER 5/8 MC

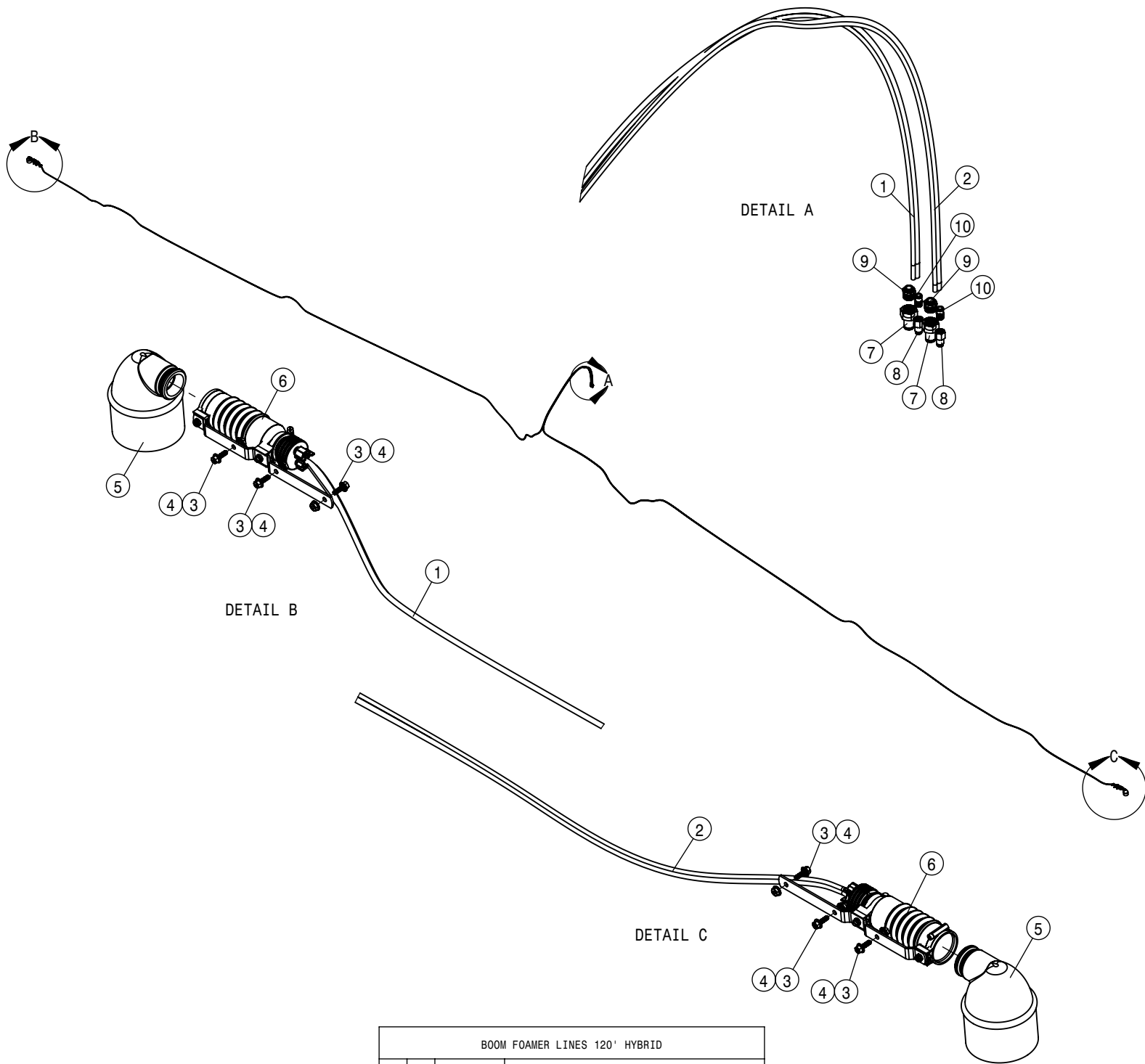


RIGHT SIDE

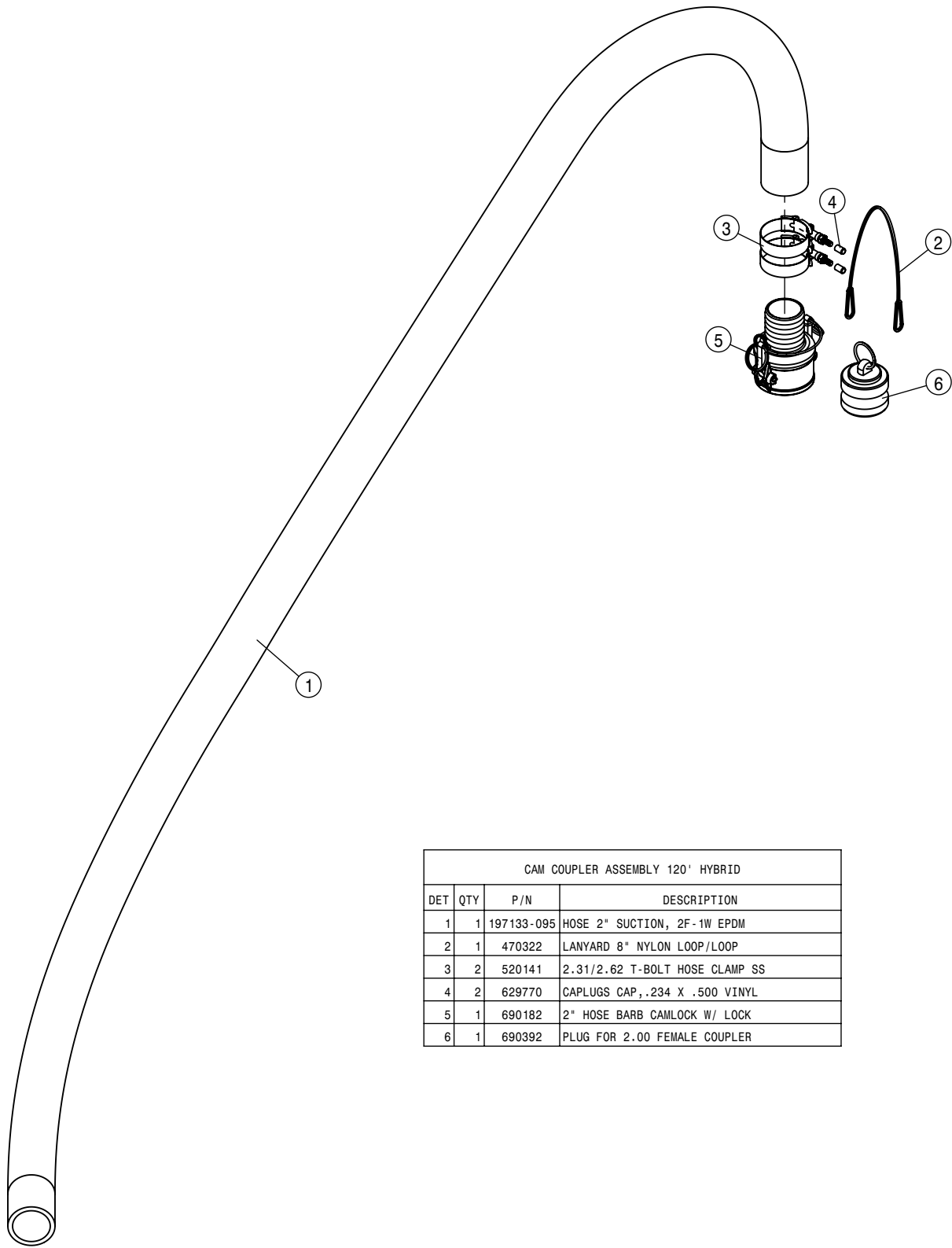


LEFT SIDE

NIGHT SPRAY ASSEMBLY 120' HYBRID			
DET	QTY	P/N	DESCRIPTION
1	2	290014	LIGHT, 1010L4-BLUE POINT
2	2	317048	NIGHT SPRAY BRKT
3	4	470118	1/4UNC X 3/4 HHSFB GR5 MC
4	4	470121	1/4-20UNC HEX FLG NUT SER MC GR5
5	2	520125	CUSH CLMP,#5, 5/16DX1/2W



BOOM FOAMER LINES 120' HYBRID				
DET	QTY	P/N	DESCRIPTION	
1	1	195958-784	AIR LIQUID TUBING 6-8mm	
2	1	195958-871	AIR LIQUID TUBING 6-8mm	
3	6	470118	1/4UNC X 3/4 HHSFB GR5 MC	
4	6	473832	1/4-20UNC HEX FLG NUT SER SS	
5	2	701317	FOAM NOZZLE BELL	
6	2	701327	FOAM NOZZLE SUB ASSY	
7	2	711112	3/8OD X 3/8NPT FEM CONNECT BRS	
8	2	711113	1/4OD X 1/8NPT FEM CONNECT BRS	
9	2	711114	8MM OD X 3/8 NPT MALE CONNECTOR, BRS	
10	2	711115	6MM OD X 1/8NPT MALE CONNECTOR, BRS	

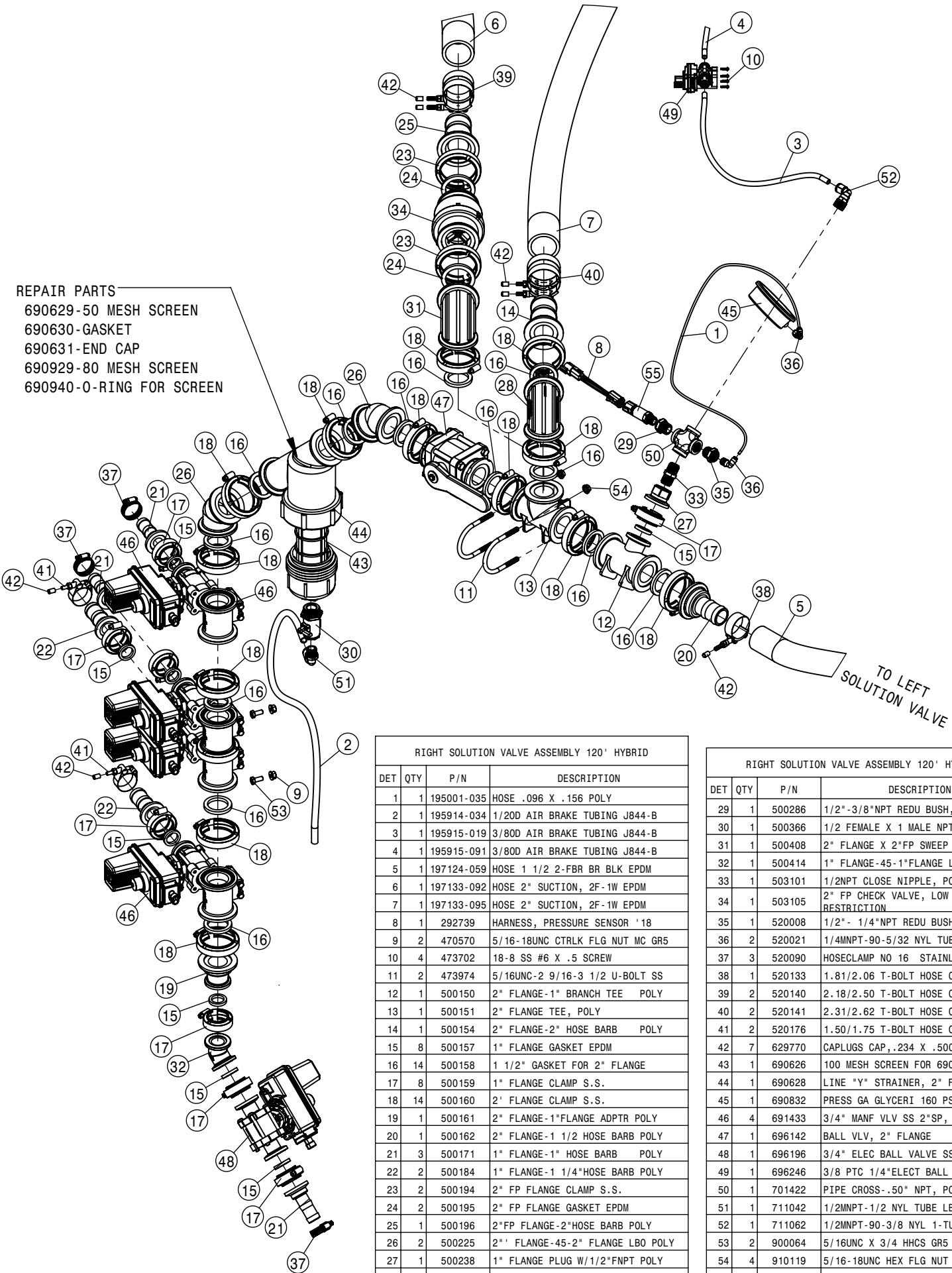


TO SOLUTION VALVES

CAM COUPLER ASSEMBLY 120' HYBRID			
DET	QTY	P/N	DESCRIPTION
1	1	197133-095	HOSE 2" SUCTION, 2F-1W EPDM
2	1	470322	LANYARD 8" NYLON LOOP/LOOP
3	2	520141	2.31/2.62 T-BOLT HOSE CLAMP SS
4	2	629770	CAPPLUGS CAP, .234 X .500 VINYL
5	1	690182	2" HOSE BARB CAMLOCK W/ LOCK
6	1	690392	PLUG FOR 2.00 FEMALE COUPLER

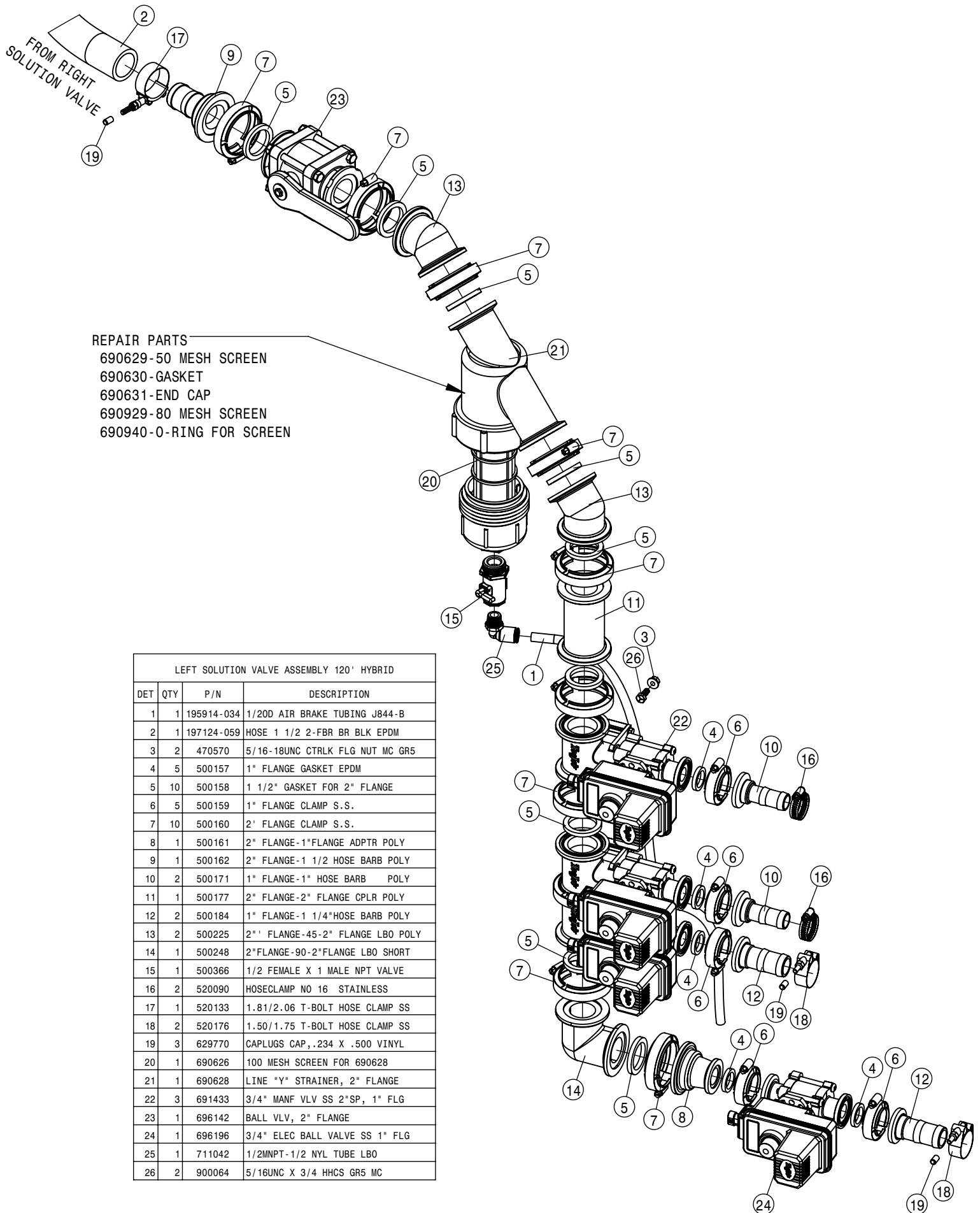
FROM QUICK ATTACH

REPAIR PARTS
 690629-50 MESH SCREEN
 690630-GASKET
 690631-END CAP
 690929-80 MESH SCREEN
 690940-O-RING FOR SCREEN



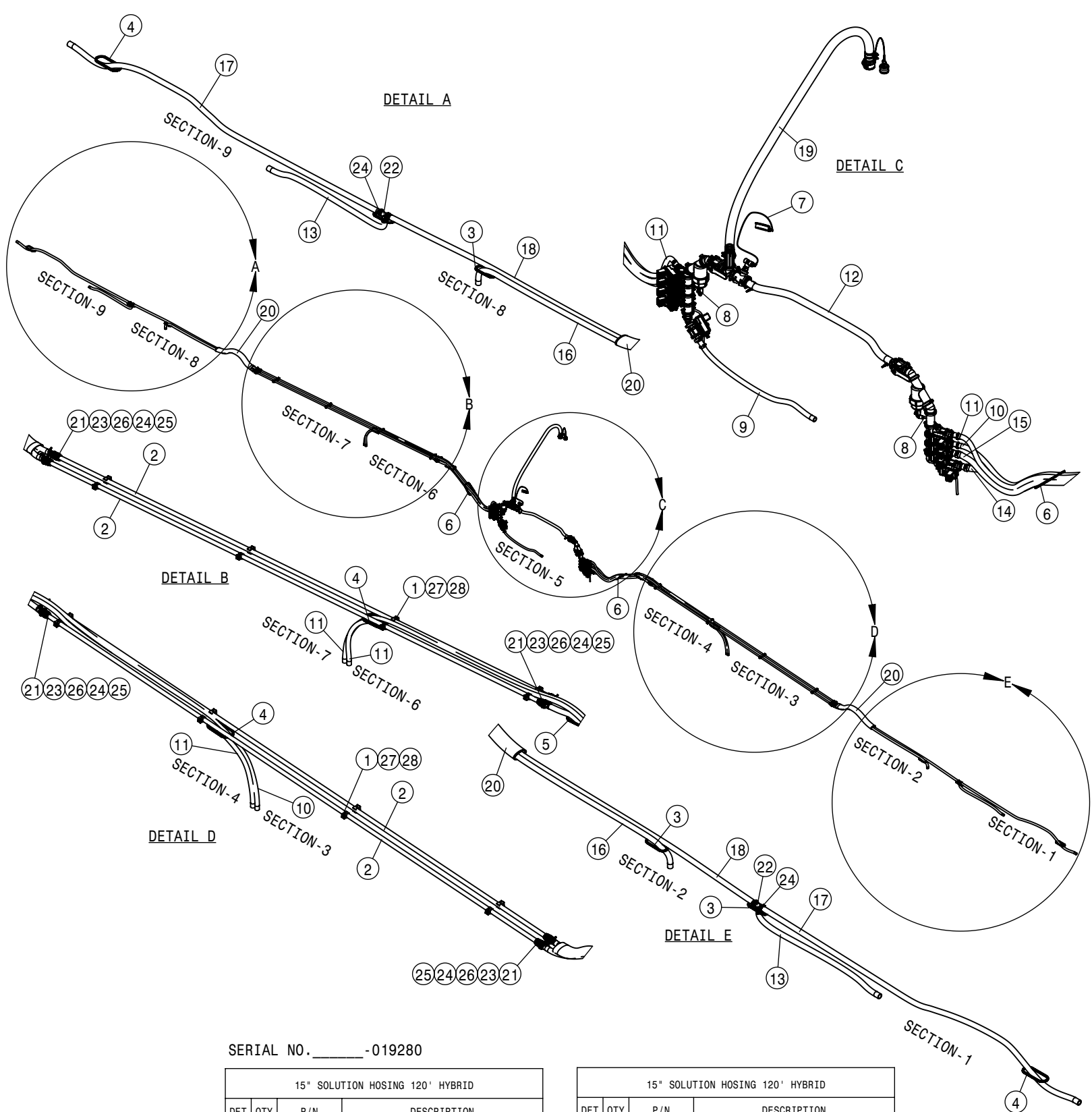
RIGHT SOLUTION VALVE ASSEMBLY 120' HYBRID			
DET	QTY	P/N	DESCRIPTION
1	1	195001-035	HOSE .096 X .156 POLY
2	1	195914-034	1/20D AIR BRAKE TUBING J844-B
3	1	195915-019	3/80D AIR BRAKE TUBING J844-B
4	1	195915-091	3/80D AIR BRAKE TUBING J844-B
5	1	197124-059	HOSE 1 1/2 2-FBR BR BLK EPDM
6	1	197133-092	HOSE 2" SUCTION, 2F-1W EPDM
7	1	197133-095	HOSE 2" SUCTION, 2F-1W EPDM
8	1	292739	HARNES, PRESSURE SENSOR '18
9	2	470570	5/16-18UNC CTRLK FLG NUT MC GR5
10	4	473702	18-8 SS #6 X .5 SCREW
11	2	473974	5/16UNC-2 9/16-3 1/2 U-BOLT SS
12	1	500150	2" FLANGE-1" BRANCH TEE POLY
13	1	500151	2" FLANGE TEE, POLY
14	1	500154	2" FLANGE-2" HOSE BARB POLY
15	8	500157	1" FLANGE GASKET EPDM
16	14	500158	1 1/2" GASKET FOR 2" FLANGE
17	8	500159	1" FLANGE CLAMP S.S.
18	14	500160	2" FLANGE CLAMP S.S.
19	1	500161	2" FLANGE-1"FLANGE ADPTR POLY
20	1	500162	2" FLANGE-1 1/2 HOSE BARB POLY
21	3	500171	1" FLANGE-1" HOSE BARB POLY
22	2	500184	1" FLANGE-1 1/4"HOSE BARB POLY
23	2	500194	2" FP FLANGE CLAMP S.S.
24	2	500195	2" FP FLANGE GASKET EPDM
25	1	500196	2"FP FLANGE-2"HOSE BARB POLY
26	2	500225	2" FLANGE-45-2" FLANGE LBO POLY
27	1	500238	1" FLANGE PLUG W/1/2"FNPT POLY
28	1	500266	2" FLANGE SWEEP 90

RIGHT SOLUTION VALVE ASSEMBLY 120' HYBRID			
DET	QTY	P/N	DESCRIPTION
29	1	500286	1/2"-3/8"NPT REDU BUSH, POLY
30	1	500366	1/2 FEMALE X 1 MALE NPT VALVE
31	1	500408	2" FLANGE X 2"FP SWEEP -90
32	1	500414	1" FLANGE-45-1"FLANGE LBO POLY
33	1	503101	1/2NPT CLOSE NIPPLE, POLY
34	1	503105	2" FP CHECK VALVE, LOW RESTRICTION
35	1	520008	1/2"- 1/4"NPT REDU BUSH, POLY
36	2	520021	1/4MNPT-90-5/32 NYL TUBE LBO
37	3	520090	HOSECLAMP NO 16 STAINLESS
38	1	520133	1.81/2.06 T-BOLT HOSE CLAMP SS
39	2	520140	2.18/2.50 T-BOLT HOSE CLAMP SS
40	2	520141	2.31/2.62 T-BOLT HOSE CLAMP SS
41	2	520176	1.50/1.75 T-BOLT HOSE CLAMP SS
42	7	629770	CAPPLUGS CAP,.234 X .500 VINYL
43	1	690626	100 MESH SCREEN FOR 690628
44	1	690628	LINE "Y" STRAINER, 2" FLANGE
45	1	690832	PRESS GA GLYCERI 160 PSI
46	4	691433	3/4" MANF VLV SS 2"SP, 1" FLG
47	1	696142	BALL VLV, 2" FLANGE
48	1	696196	3/4" ELEC BALL VALVE SS 1" FLG
49	1	696246	3/8 PTC 1/4"ELECT BALL VLV
50	1	701422	PIPE CROSS-.50" NPT, POLY
51	1	711042	1/2MNPT-1/2 NYL TUBE LBO
52	1	711062	1/2MNPT-90-3/8 NYL 1-TUBE LBO
53	2	900064	5/16UNC X 3/4 HHCS GR5 MC
54	4	910119	5/16-18UNC HEX FLG NUT SER SS
55	1	AKK13435	PRESSURE TRANSDUCER, 0-200 PSI



REPAIR PARTS
 690629-50 MESH SCREEN
 690630-GASKET
 690631-END CAP
 690929-80 MESH SCREEN
 690940-O-RING FOR SCREEN

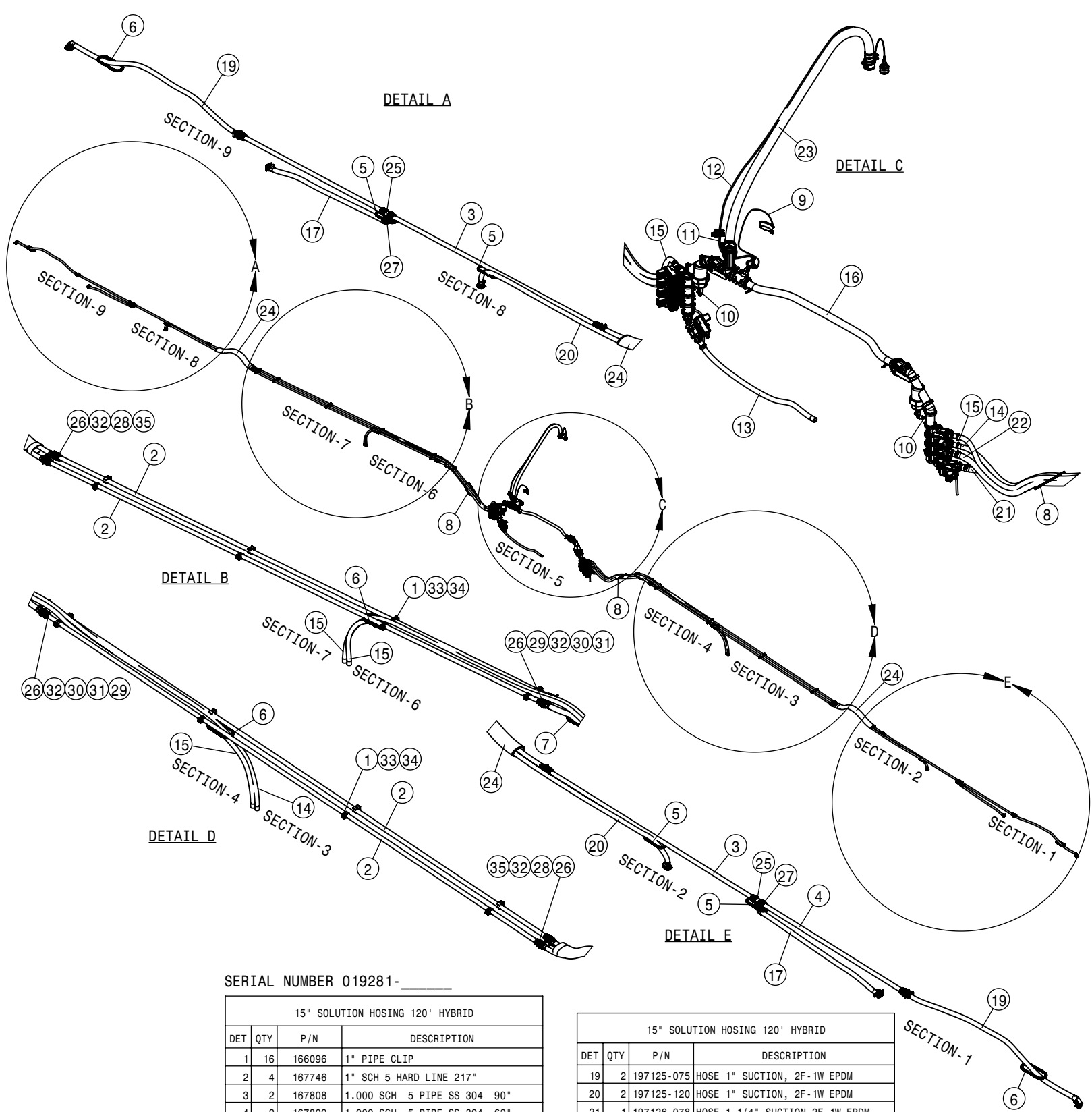
LEFT SOLUTION VALVE ASSEMBLY 120' HYBRID			
DET	QTY	P/N	DESCRIPTION
1	1	195914-034	1/20D AIR BRAKE TUBING J844-B
2	1	197124-059	HOSE 1 1/2 2-FBR BR BLK EPDM
3	2	470570	5/16-18UNC CTRLK FLG NUT MC GR5
4	5	500157	1" FLANGE GASKET EPDM
5	10	500158	1 1/2" GASKET FOR 2" FLANGE
6	5	500159	1" FLANGE CLAMP S.S.
7	10	500160	2" FLANGE CLAMP S.S.
8	1	500161	2" FLANGE-1"FLANGE ADPTR POLY
9	1	500162	2" FLANGE-1 1/2 HOSE BARB POLY
10	2	500171	1" FLANGE-1" HOSE BARB POLY
11	1	500177	2" FLANGE-2" FLANGE CPLR POLY
12	2	500184	1" FLANGE-1 1/4"HOSE BARB POLY
13	2	500225	2" FLANGE-45-2" FLANGE LBO POLY
14	1	500248	2"FLANGE-90-2"FLANGE LBO SHORT
15	1	500366	1/2 FEMALE X 1 MALE NPT VALVE
16	2	520090	HOSECLAMP NO 16 STAINLESS
17	1	520133	1.81/2.06 T-BOLT HOSE CLAMP SS
18	2	520176	1.50/1.75 T-BOLT HOSE CLAMP SS
19	3	629770	CAPPLUGS CAP, .234 X .500 VINYL
20	1	690626	100 MESH SCREEN FOR 690628
21	1	690628	LINE "Y" STRAINER, 2" FLANGE
22	3	691433	3/4" MANF VLV SS 2"SP, 1" FLG
23	1	696142	BALL VLV, 2" FLANGE
24	1	696196	3/4" ELEC BALL VALVE SS 1" FLG
25	1	711042	1/2MNPT-1/2 NYL TUBE LBO
26	2	900064	5/16UNC X 3/4 HHCS GR5 MC



SERIAL NO. _____ -019280

15" SOLUTION HOSEING 120' HYBRID			
DET	QTY	P/N	DESCRIPTION
1	16	166096	1" PIPE CLIP
2	4	167746	1" SCH 5 HARD LINE 217"
3	4	193016-018	QUICKEDGE TRIM .060 TO .170
4	4	193016-023	QUICKEDGE TRIM .060 TO .170
5	2	193016-025	QUICKEDGE TRIM .060 TO .170
6	2	193016-028	QUICKEDGE TRIM .060 TO .170
7	1	195001-035	HOSE .096 X .156 POLY
8	2	195914-034	1/20D AIR BRAKE TUBING J844-B
9	1	197116-053	HOSE 1IN 1-FBR BR BLK EPDM
10	1	197116-189	HOSE 1IN 1-FBR BR BLK EPDM
11	3	197116-191	HOSE 1IN 1-FBR BR BLK EPDM
12	1	197124-059	HOSE 1 1/2 2-FBR BR BLK EPDM
13	2	197126-057	HOSE 1 1/4" SUCTION,2F-1W EPDM
14	1	197126-078	HOSE 1 1/4" SUCTION,2F-1W EPDM

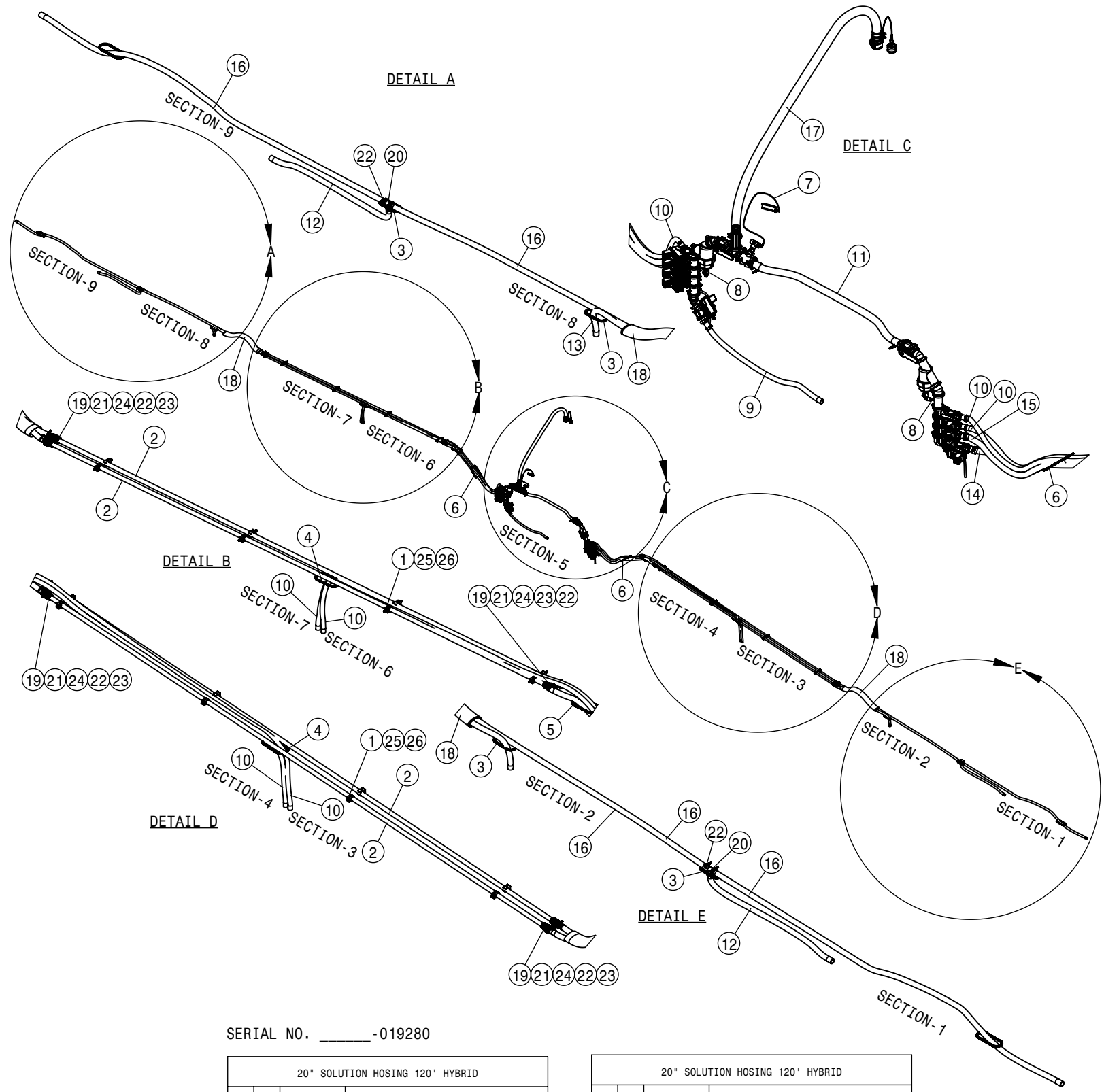
15" SOLUTION HOSEING 120' HYBRID			
DET	QTY	P/N	DESCRIPTION
15	3	197126-081	HOSE 1 1/4" SUCTION,2F-1W EPDM
16	2	197126-119	HOSE 1 1/4" SUCTION,2F-1W EPDM
17	2	197126-141	HOSE 1 1/4" SUCTION,2F-1W EPDM
18	2	197126-153	HOSE 1 1/4" SUCTION,2F-1W EPDM
19	1	197133-095	HOSE 2" SUCTION, 2F-1W EPDM
20	2	470310	SIDEWINDER SLEEVE,14.06 X 45"
21	8	500298	EASY FIT END T5, 1" PIPE
22	2	500347	Barbed Dark Gray PVC
23	8	500369	T5 TO 32 MM HB FEMALE
24	14	520176	1.50/1.75 T-BOLT HOSE CLAMP SS
25	15	629770	CAPPLUGS CAP, .234 X .500 VINYL
26	8	737738	FORK,D.3 DIST.42 (737731)
27	16	900449	1/4UNC X 1 HHCS SS
28	16	910118	1/4-20UNC NYLOCK NUT SS



SERIAL NUMBER 019281-_____

15" SOLUTION HOSE 120' HYBRID			
DET	QTY	P/N	DESCRIPTION
1	16	166096	1" PIPE CLIP
2	4	167746	1" SCH 5 HARD LINE 217"
3	2	167808	1.000 SCH 5 PIPE SS 304 90"
4	2	167809	1.000 SCH 5 PIPE SS 304 62"
5	4	193016-018	QUICKEDGE TRIM .060 TO .170
6	4	193016-023	QUICKEDGE TRIM .060 TO .170
7	2	193016-025	QUICKEDGE TRIM .060 TO .170
8	2	193016-028	QUICKEDGE TRIM .060 TO .170
9	1	195001-035	HOSE .096 X .156 POLY
10	2	195914-034	1/20D AIR BRAKE TUBING J844-B
11	1	195915-019	3/80D AIR BRAKE TUBING J844-B
12	1	195915-091	3/80D AIR BRAKE TUBING J844-B
13	1	197116-053	HOSE 1IN 1-FBR BR BLK EPDM
14	1	197116-189	HOSE 1IN 1-FBR BR BLK EPDM
15	3	197116-191	HOSE 1IN 1-FBR BR BLK EPDM
16	1	197124-059	HOSE 1 1/2 2-FBR BR BLK EPDM
17	2	197125-052	HOSE 1" SUCTION, 2F-1W EPDM
18	2	197125-060	HOSE 1" SUCTION, 2F-1W EPDM

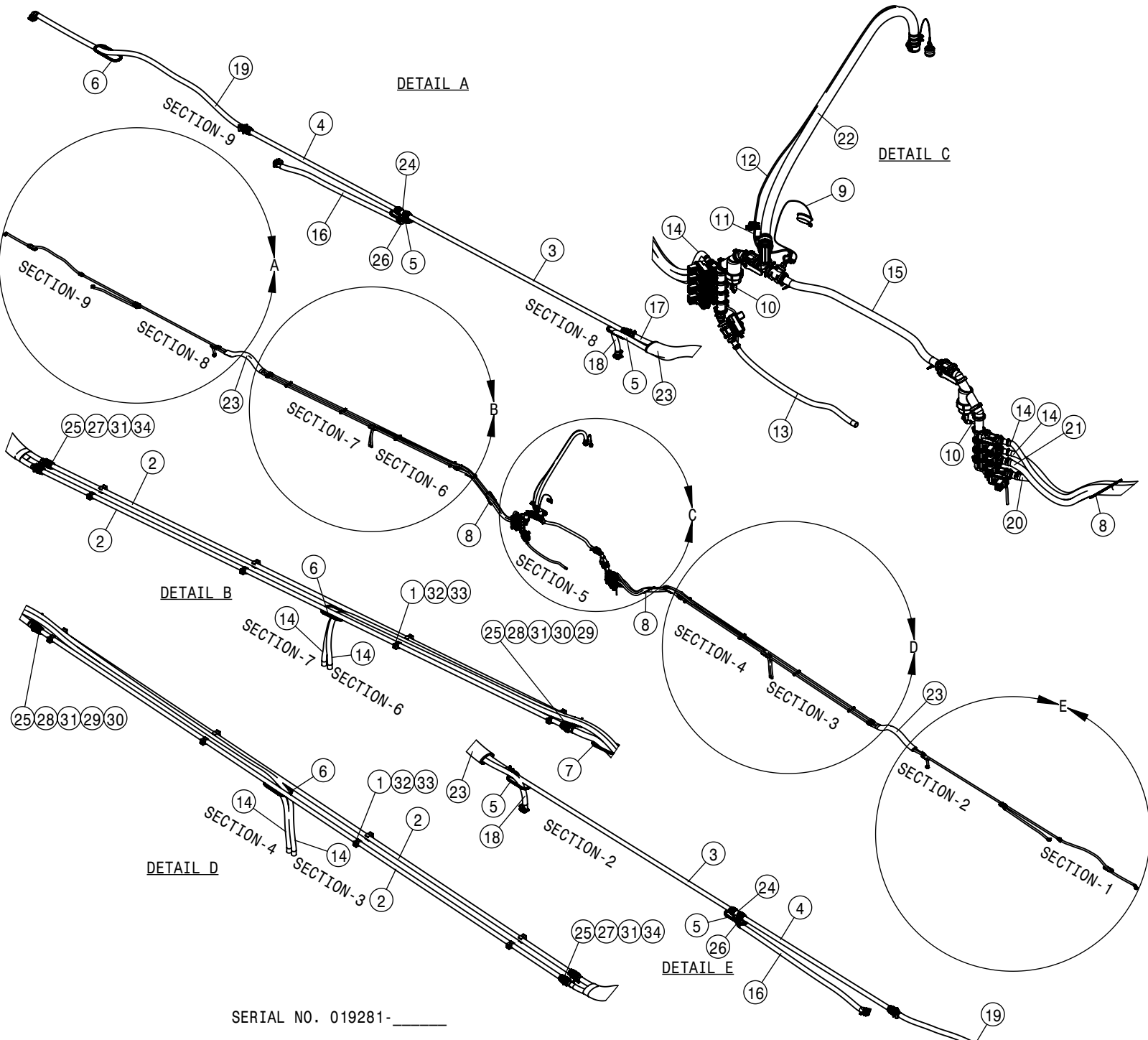
15" SOLUTION HOSE 120' HYBRID			
DET	QTY	P/N	DESCRIPTION
19	2	197125-075	HOSE 1" SUCTION, 2F-1W EPDM
20	2	197125-120	HOSE 1" SUCTION, 2F-1W EPDM
21	1	197126-078	HOSE 1 1/4" SUCTION, 2F-1W EPDM
22	3	197126-081	HOSE 1 1/4" SUCTION, 2F-1W EPDM
23	1	197133-095	HOSE 2" SUCTION, 2F-1W EPDM
24	2	470310	SIDEWINDER SLEEVE, 14.06 X 45"
25	2	500296	EASY FIT TEE 1" PIPE
26	12	500298	EASY FIT END T5, 1" PIPE
27	4	500299	T5 TO 25MM HB 90
28	12	500307	T5 FEMALE TO 25MM HB
29	4	500369	T5 TO 32 MM HB FEMALE
30	4	520176	1.50/1.75 T-BOLT HOSE CLAMP SS
31	4	629770	CAPPLUGS CAP, .234 X .500 VINYL
32	20	737738	FORK, D.3 DIST.42 (737731)
33	16	900449	1/4UNC X 1 HHCS SS
34	16	910118	1/4-20UNC NYLOCK NUT SS
35	16	AN209299	CLAMP, HIGH TORQUE



SERIAL NO. _____ -019280

20" SOLUTION HOSEING 120' HYBRID			
DET	QTY	P/N	DESCRIPTION
1	16	166096	1" PIPE CLIP
2	4	167746	1" SCH 5 HARD LINE 217"
3	4	193016-018	QUICKEDGE TRIM .060 TO .170
4	4	193016-023	QUICKEDGE TRIM .060 TO .170
5	2	193016-025	QUICKEDGE TRIM .060 TO .170
6	2	193016-028	QUICKEDGE TRIM .060 TO .170
7	1	195001-035	HOSE .096 X .156 POLY
8	2	195914-034	1/20D AIR BRAKE TUBING J844-B
9	1	197116-053	HOSE 1IN 1-FBR BR BLK EPDM
10	4	197116-206	HOSE 1IN 1-FBR BR BLK EPDM
11	1	197124-059	HOSE 1 1/2 2-FBR BR BLK EPDM
12	2	197126-057	HOSE 1 1/4" SUCTION,2F-1W EPDM
13	2	197126-076	HOSE 1 1/4" SUCTION,2F-1W EPDM

20" SOLUTION HOSEING 120' HYBRID			
DET	QTY	P/N	DESCRIPTION
14	1	197126-078	HOSE 1 1/4" SUCTION,2F-1W EPDM
15	3	197126-081	HOSE 1 1/4" SUCTION,2F-1W EPDM
16	4	197126-153	HOSE 1 1/4" SUCTION,2F-1W EPDM
17	1	197133-095	HOSE 2" SUCTION, 2F-1W EPDM
18	2	470310	SIDEWINDER SLEEVE,14.06 X 45"
19	8	500298	EASY FIT END T5, 1" PIPE
20	2	500347	Barbed Dark Gray PVC
21	8	500369	T5 TO 32 MM HB FEMALE
22	14	520176	1.50/1.75 T-BOLT HOSE CLAMP SS
23	15	629770	CAPPLUGS CAP, .234 X .500 VINYL
24	8	737738	FORK,D.3 DIST.42 (737731)
25	16	900449	1/4UNC X 1 HHCS SS
26	16	910118	1/4-20UNC NYLOCK NUT SS

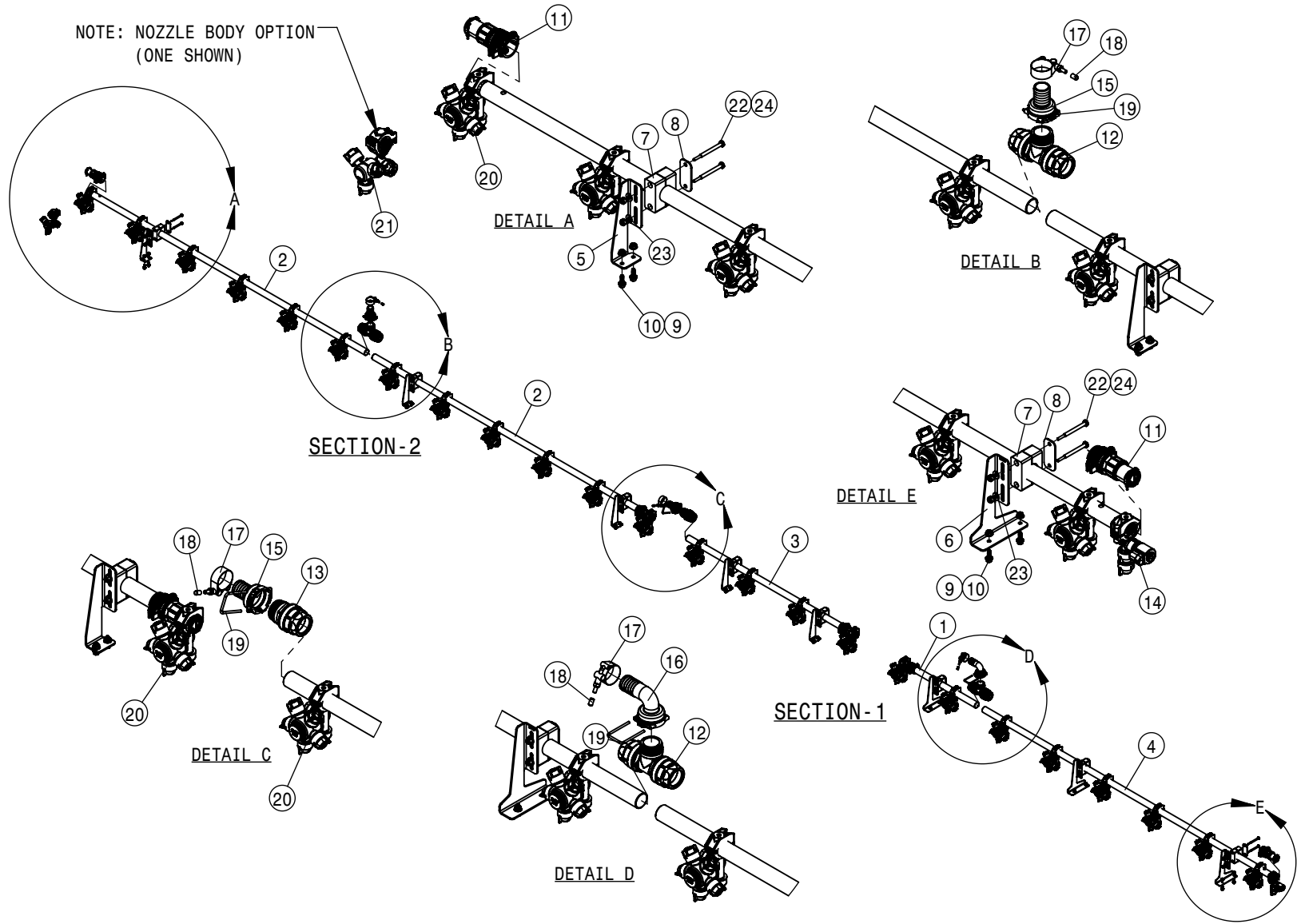


SERIAL NO. 019281- _____

20" SOLUTION HOSE 120' HYBRID			
DET	QTY	P/N	DESCRIPTION
1	16	166096	1" PIPE CLIP
2	4	167746	1" SCH 5 HARD LINE 217"
3	2	167808	1.000 SCH 5 PIPE SS 304 90"
4	2	167809	1.000 SCH 5 PIPE SS 304 62"
5	4	193016-018	QUICKEDGE TRIM .060 TO .170
6	4	193016-023	QUICKEDGE TRIM .060 TO .170
7	2	193016-025	QUICKEDGE TRIM .060 TO .170
8	2	193016-028	QUICKEDGE TRIM .060 TO .170
9	1	195001-035	HOSE .096 X .156 POLY
10	2	195914-034	1/20D AIR BRAKE TUBING J844-B
11	1	195915-019	3/80D AIR BRAKE TUBING J844-B
12	1	195915-091	3/80D AIR BRAKE TUBING J844-B
13	1	197116-053	HOSE 1IN 1-FBR BR BLK EPDM
14	4	197116-206	HOSE 1IN 1-FBR BR BLK EPDM
15	1	197124-059	HOSE 1 1/2 2-FBR BR BLK EPDM
16	2	197125-052	HOSE 1" SUCTION, 2F-1W EPDM
17	2	197125-060	HOSE 1" SUCTION, 2F-1W EPDM

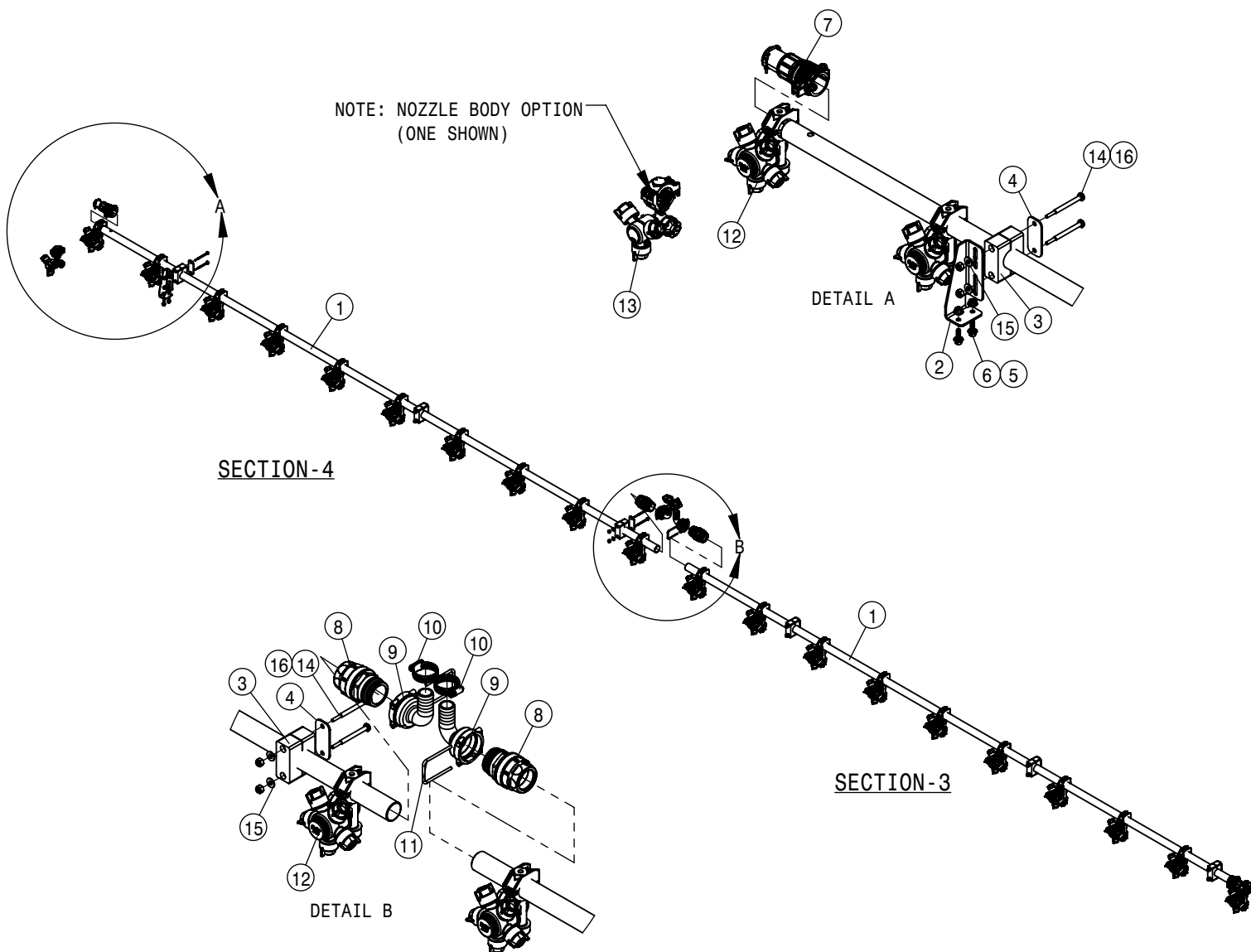
20" SOLUTION HOSE 120' HYBRID			
DET	QTY	P/N	DESCRIPTION
18	2	197125-076	HOSE 1" SUCTION, 2F-1W EPDM
19	2	197125-088	HOSE 1" SUCTION, 2F-1W EPDM
20	1	197126-078	HOSE 1 1/4" SUCTION, 2F-1W EPDM
21	3	197126-081	HOSE 1 1/4" SUCTION, 2F-1W EPDM
22	1	197133-095	HOSE 2" SUCTION, 2F-1W EPDM
23	2	470310	SIDEWINDER SLEEVE, 14.06 X 45"
24	2	500296	EASY FIT TEE 1" PIPE
25	12	500298	EASY FIT END T5, 1" PIPE
26	4	500299	T5 TO 25MM HB 90
27	12	500307	T5 FEMALE TO 25MM HB
28	4	500369	T5 TO 32 MM HB FEMALE
29	4	520176	1.50/1.75 T-BOLT HOSE CLAMP SS
30	4	629770	CAPPLUGS CAP, .234 X .500 VINYL
31	20	737738	FORK, D.3 DIST.42 (737731)
32	16	900449	1/4UNC X 1 HHCS SS
33	16	910118	1/4-20UNC NYLOCK NUT SS
34	16	AN209299	CLAMP, HIGH TORQUE

NOTE: NOZZLE BODY OPTION
(ONE SHOWN)



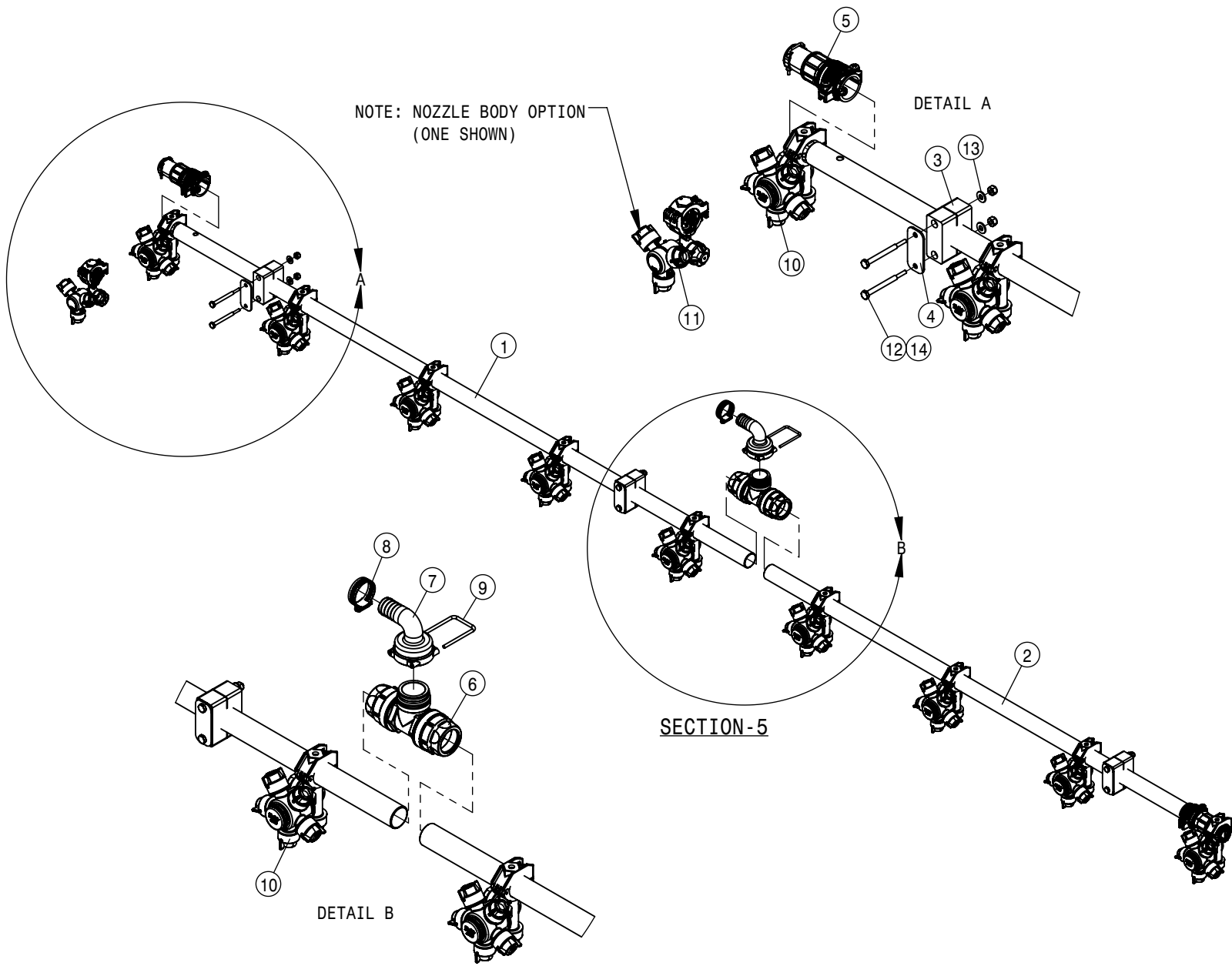
SERIAL NO. _____ -019280

15" WET BOOM SPACING, SECTION 1-2 120' HYBRID			
DET	QTY	P/N	DESCRIPTION
1	1	167224	15" WET BOOM TUBE, 20.66 LG
2	2	167228	15" WET BOOM TUBE, 80.66 LG
3	1	167474	15" WET BOOM TUBE, 48.09 LG
4	1	167475	15" WET BOOM TUBE, 84.80 LG
5	5	167503	OTR SOLU BRKT
6	3	169438	HYBRID BM T3SLA SOLU BRKT
7	8	470375	TUBE CLAMP BODY, 1.31 I.D. (PAIR)
8	8	470376	COVER PLATE FOR 470375
9	16	473832	1/4-20UNC HEX FLG NUT SER SS
10	16	473834	1/4UNC X 3/4 HHSFB SS
11	5	500295	NOZZLE BODY END CAP
12	2	500296	EASY FIT TEE 1" PIPE
13	1	500298	EASY FIT END T5, 1" PIPE
14	1	500365	E-CHEMSAVER SINGLE NOZZLE 1IN
15	2	500369	T5 TO 32 MM HB FEMALE
16	1	500370	T5 TO 32MM HB 90 FEMALE
17	3	520176	1.50/1.75 T-BOLT HOSE CLAMP SS
18	3	629770	CAPPLUGS CAP, .234 X .500 VINYL
19	3	737738	FORK, D.3 DIST.42 (737731)
20	24	737925	QUICK TJET 5 + 1-TIP BODY 1"
21	24	737929	QUICK TJET 3-TIP BODY 1"
22	16	900467	1/4UNC X 3 HHCS SS
23	16	910112	SAE FLAT WASHER 1/4 SS
24	16	910118	1/4-20UNC NYLOCK NUT SS



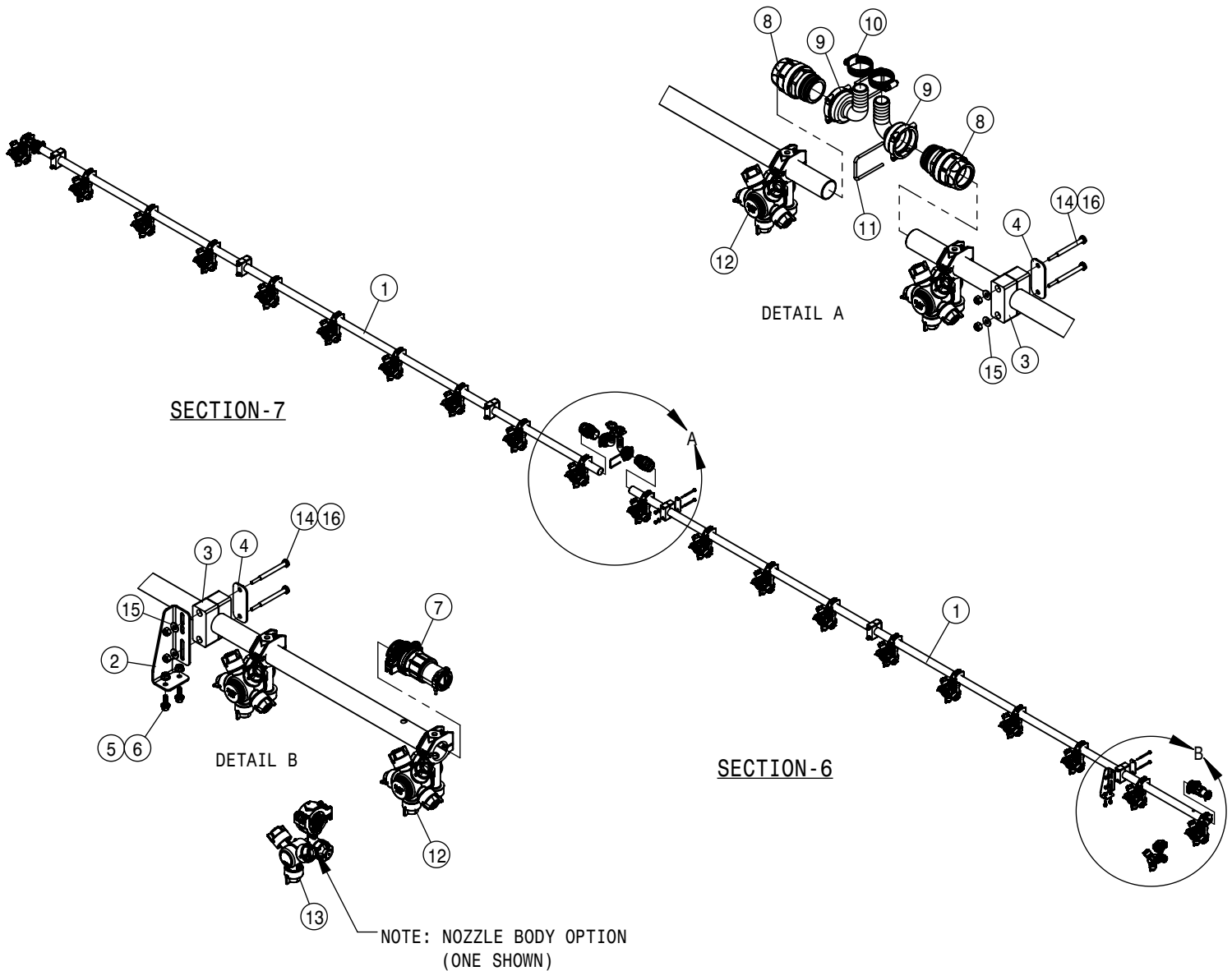
SERIAL NO. ____ -019280

15" WET BOOM SPACING, SECTION 3-4 120' HYBRID			
DET	QTY	P/N	DESCRIPTION
1	2	167473	15" WET BOOM TUBE, 138.00 LG
2	1	167585	INR SOLU BRKT
3	6	470375	TUBE CLAMP BODY, 1.31 I.D. (PAIR)
4	6	470376	COVER PLATE FOR 470375
5	2	473832	1/4-20UNC HEX FLG NUT SER SS
6	2	473834	1/4UNC X 3/4 HHSFB SS
7	2	500295	NOZZLE BODY END CAP
8	2	500298	EASY FIT END T5, 1" PIPE
9	2	500299	T5 TO 25MM HB 90
10	2	520090	HOSECLAMP NO 16 STAINLESS
11	2	737738	FORK,D.3 DIST.42 (737731)
12	20	737925	QUICK TJET 5 + 1-TIP BODY 1"
13	20	737929	QUICK TJET 3-TIP BODY 1"
14	12	900467	1/4UNC X 3 HHCS SS
15	12	910112	SAE FLAT WASHER 1/4 SS
16	12	910118	1/4-20UNC NYLOCK NUT SS



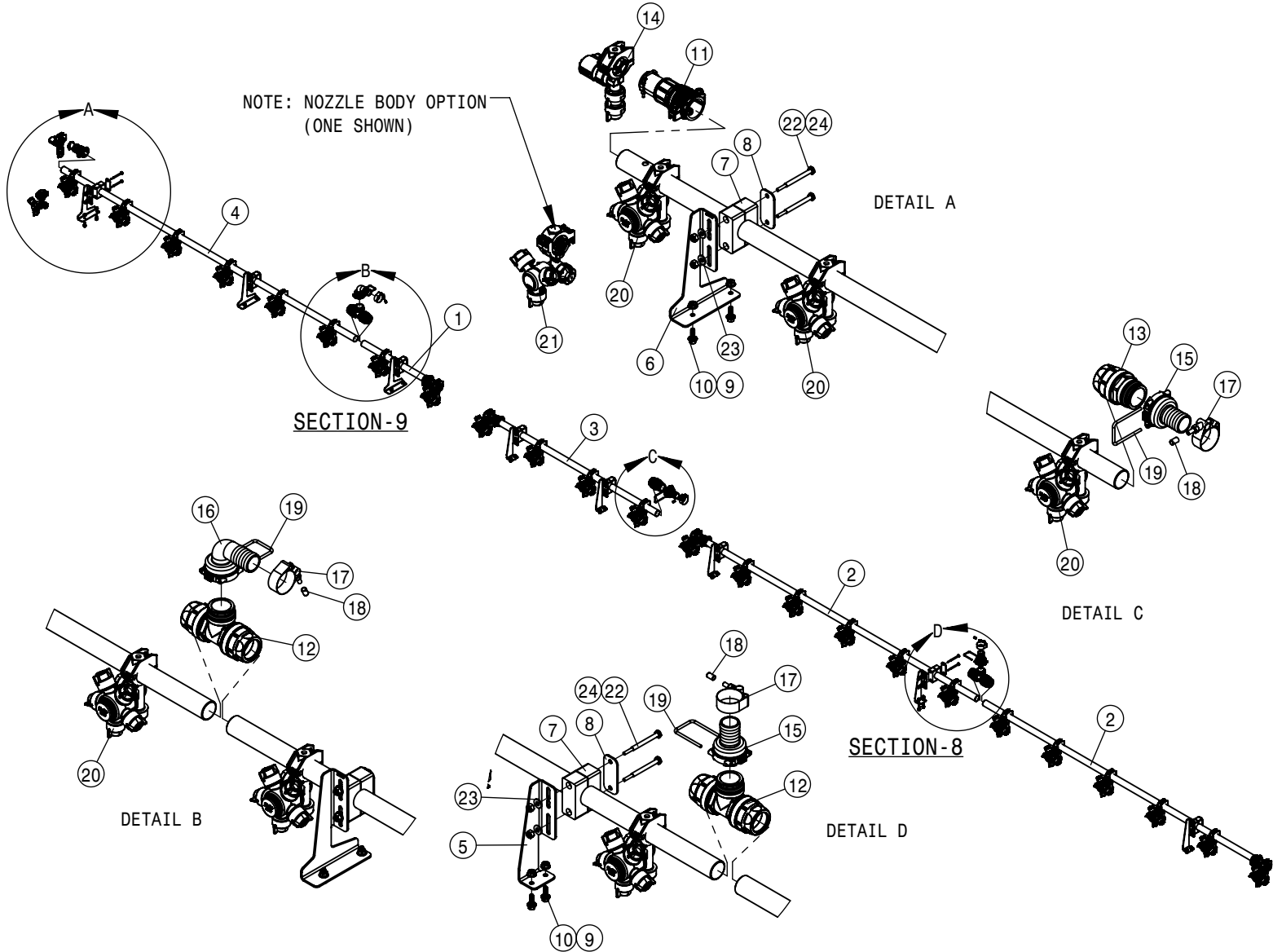
SERIAL NO. _____-019280

15" WET BOOM SPACING, SECTION-5 120' HYBRID			
DET	QTY	P/N	DESCRIPTION
1	1	167225	15" WET BOOM TUBE, 65.66 LG
2	1	167229	15" WET BOOM TUBE, 50.66 LG
3	3	470375	TUBE CLAMP BODY, 1.31 I.D. (PAIR)
4	3	470376	COVER PLATE FOR 470375
5	2	500295	NOZZLE BODY END CAP
6	1	500296	EASY FIT TEE 1" PIPE
7	1	500299	T5 TO 25MM HB 90
8	1	520090	HOSECLAMP NO 16 STAINLESS
9	1	737738	FORK,D.3 DIST.42 (737731)
10	9	737925	QUICK TJET 5 + 1-TIP BODY 1"
11	9	737929	QUICK TJET 3-TIP BODY 1"
12	6	900467	1/4UNC X 3 HHCS SS
13	6	910112	SAE FLAT WASHER 1/4 SS
14	6	910118	1/4-20UNC NYLOCK NUT SS



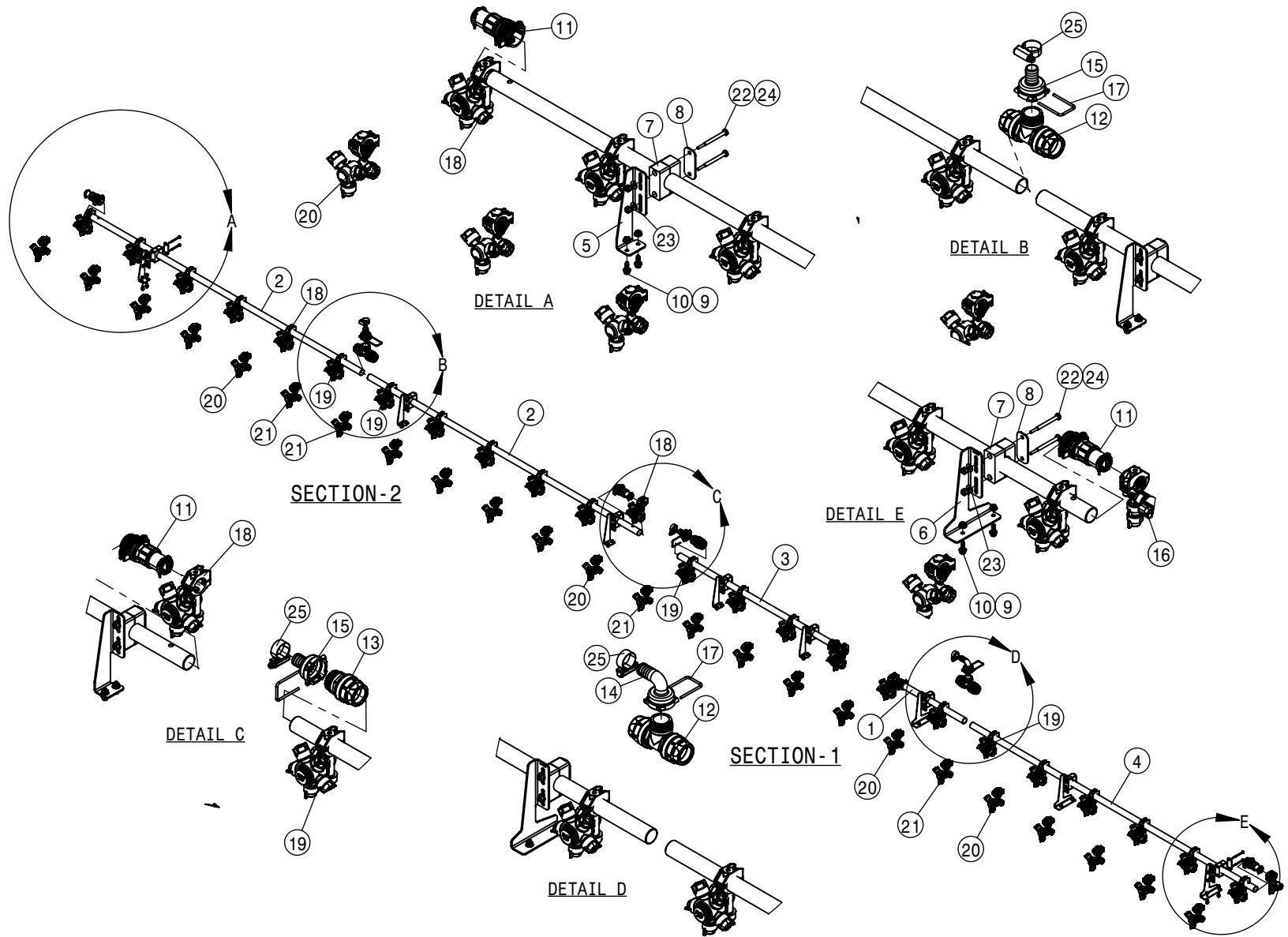
SERIAL NO. _____-019280

15" WET BOOM SPACING, SECTION 6-7 120' HYBRID			
DET	QTY	P/N	DESCRIPTION
1	2	167473	15" WET BOOM TUBE, 138.00 LG
2	1	167585	INR SOLU BRKT
3	6	470375	TUBE CLAMP BODY, 1.31 I.D. (PAIR)
4	6	470376	COVER PLATE FOR 470375
5	2	473832	1/4-20UNC HEX FLG NUT SER SS
6	2	473834	1/4UNC X 3/4 HHSFB SS
7	2	500295	NOZZLE BODY END CAP
8	2	500298	EASY FIT END T5, 1" PIPE
9	2	500299	T5 TO 25MM HB 90
10	2	520090	HOSECLAMP NO 16 STAINLESS
11	2	737738	FORK,D.3 DIST.42 (737731)
12	20	737925	QUICK TJET 5 + 1-TIP BODY 1"
13	20	737929	QUICK TJET 3-TIP BODY 1"
14	12	900467	1/4UNC X 3 HHCS SS
15	12	910112	SAE FLAT WASHER 1/4 SS
16	12	910118	1/4-20UNC NYLOCK NUT SS



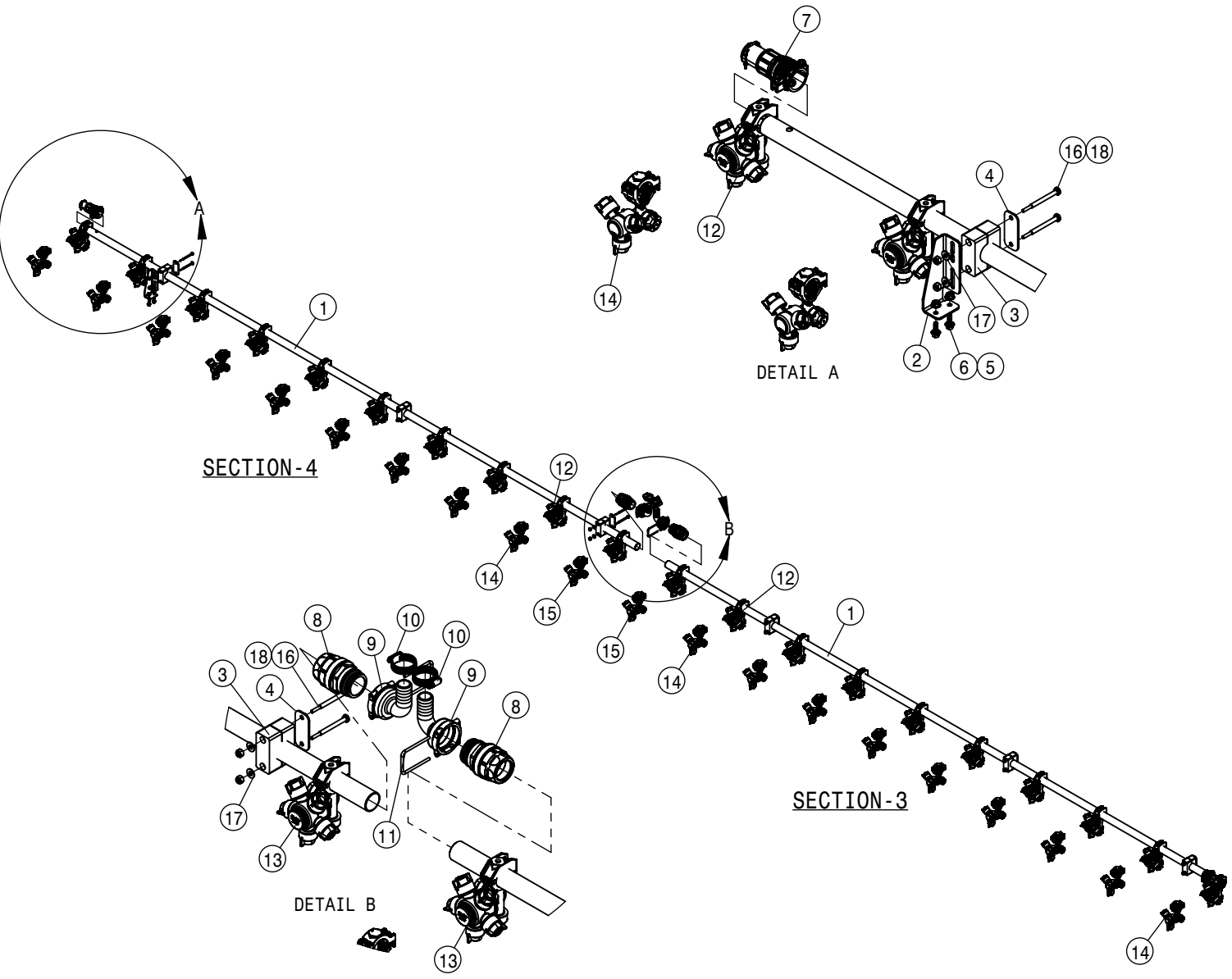
SERIAL NO. ____ -019280

15" WET BOOM SPACING, SECTION 8-9 120' HYBRID			
DET	QTY	P/N	DESCRIPTION
1	1	167224	15" WET BOOM TUBE, 20.66 LG
2	2	167228	15" WET BOOM TUBE, 80.66 LG
3	1	167474	15" WET BOOM TUBE, 48.09 LG
4	1	167475	15" WET BOOM TUBE, 84.80 LG
5	5	167503	OTR SOLU BRKT
6	3	169438	HYBRID BM T3SLA SOLU BRKT
7	8	470375	TUBE CLAMP BODY, 1.31 I.D. (PAIR)
8	8	470376	COVER PLATE FOR 470375
9	16	473832	1/4-20UNC HEX FLG NUT SER SS
10	16	473834	1/4UNC X 3/4 HHSFB SS
11	5	500295	NOZZLE BODY END CAP
12	2	500296	EASY FIT TEE 1" PIPE
13	1	500298	EASY FIT END T5, 1" PIPE
14	1	500365	E-CHEMSAVER SINGLE NOZZLE 1IN
15	2	500369	T5 TO 32 MM HB FEMALE
16	1	500370	T5 TO 32MM HB 90 FEMALE
17	3	520176	1.50/1.75 T-BOLT HOSE CLAMP SS
18	3	629770	CAPPLUGS CAP, .234 X .500 VINYL
19	3	737738	FORK,D.3 DIST.42 (737731)
20	24	737925	QUICK TJET 5 + 1-TIP BODY 1"
21	24	737929	QUICK TJET 3-TIP BODY 1"
22	16	900467	1/4UNC X 3 HHCS SS
23	16	910112	SAE FLAT WASHER 1/4 SS
24	16	910118	1/4-20UNC NYLOCK NUT SS



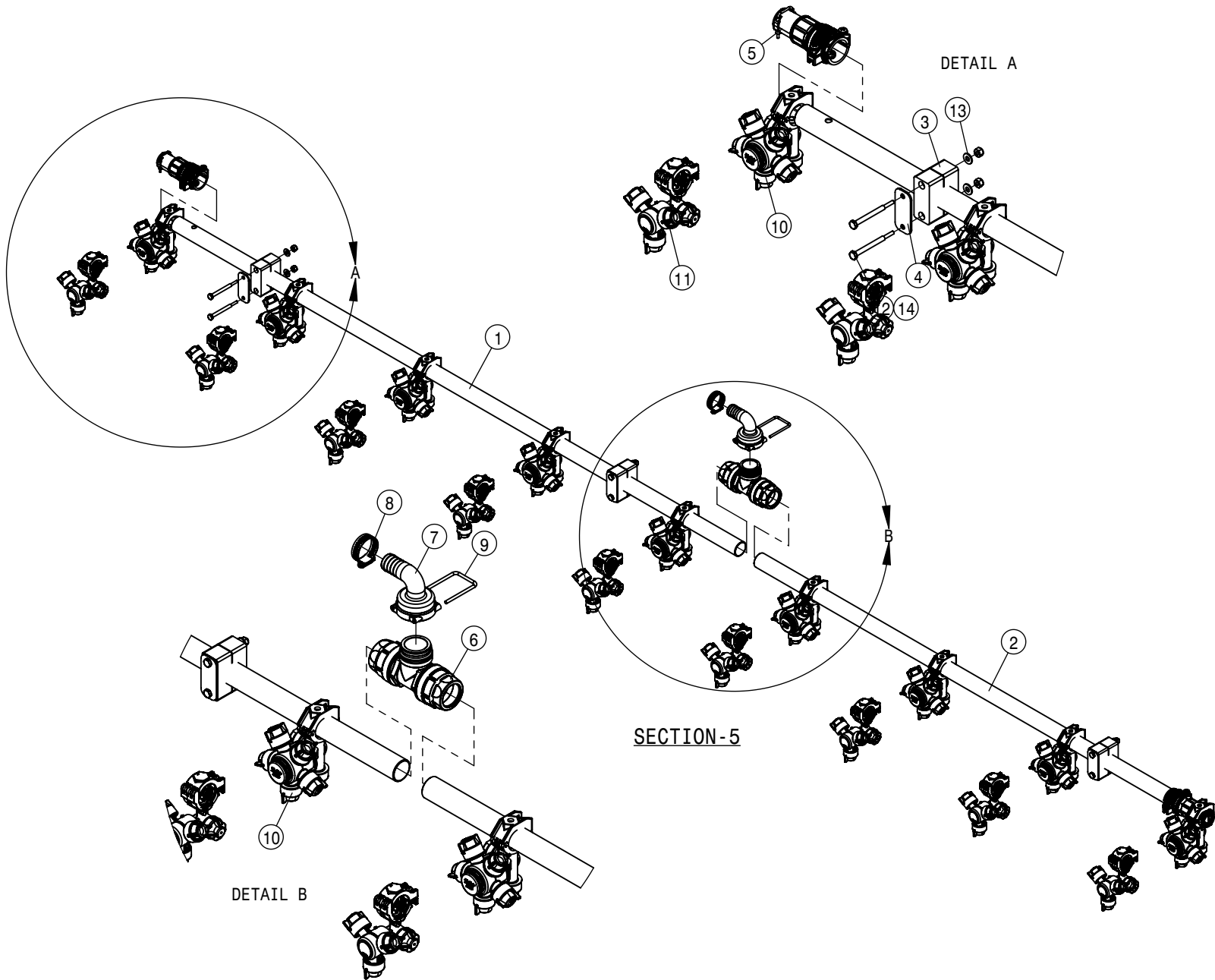
SERIAL NO. 019281-_____

15" WET BOOM SPACING, SECTION 1-2 120' HYBRID			
DET	QTY	P/N	DESCRIPTION
1	1	167224	15" WET BOOM TUBE, 20.66 LG
2	2	167228	15" WET BOOM TUBE, 80.66 LG
3	1	167474	15" WET BOOM TUBE, 48.09 LG
4	1	167475	15" WET BOOM TUBE, 84.80 LG
5	5	167503	OTR SOLU BRKT
6	3	169438	HYBRID BM T3SLA SOLU BRKT
7	8	470375	TUBE CLAMP BODY, 1.31 I.D. (PAIR)
8	8	470376	COVER PLATE FOR 470375
9	16	473832	1/4-20UNC HEX FLG NUT SER SS
10	16	473834	1/4UNC X 3/4 HHSFB SS
11	5	500295	NOZZLE BODY END CAP
12	2	500296	EASY FIT TEE 1" PIPE
13	1	500298	EASY FIT END T5, 1" PIPE
14	1	500299	T5 TO 25MM HB 90
15	2	500307	T5 FEMALE TO 25MM HB
16	1	500365	E-CHEMSAVER SINGLE NOZZLE 1IN
17	3	737738	FORK, D.3 DIST.42 (737731)
18	20	737925	QUICK TJET 5 + 1-TIP BODY 1"
19	4	737927	QUICK TJET 5 TIP BODY 1" RS
20	20	737929	QUICK TJET 3-TIP BODY 1"
21	4	737933	QUICK TJET 3-TIP BODY 1" RS
22	16	900467	1/4UNC X 3 HHCS SS
23	16	910112	SAE FLAT WASHER 1/4 SS
24	16	910118	1/4-20UNC NYLOCK NUT SS
25	3	AN209299	CLAMP, HIGH TORQUE



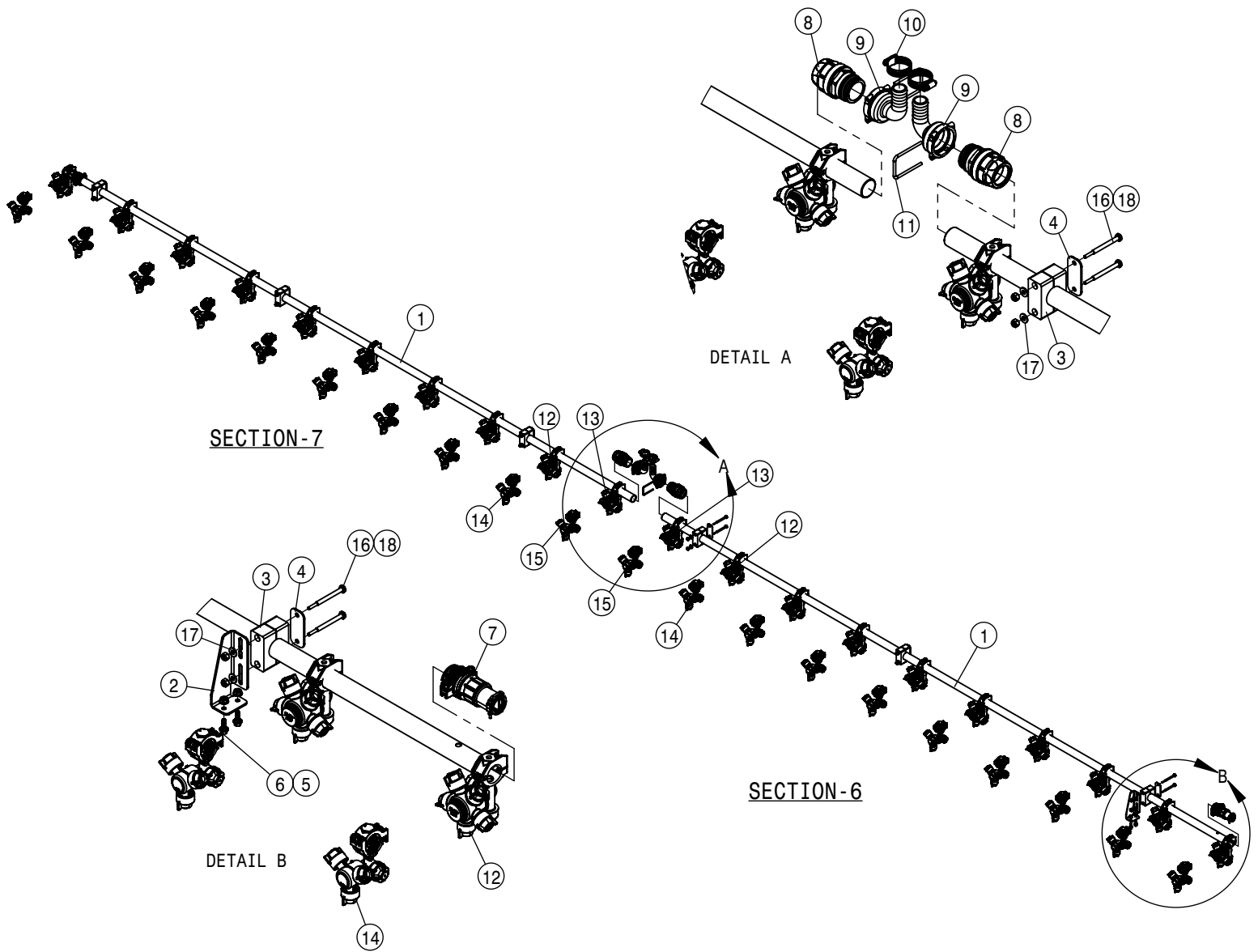
SERIAL NO. 019281-_____

15" WET BOOM SPACING, SECTION 3-4 120' HYBRID			
DET	QTY	P/N	DESCRIPTION
1	2	167473	15" WET BOOM TUBE, 138.00 LG
2	1	167585	INR SOLU BRKT
3	6	470375	TUBE CLAMP BODY, 1.31 I.D. (PAIR)
4	6	470376	COVER PLATE FOR 470375
5	2	473832	1/4-20UNC HEX FLG NUT SER SS
6	2	473834	1/4UNC X 3/4 HHSFB SS
7	2	500295	NOZZLE BODY END CAP
8	2	500298	EASY FIT END T5, 1" PIPE
9	2	500299	T5 TO 25MM HB 90
10	2	520090	HOSECLAMP NO 16 STAINLESS
11	2	737738	FORK,D.3 DIST.42 (737731)
12	18	737925	QUICK TJET 5 + 1-TIP BODY 1"
13	2	737927	QUICK TJET 5 TIP BODY 1" RS
14	18	737929	QUICK TJET 3-TIP BODY 1"
15	2	737933	QUICK TJET 3-TIP BODY 1" RS
16	12	900467	1/4UNC X 3 HHCS SS
17	12	910112	SAE FLAT WASHER 1/4 SS
18	12	910118	1/4-20UNC NYLOCK NUT SS



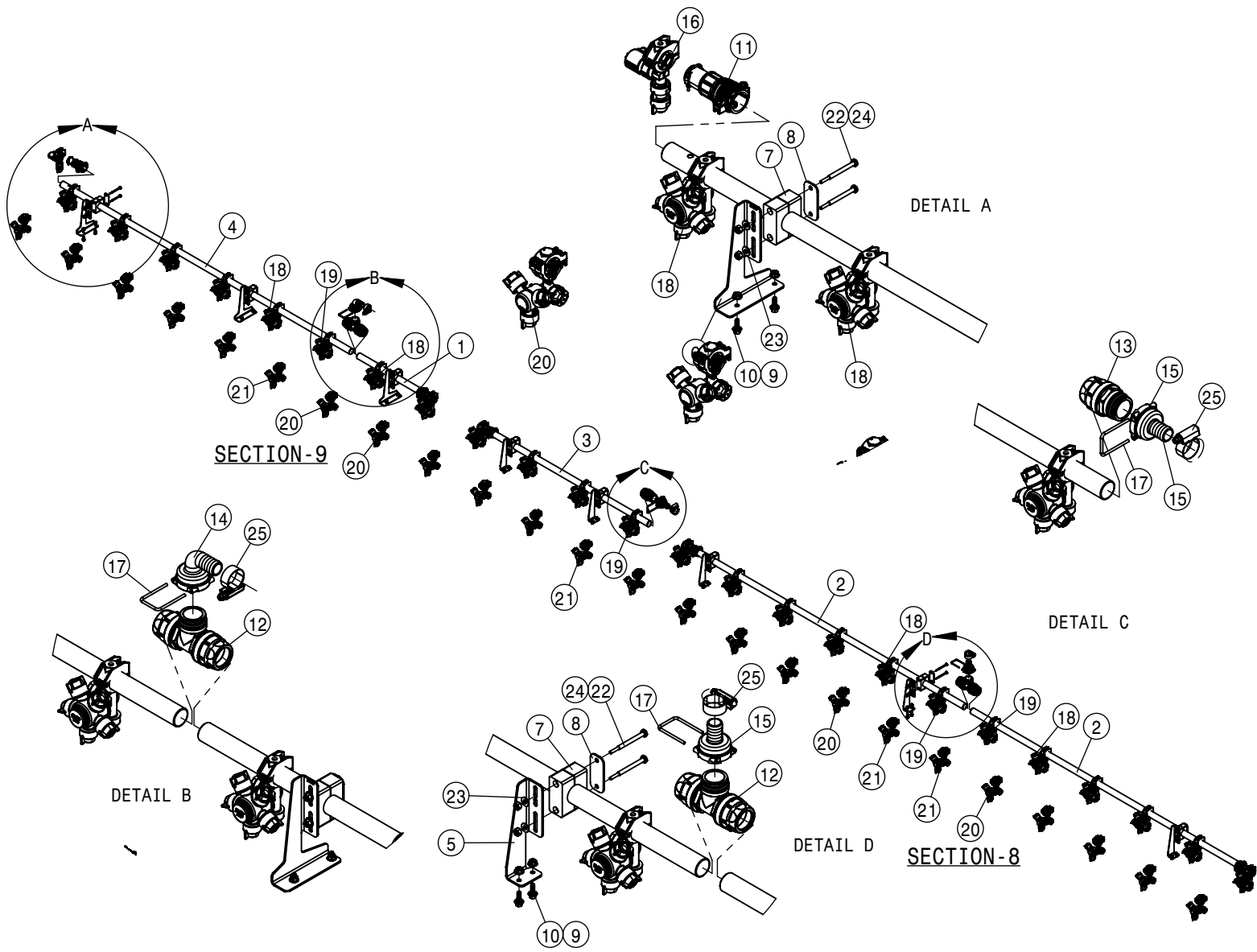
SERIAL NO. 019281-_____

15" WET BOOM SPACING, SECTION-5 120' HYBRID			
DET	QTY	P/N	DESCRIPTION
1	1	167225	15" WET BOOM TUBE, 65.66 LG
2	1	167229	15" WET BOOM TUBE, 50.66 LG
3	3	470375	TUBE CLAMP BODY, 1.31 I.D. (PAIR)
4	3	470376	COVER PLATE FOR 470375
5	2	500295	NOZZLE BODY END CAP
6	1	500296	EASY FIT TEE 1" PIPE
7	1	500299	T5 TO 25MM HB 90
8	1	520090	HOSECLAMP NO 16 STAINLESS
9	1	737738	FORK,D.3 DIST.42 (737731)
10	9	737925	QUICK TJET 5 + 1-TIP BODY 1"
11	9	737929	QUICK TJET 3-TIP BODY 1"
12	6	900467	1/4UNC X 3 HHCS SS
13	6	910112	SAE FLAT WASHER 1/4 SS
14	6	910118	1/4-20UNC NYLOCK NUT SS



SERIAL NO. 019281-_____

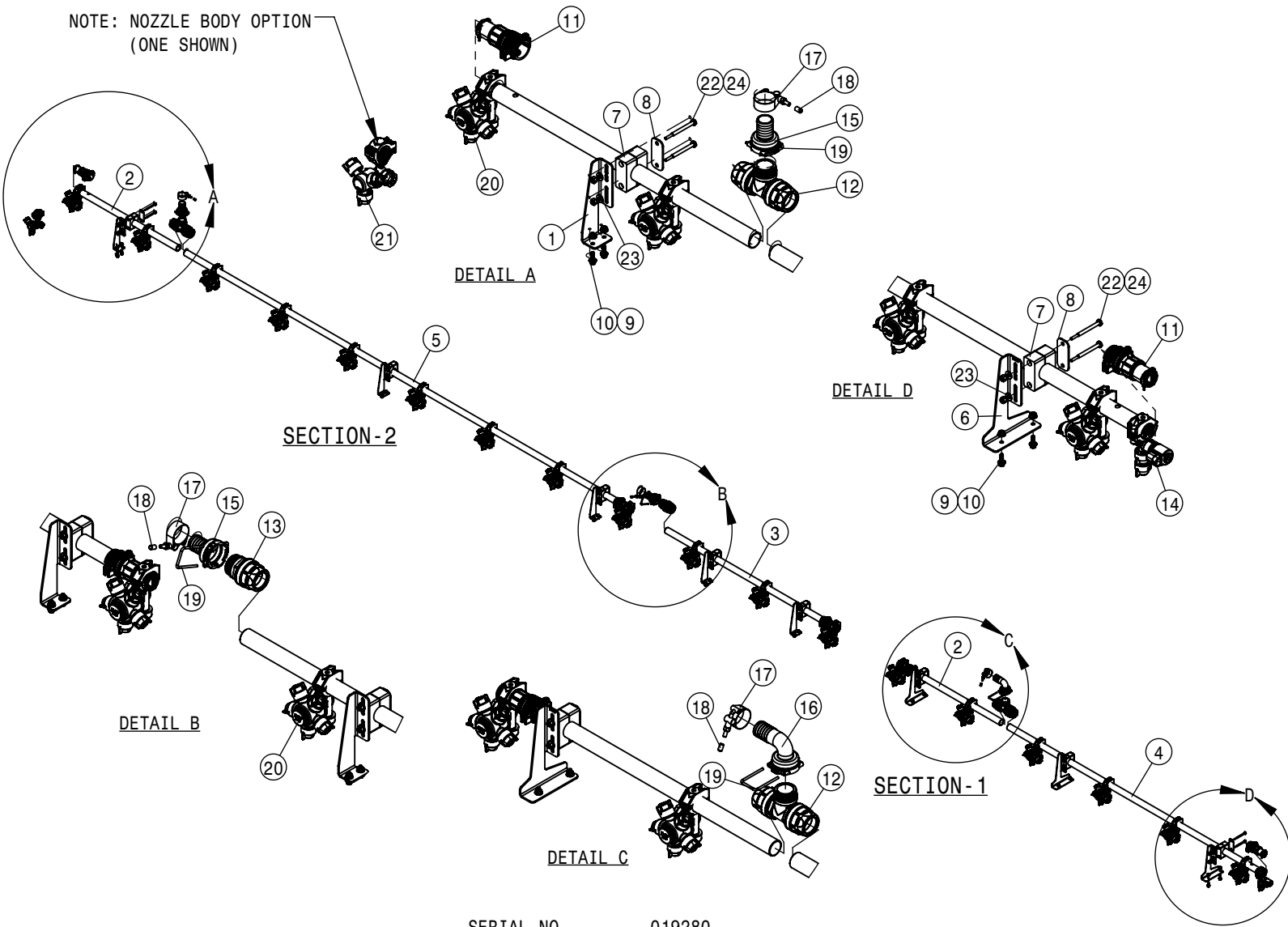
15" WET BOOM SPACING, SECTION 6-7 120' HYBRID			
DET	QTY	P/N	DESCRIPTION
1	2	167473	15" WET BOOM TUBE, 138.00 LG
2	1	167585	INR SOLU BRKT
3	6	470375	TUBE CLAMP BODY, 1.31 I.D. (PAIR)
4	6	470376	COVER PLATE FOR 470375
5	2	473832	1/4-20UNC HEX FLG NUT SER SS
6	2	473834	1/4UNC X 3/4 HHSFB SS
7	2	500295	NOZZLE BODY END CAP
8	2	500298	EASY FIT END T5, 1" PIPE
9	2	500299	T5 TO 25MM HB 90
10	2	520090	HOSECLAMP NO 16 STAINLESS
11	2	737738	FORK,D.3 DIST.42 (737731)
12	18	737925	QUICK TJET 5 + 1-TIP BODY 1"
13	2	737927	QUICK TJET 5 TIP BODY 1" RS
14	18	737929	QUICK TJET 3-TIP BODY 1"
15	2	737933	QUICK TJET 3-TIP BODY 1" RS
16	12	900467	1/4UNC X 3 HHCS SS
17	12	910112	SAE FLAT WASHER 1/4 SS
18	12	910118	1/4-20UNC NYLOCK NUT SS



SERIAL NO. 019281-_____

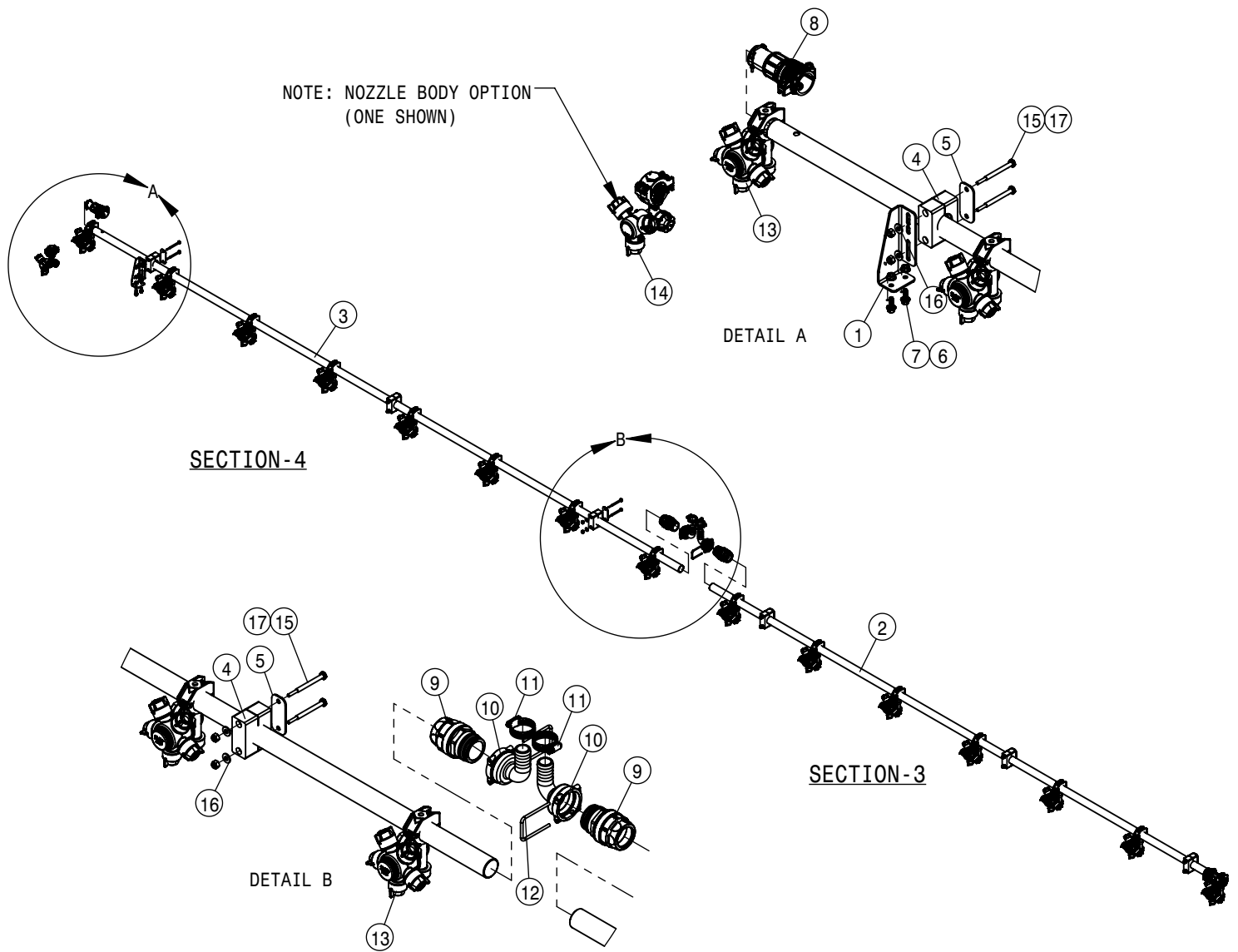
15" WET BOOM SPACING, SECTION 8-9 120' HYBRID			
DET	QTY	P/N	DESCRIPTION
1	1	167224	15" WET BOOM TUBE, 20.66 LG
2	2	167228	15" WET BOOM TUBE, 80.66 LG
3	1	167474	15" WET BOOM TUBE, 48.09 LG
4	1	167475	15" WET BOOM TUBE, 84.80 LG
5	5	167503	OTR SOLU BRKT
6	3	169438	HYBRID BM T3SLA SOLU BRKT
7	8	470375	TUBE CLAMP BODY, 1.31 I.D. (PAIR)
8	8	470376	COVER PLATE FOR 470375
9	16	473832	1/4-20UNC HEX FLG NUT SER SS
10	16	473834	1/4UNC X 3/4 HHSFB SS
11	5	500295	NOZZLE BODY END CAP
12	2	500296	EASY FIT TEE 1" PIPE
13	1	500298	EASY FIT END T5, 1" PIPE
14	1	500299	T5 TO 25MM HB 90
15	2	500307	T5 FEMALE TO 25MM HB
16	1	500365	E-CHEMSAVER SINGLE NOZZLE 1IN
17	3	737738	FORK,D.3 DIST.42 (737731)
18	20	737925	QUICK TJET 5 + 1-TIP BODY 1"
19	4	737927	QUICK TJET 5 TIP BODY 1" RS
20	20	737929	QUICK TJET 3-TIP BODY 1"
21	4	737933	QUICK TJET 3-TIP BODY 1" RS
22	16	900467	1/4UNC X 3 HHCS SS
23	16	910112	SAE FLAT WASHER 1/4 SS
24	16	910118	1/4-20UNC NYLOCK NUT SS
25	3	AN209299	CLAMP, HIGH TORQUE

NOTE: NOZZLE BODY OPTION
(ONE SHOWN)



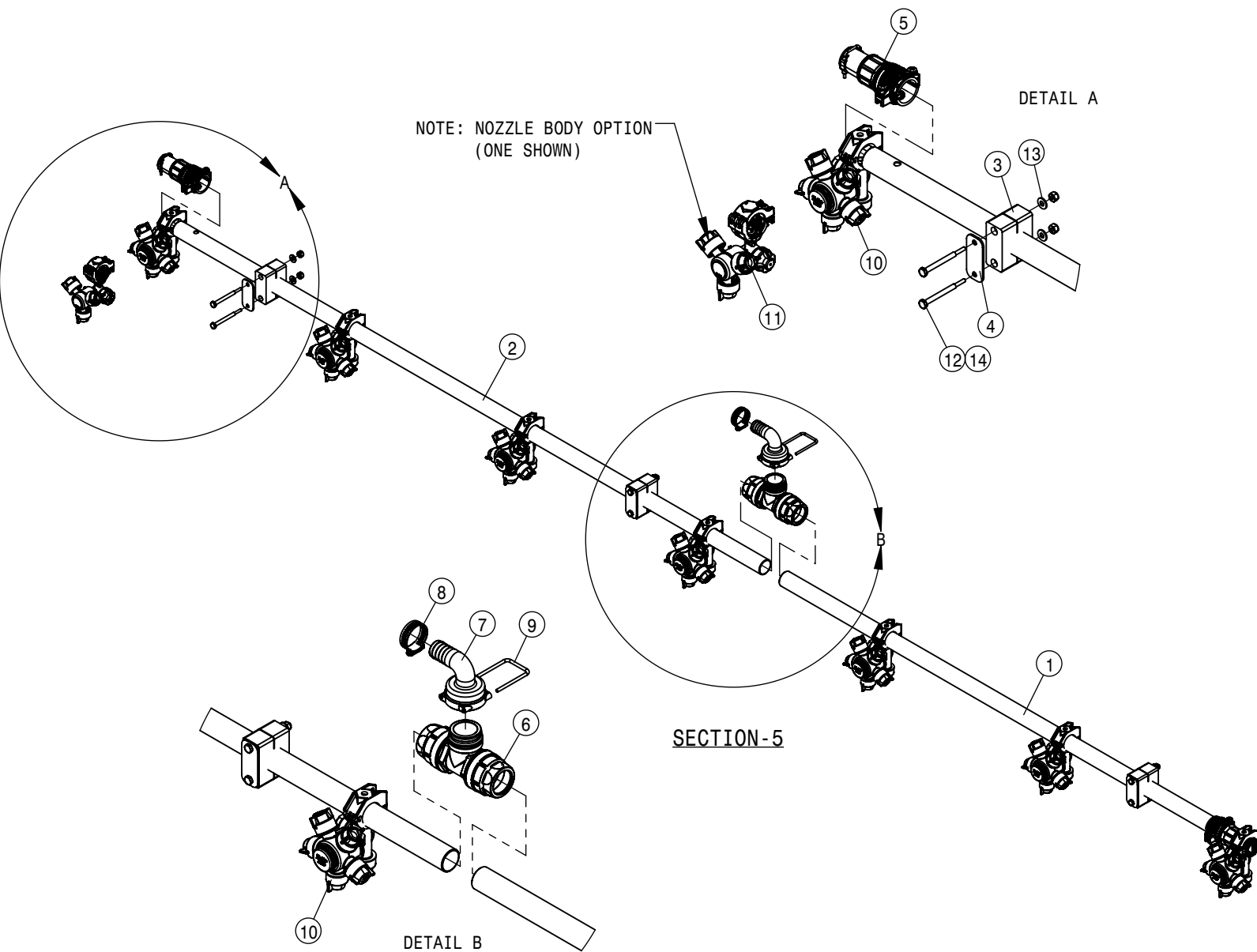
SERIAL NO. _____ -019280

20" WET BOOM SPACING, SECTION 1-2 120' HYBRID			
DET	QTY	P/N	DESCRIPTION
1	5	167503	OTR SOLU BRKT
2	2	167764	20" WET BOOM TUBE, 28.16 LG
3	1	167765	20" WET BOOM TUBE, 48.16 LG
4	1	167767	20" WET BOOM TUBE, 72.75 LG
5	1	167768	20" WET BOOM TUBE, 128.16 LG
6	3	169438	HYBRID BM T3SLA SOLU BRKT
7	8	470375	TUBE CLAMP BODY, 1.31 I.D. (PAIR)
8	8	470376	COVER PLATE FOR 470375
9	16	473832	1/4-20UNC HEX FLG NUT SER SS
10	16	473834	1/4UNC X 3/4 HHSFB SS
11	5	500295	NOZZLE BODY END CAP
12	2	500296	EASY FIT TEE 1" PIPE
13	1	500298	EASY FIT END T5, 1" PIPE
14	1	500365	E-CHEMSAVER SINGLE NOZZLE 1IN
15	2	500369	T5 TO 32 MM HB FEMALE
16	1	500370	T5 TO 32MM HB 90 FEMALE
17	3	520176	1.50/1.75 T-BOLT HOSE CLAMP SS
18	3	629770	CAPPLUGS CAP, .234 X .500 VINYL
19	3	737738	FORK,D.3 DIST.42 (737731)
20	18	737925	QUICK TJET 5 + 1-TIP BODY 1"
21	18	737929	QUICK TJET 3-TIP BODY 1"
22	16	900467	1/4UNC X 3 HHCS SS
23	16	910112	SAE FLAT WASHER 1/4 SS
24	16	910118	1/4-20UNC NYLOCK NUT SS



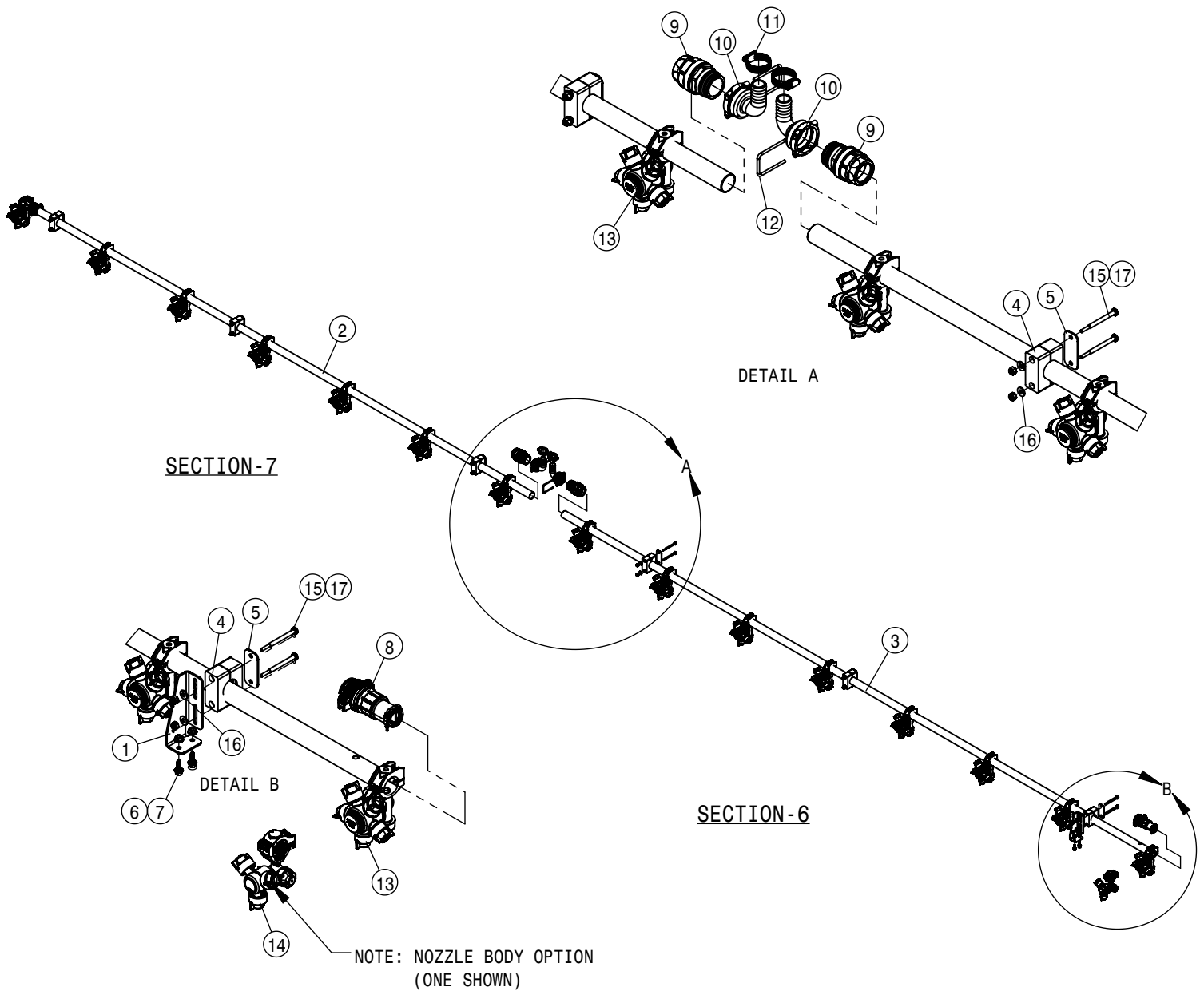
SERIAL NO. _____-019280

20" WET BOOM SPACING, SECTION 3-4 120' HYBRID			
DET	QTY	P/N	DESCRIPTION
1	1	167585	INR SOLU BRKT
2	1	167769	20" WET BOOM TUBE, 125.46 LG
3	1	167770	20" WET BOOM TUBE, 145.46 LG
4	6	470375	TUBE CLAMP BODY, 1.31 I.D. (PAIR)
5	6	470376	COVER PLATE FOR 470375
6	2	473832	1/4-20UNC HEX FLG NUT SER SS
7	2	473834	1/4UNC X 3/4 HHSFB SS
8	2	500295	NOZZLE BODY END CAP
9	2	500298	EASY FIT END T5, 1" PIPE
10	2	500299	T5 TO 25MM HB 90
11	2	520090	HOSECLAMP NO 16 STAINLESS
12	2	737738	FORK,D.3 DIST.42 (737731)
13	15	737925	QUICK TJET 5 + 1-TIP BODY 1"
14	15	737929	QUICK TJET 3-TIP BODY 1"
15	12	900467	1/4UNC X 3 HHCS SS
16	12	910112	SAE FLAT WASHER 1/4 SS
17	12	910118	1/4-20UNC NYLOCK NUT SS



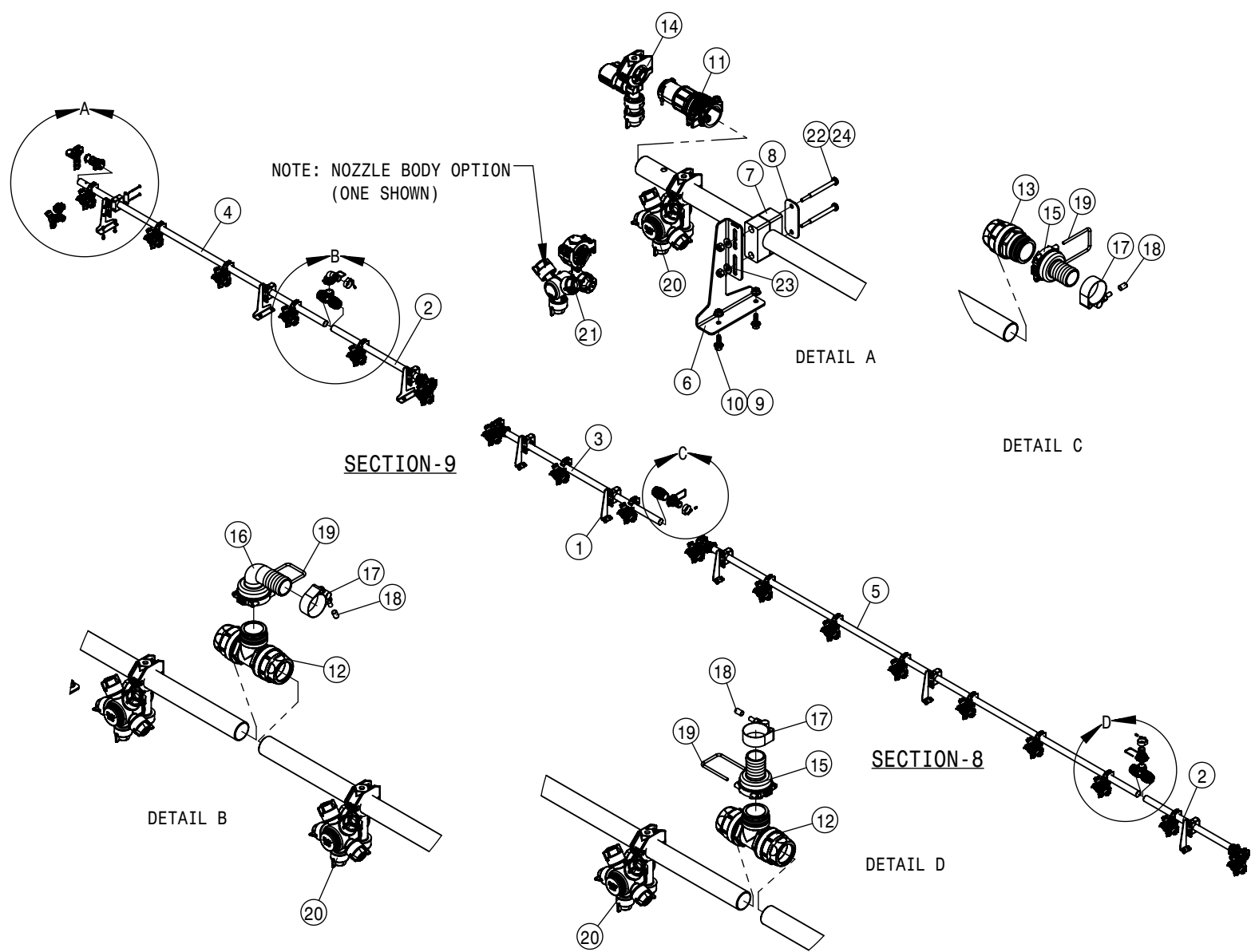
SERIAL NO. _____ -019280

20" WET BOOM SPACING, SECTION-5 120' HYBRID			
DET	QTY	P/N	DESCRIPTION
1	1	167231	20" WET BOOM TUBE, 50.66 LG
2	1	167237	20" WET BOOM TUBE, 65.66 LG
3	3	470375	TUBE CLAMP BODY, 1.31 I.D. (PAIR)
4	3	470376	COVER PLATE FOR 470375
5	2	500295	NOZZLE BODY END CAP
6	1	500296	EASY FIT TEE 1" PIPE
7	1	500299	T5 TO 25MM HB 90
8	1	520090	HOSECLAMP NO 16 STAINLESS
9	1	737738	FORK,D.3 DIST.42 (737731)
10	7	737925	QUICK TJET 5 + 1-TIP BODY 1"
11	7	737929	QUICK TJET 3-TIP BODY 1"
12	6	900467	1/4UNC X 3 HHCS SS
13	6	910112	SAE FLAT WASHER 1/4 SS
14	6	910118	1/4-20UNC NYLOCK NUT SS



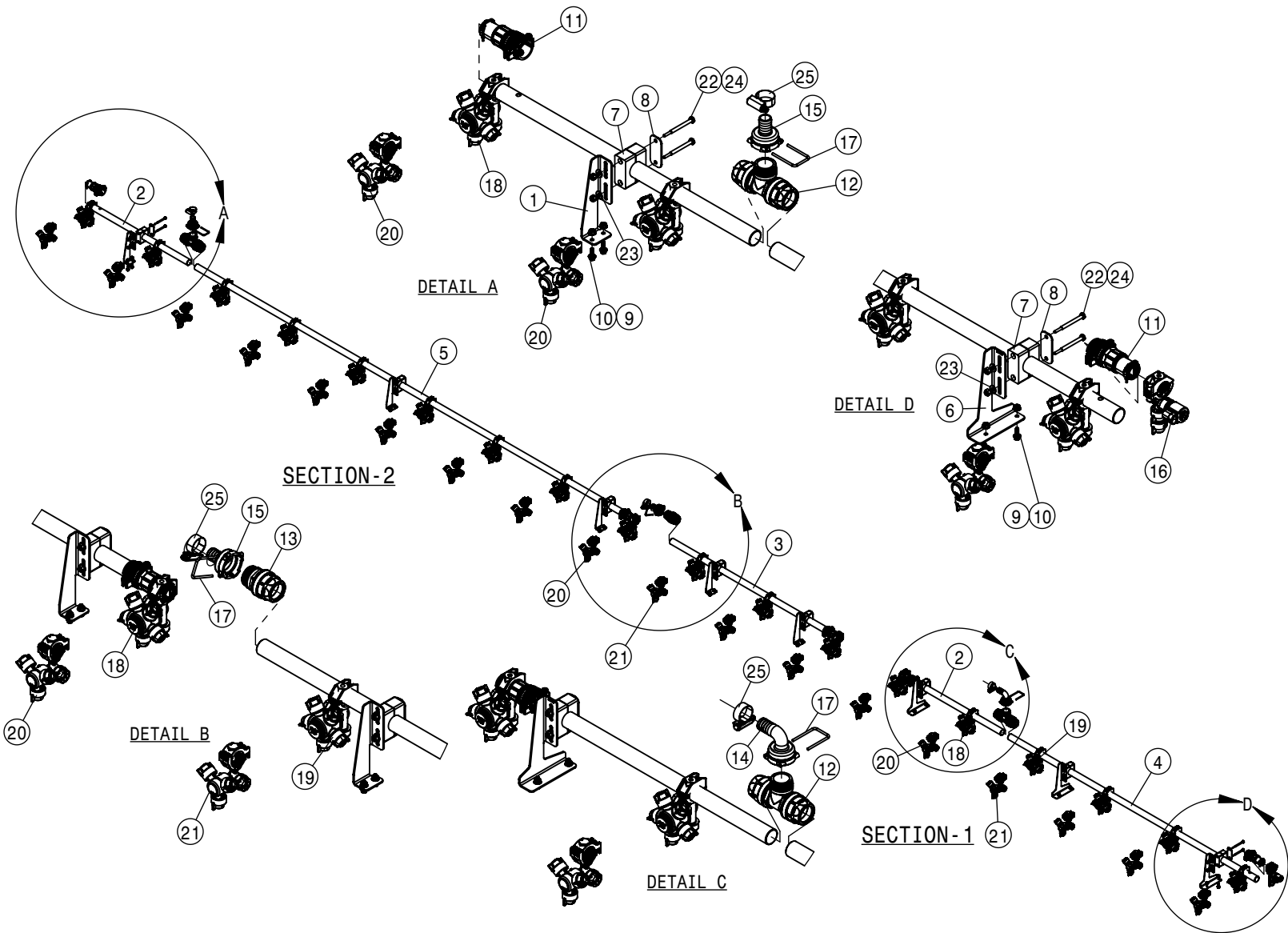
SERIAL NO. _____ -019280

20" WET BOOM SPACING, SECTION 6-7 120' HYBRID			
DET	QTY	P/N	DESCRIPTION
1	1	167585	INR SOLU BRKT
2	1	167769	20" WET BOOM TUBE, 125.46 LG
3	1	167770	20" WET BOOM TUBE, 145.46 LG
4	6	470375	TUBE CLAMP BODY, 1.31 I.D. (PAIR)
5	6	470376	COVER PLATE FOR 470375
6	2	473832	1/4-20UNC HEX FLG NUT SER SS
7	2	473834	1/4UNC X 3/4 HHSFB SS
8	2	500295	NOZZLE BODY END CAP
9	2	500298	EASY FIT END T5, 1" PIPE
10	2	500299	T5 TO 25MM HB 90
11	2	520090	HOSECLAMP NO 16 STAINLESS
12	2	737738	FORK,D.3 DIST.42 (737731)
13	15	737925	QUICK TJET 5 + 1-TIP BODY 1"
14	15	737929	QUICK TJET 3-TIP BODY 1"
15	12	900467	1/4UNC X 3 HHCS SS
16	12	910112	SAE FLAT WASHER 1/4 SS
17	12	910118	1/4-20UNC NYLOCK NUT SS



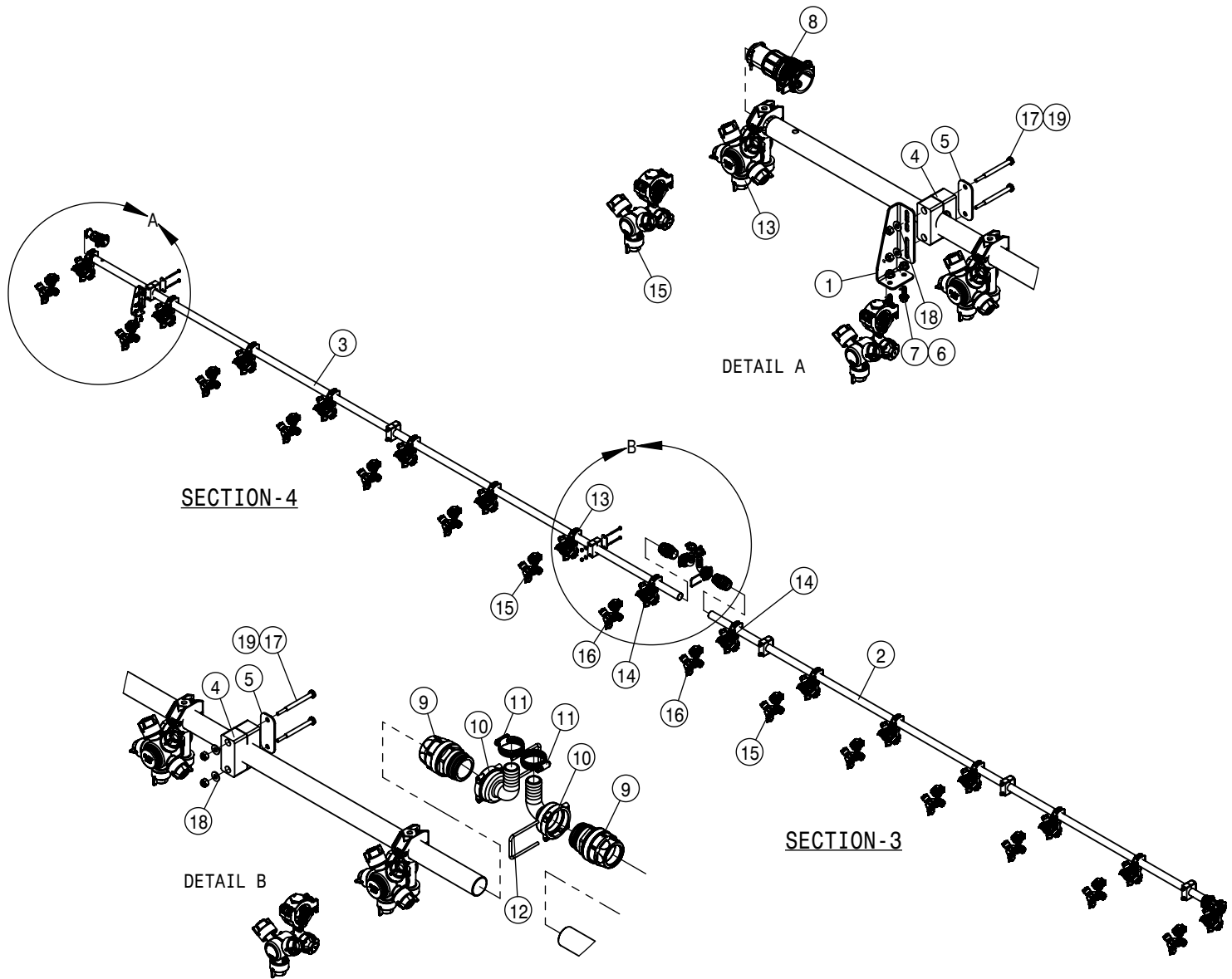
SERIAL NO. _____-019280

20" WET BOOM SPACING, SECTION 8-9 120' HYBRID			
DET	QTY	P/N	DESCRIPTION
1	5	167503	OTR SOLU BRKT
2	2	167764	20" WET BOOM TUBE, 28.16 LG
3	1	167765	20" WET BOOM TUBE, 48.16 LG
4	1	167767	20" WET BOOM TUBE, 72.75 LG
5	1	167768	20" WET BOOM TUBE, 128.16 LG
6	3	169438	HYBRID BM T3SLA SOLU BRKT
7	8	470375	TUBE CLAMP BODY, 1.31 I.D. (PAIR)
8	8	470376	COVER PLATE FOR 470375
9	16	473832	1/4-20UNC HEX FLG NUT SER SS
10	16	473834	1/4UNC X 3/4 HHSFB SS
11	5	500295	NOZZLE BODY END CAP
12	2	500296	EASY FIT TEE 1" PIPE
13	1	500298	EASY FIT END T5, 1" PIPE
14	1	500365	E-CHEMSAVER SINGLE NOZZLE 1IN
15	2	500369	T5 TO 32 MM HB FEMALE
16	1	500370	T5 TO 32MM HB 90 FEMALE
17	3	520176	1.50/1.75 T-BOLT HOSE CLAMP SS
18	3	629770	CAPPLUGS CAP, .234 X .500 VINYL
19	3	737738	FORK,D.3 DIST.42 (737731)
20	18	737925	QUICK TJET 5 + 1-TIP BODY 1"
21	18	737929	QUICK TJET 3-TIP BODY 1"
22	16	900467	1/4UNC X 3 HHCS SS
23	16	910112	SAE FLAT WASHER 1/4 SS
24	16	910118	1/4-20UNC NYLOCK NUT SS



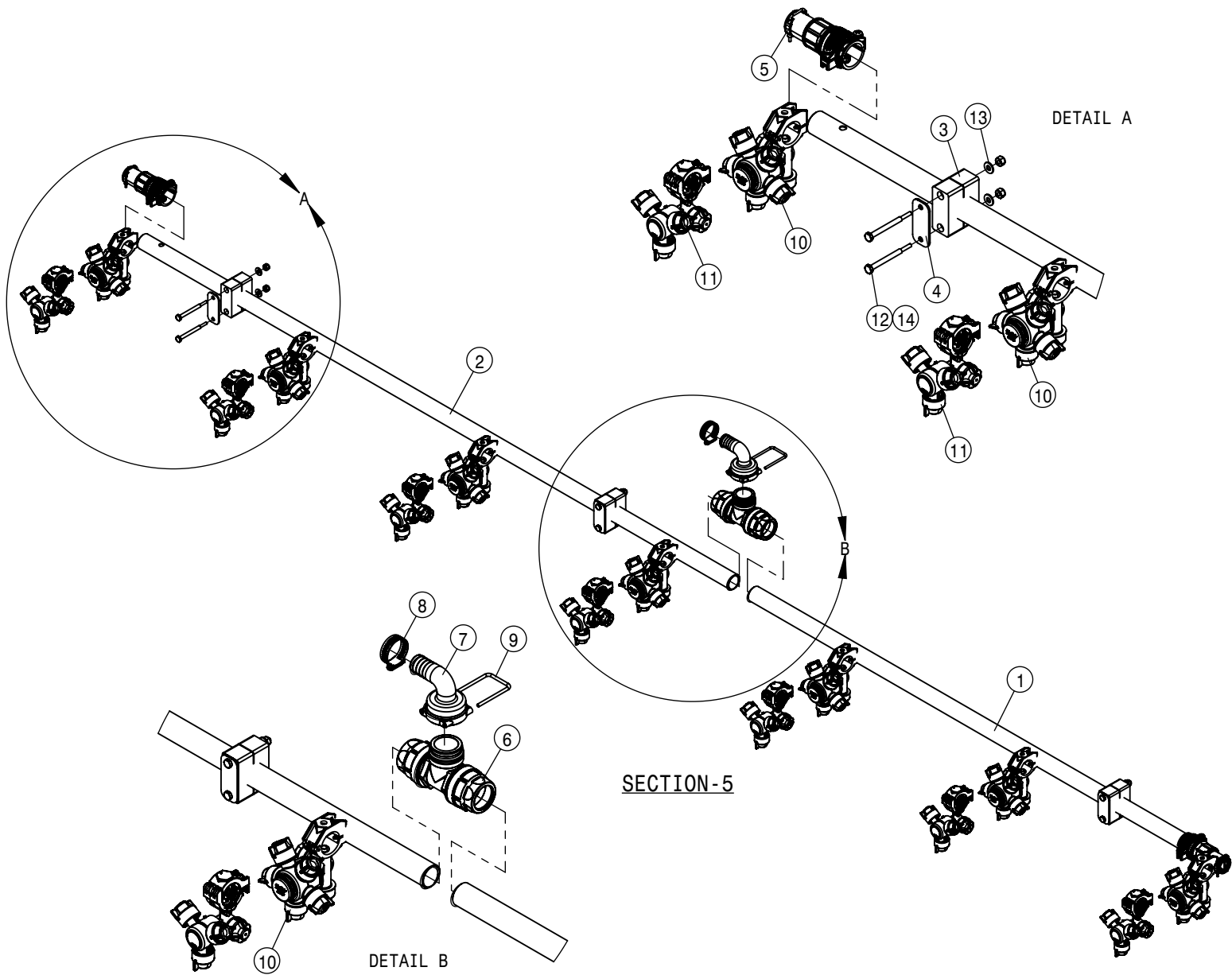
SERIAL NO. 019281-_____

20" WET BOOM SPACING, SECTION 1-2 120' HYBRID			
DET	QTY	P/N	DESCRIPTION
1	5	167503	OTR SOLU BRKT
2	2	167764	20" WET BOOM TUBE, 28.16 LG
3	1	167765	20" WET BOOM TUBE, 48.16 LG
4	1	167767	20" WET BOOM TUBE, 72.75 LG
5	1	167768	20" WET BOOM TUBE, 128.16 LG
6	3	169438	HYBRID BM T3SLA SOLU BRKT
7	8	470375	TUBE CLAMP BODY, 1.31 I.D. (PAIR)
8	8	470376	COVER PLATE FOR 470375
9	16	473832	1/4-20UNC HEX FLG NUT SER SS
10	16	473834	1/4UNC X 3/4 HHSFB SS
11	5	500295	NOZZLE BODY END CAP
12	2	500296	EASY FIT TEE 1" PIPE
13	1	500298	EASY FIT END T5, 1" PIPE
14	1	500299	T5 TO 25MM HB 90
15	2	500307	T5 FEMALE TO 25MM HB
16	1	500365	E-CHEMSAVER SINGLE NOZZLE 1IN
17	3	737738	FORK,D.3 DIST.42 (737731)
18	15	737925	QUICK TJET 5 + 1-TIP BODY 1"
19	3	737927	QUICK TJET 5 TIP BODY 1" RS
20	15	737929	QUICK TJET 3-TIP BODY 1"
21	3	737933	QUICK TJET 3-TIP BODY 1" RS
22	16	900467	1/4UNC X 3 HHCS SS
23	16	910112	SAE FLAT WASHER 1/4 SS
24	16	910118	1/4-20UNC NYLOCK NUT SS
25	3	AN209299	CLAMP, HIGH TORQUE



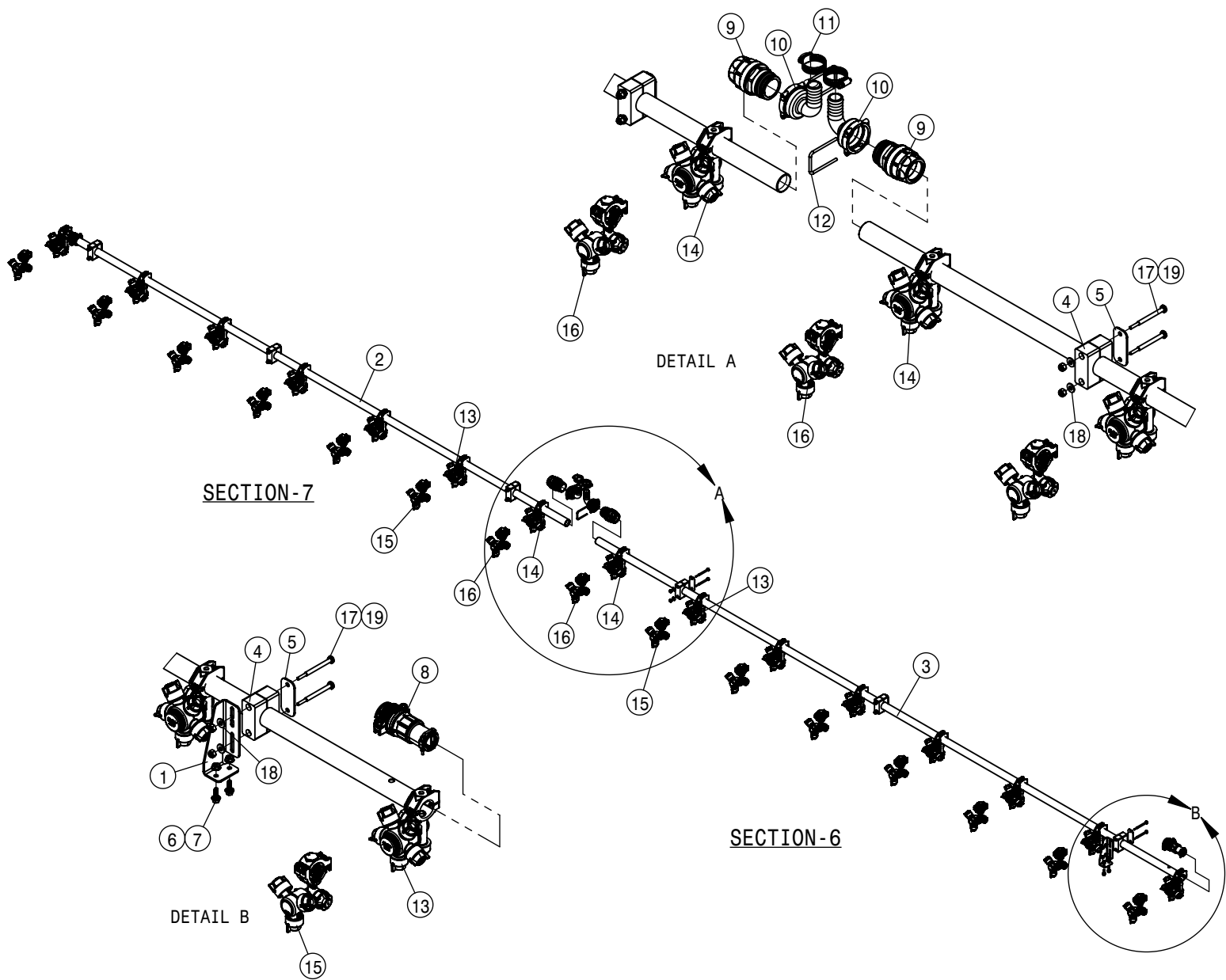
SERIAL NO. 019281-_____

20" WET BOOM SPACING, SECTION 3-4 120' HYBRID			
DET	QTY	P/N	DESCRIPTION
1	1	167585	INR SOLU BRKT
2	1	167769	20" WET BOOM TUBE, 125.46 LG
3	1	167770	20" WET BOOM TUBE, 145.46 LG
4	6	470375	TUBE CLAMP BODY, 1.31 I.D. (PAIR)
5	6	470376	COVER PLATE FOR 470375
6	2	473832	1/4-20UNC HEX FLG NUT SER SS
7	2	473834	1/4UNC X 3/4 HHSFB SS
8	2	500295	NOZZLE BODY END CAP
9	2	500298	EASY FIT END T5, 1" PIPE
10	2	500299	T5 TO 25MM HB 90
11	2	520090	HOSECLAMP NO 16 STAINLESS
12	2	737738	FORK,D.3 DIST.42 (737731)
13	13	737925	QUICK TJET 5 + 1-TIP BODY 1"
14	2	737927	QUICK TJET 5 TIP BODY 1" RS
15	13	737929	QUICK TJET 3-TIP BODY 1"
16	2	737933	QUICK TJET 3-TIP BODY 1" RS
17	12	900467	1/4UNC X 3 HHCS SS
18	12	910112	SAE FLAT WASHER 1/4 SS
19	12	910118	1/4-20UNC NYLOCK NUT SS



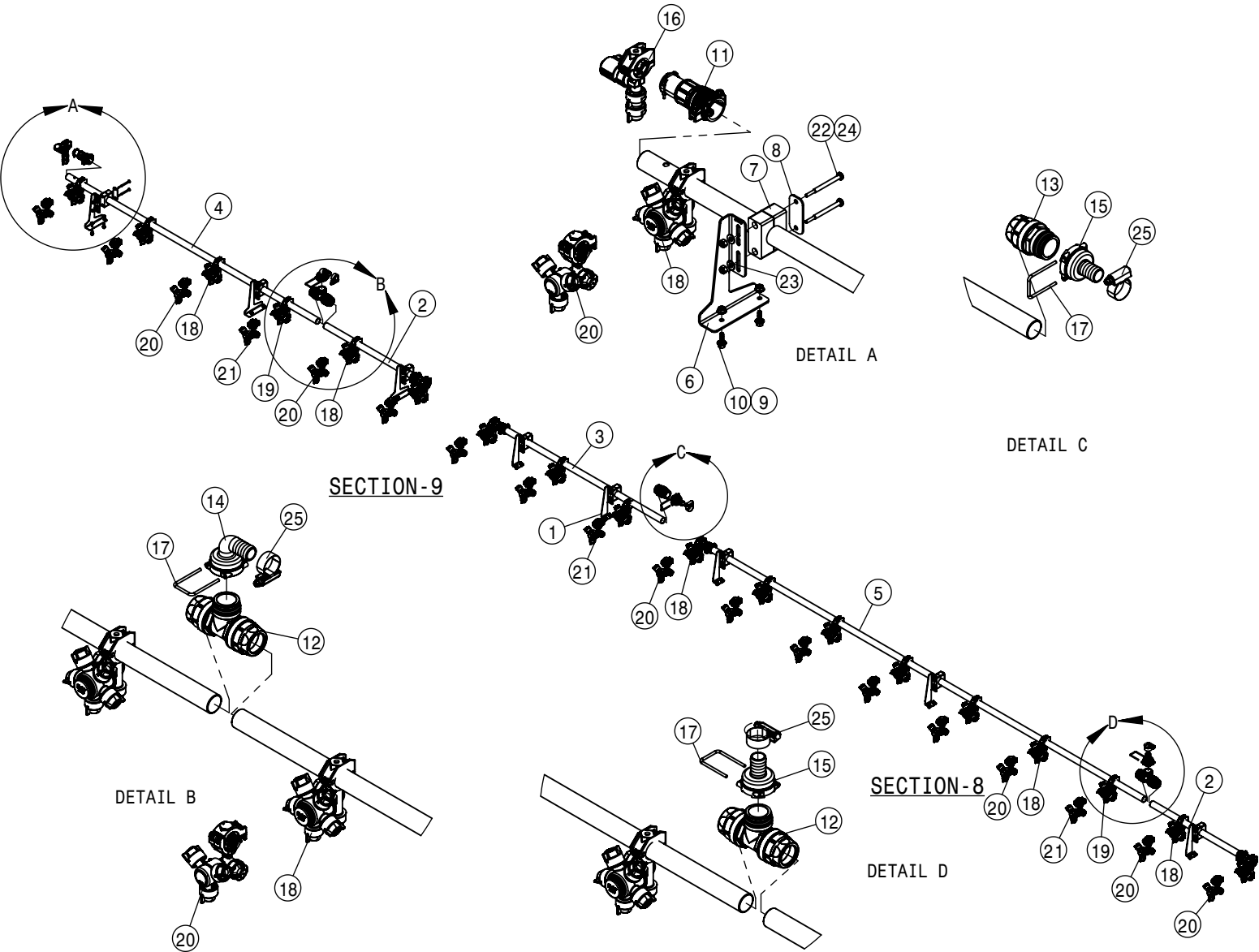
SERIAL NO. 019281- _____

20" WET BOOM SPACING, SECTION-5 120' HYBRID			
DET	QTY	P/N	DESCRIPTION
1	1	167231	20" WET BOOM TUBE, 50.66 LG
2	1	167237	20" WET BOOM TUBE, 65.66 LG
3	3	470375	TUBE CLAMP BODY, 1.31 I.D. (PAIR)
4	3	470376	COVER PLATE FOR 470375
5	2	500295	NOZZLE BODY END CAP
6	1	500296	EASY FIT TEE 1" PIPE
7	1	500299	T5 TO 25MM HB 90
8	1	520090	HOSECLAMP NO 16 STAINLESS
9	1	737738	FORK,D.3 DIST.42 (737731)
10	7	737925	QUICK TJET 5 + 1-TIP BODY 1"
11	7	737929	QUICK TJET 3-TIP BODY 1"
12	6	900467	1/4UNC X 3 HHCS SS
13	6	910112	SAE FLAT WASHER 1/4 SS
14	6	910118	1/4-20UNC NYLOCK NUT SS



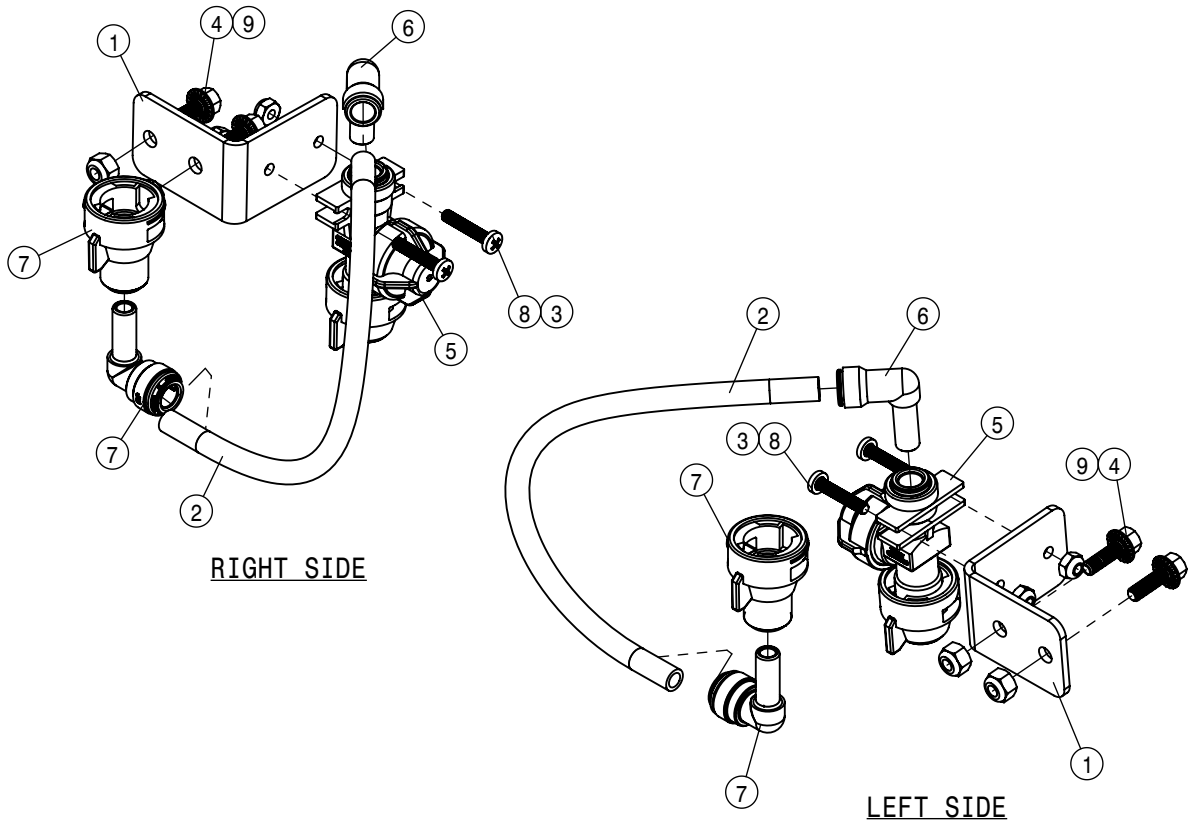
SERIAL NO. 019281-_____

20" WET BOOM SPACING, SECTION 6-7 120' HYBRID			
DET	QTY	P/N	DESCRIPTION
1	1	167585	INR SOLU BRKT
2	1	167769	20" WET BOOM TUBE, 125.46 LG
3	1	167770	20" WET BOOM TUBE, 145.46 LG
4	6	470375	TUBE CLAMP BODY, 1.31 I.D. (PAIR)
5	6	470376	COVER PLATE FOR 470375
6	2	473832	1/4-20UNC HEX FLG NUT SER SS
7	2	473834	1/4UNC X 3/4 HHSFB SS
8	2	500295	NOZZLE BODY END CAP
9	2	500298	EASY FIT END T5, 1" PIPE
10	2	500299	T5 TO 25MM HB 90
11	2	520090	HOSECLAMP NO 16 STAINLESS
12	2	737738	FORK,D.3 DIST.42 (737731)
13	13	737925	QUICK TJET 5 + 1-TIP BODY 1"
14	2	737927	QUICK TJET 5 TIP BODY 1" RS
15	13	737929	QUICK TJET 3-TIP BODY 1"
16	2	737933	QUICK TJET 3-TIP BODY 1" RS
17	12	900467	1/4UNC X 3 HHCS SS
18	12	910112	SAE FLAT WASHER 1/4 SS
19	12	910118	1/4-20UNC NYLOCK NUT SS

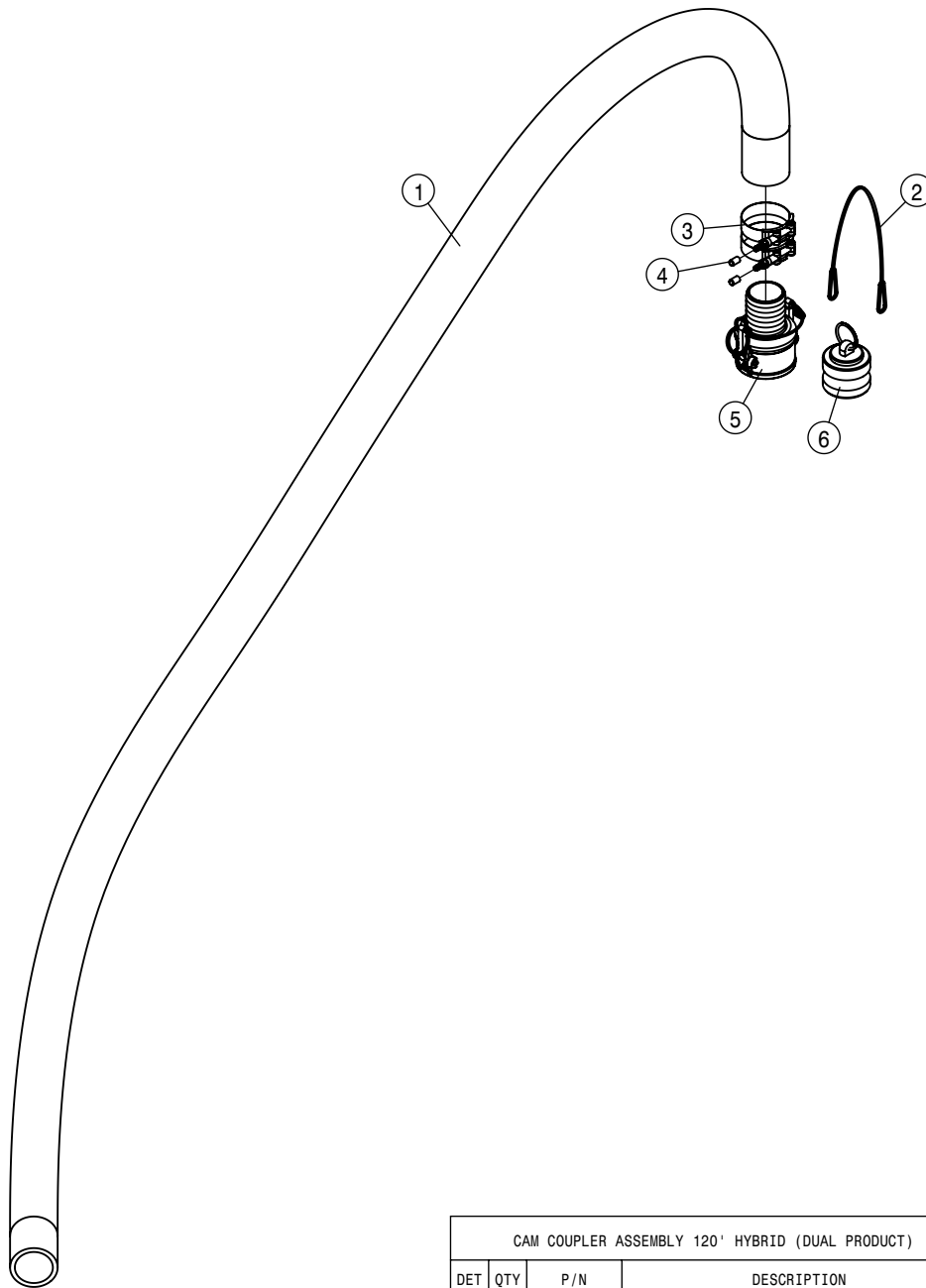


SERIAL NO. 019281-_____

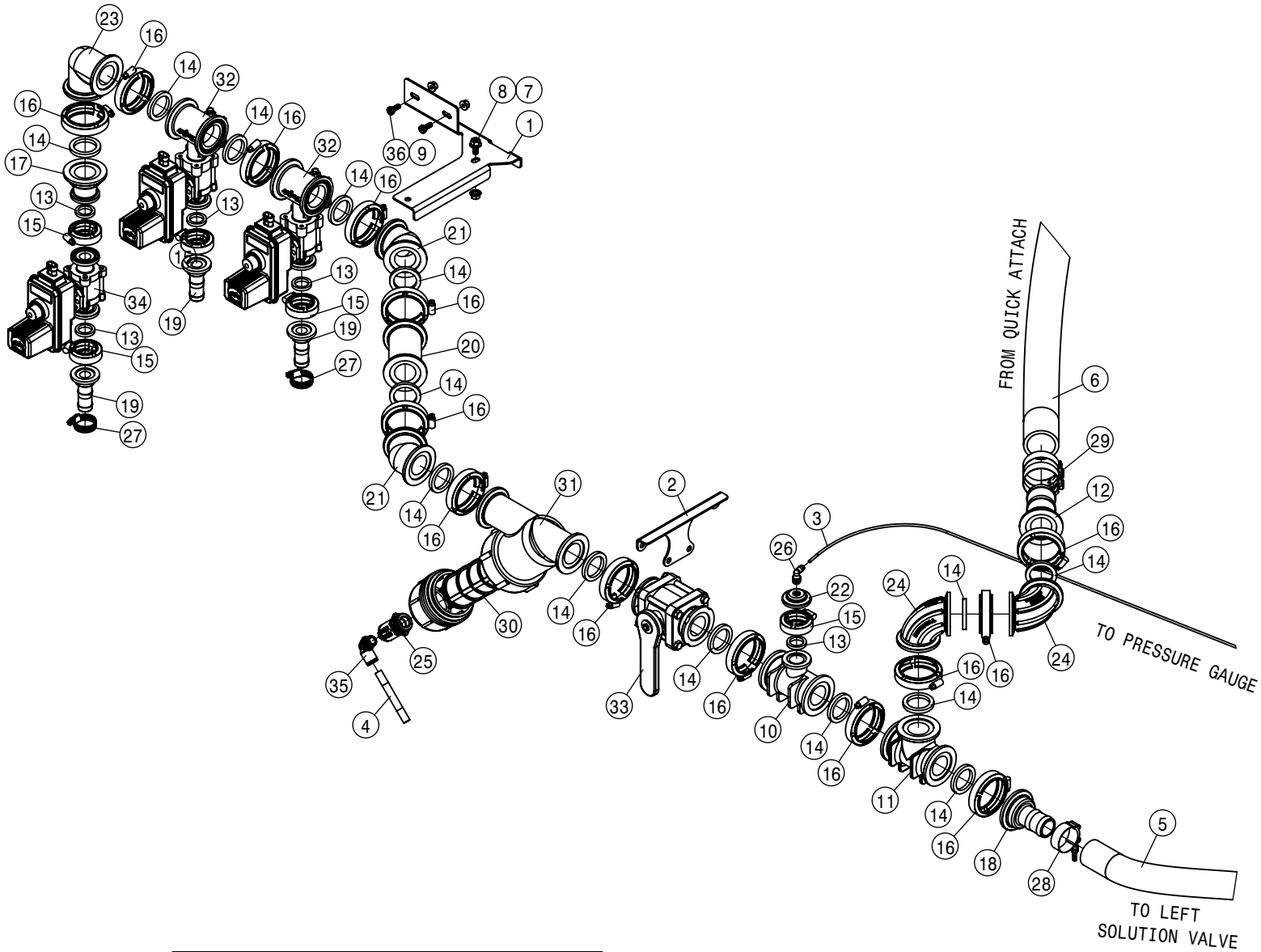
20" WET BOOM SPACING, SECTION 8-9 120' HYBRID			
DET	QTY	P/N	DESCRIPTION
1	5	167503	OTR SOLU BRKT
2	2	167764	20" WET BOOM TUBE, 28.16 LG
3	1	167765	20" WET BOOM TUBE, 48.16 LG
4	1	167767	20" WET BOOM TUBE, 72.75 LG
5	1	167768	20" WET BOOM TUBE, 128.16 LG
6	3	169438	HYBRID BM T3SLA SOLU BRKT
7	8	470375	TUBE CLAMP BODY, 1.31 I.D. (PAIR)
8	8	470376	COVER PLATE FOR 470375
9	16	473832	1/4-20UNC HEX FLG NUT SER SS
10	16	473834	1/4UNC X 3/4 HHSFB SS
11	5	500295	NOZZLE BODY END CAP
12	2	500296	EASY FIT TEE 1" PIPE
13	1	500298	EASY FIT END T5, 1" PIPE
14	1	500299	T5 TO 25MM HB 90
15	2	500307	T5 FEMALE TO 25MM HB
16	1	500365	E-CHEMSAVER SINGLE NOZZLE 1IN
17	3	737738	FORK,D.3 DIST.42 (737731)
18	15	737925	QUICK TJET 5 + 1-TIP BODY 1"
19	3	737927	QUICK TJET 5 TIP BODY 1" RS
20	15	737929	QUICK TJET 3-TIP BODY 1"
21	3	737933	QUICK TJET 3-TIP BODY 1" RS
22	16	900467	1/4UNC X 3 HHCS SS
23	16	910112	SAE FLAT WASHER 1/4 SS
24	16	910118	1/4-20UNC NYLOCK NUT SS
25	3	AN209299	CLAMP, HIGH TORQUE



FENCE ROW NOZZLE ASSEMBLY 120' HYBRID			
DET	QTY	P/N	DESCRIPTION
1	2	167438	FENCE ROW BRACKET DTS
2	2	195915-010	3/80D AIR BRAKE TUBING J844-B
3	4	473004	#10-32UNF NYLOCK NUT MC GR5
4	4	473834	1/4UNC X 3/4 HHSFB SS
5	2	500334	NOZZLE-3/80D PUSH TO CONNECT
6	2	711066	3/8 NYL PUSH IN ELBOW 90 DEG
7	2	711099	90 DEG SWIVEL CAP
8	4	903894	10-32 X 1 PHIL RDHD MACH SCR
9	4	910118	1/4-20UNC NYLOCK NUT SS

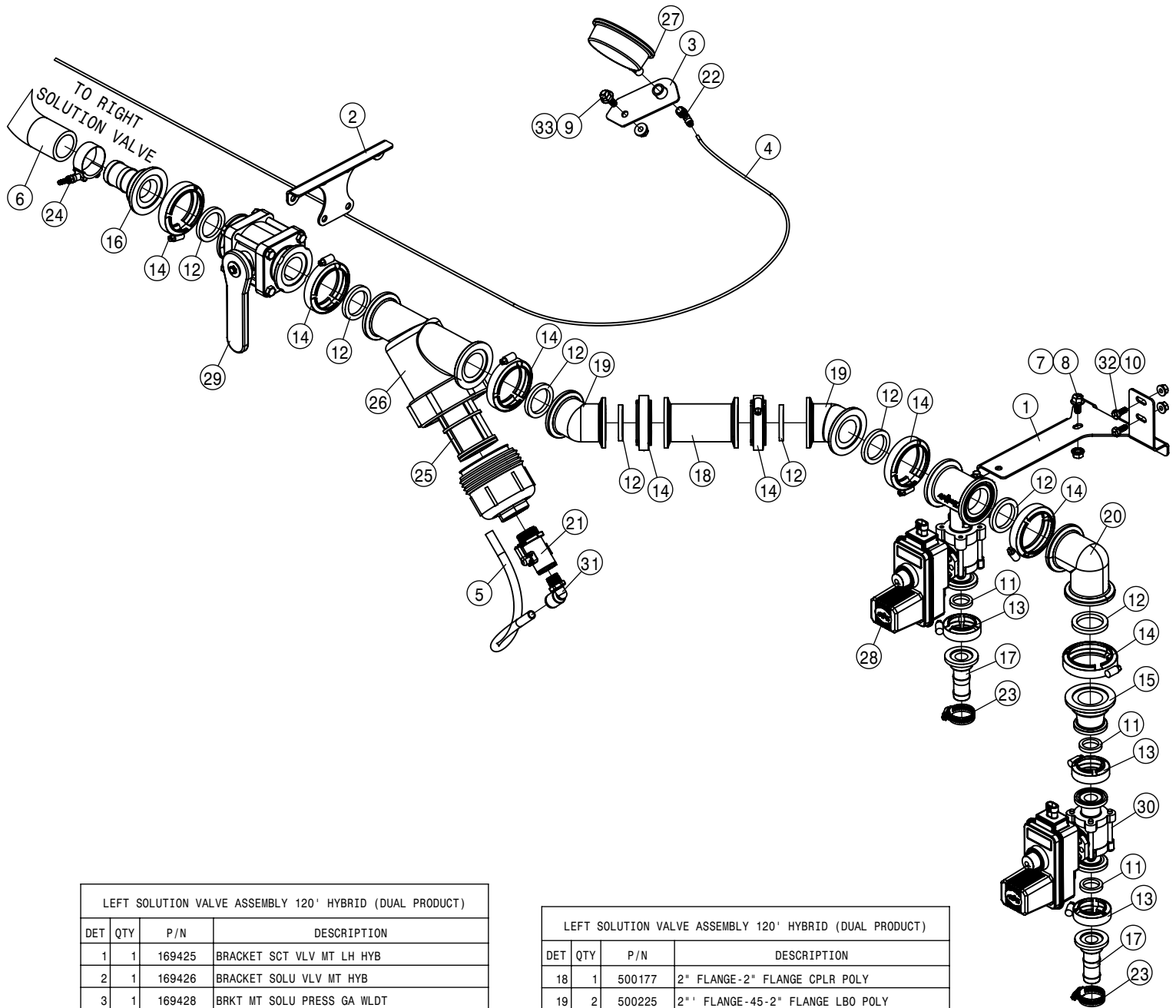


CAM COUPLER ASSEMBLY 120' HYBRID (DUAL PRODUCT)			
DET	QTY	P/N	DESCRIPTION
1	1	197133-097	HOSE 2" SUCTION, 2F-1W EPDM
2	1	470322	LANYARD 8" NYLON LOOP/LOOP
3	2	520141	2.31/2.62 T-BOLT HOSE CLAMP SS
4	2	629770	CAPPLUGS CAP, .234 X .500 VINYL
5	1	690182	2" HOSE BARB CAMLOCK W/ LOCK
6	1	690392	PLUG FOR 2.00 FEMALE COUPLER



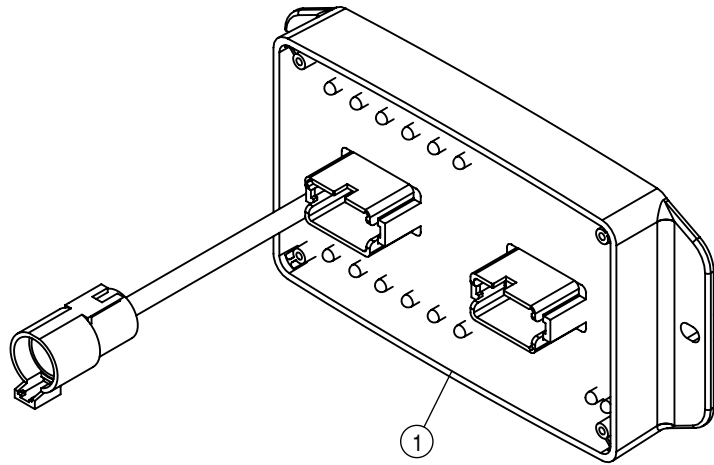
RIGHT SOLUTION VALVE ASSEMBLY 120' HYBRID (DUAL PRODUCT)			
DET	QTY	P/N	DESCRIPTION
1	1	169424	BRACKET SCT VLV MT RH HYB
2	1	169426	BRACKET SOLU VLV MT HYB
3	1	195001-103	HOSE .096 X .156 POLY
4	1	195914-004	1/20D AIR BRAKE TUBING J844-B
5	1	197124-064	HOSE 1 1/2 2-FBR BR BLK EPDM
6	1	197133-097	HOSE 2" SUCTION, 2F-1W EPDM
7	1	470087	3/8-16UNC HEX FLG NUT SER MC GR5
8	1	470409	3/8UNC X 3/4 HHSFB GR5 MC
9	2	470570	5/16-18UNC CTRLK FLG NUT MC GR5
10	1	500150	2" FLANGE-1" BRANCH TEE POLY
11	1	500151	2" FLANGE TEE, POLY
12	1	500154	2" FLANGE-2" HOSE BARB POLY
13	5	500157	1" FLANGE GASKET EPDM
14	14	500158	1 1/2" GASKET FOR 2" FLANGE
15	5	500159	1" FLANGE CLAMP S.S.
16	14	500160	2" FLANGE CLAMP S.S.
17	1	500161	2" FLANGE-1"FLANGE ADPTR POLY
18	1	500162	2" FLANGE-1 1/2 HOSE BARB POLY
19	3	500171	1" FLANGE-1" HOSE BARB POLY

RIGHT SOLUTION VALVE ASSEMBLY 120' HYBRID (DUAL PRODUCT)			
DET	QTY	P/N	DESCRIPTION
20	1	500177	2" FLANGE-2" FLANGE CPLR POLY
21	2	500225	2" FLANGE-45-2" FLANGE LBO POLY
22	1	500226	1" FLANGE PLUG W/1/4"FNPT POLY
23	1	500248	2"FLANGE-90-2"FLANGE LBO SHORT
24	2	500266	2" FLANGE SWEEP 90
25	1	500366	1/2 FEMALE X 1 MALE NPT VALVE
26	1	520021	1/4MNPT-90-5/32 NYL TUBE LBO
27	2	520090	HOSECLAMP NO 16 STAINLESS
28	1	520133	1.81/2.06 T-BOLT HOSE CLAMP SS
29	2	520141	2.31/2.62 T-BOLT HOSE CLAMP SS
30	1	690626	100 MESH SCREEN FOR 690628
31	1	690628	LINE "Y" STRAINER, 2" FLANGE
32	2	691433	3/4" MANF VLV SS 2"SP, 1" FLG
33	1	696142	BALL VLV, 2" FLANGE
34	1	696196	3/4" ELEC BALL VALVE SS 1" FLG
35	1	711042	1/2MNPT-1/2 NYL TUBE LBO
36	2	900064	5/16UNC X 3/4 HHCS GR5 MC

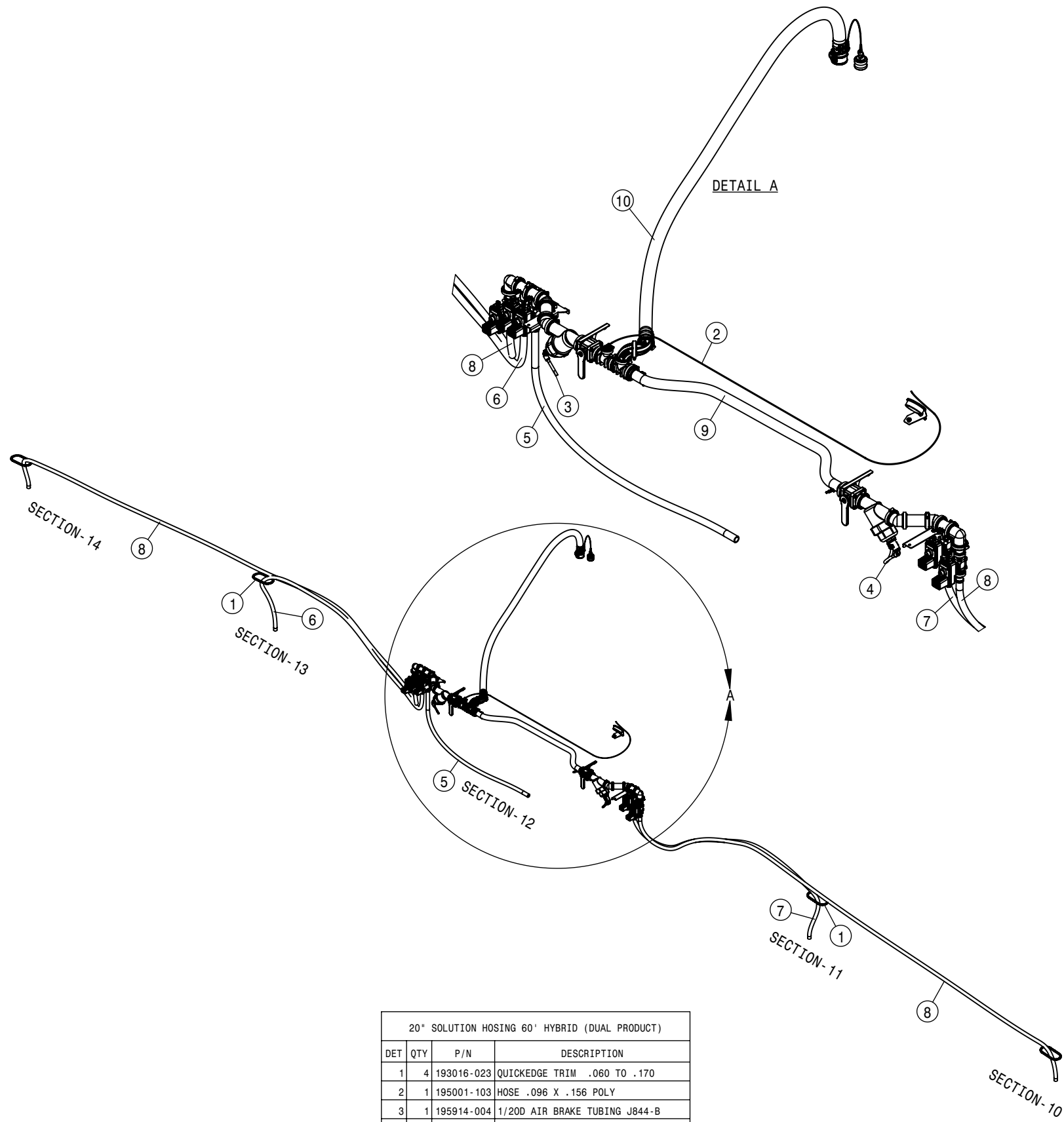


LEFT SOLUTION VALVE ASSEMBLY 120' HYBRID (DUAL PRODUCT)			
DET	QTY	P/N	DESCRIPTION
1	1	169425	BRACKET SCT VLV MT LH HYB
2	1	169426	BRACKET SOLU VLV MT HYB
3	1	169428	BRKT MT SOLU PRESS GA WLDT
4	1	195001-103	HOSE .096 X .156 POLY
5	1	195914-020	1/20D AIR BRAKE TUBING J844-B
6	1	197124-064	HOSE 1 1/2 2-FBR BR BLK EPDM
7	1	470087	3/8-16UNC HEX FLG NUT SER MC GR5
8	1	470409	3/8UNC X 3/4 HHSFB GR5 MC
9	1	470460	3/8UNC X 1 HHSFB GR5 MC
10	2	470570	5/16-18UNC CTRLK FLG NUT MC GR5
11	3	500157	1" FLANGE GASKET EPDM
12	8	500158	1 1/2" GASKET FOR 2" FLANGE
13	3	500159	1" FLANGE CLAMP S.S.
14	8	500160	2" FLANGE CLAMP S.S.
15	1	500161	2" FLANGE-1"FLANGE ADPTR POLY
16	1	500162	2" FLANGE-1 1/2 HOSE BARB POLY
17	2	500171	1" FLANGE-1" HOSE BARB POLY

LEFT SOLUTION VALVE ASSEMBLY 120' HYBRID (DUAL PRODUCT)			
DET	QTY	P/N	DESCRIPTION
18	1	500177	2" FLANGE-2" FLANGE CPLR POLY
19	2	500225	2" FLANGE-45-2" FLANGE LBO POLY
20	1	500248	2"FLANGE-90-2"FLANGE LBO SHORT
21	1	500366	1/2 FEMALE X 1 MALE NPT VALVE
22	1	520021	1/4MNPT-90-5/32 NYL TUBE LBO
23	2	520090	HOSECLAMP NO 16 STAINLESS
24	1	520133	1.81/2.06 T-BOLT HOSE CLAMP SS
25	1	690626	100 MESH SCREEN FOR 690628
26	1	690628	LINE "Y" STRAINER, 2" FLANGE
27	1	690832	PRESS GA GLYCERI 160 PSI
28	1	691433	3/4" MANF VLV SS 2"SP, 1" FLG
29	1	696142	BALL VLV, 2" FLANGE
30	1	696196	3/4" ELEC BALL VALVE SS 1" FLG
31	1	711042	1/2MNPT-1/2 NYL TUBE LBO
32	2	900064	5/16UNC X 3/4 HHCS GR5 MC
33	1	910106	3/8-16UNC CTRLK FLG NUT MC GR5

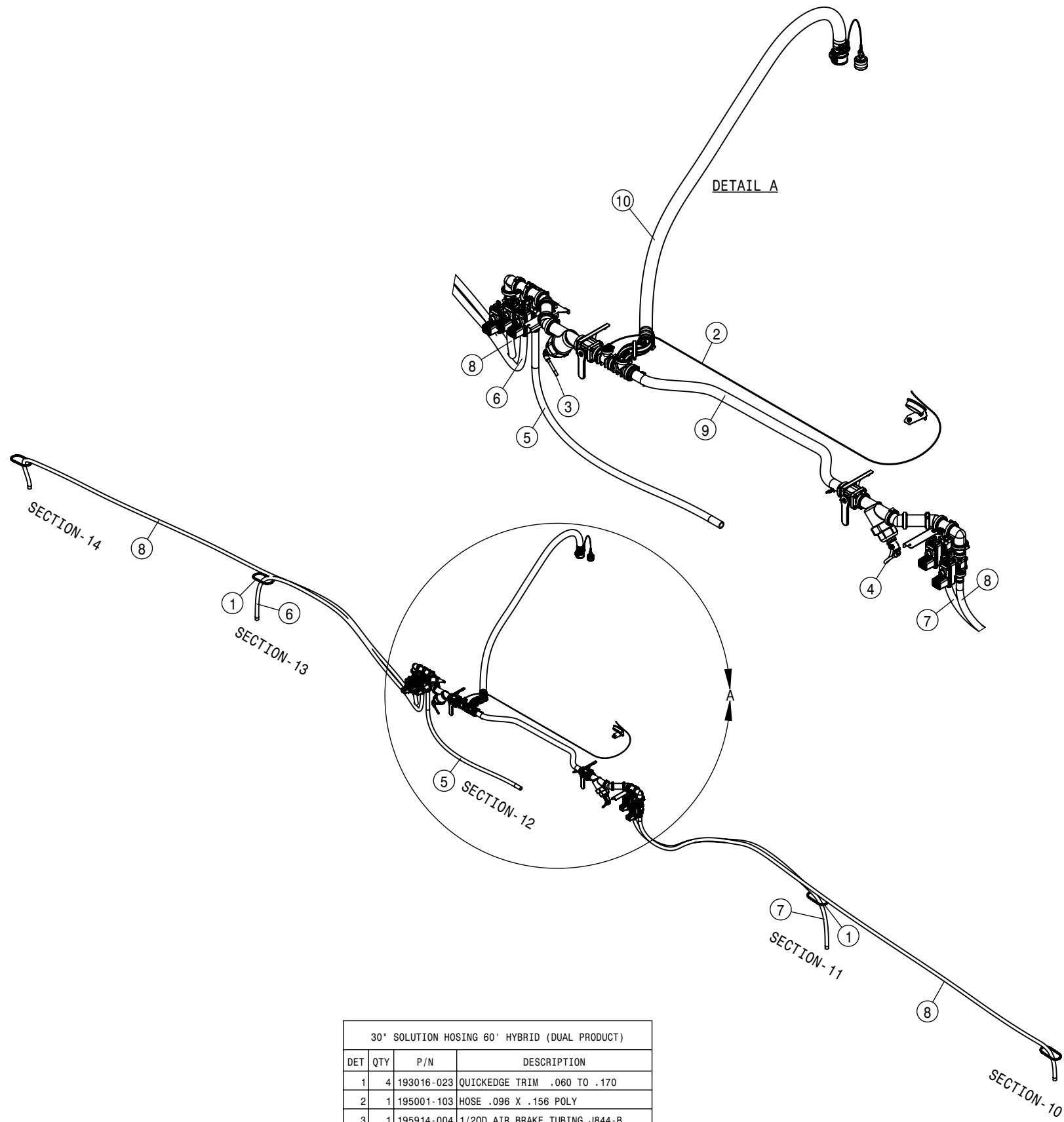


ELECTRICAL HYBRID BOOM (DUAL PRODUCT)			
DET	QTY	P/N	DESCRIPTION
1	1	292030	CAN POWER OUTLET MODULE
NS	1	294217	HARNESS, DP 5SEC HYBRD W/EDI

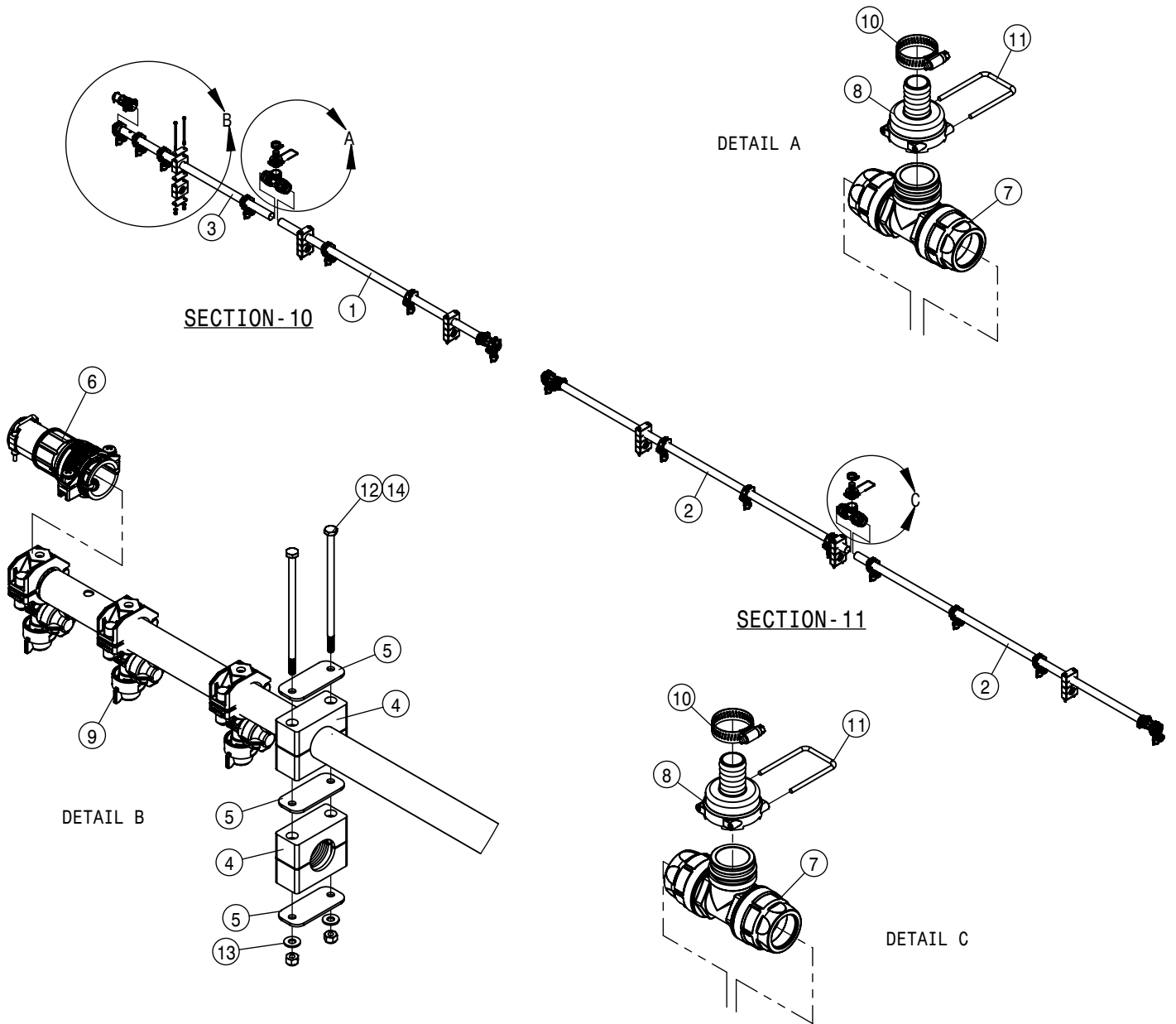


20" SOLUTION HOISING 60' HYBRID (DUAL PRODUCT)

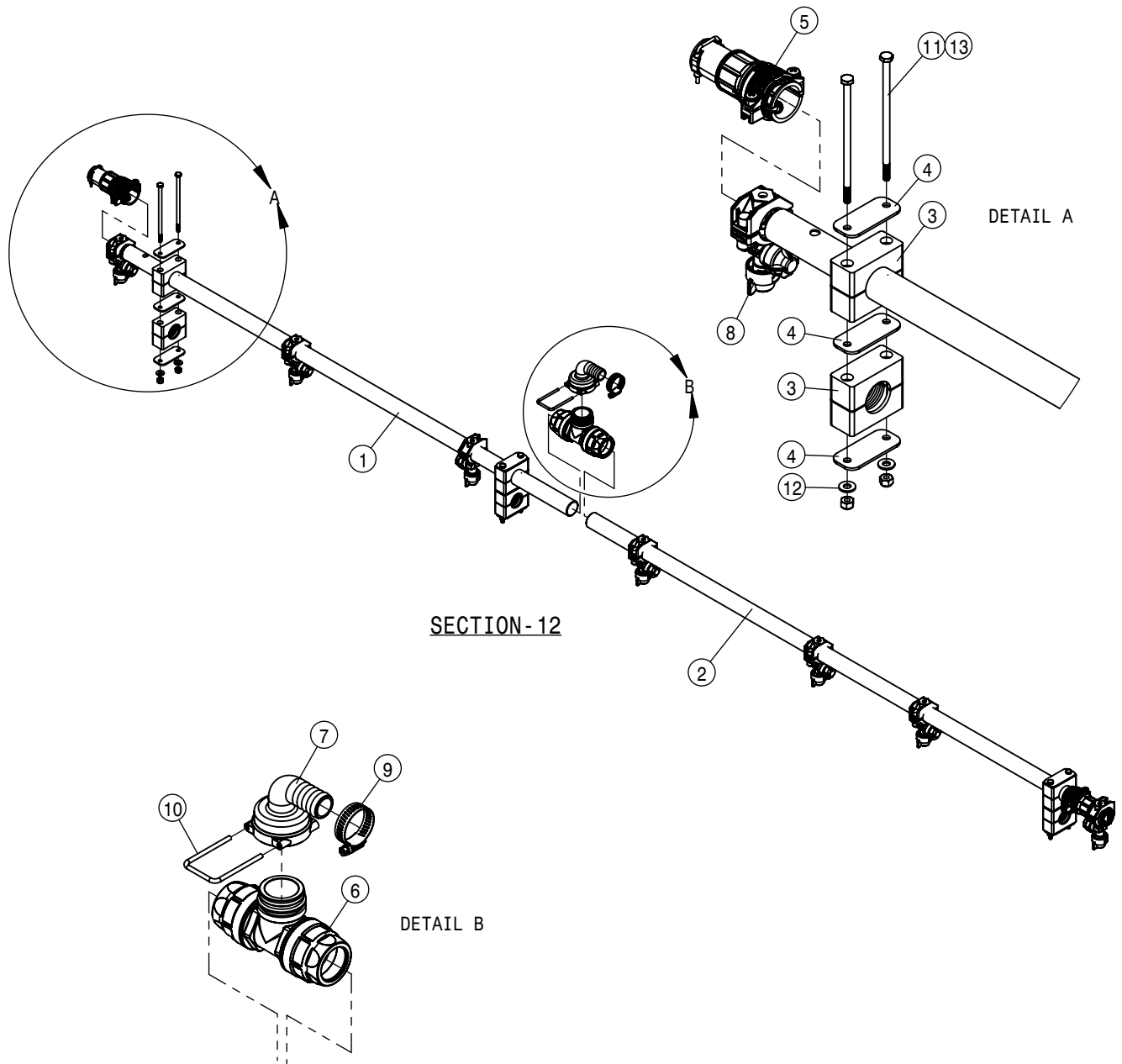
DET	QTY	P/N	DESCRIPTION
1	4	193016-023	QUICKEDGE TRIM .060 TO .170
2	1	195001-103	HOSE .096 X .156 POLY
3	1	195914-004	1/20D AIR BRAKE TUBING J844-B
4	1	195914-020	1/20D AIR BRAKE TUBING J844-B
5	1	197116-077	HOSE 1IN 1-FBR BR BLK EPDM
6	1	197116-139	HOSE 1IN 1-FBR BR BLK EPDM
7	1	197116-142	HOSE 1IN 1-FBR BR BLK EPDM
8	2	197116-256	HOSE 1IN 1-FBR BR BLK EPDM
9	1	197124-064	HOSE 1 1/2 2-FBR BR BLK EPDM
10	1	197133-097	HOSE 2" SUCTION, 2F-1W EPDM



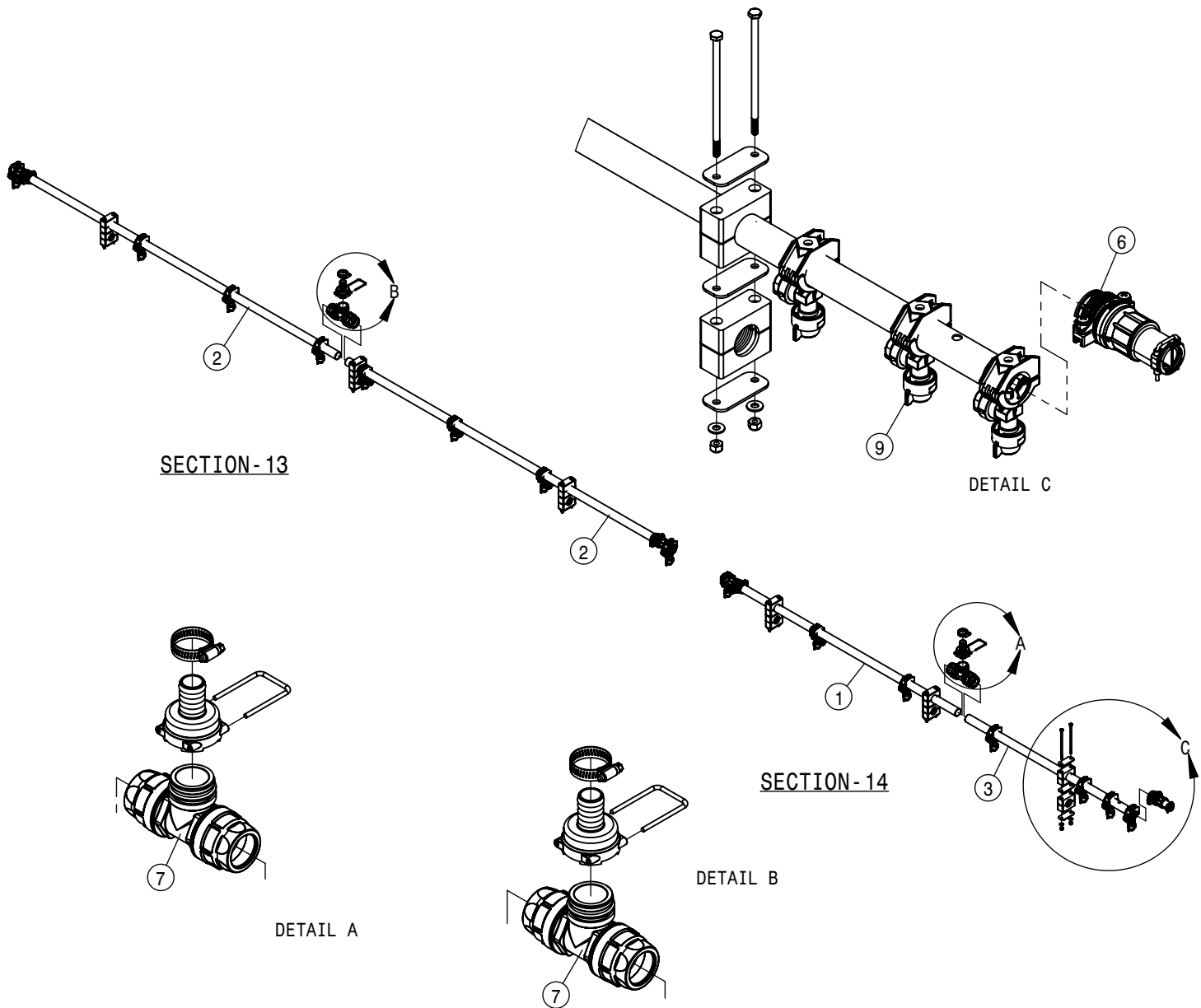
30" SOLUTION HOSEING 60' HYBRID (DUAL PRODUCT)			
DET	QTY	P/N	DESCRIPTION
1	4	193016-023	QUICKEDGE TRIM .060 TO .170
2	1	195001-103	HOSE .096 X .156 POLY
3	1	195914-004	1/20D AIR BRAKE TUBING J844-B
4	1	195914-020	1/20D AIR BRAKE TUBING J844-B
5	1	197116-072	HOSE 1IN 1-FBR BR BLK EPDM
6	1	197116-139	HOSE 1IN 1-FBR BR BLK EPDM
7	1	197116-142	HOSE 1IN 1-FBR BR BLK EPDM
8	2	197116-256	HOSE 1IN 1-FBR BR BLK EPDM
9	1	197124-064	HOSE 1 1/2 2-FBR BR BLK EPDM
10	1	197133-097	HOSE 2" SUCTION, 2F-1W EPDM



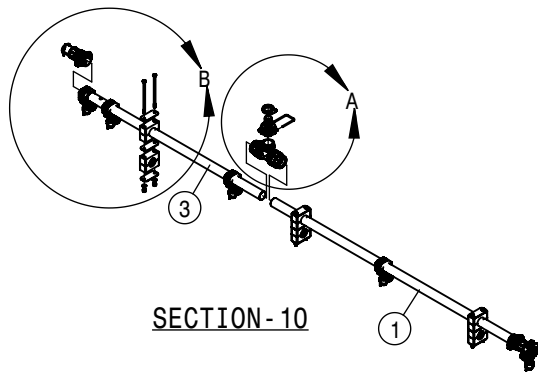
20" WET BOOM SPACING,SECTION 10-11 60' HYBRID (DUAL PRODUCT)			
DET	QTY	P/N	DESCRIPTION
1	1	167231	20" WET BOOM TUBE, 50.66 LG
2	2	169156	20" WET BM TUBE, 71.17 LG
3	1	169475	20" WET BM TUBE, 35.92
4	12	470375	TUBE CLAMP BODY, 1.31 I.D. (PAIR)
5	18	470376	COVER PLATE FOR 470375
6	4	500295	NOZZLE BODY END CAP
7	2	500296	EASY FIT TEE 1" PIPE
8	2	500307	T5 FEMALE TO 25MM HB
9	15	500363	QUICK TJET SINGLE BODY, 1"
10	2	520090	HOSECLAMP NO 16 STAINLESS
11	2	737738	FORK,D.3 DIST.42 (737731)
12	12	900028	1/4UNC X 5 1/2 HHCS SS
13	12	910112	SAE FLAT WASHER 1/4 SS
14	12	910118	1/4-20UNC NYLOCK NUT SS



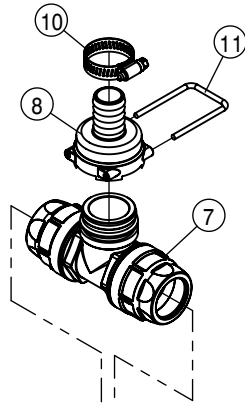
20" WET BOOM SPACING, SECTION-12 60' HYBRID (DUAL PRODUCT)			
DET	QTY	P/N	DESCRIPTION
1	1	167231	20" WET BOOM TUBE, 50.66 LG
2	1	169473	20" WET BM TUBE, 57.17 LG
3	6	470375	TUBE CLAMP BODY, 1.31 I.D. (PAIR)
4	9	470376	COVER PLATE FOR 470375
5	2	500295	NOZZLE BODY END CAP
6	1	500296	EASY FIT TEE 1" PIPE
7	1	500299	T5 TO 25MM HB 90
8	7	500363	QUICK TJET SINGLE BODY, 1"
9	1	520090	HOSECLAMP NO 16 STAINLESS
10	1	737738	FORK,D.3 DIST.42 (737731)
11	6	900028	1/4UNC X 5 1/2 HHCS SS
12	6	910112	SAE FLAT WASHER 1/4 SS
13	6	910118	1/4-20UNC NYLOCK NUT SS



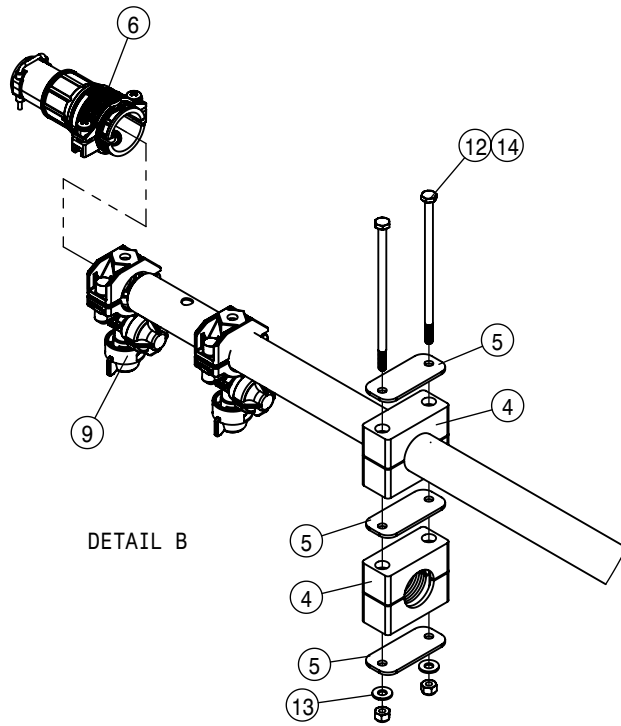
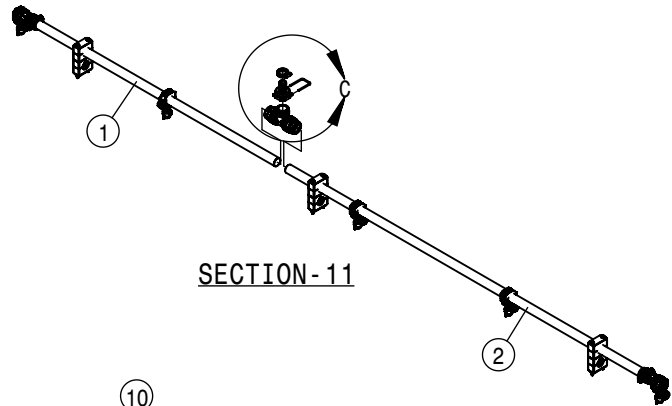
20" WET BOOM SPACING, SECTION 13-14 60' HYBRID (DUAL PRODUCT)			
DET	QTY	P/N	DESCRIPTION
1	1	167231	20" WET BOOM TUBE, 50.66 LG
2	2	169156	20" WET BM TUBE, 71.17 LG
3	1	169475	20" WET BM TUBE, 35.92
4	12	470375	TUBE CLAMP BODY, 1.31 I.D. (PAIR)
5	18	470376	COVER PLATE FOR 470375
6	4	500295	NOZZLE BODY END CAP
7	2	500296	EASY FIT TEE 1" PIPE
8	2	500307	T5 FEMALE TO 25MM HB
9	15	500363	QUICK TJET SINGLE BODY, 1"
10	2	520090	HOSECLAMP NO 16 STAINLESS
11	2	737738	FORK, D.3 DIST.42 (737731)
12	12	900028	1/4UNC X 5 1/2 HHCS SS
13	12	910112	SAE FLAT WASHER 1/4 SS
14	12	910118	1/4-20UNC NYLOCK NUT SS



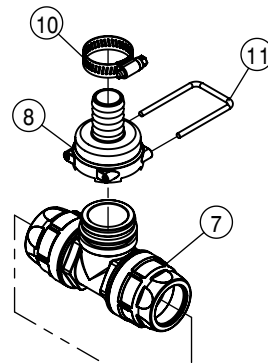
DETAIL A



SECTION-11



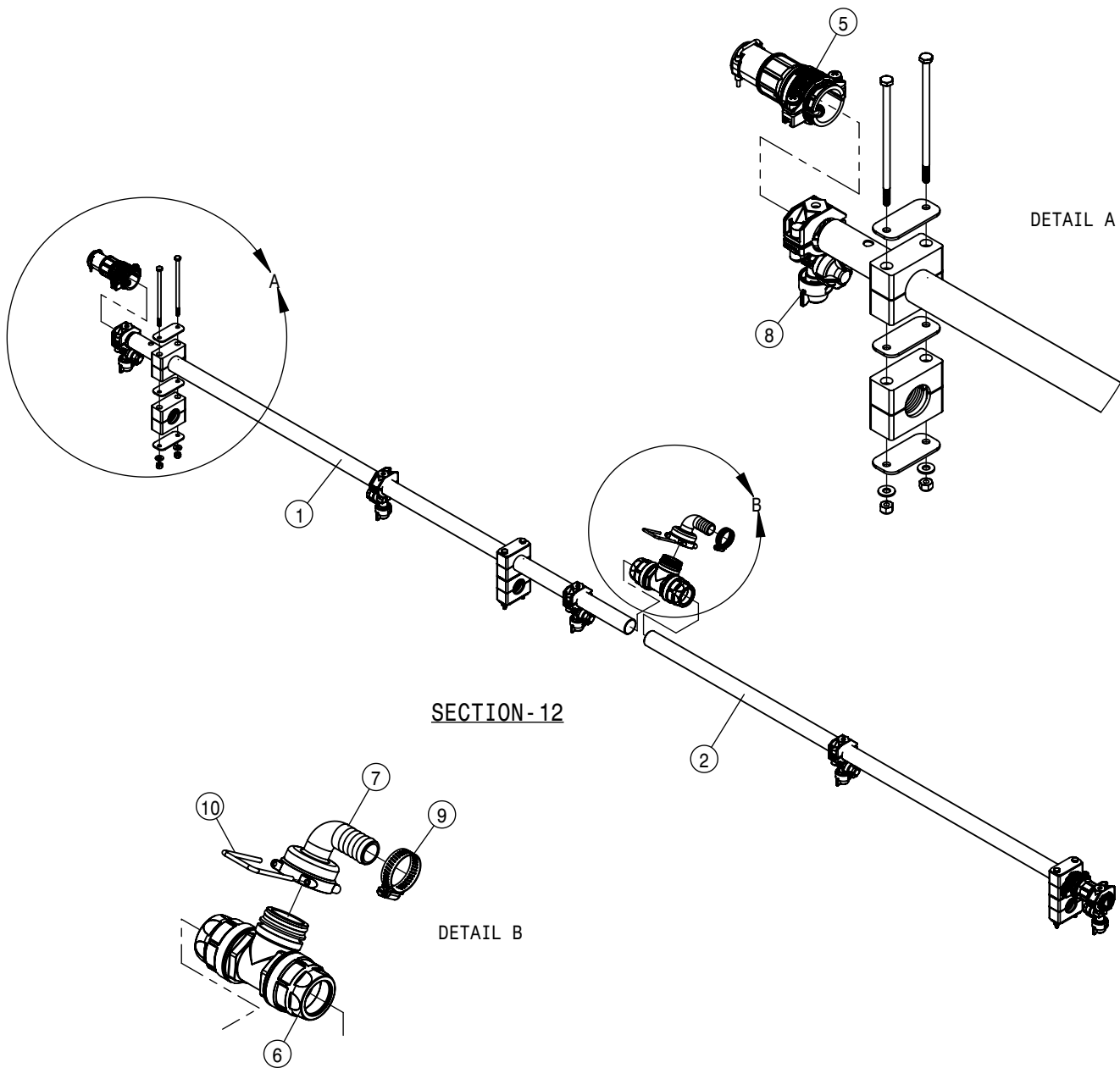
DETAIL B



DETAIL C

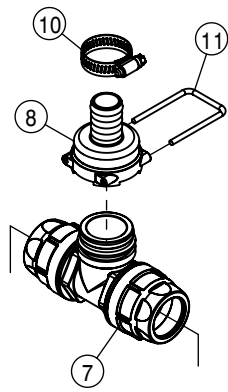
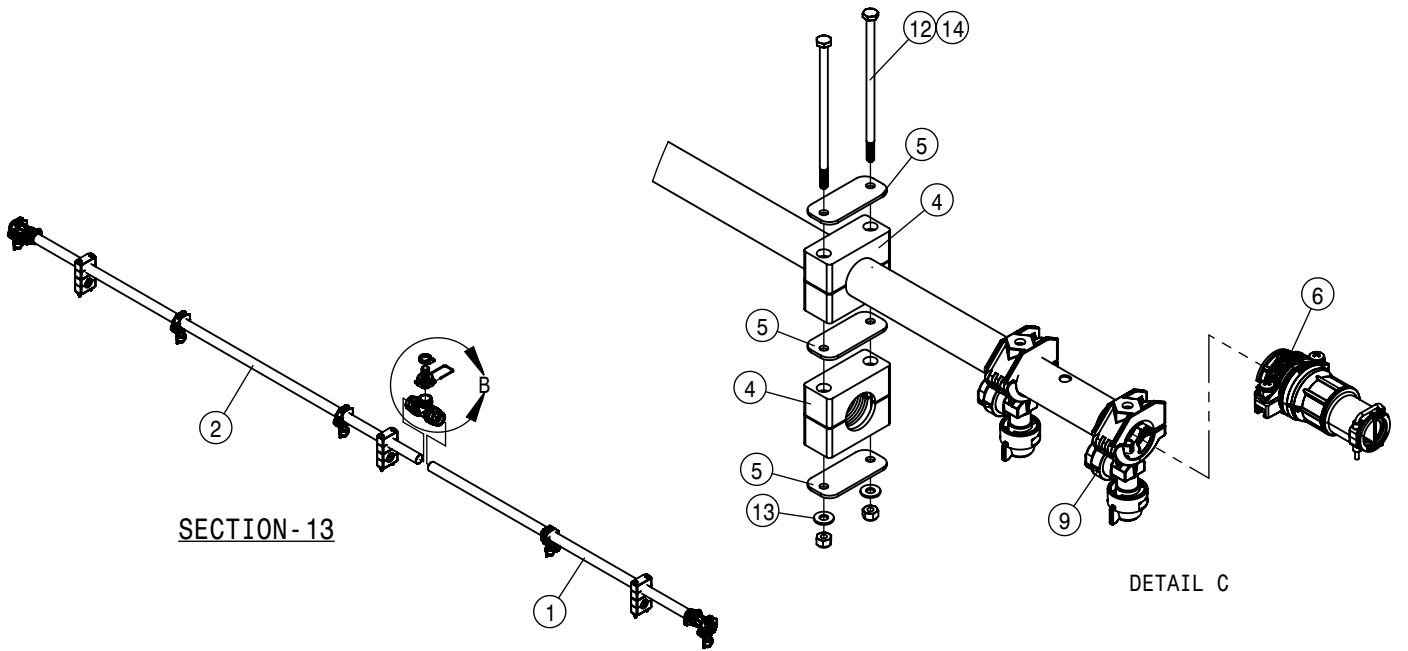
30° WET BOOM SPACING, SECTION 10-11 60' HYBRID (DUAL PRODUCT)

DET	QTY	P/N	DESCRIPTION
1	2	167759	30° WET BM TUBE, 50.17 LG
2	1	167761	30° WET BOOM TUBE, 73.17 LG
3	1	167762	30° WET BM TUBE, 34.17 LG
4	12	470375	TUBE CLAMP BODY, 1.31 I.D. (PAIR)
5	18	470376	COVER PLATE FOR 470375
6	4	500295	NOZZLE BODY END CAP
7	2	500296	EASY FIT TEE 1" PIPE
8	2	500307	T5 FEMALE TO 25MM HB
9	10	500363	QUICK TJET SINGLE BODY, 1"
10	2	520090	HOSECLAMP NO 16 STAINLESS
11	2	737738	FORK, D.3 DIST.42 (737731)
12	12	900028	1/4UNC X 5 1/2 HHCS SS
13	12	910112	SAE FLAT WASHER 1/4 SS
14	12	910118	1/4-20UNC NYLOCK NUT SS

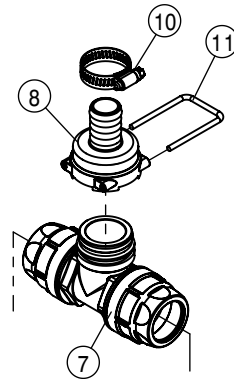


30" WET BOOM SPACING, SECTION-12 60' HYBRID (DUAL PRODUCT)

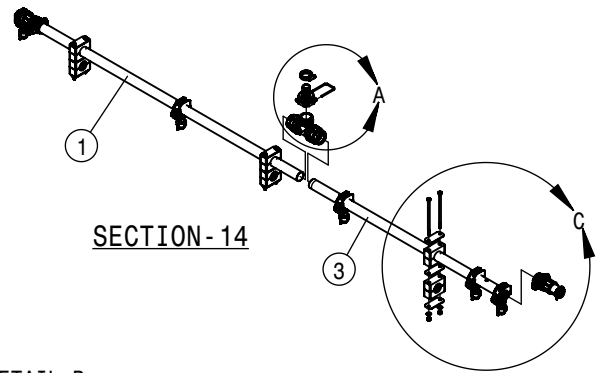
DET	QTY	P/N	DESCRIPTION
1	1	167758	30" WET BM TUBE, 56.16 LG
2	1	167759	30" WET BM TUBE, 50.17 LG
3	6	470375	TUBE CLAMP BODY, 1.31 I.D. (PAIR)
4	9	470376	COVER PLATE FOR 470375
5	2	500295	NOZZLE BODY END CAP
6	1	500296	EASY FIT TEE 1" PIPE
7	1	500299	T5 TO 25MM HB 90
8	5	500363	QUICK TJET SINGLE BODY, 1"
9	1	520090	HOSECLAMP NO 16 STAINLESS
10	1	737738	FORK,D.3 DIST.42 (737731)
11	6	900028	1/4UNC X 5 1/2 HHCS SS
12	6	910112	SAE FLAT WASHER 1/4 SS
13	6	910118	1/4-20UNC NYLOCK NUT SS



DETAIL A

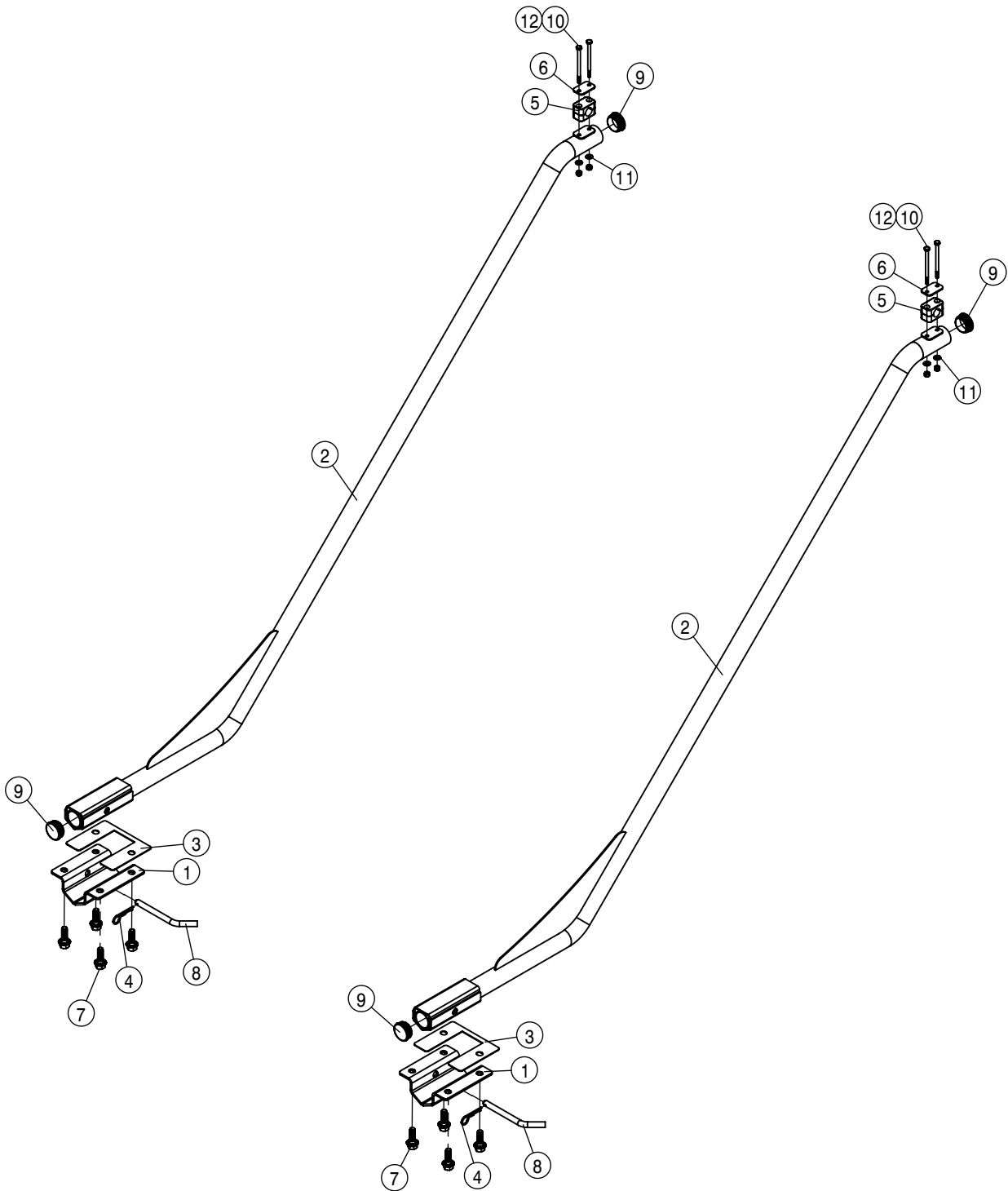


DETAIL B

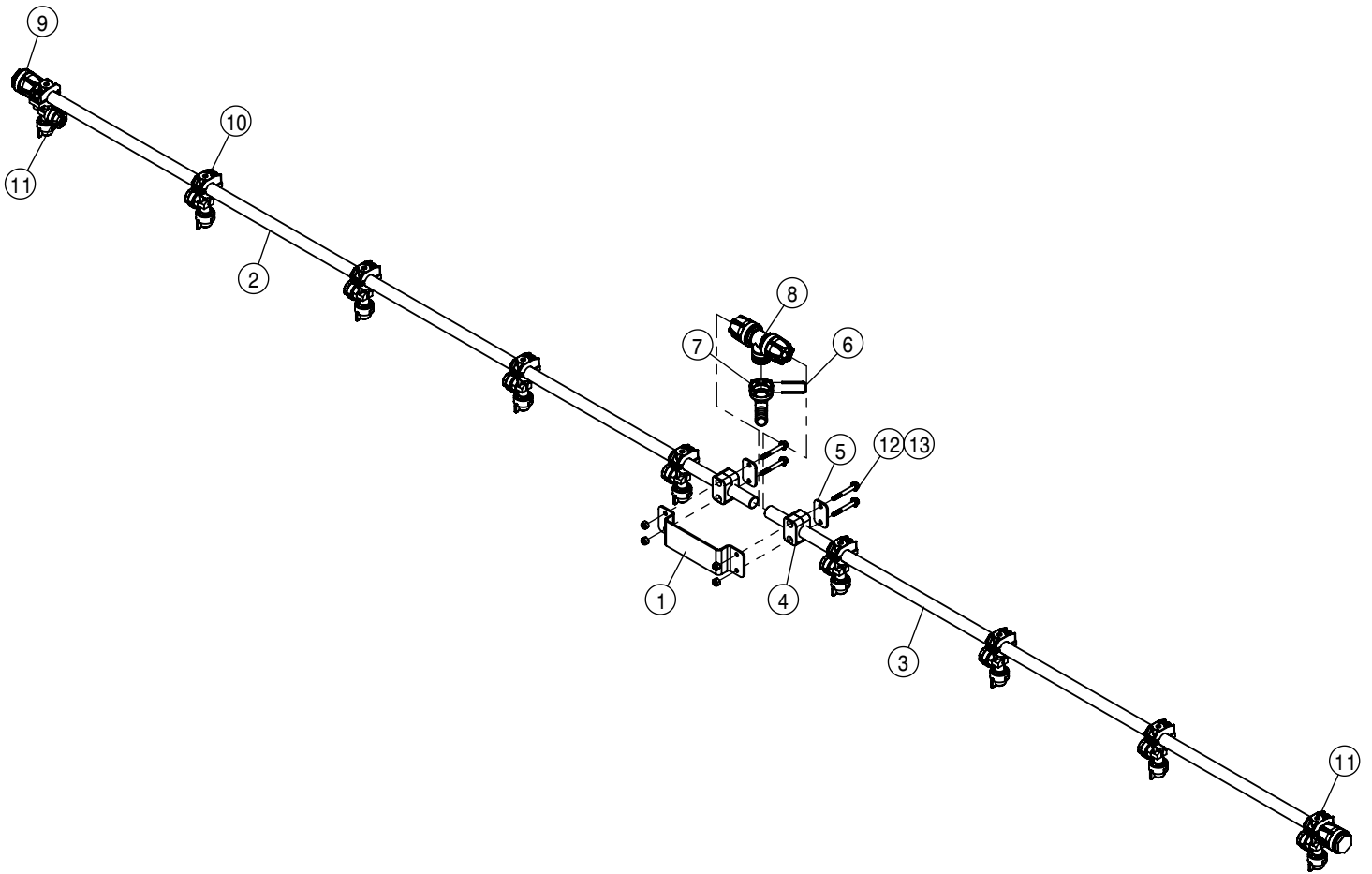


SECTION-14

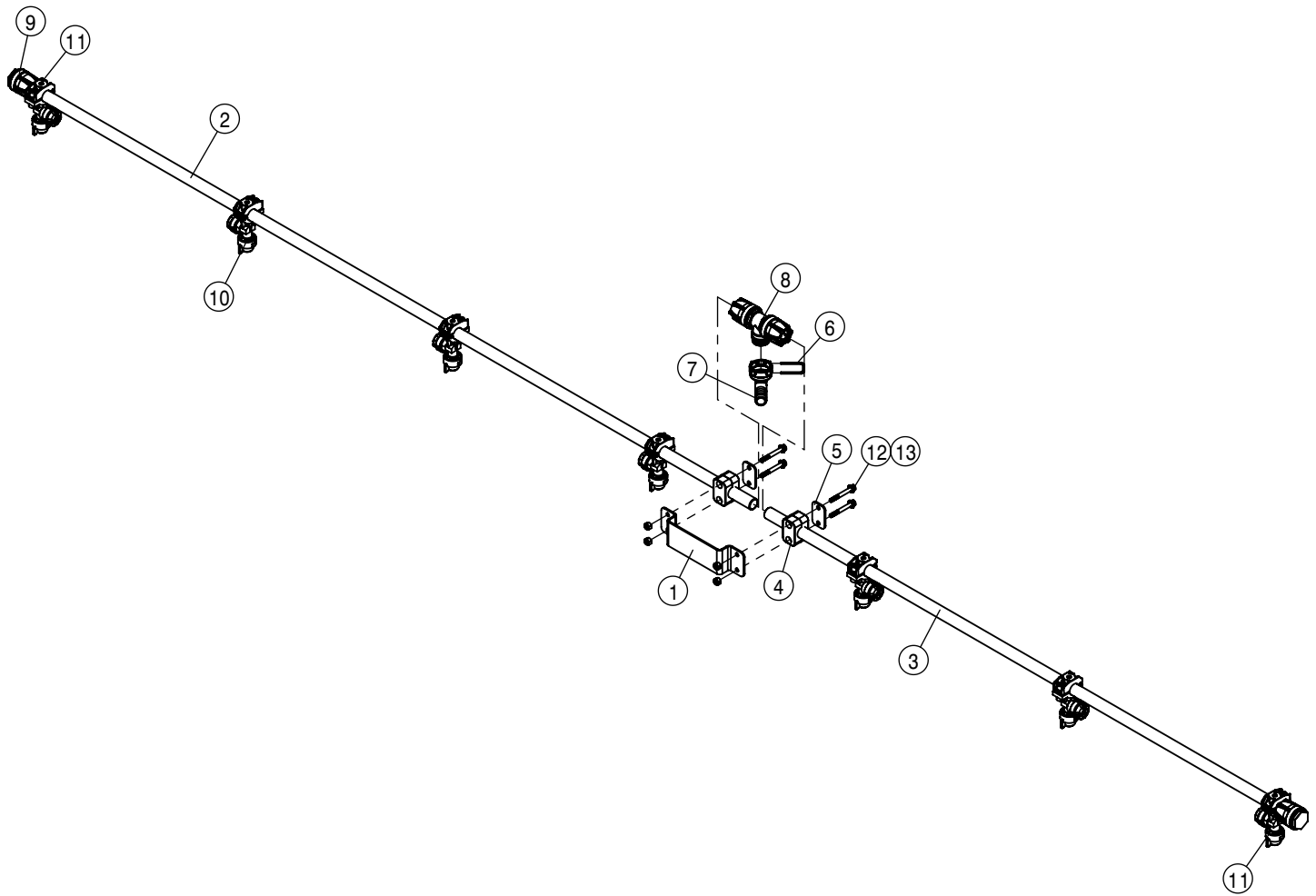
30" WET BOOM SPACING, SECTION 13-14 60' HYBRID (DUAL PRODUCT)			
DET	QTY	P/N	DESCRIPTION
1	2	167759	30" WET BM TUBE, 50.17 LG
2	1	167761	30" WET BOOM TUBE, 73.17 LG
3	1	167762	30" WET BM TUBE, 34.17 LG
4	12	470375	TUBE CLAMP BODY, 1.31 I.D. (PAIR)
5	18	470376	COVER PLATE FOR 470375
6	4	500295	NOZZLE BODY END CAP
7	2	500296	EASY FIT TEE 1" PIPE
8	2	500307	T5 FEMALE TO 25MM HB
9	10	500363	QUICK TJET SINGLE BODY, 1"
10	2	520090	HOSECLAMP NO 16 STAINLESS
11	2	737738	FORK, D.3 DIST.42 (737731)
12	12	900028	1/4UNC X 5 1/2 HHCS SS
13	12	910112	SAE FLAT WASHER 1/4 SS
14	12	910118	1/4-20UNC NYLOCK NUT SS



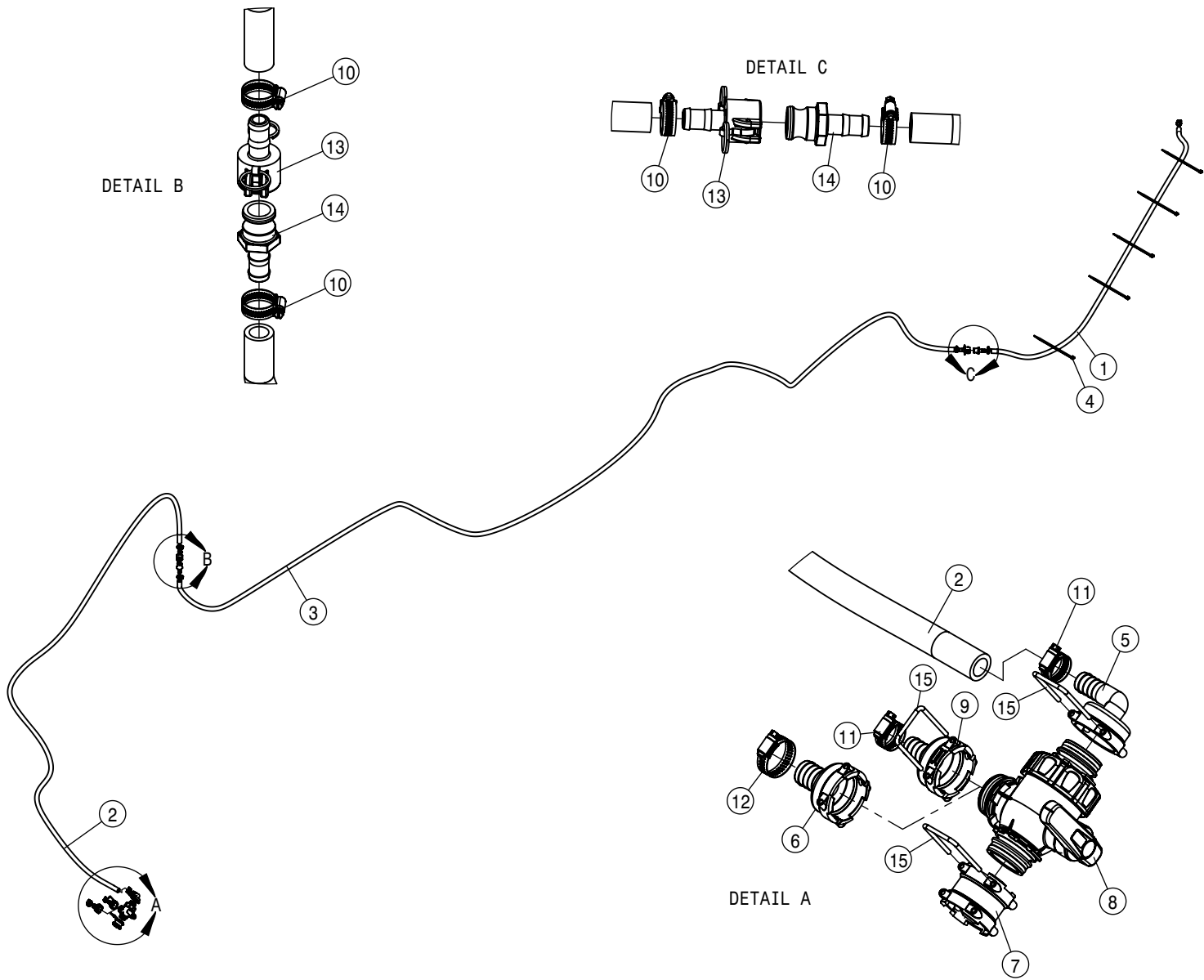
REAR BOOM MOUNTING ASSEMBLY			
DET	QTY	P/N	DESCRIPTION
1	2	165083	REAR BM MT BRKT
2	2	165087	REAR BOOM WLD
3	2	169078	REAR BM SPACER
4	2	470235	HAIR PIN, 1/8 DIA X 2 1/2 LG
5	2	470358	TUBE CLAMP BODY, .840 (1/2 PIPE)
6	4	470359	COVER PLATE FOR 470358
7	8	470431	1/2UNC X 1 1/2 HHSFB GR5 MC
8	2	472382	BENT PIN 1/2 X 4
9	4	629772	CAPLUGS PLUG, 1 3/4" RD, BLACK POLY
10	4	900470	1/4UNC X 3 3/4 HHCS SS
11	4	910112	SAE FLAT WASHER 1/4 SS
12	4	910118	1/4-20UNC NYLOCK NUT SS



REAR BOOM NOZZLE, 15° SPACING			
DET	QTY	P/N	DESCRIPTION
1	1	165088	REAR BM SOL SUPP BRK
2	1	167264	TUBE-WET BM .50X69.08 15° SP
3	1	167265	TUBE-WET BM .50X54.08 15° SP
4	2	470358	TUBE CLAMP BODY, .840 (1/2 PIPE)
5	2	470359	COVER PLATE FOR 470358
6	1	500311	FORK D3 DIST 29
7	1	500327	T3 TO 20MM HB 90
8	1	500330	T3 - TEE 1/2" PIPE BOOM END
9	2	500332	1/2" PIPE BOOM END
10	7	737970	QUICK TJET SINGLE BODY, 1/2"
11	2	737971	QUICK TJET SINGLE BODY 1/2" RS
12	4	900464	1/4UNC X 2 HHSFB SS
13	4	910118	1/4-20UNC NYLOCK NUT SS



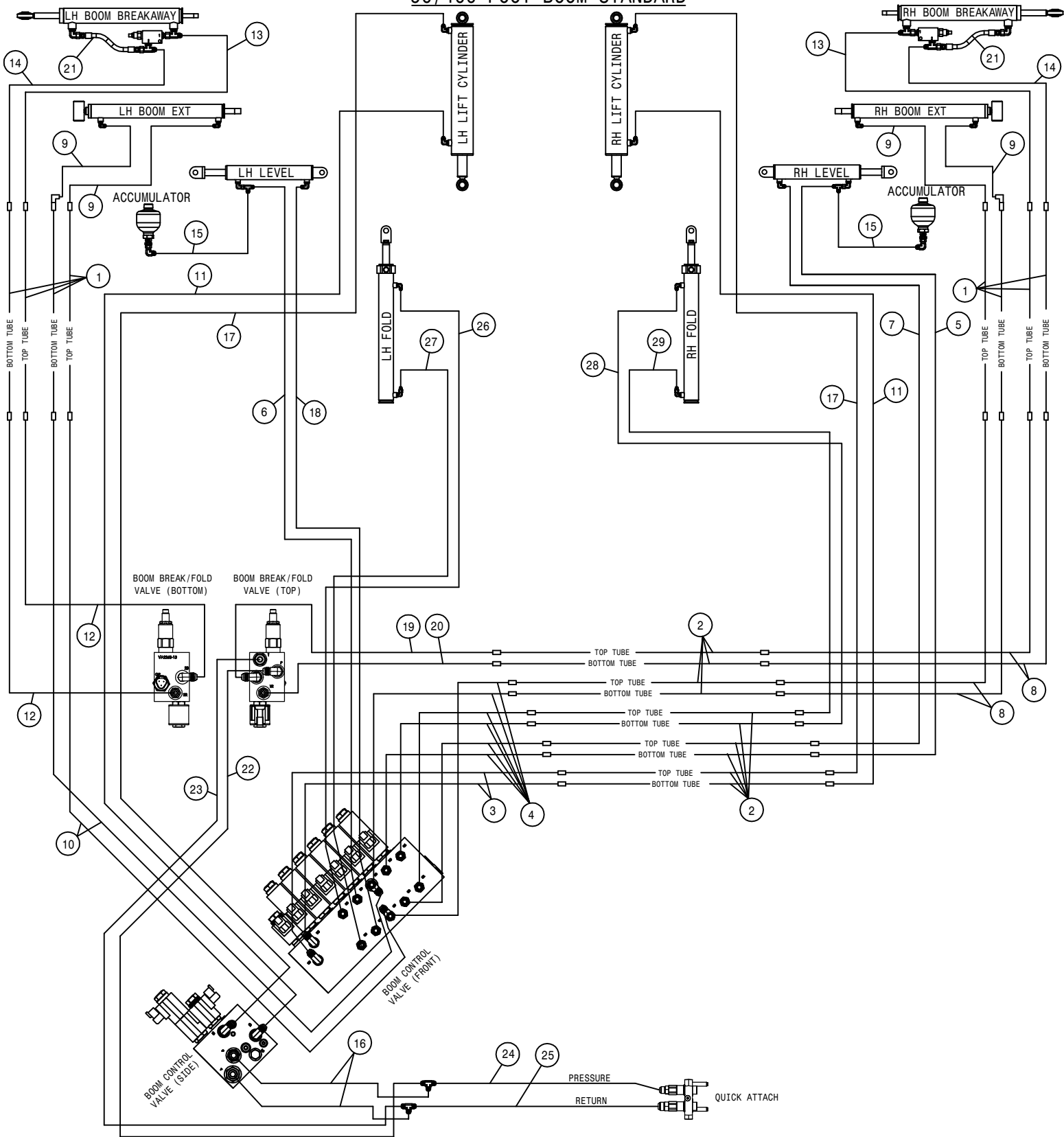
REAR BOOM NOZZLE, 20" SPACING			
DET	QTY	P/N	DESCRIPTION
1	1	165088	REAR BM SOL SUPP BRK
2	1	167466	TUBE-WET BM .5X71.58 20"SP
3	1	167467	TUBE-WET BM .5X51.58 20"SP
4	2	470358	TUBE CLAMP BODY, .840 (1/2 PIPE)
5	2	470359	COVER PLATE FOR 470358
6	1	500311	FORK D3 DIST 29
7	1	500327	T3 TO 20MM HB 90
8	1	500330	T3 - TEE 1/2" PIPE BOOM END
9	2	500332	1/2" PIPE BOOM END
10	5	737970	QUICK TJET SINGLE BODY, 1/2"
11	2	737971	QUICK TJET SINGLE BODY 1/2" RS
12	4	900464	1/4UNC X 2 HHSFB SS
13	4	910118	1/4-20UNC NYLOCK NUT SS



REAR BOOM SOLUTION HOISING			
DET	QTY	P/N	DESCRIPTION
1	1	197121-093	HOSE 3/4 2-FBR BR BLK EPDM
2	1	197121-170	HOSE 3/4 2-FBR BR BLK EPDM
3	1	197121-306	HOSE 3/4 2-FBR BR BLK EPDM
4	5	470555	CABLE TIE, 1/2 X 15" BLACK NYL
5	1	500297	T5 TO 20MM HB 90
6	1	500307	T5 FEMALE TO 25MM HB
7	1	503112	T5 - FEMALE COUPLING
8	1	503113	T5 - 455 3-WAY BALL VLV
9	1	503115	T5 FEM - 20MM HOSE BARB
10	5	520055	HOSE CLAMP NO 12 STAINLESS
11	2	520080	HOSE CLAMP NO 10 STAINLESS
12	1	520090	HOSECLAMP NO 16 STAINLESS
13	2	696207	.75 HOSE BARB-FEMALE COUPLER
14	2	696208	.75 HOSE BARB-MALE COUPLER
15	3	737738	FORK,D.3 DIST.42 (737731)

This Page Intentionally Blank

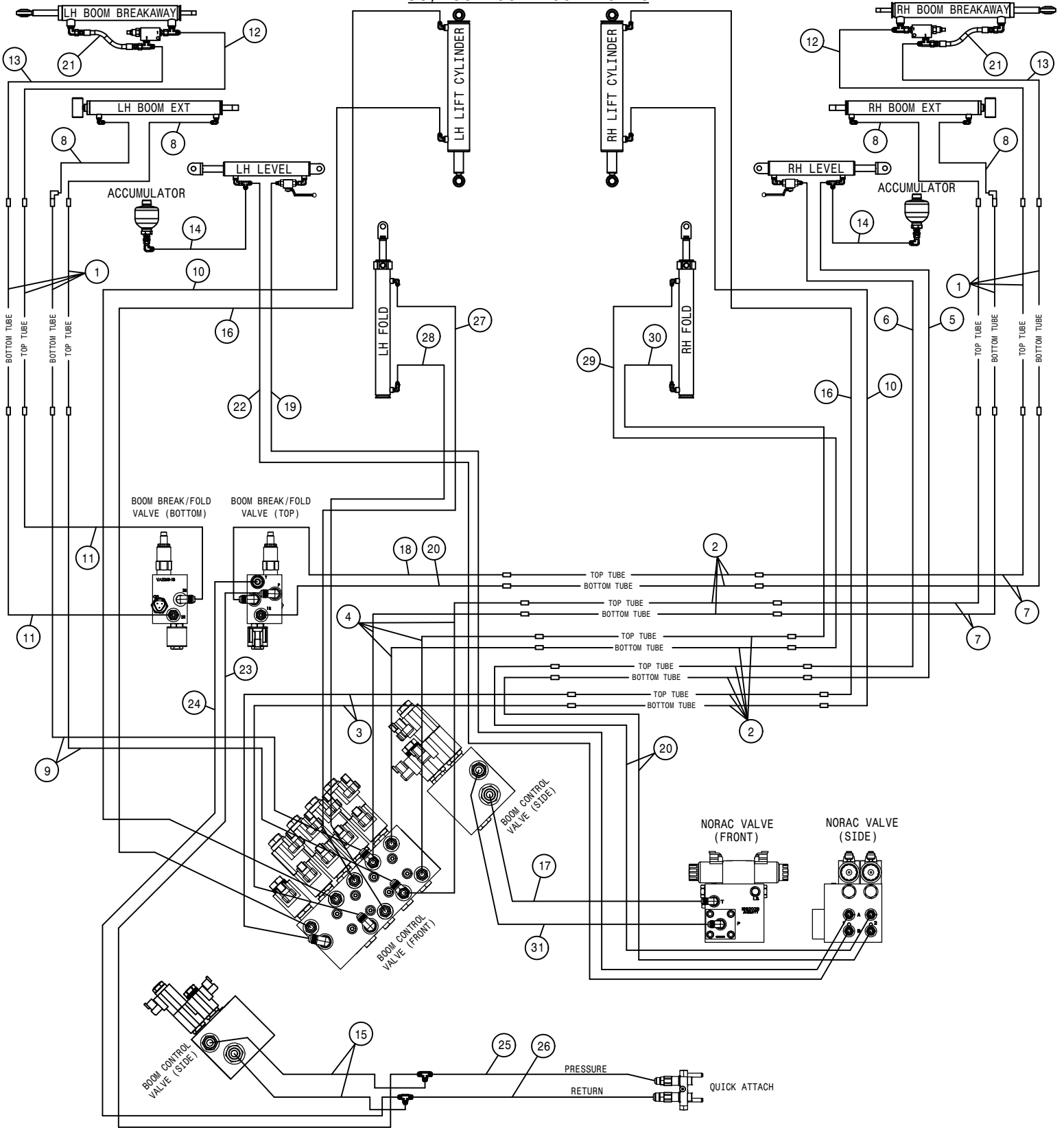
90/100 FOOT BOOM-STANDARD



90/100 BOOM STANDARD HYD DIAG 2017-19
REFERENCE DRAWING NO. 499369_RevA

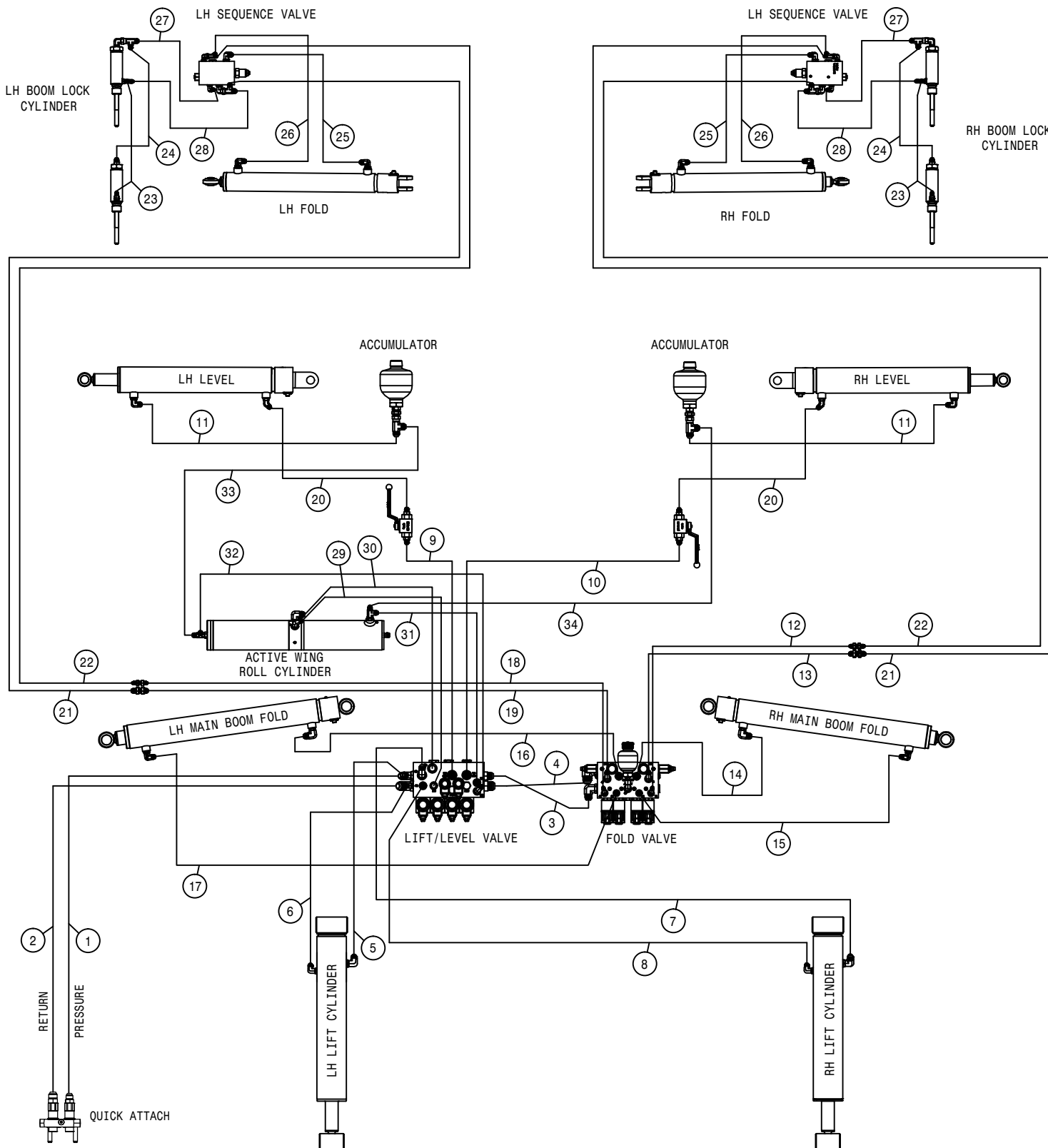
DET.	QTY	PART NO.	DESCRIPTION	DET.	QTY	PART NO.	DESCRIPTION
1	8	615851	HYD TUBE,MAIN BOOM,STS	16	2	616366	08-451TC-08FJX-08FJX90-18 H/A
2	10	615852	LIFTARM HYD TUBE ASSY,STSL5 07	17	2	616371	06-451TC-06FJX-06FJX-38 H/A
3	2	616304	06-451TC-06FJX-06FJX-36 H/A	18	1	616403	06-451TC-06FJX-06FJX-65 H/A
4	6	616316	06-451TC-06FJX-06FJX45-18 H/A	19	1	616578	06-451TC-06FJX-06FJX90-18 H/A
5	1	616348	06-451TC-06FJX-06FJX-42 H/A	20	1	616740	06-451TC-06FJX-06FJX-20 H/A
6	1	616349	06-451TC-06FJX-06FJX-47 H/A	21	2	617054	04-451TC-06FJX-06FJX-11 H/A
7	1	616351	06-451TC-06FJX-06FJX-60 H/A	22	1	617192	06-451TC-06FJX-08FJX-33 H/A
8	4	616353	06-451TC-06FJX-06FJX-71 H/A	23	1	617193	06-451TC-08FJX-08FJX90-33 H/A
9	4	616356	06-451TC-06FJX-06FJX90-27 H/A	24	1	617194	08-451TC-08FJX-10FJX-50 H/A
10	2	616357	06-451TC-06FJX-06FJX90-79 H/A	25	1	617195	08-451TC-08FJX-12FJX-50 H/A
11	2	616358	06-451TC-06FJX-06FJX-56 H/A	26	1	617507	04-451TC-04FJX-04FJX-44 H/A
12	2	616359	06-451TC-06FJX-06FJX-78 H/A	27	1	617508	04-451TC-06FJX-06FJX45-65 H/A
13	2	616360	06-451TC-06FJX-06FJX-84 H/A	28	1	617509	04-451TC-04FJX-06FJX90-30 H/A
14	2	616361	06-451TC-06FJX-06FJX-86 H/A	29	1	617510	04-451TC-06FJX-06FJX45-54 H/A
15	2	616365	06-451TC-08FJX-06FJX90-30 H/A				

90/100 FOOT BOOM-NORAC



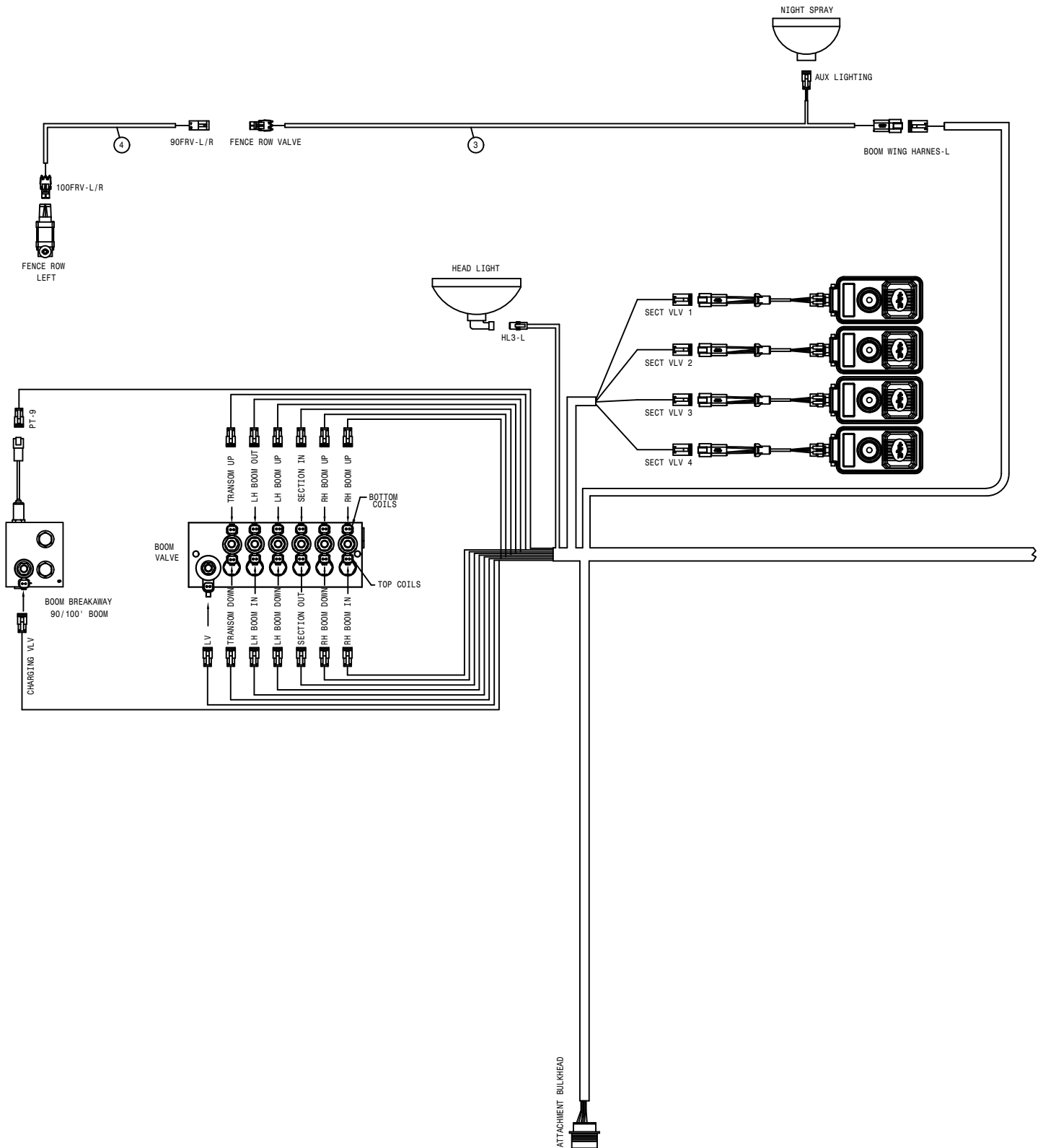
90/100 BOOM NORAC HYD DIAG 2017-19
REFERENCE DRAWING NO. 499370_RevA

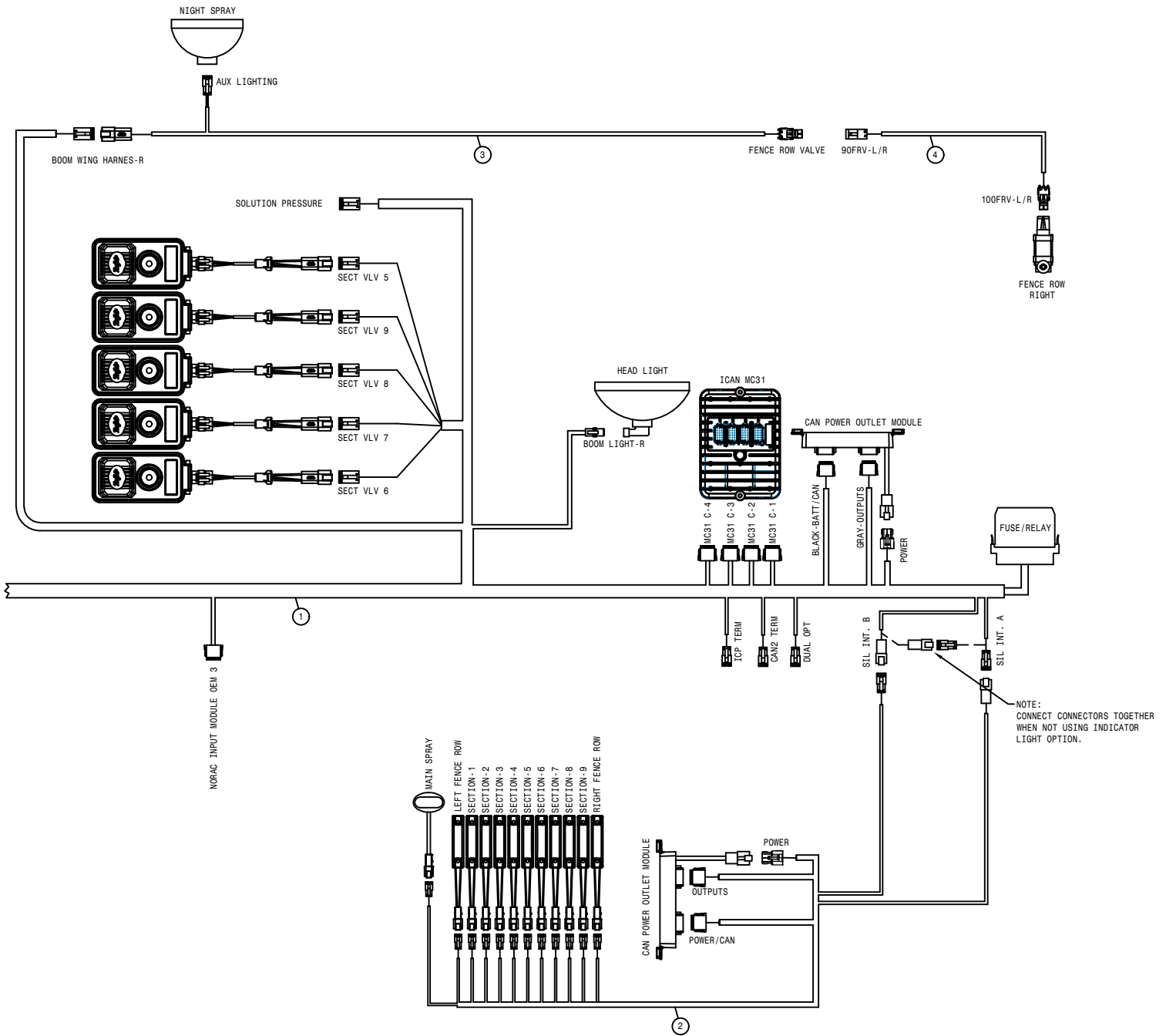
DET.	QTY	PART NO.	DESCRIPTION	DET.	QTY	PART NO.	DESCRIPTION
1	8	615851	HYD TUBE,MAIN BOOM,STS	16	2	616371	06-451TC-06FJX-06FJX-38 H/A
2	10	615852	LIFTARM HYD TUBE ASSY,STSL5 07	17	1	619041	06-387TC-06FJX-08FJX-19 H/A
3	2	616304	06-451TC-06FJX-06FJX-36 H/A	18	1	616578	06-451TC-06FJX-06FJX90-18 H/A
4	4	616316	06-451TC-06FJX-06FJX45-18 H/A	19	1	619105	06-387TC-06FJX-06FJX-93 H/A
5	1	616348	06-451TC-06FJX-06FJX-42 H/A	20	3	616740	06-451TC-06FJX-06FJX-20 H/A
6	1	616351	06-451TC-06FJX-06FJX-60 H/A	21	2	617054	04-451TC-06FJX-06FJX-11 H/A
7	4	616353	06-451TC-06FJX-06FJX-71 H/A	22	1	617417	06-387TC-06FJX-06FJX-74 H/A
8	4	616356	06-451TC-06FJX-06FJX90-27 H/A	23	1	617192	06-451TC-06FJX-08FJX-33 H/A
9	2	616357	06-451TC-06FJX-06FJX90-79 H/A	24	1	617193	06-451TC-08FJX-08FJX90-33 H/A
10	2	616358	06-451TC-06FJX-06FJX-56 H/A	25	1	617194	08-451TC-08FJX-10FJX-50 H/A
11	2	616359	06-451TC-06FJX-06FJX-78 H/A	26	1	617195	08-451TC-08FJX-12FJX-50 H/A
12	2	616360	06-451TC-06FJX-06FJX-84 H/A	27	1	617507	04-451TC-04FJX-04FJX-44 H/A
13	2	616361	06-451TC-06FJX-06FJX-86 H/A	28	1	617508	04-451TC-06FJX-06FJX45-65 H/A
14	2	616365	06-451TC-08FJX-06FJX90-30 H/A	29	1	617509	04-451TC-04FJX-06FJX90-30 H/A
15	2	616366	08-451TC-08FJX-08FJX90-18 H/A	30	1	617510	04-451TC-06FJX-06FJX45-54 H/A
				31	1	619146	06-387TC-08FJX-06FJX45-19 H/A



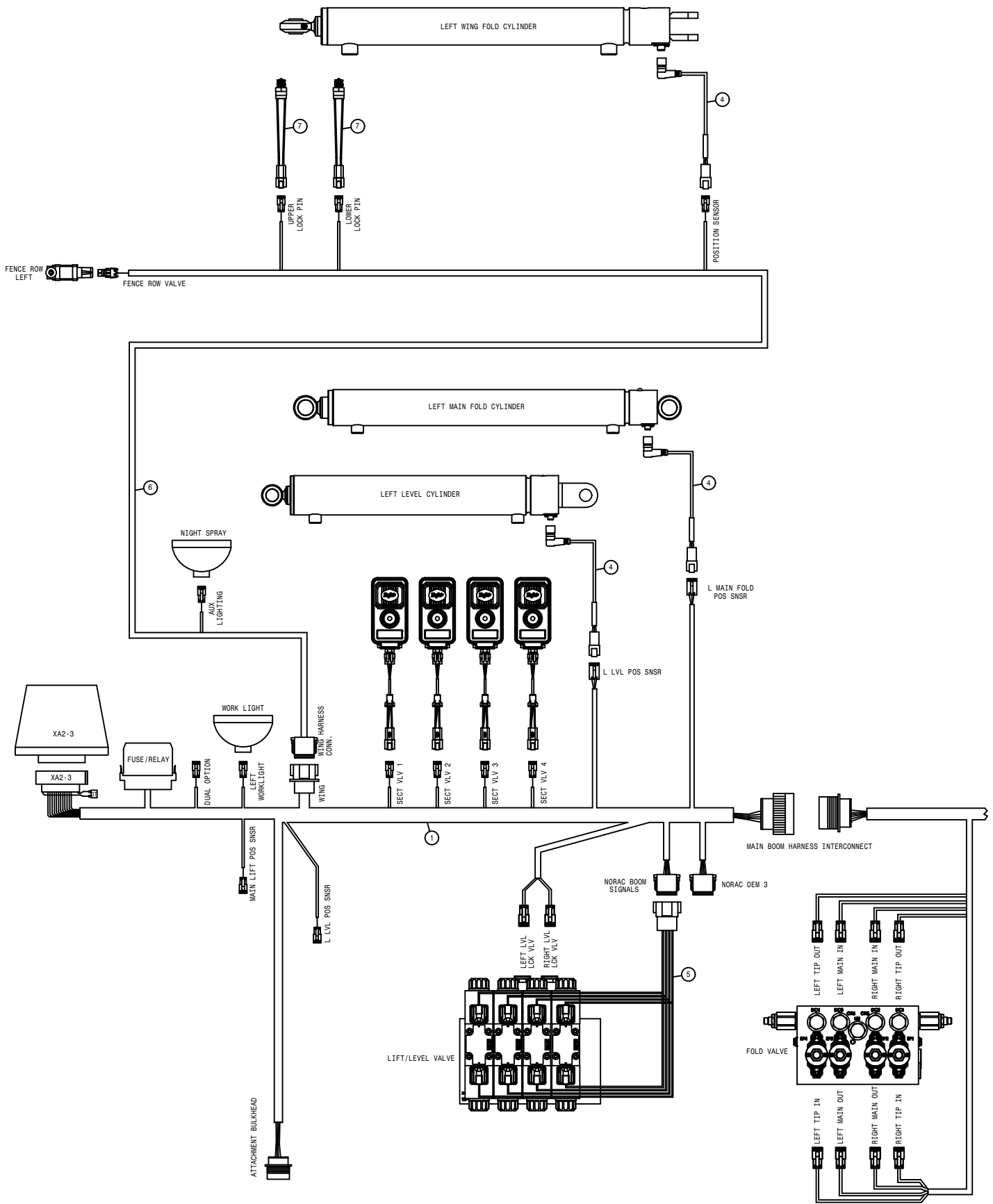
120' HYBRID BOOM HYD DIAGRAM 2018-19
 REFERENCE DRAWING NO. 499412_RevA

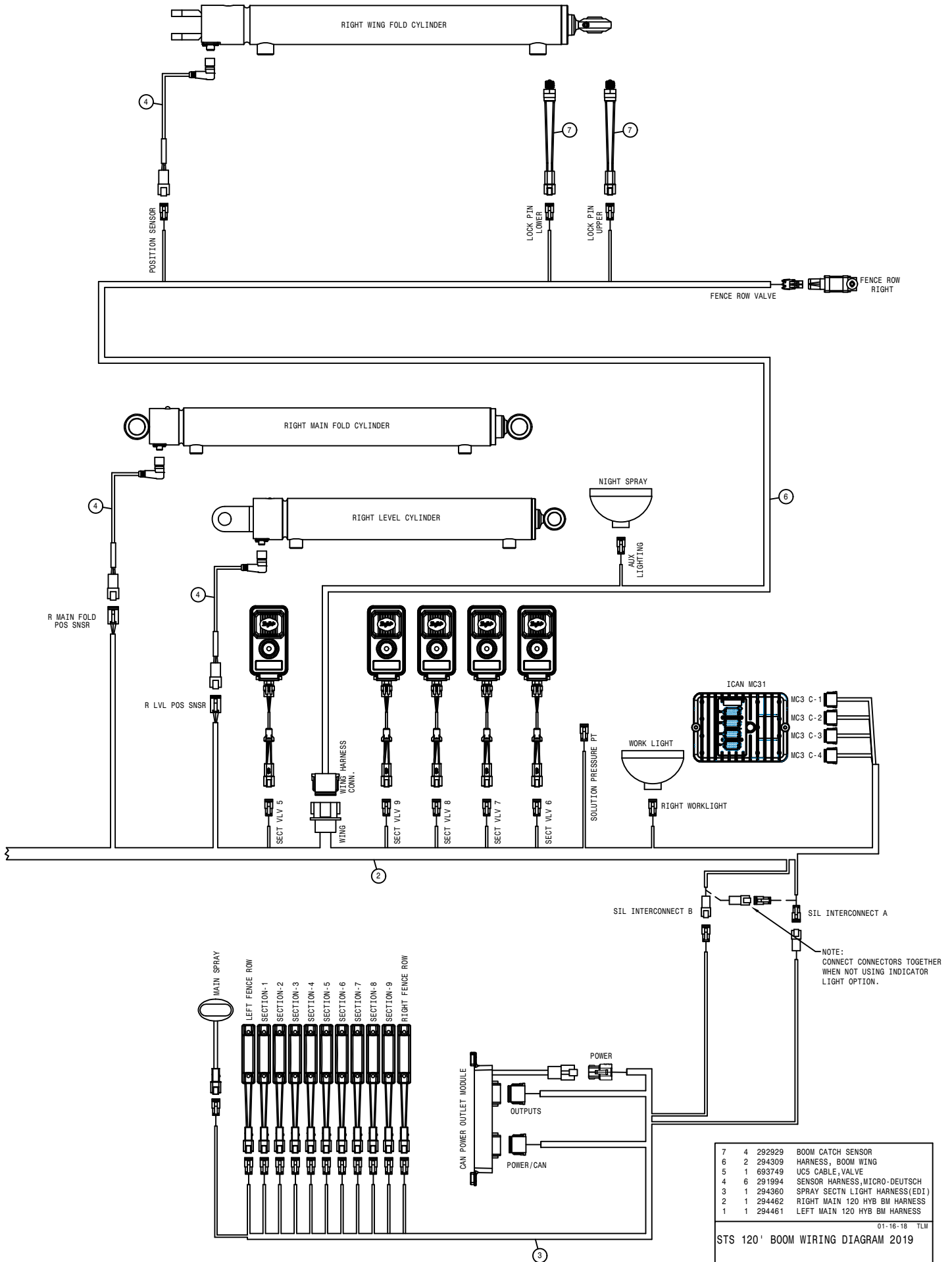
DET.	QTY	PART NO.	DESCRIPTION		DET.	QTY	PART NO.	DESCRIPTION	
1	1	617215	10-451TC-10FJX-10FJX-116	H/A	18	1	617434	04-451TC-04FJX-04FJX-72	H/A
2	1	617216	12-451TC-12FJX-12FJX-114	H/A	19	1	617435	04-451TC-06FJX-06FJX-70	H/A
3	1	617217	10-451TC-10FJX-10FJX90-26	H/A	20	2	617437	06-451TC-06FJX-06FJX-34	H/A
4	1	617218	12-451TC-12FJX-12FJX90-28	H/A	21	2	617438	04-451TC-06FJX-06FJX90-328	H/A
5	1	617219	06-451TC-08FJX-08FJX90-121	H/A	22	2	617439	04-451TC-04FJX-04FJX-331	H/A
6	1	617220	06-451TC-06FJX-06FJX90-120	H/A	23	2	617440	04-451TC-04FJX-04FJX90-14.5	H/A
7	1	617221	06-451TC-08FJX-08FJX-147	H/A	24	2	617441	04-451TC-06FJX-06FJX45-15	H/A
8	1	617222	06-451TC-06FJX-06FJX90-151	H/A	25	2	617442	04-451TC-06FJX-06FJX-35	H/A
9	1	617223	06-451TC-06FJX-08FJX90-70	H/A	26	2	617443	04-451TC-06FJX-04FJX90-40	H/A
10	1	617224	06-451TC-06FJX-08FJX90-94	H/A	27	2	617444	04-451TC-04FJX-06FJX45-19	H/A
11	2	619095	06-451TC-06FJX-08FJX90-45	H/A	28	2	617445	04-451TC-04FJX-06FJX45-14	H/A
12	1	617428	04-451TC-04FJX-04FJX-49	H/A	29	1	619092	06-451TC-06FJX-06FJX90-33	H/A
13	1	617429	04-451TC-06FJX-06FJX-47	H/A	30	1	619091	06-451TC-08FJX-08FJX-29	H/A
14	1	617430	04-451TC-08FJX-06FJX90-45	H/A	31	1	619171	06-451TC-06FJX-06FJX90-25	H/A
15	1	617431	04-451TC-06FJX-04FJX90-52	H/A	32	1	619090	06-451TC-06FJX-06FJX45-55	H/A
16	1	617432	04-451TC-08FJX-06FJX90-68	H/A	33	1	616365	06-451TC-08FJX-06FJX90-30	H/A
17	1	617433	04-451TC-06FJX-04FJX90-74	H/A	34	1	619093	06-451TC-08FJX-06FJX90-101	H/A





4	2	293860	FENCE ROW EXT HARNESS 100' STS
3	2	294436	HARNESS, 90/100 WING, STS
2	1	294360	SPRAY SECTN LIGHT HARNESS(EDI)
1	1	294381	HARNESS, 90/100 BM MAIN STS' 19
01-16-18 TLM			
STS 90/100 BOOM WIRING DIAGRAM 2019			
REV_A 01-16-18			499418





NOTE:
CONNECT CONNECTORS TOGETHER
WHEN NOT USING INDICATOR
LIGHT OPTION.

7	4	292929	BOOM CATCH SENSOR
6	2	294309	HARNESS, BOOM WING
5	1	693749	UCS CABLE, VALVE
4	6	291994	SENSOR HARNESS, MICRO-DEUTSCH
3	1	294360	SPRAY SECTN LIGHT HARNESS(EDI)
2	1	294462	RIGHT MAIN 120 HYB BM HARNESS
1	1	294461	LEFT MAIN 120 HYB BM HARNESS

01-16-18 TLM
STS 120' BOOM WIRING DIAGRAM 2019
 SHEET 1 OF 1
 REV_A 01-16-18
499419

ABBREVIATIONS

A/C - AIR CONDITIONER	MT - MOUNT
ADPTR - ADAPTER	MTR - MOTOR
AGI - AGITATOR	P/N - PART NUMBER
ALT - ALTERNATOR	PLT - PLATE
ASSY - ASSEMBLY	QTY - QUANTITY
BRKT - BRACKET	RED - REDUCER
DET - DETAIL	REF - REFERENCE
DISPL - DISPLACEMENT	REST - RESTRICTOR
EL - ELBOW	REQ - REQUIRED
EXT - EXTENSION	SHFT - SHAFT
FLO - FLOW	SOL - SOLUTION
FNPT - FEMALE NATIONAL PIPE THREAD	STRG - STEERING
FOR - FEMALE O-RING	ST - STREET
FRT - FRONT	SV - STANDARD VOLUME
HV - HI-VOLUME	SWIV - SWIVEL
HYD - HYDRAULIC	UNC - UNIFIED NATIONAL COURSE
HYDRO - HYDROSTATIC	UNF - UNIFIED NATIONAL FINE
LG - LONG	V - VOLT
LWR - LOWER	W/ - WITH
MJIC - MALE J.I.C.	WHL - WHEEL
MOR - MALE O-RING	WLD - WELDMENT

Notes:

Notes: