



**PARTS MANUAL
FOR
HAGIE 120ft BOOMS**

HAGIE MANUFACTURING COMPANY

721 CENTRAL AVENUE WEST
BOX 273
CLARION, IOWA 50525-0273

(515) 532-2861

COVERS 120ft BOOM ATTACHMENT OPTION NUMBERS: U61511

09-10 493518
05-12

TABLE OF CONTENTS

CONTROL BOX ASSEMBLY 3

LIFTARM ASSEMBLY 4-5

TRANSOM ASSEMBLY 6-7

BOOM INDICATOR LIGHT ASSEMBLY 8

HYDRAULIC VALVE ASSEMBLY 9-11

KICKDOWN RELIEF VALVE ASSEMBLY 12-14

ACCUMULATOR ASSEMBLY 15

LEVEL AND FOLD CYLINDER ASSEMBLY 16-18

RIGHT BOOM ASSEMBLY 19-23

LEFT BOOM ASSEMBLY 24-28

BOOM CRADLE ASSEMBLY 29

BOOM BUMPER ASSEMBLY 30-32

FLOW METER ASSEMBLY 33-34

SOLUTION VALVE ASSEMBLY 35-40

FOAMER VALVE AND DROP ASSEMBLY 41-42

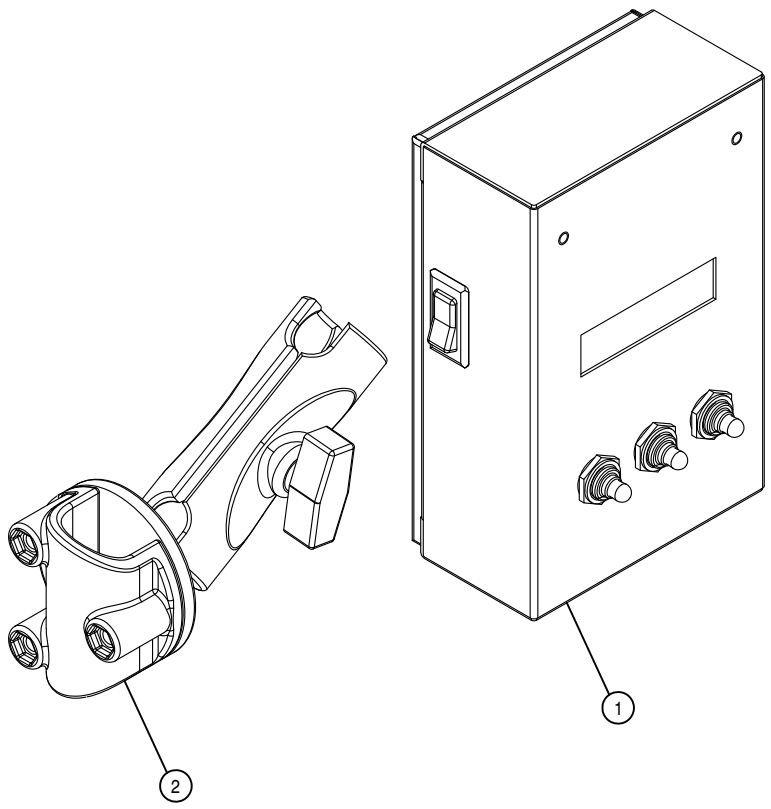
15" SPACING, WET BOOM ASSEMBLY 43-51

20" SPACING, WET BOOM ASSEMBLY 52-60

HYDRAULIC DIAGRAM 62-65

INDEX 66

PARTS ORDER FORM 67

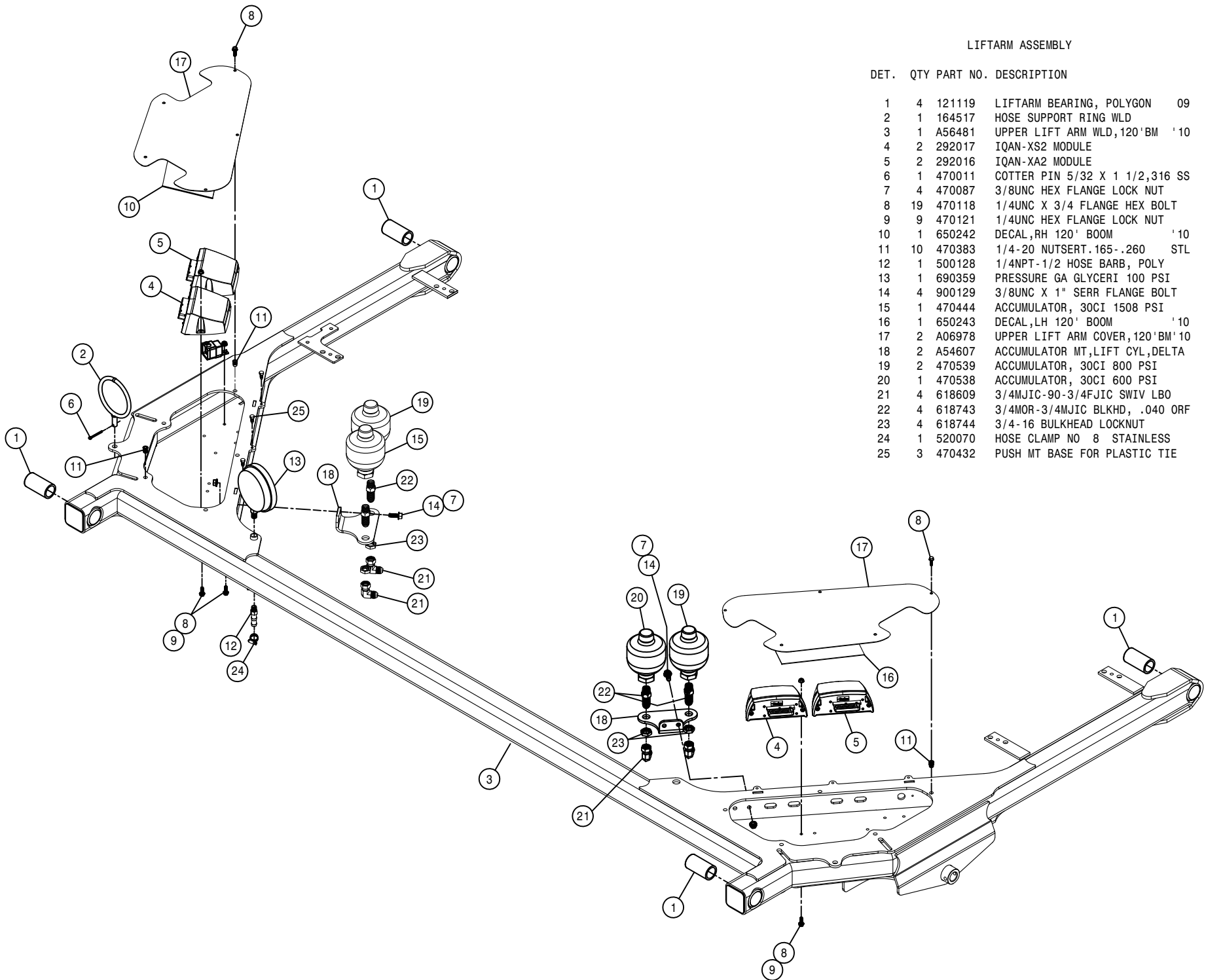


CONTROL BOX ASSEMBLY

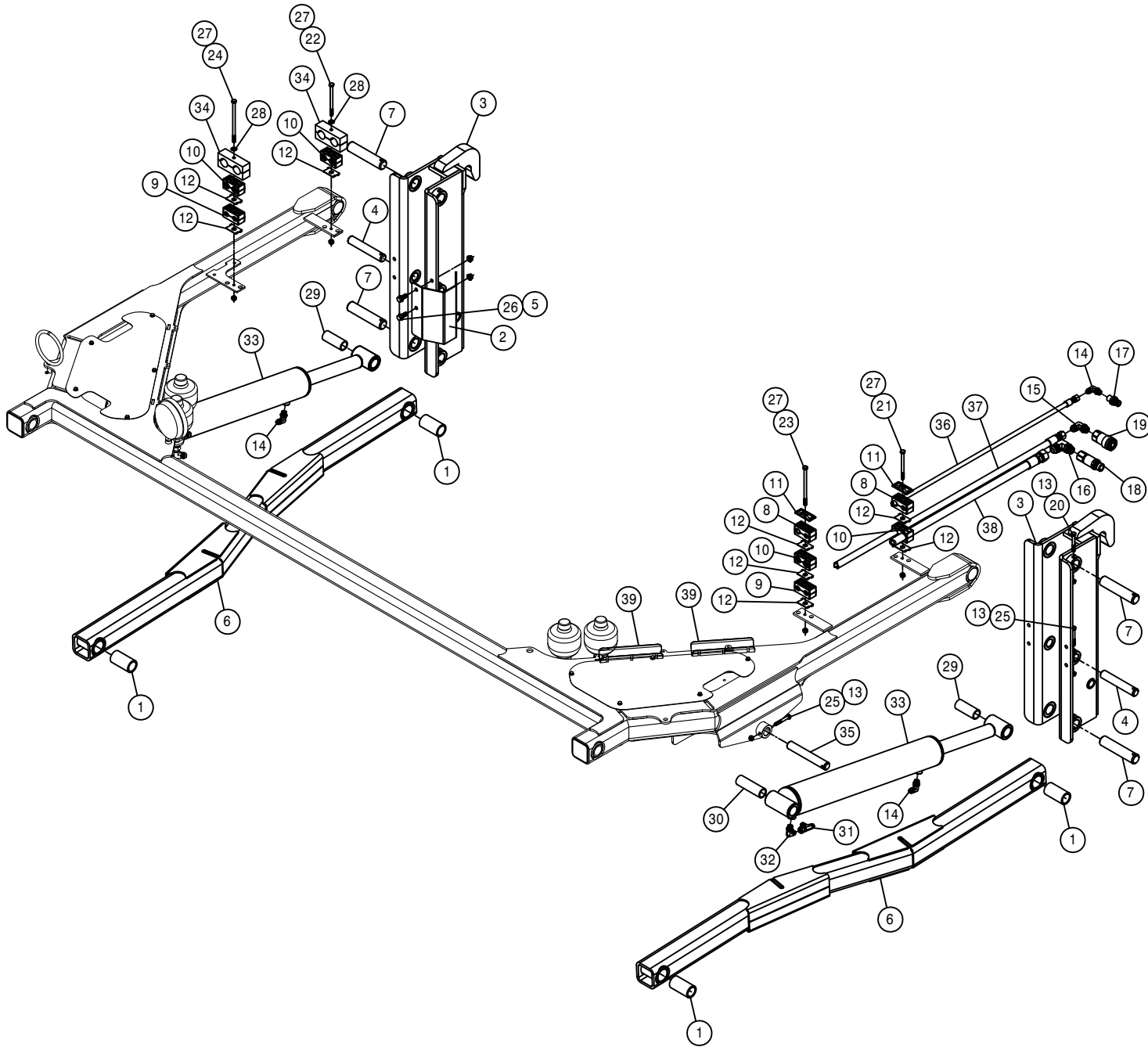
DET.	QTY	PART NO.	DESCRIPTION
1	1	693052	CONTROL PANEL, NORAC
2	1	693071	ADPTR KIT, RAM233 RAIL MT, NORAC

LIFTARM ASSEMBLY

DET.	QTY	PART NO.	DESCRIPTION
1	4	121119	LIFTARM BEARING, POLYGON 09
2	1	164517	HOSE SUPPORT RING WLD
3	1	A56481	UPPER LIFT ARM WLD,120'BM '10
4	2	292017	IQAN-XS2 MODULE
5	2	292016	IQAN-XA2 MODULE
6	1	470011	COTTER PIN 5/32 X 1 1/2,316 SS
7	4	470087	3/8UNC HEX FLANGE LOCK NUT
8	19	470118	1/4UNC X 3/4 FLANGE HEX BOLT
9	9	470121	1/4UNC HEX FLANGE LOCK NUT
10	1	650242	DECAL,RH 120' BOOM '10
11	10	470383	1/4-20 NUTSERT.165-.260 STL
12	1	500128	1/4NPT-1/2 HOSE BARB, POLY
13	1	690359	PRESSURE GA GLYCERI 100 PSI
14	4	900129	3/8UNC X 1" SERR FLANGE BOLT
15	1	470444	ACCUMULATOR, 30CI 1508 PSI
16	1	650243	DECAL,LH 120' BOOM '10
17	2	A06978	UPPER LIFT ARM COVER,120'BM'10
18	2	A54607	ACCUMULATOR MT,LIFT CYL,DELTA
19	2	470539	ACCUMULATOR, 30CI 800 PSI
20	1	470538	ACCUMULATOR, 30CI 600 PSI
21	4	618609	3/4MJIC-90-3/4FJIC SWIV LBO
22	4	618743	3/4MOR-3/4MJIC BLKHD, .040 ORF
23	4	618744	3/4-16 BULKHEAD LOCKNUT
24	1	520070	HOSE CLAMP NO 8 STAINLESS
25	3	470432	PUSH MT BASE FOR PLASTIC IRE



4



LIFTARM ASSEMBLY

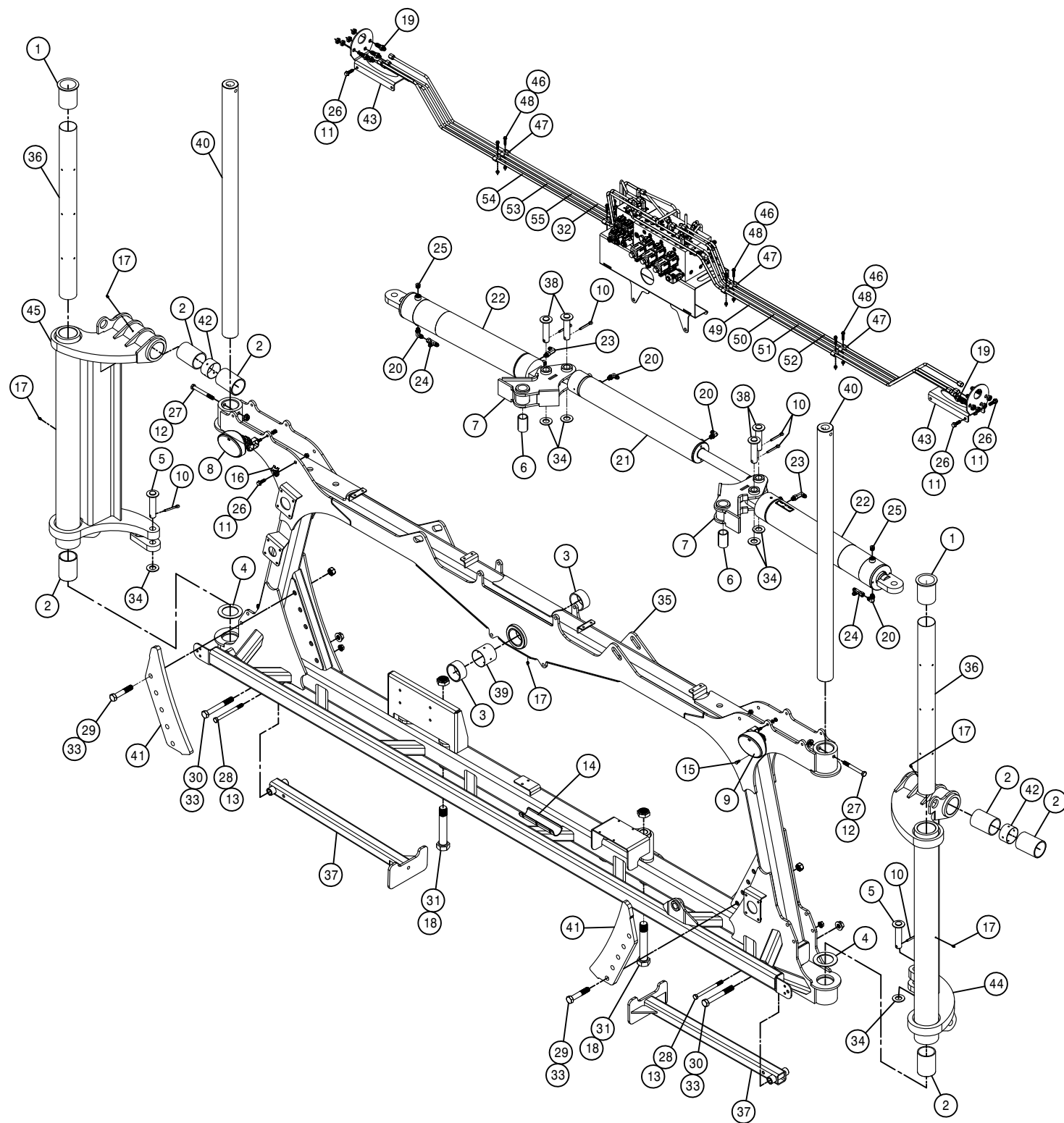
DET.	QTY	PART NO.	DESCRIPTION	
1	4	121119	LIFTARM BEARING, POLYGON	09
2	1	165741	RECEPTACLE MT, STS BOOMS	' 10
3	2	165700	QUICK ATTACH WLD, 120' BOOM	09
4	2	164452	LIFT ARM MT PIVOT PIN, STS12	00
5	2	470087	3/8UNC HEX FLANGE LOCK NUT	
6	2	165709	LWR LIFT ARM WLDMT, 120' BOOM	09
7	4	165713	LIFT ARM MT PIV PIN, 120' BM	09
8	2	470270	HOSE CLAMP BODY, .530-.680	
9	2	470274	TUBE CLAMP BODY, .750-.750	
10	4	470275	TUBE CLAMP BODY, 1.000-1.000	
11	2	470276	CLAMP COVER PLATE, SNGL, 2.55LG	
12	8	470281	STACK BOLT SAFETY LOCK PLATE	
13	8	473001	5/16UNC HEX NUT, NYLOC 316 SS	
14	3	618119	9/16MJIC-90-9/16MOR LBO	
15	1	618241	3/4MJIC-90-3/4MOR LBO	
16	1	611128	7/8MJIC-90-7/8MOR LBO	
17	1	618804	HYD CPLR, MALE #14, 9/16FOR	
18	1	618806	HYD CPLR, MALE #12, 7/8FOR	
19	1	618807	HYD CPLR, FEM #12, 3/4FOR	
20	4	900070	5/16UNC X 2 1/2 BOLT	
21	1	900076	5/16UNC X 4" HEX BOLT	
22	1	900078	5/16UNC X 4 1/2 HEX BOLT	
23	1	900082	5/16UNC X 5 1/2" HEX BOLT	
24	1	900084	5/16UNC X 6" HEX BOLT	
25	4	900086	5/16UNC X 2 1/4 HEX BOLT	
26	2	900129	3/8UNC X 1" SERR FLANGE BOLT	
27	4	914002	5/16UNC HEX STOVER NUT	
28	2	920001	5/16 SAE FLAT WASHER	
29	2	121109	LIFT CYL BRG, .313 POLYGON	
30	2	121115	LIFT CYL BRG, 4.00 POLYGON	
31	2	618486	9/16FJIC SW RUN TEE-9/16MJIC	
32	2	618739	9/16MJ-90-9/16MOR .065 CHK VLV	
33	2	621578	HYD CYL, 3.25 X 20.25 X 1.630	
34	2	A51729	TUBE CLAMP (PAIR)	
35	2	A53739	LIFT CYL PIN, BARREL END, DELTA	
36	1	616662	04-451TC-06FJX-06FJX-137	H/A
37	1	616754	08-451TC-08FJX-08FJX-119	H/A
38	1	616758	10-451TC-10FJX-10FJX-118	H/A
39	1	470369	HOSE PROTECTOR, 8" BLACK	

5

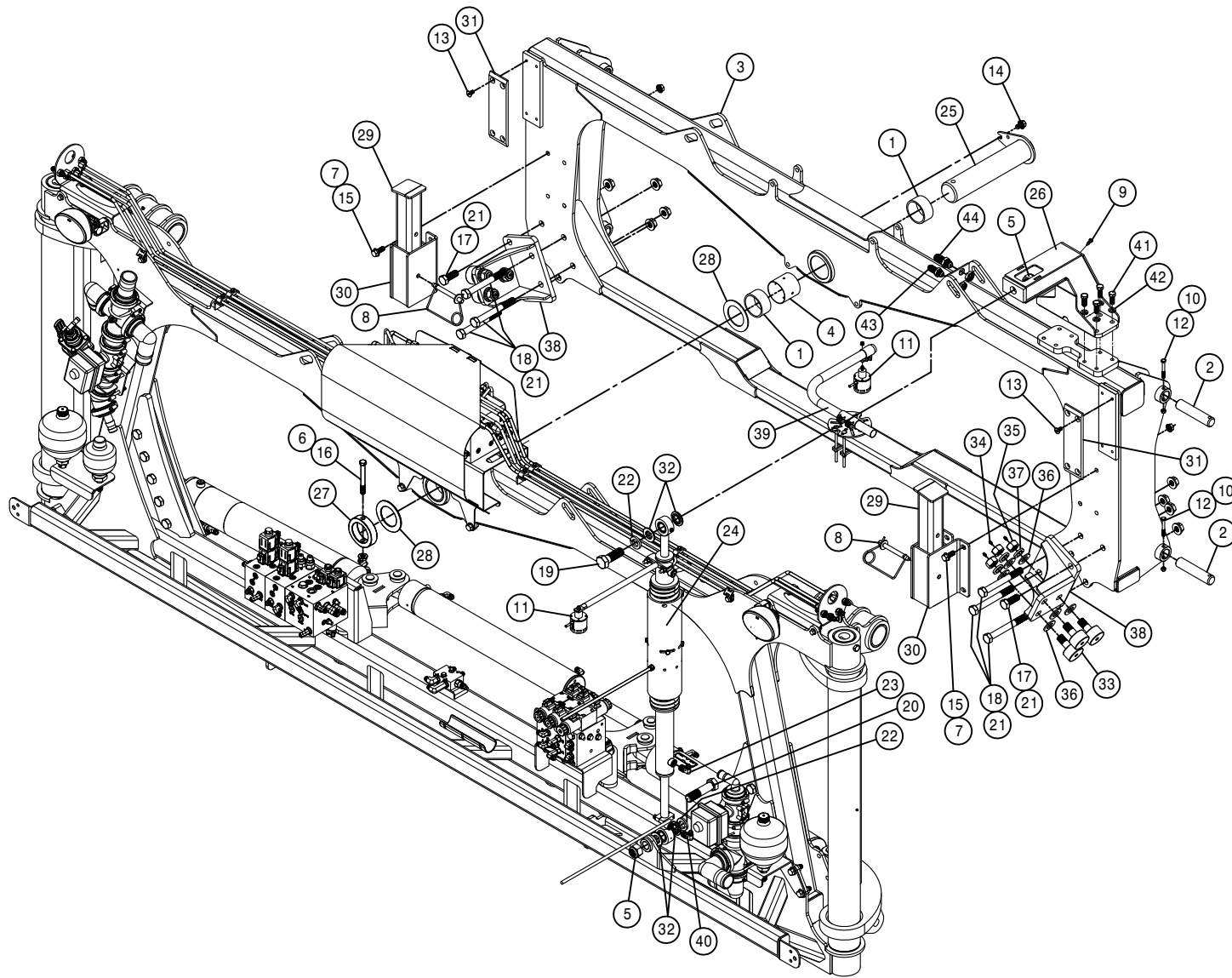
518005

TRANSOM ASSEMBLY

DET.	QTY	PART NO.	DESCRIPTION
1	2	121101	TRANSOM PIVOT BRG, TOP, POLYGON
2	6	121103	TRANSOM PIVOT BRG, LWR, POLYGON
3	2	121116	PRIMARY ROLL PIVOT BRNG, DELTA
4	2	164482	WASH: 11GA X 2.69 X 4.00
5	2	164496	LEVEL CYL PIN WLD, TRANSOM END
6	2	121118	BEARING, 1.25-1.50-3.25, POLYGON
7	2	165718	MAIN FOLD LINK WLD, GEN3 120'09
8	1	291902	RH WORKLIGHT, TRAPEZOID GLASS
9	1	291903	LH WORKLIGHT, TRAPEZOID GLASS
10	6	470012	COTTER PIN 5/16 X 2" LG, 316 SS
11	7	470087	3/8UNC HEX FLANGE LOCK NUT
12	2	470345	1/2UNC HEX SMTH FLNG LOCK NUT
13	2	470360	1/2UNC HEX FLANGE LOCK NUT
14	1	470369	HOSE PROTECTOR, 8" BLACK
15	1	470432	PUSH MT BASE FOR PLASTIC TIE
16	1	470516	CABLE TIE MT, 3/8 MT HOLE, NYL
17	5	471005	GREASE ZERK, 1/4 28 X 1/2
18	2	473003	1 1/4UNC HEX JAM NUT, NYLOC GR5
19	8	618510	9/16MJIC-9/16MJIC BLKHD UNION
20	4	618119	9/16MJIC-90-9/16MOR LBO
21	1	621582	HYD CYL, 3.25 X 21.25 X 1.630
22	2	621595	HYD CYL, 4.00 X 21.25 X 2"DTSCH
23	2	618440	9/16MJIC-90-9/16MOR EX LG LBO
24	2	618486	9/16FJIC SW RUN TEE-9/16MJIC
25	2	618754	9/16MOR PLUG, HEX SOCKET
26	7	900130	3/8UNC X 1 1/4 SER FLANGE BOLT
27	2	900275	1/2UNC X 4 1/2 HEX BOLT
28	2	900278	1/2UNC X 6" HEX BOLT
29	10	900410	3/4UNC X 4" HEX BOLT
30	2	900414	3/4UNC X 6" HEX BOLT
31	2	900868	1 1/4UNC X 7 1/4 HEX BOLT SPCL
32	1	615898	HYD TUBE ASSY, MFD #8, 120'BM'10
33	12	914012	3/4UNC HEX STOVER NUT
34	6	920008	1" SAE FLAT WASHER
35	1	165756	TRANSOM PIVOT WLDMT, 120'BM'10
36	2	A53524	TUBE-2.88 O.D. X 16GA X 3381
37	2	A53605	FRONT BOOM STAND LEG WLD
38	4	A53623	LEVEL CYL PIN WLD, TRANSOM END
39	1	A53628	ROLL PIN SPACER, DELTA
40	2	A53640	INNER TRANSOM PIVOT TUBE, 120'
41	2	A53769	ROLLER GUIDE PLATE, DELTA
42	2	A53790	TUBE-2.88X16GA X 1.63
43	2	A56670	BULKHEAD BRKT WING 120'BOOM
44	1	A54256	PIVOT TUBE WELDMENT LH
45	1	A54348	PIVOT TUBE WELDMENT, RH
46	8	470089	1/4UNC HEX NYLOC NUT, 316 SS
47	8	470287	TUBE CLAMP, .375-.375 (PAIR)
48	8	900004	1/4UNC X 1 1/4 HEX BOLT
49	1	615891	HYD TUBE ASSY, MFD #1, 120'BM'10
50	1	615892	HYD TUBE ASSY, MFD #2, 120'BM'10
51	1	615893	HYD TUBE ASSY, MFD #3, 120'BM'10
52	1	615894	HYD TUBE ASSY, MFD #4, 120'BM'10
53	1	615895	HYD TUBE ASSY, MFD #5, 120'BM'10
54	1	615896	HYD TUBE ASSY, MFD #6, 120'BM'10
55	1	615897	HYD TUBE ASSY, MFD #7, 120'BM'10



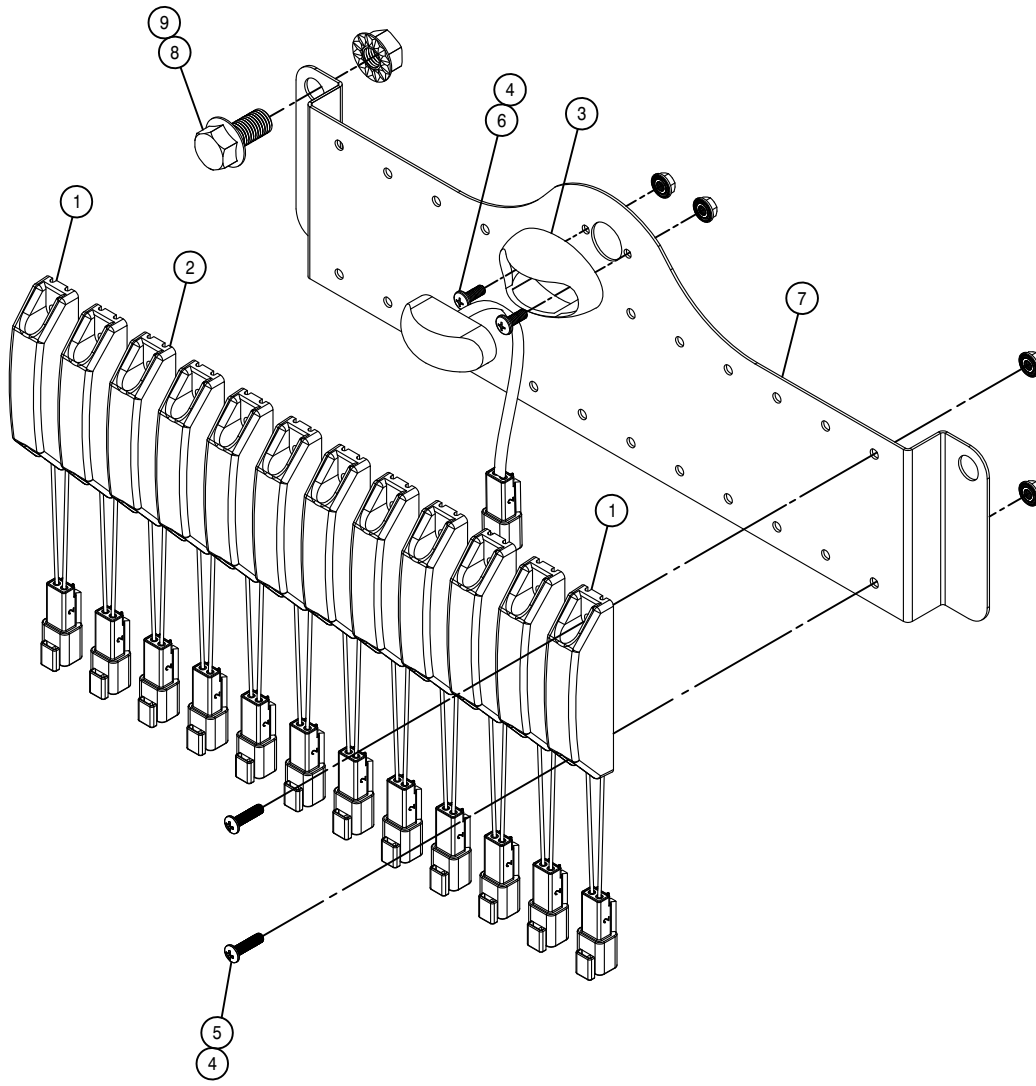
9



TRANSOM PIVOT ASSEMBLY

DET.	QTY	PART NO.	DESCRIPTION
1	2	121116	PRIMARY ROLL PIVOT BRNG,DELTA
2	4	165713	LIFT ARM MT PIV PIN,120'BM 09
3	1	165755	TRANSOM FIXED WLDMT,120'BM '10
4	1	A53628	ROLL PIN SPACER,DELTA
5	1	470144	1-8 HEX NYLOC NUT
6	1	470345	1/2UNC HEX SMTH FLNG LOCK NUT
7	8	470360	1/2UNC HEX FLANGE LOCK NUT
8	2	470361	SNAP LOCK PIN, 1/2 X 3 1/2
9	1	470432	PUSH MT BASE FOR PLASTIC TIE
10	4	473001	5/16UNC HEX NUT,NYLOC 316 SS
11	2	693060	ULTRASOUND SENSOR, NORAC
12	4	900070	5/16UNC X 2 1/2 BOLT
13	8	900171	3/8UNC X 3/4 FLTHD SOC CAP SCR
14	1	900262	1/2UNC X 3/4 SER FLANGE BOLT
15	8	900264	1/2UNC X 1 1/4 HEX BOLT
16	1	900275	1/2UNC X 4 1/2 HEX BOLT
17	2	900403	3/4UNC X 2" HEX BOLT
18	6	900416	3/4UNC X 6 1/2 HEX BOLT
19	1	900535	1" UNC X 4" HEX BOLT
20	1	900546	1" UNC X 4" HEX BOLT SPECL GR5
21	8	914012	3/4UNC HEX STOVER NUT
22	2	920508	1" LOCK WASHER
23	1	618119	9/16MJIC-90-9/16MOR LBO
24	1	621592	NORAC LINEAR ROLL CYL, 1.75X12
25	1	A52803	BOOM ROLL PIN WLDMT,DELTA
26	1	A52998	ROLL CYL MT WLDMT,FIXED,DELTA
27	1	A53627	ROLL PIN COLLAR,DELTA
28	2	A53629	WASH: 11GA X 2.78 X 4.25
29	2	A53710	SLIDING TUBE WLDMT-PIVOT STOP
30	2	A53713	HOUSING PIVOT STOP WLD,120' BM
31	2	A53823	GUIDE PAD, UHMW
32	4	693073	ROLL CYLINDER SPACER, NORAC
33	6	125057	TRACK ROLLER,2.250D,.875-14THD
34	6	471001	GREASE ZERK, 3/16 DRIVE-IN
35	6	910095	7/8UNF HEX NUT
36	12	920007	7/8 SAE FLAT WASHER
37	6	920507	7/8 LOCK WASHER
38	2	A53840	ROLLER MT WLD, DELTA
39	1	693072	MAIN LIFT SENSOR MT,UC4+,NORAC
40	1	618425	9/16MJIC-45-9/16MOR LBO
41	8	900855	1/2UNC X 1 1/4 HEX BOLT GR8
42	8	920504	1/2 LOCK WASHER
43	1	618349	3/4MJIC-3/4MJIC BLKHD UNION
44	1	618497	7/8MJIC-7/8MJIC BLKHD UNION

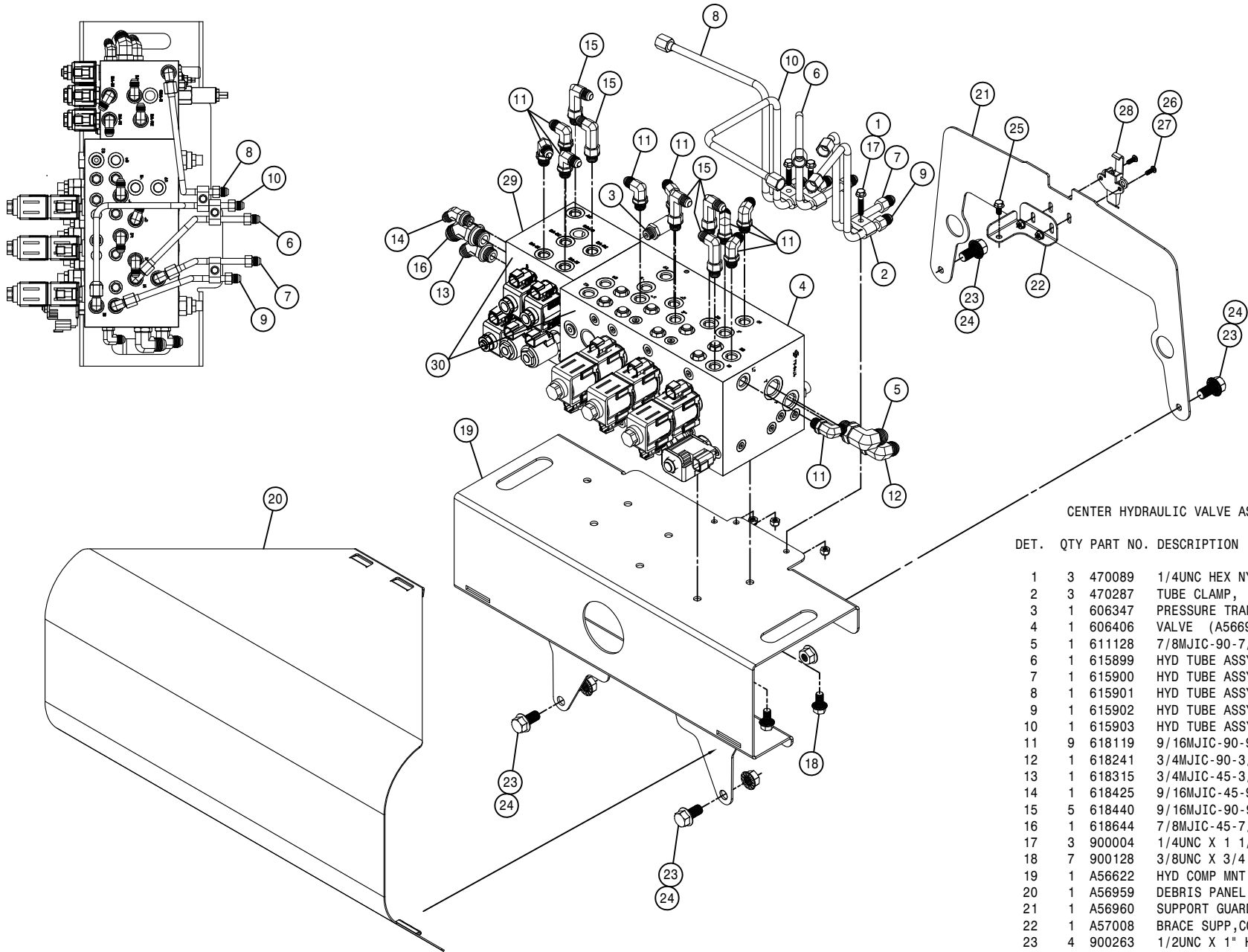
7



BOOM INDICATOR LIGHT ASSEMBLY

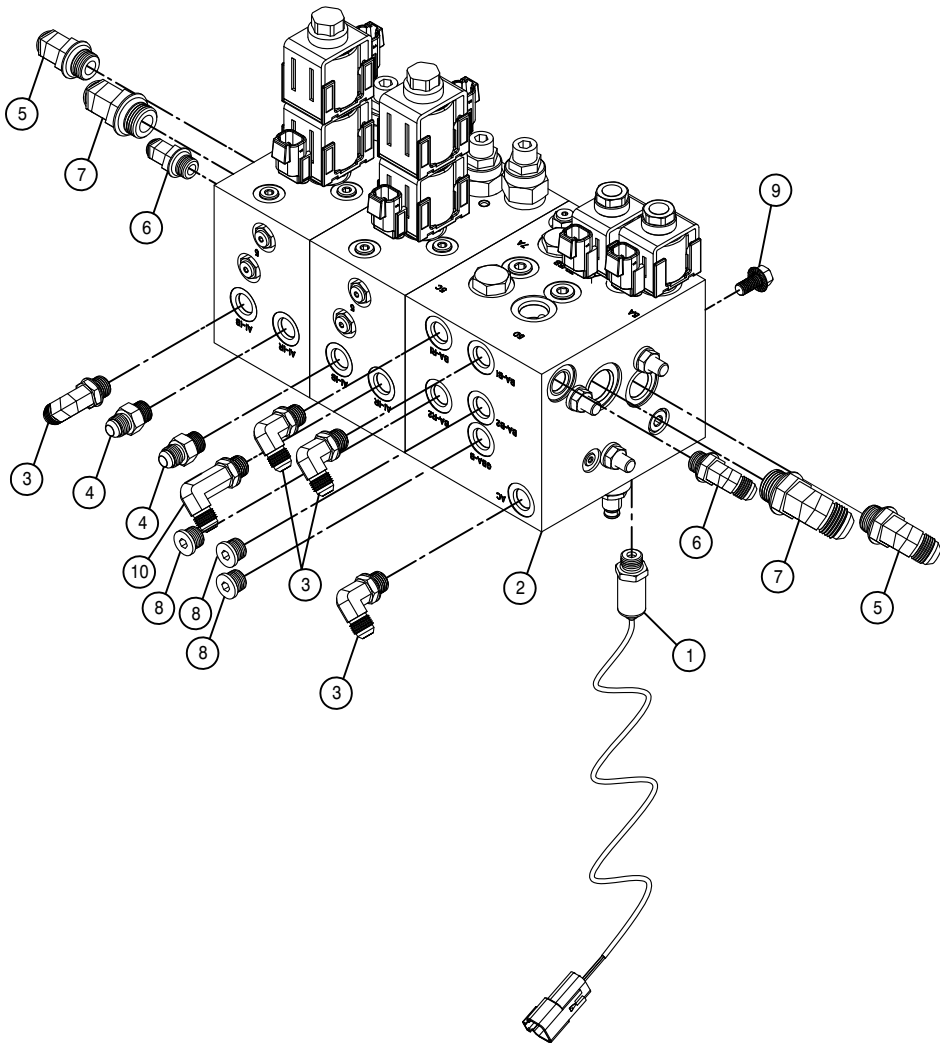
DET. QTY PART NO. DESCRIPTION

1	2	291325	AMBER LAMP,4" DT DEUTSCH
2	10	291326	RED LAMP,4" DT DEUTSCH
3	1	293817	MASTER SPRAY LIGHT ASSY,STS 05
4	26	470175	10-32 HEX FLANGE LOCK NUT
5	24	472235	10-32 X 3/4 PHIL PAN MACH SCR
6	2	903706	10-32X1/2 PHIL PAN MACH SCR
7	1	A06715	BOOM INDICATOR LIGHT MT STS 08
8	2	900263	1/2UNC X 1" HEX BOLT
9	2	470360	1/2UNC HEX FLANGE LOCK NUT



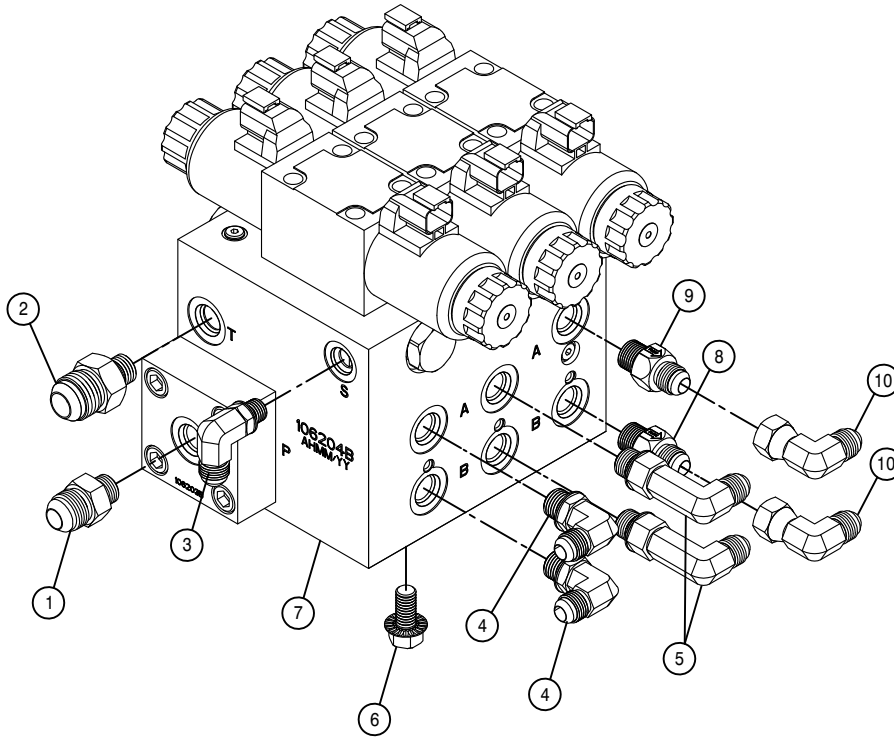
CENTER HYDRAULIC VALVE ASSEMBLY

DET.	QTY	PART NO.	DESCRIPTION
1	3	470089	1/4UNC HEX NYLOC NUT, 316 SS
2	3	470287	TUBE CLAMP, .375-.375 (PAIR)
3	1	606347	PRESSURE TRANSDUCER,7500PSI
4	1	606406	VALVE (A56693)
5	1	611128	7/8MJIC-90-7/8MOR LBO
6	1	615899	HYD TUBE ASSY,MFD #9,120'BM'10
7	1	615900	HYD TUBE ASSY,MFD#10,120'BM'10
8	1	615901	HYD TUBE ASSY,MFD#11,120'BM'10
9	1	615902	HYD TUBE ASSY,MFD#12,120'BM'10
10	1	615903	HYD TUBE ASSY,MFD#13,120'BM'10
11	9	618119	9/16MJIC-90-9/16MOR LBO
12	1	618241	3/4MJIC-90-3/4MOR LBO
13	1	618315	3/4MJIC-45-3/4MOR LBO
14	1	618425	9/16MJIC-45-9/16MOR LBO
15	5	618440	9/16MJIC-90-9/16MOR EX LG LBO
16	1	618644	7/8MJIC-45-7/8MOR LBO
17	3	900004	1/4UNC X 1 1/4 HEX BOLT
18	7	900128	3/8UNC X 3/4 HEX BOLT
19	1	A56622	HYD COMP MNT, TOP CNTR 120BM
20	1	A56959	DEBRIS PANEL GUARD, 120' BOOM' 10
21	1	A56960	SUPPORT GUARD PLT, 120' BOOM ' 10
22	1	A57008	BRACE SUPP, COVER 120' BOOM ' 10
23	4	900263	1/2UNC X 1" HEX BOLT
24	4	470360	1/2UNC HEX FLANGE LOCK NUT
25	1	470122	1/4UNC X 1/2 FLANGE HEX BOLT
26	2	470175	10-32 HEX FLANGE LOCK NUT
27	2	903883	10-32 X 1/2 PHIL PAN MACH SCR
28	1	473008	DRAW LATCH, OVER CNTR, SMALL SS
29	1	606407	VALVE (A55278)
30	1	606405	VALVE, SUNSOURCE (A56744)



BOOM BREAKAWAY MANIFOLD ASSEMBLY

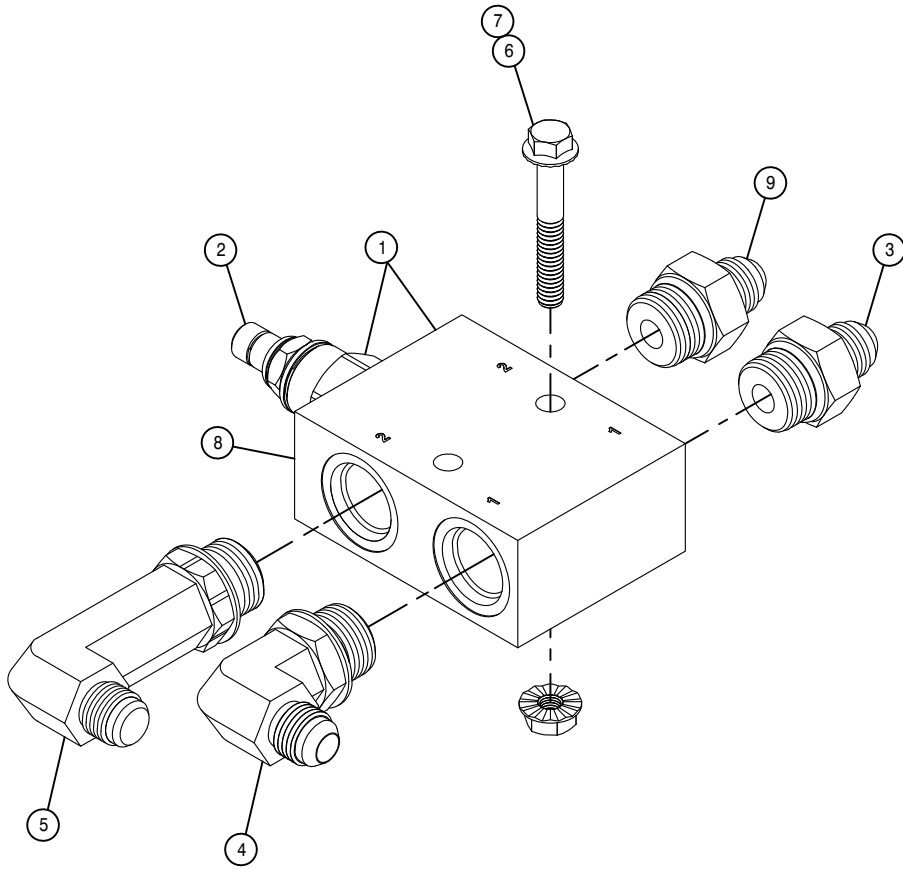
DET.	QTY	PART NO.	DESCRIPTION
1	1	606347	PRESSURE TRANSDUCER, 7500PSI
2	1	606401	VALVE, SUNSOURCE (A56857)
3	4	618119	9/16MJIC-90-9/16MOR LBO
4	2	618126	9/16MJIC-9/16MOR ADPTR
5	2	618315	3/4MJIC-45-3/4MOR LBO
6	2	618425	9/16MJIC-45-9/16MOR LBO
7	2	618644	7/8MJIC-45-7/8MOR LBO
8	3	618754	9/16MOR PLUG, HEX SOCKET
9	4	900128	3/8UNC X 3/4 HEX BOLT
10	1	618440	9/16MJIC-90-9/16MOR EX LG LBO



NORAC HYDRAULIC VALVE ASSEMBLY

DET. QTY PART NO. DESCRIPTION

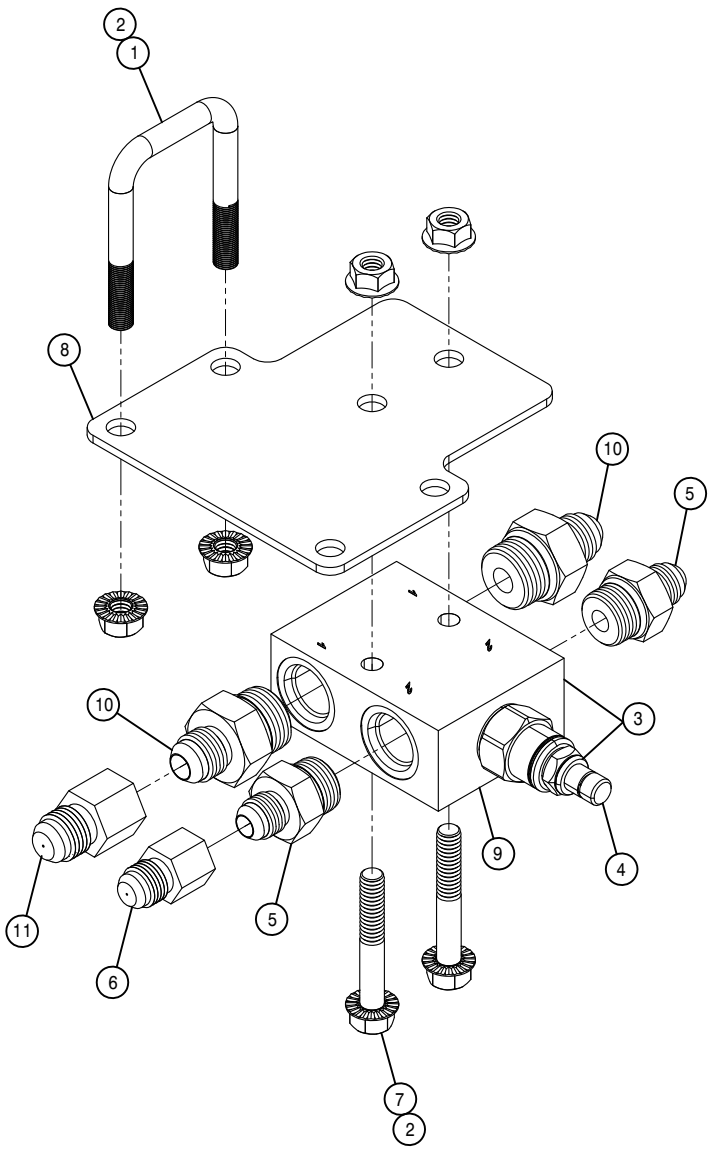
DET.	QTY	PART NO.	DESCRIPTION
1	1	618360	3/4MJIC-9/16MOR ADPTR
2	1	618832	7/8MJIC-9/16MOR ADPTR
3	1	618114	9/16MJIC-90-7/16MOR LBO
4	2	618119	9/16MJIC-90-9/16MOR LBO
5	2	618440	9/16MJIC-90-9/16MOR EX LG LBO
6	4	900128	3/8UNC X 3/4 HEX BOLT
7	1	606456	NORAC HYD VALVE (44960D)
8	1	614763	9/16MJIC-9/16MOR.042MOMF ADPTR
9	1	614765	9/16MJIC-9/16MOR.047MOMF ADPTR
10	2	618618	9/16MJIC-90-9/16FJIC SWIV LBO



KICKDOWN RELIEF VALVE ASSEMBLY

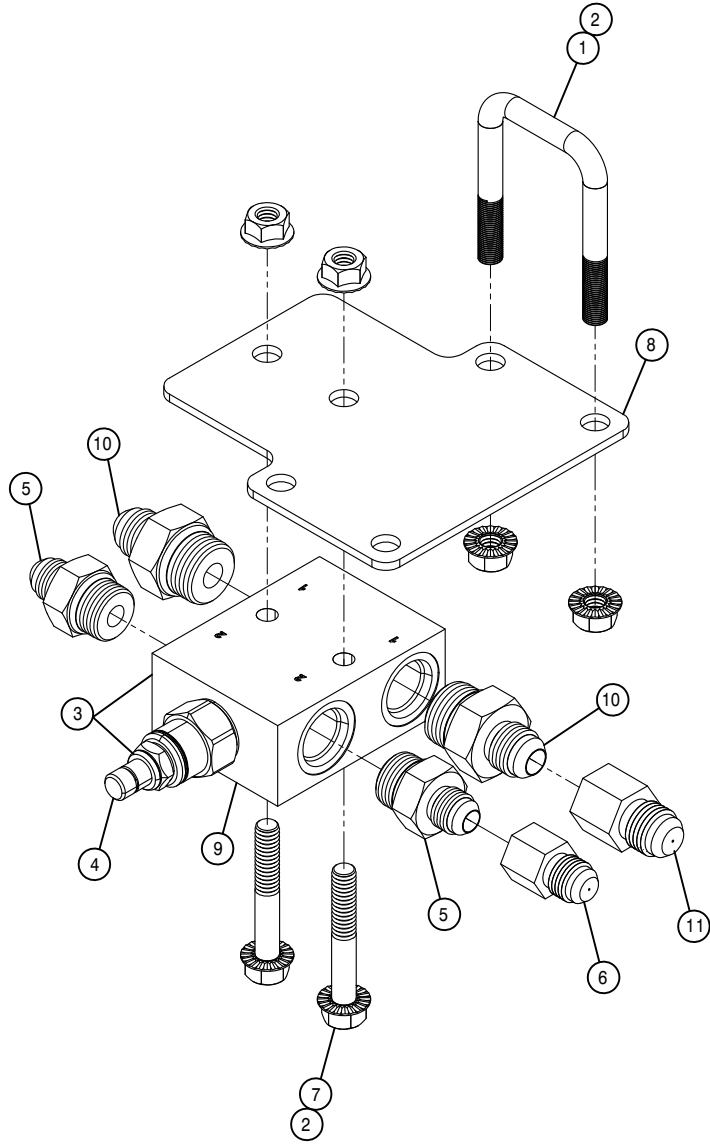
DET. QTY PART NO. DESCRIPTION

1	1	607558	KICKDOWN RELIEF, SUN
2	1	607562	CARTRIDGE FOR 607558 VALVE
3	1	618109	9/16MJIC-3/4MOR ADPTR
4	1	618115	9/16MJIC-90-3/4MOR LBO
5	1	618443	3/4MJIC-90-3/4MOR EX LG LBO
6	2	900068	5/16UNC X 1 3/4 HEX BOLT
7	2	470113	5/16UNC HEX FLANGE LOCK NUT
8	1	607561	MANIFOLD FOR 607558 VALVE
9	1	611125	3/4MJIC-3/4MOR ADPTR



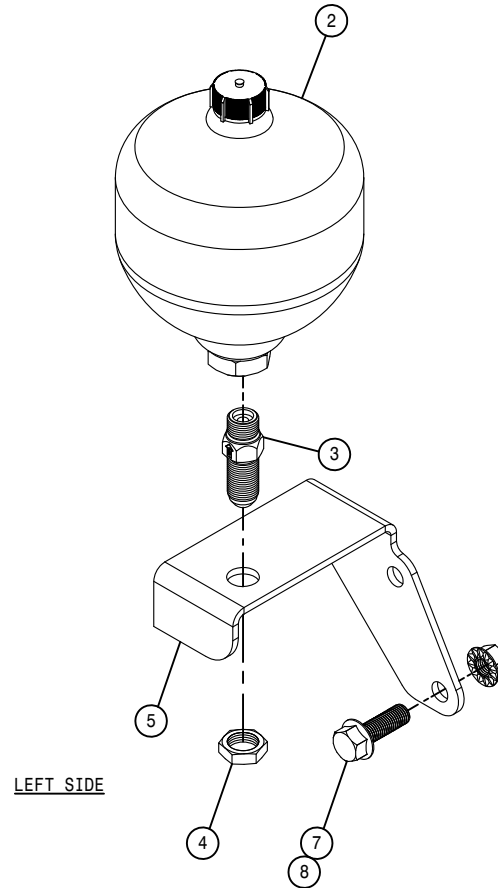
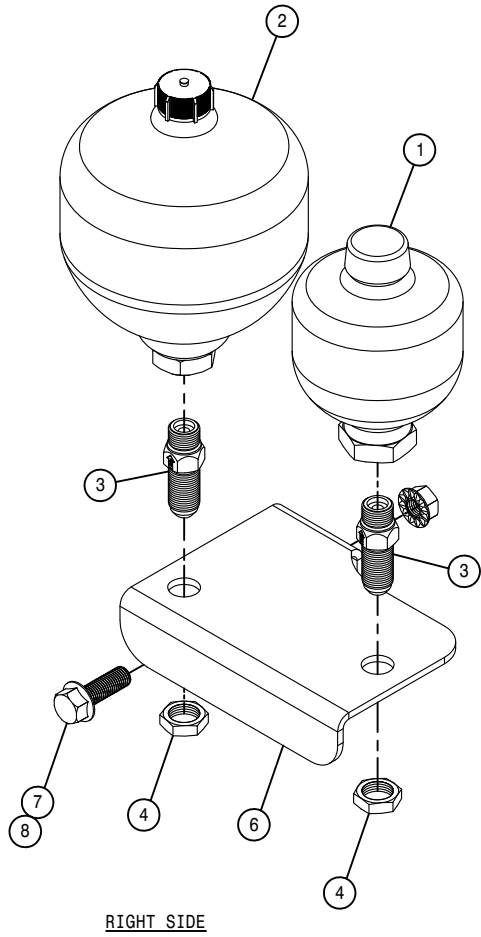
RIGHT KICKDOWN RELIEF VALVE ASSEMBLY

DET.	QTY	PART NO.	DESCRIPTION
1	2	473986	5/16UNC-1 9/16ID-2 3/8 U-BOLT
2	6	470113	5/16UNC HEX FLANGE LOCK NUT
3	1	607558	KICKDOWN RELIEF, SUN
4	1	607562	CARTRIDGE FOR 607558 VALVE
5	2	618109	9/16MJIC-3/4MOR ADPTR
6	1	618732	9/16JIC .031 ORIFICE ADPTR
7	2	900069	5/16UNC X 2" HEX BOLT
8	1	A53889	BRACKET,BREAKAWAY RELIEF BLOC
9	1	607561	MANIFOLD FOR 607558 VALVE
10	2	611125	3/4MJIC-3/4MOR ADPTR
11	1	618835	3/4MJIC .031 ORIFICE ADPTR



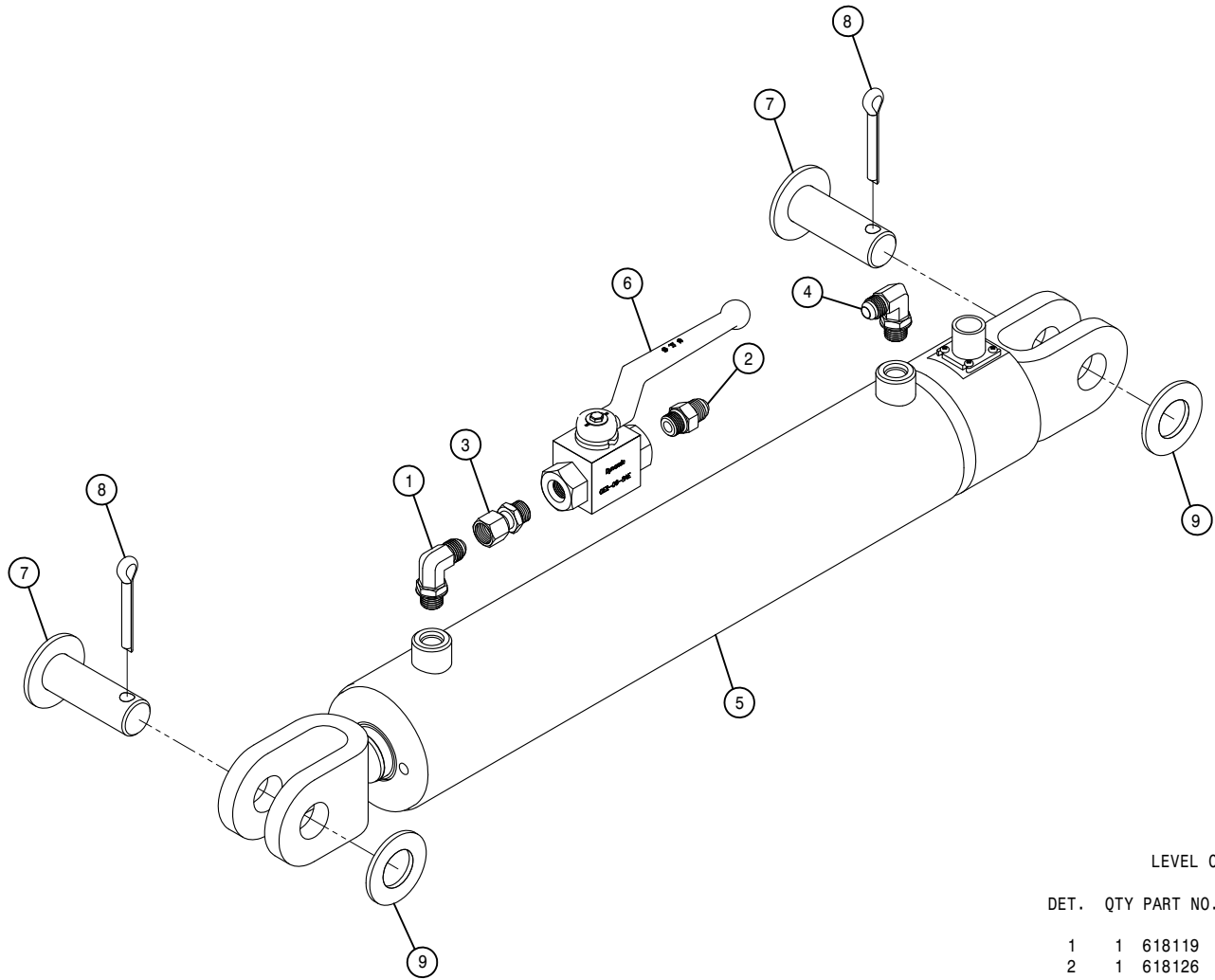
LEFT KICKDOWN RELIEF VALVE ASSEMBLY

DET.	QTY	PART NO.	DESCRIPTION
1	2	473986	5/16UNC-1 9/16ID-2 3/8 U-BOLT
2	6	470113	5/16UNC HEX FLANGE LOCK NUT
3	1	607558	KICKDOWN RELIEF, SUN
4	1	607562	CARTRIDGE FOR 607558 VALVE
5	2	618109	9/16MJIC-3/4MOR ADPTR
6	1	618732	9/16JIC .031 ORIFICE ADPTR
7	2	900069	5/16UNC X 2" HEX BOLT
8	1	A53889	BRACKET,BREAKAWAY RELIEF BLOC
9	1	607561	MANIFOLD FOR 607558 VALVE
10	2	611125	3/4MJIC-3/4MOR ADPTR
11	1	618835	3/4MJIC .031 ORIFICE ADPTR



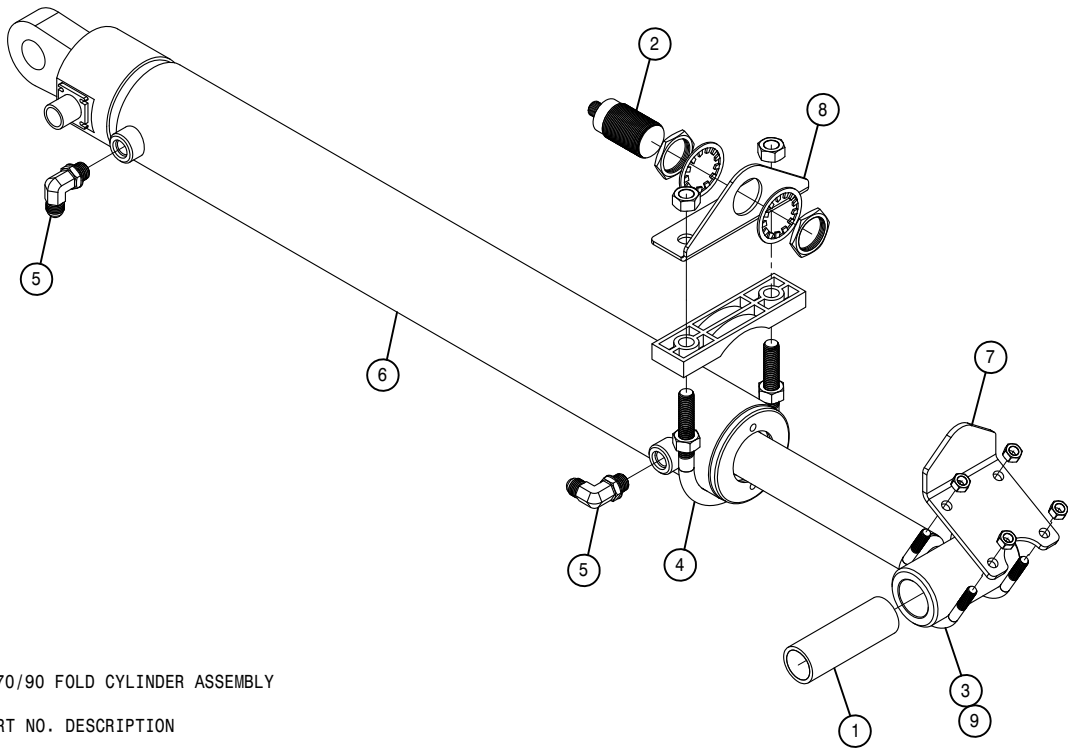
ACCUMULATOR ASSEMBLY

DET.	QTY	PART NO.	DESCRIPTION
1	1	470444	ACCUMULATOR, 30CI 1508 PSI
2	2	470537	ACCUMULATOR, SBO210 1800 PSI
3	3	618743	3/4MOR-3/4MJIC BLKHD, .040 ORF
4	3	618744	3/4-16 BULKHEAD LOCKNUT
5	1	A56697	LH LG ACCMLTR MNT,WLD 120BM
6	1	A54289	RH LG ACCUMULATOR MT WLDMT
7	4	470431	1/2UNC X 1 1/2 FLANGE BOLT
8	4	470360	1/2UNC HEX FLANGE LOCK NUT



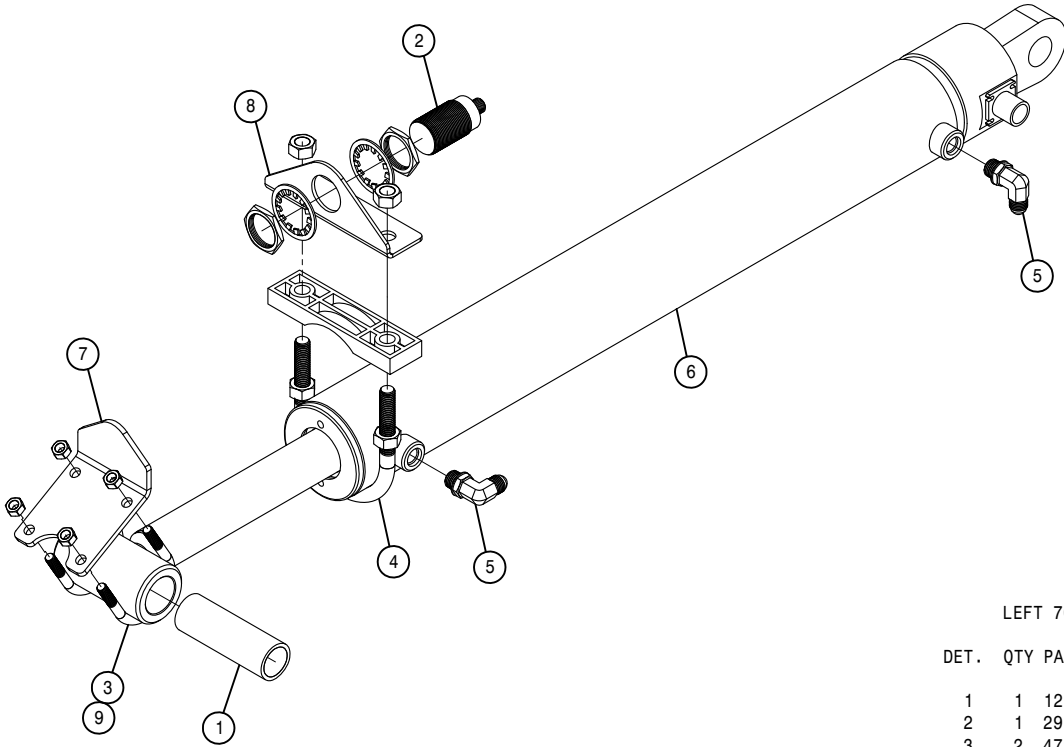
LEVEL CYLINDER ASSEMBLY

DET.	QTY	PART NO.	DESCRIPTION
1	1	618119	9/16MJC-90-9/16MOR LBO
2	1	618126	9/16MJC-9/16MOR ADPTR
3	1	618668	9/16FJIC SWIV-9/16MOR ADPTR
4	1	618783	O-RING, -20 FACE SEAL 1.18ID
5	1	621584	HYD CYL, 3.00 X 14.00 X 1.380
6	1	696131	BALL VALVE,9/16FOR,7250PSI
7	2	164500	LEVEL CYL PIN WLD, SHAFT END
8	2	470012	COTTER PIN 5/16 X 2" LG,316 SS
9	2	920008	1" SAE FLAT WASHER



RIGHT 70/90 FOLD CYLINDER ASSEMBLY

DET.	QTY	PART NO.	DESCRIPTION
	1	121108	OUTR BOOM FOLD CYL BRG,POLYGON
	1	291945	PROXIMITY SENSOR,M30 X 1.5
	2	472032	5/16UNC-2.00"ID-2.687 U-BOLT
	1	472033	12MM-3.25ID-4.437 U-BOLT/BASE
	2	618119	9/16MJIC-90-9/16MOR LBO
	1	621586	HYD CYL, 2.75 X 21.25 X 1.500
	1	A52275	FLAG PLATE, 70/90 FLD CYL
	1	A52370	PROX. MOUNT, 70/90 CYL
	4	910002	5/16UNC HEX NUT



LEFT 70/90 FOLD CYLINDER ASSEMBLY

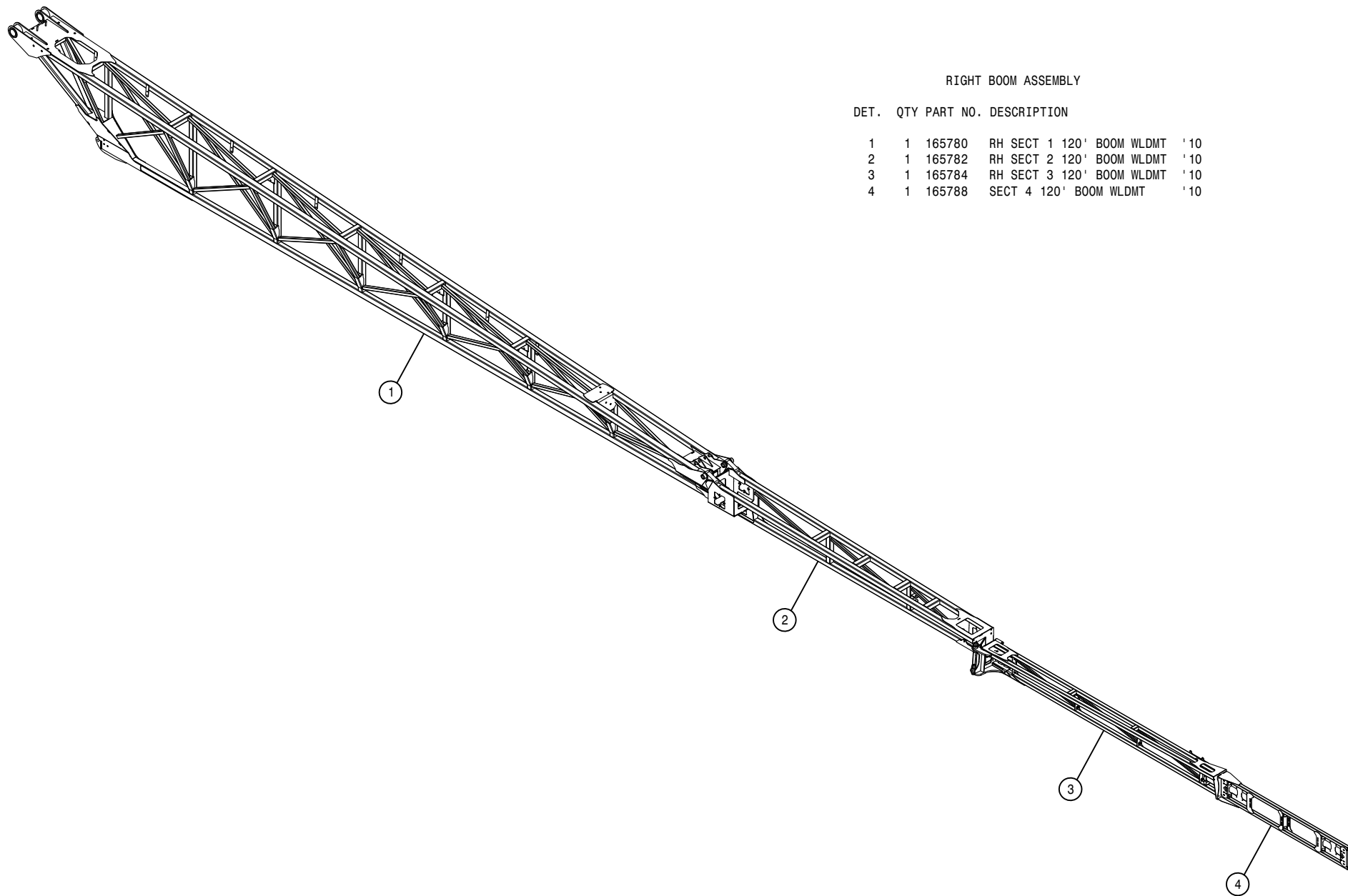
DET. QTY PART NO. DESCRIPTION

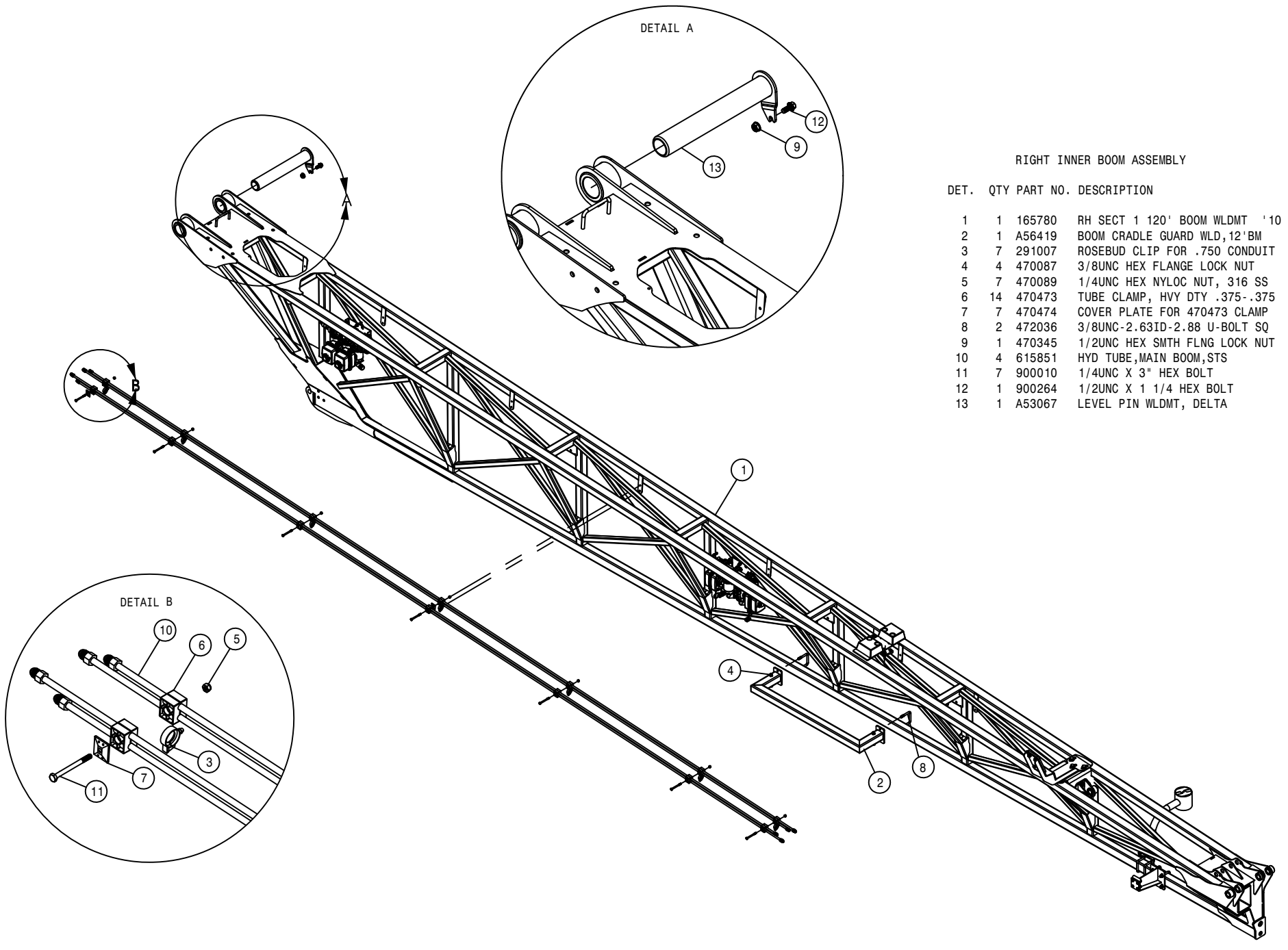
1	1	121108	OUTR BOOM FOLD CYL BRG,POLYGON
2	1	291945	PROXIMITY SENSOR,M30 X 1.5
3	2	472032	5/16UNC-2.00"ID-2.687 U-BOLT
4	1	472033	12MM-3.25ID-4.437 U-BOLT/BASE
5	2	618119	9/16MJIC-90-9/16MOR LBO
6	1	621586	HYD CYL, 2.75 X 21.25 X 1.500
7	1	A52275	FLAG PLATE, 70/90 FLD CYL
8	1	A52370	PROX. MOUNT, 70/90 CYL
9	4	910002	5/16UNC HEX NUT

RIGHT BOOM ASSEMBLY

DET. QTY PART NO. DESCRIPTION

1	1	165780	RH SECT 1 120' BOOM WLDMT	'10
2	1	165782	RH SECT 2 120' BOOM WLDMT	'10
3	1	165784	RH SECT 3 120' BOOM WLDMT	'10
4	1	165788	SECT 4 120' BOOM WLDMT	'10

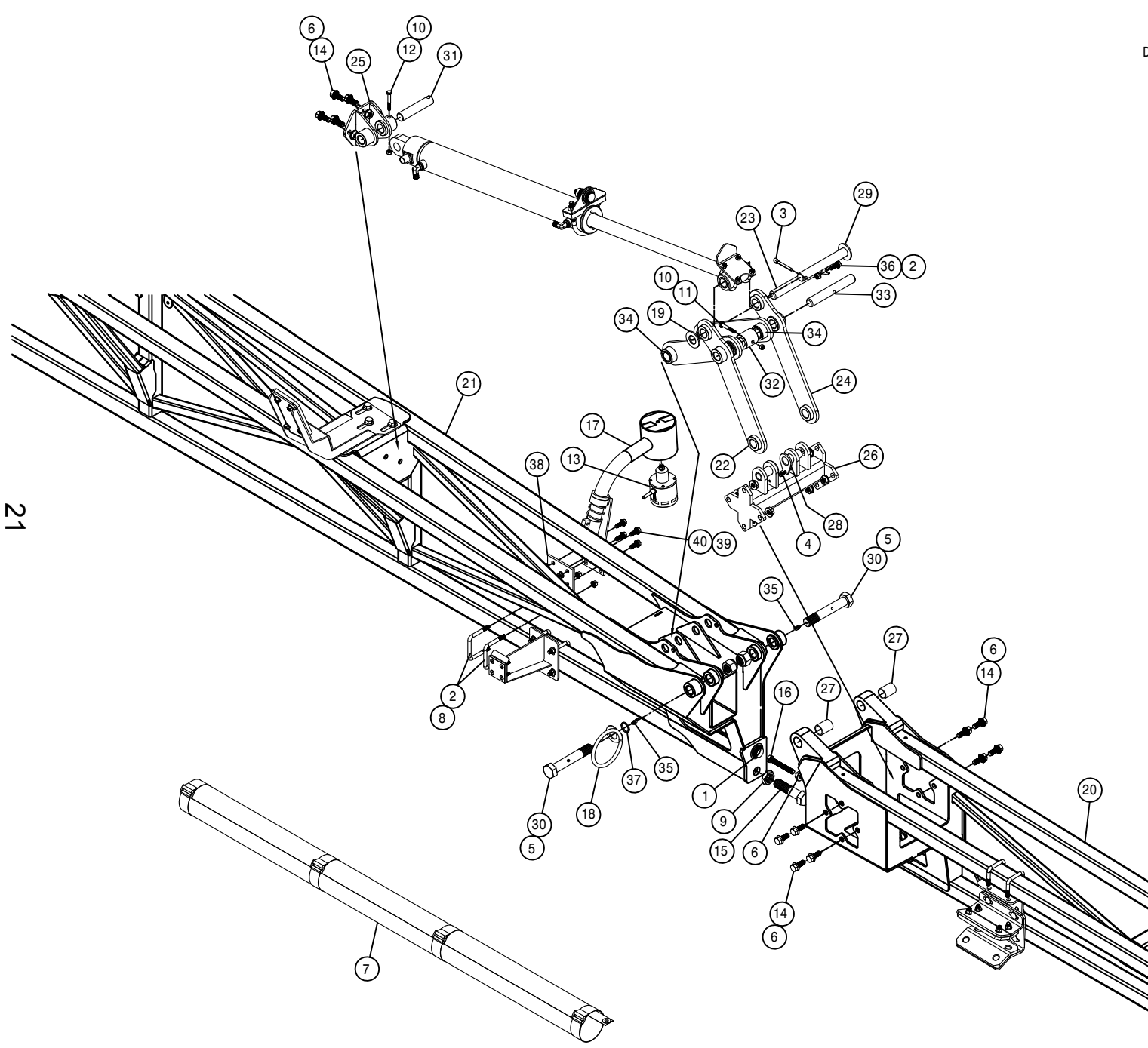




RIGHT INNER BOOM ASSEMBLY

DET.	QTY	PART NO.	DESCRIPTION
1	1	165780	RH SECT 1 120' BOOM WLDMT '10
2	1	A56419	BOOM CRADLE GUARD WLD, 12' BM
3	7	291007	ROSEBUD CLIP FOR .750 CONDUIT
4	4	470087	3/8UNC HEX FLANGE LOCK NUT
5	7	470089	1/4UNC HEX NYLOC NUT, 316 SS
6	14	470473	TUBE CLAMP, HVY DTY .375-.375
7	7	470474	COVER PLATE FOR 470473 CLAMP
8	2	472036	3/8UNC-2.63ID-2.88 U-BOLT SQ
9	1	470345	1/2UNC HEX SMTH FLNG LOCK NUT
10	4	615851	HYD TUBE, MAIN BOOM, STS
11	7	900010	1/4UNC X 3" HEX BOLT
12	1	900264	1/2UNC X 1 1/4 HEX BOLT
13	1	A53067	LEVEL PIN WLDMT, DELTA

RIGHT BOOM FOLD ASSEMBLY

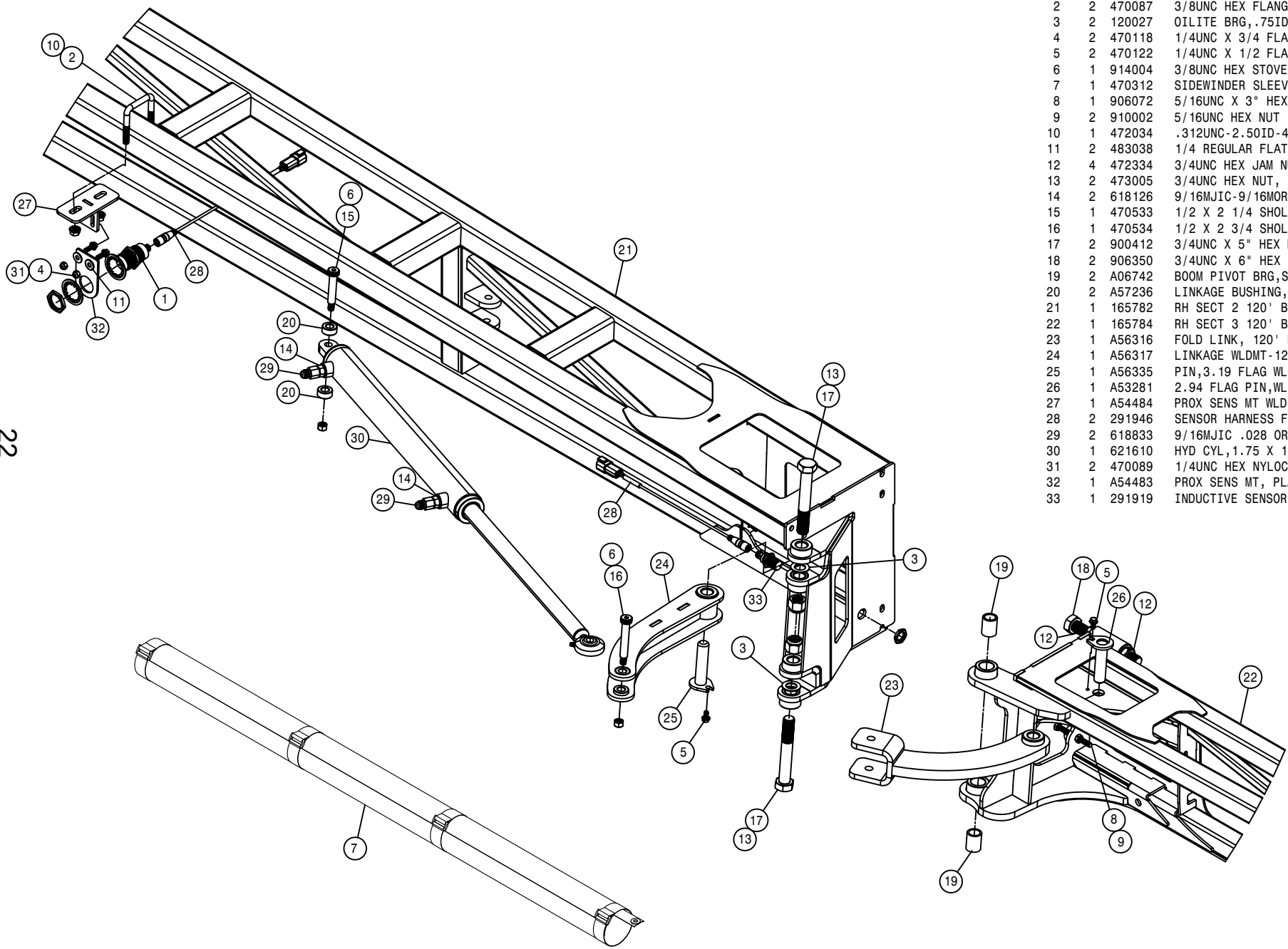


DET.	QTY	PART NO.	DESCRIPTION
1	1	291945	PROXIMITY SENSOR,M30 X 1.5
2	5	470087	3/8UNC HEX FLANGE LOCK NUT
3	1	470012	COTTER PIN 5/16 X 2" LG,316 SS
4	2	470122	1/4UNC X 1/2 FLANGE HEX BOLT
5	2	470144	1-8 HEX NYLOC NUT
6	13	470345	1/2UNC HEX SMTH FLNG LOCK NUT
7	1	470312	SIDEWINDER SLEEVE,14.06 X 68"
8	2	472036	3/8UNC-2.63ID-2.88 U-BOLT SQ
9	1	472328	1"-12 HEX JAM NUT
10	2	473001	5/16UNC HEX NUT,NYLOC 316 SS
11	1	900069	5/16UNC X 2" HEX BOLT
12	1	900086	5/16UNC X 2 1/4 HEX BOLT
13	1	693060	ULTRASOUND SENSOR, NORAC
14	12	900264	1/2UNC X 1 1/4 HEX BOLT
15	1	900535	1" UNC X 4" HEX BOLT
16	1	900538	1/2UNC X 3 1/2 HEX BOLT FULL
17	1	693068	SENSOR MTG BRKT, NORAC
18	1	A53866	HOSE RING WLD, DELTA
19	1	920008	1" SAE FLAT WASHER
20	1	165782	RH SECT 2 120' BOOM WLDMT '10
21	1	165780	RH SECT 1 120' BOOM WLDMT '10
22	1	A52614	LF/RR FOLD LINK WLD,T,3 HOLE
23	1	A52944	PIN WLDMT,LINK 1-SECT 1,DELTA
24	1	A52947	RF/LR FOLD LINK WLDMT,3 HOLE
25	1	A53141	FOLD CYL MT WLD, SECT 1
26	1	A53225	WLDMT,BOOM PIVOT
27	2	120028	BUSHING,BRONZE 1.25-1.025-1.62
28	2	A53558	2.13 FLAG PIN,WLDMT
29	1	A53582	CYL PIN WLDMT,SECT 1/2,DELTA
30	2	A56413	BOLT,SECTIONS 1-2 FOLD,120BM
31	1	A53630	70'/90' FOLD PIN,DELTA
32	1	A53762	BUSH,1.750D- 1.015ID-1.81LG WH
33	1	A53764	LINKAGE PIN, SECT1/2, DELTA
34	2	A53805	2- HOLE LINKAGE ASSY, DELTA
35	1	471023	GREASE ZERK 1/4-28 X 45
36	1	900129	3/8UNC X 1" SERR FLANGE BOLT
37	1	A53846	SPACER, 1.25 X 1.010 X .170
38	1	693039	DTS 8 INJ PLTFRM MT PLATE 05
39	4	910004N	3/8UNC FLANGE CNTR LOCK NUT
40	4	470460	3/8UNC X 1 SERR FLANGE BOLT

21

RIGHT OUTER BOOM FOLD ASSEMBLY

DET. QTY PART NO. DESCRIPTION



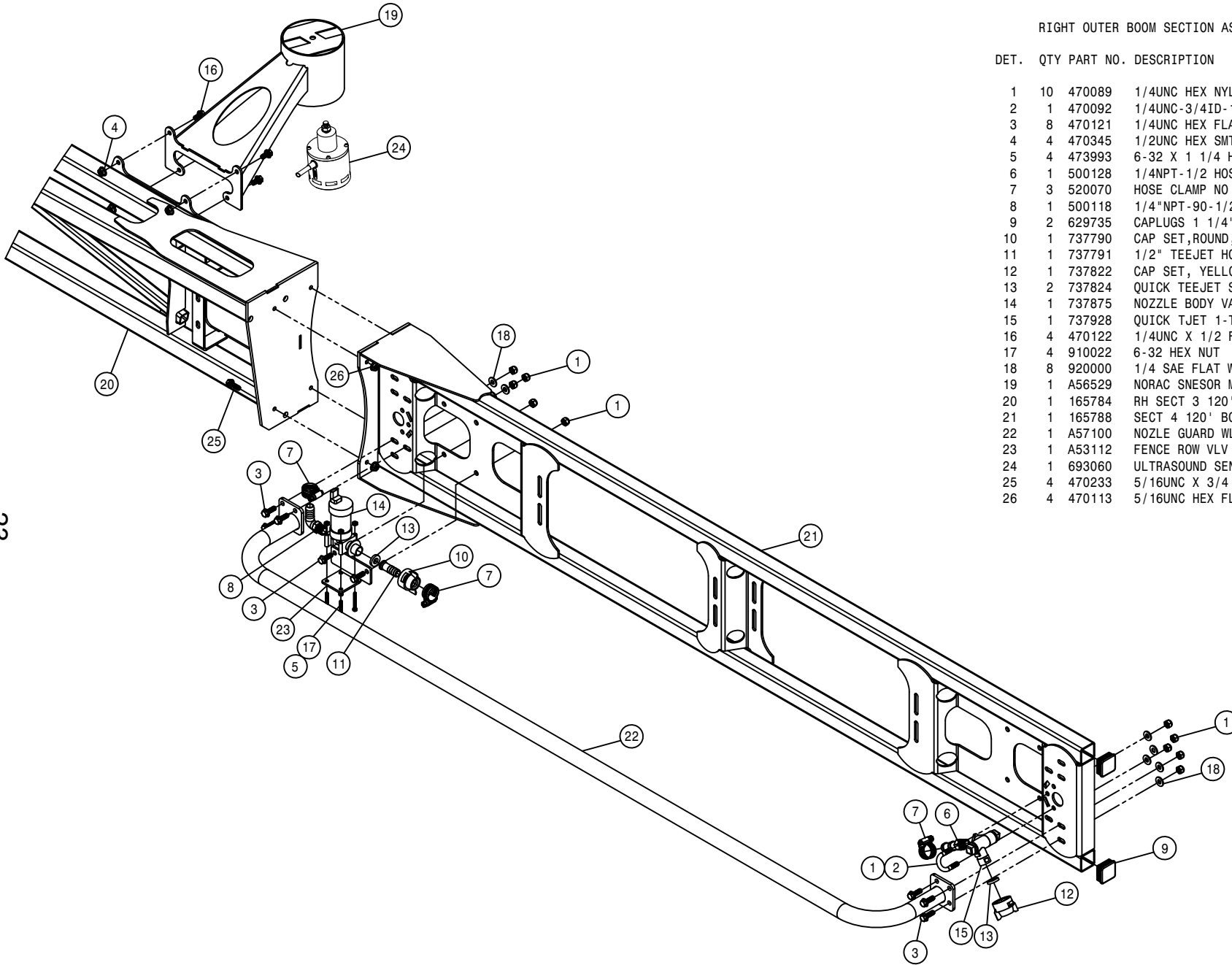
DET.	QTY	PART NO.	DESCRIPTION
1	1	291945	PROXIMITY SENSOR,M30 X 1.5
2	2	470087	3/8UNC HEX FLANGE LOCK NUT
3	2	120027	OILITE BRG, .75ID-1.25OD-.06LG
4	2	470118	1/4UNC X 3/4 FLANGE HEX BOLT
5	2	470122	1/4UNC X 1/2 FLANGE HEX BOLT
6	1	914004	3/8UNC HEX STOVER NUT
7	1	470312	SIDEWINDER SLEEVE,14.06 X 68"
8	1	906072	5/16UNC X 3" HEX BOLT FULL
9	2	910002	5/16UNC HEX NUT
10	1	472034	.312UNC-2.50ID-4.250 U-BOLT SS
11	2	483038	1/4 REGULAR FLAT WASHER
12	4	472334	3/4UNC HEX JAM NUT
13	2	473005	3/4UNC HEX NUT, NYLOC
14	2	618126	9/16MJIC-9/16MOR ADPTR
15	1	470533	1/2 X 2 1/4 SHOLDR BOLT,3/8-16
16	1	470534	1/2 X 2 3/4 SHOLDR BOLT,3/8-16
17	2	900412	3/4UNC X 5" HEX BOLT
18	2	906350	3/4UNC X 6" HEX BOLT FULL
19	2	A06742	BOOM PIVOT BRG,SECT 3, POLYGON
20	2	A57236	LINKAGE BUSHING, PAINTED
21	1	165782	RH SECT 2 120' BOOM WLDMT '10
22	1	165784	RH SECT 3 120' BOOM WLDMT '10
23	1	A56316	FOLD LINK, 120' BOOM
24	1	A56317	LINKAGE WLDMT-120' BOOM
25	1	A56335	PIN,3.19 FLAG WLDMENT
26	1	A53281	2.94 FLAG PIN,WLDMT
27	1	A54484	PROX SENS MT WLD
28	2	291946	SENSOR HARNESS FOR 291945
29	2	618833	9/16MJIC .028 ORIFICE ADPTR
30	1	621610	HYD CYL,1.75 X 16 X 1.25
31	2	470089	1/4UNC HEX NYLOC NUT, 316 SS
32	1	A54483	PROX SENS MT, PLATE
33	1	291919	INDUCTIVE SENSOR

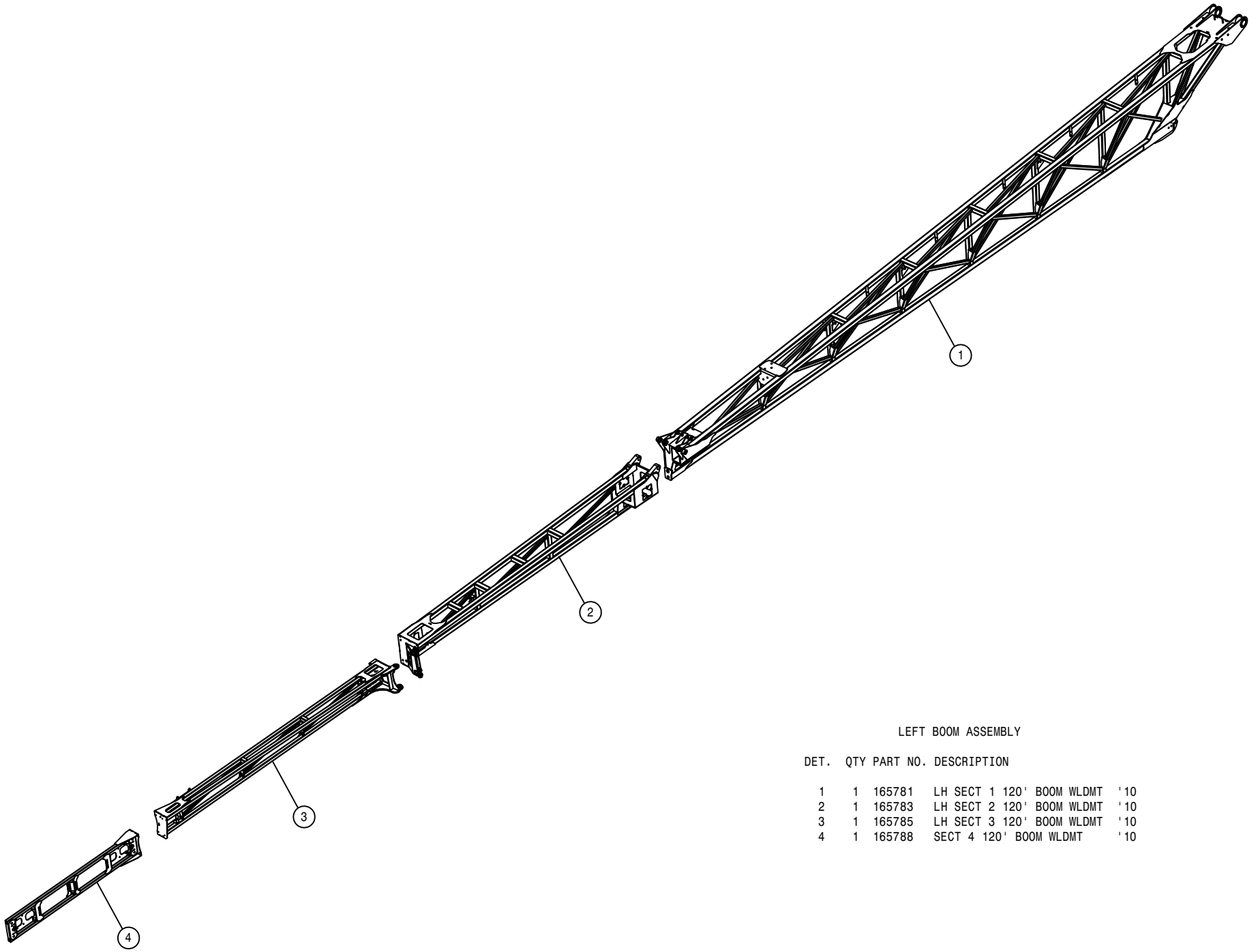
22

RIGHT OUTER BOOM SECTION ASSEMBLY

DET. QTY PART NO. DESCRIPTION

DET.	QTY	PART NO.	DESCRIPTION
1	10	470089	1/4UNC HEX NYLOC NUT, 316 SS
2	1	470092	1/4UNC-3/4ID-1 1/4 U-BOLT SS
3	8	470121	1/4UNC HEX FLANGE LOCK NUT
4	4	470345	1/2UNC HEX SMTH FLNG LOCK NUT
5	4	473993	6-32 X 1 1/4 HH MACH SCR
6	1	500128	1/4NPT-1/2 HOSE BARB, POLY
7	3	520070	HOSE CLAMP NO 8 STAINLESS
8	1	500118	1/4"NPT-90-1/2"HOSE BARB, POLY
9	2	629735	CAPPLUGS 1 1/4" SQ, BLACK POLY
10	1	737790	CAP SET,ROUND,RED QUICK TEEJET
11	1	737791	1/2" TEEJET HOSE SHANK, NYLON
12	1	737822	CAP SET, YELLOW QUICK TEEJET
13	2	737824	QUICK TEEJET SEAT GASKET
14	1	737875	NOZZLE BODY VALVE, 12VDC
15	1	737928	QUICK TJET 1-TIP SWIV NOZZLE
16	4	470122	1/4UNC X 1/2 FLANGE HEX BOLT
17	4	910022	6-32 HEX NUT
18	8	920000	1/4 SAE FLAT WASHER
19	1	A56529	NORAC SNEOSOR MNT, TIP
20	1	165784	RH SECT 3 120' BOOM WLDMT '10
21	1	165788	SECT 4 120' BOOM WLDMT '10
22	1	A57100	NOZZLE GUARD WLDMNT,SCT 4,DELTA
23	1	A53112	FENCE ROW VLV BRKT,DELTA
24	1	693060	ULTRASOUND SENSOR, NORAC
25	4	470233	5/16UNC X 3/4 FLANGE HEX BOLT
26	4	470113	5/16UNC HEX FLANGE LOCK NUT





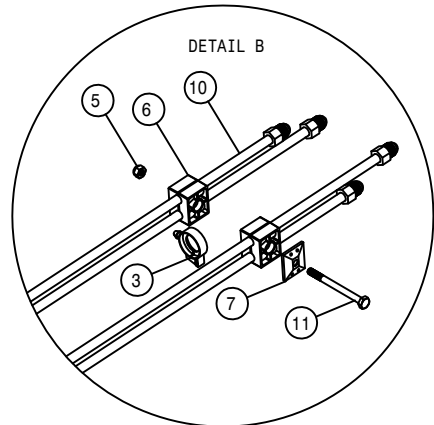
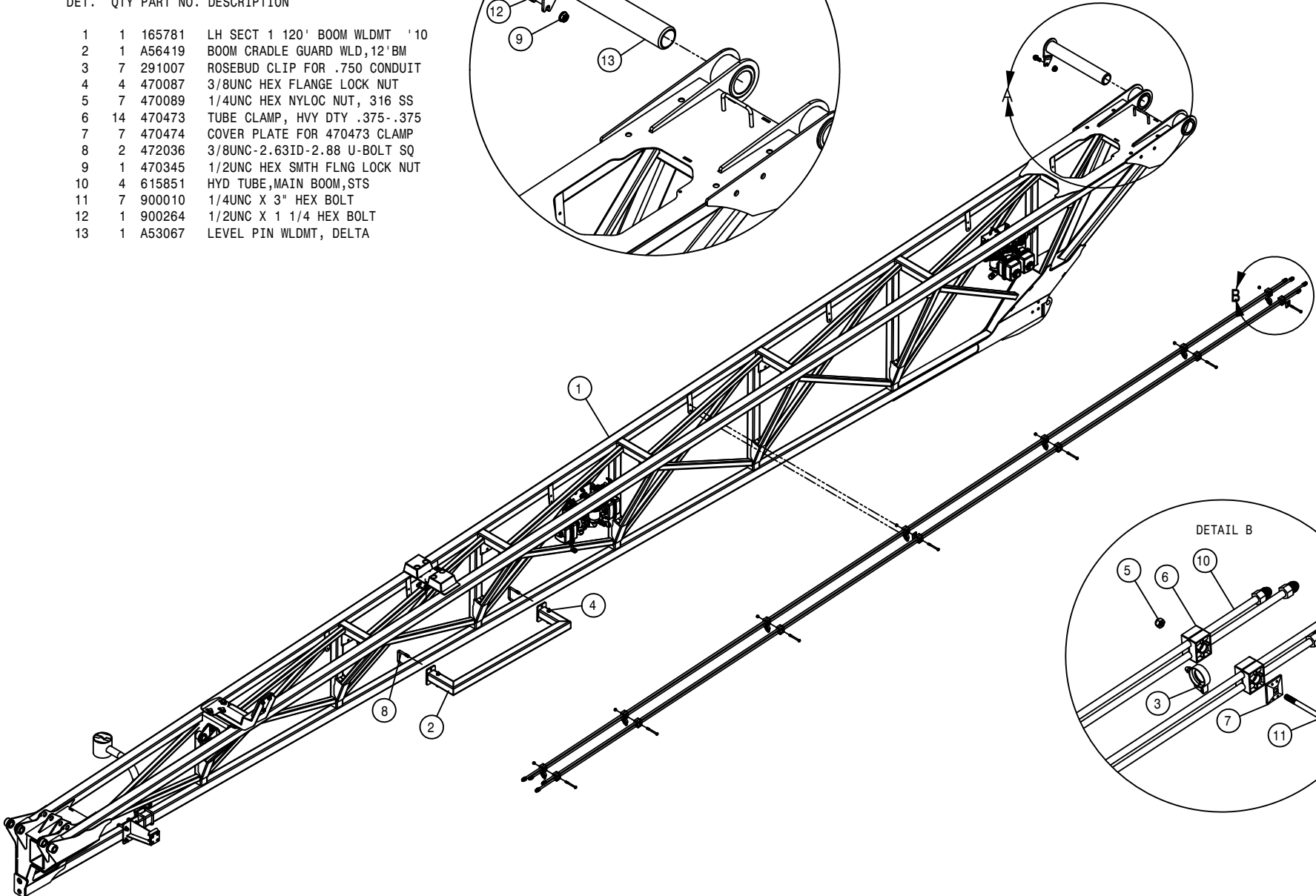
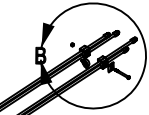
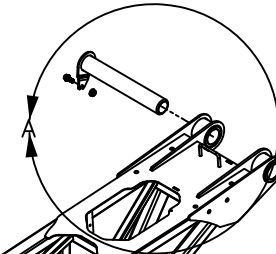
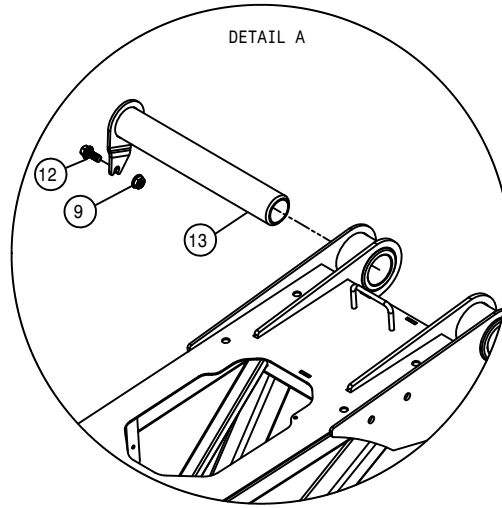
LEFT BOOM ASSEMBLY

DET.	QTY	PART NO.	DESCRIPTION
1	1	165781	LH SECT 1 120' BOOM WLDMT '10
2	1	165783	LH SECT 2 120' BOOM WLDMT '10
3	1	165785	LH SECT 3 120' BOOM WLDMT '10
4	1	165788	SECT 4 120' BOOM WLDMT '10

LEFT INNER BOOM ASSEMBLY

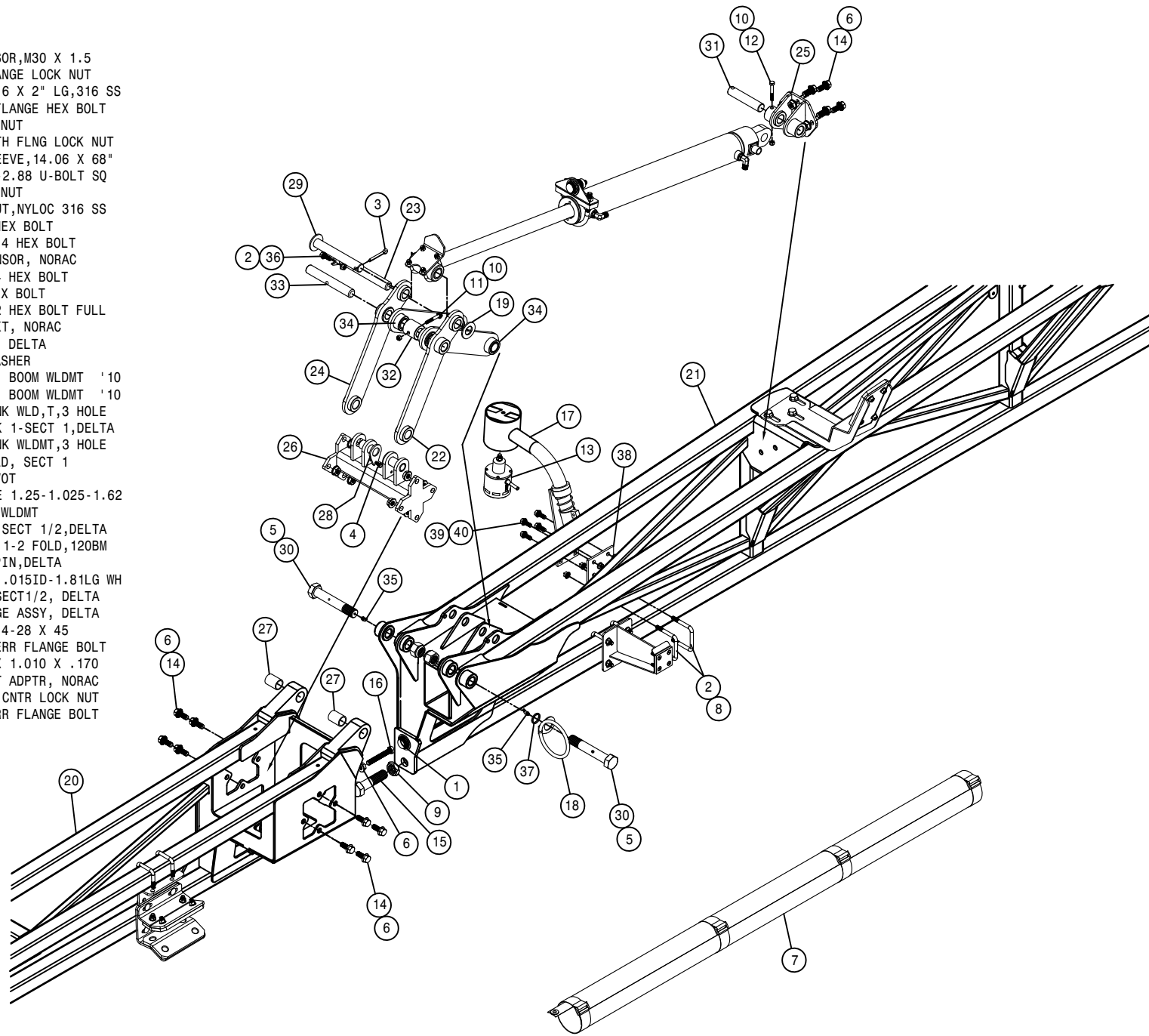
DET. QTY PART NO. DESCRIPTION

1	1	165781	LH SECT 1 120' BOOM WLDMT '10
2	1	A56419	BOOM CRADLE GUARD WLD,12'BM
3	7	291007	ROSEBUD CLIP FOR .750 CONDUIT
4	4	470087	3/8UNC HEX FLANGE LOCK NUT
5	7	470089	1/4UNC HEX NYLOC NUT, 316 SS
6	14	470473	TUBE CLAMP, HVY DTY .375-.375
7	7	470474	COVER PLATE FOR 470473 CLAMP
8	2	472036	3/8UNC-2.63ID-2.88 U-BOLT SQ
9	1	470345	1/2UNC HEX SMTH FLNG LOCK NUT
10	4	615851	HYD TUBE,MAIN BOOM,STS
11	7	900010	1/4UNC X 3" HEX BOLT
12	1	900264	1/2UNC X 1 1/4 HEX BOLT
13	1	A53067	LEVEL PIN WLDMT, DELTA



LEFT BOOM FOLD ASSEMBLY

DET.	QTY	PART NO.	DESCRIPTION
1	1	291945	PROXIMITY SENSOR,M30 X 1.5
2	5	470087	3/8UNC HEX FLANGE LOCK NUT
3	1	470012	COTTER PIN 5/16 X 2" LG,316 SS
4	2	470122	1/4UNC X 1/2 FLANGE HEX BOLT
5	2	470144	1-8 HEX NYLOC NUT
6	13	470345	1/2UNC HEX SMTH FLNG LOCK NUT
7	1	470312	SIDEWINDER SLEEVE,14.06 X 68"
8	2	472036	3/8UNC-2.63ID-2.88 U-BOLT SQ
9	1	472328	1"-12 HEX JAM NUT
10	2	473001	5/16UNC HEX NUT,NYLOC 316 SS
11	1	900069	5/16UNC X 2" HEX BOLT
12	1	900086	5/16UNC X 2 1/4 HEX BOLT
13	1	693060	ULTRASOUND SENSOR, NORAC
14	12	900264	1/2UNC X 1 1/4 HEX BOLT
15	1	900535	1" UNC X 4" HEX BOLT
16	1	900538	1/2UNC X 3 1/2 HEX BOLT FULL
17	1	693068	SENSOR MTG BRKT, NORAC
18	1	A53866	HOSE RING WLD, DELTA
19	1	920008	1" SAE FLAT WASHER
20	1	165783	LH SECT 2 120' BOOM WLDMT '10
21	1	165781	LH SECT 1 120' BOOM WLDMT '10
22	1	A52614	LF/RR FOLD LINK WLD,T,3 HOLE
23	1	A52944	PIN WLDMT,LINK 1-SECT 1,DELTA
24	1	A52947	RF/LR FOLD LINK WLDMT,3 HOLE
25	1	A53141	FOLD CYL MT WLD, SECT 1
26	1	A53225	WLDMT,BOOM PIVOT
27	2	120028	BUSHING,BRONZE 1.25-1.025-1.62
28	2	A53558	2.13 FLAG PIN,WLDMT
29	1	A53582	CYL PIN WLDMT,SECT 1/2,DELTA
30	2	A56413	BOLT,SECTIONS 1-2 FOLD,120BM
31	1	A53630	70'/90' FOLD PIN,DELTA
32	1	A53762	BUSH,1.750D- 1.015ID-1.81LG WH
33	1	A53764	LINKAGE PIN, SECT1/2, DELTA
34	2	A53805	2- HOLE LINKAGE ASSY, DELTA
35	2	471023	GREASE ZERK 1/4-28 X 45
36	1	900129	3/8UNC X 1" SERR FLANGE BOLT
37	1	A53846	SPACER, 1.25 X 1.010 X .170
38	1	693069	SENSOR MT BRKT ADPTR, NORAC
39	1	910004N	3/8UNC FLANGE CNTR LOCK NUT
40	4	470460	3/8UNC X 1 SERR FLANGE BOLT



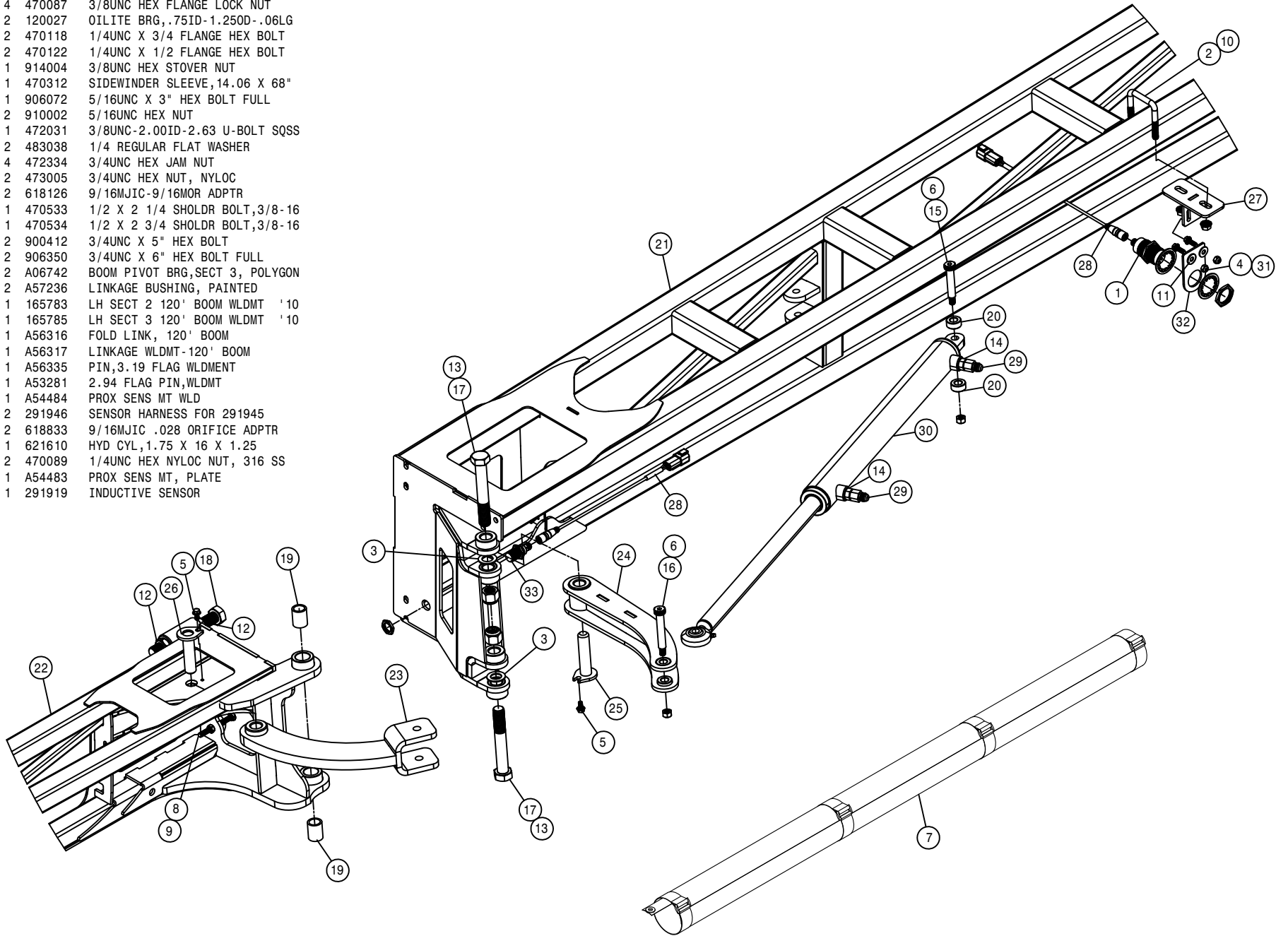
26

518026

LEFT OUTER BOOM FOLD ASSEMBLY

DET. QTY PART NO. DESCRIPTION

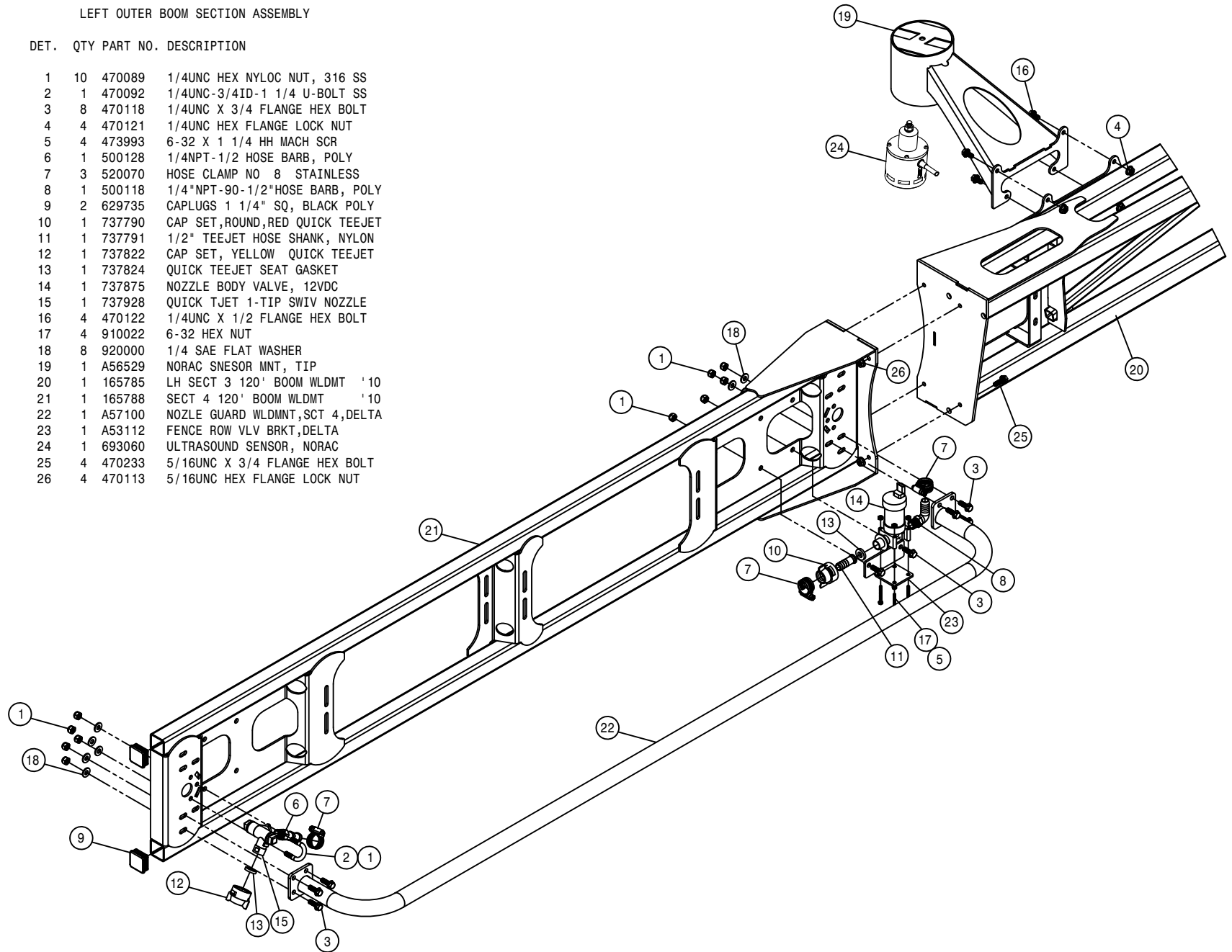
1	1	291945	PROXIMITY SENSOR,M30 X 1.5
2	4	470087	3/8UNC HEX FLANGE LOCK NUT
3	2	120027	OILITE BRG, .75ID-1.25OD-.06LG
4	2	470118	1/4UNC X 3/4 FLANGE HEX BOLT
5	2	470122	1/4UNC X 1/2 FLANGE HEX BOLT
6	1	914004	3/8UNC HEX STOVER NUT
7	1	470312	SIDEWINDER SLEEVE,14.06 X 68"
8	1	906072	5/16UNC X 3" HEX BOLT FULL
9	2	910002	5/16UNC HEX NUT
10	1	472031	3/8UNC-2.00ID-2.63 U-BOLT SQSS
11	2	483038	1/4 REGULAR FLAT WASHER
12	4	472334	3/4UNC HEX JAM NUT
13	2	473005	3/4UNC HEX NUT, NYLOC
14	2	618126	9/16MJIC-9/16MOR ADPTR
15	1	470533	1/2 X 2 1/4 SHOLDR BOLT,3/8-16
16	1	470534	1/2 X 2 3/4 SHOLDR BOLT,3/8-16
17	2	900412	3/4UNC X 5" HEX BOLT
18	2	906350	3/4UNC X 6" HEX BOLT FULL
19	2	A06742	BOOM PIVOT BRG,SECT 3, POLYGON
20	2	A57236	LINKAGE BUSHING, PAINTED
21	1	165783	LH SECT 2 120' BOOM WLDMT '10
22	1	165785	LH SECT 3 120' BOOM WLDMT '10
23	1	A56316	FOLD LINK, 120' BOOM
24	1	A56317	LINKAGE WLDMT-120' BOOM
25	1	A56335	PIN,3.19 FLAG WLDMENT
26	1	A53281	2.94 FLAG PIN,WLDMT
27	1	A54484	PROX SENS MT WLD
28	2	291946	SENSOR HARNESS FOR 291945
29	2	618833	9/16MJIC .028 ORIFICE ADPTR
30	1	621610	HYD CYL,1.75 X 16 X 1.25
31	2	470089	1/4UNC HEX NYLOC NUT, 316 SS
32	1	A54483	PROX SENS MT, PLATE
33	1	291919	INDUCTIVE SENSOR

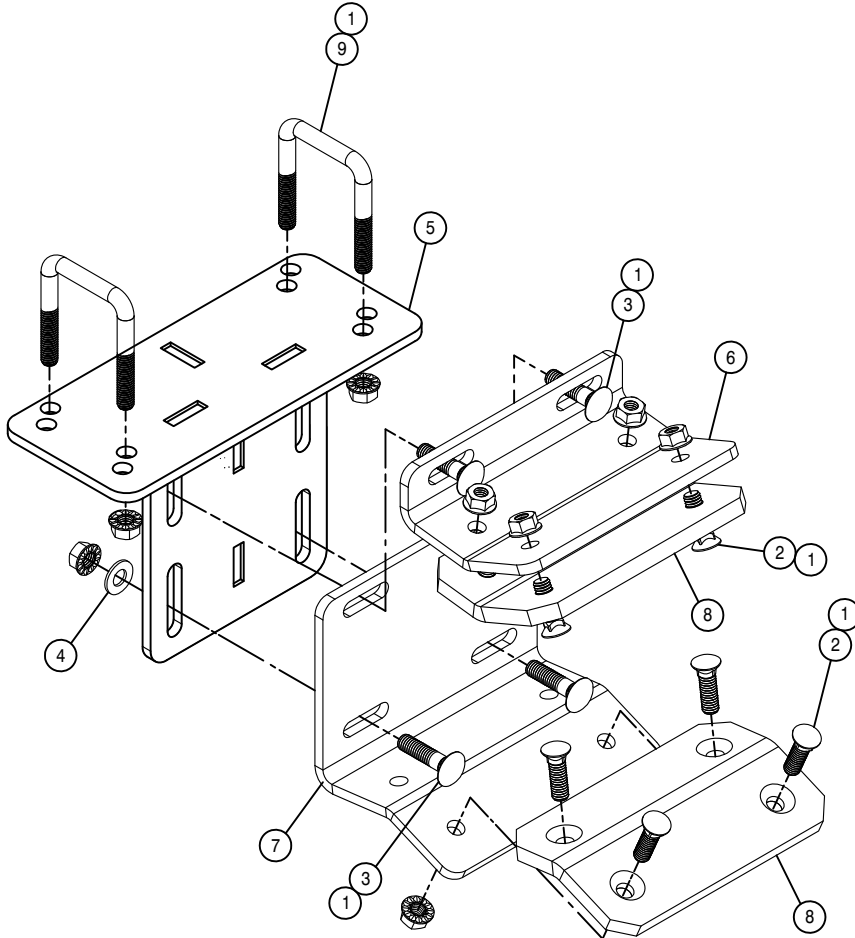


LEFT OUTER BOOM SECTION ASSEMBLY

DET. QTY PART NO. DESCRIPTION

1	10	470089	1/4UNC HEX NYLOC NUT, 316 SS
2	1	470092	1/4UNC-3/4ID-1 1/4 U-BOLT SS
3	8	470118	1/4UNC X 3/4 FLANGE HEX BOLT
4	4	470121	1/4UNC HEX FLANGE LOCK NUT
5	4	473993	6-32 X 1 1/4 HH MACH SCR
6	1	500128	1/4NPT-1/2 HOSE BARB, POLY
7	3	520070	HOSE CLAMP NO 8 STAINLESS
8	1	500118	1/4"NPT-90-1/2"HOSE BARB, POLY
9	2	629735	CAPPLUGS 1 1/4" SQ, BLACK POLY
10	1	737790	CAP SET,ROUND,RED QUICK TEEJET
11	1	737791	1/2" TEEJET HOSE SHANK, NYLON
12	1	737822	CAP SET, YELLOW QUICK TEEJET
13	1	737824	QUICK TEEJET SEAT GASKET
14	1	737875	NOZZLE BODY VALVE, 12VDC
15	1	737928	QUICK TJET 1-TIP SWIV NOZZLE
16	4	470122	1/4UNC X 1/2 FLANGE HEX BOLT
17	4	910022	6-32 HEX NUT
18	8	920000	1/4 SAE FLAT WASHER
19	1	A56529	NORAC SNEASOR MNT, TIP
20	1	165785	LH SECT 3 120' BOOM WLDMT '10
21	1	165788	SECT 4 120' BOOM WLDMT '10
22	1	A57100	NOZLE GUARD WLDMNT,SCT 4,DELTA
23	1	A53112	FENCE ROW VLV BRKT,DELTA
24	1	693060	ULTRASOUND SENSOR, NORAC
25	4	470233	5/16UNC X 3/4 FLANGE HEX BOLT
26	4	470113	5/16UNC HEX FLANGE LOCK NUT





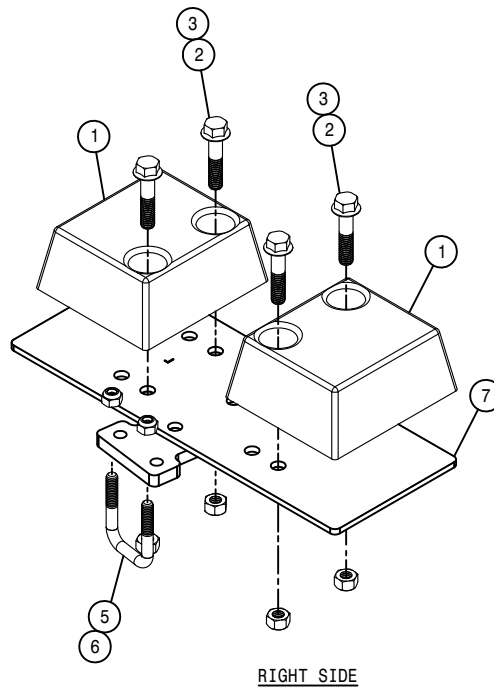
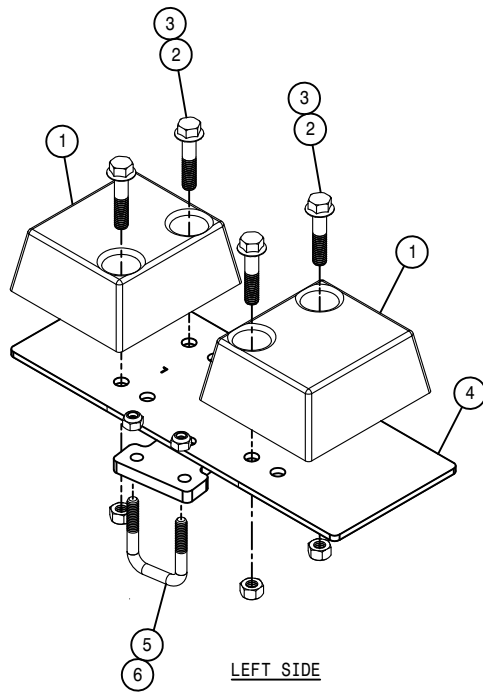
OUTER BOOM CRADLE

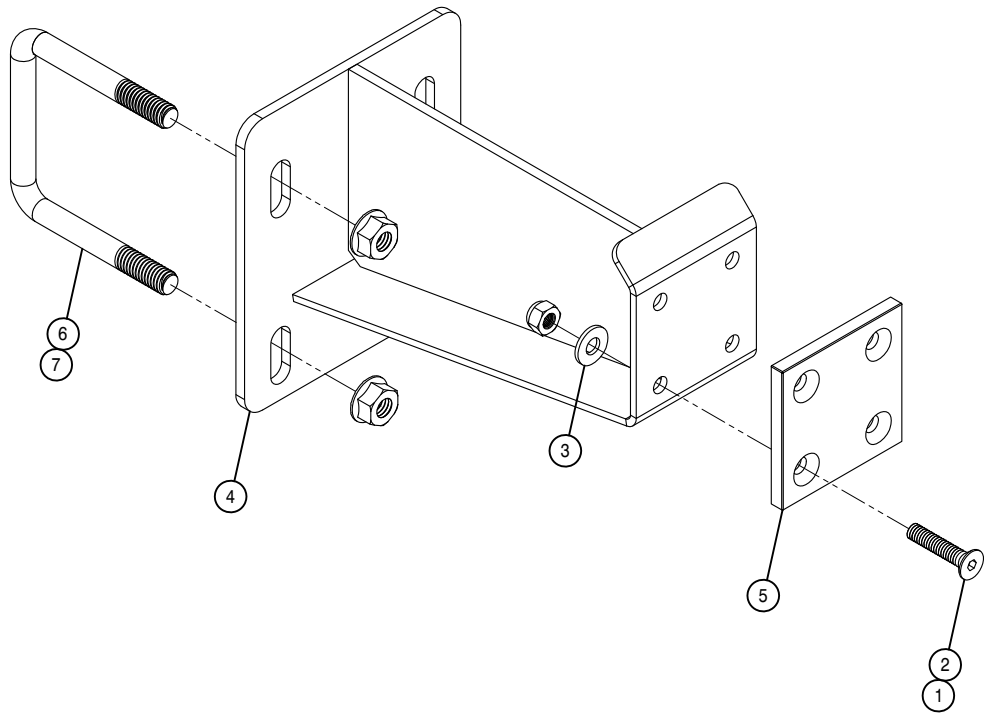
DET.	QTY	PART NO.	DESCRIPTION
1	16	470087	3/8UNC HEX FLANGE LOCK NUT
2	8	470328	3/8UNC X 1 1/4 #3HD PLOW BOLT
3	4	901131	3/8UNC X 1 1/2 CARR BOLT
4	4	920002	3/8 SAE FLAT WASHER
5	1	A56326	CRADLE MOUNT WLDMNT
6	1	A56330	BRACKET, CRADLE MOUNT
7	1	A57331	GUIDANCE PIVOT TUBE
8	2	A53728	WEAR PAD, BOOM CRADLE
9	1	472031	3/8UNC-2.00ID-2.63 U-BOLT SQSS

BOOM BUMPER ASSEMBLY

DET. QTY PART NO. DESCRIPTION

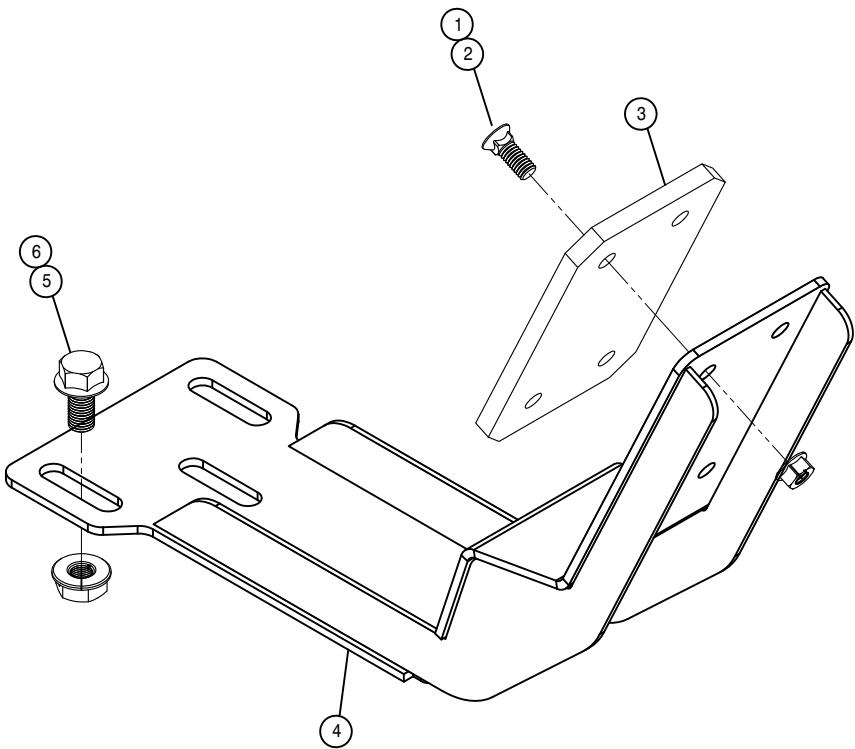
1	4	164513	BOOM CRADLE PAD
2	8	900132	3/8UNC X 1 3/4 SER FLANGE BOLT
3	8	914004	3/8UNC HEX STOVER NUT
4	1	A56839	LH CRADLE WLD, SECT 1
5	4	473973	5/16UNC-1 5/16ID-2"SQ U-BOLTSS
6	8	473001	5/16UNC HEX NUT,NYLOC 316 SS
7	1	A56840	RH CRADLE WELD, SECT 1





OUTER BOOM BUMPER ASSEMBLY

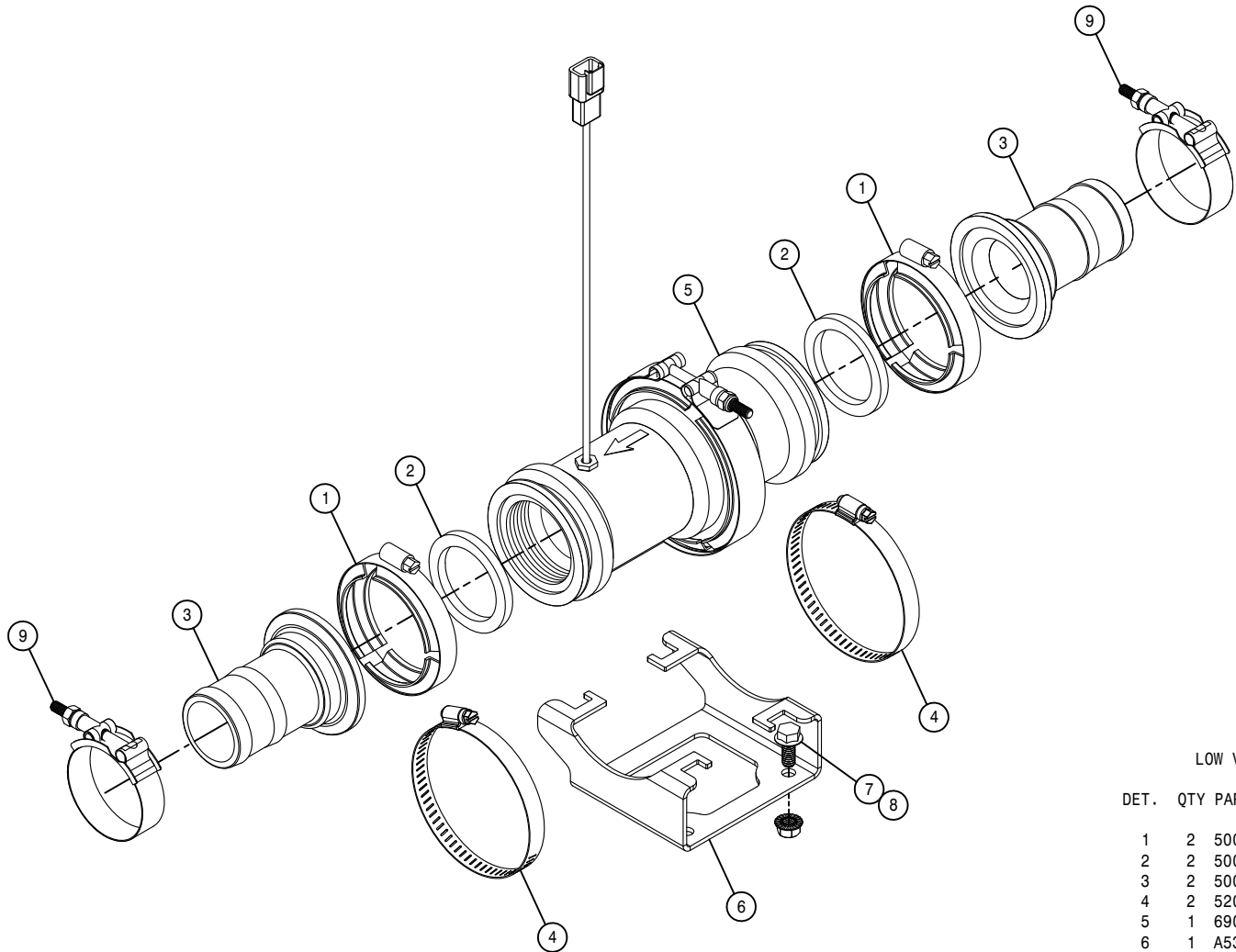
DET.	QTY	PART NO.	DESCRIPTION
1	4	470089	1/4UNC HEX NYLOC NUT, 316 SS
2	4	900050	1/4UNC X 1 1/4 PH FLHD MAC SCR
3	4	920000	1/4 SAE FLAT WASHER
4	1	A53896	BUMPER WLD, SECT 4
5	1	A53897	WEAR PAD, SECT 4 BUMPER
6	2	472036	3/8UNC-2.63ID-2.88 U-BOLT SQ
7	4	470087	3/8UNC HEX FLANGE LOCK NUT



VERTICAL CRADLE ASSEMBLY

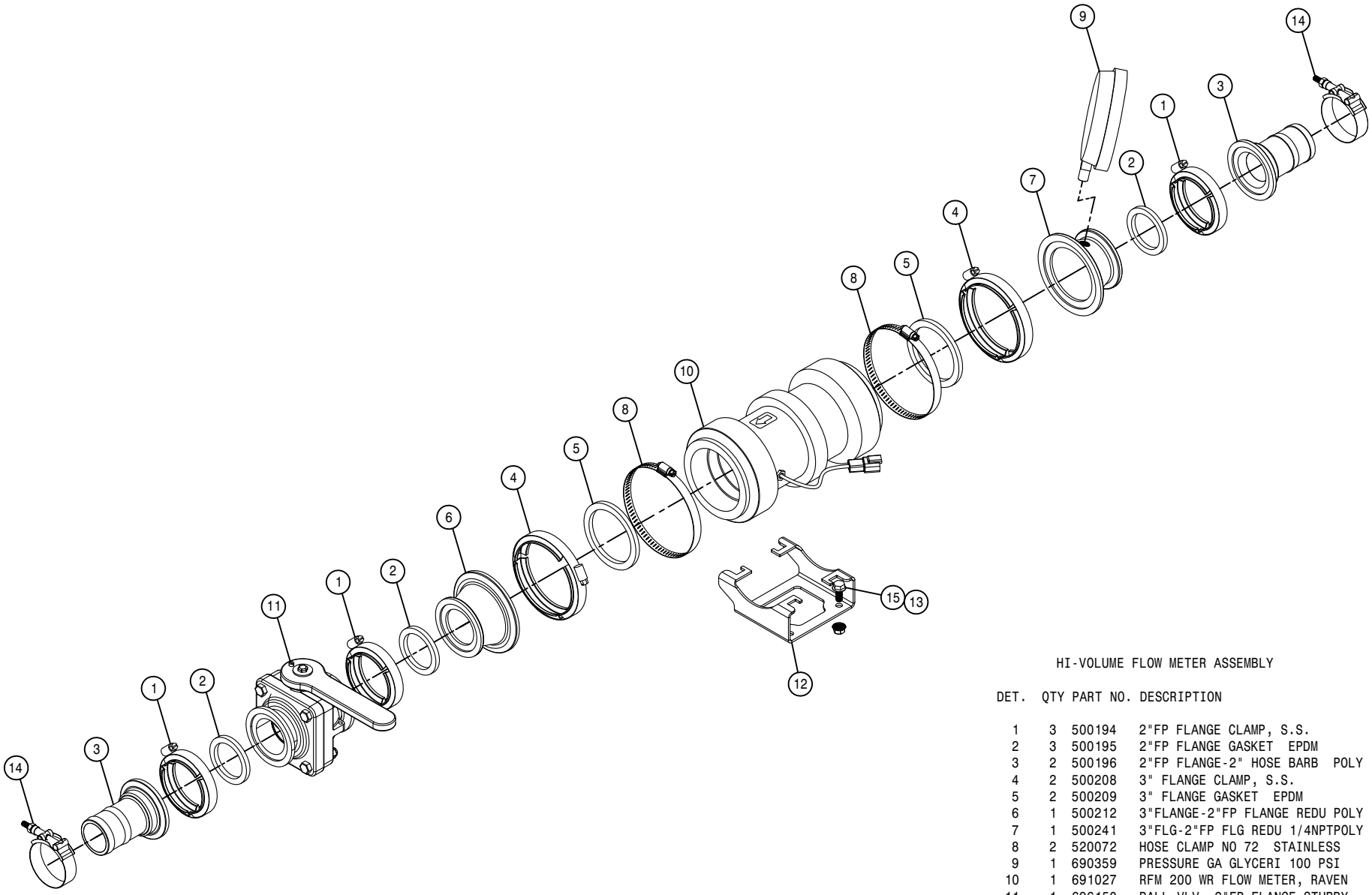
DET. QTY PART NO. DESCRIPTION

1	4	470087	3/8UNC HEX FLANGE LOCK NUT
2	4	470408	3/8UNC X 1" #3HD PLOW BOLT
3	1	A53913	VERTICAL CRADLE PAD,120' BOOM
4	1	A56364	BOOM CRADLE, SECT 1
5	3	900263	1/2UNC X 1" HEX BOLT
6	3	470345	1/2UNC HEX SMTH FLNG LOCK NUT



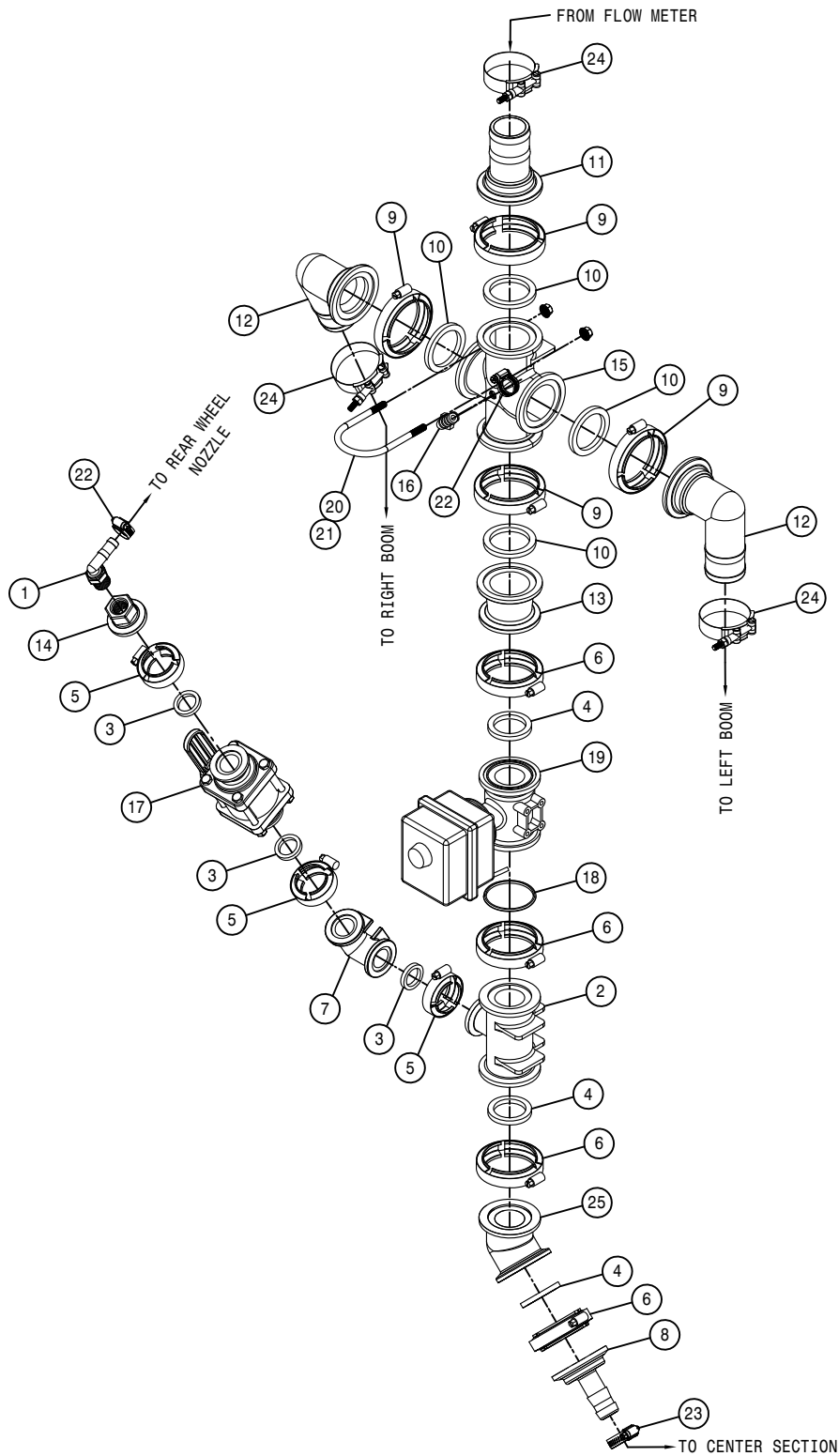
LOW VOLUME FLOW METER ASSEMBLY

DET.	QTY	PART NO.	DESCRIPTION	
	1	2	500194	2"FP FLANGE CLAMP, S.S.
	2	2	500195	2"FP FLANGE GASKET EPDM
	3	2	500196	2"FP FLANGE-2" HOSE BARB POLY
	4	2	520056	HOSE CLAMP NO 56 STAINLESS
	5	1	690961	RFM 100 FLOW METER, RAVEN 05
	6	1	A53663	FLOW METER MOUNT
	7	2	470233	5/16UNC X 3/4 FLANGE HEX BOLT
	8	2	470113	5/16UNC HEX FLANGE LOCK NUT
	9	2	520141	2.31/2.62 T-BOLT HOSE CLAMP SS



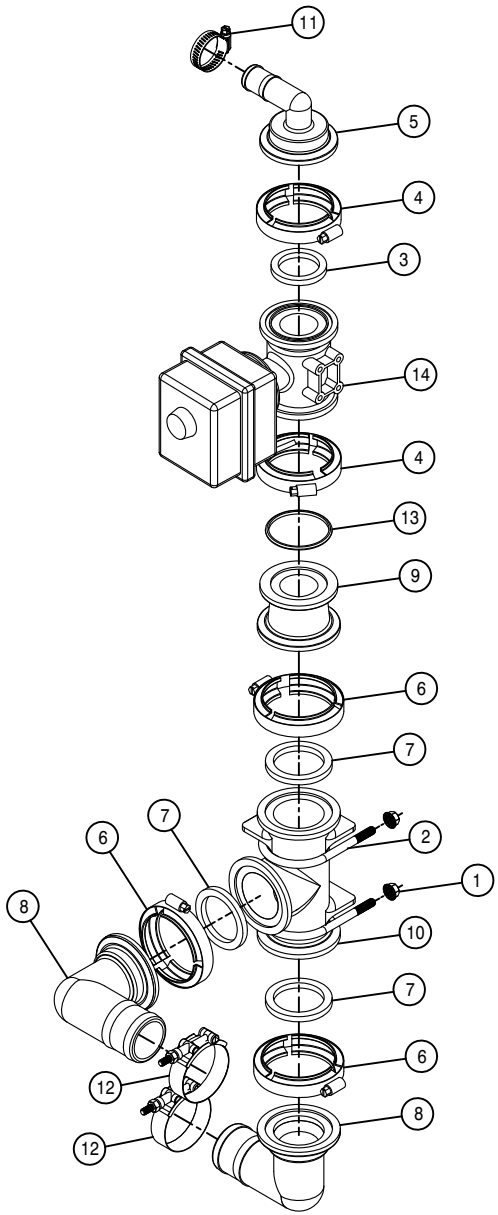
HI-VOLUME FLOW METER ASSEMBLY

DET.	QTY	PART NO.	DESCRIPTION
	1	3 500194	2"FP FLANGE CLAMP, S.S.
	2	3 500195	2"FP FLANGE GASKET EPDM
	3	2 500196	2"FP FLANGE-2" HOSE BARB POLY
	4	2 500208	3" FLANGE CLAMP, S.S.
	5	2 500209	3" FLANGE GASKET EPDM
	6	1 500212	3"FLANGE-2"FP FLANGE REDU POLY
	7	1 500241	3"FLG-2"FP FLG REDU 1/4NPTPOLY
	8	2 520072	HOSE CLAMP NO 72 STAINLESS
	9	1 690359	PRESSURE GA GLYCERI 100 PSI
	10	1 691027	RFM 200 WR FLOW METER, RAVEN
	11	1 696150	BALL VLV, 2"FP FLANGE STUBBY
	12	1 A53663	FLOW METER MOUNT
	13	2 470113	5/16UNC HEX FLANGE LOCK NUT
	14	2 520141	2.31/2.62 T-BOLT HOSE CLAMP SS
	15	2 470233	5/16UNC X 3/4 FLANGE HEX BOLT



CENTER SOLUTION VALVE ASSEMBLY

DET.	QTY	PART NO.	DESCRIPTION
1	1	500047	1/2NPT-90-1/2 HOSE BARB, POLY
2	1	500150	2" FLANGE-1" BRANCH TEE POLY
3	3	500157	1" FLANGE GASKET EPDM
4	3	500158	1 1/2" GASKET FOR 2" FLANGE
5	3	500159	1" FLANGE CLAMP, S.S.
6	4	500160	2" FLANGE CLAMP, S.S.
7	1	500174	1" FLANGE-90-1" FLANGE LBOPOLY
8	1	500172	2" FLANGE-1" HOSE BARB POLY
9	4	500194	2"FP FLANGE CLAMP, S.S.
10	4	500195	2"FP FLANGE GASKET EPDM
11	1	500196	2"FP FLANGE-2" HOSE BARB POLY
12	2	500198	2"FP FLANGE-90-2"HOSEBARB POLY
13	1	500199	2"FP FLANGE-2"FLANGE REDU POLY
14	1	500238	1" FLANGE PLUG W/1/2"FNPT POLY
15	1	500243	2"FP FLG CROSS W/1/4 NPT, POLY
16	1	618556	1/4NPT-90-1/2 HOSE BARB,POLY
17	1	696147	BALL VLV, 1" FLANGE
18	1	696254	O-RING, KZCO FLANGED VALVES
19	1	696256	VALVE, KZCO C2F-60B-M-S9
20	4	472034	.312UNC-2.50ID-4.250 U-BOLT SS
21	8	470113	5/16UNC HEX FLANGE LOCK NUT
22	2	520070	HOSE CLAMP NO 8 STAINLESS
23	1	520090	HOSE CLAMP NO 16 STAINLESS
24	3	520141	2.31/2.62 T-BOLT HOSE CLAMP SS
25	1	500225	2"FLANGE-45-2"FLANGE LBO POLY



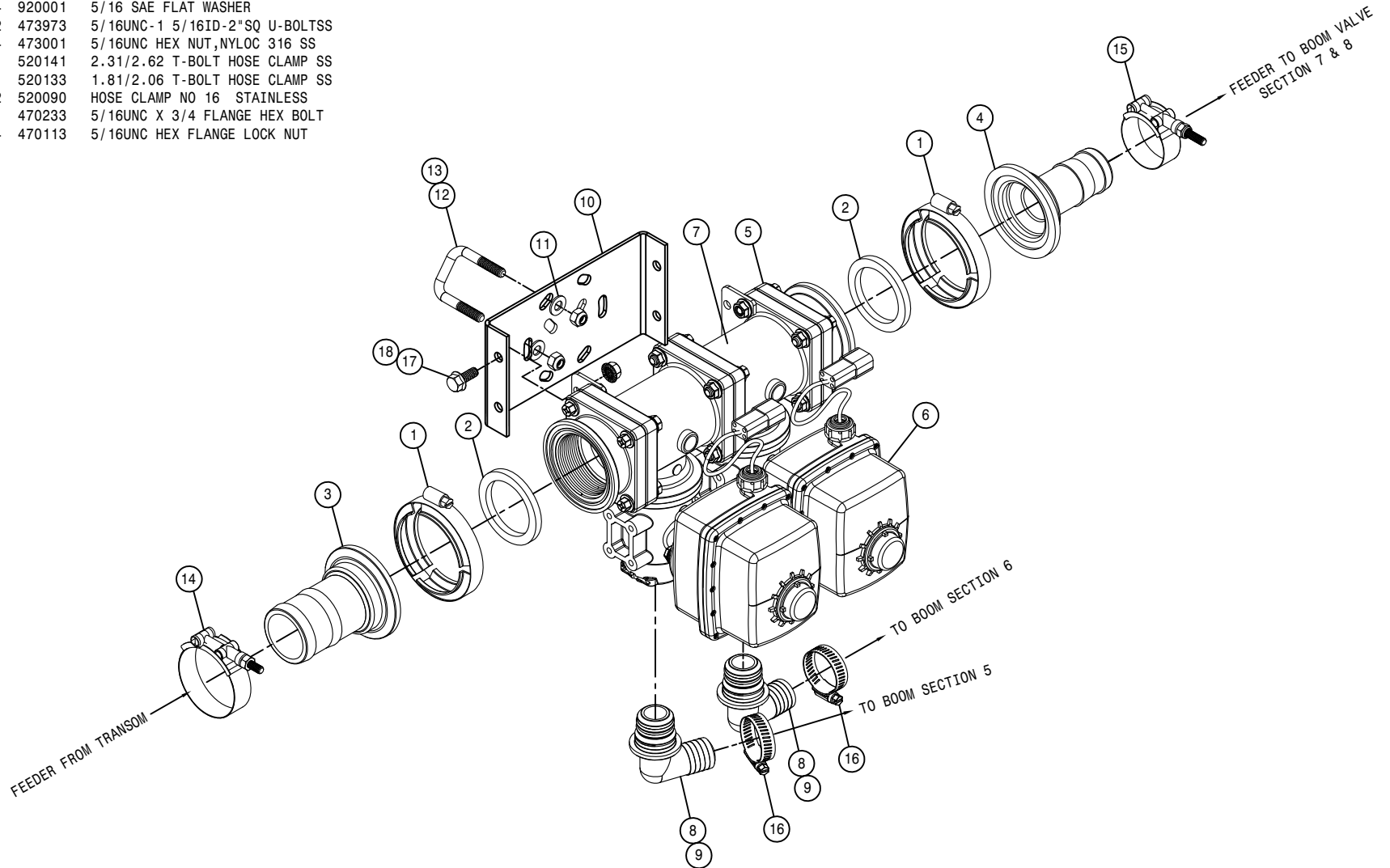
LEFT CENTER SOLUTION VALVE ASSEMBLY

DET.	QTY	PART NO.	DESCRIPTION
1	4	470113	5/16UNC HEX FLANGE LOCK NUT
2	2	472034	.312UNC-2.50ID-4.250 U-BOLT SS
3	1	500158	1 1/2" GASKET FOR 2" FLANGE
4	2	500160	2" FLANGE CLAMP, S.S.
5	1	500189	2" FLANGE-90-1" HOSE BARB POLY
6	3	500194	2"FP FLANGE CLAMP, S.S.
7	3	500195	2"FP FLANGE GASKET EPDM
8	2	500198	2"FP FLANGE-90-2"HOSEBARB POLY
9	1	500199	2"FP FLANGE-2"FLANGE REDU POLY
10	1	500207	2"FP FLANGE TEE POLY
11	1	520090	HOSE CLAMP NO 16 STAINLESS
12	2	520141	2.31/2.62 T-BOLT HOSE CLAMP SS
13	1	696254	O-RING, KZCO FLANGED VALVES
14	1	696256	VALVE, KZCO C2F-60B-M-S9

LEFT INNER BOOM SOLUTION VALVE ASSEMBLY

DET. QTY PART NO. DESCRIPTION

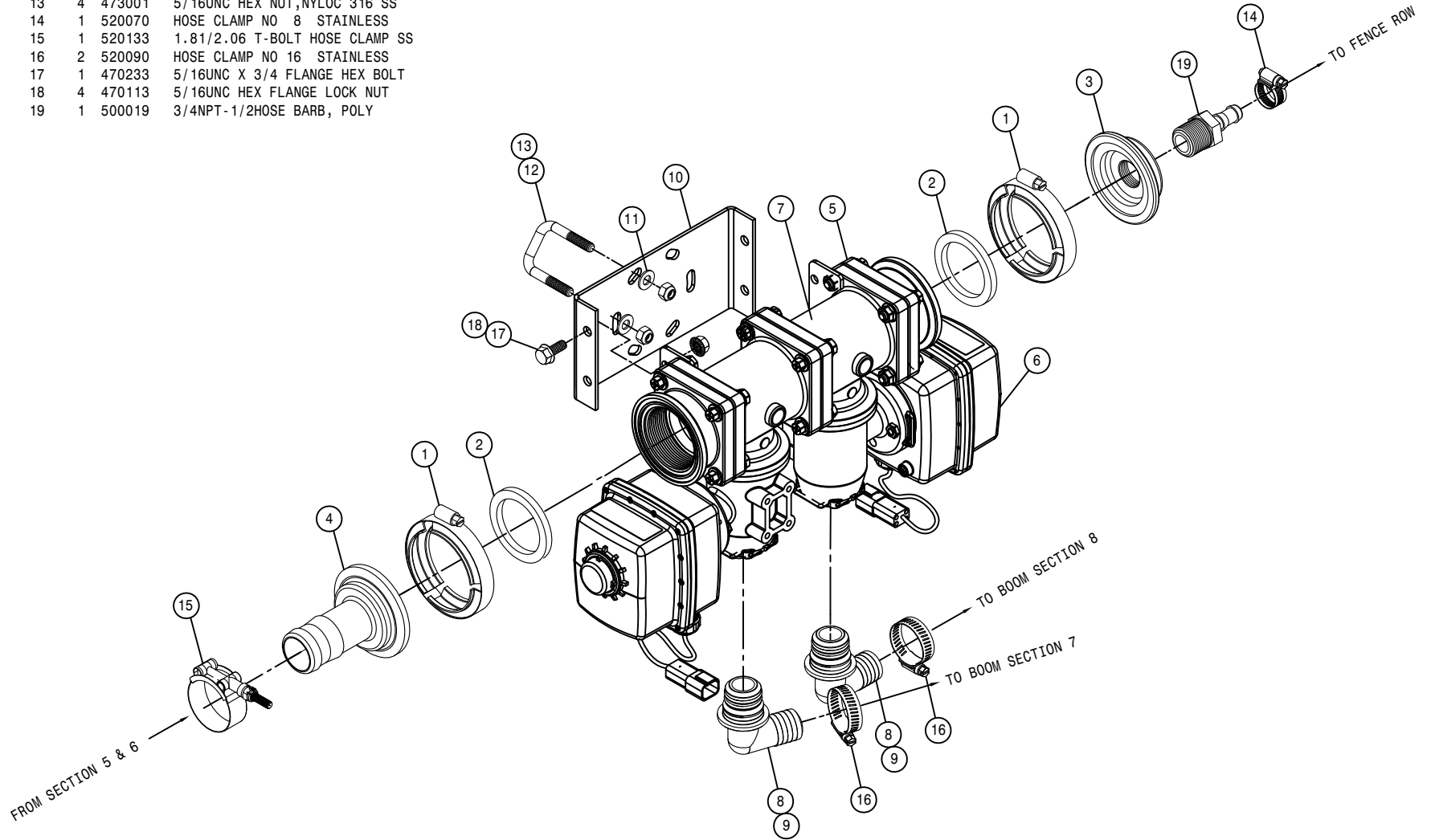
1	2	500194	2"FP FLANGE CLAMP, S.S.
2	2	500195	2"FP FLANGE GASKET EPDM
3	1	500196	2"FP FLANGE-2" HOSE BARB POLY
4	1	500230	2" FP FLANGE-1 1/2" HOSE BARB
5	1	696270	2-VALVE STACK,90 DEG,QX4 KZCO
6	2	696279	ACTUATOR FOR SOLU VLV 696270
7	2	696280	VALVE FOR SOLU VLV 696270
8	2	696272	1"90 HOSE BARB FOR 696270,KZCO
9	4	696276	O-RING FOR 696271 & 696272
10	1	A53900	SOLU VLV MT BRKT,120' BOOM
11	4	920001	5/16 SAE FLAT WASHER
12	2	473973	5/16UNC-1 5/16ID-2"SQ U-BOLTSS
13	4	473001	5/16UNC HEX NUT,NYLOC 316 SS
14	1	520141	2.31/2.62 T-BOLT HOSE CLAMP SS
15	1	520133	1.81/2.06 T-BOLT HOSE CLAMP SS
16	2	520090	HOSE CLAMP NO 16 STAINLESS
17	1	470233	5/16UNC X 3/4 FLANGE HEX BOLT
18	4	470113	5/16UNC HEX FLANGE LOCK NUT



RIGHT INNER BOOM SOLUTION VALVE ASSEMBLY

DET. QTY PART NO. DESCRIPTION

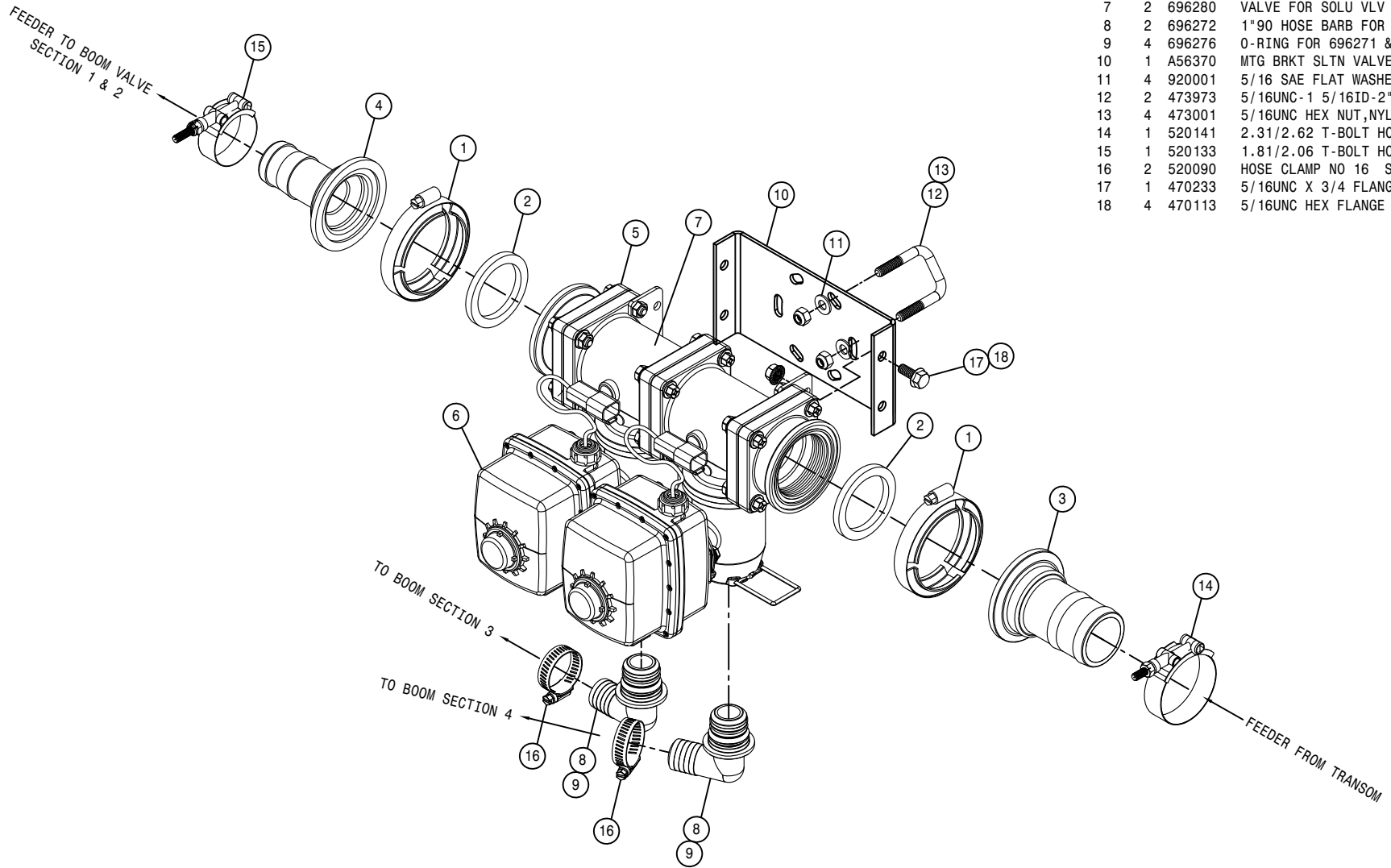
1	2	500194	2"FP FLANGE CLAMP, S.S.
2	2	500195	2"FP FLANGE GASKET EPDM
3	1	500240	2"FP FLANGE PLUG-3/4"FNPT POLY
4	1	500230	2" FP FLANGE-1 1/2" HOSE BARB
5	1	696270	2-VALVE STACK,90 DEG,QX4 KZCO
6	2	696279	ACTUATOR FOR SOLU VLV 696270
7	2	696280	VALVE FOR SOLU VLV 696270
8	2	696272	1"90 HOSE BARB FOR 696270,KZCO
9	4	696276	O-RING FOR 696271 & 696272
10	1	A56370	MTG BRKT SLTN VALVE 120' - 1
11	4	920001	5/16 SAE FLAT WASHER
12	2	473973	5/16UNC-1 5/16ID-2"SQ U-BOLTSS
13	4	473001	5/16UNC HEX NUT,NYLOC 316 SS
14	1	520070	HOSE CLAMP NO 8 STAINLESS
15	1	520133	1.81/2.06 T-BOLT HOSE CLAMP SS
16	2	520090	HOSE CLAMP NO 16 STAINLESS
17	1	470233	5/16UNC X 3/4 FLANGE HEX BOLT
18	4	470113	5/16UNC HEX FLANGE LOCK NUT
19	1	500019	3/4NPT-1/2HOSE BARB, POLY



LEFT INNER BOOM SOLUTION VALVE ASSEMBLY

DET. QTY PART NO. DESCRIPTION

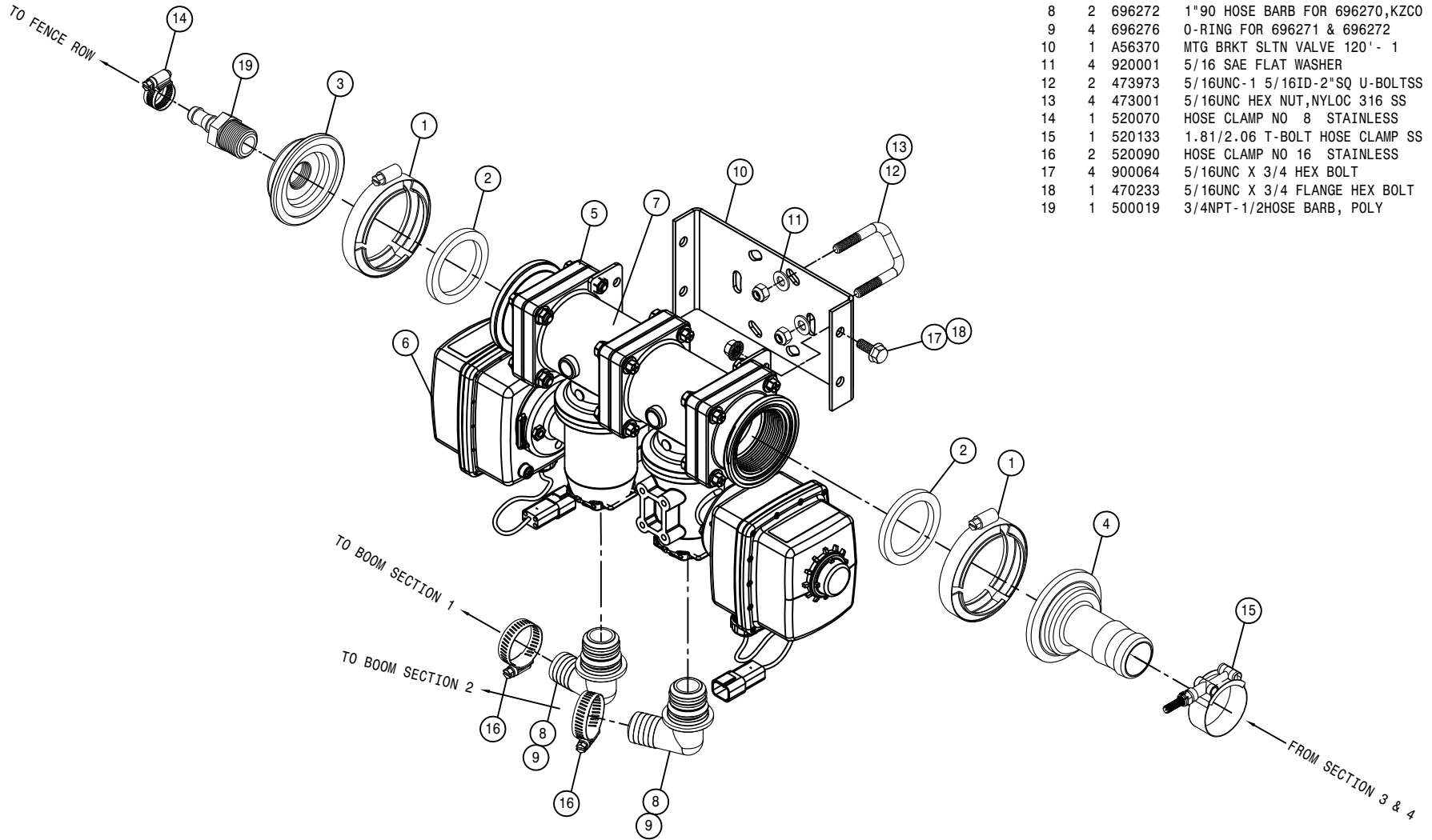
DET.	QTY	PART NO.	DESCRIPTION
1	2	500194	2"FP FLANGE CLAMP, S.S.
2	2	500195	2"FP FLANGE GASKET EPDM
3	1	500196	2"FP FLANGE-2" HOSE BARB POLY
4	1	500230	2" FP FLANGE-1 1/2" HOSE BARB
5	1	696270	2-VALVE STACK,90 DEG,QX4 KZCO
6	2	696279	ACTUATOR FOR SOLU VLV 696270
7	2	696280	VALVE FOR SOLU VLV 696270
8	2	696272	1"90 HOSE BARB FOR 696270,KZCO
9	4	696276	O-RING FOR 696271 & 696272
10	1	A56370	MTG BRKT SLTN VALVE 120' - 1
11	4	920001	5/16 SAE FLAT WASHER
12	2	473973	5/16UNC-1 5/16ID-2"SQ U-BOLTSS
13	4	473001	5/16UNC HEX NUT,NYLOC 316 SS
14	1	520141	2.31/2.62 T-BOLT HOSE CLAMP SS
15	1	520133	1.81/2.06 T-BOLT HOSE CLAMP SS
16	2	520090	HOSE CLAMP NO 16 STAINLESS
17	1	470233	5/16UNC X 3/4 FLANGE HEX BOLT
18	4	470113	5/16UNC HEX FLANGE LOCK NUT

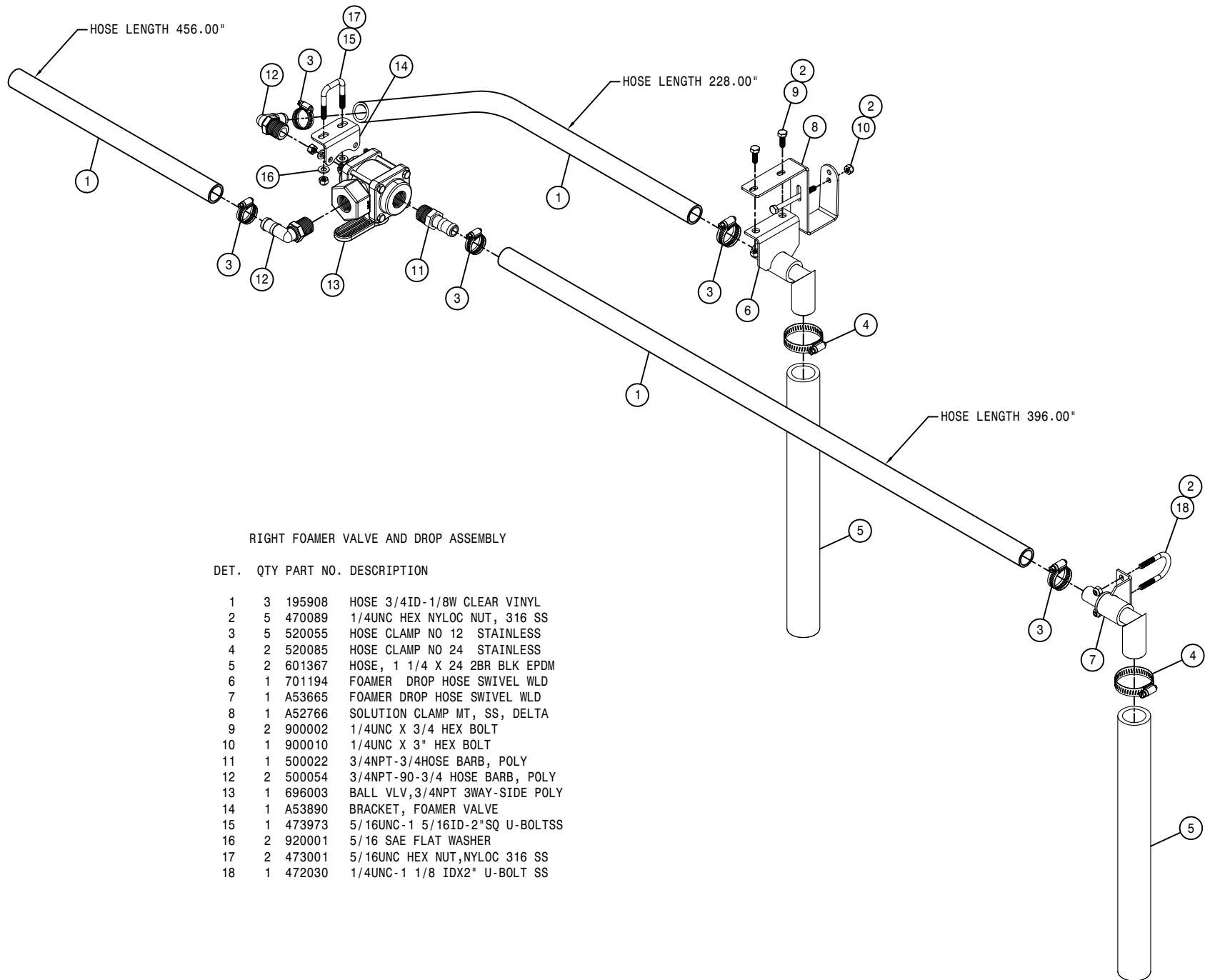


LEFT INNER BOOM SOLUTION VALVE ASSEMBLY

DET. QTY PART NO. DESCRIPTION

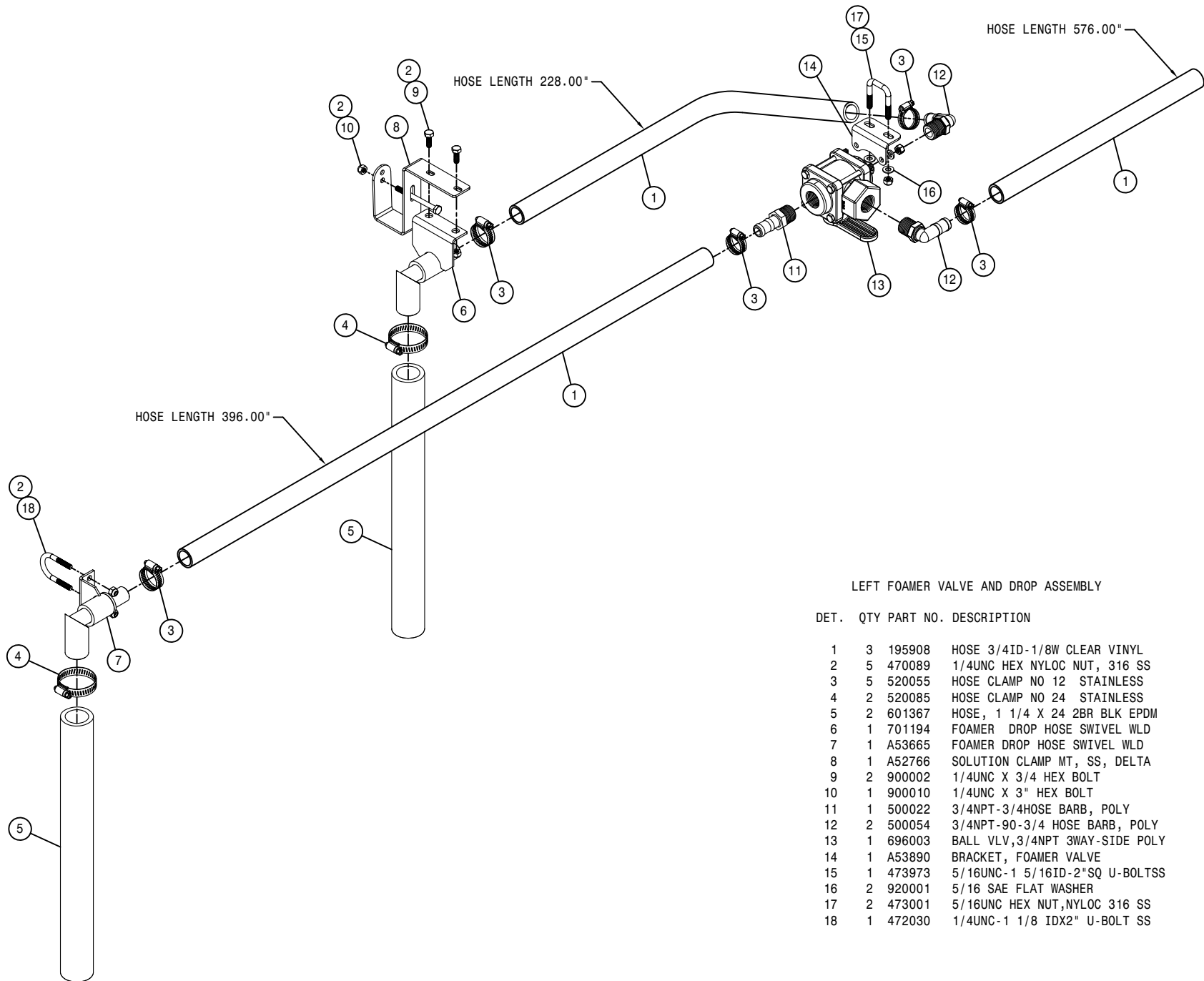
1	2	500194	2"FP FLANGE CLAMP, S.S.
2	2	500195	2"FP FLANGE GASKET EPDM
3	1	500240	2"FP FLANGE PLUG-3/4"FNPT POLY
4	1	500230	2" FP FLANGE-1 1/2" HOSE BARB
5	1	696295	2- VALVE STACK, 180 DEG, QX4 KZCO
6	2	696279	ACTUATOR FOR SOLU VLV 696270
7	2	696280	VALVE FOR SOLU VLV 696270
8	2	696272	1"90 HOSE BARB FOR 696270, KZCO
9	4	696276	O-RING FOR 696271 & 696272
10	1	A56370	MTG BRKT SLTN VALVE 120' - 1
11	4	920001	5/16 SAE FLAT WASHER
12	2	473973	5/16UNC-1 5/16ID-2"SQ U-BOLTSS
13	4	473001	5/16UNC HEX NUT, NYLOC 316 SS
14	1	520070	HOSE CLAMP NO 8 STAINLESS
15	1	520133	1.81/2.06 T-BOLT HOSE CLAMP SS
16	2	520090	HOSE CLAMP NO 16 STAINLESS
17	4	900064	5/16UNC X 3/4 HEX BOLT
18	1	470233	5/16UNC X 3/4 FLANGE HEX BOLT
19	1	500019	3/4NPT-1/2HOSE BARB, POLY





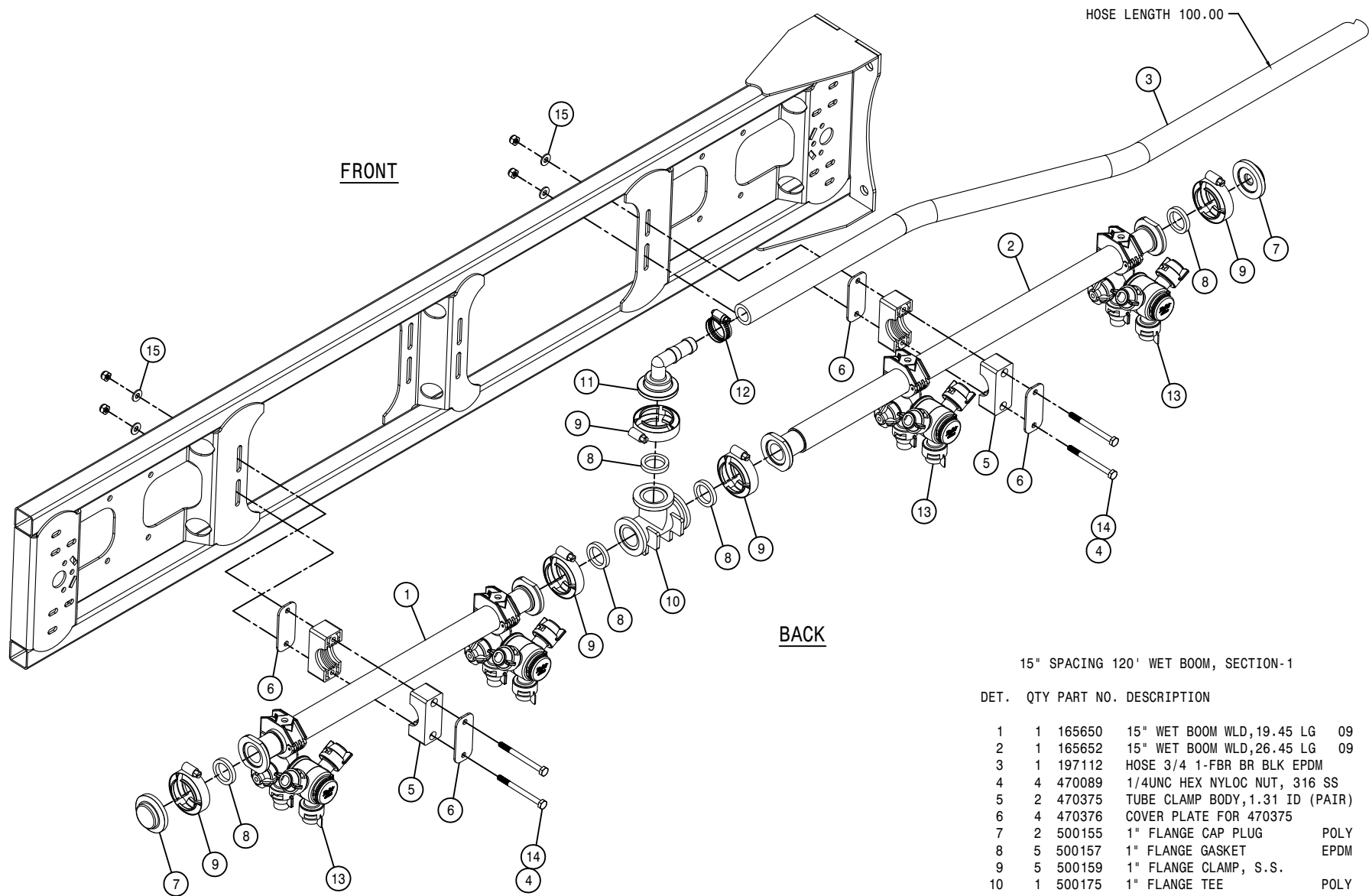
RIGHT FOAMER VALVE AND DROP ASSEMBLY

DET.	QTY	PART NO.	DESCRIPTION
	1	3	195908 HOSE 3/4ID-1/8W CLEAR VINYL
	2	5	470089 1/4UNC HEX NYLOC NUT, 316 SS
	3	5	520055 HOSE CLAMP NO 12 STAINLESS
	4	2	520085 HOSE CLAMP NO 24 STAINLESS
	5	2	601367 HOSE, 1 1/4 X 24 2BR BLK EPDM
	6	1	701194 FOAMER DROP HOSE SWIVEL WLD
	7	1	A53665 FOAMER DROP HOSE SWIVEL WLD
	8	1	A52766 SOLUTION CLAMP MT, SS, DELTA
	9	2	900002 1/4UNC X 3/4 HEX BOLT
	10	1	900010 1/4UNC X 3" HEX BOLT
	11	1	500022 3/4NPT-3/4HOSE BARB, POLY
	12	2	500054 3/4NPT-90-3/4 HOSE BARB, POLY
	13	1	696003 BALL VLV,3/4NPT 3WAY-SIDE POLY
	14	1	A53890 BRACKET, FOAMER VALVE
	15	1	473973 5/16UNC-1 5/16ID-2"SQ U-BOLTSS
	16	2	920001 5/16 SAE FLAT WASHER
	17	2	473001 5/16UNC HEX NUT,NYLOC 316 SS
	18	1	472030 1/4UNC-1 1/8 IDX2" U-BOLT SS



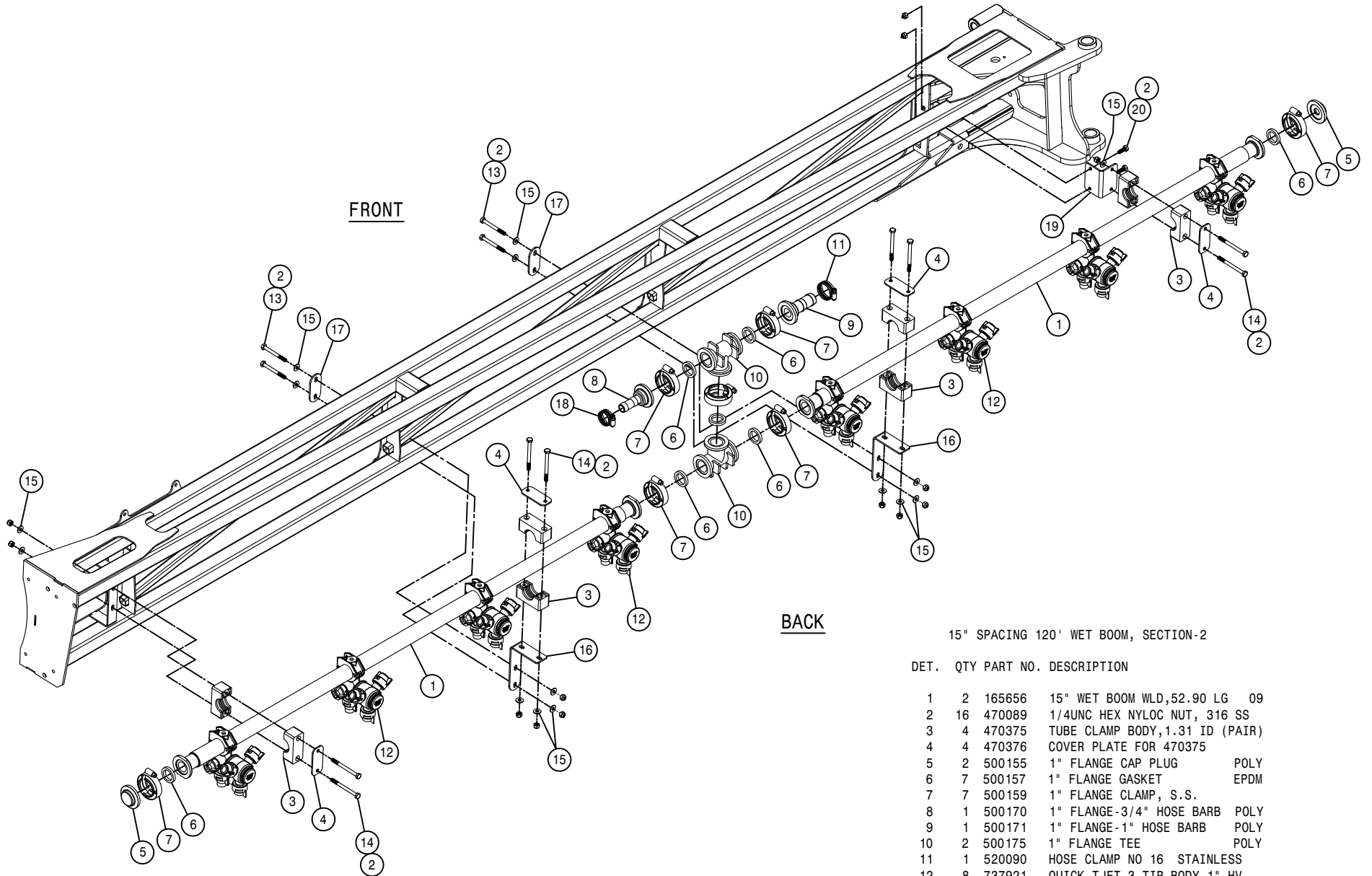
LEFT FOAMER VALVE AND DROP ASSEMBLY

DET.	QTY	PART NO.	DESCRIPTION
	1	3	195908 HOSE 3/4ID-1/8W CLEAR VINYL
	2	5	470089 1/4UNC HEX NYLOC NUT, 316 SS
	3	5	520055 HOSE CLAMP NO 12 STAINLESS
	4	2	520085 HOSE CLAMP NO 24 STAINLESS
	5	2	601367 HOSE, 1 1/4 X 24 2BR BLK EPDM
	6	1	701194 FOAMER DROP HOSE SWIVEL WLD
	7	1	A53665 FOAMER DROP HOSE SWIVEL WLD
	8	1	A52766 SOLUTION CLAMP MT, SS, DELTA
	9	2	900002 1/4UNC X 3/4 HEX BOLT
	10	1	900010 1/4UNC X 3" HEX BOLT
	11	1	500022 3/4NPT-3/4HOSE BARB, POLY
	12	2	500054 3/4NPT-90-3/4 HOSE BARB, POLY
	13	1	696003 BALL VLV,3/4NPT 3WAY-SIDE POLY
	14	1	A53890 BRACKET, FOAMER VALVE
	15	1	473973 5/16UNC-1 5/16ID-2"SQ U-BOLTSS
	16	2	920001 5/16 SAE FLAT WASHER
	17	2	473001 5/16UNC HEX NUT,NYLOC 316 SS
	18	1	472030 1/4UNC-1 1/8 IDX2" U-BOLT SS



15" SPACING 120' WET BOOM, SECTION-1

DET.	QTY	PART NO.	DESCRIPTION
1	1	165650	15" WET BOOM WLD,19.45 LG 09
2	1	165652	15" WET BOOM WLD,26.45 LG 09
3	1	197112	HOSE 3/4 1-FBR BR BLK EPDM
4	4	470089	1/4UNC HEX NYLOC NUT, 316 SS
5	2	470375	TUBE CLAMP BODY,1.31 ID (PAIR)
6	4	470376	COVER PLATE FOR 470375
7	2	500155	1" FLANGE CAP PLUG POLY
8	5	500157	1" FLANGE GASKET EPDM
9	5	500159	1" FLANGE CLAMP, S.S.
10	1	500175	1" FLANGE TEE POLY
11	1	500185	1"FLANGE-90-3/4"HOSE BARB POLY
12	1	520055	HOSE CLAMP NO 12 STAINLESS
13	4	737921	QUICK TJET 3-TIP BODY,1" HV
14	4	900010	1/4UNC X 3" HEX BOLT
15	4	920000	1/4 SAE FLAT WASHER

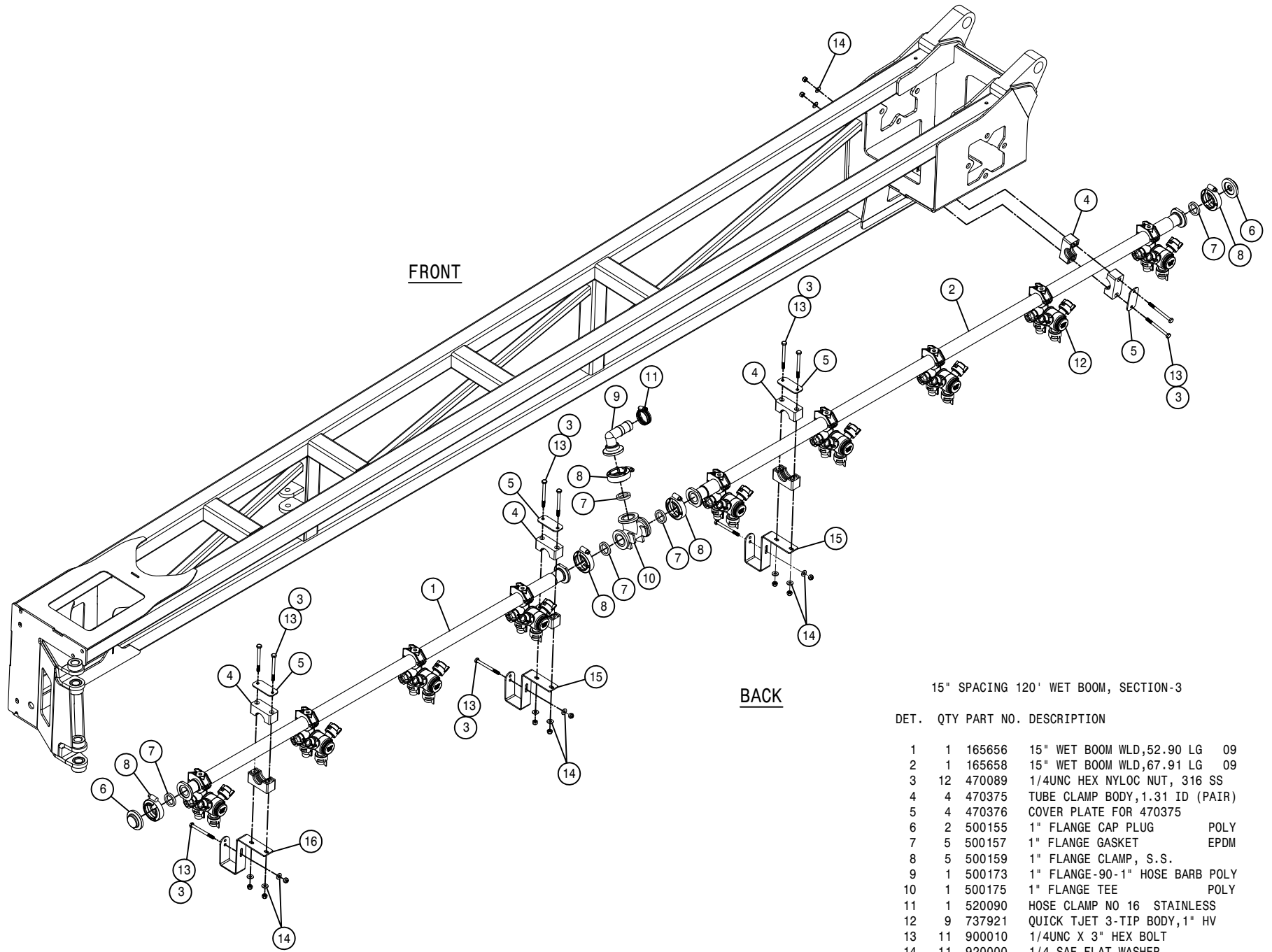


FRONT

BACK

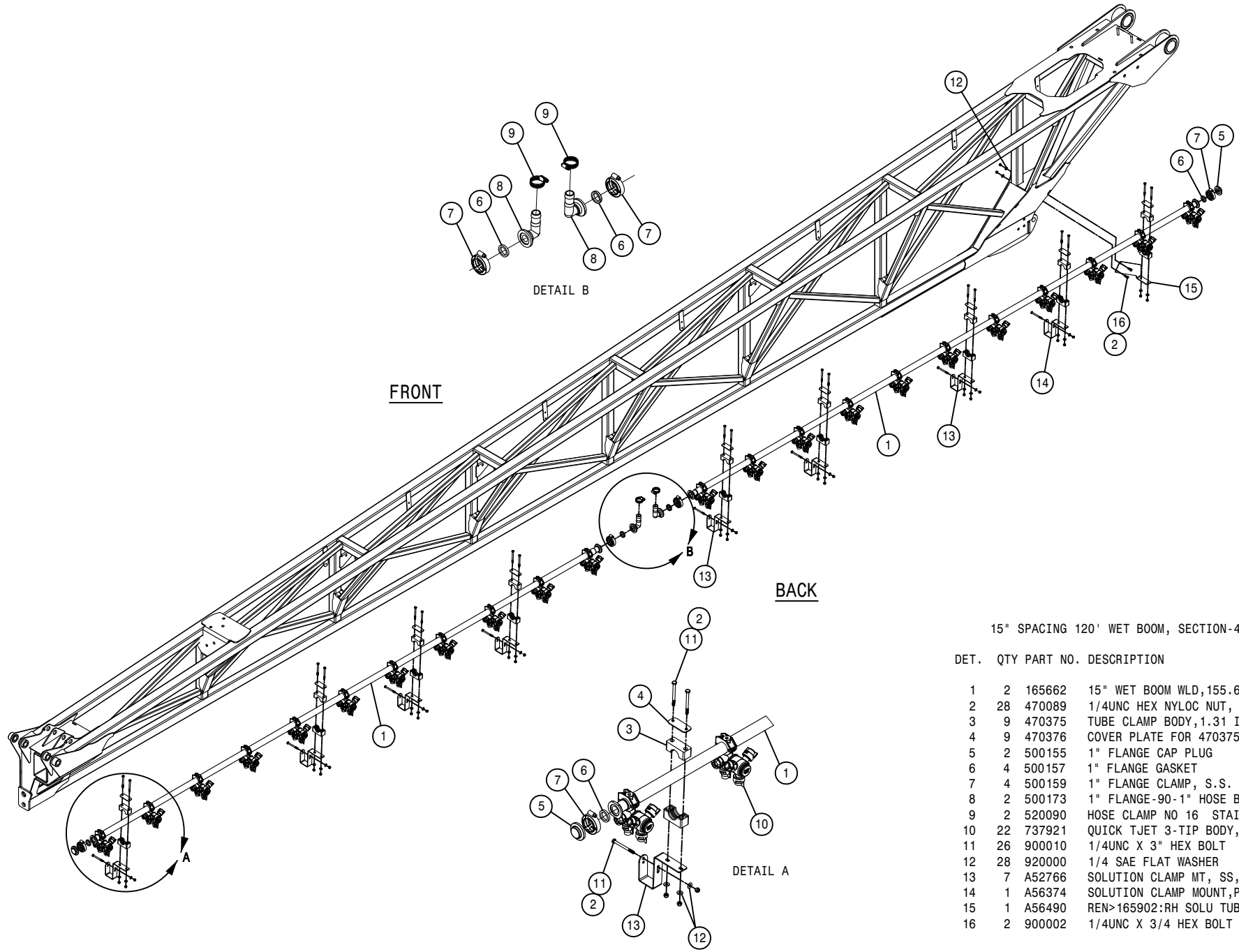
15" SPACING 120' WET BOOM, SECTION-2

DET.	QTY	PART NO.	DESCRIPTION
1	2	165656	15" WET BOOM WLD, 52.90 LG 09
2	16	470089	1/4UNC HEX NYLOC NUT, 316 SS
3	4	470375	TUBE CLAMP BODY, 1.31 ID (PAIR)
4	4	470376	COVER PLATE FOR 470375
5	2	500155	1" FLANGE CAP PLUG POLY
6	7	500157	1" FLANGE GASKET EPDM
7	7	500159	1" FLANGE CLAMP, S.S.
8	1	500170	1" FLANGE-3/4" HOSE BARB POLY
9	1	500171	1" FLANGE-1" HOSE BARB POLY
10	2	500175	1" FLANGE TEE POLY
11	1	520090	HOSE CLAMP NO 16 STAINLESS
12	8	737921	QUICK TJET 3-TIP BODY, 1" HV
13	4	900008	1/4UNC X 2 1/2 HEX BOLT
14	8	900010	1/4UNC X 3" HEX BOLT
15	18	920000	1/4 SAE FLAT WASHER
16	2	A53761	SOLU CLAMP MT. 2, SS, DELTA
17	2	A53771	SOLU CLAMP MT. PLT, SS, DELTA
18	1	520055	HOSE CLAMP NO 12 STAINLESS
19	1	A57102	WET BOOM MT BRKT
20	2	900002	1/4UNC X 3/4 HEX BOLT



15" SPACING 120' WET BOOM, SECTION-3

DET.	QTY	PART NO.	DESCRIPTION
	1	165656	15" WET BOOM WLD,52.90 LG 09
	2	165658	15" WET BOOM WLD,67.91 LG 09
	3	470089	1/4UNC HEX NYLOC NUT, 316 SS
	4	470375	TUBE CLAMP BODY,1.31 ID (PAIR)
	5	470376	COVER PLATE FOR 470375
	6	500155	1" FLANGE CAP PLUG POLY
	7	500157	1" FLANGE GASKET EPDM
	8	500159	1" FLANGE CLAMP, S.S.
	9	500173	1" FLANGE-90-1" HOSE BARB POLY
	10	500175	1" FLANGE TEE POLY
	11	520090	HOSE CLAMP NO 16 STAINLESS
	12	737921	QUICK TJET 3-TIP BODY,1" HV
	13	900010	1/4UNC X 3" HEX BOLT
	14	920000	1/4 SAE FLAT WASHER
	15	A56333	SOLUTION CLAMP MNT SECT 2
	16	A56515	SOLU CLAMP MT SECT 2 PIVOT END

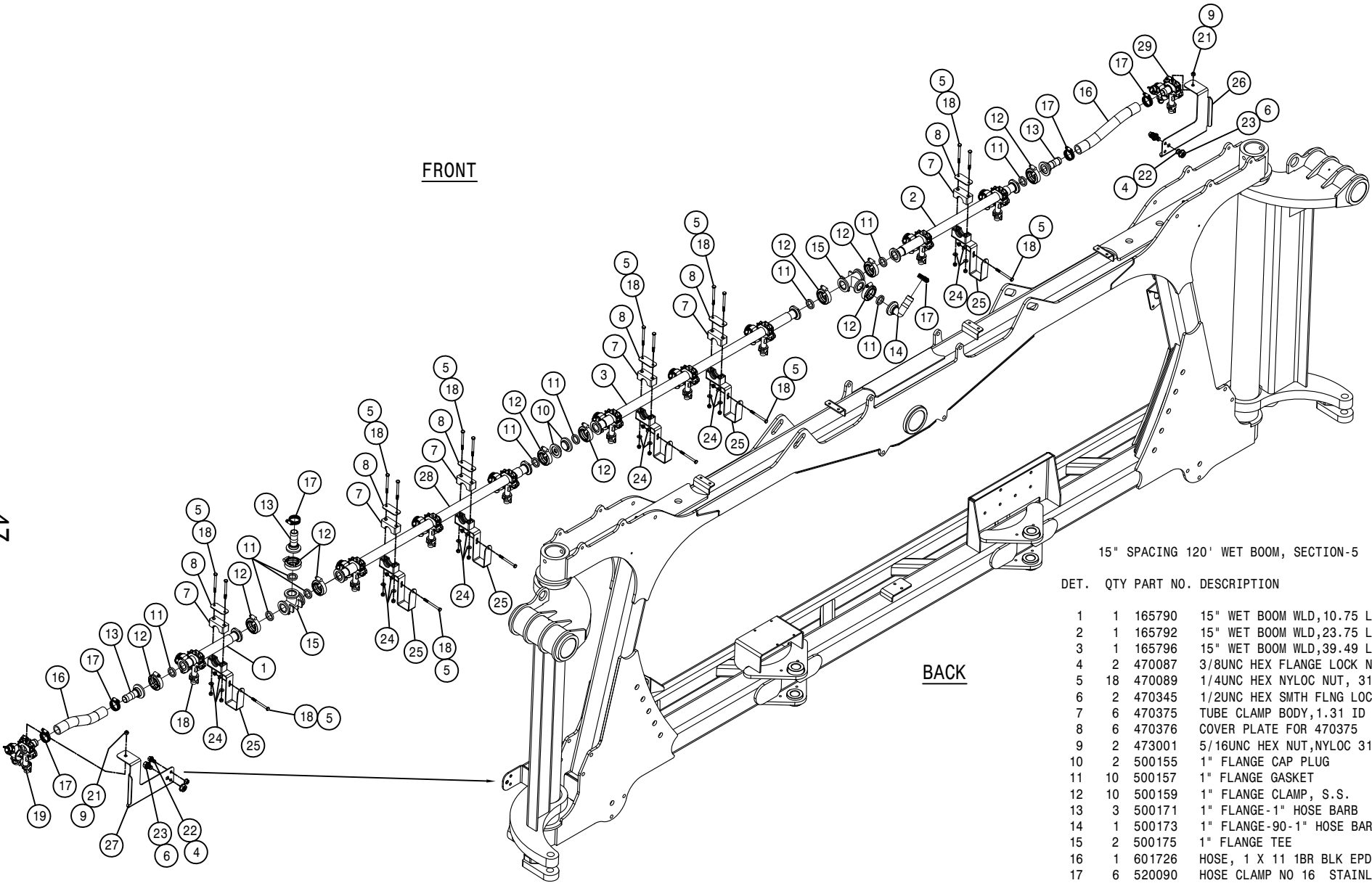


15" SPACING 120' WET BOOM, SECTION-4

DET.	QTY	PART NO.	DESCRIPTION
1	2	165662	15" WET BOOM WLD,155.63 LG 09
2	28	470089	1/4UNC HEX NYLOC NUT, 316 SS
3	9	470375	TUBE CLAMP BODY,1.31 ID (PAIR)
4	9	470376	COVER PLATE FOR 470375
5	2	500155	1" FLANGE CAP PLUG POLY
6	4	500157	1" FLANGE GASKET EPDM
7	4	500159	1" FLANGE CLAMP, S.S.
8	2	500173	1" FLANGE-90-1" HOSE BARB POLY
9	2	520090	HOSE CLAMP NO 16 STAINLESS
10	22	737921	QUICK TJET 3-TIP BODY,1" HV
11	26	900010	1/4UNC X 3" HEX BOLT
12	28	920000	1/4 SAE FLAT WASHER
13	7	A52766	SOLUTION CLAMP MT, SS, DELTA
14	1	A56374	SOLUTION CLAMP MOUNT,PIVEND
15	1	A56490	REN>165902:RH SOLU TUBE BRKT
16	2	900002	1/4UNC X 3/4 HEX BOLT

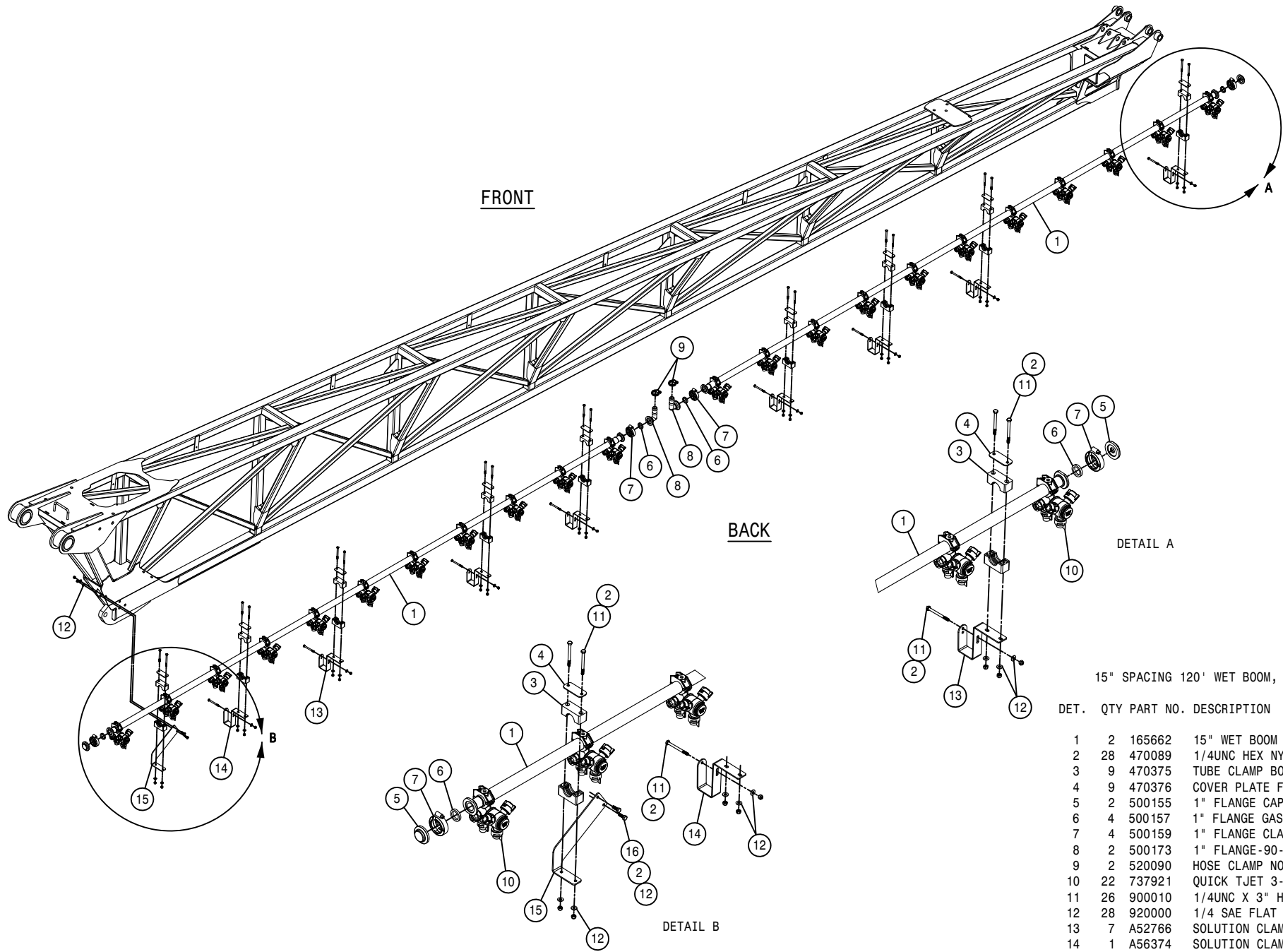
FRONT

BACK



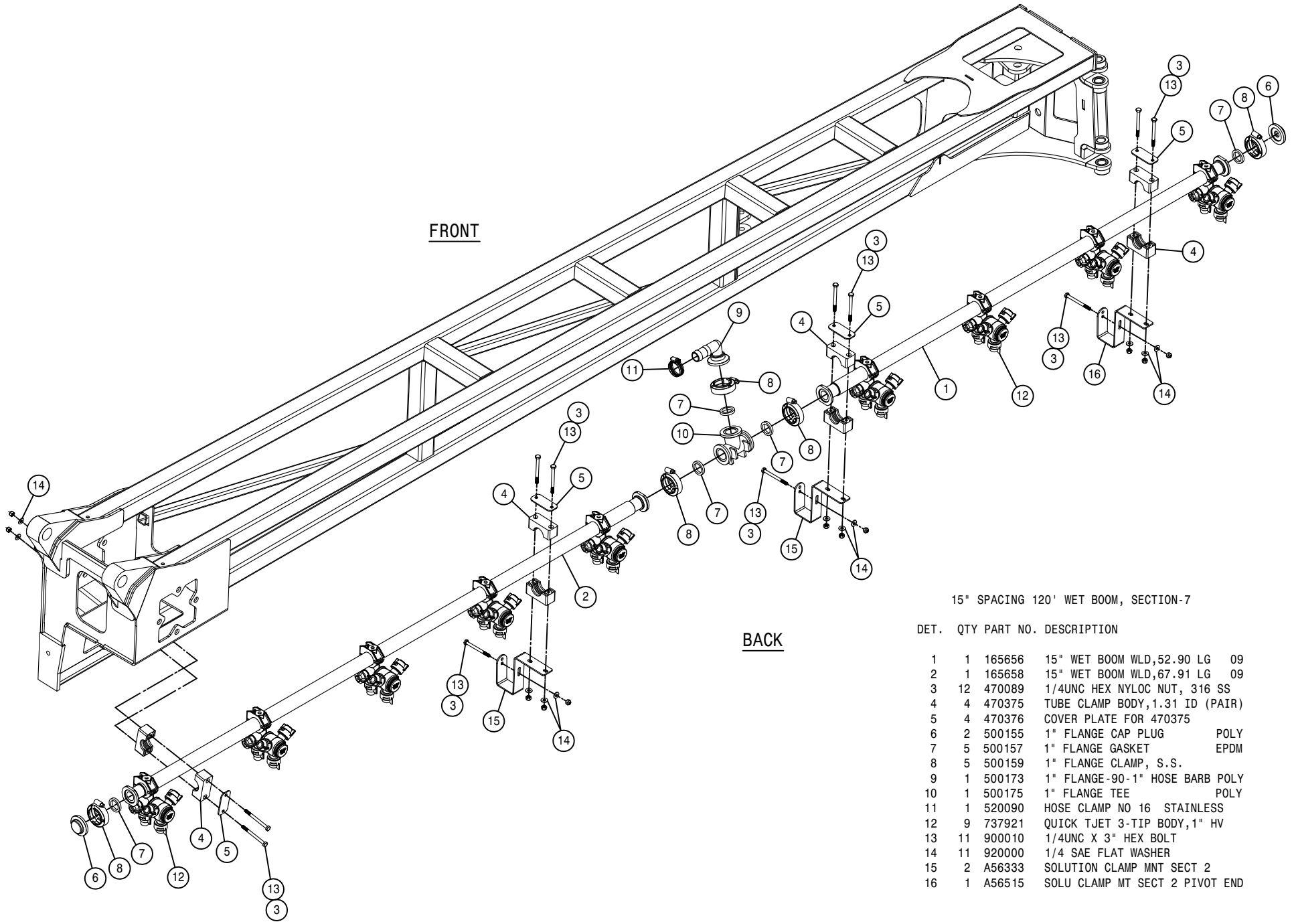
15" SPACING 120' WET BOOM, SECTION-5

DET.	QTY	PART NO.	DESCRIPTION
1	1	165790	15" WET BOOM WLD,10.75 LG '10
2	1	165792	15" WET BOOM WLD,23.75 LG '10
3	1	165796	15" WET BOOM WLD,39.49 LG '10
4	2	470087	3/8UNC HEX FLANGE LOCK NUT
5	18	470089	1/4UNC HEX NYLOC NUT, 316 SS
6	2	470345	1/2UNC HEX SMTH FLNG LOCK NUT
7	6	470375	TUBE CLAMP BODY,1.31 ID (PAIR)
8	6	470376	COVER PLATE FOR 470375
9	2	473001	5/16UNC HEX NUT,NYLOC 316 SS
10	2	500155	1" FLANGE CAP PLUG POLY
11	10	500157	1" FLANGE GASKET EPDM
12	10	500159	1" FLANGE CLAMP, S.S.
13	3	500171	1" FLANGE-1" HOSE BARB POLY
14	1	500173	1" FLANGE-90-1" HOSE BARB POLY
15	2	500175	1" FLANGE TEE POLY
16	1	601726	HOSE, 1 X 11 1BR BLK EPDM
17	6	520090	HOSE CLAMP NO 16 STAINLESS
18	9	737921	QUICK TJET 3-TIP BODY,1" HV
19	1	737923	LH QUICK TJET 3-TIP,1"BRB,FERT
20	18	900010	1/4UNC X 3" HEX BOLT
21	2	900064	5/16UNC X 3/4 HEX BOLT
22	2	900128	3/8UNC X 3/4 HEX BOLT
23	2	900262	1/2UNC X 3/4 SER FLANGE BOLT
24	18	920000	1/4 SAE FLAT WASHER
25	6	A53878	SOLUTION CLAMP MT, SS, DELTA
26	1	A56878	RH CNTR SECT NOZL MT 15"SPC'10
27	1	A56879	LH CNTR SECT NOZL MT 15"SPC'10
28	1	165794	15" WET BOOM WLD,37.11 LG '10
29	1	737794	RH QUICK TJET 3-TIP,1"BRB,FERT



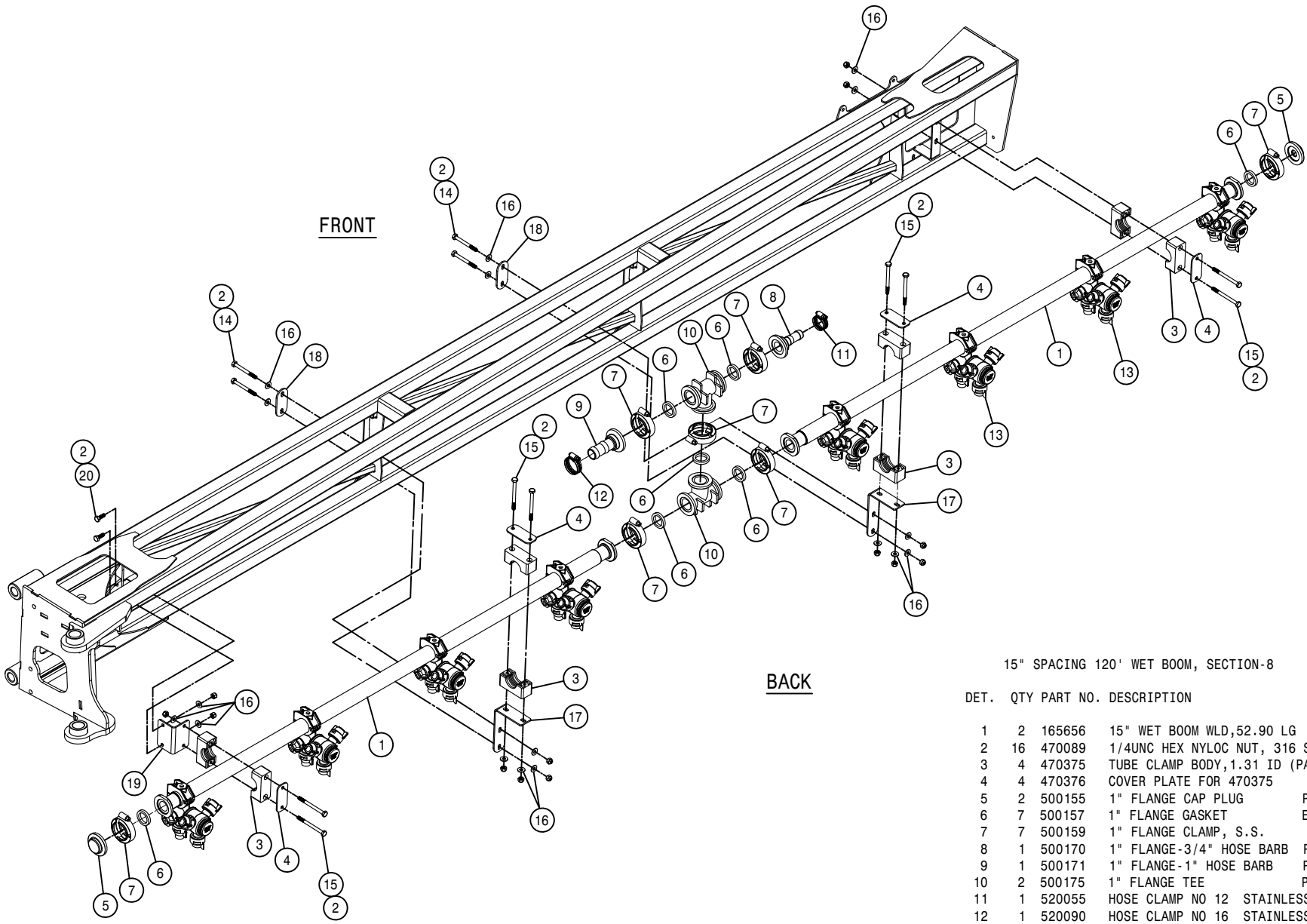
15" SPACING 120' WET BOOM, SECTION-6

DET.	QTY	PART NO.	DESCRIPTION
1	2	165662	15" WET BOOM WLD, 155.63 LG 09
2	28	470089	1/4UNC HEX NYLOC NUT, 316 SS
3	9	470375	TUBE CLAMP BODY, 1.31 ID (PAIR)
4	9	470376	COVER PLATE FOR 470375
5	2	500155	1" FLANGE CAP PLUG POLY
6	4	500157	1" FLANGE GASKET EPDM
7	4	500159	1" FLANGE CLAMP, S.S.
8	2	500173	1" FLANGE-90-1" HOSE BARB POLY
9	2	520090	HOSE CLAMP NO 16 STAINLESS
10	22	737921	QUICK TJET 3-TIP BODY, 1" HV
11	26	900010	1/4UNC X 3" HEX BOLT
12	28	920000	1/4 SAE FLAT WASHER
13	7	A52766	SOLUTION CLAMP MT, SS, DELTA
14	1	A56374	SOLUTION CLAMP MOUNT, PIVEND
15	1	A56491	REN>165903:LH SOLU TUBE BRKT
16	2	900002	1/4UNC X 3/4 HEX BOLT



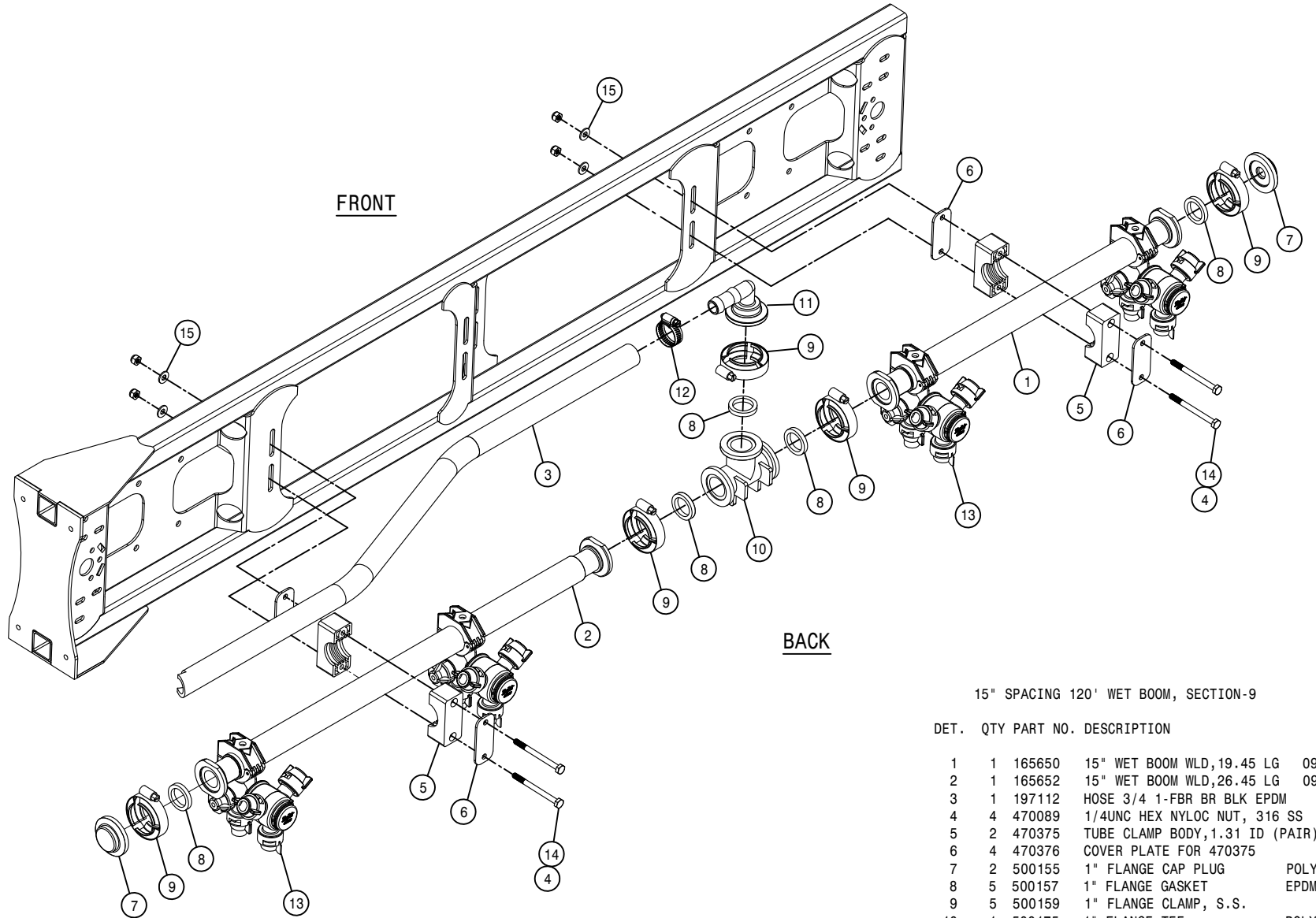
15" SPACING 120' WET BOOM, SECTION-7

DET.	QTY	PART NO.	DESCRIPTION
	1	165656	15" WET BOOM WLD,52.90 LG 09
	2	165658	15" WET BOOM WLD,67.91 LG 09
	3	470089	1/4UNC HEX NYLOC NUT, 316 SS
	4	470375	TUBE CLAMP BODY,1.31 ID (PAIR)
	5	470376	COVER PLATE FOR 470375
	6	500155	1" FLANGE CAP PLUG POLY
	7	500157	1" FLANGE GASKET EPDM
	8	500159	1" FLANGE CLAMP, S.S.
	9	500173	1" FLANGE-90-1" HOSE BARB POLY
	10	500175	1" FLANGE TEE POLY
	11	520090	HOSE CLAMP NO 16 STAINLESS
	12	737921	QUICK TJET 3-TIP BODY,1" HV
	13	900010	1/4UNC X 3" HEX BOLT
	14	920000	1/4 SAE FLAT WASHER
	15	A56333	SOLUTION CLAMP MNT SECT 2
	16	A56515	SOLU CLAMP MT SECT 2 PIVOT END



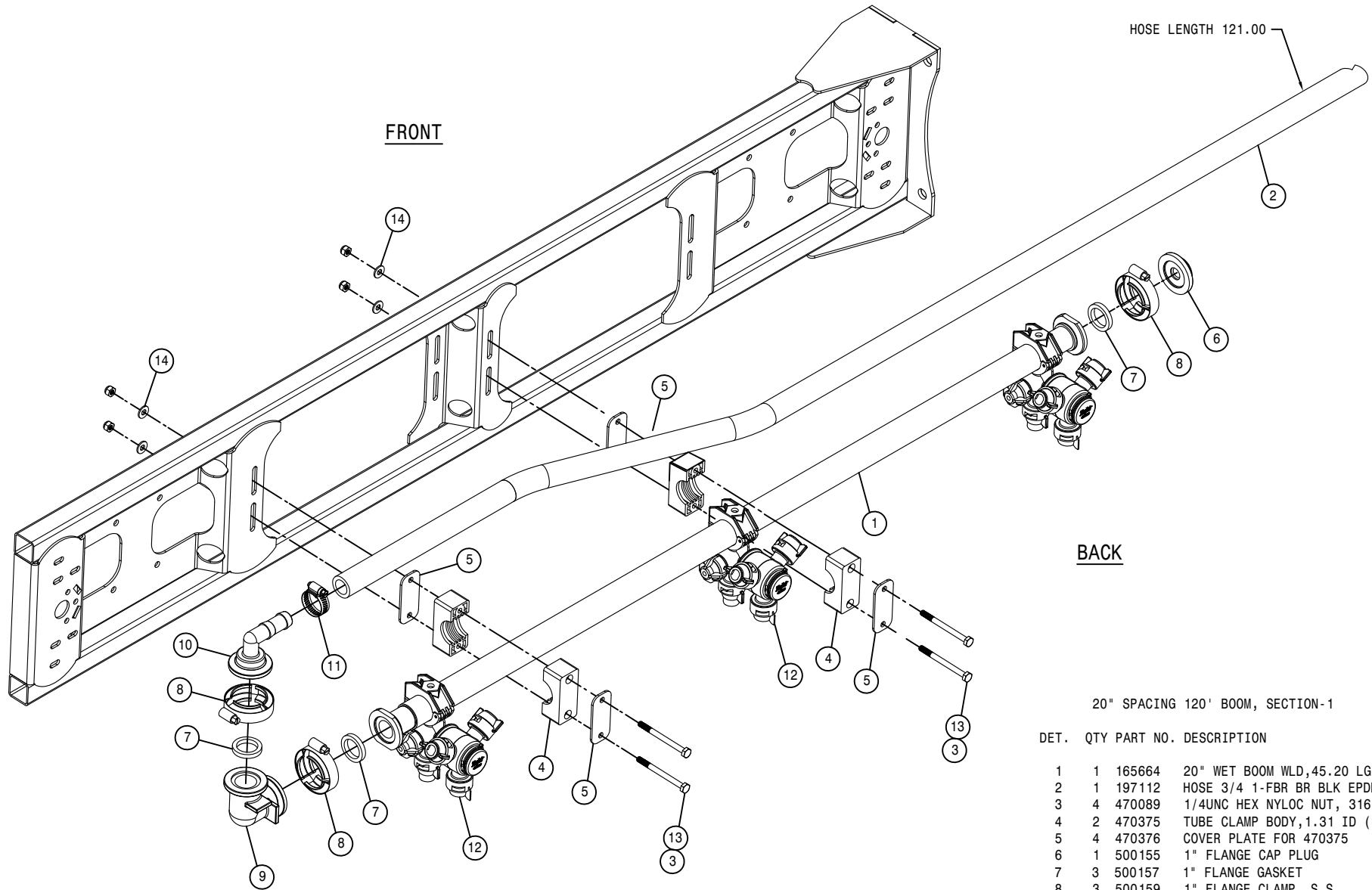
15" SPACING 120' WET BOOM, SECTION-8

DET.	QTY	PART NO.	DESCRIPTION
1	2	165656	15" WET BOOM WLD,52.90 LG 09
2	16	470089	1/4UNC HEX NYLOC NUT, 316 SS
3	4	470375	TUBE CLAMP BODY,1.31 ID (PAIR)
4	4	470376	COVER PLATE FOR 470375
5	2	500155	1" FLANGE CAP PLUG POLY
6	7	500157	1" FLANGE GASKET EPDM
7	7	500159	1" FLANGE CLAMP, S.S.
8	1	500170	1" FLANGE-3/4" HOSE BARB POLY
9	1	500171	1" FLANGE-1" HOSE BARB POLY
10	2	500175	1" FLANGE TEE POLY
11	1	520055	HOSE CLAMP NO 12 STAINLESS
12	1	520090	HOSE CLAMP NO 16 STAINLESS
13	8	737921	QUICK TJET 3-TIP BODY,1" HV
14	4	900008	1/4UNC X 2 1/2 HEX BOLT
15	8	900010	1/4UNC X 3" HEX BOLT
16	18	920000	1/4 SAE FLAT WASHER
17	2	A53761	SOLU CLAMP MT. 2, SS, DELTA
18	2	A53771	SOLU CLAMP MT. PLT, SS, DELTA
19	1	A57102	WET BOOM MT BRKT
20	2	900002	1/4UNC X 3/4 HEX BOLT



15" SPACING 120' WET BOOM, SECTION-9

DET.	QTY	PART NO.	DESCRIPTION
1	1	165650	15" WET BOOM WLD, 19.45 LG 09
2	1	165652	15" WET BOOM WLD, 26.45 LG 09
3	1	197112	HOSE 3/4 1-FBR BR BLK EPDM
4	4	470089	1/4UNC HEX NYLOC NUT, 316 SS
5	2	470375	TUBE CLAMP BODY, 1.31 ID (PAIR)
6	4	470376	COVER PLATE FOR 470375
7	2	500155	1" FLANGE CAP PLUG POLY
8	5	500157	1" FLANGE GASKET EPDM
9	5	500159	1" FLANGE CLAMP, S.S.
10	1	500175	1" FLANGE TEE POLY
11	1	500185	1" FLANGE-90-3/4" HOSE BARB POLY
12	1	520055	HOSE CLAMP NO 12 STAINLESS
13	4	737921	QUICK TJET 3-TIP BODY, 1" HV
14	4	900010	1/4UNC X 3" HEX BOLT
15	4	920000	1/4 SAE FLAT WASHER



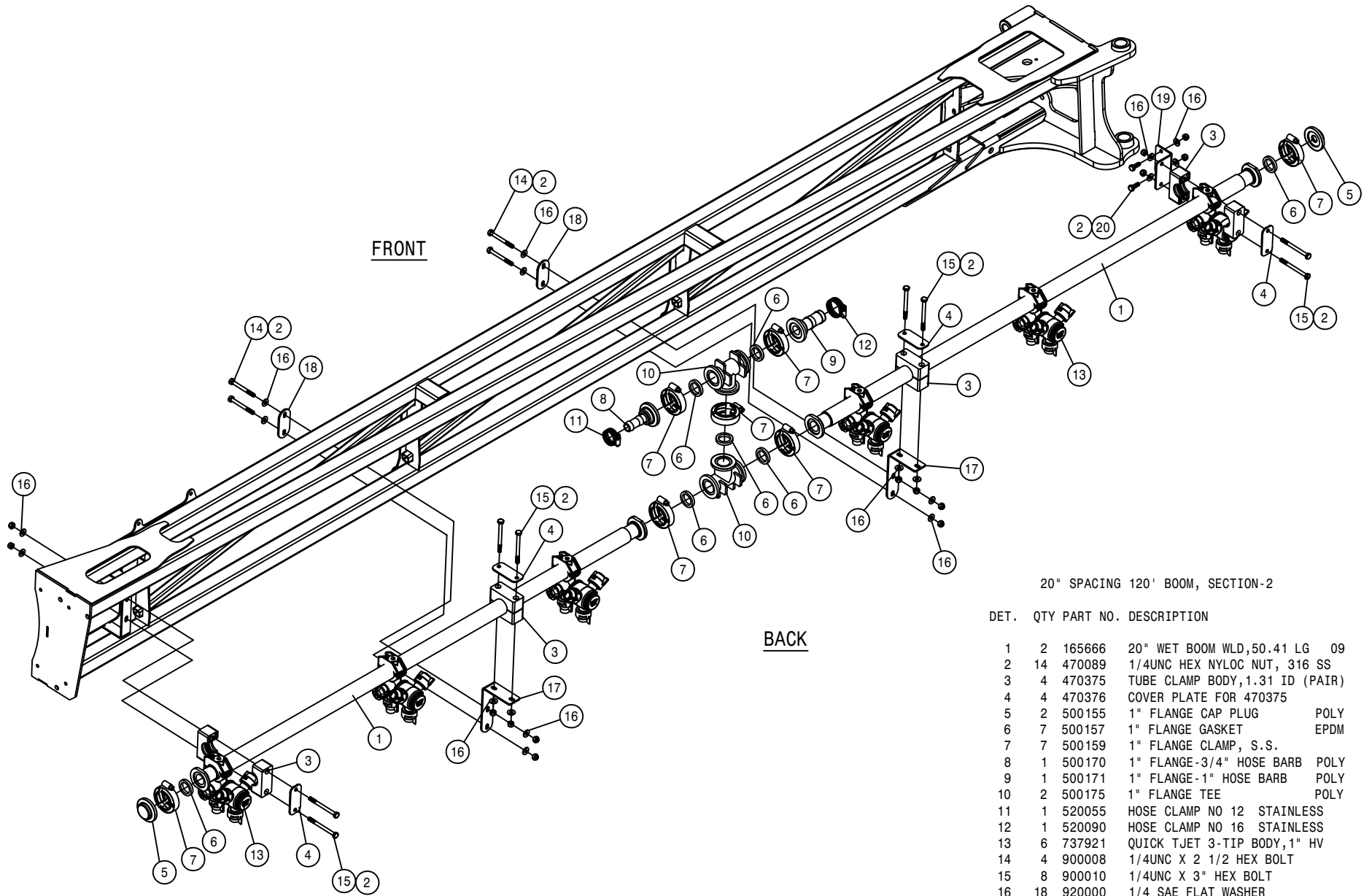
HOSE LENGTH 121.00

FRONT

BACK

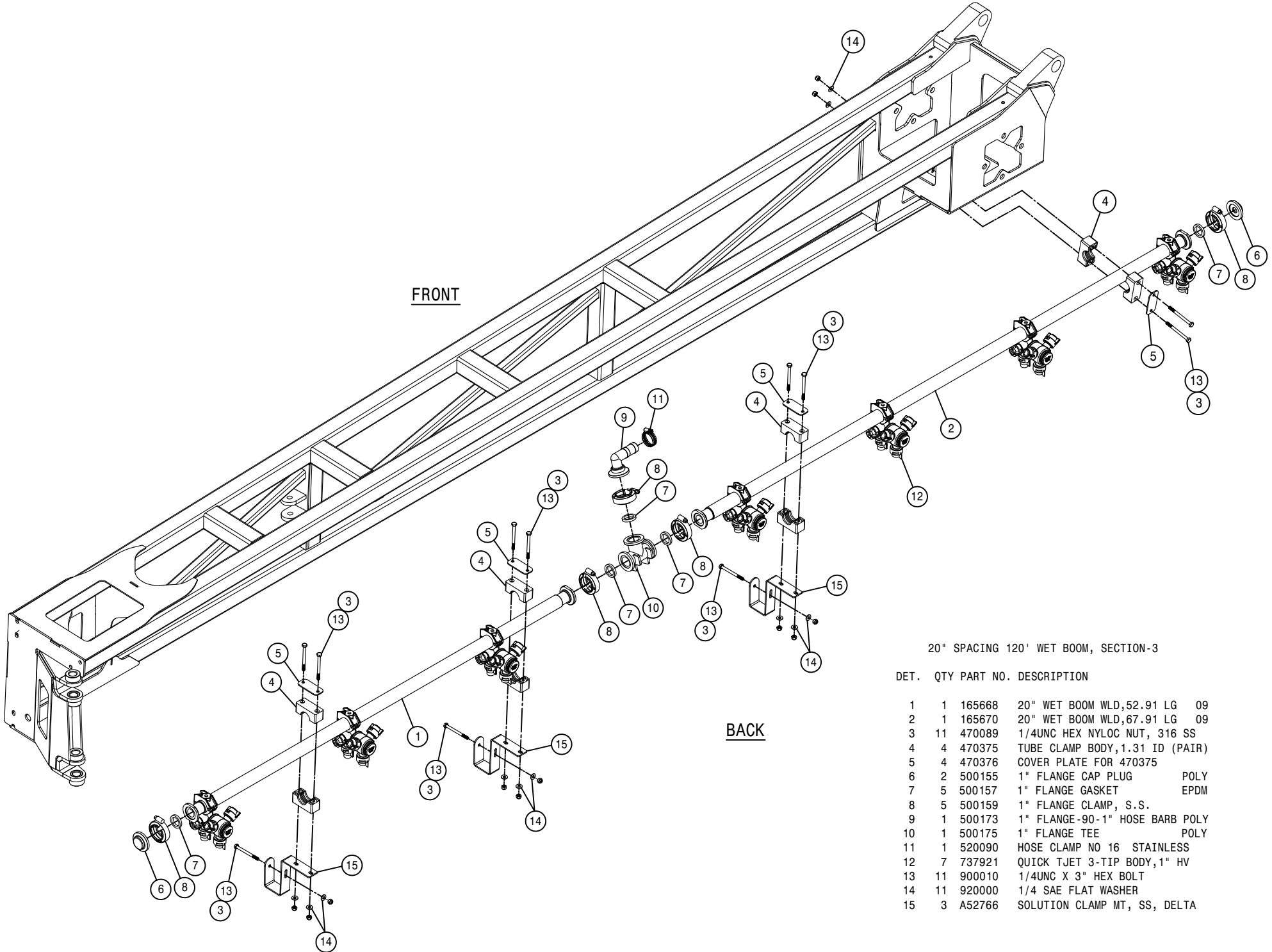
20" SPACING 120' BOOM, SECTION-1

DET.	QTY	PART NO.	DESCRIPTION
1	1	165664	20" WET BOOM WLD, 45.20 LG 09
2	1	197112	HOSE 3/4 1-FBR BR BLK EPDM
3	4	470089	1/4UNC HEX NYLOC NUT, 316 SS
4	2	470375	TUBE CLAMP BODY, 1.31 ID (PAIR)
5	4	470376	COVER PLATE FOR 470375
6	1	500155	1" FLANGE CAP PLUG POLY
7	3	500157	1" FLANGE GASKET EPDM
8	3	500159	1" FLANGE CLAMP, S.S.
9	1	500174	1" FLANGE-90-1" FLANGE LBOPOLY
10	1	500185	1" FLANGE-90-3/4" HOSE BARB POLY
11	1	520055	HOSE CLAMP NO 12 STAINLESS
12	3	737921	QUICK TJET 3-TIP BODY, 1" HV
13	4	900010	1/4UNC X 3" HEX BOLT
14	4	920000	1/4 SAE FLAT WASHER



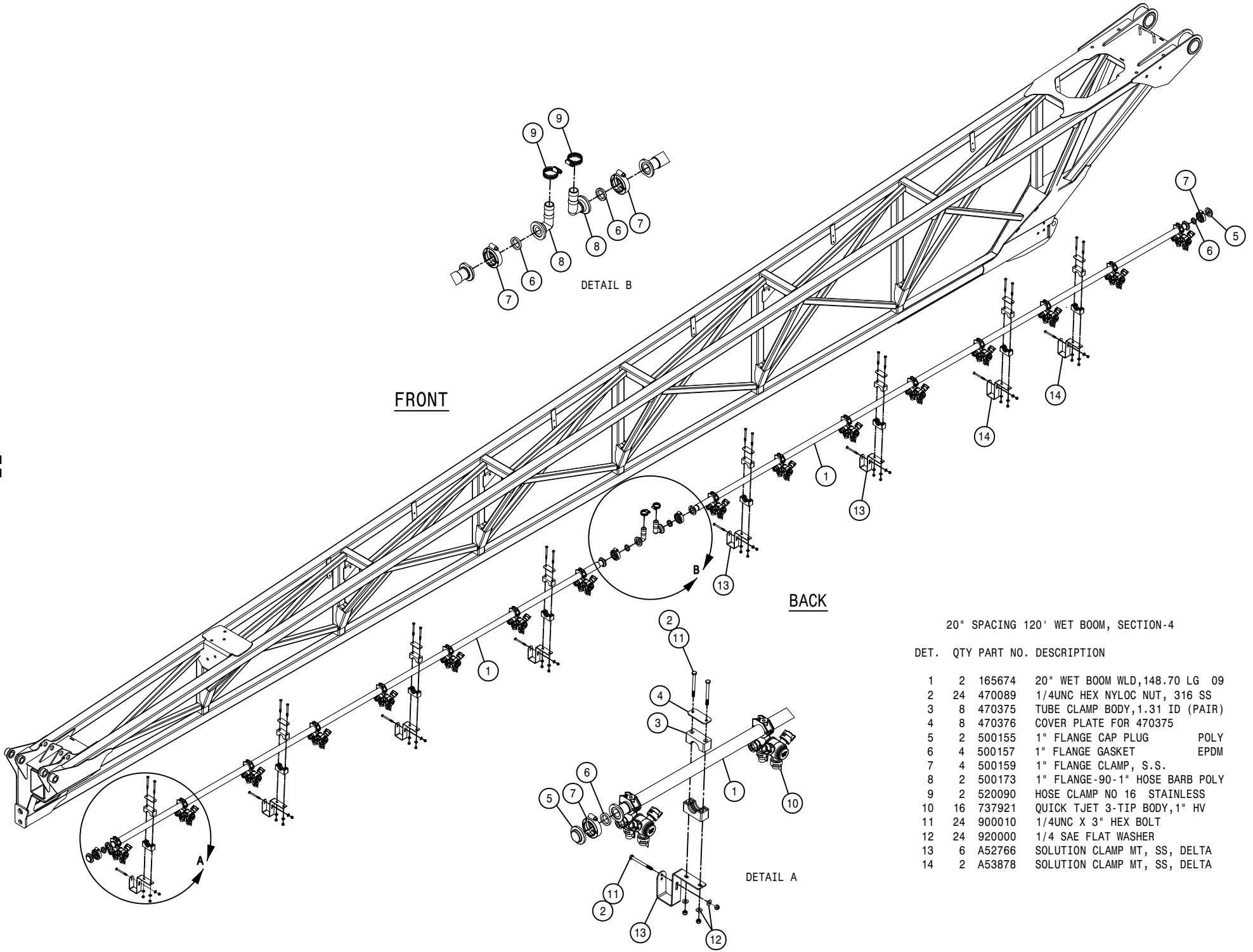
20" SPACING 120' BOOM, SECTION-2

DET.	QTY	PART NO.	DESCRIPTION
1	2	165666	20" WET BOOM WLD,50.41 LG 09
2	14	470089	1/4UNC HEX NYLOG NUT, 316 SS
3	4	470375	TUBE CLAMP BODY,1.31 ID (PAIR)
4	4	470376	COVER PLATE FOR 470375
5	2	500155	1" FLANGE CAP PLUG POLY
6	7	500157	1" FLANGE GASKET EPDM
7	7	500159	1" FLANGE CLAMP, S.S.
8	1	500170	1" FLANGE-3/4" HOSE BARB POLY
9	1	500171	1" FLANGE-1" HOSE BARB POLY
10	2	500175	1" FLANGE TEE POLY
11	1	520055	HOSE CLAMP NO 12 STAINLESS
12	1	520090	HOSE CLAMP NO 16 STAINLESS
13	6	737921	QUICK TJET 3-TIP BODY,1" HV
14	4	900008	1/4UNC X 2 1/2 HEX BOLT
15	8	900010	1/4UNC X 3" HEX BOLT
16	18	920000	1/4 SAE FLAT WASHER
17	2	A53761	SOLU CLAMP MT. 2, SS, DELTA
18	2	A53771	SOLU CLAMP MT. PLT, SS, DELTA
19	1	A57102	WET BOOM MT BRKT
20	2	900002	1/4UNC X 3/4 HEX BOLT



20" SPACING 120' WET BOOM, SECTION-3

DET.	QTY	PART NO.	DESCRIPTION
1	1	165668	20" WET BOOM WLD,52.91 LG 09
2	1	165670	20" WET BOOM WLD,67.91 LG 09
3	11	470089	1/4UNC HEX NYLOC NUT, 316 SS
4	4	470375	TUBE CLAMP BODY,1.31 ID (PAIR)
5	4	470376	COVER PLATE FOR 470375
6	2	500155	1" FLANGE CAP PLUG POLY
7	5	500157	1" FLANGE GASKET EPDM
8	5	500159	1" FLANGE CLAMP, S.S.
9	1	500173	1" FLANGE-90-1" HOSE BARB POLY
10	1	500175	1" FLANGE TEE POLY
11	1	520090	HOSE CLAMP NO 16 STAINLESS
12	7	737921	QUICK TJET 3-TIP BODY,1" HV
13	11	900010	1/4UNC X 3" HEX BOLT
14	11	920000	1/4 SAE FLAT WASHER
15	3	A52766	SOLUTION CLAMP MT, SS, DELTA



FRONT

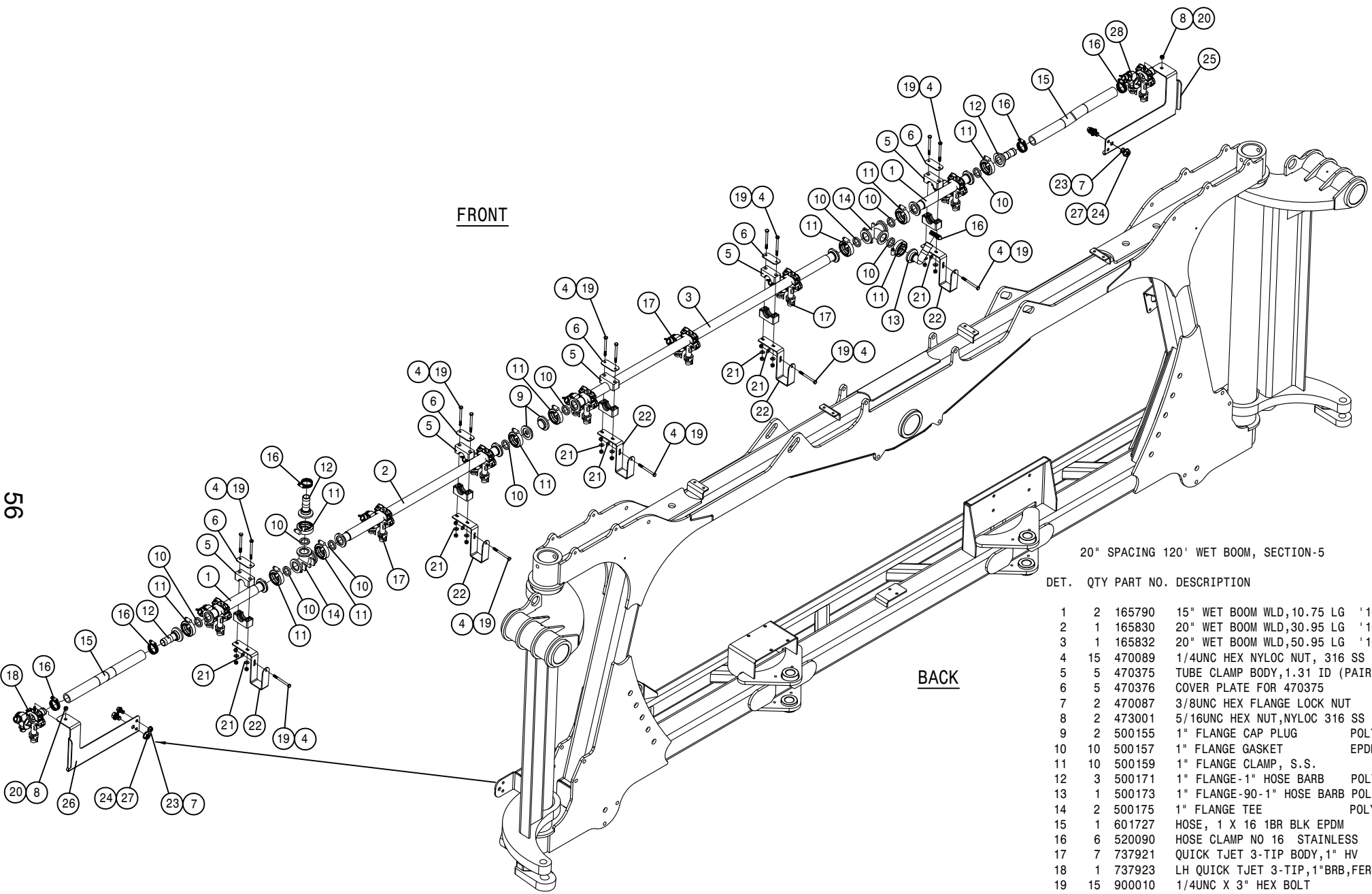
BACK

DETAIL B

DETAIL A

20" SPACING 120' WET BOOM, SECTION-4

DET.	QTY	PART NO.	DESCRIPTION
	2	165674	20" WET BOOM WLD,148.70 LG 09
	24	470089	1/4UNC HEX NYLOC NUT, 316 SS
	8	470375	TUBE CLAMP BODY,1.31 ID (PAIR)
	8	470376	COVER PLATE FOR 470375
	2	500155	1" FLANGE CAP PLUG POLY
	4	500157	1" FLANGE GASKET EPDM
	4	500159	1" FLANGE CLAMP, S.S.
	2	500173	1" FLANGE-90-1" HOSE BARB POLY
	2	520090	HOSE CLAMP NO 16 STAINLESS
	16	737921	QUICK TJET 3-TIP BODY,1" HV
	24	900010	1/4UNC X 3" HEX BOLT
	24	920000	1/4 SAE FLAT WASHER
	6	A52766	SOLUTION CLAMP MT, SS, DELTA
	2	A53878	SOLUTION CLAMP MT, SS, DELTA

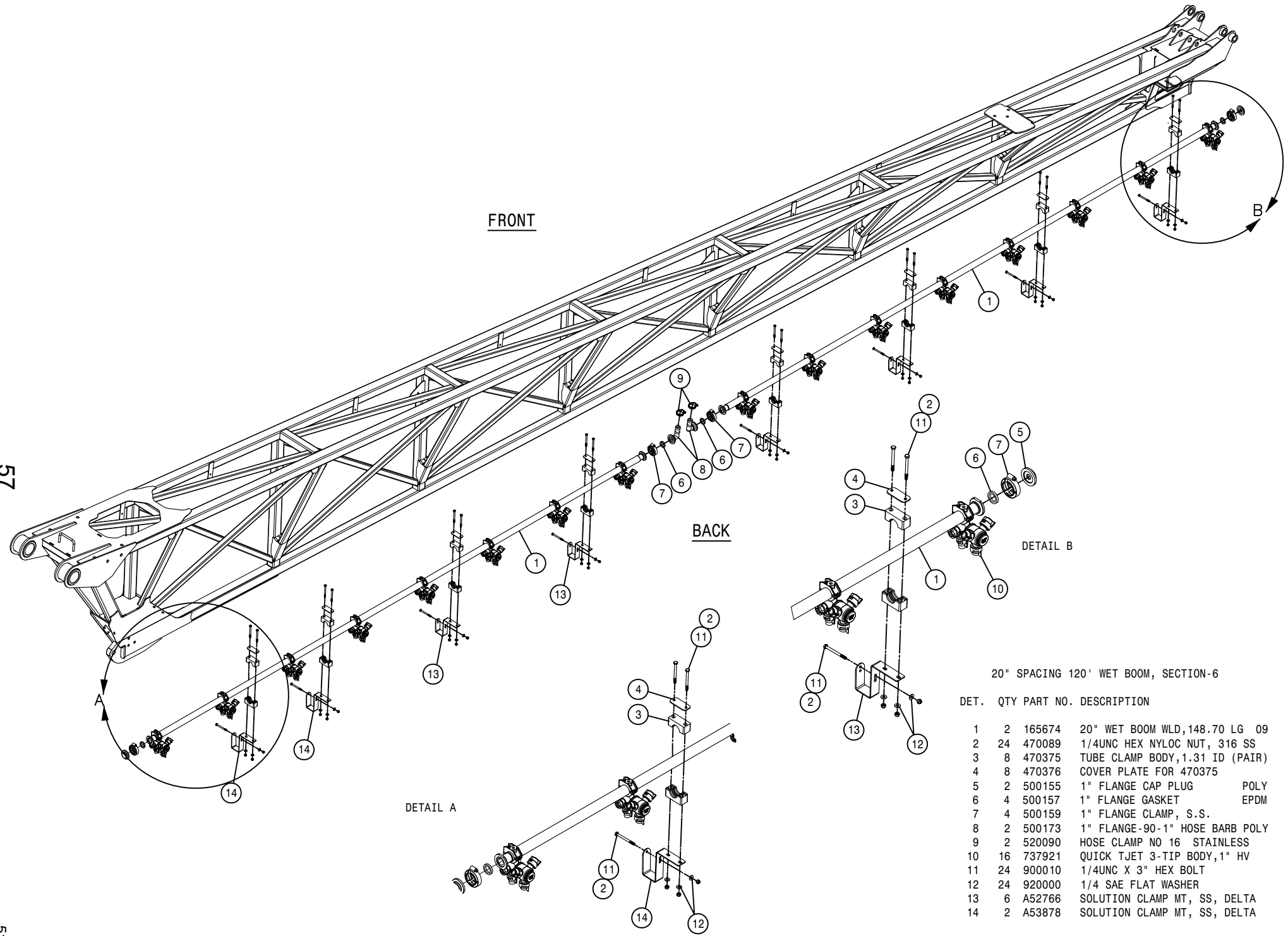


FRONT

BACK

20" SPACING 120' WET BOOM, SECTION-5

DET.	QTY	PART NO.	DESCRIPTION
1	2	165790	15" WET BOOM WLD,10.75 LG '10
2	1	165830	20" WET BOOM WLD,30.95 LG '10
3	1	165832	20" WET BOOM WLD,50.95 LG '10
4	15	470089	1/4UNC HEX NYLOC NUT, 316 SS
5	5	470375	TUBE CLAMP BODY,1.31 ID (PAIR)
6	5	470376	COVER PLATE FOR 470375
7	2	470087	3/8UNC HEX FLANGE LOCK NUT
8	2	473001	5/16UNC HEX NUT,NYLOC 316 SS
9	2	500155	1" FLANGE CAP PLUG POLY
10	10	500157	1" FLANGE GASKET EPDM
11	10	500159	1" FLANGE CLAMP, S.S.
12	3	500171	1" FLANGE-1" HOSE BARB POLY
13	1	500173	1" FLANGE-90-1" HOSE BARB POLY
14	2	500175	1" FLANGE TEE POLY
15	1	601727	HOSE, 1 X 16 1BR BLK EPDM
16	6	520090	HOSE CLAMP NO 16 STAINLESS
17	7	737921	QUICK TJET 3-TIP BODY,1" HV
18	1	737923	LH QUICK TJET 3-TIP,1"BRB,FERT
19	15	900010	1/4UNC X 3" HEX BOLT
20	2	900064	5/16UNC X 3/4 HEX BOLT
21	15	920000	1/4 SAE FLAT WASHER
22	5	A53878	SOLUTION CLAMP MT, SS, DELTA
23	2	900128	3/8UNC X 3/4 HEX BOLT
24	2	900262	1/2UNC X 3/4 SER FLANGE BOLT
25	1	A57554	RH CNTR SECT NOZL MT 20"SPC'10
26	1	A57555	LH CNTR SECT NOZL MT 20"SPC'10
27	2	470345	1/2UNC HEX SMTH FLNG LOCK NUT
28	1	737794	RH QUICK TJET 3-TIP,1"BRB,FERT

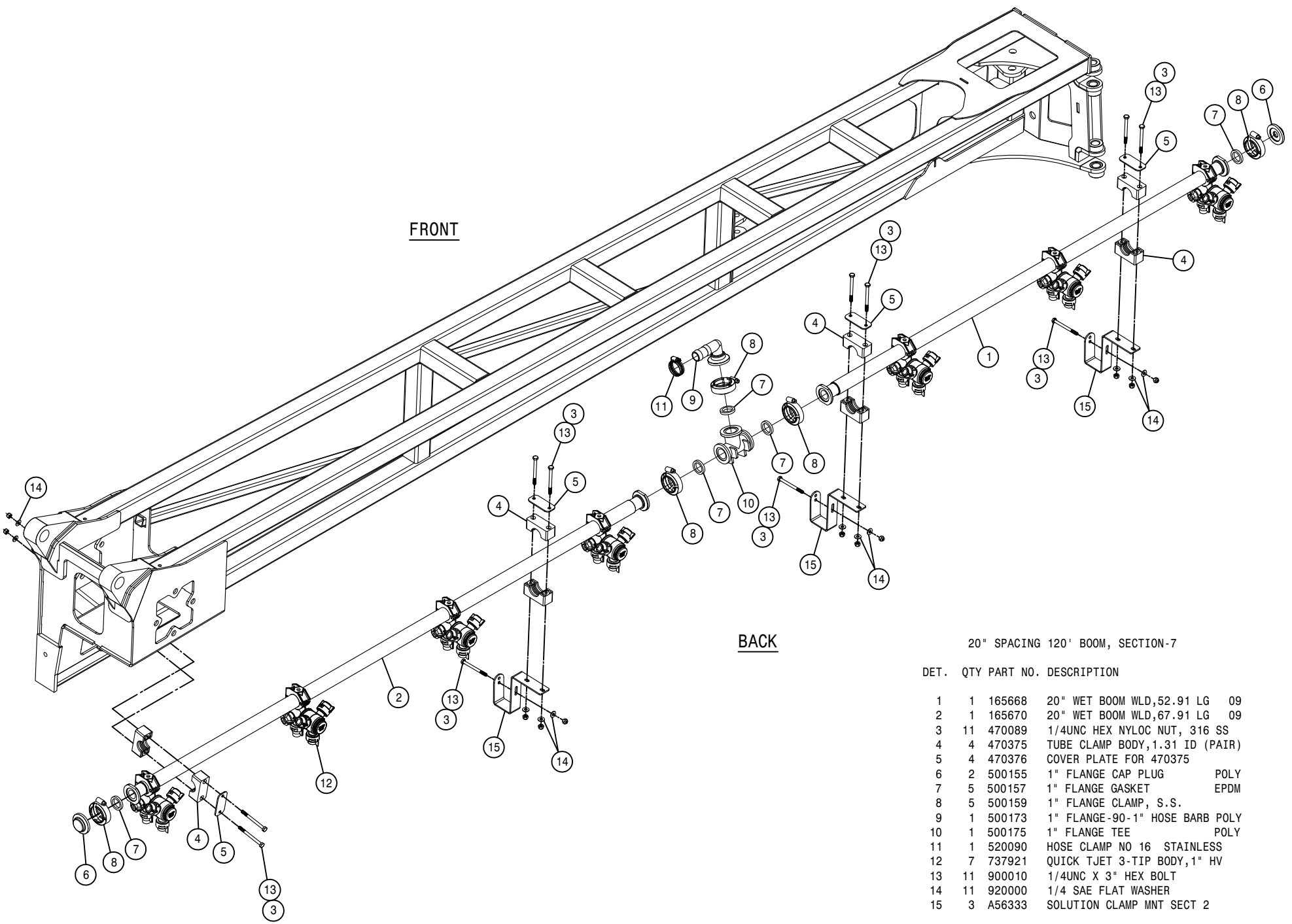


20" SPACING 120' WET BOOM, SECTION-6

DET.	QTY	PART NO.	DESCRIPTION
	1	2	165674 20" WET BOOM WLD, 148.70 LG 09
	2	24	470089 1/4UNC HEX NYLOC NUT, 316 SS
	3	8	470375 TUBE CLAMP BODY, 1.31 ID (PAIR)
	4	8	470376 COVER PLATE FOR 470375
	5	2	500155 1" FLANGE CAP PLUG POLY
	6	4	500157 1" FLANGE GASKET EPDM
	7	4	500159 1" FLANGE CLAMP, S.S.
	8	2	500173 1" FLANGE-90-1" HOSE BARB POLY
	9	2	520090 HOSE CLAMP NO 16 STAINLESS
	10	16	737921 QUICK TJET 3-TIP BODY, 1" HV
	11	24	900010 1/4UNC X 3" HEX BOLT
	12	24	920000 1/4 SAE FLAT WASHER
	13	6	A52766 SOLUTION CLAMP MT, SS, DELTA
	14	2	A53878 SOLUTION CLAMP MT, SS, DELTA

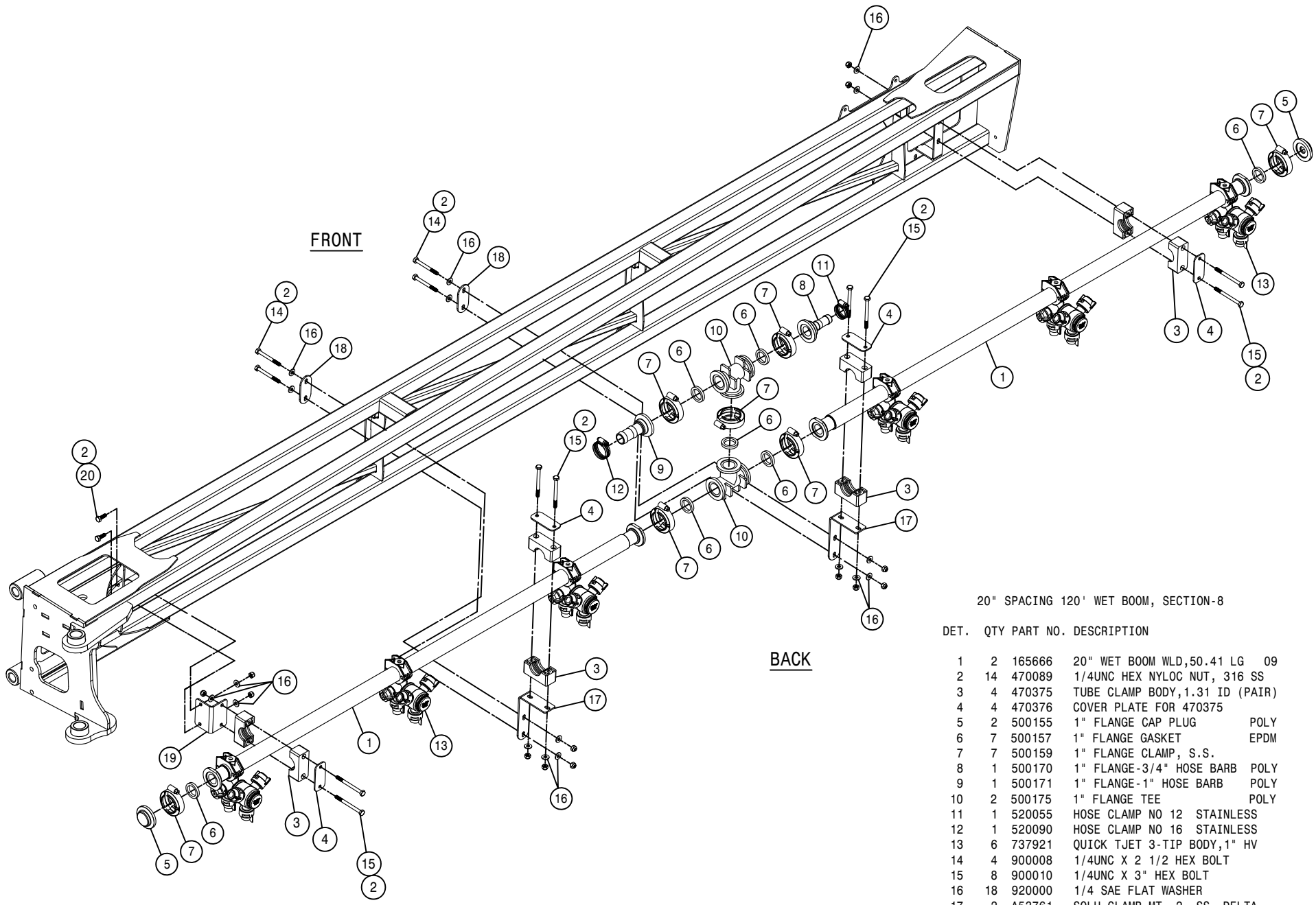
FRONT

BACK



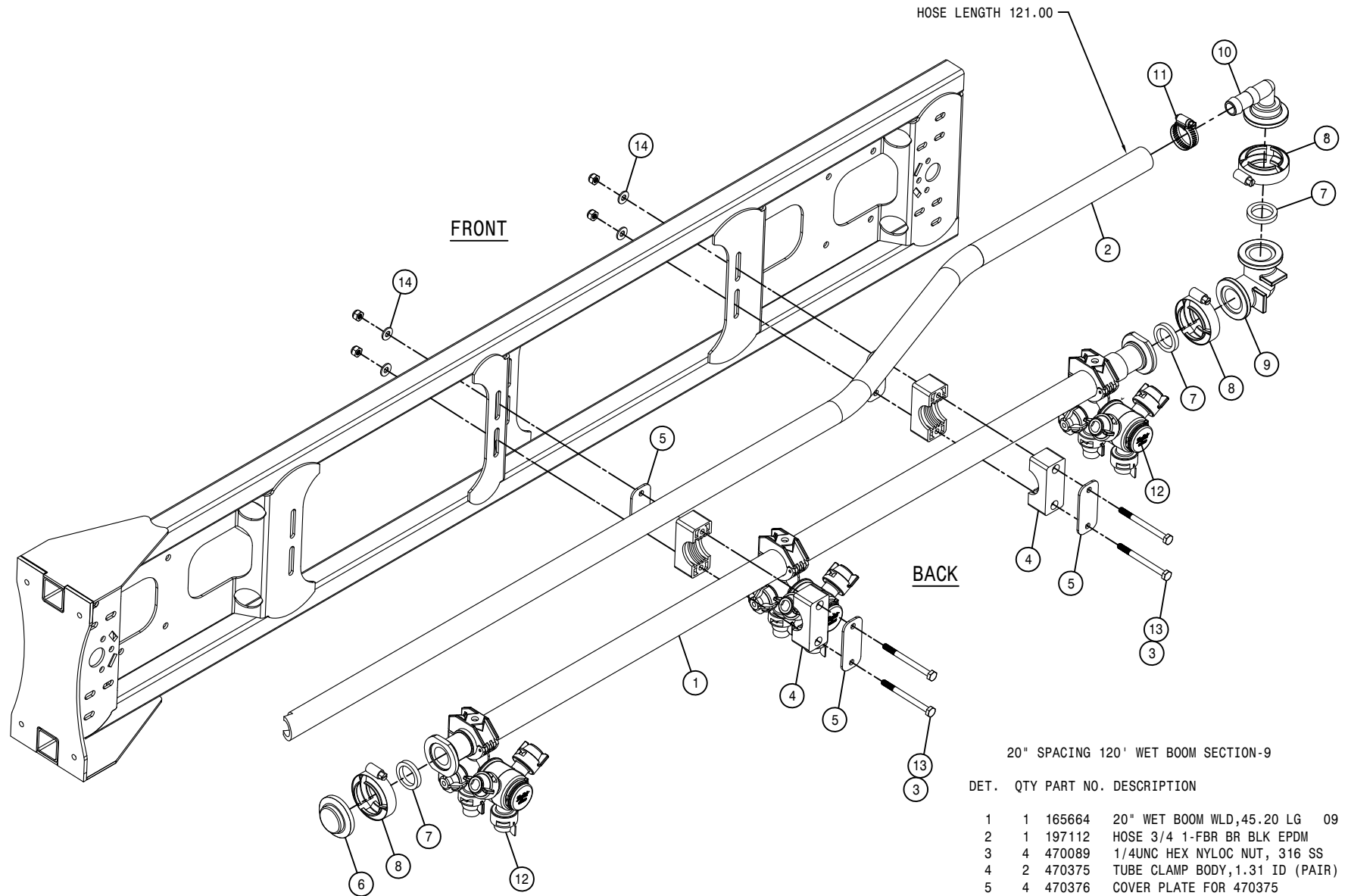
20" SPACING 120' BOOM, SECTION-7

DET.	QTY	PART NO.	DESCRIPTION
1	1	165668	20" WET BOOM WLD,52.91 LG 09
2	1	165670	20" WET BOOM WLD,67.91 LG 09
3	11	470089	1/4UNC HEX NYLOC NUT, 316 SS
4	4	470375	TUBE CLAMP BODY,1.31 ID (PAIR)
5	4	470376	COVER PLATE FOR 470375
6	2	500155	1" FLANGE CAP PLUG POLY
7	5	500157	1" FLANGE GASKET EPDM
8	5	500159	1" FLANGE CLAMP, S.S.
9	1	500173	1" FLANGE-90-1" HOSE BARB POLY
10	1	500175	1" FLANGE TEE POLY
11	1	520090	HOSE CLAMP NO 16 STAINLESS
12	7	737921	QUICK TJET 3-TIP BODY,1" HV
13	11	900010	1/4UNC X 3" HEX BOLT
14	11	920000	1/4 SAE FLAT WASHER
15	3	A56333	SOLUTION CLAMP MNT SECT 2



20" SPACING 120' WET BOOM, SECTION-8

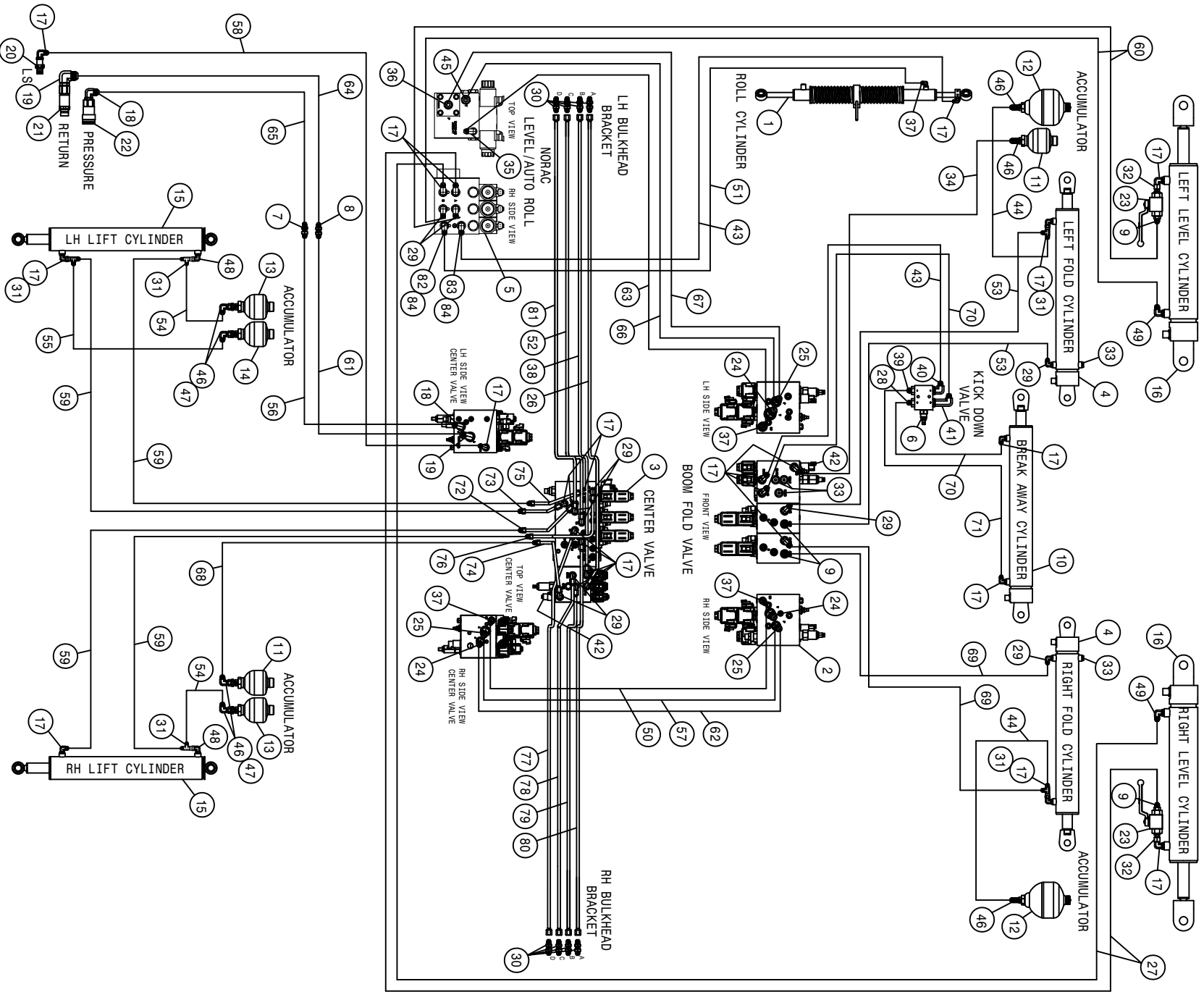
DET.	QTY	PART NO.	DESCRIPTION
1	2	165666	20" WET BOOM WLD,50.41 LG 09
2	14	470089	1/4UNC HEX NYLOC NUT, 316 SS
3	4	470375	TUBE CLAMP BODY,1.31 ID (PAIR)
4	4	470376	COVER PLATE FOR 470375
5	2	500155	1" FLANGE CAP PLUG POLY
6	7	500157	1" FLANGE GASKET EPDM
7	7	500159	1" FLANGE CLAMP, S.S.
8	1	500170	1" FLANGE-3/4" HOSE BARB POLY
9	1	500171	1" FLANGE-1" HOSE BARB POLY
10	2	500175	1" FLANGE TEE POLY
11	1	520055	HOSE CLAMP NO 12 STAINLESS
12	1	520090	HOSE CLAMP NO 16 STAINLESS
13	6	737921	QUICK TJET 3-TIP BODY,1" HV
14	4	900008	1/4UNC X 2 1/2 HEX BOLT
15	8	900010	1/4UNC X 3" HEX BOLT
16	18	920000	1/4 SAE FLAT WASHER
17	2	A53761	SOLU CLAMP MT. 2, SS, DELTA
18	2	A53771	SOLU CLAMP MT. PLT, SS, DELTA
19	1	A57102	WET BOOM MT BRKT
20	2	900002	1/4UNC X 3/4 HEX BOLT



20" SPACING 120' WET BOOM SECTION-9

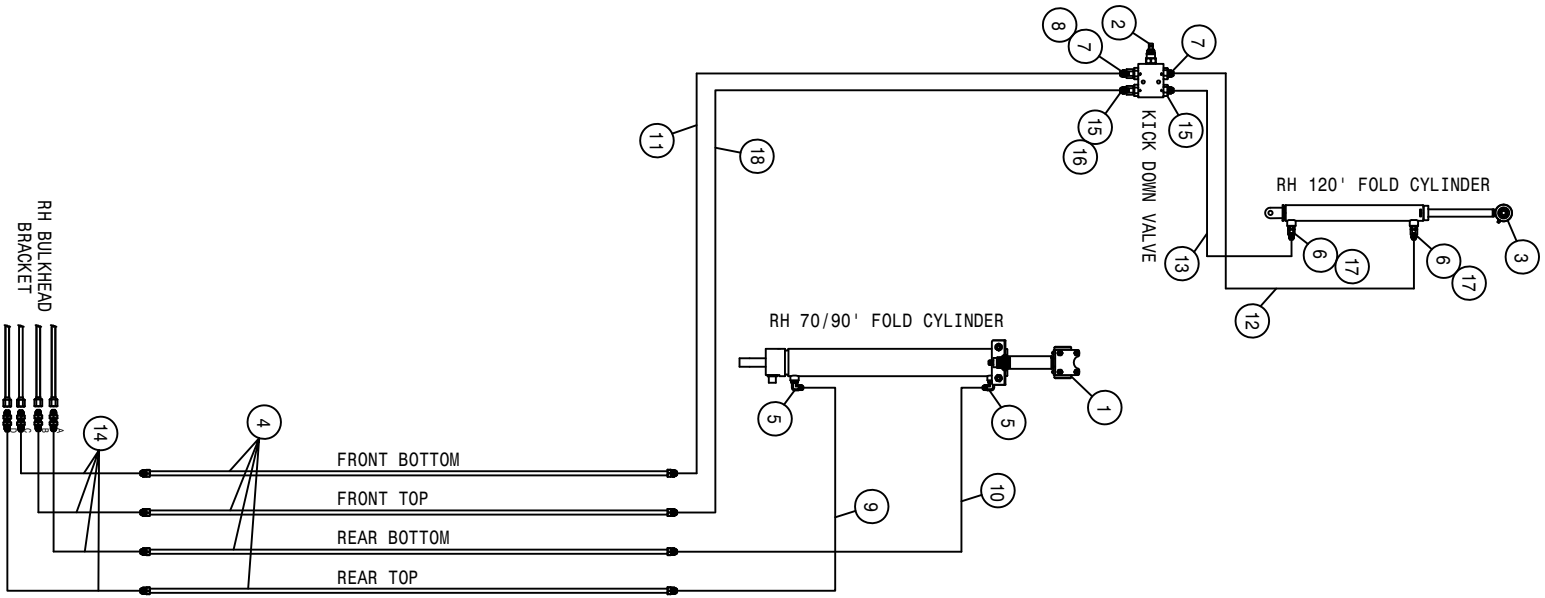
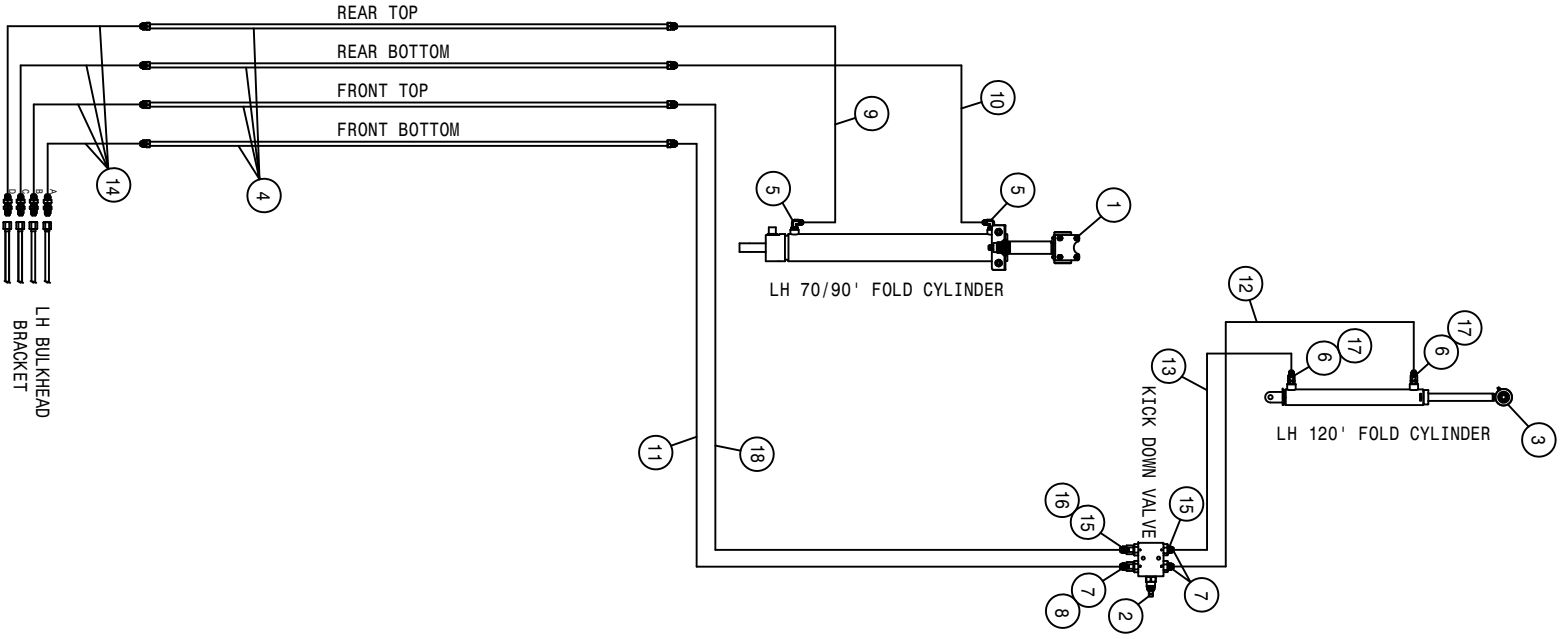
DET.	QTY	PART NO.	DESCRIPTION
1	1	165664	20" WET BOOM WLD,45.20 LG 09
2	1	197112	HOSE 3/4 1-FBR BR BLK EPDM
3	4	470089	1/4UNC HEX NYLOC NUT, 316 SS
4	2	470375	TUBE CLAMP BODY,1.31 ID (PAIR)
5	4	470376	COVER PLATE FOR 470375
6	1	500155	1" FLANGE CAP PLUG POLY
7	3	500157	1" FLANGE GASKET EPDM
8	3	500159	1" FLANGE CLAMP, S.S.
9	1	500174	1" FLANGE-90-1" FLANGE LBOPOLY
10	1	500185	1"FLANGE-90-3/4"HOSE BARB POLY
11	1	520055	HOSE CLAMP NO 12 STAINLESS
12	3	737921	QUICK TJET 3-TIP BODY,1" HV
13	4	900010	1/4UNC X 3" HEX BOLT
14	4	920000	1/4 SAE FLAT WASHER

This Page Intentionally Blank



120' BOOM HYDRAULIC DIAGRAM 2011
REFERENCE DRAWING NO. 499104S1

DET.	QTY	PART NO.	DESCRIPTION	DET.	QTY	PART NO.	DESCRIPTION
1	1	621592	NORAC LINEAR ROLL CYL, 1.75X12	43	2	616740	06-451TC-06F3X-06F3X-20 H/A
2	2	606401	VALVE,SUNSOURCE (A56857)	44	2	616748	06-451TC-06F3X-08F3X90-49 H/A
3	1	606405	VALVE,SUNSOURCE (A56744)	45	1	618832	7/8MJIC-9/16MOR ADPTR
4	2	621595	HYD CYL,4.00 X 21.25 X 2"DTSCH	46	7	618743	3/4MOR-3/4MJIC BLKHD, .040MFM0
5	1	606456	NORAC HYD VALVE (449600)	47	2	618609	3/4MJIC-90-3/4FJIC SWIV LBO
6	1	607558	KICKDOWN RELIEF, SUN	48	2	618739	9/16MJIC-90-9/16MOR .065 CHK VLV
7	1	618349	3/4MJIC-3/4MJIC BLKHD UNION	49	2	618738	9/16MJIC-90-9/16MOR .055 CHK VLV
8	1	618497	7/8MJIC-7/8MJIC BLKHD UNION	50	1	616738	04-451TC-06F3X-06F3X-114 H/A
9	4	618126	9/16MJIC-9/16MOR ADPTR	51	1	616573	06-451TC-06F3X-06F3X-29 H/A
10	1	621582	HYD CYL, 3.25 X 21.25 X 1.630	52	1	615895	HYD TUBE ASSY,MFD #5,120'BM'10
11	2	470444	ACCUMULATOR, 30CI 1508 PSI	53	2	616745	06-451TC-06F3X-06F3X90-89 H/A
12	2	470537	ACCUMULATOR, SB0210 1800 PSI	54	2	616365	06-451TC-08F3X-06F3X90-30 H/A
13	2	470539	ACCUMULATOR, 30CI 800 PSI	55	1	616750	06-451TC-08F3X-06F3X90-48 H/A
14	1	470538	ACCUMULATOR, 30CI 600 PSI	56	1	616100	08-451TC-08F3X-08F3X-19 H/A
15	2	621578	HYD CYL, 3.25 X 20.25 X 1.630	57	1	616757	10-451TC-10F3X-10F3X-113 H/A
16	2	621584	HYD CYL, 3.00 X 14.00 X 1.380	58	1	616662	04-451TC-06F3X-06F3X-137 H/A
17	25	618119	9/16MJIC-90-9/16MOR LBO	59	4	616746	06-451TC-06F3X-06F3X90-110 H/A
18	2	618241	3/4MJIC-90-3/4MOR LBO	60	2	616741	06-451TC-06F3X-06F3X-107 H/A
19	2	611128	7/8MJIC-90-7/8MOR LBO	61	1	616755	10-451TC-10F3X-10F3X-18 H/A
20	1	618804	HYD CPLR,MALE #14,9/16FOR	62	1	616753	08-451TC-08F3X-08F3X-110 H/A
21	1	618806	HYD CPLR,MALE #12,7/8FOR	63	1	616739	04-451TC-06F3X-06F3X90-41 H/A
22	1	618807	HYD CPLR, FEM #12,3/4FOR	64	1	616758	10-451TC-10F3X-10F3X-118 H/A
23	2	696131	BALL VALVE,9/16FOR,7250PSI	65	1	616754	08-451TC-08F3X-08F3X-119 H/A
24	3	618644	7/8MJIC-45-7/8MOR LBO	66	1	616756	10-451TC-10F3X-10F3X-40 H/A
25	3	618315	3/4MJIC-45-3/4MOR LBO	67	1	616752	08-451TC-08F3X-08F3X-38 H/A
26	1	615898	HYD TUBE ASSY,MFD #8,120'BM'10	68	1	616751	06-451TC-08F3X-06F3X90-77 H/A
27	2	616185	06-451TC-06F3X-06F3X-147 H/A	69	2	616581	06-451TC-06F3X-06F3X90-40 H/A
28	1	611125	3/4MJIC-3/4MOR ADPTR	70	2	616742	06-451TC-06F3X-08F3X-23 H/A
29	10	618440	9/16MJIC-90-9/16MOR EX LG LBO	71	1	616092	06-451TC-06F3X-06F3X-27 H/A
30	8	618510	9/16MJIC-9/16MJIC BLKHD UNION	72	1	615899	HYD TUBE ASSY,MFD #9,120'BM'10
31	5	618486	9/16FJIC SW RUN TEE-9/16MJIC	73	1	615900	HYD TUBE ASSY,MFD#10,120'BM'10
32	2	618668	9/16FJIC SWIV-9/16MOR ADPTR	74	1	615901	HYD TUBE ASSY,MFD#11,120'BM'10
33	5	618754	9/16MOR PLUG, HEX SOCKET	75	1	615902	HYD TUBE ASSY,MFD#12,120'BM'10
34	1	616747	06-451TC-06F3X-08F3X90-40 H/A	76	1	615903	HYD TUBE ASSY,MFD#13,120'BM'10
35	1	618114	9/16MJIC-90-7/16MOR LBO	77	1	615891	HYD TUBE ASSY,MFD #1,120'BM'10
36	1	618360	3/4MJIC-9/16MOR ADPTR	78	1	615892	HYD TUBE ASSY,MFD #2,120'BM'10
37	4	618425	9/16MJIC-45-9/16MOR LBO	79	1	615893	HYD TUBE ASSY,MFD #3,120'BM'10
38	1	615897	HYD TUBE ASSY,MFD #7,120'BM'10	80	1	615894	HYD TUBE ASSY,MFD #4,120'BM'10
39	1	618109	9/16MJIC-3/4MOR ADPTR	81	1	615896	HYD TUBE ASSY,MFD #6,120'BM'10
40	1	618115	9/16MJIC-90-3/4MOR LBO	82	1	614763	9/16MJIC-9/16MOR.042MOMF ADPTR
41	1	618443	3/4MJIC-90-3/4MOR EX LG LBO	83	1	614765	9/16MJIC-9/16MOR.047MOMF ADPTR
42	2	606347	PRESSURE TRANSDUCER,7500PSI	84	2	618618	9/16MJIC-90-9/16FJIC SWIV LBO



120' BOOM HYDRAULIC DIAGRAM 2011
REFERENCE DRAWING NO. 499104S2

DET.	QTY	PART NO.	DESCRIPTION	DET.	QTY	PART NO.	DESCRIPTION
1	2	621586	HYD CYL, 2.75 X 21.25 X 1.500	10	2	616354	06-451TC-.06FJX-.06FJX-68
2	2	607558	KICKDOWN RELIEF, SUN	11	2	616571	06-451TC-.06FJX-.06FJX-180
3	2	621610	HYD CYL,1.75 X 16 X 1.25	12	2	616578	06-451TC-.06FJX-.06FJX90-18
4	8	615851	HYD TUBE,MAIN BOOM,STS	13	2	616749	06-451TC-.08FJX-.06FJX90-18
5	4	618119	9/16MJIC-90-9/16MOR LBO	14	8	616582	06-451TC-.06FJX-.06FJX90-51
6	4	618126	9/16MJIC-9/16MOR ADPTR	15	4	611125	3/4MJIC-.3/4MOR ADPTR
7	4	618109	9/16MJIC-3/4MOR ADPTR	16	2	618835	3/4MJIC-.031 ORIFICE ADPTR
8	2	618732	9/16OJIC .031 ORIFICE ADPTR	17	4	618833	9/16MJIC .028 ORIFICE ADPTR
9	2	616349	06-451TC-.06FJX-.06FJX-47	18	2	616743	06-451TC-.06FJX-.08FJX-180
			H/A				H/A

INDEX

-A-	ACCUMULATOR.....4, 15	-L-	LEVEL CYLINDER.....16
			LIFTARM.....4,5
			LIFT CYLINDER.....5
			LIGHTS.....6
			INDICATOR.....8
-B-	BOOM.....19,24	-M-	
	BUMPER.....30,31		MANIFOLD.....9
	CONTROL VALVE.....9		MODULE.....4
	CRADLE.....29,32		
	GUARD.....20,25		
	STAND.....6		
	WET.....43,52		
	BREAKAWAY VALVE.....10	-N-	
-C-			NORAC VALVE.....11
	CONTROL BOX.....3		NOZZLE GUARD.....23,28
	CRADLE, BOOM.....29,32	-P-	
	CYLINDER,		
	FOLD.....6, 17, 18		PRESSURE GAUGE.....34
	LEVEL.....16		PRESSURE TRANSDUCER.....9, 10
	LIFT.....5	-Q-	
-D-			QUICK ATTACH.....5
	DIAGRAM, HYDRAULIC.....62, 63	-S-	
-F-			SENSOR..7, 17, 18, 21, 22, 23, 26, 27, 28
	FENCE ROW VALVE.....23,28		SIDE WINDER.....21, 22, 26, 27
	FLOW METER.....33,34		SOLUTION VALVE.....35,36,37, 38, 39
	FOAMER VALVE.....41,42	-T-	
	FOLD		TRANSDUCER, PRESSURE.....9, 10
	CYLINDER.....6, 17, 18		TRANSOM.....6,7
	VALVE.....10		TUBE CLAMP.....5
-G-		-V-	
	GAUGE, PRESSURE.....4,34		VALVE,
	GUARD,		BOOM CONTROL.....9
	BOOM.....20		BREAKAWAY.....10
	NOZZLE.....23,28		FENCE ROW.....23,28
-H-			FOAMER.....41,42
	HYDRAULIC,		FOLD.....10
	COUPLER.....5		KICKDOWN.....12, 13, 14
	DIAGRAM.....62, 63		NORAC.....11
	TUBE.....20,25		SOLUTION.....35,36,37, 38, 39
-I-		-W-	
	INDICATOR LIGHT.....8		WET BOOM.....43,52
-K-			
	KICKDOWN VALVE.....12, 13, 14		



PARTS ORDER FAX



Ph. 1 (800) 247-4885 Fx. 1 (515) 532-3553

Photocopy and fax to Hagie Customer Support Department

ORDERED BY/BILL TO:

Name _____
 Co. Name _____
 Street _____
 City, St, Zip _____
 Ph. _____ Fx. _____

SHIP TO:

Name _____
 Co. Name _____
 Street _____
 City, St, Zip _____
 Ph. _____ Fx. _____

HOW SHIP: UPS Ground Next Day 2 Day 3 Day Other _____

If "HOW SHIP" is left blank, parts will be sent UPS ground service. If part is over 150 pounds, an independent motor freight company will be used.

PAYMENT: Hagie Account #*** _____

C.O.D

American Express Discover Visa Master Card

Signature: _____
 name as appears on card: _____
 card no. _____ exp. date _____

Year and Model No. _____

Serial No. _____

Item Serial No. (if necessary): _____

Engine (include type) _____

Hydrostatic Pump (s) _____

Torque Hub _____ LF RF LR RR

Wheel Motor _____ LF RF LR RR

HAGIE Part No.	Qty.	Description

Check here if you want phone confirmation of parts order.

* Orders received before 3:00 p.m., CST will be processed the same business day.

Regular business hours are Monday through Friday, 7:00 a.m. through 5:00 p.m..

** If you do not have a Hagie account number, contact the Hagie Customer Support Department and you will be issued one.



PARTS ORDER FAX

Fax
24 hours
a day
7 days
a week**

Ph. 1 (800) 247-4885 Fx. 1 (515) 532-3553

Photocopy and fax to Hagie Customer Support Department

ORDERED BY/BILL TO:

Name _____
 Co. Name _____
 Street _____
 City, St, Zip _____
 Ph. _____ Fx. _____

SHIP TO:

Name _____
 Co. Name _____
 Street _____
 City, St, Zip _____
 Ph. _____ Fx. _____

HOW SHIP: UPS Ground Next Day 2 Day 3 Day Other _____

If "HOW SHIP" is left blank, parts will be sent UPS ground service. If part is over 150 pounds, an independent motor freight company will be used.

PAYMENT: Hagie Account #*** _____

C.O.D

American Express Discover Visa Master Card
 Signature: _____
 name as appears on card: _____
 card no. _____ exp. date _____

Year and Model No. _____

Serial No. _____

Item Serial No. (if necessary): _____

Engine (include type) _____
 Hydrostatic Pump (s) _____
 Torque Hub _____
 Wheel Motor _____

LF RF LR RR
 LF RF LR RR

HAGIE Part No.	Qty.	Description

Check here if you want phone confirmation of parts order.

* Orders received before 3:00 p.m., CST will be processed the same business day. Regular business hours are Monday through Friday, 7:00 a.m. through 5:00 p.m..

** If you do not have a Hagie account number, contact the Hagie Customer Support Department and you will be issued one.