



**PARTS MANUAL  
FOR  
HAGIE 120ft BOOMS**

**HAGIE MANUFACTURING COMPANY**

721 CENTRAL AVENUE WEST  
BOX 273  
CLARION, IOWA 50525-0273

(515) 532-2861

COVERS 120ft BOOM ATTACHMENT OPTION NUMBERS: U61510

11-09 493486  
05-12

TABLE OF CONTENTS

CONTROL BOX ASSEMBLY . . . . . 3

LIFTARM ASSEMBLY . . . . . 4-5

TRANSOM ASSEMBLY . . . . . 6-7

BOOM INDICATOR LIGHT ASSEMBLY . . . . . 8

HYDRAULIC VALVE ASSEMBLY . . . . . 9-11

KICKDOWN RELIEF VALVE ASSEMBLY . . . . . 12-14

ACCUMULATOR ASSEMBLY . . . . . 15

LEVEL AND FOLD CYLINDER ASSEMBLY . . . . . 16-18

RIGHT BOOM ASSEMBLY . . . . . 19-23

LEFT BOOM ASSEMBLY . . . . . 24-28

BOOM CRADLE ASSEMBLY . . . . . 29

BOOM BUMPER ASSEMBLY . . . . . 30-32

FLOW METER ASSEMBLY . . . . . 33-34

SOLUTION VALVE ASSEMBLY . . . . . 35-40

FOAMER VALVE AND DROP ASSEMBLY . . . . . 41-42

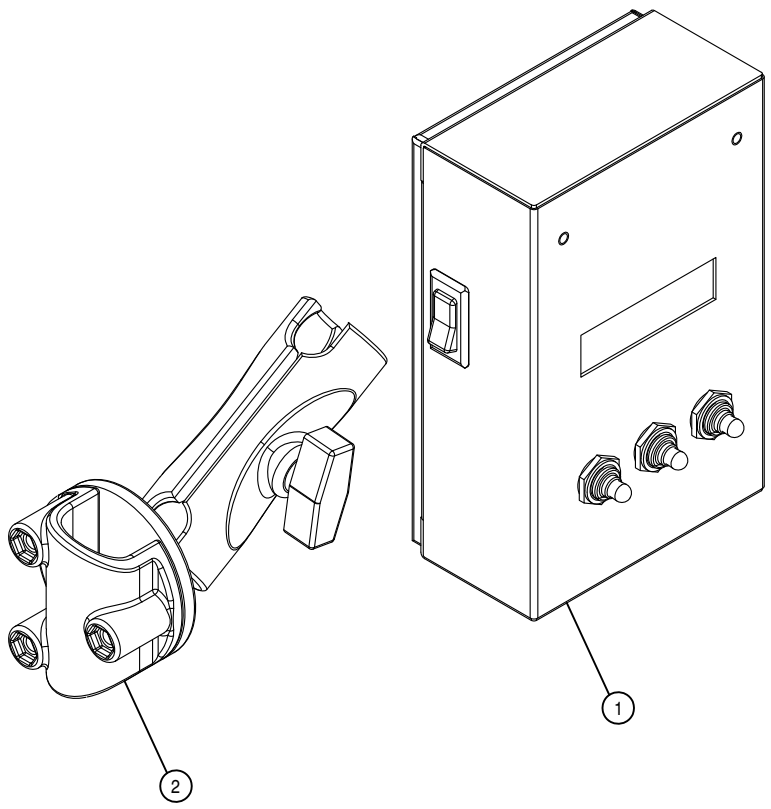
15" SPACING, WET BOOM ASSEMBLY . . . . . 43-51

20" SPACING, WET BOOM ASSEMBLY . . . . . 52-60

HYDRAULIC DIAGRAM . . . . . 62-65

INDEX . . . . . 66

PARTS ORDER FORM . . . . . 67



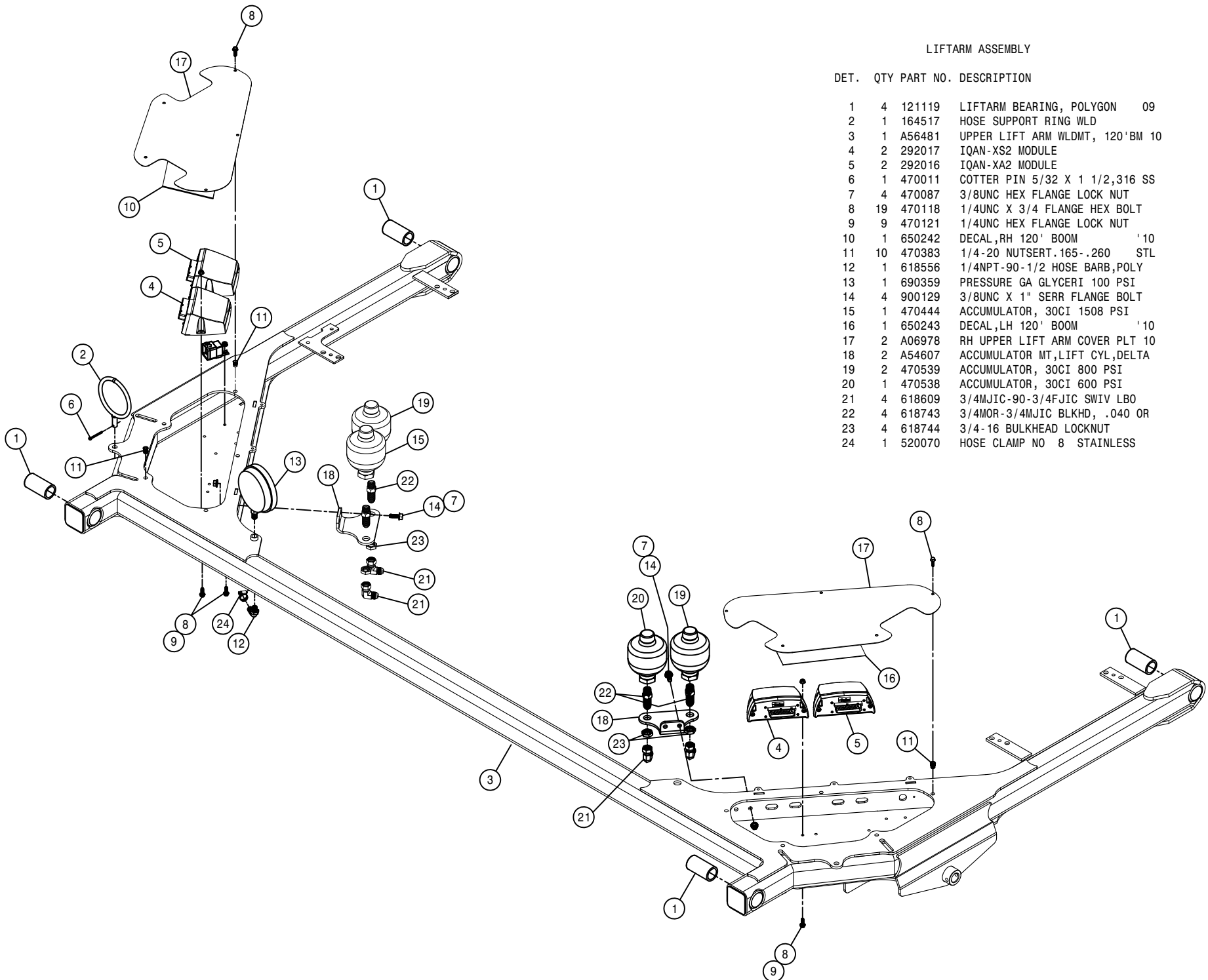
CONTROL BOX ASSEMBLY

DET.	QTY	PART NO.	DESCRIPTION
1	1	693052	CONTROL PANEL, NORAC
2	1	693071	ADPTR KIT, RAM233 RAIL MT, NORAC

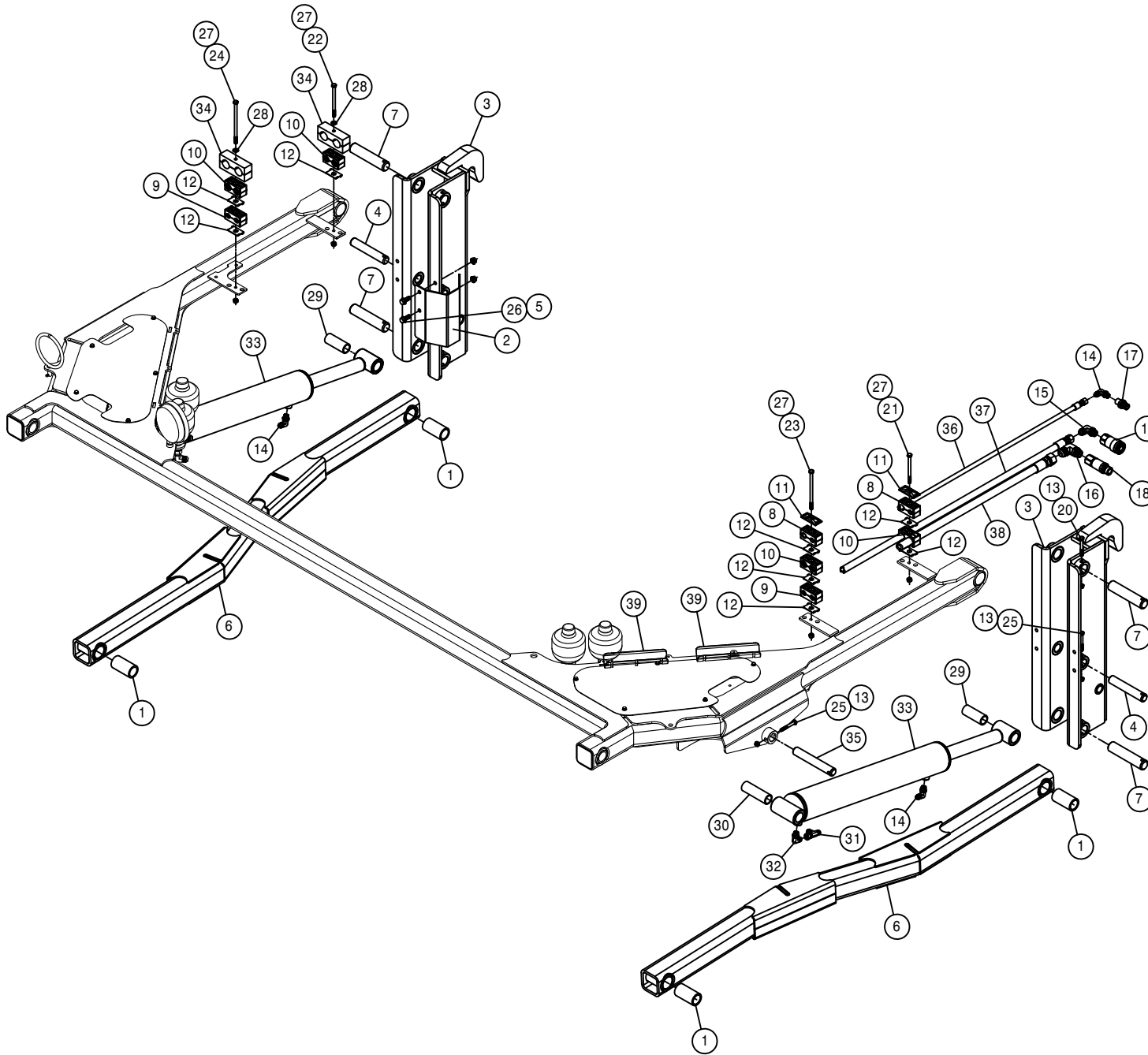
LIFTARM ASSEMBLY

DET. QTY PART NO. DESCRIPTION

1	4	121119	LIFTARM BEARING, POLYGON	09
2	1	164517	HOSE SUPPORT RING WLD	
3	1	A56481	UPPER LIFT ARM WLDMT, 120'BM	10
4	2	292017	IQAN-XS2 MODULE	
5	2	292016	IQAN-XA2 MODULE	
6	1	470011	COTTER PIN 5/32 X 1 1/2,316 SS	
7	4	470087	3/8UNC HEX FLANGE LOCK NUT	
8	19	470118	1/4UNC X 3/4 FLANGE HEX BOLT	
9	9	470121	1/4UNC HEX FLANGE LOCK NUT	
10	1	650242	DECAL,RH 120' BOOM	'10
11	10	470383	1/4-20 NUTSERT.165-.260	STL
12	1	618556	1/4NPT-90-1/2 HOSE BARB,POLY	
13	1	690359	PRESSURE GA GLYCERI 100 PSI	
14	4	900129	3/8UNC X 1" SERR FLANGE BOLT	
15	1	470444	ACCUMULATOR, 30CI 1508 PSI	
16	1	650243	DECAL,LH 120' BOOM	'10
17	2	A06978	RH UPPER LIFT ARM COVER PLT	10
18	2	A54607	ACCUMULATOR MT,LIFT CYL,DELTA	
19	2	470539	ACCUMULATOR, 30CI 800 PSI	
20	1	470538	ACCUMULATOR, 30CI 600 PSI	
21	4	618609	3/4MJIC-90-3/4FJIC SWIV LBO	
22	4	618743	3/4MOR-3/4MJIC BLKHD, .040 OR	
23	4	618744	3/4-16 BULKHEAD LOCKNUT	
24	1	520070	HOSE CLAMP NO 8 STAINLESS	



4



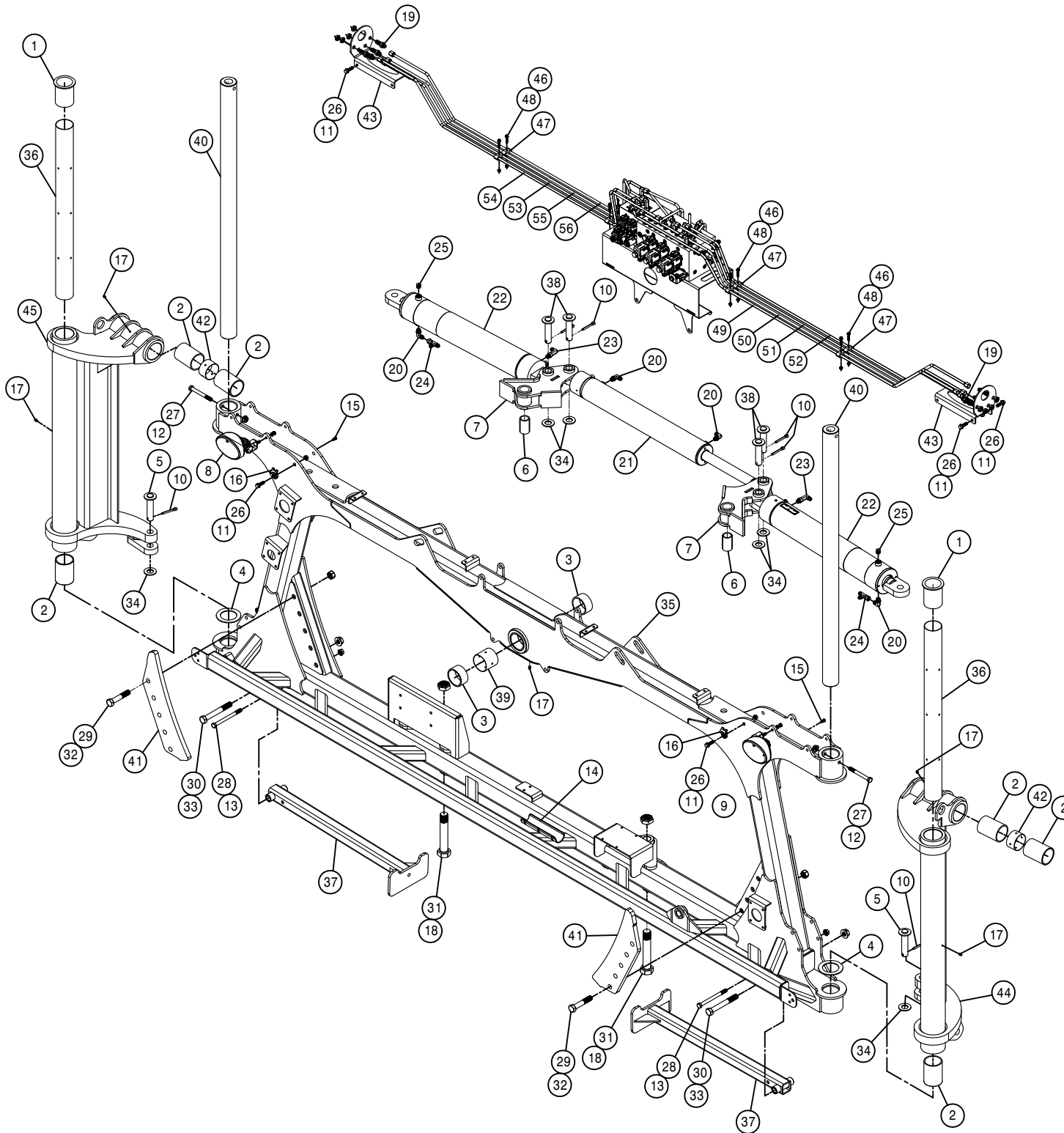
LIFTARM ASSEMBLY

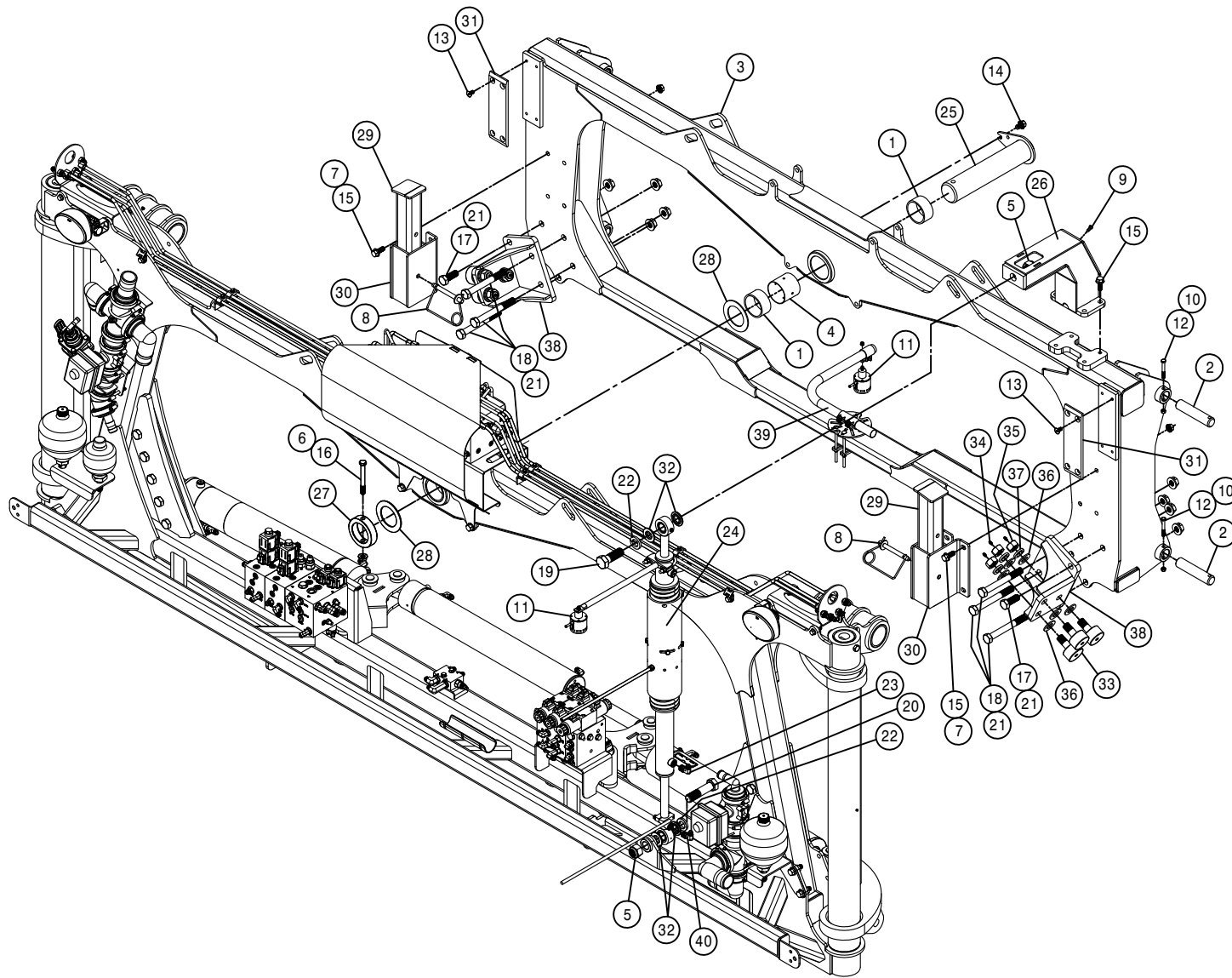
DET.	QTY	PART NO.	DESCRIPTION
1	4	121119	LIFTARM BEARING, POLYGON 09
2	1	165741	RECEPTACLE MT,STS BOOMS '10
3	2	165700	QUICK ATTACH WLD,120' BOOM 09
4	2	164452	LIFT ARM MT PIVOT PIN,STS12 00
5	2	470087	3/8UNC HEX FLANGE LOCK NUT
6	2	165709	LWR LIFT ARM WLDMT,120' BOOM 09
7	4	165713	LIFT ARM MT PIV PIN,120' BM 09
8	2	470270	HOSE CLAMP BODY, .530-.680
9	2	470274	TUBE CLAMP BODY, .750-.750
10	4	470275	TUBE CLAMP BODY,1.000-1.000
11	2	470276	CLAMP COVER PLATE,SNGL, 2.55LG
12	8	470281	STACK BOLT SAFETY LOCK PLATE
13	8	473001	5/16UNC HEX NUT,NYLOC 316 SS
14	3	618119	9/16MJIC-90-9/16MOR LBO
15	1	618241	3/4MJIC-90-3/4MOR LBO
16	1	611128	7/8MJIC-90-7/8MOR LBO
17	1	618804	HYD CPLR,MALE #14,9/16FOR
18	1	618806	HYD CPLR,MALE #12,7/8FOR
19	1	618807	HYD CPLR, FEM #12,3/4FOR
20	4	900070	5/16UNC X 2 1/2 BOLT
21	1	900076	5/16UNC X 4" HEX BOLT
22	1	900078	5/16UNC X 4 1/2 HEX BOLT
23	1	900082	5/16UNC X 5 1/2" HEX BOLT
24	1	900084	5/16UNC X 6" HEX BOLT
25	4	900086	5/16UNC X 2 1/4 HEX BOLT
26	2	900129	3/8UNC X 1" SERR FLANGE BOLT
27	4	914002	5/16UNC HEX STOVER NUT
28	2	920001	5/16 SAE FLAT WASHER
29	2	121109	LIFT CYL BRG, .313 POLYGON
30	2	121115	LIFT CYL BRG, 4.00 POLYGON
31	2	618486	9/16FJIC SW RUN TEE-9/16MJIC
32	2	618739	9/16MJ-90-9/16MOR .065 CHK VLV
33	2	621578	MAIN LIFT CYL,STS 120' BOOM 07
34	2	A51729	TUBE CLAMP (PAIR)
35	2	A53739	LIFT CYL PIN,BARREL END, DELTA
36	1	616662	04-451TC-06FJX-06FJX-137 H/A
37	1	616754	08-451TC-08FJX-08FJX-119 H/A
38	1	616758	10-451TC-10FJX-10FJX-118 H/A
39	2	470369	HOSE PROTECTOR, 8" BLACK

TRANSOM ASSEMBLY

DET. QTY PART NO. DESCRIPTION

1	2	121101	TRANSOM PIVOT BRG, TOP POLYGON
2	6	121103	TRANSOM PIVOT BRG, LWR, POLYGON
3	2	121116	PRIMARY ROLL PIVOT BRNG, DELTA
4	2	164482	TRANSOM PIVOT WASHER
5	2	164496	LEVEL CYL PIN WLD, TRANSOM END
6	2	121118	BEARING, 1.25 X 1.50 X 3.25
7	2	165718	MAIN FOLD LINK WLD, GEN3 120' 09
8	1	291902	RH WORKLIGHT, TRAPEZOID GLASS
9	1	291903	LH WORKLIGHT, TRAPEZOID GLASS
10	6	470012	COTTER PIN 5/16 X 2" LG, 316 SS
11	8	470087	3/8UNC HEX FLANGE LOCK NUT
12	2	470345	1/2UNC HEX SMTH FLNG LOCK NUT
13	2	470360	1/2UNC HEX FLANGE LOCK NUT
14	1	470369	HOSE PROTECTOR, 8" BLACK
15	2	470432	PUSH MT BASE FOR PLASTIC TIE
16	2	470516	CABLE TIE MT, 3/8 MT HOLE, NYL
17	5	471005	GREASE ZERK, 1/4 28 X 1/2
18	2	473003	1 1/4UNC HEX JAM NUT, NYLOC GR5
19	8	618510	9/16MJIC-9/16MJIC BLKHD UNION
20	4	618119	9/16MJIC-90-9/16MOR LBO
21	1	621582	MAIN FOLD CYL, STS 120' BOOM 07
22	2	621595	HYD CYL, 4.00 X 21.25 X 2.00ROD
23	2	618440	9/16MJIC-90-9/16MOR EX LG LBO
24	2	618486	9/16FJIC SW RUN TEE-9/16MJIC
25	2	618754	9/16MOR PLUG, HEX SOCKET
26	8	900130	3/8UNC X 1 1/4 SER FLANGE BOLT
27	2	900275	1/2UNC X 4 1/2 HEX BOLT
28	2	900278	1/2UNC X 6" HEX BOLT
29	10	900410	3/4UNC X 4" HEX BOLT
30	2	900414	3/4UNC X 6" HEX BOLT
31	2	900868	1 1/4UNC X 7 1/4 HEX BOLT SPCL
32	10	910012	3/4UNC HEX NUT
33	2	914012	3/4UNC HEX STOVER NUT
34	6	920008	1" SAE FLAT WASHER
35	1	165756	TRANSOM PIVOT WLDMT, 120' BM '10
36	2	A53524	TUBE-2.88 O.D. X 16GA X 3381
37	2	A53605	FRONT BOOM STAND LEG WLD
38	4	A53623	LEVEL CYL PIN WLD, TRANSOM END
39	1	A53628	ROLL PIN SPACER, DELTA
40	2	A53640	INNER TRANSOM PIVOT TUBE, 120'
41	2	A53769	ROLLER GUIDE PLATE, DELTA
42	2	A53790	TUBE-2.88X16GAX1.63
43	2	A56670	BULKHEAD BRKT WING 120' BOOM
44	1	A54256	PIVOT TUBE WELDMENT LH
45	1	A54348	PIVOT TUBE WELDMENT, RH
46	8	470089	1/4UNC HEX NYLOC NUT, 316 SS
47	8	470287	TUBE CLAMP, .375-.375 (PAIR)
48	8	900004	1/4UNC X 1 1/4 HEX BOLT
49	1	615891	HYD TUBE ASSY, MFD #1, 120' BM' 10
50	1	615892	HYD TUBE ASSY, MFD #2, 120' BM' 10
51	1	615893	HYD TUBE ASSY, MFD #3, 120' BM' 10
52	1	615894	HYD TUBE ASSY, MFD #4, 120' BM' 10
53	1	615895	HYD TUBE ASSY, MFD #5, 120' BM' 10
54	1	615896	HYD TUBE ASSY, MFD #6, 120' BM' 10
55	1	615897	HYD TUBE ASSY, MFD #7, 120' BM' 10
56	1	615898	HYD TUBE ASSY, MFD #8, 120' BM' 10

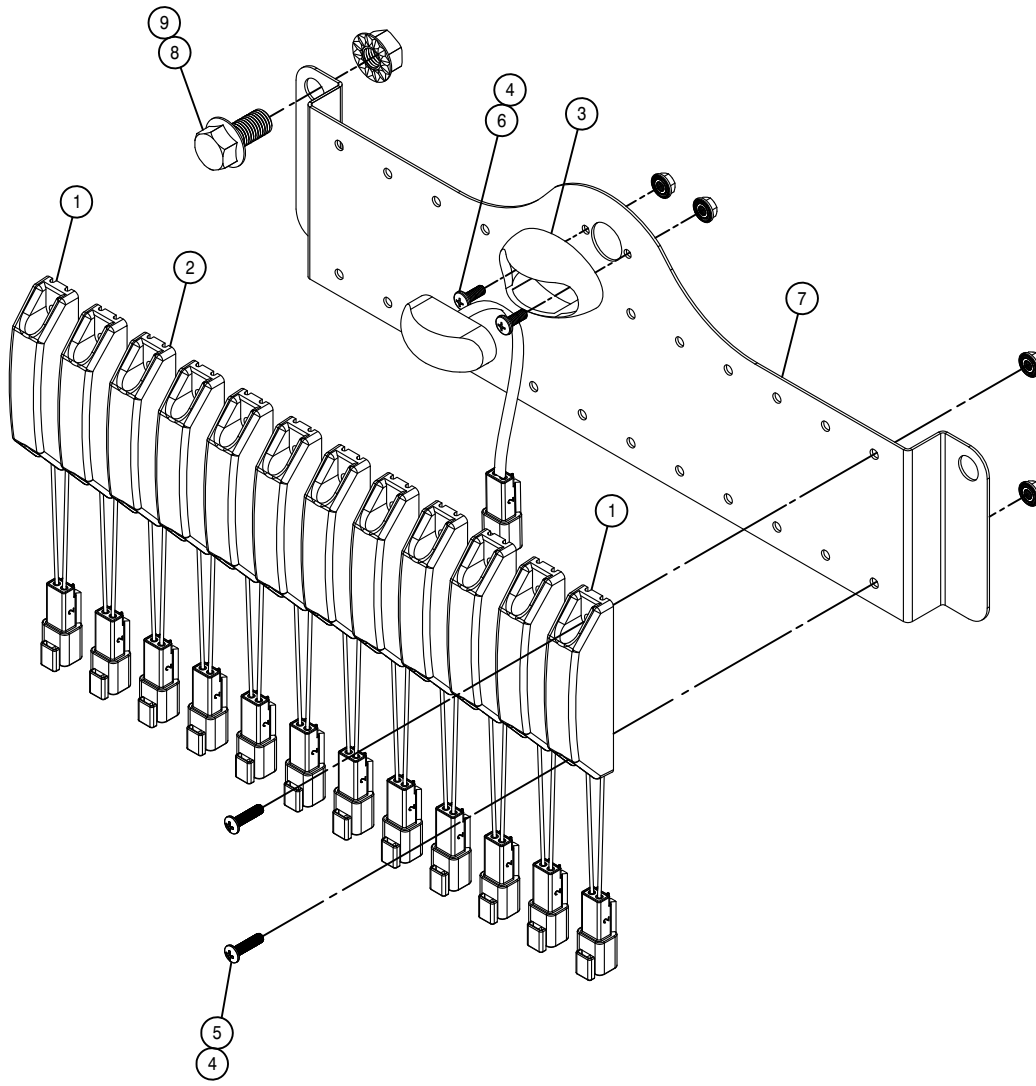




TRANSOM PIVOT ASSEMBLY

DET.	QTY	PART NO.	DESCRIPTION
1	2	121116	PRIMARY ROLL PIVOT BRNG,DELTA
2	4	165713	LIFT ARM MT PIV PIN,120'BM '09
3	1	165755	TRANSOM FIXED WLDMT,120'BM '10
4	1	A53628	ROLL PIN SPACER,DELTA
5	2	470144	1" UNC HEX NYLOC NUT
6	1	470345	1/2UNC HEX SMTH FLNG LOCK NUT
7	8	470360	1/2UNC HEX FLANGE LOCK NUT
8	2	470361	SNAP LOCK PIN, 1/2 X 3 1/2
9	1	470432	PUSH MT BASE FOR PLASTIC TIE
10	4	473001	5/16UNC HEX NUT,NYLOC 316 SS
11	2	693060	ULTRASOUND SENSOR, NORAC
12	4	900070	5/16UNC X 2 1/2 BOLT
13	8	900171	3/8UNC X 3/4 FLTHD SOC CAP SCR
14	1	900262	1/2UNC X 3/4 HEX BOLT
15	12	900264	1/2UNC X 1 1/4 HEX BOLT
16	1	900275	1/2UNC X 4 1/2 HEX BOLT
17	2	900403	3/4UNC X 2" HEX BOLT
18	6	900416	3/4UNC X 6 1/2 HEX BOLT
19	1	900535	1" UNC X 4" HEX BOLT
20	1	900546	1" UNC X 4" HEX BOLT SPECL GR5
21	8	914012	3/4UNC HEX STOVER NUT
22	2	920508	1" LOCK WASHER
23	1	618119	9/16MJIC-90-9/16MOR LBO
24	1	621592	NORAC LINEAR ROLL CYL, 1.75X12
25	1	A52803	BOOM ROLL PIN WLDMT,DELTA
26	1	A52998	ROLL CYL MT WLDMT,FIXED,DELTA
27	1	A53627	ROLL PIN COLLAR,DELTA
28	2	A53629	WASH: 11GA X 2.78 X 4.25
29	2	A53710	SLIDING TUBE WLDMT-PIVOT STOP
30	2	A53713	HOUSING PIVOT STOP WLD,120' BM
31	2	A53823	GUIDE PAD, UHMW
32	4	693073	SPACER, 1.25 X 1.010 X .170
33	6	125057	TRACK ROLLER,2.250D,.875-14THD
34	6	471001	GREASE ZERK, 3/16 DRIVE-IN
35	6	910095	7/8UNF HEX NUT
36	12	920007	7/8 SAE FLAT WASHER
37	6	920507	7/8 LOCK WASHER
38	2	A53840	ROLLER MT WLD, DELTA
39	1	693072	MAIN LIFT SENSOR MT,UC4+,NORAC
40	1	618425	9/16MJIC-45-9/16MOR LBO

7

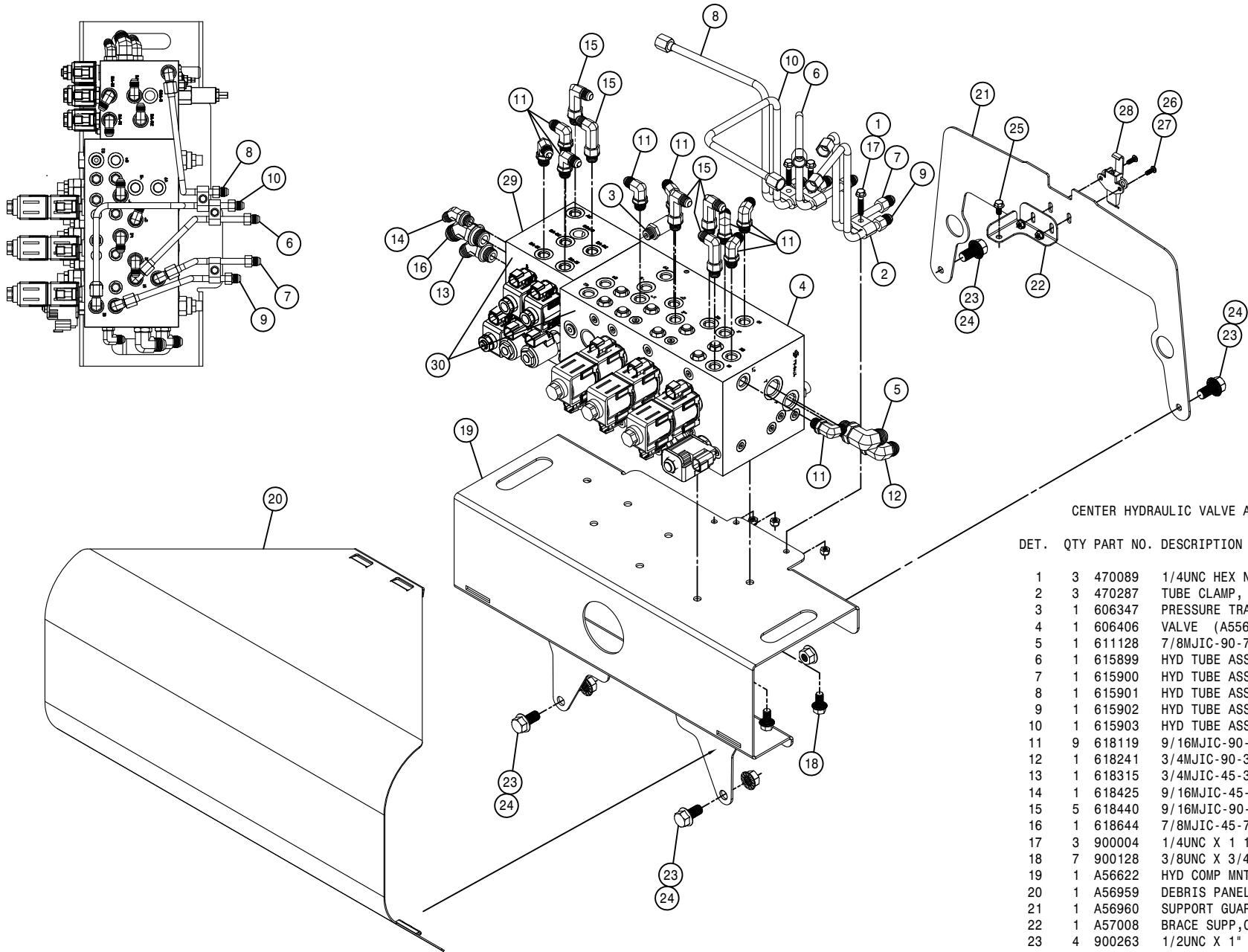


BOOM INDICATOR LIGHT ASSEMBLY

DET. QTY PART NO. DESCRIPTION

1	2	291325	AMBER LAMP,4" DT DEUTSCH
2	10	291326	RED LAMP,4" DT DEUTSCH
3	1	293817	MASTER SPRAY LIGHT ASSY,STS 05
4	26	470175	10-32 HEX FLANGE LOCK NUT
5	24	472235	10-32 X 3/4 PHIL HD MACH SCR
6	2	903706	10-32X1/2 PHIL PAN MACH SCR
7	1	A06715	BOOM INDICATOR LIGHT MT STS 08
8	2	900263	1/2UNC X 1" HEX BOLT
9	2	470360	1/2UNC HEX FLANGE LOCK NUT

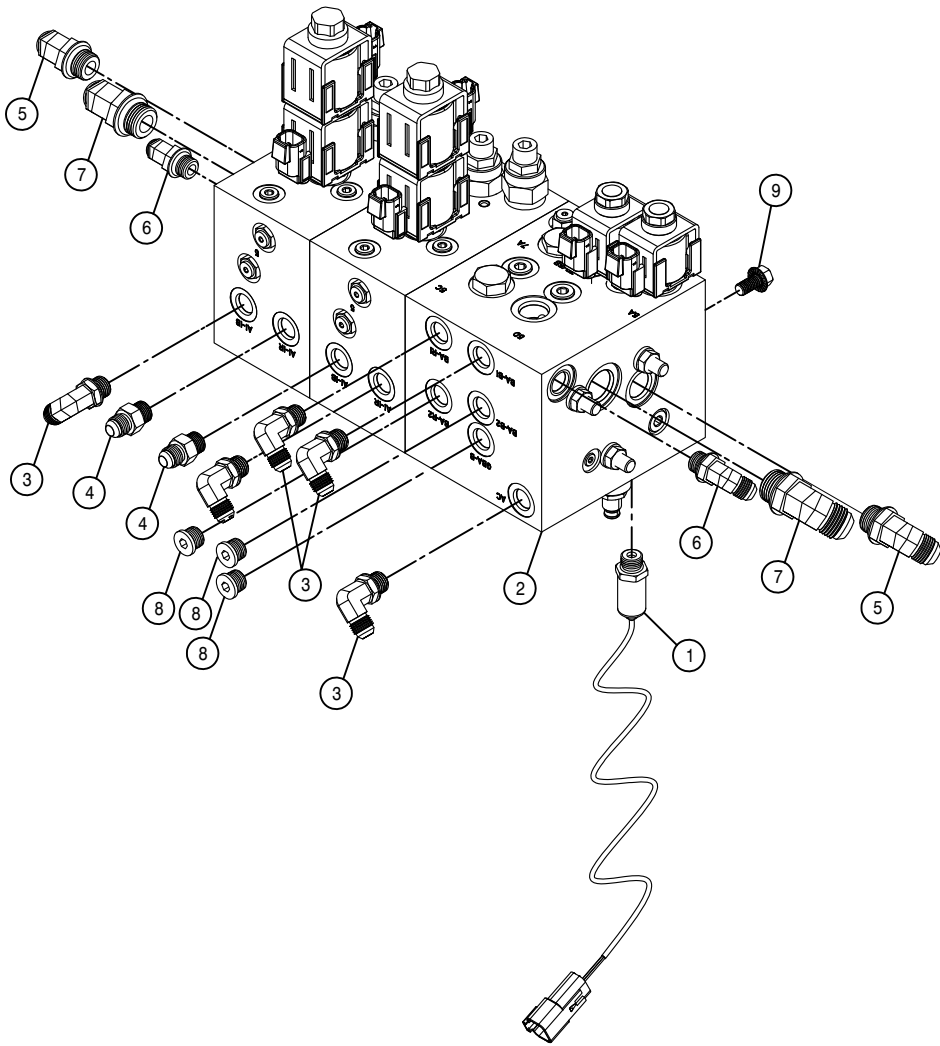




CENTER HYDRAULIC VALVE ASSEMBLY

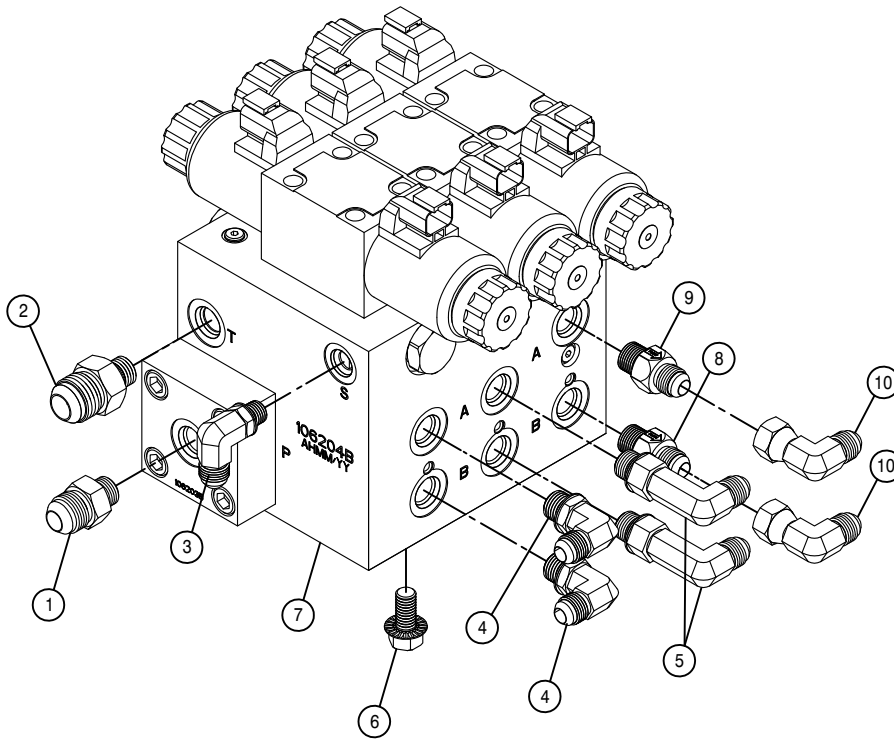
DET. QTY PART NO. DESCRIPTION

DET.	QTY	PART NO.	DESCRIPTION
1	3	470089	1/4UNC HEX NYLOC NUT, 316 SS
2	3	470287	TUBE CLAMP, .375-.375 (PAIR)
3	1	606347	PRESSURE TRANSDUCER,7500PSI
4	1	606406	VALVE (A55693)
5	1	611128	7/8MJIC-90-7/8MOR LBO
6	1	615899	HYD TUBE ASSY,MFD #9,120'BM'10
7	1	615900	HYD TUBE ASSY,MFD#10,120'BM'10
8	1	615901	HYD TUBE ASSY,MFD#11,120'BM'10
9	1	615902	HYD TUBE ASSY,MFD#12,120'BM'10
10	1	615903	HYD TUBE ASSY,MFD#13,120'BM'10
11	9	618119	9/16MJIC-90-9/16MOR LBO
12	1	618241	3/4MJIC-90-3/4MOR LBO
13	1	618315	3/4MJIC-45-3/4MOR LBO
14	1	618425	9/16MJIC-45-9/16MOR LBO
15	5	618440	9/16MJIC-90-9/16MOR EX LG LBO
16	1	618644	7/8MJIC-45-7/8MOR LBO
17	3	900004	1/4UNC X 1 1/4 HEX BOLT
18	7	900128	3/8UNC X 3/4 HEX BOLT
19	1	A56622	HYD COMP MNT, TOP CNTR 120BM
20	1	A56959	DEBRIS PANEL GUARD,120'BOOM'10
21	1	A56960	SUPPORT GUARD PLT,120'BOOM '10
22	1	A57008	BRACE SUPP, COVER 120'BOOM '10
23	4	900263	1/2UNC X 1" HEX BOLT
24	4	470360	1/2UNC HEX FLANGE LOCK NUT
25	1	470122	1/4UNC X 1/2 FLANGE HEX BOLT
26	2	470175	10-32 HEX FLANGE LOCK NUT
27	2	903883	10-32 X 1/2 PHIL PAN MACH SCR
28	1	473008	DRAW LATCH, OVER CNTR, SMALL SS
29	1	606407	VALVE (A55278)
30	1	606405	VALVE, SUNSOURCE (A56744)



BOOM BREAKAWAY MANIFOLD ASSEMBLY

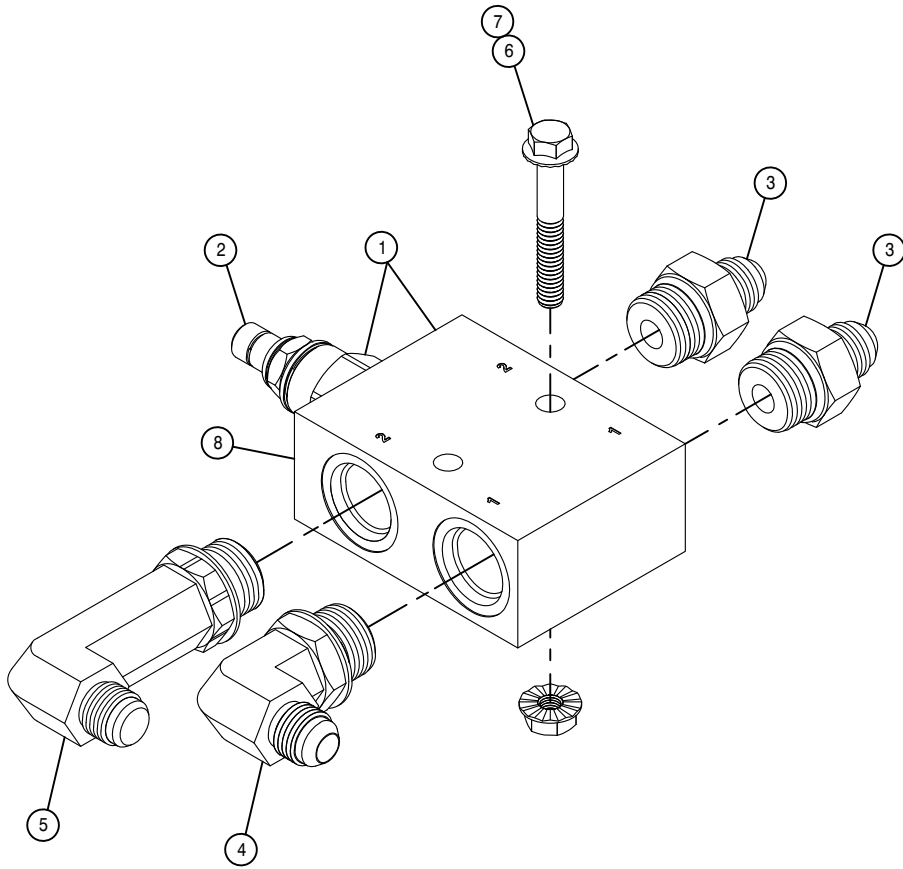
DET.	QTY	PART NO.	DESCRIPTION
	1	606347	PRESSURE TRANSDUCER,7500PSI
	1	606401	VALVE,SUNSOURCE (A56857)
	5	618119	9/16MJIC-90-9/16MOR LBO
	2	618126	9/16MJIC-9/16MOR ADPTR
	2	618315	3/4MJIC-45-3/4MOR LBO
	2	618425	9/16MJIC-45-9/16MOR LBO
	2	618644	7/8MJIC-45-7/8MOR LBO
	3	618754	9/16MOR PLUG, HEX SOCKET
	4	900128	3/8UNC X 3/4 HEX BOLT



NORAC HYDRAULIC VALVE ASSEMBLY

DET. QTY PART NO. DESCRIPTION

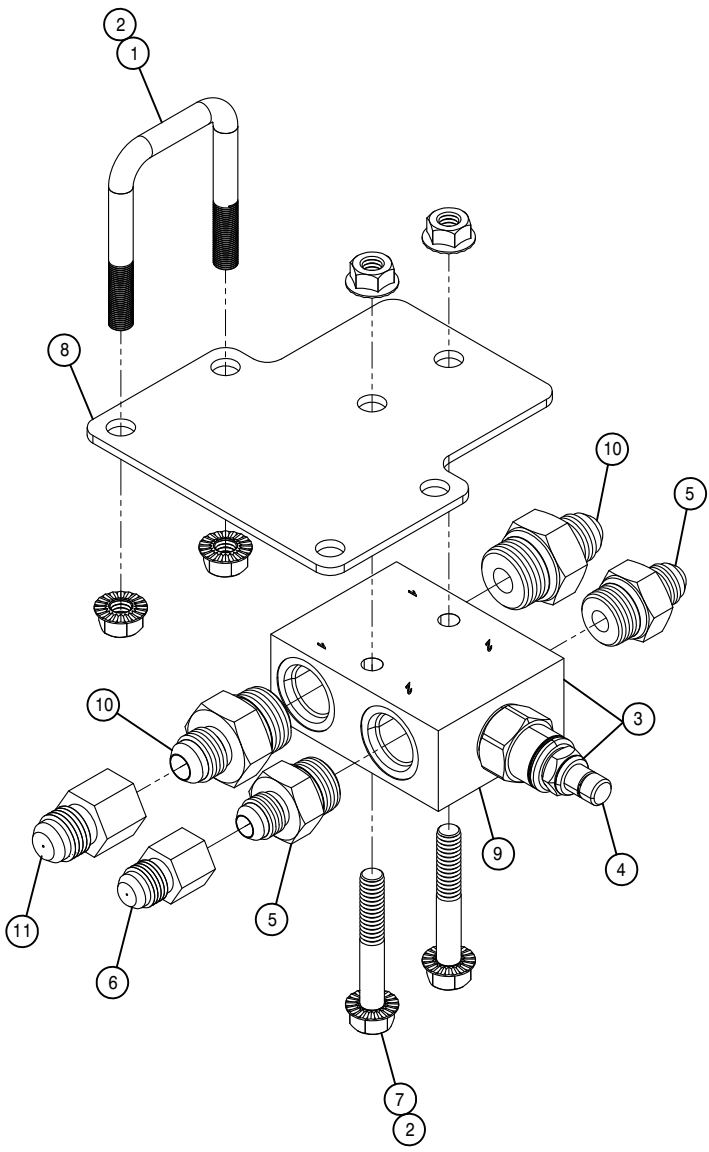
DET.	QTY	PART NO.	DESCRIPTION
1	1	618360	3/4M JIC-9/16MOR ADPTR
2	1	618832	7/8M JIC-9/16MOR ADPTR
3	1	618114	9/16M JIC-90-7/16MOR LBO
4	2	618119	9/16M JIC-90-9/16MOR LBO
5	2	618440	9/16M JIC-90-9/16MOR EX LG LBO
6	4	900128	3/8UNC X 3/4 HEX BOLT
7	1	606456	NORAC HYD VALVE (44960D)
8	1	614763	9/16M JIC-9/16MOR.042MOMF ADPTR
9	1	614765	9/16M JIC-9/16MOR.047MOMF ADPTR
10	2	618618	9/16M JIC-90-9/16FJIC SWIV LBO



KICKDOWN RELIEF VALVE ASSEMBLY

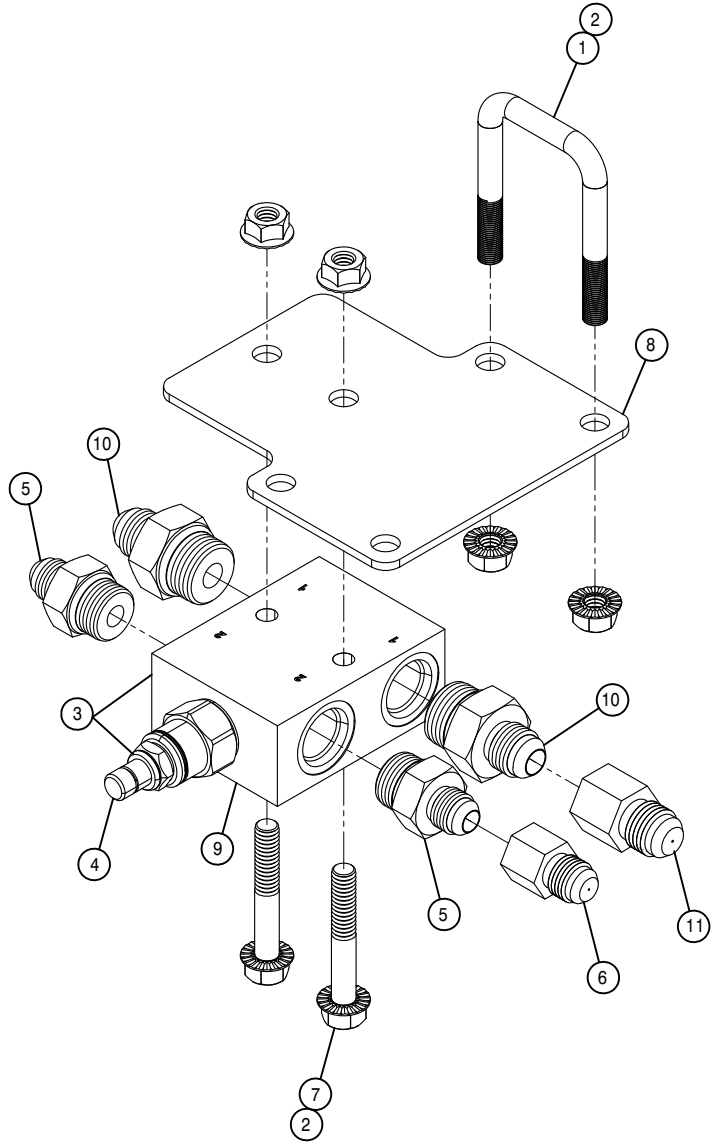
DET. QTY PART NO. DESCRIPTION

1	1	607558	KICKDOWN RELIEF, SUN
2	1	607562	CARTRIDGE FOR 607558 VALVE
3	2	618109	9/16MJIC-3/4MOR ADPTR
4	1	618115	9/16MJIC-90-3/4MOR LBO
5	1	618709	9/16MJIC-90-3/4MOR EX LG LBO
6	2	900068	5/16UNC X 1 3/4 HEX BOLT
7	2	470113	5/16UNC HEX FLANGE LOCK NUT
8	1	607561	MANIFOLD FOR 607558 VALVE



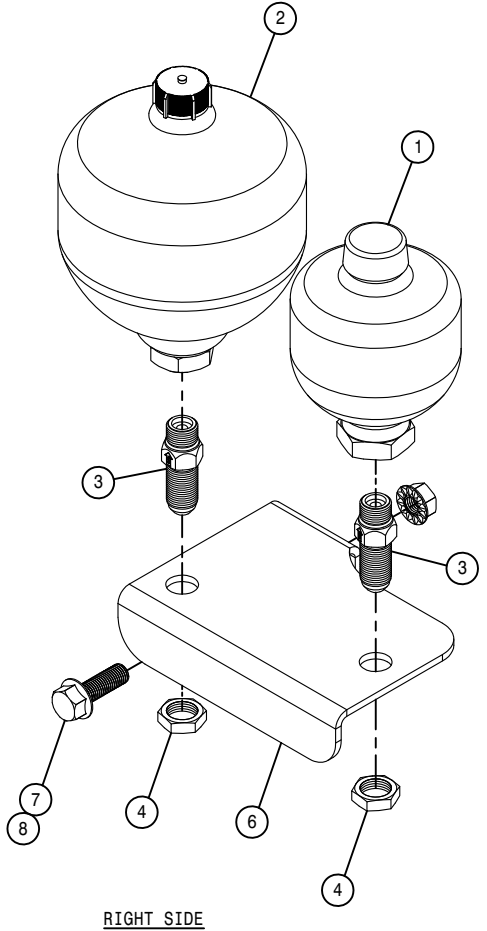
RIGHT KICKDOWN RELIEF VALVE ASSEMBLY

DET.	QTY	PART NO.	DESCRIPTION
1	2	473986	5/16UNC-1 9/16ID-2 3/8 U-BOLT
2	6	470113	5/16UNC HEX FLANGE LOCK NUT
3	1	607558	KICKDOWN RELIEF, SUN
4	1	607562	CARTRIDGE FOR 607558 VALVE
5	2	618109	9/16MJIC-3/4MOR ADPTR
6	1	618732	9/16JIC .031 ORIFICE ADPTR
7	2	900069	5/16UNC X 2" HEX BOLT
8	1	A53889	BRACKET,BREAKAWAY RELIEF BLOC
9	1	607561	MANIFOLD FOR 607558 VALVE
10	2	611125	3/4MJIC-3/4MOR ADPTR
11	1	618835	3/4MJIC .031 ORIFICE ADPTR



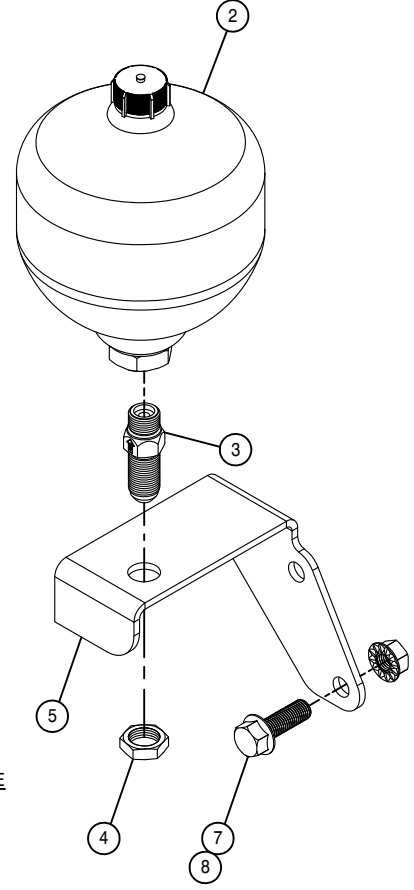
LEFT KICKDOWN RELIEF VALVE ASSEMBLY

DET.	QTY	PART NO.	DESCRIPTION
1	2	473986	5/16UNC-1 9/16ID-2 3/8 U-BOLT
2	6	470113	5/16UNC HEX FLANGE LOCK NUT
3	1	607558	KICKDOWN RELIEF, SUN
4	1	607562	CARTRIDGE FOR 607558 VALVE
5	2	618109	9/16MJIC-3/4MOR ADPTR
6	1	618732	9/16JIC .031 ORIFICE ADPTR
7	2	900069	5/16UNC X 2" HEX BOLT
8	1	A53889	BRACKET,BREAKAWAY RELIEF BLOC
9	1	607561	MANIFOLD FOR 607558 VALVE
10	2	611125	3/4MJIC-3/4MOR ADPTR
11	1	618835	3/4MJIC .031 ORIFICE ADPTR



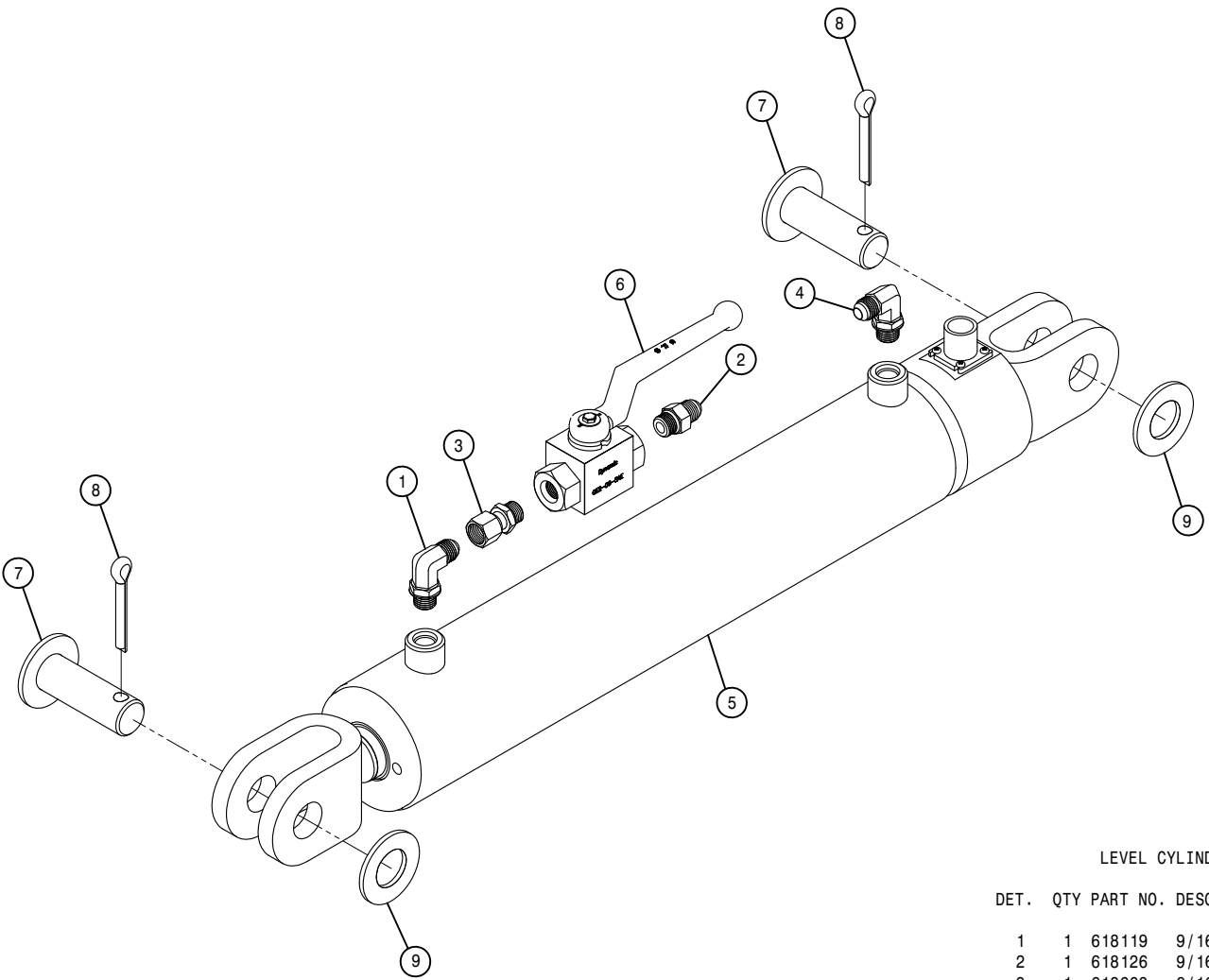
RIGHT SIDE

LEFT SIDE



ACCUMULATOR ASSEMBLY

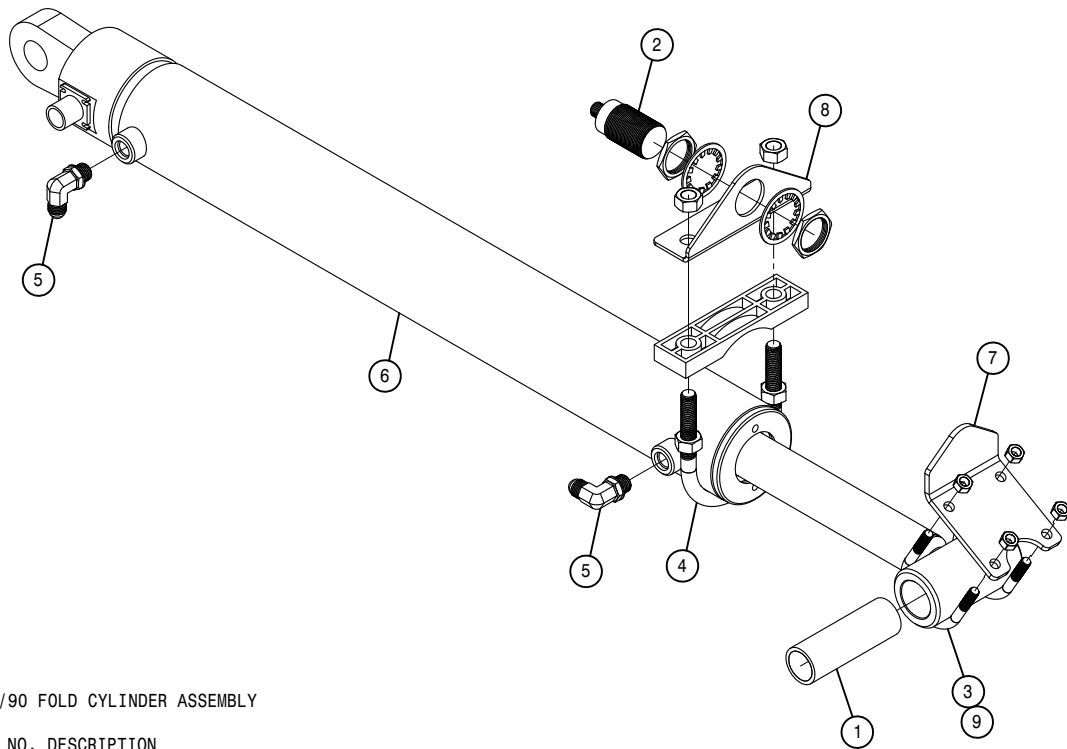
DET.	QTY	PART NO.	DESCRIPTION
1	1	470444	ACCUMULATOR, 30CI 1508 PSI
2	2	470537	ACCUMULATOR, SBO210 1800 PSI
3	3	618743	3/4MOR-3/4MJIC BLKHD, .040 ORF
4	3	618744	3/4-16 BULKHEAD LOCKNUT
5	1	A56697	LH LG ACCMLTR MNT,WLD 120BM
6	1	A54289	RH LG ACCUMULATOR MT WLDMT
7	4	470431	1/2UNC X 1 1/2 FLANGE BOLT
8	4	470360	1/2UNC HEX FLANGE LOCK NUT



LEVEL CYLINDER ASSEMBLY

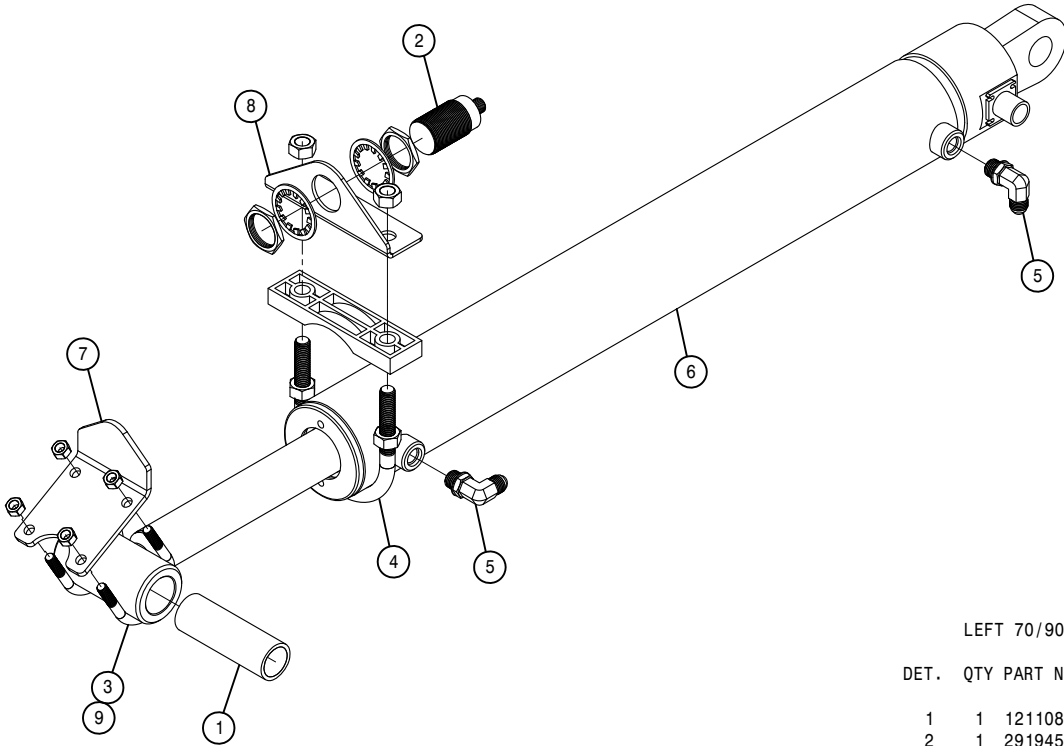
DET.	QTY	PART NO.	DESCRIPTION
1	1	618119	9/16MJIC-90-9/16MOR LBO
2	1	618126	9/16MJIC-9/16MOR ADPTR
3	1	618668	9/16FJIC SWIV-9/16MOR ADPTR
4	1	618738	9/16MJ-90-9/16MOR .055 CHK VLV
5	1	621584	LEVEL CYL,STS 120' BOOM 07
6	1	696131	BALL VALVE,9/16FOR,7250PSI
7	2	164500	LEVEL CYL PIN WLD, SHAFT END
8	2	470012	COTTER PIN 5/16 X 2" LG,316 SS
9	2	920008	1" SAE FLAT WASHER





RIGHT 70/90 FOLD CYLINDER ASSEMBLY

DET.	QTY	PART NO.	DESCRIPTION
	1	121108	OUTR BOOM FOLD CYL BRG,POLYGON
	1	291945	PROXIMITY SENSOR,M30 X 1.5
	2	472032	5/16-18-2.00"ID-2.687 U BOLT
	1	472033	12MM-3.25ID-4.437 U BOLT/BASE
	2	618119	9/16MJIC-90-9/16MOR LBO
	1	621586	70/90' FOLD CYL,STS 120'BOOM 07
	1	A52275	FLAG PLATE, 70/90 FLD CYL
	1	A52370	PROX. MOUNT, 70/90 CYL
	4	910002	5/16UNC HEX NUT

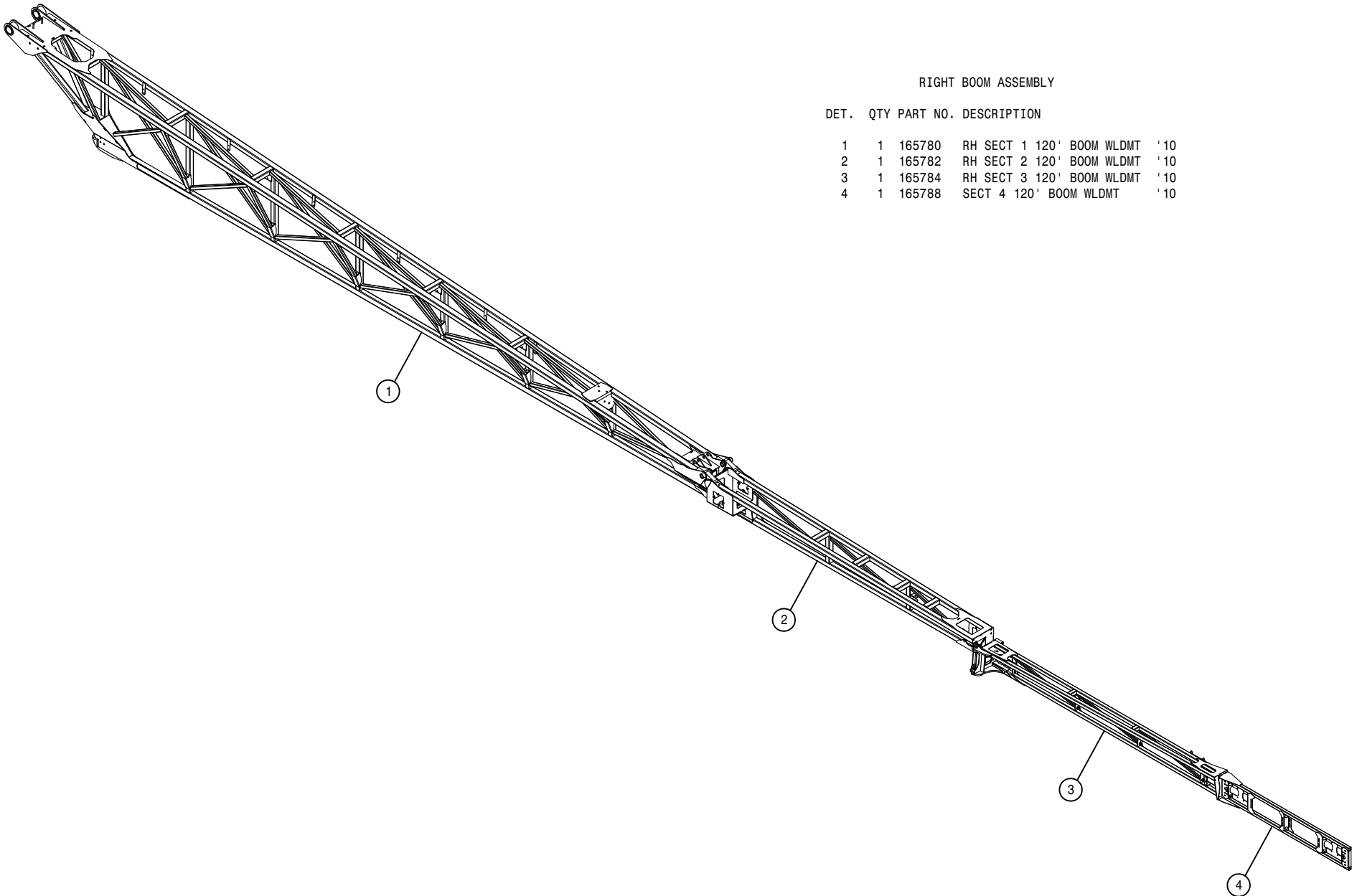


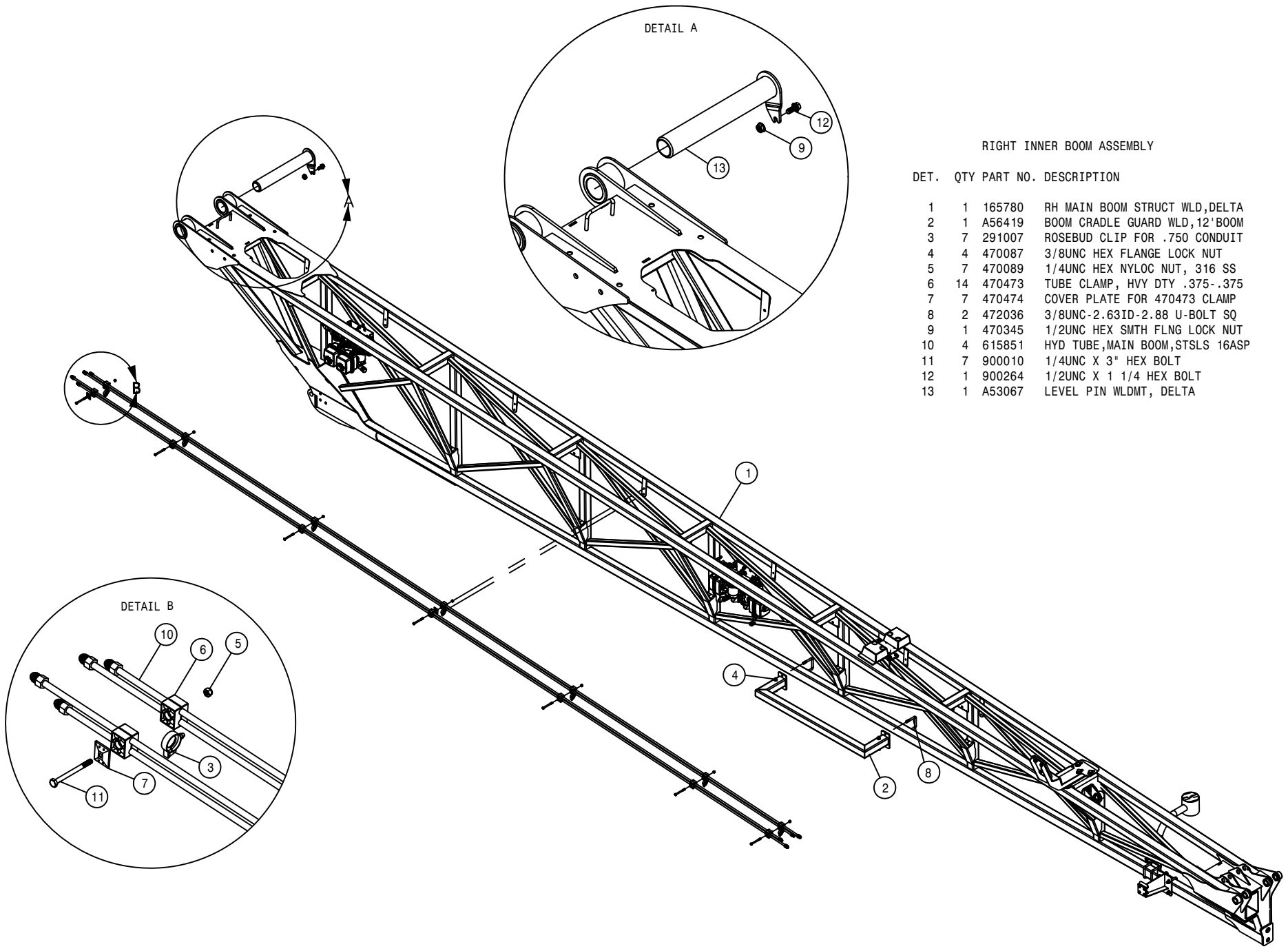
LEFT 70/90 FOLD CYLINDER ASSEMBLY

DET.	QTY	PART NO.	DESCRIPTION
	1	121108	OUTR BOOM FOLD CYL BRG,POLYGON
	1	291945	PROXIMITY SENSOR,M30 X 1.5
	2	472032	5/16-18-2.00"ID-2.687 U BOLT
	1	472033	12MM-3.25ID-4.437 U BOLT/BASE
	2	618119	9/16MJIC-90-9/16MOR LBO
	1	621586	70/90'FOLD CYL,STS 120'BOOM 07
	1	A52275	FLAG PLATE, 70/90 FLD CYL
	1	A52370	PROX. MOUNT, 70/90 CYL
	4	910002	5/16UNC HEX NUT

RIGHT BOOM ASSEMBLY

DET.	QTY	PART NO.	DESCRIPTION
1	1	165780	RH SECT 1 120' BOOM WLDMT '10
2	1	165782	RH SECT 2 120' BOOM WLDMT '10
3	1	165784	RH SECT 3 120' BOOM WLDMT '10
4	1	165788	SECT 4 120' BOOM WLDMT '10

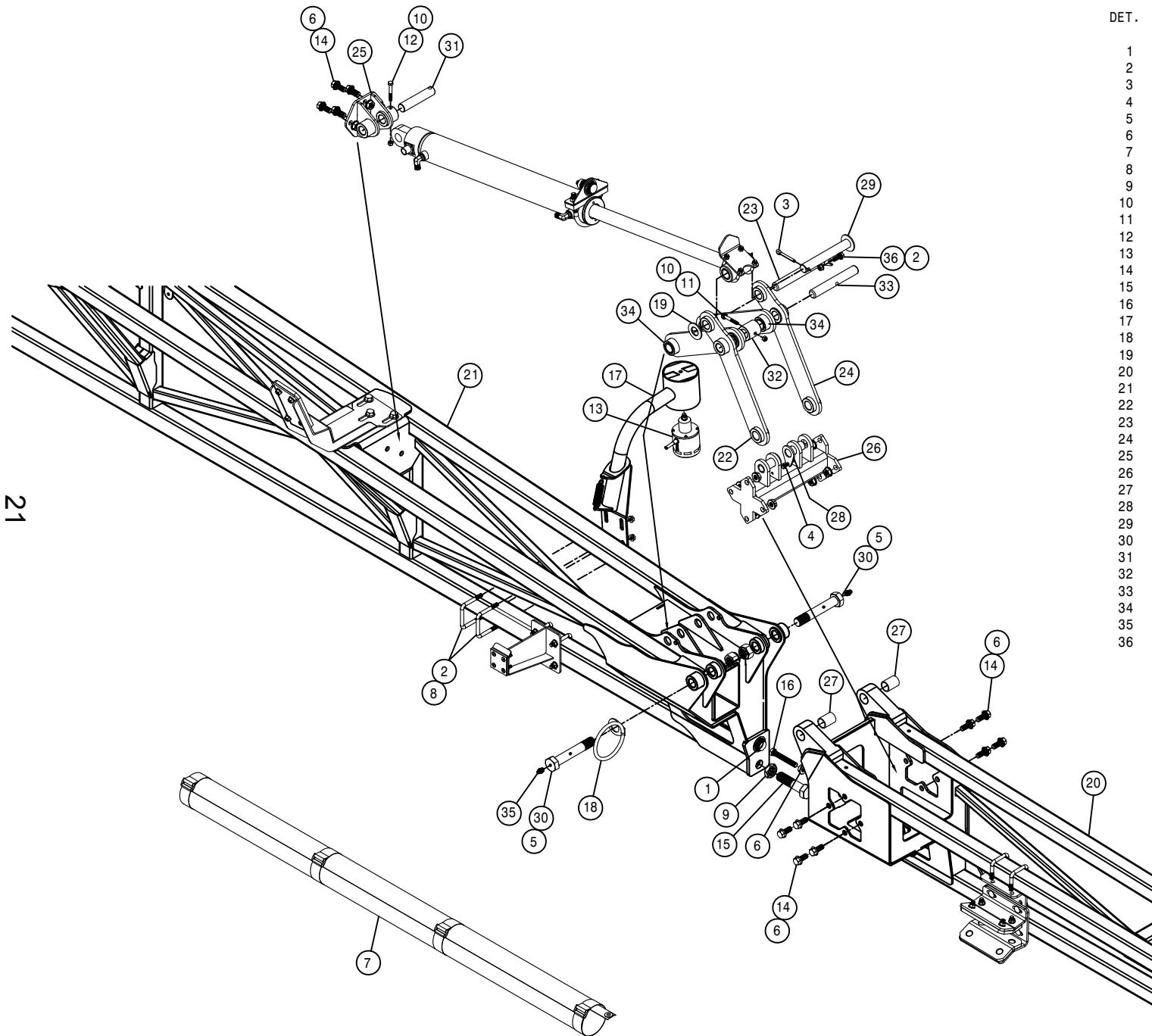




RIGHT INNER BOOM ASSEMBLY

DET.	QTY	PART NO.	DESCRIPTION
1	1	165780	RH MAIN BOOM STRUCT WLD,DELTA
2	1	A56419	BOOM CRADLE GUARD WLD,12"BOOM
3	7	291007	ROSEBUD CLIP FOR .750 CONDUIT
4	4	470087	3/8UNC HEX FLANGE LOCK NUT
5	7	470089	1/4UNC HEX NYLOC NUT, 316 SS
6	14	470473	TUBE CLAMP, HVY DTY .375-.375
7	7	470474	COVER PLATE FOR 470473 CLAMP
8	2	472036	3/8UNC-2.63ID-2.88 U-BOLT SQ
9	1	470345	1/2UNC HEX SMTH FLNG LOCK NUT
10	4	615851	HYD TUBE,MAIN BOOM,STSL S 16ASP
11	7	900010	1/4UNC X 3" HEX BOLT
12	1	900264	1/2UNC X 1 1/4 HEX BOLT
13	1	A53067	LEVEL PIN WLDMT, DELTA

RIGHT BOOM FOLD ASSEMBLY



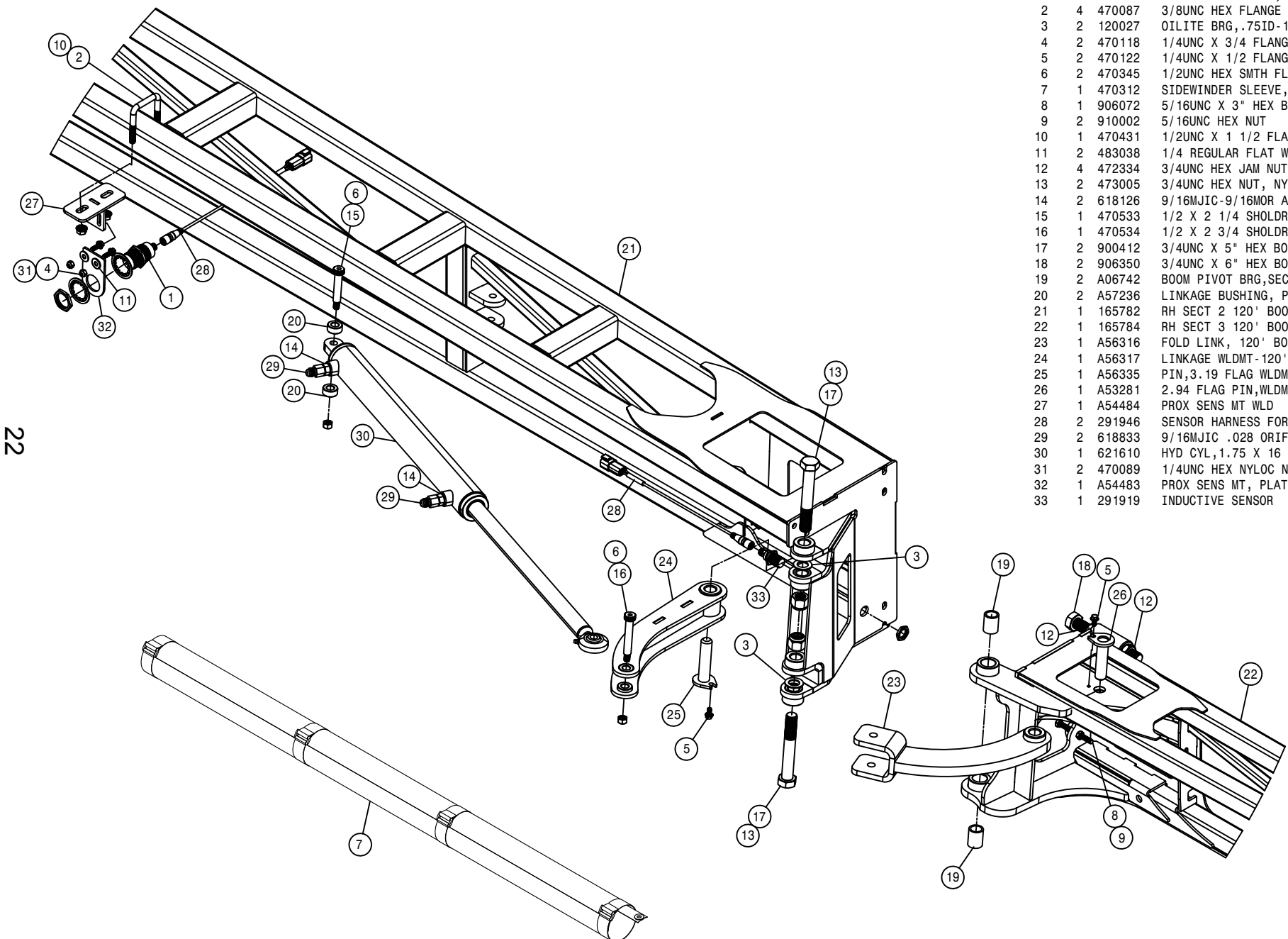
DET.	QTY	PART NO.	DESCRIPTION
1	1	291945	PROXIMITY SENSOR,M30 X 1.5
2	5	470087	3/8UNC HEX FLANGE LOCK NUT
3	1	470012	COTTER PIN 5/16 X 2" LG,316 SS
4	2	470122	1/4UNC X 1/2 FLANGE HEX BOLT
5	2	470144	1-8 HEX NYLOC NUT
6	13	470345	1/2UNC HEX SMTH FLNG LOCK NUT
7	1	470312	SIDEWINDER SLEEVE,14.06 X 68"
8	2	472036	3/8UNC-2.63ID-2.88 U-BOLT SQ
9	1	472328	1-12 HEX JAM NUT
10	2	473001	5/16UNC HEX NUT,NYLOC 316 SS
11	1	900069	5/16UNC X 2" HEX BOLT
12	1	900086	5/16UNC X 2 1/4 HEX BOLT
13	1	693060	ULTRASOUND SENSOR, NORAC
14	12	900264	1/2UNC X 1 1/4 HEX BOLT
15	1	900535	1" UNC X 4" HEX BOLT
16	1	900538	1/2UNC X 3 1/2 HEX BOLT FULL
17	1	693068	SENSOR MTG BRKT, NORAC
18	1	A53866	HOSE RING WLD, DELTA
19	1	920008	1" SAE FLAT WASHER
20	1	165782	RH SECTION 2 WLDMT, 120' BOOM
21	1	165780	RH MAIN BOOM STRUCT WLD,DELTA
22	1	A52614	LF/RR FOLD LINK WLD,T,3 HOLE
23	1	A52944	PIN WLDMT,LINK 1-SECT 1,DELTA
24	1	A52947	RF/LR FOLD LINK WLDMT,3 HOLE
25	1	A53141	FOLD CYL MNT WLD, SECT 1
26	1	A53225	WLDMT,BOOM PIVOT
27	2	120028	BSHNG, BRONZE1.250DX1.025IDX1.625L
28	2	A53558	2.13 FLAG PIN,WLDMT
29	1	A53582	CYL PIN WLDMT,SECT 1/2,DELTA
30	2	A56413	1"UNC X 6.00 HEX BOLT,SPEC GR5
31	1	A53630	70'/90' FOLD PIN,DELTA
32	1	A53762	BUSH,1.750D- 1.015ID-1.81LG WH
33	1	A53764	LINKAGE PIN, SECT1/2, DELTA
34	2	A53805	2- HOLE LINKAGE ASSY, DELTA
35	2	471005	1/4-28 STRAIGHT GREASE FITTING
36	1	900129	3/8UNC X 1" SERR FLNG HEX BOLT

21

RIGHT OUTER BOOM FOLD ASSEMBLY

DET. QTY PART NO. DESCRIPTION

DET.	QTY	PART NO.	DESCRIPTION
1	1	291945	PROXIMITY SENSOR,M30 X 1.5
2	4	470087	3/8UNC HEX FLANGE LOCK NUT
3	2	120027	OILITE BRG, .75ID-1.25OD-.06LG
4	2	470118	1/4UNC X 3/4 FLANGE HEX BOLT
5	2	470122	1/4UNC X 1/2 FLANGE HEX BOLT
6	2	470345	1/2UNC HEX SMTH FLNG LOCK NUT
7	1	470312	SIDEWINDER SLEEVE,14.06 X 68"
8	1	906072	5/16UNC X 3" HEX BOLT FULL
9	2	910002	5/16UNC HEX NUT
10	1	470431	1/2UNC X 1 1/2 FLANGE BOLT
11	2	483038	1/4 REGULAR FLAT WASHER
12	4	472334	3/4UNC HEX JAM NUT
13	2	473005	3/4UNC HEX NUT, NYLOC
14	2	618126	9/16MJIC-9/16MOR ADPTR
15	1	470533	1/2 X 2 1/4 SHOLDR BOLT,3/8-16
16	1	470534	1/2 X 2 3/4 SHOLDR BOLT,3/8-16
17	2	900412	3/4UNC X 5" HEX BOLT
18	2	906350	3/4UNC X 6" HEX BOLT FULL
19	2	A06742	BOOM PIVOT BRG,SECT 3, POLYGON
20	2	A57236	LINKAGE BUSHING, PAINTED
21	1	165782	RH SECT 2 120' BOOM WLDMT '10
22	1	165784	RH SECT 3 120' BOOM WLDMT '10
23	1	A56316	FOLD LINK, 120' BOOM
24	1	A56317	LINKAGE WLDMT-120' BOOM
25	1	A56335	PIN,3.19 FLAG WLDMENT
26	1	A53281	2.94 FLAG PIN,WLDMT
27	1	A54484	PROX SENS MT WLD
28	2	291946	SENSOR HARNESS FOR 291945
29	2	618833	9/16MJIC .028 ORIFICE ADPTR
30	1	621610	HYD CYL,1.75 X 16 X 1.25
31	2	470089	1/4UNC HEX NYLOC NUT, 316 SS
32	1	A54483	PROX SENS MT, PLATE
33	1	291919	INDUCTIVE SENSOR



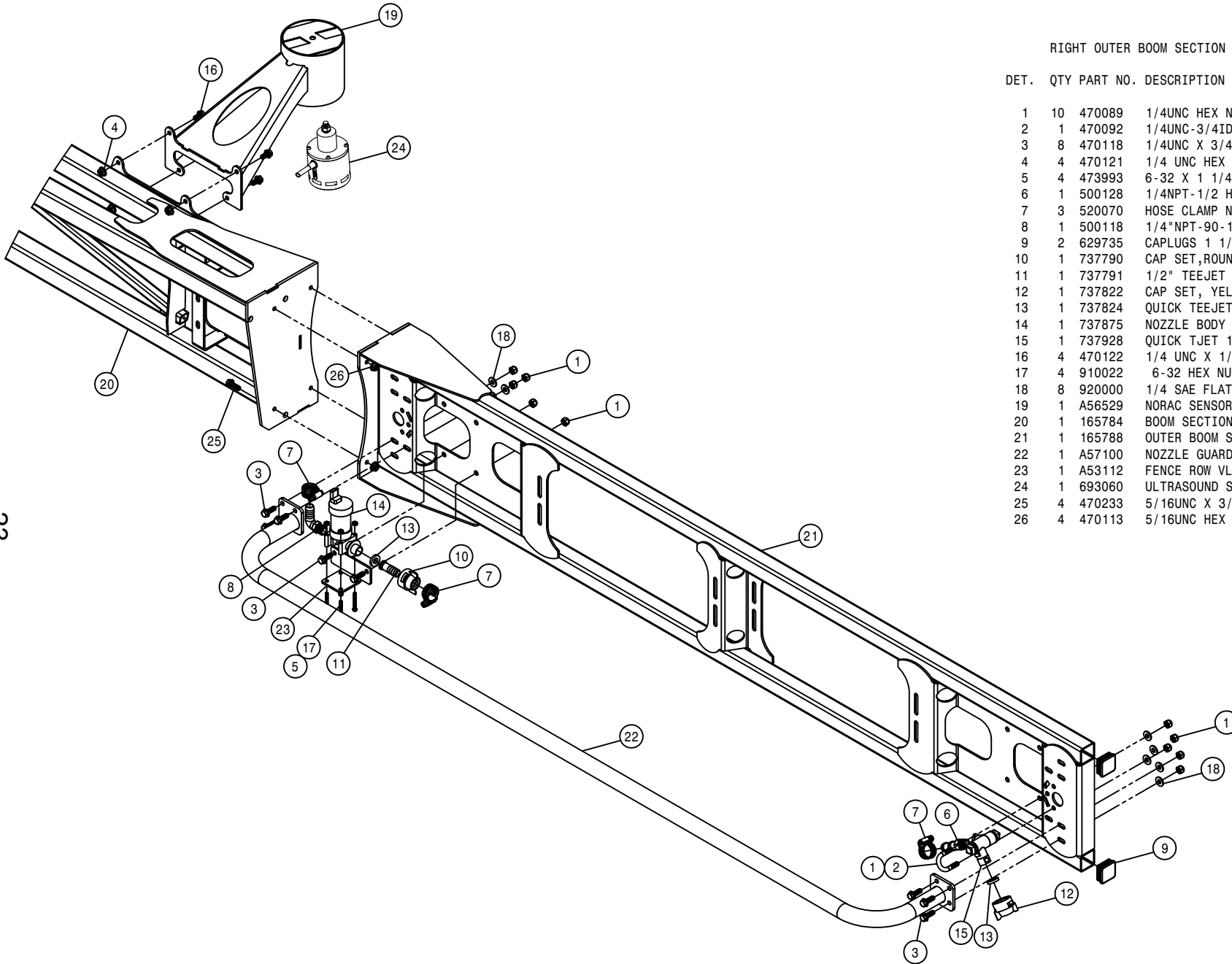
22

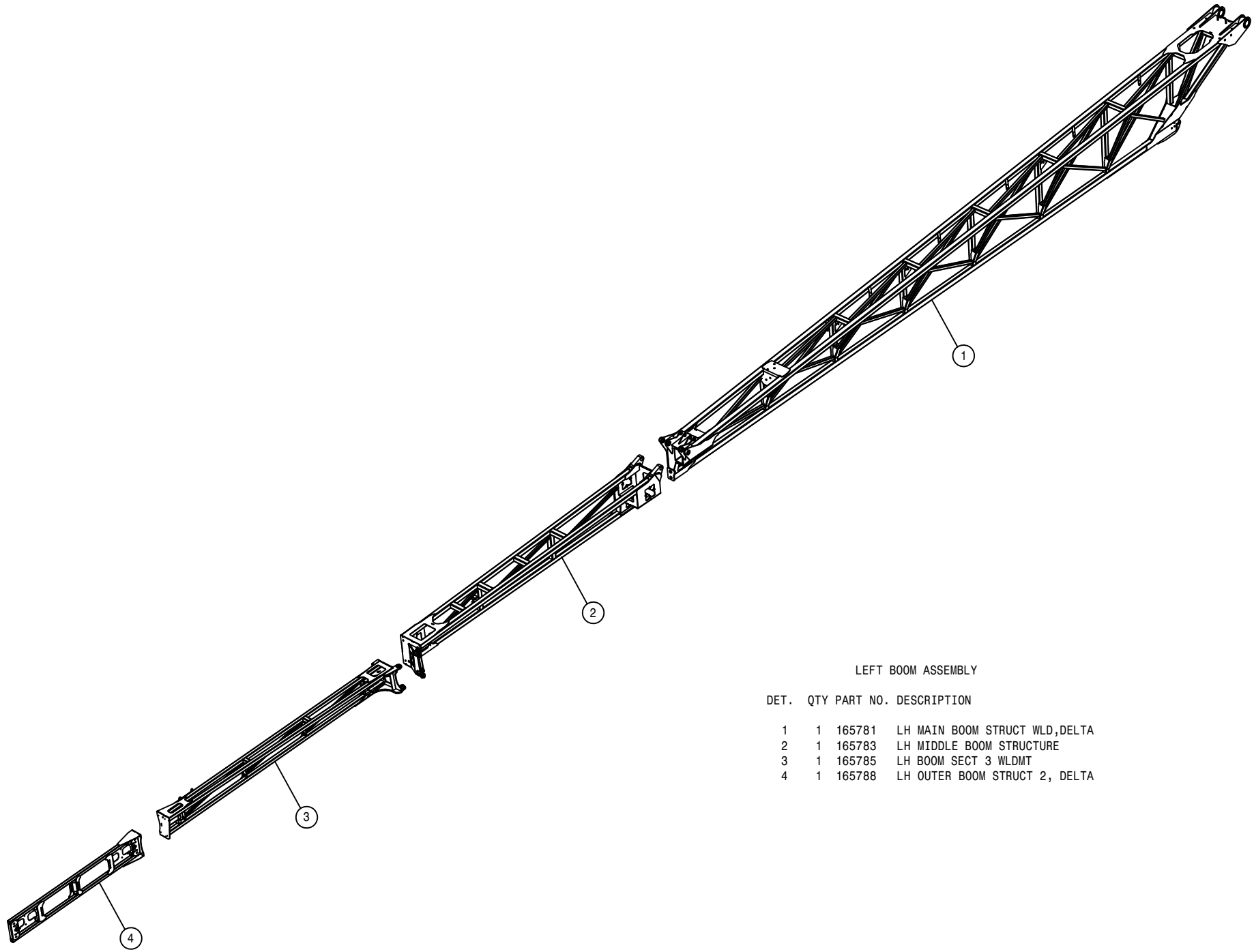
486022

RIGHT OUTER BOOM SECTION ASSEMBLY

DET. QTY PART NO. DESCRIPTION

DET.	QTY	PART NO.	DESCRIPTION
1	10	470089	1/4UNC HEX NYLOC NUT, 316 SS
2	1	470092	1/4UNC-3/4ID-1 1/4 U-BOLT SS
3	8	470118	1/4UNC X 3/4 FLANGE HEX BOLT
4	4	470121	1/4 UNC HEX FLANGE LOCK NUT
5	4	473993	6-32 X 1 1/4 HH MACH SCR
6	1	500128	1/4NPT-1/2 HOSE BARB, POLY
7	3	520070	HOSE CLAMP NO 8 STAINLESS
8	1	500118	1/4"NPT-90-1/2"HOSE BARB, POLY
9	2	629735	CAPPLUGS 1 1/4" SQ, BLACK POLY
10	1	737790	CAP SET,ROUND,RED QUICK TEEJET
11	1	737791	1/2" TEEJET HOSE SHANK, NYLON
12	1	737822	CAP SET, YELLOW QUICK TEEJET
13	1	737824	QUICK TEEJET SEAT GASKET
14	1	737875	NOZZLE BODY VALVE, 12VDC
15	1	737928	QUICK TJET 1-TIP SWIV NOZZLE
16	4	470122	1/4 UNC X 1/2 FLANGE HEX BOLT
17	4	910022	6-32 HEX NUT
18	8	920000	1/4 SAE FLAT WASHER
19	1	A56529	NORAC SENSOR MNT, TIP
20	1	165784	BOOM SECTION 3 WELDMENT RH
21	1	165788	OUTER BOOM STRUCT 2, DELTA
22	1	A57100	NOZZLE GUARD WLDMT,SECT4,DELTA
23	1	A53112	FENCE ROW VLV BRKT,DELTA
24	1	693060	ULTRASOUND SENSOR, NORAC
25	4	470233	5/16UNC X 3/4 FLANGE HEX BOLT
26	4	470113	5/16UNC HEX FLANGE LOCK NUT





LEFT BOOM ASSEMBLY

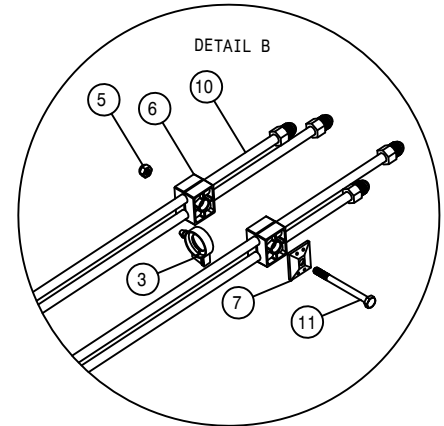
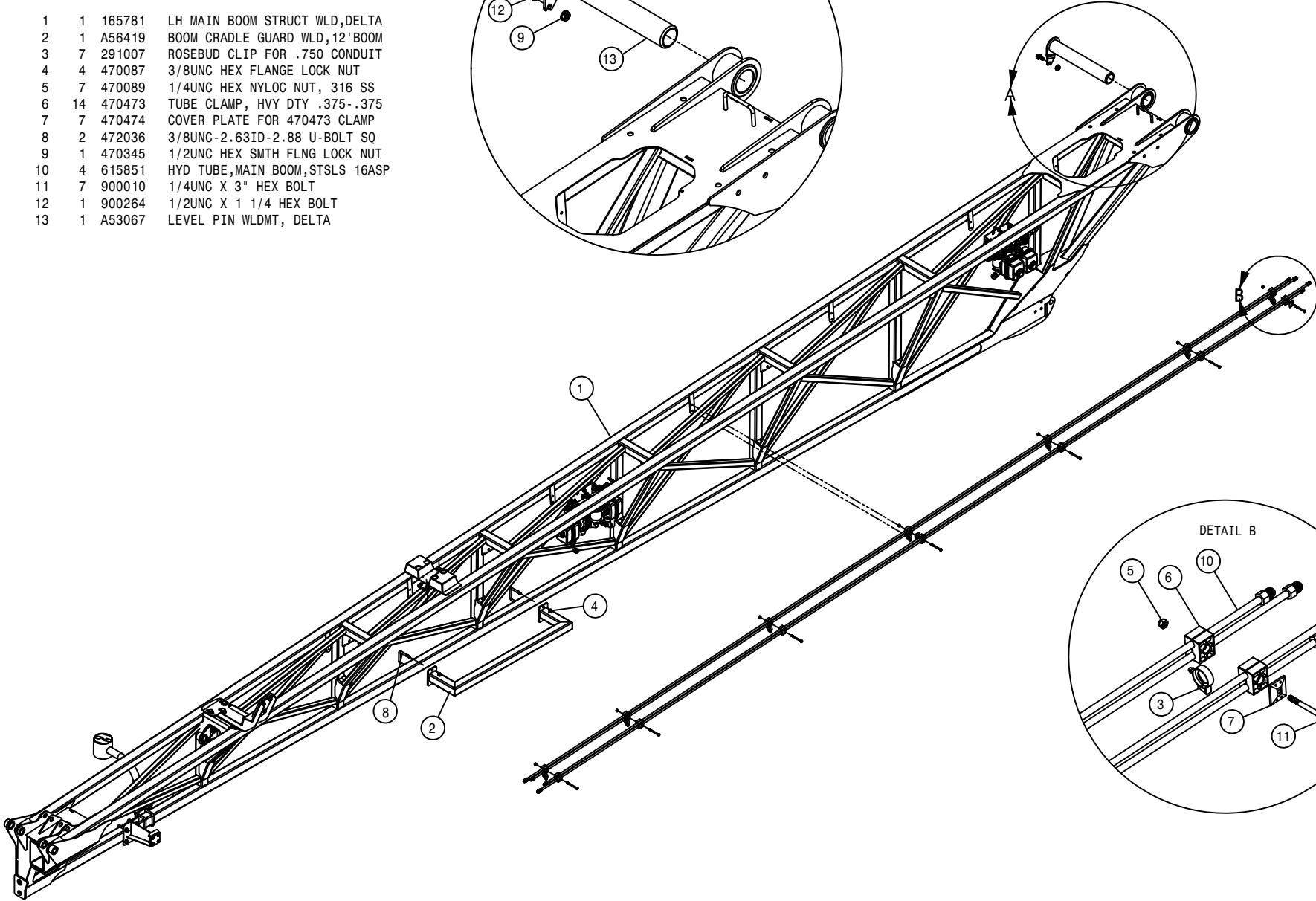
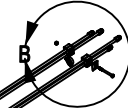
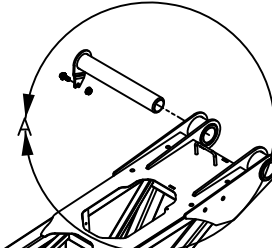
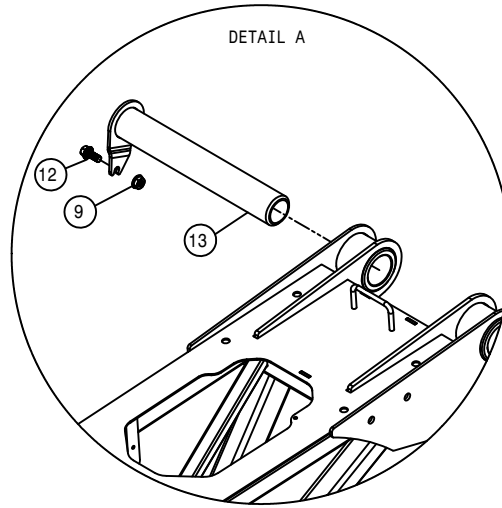
DET.	QTY	PART NO.	DESCRIPTION
1	1	165781	LH MAIN BOOM STRUCT WLD,DELTA
2	1	165783	LH MIDDLE BOOM STRUCTURE
3	1	165785	LH BOOM SECT 3 WLDMT
4	1	165788	LH OUTER BOOM STRUCT 2, DELTA



LEFT INNER BOOM ASSEMBLY

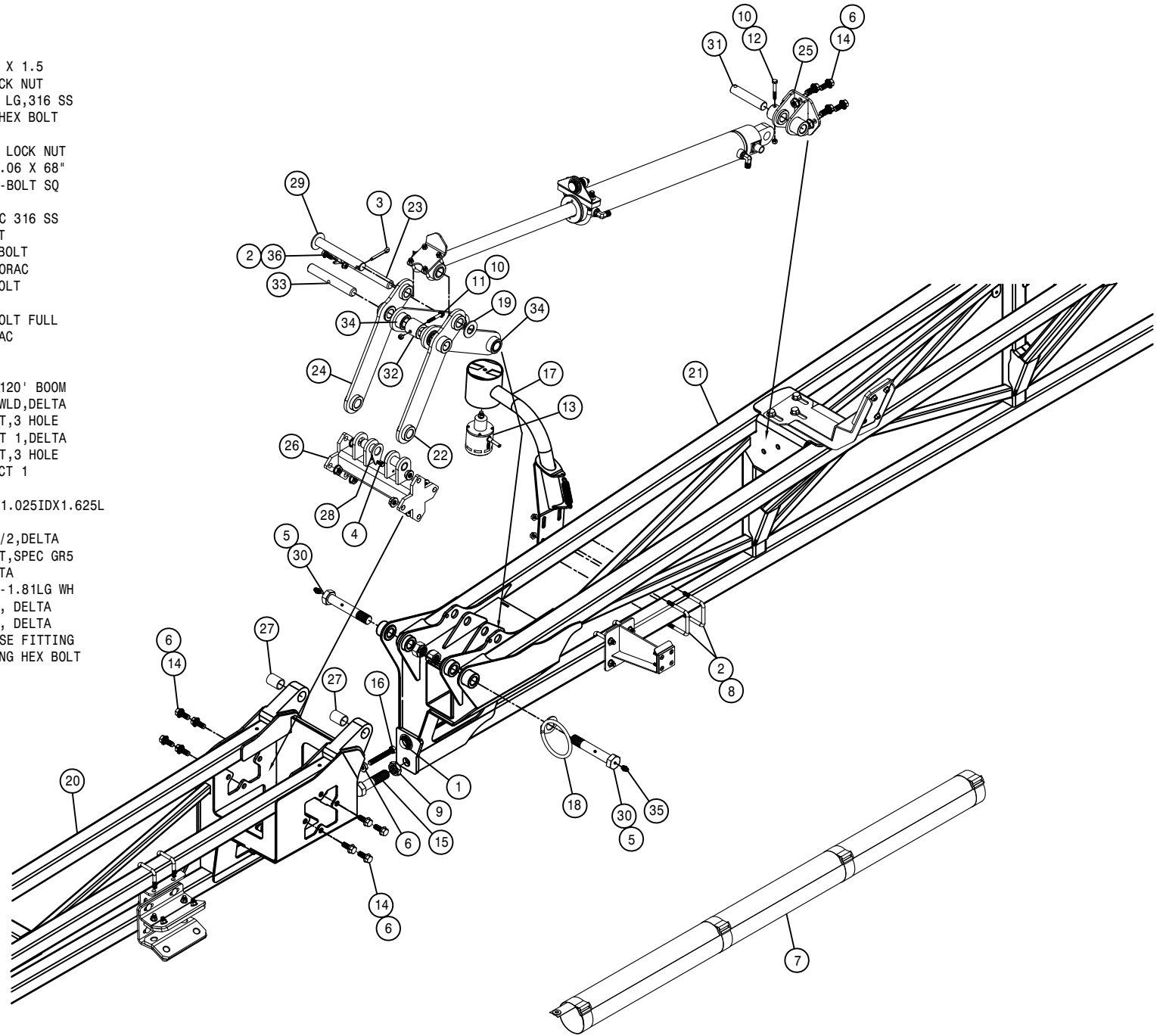
DET. QTY PART NO. DESCRIPTION

1	1	165781	LH MAIN BOOM STRUCT WLD, DELTA
2	1	A56419	BOOM CRADLE GUARD WLD, 12' BOOM
3	7	291007	ROSEBUD CLIP FOR .750 CONDUIT
4	4	470087	3/8UNC HEX FLANGE LOCK NUT
5	7	470089	1/4UNC HEX NYLOC NUT, 316 SS
6	14	470473	TUBE CLAMP, HVY DTY .375-.375
7	7	470474	COVER PLATE FOR 470473 CLAMP
8	2	472036	3/8UNC-2.63ID-2.88 U-BOLT SQ
9	1	470345	1/2UNC HEX SMTH FLNG LOCK NUT
10	4	615851	HYD TUBE, MAIN BOOM, STSLS 16ASP
11	7	900010	1/4UNC X 3" HEX BOLT
12	1	900264	1/2UNC X 1 1/4 HEX BOLT
13	1	A53067	LEVEL PIN WLDMT, DELTA



LEFT BOOM FOLD ASSEMBLY

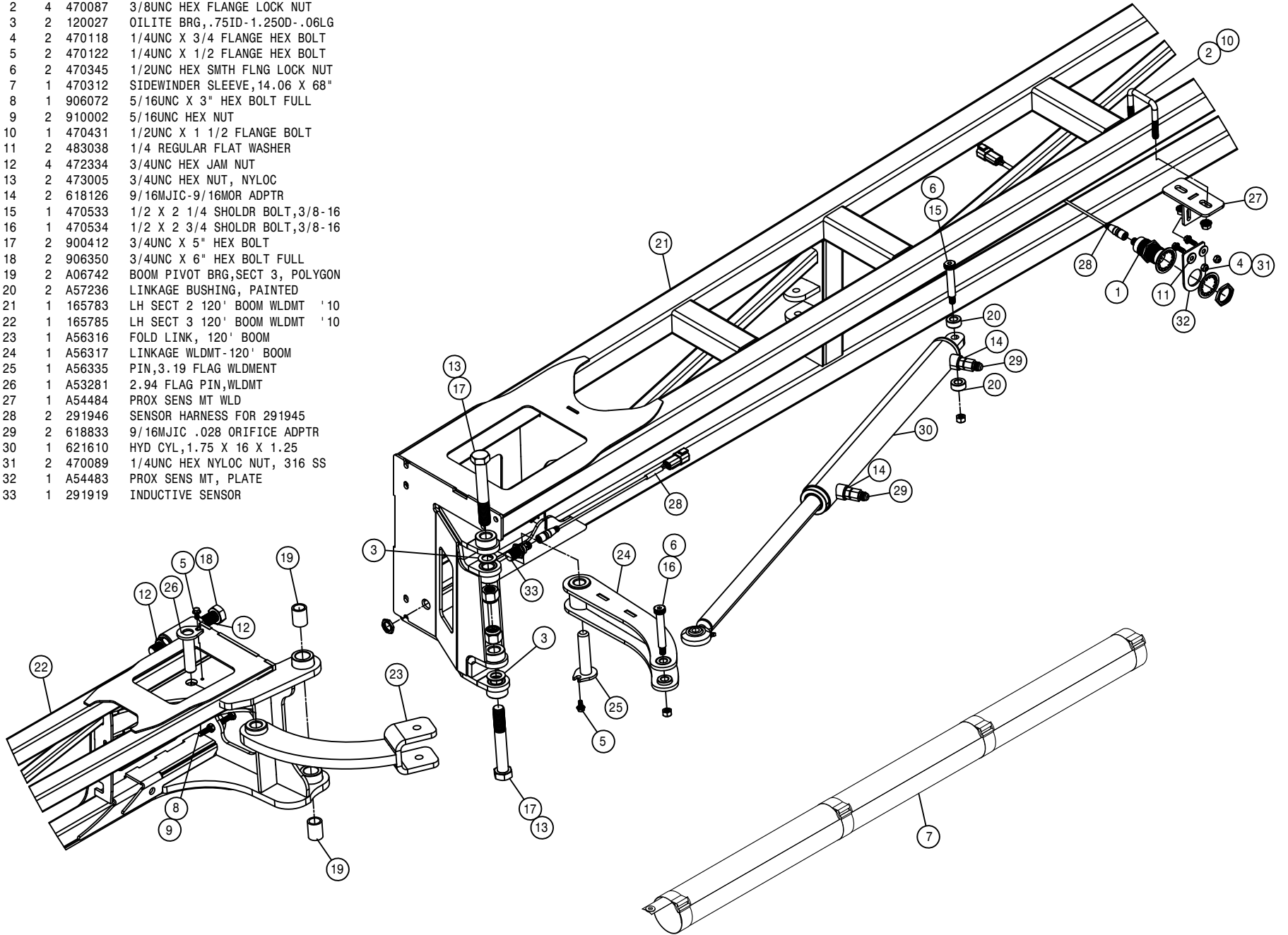
DET.	QTY	PART NO.	DESCRIPTION
1	1	291945	PROXIMITY SENSOR,M30 X 1.5
2	5	470087	3/8UNC HEX FLANGE LOCK NUT
3	1	470012	COTTER PIN 5/16 X 2" LG,316 SS
4	2	470122	1/4UNC X 1/2 FLANGE HEX BOLT
5	2	470144	1-8 HEX NYLOC NUT
6	13	470345	1/2UNC HEX SMTH FLNG LOCK NUT
7	1	470312	SIDEWINDER SLEEVE,14.06 X 68"
8	2	472036	3/8UNC-2.63ID-2.88 U-BOLT SQ
9	1	472328	1-12 HEX JAM NUT
10	2	473001	5/16UNC HEX NUT,NYLOC 316 SS
11	1	900069	5/16UNC X 2" HEX BOLT
12	1	900086	5/16UNC X 2 1/4 HEX BOLT
13	1	693060	ULTRASOUND SENSOR, NORAC
14	12	900264	1/2UNC X 1 1/4 HEX BOLT
15	1	900535	1" UNC X 4" HEX BOLT
16	1	900538	1/2UNC X 3 1/2 HEX BOLT FULL
17	1	693068	SENSOR MTG BRKT, NORAC
18	1	A53866	HOSE RING WLD, DELTA
19	1	920008	1" SAE FLAT WASHER
20	1	165783	LH SECTION 2 WLDMT, 120' BOOM
21	1	165781	LH MAIN BOOM STRUCT WLD,DELTA
22	1	A52614	LF/RR FOLD LINK WLD,T,3 HOLE
23	1	A52944	PIN WLDMT,LINK 1-SECT 1,DELTA
24	1	A52947	RF/LR FOLD LINK WLDMT,3 HOLE
25	1	A53141	FOLD CYL MNT WLD, SECT 1
26	1	A53225	WLDMT,BOOM PIVOT
27	2	120028	BSHNG, BRONZE1.250DX1.025IDX1.625L
28	2	A53558	2.13 FLAG PIN,WLDMT
29	1	A53582	CYL PIN WLDMT,SECT 1/2,DELTA
30	2	A56413	1"UNC X 6.00 HEX BOLT,SPEC GR5
31	1	A53630	70'/90' FOLD PIN,DELTA
32	1	A53762	BUSH,1.750D- 1.015ID-1.81LG WH
33	1	A53764	LINKAGE PIN, SECT1/2, DELTA
34	2	A53805	2- HOLE LINKAGE ASSY, DELTA
35	2	471005	1/4-28 STRAIGHT GREASE FITTING
36	1	900129	3/8UNC X 1" SERR FLNG HEX BOLT



LEFT OUTER BOOM FOLD ASSEMBLY

DET. QTY PART NO. DESCRIPTION

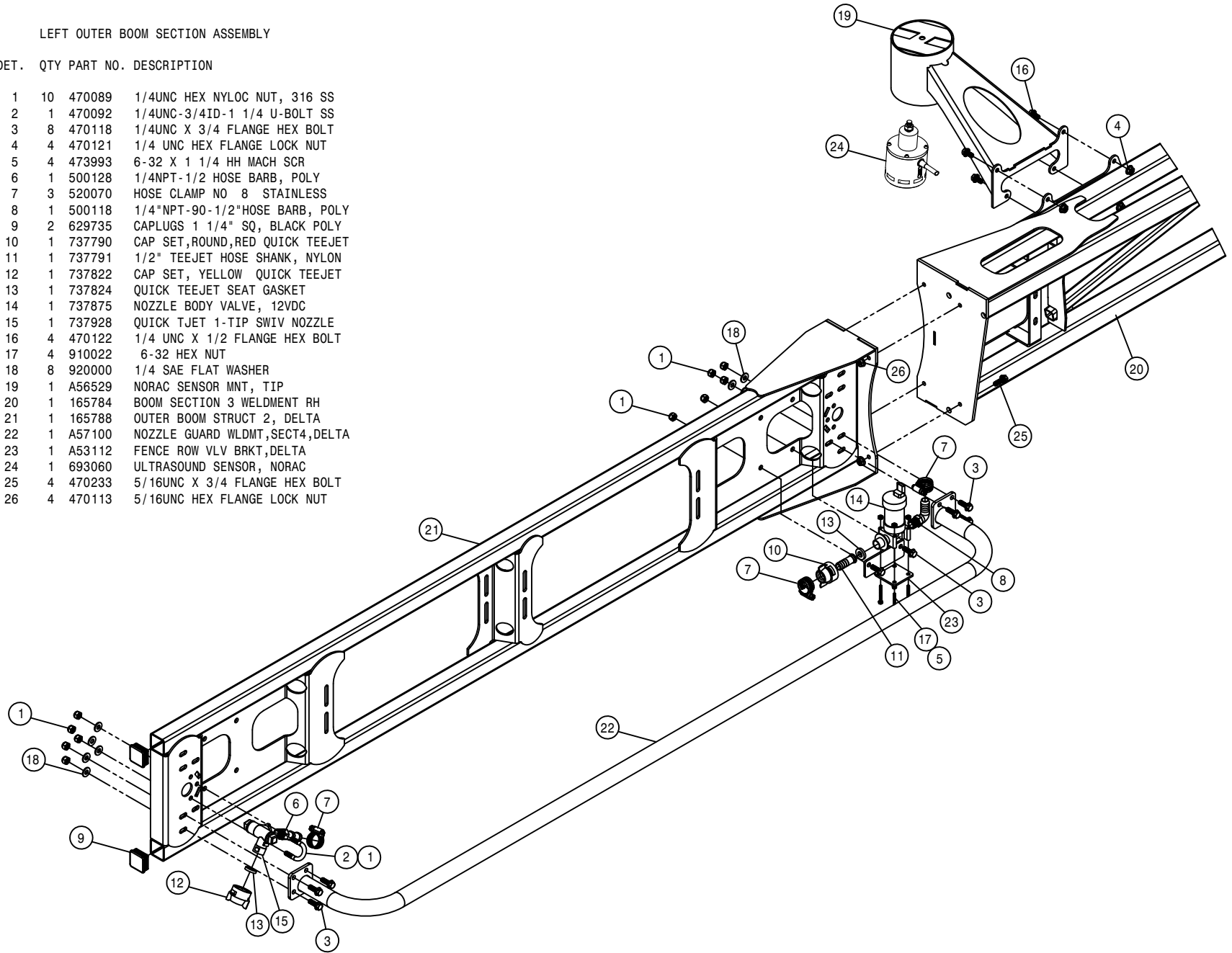
1	1	291945	PROXIMITY SENSOR,M30 X 1.5
2	4	470087	3/8UNC HEX FLANGE LOCK NUT
3	2	120027	OILITE BRG,.75ID-1.25OD-.06LG
4	2	470118	1/4UNC X 3/4 FLANGE HEX BOLT
5	2	470122	1/4UNC X 1/2 FLANGE HEX BOLT
6	2	470345	1/2UNC HEX SMTH FLNG LOCK NUT
7	1	470312	SIDEWINDER SLEEVE,14.06 X 68"
8	1	906072	5/16UNC X 3" HEX BOLT FULL
9	2	910002	5/16UNC HEX NUT
10	1	470431	1/2UNC X 1 1/2 FLANGE BOLT
11	2	483038	1/4 REGULAR FLAT WASHER
12	4	472334	3/4UNC HEX JAM NUT
13	2	473005	3/4UNC HEX NUT, NYLOC
14	2	618126	9/16MJIC-9/16MOR ADPTR
15	1	470533	1/2 X 2 1/4 SHOLDR BOLT,3/8-16
16	1	470534	1/2 X 2 3/4 SHOLDR BOLT,3/8-16
17	2	900412	3/4UNC X 5" HEX BOLT
18	2	906350	3/4UNC X 6" HEX BOLT FULL
19	2	A06742	BOOM PIVOT BRG,SECT 3, POLYGON
20	2	A57236	LINKAGE BUSHING, PAINTED
21	1	165783	LH SECT 2 120' BOOM WLDMT '10
22	1	165785	LH SECT 3 120' BOOM WLDMT '10
23	1	A56316	FOLD LINK, 120' BOOM
24	1	A56317	LINKAGE WLDMT-120' BOOM
25	1	A56335	PIN,3.19 FLAG WLDMENT
26	1	A53281	2.94 FLAG PIN,WLDMT
27	1	A54484	PROX SENS MT WLD
28	2	291946	SENSOR HARNESS FOR 291945
29	2	618833	9/16MJIC .028 ORIFICE ADPTR
30	1	621610	HYD CYL,1.75 X 16 X 1.25
31	2	470089	1/4UNC HEX NYLOC NUT, 316 SS
32	1	A54483	PROX SENS MT, PLATE
33	1	291919	INDUCTIVE SENSOR

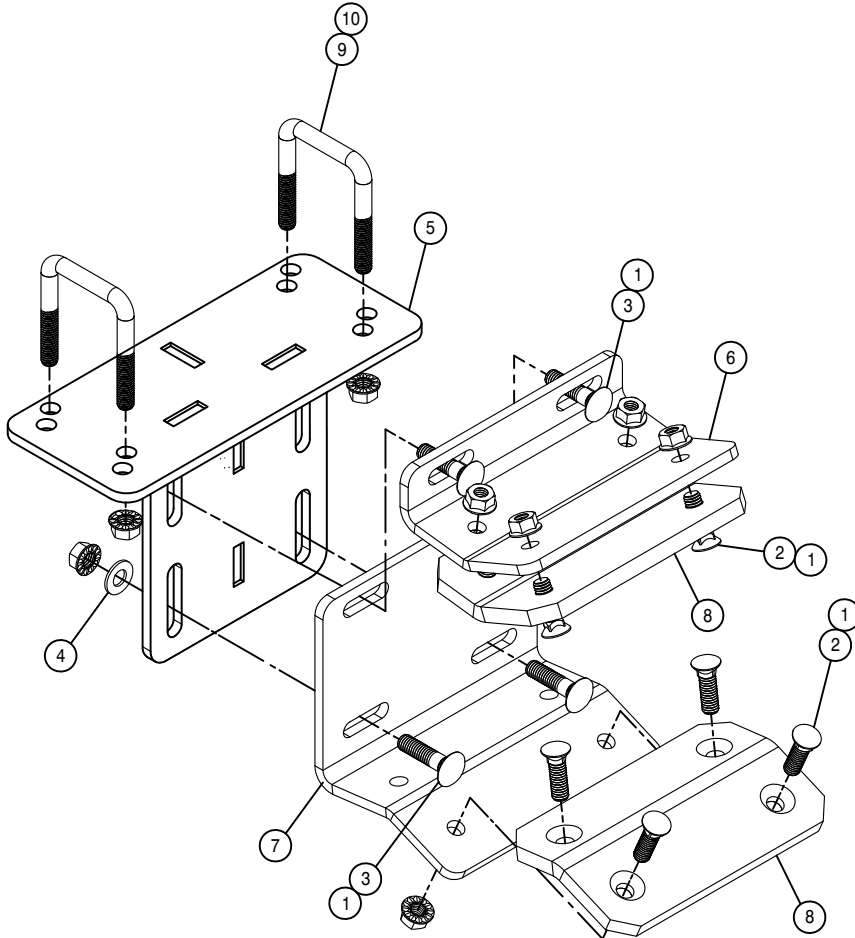


LEFT OUTER BOOM SECTION ASSEMBLY

DET. QTY PART NO. DESCRIPTION

1	10	470089	1/4UNC HEX NYLOC NUT, 316 SS
2	1	470092	1/4UNC-3/4ID-1 1/4 U-BOLT SS
3	8	470118	1/4UNC X 3/4 FLANGE HEX BOLT
4	4	470121	1/4 UNC HEX FLANGE LOCK NUT
5	4	473993	6-32 X 1 1/4 HH MACH SCR
6	1	500128	1/4NPT-1/2 HOSE BARB, POLY
7	3	520070	HOSE CLAMP NO 8 STAINLESS
8	1	500118	1/4"NPT-90-1/2"HOSE BARB, POLY
9	2	629735	CAPPLUGS 1 1/4" SQ, BLACK POLY
10	1	737790	CAP SET,ROUND,RED QUICK TEEJET
11	1	737791	1/2" TEEJET HOSE SHANK, NYLON
12	1	737822	CAP SET, YELLOW QUICK TEEJET
13	1	737824	QUICK TEEJET SEAT GASKET
14	1	737875	NOZZLE BODY VALVE, 12VDC
15	1	737928	QUICK TJET 1-TIP SWIV NOZZLE
16	4	470122	1/4 UNC X 1/2 FLANGE HEX BOLT
17	4	910022	6-32 HEX NUT
18	8	920000	1/4 SAE FLAT WASHER
19	1	A56529	NORAC SENSOR MNT, TIP
20	1	165784	BOOM SECTION 3 WELDMENT RH
21	1	165788	OUTER BOOM STRUCT 2, DELTA
22	1	A57100	NOZZLE GUARD WLDMT,SECT4,DELTA
23	1	A53112	FENCE ROW VLV BRKT,DELTA
24	1	693060	ULTRASOUND SENSOR, NORAC
25	4	470233	5/16UNC X 3/4 FLANGE HEX BOLT
26	4	470113	5/16UNC HEX FLANGE LOCK NUT





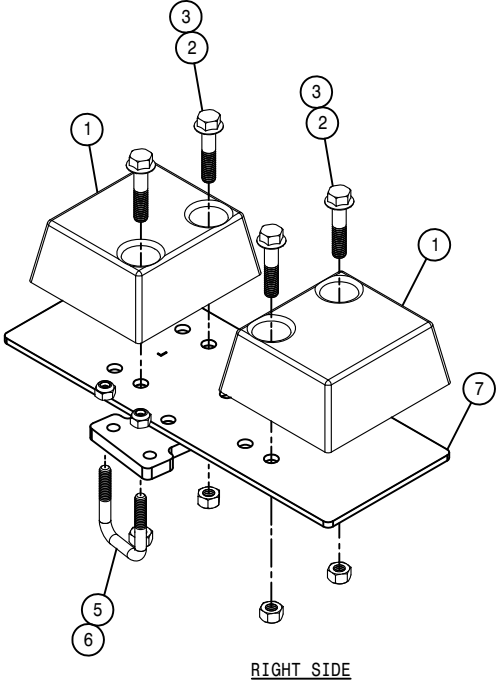
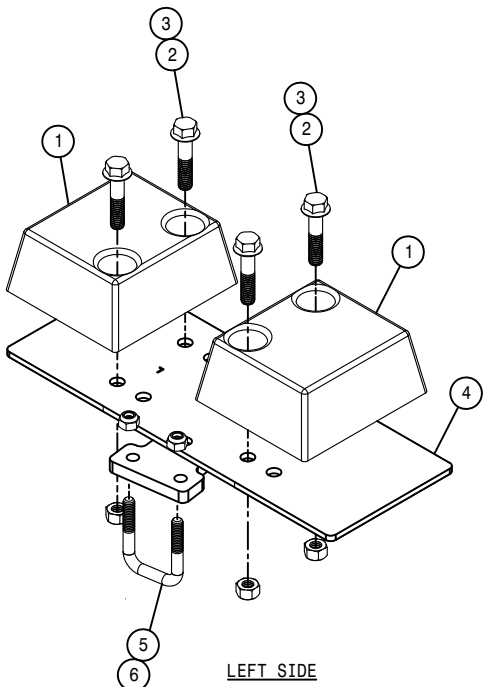
OUTER BOOM CRADLE ASSEMBLY

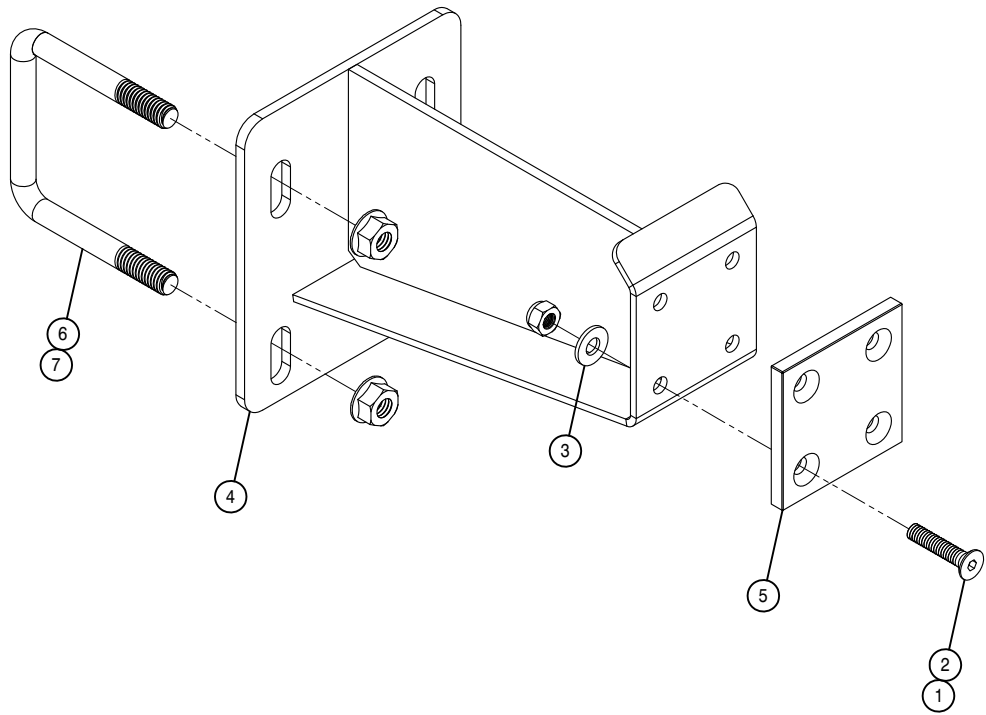
DET.	QTY	PART NO.	DESCRIPTION
1	16	470087	3/8UNC HEX FLANGE LOCK NUT
2	8	470328	3/8UNC X 1 1/4 #3HD PLOW BOLT
3	4	901131	3/8UNC X 1 1/2 CARR BOLT
4	4	920002	3/8 SAE FLAT WASHER
5	1	A56326	CRADLE MT WLDMT
6	1	A56330	BRACKET CRADLE MT
7	1	A56331	BRACKET CRADLE MT
8	2	A53728	WEAR PAD, BOOM CRADLE
9	2	472036	3/8UNC-2.00ID-2.63 U-BOLT SQSS

BOOM BUMPER ASSEMBLY

DET. QTY PART NO. DESCRIPTION

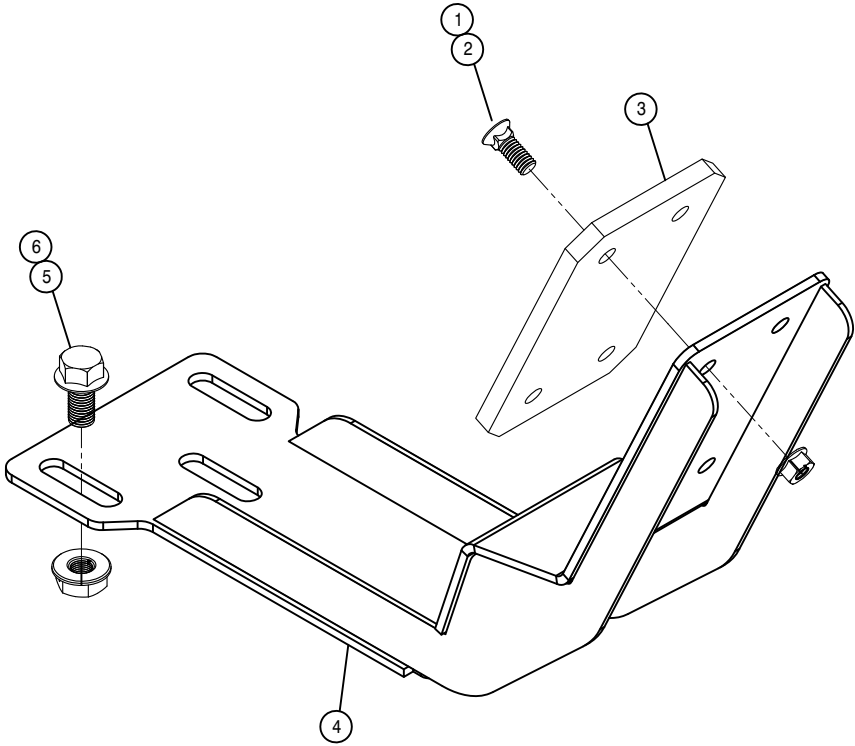
1	4	164513	BOOM CRADLE PAD
2	8	900132	3/8UNC X 1 3/4 SER FLANGE BOLT
3	8	914004	3/8UNC HEX STOVER NUT
4	1	A56839	LH CRADLE WELD, SECT 1
5	4	473973	5/16UNC-1 5/16ID-2"SQ U-BOLTSS
6	8	473001	5/16UNC HEX NUT,NYLOC 316 SS
7	1	A56840	RH CRADLE WELD, SECT 1





OUTER BOOM BUMPER ASSEMBLY

DET.	QTY	PART NO.	DESCRIPTION
1	4	470089	1/4UNC HEX NYLOC NUT, 316 SS
2	4	900050	1/4UNC X 1 1/4 PH FLHD MAC SCR
3	4	920000	1/4 SAE FLAT WASHER
4	1	A53896	BUMPER WLD, SECT 4
5	1	A53897	WEAR PAD, SECT 4 BUMPER
6	2	472036	3/8UNC-2.63ID-2.88 U-BOLT SQ
7	4	470087	3/8UNC HEX FLANGE LOCK NUT

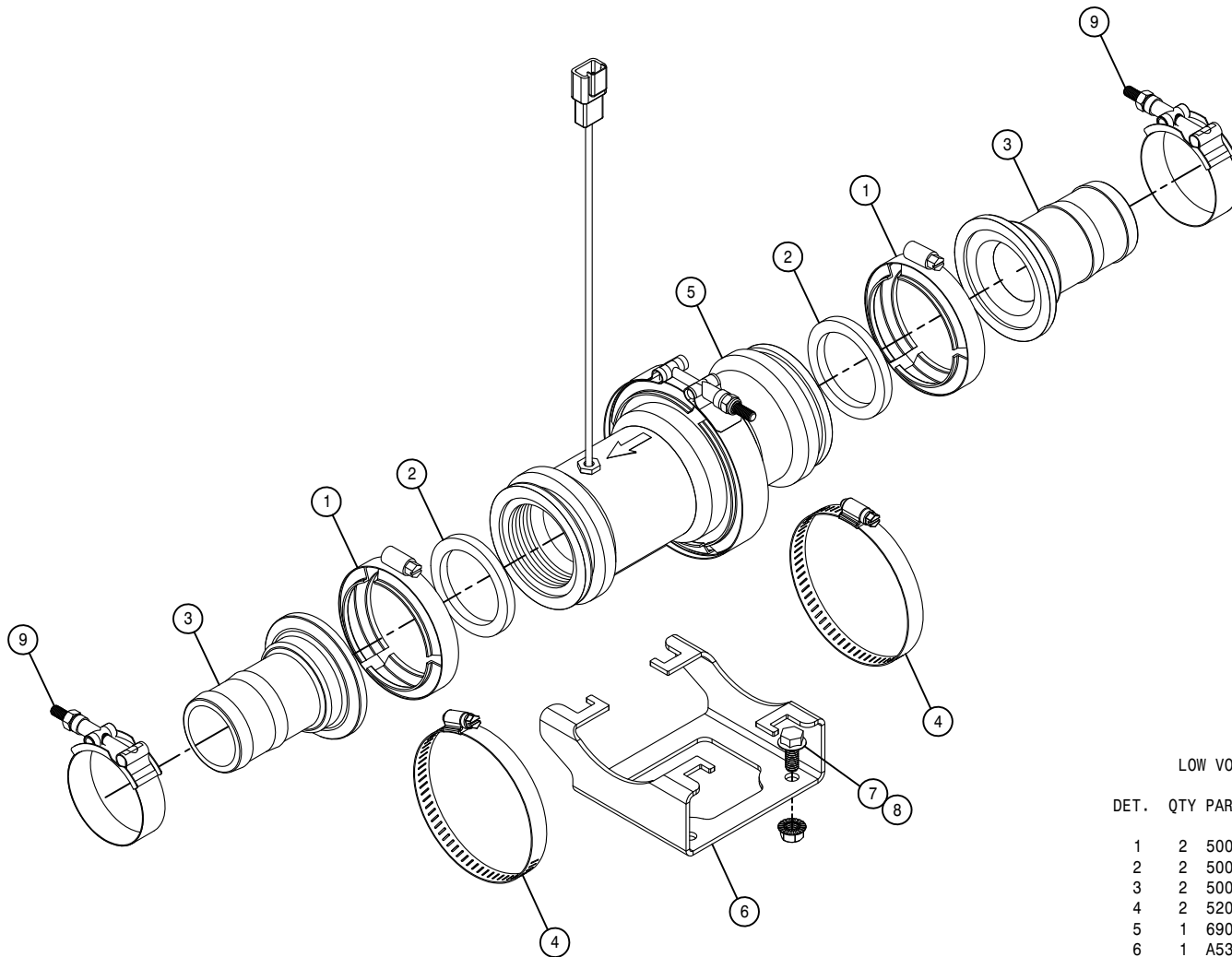


VERTICAL CRADLE ASSEMBLY

DET. QTY PART NO. DESCRIPTION

1	4	470087	3/8UNC HEX FLANGE LOCK NUT
2	4	470408	3/8UNC X 1" #3HD PLOW BOLT
3	1	A53913	VERTICAL CRADLE PAD, 120' BOOM
4	1	A56364	BOOM CRADLE SECTION 1
5	3	900263	1/2UNC X 1" HEX BOLT
6	3	470345	1/2UNC HEX SMTH FLNG LOCK NUT

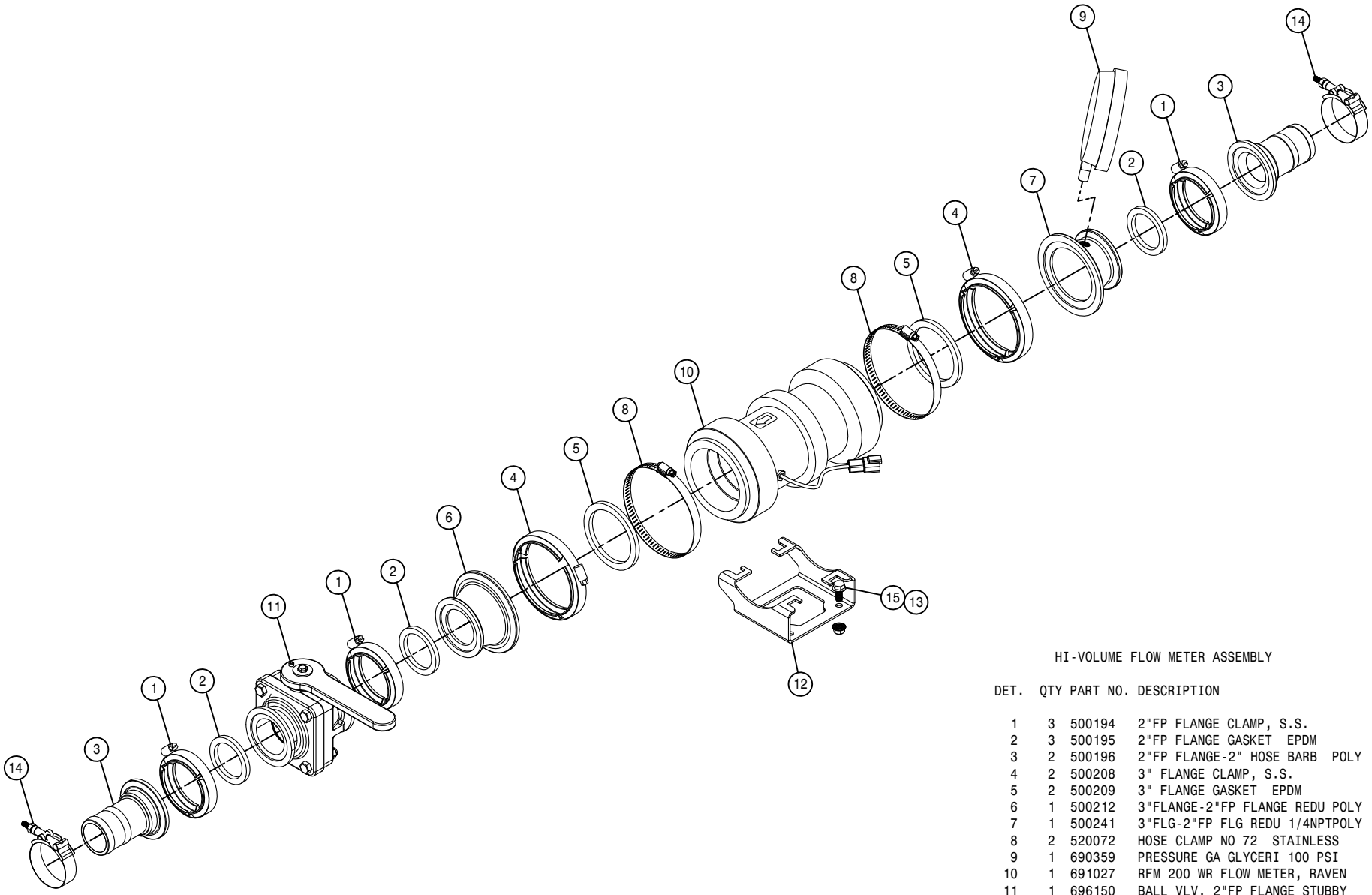




## LOW VOLUME FLOW METER ASSEMBLY

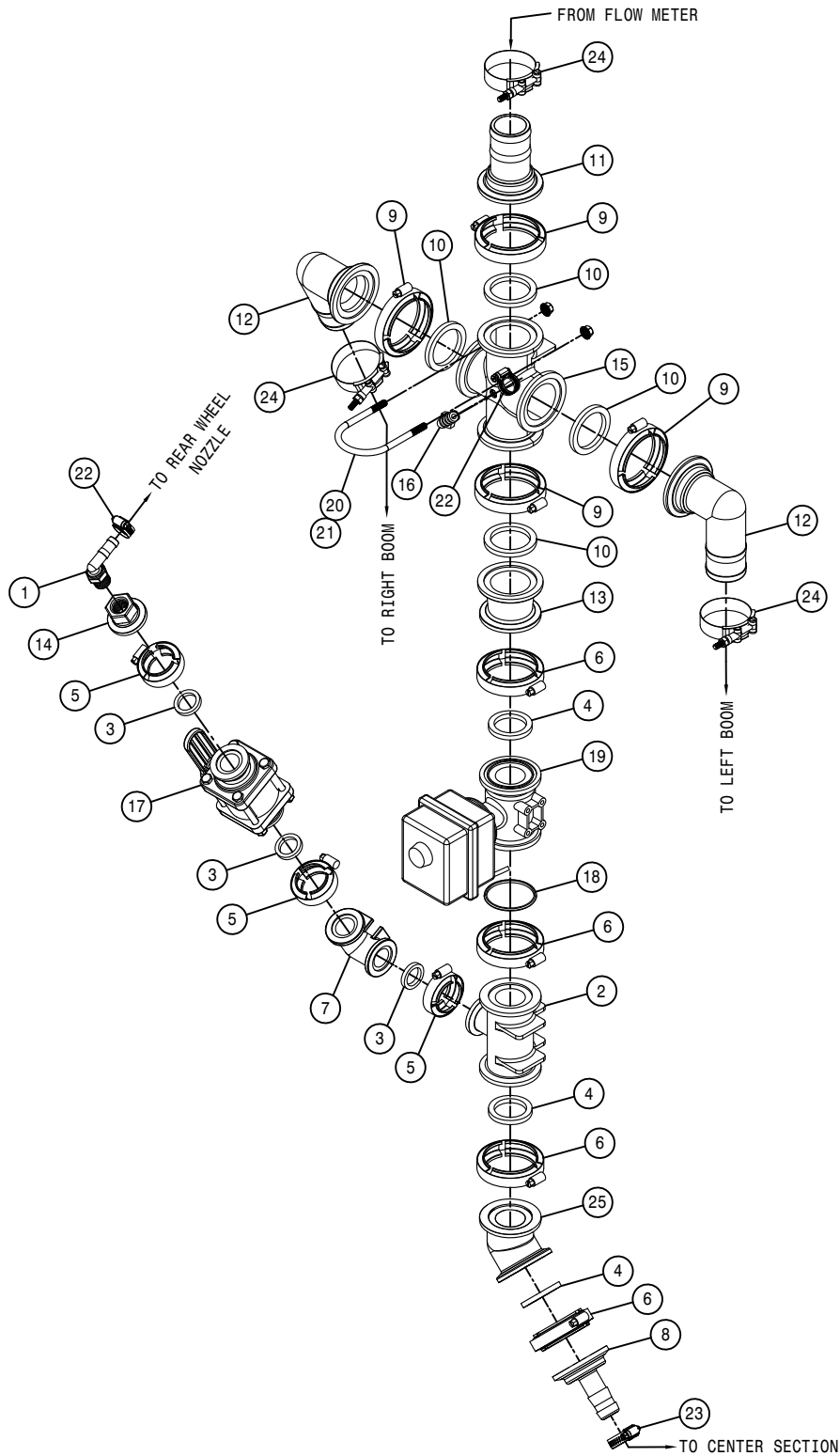
DET. QTY PART NO. DESCRIPTION

1	2	500194	2"FP FLANGE CLAMP, S.S.
2	2	500195	2"FP FLANGE GASKET EPDM
3	2	500196	2"FP FLANGE-2" HOSE BARB POLY
4	2	520056	HOSE CLAMP NO 56 STAINLESS
5	1	690961	RFM 100 FLOW METER, RAVEN 05
6	1	A53663	FLOW METER MOUNT
7	2	470233	5/16UNC X 3/4 FLANGE HEX BOLT
8	2	470113	5/16UNC HEX FLANGE LOCK NUT
9	2	520141	2.31/2.62 T-BOLT HOSE CLAMP SS



HI-VOLUME FLOW METER ASSEMBLY

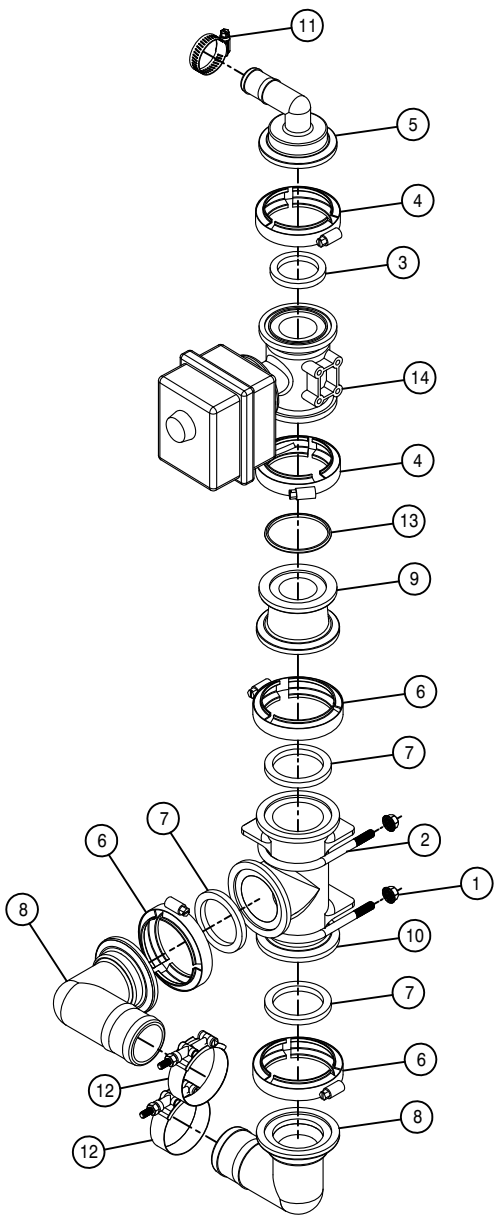
DET.	QTY	PART NO.	DESCRIPTION
	1	3	500194 2"FP FLANGE CLAMP, S.S.
	2	3	500195 2"FP FLANGE GASKET EPDM
	3	2	500196 2"FP FLANGE-2" HOSE BARB POLY
	4	2	500208 3" FLANGE CLAMP, S.S.
	5	2	500209 3" FLANGE GASKET EPDM
	6	1	500212 3"FLANGE-2"FP FLANGE REDU POLY
	7	1	500241 3"FLG-2"FP FLG REDU 1/4NPTPOLY
	8	2	520072 HOSE CLAMP NO 72 STAINLESS
	9	1	690359 PRESSURE GA GLYCERI 100 PSI
	10	1	691027 RFM 200 WR FLOW METER, RAVEN
	11	1	696150 BALL VLV, 2"FP FLANGE STUBBY
	12	1	A53663 FLOW METER MOUNT
	13	2	470113 5/16UNC HEX FLANGE LOCK NUT
	14	2	520141 2.31/2.62 T-BOLT HOSE CLAMP SS
	15	2	470233 5/16UNC X 3/4 FLANGE HEX BOLT



CENTER SOLUTION VALVE ASSEMBLY

DET. QTY PART NO. DESCRIPTION

1	1	500047	1/2NPT-90-1/2 HOSE BARB, POLY
2	1	500150	2" FLANGE-1" BRANCH TEE POLY
3	3	500157	1" FLANGE GASKET EPDM
4	3	500158	1 1/2" GASKET FOR 2" FLANGE
5	3	500159	1" FLANGE CLAMP, S.S.
6	4	500160	2" FLANGE CLAMP, S.S.
7	1	500174	1" FLANGE-90-1" FLANGE LBOPOLY
8	1	500172	2" FLANGE-1" HOSE BARB POLY
9	4	500194	2"FP FLANGE CLAMP, S.S.
10	4	500195	2"FP FLANGE GASKET EPDM
11	1	500196	2"FP FLANGE-2" HOSE BARB POLY
12	2	500198	2"FP FLANGE-90-2"HOSEBARB POLY
13	1	500199	2"FP FLANGE-2"FLANGE REDU POLY
14	1	500238	1" FLANGE PLUG W/1/2"FNPT POLY
15	1	500243	2"FP FLG CROSS W/1/4 NPT, POLY
16	1	618556	1/4NPT-90-1/2 HOSE BARB,POLY
17	1	696147	BALL VLV, 1" FLANGE
18	1	696254	O-RING, KZCO FLANGED VALVES
19	1	696256	VALVE, KZCO C2F-60B-M-S9
20	4	472034	5/16UNC-2 1/2ID-4" UBOLT SS
21	8	470113	5/16UNC HEX FLANGE LOCK NUT
22	2	520070	HOSE CLAMP NO 8 STAINLESS
23	1	520090	HOSE CLAMP NO 16 STAINLESS
24	3	520141	2.31/2.62 T-BOLT HOSE CLAMP SS
25	1	500225	2"FLANGE-45-2"FLANGE LBO POLY



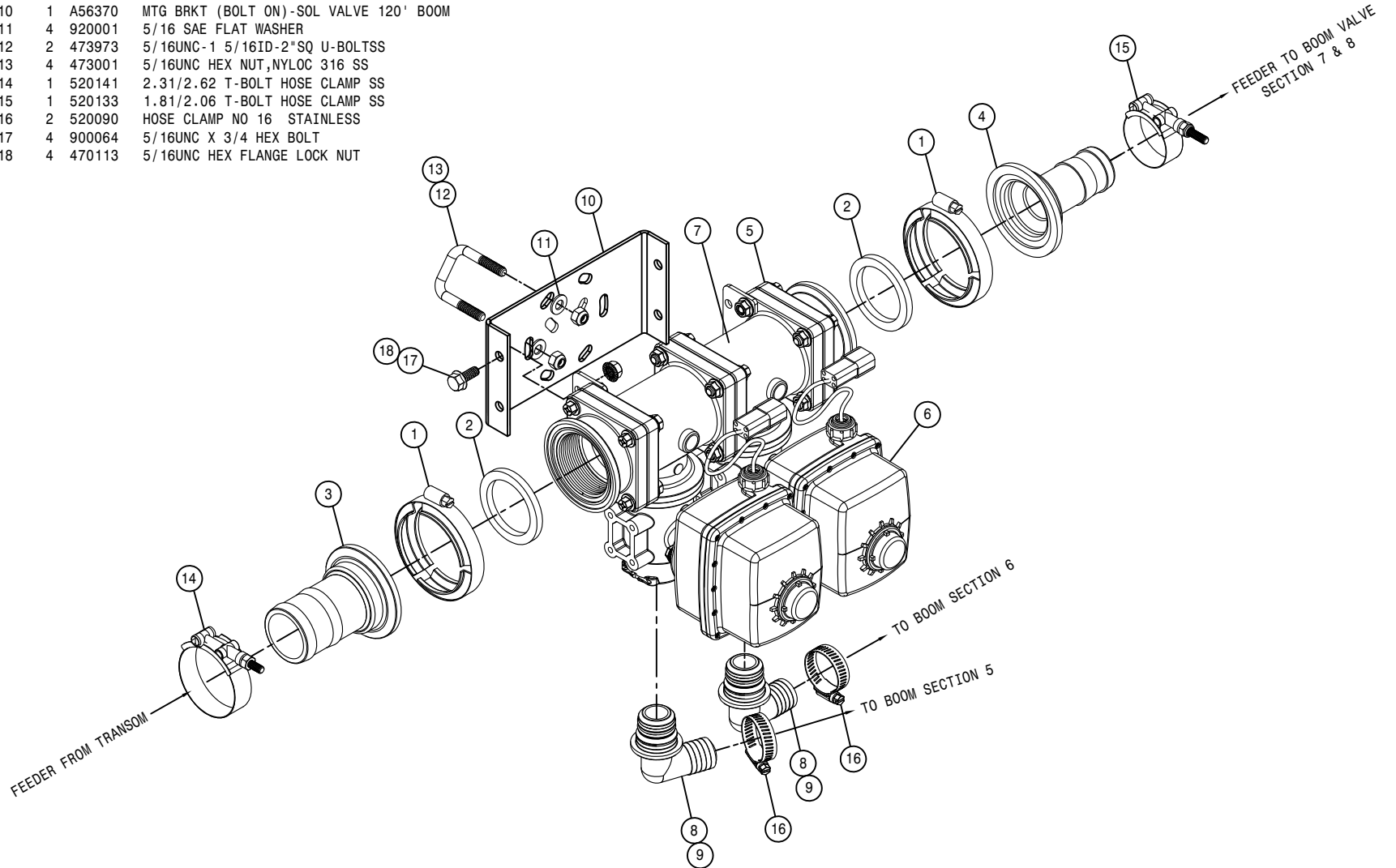
LEFT CENTER SOLUTION VALVE ASSEMBLY

DET.	QTY	PART NO.	DESCRIPTION
1	4	470113	5/16UNC HEX FLANGE LOCK NUT
2	2	472034	5/16UNC-2 1/2ID-4" U-BOLT SS
3	1	500158	1 1/2" GASKET FOR 2" FLANGE
4	2	500160	2" FLANGE CLAMP, S.S.
5	1	500189	2" FLANGE-90-1" HOSE BARB POLY
6	3	500194	2"FP FLANGE CLAMP, S.S.
7	3	500195	2"FP FLANGE GASKET EPDM
8	2	500198	2"FP FLANGE-90-2"HOSEBARB POLY
9	1	500199	2"FP FLANGE-2"FLANGE ADPTR PLY
10	1	500207	2"FP FLANGE TEE POLY
11	1	520090	HOSE CLAMP NO 16 STAINLESS
12	2	520141	2.31/2.62 T-BOLT HOSE CLAMP SS
13	1	696254	O-RING, KZCO FLANGED VALVES
14	1	696256	VALVE, KZCO C2F-60B-M-S9

RIGHT INNER BOOM SOLUTION VALVE ASSEMBLY

DET. QTY PART NO. DESCRIPTION

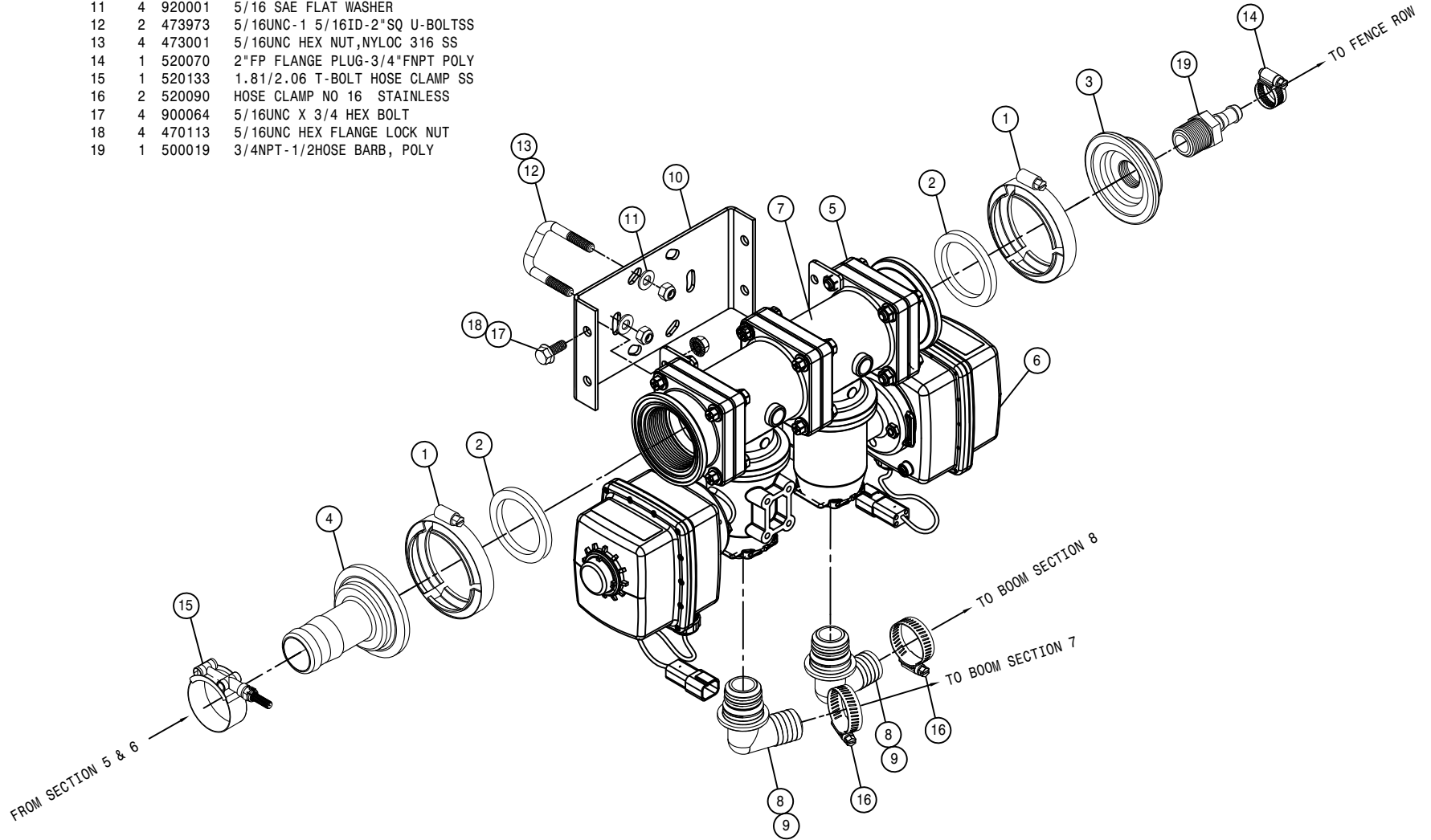
1	2	500194	2"FP FLANGE CLAMP, S.S.
2	2	500195	2"FP FLANGE GASKET EPDM
3	1	500196	2"FP FLANGE-2" HOSE BARB POLY
4	1	500230	2" FP FLANGE-1 1/2" HOSE BARB
5	1	696270	2-VALVE STACK, QX4 KZCO
6	2	696279	ACTUATOR FOR SOLU VLV 696270
7	2	696280	VALVE FOR SOLU VLV 696270
8	2	696272	1"90 HOSE BARB FOR 696270,KZCO
9	4	696276	O-RING FOR 696271 & 696272
10	1	A56370	MTG BRKT (BOLT ON)-SOL VALVE 120' BOOM
11	4	920001	5/16 SAE FLAT WASHER
12	2	473973	5/16UNC-1 5/16ID-2"SQ U-BOLTSS
13	4	473001	5/16UNC HEX NUT,NYLOC 316 SS
14	1	520141	2.31/2.62 T-BOLT HOSE CLAMP SS
15	1	520133	1.81/2.06 T-BOLT HOSE CLAMP SS
16	2	520090	HOSE CLAMP NO 16 STAINLESS
17	4	900064	5/16UNC X 3/4 HEX BOLT
18	4	470113	5/16UNC HEX FLANGE LOCK NUT



RIGHT OUTER BOOM SOLUTION VALVE ASSEMBLY

DET. QTY PART NO. DESCRIPTION

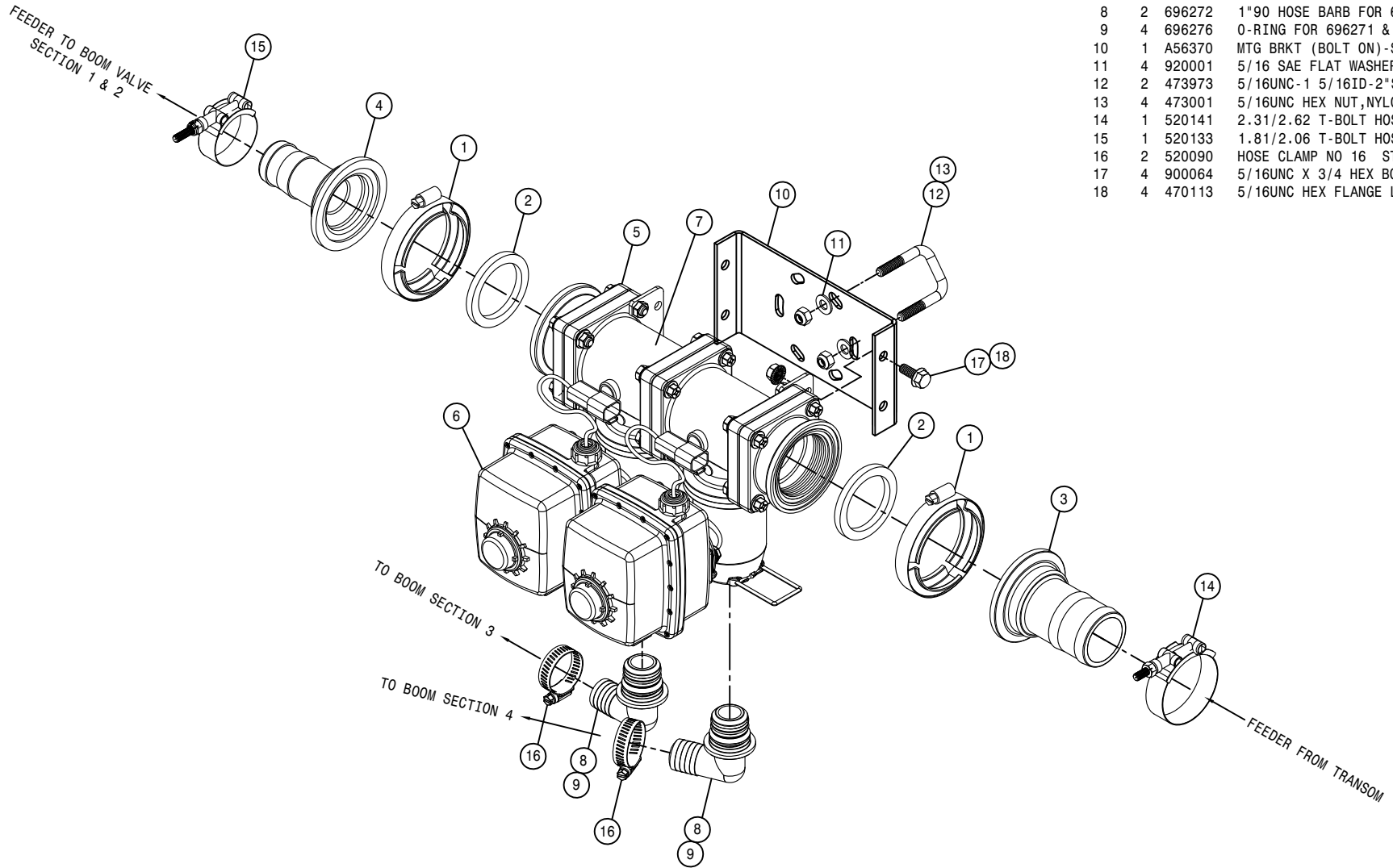
1	2	500194	2"FP FLANGE CLAMP, S.S.
2	2	500195	2"FP FLANGE GASKET EPDM
3	1	500240	2"FP FLANGE PLUG-3/4"FNPT POLY
4	1	500230	2" FP FLANGE-1 1/2" HOSE BARB
5	1	696295	2-VALVE STACK,180 DEG,QX4 KZCO
6	2	696279	ACTUATOR FOR SOLU VLV 696270
7	2	696280	VALVE FOR SOLU VLV 696270
8	2	696272	1"90 HOSE BARB FOR 696270,KZCO
9	4	696276	O-RING FOR 696271 & 696272
10	1	A56370	SOLU VLV MT BRKT,120' BOOM
11	4	920001	5/16 SAE FLAT WASHER
12	2	473973	5/16UNC-1 5/16ID-2"SQ U-BOLTSS
13	4	473001	5/16UNC HEX NUT,NYLOC 316 SS
14	1	520070	2"FP FLANGE PLUG-3/4"FNPT POLY
15	1	520133	1.81/2.06 T-BOLT HOSE CLAMP SS
16	2	520090	HOSE CLAMP NO 16 STAINLESS
17	4	900064	5/16UNC X 3/4 HEX BOLT
18	4	470113	5/16UNC HEX FLANGE LOCK NUT
19	1	500019	3/4NPT-1/2HOSE BARB, POLY



LEFT INNER BOOM SOLUTION VALVE ASSEMBLY

DET. QTY PART NO. DESCRIPTION

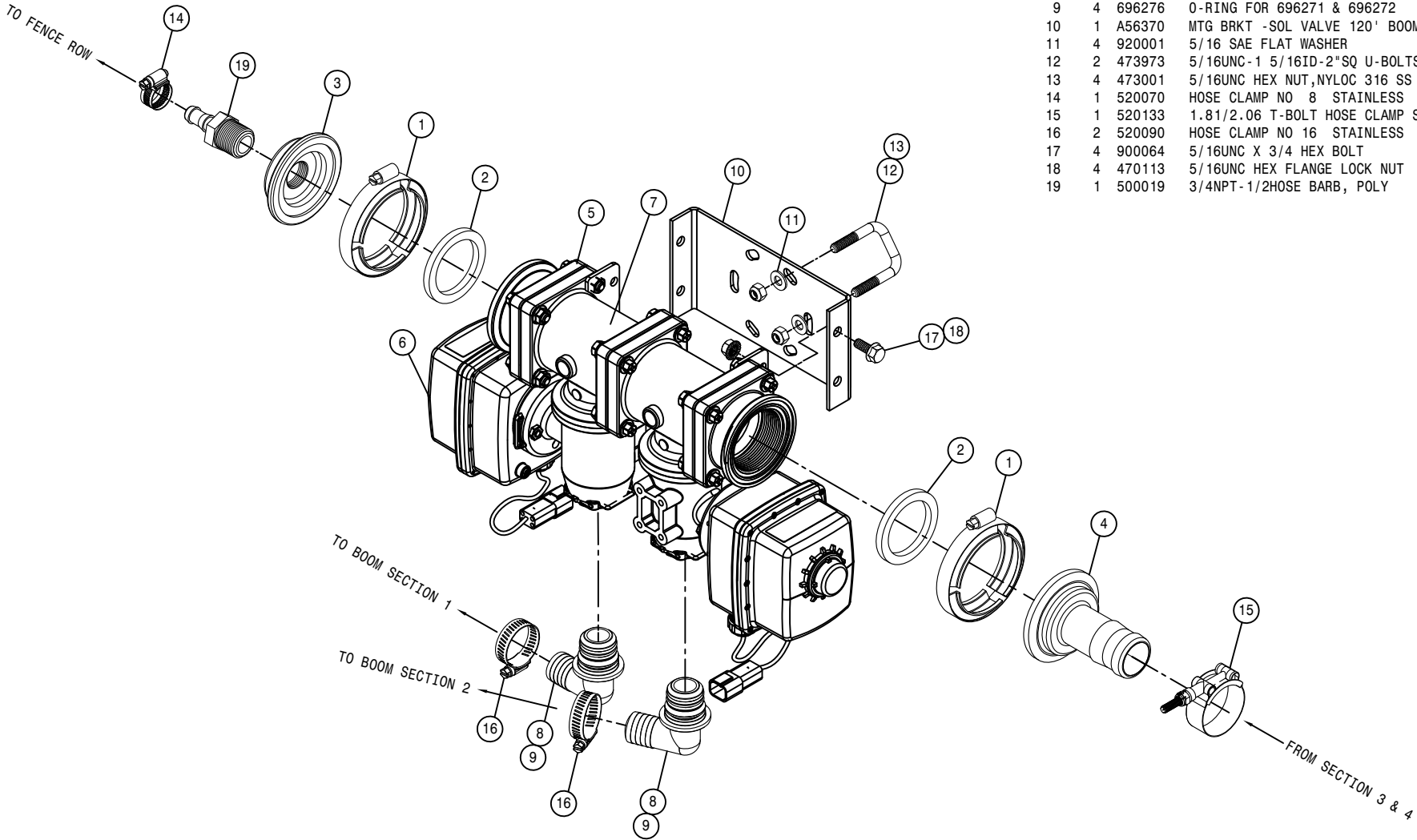
1	2	500194	2"FP FLANGE CLAMP, S.S.
2	2	500195	2"FP FLANGE GASKET EPDM
3	1	500196	2"FP FLANGE-2" HOSE BARB POLY
4	1	500230	2" FP FLANGE-1 1/2" HOSE BARB
5	1	696270	2- VALVE STACK, QX4 KZCO
6	2	696279	ACTUATOR FOR SOLU VLV 696270
7	2	696280	VALVE FOR SOLU VLV 696270
8	2	696272	1"90 HOSE BARB FOR 696270,KZCO
9	4	696276	O-RING FOR 696271 & 696272
10	1	A56370	MTG BRKT (BOLT ON)-SOL VALVE 120' BOOM
11	4	920001	5/16 SAE FLAT WASHER
12	2	473973	5/16UNC-1 5/16ID-2"SQ U-BOLTSS
13	4	473001	5/16UNC HEX NUT,NYLOC 316 SS
14	1	520141	2.31/2.62 T-BOLT HOSE CLAMP SS
15	1	520133	1.81/2.06 T-BOLT HOSE CLAMP SS
16	2	520090	HOSE CLAMP NO 16 STAINLESS
17	4	900064	5/16UNC X 3/4 HEX BOLT
18	4	470113	5/16UNC HEX FLANGE LOCK NUT



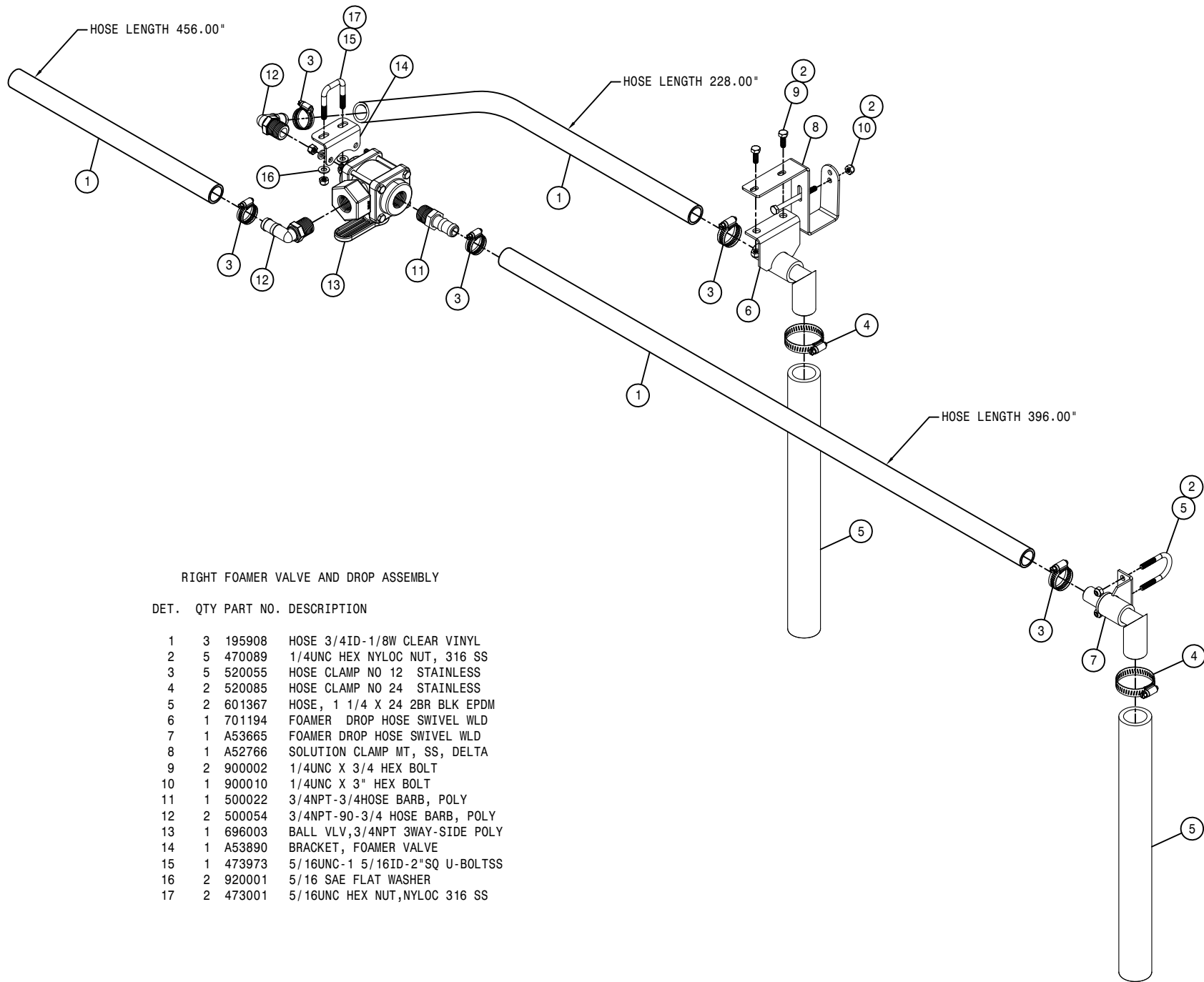
LEFT OUTER BOOM SOLUTION VALVE ASSEMBLY

DET. QTY PART NO. DESCRIPTION

1	2	500194	2"FP FLANGE CLAMP, S.S.
2	2	500195	2"FP FLANGE GASKET EPDM
3	1	500240	2"FP FLANGE PLUG-3/4"FNPT POLY
4	1	500230	2" FP FLANGE-1 1/2" HOSE BARB
5	1	696295	2-VALVE STACK,180 DEG,QX4 KZCO
6	2	696279	ACTUATOR FOR SOLU VLV 696270
7	2	696280	VALVE FOR SOLU VLV 696270
8	2	696272	1"90 HOSE BARB FOR 696270,KZCO
9	4	696276	O-RING FOR 696271 & 696272
10	1	A56370	MTG BRKT -SOL VALVE 120' BOOM
11	4	920001	5/16 SAE FLAT WASHER
12	2	473973	5/16UNC-1 5/16ID-2"SQ U-BOLTSS
13	4	473001	5/16UNC HEX NUT,NYLOC 316 SS
14	1	520070	HOSE CLAMP NO 8 STAINLESS
15	1	520133	1.81/2.06 T-BOLT HOSE CLAMP SS
16	2	520090	HOSE CLAMP NO 16 STAINLESS
17	4	900064	5/16UNC X 3/4 HEX BOLT
18	4	470113	5/16UNC HEX FLANGE LOCK NUT
19	1	500019	3/4NPT-1/2HOSE BARB, POLY



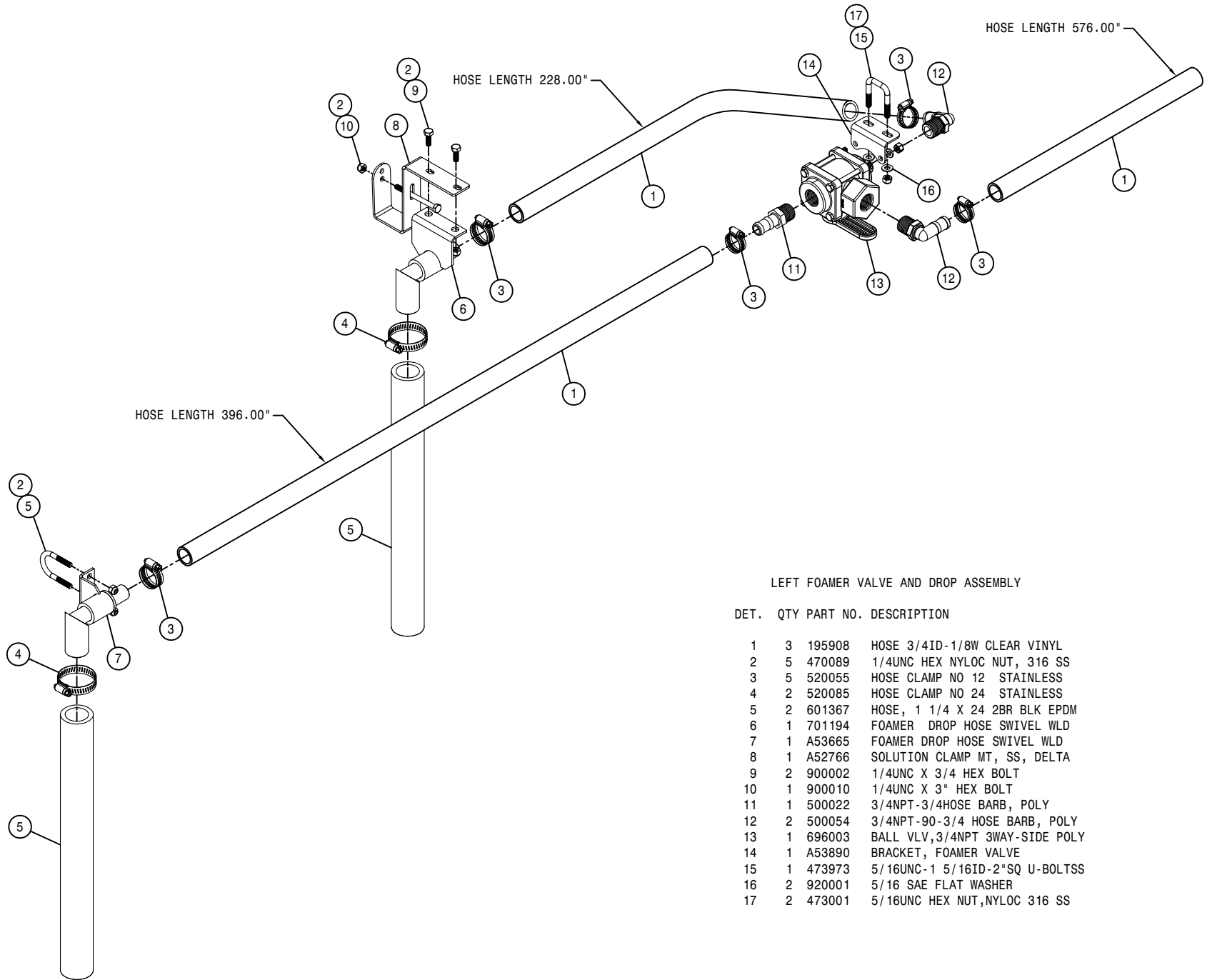




RIGHT FOAMER VALVE AND DROP ASSEMBLY

DET. QTY PART NO. DESCRIPTION

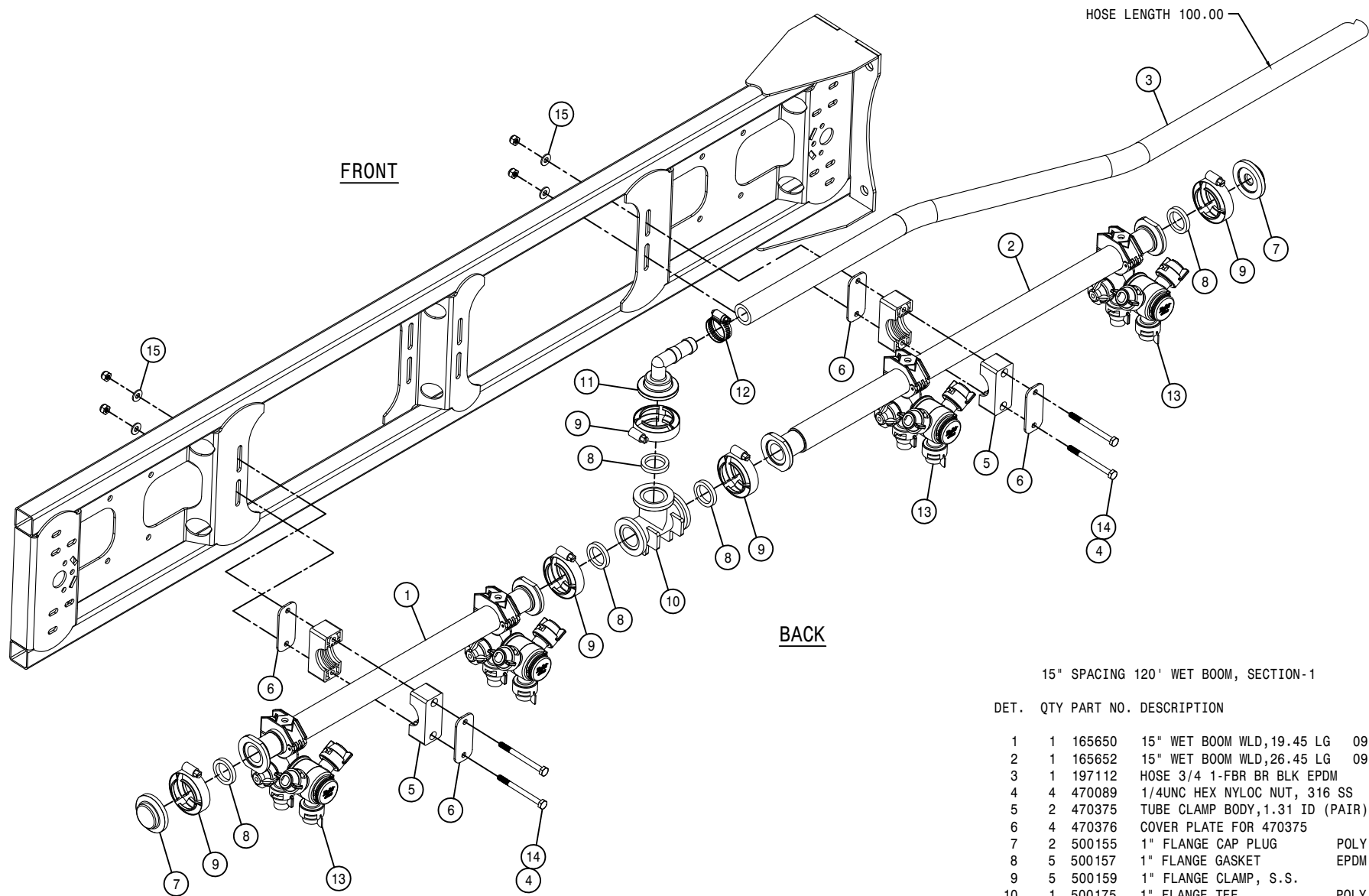
1	3	195908	HOSE 3/4ID-1/8W CLEAR VINYL
2	5	470089	1/4UNC HEX NYLOC NUT, 316 SS
3	5	520055	HOSE CLAMP NO 12 STAINLESS
4	2	520085	HOSE CLAMP NO 24 STAINLESS
5	2	601367	HOSE, 1 1/4 X 24 2BR BLK EPDM
6	1	701194	FOAMER DROP HOSE SWIVEL WLD
7	1	A53665	FOAMER DROP HOSE SWIVEL WLD
8	1	A52766	SOLUTION CLAMP MT, SS, DELTA
9	2	900002	1/4UNC X 3/4 HEX BOLT
10	1	900010	1/4UNC X 3" HEX BOLT
11	1	500022	3/4NPT-3/4HOSE BARB, POLY
12	2	500054	3/4NPT-90-3/4 HOSE BARB, POLY
13	1	696003	BALL VLV,3/4NPT 3WAY-SIDE POLY
14	1	A53890	BRACKET, FOAMER VALVE
15	1	473973	5/16UNC-1 5/16ID-2"SQ U-BOLTSS
16	2	920001	5/16 SAE FLAT WASHER
17	2	473001	5/16UNC HEX NUT,NYLOC 316 SS



LEFT FOAMER VALVE AND DROP ASSEMBLY

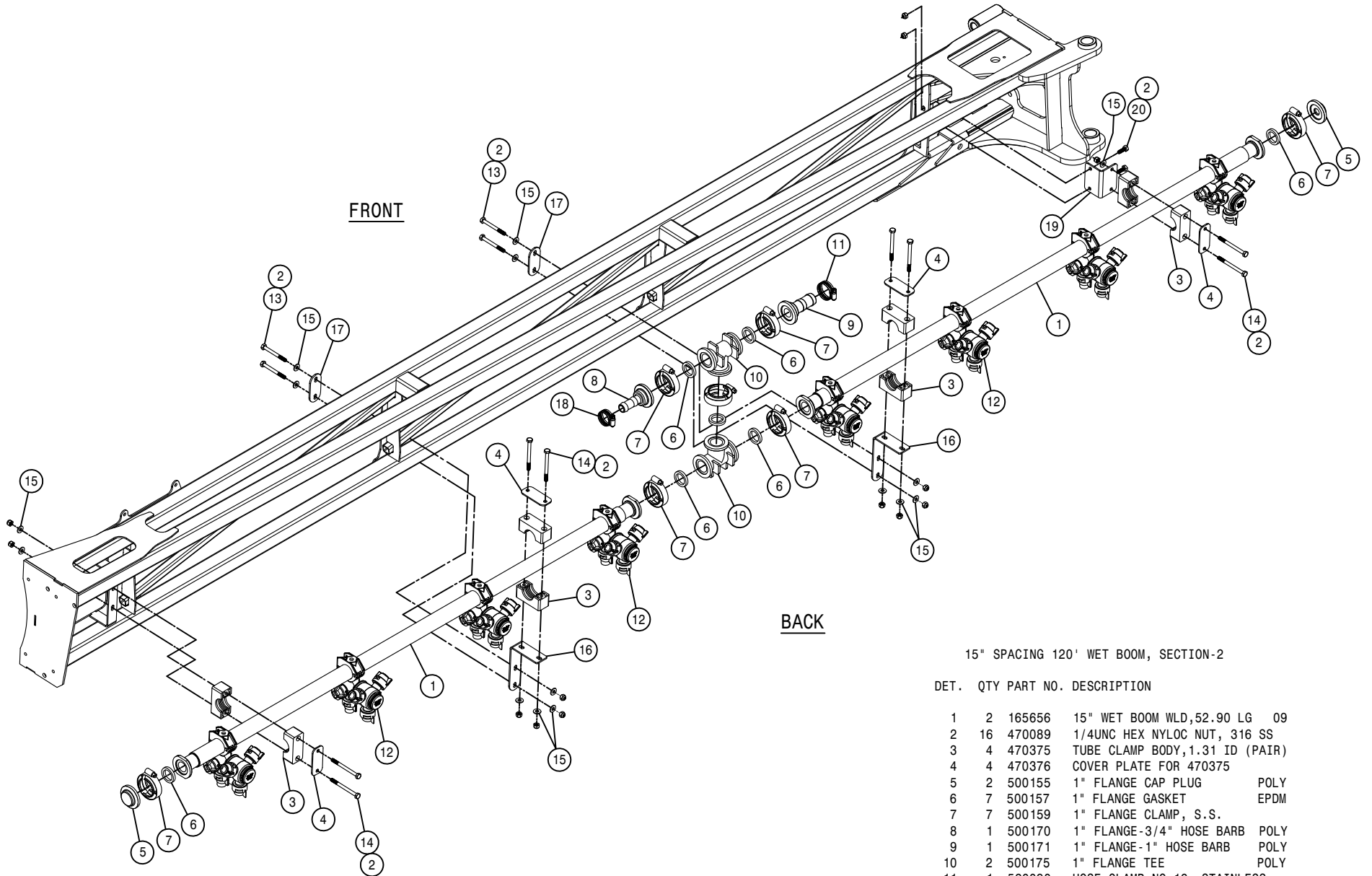
DET. QTY PART NO. DESCRIPTION

1	3	195908	HOSE 3/4ID-1/8W CLEAR VINYL
2	5	470089	1/4UNC HEX NYLOC NUT, 316 SS
3	5	520055	HOSE CLAMP NO 12 STAINLESS
4	2	520085	HOSE CLAMP NO 24 STAINLESS
5	2	601367	HOSE, 1 1/4 X 24 2BR BLK EPDM
6	1	701194	FOAMER DROP HOSE SWIVEL WLD
7	1	A53665	FOAMER DROP HOSE SWIVEL WLD
8	1	A52766	SOLUTION CLAMP MT, SS, DELTA
9	2	900002	1/4UNC X 3/4 HEX BOLT
10	1	900010	1/4UNC X 3" HEX BOLT
11	1	500022	3/4NPT-3/4HOSE BARB, POLY
12	2	500054	3/4NPT-90-3/4 HOSE BARB, POLY
13	1	696003	BALL VLV,3/4NPT 3WAY-SIDE POLY
14	1	A53890	BRACKET, FOAMER VALVE
15	1	473973	5/16UNC-1 5/16ID-2"SQ U-BOLTSS
16	2	920001	5/16 SAE FLAT WASHER
17	2	473001	5/16UNC HEX NUT,NYLOC 316 SS



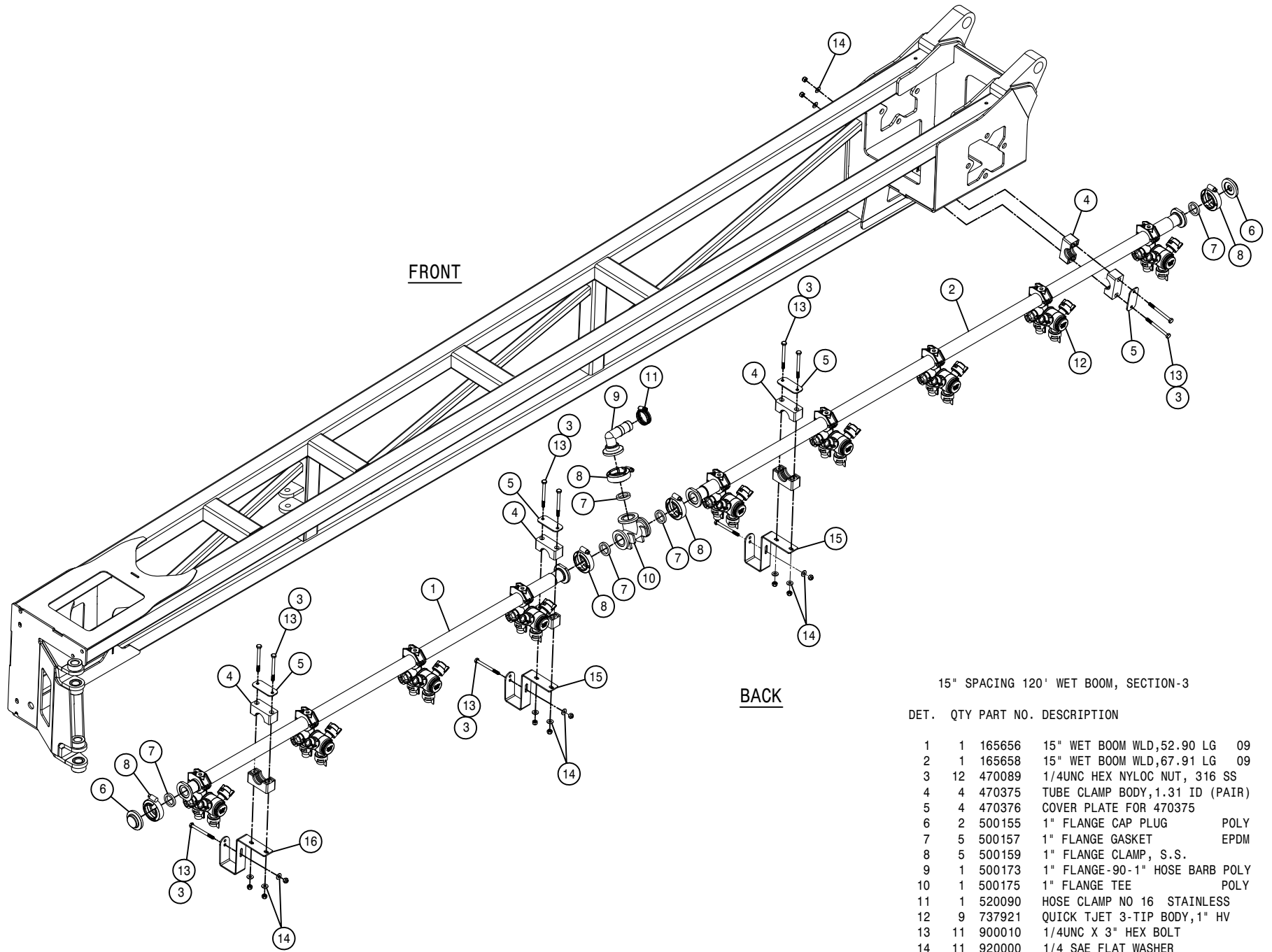
15" SPACING 120' WET BOOM, SECTION-1

DET.	QTY	PART NO.	DESCRIPTION
1	1	165650	15" WET BOOM WLD,19.45 LG 09
2	1	165652	15" WET BOOM WLD,26.45 LG 09
3	1	197112	HOSE 3/4 1-FBR BR BLK EPDM
4	4	470089	1/4UNC HEX NYLOC NUT, 316 SS
5	2	470375	TUBE CLAMP BODY,1.31 ID (PAIR)
6	4	470376	COVER PLATE FOR 470375
7	2	500155	1" FLANGE CAP PLUG POLY
8	5	500157	1" FLANGE GASKET EPDM
9	5	500159	1" FLANGE CLAMP, S.S.
10	1	500175	1" FLANGE TEE POLY
11	1	500185	1"FLANGE-90-3/4"HOSE BARB POLY
12	1	520055	HOSE CLAMP NO 12 STAINLESS
13	4	737921	QUICK TJET 3-TIP BODY,1" HV
14	4	900010	1/4UNC X 3" HEX BOLT
15	4	920000	1/4 SAE FLAT WASHER



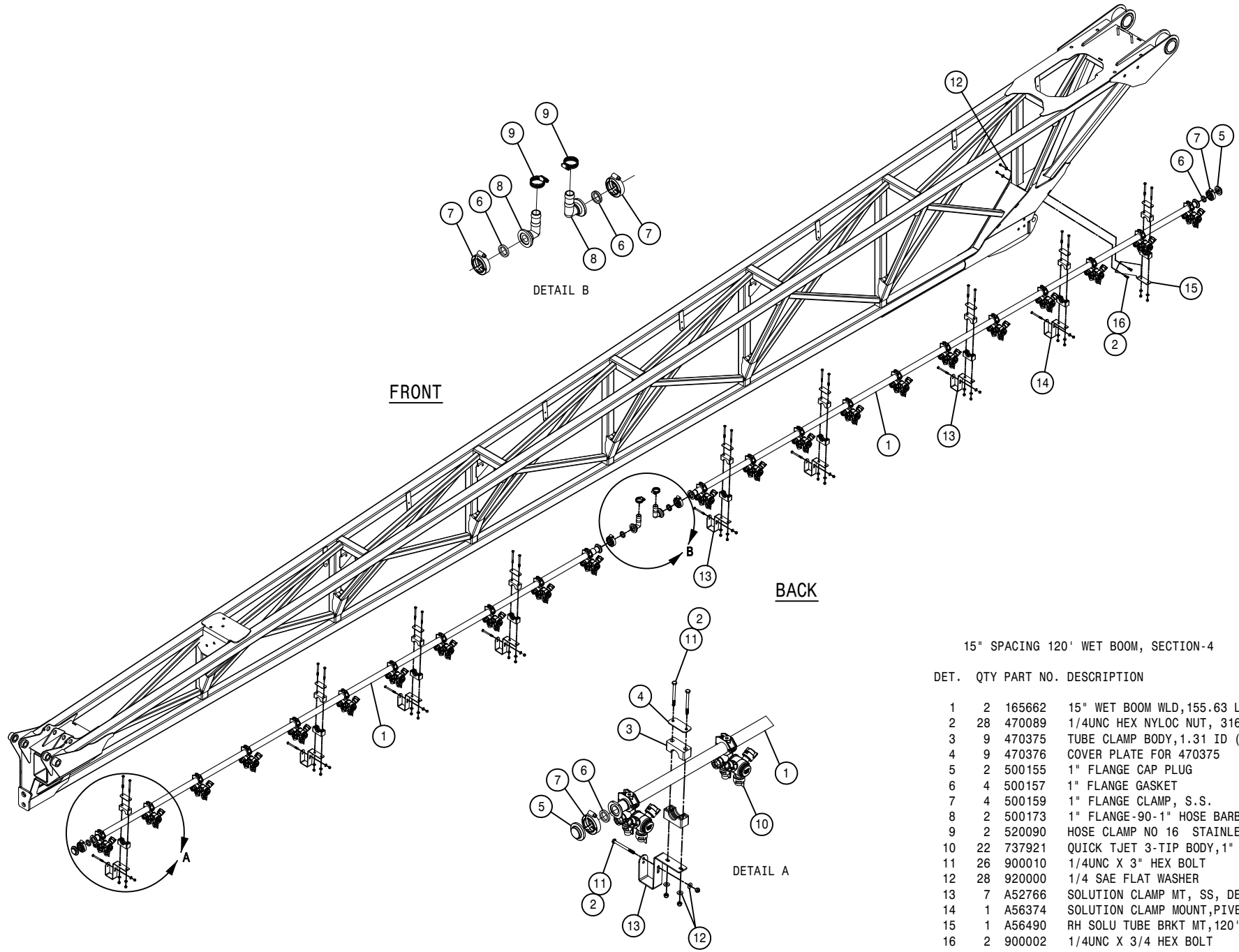
15" SPACING 120' WET BOOM, SECTION-2

DET.	QTY	PART NO.	DESCRIPTION
	1	2	165656 15" WET BOOM WLD,52.90 LG 09
	2	16	470089 1/4UNC HEX NYLOC NUT, 316 SS
	3	4	470375 TUBE CLAMP BODY,1.31 ID (PAIR)
	4	4	470376 COVER PLATE FOR 470375
	5	2	500155 1" FLANGE CAP PLUG POLY
	6	7	500157 1" FLANGE GASKET EPDM
	7	7	500159 1" FLANGE CLAMP, S.S.
	8	1	500170 1" FLANGE-3/4" HOSE BARB POLY
	9	1	500171 1" FLANGE-1" HOSE BARB POLY
	10	2	500175 1" FLANGE TEE POLY
	11	1	520090 HOSE CLAMP NO 16 STAINLESS
	12	8	737921 QUICK TJET 3-TIP BODY,1" HV
	13	4	900008 1/4UNC X 2 1/2 HEX BOLT
	14	8	900010 1/4UNC X 3" HEX BOLT
	15	18	920000 1/4 SAE FLAT WASHER
	16	2	A53761 SOLU CLAMP MT. 2, SS, DELTA
	17	2	A53771 SOLU CLAMP MT. PLT, SS, DELTA
	18	1	520055 HOSE CLAMP NO 12 STAINLESS
	19	1	A57102 WET BOOM MT BRKT
	20	2	900002 1/4UNC X 3/4 HEX BOLT



15" SPACING 120" WET BOOM, SECTION-3

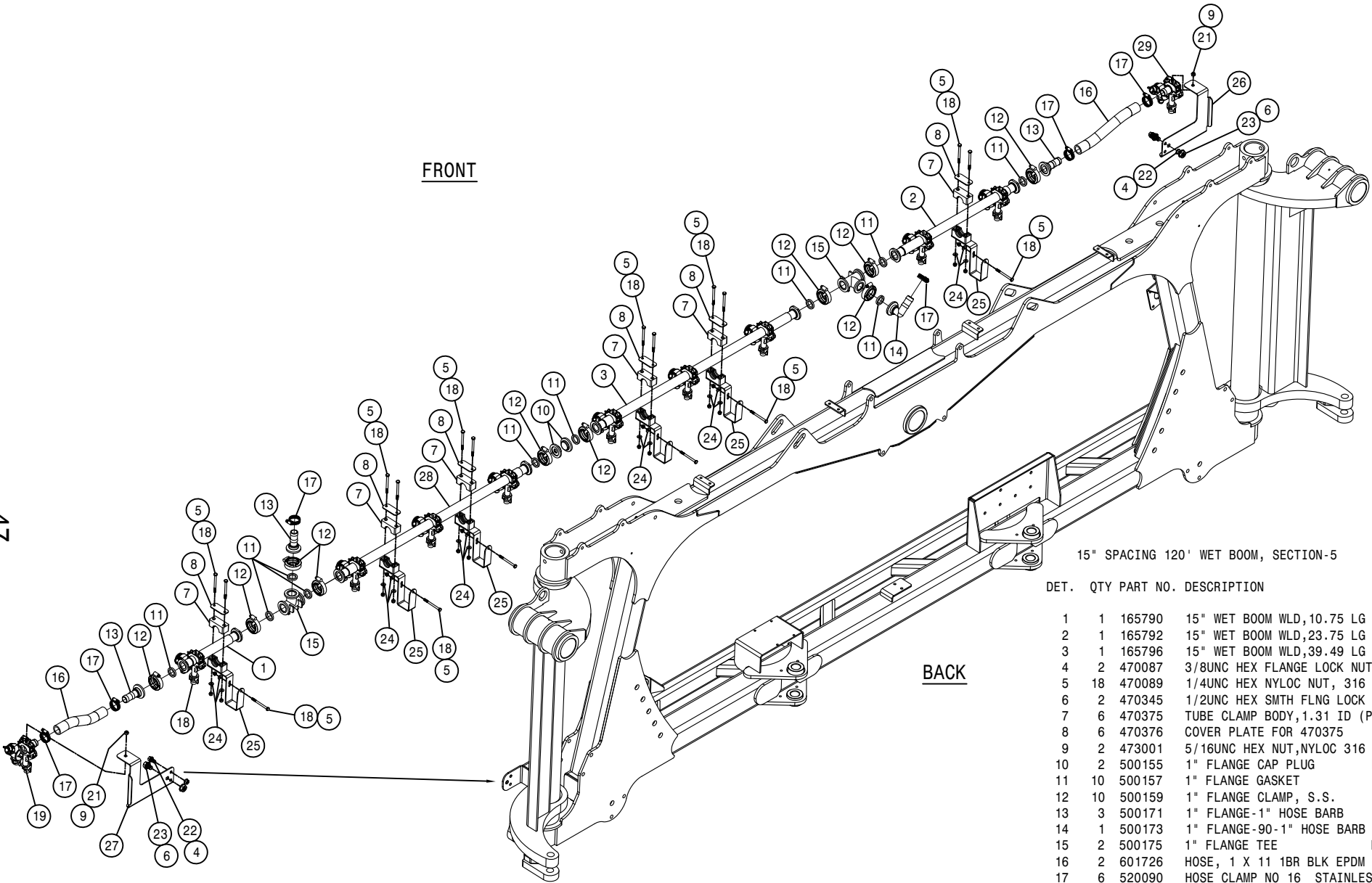
DET.	QTY	PART NO.	DESCRIPTION
1	1	165656	15" WET BOOM WLD,52.90 LG 09
2	1	165658	15" WET BOOM WLD,67.91 LG 09
3	12	470089	1/4UNC HEX NYLOC NUT, 316 SS
4	4	470375	TUBE CLAMP BODY,1.31 ID (PAIR)
5	4	470376	COVER PLATE FOR 470375
6	2	500155	1" FLANGE CAP PLUG POLY
7	5	500157	1" FLANGE GASKET EPDM
8	5	500159	1" FLANGE CLAMP, S.S.
9	1	500173	1" FLANGE-90-1" HOSE BARB POLY
10	1	500175	1" FLANGE TEE POLY
11	1	520090	HOSE CLAMP NO 16 STAINLESS
12	9	737921	QUICK TJET 3-TIP BODY,1" HV
13	11	900010	1/4UNC X 3" HEX BOLT
14	11	920000	1/4 SAE FLAT WASHER
15	2	A56333	SOLUTION CLAMP MNT SECT 2
16	1	A56515	SOLU CLAMP MT SECT 2 PIVOT END



15" SPACING 120' WET BOOM, SECTION-4

DET.	QTY	PART NO.	DESCRIPTION
1	2	165662	15" WET BOOM WLD, 155.63 LG 09
2	28	470089	1/4UNC HEX NYLOC NUT, 316 SS
3	9	470375	TUBE CLAMP BODY, 1.31 ID (PAIR)
4	9	470376	COVER PLATE FOR 470375
5	2	500155	1" FLANGE CAP PLUG POLY
6	4	500157	1" FLANGE GASKET EPDM
7	4	500159	1" FLANGE CLAMP, S.S.
8	2	500173	1" FLANGE-90-1" HOSE BARB POLY
9	2	520090	HOSE CLAMP NO 16 STAINLESS
10	22	737921	QUICK TJET 3-TIP BODY, 1" HV
11	26	900010	1/4UNC X 3" HEX BOLT
12	28	920000	1/4 SAE FLAT WASHER
13	7	A52766	SOLUTION CLAMP MT, SS, DELTA
14	1	A56374	SOLUTION CLAMP MOUNT, PIVEND
15	1	A56490	RH SOLU TUBE BRKT MT, 120' BM
16	2	900002	1/4UNC X 3/4 HEX BOLT

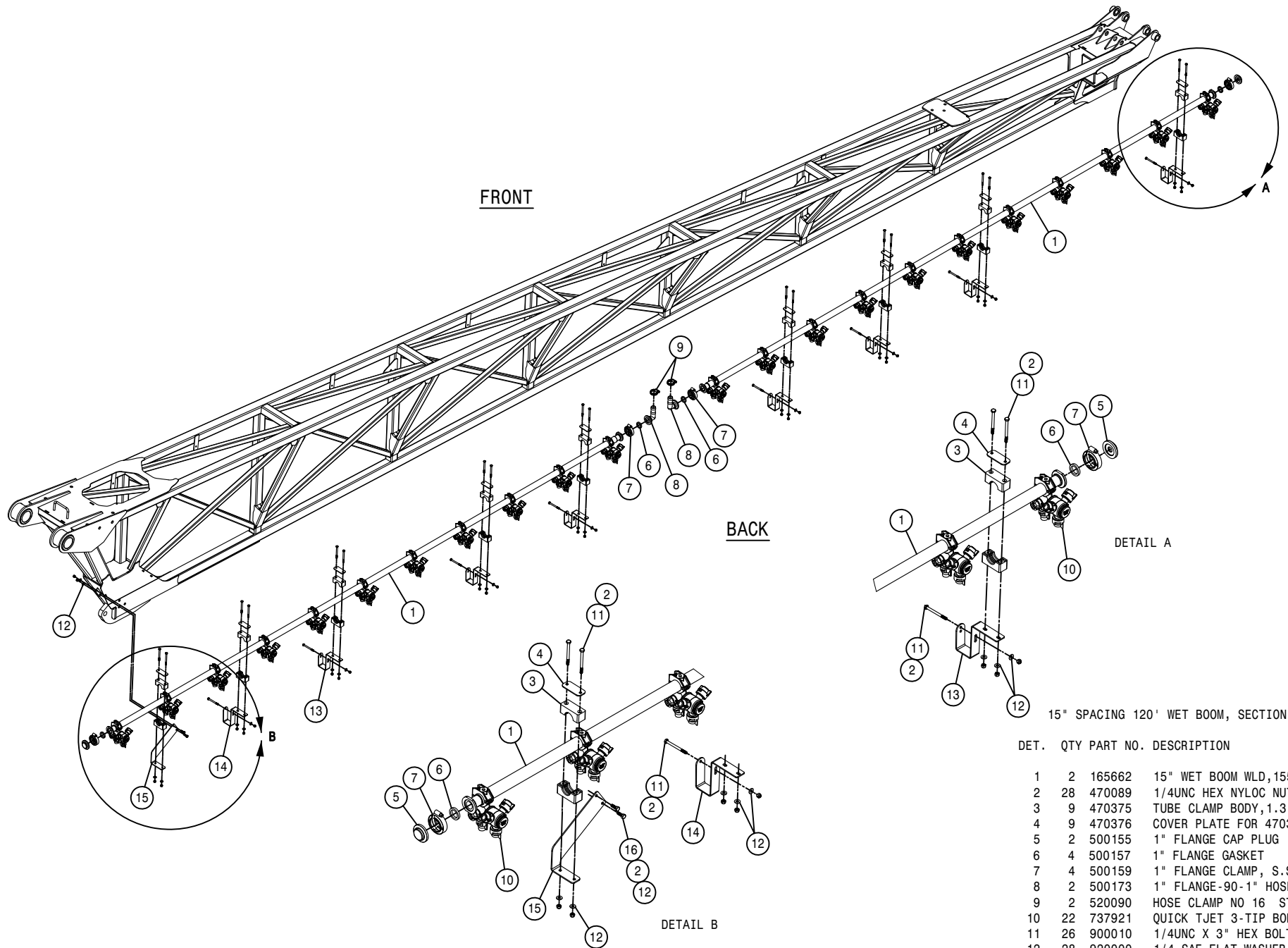
FRONT



15" SPACING 120' WET BOOM, SECTION-5

DET.	QTY	PART NO.	DESCRIPTION
1	1	165790	15" WET BOOM WLD,10.75 LG '10
2	1	165792	15" WET BOOM WLD,23.75 LG '10
3	1	165796	15" WET BOOM WLD,39.49 LG '10
4	2	470087	3/8UNC HEX FLANGE LOCK NUT
5	18	470089	1/4UNC HEX NYLOC NUT, 316 SS
6	2	470345	1/2UNC HEX SMTH FLNG LOCK NUT
7	6	470375	TUBE CLAMP BODY,1.31 ID (PAIR)
8	6	470376	COVER PLATE FOR 470375
9	2	473001	5/16UNC HEX NUT,NYLOC 316 SS
10	2	500155	1" FLANGE CAP PLUG POLY
11	10	500157	1" FLANGE GASKET EPDM
12	10	500159	1" FLANGE CLAMP, S.S.
13	3	500171	1" FLANGE-1" HOSE BARB POLY
14	1	500173	1" FLANGE-90-1" HOSE BARB POLY
15	2	500175	1" FLANGE TEE POLY
16	2	601726	HOSE, 1 X 11 1BR BLK EPDM
17	6	520090	HOSE CLAMP NO 16 STAINLESS
18	9	737921	QUICK TJET 3-TIP BODY,1" HV
19	1	737923	LH QUICK TJET 3-TIP,1"BRB,FERT
20	18	900010	1/4UNC X 3" HEX BOLT
21	2	900064	5/16UNC X 3/4 HEX BOLT
22	2	900128	3/8UNC X 3/4 HEX BOLT
23	2	900262	1/2UNC X 3/4 HEX BOLT
24	18	920000	1/4 SAE FLAT WASHER
25	6	A53878	SOLUTION CLAMP MT, SS, DELTA
26	1	A56878	RH CENTER SECT NOZL BODY MT'10
27	1	A56879	LH CENTER SECT NOZL BODY MT'10
28	1	165794	15" WET BOOM WLD,37.11 LG '10
29	1	737794	RH QUICK TJET 3-TIP,1"BRB,FERT

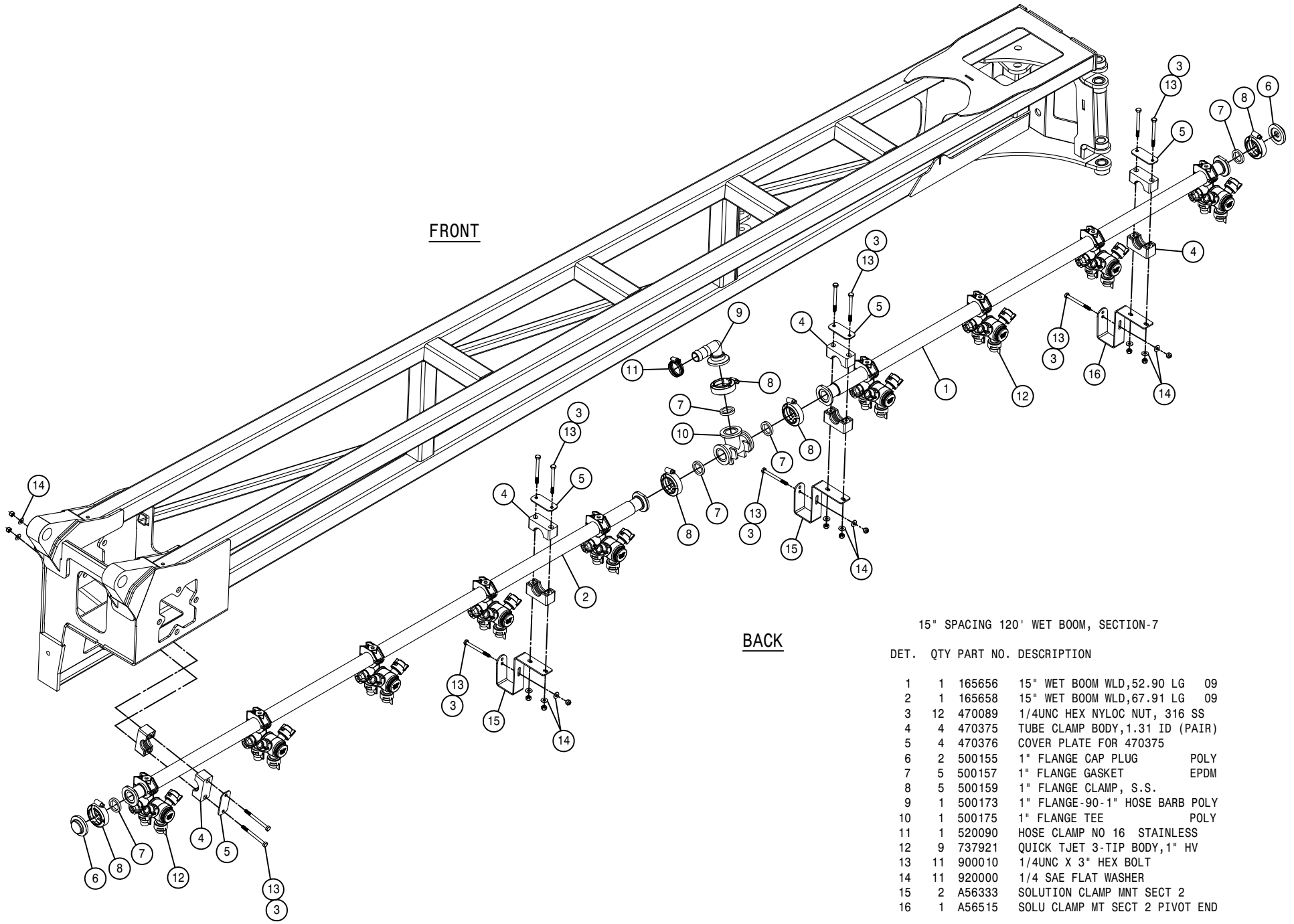
BACK



15" SPACING 120' WET BOOM, SECTION-6

DET.	QTY	PART NO.	DESCRIPTION
1	2	165662	15" WET BOOM WLD,155.63 LG 09
2	28	470089	1/4UNC HEX NYLOC NUT, 316 SS
3	9	470375	TUBE CLAMP BODY,1.31 ID (PAIR)
4	9	470376	COVER PLATE FOR 470375
5	2	500155	1" FLANGE CAP PLUG POLY
6	4	500157	1" FLANGE GASKET EPDM
7	4	500159	1" FLANGE CLAMP, S.S.
8	2	500173	1" FLANGE-90-1" HOSE BARB POLY
9	2	520090	HOSE CLAMP NO 16 STAINLESS
10	22	737921	QUICK TJET 3-TIP BODY,1" HV
11	26	900010	1/4UNC X 3" HEX BOLT
12	28	920000	1/4 SAE FLAT WASHER
13	7	A52766	SOLUTION CLAMP MT, SS, DELTA
14	1	A56374	SOLUTION CLAMP MOUNT,PIVEND
15	1	A56491	LH SOLU TUBE BRKT MT,120' BM
16	2	900002	1/4UNC X 3/4 HEX BOLT



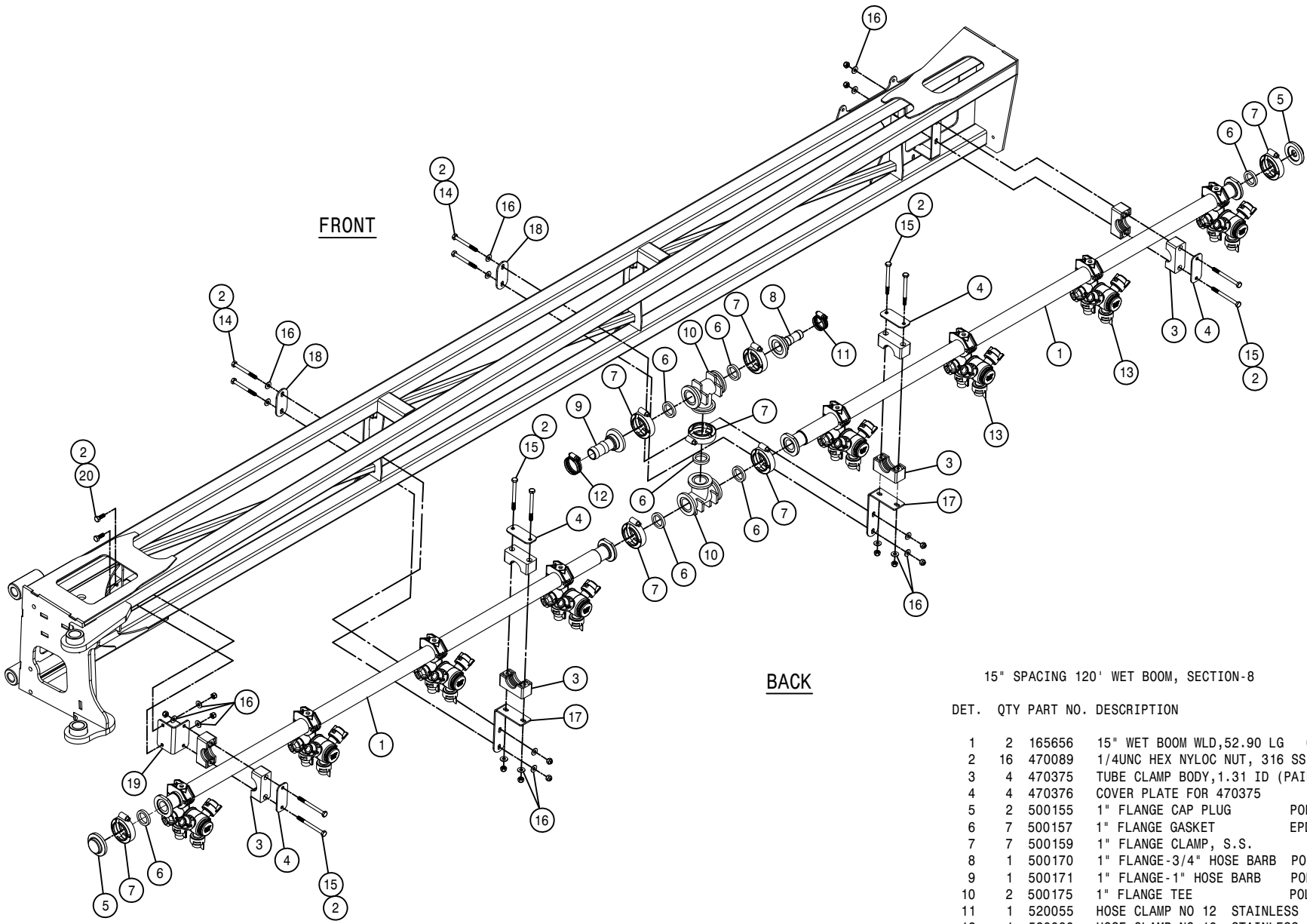


FRONT

BACK

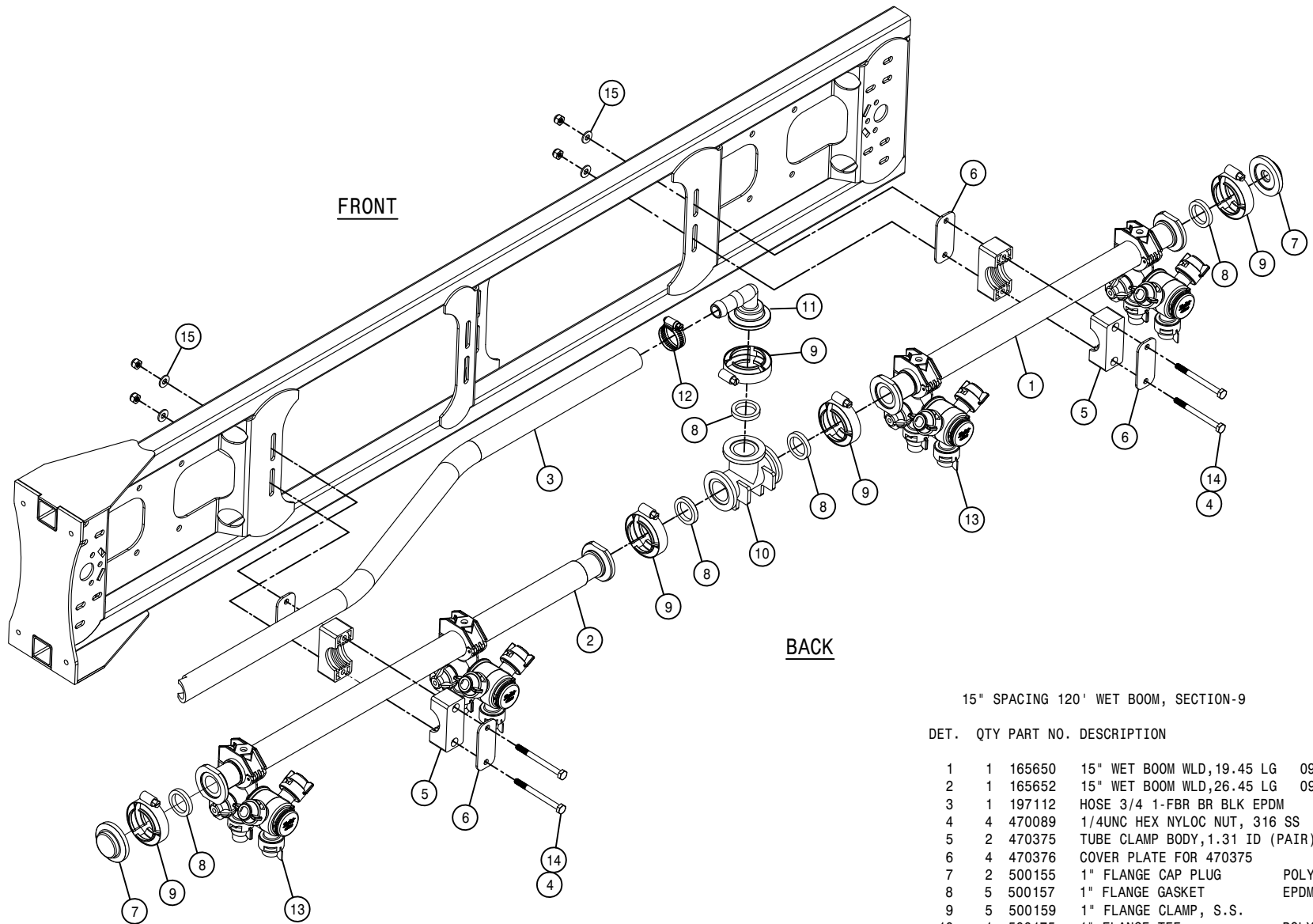
15" SPACING 120' WET BOOM, SECTION-7

DET.	QTY	PART NO.	DESCRIPTION
	1	165656	15" WET BOOM WLD,52.90 LG 09
	2	165658	15" WET BOOM WLD,67.91 LG 09
	3	470089	1/4UNC HEX NYLOC NUT, 316 SS
	4	470375	TUBE CLAMP BODY,1.31 ID (PAIR)
	5	470376	COVER PLATE FOR 470375
	6	500155	1" FLANGE CAP PLUG POLY
	7	500157	1" FLANGE GASKET EPDM
	8	500159	1" FLANGE CLAMP, S.S.
	9	500173	1" FLANGE-90-1" HOSE BARB POLY
	10	500175	1" FLANGE TEE POLY
	11	520090	HOSE CLAMP NO 16 STAINLESS
	12	737921	QUICK TJET 3-TIP BODY,1" HV
	13	900010	1/4UNC X 3" HEX BOLT
	14	920000	1/4 SAE FLAT WASHER
	15	A56333	SOLUTION CLAMP MNT SECT 2
	16	A56515	SOLU CLAMP MT SECT 2 PIVOT END



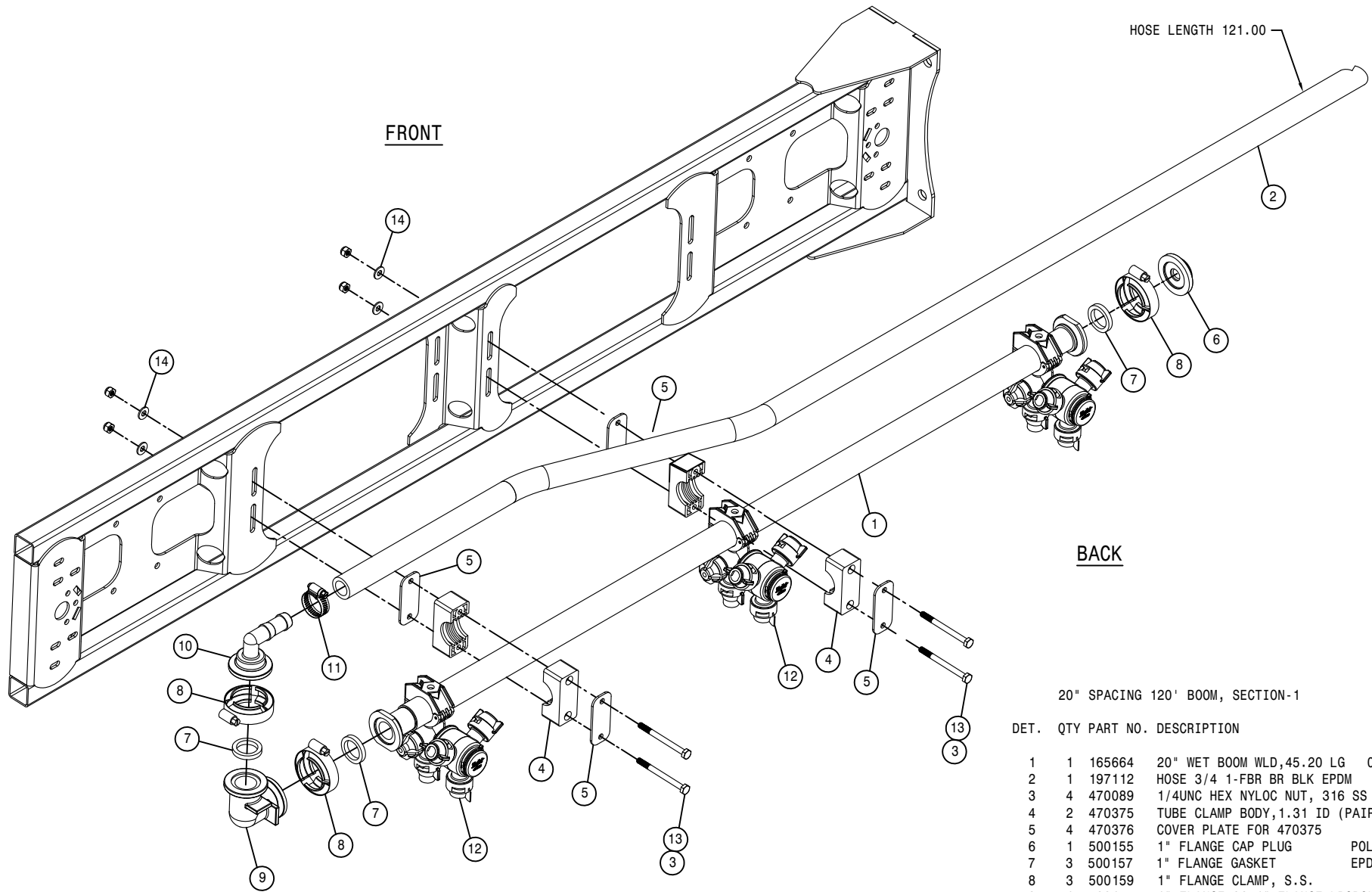
15" SPACING 120' WET BOOM, SECTION-8

DET.	QTY	PART NO.	DESCRIPTION
1	2	165656	15" WET BOOM WLD, 52.90 LG 09
2	16	470089	1/4UNC HEX NYLOC NUT, 316 SS
3	4	470375	TUBE CLAMP BODY, 1.31 ID (PAIR)
4	4	470376	COVER PLATE FOR 470375
5	2	500155	1" FLANGE CAP PLUG POLY
6	7	500157	1" FLANGE GASKET EPDM
7	7	500159	1" FLANGE CLAMP, S.S.
8	1	500170	1" FLANGE-3/4" HOSE BARB POLY
9	1	500171	1" FLANGE-1" HOSE BARB POLY
10	2	500175	1" FLANGE TEE POLY
11	1	520055	HOSE CLAMP NO 12 STAINLESS
12	1	520090	HOSE CLAMP NO 16 STAINLESS
13	8	737921	QUICK TJET 3-TIP BODY, 1" HV
14	4	900008	1/4UNC X 2 1/2 HEX BOLT
15	8	900010	1/4UNC X 3" HEX BOLT
16	18	920000	1/4 SAE FLAT WASHER
17	2	A53761	SOLU CLAMP MT. 2, SS, DELTA
18	2	A53771	SOLU CLAMP MT. PLT, SS, DELTA
19	1	A57102	WET BOOM MT BRKT
20	2	900002	1/4UNC X 3/4 HEX BOLT



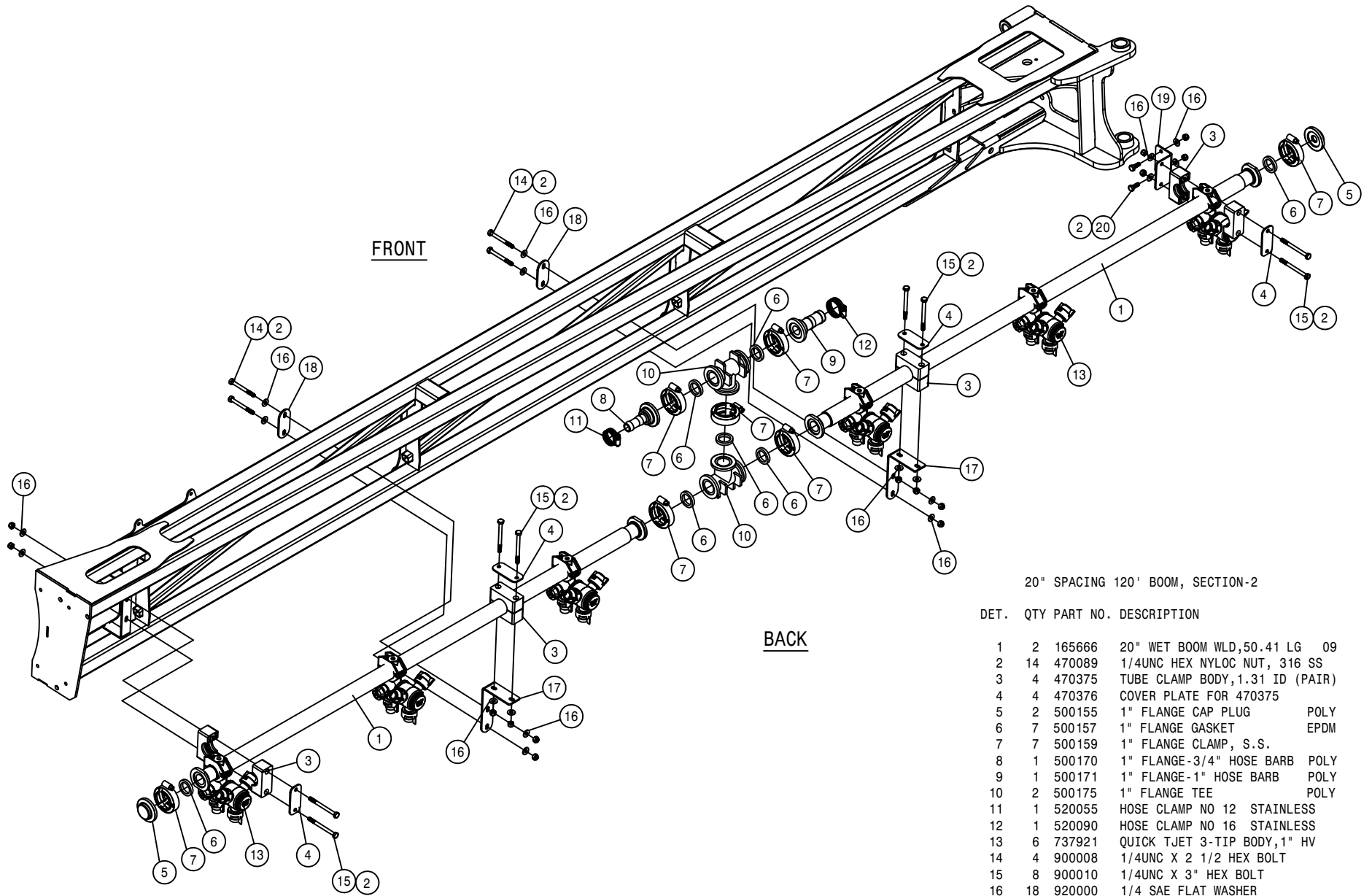
15" SPACING 120' WET BOOM, SECTION-9

DET.	QTY	PART NO.	DESCRIPTION
1	1	165650	15" WET BOOM WLD,19.45 LG 09
2	1	165652	15" WET BOOM WLD,26.45 LG 09
3	1	197112	HOSE 3/4 1-FBR BR BLK EPDM
4	4	470089	1/4UNC HEX NYLOC NUT, 316 SS
5	2	470375	TUBE CLAMP BODY,1.31 ID (PAIR)
6	4	470376	COVER PLATE FOR 470375
7	2	500155	1" FLANGE CAP PLUG POLY
8	5	500157	1" FLANGE GASKET EPDM
9	5	500159	1" FLANGE CLAMP, S.S.
10	1	500175	1" FLANGE TEE POLY
11	1	500185	1"FLANGE-90-3/4"HOSE BARB POLY
12	1	520055	HOSE CLAMP NO 12 STAINLESS
13	4	737921	QUICK TJET 3-TIP BODY,1" HV
14	4	900010	1/4UNC X 3" HEX BOLT
15	4	920000	1/4 SAE FLAT WASHER



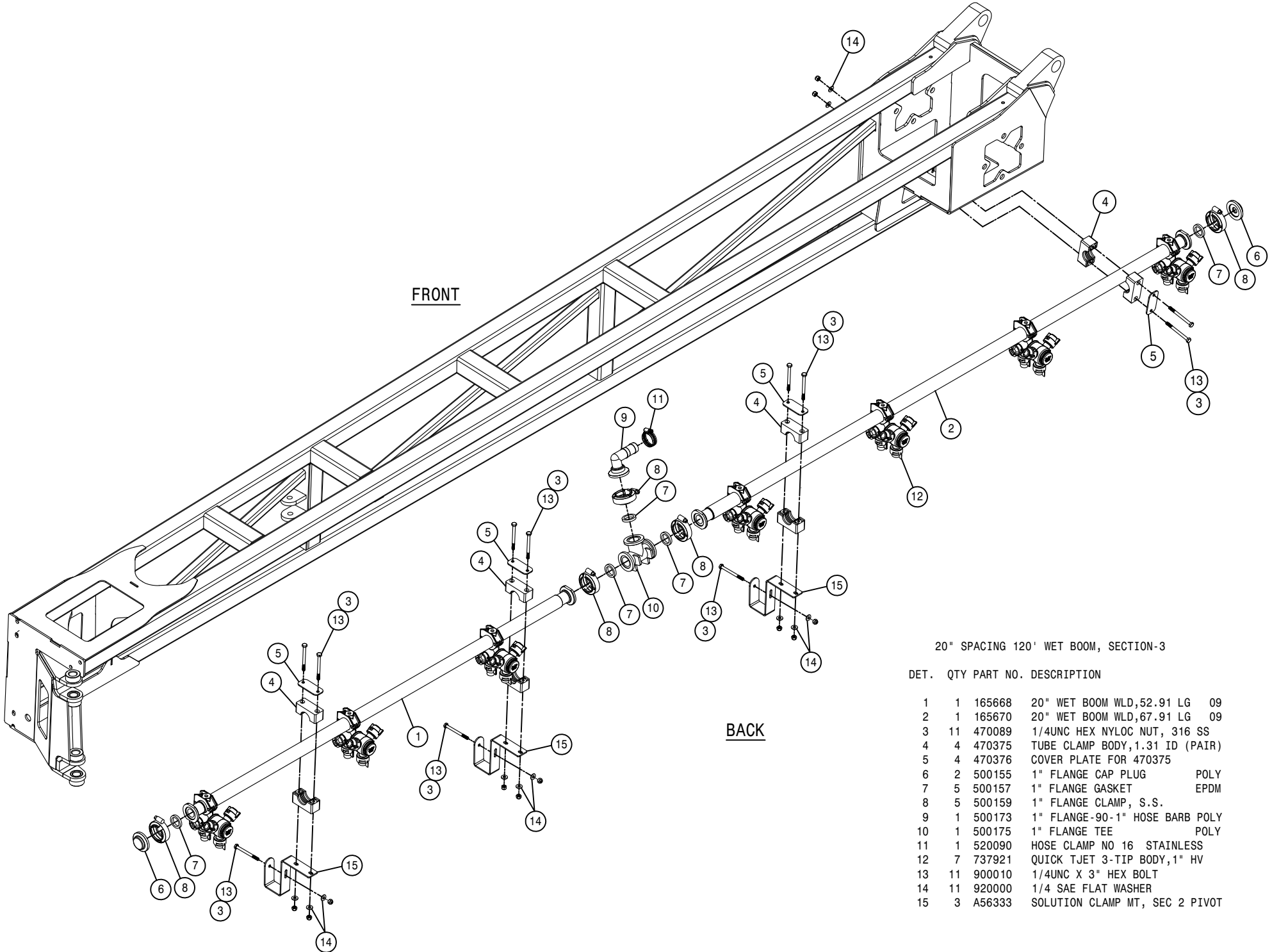
20" SPACING 120' BOOM, SECTION-1

DET.	QTY	PART NO.	DESCRIPTION
1	1	165664	20" WET BOOM WLD, 45.20 LG 09
2	1	197112	HOSE 3/4 1-FBR BR BLK EPDM
3	4	470089	1/4UNC HEX NYLOC NUT, 316 SS
4	2	470375	TUBE CLAMP BODY, 1.31 ID (PAIR)
5	4	470376	COVER PLATE FOR 470375
6	1	500155	1" FLANGE CAP PLUG POLY
7	3	500157	1" FLANGE GASKET EPDM
8	3	500159	1" FLANGE CLAMP, S.S.
9	1	500174	1" FLANGE-90-1" FLANGE LBOPOLY
10	1	500185	1"FLANGE-90-3/4"HOSE BARB POLY
11	1	520055	HOSE CLAMP NO 12 STAINLESS
12	3	737921	QUICK TJET 3-TIP BODY, 1" HV
13	4	900010	1/4UNC X 3" HEX BOLT
14	4	920000	1/4 SAE FLAT WASHER



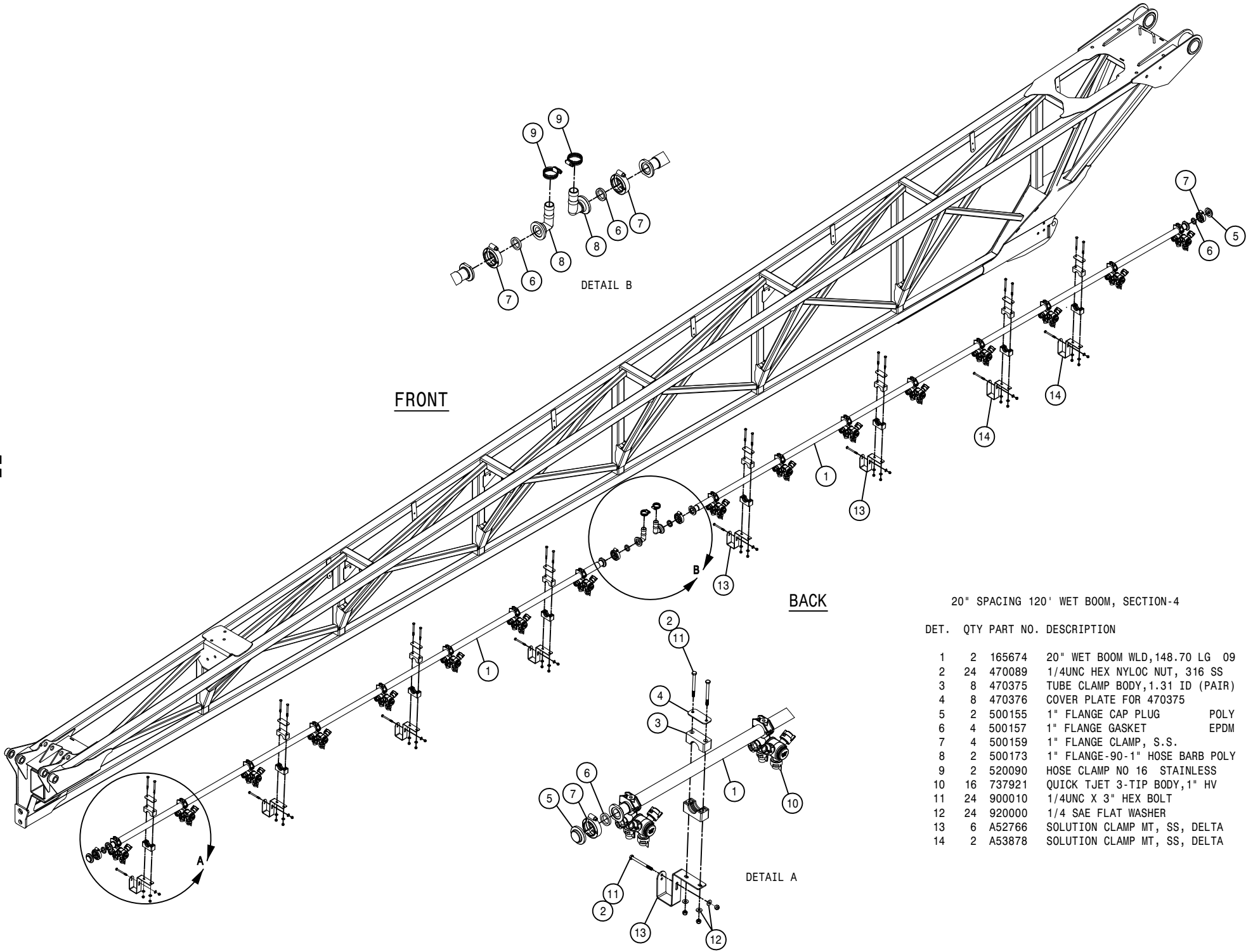
20" SPACING 120' BOOM, SECTION-2

DET.	QTY	PART NO.	DESCRIPTION
	1	2	165666 20" WET BOOM WLD,50.41 LG 09
	2	14	470089 1/4UNC HEX NYLOC NUT, 316 SS
	3	4	470375 TUBE CLAMP BODY,1.31 ID (PAIR)
	4	4	470376 COVER PLATE FOR 470375
	5	2	500155 1" FLANGE CAP PLUG POLY
	6	7	500157 1" FLANGE GASKET EPDM
	7	7	500159 1" FLANGE CLAMP, S.S.
	8	1	500170 1" FLANGE-3/4" HOSE BARB POLY
	9	1	500171 1" FLANGE-1" HOSE BARB POLY
	10	2	500175 1" FLANGE TEE POLY
	11	1	520055 HOSE CLAMP NO 12 STAINLESS
	12	1	520090 HOSE CLAMP NO 16 STAINLESS
	13	6	737921 QUICK TJET 3-TIP BODY,1" HV
	14	4	900008 1/4UNC X 2 1/2 HEX BOLT
	15	8	900010 1/4UNC X 3" HEX BOLT
	16	18	920000 1/4 SAE FLAT WASHER
	17	2	A53761 SOLU CLAMP MT. 2, SS, DELTA
	18	2	A53771 SOLU CLAMP MT. PLT, SS, DELTA
	19	1	A57102 WET BOOM MT BRKT
	20	2	900002 1/4UNC x 3/4 HEX BOLT



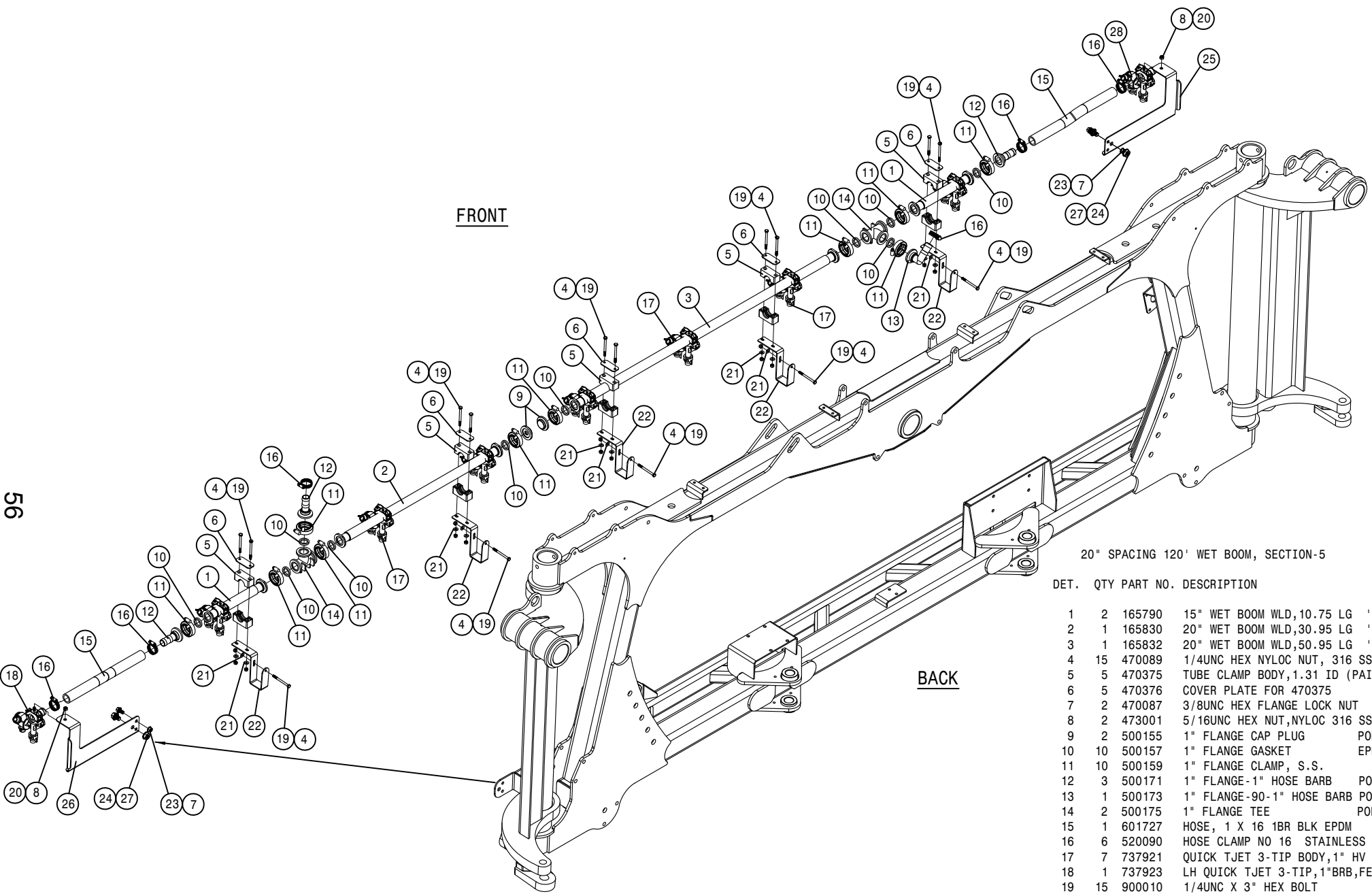
20" SPACING 120' WET BOOM, SECTION-3

DET.	QTY	PART NO.	DESCRIPTION
1	1	165668	20" WET BOOM WLD,52.91 LG 09
2	1	165670	20" WET BOOM WLD,67.91 LG 09
3	11	470089	1/4UNC HEX NYLOC NUT, 316 SS
4	4	470375	TUBE CLAMP BODY,1.31 ID (PAIR)
5	4	470376	COVER PLATE FOR 470375
6	2	500155	1" FLANGE CAP PLUG POLY
7	5	500157	1" FLANGE GASKET EPDM
8	5	500159	1" FLANGE CLAMP, S.S.
9	1	500173	1" FLANGE-90-1" HOSE BARB POLY
10	1	500175	1" FLANGE TEE POLY
11	1	520090	HOSE CLAMP NO 16 STAINLESS
12	7	737921	QUICK TJET 3-TIP BODY,1" HV
13	11	900010	1/4UNC X 3" HEX BOLT
14	11	920000	1/4 SAE FLAT WASHER
15	3	A56333	SOLUTION CLAMP MT, SEC 2 PIVOT



20" SPACING 120' WET BOOM, SECTION-4

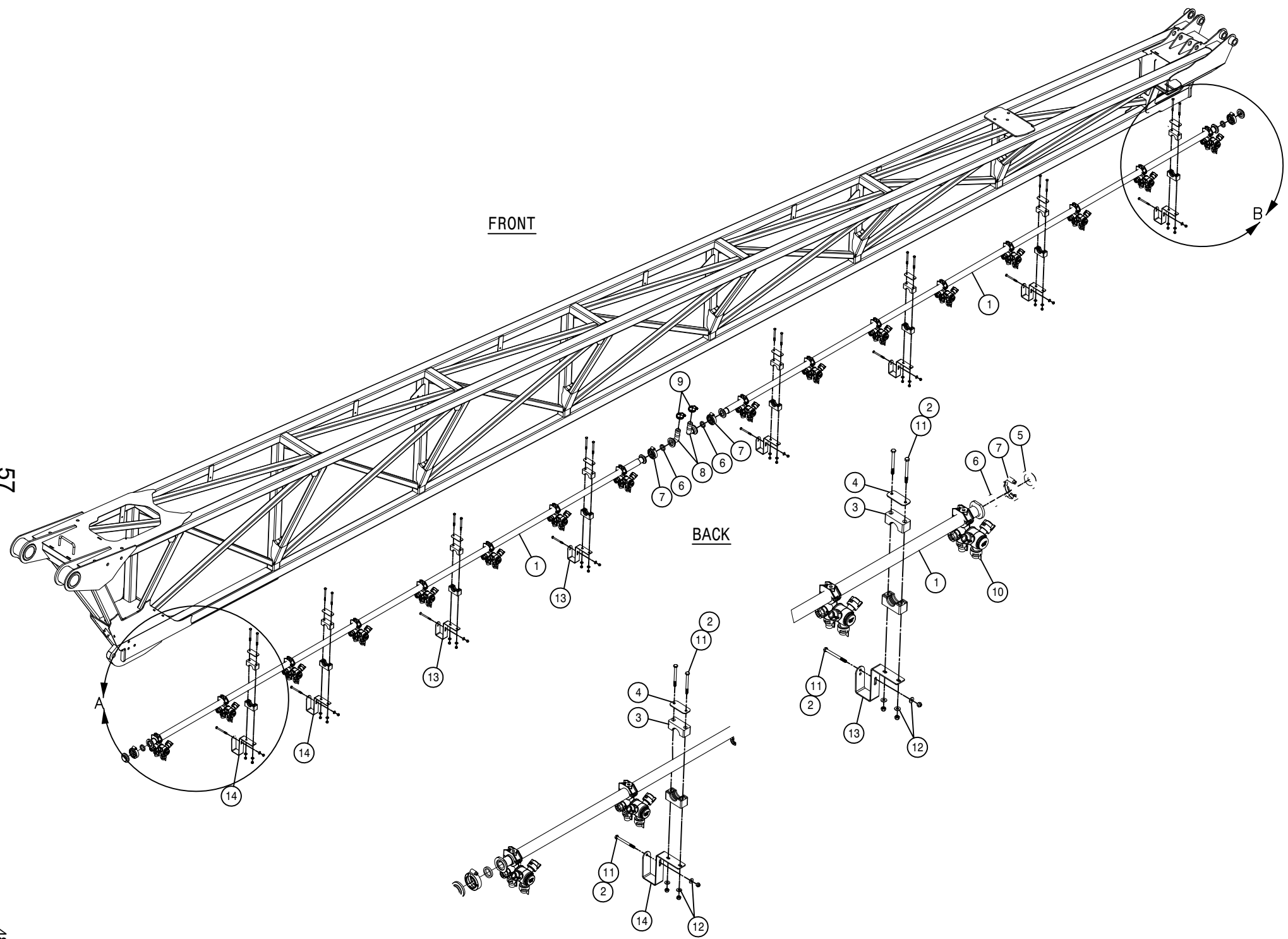
DET.	QTY	PART NO.	DESCRIPTION
1	2	165674	20" WET BOOM WLD, 148.70 LG 09
2	24	470089	1/4UNC HEX NYLOC NUT, 316 SS
3	8	470375	TUBE CLAMP BODY, 1.31 ID (PAIR)
4	8	470376	COVER PLATE FOR 470375
5	2	500155	1" FLANGE CAP PLUG POLY
6	4	500157	1" FLANGE GASKET EPDM
7	4	500159	1" FLANGE CLAMP, S.S.
8	2	500173	1" FLANGE-90-1" HOSE BARB POLY
9	2	520090	HOSE CLAMP NO 16 STAINLESS
10	16	737921	QUICK TJET 3-TIP BODY, 1" HV
11	24	900010	1/4UNC X 3" HEX BOLT
12	24	920000	1/4 SAE FLAT WASHER
13	6	A52766	SOLUTION CLAMP MT, SS, DELTA
14	2	A53878	SOLUTION CLAMP MT, SS, DELTA



20" SPACING 120' WET BOOM, SECTION-5

DET.	QTY	PART NO.	DESCRIPTION
1	2	165790	15" WET BOOM WLD, 10.75 LG '10
2	1	165830	20" WET BOOM WLD, 30.95 LG '10
3	1	165832	20" WET BOOM WLD, 50.95 LG '10
4	15	470089	1/4UNC HEX NYLOC NUT, 316 SS
5	5	470375	TUBE CLAMP BODY, 1.31 ID (PAIR)
6	5	470376	COVER PLATE FOR 470375
7	2	470087	3/8UNC HEX FLANGE LOCK NUT
8	2	473001	5/16UNC HEX NUT, NYLOC 316 SS
9	2	500155	1" FLANGE CAP PLUG POLY
10	10	500157	1" FLANGE GASKET EPDM
11	10	500159	1" FLANGE CLAMP, S.S.
12	3	500171	1" FLANGE-1" HOSE BARB POLY
13	1	500173	1" FLANGE-90-1" HOSE BARB POLY
14	2	500175	1" FLANGE TEE POLY
15	1	601727	HOSE, 1 X 16 1BR BLK EPDM
16	6	520090	HOSE CLAMP NO 16 STAINLESS
17	7	737921	QUICK TJET 3-TIP BODY, 1" HV
18	1	737923	LH QUICK TJET 3-TIP, 1" BRB, FERT
19	15	900010	1/4UNC X 3" HEX BOLT
20	2	900064	5/16UNC X 3/4 HEX BOLT
21	15	920000	1/4 SAE FLAT WASHER
22	5	A53878	SOLUTION CLAMP MT, SS, DELTA
23	2	900128	3/8UNC X 3/4 HEX BOLT
24	2	900262	1/2UNC X 3/4 SER FLANGE BOLT
25	1	A57554	RH CNTR SECT NOZL MT 20" SPC '10
26	1	A57555	LH CNTR SECT NOZL MT 20" SPC '10
27	2	470345	1/2UNC HEX SMTH FLNG LOCK NUT
28	1	737794	RH QUICK TJET 3-TIP, 1" BRB, FERT



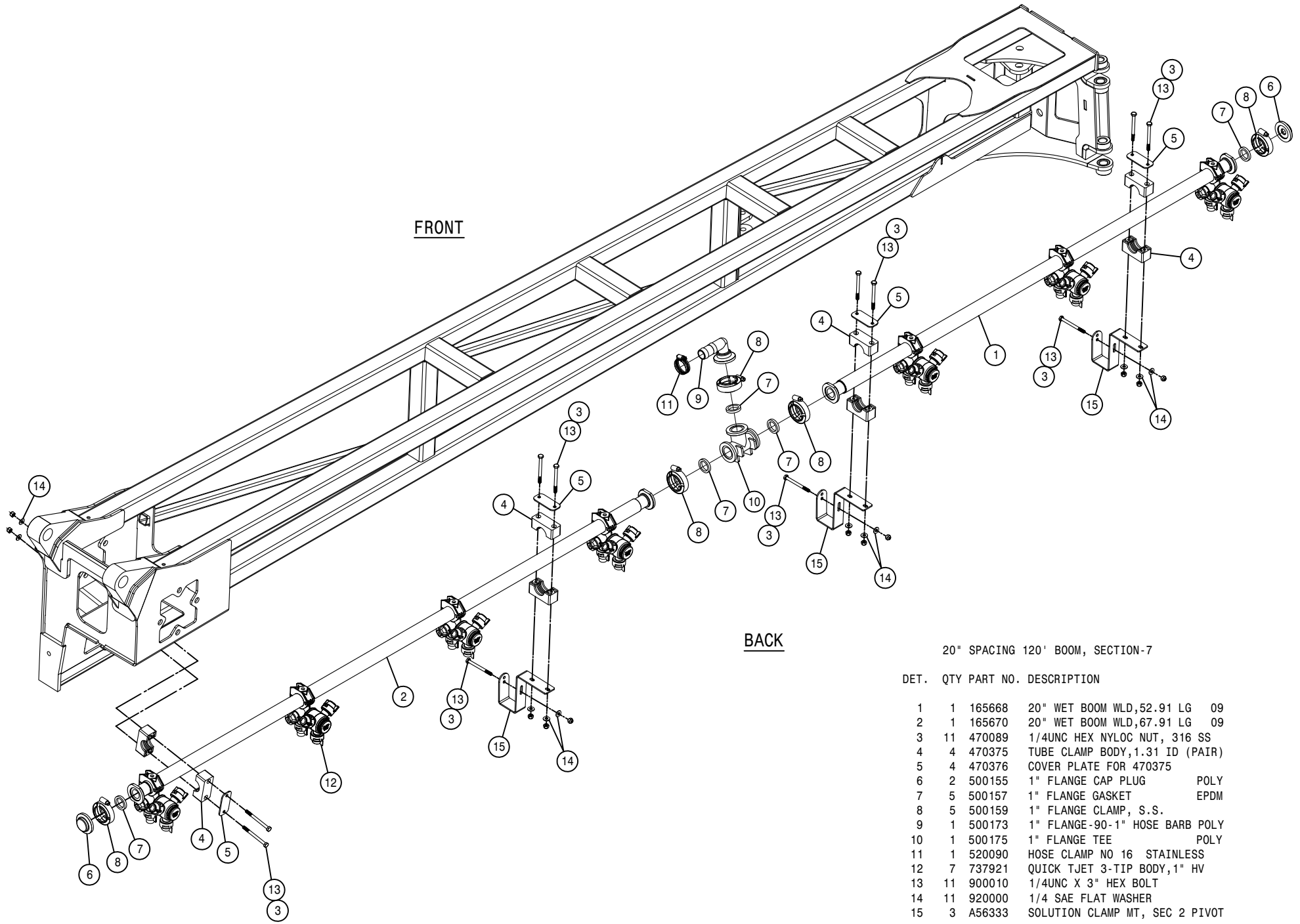


FRONT

BACK

FRONT

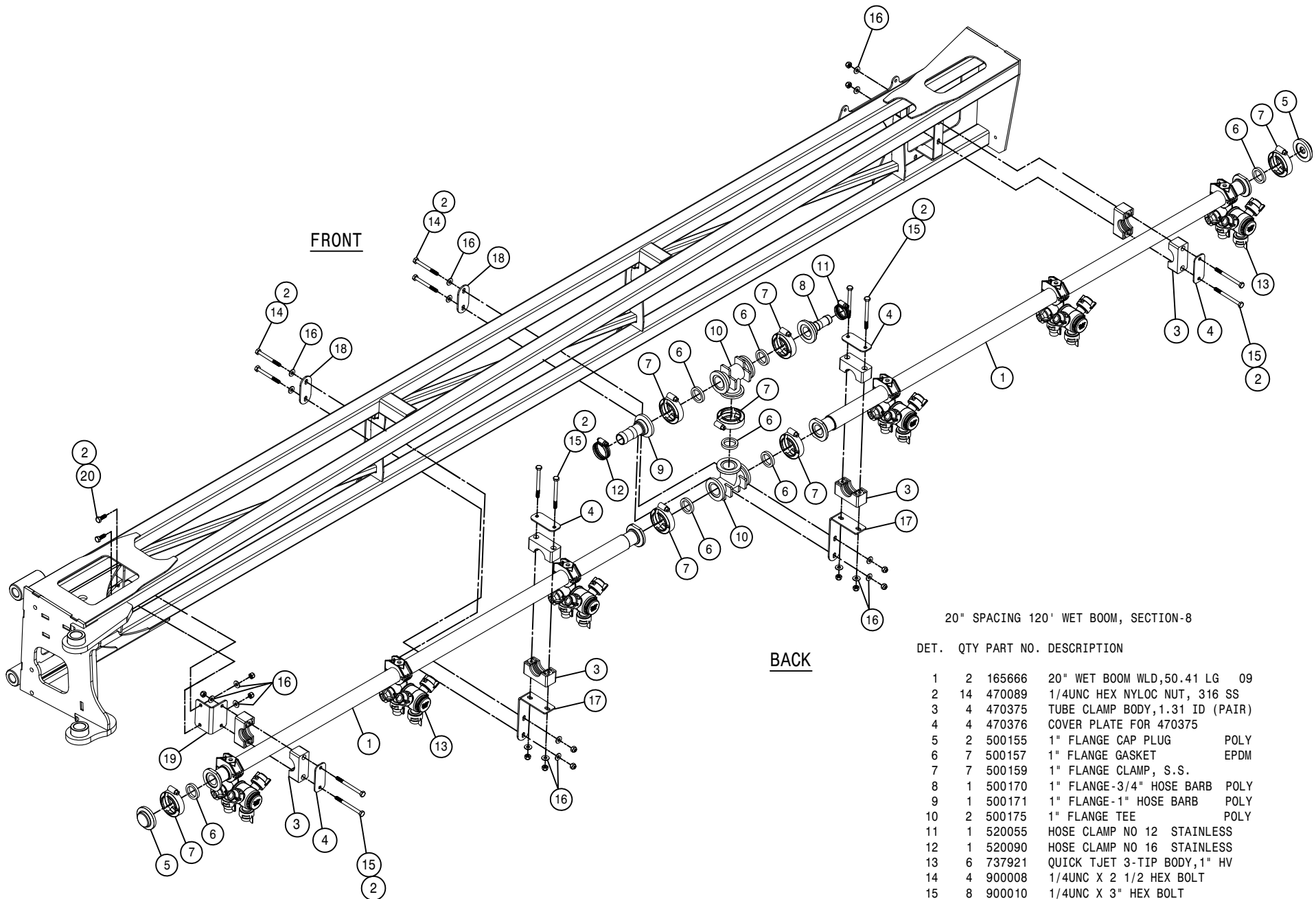
BACK



20" SPACING 120' BOOM, SECTION-7

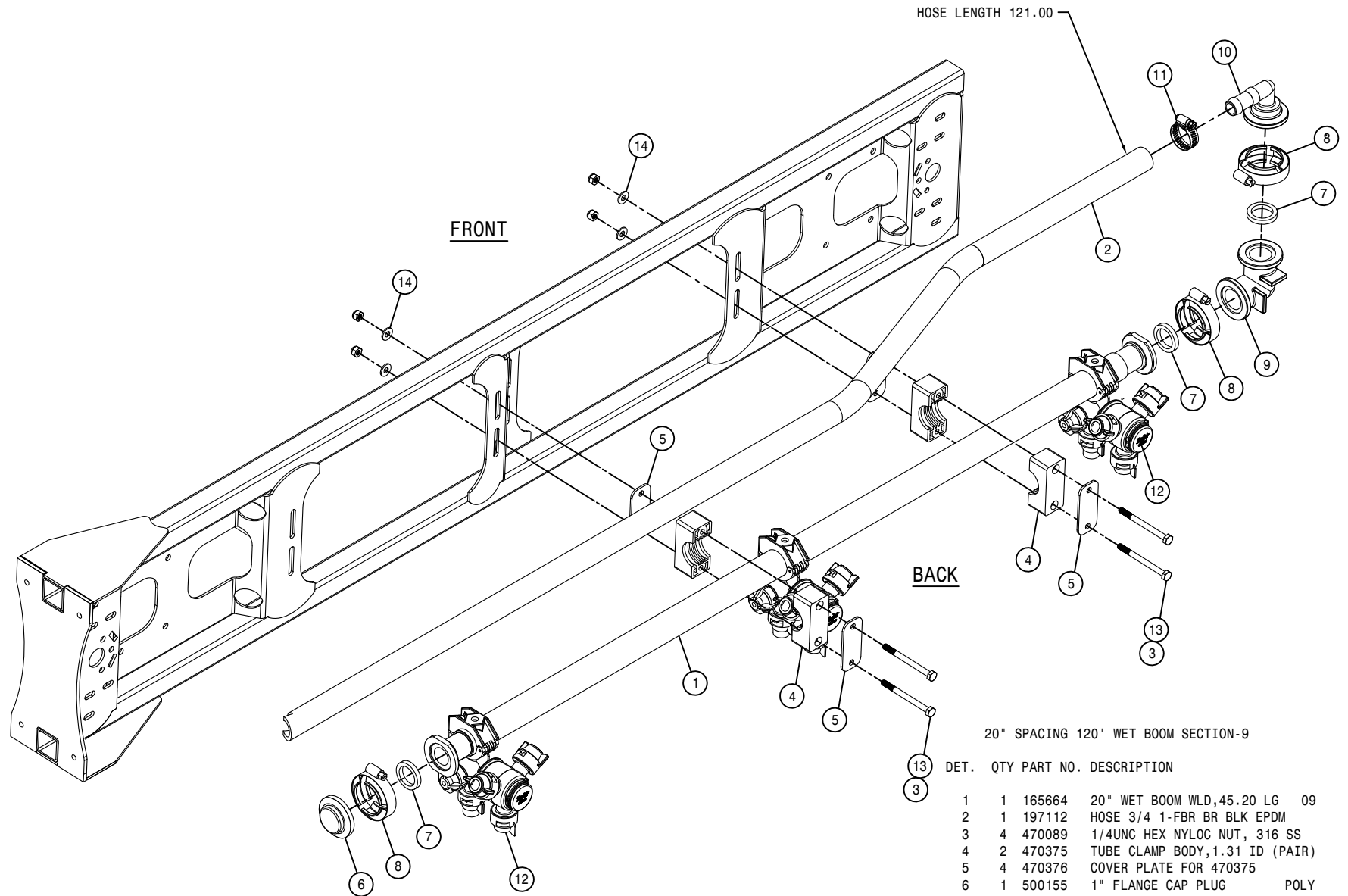
DET. QTY PART NO. DESCRIPTION

DET.	QTY	PART NO.	DESCRIPTION
1	1	165668	20" WET BOOM WLD,52.91 LG 09
2	1	165670	20" WET BOOM WLD,67.91 LG 09
3	11	470089	1/4UNC HEX NYLOC NUT, 316 SS
4	4	470375	TUBE CLAMP BODY,1.31 ID (PAIR)
5	4	470376	COVER PLATE FOR 470375
6	2	500155	1" FLANGE CAP PLUG POLY
7	5	500157	1" FLANGE GASKET EPDM
8	5	500159	1" FLANGE CLAMP, S.S.
9	1	500173	1" FLANGE-90-1" HOSE BARB POLY
10	1	500175	1" FLANGE TEE POLY
11	1	520090	HOSE CLAMP NO 16 STAINLESS
12	7	737921	QUICK TJET 3-TIP BODY,1" HV
13	11	900010	1/4UNC X 3" HEX BOLT
14	11	920000	1/4 SAE FLAT WASHER
15	3	A56333	SOLUTION CLAMP MT, SEC 2 PIVOT



20" SPACING 120' WET BOOM, SECTION-8

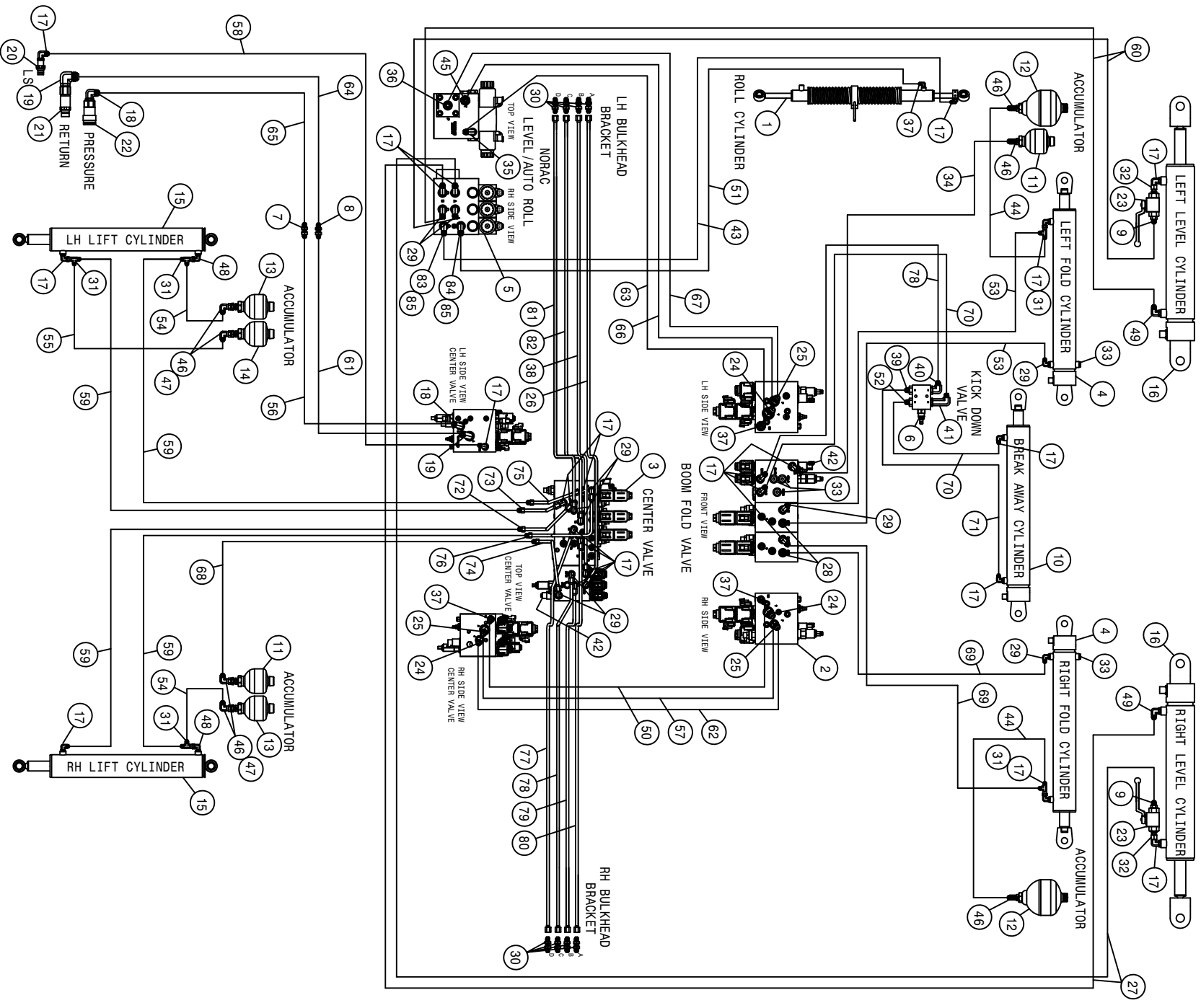
DET.	QTY	PART NO.	DESCRIPTION
1	2	165666	20" WET BOOM WLD,50.41 LG 09
2	14	470089	1/4UNC HEX NYLOC NUT, 316 SS
3	4	470375	TUBE CLAMP BODY,1.31 ID (PAIR)
4	4	470376	COVER PLATE FOR 470375
5	2	500155	1" FLANGE CAP PLUG POLY
6	7	500157	1" FLANGE GASKET EPDM
7	7	500159	1" FLANGE CLAMP, S.S.
8	1	500170	1" FLANGE-3/4" HOSE BARB POLY
9	1	500171	1" FLANGE-1" HOSE BARB POLY
10	2	500175	1" FLANGE TEE POLY
11	1	520055	HOSE CLAMP NO 12 STAINLESS
12	1	520090	HOSE CLAMP NO 16 STAINLESS
13	6	737921	QUICK TJET 3-TIP BODY,1" HV
14	4	900008	1/4UNC X 2 1/2 HEX BOLT
15	8	900010	1/4UNC X 3" HEX BOLT
16	18	920000	1/4 SAE FLAT WASHER
17	2	A53761	SOLU CLAMP MT. 2, SS, DELTA
18	2	A53771	SOLU CLAMP MT. PLT, SS, DELTA
19	1	A57102	WET BOOM MT BRKT
20	2	900002	1/4UNC X 3/4 HEX BOLT



20" SPACING 120' WET BOOM SECTION-9

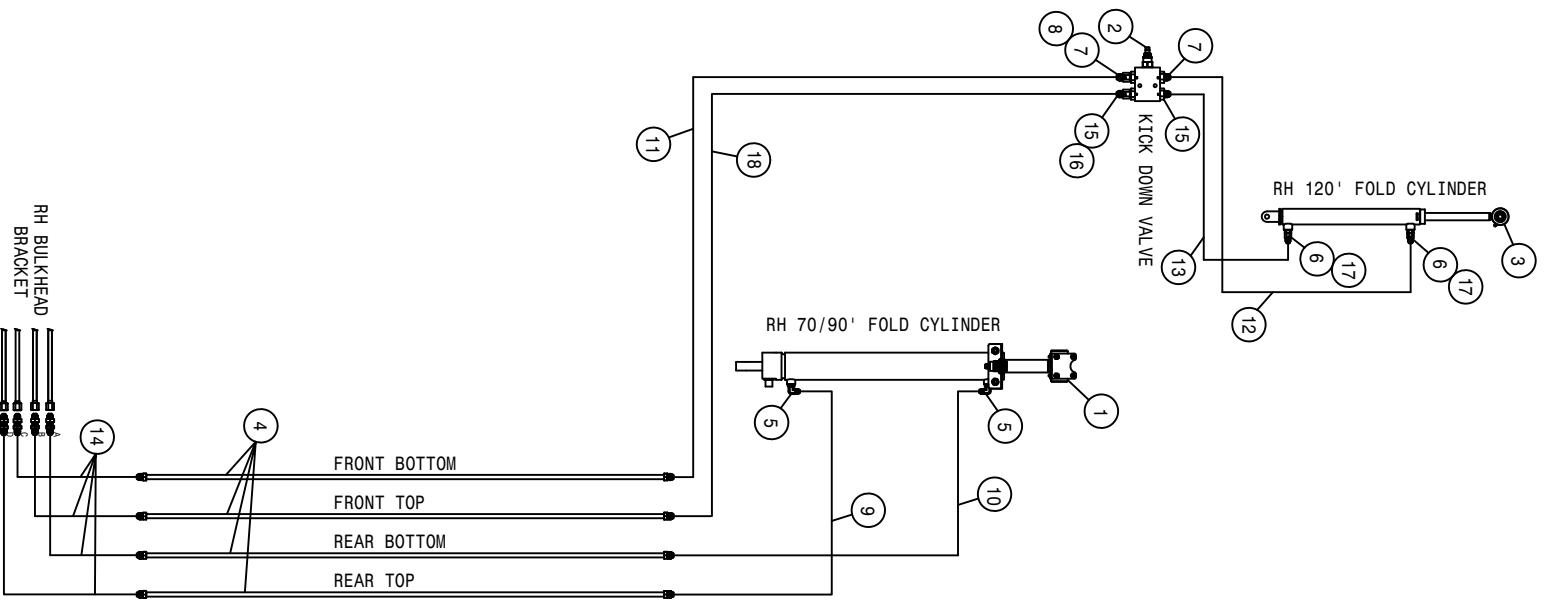
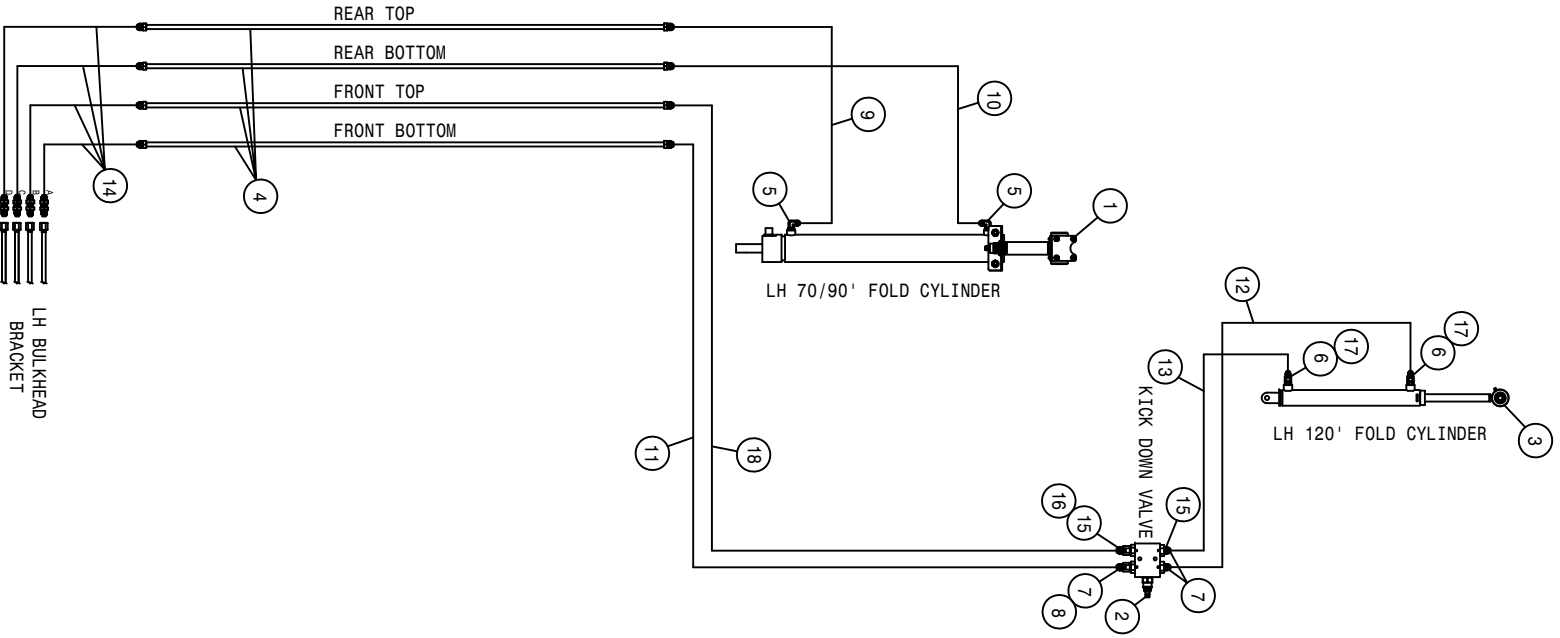
DET.	QTY	PART NO.	DESCRIPTION
1	1	165664	20" WET BOOM WLD,45.20 LG 09
2	1	197112	HOSE 3/4 1-FBR BR BLK EPDM
3	4	470089	1/4UNC HEX NYLOC NUT, 316 SS
4	2	470375	TUBE CLAMP BODY,1.31 ID (PAIR)
5	4	470376	COVER PLATE FOR 470375
6	1	500155	1" FLANGE CAP PLUG POLY
7	3	500157	1" FLANGE GASKET EPDM
8	3	500159	1" FLANGE CLAMP, S.S.
9	1	500174	1" FLANGE-90-1" FLANGE LBOPOLY
10	1	500185	1"FLANGE-90-3/4"HOSE BARB POLY
11	1	520055	HOSE CLAMP NO 12 STAINLESS
12	3	737921	QUICK TJET 3-TIP BODY,1" HV
13	4	900010	1/4UNC X 3" HEX BOLT
14	4	920000	1/4 SAE FLAT WASHER

This Page Intentionally Blank



120' BOOM HYDRAULIC DIAGRAM 2010  
REFERENCE DRAWING NO. 499060S1

DET.	QTY	PART NO.	DESCRIPTION	DET.	QTY	PART NO.	DESCRIPTION
1	1	621592	NORAC LINEAR ROLL CYL, 1.75X12	44	2	616748	06-451TC-06FJX-08FJX90-49 H/A
2	2	606401	VALVE,SUNSOURCE (A56857)	45	1	618832	7/8MJIC-9/16MOR ADPTR
3	1	606405	VALVE,SUNSOURCE (A56744)	46	7	618743	3/4MOR-3/4MJIC BLKHD, 040MFM0
4	2	621595	HYD CYL,4.00 X 21.25 X 2"DTSC#H	47	2	618609	3/4MJIC-90-3/4FJIC SMIV LBO
5	1	606456	NORAC HYD VALVE (44960D)	48	2	618739	9/16MJ-90-9/16MOR .065 CHK VLV
6	1	607558	KICKDOWN RELIEF, SUN	49	2	618738	9/16MJ-90-9/16MOR .055 CHK VLV
7	1	618349	3/4MJIC-3/4MJIC BLKHD UNION	50	1	616738	04-451TC-06FJX-06FJX-114 H/A
8	1	618497	7/8MJIC-7/8MJIC BLKHD UNION	51	1	616573	06-451TC-06FJX-06FJX-29 H/A
9	2	618126	9/16MJIC-9/16MOR ADPTR	52	1	611125	3/4MJIC-3/4MOR ADPTR
10	1	621582	HYD CYL, 3.25 X 21.25 X 1.630	53	2	616745	06-451TC-06FJX-06FJX90-89 H/A
11	2	470444	ACCUMLATOR, 30CI 1508 PSI	54	2	616365	06-451TC-08FJX-06FJX90-30 H/A
12	2	470537	ACCUMLATOR, SBO210 1800 PSI	55	1	616750	06-451TC-08FJX-06FJX90-48 H/A
13	2	470539	ACCUMLATOR, 30CI 800 PSI	56	1	616100	08-451TC-08FJX-08FJX-19 H/A
14	1	470538	ACCUMLATOR, 30CI 600 PSI	57	1	616757	10-451TC-10FJX-10FJX-113 H/A
15	2	621578	HYD CYL, 3.25 X 20.25 X 1.630	58	1	616662	04-451TC-06FJX-06FJX-137 H/A
16	2	621584	HYD CYL, 3.00 X 14.00 X 1.380	59	4	616746	06-451TC-06FJX-06FJX90-110 H/A
17	25	618119	9/16MJIC-90-9/16MOR LBO	60	2	616741	06-451TC-06FJX-06FJX-107 H/A
18	2	618241	3/4MJIC-90-3/4MOR LBO	61	1	616755	10-451TC-10FJX-10FJX-18 H/A
19	2	611128	7/8MJIC-90-7/8MOR LBO	62	1	616753	08-451TC-08FJX-08FJX-110 H/A
20	1	618804	HYD CPLR, MALE #14, 9/16FOR	63	1	616739	04-451TC-06FJX-06FJX90-41 H/A
21	1	618806	HYD CPLR, MALE #12, 7/8FOR	64	1	616758	10-451TC-10FJX-10FJX-118 H/A
22	1	618807	HYD CPLR, FEM #12, 3/4FOR	65	1	616754	08-451TC-08FJX-08FJX-119 H/A
23	2	696131	BALL VALVE, 9/16FOR, 7250PSI	66	1	616756	10-451TC-10FJX-10FJX-40 H/A
24	3	618644	7/8MJIC-45-7/8MOR LBO	67	1	616752	08-451TC-08FJX-08FJX-38 H/A
25	3	618315	3/4MJIC-45-3/4MOR LBO	68	1	616751	06-451TC-08FJX-06FJX90-77 H/A
26	1	615898	HYD TUBE ASSY, MFD #8, 120'BM*10	69	2	616581	06-451TC-06FJX-06FJX90-40 H/A
27	2	616185	06-451TC-06FJX-06FJX-147 H/A	70	2	616742	06-451TC-06FJX-08FJX-23 H/A
28	2	618126	9/16MJIC-9/16MOR ADPTR	71	1	616092	06-451TC-06FJX-06FJX-27 H/A
29	10	618440	9/16MJIC-90-9/16MOR EX LG LBO	72	1	615899	HYD TUBE ASSY, MFD #9, 120'BM*10
30	8	618510	9/16MJIC-9/16MJIC BLKHD UNION	73	1	615900	HYD TUBE ASSY, MFD#10, 120'BM*10
31	5	618486	9/16FJIC SW RUN TEE-9/16MJIC	74	1	615901	HYD TUBE ASSY, MFD#11, 120'BM*10
32	2	618668	9/16FJIC SMIV-9/16MOR ADPTR	75	1	615902	HYD TUBE ASSY, MFD#12, 120'BM*10
33	5	618754	9/16MOR PLUG, HEX SOCKET	76	1	615903	HYD TUBE ASSY, MFD#13, 120'BM*10
34	2	616747	06-451TC-06FJX-08FJX90-40 H/A	77	1	615891	HYD TUBE ASSY, MFD #1, 120'BM*10
35	1	618114	9/16MJIC-90-7/16MOR LBO	78	1	615892	HYD TUBE ASSY, MFD #2, 120'BM*10
36	1	618360	3/4MJIC-9/16MOR ADPTR	79	1	615893	HYD TUBE ASSY, MFD #3, 120'BM*10
37	4	618425	9/16MJIC-45-9/16MOR LBO	80	1	615894	HYD TUBE ASSY, MFD #4, 120'BM*10
38	1	615897	HYD TUBE ASSY, MFD #7, 120'BM*10	81	1	615896	HYD TUBE ASSY, MFD #6, 120'BM*10
39	1	618109	9/16MJIC-3/4MOR ADPTR	82	1	615895	HYD TUBE ASSY, MFD #5, 120'BM*10
40	1	618115	9/16MJIC-90-3/4MOR LBO	83	1	614763	9/16MJIC-9/16MOR.042MOMF ADPTR
41	1	618443	3/4MJIC-90-3/4MOR EX LG LBO	84	1	614765	9/16MJIC-9/16MOR.047MOMF ADPTR
42	2	606347	PRESSURE TRANSDUCER, 7500PSI	85	2	618618	9/16MJIC-90-9/16FJIC SMIV LBO
43	2	616740	06-451TC-06FJX-06FJX-20 H/A				





120' BOOM HYDRAULIC DIAGRAM 2010  
 REFERENCE DRAWING NO. 499060S2

DET.	QTY	PART NO.	DESCRIPTION	DET.	QTY	PART NO.	DESCRIPTION
1	2	621586	HYD CYL, 2.75 X 21.25 X 1.500	10	2	616354	06-451TC-06FJX-06FJX-68
2	2	607558	KICKDOWN RELIEF, SUN	11	2	616571	06-451TC-06FJX-06FJX-180
3	2	621610	HYD CYL, 1.75 X 16 X 1.25	12	2	616578	06-451TC-06FJX-06FJX90-18
4	8	615851	HYD TUBE, MAIN BOOM, STS	13	2	616749	06-451TC-08FJX-06FJX90-18
5	4	618119	9/16MJIC-90-9/16MOR LBO	14	8	616582	06-451TC-06FJX-06FJX90-51
6	4	618126	9/16MJIC-9/16MOR ADPTR	15	4	611125	3/4MJIC-3/4MOR ADPTR
7	4	618109	9/16MJIC-3/4MOR ADPTR	16	2	618835	3/4MJIC .031 ORIFICE ADPTR
8	2	618732	9/16JIC .031 ORIFICE ADPTR	17	4	618833	9/16MJIC .028 ORIFICE ADPTR
9	2	616349	06-451TC-06FJX-06FJX-47	18	2	616743	06-451TC-06FJX-08FJX-180
							H/A
							H/A
							H/A
							H/A
							H/A
							H/A
							H/A
							H/A

INDEX

-A- ACCUMULATOR.....4, 15

-B- BOOM.....19, 24  
BUMPER.....30, 31  
CONTROL VALVE.....9  
CRADLE.....29, 32  
GUARD.....20, 25  
STAND.....6  
WET.....43, 52  
BREAKAWAY VALVE.....10

-C- CONTROL BOX.....3  
CRADLE, BOOM.....29, 32  
CYLINDER,  
FOLD.....6, 17, 18  
LEVEL.....16  
LIFT.....5

-D- DIAGRAM, HYDRAULIC.....62, 63

-F- FENCE ROW VALVE.....23, 28  
FLOW METER.....33, 34  
FOAMER VALVE.....41, 42  
FOLD  
CYLINDER.....6, 17, 18  
VALVE.....10

-G- GAUGE, PRESSURE.....4, 34  
GUARD,  
BOOM.....20  
NOZZLE.....23, 28

-H- HYDRAULIC,  
COUPLER.....5  
DIAGRAM.....62, 63  
TUBE.....20, 25

-I- INDICATOR LIGHT.....8

-K- KICKDOWN VALVE.....12, 13, 14

-L- LEVEL CYLINDER.....16  
LIFTARM.....4, 5  
LIFT CYLINDER.....5  
LIGHTS.....6  
INDICATOR.....8

-M- MANIFOLD.....9  
MODULE.....4

-N- NORAC VALVE.....11  
NOZZLE GUARD.....23, 28

-P- PRESSURE GAUGE.....34  
PRESSURE TRANSDUCER.....9, 10

-Q- QUICK ATTACH.....5

-S- SENSOR.....7, 17, 18, 21, 22, 23, 26, 27, 28  
SIDE WINDER.....21, 22, 26, 27  
SOLUTION VALVE.....35, 36, 37, 38, 39

-T- TRANSDUCER, PRESSURE.....9, 10  
TRANSOM.....6, 7  
TUBE CLAMP.....5

-V- VALVE,  
BOOM CONTROL.....9  
BREAKAWAY.....10  
FENCE ROW.....23, 28  
FOAMER.....41, 42  
FOLD.....10  
KICKDOWN.....12, 13, 14  
NORAC.....11  
SOLUTION.....35, 36, 37, 38, 39

-W- WET BOOM.....43, 52





# PARTS ORDER FAX



Ph. 1 (800) 247-4885

Fx. 1 (515) 532-3553

Photocopy and fax to Hagie Customer Support Department

ORDERED BY/BILL TO:

Name \_\_\_\_\_  
 Co. Name \_\_\_\_\_  
 Street \_\_\_\_\_  
 City, St, Zip \_\_\_\_\_  
 Ph. \_\_\_\_\_ Fx. \_\_\_\_\_

SHIP TO:

Name \_\_\_\_\_  
 Co. Name \_\_\_\_\_  
 Street \_\_\_\_\_  
 City, St, Zip \_\_\_\_\_  
 Ph. \_\_\_\_\_ Fx. \_\_\_\_\_

HOW SHIP:  UPS Ground  Next Day  2 Day  3 Day  Other \_\_\_\_\_

If "HOW SHIP" is left blank, parts will be sent UPS ground service. If part is over 150 pounds, an independent motor freight company will be used.

PAYMENT:  Hagie Account #\*\*\* \_\_\_\_\_

C.O.D

American Express  Discover  Visa  Master Card  
 Signature: \_\_\_\_\_  
 name as appears on card: \_\_\_\_\_  
 card no. \_\_\_\_\_ exp. date \_\_\_\_\_

Year and Model No. \_\_\_\_\_

Serial No. \_\_\_\_\_

Item Serial No. (if necessary): \_\_\_\_\_

Engine (include type) \_\_\_\_\_

Hydrostatic Pump (s) \_\_\_\_\_

Torque Hub \_\_\_\_\_  LF  RF  LR  RR

Wheel Motor \_\_\_\_\_  LF  RF  LR  RR

HAGIE Part No.	Qty.	Description

Check here if you want phone confirmation of parts order.

\* Orders received before 3:00 p.m., CST will be processed the same business day.

Regular business hours are Monday through Friday, 7:00 a.m. through 5:00 p.m..

\*\* If you do not have a Hagie account number, contact the Hagie Customer Support Department and you will be issued one.