



**PARTS MANUAL  
FOR  
HAGIE 120ft BOOMS**

**HAGIE MANUFACTURING COMPANY**

721 CENTRAL AVENUE WEST  
BOX 273  
CLARION, IOWA 50525-0273

(515) 532-2861

COVERS 120ft BOOM ATTACHMENT OPTION NUMBERS: U61509

05-09 493462  
04-12, 02-15,  
05-15

To obtain the most current parts manual for your machine, please visit [www.hagiehelp.com](http://www.hagiehelp.com).

© 2012-15 Hagie Manufacturing Company, Clarion, Iowa USA

TABLE OF CONTENTS

CONTROL BOX ASSEMBLY . . . . . 3

LIFTARM ASSEMBLY . . . . . 4-5

TRANSOM ASSEMBLY . . . . . 6-7

BOOM INDICATOR LIGHT ASSEMBLY . . . . . 8

HYDRAULIC VALVE ASSEMBLY . . . . . 9-13

KICKDOWN RELIEF VALVE ASSEMBLY . . . . . 14-16

ACCUMULATOR ASSEMBLY . . . . . 17

LEVEL AND FOLD CYLINDER ASSEMBLY . . . . . 18-20

RIGHT BOOM ASSEMBLY . . . . . 21-25

LEFT BOOM ASSEMBLY . . . . . 26-30

BOOM CRADLE ASSEMBLY . . . . . 31

BOOM BUMPER ASSEMBLY . . . . . 32-34

FLOW METER ASSEMBLY . . . . . 35-36

SOLUTION VALVE ASSEMBLY . . . . . 37-41

FOAMER VALVE AND DROP ASSEMBLY . . . . . 42-43

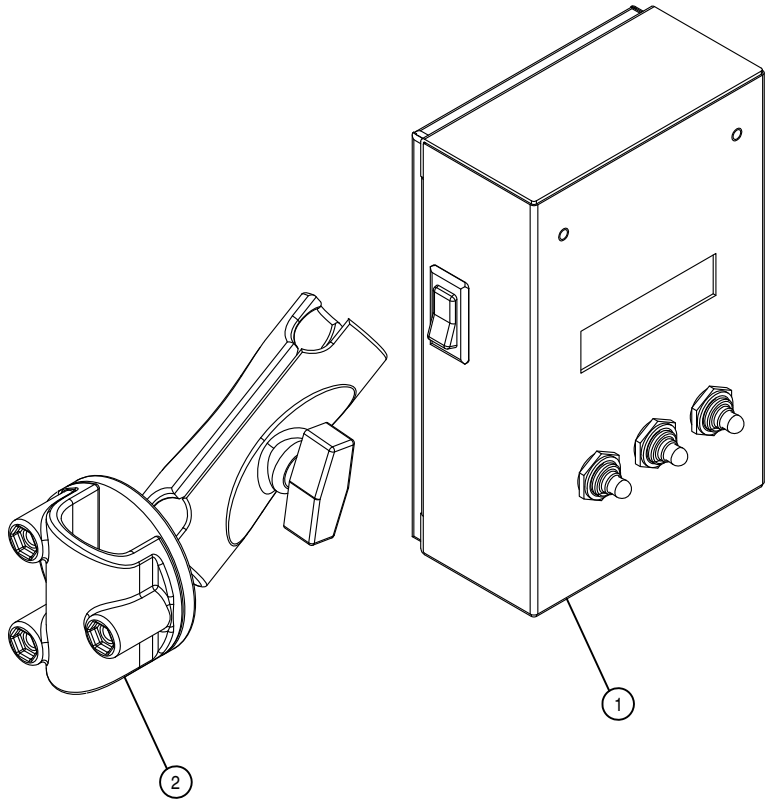
15" SPACING, WET BOOM ASSEMBLY . . . . . 44-52

20" SPACING, WET BOOM ASSEMBLY . . . . . 53-61

HYDRAULIC DIAGRAM . . . . . 62-65

INDEX . . . . . 66

PARTS ORDER FORM . . . . . 67



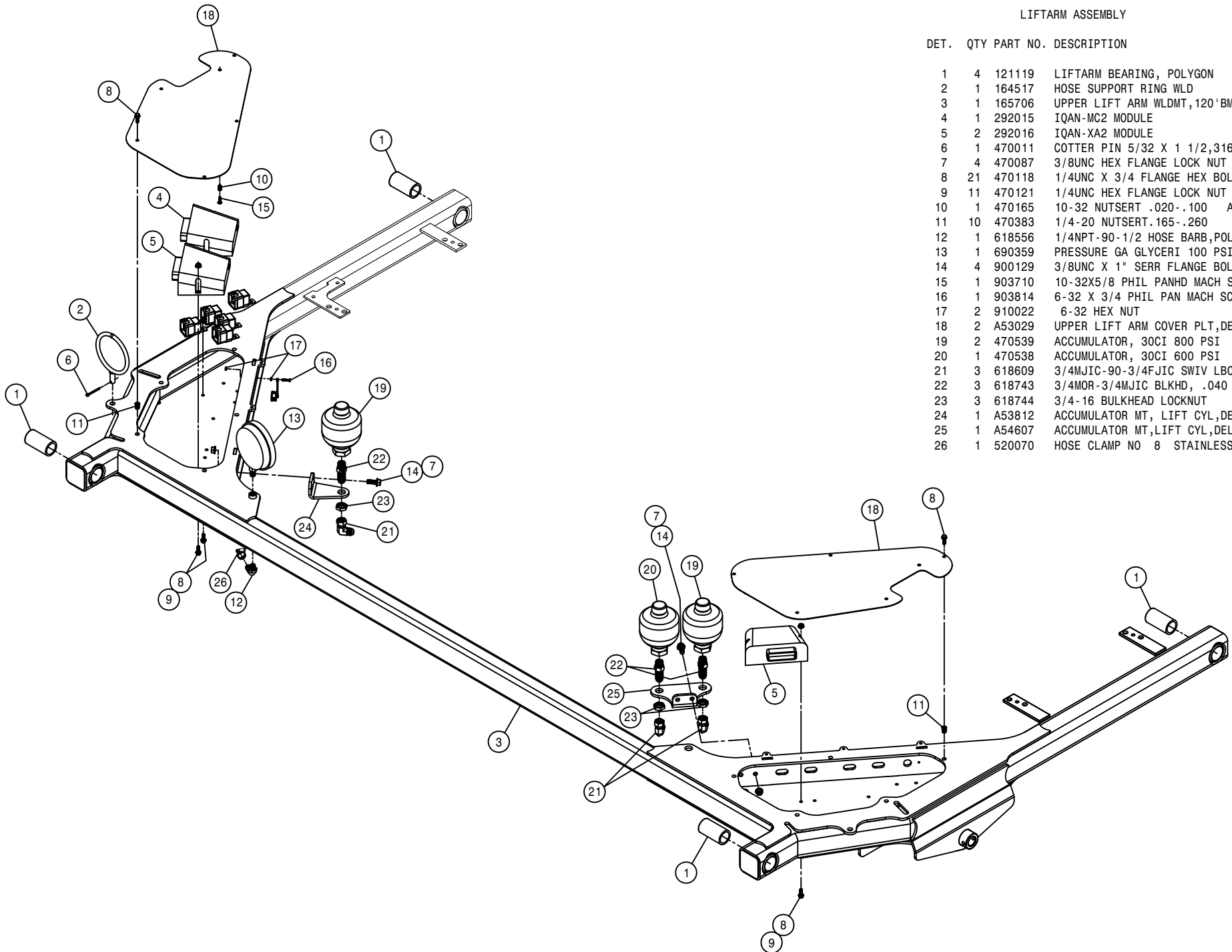
CONTROL BOX ASSEMBLY

DET.	QTY	PART NO.	DESCRIPTION
1	1	693052	CONTROL PANEL, NORAC
2	1	693071	ADPTR KIT, RAM233 RAIL MT, NORAC

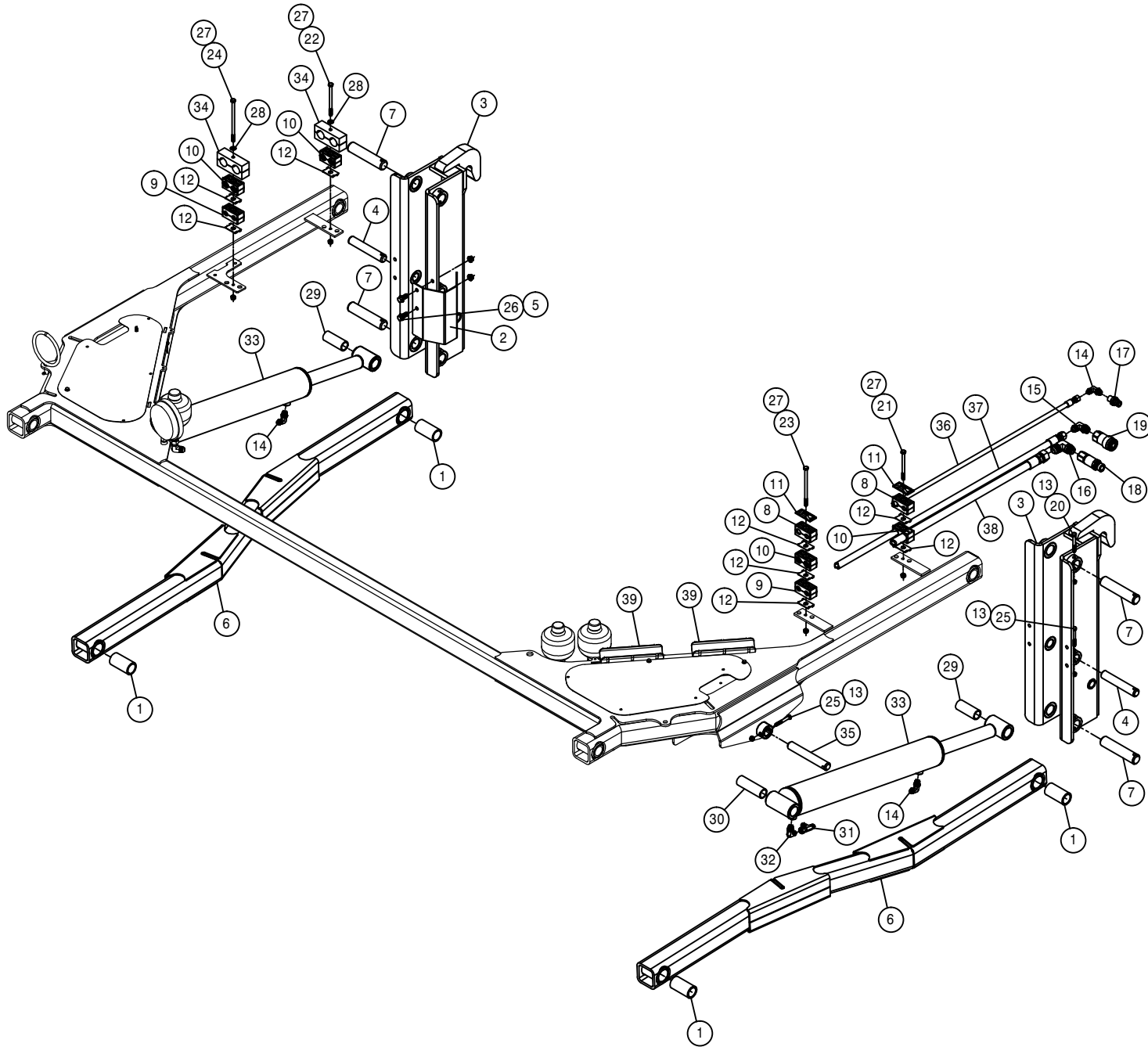
LIFTARM ASSEMBLY

DET. QTY PART NO. DESCRIPTION

DET.	QTY	PART NO.	DESCRIPTION
1	4	121119	LIFTARM BEARING, POLYGON 09
2	1	164517	HOSE SUPPORT RING WLD
3	1	165706	UPPER LIFT ARM WLDMT, 120'BM 09
4	1	292015	IQAN-MC2 MODULE
5	2	292016	IQAN-XA2 MODULE
6	1	470011	COTTER PIN 5/32 X 1 1/2, 316 SS
7	4	470087	3/8UNC HEX FLANGE LOCK NUT
8	21	470118	1/4UNC X 3/4 FLANGE HEX BOLT
9	11	470121	1/4UNC HEX FLANGE LOCK NUT
10	1	470165	10-32 NUTSERT .020-.100 ALUM
11	10	470383	1/4-20 NUTSERT.165-.260 STL
12	1	618556	1/4NPT-90-1/2 HOSE BARB,POLY
13	1	690359	PRESSURE GA GLYCERI 100 PSI
14	4	900129	3/8UNC X 1" SERR FLANGE BOLT
15	1	903710	10-32X5/8 PHIL PANHD MACH SCR
16	1	903814	6-32 X 3/4 PHIL PAN MACH SCR
17	2	910022	6-32 HEX NUT
18	2	A53029	UPPER LIFT ARM COVER PLT,DELTA
19	2	470539	ACCUMULATOR, 30CI 800 PSI
20	1	470538	ACCUMULATOR, 30CI 600 PSI
21	3	618609	3/4MJIC-90-3/4FJIC SWIV LBO
22	3	618743	3/4MOR-3/4MJIC BLKHD, .040 ORF
23	3	618744	3/4-16 BULKHEAD LOCKNUT
24	1	A53812	ACCUMULATOR MT, LIFT CYL,DELTA
25	1	A54607	ACCUMULATOR MT,LIFT CYL,DELTA
26	1	520070	HOSE CLAMP NO 8 STAINLESS



4

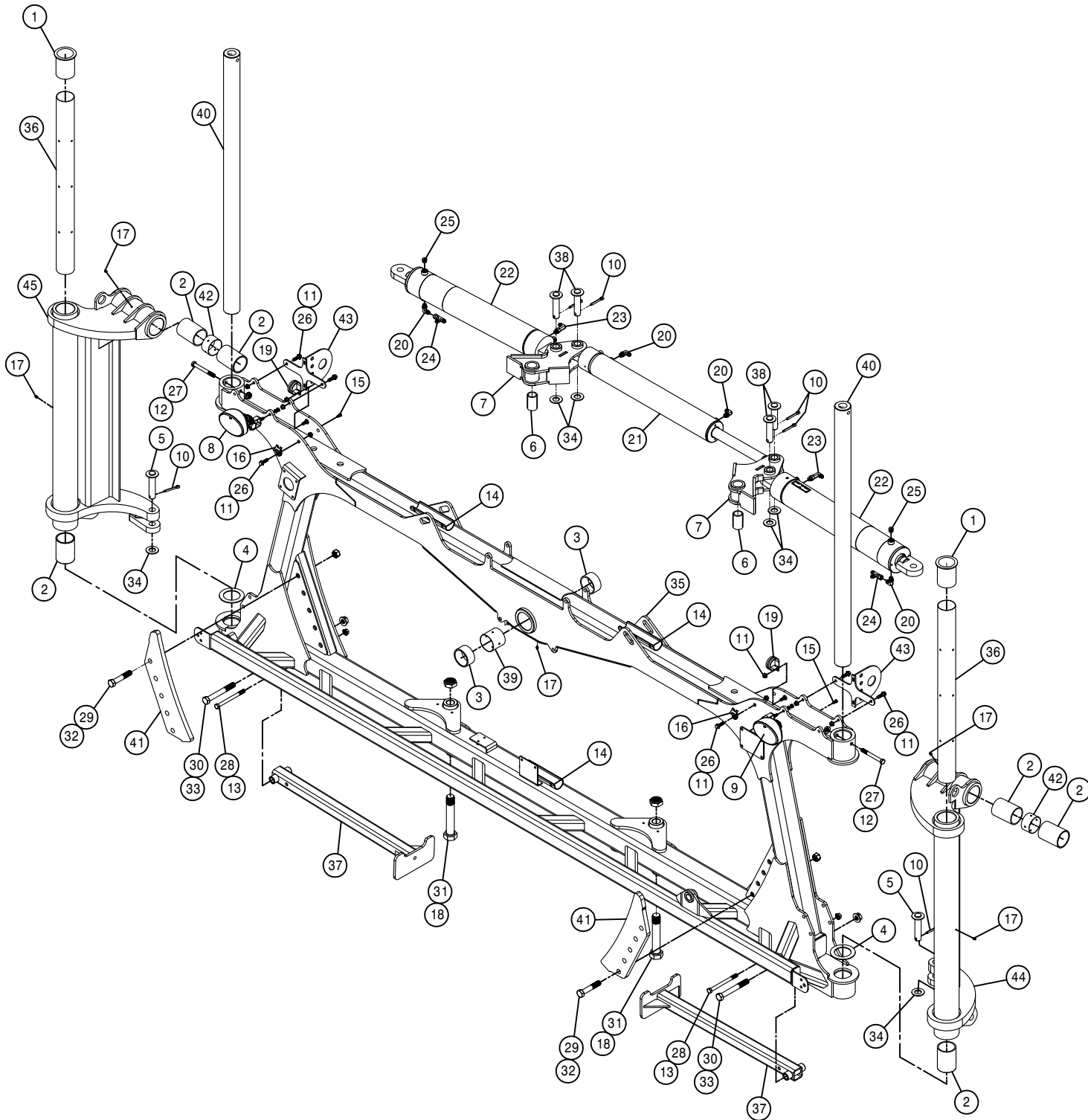


LIFTARM ASSEMBLY

DET.	QTY	PART NO.	DESCRIPTION
1	4	121119	LIFTARM BEARING, POLYGON 09
2	1	165039	RECEPTACLE MT, STS 120' BOOM 07
3	2	165700	QUICK ATTACH WLD, 120' BOOM 09
4	2	164452	LIFT ARM MT PIVOT PIN, STS12 00
5	2	470087	3/8UNC HEX FLANGE LOCK NUT
6	2	165709	LWR LIFT ARM WLDMT, 120' BOOM 09
7	4	165713	LIFT ARM MT PIV PIN, 120' BM 09
8	2	470270	HOSE CLAMP BODY, .530-.680
9	2	470274	TUBE CLAMP BODY, .750-.750
10	4	470275	TUBE CLAMP BODY, 1.000-1.000
11	2	470276	CLAMP COVER PLATE, SNGL, 2.55LG
12	8	470281	STACK BOLT SAFETY LOCK PLATE
13	8	473001	5/16UNC HEX NUT, NYLOC 316 SS
14	3	618119	9/16MJIC-90-9/16MOR LBO
15	1	618241	3/4MJIC-90-3/4MOR LBO
16	1	618279	1 1/16MJIC-90-7/8MOR LBO
17	1	618804	HYD CPLR, MALE #14, 9/16FOR
18	1	618806	HYD CPLR, MALE #12, 7/8FOR
19	1	618807	HYD CPLR, FEM #12, 3/4FOR
20	4	900070	5/16UNC X 2 1/2 BOLT
21	1	900076	5/16UNC X 4" HEX BOLT
22	1	900078	5/16UNC X 4 1/2 HEX BOLT
23	1	900082	5/16UNC X 5 1/2" HEX BOLT
24	1	900084	5/16UNC X 6" HEX BOLT
25	4	900086	5/16UNC X 2 1/4 HEX BOLT
26	2	900129	3/8UNC X 1" SERR FLANGE BOLT
27	4	914002	5/16UNC HEX STOVER NUT
28	2	920001	5/16 SAE FLAT WASHER
29	2	121109	LIFT CYL BRG, .313 POLYGON
30	2	121115	LIFT CYL BRG, 4.00 POLYGON
31	2	618486	9/16FJIC SW RUN TEE-9/16MJIC
32	2	618739	9/16MJ-90-9/16MOR .065 CHK VLV
33	2	621578	MAIN LIFT CYL, STS 120' BOOM 07
34	2	A51729	TUBE CLAMP (PAIR)
35	2	A53739	LIFT CYL PIN, BARREL END, DELTA
36	1	616594	04-451ST-06FJX-06FJX-170 H/A
37	1	616603	08-451ST-08FJX-08FJX90-141 H/A
38	1	616602	10-451ST-12FJX-12FJX90-138 H/A
39	2	470369	HOSE PROTECTOR, 8" BLACK

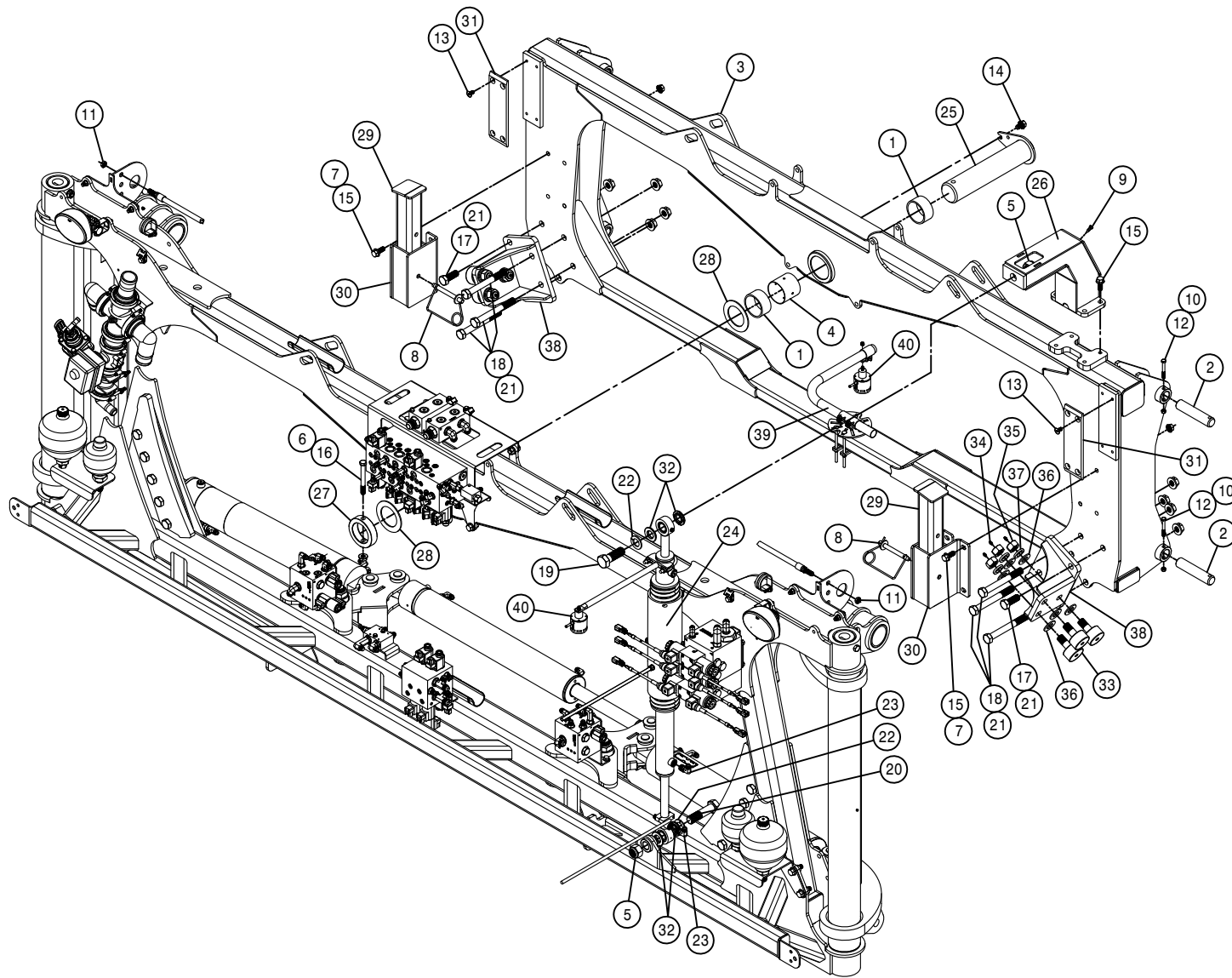
5

TRANSOM ASSEMBLY



DET.	QTY	PART NO.	DESCRIPTION
1	2	121101	TRANSOM PIVOT BRG,TOP POLYGON
2	6	121103	TRANSOM PIVOT BRG, LWR,POLYGON
3	2	121116	PRIMARY ROLL PIVOT BRNG,DELTA
4	2	164482	TRANSOM PIVOT WASHER
5	2	164496	LEVEL CYL PIN WLD, TRANSOM END
6	2	121118	BEARING,1.25 X 1.50 X 3.25
7	2	165718	MAIN FOLD LINK WLD,GEN3 120'09
8	1	291902	RH WORKLIGHT, TRAPEZOID GLASS
9	1	291903	LH WORKLIGHT, TRAPEZOID GLASS
10	6	470012	COTTER PIN 5/16 X 2" LG,316 SS
11	8	470087	3/8UNC HEX FLANGE LOCK NUT
12	2	470345	1/2UNC HEX SMITH FLNG LOCK NUT
13	2	470360	1/2UNC HEX FLANGE LOCK NUT
14	3	470369	HOSE PROTECTOR, 8" BLACK
15	2	470432	PUSH MT BASE FOR PLASTIC TIE
16	2	470516	CABLE TIE MT,3/8 MT HOLE,NYL
17	5	471005	GREASE ZERK, 1/4 28 X 1/2
18	2	473003	1 1/4UNC HEX JAM NUT,NYLOC GR5
19	2	520161	CUSH CLAMP,#32 2"D-3/4W LOOP
20	4	618119	9/16MJIC-90-9/16MOR LBO
21	1	621582	MAIN FOLD CYL,STS 120' BOOM 07
22	2	621595	HYD CYL,4.00 X 21.25 X 2.00ROD
23	2	618440	9/16MJIC-90-9/16MOR EX LG LBO
24	2	618486	9/16FJIC SW RUN TEE-9/16MJIC
25	2	618754	9/16MOR PLUG, HEX SOCKET
26	6	900130	3/8UNC X 1 1/4 SER FLANGE BOLT
27	2	900275	1/2UNC X 4 1/2 HEX BOLT
28	2	900278	1/2UNC X 6" HEX BOLT
29	10	900410	3/4UNC X 4" HEX BOLT
30	2	900414	3/4UNC X 6" HEX BOLT
31	2	900868	1 1/4UNC X 7 1/4 HEX BOLT SPCL
32	10	910012	3/4UNC HEX NUT
33	2	914012	3/4UNC HEX STOVER NUT
34	6	920008	1" SAE FLAT WASHER
35	1	A52797	TRANSOM PIVOT WLDMT,DELTA
36	2	A53524	TUBE-2.88 O.D. X 16GA X 3381
37	2	A53605	FRONT BOOM STAND LEG WLD
38	2	A53623	LEVEL CYL PIN WLD,TRANSOM END
39	1	A53628	ROLL PIN SPACER,DELTA
40	2	A53640	INNER TRANSOM PIVOT TUBE,120'
41	2	A53769	ROLLER GUIDE PLATE, DELTA
42	2	A53790	TUBE-2.88X16GAX1.63
43	2	A53907	BULKHEAD MT WLD,120'BOOM
44	1	A54256	PIVOT TUBE WELDMENT LH
45	1	A54348	PIVOT TUBE WELDMENT, RH

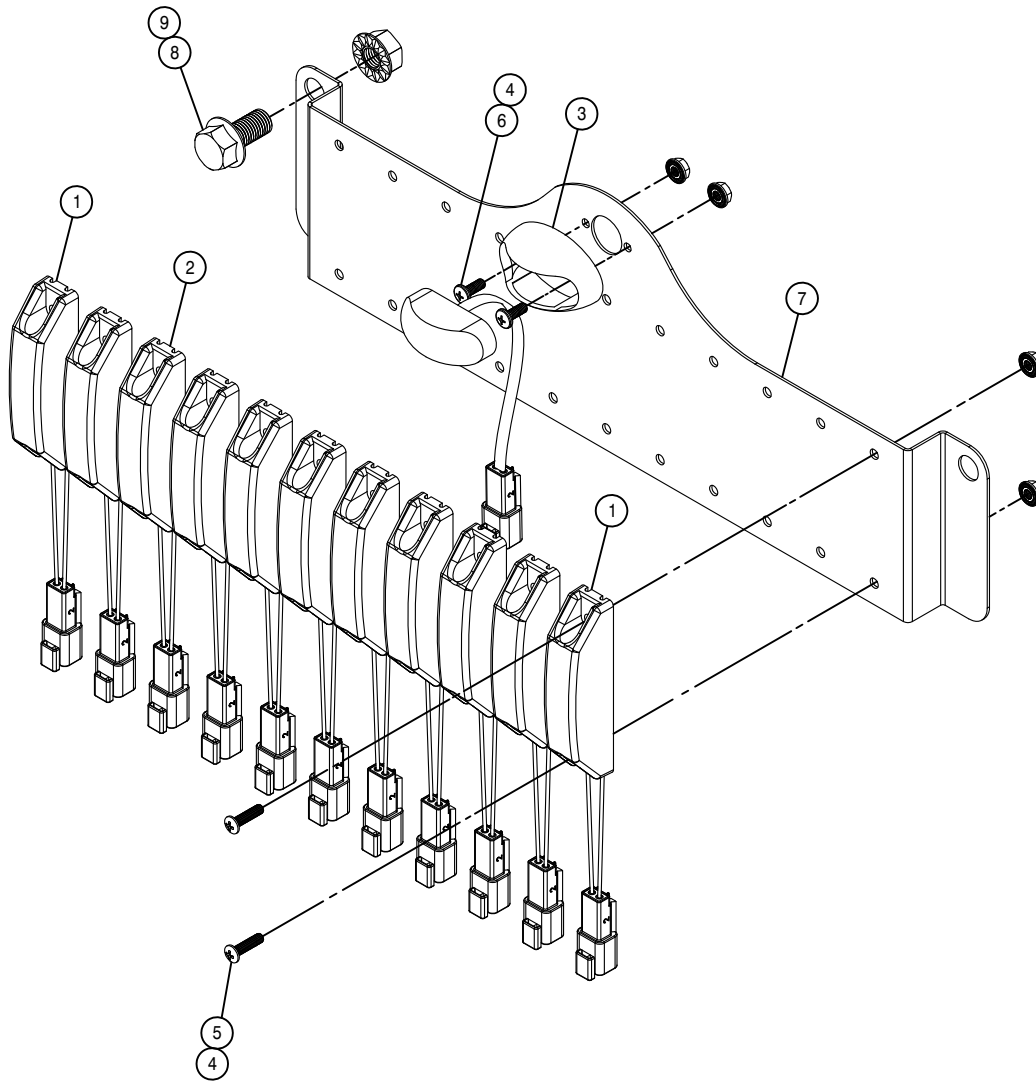
9



TRANSOM PIVOT ASSEMBLY

DET.	QTY	PART NO.	DESCRIPTION
1	2	121116	PRIMARY ROLL PIVOT BRNG,DELTA
2	4	165713	LIFT ARM MT PIV PIN,120'BM 09
3	1	165714	TRANSOM FIXED WLDMT,120'BM 09
4	1	A53628	ROLL PIN SPACER,DELTA
5	1	470144	1" UNC HEX NYLOC NUT
6	1	470345	1/2UNC HEX SMTH FLNG LOCK NUT
7	8	470360	1/2UNC HEX FLANGE LOCK NUT
8	1	470361	SNAP LOCK PIN, 1/2 X 3 1/2
9	1	470432	PUSH MT BASE FOR PLASTIC TIE
10	4	473001	5/16UNC HEX NUT,NYLOC 316 SS
11	8	610192	9/16-18 BULKHEAD LOCKNUT
12	4	900070	5/16UNC X 2 1/2 BOLT
13	8	900171	3/8UNC X 3/4 FLTHD SOC CAP SCR
14	1	900262	1/2UNC X 3/4 HEX BOLT
15	12	900264	1/2UNC X 1 1/4 HEX BOLT
16	1	900275	1/2UNC X 4 1/2 HEX BOLT
17	2	900403	3/4UNC X 2" HEX BOLT
18	6	900411	3/4UNC X 4 1/2 HEX BOLT
19	1	900534	1" UNC X 3" HEX BOLT
20	1	900546	1" UNC X 4" HEX BOLT SPECL GR5
21	8	914012	3/4UNC HEX STOVER NUT
22	2	920508	1" LOCK WASHER
23	2	618119	9/16MJIC-90-9/16MOR LBO
24	1	A53006	ROLL CYL, NORAC (REF 621592)
25	1	A52803	BOOM ROLL PIN WLDMT,DELTA
26	1	A52998	ROLL CYL MT WLDMT,FIXED,DELTA
27	1	A53627	ROLL PIN COLLAR,DELTA
28	2	A53629	WASH: 11GA X 2.78 X 4.25
29	2	A53710	SLIDING TUBE WLDMT-PIVOT STOP
30	2	A53713	HOUSING PIVOT STOP WLD,120' BM
31	2	A53823	GUIDE PAD, UHMW
32	4	693073	SPACER, 1.25 X 1.010 X .170
33	6	125057	TRACK ROLLER,2.250D,.875-14THD
34	6	471001	GREASE ZERK, 3/16 DRIVE-IN
35	6	910095	7/8UNF HEX NUT
36	12	920007	7/8 SAE FLAT WASHER
37	6	920507	7/8 LOCK WASHER
38	2	A53840	ROLLER MT WLD, DELTA
39	1	693072	MAIN LIFT SENSOR MT,UC4+,NORAC
40	1	693060	ULTRASOUND SENSOR, NORAC

7

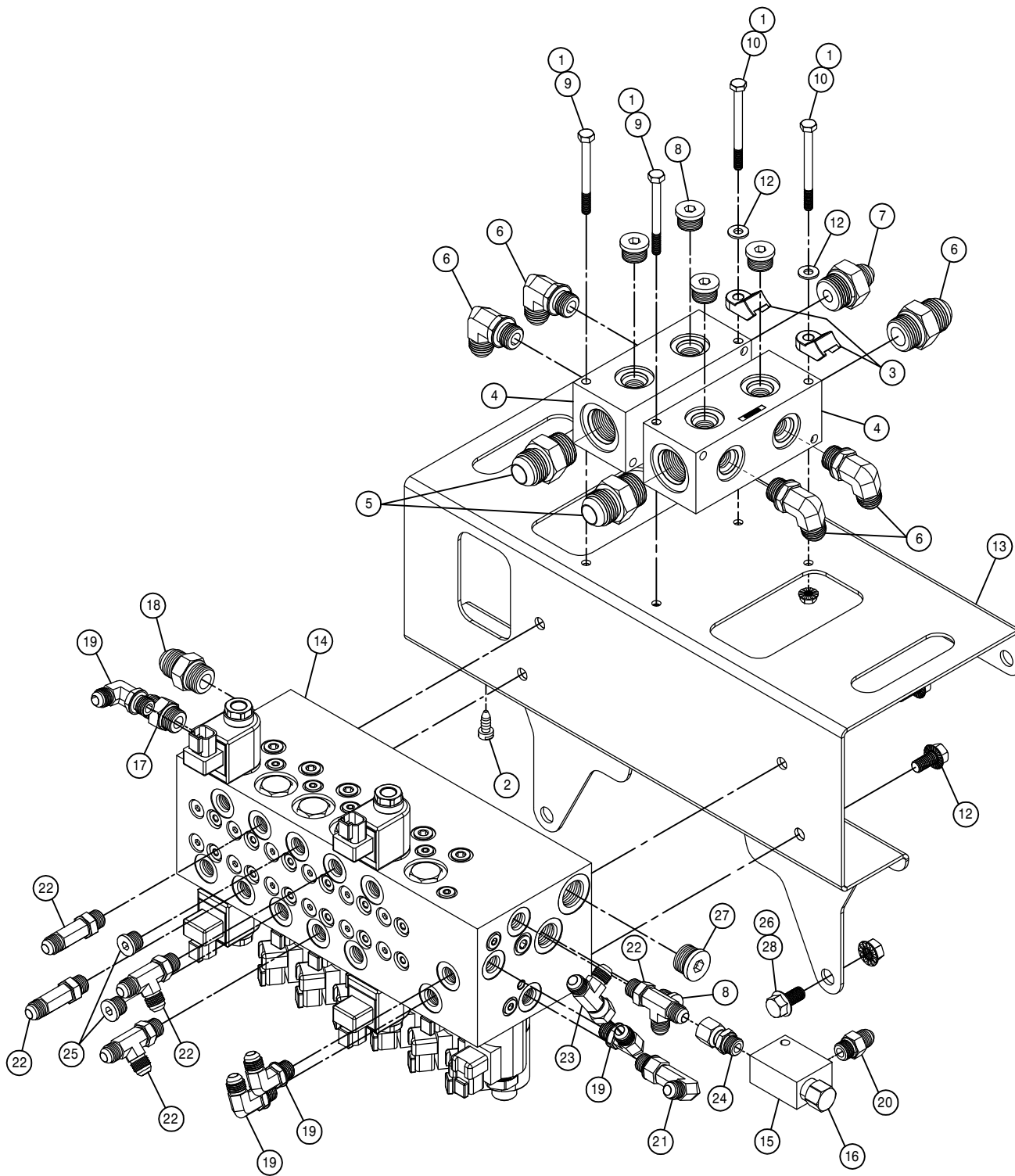


BOOM INDICATOR LIGHT ASSEMBLY

DET. QTY PART NO. DESCRIPTION

1	2	291325	AMBER LAMP,4" DT DEUTSCH
2	9	291326	RED LAMP,4" DT DEUTSCH
3	1	293817	MASTER SPRAY LIGHT ASSY,STS 05
4	24	470175	10-32 HEX FLANGE LOCK NUT
5	22	472235	10-32 X 3/4 PHIL HD MACH SCR
6	2	903706	10-32X1/2 PHIL PAN MACH SCR
7	1	A06715	BOOM INDICATOR LIGHT MT STS 08
8	2	900263	1/2UNC X 1" HEX BOLT
9	2	470360	1/2UNC HEX FLANGE LOCK NUT

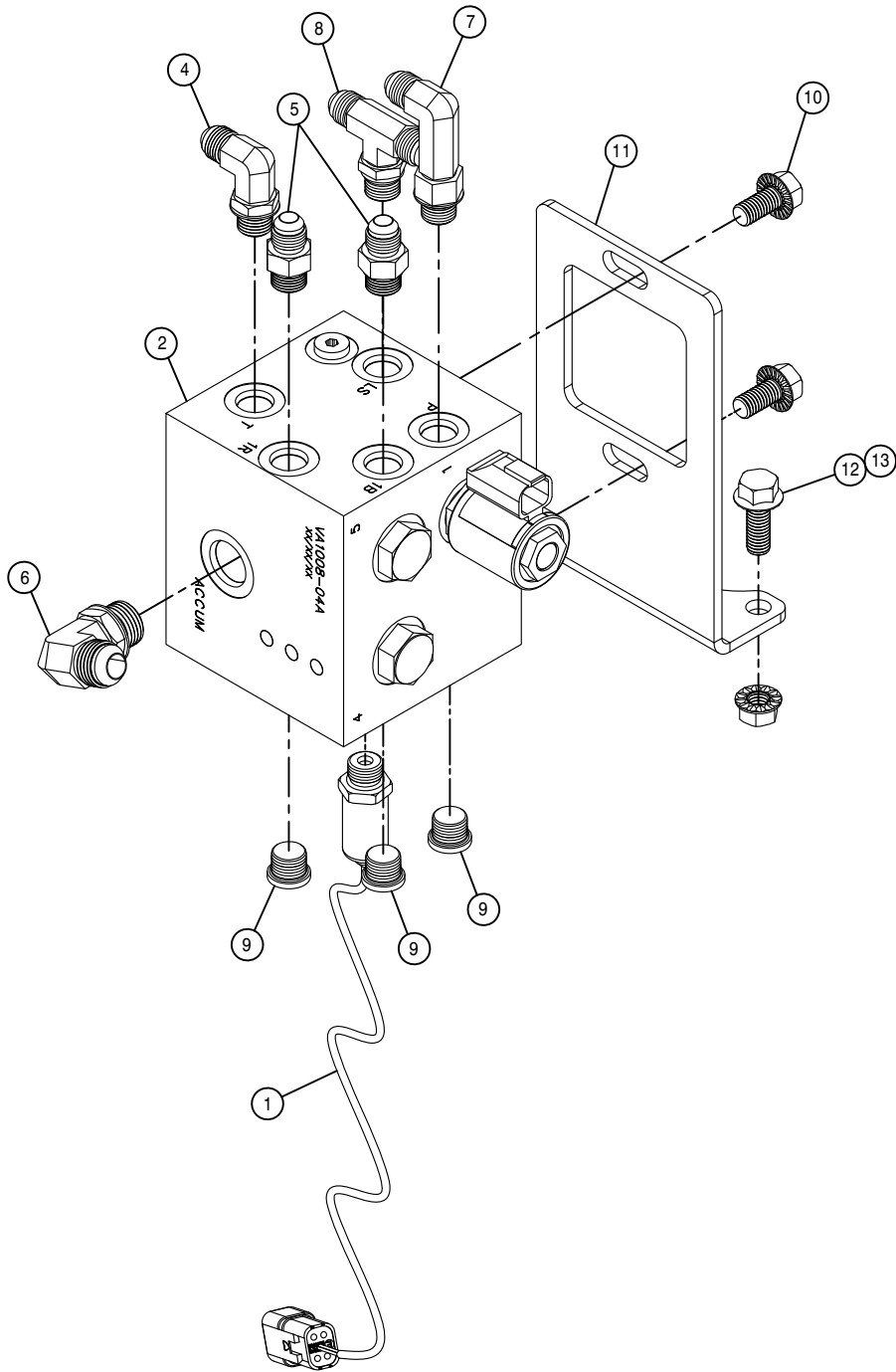




## CENTER HYDRAULIC VALVE ASSEMBLY

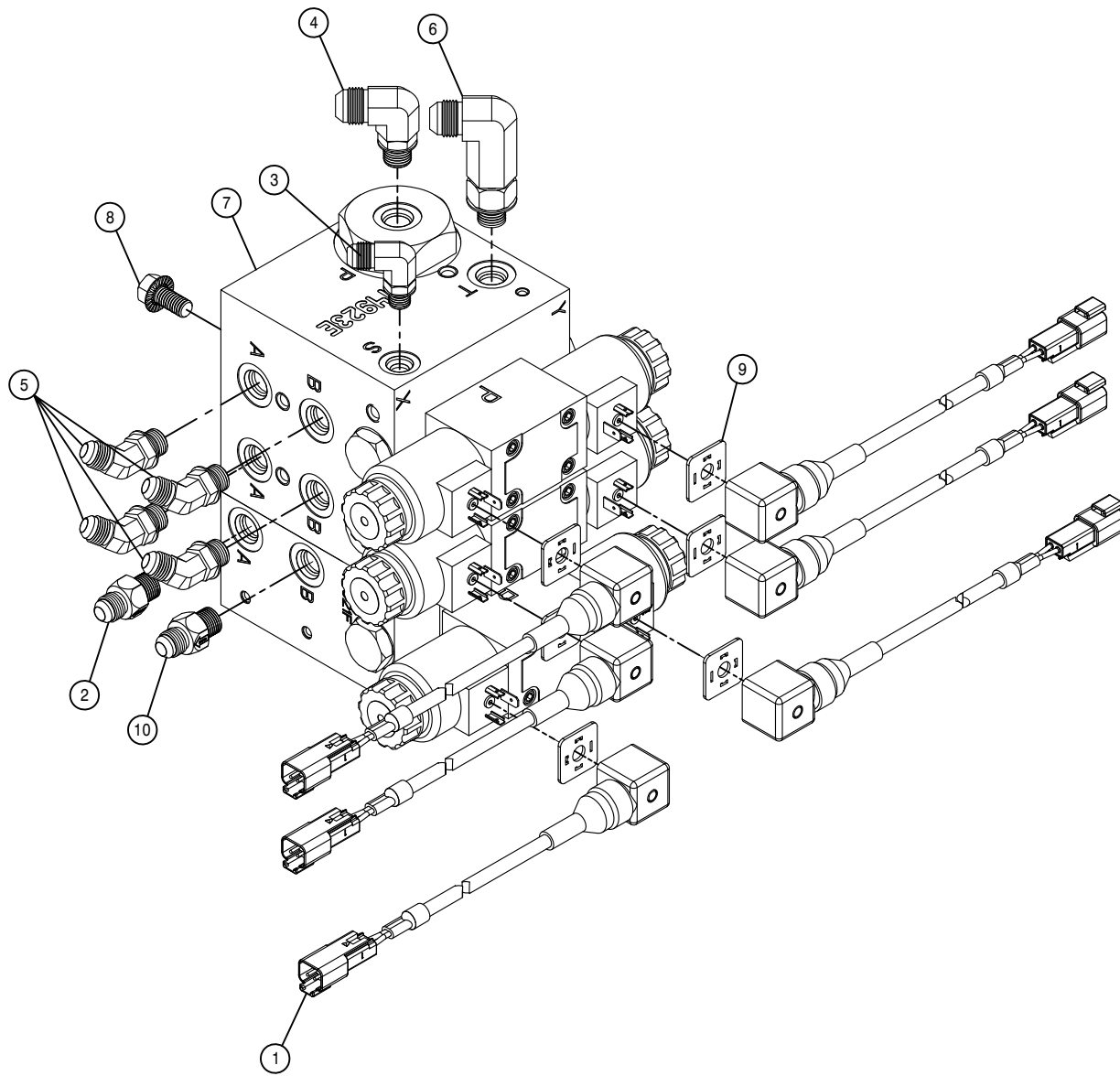
DET. QTY PART NO. DESCRIPTION

1	4	470121	1/4UNC HEX FLANGE LOCK NUT
2	1	470432	PUSH MT BASE FOR PLASTIC TIE
3	2	470515	CABLE TIE MT,5/16 MT HOLE,NYL
4	2	606306	MANIFOLD, #8 2-STN 90 DAMAN
5	3	611127	1 1/16MJIC-1 1/16MOR ADPTR
6	4	618241	3/4MJIC-90-3/4MOR LBO
7	1	618469	3/4MJIC-1 1/16MOR ADPTR
8	5	618755	3/4MOR PLUG, HEX SOCKET
9	2	900009	1/4UNC X 2 3/4 HEX BOLT
10	2	900010	1/4UNC X 3" HEX BOLT
11	4	900128	3/8UNC X 3/4 HEX BOLT
12	2	920000	1/4 SAE FLAT WASHER
13	1	A53579	HYD COMP MT, TOP CENTER, DELTA
14	1	606314	BOOM CTRL VALVE, 120' BOOM SAUER
15	1	607559	LS CHECK VALVE, SUN
16	1	607560	CARTRIDGE FOR 607559
17	1	611125	3/4MJIC-3/4MOR ADPTR
18	1	611126	7/8MJIC-7/8MOR ADPTR
19	4	618119	9/16MJIC-90-9/16MOR LBO
20	1	618126	9/16MJIC-9/16MOR ADPTR
21	1	618440	9/16MJIC-90-9/16MOR EX LG LBO
22	5	618444	9/16MOR RUN TEE-9/16MJIC
23	1	618486	9/16FJIC SW RUN TEE-9/16MJIC
24	1	618668	9/16FJIC SWIV-9/16MOR ADPTR
25	2	618754	9/16MOR PLUG, HEX SOCKET
26	4	470360	1/2UNC HEX FLANGE LOCK NUT
27	1	618756	7/8MOR PLUG, HEX SOCKET
28	4	900263	1/2UNC X 1" HEX BOLT



MAIN BOOM BREAKAWAY VALVE ASSEMBLY

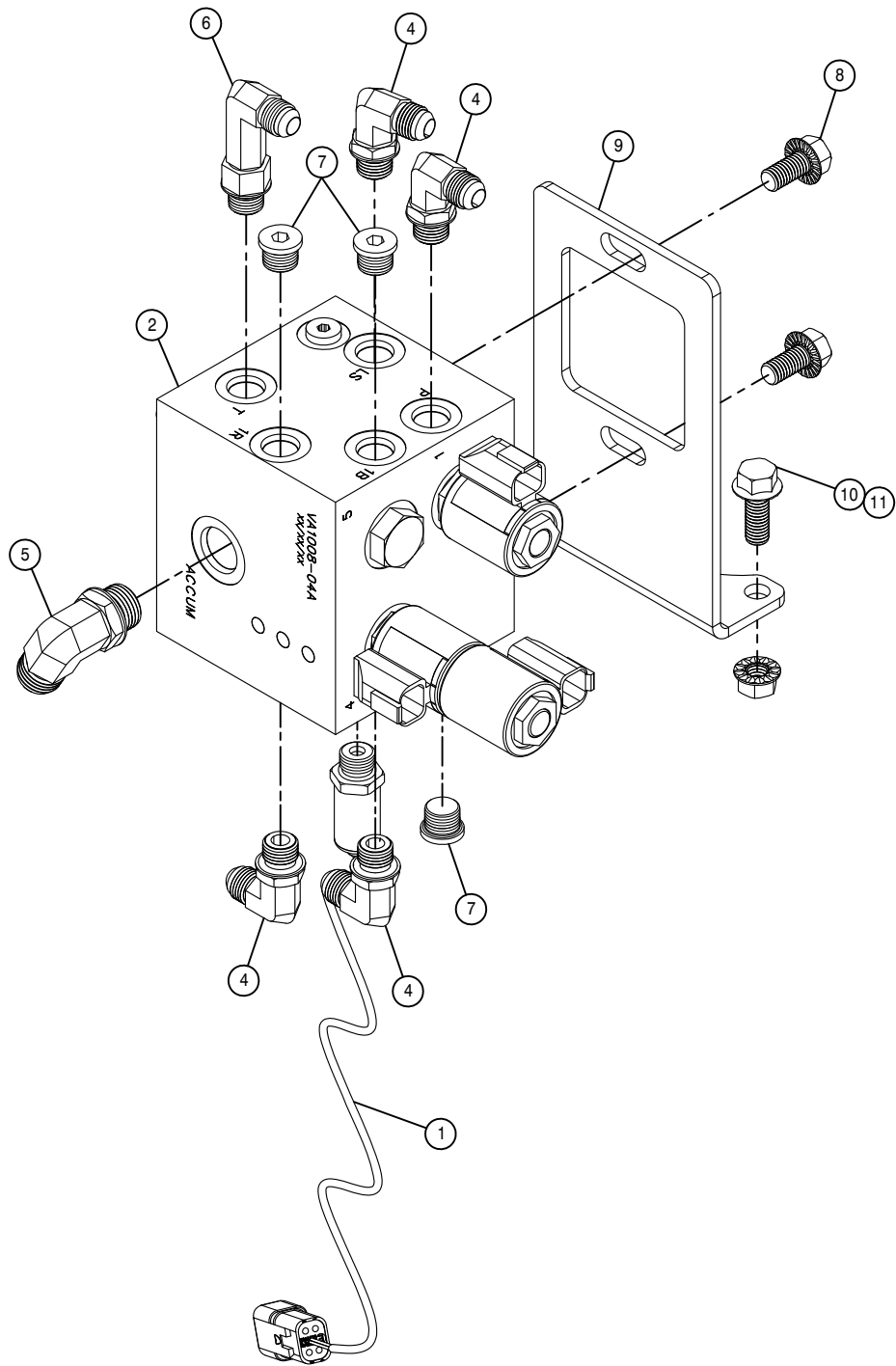
DET.	QTY	PART NO.	DESCRIPTION
	1	606196	PRESSURE TRANSDUCER, 9000 PSI
	2	606248	90' BREAKAWAY VLV, STS PWRSYS
	3	606266	#8 COIL W/DEUTSCH FOR 606210
	4	618119	9/16MJIC-90-9/16MOR LBO
	5	618126	9/16MJIC-9/16MOR ADPTR
	6	618241	3/4MJIC-90-3/4MOR LBO
	7	618440	9/16MJIC-90-9/16MOR EX LG LBO
	8	618629	9/16MOR BRANCH TEE-9/16MJIC
	9	618754	9/16MOR PLUG, HEX SOCKET
	10	900128	3/8UNC X 3/4 HEX BOLT
	11	A53618	BREAK AWAY VLV MT, DELTA
	12	900129	3/8UNC X 1" SERR FLANGE BOLT
	13	470087	3/8UNC HEX FLANGE LOCK NUT



NORAC HYDRAULIC VALVE ASSEMBLY

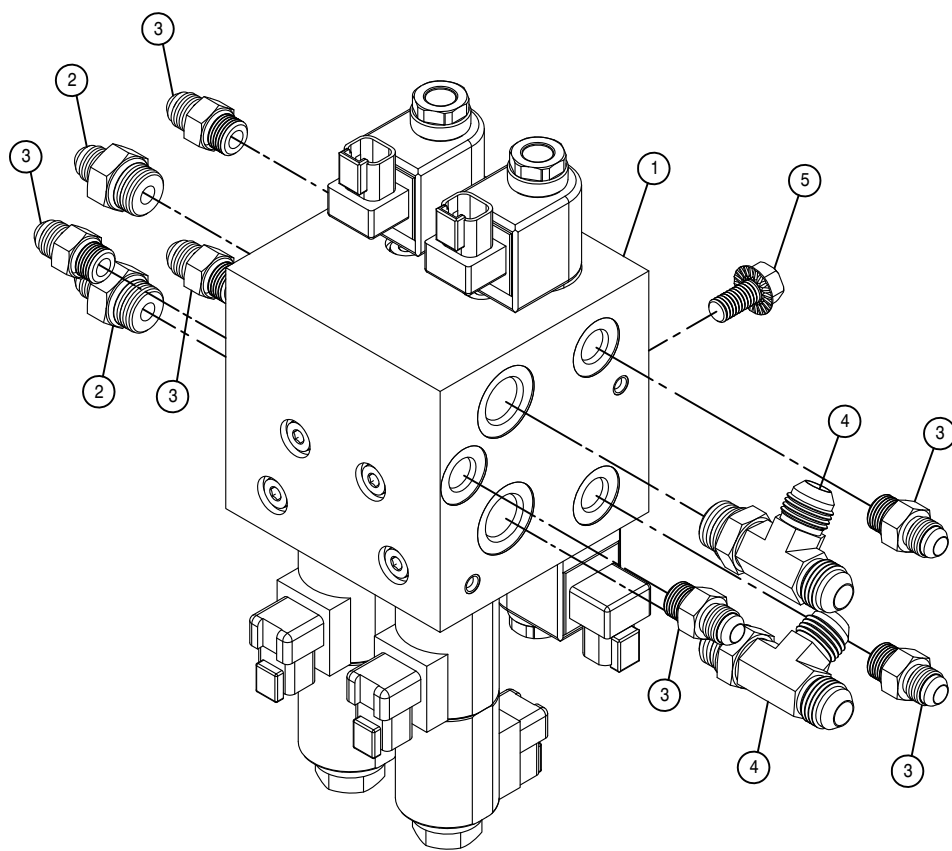
DET. QTY PART NO. DESCRIPTION

1	6	293669	SENSOR SWITCH HARNESS, 120' BM08
2	1	614763	9/16MJIC-9/16MOR.042MOMF ADPTR
3	1	618114	9/16MJIC-90-7/16MOR LBO
4	1	618249	3/4MJIC-90-9/16MOR LBO
5	4	618425	9/16MJIC-45-9/16MOR LBO
6	1	618797	3/4MJIC-90-9/16MOR LG LBO
7	1	A53009	NORAC, 3 BANK BLOCK
8	4	900128	3/8UNC X 3/4 HEX BOLT
9	6	291305	SEAL FOR CANFIELD 5103-1081000
10	1	614765	9/16MJIC-9/16MOR.047MOMF ADPTR



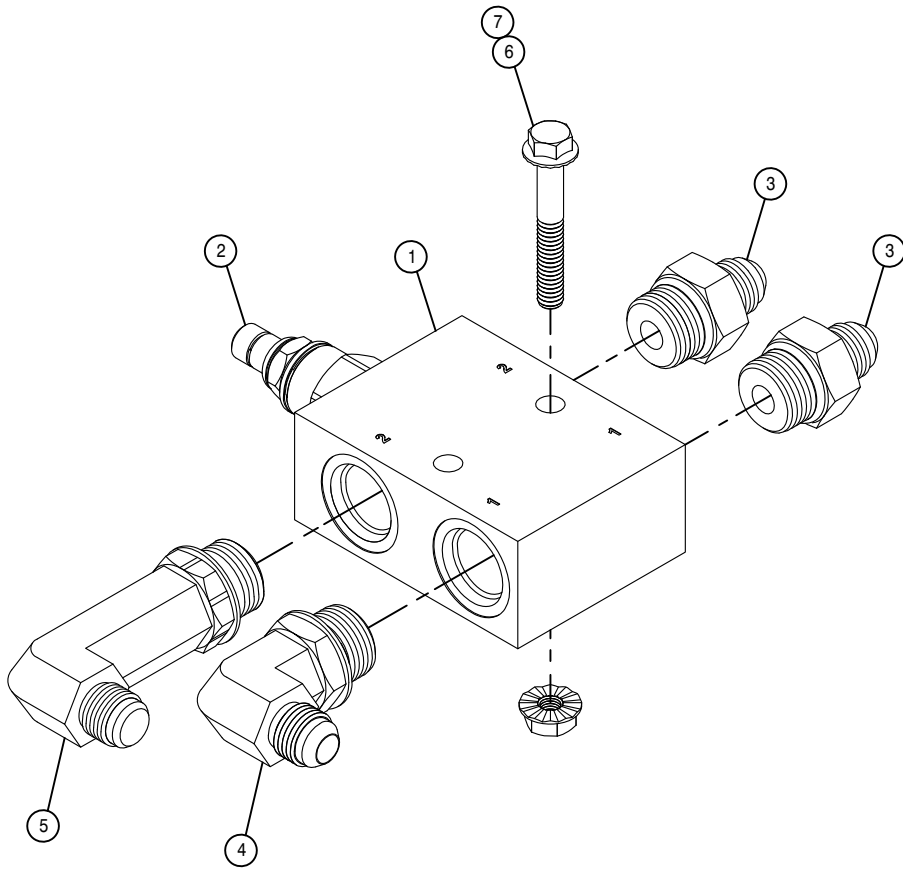
90/120 FOLD VALVE ASSEMBLY

DET.	QTY	PART NO.	DESCRIPTION
	1	606196	PRESSURE TRANSDUCER, 9000 PSI
	2	606261	120° BREAKAWAY VLV, STS PWRSYS
	3	606098	#8 COIL, W/DIODE W/DEUTSCH
	4	618119	9/16MJIC-90-9/16MOR LBO
	5	618241	3/4MJIC-90-3/4MOR LBO
	6	618440	9/16MJIC-90-9/16MOR EX LG LBO
	7	618754	9/16MOR PLUG, HEX SOCKET
	8	900128	3/8UNC X 3/4 HEX BOLT
	9	A53618	BREAK AWAY VLV MT, DELTA
	10	900129	3/8UNC X 1" SERR FLANGE BOLT
	11	470087	3/8UNC HEX FLANGE LOCK NUT



PIVOT VALVE ASSEMBLY

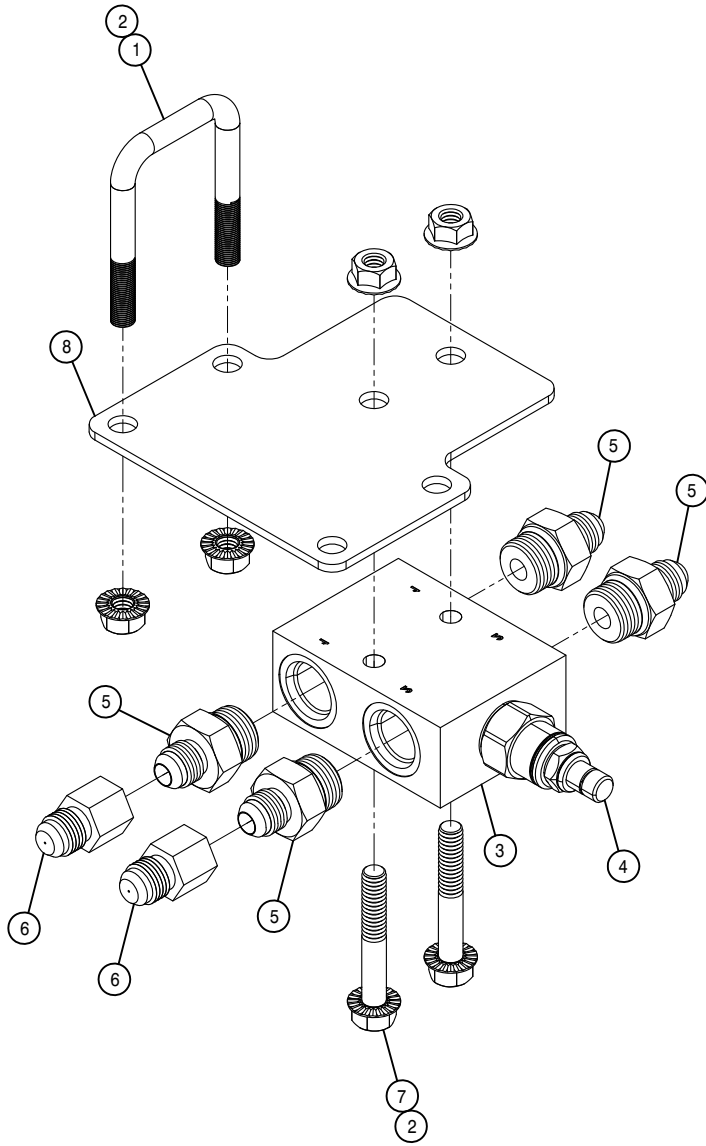
DET.	QTY	PART NO.	DESCRIPTION
1	1	606317	PIVOT CTRL VALVE, 120'BM SAUER
2	2	618109	9/16MJIC-3/4MOR ADPTR
3	6	618126	9/16MJIC-9/16MOR ADPTR
4	2	618494	3/4MOR RUN TEE-3/4MJIC
5	2	900128	3/8UNC X 3/4 HEX BOLT



KICKDOWN RELIEF VALVE ASSEMBLY

DET. QTY PART NO. DESCRIPTION

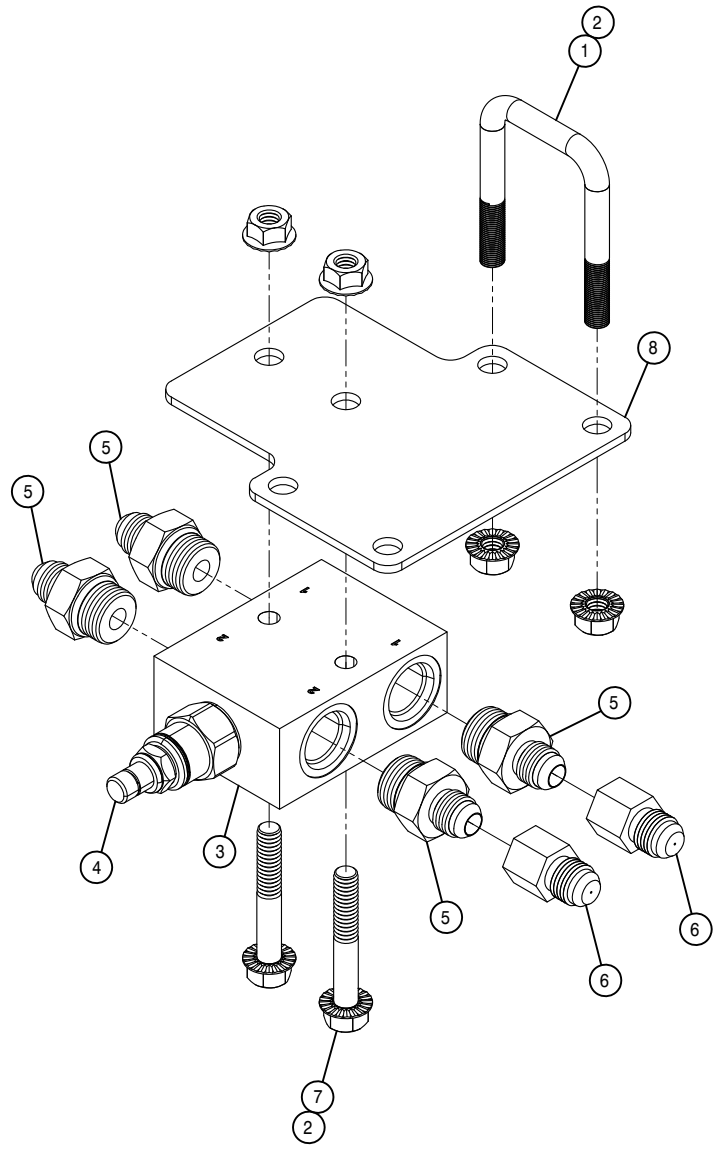
1	1	607558	KICKDOWN RELIEF, SUN
2	1	607562	CARTRIDGE FOR 607558 VALVE
3	2	618109	9/16MJC-3/4MOR ADPTR
4	1	618115	9/16MJC-90-3/4MOR LBO
5	1	618709	9/16MJC-90-3/4MOR EX LG LBO
6	2	900068	5/16UNC X 1 3/4 HEX BOLT
7	2	470113	5/16UNC HEX FLANGE LOCK NUT



RIGHT KICKDOWN RELIEF VALVE ASSEMBLY

DET. QTY PART NO. DESCRIPTION

1	2	473986	5/16UNC-1 9/16ID-2 3/8 U-BOLT
2	6	470113	5/16UNC HEX FLANGE LOCK NUT
3	1	607558	KICKDOWN RELIEF, SUN
4	1	607562	CARTRIDGE FOR 607558 VALVE
5	4	618109	9/16MJIC-3/4MOR ADPTR
6	2	618731	9/16JIC .025 ORIFICE ADPTR
7	2	900069	5/16UNC X 2" HEX BOLT
8	1	A53889	BRACKET,BREAKAWAY RELIEF BLOC

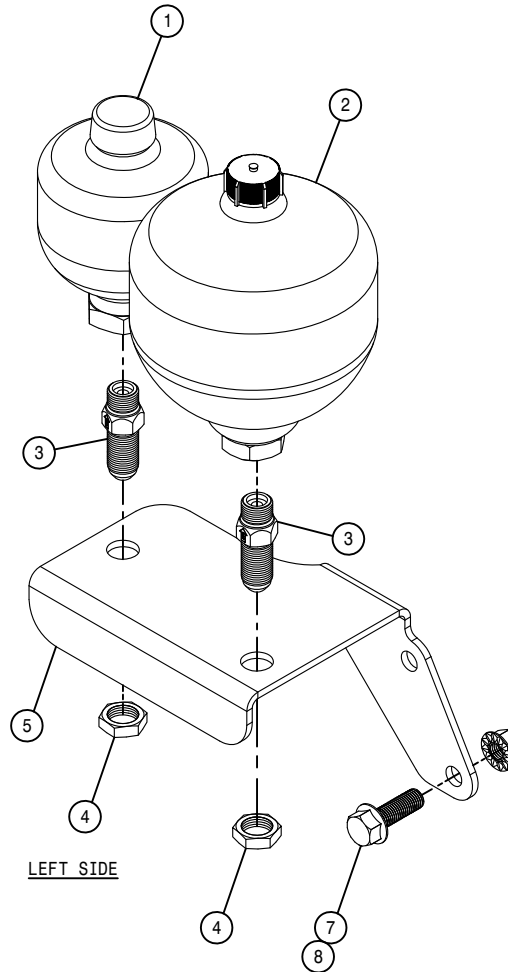
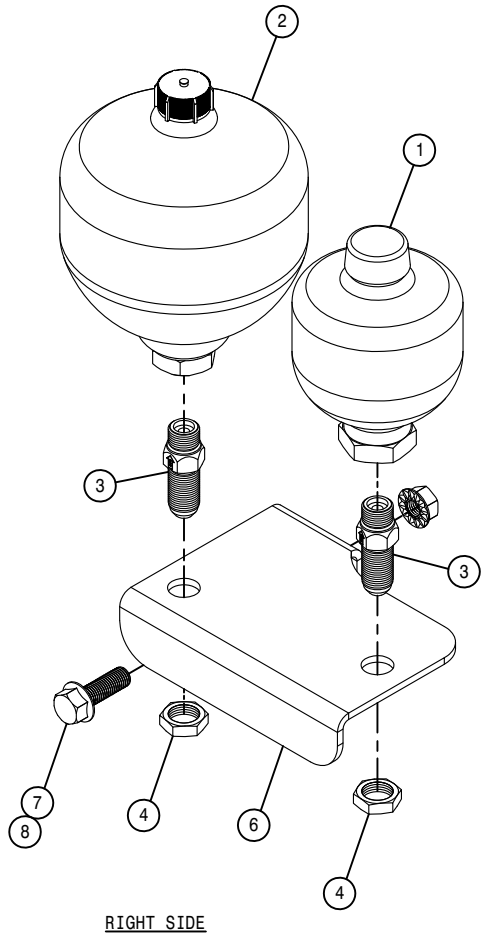


LEFT KICKDOWN RELIEF VALVE ASSEMBLY

DET. QTY PART NO. DESCRIPTION

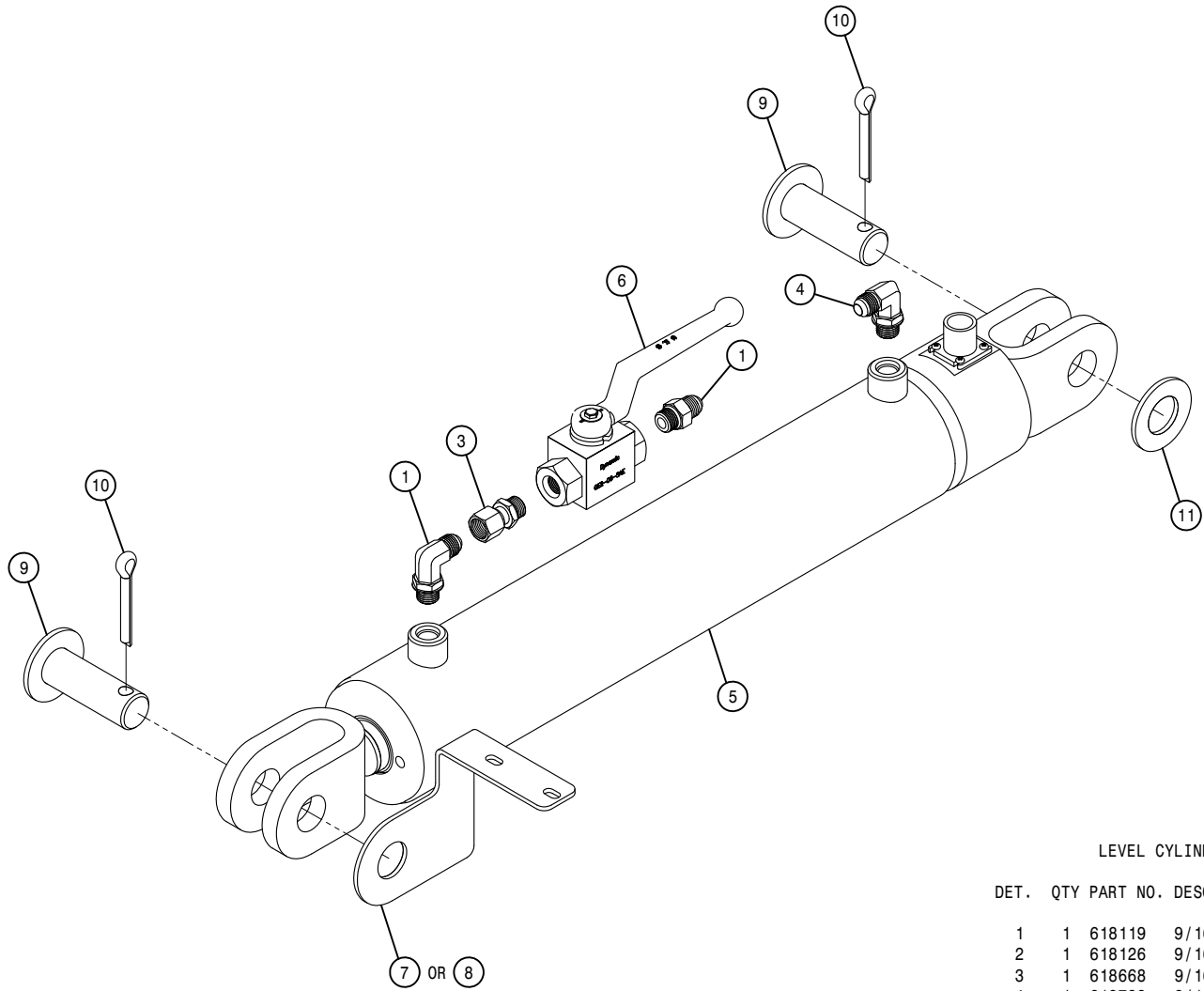
1	2	473986	5/16UNC-1 9/16ID-2 3/8 U-BOLT
2	6	470113	5/16UNC HEX FLANGE LOCK NUT
3	1	607558	KICKDOWN RELIEF, SUN
4	1	607562	CARTRIDGE FOR 607558 VALVE
5	4	618109	9/16MJIC-3/4MOR ADPTR
6	2	618731	9/16JIC .025 ORIFICE ADPTR
7	2	900069	5/16UNC X 2" HEX BOLT
8	1	A53889	BRACKET,BREAKAWAY RELIEF BLOC





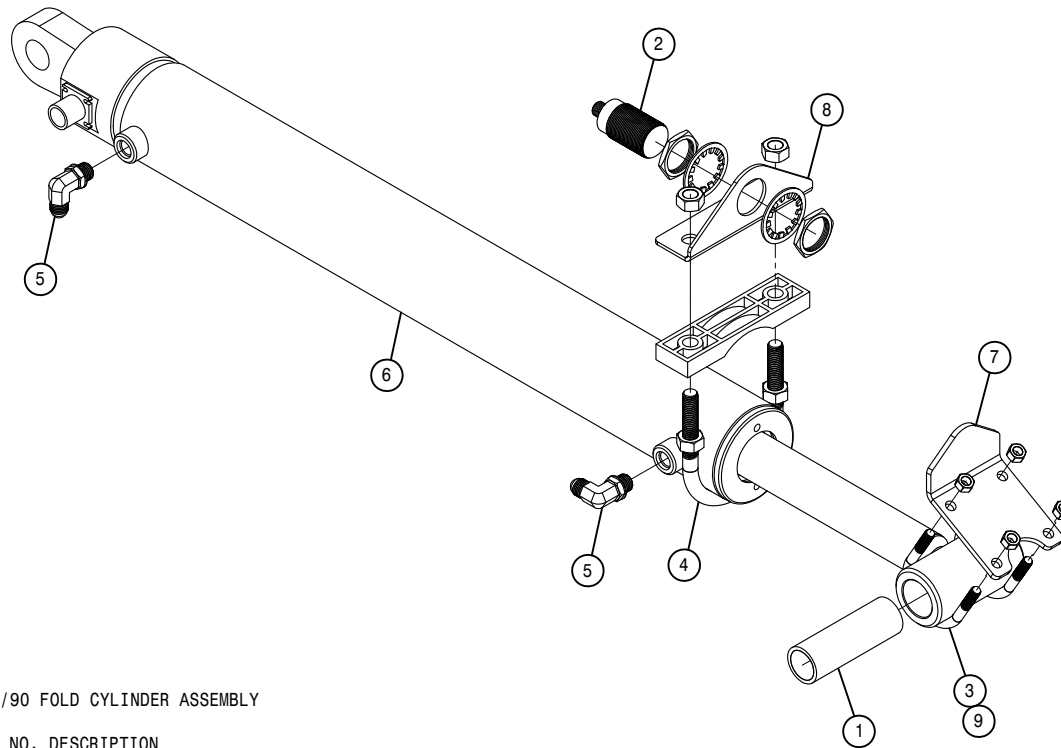
ACCUMULATOR ASSEMBLY

DET.	QTY	PART NO.	DESCRIPTION
1	2	470444	ACCUMULATOR, 30CI 1508 PSI
2	2	470537	ACCUMULATOR, SBO210 1800 PSI
3	4	618743	3/4MOR-3/4MJIC BLKHD, .040 ORF
4	4	618744	3/4-16 BULKHEAD LOCKNUT
5	1	A54290	LH LG ACCUMULATOR MT WLDMT
6	1	A54289	RH LG ACCUMULATOR MT WLDMT
7	4	470431	1/2UNC X 1 1/2 FLANGE BOLT
8	4	470360	1/2UNC HEX FLANGE LOCK NUT



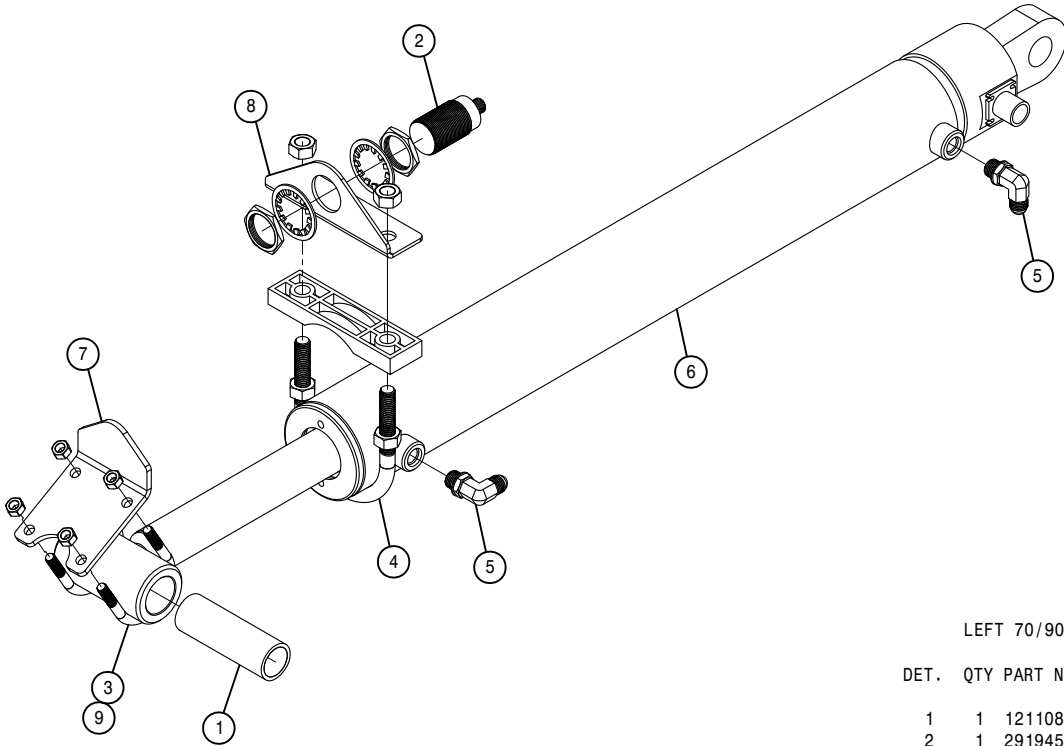
LEVEL CYLINDER ASSEMBLY

DET.	QTY	PART NO.	DESCRIPTION
1	1	618119	9/16MJIC-90-9/16MOR LBO
2	1	618126	9/16MJIC-9/16MOR ADPTR
3	1	618668	9/16FJIC SWIV-9/16MOR ADPTR
4	1	618738	9/16MJ-90-9/16MOR .055 CHK VLV
5	1	621584	LEVEL CYL,STS 120' BOOM 07
6	1	696131	BALL VALVE,9/16FOR,7250PSI
7	1	A53949	LH WET BOOM MT,LEV CYL
8	1	A53950	RH WET BOOM MT,LEV CYL
9	2	164500	LEVEL CYL PIN WLD, SHAFT END
10	2	470012	COTTER PIN 5/16 X 2" LG,316 SS
11	1	920008	1" SAE FLAT WASHER



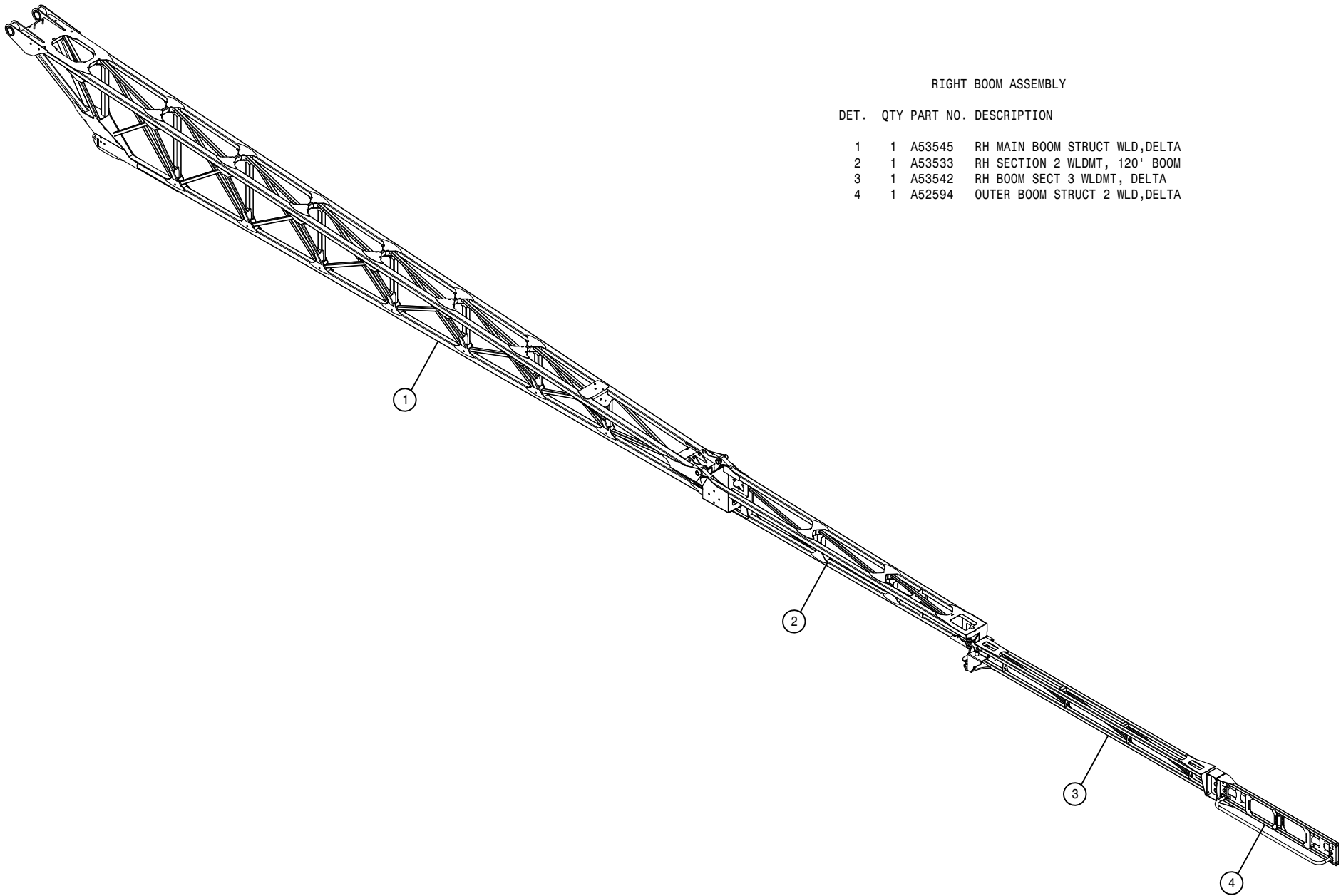
RIGHT 70/90 FOLD CYLINDER ASSEMBLY

DET.	QTY	PART NO.	DESCRIPTION
	1	121108	OUTR BOOM FOLD CYL BRG,POLYGON
	1	291945	PROXIMITY SENSOR,M30 X 1.5
	2	472032	5/16-18-2.00"ID-2.687 U BOLT
	1	472033	12MM-3.25ID-4.437 U BOLT/BASE
	2	618119	9/16MJIC-90-9/16MOR LBO
	1	621586	70/90' FOLD CYL,STS 120'BOOM 07
	1	A52275	FLAG PLATE, 70/90 FLD CYL
	1	A52370	PROX. MOUNT, 70/90 CYL
	4	910002	5/16UNC HEX NUT



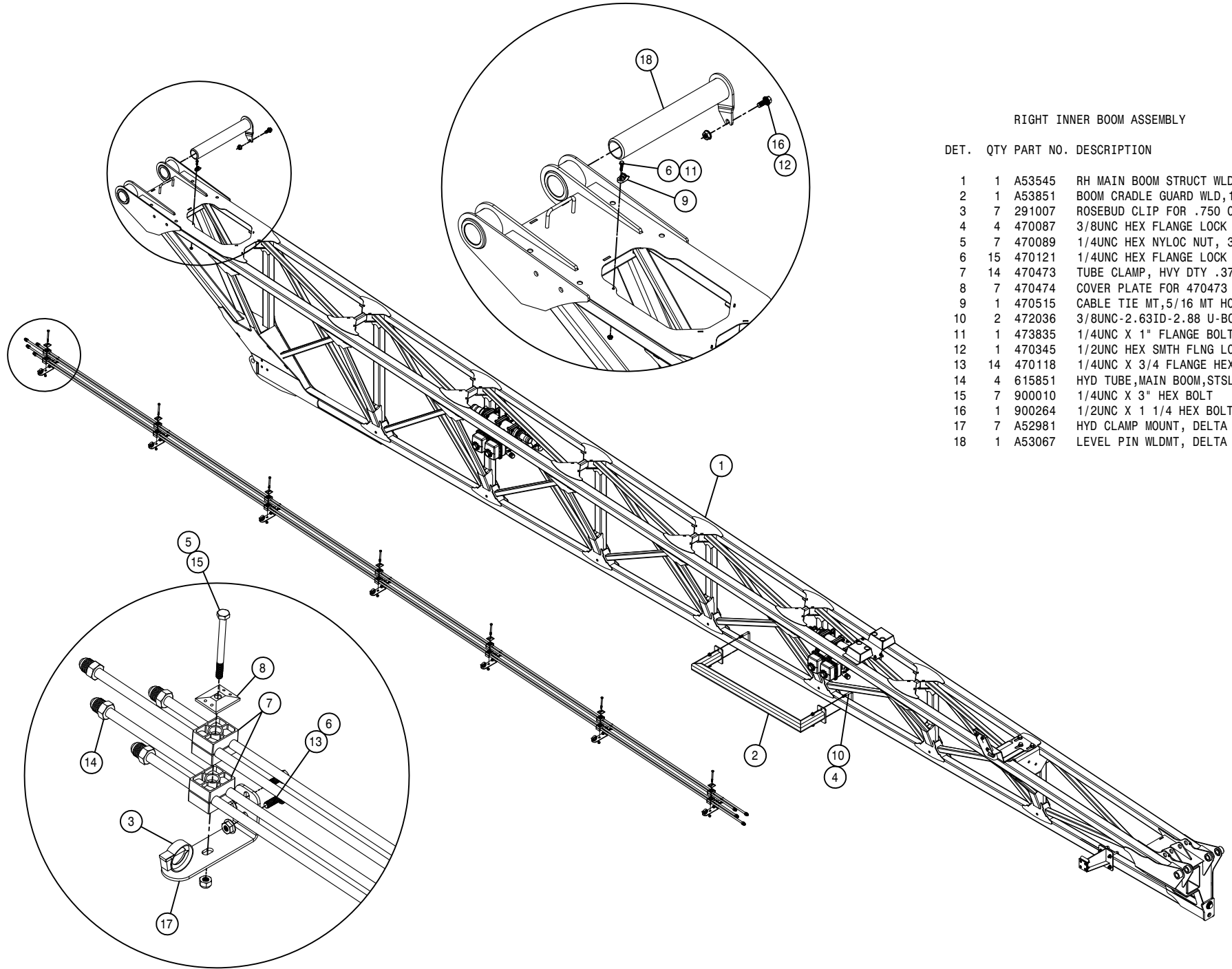
LEFT 70/90 FOLD CYLINDER ASSEMBLY

DET.	QTY	PART NO.	DESCRIPTION
	1	121108	OUTR BOOM FOLD CYL BRG,POLYGON
	1	291945	PROXIMITY SENSOR,M30 X 1.5
	2	472032	5/16-18-2.00"ID-2.687 U BOLT
	1	472033	12MM-3.25ID-4.437 U BOLT/BASE
	2	618119	9/16MJIC-90-9/16MOR LBO
	1	621586	70/90'FOLD CYL,STS 120'BOOM 07
	1	A52275	FLAG PLATE, 70/90 FLD CYL
	1	A52370	PROX. MOUNT, 70/90 CYL
	4	910002	5/16UNC HEX NUT



RIGHT BOOM ASSEMBLY

DET.	QTY	PART NO.	DESCRIPTION
1	1	A53545	RH MAIN BOOM STRUCT WLD,DELTA
2	1	A53533	RH SECTION 2 WLDMT, 120' BOOM
3	1	A53542	RH BOOM SECT 3 WLDMT, DELTA
4	1	A52594	OUTER BOOM STRUCT 2 WLD,DELTA

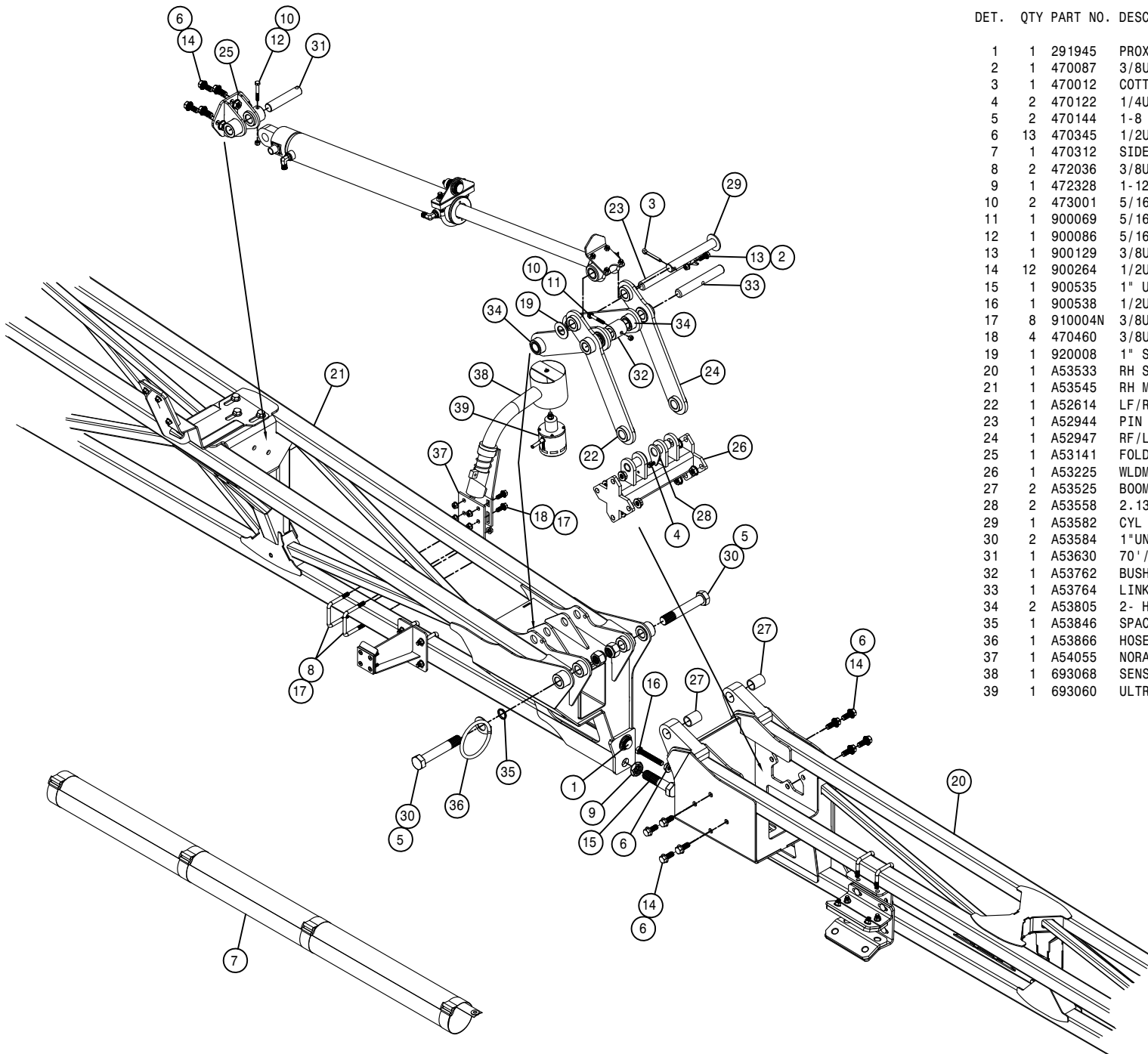


RIGHT INNER BOOM ASSEMBLY

DET. QTY PART NO. DESCRIPTION

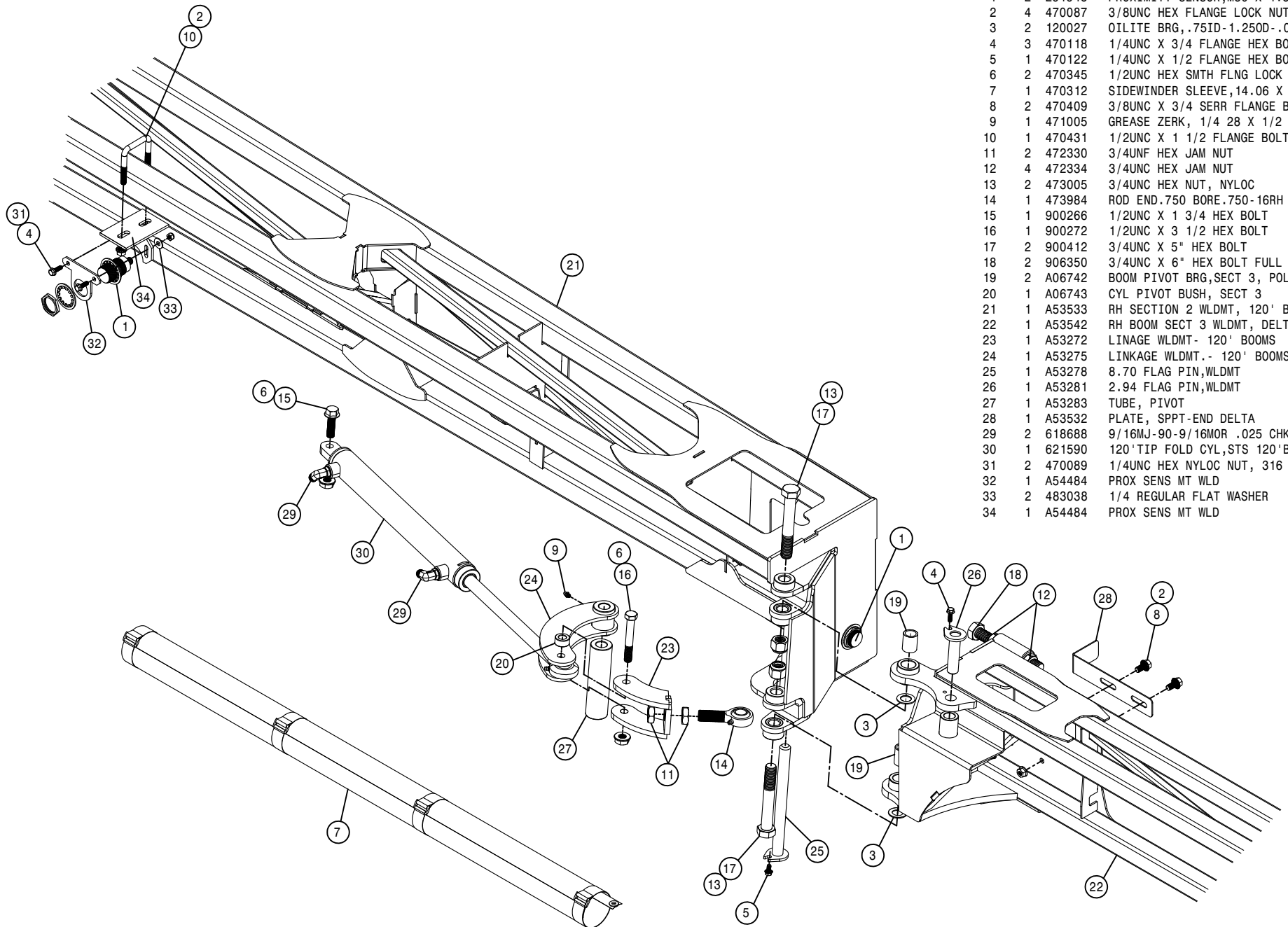
DET.	QTY	PART NO.	DESCRIPTION
1	1	A53545	RH MAIN BOOM STRUCT WLD, DELTA
2	1	A53851	BOOM CRADLE GUARD WLD, 12' BOOM
3	7	291007	ROSEBUD CLIP FOR .750 CONDUIT
4	4	470087	3/8UNC HEX FLANGE LOCK NUT
5	7	470089	1/4UNC HEX NYLOC NUT, 316 SS
6	15	470121	1/4UNC HEX FLANGE LOCK NUT
7	14	470473	TUBE CLAMP, HVY DTY .375-.375
8	7	470474	COVER PLATE FOR 470473 CLAMP
9	1	470515	CABLE TIE MT, 5/16 MT HOLE, NYL
10	2	472036	3/8UNC-2.63ID-2.88 U-BOLT SQ
11	1	473835	1/4UNC X 1" FLANGE BOLT SS
12	1	470345	1/2UNC HEX SMTH FLNG LOCK NUT
13	14	470118	1/4UNC X 3/4 FLANGE HEX BOLT
14	4	615851	HYD TUBE, MAIN BOOM, STSLS 16ASP
15	7	900010	1/4UNC X 3" HEX BOLT
16	1	900264	1/2UNC X 1 1/4 HEX BOLT
17	7	A52981	HYD CLAMP MOUNT, DELTA
18	1	A53067	LEVEL PIN WLDMT, DELTA

RIGHT BOOM FOLD ASSEMBLY



DET.	QTY	PART NO.	DESCRIPTION
1	1	291945	PROXIMITY SENSOR,M30 X 1.5
2	1	470087	3/8UNC HEX FLANGE LOCK NUT
3	1	470012	COTTER PIN 5/16 X 2" LG,316 SS
4	2	470122	1/4UNC X 1/2 FLANGE HEX BOLT
5	2	470144	1-8 HEX NYLOC NUT
6	13	470345	1/2UNC HEX SMTH FLNG LOCK NUT
7	1	470312	SIDEWINDER SLEEVE,14.06 X 68"
8	2	472036	3/8UNC-2.63ID-2.88 U-BOLT SQ
9	1	472328	1-12 HEX JAM NUT
10	2	473001	5/16UNC HEX NUT,NYLOC 316 SS
11	1	900069	5/16UNC X 2" HEX BOLT
12	1	900086	5/16UNC X 2 1/4 HEX BOLT
13	1	900129	3/8UNC X 1" SERR FLANGE BOLT
14	12	900264	1/2UNC X 1 1/4 HEX BOLT
15	1	900535	1" UNC X 4" HEX BOLT
16	1	900538	1/2UNC X 3 1/2 HEX BOLT FULL
17	8	910004N	3/8UNC HEX NUT
18	4	470460	3/8UNC X 1 SERR FLANGE BOLT
19	1	920008	1" SAE FLAT WASHER
20	1	A53533	RH SECTION 2 WLDMT, 120' BOOM
21	1	A53545	RH MAIN BOOM STRUCT WLD,DELTA
22	1	A52614	LF/RR FOLD LINK WLD,T,3 HOLE
23	1	A52944	PIN WLDMT,LINK 1-SECT 1,DELTA
24	1	A52947	RF/LR FOLD LINK WLDMT,3 HOLE
25	1	A53141	FOLD CYL MNT WLD, SECT 1
26	1	A53225	WLDMT,BOOM PIVOT
27	2	A53525	BOOM FOLD BRG,DELTA, POLYGON
28	2	A53558	2.13 FLAG PIN,WLDMT
29	1	A53582	CYL PIN WLDMT,SECT 1/2,DELTA
30	2	A53584	1"UNC X 6.00 HEX BOLT,SPEC GR5
31	1	A53630	70'/90' FOLD PIN,DELTA
32	1	A53762	BUSH,1.750D- 1.015ID-1.81LG WH
33	1	A53764	LINKAGE PIN, SECT1/2, DELTA
34	2	A53805	2- HOLE LINKAGE ASSY, DELTA
35	1	A53846	SPACER, 1.25 X 1.010 X .170
36	1	A53866	HOSE RING WLD, DELTA
37	1	A54055	NORAC SENSOR MT ADPTR PLT
38	1	693068	SENSOR MTG BRKT, NORAC
39	1	693060	ULTRASOUND SENSOR, NORAC

RIGHT OUTER BOOM FOLD ASSEMBLY



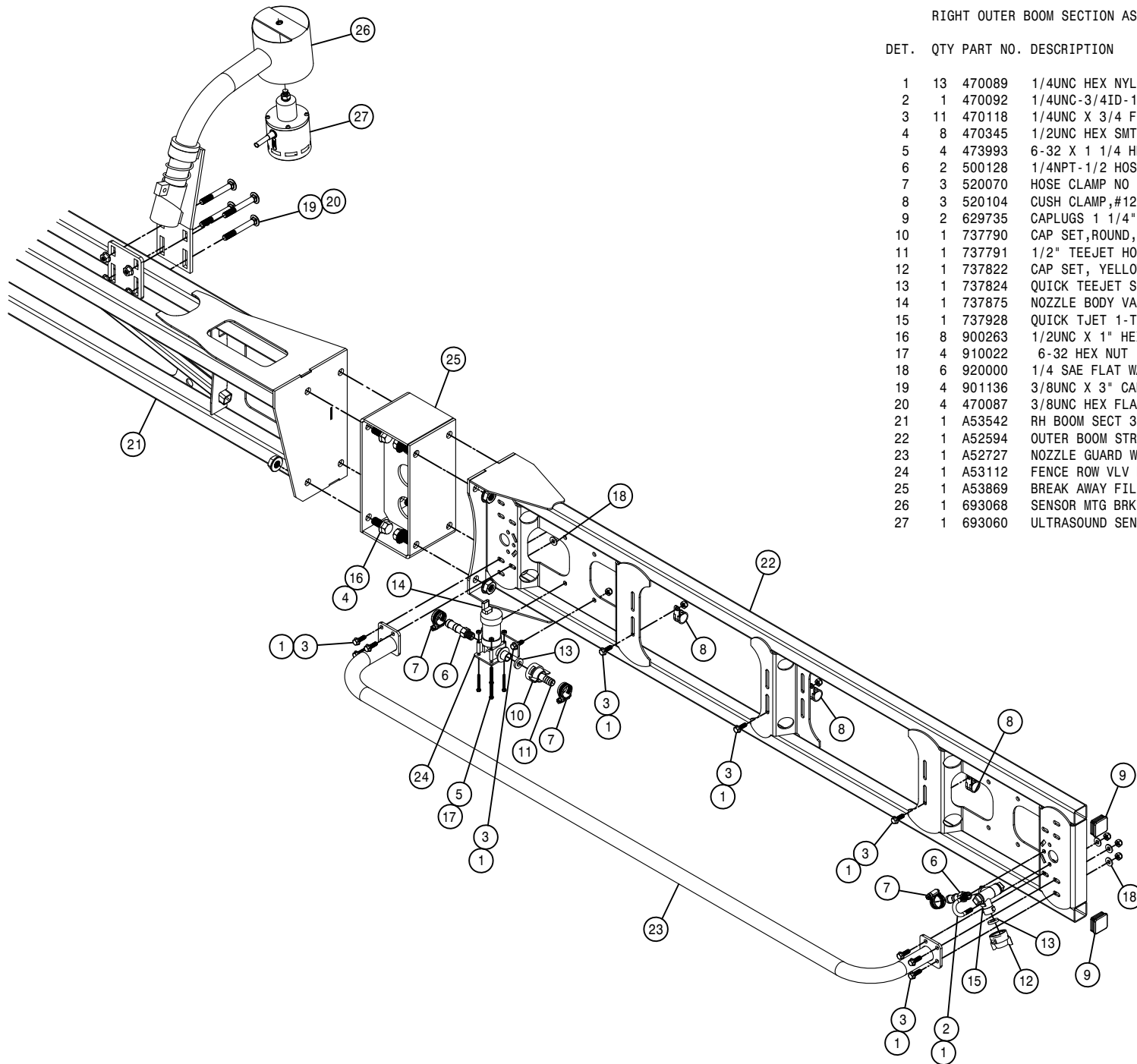
DET.	QTY	PART NO.	DESCRIPTION
1	2	291945	PROXIMITY SENSOR,M30 X 1.5
2	4	470087	3/8UNC HEX FLANGE LOCK NUT
3	2	120027	OILITE BRG, .75ID-1.25OD-.06LG
4	3	470118	1/4UNC X 3/4 FLANGE HEX BOLT
5	1	470122	1/4UNC X 1/2 FLANGE HEX BOLT
6	2	470345	1/2UNC HEX SMTH FLNG LOCK NUT
7	1	470312	SIDEWINDER SLEEVE,14.06 X 68"
8	2	470409	3/8UNC X 3/4 SERR FLANGE BOLT
9	1	471005	GREASE ZERK, 1/4 28 X 1/2
10	1	470431	1/2UNC X 1 1/2 FLANGE BOLT
11	2	472330	3/4UNF HEX JAM NUT
12	4	472334	3/4UNC HEX JAM NUT
13	2	473005	3/4UNC HEX NUT, NYLOC
14	1	473984	ROD END.750 BORE.750-16RH MALE
15	1	900266	1/2UNC X 1 3/4 HEX BOLT
16	1	900272	1/2UNC X 3 1/2 HEX BOLT
17	2	900412	3/4UNC X 5" HEX BOLT
18	2	906350	3/4UNC X 6" HEX BOLT FULL
19	2	A06742	BOOM PIVOT BRG,SECT 3, POLYGON
20	1	A06743	CYL PIVOT BUSH, SECT 3
21	1	A53533	RH SECTION 2 WLDMT, 120' BOOM
22	1	A53542	RH BOOM SECT 3 WLDMT, DELTA
23	1	A53272	LINAGE WLDMT- 120' BOOMS
24	1	A53275	LINKAGE WLDMT.- 120' BOOMS
25	1	A53278	8.70 FLAG PIN,WLDMT
26	1	A53281	2.94 FLAG PIN,WLDMT
27	1	A53283	TUBE, PIVOT
28	1	A53532	PLATE, SPPT-END DELTA
29	2	618688	9/16MJ-90-9/16MOR .025 CHK VLV
30	1	621590	120' TIP FOLD CYL,STS 120'BM 08
31	2	470089	1/4UNC HEX NYLOC NUT, 316 SS
32	1	A54484	PROX SENS MT WLD
33	2	483038	1/4 REGULAR FLAT WASHER
34	1	A54484	PROX SENS MT WLD

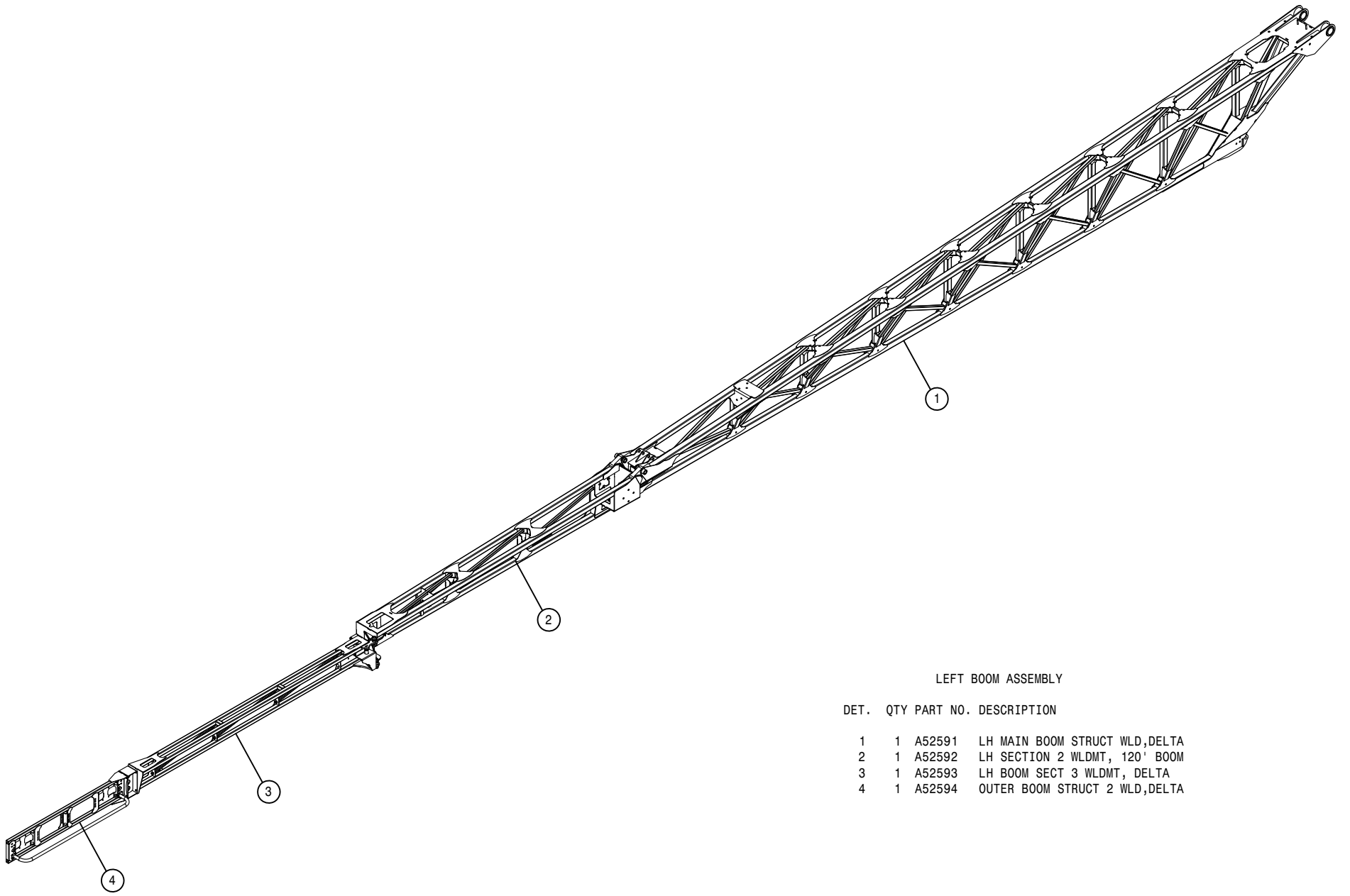


RIGHT OUTER BOOM SECTION ASSEMBLY

DET. QTY PART NO. DESCRIPTION

DET.	QTY	PART NO.	DESCRIPTION
1	13	470089	1/4UNC HEX NYLOC NUT, 316 SS
2	1	470092	1/4UNC-3/4ID-1 1/4 U-BOLT SS
3	11	470118	1/4UNC X 3/4 FLANGE HEX BOLT
4	8	470345	1/2UNC HEX SMTH FLNG LOCK NUT
5	4	473993	6-32 X 1 1/4 HH MACH SCR
6	2	500128	1/4NPT-1/2 HOSE BARB, POLY
7	3	520070	HOSE CLAMP NO 8 STAINLESS
8	3	520104	CUSH CLAMP,#12 3/4D X 1/2W
9	2	629735	CAPPLUGS 1 1/4" SQ, BLACK POLY
10	1	737790	CAP SET,ROUND,RED QUICK TEEJET
11	1	737791	1/2" TEEJET HOSE SHANK, NYLON
12	1	737822	CAP SET, YELLOW QUICK TEEJET
13	1	737824	QUICK TEEJET SEAT GASKET
14	1	737875	NOZZLE BODY VALVE, 12VDC
15	1	737928	QUICK TJET 1-TIP SWIV NOZZLE
16	8	900263	1/2UNC X 1" HEX BOLT
17	4	910022	6-32 HEX NUT
18	6	920000	1/4 SAE FLAT WASHER
19	4	901136	3/8UNC X 3" CARR BOLT
20	4	470087	3/8UNC HEX FLANGE LOCK NUT
21	1	A53542	RH BOOM SECT 3 WLDMT, DELTA
22	1	A52594	OUTER BOOM STRUCT 2 WLD,DELTA
23	1	A52727	NOZZLE GUARD WLDMT,SECT4,DELTA
24	1	A53112	FENCE ROW VLV BRKT,DELTA
25	1	A53869	BREAK AWAY FILLER WLDMT
26	1	693068	SENSOR MTG BRKT, NORAC
27	1	693060	ULTRASOUND SENSOR, NORAC





LEFT BOOM ASSEMBLY

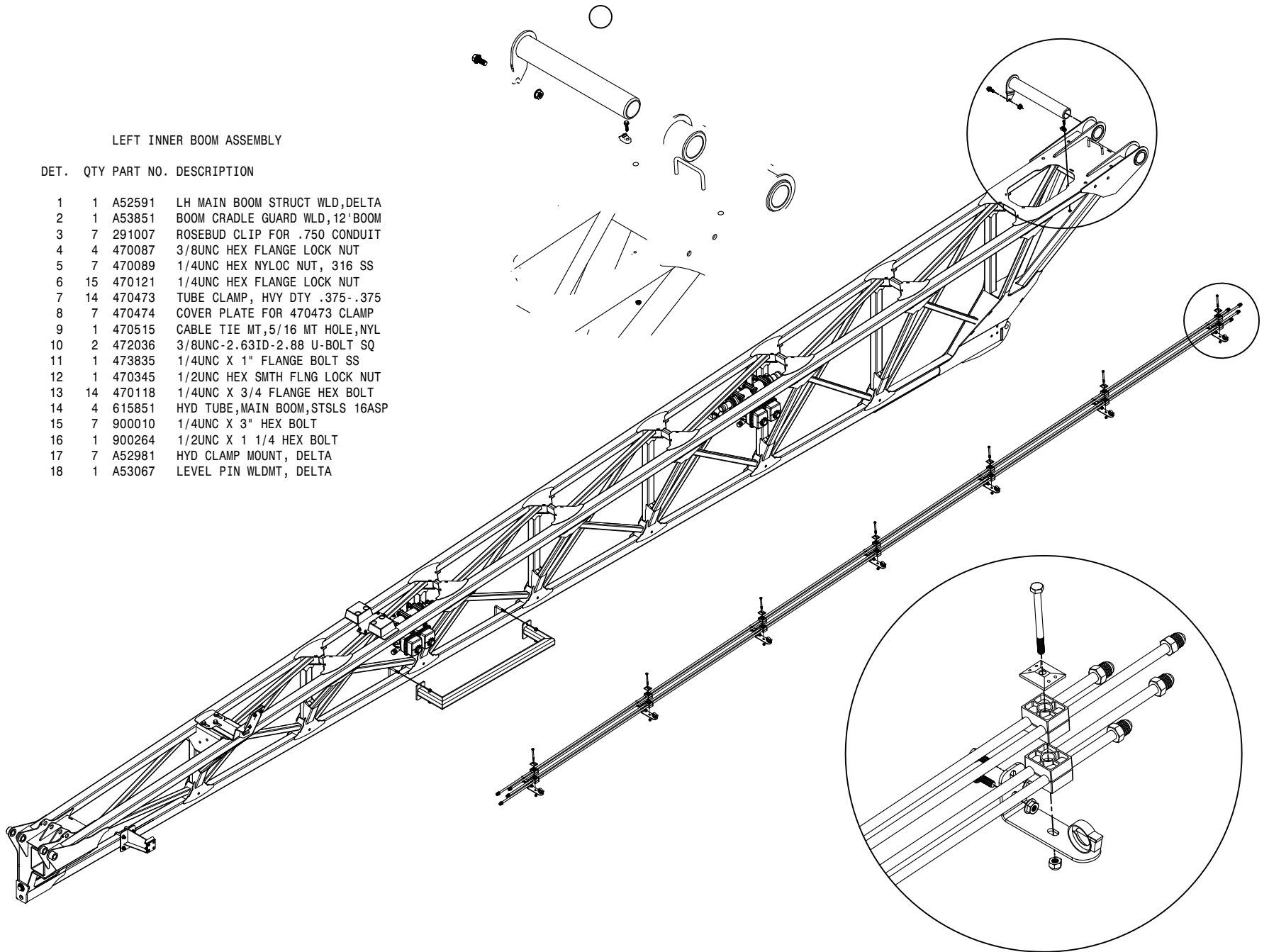
DET. QTY PART NO. DESCRIPTION

1	1	A52591	LH MAIN BOOM STRUCT WLD,DELTA
2	1	A52592	LH SECTION 2 WLDMT, 120' BOOM
3	1	A52593	LH BOOM SECT 3 WLDMT, DELTA
4	1	A52594	OUTER BOOM STRUCT 2 WLD,DELTA

LEFT INNER BOOM ASSEMBLY

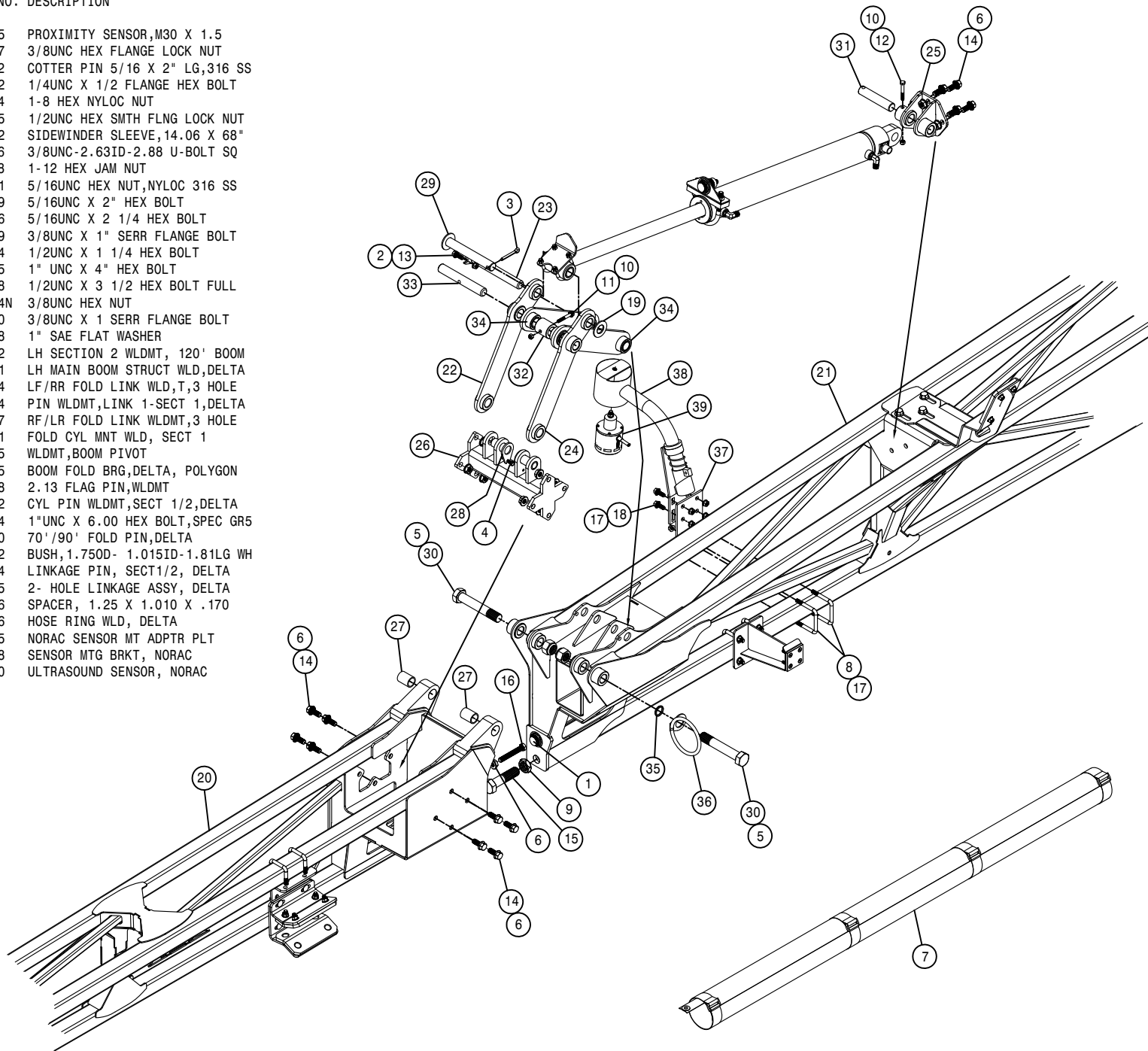
DET. QTY PART NO. DESCRIPTION

1	1	A52591	LH MAIN BOOM STRUCT WLD, DELTA
2	1	A53851	BOOM CRADLE GUARD WLD, 12' BOOM
3	7	291007	ROSEBUD CLIP FOR .750 CONDUIT
4	4	470087	3/8UNC HEX FLANGE LOCK NUT
5	7	470089	1/4UNC HEX NYLOC NUT, 316 SS
6	15	470121	1/4UNC HEX FLANGE LOCK NUT
7	14	470473	TUBE CLAMP, HVY DTY .375-.375
8	7	470474	COVER PLATE FOR 470473 CLAMP
9	1	470515	CABLE TIE MT, 5/16 MT HOLE, NYL
10	2	472036	3/8UNC-2.63ID-2.88 U-BOLT SQ
11	1	473835	1/4UNC X 1" FLANGE BOLT SS
12	1	470345	1/2UNC HEX SMTH FLNG LOCK NUT
13	14	470118	1/4UNC X 3/4 FLANGE HEX BOLT
14	4	615851	HYD TUBE, MAIN BOOM, STSLS 16ASP
15	7	900010	1/4UNC X 3" HEX BOLT
16	1	900264	1/2UNC X 1 1/4 HEX BOLT
17	7	A52981	HYD CLAMP MOUNT, DELTA
18	1	A53067	LEVEL PIN WLDMT, DELTA



LEFT BOOM FOLD ASSEMBLY

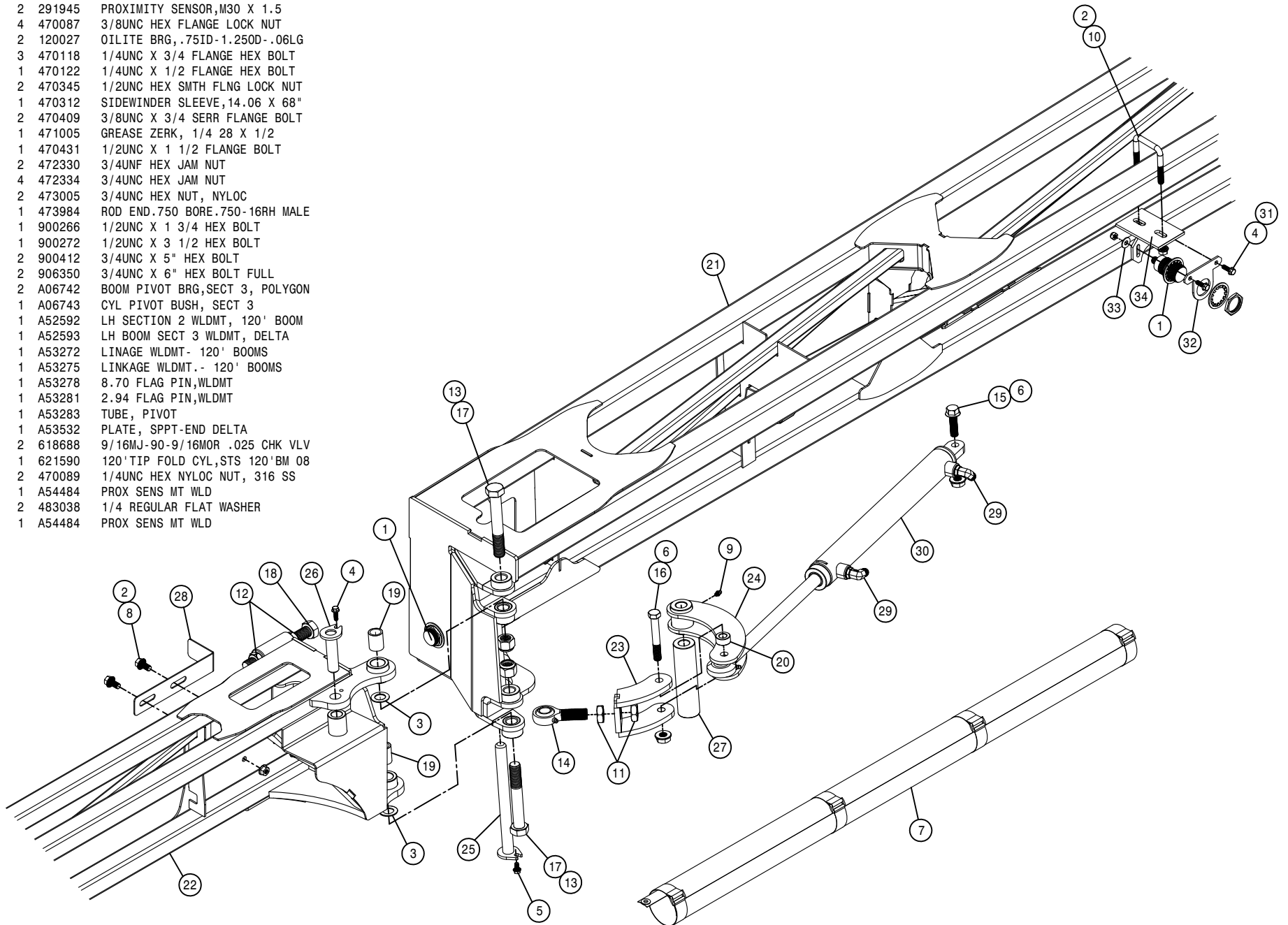
DET.	QTY	PART NO.	DESCRIPTION
1	1	291945	PROXIMITY SENSOR,M30 X 1.5
2	1	470087	3/8UNC HEX FLANGE LOCK NUT
3	1	470012	COTTER PIN 5/16 X 2" LG,316 SS
4	2	470122	1/4UNC X 1/2 FLANGE HEX BOLT
5	2	470144	1-8 HEX NYLOC NUT
6	13	470345	1/2UNC HEX SMTH FLNG LOCK NUT
7	1	470312	SIDEWINDER SLEEVE,14.06 X 68"
8	2	472036	3/8UNC-2.63ID-2.88 U-BOLT SQ
9	1	472328	1-12 HEX JAM NUT
10	2	473001	5/16UNC HEX NUT,NYLOC 316 SS
11	1	900069	5/16UNC X 2" HEX BOLT
12	1	900086	5/16UNC X 2 1/4 HEX BOLT
13	1	900129	3/8UNC X 1" SERR FLANGE BOLT
14	12	900264	1/2UNC X 1 1/4 HEX BOLT
15	1	900535	1" UNC X 4" HEX BOLT
16	1	900538	1/2UNC X 3 1/2 HEX BOLT FULL
17	8	910004N	3/8UNC HEX NUT
18	4	470460	3/8UNC X 1 SERR FLANGE BOLT
19	1	920008	1" SAE FLAT WASHER
20	1	A52592	LH SECTION 2 WLDMT, 120' BOOM
21	1	A52591	LH MAIN BOOM STRUCT WLD,DELTA
22	1	A52614	LF/RR FOLD LINK WLD,T,3 HOLE
23	1	A52944	PIN WLDMT,LINK 1-SECT 1,DELTA
24	1	A52947	RF/LR FOLD LINK WLDMT,3 HOLE
25	1	A53141	FOLD CYL MNT WLD, SECT 1
26	1	A53225	WLDMT,BOOM PIVOT
27	2	A53525	BOOM FOLD BRG,DELTA, POLYGON
28	2	A53558	2.13 FLAG PIN,WLDMT
29	1	A53582	CYL PIN WLDMT,SECT 1/2,DELTA
30	2	A53584	1"UNC X 6.00 HEX BOLT,SPEC GR5
31	1	A53630	70'/90' FOLD PIN,DELTA
32	1	A53762	BUSH,1.750D- 1.015ID-1.81LG WH
33	1	A53764	LINKAGE PIN, SECT1/2, DELTA
34	2	A53805	2- HOLE LINKAGE ASSY, DELTA
35	1	A53846	SPACER, 1.25 X 1.010 X .170
36	1	A53866	HOSE RING WLD, DELTA
37	1	A54055	NORAC SENSOR MT ADPTR PLT
38	1	693068	SENSOR MTG BRKT, NORAC
39	1	693060	ULTRASOUND SENSOR, NORAC



LEFT OUTER BOOM FOLD ASSEMBLY

DET. QTY PART NO. DESCRIPTION

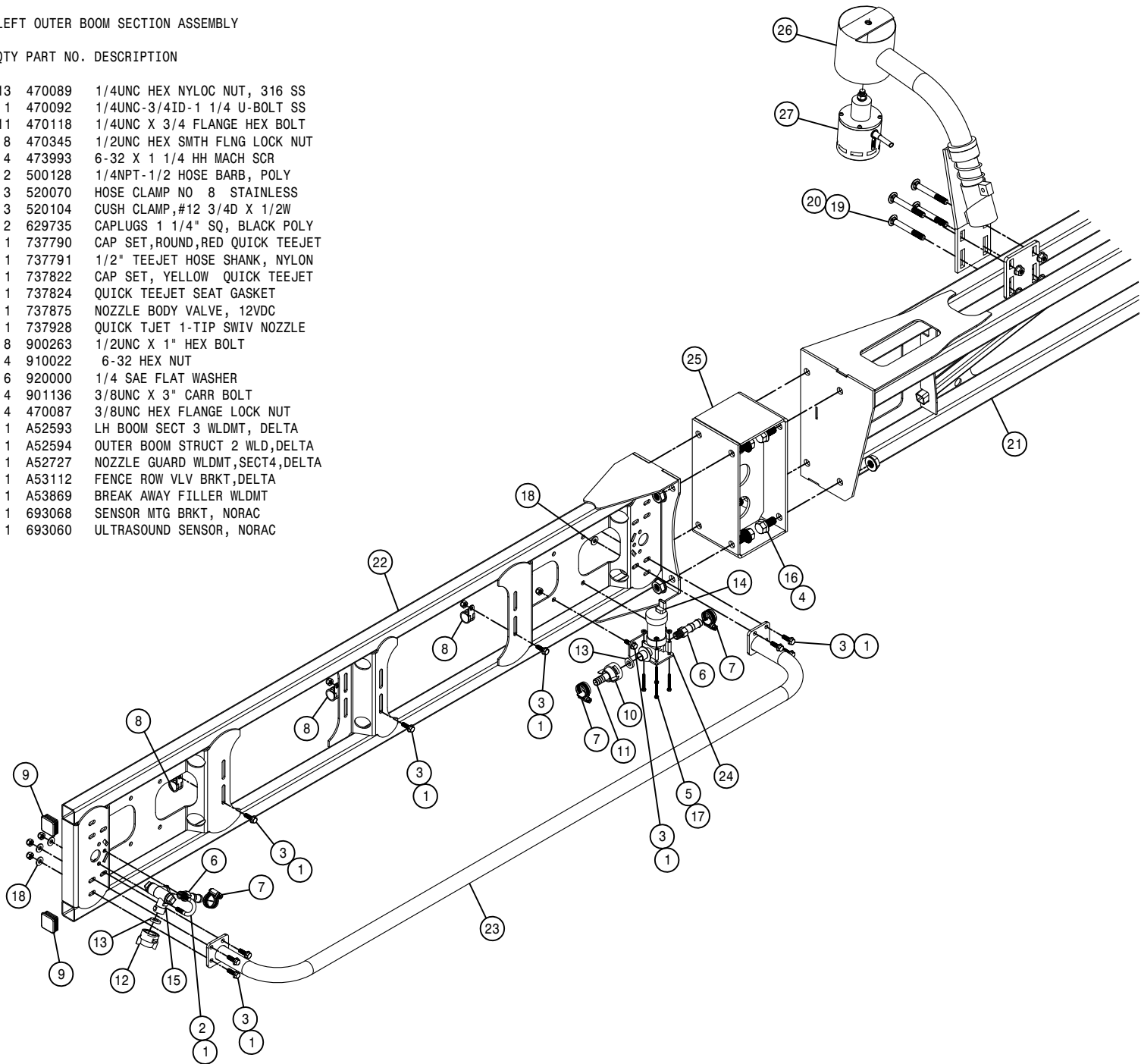
1	2	291945	PROXIMITY SENSOR,M30 X 1.5
2	4	470087	3/8UNC HEX FLANGE LOCK NUT
3	2	120027	OILITE BRG, .75ID-1.25OD-.06LG
4	3	470118	1/4UNC X 3/4 FLANGE HEX BOLT
5	1	470122	1/4UNC X 1/2 FLANGE HEX BOLT
6	2	470345	1/2UNC HEX SMTH FLNG LOCK NUT
7	1	470312	SIDEWINDER SLEEVE,14.06 X 68"
8	2	470409	3/8UNC X 3/4 SERR FLANGE BOLT
9	1	471005	GREASE ZERK, 1/4 28 X 1/2
10	1	470431	1/2UNC X 1 1/2 FLANGE BOLT
11	2	472330	3/4UNF HEX JAM NUT
12	4	472334	3/4UNC HEX JAM NUT
13	2	473005	3/4UNC HEX NUT, NYLOC
14	1	473984	ROD END.750 BORE.750-16RH MALE
15	1	900266	1/2UNC X 1 3/4 HEX BOLT
16	1	900272	1/2UNC X 3 1/2 HEX BOLT
17	2	900412	3/4UNC X 5" HEX BOLT
18	2	906350	3/4UNC X 6" HEX BOLT FULL
19	2	A06742	BOOM PIVOT BRG,SECT 3, POLYGON
20	1	A06743	CYL PIVOT BUSH, SECT 3
21	1	A52592	LH SECTION 2 WLDMT, 120' BOOM
22	1	A52593	LH BOOM SECT 3 WLDMT, DELTA
23	1	A53272	LINAGE WLDMT- 120' BOOMS
24	1	A53275	LINKAGE WLDMT.- 120' BOOMS
25	1	A53278	8.70 FLAG PIN,WLDMT
26	1	A53281	2.94 FLAG PIN,WLDMT
27	1	A53283	TUBE, PIVOT
28	1	A53532	PLATE, SPPT-END DELTA
29	2	618688	9/16MJ-90-9/16MOR .025 CHK VLV
30	1	621590	120' TIP FOLD CYL,STS 120'BM 08
31	2	470089	1/4UNC HEX NYLOC NUT, 316 SS
32	1	A54484	PROX SENS MT WLD
33	2	483038	1/4 REGULAR FLAT WASHER
34	1	A54484	PROX SENS MT WLD

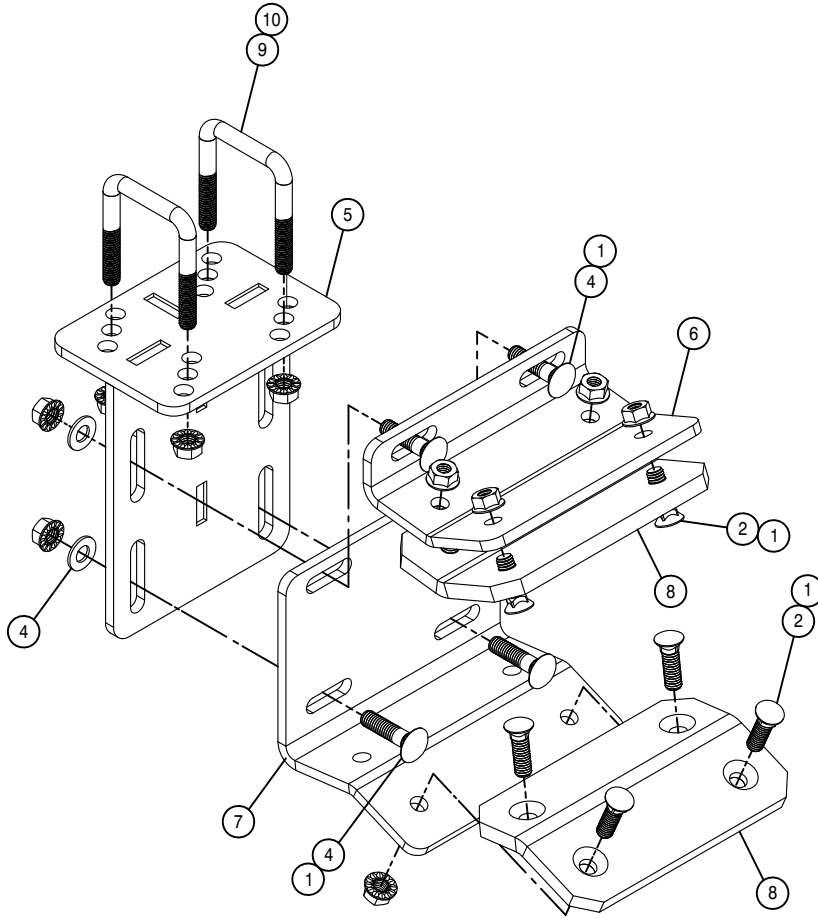


LEFT OUTER BOOM SECTION ASSEMBLY

DET. QTY PART NO. DESCRIPTION

1	13	470089	1/4UNC HEX NYLOC NUT, 316 SS
2	1	470092	1/4UNC-3/4ID-1 1/4 U-BOLT SS
3	11	470118	1/4UNC X 3/4 FLANGE HEX BOLT
4	8	470345	1/2UNC HEX SMTH FLNG LOCK NUT
5	4	473993	6-32 X 1 1/4 HH MACH SCR
6	2	500128	1/4NPT-1/2 HOSE BARB, POLY
7	3	520070	HOSE CLAMP NO 8 STAINLESS
8	3	520104	CUSH CLAMP,#12 3/4D X 1/2W
9	2	629735	CAPPLUGS 1 1/4" SQ, BLACK POLY
10	1	737790	CAP SET,ROUND,RED QUICK TEEJET
11	1	737791	1/2" TEEJET HOSE SHANK, NYLON
12	1	737822	CAP SET, YELLOW QUICK TEEJET
13	1	737824	QUICK TEEJET SEAT GASKET
14	1	737875	NOZZLE BODY VALVE, 12VDC
15	1	737928	QUICK TJET 1-TIP SWIV NOZZLE
16	8	900263	1/2UNC X 1" HEX BOLT
17	4	910022	6-32 HEX NUT
18	6	920000	1/4 SAE FLAT WASHER
19	4	901136	3/8UNC X 3" CARR BOLT
20	4	470087	3/8UNC HEX FLANGE LOCK NUT
21	1	A52593	LH BOOM SECT 3 WLDMT, DELTA
22	1	A52594	OUTER BOOM STRUCT 2 WLD,DELTA
23	1	A52727	NOZZLE GUARD WLDMT,SECT4,DELTA
24	1	A53112	FENCE ROW VLV BRKT,DELTA
25	1	A53869	BREAK AWAY FILLER WLDMT
26	1	693068	SENSOR MTG BRKT, NORAC
27	1	693060	ULTRASOUND SENSOR, NORAC





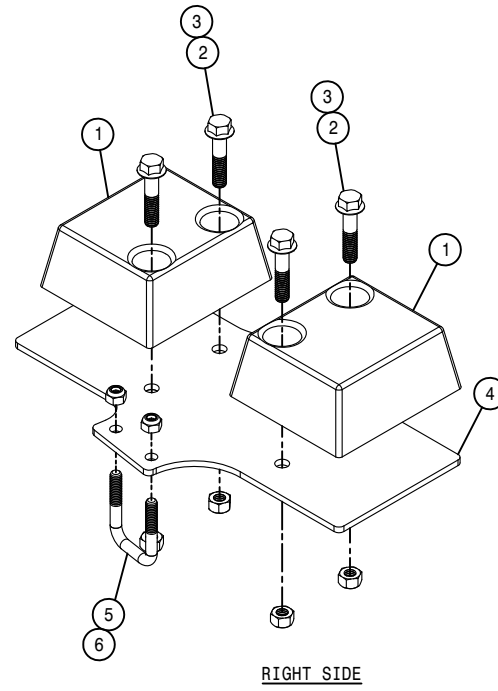
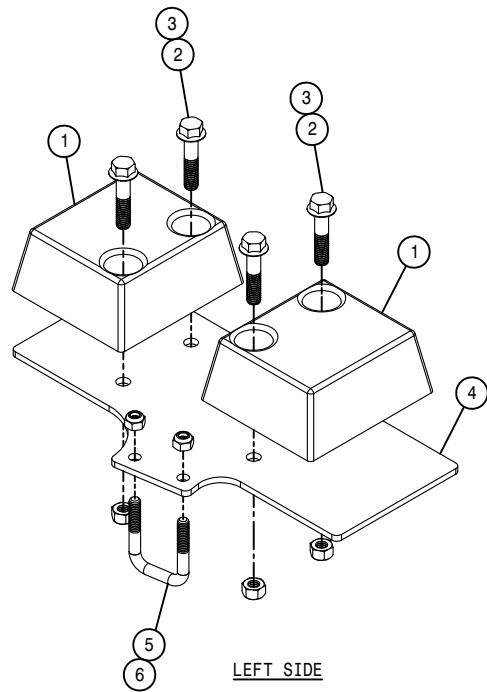
OUTER BOOM CRADLE ASSEMBLY

DET.	QTY	PART NO.	DESCRIPTION
1	12	470087	3/8UNC HEX FLANGE LOCK NUT
2	8	470328	3/8UNC X 1 1/4 #3HD PLOW BOLT
3	4	901131	3/8UNC X 1 1/2 CARR BOLT
4	4	920002	3/8 SAE FLAT WASHER
5	1	A53570	CRADLE MT WLDMT
6	1	A53721	BRACKET CRADLE MT
7	1	A53723	BRACKET CRADLE MT
8	2	A53728	WEAR PAD, BOOM CRADLE
9	2	472036	3/8UNC-2.63ID-2.88 U-BOLT SQ
10	4	470087	3/8UNC HEX FLANGE LOCK NUT

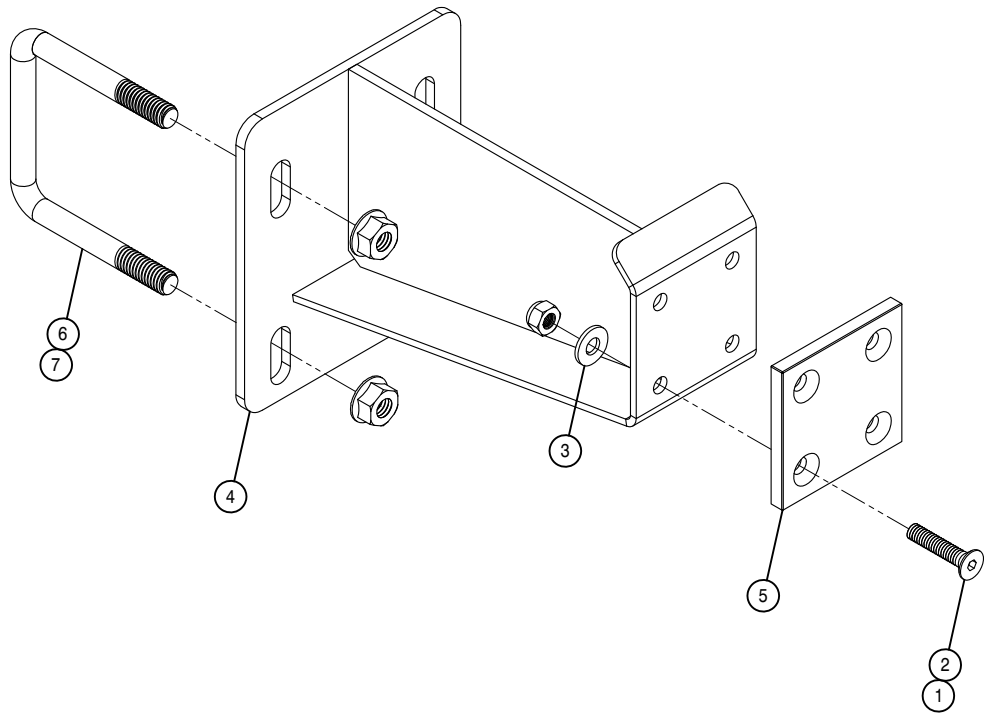
BOOM BUMPER ASSEMBLY

DET. QTY PART NO. DESCRIPTION

1	4	164513	BOOM CRADLE PAD
2	8	900132	3/8UNC X 1 3/4 SER FLANGE BOLT
3	8	914004	3/8UNC HEX STOVER NUT
4	2	A53645	CRADLE PLT,SECT 1
5	4	473973	5/16UNC-1 5/16ID-2"SQ U-BOLTSS
6	8	473001	5/16UNC HEX NUT,NYLOC 316 SS



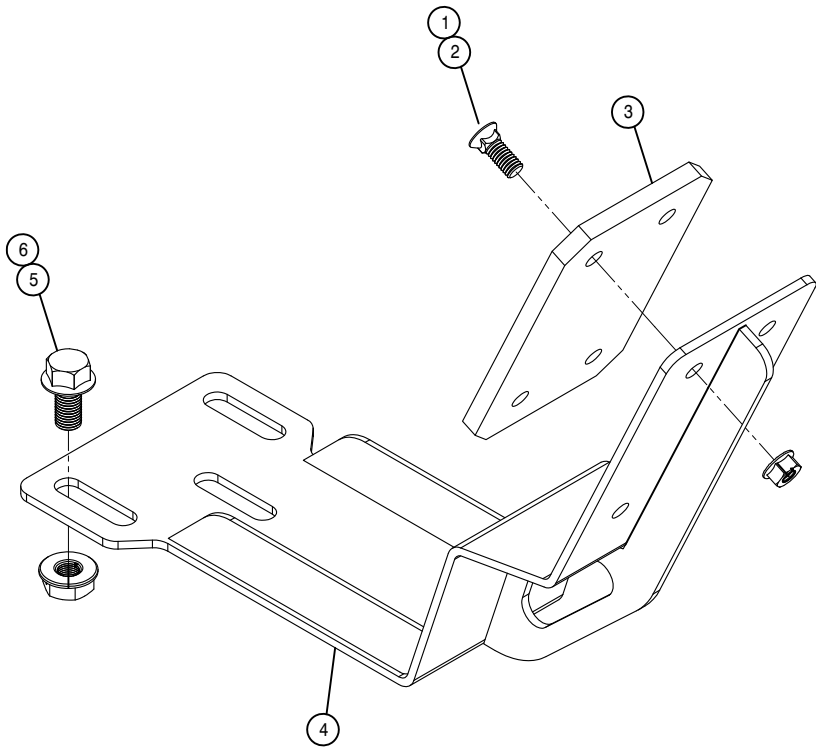




OUTER BOOM BUMPER ASSEMBLY

DET. QTY PART NO. DESCRIPTION

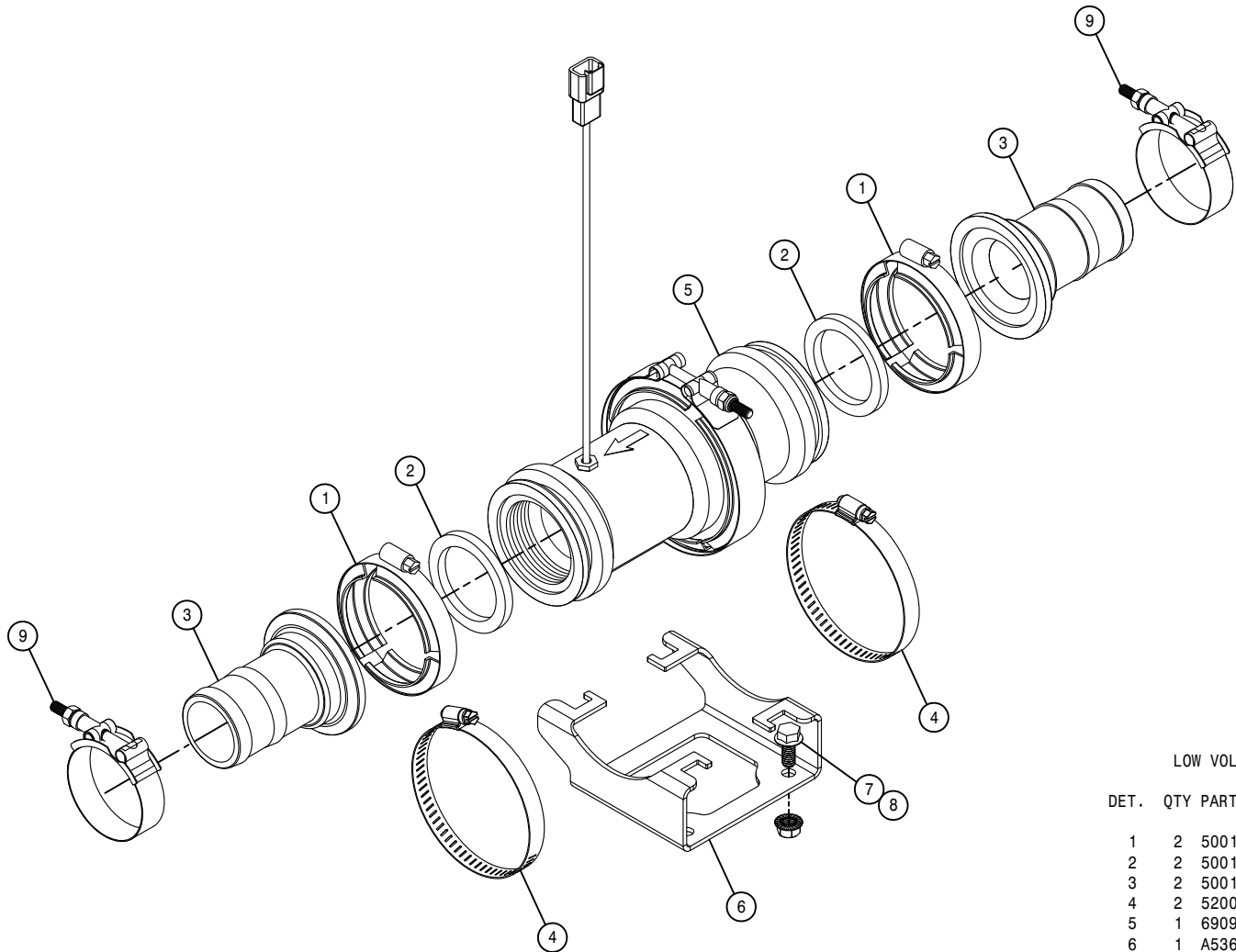
1	4	470089	1/4UNC HEX NYLOC NUT, 316 SS
2	4	900050	1/4UNC X 1 1/4 PH FLHD MAC SCR
3	4	920000	1/4 SAE FLAT WASHER
4	1	A53896	BUMPER WLD, SECT 4
5	1	A53897	WEAR PAD, SECT 4 BUMPER
6	2	472036	3/8UNC-2.63ID-2.88 U-BOLT SQ
7	4	470087	3/8UNC HEX FLANGE LOCK NUT



VERTICAL CRADLE ASSEMBLY

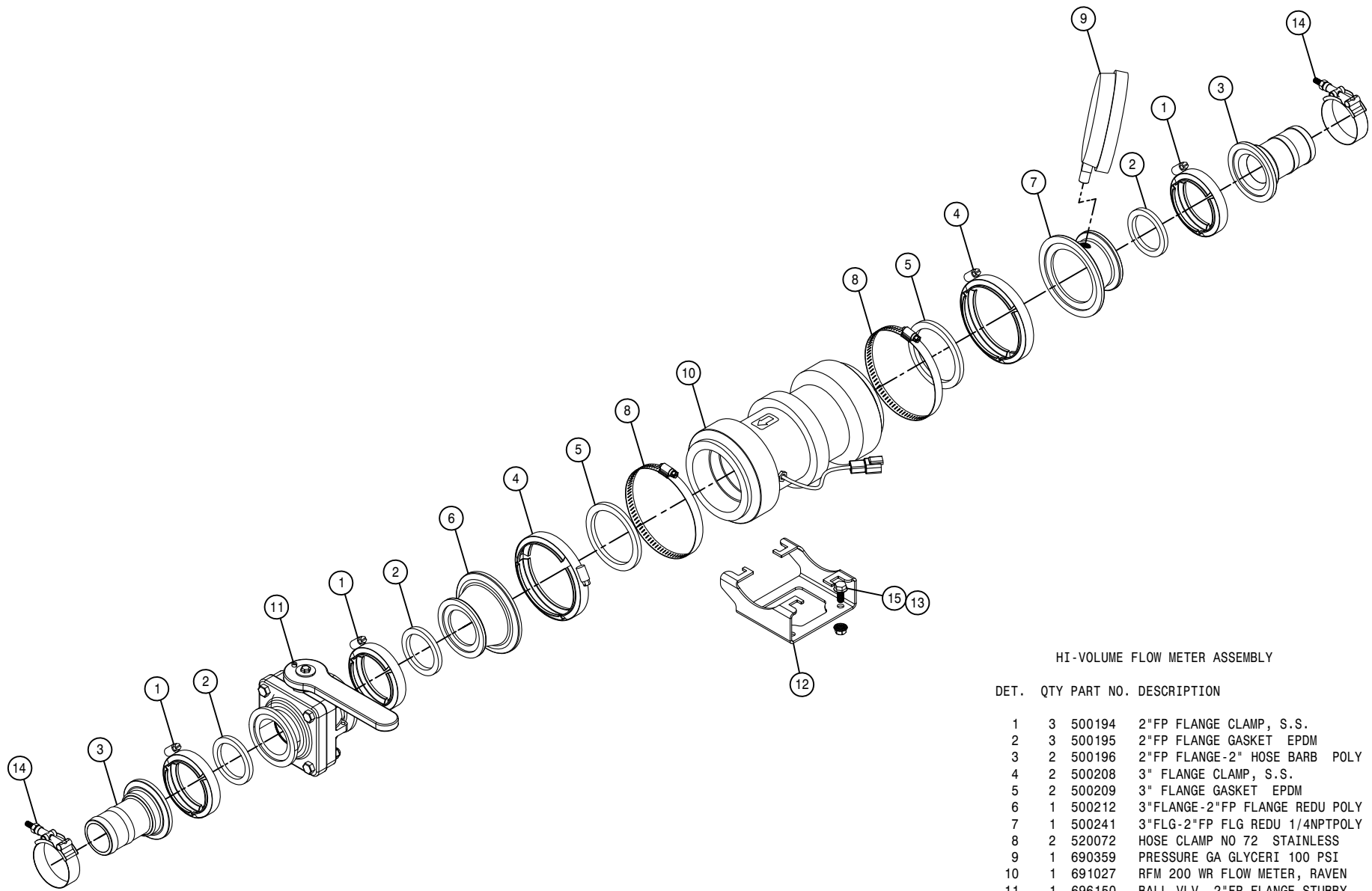
DET. QTY PART NO. DESCRIPTION

1	4	470087	3/8UNC HEX FLANGE LOCK NUT
2	4	470408	3/8UNC X 1" #3HD PLOW BOLT
3	1	A53913	VERTICAL CRADLE PAD, 120' BOOM
4	1	A54786	VERTICAL CRADLE WLD, 120' BM 08
5	3	900263	1/2UNC X 1" HEX BOLT
6	3	470345	1/2UNC HEX SMTH FLNG LOCK NUT



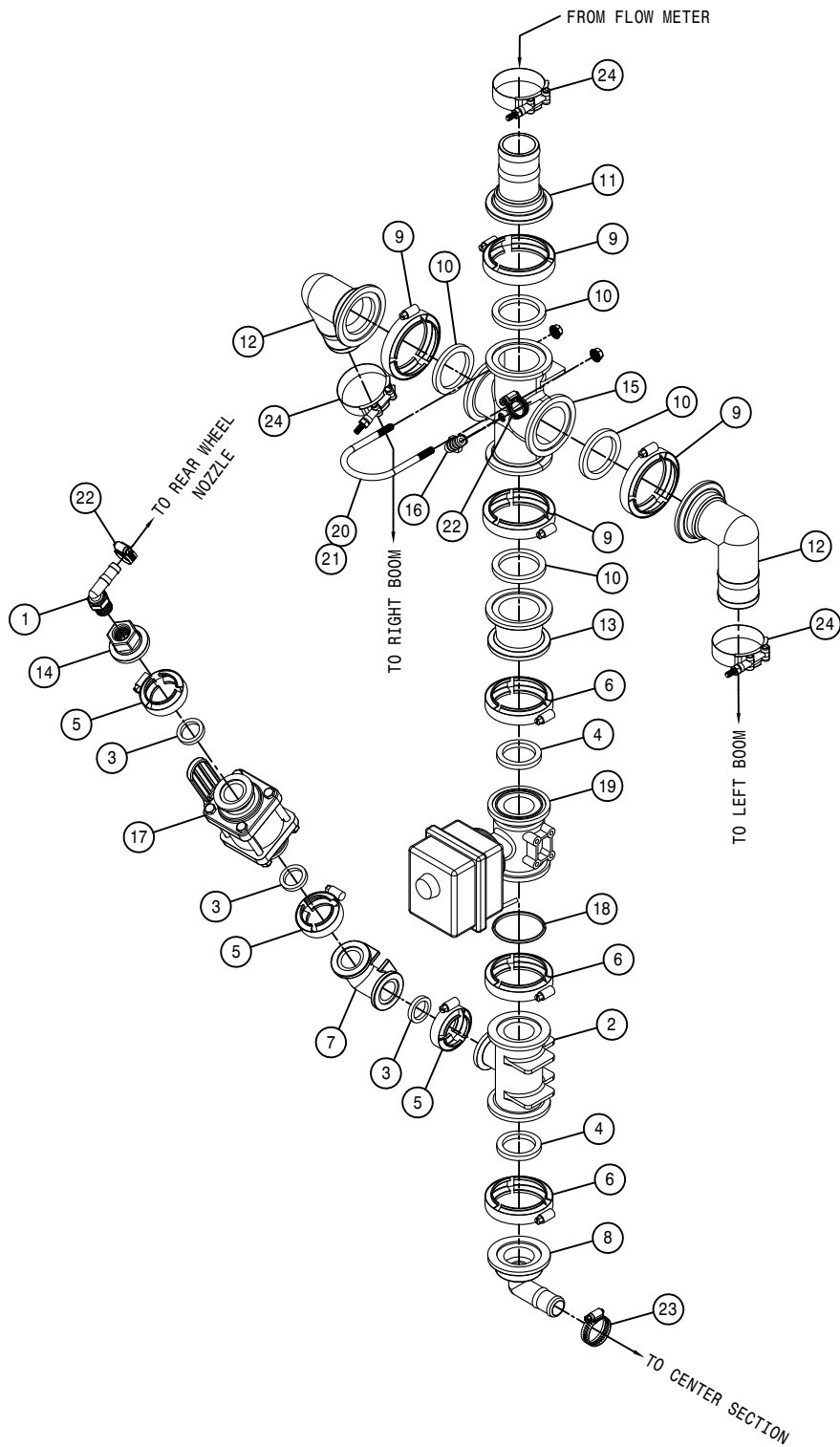
LOW VOLUME FLOW METER ASSEMBLY

DET.	QTY	PART NO.	DESCRIPTION
	1	2	500194 2"FP FLANGE CLAMP, S.S.
	2	2	500195 2"FP FLANGE GASKET EPDM
	3	2	500196 2"FP FLANGE-2" HOSE BARB POLY
	4	2	520056 HOSE CLAMP NO 56 STAINLESS
	5	1	690961 RFM 100 FLOW METER, RAVEN 05
	6	1	A53663 FLOW METER MOUNT
	7	2	470233 5/16UNC X 3/4 FLANGE HEX BOLT
	8	2	470113 5/16UNC HEX FLANGE LOCK NUT
	9	2	520141 2.31/2.62 T-BOLT HOSE CLAMP SS



HI-VOLUME FLOW METER ASSEMBLY

DET.	QTY	PART NO.	DESCRIPTION
	1	3 500194	2"FP FLANGE CLAMP, S.S.
	2	3 500195	2"FP FLANGE GASKET EPDM
	3	2 500196	2"FP FLANGE-2" HOSE BARB POLY
	4	2 500208	3" FLANGE CLAMP, S.S.
	5	2 500209	3" FLANGE GASKET EPDM
	6	1 500212	3"FLANGE-2"FP FLANGE REDU POLY
	7	1 500241	3"FLG-2"FP FLG REDU 1/4NPTPOLY
	8	2 520072	HOSE CLAMP NO 72 STAINLESS
	9	1 690359	PRESSURE GA GLYCERI 100 PSI
	10	1 691027	RFM 200 WR FLOW METER, RAVEN
	11	1 696150	BALL VLV, 2"FP FLANGE STUBBY
	12	1 A53663	FLOW METER MOUNT
	13	2 470113	5/16UNC HEX FLANGE LOCK NUT
	14	2 520141	2.31/2.62 T-BOLT HOSE CLAMP SS
	15	2 470233	5/16UNC X 3/4 FLANGE HEX BOLT



CENTER SOLUTION VALVE ASSEMBLY

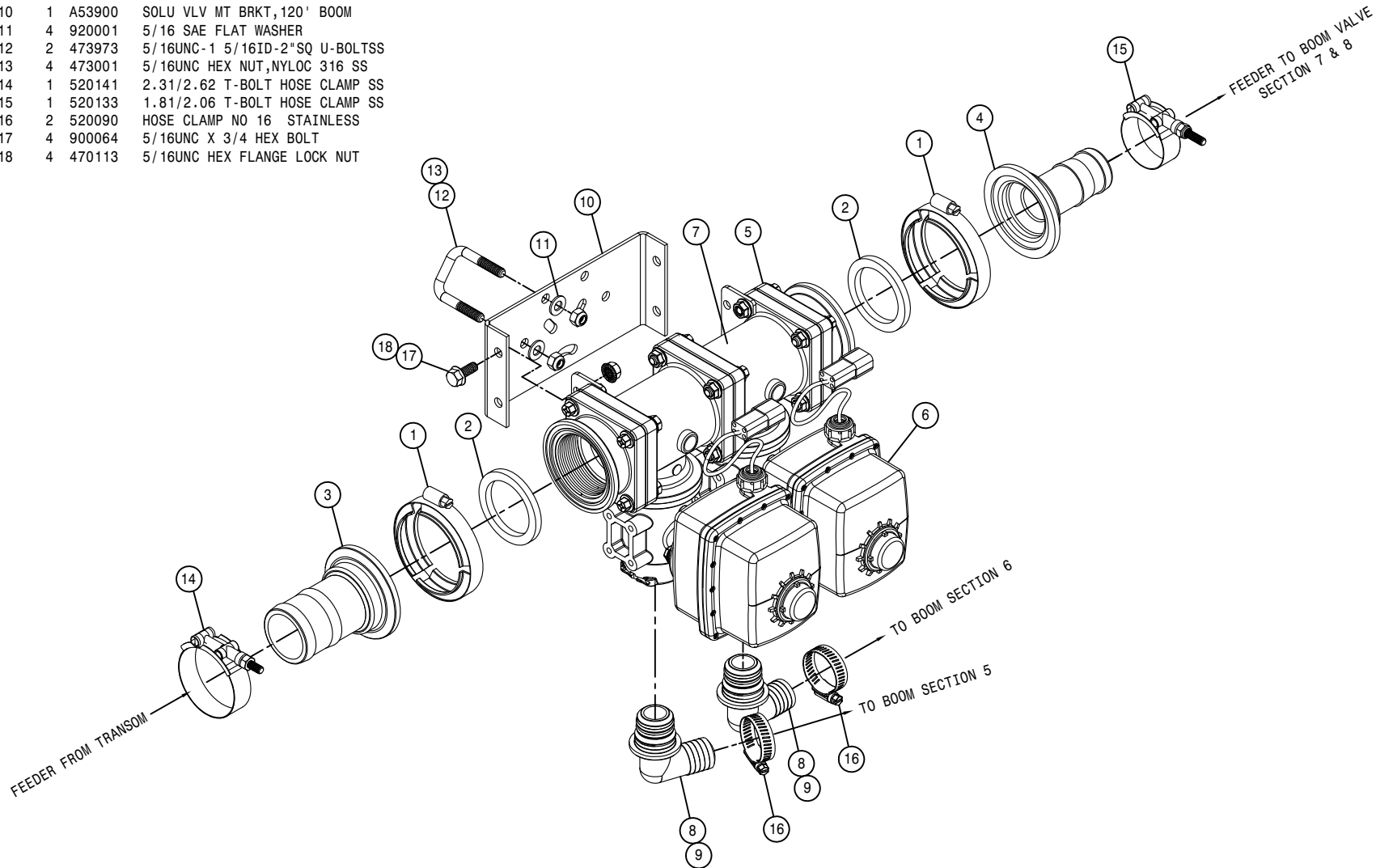
DET. QTY PART NO. DESCRIPTION

1	1	500047	1/2NPT-90-1/2 HOSE BARB, POLY
2	1	500150	2" FLANGE-1" BRANCH TEE POLY
3	3	500157	1" FLANGE GASKET EPDM
4	2	500158	1 1/2" GASKET FOR 2" FLANGE
5	3	500159	1" FLANGE CLAMP, S.S.
6	3	500160	2" FLANGE CLAMP, S.S.
7	1	500174	1" FLANGE-90-1" FLANGE LBOPOLY
8	1	500189	2" FLANGE-90-1" HOSE BARB POLY
9	4	500194	2"FP FLANGE CLAMP, S.S.
10	4	500195	2"FP FLANGE GASKET EPDM
11	1	500196	2"FP FLANGE-2" HOSE BARB POLY
12	2	500198	2"FP FLANGE-90-2"HOSEBARB POLY
13	1	500199	2"FP FLANGE-2"FLANGE REDU POLY
14	1	500238	1" FLANGE PLUG W/1/2"FNPT POLY
15	1	500243	2"FP FLG CROSS W/1/4 NPT, POLY
16	1	618556	1/4NPT-90-1/2 HOSE BARB,POLY
17	1	696147	BALL VLV, 1" FLANGE
18	1	696254	O-RING, KZCO FLANGED VALVES
19	1	696256	VALVE, KZCO C2F-60B-M-S9
20	4	472034	5/16UNC-2 1/2ID-4" UBOLT SS
21	8	470113	5/16UNC HEX FLANGE LOCK NUT
22	2	520070	HOSE CLAMP NO 8 STAINLESS
23	1	520090	HOSE CLAMP NO 16 STAINLESS
24	3	520141	2.31/2.62 T-BOLT HOSE CLAMP SS

RIGHT INNER BOOM SOLUTION VALVE ASSEMBLY

DET. QTY PART NO. DESCRIPTION

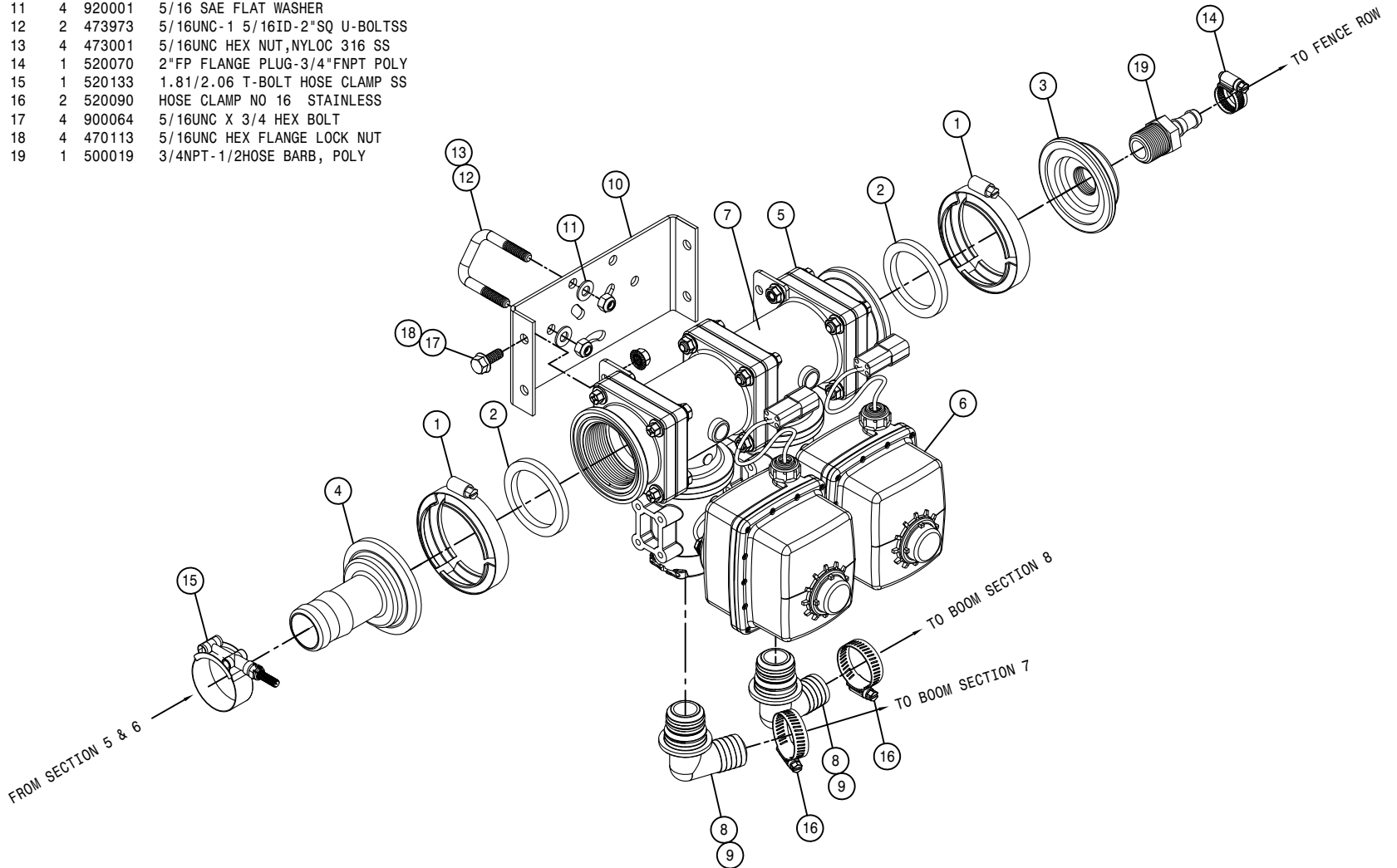
1	2	500194	2"FP FLANGE CLAMP, S.S.
2	2	500195	2"FP FLANGE GASKET EPDM
3	1	500196	2"FP FLANGE-2" HOSE BARB POLY
4	1	500230	2" FP FLANGE-1 1/2" HOSE BARB
5	1	696270	2-VALVE STACK, QX4 KZCO
6	2	696279	ACTUATOR FOR SOLU VLV 696270
7	2	696280	VALVE FOR SOLU VLV 696270
8	2	696272	1"90 HOSE BARB FOR 696270,KZCO
9	4	696276	O-RING FOR 696271 & 696272
10	1	A53900	SOLU VLV MT BRKT, 120' BOOM
11	4	920001	5/16 SAE FLAT WASHER
12	2	473973	5/16UNC-1 5/16ID-2"SQ U-BOLTSS
13	4	473001	5/16UNC HEX NUT,NYLOC 316 SS
14	1	520141	2.31/2.62 T-BOLT HOSE CLAMP SS
15	1	520133	1.81/2.06 T-BOLT HOSE CLAMP SS
16	2	520090	HOSE CLAMP NO 16 STAINLESS
17	4	900064	5/16UNC X 3/4 HEX BOLT
18	4	470113	5/16UNC HEX FLANGE LOCK NUT



RIGHT OUTER BOOM SOLUTION VALVE ASSEMBLY

DET. QTY PART NO. DESCRIPTION

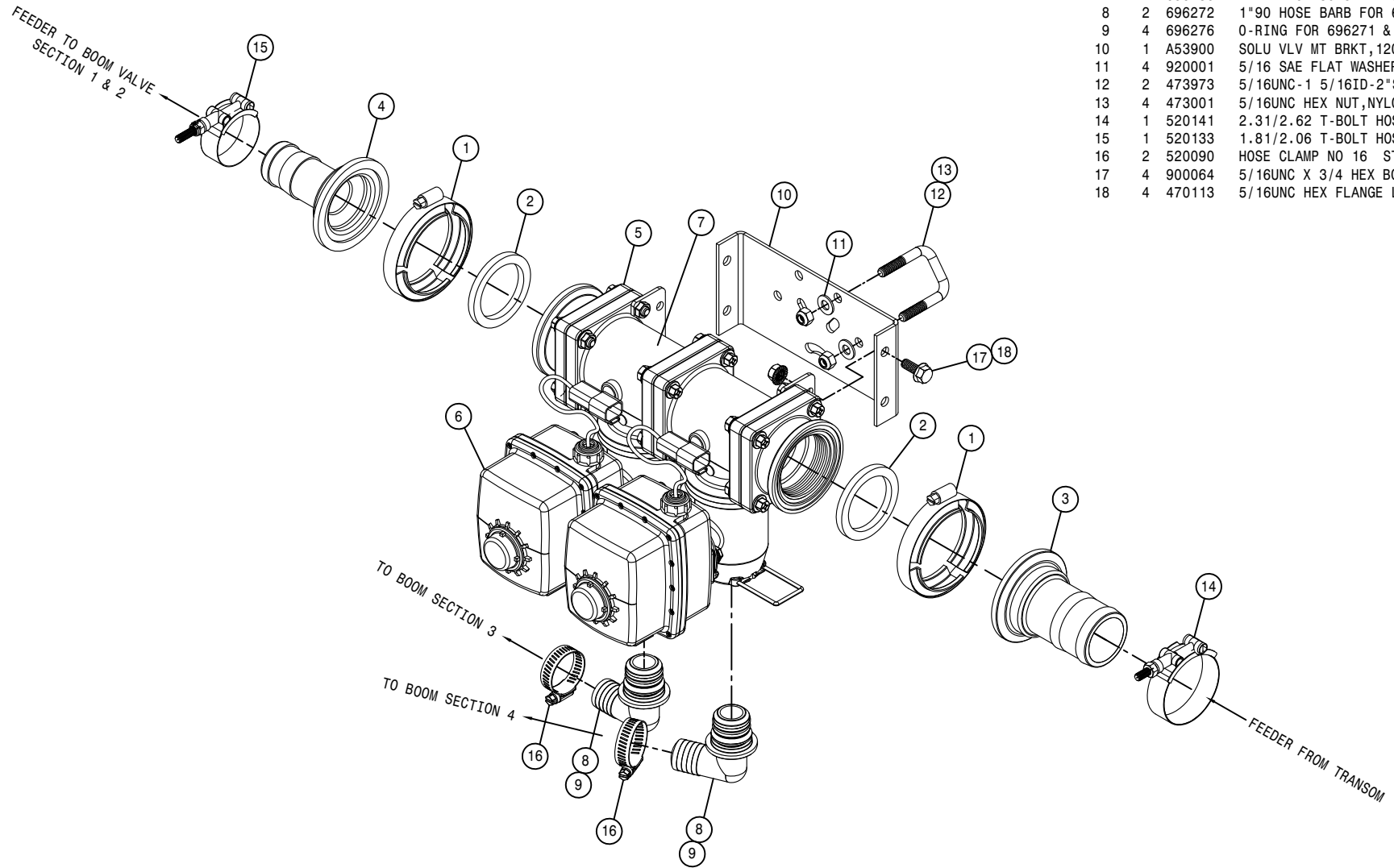
1	2	500194	2"FP FLANGE CLAMP, S.S.
2	2	500195	2"FP FLANGE GASKET EPDM
3	1	500240	2"FP FLANGE PLUG-3/4"FNPT POLY
4	1	500230	2" FP FLANGE-1 1/2" HOSE BARB
5	1	696270	2-VALVE STACK, QX4 KZCO
6	2	696279	ACTUATOR FOR SOLU VLV 696270
7	2	696280	VALVE FOR SOLU VLV 696270
8	2	696272	1"90 HOSE BARB FOR 696270,KZCO
9	4	696276	O-RING FOR 696271 & 696272
10	1	A53900	SOLU VLV MT BRKT, 120' BOOM
11	4	920001	5/16 SAE FLAT WASHER
12	2	473973	5/16UNC-1 5/16ID-2"SQ U-BOLTTSS
13	4	473001	5/16UNC HEX NUT,NYLOC 316 SS
14	1	520070	2"FP FLANGE PLUG-3/4"FNPT POLY
15	1	520133	1.81/2.06 T-BOLT HOSE CLAMP SS
16	2	520090	HOSE CLAMP NO 16 STAINLESS
17	4	900064	5/16UNC X 3/4 HEX BOLT
18	4	470113	5/16UNC HEX FLANGE LOCK NUT
19	1	500019	3/4NPT-1/2HOSE BARB, POLY



LEFT INNER BOOM SOLUTION VALVE ASSEMBLY

DET. QTY PART NO. DESCRIPTION

1	2	500194	2"FP FLANGE CLAMP, S.S.
2	2	500195	2"FP FLANGE GASKET EPDM
3	1	500196	2"FP FLANGE-2" HOSE BARB POLY
4	1	500230	2" FP FLANGE-1 1/2" HOSE BARB
5	1	696270	2-VALVE STACK, QX4 KZCO
6	2	696279	ACTUATOR FOR SOLU VLV 696270
7	2	696280	VALVE FOR SOLU VLV 696270
8	2	696272	1"90 HOSE BARB FOR 696270,KZCO
9	4	696276	O-RING FOR 696271 & 696272
10	1	A53900	SOLU VLV MT BRKT,120' BOOM
11	4	920001	5/16 SAE FLAT WASHER
12	2	473973	5/16UNC-1 5/16ID-2"SQ U-BOLTSS
13	4	473001	5/16UNC HEX NUT,NYLOC 316 SS
14	1	520141	2.31/2.62 T-BOLT HOSE CLAMP SS
15	1	520133	1.81/2.06 T-BOLT HOSE CLAMP SS
16	2	520090	HOSE CLAMP NO 16 STAINLESS
17	4	900064	5/16UNC X 3/4 HEX BOLT
18	4	470113	5/16UNC HEX FLANGE LOCK NUT

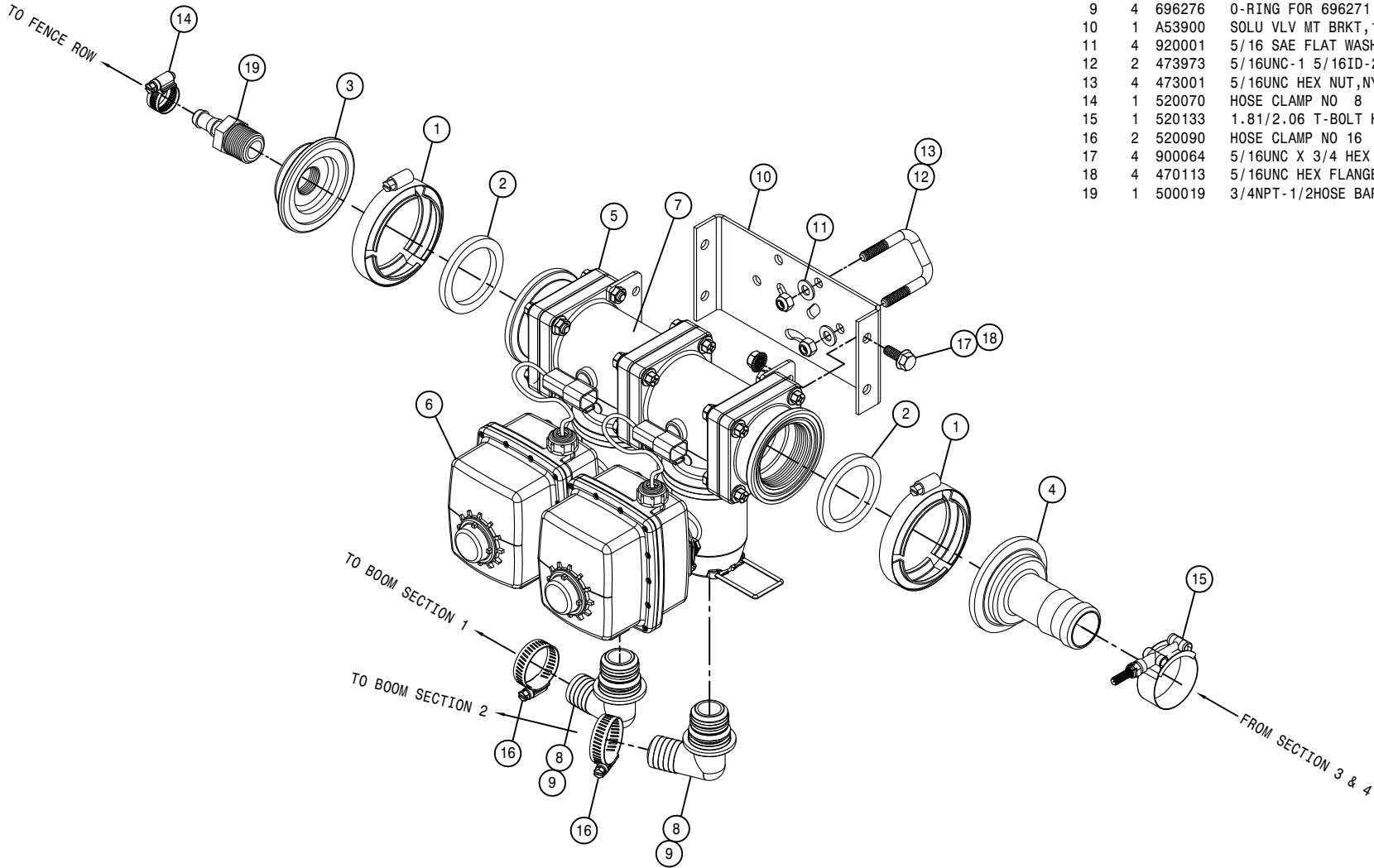


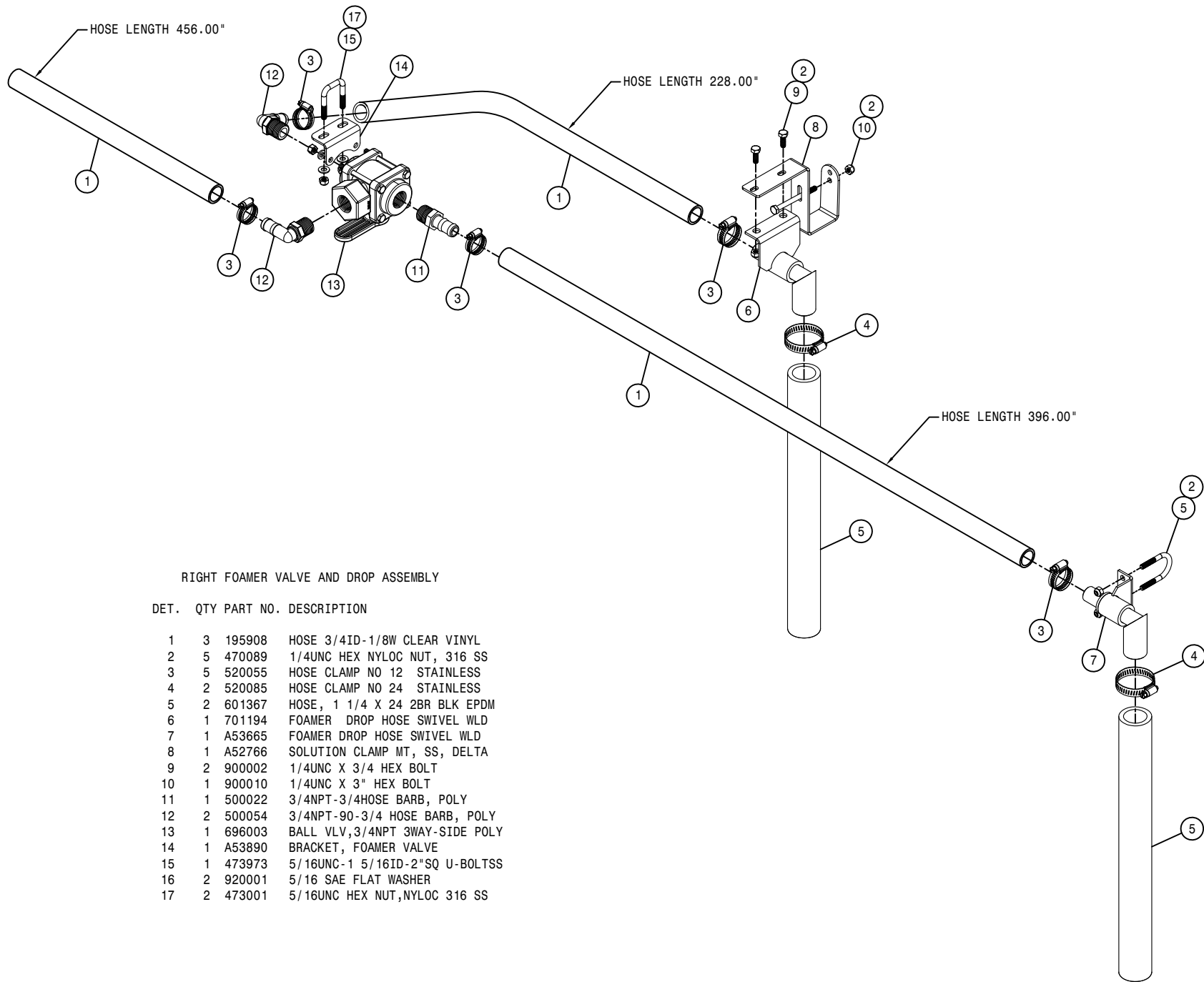


LEFT OUTER BOOM SOLUTION VALVE ASSEMBLY

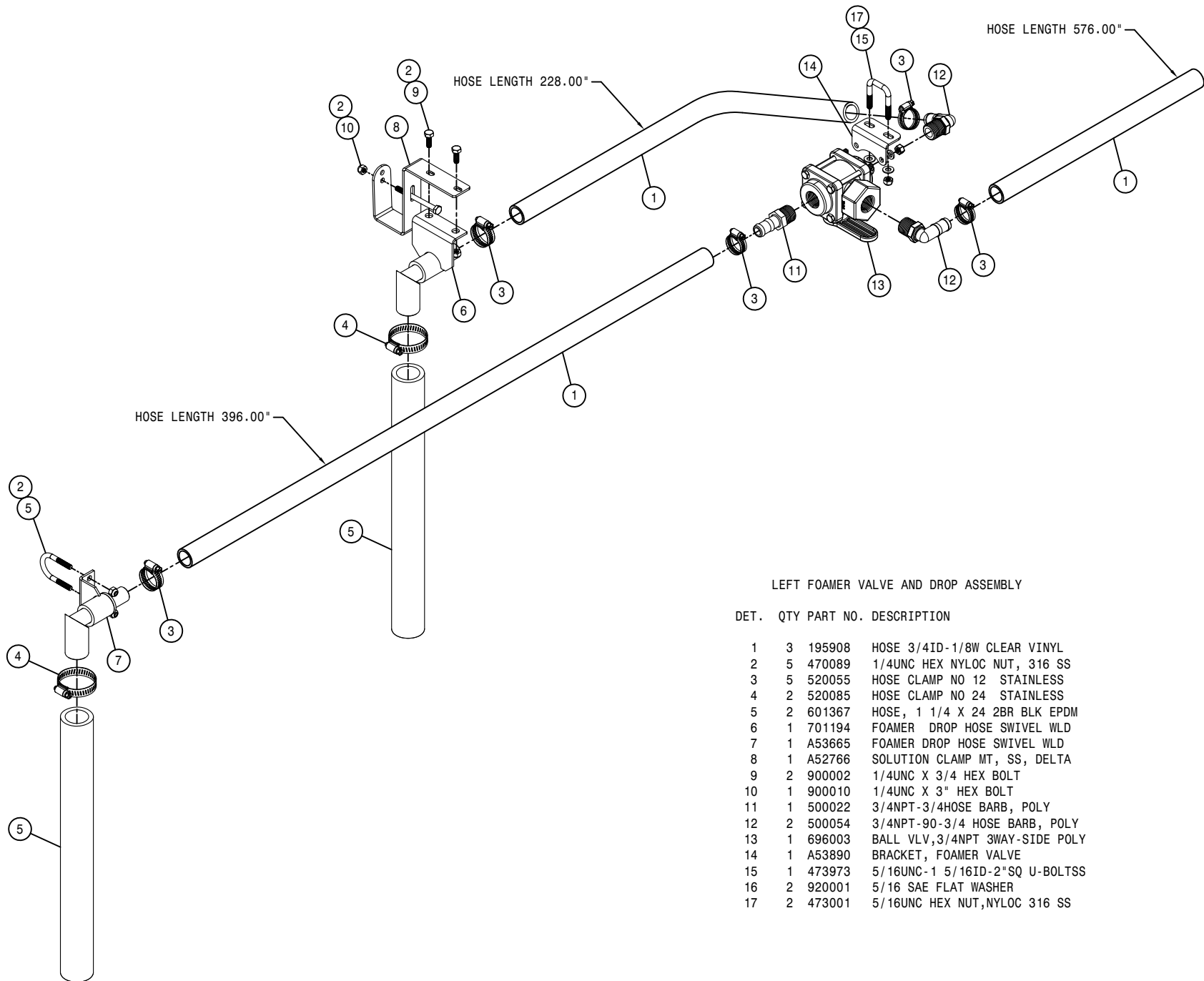
DET. QTY PART NO. DESCRIPTION

1	2	500194	2"FP FLANGE CLAMP, S.S.
2	2	500195	2"FP FLANGE GASKET EPDM
3	1	500240	2"FP FLANGE PLUG-3/4"FNPT POLY
4	1	500230	2" FP FLANGE-1 1/2" HOSE BARB
5	1	696270	2-VALVE STACK, QX4 KZCO
6	2	696279	ACTUATOR FOR SOLU VLV 696270
7	2	696280	VALVE FOR SOLU VLV 696270
8	2	696272	1"90 HOSE BARB FOR 696270,KZCO
9	4	696276	O-RING FOR 696271 & 696272
10	1	A53900	SOLU VLV MT BRKT,120' BOOM
11	4	920001	5/16 SAE FLAT WASHER
12	2	473973	5/16UNC-1 5/16ID-2"SQ U-BOLTSS
13	4	473001	5/16UNC HEX NUT,NYLOC 316 SS
14	1	520070	HOSE CLAMP NO 8 STAINLESS
15	1	520133	1.81/2.06 T-BOLT HOSE CLAMP SS
16	2	520090	HOSE CLAMP NO 16 STAINLESS
17	4	900064	5/16UNC X 3/4 HEX BOLT
18	4	470113	5/16UNC HEX FLANGE LOCK NUT
19	1	500019	3/4NPT-1/2HOSE BARB, POLY



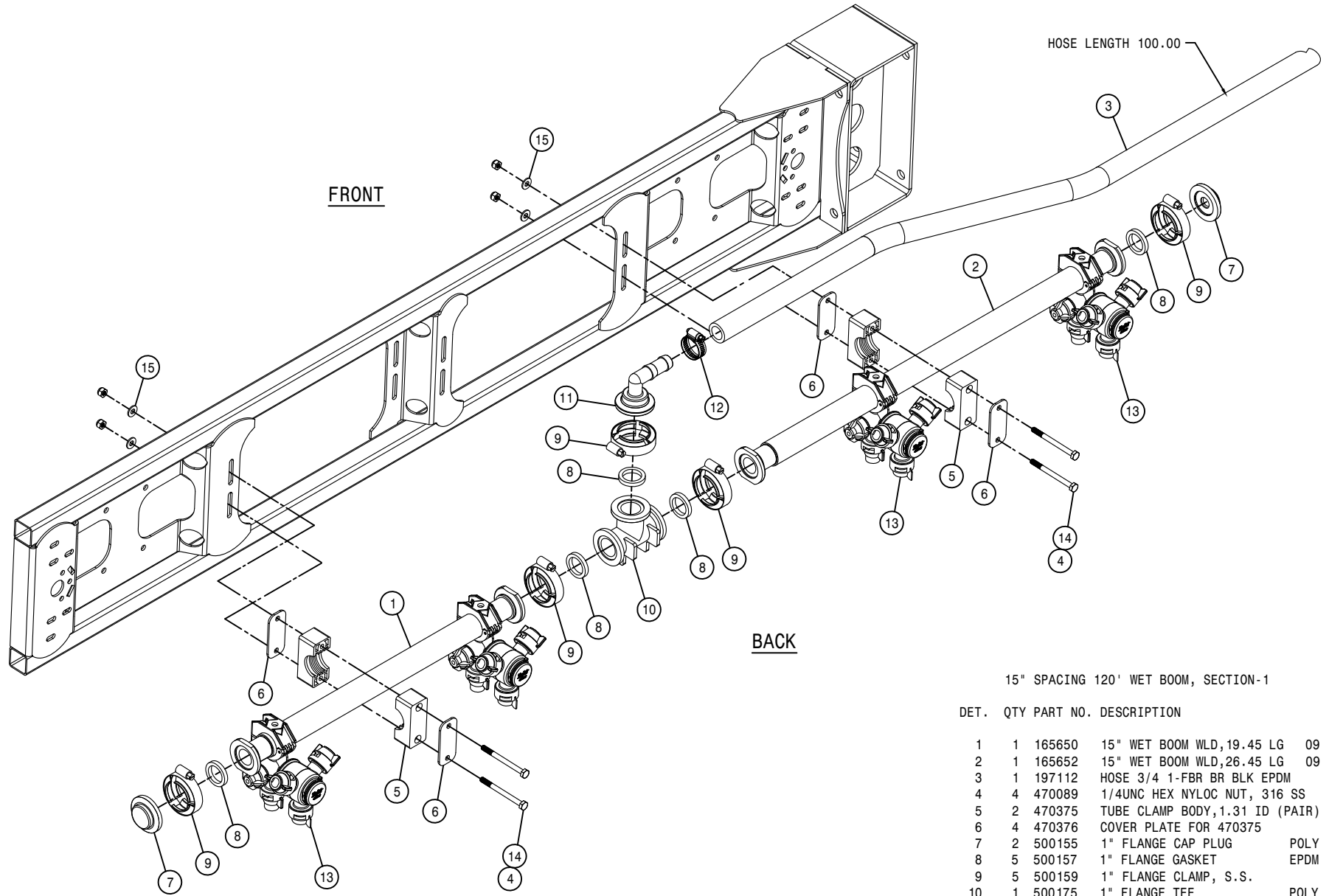


DET.	QTY	PART NO.	DESCRIPTION
1	3	195908	HOSE 3/4ID-1/8W CLEAR VINYL
2	5	470089	1/4UNC HEX NYLOC NUT, 316 SS
3	5	520055	HOSE CLAMP NO 12 STAINLESS
4	2	520085	HOSE CLAMP NO 24 STAINLESS
5	2	601367	HOSE, 1 1/4 X 24 2BR BLK EPDM
6	1	701194	FOAMER DROP HOSE SWIVEL WLD
7	1	A53665	FOAMER DROP HOSE SWIVEL WLD
8	1	A52766	SOLUTION CLAMP MT, SS, DELTA
9	2	900002	1/4UNC X 3/4 HEX BOLT
10	1	900010	1/4UNC X 3" HEX BOLT
11	1	500022	3/4NPT-3/4HOSE BARB, POLY
12	2	500054	3/4NPT-90-3/4 HOSE BARB, POLY
13	1	696003	BALL VLV,3/4NPT 3WAY-SIDE POLY
14	1	A53890	BRACKET, FOAMER VALVE
15	1	473973	5/16UNC-1 5/16ID-2"SQ U-BOLTSS
16	2	920001	5/16 SAE FLAT WASHER
17	2	473001	5/16UNC HEX NUT,NYLOC 316 SS



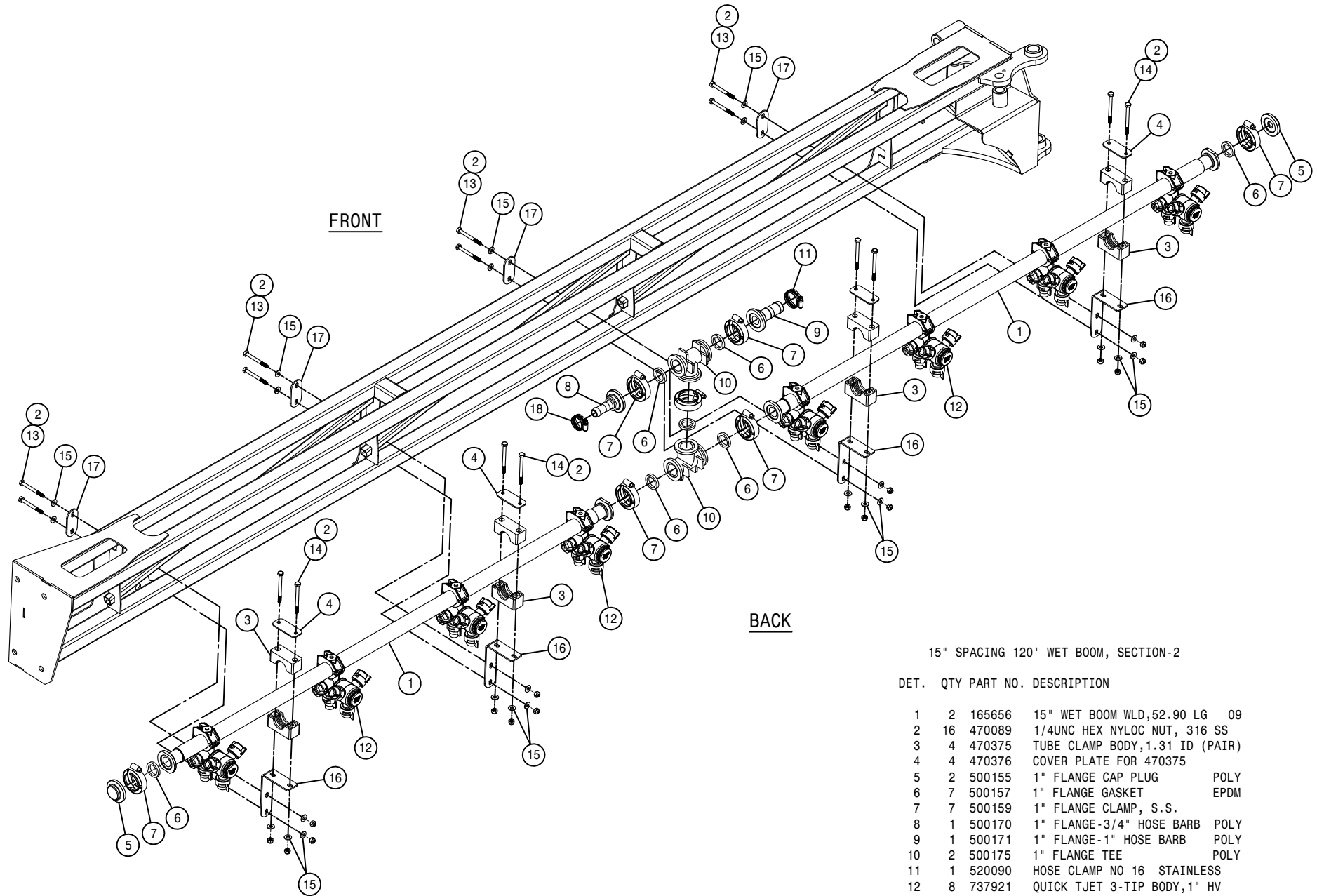
LEFT FOAMER VALVE AND DROP ASSEMBLY

DET.	QTY	PART NO.	DESCRIPTION
	1	3	195908 HOSE 3/4ID-1/8W CLEAR VINYL
	2	5	470089 1/4UNC HEX NYLOC NUT, 316 SS
	3	5	520055 HOSE CLAMP NO 12 STAINLESS
	4	2	520085 HOSE CLAMP NO 24 STAINLESS
	5	2	601367 HOSE, 1 1/4 X 24 2BR BLK EPDM
	6	1	701194 FOAMER DROP HOSE SWIVEL WLD
	7	1	A53665 FOAMER DROP HOSE SWIVEL WLD
	8	1	A52766 SOLUTION CLAMP MT, SS, DELTA
	9	2	900002 1/4UNC X 3/4 HEX BOLT
	10	1	900010 1/4UNC X 3" HEX BOLT
	11	1	500022 3/4NPT-3/4HOSE BARB, POLY
	12	2	500054 3/4NPT-90-3/4 HOSE BARB, POLY
	13	1	696003 BALL VLV,3/4NPT 3WAY-SIDE POLY
	14	1	A53890 BRACKET, FOAMER VALVE
	15	1	473973 5/16UNC-1 5/16ID-2"SQ U-BOLTSS
	16	2	920001 5/16 SAE FLAT WASHER
	17	2	473001 5/16UNC HEX NUT,NYLOC 316 SS



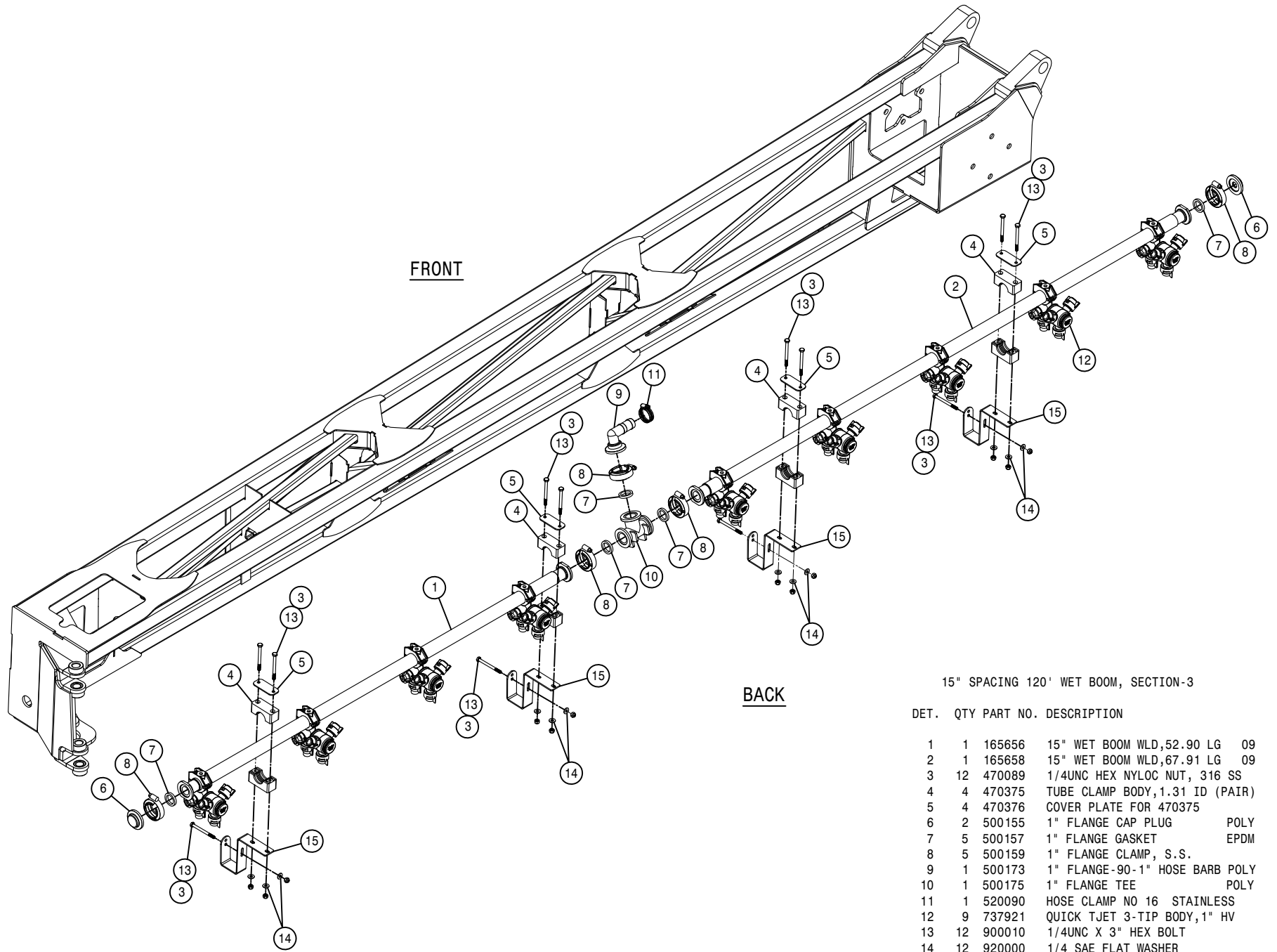
15" SPACING 120' WET BOOM, SECTION-1

DET.	QTY	PART NO.	DESCRIPTION
1	1	165650	15" WET BOOM WLD,19.45 LG 09
2	1	165652	15" WET BOOM WLD,26.45 LG 09
3	1	197112	HOSE 3/4 1-FBR BR BLK EPDM
4	4	470089	1/4UNC HEX NYLOC NUT, 316 SS
5	2	470375	TUBE CLAMP BODY,1.31 ID (PAIR)
6	4	470376	COVER PLATE FOR 470375
7	2	500155	1" FLANGE CAP PLUG POLY
8	5	500157	1" FLANGE GASKET EPDM
9	5	500159	1" FLANGE CLAMP, S.S.
10	1	500175	1" FLANGE TEE POLY
11	1	500185	1"FLANGE-90-3/4"HOSE BARB POLY
12	1	520055	HOSE CLAMP NO 12 STAINLESS
13	4	737921	QUICK TJET 3-TIP BODY,1" HV
14	4	900010	1/4UNC X 3" HEX BOLT
15	4	920000	1/4 SAE FLAT WASHER



15" SPACING 120' WET BOOM, SECTION-2

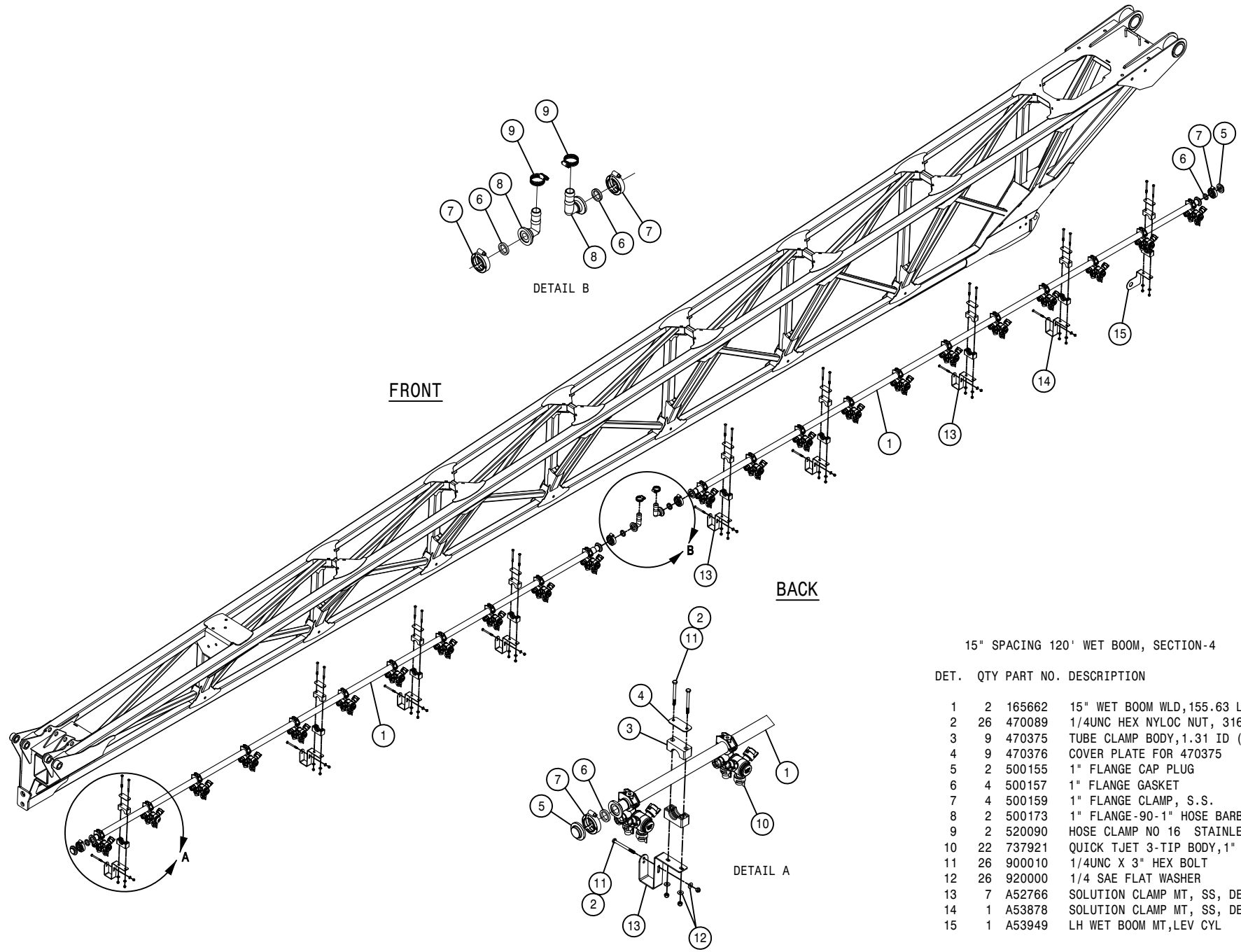
DET.	QTY	PART NO.	DESCRIPTION
	1	2	165656 15" WET BOOM WLD,52.90 LG 09
	2	16	470089 1/4UNC HEX NYLOC NUT, 316 SS
	3	4	470375 TUBE CLAMP BODY,1.31 ID (PAIR)
	4	4	470376 COVER PLATE FOR 470375
	5	2	500155 1" FLANGE CAP PLUG POLY
	6	7	500157 1" FLANGE GASKET EPDM
	7	7	500159 1" FLANGE CLAMP, S.S.
	8	1	500170 1" FLANGE-3/4" HOSE BARB POLY
	9	1	500171 1" FLANGE-1" HOSE BARB POLY
	10	2	500175 1" FLANGE TEE POLY
	11	1	520090 HOSE CLAMP NO 16 STAINLESS
	12	8	737921 QUICK TJET 3-TIP BODY,1" HV
	13	8	900008 1/4UNC X 2 1/2 HEX BOLT
	14	8	900010 1/4UNC X 3" HEX BOLT
	15	24	920000 1/4 SAE FLAT WASHER
	16	4	A53761 SOLU CLAMP MT. 2, SS, DELTA
	17	4	A53771 SOLU CLAMP MT. PLT, SS, DELTA
	18	1	520055 HOSE CLAMP NO 12 STAINLESS



15" SPACING 120" WET BOOM, SECTION-3

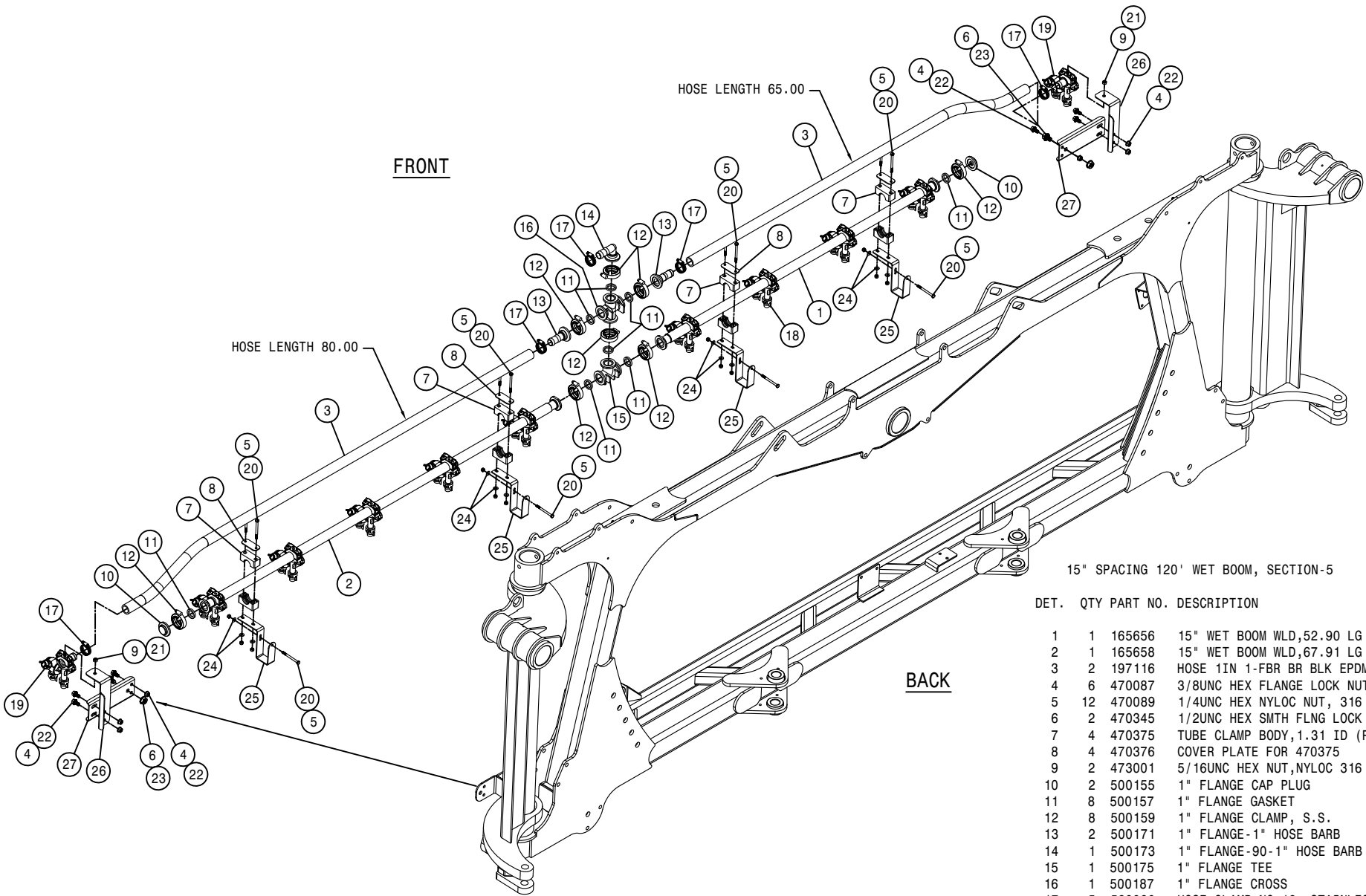
DET. QTY PART NO. DESCRIPTION

1	1	165656	15" WET BOOM WLD,52.90 LG	09
2	1	165658	15" WET BOOM WLD,67.91 LG	09
3	12	470089	1/4UNC HEX NYLOC NUT, 316 SS	
4	4	470375	TUBE CLAMP BODY,1.31 ID (PAIR)	
5	4	470376	COVER PLATE FOR 470375	
6	2	500155	1" FLANGE CAP PLUG	POLY
7	5	500157	1" FLANGE GASKET	EPDM
8	5	500159	1" FLANGE CLAMP, S.S.	
9	1	500173	1" FLANGE-90-1" HOSE BARB	POLY
10	1	500175	1" FLANGE TEE	POLY
11	1	520090	HOSE CLAMP NO 16	STAINLESS
12	9	737921	QUICK TJET 3-TIP BODY,1" HV	
13	12	900010	1/4UNC X 3" HEX BOLT	
14	12	920000	1/4 SAE FLAT WASHER	
15	4	A52766	SOLUTION CLAMP MT, SS, DELTA	



15" SPACING 120' WET BOOM, SECTION-4

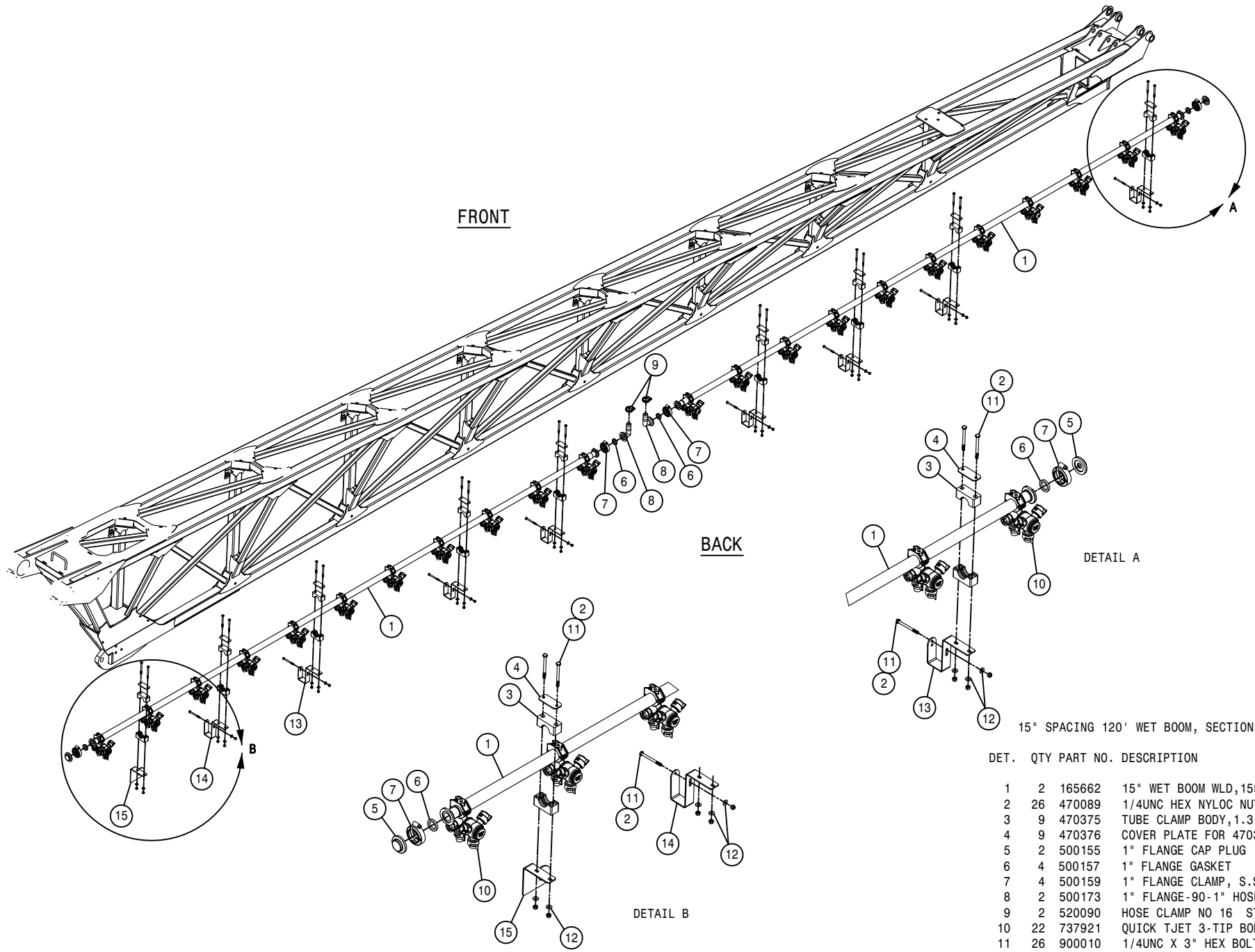
DET.	QTY	PART NO.	DESCRIPTION
1	2	165662	15" WET BOOM WLD, 155.63 LG 09
2	26	470089	1/4UNC HEX NYLOC NUT, 316 SS
3	9	470375	TUBE CLAMP BODY, 1.31 ID (PAIR)
4	9	470376	COVER PLATE FOR 470375
5	2	500155	1" FLANGE CAP PLUG POLY
6	4	500157	1" FLANGE GASKET EPDM
7	4	500159	1" FLANGE CLAMP, S.S.
8	2	500173	1" FLANGE-90-1" HOSE BARB POLY
9	2	520090	HOSE CLAMP NO 16 STAINLESS
10	22	737921	QUICK TJET 3-TIP BODY, 1" HV
11	26	900010	1/4UNC X 3" HEX BOLT
12	26	920000	1/4 SAE FLAT WASHER
13	7	A52766	SOLUTION CLAMP MT, SS, DELTA
14	1	A53878	SOLUTION CLAMP MT, SS, DELTA
15	1	A53949	LH WET BOOM MT, LEV CYL



15" SPACING 120' WET BOOM, SECTION-5

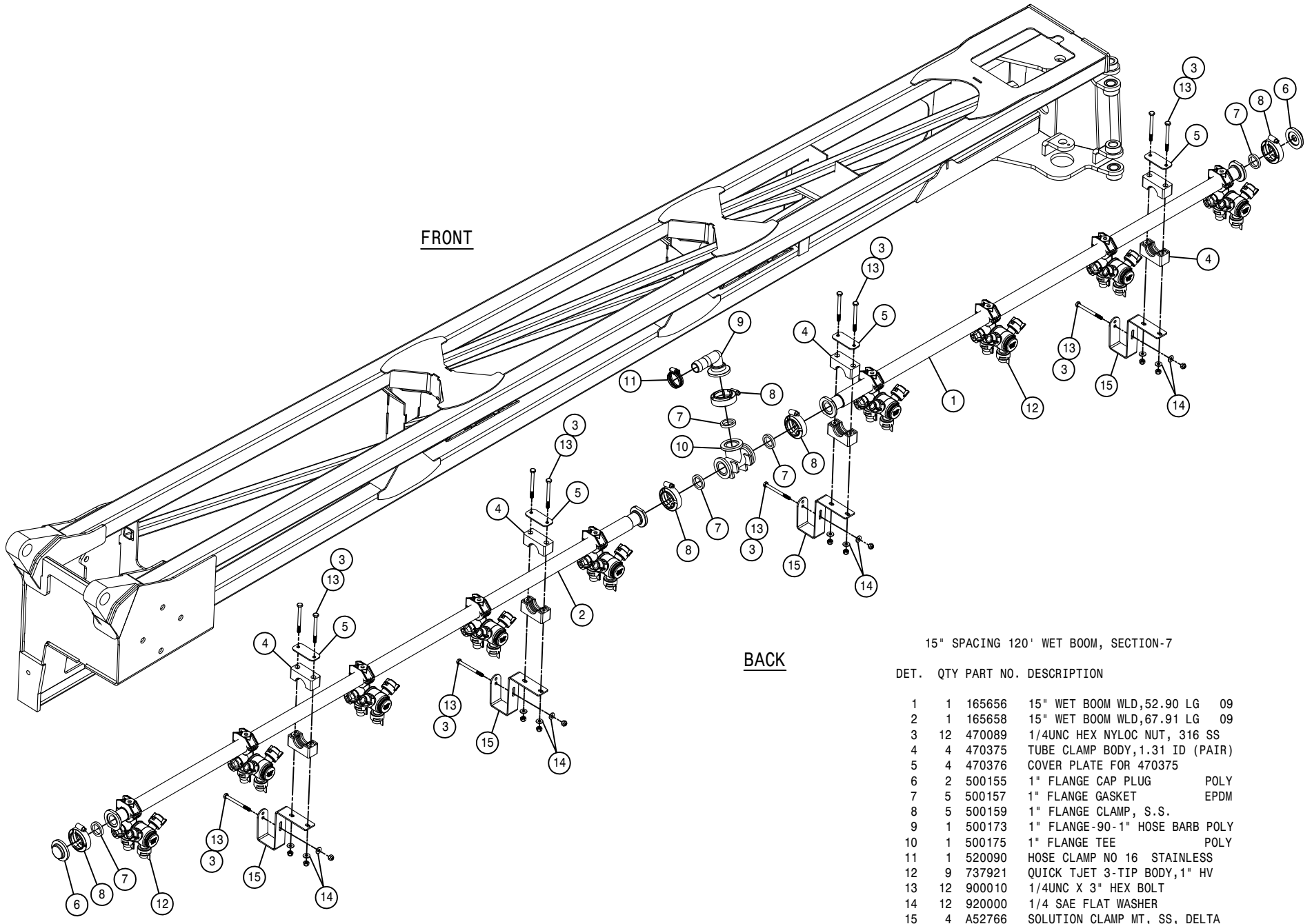
DET.	QTY	PART NO.	DESCRIPTION
1	1	165656	15" WET BOOM WLD,52.90 LG 09
2	1	165658	15" WET BOOM WLD,67.91 LG 09
3	2	197116	HOSE 1IN 1-FBR BR BLK EPDM
4	6	470087	3/8UNC HEX FLANGE LOCK NUT
5	12	470089	1/4UNC HEX NYLOC NUT, 316 SS
6	2	470345	1/2UNC HEX SMTH FLNG LOCK NUT
7	4	470375	TUBE CLAMP BODY,1.31 ID (PAIR)
8	4	470376	COVER PLATE FOR 470375
9	2	473001	5/16UNC HEX NUT,NYLOC 316 SS
10	2	500155	1" FLANGE CAP PLUG POLY
11	8	500157	1" FLANGE GASKET EPDM
12	8	500159	1" FLANGE CLAMP, S.S.
13	2	500171	1" FLANGE-1" HOSE BARB POLY
14	1	500173	1" FLANGE-90-1" HOSE BARB POLY
15	1	500175	1" FLANGE TEE POLY
16	1	500187	1" FLANGE CROSS POLY
17	5	520090	HOSE CLAMP NO 16 STAINLESS
18	9	737921	QUICK TJET 3-TIP BODY,1" HV
19	2	737923	QUICK TJET 3-TIP BODY,1" BARB
20	12	900010	1/4UNC X 3" HEX BOLT
21	2	900064	5/16UNC X 3/4 HEX BOLT
22	6	900128	3/8UNC X 3/4 HEX BOLT
23	2	900262	1/2UNC X 3/4 HEX BOLT
24	12	920000	1/4 SAE FLAT WASHER
25	4	A53878	SOLUTION CLAMP MT, SS, DELTA
26	2	A53932	NOZZLE BODY MT,TRANSOM 120'BM
27	2	A53933	NOZZLE SUPP CHAN,TRANSOM 120BM





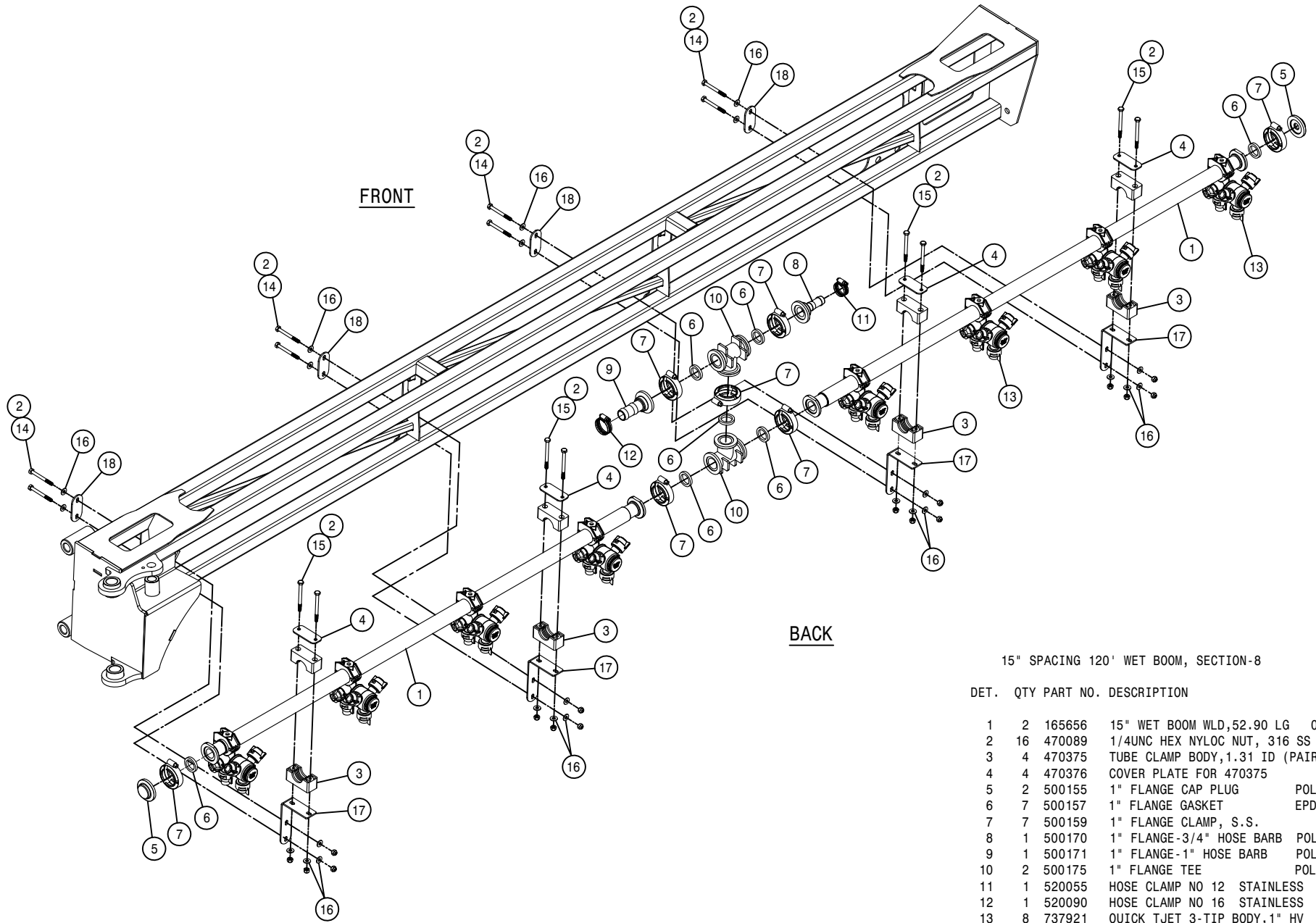
15" SPACING 120' WET BOOM, SECTION-6

DET.	QTY	PART NO.	DESCRIPTION
1	2	165662	15" WET BOOM WLD,155.63 LG 09
2	26	470089	1/4UNC HEX NYLOC NUT, 316 SS
3	9	470375	TUBE CLAMP BODY,1.31 ID (PAIR)
4	9	470376	COVER PLATE FOR 470375
5	2	500155	1" FLANGE CAP PLUG POLY
6	4	500157	1" FLANGE GASKET EPDM
7	4	500159	1" FLANGE CLAMP, S.S.
8	2	500173	1" FLANGE-90-1" HOSE BARB POLY
9	2	520090	HOSE CLAMP NO 16 STAINLESS
10	22	737921	QUICK TJET 3-TIP BODY,1" HV
11	26	900010	1/4UNC X 3" HEX BOLT
12	26	920000	1/4 SAE FLAT WASHER
13	7	A52766	SOLUTION CLAMP MT, SS, DELTA
14	1	A53878	SOLUTION CLAMP MT, SS, DELTA
15	1	A53950	RH WET BOOM MT,LEV CYL



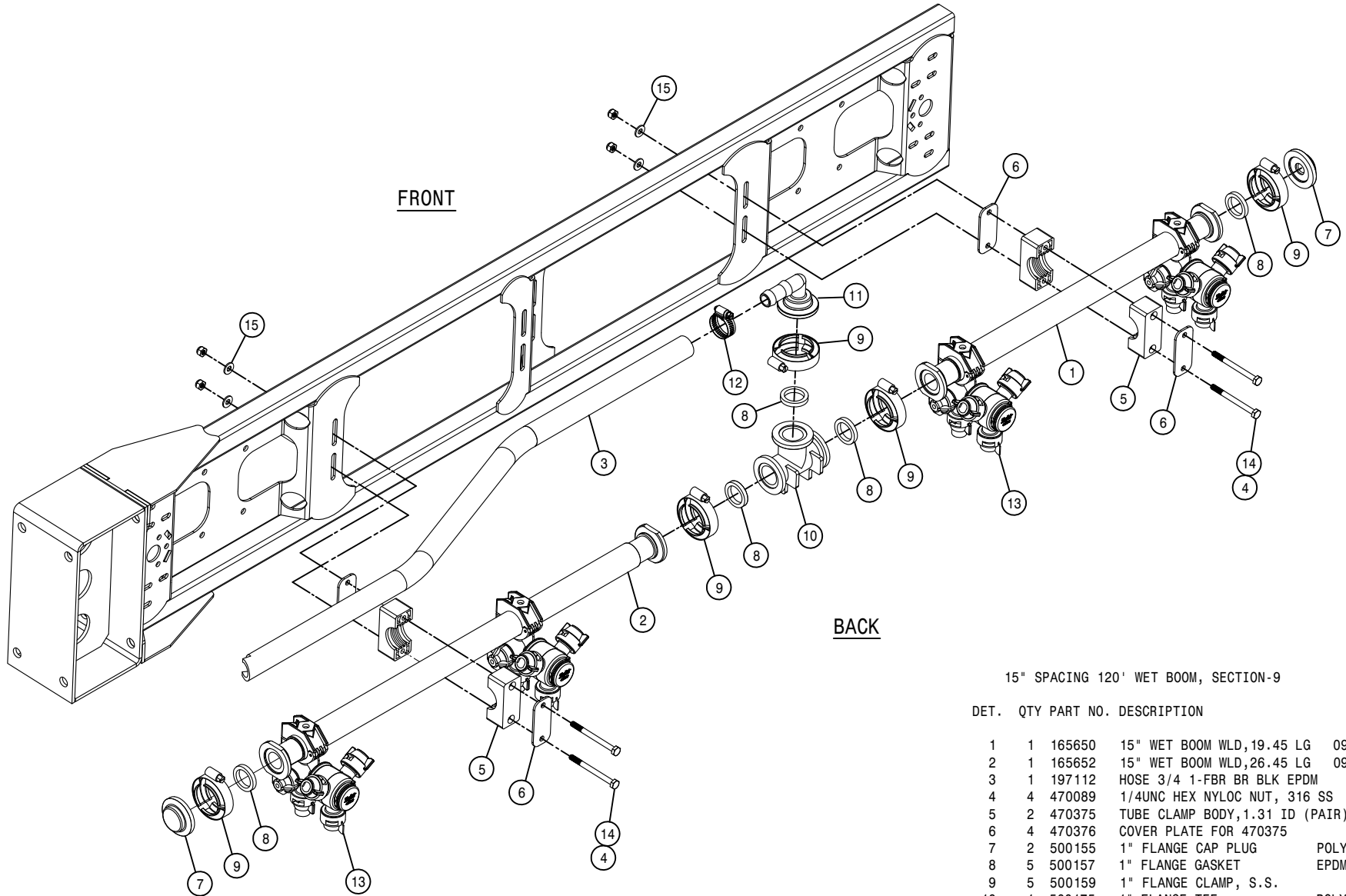
15" SPACING 120' WET BOOM, SECTION-7

DET.	QTY	PART NO.	DESCRIPTION
	1	165656	15" WET BOOM WLD,52.90 LG 09
	2	165658	15" WET BOOM WLD,67.91 LG 09
	3	470089	1/4UNC HEX NYLOC NUT, 316 SS
	4	470375	TUBE CLAMP BODY,1.31 ID (PAIR)
	5	470376	COVER PLATE FOR 470375
	6	500155	1" FLANGE CAP PLUG POLY
	7	500157	1" FLANGE GASKET EPDM
	8	500159	1" FLANGE CLAMP, S.S.
	9	500173	1" FLANGE-90-1" HOSE BARB POLY
	10	500175	1" FLANGE TEE POLY
	11	520090	HOSE CLAMP NO 16 STAINLESS
	12	737921	QUICK TJET 3-TIP BODY,1" HV
	13	900010	1/4UNC X 3" HEX BOLT
	14	920000	1/4 SAE FLAT WASHER
	15	A52766	SOLUTION CLAMP MT, SS, DELTA



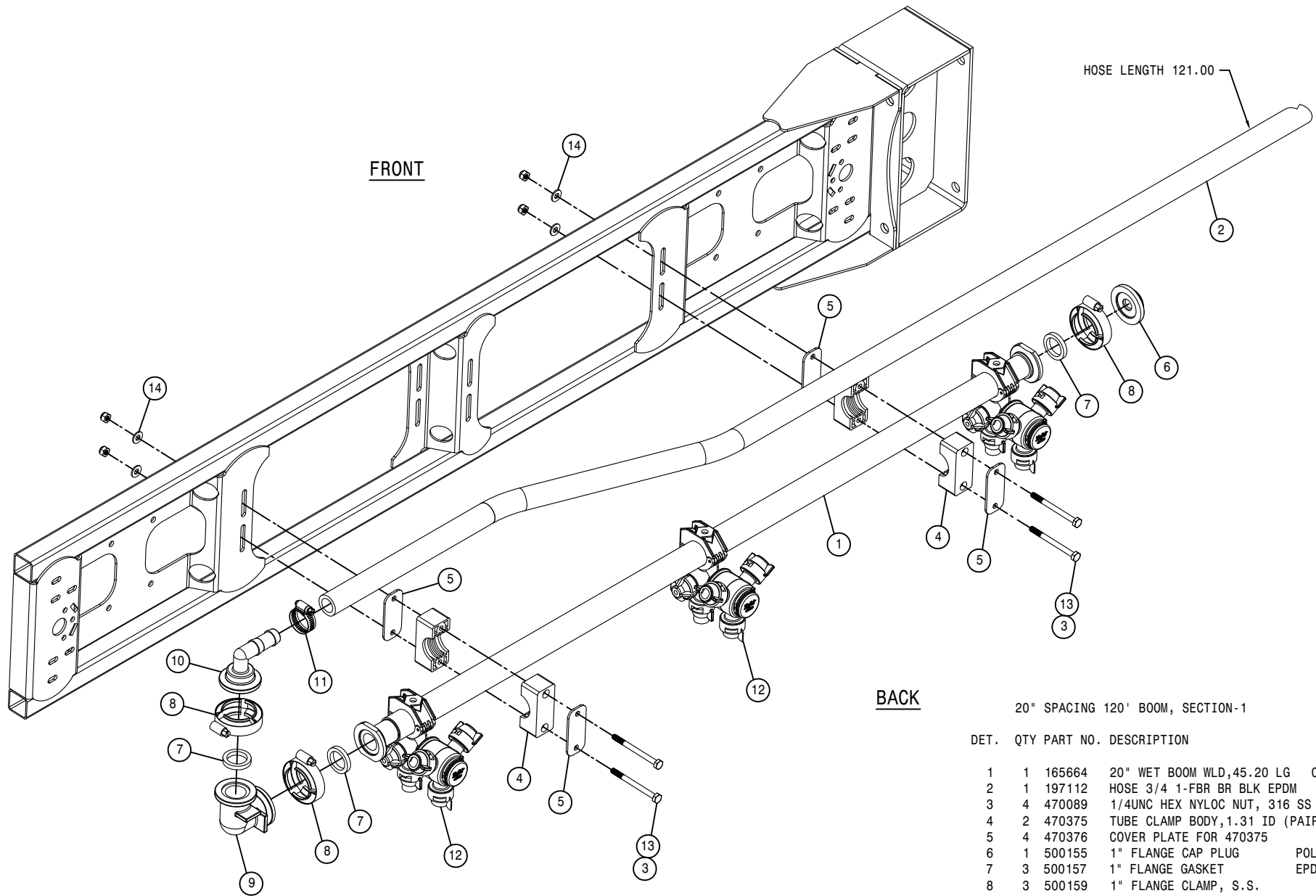
15" SPACING 120' WET BOOM, SECTION-8

DET.	QTY	PART NO.	DESCRIPTION
	1	2 165656	15" WET BOOM WLD, 52.90 LG 09
	2	16 470089	1/4UNC HEX NYLOC NUT, 316 SS
	3	4 470375	TUBE CLAMP BODY, 1.31 ID (PAIR)
	4	4 470376	COVER PLATE FOR 470375
	5	2 500155	1" FLANGE CAP PLUG POLY
	6	7 500157	1" FLANGE GASKET EPDM
	7	7 500159	1" FLANGE CLAMP, S.S.
	8	1 500170	1" FLANGE-3/4" HOSE BARB POLY
	9	1 500171	1" FLANGE-1" HOSE BARB POLY
	10	2 500175	1" FLANGE TEE POLY
	11	1 520055	HOSE CLAMP NO 12 STAINLESS
	12	1 520090	HOSE CLAMP NO 16 STAINLESS
	13	8 737921	QUICK TJET 3-TIP BODY, 1" HV
	14	8 900008	1/4UNC X 2 1/2 HEX BOLT
	15	8 900010	1/4UNC X 3" HEX BOLT
	16	24 920000	1/4 SAE FLAT WASHER
	17	4 A53761	SOLU CLAMP MT. 2, SS, DELTA
	18	4 A53771	SOLU CLAMP MT. PLT, SS, DELTA



15" SPACING 120' WET BOOM, SECTION-9

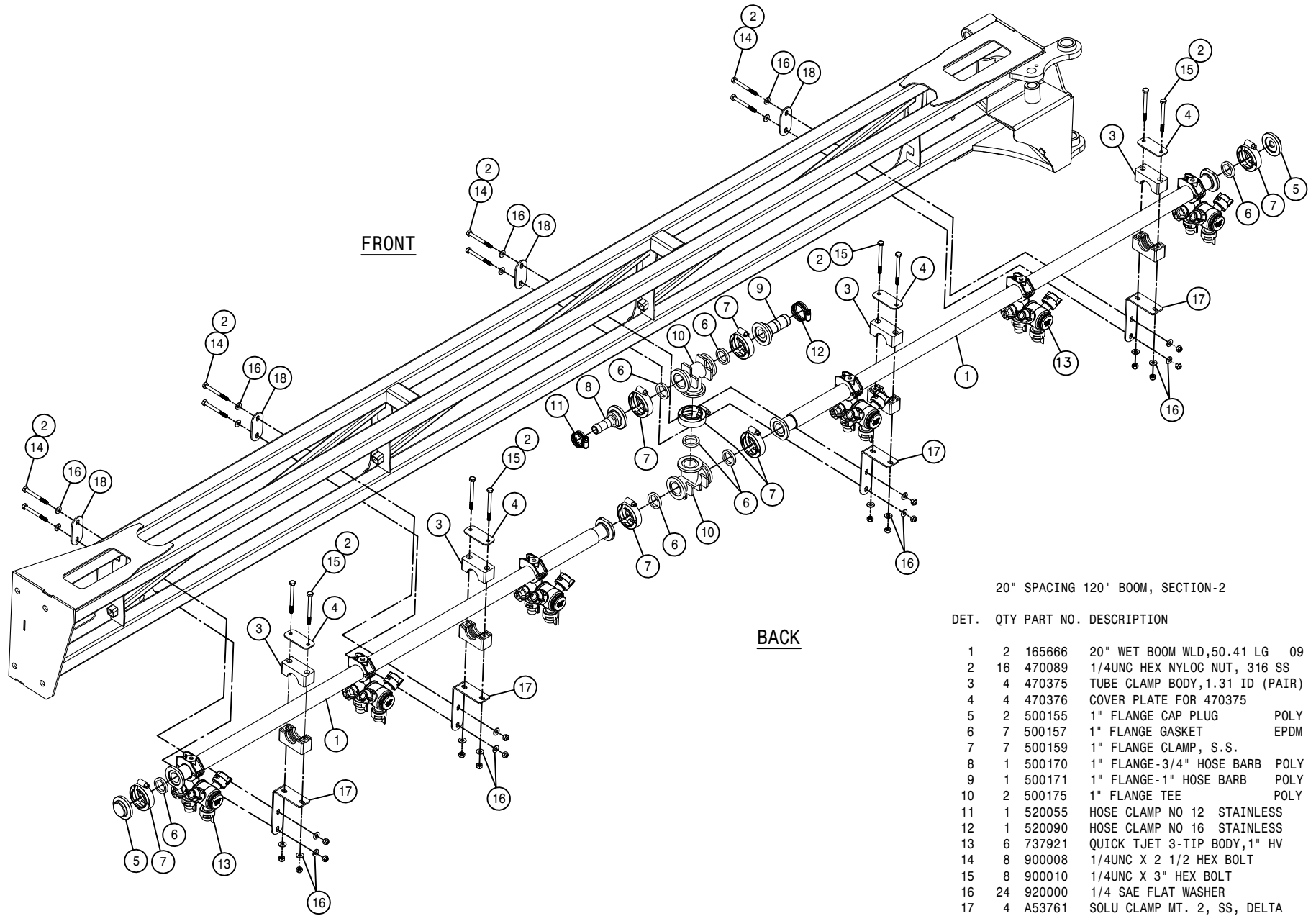
DET.	QTY	PART NO.	DESCRIPTION
1	1	165650	15" WET BOOM WLD,19.45 LG 09
2	1	165652	15" WET BOOM WLD,26.45 LG 09
3	1	197112	HOSE 3/4 1-FBR BR BLK EPDM
4	4	470089	1/4UNC HEX NYLOC NUT, 316 SS
5	2	470375	TUBE CLAMP BODY,1.31 ID (PAIR)
6	4	470376	COVER PLATE FOR 470375
7	2	500155	1" FLANGE CAP PLUG POLY
8	5	500157	1" FLANGE GASKET EPDM
9	5	500159	1" FLANGE CLAMP, S.S.
10	1	500175	1" FLANGE TEE POLY
11	1	500185	1"FLANGE-90-3/4"HOSE BARB POLY
12	1	520055	HOSE CLAMP NO 12 STAINLESS
13	4	737921	QUICK TJET 3-TIP BODY,1" HV
14	4	900010	1/4UNC X 3" HEX BOLT
15	4	920000	1/4 SAE FLAT WASHER



**BACK**

20" SPACING 120' BOOM, SECTION-1

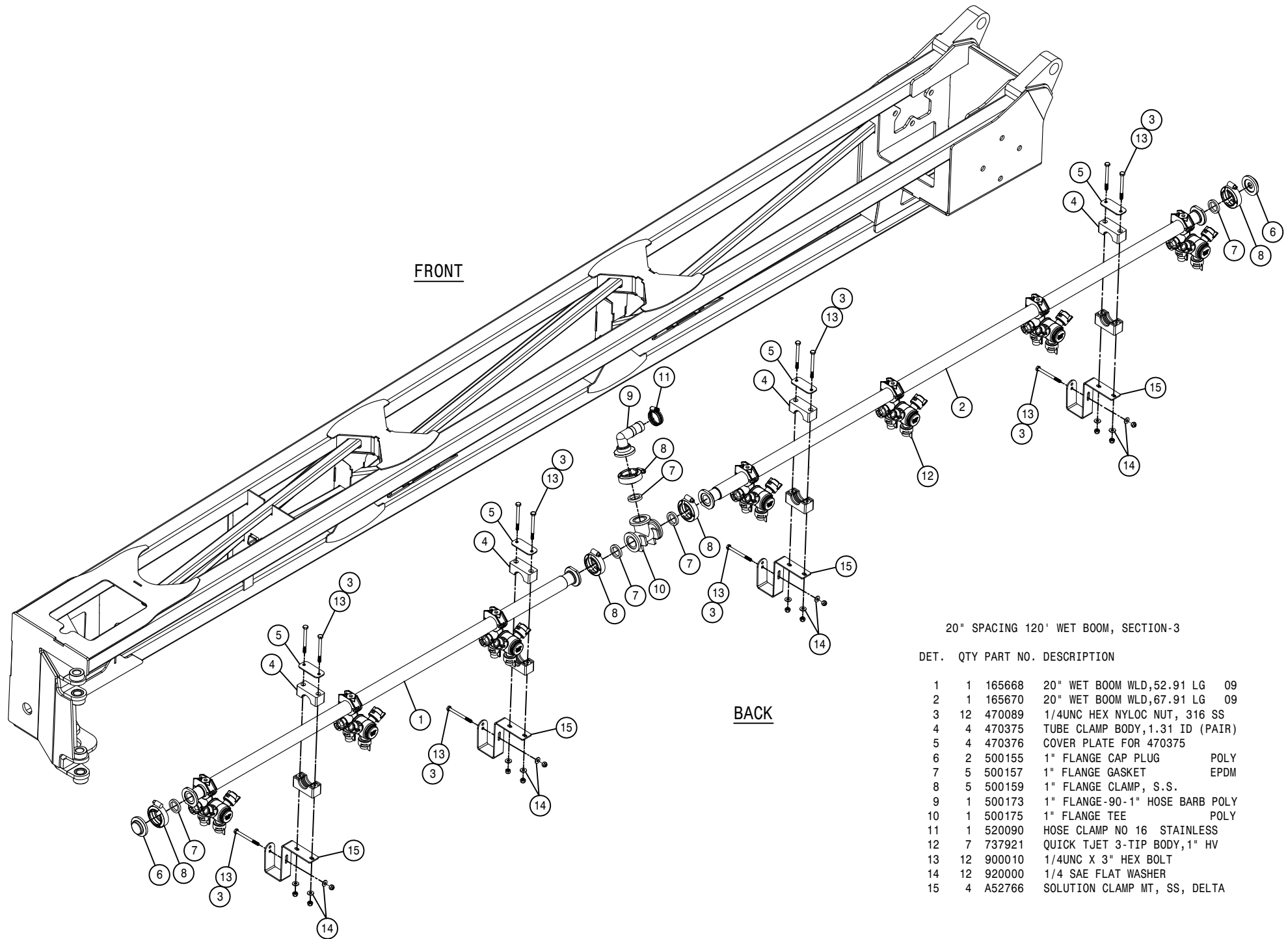
DET.	QTY	PART NO.	DESCRIPTION
1	1	165664	20" WET BOOM WLD, 45.20 LG 09
2	1	197112	HOSE 3/4 1-FBR BR BLK EPDM
3	4	470089	1/4UNC HEX NYLOC NUT, 316 SS
4	2	470375	TUBE CLAMP BODY, 1.31 ID (PAIR)
5	4	470376	COVER PLATE FOR 470375
6	1	500155	1" FLANGE CAP PLUG POLY
7	3	500157	1" FLANGE GASKET EPDM
8	3	500159	1" FLANGE CLAMP, S.S.
9	1	500174	1" FLANGE-90-1" FLANGE LBOPOLY
10	1	500185	1"FLANGE-90-3/4"HOSE BARB POLY
11	1	520055	HOSE CLAMP NO 12 STAINLESS
12	3	737921	QUICK TJET 3-TIP BODY, 1" HV
13	4	900010	1/4UNC X 3" HEX BOLT
14	4	920000	1/4 SAE FLAT WASHER



20" SPACING 120' BOOM, SECTION-2

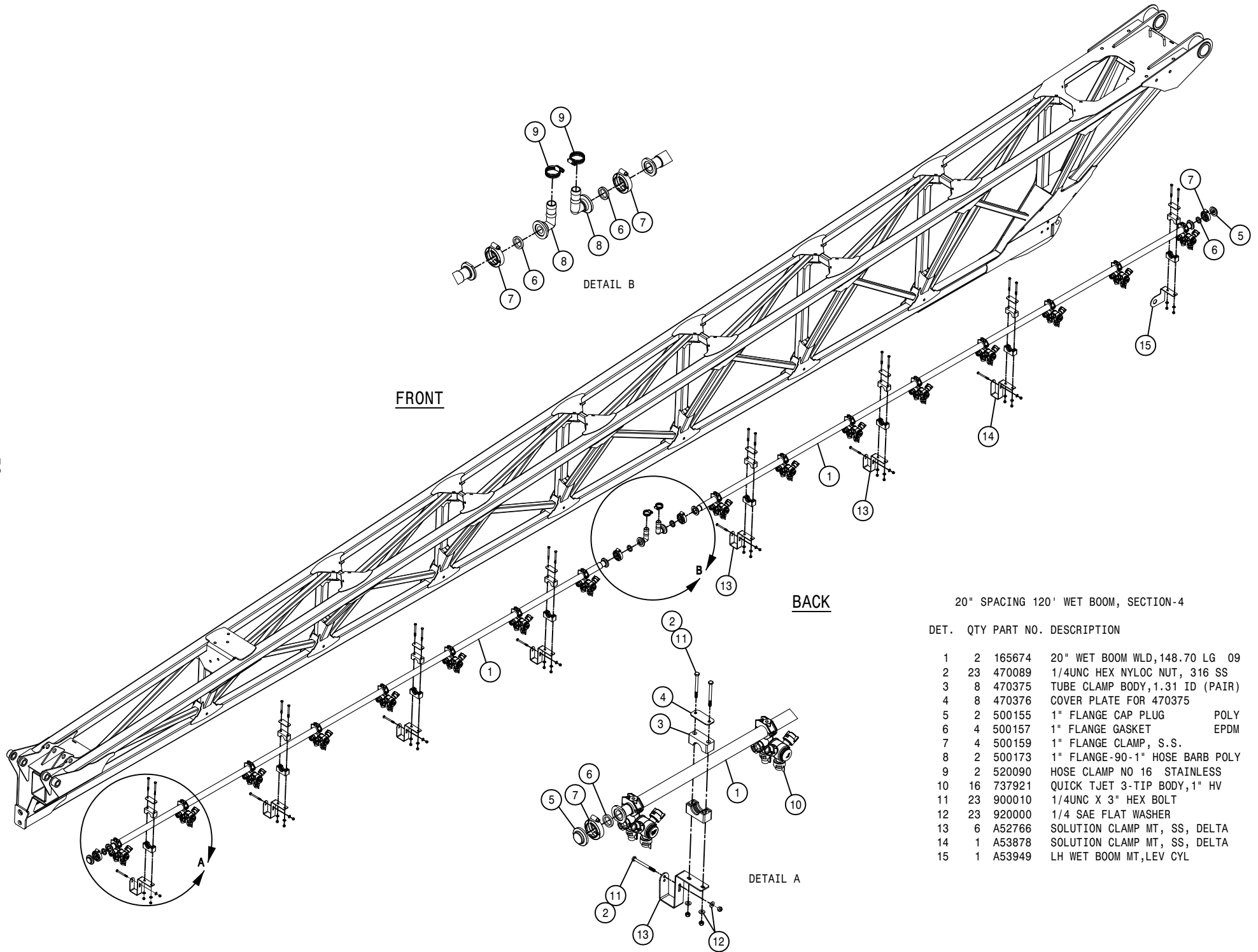
DET. QTY PART NO. DESCRIPTION

1	2	165666	20" WET BOOM WLD,50.41 LG 09
2	16	470089	1/4UNC HEX NYLOC NUT, 316 SS
3	4	470375	TUBE CLAMP BODY,1.31 ID (PAIR)
4	4	470376	COVER PLATE FOR 470375
5	2	500155	1" FLANGE CAP PLUG POLY
6	7	500157	1" FLANGE GASKET EPDM
7	7	500159	1" FLANGE CLAMP, S.S.
8	1	500170	1" FLANGE-3/4" HOSE BARB POLY
9	1	500171	1" FLANGE-1" HOSE BARB POLY
10	2	500175	1" FLANGE TEE POLY
11	1	520055	HOSE CLAMP NO 12 STAINLESS
12	1	520090	HOSE CLAMP NO 16 STAINLESS
13	6	737921	QUICK TJET 3-TIP BODY,1" HV
14	8	900008	1/4UNC X 2 1/2 HEX BOLT
15	8	900010	1/4UNC X 3" HEX BOLT
16	24	920000	1/4 SAE FLAT WASHER
17	4	A53761	SOLU CLAMP MT. 2, SS, DELTA
18	4	A53771	SOLU CLAMP MT. PLT, SS, DELTA



20" SPACING 120' WET BOOM, SECTION-3

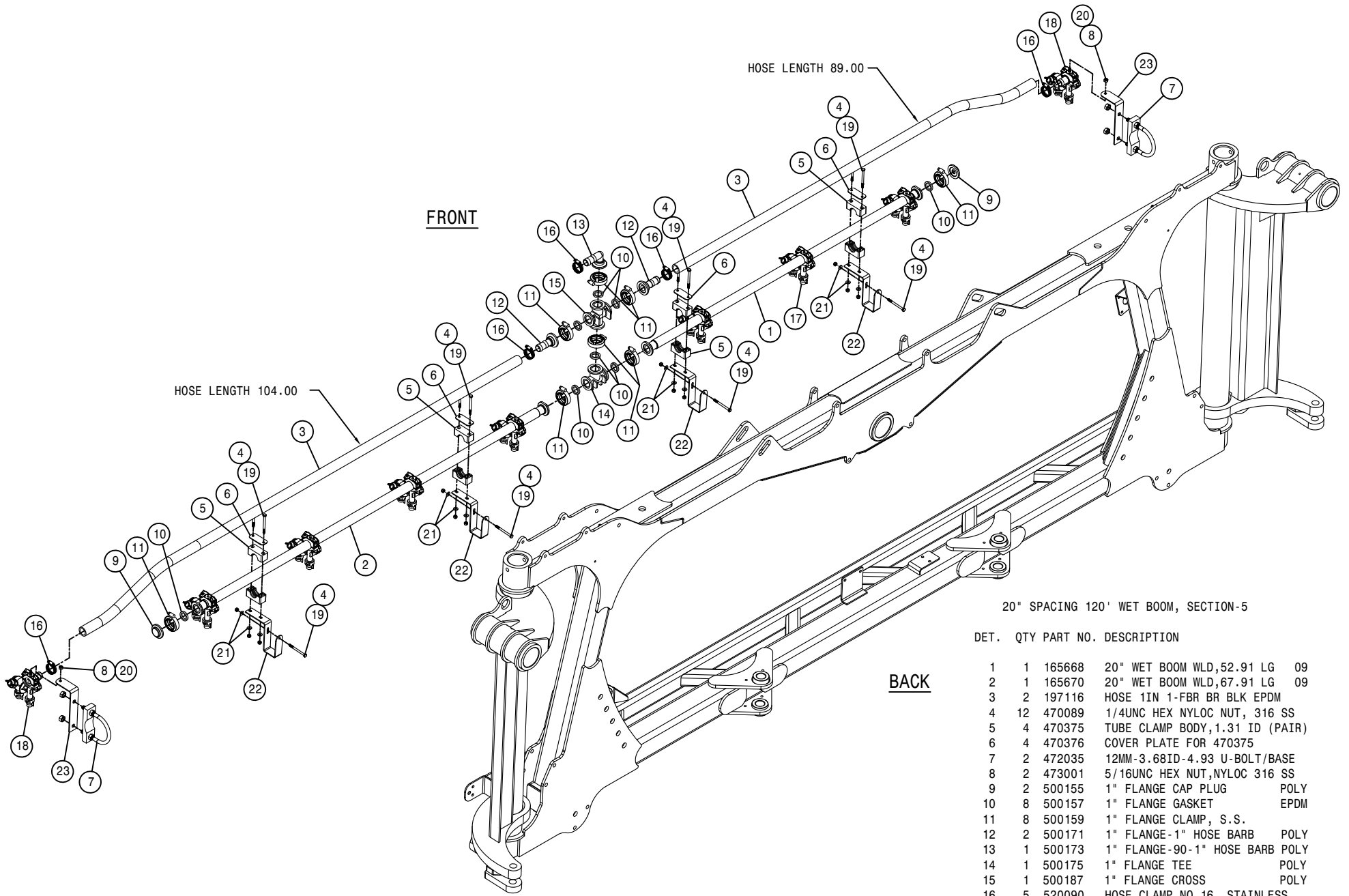
DET.	QTY	PART NO.	DESCRIPTION
1	1	165668	20" WET BOOM WLD,52.91 LG 09
2	1	165670	20" WET BOOM WLD,67.91 LG 09
3	12	470089	1/4UNC HEX NYLOC NUT, 316 SS
4	4	470375	TUBE CLAMP BODY,1.31 ID (PAIR)
5	4	470376	COVER PLATE FOR 470375
6	2	500155	1" FLANGE CAP PLUG POLY
7	5	500157	1" FLANGE GASKET EPDM
8	5	500159	1" FLANGE CLAMP, S.S.
9	1	500173	1" FLANGE-90-1" HOSE BARB POLY
10	1	500175	1" FLANGE TEE POLY
11	1	520090	HOSE CLAMP NO 16 STAINLESS
12	7	737921	QUICK TJET 3-TIP BODY,1" HV
13	12	900010	1/4UNC X 3" HEX BOLT
14	12	920000	1/4 SAE FLAT WASHER
15	4	A52766	SOLUTION CLAMP MT, SS, DELTA



20" SPACING 120' WET BOOM, SECTION-4

DET.	QTY	PART NO.	DESCRIPTION
	1	2	165674 20" WET BOOM WLD,148.70 LG 09
	2	23	470089 1/4UNC HEX NYLOC NUT, 316 SS
	3	8	470375 TUBE CLAMP BODY,1.31 ID (PAIR)
	4	8	470376 COVER PLATE FOR 470375
	5	2	500155 1" FLANGE CAP PLUG POLY
	6	4	500157 1" FLANGE GASKET EPDM
	7	4	500159 1" FLANGE CLAMP, S.S.
	8	2	500173 1" FLANGE-90-1" HOSE BARB POLY
	9	2	520090 HOSE CLAMP NO 16 STAINLESS
	10	16	737921 QUICK TJET 3-TIP BODY,1" HV
	11	23	900010 1/4UNC X 3" HEX BOLT
	12	23	920000 1/4 SAE FLAT WASHER
	13	6	A52766 SOLUTION CLAMP MT, SS, DELTA
	14	1	A53878 SOLUTION CLAMP MT, SS, DELTA
	15	1	A53949 LH WET BOOM MT,LEV CYL



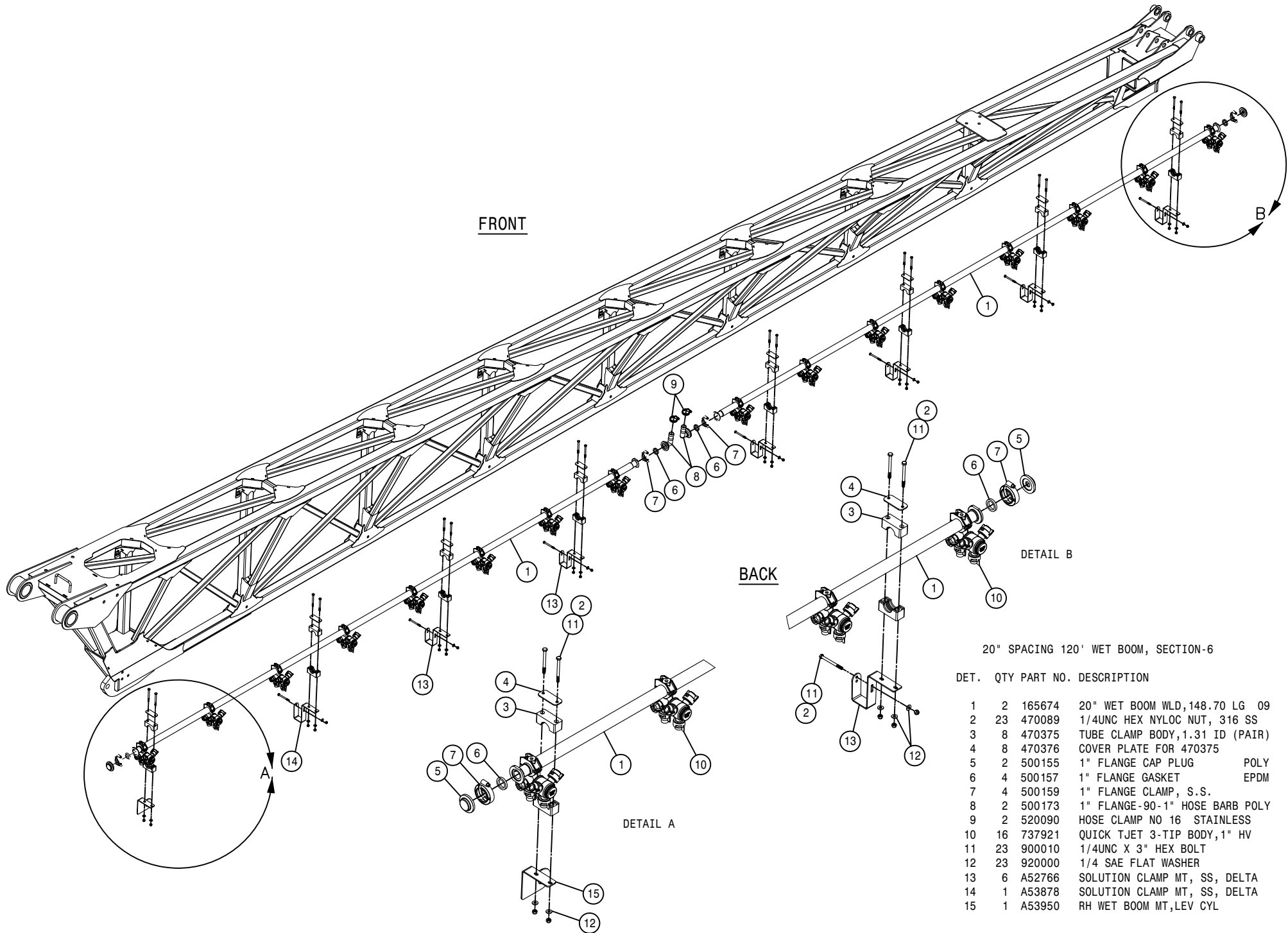


FRONT

BACK

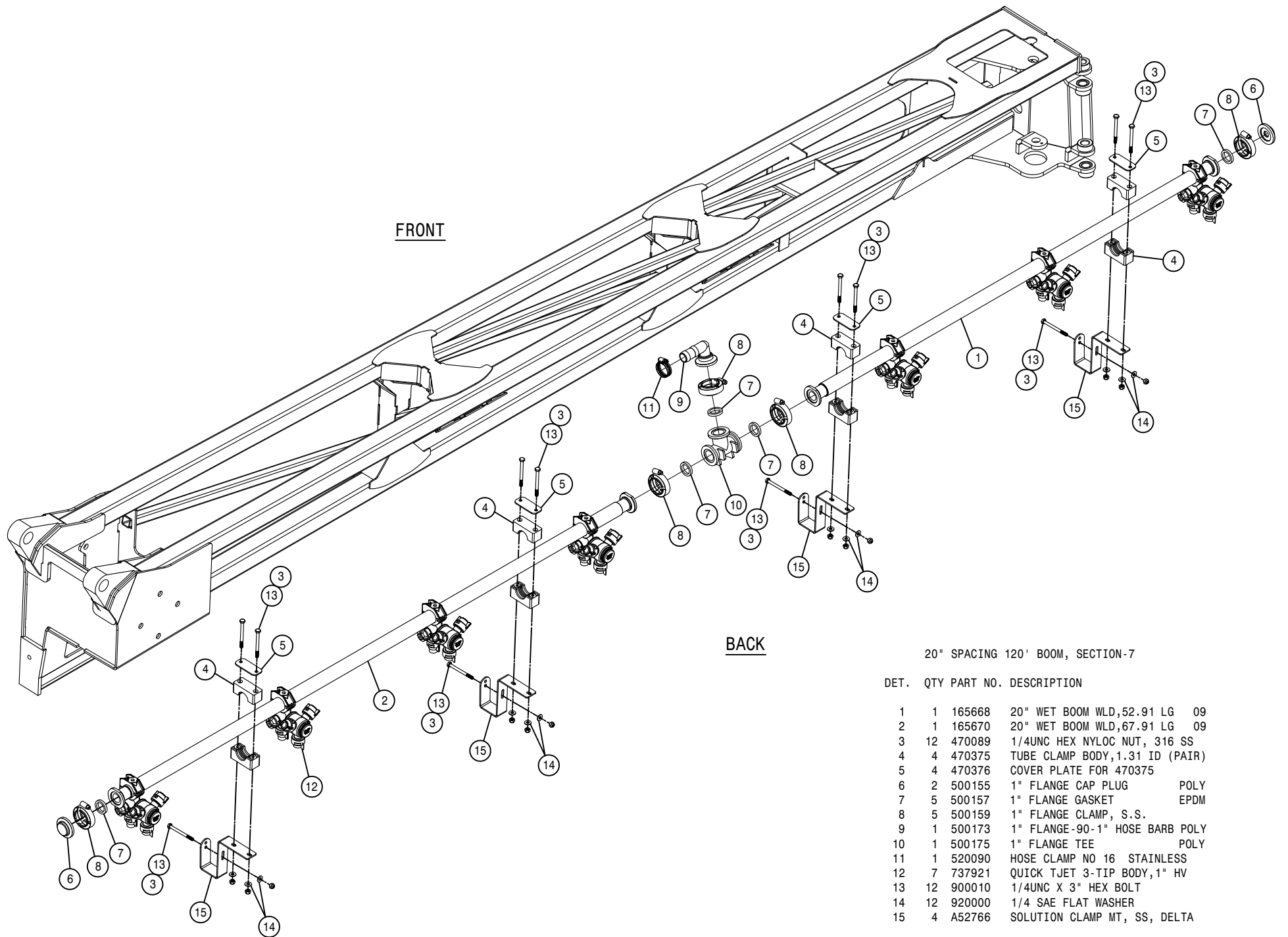
20" SPACING 120' WET BOOM, SECTION-5

DET.	QTY	PART NO.	DESCRIPTION
1	1	165668	20" WET BOOM WLD,52.91 LG 09
2	1	165670	20" WET BOOM WLD,67.91 LG 09
3	2	197116	HOSE 1IN 1-FBR BR BLK EPDM
4	12	470089	1/4UNC HEX NYLOC NUT, 316 SS
5	4	470375	TUBE CLAMP BODY,1.31 ID (PAIR)
6	4	470376	COVER PLATE FOR 470375
7	2	472035	12MM-3.68ID-4.93 U-BOLT/BASE
8	2	473001	5/16UNC HEX NUT,NYLOC 316 SS
9	2	500155	1" FLANGE CAP PLUG POLY
10	8	500157	1" FLANGE GASKET EPDM
11	8	500159	1" FLANGE CLAMP, S.S.
12	2	500171	1" FLANGE-1" HOSE BARB POLY
13	1	500173	1" FLANGE-90-1" HOSE BARB POLY
14	1	500175	1" FLANGE TEE POLY
15	1	500187	1" FLANGE CROSS POLY
16	5	520090	HOSE CLAMP NO 16 STAINLESS
17	7	737921	QUICK TJET 3-TIP BODY,1" HV
18	2	737923	QUICK TJET 3-TIP BODY,1" BARB
19	12	900010	1/4UNC X 3" HEX BOLT
20	2	900064	5/16UNC X 3/4 HEX BOLT
21	12	920000	1/4 SAE FLAT WASHER
22	4	A53878	SOLUTION CLAMP MT, SS, DELTA
23	2	A53988	NOZZLE CYL MT,20" WET BOOM



20" SPACING 120' WET BOOM, SECTION-6

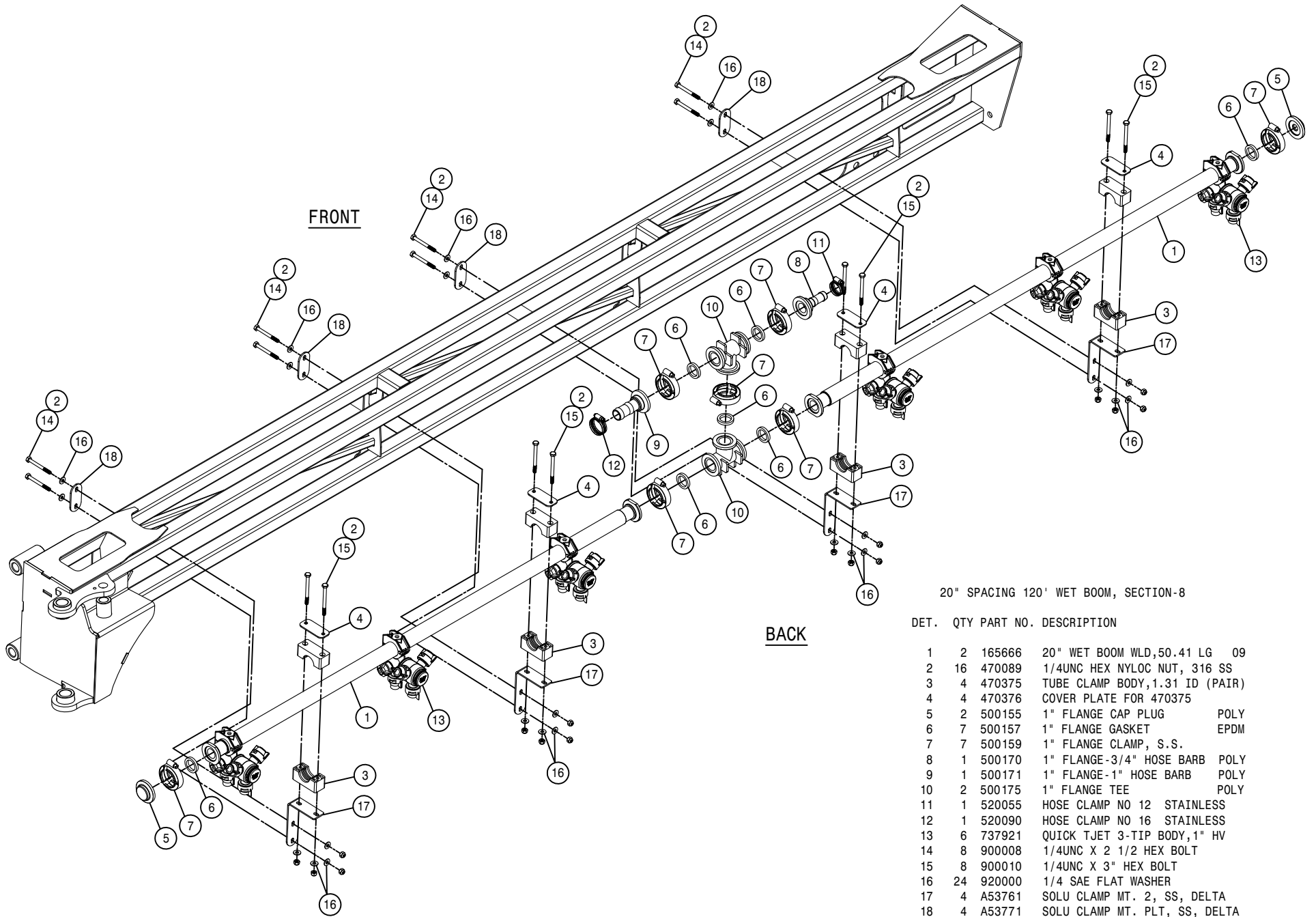
DET.	QTY	PART NO.	DESCRIPTION
1	2	165674	20" WET BOOM WLD, 148.70 LG 09
2	23	470089	1/4UNC HEX NYLOC NUT, 316 SS
3	8	470375	TUBE CLAMP BODY, 1.31 ID (PAIR)
4	8	470376	COVER PLATE FOR 470375
5	2	500155	1" FLANGE CAP PLUG POLY
6	4	500157	1" FLANGE GASKET EPDM
7	4	500159	1" FLANGE CLAMP, S.S.
8	2	500173	1" FLANGE-90-1" HOSE BARB POLY
9	2	520090	HOSE CLAMP NO 16 STAINLESS
10	16	737921	QUICK TJET 3-TIP BODY, 1" HV
11	23	900010	1/4UNC X 3" HEX BOLT
12	23	920000	1/4 SAE FLAT WASHER
13	6	A52766	SOLUTION CLAMP MT, SS, DELTA
14	1	A53878	SOLUTION CLAMP MT, SS, DELTA
15	1	A53950	RH WET BOOM MT, LEV CYL



20" SPACING 120' BOOM, SECTION-7

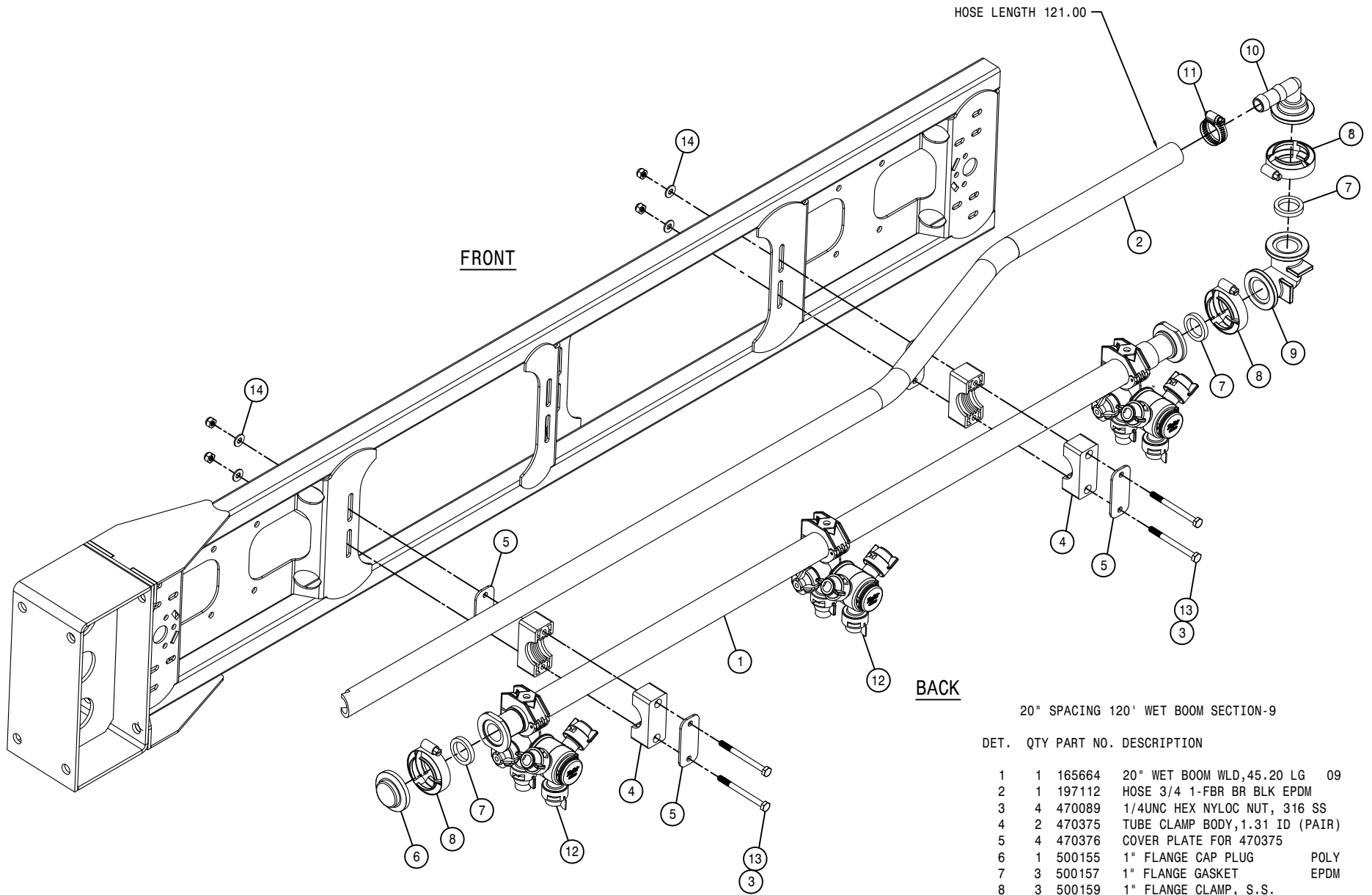
DET. QTY PART NO. DESCRIPTION

DET.	QTY	PART NO.	DESCRIPTION
1	1	165668	20" WET BOOM WLD,52.91 LG 09
2	1	165670	20" WET BOOM WLD,67.91 LG 09
3	12	470089	1/4UNC HEX NYLOC NUT, 316 SS
4	4	470375	TUBE CLAMP BODY,1.31 ID (PAIR)
5	4	470376	COVER PLATE FOR 470375
6	2	500155	1" FLANGE CAP PLUG POLY
7	5	500157	1" FLANGE GASKET EPDM
8	5	500159	1" FLANGE CLAMP, S.S.
9	1	500173	1" FLANGE-90-1" HOSE BARB POLY
10	1	500175	1" FLANGE TEE POLY
11	1	520090	HOSE CLAMP NO 16 STAINLESS
12	7	737921	QUICK TJET 3-TIP BODY,1" HV
13	12	900010	1/4UNC X 3" HEX BOLT
14	12	920000	1/4 SAE FLAT WASHER
15	4	A52766	SOLUTION CLAMP MT, SS, DELTA



20" SPACING 120' WET BOOM, SECTION-8

DET.	QTY	PART NO.	DESCRIPTION
1	2	165666	20" WET BOOM WLD,50.41 LG 09
2	16	470089	1/4UNC HEX NYLOC NUT, 316 SS
3	4	470375	TUBE CLAMP BODY,1.31 ID (PAIR)
4	4	470376	COVER PLATE FOR 470375
5	2	500155	1" FLANGE CAP PLUG POLY
6	7	500157	1" FLANGE GASKET EPDM
7	7	500159	1" FLANGE CLAMP, S.S.
8	1	500170	1" FLANGE-3/4" HOSE BARB POLY
9	1	500171	1" FLANGE-1" HOSE BARB POLY
10	2	500175	1" FLANGE TEE POLY
11	1	520055	HOSE CLAMP NO 12 STAINLESS
12	1	520090	HOSE CLAMP NO 16 STAINLESS
13	6	737921	QUICK TJET 3-TIP BODY,1" HV
14	8	900008	1/4UNC X 2 1/2 HEX BOLT
15	8	900010	1/4UNC X 3" HEX BOLT
16	24	920000	1/4 SAE FLAT WASHER
17	4	A53761	SOLU CLAMP MT. 2, SS, DELTA
18	4	A53771	SOLU CLAMP MT. PLT, SS, DELTA



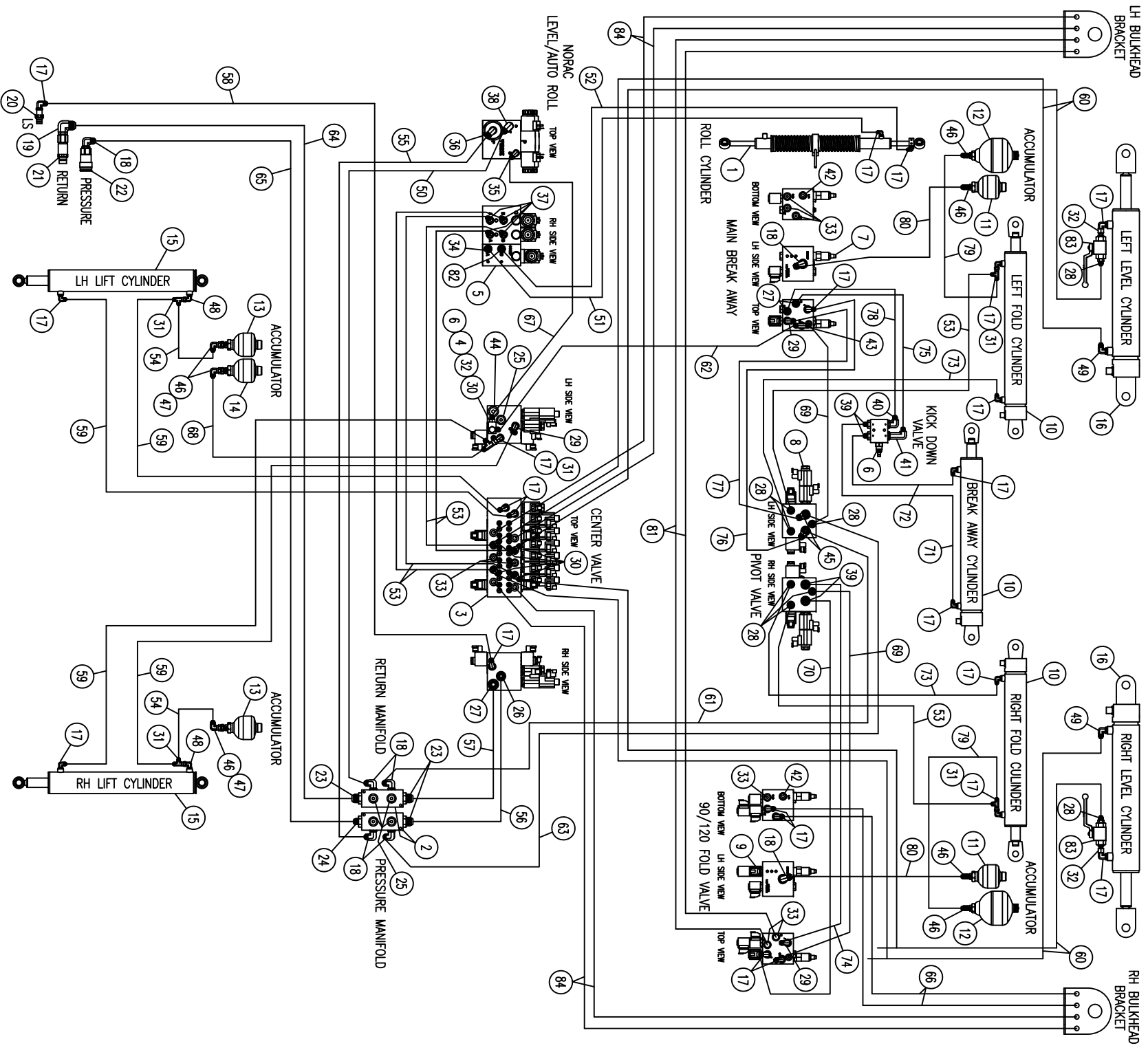
HOSE LENGTH 121.00

**FRONT**

**BACK**

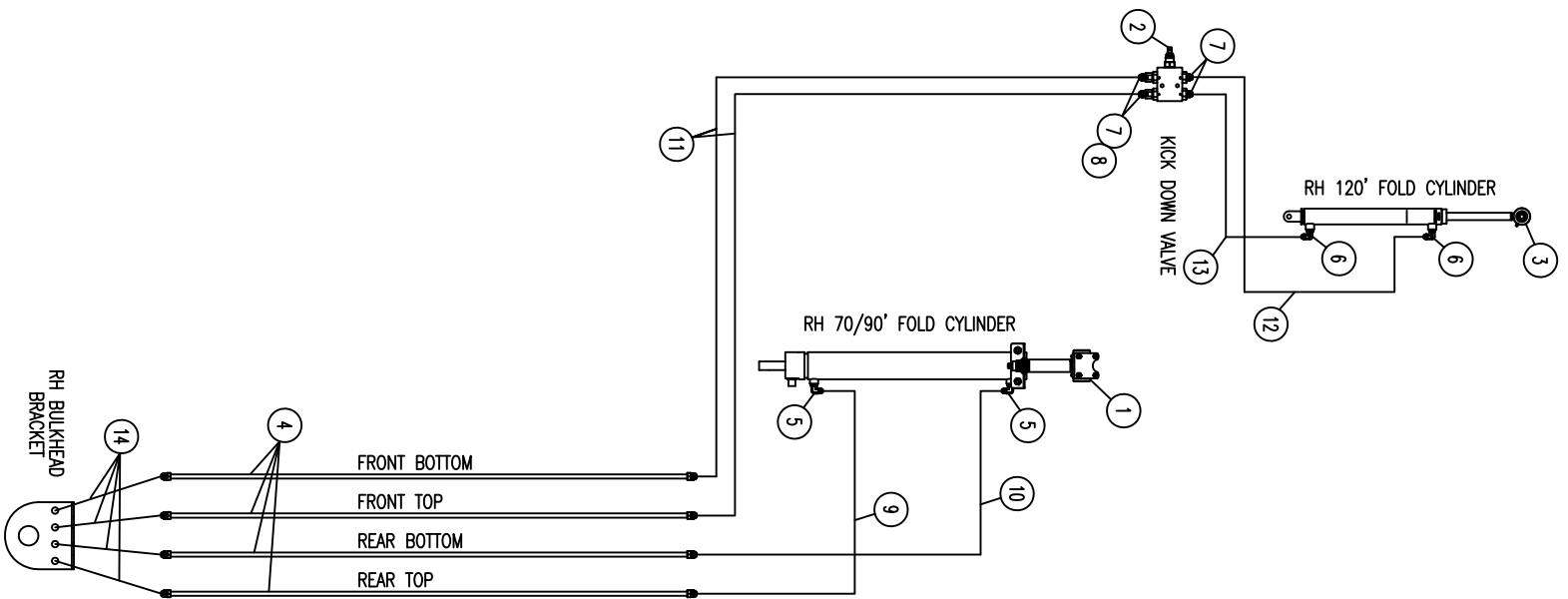
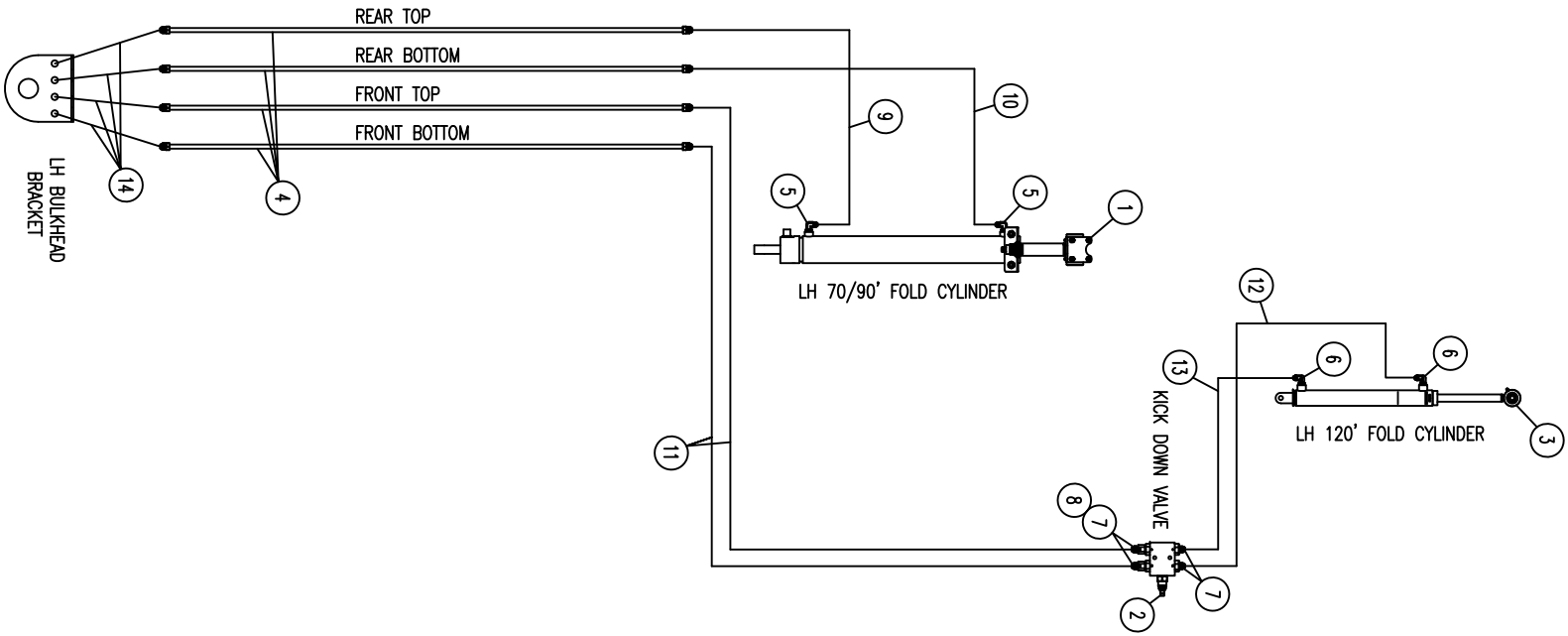
**20" SPACING 120' WET BOOM SECTION-9**

DET.	QTY	PART NO.	DESCRIPTION
1	1	165664	20" WET BOOM WLD, 45.20 LG 09
2	1	197112	HOSE 3/4 1-FBR BR BLK EPDM
3	4	470089	1/4UNC HEX NYLOC NUT, 316 SS
4	2	470375	TUBE CLAMP BODY, 1.31 ID (PAIR)
5	4	470376	COVER PLATE FOR 470375
6	1	500155	1" FLANGE CAP PLUG POLY
7	3	500157	1" FLANGE GASKET EPDM
8	3	500159	1" FLANGE CLAMP, S.S.
9	1	500174	1" FLANGE-90-1" FLANGE LBOPOLY
10	1	500185	1" FLANGE-90-3/4" HOSE BARB POLY
11	1	520055	HOSE CLAMP NO 12 STAINLESS
12	3	737921	QUICK TJET 3-TIP BODY, 1" HV
13	4	900010	1/4UNC X 3" HEX BOLT
14	4	920000	1/4 SAE FLAT WASHER



120' BOOM HYDRAULIC DIAGRAM 2008  
REFERENCE DRAWING NO. 498968S1

DET.	QTY	PART NO.	DESCRIPTION	DET.	QTY	PART NO.	DESCRIPTION
1	1	621592	NORAC LINEAR ROLL CYL, 1.75X12	43	1	618629	9/16MOR BRANCH TEE-9/16MJIC
2	2	606306	MANIFOLD, #8 2-STN 90	44	1	618756	7/8MOR PLUG, HEX SOCKET
3	1	606314	BOOM CTRL VALVE,120'BOOM SAUER	45	2	618494	3/4MOR RUN TEE-3/4MJIC
4	1	607559	LS CHECK VALVE, SUN	46	7	618743	3/4MOR -3/4MJIC BLKHD, .040MFM0
5	1	A53009	NORAC, 3 BANK BLOCK	47	3	618609	3/4MJIC-90-3/4FJIC SWIV LBO
6	1	607558	KICKDOWN RELIEF, SUN	48	2	618739	9/16MJ-90-9/16MOR .065 CHK VLV
7	1	606248	90'BREAKAWAY VLV,STS	49	2	618738	9/16MJ-90-9/16MOR .055 CHK VLV
8	1	606317	PIVOT CTRL VALVE,120'BM SAUER	50	1	616537	08-451TC-.08FJX-.08FJX90-.52 H/A
9	1	606261	120'BREAKAWAY VLV,STS	51	1	616573	06-451TC-.06FJX-.06FJX-.29 H/A
10	3	621582	HYD CYL, 3.25 X 21.25 X 1.630	52	1	616580	06-451TC-.06FJX-.06FJX90-.34 H/A
11	2	470444	ACCUMLATOR, 30CI 1508 PSI	53	6	616584	06-451TC-.06FJX-.06FJX90-.61 H/A
12	2	470537	ACCUMLATOR, SB0210 1800 PSI	54	2	616589	06-451TC-.08FJX-.08FJX90-.27 H/A
13	2	470539	ACCUMLATOR, 30CI 800 PSI	55	1	616590	08-451TC-.08FJX-.08FJX90-.58 H/A
14	1	470538	ACCUMLATOR, 30CI 600 PSI	56	1	616591	08-451TC-.12FJX-.08FJX90-.25 H/A
15	2	621578	HYD CYL, 3.25 X 20.25 X 1.630	57	1	616592	10-451TC-.12FJX-.10FJX90-.28 H/A
16	2	621584	HYD CYL, 3.00 X 14.00 X 1.380	58	1	616594	04-451ST-.06FJX-.06FJX-170 H/A
17	22	618119	9/16MJIC-90-9/16MOR LBO	59	4	616595	06-451ST-.06FJX-.06FJX-132 H/A
18	7	618241	3/4MJIC-90-3/4MOR LBO	60	4	616596	06-451ST-.06FJX-.06FJX-148 H/A
19	1	618279	1/16MJIC-90-7/8MOR LBO	61	1	616597	08-451ST-.08FJX-.08FJX90-.139 H/A
20	1	618804	HYD CPLR,MALE #14,9/16FOR	62	1	616598	04-451ST-.06FJX-.06FJX90-.121 H/A
21	1	618806	HYD CPLR,MALE #12,7/8FOR	63	1	616600	08-451ST-.08FJX-.08FJX90-.147 H/A
22	1	618807	HYD CPLR, FEM #12,3/4FOR	64	1	616602	10-451ST-.12FJX-.12FJX90-.138 H/A
23	3	611127	1/16MJIC-1/16MOR ADPTR	65	1	616603	08-451ST-.08FJX-.08FJX90-.141 H/A
24	1	618469	3/4MJIC-1/16MOR ADPTR	66	2	616604	06-451ST-.06FJX-.06MJBH-.103 H/A
25	5	618755	3/4MOR PLUG, HEX SOCKET	67	1	616607	04-451TC-.06FJX-.06FJX45-.46 H/A
26	1	611125	3/4MJIC-3/4MOR ADPTR	68	1	616608	06-451TC-.08FJX-.06FJX90-.71 H/A
27	3	611126	7/8MJIC-7/8MOR ADPTR	69	2	616303	04-451TC-.06FJX-.06FJX-.24 H/A
28	9	618126	9/16MJIC-9/16MOR ADPTR	70	1	616572	06-451TC-.06FJX-.06FJX-.22 H/A
29	3	618440	9/16MJIC-90-9/16MOR EX LG LBO	71	1	616574	06-451TC-.06FJX-.06FJX-.30 H/A
30	5	618444	9/16MOR RUN TEE-9/16MJIC	72	1	616575	06-451TC-.06FJX-.06FJX-.34 H/A
31	5	618486	9/16FJIC SW RUN TEE-9/16MJIC	73	2	616576	06-451TC-.06FJX-.06FJX-.59 H/A
32	3	618668	9/16FJIC SWIV-9/16MOR ADPTR	74	1	616577	06-451TC-.06FJX-.06FJX-.25 H/A
33	8	618754	9/16MOR PLUG, HEX SOCKET	75	1	616581	06-451TC-.06FJX-.06FJX90-.40 H/A
34	1	614763	9/16MJIC-9/16MOR.042MOMF ADPTR	76	1	616587	06-451TC-.06FJX-.08FJX90-.20 H/A
35	1	618114	9/16MJIC-90-7/16MOR LBO	77	1	616588	06-451TC-.06FJX-.08FJX90-.24 H/A
36	1	618249	3/4MJIC-90-9/16MOR LBO	78	1	616593	06-451TC-.06FJX-.06FJX90-.38 H/A
37	4	618425	9/16MJIC-45-9/16MOR LBO	79	2	616599	06-451ST-.06FJX-.08FJX90-.62 H/A
38	1	618797	3/4MJIC-90-9/16MOR LG LBO	80	2	616601	08-451ST-.08FJX-.08FJX90-.36 H/A
39	4	618109	9/16MJIC-3/4MOR ADPTR	81	2	616605	06-451ST-.06MJBH-.06MORX90-.142H/
40	1	618115	9/16MJIC-90-3/4MOR LBO	82	1	614765	9/16MJIC-9/16MOR.047MOMF ADPTR
41	1	618709	9/16MJIC-90-3/4MOR EX LG LBO	83	2	696131	BALL VALVE,9/16FOR,7250PSI
42	2	606196	PRESS TRANSDUCER ASSY 9000PSI	84	1	616606	06-451ST-.06MJBH-.06MORX90-.69H/A





120' BOOM HYDRAULIC DIAGRAM 2008  
REFERENCE DRAWING NO. 498968S2

DET.	QTY	PART NO.	DESCRIPTION	DET.	QTY	PART NO.	DESCRIPTION
1	2	621586	HYD CYL, 2.75 X 21.25 X 1.500	8	4	618731	9/16JIC .025 ORIFICE ADPTR
2	2	607558	KICKDOWN RELIEF, SUN	9	2	616349	06-451TC-06F3X-06F3X-47
3	2	621590	HYD CYL, 1.50 X 10.88 X .875	10	2	616354	06-451TC-06F3X-06F3X-68
4	8	615851	HYD TUBE,MAIN BOOM,STSL5 16ASP	11	4	616571	06-451TC-06F3X-06F3X-180
5	2	618119	9/16MJIC-90-9/16MOR LBO	12	2	616573	06-451TC-06F3X-06F3X-29
6	2	618688	9/16MJ-90-9/16MOR .025 CHK VLV	13	2	616578	06-451TC-06F3X-06F3X90-18
7	8	618109	9/16MJIC-3/4MOR ADPTR	14	8	616582	06-451TC-06F3X-06F3X90-51

INDEX

-A-	ACCUMULATOR.....4, 17	-L-	LEVEL CYLINDER.....18
-B-	BOOM.....21, 26		LIFTARM.....4, 5
	BUMPER.....32, 33		LIFT CYLINDER.....5
	CONTROL VALVE.....9		LIGHTS.....6
	CRADLE.....31, 34	-M-	INDICATOR.....8
	GUARD.....22, 27		MANIFOLD.....9
	STAND.....6		MODULE.....4
	WET.....44, 53	-N-	
	BREAKAWAY VALVE.....10		NORAC VALVE.....11
-C-			NOZZLE GUARD.....25, 30
	CONTROL BOX.....3	-P-	
	CRADLE, BOOM.....31, 34		PIVOT VALVE.....13
	CYLINDER,		PRESSURE GAUGE.....13, 36
	FOLD.....6, 19, 20		PRESSURE TRANSDUCER.....10, 12
	LEVEL.....18	-Q-	
	LIFT.....5		QUICK ATTACH.....5
-D-		-S-	
	DIAGRAM, HYDRAULIC.....62, 63		SENSOR..7, 19, 20, 23, 24, 25, 28, 29, 30
-F-			SIDE WINDER.....23, 24, 28, 29
	FENCE ROW VALVE.....25, 30		SOLUTION VALVE....37, 38, 39, 40, 41
	FLOW METER.....35, 36	-T-	
	FOAMER VALVE.....42, 43		TRANSDUCER, PRESSURE.....10, 12
	FOLD		TRANSOM.....6, 7
	CYLINDER.....6, 19, 20		TUBE CLAMP.....5
	VALVE.....12	-V-	
-G-			VALVE,
	GAUGE, PRESSURE.....4, 36		BOOM CONTROL.....9
	GUARD,		BREAKAWAY.....10
	BOOM.....22		FENCE ROW.....25, 30
	NOZZLE.....25, 30		FOAMER.....42, 43
-H-			FOLD.....12
	HYDRAULIC,		KICKDOWN.....14, 15, 16
	COUPLER.....5		NORAC.....11
	DIAGRAM.....62, 63		PIVOT.....13
	TUBE.....22, 27		SOLUTION.....37, 38, 39, 40, 41
-I-		-W-	
	INDICATOR LIGHT.....8		WET BOOM.....44, 53
-K-			
	KICKDOWN VALVE.....14, 15, 16		



# PARTS ORDER FAX



Ph. 1 (800) 247-4885    Fx. 1 (515) 532-3553    Photocopy and fax to Hagie Customer Support Department

ORDERED BY/BILL TO:

Name \_\_\_\_\_  
 Co. Name \_\_\_\_\_  
 Street \_\_\_\_\_  
 City, St, Zip \_\_\_\_\_  
 Ph. \_\_\_\_\_ Fx. \_\_\_\_\_

SHIP TO:

Name \_\_\_\_\_  
 Co. Name \_\_\_\_\_  
 Street \_\_\_\_\_  
 City, St, Zip \_\_\_\_\_  
 Ph. \_\_\_\_\_ Fx. \_\_\_\_\_

HOW SHIP:  UPS Ground    Next Day    2 Day    3 Day    Other \_\_\_\_\_

If "HOW SHIP" is left blank, parts will be sent UPS ground service. If part is over 150 pounds, an independent motor freight company will be used.

PAYMENT:  Hagie Account #\*\*\* \_\_\_\_\_

C.O.D

American Express    Discover    Visa    Master Card  
 Signature: \_\_\_\_\_  
 name as appears on card: \_\_\_\_\_  
 card no. \_\_\_\_\_ exp. date \_\_\_\_\_

Year and Model No. \_\_\_\_\_

Serial No. \_\_\_\_\_

Item Serial No. (if necessary): \_\_\_\_\_

Engine (include type) \_\_\_\_\_

Hydrostatic Pump (s) \_\_\_\_\_

Torque Hub \_\_\_\_\_  LF    RF    LR    RR

Wheel Motor \_\_\_\_\_  LF    RF    LR    RR

HAGIE Part No.	Qty.	Description

Check here if you want phone confirmation of parts order.

\* Orders received before 3:00 p.m., CST will be processed the same business day.  
 Regular business hours are Monday through Friday, 7:00 a.m. through 5:00 p.m..

\*\* If you do not have a Hagie account number, contact the Hagie Customer Support Department and you will be issued one.



# PARTS ORDER FAX

**Fax**  
**24 hours**  
**a day**  
**7 days**  
**a week™**

Ph. 1 (800) 247-4885

Fx. 1 (515) 532-3553

Photocopy and fax to Hagie Customer Support Department

ORDERED BY/BILL TO:

Name \_\_\_\_\_  
 Co. Name \_\_\_\_\_  
 Street \_\_\_\_\_  
 City, St, Zip \_\_\_\_\_  
 Ph. \_\_\_\_\_ Fx. \_\_\_\_\_

SHIP TO:

Name \_\_\_\_\_  
 Co. Name \_\_\_\_\_  
 Street \_\_\_\_\_  
 City, St, Zip \_\_\_\_\_  
 Ph. \_\_\_\_\_ Fx. \_\_\_\_\_

HOW SHIP:  UPS Ground  Next Day  2 Day  3 Day  Other \_\_\_\_\_

If "HOW SHIP" is left blank, parts will be sent UPS ground service. If part is over 150 pounds, an independent motor freight company will be used.

PAYMENT:  Hagie Account #\*\*\* \_\_\_\_\_

C.O.D

American Express  Discover  Visa  Master Card  
 Signature: \_\_\_\_\_  
 name as appears on card: \_\_\_\_\_  
 card no. \_\_\_\_\_ exp. date \_\_\_\_\_

Year and Model No. \_\_\_\_\_

Serial No. \_\_\_\_\_

Item Serial No. (if necessary): \_\_\_\_\_

Engine (include type) \_\_\_\_\_

Hydrostatic Pump (s) \_\_\_\_\_

Torque Hub \_\_\_\_\_  LF  RF  LR  RR

Wheel Motor \_\_\_\_\_  LF  RF  LR  RR

HAGIE Part No.	Qty.	Description

Check here if you want phone confirmation of parts order.

\* Orders received before 3:00 p.m., CST will be processed the same business day.

Regular business hours are Monday through Friday, 7:00 a.m. through 5:00 p.m..

\*\* If you do not have a Hagie account number, contact the Hagie Customer Support Department and you will be issued one.