



**PARTS MANUAL
FOR
HAGIE MODEL STS 16 HI-TRACTOR**

HAGIE MANUFACTURING COMPANY

721 CENTRAL AVENUE WEST
BOX 273
CLARION, IOWA 50525-0273

(515) 532-2861

COVERS MACHINE SERIAL NUMBERS: U1621331001 thru U1621331100

08-12 493558
05-13, 02-15,
05-15, 02-16

To obtain the most current parts manual for your machine, please visit www.hagiehelp.com.

© 2012-16 Hagie Manufacturing Company, Clarion, Iowa USA

SPRAYER IDENTIFICATION

Each Hagie sprayer is identified by means of a frame serial number.

This serial number denotes the model, the year in which it was built, and the number of the sprayer. As for further identification, the engine has a serial number and the planetary hubs have identification plates that describe the type of mount and gear ratio. To insure prompt, efficient service when ordering parts or requesting service repairs from Hagie Manufacturing Company, record the serial and identification numbers in the space provided below.

NOTE: Reference to left hand and right hand used throughout this manual refers to the position when seated in the operator's seat facing forward.

This manual is not intended to be a complete guide for machine maintenance and repairs. If you are not properly trained to perform service on this machine, contact Hagie Customer Support for assistance. Improper maintenance or repair may result in property damage, personal injury, or death.

SPRAYER SERIAL NUMBER

ENGINE SERIAL NUMBER

PLANETARY HUB IDENTIFICATION NUMBERS

FILTER QUICK REFERENCE

<u>QTY.</u>	<u>PART NO.</u>	<u>DESCRIPTION</u>
1	311543	ENGINE AIR FILTER, PRIMARY
1	311544	ENGINE AIR FILTER, SECONDARY
1	316684	REMOTE FUEL FILTER
1	316689	FUEL FILTER, MAIN
1	316701	COOLANT FILTER
1	316702	ENGINE OIL FILTER
1	605626	HYDRAULIC OIL FILTER
1	657463	CAB PAPER FILTER
1	657464	CAB CHARCOAL FILTER

TABLE OF CONTENTS

ENGINE ASSEMBLY 4-6

RADIATOR AND OIL COOLER ASSEMBLY 7-8

AIR CLEANER AND EXHAUST 9

FAN CONTROL AND FUEL ASSEMBLY 10-11

AUX OIL COOLER AND OIL TANK ASSEMBLY 12-13

BATTERY 14

TIRE ASSEMBLY 15

LEG ASSEMBLY 16-23

TREAD ADJUST ASSEMBLY 24-27

HYDRAULIC TUBING AND MANIFOLDS 28-33

QUICK ATTACH AND SOLUTION CONTROL 34-35

LADDER AND BRAKE VALVE ASSEMBLY 36-37

SERVICE PLATFORM 38

TOOL BOX 39

AIR TANK ASSEMBLY 40-42

J1939 JUNCTION MODULE 43

CAB ASSEMBLY 44-59

FLASHER AND LIGHT RELAY 60

REAR ELECTRICAL BOX ASSEMBLY 61-62

BUMPER AND ENGINE HOOD 63-65

SOLUTION TANK 66-69

SOLUTION HOSEING 70-75

REAR WHEEL NOZZLE 76

SOLUTION PUMP AND ELECTRIC VALVES 77-78

QUICK ATTACH LEVER 79

BOOM CRADLE 80-81

FOAMER TANK ASSEMBLY 82-83

PRESSURE WASHER OPTION 84-86

SIDE FILL/CHEMICAL INDUCTOR OPTION 87-89

FRONT FILL OPTION 90

FENDER OPTION 91-92

AWS HYDRAULIC VALVE 93

AIR LINE DIAGRAM 94

DECALS 96-97

HYDRAULIC SCHEMATIC 98-107

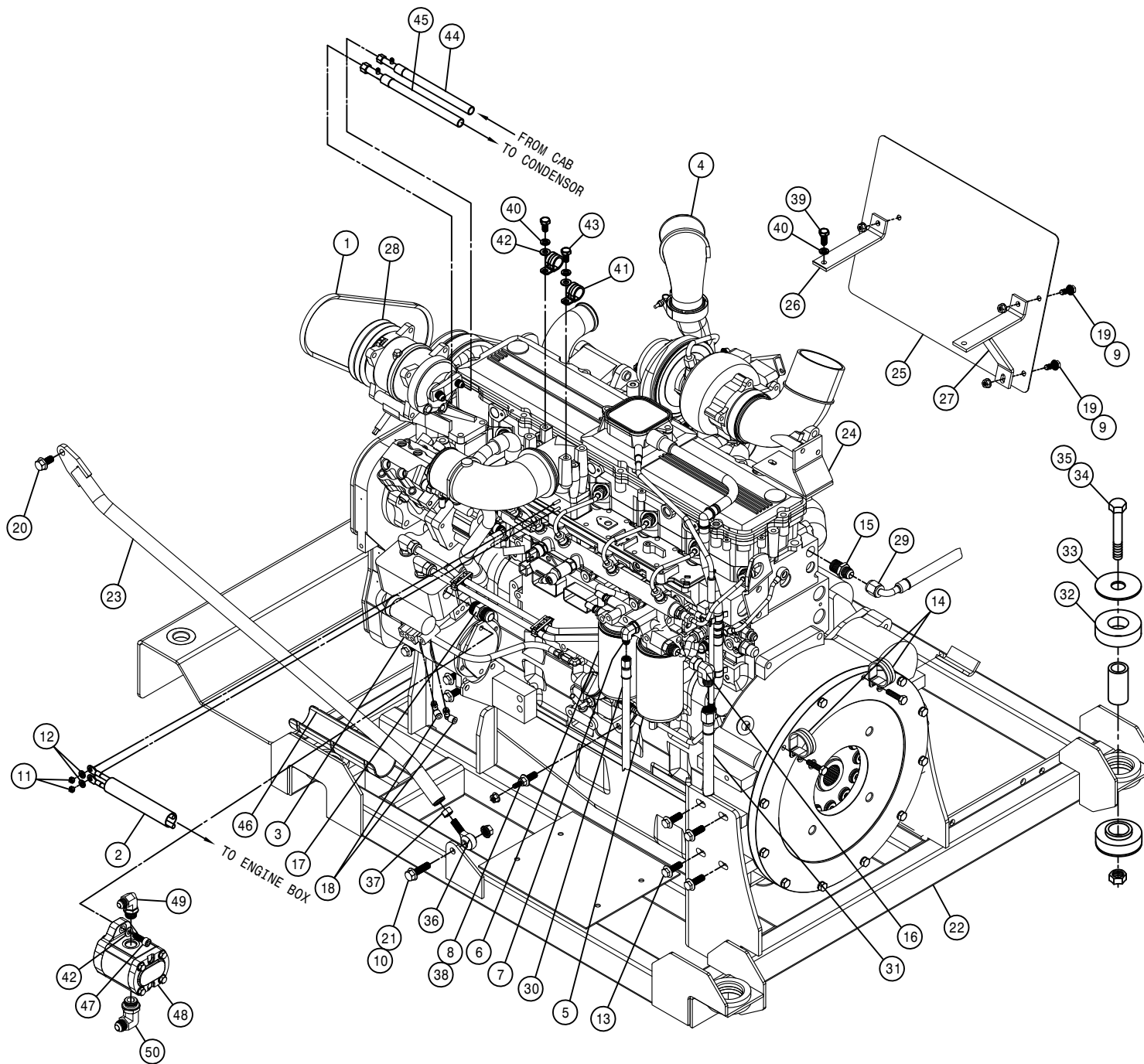
ELECTRICAL SCHEMATIC 108-121

ABBREVIATIONS 122

INDEX 123

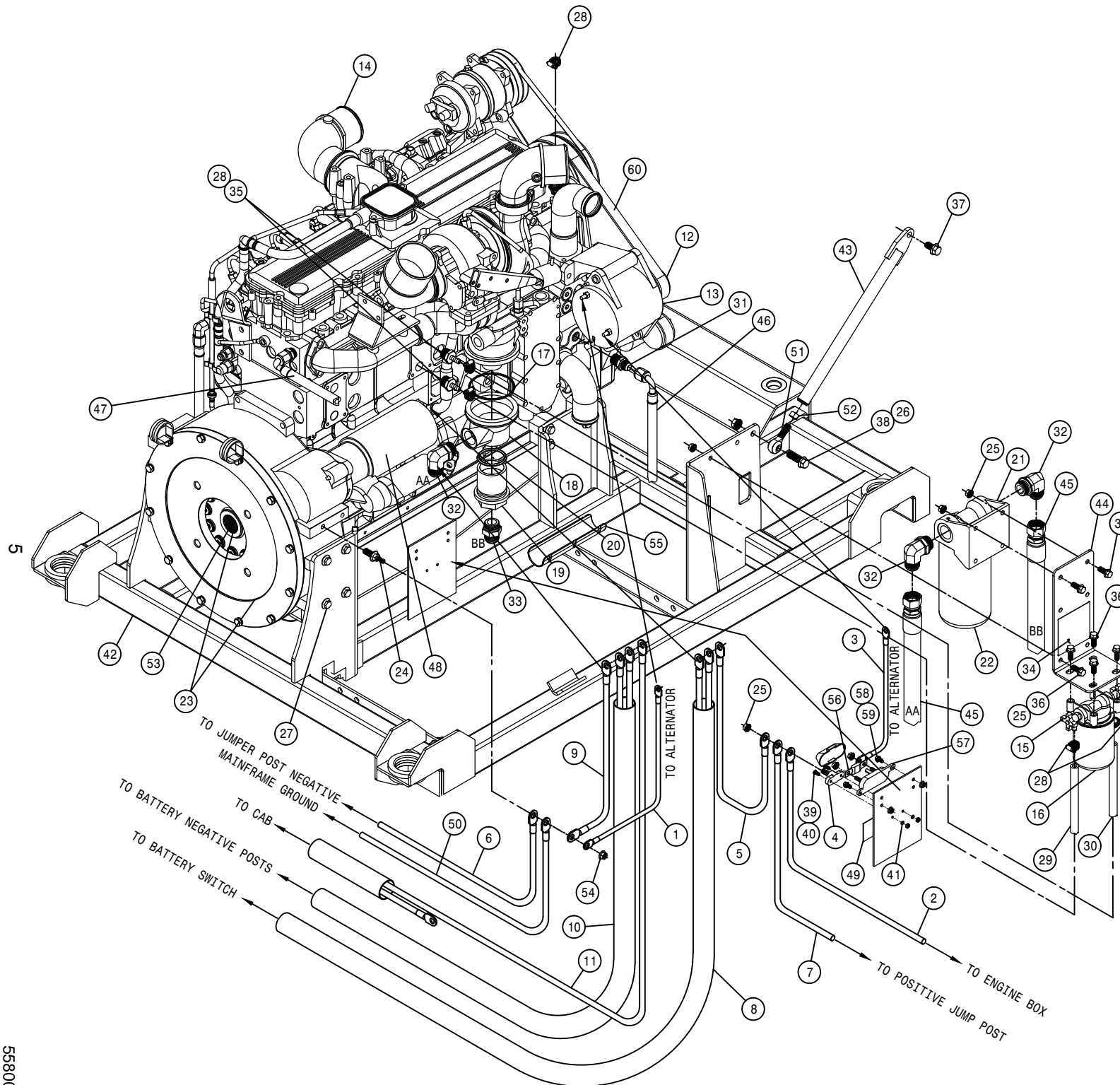
PARTS ORDER FORM 126

ENGINE ASSEMBLY



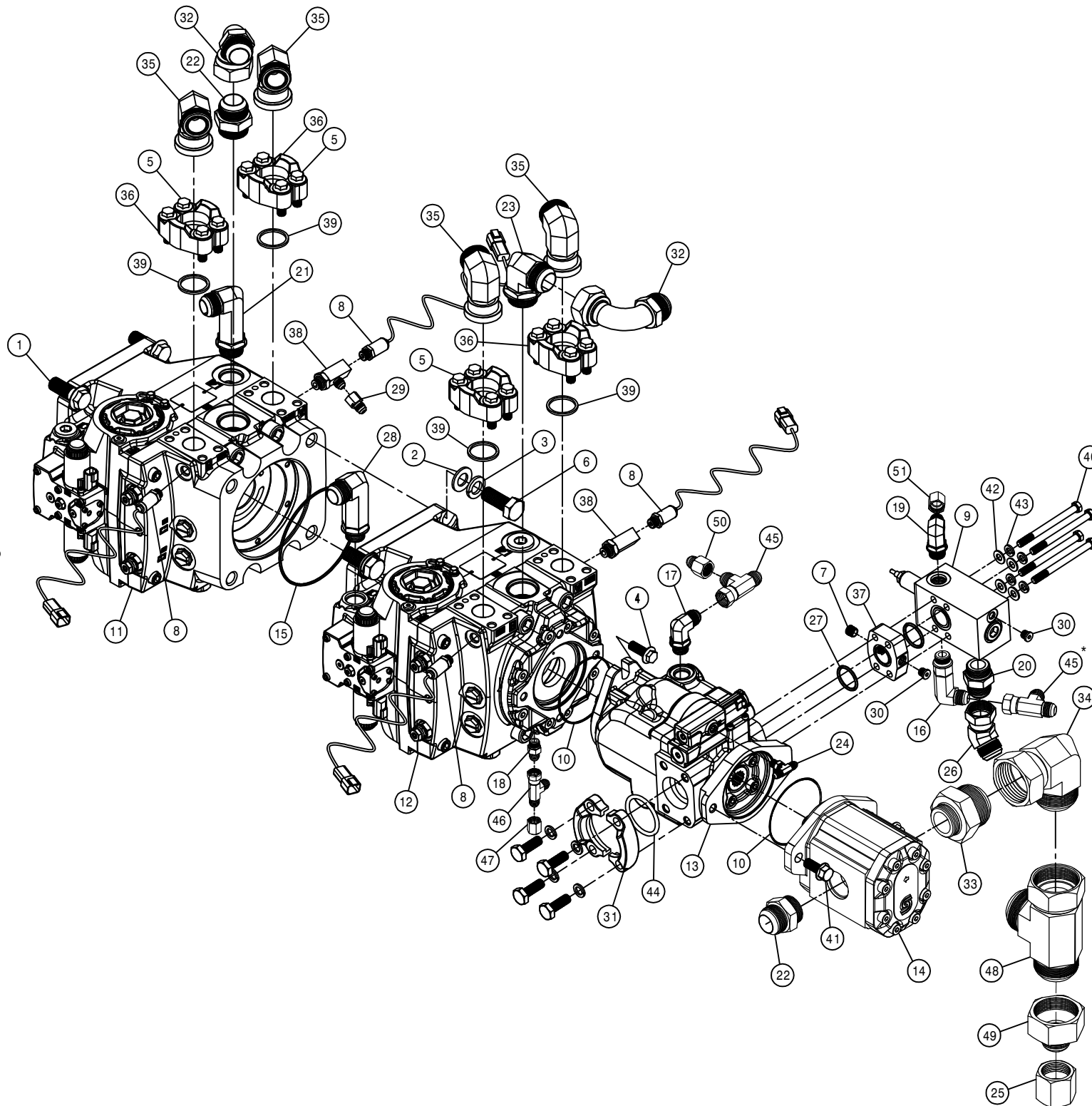
DET.	QTY	PART NO.	DESCRIPTION
1	1	147053	BELT, 9390 GATES
2	1	292544	ENG HEATR CBL ASSY,RED 6GA '10
3	1	316277	AIR COMPRESSOR GOVERNOR KIT
4	1	316668	CUMM ENG,365HP T3 QSL9 07
5	1	316684	FILTER,PRE FUEL 25 MICRON
6	1	316689	FILTER, MAIN FUEL, 3 MICRON
7	1	618115	9/16MJIC-90-3/4MOR LBO
8	1	316713	STUD,GROUND M12-M8 STS 16 2007
9	3	470087	3/8UNC HEX FLANGE LOCK NUT
10	1	470360	1/2UNC HEX FLANGE LOCK NUT
11	2	473767	6MM-1.00 HEX NUT
12	2	473768	6MM LOCK WASHER
13	7	473855	12MM-1.75 X 35MM FLANGE BOLT
14	2	520161	CUSH CLAMP,#32 2"D-3/4W LOOP
15	1	618059	7/8MJIC-3/4MNPT ADPTR
16	1	618301	7/8MJIC-90-7/8FJIC SWIV LBO
17	1	618699	1 1/16MJIC-M27X2.0MOR ADPTR
18	2	711039	1/8MNPT-90-1/4 NYL TUBE LBO
19	3	900129	3/8UNC X 1" SERR FLANGE BOLT
20	1	900263	1/2UNC X 1" HEX BOLT
21	1	900266	1/2UNC X 1 3/4 HEX BOLT
22	1	316858	SKID WELD, STS16 '11
23	1	316758	LH RAD BRACE WLD, STS T3 07
24	1	316749	TURBO ELBOW SUPP WLD,STS16 07
25	1	316745	HEAT SHIELD-TURBO STS16 REPWR
26	1	316747	UPPER BRACE-HEAT SHIELD
27	1	316746	BRACE WLDMT-TURBO SHIELD
28	1	657472	A/C COMPSR,TM-16HD STS16 07
29	1	657487	10-213-10FJX90-10FJX-78 H/A
30	1	611350	06-213-06FJX-06FJX90-107 H/A
31	1	611351	10-213-10FJX90-10FJX-136 H/A
32	4	311090	RUBBER MT SET, 60045
33	4	311091	SNUBBING WASHER FOR 311090
34	4	900477	7/8UNC X 4 1/2" HEX BOLT
35	4	914014	7/8UNC HEX STOVER NUT
36	1	473976	ROD END, .50B, .50-20UNF RH MALE
37	1	910009	1/2UNF HEX NUT
38	1	473858	8MM-1.25 SERR FLANGE NUT
39	1	473797	10MM-1.50 X 25MM HEX BOLT
40	3	473798	10MM LOCK WASHER
41	2	520121	CUSH CLAMP,#16 1IN X 3/4W
42	4	473799	10MM FLAT WASHER
43	2	473793	10MM-1.50 X 20MM HEX BOLT
44	1	657491	A/C HOSE ASSY, 1/2 X 92
45	1	657490	A/C HOSE ASSY, 13/32 X 102
46	1	470369	HOSE PROTECTOR, 8" BLACK
47	2	473844	10MM-1.50 X 30 SOC HD CAP SCR
48	1	607573	19CC GEAR PUMP, SALAMI
49	1	618183	3/4MJIC-90-7/8MOR LBO
50	1	618248	1 1/16MJIC-90-1 1/16MOR LBO

ENGINE ASSEMBLY



DET.	QTY	PART NO.	DESCRIPTION
1	1	291358	BATT CABLE, BLK 56"2GA. 281- 8mm
2	1	292541	BATT CABLE, RED 72"2/0 3/8-1/2
3	1	292530	BATT CABLE, RED 28"1/0. 312-.343
4	1	291936	TERM BLOCK, RED, 3/8-16 SINGLE
5	1	291949	BATT CABLE, RED 20"2/0 3/8-1/2
6	1	291951	BATT CABLE, BLK 53" 2/0 3/8-8MM
7	1	291953	BATT CABLE, RED 51" 2/0 3/8-3/8
8	1	291954	BATT CABLE, RED 66" 2/0 1/2-3/8
9	1	291955	BATT CABLE, BLK 26" 2/0 1/2-8MM
10	1	291956	BATT CABLE, BLK 104"2/0 1/2-3/8
11	1	292543	CAB PWR, GND CBL ASSY STS14/16
12	1	316370	ALT PULLEY, 2.76 OD, 8-GROOVE
13	1	316394	DELCO ALTERNATOR, 160 AMP
14	1	316668	CUMM ENG, 365HP T3 QSL9 07
15	1	316710	ENG COOLANT FILTER ASSY, STS16
16	1	316701	COOLANT FILTER, ENGINE
17	1	316706	SEAL, O-RING STS 16 2007
18	1	316704	COVER, FILTER HEAD STS 16 2007
19	1	316705	ADAPTER, FILTER HEAD STS16 2007
20	1	316707	SEAL, O-RING STS 16 2007
21	1	316708	HEAD, LUBE OIL FILTER STS16 07
22	1	316702	OIL FILTER, ENGINE
23	1	800504	HAYES PUMP DRIVE
24	1	316713	STUD, GROUND M12-M8 STS 16 2007
25	7	470087	3/8UNC HEX FLANGE LOCK NUT
26	1	470360	1/2UNC HEX FLANGE LOCK NUT
27	8	473855	12MM-1.75 X 35MM FLANGE BOLT
28	5	520069	HOSE CLAMP NO 6 STAINLESS
29	1	601687	HOSE, 3/8 X 51 HEATER
30	1	601688	HOSE, 3/8 X 57 HEATER
31	1	618059	7/8MJIC-3/4MNPT ADPTR
32	3	618178	1 5/16MJIC-90-1 5/16MOR LBO
33	1	618186	1 5/16MJIC-1 5/16MOR ADPTR
34	1	650191	DECAL, CAUTION COOLANT
35	2	711103	3/4NPT X 3/8 HOSE BARB, BRS
36	10	900129	3/8UNC X 1" SERR FLANGE BOLT
37	1	900263	1/2UNC X 1" HEX BOLT
38	1	900266	1/2UNC X 1 3/4 HEX BOLT
39	2	903706	10-32X1/2 PHIL PAN MACH SCR
40	2	910027	10-32 HEX NUT
41	2	920510	#10 LOCK WASHER
42	1	316858	SKID WELD, STS16 '11
43	1	316757	RH RAD BRACE WLD STS T3 07
44	1	316754	REMOTE FILTER MT 07
45	2	616294	16-426-16FJX-16FJX-48 H/A
46	1	657486	10-213-10FJX90-10FJX-108 H/A
47	1	657487	10-213-10FJX90-10FJX-78 H/A
48	1	316674	STARTER, CUMM ST9433
49	1	650272	DECAL, 200AMP ECM FUSE, STS '11
50	1	291892	BATT CABLE, BLK 42"4GA. 406-.406
51	1	473976	ROD END, .50B., .50-20UNF RH MALE
52	1	910009	1/2UNF HEX NUT
53	1	800505	DRIVE DISK ASSY FOR 800504
54	1	473858	8MM-1.25 SERR FLANGE NUT
55	1	470369	HOSE PROTECTOR, 8" BLACK
56	1	291330	FUSE, 200 AMP 32 VOLT DC
57	1	292578	HIGH AMP FUSE HOLDER W/COVER
58	2	470121	1/4UNC HEX FLANGE LOCK NUT
59	2	470122	1/4UNC X 1/2 FLANGE HEX BOLT
60	1	316700	DRIVE BELT 3972379

HYDROSTATIC PUMP ASSEMBLY



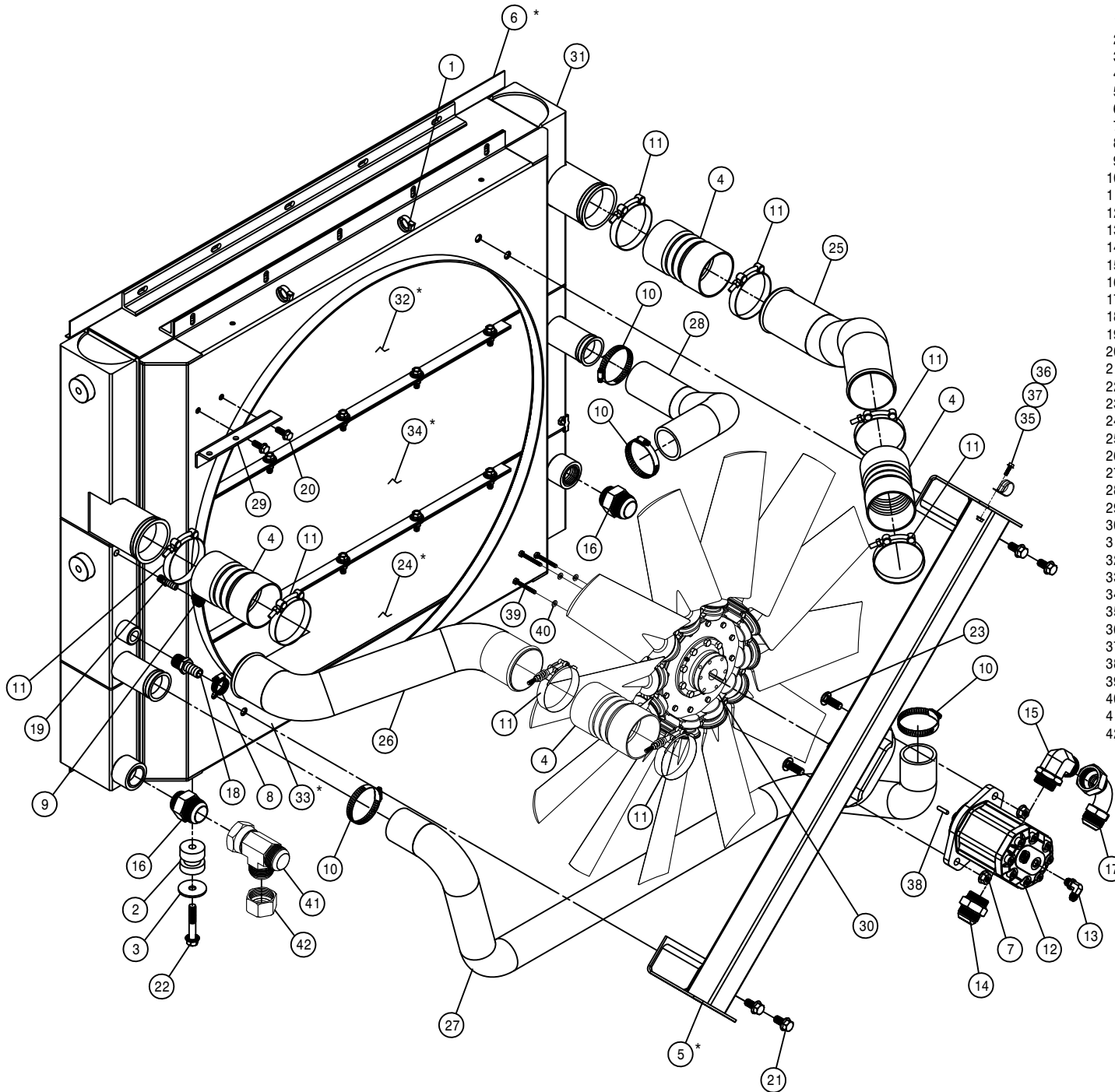
DET.	QTY	PART NO.	DESCRIPTION
1	4	472367	3/4UNC X 2" SM FLNG BOLT GR8YZ
2	4	473839	20MM FLAT WASHER
3	4	473854	20MM LOCK WASHER
4	2	473855	12MM-1.75 X 35MM FLANGE BOLT
5	16	473857	12MM-1.75 X 45MM FLG BOLT YZ
6	4	473860	20MM-2.50 X 50MM HEX BOLT
7	1	501103	PIPE PLUG .25NPT SKT HD
8	4	606196	PRESS TRANSDUCER ASSY 9000PSI
9	1	606258	REFIEF, LS PUMP SAUER
10	2	606977	O-RING,3.987ID-.103CS-4.19 BMT
11	1	607011	SAUER 165CC H1 PUMP, D/D-MT 07
12	1	607014	SAUER 165CC H1 PUMP, D/B-MT 07
13	1	607017	SAUER PISTON PUMP,75CC JRR075C
14	1	607020	SAUER GEAR PUMP,SNP3 63.4CC
15	1	607026	O-RING,5.905ID- 6.1410D DMT
16	1	618774	7/8MJIC-90-7/8MOR LG LBO
17	1	611128	7/8MJIC-90-7/8MOR LBO
18	1	618126	9/16MJIC-9/16MOR ADPTR
19	1	618183	3/4MJIC-90-7/8MOR LBO
20	1	618186	1 5/16MJIC-1 5/16MOR ADPTR
21	1	618463	1 5/16MJIC-90-1 5/16MOR XL LBO
22	2	618472	1 5/8MJIC-1 5/8MOR ADPTR
23	1	618477	1 5/8MJIC-90-1 5/8MOR LBO
24	1	618815	7/16MOR BRANCH TEE-7/16MJIC
25	1	618665	1 5/8FJIC-1 1/16MJIC ADPTR
26	1	618630	1 5/16MJ-45-1 5/16FJ SWIV LBO
27	1	618676	O-RING FOR 1" FLANGE -16
28	1	618729	1 5/16MJIC-90-1 1/16MOR XL LBO
29	1	618735	9/16JIC .062 ORIFICE ADPTR
30	2	618753	7/16MOR PLUG, HEX SOCKET
31	1	618766	2" SPLIT FLANGE KIT #61
32	2	618768	1 5/8MJIC-90-1 5/8FJX TUBE
33	1	618776	2 1/2MJIC-1 7/8MOR ADPTR
34	1	618777	2 1/2MJ-90-2 1/2FJ SWIV LBO
35	4	618779	1 11/16MFOR-90-1 1/4FLG C62LBO
36	8	618780	1 1/4 SPLIT FLANGE HALF, #62
37	1	618781	SPACER/TESTPORT,#16 CODE 61
38	2	618782	9/16MOR-9/16FOR-9/16MJIC BRNCH
39	4	618465	O-RING FOR 1 1/4" FLANGE, -20
40	4	900141	3/8UNC X 4 1/2 HHCS GR 5
41	2	900264	1/2UNC X 1 1/4 HHCS GR 5
42	4	920002	3/8 SAE FLAT WASHER
43	4	920502	3/8 LOCK WASHER
44	1	618394	O-RING FOR 2" FLANGE -32
45	2	618333	7/8FJIC SW RUN TEE-7/8MJIC
46	1	618486	9/16FJIC SW RUN TEE-9/16MJIC
47	1	618531	9/16FJIC CAP NUT
48	1	618821	2 1/2FJ SW RUN TEE-2 1/2MJ
49	1	618844	2 1/2FJIC-1 5/8MJIC ADPTR
50	1	618523	7/8FJIC-3/4MJIC ADPTR
51	1	618532	3/4FJIC CAP NUT

NOTE: (*) USED WITH THE PRESSURE WASHER OPTION.

NOTE: ITEMS MARKED WITH A (*) COME IN THE COOLER PACKAGE-316690.

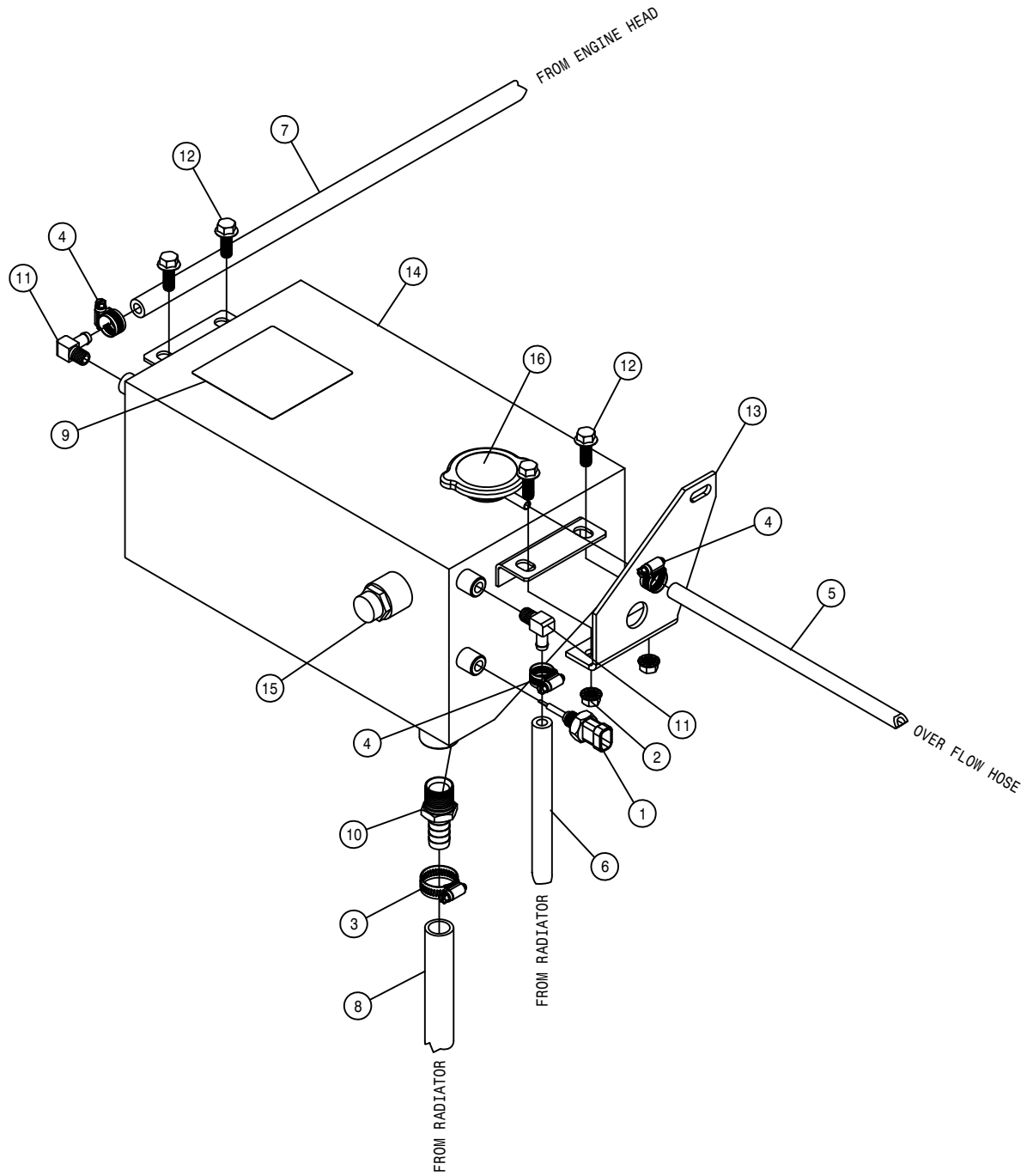
RADIATOR AND OIL COOLER ASSEMBLY

DET. QTY PART NO. DESCRIPTION



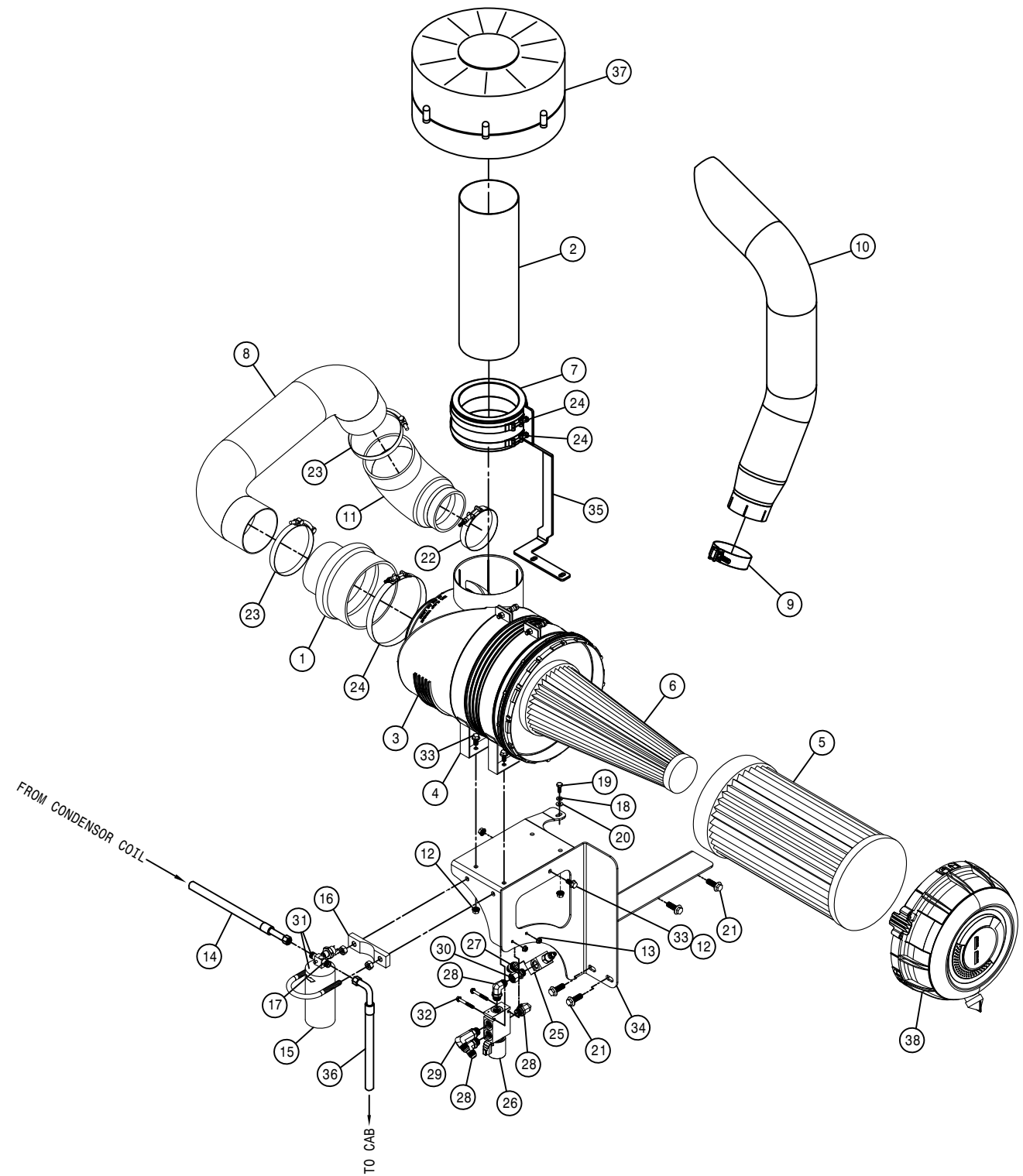
DET.	QTY	PART NO.	DESCRIPTION
1	2	291007	ROSEBUD CLIP FOR .750 CONDUIT
2	2	311054	RUBBER MOUNT SET, CB-2202-4
3	2	311055	REBOUND WASHER FOR 311054
4	4	311501	3.50 X 6.00 CAC HOSE
5	1	316696	FAN MOUNT, STS 16 2007
6	1	316695	BULB SEAL MT, COOLING PKG STS16
7	2	470360	1/2UNC HEX FLANGE LOCK NUT
8	1	520055	HOSE CLAMP NO 12 STAINLESS
9	1	520069	HOSE CLAMP NO 6 STAINLESS
10	4	520099	HOSE CLAMP NO 40 STAINLESS
11	8	520145	3.56/3.88 T-BOLT HOSE CLAMP SS
12	1	607023	SAUER GEAR MOTOR, SNM3/44 07
13	1	618119	9/16MJIC-90-9/16MOR LBO
14	1	618472	1 5/8MJIC-1 5/8MOR ADPTR
15	1	618477	1 5/8MJIC-90-1 5/8MOR LBO
16	2	618527	1 7/8MJIC-1 5/8MOR ADPTR
17	1	618768	1 5/8MJIC-90-1 5/8FJX TUBE
18	1	711102	3/4NPT X 3/4 HOSE BARB, BRS
19	1	783304	1/4 NPT X 3/8 HOSE BARB, BRS
20	2	900129	3/8UNC X 1" SERR FLANGE BOLT
21	4	900263	1/2UNC X 1" HEX BOLT
22	2	470461	1/2UNC X 3 SERR FLANGE BOLT
23	2	901255	1/2UNC X 1 1/2 CARR BOLT
24	1	316692	OIL, COOLER FOR 316690
25	1	311555	TUBE, CAC HOT
26	1	311556	TUBE, CAC COLD, STS16 07
27	1	311553	HOSE, LOWER RADIATOR, STS16 07
28	1	311554	HOSE, UPPER RADIATOR, STS16 07
29	1	316752	SURGE TANK SUPP ANGLE, STS16 07
30	1	316812	FAN ASSEMBLY, MULTI-WING
31	1	316690	COOLER PACKAGE KIT, STS 16 07
32	1	316693	CAC FOR 316690
33	1	316694	SHROUD FOR 316690
34	1	316691	RADIATOR FOR 316690
35	1	520101	CUSH CLAMP, #16 1"D X 1/2W
36	1	470118	1/4UNC X 3/4 FLANGE HEX BOLT
37	1	470121	1/4UNC HEX FLANGE LOCK NUT
38	1	472019	KEY, 1/4 SQ X 1 LG, RD END
39	3	906007	1/4UNC X 2" HEX BOLT FULL
40	3	920500	1/4 LOCK WASHER
41	1	618681	1 7/8FJ SW RUN TEE-1 7/8MJ
42	1	618829	1 7/8FJIC CAP NUT

7



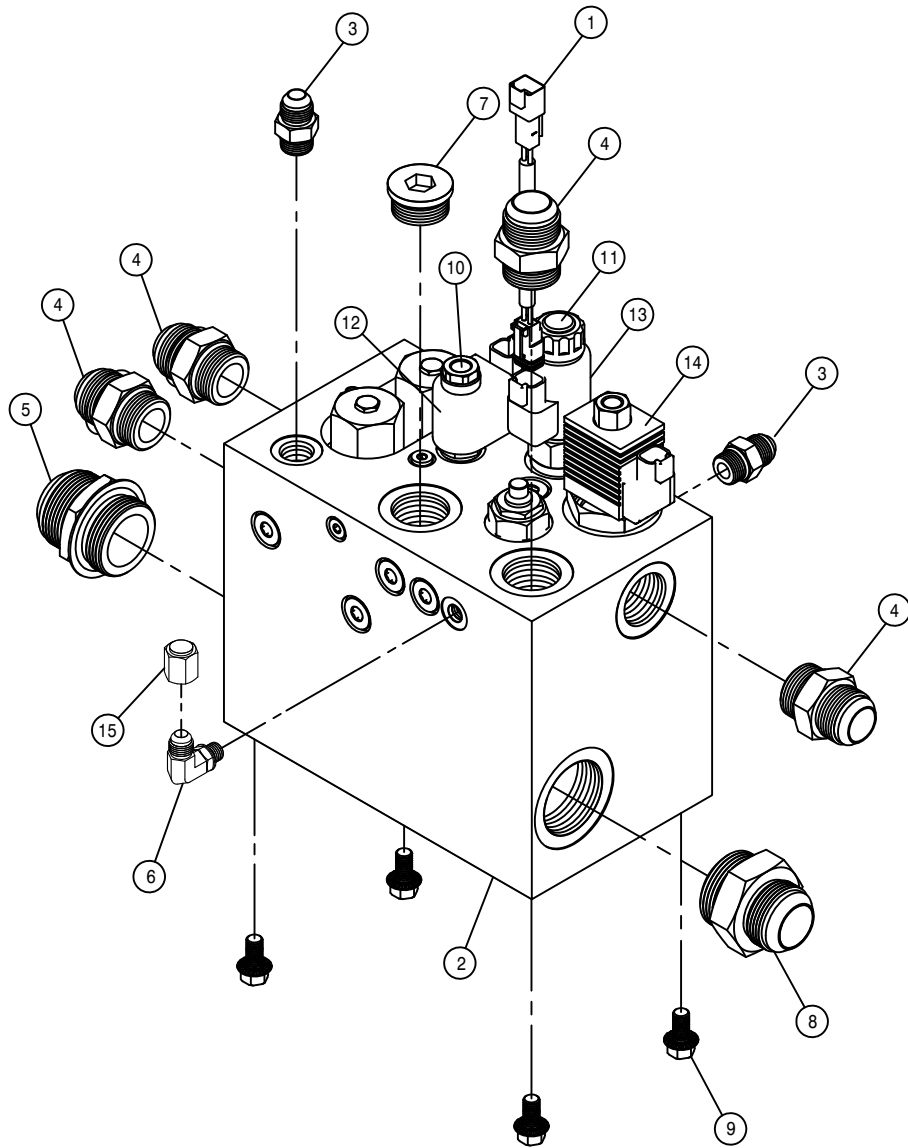
SURGE TANK ASSEMBLY

DET.	QTY	PART NO.	DESCRIPTION
	1	291935	RAD WATER LEVEL SENSOR,T3 ENG
	4	470087	3/8UNC HEX FLANGE LOCK NUT
	1	520055	HOSE CLAMP NO 12 STAINLESS
	4	520069	HOSE CLAMP NO 6 STAINLESS
	5	601614	HOSE, 5/16 X 64 EPDM
	6	601701	HOSE, 3/8 X 45 HEATER
	7	601702	HOSE, 3/8 X 62 HEATER
	8	601703	HOSE, 3/4 X 25 HEATER
	9	650191	DECAL,CAUTION COOLANT
	10	711102	3/4NPT X 3/4 HOSE BARB, BRS
	11	711104	1/4MNPT-90-3/8 HOSE BARB, BRS
	12	900129	3/8UNC X 1" SERR FLANGE BOLT
	13	316753	SURGE TANK SUPP BRKT,STS16 07
	14	316714	SURGE TANK
	15	470532	SIGHT GAUGE, 3/4NPT, BRASS
	16	316969	RADIATOR CAP, 16PSI



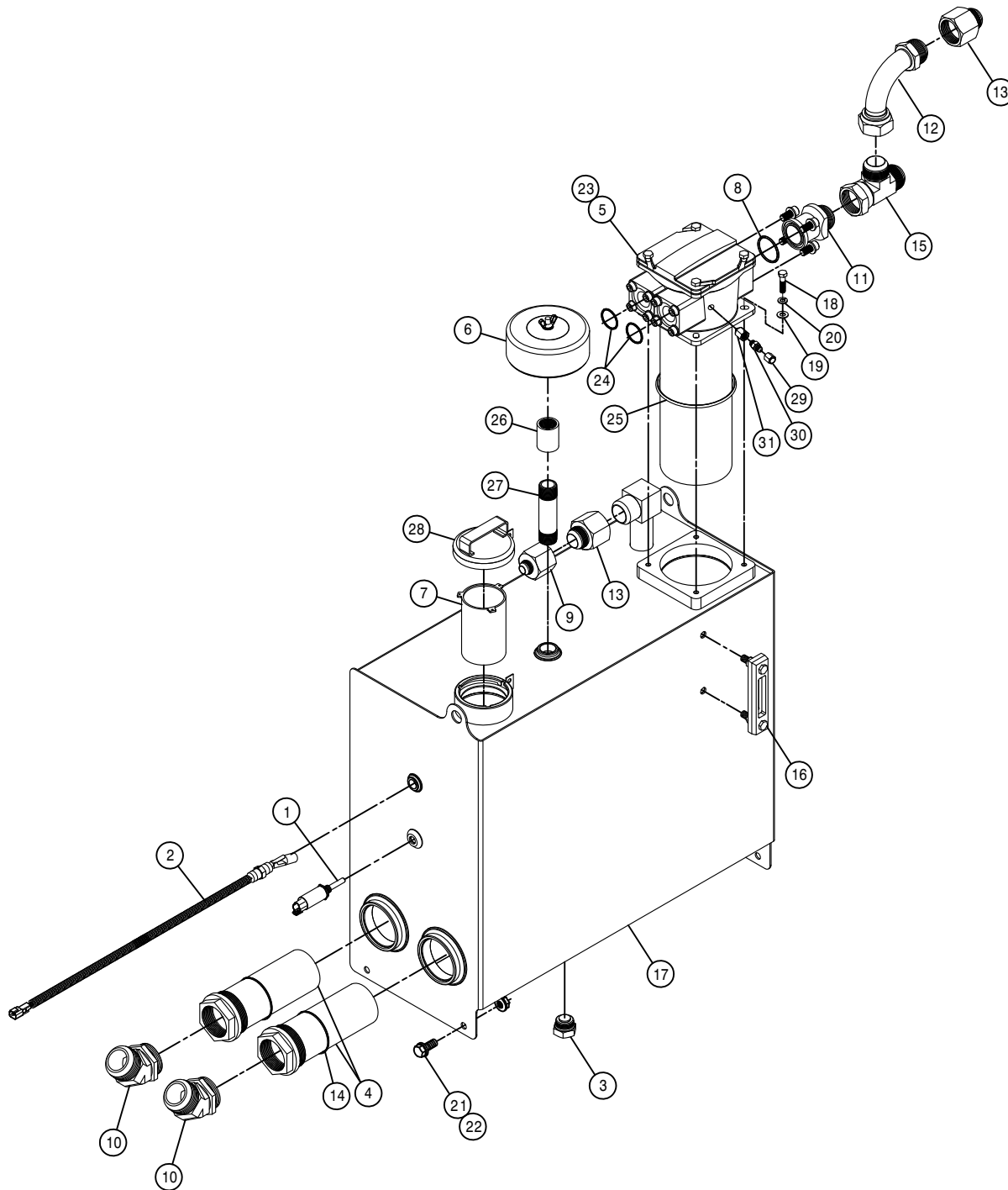
AIR CLEANER ASSEMBLY

DET.	QTY	PART NO.	DESCRIPTION
1	1	311536	7" -5" REDU HUMP HOSE, RUBBER
2	1	311567	AIR CLEANER EXTEN,6"OD X 18"LG
3	1	311541	AIR CLEANER,OPTIAIR 1300
4	2	311542	AIR CLEANER MT BAND FOR 311541
5	1	311543	PRIMARY AIR FILTER FOR 311541
6	1	311544	SECONDARY FILTER FOR 311541
7	1	311566	7"ID-6"ID REDU SLEEVE, RUBBER
8	1	311546	TUBE,AIR CLNER-TURBO, STS16 07
9	1	470519	MUFFLER CLAMP, 4.00 ACCUSEAL
10	1	316808	EXHAUST STACK, STS16 BLK 09
11	1	316297	5" -4" 90DEG REDU ELBOW,RUBBER
12	5	470087	3/8UNC HEX FLANGE LOCK NUT
13	2	470121	1/4UNC HEX FLANGE LOCK NUT
14	1	657489	A/C HOSE ASSY, 5/16 X 111
15	1	657421	A/C RECEIVER/DRIER
16	1	470498	U-BOLT CLAMP,3.00, POLY SADDLE
17	1	657422	A/C BINARY SWITCH
18	1	473804	8MM LOCK WASHER
19	1	473827	8MM-1.25 X 20MM HEX BOLT
20	1	473849	8MM FLAT WASHER
21	4	473855	12MM-1.75 X 35MM FLANGE BOLT
22	1	520134	4.31/4.59 T-BOLT HOSE CLAMP SS
23	2	520148	5.38/5.69 T-BOLT HOSE CLAMP SS
24	3	520150	7.38/7.69 T-BOLT HOSE CLAMP SS
25	1	607553	THROTTLE VALVE, SUN HYD
26	1	607555	SOLENOID VALVE
27	1	611125	3/4MJIC-3/4MOR ADPTR
28	3	618241	3/4MJIC-90-3/4MOR LBO
29	1	618443	3/4MJIC-90-3/4MOR EX LG LBO
30	1	618669	3/4FJIC SWIV-3/4MOR ADPTR
31	1	657438	RECEIVER DRIER W/SWITCH
32	2	900007	1/4UNC X 2" HEX BOLT
33	5	900128	3/8UNC X 3/4 HEX BOLT
34	1	316741	AIR CLEANER MT WLD,STS 16 07
35	1	316807	AIR INTAKE SUPP, STS16 09
36	1	657488	A/C HOSE ASSY, 5/16 X 62
37	1	311520	ENGINE PRE CLEANER
38	1	311565	COVER ASSEMBLY FOR 311541



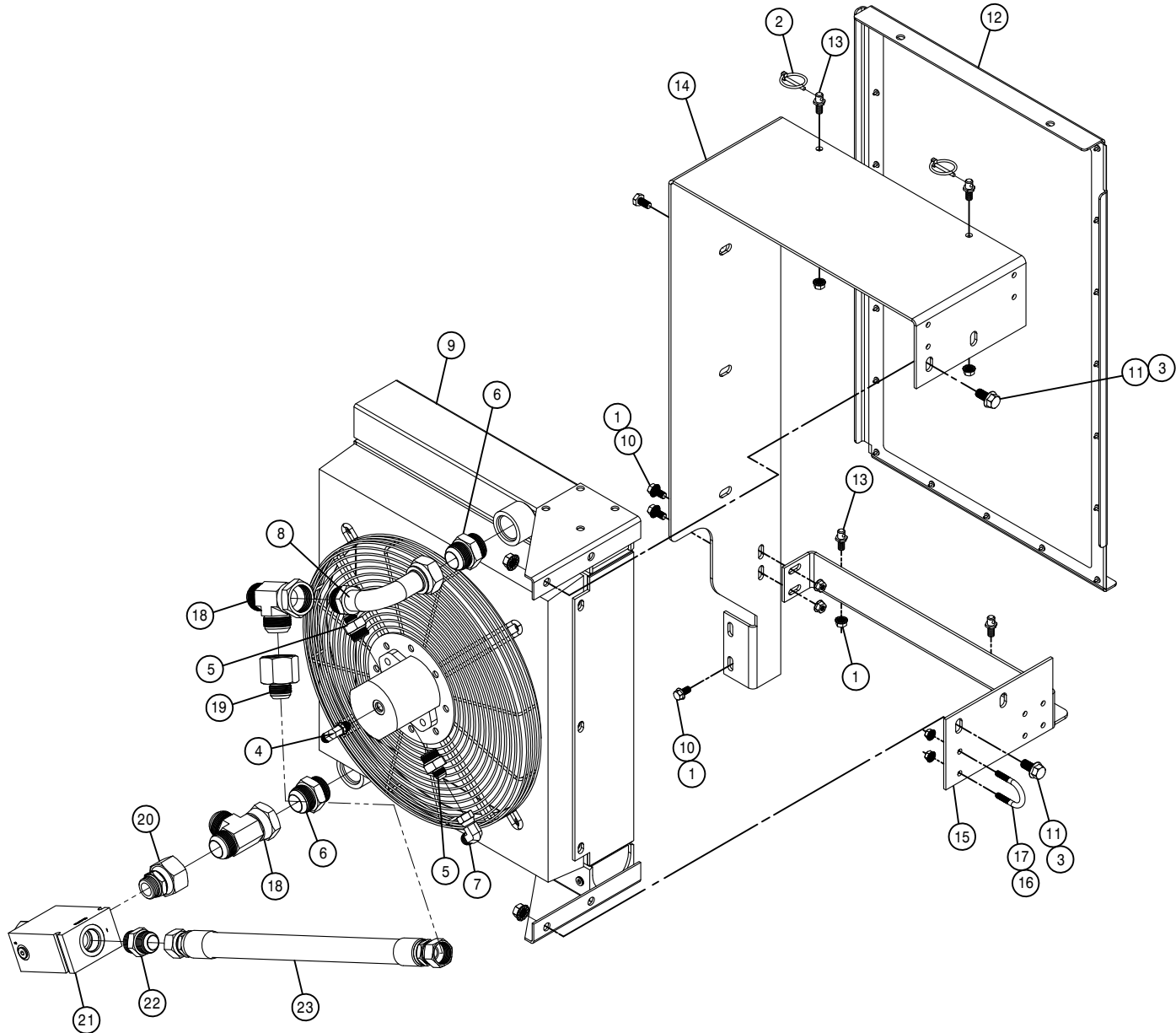
FAN CONTROL VALVE ASSEMBLY

DET.	QTY	PART NO.	DESCRIPTION
1	1	293880	JUMPER WIRE ASSY(DEUTSCH)
2	1	606289	FAN CTRL VALVE, STS16
3	2	611125	3/4MJIC-3/4MOR ADPTR
4	4	618186	1 5/16MJIC-1 5/16MOR ADPTR
5	1	618682	1 7/8MOR-1 7/8MJIC ADPTR
6	1	618114	9/16MJIC-90-7/16MOR LBO
7	1	618758	1 5/16 MOR PLUG, HEX SOCKET
8	1	618788	1 5/8MJIC-1 7/8MOR ADPTR
9	4	900128	3/8UNC X 3/4 HEX BOLT
10	1	606326	CARTRIDGE SV08-24 FOR 606281
11	1	606327	CARTRIDGE PRV12 FOR 606281
12	1	606328	COIL (SV08-CART) FOR 606281
13	1	606329	COIL (PRV12-CART) FOR 606281
14	1	606325	CARTRIDGE CP503 FOR 606281
15	1	618531	9/16FJIC CAP NUT



HYDRAULIC TANK ASSEMBLY

DET.	QTY	PART NO.	DESCRIPTION
	1	291995	TEMPERATURE TRANSDUCER, HYDAC
	1	293815	LIQ LEV SWITCH ASSY, 1/2NPT SS
	1	470471	1 5/16MOR PLUG, MAGNETIC
	2	605623	SUCTION STRAINER, 39GPM 100M 32
	1	605625	IN-TANK RETURN FILTER, 10M
	1	605647	BREATHER-HYD RSRVR
	1	605645	STRAINER-HYD RSRVR
	1	618395	O-RING FOR 1 1/2" FLANGE -24
	1	618665	1 5/8FJIC-1 1/16MJIC ADPTR
	2	618746	2 1/2MJIC-45-2 1/2MOR LBO
	1	618747	1 1/2 FLANGE-1 7/8MJIC ADPTR
	1	618764	1 7/8MJIC-90-1 7/8FJX TUBE LBO
	2	618767	1 7/8FJIC-1 5/8MJIC ADPTR
	2	605638	O-RING, -48 3.228ID- .118W
	1	618681	1 7/8FJ SW RUN TEE-1 7/8MJ
	1	760177	SIGHT GAUGE W/TEMP, HYD TANK
	1	760779	HYD TANK WELD, STS16 '11
	4	900131	3/8UNC X 1 1/2 HEX BOLT
	4	920002	3/8 SAE FLAT WASHER
	4	920502	3/8 LOCK WASHER
	4	900264	1/2UNC X 1 1/4 HEX BOLT
	4	470360	1/2UNC SER FLG HEX NUT
	1	605626	FILTER ELEMENT FOR 605625 10M
	2	618465	O-RING FOR 1 1/4" FLANGE, -20
	1	605632	O-RING, -357, FILTER HEAD 605625
	1	505109	STL PIPE CPLG, 1.00NPT
	1	505205	BLK PIPE NIPPLE 1.00NPT-5.00
	1	605646	FILL CAP-HYD RSRVR NON-VENTED
	1	618363	7/16FJIC CAP NUT
	1	618937	7/16MJIC-7/16MOR, 1/4 CHECK VLV
	1	611171	7/16FOR-1/8MBSPP ADPTR



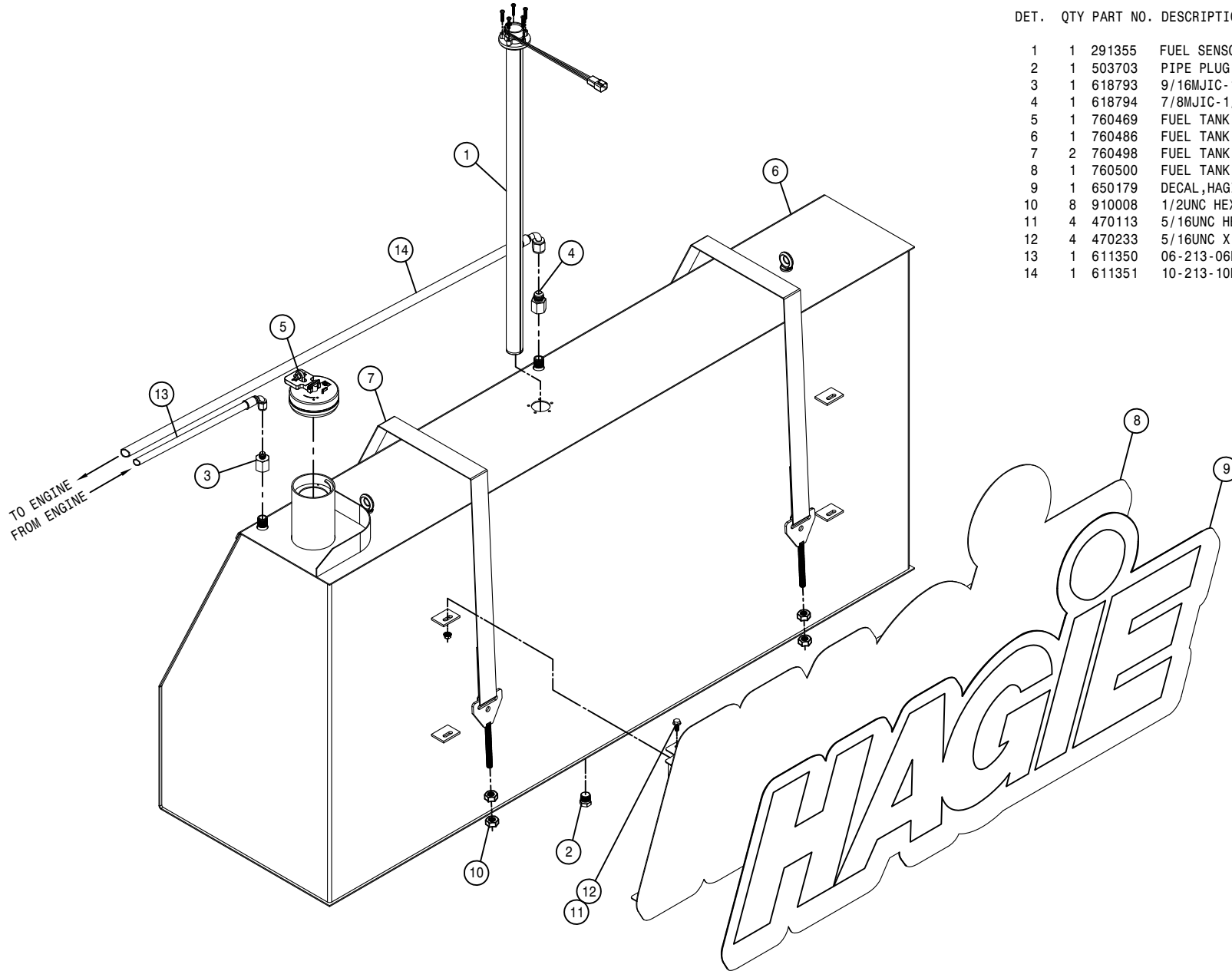
AUX OIL COOLER ASSEMBLY

DET.	QTY	PART NO.	DESCRIPTION
1	8	470087	3/8UNC HEX SER FLG NUT
2	2	470335	LINCHPIN, 3/16 X 1 1/4 GRIP YZ
3	4	470360	1/2UNC SER FLG HEX NUT
4	1	618119	9/16MJIC-90-9/16MOR LBO
5	2	618469	3/4MJIC-1 1/16MOR ADPTR
6	2	618472	1 5/8MJIC-1 5/8MOR ADPTR
7	1	618609	3/4MJIC-90-3/4FJIC SWIV LBO
8	1	618768	1 5/8MJIC-90-1 5/8FJX TUBE
9	1	618808	OIL COOLER STS16 07
10	4	900128	3/8UNC X 3/4 HEX BOLT YZ
11	4	900263	1/2UNC X 1" HEX BOLT
12	1	316784	AUX COOLR SCREEN ASSY,STS16 07
13	4	470520	HANGER PIN,3/8UNC X.437DX.500L
14	1	316782	AUX COOLER MT,STS16 07
15	1	316804	AUX COOLER BOTM BRKT,STS16 07
16	8	470113	5/16UNC SER FLG LOCK NUT
17	4	473911	5/16UNC-1.31ID-2.00 U-BOLT
18	2	618726	1 5/8FJ SW RUN TEE-1 5/8MJ
19	1	618547	1 5/8FJIC-1 5/16MJIC ADPTR
20	1	618725	1 5/16MOR-1 5/8FJIC SWIV
21	1	607118	COOLER BYPASS VLV STS' 14
22	1	618186	1 5/16MJIC-1 5/16MOR ADPTR
23	1	617164	16-881-16FJX-16FJX-25 H/A

FUEL TANK ASSEMBLY

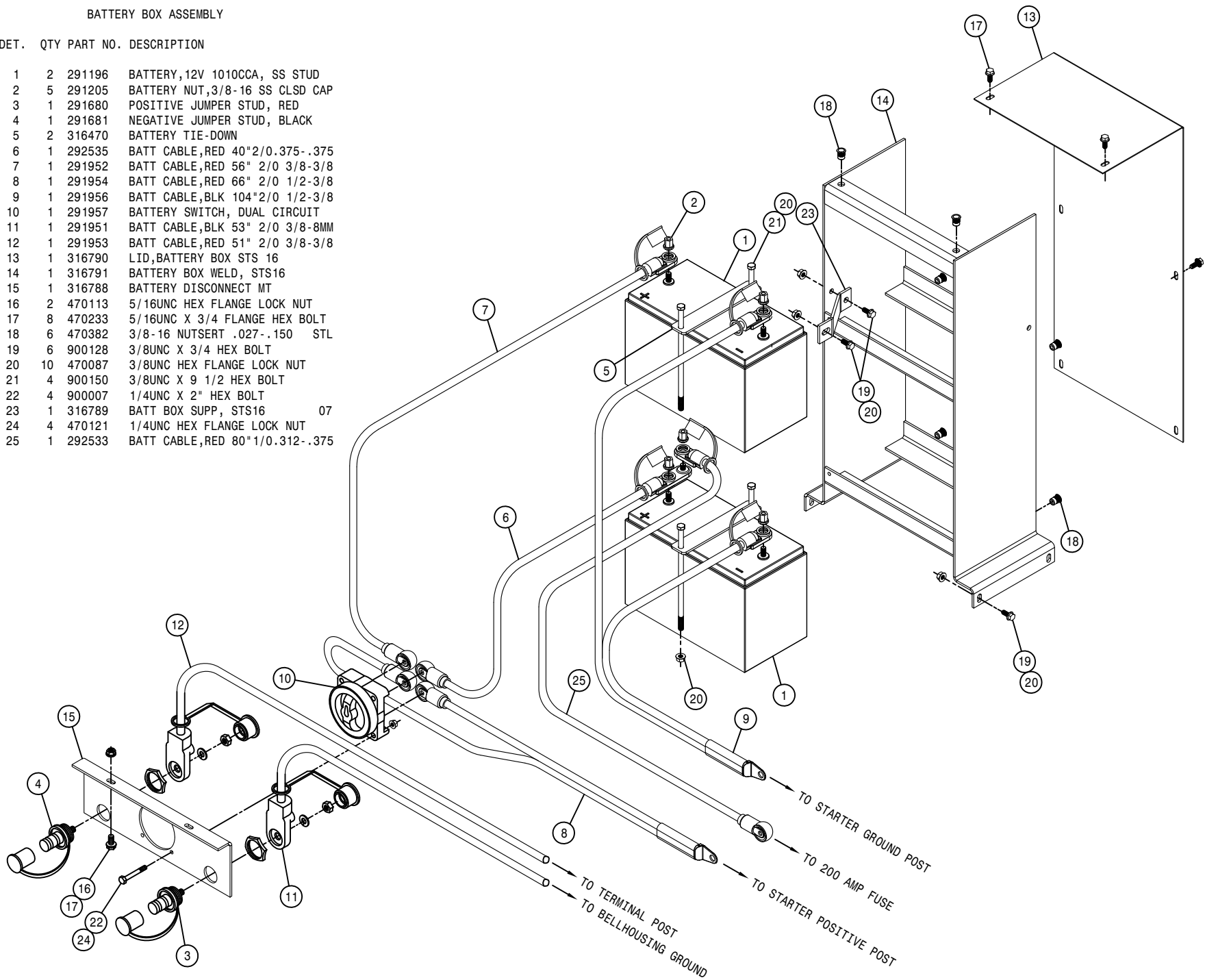
DET. QTY PART NO. DESCRIPTION

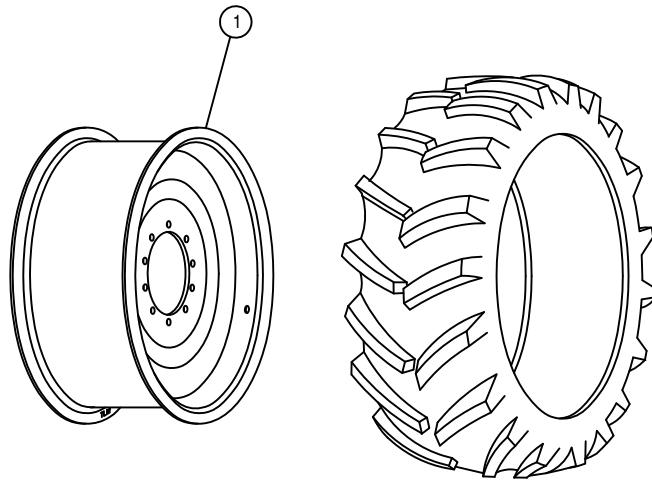
1	1	291355	FUEL SENSOR	STS16	07
2	1	503703	PIPE PLUG .50NPT SKT HD		
3	1	618793	9/16MJIC-1/2FNPT ADPTR		
4	1	618794	7/8MJIC-1/2FNPT ADPTR		
5	1	760469	FUEL TANK CAP,3.50" VENTED		
6	1	760486	FUEL TANK WLDMT,STS16		07
7	2	760498	FUEL TANK STRAP ASSY, STS16		07
8	1	760500	FUEL TANK DECAL BRKT WLD,STS16		
9	1	650179	DECAL,HAGIE UPFRONT, 28 X 60		
10	8	910008	1/2UNC HEX NUT		
11	4	470113	5/16UNC HEX FLANGE LOCK NUT		
12	4	470233	5/16UNC X 3/4 FLANGE HEX BOLT		
13	1	611350	06-213-06FJX-06FJX90-107	H/A	
14	1	611351	10-213-10FJX90-10FJX-136	H/A	



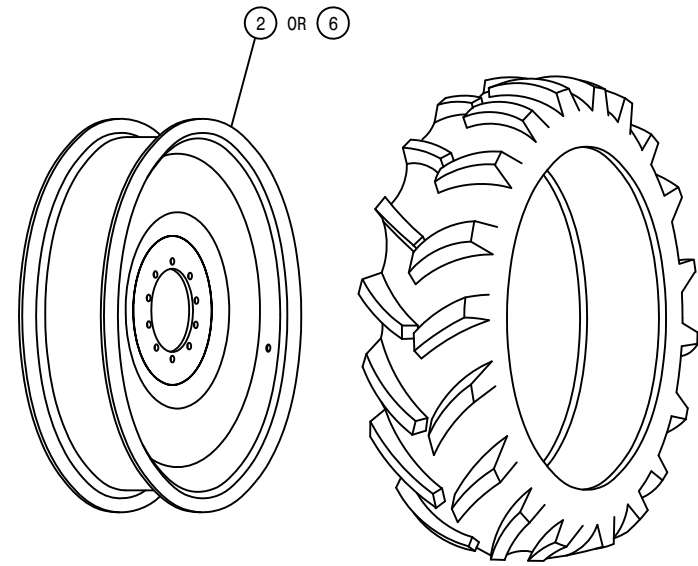
BATTERY BOX ASSEMBLY

DET.	QTY	PART NO.	DESCRIPTION
1	2	291196	BATTERY,12V 1010CCA, SS STUD
2	5	291205	BATTERY NUT,3/8-16 SS CLSD CAP
3	1	291680	POSITIVE JUMPER STUD, RED
4	1	291681	NEGATIVE JUMPER STUD, BLACK
5	2	316470	BATTERY TIE-DOWN
6	1	292535	BATT CABLE,RED 40"2/0.375-.375
7	1	291952	BATT CABLE,RED 56" 2/0 3/8-3/8
8	1	291954	BATT CABLE,RED 66" 2/0 1/2-3/8
9	1	291956	BATT CABLE,BLK 104"2/0 1/2-3/8
10	1	291957	BATTERY SWITCH, DUAL CIRCUIT
11	1	291951	BATT CABLE,BLK 53" 2/0 3/8-8MM
12	1	291953	BATT CABLE,RED 51" 2/0 3/8-3/8
13	1	316790	LID,BATTERY BOX STS 16
14	1	316791	BATTERY BOX WELD, STS16
15	1	316788	BATTERY DISCONNECT MT
16	2	470113	5/16UNC HEX FLANGE LOCK NUT
17	8	470233	5/16UNC X 3/4 FLANGE HEX BOLT
18	6	470382	3/8-16 NUTSERT .027-.150 STL
19	6	900128	3/8UNC X 3/4 HEX BOLT
20	10	470087	3/8UNC HEX FLANGE LOCK NUT
21	4	900150	3/8UNC X 9 1/2 HEX BOLT
22	4	900007	1/4UNC X 2" HEX BOLT
23	1	316789	BATT BOX SUPP, STS16
24	4	470121	1/4UNC HEX FLANGE LOCK NUT
25	1	292533	BATT CABLE,RED 80"1/0.312-.375





580/70 R38 RADIAL TIRE



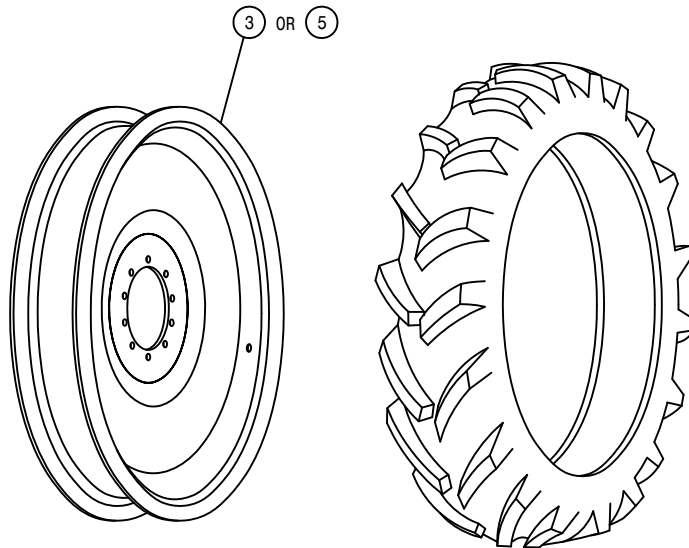
380/90 R46 RADIAL TIRE

520/85 R46 RADIAL TIRE

TIRE AND RIM ASSEMBLY

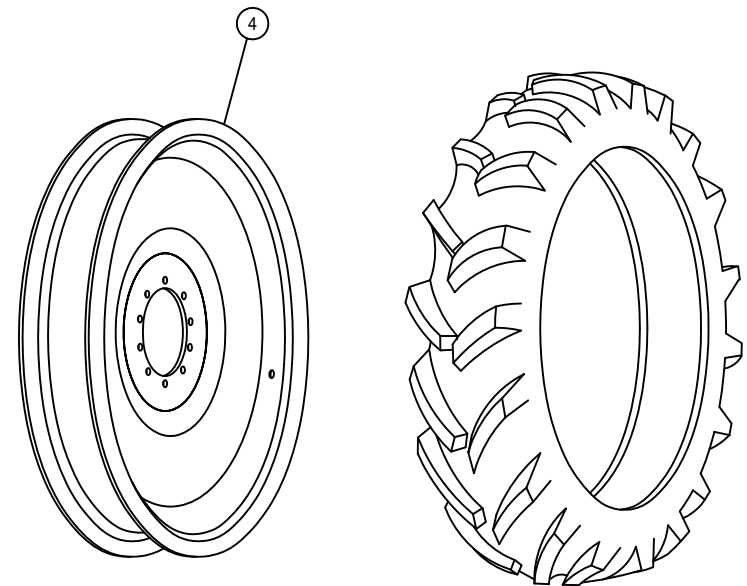
DET. QTY PART NO. DESCRIPTION

1	1	821055	RIM WLD, 38 X W18A	STS12
2	1	821054	RIM WLD, 46 X W13A	STS12
3	1	821053	RIM WLD, 50 X DW10	STS
4	1	821058	RIM WLD, 54 X W10A	
5	1	821059	RIM WLD, 54 X W12	
6	1	821061	RIM WLD, 46 X W16	



320/90 R50 RADIAL TIRE

380/90 R54 RADIAL TIRE



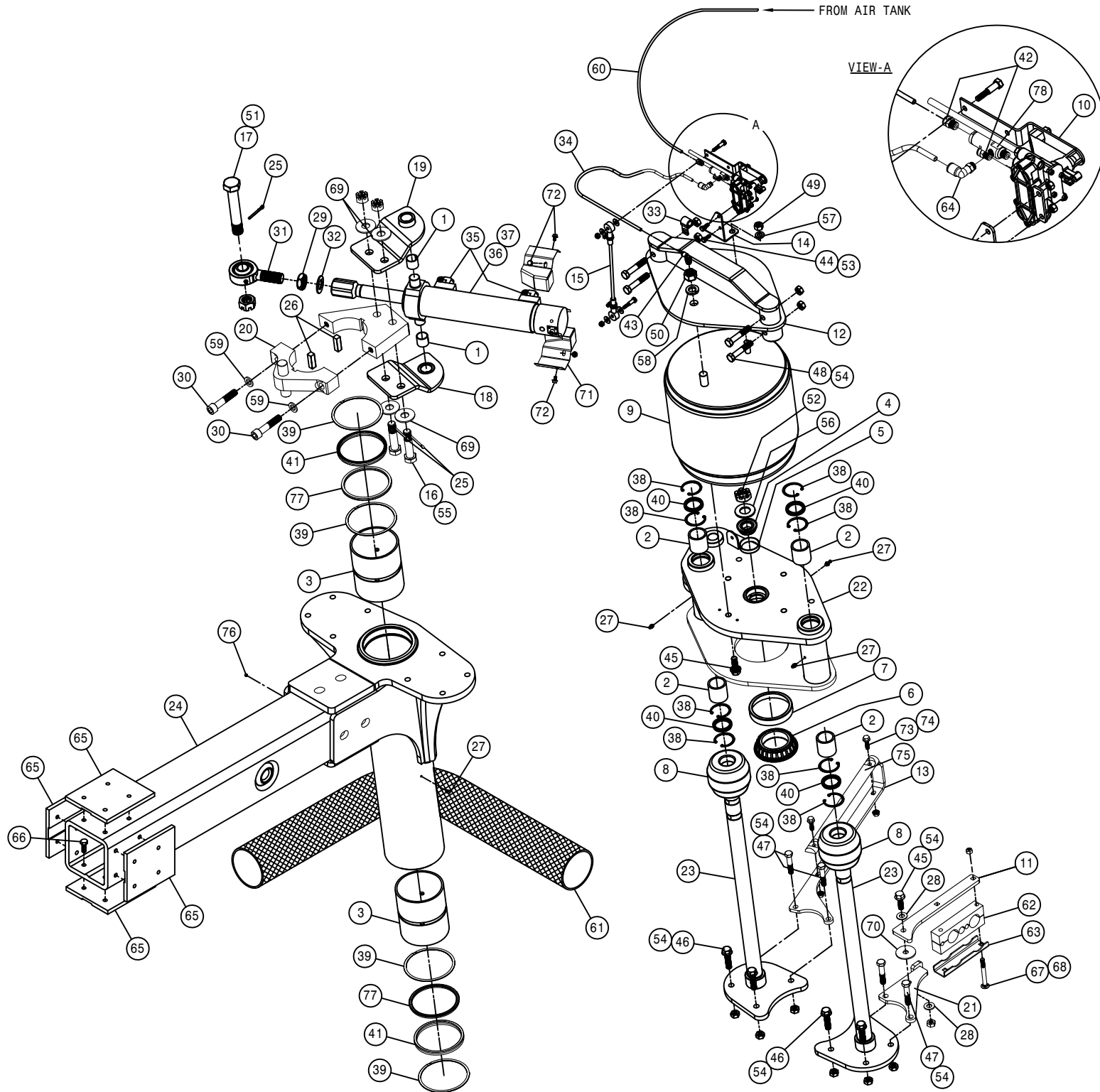
320/105 R54 RADIAL TIRE

FROM AIR TANK

RIGHT FRONT OUTER LEG ASSEMBLY

DET.	QTY	PART NO.	DESCRIPTION
1	2	121029	JOURNAL BRG, 1.00 ID X 1.00 LG
2	4	121113	BEARING, 1.50-1.81-1.86 POLYGON
3	2	121125	BEARING, 4.52-4.86-5.72 POLYGON
4	1	125050	BRG CONE, 1.00 ID W/FACE SEAL
5	1	125051	BRG CUP FOR 125050
6	1	125052	BRG CONE, 2.687 ID W/FACE SEAL
7	1	125053	BRG CUP FOR 125052
8	2	311058	RUBBER SPRING
9	1	311080	AIRIDE SPRING, 11.81 BASE
10	1	358832	AIRIDE SPRING CTRL VALVE 98
11	1	359641	HOSE SUPP SWIVEL PLT STS'12
12	1	359333	AIRBAG TOWER TOP MT WLD, STS 05
13	1	359350	RH EXTENDED HOSE SUPPORT, STS
14	1	359369	RH LEG AIR VALVE MT, STS16 05
15	1	359544	LEG HEIGHT CTRL LINK, AWS STS09
16	2	359545	TRUNION MT BOLT, AWS STS 09
17	1	359546	STRG CYL BOLT, AWS STS 09
18	1	359547	TOP TRUNION MT WLD, AWS STS 09
19	1	359548	BTM TRUNION MT WLD, AWS STS 09
20	1	359593	STRG ARM CLAMP WLD, STS '10
21	1	359638	HOSE SUPP SWIVEL WLD STS'12
22	1	360020	RH AIR BAG LWR PLT WLD STS'13
23	2	359654	NITRO TOWER SHAFT WLD STS'13
24	1	360024	OUTER LEG WLD STS'13
25	3	470117	COTTER PIN 3/16 X 1 3/4 SQ CUT
26	2	470447	KEY, .50 SQ X 1.69 LG
27	4	471005	GREASE ZERK, 1/4-28 X 1/2
28	2	920004	1/2 SAE FLAT WASHER
29	1	472328	1" - 12 HEX JAM NUT, GR5
30	2	472337	5/8 X 3" SOCKET HD CAP SCR
31	1	473975	ROD END, 1.00 BORE, 1-12 RH MALE
32	1	920508	1" LOCK WASHER
33	1	520164	CUSH CLAMP, 9/16D-3/4W-.531MT
34	1	601473	HOSE, 1/4 X 18 AIR
35	2	618241	3/4MJIC-90-3/4MOR LBO
36	1	621614	HYD CYL, 2.50 X 8.81 PHASE/2SEN
37	1	621615	REPAIR KIT, HYD CYL 621614
38	8	629537	187RRHOZ SNAP RING
39	4	629538	4.5 SPIROLOX RING
40	4	629620	SEAL, 1.500 ROD DIA
41	2	629621	SEAL, 4.500 ROD DIA
42	2	711036	1/8MNPT-1/4 NYL TUBE FTG
43	1	711040	1/4MNPT-90-1/4 NYL TUBE LBO
44	2	900002	1/4UNC X 3/4 HEX BOLT
45	5	900265	1/2UNC X 1 1/2 HEX BOLT
46	4	900267	1/2UNC X 2" HEX BOLT
47	4	900268	1/2UNC X 2 1/2 HEX BOLT
48	4	900269	1/2UNC X 2 3/4 HEX BOLT
49	1	910008	1/2UNC HEX NUT
50	1	910013	3/4UNF HEX NUT
51	1	910020	1-8 HEX SLOTTED NUT
52	1	910021	1-14 SLOT JAM NUT
53	2	914000	1/4UNC HEX STOVER NUT
54	13	914008	1/2UNC HEX STOVER NUT
55	2	910102	3/4UNC SLOT HEX NUT, GR8
56	1	920008	1" SAE FLAT WASHER
57	1	920504	1/2 LOCK WASHER
58	1	920506	3/4 LOCK WASHER
59	2	473841	16MM LOCK WASHER
60	1	601642	HOSE, 1/4 X 256 AIR
61	1	470310	SIDEWINDER SLEEVE, 14.06 X 45"
62	1	470305	HOSE CLAMP, 5-HOLE
63	1	359094	HYD TUBE CLAMP KEEPER, 6.25
64	1	711039	1/8MNPT-90-1/4 NYL TUBE LBO
65	4	342719	TRD ADJ BRONZE BEARING, THD-GRV
66	16	900128	3/8UNC X 3/4 HEX BOLT
67	2	901138	3/8UNC X 3 1/2 CARR BOLT
68	2	914004	3/8UNC HEX STOVER NUT
69	4	483048	3/4 REG FLAT WASH, THRU-HARD
70	1	002815	SENSOR ARM WASH, NYL
71	2	359645	STRG CYL SENSOR GUARD STS'12
72	4	470883	1/4UNC X 3/8 FLANGE HEX BOLT
73	2	900127	3/8UNC X 1 1/4 SER FLANGE BOLT
74	2	470087	3/8UNC HEX FLANGE LOCK NUT
75	1	359653	HYD BRKT HOSE SHLD, UHMW STS'12
76	1	470062	1/4UNF X 1/4 AL HD CUP SET SCR
77	2	629625	SEAL, 4.500 ROD DIA
78	1	711076	DUMP VALVE

VIEW-A

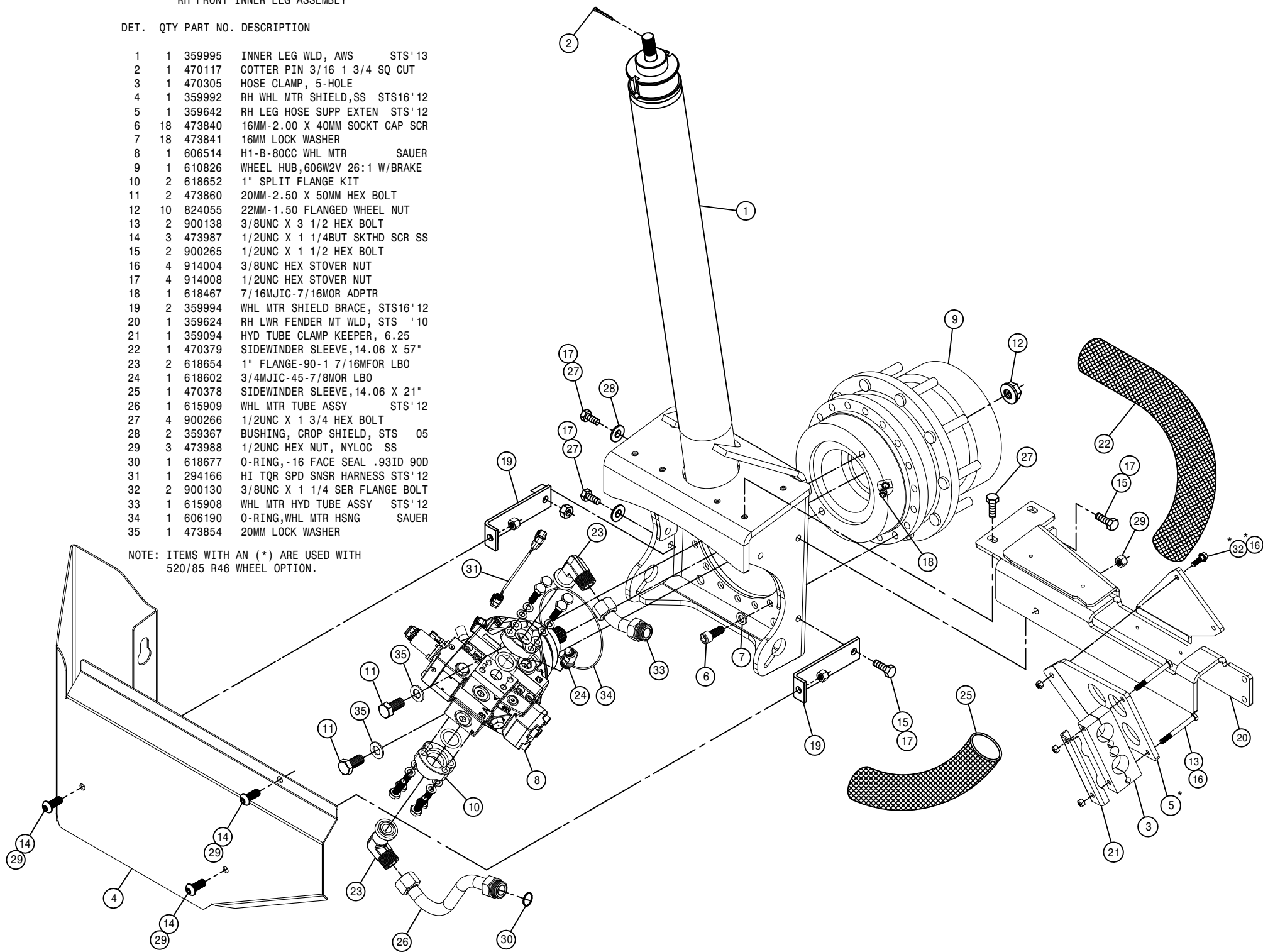


RH FRONT INNER LEG ASSEMBLY

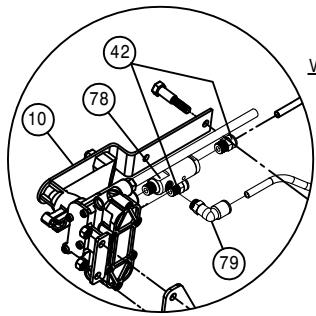
DET. QTY PART NO. DESCRIPTION

1	1	359995	INNER LEG WLD, AWS	STS' 13
2	1	470117	COTTER PIN 3/16 1 3/4 SQ CUT	
3	1	470305	HOSE CLAMP, 5-HOLE	
4	1	359992	RH WHL MTR SHIELD,SS	STS' 16' 12
5	1	359642	RH LEG HOSE SUPP EXTEN	STS' 12
6	18	473840	16MM-2.00 X 40MM SOCKT CAP SCR	
7	18	473841	16MM LOCK WASHER	
8	1	606514	H1-B-80CC WHL MTR	SAUER
9	1	610826	WHEEL HUB,606W2V 26:1 W/BRAKE	
10	2	618652	1" SPLIT FLANGE KIT	
11	2	473860	20MM-2.50 X 50MM HEX BOLT	
12	10	824055	22MM-1.50 FLANGED WHEEL NUT	
13	2	900138	3/8UNC X 3 1/2 HEX BOLT	
14	3	473987	1/2UNC X 1 1/4 BUT SKTHD SCR SS	
15	2	900265	1/2UNC X 1 1/2 HEX BOLT	
16	4	914004	3/8UNC HEX STOVER NUT	
17	4	914008	1/2UNC HEX STOVER NUT	
18	1	618467	7/16MJIC-7/16MOR ADPTR	
19	2	359994	WHL MTR SHIELD BRACE, STS' 16' 12	
20	1	359624	RH LWR FENDER MT WLD, STS ' 10	
21	1	359094	HYD TUBE CLAMP KEEPER, 6.25	
22	1	470379	SIDEWINDER SLEEVE,14.06 X 57"	
23	2	618654	1" FLANGE-90-1 7/16MFOR LBO	
24	1	618602	3/4MJIC-45-7/8MOR LBO	
25	1	470378	SIDEWINDER SLEEVE,14.06 X 21"	
26	1	615909	WHL MTR TUBE ASSY	STS' 12
27	4	900266	1/2UNC X 1 3/4 HEX BOLT	
28	2	359367	BUSHING, CROP SHIELD, STS	05
29	3	473988	1/2UNC HEX NUT, NYLOC SS	
30	1	618677	O-RING, -16 FACE SEAL .93ID 90D	
31	1	294166	HI TOR SPD SNSR HARNESS STS' 12	
32	2	900130	3/8UNC X 1 1/4 SER FLANGE BOLT	
33	1	615908	WHL MTR HYD TUBE ASSY	STS' 12
34	1	606190	O-RING,WHL MTR HSNG	SAUER
35	1	473854	20MM LOCK WASHER	

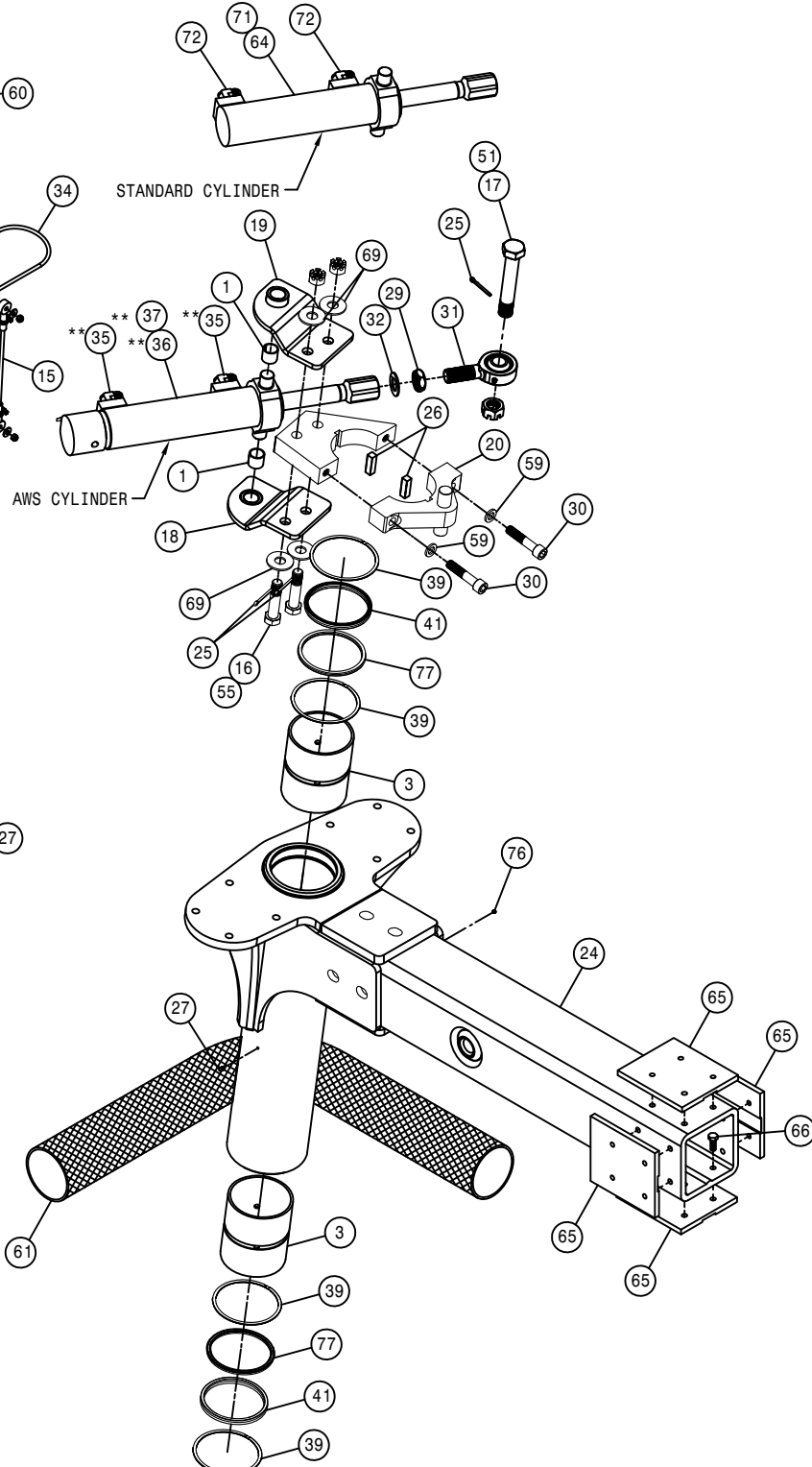
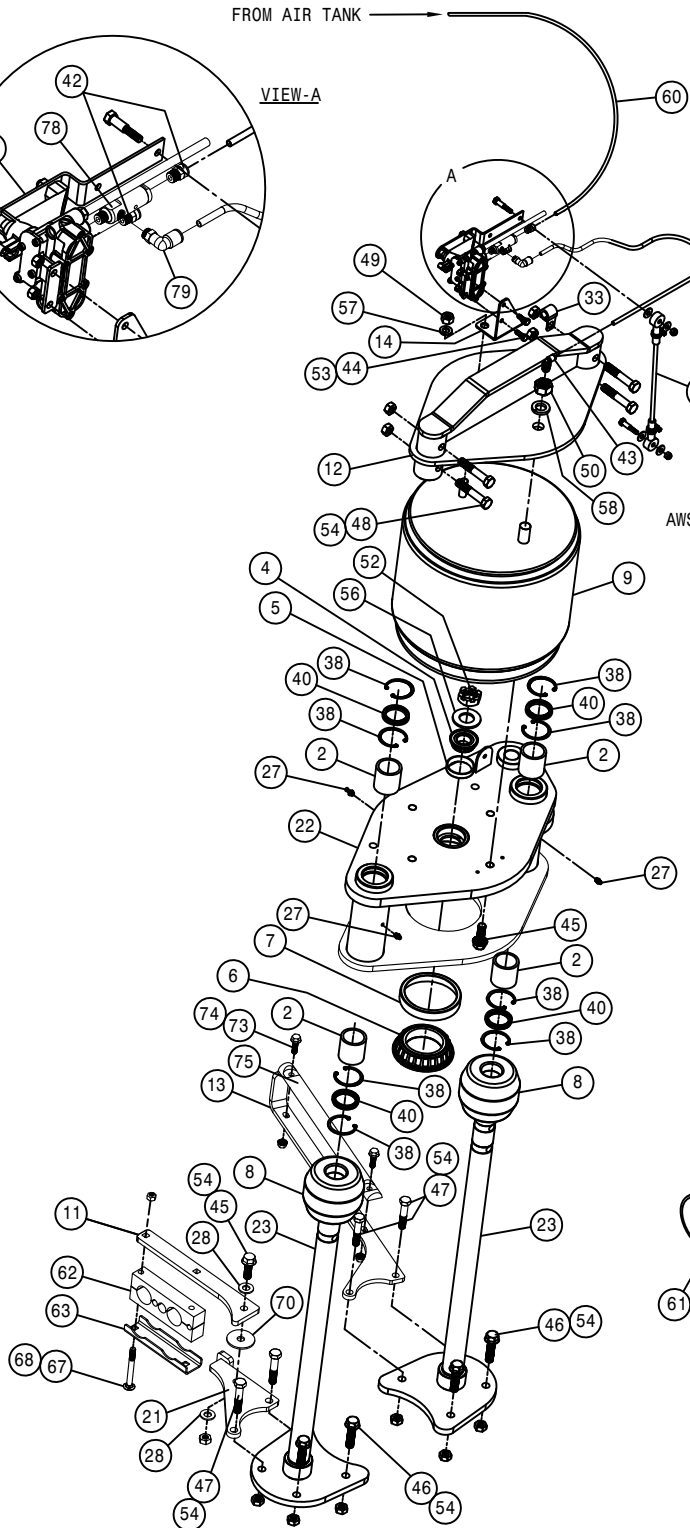
NOTE: ITEMS WITH AN (*) ARE USED WITH 520/85 R46 WHEEL OPTION.



FROM AIR TANK



VIEW-A



LEFT FRONT OUTER LEG ASSEMBLY

DET.	QTY	PART NO.	DESCRIPTION
1	2	121029	JOURNAL BRG, 1.00 ID X 1.00 LG
2	4	121113	BEARING, 1.50-1.81-1.86 POLYGON
3	2	121125	BEARING, 4.52-4.86-5.72 POLYGON
4	1	125050	BRG CONE, 1.00 ID W/FACE SEAL
5	1	125051	BRG CUP FOR 125050
6	1	125052	BRG CONE, 2.687 ID W/FACE SEAL
7	1	125053	BRG CUP FOR 125052
8	2	311058	RUBBER SPRING
9	1	311080	AIRIDE SPRING, 11.81 BASE
10	1	358832	AIRIDE SPRING CTRL VALVE 98
11	1	359641	HOSE SUPP SWIVEL PLT STS'12
12	1	359333	AIRBAG TOWER TOP MT WLD, STS 05
13	1	359351	LH EXTENDED HOSE SUPPORT, STS
14	1	359370	LH LEG AIR VALVE MT, STS16 05
15	1	359544	LEG HEIGHT CTRL LINK, AWS STS09
16	2	359545	TRUNION MT BOLT, AWS STS 09
17	1	359546	STRG CYL BOLT, AWS STS 09
18	1	359547	TOP TRUNION MT WLD, AWS STS 09
19	1	359548	BTM TRUNION MT WLD, AWS STS 09
20	1	359593	STRG ARM CLAMP WLD, STS '10
21	1	359638	HOSE SUPP SWIVEL WLD STS'12
22	1	360021	LH AIR BAG LWR PLT WLD STS'13
23	2	359654	NITRO TOWER SHAFT WLD STS'13
24	1	360024	OUTER LEG WLD STS'13
25	3	470117	COTTER PIN 3/16 1 3/4 SQ CUT
26	2	470447	KEY, .50 SQ X 1.69 LG
27	4	471005	GREASE ZERK, 1/4-28 X 1/2
28	2	920004	1/2 SAE FLAT WASHER
29	1	472328	1"-12 HEX JAM NUT, GR5
30	2	472337	5/8 X 3" SOCKET HD CAP SCR
31	1	473975	ROD END, 1.00 BORE, 1-12 RH MALE
32	1	920508	1" LOCK WASHER
33	1	520164	CUSH CLAMP, 9/16D-3/4W-.531MT
34	1	601473	HOSE, 1/4 X 18 AIR
35	2	618241	3/4MJIC-90-3/4MOR LBO
36	1	621602	HYD CYL, 2.50 X 8.81 PHASE/1SEN
37	1	621604	REPAIR KIT, HYD CYL 621602/603
38	8	629537	187RRHOZ SNAP RING
39	4	629538	4.5 SPIROLOX RING
40	4	629620	SEAL, 1.500 ROD DIA
41	2	629621	SEAL, 4.500 ROD DIA
42	2	711036	1/8MNPT-1/4 NYL TUBE FTG
43	1	711040	1/4MNPT-90-1/4 NYL TUBE LBO
44	2	900002	1/4UNC X 3/4 HEX BOLT
45	5	900265	1/2UNC X 1 1/2 HEX BOLT
46	4	900267	1/2UNC X 2" HEX BOLT
47	4	900268	1/2UNC X 2 1/2 HEX BOLT
48	4	900269	1/2UNC X 2 3/4 HEX BOLT
49	1	910008	1/2UNC HEX NUT
50	1	910013	3/4UNF HEX NUT
51	1	910020	1-8 HEX SLOTTED NUT
52	1	910021	1-14 SLOT JAM NUT
53	2	914000	1/4UNC HEX STOVER NUT
54	13	914008	1/2UNC HEX STOVER NUT
55	2	910102	3/4UNC SLOT HEX NUT, GR8
56	1	920008	1" SAE FLAT WASHER
57	1	920504	1/2 LOCK WASHER
58	1	920506	3/4 LOCK WASHER
59	2	473841	16MM LOCK WASHER
60	1	601641	HOSE, 1/4 X 222 AIR
61	1	470310	SIDEWINDER SLEEVE, 14.06 X 45"
62	1	470305	HOSE CLAMP, 5-HOLE
63	1	359094	HYD TUBE CLAMP KEEPER, 6.25
64	1	621550	HYD CYL, 2.50 X 8.81 X 1.250
65	4	342719	TRD ADJ BRONZE BEARING, THD-GRV
66	16	900128	3/8UNC X 3/4 HEX BOLT
67	2	900138	3/8UNC X 3 1/2 HEX BOLT
68	2	914004	3/8UNC HEX STOVER NUT
69	4	483048	3/4 REG FLAT WASH, THRU-HARD
70	1	002815	SENSOR ARM WASH, NYL
71	1	621551	REPAIR KIT, HYD CYL, STRG 621550
72	2	618249	3/4MJIC-90-9/16MOR LBO
73	2	900127	3/8UNC X 1 1/4 SER FLANGE BOLT
74	2	470087	3/8UNC HEX FLANGE LOCK NUT
75	1	359653	HYD BRKT HOSE SHLD, UHMW STS'12
76	1	470062	1/4UNC X 1/4 AL HD CUP SET SCR
77	2	629625	SEAL, 4.500 ROD DIA
78	1	711076	DUMP VALVE
79	1	711039	1/8MNPT-90-1/4 NYL TUBE LBO

NOTE: (**) ITEMS ARE FOR ALL WHEEL STEER OPTION.

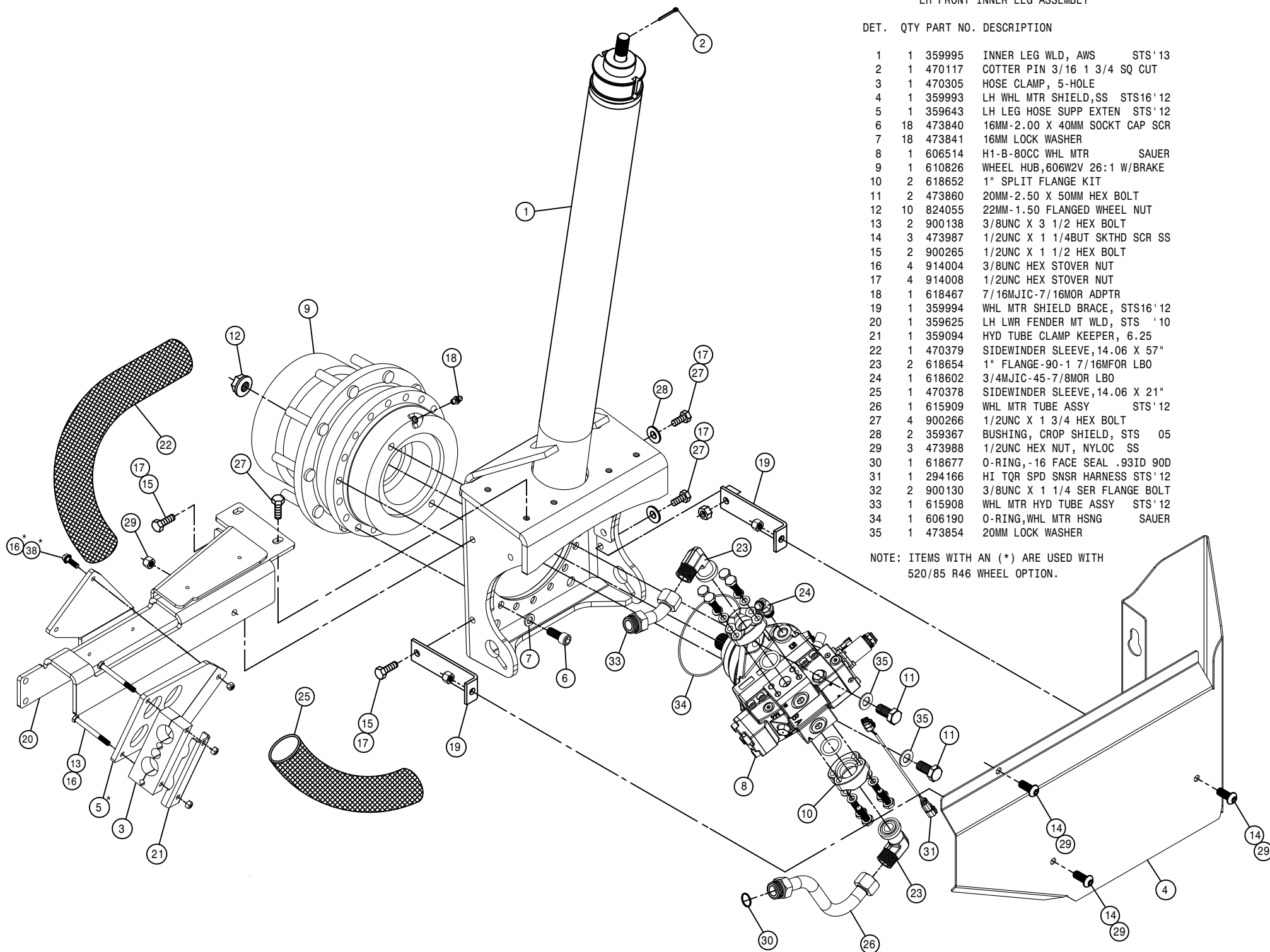
LH FRONT INNER LEG ASSEMBLY

DET. QTY PART NO. DESCRIPTION

DET.	QTY	PART NO.	DESCRIPTION
1	1	359995	INNER LEG WLD, AWS STS' 13
2	1	470117	COTTER PIN 3/16 1 3/4 SQ CUT
3	1	470305	HOSE CLAMP, 5-HOLE
4	1	359993	LH WHL MTR SHIELD,SS STS16' 12
5	1	359643	LH LEG HOSE SUPP EXTEN STS' 12
6	18	473840	16MM-2.00 X 40MM SOCKT CAP SCR
7	18	473841	16MM LOCK WASHER
8	1	606514	H1-B-80CC WHL MTR SAUER
9	1	610826	WHEEL HUB,606W2V 26:1 W/BRAKE
10	2	618652	1" SPLIT FLANGE KIT
11	2	473860	20MM-2.50 X 50MM HEX BOLT
12	10	824055	22MM-1.50 FLANGED WHEEL NUT
13	2	900138	3/8UNC X 3 1/2 HEX BOLT
14	3	473987	1/2UNC X 1 1/4 BUT SKTHD SCR SS
15	2	900265	1/2UNC X 1 1/2 HEX BOLT
16	4	914004	3/8UNC HEX STOVER NUT
17	4	914008	1/2UNC HEX STOVER NUT
18	1	618467	7/16MJIC-7/16MOR ADPTR
19	1	359994	WHL MTR SHIELD BRACE, STS16' 12
20	1	359625	LH LWR FENDER MT WLD, STS '10
21	1	359094	HYD TUBE CLAMP KEEPER, 6.25
22	1	470379	SIDEWINDER SLEEVE,14.06 X 57"
23	2	618654	1" FLANGE-90-1 7/16MFOR LBO
24	1	618602	3/4MJIC-45-7/8MOR LBO
25	1	470378	SIDEWINDER SLEEVE,14.06 X 21"
26	1	615909	WHL MTR TUBE ASSY STS' 12
27	4	900266	1/2UNC X 1 3/4 HEX BOLT
28	2	359367	BUSHING, CROP SHIELD, STS 05
29	3	473988	1/2UNC HEX NUT, NYLOC SS
30	1	618677	O-RING, -16 FACE SEAL .93ID 90D
31	1	294166	HI TOR SPD SNSR HARNESS STS' 12
32	2	900130	3/8UNC X 1 1/4 SER FLANGE BOLT
33	1	615908	WHL MTR HYD TUBE ASSY STS' 12
34	1	606190	O-RING,WHL MTR HSG SAUER
35	1	473854	20MM LOCK WASHER

NOTE: ITEMS WITH AN (*) ARE USED WITH 520/85 R46 WHEEL OPTION.

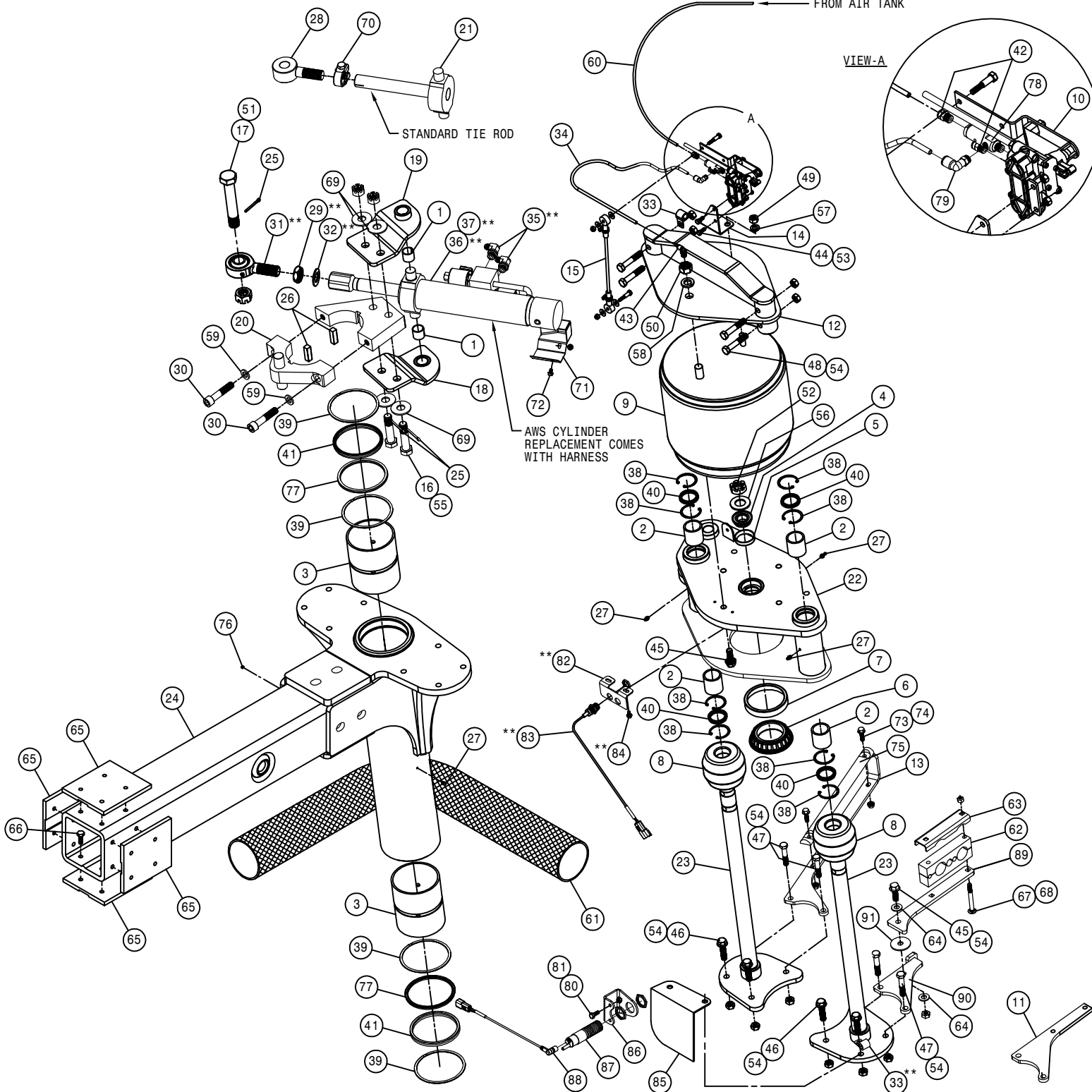
19



FROM AIR TANK

RIGHT REAR OUTER LEG ASSEMBLY

DET. QTY PART NO. DESCRIPTION



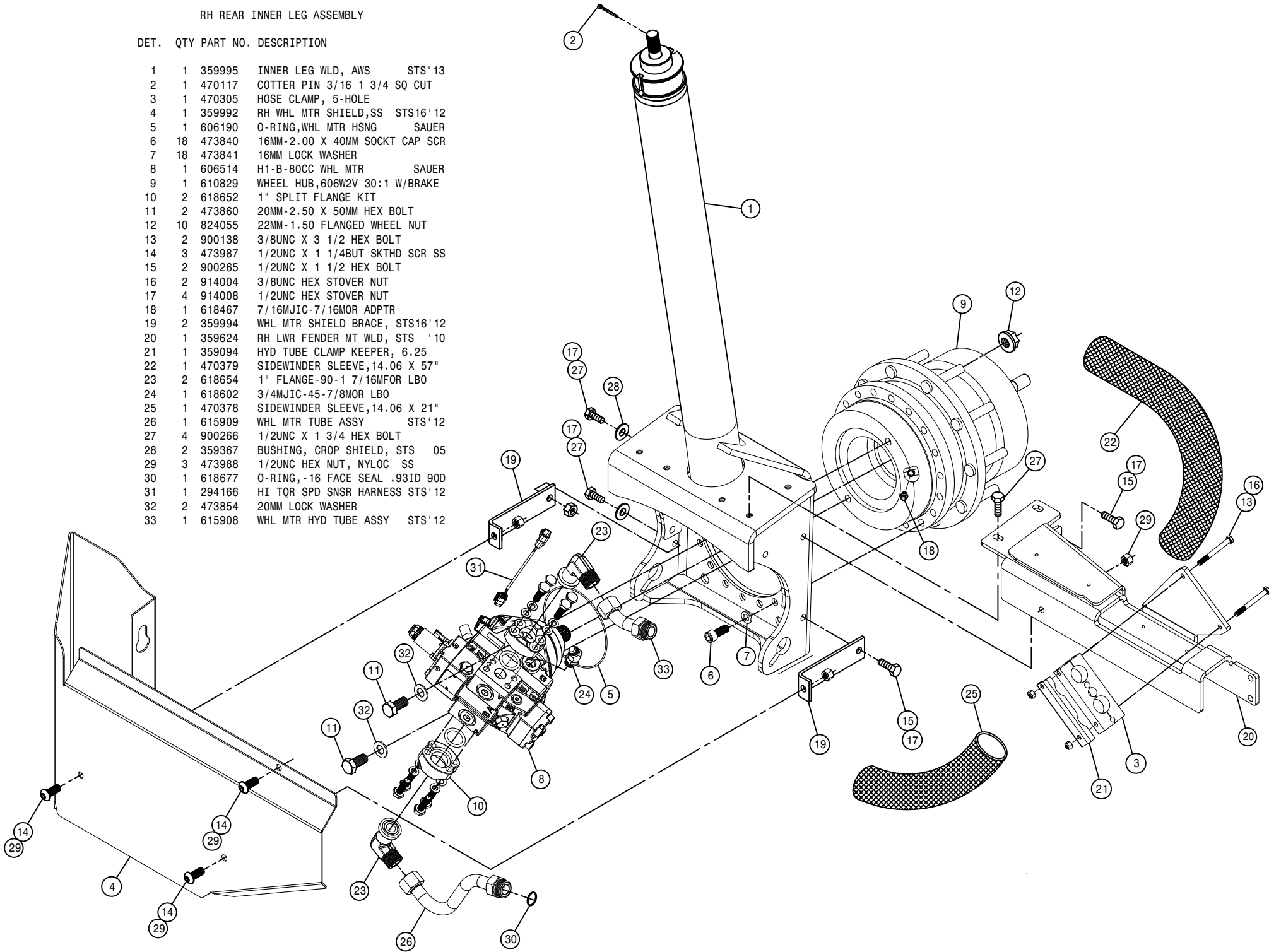
DET.	QTY	PART NO.	DESCRIPTION
1	2	121029	JOURNAL BRG, 1.00 ID X 1.00 LG
2	4	121113	BEARING, 1.50-1.81-1.86 POLYGON
3	2	121125	BEARING, 4.52-4.86-5.72 POLYGON
4	1	125050	BRG CONE, 1.00 ID W/FACE SEAL
5	1	125051	BRG CUP FOR 125050
6	1	125052	BRG CONE, 2.687 ID W/FACE SEAL
7	1	125053	BRG CUP FOR 125052
8	2	311058	RUBBER SPRING
9	1	311080	AIRIDE SPRING, 11.81 BASE
10	1	358832	AIRIDE SPRING CTRL VALVE 98
11	1	359619	HOSE SUPPORT, 54" STS '10
12	1	359333	AIRBAG TOWER TOP MT WLD, STS 05
13	1	359350	RH EXTENDED HOSE SUPPORT, STS
14	1	359369	RH LEG AIR VALVE MT, STS16 05
15	1	359544	LEG HEIGHT CTRL LINK, AWS STS09
16	2	359545	TRUNION MT BOLT, AWS STS 09
17	1	359546	STRG CYL BOLT, AWS STS 09
18	1	359547	TOP TRUNION MT WLD, AWS STS 09
19	1	359548	BTM TRUNION MT WLD, AWS STS 09
20	1	359593	STRG ARM CLAMP WLD, STS '10
21	1	359086	REAR TIE ROD SHAFT WLD
22	1	360020	RH AIR BAG LWR PLT WLD STS '13
23	2	359654	NITRO TOWER SHAFT WLD STS '13
24	1	360024	OUTER LEG WLD
25	3	470117	COTTER PIN 3/16 X 1 3/4
26	2	470447	KEY, .50 SQ X 1.69 LG
27	4	471005	GREASE ZERK, 1/4-28 X 1/2
28	1	359089	TIE ROD STUJ WLD
29	1	472328	1"-12 HEX JAM NUT GR2
30	2	472337	5/8 X 3" SOCKET HD CAP SCR GR8
31	1	473975	ROD END, 1.00 BORE, 1-12 RH MALE
32	1	920508	1" LOCK WASHER
33	2	520164	CUSH CLAMP, 9/16D-3/4W-.531MT
34	1	601473	HOSE, 1/4 X 18 AIR
35	2	618115	9/16MJC-90-3/4MOR LBO
36	1	621644	REAR STEERING KIT 2013
37	1	621645	REPAIR KIT, HYD CYL 621644
38	8	629537	187RRHOOD SNAP RING
39	4	629538	4.5 SPIROLOX RING
40	4	629620	SEAL, 1.500 ROD DIA
41	2	629621	SEAL, 4.500 ROD DIA
42	2	711036	1/8MNPT-1/4 NYL TUBE FTG
43	1	711040	1/4MNPT-90-1/4 NYL TUBE LBO
44	2	900002	1/4UNC X 3/4 HHCS GR 5
45	5	900265	1/2UNC X 1 1/2 HHCS GR 5
46	4	900267	1/2UNC X 2" HHCS GR 5
47	4	900268	1/2UNC X 2 1/2 HHCS GR 5
48	4	900269	1/2UNC X 2 3/4 HHCS GR 5
49	1	910008	1/2UNC HEX NUT
50	1	910013	3/4UNF HEX NUT
51	1	910020	1-8 HEX SLOTTED NUT
52	1	910021	1-14 SLOT JAM NUT
53	2	914000	1/4UNC HEX STOVER NUT
54	13	914008	1/2UNC HEX STOVER NUT
55	2	910102	3/4UNC SLOT HEX NUT GR8
56	1	920008	1" SAE FLAT WASHER
57	1	920504	1/2 LOCK WASHER
58	1	920506	3/4 LOCK WASHER
59	2	473841	16MM LOCK WASHER
60	1	601478	HOSE, 1/4 X 175 AIR
61	1	470379	SIDEWINDER SLEEVE, 14.06 X 57"
62	1	470305	HOSE CLAMP, 5-HOLE
63	1	359094	HYD TUBE CLAMP KEEPER, 6.25
64	2	920004	1/2 SAE FLAT WASHER
65	4	342719	TRD ADJ BRONZE BEARING, THD-GRV
66	16	900128	3/8UNC X 3/4 HHCS GR 5
67	2	901138	3/8UNC X 3 1/2 CARR BOLT
68	2	914009	3/8UNC HEX STOVER NUT
69	4	483048	3/4 REG FLAT WASH, THRU-HARD VZ
70	1	749322	STEERING TUBE CLAMP & BOLT ASSY
71	1	359645	STRG CYL SENSOR GUARD STS '12
72	2	470883	1/4UNC X 3/8 SER FLG BOLT SS
73	2	900127	3/8UNC X 1 1/4 HHCS GR 5
74	2	470087	3/8UNC HEX SER FLG NUT
75	1	359653	HYD BRKT HOSE SHLD, UHMW STS '12
76	1	470062	1/4UNF X 1/4 AL HD CUP SET SCR
77	2	629625	SEAL, 4.500 ROD DIA
78	1	711076	DUMP VALVE
79	1	711039	1/8MNPT-90-1/4 NYL TUBE LBO
80	2	900064	5/16UNC X 3/4 HHCS GR 5
81	2	914002	5/16UNC HEX STOVER NUT
82	1	359555	SENSOR BRKT, AWS STS 09
83	1	292926	INDUCTIVE PROX SENSOR, 18MM
84	2	470122	1/4UNC X 1/2 SER FLG BOLT
85	1	359092	RH SENSOR REFLECTOR
86	1	342856	TREAD SENSOR MT
87	1	292622	ULTRASONIC SENSOR, UC500-30GM
88	1	292623	CORSET, V11-W-BK0, 2BM-PUR40T04
89	1	359641	HOSE SUPP SWIVEL PLT STS '12
90	1	359638	HOSE SUPP SWIVEL WLD STS '12
91	1	002815	SENSOR ARM WASH, NYL

NOTE: (**) ITEMS ARE FOR ALL WHEEL STEER OPTION.

RH REAR INNER LEG ASSEMBLY

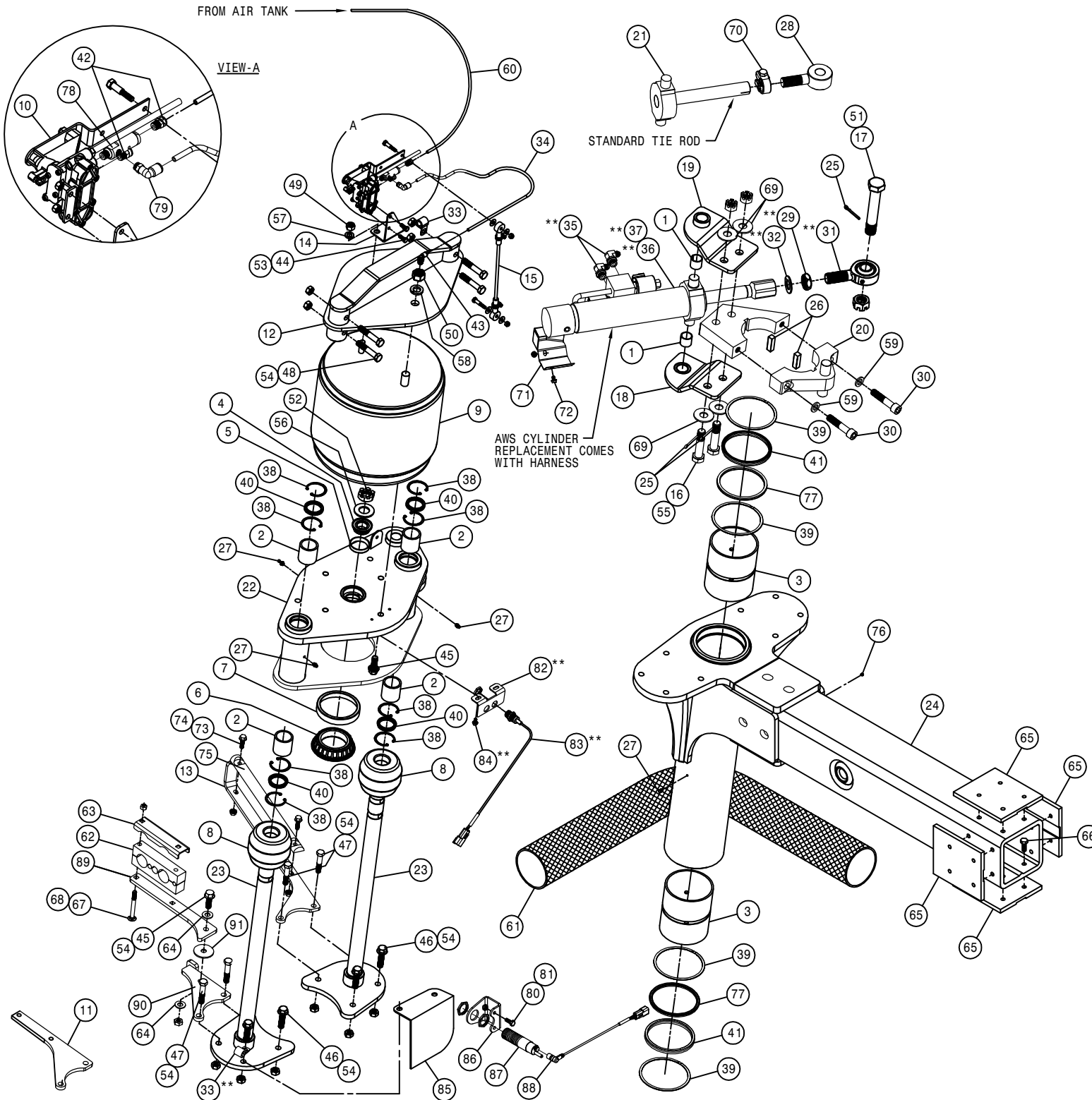
DET. QTY PART NO. DESCRIPTION

1	1	359995	INNER LEG WLD, AWS	STS'13
2	1	470117	COTTER PIN 3/16 1 3/4 SQ CUT	
3	1	470305	HOSE CLAMP, 5-HOLE	
4	1	359992	RH WHL MTR SHIELD,SS	STS16'12
5	1	606190	O-RING,WHL MTR HSNG	SAUER
6	18	473840	16MM-2.00 X 40MM SOCKT CAP SCR	
7	18	473841	16MM LOCK WASHER	
8	1	606514	H1-B-80CC WHL MTR	SAUER
9	1	610829	WHEEL HUB,606W2V 30:1 W/BRAKE	
10	2	618652	1" SPLIT FLANGE KIT	
11	2	473860	20MM-2.50 X 50MM HEX BOLT	
12	10	824055	22MM-1.50 FLANGED WHEEL NUT	
13	2	900138	3/8UNC X 3 1/2 HEX BOLT	
14	3	473987	1/2UNC X 1 1/4BUT SKTHD SCR SS	
15	2	900265	1/2UNC X 1 1/2 HEX BOLT	
16	2	914004	3/8UNC HEX STOVER NUT	
17	4	914008	1/2UNC HEX STOVER NUT	
18	1	618467	7/16MJIC-7/16MOR ADPTR	
19	2	359994	WHL MTR SHIELD BRACE, STS16'12	
20	1	359624	RH LWR FENDER MT WLD, STS '10	
21	1	359094	HYD TUBE CLAMP KEEPER, 6.25	
22	1	470379	SIDEWINDER SLEEVE,14.06 X 57"	
23	2	618654	1" FLANGE-90-1 7/16MFOR LBO	
24	1	618602	3/4MJIC-45-7/8MOR LBO	
25	1	470378	SIDEWINDER SLEEVE,14.06 X 21"	
26	1	615909	WHL MTR TUBE ASSY	STS'12
27	4	900266	1/2UNC X 1 3/4 HEX BOLT	
28	2	359367	BUSHING, CROP SHIELD, STS 05	
29	3	473988	1/2UNC HEX NUT, NYLOC SS	
30	1	618677	O-RING, -16 FACE SEAL .93ID 90D	
31	1	294166	HI TOR SPD SNSR HARNESS STS'12	
32	2	473854	20MM LOCK WASHER	
33	1	615908	WHL MTR HYD TUBE ASSY	STS'12



FROM AIR TANK

VIEW-A



LEFT REAR OUTER LEG ASSEMBLY

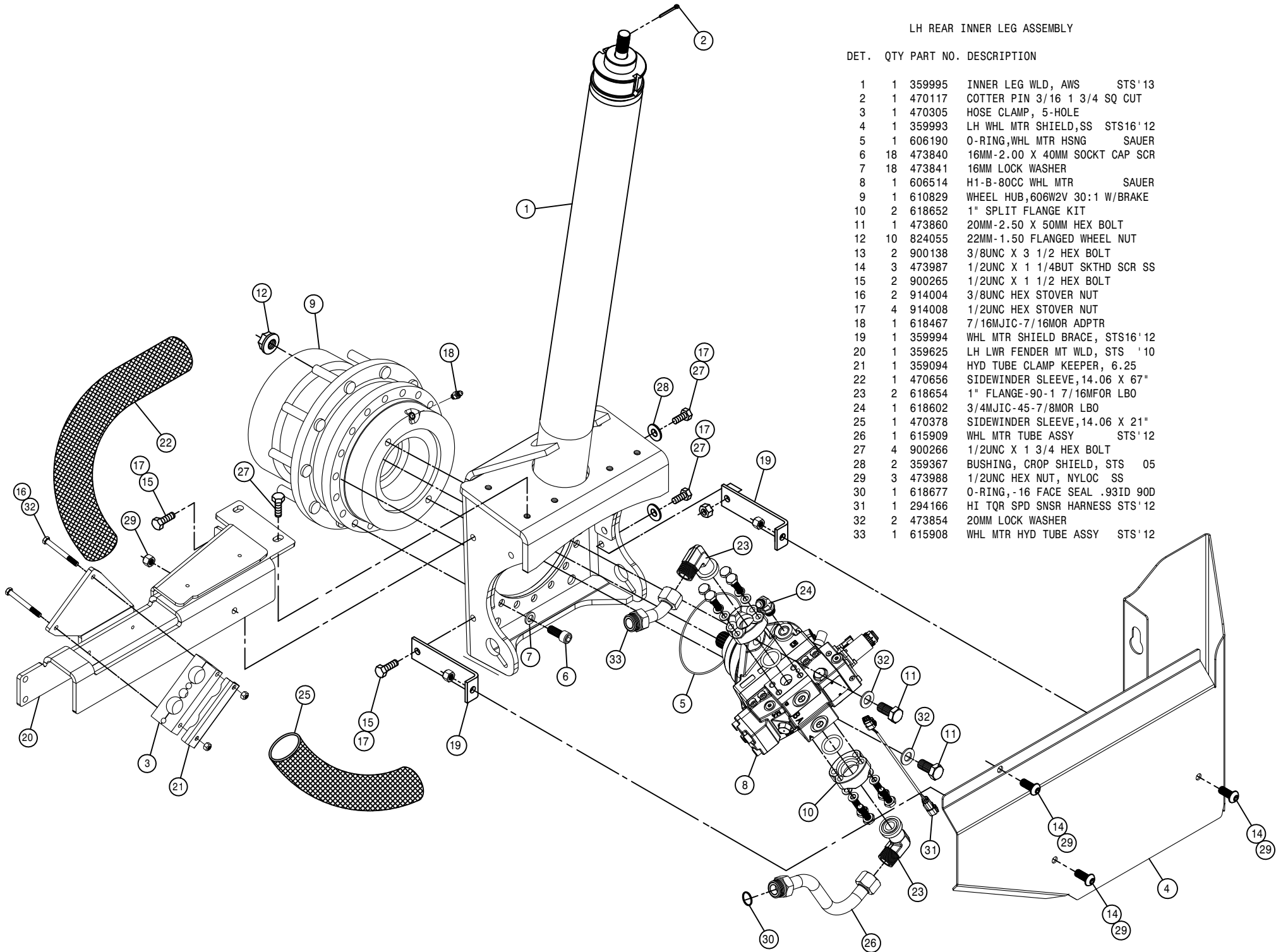
DET.	QTY	PART NO.	DESCRIPTION
1	2	121029	JOURNAL BRG, 1.00 ID X 1.00 LG
2	4	121113	BEARING, 1.50-1.81-1.86 POLYGON
3	2	121125	BEARING, 4.52-4.86-5.72 POLYGON
4	1	125050	BRG CONE, 1.00 ID W/FACE SEAL
5	1	125051	BRG CUP FOR 125050
6	1	125052	BRG CONE, 2.687 ID W/FACE SEAL
7	1	125053	BRG CUP FOR 125052
8	2	311058	RUBBER SPRING
9	1	311080	AIRIDE SPRING, 11.81 BASE
10	1	358832	AIRIDE SPRING CTRL VALVE 98
11	1	359619	HOSE SUPPORT, 54" STS'10
12	1	359333	AIRBAG TOWER TOP MT WLD, STS 05
13	1	359351	LH EXTENDED HOSE SUPPORT, STS
14	1	359370	LH LEG AIR VALVE MT, STS16 05
15	1	359544	LEG HEIGHT CTRL LINK, AWS STS09
16	2	359545	TRUNION MT BOLT, AWS STS 09
17	1	359546	STRG CYL BOLT, AWS STS 09
18	1	359547	TOP TRUNION MT WLD, AWS STS 09
19	1	359548	BTM TRUNION MT WLD, AWS STS 09
20	1	359593	STRG ARM CLAMP WLD, STS '10
21	1	359086	REAR TIE ROD SHAFT WLD
22	1	360021	LH AIR BAG LWR PLT WLD STS'13
23	2	359654	NITRO TOWER SHAFT WLD STS'13
24	1	360024	OUTER LEG WLD STS'13
25	3	470117	COTTER PIN 3/16 X 1 3/4
26	2	470447	KEY, .50 SQ X 1.69 LG
27	4	471005	GREASE ZERK, 1/4-28 X 1/2
28	1	359089	TIE ROD STUD WLD
29	1	472328	1"-12 HEX JAM NUT GR2
30	2	472337	5/8 X 3" SOCKET HD CAP SCR GR8
31	1	473975	ROD END, 1.00 BORE, 1-12 RH MALE
32	1	920508	1" LOCK WASHER
33	2	520164	CUSH CLAMP, 9/16D-3/4W-.531MT
34	1	601473	HOSE, 1/4 X 18 AIR
35	2	618115	9/16MJIC-90-3/4MOR LBO
36	1	621644	REAR STEERING KIT 2013
37	1	621645	REPAIR KIT, HYD CYL 621644
38	8	629537	187RRHOOD SNAP RING
39	4	629538	4.5 SPIROLOX RING
40	4	629620	SEAL, 1.500 ROD DIA
41	2	629621	SEAL, 4.500 ROD DIA
42	2	711036	1/8BNPT-1/4 NYL TUBE FTG
43	1	711040	1/4BNPT-90-1/4 NYL TUBE LBO
44	2	900002	1/4UNC X 3/4 HHCS GR 5
45	5	900285	1/2UNC X 1 1/2 HHCS GR 5
46	4	900287	1/2UNC X 2" HHCS GR 5
47	4	900288	1/2UNC X 2 1/2 HHCS GR 5
48	4	900289	1/2UNC X 2 3/4 HHCS GR 5
49	1	910008	1/2UNC HEX NUT
50	1	910013	3/4UNC HEX NUT
51	1	910020	1-8 HEX SLOTTED NUT
52	1	910021	1-14 SLOT JAM NUT
53	2	914000	1/4UNC HEX STOVER NUT
54	13	914008	1/2UNC HEX STOVER NUT
55	2	910102	3/4UNC SLOT HEX NUT GR8
56	1	920008	1" SAE FLAT WASHER
57	1	920504	1/2 LOCK WASHER
58	1	920506	3/4 LOCK WASHER
59	2	473841	16MM LOCK WASHER
60	1	601476	HOSE, 1/4 X 120 AIR
61	1	470379	SIDEWINDER SLEEVE, 14.06 X 57"
62	1	470305	HOSE CLAMP, 5-HOLE
63	1	359094	HYD TUBE CLAMP KEEPER, 6.25
64	1	920004	1/2 SAE FLAT WASHER
65	4	342719	TRD ADJ BRONZE BEARING, THD-GRV
66	16	900128	3/8UNC X 3/4 HHCS GR 5
67	2	901138	3/8UNC X 3 1/2 CARR BOLT
68	2	914004	3/8UNC HEX STOVER NUT
69	4	483048	3/4 REG FLAT WASH, THRU-HARD YZ
70	1	749322	STEERING TUBE CLAMP & BOLT ASSY
71	1	359645	STRG CYL SENSOR GUARD STS'12
72	2	470883	1/4UNC X 3/8 SER FLG BOLT SS
73	2	900127	3/8UNC X 1 1/4 HHCS GR 5
74	2	470087	3/8UNC HEX SER FLG NUT
75	1	359653	HYD BRKT HOSE SHLD, UHMW STS'12
76	1	470062	1/4UNC X 1/4 AL HD CUP SET SCR
77	2	629625	SEAL, 4.500 ROD DIA
78	1	711076	DUMP VALVE
79	1	711039	1/8BNPT-90-1/4 NYL TUBE LBO
80	2	900064	5/16UNC X 3/4 HHCS GR 5
81	2	914002	5/16UNC HEX STOVER NUT
82	1	359555	SENSOR BRKT, AWS STS 09
83	1	292926	INDUCTIVE PROX SENSOR, 18MM
84	2	470122	1/4UNC X 1/2 SER FLG BOLT
85	1	359093	LH SENSOR REFLECTOR
86	1	342856	TREAD SENSOR MT
87	1	292822	ULTRASONIC SENSOR, UC500-30GM
88	1	292823	CORSET_V11-W-BK0.28M-PURADT04
89	1	359641	HOSE SUPP SWIVEL PLT STS'10
90	1	359638	HOSE SUPP SWIVEL WLD STS'12
91	1	002815	SENSOR ARM WASH, NYL

NOTE: (**) ITEMS ARE FOR ALL WHEEL STEER OPTION.

LH REAR INNER LEG ASSEMBLY

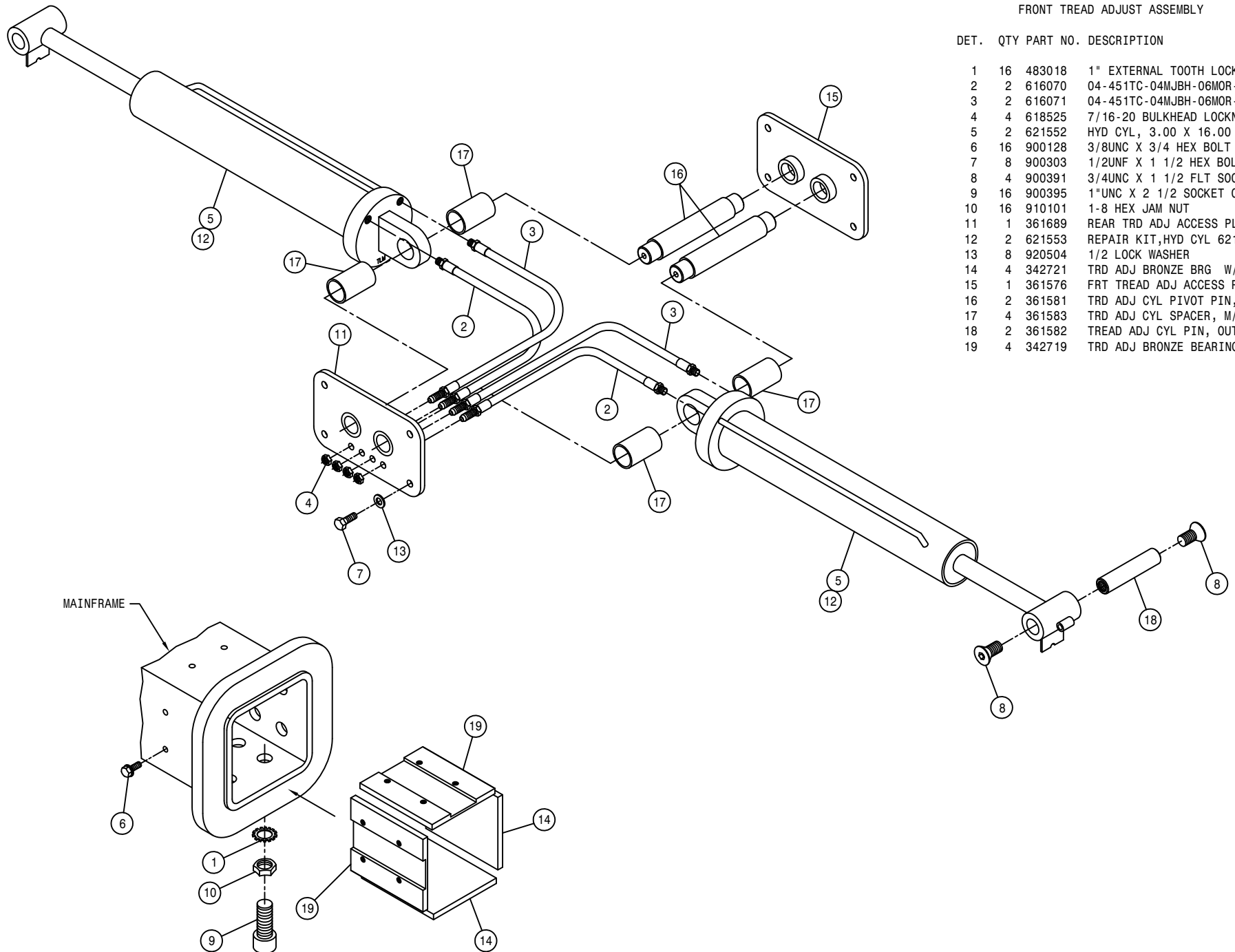
DET. QTY PART NO. DESCRIPTION

DET.	QTY	PART NO.	DESCRIPTION
1	1	359995	INNER LEG WLD, AWS STS'13
2	1	470117	COTTER PIN 3/16 1 3/4 SQ CUT
3	1	470305	HOSE CLAMP, 5-HOLE
4	1	359993	LH WHL MTR SHIELD,SS STS16'12
5	1	606190	O-RING,WHL MTR HSNG SAUER
6	18	473840	16MM-2.00 X 40MM SOCKT CAP SCR
7	18	473841	16MM LOCK WASHER
8	1	606514	H1-B-80CC WHL MTR SAUER
9	1	610829	WHEEL HUB,60GW2V 30:1 W/BRAKE
10	2	618652	1" SPLIT FLANGE KIT
11	1	473860	20MM-2.50 X 50MM HEX BOLT
12	10	824055	22MM-1.50 FLANGED WHEEL NUT
13	2	900138	3/8UNC X 3 1/2 HEX BOLT
14	3	473987	1/2UNC X 1 1/4BUT SKTHD SCR SS
15	2	900265	1/2UNC X 1 1/2 HEX BOLT
16	2	914004	3/8UNC HEX STOVER NUT
17	4	914008	1/2UNC HEX STOVER NUT
18	1	618467	7/16MJIC-7/16MOR ADPTR
19	1	359994	WHL MTR SHIELD BRACE, STS16'12
20	1	359625	LH LWR FENDER MT WLD, STS '10
21	1	359094	HYD TUBE CLAMP KEEPER, 6.25
22	1	470656	SIDEWINDER SLEEVE,14.06 X 67"
23	2	618654	1" FLANGE-90-1 7/16MFOR LBO
24	1	618602	3/4MJIC-45-7/8MOR LBO
25	1	470378	SIDEWINDER SLEEVE,14.06 X 21"
26	1	615909	WHL MTR TUBE ASSY STS'12
27	4	900266	1/2UNC X 1 3/4 HEX BOLT
28	2	359367	BUSHING, CROP SHIELD, STS 05
29	3	473988	1/2UNC HEX NUT, NYLOC SS
30	1	618677	O-RING, -16 FACE SEAL .93ID 90D
31	1	294166	HI TOR SPD SNSR HARNESS STS'12
32	2	473854	20MM LOCK WASHER
33	1	615908	WHL MTR HYD TUBE ASSY STS'12



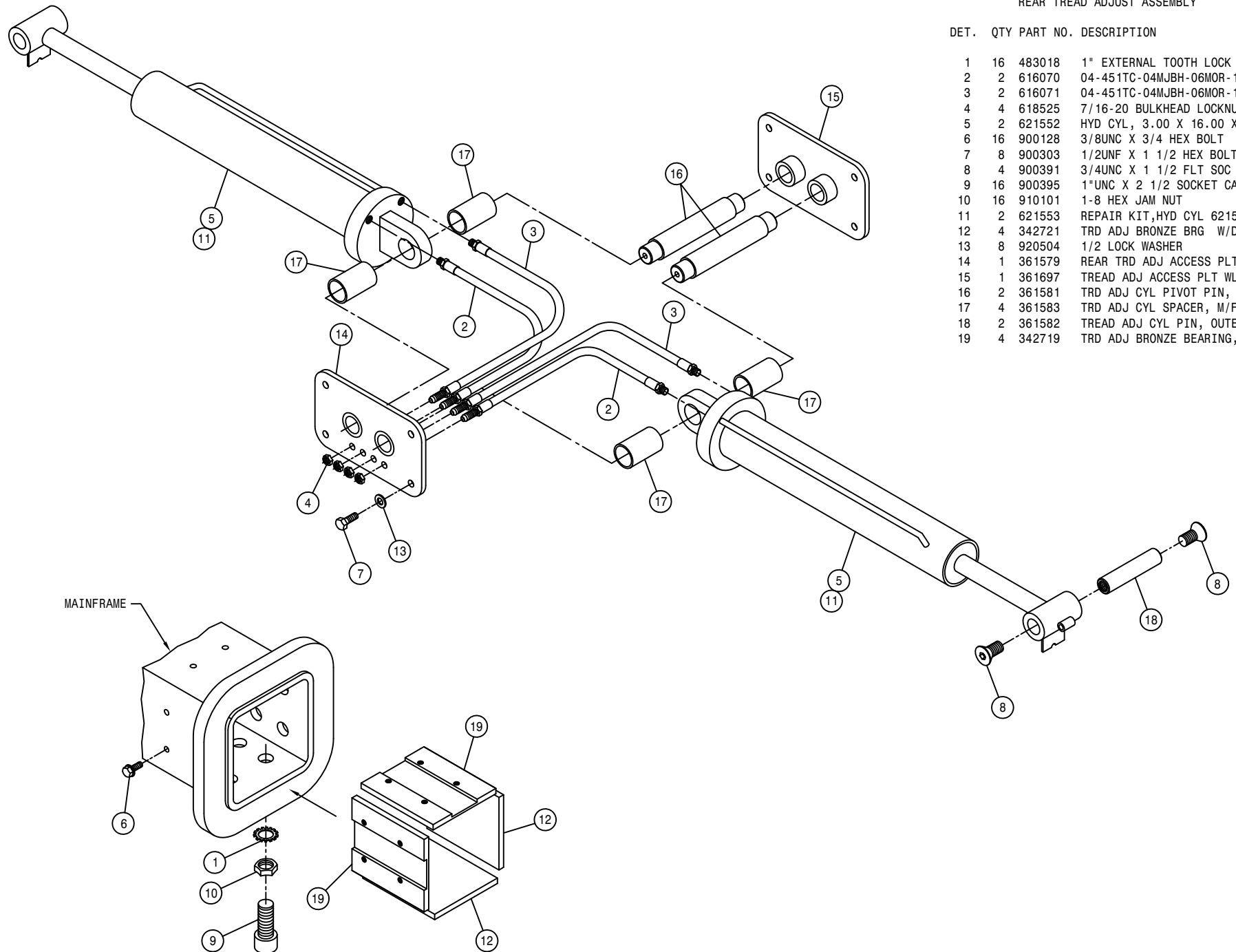
23

FRONT TREAD ADJUST ASSEMBLY



DET.	QTY	PART NO.	DESCRIPTION
1	16	483018	1" EXTERNAL TOOTH LOCK WASHER
2	2	616070	04-451TC-04MJBH-06MOR-11.00H/A
3	2	616071	04-451TC-04MJBH-06MOR-13.00H/A
4	4	618525	7/16-20 BULKHEAD LOCKNUT
5	2	621552	HYD CYL, 3.00 X 16.00 X 1.375
6	16	900128	3/8UNC X 3/4 HEX BOLT
7	8	900303	1/2UNF X 1 1/2 HEX BOLT
8	4	900391	3/4UNC X 1 1/2 FLT SOC CAP SCR
9	16	900395	1"UNC X 2 1/2 SOCKET CAP SCR
10	16	910101	1-8 HEX JAM NUT
11	1	361689	REAR TRD ADJ ACCESS PLT WLD 04
12	2	621553	REPAIR KIT, HYD CYL 621552
13	8	920504	1/2 LOCK WASHER
14	4	342721	TRD ADJ BRONZE BRG W/DIMPLES
15	1	361576	FRT TREAD ADJ ACCESS PLT WLD
16	2	361581	TRD ADJ CYL PIVOT PIN, M/F
17	4	361583	TRD ADJ CYL SPACER, M/F
18	2	361582	TREAD ADJ CYL PIN, OUTER LEG
19	4	342719	TRD ADJ BRONZE BEARING, THD-GRV

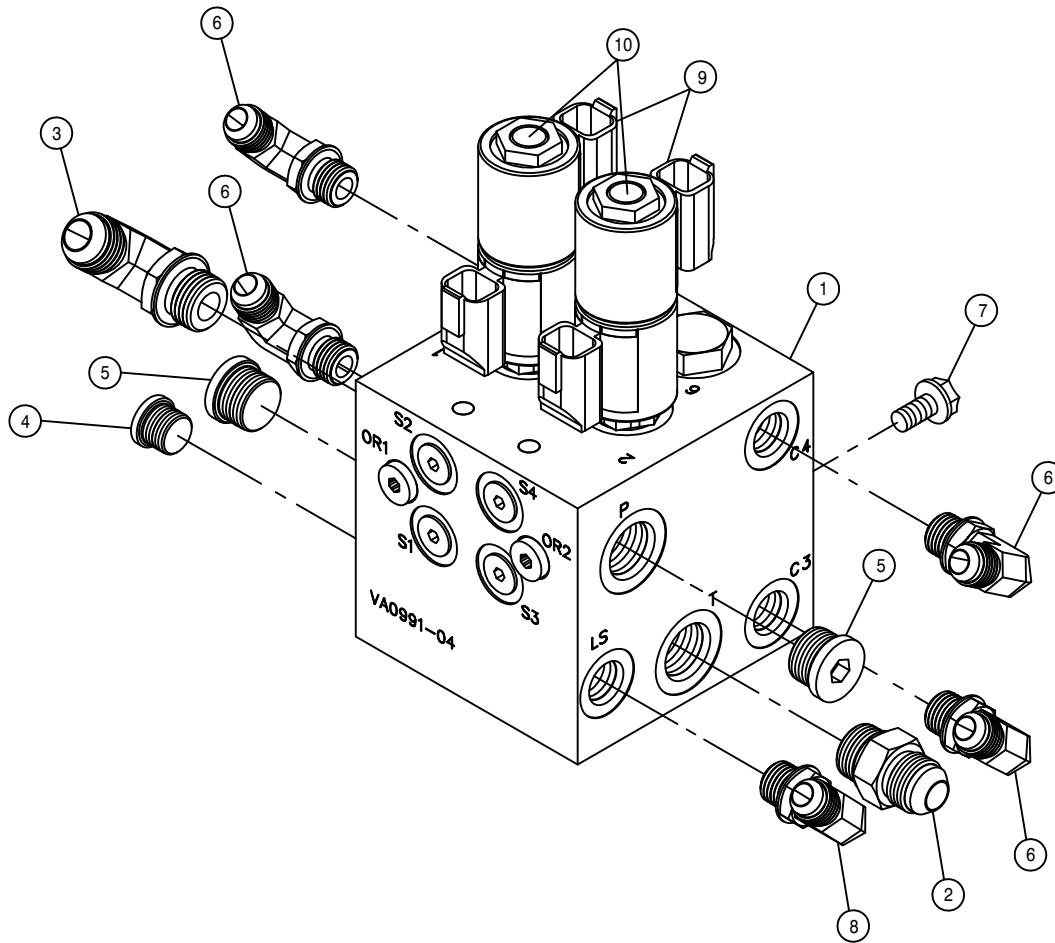
REAR TREAD ADJUST ASSEMBLY



DET. QTY PART NO. DESCRIPTION

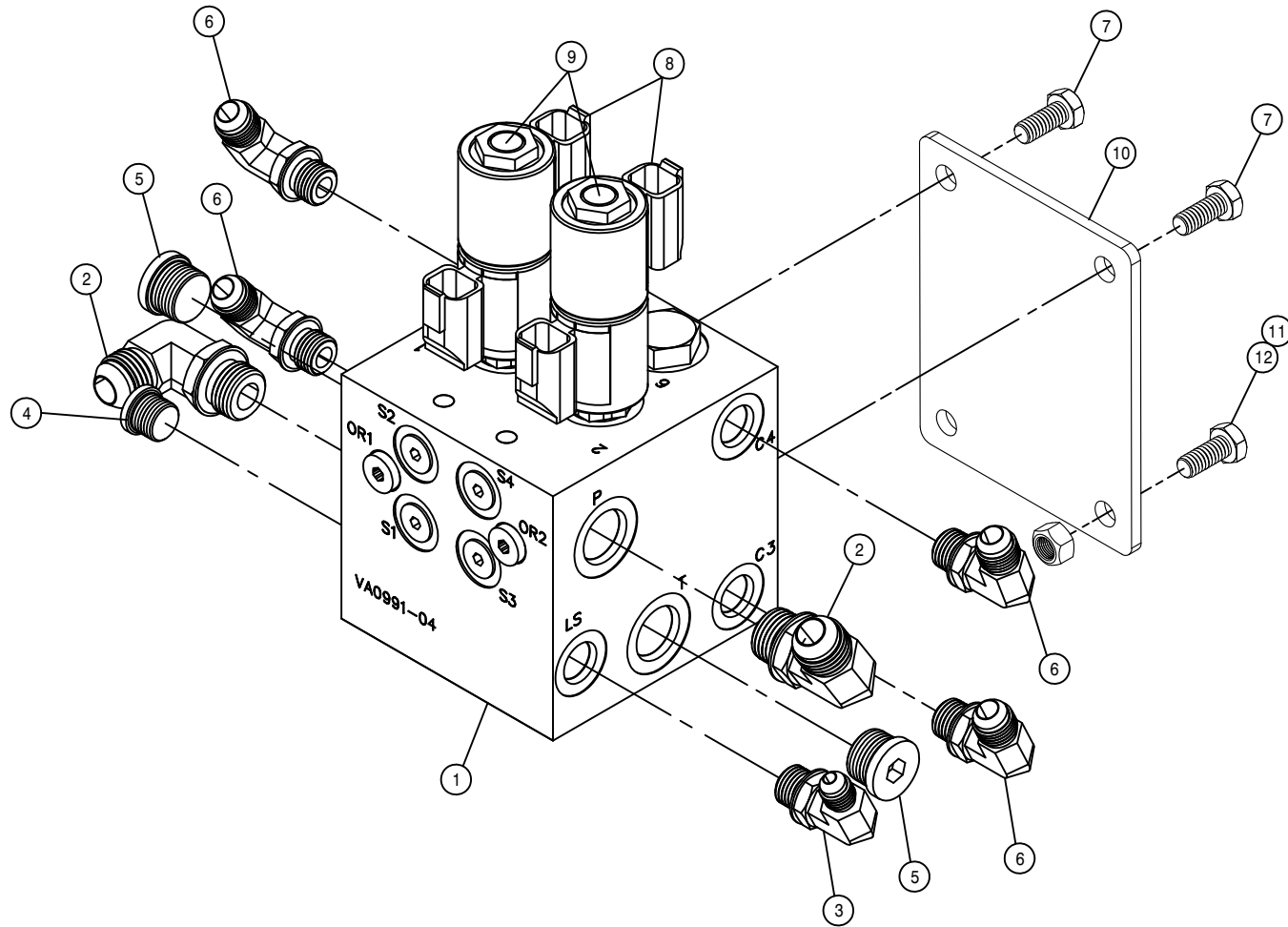
1	16	483018	1" EXTERNAL TOOTH LOCK WASHER
2	2	616070	04-451TC-04MJBH-06MOR-11.00H/A
3	2	616071	04-451TC-04MJBH-06MOR-13.00H/A
4	4	618525	7/16-20 BULKHEAD LOCKNUT
5	2	621552	HYD CYL, 3.00 X 16.00 X 1.375
6	16	900128	3/8UNC X 3/4 HEX BOLT
7	8	900303	1/2UNC X 1 1/2 HEX BOLT
8	4	900391	3/4UNC X 1 1/2 FLT SOC CAP SCR
9	16	900395	1"UNC X 2 1/2 SOCKET CAP SCR
10	16	910101	1-8 HEX JAM NUT
11	2	621553	REPAIR KIT, HYD CYL 621552
12	4	342721	TRD ADJ BRONZE BRG W/DIMPLES
13	8	920504	1/2 LOCK WASHER
14	1	361579	REAR TRD ADJ ACCESS PLT WLD 00
15	1	361697	TRD ADJ ACCESS PLT WLD 07
16	2	361581	TRD ADJ CYL PIVOT PIN, M/F
17	4	361583	TRD ADJ CYL SPACER, M/F
18	2	361582	TRD ADJ CYL PIN, OUTER LEG
19	4	342719	TRD ADJ BRONZE BEARING, THD-GRV

MAINFRAME



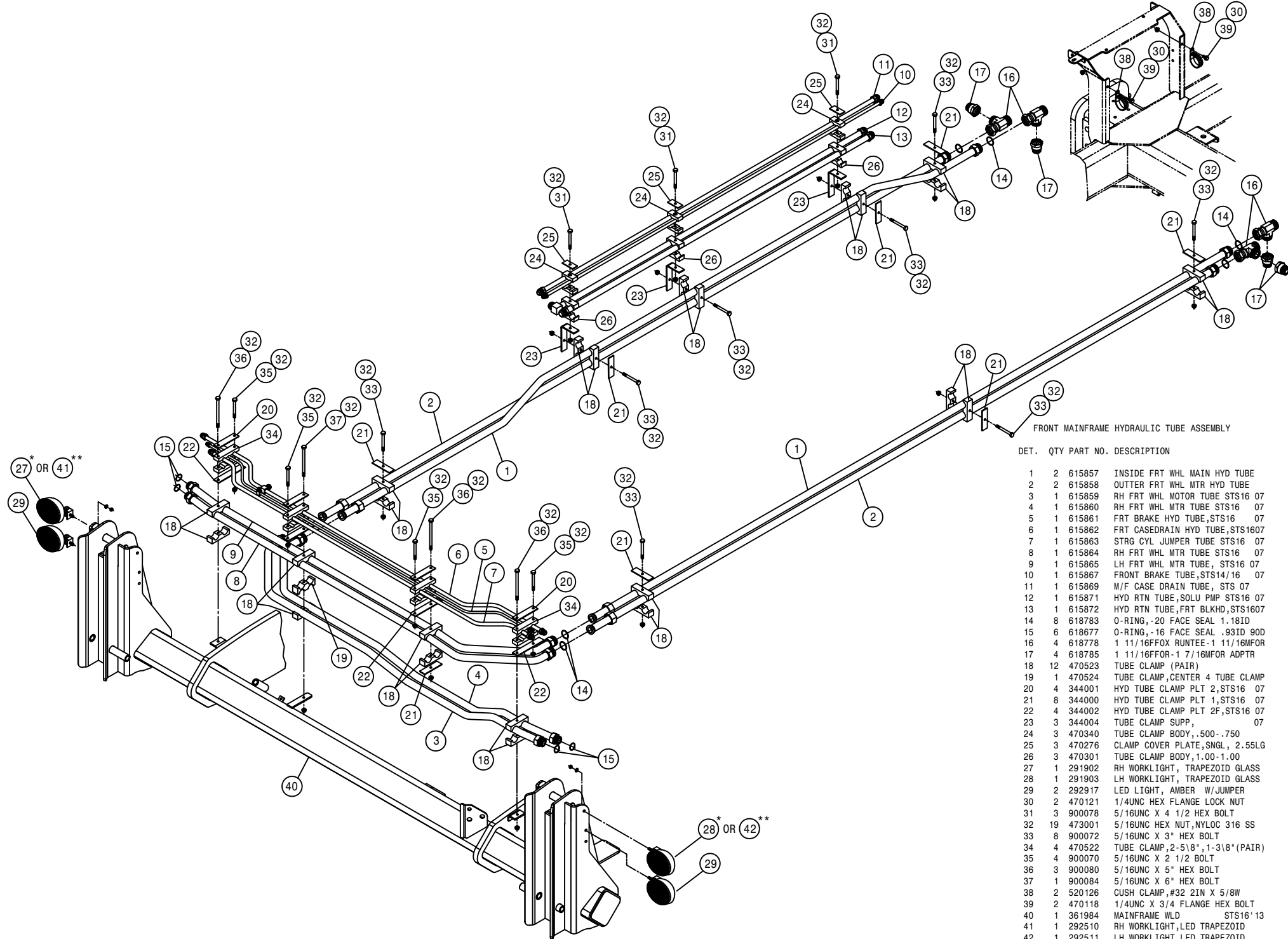
FRONT TREAD ADJUST VALVE ASSEMBLY

DET.	QTY	PART NO.	DESCRIPTION	PWRSYS
1	1	606249	MANIFOLD,TRD ADJ	PWRSYS
2	1	611125	3/4MJIC-3/4MOR ADPTR	
3	1	618241	3/4MJIC-90-3/4MOR LBO	
4	1	618754	9/16MOR PLUG, HEX SOCKET	
5	2	618755	3/4MOR PLUG, HEX SOCKET	
6	4	618119	9/16MJIC-90-9/16MOR LBO	
7	2	900064	5/16UNC X 3/4 HEX BOLT	
8	1	618499	7/16MJIC-90-9/16MOR LBO	
9	4	606266	#8 COIL W/DEUTSCH FOR 606210	
10	2	606358	CARTRIDGE SP08-47D,PROP,3POS	



REAR TREAD ADJUST VALVE ASSEMBLY

DET.	QTY	PART NO.	DESCRIPTION	PWRSYS
1	1	606249	MANIFOLD,TRD ADJ	PWRSYS
2	2	618241	3/4MJIC-90-3/4MOR LBO	
3	1	618499	7/16MJIC-90-9/16MOR LBO	
4	1	618754	9/16MOR PLUG, HEX SOCKET	
5	2	618755	3/4MOR PLUG, HEX SOCKET	
6	4	618119	9/16MJIC-90-9/16MOR LBO	
7	2	900064	5/16UNC X 3/4 HEX BOLT	
8	4	606266	#8 COIL W/DEUTSCH FOR 606210	
9	2	606358	CARTRIDGE SP08-47D,PROP,3POS	
10	1	361719	TRD ADJ VLV EXT MT,M/F STS' 12	
11	2	470087	3/8UNC HEX FLANGE LOCK NUT	
12	2	900129	3/8UNC X 1" SERR FLANGE BOLT	

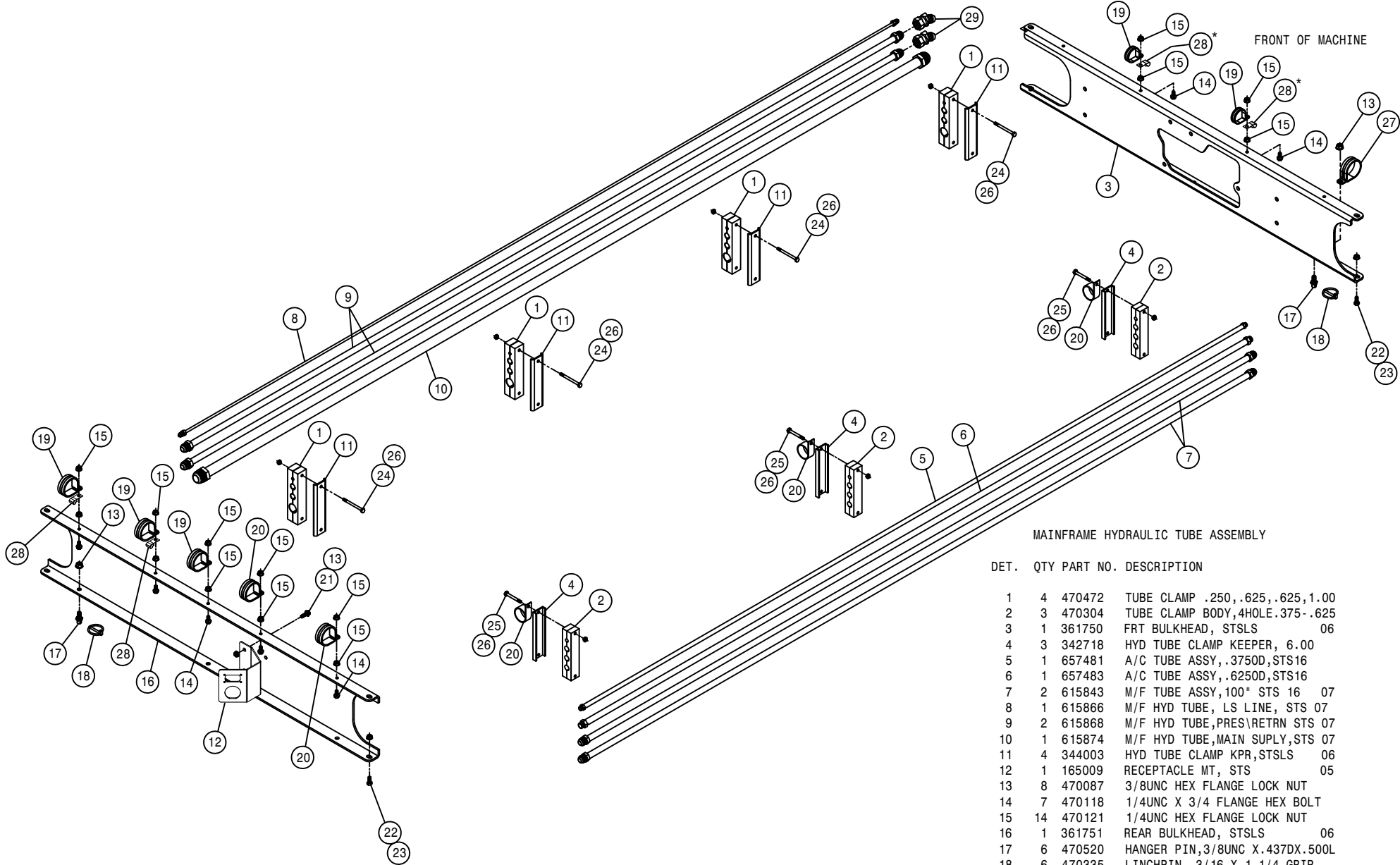


FRONT MAINFRAME HYDRAULIC TUBE ASSEMBLY

DET. QTY PART NO. DESCRIPTION

DET.	QTY	PART NO.	DESCRIPTION
1	2	615857	INSIDE FRT WHL MAIN HYD TUBE
2	2	615858	OUTTER FRT WHL MTR HYD TUBE
3	1	615859	RH FRT WHL MOTOR TUBE STS16 07
4	1	615860	RH FRT WHL MTR TUBE STS16 07
5	1	615861	FRT BRAKE HYD TUBE, STS16 07
6	1	615862	FRT CASEDRAIN HYD TUBE, STS1607
7	1	615863	STRG CYL JUMPER TUBE STS16 07
8	1	615864	RH FRT WHL MTR TUBE STS16 07
9	1	615865	LH FRT WHL MTR TUBE, STS16 07
10	1	615867	FRONT BRAKE TUBE, STS14/16 07
11	1	615869	M/F CASE DRAIN TUBE, STS 07
12	1	615871	HYD RTN TUBE, SOLU PMP STS16 07
13	1	615872	HYD RTN TUBE, FRT BLKHD, STS1607
14	8	618783	O-RING, -20 FACE SEAL 1.18ID
15	6	618677	O-RING, -16 FACE SEAL .93ID 90D
16	4	618778	1 11/16FFOX RUNTEE-1 11/16MFOR
17	4	618785	1 11/16FFOR-1 7/16MFOR ADPTR
18	12	470523	TUBE CLAMP (PAIR)
19	1	470524	TUBE CLAMP, CENTER 4 TUBE CLAMP
20	4	344001	HYD TUBE CLAMP PLT 2, STS16 07
21	8	344000	HYD TUBE CLAMP PLT 1, STS16 07
22	4	344002	HYD TUBE CLAMP PLT 2F, STS16 07
23	3	344004	TUBE CLAMP SUPP, 07
24	3	470340	TUBE CLAMP BODY, .500-.750
25	3	470276	CLAMP COVER PLATE, SNGL, 2.55LG
26	3	470301	TUBE CLAMP BODY, 1.00-1.00
27	1	291902	RH WORKLIGHT, TRAPEZOID GLASS
28	1	291903	LH WORKLIGHT, TRAPEZOID GLASS
29	2	292917	LED LIGHT, AMBER W/JUMPER
30	2	470121	1/4UNC HEX FLANGE LOCK NUT
31	3	900078	5/16UNC X 4 1/2 HEX BOLT
32	19	473001	5/16UNC HEX NUT, NYLOC 316 SS
33	8	900072	5/16UNC X 3" HEX BOLT
34	4	470522	TUBE CLAMP, 2-5/8", 1-3/8" (PAIR)
35	4	900070	5/16UNC X 2 1/2 BOLT
36	3	900080	5/16UNC X 5" HEX BOLT
37	1	900084	5/16UNC X 6" HEX BOLT
38	2	520126	CUSH CLAMP, #32 2IN X 5/8W
39	2	470118	1/4UNC X 3/4 FLANGE HEX BOLT
40	1	361984	MAINFRAME WLD STS16'13
41	1	292510	RH WORKLIGHT, LED TRAPEZOID
42	1	292511	LH WORKLIGHT, LED TRAPEZOID

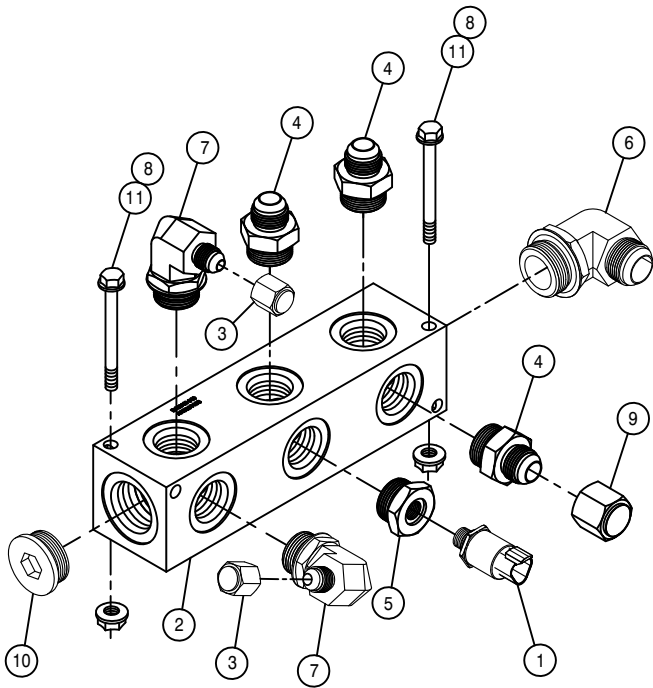
NOTE: ITEM WITH (*) ARE USED WITH THE STANARD LIGHT OPTION.
ITEM WITH (**) ARE USED WITH THE LED LIGHT OPTION.



MAINFRAME HYDRAULIC TUBE ASSEMBLY

DET.	QTY	PART NO.	DESCRIPTION
1	4	470472	TUBE CLAMP .250, .625, .625, 1.00
2	3	470304	TUBE CLAMP BODY, 4HOLE .375- .625
3	1	361750	FRT BULKHEAD, STSLS 06
4	3	342718	HYD TUBE CLAMP KEEPER, 6.00
5	1	657481	A/C TUBE ASSY, .3750D, STS16
6	1	657483	A/C TUBE ASSY, .6250D, STS16
7	2	615843	M/F TUBE ASSY, 100" STS 16 07
8	1	615866	M/F HYD TUBE, LS LINE, STS 07
9	2	615868	M/F HYD TUBE, PRES\RETRN STS 07
10	1	615874	M/F HYD TUBE, MAIN SUPPLY, STS 07
11	4	344003	HYD TUBE CLAMP KPR, STSLS 06
12	1	165009	RECEPTACLE MT, STS 05
13	8	470087	3/8UNC HEX FLANGE LOCK NUT
14	7	470118	1/4UNC X 3/4 FLANGE HEX BOLT
15	14	470121	1/4UNC HEX FLANGE LOCK NUT
16	1	361751	REAR BULKHEAD, STSLS 06
17	6	470520	HANGER PIN, 3/8UNC X .437DX.500L
18	6	470335	LINCHPIN, 3/16 X 1 1/4 GRIP
19	5	520102	CUSH CLAMP, #20 1 1/4D X 1/2W
20	5	520126	CUSH CLAMP, #32 2IN X 5/8W
21	2	900128	3/8UNC X 3/4 HEX BOLT
22	8	900129	3/8UNC X 1" SERR FLANGE BOLT
23	8	910004N	3/8UNC HEX NUT
24	8	900008	1/4UNC X 2 1/2 HEX BOLT
25	6	900007	1/4UNC X 2" HEX BOLT
26	14	914000	1/4UNC HEX STOVER NUT
27	1	520161	CUSH CLAMP, #32 2"D-3/4W LOOP
28	4	520128	CUSH J CLAMP, #9 9/16D X 3/4W
29	2	618628	7/8MJIC-45-7/8FJIC SWIV LBO

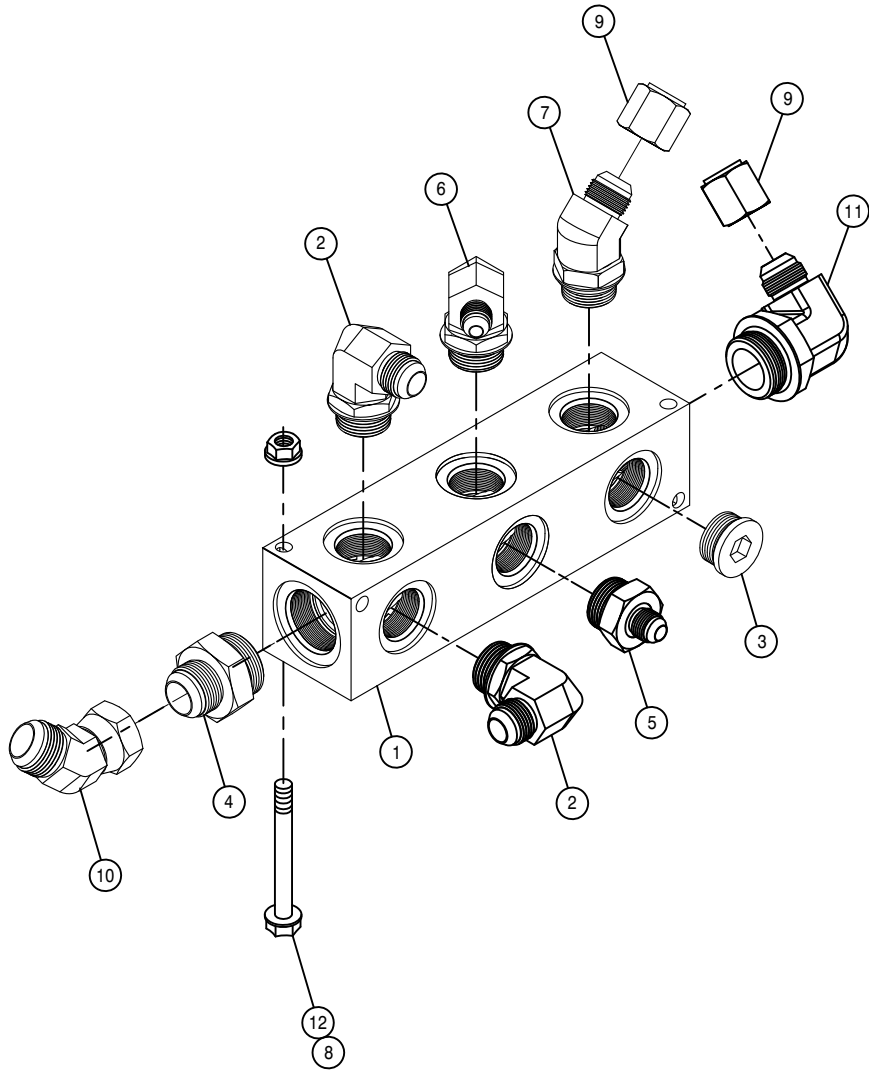
NOTE: ITEMS WITH (*) ARE USED WITH THE SIDE FILE OPTION.



HYDRAULIC SUPPLY MANIFOLD ASSEMBLY

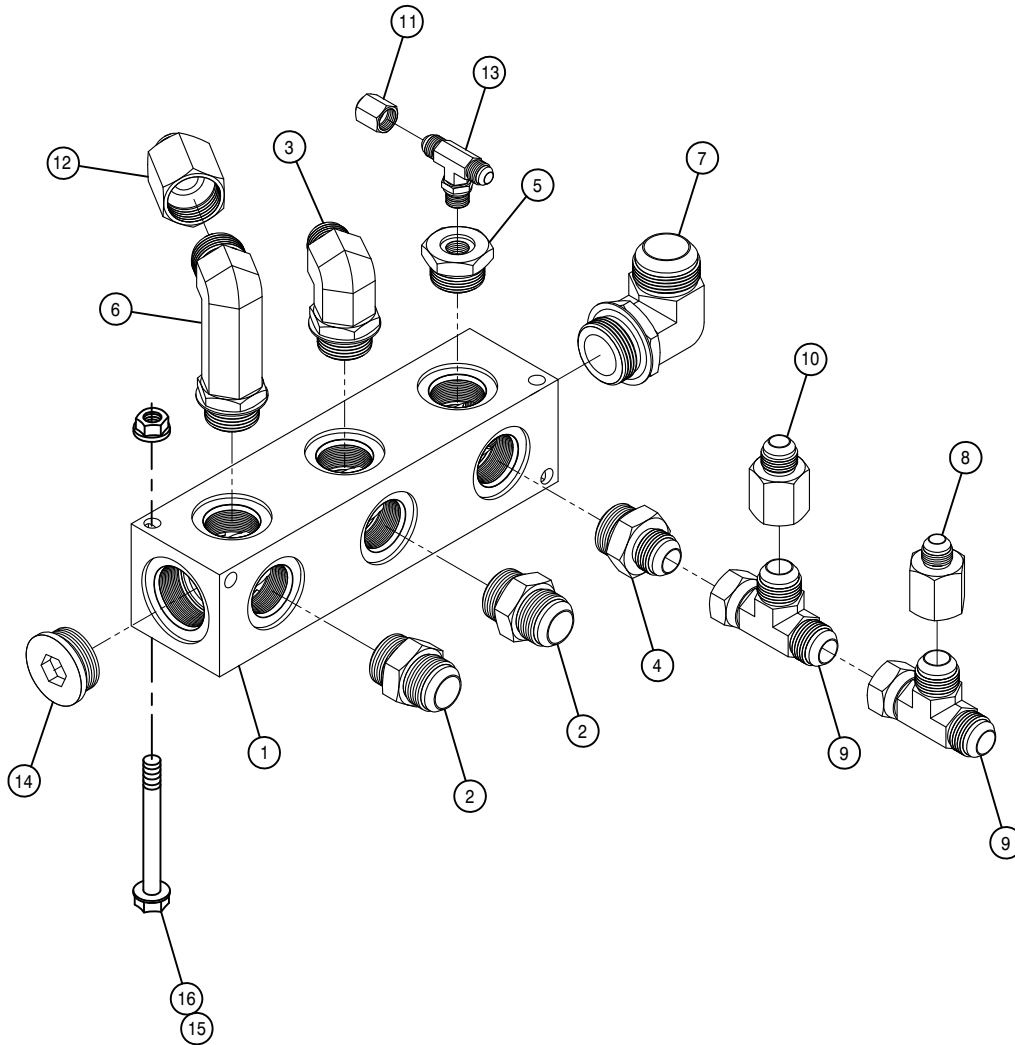
DET. QTY PART NO. DESCRIPTION

1	1	606347	PRESSURE TRANSDUCER,7500PSI
2	1	606246	MANIFOLD, #16 3-STN 180
3	2	618532	3/4FJIC CAP NUT
4	3	618308	1 1/16MJC-1 5/16MOR ADPTR
5	1	618397	1 5/16MOR-9/16FOR ADPTR
6	1	618883	1 5/16MJC-90-1 5/8MOR LBO
7	2	618475	3/4MJC-90-1 5/16MOR LBO
8	2	470087	3/8UNC HEX FLANGE LOCK NUT
9	1	618533	1 1/16FJIC CAP NUT
10	1	618759	1 5/8MOR PLUG, HEX SOCKET
11	2	900140	3/8UNC X 4" HEX BOLT



FRONT RETURN MANIFOLD ASSEMBLY

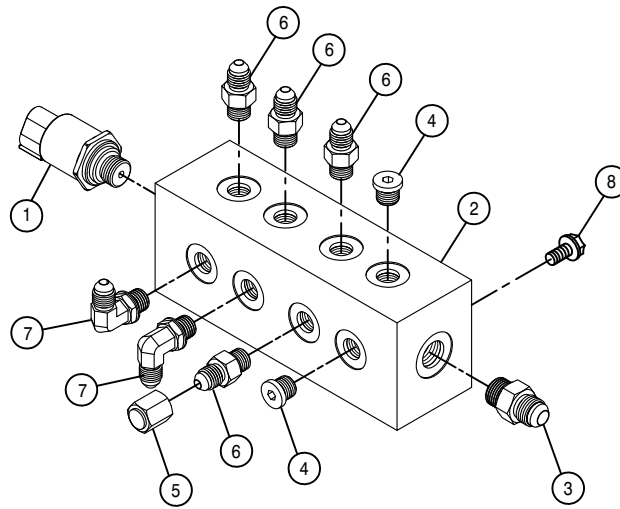
DET.	QTY	PART NO.	DESCRIPTION
1	1	606246	MANIFOLD, #16 3-STN 180
2	2	618302	1 1/16MJIC-90-1 5/16MOR LBO
3	1	618758	1 5/16 MOR PLUG, HEX SOCKET
4	1	618455	1 5/16MJIC-1 5/8MOR ADPTR
5	1	618470	3/4MJIC-1 5/16MOR ADPTR
6	1	618475	3/4MJIC-90-1 5/16MOR LBO
7	1	618831	1 1/16MJIC-45-1 5/16MOR LBO
8	2	900139	3/8UNC X 3 3/4 HEX BOLT
9	2	618533	1 1/16FJIC CAP NUT
10	1	618630	1 5/16MJ-45-1 5/16FJ SWIV LBO
11	1	618842	1 1/16MJIC-90-1 5/8MOR LBO
12	2	470087	3/8UNC HEX FLANGE LOCK NUT



CASE DRAIN MANIFOLD ASSEMBLY

DET. QTY PART NO. DESCRIPTION

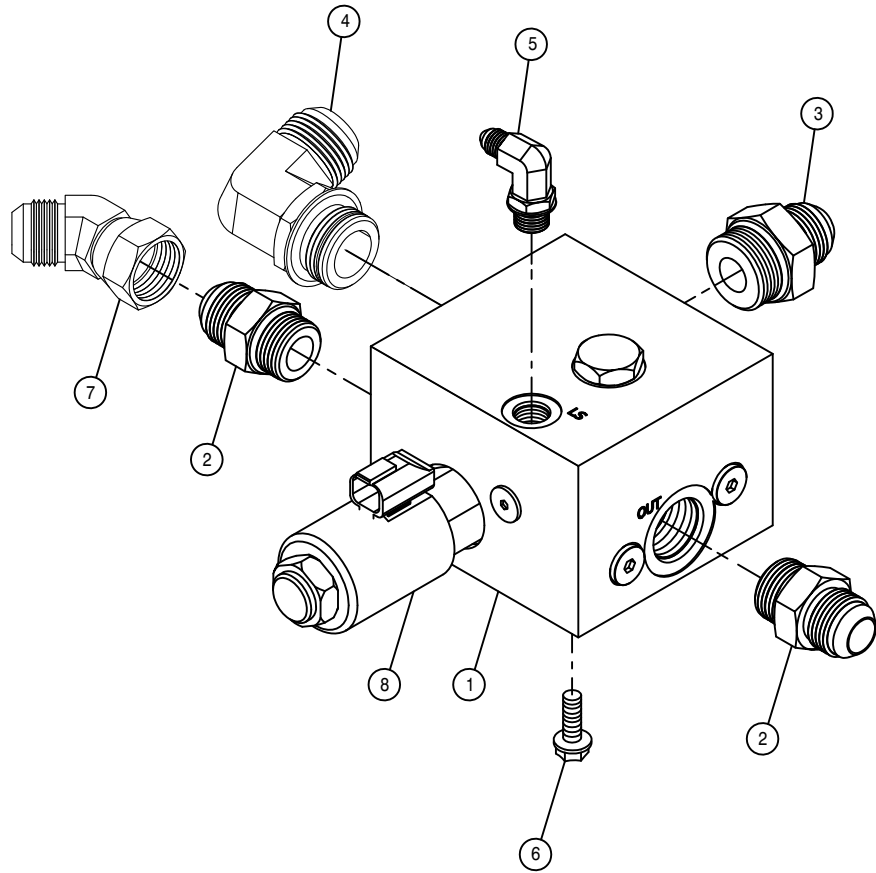
1	1	606246	MANIFOLD, #16 3-STN 180
2	2	618186	1 5/16MJIC-1 5/16MOR ADPTR
3	1	618302	1 1/16MJIC-90-1 5/16MOR LBO
4	1	618308	1 1/16MJIC-1 5/16MOR ADPTR
5	1	618397	1 5/16MOR-9/16FOR ADPTR
6	1	618463	1 5/16MJIC-90-1 5/16MOR XL LBO
7	1	618477	1 5/8MJIC-90-1 5/8MOR LBO
8	1	618484	1 1/16FJIC-3/4MJIC ADPTR
9	2	618487	1 1/16FJ SW RUN TEE-1 1/16MJ
10	1	618518	1 1/16FJIC-7/8MJIC ADPTR
11	1	618531	9/16FJIC CAP NUT
12	1	618541	1 5/16FJIC-1 1/16MJIC ADPTR
13	1	618629	9/16MOR BRANCH TEE-9/16MJIC
14	1	618759	1 5/8MOR PLUG, HEX SOCKET
15	2	470087	3/8UNC HEX FLANGE LOCK NUT
16	2	900139	3/8UNC X 3 3/4 HEX BOLT



LS MANIFOLD ASSEMBLY

DET. QTY PART NO. DESCRIPTION

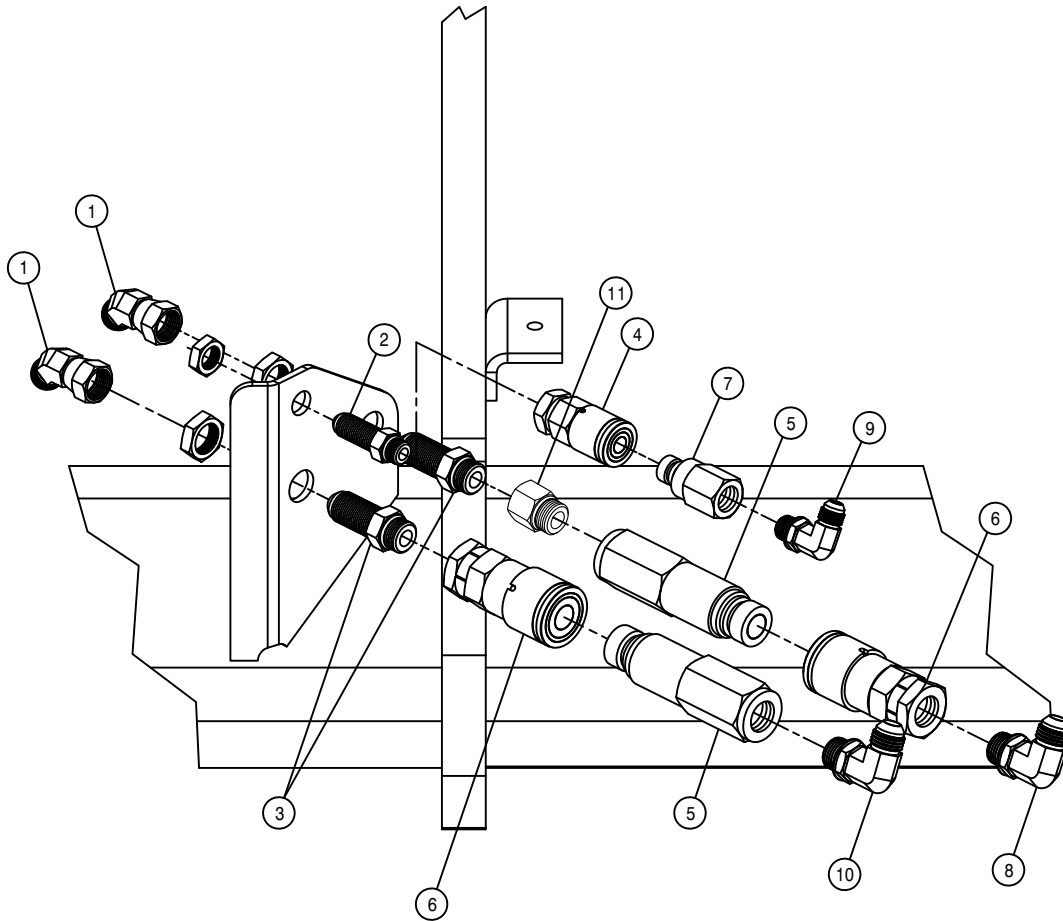
1	1	606347	PRESSURE TRANSDUCER,7500PSI
2	1	606517	LS MANIFOLD
3	1	618126	9/16MJIC-9/16MOR ADPTR
4	2	618753	7/16MOR PLUG, HEX SOCKET
5	1	618363	7/16FJIC CAP NUT
6	4	618467	7/16MJIC-7/16MOR ADPTR
7	2	618473	7/16MJIC-90-7/16MOR LBO
8	2	900128	3/8UNC X 3/4 HEX BOLT



SOLUTION PUMP CONTROL VALVE ASSEMBLY

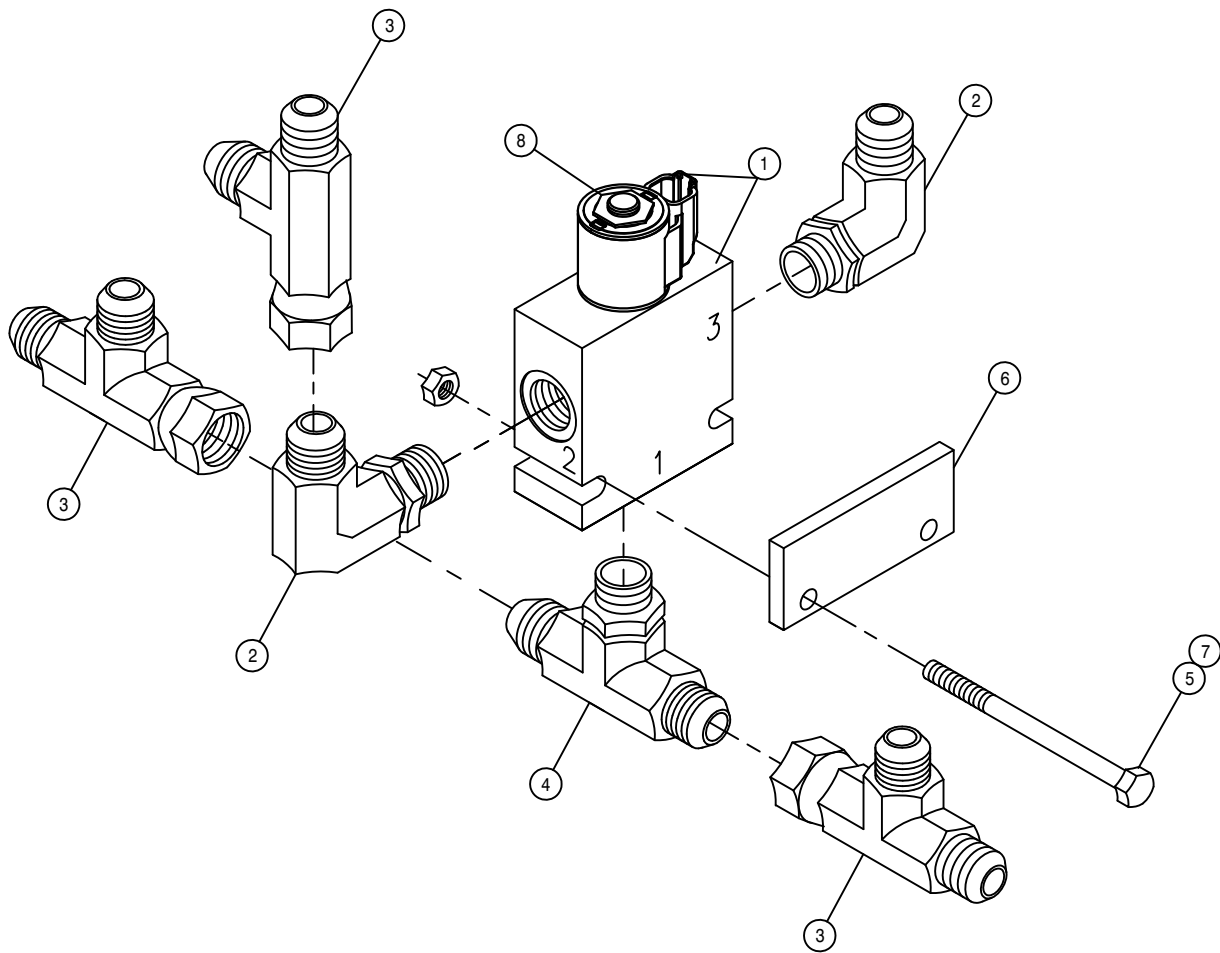
DET. QTY PART NO. DESCRIPTION

1	1	606253	CTRL VALVE,SOLU PUMP	SAUER
2	2	611127	1 1/16MJDIC-1 1/16MOR ADPTR	
3	1	618308	1 1/16MJDIC-1 5/16MOR ADPTR	
4	1	618178	1 5/16MJDIC-90-1 5/16MOR LBO	
5	1	618499	7/16MJDIC-90-9/16MOR LBO	
6	4	900129	3/8UNC X 1" SERR FLANGE BOLT	
7	1	618529	1 1/16MJ-45-1 1/16FJ SWIV LBO	
8	1	606308	COIL FOR VLV 606253	



QUICK CONNECT ASSEMBLY

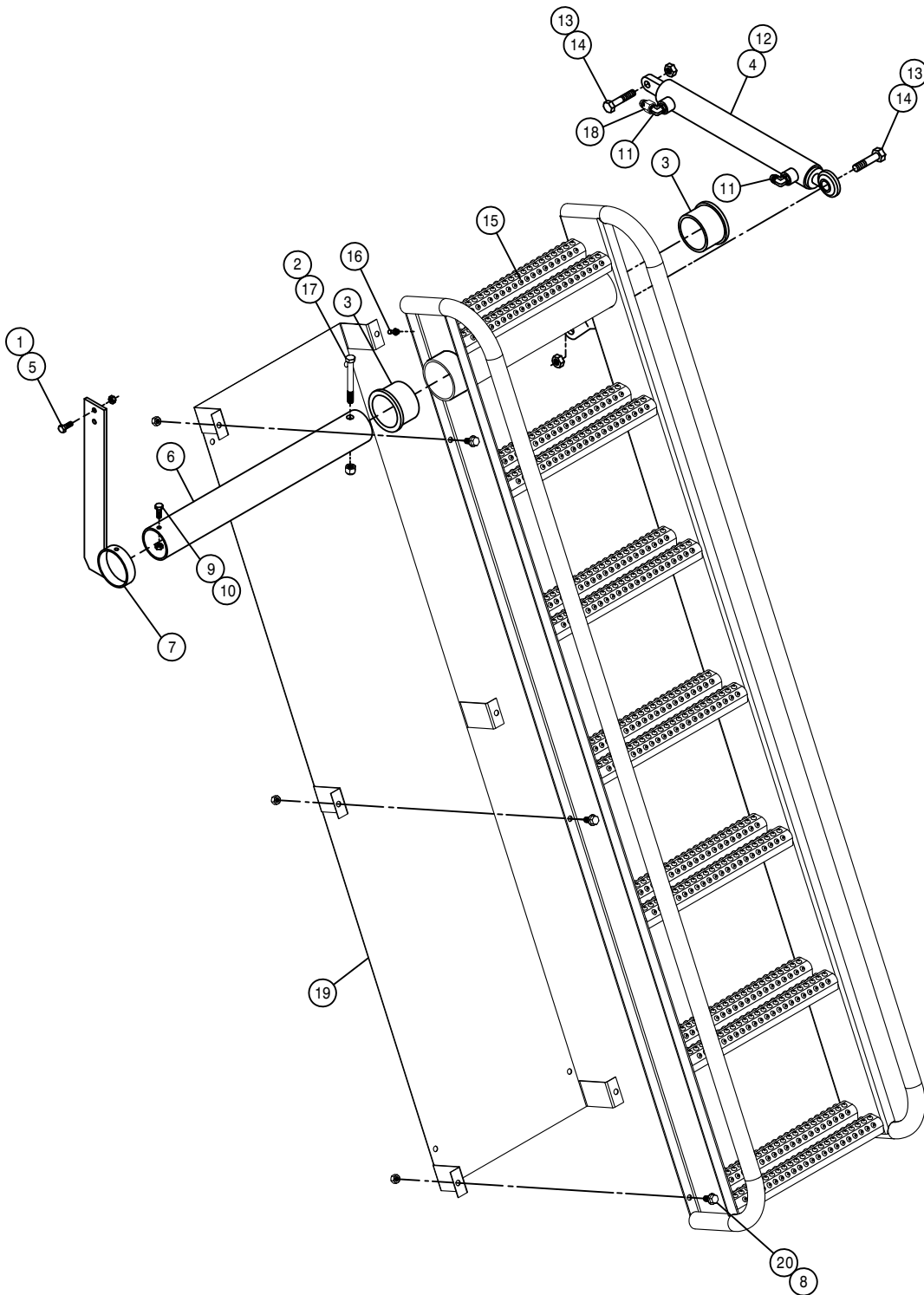
DET.	QTY	PART NO.	DESCRIPTION
1	2	618590	3/4MJIC-45-3/4FJIC SWIV LBO
2	1	618769	9/16MJIC-9/16MOR BLKHD ADPT
3	2	618770	3/4MJIC-3/4MOR BLKHD ADPT
4	1	618805	HYD CPLR, FEM #14,9/16FOR
5	2	618806	HYD CPLR,MALE #12,7/8FOR
6	2	618807	HYD CPLR, FEM #12,3/4FOR
7	1	618804	HYD CPLR,MALE #14,9/16FOR
8	1	618241	3/4MJIC-90-3/4MOR LBO
9	1	618119	9/16MJIC-90-9/16MOR LBO
10	1	618183	3/4MJIC-90-7/8MOR LBO
11	1	618171	7/8MOR-3/4FOR ADPTR



LADDER AND BRAKE VALVE ASSEMBLY

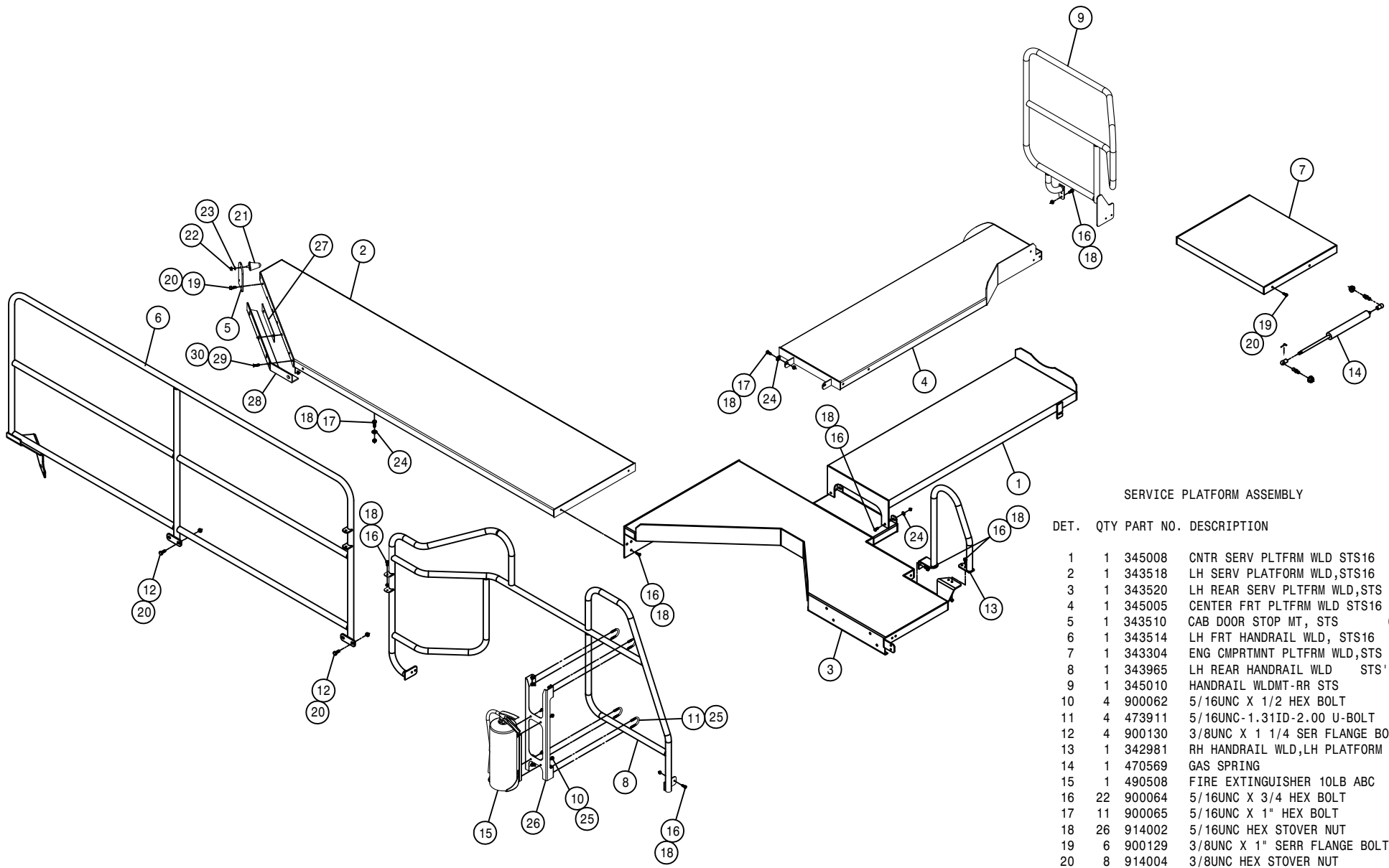
DET. QTY PART NO. DESCRIPTION

1	1	606213	HYD SOLE VLV,2P-3W,9/16FOR 05
2	2	618119	9/16MJIC-90-9/16MOR LBO
3	3	618486	9/16FJIC SW RUN TEE-9/16MJIC
4	1	618629	9/16MOR BRANCH TEE-9/16MJIC
5	2	900007	1/4UNC X 2" HEX BOLT
6	1	342826	SOLE VLV SPACER
7	2	914000	1/4UNC HEX STOVER NUT
8	1	606266	#8 COIL W/DEUTSCH



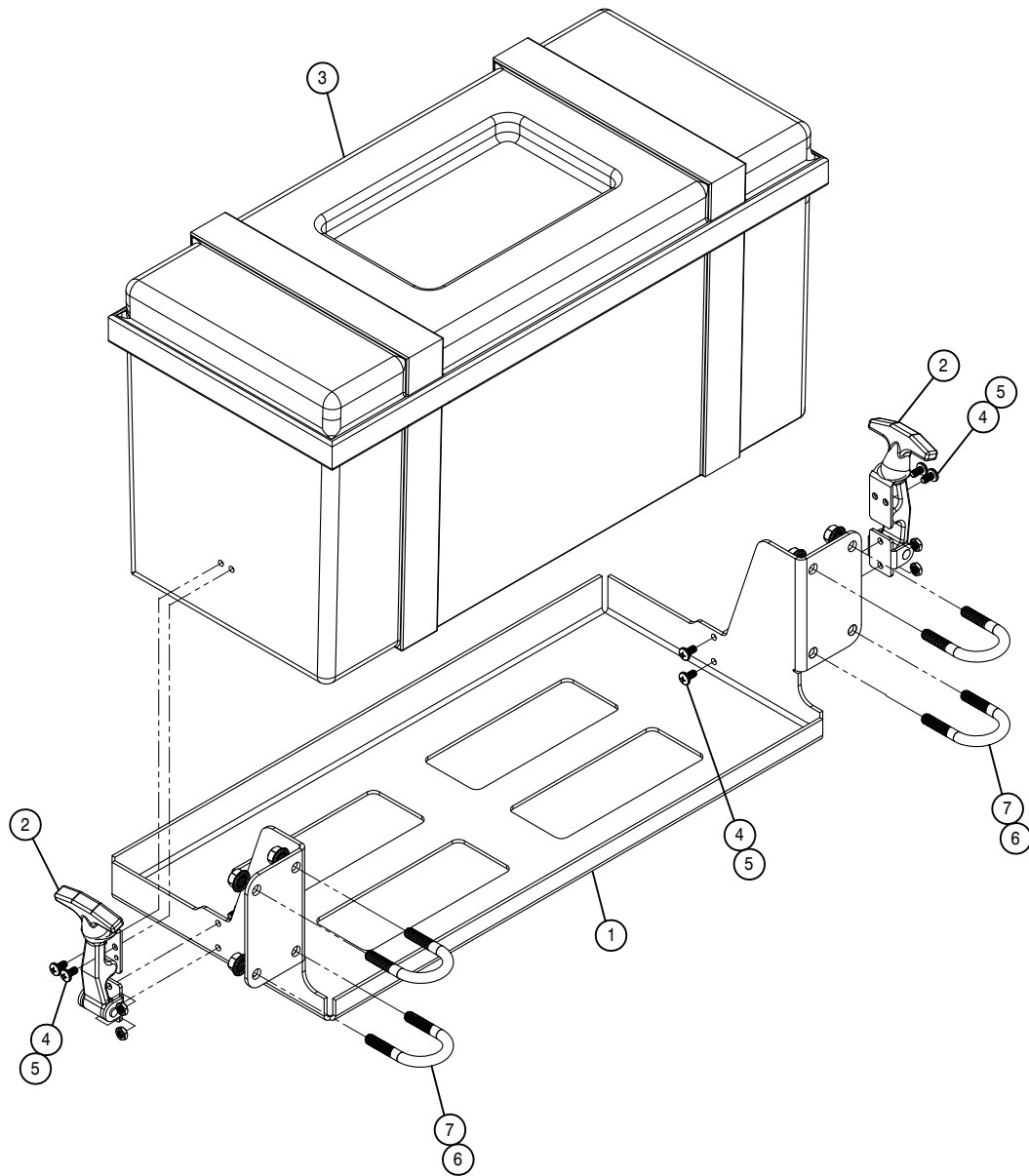
LADDER ASSEMBLY

DET.	QTY	PART NO.	DESCRIPTION
	1	2	914002 5/16UNC HEX STOVER NUT
	2	1	473007 1/2UNC HEX NUT, NYLOC
	3	2	121102 LADDER PIVOT BEARING POLYGON
	4	1	621554 HYD CYL, 1.50 X 12.25 X .750
	5	2	900065 5/16UNC X 1" HEX BOLT
	6	1	342805 LADDER MT TUBE
	7	1	342806 LH PLTFRM SUPP BRKT WLD, STS12
	8	6	914004 3/8UNC HEX STOVER NUT
	9	1	914000 1/4UNC HEX STOVER NUT
	10	1	900003 1/4UNC X 1" HEX BOLT
	11	2	618119 9/16MJIC-90-9/16MOR LBO
	12	1	621555 REPAIR KIT, HYD CYL 621554
	13	2	914008 1/2UNC HEX STOVER NUT
	14	2	900267 1/2UNC X 2" HEX BOLT
	15	1	343808 LADDER WLDMNT, STS10/16 '11
	16	1	471005 GREASE ZERK, 1/4-28 X 1/2
	17	1	900275 1/2UNC X 4 1/2 HEX BOLT
	18	1	618733 9/16JIC .042 ORIFICE ADPTR
	19	1	344009 STEP BACKPLATE, STS CE '11
	20	6	900128 3/8UNC X 3/4 HEX BOLT



SERVICE PLATFORM ASSEMBLY

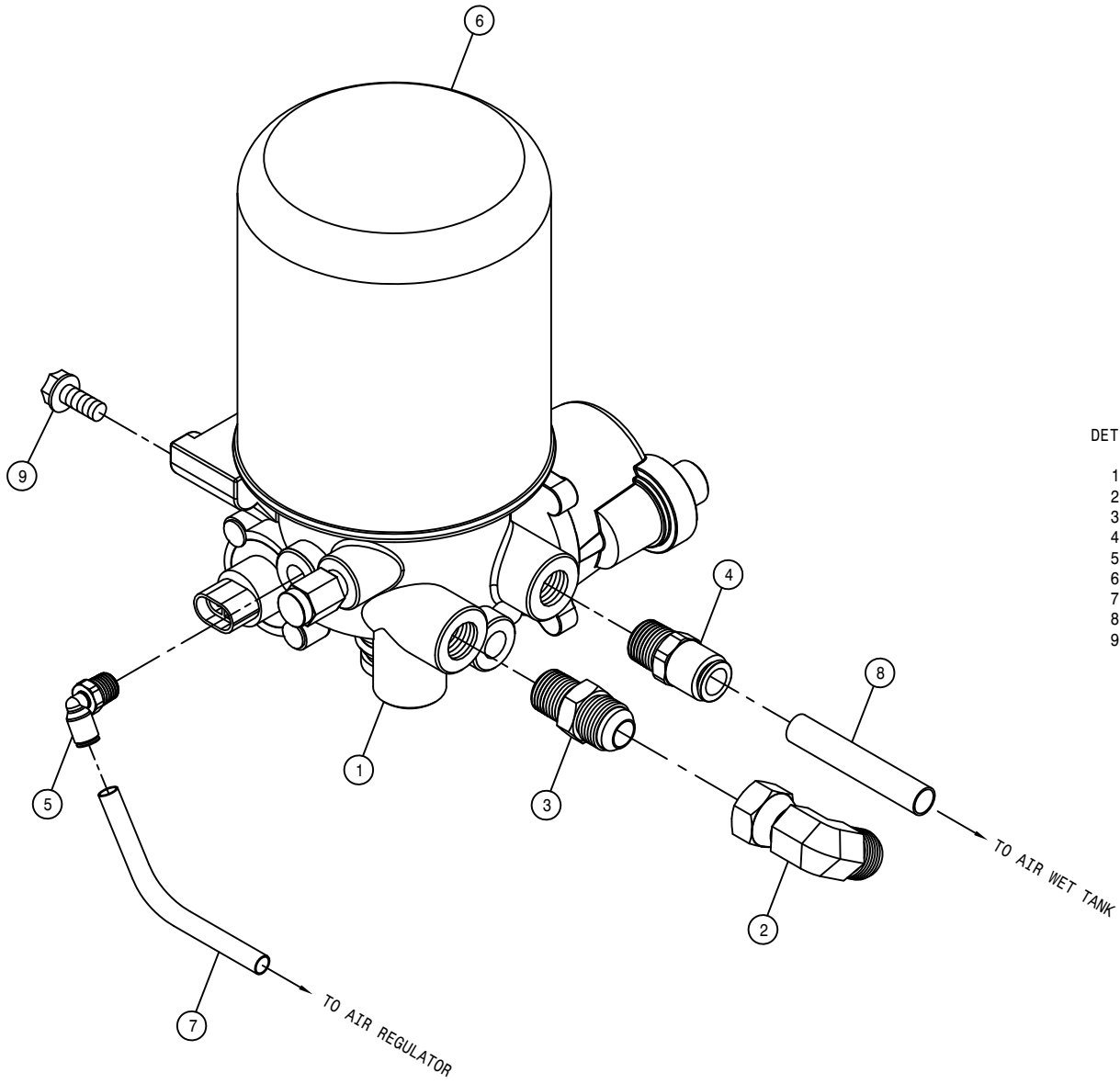
DET.	QTY	PART NO.	DESCRIPTION
1	1	345008	CNTR SERV PLTFRM WLD STS16 07
2	1	343518	LH SERV PLATFORM WLD,STS16 05
3	1	343520	LH REAR SERV PLTFRM WLD, STS 05
4	1	345005	CENTER FRT PLTFRM WLD STS16 07
5	1	343510	CAB DOOR STOP MT, STS 05
6	1	343514	LH FRT HANDRAIL WLD, STS16 05
7	1	343304	ENG CMPRTMNT PLTFRM WLD,STS 04
8	1	343965	LH REAR HANDRAIL WLD STS'12
9	1	345010	HANDRAIL WLDMT-RR STS
10	4	900062	5/16UNC X 1/2 HEX BOLT
11	4	473911	5/16UNC-1.31ID-2.00 U-BOLT
12	4	900130	3/8UNC X 1 1/4 SER FLANGE BOLT
13	1	342981	RH HANDRAIL WLD,LH PLATFORM 05
14	1	470569	GAS SPRING
15	1	490508	FIRE EXTINGUISHER 10LB ABC
16	22	900064	5/16UNC X 3/4 HEX BOLT
17	11	900065	5/16UNC X 1" HEX BOLT
18	26	914002	5/16UNC HEX STOVER NUT
19	6	900129	3/8UNC X 1" SERR FLANGE BOLT
20	8	914004	3/8UNC HEX STOVER NUT
21	1	470571	BUMPER,MALE STUD 2.375 X 1.75
22	1	470087	3/8UNC HEX FLANGE LOCK NUT
23	1	920502	3/8 LOCK WASHER
24	12	920001	5/16 SAE FLAT WASHER
25	12	470113	5/16UNC HEX FLANGE LOCK NUT
26	1	343199	FIRE EXTINGUISHER MT STS'12
27	1	343992	SPACER,CATWALK GUARD, 14/16'12
28	1	343993	CATWALK HOSE GUARD,UHMW STS'13
29	5	472286	3/8UNC-1 1/4"SKT FLTHD CAP SCR
30	5	910004N	3/8UNC FLANGE CNTR LOCK NUT



TOOLBOX ASSEMBLY

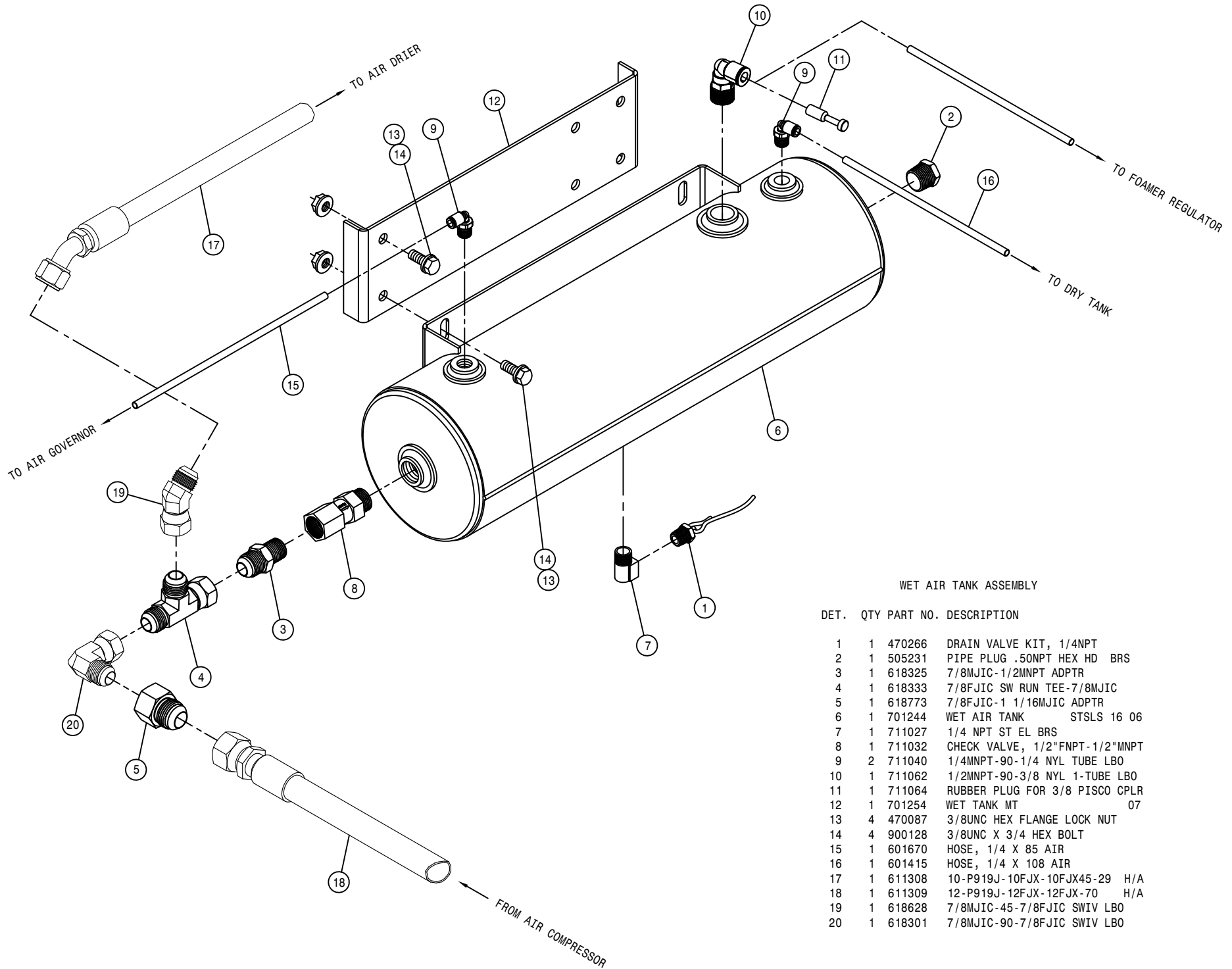
DET. QTY PART NO. DESCRIPTION

DET.	QTY	PART NO.	DESCRIPTION
1	1	345042	TOOLBOX MT BASE, STS '12
2	2	470643	RUBBER DRAW LATCH
3	1	470841	TOOLBOX
4	8	903884	10-32X3/8 PHIL PANHD MACH SCR
5	8	914027	10-32 HEX STOVER NUT
6	8	470113	5/16UNC HEX FLANGE LOCK NUT
7	4	473911	5/16UNC-1.31ID-2.00 U-BOLT



AIR DRYER ASSEMBLY

DET.	QTY	PART NO.	DESCRIPTION
	1	311084	AIR DRIER, SYSTEM SAVER 1200
	1	618301	7/8MJIC-90-7/8FJIC SWIV LBO
	1	618325	7/8MJIC-1/2MNPT ADPTR
	1	711037	1/2MNPT-1/2 NYL TUBE FTG
	1	711040	1/4MNPT-90-1/4 NYL TUBE LBO
	1	311085	CARTRIDGE KIT FOR 311084 DRIER
	1	601415	HOSE, 1/4 X 108 AIR
	1	601685	HOSE, 1/2 X 112 AIR
	3	900263	1/2UNC X 1" HEX BOLT



WET AIR TANK ASSEMBLY

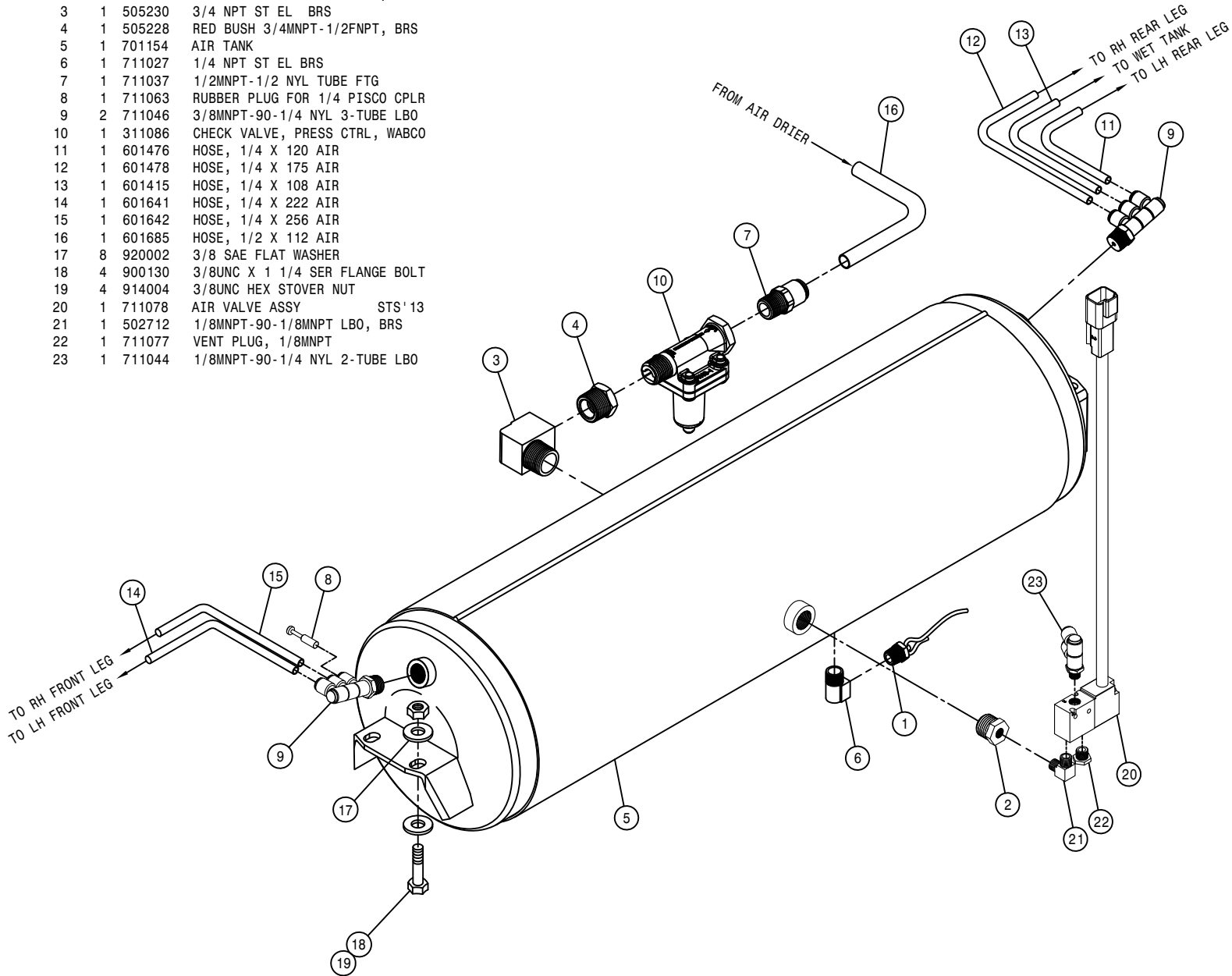
DET.	QTY	PART NO.	DESCRIPTION
1	1	470266	DRAIN VALVE KIT, 1/4NPT
2	1	505231	PIPE PLUG .50NPT HEX HD BRS
3	1	618325	7/8MJIC-1/2MNPT ADPTR
4	1	618333	7/8FJIC SW RUN TEE-7/8MJIC
5	1	618773	7/8FJIC-1 1/16MJIC ADPTR
6	1	701244	WET AIR TANK STSLS 16 06
7	1	711027	1/4 NPT ST EL BRS
8	1	711032	CHECK VALVE, 1/2"FNPT-1/2"MNPT
9	2	711040	1/4MNPT-90-1/4 NYL TUBE LBO
10	1	711062	1/2MNPT-90-3/8 NYL 1-TUBE LBO
11	1	711064	RUBBER PLUG FOR 3/8 PISCO CPLR
12	1	701254	WET TANK MT 07
13	4	470087	3/8UNC HEX FLANGE LOCK NUT
14	4	900128	3/8UNC X 3/4 HEX BOLT
15	1	601670	HOSE, 1/4 X 85 AIR
16	1	601415	HOSE, 1/4 X 108 AIR
17	1	611308	10-P919J-10FJX-10FJX45-29 H/A
18	1	611309	12-P919J-12FJX-12FJX-70 H/A
19	1	618628	7/8MJIC-45-7/8FJIC SWIV LBO
20	1	618301	7/8MJIC-90-7/8FJIC SWIV LBO

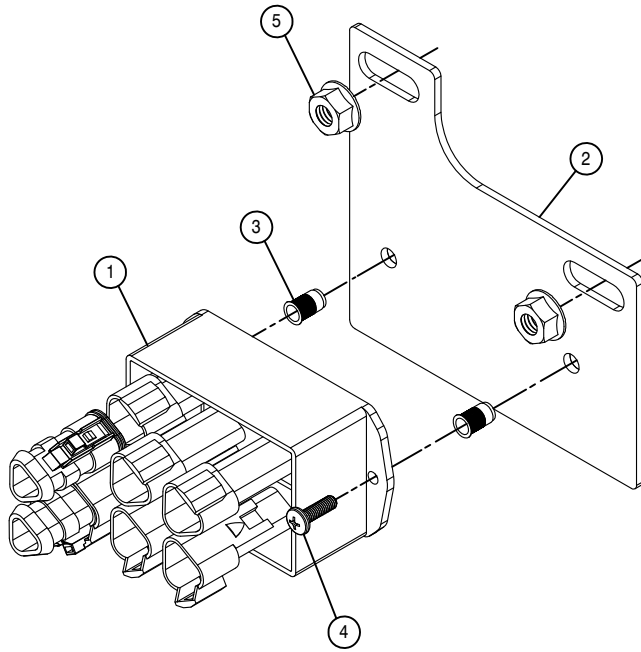
AIR TANK ASSEMBLY

DET. QTY PART NO. DESCRIPTION

1	1	470266	DRAIN VALVE KIT, 1/4NPT
2	1	505235	RED BUSH 3/4MNPT-1/8FNPT,BRS
3	1	505230	3/4 NPT ST EL BRS
4	1	505228	RED BUSH 3/4MNPT-1/2FNPT, BRS
5	1	701154	AIR TANK
6	1	711027	1/4 NPT ST EL BRS
7	1	711037	1/2MNPT-1/2 NYL TUBE FTG
8	1	711063	RUBBER PLUG FOR 1/4 PISCO CPLR
9	2	711046	3/8MNPT-90-1/4 NYL 3-TUBE LBO
10	1	311086	CHECK VALVE, PRESS CTRL, WABCO
11	1	601476	HOSE, 1/4 X 120 AIR
12	1	601478	HOSE, 1/4 X 175 AIR
13	1	601415	HOSE, 1/4 X 108 AIR

14	1	601641	HOSE, 1/4 X 222 AIR
15	1	601642	HOSE, 1/4 X 256 AIR
16	1	601685	HOSE, 1/2 X 112 AIR
17	8	920002	3/8 SAE FLAT WASHER
18	4	900130	3/8UNC X 1 1/4 SER FLANGE BOLT
19	4	914004	3/8UNC HEX STOVER NUT
20	1	711078	AIR VALVE ASSY STS' 13
21	1	502712	1/8MNPT-90-1/8MNPT LBO, BRS
22	1	711077	VENT PLUG, 1/8MNPT
23	1	711044	1/8MNPT-90-1/4 NYL 2-TUBE LBO



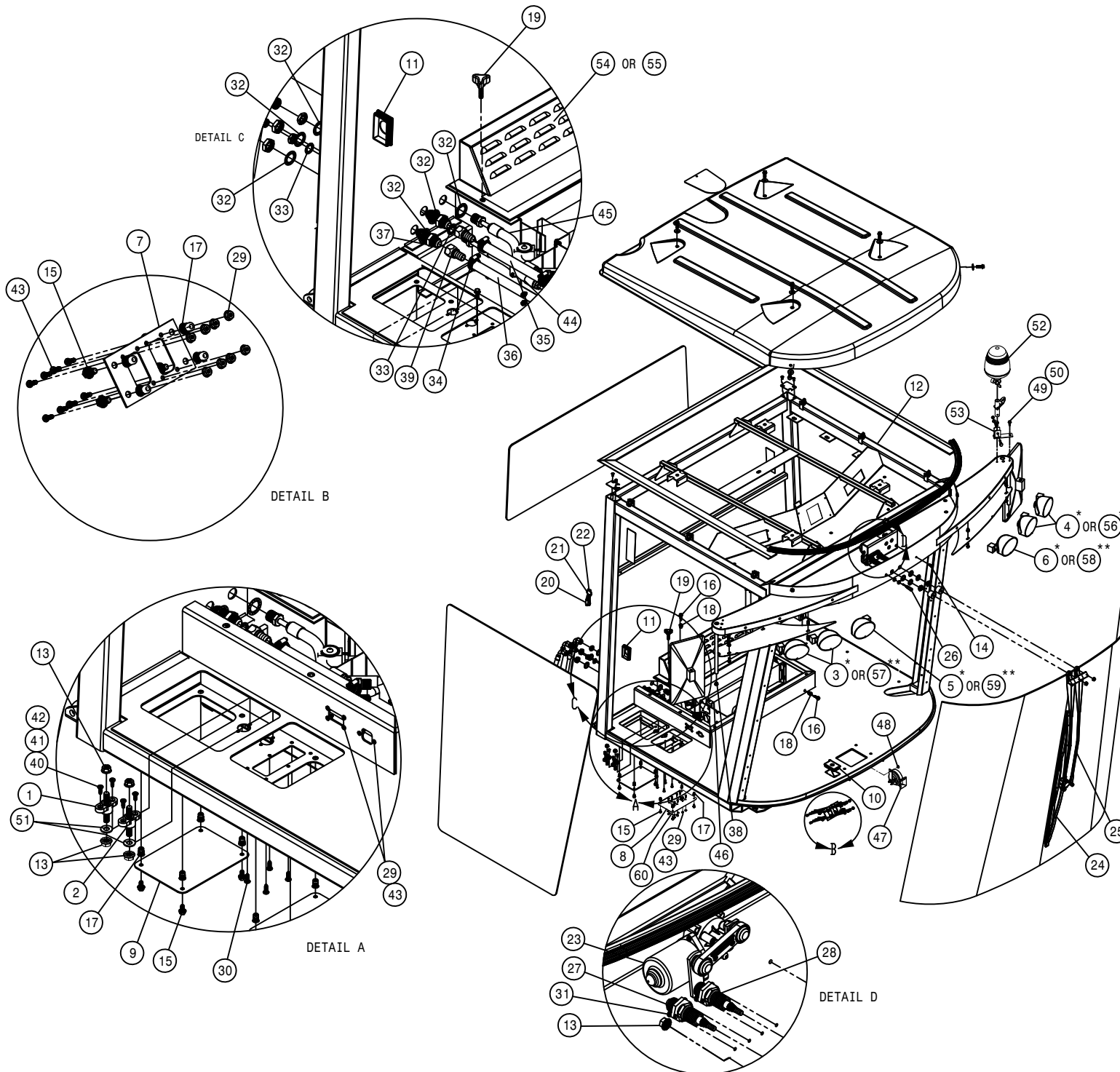


J1939 JUNCTION MODULE ASSEMBLY

DET. QTY PART NO. DESCRIPTION

1	1	292406	DATA LINK MODULE 99-6DLM
2	1	343697	J1939 MOUNTING BRKT STS'12
3	2	470384	10-32 NUTSERT .020-.130 STL
4	2	903710	10-32X5/8 PHIL PANHD MACH SCR
5	2	470087	3/8UNC HEX FLANGE LOCK NUT

CAB ASSEMBLY (FRONT VIEW)



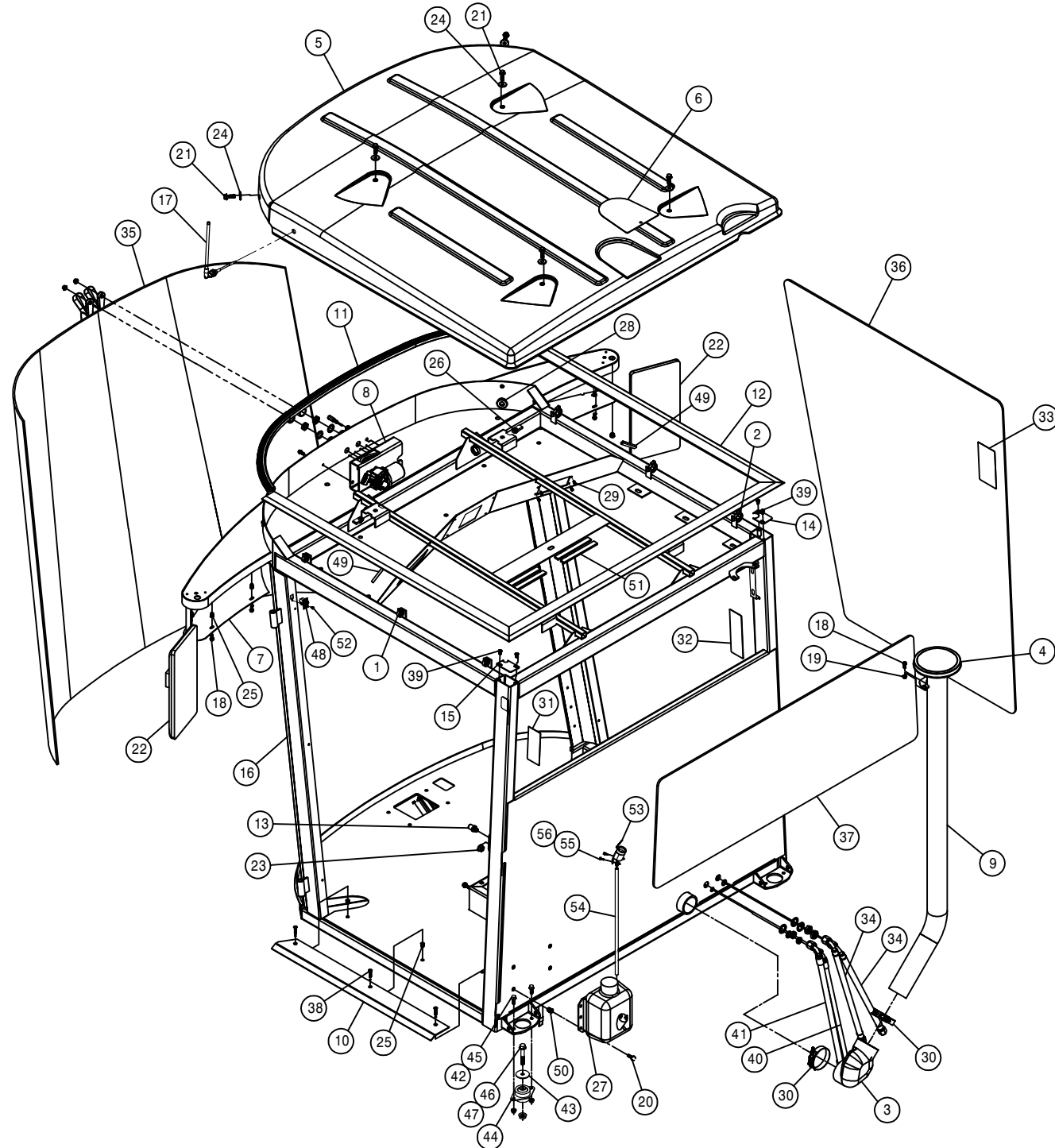
DET.	QTY	PART NO.	DESCRIPTION
1	1	291749	TERM BLOCK, BLACK, 3/8-16 THRU
2	1	291750	TERM BLOCK, RED, 3/8-16 THRU
3	2	291900	RH WORKLIGHT, FLOOD GLASS
4	2	291901	LH WORKLIGHT, FLOOD GLASS
5	1	291902	RH WORKLIGHT, TRAPEZOID GLASS
6	1	291903	LH WORKLIGHT, TRAPEZOID GLASS
7	1	343431	STRG COLUMN ELECT PANEL, STS 05
8	1	343665	AUX ACCESS COVER, 2-PORT STS 08
9	1	343433	AUX ACCESS COVER, STS 05
10	1	343552	CAPLUG, 2X3 W/.75 HOLE, STS 05
11	1	343553	CAPLUG, 2X3 W/1.31 HOLE, STS 05
12	1	343985	CAB WLD STS' 13
13	5	470087	3/8UNC HEX FLANGE LOCK NUT
14	1	470118	1/4UNC X 3/4 FLANGE HEX BOLT
15	12	470122	1/4UNC X 1/2 FLANGE HEX BOLT
16	4	470234	5/16UNC X 1" FLANGE HEX BOLT
17	12	470380	1/4-20 NUTSERT .027-.165 STL
18	4	470381	5/16-18 NUTSERT .027-.150 STL
19	2	470393	KNOB, 3-BLADE BLK, 5/16-18X1 1/2
20	1	470397	RES-Q-ME TOOL
21	1	470398	BEAD CHAIN, #10 X 4" LONG
22	1	470400	BEAD CHAIN CONNECTOR #10 WHITE
23	1	470426	MOTOR, WINDSHIELD WIPER, STS 05
24	1	470427	BLADE, WINDSHIELD WIPER STS 05
25	1	470428	ARM, WINDSHLD WIPER BLADE, STS 05
26	1	470429	SPRAY JET, WINDSHLD WIPER, STS 05
27	1	470503	SLAVE SHAFT, WINDSHIELD WIPER
28	1	470504	PIVOT SHAFT, 2.337 BALL STUD
29	22	470463	8-32 SERR. FLANGE NUT
30	6	470465	#12 X 3/4 PHIL PAN SHD MTL SCR
31	4	472238	12-24 X 1/2 PHIL PAN HD SCR
32	6	483019	7/8" INTERNAL TOOTH LOCK WASHER
33	2	483020	5/8" INTERNAL TOOTH LOCK WASHER
34	4	520080	HOSE CLAMP NO 10 STAINLESS
35	1	601678	HOSE, 5/8 X 8 HEATER
36	1	601679	HOSE, 5/8 X 13 HEATER
37	2	618497	7/8MJIC-7/8MJIC BLKHD UNION
38	2	629762	CAPPLUGS PLUG, 5/8" RD, BLK POLY
39	2	711101	5/8 HOSE BARB-7/8FJX ADPTR, BRS
40	4	903706	10-32X1/2 PHIL PAN MACH SCR
41	4	920510	#10 LOCK WASHER
42	4	910027	10-32 HEX NUT
43	22	903844	8-32 X 1/2 PHIL PANHD MACH SCR
44	1	657475	A/C HOSE ASSY, 5/16X12.50 BLKHD
45	1	657476	A/C HOSE ASSY, 1/2X12.50 BLKHD
46	1	657500	A/C & HEATER BLOWER SYS, STS 07
47	1	290062	HORN, FREEWAY BLASTER 130 DB
48	1	470121	1/4UNC HEX FLANGE LOCK NUT
49	2	470113	5/16UNC HEX FLANGE LOCK NUT
50	2	470233	5/16UNC X 3/4 FLANGE HEX BOLT
51	2	920502	3/8 LOCK WASHER
52	1	290059	BEACON, 12V AMBER HALOGEN
53	1	290060	BEACON TILT SURFACE MT, QK CHG
54	1	657463	A/C PAPER AIR FILTER
55	1	657464	A/C CHARCOAL AIR FILTER
56	2	292506	RH WORKLIGHT, LED FLOOD, HMC MT
57	2	292507	LH WORKLIGHT, LED FLOOD, HMC MT
58	1	292513	LH WORKLIGHT, LED TRAP, HMC MT
59	1	292512	RH WORKLIGHT, LED TRAP, HMC MT
60	1	343658	COVER PLT, AUX ACCESS STS' 12

NOTE: ITEMS WITH A (*) ARE USED WITH THE STANDARD LIGHT OPTION.

ITEMS WITH (**) ARE USED WITH THE LED LIGHT OPTION.

CAB ASSEMBLY (REAR VIEW)

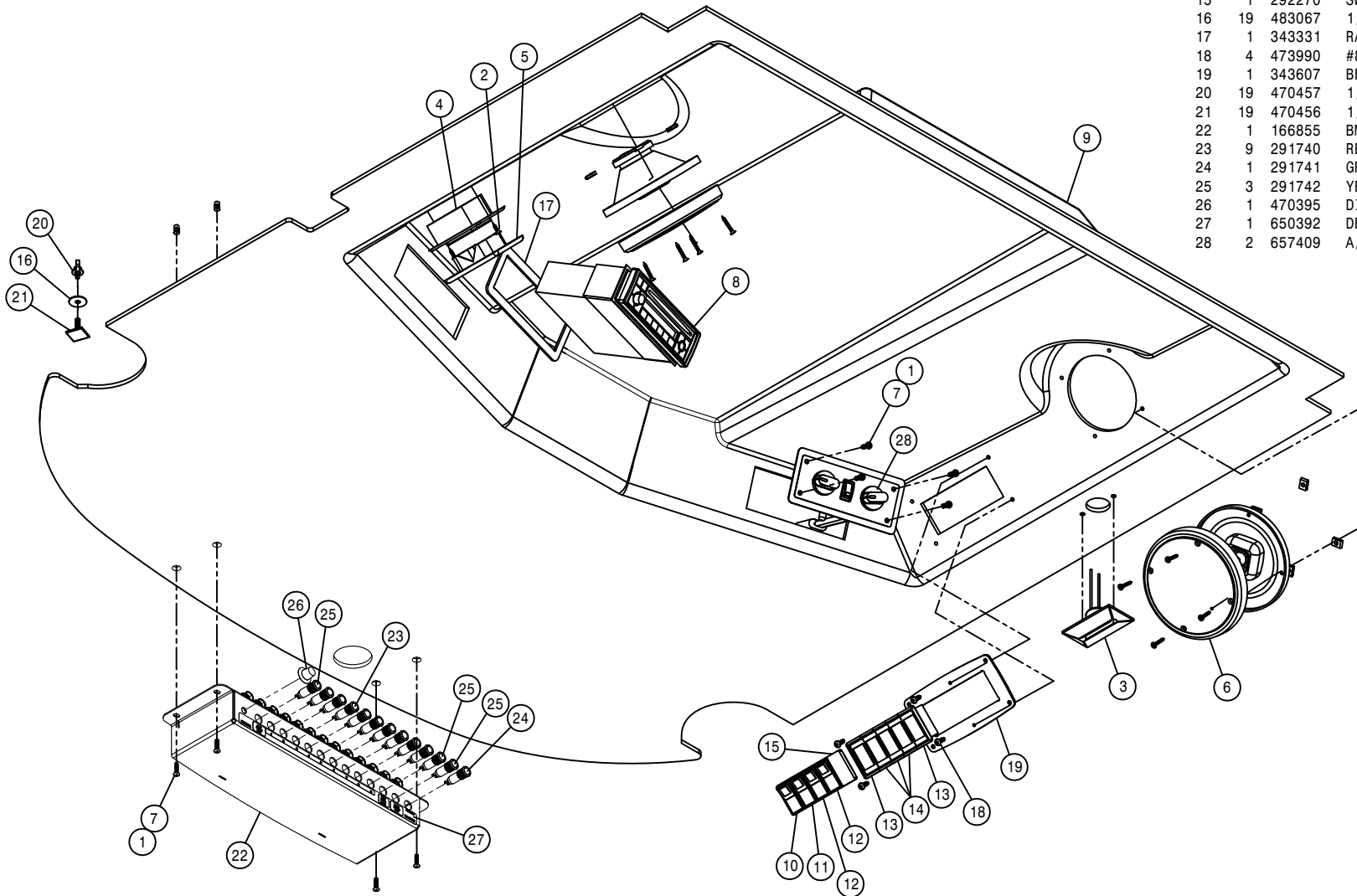
DET. QTY PART NO. DESCRIPTION



DET.	QTY	PART NO.	DESCRIPTION
1	4	291009	ROSEBUD CLIP FOR .625 CONDUIT
2	4	291010	ROSEBUD CLIP FOR 1.000 CONDUIT
3	1	311533	3.00 90 DEG COBRA ELBOW RUBBER
4	1	311534	RAIN CAP, 3.00 PLASTIC
5	1	343824	CAB ROOF STS'11
6	1	343351	GPS MTG PLATE, STS CAB 05
7	2	343352	LWR LIGHT MT COVER, STS CAB 05
8	1	343712	WIPER MTR MT WLD, STS CAB '10
9	1	343422	HVAC INTAKE TUBE WLD, STS CAB05
10	1	343434	CAB ENTRY STEP PLATE, STS 05
11	1	343582	FRT CAB ROOF SEAL, STS CAB 06
12	1	343583	CAB ROOF SEAL, STS CAB 06
13	1	470417	STRIKER PIN ASSY
14	1	343605	RH REAR CORNER POST CAP, STS 07
15	1	343606	LH REAR CORNER POST CAP, STS 07
16	1	343985	CAB WLD STS'13
17	1	291214	ANTENNA
18	10	470118	1/4UNC X 3/4 HHSFB GR5 MC
19	2	470121	1/4UNC SER FLG LOCK NUT
20	4	470234	5/16UNC X 1" SER FLG HEX BOLT
21	6	470329	3/8UNC X1 1/4 SER FLG HEX BOLT
22	2	470348	MIRROR STS10 & STS12
23	1	473852	12MM-1.75 SERR FLANGE NUT, ZINC
24	6	470377	3/8 X 1 3/16 BONDED WASHER SS
25	11	910127	1/4-20 NUTSERT .027-.165YZ
26	4	470526	3/8UNC U-NUT, 1.125 CLIP ON
27	1	470440	WINDSHIELD WASHER TANK ASSY 05
28	2	470491	GROMMET, .75ID .125GW 1.25GD
29	4	910130	10-32 NUTSERT .020-.130 YZ
30	2	520130	3.31/3.59 T-BOLT HOSE CLAMP SS
31	1	650164	DECAL, NO PASSNGR, NOT NEAR LEAK
32	1	650165	DECAL, PWR LINE/BM FOLD/GLASS
33	1	650176	DECAL, CAUTION, CAB CHEM EXPOSUR
34	2	657479	10-213-10FJX-10FJX90-22 H/A
35	1	658035	WINDSHIELD, STS CAB 05
36	1	658036	RH CAB GLASS, STS 05
37	1	658038	REAR CAB GLASS, STS 05
38	3	900050	1/4UNC X 1 1/4 PH FLHD MAC SCR
39	4	903708	1/4UNCX1/2 PHL PNHD MCH SCR BZ
40	1	657477	A/C HOSE ASSY, 5/16 X 24"
41	1	657478	A/C HOSE, 10-10F-10F90-24
42	8	470087	3/8UNC HEX SER FLG NUT
43	4	311078	SNUBBING WASHER FOR 311077 05
44	4	311077	ISOLATION MOUNT, LF1.5 SER 05
45	8	470460	3/8UNC X 1 SER FLG BOLT
46	4	470461	1/2UNC X 3 SER FLG BOLT
47	4	470345	1/2UNC HEX SMTH FLG LOCK NUT
48	1	292609	SWITCH
49	2	193016	QUICKEDGE TRIM .060 TO .170
50	4	910128	5/16-18 NUTSERT .027-.150 YZ
51	4	193022	STICKERTITE 1/4 X 3/4
52	1	472227	#10X1/2 PHIL PANHD SHT MTL SCR
53	1	343972	REMOTE FILL RESERVOIR, PLASTIC
54	1	601770	HOSE, 5/8 X 37 HEATER
55	2	900065	5/16UNC X 1" HHCS GR 5
56	2	473001	5/16UNC HEX NUT, NYLOC

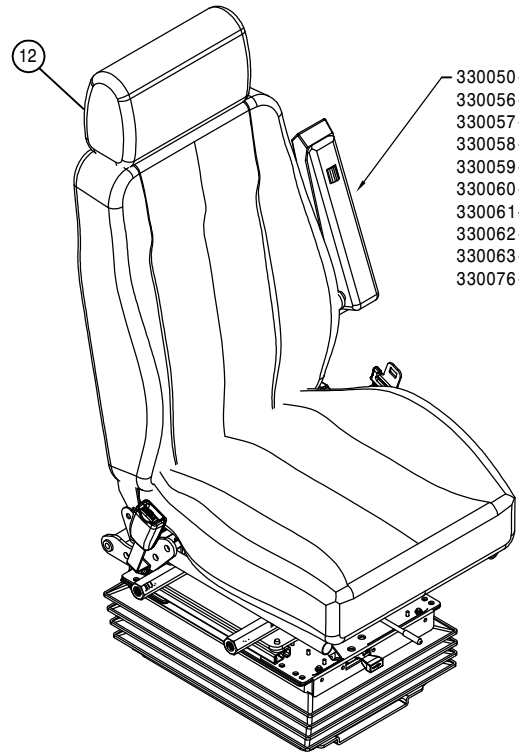
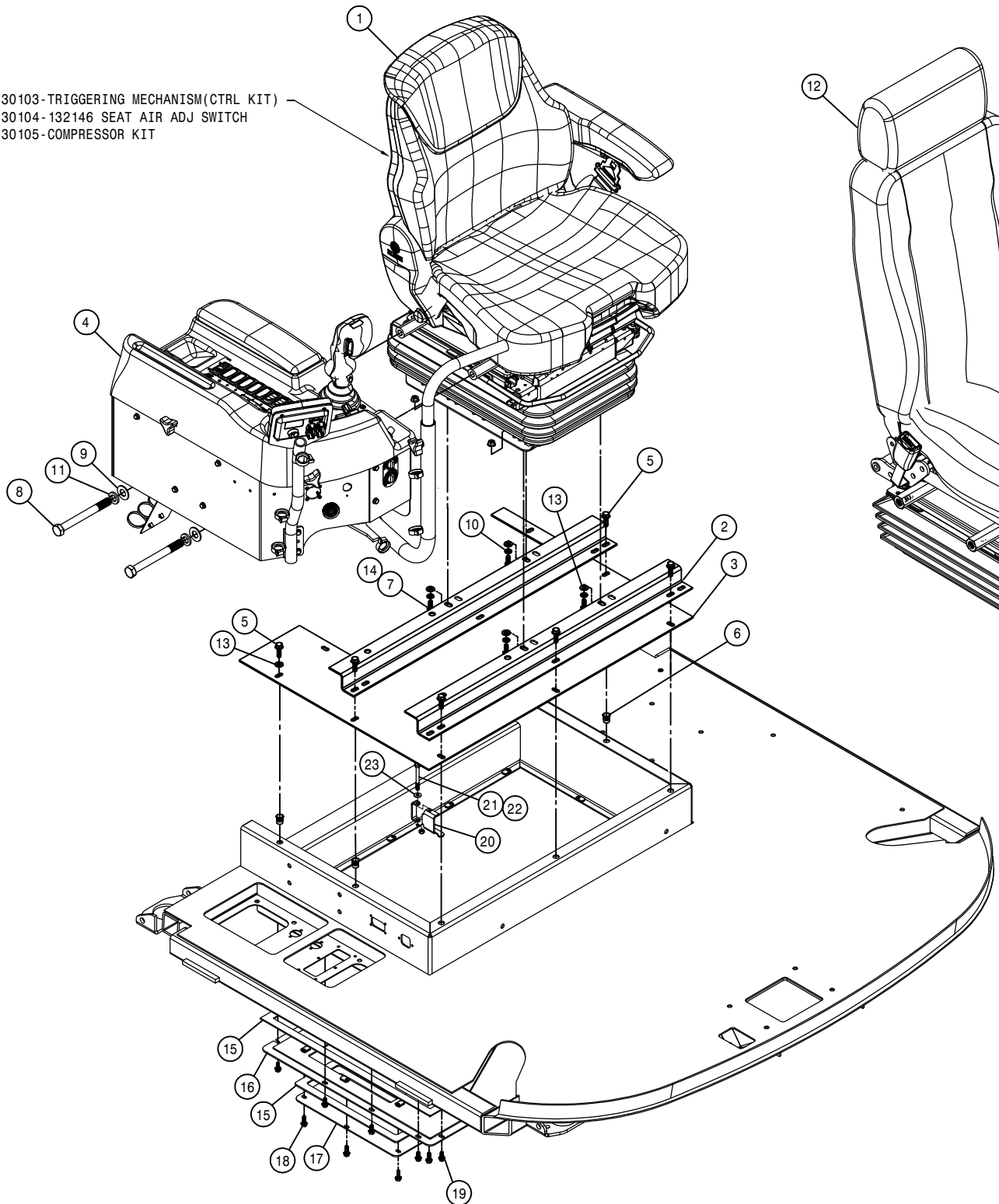
HEADLINER ASSEMBLY

DET.	QTY	PART NO.	DESCRIPTION
1	8	470384	10-32 NUTSERT .020-.130 STL
2	2	473907	#10X5/8 OHPHIL 8 SHT MTL SCR
3	1	291909	L.E.D. COURTESY LIGHT W/LEADS
4	1	291912	DOVE LIGHT
5	1	291913	TRIM RING, DOVE LIGHT 291912
6	2	291922	SPEAKERS,PAIR
7	8	472235	10-32 X 3/4 PHIL PAN MACH SCR
8	1	291932	RADIO, AM/FM/WB/CD
9	1	658344	HEADLINER STS'11
10	1	292214	SWITCH, WASHER, STS
11	1	292215	SWITCH, WIPER, STS
12	2	292216	SWITCH,WORK/FIELD LIGHTS, STS
13	2	292261	MOUNTING TRIM,END VME
14	3	292262	MOUNTING TRIM, MIDDLE VMM
15	1	292270	SWITCH BLANK, VH2
16	19	483067	1/4 X 1.00 OD FENDER WASHER
17	1	343331	RADIO BEZEL,CAB, BLK PLASIC 05
18	4	473990	#8 X 3/4 PHIL PAN SHTMTL(A)SCR
19	1	343607	BEZEL,LIGHT/WIPER GST20 07
20	19	470457	1/4-20 WING NUT, NYLON
21	19	470456	1/4-20 X 1.00 STUD,SQ BASE,NYL
22	1	166855	BM SCT IND LIGHT WLD, 120'C'11
23	9	291740	RED LED IND LIGHT,12V 10MM
24	1	291741	GREEN LED IND LIGHT,12V 10MM
25	3	291742	YELLOW LED IND LIGHT,12V 10MM
26	1	470395	DIAL KNOB W/ARROW FOR .25 SHFT
27	1	650392	DECAL,BOOM 10 SCT IND LIGHT'11
28	2	657409	A/C CONTROL KNOB



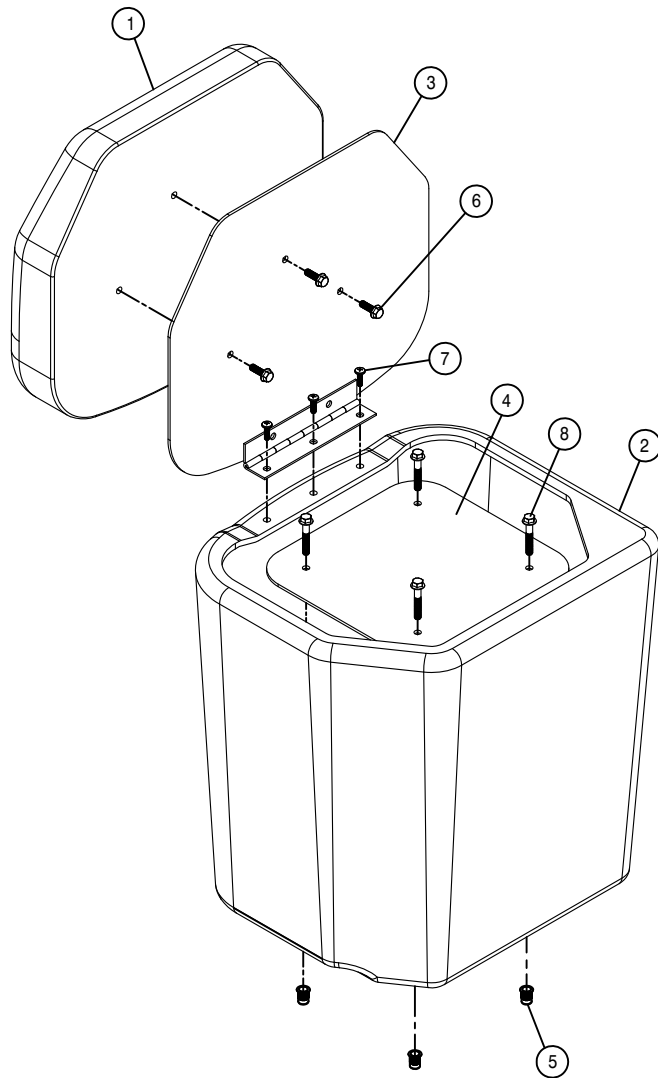
330103-TRIGGERING MECHANISM(CTRL KIT)
 330104-132146 SEAT AIR ADJ SWITCH
 330105-COMPRESSOR KIT

330050-HD SUSPENSION KIT, 12V,KNOEDLER
 330056-98 DUAL LOCK SLIDE KIT(LONG)
 330057-SEAT BELT KIT,RETRACTABLE
 330058-98 SEAT CUSHION,GREY W/OPS
 330059-9400 LH HEIGHT ADJ VALVE,ELECT
 330060-9400 LH LUMBAR VALVE,ELECT
 330061-LH ARMREST,GREY LEATHER GH725
 330062-98 HEADREST,GREY W/HAGIE LOGO
 330063-98 BACKREST,GREY W/O HEADREST
 330076-CHECK VALVE,KNOEDLER SEAT



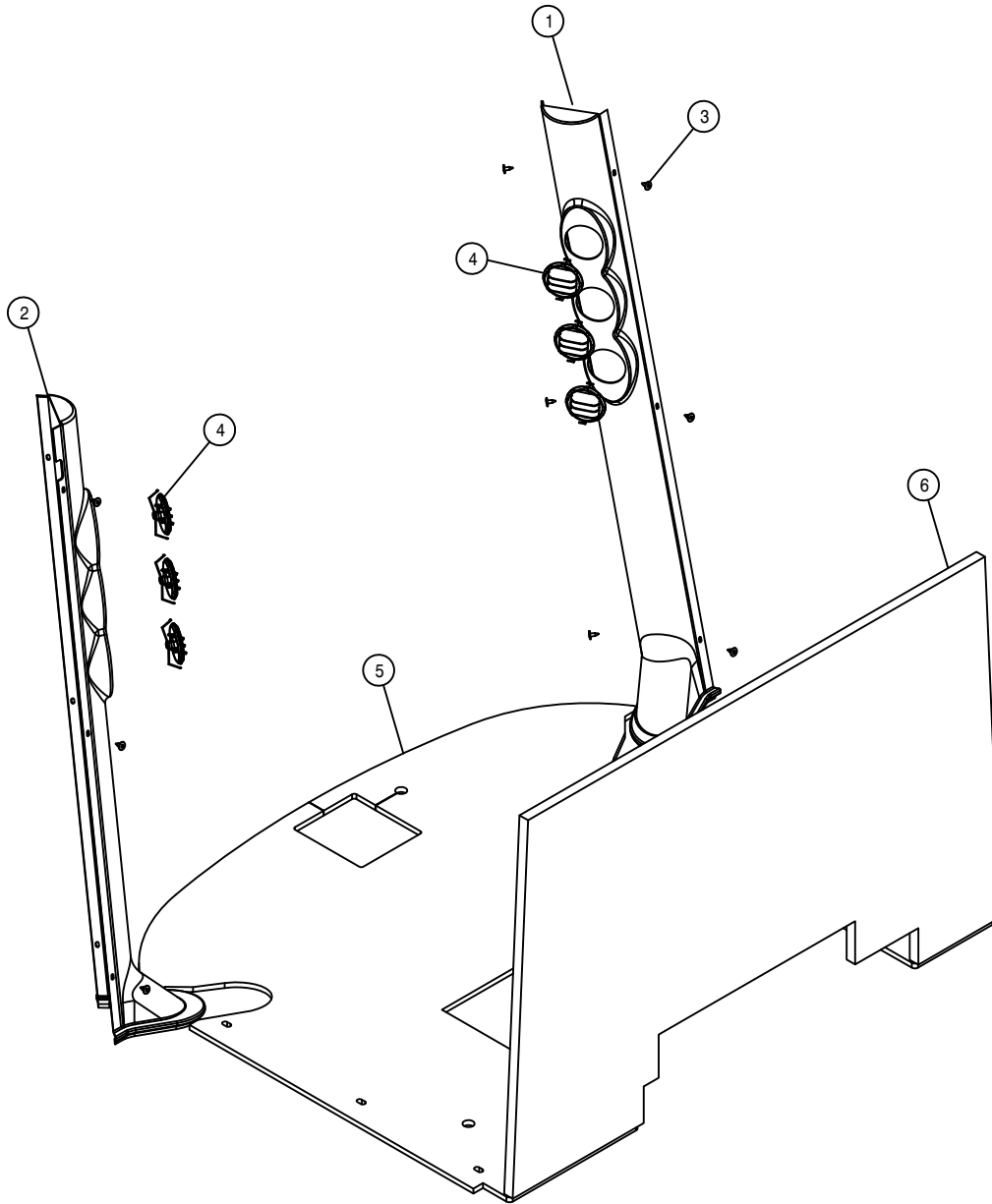
SEAT ASSEMBLY

DET.	QTY	PART NO.	DESCRIPTION	
1	1	330047	SEAT, STS GRAMMER	' 11
2	2	343429	SEAT BASE STIFF, STS CAB	05
3	1	343430	HVAC LID, STS CAB	05
4	1	343987	SIDE CONSOLE ASSY	STS' 13
5	8	470233	5/16UNC X 3/4 FLANGE HEX BOLT	
6	5	470381	5/16-18 NUTSERT .027-.150 STL	
7	4	473827	8MM-1.25 X 20MM HEX BOLT	
8	2	900346	5/8UNC X 6" HEX BOLT	
9	2	920005	5/8 SAE FLAT WASHER	
10	4	920501	5/16 LOCK WASHER	
11	2	920505	5/8 LOCK WASHER	
12	1	330048	SEAT, STS KNOEDLER	' 11
13	5	920001	5/16 SAE FLAT WASHER	
14	4	473858	8MM-1.25 SERR FLANGE NUT	
15	2	193037	STICKERTITE 1/8 X 3/4	
16	1	343841	LWR HVAC COVER WLD	STS' 12
17	1	343853	HVAC ACCESS COVER	STS' 12
18	6	470118	1/4UNC X 3/4 FLANGE HEX BOLT	
19	16	470122	1/4UNC X 1/2 FLANGE HEX BOLT	
20	1	343852	BRACKET	STS' 12
21	1	900008	1/4UNC X 2 1/2 HEX BOLT	
22	1	914000	1/4UNC HEX STOVER NUT	
23	1	920000	1/4 SAE FLAT WASHER	



BUDDY SEAT ASSEMBLY

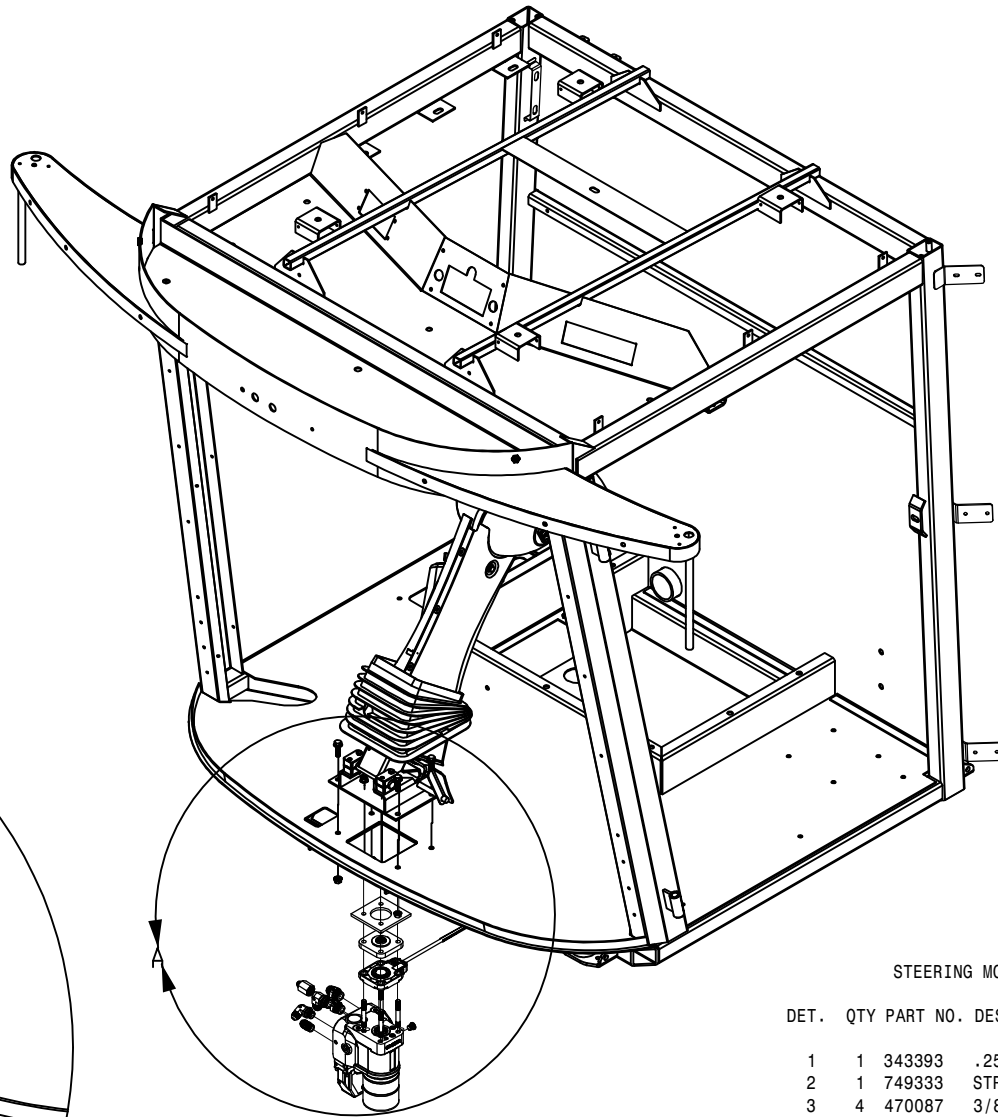
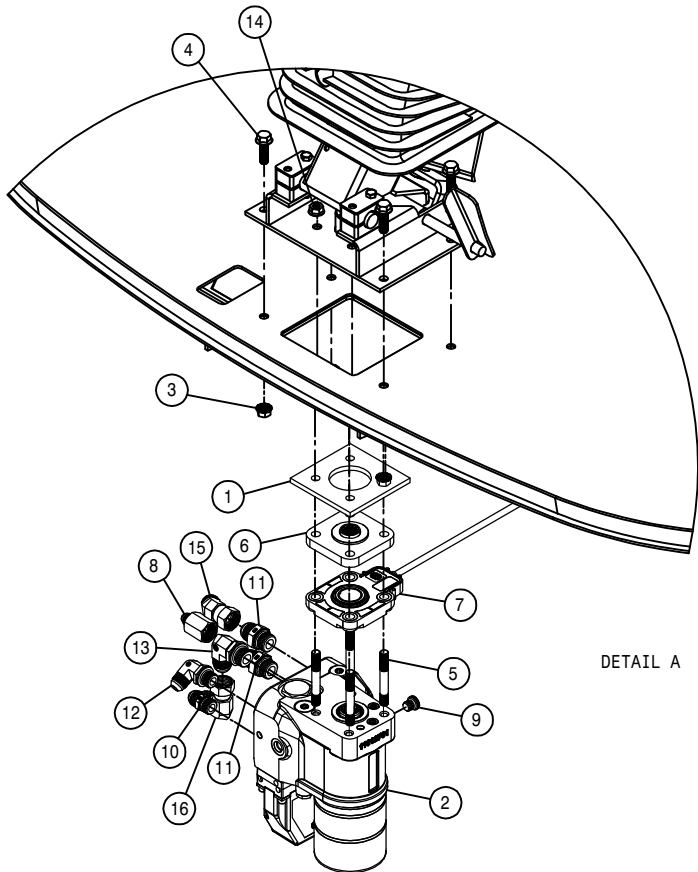
DET.	QTY	PART NO.	DESCRIPTION	
	1	330036	BUDDY SEAT CUSHION	05
	1	330037	BUDDY SEAT BASE, POLY	05
	1	343425	BUDDY SEAT MT WLD, STS CAB	05
	1	343428	BUDDY SEAT MT PANEL, STS CAB	05
	4	470380	1/4-20 NUTSERT .027-.165	STL
	3	470118	1/4UNC X 3/4 FLANGE HEX BOLT	
	3	903710	10-32X5/8 PHIL PANHD MACH SCR	
	4	900005	1/4UNC X 1 1/2 HEX BOLT	



AIR DUCT AND FOAM ASSEMBLY

DET. QTY PART NO. DESCRIPTION

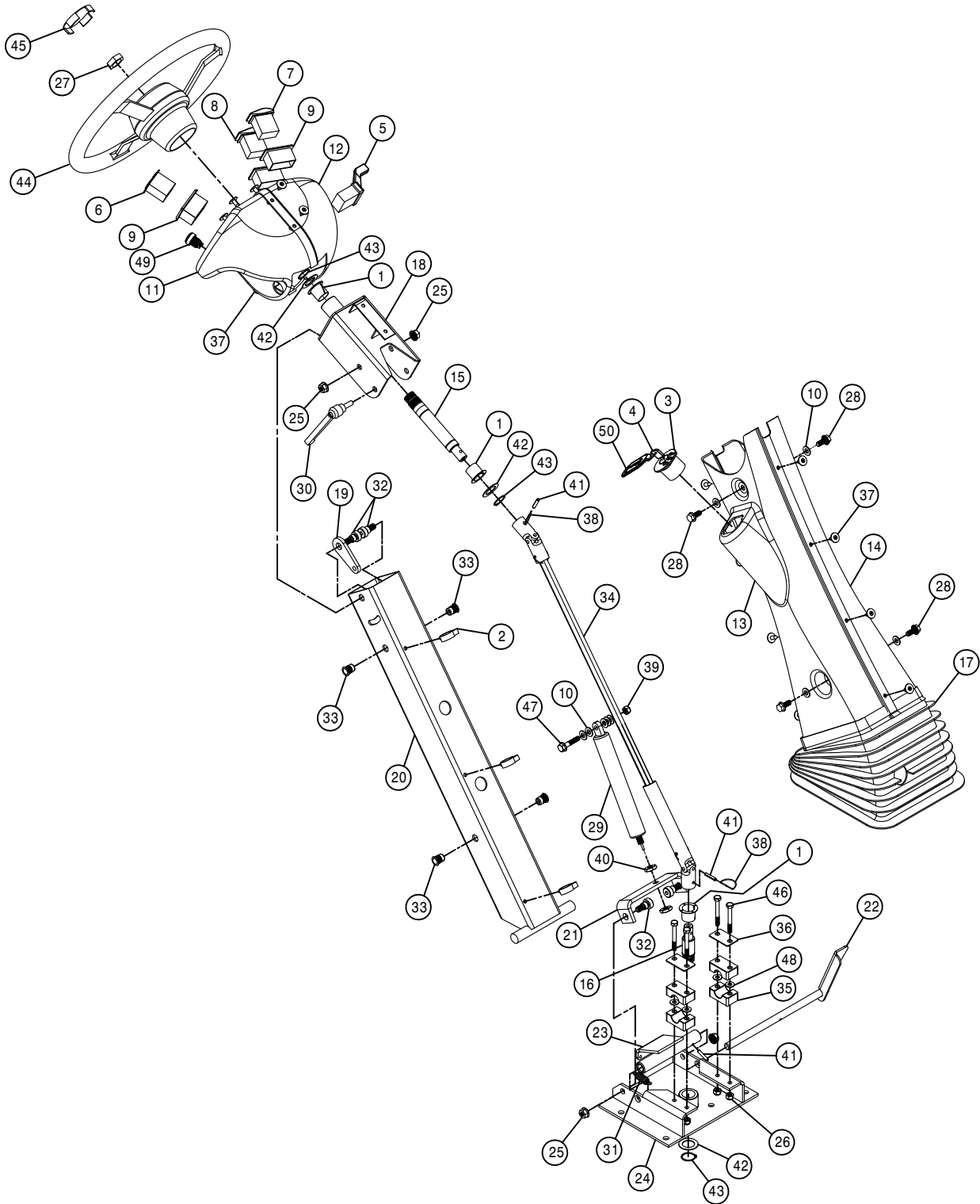
1	1	343356	RH AIR DUCT COVERS,STS CAB	05
2	1	343357	LH AIR DUCT COVERS,STS CAB	05
3	12	470466	1/4 X 3/4 PLTC LCK RIVET	
4	6	657469	LOUVER, ROUND	
5	1	658339	FLOOR MAT, STS CAB	'11
6	1	658333	FOAM, REAR CAB STS	05



STEERING MOTOR ASSEMBLY

DET. QTY PART NO. DESCRIPTION

1	1	343393	.250 STRG MTR SPCR,CAB STS'12
2	1	749333	STRG CTRL VLV, OSPEDC 60/260
3	4	470087	3/8UNC HEX SER FLG NUT
4	4	470329	3/8UNC X1 1/4 SER FLG HEX BOLT
5	4	472340	M10-1.5 X 3" STUD BOLT,DBL END
6	1	749336	SAK SENSOR ADPTR KIT
7	1	749334	SASA SENSOR ASSY,STRG VLV '12
8	1	618557	7/8FJIC-9/16MJIC ADPTR
9	1	618909	M12 MOR PLUG, HEX SOCKET
10	1	618910	3/4MJIC-M18MOR ADPTR
11	2	618911	7/8MJIC-M22 MOR ADPTR
12	1	618912	3/4MJIC-90-M18MOR LBO
13	1	618913	7/8MJIC-90-M22MOR LBO
14	1	473866	10MM-1.50 SERR FLANGE NUT
15	1	618628	7/8MJIC-45-7/8FJIC SWIV LBO
16	1	618301	7/8MJIC-90-7/8FJIC SWIV LBO



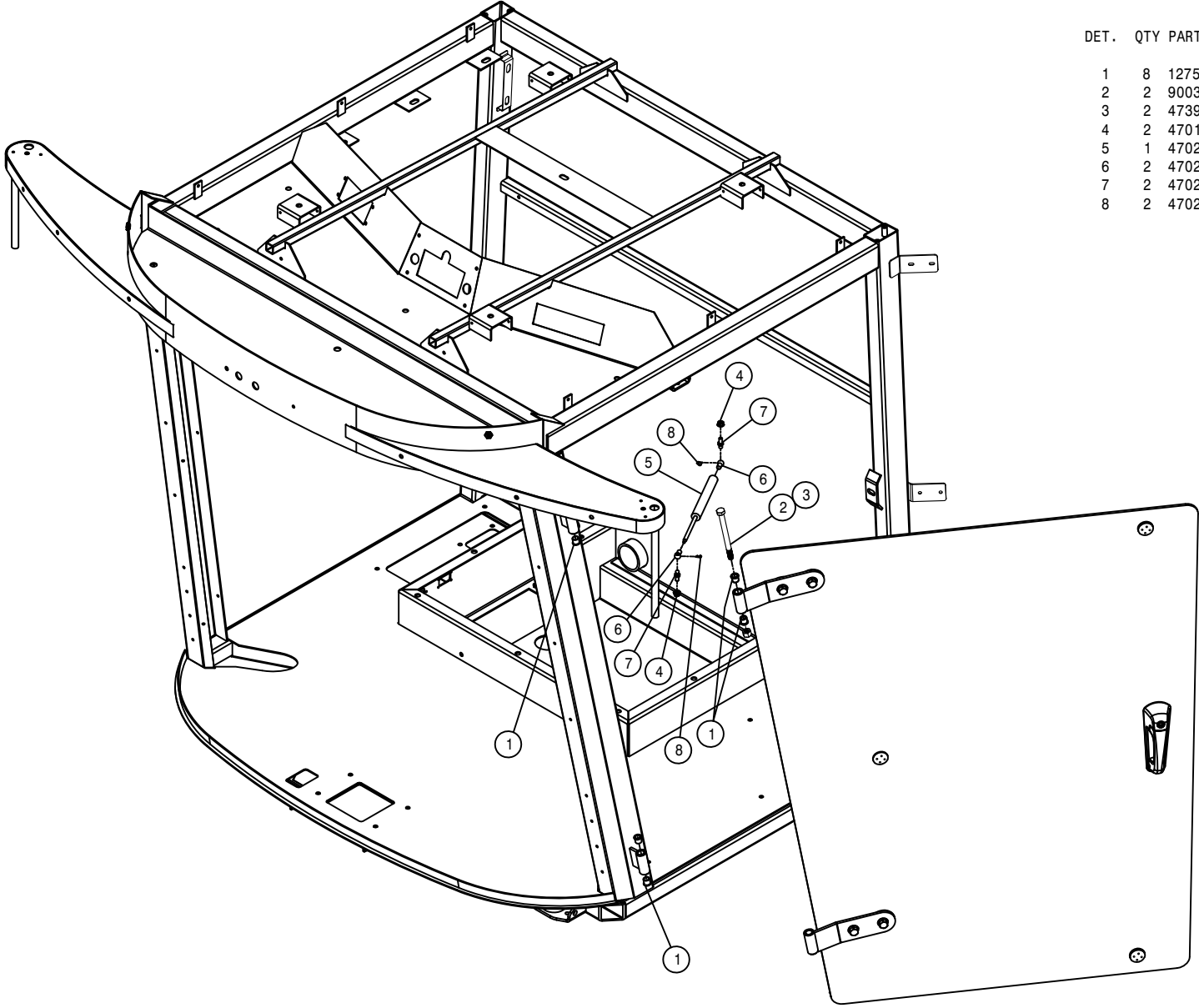
STEERING COLUMN ASSEMBLY

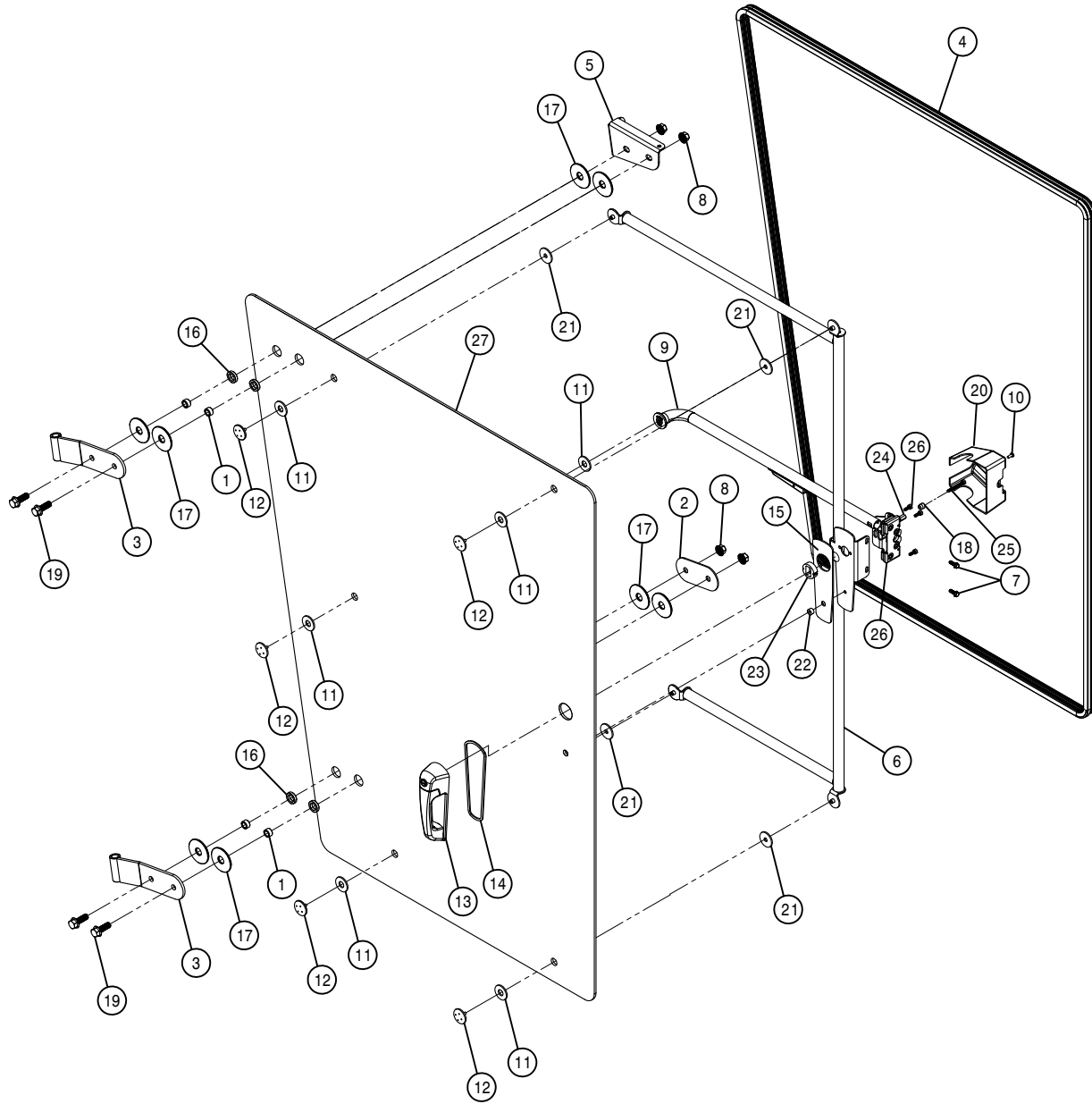
DET.	QTY	PART NO.	DESCRIPTION
1	3	127503	NYLINER FLG BRG, .875 ID
2	3	291006	ROSEBUD CLIP FOR .500 CONDUIT
3	1	291916	IGNITION SWITCH W/KEY
4	2	291917	IGNITION KEY FOR 291916
5	1	292210	SWITCH, TURN SIGNAL, STS
6	1	292211	TURN INDICATOR W/GREEN LED,STS
7	1	292212	SWITCH,HAZARD,STS
8	1	292213	SWITCH, HEADLIGHTS, STS
9	3	292260	MOUNTING TRIM, SINGLE VMS
10	9	920001	5/16 SAE FLAT WASHER
11	1	343359	RH UPR STRG CLMN COVERS,STS 05
12	1	343360	LH UPR STRG CLMN COVERS,STS 05
13	1	343361	RH LWR STRG CLMN COVERS,STS 05
14	1	343362	LH LWR STRG CLMN COVERS,STS 05
15	1	343364	STRG SHAFT,UPPER COLUMN,STS 05
16	1	343365	STRG SHAFT,LOWER COLUMN,STS 05
17	1	343366	BELLOWS,STEERING COLUMN,STS 05
18	1	343367	STEERING SUPP WELD, STS CAB 05
19	1	343372	STRG COLUMN TOP LOCK, STS CAB
20	1	343373	STEERING COLUMN WLD,STS CAB 05
21	1	343385	GAS SHOCK PIVOT MT,STS CAB 05
22	1	343386	TILT PEDAL WELD, STS CAB 05
23	1	343389	TILT RELEASE WLD, STS CAB 05
24	1	343614	STEERING BASE WELD,STS CAB 07
25	4	910004N	3/8UNC FLANGE CNTR LOCK NUT
26	4	470089	1/4UNC HEX NYLOC NUT, 316 SS
27	1	470157	13/16-20UNEF HEX NUT STRG WHL
28	4	470233	5/16UNC X 3/4 FLANGE HEX BOLT
29	1	470252	GAS SPRING,3.15 STROKE LOCKING
30	1	470257	ADJ HANDLE,3/8-16 STUD, BLACK
31	1	470268	SPRING, EXTENSION, .50 X 1.75
32	4	470283	3/8UNC 1/2 SCKT SHLDR BOLT
33	4	470381	5/16-18 NUTSERT .027-.150 STL
34	1	470401	DRIVE SHAFT ASSY, .625 U-JOINTS
35	2	470405	CLAMP PAIR, 19MM SMOOTH BORE
36	2	470406	TOP CLAMP, SIZE #3 FOR 470405
37	16	470466	1/4 X 3/4 PLTC LCK RIVET
38	4	470479	5"SAFETY LOCK WIRE,304SS .051D
39	1	473001	5/16UNC HEX NUT,NYLOC 316 SS
40	2	473830	10MM-1.00 HEX JAM NUT
41	3	473928	ROLL PIN, 3/16 X 1
42	3	483031	1 3/8 X 7/8 X 18GA MACH WASHER
43	3	629533	SNAP RING, 7/8 EXTRN
44	1	749294	STEERING WHEEL, VIP 14"
45	1	749295	STRG WHL CAP WITH 'H' EMBLEM
46	4	900023	1/4UNC X 2 1/4 HEX BOLT
47	1	900067	5/16UNC X 1 1/2 HEX BOLT
48	4	920022	1/4 FLAT WASH, AN960-416 SS
49	1	292504	HORN SWITCH ASSY
50	1	470544	HAGIE KEY CHAIN

CAB DOOR ASSEMBLY

DET. QTY PART NO. DESCRIPTION

1	8	127506	NYLON FLG BRG, STS	'12
2	2	900348	1/2UNC X 6" HEX BOLT SS	
3	2	473988	1/2UNC HEX NUT, NYLOC SS	
4	2	470113	5/16UNC HEX FLANGE LOCK NUT	
5	1	470253	HYD DAMPER, 100LB, 4"STROKE 1084	
6	2	470254	BALL SOCKET, M6 THD X 10MM	
7	2	470255	BALL STUD, 5/16-18 THD X 10MM	
8	2	470256	SAFTY CLIP, 10MM BALL SOCKET	

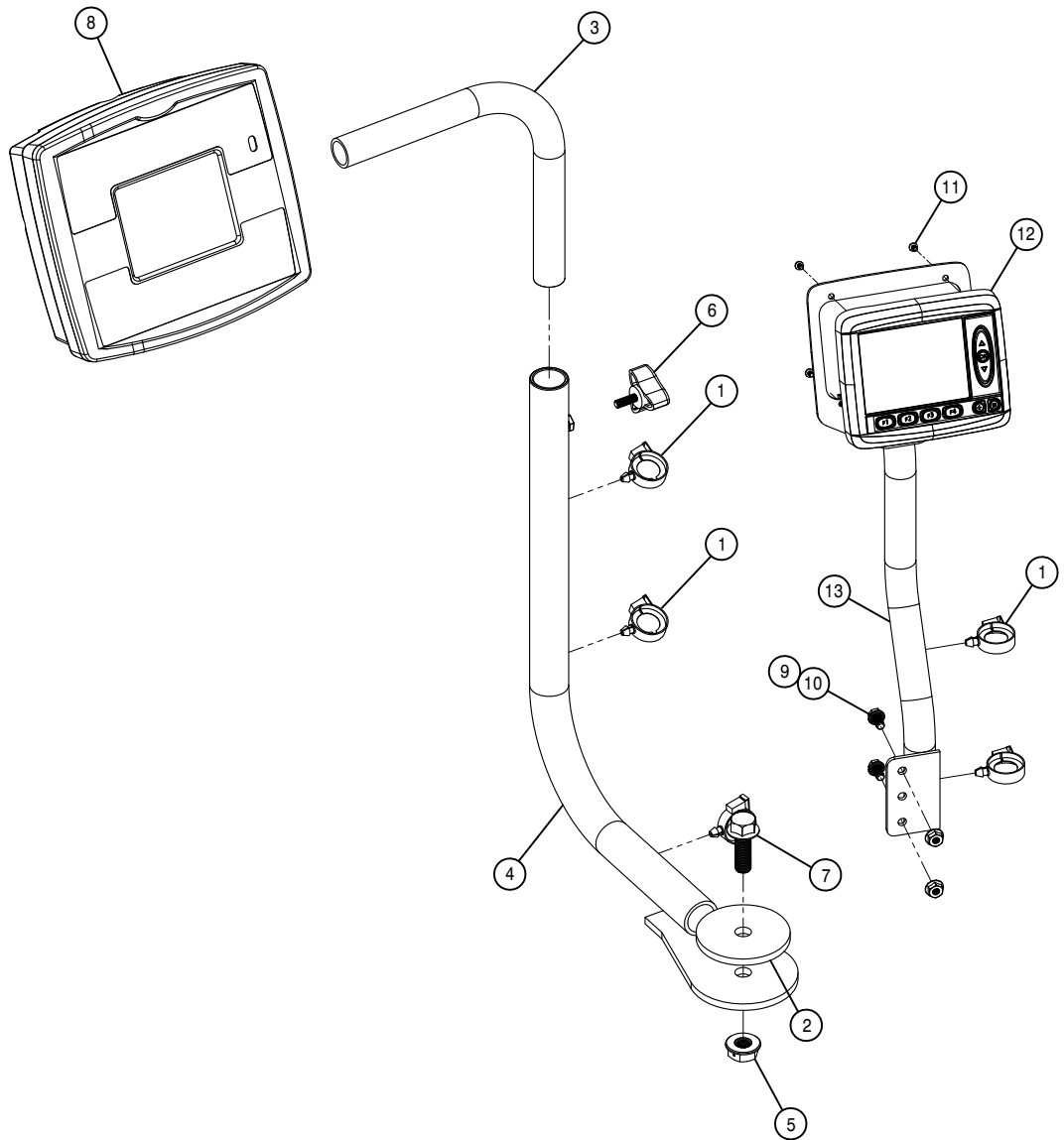




DOOR ASSEMBLY

DET. QTY PART NO. DESCRIPTION

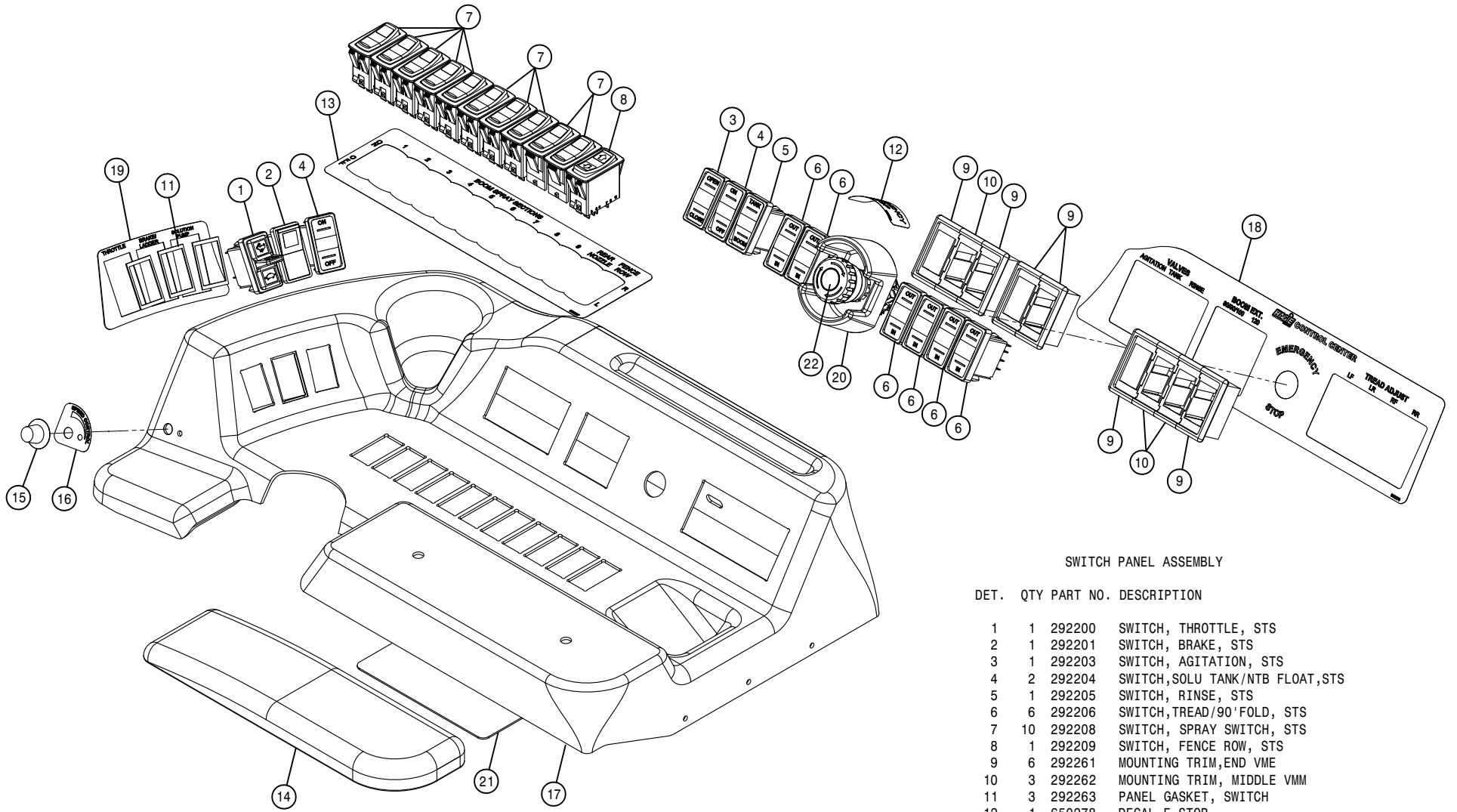
1	4	343335	DOOR HINGE GLASS BUSH, CAB	05
2	1	343337	LWR DOOR HINGE BACK PLT,	05
3	2	343338	HINGE WELD,CAB	05
4	1	343346	DOOR SEAL, STS CAB	05
5	1	343421	TOP DOOR HINGE PLT, STS	05
6	1	343814	CAB DOOR STIFF WLD, STS	'11
7	2	470118	1/4UNC X 3/4 FLANGE HEX BOLT	
8	4	470360	1/2UNC HEX FLANGE LOCK NUT	
9	1	470583	INSIDE SQUEEZE LATCH ASY,1-POS	
10	1	470412	INSIDE SQUEEZE LATCH SCREWS	
11	6	470413	INSIDE SQUEEZE LATCH GASKET	
12	5	470414	INSIDE SQUEEZE LATCH CAP	
13	1	470415	OUTSIDE PULL HANDLE ASSY	
14	1	470416	OUTSIDE PULL HANDLE GASKET	
15	1	470418	DOOR HANDLE MT GASKET,STS CAB	
16	4	470419	DOOR HINGE BUSH,RUBBER STS	05
17	8	470420	DOOR HINGE WASH,RUBBER,STS	05
18	1	470421	NYLON SPACER, SPHERICAL 6MMX12	
19	4	470431	1/2UNC X 1 1/2 FLANGE BOLT	
20	1	470485	INSIDE SQUEEZE LATCH COVER	07
21	4	470489	GASKET, DOOR HANDLE STIFFENER	
22	1	470496	SPACER,BTM,DOOR HANDLE	470415
23	1	470497	SPACER,TOP,DOOR HANDLE	470415
24	1	473764	6MM-1.00 HEX HIGH NUT	
25	1	473794	6MM-1.00 X 50MM HEX BOLT	
26	3	473826	6MM-1.00 X 16MM HEX BOLT	
27	1	658041	DOOR GLASS, STS CAB	'11



MONITOR ASSEMBLY

DET. QTY PART NO. DESCRIPTION

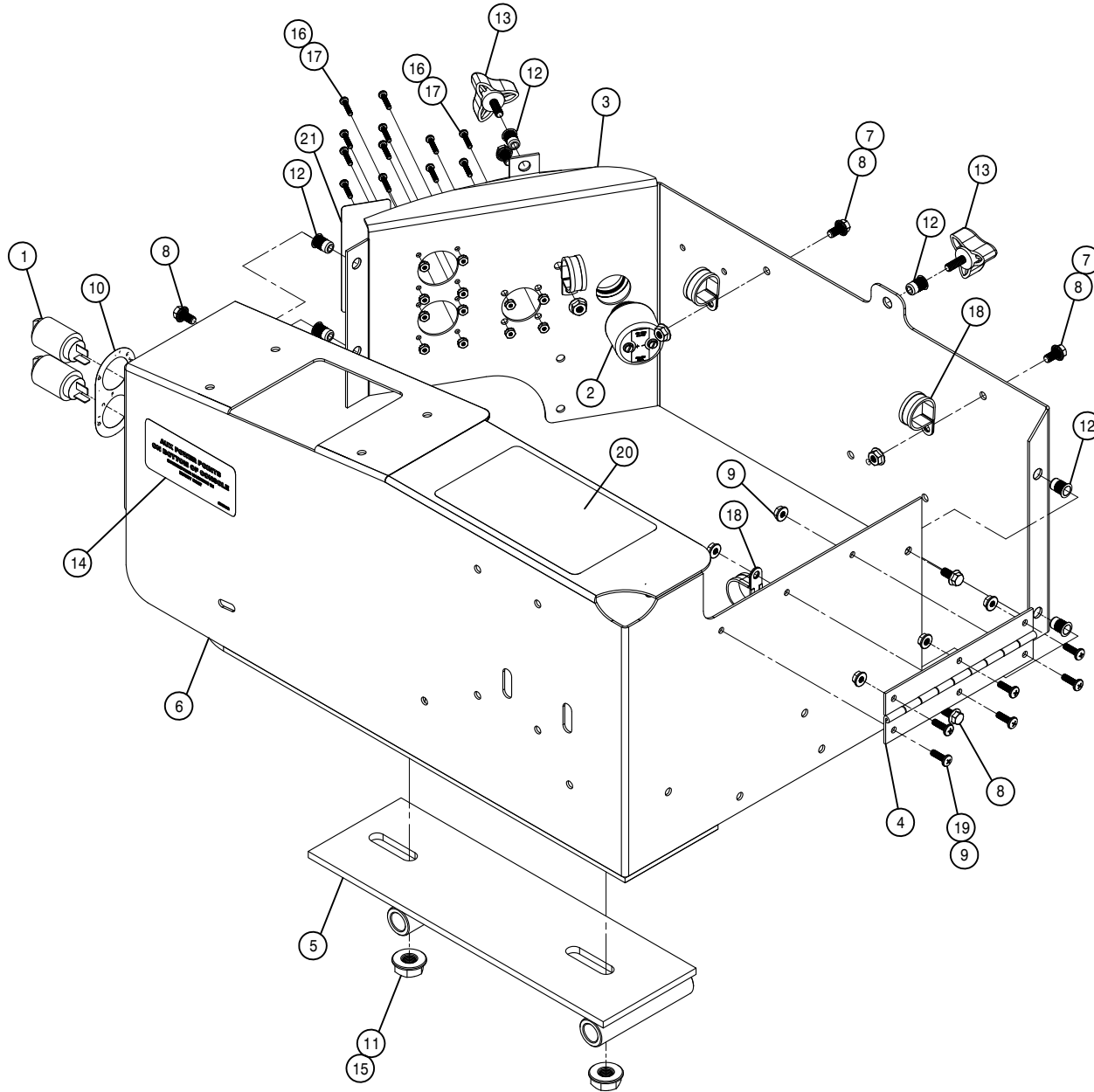
1	6	291007	ROSEBUD CLIP FOR .750 CONDUIT
2	1	343415	WASHER,3.00 X .531 X .25T UHMW
3	1	343416	MONITOR MT TUBE, STS 05
4	1	343417	MONITOR MT WELD, STS CAB 05
5	1	470345	1/2UNC HEX SMTH FLNG LOCK NUT
6	1	470392	KNOB,3-BLADE BLK,1/4-20 X 3/4
7	1	470431	1/2UNC X 1 1/2 FLANGE LOCK
8	1	690986	CONSOLE, RAVEN SCS 4600
9	2	470121	1/4UNC HEX FLANGE LOCK NUT
10	2	470122	1/4UNC X 1/2 FLANGE HEX BOLT
11	4	903836	8-32X1/4 PHIL PAN MACH SCR
12	1	292008	MD3 MASTER MODULE & DISPLAY
13	1	343678	MD3 DISPLAY MT WLD,STS '10



SWITCH PANEL ASSEMBLY

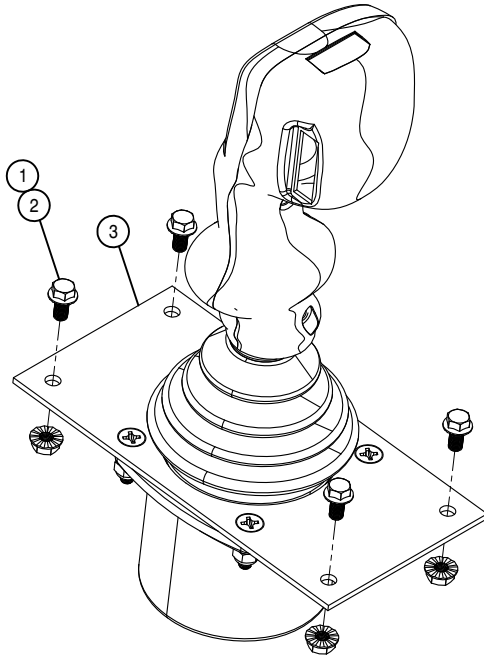
DET. QTY PART NO. DESCRIPTION

DET.	QTY	PART NO.	DESCRIPTION
	1	292200	SWITCH, THROTTLE, STS
	1	292201	SWITCH, BRAKE, STS
	1	292203	SWITCH, AGITATION, STS
	2	292204	SWITCH, SOLU TANK/NTB FLOAT, STS
	1	292205	SWITCH, RINSE, STS
	6	292206	SWITCH, TREAD/90' FOLD, STS
	10	292208	SWITCH, SPRAY SWITCH, STS
	1	292209	SWITCH, FENCE ROW, STS
	6	292261	MOUNTING TRIM, END VME
	3	292262	MOUNTING TRIM, MIDDLE VMM
	3	292263	PANEL GASKET, SWITCH
	1	650278	DECAL, E-STOP
	1	650397	DECAL, BOOM SPRAY SECTIONS '12
	1	343397	ARM REST W/MTS, STS CAB 05
	1	470395	DIAL KNOB W/ARROW FOR .25 SHFT
	1	650158	DECAL, SPEED CONTROL STS CAB 05
	1	343823	SIDE CONSOLE, STS CAB '11
	1	650275	DECAL, CONTROL CENTER, STS '11
	1	650159	DECAL, THRTL BRK PUMP STS 05
	1	290089	E-STOP SHROUD
	1	650398	DECAL, CAB CONSOLE MODULES '12
	1	290081	E-STOP SWITCH, LED DPST-1NO/1NC



CONSOLE ASSEMBLY

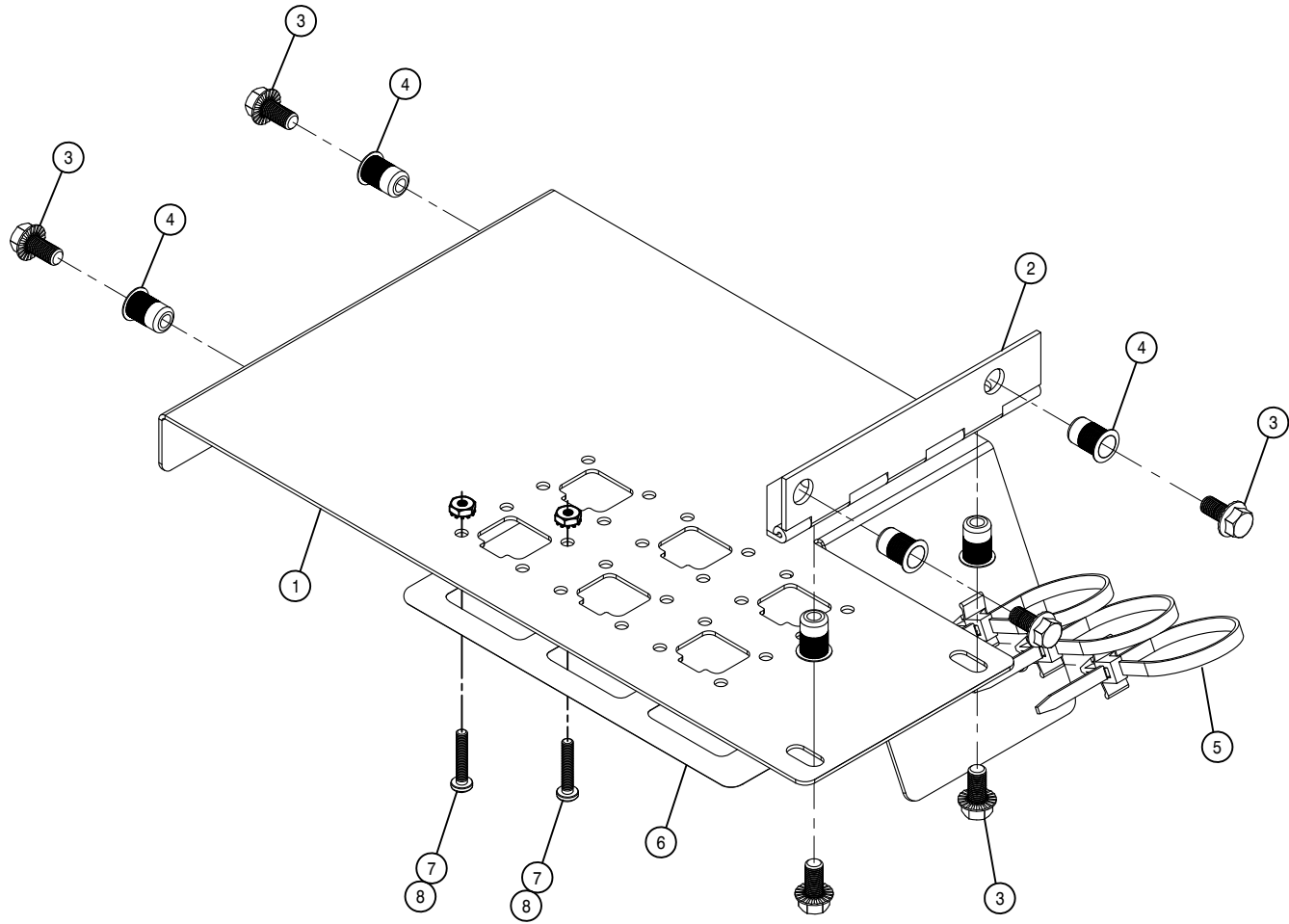
DET.	QTY	PART NO.	DESCRIPTION
1	2	291648	POWER POINT RECEPTACLE
2	1	292502	WARNING BEEPER
3	1	343988	SIDE CONSOLE OUTER WRAP, STS '13
4	1	343405	SIDE CONSOLE REAR HINGE, STS '05
5	1	343406	CONSOLE SEAT BASE WLD, STS '05
6	1	343682	CONSOLE WELD, STS CAB '10
7	3	470121	1/4UNC HEX FLANGE LOCK NUT
8	7	470122	1/4UNC X 1/2 FLANGE HEX BOLT
9	6	470175	10-32 HEX FLANGE LOCK NUT
10	1	650163	DECAL, POWER POINT, STS CAB '05
11	2	470345	1/2UNC HEX SMTH FLNG LOCK NUT
12	6	470380	1/4-20 NUTSERT .027-.165 STL
13	2	470392	KNOB, 3-BLADE BLK, 1/4-20 X 3/4
14	1	650232	DECAL, AUX PWR POINTS SIGN '10
15	2	470431	1/2UNC X 1 1/2 FLANGE BOLT
16	4	470467	6-32 KEP NUT
17	12	903814	6-32 X 3/4 PHIL PAN MACH SCR
18	4	520101	CUSH CLAMP, #16 1"D X 1/2W
19	6	903710	10-32X5/8 PHIL PANHD MACH SCR
20	1	650418	DECAL, CONSOLE FUSE/RELAY, STS
21	1	650419	DECAL, COM PORTS 1 & 2 STS '13



HYDROSTATIC LEVER ASSEMBLY

DET. QTY PART NO. DESCRIPTION

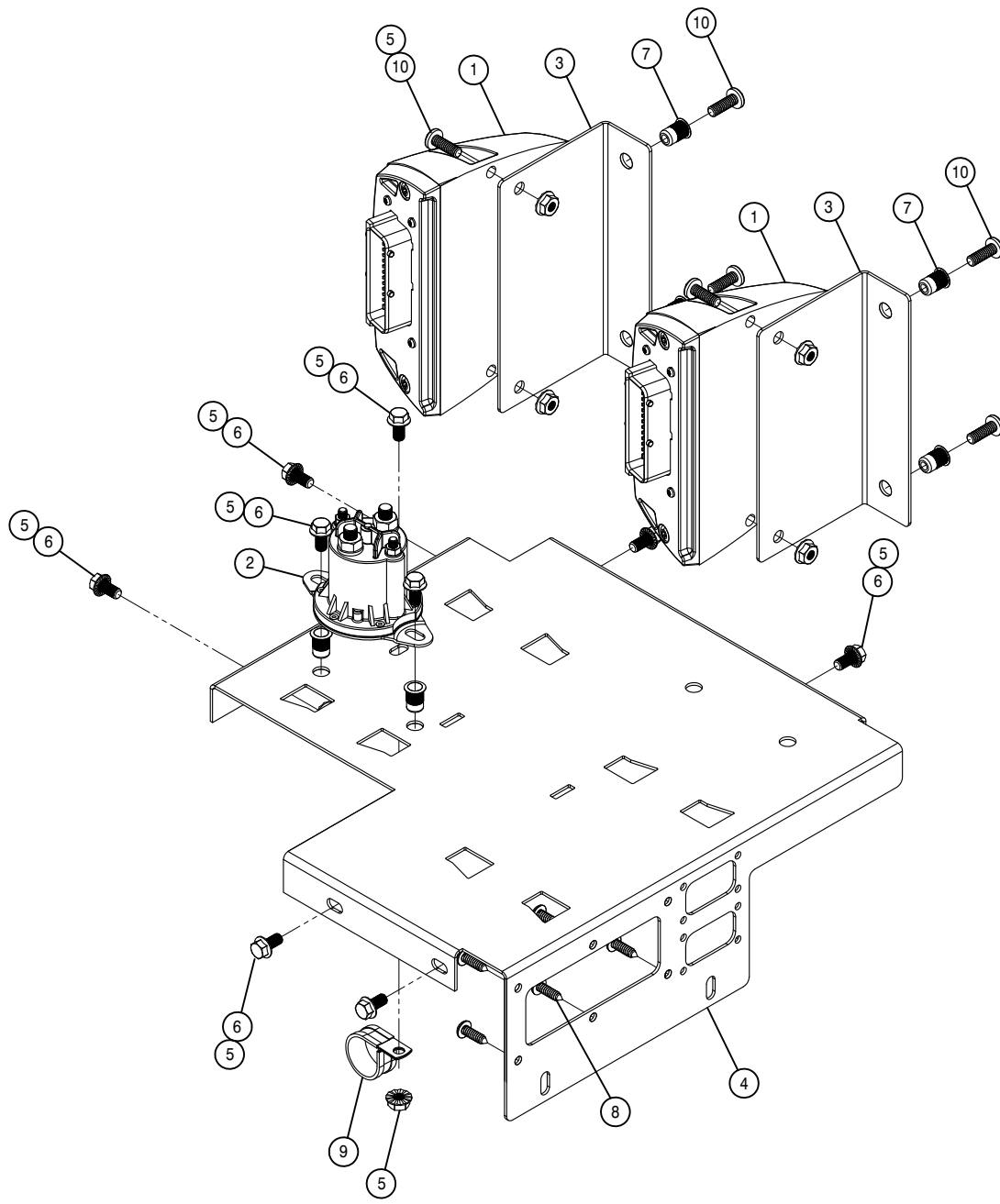
1	4	470121	1/4UNC HEX FLANGE LOCK NUT
2	4	470122	1/4UNC X 1/2 FLANGE HEX BOLT
3	1	785092	CONTROL HANDLE, STS '10



TERMINAL STRIP DOOR ASSEMBLY

DET. QTY PART NO. DESCRIPTION

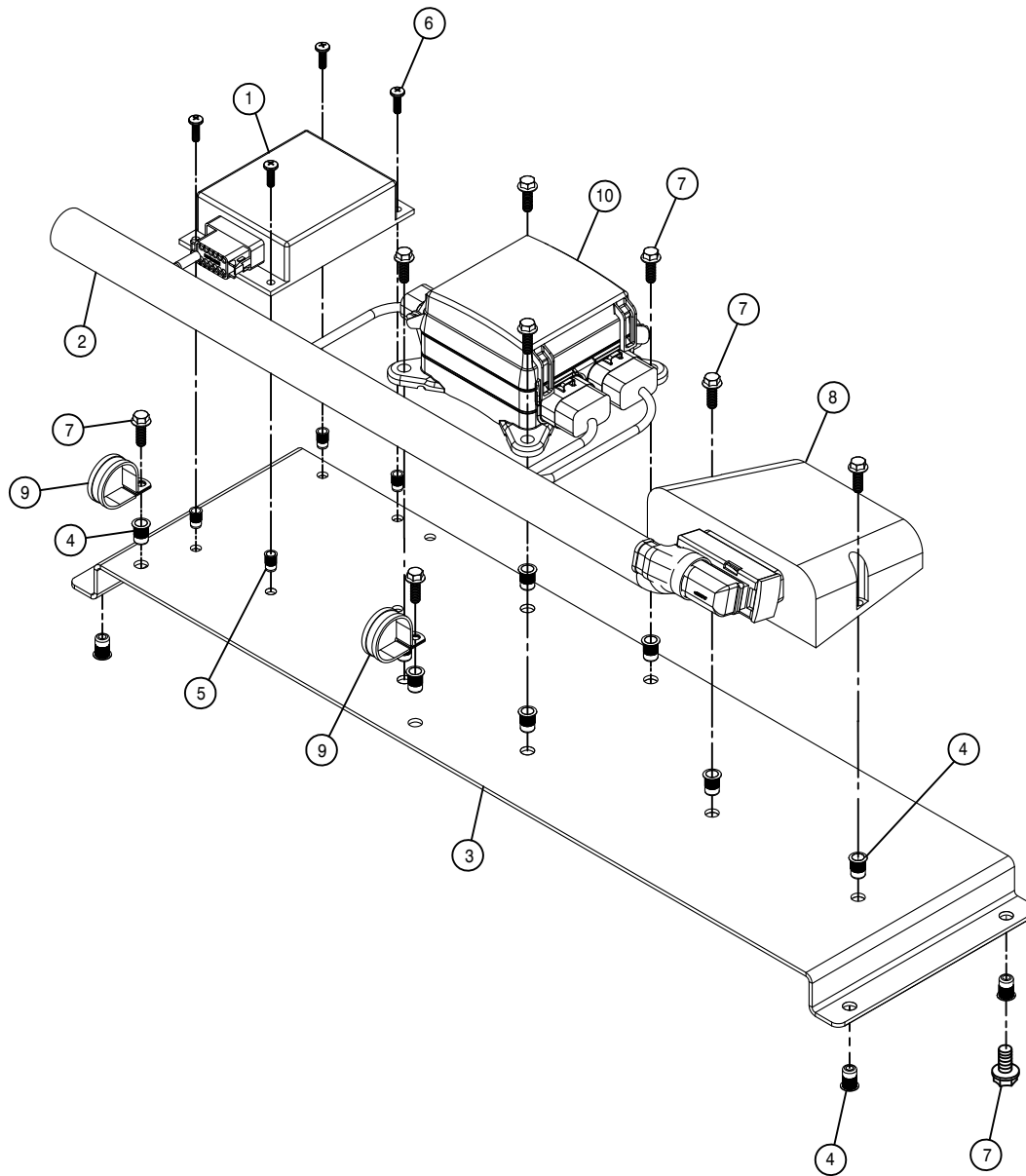
1	1	343688	CONSOLE BOTTOM DOOR,CAB STS'10
2	1	343414	CONSOLE BTM DOOR HINGE,CAB STS
3	6	470122	1/4UNC X 1/2 FLANGE HEX BOLT
4	6	470380	1/4-20 NUTSERT .027-.165 STL
5	3	470445	CABLE TIE,PUSH MT 7.8" BLK NYL
6	1	650231	DECAL,AUX POWER POINTS '10
7	12	903814	6-32 X 3/4 PHIL PAN MACH SCR
8	12	470467	6-32 KEP NUT



MODULE MOUNT ASSEMBLY

DET. QTY PART NO. DESCRIPTION

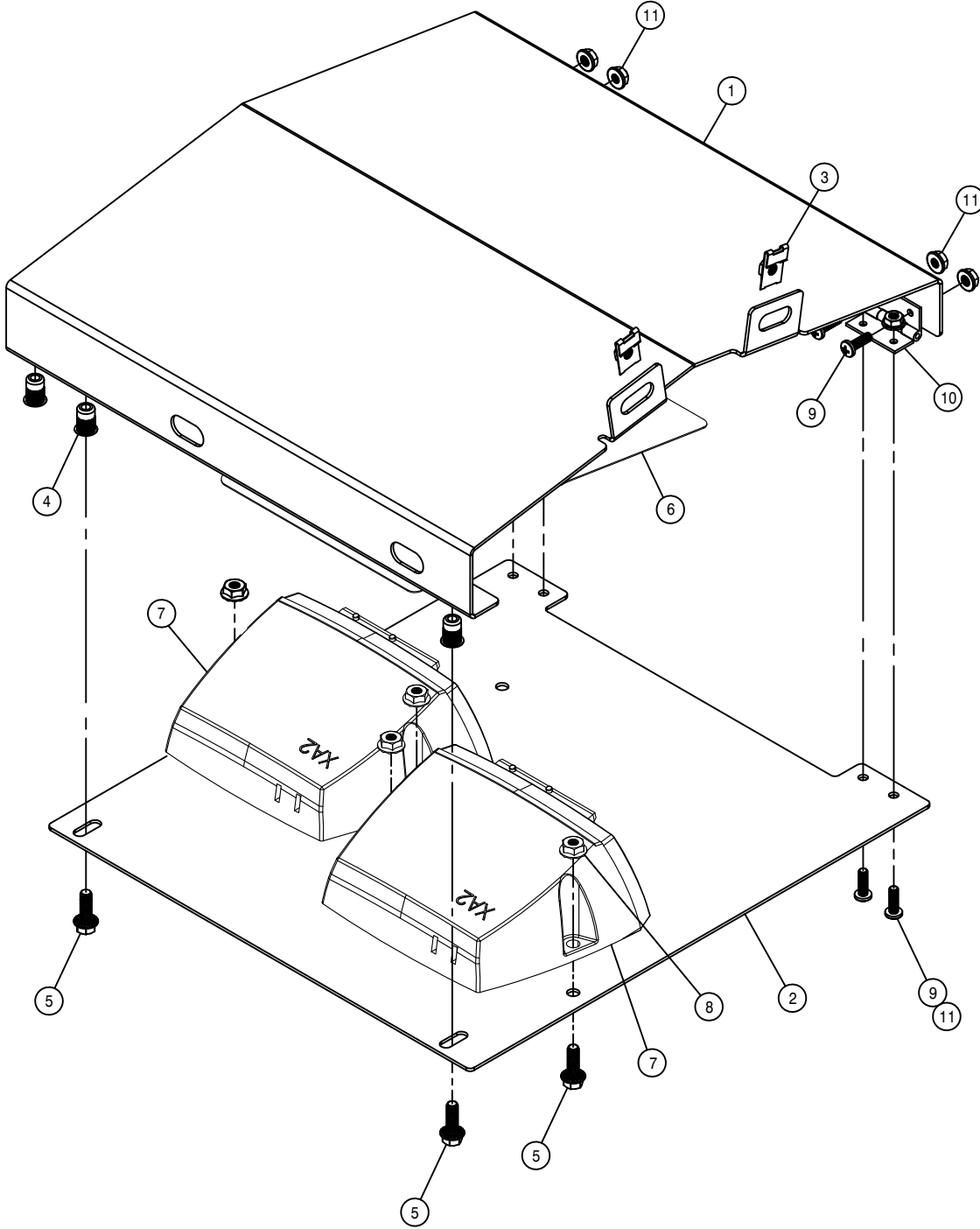
1	2	292017	IQAN-XS2 MODULE
2	1	292505	MASTER CONTROL RELAY
3	2	343686	MODULE MT BRKT, STS '10
4	1	343687	MODULE MT, CAB CONSOLE STS '10
5	11	470121	1/4UNC HEX FLANGE LOCK NUT
6	9	470122	1/4UNC X 1/2 FLANGE HEX BOLT
7	6	470380	1/4-20 NUTSERT .027-.165 STL
8	6	470465	#12 X 3/4 PHIL PAN SHT MTL SCR
9	1	520101	CUSH CLAMP,#16 1"D X 1/2W
10	8	903700	1/4UNC X 3/4 PHIL PAN MACH SCR



FLASHER AND LIGHT RELAY PANEL

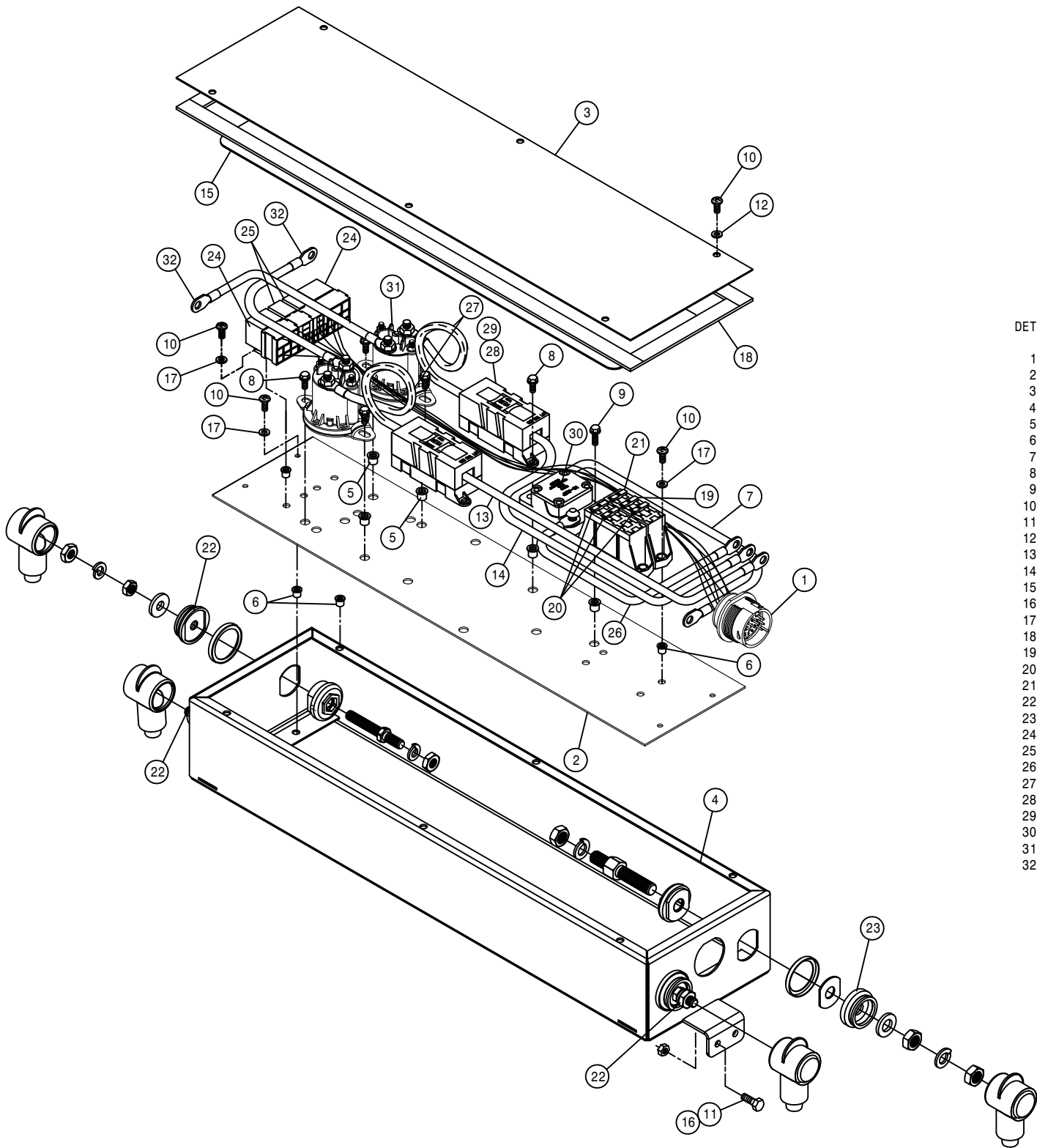
DET. QTY PART NO. DESCRIPTION

1	1	291910	FLASHER, SOLID STATE, 12V
2	1	294180	FUSE/RELAY/FLASHER HARNESS '13
3	1	343693	FLASHER/LIGHT RELAY PLT,STS' 12
4	12	470380	1/4-20 NUTSERT .027-.165 STL
5	4	470384	10-32 NUTSERT .020-.130 STL
6	4	903710	10-32X5/8 PHIL PANHD MACH SCR
7	12	470118	1/4UNC X 3/4 FLANGE HEX BOLT
8	1	292015	IQAN-MC2 MODULE
9	2	520102	CUSH CLAMP,#20 1 1/4D X 1/2W
10	1	290093	FUSE/RELAY MODULE,BUSS1717-0S



REAR ELECTRICAL BOX ASSEMBLY

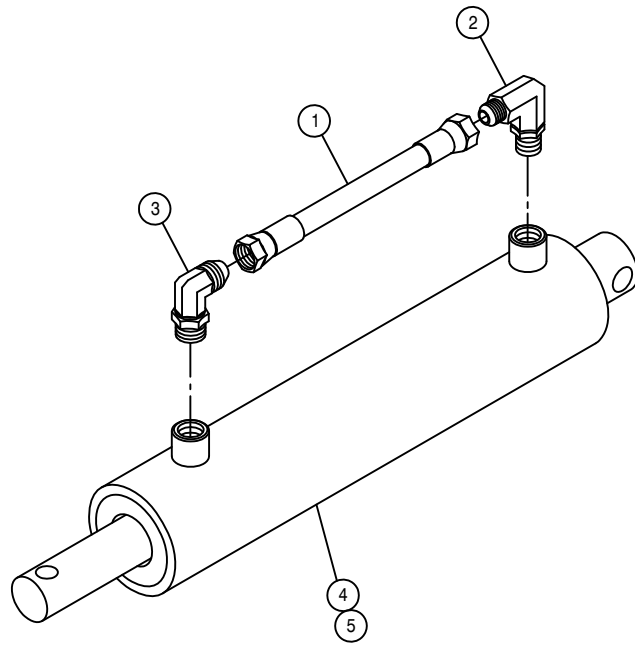
DET.	QTY	PART NO.	DESCRIPTION
	1	343577	TOP LH REAR ELECT BOX, STS 06
	1	343578	BOT LH REAR ELECT BOX, STS 06
	2	470218	1/4UNC NUT J-TYPE CAGE CLIP
	4	470380	1/4-20 NUTSERT .027-.165 STL
	6	470118	1/4UNC X 3/4 FLANGE HEX BOLT
	1	650423	DECAL, REAR CHASS MODULE, STS' 13
	2	292016	IQAN-XA2 MODULE
	4	470121	1/4UNC HEX FLANGE LOCK NUT
	8	903710	10-32X5/8 PHIL PANHD MACH SCR
	2	470198	HINGE 146-035
	8	470175	10-32 HEX FLANGE LOCK NUT



ENGINE ELECTRICAL BOX ASSEMBLY

DET. QTY PART NO. DESCRIPTION

1	1	293936	ENG ELECT BOX HARNESS,STS '10
2	1	342960	ENG BOX MT PANEL, STS 04
3	1	342961	ENG BOX COVER, STS 04
4	1	343703	ENG BOX WLD, STS '11
5	10	470380	1/4-20 NUTSERT .027-.165 STL
6	18	470384	10-32 NUTSERT .020-.130 STL
7	1	292538	BATT CABLE,RED 15*6GA 281-406
8	8	470122	1/4UNC X 1/2 FLANGE HEX BOLT
9	2	470118	1/4UNC X 3/4 FLANGE HEX BOLT
10	18	903710	10-32X5/8 PHIL PANHD MACH SCR
11	4	900002	1/4UNC X 3/4 HEX BOLT
12	6	470351	#10 X 1/2 BONDED SEALING WASH
13	1	292539	BATT CABLE,RED 15*6GA 343-531
14	1	292540	BATT CABLE,RED 19*6GA 343-531
15	1	650234	DECAL,ENG ELECTRIC BOX,STS '10
16	4	914000	1/4UNC HEX STOVER NUT
17	12	920510	#10 LOCK WASHER
18	5.5	193037	STICKERTITE 1/8 X 3/4
19	1	291549	30 AMP FUSE,LED 1/4"BLADE,ATC
20	3	291546	15 AMP FUSE,LED 1/4"BLADE,ATC
21	1	291547	20 AMP FUSE,LED 1/4"BLADE,ATC
22	3	291343	POWER BUSHING,3/8" RED WTHRPRF
23	1	291344	POWER BUSHING,1/2" RED WTHRPRF
24	2	291751	RELAY,SPDT,BKT MT,DIODE,5T
25	2	291781	MICRO RELAY, BOSCH 12V SPDT
26	1	292537	BATT CABLE,RED 12*6GA 281-531
27	2	291806	BATT CABLE,RED 11*6GA.343-.343
28	2	291813	FUSE, 125 AMP 32V DC
29	2	291814	FUSE HOLDER, HIGH AMP
30	1	292501	CIRCUIT BREAKER,120 AMP, BUSS
31	2	292505	MASTER CONTROL RELAY
32	2	292536	BATT CABLE,RED 10*6GA 343-406

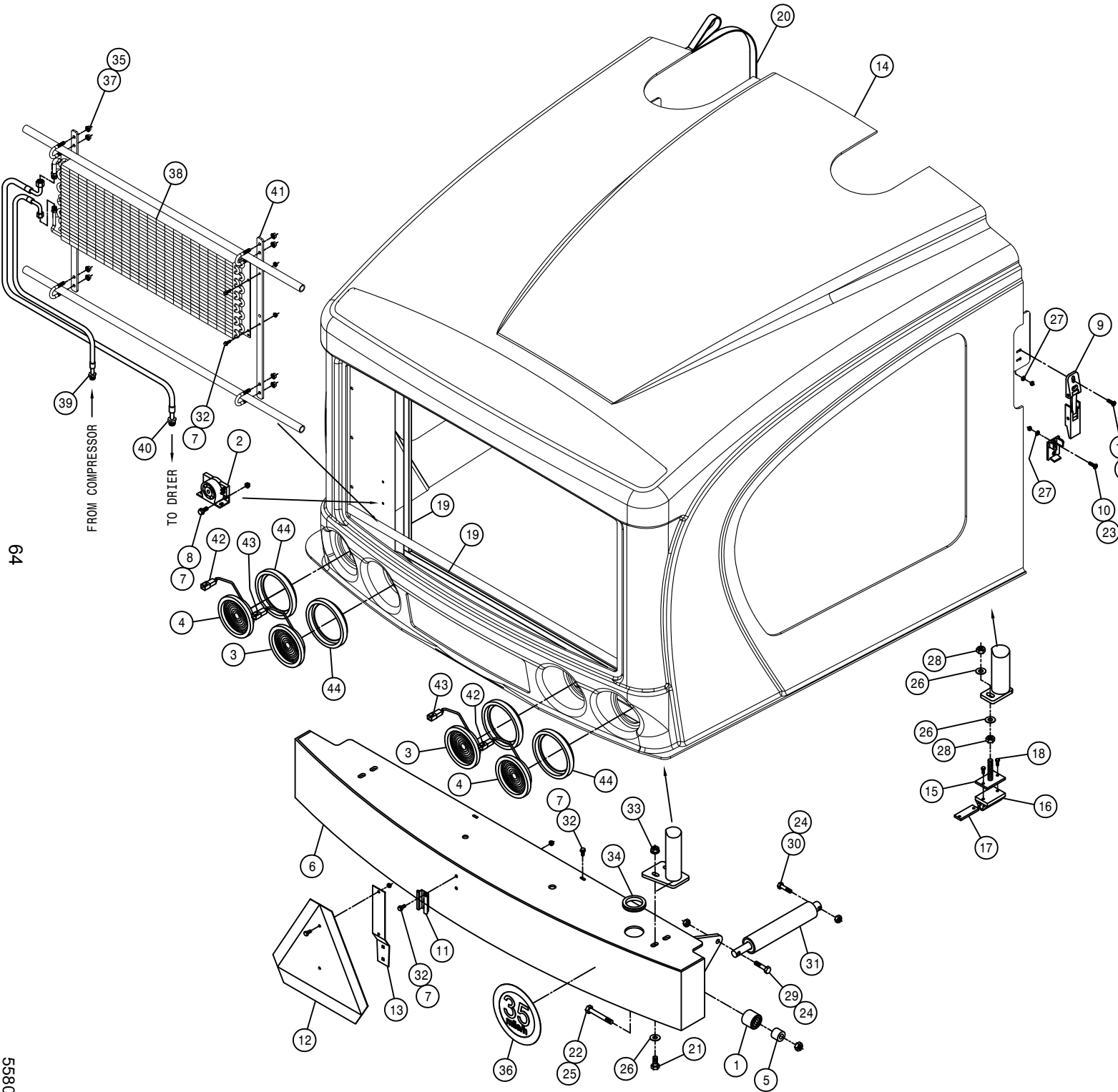


HOOD HYDRAULIC CYLINDER ASSEMBLY

DET. QTY PART NO. DESCRIPTION

1	1	616246	04-451TC-06FJX-06FJX-10	H/A
2	1	618119	9/16MJCIC-90-9/16MOR LBO	
3	1	618689	9/16MJ-90-9/16MOR .042 CHK VLV	
4	1	621530	HYD CYL, 2.00 X 6.00 X 1.000	
5	1	621521	REPAIR KIT, HYD CYL	

NOTE: 1. 621077 - HOOD HYDRAULIC CYLINDER ASSEMBLY



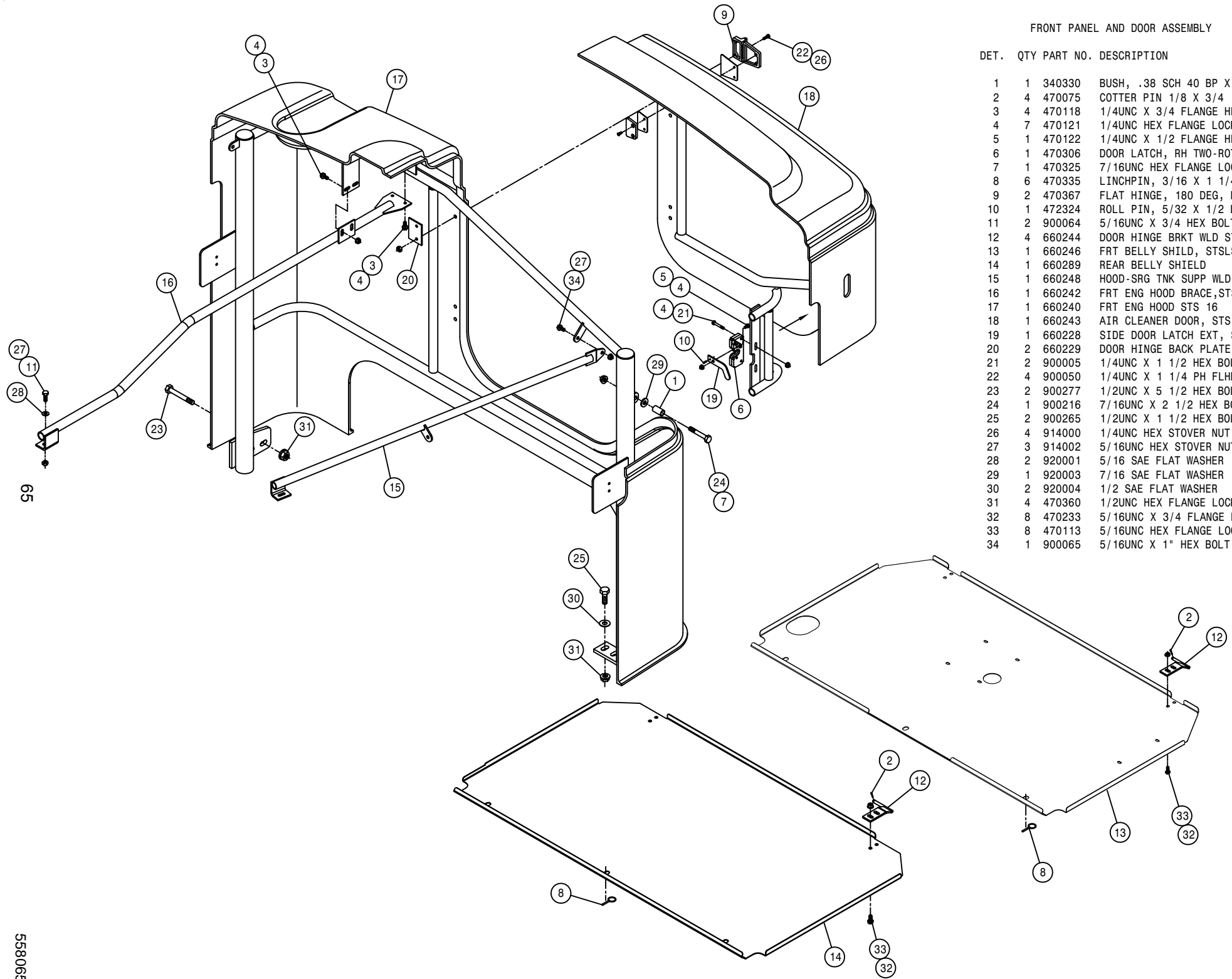
BUMPER AND REAR HOOD ASSEMBLY

DET.	QTY	PART NO.	DESCRIPTION
	1	2	125056 TRACK ROLLER,2.00 OD,.625 BORE
	2	1	290061 ALARM,BACKUP 107DBA LT DUTY
	3	2	290201 RED LED STT 3 DIODE LAMP
	4	2	290200 AMBER LED STT 3 DIODE LAMP
	5	2	361679 BUMPER PIVOT BRG SPACER,STS 04
	6	1	361680 REAR BUMPER WLD, STS 04
	7	10	470121 1/4UNC HEX FLANGE LOCK NUT
	8	2	470122 1/4UNC X 1/2 FLANGE HEX BOLT
	9	2	470368 LATCH W/KEEPER, FLEXIBLE LEVER
	10	8	903710 10-32X5/8 PHIL PANHD MACH SCR
	11	1	472251 MTG SOCKET FOR 472249 SMV SIGN
	12	1	472249 SLOW MOVING VEHICLE SIGN, SMV
	13	1	472250 SPADE MTG BRKT FOR 472249 SMV
	14	1	660241 REAR ENG HOOD STS 16 07
	15	2	660224 ENG HOOD BUMPER WLD, STS 04
	16	2	660226 ENG HOOD BUMPER, STS 04
	17	2	660227 ENG HOOD BUMPER KEEPER, STS 04
	18	4	900003 1/4UNC X 1" HEX BOLT
	19	2	193066 FOAM,1" X 1.5 X 81"ADHVE STRIP
	20	1	660230 ENG HOOD PULL STRAP ASSY,STS04
	21	4	900265 1/2UNC X 1 1/2 HEX BOLT
	22	2	900341 5/8UNC X 3 3/4 HEX BOLT
	23	8	910027 10-32 HEX NUT
	24	2	473007 1/2UNC HEX NUT, NYLOC
	25	2	914010 5/8UNC HEX STOVER NUT
	26	8	920004 1/2 SAE FLAT WASHER
	27	8	920510 #10 LOCK WASHER
	28	4	910008 1/2UNC HEX NUT
	29	1	900267 1/2UNC X 2" HEX BOLT
	30	1	900268 1/2UNC X 2 1/2 HEX BOLT
	31	1	621077 HOOD HYD CYL ASSY, STS 04
	32	8	470118 1/4UNC X 3/4 FLANGE HEX BOLT
	33	4	470360 1/2UNC HEX FLANGE LOCK NUT
	34	1	470441 GROMMET, .500ID .250GW 2.190GD
	35	8	470087 3/8UNC HEX FLANGE LOCK NUT
	36	1	650224 DECAL,35MPH ID SYMBOL, VINYL
	37	4	472282 3/8UNC-1"ID-2 1/4 U-BOLT
	38	1	657434 A/C CONDENSER COIL 21-0302
	39	1	657492 A/C HOSE ASSY, 5/16 X 38
	40	1	657493 A/C HOSE ASSY, 13/32 X 55
	41	2	660239 A/C CONDENSER MT, STS16 07
	42	2	290202 2-WIRE PIGTAIL FOR 290200AMBER
	43	2	290203 3-WIRE PIGTAIL FOR 290201 RED
	44	4	290204 4" GROMMET FOR 290200 & 290201

FRONT PANEL AND DOOR ASSEMBLY

DET. QTY PART NO. DESCRIPTION

DET.	QTY	PART NO.	DESCRIPTION
1	1	340330	BUSH, .38 SCH 40 BP X 1.25 LG
2	4	470075	COTTER PIN 1/8 X 3/4
3	4	470118	1/4UNC X 3/4 FLANGE HEX BOLT
4	7	470121	1/4UNC HEX FLANGE LOCK NUT
5	1	470122	1/4UNC X 1/2 FLANGE HEX BOLT
6	1	470306	DOOR LATCH, RH TWO-ROTOR
7	1	470325	7/16UNC HEX FLANGE LOCK NUT
8	6	470335	LINCHPIN, 3/16 X 1 1/4 GRIP
9	2	470367	FLAT HINGE, 180 DEG, DIECAST
10	1	472324	ROLL PIN, 5/32 X 1/2 LG
11	2	900064	5/16UNC X 3/4 HEX BOLT
12	4	660244	DOOR HINGE BRKT WLD STS LS 06
13	1	660246	FRT BELLY SHILD, STSLS 06
14	1	660289	REAR BELLY SHIELD STS'13
15	1	660248	HOOD-SRG TNK SUPP WLD, STS16 07
16	1	660242	FRT ENG HOOD BRACE, STS 16 07
17	1	660240	FRT ENG HOOD STS 16 07
18	1	660243	AIR CLEANER DOOR, STS16 07
19	1	660228	SIDE DOOR LATCH EXT, STS 04
20	2	660229	DOOR HINGE BACK PLATE, STS 04
21	2	900005	1/4UNC X 1 1/2 HEX BOLT
22	4	900050	1/4UNC X 1 1/4 PH FLHD MAC SCR
23	2	900277	1/2UNC X 5 1/2 HEX BOLT
24	1	900216	7/16UNC X 2 1/2 HEX BOLT
25	2	900265	1/2UNC X 1 1/2 HEX BOLT
26	4	914000	1/4UNC HEX STOVER NUT
27	3	914002	5/16UNC HEX STOVER NUT
28	2	920001	5/16 SAE FLAT WASHER
29	1	920003	7/16 SAE FLAT WASHER
30	2	920004	1/2 SAE FLAT WASHER
31	4	470360	1/2UNC HEX FLANGE LOCK NUT
32	8	470233	5/16UNC X 3/4 FLANGE HEX BOLT
33	8	470113	5/16UNC HEX FLANGE LOCK NUT
34	1	900065	5/16UNC X 1" HEX BOLT



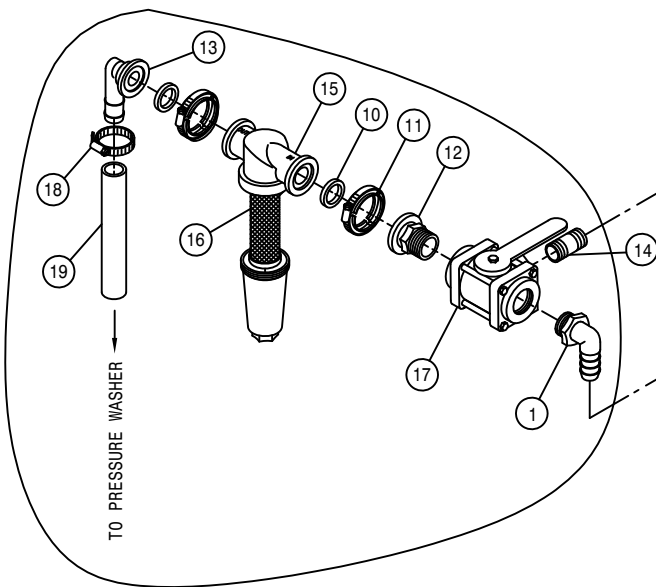
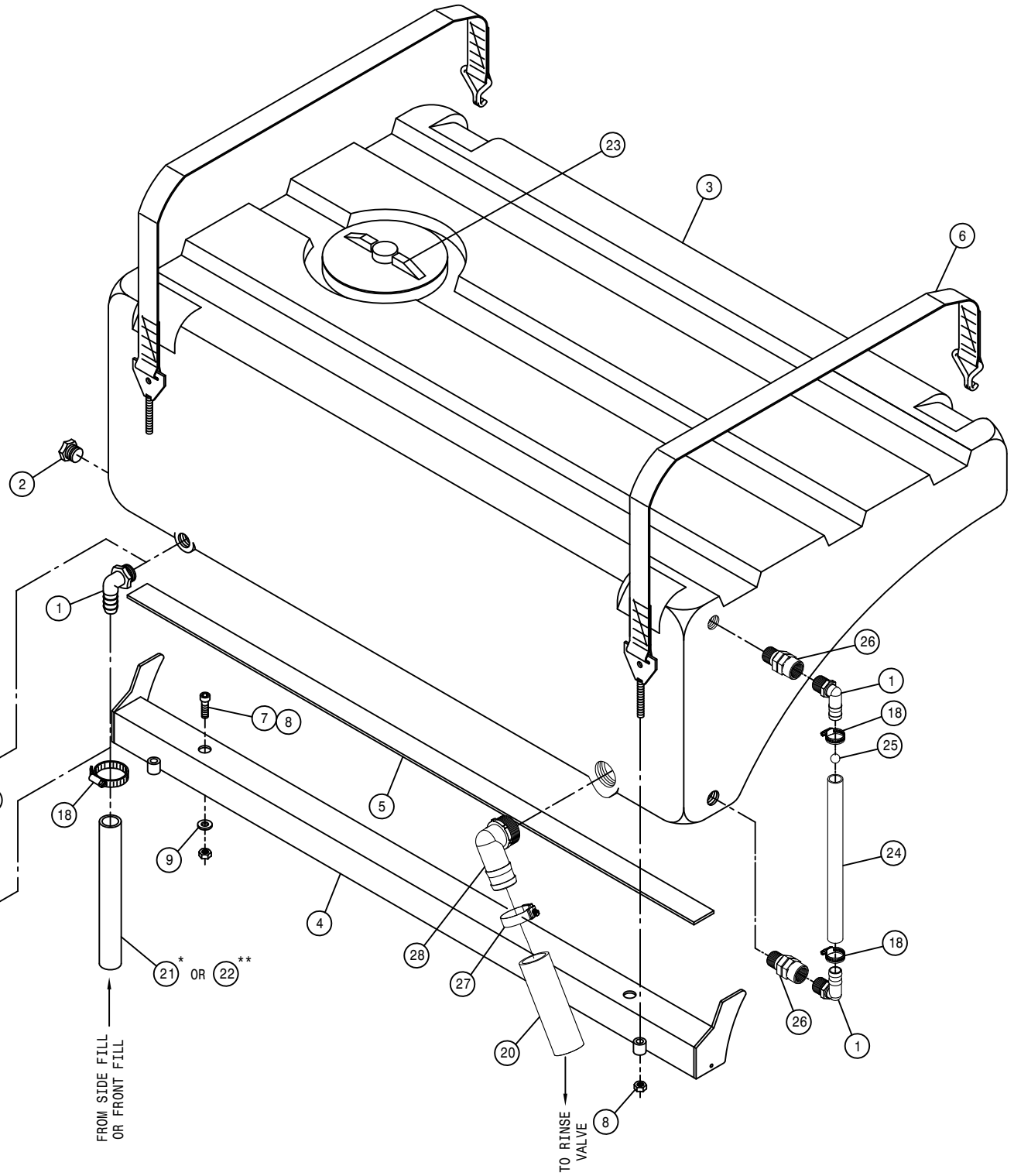
65

POLY RINSE TANK ASSEMBLY

DET. QTY PART NO. DESCRIPTION

1	4	500024	1"NPT-90-1"HOSE BARB, POLY
2	1	500063	1"NPT PIPE PLUG, POLY
3	1	763821	100 GAL POLY TANK, GRAY STS'13
4	1	763590	POLY RINSE TANK MT WLD STS12
5	1	763594	POLY RINSE TANK MT PAD STS12
6	2	763595	POLY RINSE TNK STRAP ASSY STS
7	2	900392	1/2UNC X 1 1/2 SOCKET CAP SCR
8	4	914008	1/2UNC HEX STOVER NUT
9	2	920004	1/2 SAE FLAT WASHER
10	2	500157	1" FLANGE GASKET EPDM
11	2	500159	1" FLANGE CLAMP, S.S.
12	1	500163	1" FLANGE-1" MNPT ADPTR POLY
13	1	500173	1" FLANGE-90-1" HOSE BARB POLY
14	1	505198	SS PIPE NIPPLE 1.00NPT-3.00
15	1	690660	LINE T-STRAINER,1"FLG,W/O SCR
16	1	690669	100 MESH SCREEN FOR 690660
17	1	696004	BALL VLV,1.00NP 3WAY-SIDE POLY
18	4	520090	HOSE CLAMP NO 16 STAINLESS
19	1	601522	HOSE, 1 X 204 1BR BLK EPDM
20	1	601774	HOSE, 2 X 38 2F-1W EPDM
21	1	601725	HOSE, 1 X 225 1BR BLK EPDM
22	1	601181	HOSE, 1 X 282 1BR BLK EPDM
23	1	701155	8" LID FOR 5 GAL TANK 701085
24	1	601742	HOSE, 1" X 16 CLEAR VINYL
25	1	763623	GREEN POLYPROPYLENE BALL .750"
26	2	500107	1"NPT SWIVEL POLY
27	1	520141	2.31/2.62 T-BOLT HOSE CLAMP SS
28	1	500141	2"MNPT-90-2" HOSE BARB, POLY

NOTE * FRONT FILL OPTION
 ** SIDE FILL OPTION



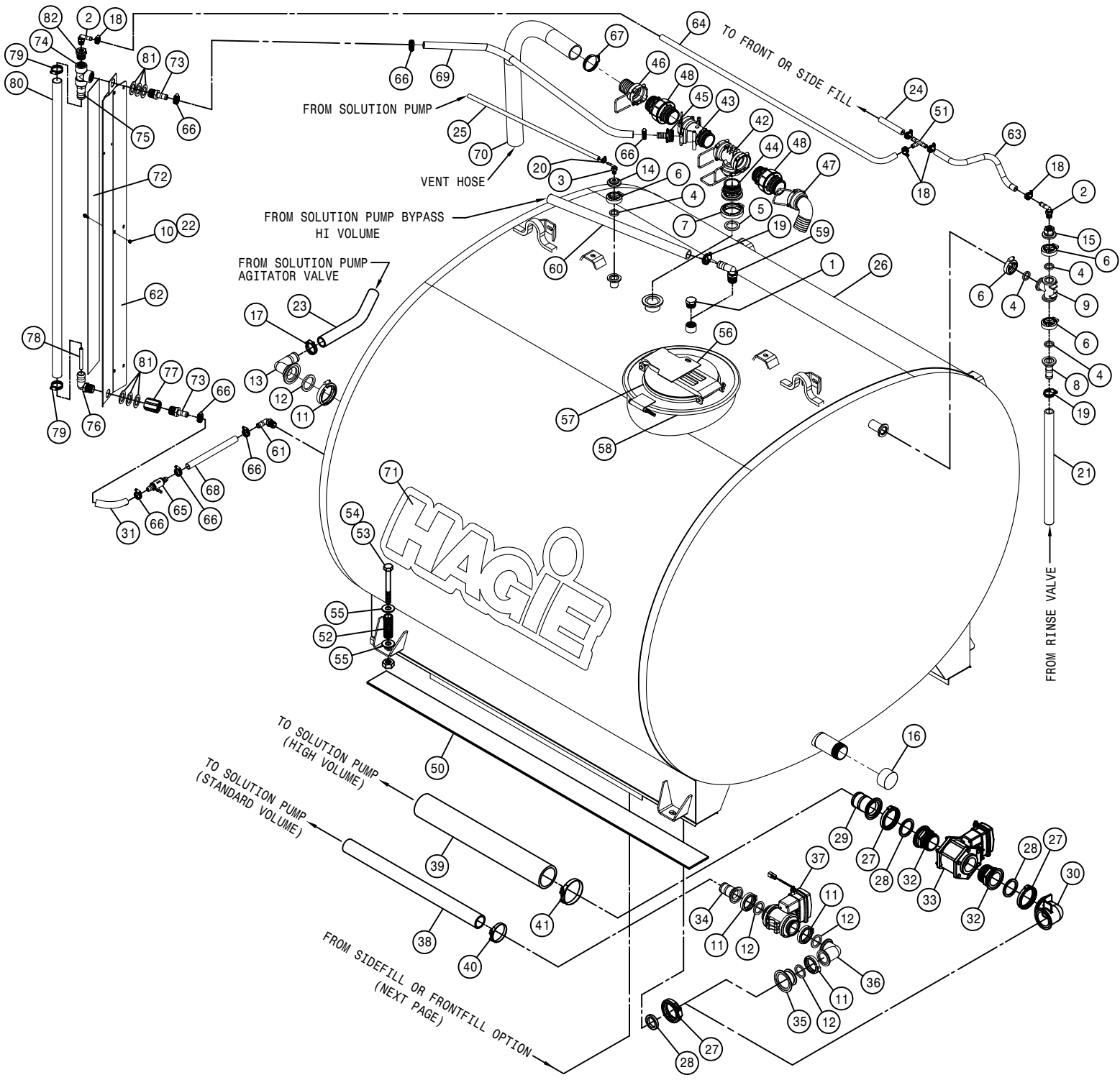
PRESSURE WASHER OPTION

FROM SIDE FILL
OR FRONT FILL

TO RINSE
VALVE

1600 GALLON SS TANK ASSEMBLY

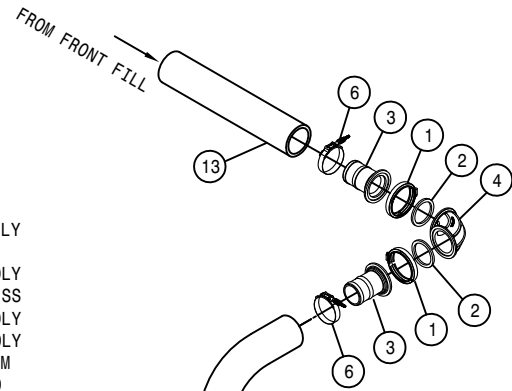
DET.	QTY	PART NO.	DESCRIPTION
1	1	500063	1"NPT PIPE PLUG, POLY
2	2	500047	1/2NPT-90-1/2 HOSE BARB, POLY
3	1	500104	1/4NPT-90-1/4 HOSE BARB, POLY
4	4	500157	1" FLANGE GASKET EPDM
5	3	500158	1 1/2" GASKET FOR 2" FLANGE
6	4	500159	1" FLANGE CLAMP, S.S.
7	3	500160	2" FLANGE CLAMP, S.S.
8	1	500171	1" FLANGE-1" HOSE BARB POLY
9	1	500175	1" FLANGE TEE POLY
10	3	470118	1/4UNC X 3/4 FLANGE HEX BOLT
11	4	500194	2"FP FLANGE CLAMP, S.S.
12	4	500195	2"FP FLANGE GASKET EPDM
13	1	500197	2" FP FLANGE-90-1 1/2 HBARB
14	1	500226	1" FLANGE PLUG W/1/4"FNPT POLY
15	1	500238	1" FLANGE PLUG W/1/2"FNPT POLY
16	1	507103	PIPE CAP, 2.00FNPT S.S.
17	1	520067	HOSE CLAMP NO 28 STAINLESS
18	5	520070	HOSE CLAMP NO 8 STAINLESS
19	2	520090	HOSE CLAMP NO 16 STAINLESS
20	1	520120	HOSE CLAMP NO 4 STAINLESS
21	1	601705	HOSE, 1 X 170 1BR BLK EPDM
22	3	470089	1/4UNC HEX NYLOC NUT, 316 SS
23	1	601706	HOSE, 1 1/2 X 60 2BR BLK EPDM
24	1	601607	HOSE, 1/2 X 190 1BR BLK EPDM
25	1	601674	HOSE, 1/4 X 120 1 BR BLK EPDM
26	1	763728	1600 GAL SS TANK '11
27	3	500208	3" FLANGE CLAMP, S.S.
28	3	500209	3" FLANGE GASKET EPDM
29	1	500210	3" FLANGE-3" HOSE BARB POLY
30	1	500213	3"FLANGE-90-3"FLANGE LBO POLY
31	1	601766	HOSE, 3/4 X 4 CLEAR VINYL
32	2	500164	3" FLANGE-3" MNPT ADPTR POLY
33	1	696268	VALVE, 3" KZCO
34	1	500196	2"FP FLANGE-2" HOSE BARB POLY
35	1	500212	3"FLANGE-2"FP FLANGE REDU POLY
36	1	500219	2"FP FLANGE-90-2"FP FLANGE LBO
37	1	696258	VALVE, KZCO C2I-60B-Y19
38	1	601573	HOSE, 2 X 48 2F-1W EPDM
39	1	601663	HOSE, 3 X 50 POLY HELIX EPDM
40	1	520141	2.31/2.62 T-BOLT HOSE CLAMP SS
41	3	520145	3.56/3.88 T-BOLT HOSE CLAMP SS
42	1	737754	2"FEM T-CONNECTOR POLY
43	1	737755	2" - 1 1/4"Y 3-WAY MANIF POLY
44	1	737757	2"M-2"FLANGE ADPTR POLY
45	1	737758	1 1/4"M-3/4" HOSE BARB POLY
46	1	737759	2"F-2"HOSE BARB POLY
47	1	737760	2"F-90-2" HOSE BARB POLY
48	2	737761	2"M CHECK VALVE POLY
49	1	737738	FORK,D.3 DIST.42 (737731)
50	2	470422	IND BELT, 4.00 X 93.00 .203THK
51	1	500120	1/2" HOSE BARB TEE, POLY
52	4	482016	SPRING, 1.40 X 3.00 COMPRSN
53	4	900416	3/4UNC X 6 1/2 HEX BOLT
54	4	914012	3/4UNC HEX STOVER NUT
55	8	920006	3/4 SAE FLAT WASHER
56	1	763561	LID ASSY FOR 763550 TANK
57	1	763562	10" FILL LID SEAL FOR 763550
58	1	763563	16" MANHOLE SEAL FOR 763550
59	1	500024	1"NPT-90-1"HOSE BARB, POLY
60	1	601682	HOSE, 1 X 111 2BR BLK EPDM
61	1	500054	3/4NPT-90-3/4 HOSE BARB, POLY
62	1	701449	SIGHT GAUGE SUPPORT STS'13
63	1	601572	HOSE, 1/2 X 95 1BR BLK EPDM
64	1	601800	HOSE, 1/2 X 39 1BR BLK EPDM
65	1	696193	3/4" HOSE BARB MICRO VALVE
66	6	520055	HOSE CLAMP NO 12 STAINLESS
67	1	520068	HOSE CLAMP NO 32 STAINLESS
68	1	601767	HOSE, 3/4 X 16 CLEAR VINYL
69	1	601728	HOSE, 3/4 X 60 CLEAR VINYL
70	1	601743	HOSE, 2 X 113 2F-1W EPDM
71	2	650144	DECAL, LOGO, SOLU TANK STS12
72	1	650408	DECAL, 1600G SS SIGHT GAUGE '12
73	2	500108	1"NPT-3/4" HOSE BARB POLY
74	1	500075	1" NPT PIPE TEE, POLY
75	1	500021	1 NPT X 1 1/4 HOSE BARB, POLY
76	1	500051	1"NPT-90-1 1/4"HOSE BARB,POLY
77	1	500147	1"NPT PIPE COUPLING POLY
78	1	701448	FLOAT, SIGHT GAUGE STS'13
79	2	520087	HOSE CLAMP NO 20 STAINLESS
80	1	601793	HOSE, 1 1/4 X 57.25 CLEAR VINYL
81	6	483022	1.375 X 2.125 X .134 MACH WASH
82	1	505233	1"-1/2"NPT REDU BUSH, POLY



FRONT AND SIDE FILL TANK VALVE ASSEMBLY

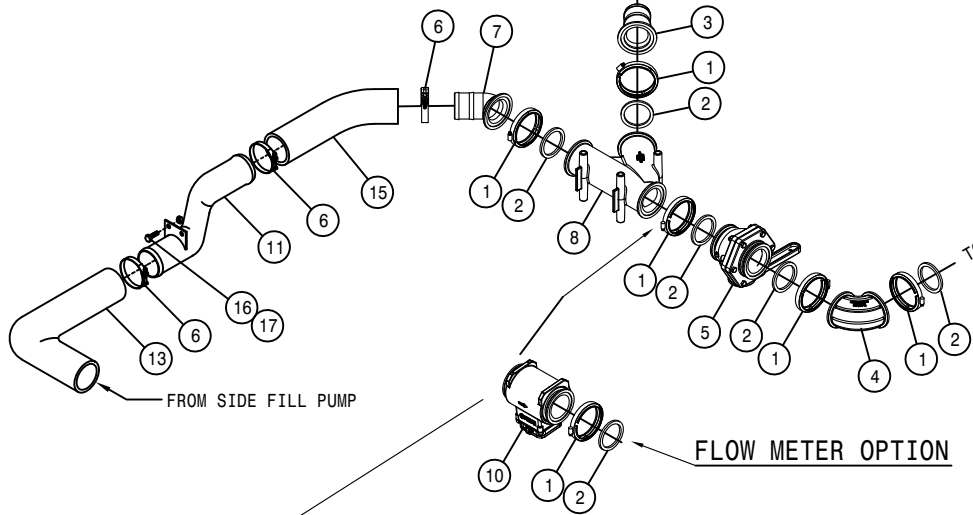
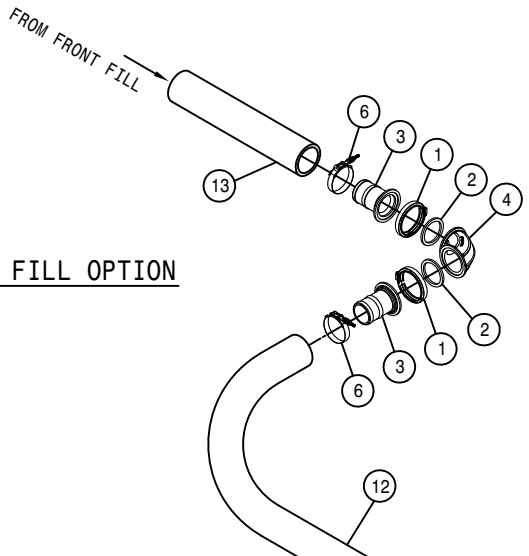
DET. QTY PART NO. DESCRIPTION

1	10	500208	3" FLANGE CLAMP, S.S.
2	10	500209	3" FLANGE GASKET EPDM
3	6	500210	3" FLANGE-3" HOSE BARB POLY
4	4	500262	3"FLANGE-90-3"FLG SWEEP LBO
5	2	696190	3"FP FLANGE STUBBY VALVE POLY
6	6	520145	3.56/3.88 T-BOLT HOSE CLAMP SS
7	1	500258	3" FLANGE-45-3" HOSE BARB POLY
8	1	500260	3"FP-45-Y FLANGE COUPLER POLY
9	1	601574	HOSE, 3 X 36 POLY HELIX EPDM
10	1	691242	3" MANIFOLD FLOWMETER, BANJO
11	1	690731	SOLU TUBE, 3.00 S.S. SIDE FILL
12	1	601508	HOSE, 3 X 64 POLY HELIX EPDM
13	4	601680	HOSE, 3 X 91 POLY HELIX EPDM
14	1	601663	HOSE, 3 X 50 POLY HELIX EPDM
15	1	601771	HOSE, 3 X 26 POLY HELIX EPDM
16	4	900064	5/16UNC X 3/4 HEX BOLT
17	4	914002	5/16UNC HEX STOVER NUT



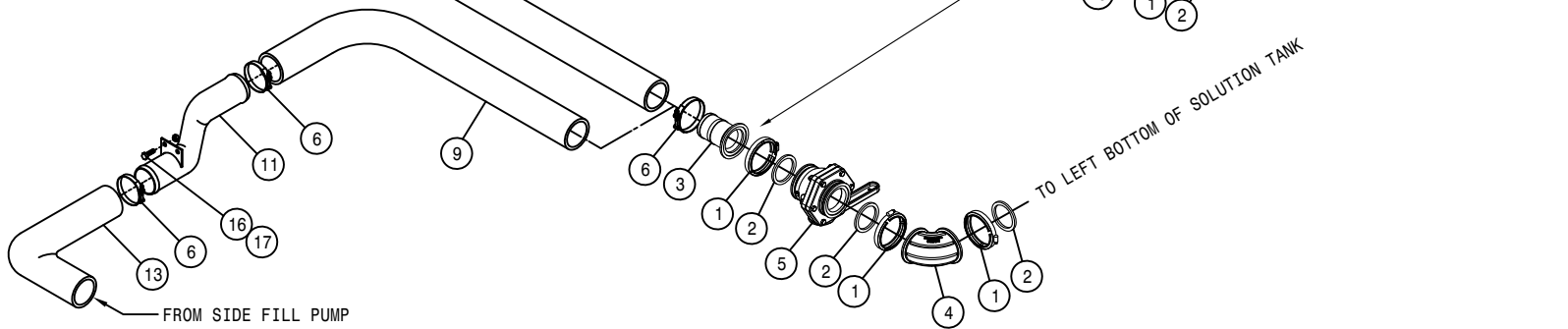
FRONT & SIDE FILL OPTION

FRONT FILL OPTION



FLOW METER OPTION

SIDE FILL OPTION



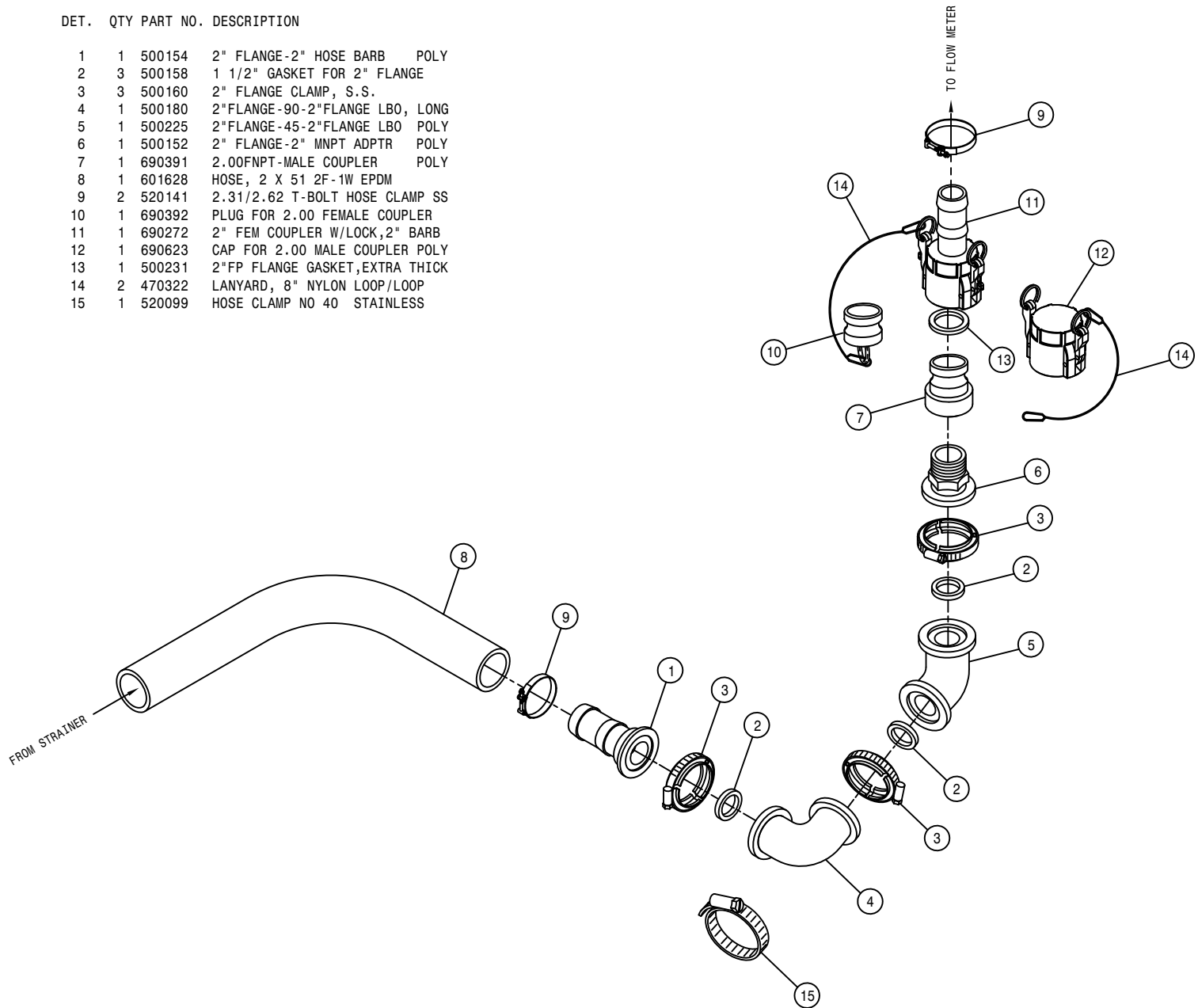
TO LEFT BOTTOM OF SOLUTION TANK

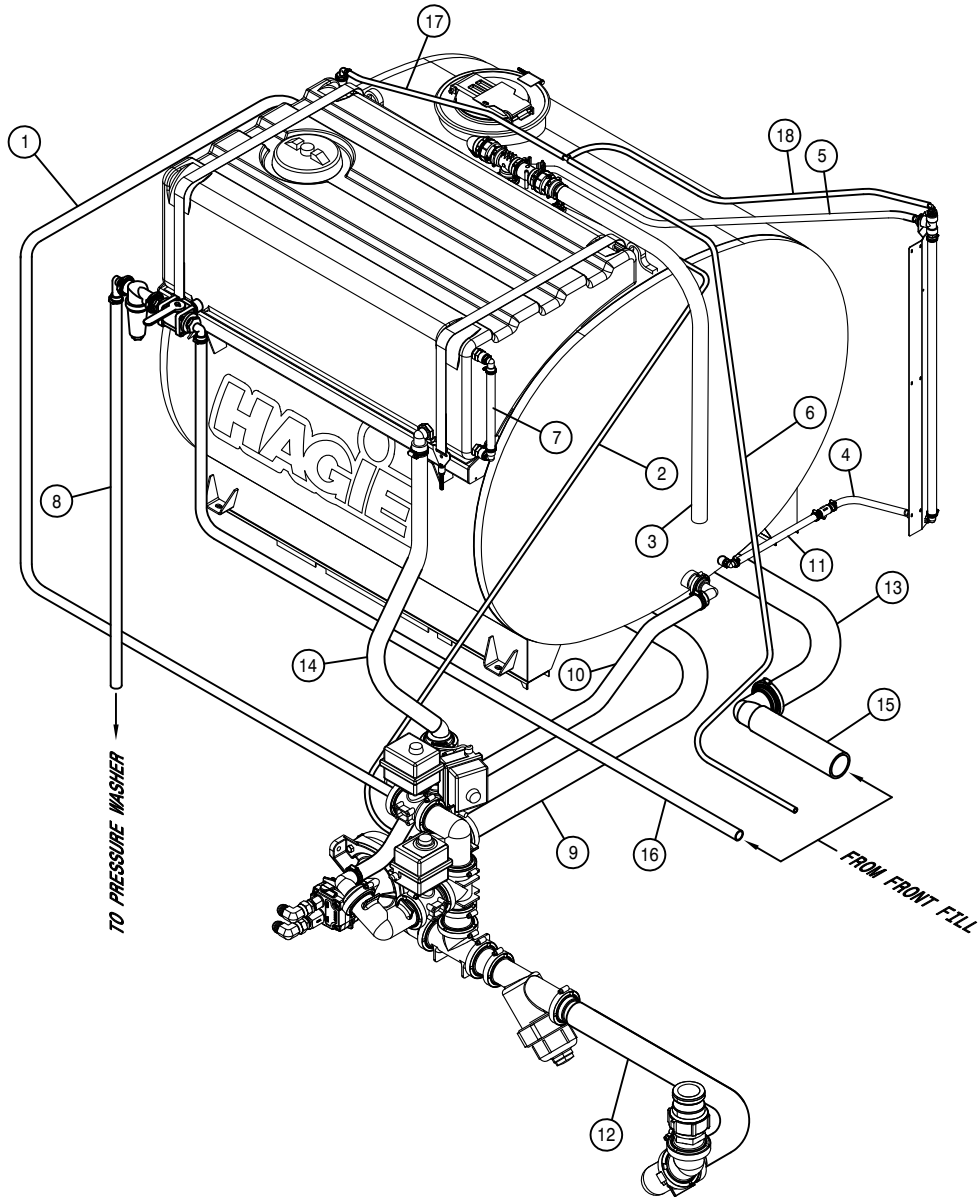
TO LEFT BOTTOM OF SOLUTION TANK

QUICK COUPLER ASSEMBLY

DET. QTY PART NO. DESCRIPTION

1	1	500154	2" FLANGE-2" HOSE BARB POLY
2	3	500158	1 1/2" GASKET FOR 2" FLANGE
3	3	500160	2" FLANGE CLAMP, S.S.
4	1	500180	2"FLANGE-90-2"FLANGE LBO, LONG
5	1	500225	2"FLANGE-45-2"FLANGE LBO POLY
6	1	500152	2" FLANGE-2" MNPT ADPTR POLY
7	1	690391	2.00FNPT-MALE COUPLER POLY
8	1	601628	HOSE, 2 X 51 2F-1W EPDM
9	2	520141	2.31/2.62 T-BOLT HOSE CLAMP SS
10	1	690392	PLUG FOR 2.00 FEMALE COUPLER
11	1	690272	2" FEM COUPLER W/LOCK,2" BARB
12	1	690623	CAP FOR 2.00 MALE COUPLER POLY
13	1	500231	2"FP FLANGE GASKET,EXTRA THICK
14	2	470322	LANYARD, 8" NYLON LOOP/LOOP
15	1	520099	HOSE CLAMP NO 40 STAINLESS

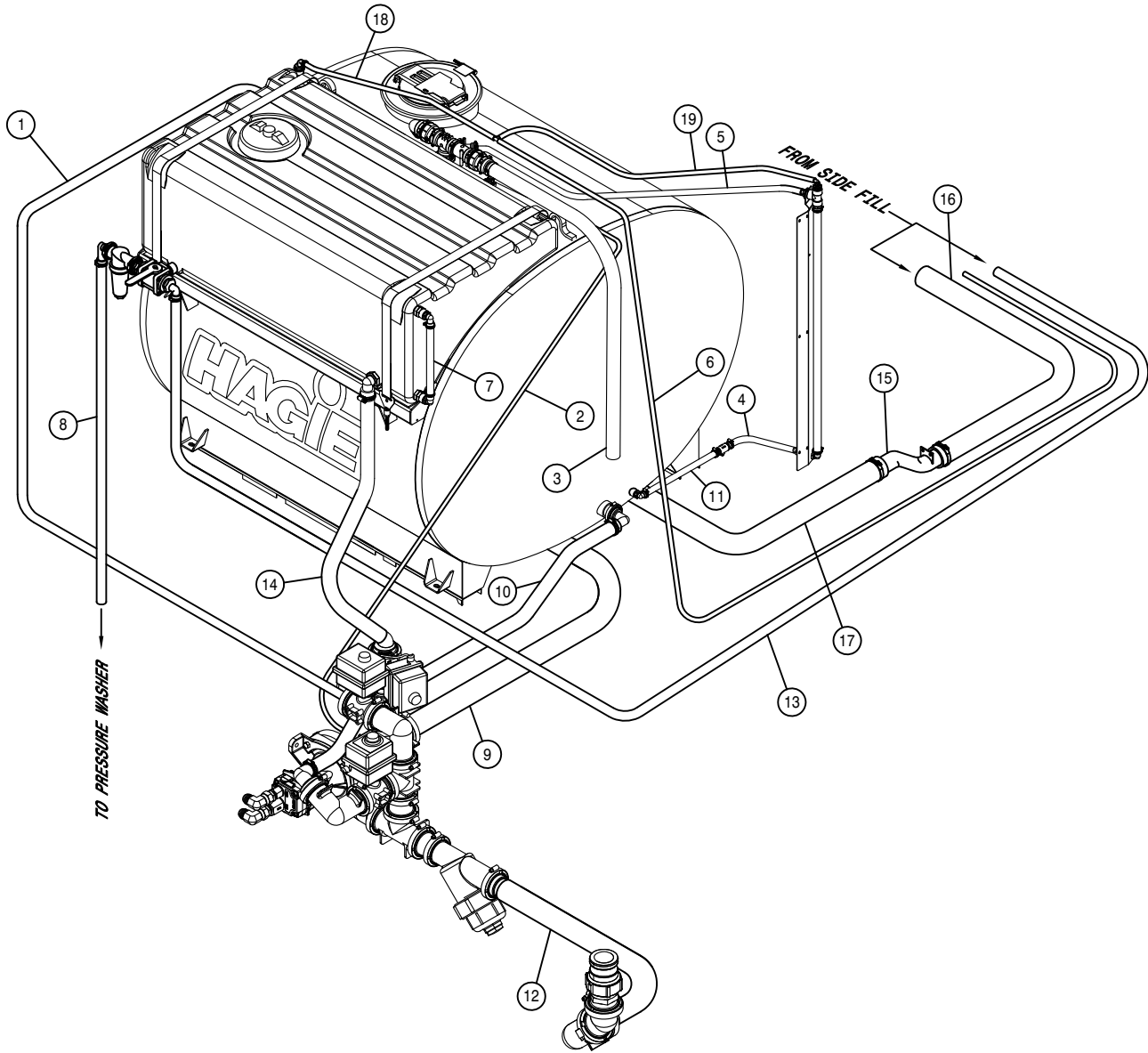




FRONT FILL SOLUTION HOISING (STD-VOLUME)

DET. QTY PART NO. DESCRIPTION

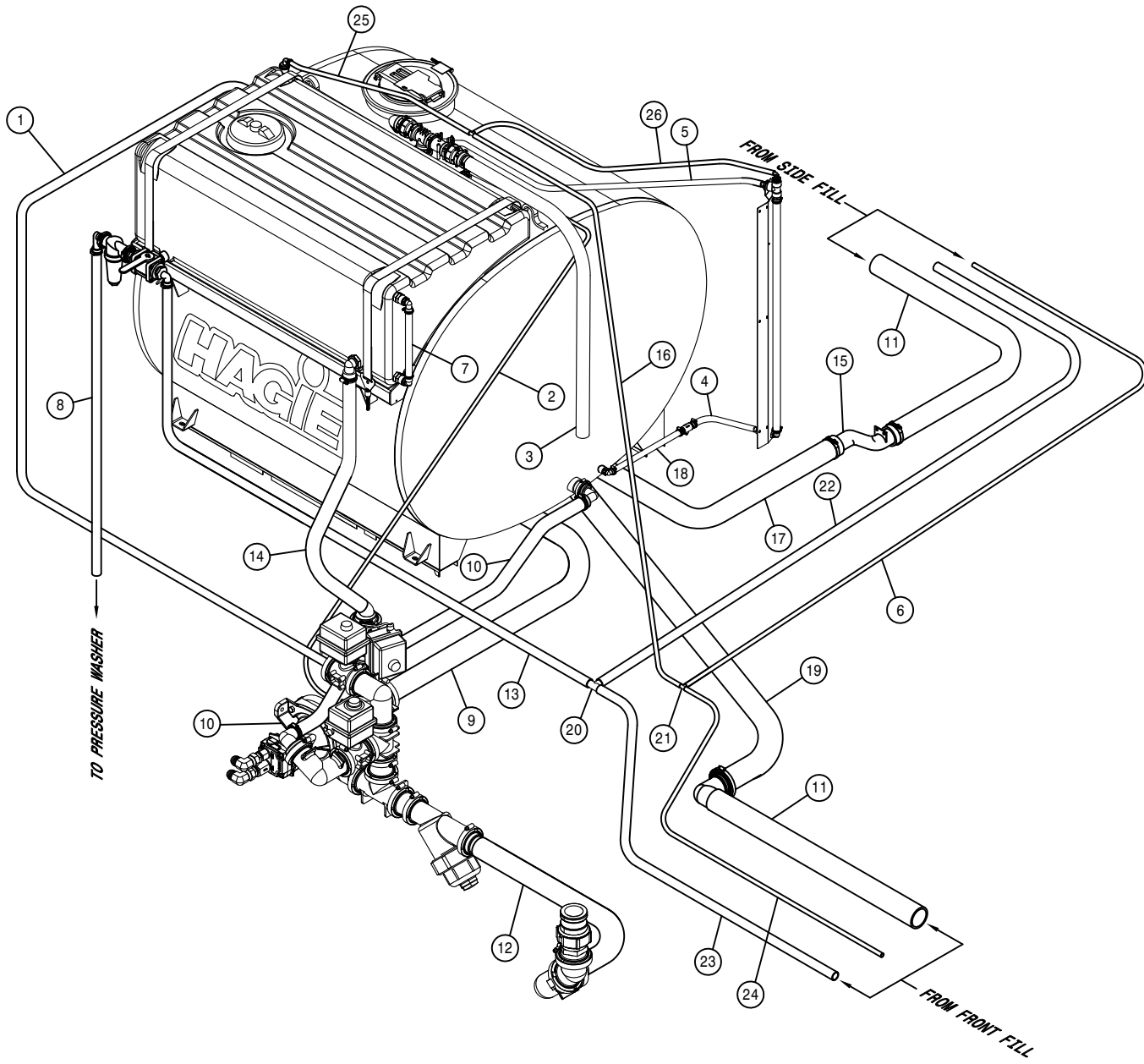
1	1	601705	HOSE, 1 X 170 1BR BLK EPDM
2	1	601674	HOSE, 1/4 X 120 1 BR BLK EPDM
3	1	601743	HOSE, 2 X 113 2F-1W EPDM
4	1	601766	HOSE, 3/4 X 4 CLEAR VINYL
5	1	601728	HOSE, 3/4 X 60 CLEAR VINYL
6	1	601607	HOSE, 1/2 X 190 1BR BLK EPDM
7	1	601742	HOSE, 1" X 16 CLEAR VINYL
8	1	601522	HOSE, 1 X 204 1BR BLK EPDM
9	1	601573	HOSE, 2 X 48 2F-1W EPDM
10	1	601706	HOSE, 1 1/2 X 60 2BR BLK EPDM
11	1	601767	HOSE, 3/4 X 16 CLEAR VINYL
12	1	601628	HOSE, 2 X 51 2F-1W EPDM
13	1	601508	HOSE, 3 X 64 POLY HELIX EPDM
14	1	601774	HOSE, 2 X 38 2F-1W EPDM
15	1	601680	HOSE, 3 X 91 POLY HELIX EPDM
16	1	601725	HOSE, 1 X 225 1BR BLK EPDM
17	1	601572	HOSE, 1/2 X 95 1BR BLK EPDM
18	1	601800	HOSE, 1/2 X 39 1BR BLK EPDM



SIDE FILL SOLUTION HOSEING (STD-VOLUME)

DET. QTY PART NO. DESCRIPTION

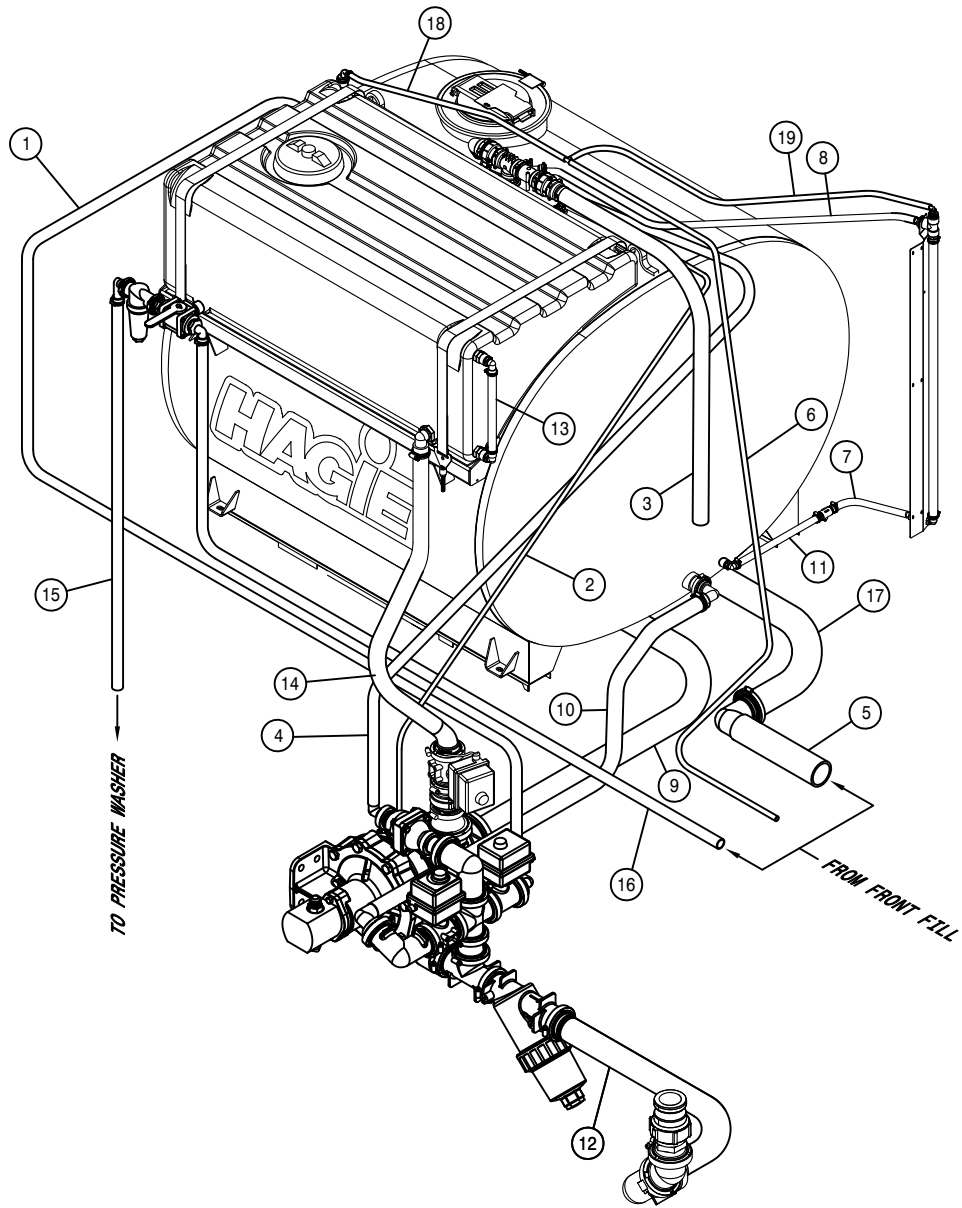
1	1	601704	HOSE, 1 X 140 1BR BLK EPDM
2	1	601674	HOSE, 1/4 X 120 1 BR BLK EPDM
3	1	601743	HOSE, 2 X 113 2F-1W EPDM
4	1	601529	HOSE, 3/4 X 34 CLEAR VINYL
5	1	601728	HOSE, 3/4 X 60 CLEAR VINYL
6	1	601607	HOSE, 1/2 X 190 1BR BLK EPDM
7	1	601742	HOSE, 1" X 16 CLEAR VINYL
8	1	601522	HOSE, 1 X 204 1BR BLK EPDM
9	1	601573	HOSE, 2 X 48 2F-1W EPDM
10	1	601591	HOSE, 1 1/2 X 53 2BR BLK EPDM
11	1	601767	HOSE, 3/4 X 16 CLEAR VINYL
12	1	601628	HOSE, 2 X 51 2F-1W EPDM
13	1	601181	HOSE, 1 X 282 1BR BLK EPDM
14	1	601774	HOSE, 2 X 38 2F-1W EPDM
15	1	690731	SOLU TUBE, 3.00 S.S. SIDE FILL
16	1	601680	HOSE, 3 X 91 POLY HELIX EPDM
17	1	601574	HOSE, 3 X 36 POLY HELIX EPDM
18	1	601634	HOSE, 1/2 X 78 1BR BLK EPDM
19	1	601800	HOSE, 1/2 X 39 1BR BLK EPDM



FRONT AND SIDE FILL SOLUTION HOISING (STD-VOLUME)

DET. QTY PART NO. DESCRIPTION

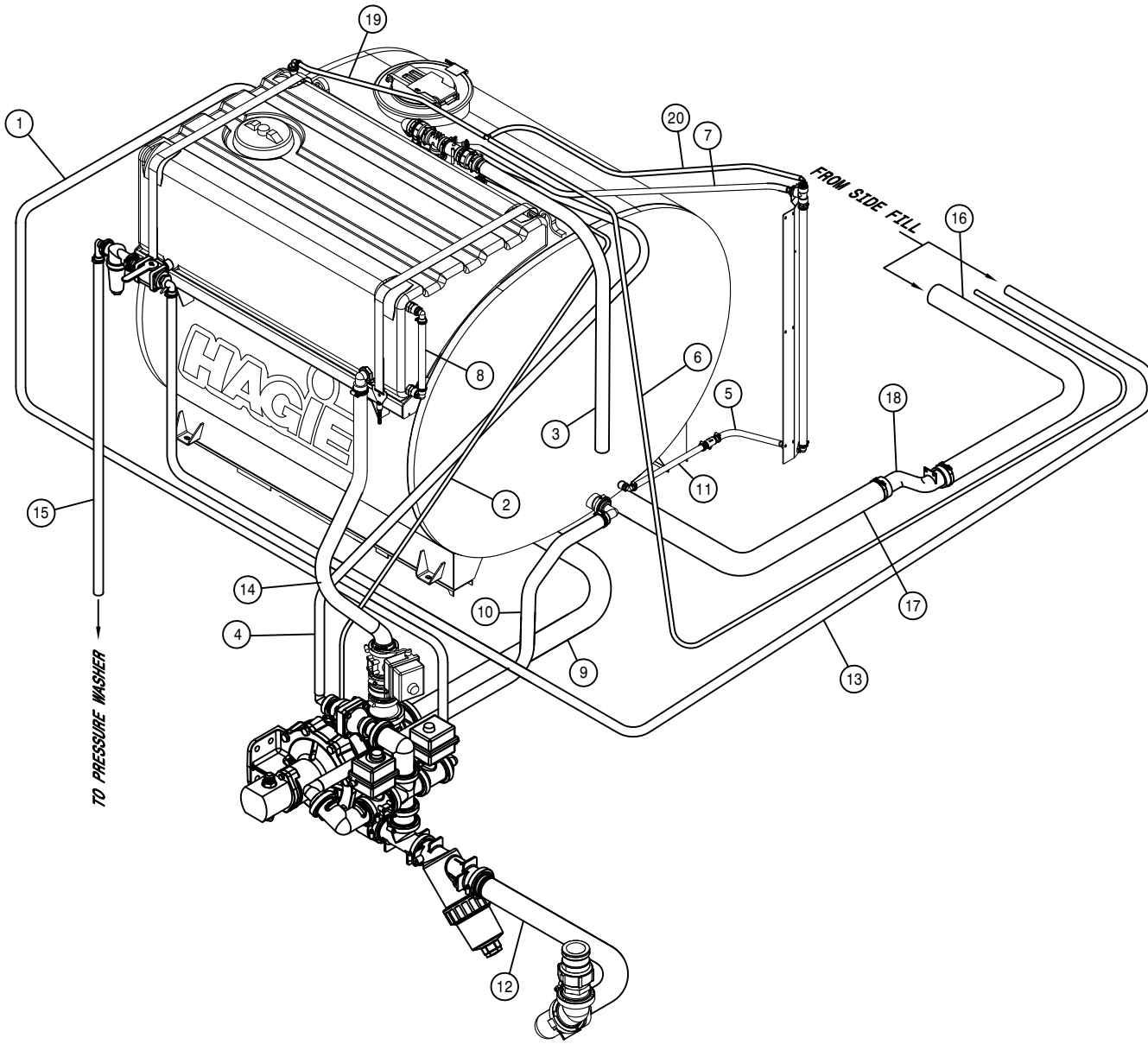
1	1	601704	HOSE, 1 X 140 1BR BLK EPDM
2	1	601674	HOSE, 1/4 X 120 1 BR BLK EPDM
3	1	601743	HOSE, 2 X 113 2F-1W EPDM
4	1	601529	HOSE, 3/4 X 34 CLEAR VINYL
5	1	601728	HOSE, 3/4 X 60 CLEAR VINYL
6	1	601639	HOSE, 1/2 X 170 1BR BLK EPDM
7	1	601742	HOSE, 1" X 16 CLEAR VINYL
8	1	601522	HOSE, 1 X 204 1BR BLK EPDM
9	1	601573	HOSE, 2 X 48 2F-1W EPDM
10	1	601591	HOSE, 1 1/2 X 53 2BR BLK EPDM
11	2	601680	HOSE, 3 X 91 POLY HELIX EPDM
12	1	601628	HOSE, 2 X 51 2F-1W EPDM
13	1	601180	HOSE, 1 X 194 1BR BLK EPDM
14	1	601774	HOSE, 2 X 38 2F-1W EPDM
15	1	690731	SOLU TUBE, 3.00 S.S. SIDE FILL
16	1	601572	HOSE, 1/2 X 95 1BR BLK EPDM
17	1	601771	HOSE, 3 X 26 POLY HELIX EPDM
18	1	601767	HOSE, 3/4 X 16 CLEAR VINYL
19	1	601663	HOSE, 3 X 50 POLY HELIX EPDM
20	1	500105	1.00 HOSE BARB TEE, POLY
21	1	500120	1/2" HOSE BARB TEE, POLY
22	1	601705	HOSE, 1 X 170 1BR BLK EPDM
23	1	601494	HOSE, 1 X 108 1BR BLK EPDM
24	1	601677	HOSE, 1/2 X 100 1BR BLK EPDM
25	1	601634	HOSE, 1/2 X 78 1BR BLK EPDM
26	1	601800	HOSE, 1/2 X 39 1BR BLK EPDM



FRONT FILL SOLUTION TANK HOSING (HI-VOLUME)

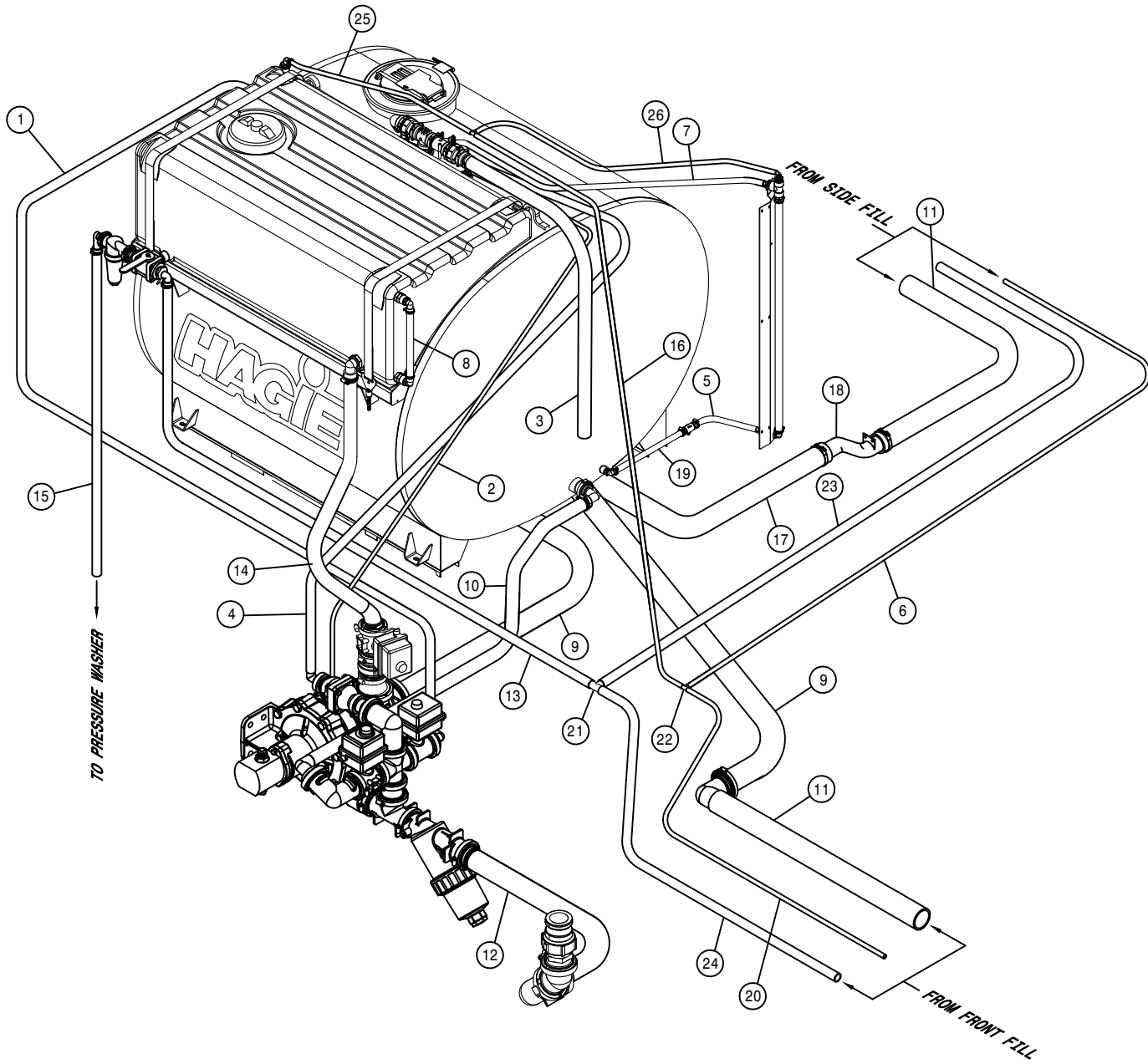
DET. QTY PART NO. DESCRIPTION

1	1	601705	HOSE, 1 X 170 1BR BLK EPDM
2	1	601674	HOSE, 1/4 X 120 1 BR BLK EPDM
3	1	601743	HOSE, 2 X 113 2F-1W EPDM
4	1	601682	HOSE, 1 X 111 2BR BLK EPDM
5	1	601680	HOSE, 3 X 91 POLY HELIX EPDM
6	1	601607	HOSE, 1/2 X 190 1BR BLK EPDM
7	1	601529	HOSE, 3/4 X 34 CLEAR VINYL
8	1	601728	HOSE, 3/4 X 60 CLEAR VINYL
9	1	601663	HOSE, 3 X 50 POLY HELIX EPDM
10	1	601706	HOSE, 1 1/2 X 60 2BR BLK EPDM
11	1	601767	HOSE, 3/4 X 16 CLEAR VINYL
12	1	601628	HOSE, 2 X 51 2F-1W EPDM
13	1	601742	HOSE, 1" X 16 CLEAR VINYL
14	1	601774	HOSE, 2 X 38 2F-1W EPDM
15	1	601522	HOSE, 1 X 204 1BR BLK EPDM
16	1	601725	HOSE, 1 X 225 1BR BLK EPDM
17	1	601508	HOSE, 3 X 64 POLY HELIX EPDM
18	1	601572	HOSE, 1/2 X 95 1BR BLK EPDM
19	1	601800	HOSE, 1/2 X 39 1BR BLK EPDM



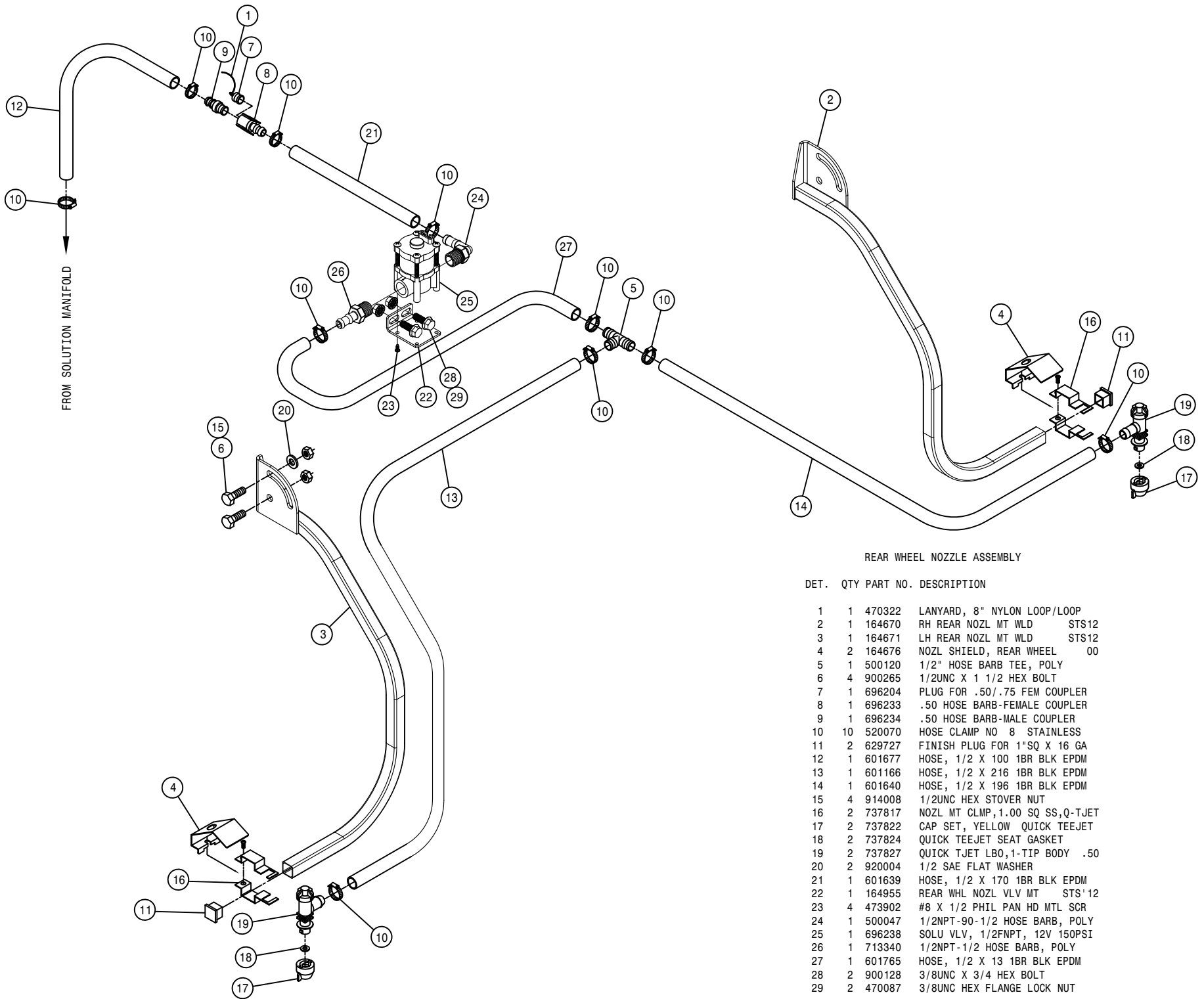
SIDE FILL SOLUTION HOISING (HI-VOLUME)

DET.	QTY	PART NO.	DESCRIPTION
1	1	601704	HOSE, 1 X 140 1BR BLK EPDM
2	1	601674	HOSE, 1/4 X 120 1 BR BLK EPDM
3	1	601743	HOSE, 2 X 113 2F-1W EPDM
4	1	601682	HOSE, 1 X 111 2BR BLK EPDM
5	1	601529	HOSE, 3/4 X 34 CLEAR VINYL
6	1	601607	HOSE, 1/2 X 190 1BR BLK EPDM
7	1	601728	HOSE, 3/4 X 60 CLEAR VINYL
8	1	601742	HOSE, 1" X 16 CLEAR VINYL
9	1	601663	HOSE, 3 X 50 POLY HELIX EPDM
10	1	601591	HOSE, 1 1/2 X 53 2BR BLK EPDM
11	1	601767	HOSE, 3/4 X 16 CLEAR VINYL
12	1	601628	HOSE, 2 X 51 2F-1W EPDM
13	1	601181	HOSE, 1 X 282 1BR BLK EPDM
14	1	601774	HOSE, 2 X 38 2F-1W EPDM
15	1	601522	HOSE, 1 X 204 1BR BLK EPDM
16	1	601680	HOSE, 3 X 91 POLY HELIX EPDM
17	1	601574	HOSE, 3 X 36 POLY HELIX EPDM
18	1	690731	SOLU TUBE, 3.00 S.S. SIDE FILL
19	1	601634	HOSE, 1/2 X 78 1BR BLK EPDM
20	1	601800	HOSE, 1/2 X 39 1BR BLK EPDM



FRONT AND SIDE FILL SOLUTION HOSEING (HI-VOLUME)

DET.	QTY	PART NO.	DESCRIPTION
1	1	601704	HOSE, 1 X 140 1BR BLK EPDM
2	1	601674	HOSE, 1/4 X 120 1 BR BLK EPDM
3	1	601743	HOSE, 2 X 113 2F-1W EPDM
4	1	601682	HOSE, 1 X 111 2BR BLK EPDM
5	1	601529	HOSE, 3/4 X 34 CLEAR VINYL
6	1	601639	HOSE, 1/2 X 170 1BR BLK EPDM
7	1	601728	HOSE, 3/4 X 60 CLEAR VINYL
8	1	601742	HOSE, 1" X 16 CLEAR VINYL
9	2	601663	HOSE, 3 X 50 POLY HELIX EPDM
10	1	601591	HOSE, 1 1/2 X 53 2BR BLK EPDM
11	2	601680	HOSE, 3 X 91 POLY HELIX EPDM
12	1	601628	HOSE, 2 X 51 2F-1W EPDM
13	1	601180	HOSE, 1 X 194 1BR BLK EPDM
14	1	601774	HOSE, 2 X 38 2F-1W EPDM
15	1	601522	HOSE, 1 X 204 1BR BLK EPDM
16	1	601572	HOSE, 1/2 X 95 1BR BLK EPDM
17	1	601771	HOSE, 3 X 26 POLY HELIX EPDM
18	1	690731	SOLU TUBE, 3.00 S.S. SIDE FILL
19	1	601767	HOSE, 3/4 X 16 CLEAR VINYL
20	1	601677	HOSE, 1/2 X 100 1BR BLK EPDM
21	1	500105	1.00 HOSE BARB TEE, POLY
22	1	500120	1/2" HOSE BARB TEE, POLY
23	1	601705	HOSE, 1 X 170 1BR BLK EPDM
24	1	601494	HOSE, 1 X 108 1BR BLK EPDM
25	1	601634	HOSE, 1/2 X 78 1BR BLK EPDM
26	1	601800	HOSE, 1/2 X 39 1BR BLK EPDM



REAR WHEEL NOZZLE ASSEMBLY

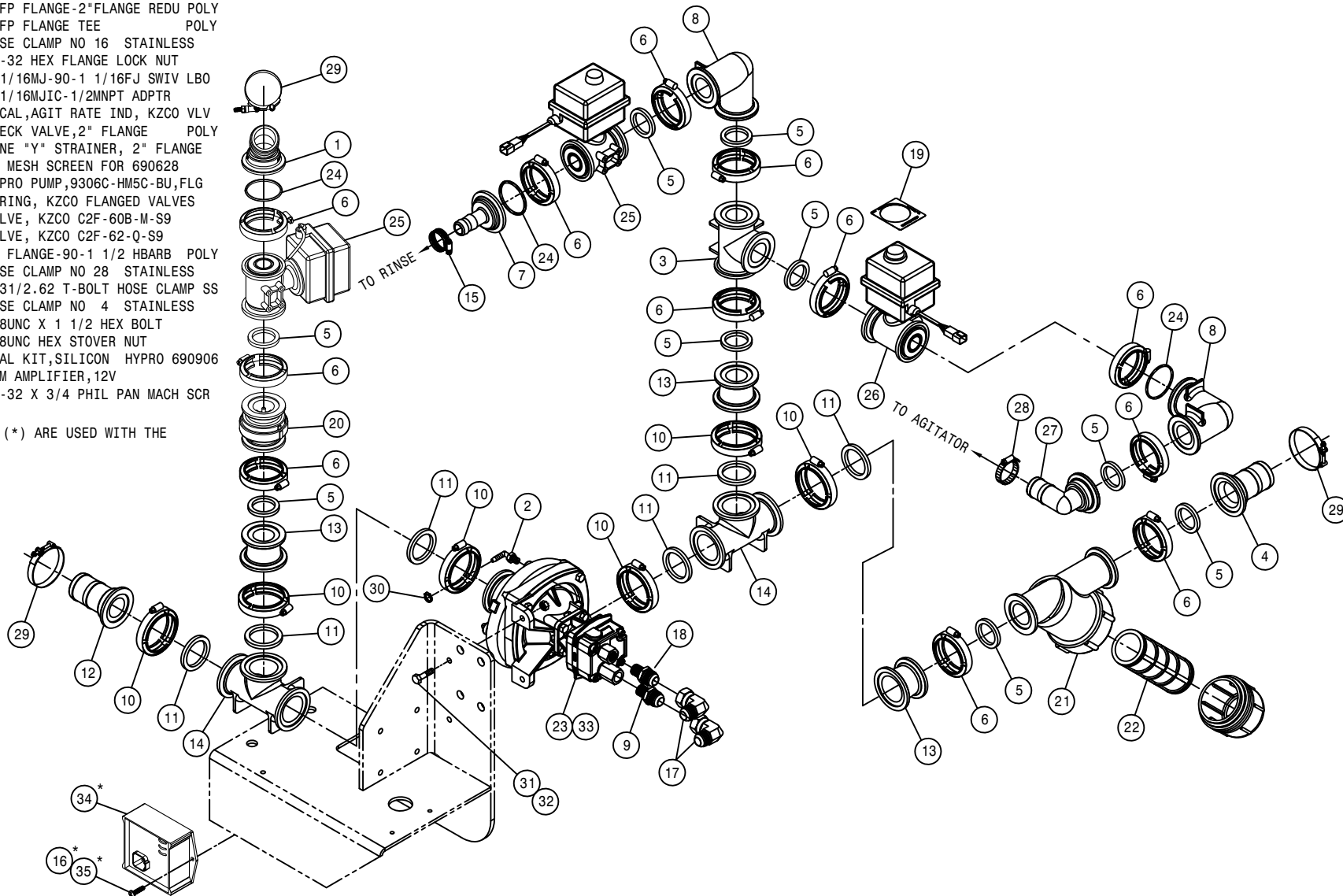
DET.	QTY	PART NO.	DESCRIPTION
	1	470322	LANYARD, 8" NYLON LOOP/LOOP
	1	164670	RH REAR NOZL MT WLD STS12
	1	164671	LH REAR NOZL MT WLD STS12
	2	164676	NOZL SHIELD, REAR WHEEL 00
	1	500120	1/2" HOSE BARB TEE, POLY
	4	900265	1/2UNC X 1 1/2 HEX BOLT
	1	696204	PLUG FOR .50/.75 FEM COUPLER
	1	696233	.50 HOSE BARB-FEMALE COUPLER
	1	696234	.50 HOSE BARB-MALE COUPLER
	10	520070	HOSE CLAMP NO 8 STAINLESS
	2	629727	FINISH PLUG FOR 1"SQ X 16 GA
	1	601677	HOSE, 1/2 X 100 1BR BLK EPDM
	1	601166	HOSE, 1/2 X 216 1BR BLK EPDM
	1	601640	HOSE, 1/2 X 196 1BR BLK EPDM
	4	914008	1/2UNC HEX STOVER NUT
	2	737817	NOZL MT CLMP,1.00 SQ SS,Q-TJET
	2	737822	CAP SET, YELLOW QUICK TEEJET
	2	737824	QUICK TEEJET SEAT GASKET
	2	737827	QUICK TJET LBO,1-TIP BODY .50
	2	920004	1/2 SAE FLAT WASHER
	1	601639	HOSE, 1/2 X 170 1BR BLK EPDM
	1	164955	REAR WHL NOZL VLV MT STS'12
	4	473902	#8 X 1/2 PHIL PAN HD MTL SCR
	1	500047	1/2NPT-90-1/2 HOSE BARB, POLY
	1	696238	SOLU VLV, 1/2FNPT, 12V 150PSI
	1	713340	1/2NPT-1/2 HOSE BARB, POLY
	1	601765	HOSE, 1/2 X 13 1BR BLK EPDM
	2	900128	3/8UNC X 3/4 HEX BOLT
	2	470087	3/8UNC HEX FLANGE LOCK NUT

9306 SOLUTION PUMP ASSEMBLY (STD-VOLUME)

DET. QTY PART NO. DESCRIPTION

1	1	500257	2" FLANGE-45-2" HOSE BARB POLY
2	1	500103	1/8NPT-90-1/4 HOSE BARB,NYLON
3	1	500151	2" FLANGE TEE POLY
4	1	500154	2" FLANGE-2" HOSE BARB POLY
5	9	500158	1 1/2" GASKET FOR 2" FLANGE
6	12	500160	2" FLANGE CLAMP, S.S.
7	1	500172	2" FLANGE-1" HOSE BARB POLY
8	2	500180	2"FLANGE-90-2"FLANGE LBO, LONG
9	1	618108	1 1/16MJIC-3/4MNPT ADPTR
10	6	500194	2"FP FLANGE CLAMP, S.S.
11	6	500195	2"FP FLANGE GASKET EPDM
12	1	500196	2"FP FLANGE-2" HOSE BARB POLY
13	3	500199	2"FP FLANGE-2"FLANGE REDU POLY
14	2	500207	2"FP FLANGE TEE POLY
15	1	520090	HOSE CLAMP NO 16 STAINLESS
16	2	470175	10-32 HEX FLANGE LOCK NUT
17	2	618191	1 1/16MJ-90-1 1/16FJ SWIV LBO
18	1	618273	1 1/16MJIC-1/2MNPT ADPTR
19	1	650125	DECAL,AGIT RATE IND, KZCO VLV
20	1	500264	CHECK VALVE,2" FLANGE POLY
21	1	690628	LINE "Y" STRAINER, 2" FLANGE
22	1	690629	50 MESH SCREEN FOR 690628
23	1	691160	HYPRO PUMP,9306C-HM5C-BU,FLG
24	3	696254	O-RING, KZCO FLANGED VALVES
25	2	696256	VALVE, KZCO C2F-60B-M-S9
26	1	696257	VALVE, KZCO C2F-62-Q-S9
27	1	500153	2" FLANGE-90-1 1/2 HBARB POLY
28	1	520067	HOSE CLAMP NO 28 STAINLESS
29	3	520141	2.31/2.62 T-BOLT HOSE CLAMP SS
30	1	520120	HOSE CLAMP NO 4 STAINLESS
31	2	900131	3/8UNC X 1 1/2 HEX BOLT
32	2	914004	3/8UNC HEX STOVER NUT
33	1	690944	SEAL KIT,SILICON HYPRO 690906
34	1	292500	PWM AMPLIFIER,12V
35	2	472235	10-32 X 3/4 PHIL PAN MACH SCR

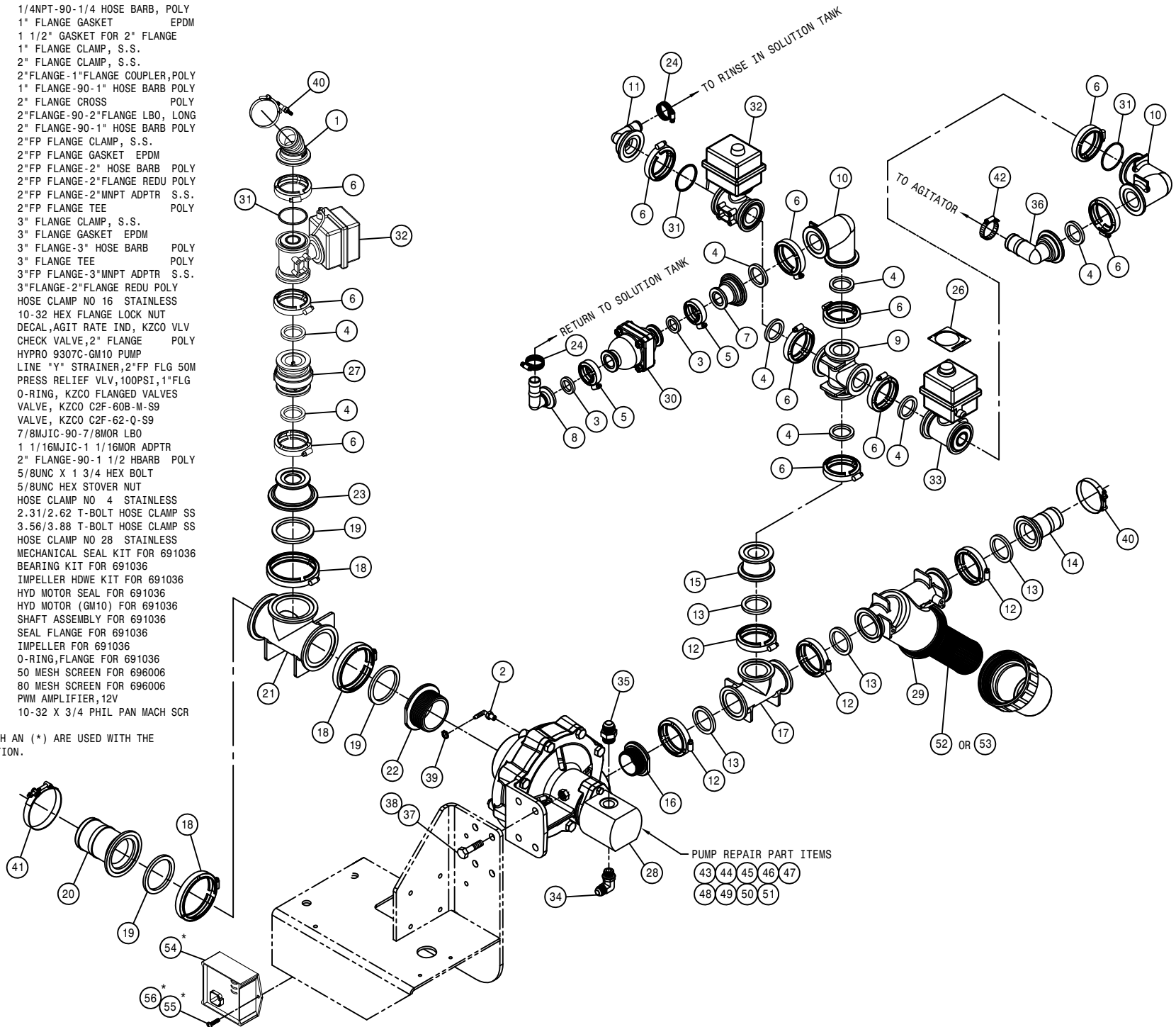
NOTE: ITEMS WITH AN (*) ARE USED WITH THE RAVEN OPTION.



DET. QTY PART NO. DESCRIPTION

1	1	500257	2" FLANGE-45-2" HOSE BARB POLY
2	1	500104	1/4NPT-90-1/4 HOSE BARB, POLY
3	2	500157	1" FLANGE GASKET EPDM
4	8	500158	1 1/2" GASKET FOR 2" FLANGE
5	2	500159	1" FLANGE CLAMP, S.S.
6	11	500160	2" FLANGE CLAMP, S.S.
7	1	500161	2"FLANGE-1"FLANGE COUPLER,POLY
8	1	500173	1" FLANGE-90-1" HOSE BARB POLY
9	1	500176	2" FLANGE CROSS POLY
10	2	500180	2"FLANGE-90-2"FLANGE LBO, LONG
11	1	500189	2" FLANGE-90-1" HOSE BARB POLY
12	4	500194	2"FP FLANGE CLAMP, S.S.
13	4	500195	2"FP FLANGE GASKET EPDM
14	1	500196	2"FP FLANGE-2" HOSE BARB POLY
15	1	500199	2"FP FLANGE-2"FLANGE REDU POLY
16	1	500205	2"FP FLANGE-2"MNPT ADPTR S.S.
17	1	500207	2"FP FLANGE TEE POLY
18	3	500208	3" FLANGE CLAMP, S.S.
19	3	500209	3" FLANGE GASKET EPDM
20	1	500210	3" FLANGE-3" HOSE BARB POLY
21	1	500217	3" FLANGE TEE POLY
22	1	500234	3"FP FLANGE-3"MNPT ADPTR S.S.
23	1	500237	3"FLANGE-2"FLANGE REDU POLY
24	2	520090	HOSE CLAMP NO 16 STAINLESS
25	2	470175	10-32 HEX FLANGE LOCK NUT
26	1	650125	DECAL,AGIT RATE IND, KZCO VLV
27	1	500264	CHECK VALVE,2" FLANGE POLY
28	1	691036	HYPRO 9307C-GM10 PUMP
29	1	696006	LINE "Y" STRAINER,2"FP FLG 50M
30	1	696008	PRESS RELIEF VLV,100PSI,1"FLG
31	3	696254	O-RING, KZCO FLANGED VALVES
32	2	696256	VALVE, KZCO C2F-60B-M-S9
33	1	696257	VALVE, KZCO C2F-62-Q-S9
34	1	611128	7/8MJIC-90-7/8MOR LBO
35	1	611127	1 1/16MJIC-1 1/16MOR ADPTR
36	1	500153	2" FLANGE-90-1 1/2 HBARB POLY
37	4	900334	5/8UNC X 1 3/4 HEX BOLT
38	4	914010	5/8UNC HEX STOVER NUT
39	1	520120	HOSE CLAMP NO 4 STAINLESS
40	2	520141	2.31/2.62 T-BOLT HOSE CLAMP SS
41	1	520145	3.56/3.88 T-BOLT HOSE CLAMP SS
42	1	520067	HOSE CLAMP NO 28 STAINLESS
43	1	691068	MECHANICAL SEAL KIT FOR 691036
44	1	691069	BEARING KIT FOR 691036
45	1	691070	IMPELLER HDWE KIT FOR 691036
46	1	691071	HYD MOTOR SEAL FOR 691036
47	1	691072	HYD MOTOR (GM10) FOR 691036
48	1	691073	SHAFT ASSEMBLY FOR 691036
49	1	691074	SEAL FLANGE FOR 691036
50	1	691075	IMPELLER FOR 691036
51	1	691076	O-RING,FLANGE FOR 691036
52	1	696007	50 MESH SCREEN FOR 696006
53	1	696009	80 MESH SCREEN FOR 696006
54	1	292500	PWM AMPLIFIER, 12V
55	2	472235	10-32 X 3/4 PHIL PAN MACH SCR

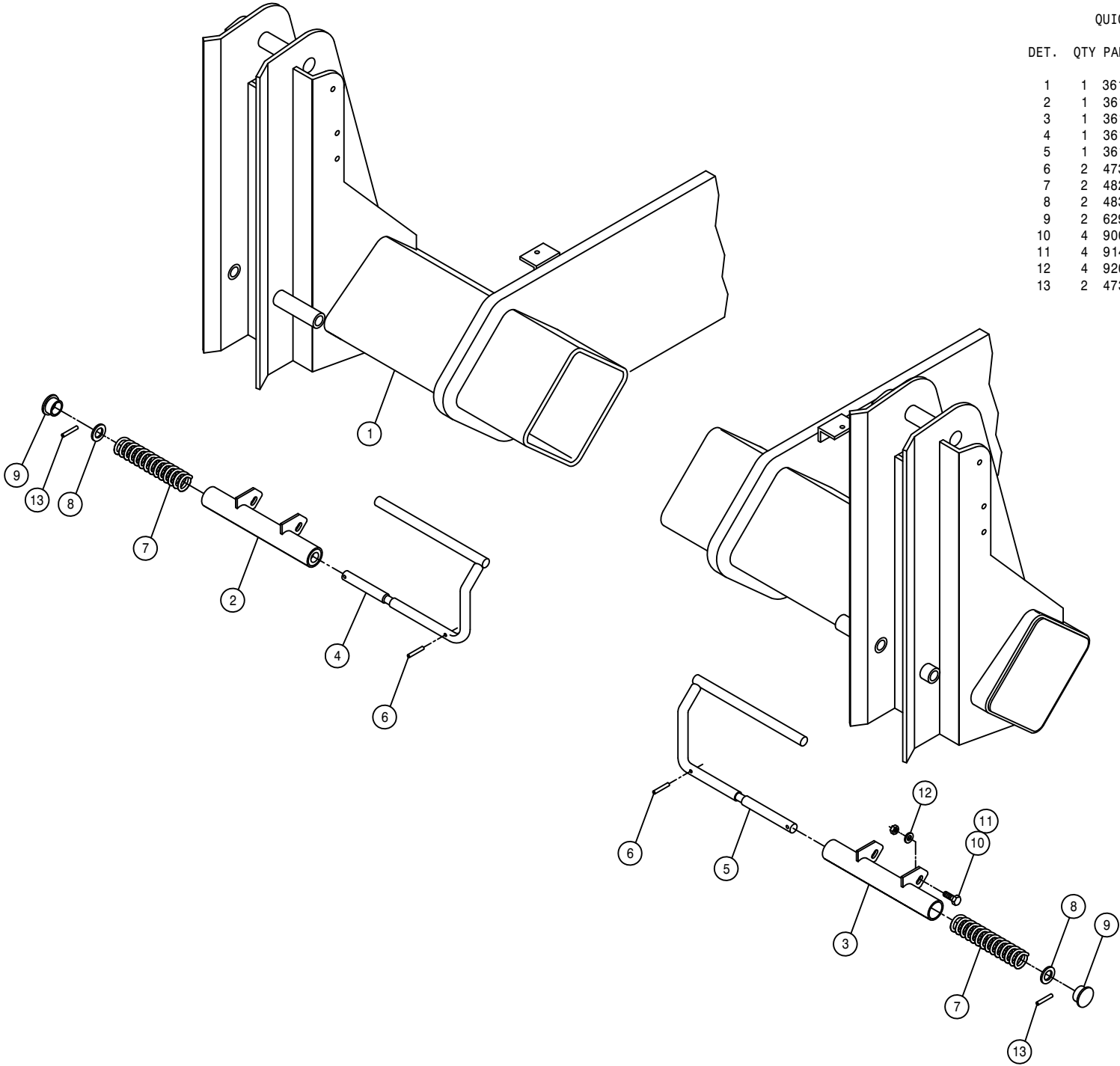
NOTE: ITEMS WITH AN (*) ARE USED WITH THE RAVEN OPTION.

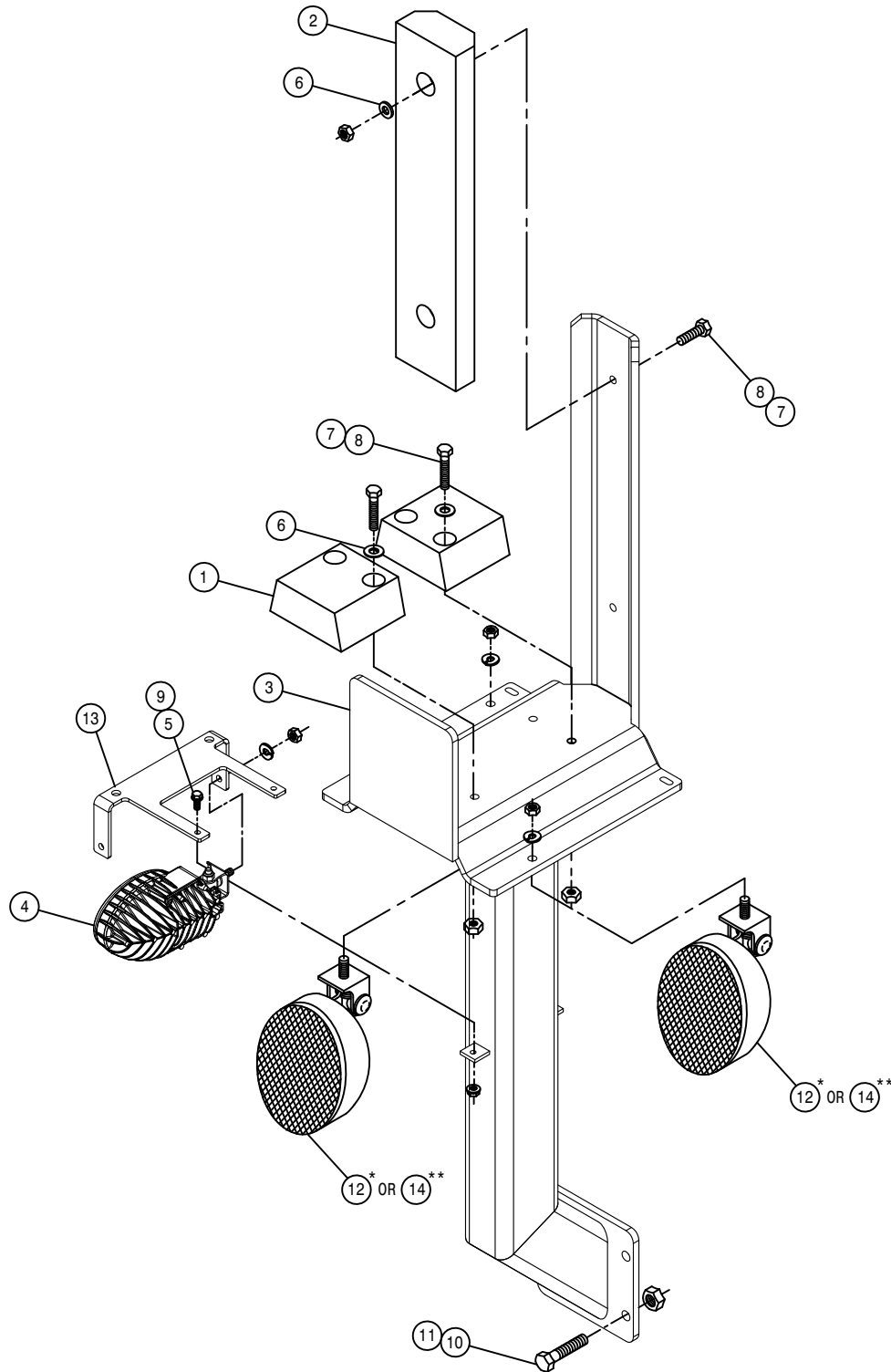


QUICK ATTACH LEVER ASSEMBLY

DET. QTY PART NO. DESCRIPTION

DET.	QTY	PART NO.	DESCRIPTION
1	1	361984	MAINFRAME WLD STS16' 13
2	1	361665	RH Q-ATTACH LOCK WLD, STS 04
3	1	361666	LH Q-ATTACH LOCK WLD, STS 04
4	1	361670	RH Q-ATTACH LOCK PIN WLD, STS04
5	1	361671	LH Q-ATTACH LOCK PIN WLD, STS04
6	2	473805	ROLL PIN, 1/4 X 1 1/2
7	2	482018	SPRING, 1.00 X 12.00 COMPRSN
8	2	483055	.771ID-1.2500D-.135T MACH WASH
9	2	629765	CAPPLUGS PLUG, 1 1/2"RD, BLK POLY
10	4	900130	3/8UNC X 1 1/4 SER FLANGE BOLT
11	4	914004	3/8UNC HEX STOVER NUT
12	4	920002	3/8 SAE FLAT WASHER
13	2	473850	ROLL PIN, 1/4 X 1"

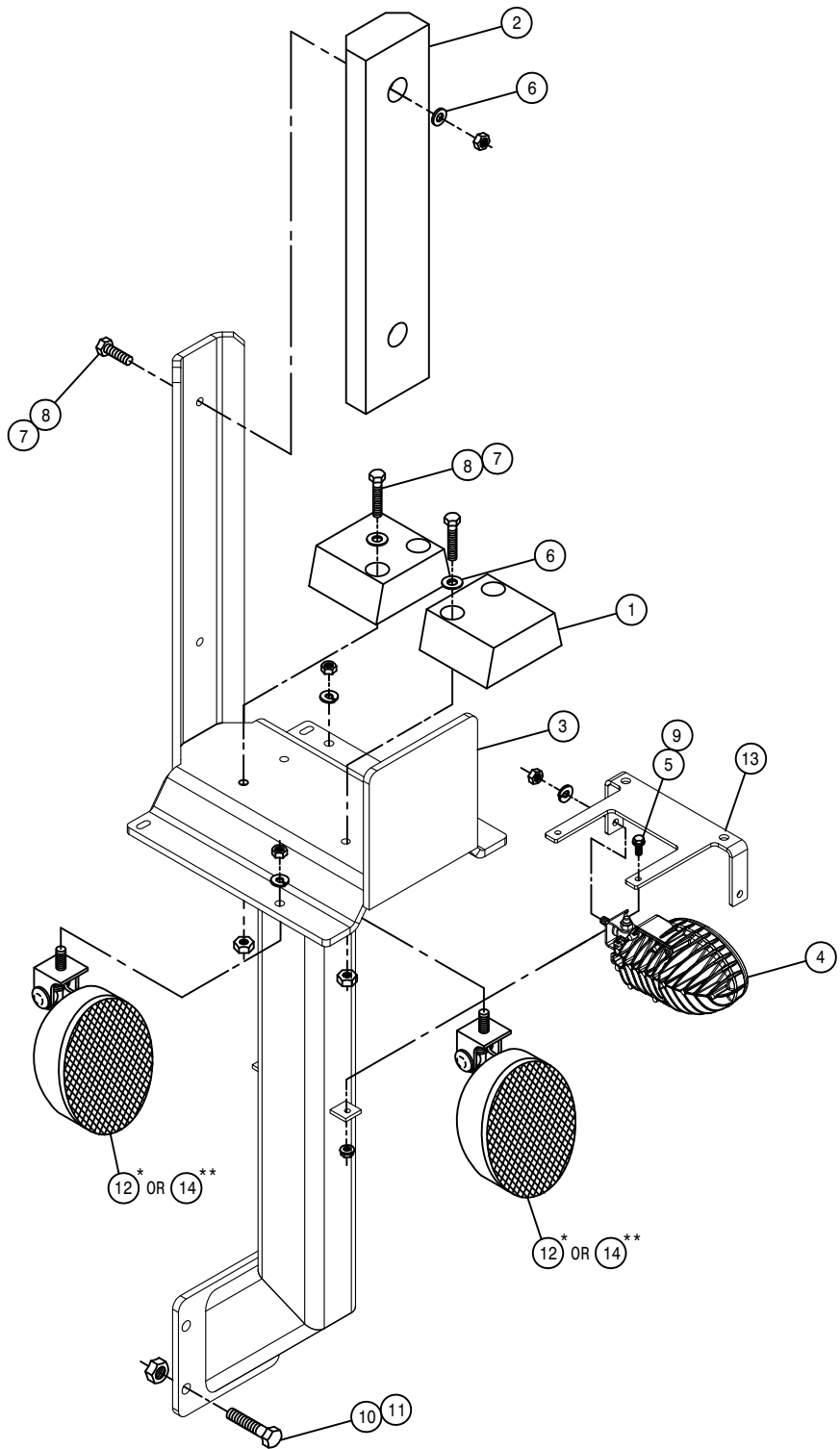




RH BOOM CRADLE ASSEMBLY

DET.	QTY	PART NO.	DESCRIPTION		
	1	2	164513	BOOM CRADLE PAD	00
	2	1	164512	RUBBER BUMPER, BOOM CRADLE	00
	3	1	165041	BOOM CRADLE WLD	07
	4	1	292917	LED LIGHT, AMBER W/JUMPER	
	5	2	470118	1/4UNC X 3/4 FLANGE HEX BOLT	
	6	6	920002	3/8 SAE FLAT WASHER	
	7	6	914004	3/8UNC HEX STOVER NUT	
	8	6	900133	3/8UNC X 2" SERR FLANGE BOLT	
	9	2	470121	1/4UNC HEX FLANGE LOCK NUT	
	10	4	900804	1/2UNC X 1 1/2 HEX BOLT GR8	
	11	4	914808	1/2UNC HEX STOVER NUT GR8	
	12	2	291904	WORKLIGHT, VERTICAL FLOOD PLAS	
	13	1	343689	EXTREMITY FLASHER MT, STS '11	
	14	2	292508	WORKLIGHT,LED V-FLOOD	

NOTE: ITEM WITH (*) ARE USED WITH THE STANARD LIGHT OPTION.
 ITEM WITH (**) ARE USED WITH THE LED LIGHT OPTION.

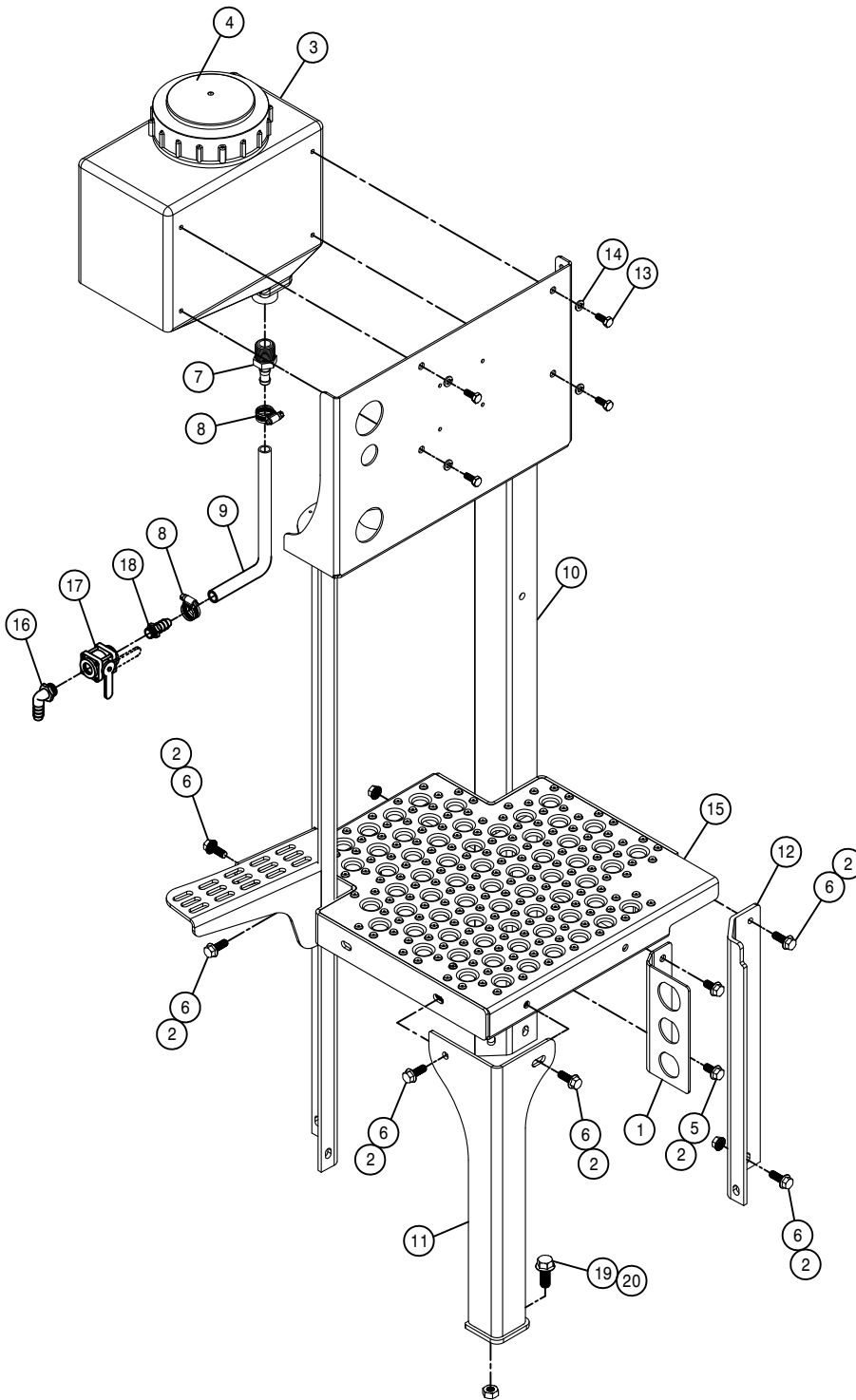


LH BOOM CRADLE ASSEMBLY

DET. QTY PART NO. DESCRIPTION

1	2	164513	BOOM CRADLE PAD	00
2	1	164512	RUBBER BUMPER, BOOM CRADLE	00
3	1	165041	BOOM CRADLE WLD	07
4	1	292917	LED LIGHT, AMBER W/JUMPER	
5	2	470118	1/4UNC X 3/4 FLANGE HEX BOLT	
6	6	920002	3/8 SAE FLAT WASHER	
7	6	914004	3/8UNC HEX STOVER NUT	
8	6	900133	3/8UNC X 2" SERR FLANGE BOLT	
9	2	470121	1/4UNC HEX FLANGE LOCK NUT	
10	4	900804	1/2UNC X 1 1/2 HEX BOLT GR8	
11	4	914008	1/2UNC HEX STOVER NUT	
12	2	291904	WORKLIGHT, VERTICAL FLOOD PLAS	
13	1	343689	EXTREMITY FLASHER MT, STS '11	
14	2	292508	WORKLIGHT,LED V-FLOOD	

NOTE: ITEM WITH (*) ARE USED WITH THE STANARD LIGHT OPTION.
ITEM WITH (**) ARE USED WITH THE LED LIGHT OPTION.



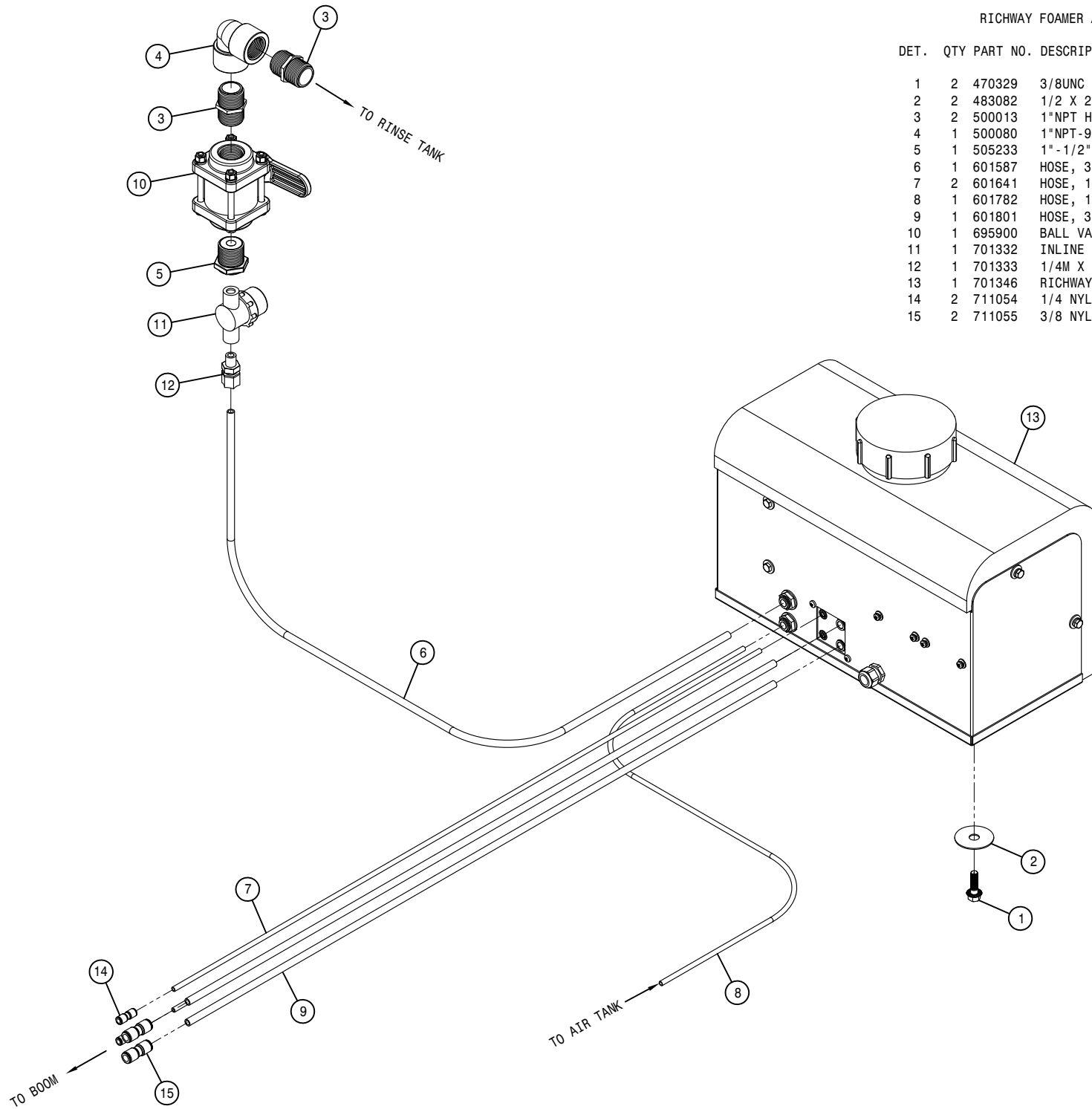
FRESH WATER TANK ASSEMBLY

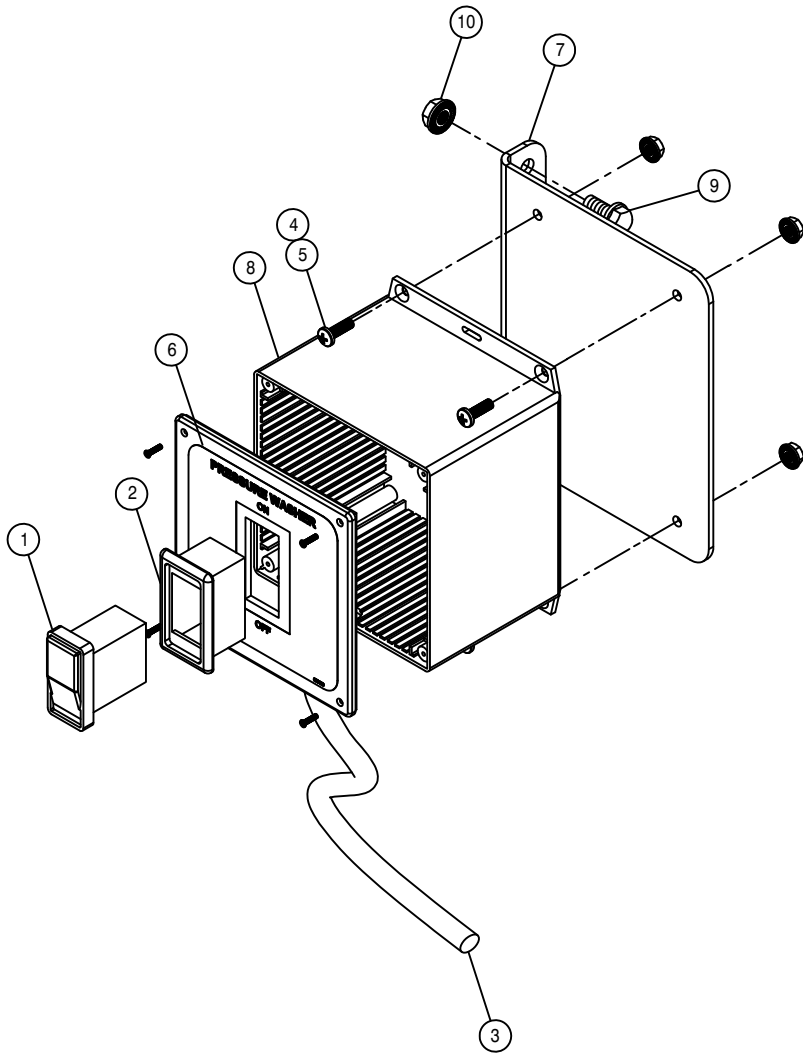
DET.	QTY	PART NO.	DESCRIPTION
1	1	343983	REDUNDANT HARNESS MT STS'13
2	13	470087	3/8UNC HEX FLANGE LOCK NUT
3	1	470318	RINSE TANK, 3 GAL SQ W/LID
4	1	470337	6" LID FOR 3 GAL TANK 470318
5	2	470409	3/8UNC X 3/4 SERR FLANGE BOLT
6	11	470460	3/8UNC X 1 SERR FLANGE BOLT
7	1	500019	3/4NPT-1/2HOSE BARB, POLY
8	1	520070	HOSE CLAMP NO 8 STAINLESS
9	1	601147	HOSE, 1/2 X 70 CLEAR VINYL
10	1	701357	HAND RINSE MT WLD STS'13
11	1	701360	FMR SERV PLTFRM LEG WLD STS'13
12	1	701363	LH FOAMER TNK SUPP CHAN STS'13
13	4	900064	5/16UNC X 3/4 HEX BOLT
14	4	920501	5/16 LOCK WASHER
15	1	A52292	FMR SERV PLATFRM WELD
16	1	500047	1/2NPT-90-1/2 HOSE BARB, POLY
17	1	696082	BALL VALVE 1/2FNPT POLY
18	1	713340	1/2NPT-1/2 HOSE BARB, POLY
19	1	900264	1/2UNC X 1 1/4 HEX BOLT
20	1	914008	1/2UNC HEX STOVER NUT

RICHWAY FOAMER ASSEMBLY

DET. QTY PART NO. DESCRIPTION

DET.	QTY	PART NO.	DESCRIPTION
1	2	470329	3/8UNC X 1 1/4 SER FLANGE BOLT
2	2	483082	1/2 X 2" FENDER WASHER
3	2	500013	1"NPT HEX PIPE NIPPLE, POLY
4	1	500080	1"NPT-90 EL, POLY
5	1	505233	1"-1/2"NPT REDU BUSH, POLY
6	1	601587	HOSE, 3/8 X 102 AIR
7	2	601641	HOSE, 1/4 X 222 AIR
8	1	601782	HOSE, 1/4 X 88 AIR
9	1	601801	HOSE, 3/8 X 222 AIR
10	1	695900	BALL VALVE 1IN FNPT POLY
11	1	701332	INLINE FILTER, RICHWAY
12	1	701333	1/4M X 3/8T OUTLET, RICHWAY
13	1	701346	RICHWAY POWER UNIT/TANK
14	2	711054	1/4 NYL TUBE UNION, STRAIGHT
15	2	711055	3/8 NYL TUBE UNION, STRAIGHT

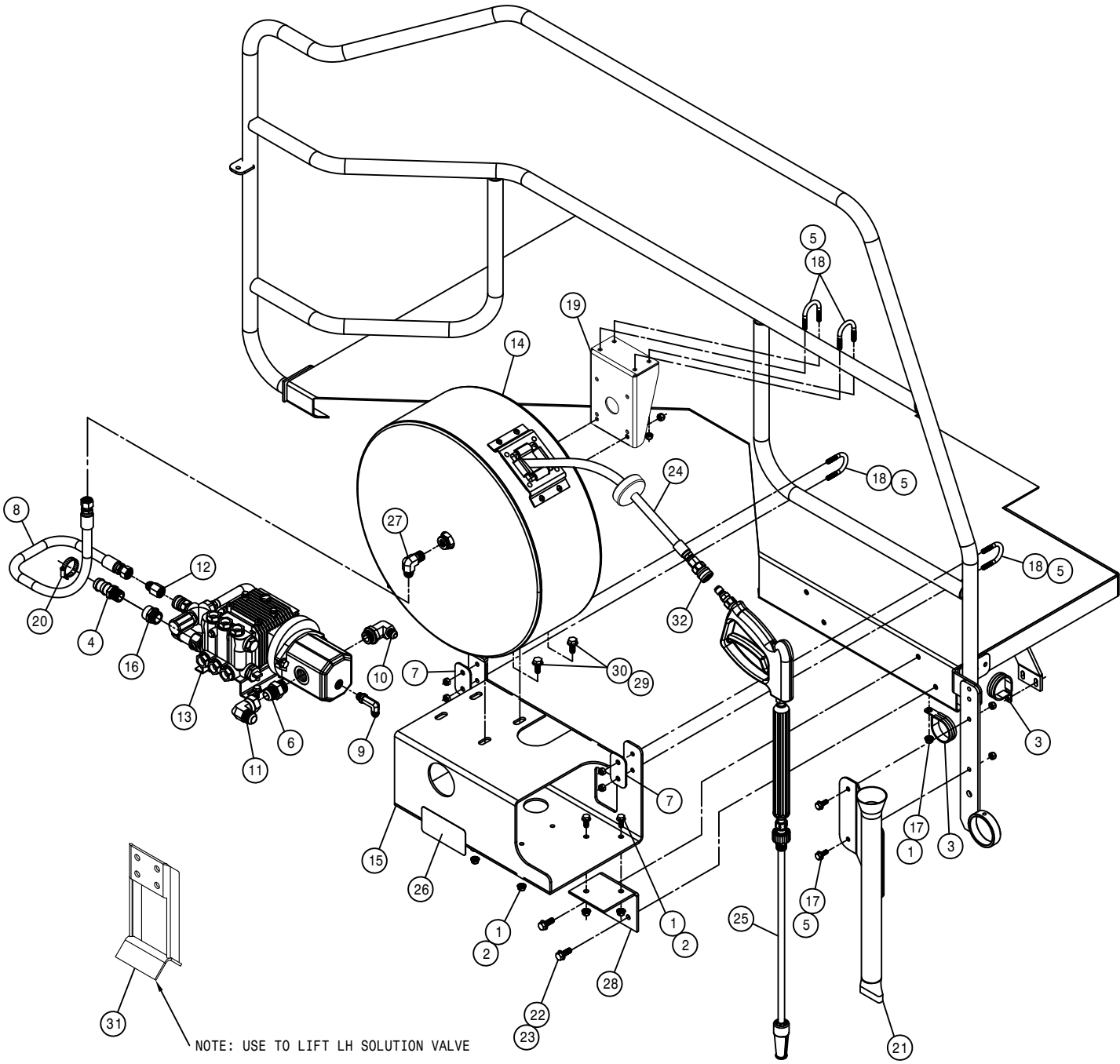




PRESSURE WASHER SWITCH BOX ASSEMBLY

DET. QTY PART NO. DESCRIPTION

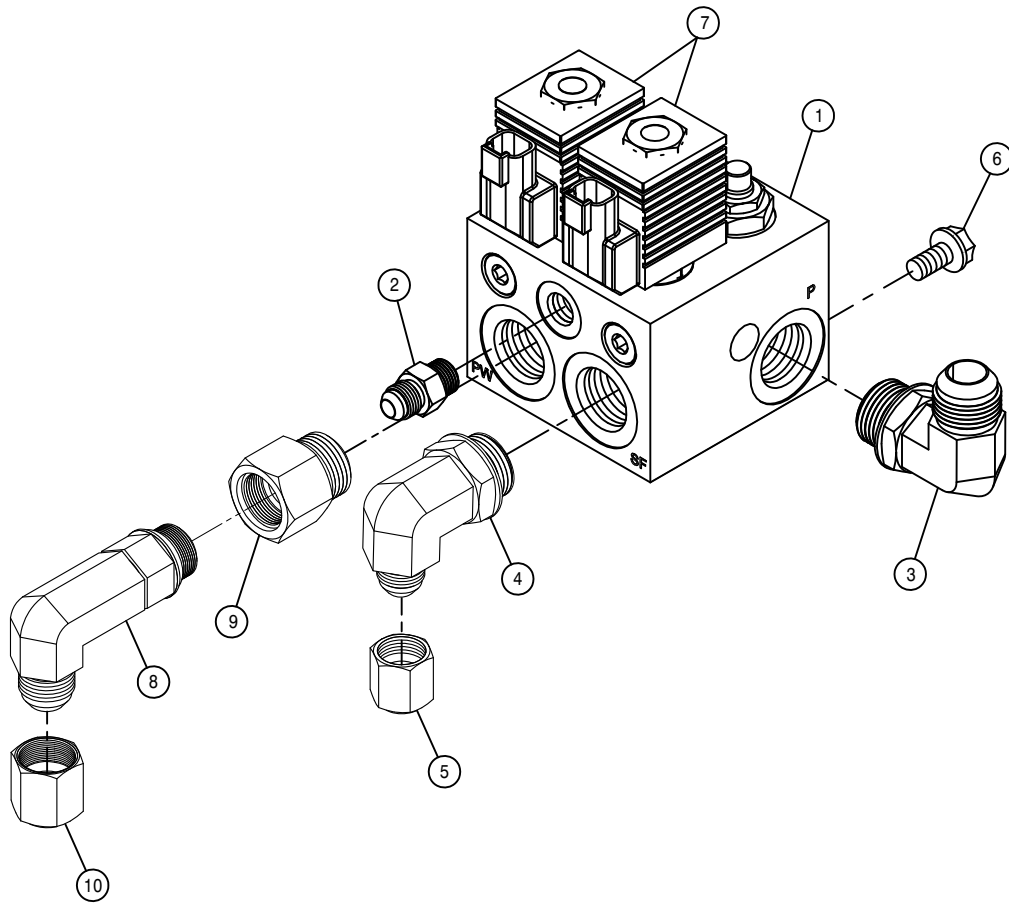
1	1	292218	SWITCH,SIDE FILL PUMP/PRESWASH
2	1	292260	MOUNTING TRIM, SINGLE VMS
3	1	293878	PRESS WASH WIRE HARNESS STS 07
4	4	470175	10-32 HEX FLANGE LOCK NUT
5	4	903710	10-32X5/8 PHIL PANHD MACH SCR
6	1	650156	DECAL,PRESS WASH CTRL STS 05
7	1	691112	PRESS WASH SWITCH BX MT,STS 09
8	1	690975	PRESS WASH SWITCH BOX, STS 05
9	2	900064	5/16UNC X 3/4 HEX BOLT
10	2	470113	5/16UNC HEX FLANGE LOCK NUT



NOTE: USE TO LIFT LH SOLUTION VALVE

PRESSURE WASHER OPTION

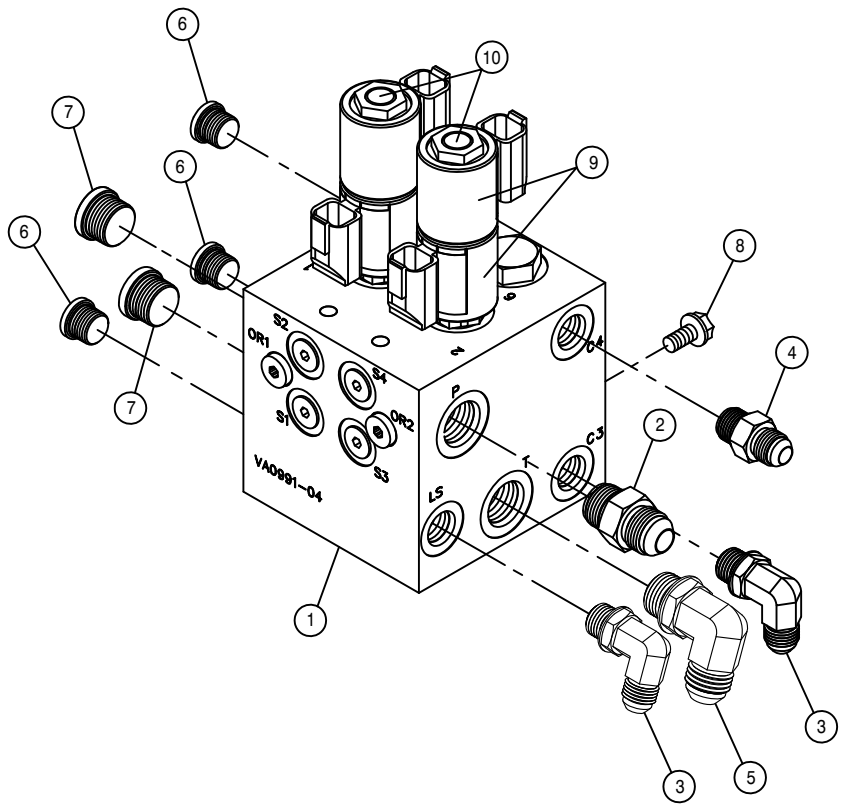
DET.	QTY	PART NO.	DESCRIPTION
1	9	470113	5/16UNC HEX FLANGE LOCK NUT
2	8	470233	5/16UNC X 3/4 FLANGE HEX BOLT
3	2	520126	CUSH CLAMP,#32 2IN X 5/8W
4	1	500123	3/4NPT-1"HOSE BARB, POLY
5	10	473001	5/16UNC HEX NUT,NYLOC 316 SS
6	1	611127	1 1/16MJIC-1 1/16MOR ADPTR
7	2	691119	PRESS WASHER SUPP PLT, STS 09
8	1	616459	08-451TC-08FJX-08FJX-26 H/A
9	1	618440	9/16MJIC-90-9/16MOR EX LG LBO
10	1	618474	3/4MJIC-90-1 1/16MOR LBO
11	1	618191	1 1/16MJ-90-1 1/16FJ SWIV LBO
12	1	618787	3/4MJIC-3/8FNPT ADPTR
13	1	690672	HMC 320 SPECIAL/MINUS HOSE
14	1	690931	HOSE REEL,ENCLOSED PRESS WASH
15	1	691114	PRESSURE WASHER MT WLD,STS 09
16	1	715449	3/4FNPT X 3/4MIGHT ADPTR BRS
17	3	900064	5/16UNC X 3/4 HEX BOLT
18	4	473911	5/16UNC-1.31ID-2.00 U-BOLT
19	1	691118	PRESS WASH REEL SUPP WLD,STS09
20	1	520090	HOSE CLAMP NO 16 STAINLESS
21	1	691120	PRESSURE WASHER WAND MT WLD 09
22	4	900129	3/8UNC X 1" SERR FLANGE BOLT
23	4	472029	3/8UNC HEX FLANGE NUT SERR SS
24	1	690941	REEL HOSE,3/8"ID X 50' 3000PSI
25	1	690673	TRIGGER GUN ASSY FOR 690672
26	1	650217	DECAL, CAUTION,CHECK OIL LEVEL
27	1	618184	3/4MJIC-90-3/8MNPT LBO
28	2	691117	PRESSURE WASHER MT ANGL,STS 09
29	4	470325	7/16UNC HEX FLANGE LOCK NUT
30	4	900195	7/16UNC X 1" HEX BOLT
31	1	691092	80/90 BOOM VLV MT WLD,WASHER09
32	1	690799	FEM CPLR FNPT FOR 690672



SIDEFILL/PRESSURE WASHER VALVE ASSEMBLY

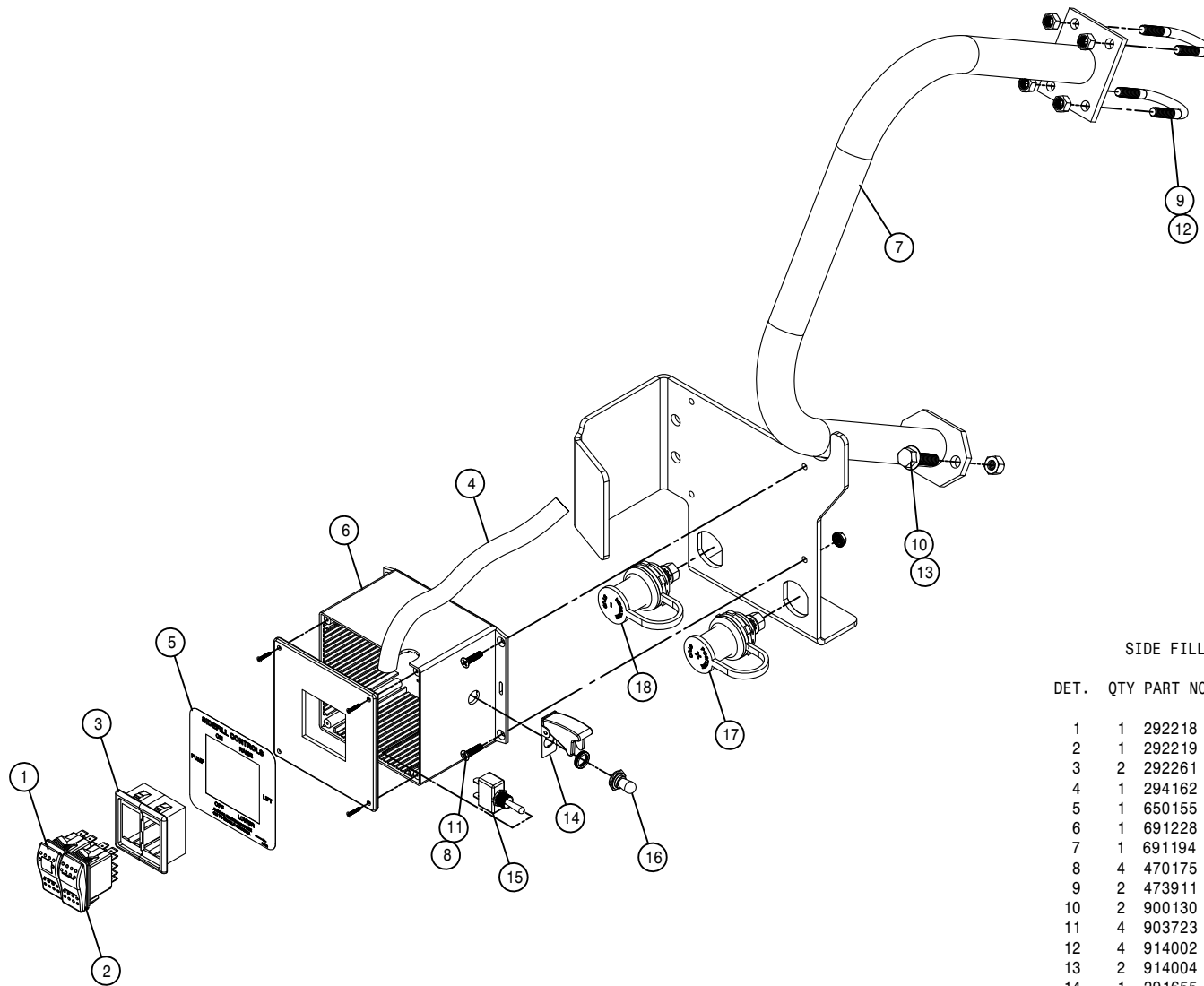
DET. QTY PART NO. DESCRIPTION

DET.	QTY	PART NO.	DESCRIPTION	
1	1	606259	DIVERSION VLV,STS LS	07
2	1	618126	9/16MJIC-9/16MOR ADPTR	
3	1	618248	1 1/16MJIC-90-1 1/16MOR LBO	
4	1	618474	3/4MJIC-90-1 1/16MOR LBO	
5	1	618532	3/4FJIC CAP NUT	
6	2	900064	5/16UNC X 3/4 HEX BOLT	
7	2	606309	COIL FOR VLV 606259	
8	1	618774	7/8MJIC-90-7/8MOR LG LBO	
9	1	618132	1 1/16MOR-7/8FOR ADPTR	
10	1	618328	7/8FJIC CAP NUT	



SIDEFILL LIFT VALVE ASSEMBLY

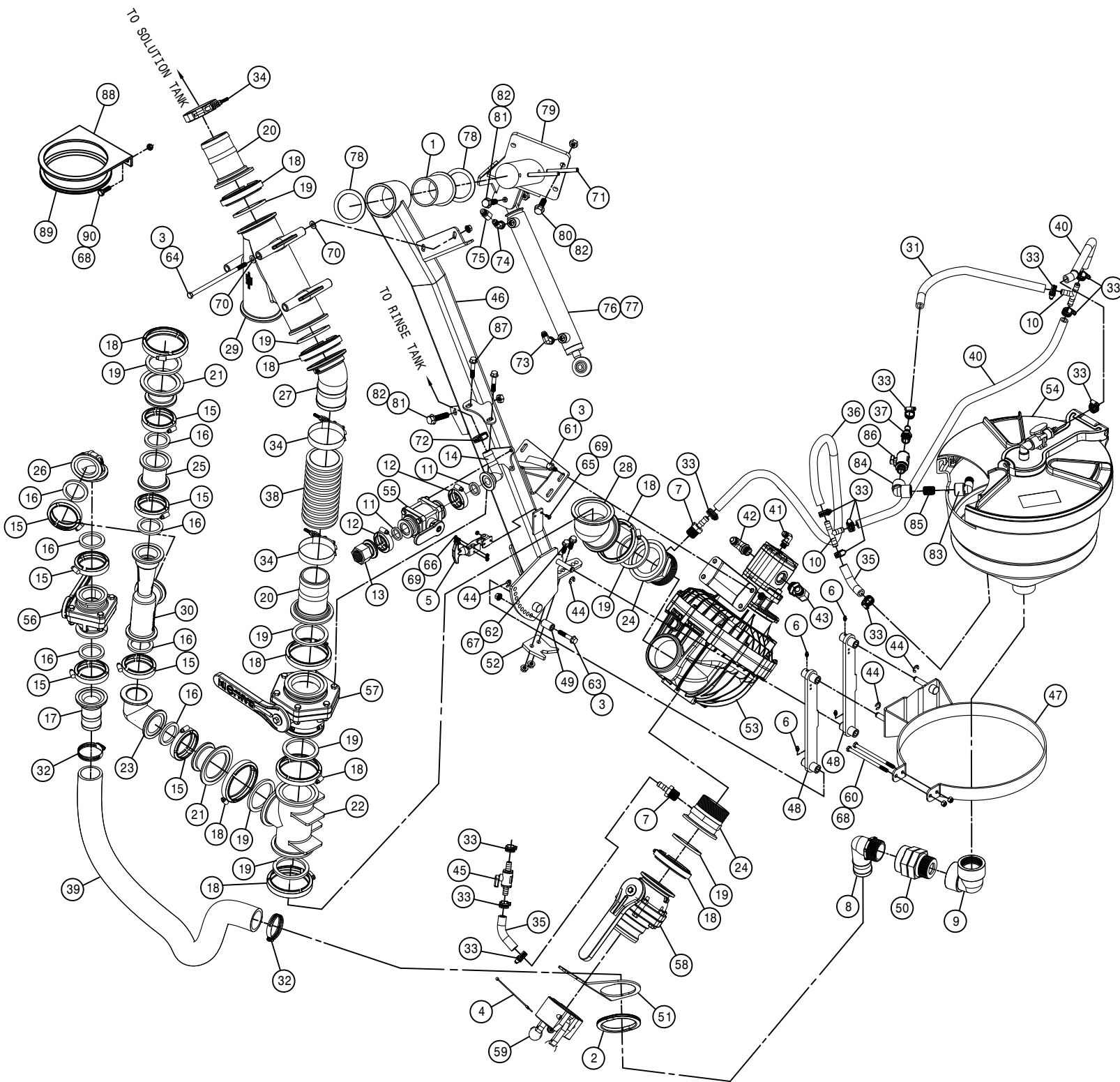
DET.	QTY	PART NO.	DESCRIPTION	
1	1	606249	MANIFOLD, TRD ADJ	PWRSYS
2	1	611125	3/4MJIC-3/4MOR ADPTR	
3	2	618119	9/16MJIC-90-9/16MOR LBO	
4	1	618126	9/16MJIC-9/16MOR ADPTR	
5	1	618241	3/4MJIC-90-3/4MOR LBO	
6	3	618754	9/16MOR PLUG, HEX SOCKET	
7	2	618755	3/4MOR PLUG, HEX SOCKET	
8	2	900064	5/16UNC X 3/4 HEX BOLT	
9	4	606266	#8 COIL W/DEUTSCH	
10	2	606358	CARTRIDGE SP08-47D, PROP, 3POS	



SIDE FILL SWITCH BOX ASSEMBLY

DET. QTY PART NO. DESCRIPTION

DET.	QTY	PART NO.	DESCRIPTION
1	1	292218	SWITCH, SIDE FILL PUMP/PRESWASH
2	1	292219	SWITCH, SIDE FILL LIFT, STS
3	2	292261	MOUNTING TRIM, END VME
4	1	294162	SIDE FILL WIRE HARNESS STS' 12
5	1	650155	DECAL, SIDE FILL CTRL STS 05
6	1	691228	SIDE FILL SWITCH BOX STS' 12
7	1	691194	CHEM IND GUARD WLD '12
8	4	470175	10-32 HEX FLANGE LOCK NUT
9	2	473911	5/16UNC-1.31ID-2.00 U-BOLT
10	2	900130	3/8UNC X 1 1/4 SER FLANGE BOLT
11	4	903723	10-32 x 3/4 PHIL FLHD MACH SCR
12	4	914002	5/16UNC HEX STOVER NUT
13	2	914004	3/8UNC HEX STOVER NUT
14	1	291655	AIRCRAFT TOGGLE SWITCH GUARD
15	1	291937	TOGGLE SWITCH, SPST
16	1	470001	RUBBER BOOT W NUT FOR 298012
17	1	291680	POSITIVE JUMPER STUD, RED
18	1	291681	NEGATIVE JUMPER STUD, BLACK



DET.	QTY	PART NO.	DESCRIPTION
1	1	121101	TRANSOM PIVOT BRG, TOP POLYGON
2	1	193016	QUICKEDGE TRIM .060 TO .170
3	7	470087	3/BUNC HEX FLANGE LOCK NUT
4	1	470352	LANYARD, 11" POLY
5	1	470643	RUBBER DRAW LATCH
6	4	471005	GREASE ZERK, 1/4-28 X 1/2
7	2	500019	3/4NPT-1/2HOSE BARB, POLY
8	1	500141	2"MNPT-90-2" HOSE BARB, POLY
9	1	500083	2"NPT-90 EL, POLY
10	2	500120	1/2" HOSE BARB TEE, POLY
11	2	500157	1" FLANGE GASKET EPDM
12	2	500159	1" FLANGE CLAMP, S.S.
13	1	500168	1" FLANGE-1" FNPT ADPTR POLY
14	1	500173	1" FLANGE-90-1" HOSE BARB POLY
15	7	500194	2"FP FLANGE CLAMP, S.S.
16	7	500195	2"FP FLANGE GASKET EPDM
17	1	500196	2"FP FLANGE-2" HOSE BARB POLY
18	9	500208	3" FLANGE CLAMP, S.S.
19	9	500209	3" FLANGE GASKET EPDM
20	2	500210	3" FLANGE-3" HOSE BARB POLY
21	2	500212	3"FLANGE-2"FP FLANGE REDU POLY
22	1	500217	3" FLANGE TEE POLY
23	1	500219	2"FP FLANGE-90-2"FP FLANGE LBO
24	2	500263	3"FLANGE-3"MNPT W/3/4"FNPTPOLY
25	1	500249	2"FP FLANGE COUPLING
26	1	500254	2"FP FLANGE-90-2"FP SWEEP LBO
27	1	500258	3" FLANGE-45-3" HOSE BARB POLY
28	1	500259	3"FP-45-3"FP FLANGE LBO POLY
29	1	500260	3"FP-45-Y FLANGE COUPLER POLY
30	1	500261	2"FP FLANGE VENTUR POLY
31	1	601795	HOSE, 1/2 X 15 1BR BLK EPDM
32	2	520069	HOSE CLAMP NO 32 STAINLESS
33	13	520070	HOSE CLAMP NO 8 STAINLESS
34	3	520145	3.56/3.88 T-BOLT HOSE CLAMP SS
35	2	601160	HOSE, 1/2 X 3 1/2 1BR BLK EPDM
36	1	601796	HOSE, 1/2 X 33 1BR BLK EPDM
37	1	713400	1/2NPT-1/2 HOSE BARB, POLY
38	1	601503	HOSE, 3 X 8 POLY HELIX EPDM
39	1	601573	HOSE, 2 X 48 2F-1W EPDM
40	2	601791	HOSE, 1/2 X 12 1BR BLK EPDM
41	1	618119	9/16MJIC-90-9/16MOR LBO
42	1	618183	3/4MJIC-90-7/8MOR LBO
43	1	618535	7/8MJIC-90-1 1/16MOR LBO
44	4	629541	SNAP RING, 1/2"EXTERNAL E-STYLE
45	1	696194	1/2" HOSE BARB MICRO VALVE
46	1	691191	SIDE FILL ARM WLD STS '12
47	1	691192	HOPPER BAND WLD, SIDE FILL '12
48	2	691193	HOPPER PARAL ARM WLD, SIDE FILL
49	1	691197	BUSHING, .750D X 1.31LG
50	1	500084	2"FNPT-2"MNPT SWIV, POLY
51	1	691225	HOSE SUPP BRKT SIDE FILL '12
52	1	691231	ADJ SIDE FILL CRADLE STS '12
53	1	691236	3" TRANSFER PUMP, HYPRO
54	1	691273	7 GAL RD TANK WITH HOLE
55	1	696147	BALL VLV, 1" FLANGE
56	1	696150	BALL VLV, 2"FP FLANGE STUBBY
57	1	696190	3"FP FLANGE STUBBY VALVE POLY
58	1	696192	3"FLG STUBBY VALVE, 3"M-ADPTR
59	1	696231	CAP FOR 3.00 MALE COUPLER POLY
60	2	900080	5/16UNC X 5" HEX BOLT
61	4	900129	3/BUNC X 1" SERR FLANGE BOLT
62	2	900130	3/BUNC X 1 1/4 SER FLANGE BOLT
63	1	900133	3/BUNC X 2" SERR FLANGE BOLT
64	2	900148	3/BUNC X 8 HEX BOLT
65	2	903706	10-32X1/2 PHIL PAN MACH SCR
66	2	903710	10-32X5/8 PHIL PANHD MACH SCR
67	2	910004N	3/BUNC FLANGE CNTR LOCK NUT
68	4	914002	5/16UNC HEX STOVER NUT
69	4	914027	10-32 HEX STOVER NUT
70	4	920002	3/8 SAE FLAT WASHER
71	2	473963	ROLL PIN, 3/8 X 3 1/2
72	1	520090	HOSE CLAMP NO 16 STAINLESS
73	1	618119	9/16MJIC-90-9/16MOR LBO
74	1	618425	9/16MJIC-45-9/16MOR LBO
75	1	618731	9/16JIC .025 ORIFICE ADPTR
76	1	621554	HYD CYL, 1.50 X 12.25 X .750
77	1	621555	REPAIR KIT, HYD CYL 621554
78	2	690729	WASH: 11GA X 2.69 X 3.50
79	1	691195	CYL MT WLD, SIDE FILL '12
80	4	900265	1/2UNC X 1 1/2 HEX BOLT
81	2	900267	1/2UNC X 2" HEX BOLT
82	6	914008	1/2UNC HEX STOVER NUT
83	1	500044	1/2NPT-90 ST EL, POLY
84	1	500078	1/2NPT-90 EL, POLY
85	1	507031	SS PIPE NIPPLE .50NPT-1.13
86	1	696195	1/2FNPT-1/2MNPT MICRO BALL VLV
87	2	900170	3/BUNC X 2 1/4 SER FLANGE BOLT
88	1	342991	SIDE FILL HOSE SUPP BRKT, STS 05
89	1	193012	QUICKEDGE TRIM .135 TO .250
90	2	900064	5/16UNC X 3/4 HEX BOLT

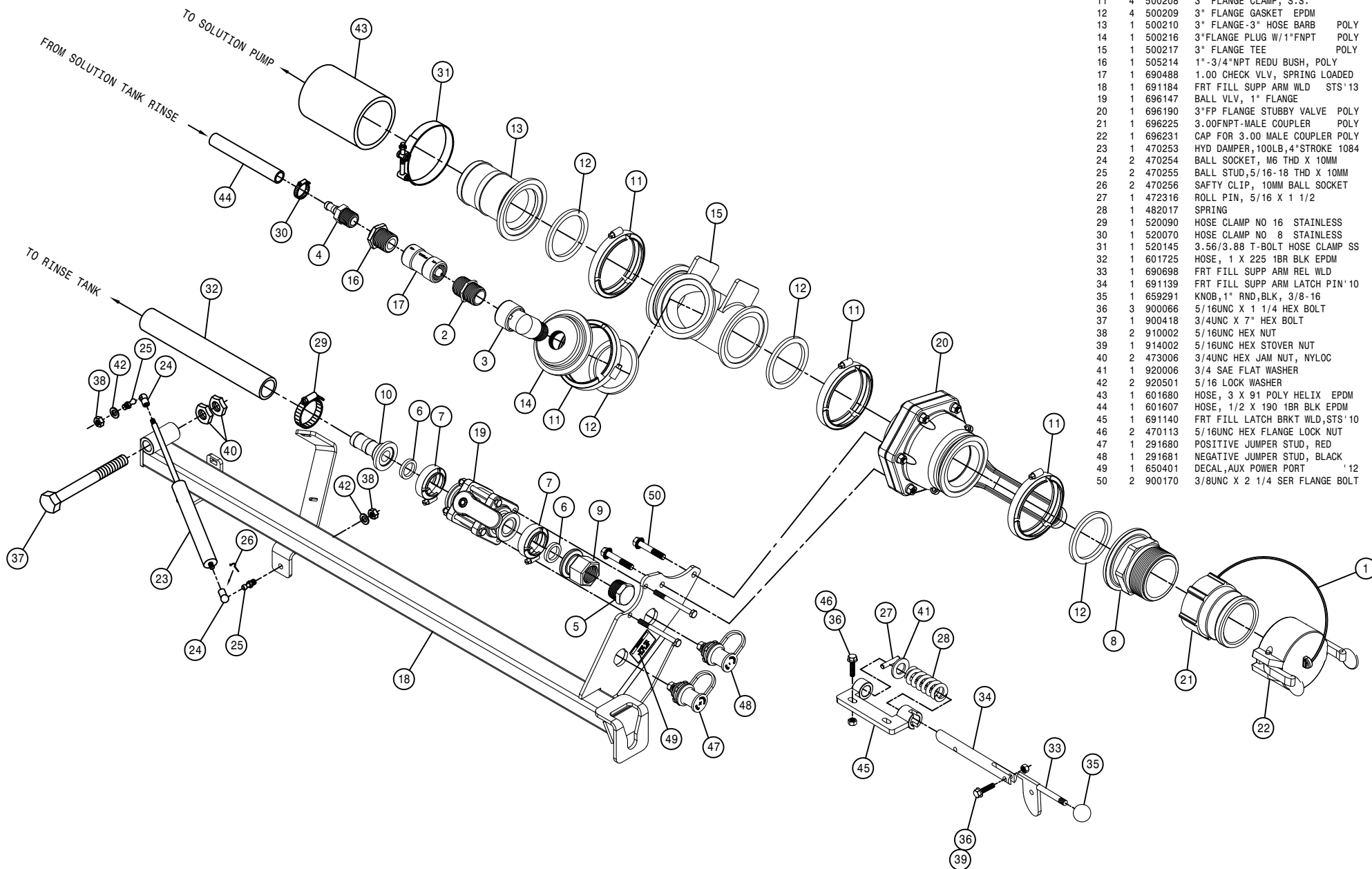
68

558089

FRONT FILL ASSEMBLY

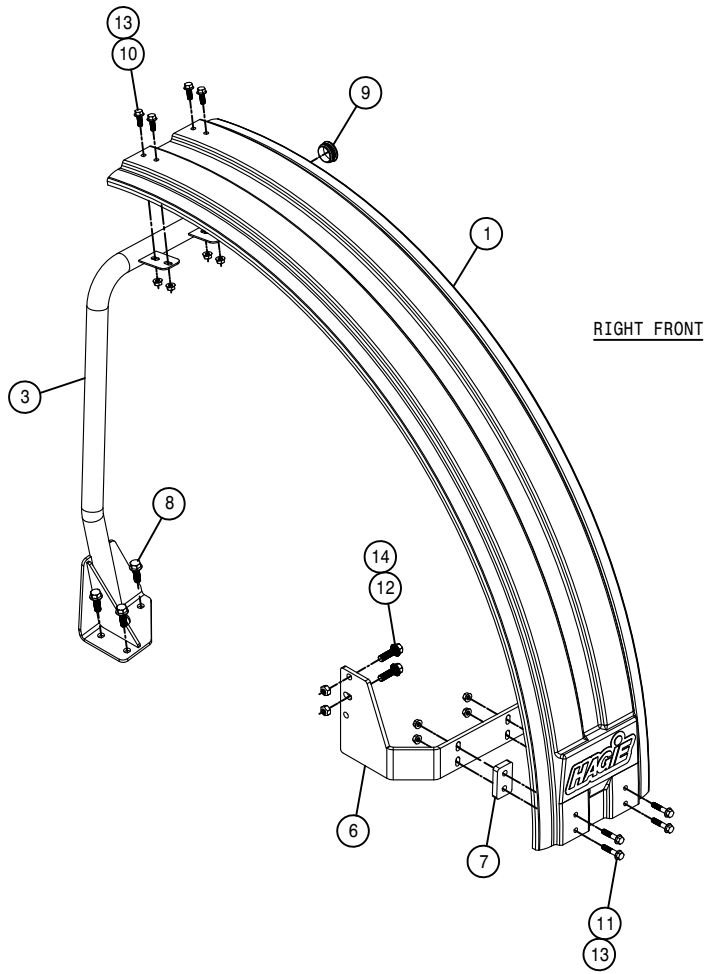
DET. QTY PART NO. DESCRIPTION

1	1	470352	LANYARD, 11" POLY	
2	1	500013	1"NPT HEX PIPE NIPPLE, POLY	
3	1	500014	1"NPT-90 ST EL, POLY	
4	1	500019	3/4NPT-1/2HOSE BARB, POLY	
5	1	500063	1"NPT PIPE PLUG, POLY	
6	2	500157	1" FLANGE GASKET	EPDM
7	2	500159	1" FLANGE CLAMP, S.S.	
8	1	500164	3" FLANGE-3" MNPT ADPTR	POLY
9	1	500168	1" FLANGE-1" FNPT ADPTR	POLY
10	1	500171	1" FLANGE-1" HOSE BARB	POLY
11	4	500208	3" FLANGE CLAMP, S.S.	
12	4	500209	3" FLANGE GASKET	EPDM
13	1	500210	3" FLANGE-3" HOSE BARB	POLY
14	1	500216	3"FLANGE PLUG W/1"FNPT	POLY
15	1	500217	3" FLANGE TEE	POLY
16	1	505214	1"-3/4"NPT REDU BUSH, POLY	
17	1	690488	1.00 CHECK VLV, SPRING LOADED	
18	1	691184	FRT FILL SUPP ARM WLD STS'13	
19	1	696147	BALL VLV, 1" FLANGE	
20	1	696190	3"FP FLANGE STUBBY VALVE	POLY
21	1	696225	3.00FNPT-MALE COUPLER	POLY
22	1	696231	CAP FOR 3.00 MALE COUPLER	POLY
23	1	470253	HYD DAMPER,100LB,4"STROKE 1084	
24	2	470254	BALL SOCKET, M6 THD X 10MM	
25	2	470255	BALL STUD,5/16-18 THD X 10MM	
26	2	470256	SAFTY CLIP, 10MM BALL SOCKET	
27	1	472316	ROLL PIN, 5/16 X 1 1/2	
28	1	482017	SPRING	
29	1	520090	HOSE CLAMP NO 16 STAINLESS	
30	1	520070	HOSE CLAMP NO 8 STAINLESS	
31	1	520145	3.56/3.88 T-BOLT HOSE CLAMP SS	
32	1	601725	HOSE, 1 X 225 1BR BLK EPDM	
33	1	690698	FRT FILL SUPP ARM REL WLD	
34	1	691139	FRT FILL SUPP ARM LATCH PIN'10	
35	1	659291	KNOB,1" RND,BLK, 3/8-16	
36	3	900066	5/16UNC X 1 1/4 HEX BOLT	
37	1	900418	3/4UNC X 7" HEX BOLT	
38	2	910002	5/16UNC HEX NUT	
39	1	914002	5/16UNC HEX STOVER NUT	
40	2	473006	3/4UNC HEX JAM NUT, NYLOC	
41	1	920006	3/4 SAE FLAT WASHER	
42	2	920501	5/16 LOCK WASHER	
43	1	601680	HOSE, 3 X 91 POLY HELIX EPDM	
44	1	601607	HOSE, 1/2 X 190 1BR BLK EPDM	
45	1	691140	FRT FILL LATCH BRKT WLD,STS'10	
46	2	470113	5/16UNC HEX FLANGE LOCK NUT	
47	1	291680	POSITIVE JUMPER STUD, RED	
48	1	291681	NEGATIVE JUMPER STUD, BLACK	
49	1	650401	DECAL,AUX POWER PORT	
50	2	900170	3/8UNC X 2 1/4 SER FLANGE BOLT	

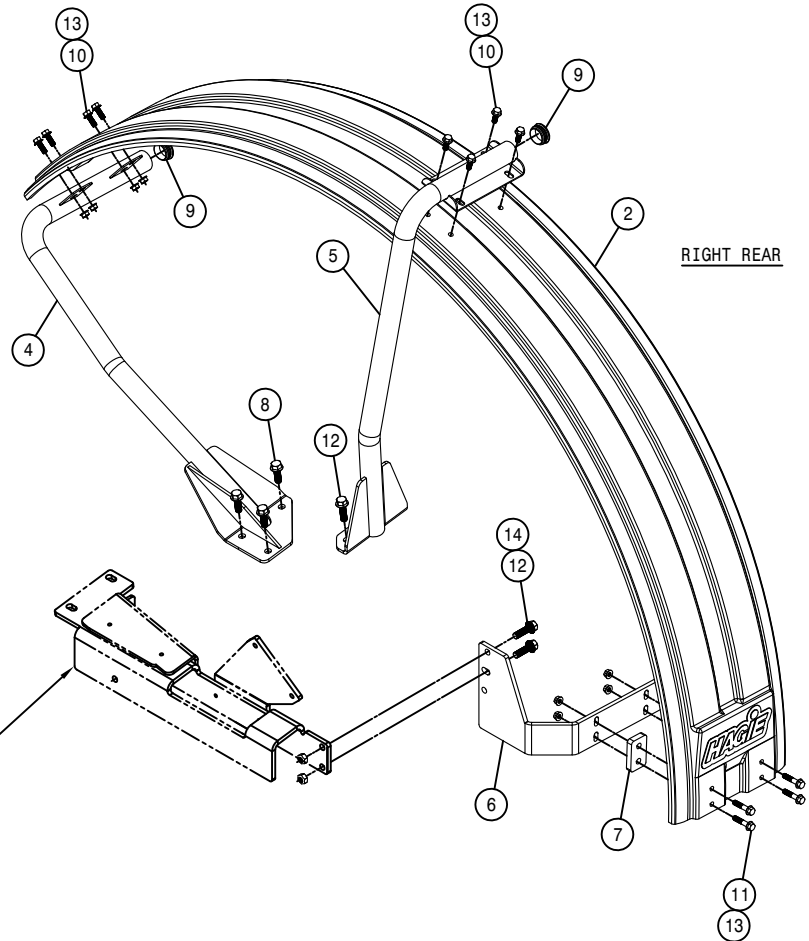


06

558090



RIGHT FRONT



RIGHT REAR

RIGHT FENDER ASSEMBLY

DET. QTY PART NO. DESCRIPTION

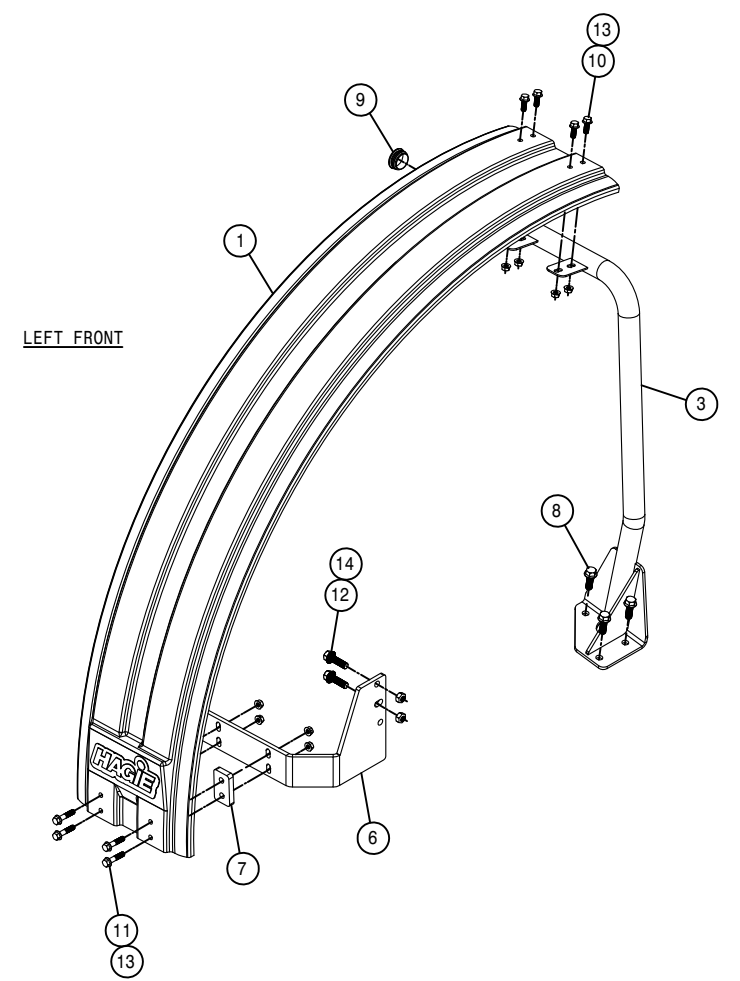
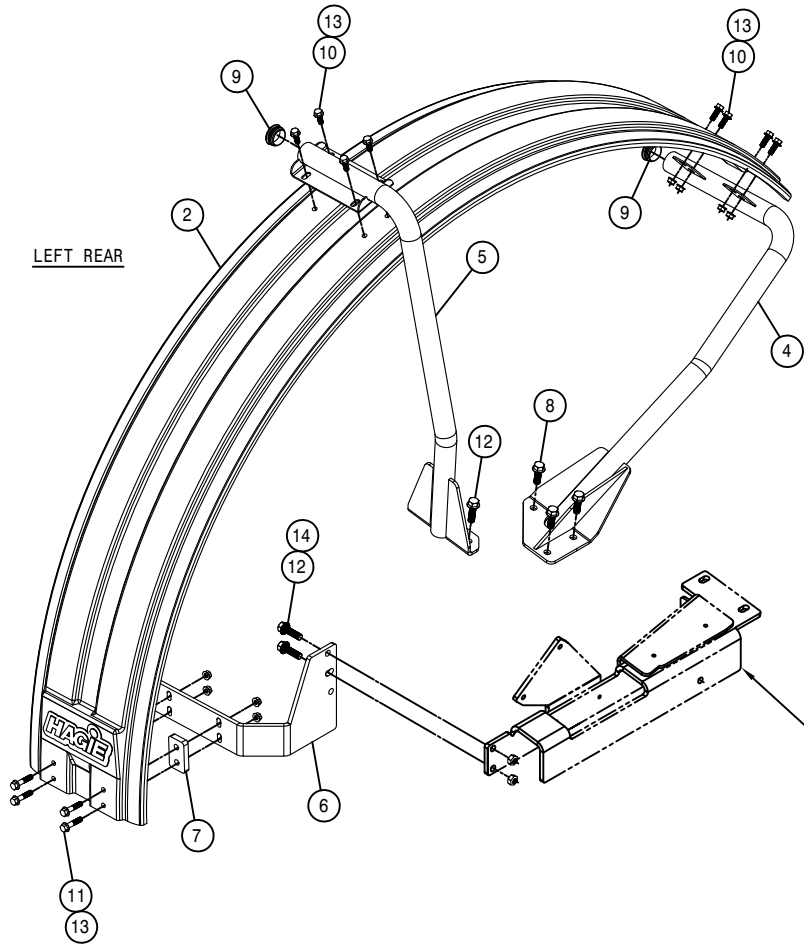
DET.	QTY	PART NO.	DESCRIPTION	
1	1	359598	FRONT FENDER, STS	'10
2	1	359599	REAR FENDER, STS	'10
3	1	359600	RH FRT FENDER BRKT WLD, STS	'10
4	1	359607	RH REAR FENDER BRKT WLD, STS	'10
5	1	359614	RH REAR UPR FENDER SUPP WLD	'10
6	2	359620	RH LWR FENDER SUPP, STS 54"	'10
7	4	359622	LWR FENDER SUPP SPACER, 54"	'10
8	6	470431	1/2UNC X 1 1/2 FLANGE BOLT	
9	3	629772	CAPPLUGS PLUG, 1 3/4"RD, BLK POLY	
10	12	900129	3/8UNC X 1" SERR FLANGE BOLT	
11	8	900132	3/8UNC X 1 3/4 SER FLANGE BOLT	
12	6	900266	1/2UNC X 1 3/4 HEX BOLT	
13	20	910004N	3/8UNC FLANGE CNTR LOCK NUT	
14	4	914008	1/2UNC HEX STOVER NUT	

NOTE: 359624 SHOWN FOR REFERENCE
SEE LEG ASSEMBLY

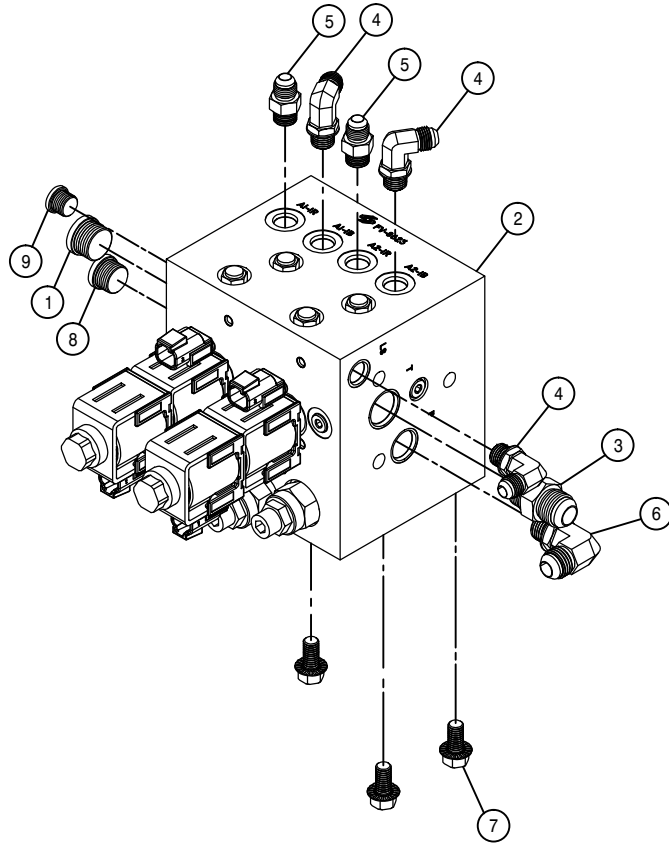
LEFT FENDER ASSEMBLY

DET. QTY PART NO. DESCRIPTION

1	1	359598	FRONT FENDER, STS	'10
2	1	359599	REAR FENDER, STS	'10
3	1	359601	LH FRT FENDER BRKT WLD, STS	'10
4	1	359608	LH REAR FENDER BRKT WLD, STS	'10
5	1	359615	LH REAR UPR FENDER SUPP WLD	'10
6	1	359621	LH LWR FENDER SUPP, STS 54"	'10
7	4	359622	LWR FENDER SUPP SPACER, 54"	'10
8	6	470431	1/2UNC X 1 1/2 FLANGE BOLT	
9	3	629772	CAPPLUGS PLUG, 1 3/4"RD, BLK POLY	
10	12	900129	3/8UNC X 1" SERR FLANGE BOLT	
11	8	900132	3/8UNC X 1 3/4 SER FLANGE BOLT	
12	6	900266	1/2UNC X 1 3/4 HEX BOLT	
13	20	910004N	3/8UNC FLANGE CNTR LOCK NUT	
14	4	914008	1/2UNC HEX STOVER NUT	

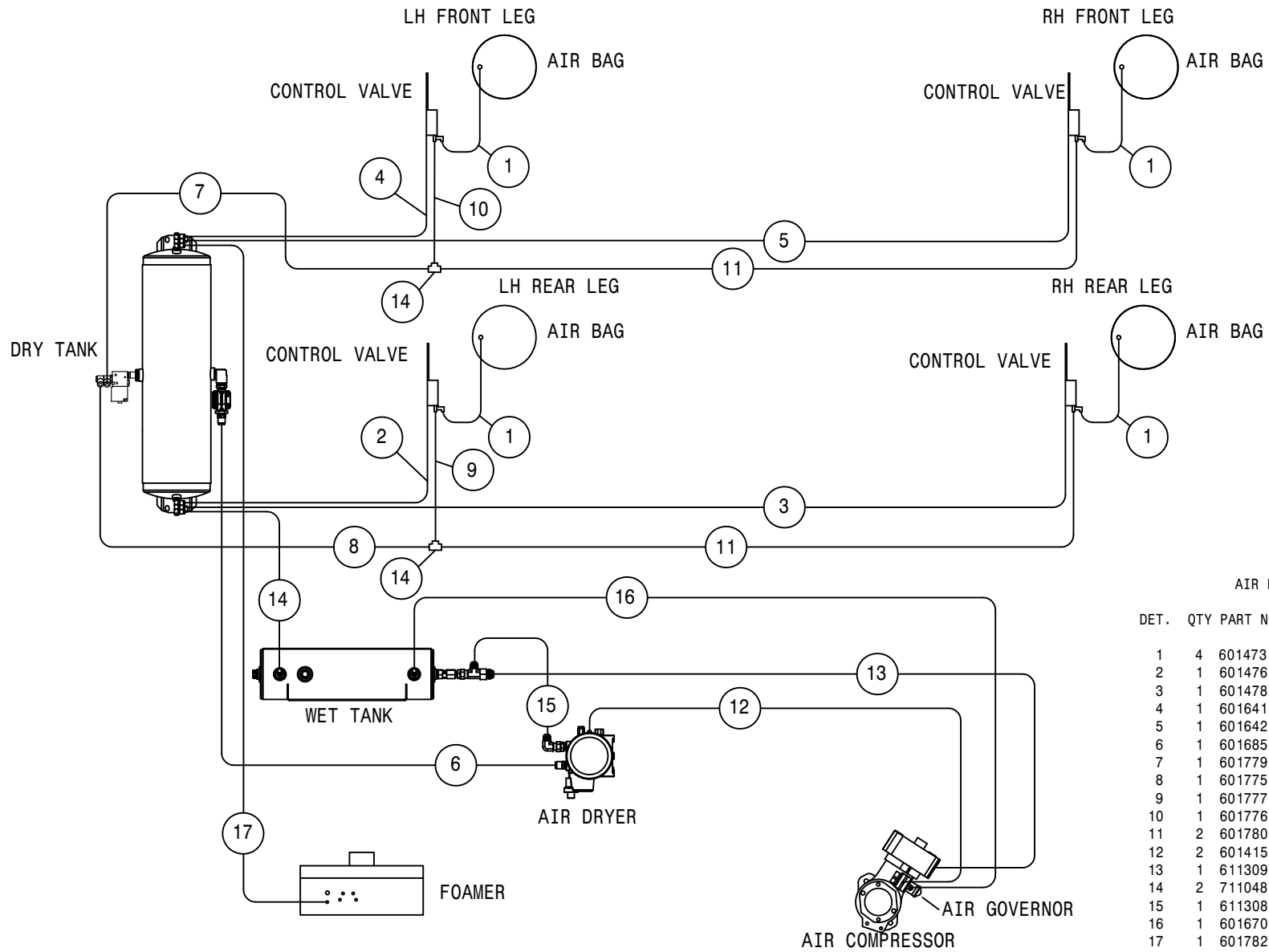


NOTE: 359625 SHOWN FOR REFERENCE
SEE LEG ASSEMBLY



AWS HYDRAULIC VALVE ASSEMBLY

DET.	QTY	PART NO.	DESCRIPTION
	1	618756	7/8MOR PLUG, HEX SOCKET
	1	606370	VALVE, FV8623 V1 SUNSOURCE
	1	611126	7/8MJIC-7/8MOR ADPTR
	3	618119	9/16MJIC-90-9/16MOR LBO
	2	618126	9/16MJIC-9/16MOR ADPTR
	1	618241	3/4MJIC-90-3/4MOR LBO
	3	900128	3/8UNC X 3/4 HEX BOLT YZ
	1	618755	3/4MOR PLUG, HEX SOCKET
	1	618754	9/16MOR PLUG, HEX SOCKET



AIR LINE DIAGRAM STS16

DET.	QTY	PART NO.	DESCRIPTION
1	4	601473	HOSE, 1/4 X 18 AIR
2	1	601476	HOSE, 1/4 X 120 AIR
3	1	601478	HOSE, 1/4 X 175 AIR
4	1	601641	HOSE, 1/4 X 222 AIR
5	1	601642	HOSE, 1/4 X 256 AIR
6	1	601685	HOSE, 1/2 X 112 AIR
7	1	601779	HOSE, 1/4 X 136 AIR, YEL NYLON
8	1	601775	HOSE, 1/4 X 45 AIR, YEL NYLON
9	1	601777	HOSE, 1/4 X 99 AIR, YEL NYLON
10	1	601776	HOSE, 1/4 X 81 AIR, YEL NYLON
11	2	601780	HOSE, 1/4 X 145 AIR, YEL NYLON
12	2	601415	HOSE, 1/4 X 108 AIR
13	1	611309	12-P919J-12FJX-12FJX-70 H/A
14	2	711048	1/4 NYL TUBE UNION TEE
15	1	611308	10-P919J-10FJX-10FJX45-29 H/A
16	1	601670	HOSE, 1/4 X 85 AIR
17	1	601782	HOSE, 1/4 X 88 AIR

This Page Intentionally Blank

NOTICE

The following page contains decals for the model STS 16.

These decals can be obtained from Hagie Mfg. Co. and should be used whenever your machine is repainted or when the decals become worn, weathered, or faded.

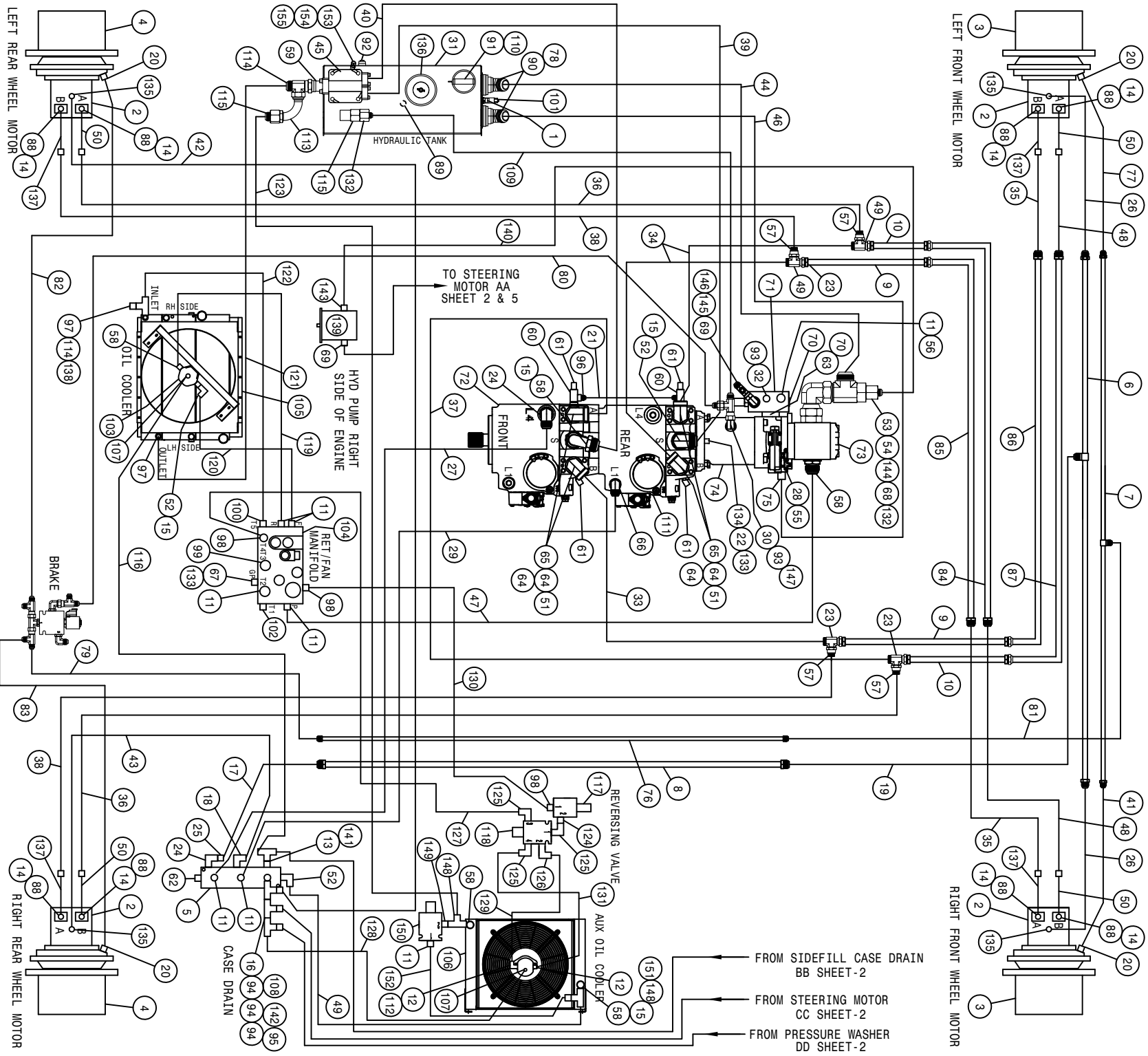
Special attention should be paid to decals involving personal safety. They have been attached for your protection.

KEEP THEM IN PLACE.

Contact: Hagie Manufacturing Co.
721 Central Ave West
Box 273
Clarion, Iowa 50525-0273

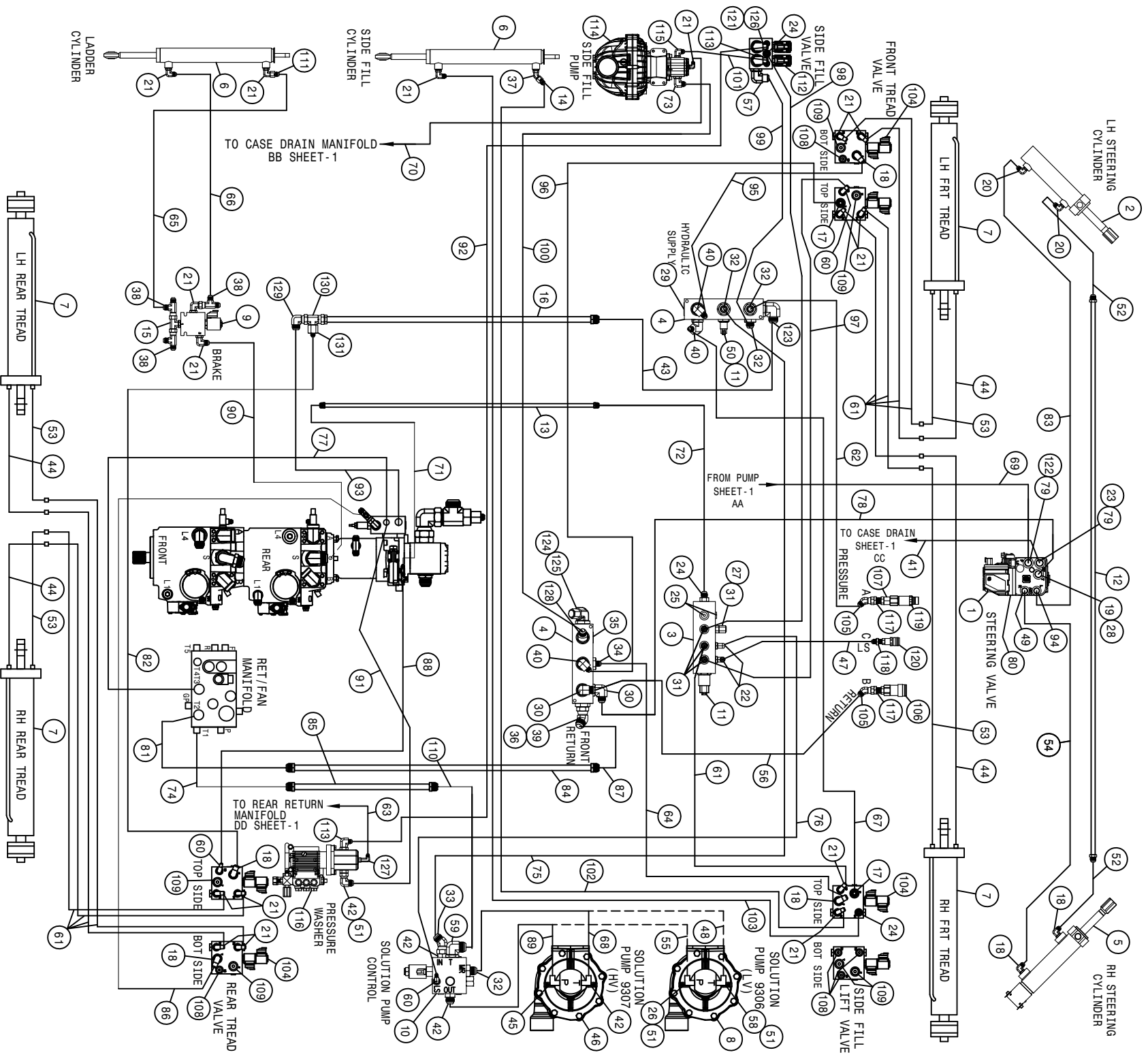
STS16 DECALS

QTY.	PART NO.	DESCRIPTION	LOCATION
4	650103	TREAD ADJUST INDICATOR DECAL	1-ON EACH LEG SLIDE TUBE
1	650107	CAUTION BOOSTER DECAL	NEAR BOOSTER POSTS
1	650114	FILL WITH FRESH WATER DECAL	ON FRESH WATER TANK
1	650115	HAND WASH ONLY DECAL	NEAR HAND WASH VALVE
1	650116	INDUCTOR FILL INSTRUCTION DECAL	ON SIDE OF FILL ARM
1	650118	DO NOT USE EITHER DECAL	NEAR AIR INTAKE ON SHEET METAL
1	650125	AGITATOR RATE IND DECAL	ON KZCO AGITATION VALVE
1	650140	ENGINE COMPARTMENT DECAL SET	ON ENGINE HOOD
2	650144	LOGO, SOLUTION TANK DECAL	ON EACH SIDE SOLUTION TANK
1	650154	PATENTS, HAQIE UPFRONT DECAL	ON LOWER LEFT REAR OF MAINFRAME
1	650155	SIDE FILL CONTROL DECAL	ON SIDE FILL SWITCH BOX
1	650156	PRESS WASH CONTROL DECAL	ON PRESS WASHER SWITCH BOX
1	650158	SPEED CONTROL STS CAB DECAL	ON CONSOLE
1	650159	THROTTLE BRAKE PUMP DECAL	ON CONSOLE
1	650163	POWER POINT DECAL	ON CONSOLE
1	650164	NO PASSNGR/NOT NEAR LEAK DECAL	ON LEFT UPPER REAR POST
1	650165	PAIR LINE/BN FOLD/GLASS DECAL	ON RIGHT REAR UPPER CAB POST
1	650174	RADIATOR CAUTION DECAL	ON TOP OF RADIATOR
1	650176	CAUTION, CAB CHEM EXPOSER DECAL	ON UPPER RIGHT SIDE WINDOW
2	650178	CAUTION QUICK ATTACK PIN DECAL	1-EA ON FRONT CROSSMEMBER BY Q-ATTACH
1	650217	CAUTION, CHECK OIL DECAL	ON PRESSURE WASHER MOUNT
1	650224	35MPH ID SYMBOL DECAL	ON REAR BUMPER
1	650231	AUX POWER DECAL	ON THE BOTTOM OF CONSOLE
1	650232	AUX POWER LOCATION DECAL	ON CONSOLE
1	650234	ENGINE ELECTRICAL BOX DECAL	INSIDE ENGINE ELECTRICAL BOX
1	650256	EXPLOSION/RELEASE POWER DECAL	NEAR RADIATOR CAP
1	650272	200 AMP ECM SUSE DECAL	NEAR AIR CLEANER MOUNT
1	650275	CONTROL CENTER DECAL	ON CONSOLE
1	650278	E-STOP DECAL	ON CONSOLE
2	650339	WARNING, HYD OIL IND DECAL	1-ON SIDE OF OIL TANK
1	650348	NOTICE DRAIN AIR TANK DECAL	ON AIR TANK
1	650367	AIR FILTER INSTRUCTION DECAL	ON ENGINE AIR FILTER END CAP
1	650377	NOTICE-R134A 3LB DECAL	RH SIDE OF ENGINE ON FRAME
1	650392	BOOM 10 SEC LIGHT DECAL	ON BOOM SEC LIGHT PANEL
1	650397	BOOM SPRAY SECTIONS DECAL	ON CONSOLE
1	650398	CAB CONSOLE MODULES DECAL	IN CONSOLE
2	650401	AUX POWER PORT DECAL	1-UNDER SIDE FILL SWITCH BOX 1-ON FRONT FILL ARM
1	650408	SIGHT GAUGE DECAL STS16	ON THE LEFT REAR OF CAB
1	650418	CONSOLE FUSE-RELAY DECAL	ON CONSOLE
1	650419	COM PORTS DECAL	ON CONSOLE
1	650422	BELLY PAN MODULE DECAL	ON BELLY PAN
1	650423	REAR CHASSIS MODULE DECAL	INSIDE REAR ELECTRICAL BOX
1	650424	FLASHER/LIGHT MODULE DECAL	ON BELLY PAN
1	650425	FUSE/RELAY MODULE, STS DECAL	ON BELLY PAN
1	650432	IMPORTANT - NEG DECAL	NEAR NEG BOOST POST
1	650433	CAUTION - POS DECAL	NEAR POS BOOST POST
1	650848	CAUTION, SLIP OR FALL DECAL	ON LADDER PIVOT TUBE
1	650849	CAUTION, ENGINE FUEL DECAL	NEAR FUEL TANK NECK
1	650850	DANGEROUS CHEM DECAL	SOLUTION TANK FILLER NECK
1	650851	SHIELDS DECAL	ON LOWER LH REAR MAINFRAME TUBE
1	650954	DIESEL DECAL	NEAR FUEL TANK NECK
1	650982	ELECTRICAL DECAL	ON RH CAB DOOR
4	650985	WHEEL BOLT TORQUE DECAL	ON EACH WHEEL RIM



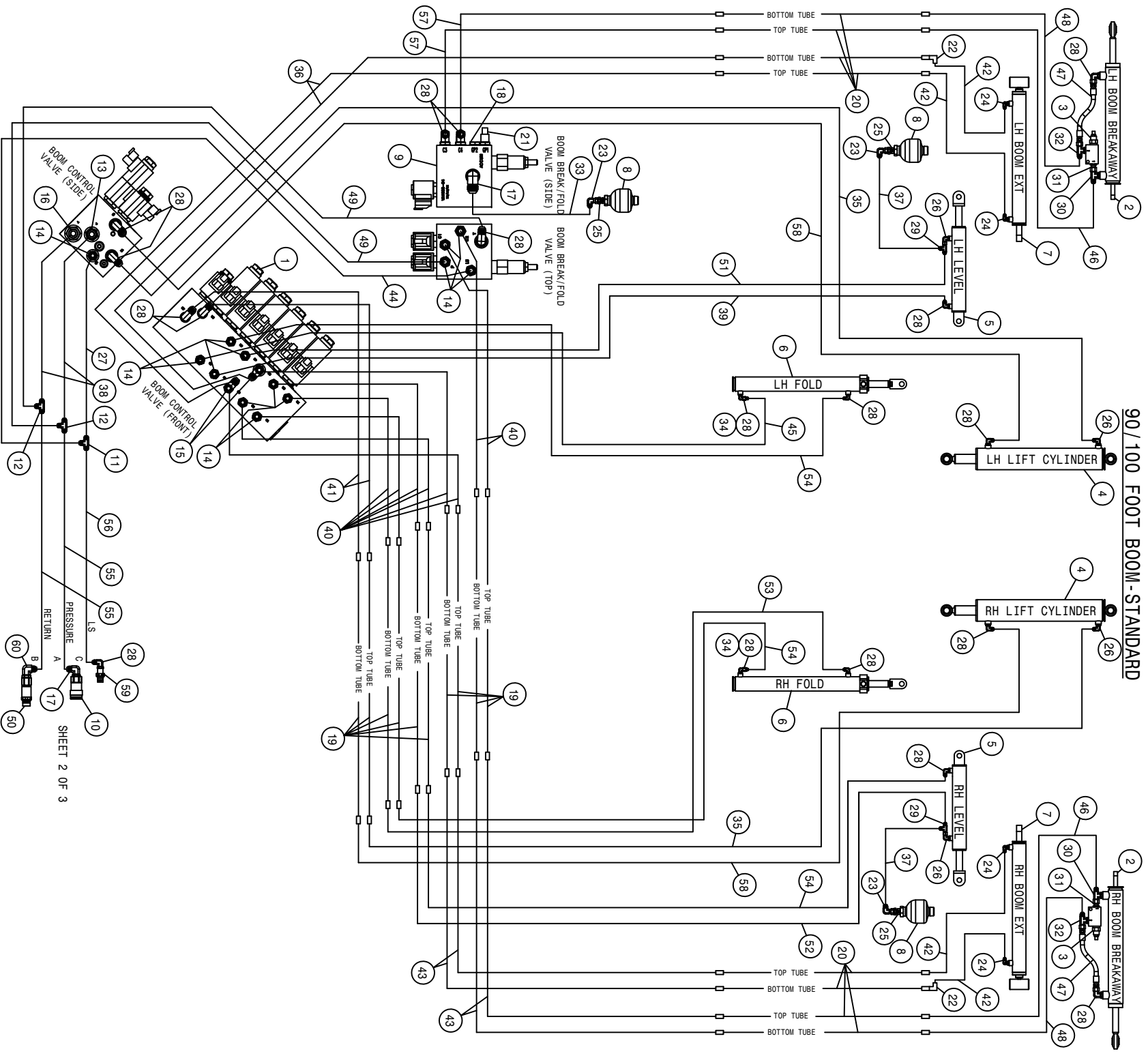
STS 16 HYDRAULIC DIAGRAM 2013
REFERENCE DRAWING NO. 499268S1

DET.	QTY	PART NO.	DESCRIPTION	DET.	QTY	PART NO.	DESCRIPTION
1	1	293815	LIQ LEV SWITCH ASSY, 1/2NPT SS	79	1	616456	04-4511TC-08FJX-06FJX90-68 H/A
2	4	606514	H1-B-80CC WHL MTR SAUER	80	1	616458	06-4511TC-06FJX-08FJX-28 H/A
3	2	610826	WHEEL HUB,606M2V 26:1 W/BRAKE	81	1	616455	04-4511TC-08FJX-06FJX90-80 H/A
4	2	610829	WHEEL HUB,606M2V 30:1 W/BRAKE	82	1	616073	04-4511TC-06FJX-04FJX45-202 H/A
5	1	606246	MANIFOLD, #16 3-STN 180	83	1	616372	04-4511TC-06FJX-04FJX45-222 H/A
6	1	615862	FRT CASEDRAIN HYD TUBE,STS1607	84	1	615864	RH FRT WHL MTR TUBE STS16 07
7	1	615861	FRT BRAKE HYD TUBE,STS16 07	85	1	615865	LH FRT WHL MTR TUBE, STS16 07
8	1	615869	M/F CASE DRAIN TUBE, STS 07	86	1	615860	RH FRT WHL MTR TUBE STS16 07
9	2	615857	INSIDE FRT WHL MAIN HYD TUBE	87	1	615859	RH FRT WHL MOTOR TUBE STS16 07
10	2	615858	OUTTER FRT WHL MTR HYD TUBE	88	8	618652	1" SPLIT FLANGE KIT
11	8	618186	5/16MJC-1 5/16MOR ADPTR	89	1	470471	1 5/16MOR PLUG, MAGNETIC
12	2	618469	3/4MJC-1 1/16MOR ADPTR	90	2	6056623	SUCTION STRAINER, 39GPM 100M 32
13	1	618397	1 5/16MOR 9/16FOR ADPTR	91	1	6056646	FILL CAP-HYD RSRVR NON-VENTED
14	8	618654	1" FLANGE-90-1 7/16MFOR LBO	92	1	7601177	SIGHT GAUGE W/TEMP, HYD TANK
15	4	618768	1 5/8MJC-90-1 5/8FJX TUBE	93	2	618333	7/8FJIC SW RUN TEE-7/8MJC
16	1	618308	1 1/16MJC-1 5/16MOR ADPTR	94	3	618487	1 1/16FJ SW RUN TEE-1 1/16MJC
17	1	616475	10-4511TC-12FJX-12FJX-39 H/A	95	1	618483	1 1/16FJIC-9/16MJC ADPTR
18	1	618302	1 1/16MJC-90-1 5/16MOR LBO	96	1	618735	9/16JIC .062 ORIFICE ADPTR
19	1	616461	10-4511TC-12FJX-10FJX45-77 H/A	97	2	618527	1 7/8MJC-1 5/8MOR ADPTR
20	4	618467	7/16MJC-7/16MOR ADPTR	98	3	611125	3/4MJC-3/4MOR ADPTR
21	1	616038	04-4711TC-06FJX-06FJX90-15 H/A	99	1	618589	7/8MJC-90-1 5/16MOR LBO
22	1	618486	9/16FJIC SW RUN TEE-9/16MJC	100	1	618682	1 7/8MOR-1 7/8MJC ADPTR
23	4	618778	1 11/16FFOX RUNTEE 1 11/16MFOR	101	1	291995	TEMPERATURE TRANSDUCER,HYDAC
24	2	618463	1 5/16MJC-90-1 5/16MOR XL LBO	102	1	618788	1 5/8MJC-1 7/8MOR ADPTR
25	1	618541	1 5/16FJIC-1 1/16MJC ADPTR	103	1	607023	SAUER GEAR MOTOR,SNM3/44
26	2	616264	08-4511TC-10FJX-08FJX45-136 H/A	104	1	606289	FAN CTRL VALVE,STS16
27	1	616463	16-881-16FJX-16FJX-27 H/A	105	1	316690	COOLER PACKAGE KIT, STS 16 07
28	1	618815	7/16MOR BRANCH TEE-7/16MJC	106	1	618808	OIL COOLER STS16
29	1	616462	16-881-16FJX-16FJX-17 SL H/A	107	2	618119	9/16MJC-90-9/16MOR LBO
30	1	611128	7/8MJC-90-7/8MOR LBO	108	1	618518	1 1/16FJIC-7/8MJC ADPTR
31	1	760779	HYD TANK WELD,STS16	109	1	616570	10-4511TC-12FJX-10FJX90-68SLH/A
32	1	618774	7/8MJC-90-7/8MOR LG LBO	110	1	605645	STRAINER-HYD RSRVR
33	1	616467	20-7911TC-20FFOX-20FFOX90-39SL/	111	1	607014	SAUER 165CC HI PUMP, D/B-MT 07
34	2	616469	20-7911TC-20FFOX-20FFOX45-62SL/	112	1	618609	3/4MJC-90-3/4FJIC SWIT LBO
35	2	617053	16-7921TC-16FFOX-16FFOX-133 H/A	113	1	618764	1 7/8MJC-90-1 7/8FJX TUBE LBO
36	2	616942	16-7921TC-16FFOX-16FFOX-140 H/A	114	2	618681	1 7/8FJ SW RUN TEE-1 7/8MJ
37	1	616468	20-7911TC-20FFOX-20FFOX90-53SL/	115	2	618767	1 7/8FJIC-1 5/8MJC ADPTR
38	2	616566	16-7921TC-16FFOX-16FFOX90-151H/	116	1	616481	06-4511TC-06FJX-06FJX45-89 H/A
39	1	616470	20-881-20FLLG-20FJX45-69 SL H/A	117	1	607553	SOLENOID VALVE, SUN HYD
40	1	616471	20-881-20FLLG-20FJX45-96 SL H/A	118	1	607555	SOLENOID VALVE, SUN HYD
41	1	616452	04-4511TC-06FJX-04FJX45-150 H/A	119	1	616484	16-4511TC-16FJX-20FJX-39 H/A
42	1	616482	08-4511TC-10FJX-08FJX45-245 H/A	120	1	616485	16-4511TC-16FJX-20FJX-42 H/A
43	1	616265	08-4511TC-12FJX-08FJX45-175 H/A	121	1	616558	24-881-24FJX-24FJX90-24 SL H/A
44	1	616731	32-881-32FJX-32FJX-43 SL H/A	122	1	617022	24-881-24FJX-24FJX45-31 H/A
45	1	605625	IN-TANK RETURN FILTER, 10M	123	1	616507	20-381-20FJX-20FJX90-128SL H/A
46	1	616473	32-881-32FJX-32FLLG90-50 SL H/A	124	1	618669	3/4FJIC SWITV-3/4MOR ADPTR
47	1	616486	16-4511TC-16FJX-20FJX-65 H/A	125	3	618241	3/4MJC-90-3/4MOR LBO
48	2	616538	16-7921TC-16FFOX-16FFOX-127 H/A	126	1	618443	3/4MJC-90-3/4MOR EX LG LBO
49	1	616508	20-381-20FJX-20FJX90-78SL H/A	127	1	616502	08-4511TC-08FJX-08FJX-20 H/A
50	4	615909	WHL MTR TUBE ASSY STS*12	128	1	616503	08-4511TC-06FJX-12FJX-72 H/A
51	4	618779	1 11/16MFOR-90-1 1/4FLLG C62LBO	129	1	616504	08-4511TC-08FJX-08FJX-98 H/A
52	3	618477	1 5/8MJC-90-1 5/8MOR LBO	130	1	616505	08-4511TC-08FJX-08FJX90-24 H/A
53	1	618776	2 1/2MJC-1 7/8MOR ADPTR	131	1	616506	08-4511TC-08FJX-08FJX90-104 H/A
54	1	618777	2 1/2MJC-90-2 1/2FJ SWITV LBO	132	2	618665	1 5/8FJIC-1 1/16MJC ADPTR
55	1	618485	7/16FJIC SW RUN TEE-7/16MJC	133	2	618531	9/16FJIC CAP NUT
56	1	618630	1 5/16MJC-45-1 5/16FJ SWITV LBO	134	1	618126	9/16MJC-9/16MOR ADPTR
57	4	618785	1 11/16FFOR-1 7/16MFOR ADPTR	135	4	618602	3/4MJC-45-7/8MOR LBO
58	5	618472	1 5/8MJC-1 5/8MOR ADPTR	136	1	605647	BREATHER-HYD RSRVR
59	1	618747	1 1/2 FLANGE-1 7/8MJC ADPTR	137	4	615908	WHL MTR HYD TUBE ASSY STS*12
60	2	618782	9/16MOR-9/16FOR-9/16MJC BRNH	138	1	618829	1 7/8FJIC CAP NUT
61	4	606196	PRESS TRANSDUCER ASSY 9000PSI	139	1	607573	19CC GEAR PUMP, SALAMI
62	1	618759	1 5/8MOR PLUG, HEX SOCKET	140	1	617021	12-4511TC-12FJX-12FJX90-83 H/A
63	1	618781	SPACER/TESTPORT,#16 CODE 61	141	1	618629	9/16MOR BRANCH TEE-9/16MJC
64	8	618780	1 1/4 SPLIT FLANGE HALF, #62	142	1	618484	1 1/16FJIC-3/4MJC ADPTR
65	4	618465	0-RING FOR 1 1/4" FLANGE, -20	143	1	618248	1 1/16MJC-90-1 1/16MOR LBO
66	1	618729	1 5/16MJC-90-1 1/16MOR XL LBO	144	1	618821	2 1/2FJ SW RUN TEE-2 1/2MJC
67	1	618114	9/16MJC-90-7/16MOR LBO	145	1	618451	3/4FJIC SW RUN TEE-3/4MJC
68	1	618844	2 1/2FJIC-1 5/8MJC ADPTR	146	1	618532	3/4FJIC CAP NUT
69	2	618183	3/4MJC-90-7/8MOR LBO	147	1	618523	7/8FJIC-3/4MJC ADPTR
70	2	618753	7/16MOR PLUG, HEX SOCKET	148	2	618726	1 5/8FJ SW RUN TEE-1 5/8MJ
71	1	606258	REFITIEF, LS PUMP SAUER	149	1	618725	1 5/16MOR-1 5/8FJIC SWIT
72	1	607011	SAUER 165CC HI PUMP, D/D-MT 07	150	1	607118	COOLER BYPASS VLV STS*14
73	1	607020	SAUER GEAR PUMP,SNP3 63,4CC	151	1	618547	1 5/8FJIC-1 5/16MJC ADPTR
74	1	607017	SAUER PISTON PUMP,75CC JRR075C	152	1	617164	16-881-16FJX-16FJX-25 H/A
75	1	618766	2" SPLIT FLANGE KIT #61	153	1	611171	RESERVED
76	1	615867	FRONT BRAKE TUBE,STS14/16 07	154	1	618937	7/16MJC-7/16MOR, 1/4 CHECK VLV
77	1	616457	04-4511TC-06FJX-04FJX45-142 H/A	155	1	618363	7/16FJIC CAP NUT
78	2	618746	2 1/2MJC-45-2 1/2MOR LBO				



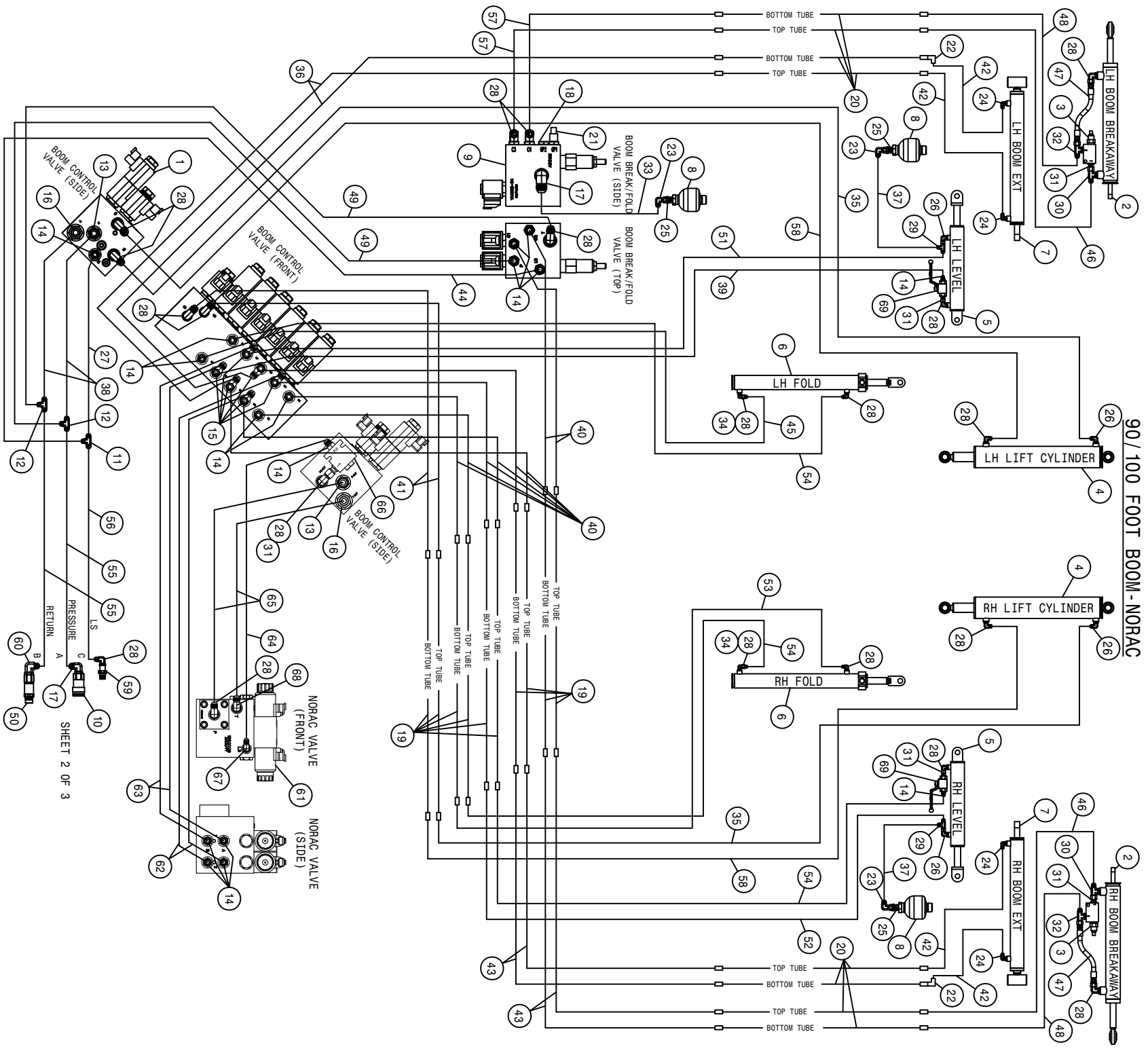
STS 16 HYDRAULIC DIAGRAM 2013
REFERENCE DRAWING NO. 49926852

DET.	QTY	PART NO.	DESCRIPTION	DET.	QTY	PART NO.	DESCRIPTION
1	1	749333	STRG CTRL VLV, OSPEDC 60/260	67	1	616441	06-451TTC-08FJX-08FJX90-40 H/A
2	1	621550	HYD CYL, 2.50 X 8.81 X 1.250	68	1	616477	12-451TTC-12FJX-12FJX-34 H/A
3	1	606517	LS MANIFOLD	69	1	617014	06-451TTC-06FJX-08FJX90-269 H/A
4	2	606246	MANIFOLD, #16 3-STN 180	70	1	617020	06-451TTC-06FJX-06FJX-311 H/A
5	1	621614	HYD CYL, 2.50 X 8.81 PHASE/2SEN	71	1	616330	04-451TTC-04FJX-04FJX90-47 H/A
6	2	621554	HYD CYL, 1.50 X 12.25 X .750	72	1	616435	04-451TTC-06FJX-04FJX45-20 H/A
7	4	621552	HYD CYL, 3.00 X 16.00 X 1.375	73	1	618535	7/8MJIC-90-1/16MOR LBO
8	1	691160	HYPRO PUMP, 9306C-HM5C-BU,FLG	74	1	616487	16-881-16FJX-20FJX-65 H/A
9	1	606213	HYD SOLE VLV, 2P-3W, 9/16FOR	75	1	616330	10-451TTC-12FJX-12FJX90-87 H/A
10	1	606253	CTRL VALVE,SOLU PUMP SAUER	76	1	616438	04-451TTC-04FJX-04FJX45-51 H/A
11	2	606347	PRESSURE TRANSDUCER,7500PSI	77	1	617049	10-451TTC-10FJX-10FJX-68 H/A
12	1	615863	STRG CYL JUMPER TUBE STS16	78	1	617017	10-451TTC-10FJX-12FJX90-82 H/A
13	1	615866	M/F HYD TUBE, LS LINE, STS 07	79	2	618911	7/8MJIC-M22 MOR ADPTR
14	1	618731	9/16JIC .025 ORIFICE ADPTR	80	1	618909	M12 MOR PLUG, HEX SOCKET
15	1	618629	9/16MOR BRANCH TEE-9/16MJIC	81	1	616488	16-881-16FJX-16FJX90-69 H/A
16	1	615874	M/F HYD TUBE,MAIN SUPPLY, STS 07	82	1	617046	08-451TTC-08FJX-08FJX90-18 H/A
17	2	611125	3/4MJIC-3/4MOR ADPTR	83	1	616730	08-451TTC-08FJX-08FJX90-108 H/A
18	6	618241	3/4MJIC-90-3/4MOR LBO	84	1	615872	HYD RIN TUBE, FRT BLKHD, STS1607
19	1	618913	7/8MJIC-90-M22MOR LBO	85	1	615871	HYD RIN TUBE, SOLU PMP STS16 07
20	2	618249	3/4MJIC-90-9/16MOR LBO	86	1	616459	08-451TTC-08FJX-08FJX-26 H/A
21	16	618119	9/16MJIC-90-9/16MOR LBO	87	1	616464	16-881-16FJX-16FJX-40 H/A
22	2	618473	7/16MJIC-90-7/16MOR LBO	88	1	616319	04-451TTC-04FJX-04FJX90-32 H/A
23	1	618628	7/8MJIC-45-7/8FJIC SWIV LBO	89	1	616476	10-451TTC-10FJX-12FJX90-24 H/A
24	3	618126	9/16MJIC-9/16MOR ADPTR	90	1	616374	04-451TTC-06FJX-06FJX-27 H/A
25	2	618753	7/16MOR PLUG, HEX SOCKET	91	1	616732	10-451TTC-10FJX-12FJX90-121 H/A
26	1	618108	1/16MJIC-3/4MNP ADPTR	92	1	616642	08-451TTC-10FJX-08FJX90-204 H/A
27	1	618363	7/16FJIC CAP NUT	93	1	616733	16-451TTC-16FJX-16FJX90-37 H/A
28	1	618301	7/8MJIC-90-7/8FJIC SWIV LBO	94	1	618912	3/4MJC-90-M18MOR LBO
29	1	618759	1/5/8MOR PLUG, HEX SOCKET	95	1	616322	06-451TTC-08FJX-08FJX90-21 H/A
30	1	618302	1/16MJIC-90-1/16MOR LBO	96	1	616443	08-451TTC-08FJX-08FJX90-76 H/A
31	4	618467	7/16MJIC-7/16MOR ADPTR	97	1	616315	04-451TTC-04FJX-04FJX45-74 H/A
32	4	618308	1/16MJIC-1/16MOR ADPTR	98	1	616437	04-451TTC-04FJX-06FJX90-28 H/A
33	1	618529	1/16MJIC-45-1/16FJ SWIV LBO	99	1	616416	10-451TTC-12FJX-12FJX-25 H/A
34	1	618470	3/4MJIC-1/5/16MOR ADPTR	100	1	616309	10-451TTC-10FJX-12FJX-149 H/A
35	1	618758	1/5/16 MOR PLUG, HEX SOCKET	101	1	616321	06-451TTC-08FJX-08FJX90-136 H/A
36	1	618630	1/5/16MJ-45-1/16FJ SWIV LBO	102	1	616414	04-451TTC-06FJX-06FJX-126 H/A
37	1	618425	9/16MJIC-45-9/16MOR LBO	103	1	616415	04-451TTC-06FJX-06FJX90-142 H/A
38	3	618486	9/16FJIC SW RUN TEE-9/16MJIC	104	3	606249	MANIFOLD,TRD ADJ PMSYS
39	1	618455	1/5/16MJIC-1/5/8MOR ADPTR	105	2	618590	3/4MJIC-45-3/4FJIC SWIV LBO
40	3	618475	3/4MJIC-90-1/5/16MOR LBO	106	1	618807	HYD CPLR, FEM #12, 3/4FOR
41	1	617039	10-451TTC-08FJX-10FJX-203 H/A	107	1	618171	7/8MOR-3/4FOR ADPTR
42	4	611127	1/16MJIC-1/16MOR ADPTR	108	5	618754	9/16MOR PLUG, HEX SOCKET
43	1	617018	16-451TTC-16FJX-16FJX90-24 H/A	109	6	618755	3/4MOR PLUG, HEX SOCKET
44	4	616070	04-451TTC-04MJCBH-06MOR-11.00H/A	110	1	616465	16-881-16FJX-16FJX90-36 H/A
45	1	611128	7/8MJIC-90-7/8MOR LBO	111	1	618733	9/16JIC .042 ORIFICE ADPTR
46	1	691036	HYPRO 9307C-GM10 PUMP	112	1	606259	DIVERSION VLV, STS LS 07
47	1	616446	04-451ST-06FJX-04FJX90-131 H/A	113	2	618474	3/4MJIC-90-1/16MOR LBO
48	1	616451	12-451TTC-12FJX-12FJX90-34 H/A	114	1	6181236	3" TRANSFER PUMP, HYPRO
49	1	618910	3/4MJIC-M18MOR ADPTR	115	1	618183	3/4MJIC-90-7/8MOR LBO
50	1	618397	1/5/16MOR-9/16FOR ADPTR	116	1	690672	HMC 320 SPECIAL/MINUS HOSE
51	3	618191	1/16MJ-90-1/16FJ SWIV LBO	117	2	618770	3/4MJIC-3/4MOR BLKHD ADPT
52	2	616759	08-451TTC-08FJX-10FJX-55 H/A	118	1	618769	9/16MJIC-9/16MOR BLKHD ADPT
53	4	616071	04-451TTC-04MJCBH-06MOR-13.00H/A	119	1	618806	HYD CPLR, MALE #12, 7/8FOR
54	1	616504	08-451TTC-08FJX-08FJX-98 H/A	120	1	618805	HYD CPLR, FEM #14, 9/16FOR
55	1	616450	10-451TTC-12FJX-12FJX90-22 H/A	121	1	618774	7/8MJIC-90-7/8MOR LG LBO
56	1	616448	10-451ST-08FJX-12FJX-119 H/A	122	1	618557	7/8FJIC-9/16MJIC ADPTR
57	1	618248	1/16MJIC-90-1/16MOR LBO	123	1	618883	1/5/16MJIC-90-1/5/8MOR LBO
58	1	618273	1/16MJIC-1/2MNP ADPTR	124	1	618533	1/16FJIC CAP NUT
59	1	618178	1/5/16MJIC-90-1/5/16MOR LBO	125	1	618842	1/16MJIC-90-1/5/8MOR LBO
60	3	618499	7/16MJIC-90-9/16MOR LBO	126	1	618132	1/16MOR-7/8FOR ADPTR
61	9	616301	04-451TTC-04FJX-06FJX-21 H/A	127	1	618440	9/16MJIC-90-9/16MOR EX LG LBO
62	1	616447	10-451ST-08FJX-12FJX90-44 H/A	128	1	618831	1/16MJIC-45-1/16MOR LBO
63	1	616617	06-451TTC-06FJX-06FJX-168 H/A	129	1	618640	1/5/16MJ-90-1/5/16FJ SWIV LBO
64	1	616306	08-451TTC-08FJX-08FJX-11 H/A	130	1	618619	1/5/16FJ SW RUN TEE-1/5/16MJ
65	1	616377	04-451TTC-06FJX-06FJX90-44 H/A	131	1	618671	1/5/16FJIC-3/4MJIC ADPTR
66	1	616088	04-451TTC-06FJX-06FJX-56 H/A				



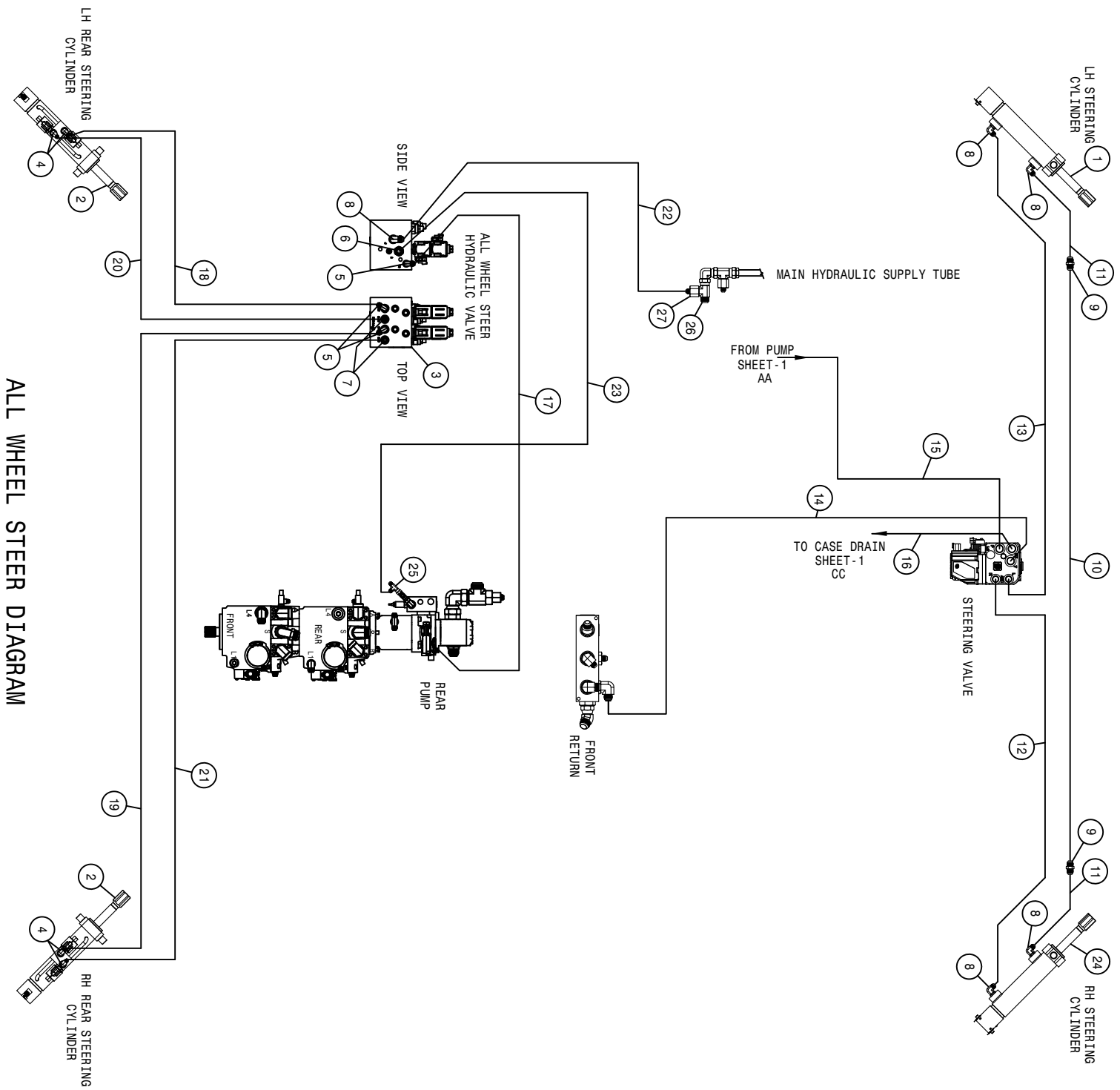
STS 16 HYDRAULIC DIAGRAM 2013
 REFERENCE DRAWING NO. 499268S3

DET.	QTY	PART NO.	DESCRIPTION	DET.	QTY	PART NO.	DESCRIPTION
1	1	606272	VALVE, LOAD SENSE BOOM SAUER	31	2	618668	9/16FJIC SWIV-9/16MOR ADPTR
2	2	621590	HYD CYL, 1.50 X 10.88 X .875	32	2	614752	RESTRICTOR BR TEE ASSY, .042DIA
3	2	607540	KICK-DOWN RELIEF VALVE, 800PSI	33	1	616384	08-451TC-08FJX-08FJX-43 H/A
4	2	621556	HYD CYL, 2.50 X 18.00 X 1.500	34	2	618733	9/16JIC .042 ORIFICE ADPTR
5	2	621558	HYD CYL, 3.00 X 11.00 X 1.380	35	2	616358	06-451TC-06FJX-06FJX-56 H/A
6	2	621560	HYD CYL, 2.50 X 21.00 X 1.380	36	2	616357	06-451TC-06FJX-06FJX90-79 H/A
7	2	621562	HYD CYL, 2.25 X 21.00 X 1.380	37	2	616365	06-451TC-08FJX-06FJX90-30 H/A
8	3	470444	ACCUMULATOR, 300I 1508 PSI	38	2	616366	08-451TC-08FJX-08FJX90-18 H/A
9	1	606248	90°BREAKAWAY VLV,STS PWRSYS	39	1	616403	06-451TC-06FJX-06FJX-65 H/A
10	1	618807	HYD CPLR, FEM #12,3/4FOR	40	8	616316	06-451TC-06FJX-06FJX45-18 H/A
11	1	618748	7/16MJIC BLKHD RUN TEE	41	2	616304	06-451TC-06FJX-06FJX-36 H/A
12	2	618749	3/4MJIC BLKHD RUN TEE	42	4	616356	06-451TC-06FJX-06FJX90-27 H/A
13	1	611125	3/4MJIC-3/4MOR ADPTR	43	4	616353	06-451TC-06FJX-06FJX-71 H/A
14	13	618126	9/16MJIC-9/16MOR ADPTR	44	1	616362	04-451TC-04FJX-06FJX90-35 H/A
15	2	618444	9/16MOR RUN TEE-9/16MJIC	45	1	616352	06-451TC-06FJX-06FJX-62 H/A
16	1	618327	3/4MJIC-7/8MOR ADPTR	46	2	616360	06-451TC-06FJX-06FJX-84 H/A
17	2	618241	3/4MJIC-90-3/4MOR LBO	47	2	617054	04-451TC-06FJX-06FJX-11 H/A
18	1	618754	9/16MOR PLUG, HEX SOCKET	48	2	616361	06-451TC-06FJX-06FJX-86 H/A
19	10	615852	LIFTARM HYD TUBE ASSY,STSL5 07	49	2	616364	06-451TC-08FJX-06FJX90-31 H/A
20	8	615851	HYD TUBE,MAIN BOOM,STS	50	1	618806	HYD CPLR,MALE #12,7/8FOR
21	1	606347	PRESSURE TRANSDUCER,7500PSI	51	1	616349	06-451TC-06FJX-06FJX-47 H/A
22	2	618618	9/16MJIC-90-9/16FJIC SWIV LBO	52	1	616348	06-451TC-06FJX-06FJX-42 H/A
23	3	618609	3/4MJIC-90-3/4FJIC SWIV LBO	53	1	616350	06-451TC-06FJX-06FJX-58 H/A
24	4	618688	9/16MJ-90-9/16MOR .025 CHK VLV	54	3	616351	06-451TC-06FJX-06FJX-60 H/A
25	3	618743	3/4MOR-3/4MJIC BLKHD, .040MFM0	55	2	616135	08-451TC-08FJX-08FJX-50 H/A
26	4	618689	9/16MJ-90-9/16MOR .042 CHK VLV	56	1	616431	04-451TC-04FJX-06FJX-51 H/A
27	1	616430	04-451TC-06FJX-04FJX90-19 H/A	57	2	616359	06-451TC-06FJX-06FJX-78 H/A
28	18	618119	9/16MJIC-90-9/16MOR LBO	58	2	616371	06-451TC-06FJX-06FJX-38 H/A
29	2	618486	9/16FJIC SW RUN TEE-9/16MJIC	59	1	618804	HYD CPLR,MALE #14,9/16FOR
30	2	618629	9/16MOR BRANCH TEE-9/16MJIC	60	1	618183	3/4MJIC-90-7/8MOR LBO



STS 16 HYDRAULIC DIAGRAM 2013
REFERENCE DRAWING NO. 499268S4

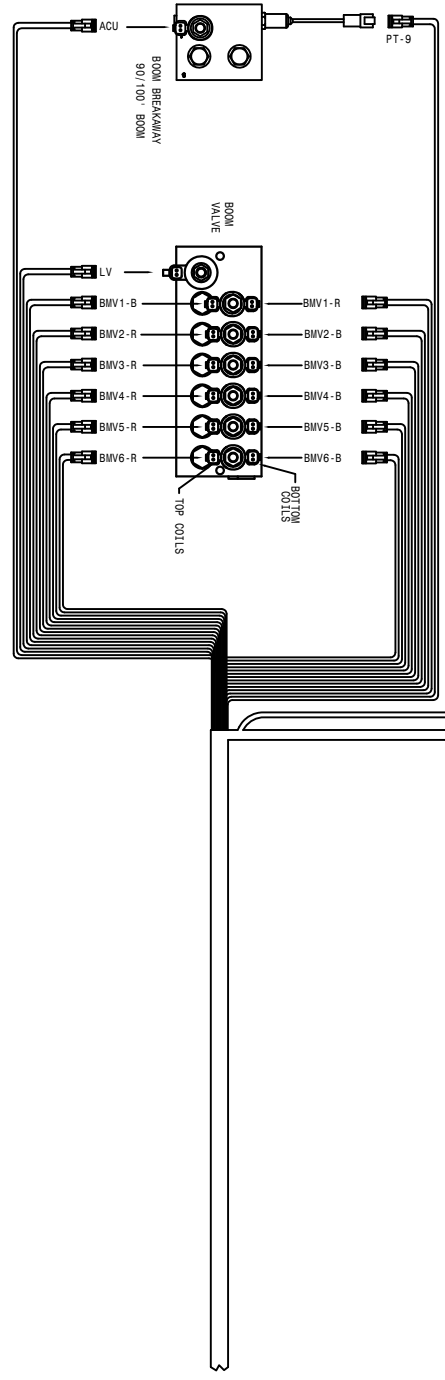
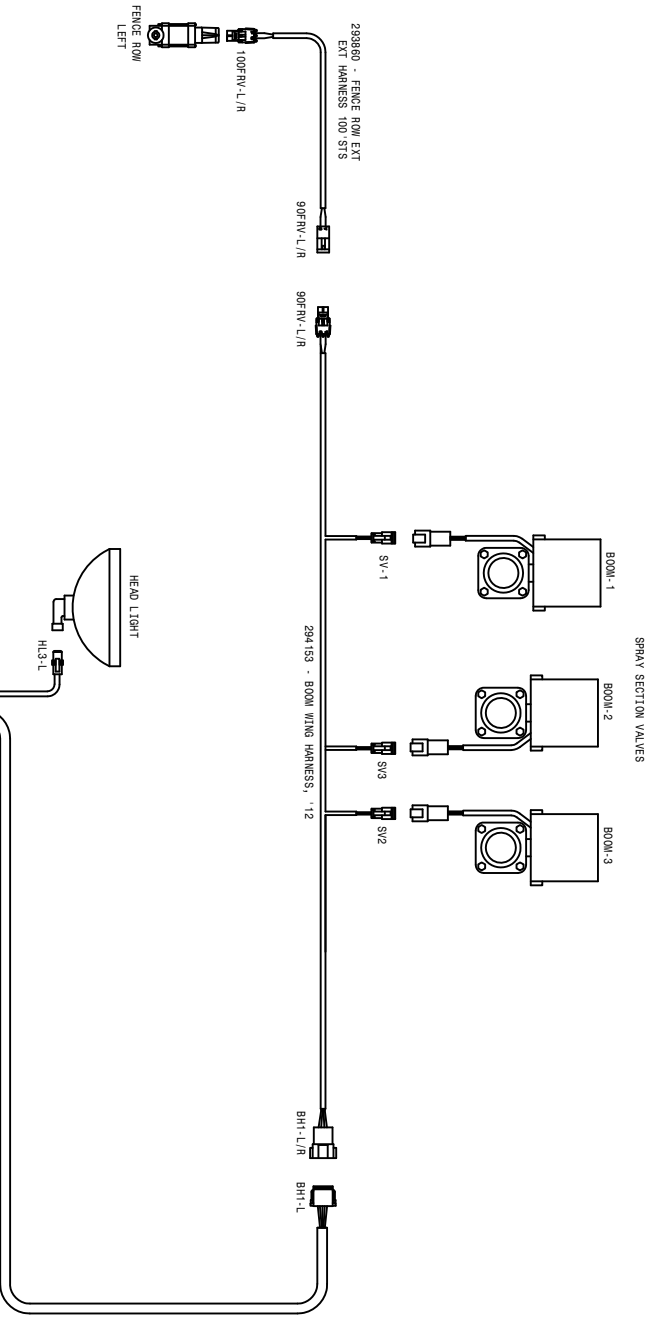
DET.	QTY	PART NO.	DESCRIPTION	DET.	QTY	PART NO.	DESCRIPTION
1	1	606272	VALVE, LOAD SENSE BOOM SAUER	36	2	616357	06-451TC-06F3X-06F3X90-79 H/A
2	2	621590	HYD CYL, 1.50 X 10.88 X .875	37	2	616365	06-451TC-08F3X-06F3X90-30 H/A
3	2	607540	KICK-DOWN RELIEF VALVE, 800PSI	38	2	616366	08-451TC-08F3X-08F3X90-18 H/A
4	2	621556	HYD CYL, 2.50 X 18.00 X 1.500	39	1	616403	06-451TC-06F3X-06F3X-65 H/A
5	2	621558	HYD CYL, 3.00 X 11.00 X 1.380	40	8	616316	06-451TC-06F3X-06F3X45-18 H/A
6	2	621560	HYD CYL, 2.50 X 21.00 X 1.380	41	8	616304	06-451TC-06F3X-06F3X-36 H/A
7	2	621562	HYD CYL, 2.25 X 21.00 X 1.380	42	4	616356	06-451TC-06F3X-06F3X90-27 H/A
8	3	470444	ACCUMULATOR, 30CI 1508 PSI	43	4	616353	06-451TC-06F3X-06F3X-71 H/A
9	1	606248	90'BREAKAWAY VLV,STS PWRSYS	44	1	616362	04-451TC-04F3X-06F3X90-35 H/A
10	1	618807	HYD CPLR, FEM #12,3/4FOR	45	1	616352	06-451TC-06F3X-06F3X-62 H/A
11	1	618748	7/16MJIC BLKHD RUN TEE	46	2	616360	06-451TC-06F3X-06F3X-84 H/A
12	2	618749	3/4MJIC BLKHD RUN TEE	47	2	617054	06-451TC-06F3X-06F3X-11 H/A
13	2	611125	3/4MJIC-3/4MOR ADPTR	48	2	616361	06-451TC-06F3X-06F3X-86 H/A
14	2	618126	9/16MJIC-9/16MOR ADPTR	49	2	616364	06-451TC-08F3X-06F3X90-31 H/A
15	6	618444	9/16MOR RUN TEE-9/16MJIC	50	1	618806	HYD CPLR,MALE #12,7/8FOR
16	2	618327	3/4MJIC-7/8MOR ADPTR	51	1	616349	06-451TC-06F3X-06F3X-47 H/A
17	2	618241	3/4MJIC-90-3/4MOR LBO	52	1	616348	06-451TC-06F3X-06F3X-42 H/A
18	1	618754	9/16MOR PLUG, HEX SOCKET	53	1	616350	06-451TC-06F3X-06F3X-58 H/A
19	10	615852	LIFTARM HYD TUBE ASSY,STLS 07	54	3	616351	06-451TC-06F3X-06F3X-60 H/A
20	8	615851	HYD TUBE,MAIN BOOM,STS	55	2	616135	08-451TC-08F3X-08F3X-50 H/A
21	1	606347	PRESSURE TRANSDUCER,7500PSI	56	1	616431	04-451TC-04F3X-06F3X-51 H/A
22	2	618618	9/16MJIC-90-9/16FJIC SWIV LBO	57	2	616359	06-451TC-06F3X-06F3X-78 H/A
23	3	618609	3/4MJIC-90-3/4FJIC SWIV LBO	58	2	616371	06-451TC-06F3X-06F3X-38 H/A
24	4	618688	9/16MJ-90-9/16MOR .025 CHK VLV	59	1	618804	HYD CPLR,MALE #14,9/16FOR
25	3	618743	3/4MOR-3/4MJIC BLKHD,.040MFM0	60	1	618183	3/4MJIC-90-7/8MOR LBO
26	4	618689	9/16MJ-90-9/16MOR .042 CHK VLV	61	1	606455	NORAC HYD VALVE (44963D)
27	1	616430	04-451TC-06F3X-04F3X90-19 H/A	62	2	616555	06-451TC-06F3X-06F3X90-31 H/A
28	20	618119	9/16MJIC-90-9/16MOR LBO	63	2	616557	06-451TC-06F3X-06F3X90L-31 H/A
29	2	618486	9/16FJIC SW RUN TEE-9/16MJIC	64	1	616554	04-451TC-04F3X-06F3X90-30 H/A
30	2	618629	9/16MOR BRANCH TEE-9/16MJIC	65	2	616556	08-451TC-06F3X-08F3X90-31 H/A
31	5	618668	9/16FJIC SWIV-9/16MOR ADPTR	66	1	606256	CHECK VALVE, IN LINE SAUER
32	2	614752	RESTRICTOR BR TEE ASSY,.042DIA	67	1	618473	7/16MJIC-90-7/16MOR LBO
33	1	616384	08-451TC-08F3X-08F3X-43 H/A	68	1	618440	9/16MJIC-90-9/16MOR EX LG LBO
34	2	618733	9/16JIC .042 ORFICE ADPTR	69	2	696131	BALL VALVE,9/16FOR,7250PSI
35	2	616358	06-451TC-06F3X-06F3X-56 H/A				



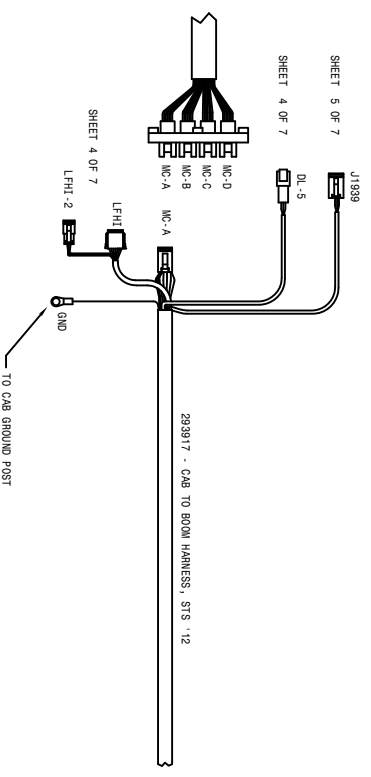
ALL WHEEL STEER DIAGRAM

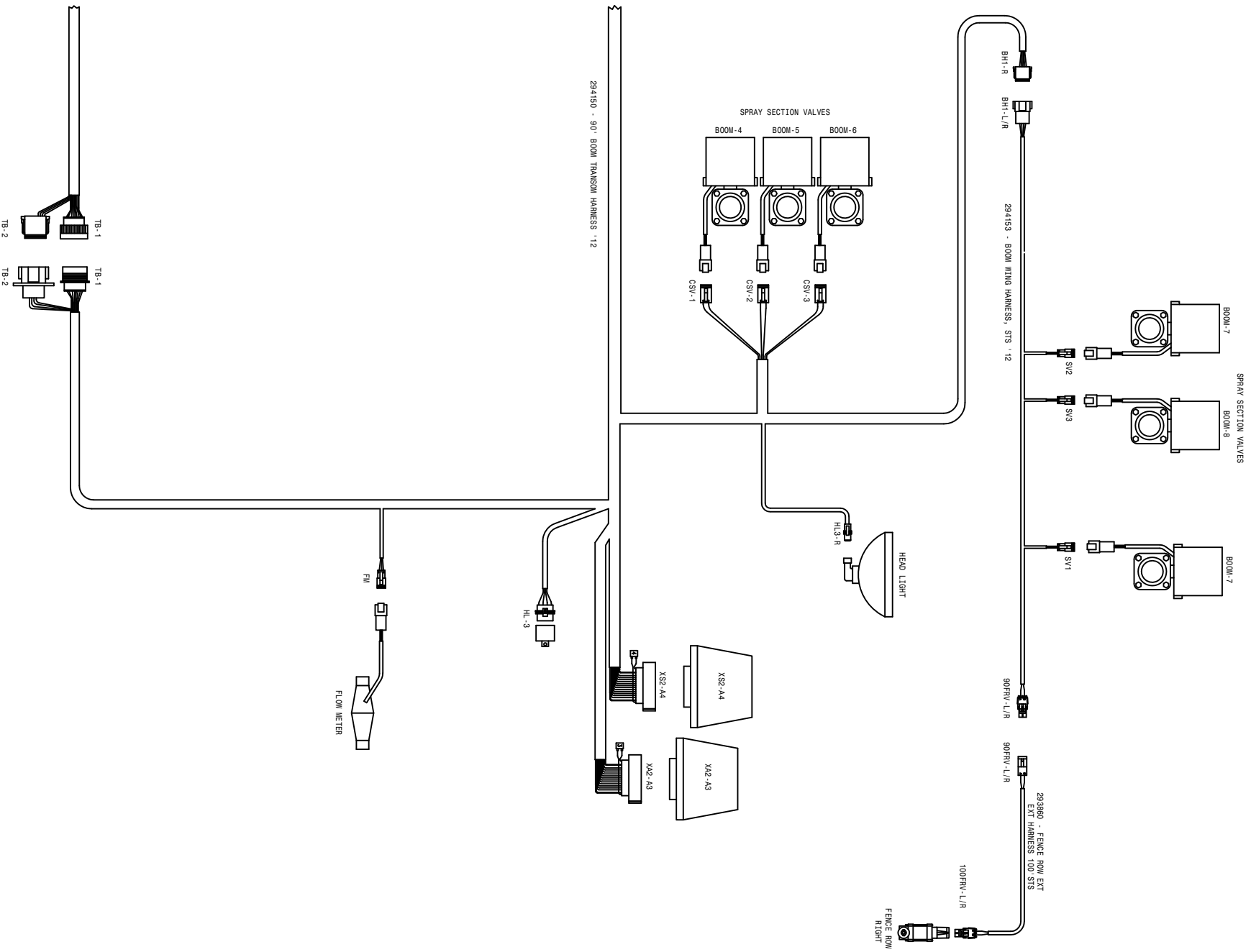
STS 16 HYDRAULIC DIAGRAM 2013
REFERENCE DRAWING NO. 49926855

DET.	QTY	PART NO.	DESCRIPTION	DET.	QTY	PART NO.	DESCRIPTION
1	1	621602	HYD CYL, 2.50 X 8.81 PHASE/1SEN	15	1	617012	06-451TC-06FJX-08FJX90-212 H/A
2	1	621644	HYD CYL, 2.25 X 8.81 X 1.25	16	1	617039	10-451TC-08FJX-10FJX-203 H/A
3	1	606370	VALVE, FV8623 V1 SUNSOURCE	17	1	616367	04-451TC-04FJX-06FJX-48 H/A
4	4	618115	9/16MJIC-90-3/4MOR LBO	18	1	616361	06-451TC-06FJX-06FJX-86 H/A
5	3	618119	9/16MJIC-90-9/16MOR LBO	19	1	616974	06-451TC-06FJX-06FJX-133 H/A
6	1	611126	7/8MJIC-7/8MOR ADPTR	20	1	616723	06-451TC-06FJX-06FJX90-85 H/A
7	2	618126	9/16MJIC-9/16MOR ADPTR	21	1	616784	06-451TC-06FJX-06FJX90-133 H/A
8	5	618241	3/4MJIC-90-3/4MOR LBO	22	1	616928	08-451TC-08FJX-08FJX90-36 H/A
9	2	618314	3/4MJIC UNION	23	1	616674	10-451TC-08FJX-10FJX90-50 H/A
10	1	615772	STRG CYL JUMPER HYD TUBE ASSY	24	1	621614	HYD CYL, 2.50 X 8.81 PHASE/2SEN
11	2	616531	08-451TC-08FJX-08FJX-55 H/A	25	1	618451	3/4FJIC SW RUN TEE-3/4MJIC
12	1	616504	08-451TC-08FJX-08FJX-98 H/A	26	1	618619	1 5/16FJ SW RUN TEE-1 5/16MJ
13	1	616730	08-451TC-08FJX-08FJX90-108 H/A	27	1	618671	1 5/16FJIC-3/4MJIC ADPTR
14	1	617017	10-451TC-10FJX-12FJX90-82 H/A				

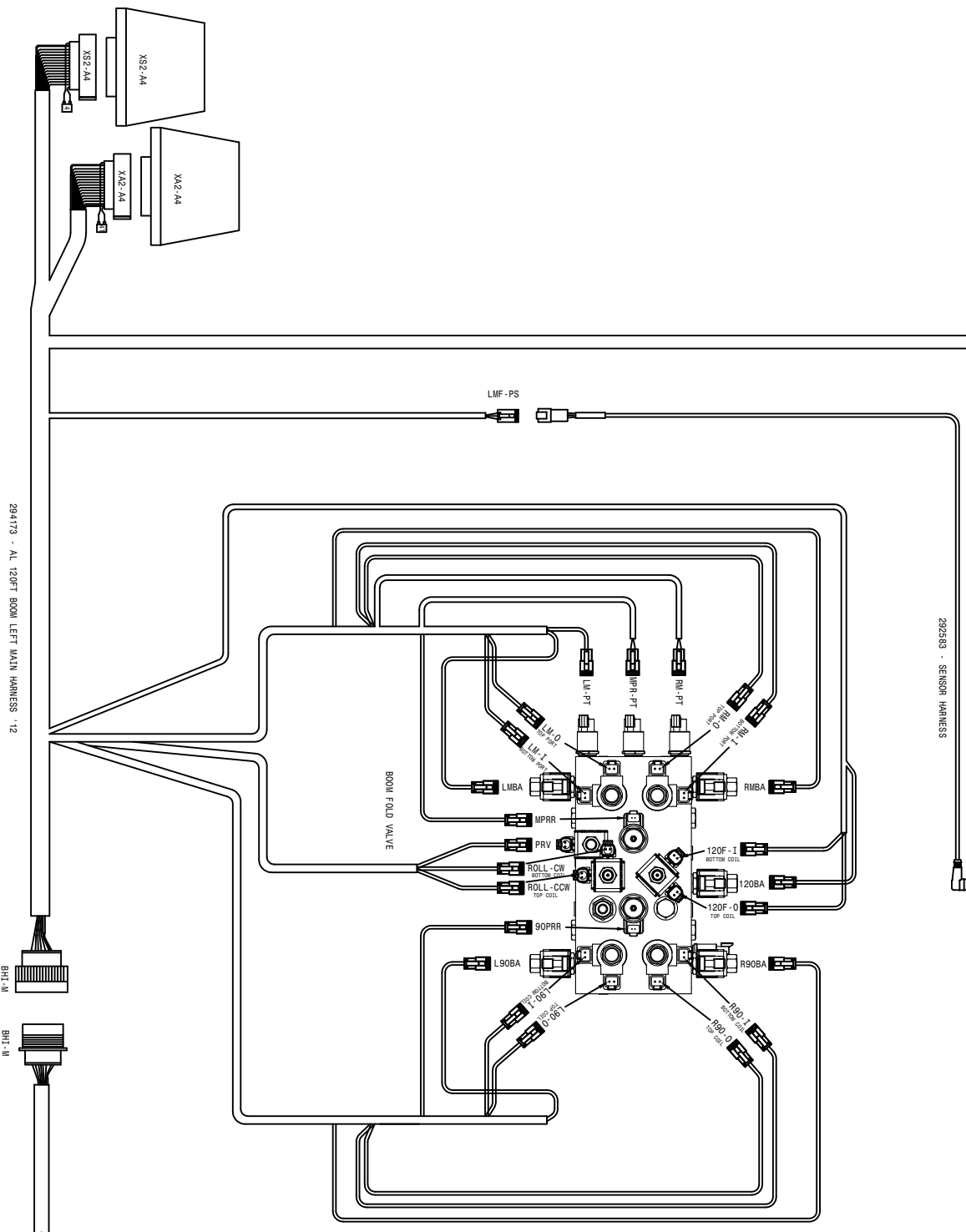
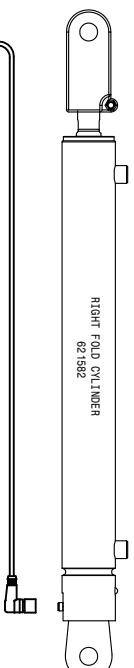


294188 - MAIN CAB ENTRY HARNESS, STS '10
SHEET 7 OF 7

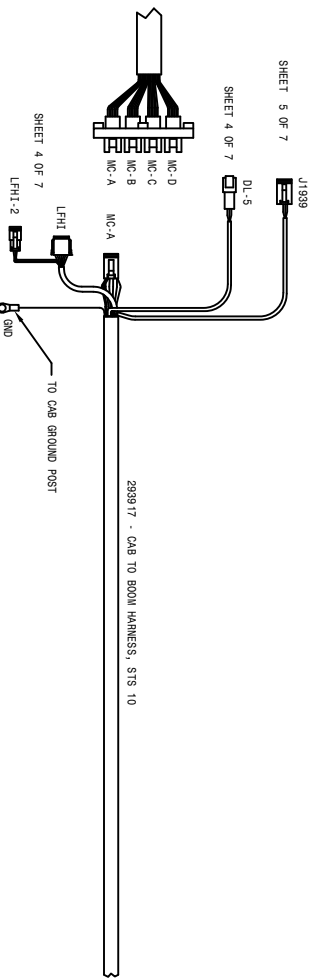


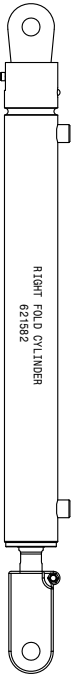


12-20-11 DWI
STS 16 T3 WIRING DIAGRAM - 13
90' BOOM
 SHEET 1 OF 7
 REVISION DATE: **499260**



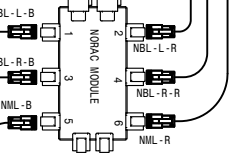
294188 - MAIN CAB ENTRY HARNESS, STS 13
SHEET 7 OF 7



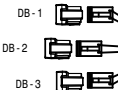


292583 - SENSOR HARNESS,

RMF-PS



NORAC HYDRAULIC VALVE



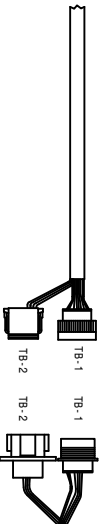
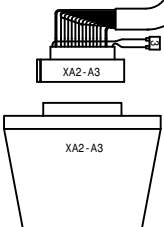
294172 - AL 120FT BOOM RIGHT MAIN HARNESS '12



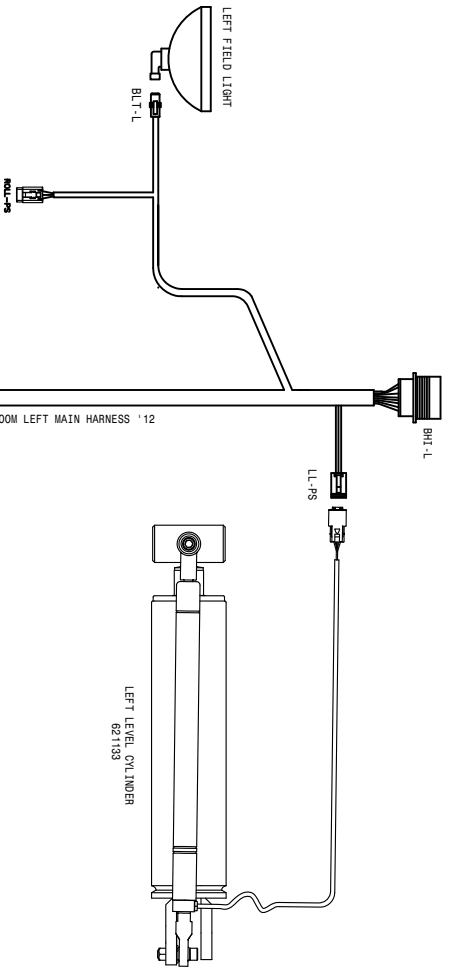
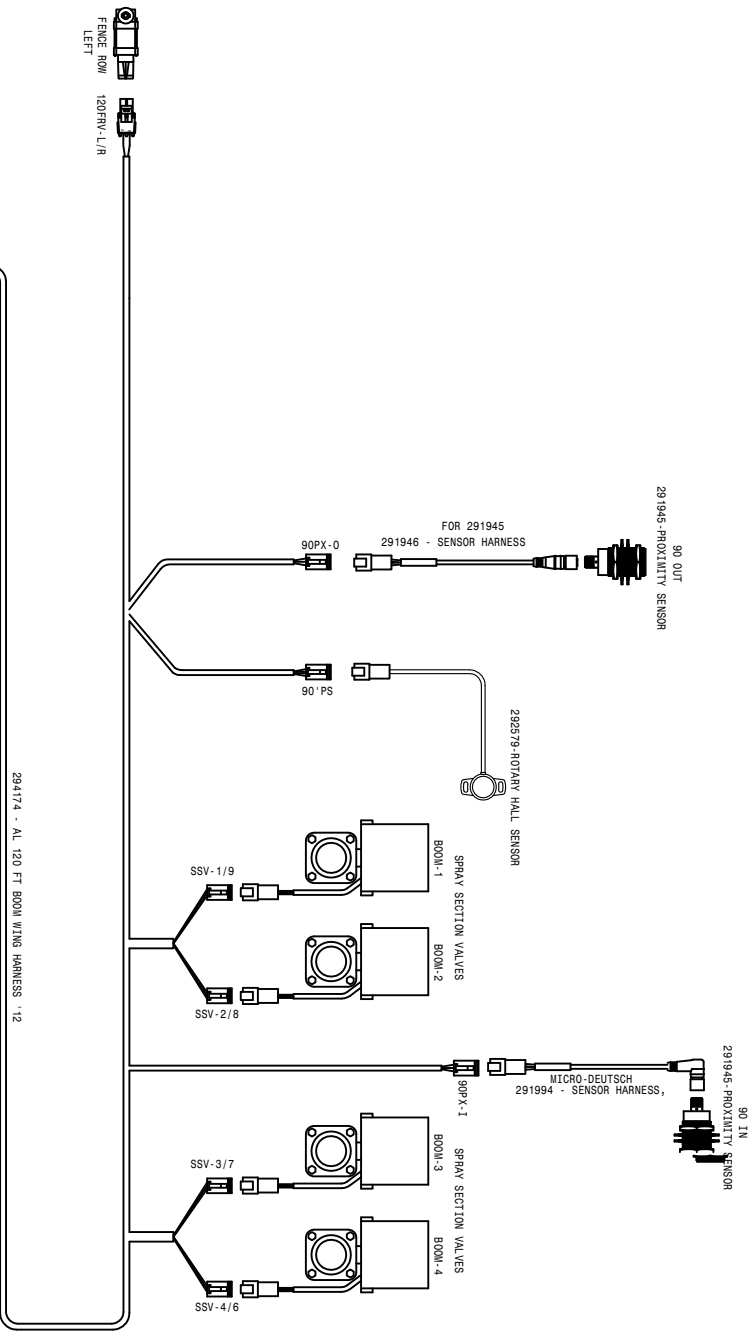
291994 - SENSOR HARNESS, MICRO-DEUTSCH

ML-PX

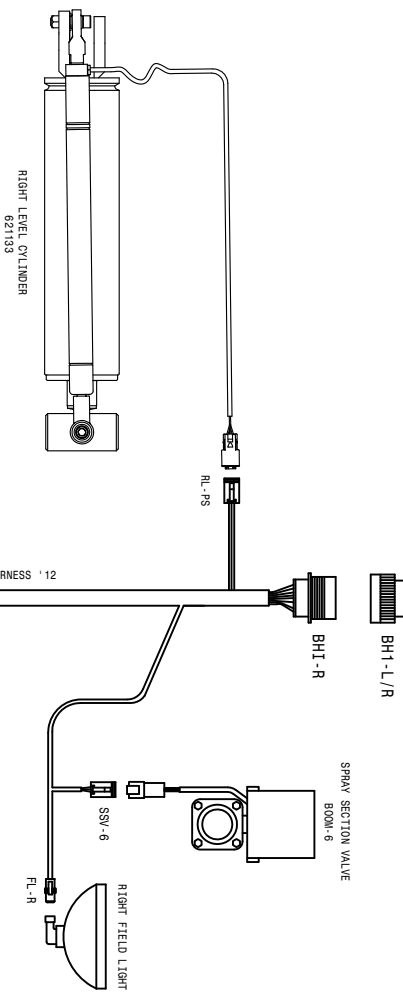
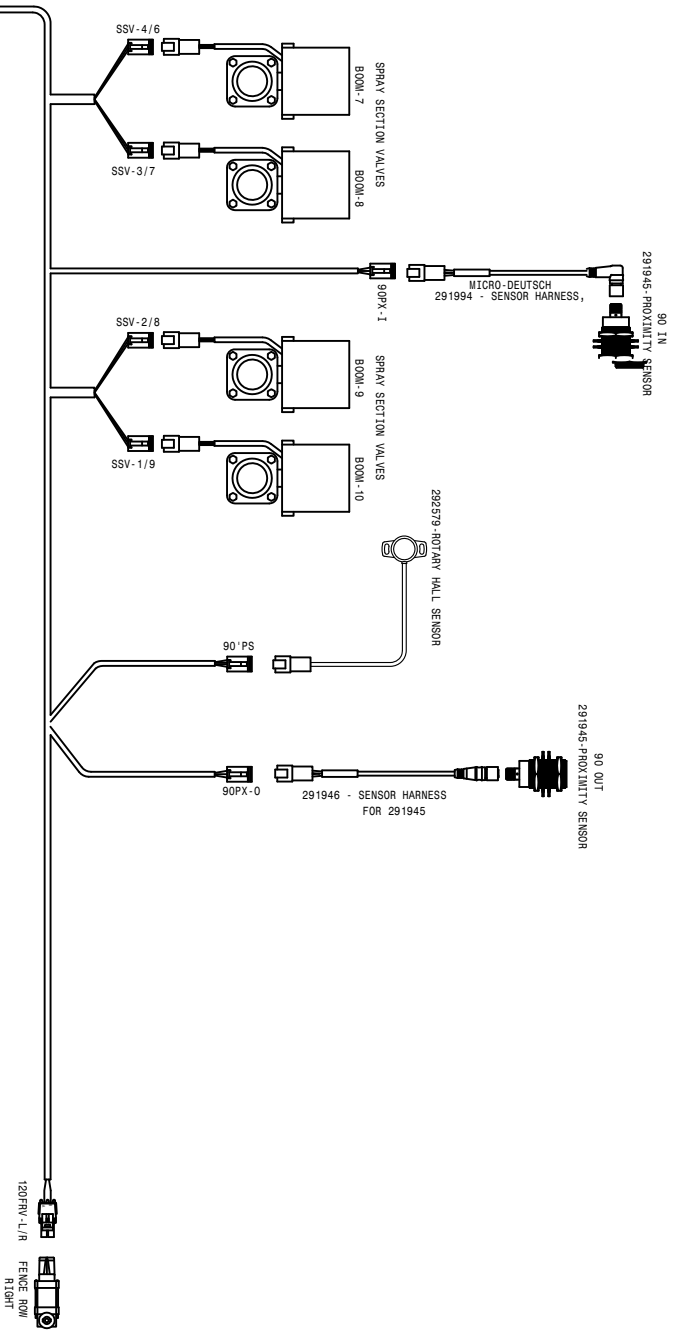
BLR



12-20-11 DWT
STS 16 T3 WIRING DIAGRAM '13
120 FT ALUMINUM BOOM
SHEET 2 OF 2
REVISION DATE: 3/1/12
499260

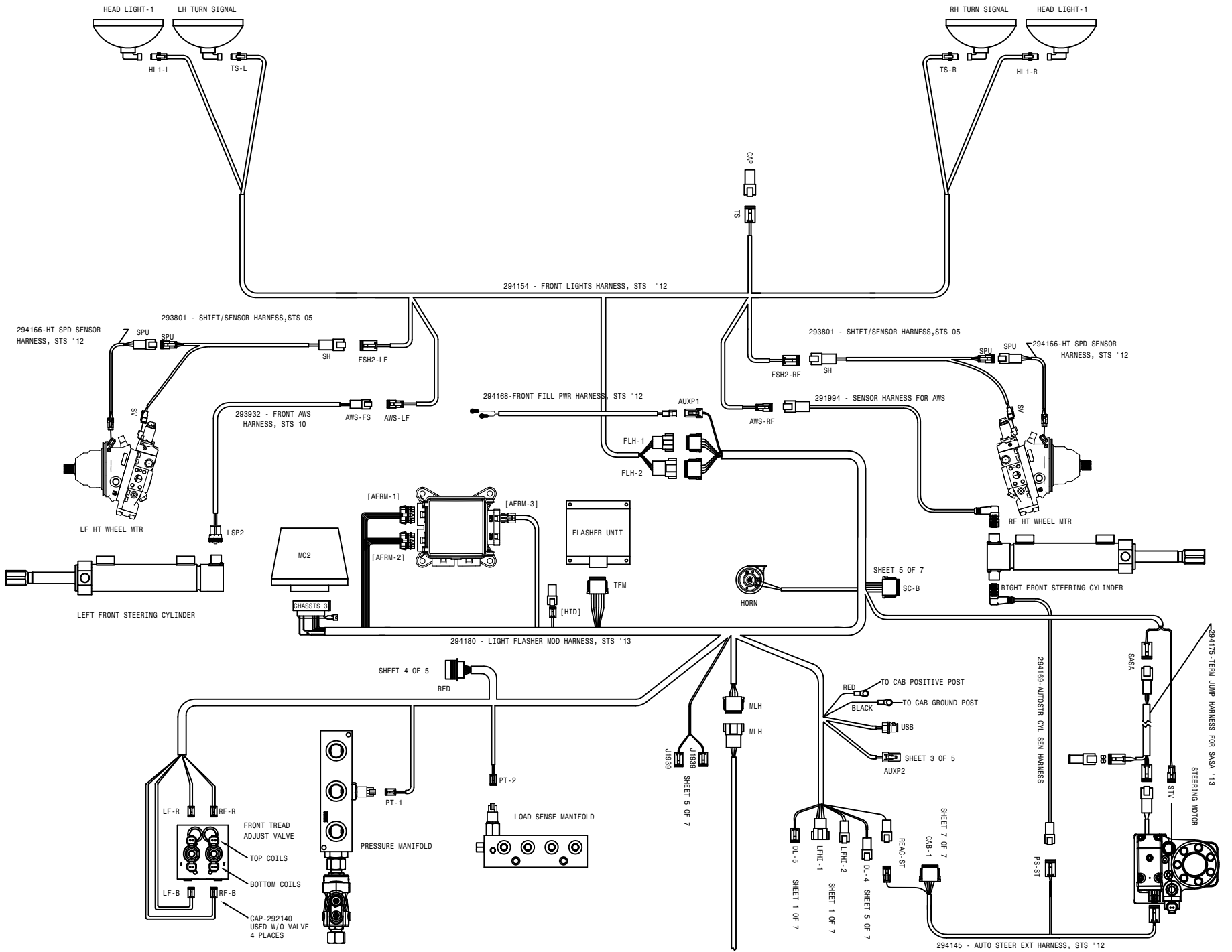


SHEET 1 OF 2



12-20-11 DMT
STS 16 T3 WIRING DIAGRAM '13
120 FT ALUMINUM BOOM
 SHEET 3 OF 7
 REVISION DATE: 499260

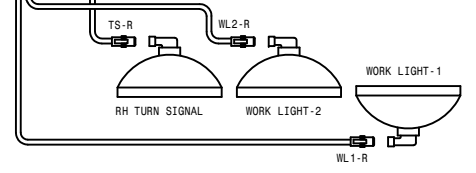
294172 - AL 120FT BOOM RIGHT MAIN HARNESS '12
 BB
 SHEET 1 OF 2



294022 - REAR LIGHT HARNESS, STS14/16 - '11

SHEET 6 OF 7

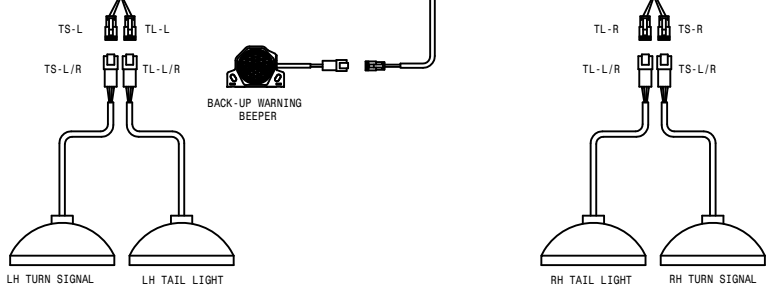
MH-B



RLH

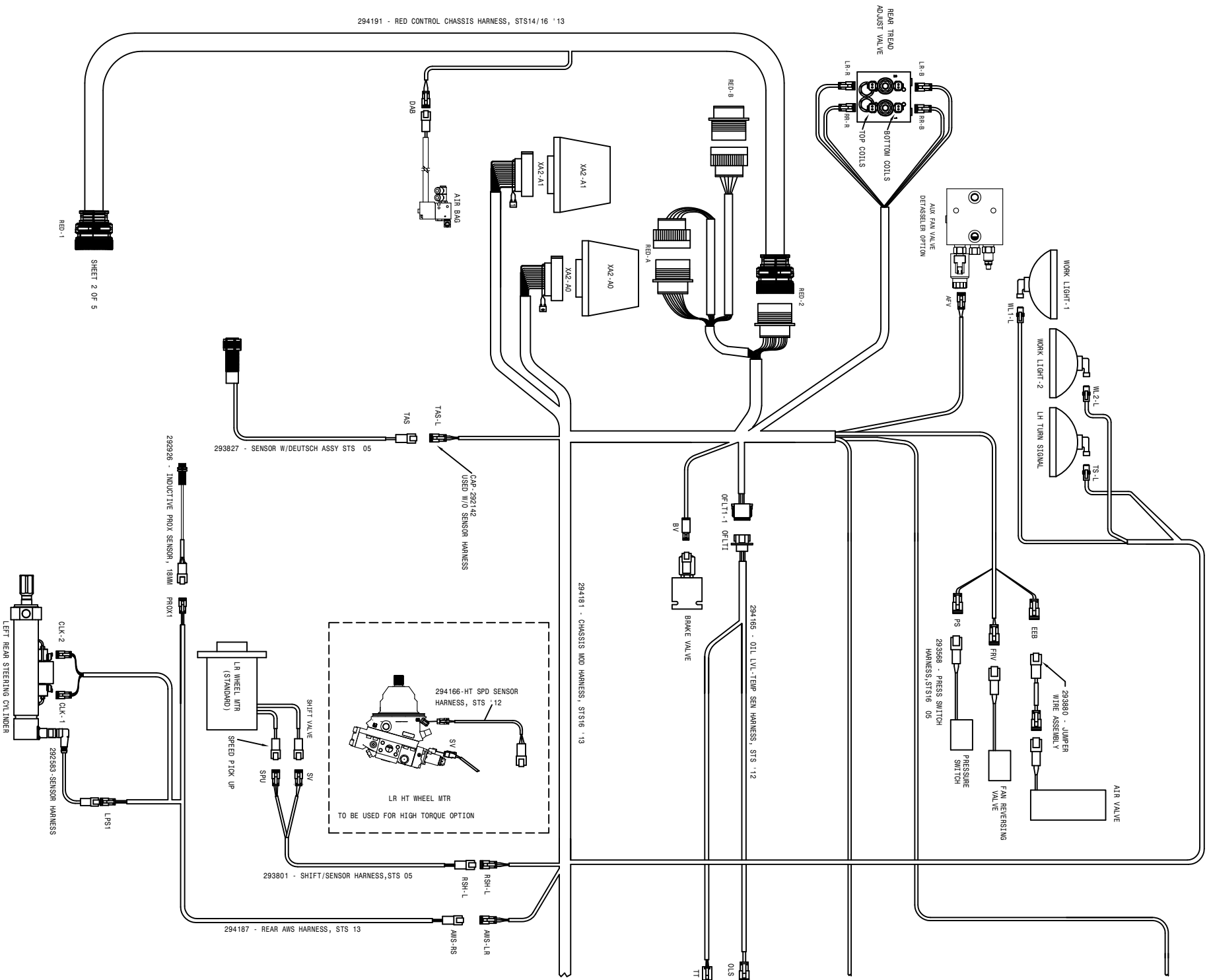
RLH

294020 - TAIL LIGHT/TURN HARNESS, STS' 11



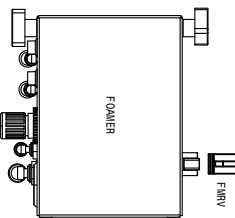
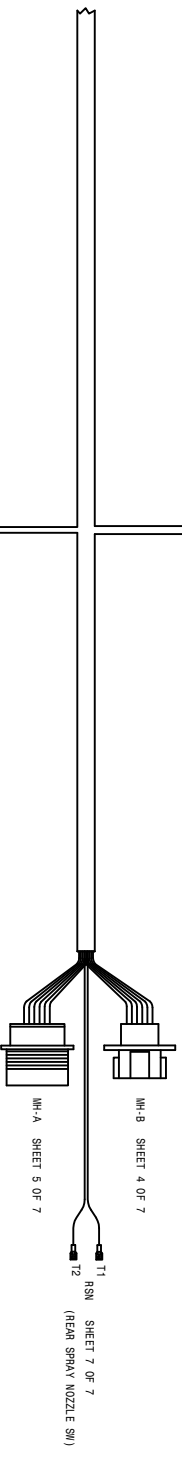
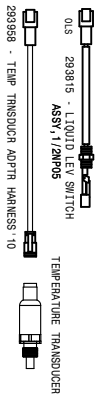
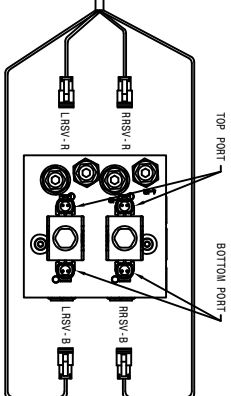
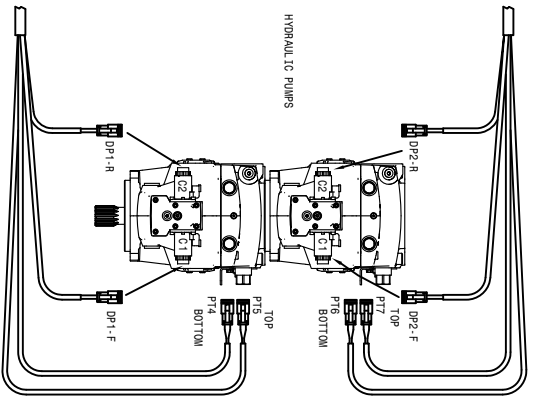
LH TURN SIGNAL
LH TAIL LIGHT

STS-16-13 WIRING DIAGRAM '13
SHEET 4 OF 7
REVISION DATE:
499260
12/20/11
DWT

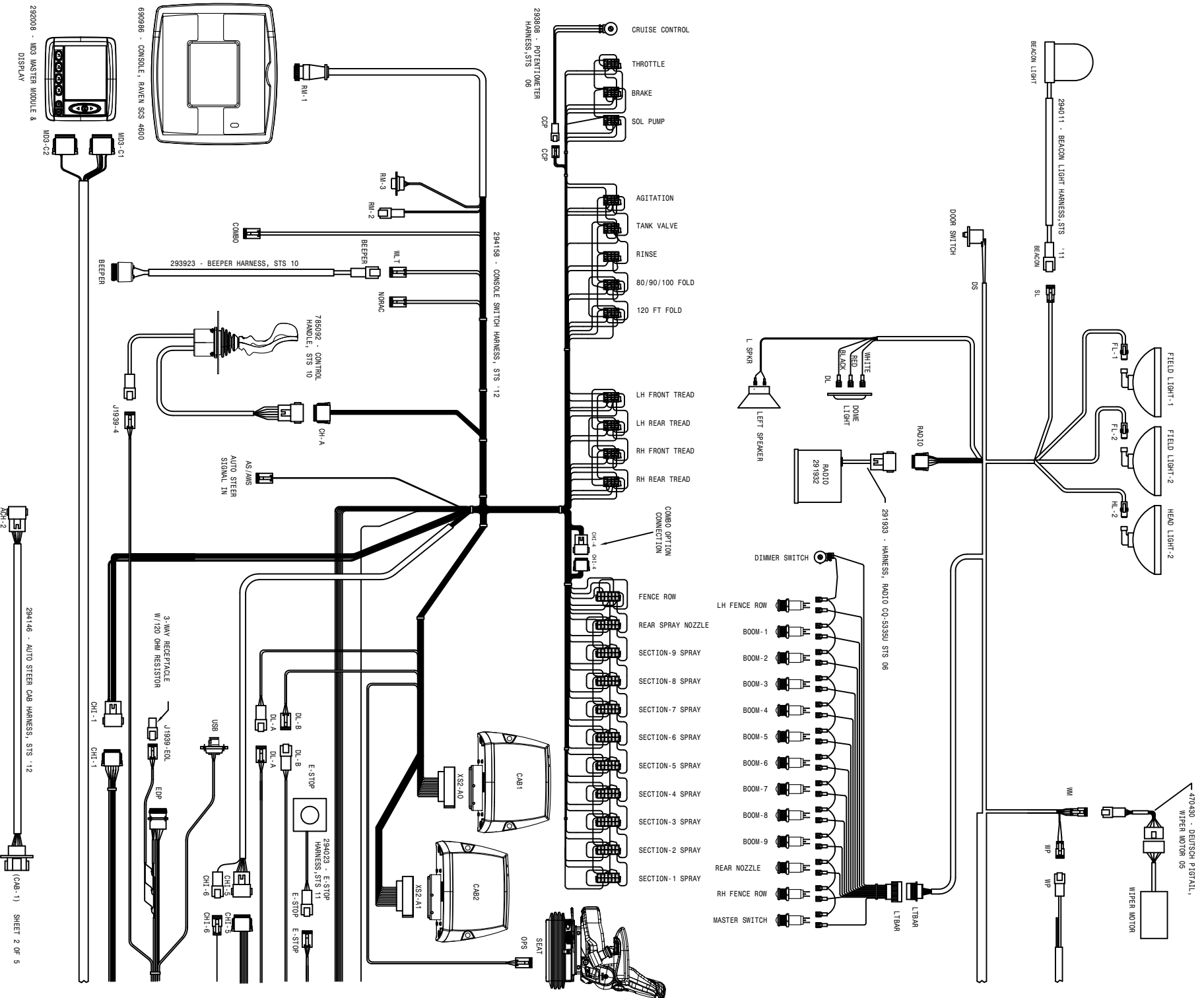


SHEET 2 OF 5

RBD-1



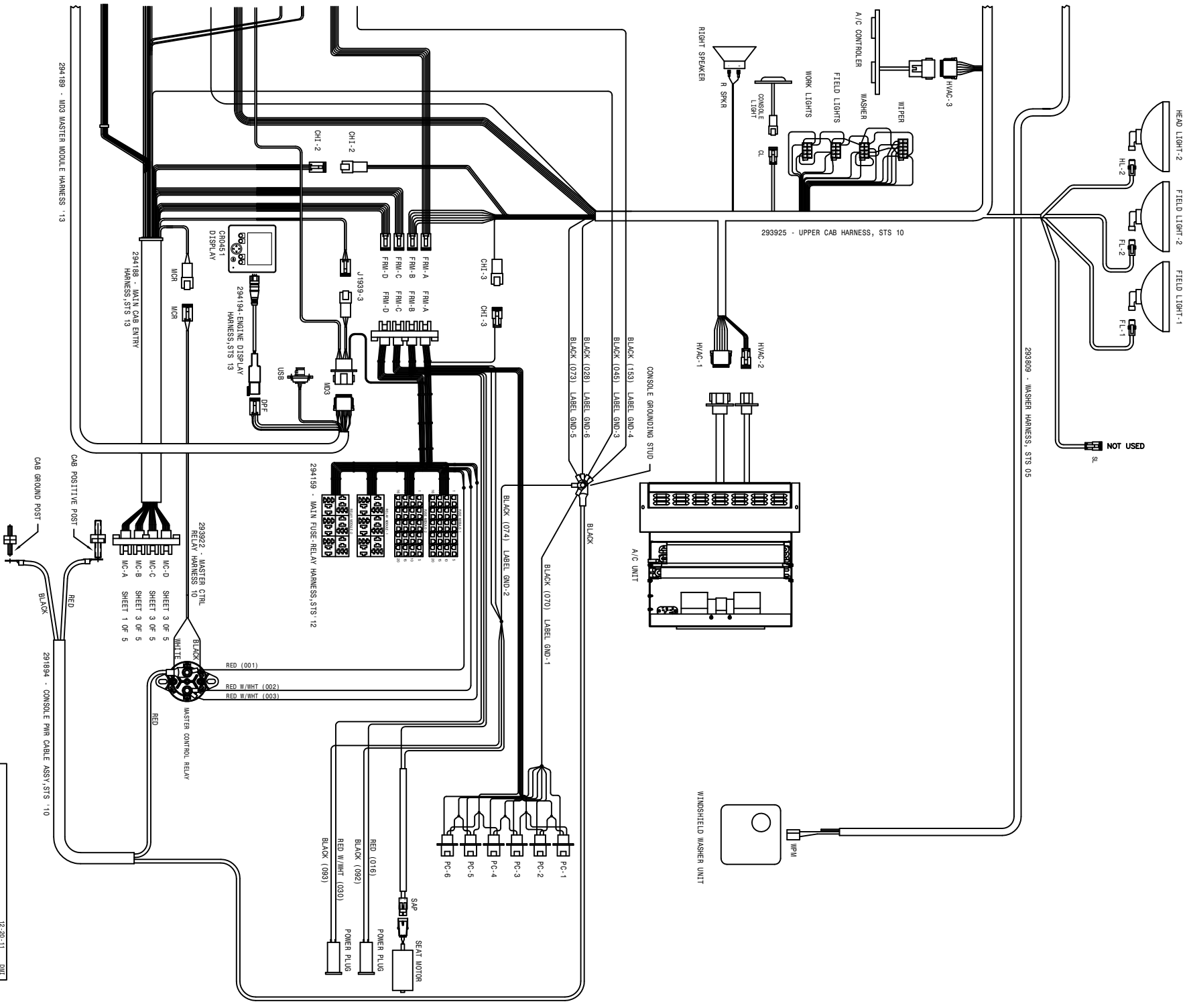
12-28-11 DWT
STS 16 T3 WIRING DIAGRAM 13
 SHEET 6 OF 7
 REVISION DATE: 3/19/12
499260



292008 - MD3 MASTER MODULE & DISPLAY

294148 - AUTO STEER CAB HARNESS, STS 112

(CAB-1) SHEET 2 OF 5



294189 - M03 MASTER MODULE HARNESS '13

294188 - MAIN CAB ENTRY HARNESS STS 13

294194-ENGINE DISPLAY HARNESS STS 13

294159 - MAIN FUSE-RELAY HARNESS,STS 12

293922 - MASTER CTRL RELAY HARNESS '10

294188 - MAIN CAB ENTRY HARNESS STS 13

MC-D SHEET 3 OF 5

MC-C SHEET 3 OF 5

MC-B SHEET 3 OF 5

MC-A SHEET 1 OF 5

CAB POSITIVE POST

CAB GROUND POST

291894 - CONSOLE PIN CABLE ASSY, STS 110

STS 16 T3 WIRING DIAGRAM '13

SHEET 7 OF 7

REVISION DATE:

499260

12-20-11 DUC

ABBREVIATIONS

A/C - AIR CONDITIONER	MT - MOUNT
ADPTR - ADAPTER	MTR - MOTOR
AGI - AGITATOR	P/N - PART NUMBER
ALT - ALTERNATOR	PLT - PLATE
ASSY - ASSEMBLY	QTY - QUANTITY
BRKT - BRACKET	RED - REDUCER
DET - DETAIL	REF - REFERENCE
DISPL - DISPLACEMENT	REST - RESTRICTOR
EL - ELBOW	REQ - REQUIRED
EXT - EXTENSION	SHFT - SHAFT
FLO - FLOW	SOL - SOLUTION
FNPT - FEMALE NATIONAL PIPE THREAD	STRG - STEERING
FOR - FEMALE O-RING	ST - STREET
FRT - FRONT	SV - STANDARD VOLUME
HV - HI-VOLUME	SWIV - SWIVEL
HYD - HYDRAULIC	UNC - UNIFIED NATIONAL COURSE
HYDRO - HYDROSTATIC	UNF - UNIFIED NATIONAL FINE
LG - LONG	V - VOLT
LWR - LOWER	W/ - WITH
MJIC - MALE J.I.C.	WHL - WHEEL
MOR - MALE O-RING	WLD - WELDMENT

INDEX

-A-

ABBREVIATIONS.....122
 AIR DRYER.....9
 AIR CLEANER.....9
 FILTER.....9
 AIR COMPRESSOR GOVERNOR.....4
 AIR CONDITIONER
 BINARY SWITCH.....9
 COMPRESSOR.....4
 CONDENSOR COIL.....64
 CONTROLLER.....46
 HOSE.....4, 9
 RECEIVER/DRYER.....9
 TUBE.....29
 AIR COOLER, CHARGE.....7
 AIR PRESSURE GAUGE.....35
 AIRRIDE SPRING.....16, 18, 20, 22
 AIR LINE DIAGRAM.....94
 AIR VALVE.....16, 18, 20, 22
 ALTERNATOR.....5
 ARM, STEERING.....16, 18, 20, 22

-B-

BACK-UP BEEPER.....64
 BALL VALVE.....66
 ELECTRIC.....59
 BATTERY.....14
 CABLE.....5, 14
 BOX PANEL.....14
 SWITCH.....14
 BEARING,
 LEG.....16, 18, 20, 22, 24
 BELT,
 AIR CONDITIONER.....4
 DRIVE.....5
 BLOCK, TERMINAL.....58
 BOOM,
 CRADLE.....80, 81
 INDICATOR LIGHT.....46
 SWITCH.....55
 BOX,
 ELECTRICAL.....61
 PRESSURE WASHER.....84
 SIDE FILL.....88
 BRACE, RADIATOR.....4, 5
 BUMPER, REAR.....64

-C-

CAB.....44, 45
 ROOF.....44, 45
 CABLE BATTERY.....5, 14
 CAP,
 FUEL.....13
 RADIATOR.....7
 CHARGE AIR COOLER.....7
 CHEMICAL INDUCTOR.....89
 COMPRESSOR, A/C.....4
 CONDENSOR COIL, A/C.....64
 CONSOLE.....56
 COOLER, OIL.....7, 12
 CRADLE, BOOM.....80, 81
 CYLINDER,
 GAS.....38
 LADDER.....37
 SIDE FILL.....89
 STEERING.....16, 18
 TREAD ADJUST.....24, 25

-D-

DECALS.....96, 97
 DIAGRAMS,
 AIR.....94
 WIRING.....108
 DOOR.....52, 53
 LATCH.....52, 53, 64, 65
 DRAIN COCK, AIR.....41, 42
 DRIVE
 BELT.....4
 DISK.....5

-E-

ELECTRIC BALL VALVE.....67
 ELECTRICAL BOX.....61
 ENGINE.....60
 ENGINE.....4, 5
 HOOD.....64, 65
 SKID.....4, 5
 EXHAUST PIPE.....9

-F-

FAN.....7
 CONTROL VALVE.....10
 MOTOR.....7

FENDER.....91, 92
 FILTER,
 AIR CLEANER.....9
 CAB.....41
 FUEL.....4
 HYDRAULIC.....11
 MINDER.....82
 OIL.....5, 11
 FLASHER.....28, 60, 64
 FOAMER
 TANK.....82
 VALVE.....82
 FRESH WATER.....82
 FRONT FILL.....90
 FUEL,
 CAP.....13
 SENDER.....13
 TANK.....13

-G-

GLASS.....44, 45

-H-

HANDRAIL.....38
 HEADLINER.....46
 HEATER TUBE.....29
 HOOD, ENGINE.....64, 65
 HOSE, A/C.....4, 9
 HOSING,
 SOLUTION.....70, 71, 72, 73, 74
 HUB, TORQUE.....17, 19, 21, 23
 HYDRAULIC,
 FILTER.....11
 LEVER.....57
 MANIFOLD.....30, 31, 32
 SCHEMATIC.....98
 TANK.....11
 TUBE.....28, 29
 VALVE.....36
 HYDROSTATIC PUMP.....6

-I-

IGNITION SWITCH.....51
 INDICATOR LIGHT, BOOM.....92

-L-

LADDER.....37
 CYLINDER.....37
 PIVOT ARM.....37

LEG.....16, 18, 20, 22
 LEVER,
 HYDROSTATIC.....57
 QUICK ATTACH.....35, 79
 LIGHT.....28, 44, 45, 80, 81
 LINE STRAINER.....66, 67
 LIQUID LEVEL SWITCH.....11
 LS MANIFOLD.....33

-M-

MDM DISPLAY.....46
 MIRROR.....44, 45
 MONITOR, SPRAYER.....54
 MOTOR,
 FAN.....7
 STEERING.....50
 WHEEL.....17, 19, 21, 23
 MOUNT, RUBBER.....4, 45
 MUFFLER.....9

-N-

NOZZLE,
 REAR WHEEL.....76

-O-

OIL COOLER.....7, 12
 OIL FILTER.....5, 11

-P-

PANEL,
 BATTERY BOX.....14
 SWITCH.....55
 PLATFORM, SERVICE.....38
 PRESSURE WASHER.....85
 BOX.....84
 PUMP,
 HYDRAULIC.....6
 HYDROSTATIC.....6
 SIDE FILL.....89
 SOLUTION.....77, 78

-R-

RADIATOR.....7
 BRACE.....4, 5
 CAP.....8
 HOSE.....7
 RADIO.....46
 REAR WHEEL NOZZLE.....76
 RINSE TANK.....66

RUBBER

MOUNT.....4, 7, 45
SPRING.....16, 18, 20, 22

-S-

SCHEMATIC, HYDRAULIC.....98
SEAT.....47, 48
SENDER, FUEL.....13
SENDER, WATER LEVEL.....8
SEVICE PLATFORM.....38
SHEET METAL.....65
SHIELD, WHEEL MOTOR...17, 19, 21, 23
SIDFILL.....89
BOX.....88
CYLINDER.....89
SIGHT GAUGE, OIL.....11
SKID, ENGINE.....4, 5
SMV SIGN.....64
SOLUTION
HOSING.....70, 71, 72, 73
PUMP.....77, 78
TANK.....67
VALVE.....34
SPEAKER.....46
SPRAY MONITOR.....54
SPRING,
AIRRIDE.....16, 18, 20, 22
SOLUTION TANK.....67
STARTER.....5
STEERING,
ARM.....16, 18, 20, 22
COLUMN.....51
CYLINDER.....16, 18
MOTOR.....50
STRAINER, LINE.....66
SURGE TANK.....8
SWITCH,
A/C BINARY.....9
BATTERY.....14
IGNITION.....51
LIQUID LEVEL.....15
PANEL.....55

-T-

TAILLIGHT.....64
TANK
AIR.....40
FOAMER.....82
FRESHWATER.....82
FUEL.....13
HYDRAULIC.....11
RINSE.....66
SOLUTION.....67
SURGE.....8
TERMINAL BLOCK.....58
TIRE.....15

TOOLBAR.....39
TORQUE HUB.....17, 19, 21, 23
TREAD ADJUST
CYLINDER.....24, 25
VALVE.....27, 28

TUBE,

A/C.....29
HEATER.....29
HYDRAULIC.....28, 29

-V-

VALVE,

AIR.....16, 18, 20, 22
BALL.....67
ELECTRIC BALL.....66, 77
FAN CONTROL.....10
FOAMER.....82
HYDRAULIC.....10
SOLUTION.....34
TREAD ADJUST.....27, 28

-W-

WASHER, PRESSURE.....85
WATER LEVEL SENSOR.....8
WHEELMOTOR.....17, 19, 21, 23
SHIELD.....17, 19, 21, 23
WIRING DIAGRAM.....108

Notes:

