

# STS 12



## PARTS MANUAL FOR HAGIE STS 12

### HAGIE MANUFACTURING COMPANY

721 CENTRAL AVENUE WEST  
BOX 273  
CLARION, IOWA 50525-0273

COVERS MACHINE SERIAL NUMBERS: U16111515001-200

09-14 493602  
02-15, 05-15  
02-16, 03-17, 01-18

To obtain the most current parts manual for your machine,  
please visit [www.hagie.com](http://www.hagie.com).

© 2014-18 Hagie Manufacturing Company. Clarion, Iowa USA

The Hagie logo features the word "HAGIE" in a bold, italicized, black font with a white outline. Above the letter "I" is a red circle with a white outline, resembling a stylized sun or a drop. The logo is set against a background of horizontal stripes in red, yellow, and black.

## SPRAYER IDENTIFICATION

Each Hagie sprayer is identified by means of a frame serial number. This serial number denotes the model, the year in which it was built, and the number of the sprayer. As for further identification, the engine has a serial number and the planetary hubs have an identification plate that describe the type of mount and gear ratio. To ensure prompt, efficient service when ordering parts or requesting service repairs from your local John Deere dealer, record the serial and identification numbers in the spaces provided below.

**NOTE:** Reference to left hand and right hand used throughout this manual refers to the position when seated in the operator's seat facing forward.

*This manual is not intended to be a complete guide for machine maintenance and repairs. If you are not properly trained to perform service on this machine, contact your local John Deere dealer for assistance. Improper maintenance or repair may result in property damage, personal injury, or death.*

SPRAYER SERIAL NUMBER

\_\_\_\_\_

ENGINE SERIAL NUMBER

\_\_\_\_\_

### FILTER QUICK REFERENCE

<u>QTY</u>	<u>P/N</u>	<u>DESCRIPTION</u>
1	605657	HYD OIL FILTER, CHARGE PUMP
1	605659	HYD TANK OIL FILTER
1	605663	CASE DRAIN OIL FILTER
1	605661	STEERING MOTOR OIL FILTER
1	605666	FAN MOTOR OIL FILTER
1	657557	CAB PRECLEANER AIR FILTER
1	657559	CAB PAPER FILTER
1	657558	CAB CHARCOAL FILTER
<u>T3 ENGINE</u>		
1	317491	ENGINE AIR FILTER, PRIMARY
1	317492	ENGINE AIR FILTER, SECONDARY
1	316372	ENGINE OIL FILTER T3,T4I,T4F
1	316684	FUEL/WATER SEPERATOR T3
1	316683	FUEL FILTER, PRIMARY ENG T3

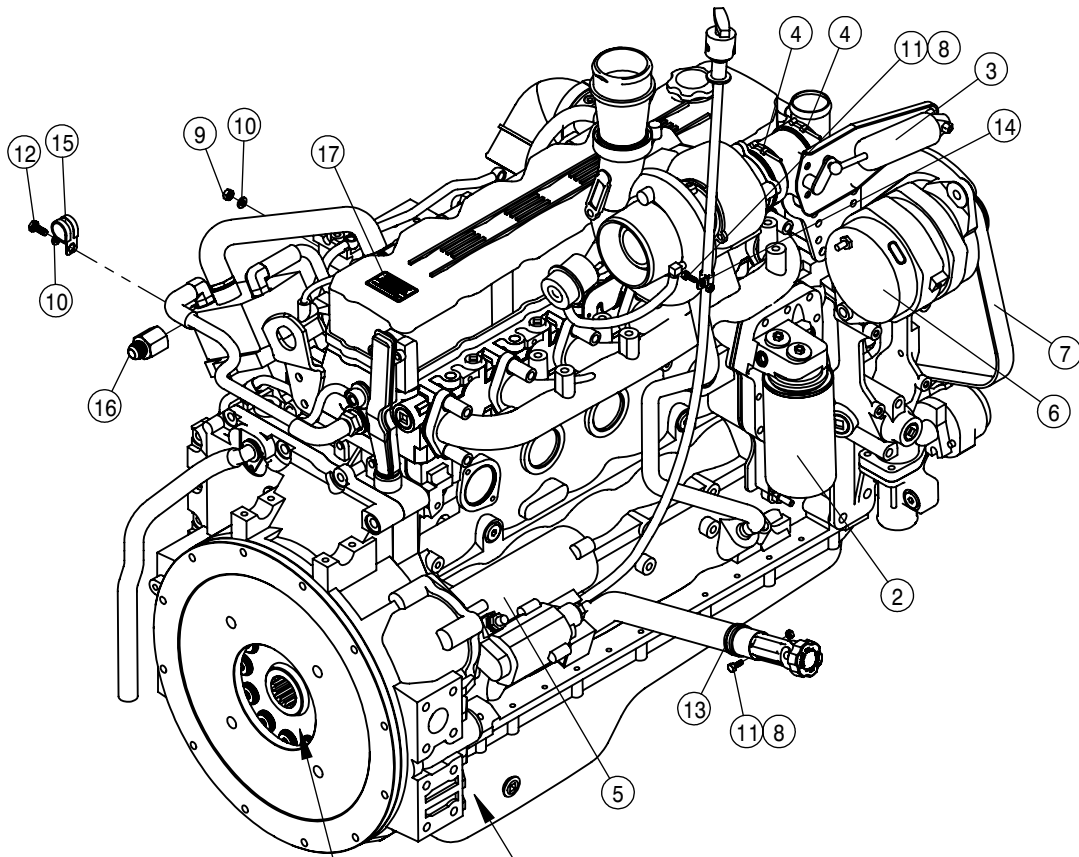
### TRANSLATED DECAL KITS

<u>QTY</u>	<u>P/N</u>	<u>DESCRIPTION</u>
1	KDC500HUN	DECAL KIT, STS HUNGARY
1	KDC501MEX	DECAL KIT, STS MEXICO
1	KDC502UKR	DECAL KIT, STS UKRAINE
1	KDC511CHN	DECAL KIT, STS CHINESE
1	KDC512RMA	DECAL KIT, STS ROMANIAN

<u>T4F ENGINE</u>		
<u>QTY</u>	<u>P/N</u>	<u>DESCRIPTION</u>
1	317491	ENGINE AIR FILTER, PRIMARY
1	317492	ENGINE AIR FILTER, SECONDARY
1	316372	ENGINE OIL FILTER T3,T4I,T4F
1	317400	FUEL/WATER SEPERATOR T4F
1	317399	PRIMARY FUEL FILTER T4I,T4F

# TABLE OF CONTENTS

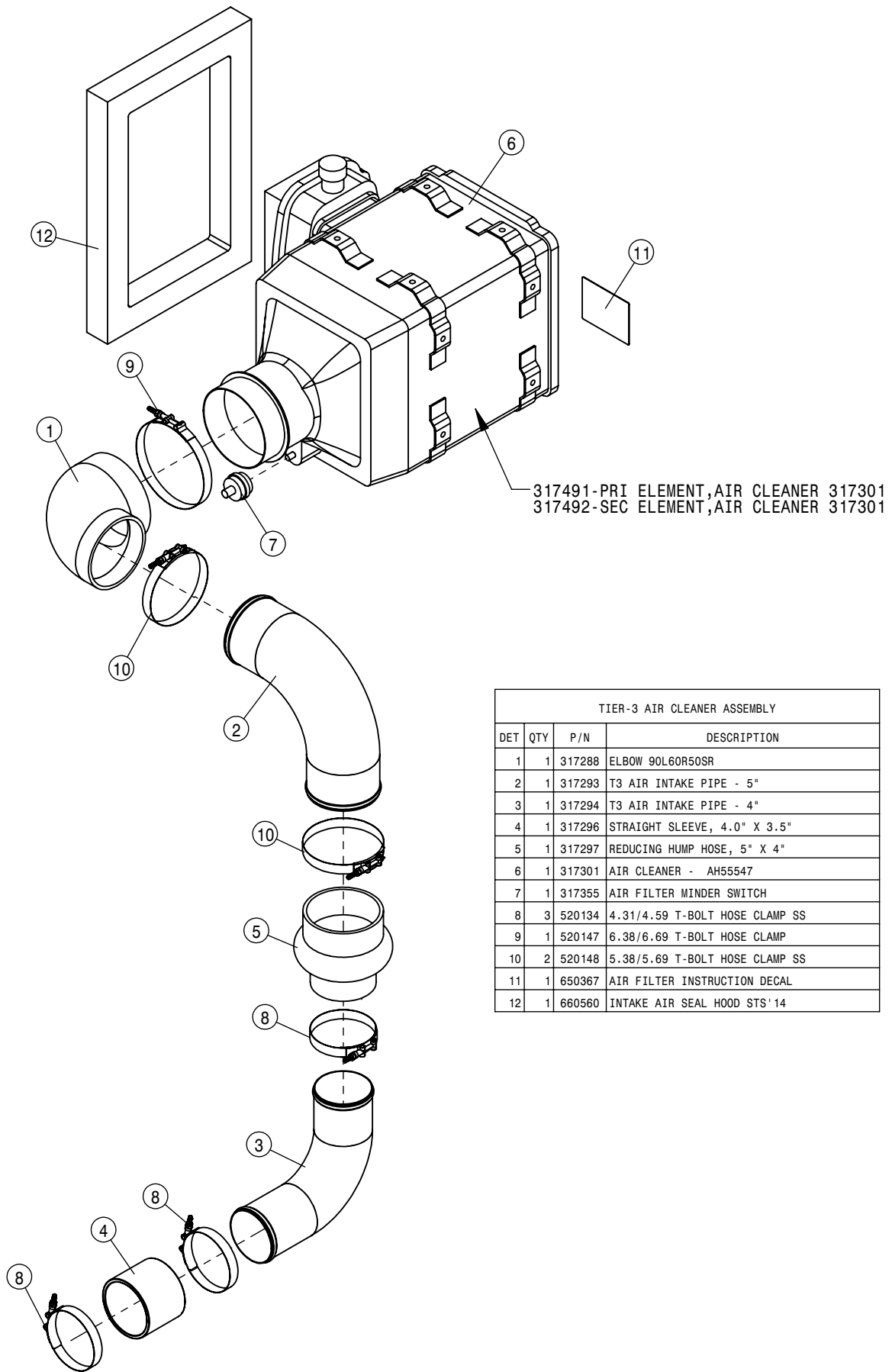
ENGINE ASSEMBLY T3 .....	4-9
ENGINE ASSEMBLY T4F .....	10-16
CHASSIS ELECTRICAL .....	17
A/C AND HEATER LINES .....	18-21
HYDRAULIC HOISING .....	22-27
HYDRAULIC PUMP ASSEMBLY .....	28-29
WHEEL MOTOR ASSEMBLY .....	30-31
COMBO AUX OIL COOLER ASSEMBLY .....	32
HYDRAULIC TANK ASSEMBLY .....	33
HYDRAULIC COMPONENTS .....	34-48
FUEL SYSTEM .....	49
LEG ASSEMBLIES .....	50-53
STEERING CYLINDER AND TIE ROD ASSEMBLY .....	54-58
TIRE ASSEMBLY .....	59
AIR BAG AND AIR SYSTEM .....	60-63
TREAD ADJUST ASSEMBLY .....	64-69
CAB ASSEMBLY .....	70-87
COMBO OPTION CONTROL BOX .....	88
TOOLBOX OPTION .....	89
QUICK ATTACH .....	90
BULKHEAD AND BELLY PAN .....	91-92
ENGINE HOOD .....	93
BACK-UP CAMERA .....	94
SERVICE PLATFORM AND LADDER .....	95-96
SOLUTION SYSTEM .....	97-103
FRONT FILL AND SIDE FILL OPTION .....	104-110
REAR FILL OPTION .....	111
REAR WHEEL NOZZLE OPTION .....	112-113
FILL FLOW METER .....	114
HAND WASH OPTION .....	115
FOAMER OPTION .....	116
FENDER OPTION .....	117-119
BOOM CRADLE OPTION .....	120-123
TALL CORN OPTION .....	124-131
WIRING DIAGRAM .....	132-133
INDEX .....	134



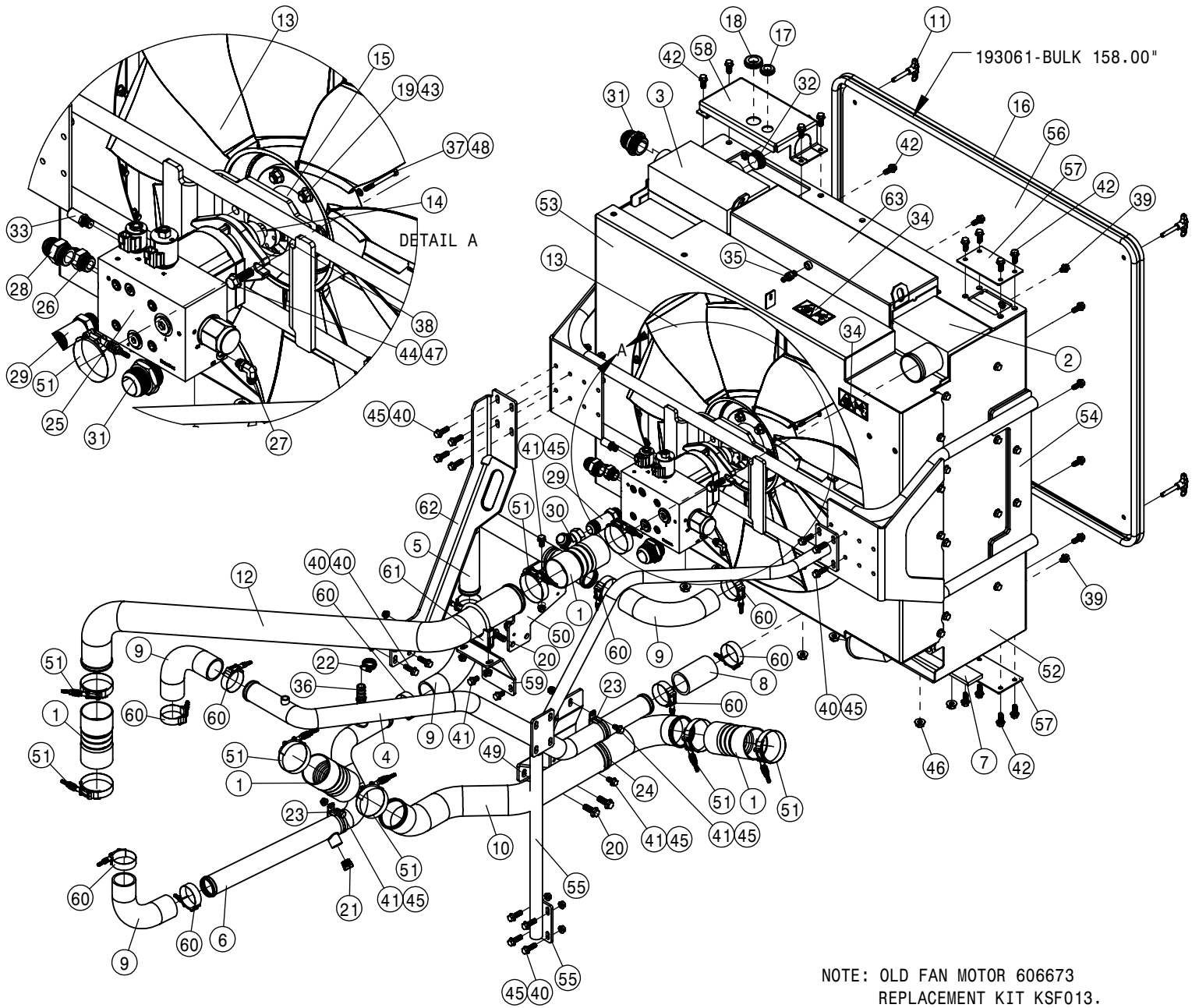
317285 - T3 275HP ENG-REPAIR CONFIG STS' 14

800513-PUMP DRIVE ASSY, STS' 14  
800514-DRIVE PLATE, STS' 14

TIER-3 275 HP ENGINE ASSEMBLY			
DET	QTY	P/N	DESCRIPTION
NS	1	294224	ENGINE HARNESS T3, 14
	1	316372	ENGINE OIL FILTER
	1	316644	EXHAUST BRAKE
	2	316646	V-CLAMP, EXHAUST BRAKE,CUMMINS
	1	317299	STARTER - DENSO PA90L
	1	317300	ALTERNATOR - DELCO 200 AMP
	1	317304	DRIVE BELT - 3289716
	2	473767	6MM-1.00 HEX NUT
	1	473778	8MM-1.25 HEX NUT
	2	473804	8MM LOCK WASHER
	2	473826	6MM-1.00 X 16MM HEX BOLT GR8
	1	473827	8MM-1.25 X 20MM HEX BOLT GR8
	1	520100	CUSH HOSE CLAMP,#24, 1 1/2D X 1/2W
	1	520118	CUSH CLAMP,#8 1/2D X 1/2W
	1	520121	CUSH CLAMP,#16 1IN X 3/4W
	1	618518	1 1/16FJIC-7/8MJIC ADPTR
	1	650461	DECAL,MCO REQUIREMENTS,275 HP



TIER-3 AIR CLEANER ASSEMBLY			
DET	QTY	P/N	DESCRIPTION
1	1	317288	ELBOW 90L60R50SR
2	1	317293	T3 AIR INTAKE PIPE - 5"
3	1	317294	T3 AIR INTAKE PIPE - 4"
4	1	317296	STRAIGHT SLEEVE, 4.0" X 3.5"
5	1	317297	REDUCING HUMP HOSE, 5" X 4"
6	1	317301	AIR CLEANER - AH55547
7	1	317355	AIR FILTER MINDER SWITCH
8	3	520134	4.31/4.59 T-BOLT HOSE CLAMP SS
9	1	520147	6.38/6.69 T-BOLT HOSE CLAMP
10	2	520148	5.38/5.69 T-BOLT HOSE CLAMP SS
11	1	650367	AIR FILTER INSTRUCTION DECAL
12	1	660560	INTAKE AIR SEAL HOOD STS' 14

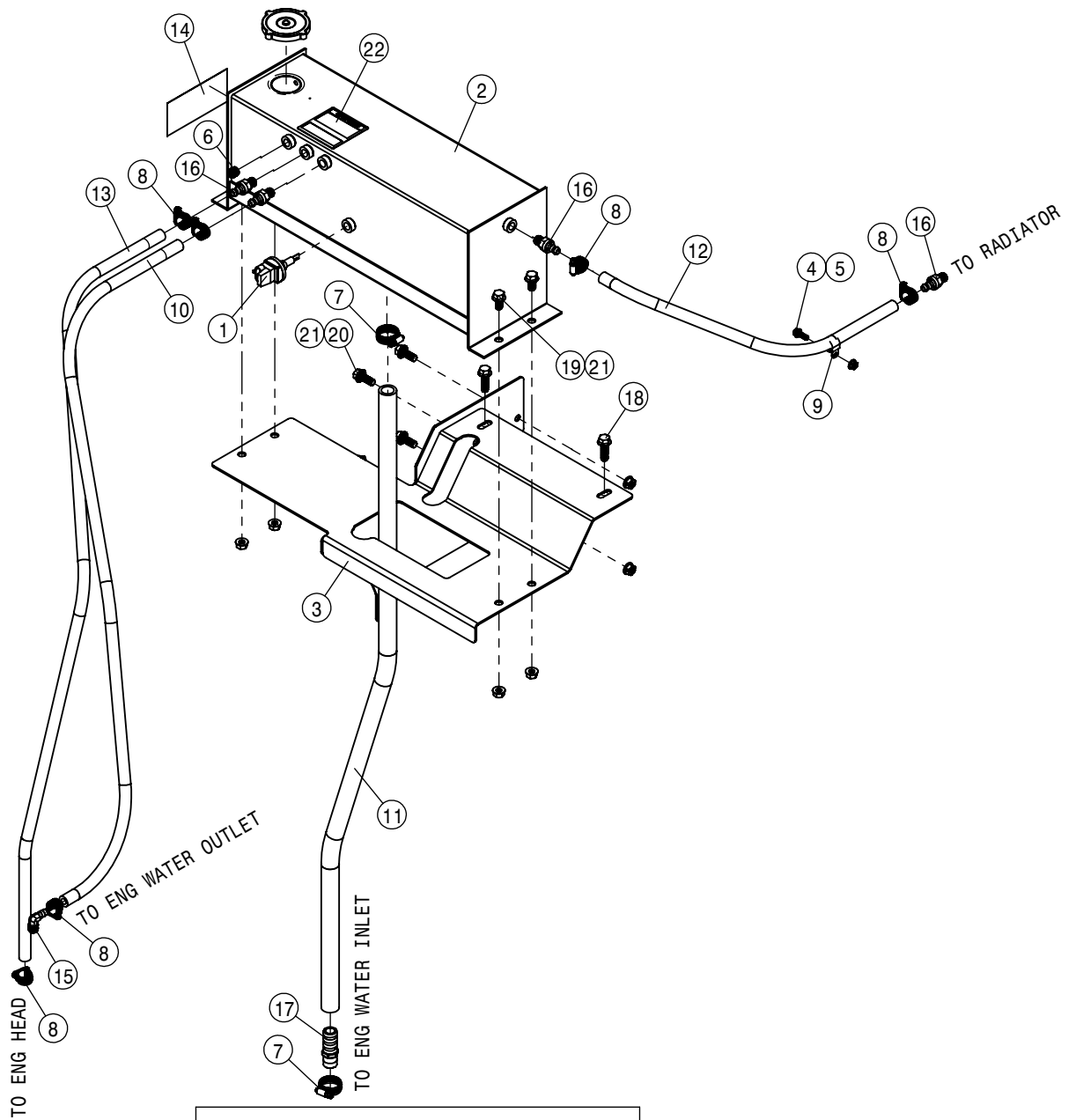


NOTE: OLD FAN MOTOR 606673  
REPLACEMENT KIT KSF013.

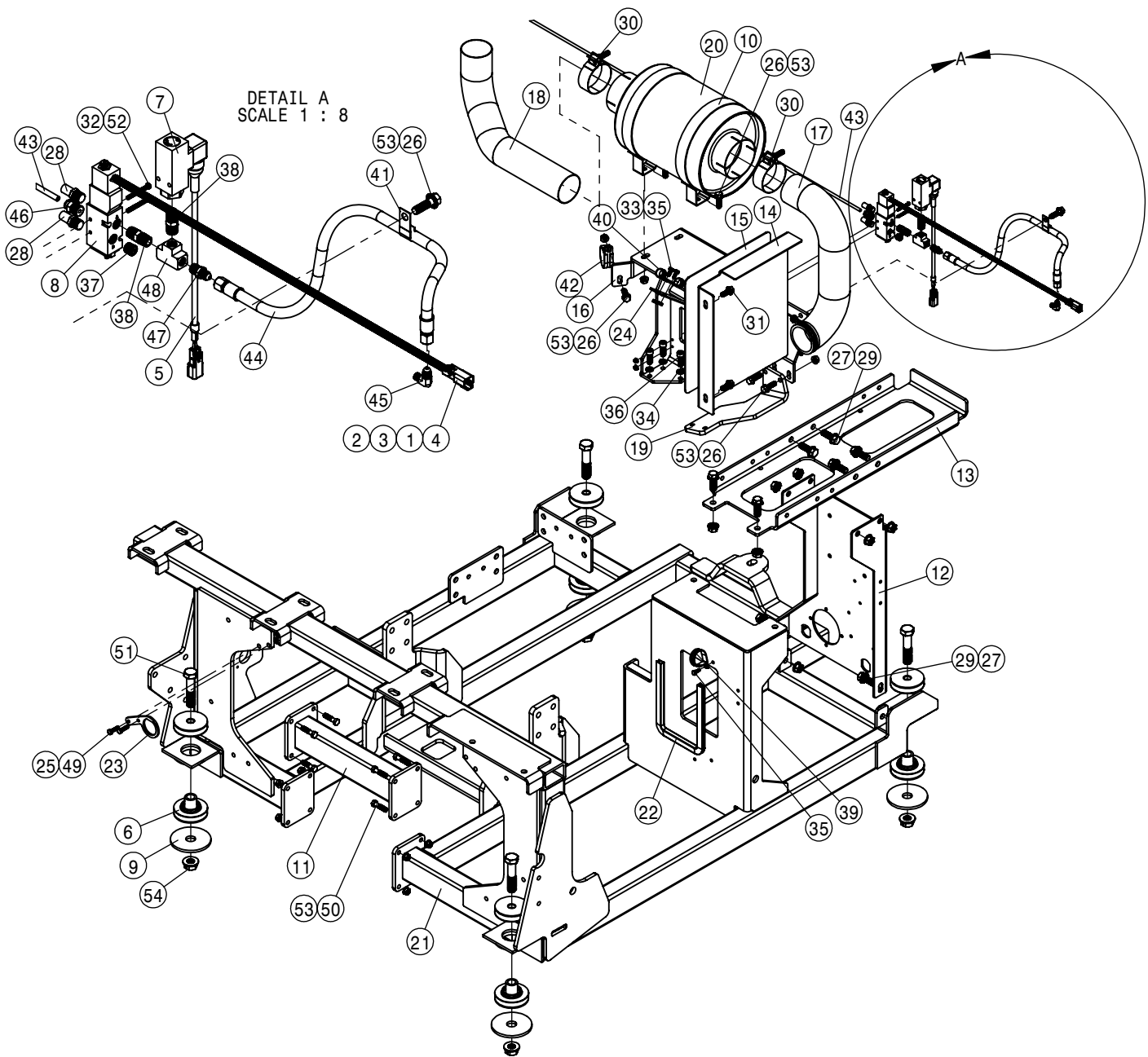
TIER-3 RADIATOR ASSEMBLY			
DET	QTY	P/N	DESCRIPTION
1	4	311592	3.00 X 6.00 CAC HOSE
2	1	317170	CHARGE AIR COOLER STS'14
3	1	317171	HYD OIL COOLER STS'14
4	1	317199	PIPE - WATER OUTLET TO RAD
5	1	317200	PIPE - RAD TO WATER INLET 1
6	1	317201	PIPE - RAD TO WATER INLET 2
7	1	317202	COOLING PACKAGE ISOLATOR
8	1	317203	COOLANT HOSE
9	4	317204	COOLANT ELBOW
10	1	317292	PIPE - CAC TO INTAKE
11	4	317364	T-HANDLE QUICK PIN - 1.75" X 3/8 D
12	1	317389	PIPE - T3 CAC HOT SIDE
13	1	317535	32" ENGINE FAN
14	2	317536	SPLIT BUSHING ADAPTOR
15	1	317537	FAN HUB
16	1	344553	INTAKE SCREEN SEAL
17	1	470203	GROMMET, .750ID .125GW 1.062GD
18	1	470204	GROMMET, 1.000ID .125GW 1.375GD
19	6	470360N	1/2UNC SERR FLG HEX NUT YZ
20	4	473855	12MM-1.75 X 35MM SM FLG BOLT
21	1	505231	PIPE PLUG .50NPT HEX HD BRS

TIER-3 RADIATOR ASSEMBLY			
DET	QTY	P/N	DESCRIPTION
22	1	520055	HOSE CLAMP NO 12 STAINLESS
23	3	520161	CUSH CLAMP,#32 2"D-3/4W LOOP
24	1	520166	CUSH CLAMP, 3"D-3/4W LOOP
25	1	606544	35CC FAN MOTOR ASSY
26	1	611127	1 1/16MJIC-1 1/16MOR ADPTR
27	1	618119	9/16MJIC-90-9/16MOR LBO
28	1	618186	1 5/16MJIC-1 5/16MOR ADPTR
29	1	618610	1 5/16MJIC-1 5/16MOR LG ADPTR
30	1	618630	1 5/16MJ-45-1 5/16FJ SWIV LBO
31	2	618682	1 7/8MOR-1 7/8MJIC ADPTR
32	1	618759	1 5/8MOR PLUG, HEX SOCKET
33	1	619023	9/16 MOR DIAGNOSTIC FITTING
34	2	650434	DECAL, FAN BLADE WARNING
35	1	712100	1/4NPT X 3/8 HOSE FTG,PUSHLOCK
36	1	712440	1/2 NPT X 3/4 HOSE BARB
37	6	900009	1/4UNC X 2 3/4 HEX BOLT
38	3	900023	1/4UNC X 2 1/4 HEX BOLT
39	2	900126	3/8UNC X 1/2 SERR FLG BOLT YZ
40	20	900127N	3/8UNC X 1 1/4 SER FLANGE BOLT
41	6	900128N	3/8UNC X 3/4 SER FLANGE BOLT
42	51	900129N	3/8UNC X 1" SERR FLANGE BOLT

TIER-3 RADIATOR ASSEMBLY			
DET	QTY	P/N	DESCRIPTION
43	6	900264N	1/2UNC X 1 1/4 SER FLANGE BOLT
44	2	900265N	1/2UNC X 1 1/2 SERR FLANGE BOLT
45	45	910004N	3/8UNC FLANGE CNTR LOCK NUT
46	6	914008N	1/2UNC SMTH FLG CTR LCK NUT YZ
47	2	914015	1/2UNC HEX CENTER-LOCK NUT
48	6	920500	1/4 LOCK WASHER
49	1	317198	CAC / RAD PIPE SUPP
50	1	317331	HOSE PLATE
51	8	520146	3.06/3.38 T-BOLT HOSE CLAMP SS
52	1	317162	COOLING PKG FRAME WLD
53	1	317173	FAN SHROUD WLD
54	1	317181	FAN FRAME WLD
55	1	317194	RH COOLING PKG SUPP WLD
56	1	317337	INTAKE SCREEN WLD
57	2	317341	COOLING PKG FRAME COVER
58	1	317342	CONDENSOR ACCESS COVER
59	1	317206	CAC PIPE SUPP
60	10	520140	2.18/2.50 T-BOLT HOSE CLAMP SS
61	1	470160	MUFFLER CLAMP 3.00 IN
62	1	317390	SUPPORT BRACE COOLING PACK
63	1	317169	RADIATOR STS'14



TIER-3 SURGE TANK ASSEMBLY			
DET	QTY	P/N	DESCRIPTION
1	1	317157	SENSOR, LOW COOLANT T4I STS
2	1	317172	SURGE TANK
3	1	317185	SURGE TANK SUPPORT
4	1	470118	1/4 UNC X 3/4 SER FLG BOLT
5	1	470121	1/4 UNC SERR FLG LOCK NUT
6	1	501103	PIPE PLUG .25NPT SKT HD
7	2	520055	HOSE CLAMP NO 12 STAINLESS
8	6	520069	HOSE CLAMP NO 6 STAINLESS
9	1	520117	CUSH HOSE CLAMP,#10, 5/8D X 1/2W
10	1	601000	HOSE, 3/8 X 47 HEATER
11	1	601001	COOLANT FILL HOSE
12	1	601059	HOSE, 3/8 X 21 HEATER
13	1	601687	ENGINE BLOCK VENT HOSE
14	1	650462	DECAL,COOLING SYSTEM PROCEDURE
15	1	711104	1/4MNPT-90-3/8 HOSE BARB, BRS
16	4	712100	1/4NPT X 3/8 HOSE FTG,PUSHLOCK
17	1	712440	1/2 NPT X 3/4 HOSE BARB
18	2	900127N	3/8UNC X 1 1/4 SER FLANGE BOLT
19	4	900128N	3/8UNC X 3/4 SER FLANGE BOLT
20	4	900129N	3/8UNC X 1" SERR FLANGE BOLT
21	6	910004N	3/8UNC FLANGE CNTR LOCK NUT
22	1	650174	DECAL,CAUTION RADIATOR,STS 07



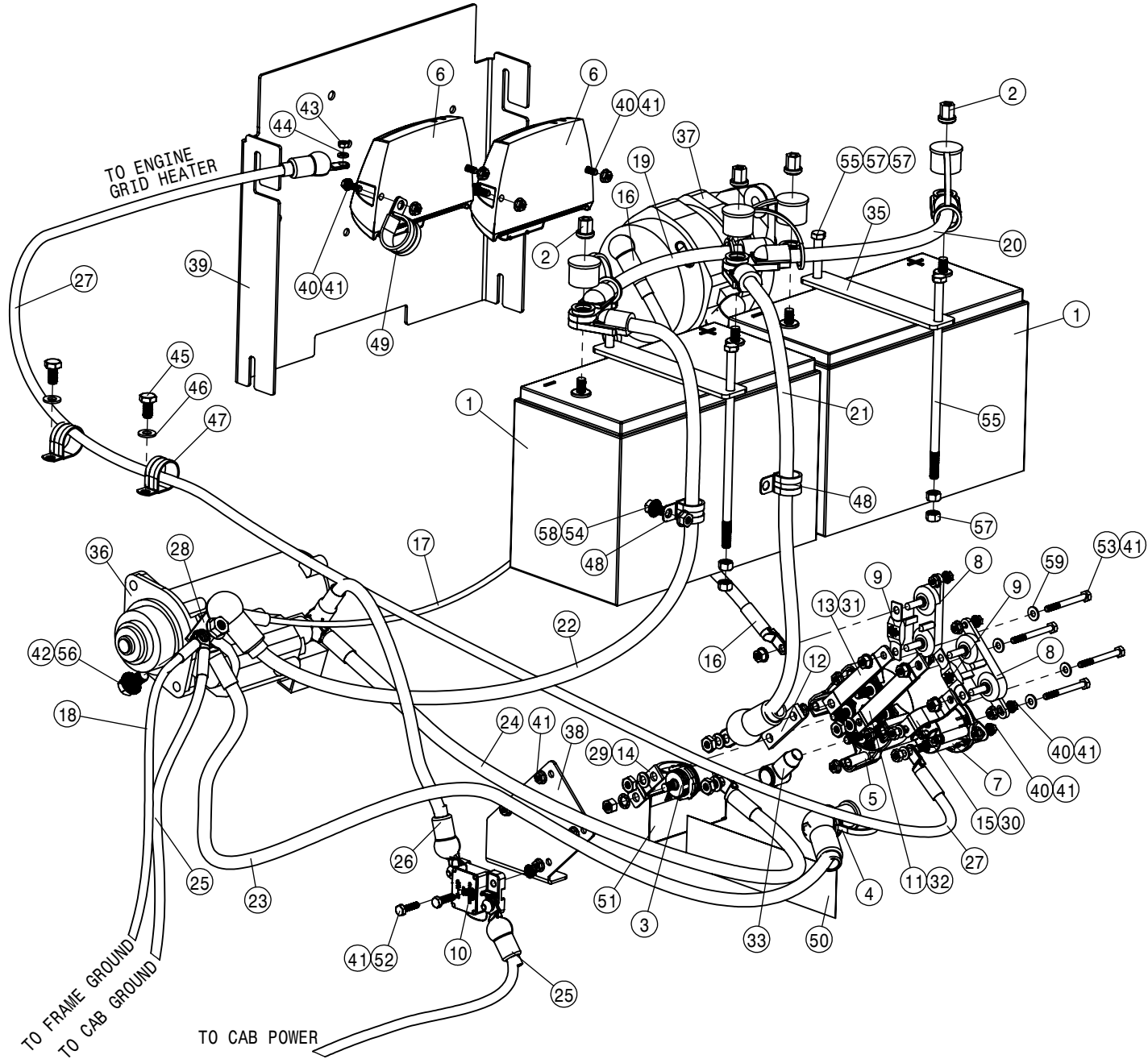
DETAIL A  
SCALE 1 : 8

TIER-3 ENGINE SKID AND EXHAUST ASSEMBLY			
DET	QTY	P/N	DESCRIPTION
1	2	192507	.25 ID WIRE FLEX GUARD
2	1	292100	DEUTSCH DT WEDGE LOCK, W2P
3	2	292109	DEUTSCH,S&F PIN,SZ16,16-14GA
4	1	292332	DEUTSCH RECEPTACLE, DT04-2PE004
5	1	293568	PRESS SWITCH HARNESS,STS16 05
6	4	311057	RUBBER MT SET,SSB33-1000-4
7	1	311083	PRESSURE SWITCH,80PSI,12VDC
8	1	311087	AIR VALVE,1/4FNPT,12VDC
9	4	311091	SNUBBING WASHER FOR 311090
10	2	317106	MUFFLER MNTG CLAMP
11	1	317248	FRAME SPACER WLD
12	1	317249	BATTERY STAND
13	1	317253	BATT MOUNT
14	1	317254	BATTERY HEAT SHIELD
15	1	317256	REFLECTIVE HEAT SHIELD
16	1	317281	T3 EXHAUST SUPPORT
17	1	317289	T3 TURBO EXHAUST PIPE
18	1	317290	T3 EXHAUST PIPE

TIER-3 ENGINE SKID AND EXHAUST ASSEMBLY			
DET	QTY	P/N	DESCRIPTION
19	1	317295	T3 EXHAUST MOUNT PLATE
20	1	317307	RESONATOR, EXHAUST
21	1	317310	ENGINE SKID FRAME
22	1	317352	QUICKEDGE TRIM, C/L 19.5"
23	1	317368	WIRE HARNESS BLKHD
24	1	317379	T3 VENT HOSE BRACKET
25	2	470121	1/4 UNC SERR FLG LOCK NUT
26	8	470329	3/8UNC X 1 1/4 SERR FLG HEX BOLT
27	8	470360	1/2UNC SERR FLG HEX NUT
28	2	470402	1/4MNPT MUFFLER
29	8	470431	1/2UNC X 1 1/2 SERR FLG BOLT
30	2	470458	MUFFLER CLAMP, 3.00 ACCUSEAL
31	2	470460	3/8 X 1" SERR FLG BOLT
32	2	470463	8-32 SERR FLANGE NUT
33	3	473767	6MM-1.00 HEX NUT
34	3	473798	10MM LOCK WASHER
35	3	473826	6MM-1.00 X 16MM HEX BOLT GR8
36	3	473844	10MM-1.50 X 30 SOC HD CAP SCR

TIER-3 ENGINE SKID AND EXHAUST ASSEMBLY			
DET	QTY	P/N	DESCRIPTION
37	1	501103	PIPE PLUG .25NPT SKT HD
38	2	502707	PIPE NIPPLE,1/4NPT HEX, BRS
39	1	520100	CUSH HOSE CLAMP,#24, 1 1/2D X 1/2W
40	2	520104	CUSH HOSE CLMP,#12, 3/4D x 1/2W
41	1	520128	CUSH J-CLIP,#9, 9/16D X 3/4W
42	1	520161	CUSH CLAMP,#32 2"D-3/4W LOOP
43	1	601671	HOSE, 1/4 X 145 AIR
44	1	611352	04-213-04FJX-04FJX-25 H/A
45	1	618447	7/16MJIC-90-1/8MNPT LBO
46	1	711049	1/4 NYL TUBE-1/4MNPT FTG
47	1	711057	7/16MJIC-1/4MNPT ADPTR BRS
48	1	711060	1/4 UNION TEE BRS
49	2	900003	1/4UNC x 3/4 HEX BOLT
50	8	900131	3/8UNC X 1 1/2 HEX BOLT
51	4	900408	3/4UNC X 3 1/2 HEX BOLT
52	2	903855	8-32 X 1 1/2 PHIL PAN HD SCR
53	16	910004N	3/8UNC FLANGE CNTR LOCK NUT
54	4	914012N	3/4UNC CNTLCK SM FLG HEX NUT

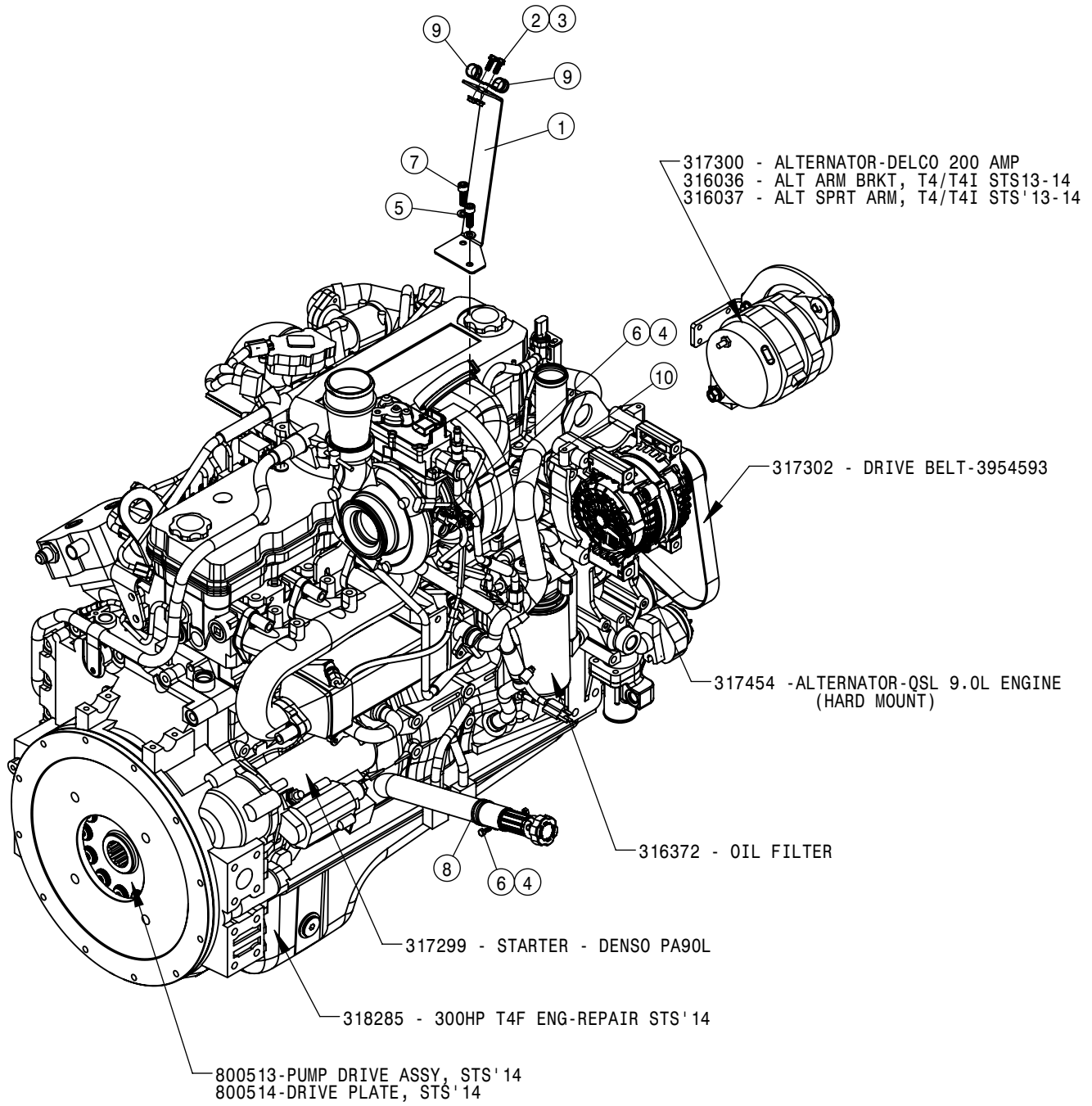




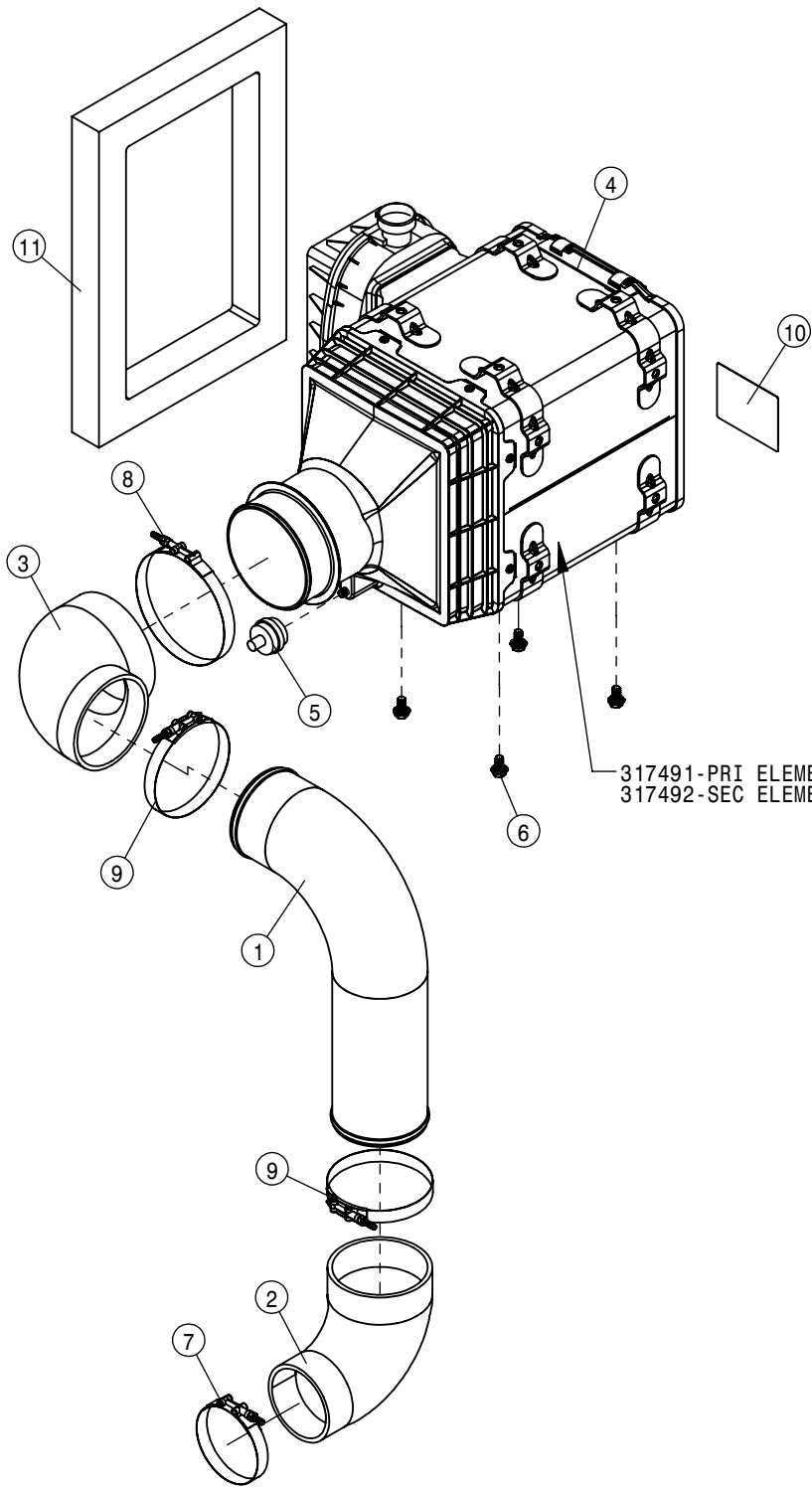
TIER-3 BATTERY AND CABLE ASSEMBLY			
DET	QTY	P/N	DESCRIPTION
1	2	291196	BATTERY, 12V 900CCA, SS STUD
2	4	291205	BATTERY NUT, 3/8-16 SS CLSD CAP
3	1	291680	POSITIVE JUMPER STUD, RED
4	1	291681	NEGATIVE JUMPER STUD, BLACK
5	1	291957	BATTERY SWITCH, DUAL CIRCUIT
6	2	292016	IQAN-XA2 MODULE
7	1	292505	MCR
8	2	292578	HIGH AMP FUSE HOLDER W/COVER
9	2	292641	FUSE, 250 AMP 32 VOLT DC
10	1	292642	CIRCUIT BREAKER, 150 AMP BUSS
11	1	292651	BUSBAR, MD TO GRID HEAT FUSE
12	1	292652	BUSBAR, MASTER DISC. JUMPER
13	1	292653	BUSBAR, MD TO ALT. FUSE
14	1	292654	BUSBAR, POST TO MD
15	1	292655	BUSBAR, MCR TO FUSE
16	1	292656	BATT CABLE, RED 20" 1/0 5/16-5/16
17	1	292657	BATT CABLE, BLK 35" 2GA 1/2-1/4
18	1	292658	BATT CABLE, BLK 75" 2GA 3/8-1/2
19	1	292659	BATT CABLE, BLK 16" 2/0 3/8-3/8
20	1	292660	BATT CABLE, RED 18" 2/0 3/8-3/8

TIER-3 BATTERY AND CABLE ASSEMBLY			
DET	QTY	P/N	DESCRIPTION
21	1	292661	BATT CABLE, RED 34" 2/0 3/8-3/8
22	1	292662	BATT CABLE, BLK 47" 2/0 3/8-1/2
23	1	292664	BATT CABLE, BLK 45" 2/0 1/2-3/8
24	1	292665	BATT CABLE, RED 42" 2/0 1/2-3/8
25	1	292668	CAB PWR, GND CABLE ASY
26	1	292669	BATT CABLE, RED 21" 1/0 1/2-1/4
27	1	292670	BATT CABLE, RED 94" 2GA 1/4-5/16
28	1	292671	BUSBAR, GND EXT
29	1	292673	HEAT SHRINK, RED .75 X .03 X 1 1/2"
30	1	292674	HEAT SHRINK, RED .75 X .03 X 2 1/2"
31	1	292675	HEAT SHRINK, RED .75 X .03 X 3 1/2"
32	1	292676	HEAT SHRINK, RED .75 X .03 X 4 1/2"
33	1	292677	RUBBER BOOT (RED) 2 TO 2/0 GAUGE
NS	1	294062	SOL PUMP DIODE TO RELAY ADAPTR
35	2	316470	BATTERY TIE-DOWN
36	1	317299	STARTER - DENSO PA90L
37	1	317300	ALTERNATOR - DELCO 200 AMP
38	1	317345	MST DISC. COVER
39	1	362037	MODULE BOX REMOVABLE COVER
40	10	470118	1/4 UNC X 3/4 SER FLG BOLT

TIER-3 BATTERY AND CABLE ASSEMBLY			
DET	QTY	P/N	DESCRIPTION
41	20	470121	1/4 UNC SERR FLG LOCK NUT
42	1	470360	1/2UNC SERR FLG HEX NUT
43	1	473767	6MM-1.00 HEX NUT
44	1	473768	6MM LOCK WASHER
45	2	473793	10MM-1.50 X 20MM HEX BOLT GR8
46	2	473799	10MM FLAT WASHER
47	2	520108	CUSH HOSE CLAMP, #20, 1 1/4 X 3/4W
48	3	520121	CUSH CLAMP, #16 1IN X 3/4W
49	1	520160	CUSH CLAMP, #24 1 1/2D-3/4WLOOP
50	1	650295	IMPORTANT/ NEG/ POS DECAL
51	1	650296	CAUTION DECAL
52	2	900003	1/4UNC X 3/4 HEX BOLT
53	4	900008N	1/4UNC X 2 1/2 HEX BOLT SS
54	1	900128N	3/8UNC X 3/4 SER FLANGE BOLT
55	4	900150	3/8UNC X 9 1/2 HEX BOLT
56	1	900263N	1/2UNC X 1" SER FLANGE BOLT
57	8	910004	3/8UNC HEX NUT
58	1	910004N	3/8UNC FLANGE CNTR LOCK NUT
59	4	920000N	1/4 SAE FLAT WASHER SS

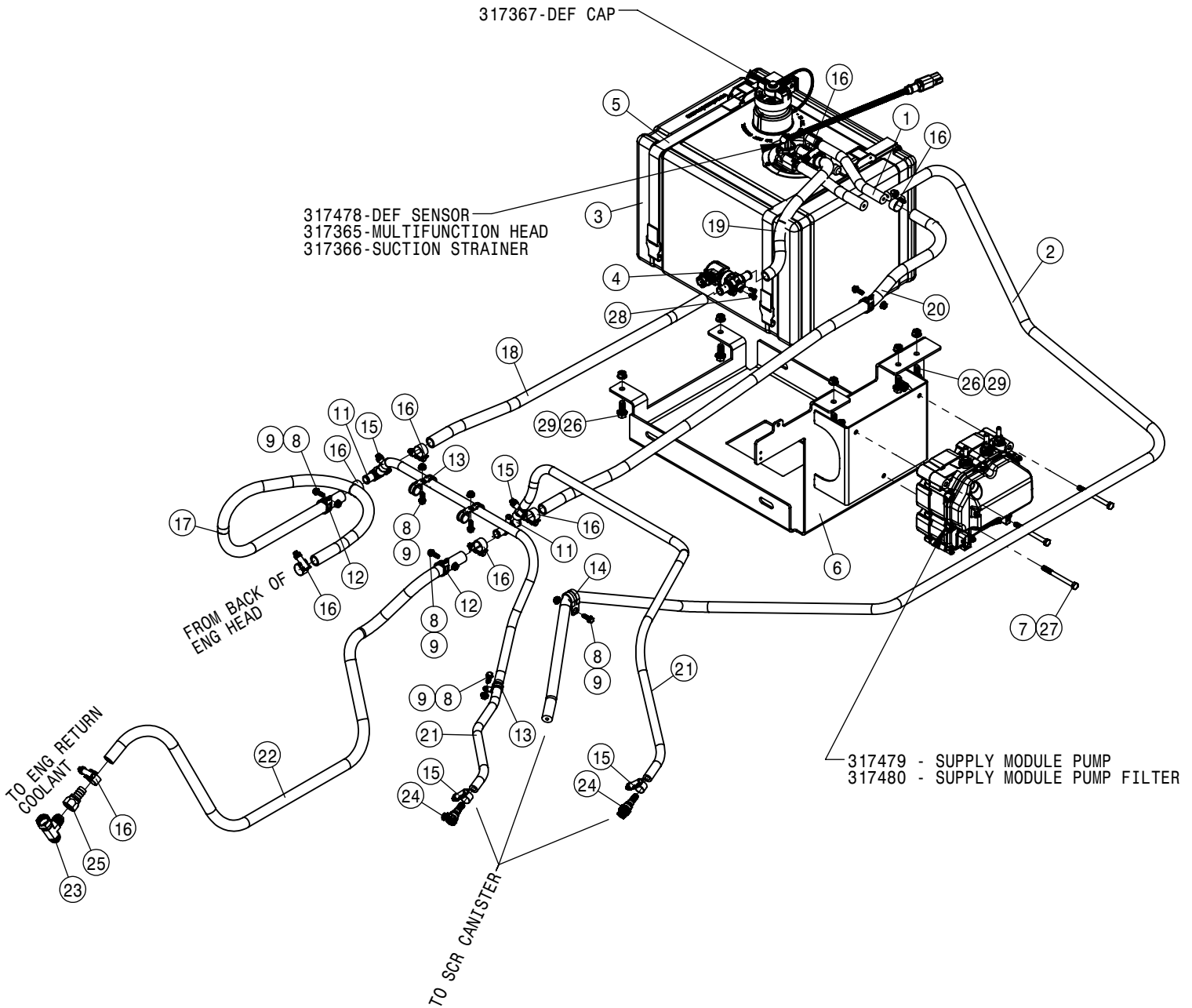


TIER-4F 300 HP ENGINE ASSEMBLY			
DET	QTY	P/N	DESCRIPTION
1	1	317380	T4I/T4F VENT HOSE BRACKET
2	2	470118	1/4 UNC X 3/4 SER FLG BOLT
3	2	470121	1/4 UNC SERR FLG LOCK NUT
4	2	473767	6MM-1.00 HEX NUT
5	2	473798	10MM LOCK WASHER
6	2	473826	6MM-1.00 X 16MM HEX BOLT GR8
7	2	473844	10MM-1.50 X 30 SOC HD CAP SCR
8	1	520100	CUSH HOSE CLAMP,#24, 1 1/2D X 1/2W
9	2	520104	CUSH HOSE CLMP,#12, 3/4D x 1/2W
10	1	520118	CUSH CLAMP,#8 1/2D X 1/2W



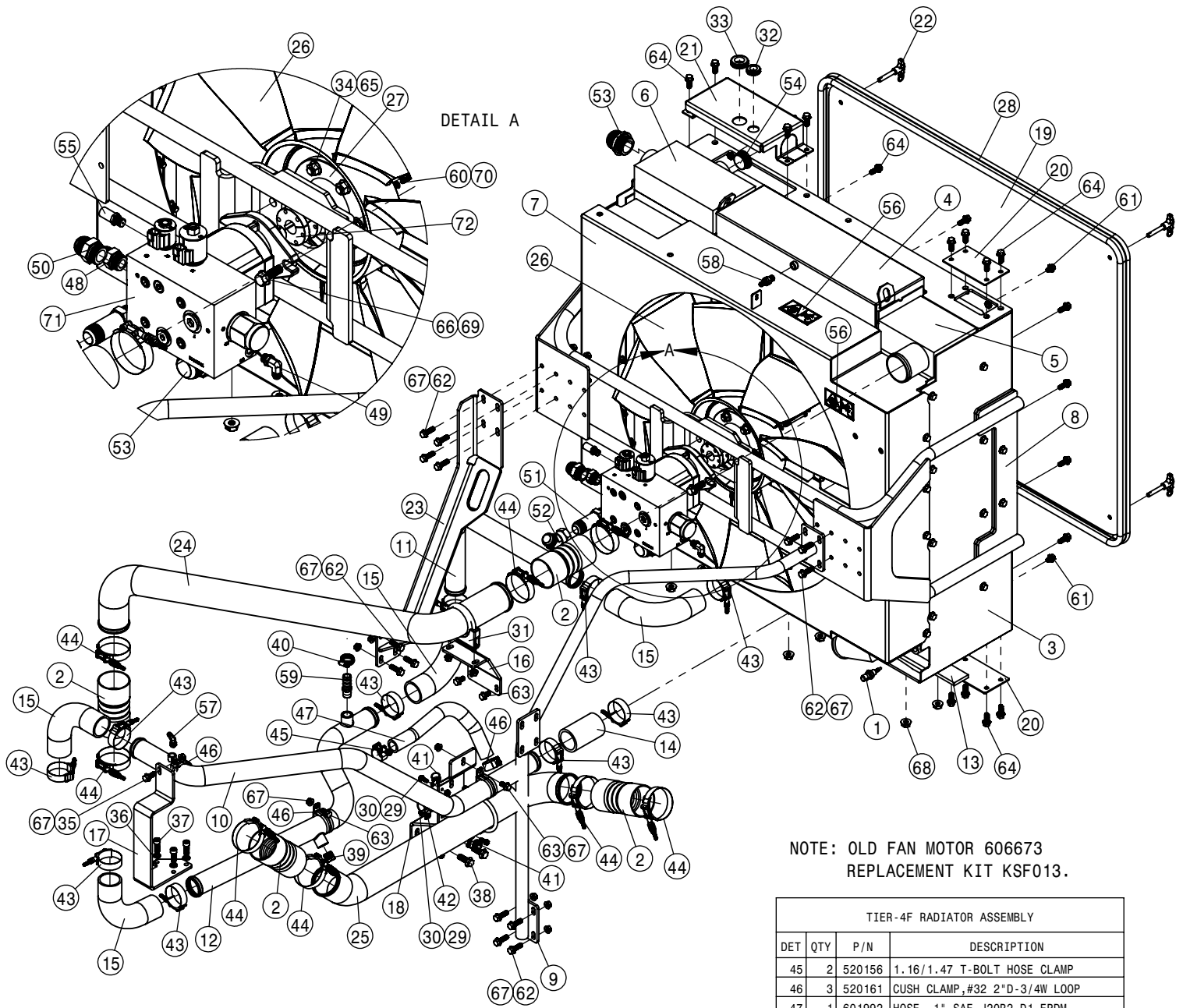
317491-PRI ELEMENT, AIR CLEANER 317301  
 317492-SEC ELEMENT, AIR CLEANER 317301

TIER-4F AIR CLEANER ASSEMBLY			
DET	QTY	P/N	DESCRIPTION
1	1	317267	AIR INTAKE PIPE
2	1	317287	ELBOW, 90 DEG 5"-4" (90L50R40)
3	1	317288	ELBOW 90L60R50SR
4	1	317301	AIR CLEANER - AH55547
5	1	317355	AIR FILTER MINDER SWITCH
6	4	473875	10MM-1.5 X 20MM FLG SER BLT YZ
7	1	520134	4.31/4.59 T-BOLT HOSE CLAMP SS
8	1	520147	6.38/6.69 T-BOLT HOSE CLAMP
9	2	520148	5.38/5.69 T-BOLT HOSE CLAMP SS
10	1	650367	AIR FILTER INSTRUCTION DECAL
11	1	660560	INTAKE AIR SEAL HOOD STS'14



TIER-4F DEF TANK ASSEMBLY			
DET	QTY	P/N	DESCRIPTION
1	2	317329	DEF SUCTION/THROTTLE HOSE ASSY
2	1	317330	DEF PRESSURE HOSE ASSY
3	1	317358	DEF TANK 10 GALLON
4	1	317359	COOLANT VALVE STS '14
5	2	317395	DEF TIE DOWN STRAP
6	1	343950	DEF TANK CRADLE ASM
7	3	470113	5/16UNC SERR FLG LOCK NUT
8	7	470118	1/4 UNC X 3/4 SER FLG BOLT
9	7	470121	1/4 UNC SERR FLG LOCK NUT
NS	5	490522	DEF FLUID 1 GAL
11	2	500285	3/8 x 5/8 x 5/8 MOLDED TEE
12	3	520101	CUSH HOSE CLAMP,#16, 1"D X 1/2W
13	5	520104	CUSH HOSE CLMP,#12, 3/4D X 1/2W
14	1	520121	CUSH CLAMP,#16 1IN X 3/4W
15	4	520168	CLAMP, CONSTANT TORQUE HOSE

TIER-4F DEF TANK ASSEMBLY			
DET	QTY	P/N	DESCRIPTION
16	10	520169	CLAMP, CONSTANT TORQUE HOSE
17	1	601039	HOSE, 5/8 X 39.4 HEATER
18	1	601040	DEF TANK SUPPLY HOSE 1
19	1	601041	DEF TANK SUPPLY HOSE 2
20	1	601042	DEF TANK RETURN HOSE
21	2	601051	HOSE, 3/8 X 46.00 HEATER
22	1	601052	HOSE, MAIN RETURN
23	1	618333	7/8FJIC SW RUN TEE-7/8MJIC
24	2	618880	3/8 J2044 QUICK CONNECT
25	1	711101	5/8 HOSE BARB-7/8FJX ADPTR,BRS
26	5	900129N	3/8UNC X 1" SERR FLANGE BOLT
27	3	900539	5/16UNC X 3 1/2 HEX BOLT
28	2	903706N	10-32X1/2 PHIL PAN MACH SCR BZ
29	5	910004N	3/8UNC FLANGE CNTR LOCK NUT

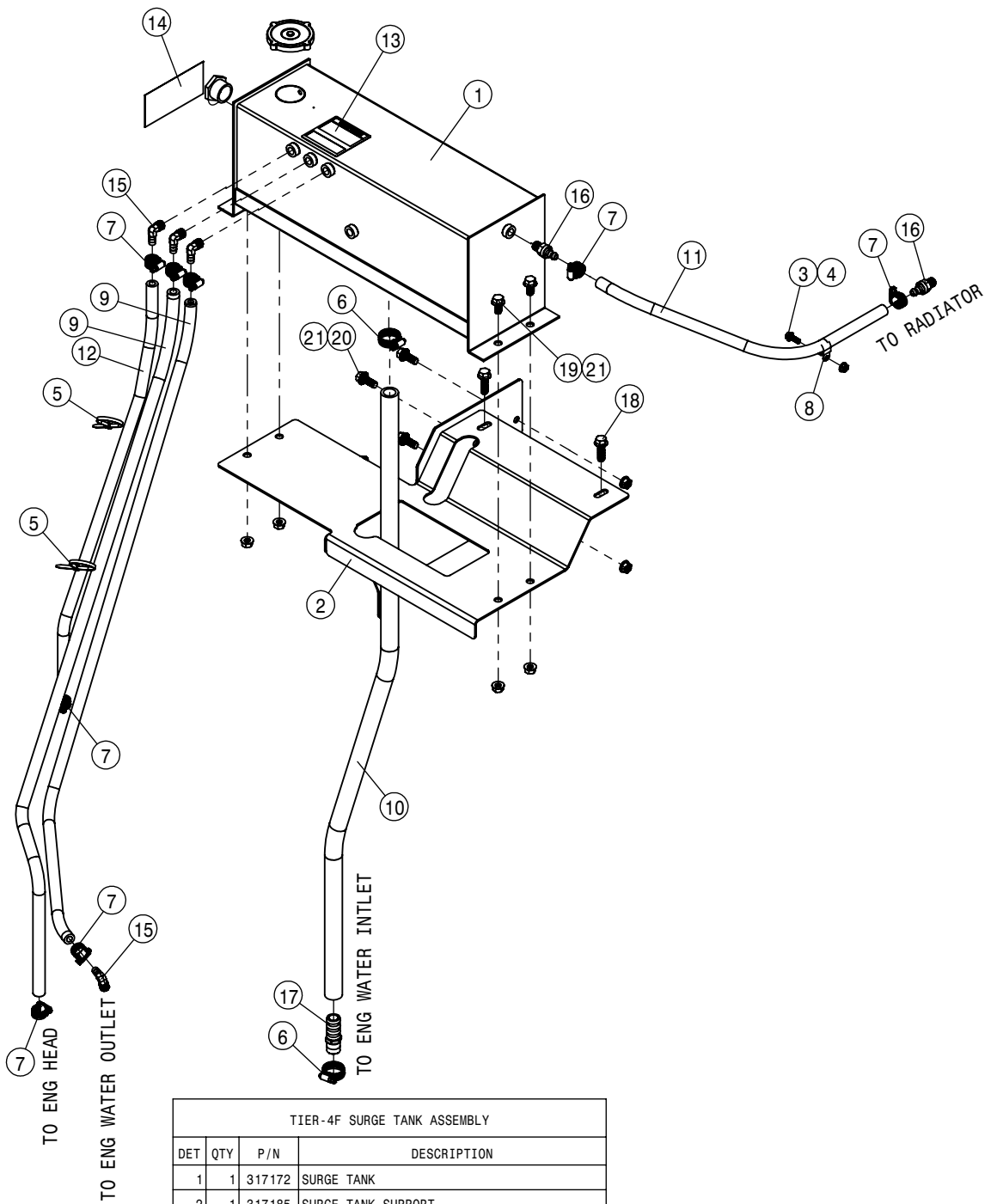


NOTE: OLD FAN MOTOR 606673  
REPLACEMENT KIT KSF013.

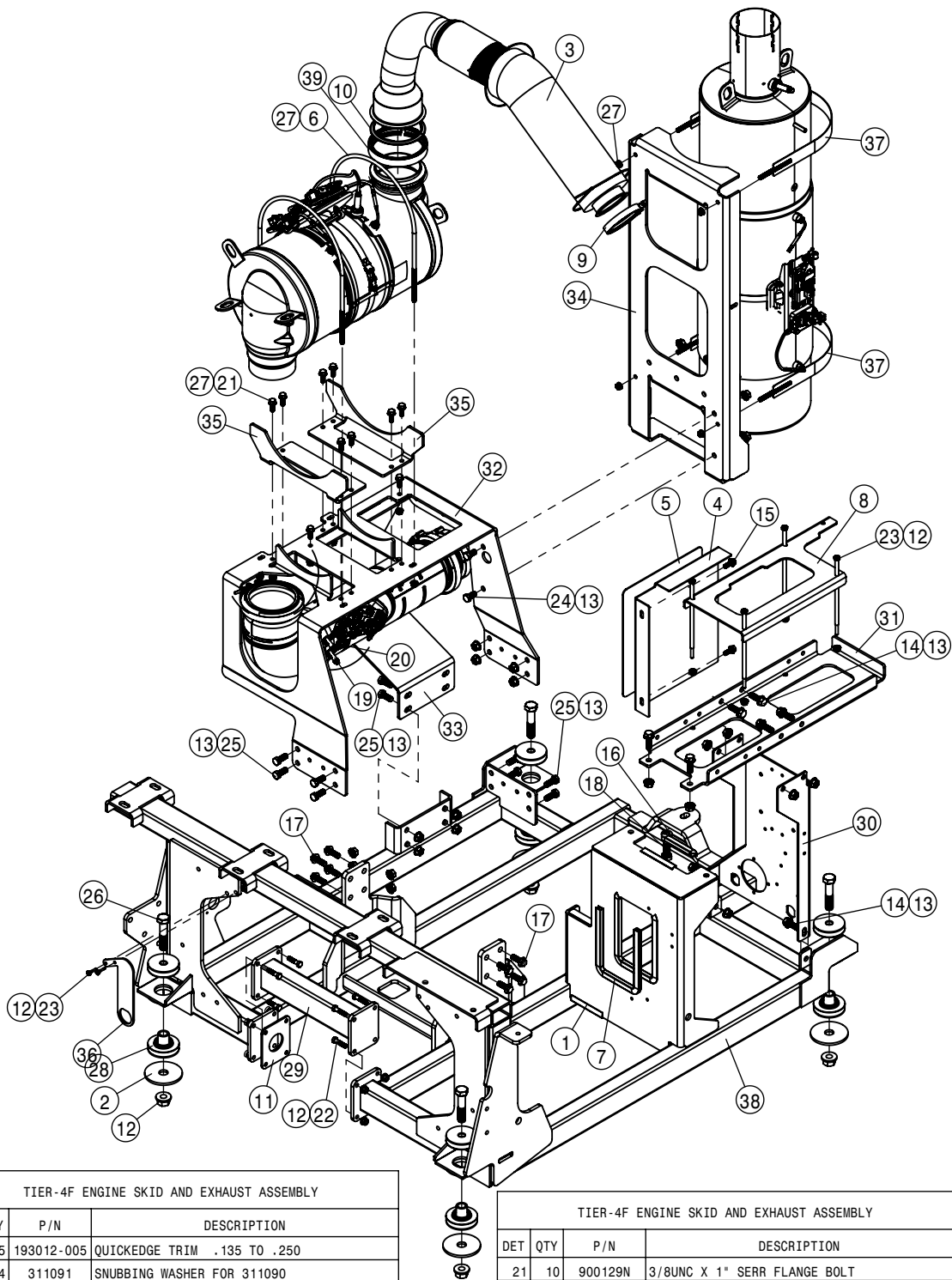
TIER-4F RADIATOR ASSEMBLY			
DET	QTY	P/N	DESCRIPTION
1	1	290098	TEMP SENDER - CAC
2	4	311592	3.00 X 6.00 CAC HOSE
3	1	317162	COOLING PKG FRAME WLD
4	1	317169	RADIATOR STS'14
5	1	317170	CHARGE AIR COOLER STS'14
6	1	317171	HYD OIL COOLER STS'14
7	1	317173	FAN SHROUD WLD
8	1	317181	FAN FRAME WLD
9	1	317194	RH COOLING PKG SUPP WLD
10	1	317199	PIPE - WATER OUTLET TO RAD
11	1	317200	PIPE - RAD TO WATER INLET 1
12	1	317201	PIPE - RAD TO WATER INLET 2
13	1	317202	COOLING PACKAGE ISOLATOR
14	1	317203	COOLANT HOSE
15	4	317204	COOLANT ELBOW
16	1	317206	CAC PIPE SUPP
17	1	317280	PIPE SUPP
18	1	317327	CAC / RAD PIPE SUPP
19	1	317337	INTAKE SCREEN WLD
20	2	317341	COOLING PKG FRAME COVER
21	1	317342	CONDENSOR ACCESS COVER
22	4	317364	T-HANDLE QUICK PIN - 1.75" X 3/8 D

TIER-4F RADIATOR ASSEMBLY			
DET	QTY	P/N	DESCRIPTION
23	1	317390	SUPPORT BRACE COOLING PACK
24	1	317392	PIPE T4F CAC HOT SIDE
25	1	317490	PIPE - CAC TO INTAKE
26	1	317535	32" ENGINE FAN
27	1	317537	FAN HUB
28	1	344553	INTAKE SCREEN SEAL
29	3	470118	1/4 UNC X 3/4 SER FLG BOLT
30	3	470121	1/4 UNC SERR FLG LOCK NUT
31	2	470160	MUFFLER CLAMP 3.00 IN
32	1	470203	GROMMET, .750ID .125GW 1.062GD
33	1	470204	GROMMET,1.000ID .125GW 1.375GD
34	6	470360N	1/2UNC SERR FLG HEX NUT YZ
35	1	470460	3/8 X 1" SERR FLG BOLT
36	3	473798	10MM LOCK WASHER
37	3	473844	10MM-1.50 X 30 SOC HD CAP SCR
38	2	473855	12MM-1.75 X 35MM SM FLG BOLT
39	1	505231	PIPE PLUG .50NPT HEX HD BRS
40	1	520055	HOSE CLAMP NO 12 STAINLESS
41	2	520104	CUSH HOSE CLMP,#12, 3/4D X 1/2W
42	1	520121	CUSH CLAMP,#16 1IN X 3/4W
43	10	520140	2.18/2.50 T-BOLT HOSE CLAMP SS
44	8	520146	3.06/3.38 T-BOLT HOSE CLAMP SS

TIER-4F RADIATOR ASSEMBLY			
DET	QTY	P/N	DESCRIPTION
45	2	520156	1.16/1.47 T-BOLT HOSE CLAMP
46	3	520161	CUSH CLAMP,#32 2"D-3/4W LOOP
47	1	601992	HOSE, 1" SAE J20R2-D1 EPDM
48	1	611127	1 1/16MJIC-1 1/16MOR ADPTR
49	1	618119	9/16MJIC-90-9/16MOR LBO
50	1	618186	1 5/16MJIC-1 5/16MOR ADPTR
51	1	618610	1 5/16MJIC-1 5/16MOR LG ADPTR
52	1	618630	1 5/16MJIC-45-1 5/16FJ SWIV LBO
53	2	618682	1 7/8MOR-1 7/8MJIC ADPTR
54	1	618759	1 5/8MOR PLUG, HEX SOCKET
55	1	619023	9/16 MOR DIAGNOSTIC FITTING
56	2	650434	DECAL, FAN BLADE WARNING
57	1	711104	1/4MNPT-90-3/8 HOSE BARB, BRS
58	1	712100	1/4NPT X 3/8 HOSE FTG,PUSHLOCK
59	1	712440	1/2 NPT X 3/4 HOSE BARB
60	6	900009	1/4UNC X 2 3/4 HEX BOLT
61	2	900126	3/8UNC X 1/2 SERR FLG BOLT YZ
62	20	900127N	3/8UNC X 1 1/4 SER FLANGE BOLT
63	4	900128N	3/8UNC X 3/4 SER FLANGE BOLT
64	51	900129N	3/8UNC X 1" SERR FLANGE BOLT
65	6	900264N	1/2UNC X 1 1/4 SER FLANGE BOLT
66	2	900265N	1/2UNC X 1 1/2 SERR FLANGE BOLT
67	45	910004N	3/8UNC FLANGE CNTR LOCK NUT
68	6	914008N	1/2UNC SMTH FLG CTR LCK NUT YZ
69	2	914015	1/2UNC HEX CENTER-LOCK NUT
70	6	920500	1/4 LOCK WASHER
71	1	606544	35CC FAN MOTOR ASSY
72	2	317536	SPLIT BUSHING ADAPTOR
73	3	900023	1/4UNC X 2 1/4 HEX BOLT

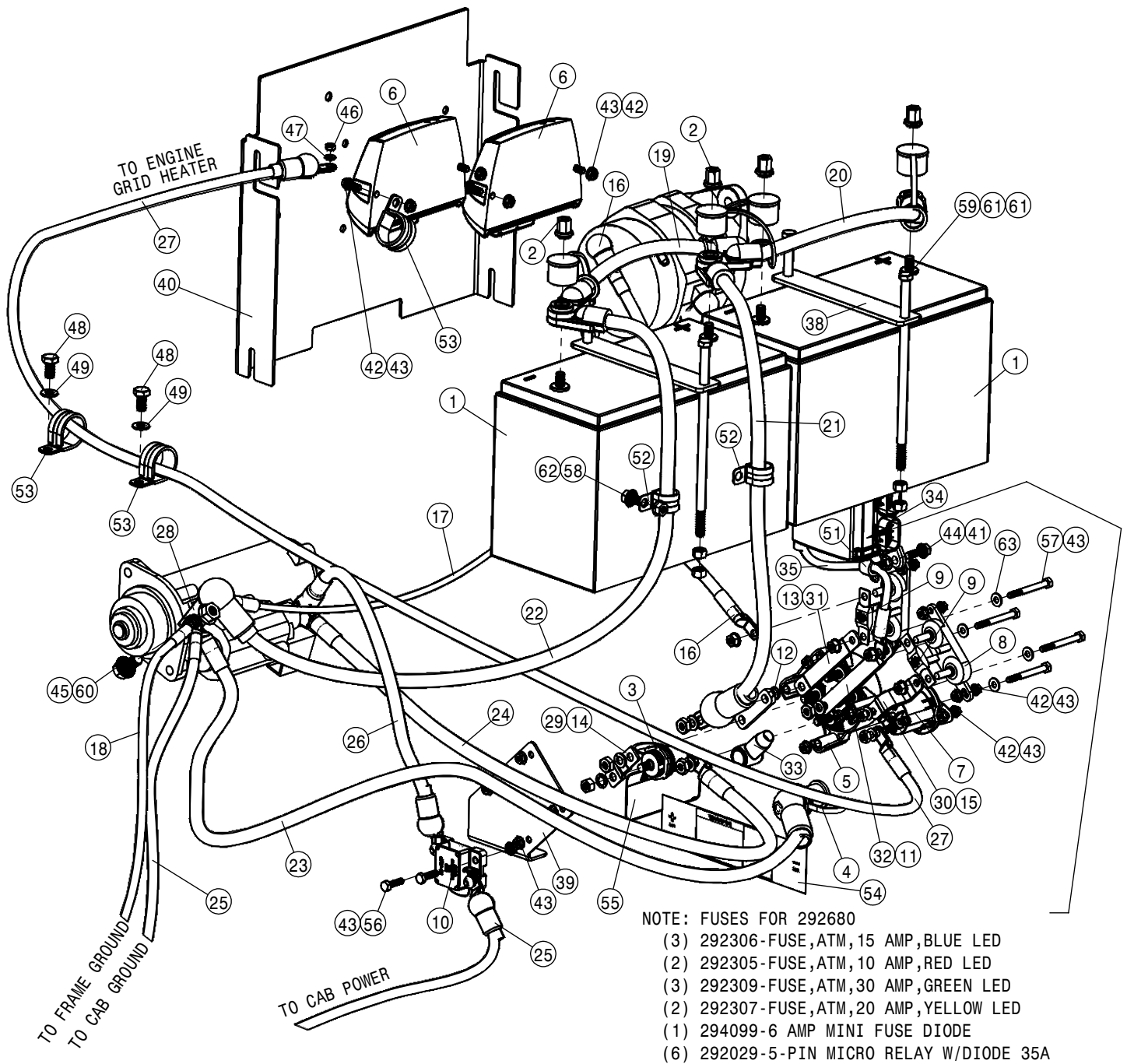


TIER-4F SURGE TANK ASSEMBLY			
DET	QTY	P/N	DESCRIPTION
1	1	317172	SURGE TANK
2	1	317185	SURGE TANK SUPPORT
3	1	470118	1/4 UNC X 3/4 SER FLG BOLT
4	1	470121	1/4 UNC SERR FLG LOCK NUT
5	2	470154	CABLE TIE, 11.00" BLK NYLON
6	2	520055	HOSE CLAMP NO 12 STAINLESS
7	8	520069	HOSE CLAMP NO 6 STAINLESS
8	1	520117	CUSH HOSE CLAMP,#10, 5/8D X 1/2W
9	2	601000	195917-HOSE 3/8 HEATER 47
10	1	601001	COOLANT FILL HOSE
11	1	601059	HOSE, 3/8 X 21 HEATER
12	1	601668	COOLANT VENT HOSE
13	1	650174	DECAL,CAUTION RADIATOR,STS 07
14	1	650462	DECAL,COOLING SYSTEM PROCEDURE
15	4	711104	1/4MNPT-90-3/8 HOSE BARB, BRS
16	2	712100	1/4NPT X 3/8 HOSE FTG,PUSHLOCK
17	1	712440	1/2 NPT X 3/4 HOSE BARB
18	2	900127N	3/8UNC X 1 1/4 SER FLANGE BOLT
19	4	900128N	3/8UNC X 3/4 SER FLANGE BOLT
20	4	900129N	3/8UNC X 1" SERR FLANGE BOLT
21	6	910004N	3/8UNC FLANGE CNTR LOCK NUT



TIER-4F ENGINE SKID AND EXHAUST ASSEMBLY			
DET	QTY	P/N	DESCRIPTION
1	5	193012-005	QUICKEDGE TRIM .135 TO .250
2	4	311091	SNUBBING WASHER FOR 311090
3	1	317244	PIPE, T4F - TURBO - DOC
4	1	317254	BATTERY HEAT SHIELD
5	1	317256	REFLECTIVE HEAT SHIELD
6	2	317322	3/8UNC-11.63ID-14.5 UBOLT
7	1	317352	QUICKEDGE TRIM, C/L 19.5"
8	1	317446	BATTERY CLAMP
9	1	317732	TURBO OUTLET CLAMP 3905216
10	1	318228	5" EXHAUST GASKET Q312516
11	1	318327	SPCR, ENGINE FRAME
12	18	470087	3/8-16UNC HEX FLG NUT SER MC GR5
13	25	470360	1/2UNC SERR FLG HEX NUT
14	8	470431	1/2UNC X 1 1/2 SERR FLG BOLT
15	2	470460	3/8 X 1" SERR FLG BOLT
16	1	473841	16MM LOCK WASHER
17	8	473855	12MM-1.75 X 35MM SM FLG BOLT
18	1	473861	16MM-2.00 X 40MM HEX BOLT YZ
19	2	520168	CLAMP, CONSTANT TORQUE HOSE
20	2	618880	3/8 J2044 QUICK CONNECT

TIER-4F ENGINE SKID AND EXHAUST ASSEMBLY			
DET	QTY	P/N	DESCRIPTION
21	10	900129N	3/8UNC X 1" SERR FLANGE BOLT
22	8	900131	3/8UNC X 1 1/2 HEX BOLT
23	6	900150	3/8UNC X 9 1/2 HHCS GR5 MC
24	5	900263	1/2UNC X 1" HEX BOLT
25	12	900264	1/2UNC X 1 1/4 HEX BOLT
26	4	900408	3/4UNC X 3 1/2 HEX BOLT
27	18	910004N	3/8UNC FLANGE CNTR LOCK NUT
28	4	311057	RUBBER MT SET,SSB33-1000-4
29	1	317248	FRAME SPACER WLD
30	1	317249	BATTERY STAND
31	1	317253	BATT MOUNT
32	1	317312	SCR PLATE
33	1	317313	SCR SUPP STIFFNER
34	1	317314	SCR MOUNT
35	2	317321	DOC INNER REST STS'14
36	1	317368	WIRE HARNESS BLKHD
37	2	317531	SCR SUPPORT STRAP WELD
38	1	318164	ENG SKID FRAME T4F W/DECAL
39	1	318227	DOC INLET CLAMP A035R793



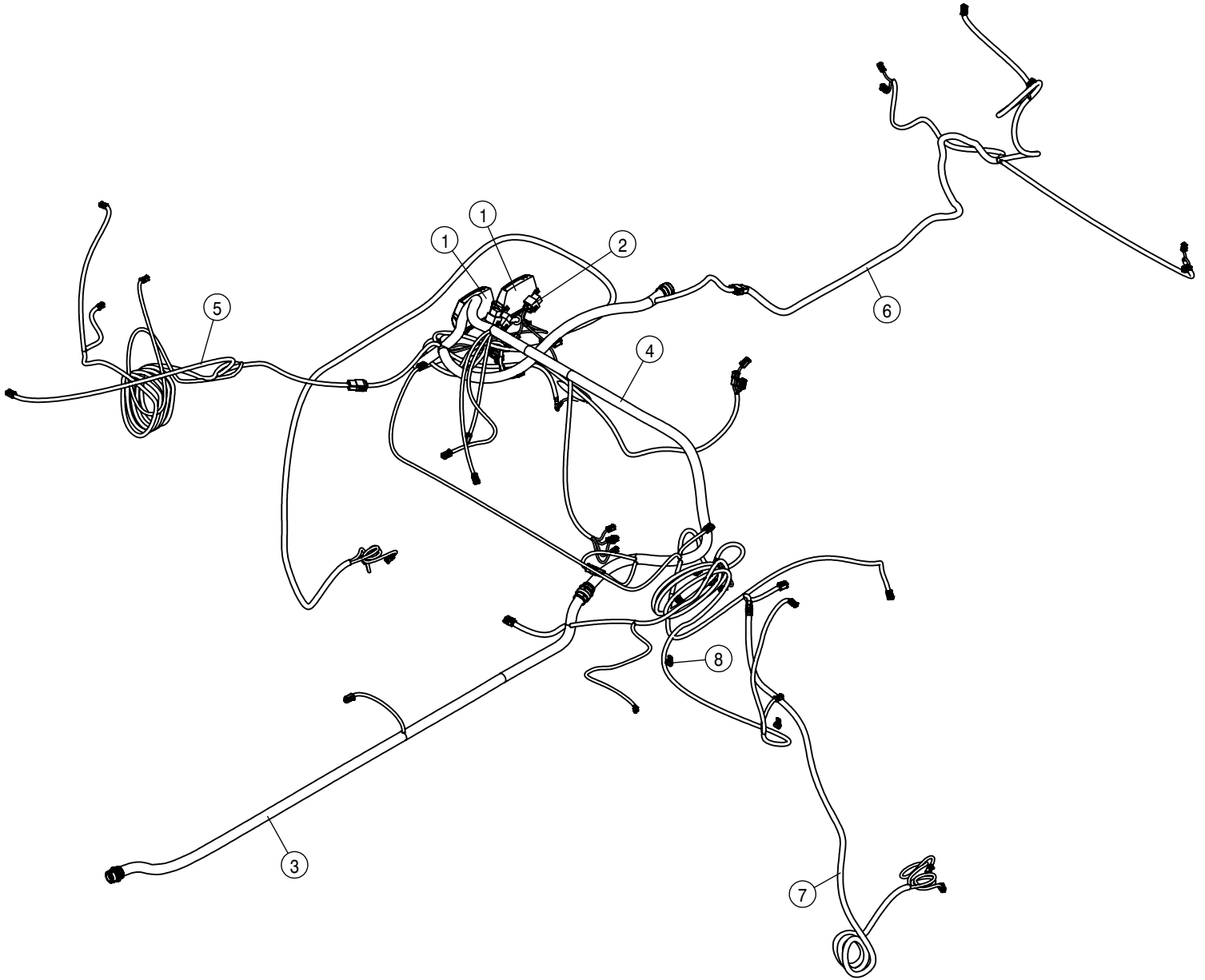
NOTE: FUSES FOR 292680  
 (3) 292306-FUSE, ATM, 15 AMP, BLUE LED  
 (2) 292305-FUSE, ATM, 10 AMP, RED LED  
 (3) 292309-FUSE, ATM, 30 AMP, GREEN LED  
 (2) 292307-FUSE, ATM, 20 AMP, YELLOW LED  
 (1) 294099-6 AMP MINI FUSE DIODE  
 (6) 292029-5-PIN MICRO RELAY W/DIODE 35A

TIER-4F BATTERY AND CABLE ASSEMBLY			
DET	QTY	P/N	DESCRIPTION
1	2	291196	BATTERY,12V 900CCA, SS STUD
2	4	291205	BATTERY NUT,3/8-16 SS CLSD CAP
3	1	291680	POSITIVE JUMPER STUD, RED
4	1	291681	NEGATIVE JUMPER STUD, BLACK
5	1	291957	BATTERY SWITCH, DUAL CIRCUIT
6	2	292016	IQAN-XA2 MODULE
7	1	292505	MCR
8	2	292578	HIGH AMP FUSE HOLDER W/COVER
9	2	292641	FUSE, 250 AMP 32 VOLT DC
10	1	292642	CIRCUIT BREAKER, 150 AMP BUSS
11	1	292651	BUSBAR, MD TO GRID HEAT FUSE
12	1	292652	BUSBAR, MASTER DISC. JUMPER
13	1	292653	BUSBAR, MD TO ALT. FUSE
14	1	292654	BUSBAR, POST TO MD
15	1	292655	BUSBAR, MCR TO FUSE
16	1	292656	BATT CABLE,RED 20" 1/0 5/16-5/16
17	1	292657	BATT CABLE,BLK 35"2GA 1/2-1/4
18	1	292658	BATT CABLE,BLK 75"2GA 3/8-1/2
19	1	292659	BATT CABLE, BLK 16"2/0 3/8-3/8
20	1	292660	BATT CABLE,RED 18"2/0 3/8-3/8
21	1	292661	BATT CABLE,RED 34"2/0 3/8-3/8

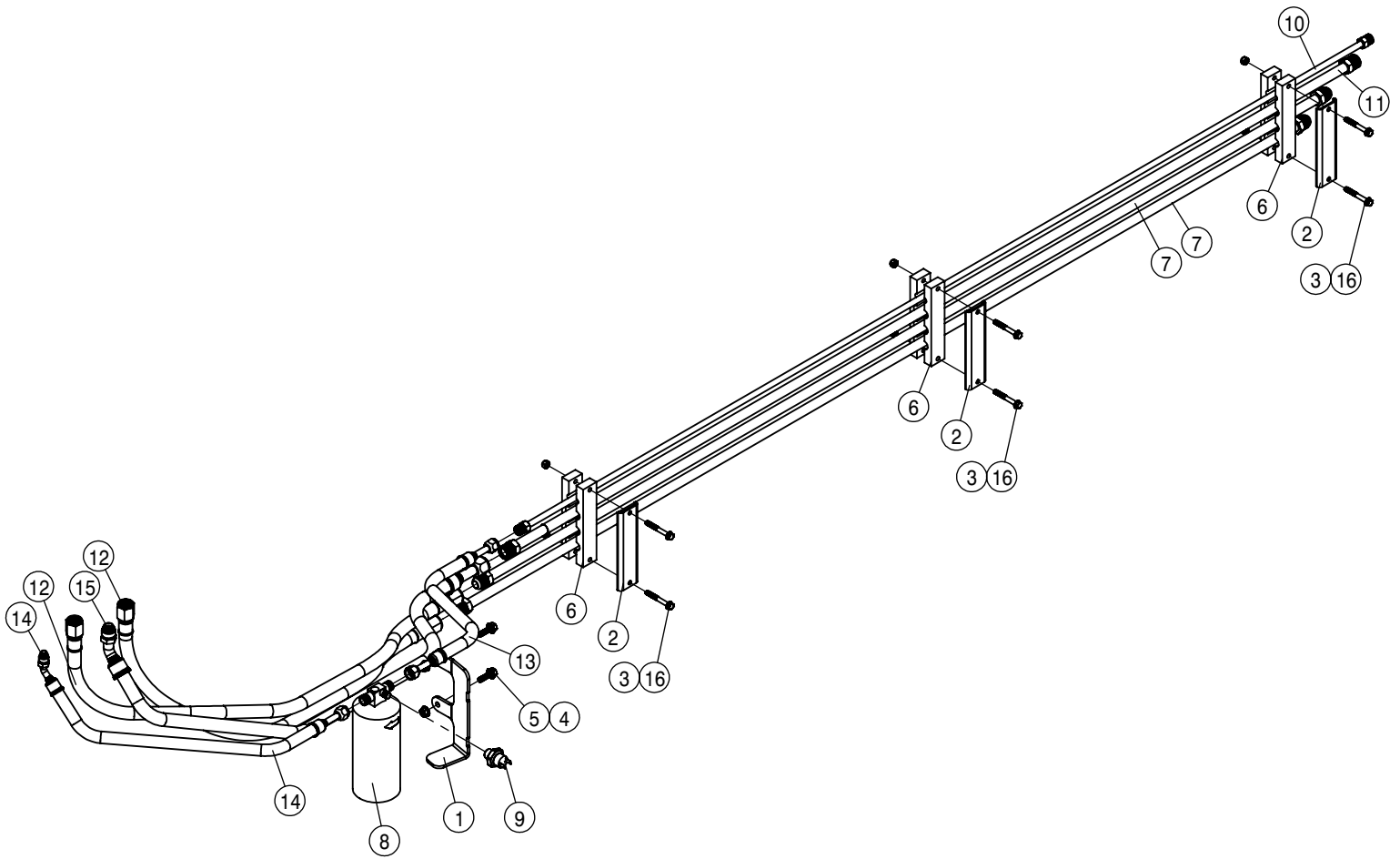
TIER-4F BATTERY AND CABLE ASSEMBLY			
DET	QTY	P/N	DESCRIPTION
22	1	292662	BATT CABLE,BLK 47"2/0 3/8-1/2
23	1	292664	BATT CABLE,BLK 45"2/0 1/2-3/8
24	1	292665	BATT CABLE, RED 42"2/0 1/2-3/8
25	1	292668	CAB PWR,GND CABLE ASY
26	1	292669	BATT CABLE,RED 21"1/0 1/2-1/4
27	1	292670	BATT CABLE,RED 94"2GA 1/4-5/16
28	1	292671	BUSBAR, GND EXT
29	1	292673	HEAT SHRINK, RED .75 X .03 X 1 1/2"
30	1	292674	HEAT SHRINK, RED .75 X .03 X 2 1/2"
31	1	292675	HEAT SHRINK, RED .75 X .03 X 3 1/2"
32	1	292676	HEAT SHRINK, RED .75 X .03 X 4 1/2"
33	1	292677	RUBBER BOOT (RED) 2 TO 2/0 GAUGE
34	1	292680	VEC
35	1	292683	VEC POWER CABLE
NS	1	294226	TIER 4F HARNESS ASSY
NS	1	294253	AFTERTREATMENT HARNESS
38	2	316470	BATTERY TIE-DOWN
39	1	317345	MST DISC. COVER
40	1	362037	MODULE BOX REMOVABLE COVER
41	4	470113N	5/16UNC SERR FLG LOCK NUT SS
42	10	470118	1/4 UNC X 3/4 SER FLG BOLT

TIER-4F BATTERY AND CABLE ASSEMBLY			
DET	QTY	P/N	DESCRIPTION
43	20	470121	1/4 UNC SERR FLG LOCK NUT
44	4	470234N	5/16UNC X 1" SERR FLG BOLT SS
45	1	470360	1/2UNC SERR FLG HEX NUT
46	1	473767	6MM-1.00 HEX NUT
47	1	473768	6MM LOCK WASHER
48	2	473793	10MM-1.50 X 20MM HEX BOLT GR8
49	2	473799	10MM FLAT WASHER
50	1	294062	SOL PUMP DIODE TO RELAY ADAPTR
51	1	520117	CUSH HOSE CLAMP,#10, 5/8D X 1/2W
52	2	520121	CUSH CLAMP,#16 1IN X 3/4W
53	3	520160	CUSH CLAMP,#24 1 1/2D-3/4WLOOP
54	1	650295	IMPORTANT/ NEG/ POS DECAL
55	1	650296	CAUTION DECAL
56	2	900003	1/4UNC X 1" HEX BOLT
57	4	900008N	1/4UNC X 2 1/2 HEX BOLT SS
58	1	900128N	3/8UNC X 3/4 SER FLANGE BOLT
59	4	900150	3/8UNC X 9 1/2 HEX BOLT
60	1	900263N	1/2UNC X 1" SER FLANGE BOLT
61	8	910004	3/8UNC HEX NUT
62	1	910004N	3/8UNC FLANGE CNTR LOCK NUT
63	4	920000N	1/4 SAE FLAT WASHER SS

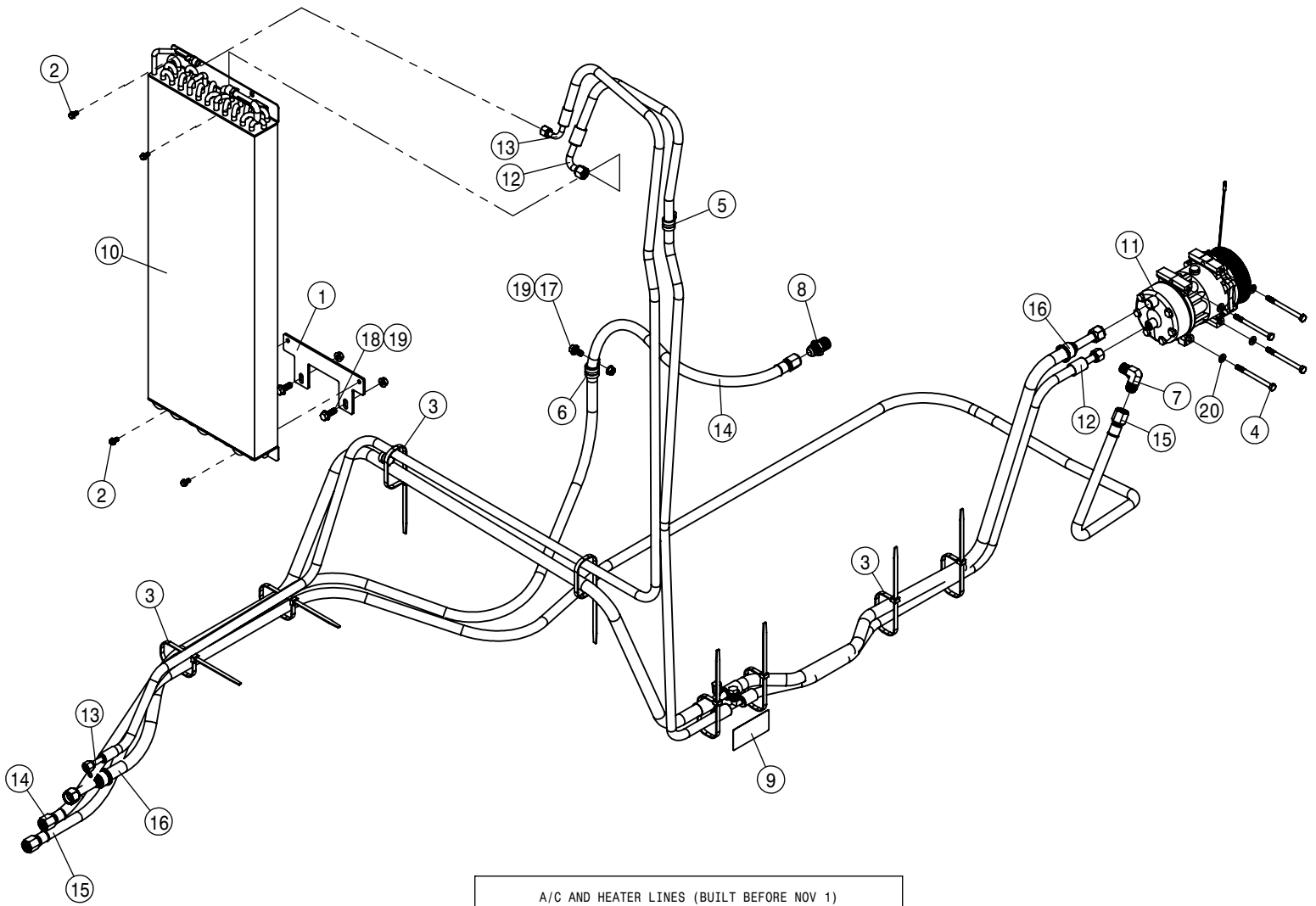




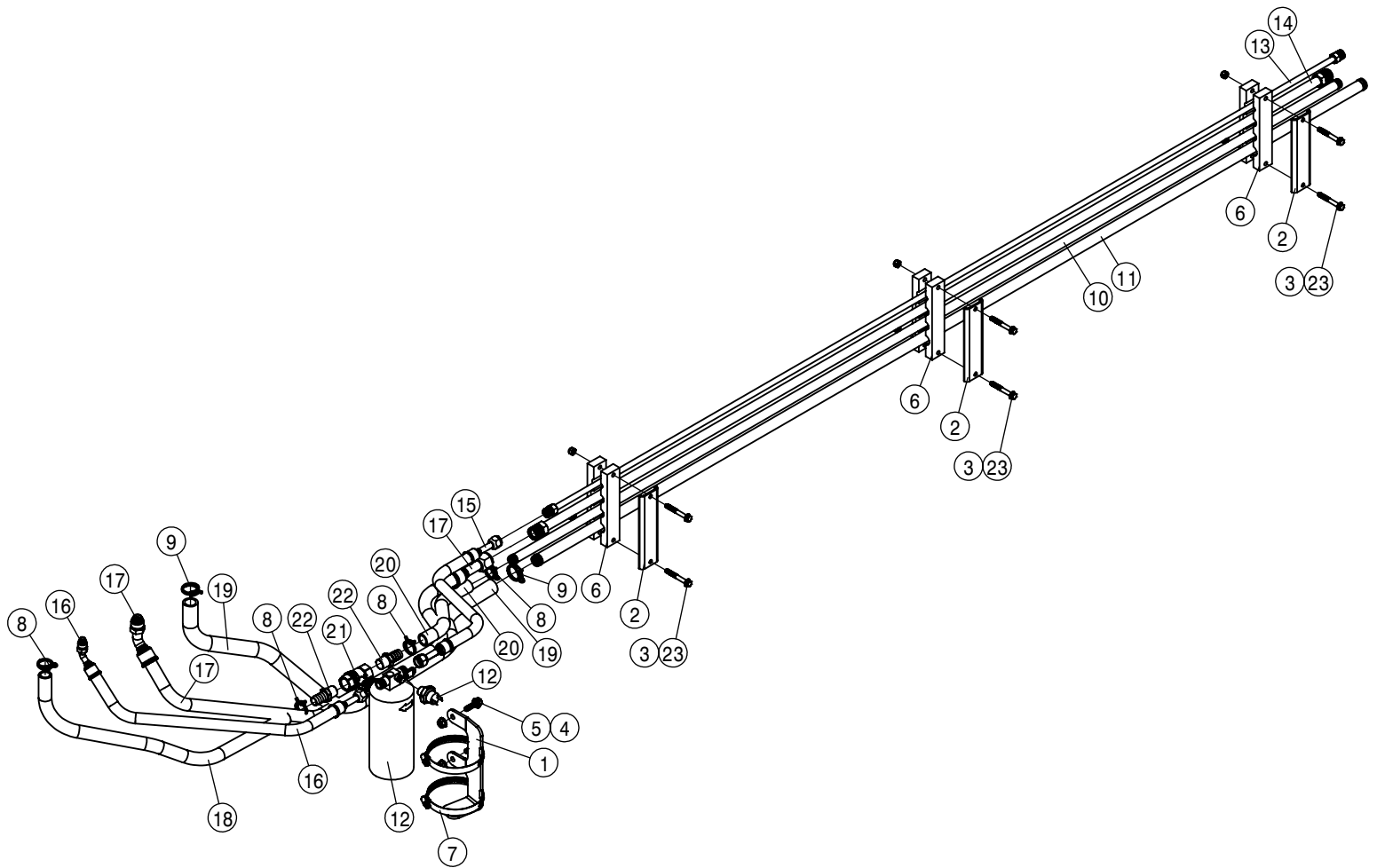
CHASSIS ELECTRICAL HARNESS			
DET	QTY	P/N	DESCRIPTION
1	2	292016	IQAN-XA2 MODULE
2	1	294062	SOL PUMP DIODE TO RELAY ADAPTR
3	1	294221	FRT/BACK HARNESS, S/F STS'14
4	1	294222	REAR MODULE HARNESS STS'14
5	1	294223	REAR/MID RIGHT HARNESS STS'14
6	1	294227	REAR LIGHT HARNESS STS'14
7	2	294229	WHEEL MOTOR HARNESS STS'14
8	2	520167	CUSH CLAMP,#6 3/8D X 3/4W



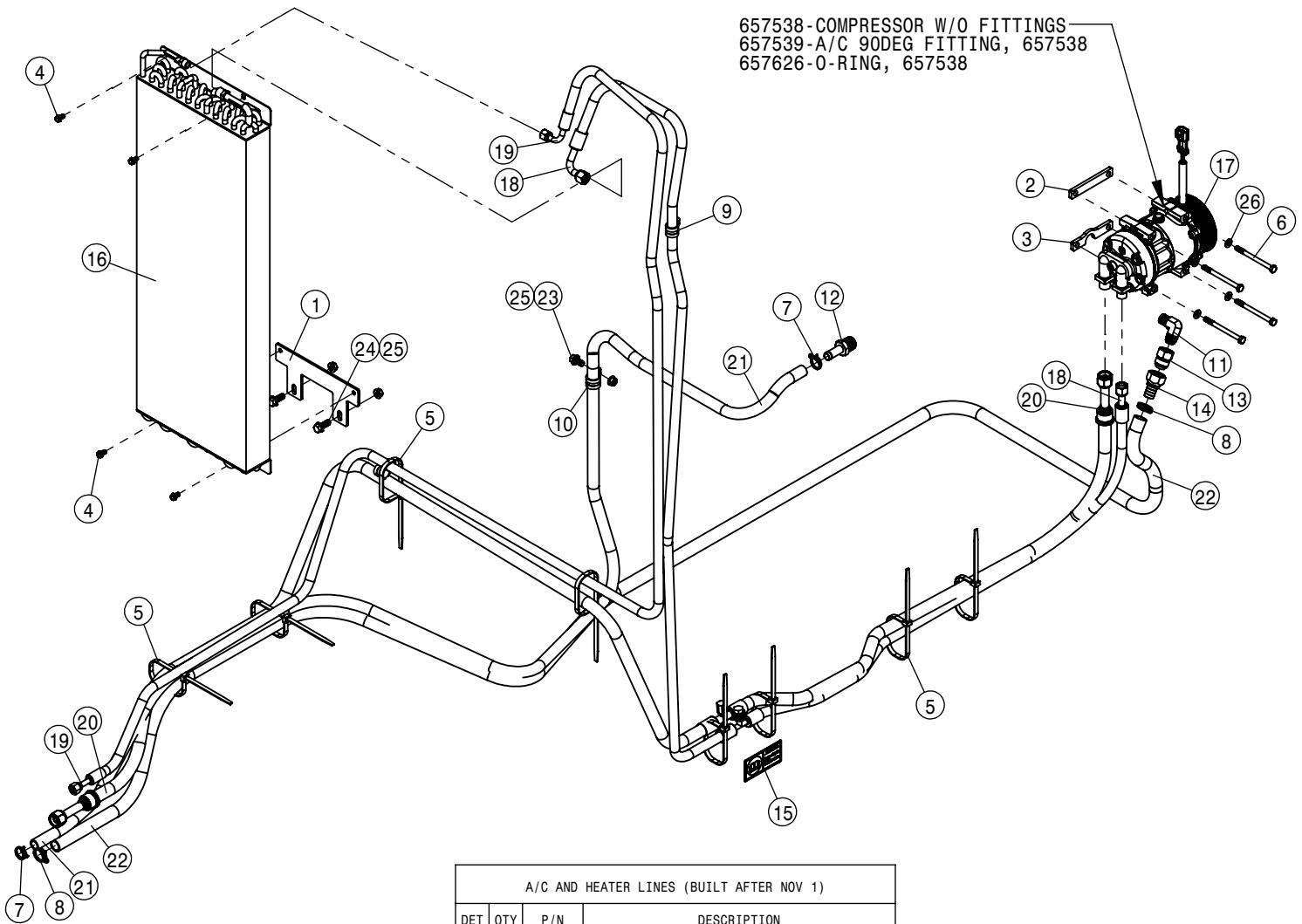
A/C AND HEATER LINES (BUILT BEFORE NOV 1)			
DET	QTY	P/N	DESCRIPTION
1	1	317145	A/C DRYER MT
2	3	342718	HYD TUBE CLAMP KEEPER, 6.00
3	6	470089	1/4UNC HEX NYL-LOC NUT
4	2	470113	5/16UNC SERR FLG LOCK NUT
5	2	470234	5/16UNC X 1" SERR FLG HEX BOLT
6	3	470304	TUBE CLAMP BODY,4HOLE.375-.625
7	2	615842	M/F TUBE ASSY 76" STS10/12 07
8	1	657421	A/C RECEIVER/DRYER
9	1	657422	A/C BINARY SWITCH
10	1	657480	A/C TUBE ASSY, .3750D,STS10/12
11	1	657482	A/C TUBE ASSY, .6250D,STS10/12
12	2	657576	10-213-10FJX-10FJX-40
13	1	657586	A/C HOSE,.06-.06F-.06M-21.5
14	1	657587	A/C HOSE, .06-.06F-.06M45-23.9
15	1	657588	A/C HOSE, 10-10F-10M45-41
16	6	900007N	1/4 UNC X 2 SER FLG BOLT SS



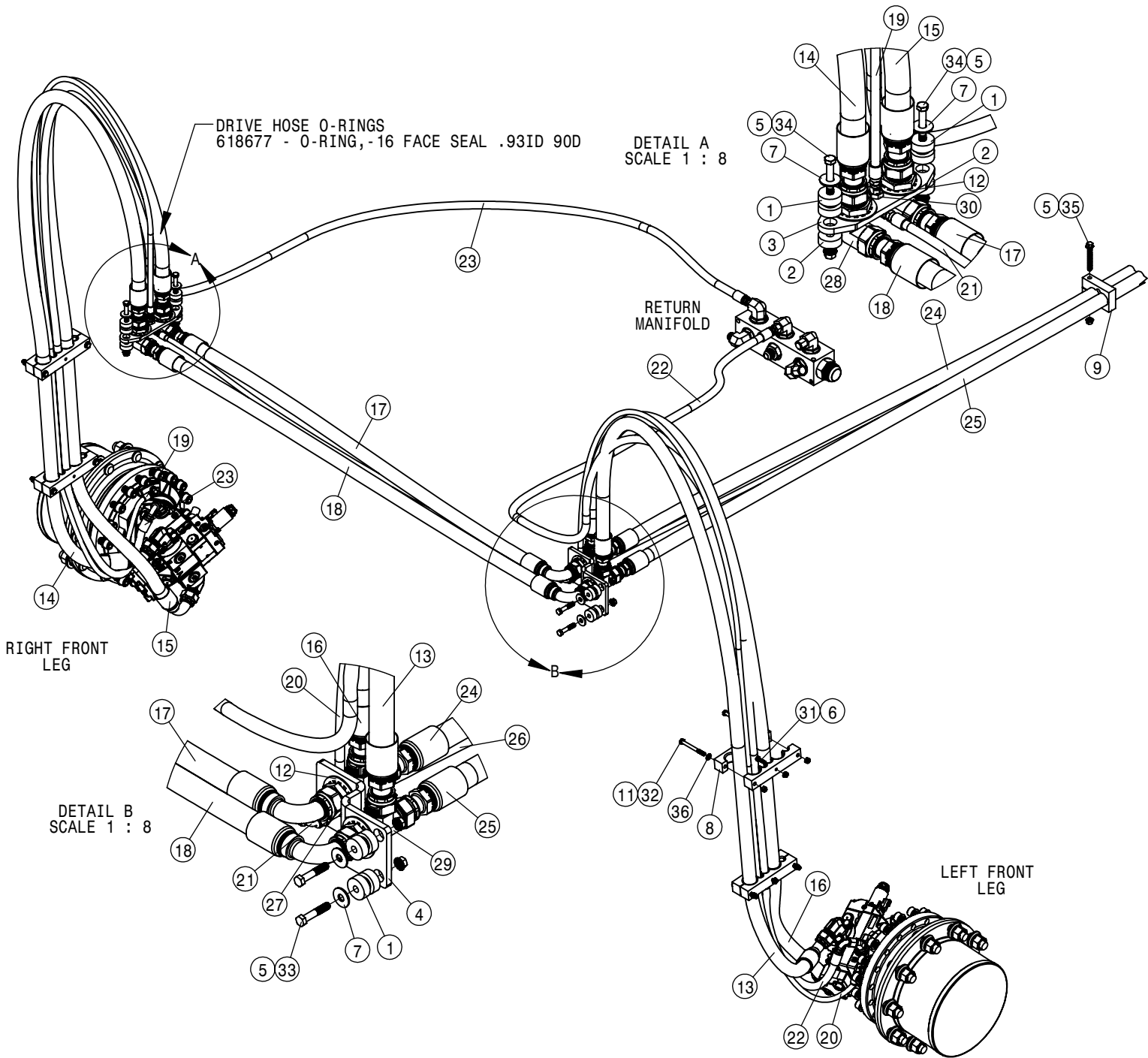
A/C AND HEATER LINES (BUILT BEFORE NOV 1)			
DET	QTY	P/N	DESCRIPTION
	1	317450	A/C COND BRKT WLD
2	4	470122N	1/4 UNC X 1/2 SERR FLG BOLT SS
3	8	470555	.345 X 15" CABLE TIE - UV BLACK NYLON
4	4	473868	8MM-1.25 X 100MM HEX BOLT
5	2	520115	CUSH CLAMP,#12 0.75"D-3/4W LOOP
6	1	520121	CUSH CLAMP,#16 1IN X 3/4W
7	1	611124	7/8MJIC-90-1/2MNPT LBO
8	1	618059	7/8MJIC-3/4MNPT ADPTR
9	1	650435	DECAL,NOTICE R134A,3.50LB
10	1	657457	COIL, COND 12 X 31.6
11	1	657532	A/C COMPRESSOR T4I STS
12	1	657579	A/C HOSE,08-08F-SV-08F90-138
13	1	657581	A/C HOSE,06-06F-06F90-136
14	1	657583	10-213-10FJX-10FJX-101
15	1	657584	10-213-10FJX-10FJX-133.5
16	1	657589	A/C HOSE,12-10F-SV-10F-148"
17	1	900128N	3/8UNC X 3/4 SER FLANGE BOLT
18	2	900129N	3/8UNC X 1" SERR FLANGE BOLT
19	3	910004N	3/8UNC FLANGE CNTR LOCK NUT
20	4	920001	5/16 SAE FLAT WASHER



A/C AND HEATER LINES (BUILT AFTER NOV 1)			
DET	QTY	P/N	DESCRIPTION
1	1	317145	A/C DRYER MT
2	3	342718	HYD TUBE CLAMP KEEPER, 6.00
3	6	470089	1/4UNC HEX NYL-LOC NUT
4	2	470113	5/16UNC SERR FLG LOCK NUT
5	2	470234	5/16UNC X 1" SERR FLG HEX BOLT
6	3	470695	TUBE CLAMP BODY,4HOLE.375-.750
7	2	520052	HOSE CLAMP NO 52 STAINLESS
8	4	520081	HOSE CLAMP NO 14 DBL WIRE
9	2	520082	HOSE CLAMP NO 16 DBL WIRE
10	1	615918	M/F TUBE ASSY 79" S/F
11	1	615921	M/F TUBE ASSY 79" S/F
12	1	657438	RECEIVER DRIER W/SWITCH
13	1	657480	A/C TUBE ASSY, .3750D,STS10/12
14	1	657482	A/C TUBE ASSY, .6250D,STS10/12
15	1	657586	A/C HOSE,06-06F-06F-21.5
16	1	657587	A/C HOSE, 06-06F-06M45-23.9
17	1	657588	A/C HOSE, 10-10F-10M45-41
18	1	657592	HOSE, 5/8 x 23 HEATER
19	1	657610	HOSE, 3/4 x 36 HEATER
20	1	657618	HOSE, 5/8 x 10 HEATER
21	1	696011	1/2 NPT FEMALE BALL VALVE
22	2	716007	1/2 x 5/8 HOSE BARB
23	6	900007N	1/4 UNC X 2 SER FLG BOLT SS

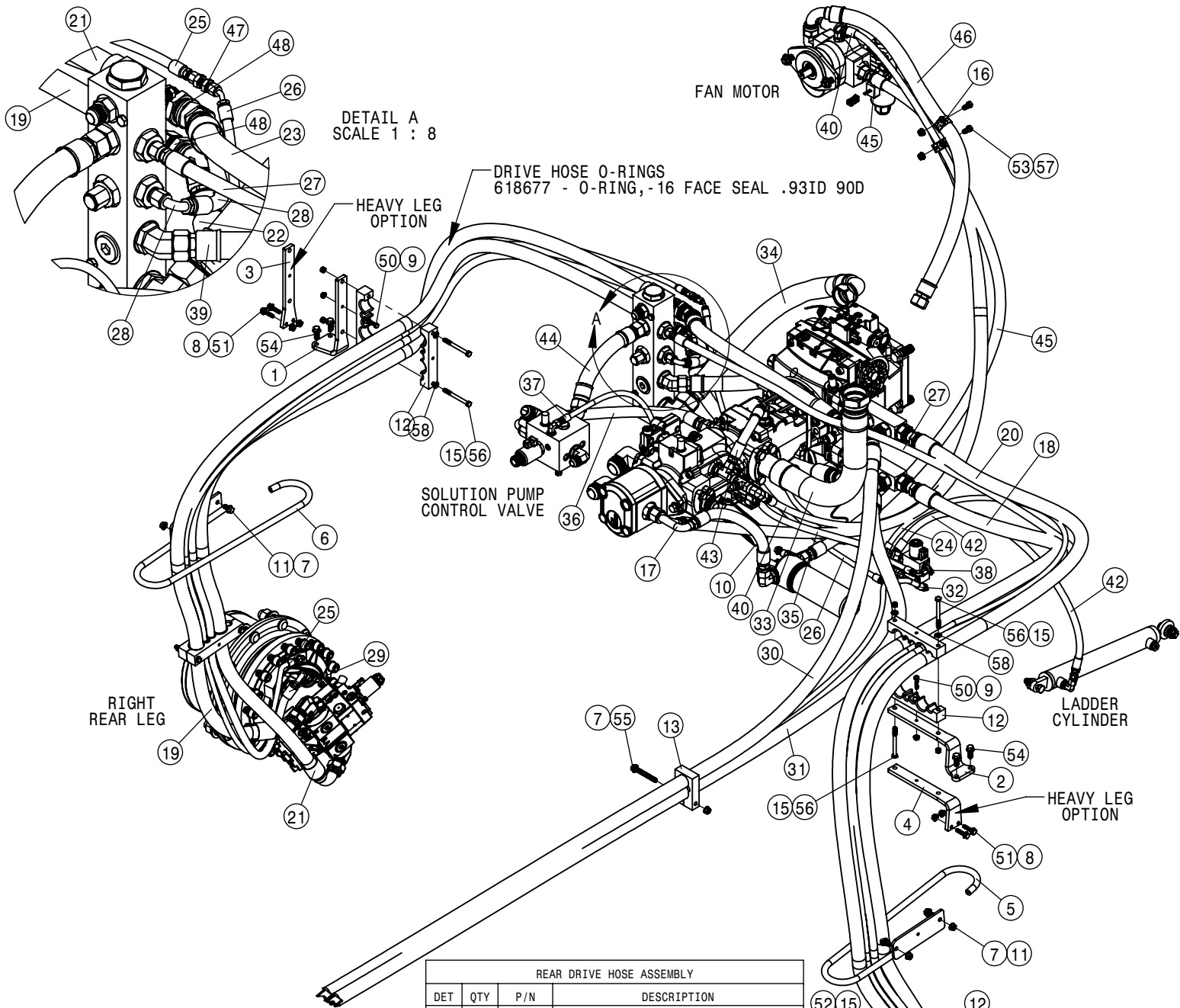


A/C AND HEATER LINES (BUILT AFTER NOV 1)			
DET	QTY	P/N	DESCRIPTION
	1	317450	A/C COND BRKT WLD
	1	317673	SPACER-A/C COMPRESSOR (TOP)
	1	317674	SPACER-A/C COMPRESSOR (BOTTOM)
	4	470122N	1/4 UNC X 1/2 SERR FLG BOLT SS
	8	470555	.345 X 15" CABLE TIE - UV BLACK NYLON
	4	473868	8MM-1.25 X 100MM HEX BOLT
	2	520081	HOSE CLAMP NO 14 DBL WIRE
	2	520082	HOSE CLAMP NO 16 DBL WIRE
	2	520115	CUSH CLAMP, #12 0.75"D-3/4W LOOP
	1	520121	CUSH CLAMP, #16 1IN X 3/4W
	1	611124	7/8MJIC-90-1/2MNPT LBO
	1	618949	5/8 HOSE BARB - 3/4MNPT
	1	618954	7/8FJIC-1 1/16MJIC
	1	618955	3/4 HOSE BARB-1 1/16FJX ADPTR
	1	650542	DECAL, NOTICE R134A, 4.00LB
	1	657457	COIL, COND 12 X 31.6
	1	657537	A/C COMPRESSOR
	1	657579	A/C HOSE, 08-08F-SV-08F90-138
	1	657581	A/C HOSE, 06-06F-06F90-136
	1	657589	A/C HOSE, 12-10F-SV-10F-148"
	1	657593	HOSE, 5/8 x 112 HEATER
	1	657611	HOSE, 3/4 x 135 HEATER
	1	900128N	3/8UNC X 3/4 SER FLANGE BOLT
	2	900129N	3/8UNC X 1" SERR FLANGE BOLT
	3	910004N	3/8UNC FLANGE CNTR LOCK NUT
	4	920001N	5/16 SAE FLAT WASHER SS



FRONT DRIVE HOSE ASSEMBLY			
DET	QTY	P/N	DESCRIPTION
1	4	344565	ISO BARRY MOUNT
2	2	344584	.41 X 1.31 X .50 BUSHING
3	1	362103	RF BULKHEAD BRKT BUSHING MGT
4	1	362104	LF BULKHEAD BRKT
5	5	470087N	3/8UNC HEX SERR FLG NUT YZ
6	4	470121	1/4 UNC SERR FLG LOCK NUT
7	4	470377	3/8 X 1 3/16 BONDED SS WASHER
8	4	470672	HOSE CLAMP, 5-HOLE
9	1	470673	HOSE CLAMP, 4-HOLE
NS	2	470679	SIDEWINDER SLEEVE
11	8	473001	5/16UNC HEX NUT,NYLOC
12	4	474003	WASHER - INT TOOTH, 1.5" ID
13	1	617060	16-797TC-16FFOX-16FFOX45-110 H/A
14	1	617060	16-797TC-16FFOX-16FFOX45-110 H/A
15	1	617061	16-797TC-16FFOX-16FFOX90-114 H/A
16	1	617061	16-797TC-16FFOX-16FFOX90-114 H/A
17	1	617064	16-797TC-16FFOX-16FFOX90-61 H/A
18	1	617065	16-797TC-16FFOX-16FFOX90-65 H/A

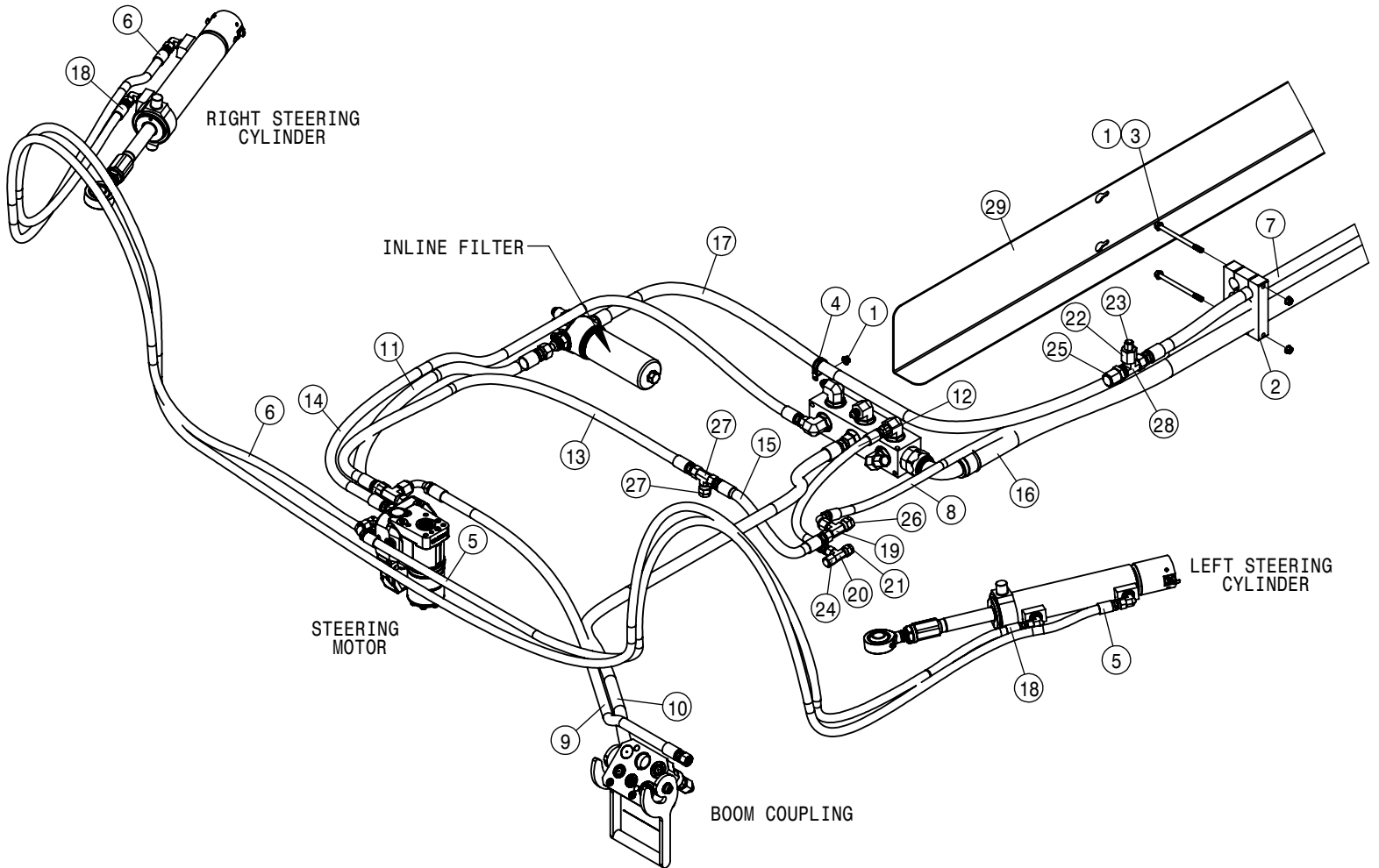
FRONT DRIVE HOSE ASSEMBLY			
DET	QTY	P/N	DESCRIPTION
19	1	617068	04-451TC-04FJX-04FJX-126 H/A
20	1	617068	04-451TC-04FJX-04FJX-126 H/A
21	1	617070	04-451TC-04FJX-04FJX90-61 H/A
22	1	617073	08-451TC-08FJX-08FJX90-173
23	1	617074	08-451TC-08FJX-08FJX90-190 H/A
24	1	617084	16-797TC-16FFOX-16FFOX45-187 H/A
25	1	617085	16-797TC-16FFOX-16FFOX45-191 H/A
26	1	617086	04-451TC-04FJX-06FJX90-182 H/A
27	1	618748	7/16MJIC BLKHD RUN TEE
28	2	618886	1 7/16MFOR-90-BLKHD UNION LBO
29	2	618887	1 7/16MFOR-BLKHD RUN TEE
30	1	618889	7/16MJIC-90-BLKHD UNION LBO
31	4	900003	1/4UNC X 3/4 HEX BOLT
32	8	900073N	5/16UNC X 3 1/4 HEX BOLT SS
33	2	900133	3/8UNC X 2" HEX BOLT
34	2	900135N	3/8UNC X 2 3/4 HEX BOLT
35	1	900136N	3/8UNC X 3" SERR FLANGE BOLT
36	8	920001N	5/16 SAE FLAT WASHER SS



REAR DRIVE HOSE ASSEMBLY			
DET	QTY	P/N	DESCRIPTION
1	1	360038	RIGHT REAR LEG HOSE BRKT
2	1	360039	LFT REAR LEG HOSE BRKT
3	1	360065	RIGHT REAR LEG HOSE BRKT
4	1	360066	LFT REAR LEG HOSE BRKT
5	1	362095	LFT REAR HOSE BRKT TOP WLDMENT
6	1	362096	RGT REAR TOP HOSE BRKT
7	5	470087N	3/8UNC HEX SERR FLG NUT YZ
8	4	470113N	5/16UNC SERR FLG LOCK NUT SS
9	4	470121	1/4 UNC SERR FLG LOCK NUT
10	1	470369	HOSE PROTECTOR, 8" BLACK
11	4	470409	3/8UNC X 3/4" SERR FLG BOLT
12	4	470672	HOSE CLAMP, 5-HOLE
13	1	470673	HOSE CLAMP, 4-HOLE
NS	2	470679	SIDEWINDER SLEEVE
15	8	473001	5/16UNC HEX NUT, NYLOC
16	2	520160	CUSH CLAMP, #24 1 1/2D-3/4WLOOP
17	1	616676	12-451TC-12FJX-12FJX90L-18 H/A
18	1	617062	16-797TC-16FFOX-16FFOX45-123 H/A
19	1	617062	16-797TC-16FFOX-16FFOX45-123 H/A
20	1	617063	16-797TC-16FFOX-16FFOX90-128 H/A
21	1	617063	16-797TC-16FFOX-16FFOX90-128 H/A
22	1	617067	16-797TC-16FFOX-16FFOX90-31 H/A
23	1	617067	16-797TC-16FFOX-16FFOX90-31 H/A
24	1	617069	04-451TC-04FJX-06FJX90-139 H/A
25	1	617071	04-451TC-04FJX-04FJX-138 H/A
26	1	617072	04-451TC-06FJX-04FJX45-43 H/A
27	1	617075	08-451TC-08FJX-08FJX90-160 H/A

REAR DRIVE HOSE ASSEMBLY			
DET	QTY	P/N	DESCRIPTION
28	1	617077	08-451TC-08FJX-08FJX90-15 H/A
29	1	617080	08-451TC-08FJX-08FJX90-133 H/A
30	1	617084	16-797TC-16FFOX-16FFOX45-187 H/A
31	1	617085	16-797TC-16FFOX-16FFOX45-191 H/A
32	1	617086	04-451TC-04FJX-06FJX90-182 H/A
33	1	617089	32-811-32FJX-32FLG-25 H/A
34	1	617094	24-811-24FJX-24FJX90-31 H/A
35	1	617096	06-451TC-08FJX-06FJX90-22 H/A
36	1	617101	12-451TC-16FJX-12FJX90-23 H/A
37	1	617102	04-451TC-06FJX-04FJX90-29 H/A
38	1	617121	04-451TC-06FJX-04FJX90-34 H/A
39	1	617123	16-811-16FJX-16FJX90-22 H/A
40	1	617124	06-451TC-10FJX-06FJX90-85 H/A
41	1	617125	12-451TC-12FJX-12FJX90-88 H/A
42	1	617127	06-451TC-06FJX-06FJX45-36 H/A
43	1	617132	10-451TC-10FJX-10FJX90-11 H/A
44	1	617139	16-811-16FJX-16FJX-12 H/A
45	1	617199	12-451TC-12FJX-12FJX-73 H/A
46	1	617214	16-811-16FJX-16FJX90-43
47	1	618511	7/16MJIC-7/16MJIC BLKHD UNION
48	2	618930	1 7/16 MFOR-45-BLKHD UNION LBO
49	2	900003	1/4UNC x 3/4 HEX BOLT
50	2	900004	1/4UNC X 1 1/4 HEX BOLT
51	4	900066N	5/16UNC X 1 1/4 SERR.FLG.HEX BOLT
52	4	900073N	5/16UNC X 3 1/4 HEX BOLT SS
53	2	900128	3/8UNC X 3/4 HEX BOLT
54	4	900129N	3/8UNC X 1" SERR FLANGE BOLT
55	1	900136N	3/8UNC X 3" SERR FLANGE BOLT
56	4	900539N	5/16UNC X 3 1/2 HEX BOLT SS
57	2	910004N	3/8UNC FLANGE CNTR LOCK NUT
58	8	920001N	5/16 SAE FLAT WASHER SS

## STANDARD FRONT AUX HYDRAULIC HOSES

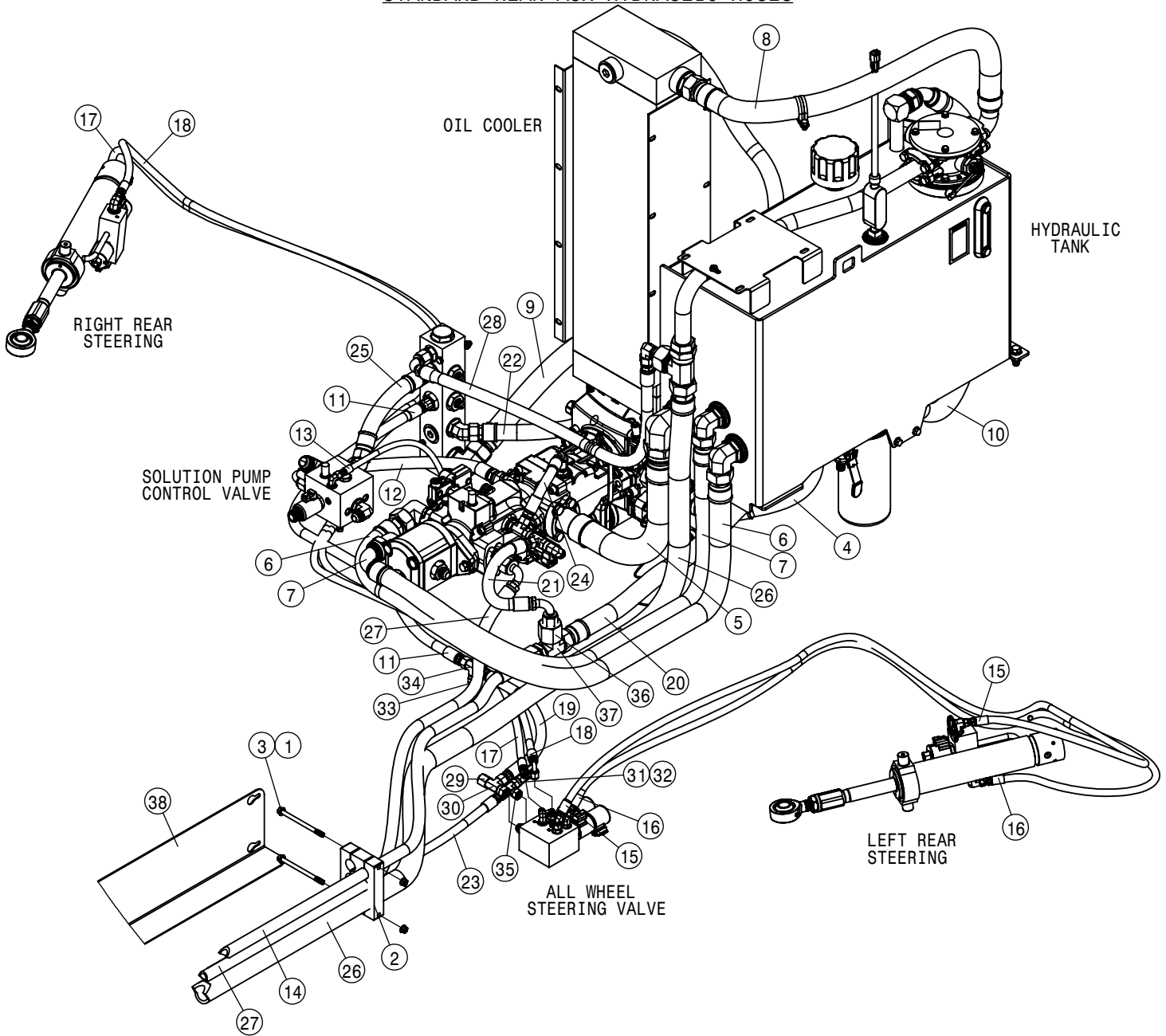


STANDARD FRONT AUX HYDRAULIC HOSE ASSEMBLY				
DET	QTY	P/N	DESCRIPTION	
1	3	470087	3/8UNC HEX SERR FLANGE NUT	
2	1	470671	HOSE CLAMP, 6-HOLE	
3	2	470683	3/8UNC X5 1/2SMTH FLG HEX BOLT	
4	1	520102	CUSH HOSE CLAMP, #20, 1 1/4D X 1/2W	
5	1	617078	08-451TC-08FJX-08FJX90-118 H/A	
6	1	617079	08-451TC-08FJX-08FJX-107 H/A	
7	1	617106	12-451TC-12FJX-12FJX-87 H/A	
8	1	617128	08-451TC-08FJX-10FJX90-113 H/A	
9	1	617129	10-451TC-10FJX-12FJX90-55 H/A	
10	1	617130	12-451TC-12FJX-12FJX90-78 H/A	
11	1	617131	12-451TC-12FJX-12FJX-44 H/A	
12	1	617134	08-451TC-08FJX-08FJX-22 H/A	
13	1	617136	10-451TC-10FJX-12FJX-53 H/A	
14	1	617137	10-451TC-10FJX-10FJX-79 H/A	
15	1	617138	10-451TC-10FJX-10FJX-16 H/A	

STANDARD FRONT AUX HYDRAULIC HOSE ASSEMBLY				
DET	QTY	P/N	DESCRIPTION	
16	1	617145	24-811-24FJX-24FJX90-151 H/A	
17	1	617146	12-451TC-12FJX-16FJX90-161 H/A	
18	1	617172	08-451TC-08FJX-08FJX-204	
19	1	618333	7/8FJIC SW RUN TEE-7/8MJIC	
20	1	618451	3/4FJIC SW RUN TEE-3/4MJIC	
21	1	618457	3/4MJIC PLUG	
22	1	618483	1 1/16FJIC-9/16MJIC ADPTR	
23	1	618531	9/16FJIC CAP NUT	
24	1	618532	3/4FJIC CAP NUT	
25	1	618533	1 1/16FJIC CAP NUT	
26	2	618543	7/8MJIC PLUG	
27	1	618593	7/8FJ SW BRANCH TEE-7/8MJ	
28	1	618750	1 1/16MJIC BLKHD RUN TEE	
29	1	660291	HOSE GUARD - S/F	



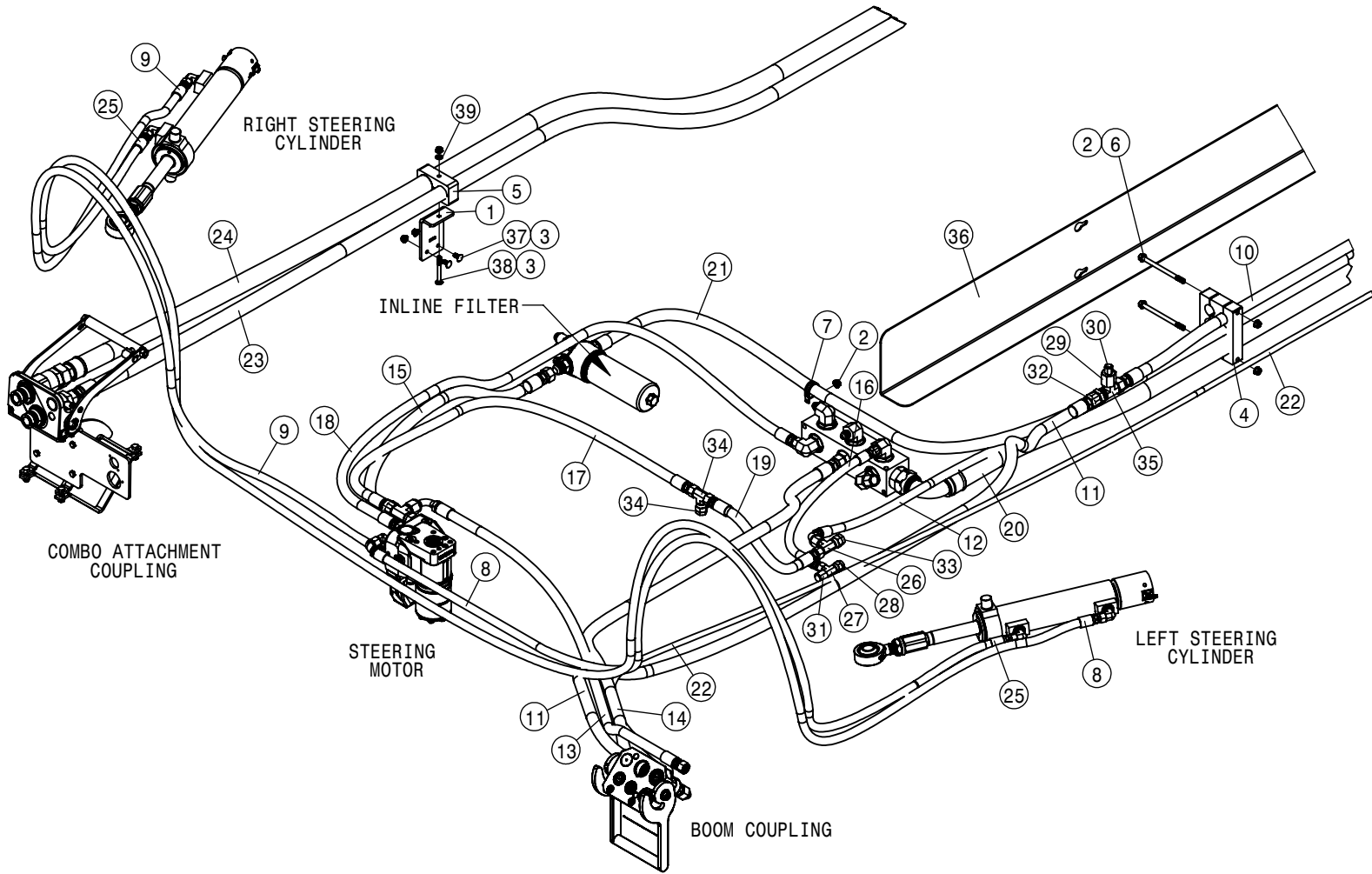
## STANDARD REAR AUX HYDRAULIC HOSES



STANDARD REAR AUX HYDRAULIC HOSE ASSEMBLY			
DET	QTY	P/N	DESCRIPTION
1	2	470087	3/8UNC HEX SERR FLANGE NUT
2	1	470671	HOSE CLAMP, 6-HOLE
3	2	470683	3/8UNC X5 1/2SMTH FLG HEX BOLT
4	1	617088	24-811-24FJX-24FJX45-18 H/A
5	1	617089	32-811-32FJX-32FLG-25 H/A
6	1	617091	24-811-24FJX-24FJX-71 H/A
7	1	617092	20-811-20FJX-20FJX90-60 H/A
8	1	617093	24-811-24FJX-24FLG90-48 H/A
9	1	617094	24-811-24FJX-24FJX90-31 H/A
10	1	617095	20-811-20FJX-20FJX45-47 H/A
11	1	617097	10-451TC-10FJX-10FJX-47 H/A
12	1	617101	12-451TC-16FJX-12FJX90-23 H/A
13	1	617102	04-451TC-06FJX-04FJX90-29 H/A
14	1	617106	12-451TC-12FJX-12FJX-87 H/A
15	1	617115	06-451TC-06FJX-06FJX45-101 H/A
16	1	617116	06-451TC-06FJX-06FJX-99 H/A
17	1	617117	06-451TC-06FJX-06FJX-137
18	1	617118	06-451TC-06FJX-06FJX90-137 H/A
19	1	617119	10-451TC-10FJX-10FJX-18 H/A

STANDARD REAR AUX HYDRAULIC HOSE ASSEMBLY			
DET	QTY	P/N	DESCRIPTION
20	1	617120	20-811-20FJX-20FJX-37 H/A
21	1	617122	12-451TC-10FJX-12FJX90-18 H/A
22	1	617123	16-811-16FJX-16FJX90-22 H/A
23	1	617128	08-451TC-08FJX-10FJX90-113 H/A
24	1	617132	10-451TC-10FJX-10FJX90-11 H/A
25	1	617139	16-811-16FJX-16FJX-12 H/A
26	1	617145	24-811-24FJX-24FJX90-151 H/A
27	1	617146	12-451TC-12FJX-16FJX90-161 H/A
28	1	617171	12-451TC-12FJX-12FJX90-43 H/A
29	1	618328	7/8FJIC CAP NUT
30	1	618333	7/8FJIC SW RUN TEE-7/8MJIC
31	1	618451	3/4FJIC SW RUN TEE-3/4MJIC
32	2	618532	3/4FJIC CAP NUT
33	1	618543	7/8MJIC PLUG
34	1	618593	7/8FJ SW BRANCH TEE-7/8MJ
35	1	618643	3/4FJ SW BRANCH TEE-3/4MJ
36	2	618665	1 5/8FJIC-1 1/16MJIC ADPTR
37	1	618752	1 5/8MJIC BLKHD RUN TEE
38	1	660291	HOSE GUARD - S/F

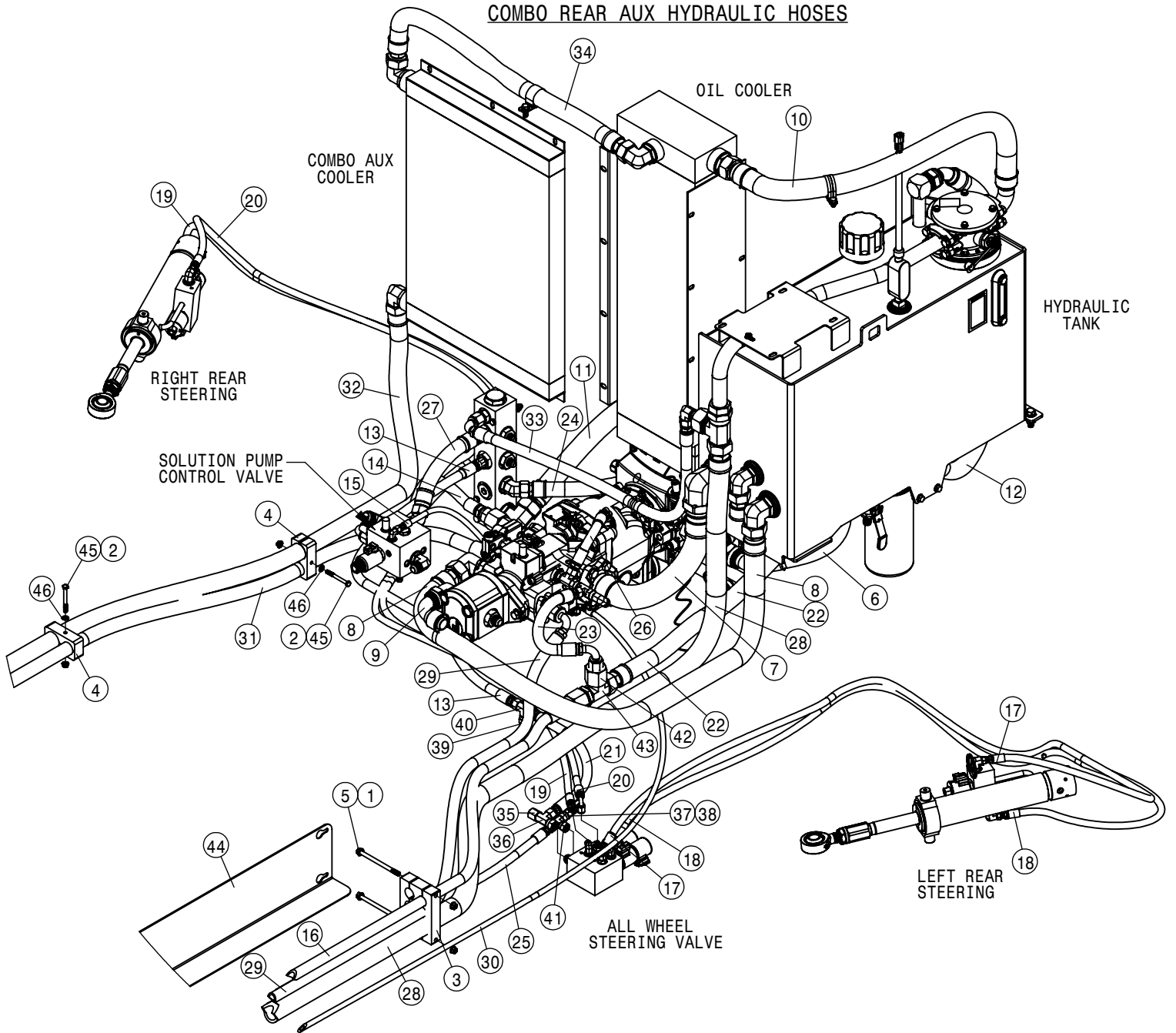
## COMBO FRONT AUX HYDRAULIC HOSES



COMBO FRONT AUX HYDRAULIC HOSE ASSEMBLY			
DET	QTY	P/N	DESCRIPTION
1	1	362035	COMBO SUPPORT BRKT
2	3	470087	3/8UNC HEX SERR FLANGE NUT
3	3	470113N	5/16UNC SERR FLG LOCK NUT SS
4	1	470671	HOSE CLAMP, 6-HOLE
5	1	470674	HOSE CLAMP, 2-HOLE
6	2	470683	3/8UNC X5 1/2SMTH FLG HEX BOLT
7	1	520102	CUSH HOSE CLAMP,#20, 1 1/4 X 1/2W
8	1	617078	08-451TC-08FJX-08FJX90-118 H/A
9	1	617079	08-451TC-08FJX-08FJX-107 H/A
10	1	617106	12-451TC-12FJX-12FJX-87 H/A
11	1	617111	12-451TC-12FJX-12FJX-93 H/A
12	1	617128	08-451TC-08FJX-10FJX90-113 H/A
13	1	617129	10-451TC-10FJX-12FJX90-55 H/A
14	1	617130	12-451TC-12FJX-12FJX90-78 H/A
15	1	617131	12-451TC-12FJX-12FJX-44 H/A
16	1	617134	08-451TC-08FJX-08FJX-22 H/A
17	1	617136	10-451TC-10FJX-12FJX-53 H/A
18	1	617137	10-451TC-10FJX-10FJX-79 H/A
19	1	617138	10-451TC-10FJX-10FJX-16 H/A
20	1	617145	24-811-24FJX-24FJX90-151 H/A

COMBO FRONT AUX HYDRAULIC HOSE ASSEMBLY			
DET	QTY	P/N	DESCRIPTION
21	1	617146	12-451TC-12FJX-16FJX90-161 H/A
22	1	617147	04-451TC-04FJX-04FJX45-213 H/A
23	1	617148	16-451TC-16FJX-20FJX90-189 H/A
24	1	617149	20-811-20-FJX-20FJX-203 H/A
25	1	617172	08-451TC-08FJX-08FJX-204
26	1	618333	7/8FJIC SW RUN TEE-7/8MJIC
27	1	618451	3/4FJIC SW RUN TEE-3/4MJIC
28	1	618457	3/4MJIC PLUG
29	1	618483	1 1/16FJIC-9/16MJIC ADPTR
30	1	618531	9/16FJIC CAP NUT
31	1	618532	3/4FJIC CAP NUT
32	1	618533	1 1/16FJIC CAP NUT
33	2	618543	7/8MJIC PLUG
34	1	618593	7/8FJ SW BRANCH TEE-7/8MJ
35	1	618750	1 1/16MJIC BLKHD RUN TEE
36	1	660291	HOSE GUARD - S/F
37	2	901064	5/16UNC X 3/4 CARR BOLT
38	1	901073	5/16UNC X 3 CARR BOLT
39	1	920001N	5/16 SAE FLAT WASHER SS

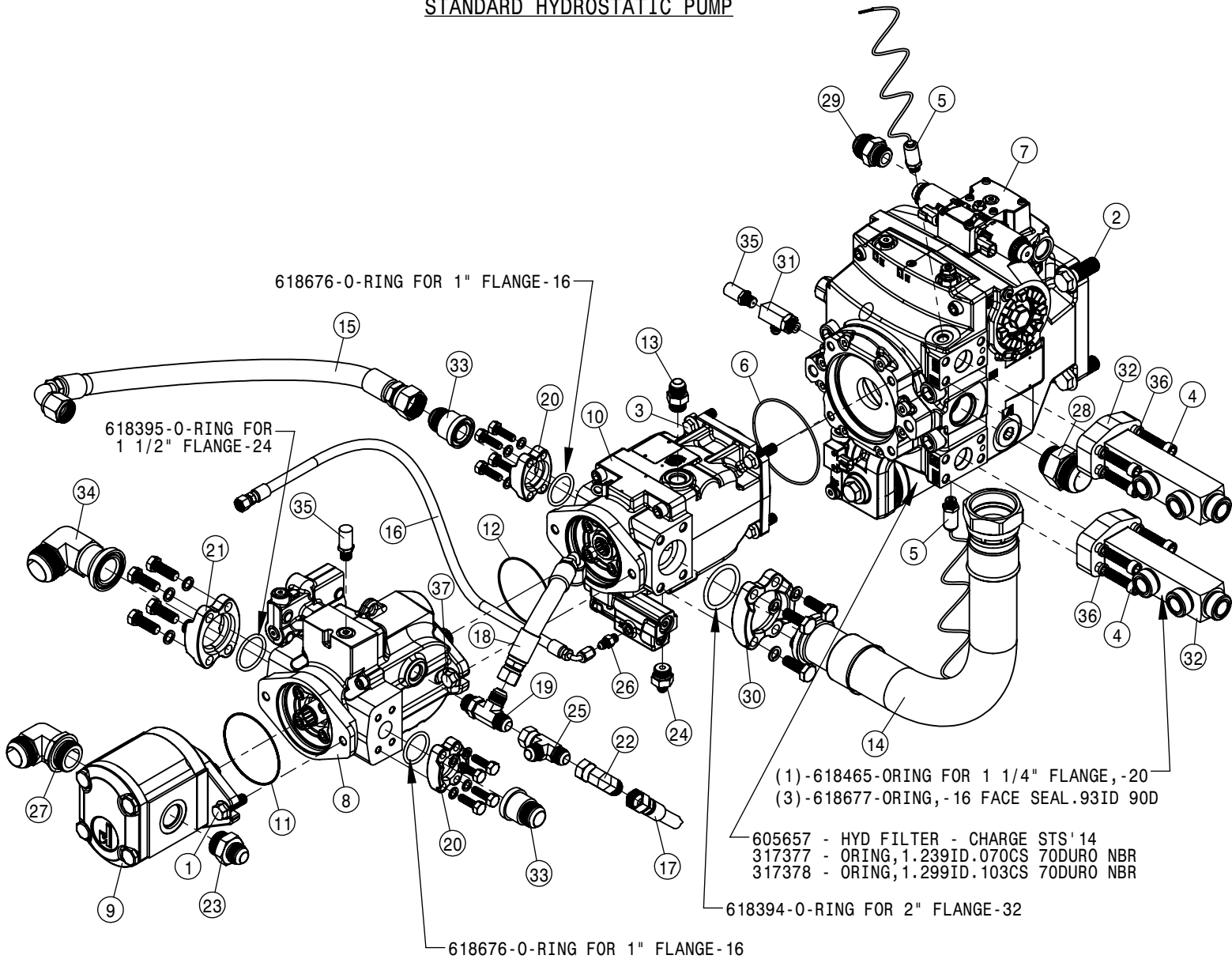
# COMBO REAR AUX HYDRAULIC HOSES



COMBO REAR AUX HYDRAULIC HOSE ASSEMBLY			
DET	QTY	P/N	DESCRIPTION
1	2	470087	3/8UNC HEX SERR FLANGE NUT
2	2	470113N	5/16UNC SERR FLG LOCK NUT SS
3	1	470671	HOSE CLAMP, 6-HOLE
4	2	470674	HOSE CLAMP, 2-HOLE
5	2	470683	3/8UNC X5 1/2SMTH FLG HEX BOLT
6	1	617088	24-811-24FJX-24FJX45-18 H/A
7	1	617090	32-811-32FJX-40FLG-23 H/A
8	1	617091	24-811-24FJX-24FJX-71 H/A
9	1	617092	20-811-20FJX-20FJX90-60 H/A
10	1	617093	24-811-24FJX-24FLG90-48 H/A
11	1	617094	24-811-24FJX-24FJX90-31 H/A
12	1	617095	20-811-20FJX-20FJX45-47 H/A
13	1	617097	10-451TC-10FJX-10FJX-47 H/A
14	1	617101	12-451TC-16FJX-12FJX90-23 H/A
15	1	617102	04-451TC-06FJX-04FJX90-29 H/A
16	1	617106	12-451TC-12FJX-12FJX-87 H/A
17	1	617115	06-451TC-06FJX-06FJX45-101 H/A
18	1	617116	06-451TC-06FJX-06FJX-99 H/A
19	1	617117	06-451TC-06FJX-06FJX-137
20	1	617118	06-451TC-06FJX-06FJX90-137 H/A
21	1	617119	10-451TC-10FJX-10FJX-18 H/A
22	1	617120	20-811-20FJX-20FJX-37 H/A
23	1	617122	12-451TC-10FJX-12FJX90-18 H/A

COMBO REAR AUX HYDRAULIC HOSE ASSEMBLY			
DET	QTY	P/N	DESCRIPTION
24	1	617123	16-811-16FJX-16FJX90-22 H/A
25	1	617128	08-451TC-08FJX-10FJX90-113 H/A
26	1	617132	10-451TC-10FJX-10FJX90-11 H/A
27	1	617139	16-811-16FJX-16FJX-12 H/A
28	1	617145	24-811-24FJX-24FJX90-151 H/A
29	1	617146	12-451TC-12FJX-16FJX90-161 H/A
30	1	617147	04-451TC-04FJX-04FJX45-213 H/A
31	1	617148	16-451TC-16FJX-20FJX90-189 H/A
32	1	617149	20-811-20-FJX-20FJX-203 H/A
33	1	617171	12-451TC-12FJX-12FJX90-43 H/A
34	1	617173	20-811-20FJX-20FJX-39 H/A
35	1	618328	7/8FJIC CAP NUT
36	1	618333	7/8FJIC SW RUN TEE-7/8MJIC
37	1	618451	3/4FJIC SW RUN TEE-3/4MJIC
38	2	618532	3/4FJIC CAP NUT
39	1	618543	7/8MJIC PLUG
40	1	618593	7/8FJ SW BRANCH TEE-7/8MJ
41	1	618643	3/4FJ SW BRANCH TEE-3/4MJ
42	2	618665	1 5/8FJIC-1 1/16MJIC ADPTR
43	1	618752	1 5/8MJIC BLKHD RUN TEE
44	1	660291	HOSE GUARD - S/F
45	2	900072N	5/16UNC X 3" HEX BOLT SS
46	2	920001N	5/16 SAE FLAT WASHER SS

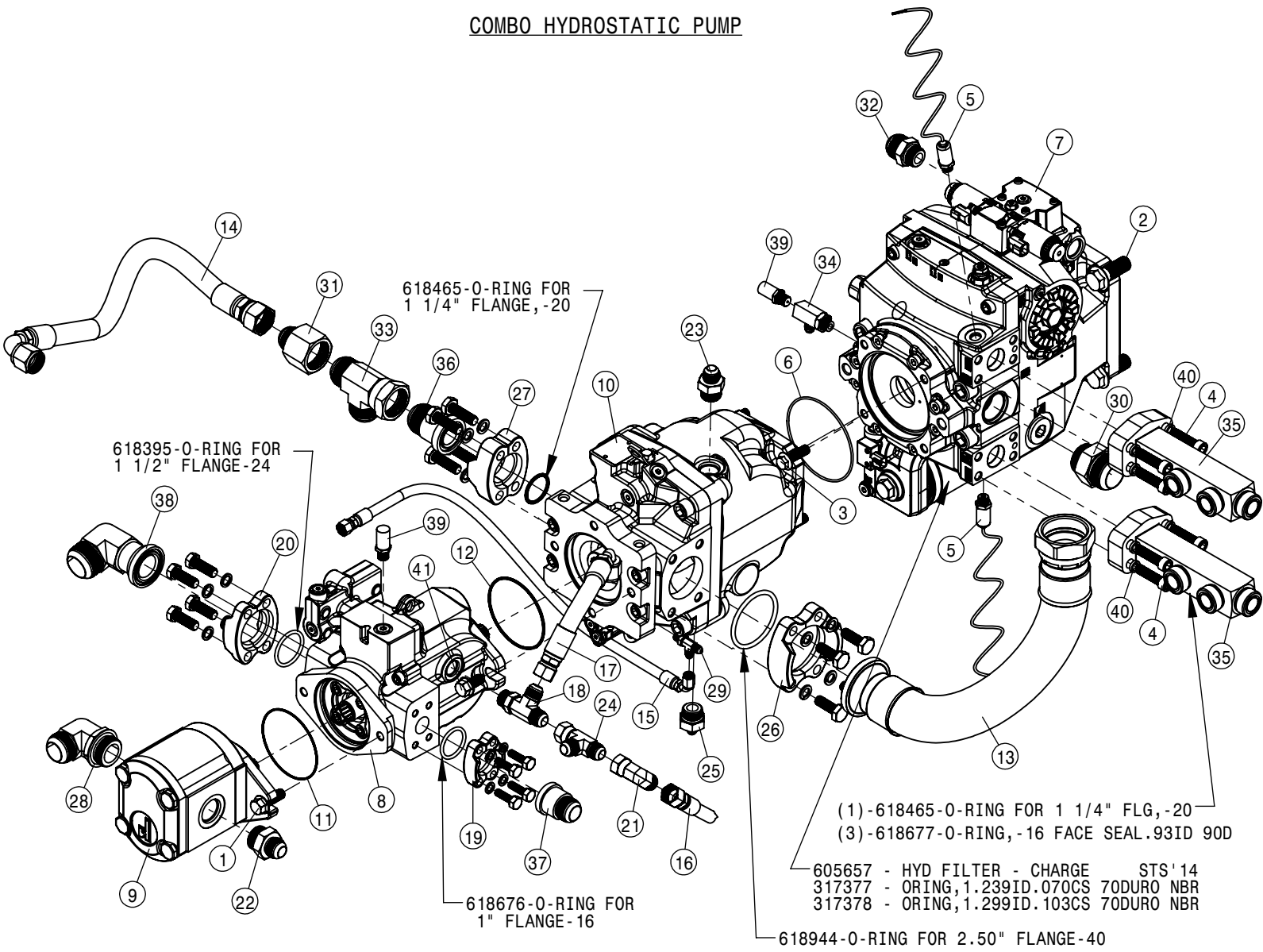
# STANDARD HYDROSTATIC PUMP



STANDARD HYDROSTATIC PUMP ASSEMBLY			
DET	QTY	P/N	DESCRIPTION
1	2	470431	1/2UNC X 1 1/2 SERR FLG BOLT
2	4	472367	3/4UNC X 2" SM FLG BOLT GR8 YZ
3	4	473856	12MM-1.75 X 40MM SM FLANGED BOLT
4	8	473874	12MM-1.75X 40MM SOC HD CAP SCR
5	2	606196	PRESSURE TRANSDUCER, 9000 PSI
6	1	606197	O-RING, 4.73ID-.103CS-4.9430D
7	1	606519	H1 PUMP 147CC D/C MT
8	1	606523	PUMP-38CC BB/B MNT
9	1	606524	40CC GEAR PUMP
10	1	606525	PUMP 45CC C/BB MT
11	1	606870	O-RING FOR 606865 SUND B-MT
12	1	607115	O-RING, 3.739ID-.070CS-3.8090D
13	1	611126	7/8MJIC-7/8MOR ADPTR
14	1	617089	32-811-32FJX-32FLG-25 H/A
15	1	617101	12-451TC-16FJX-12FJX90-23 H/A
16	1	617102	04-451TC-06FJX-04FJX90-29 H/A
17	1	617124	06-451TC-10FJX-06FJX90-85 H/A
18	1	617132	10-451TC-10FJX-10FJX90-11 H/A

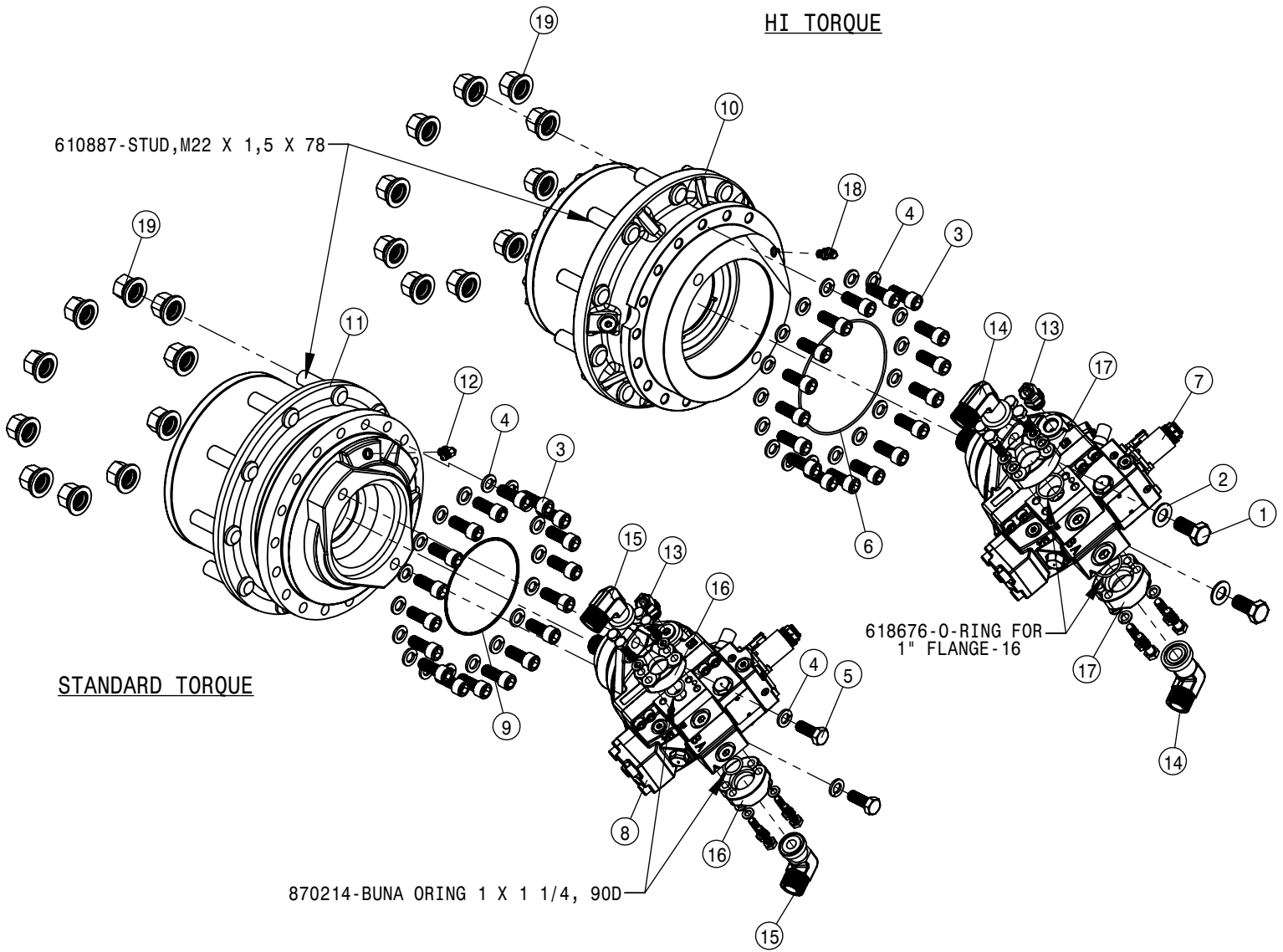
STANDARD HYDROSTATIC PUMP ASSEMBLY			
DET	QTY	P/N	DESCRIPTION
19	1	618130	7/8MOR RUN TEE-7/8MJIC
20	2	618297	1.00 SPLIT FLANGE KIT #61
21	1	618299	1.50 SPLIT FLANGE KIT #61
22	1	618301	7/8MJIC-90-7/8FJIC SWIV LBO
23	1	618308	1 1/16MJIC-1 5/16MOR ADPTR
24	1	618310	9/16MJIC-7/8MOR ADPTR
25	1	618333	7/8FJIC SW RUN TEE-7/8MJIC
26	1	618467	7/16MJIC-7/16MOR ADPTR
27	1	618477	1 5/8MJIC-90-1 5/8MOR LBO
28	1	618527	1 7/8MJIC-1 5/8MOR ADPTR
29	1	618558	1 5/16MJIC-1 1/16MOR ADPTR
30	1	618766	2" SPLIT FLANGE KIT #61
31	1	618782	9/16MOR-9/16FOR-9/16MJIC BRNCH
32	2	618876	DRIVE PUMP MANIFOLD BLK
33	2	618899	1 5/16MJ-1"FLANGE C61 ADPTR
34	1	619020	1 1/2 FLG-90-1 7/8 MJIC LBO
35	2	619023	9/16 MOR DIAGNOSTIC FITTING
36	8	470189	7/16 HC LOCK WASH FOR 618598
37	2	900263N	1/2UNC X 1" SER FLANGE BOLT

# COMBO HYDROSTATIC PUMP

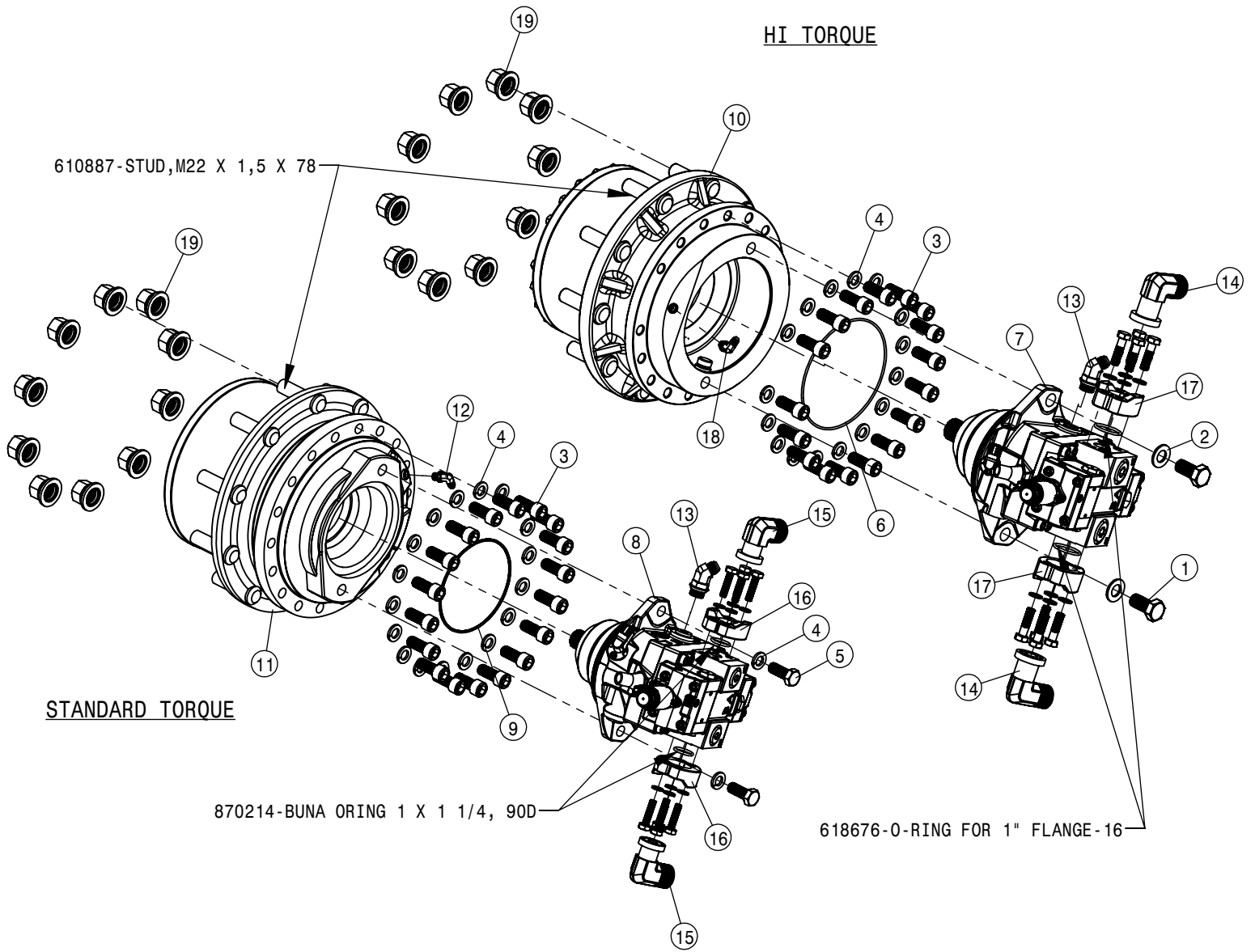


COMBO HYDROSTATIC PUMP ASSEMBLY			
DET	QTY	P/N	DESCRIPTION
1	2	470431	1/2UNC X 1 1/2 SERR FLG BOLT
2	4	472367	3/4UNC X 2" SM FLG BOLT GR8 YZ
3	4	473856	12MM-1.75 X 40MM SM FLANGED BOLT
4	8	473874	12MM-1.75X 40MM SOC HD CAP SCR
5	2	606196	PRESSURE TRANSDUCER, 9000 PSI
6	1	606197	O-RING, 4.73ID-.103CS-4.9430D
7	1	606519	H1 PUMP 147CC D/C MT
8	1	606523	PUMP-38CC BB/B MNT
9	1	606524	40CC GEAR PUMP
10	1	606526	PUMP 100CC C/BB MT
11	1	606870	O-RING FOR 606865 SUND B-MT
12	1	606977	O-RING, B-MT, 3.989ID X .103CS
13	1	617090	32-811-32FJX-40FLG-23 H/A
14	1	617101	12-451TC-16FJX-12FJX90-23 H/A
15	1	617102	04-451TC-06FJX-04FJX90-29 H/A
16	1	617124	06-451TC-10FJX-06FJX90-85 H/A
17	1	617132	10-451TC-10FJX-10FJX90-11 H/A
18	1	618130	7/8MOR RUN TEE-7/8MJIC
19	1	618297	1.00 SPLIT FLANGE KIT #61
20	1	618299	1.50 SPLIT FLANGE KIT #61

COMBO HYDROSTATIC PUMP ASSEMBLY			
DET	QTY	P/N	DESCRIPTION
21	1	618301	7/8MJIC-90-7/8FJIC SWIV LBO
22	1	618308	1 1/16MJIC-1 5/16MOR ADPTR
23	1	618309	7/8MJIC-1 1/16MOR ADPTR
24	1	618333	7/8FJIC SW RUN TEE-7/8MJIC
25	1	618344	9/16MJIC-1 1/16MOR ADPTR
26	1	618359	2 1/2" SPLIT FLANGE KIT #61
27	1	618461	1 1/4 SPLIT FLANGE KIT
28	1	618477	1 5/8MJIC-90-1 5/8MOR LBO
29	1	618509	7/16MOR RUN TEE-7/16MJIC
30	1	618527	1 7/8MJIC-1 5/8MOR ADPTR
31	1	618547	1 5/8FJIC-1 5/16MJIC ADPTR
32	1	618558	1 5/16MJIC-1 1/16MOR ADPTR
33	1	618726	1 5/8FJ SW RUN TEE-1 5/8MJ
34	1	618782	9/16MOR-9/16FOR-9/16MJIC BRNCH
35	2	618876	DRIVE PUMP MANIFOLD BLK
36	1	618894	1 5/8MJIC-1 1/4FLG C62
37	1	618899	1 5/16MJ-1"FLANGE C61 ADPTR
38	1	619020	1 1/2 FLG-90-1 7/8 MJIC LBO
39	2	619023	9/16 MOR DIAGNOSTIC FITTING
40	8	470189	7/16 HC LOCK WASH FOR 618598
41	2	900263N	1/2UNC X 1" SER FLANGE BOLT

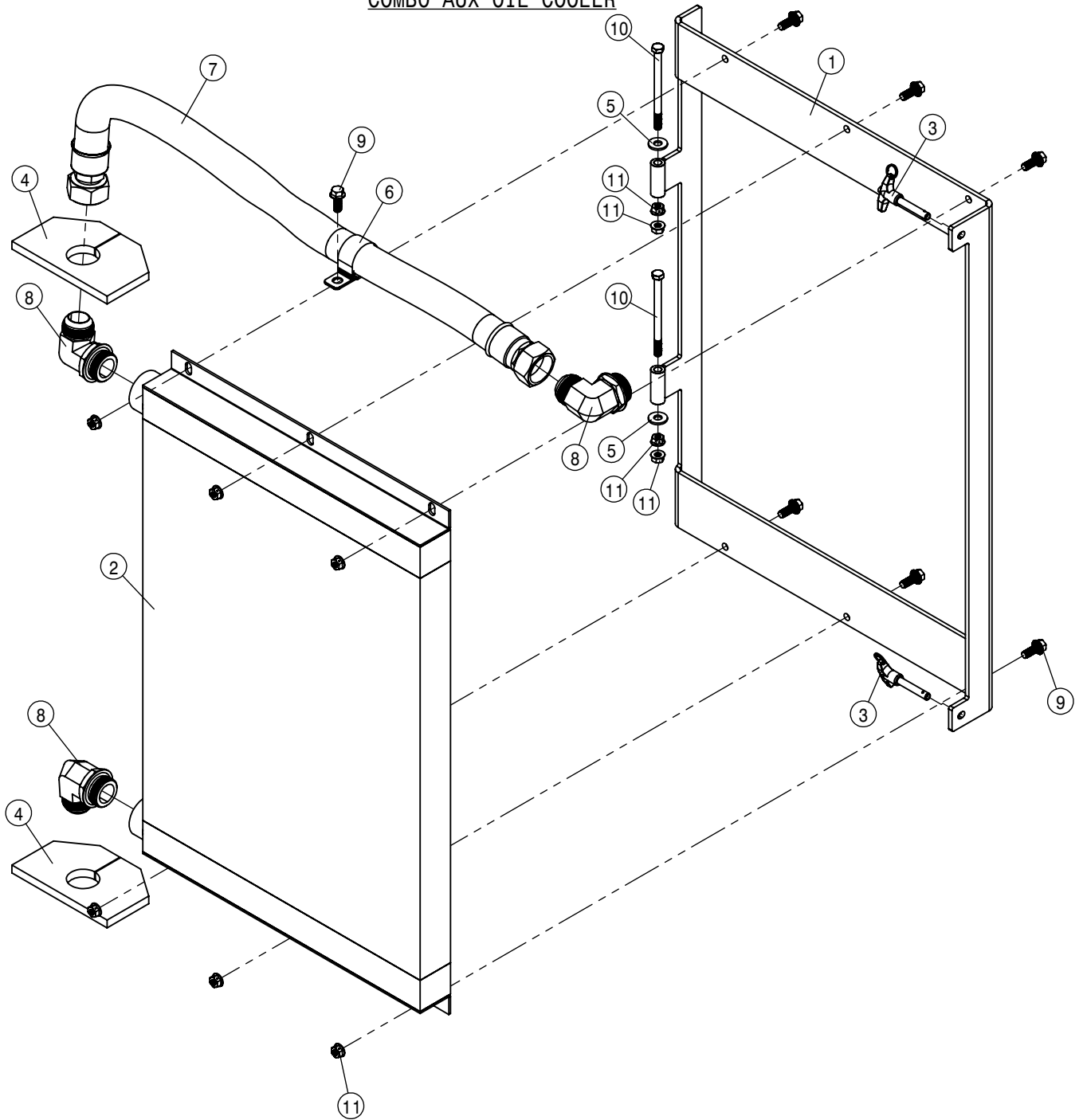


RIGHT WHEEL MOTOR ASSEMBLY			
DET	QTY	P/N	DESCRIPTION
1	2	473838	20MM-1.5 X 40MM HEX BOLT GR8
2	2	473839	20MM FLAT WASHER
3	35	473840	16MM-2.00 X 40MM SOC CAP SCR
4	37	473841	16MM LOCK WASHER
5	2	473861	16MM-2.00 X 40MM HEX BOLT YZ
6	1	606190	O-RING,WHL MTR HSNG SAUER
7	1	606514	H1-80CC WHEEL MOTOR
8	1	606528	H1B 60CC WHL MTR
9	1	607026	O-RING, 5.905ID-6.140D DMT
10	1	610506	TORQ HUB,25:1 CW18E
11	1	610965	WHEEL HUB,27:1 W/BRAKE BONFIG
12	1	618473	7/16MJIC-90-7/16MOR LBO
13	2	618602	3/4MJIC-45-7/8MOR LBO
14	2	618654	1" FLANGE-90-1 7/16MFOR LBO
15	2	618740	3/4 FLANGE-90-1 7/16MFOR LBO
16	2	618932	M10 SPLIT FLANGE KIT #62 (-12)
17	2	618933	M12 SPLIT FLANGE KIT #62 (-16)
18	1	618934	7/16MJIC-90-M12MOR LBO
19	20	824055	22MM-1.50 SMTH FLG WHEEL NUT



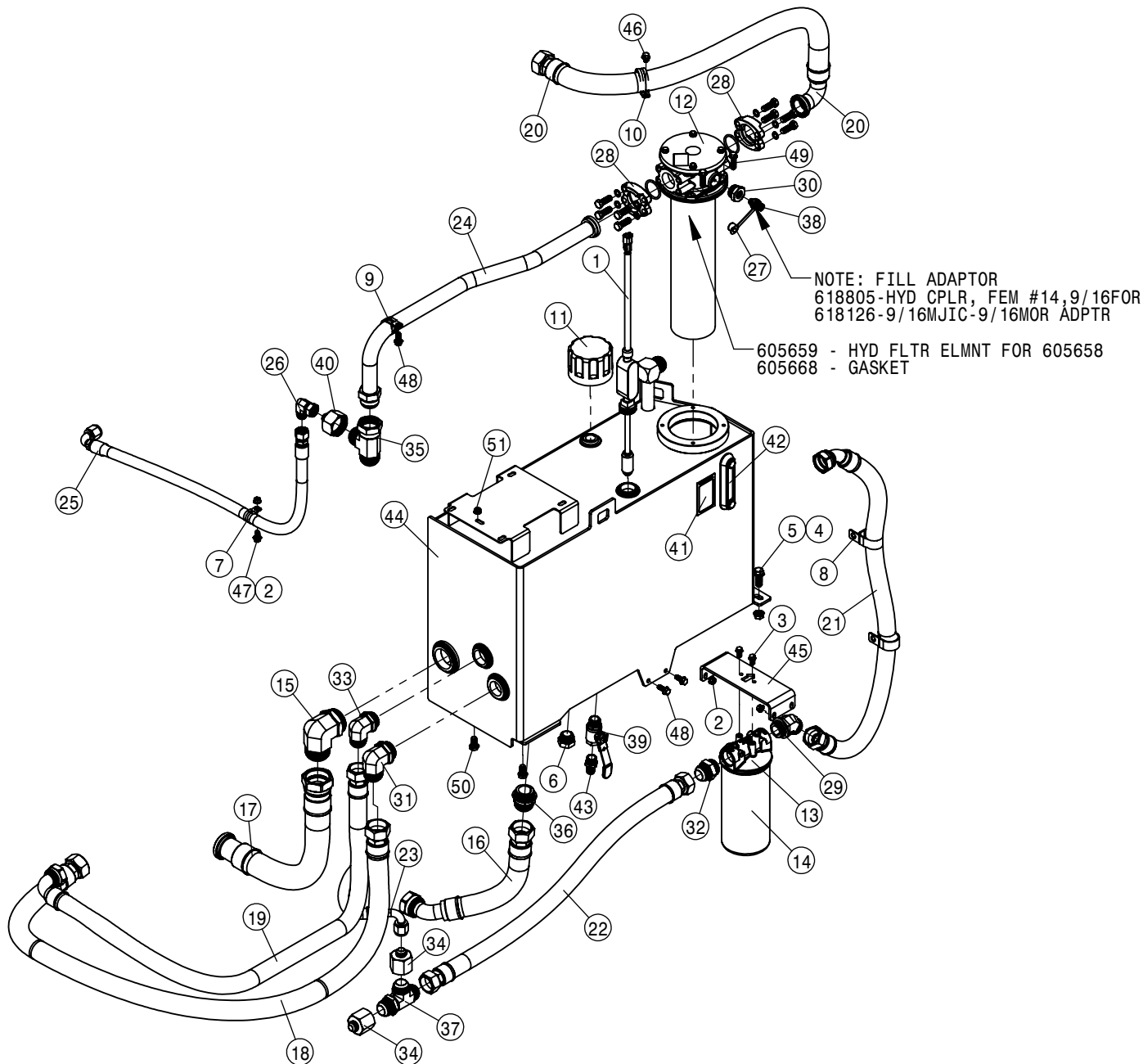
LEFT WHEEL MOTOR ASSEMBLY				
DET	QTY	P/N	DESCRIPTION	
1	2	473838	20MM-1.5 X 40MM HEX BOLT GR8	
2	2	473839	20MM FLAT WASHER	
3	35	473840	16MM-2.00 X 40MM SOC CAP SCR	
4	37	473841	16MM LOCK WASHER	
5	2	473861	16MM-2.00 X 40MM HEX BOLT YZ	
6	1	606190	O-RING, WHL MTR HSNQ SAUER	
7	1	606514	H1-80CC WHEEL MOTOR	
8	1	606528	H1B 60CC WHL MTR	
9	1	607026	O-RING, 5.905ID-6.140D DMT	
10	1	610506	TORQ HUB, 25:1 CW18E	
11	1	610965	WHEEL HUB, 27:1 W/BRAKE BONFIG	
12	1	618473	7/16MJIC-90-7/16MOR LBO	
13	2	618602	3/4MJIC-45-7/8MOR LBO	
14	2	618654	1" FLANGE-90-1 7/16MFOR LBO	
15	2	618740	3/4 FLANGE-90-1 7/16MFOR LBO	
16	2	618932	M10 SPLIT FLANGE KIT #62 (-12)	
17	2	618933	M12 SPLIT FLANGE KIT #62 (-16)	
18	1	618934	7/16MJIC-90-M12MOR LBO	
19	20	824055	22MM-1.50 SMTH FLG WHEEL NUT	

# COMBO AUX OIL COOLER



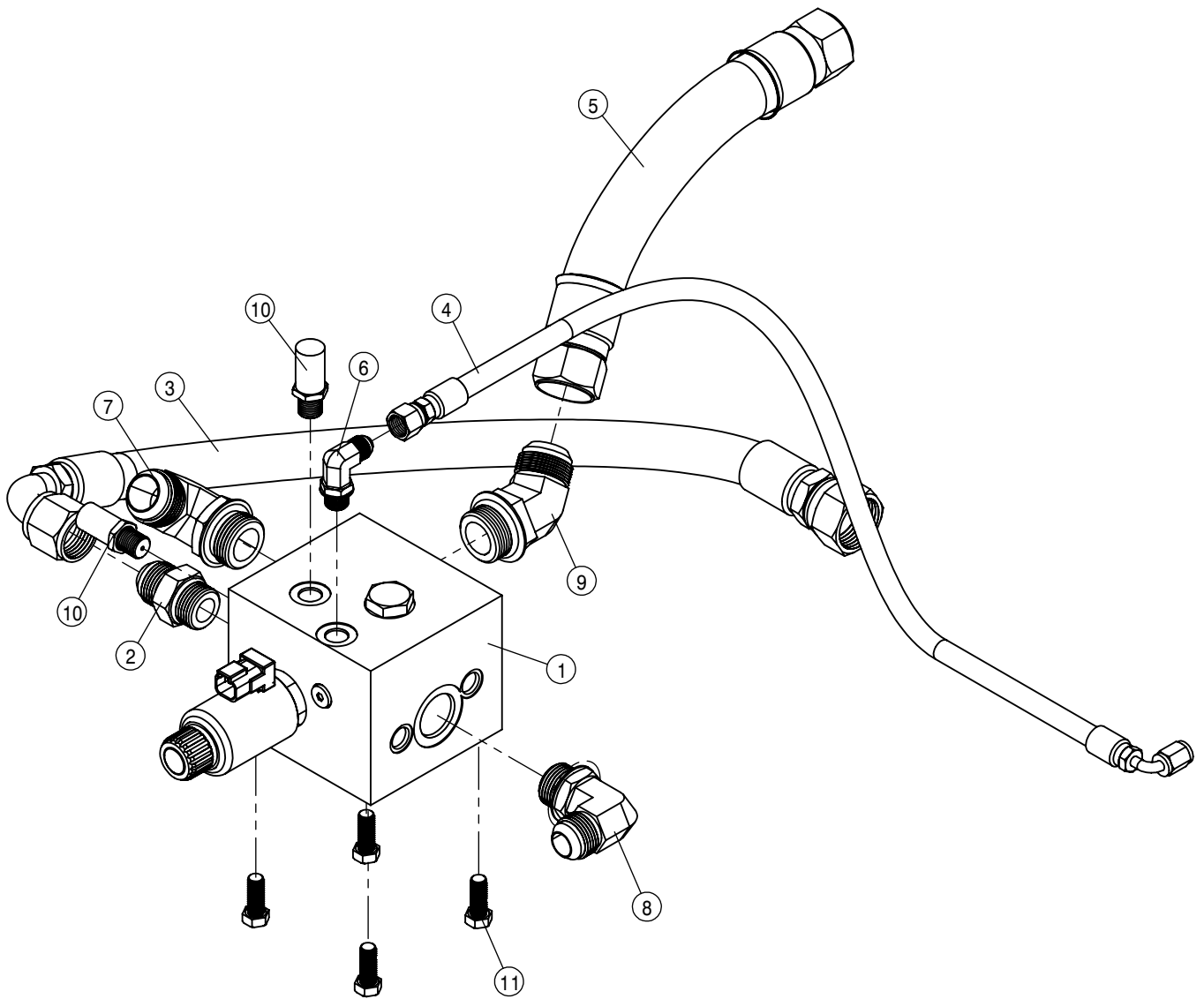
COMBO AUX OIL COOLER ASSEMBLY			
DET	QTY	P/N	DESCRIPTION
1	1	317353	COMBO COOLER FRAME
2	1	317356	OIL COOLER
3	2	317364	T-HANDLE QUICK PIN - 1.75" X 3/8 D
4	2	362126	COMBO COOLER FOAM SEAL
5	2	483043	3/8 REGULAR FLAT WASHER
6	1	520124	CUSH HOSE CLAMP, #28, 1 3/4 X 1 W
7	1	617173	20-811-20FJX-20FJX-39 H/A
8	3	618477	1 5/8MJIC-90-1 5/8MOR LBO
9	7	900129N	3/8UNC X 1" SERR FLANGE BOLT
10	2	900142	3/8 UNC X 5" HEX BOLT
11	10	910004N	3/8UNC FLANGE CNTR LOCK NUT



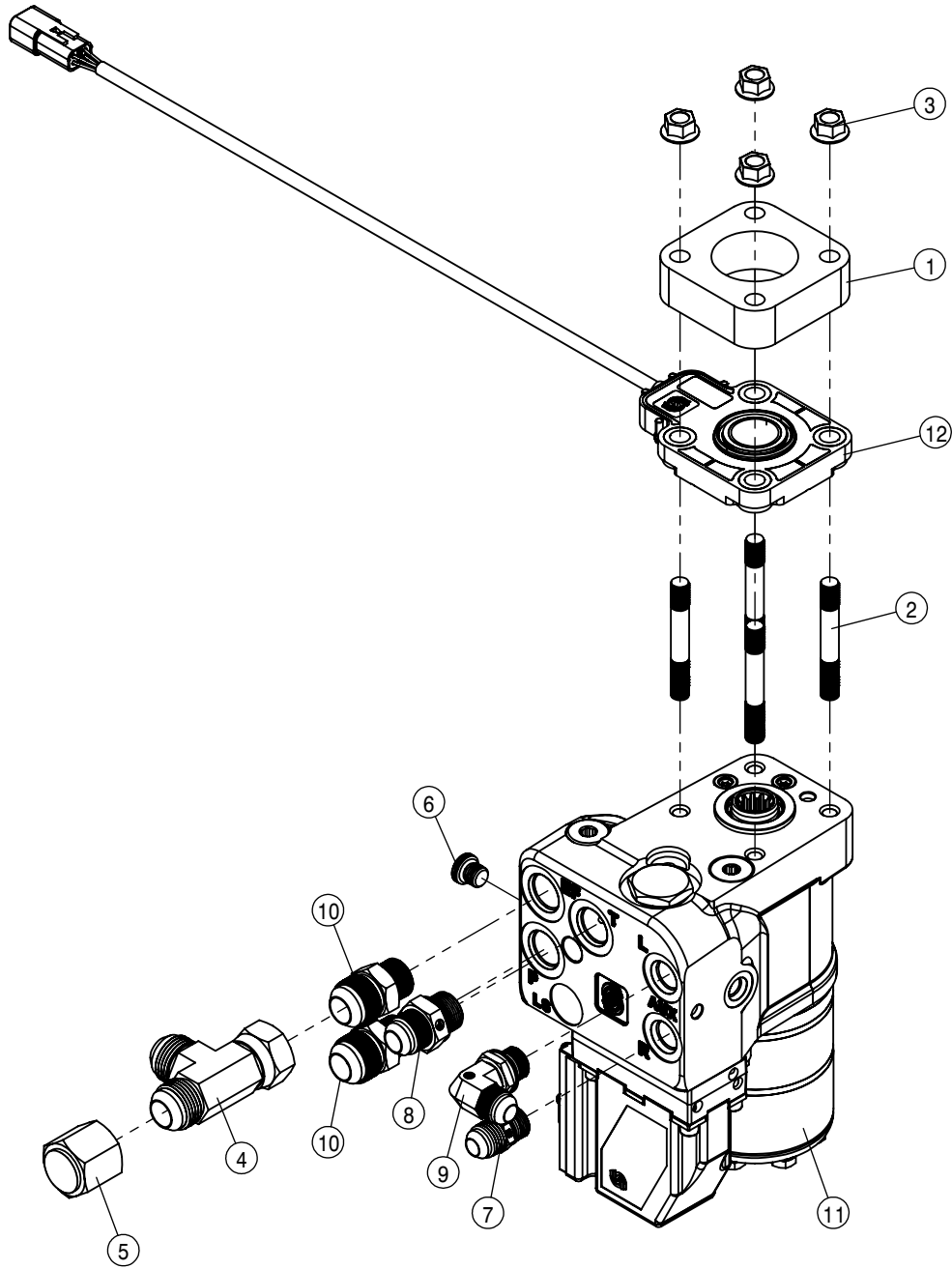


HYDRAULIC TANK ASSEMBLY			
DET	QTY	P/N	DESCRIPTION
1	1	294025	TEMPERATURE/OIL LEVEL SENSOR
2	8	470087	3/8UNC HEX SERR FLANGE NUT
3	2	470233	5/16UNC X 3/4 SERR FLG HEX BOLT
4	2	470360	1/2UNC SERR FLG HEX NUT
5	2	470431	1/2UNC X 1 1/2 SERR FLG BOLT
6	1	470471	1 5/16MOR PLUG, MAGNETIC
7	1	520121	CUSH CLAMP,#16 1IN X 3/4W
8	2	520124	CUSH HOSE CLAMP,#28, 1 3/4D X 1 W
9	1	520160	CUSH CLAMP,#24 1 1/2D-3/4WLOOP
10	1	520161	CUSH CLAMP,#32 2"D-3/4W LOOP
11	1	605656	T.R.A.P. BREATHER 1" NPT
12	1	605658	HYD TANK RETURN FILTER
13	1	605662	CASE DRAIN FILTER HEAD
14	1	605663	CASE DRAIN FILTER ELEMENT
15	1	611170	2 1/2 MOR-90-2 1/2 MJIC
16	1	617088	24-811-24FJX-24FLJ45-18 H/A
17	1	617089	32-811-32FJX-32FLG-25 H/A
18	1	617091	24-811-24FJX-24FLJ-71 H/A
19	1	617092	20-811-20FJX-20FLJX90-60 H/A
20	1	617093	24-811-24FJX-24FLG90-48 H/A
21	1	617095	20-811-20FJX-20FLJ45-47 H/A
22	1	617120	20-811-20FJX-20FLJ-37 H/A
23	1	617122	12-451TC-10FJX-12FLJX90-18 H/A
24	1	617151	HYD TANK TUBE
25	1	617171	12-451TC-12FJX-12FLJX90-43 H/A
26	1	618191	1 1/16MJ-90-1 1/16FJ SWIV LBO

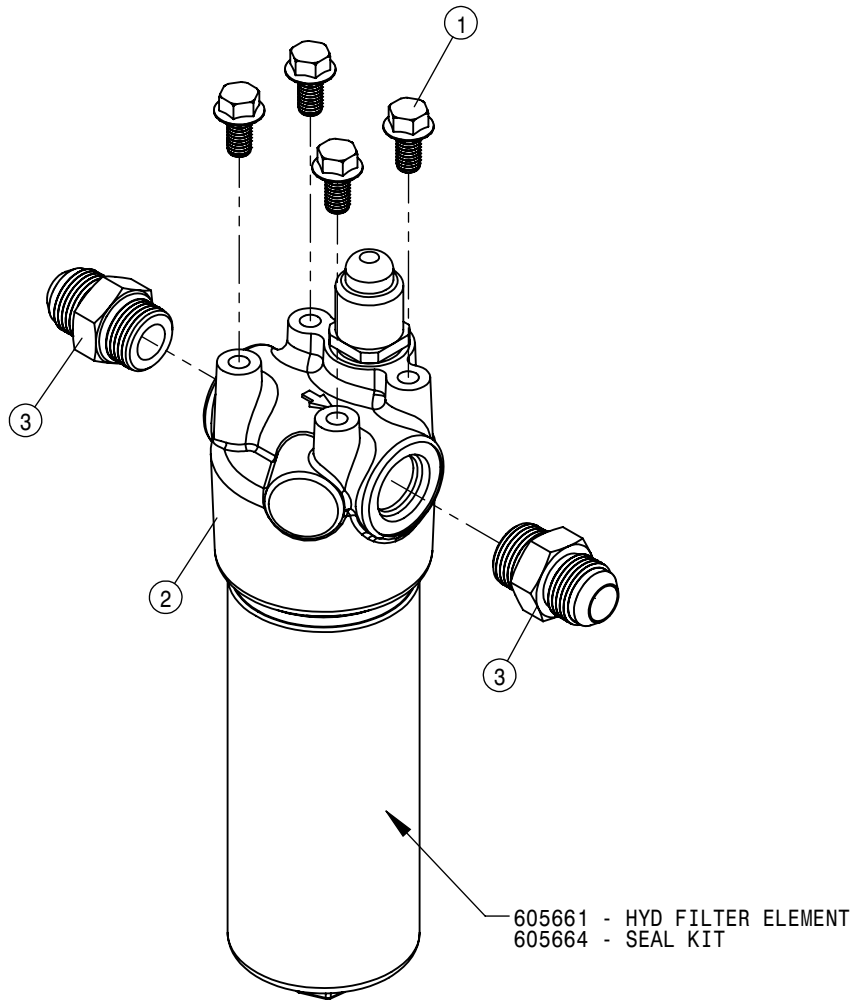
HYDRAULIC TANK ASSEMBLY			
DET	QTY	P/N	DESCRIPTION
27	1	618255	DUST CAP/PLUG FOR 618804/805
28	2	618299	1.50 SPLIT FLANGE KIT #61
29	1	618396	1 5/8MJIC-45-1 5/8MOR LBO
30	1	618397	1 5/16MOR-9/16FOR ADPTR
31	1	618432	1 7/8MJIC-90-1 7/8MOR LBO
32	1	618472	1 5/8MJIC-1 5/8MOR ADPTR
33	1	618477	1 5/8MJIC-90-1 5/8MOR LBO
34	2	618665	1 5/8FJIC-1 1/16MJIC ADPTR
35	1	618681	1 7/8FJ SW RUN TEE-1 7/8MJ
36	1	618682	1 7/8MOR-1 7/8MJIC ADPTR
37	1	618752	1 5/8MJIC BLKHD RUN TEE
38	1	618870	HYD CPLR, MALE #14 9/16MOR
39	1	618881	3/4 NPT BALL VLV BRS LOCK
40	1	618936	1 7/8FJIC-1 1/16MJIC ADPTR
41	1	650430	HYDRAULIC OIL DECAL
42	1	701367	SIGHT GAUGE
43	1	711102	3/4NPT X 3/4 HOSE BARB, BRS
44	1	760788	HYDRAULIC RESERVOIR STS 2014
45	1	760809	filter mount plate
46	1	900126	3/8UNC X 1/2 SERR FLG BOLT YZ
47	1	900128N	3/8UNC X 3/4 SER FLANGE BOLT
48	6	900129N	3/8UNC X 1" SERR FLANGE BOLT
49	4	900131N	3/8UNC X 1 1/2 SER FLANGE BOLT
50	2	900263	1/2UNC X 1" HEX BOLT
51	1	910004N	3/8UNC FLANGE CNTR LOCK NUT



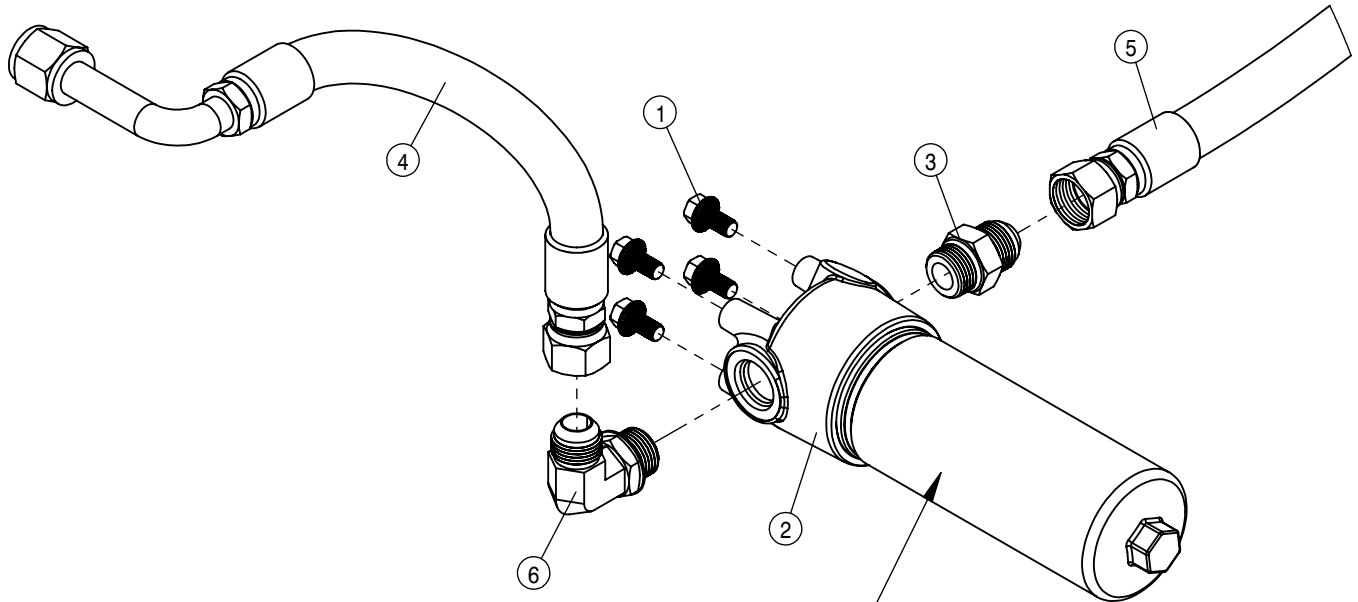
SOLUTION CONTROL VALVE ASSEMBLY			
DET	QTY	P/N	DESCRIPTION
1	1	606253	CTRL VALVE, SOLU PUMP SAUER
2	1	611127	1 1/16MJIC-1 1/16MOR ADPTR
3	1	617101	12-451TC-16FJX-12FJX90-23 H/A
4	1	617102	04-451TC-06FJX-04FJX90-29 H/A
5	1	617139	16-811-16FJX-16FJX-12 H/A
6	1	618119	9/16MJIC-90-9/16MOR LBO
7	1	618178	1 5/16MJIC-90-1 5/16MOR LBO
8	1	618248	1 1/16MJIC-90-1 1/16MOR LBO
9	1	618901	1 5/16MJIC-45-1 5/16MOR LBO
10	2	619023	9/16 MOR DIAGNOSTIC FITTING
11	4	900129	3/8UNC X 1" HEX BOLT



STEERING MOTOR ASSEMBLY			
DET	QTY	P/N	DESCRIPTION
1	1	345017	STEERING VALVE SPACER BLOCK
2	4	472340	M10 X 1.5 X 3" STUD BOLT, DBL END
3	4	473866	M10 X 1.5 HEX SERR FLG NUT
4	1	618487	1 1/16FJ SW RUN TEE-1 1/16MJ
5	1	618533	1 1/16FJIC CAP NUT
6	1	618909	M12 MOR PLUG, HEX SOCKET
7	1	618910	3/4MJIC-M18MOR ADPTR
8	1	618911	7/8MJIC-M22 MOR ADPTR
9	1	618912	3/4MJIC-90-M18MOR LBO
10	2	619019	1 1/16MJIC-M22 MOR ADPTR
11	1	749333	VALVE ASM-STEERING,AWS
12	1	749341	BEI STEERING ANGLE SENSOR

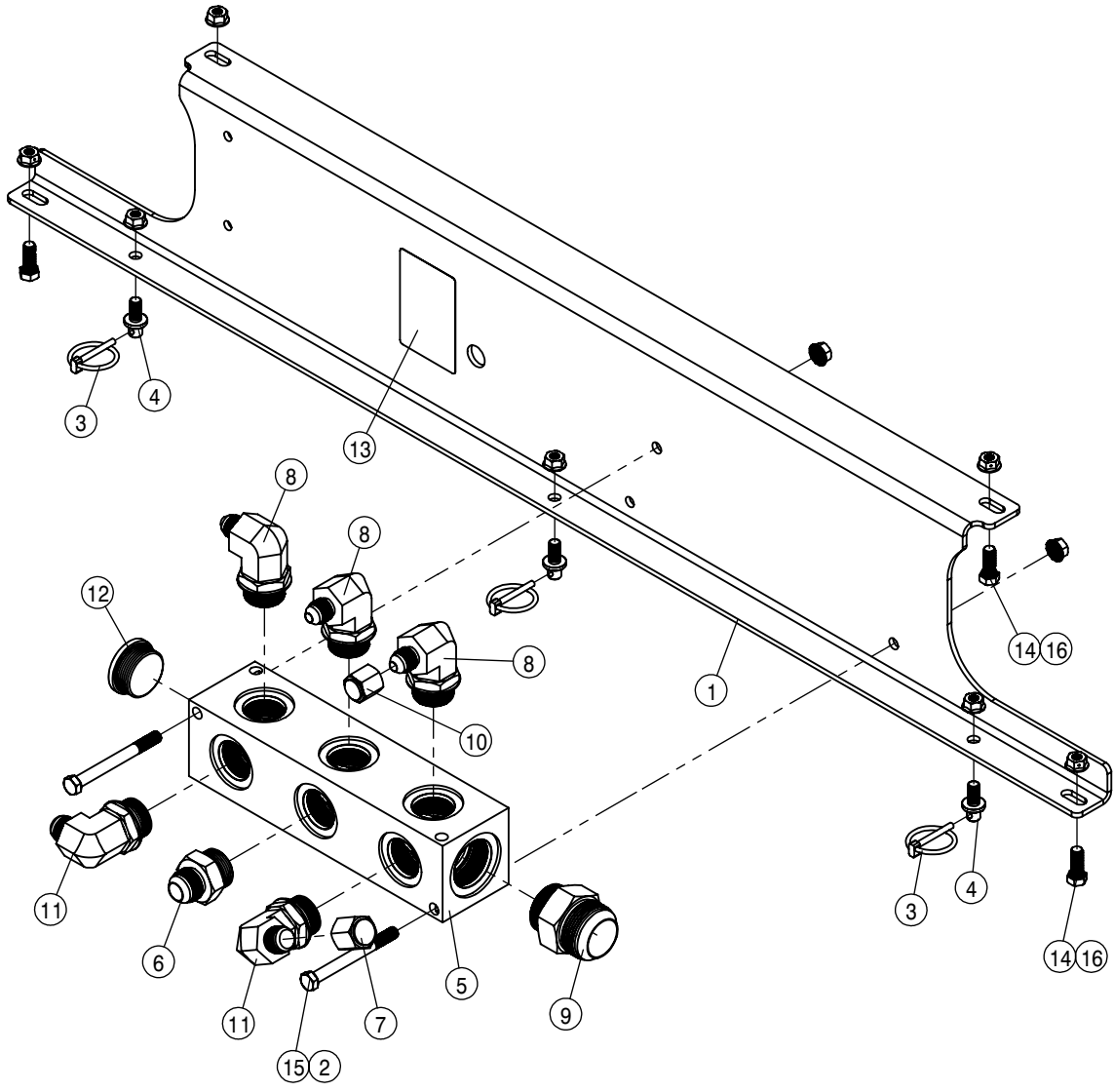


STEERING MOTOR INLINE FILTER			
DET	QTY	P/N	DESCRIPTION
1	4	470409	3/8UNC X 3/4" SERR FLG BOLT
2	1	605660	HYD FILTER 5M SAE12
3	2	611127	1 1/16MJIC-1 1/16MOR ADPTR

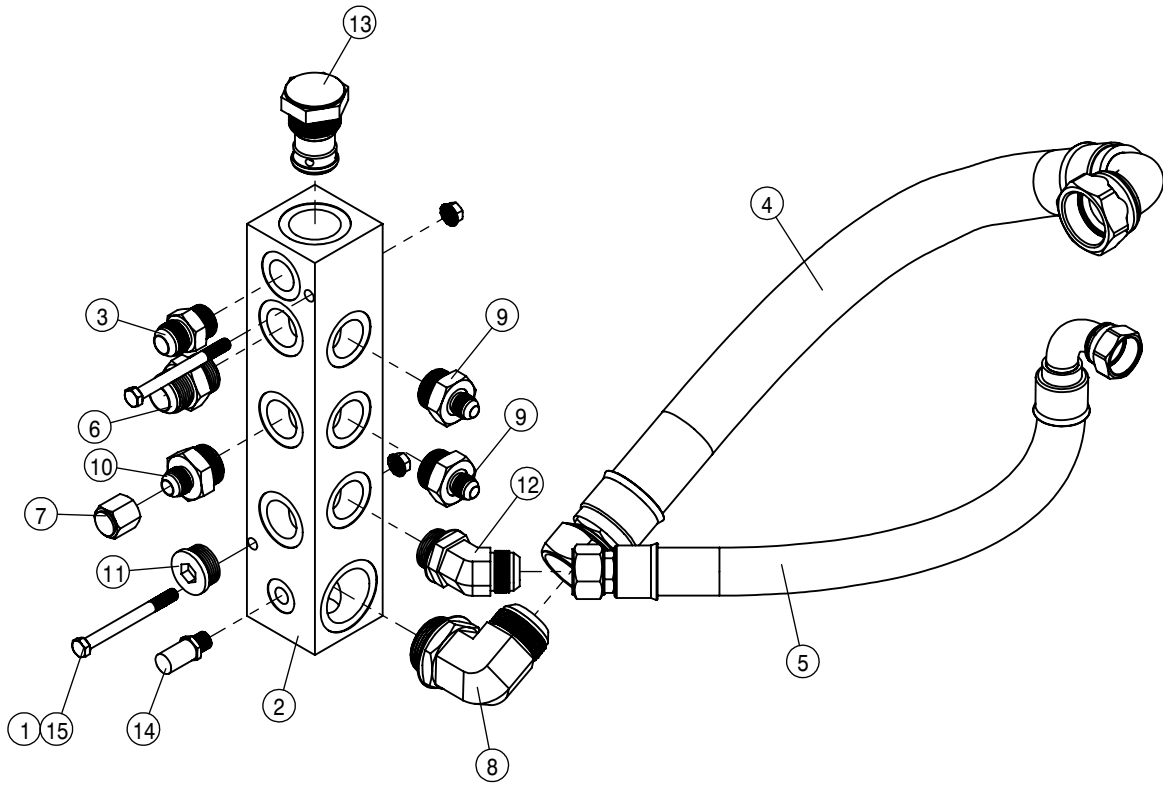


605666 - HYDRAULIC FILTER 20 MICRON  
 605664 - SEAL KIT

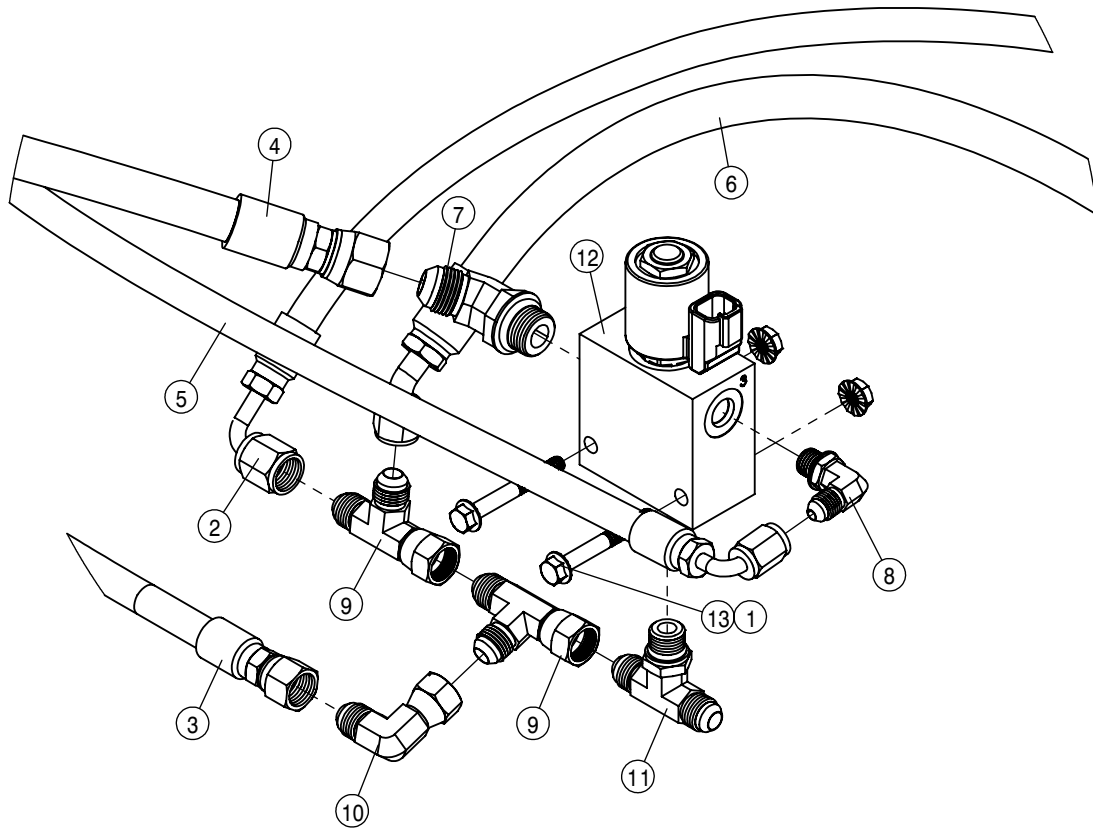
FAN MOTOR INLINE FILTER			
DET	QTY	P/N	DESCRIPTION
1	4	470409	3/8UNC X 3/4" SERR FLG BOLT
2	1	605665	HYD FILTER 20 MICRON SAE12
3	1	611127	1 1/16MJIC-1 1/16MOR ADPTR
4	1	616676	12-451TC-12FJX-12FJX90L-18 H/A
5	1	617199	12-451TC-12FJX-12FJX-73 H/A
6	1	618248	1 1/16MJIC-90-1 1/16MOR LBO



RETURN MANIFOLD AND BULKHEAD ASSEMBLY			
DET	QTY	P/N	DESCRIPTION
1	1	362113	FRONT BULKHEAD, GST20
2	5	470087	3/8UNC HEX SERR FLANGE NUT
3	3	470335	LINCHPIN, 3/16 X 1 1/4 GRIP
4	3	470520	HANGER PIN, 3/8UNC x .437Dx .500L
5	1	606246	MANIFOLD, 1 5/16FOR
6	1	618308	1 1/16MJIC-1 5/16MOR ADPTR
7	1	618328	7/8FJIC CAP NUT
8	3	618475	3/4MJIC-90-1 5/16MOR LBO
9	1	618527	1 7/8MJIC-1 5/8MOR ADPTR
10	1	618532	3/4FJIC CAP NUT
11	2	618589	5/8 HOSE BARB-7/8FJX ADPTR, BRS
12	1	618759	1 5/8MOR PLUG, HEX SOCKET
13	1	650339	DECAL, WARNING, HYD. OIL INJ
14	4	900129	3/8UNC X 1" HEX BOLT
15	2	900139	3/8UNC X 3 3/4 HEX BOLT
16	4	910004N	3/8UNC FLANGE CNTR LOCK NUT

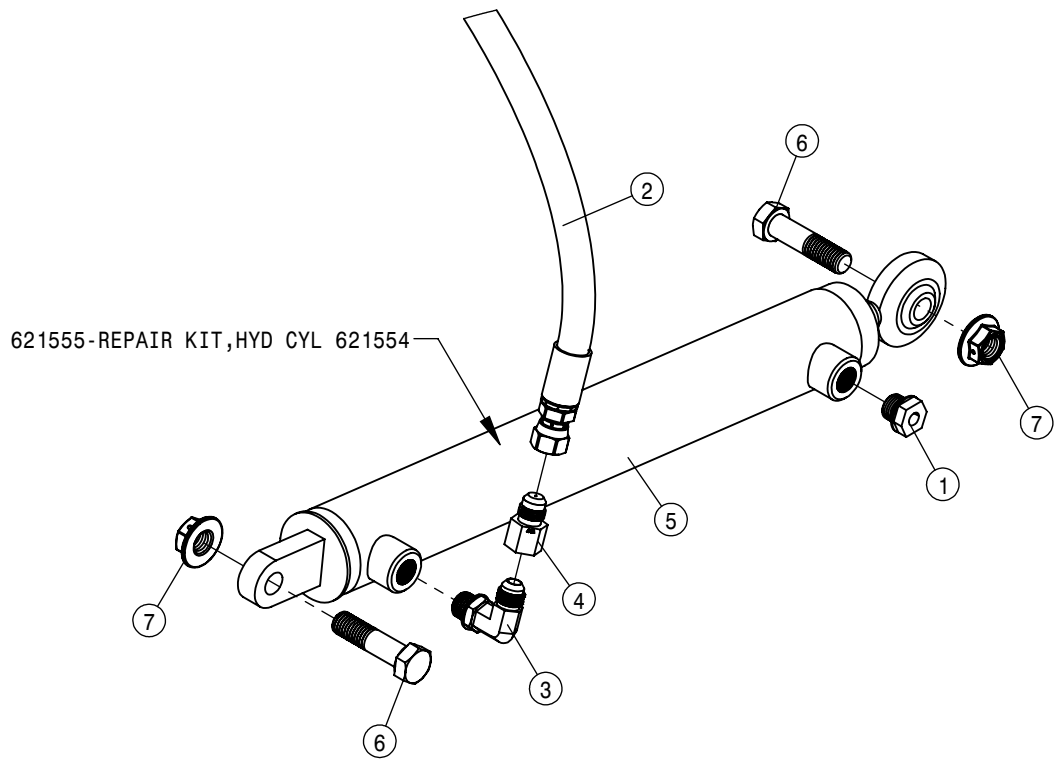


REAR RETURN MANIFOLD ASSEMBLY				
DET	QTY	P/N	DESCRIPTION	
1	2	470087	3/8UNC HEX SERR FLANGE NUT	
2	1	607574	MANIFOLD, #16, # 24 ends	
3	1	611127	1 1/16MJC-1 1/16MOR ADPTR	
4	1	617094	24-811-24FJX-24FJX90-31 H/A	
5	1	617123	16-811-16FJX-16FJX90-22 H/A	
6	1	618186	1 5/16MJC-1 5/16MOR ADPTR	
7	1	618328	7/8FJIC CAP NUT	
8	1	618432	1 7/8MJC-90-1 7/8MOR LBO	
9	2	618470	3/4MJC-1 5/16MOR ADPTR	
10	1	618601	7/8MJC-1 5/16MOR ADPT	
11	1	618758	1 5/16MOR PLUG, HEX SOCKET	
12	1	618901	1 5/16MJC-45-1 5/16MOR LBO	
13	1	618935	20 SIZE CHECK VALVE	
14	1	619023	9/16 MOR DIAGNOSTIC FITTING	
15	2	900140	3/8UNC X 4" HEX BOLT	

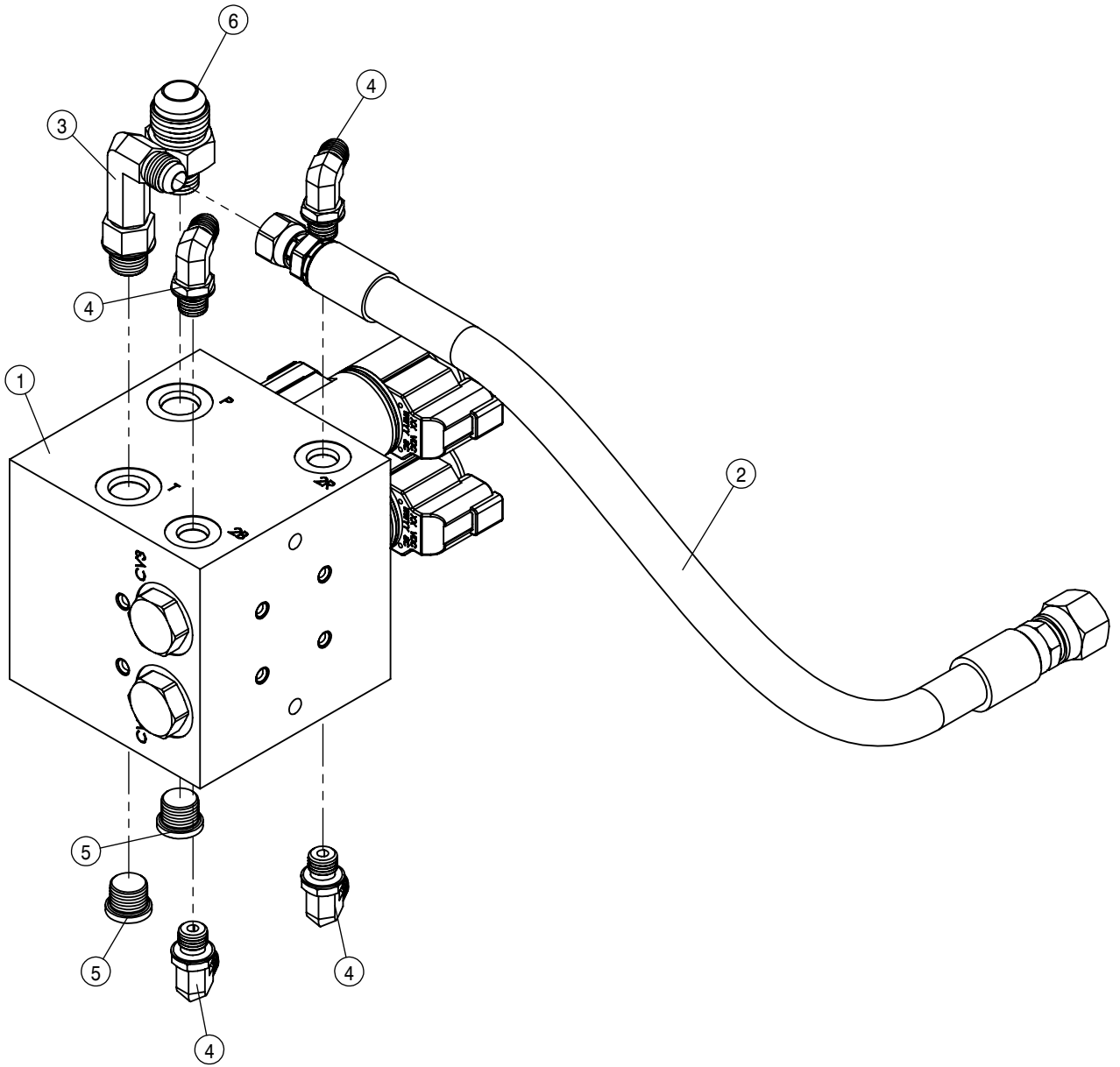


BRAKE AND LADDER VALVE ASSEMBLY			
DET	QTY	P/N	DESCRIPTION
1	2	470121	1/4 UNC SERR FLG LOCK NUT
2	1	617069	04-451TC-04FJX-06FJX90-139 H/A
3	1	617072	04-451TC-06FJX-04FJX45-43 H/A
4	1	617096	06-451TC-08FJX-06FJX90-22 H/A
5	1	617121	04-451TC-06FJX-04FJX90-34 H/A
6	1	617127	06-451TC-06FJX-06FJX45-36 H/A
7	1	618315	3/4MJIC-45-3/4MOR LBO
8	1	618473	7/16MJIC-90-7/16MOR LBO
9	2	618486	9/16FJIC SW RUN TEE-9/16MJIC
10	1	618618	9/16MJIC-90-9/16FJIC SWIV LBO
11	1	618629	9/16MOR BRANCH TEE-9/16MJIC
12	1	701625	ASSY, BRAKE/LADDER VALVE
13	2	900007N	1/4 UNC X 2 SER FLG BOLT SS

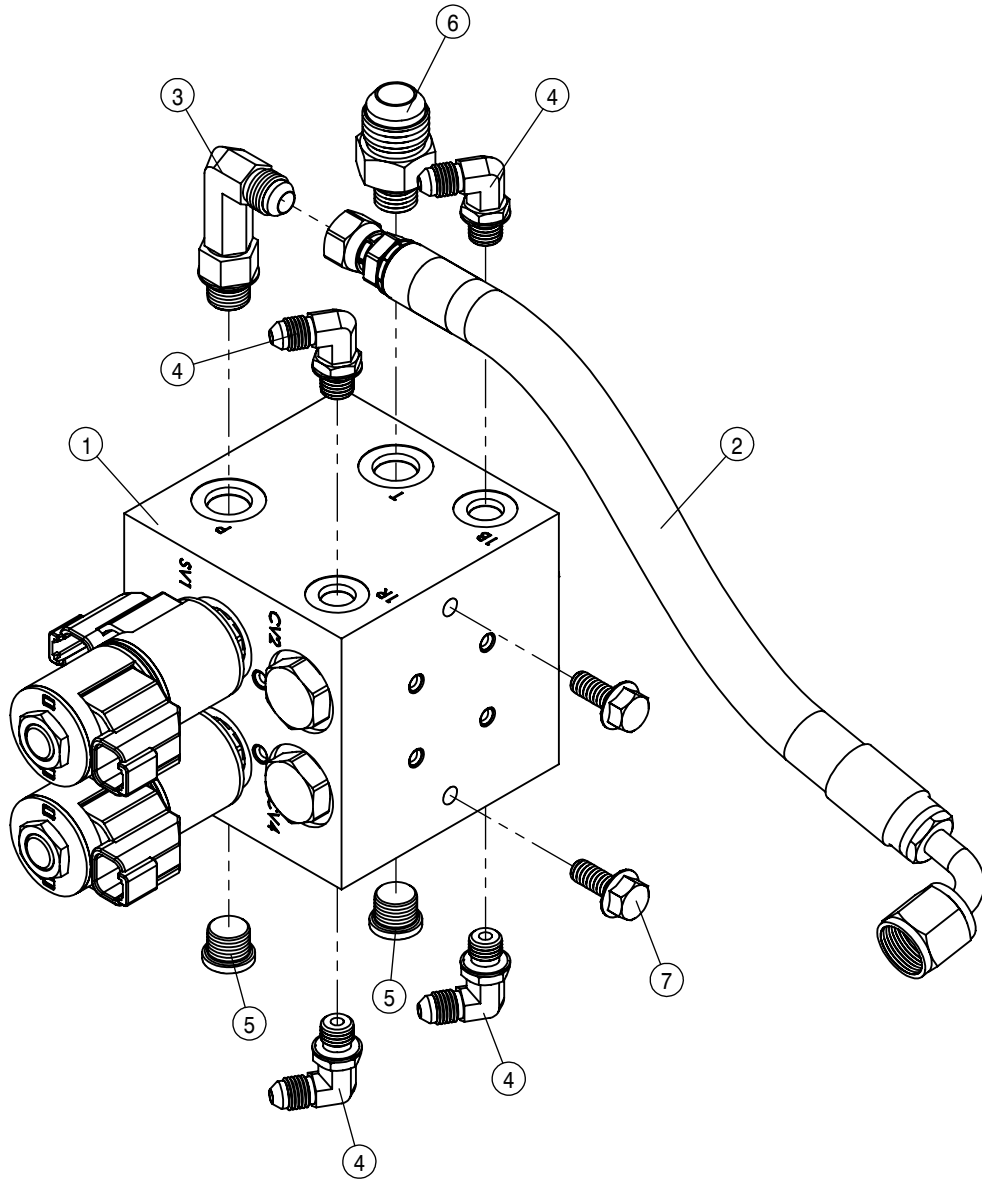




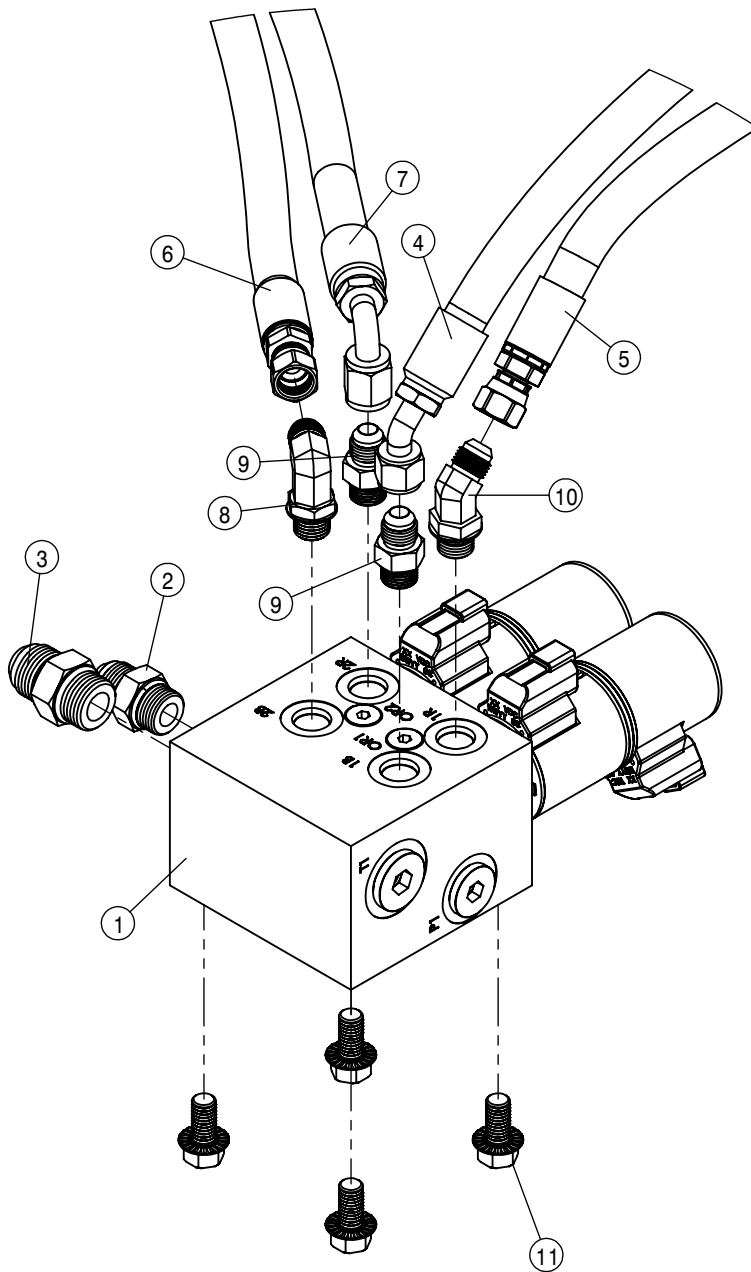
LADDER CYLINDER ASSEMBLY			
DET	QTY	P/N	DESCRIPTION
1	1	362036	SAE 6 BRASS BREATHER
2	1	617127	06-451TC-06FJX-06FJX45-36 H/A
3	1	618119	9/16MJIC-90-9/16MOR LBO
4	1	618733	9/16JIC .042 ORIFICE ADPTR
5	1	621554	CYLINDER, 1.50 ID x 12.00 STRK
6	2	900267	1/2UNC X 2" HEX BOLT
7	2	914015	1/2UNC HEX CENTER-LOCK NUT



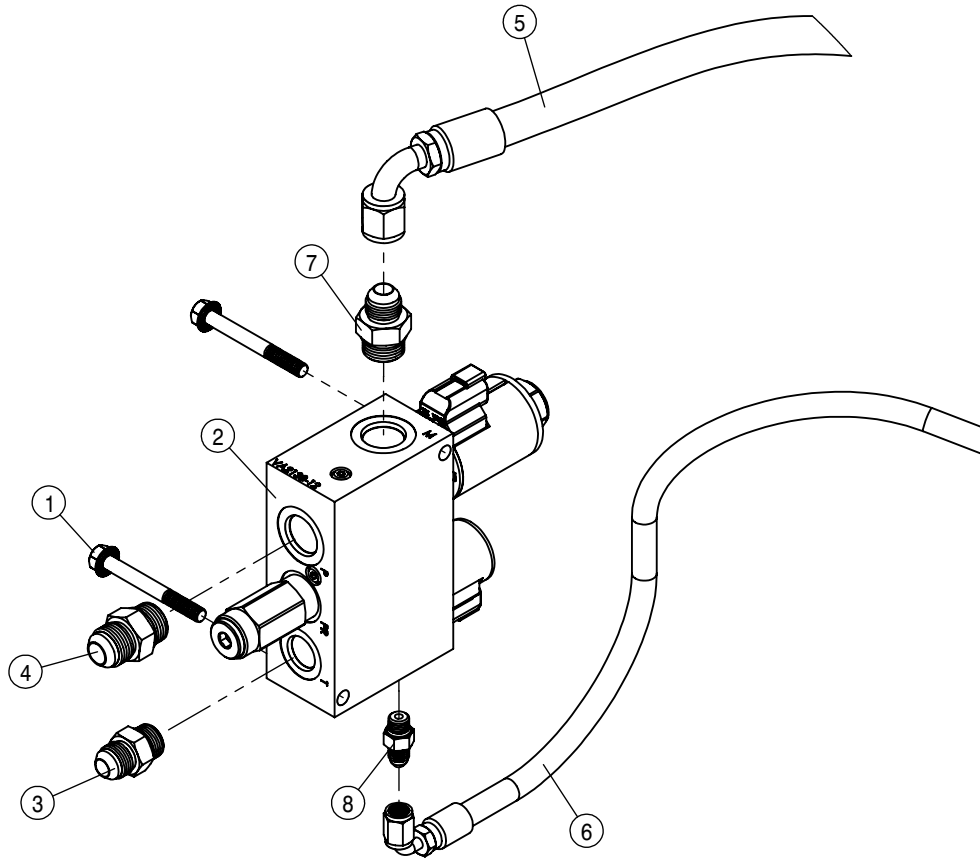
FRONT TREAD ADJUST HYDRAULIC VALVE ASSEMBLY			
DET	QTY	P/N	DESCRIPTION
1	1	606540	TREAD ADJ VLV,STS PWRSYS 14
2	1	617099	06-451TC-06FJX-08FJX-18
3	1	618440	9/16MJIC-90-9/16MOR EX LG LBO
4	4	618473	7/16MJIC-90-7/16MOR LBO
5	2	618754	9/16 MOR PLUG, HEX SOCKET
6	1	618832	7/8MJIC-9/16MOR ADPTR



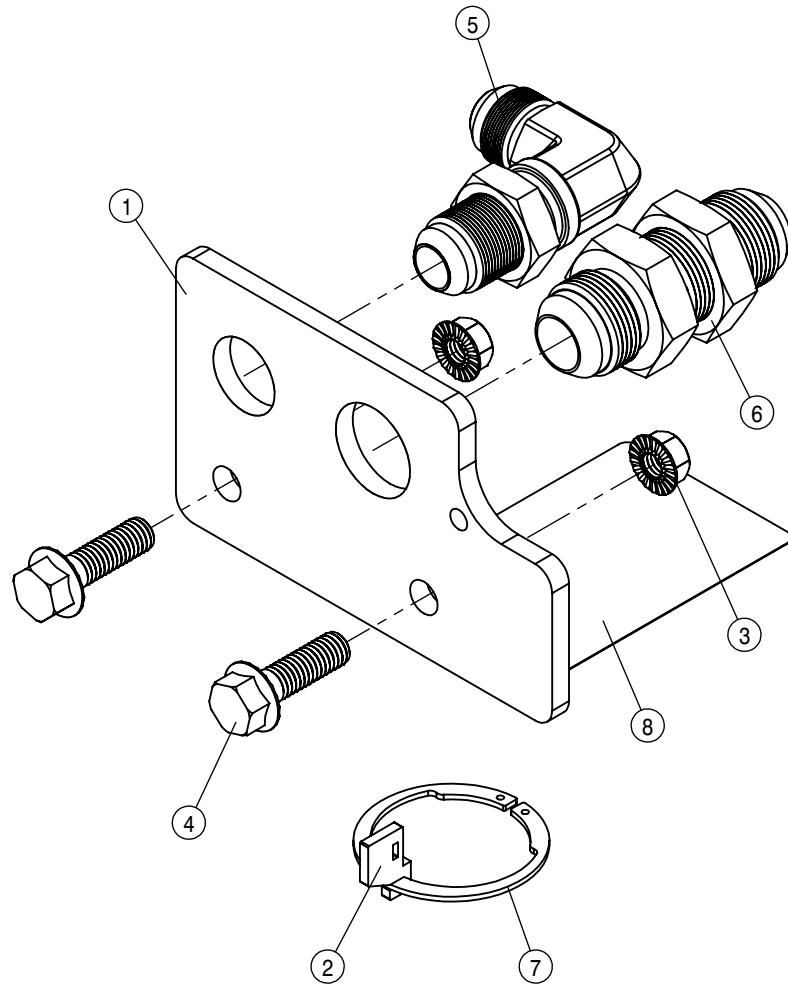
REAR TREAD ADJUST HYDRAULIC VALVE ASSEMBLY			
DET	QTY	P/N	DESCRIPTION
1	1	606540	TREAD ADJ VLV, STS PWRSYS 14
2	1	617098	06-451TC-06FJX-08FJX90-13 H/A
3	1	618440	9/16MJC-90-9/16MOR EX LG LBO
4	4	618473	7/16MJC-90-7/16MOR LBO
5	2	618754	9/16 MOR PLUG, HEX SOCKET
6	1	618832	7/8MJC-9/16MOR ADPTR
7	2	900064N	5/16UNC X 3/4" SER FLG BOLT SS



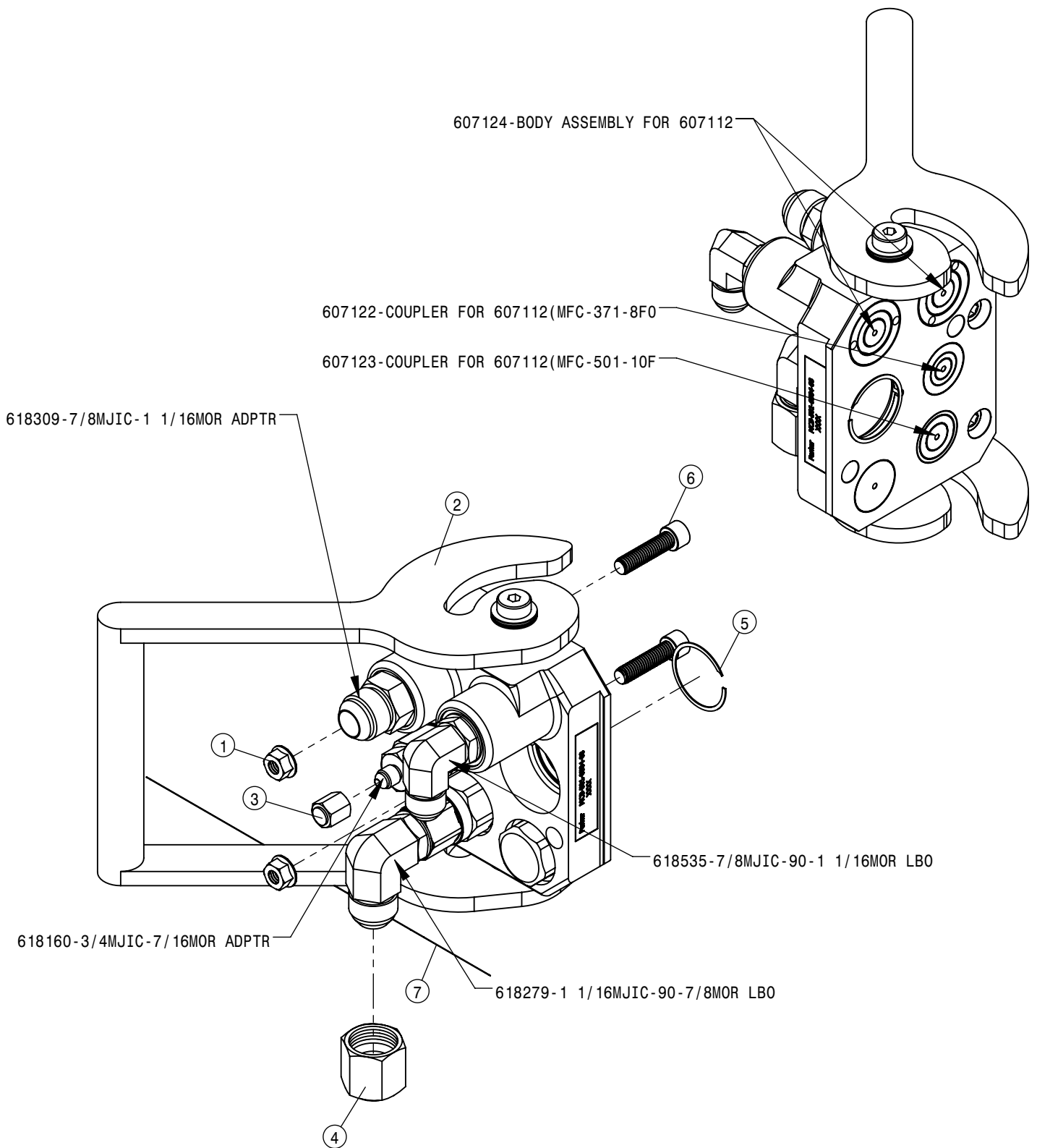
ALL WHEEL STEER HYDRAULIC VALVE ASSEMBLY			
DET	QTY	P/N	DESCRIPTION
1	1	606542	AWS VLV, STS PWRSYS 14
2	1	611125	3/4MJIC-3/4MOR ADPTR
3	1	611126	7/8MJIC-7/8MOR ADPTR
4	1	617115	06-451TC-06FJX-06FJX45-101 H/A
5	1	617116	06-451TC-06FJX-06FJX-99 H/A
6	1	617117	06-451TC-06FJX-06FJX-137
7	1	617118	06-451TC-06FJX-06FJX90-137 H/A
8	1	618119	9/16MJIC-90-9/16MOR LBO
9	2	618126	9/16MJIC-9/16MOR ADPTR
10	1	618425	9/16MJIC-45-9/16MOR LBO
11	4	900128N	3/8UNC X 3/4 SER FLANGE BOLT



SIDE FILL LIFT ASSEMBLY			
DET	QTY	P/N	DESCRIPTION
1	2	470669	5/16UNC X 2 3/4 FLANG HEX BOLT
2	1	606541	SIDE FILL VLV, STS PWRSYS 14
3	1	611125	3/4MJIC-3/4MOR ADPTR
4	1	611126	7/8MJIC-7/8MOR ADPTR
5	1	617142	08-451TC-08FJX-08FJX90-113 H/A
6	1	617144	04-451TC-06FJX-04FJX90-82 H/A
7	1	618327	3/4MJIC-7/8MOR ADPTR
8	1	618467	7/16MJIC-7/16MOR ADPTR

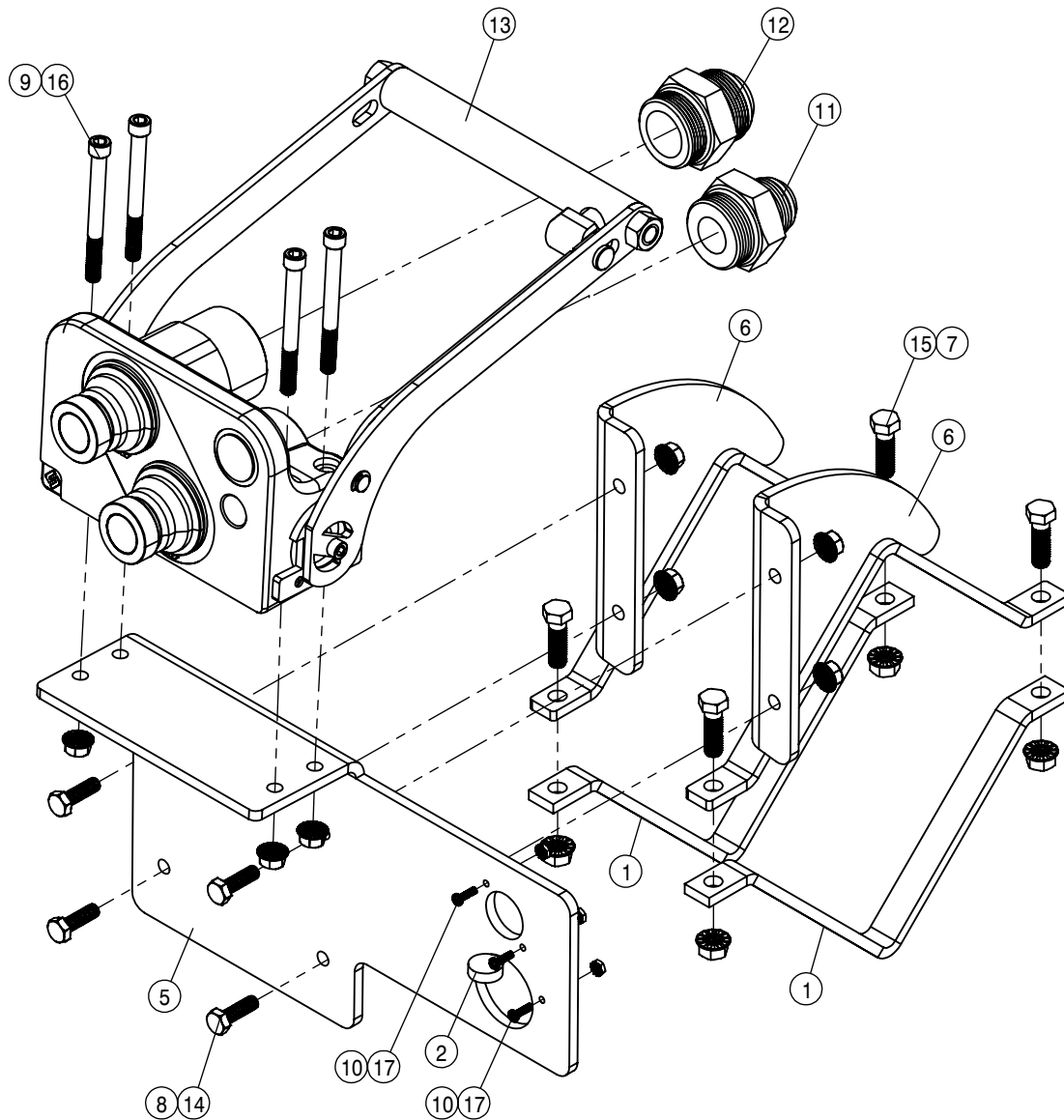


HYDRAULIC OPTION CONNECTION ASSEMBLY			
DET	QTY	P/N	DESCRIPTION
1	1	344488	BRKT FOR NON-MULTICOUPLER MACHINE
2	1	438787	ELECTRICAL QUICK COUPLER KEY
3	2	470113	5/16UNC SERR FLG LOCK NUT
4	2	470329	3/8UNC X 1 1/4 SERR FLG HEX BOLT
5	1	619021	7/8MJIC-90-BLKHD UNION LBO
6	1	619022	1 1/16MJIC-1 1/16MJIC BLKHD UN
7	1	629546	SNAP RING, 1.637 EXTERNAL
8	1	650339	DECAL, WARNING, HYD. OIL INJ



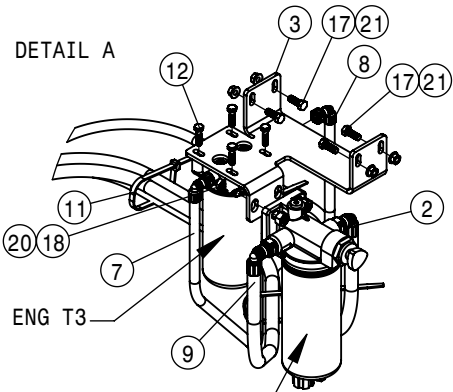
BOOM HYDRAULIC QUICK COUPLER ASSEMBLY			
DET	QTY	P/N	DESCRIPTION
1	2	470087	3/8UNC HEX SERR FLANGE NUT
2	1	607112	FIX HALF COUPLER ASSY
3	1	618363	7/16FJIC CAP NUT
4	1	618533	1 1/16FJIC CAP NUT
5	1	629547	VS-150-S16 RETAINING RING
6	2	900174	3/8UNC x 1 1/2" SOC HD CAP SCR
7	1	HXE28534	LABEL, HYDRAULIC ENGLISH

## COMBO OPTION QUICK ATTACH



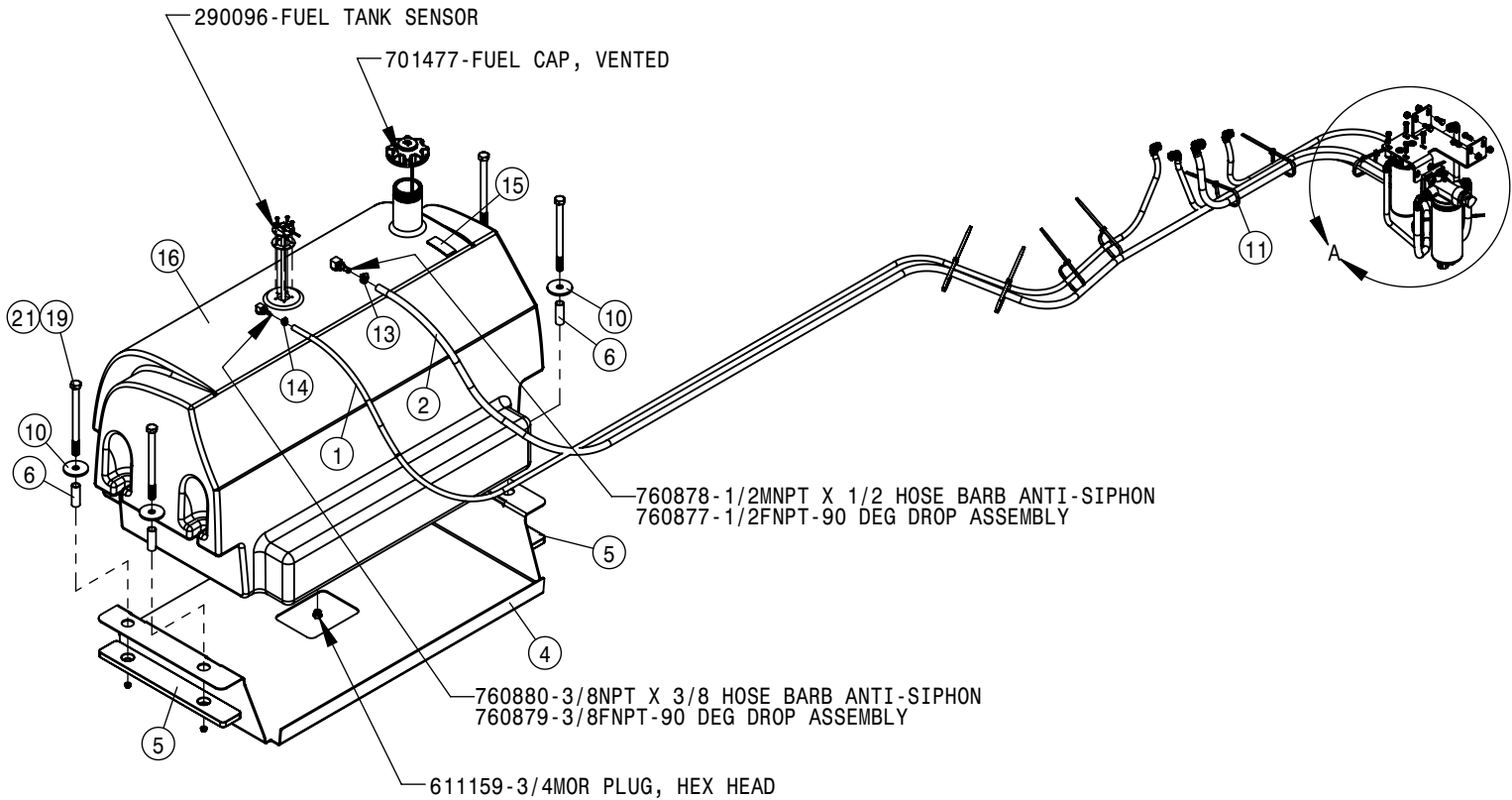
COMBO OPTION HYDRAULIC QUICK ATTACH ASSEMBLY			
DET	QTY	P/N	DESCRIPTION
1	2	003078	RECEPT MTG BRKT, PAINTED STS 07
2	1	291754	AMP CAP, 17 SHELL
NS	1	293866	POWER HARNESS, MAIN STSC 05
NS	1	294047	STS COMBO CHASSIS TO BAR HARNESS
5	1	362043	SOLUTION COMBO MOUNT
6	2	362047	RECEPT SCM BRKT WLD LFT
7	4	470087	3/8UNC HEX SERR FLANGE NUT
8	4	470113	5/16UNC SERR FLG LOCK NUT
9	4	470113N	5/16UNC SERR FLG LOCK NUT SS
10	3	470467	6-32 KEP NUT
11	1	618455	1 5/16MJIC-1 5/8 MOR ADPTR
12	1	618472	1 5/8MJIC-1 5/8MOR ADPTR
13	1	618877	COMBO MULT CPLR MACHINE
14	4	900065	5/16UNC X 1" HEX BOLT
15	4	900127	3/8UNC X 1 1/4 HEX BOLT
16	4	900175	5/16UNC X 3 1/4 SKT HD CAP SCR
17	3	903812	6-32 X 1/2 PHIL PAN MACH SCR





(TIER-3) 316683-FUEL FILTER, PRIMARY ENG T3  
 (TIER-4F) 317399-PRIMARY FUEL FILTER

(TIER-3) 316684-FUEL/WATER SEPERATOR T3  
 (TIER-4F) 317400-FUEL/WATER SEPERATOR T4F

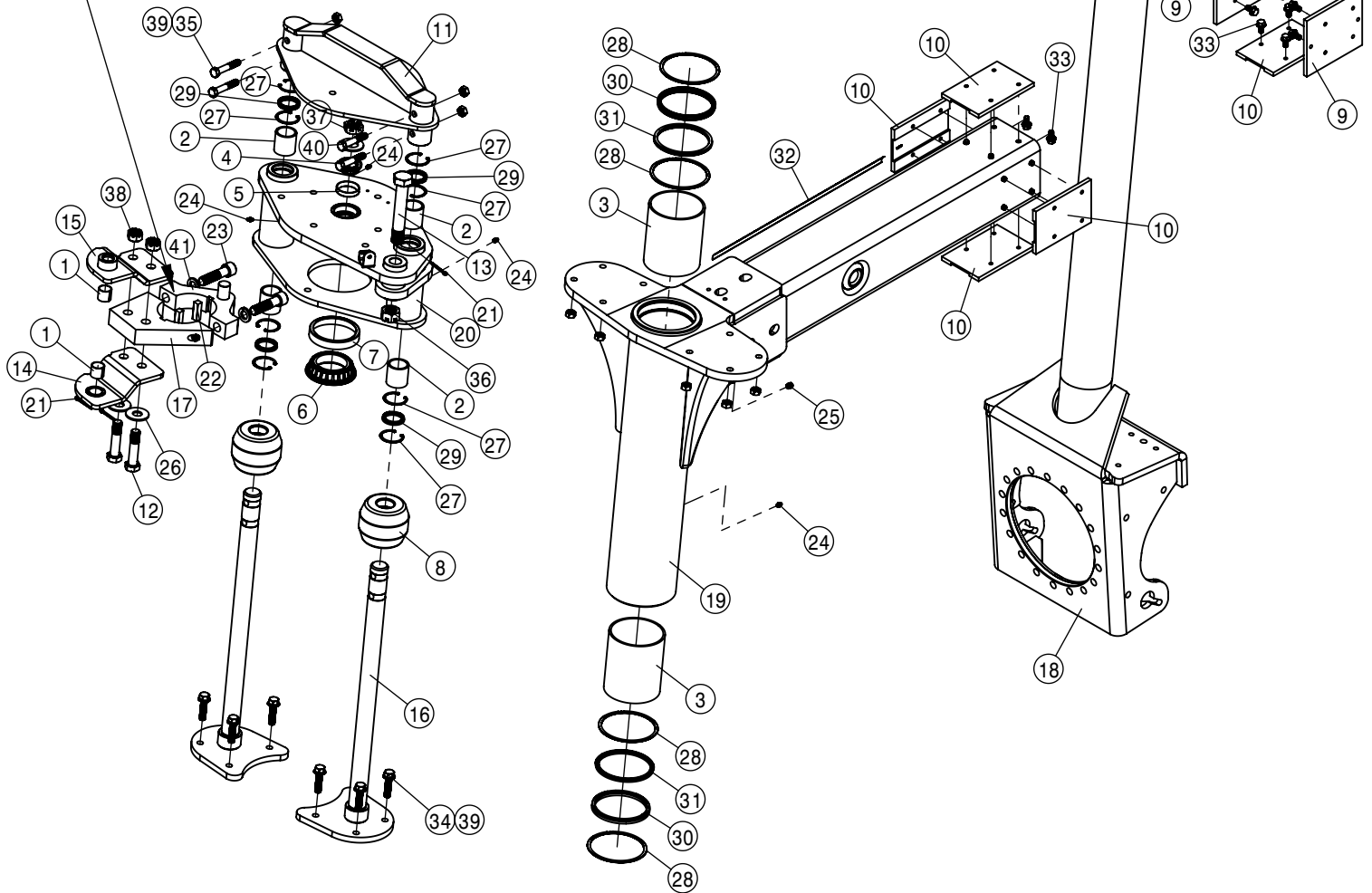


FUEL SYSTEM ASSEMBLY			
DET	QTY	P/N	DESCRIPTION
1	1	317269	FUEL RETURN HOSE
2	1	317270	FUEL SUCTION HOSE ASSY
3	1	317271	FILTER MT PLT
4	1	317343	FUEL TANK CRADLE
5	2	317361	FUEL TANK ISOLATOR
6	4	317375	BUSH 1 OD X .125 WA X 2.880
7	1	317421	FUEL HOSE, FILTER TO RAIL
8	1	317422	FUEL HOSE, PUMP TO FILTER
9	1	317423	FUEL HOSE, STRAINER TO PUMP
10	4	341172	WASHER-.75" ID X 3.00" OD X .25" THK
11	9	470555	CABLE TIE, 1/2 X 15" BLACK NYLON

FUEL SYSTEM ASSEMBLY			
DET	QTY	P/N	DESCRIPTION
12	4	473790	8MM-1.25 X 30MM HEX BOLT
13	1	520069	HOSE CLAMP NO 6 STAINLESS
14	1	520120	HOSE CLAMP NO 4 STAINLESS
15	1	650431	DECAL, ULTRA LOW SULFUR FUEL
16	1	763956	FUEL TANK 134 GAL W/DECAL
17	4	900129	3/8UNC X 1" HEX BOLT
18	2	900264	1/2UNC X 1 1/4 HEX BOLT
19	4	900420	3/4UNC X 10.00" HEX BOLT
20	2	910008	1/2UNC HEX NUT
21	8	910042	3/8-16UNC HEX FLG NUT SM MC GR8

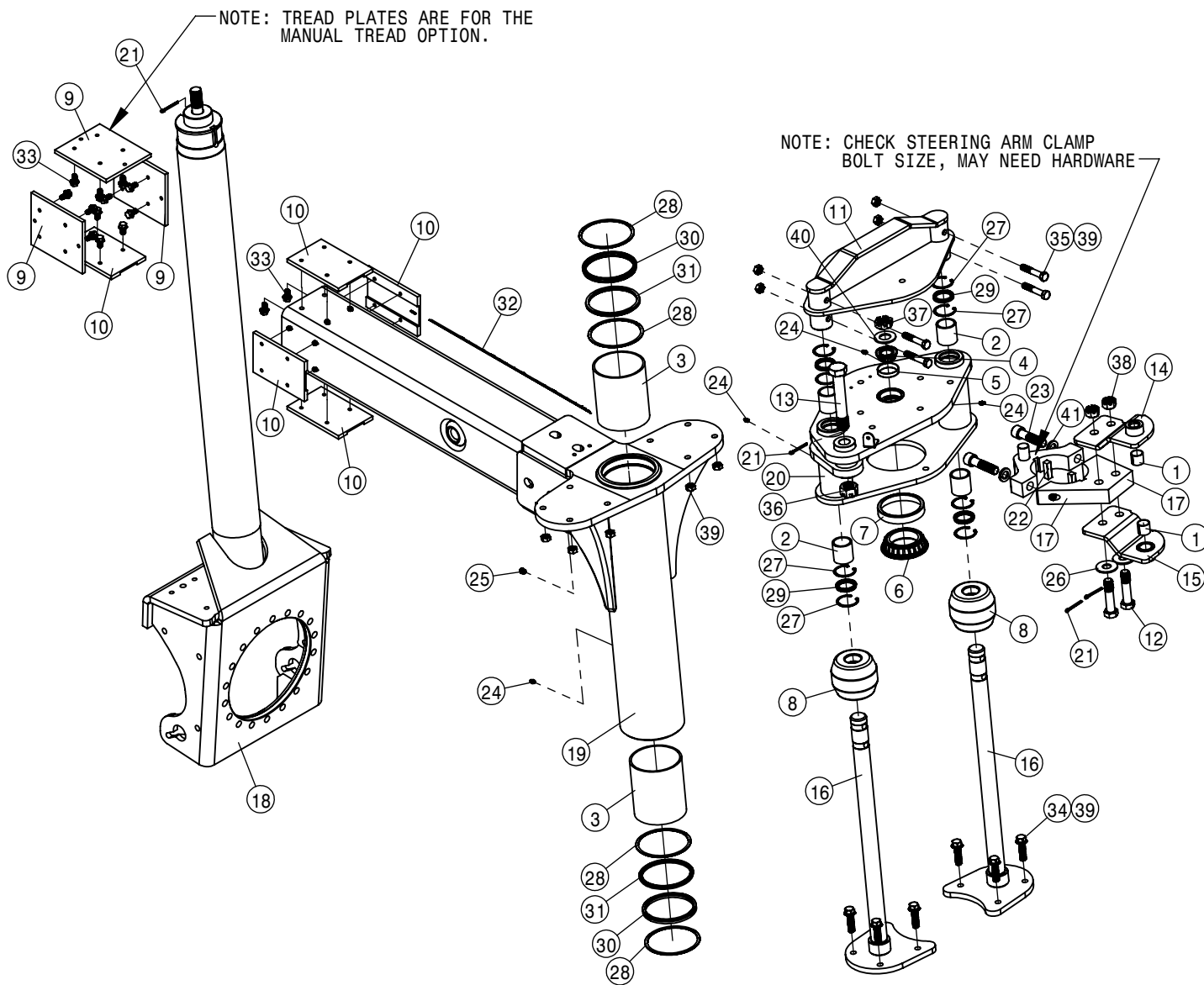
NOTE: TREAD PLATES ARE FOR THE MANUAL TREAD OPTION.

NOTE: CHECK STEERING ARM CLAMP BOLT SIZE, MAY NEED HARDWARE.



RIGHT STANDARD LEG ASSEMBLY			
DET	QTY	P/N	DESCRIPTION
1	2	121029	JOURNAL BRG, 1.00 ID x 1.00 LG
2	4	121113	TOWER SLEEVE BRG (POLYGON) 05
3	2	121125	BEARING-POLY 4.50 ID X 5.74 LG
4	1	125050	BRG CONE, 1.00 ID W/FACE SEAL
5	1	125051	BRG CUP FOR 125050
6	1	125052	BRG CONE, 2.687 ID W/FACE SEAL
7	1	125053	BRG CUP FOR 125052
8	2	311058	RUBBER SPRING
9	3	342917	TREAD ADJ PLATE, TAPPED, STS 10
10	5	343009	TRD ADJ BRONZE BEARING, TAPPED
11	1	359333	AIR BAG TOWER TOP MT WLD
12	2	359545	TRUNION MT BOLT, STS AWS 09
13	1	359546	STRG CYL BOLT, STS AWS LRG 09
14	1	359547	TOP TRUNION MT WLD, STS AWS 09
15	1	359548	BTM TRUNION MT WLD, STS AWS 09
16	2	359654	NITRO TOWER WLD, STS AWS 13
17	1	359664	3/4" STRG ARM CLAMP WLD
18	1	359995	INNER LEG WLD, STS AWS 13
19	1	360060	OUTER LEG WLD, STS 2014
20	1	360148	RH AIR BAG LWR PLT WLD, STS 15
21	4	470117N	3/16 X 1 3/4 COTTER PIN SS

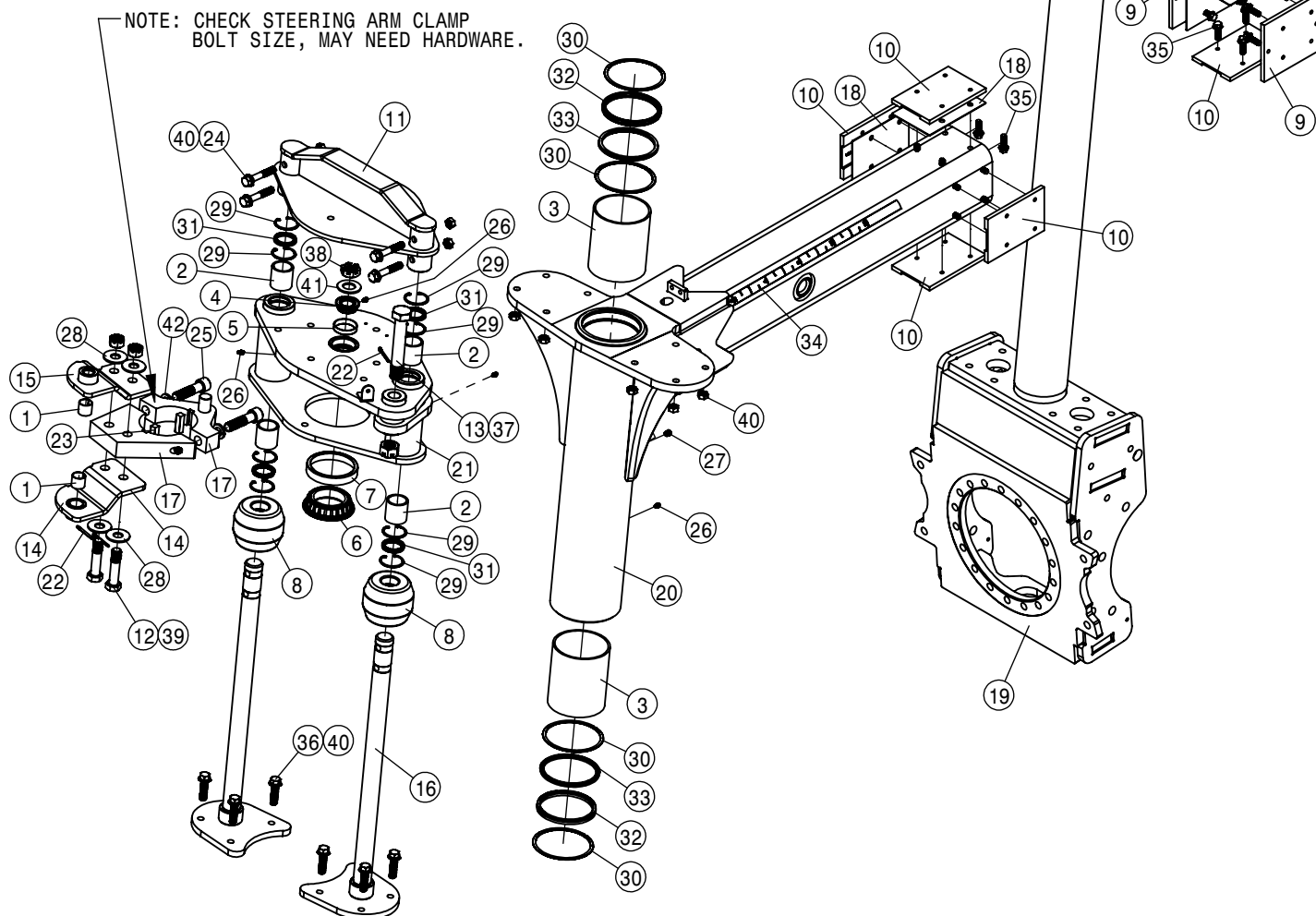
RIGHT STANDARD LEG ASSEMBLY			
DET	QTY	P/N	DESCRIPTION
22	2	470447	KEY .50 SQ X 1.69 LONG
23	2	470890	3/4UNC X 3" SOC HD CAP SCR GR8
24	4	471005N	GREASE ZERK, 1/4-28 X 1/2 YZ
25	1	471030	PRESSURE RELIEF VALVE-GREASE 45-80 PSI
26	2	483048	3/4 REG FLAT WASH, THRU-HARD YZ
27	8	629537	187RRH00Z SNAP RING
28	4	629538	4.5 SPIROLOX RING
29	4	629620	SEAL, 1.500 ROD DIA
30	2	629621	SEAL, 4.500 ROD DIA
31	2	629625	SEAL, 4.500 ROD DIA
32	1	650459	DECAL, TREAD ADJ INDICATOR '14
33	32	900128N	3/8UNC X 3/4 SER FLANGE BOLT
34	8	900267N	1/2UNC X 2" SERR FLG BOLT
35	4	900269N	1/2UNC X 2 3/4 HEX BOLT
36	1	910020N	1" UNC HEX SLOTTED NUT
37	1	910021	1"-14 SLOT JAM NUT
38	2	910102	3/4UNC HEX SLOT NUT GR8
39	12	914008	1/2 UNC HEX STOVER NUT
40	1	920008N	1" SAE FLAT WASHER
41	2	920506	3/4 LOCK WASHER



LEFT STANDARD LEG ASSEMBLY				
DET	QTY	P/N	DESCRIPTION	
1	2	121029	JOURNAL BRG, 1.00 ID X 1.00 LG	
2	4	121113	TOWER SLEEVE BRG (POLYGON) 05	
3	2	121125	BEARING-POLY 4.50 ID X 5.74 LG	
4	1	125050	BRG CONE, 1.00 ID W/FACE SEAL	
5	1	125051	BRG CUP FOR 125050	
6	1	125052	BRG CONE, 2.687 ID W/FACE SEAL	
7	1	125053	BRG CUP FOR 125052	
8	2	311058	RUBBER SPRING	
9	3	342917	TREAD ADJ PLATE, TAPPED, STS 10	
10	5	343009	TRD ADJ BRONZE BEARING, TAPPED	
11	1	359333	AIR BAG TOWER TOP MT WLD	
12	2	359545	TRUNION MT BOLT, STS AWS 09	
13	1	359546	STRG CYL BOLT, STS AWS LRG 09	
14	1	359547	TOP TRUNION MT WLD, STS AWS 09	
15	1	359548	BTM TRUNION MT WLD, STS AWS 09	
16	2	359654	NITRO TOWER WLD, STS AWS 13	
17	1	359664	3/4" STRG ARM CLAMP WLD	
18	1	359995	INNER LEG WLD, STS AWS 13	
19	1	360060	OUTER LEG WLD, STS 2014	
20	1	360149	LH AIR BAG LWR PLT WLD, STS 15	
21	4	470117N	3/16 X 1 3/4 COTTER PIN SS	

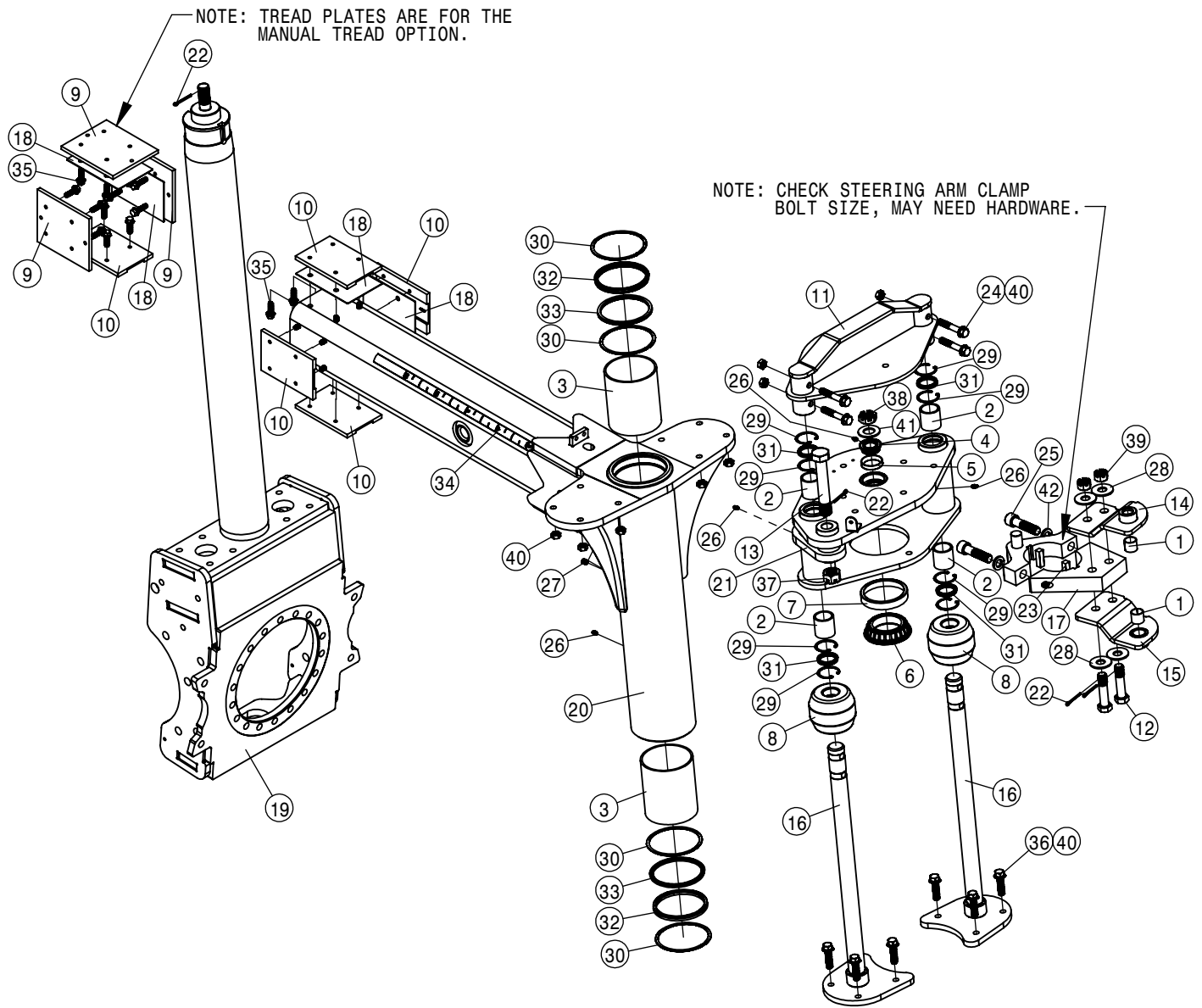
LEFT STANDARD LEG ASSEMBLY				
DET	QTY	P/N	DESCRIPTION	
22	2	470447	KEY .50 SQ X 1.69 LONG	
23	2	470890	3/4UNC X 3" SOC HD CAP SCR GR8	
24	4	471005N	GREASE ZERK, 1/4-28 X 1/2 YZ	
25	1	471030	PRESSURE RELIEF VALVE-GREASE 45-80 PSI	
26	2	483048	3/4 REG FLAT WASH, THRU-HARD YZ	
27	8	629537	187RRRHOZ SNAP RING	
28	4	629538	4.5 SPIROLOX RING	
29	4	629620	SEAL, 1.500 ROD DIA	
30	2	629621	SEAL, 4.500 ROD DIA	
31	2	629625	SEAL, 4.500 ROD DIA	
32	1	650459	DECAL, TREAD ADJ INDICATOR '14	
33	32	900128N	3/8UNC X 3/4 SER FLANGE BOLT	
34	8	900267N	1/2UNC X 2" SERR FLG BOLT	
35	4	900269N	1/2UNC X 2 3/4 HEX BOLT	
36	1	910020N	1" UNC HEX SLOTTED NUT	
37	1	910021	1"-14 SLOT JAM NUT	
38	2	910102	3/4UNC HEX SLOT NUT GR8	
39	12	914008	1/2 UNC HEX STOVER NUT	
40	1	920008N	1" SAE FLAT WASHER	
41	2	920506	3/4 LOCK WASHER	

NOTE: TREAD PLATES ARE FOR THE MANUAL TREAD OPTION.



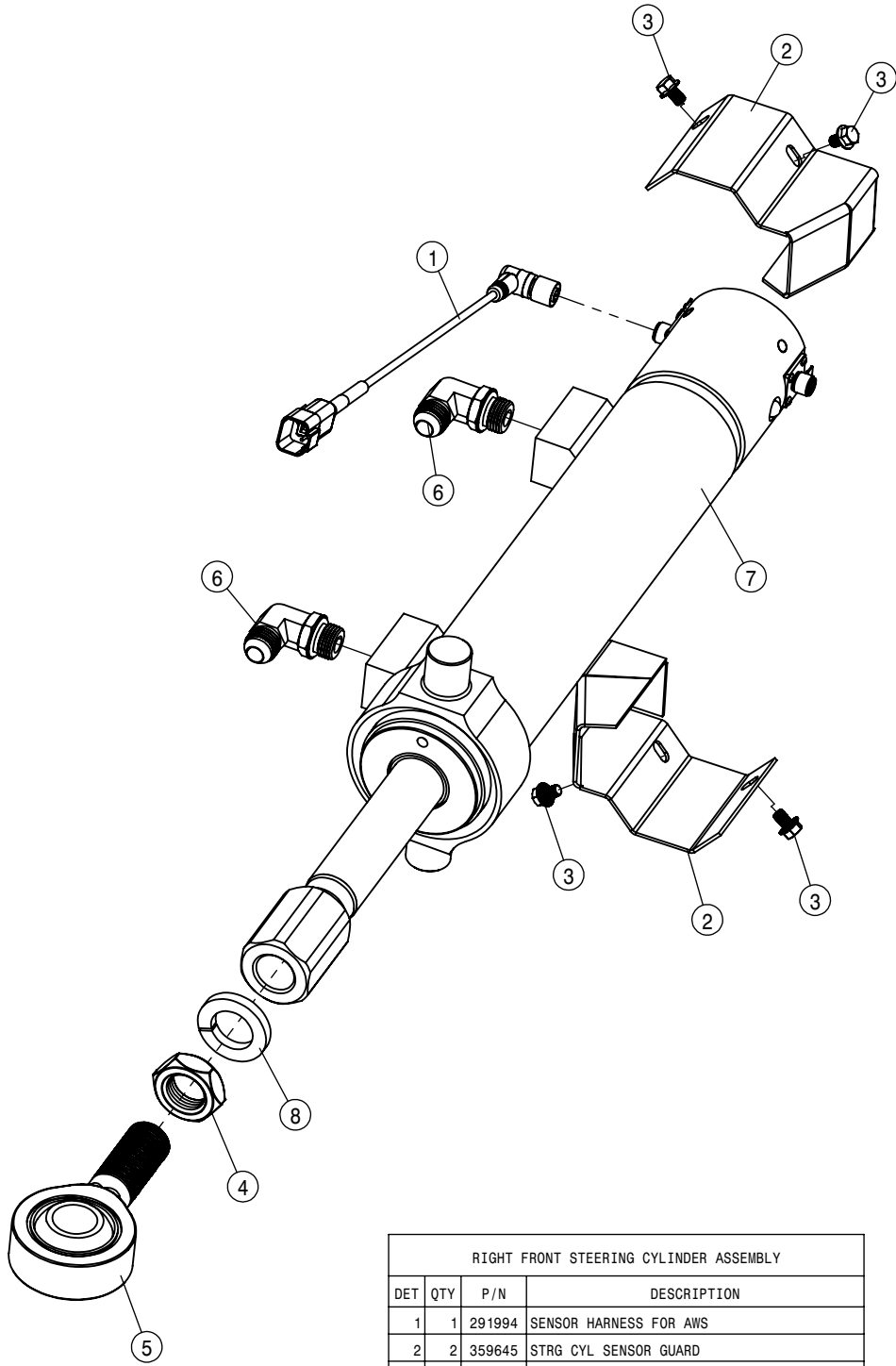
RIGHT SEVERE DUTY LEG ASSEMBLY			
DET	QTY	P/N	DESCRIPTION
1	2	121029	JOURNAL BRG, 1.00 ID x 1.00 LG
2	4	121113	TOWER SLEEVE BRG (POLYGON) 05
3	2	121125	BEARING-POLY 4.50 ID X 5.74 LG
4	1	125050	BRG CONE, 1.00 ID W/FACE SEAL
5	1	125051	BRG CUP FOR 125050
6	1	125052	BRG CONE, 2.687 ID W/FACE SEAL
7	1	125053	BRG CUP FOR 125052
8	2	311058	RUBBER SPRING
9	3	342917	TREAD ADJ PLATE, TAPPED, STS 10
10	5	343009	TRD ADJ BRONZE BEARING, TAPPED
11	1	359333	AIR BAG TOWER TOP MT WLD
12	2	359545	TRUNION MT BOLT, STS AWS 09
13	1	359546	STRG CYL BOLT, STS AWS LRG 09
14	1	359547	TOP TRUNION MT WLD, STS AWS 09
15	1	359548	BTM TRUNION MT WLD, STS AWS 09
16	2	359654	NITRO TOWER WLD, STS AWS 13
17	1	359664	3/4" STRG ARM CLAMP WLD
18	4	360072	SHIM - TRD ADJ BEARING
19	1	360075	INNER LEG WELDMT-STS, SDS LEG
20	1	360082	OUTER LEG-WLDMT, SDS LEG
21	1	360148	RH AIR BAG LWR PLT WLD, STS 15

RIGHT SEVERE DUTY LEG ASSEMBLY			
DET	QTY	P/N	DESCRIPTION
22	4	470117N	3/16 X 1 3/4 COTTER PIN SS
23	2	470447	KEY .50 SQ X 1.69 LONG
24	4	470461N	1/2UNC X 3" SERR FLG BOLT YZ
25	2	470890	3/4UNC X 3" SOC HD CAP SCR GR8
26	4	471005N	GREASE ZERK, 1/4-28 X 1/2 YZ
27	1	471030	PRESSURE RELIEF VALVE-GREASE 45-80 PSI
28	4	483048	3/4 REG FLAT WASH, THRU-HARD YZ
29	8	629537	187RRH00Z SNAP RING
30	4	629538	4.5 SPIROLOX RING
31	4	629620	SEAL, 1.500 ROD DIA
32	2	629621	SEAL, 4.500 ROD DIA
33	2	629625	SEAL, 4.500 ROD DIA
34	1	650459	DECAL, TREAD ADJ INDICATOR '14
35	32	900127N	3/8UNC X 1 1/4 SER FLANGE BOLT
36	8	900267N	1/2UNC X 2" SERR FLG BOLT
37	1	910020N	1" UNC HEX SLOTTED NUT
38	1	910021	1"-14 SLOT JAM NUT
39	2	910102	3/4UNC HEX SLOT NUT GR8
40	12	914008	1/2 UNC HEX STOVER NUT
41	1	920008	1" SAE FLAT WASHER
42	2	920506	3/4 LOCK WASHER

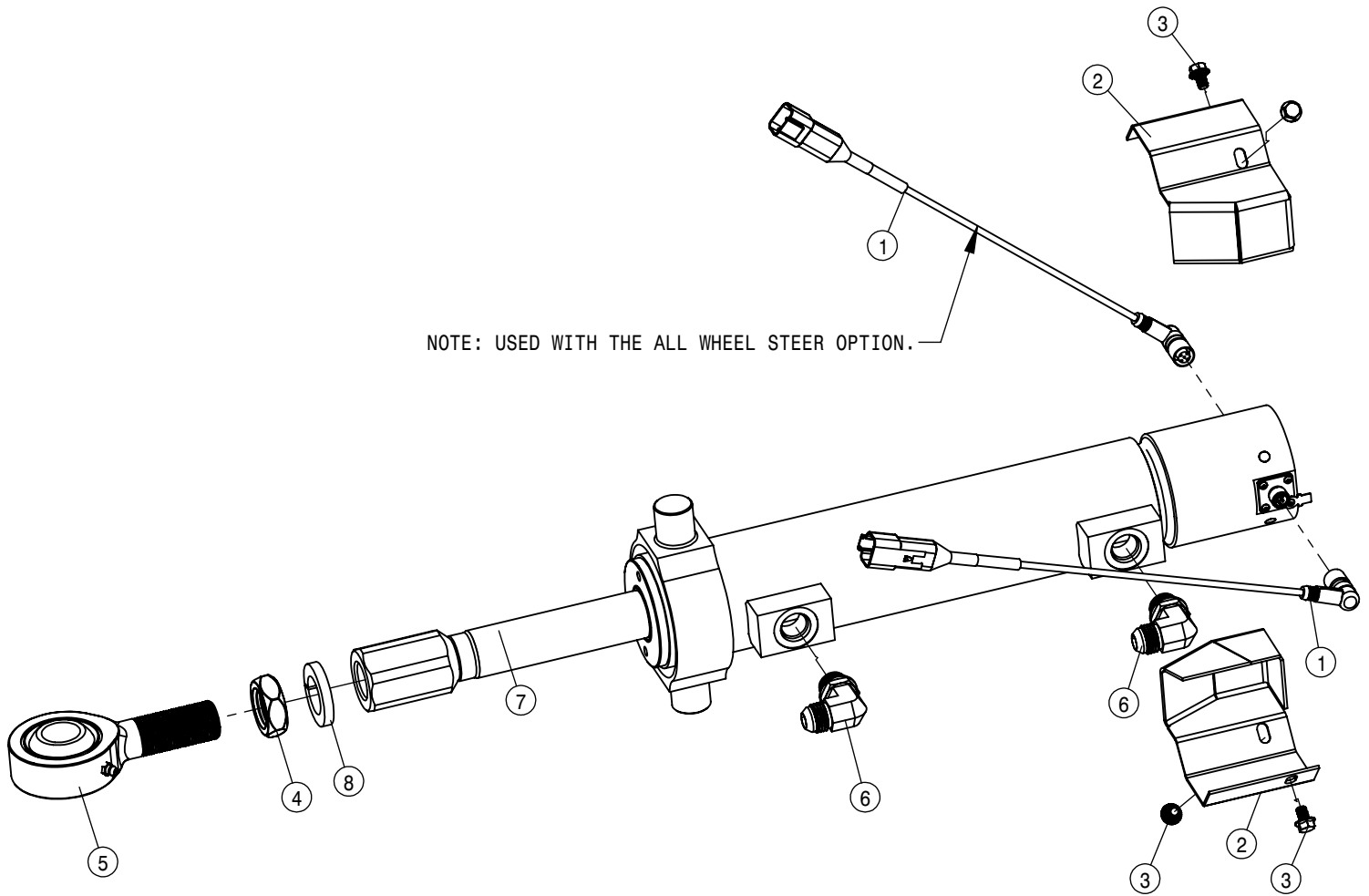


LEFT SEVERE DUTY LEG ASSEMBLY			
DET	QTY	P/N	DESCRIPTION
1	2	121029	JOURNAL BRG, 1.00 ID x 1.00 LG
2	4	121113	TOWER SLEEVE BRG (POLYGON) 05
3	2	121125	BEARING-POLY 4.50 ID X 5.74 LG
4	1	125050	BRG CONE, 1.00 ID W/FACE SEAL
5	1	125051	BRG CUP FOR 125050
6	1	125052	BRG CONE, 2.687 ID W/FACE SEAL
7	1	125053	BRG CUP FOR 125052
8	2	311058	RUBBER SPRING
9	3	342917	TREAD ADJ PLATE, TAPPED, STS 10
10	5	343009	TRD ADJ BRONZE BEARING, TAPPED
11	1	359333	AIR BAG TOWER TOP MT WLD
12	2	359545	TRUNION MT BOLT, STS AWS 09
13	1	359546	STRG CYL BOLT, STS AWS LRG 09
14	1	359547	TOP TRUNION MT WLD, STS AWS 09
15	1	359548	BTM TRUNION MT WLD, STS AWS 09
16	2	359654	NITRO TOWER WLD, STS AWS 13
17	1	359664	3/4" STRG ARM CLAMP WLD
18	4	360072	SHIM - TRD ADJ BEARING
19	1	360075	INNER LEG WELDMT-STS, SDS LEG
20	1	360082	OUTER LEG-WLDMT, SDS LEG
21	1	360149	LH AIR BAG LWR PLT WLD, STS 15

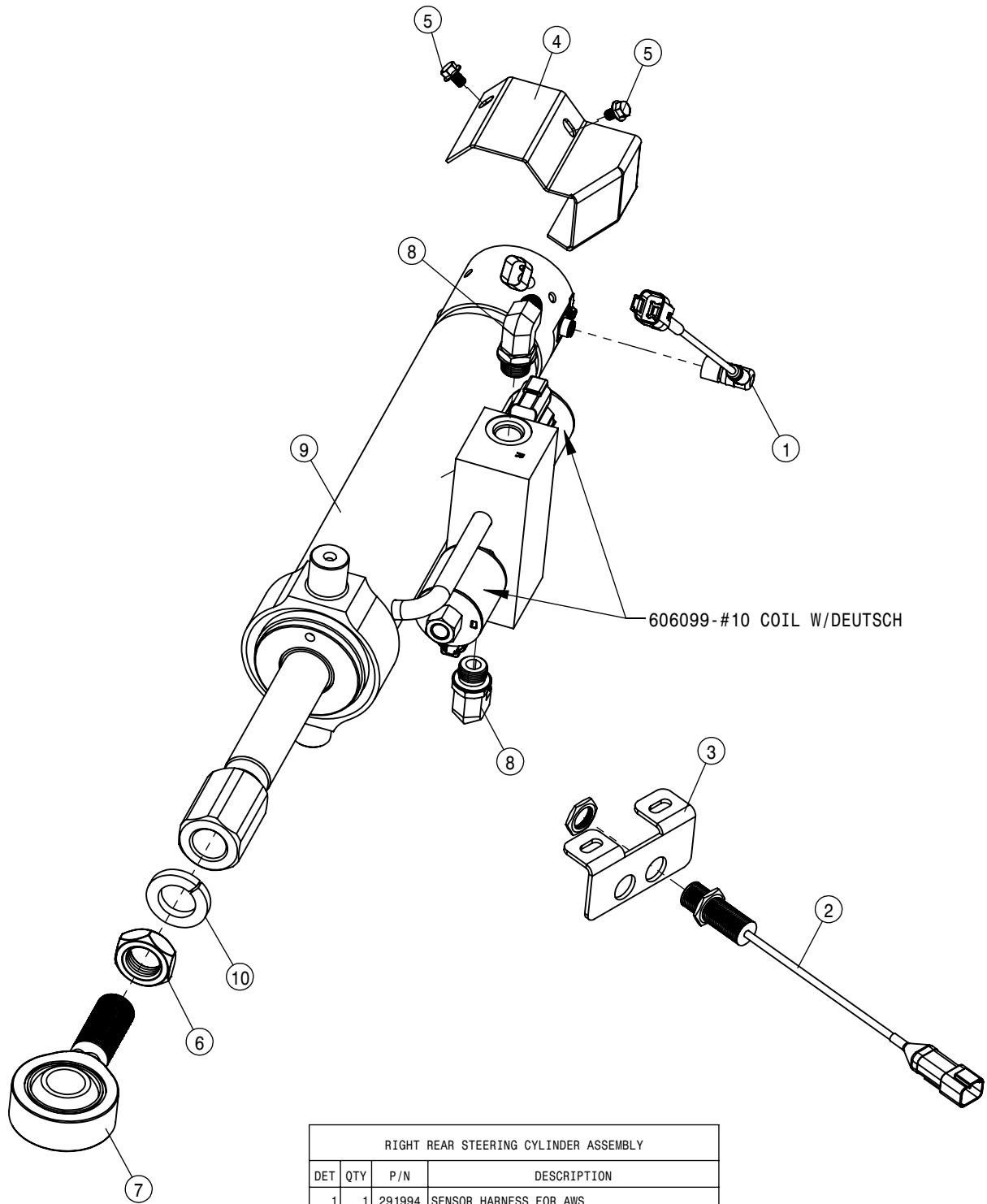
LEFT SEVERE DUTY LEG ASSEMBLY			
DET	QTY	P/N	DESCRIPTION
22	4	470117N	3/16 X 1 3/4 COTTER PIN SS
23	2	470447	KEY .50 SQ X 1.69 LONG
24	4	470461N	1/2UNC X 3" SERR FLG BOLT YZ
25	2	470890	3/4UNC X 3" SOC HD CAP SCR GR8
26	4	471005N	GREASE ZERK, 1/4-28 X 1/2 YZ
27	1	471030	PRESSURE RELIEF VALVE-GREASE 45-80 PSI
28	4	483048	3/4 REG FLAT WASH, THRU-HARD YZ
29	8	629537	187RRH00Z SNAP RING
30	4	629538	4.5 SPIROLOX RING
31	4	629620	SEAL, 1.500 ROD DIA
32	2	629621	SEAL, 4.500 ROD DIA
33	2	629625	SEAL, 4.500 ROD DIA
34	1	650459	DECAL, TREAD ADJ INDICATOR '14
35	32	900127N	3/8UNC X 1 1/4 SER FLANGE BOLT
36	8	900267N	1/2UNC X 2" SERR FLG BOLT
37	1	910020N	1" UNC HEX SLOTTED NUT
38	1	910021	1"-14 SLOT JAM NUT
39	2	910102	3/4UNC HEX SLOT NUT GR8
40	12	914008	1/2 UNC HEX STOVER NUT
41	1	920008	1" SAE FLAT WASHER
42	2	920506	3/4 LOCK WASHER



RIGHT FRONT STEERING CYLINDER ASSEMBLY			
DET	QTY	P/N	DESCRIPTION
1	1	291994	SENSOR HARNESS FOR AWS
2	2	359645	STRG CYL SENSOR GUARD
3	4	470883	1/4UNC X 3/8 SERR FLG BOLT SS
4	1	472328	1" -12 HEX JAM NUT
5	1	474004	ROD END, 1.00 BORE, 1-12 RH MALE
6	2	618241	3/4MJIC-90-3/4MOR LBO
7	1	621654	HYD CYL, 2.50 X 8.81 PHASE/SENS
8	1	920508	1" LOCK WASHER

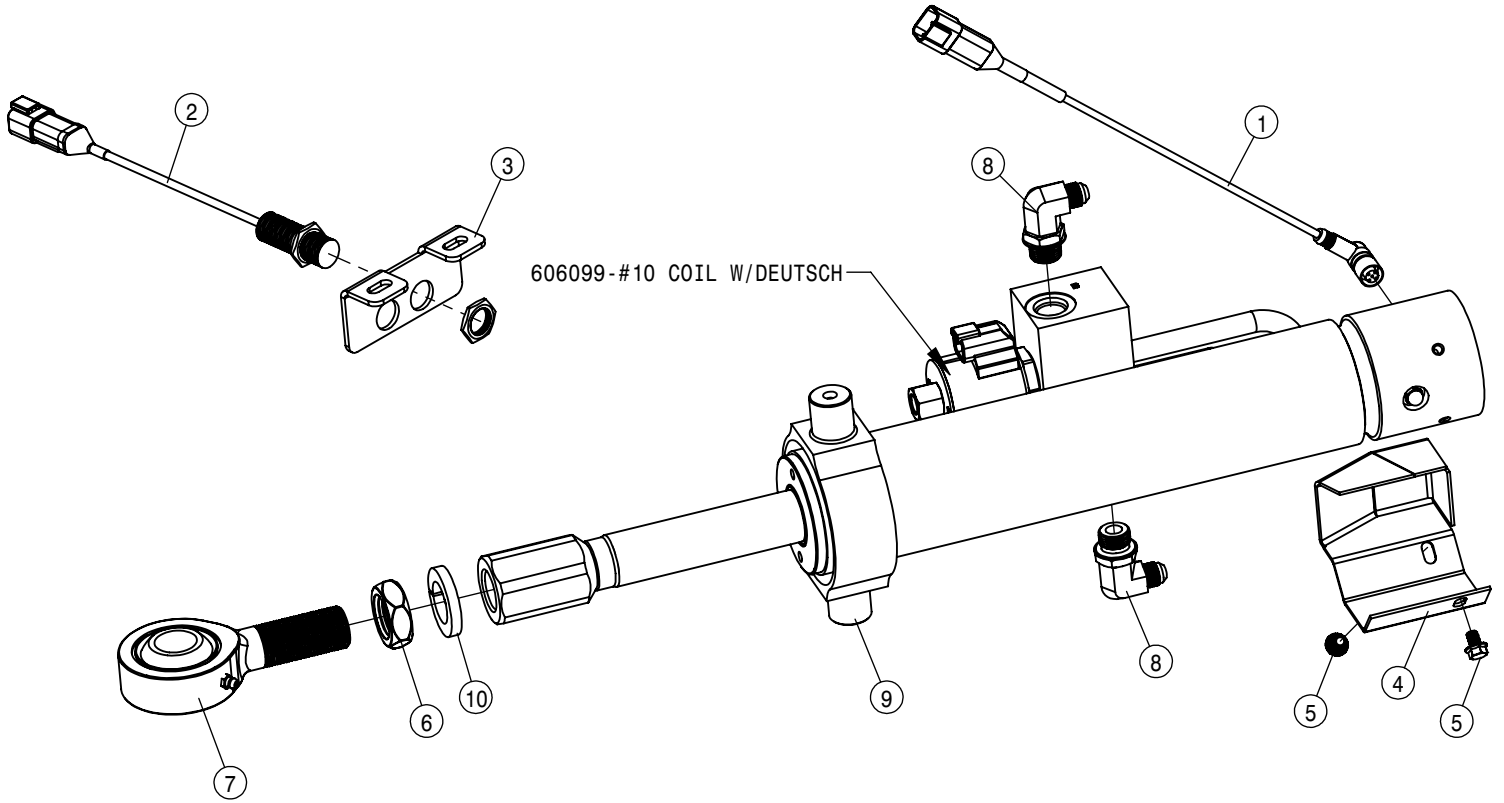


LEFT FRONT STEERING CYLINDER ASSEMBLY			
DET	QTY	P/N	DESCRIPTION
1	2	291994	SENSOR HARNESS FOR AWS
2	2	359645	STRG CYL SENSOR GUARD
3	4	470883	1/4UNC X 3/8 SERR FLG BOLT SS
4	1	472328	1"-12 HEX JAM NUT
5	1	474004	ROD END, 1.00 BORE, 1-12 RH MALE
6	2	618241	3/4MJIC-90-3/4MOR LBO
7	1	621654	HYD CYL, 2.50 X 8.81 PHASE/SENS
8	1	920508	1" LOCK WASHER

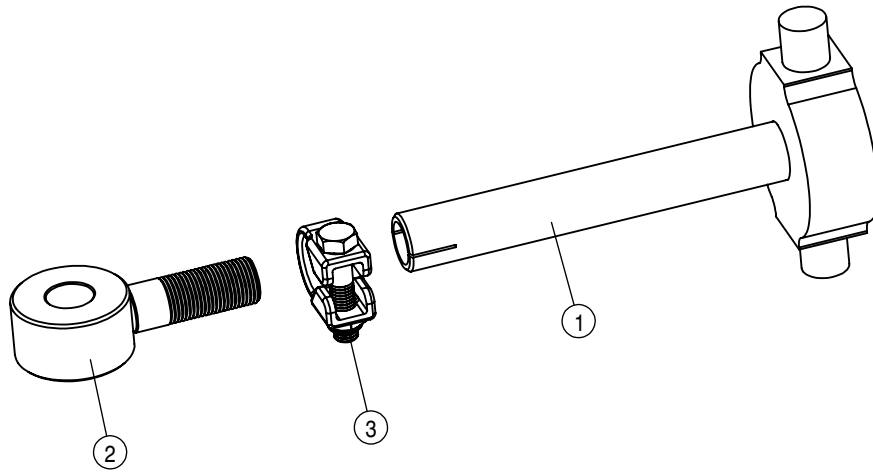


RIGHT REAR STEERING CYLINDER ASSEMBLY			
DET	QTY	P/N	DESCRIPTION
1	1	291994	SENSOR HARNESS FOR AWS
2	1	292926	INDUCTIVE PROX SENSOR, 18MM
3	1	359555	SENSOR BRKT, STS AWS 09
4	1	359645	STRG CYL SENSOR GUARD
5	2	470883	1/4UNC X 3/8 SERR FLG BOLT SS
6	1	472328	1"-12 HEX JAM NUT
7	1	474004	ROD END, 1.00 BORE, 1-12 RH MALE
8	2	618115	9/16MJIC-90-3/4MOR LBO
9	1	621653	HYD CYL, 2.50 X 8.81 X 1.25
10	1	920508	1" LOCK WASHER

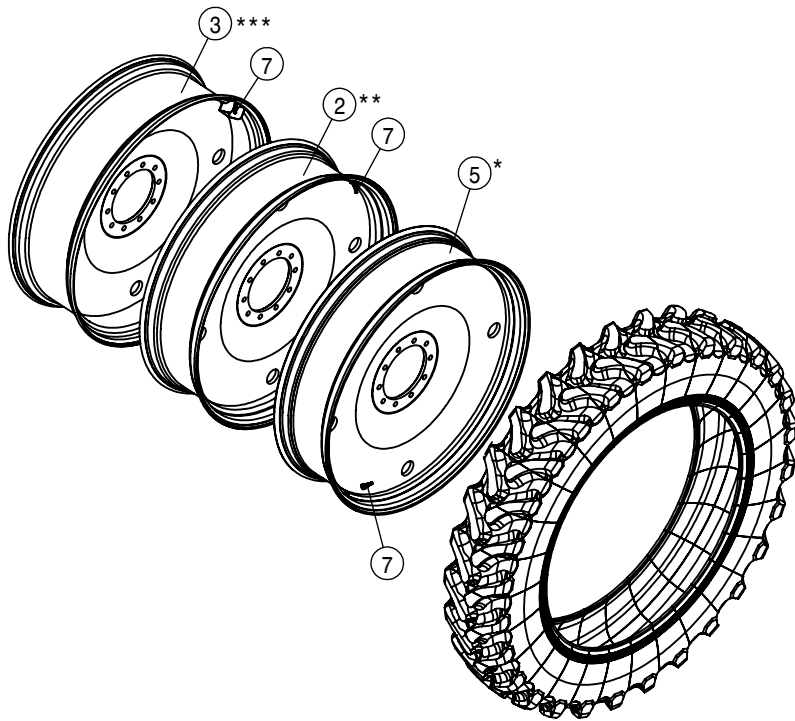




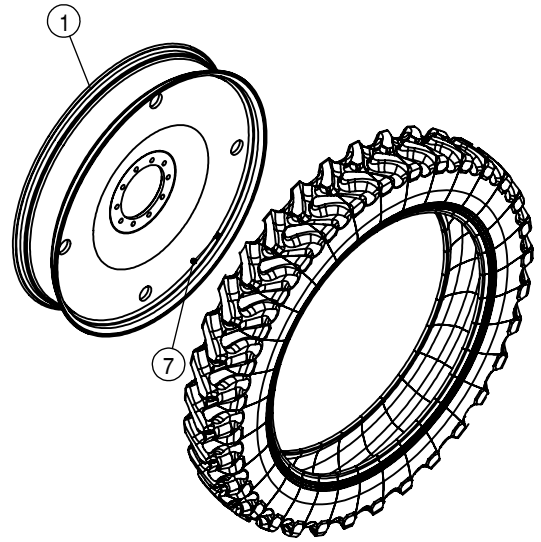
LEFT REAR STEERING CYLINDER ASSEMBLY			
DET	QTY	P/N	DESCRIPTION
1	1	291994	SENSOR HARNESS FOR AWS
2	1	292926	INDUCTIVE PROX SENSOR, 18MM
3	1	359555	SENSOR BRKT, STS AWS 09
4	1	359645	STRG CYL SENSOR GUARD
5	2	470883	1/4UNC X 3/8 SERR FLG BOLT SS
6	1	472328	1"-12 HEX JAM NUT
7	1	474004	ROD END, 1.00 BORE, 1-12 RH MALE
8	2	618115	9/16MJIC-90-3/4MOR LBO
9	1	621653	HYD CYL, 2.50 X 8.81 X 1.25
10	1	920508	1" LOCK WASHER



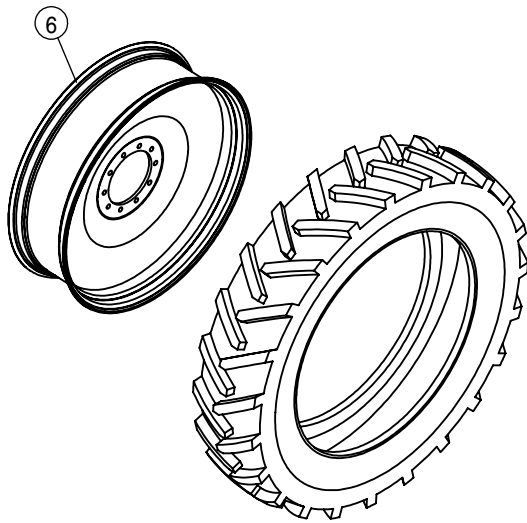
REAR STANDARD TIE ROD ASSEMBLY			
DET	QTY	P/N	DESCRIPTION
1	1	359086	REAR TIE ROD SHAFT WLD
2	1	359089	TIE ROD STUD WLD
3	1	749322	STEERING TUBE CLAMP & BOLT ASSY



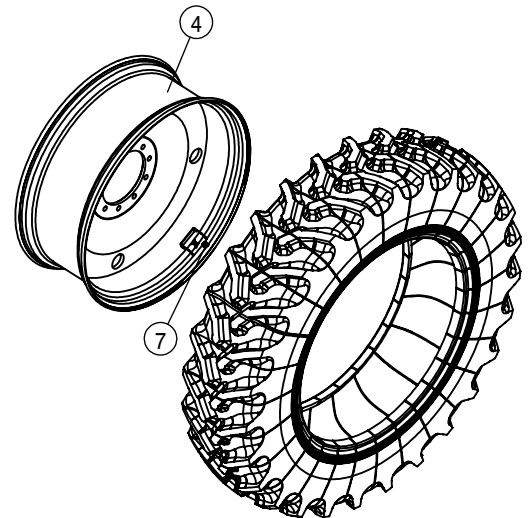
- \* IF380/105 R50 RADIAL TIRE
- \*\* VF420/95 R50 RADIAL TIRE
- \*\*\* VF480/80 R50 RADIAL TIRE



IF320/105 R54 RADIAL TIRE



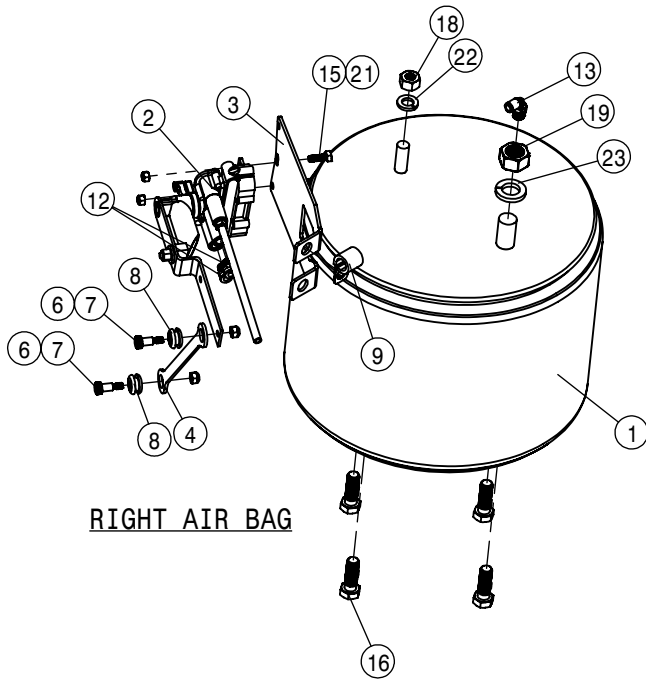
VF380/90 R46 RADIAL TIRE



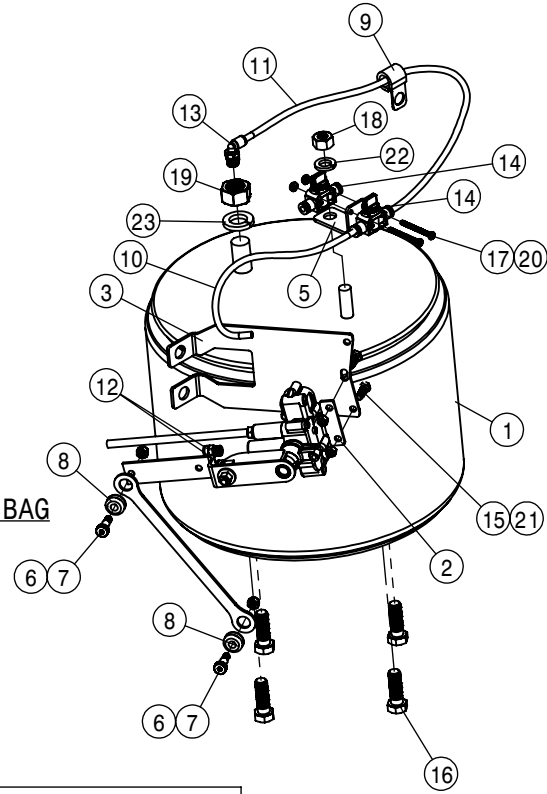
520/85 R42 RADIAL TIRE

480/80 R42 RADIAL TIRE

TIRE AND RIM ASSEMBLY			
DET	QTY	P/N	DESCRIPTION
1	1	820174	WHEEL 54 X W10A
2	1	820176	WHEEL - 50 X W13B
3	1	820183	WHEEL - 50 X W15B
4	1	820191	WHEEL - 42 X W16B
5	1	820207	WHEEL - 50 X W12B
6	1	821054	RIM WLD,46 X W13A (PAINTED)
7	5	821252	VALVE STEM, TR-618A, STAINLESS



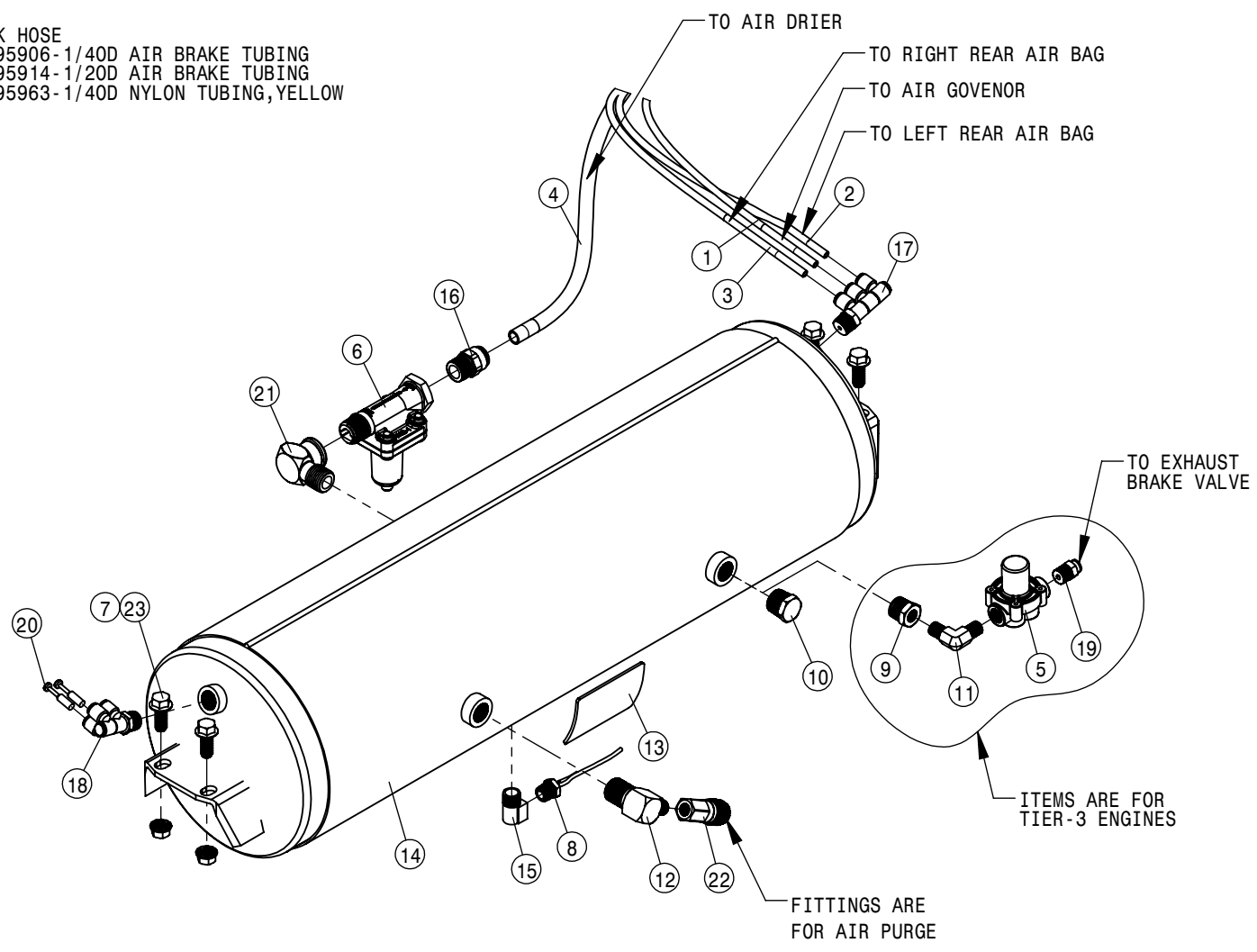
**RIGHT AIR BAG**



**LEFT AIR BAG**

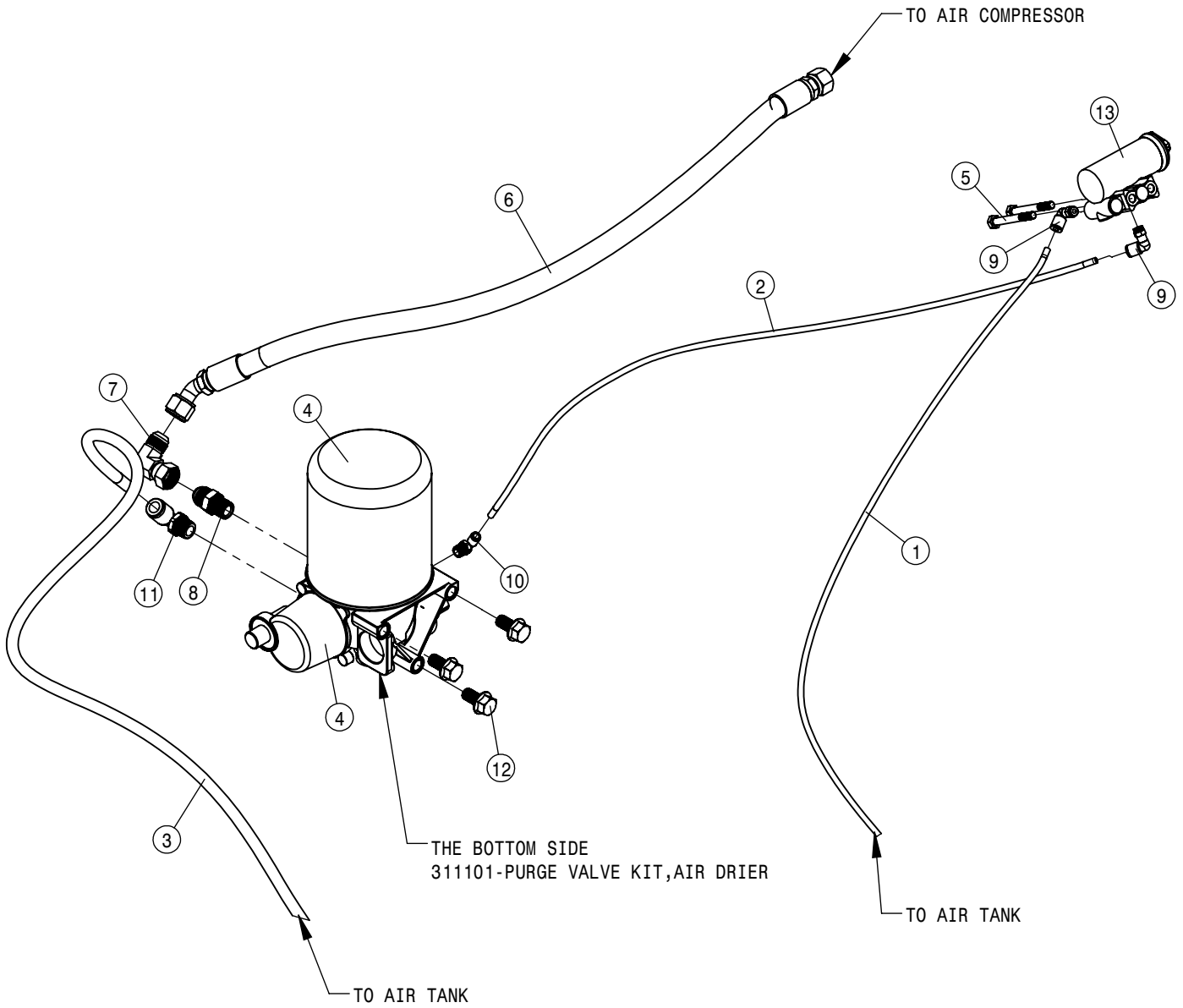
AIR BAG ASSEMBLY			
DET	QTY	P/N	DESCRIPTION
1	2	311080	AIRIDE SPRING, 11.81 BASE
2	2	358832	AIRIDE SPRING CTRL VALVE 98
3	2	360140	AIRIDE VALVE BRACKET
4	2	360141	LINK-AIR VALVE, FRONT MOUNT
5	1	360147	AIR DUMP VLV BRKT,STS 15
6	4	470089N	1/4UNC HEX NYLOC NUT, 316 SS
7	4	470607	1/4UNC-5/16 X .50 SHLDR SCR SS
8	4	470608	GROMMET-.31 ID X .56 PD X .19 PG
9	2	520164	CUSH HOSE CLAMP,#9, 9/16D X 3/4W
10	1	601080	HOSE, 1/4 X 11 AIR, BLACK
11	1	601971	HOSE-1/4 X 22 AIR, BLACK
12	4	711036	1/8MNPT-1/4 NYL TUBE FTG
13	2	711040	1/4MNPT-90-1/4 NYL TUBE LBO
14	2	711053	AIR VALVE, 1/4 NYL TUBE
15	4	900002	1/4UNC x 3/4 HEX BOLT
16	8	900265	1/2UNC X 1 1/2 HEX BOLT
17	2	903854	8-32 X 1 3/4 PHIL PN MACH SCR SS
18	2	910008	1/2UNC HEX NUT
19	2	910013	3/4UNF HEX NUT
20	2	910024	8-32 HEX NUT
21	4	914000	1/4UNC HEX STOVER NUT
22	2	920504	1/2 LOCK WASHER
23	2	920506	3/4 LOCK WASHER

BULK HOSE  
 195906-1/40D AIR BRAKE TUBING  
 195914-1/20D AIR BRAKE TUBING  
 195963-1/40D NYLON TUBING, YELLOW



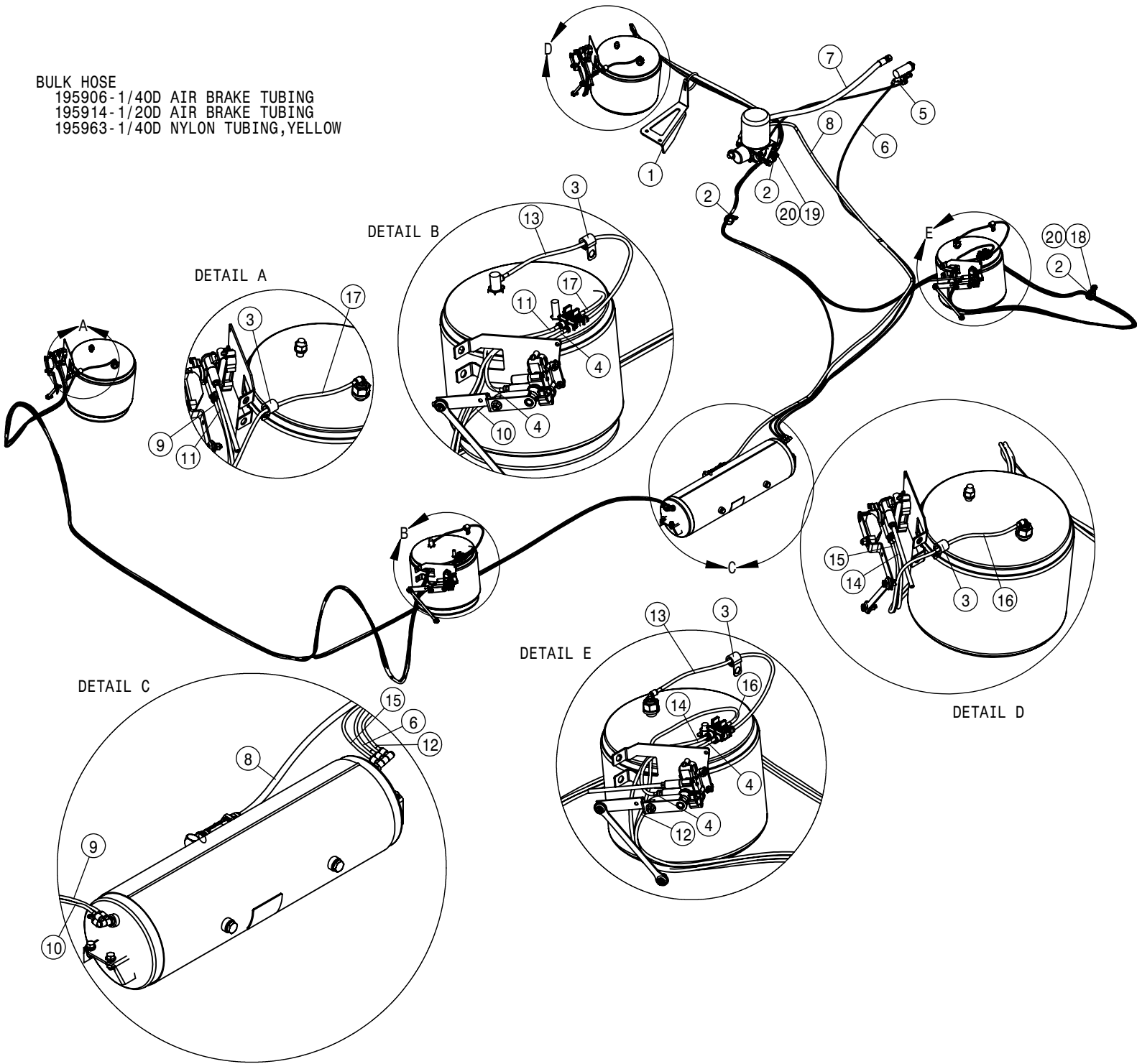
AIR TANK ASSEMBLY			
DET	QTY	P/N	DESCRIPTION
1	1	195906-123	1/40D AIR BRAKE TUBING J844-A
2	1	195906-181	1/40D AIR BRAKE TUBING J844-A
3	1	195906-226	1/40D AIR BRAKE TUBING J844-A
4	1	195914-128	1/20D AIR BRAKE TUBING J844-B
5	1	311081	PROTECTION VALVE, JACOBS
6	1	311086	CHECK VALVE, PRESS CRTL, WABCO
7	4	470087N	3/8UNC HEX SERR FLG NUT YZ
8	1	470266	DRAIN VALVE KIT, 1/4NPT
9	1	505212	1/2-1/4NPT REDU BUSH, BRS
10	1	505231	PIPE PLUG .50NPT HEX HD BRS
11	1	618571	1/4MNPT-90-1/4MNPT LBO
12	1	618633	1/2MNPT-90-1/4MNPT REDU LBO
13	1	650348	DECAL, NOTICE, DRAIN AIR TANK
14	1	701365	AIR TANK
15	1	711027	1/4 NPT ST EL BRS
16	1	711037	1/2MNPT-1/2 NYL TUBE FTG
17	1	711046	3/8MNPT-1/4 NYL TUBE TRPL LBO
18	1	711047	3/8MNPT-1/4NYL TUBE, DBL BRANCH
19	1	711049	1/4 NYL TUBE-1/4MNPT FTG
20	2	711063	RUBBER PLUG FOR 1/4 PISCO CPLR7
21	1	711079	1/2NPT ST EL BRS
22	1	711083	1/4 NPTF SLV LOCK SOCKET BRS
23	4	900129N	3/8UNC X 1" SERR FLANGE BOLT

BULK HOSE  
 195906-1/40D AIR BRAKE TUBING  
 195914-1/20D AIR BRAKE TUBING



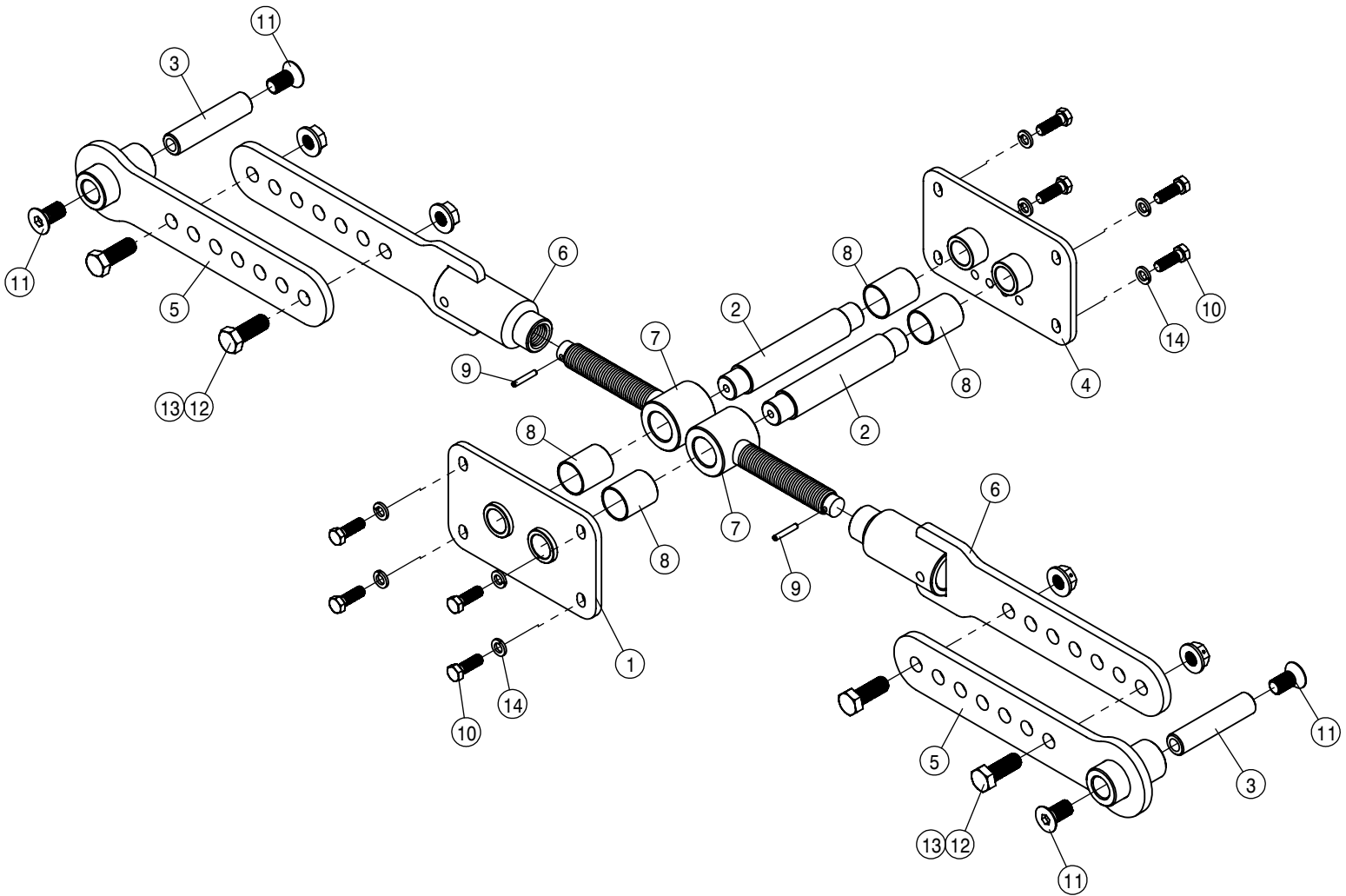
AIR DRIER AND GOVERNOR ASSEMBLY				
DET	QTY	P/N	DESCRIPTION	
1	1	195906-123	1/40D AIR BRAKE TUBING J844-A	
2	1	195906-032	1/40D AIR BRAKE TUBING J844-A	
3	1	195914-128	1/20D AIR BRAKE TUBING J844-B	
4	1	311084	AIR DRYER, SYSTEM SAVER 1200	
5	2	473822	8MM-1.25 X 70MM HEX BOLT GR8	
6	1	601941	10-451TC-10FJX-10FJX45-36	
7	1	618301	7/8MJIC-90-7/8FJIC SWIV LBO	
8	1	618325	7/8MJIC-1/2MNPT ADPTR	
9	2	711039	1/8MNPT-90-1/4 NYL TUBE LBO	
10	1	711040	1/4MNPT-90-1/4 NYL TUBE LBO	
11	1	711042	1/2MNPT-1/2 NYL TUBE LBO	
12	3	900263N	1/2UNC X 1" SER FLANGE BOLT	
13	1	316277	AIR COMPRESSOR GOVERNOR KIT	

BULK HOSE  
 195906-1/40D AIR BRAKE TUBING  
 195914-1/20D AIR BRAKE TUBING  
 195963-1/40D NYLON TUBING, YELLOW



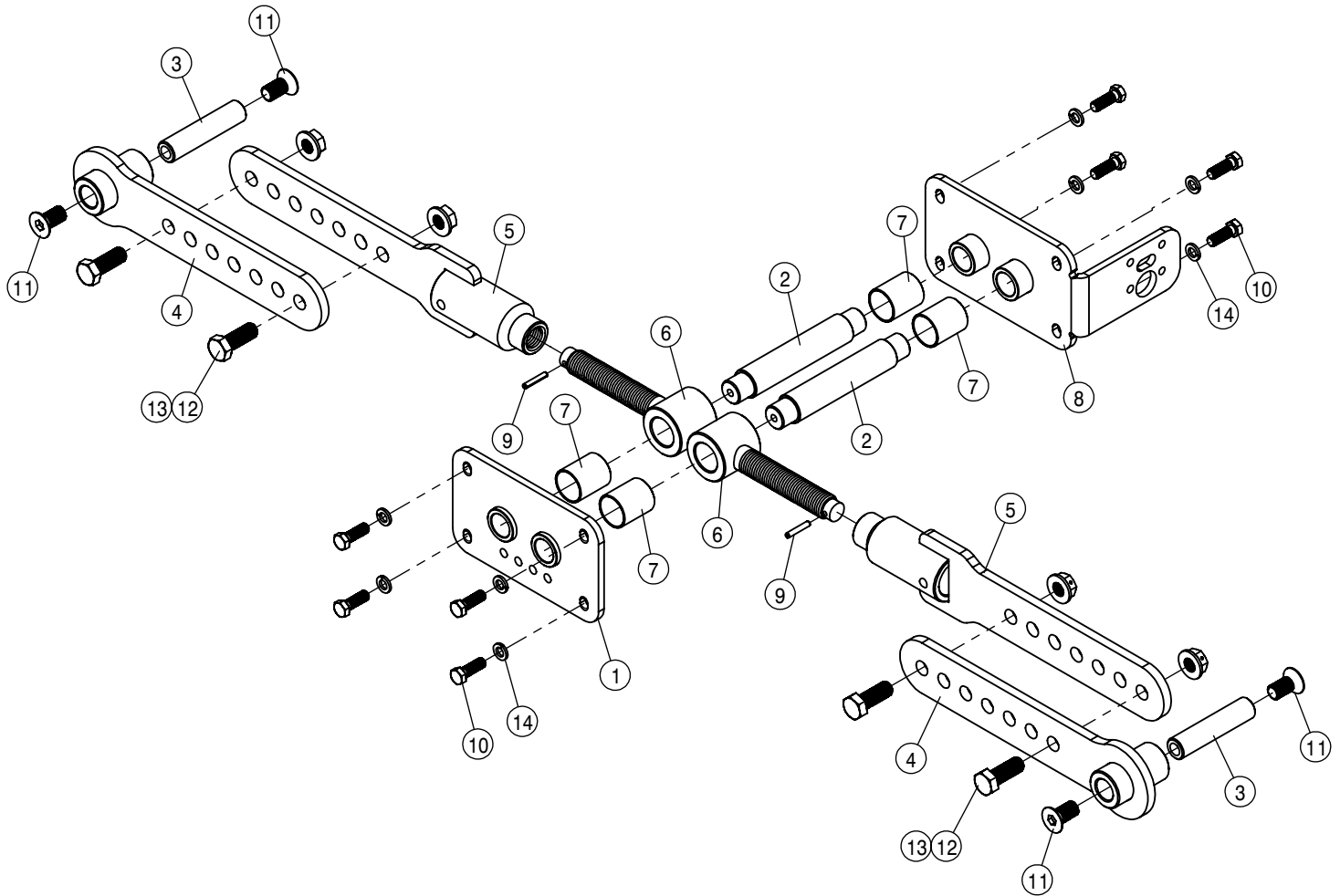
AIR LINE ASSEMBLY			
DET	QTY	P/N	DESCRIPTION
1	1	362115	REAR RGT LEG HOSE BRKT
2	4	520160	CUSH CLAMP,#24 1 1/2D-3/4WLOOP
3	4	520164	CUSH HOSE CLAMP,#9, 9/16D X 3/4W
4	2	601080	HOSE, 1/4 X 11 AIR, BLACK
5	1	601928	HOSE, 1/4 X 32 AIR
6	1	601929	HOSE, 1/4 X 124 AIR
7	1	601941	10-451TC-10FJX-10FJX45-36
8	1	601942	HOSE, 1/2 X 128 AIR
9	1	601943	HOSE, 1/4 X 216 AIR, BLACK
10	1	601944	HOSE, 1/4 X159 AIR, BLACK

AIR LINE ASSEMBLY			
DET	QTY	P/N	DESCRIPTION
11	1	601948	HOSE-1/4 X 207 AIR, BLACK
12	1	601955	HOSE-1/4 X 181 AIR, BLACK
13	2	601971	HOSE-1/4 X 22 AIR, BLACK
14	1	601972	HOSE-1/4 X 300 AIR, BLACK
15	1	601974	HOSE-1/4 X 226 AIR, BLACK
16	1	601975	HOSE-1/4 X 330 AIR, BLACK
17	1	601977	HOSE-1/4 X 227 AIR, BLACK
18	1	900128N	3/8UNC X 3/4 SER FLANGE BOLT
19	1	900129N	3/8UNC X 1" SERR FLANGE BOLT
20	2	910004N	3/8UNC FLANGE CNTR LOCK NUT

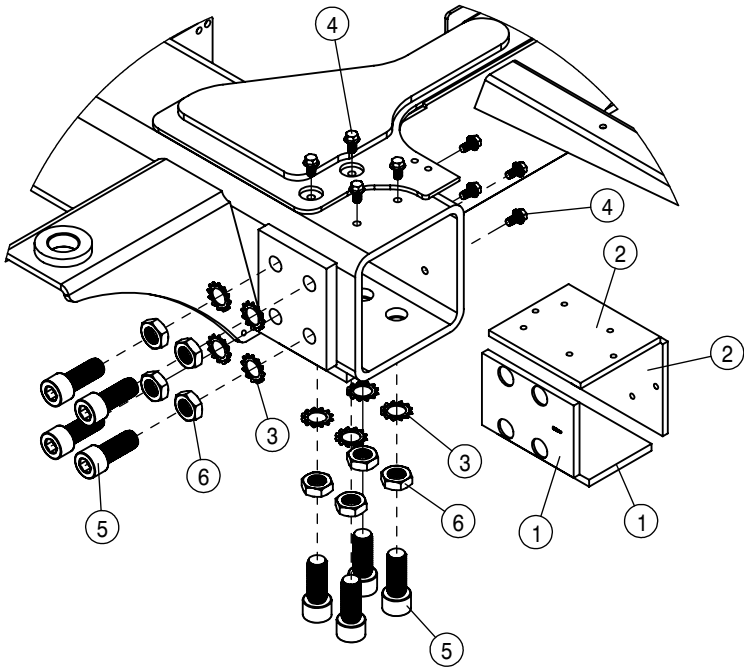


FRONT NO TREAD ADJUST ASSEMBLY			
DET	QTY	P/N	DESCRIPTION
1	1	361576	FRT TRD ADJ ACCESS PLT WLD
2	2	361581	TRD ADJ CYL PIVOT PIN, M/F
3	2	361582	TREAD ADJ CYL PIN, OUTER LEG
4	1	361689	REAR TRD ADJ ACCESS PLT WLD 04
5	2	361964	TREAD ADJ TIE ROD LEG BAR WLDT
6	2	361967	TREAD ADJ TIE ROD CON BAR WLDT
7	2	361970	TREAD ADJ TIE ROD ADJ BAR WLDT
8	4	361973	TRD ADJ TIE ROD SPACER
9	2	473805	ROLL PIN, 1/4 X 1 1/2
10	8	900303N	1/2UNF X 1 1/2 HEX BOLT
11	4	900391N	3/4UNC X 1 1/2 FLT SOC CAP SCR
12	4	900403N	3/4UNC X 2" HEX BOLT
13	4	914012N	3/4UNC CNTLCK SM FLG HEX NUT
14	8	920504N	1/2 LOCK WASHER YZ

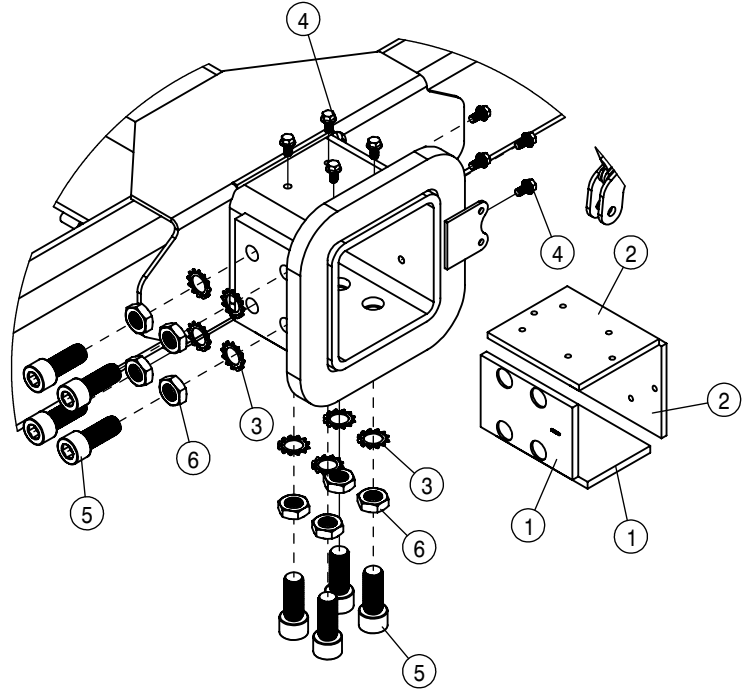




REAR NO TREAD ADJUST ASSEMBLY			
DET	QTY	P/N	DESCRIPTION
1	1	361579	REAR TRD ADJ ACCESS PLT WLD
2	2	361581	TRD ADJ CYL PIVOT PIN, M/F
3	2	361582	TREAD ADJ CYL PIN, OUTER LEG
4	2	361964	TREAD ADJ TIE ROD LEG BAR WLDT
5	2	361967	TREAD ADJ TIE ROD CON BAR WLDT
6	2	361970	TREAD ADJ TIE ROD ADJ BAR WLDT
7	4	361973	TRD ADJ TIE ROD SPACER
8	1	362129	ACCESS PLT - TREAD ADJ WLD
9	2	473805	ROLL PIN, 1/4 X 1 1/2
10	8	900303N	1/2UNF X 1 1/2 HEX BOLT
11	4	900391N	3/4UNC X 1 1/2 FLT SOC CAP SCR
12	4	900403N	3/4UNC X 2" HEX BOLT
13	4	914012N	3/4UNC CNTLCK SM FLG HEX NUT
14	8	920504N	1/2 LOCK WASHER YZ

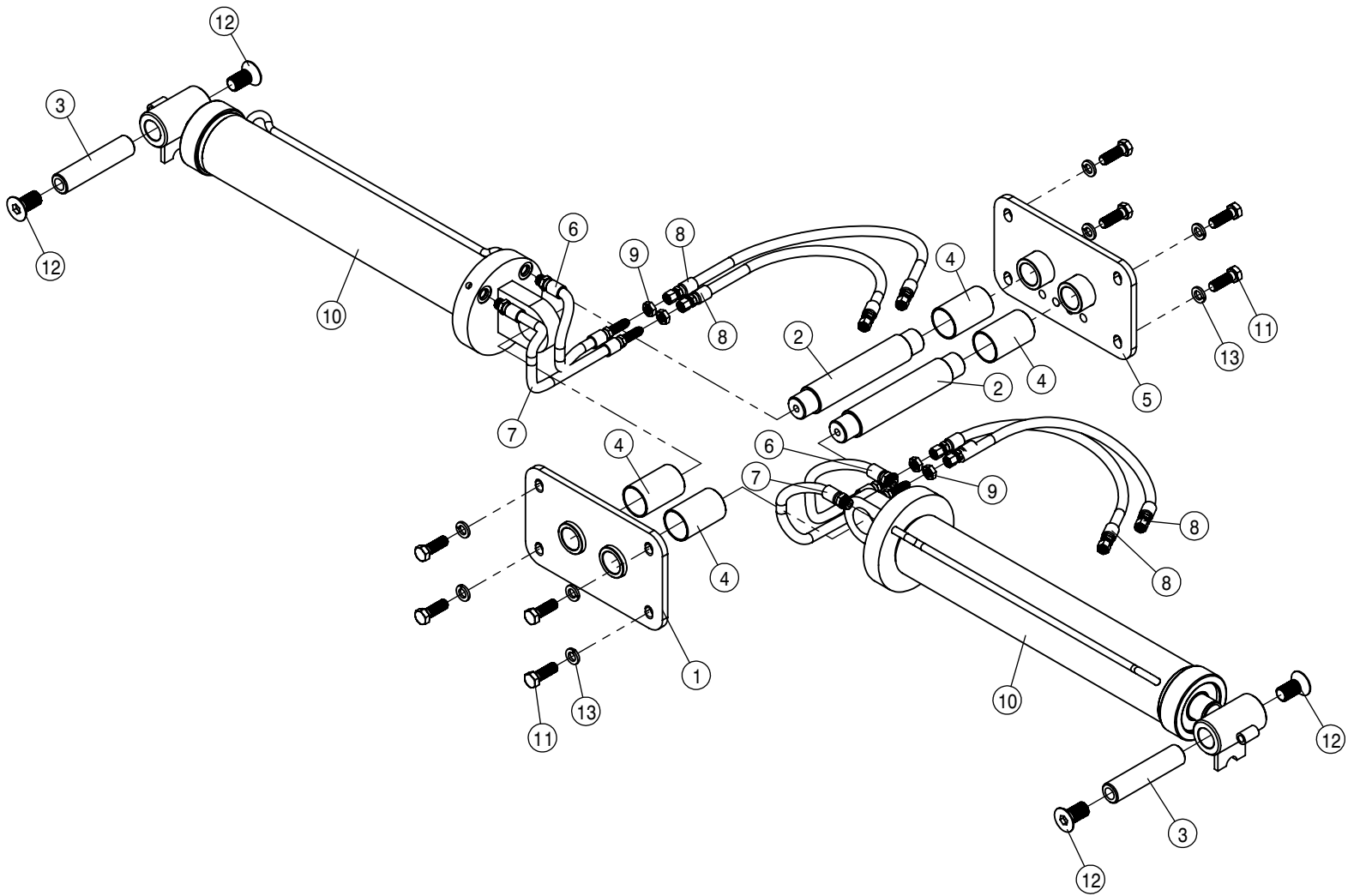


FRONT MAINFRAME

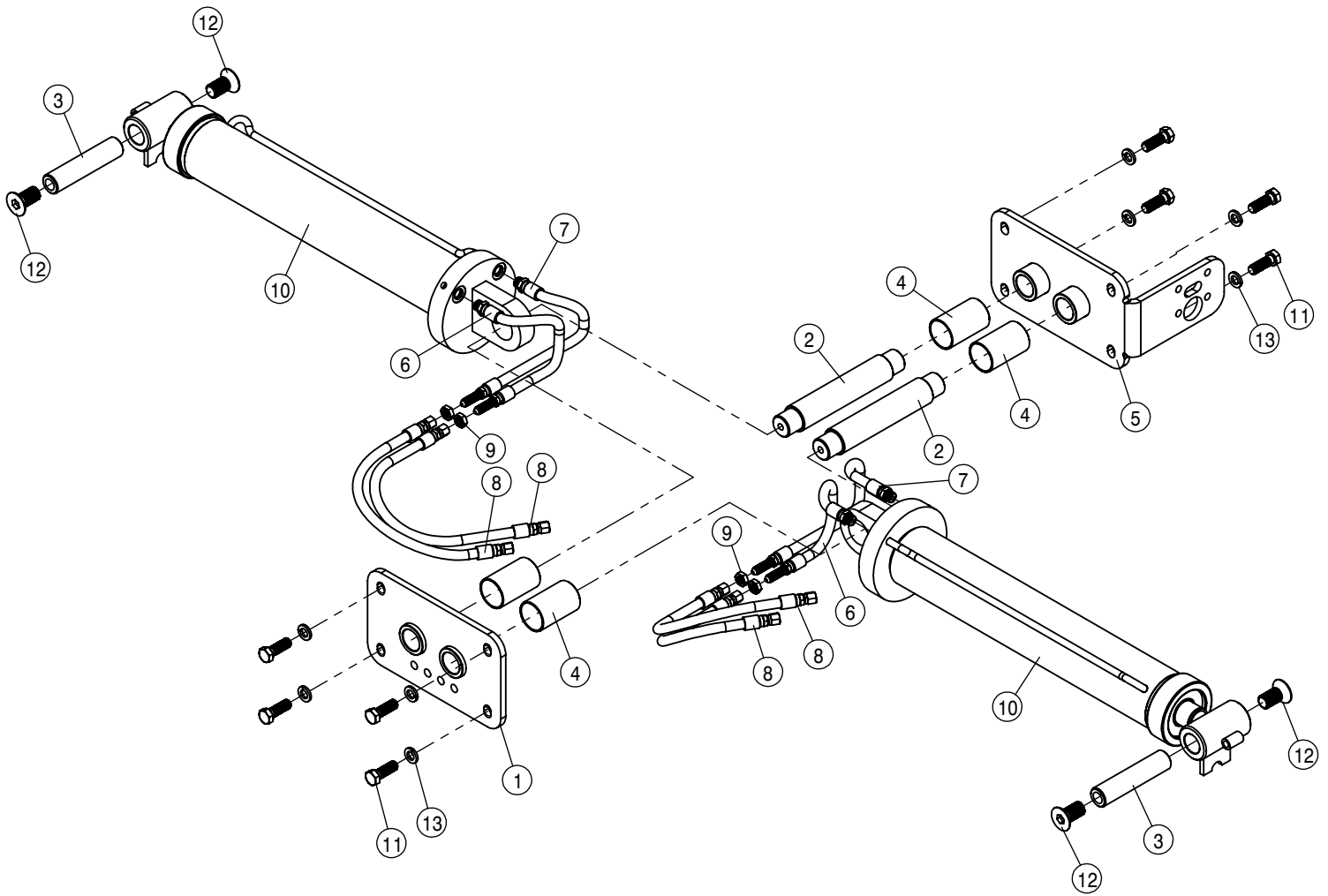


REAR MAINFRAME

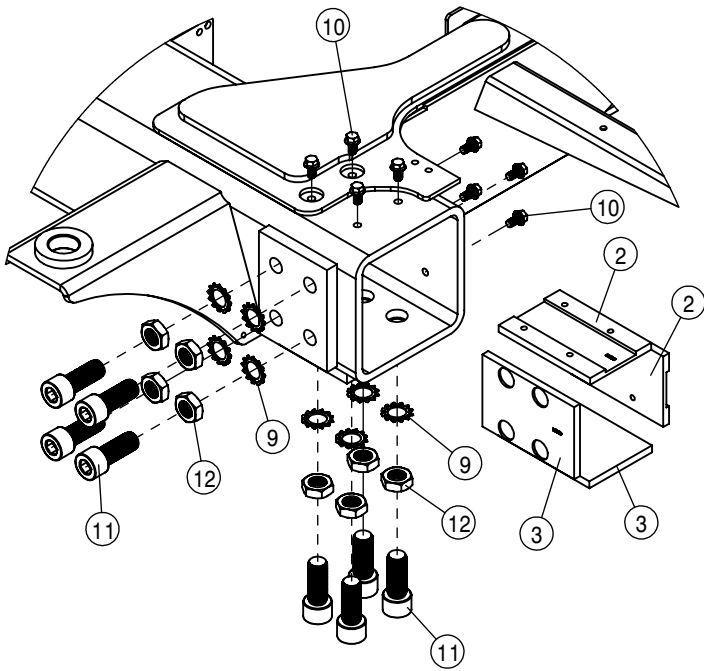
NO TREAD MAINFRAME PLATE ASSEMBLY			
DET	QTY	P/N	DESCRIPTION
1	4	342721	TRD ADJ BRONZE BRG
2	4	342917	TREAD ADJ PLATE, TAPPED, STS 10
3	16	483018N	1" EXTERNAL TOOTH LOCK WASHER YZ
4	16	900128N	3/8UNC X 3/4 SER FLANGE BOLT
5	16	900395N	1"UNC X 2 1/2 SOCKET CAP SCR
6	16	910101N	1" UNC HEX JAM NUT



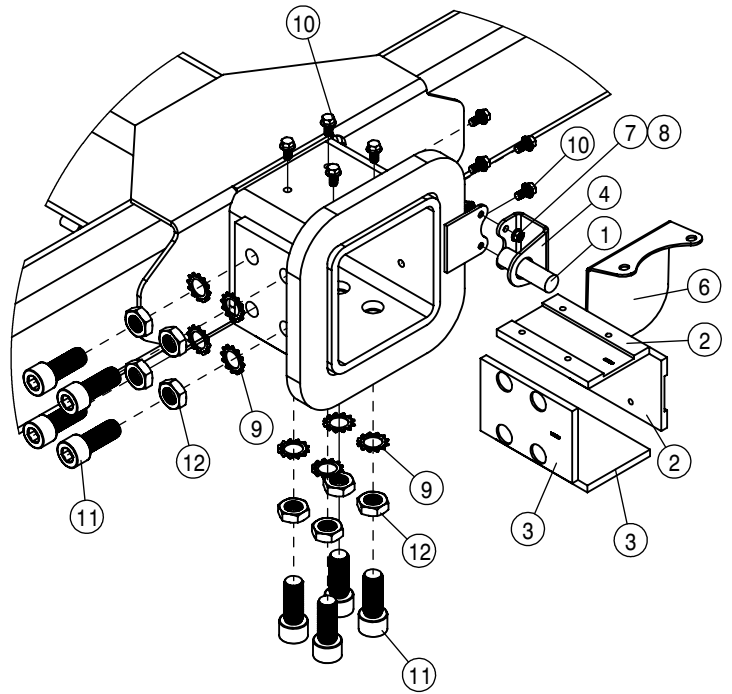
FRONT HYDRAULIC TREAD ADJUST ASSEMBLY			
DET	QTY	P/N	DESCRIPTION
1	1	361576	FRT TRD ADJ ACCESS PLT WLD
2	2	361581	TRD ADJ CYL PIVOT PIN, M/F
3	2	361582	TREAD ADJ CYL PIN, OUTER LEG
4	4	361583	TRD ADJ CYL SPACER, M/F
5	1	361689	REAR TRD ADJ ACCESS PLT WLD 04
6	2	616070	04-451TC-04MJBH-06MOR-11.00H/A
7	2	616071	04-451TC-04MJBH-06MOR-13.00H/A
8	4	617100	04-451TC-04FJX-04FJX-24 H/A
9	4	618525	7/16-20 BLKHD LOCKNUT
10	2	621552	HYD CYL, 3.00 X 16.00 X 1.375
11	8	900303N	1/2UNF X 1 1/2 HEX BOLT
12	4	900391N	3/4UNC X 1 1/2 FLT SOC CAP SCR
13	8	920504N	1/2 LOCK WASHER YZ



REAR HYDRAULIC TREAD ADJUST ASSEMBLY			
DET	QTY	P/N	DESCRIPTION
1	1	361579	REAR TRD ADJ ACCESS PLT WLD
2	2	361581	TRD ADJ CYL PIVOT PIN, M/F
3	2	361582	TREAD ADJ CYL PIN, OUTER LEG
4	4	361583	TRD ADJ CYL SPACER, M/F
5	1	362129	ACCESS PLT - TREAD ADJ WLD
6	2	616070	04-451TC-04MJBH-06MOR-11.00H/A
7	2	616071	04-451TC-04MJBH-06MOR-13.00H/A
8	4	617100	04-451TC-04FJX-04FJX-24 H/A
9	4	618525	7/16-20 BLKHD LOCKNUT
10	2	621552	HYD CYL, 3.00 X 16.00 X 1.375
11	8	900303N	1/2UNF X 1 1/2 HEX BOLT
12	4	900391N	3/4UNC X 1 1/2 FLT SOC CAP SCR
13	8	920504N	1/2 LOCK WASHER YZ

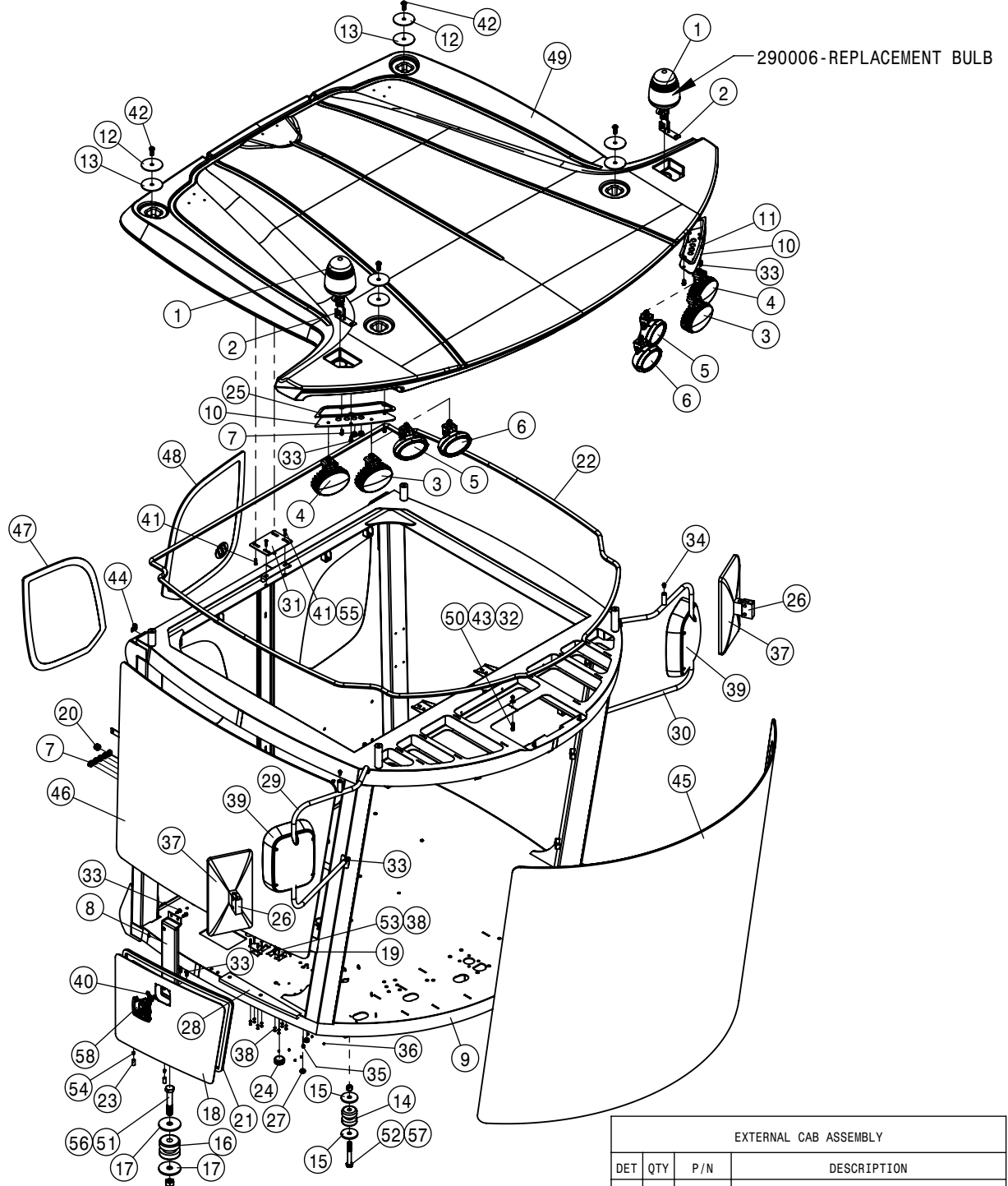


**FRONT MAINFRAME**



**REAR MAINFRAME**

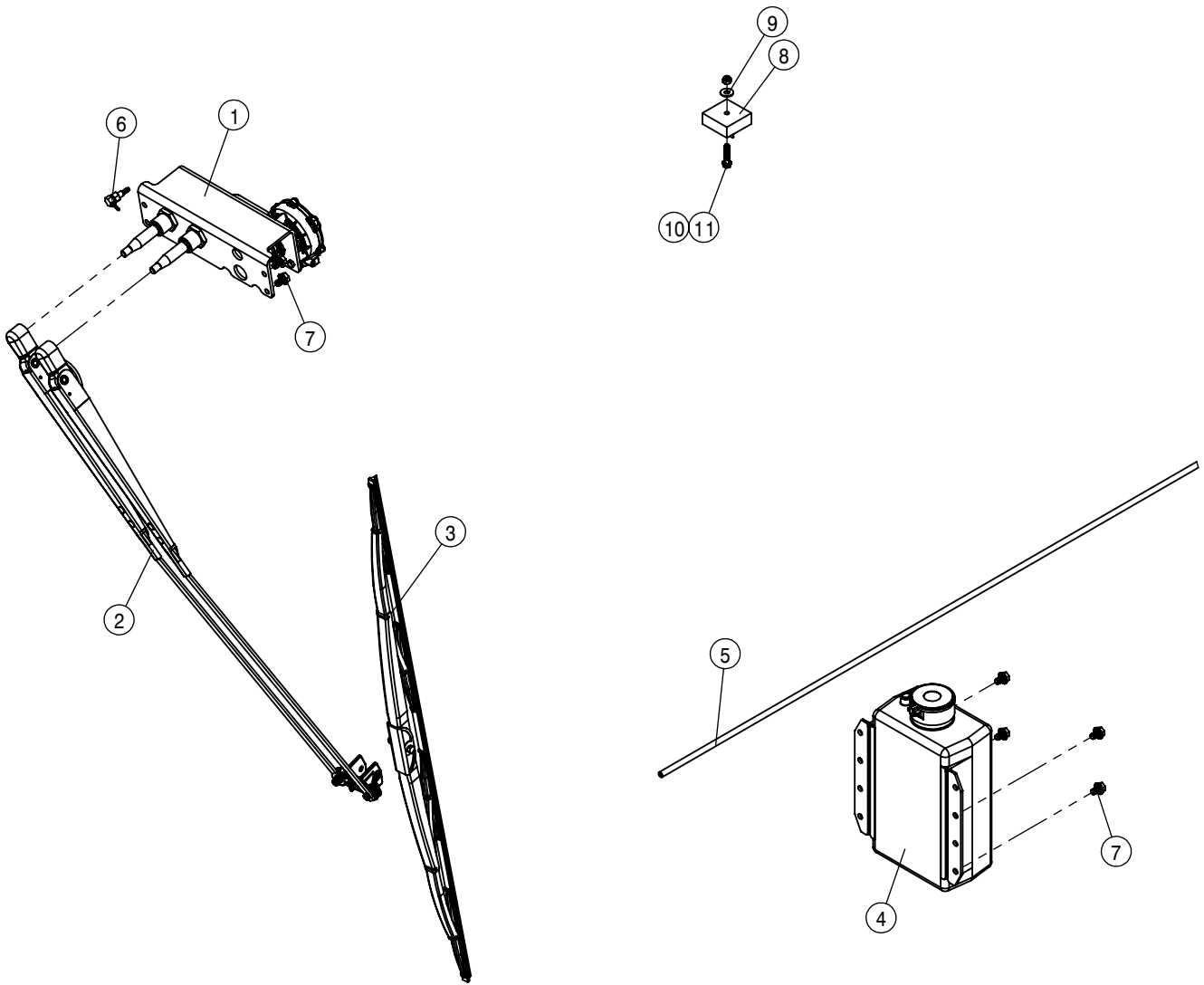
HYD TREAD MAINFRAME PLATE ASSEMBLY			
DET	QTY	P/N	DESCRIPTION
	1	293827	TREAD SENSOR
	4	342719	TRD ADJ BRONZE BEARING, TAPPED
	4	342721	TRD ADJ BRONZE BRG
	1	342856	TREAD SENSOR MT
NS	1	359092	RH SENSOR REFLECTOR
	1	359093	LH SENSOR REFLECTOR
	2	470113N	5/16UNC SERR FLG LOCK NUT SS
	2	470233	5/16UNC X 3/4 SERR FLG HEX BOLT
	16	483018N	1" EXTERNAL TOOTH LOCK WASHER YZ
	16	900128N	3/8UNC X 3/4 SER FLANGE BOLT
	16	900395N	1"UNC X 2 1/2 SOCKET CAP SCR
	16	910101N	1" UNC HEX JAM NUT



EXTERNAL CAB ASSEMBLY			
DET	QTY	P/N	DESCRIPTION
1	2	290059	BEACON, 12V AMBER HALOGEN
2	2	290060	BEACON TILT SURFACE MT, QK CHG
3	2	292612	WORKLIGHT - LED FLOOD
4	2	292613	WORKLIGHT - LED TRAP
5	2	292614	WORKLIGHT - HALOGEN CLOSE RANGE
6	2	292615	WorkLight - Oval 100 Long Range
7	8	292634	HOLE PLUG
8	1	344299	ACCESS PANEL SEALING SURFACE WLDT
9	1	344302	CAB WLD STS' 15
10	2	344357	ROOF LIGHT MNT PLT, STSCAB' 14
11	1	344358	ROOF LIGHT MNT PLT GASKET, STSCAB' 14
12	4	344359	ROOF RETAINER WASHER, STSCAB' 14
13	4	344360	ROOF RETAINER WASHER SEAL, STSCAB' 14
14	2	344393	ISO MOUNT
15	4	344394	ISO MT WASHER FRNT, STS' 14
16	2	344395	ISO MOUNT
17	4	344396	ISO MT WASHER REAR, STS' 14
18	1	344452	FRT ACCESS PNL WLDT, STS' 14

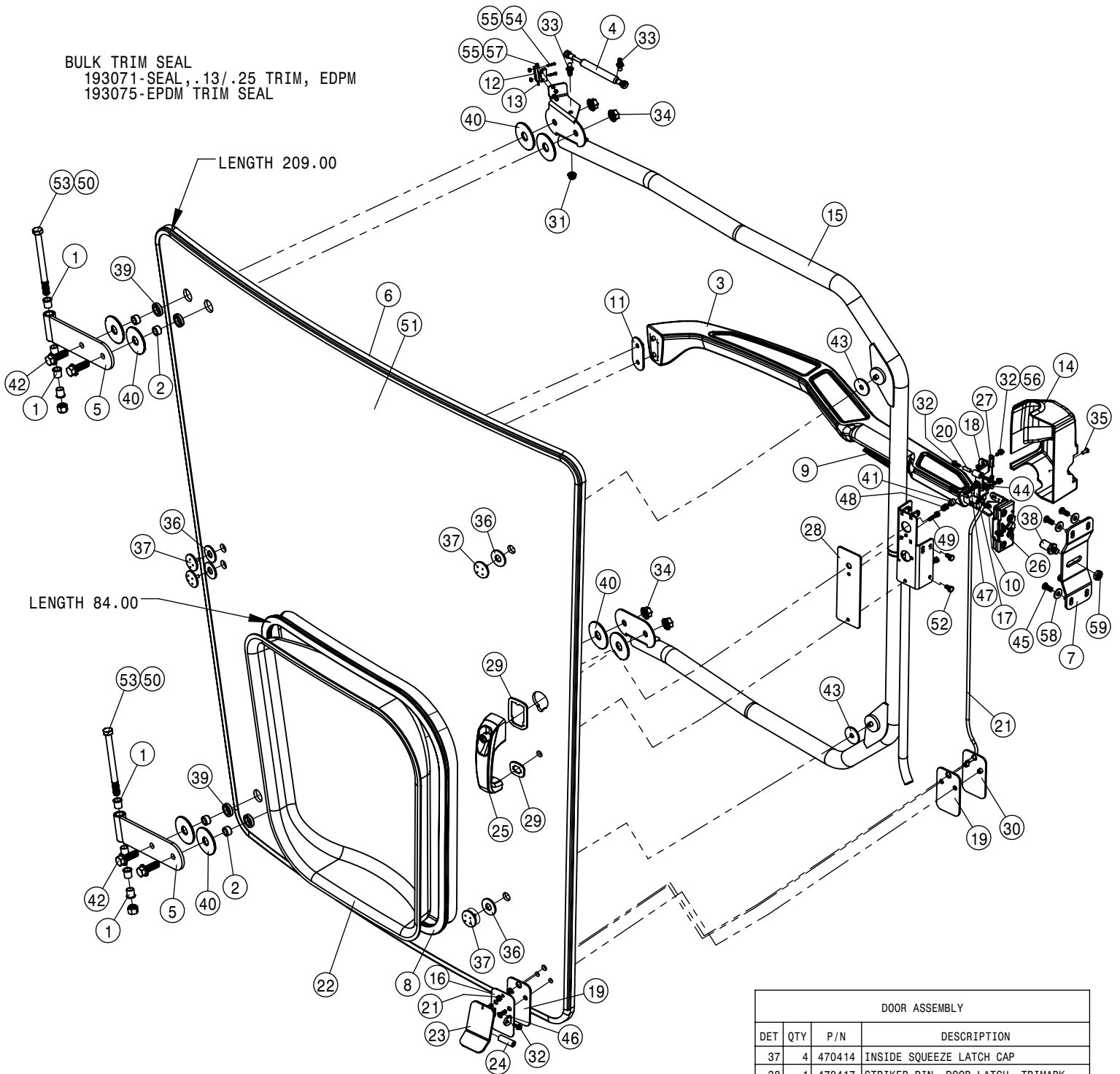
EXTERNAL CAB ASSEMBLY			
DET	QTY	P/N	DESCRIPTION
19	2	344477	PLATE - 12 PIN COVER
20	10	344478	BUSHING - STRAIN RELIEF
21	1	344479	SEAL - ACCESS PANEL
22	1	344481	SEAL - CAB ROOF STS
23	2	344497	THREADED NYLN SPCR, STS' 14
24	1	344509	HOLE PLUG - 24 SERIES
25	1	344513	ROOF LIGHT MT PLT RH GASKET, STS' 14
26	2	344515	STD MIR BRKT, STS' 14
27	2	344554	HOSE GROMMET, STS' 14
28	1	344579	ACCESS PANEL SEAL LWR, STS' 14
29	1	344631	MIRROR BRKT WLDT RH, STS' 15
30	1	344635	MIRROR BRKT WLDT LH, STS' 15
31	1	344666	ROOF MOUNTING PLT, STS' 15
32	1	470089N	1/4UNC HEX NYLOC NUT, 316 SS
33	16	470118	1/4 UNC X 3/4 SER FLG BOLT
34	2	470122	1/4 UNC X 1/2 SERR FLG BOLT
35	3	470143	3/8UNC X 1/2 SKT HD SET SCR
36	7	470168	10-32 X 1/4 ALHD CUP SET SCR

EXTERNAL CAB ASSEMBLY			
DET	QTY	P/N	DESCRIPTION
37	2	470348	MIRROR STS 10 & 12
38	8	470467	6-32 KEP NUT
39	2	470648	POWER MIRROR
40	1	470661	CAM LATCH, STS' 14
41	6	472345	1/4UNC X 1 ALHD BUTTON CAP SCR
42	4	474001	1/2-13 X 1 1/4 BUTTN SKT HD SS
43	1	483038	1/4 REGULAR FLAT WASHER
44	1	520163	CUSH HOSE CLAMP, #8, 1/2D X 3/4W
45	1	658100	WINDOW - FRT 2014 STS
46	1	658101	WINDOW - RH SIDE 2014 STS CAB
47	1	658103	WINDOW - REAR RH 2014 STS CAB
48	1	658104	WINDOW - REAR LH 2014 STS CAB
49	1	659139	CAB ROOF, STS/DTS '17
50	1	900004N	1/4 UNC X 1 1/4 SER FLG BOLT SS
51	2	900481	7/8UNC X 5 HEX BOLT, GR8
52	2	900847	5/8UNC X 4 1/2 HEX BOLT GR8 YZ
53	8	903814	6-32 X 3/4 PHIL PANHD MACH SCR BZ
54	2	903884	10-32X3/8 PHIL PN MACH SCR
55	2	914000	1/4UNC HEX STOVER NUT
56	2	914014	7/8UNC HEX STOVER NUT
57	2	914810	5/8UNC HEX STOVER NUT GR8
58	1	470660	LATCH ASSY, STS' 14
59	8	903844	8-32 X 1/2 PHIL PANHD MACH SCR
60	8	470541	8-32 KEP NUT



WIPER ASSEMBLY			
DET	QTY	P/N	DESCRIPTION
1	1	344367	WIPER MOTOR STS
2	1	344379	WIPER ARM STS
3	1	344380	WIPER BLADE STS
4	1	344382	WASHER BOTTLE
5	1	344383	HOSE - WASHER STS
6	1	344483	WASHER BULKHEAD, STS' 14
7	8	470232	5/16UNC X 1/2 SERR FLG HEX BOLT
8	1	290094	TIMER - WIPER
9	1	483038	1/4 REGULAR FLAT WASHER
10	1	470089N	1/4UNC HEX NYLOC NUT, 316 SS
11	1	900004N	1/4 UNC X 1 1/4 SER FLG BOLT SS

BULK TRIM SEAL  
 193071-SEAL, .13/.25 TRIM, EDPM  
 193075-EPDM TRIM SEAL

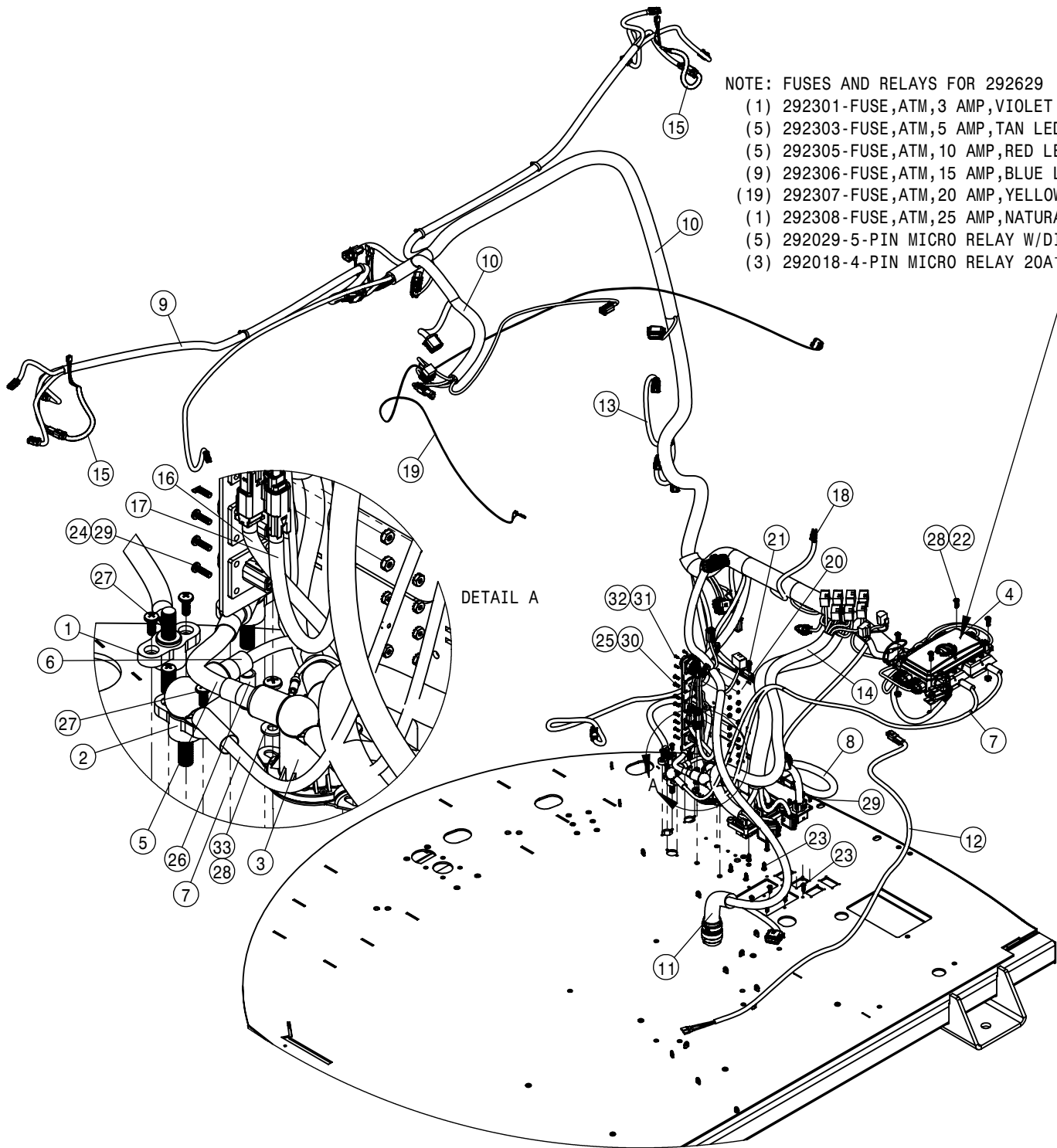


DOOR ASSEMBLY			
DET	QTY	P/N	DESCRIPTION
1	8	127506	NYLON FLANGE BRG, STS
2	4	343335	DOOR HINGE GLASS BUSH, CAB 05
3	1	344331	DOOR LATCH TUBE MOLDED, STSCAB' 14
4	1	344335	GAS CYLINDER 40LB 2.0 STROKE
5	2	344336	DOOR HINGE WLDT, STSCAB' 14
6	1	344423	BULB SEAL - DOOR, CAB
7	1	344428	DOOR LATCH STRKR PIN MNT PLATE '14
8	1	344482	TRIM SEAL - BUBBLE STS
9	1	344508	DOOR LOCK KIT, STS' 14
10	1	344510	DOOR LATCH ROD, STS' 14
11	1	344551	GASKET - DOOR ARM REST MOUNT
12	1	344560	DOOR SWITCH, STS' 14
13	1	344561	DOOR SWITCH MAGNET, STS' 14
14	1	344589	DOOR LATCH COVER, STS' 15
15	1	344590	DOOR FRAME WLDT, STS' 15
16	1	344592	FOOT PEDAL BASE WLDT, STS' 15
17	1	344596	DOOR LATCH HINGE, STS' 15
18	1	344597	DOOR LATCH HINGE WLDT, STS' 15

DOOR ASSEMBLY			
DET	QTY	P/N	DESCRIPTION
19	2	344600	FOOT PEDAL MT GASKET, STS' 15
20	2	344604	DOOR LATCH HINGE PIN, STS' 15
21	1	344607	DOOR RELEASE CABLE, STS' 15
22	1	344610	DOOR BUBBLE INSERT, STS' 15
23	1	344611	FOOT PEDAL WLDT, STS' 15
24	1	344618	FOOT PEDAL PIVOT PIN, STS' 15
25	1	344620	DOOR HANDLE PUSH BUTTON' 15
26	1	344621	DOOR LATCH, STS' 15
27	1	344624	DOOR LATCH CABLE ASSY, STS' 15
28	1	344625	DOOR HANDLE MT GASKET, STS' 15
29	1	344627	DOOR HANDLE GASKET, STS' 15
30	1	344628	FOOT PEDAL MT WLDT, STS' 15
31	1	470113	5/16UNC SERR FLG LOCK NUT
32	8	470215	10-32 X 1/2 SERR FLG HEX BOLT
33	2	470255	BALL STUD, 5/16-18 THRD X 10MM
34	4	470360	1/2UNC SERR FLG HEX NUT
35	1	470412	INSIDE SQUEEZE LATCH SCREWS
36	4	470413	INSIDE SQUEEZE LATCH GASKET

DOOR ASSEMBLY			
DET	QTY	P/N	DESCRIPTION
37	4	470414	INSIDE SQUEEZE LATCH CAP
38	1	470417	STRIKER PIN, DOOR LATCH, TRIMARK
39	4	470419	DOOR HINGE BUSH,RUBBER STS 05
40	8	470420	DOOR HINGE BUSH,RUBBER STS 05
41	1	470421	NYLON SPACER, SPHERICAL 6MMx12
42	4	470431	1/2UNC X 1 1/2 SERR FLG BOLT
43	2	470489	GASKET, DOOR HANDLE STIFFENER
44	1	470689	10-24 HEX NYLOC NUT, SS
45	4	472375	5/16UNC X 3/4 BUTN CAP SCR BLK
46	2	473761	6MM-1.00 X 20MM FLT HD SCREW
47	1	473762	6MM-1.00 X 45 PAN HD PHL SCREW
48	2	473767	6MM-1.00 HEX NUT
49	2	473787	6MM-1.00 X 25MM HEX BOLT GR8
50	2	473988	1/2UNC HEX NUT, NYLOC SS
51	1	658105	GLASS DOOR, STS' 15
52	2	900000	1/4UNC X 1/2 HEX BOLT
53	2	900348	1/2UNC X 6" HEX BOLT SS
54	2	903906	#4-40 X 5/8 PHIL PAN HD SCREW
55	4	910031	#4-40 HEX LOCK NUT
56	2	914027	10-32 HEX STOVER NUT
57	2	903904	4-40 X 3/8 PHIL PAN MACH SCR
58	4	910133	USS FLAT WASHER 5/16 BZ
59	1	473759	12MM-1.75 HEX JAM NUT YZ

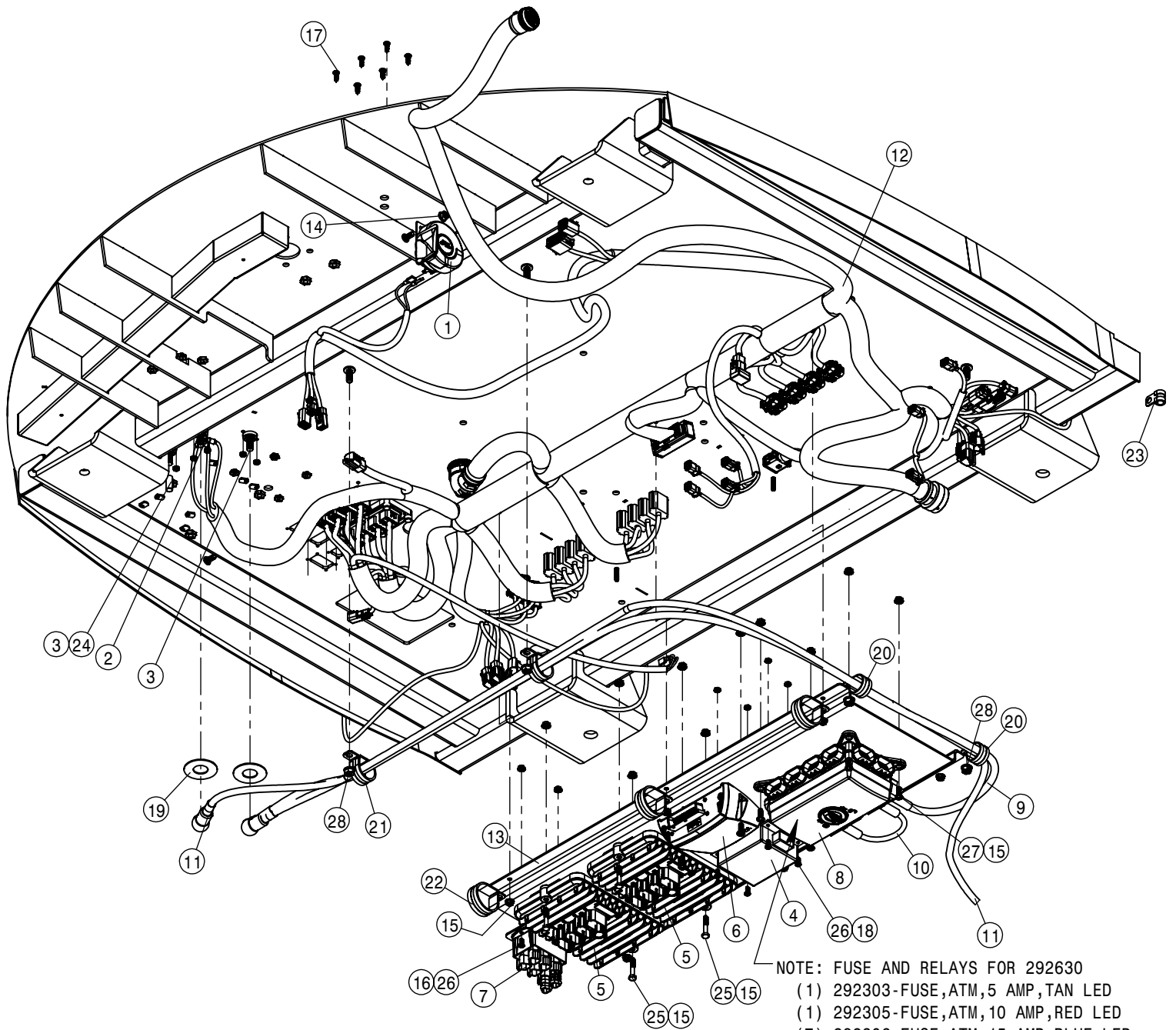




NOTE: FUSES AND RELAYS FOR 292629  
 (1) 292301-FUSE,ATM,3 AMP,VIOLET LED  
 (5) 292303-FUSE,ATM,5 AMP,TAN LED  
 (5) 292305-FUSE,ATM,10 AMP,RED LED  
 (9) 292306-FUSE,ATM,15 AMP,BLUE LED  
 (19) 292307-FUSE,ATM,20 AMP,YELLOW LED  
 (1) 292308-FUSE,ATM,25 AMP,NATURAL LED  
 (5) 292029-5-PIN MICRO RELAY W/DIODE 35A  
 (3) 292018-4-PIN MICRO RELAY 20A

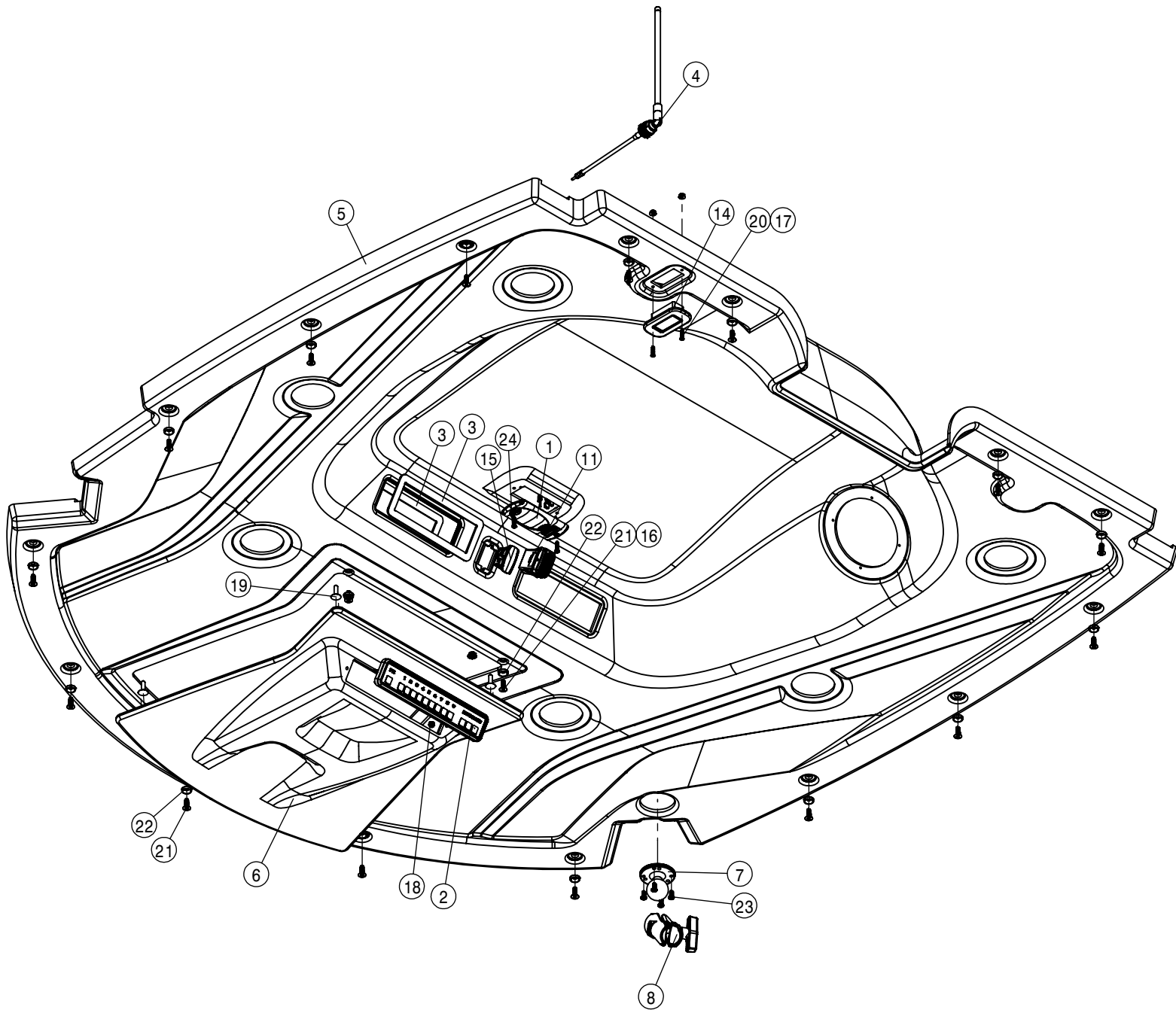
CAB ELECTRICAL-TOP ASSEMBLY			
DET	QTY	P/N	DESCRIPTION
1	1	291749	TERM BLOCK,BLACK,3/8-16 THRU
2	2	291750	TERM BLOCK,RED,3/8-16 THRU
3	1	292505	MCR
4	1	292629	DVEC - INTERIOR
5	1	292646	CABLE - SWITCH POWER STS
6	1	292647	CABLE - BATTERY POWER STS
7	1	292648	CABLE - DVEC POWER STS
8	1	294146	HARNESS - AUTO STEER CAB
9	2	294200	HARNESS - ROOF STS
10	1	294201	HARNESS - MAIN CAB INT STS
11	1	294203	HARNESS - SEAT POD STS
12	1	294204	HARNESS - 12V POWER PLUG STS
13	1	294205	HARNESS - A-POST GAUGE STS
14	1	294206	HARNESS - CAB SWITCH STS
15	2	294207	HARNESS - BEACON STS
16	1	294209	HARNESS - MCR STS
17	1	294210	HARNESS - PRES SWITCH STS

CAB ELECTRICAL-TOP ASSEMBLY			
DET	QTY	P/N	DESCRIPTION
18	1	294211	HARNESS - E-STOP STS
19	1	294212	HARNESS - SPEAKER STS
20	1	344288	STS CAB ELEC BRKT '14
21	2	470118	1/4 UNC X 3/4 SER FLG BOLT
22	4	470121	1/4 UNC SERR FLG LOCK NUT
23	12	470465	#12 X 3/4 PHIL PAN SHT MTL SCR
24	12	470467	6-32 KEP NUT
25	8	470541	8-32 KEP NUT
26	1	629736	CAPPLUGS CAP,.312 X 1.00 VINYL
27	6	903706	10-32X1/2 PHIL PAN MACH SCR
28	6	903711	1/4UNC X3/4PHIL PANHD MACH SCR
29	12	903812	6-32 X 1/2 PHIL PAN MACH SCR
30	8	903844	8-32 X 1/2 PHIL PANHD MACH SCR
31	4	903904	4-40 X 3/8 PHIL PAN MACH SCR
32	4	910029	4-40 HEX NUT
33	2	920000N	1/4 SAE FLAT WASHER SS



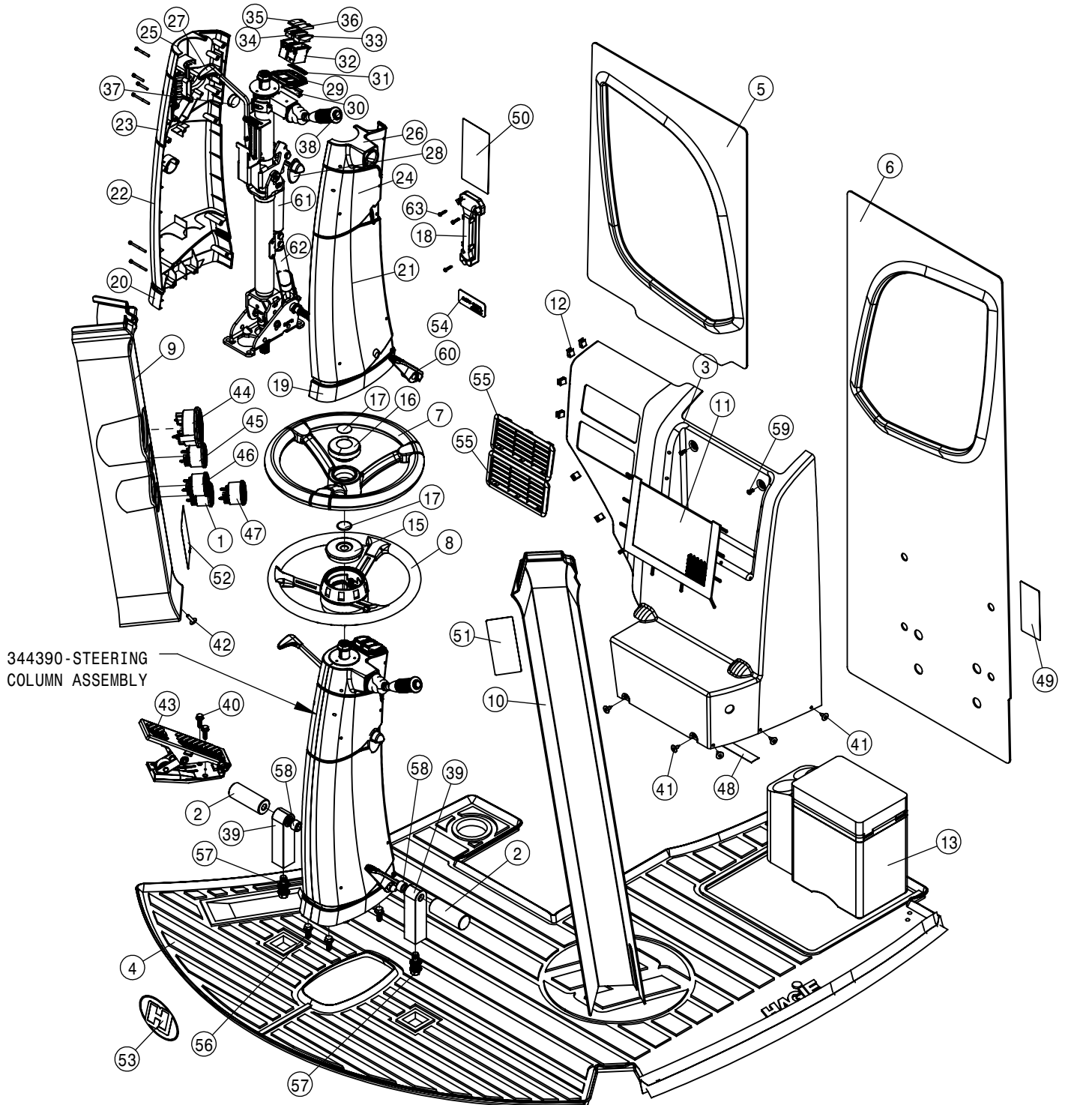
CAB ELECTRICAL-BOTTOM ASSEMBLY			
DET	QTY	P/N	DESCRIPTION
1	1	290062	HORN
2	1	291749	TERM BLOCK,BLACK,3/8-16 THRU
3	2	291750	TERM BLOCK,RED,3/8-16 THRU
4	1	291910	FLASHER, SOLID STATE, 12V
5	2	292009	IQAN-MC3 CONTROLLER
6	1	292016	IQAN-XA2 MODULE
7	1	292406	J1939 JUNCTION MODULE
8	1	292630	DVEC - EXTERIOR
9	1	292645	CABLE - SSDVEC POWER CABLE
10	1	292650	CABLE - SSDVEC JUMPER
11	1	292668	CAB PWR,GND CABLE ASY
12	1	294202	HARNESS - MAIN CAB EXT STS
13	1	344442	BRACKET - ELEC MODULE MOUT CAB
14	1	470113N	5/16UNC SERR FLG LOCK NUT SS

CAB ELECTRICAL-BOTTOM ASSEMBLY			
DET	QTY	P/N	DESCRIPTION
15	16	470121	1/4 UNC SERR FLG LOCK NUT
16	2	470175	10-32 SERR FLANGE NUT
17	6	470465	#12 X 3/4 PHIL PAN SHT MTL SCR
18	10	470542	10-32 KEP NUT
19	2	470677	NYLON WASHER 1"ID, 2-1/4"OD, .075"W
20	2	520108	CUSH HOSE CLAMP,#20, 1 1/4D X 3/4W
21	2	520160	CUSH CLAMP,#24 1 1/2D-3/4W LOOP
22	3	520161	CUSH CLAMP,#32 2"D-3/4W LOOP
23	1	520163	CUSH HOSE CLAMP,#8, 1/2D X 3/4W
24	1	629736	CAPPLUGS CAP,.312 X 1.00 VINYL
25	4	900005	1/4UNC X 1 1/2 HEX BOLT
26	6	903706	10-32X1/2 PHIL PAN MACH SCR
27	6	903711	1/4UNC X3/4PHIL PANHD MACH SCR
28	4	910004N	3/8UNC FLANGE CNTR LOCK NUT



HEADLINER ASSEMBLY			
DET	QTY	P/N	DESCRIPTION
1	1	292620	DOMELIGHT
2	1	292678	LIGHT BAR - SECTION INDICATOR
3	2	343331	RADIO BEZEL,CAB, BLK PLASIC 05
4	1	344177	ANTENNA - RADIO
5	1	344349	HEADLINER
6	1	344350	HEADLINER ACCESS PANEL
7	1	344384	1.5" RAM BALL MNT BASE 2.50"DIA
8	1	344385	1.5" RAM BALL MNT 4.50"DBL SOC ARM
NS	1	344415	RADIO - STANDARD
NS	1	344416	RADIO - PREMIUM
11	1	344417	BLUETOOTH MIC
NS	1	344418	HARNESS - BLUETOOTH MIC

HEADLINER ASSEMBLY			
DET	QTY	P/N	DESCRIPTION
NS	2	344419	SPEAKER
14	1	344459	GARMENT HOOK
15	1	344461	HOLE PLUG - CONTURA V
16	2	470121	1/4 UNC SERR FLG LOCK NUT
17	4	470463	8-32 SERR FLANGE NUT
18	2	470541	8-32 KEP NUT
19	4	470545	PUSH TREE FASTENER 1/4 X 1
20	2	472376	#8-32 X 3/4 FLT HD PHIL SCREW
21	17	472378	1/4-20 X 3/4 FLT HD SOCKET SCREW ZN BLK
22	17	472380	1/4 CNTR SNK WASH, NYLON
23	4	903706	10-32X1/2 PHIL PAN MACH SCR
24	2	903850	8-32 X 3/4 PHIL PAN MACH SCR BZ

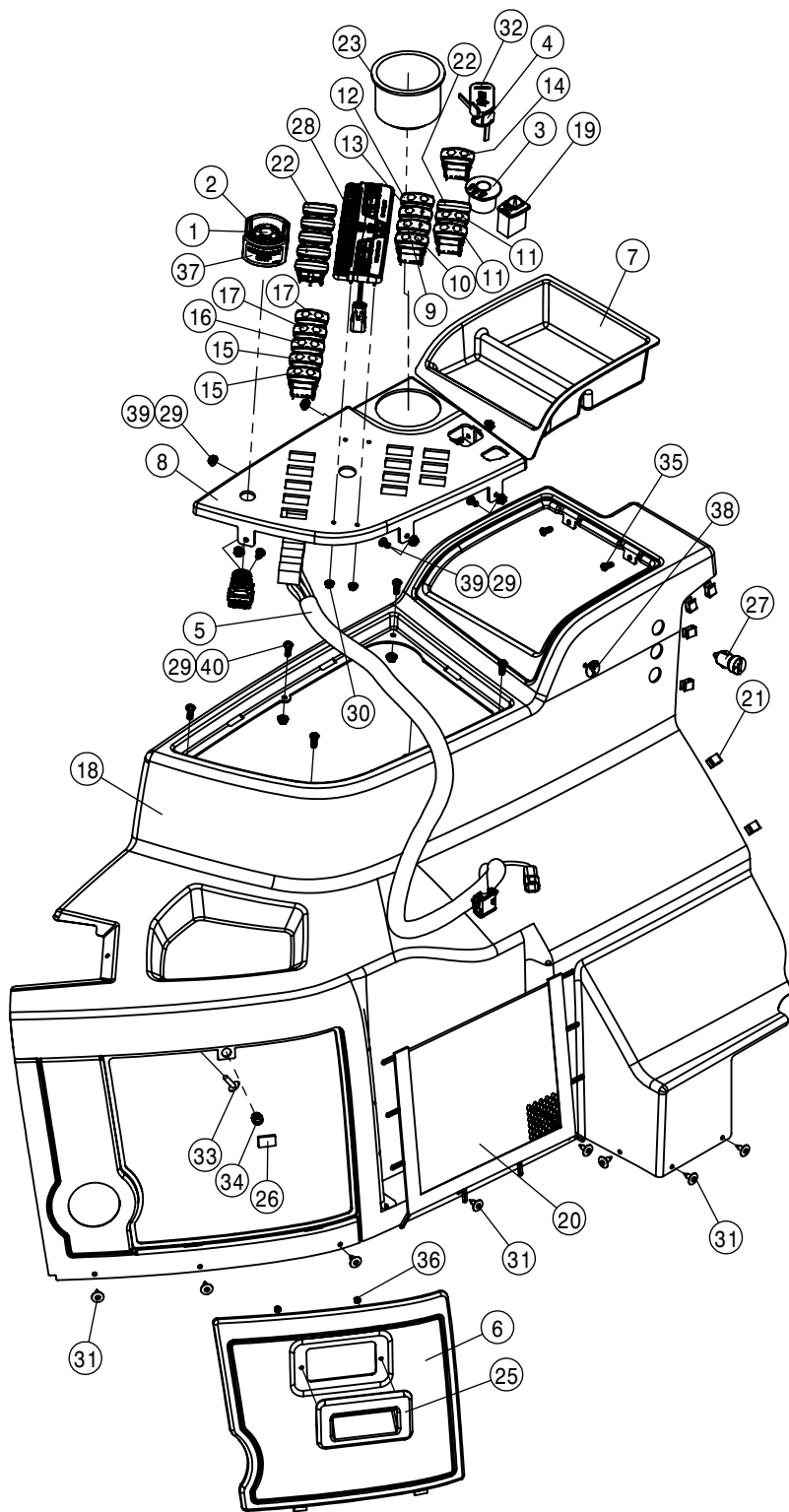


344390-STEERING COLUMN ASSEMBLY

CAB INTERIOR ASSEMBLY			
DET	QTY	P/N	DESCRIPTION
1	1	344171	GAUGE BLANK
2	2	344284	STS CAB FOOT PEG '14
3	1	344308	REAR CONSOLE
4	1	344339	FLOORMAT - MOLDED
5	1	344347	RH REAR WALL LINER
6	1	344348	LH REAR WALL LINER
7	1	344391	STEERING WHEEL - DELUXE
8	1	344392	STEERING WHEEL - PREMIUM
9	1	344397	RH A POST COVER
10	1	344398	LH A POST COVER
11	1	344411	CARGO NET - REAR CONSOLE
12	6	344413	"U" CLIP
13	1	344420	ELEC COOLER
14	4	344464	POWER OUTLET 12V
15	1	344573	CTR CAP,STEERING WHEEL-PREMIUM
16	1	344574	CTR CAP STEERING WHEEL - DELUXE
17	2	344575	DECAL - STEERING WHEEL CENTER
18	1	344646	WINDOW BREAKING TOOL, STS'15
19	1	344686	LH SIDE-LWR COVER, STRG COLUMN
20	1	344687	RH SIDE-LWR COVER, STRG COLUMN
21	1	344688	LH SIDE-MID COVER, STRG COLUMN

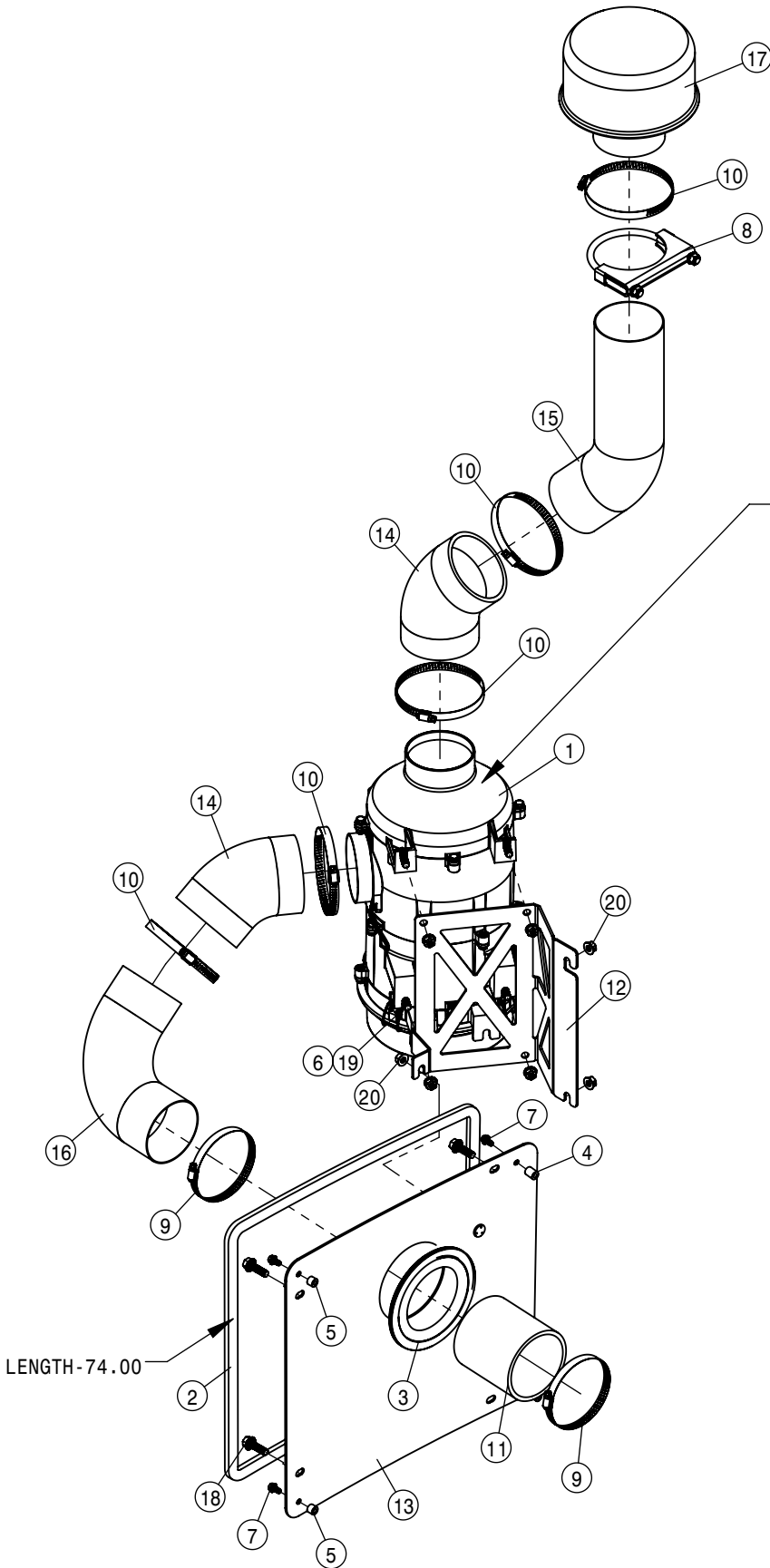
CAB INTERIOR ASSEMBLY			
DET	QTY	P/N	DESCRIPTION
22	1	344689	RH SIDE-MID COVER, STRG COLUMN
23	1	344690	RH SIDE-UPR COVER, STRG COLUMN
24	1	344692	LH SIDE-UPR COVER, STRG COLUMN
25	1	344693	RH SIDE-TOP COVER, STRG COLUMN
26	1	344694	LH SIDE-TOP COVER, STRG COLUMN
27	1	344695	UPR HANDLE RAL, STRG COLUMN
28	1	344696	LH UPR HANDLE RAL, STRG COLUMN
29	1	344697	SWITCH HOUSING, STRG COLUMN
30	1	344698	LIGHT 4LED 12V, STRG COLUMN
31	1	344699	INDICATOR PAD, STRG COLUMN
32	2	344700	SWITCH BASE, STRG COLUMN
33	1	344701	SWITCH ON/OFF SERIES 533
34	1	344702	SWITCH ON/OFF SERIES 533
35	1	344703	BLUE COVER, LIGHTS, 1-LED
36	1	344704	RED COVER, HAZARD SERIES 533
37	1	344734	RH CAP, STRG COLUMN
38	1	344691	LH SWITCH, WIPER/LIGHTS, STRG
39	2	344286	STS CAB FOOT PEG RISER
40	2	470234	5/16UNC X 1" SERR FLG HEX BOLT
41	5	470466	1/4 X 3/4 PLTC LCK RIVET
42	1	470545	PUSH TREE FASTENER 1/4 X 1

CAB INTERIOR ASSEMBLY			
DET	QTY	P/N	DESCRIPTION
43	1	470649	PEDAL - DECAL
44	1	470650	GAUGE - 3" RPM
45	1	470651	GAUGE - 2" FUEL
46	1	470652	GAUGE - 2" COOLANT TEMP
47	1	470654	GAUGE, DEF 2" '14
48	1	490645	VHB TAPE 5952, BLACK
49	1	650164	DECAL,NO PASSNGR/NOT NEAR LEAK
50	1	650176	DECAL,CAUTION,CAB CHEM EXPOSUR
51	1	650474	DECAL,PWR LINE/BM FOLD
52	1	650479	JOYSTICK DECAL, STS'15
53	1	651008	DECAL - H-DOT FRONT GLASS 5.00"
54	1	651009	ROPS DECAL, STS'14
55	2	657549	2412, 4"X8" Louver Grill
56	4	900129N	3/8UNC X 1" SERR FLANGE BOLT
57	4	900263N	1/2UNC X 1" SER FLANGE BOLT
58	2	900396	5/8UNC X 2 SOCKET CAP SCR
59	2	903706	10-32X1/2 PHIL PAN MACH SCR
60	1	344705	LEFT PEDAL, STRG COLUMN
61	1	344707	GAS SPRING 400N, STRG COLUMN
62	1	344708	GAS SPRING 500N, STRG COLUMN
63	3	903850	8-32 X 3/4 PHIL PAN MACH SCR BZ



CONSOLE ASSEMBLY			
DET	QTY	P/N	DESCRIPTION
1	1	290081	E-STOP SWITCH,LED MUSHROOM
2	1	290089	E-STOP SHROUD, STS '11
3	1	291916	IGNITION SWITCH
4	2	291917	IGNITION KEY FOR 291916
5	1	294236	HARNESS - NTB SWITCH
6	1	344306	CONSOLE DOOR
7	1	344307	CONSOLE TRAY
8	1	344309	CONSOLE SWITCH PANEL
9	1	344312	SWITCH - SOLUTION PUMP
10	1	344313	SWITCH - MAIN TANK
11	2	344314	SWITCH - BOOM FOLD
12	1	344315	SWITCH - RINSE
13	1	344316	SWITCH - AGITATION
14	1	344317	SWITCH - FOAMER
15	2	344318	SWITCH - NTB LEFT
16	1	344319	SWITCH - NTB LOCK
17	2	344320	SWITCH - NTB RIGHT
18	1	344407	CONSOLE BODY
19	1	344409	SWITCH - POWER MIRROR
20	1	344410	CARGO NET - SIDE CONSOLE
21	6	344413	"U" CLIP
22	6	344461	HOLE PLUG - CONTURA V
23	1	344462	CUP HOLDER - LARGE
NS	4	344464	POWER OUTLET 12V
25	1	344465	DOOR HANDLE
26	1	344514	PLATE - CONSOLE DOOR
27	1	344555	USB CHARGING ADAPTER - DC
28	1	344556	SECTION KEYPAD STS '15
29	12	470121	1/4 UNC SERR FLG LOCK NUT
30	4	470175	10-32 SERR FLANGE NUT
31	8	470466	1/4 x 5/8 PLTC LCK RIVET(DMB #14991)
32	1	470544	HAGIE KEY CHAIN
33	1	470545	PUSH TREE FASTENER 1/4 X 1
34	1	470676	MORTISE MOUNT-PULL MAG CATCH
35	2	472344	1/4UNCX5/8 ALHD BUTTON CAP SCR
36	2	473870	M5 HEX NUT
37	1	650278	DECAL, E-STOP, STS '11
38	1	650467	DECAL - AUX 2
39	6	903708	1/4UNC X1/2PHIL PANHD MACH SCR
40	6	903711	1/4UNC X3/4PHIL PANHD MACH SCR

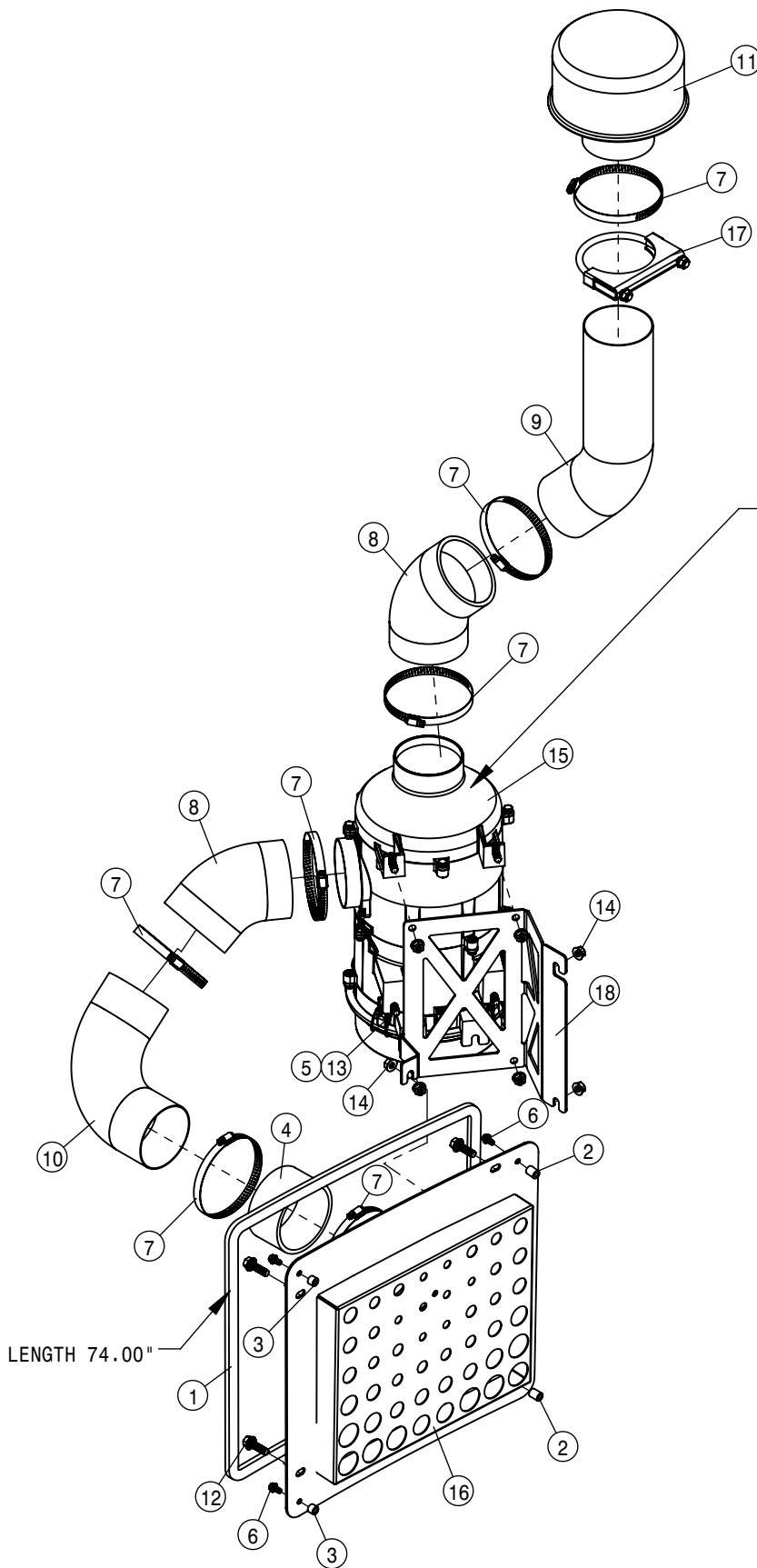
BULK TRIM SEAL  
 193070-SEAL, .63 X .63 D-SECT EDPM



657557-REPLACEMENT RESPA FILTER  
 344683-INLET SECTION FOR RESPA  
 344681-FAN MOTOR

AIR INTAKE (TALL) (BUILT BEFORE NOV 1)			
DET	QTY	P/N	DESCRIPTION
1	1	344424	HVAC FILTRATION UNIT PRECLEANER
2	1	344480	SEAL - RESPA PANEL
3	1	344512	RESPA BULB SEAL, STS' 14
4	2	344557	STAND OFF 5/8" LG, STS' 14
5	2	344558	STAND OFF 3/8" LG, STS' 14
6	4	470087	3/8UNC HEX SERR FLANGE NUT
7	4	470122	1/4 UNC X 1/2 SERR FLG BOLT
8	1	472218	4" MUFFLER CLAMP 3/8UNC GRAY
9	2	520064	HOSE CLAMP NO 64 STAINLESS
10	5	520072	HOSE CLAMP NO 72 STAINLESS
11	1	657585	HVAC DUCT, STS' 14
12	1	660585	MOUNT-RESPA, TALL CROP STS' 14
13	1	660588	PANEL - HVAC ACCESS WLD, STS
14	2	660591	ELBOW - EPDM 45DEG 4" ID
15	1	660592	TUBE - 4" OD, 45DEG
16	1	660593	ELBOW - 4" OD, 90 DEG
17	1	660594	INLET HOOD - 4" ID
18	4	900127N	3/8UNC X 1 1/4 SER FLANGE BOLT
19	4	900129N	3/8UNC X 1" SERR FLANGE BOLT
20	3	910004N	3/8UNC FLANGE CNTR LOCK NUT

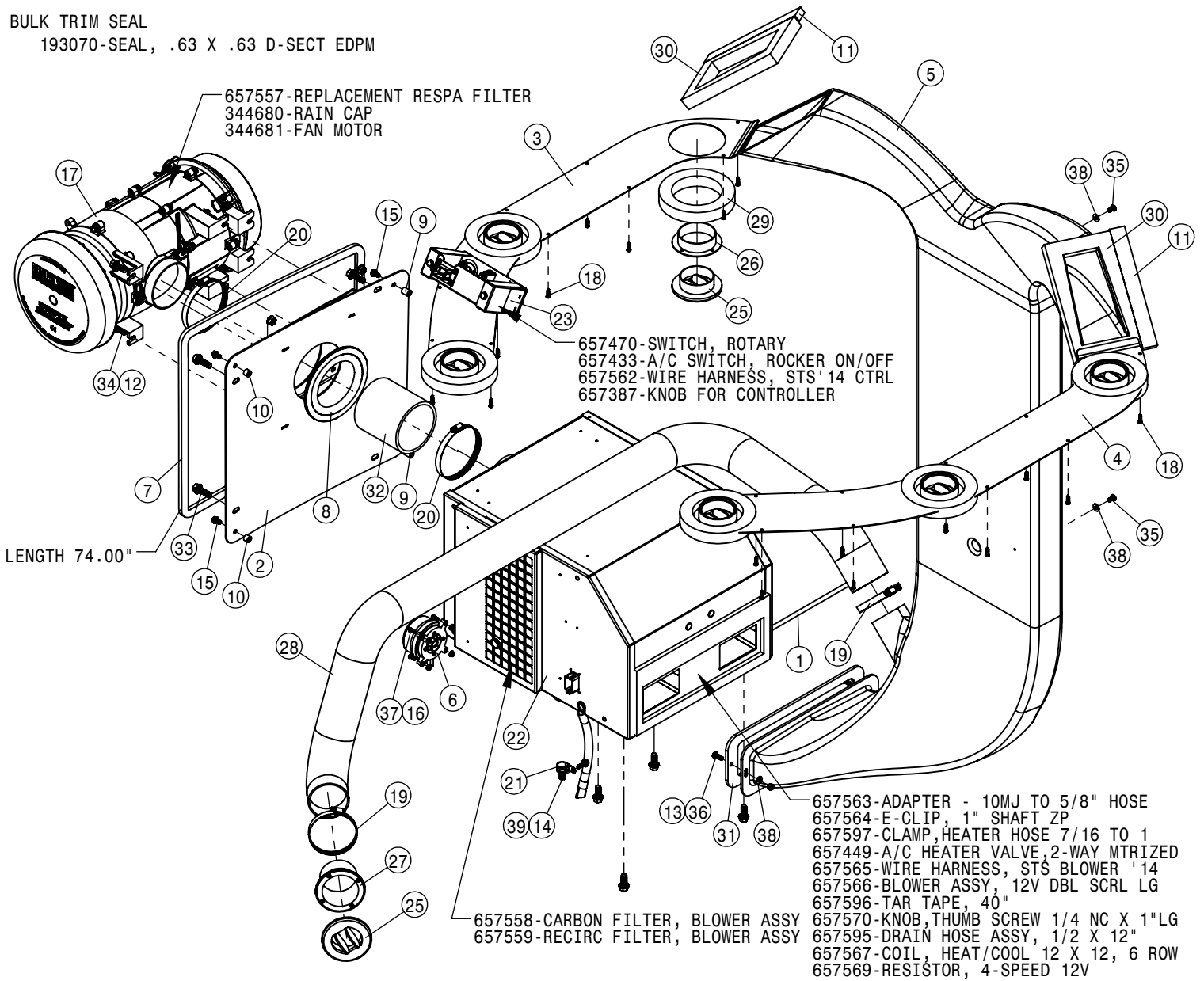
BULK TRIN SEAL  
 193070-SEAL, .63 X .63 D-SECT EDPM



657557-REPLACEMENT RESPA FILTER  
 344683-INLET SECTION FOR RESPA  
 344681-FAN MOTOR

AIR INTAKE (TALL) (BUILT AFTER NOV 1)			
DET	QTY	P/N	DESCRIPTION
1	1	344480	SEAL - RESPA PANEL
2	2	344557	STAND OFF 5/8" LG, STS' 14
3	2	344558	STAND OFF 3/8" LG, STS' 14
4	1	344669	TC HVAC DUCT, STS' 15
5	4	470087	3/8UNC HEX SERR FLANGE NUT
6	4	470122	1/4 UNC X 1/2 SERR FLG BOLT
7	7	520072	HOSE CLAMP NO 72 STAINLESS
8	2	660591	ELBOW - EPDM 45DEG 4" ID
9	1	660592	TUBE - 4" OD, 45DEG
10	1	660593	ELBOW - 4" OD, 90 DEG
11	1	660594	INLET HOOD - 4" ID
12	4	900127N	3/8UNC X 1 1/4 SER FLANGE BOLT
13	4	900129N	3/8UNC X 1" SERR FLANGE BOLT
14	3	910004N	3/8UNC FLANGE CNTR LOCK NUT
15	1	344424	HVAC FILTRATION UNIT PRECLEANER
16	1	344663	HVAC PANEL WLDT, STS' 15
17	1	472218	4" MUFFLER CLAMP 3/8UNC GRAY
18	1	660585	MOUNT-RESPA, TALL CROP STS' 14

BULK TRIM SEAL  
 193070-SEAL, .63 X .63 D-SECT EDPM

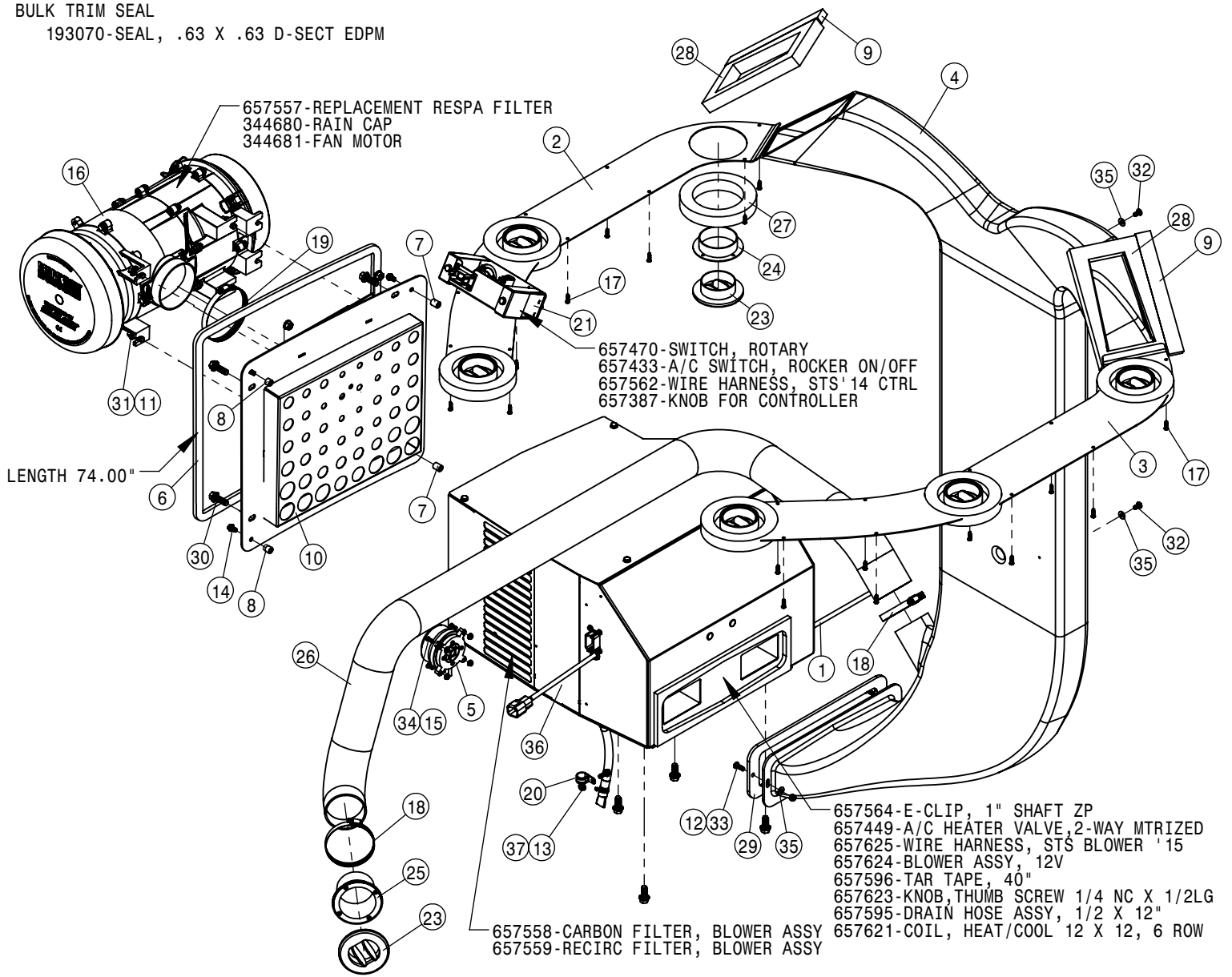


DELUXE HVAC ASSEMBLY (BUILT BEFORE NOV 1)			
DET	QTY	P/N	DESCRIPTION
1	1	317315	HOSE - HVAC PRESSURE
2	1	344295	PANEL ACCESS HVAC WLDT, STSCAB'14
3	1	344361	PLATE, ROOF DUCT COVER RH, STSCAB'14
4	1	344362	PLATE, ROOF DUCT COVER LH, STSCAB'14
5	1	344366	DUCT HVAC - STS CAB
6	1	344425	PRESSURE SWITCH - HVAC
7	1	344480	SEAL - RESPA PANEL
8	1	344512	RESPA BULB SEAL, STS'14
9	2	344557	STAND OFF 5/8" LG, STS'14
10	2	344558	STAND OFF 3/8" LG, STS'14
11	2	344576	TEMP SEAL DUCT, STS'14
12	4	470087	3/8UNC HEX SERR FLANGE NUT
13	2	470089	1/4UNC HEX NYL-LOC NUT
14	1	470121N	1/4 UNC SERR FLG LOCK NUT SS
15	4	470122	1/4 UNC X 1/2 SERR FLG BOLT
16	4	470463	8-32 SERR FLANGE NUT
17	1	470655	HVAC FILTRATION UNIT PRECLEANER
18	20	473990N	#8 X 3/4 PHIL PAN SMS TY-A BZ
19	2	520052	HOSE CLAMP NO 52 STAINLESS
20	2	520064	HOSE CLAMP NO 64 STAINLESS

DELUXE HVAC ASSEMBLY (BUILT BEFORE NOV 1)			
DET	QTY	P/N	DESCRIPTION
21	1	520104	CUSH HOSE CLMP,#12, 3/4D X 1/2W
22	1	657540	BLOWER UNIT - MAN TMP CNTRL
23	1	657542	HVAC CONTROL - MANUAL, STS'14
NS	1	657544	HARNESS - HVAC MAN CONTROL
25	7	657546	LOUVER, 4" W/O MNT
26	6	657547	PANEL MNT, LOUVER (THK PANEL)
27	1	657548	PANEL MNT, LOUVER (THK PANEL)
28	1	657550	HOSE - 3IN HVAC
29	6	657552	GASKET SEAL ROOF LOUVER
30	2	657553	GASKET SEAL ROOF LOUVER
31	1	657556	GASKET SEAL ROOF LOUVER
32	1	657585	HVAC DUCT, STS'14
33	4	900127N	3/8UNC X 1 1/4 SER FLANGE BOLT
34	8	900129N	3/8UNC X 1" SERR FLANGE BOLT
35	2	903708N	1/4UNC X1/2PHIL PAN MACH SCR BZ
36	2	903711	1/4UNC X3/4PHIL PANHD MACH SCR
37	4	903844	8-32 X 1/2 PHIL PANHD MACH SCR
38	4	920000	1/4 SAE FLAT WASHER
39	1	473834	1/4UNC X 3/4 SER FLG BOLT SS



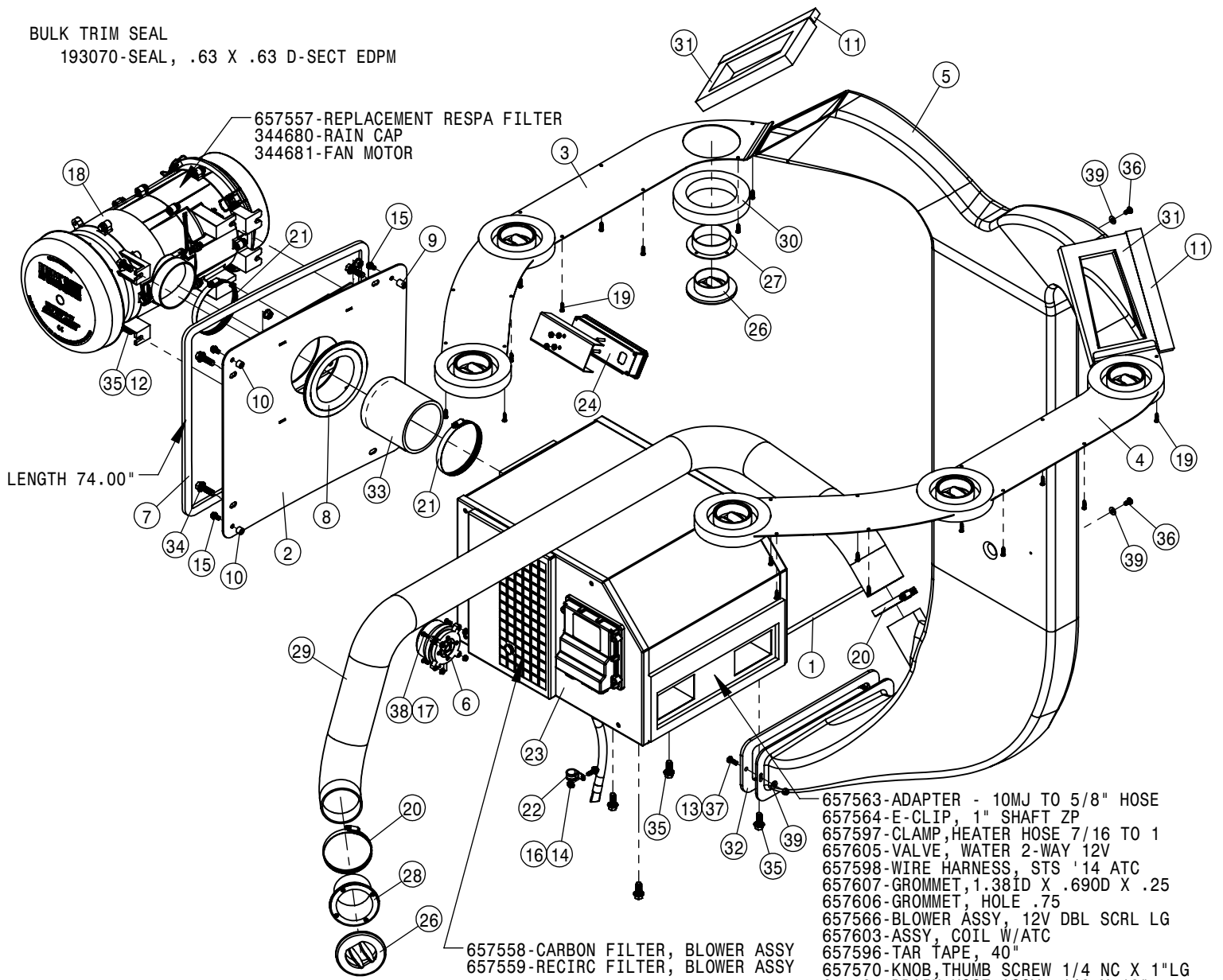
BULK TRIM SEAL  
193070-SEAL, .63 X .63 D-SECT EDPM



DELUXE HVAC ASSEMBLY (BUILT AFTER NOV 1)			
DET	QTY	P/N	DESCRIPTION
	1	317315	HOSE - HVAC PRESSURE
	1	344361	PLATE, ROOF DUCT COVER RH, STSCAB' 14
	1	344362	PLATE, ROOF DUCT COVER LH, STSCAB' 14
	1	344366	DUCT HVAC - STS CAB
	1	344425	PRESSURE SWITCH - HVAC
	1	344480	SEAL - RESPA PANEL
	2	344557	STAND OFF 5/8" LG, STS' 14
	2	344558	STAND OFF 3/8" LG, STS' 14
	2	344576	TEMP SEAL DUCT, STS' 14
	1	344662	STD HVAC ACCESS PANEL WLDT, STS' 15
	4	470087	3/8UNC HEX SERR FLANGE NUT
	2	470089	1/4UNC HEX NYL-LOC NUT
	1	470121N	1/4 UNC SERR FLG LOCK NUT SS
	4	470122	1/4 UNC X 1/2 SERR FLG BOLT
	4	470463	8-32 SERR FLANGE NUT
	1	470655	HVAC FILTRATION UNIT PRECLEANER
	20	473990N	#8 X 3/4 PHIL PAN SMS TY-A BZ
	2	520052	HOSE CLAMP NO 52 STAINLESS
	1	520064	HOSE CLAMP NO 64 STAINLESS

DELUXE HVAC ASSEMBLY (BUILT AFTER NOV 1)			
DET	QTY	P/N	DESCRIPTION
	1	520104	CUSH HOSE CLMP, #12, 3/4D X 1/2W
	1	657542	HVAC CONTROL - MANUAL, STS' 14
NS	1	657544	HARNESS - HVAC MAN CONTROL
	7	657546	LOUVER, 4" W/O MNT
	6	657547	PANEL MNT, LOUVER (THK PANEL)
	1	657548	PANEL MNT, LOUVER (THK PANEL)
	1	657550	HOSE - 3IN HVAC
	6	657552	GASKET SEAL ROOF LOUVER
	2	657553	GASKET SEAL ROOF LOUVER
	1	657556	GASKET SEAL ROOF LOUVER
	4	900127N	3/8UNC X 1 1/4 SER FLANGE BOLT
	8	900129N	3/8UNC X 1" SERR FLANGE BOLT
	2	903708N	1/4UNC X1/2PHIL PAN MACH SCR BZ
	2	903711	1/4UNC X3/4PHIL PANHD MACH SCR
	4	903844	8-32 X 1/2 PHIL PANHD MACH SCR
	4	920000	1/4 SAE FLAT WASHER
	1	657560	HVAC STANDARD CONTROL ENHANCED
	1	473834	1/4UNC X 3/4 SER FLG BOLT SS

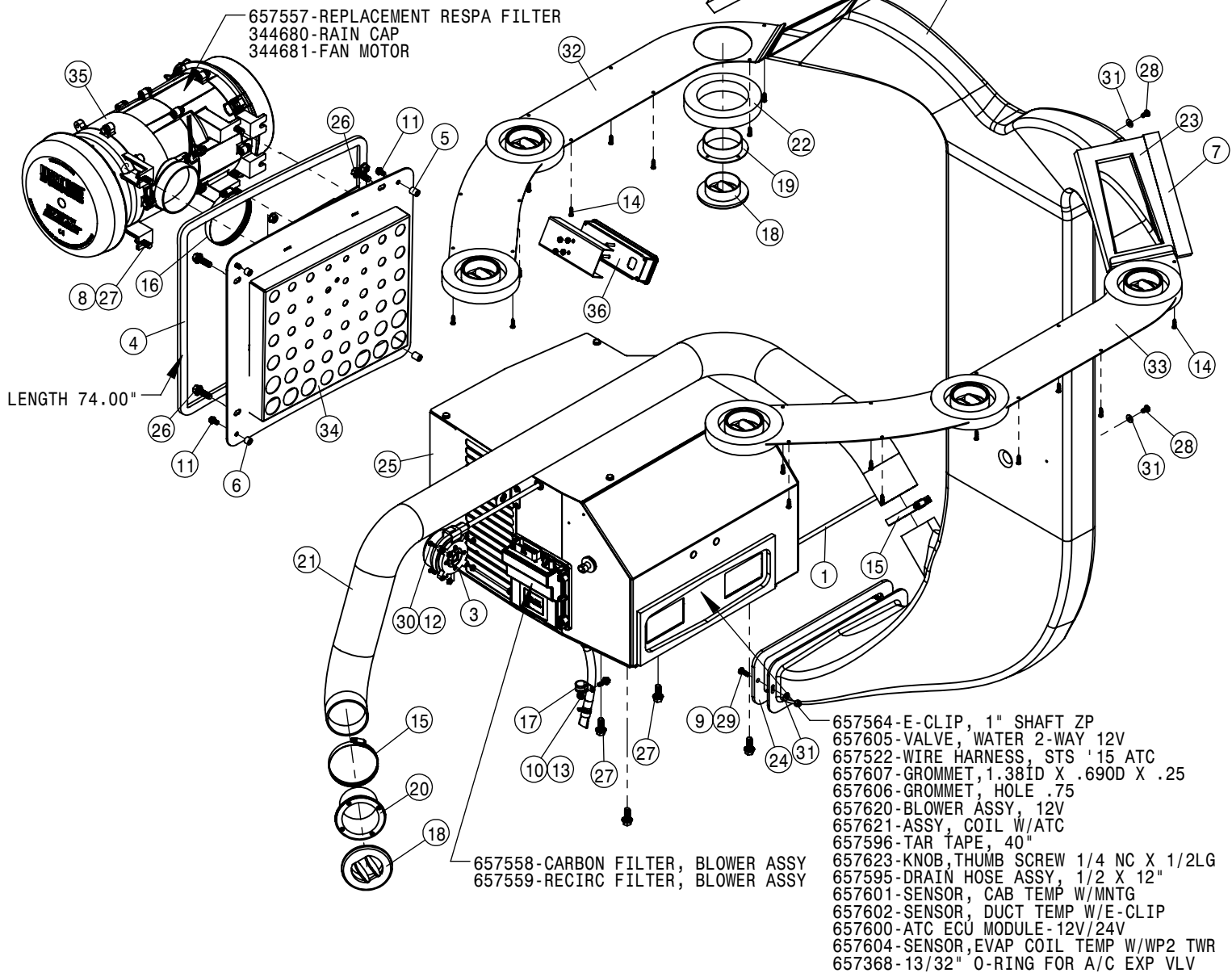
BULK TRIM SEAL  
193070-SEAL, .63 X .63 D-SECT EDPM



PREMIUM HVAC ASSEMBLY (BUILT BEFORE NOV 1)			
DET	QTY	P/N	DESCRIPTION
1	1	317315	HOSE - HVAC PRESSURE
2	1	344295	PANEL ACCESS HVAC WLDT, STSCAB '14
3	1	344361	PLATE, ROOF DUCT COVER RH, STSCAB '14
4	1	344362	PLATE, ROOF DUCT COVER LH, STSCAB '14
5	1	344366	DUCT HVAC - STS CAB
6	1	344425	PRESSURE SWITCH - HVAC
7	1	344480	SEAL - RESPA PANEL
8	1	344512	RESPA BULB SEAL, STS '14
9	2	344557	STAND OFF 5/8" LG, STS '14
10	2	344558	STAND OFF 3/8" LG, STS '14
11	2	344576	TEMP SEAL DUCT, STS '14
12	4	470087	3/8UNC HEX SERR FLANGE NUT
13	2	470089	1/4UNC HEX NYL-LOC NUT
14	1	470121N	1/4 UNC SERR FLG LOCK NUT SS
15	4	470122	1/4 UNC X 1/2 SERR FLG BOLT
16	1	473834	1/4UNC X 3/4 SER FLG BOLT SS
17	4	470463	8-32 SERR FLANGE NUT
18	1	470655	HVAC FILTRATION UNIT PRECLEANER
19	20	473990N	#8 X 3/4 PHIL PAN SMS TY-A BZ
20	2	520052	HOSE CLAMP NO 52 STAINLESS

PREMIUM HVAC ASSEMBLY (BUILT BEFORE NOV 1)			
DET	QTY	P/N	DESCRIPTION
21	2	520064	HOSE CLAMP NO 64 STAINLESS
22	1	520104	CUSH HOSE CLMP,#12, 3/4D x 1/2W
23	1	657541	BLOWER ASSY, STS '14 AUTO TEMP
24	1	657543	HVAC-CTRL-AUTO,CAB
NS	1	657545	HARNESS-HVAC AUTO CTRL STS '14
26	7	657546	LOUVER, 4" W/O MNT
27	6	657547	PANEL MNT, LOUVER (THK PANEL)
28	1	657548	PANEL MNT, LOUVER (THK PANEL)
29	1	657550	HOSE - 3IN HVAC
30	6	657552	GASKET SEAL ROOF LOUVER
31	2	657553	GASKET SEAL ROOF LOUVER
32	1	657556	GASKET SEAL ROOF LOUVER
33	1	657585	HVAC DUCT, STS '14
34	4	900127N	3/8UNC X 1 1/4 SER FLANGE BOLT
35	8	900129N	3/8UNC X 1" SERR FLANGE BOLT
36	2	903708N	1/4UNC X1/2PHIL PAN MACH SCR BZ
37	2	903711	1/4UNC X3/4PHIL PANHD MACH SCR
38	4	903844	8-32 X 1/2 PHIL PANHD MACH SCR
39	4	920000	1/4 SAE FLAT WASHER

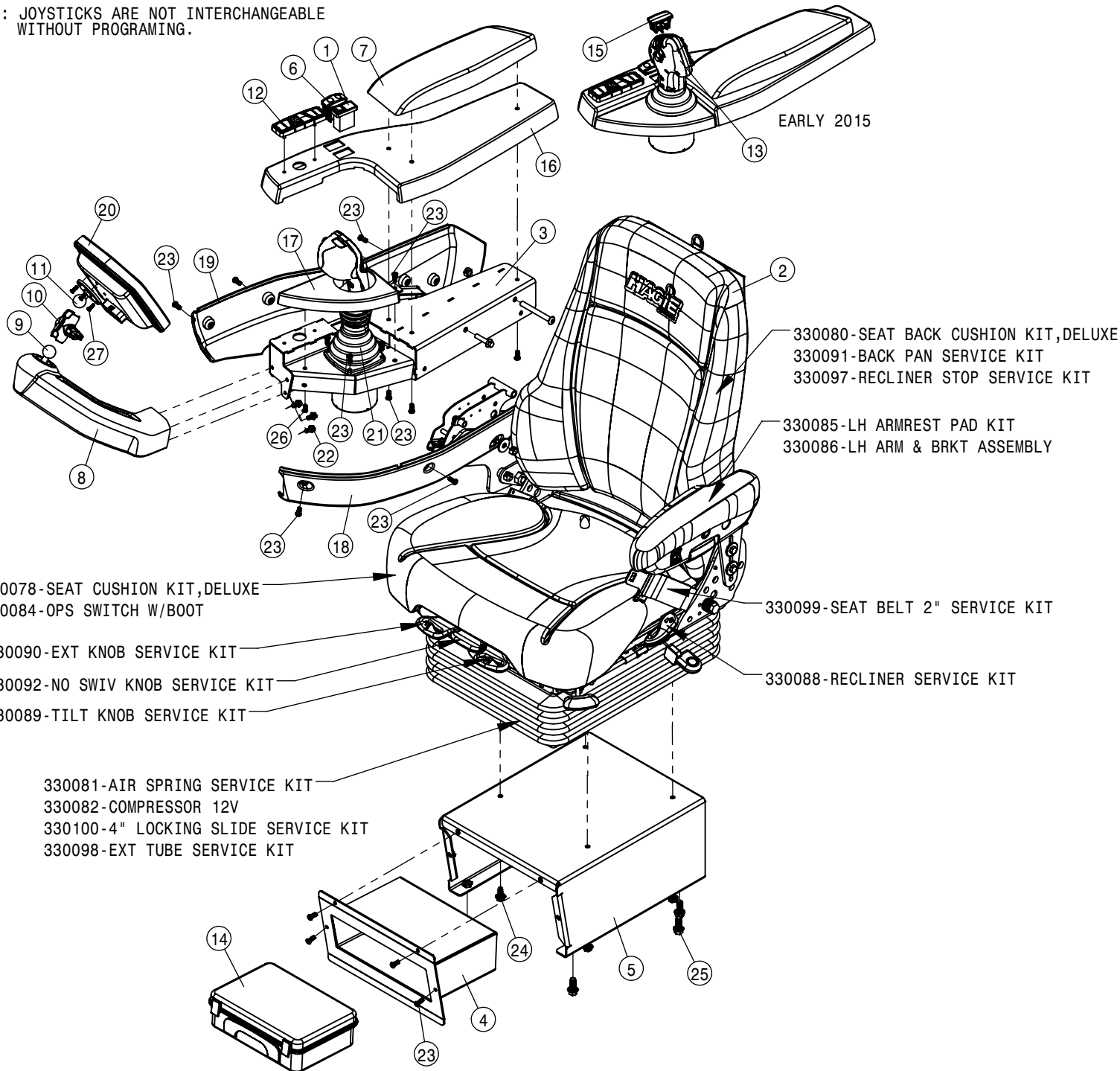
BULK TRIM SEAL  
493070-SEAL, .63 X .63 D-SECT EDPM



PREMIUM HVAC ASSEMBLY (BUILT AFTER NOV 1)			
DET	QTY	P/N	DESCRIPTION
1	1	317315	HOSE - HVAC PRESSURE
2	1	344366	DUCT HVAC - STS CAB
3	1	344425	PRESSURE SWITCH - HVAC
4	1	344480	SEAL - RESPA PANEL
5	2	344557	STAND OFF 5/8" LG, STS'14
6	2	344558	STAND OFF 3/8" LG, STS'14
7	2	344576	TEMP SEAL DUCT, STS'14
8	4	470087	3/8UNC HEX SERR FLANGE NUT
9	2	470089	1/4UNC HEX NYL-LOC NUT
10	1	470121N	1/4 UNC SERR FLG LOCK NUT SS
11	4	470122	1/4 UNC X 1/2 SERR FLG BOLT
12	4	470463	8-32 SERR FLANGE NUT
13	1	473834	1/4UNC X 3/4 SER FLG BOLT SS
14	20	473990N	#8 X 3/4 PHIL PAN SMS TY-A BZ
15	2	520052	HOSE CLAMP NO 52 STAINLESS
16	1	520064	HOSE CLAMP NO 64 STAINLESS
17	1	520104	CUSH HOSE CLMP,#12, 3/4D x 1/2W
18	7	657546	LOUVER, 4" W/O MNT
19	6	657547	PANEL MNT, LOUVER (THK PANEL)

PREMIUM HVAC ASSEMBLY (BUILT AFTER NOV 1)			
DET	QTY	P/N	DESCRIPTION
20	1	657548	PANEL MNT, LOUVER (THK PANEL)
21	1	657550	HOSE - 3IN HVAC
22	6	657552	GASKET SEAL ROOF LOUVER
23	2	657553	GASKET SEAL ROOF LOUVER
24	1	657556	GASKET SEAL ROOF LOUVER
25	1	657561	BLOWER UNIT-AUT TMP CTRL STS'15
26	4	900127N	3/8UNC X 1 1/4 SER FLANGE BOLT
27	8	900129N	3/8UNC X 1" SERR FLANGE BOLT
28	2	903708N	1/4UNC X1/2PHIL PAN MACH SCR BZ
29	2	903711	1/4UNC X3/4PHIL PANHD MACH SCR
30	4	903844	8-32 X 1/2 PHIL PANHD MACH SCR
31	4	920000	1/4 SAE FLAT WASHER
32	1	344361	PLATE, ROOF DUCT COVER RH, STSCAB'14
33	1	344362	PLATE, ROOF DUCT COVER LH, STSCAB'14
34	1	344662	STD HVAC ACCESS PANEL WLDT, STS'15
35	1	470655	HVAC FILTRATION UNIT PRECLEANER
36	1	657543	HVAC-CTRL-AUTO,CAB
NS	1	657545	HARNES-HVAC AUTO CTRL STS'14

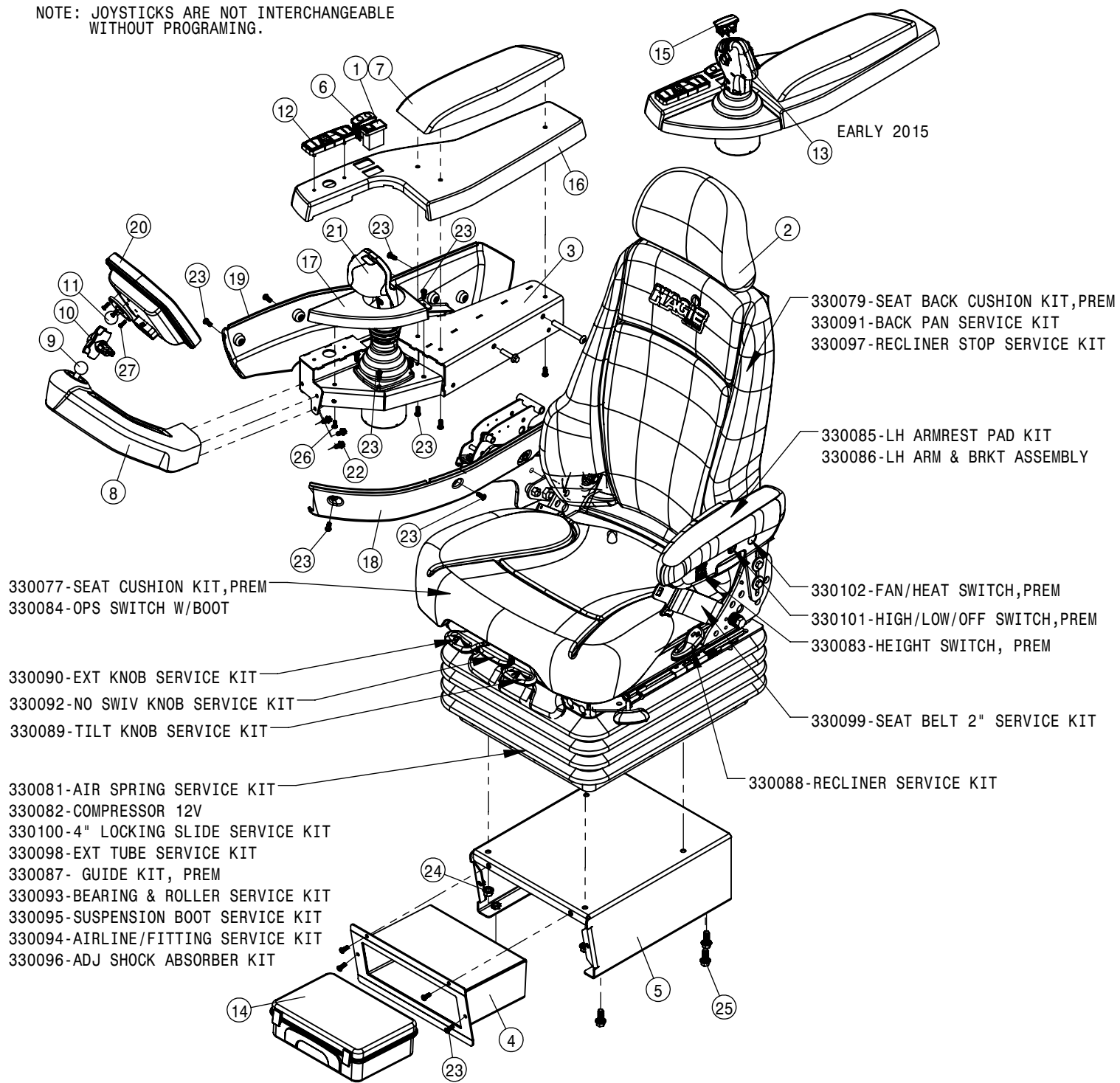
NOTE: JOYSTICKS ARE NOT INTERCHANGEABLE WITHOUT PROGRAMING.



DELUXE SEAT ASSEMBLY			
DET	QTY	P/N	DESCRIPTION
1	1	292201	SWITCH, BRAKE, STS
2	1	330075	SEAT - DELUXE, CAB STS' 14
3	1	344167	POD STRUCTURE WLDMT
4	1	344271	STS CAB FIRST AID WLDMNT '14
5	1	344275	STS CAB SEAT RISER WLDMNT '14
6	1	344311	SWITCH - THROTTLE
7	1	344340	ARMREST POD, ASSY, STSCAB '14
8	1	344342	POD DISPLAY MNT ASSY MOLDED, STSCAB '14
9	1	344363	1" RAM BALL MNT 1/4UNC THRD HOLE
10	1	344364	1" RAM BALL MNT 2.00"DBL SOC ARM
11	1	344365	1" RAM BALL MNT BASE 2.50"DIA
12	1	344399	RADIO KEYPAD
13	1	344421	JOYSTICK, CAB STS' 14
14	1	344427	MEDICAL KIT

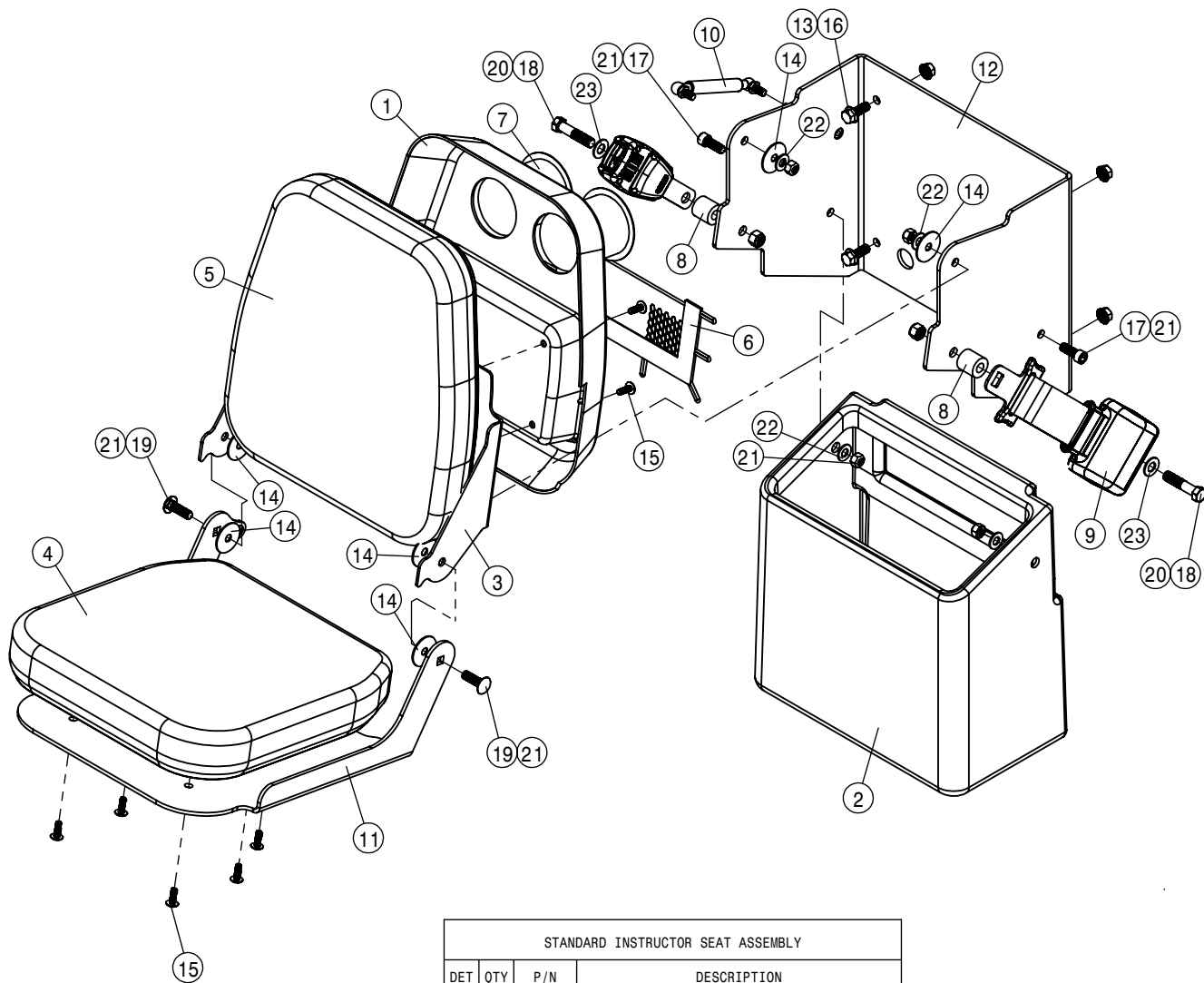
DELUXE SEAT ASSEMBLY			
DET	QTY	P/N	DESCRIPTION
15	1	344461	HOLE PLUG - CONTURA V
16	1	344516	POD UPPER, CAB
17	1	344517	POD MIDDLE, CAB
18	1	344518	POD INNER, CAB
19	1	344519	POD OUTER
20	1	344612	MACHINE DISPLAY ASSEMBLY, 2014
21	1	344656	JOYSTICK, CAB
22	4	470122	1/4 UNC X 1/2 SERR FLG BOLT
23	19	472344	1/4UNCX5/8 ALHD BUTTON CAP SCR
24	4	473873	M8 x 20MM LG SERR FLANGE HEX BOLT
25	6	900129N	3/8UNC X 1" SERR FLANGE BOLT
26	1	903706	10-32X1/2 PHIL PAN MACH SCR
27	4	903844	8-32 X 1/2 PHIL PANHD MACH SCR

NOTE: JOYSTICKS ARE NOT INTERCHANGEABLE WITHOUT PROGRAMING.

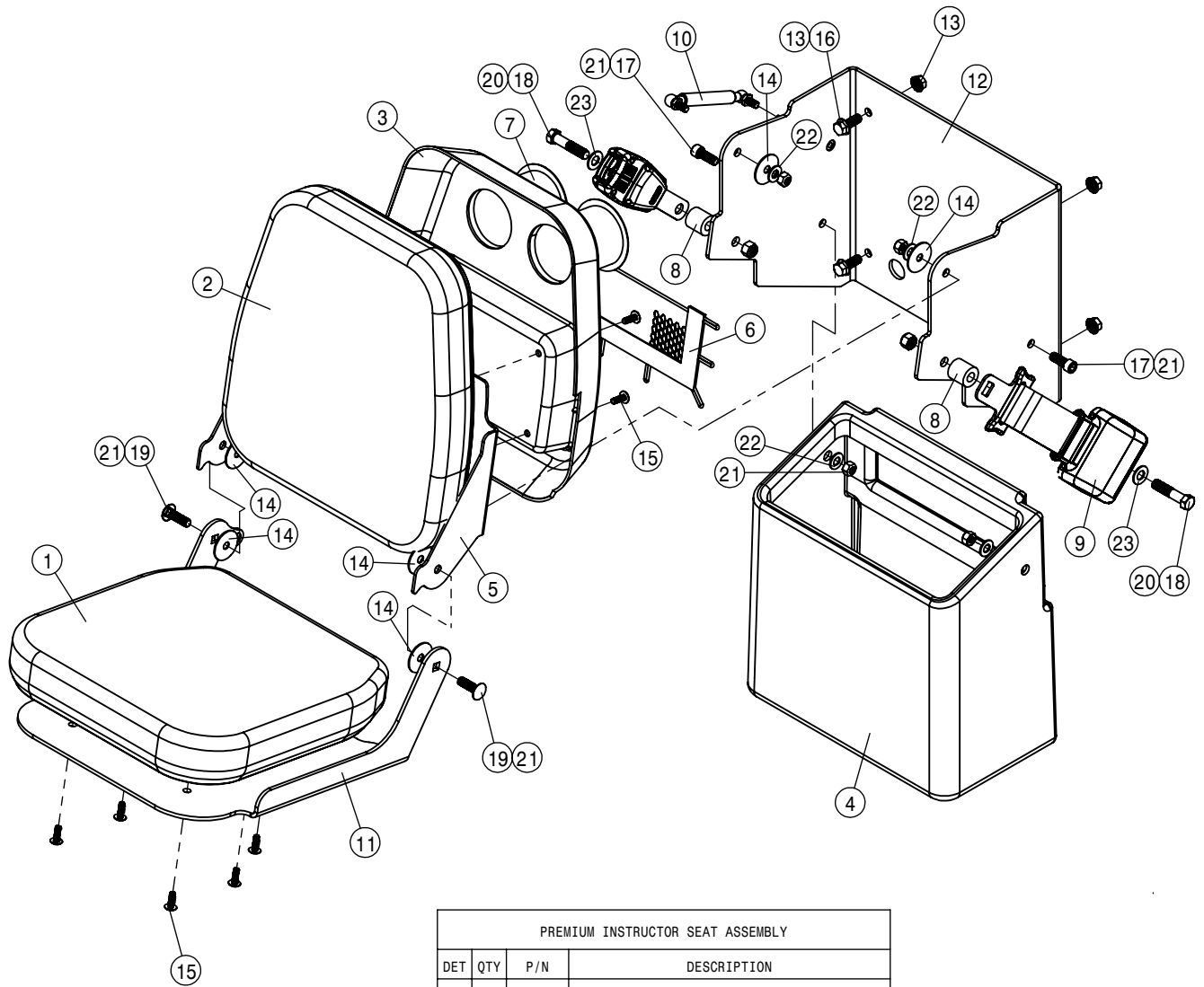


PREMIUM SEAT ASSEMBLY			
DET	QTY	P/N	DESCRIPTION
1	1	292201	SWITCH, BRAKE, STS
2	1	330068	SEAT - PREMIUM, CAB STS' 14
3	1	344167	POD STRUCTURE WLDMT
4	1	344279	STS CAB FIRST AID WLDMNT '14
5	1	344280	STS CAB SEAT RSR WLDMNT '14
6	1	344311	SWITCH - THROTTLE
7	1	344340	ARMREST POD, ASSY, STSCAB' 14
8	1	344342	POD DISPLAY MNT ASSY MOLDED, STSCAB' 14
9	1	344363	1" RAM BALL MNT 1/4UNC THRD HOLE
10	1	344364	1" RAM BALL MNT 2.00"DBL SOC ARM
11	1	344365	1" RAM BALL MNT BASE 2.50"DIA
12	1	344399	RADIO KEYPAD
13	1	344421	JOYSTICK, CAB STS' 14
14	1	344427	MEDICAL KIT

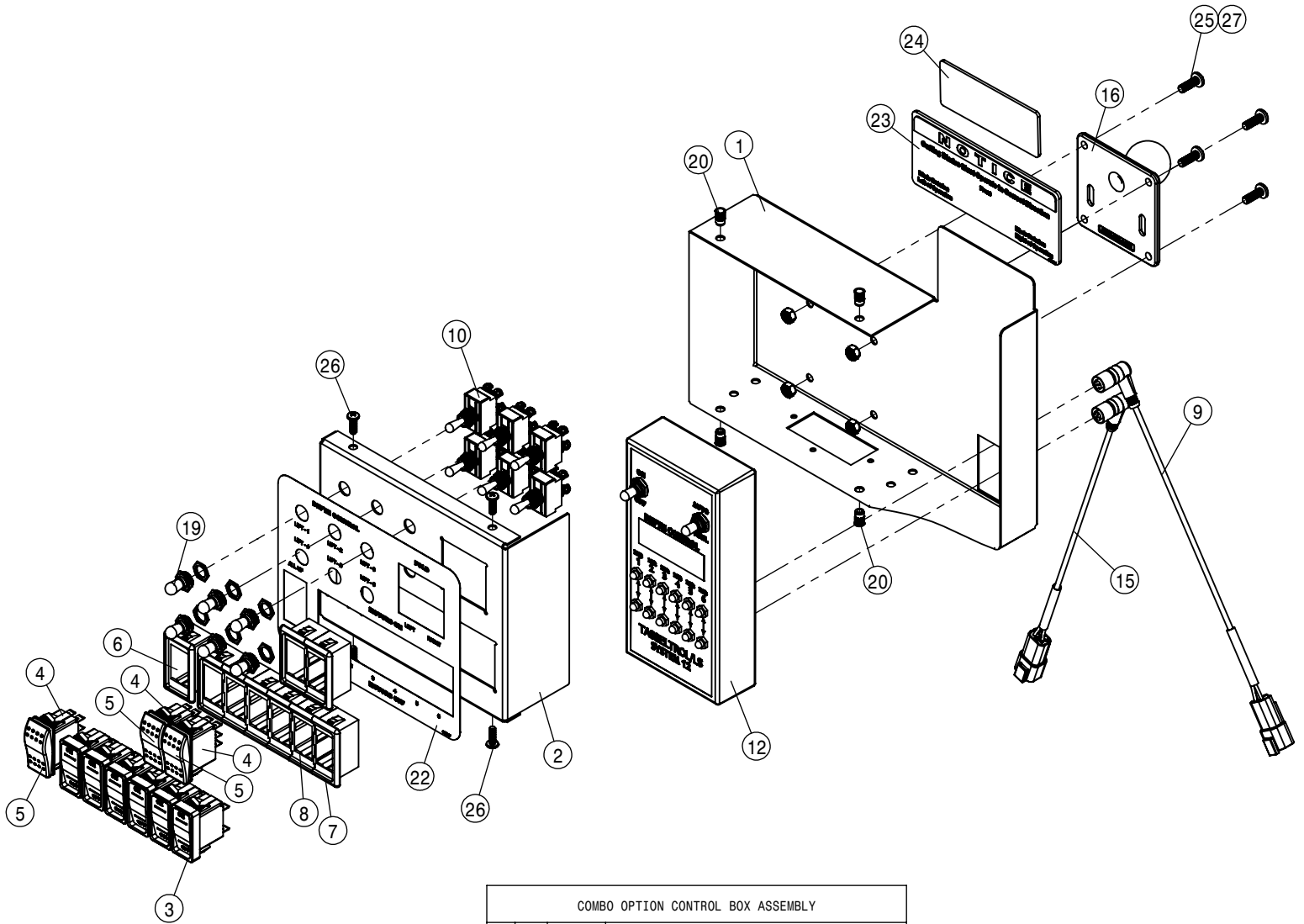
PREMIUM SEAT ASSEMBLY			
DET	QTY	P/N	DESCRIPTION
15	1	344461	HOLE PLUG - CONTURA V
16	1	344516	POD UPPER, CAB
17	1	344517	POD MIDDLE, CAB
18	1	344518	POD INNER, CAB
19	1	344519	POD OUTER
20	1	344612	MACHINE DISPLAY ASSEMBLY, 2014
21	1	344656	JOYSTICK, CAB
22	4	470122	1/4 UNC X 1/2 SERR FLG BOLT
23	19	472344	1/4UNCX5/8 ALHD BUTTON CAP SCR
24	4	473866	M10 X 1.5 HEX SERR FLG NUT
25	6	900129N	3/8UNC X 1" SERR FLANGE BOLT
26	1	903706	10-32X1/2 PHIL PAN MACH SCR
27	4	903844	8-32 X 1/2 PHIL PANHD MACH SCR



STANDARD INSTRUCTOR SEAT ASSEMBLY			
DET	QTY	P/N	DESCRIPTION
1	1	344162	PANEL BACK INSTRUCTOR SEAT BACK
2	1	344163	BIN STORAGE INSTRUCTOR SEAT
3	1	344166	BRKT BACK INSTRUCTOR SEAT MOUNT
4	1	344174	CUSH BASE INST SEAT STD
5	1	344175	CUSH BACK INST SEAT STD
6	1	344412	CARGO NET - INSTRUCTOR SEAT
7	2	344463	CUP HOLDER - SMALL
8	2	344489	INST SEAT BELT BUSHING, STS' 14
9	1	344493	INST SEAT BELT ASSY, STS' 14
10	1	344559	INST SEAT GAS SPRING, STS' 14
11	1	344564	BRKT BASE INST SEAT WLDT, STS' 14
12	1	344566	BRKT INST SEAT MT WLDT, STS' 14
13	4	470087	3/8UNC HEX SERR FLANGE NUT
14	6	470657	3/8 PTFE LOW-FRICT WASHER
15	10	472261	1/4UNC X 3/4 TRUSS HD BOLT
16	4	900129N	3/8UNC X 1" SERR FLANGE BOLT
17	2	900172	3/8UNC X 1" SOC HD CAP SCR, ZINC
18	2	900235	7/16-20 HEX HEAD BOLT, GR 5
19	2	901130	3/8UNC X 1 1/4 CARR BOLT
20	2	910030	7/16UNF HEX NUT, NYLOC GR5
21	4	914004	3/8UNC HEX STOVER NUT
22	4	920002	3/8 SAE FLAT WASHER
23	2	920003	7/16 SAE FLAT WASHER

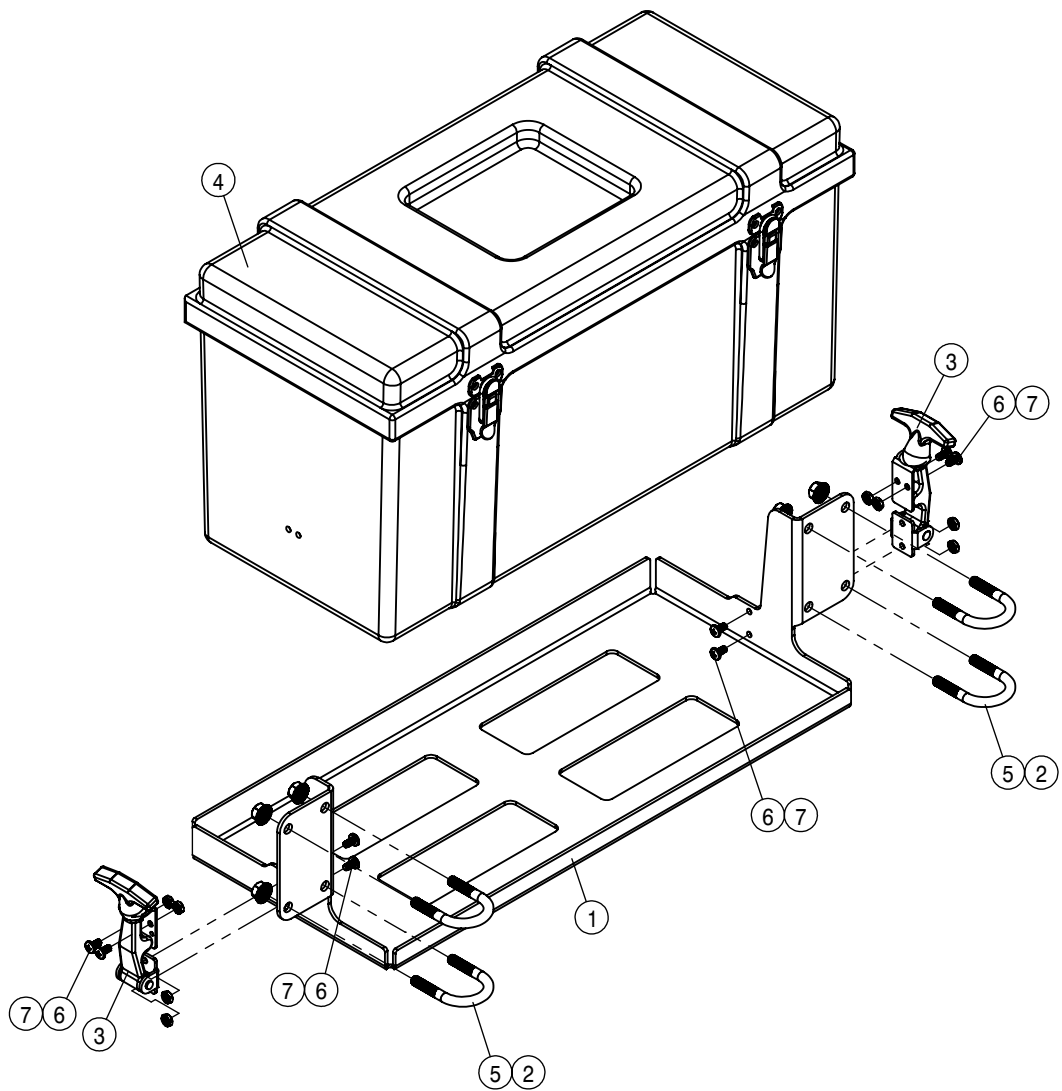


PREMIUM INSTRUCTOR SEAT ASSEMBLY			
DET	QTY	P/N	DESCRIPTION
1	1	330070	CUSH BASE INST SEAT PREM
2	1	330071	CUSH BACK INST SEAT PREM
3	1	344162	PANEL BACK INSTRUCTOR SEAT BACK
4	1	344163	BIN STORAGE INSTRUCTOR SEAT
5	1	344166	BRKT BACK INSTRUCTOR SEAT MOUNT
6	1	344412	CARGO NET - INSTRUCTOR SEAT
7	2	344463	CUP HOLDER - SMALL
8	2	344489	INST SEAT BELT BUSHING, STS' 14
9	1	344493	INST SEAT BELT ASSY, STS' 14
10	1	344559	INST SEAT GAS SPRING, STS' 14
11	1	344564	BRKT BASE INST SEAT WLDT, STS' 14
12	1	344566	BRKT INST SEAT MT WLDT, STS' 14
13	4	470087	3/8UNC HEX SERR FLANGE NUT
14	6	470657	3/8 PTFE LOW-FRICT WASHER
15	10	472261	1/4UNC X 3/4 TRUSS HD BOLT
16	4	900129N	3/8UNC X 1" SERR FLANGE BOLT
17	2	900172	3/8UNC X 1" SOC HD CAP SCR, ZINC
18	2	900235	7/16-20 HEX HEAD BOLT, GR 5
19	2	901130	3/8UNC X 1 1/4 CARR BOLT
20	2	910030	7/16UNF HEX NUT, NYLOC GR5
21	4	914004	3/8UNC HEX STOVER NUT
22	4	920002	3/8 SAE FLAT WASHER
23	2	920003	7/16 SAE FLAT WASHER



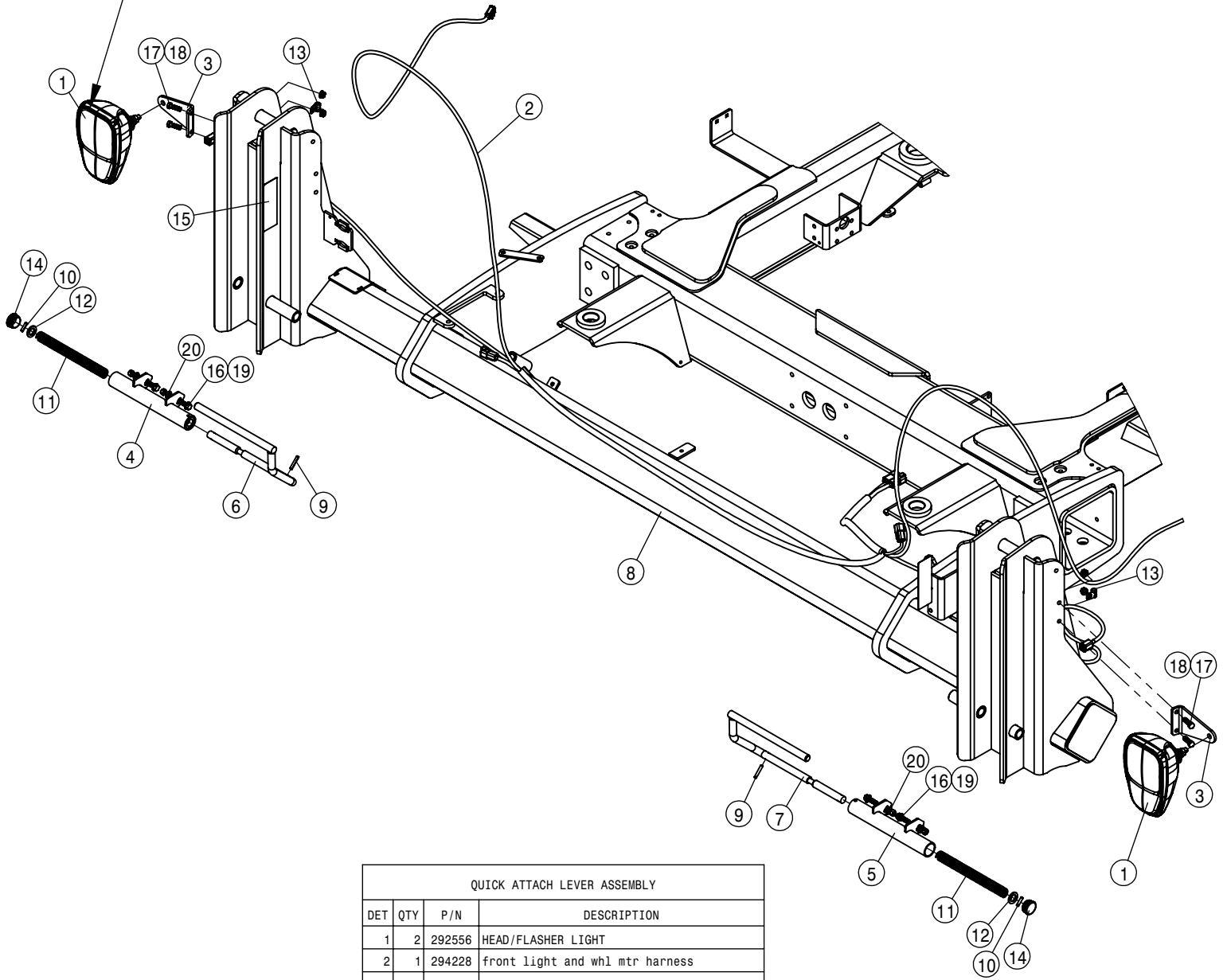
COMBO OPTION CONTROL BOX ASSEMBLY			
DET	QTY	P/N	DESCRIPTION
1	1	003200	SWITCH BOX HOUSING WLD,STSC 05
2	1	003201	SWITCH BOX COVER,STS COMBO 05
3	6	292204	SWITCH,SOLU TANK/NTB FLOAT,STS
4	3	292220	SWITCH,DPDT, MOM-OFF-MOM ON
5	3	292221	SWITCH ACUATOR FOR 292220
6	1	292260	MOUNTING TRIM, SINGLE VMS
7	4	292261	MOUNTING TRIM, END VME
8	4	292262	MOUNTING TRIM, MIDDLE VME
9	1	292583	SENSOR HARNESS FOR AWS
10	6	293172	TOGGLE SWITCH DPDT W/JUMPERS
NS	1	293862	SWITCH BOX HARNESS,STS COMBO05
12	1	294035	LS CTRL 6L DISPLAY BOX ASSY
NS	1	294036	STS COMBO CAB HARNESS, '14
NS	1	294048	STS CAB HARNESS 2
15	1	294049	SENSOR HARNESS FOR SIE
16	1	344386	1.5" RAM BALL MNT BASE 3.625"SQ
NS	1	344491	RAM SHRT SCKT ARM 1.5" BALL, STS'14
NS	1	344492	RAM U BLT BASE 1.5 BALL, STS'14
19	6	470001	RUBBER BOOT AND NUT FOR 298012
20	4	470384N	10-32 NUTSERT .020-.130 STL
NS	2	471100	DUAL LOCK, 1.00 x 1.00
22	1	650127	DECAL,STS COMBO CAB BOX 05
23	1	650303	CUTTER ROTATION DECAL
24	1	650379	DECAL,ENGAGE DET HD HYD MTRS
25	4	903700	1/4UNC X 3/4 PHIL PAN MACH SCR
26	4	903710	10-32 X 5/8 PHIL PANHD MACH SCR
27	4	910000	1/4UNC HEX NUT



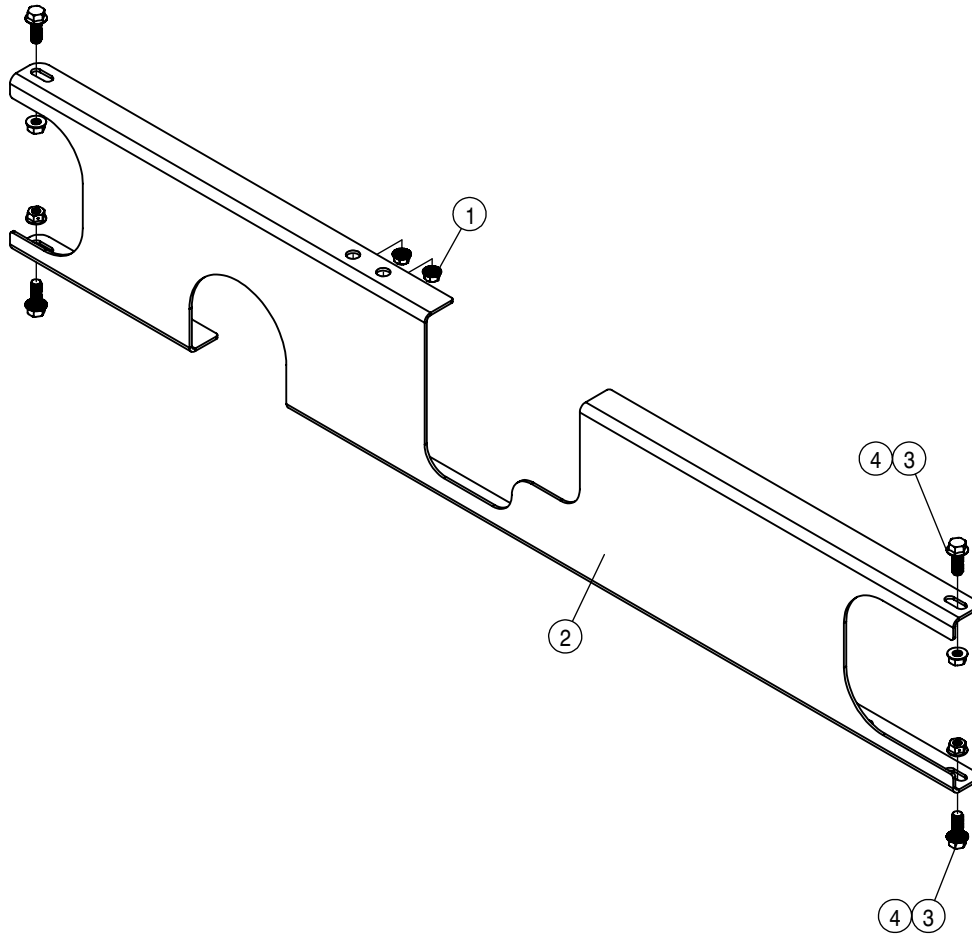


TOOLBOX ASSEMBLY			
DET	QTY	P/N	DESCRIPTION
1	1	345042	TOOLBOX MNT BASE, STS '12
2	8	470113	5/16UNC SERR FLG LOCK NUT
3	2	470643	RUBBER DRAW LATCH
4	1	470841	TOOL BOX w/TRAY
5	4	473911	5/16UNC-1.31ID-2.00 U-BOLT ZINC
6	8	903884	10-32X3/8 PHIL PN MACH SCR
7	8	914027	10-32 HEX STOVER NUT

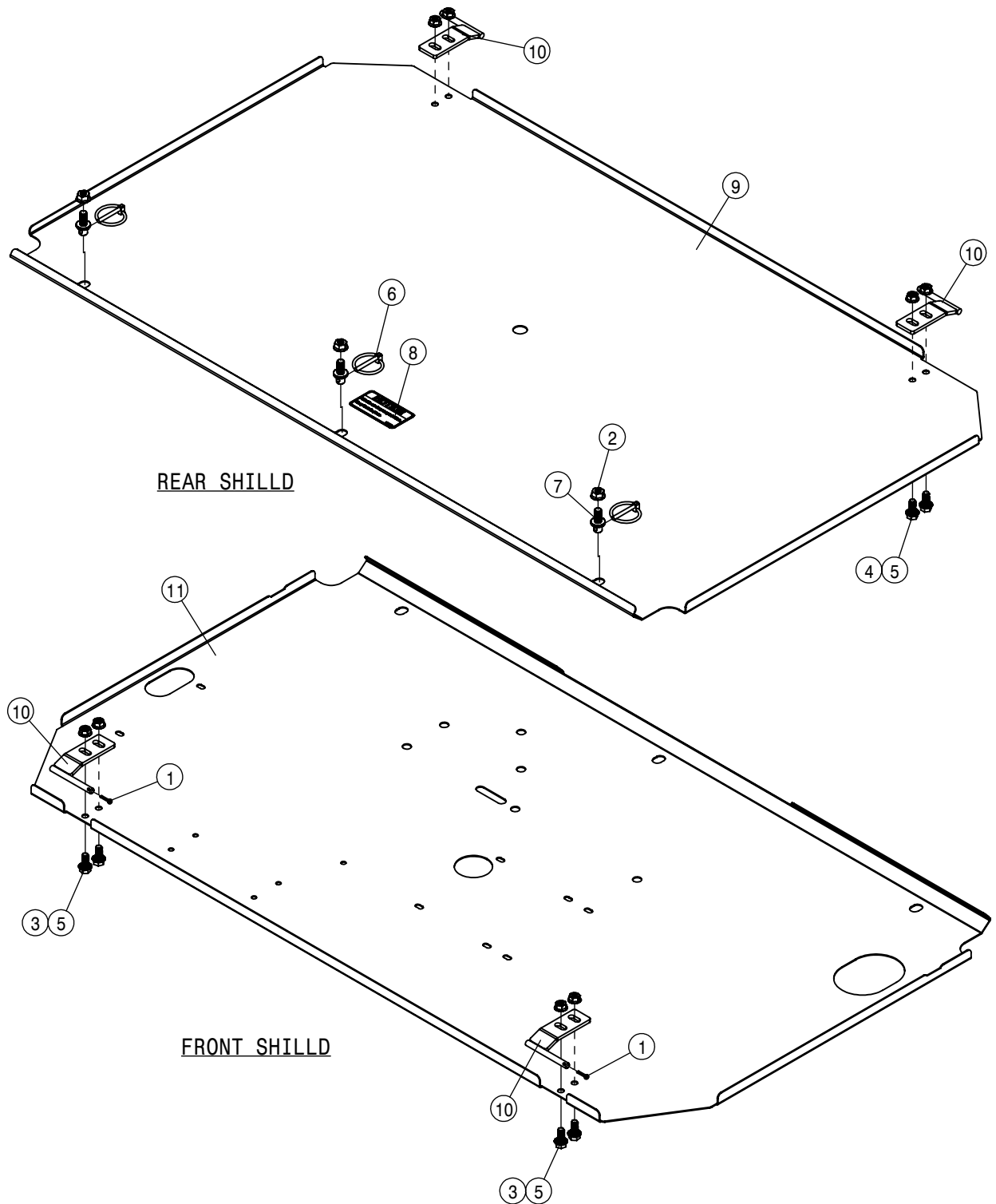
290007-REPLACEMENT BULB 12V/55W  
 290008-REPLACEMENT BULB 12V/4W  
 290010-REPLACEMENT BULB 12V/55W  
 290011-REPLACEMENT BULB 12V/21W



QUICK ATTACH LEVER ASSEMBLY			
DET	QTY	P/N	DESCRIPTION
1	2	292556	HEAD/FLASHER LIGHT
2	1	294228	front light and whl mtr harness
3	2	360037	FRONT HEADLIGHT BRKT
4	1	361665	RH Q-ATTACH LOCK WLD, STS 04
5	1	361666	LH Q-ATTACH LOCK WLD, STS 04
6	1	361670	RH Q-ATTACH LOCK PIN WLD,STS04
7	1	361671	LH Q-ATTACH LOCK PIN WLD,STS04
8	1	362170	MAINFRAME WLDMT-ST510/12 2015
9	2	473805	ROLL PIN, 1/4 X 1 1/2
10	2	473850	ROLL PIN, 1/4 X 1"
11	2	482018	SPRING, 1.00 X 12.00 COMPRSN
12	2	483055	.771ID-1.2500D-.135T MACH WASH
13	2	520167	CUSH CLAMP,#6 3/8D X 3/4W
14	2	629765	CAPLUG, 1 1/2" RD, BLACK POLY
15	2	650178	DECAL,CAUTION QUICK ATTACH LOC
16	4	900127N	3/8UNC X 1 1/4 SER FLANGE BOLT
17	4	900130	3/8UNC X 1 1/4 HEX BOLT
18	4	910004N	3/8UNC FLANGE CNTR LOCK NUT
19	4	914004N	3/8UNC HEX STOVER NUT
20	4	920002N	3/8 SAE FLAT WASHER

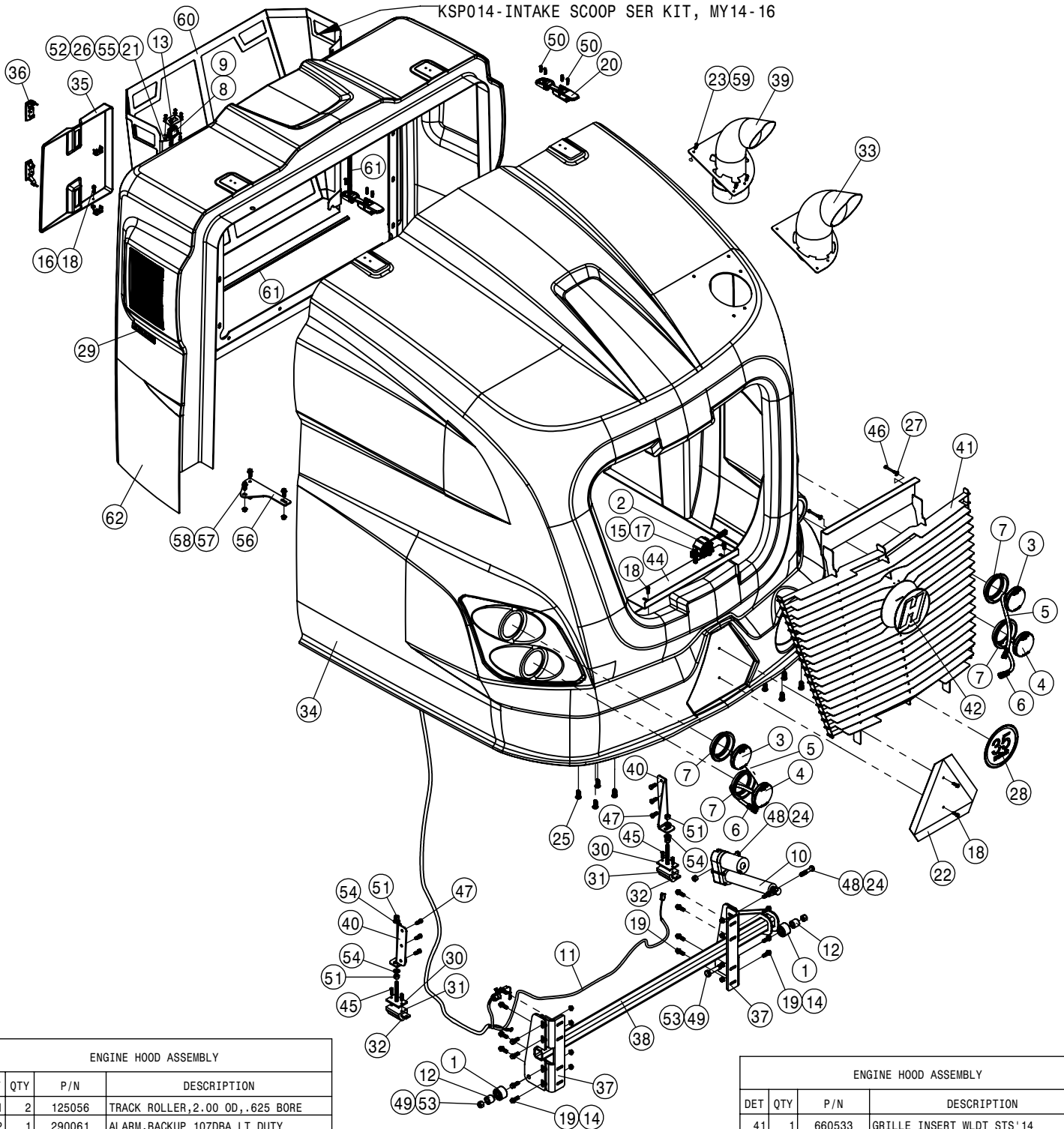


REAR BULKHEAD ASSEMBLY			
DET	QTY	P/N	DESCRIPTION
1	2	470113N	5/16UNC SERR FLG LOCK NUT SS
2	1	660297	REAR BULKHEAD 2015
3	4	900129N	3/8UNC X 1" SERR FLANGE BOLT
4	4	910004N	3/8UNC FLANGE CNTR LOCK NUT



FRONT AND REAR BELLY SHIELD ASSEMBLY			
DET	QTY	P/N	DESCRIPTION
1	2	470075	1/8 X 3/4 COTTER PIN
2	3	470087N	3/8UNC HEX SERR FLG NUT YZ
3	4	470113	5/16UNC SERR FLG LOCK NUT
4	4	470113N	5/16UNC SERR FLG LOCK NUT SS
5	8	470233	5/16UNC X 3/4 SERR FLG HEX BOLT
6	3	470335	LINCHPIN, 3/16 X 1 1/4 GRIP
7	3	470520	HANGER PIN,3/8UNC x.437Dx.500L
8	1	650851	DECAL, NOTICE, SHIELD PROTECT
9	1	660289	REAR BELLY SHIELD, STS 13
10	4	660578	HINGE - BELLY PAN, WLD
11	1	660597	BELLY SHIELD - FRONT

KSP014- INTAKE SCOOP SER KIT, MY14- 16



ENGINE HOOD ASSEMBLY

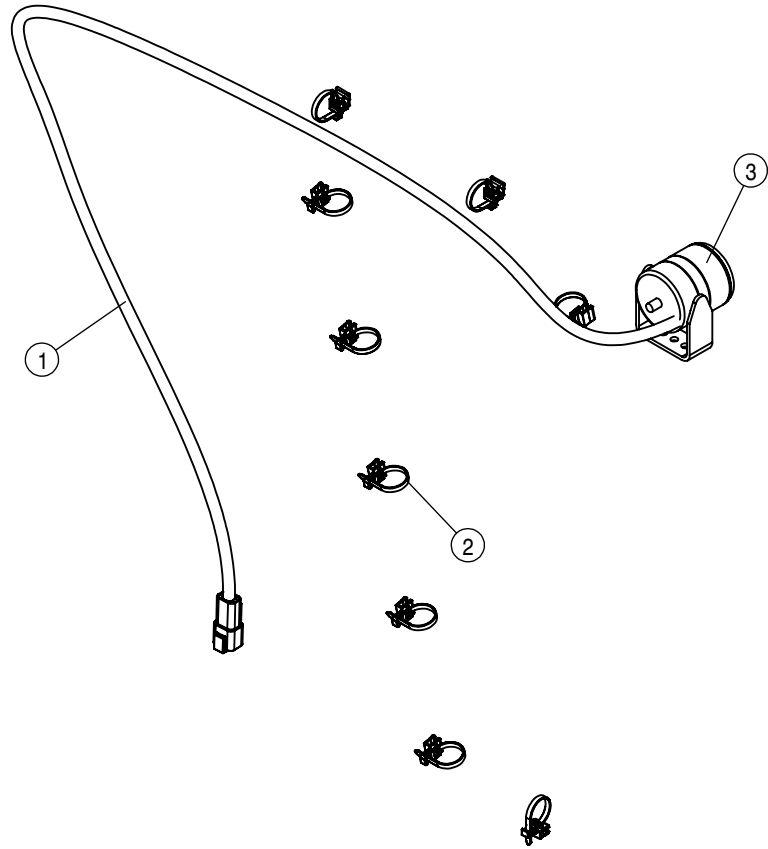
DET	QTY	P/N	DESCRIPTION
1	2	125056	TRACK ROLLER,2.00 OD, .625 BORE
2	1	290061	ALARM,BACKUP 107DBA LT DUTY
3	2	290200	AMBER LED STT 3 DIODE LAMP
4	2	290201	RED LED STT 3 DIODE LAMP
5	2	290202	2-WIRE PIGTAIL FOR 290200AMBER
6	2	290203	3-WIRE PIGTAIL FOR 290201 RED
7	4	290204	4" GROMMET FR 290200 & 290201
8	1	292220	SWITCH,DPDT, MOM-OFF-MOM ON
9	1	292221	SWITCH ACUATOR FOR 292220
10	1	292235	STS HOOD ACTUATOR
11	1	294053	HOOD ACTUATOR HARNESS
12	2	361679	BUMPER PIVOT BRG SPACER,STS 04
13	1	362116	HOOD SWITCH MT PLATE
14	8	470087	3/8UNC HEX SERR FLANGE NUT
15	2	470121	1/4 UNC SERR FLG LOCK NUT
16	1	470121N	1/4 UNC SERR FLG LOCK NUT SS
17	2	470122	1/4 UNC X 1/2 SERR FLG BOLT
18	5	470231N	1/4UNC X 1" SERR FLG BOLT SS
19	16	470329	3/8UNC X 1 1/4 SERR FLG HEX BOLT
20	2	470368	LATCH W/KEEPER, FLEXIBLE LEVER
21	4	472235N	10-32 X 3/4 PHIL PAN MACH SCR BZ
22	1	472249	SLOW MOVING VEHICLE SIGN
23	5	472345	1/4UNC X 1 ALHD BUTTON CAP SCR

ENGINE HOOD ASSEMBLY

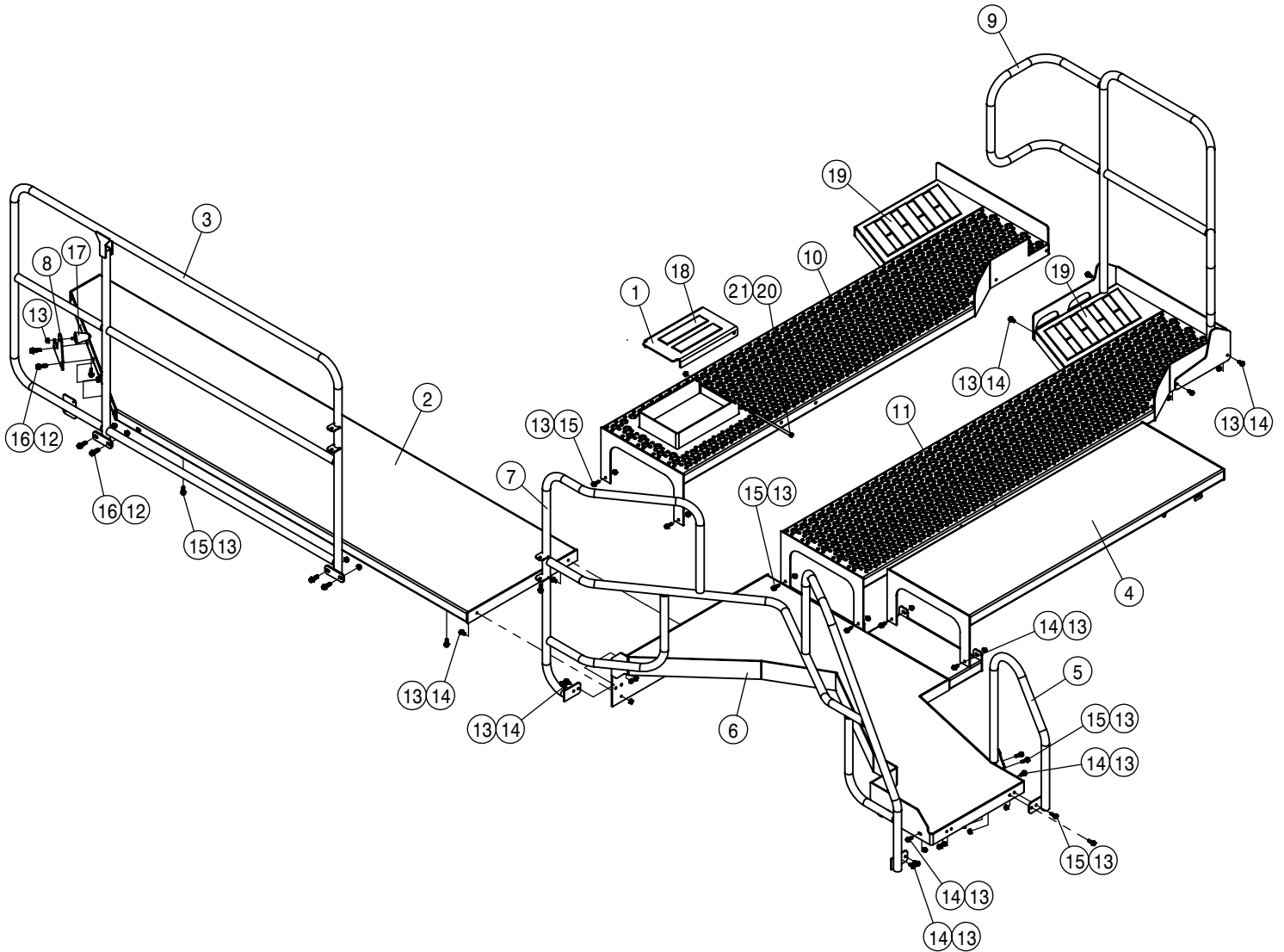
DET	QTY	P/N	DESCRIPTION
24	2	473007	1/2UNC HEX NUT, NYLOC
25	8	473987	1/2UNC X 1 1/4BUT SKTHD SCR
26	4	483016	#10 REGULAR FLAT WASHER
27	2	483038	1/4 REGULAR FLAT WASHER
28	1	650224	DECAL ,35MPH ID SYMBOL, VINYL
29	2	650426	AWS DECAL
30	2	660224	ENG HOOD BUMPER WLD, STS 04
31	2	660226	ENG HOOD BUMPER, STS 04
32	2	660227	ENG HOOD BUMPER KEEPER, STS 04
33	1	660253	EXHAUST STACK WLDT STS T4F
34	1	660506	ENGINE HOOD REAR ASSYSTS' 14
35	1	660510	ENGINE HOOD ACS PANEL STS' 14
36	2	660525	LATCH ACS PNL RETAINER STS' 14
37	2	660526	ENGINE HOOD BLKHD MNT BRKT STS' 14
38	1	660527	ENGINE HOOD HINGE MNT WLDT STS' 14
39	1	660531	EXHAUST STACK WLDT STS' 14
40	2	660532	ENGINE HOOD BMPR MNT BRKT STS' 14

ENGINE HOOD ASSEMBLY

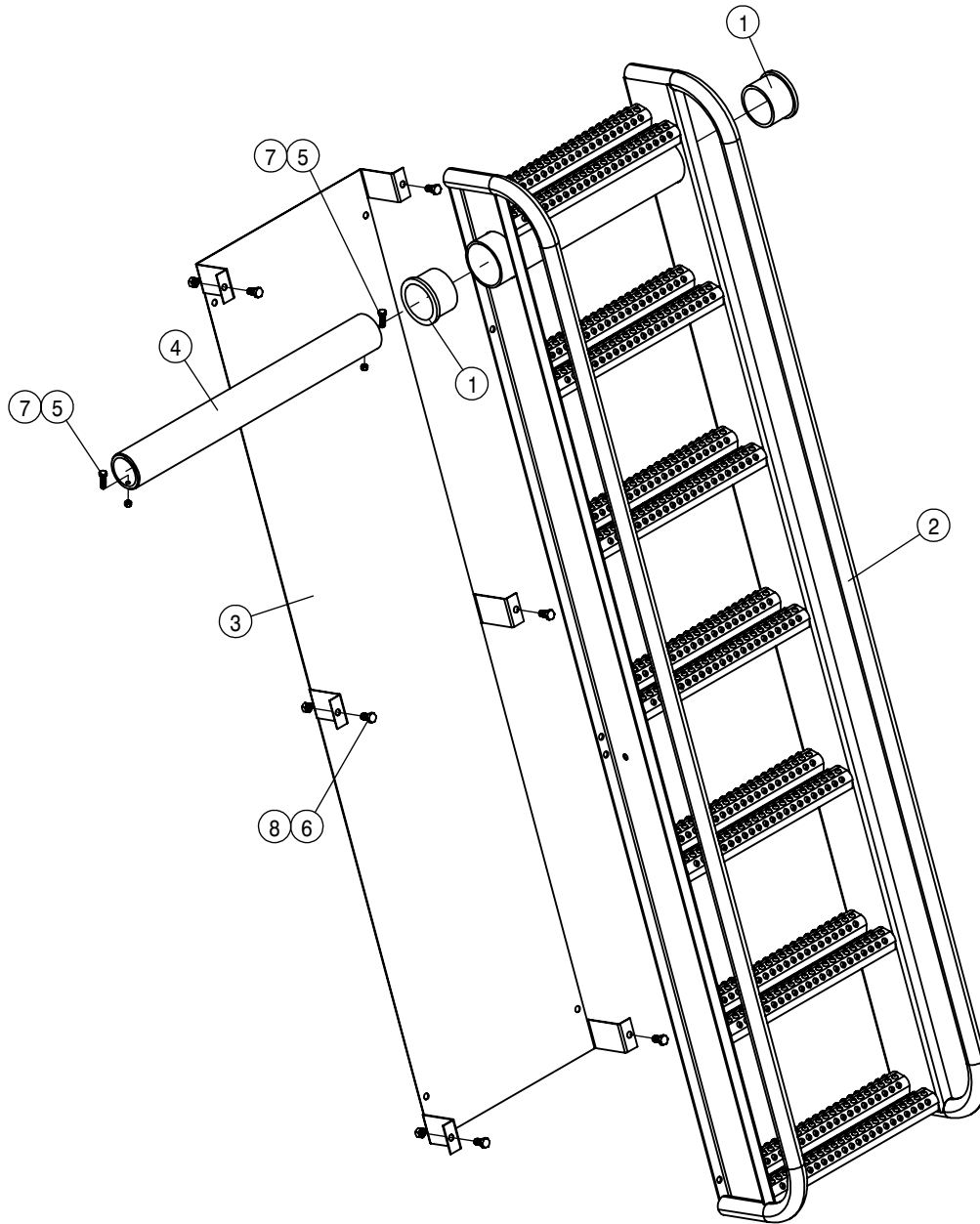
DET	QTY	P/N	DESCRIPTION
41	1	660533	GRILLE INSERT WLDT STS' 14
42	1	660559	DECAL HAGIE DOT 8.25"DIA GRILLE
NS	1	660561	HOOD DECAL SHEET
44	1	660600	GRILLE RETAINER BRACKET STS' 14
45	4	900003N	1/4UNC X 1" HEX BOLT SS
46	2	900008	1/4UNC X 2 1/2 HEX BOLT
47	9	900129	3/8UNC X 1" HEX BOLT
48	2	900268	1/2UNC X 2 1/2 HEX BOLT
49	2	900341	5/8UNC X 3 3/4 HEX BOLT
50	8	903893	10-32 X 1" PHIL PAN MACH SCR
51	4	910008	1/2UNC HEX NUT
52	4	910027N	10-32 HEX NUT
53	2	914010P	5/8UNC HEX STOVER NUT
54	4	920004	1/2 SAE FLAT WASHER
55	4	920510	#10 LOCK WASHER
56	1	660815	FRONT HOOD TIE BRKT, STS
57	3	900129N	3/8UNC X 1" SERR FLANGE BOLT
58	3	470087N	3/8UNC HEX SERR FLG NUT YZ
59	5	914000	1/4UNC HEX STOVER NUT
60	1	660827	AIR INTAKE SCOOP SER KIT WLD
61	3	193016-042	QUICKEDGE TRIM .060 TO .170
62	1	660503	ENGINE HOOD FRONT ASSY STS' 14



BACK-UP CAMERA ASSEMBLY			
DET	QTY	P/N	DESCRIPTION
1	1	294218	B-UP CAMERA HARNESS
2	9	470680	CABLE TIE/CLIP .04"-.12"W
3	1	693518	B-UP CAMERA

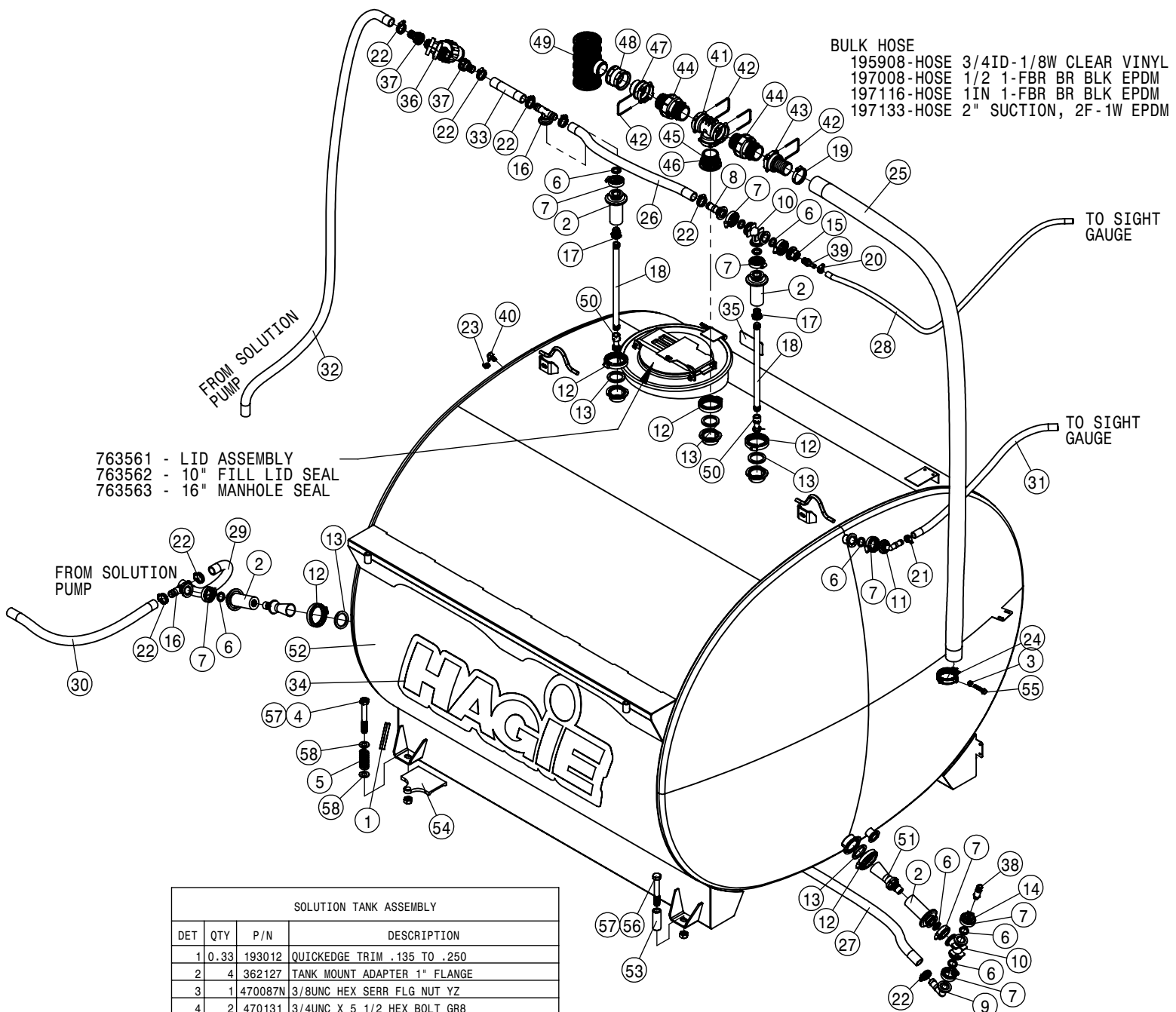


SERVICE PLATFORM ASSEMBLY			
DET	QTY	P/N	DESCRIPTION
1	1	317326	DEF FILL COVER
2	1	342985	LH SIDE SERV PLATFORM WLD, STS 05
3	1	343511	LH FRT HANDRAIL WLD STS 05
4	1	344473	CNTR SERV PLATFORM WLD, STS '14
5	1	344520	RH HANDRAIL WLD, LH PLTFRM '14
6	1	344521	LH REAR SERV PLTFRM WLD STS '14
7	1	344522	LH REAR HANDRAIL WLD
8	1	344578	BRACKET-DOOR STOP STS 2014
9	1	344902	HAND RAIL WELD ASMY
10	1	344903	REAR CENTER PLATFORM T4F
11	1	344904	REAR CENTER PLATFORM
12	6	470087N	3/8UNC HEX SERR FLG NUT YZ
13	32	470113	5/16UNC SERR FLG LOCK NUT
14	15	470233	5/16UNC X 3/4 SERR FLG HEX BOLT
15	16	470234	5/16UNC X 1" SERR FLG HEX BOLT
16	10	470329	3/8UNC X 1 1/4 SERR FLG HEX BOLT
17	1	470571	BUMPER, MALE STUD 2.375 X 1.75
18	2	490670	SAFETY TREAD TAPE, 2" X 9"
19	10	490676	SAFETY TREAD TAPE, 2" X 9.32"
20	1	900152	3/8UNC X 9" HEX BOLT YZ
21	5	910004N	3/8UNC FLANGE CNTR LOCK NUT



LADDER ASSEMBLY			
DET	QTY	P/N	DESCRIPTION
1	2	121102	LADDER PIVOT BEARING, POLYGON
2	1	343808	LADDER WLDMNT, STS 10/16 11
3	1	344009	STEP BACKPLATE STS CE
4	1	344534	LADDER MT TUBE, STS '14
5	2	900003	1/4UNC X 3/4 HEX BOLT
6	6	900128	3/8UNC X 3/4 HEX BOLT
7	2	914000	1/4UNC HEX STOVER NUT
8	6	914004	3/8UNC HEX STOVER NUT



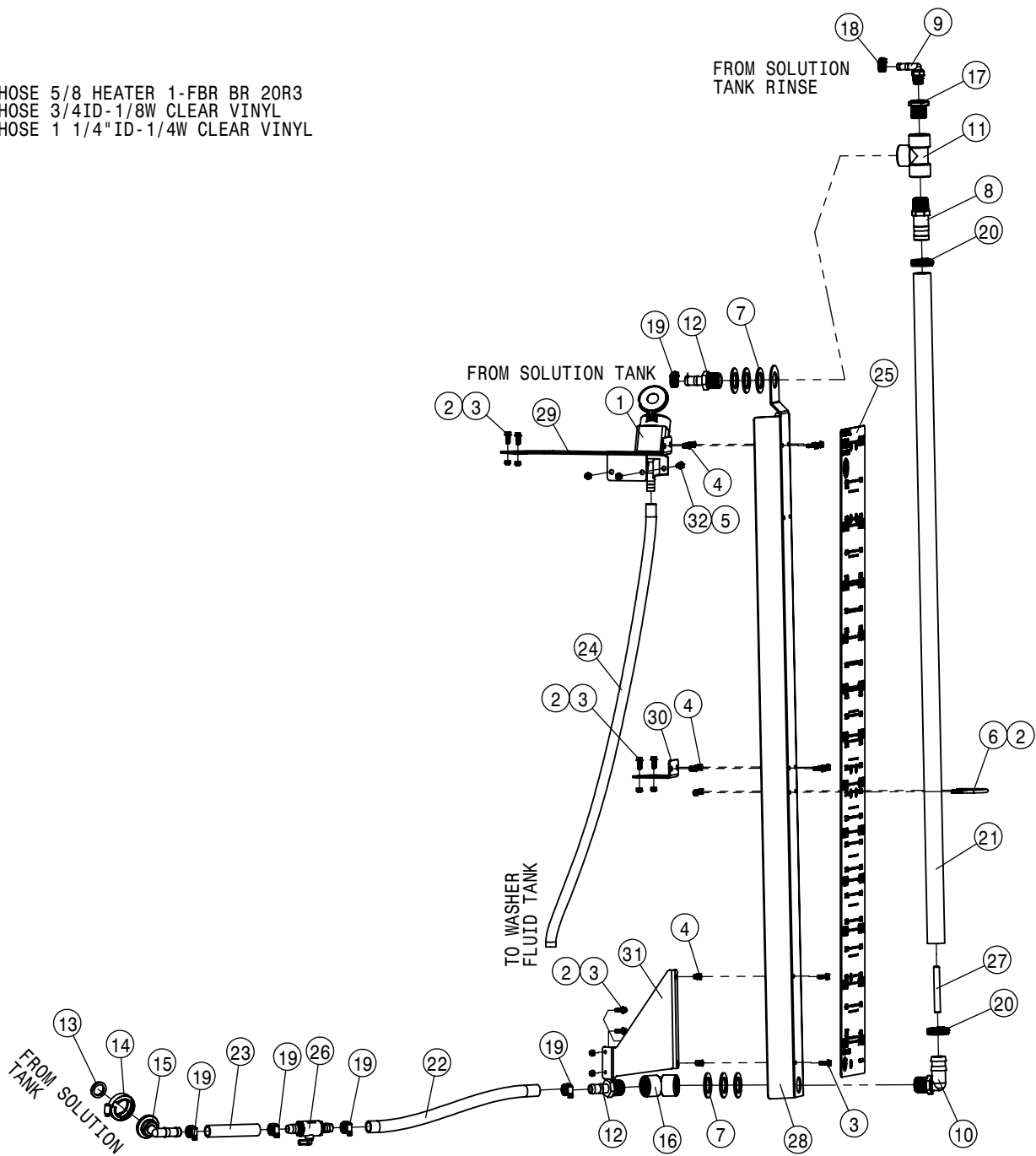


SOLUTION TANK ASSEMBLY			
DET	QTY	P/N	DESCRIPTION
1	0.33	193012	QUICKEDGE TRIM .135 TO .250
2	4	362127	TANK MOUNT ADAPTER 1" FLANGE
3	1	470087N	3/8UNC HEX SERR FLG NUT YZ
4	2	470131	3/4UNC X 5 1/2 HEX BOLT GR8
5	2	482016	SPRING, 1.4 X 3.00 COMPRSN
6	9	500157	1" FLANGE GASKET EPDM
7	9	500159	1" FLANGE CLAMP S.S.
8	1	500171	1" FLANGE-1" HOSE BARB POLY
9	1	500173	1"FLANGE-90-1"HOSE BARB POLY
10	2	500175	1" FLANGE TEE, POLY
11	1	500185	1"FLANGE-90-3/4"HOSE BARB POLY
12	5	500194	2" FP FLANGE CLAMP S.S.
13	5	500195	2" FP FLANGE GASKET EPDM
14	1	500226	1" FLANGE PLUG W/1/4"FNPT POLY
15	1	500238	1" FLANGE PLUG W/1/2"FNPT POLY
16	2	500268	1" FLANGE HOSE BARB TEE
17	2	504211	RED BUSH 3/4MNPT-1/2FNPT,POLY
18	2	507032	SS PIPE NIPPE, .50NPT-16.00
19	1	520068	HOSE CLAMP NO 32 STAINLESS
20	1	520069	HOSE CLAMP NO 6 STAINLESS
21	1	520070	HOSE CLAMP NO 8 STAINLESS
22	8	520090	HOSECLAMP NO 16 STAINLESS
23	1	520120	HOSE CLAMP NO 4 STAINLESS
24	1	520170	VIBRATION-DAMPING CLAMP HANGER
25	1	601050	HOSE, 2 X 97 2F-IW EPDM
26	1	601065	HOSE, 1 X 27 1BR BLK EPDM
27	1	601094	HOSE, 1 X 85 1BR BLK EPDM
28	1	601097	HOSE, 1/2 X 51 1BR BLK EPDM
29	1	601209	HOSE, 1 X 18 1BR BLK EPDM
30	1	601588	HOSE, 1 X 28 1BR BLK EPDM
31	1	601858	HOSE, 3/4 X 32 CLEAR VINYL
32	1	601867	HOSE, 1 X 87 1 BR BLK EPDM
33	1	601874	HOSE, 1 X 7 1BR BLK EPDM

SOLUTION TANK ASSEMBLY			
DET	QTY	P/N	DESCRIPTION
34	2	650144	DECAL, LOGO, SOLU TANK STS12
35	1	650850	DECAL, WARNING, DANGEROUS CHEM
36	1	690071	LINE STRAINER, .32 MESH, 150PSI
37	2	691280	1" HOSE BARB WITH FLY NUT
38	1	691281	PRESSURE TRANSDUCER,300PSI
39	1	713340	1/2NPT-1/2 HOSE BARB, POLY
40	1	716102	1/4 HOSE BARB-90-1/4 MNPT SS
41	1	737754	2"FRM T-CONNECTOR POLY
42	5	737756	2" FORK FOR 737754/755
43	1	737759	2"F-2"HOSE BARB POLY
44	2	737761	2"M CHECK VALVE POLY
45	2	737762	O-RING, 2"CONN EPDM
46	1	737767	T7 TO "BANJO 2" FP" ADAPTER
47	1	737768	T7 TO BSP ADAPTER
48	1	737769	THREADED COUPLING
49	1	737770	T FILTER WITH BSP THREADS, 16 MESH
50	2	737953	NOZZLE,PROCLEAN TANKWASH
51	2	737956	JET AGITATION NOZZLE HYPRO, GROUND
52	1	763837	1200 GAL SS TANK 15
53	2	763840	TANK MNT BUSHING
54	2	763841	TANK ISOLATOR
55	1	900133N	3/8UNC X 2" SERR FLANGE BOLT
56	2	900412N	3/4UNC X 5" HEX BOLT
57	4	914012	3/4UNC HEX STOVER NUT
58	4	920006	3/4 SAE FLAT WASHER

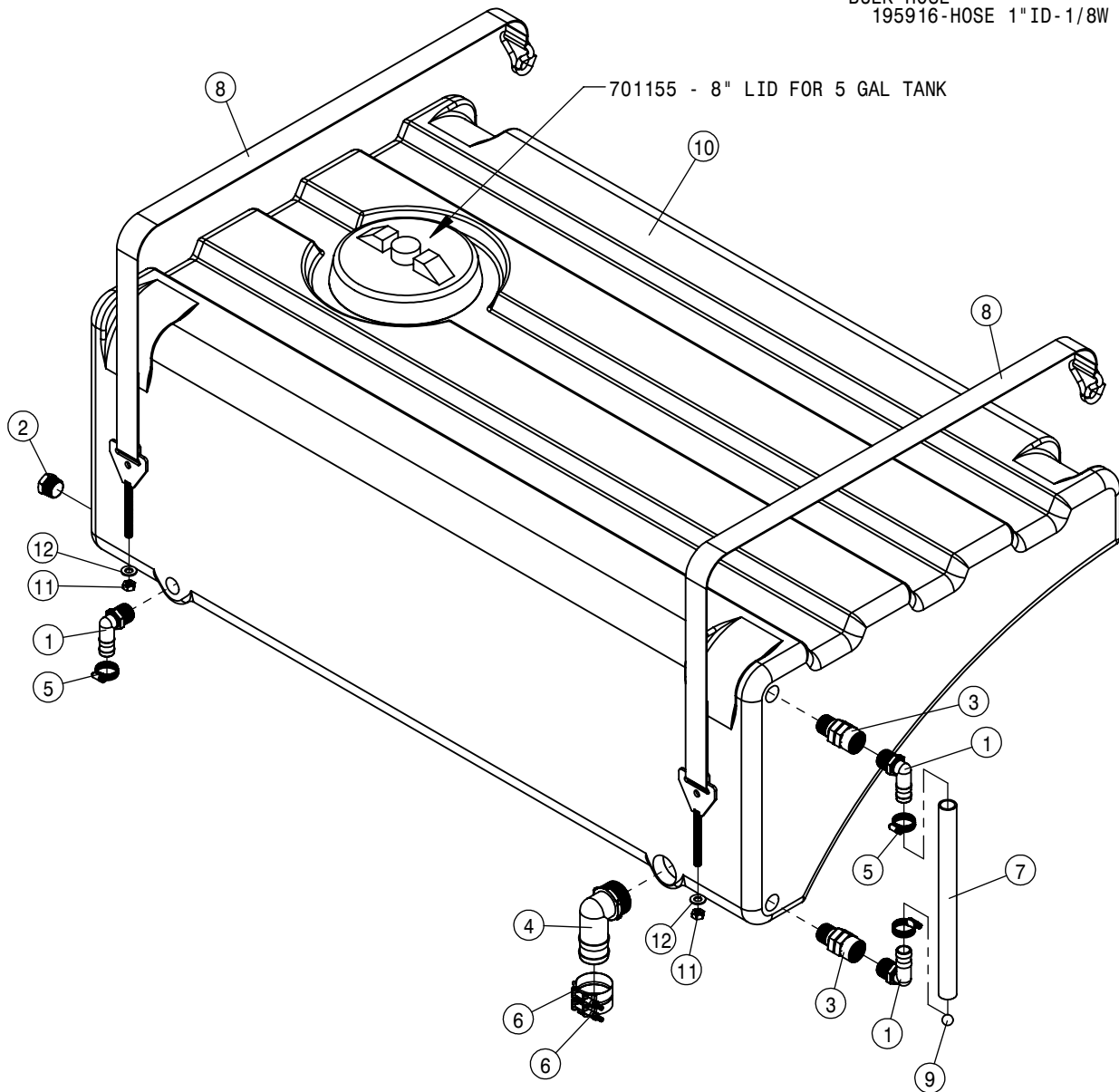
BULK HOSE

- 195909-HOSE 5/8 HEATER 1-FBR BR 20R3
- 195908-HOSE 3/4ID-1/8W CLEAR VINYL
- 195964-HOSE 1 1/4"ID-1/4W CLEAR VINYL

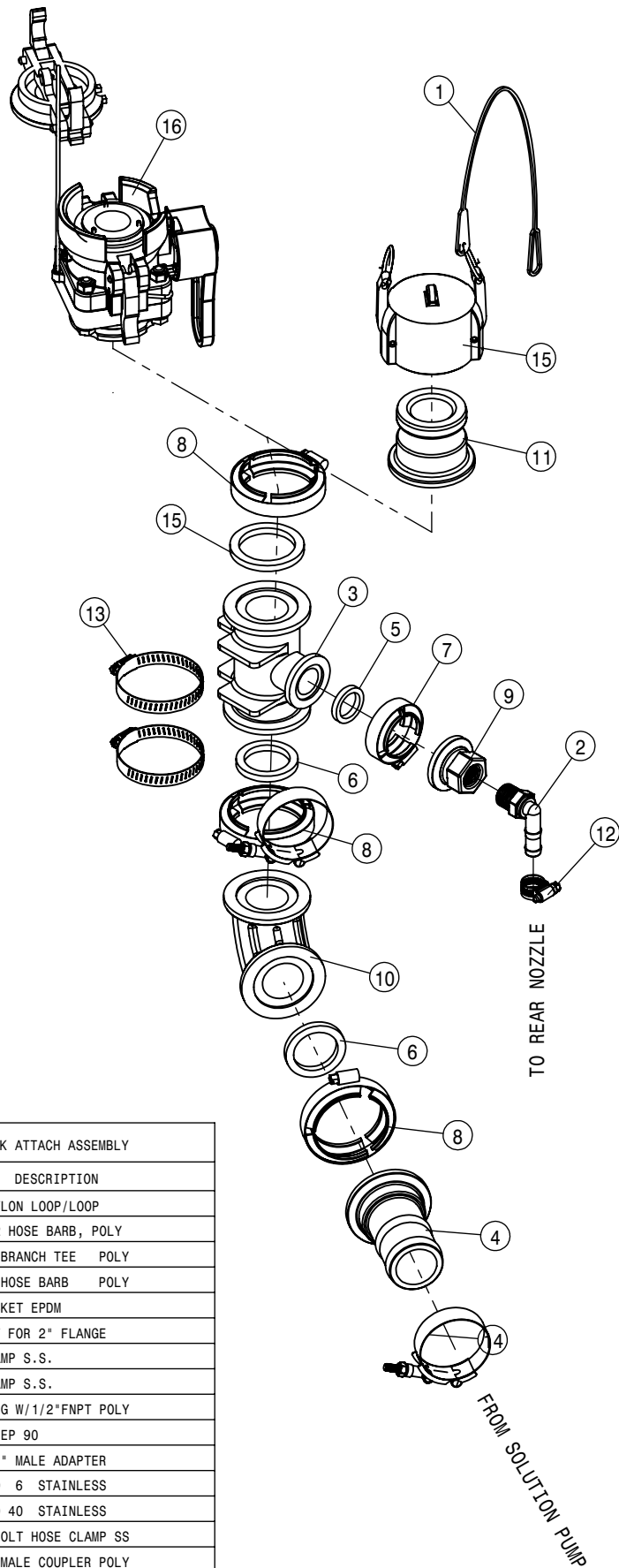


SIGHT GAUGE ASSEMBLY			
DET	QTY	P/N	DESCRIPTION
1	1	343972	REMOTE FILL
2	8	470089	1/4UNC HEX NYL-LOC NUT
3	12	470118	1/4 UNC X 3/4 SER FLG BOLT
4	6	470380	1/4-20 NUTSERT .027-1.65 ALUM
5	2	473001	5/16UNC HEX NUT,NYLOC
6	1	473969	1/4UNC-1 1/2 X 2 3/4 RD U-BOLT
7	6	483022	1.375 X 2.125 X .134 MACH WASH
8	1	500021	HOSE BARB-1" NPT X 1.25" HOSE
9	1	500047	1/2NPT-90-1/2 HOSE BARB, POLY
10	1	500051	1"NPT-90-1 1/4" HOSE BARB, POLY
11	1	500075	1" NPT PIPE TEE, POLY
12	2	500108	STRAIGHT-POLY, 1" MPT X 3/4 HOSE BARB
13	1	500157	1" FLANGE GASKET EPDM
14	1	500159	1" FLANGE CLAMP S.S.
15	1	500185	1"FLANGE-90-3/4"HOSE BARB POLY
16	1	503110	1" NPT 45 ELBOW

SIGHT GAUGE ASSEMBLY			
DET	QTY	P/N	DESCRIPTION
17	1	505233	1"-1/2"NPT REDU BUSH, POLY
18	1	520069	HOSE CLAMP NO 6 STAINLESS
19	5	520070	HOSE CLAMP NO 8 STAINLESS
20	2	520087	HOSE CLAMP NO 20 STAINLESS
21	1	601025	HOSE, 1 1/4 X 58 CLEAR VINYL
22	1	601057	HOSE, 3/4 X 17 CLEAR VINYL
23	1	601070	HOSE, 3/4 X 5, CLEAR VINYL
24	1	601890	HOSE-5/8 X 41 1-FBR BR 20R3
25	1	650441	DECAL, 1200G SS SIGHT GAUGE STS'14
26	1	696193	3/4" HOSE BARB MICRO VALVE
27	1	701448	FLOAT-SIGHT GAUGE 2013
28	1	701466	SS TANK SIGHT GAUGE, STS '14
29	1	701467	SIGHT GAUGE MNT BRKT UPR, STS'14
30	1	701468	SIGHT GAUGE MNT BRKT MID, STS'14
31	1	701469	SIGHT GAUGE MNT BRKT LWR, STS'14
32	2	900065	5/16UNC X 1" HEX BOLT



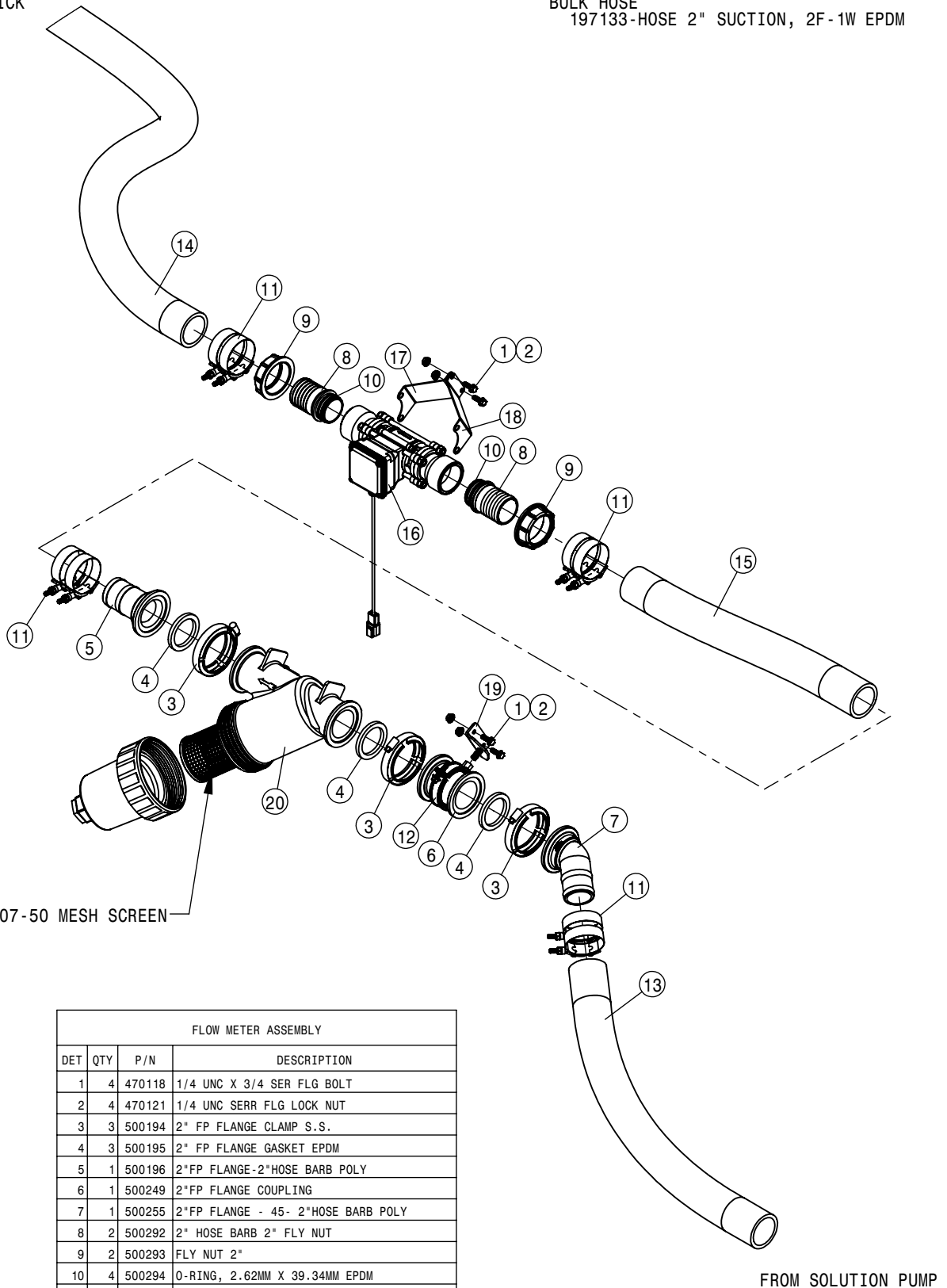
POLY RINSE TANK ASSEMBLY			
DET	QTY	P/N	DESCRIPTION
1	3	500024	1"NPT-90-1"HOSE BARB, POLY
2	1	500063	1"NPT PIP PLUG, POLY
3	2	500107	1"NPT SWIVEL POLY
4	1	500141	2"MNPT-90-2" HOSE BARB, POLY
5	3	520090	HOSECLAMP NO 16 STAINLESS
6	2	520141	2.31/2.62 T-BOLT HOSE CLAMP SS
7	1	601742	HOSE 1" ID-1/8W CLR VNYL 16"
8	2	763599	POLY RINSE TNK STRAP ASSY STS
9	1	763623	GREEN POLYPROPYLENE BALL 0.750"
10	1	763821	100 GAL POLY TANK, GRAY '13
11	2	914008	1/2 UNC HEX STOVER NUT
12	2	920004	1/2 SAE FLAT WASHER



FRONT SOLUTION QUICK ATTACH ASSEMBLY			
DET	QTY	P/N	DESCRIPTION
1	1	470322	LANYARD 8" NYLON LOOP/LOOP
2	1	500047	1/2NPT-90-1/2 HOSE BARB, POLY
3	1	500150	2" FLANGE-1" BRANCH TEE POLY
4	1	500154	2" FLANGE-2" HOSE BARB POLY
5	1	500157	1" FLANGE GASKET EPDM
6	3	500158	1 1/2" GASKET FOR 2" FLANGE
7	1	500159	1" FLANGE CLAMP S.S.
8	3	500160	2" FLANGE CLAMP S.S.
9	1	500238	1" FLANGE PLUG W/1/2" FNPT POLY
10	1	500266	2" FLANGE SWEEP 90
11	1	500276	2" FLANGE X 2" MALE ADAPTER
12	1	520069	HOSE CLAMP NO 6 STAINLESS
13	2	520099	HOSE CLAMP NO 40 STAINLESS
14	2	520141	2.31/2.62 T-BOLT HOSE CLAMP SS
15	1	690623	CAP FOR 2.00 MALE COUPLER POLY
16	1	696237	2" FEM MANFLD DRYMATE VLV, POLY

TO BOOM QUICK  
COUPLER

BULK HOSE  
197133-HOSE 2" SUCTION, 2F-1W EPDM

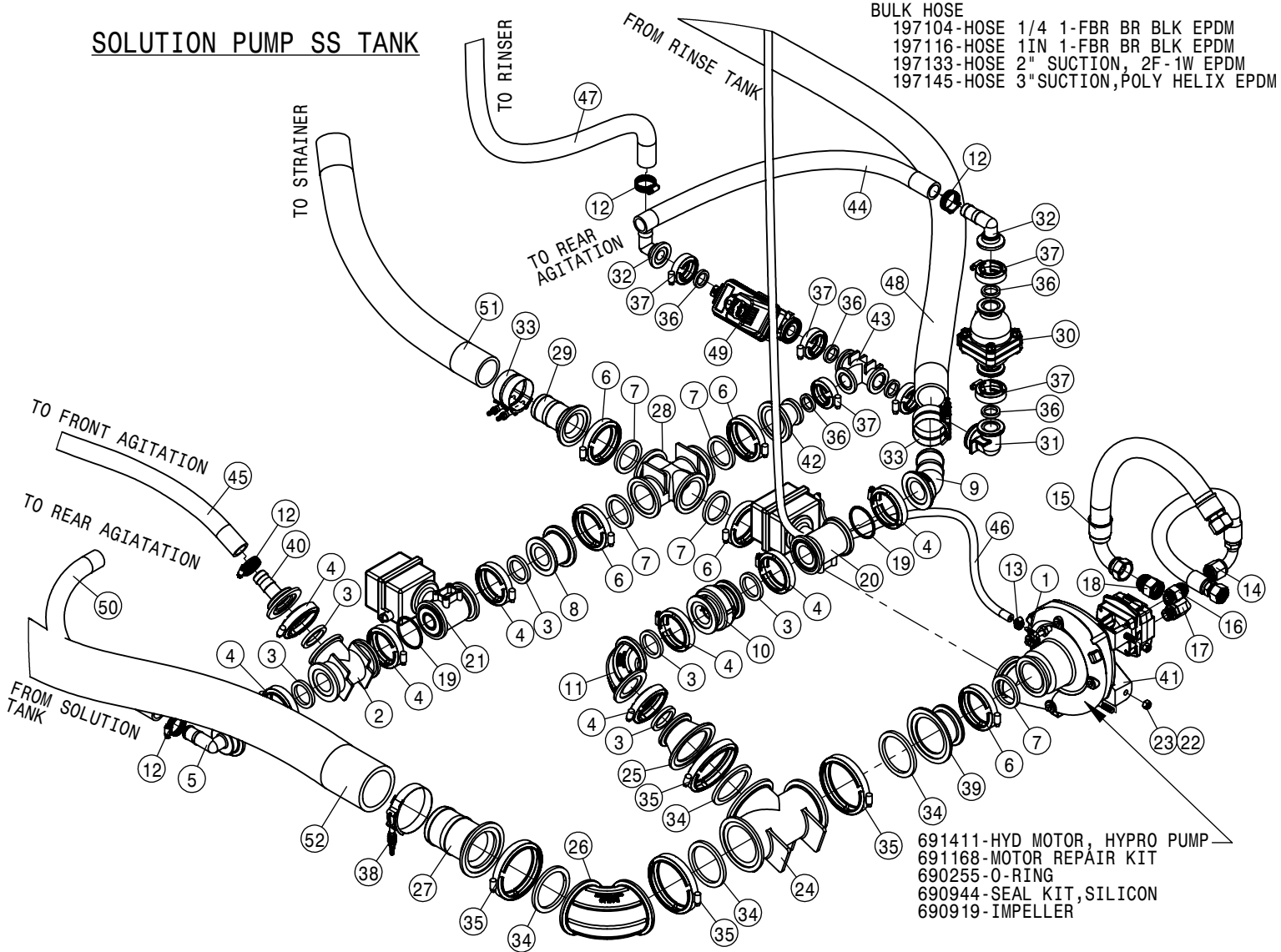


696007-50 MESH SCREEN

FROM SOLUTION PUMP

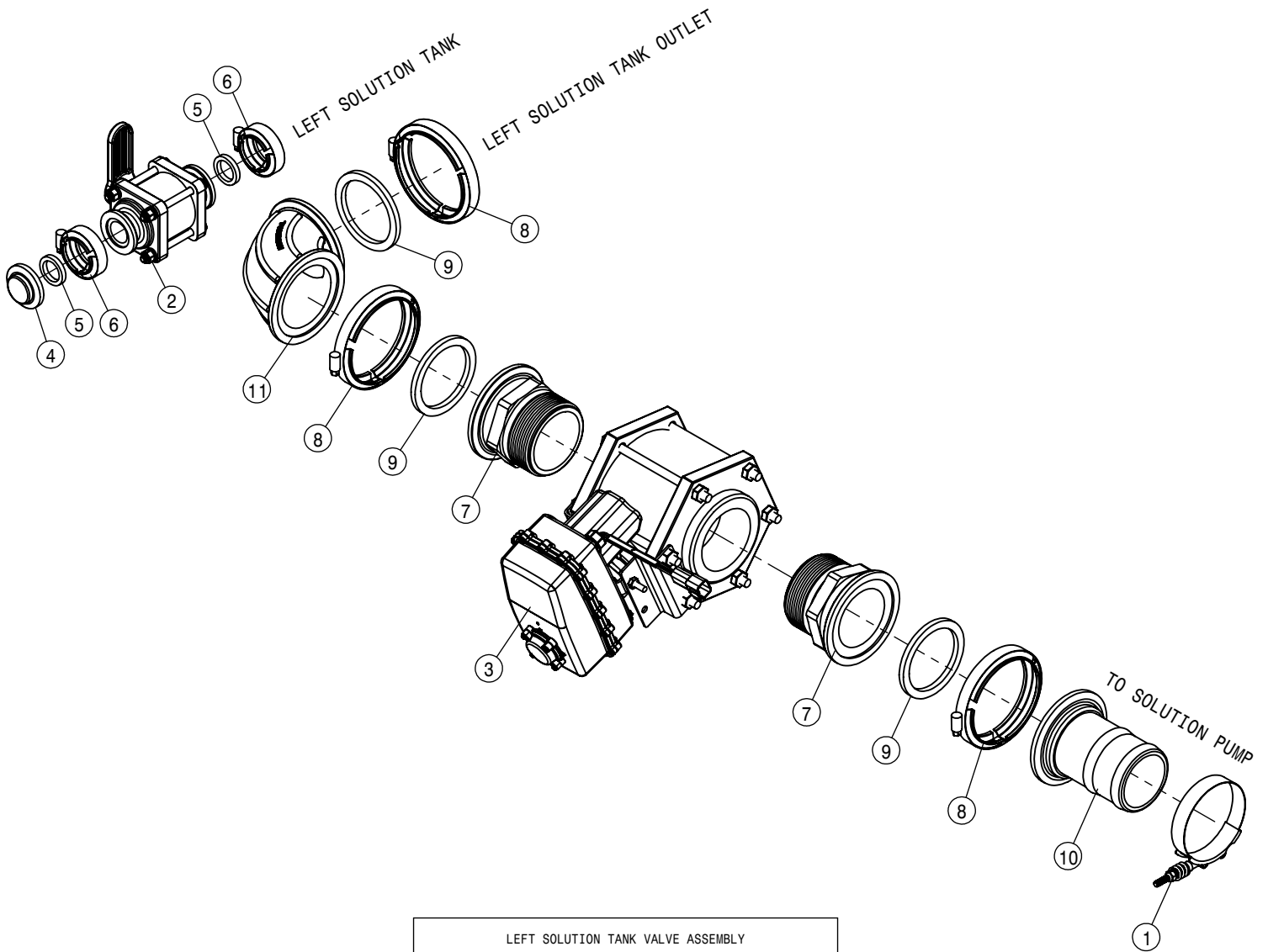
FLOW METER ASSEMBLY			
DET	QTY	P/N	DESCRIPTION
1	4	470118	1/4 UNC X 3/4 SER FLG BOLT
2	4	470121	1/4 UNC SERR FLG LOCK NUT
3	3	500194	2" FP FLANGE CLAMP S.S.
4	3	500195	2" FP FLANGE GASKET EPDM
5	1	500196	2"FP FLANGE-2"HOSE BARB POLY
6	1	500249	2"FP FLANGE COUPLING
7	1	500255	2"FP FLANGE - 45- 2"HOSE BARB POLY
8	2	500292	2" HOSE BARB 2" FLY NUT
9	2	500293	FLY NUT 2"
10	4	500294	O-RING, 2.62MM X 39.34MM EPDM
11	8	520141	2.31/2.62 T-BOLT HOSE CLAMP SS
12	1	520170	VIBRATION-DAMPING CLAMP HANGER
13	1	601501	HOSE, 2ID" X 27 2F-1W EPDM
14	1	601887	HOSE, 2 X 86 2F-1W EPDM
15	1	601907	HOSE, 2 X 21 2F-1W EPDM
16	1	691101	MAGNETIC FLOWMETER 2" FLYNUT
17	1	691302	ORION FLOW METER MNT FRONT
18	1	691303	ORION FLOW METER MNT REAR
19	1	691337	STRAINER CLAMP MNT WLD
20	1	696006	LINE "Y" STRAINER,2"FP FLG 50M

# SOLUTION PUMP SS TANK



SOLUTION PUMP ASSEMBLY SS TANK			
DET	QTY	P/N	DESCRIPTION
1	1	500103	1/8"NPT-90-1/4 HOSE BARB,NYLON
2	1	500151	2" FLANGE TEE, POLY
3	6	500158	1 1/2" GASKET FOR 2" FLANGE
4	8	500160	2" FLANGE CLAMP S.S.
5	1	500189	2" FLANGE-90-1" HOSE BARB POLY
6	5	500194	2" FP FLANGE CLAMP S.S.
7	5	500195	2" FP FLANGE GASKET EPDM
8	1	500199	2"FP FLANGE-2"FLAGE REDU POLY
9	1	500257	2" STANDARD PORT HOSE BARB 45
10	1	500264	2" CHECK STANDARD PORT
11	1	500266	2" FLANGE SWEEP 90
12	4	520090	HOSECLAMP NO 16 STAINLESS
13	1	520120	HOSE CLAMP NO 4 STAINLESS
14	1	617103	12-451TC-12FJX-12FJX90-22 H/A
15	1	617104	16-811-16FJX-16FJX90-26 H/A
16	1	618193	1 1/16MJIC-3/4MOR ADPTR
17	1	618279	1 1/16MJIC-90-7/8MOR LBO
18	1	618641	1 1/16FJIC -1 5/16MJIC ADPTR
19	2	696254	O-RING, KZCO FLANGED VALVE
20	1	696256	VALVE, KZCO C2F-60B-M-S9
21	1	696257	VALVE, KZCO C2F-62-Q-S9
22	2	900131	3/8UNC X 1 1/2 HEX BOLT
23	2	914004	3/8UNC HEX STOVER NUT
24	1	500217	3"FLANGE TEE POLY
25	1	500237	3"FLANGE-2" STD FLANGE ADPTR POLY
26	1	500262	3"FLANGE-90-3"FLG SWEEP LBO

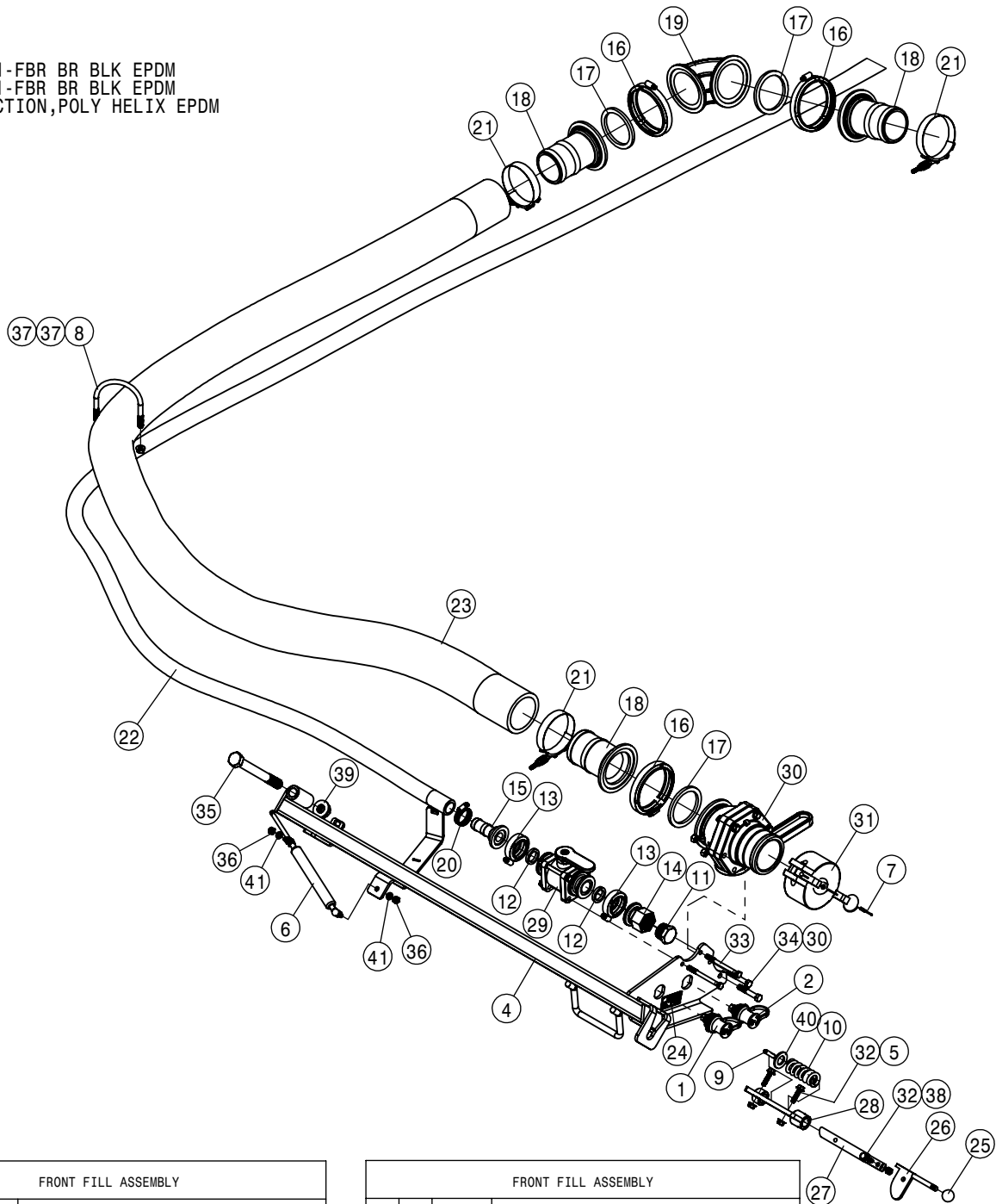
SOLUTION PUMP ASSEMBLY SS TANK			
DET	QTY	P/N	DESCRIPTION
27	1	500210	3"FLANGE-3"HOSEBARB POLY
28	1	500203	2"FP FLANGE CROSS POLY
29	1	500196	2"FP FLANGE-2"HOSE BARB POLY
30	1	696008	PRESS RELIEF VLV,100PSI,1"FLG
31	1	500174	1" FLANGE-90-1" FLANGE LBOPOLY
32	2	500173	1"FLANGE-90-1"HOSE BARB POLY
33	4	520141	2.31/2.62 T-BOLT HOSE CLAMP SS
34	4	500209	3" FLANGE GASKET EPDM
35	4	500208	3" FLANGE CLAMP S.S.
36	6	500157	1" FLANGE GASKET EPDM
37	6	500159	1" FLANGE CLAMP S.S.
38	1	520145	3.56/3.88 T-BOLT HOSE CLAMP SS
39	1	500212	3"FLANGE - 2" FP FLANGE ADTPTR
40	1	500172	2" FLANGE-1 " HOSE BARB
41	1	691249	HYPRO PUMP, 9306C-HM5C-BU-001
42	1	500244	2"FP FLANGE-1"FLAGE ADPTR POLY
43	1	500175	1" FLANGE TEE, POLY
44	1	601588	HOSE, 1 X 28 1BR BLK EPDM
45	1	601094	HOSE, 1 X 85 1BR BLK EPDM
46	1	601848	HOSE, 1/4 X 82 1 BR BLK EPDM
47	1	601867	HOSE, 1 X 87 1 BR BLK EPDM
48	1	601898	HOSE, 2 X 118 2F-1W EPDM
49	1	696196	3/4" ELEC BALL VALVE SS 1" FLG
50	1	197116-018	HOSE 1IN 1-FBR BR BLK EPDM
51	1	197133-027	HOSE, 2ID X 097 2F-W1 EPDM
52	1	197145-039	HOSE 3""SUCTION,POLY HELIX EPDM



LEFT SOLUTION TANK VALVE ASSEMBLY			
DET	QTY	P/N	DESCRIPTION
1	1	520145	3.56/3.88 T-BOLT HOSE CLAMP SS
2	1	696147	BALL VLV, 1" FLANGE
3	1	696268	KZCO, 3" VALVE
4	1	500155	1" FLANGE CAP PLUG POLY
5	2	500157	1" FLANGE GASKET EPDM
6	2	500159	1" FLANGE CLAMP S.S.
7	2	500164	3" FLANGE- 3.00 MNPT ADPTR POLY
8	3	500208	3' FLANGE CLAMP S.S.
9	3	500209	3" FLANGE GASKET EPDM
10	1	500210	3"FLANGE-3' HOSEBARB POLY
11	1	500262	3"FLANGE-90-3"FLG SWEEP LBO

**BULK HOSE**

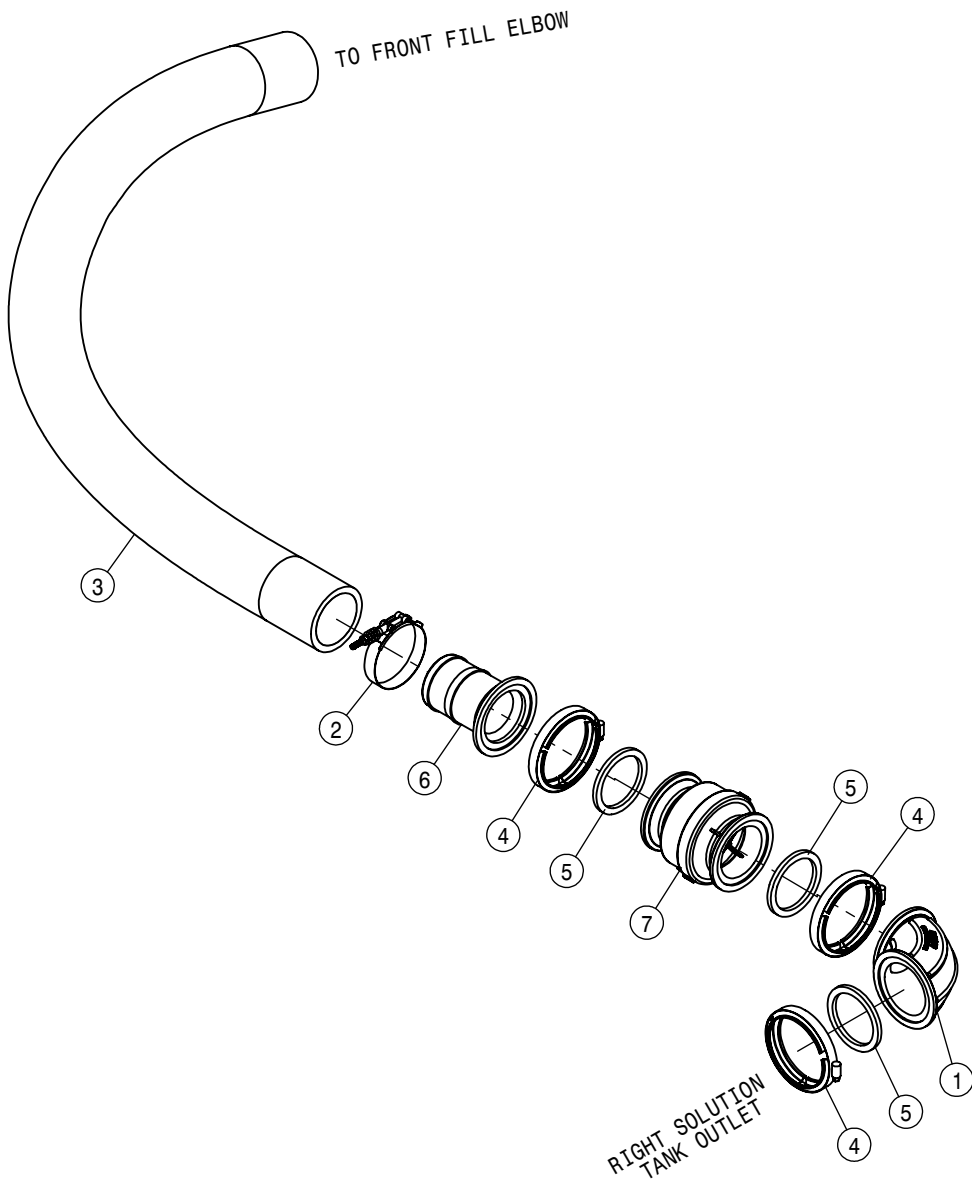
- 197008-HOSE 1/2 1-FBR BR BLK EPDM
- 197116-HOSE 1IN 1-FBR BR BLK EPDM
- 197145-HOSE 3" SUCTION, POLY HELIX EPDM



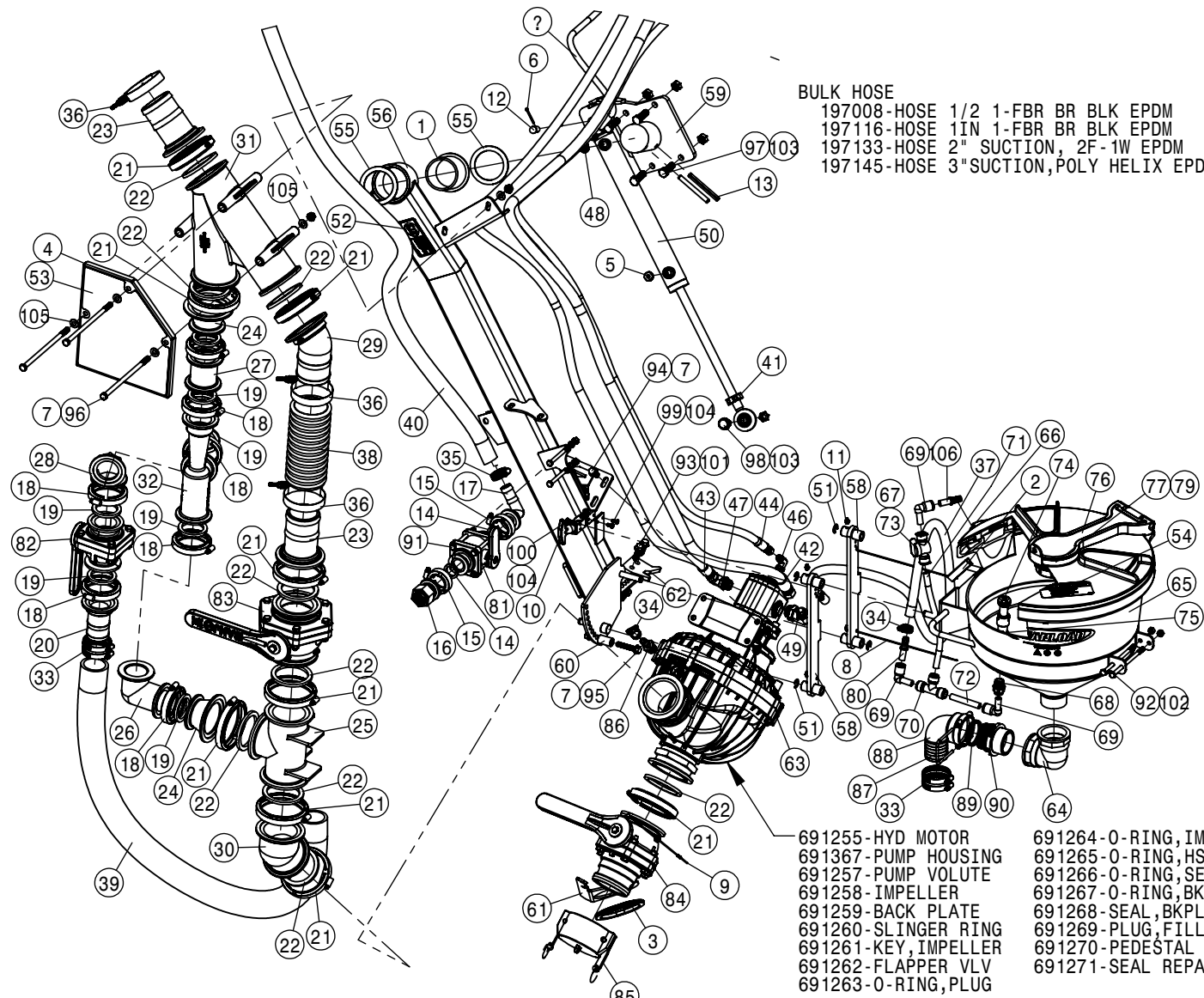
FRONT FILL ASSEMBLY			
DET	QTY	P/N	DESCRIPTION
1	1	291680	POSITIVE JUMPER STUD, RED
2	1	291681	NEGATIVE JUMPER STUD, BLACK
NS	1	294168	FRONT FILL PWR HARNESS STS' 12
4	1	344485	FRT FILL SUPP ARM WLD '13
5	2	470113	5/16UNC SERR FLG LOCK NUT
6	1	470253	HYD DAMPER 100LB 4.0 STROKE
7	1	470352	LANYARD, 11" POLY
8	1	472048	3/8 UNC U-BOLT 3.50ID X 4.125 ZINC
9	1	472316	ROLL PIN, 5/16 X 1 1/2
10	1	482017	SPRING
11	1	500063	1"NPT PIP PLUG, POLY
12	2	500157	1" FLANGE GASKET EPDM
13	2	500159	1" FLANGE CLAMP S.S.
14	1	500168	1" FLANGE-1" FNPT ADPTR POLY
15	1	500171	1" FLANGE-1" HOSE BARB POLY
16	3	500208	3" FLANGE CLAMP S.S.
17	3	500209	3" FLANGE GASKET EPDM
18	3	500210	3"FLANGE-3"HOSEBARB POLY
19	1	500262	3"FLANGE-90-3"FLG SWEEP LBO
20	1	520090	HOSECLAMP NO 16 STAINLESS
21	3	520145	3.56/3.88 T-BOLT HOSE CLAMP SS

FRONT FILL ASSEMBLY			
DET	QTY	P/N	DESCRIPTION
22	1	601662	HOSE, 1 X 197 1BR BLK EPDM
23	1	601827	HOSE 3 X 98 POLY HELIX EPDM
24	1	650401	DECAL, AUX POWER PORT
25	1	659291	KNOB, BLK, 3/8" - 16 UNC
26	1	690698	FRT FILL SUPP ARM REL WLD
27	1	691139	FRT FILL SUPP ARM LATCH PIN' 10
28	1	691140	FRT FILL LATCH BRKT WLD,STS' 10
29	1	696147	BALL VLV, 1" FLANGE
30	1	696192	3"FLG STUBBY VALVE,3"M-ADPTR
31	1	696231	CAP FOR 3" MALE COUPLER POLY
32	3	900066N	5/16UNC X 1 1/4 SERR.FLG.HEX BOLT
33	2	900075N	5/16UNC X 3 3/4 HEX BOLT SS
34	2	900170	3/8UNC X 2 1/4 HEX BOLT
35	1	900418	3/4UNC X 7" HEX BOLT
36	2	910002	5/16UNC HEX NUT
37	2	910004N	3/8UNC FLANGE CNTR LOCK NUT
38	1	914002	5/16UNC HEX STOVER NUT
39	1	914012N	3/4UNC CNTLCK SM FLG HEX NUT
40	1	920006	3/4 SAE FLAT WASHER
41	2	920501	5/16 LOCK WASHER





RH SOLUTION TANK VALVE (FRONT FILL)			
DET	QTY	P/N	DESCRIPTION
1	1	500262	3" FLANGE-90-3" FLG SWEEP LBO
2	1	520145	3.56/3.88 T-BOLT HOSE CLAMP SS
3	1	601663	HOSE, 3 X 50 POLY HELIX EPDM
4	3	500208	3" FLANGE CLAMP S.S.
5	3	500209	3" FLANGE GASKET EPDM
6	1	500210	3" FLANGE-3" HOSEBARB POLY
7	1	500142	CHECK VALVE 3" FLANGE



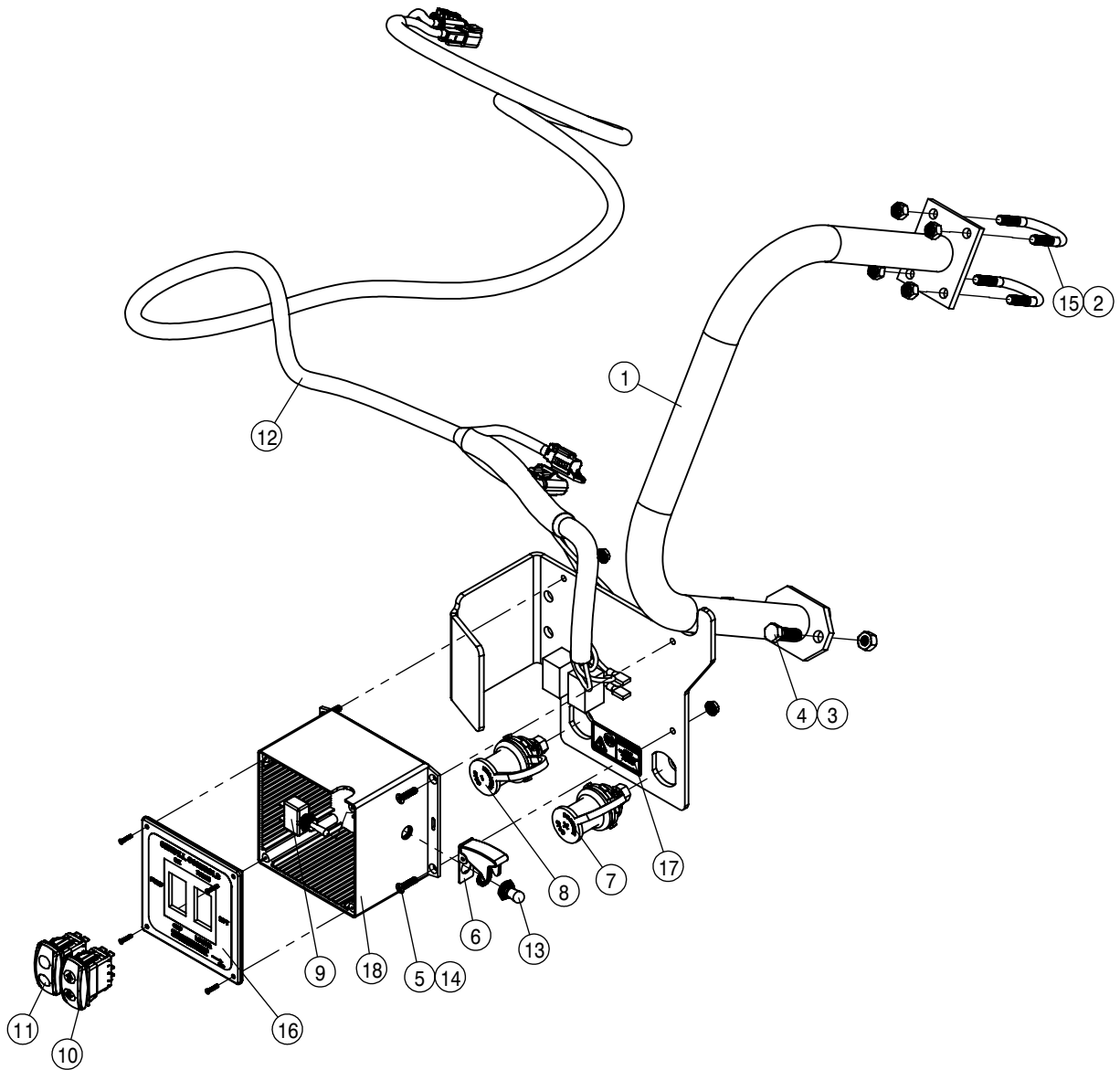
**BULK HOSE**  
 197008-HOSE 1/2 1-FBR BR BLK EPDM  
 197116-HOSE 1IN 1-FBR BR BLK EPDM  
 197133-HOSE 2" SUCTION, 2F-1W EPDM  
 197145-HOSE 3"SUCTION,POLY HELIX EPDM

691255-HYD MOTOR  
 691367-PUMP HOUSING  
 691257-PUMP VOLUTE  
 691258-IMPELLER  
 691259-BACK PLATE  
 691260-SLINGER RING  
 691261-KEY,IMPELLER  
 691262-FLAPPER VLV  
 691263-O-RING,PLUG  
 691264-O-RING,IMPLR  
 691265-O-RING,HSNG  
 691266-O-RING,SEAL  
 691267-O-RING,BKPLT  
 691268-SEAL,BKPLT  
 691269-PLUG,FILL  
 691270-PEDESTAL ASM  
 691271-SEAL REPAIR KIT

SIDE FILL ASSEMBLY			
DET	QTY	P/N	DESCRIPTION
1	1	121101	TRANSOM PIVOT BRG,TOP POLYGON
2	0.25	193012	QUICKEDGE TRIM .135 TO .250
3	1	193016	QUICKEDGE TRIM .060 TO .170
4	1	344616	SIDE FILL DECAL PLT
5	1	362036	SAE 6 BRASS BREATHER
6	1	390984N	1/8 X 1 1/4 COTTER PIN SS
7	8	470087N	3/8UNC HEX SERR FLG NUT YZ
8	2	470154	CABLE TIE, 11.00" BLK NYLON
9	1	470352	LANYARD, 11" POLY
10	1	470643	RUBBER DRAW LATCH
11	4	471005	GREASE ZERK, 1/4-28 X 1/2
12	1	472279	CLEVIS PIN 1/2DIA X 1 3/4
13	2	473963	ROLL PIN, 3/8 X 3 1/2
14	2	500157	1" FLANGE GASKET EPDM
15	2	500159	1" FLANGE CLAMP S.S.
16	1	500168	1" FLANGE-1" FNPT ADPTR POLY
17	1	500173	1" FLANGE-90-1"HOSE BARB POLY
18	7	500194	2" FP FLANGE CLAMP S.S.
19	7	500195	2" FP FLANGE GASKET EPDM
20	1	500196	2"FP FLANGE-2"HOSE BARB POLY
21	9	500208	3" FLANGE CLAMP S.S.
22	9	500209	3" FLANGE GASKET EPDM
23	2	500210	3"FLANGE-3"HOSEBARB POLY
24	2	500212	3"FLANGE - 2" FP FLANGE ADPTR
25	1	500217	3"FLANGE TEE POLY
26	1	500219	2"FP FLANGE-90-2"FP FLANGE LBO
27	1	500249	2"FP FLANGE COUPLING
28	1	500254	2"FP FLANGE-90-2"FP SWEEP LBO
29	1	500258	3"FLANGE-45-3"HOSEBARB, POLY
30	1	500259	3" FLANGE X 45° FLANGED COUPLING
31	1	500260	3" FP FLANGE 45 Y COUPLING
32	1	500261	2" FP FLANGE POLY VENTURI
33	4	520068	HOSE CLAMP NO 32 STAINLESS
34	2	520069	HOSE CLAMP NO 6 STAINLESS
35	1	520090	HOSECLAMP NO 16 STAINLESS

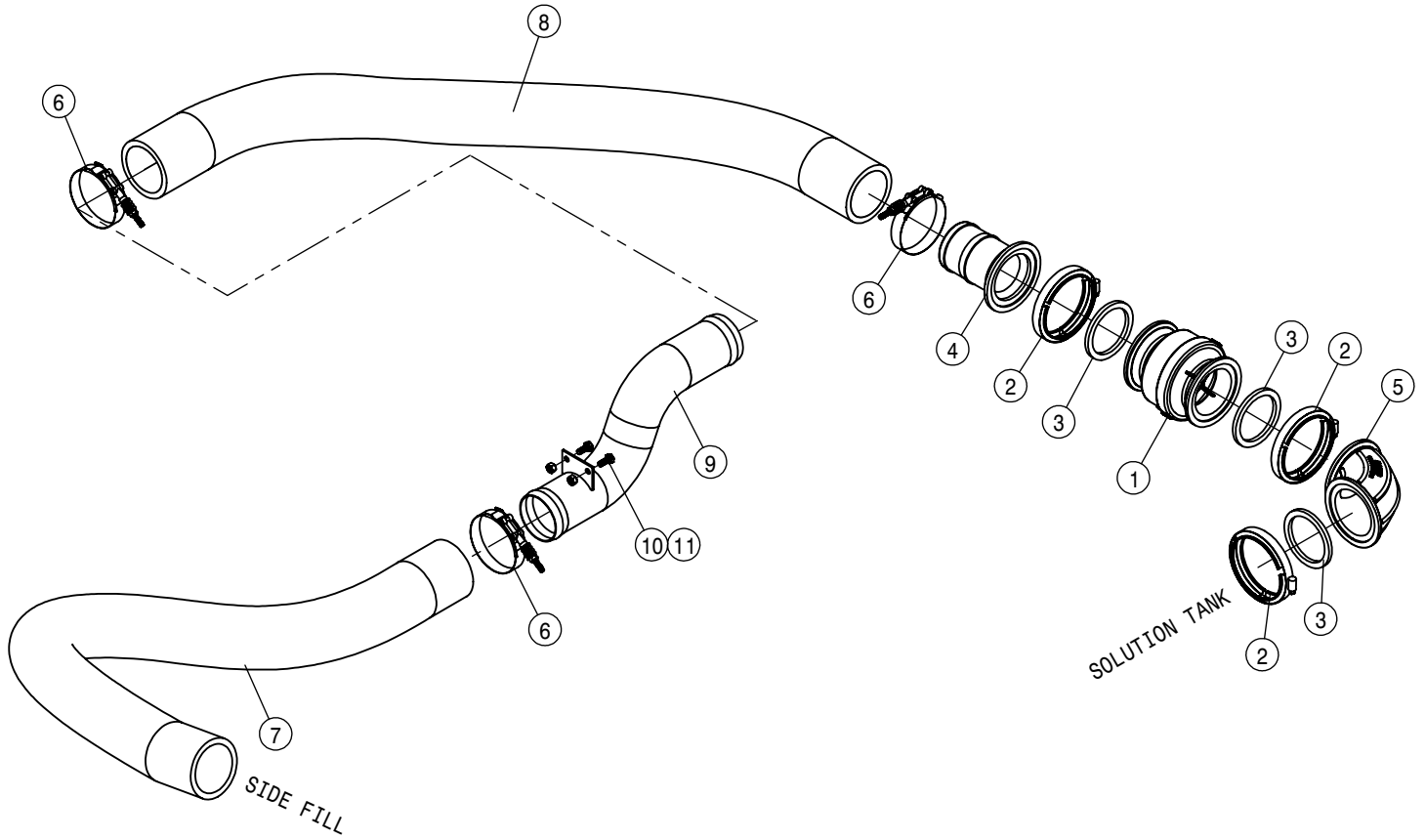
SIDE FILL ASSEMBLY			
DET	QTY	P/N	DESCRIPTION
36	3	520145	3.56/3.88 T-BOLT HOSE CLAMP SS
37	1	601067	HOSE, 1/2 X 44 1BR BLK EPDM
38	1	601503	HOSE, 3 X 8 POLY HELIX EPDM
39	1	601573	HOSE, 2 X 48 2F-1W EPDM
40	1	601866	HOSE, 1 X 253 1BR BLK EPDM
41	1	606399	SHAFT COLLAR,3/4"ID X 1 1/2"OD
42	1	617141	10-451TC-10FJX-10FJX-116 H/A
43	1	617142	08-451TC-08FJX-08FJX90-113 H/A
44	1	617143	06-451TC-06FJX-06FJX90-115 H/A
45	1	617144	04-451TC-06FJX-04FJX90-82 H/A
46	1	618119	9/16MJIC-90-9/16MOR LBO
47	1	618183	3/4MJIC-90-7/8MOR LBO
48	1	618425	9/16MJIC-45-9/16MOR LBO
49	1	618535	7/8MJIC-90-1 1/16MOR LBO
50	1	621554	CYLINDER, 1.50 ID X 12.00 STRK
51	4	629541	SNAP RING, 1/2" EXTERNAL E-STYLE
52	1	650116	DECAL,INDUCTOR FILLING INSTR
53	1	650469	SIDE FILL INSTRUCTION DECAL
54	1	650850	DECAL,WARNING, DANGEROUS CHEM
55	2	690729	3.50 OD X 2.68 ID X 11 GA WASH
56	1	691191	SIDE FILL ARM WLD, 2012
57	1	691192	HOPPER BAND WLD, SIDE FILL
58	2	691193	HOPPER PARAL ARM WLD,SIDE FILL
59	1	691195	CYL MNT WLD, SIDE FILL 2012
60	1	691197	BUSHING, .75 OD X 1.31 LNG
61	1	691225	HOSE SUPP BRKT SIDE FILL '12
62	1	691231	ADJ SIDE FILL CRADLE STS'12
63	1	691251	3" FLANGE TRANSFER PUMP
64	1	691342	HYPRO ELBOW FNPT
65	1	691343	HYPRO TANK CLEAN LOAD 7 GAL
66	1	691344	HYPRO GROMMET TANK SEAL 10MM
67	2	691346	HYPRO CLIP SAFETY PTC 1/2"
68	1	691348	HYPRO PUSH CONNECT FITTING 1/2
69	3	691350	HYPRO FITTING ELBOW PTC 1/2"
70	1	691351	HYPRO FITTING UNION TEE PTC1/2

SIDE FILL ASSEMBLY			
DET	QTY	P/N	DESCRIPTION
71	1	691352	HYPRO TUBING 1/2" 10
72	1	691353	HYPRO TUBING 1/2" 3
73	1	691354	HYPRO VALVE, 2-WAY PTC
74	1	691357	HYPRO NOZ PROCLEAN CNTNR RINSE
75	1	691358	HYPRO PROCLEAN CNTNR RINSE VLV
76	1	691359	HYPRO TL S/A 16" HINGED
77	1	691360	HYPRO BREATHER LABYRINTH
78	1	691361	HYPRO O-RING, BREATHER
79	1	691362	HYPRO NUT, BREATHER
80	1	691363	HYPRO HOSE BARB TO TUBE PTC
81	1	696147	BALL VLV, 1" FLANGE
82	1	696150	BALL VLV, 2"FP FLANGE STUBBY
83	1	696190	BALL VLV, 3" FP FLANGE
84	1	696192	3"FLG STUBBY VALVE,3"M-ADPTR
85	1	696231	CAP FOR 3" MALE COUPLER POLY
86	1	713340	1/2NPT-1/2 HOSE BARB, POLY
87	1	737756	2" FORK FOR 737754/755
88	1	737760	2"FP-90-2" HOSE BARB POLY
89	2	737762	O-RING, 2"CONN EPDM
90	1	737771	MALE T7 TO MALE 2" NPT
91	2	900075N	5/16UNC X 3 3/4 HEX BOLT SS
92	2	900082N	5/16UNC X 5 1/2" HEX BOLT SS
93	2	900127N	3/8UNC X 1 1/4 SER FLANGE BOLT
94	4	900129N	3/8UNC X 1" SERR FLANGE BOLT
95	1	900133N	3/8UNC X 2" SERR FLANGE BOLT
96	3	900148N	3/8UNC X 8 HEX BOLT
97	4	900265	1/2UNC X 1 1/2 HEX BOLT
98	1	900267N	1/2UNC X 2" SERR FLG BOLT
99	2	903706N	10-32X1/2 PHIL PAN MACH SCR BZ
100	2	903710N	10-32 X 5/8 PHIL PANHD MACH SCR
101	2	910004N	3/8UNC FLANGE CNTR LOCK NUT
102	2	914002N	5/16UNC HEX STOVER NUT YZ
103	5	914008	1/2 UNC HEX STOVER NUT
104	4	914027	10-32 HEX STOVER NUT
105	6	920002N	3/8 SAE FLAT WASHER
106	1	691349	HYPRO HOSE BARB TO TUBE PTC



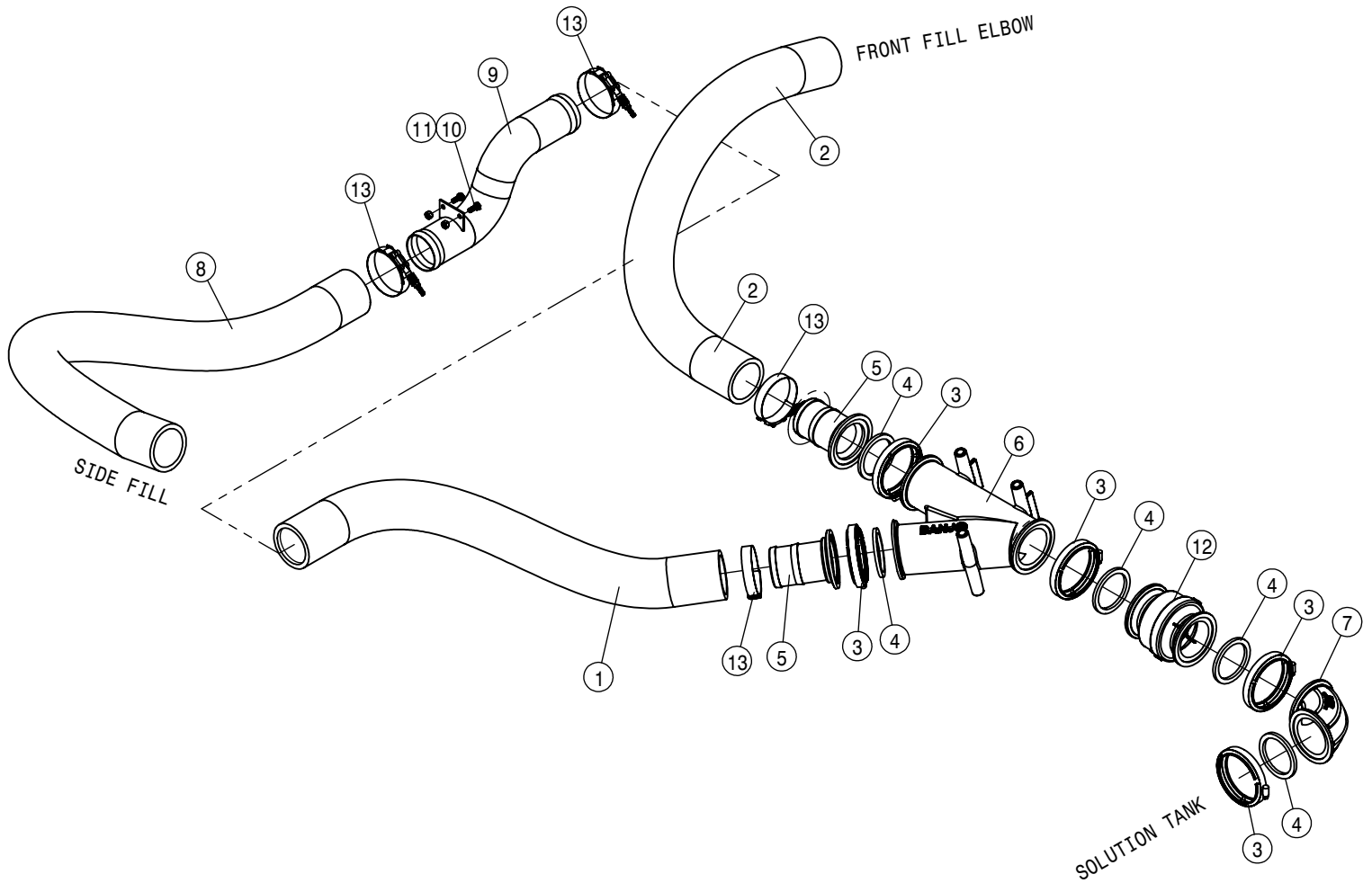
SIDE FILL SWITCH BOX ASSEMBLY			
DET	QTY	P/N	DESCRIPTION
1	1	691301	CHEM IND GUARD WLD, 2015
2	4	914002	5/16UNC HEX STOVER NUT
3	2	914004	3/8UNC HEX STOVER NUT
4	2	900130	3/8UNC X 1 1/4 HEX BOLT
5	4	903723	10-32 X 3/4 PHL FL HD MACH SCR BZ
6	1	291655	AIRCRAFT TOGGLE SWITCH GUARD
7	1	291680	POSITIVE JUMPER STUD, RED
8	1	291681	NEGATIVE JUMPER STUD, BLACK
9	1	291937	TOGGLE SWITCH, SPST
10	1	292225	SWITCH - SIDEFILL LIFT
11	1	292226	SWITCH - SIDEFILL PUMP SPEED
12	1	294230	SIDE FILL HARNESS
13	1	470001	RUBBER BOOT AND NUT FOR 298012
14	4	470175	10-32 SERR FLANGE NUT
15	2	473911	5/16UNC-1.31ID-2.00 U-BOLT ZINC
16	1	650155	DECAL, SIDEFILL CTRL STS '05
17	1	650401	DECAL, AUX POWER PORT
18	1	691206	SIDE FILL SWITCH BOX, STS '14

BULK HOSE  
 197145-HOSE 3" SUCTION, POLY HELIX EPDM



RH SOLUTION TANK VALVE (SIDE FILL)			
DET	QTY	P/N	DESCRIPTION
1	1	500142	CHECK VALVE 3" FLANGE
2	3	500208	3" FLANGE CLAMP S.S.
3	3	500209	3" FLANGE GASKET EPDM
4	1	500210	3" FLANGE-3" HOSE BARB POLY
5	1	500262	3" FLANGE-90-3" FLG SWEEP LBO
6	3	520145	3.56/3.88 T-BOLT HOSE CLAMP SS
7	1	601664	HOSE, 3 X 55 POLY HELIX EPDM
8	1	601798	HOSE, 3 X 51 POLY HELIX EPDM
9	1	690731	SOLU TUBE, 3.00 S.S. SIDE FILL
10	2	900064	5/16UNC X 3/4" HEX BOLT
11	2	914002	5/16UNC HEX STOVER NUT

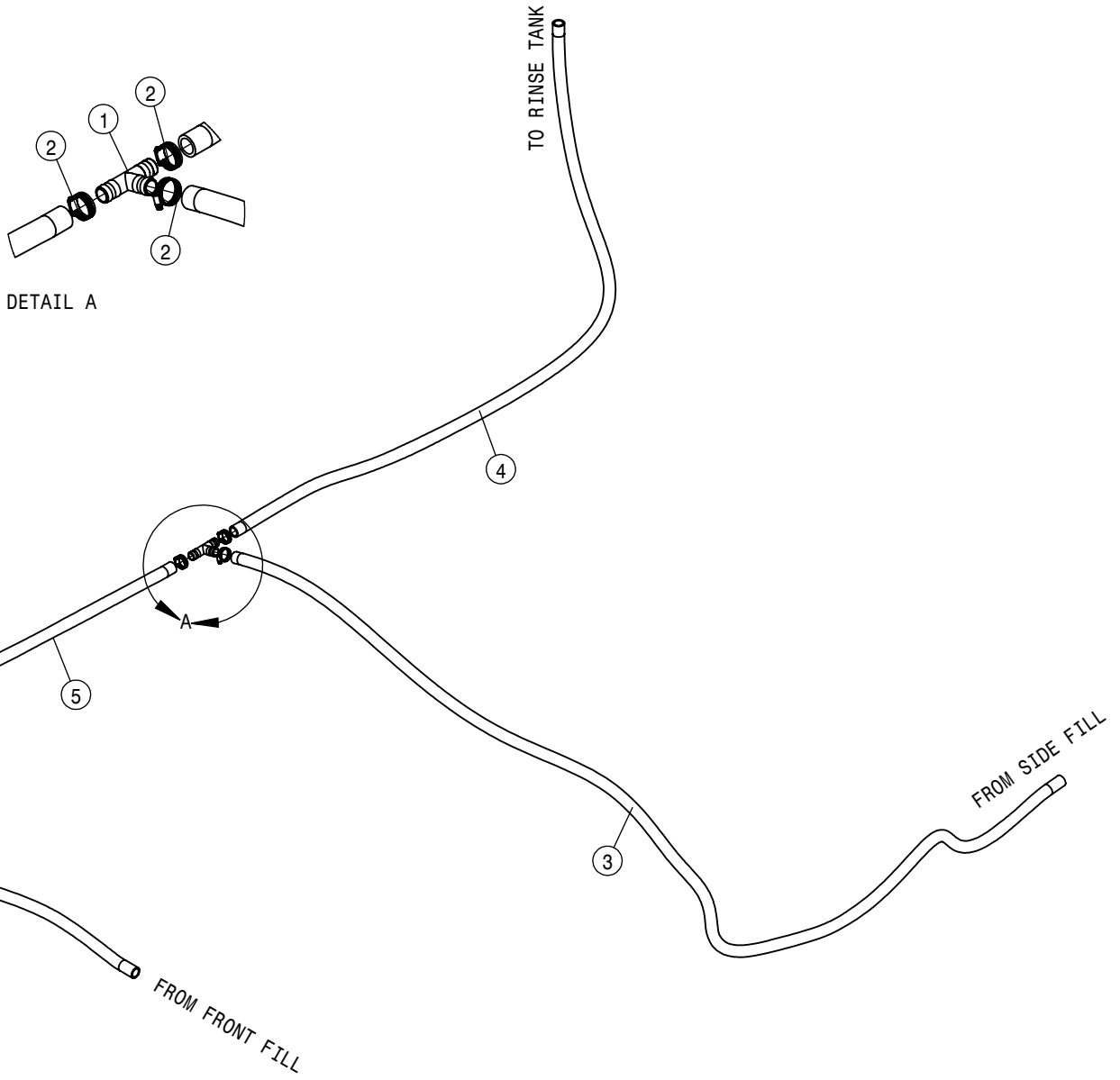
BULK HOSE  
197145-HOSE 3"SUCTION,POLY HELIX EPDM



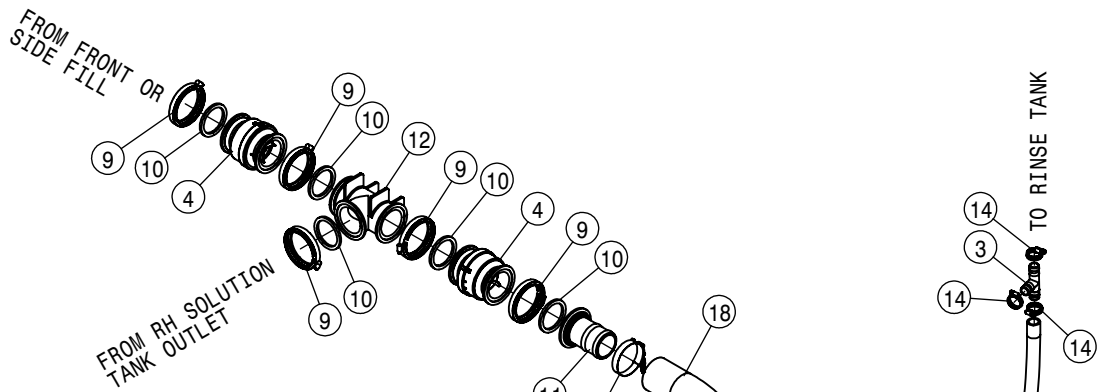
RH SOLUTION TANK VALVE (FRONT AND SIDE FILL)			
DET	QTY	P/N	DESCRIPTION
1	1	197145-037	HOSE 3" SUCTION,POLY HELIX EPDM
2	1	197145-040	HOSE 3" SUCTION,POLY HELIX EPDM
3	5	500208	3" FLANGE CLAMP S.S.
4	5	500209	3" FLANGE GASKET EPDM
5	2	500210	3"FLANGE-3" HOSEBARB POLY
6	1	500260	3" FP FLANGE 45 Y COUPLING
7	1	500262	3"FLANGE-90-3"FLG SWEEP LBO
8	1	601664	HOSE, 3 X 55 POLY HELIX EPDM
9	1	690731	SOLU TUBE, 3.00 S.S. SIDE FILL
10	2	900064	5/16UNC X 3/4" HEX BOLT
11	2	914002	5/16UNC HEX STOVER NUT
12	1	500142	CHECK VALVE 3" FLANGE
13	4	520145	3.56/3.88 T-BOLT HOSE CLAMP SS

BULK HOSE

- 197008-HOSE 1/2 1-FBR BR BLK EPDM
- 197116-HOSE 1IN 1-FBR BR BLK EPDM



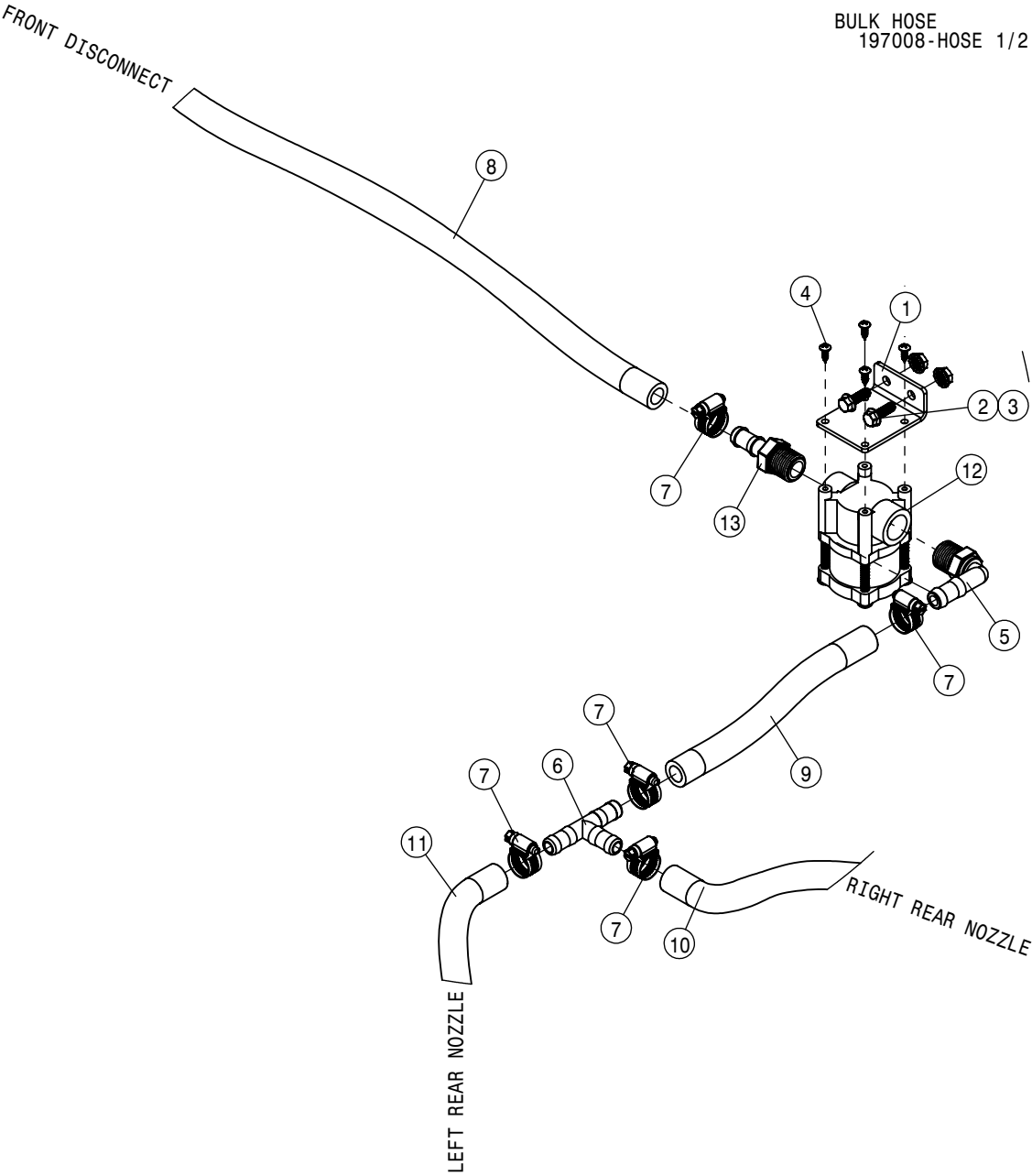
FILL/RINSE HOSES FRONT/SIDE FILL ASSEMBLY			
DET	QTY	P/N	DESCRIPTION
1	1	500105	1.00 HOSE BARB TEE, POLY
2	3	520090	HOSECLAMP NO 16 STAINLESS
3	1	601095	HOSE, 1 X 153 1BR BLK EPDM
4	1	601357	HOSE, 1 X 98 1BR BLK EPDM
5	1	601636	HOSE, 1 X 100 1BR BLK EPDM



BULK HOSE  
 197116-HOSE 1IN 1-FBR BR BLK EPDM  
 197145-HOSE 3"SUCTION,POLY HELIX EPDM

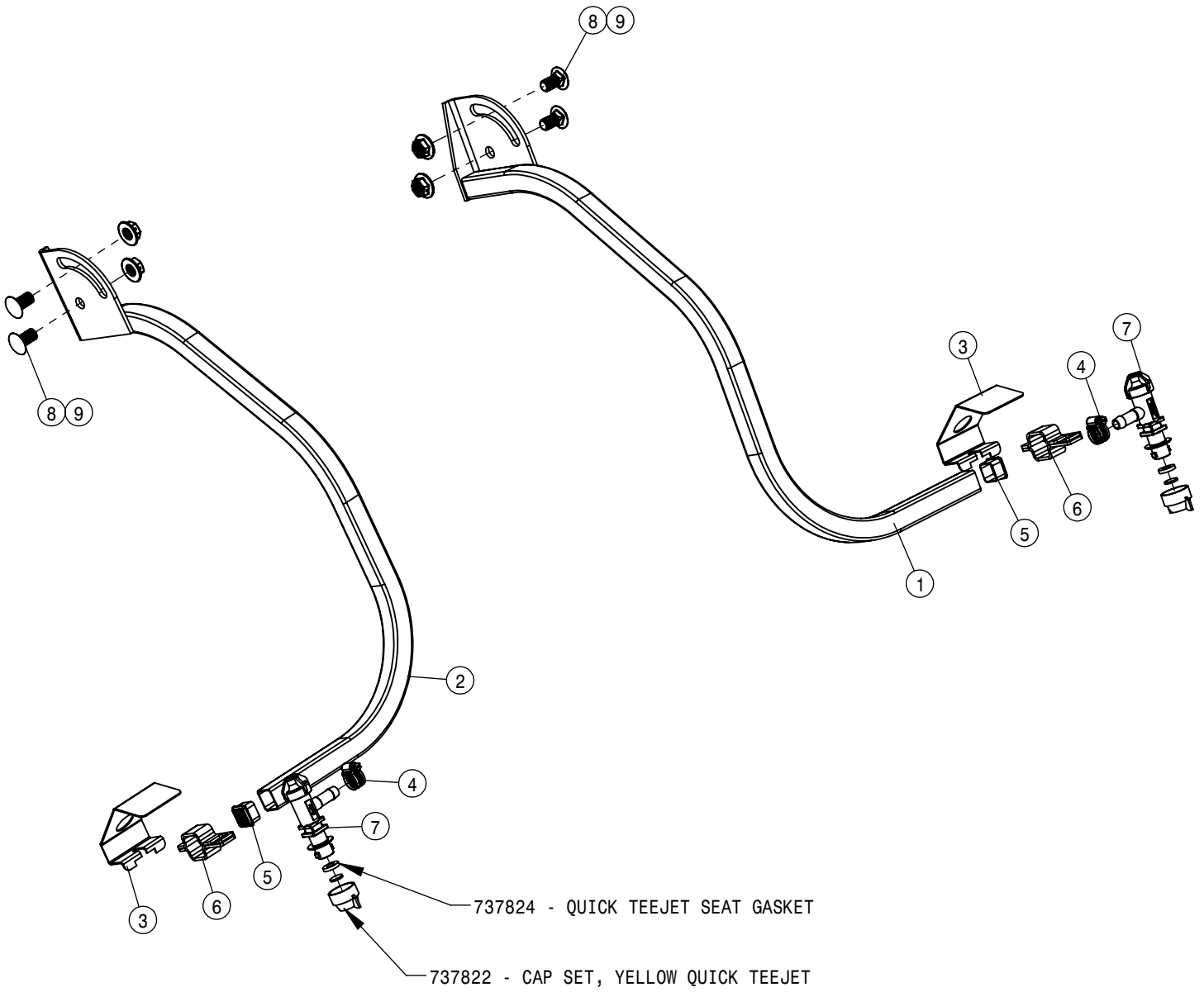
REAR FILL ASSEMBLY			
DET	QTY	P/N	DESCRIPTION
1	3	470113	5/16UNC SERR FLG LOCK NUT
2	3	470233	5/16UNC X 3/4 SERR FLG HEX BOLT
3	1	500105	1.00 HOSE BARB TEE, POLY
4	2	500142	CHECK VALVE 3" FLANGE
5	2	500157	1" FLANGE GASKET EPDM
6	2	500159	1" FLANGE CLAMP S.S.
7	1	500168	1" FLANGE-1" FNPT ADPTR POLY
8	1	500171	1" FLANGE-1" HOSE BARB POLY
9	10	500208	3' FLANGE CLAMP S.S.
10	10	500209	3" FLANGE GASKET EPDM
11	6	500210	3"FLANGE-3'HOSEBARB POLY
12	1	500217	3"FLANGE TEE POLY
13	2	500262	3"FLANGE-90-3"FLG SWEEP LBO
14	4	520090	HOSECLAMP NO 16 STAINLESS
15	6	520145	3.56/3.88 T-BOLT HOSE CLAMP SS
16	1	601035	HOSE, 1 X 236 1BR BLK EPDM
17	1	601924	HOSE, 3 X 53 POLY HELIX EPDM
18	2	650475	HOSE, 3 X 68 POLY HELIX EPDM
19	1	691426	BRKT VLV MNT REAR FILL
20	1	696147	BALL VLV, 1" FLANGE
21	1	696192	3"FLG STUBBY VALVE,3"M-ADPTR
22	1	696218	1.00MNPT-MALE COUPLER POLY
23	1	696219	CAP FOR 1.00 MALE COUPLER
24	1	696231	CAP FOR 3" MALE COUPLER POLY

BULK HOSE  
197008-HOSE 1/2 1-FBR BR BLK EPDM

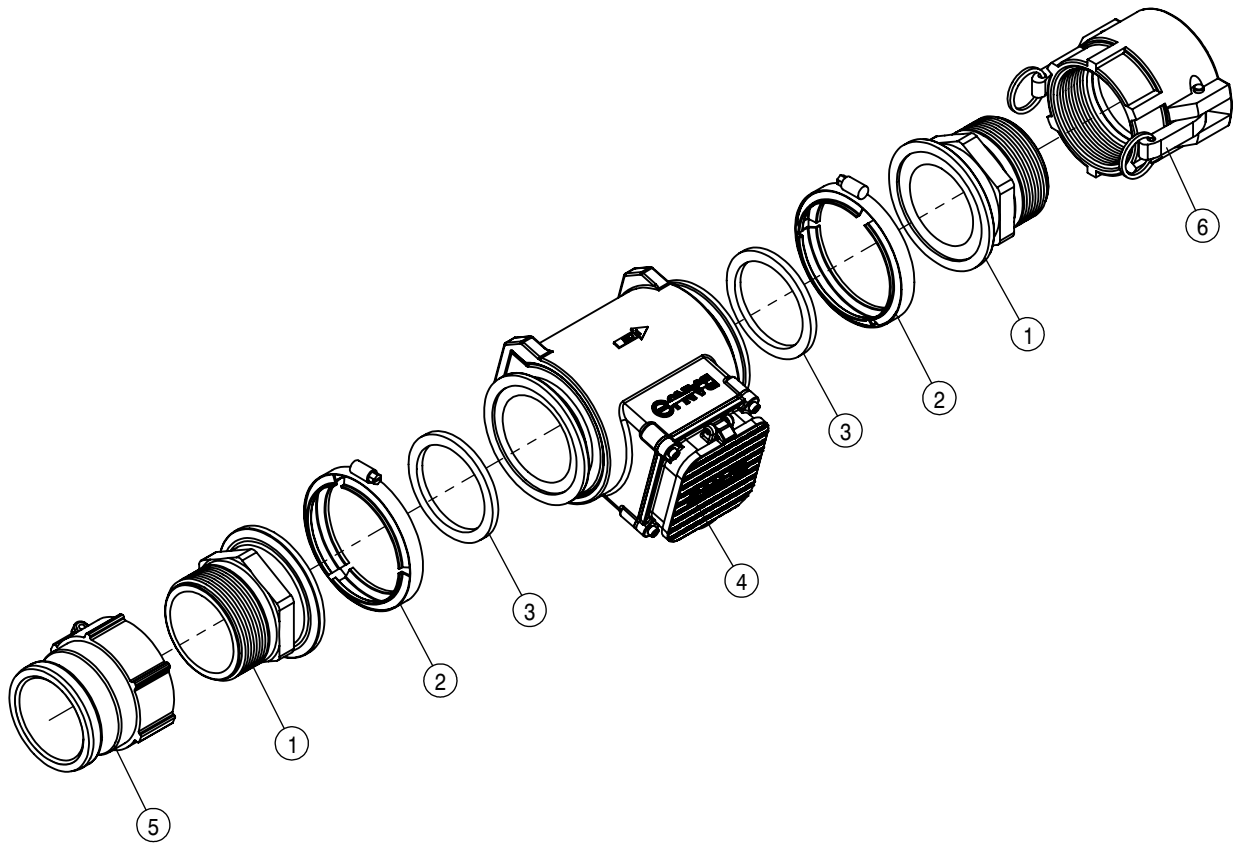


REAR WHEEL NOZZLE VALVE ASSEMBLY			
DET	QTY	P/N	DESCRIPTION
1	1	345018	REAR WHEEL SPRAY VLV MNT
2	2	470118	1/4 UNC X 3/4 SER FLG BOLT
3	2	470121	1/4 UNC SERR FLG LOCK NUT
4	4	473902	#8 X 1/2 PHIL PAN HD MTL SCR
5	1	500047	1/2NPT-90-1/2 HOSE BARB, POLY
6	1	500120	1/2" HOSE BARB TEE
7	5	520069	HOSE CLAMP NO 6 STAINLESS
8	1	601016	HOSE, 1/2 X 177 1BR BLK EPDM
9	1	601021	HOSE, 1/2 X 9 1BR BLK EPDM
10	1	601022	HOSE, 1/2 X 222 1BR BLK EPDM
11	1	601608	HOSE, 1/2 X 235 1BR EPDM
12	1	696238	SOLU VLV, 1/2FNPT, 12V 150PSI
13	1	713340	1/2NPT-1/2 HOSE BARB, POLY





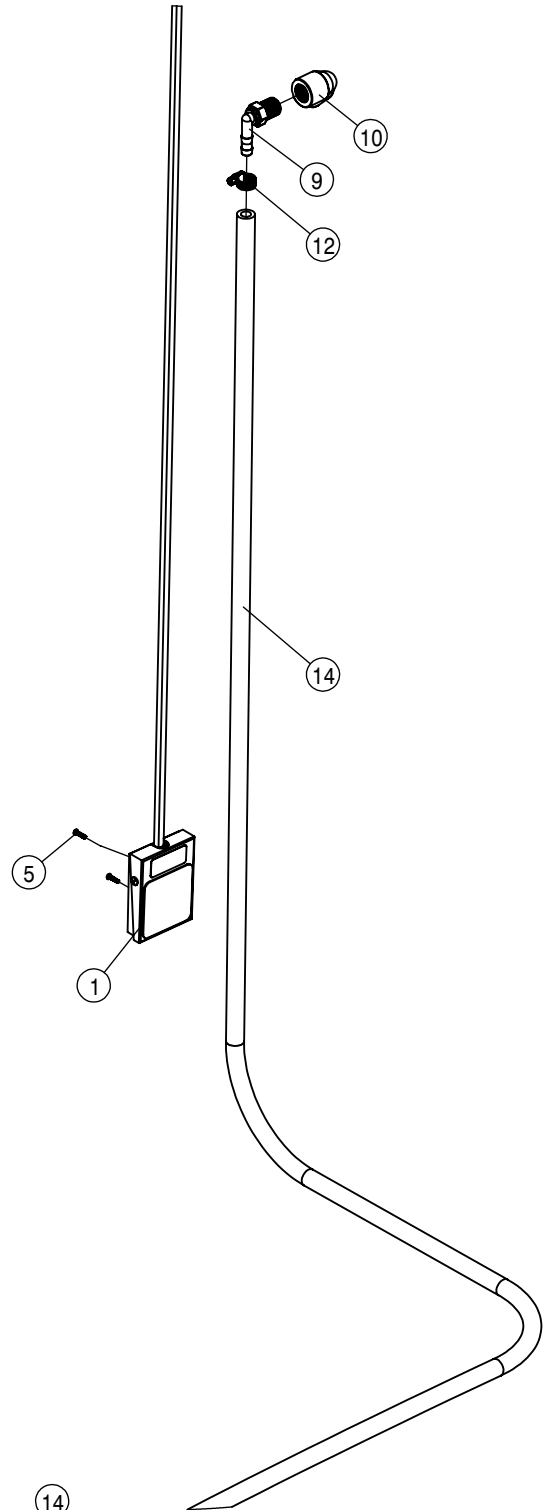
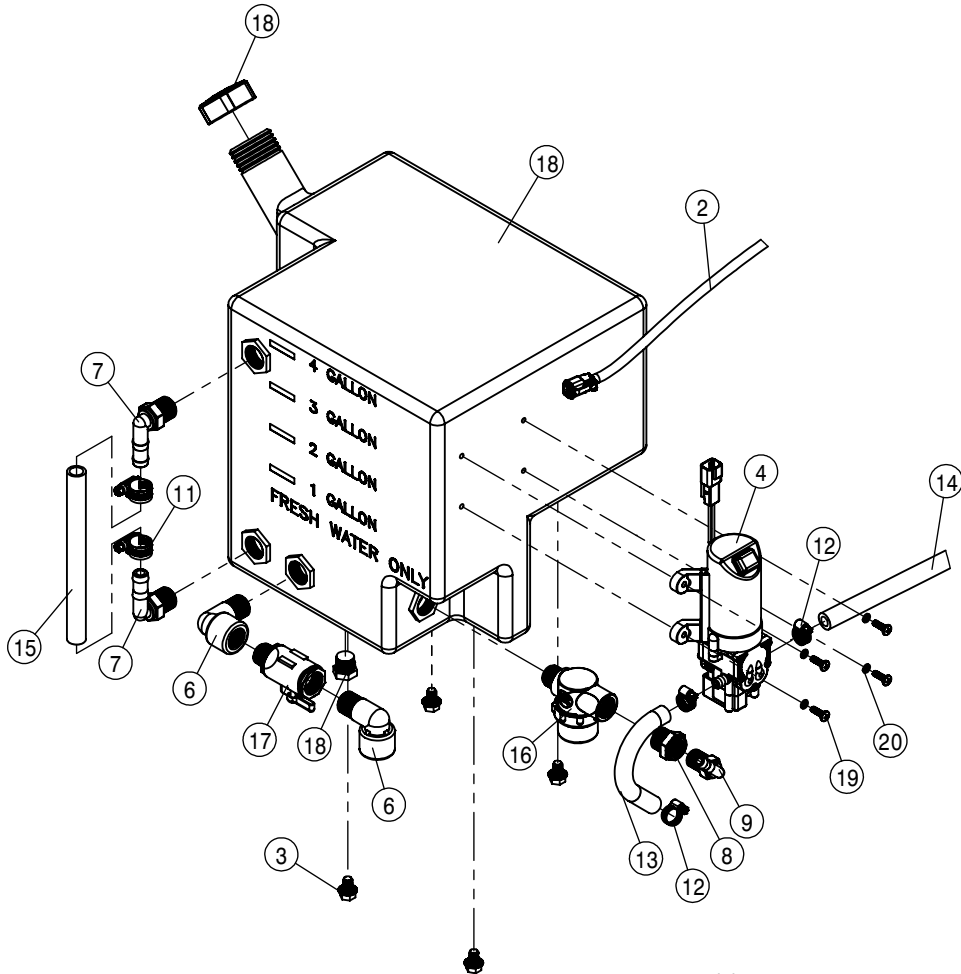
REAR NOZZLE ASSEMBLY			
DET	QTY	P/N	DESCRIPTION
	1	164670	RH REAR NOZL MT WLD STS12
	1	164671	LH REAR NOZL MT WLD STS12
	2	164676	NOZL SHIELD, REAR WHEEL 00
	2	520069	HOSE CLAMP NO 6 STAINLESS
	2	629727	FINISH PLUG 1" SQ 16 GA
	2	737817	NOZZLE BRACKET
	2	737827	QUICK TJET LBO, 1-TIP BODY .50
	4	901253	1/2UNC X 1" CARR BOLT
	4	914015	1/2UNC HEX CENTER-LOCK NUT

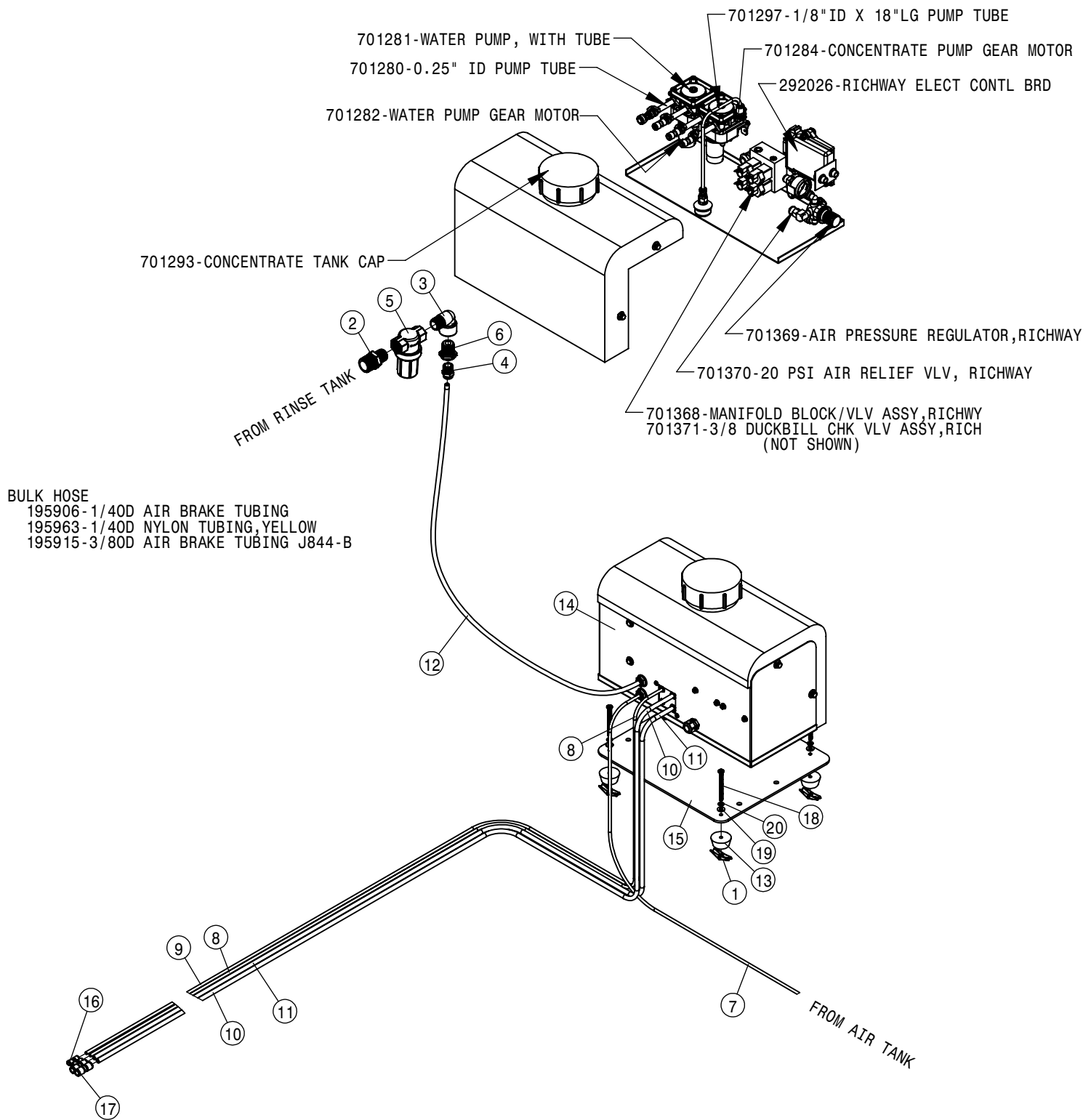


FILL FLOW METER ASSEMBLY			
DET	QTY	P/N	DESCRIPTION
1	2	500164	3" FLANGE- 3.00 MNPT ADPTR POLY
2	2	500208	3' FLANGE CLAMP S.S.
3	2	500209	3" FLANGE GASKET EPDM
4	1	691242	3" MANIFOLD FLOWMETER, BANJO
5	1	696225	3.00 FNPT-MALE COUPLER POLY
6	1	696228	3.00FNPT-FEMALE COUPLER POLY

BULK HOSE  
 195902-HOSE 1/2ID-3/32W CLEAR VINYL  
 195923-HOSE 3/8 1-FBR BR BLK RLA

HAND WASH TANK ASSEMBLY			
DET	QTY	P/N	DESCRIPTION
1	1	294059	footswitch assembly, 60" cord
2	1	294252	HANDWASH EXTENSION HARNESS
3	4	470232N	5/16UNC X 1/2 SERR FLG BOLT SS
4	1	470596	DIAPHRAM PUMP W/DEUTSCH CONNEC
5	2	472351	4-40 X 1/2 PAN HD MTL SCR TYP F
6	2	500044	1/2NPT-90 ST EL, POLY
7	2	500047	1/2NPT-90-1/2 HOSE BARB, POLY
8	1	500286	1/2"-3/8"NPT REDU BUSH, POLY
9	2	500287	3/8NPT-90-3/8 HOSE BARB, POLY
10	1	500288	3/8NPT-90 EL, POLY
11	2	520069	HOSE CLAMP NO 6 STAINLESS
12	4	520120	HOSE CLAMP NO 4 STAINLESS
13	1	601076	HOSE, 3/8 X 7.00 1FBR BR
14	1	601077	HOSE, 3/8 X 200.00 1FBR BR
15	1	601078	HOSE, 1/2 X 7.50" CLEAR VINYL
16	1	690207	IN-LINE STRAINER, 1/2 FNPT, HYPRO
17	1	696195	1/2FNPT-1/2MNPT MICRO BALL VLV
18	1	763831	TANK-HAND WASH, 4.4 GALLON
19	4	903710N	10-32 X 5/8 PHIL PANHD MACH SCR
20	4	920510N	#10 LOCK WASHER YZ

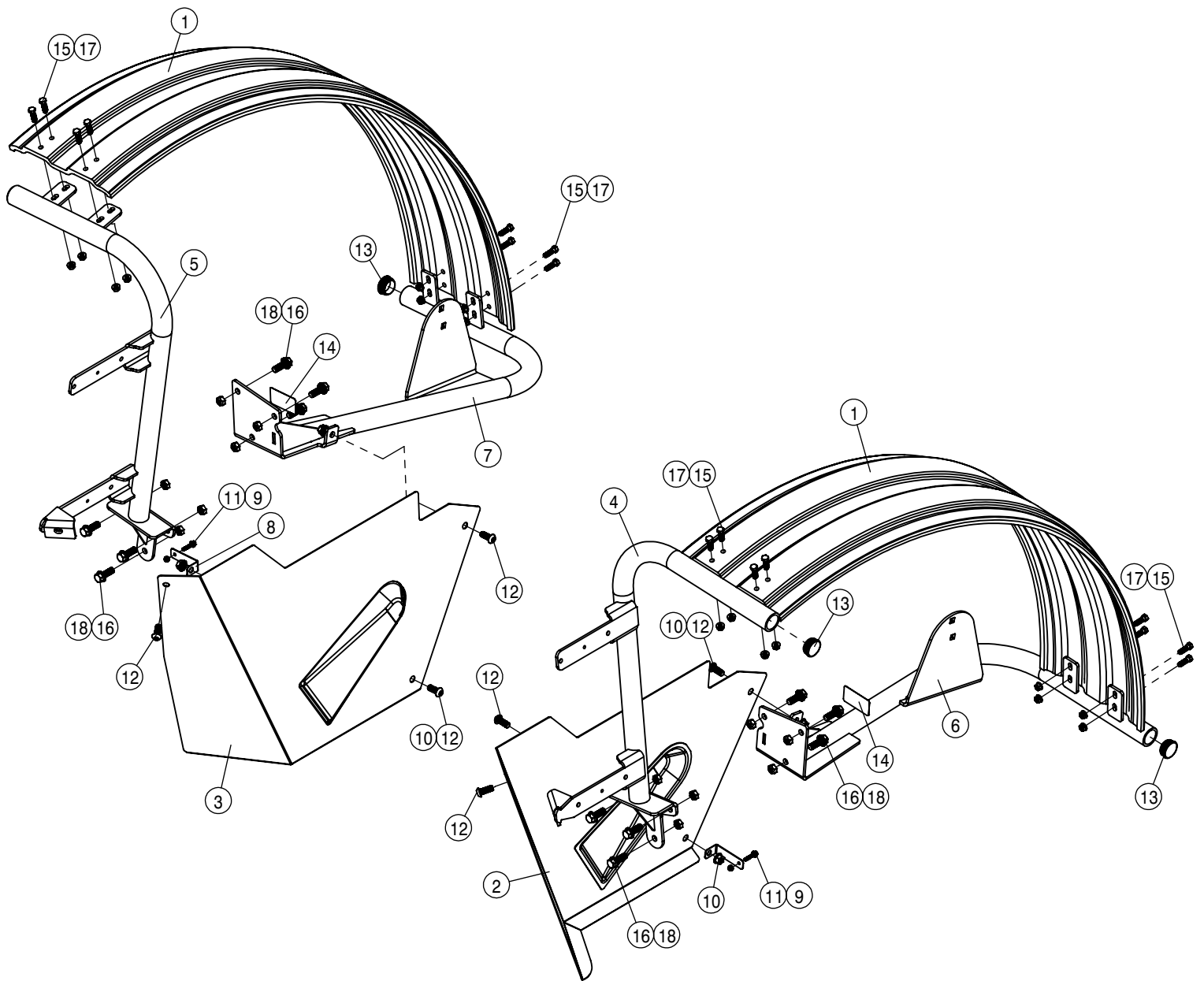




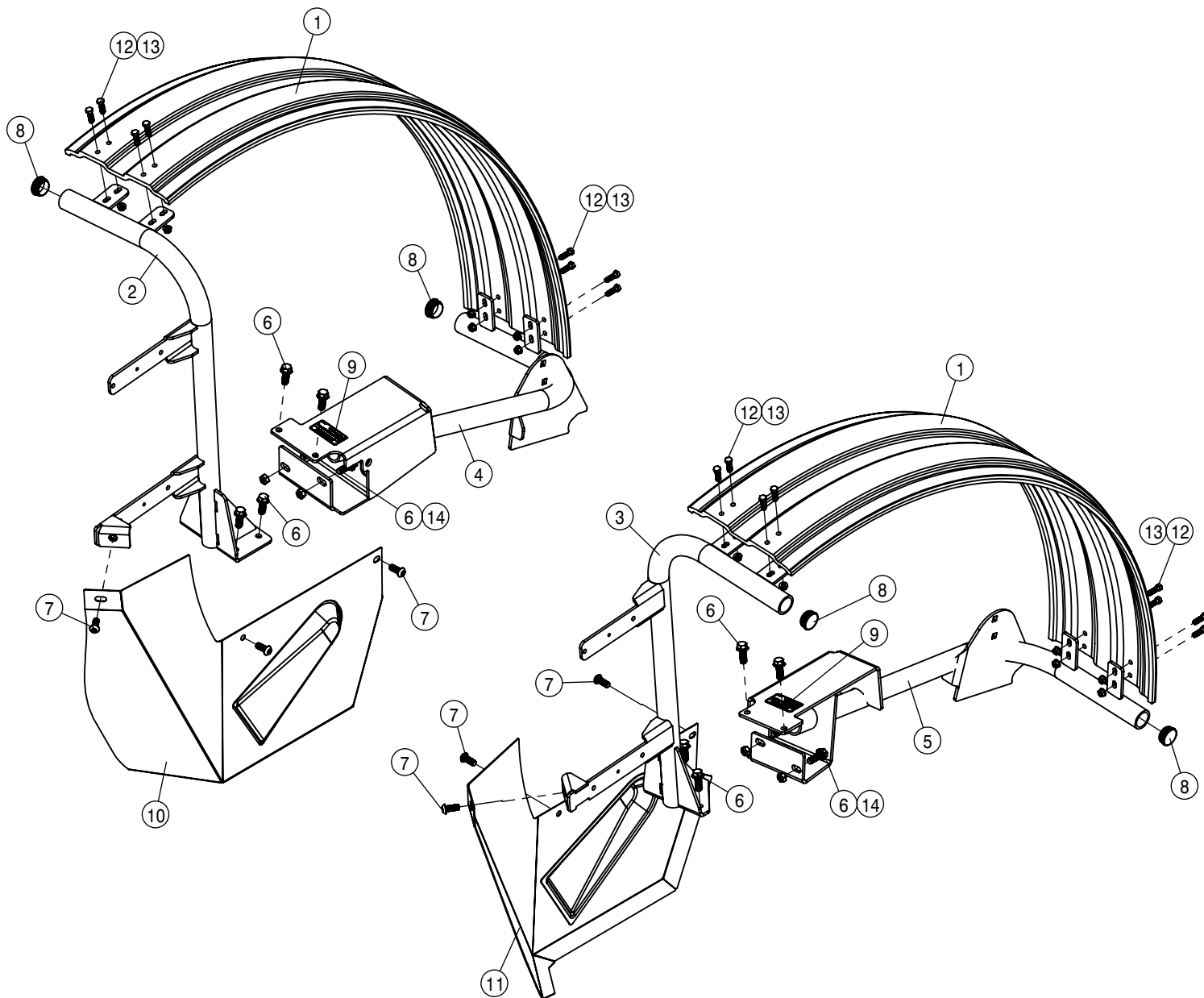
BULK HOSE  
 195906- 1/4OD AIR BRAKE TUBING  
 195963- 1/4OD NYLON TUBING, YELLOW  
 195915- 3/8OD AIR BRAKE TUBING J844-B

FOAMER ASSEMBLY			
DET	QTY	P/N	DESCRIPTION
1	4	470684	1/4UNC TOGGLE NUT, ZP
2	1	500085	1" X 3/4NPT REDU NIPPLE, POLY
3	1	500139	POLY STREET EL 3/4", (SL075-90)
4	1	500275	1/2MPT-3/8 NYL TUBE FTG
5	1	503104	LINE T-STRAINER, 3/4" NPT 80 MESH
6	1	504211	RED BUSH 3/4MNPT-1/2FNPT,POLY
7	1	601655	HOSE, 1/4 X 130 AIR
8	1	601954	HOSE- 1/4 X 182 AIR, YELLOW
9	1	601955	HOSE-1/4 X181 AIR, BLACK
10	1	601956	HOSE-3/8 X 183, AIR YELLOW

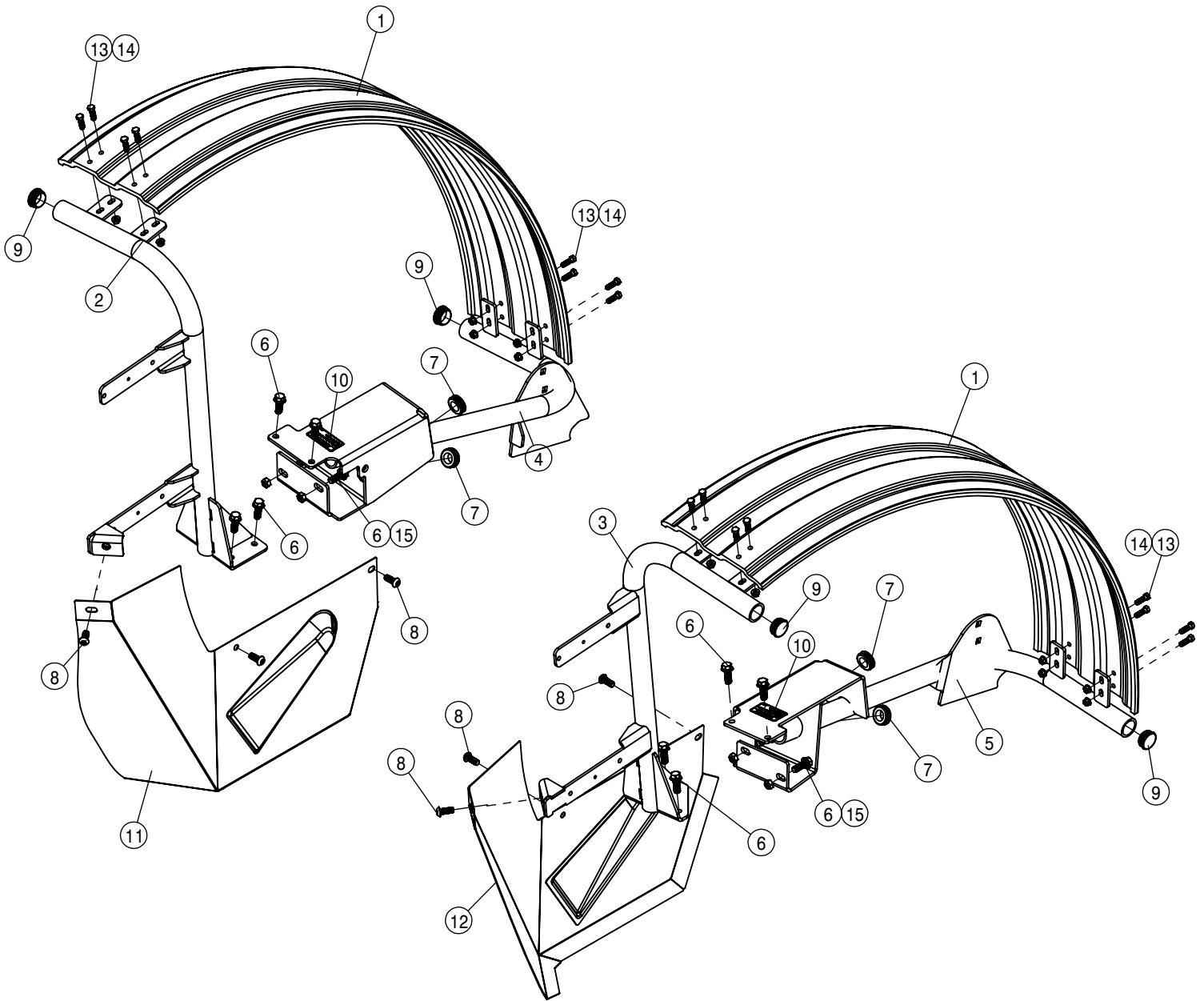
FOAMER ASSEMBLY			
DET	QTY	P/N	DESCRIPTION
11	1	601957	HOSE-3/8 X182 AIR, BLACK
12	1	602014	HOSE-3/8 X 42 AIR, BLACK
13	4	701208	FOOT-FOAMER MOUNT
14	1	701346	RICHWAY POWER UNIT/TANK '13
15	1	701347	MTG PLT-FOAMER STS 2014
16	2	711054	1/4 NYL TUBE UNION, STRAIGHT
17	2	711055	3/8 NYL TUBE UNION, STRAIGHT
18	4	903713	1/4UNC X 3" PHIL PAN MACH SCR
19	4	920000N	1/4 SAE FLAT WASHER SS
20	4	920500N	1/4 LOCK WASHER SS



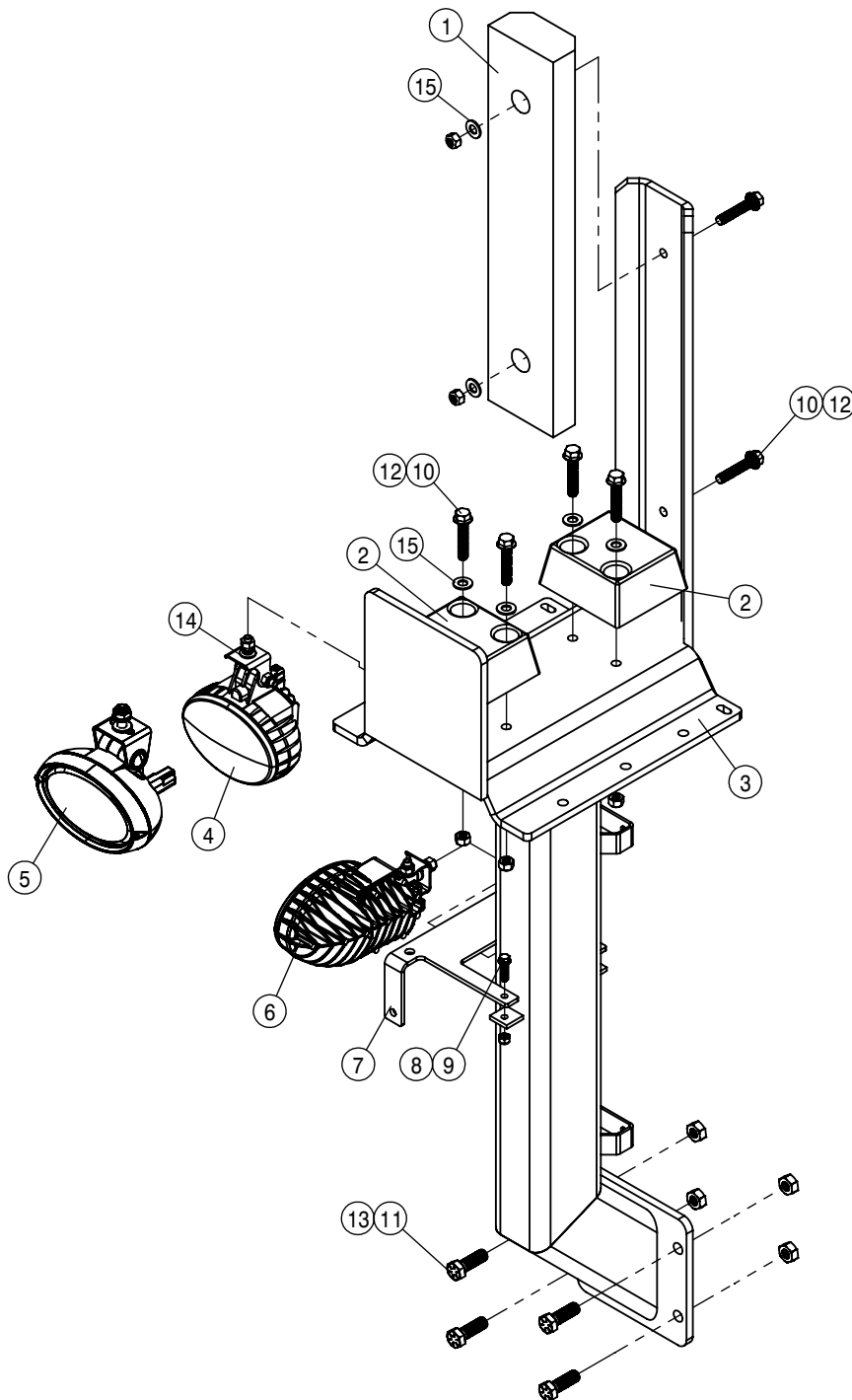
FRONT/REAR FENDER ASSEMBLY (SEVERE DUTY LEG)			
DET	QTY	P/N	DESCRIPTION
1	2	359598	FRONT FENDER, STS '10
2	1	360121	CROP SHIELD WLDMT-LH SDS LEG
3	1	360122	CROP SHIELD WLDMT-RH SDS LEG
4	1	360123	FENDER BRKT-LH FRT, SDS LEG
5	1	360124	FENDER BRKT-RH FRT, SDS LEG
6	1	360125	FENDER BRKT WLDMT-LR, SDS LEG
7	1	360126	FENDER BRKT WLDMT-RR, SDS LEG
8	2	360139	MTG STRAP-CROP SHIELD SDS LEG
9	2	470089	1/4UNC HEX NYL-LOC NUT
10	4	470360N	1/2UNC SERR FLG HEX NUT YZ
11	2	470407	1/4UNC X 1 1/4 SERR FLG BOLT
12	6	473987	1/2UNC X 1 1/4BUT SKTHD SCR
13	4	629772	CAPPLUGS PLUG, 1 3/4" RD, BLACK POLY
14	2	650851	DECAL, NOTICE, SHIELD PROTECT
15	16	900130	3/8UNC X 1 1/4 HEX BOLT
16	12	900265N	1/2UNC X 1 1/2 SERR FLANGE BOLT
17	16	910004N	3/8UNC FLANGE CNTR LOCK NUT
18	12	914008	1/2 UNC HEX STOVER NUT



FRONT FENDER ASSEMBLY (STANDARD LEG)			
DET	QTY	P/N	DESCRIPTION
1	2	359598	FRONT FENDER, STS '10
2	1	360042	RH FENDER BRKT WLD, STS '14
3	1	360043	LFT FENDER BRKT WELD
4	1	360050	RH LWR FENDER MT WLD, STS'14
5	1	360051	LFT LWR FENDER MT WLD, STS'14
6	14	470431	1/2UNC X 1 1/2 SERR FLG BOLT
7	6	473987	1/2UNC X 1 1/4 BUT SKTHD SCR
8	4	629772	CAPPLUGS PLUG, 1 3/4" RD, BLACK POLY
9	2	650851	DECAL, NOTICE, SHIELD PROTECT
10	1	662288	CROP SHIELD INDENT WLDMENT RGT
11	1	662289	CROP SHIELD INDENT WLDMENT LFT
12	16	900130	3/8UNC X 1 1/4 HEX BOLT
13	16	910004N	3/8UNC FLANGE CNTR LOCK NUT
14	4	914008	1/2 UNC HEX STOVER NUT

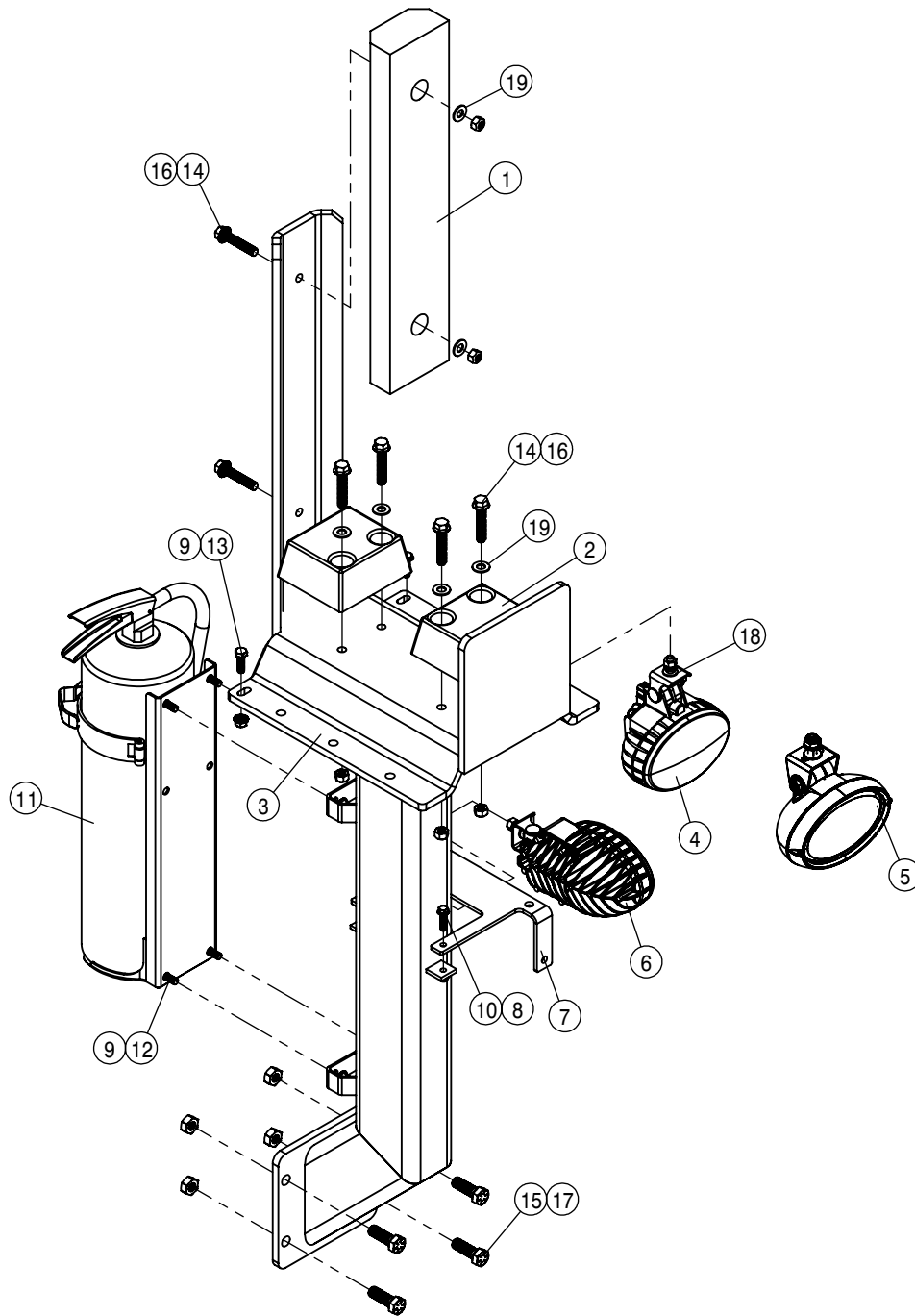


REAR FENDER ASSEMBLY (STANDARD LEG)			
DET	QTY	P/N	DESCRIPTION
1	2	359598	FRONT FENDER, STS '10
2	1	360042	RH FENDER BRKT WLD, STS '14
3	1	360043	LFT FENDER BRKT WELD
4	1	360050	RH LWR FENDER MT WLD, STS'14
5	1	360051	LFT LWR FENDER MT WLD, STS'14
6	14	470431	1/2UNC X 1 1/2 SERR FLG BOLT
7	4	473913	GROMMET, 1ID, 0.25GW 1.375GD
8	6	473987	1/2UNC X 1 1/4BUT SKTHD SCR
9	4	629772	CAPPLUGS PLUG, 1 3/4" RD, BLACK POLY
10	2	650851	DECAL, NOTICE, SHIELD PROTECT
11	1	662288	CROP SHIELD INDENT WLDMENT RGT
12	1	662289	CROP SHIELD INDENT WLDMENT LFT
13	16	900130	3/8UNC X 1 1/4 HEX BOLT
14	16	910004N	3/8UNC FLANGE CNTR LOCK NUT
15	4	914008	1/2 UNC HEX STOVER NUT

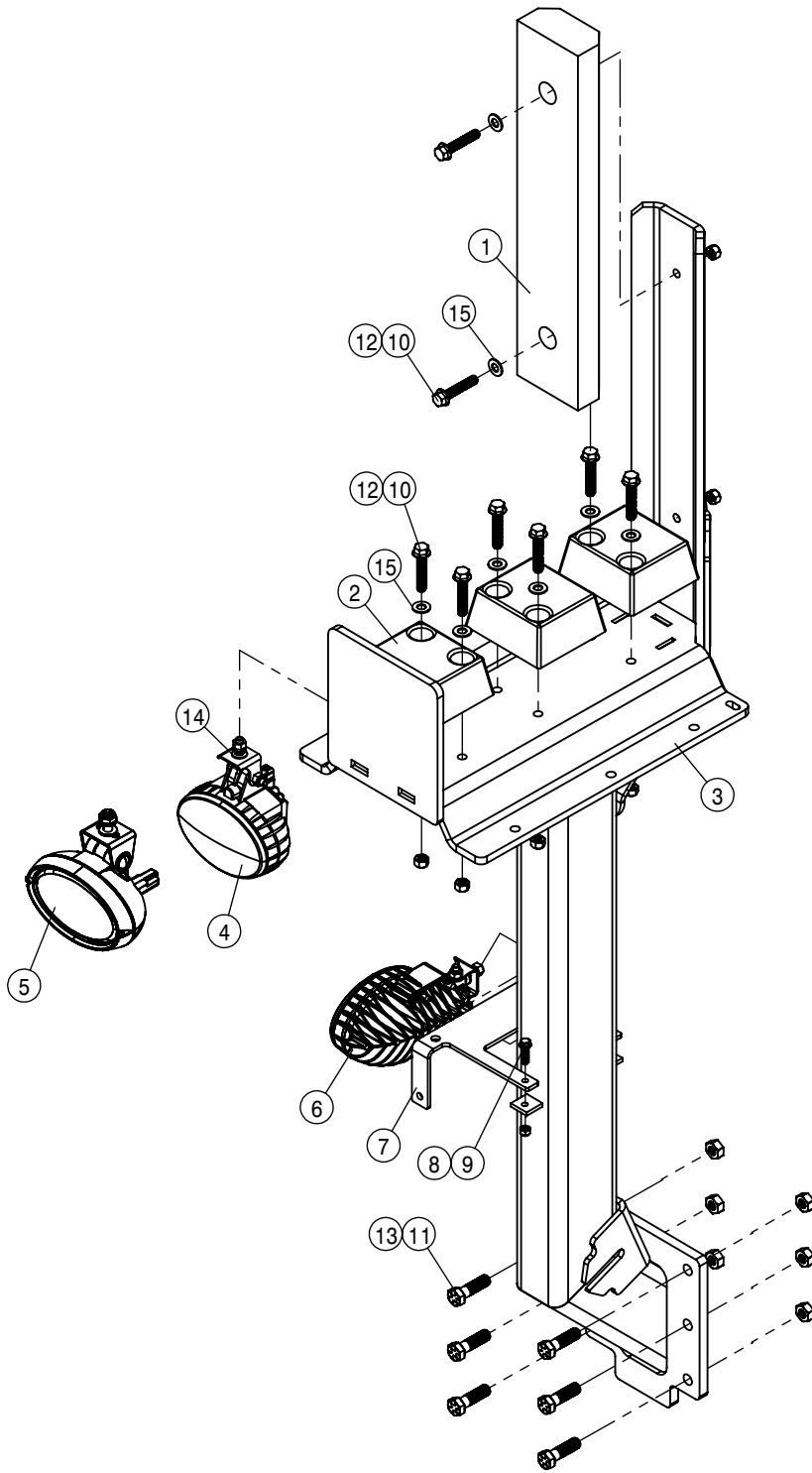


RH 90/100' BOOM CRADLE ASSEMBLY			
DET	QTY	P/N	DESCRIPTION
1	1	164512	RUBBER BUMPER, BOOM CRADLE
2	2	164513	BOOM CRADLE PAD
3	1	165041	BOOM CRADLE WLD 07
4	1	292553	735F 12V LED worklamp, Bottom mount
5	1	292614	WORKLIGHT - HALOGEN CLOSE RANGE
6	1	292917	LED LIGHT, AMBER
7	1	343689	EXTREMITY FLASHER MT, STS '11
8	2	470089N	1/4UNC HEX NYLOC NUT, 316 SS
9	2	470231N	1/4UNC X 1" SERR FLG BOLT SS
10	6	900133N	3/8UNC X 2" SERR FLANGE BOLT
11	4	900804	1/2UNC X 1 1/2 HEX BOLT GR8 YZ
12	6	914004	3/8UNC HEX STOVER NUT
13	4	914808	1/2UNC HEX STOVER NUT GR8
14	1	920001N	5/16 SAE FLAT WASHER SS
15	6	920002N	3/8 SAE FLAT WASHER

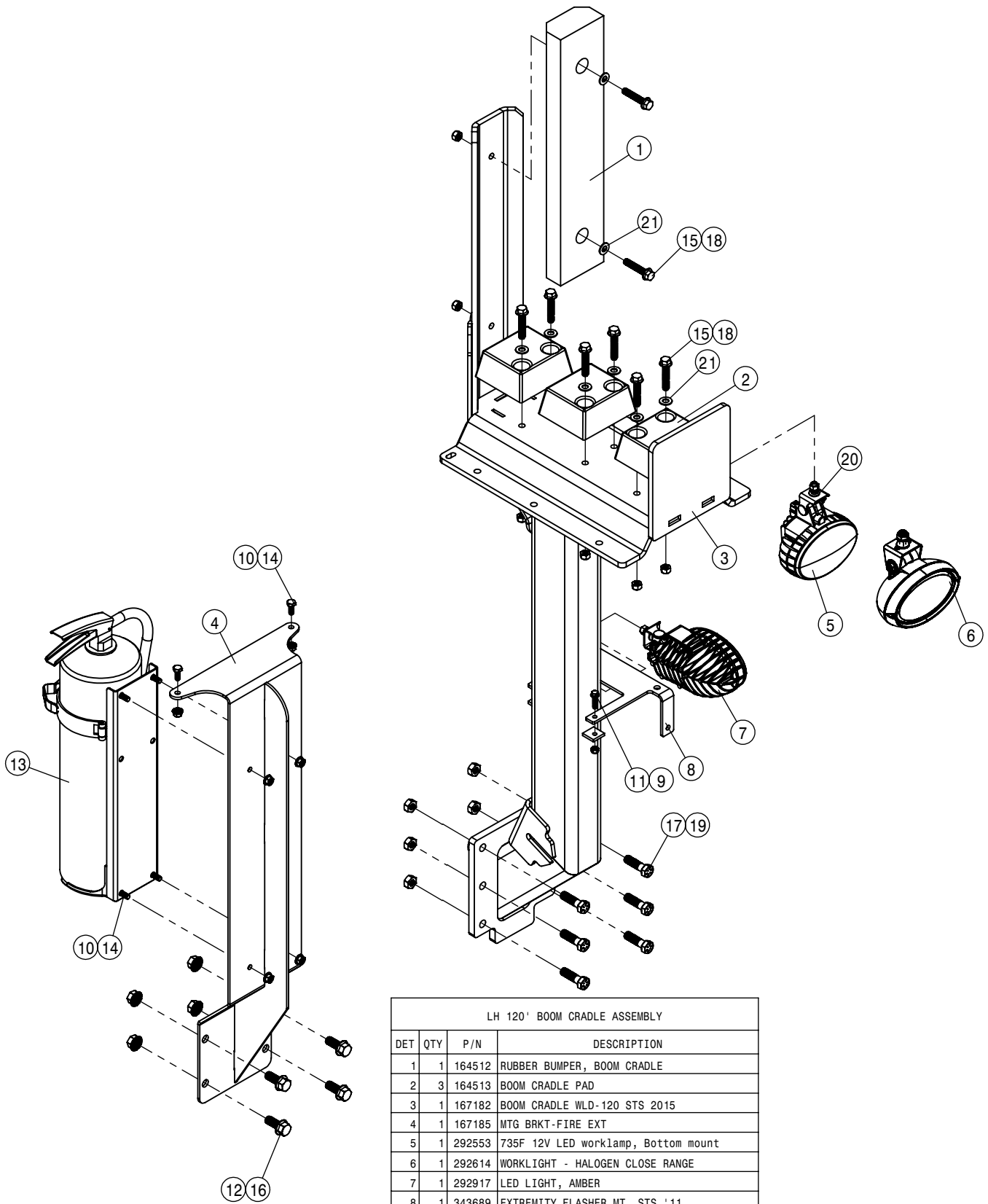




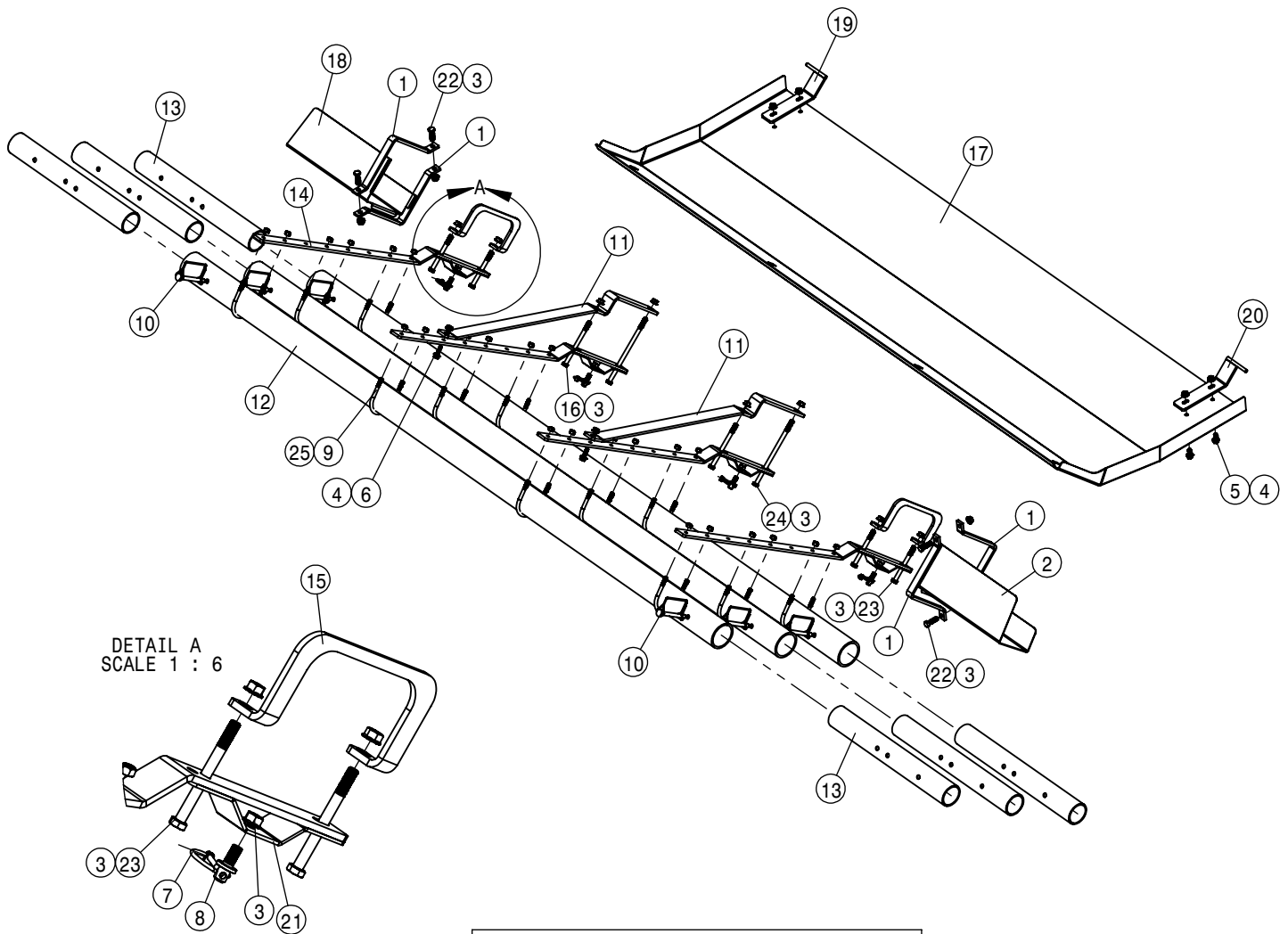
LH 90/100' BOOM CRADLE ASSEMBLY			
DET	QTY	P/N	DESCRIPTION
1	1	164512	RUBBER BUMPER, BOOM CRADLE
2	2	164513	BOOM CRADLE PAD
3	1	165041	BOOM CRADLE WLD 07
4	1	292553	735F 12V LED worklamp, Bottom mount
5	1	292614	WORKLIGHT - HALOGEN CLOSE RANGE
6	1	292917	LED LIGHT, AMBER
7	1	343689	EXTREMITY FLASHER MT, STS '11
8	2	470089N	1/4UNC HEX NYLOC NUT, 316 SS
9	6	470113	5/16UNC SERR FLG LOCK NUT
10	2	470231N	1/4UNC X 1" SERR FLG BOLT SS
11	1	490508	FIRE EXTINGUISHER
12	4	900064	5/16UNC X 3/4" HEX BOLT
13	2	900065N	5/16UNC X 1" HEX BOLT SS
14	6	900133N	3/8UNC X 2" SERR FLANGE BOLT
15	4	900804	1/2UNC X 1 1/2 HEX BOLT GR8 YZ
16	6	914004	3/8UNC HEX STOVER NUT
17	4	914808	1/2UNC HEX STOVER NUT GR8
18	2	920001N	5/16 SAE FLAT WASHER SS
19	6	920002N	3/8 SAE FLAT WASHER



RH 120' BOOM CRADLE ASSEMBLY			
DET	QTY	P/N	DESCRIPTION
1	1	164512	RUBBER BUMPER, BOOM CRADLE
2	3	164513	BOOM CRADLE PAD
3	1	167182	BOOM CRADLE WLD-120 STS 2015
4	1	292553	735F 12V LED worklamp, Bottom mount
5	1	292614	WORKLIGHT - HALOGEN CLOSE RANGE
6	1	292917	LED LIGHT, AMBER
7	1	343689	EXTREMITY FLASHER MT, STS '11
8	2	470089N	1/4UNC HEX NYLOC NUT, 316 SS
9	2	470231N	1/4UNC X 1" SERR FLG BOLT SS
10	8	900133N	3/8UNC X 2" SERR FLANGE BOLT
11	6	900805	1/2UNC X 1 3/4 HEX BOLT GR8 YZ
12	8	914004	3/8UNC HEX STOVER NUT
13	6	914808	1/2UNC HEX STOVER NUT GR8
14	1	920001N	5/16 SAE FLAT WASHER SS
15	8	920002N	3/8 SAE FLAT WASHER

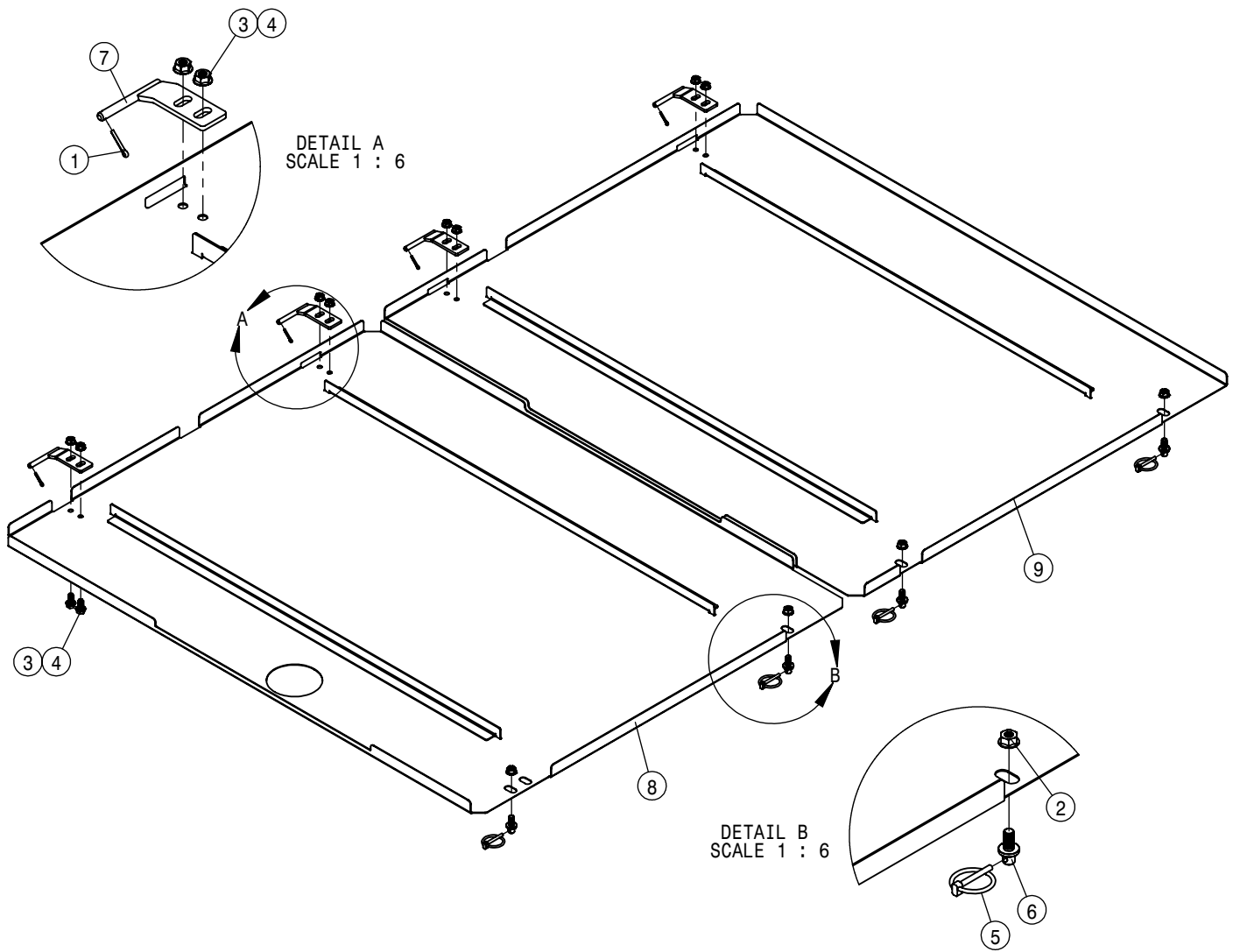


LH 120' BOOM CRADLE ASSEMBLY			
DET	QTY	P/N	DESCRIPTION
1	1	164512	RUBBER BUMPER, BOOM CRADLE
2	3	164513	BOOM CRADLE PAD
3	1	167182	BOOM CRADLE WLD-120 STS 2015
4	1	167185	MTG BRKT-FIRE EXT
5	1	292553	735F 12V LED worklamp, Bottom mount
6	1	292614	WORKLIGHT - HALOGEN CLOSE RANGE
7	1	292917	LED LIGHT, AMBER
8	1	343689	EXTREMITY FLASHER MT, STS '11
9	2	470089N	1/4UNC HEX NYLOC NUT, 316 SS
10	6	470113	5/16UNC SERR FLG LOCK NUT
11	2	470231N	1/4UNC X 1" SERR FLG BOLT SS
12	4	470360	1/2UNC SERR FLG HEX NUT
13	1	490508	FIRE EXTINGUISHER
14	6	900064	5/16UNC X 3/4" HEX BOLT
15	8	900133N	3/8UNC X 2" SERR FLANGE BOLT
16	4	900264N	1/2UNC X 1 1/4 SER FLANGE BOLT
17	6	900805	1/2UNC X 1 3/4 HEX BOLT GR8 YZ
18	8	914004	3/8UNC HEX STOVER NUT
19	6	914808	1/2UNC HEX STOVER NUT GR8
20	1	920001N	5/16 SAE FLAT WASHER SS
21	8	920002N	3/8 SAE FLAT WASHER

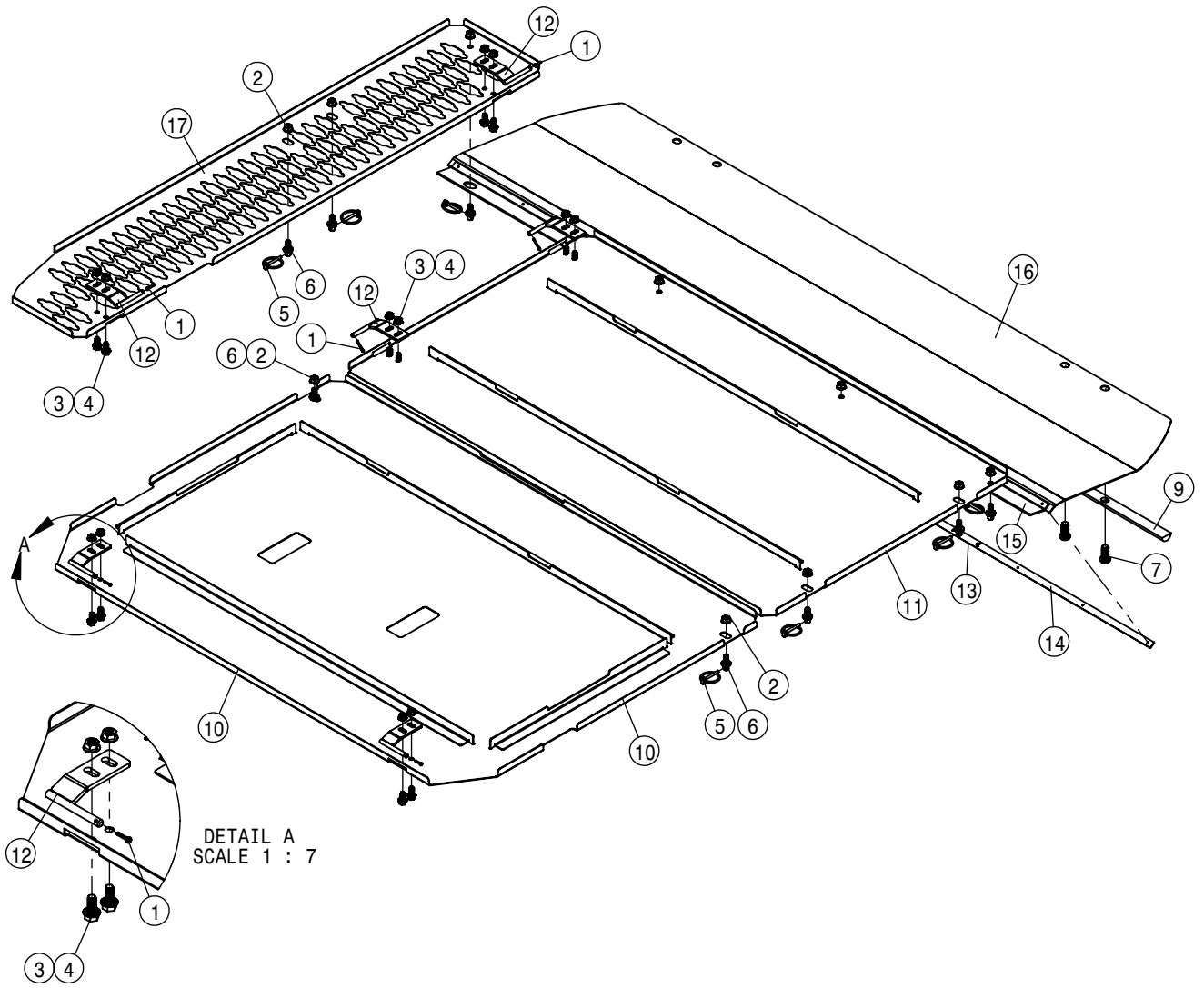


DETAIL A  
SCALE 1 : 6

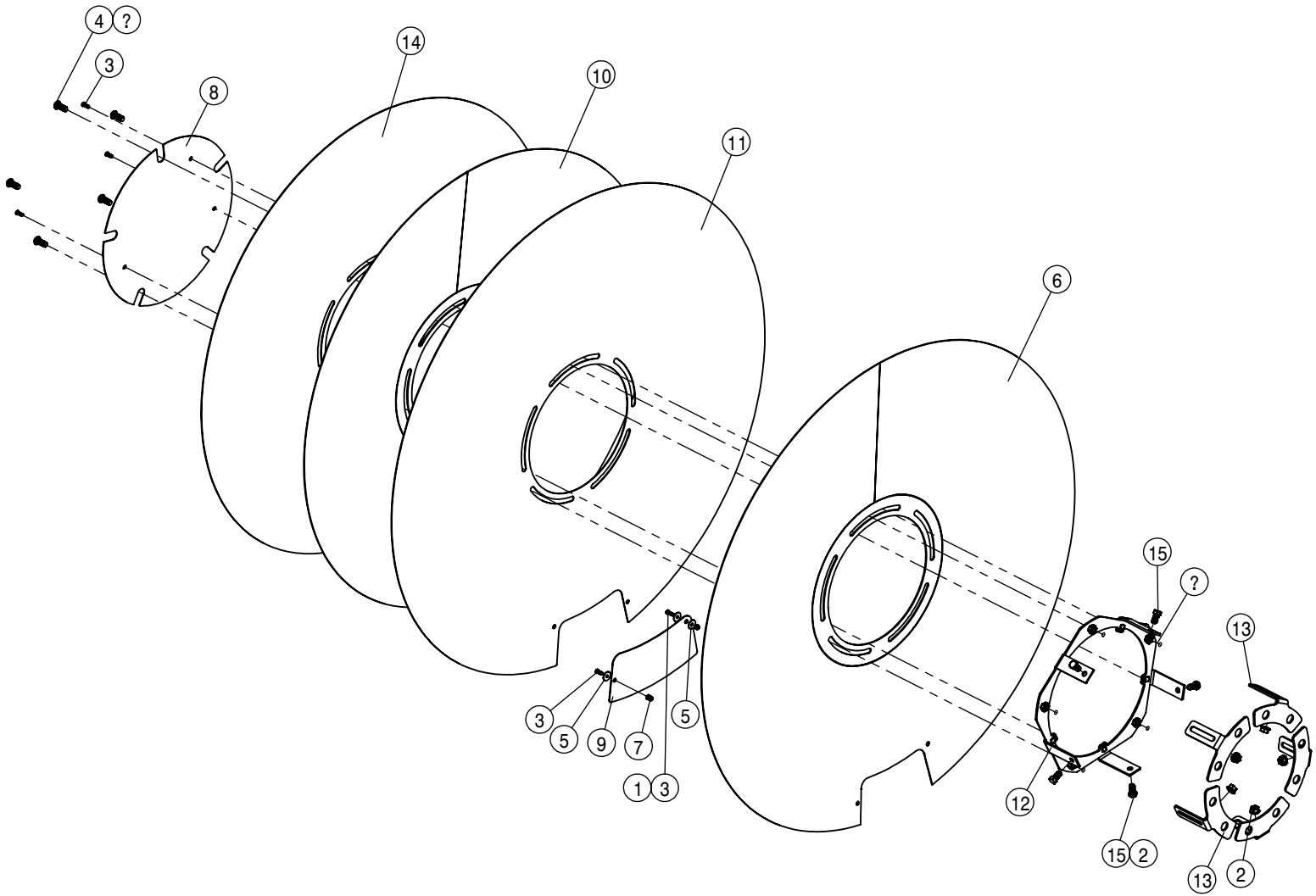
FRONT TALL CROP SHIELD ASSEMBLY			
DET	QTY	P/N	DESCRIPTION
1	4	003078	RECEPT MTG BRKT, PAINTED STS 07
2	1	660474	LH FRT TOOLBAR SHIELD STS
3	16	470087	3/8UNC HEX SERR FLANGE NUT
4	6	470113	5/16UNC SERR FLG LOCK NUT
5	4	470233	5/16UNC X 3/4 SERR FLG HEX BOLT
6	2	470234	5/16UNC X 1" SERR FLG HEX BOLT
7	4	470335	LINCHPIN, 3/16 X 1 1/4 GRIP
8	4	470520	HANGER PIN, 3/8UNC x .437Dx .500L
9	12	472046	5/16UNC-3.00ID-3.687 U-BOLT,SS
10	6	475016	KLIK PIN 3/8 DIA x 3 x 1 1/2
11	2	660465	BRUSH GUARD SUPPORT
12	3	660466	BRUSH GUARD PVC TUBE STS
13	6	660467	BRUSH GUARD PVC EXT STS
14	4	660468	BRUSH GUARD MT STS
15	2	660470	BRUSH GUARD MT SUPPORT STS
16	2	900142	3/8 UNC X 5" HEX BOLT
17	1	660472	FRT BELLY SHIELD STS' 14
18	1	660473	RH FRT TOOLBAR SHIELD STS
19	1	660475	RH FRT SHLD HING WLD STS' 14
20	1	660476	LH FRT SHLD HING WLD STS' 14
21	4	660471	FRNT BELLY SHLD RETAINER STS
22	4	900127	3/8UNC X 1 1/4 HEX BOLT
23	4	900140	3/8UNC X 4" HEX BOLT
24	2	900151	3/8UNC X 7 1/2 HEX BOLT
25	24	914002	5/16UNC HEX STOVER NUT



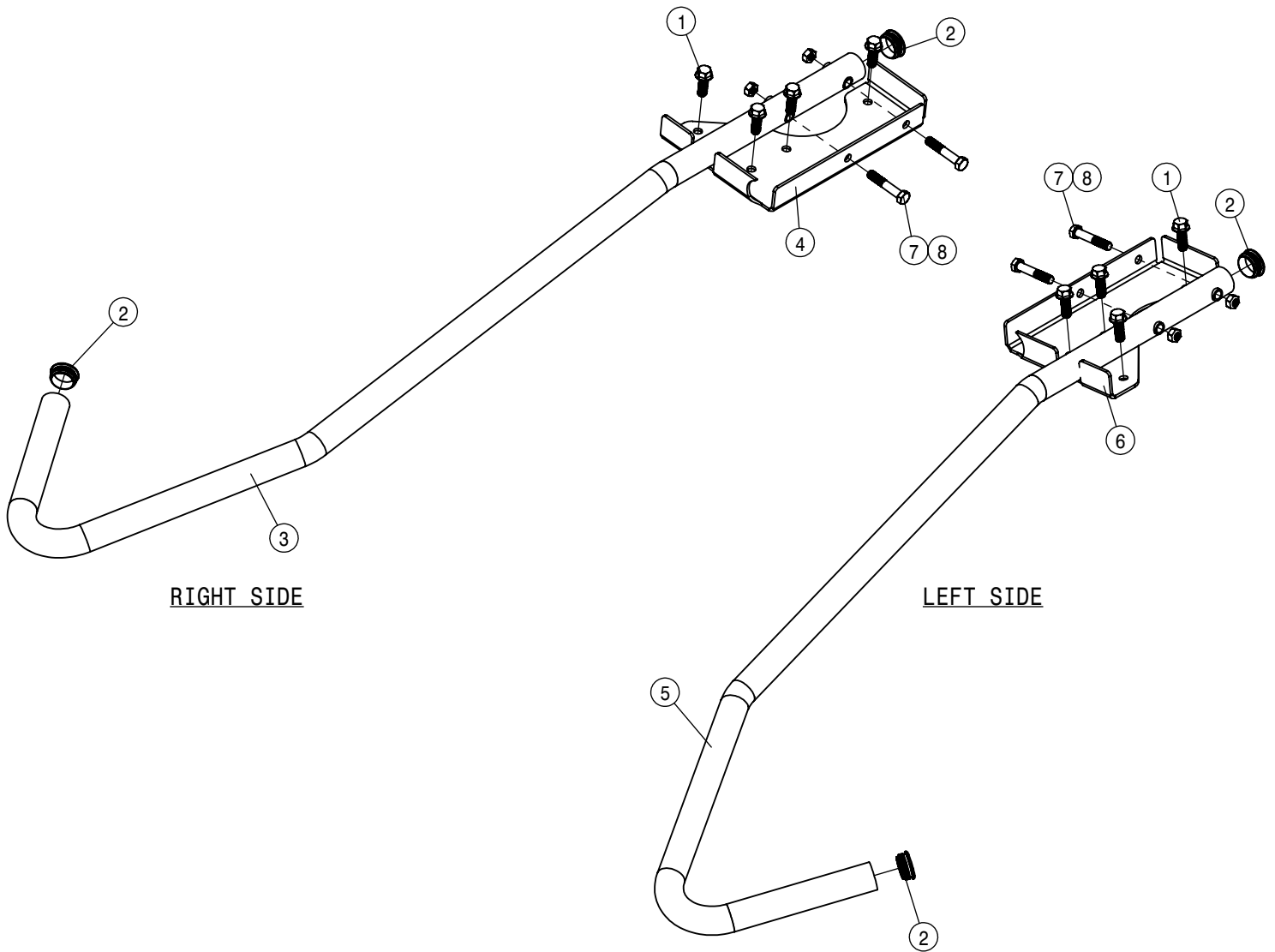
CENTER TALL CROP SHIELD ASSEMBLY			
DET	QTY	P/N	DESCRIPTION
1	4	470075	1/8 X 3/4 COTTER PIN
2	4	470087	3/8UNC HEX SERR FLANGE NUT
3	8	470113	5/16UNC SERR FLG LOCK NUT
4	8	470233	5/16UNC X 3/4 SERR FLG HEX BOLT
5	4	470335	LINCHPIN, 3/16 X 1 1/4 GRIP
6	4	470520	HANGER PIN, 3/8UNC x .437Dx .500L
7	4	660578	HINGE - BELLY PAN, WLD
8	1	660579	BELLY PAN - SF SOLU FRT, WLD
9	1	660580	BELLY PAN-SF SOLU REAR, WLD



REAR TALL CROP SHIELD ASSEMBLY			
DET	QTY	P/N	DESCRIPTION
1	6	470075	1/8 X 3/4 COTTER PIN
2	10	470087	3/8UNC HEX SERR FLANGE NUT
3	12	470113	5/16UNC SERR FLG LOCK NUT
4	12	470233	5/16UNC X 3/4 SERR FLG HEX BOLT
5	10	470335	LINCHPIN, 3/16 X 1 1/4 GRIP
6	10	470520	HANGER PIN, 3/8UNC x .437Dx .500L
7	4	473987	1/2UNC X 1 1/4BUT SKTHD SCR
NS	10	485072	POP RIVET, 1/8DIA X 1/4 GRIP SS
9	1	660566	BAR - CURTAIN
10	1	660568	BELLY PAN - ENGINE FRONT, WLD
11	1	660569	BELLY PAN - ENGINE REAR, WLD
12	6	660578	HINGE - BELLY PAN, WLD
13	1	660595	HOLDER - CURTAIN, OUTER SCT 1
14	1	660596	HOLDER - CURTAIN, OUTER SCT 2
15	1	660586	HOLDER - CURTAIN
16	1	660574	CURTAIN - HOOD
17	1	660565	BELLY PAN - HOOD, RH



TALL CROP WHEEL GUARD			
DET	QTY	P/N	DESCRIPTION
1	1	470089	1/4UNC HEX NYL-LOC NUT
2	5	470360	1/2UNC SERR FLG HEX NUT
3	5	472379	1/4UNC X 3/4 SKT HD LOC SCR SS
4	5	473987N	1/2UNC X 1 1/4BUT SKTHD SCR SS
5	3	483067	1/4 X 1.00 OD FENDER WASHER
6	1	662278	320 54" HUB CAP WLD
7	1	470385	1/4-20 NUTSERT.027-.165BLK STL
8	1	662283	HUB CAP ACCESS DOOR
9	1	662284	HUB CAP VALVE STEM DOOR
10	1	662291	320 50" HUB CAP WLD
11	1	662282	380 54" WHEEL HUB CAP
12	1	662307	HUB CAP ADAPTER WLD
13	5	662309	HUB CAP ADAPTER PLATE
14	1	662301	380 50" WHEEL HUB CAP
15	5	900263	1/2UNC X 1" HEX BOLT

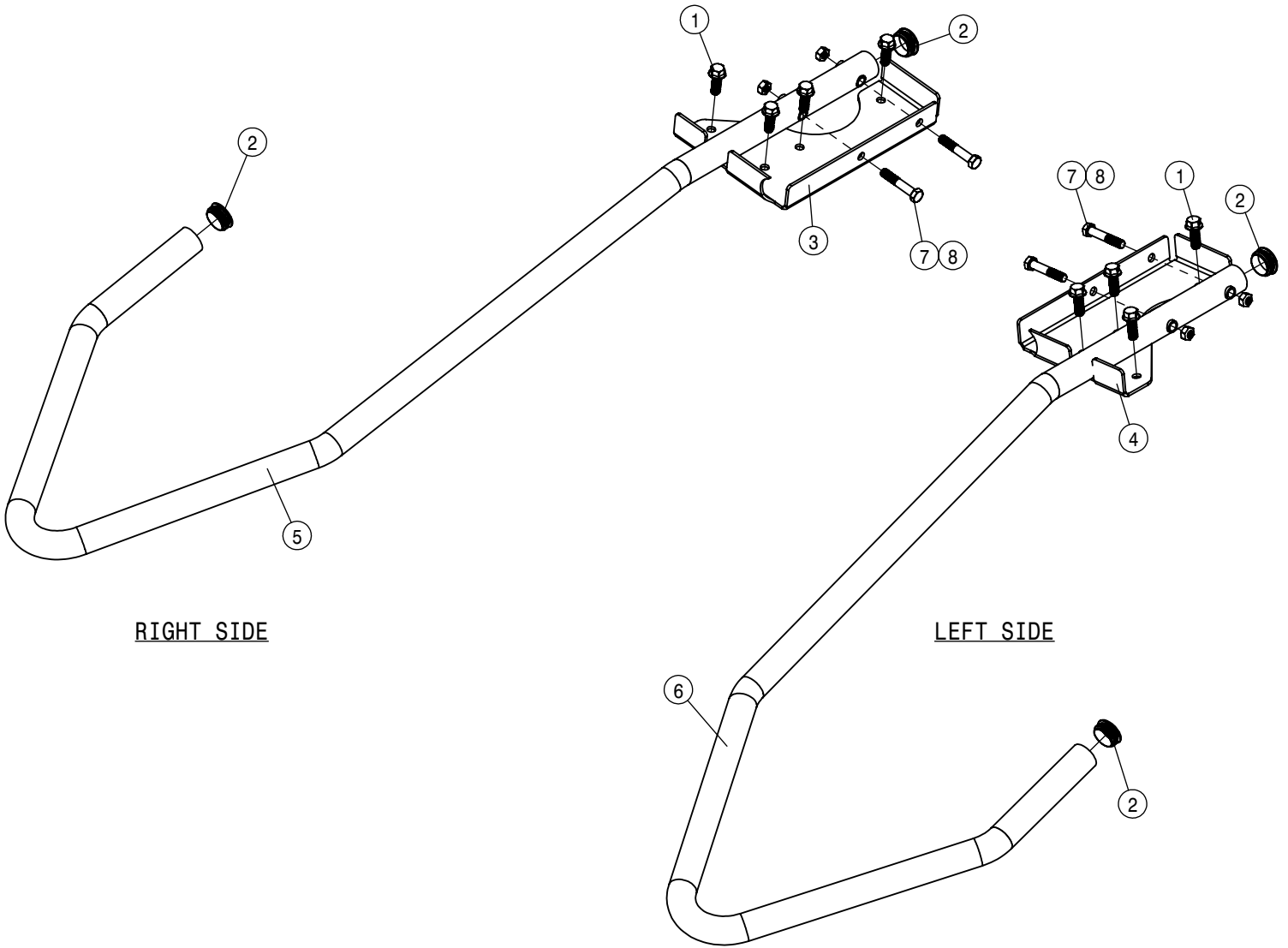


RIGHT SIDE

LEFT SIDE

54" 320 WHEEL CROP DIVIDER ASSEMBLY (STANDARD LEG)			
DET	QTY	P/N	DESCRIPTION
1	8	470431	1/2UNC X 1 1/2 SERR FLG BOLT
2	4	629772	CAPPLUGS PLUG, 1 3/4" RD, BLACK POLY
3	1	662264	RH 320 CROP DIVIDER WLD
4	1	662266	RH CROP DIVIDER MNT
5	1	662268	LH 320 CROP DIVIDER WLD
6	1	662270	LH CROP DIVIDER MNT
7	4	900269	1/2UNC X 2 3/4 HEX BOLT
8	4	914008	1/2 UNC HEX STOVER NUT

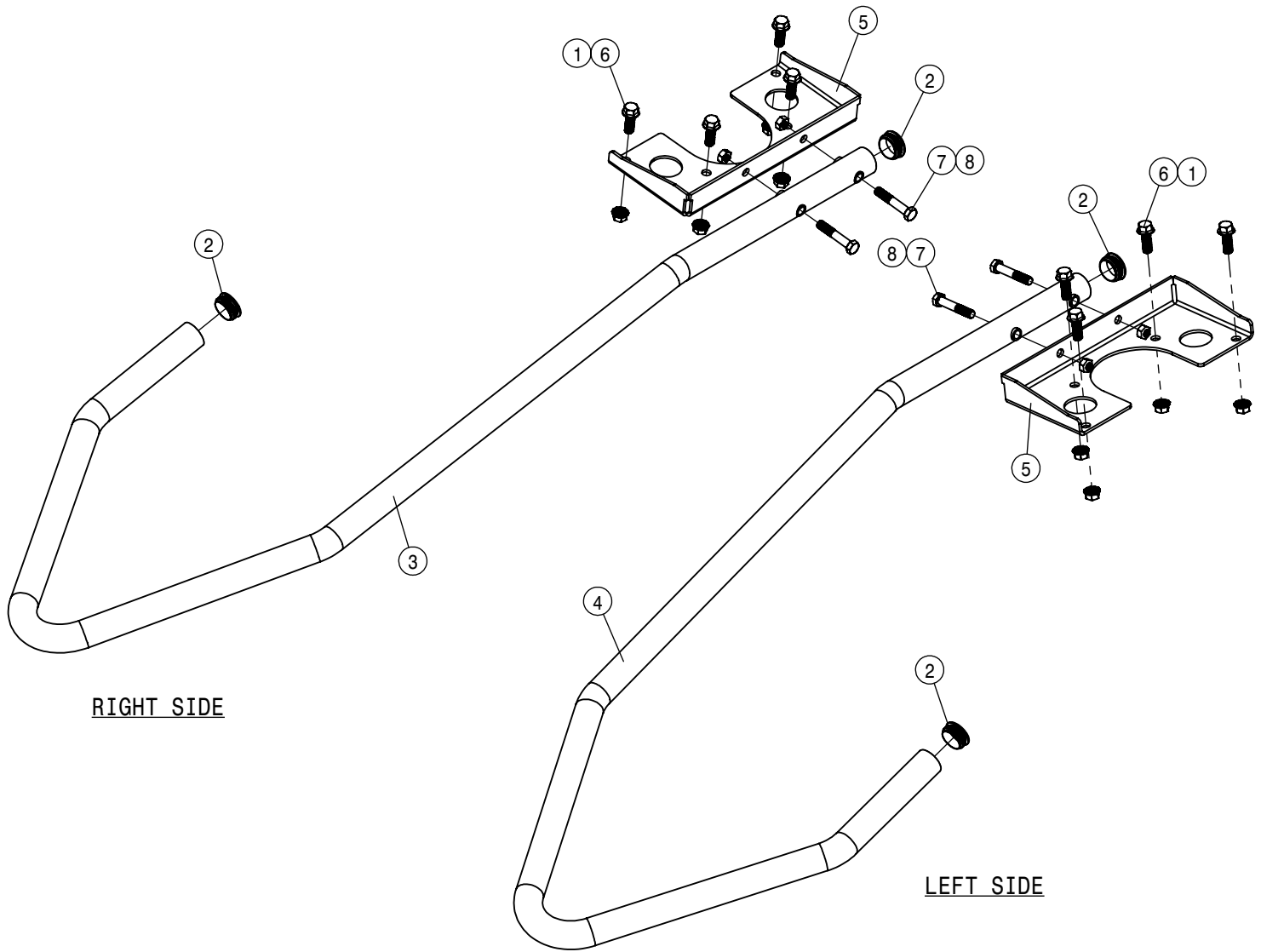




RIGHT SIDE

LEFT SIDE

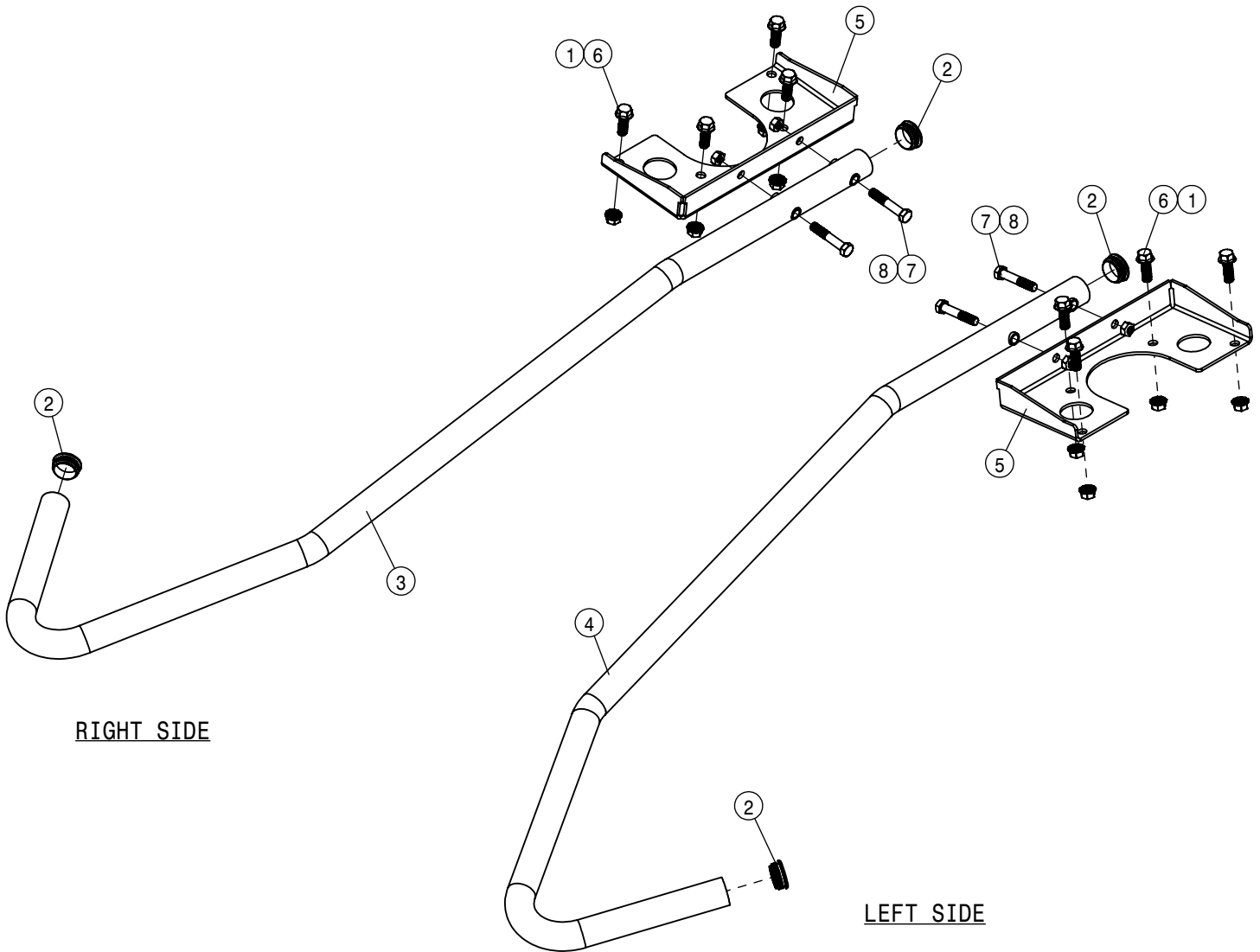
54" 380 WHEEL CROP DIVIDER ASSEMBLY (STANDARD LEG)			
DET	QTY	P/N	DESCRIPTION
1	8	470431	1/2UNC X 1 1/2 SERR FLG BOLT
2	4	629772	CAPPLUGS PLUG,1 3/4" RD, BLACK POLY
3	1	662266	RH CROP DIVIDER MNT
4	1	662270	LH CROP DIVIDER MNT
5	1	662271	RH 380 CROP DIVIDER WLD
6	1	662273	LH 380 CROP DIVIDER WLD
7	4	900269	1/2UNC X 2 3/4 HEX BOLT
8	4	914008	1/2 UNC HEX STOVER NUT



RIGHT SIDE

LEFT SIDE

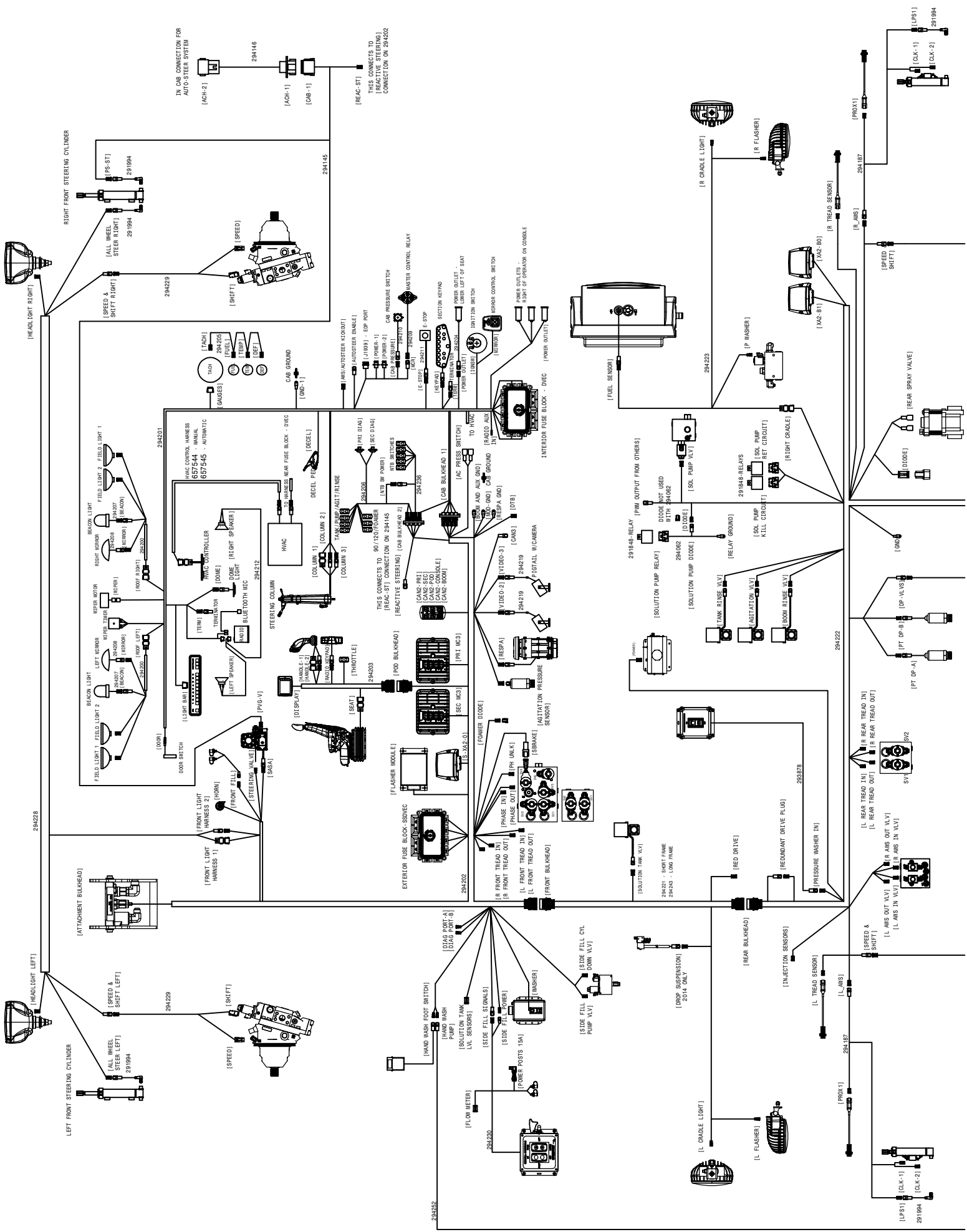
54" 380 WHEEL CROP DIVIDER ASSEMBLY (SEVERE DUTY LEG)			
DET	QTY	P/N	DESCRIPTION
1	8	470360N	1/2UNC SERR FLG HEX NUT YZ
2	4	629772	CAPPLUGS PLUG,1 3/4" RD, BLACK POLY
3	1	662271	RH 380 CROP DIVIDER WLD
4	1	662273	LH 380 CROP DIVIDER WLD
5	2	662292	MTG PLATE-CROP DIVIDER, SDS LEG
6	8	900265N	1/2UNC X 1 1/2 SERR FLANGE BOLT
7	4	900269	1/2UNC X 2 3/4 HEX BOLT
8	4	914008	1/2 UNC HEX STOVER NUT



RIGHT SIDE

LEFT SIDE

54" 320 WHEEL CROP DIVIDER ASSEMBLY (SEVERE DUTY LEG)			
DET	QTY	P/N	DESCRIPTION
1	8	470360N	1/2UNC SERR FLG HEX NUT YZ
2	4	629772	CAPPLUGS PLUG,1 3/4" RD, BLACK POLY
3	1	662264	RH 320 CROP DIVIDER WLD
4	1	662268	LH 320 CROP DIVIDER WLD
5	2	662292	MTG PLATE-CROP DIVIDER, SDS LEG
6	8	900265N	1/2UNC X 1 1/2 SERR FLANGE BOLT
7	4	900269	1/2UNC X 2 3/4 HEX BOLT
8	4	914008	1/2 UNC HEX STOVER NUT





## ABBREVIATIONS

A/C - AIR CONDITIONER	MT - MOUNT
ADPTR - ADAPTER	MTR - MOTOR
AGI - AGITATOR	P/N - PART NUMBER
ALT - ALTERNATOR	PLT - PLATE
ASSY - ASSEMBLY	QTY - QUANTITY
BRKT - BRACKET	RED - REDUCER
DET - DETAIL	REF - REFERENCE
DISPL - DISPLACEMENT	REST - RESTRICTOR
EL - ELBOW	REQ - REQUIRED
EXT - EXTENSION	SHFT - SHAFT
FLO - FLOW	SOL - SOLUTION
FNPT - FEMALE NATIONAL PIPE THREAD	STRG - STEERING
FOR - FEMALE O-RING	ST - STREET
FRT - FRONT	SV - STANDARD VOLUME
HV - HI-VOLUME	SWIV - SWIVEL
HYD - HYDRAULIC	UNC - UNIFIED NATIONAL COURSE
HYDRO - HYDROSTATIC	UNF - UNIFIED NATIONAL FINE
LG - LONG	V - VOLT
LWR - LOWER	W/ - WITH
MJIC - MALE J.I.C.	WHL - WHEEL
MOR - MALE O-RING	WLD - WELDMENT

-A-

ABBREVIATIONS.....134  
AIR BAG.....60  
AIR CLEANER.....5,16  
AIR CONDITIONER  
    BLOWER.....80,81,82,83  
    COMPRESSOR.....19,21  
    DRIER.....18,20  
    HOSE.....18,20  
    TUBES.....18,20  
AIR COOLER, CHARGE.....6,13  
AIR DRIER.....62  
AIR FILTER, CAB.....78,80,81,82,83  
AIR GOVERNOR.....62  
AIR LINES.....61,62,63  
AIR TANK.....61  
AIR VALVE.....60,61  
    EXHAUST BRAKE.....8  
AGITATION.....97  
ALTERNATOR.....4,9,10,16  
ANTENNA.....75  
ARMREST.....84,85  
AUX OIL COOLER.....32

-B-

BACKUP ALARM.....93  
BATTERY.....9,16  
    CABLE.....9,16  
    STAND.....8  
    SWITCH.....9,16  
BEACON.....70  
BELLY SHIELD.....92  
BELT, DRIVE.....4  
BLOWER, A/C.....80,81,82,83  
BOOM CRADLE.....120  
BRAKE VALVE.....40  
BREATHER.....33  
BULKHEAD.....38,91  
BUSBAR.....9,16

-C-

CAB.....70  
    ELECTRICAL.....74  
    MOUNTS.....70  
CIRCUIT BREAKER.....9,16  
CLAMP, TUBE.....18,20  
COMBO  
    AUX COOLER.....32  
    CONTROL BOX.....88  
COMPRESSOR, A/C.....19,21  
CONDENSOR, A/C.....19,21

CONSOLE.....77  
    REAR.....76  
CONTROL VALVE, SOLUTION.....34  
COOLANT SENSOR.....6,13  
COOLER.....76  
    CHARGE AIR.....6,13  
    OIL.....6,13  
CRADLE,  
    BOOM.....120,121,122,123  
    FUEL TANK.....49  
CYLINDER,  
    LADDER.....41  
    SIDEFILL.....106  
    STEERING.....54,55,56,57  
    TREAD ADJUST.....67,68

-D-

DOOR.....72  
DRIVE BELT.....4,10

-E-

ELECTRICAL VALVE.....102,103  
ELECTRICAL, CAB.....76  
ELECTRICAL, CHASSIS.....17  
ENGINE.....4,10  
    HOOD.....93  
    SKID.....8,15  
EXHAUST  
    BRAKE.....4  
    PIPE.....8  
    SUPPORT.....8

-F-

FAN  
SHROUD.....6,13  
FENDERS.....117,118,119  
FILTERS,  
    AIR DRIER.....62  
    FUEL.....49  
    MINDER.....5,11  
    OIL.....4,9,33,36  
FIRE EXTINGUISHER.....121,123  
FLASHER.....120,121  
FLOORMAT.....76  
FLOWMETER.....101,114  
FOAMER.....116  
FRONT FILL.....104  
FUEL SENSOR.....49  
FUEL TANK.....49  
FUZE.....9,16

-G-

GAUGE.....76  
 SIGHT.....98  
 GLASS.....70,72

-H-

HANDRAIL.....95  
 HANDWASH.....115  
 HEAD LINER.....75  
 HEAT SHIELD, BATTERY.....8,15  
 HOOD, ENGINE.....93  
 HOSE GUARD.....25,26  
 HOSE SLEEVE.....22,23  
 HOSING, HYDRAULIC.....22,23,24,25,26  
 HUB, WHEEL.....30,35  
 HYDRAULIC  
 QUICK CONNECT.....47,48  
 OIL COOLER.....6,13  
 TANK.....33  
 HYDROSTATIC PUMP.....28,29

-I-

INSTRUCTINAL SEAT.....86,87  
 INTAKE SCREEN.....6,13

-J-

JOYSTICK.....84,85

-L-

LADDER.....96  
 CYLINDER.....44  
 LATCH.....70,93  
 LEG.....50,51,52,53  
 LEVEL SENSOR.....33  
 LIGHTS.....70,90,120,121  
 LINE STRAINER.....97,101  
 LS DISPLAY.....88

-M-

MANIFOLD, RETURN.....38,39  
 MIRROR.....70  
 MOTOR,  
 STEERING.....35  
 WHEEL.....30,31  
 MOUNT,  
 CAB.....70  
 RUBBER.....8,15  
 MUFFLER.....8,15

-O-

OIL COOLER.....6,13  
 OIL FILTER.....6,13,32

-P-

PLATFORM, SERVICE.....95  
 PRESSURE SWITCH.....8,15  
 PUMP, HYROSTATIC.....28,29

-Q-

QUICK ATTACH,  
 LIFTARM.....90  
 SOLUTION.....100  
 QUICK CONNECT, HYDRAULIC.....47,48

-R-

RADIATOR.....6,13  
 RADIO.....74  
 REMOTE FILL.....98  
 RETURN MANIFOLD.....38,39  
 RINSE TANK.....99  
 ROOF.....70  
 RUBBER MOUNT.....8,15

-S-

SCREEN, INTAKE.....6,13  
 SEAT.....84,85,86,87  
 SENSOR  
 COOLANT.....7,14  
 FUEL.....49  
 LEVEL.....33  
 SHIELD  
 BELLY.....92  
 TALL CORN.....124,125,126  
 WHEEL MOTOR.....118,119  
 SHROUD, FAN.....6,13  
 SIDE FILL.....106  
 CYLINDER.....106  
 VALVE.....45  
 SIGHT GUAGE.....98  
 SKID, ENGINE.....8,15  
 SMV SIGN.....93  
 SOLUTION  
 PUMP.....102  
 TANK.....97  
 SPEAKER, RADIO.....75  
 STARTER.....4,10  
 STEERING  
 COLUMN.....76  
 CYLINDER.....54,55,56,57  
 MOTOR.....35  
 WHEEL.....76  
 STRAINER, LINE.....97,101  
 SURGE TANK.....7,14



SWITCH,	
BATTERY.....	9,16
BOX.....	107

-T-

TANK	
AIR.....	61
DEF.....	12
FUEL.....	49
HYDRAULIC.....	33
RINSE.....	99
SOLUTION.....	97
SURGE.....	7,14
TIE ROD.....	58
TIRE.....	59
TOOLBOX.....	89
TREAD ADJUST.....	64,65,66,67,68
CYLINDER.....	67,68
TREAD VALVE.....	42,43
TUBE CLAMP.....	18,20

-V-

VALVE,	
ALL WHEEL STEER.....	44
BRAKE.....	40
ELECTRIC.....	99,102,103
REAR NOZZLE.....	112
SIDE FILL.....	46
TREAD.....	42,43

-W-

WHEEL HUB.....	30,31
WHEEL MOTOR.....	30,31
WIPER.....	71
WIRING DIAGRAM.....	132

# Notes: