

PARTS MANUAL
FOR
HAGIE MODEL STS 12 HI-TRACTOR

HAGIE MANUFACTURING COMPANY

BOX 273 CLARION, IOWA 50525

(515) 532-2861

COVERS MACHINE SERIAL NUMBERS: U1600440001 thru U1600440100

12-03 493310
02-08

SPRAYER IDENTIFICATION

Each Hagie sprayer is identified by means of a frame serial number. This serial number denotes the model, the year in which it was built, and the number of the sprayer. As for further identification, the engine has a serial number and the planetary hubs have identification plates that describe the type of mount and gear ratio. To insure prompt, efficient service when ordering parts or requesting service repairs from Hagie Manufacturing Company, record the serial and identification numbers in the space provided below.

NOTE: Reference to left hand and right hand used throughout this manual refers to the position when seated in the operator's seat facing forward.

SPRAYER SERIAL NUMBER

ENGINE SERIAL NUMBER

PLANETARY HUB IDENTIFICATION NUMBERS

TABLE OF CONTENTS

ENGINE ASSEMBLY 4-11

RADIATOR AND OIL COOLER ASSEMBLY. 12

AIR DRYER ASSEMBLY. 13

FUEL AND OIL TANK ASSEMBLY. 14-15

BATTERY 16

STEERING CYLINDER. 17

LEG ASSEMBLY 18-25

TIRE ASSEMBLY 26

AIR TANK ASSEMBLY 27

HYDRAULIC TUBING 28-29

TREAD ADJUST ASSEMBLY 30-32

LADDER AND BRAKE VALVE ASSEMBLY 33

LADDER ASSEMBLY. 34-35

SERVICE PLATFORM. 36

ELECTRICAL BOXES AND RECEPTACLE PANEL. 37-40

CAB ASSEMBLY. 41-44

SWITCH PANEL ASSEMBLY 45

ATI CONTROLER BOX ASSEMBLY 46

SOLUTION SWITCH BOX. 47

MIRROR BRACKETS 48-49

BUMPER AND ENGINE HOOD 50-52

SOLUTION TANK 53-55

SOLUTION PUMP AND ELECTRIC VALVES 56-70

REAR WHEEL NOZZLE 71

SOLUTION HOISING 72-75

FOAMER TANK ASSEMBLY. 76-81

TRANSOM, BOOM, AND LIFT COMPONENTS. 82-99

PRESSURE WASHER OPTION. 100-103

SIDE FILL/CHEMICAL INDUCTOR OPTION. 104-107

FRONT FILL OPTION. 108

RADAR OPTION. 109

FENDER OPTION 110-111

FLOW MAX 110 MONITOR. 112

DECALS. 114-115

HYDRAULIC SCHEMATIC 116-123

ELECTRICAL SCHEMATIC 124-137

ABBREVIATIONS 138

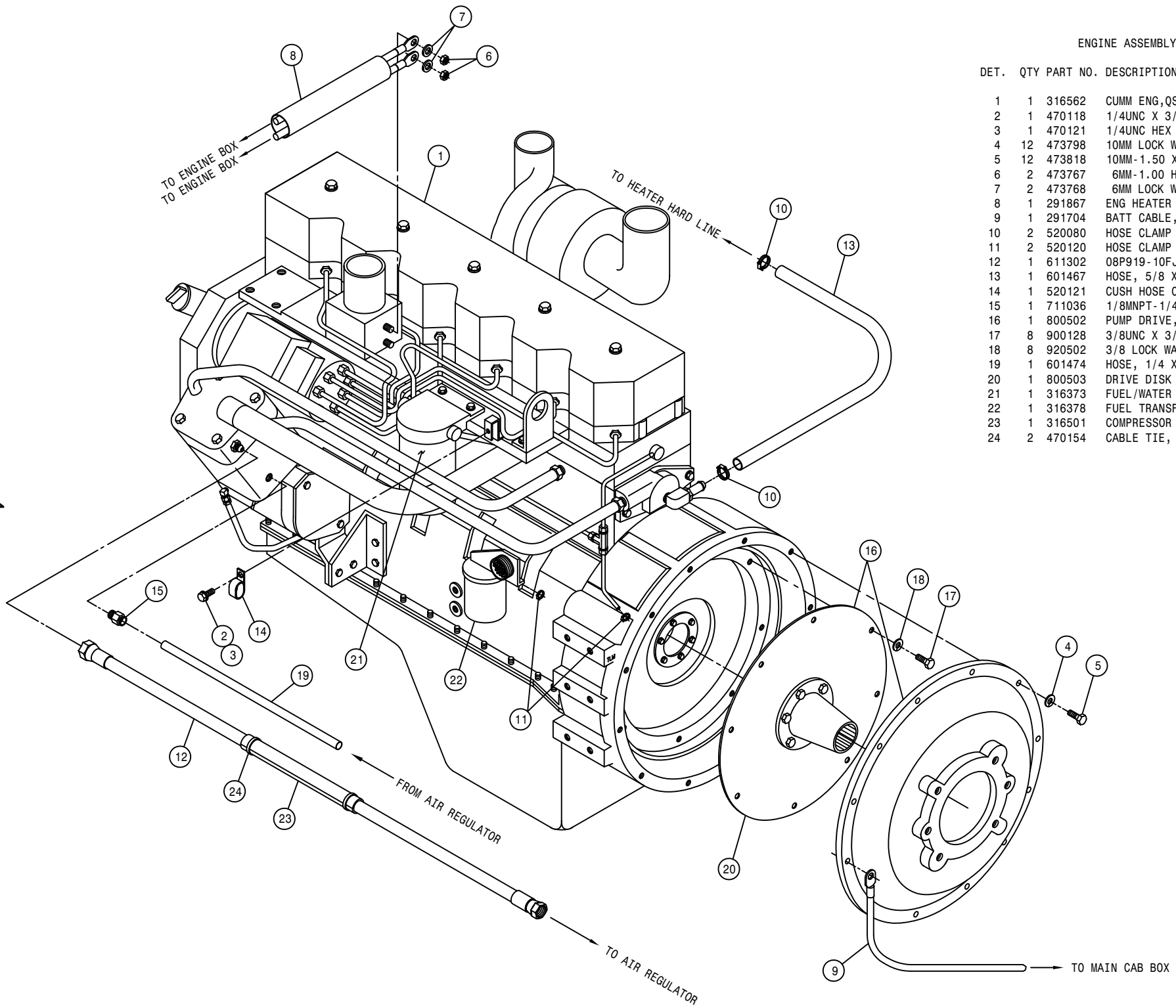
INDEX. 139

PARTS ORDER FORM. 142

ENGINE ASSEMBLY

DET. QTY PART NO. DESCRIPTION

DET.	QTY	PART NO.	DESCRIPTION
1	1	316562	CUMM ENG,QSB5.9C,275@2500CMPSR
2	1	470118	1/4UNC X 3/4 FLANGE HEX BOLT
3	1	470121	1/4UNC HEX FLANGE LOCK NUT
4	12	473798	10MM LOCK WASHER
5	12	473818	10MM-1.50 X 40MM HEX BOLT
6	2	473767	6MM-1.00 HEX NUT
7	2	473768	6MM LOCK WASHER
8	1	291867	ENG HEATER CABLE ASSY,RED 6GA
9	1	291704	BATT CABLE,BLK172"6GA 3/8-3/8
10	2	520080	HOSE CLAMP NO 10 STAINLESS
11	2	520120	HOSE CLAMP NO 4 STAINLESS
12	1	611302	08P919-10FJX-10FJX-69 H/A
13	1	601467	HOSE, 5/8 X 69 HEATER
14	1	520121	CUSH HOSE CLAMP 1IN X 3/4W
15	1	711036	1/8MNPT-1/4 NYL TUBE FTG
16	1	800502	PUMP DRIVE,DIRECT SAE#3/C 23T
17	8	900128	3/8UNC X 3/4 HEX BOLT
18	8	920502	3/8 LOCK WASHER
19	1	601474	HOSE, 1/4 X 26 AIR
20	1	800503	DRIVE DISK ASSY,11.5" 23T SPL
21	1	316373	FUEL/WATER SEPERATOR (316360)
22	1	316378	FUEL TRANSFER PUMP FOR 316360
23	1	316501	COMPRESSOR HOSE GUARD STS
24	2	470154	CABLE TIE, 11.75" BLK PLASTIC

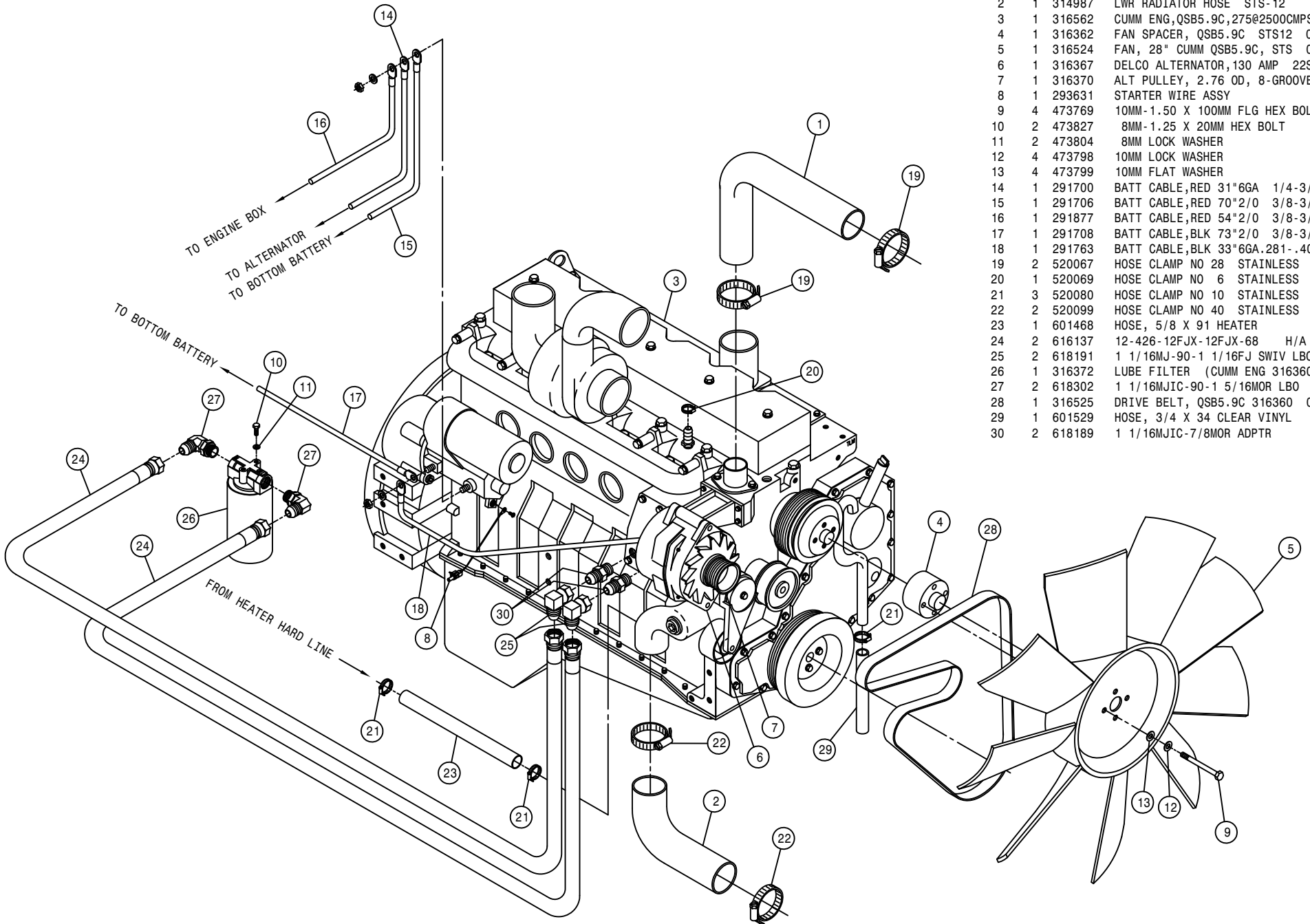


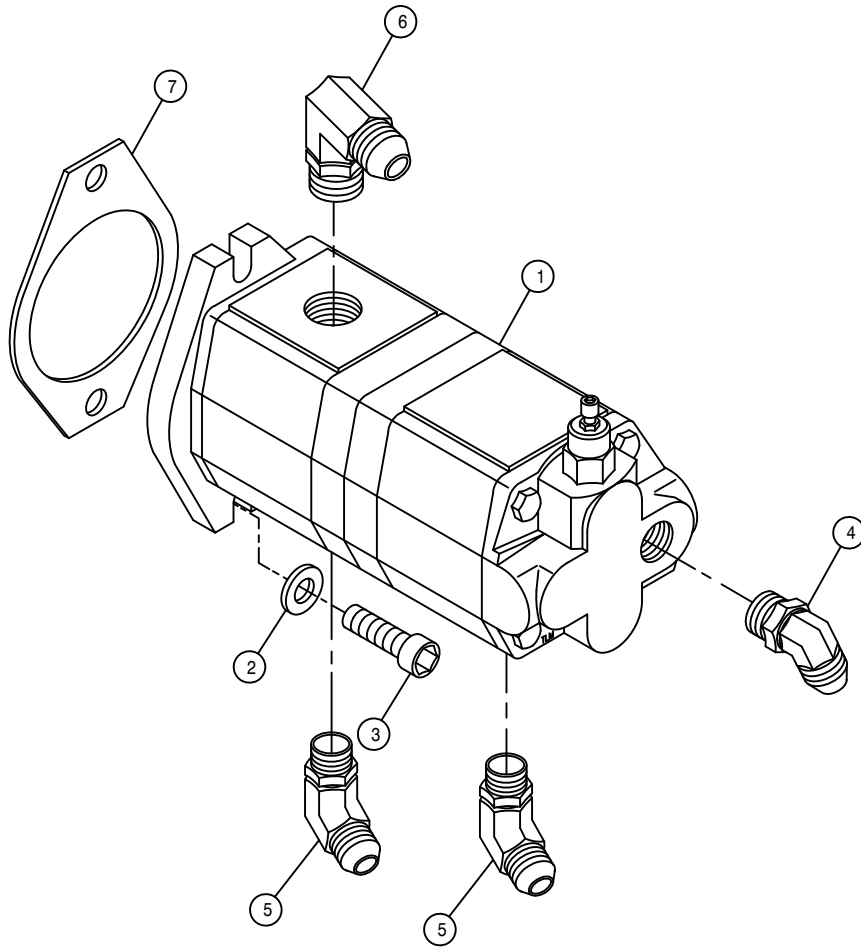
4

ENGINE ASSEMBLY

DET. QTY PART NO. DESCRIPTION

DET.	QTY	PART NO.	DESCRIPTION
1	1	314832	RADIATOR HOSE 1.75 X 19(52423)
2	1	314987	LWR RADIATOR HOSE STS-12
3	1	316562	CUMM ENG,QSB5.9C,275@2500CMPSR
4	1	316362	FAN SPACER, QSB5.9C STS12 00
5	1	316524	FAN, 28" CUMM QSB5.9C, STS 02
6	1	316367	DELCO ALTERNATOR, 130 AMP 22SI
7	1	316370	ALT PULLEY, 2.76 OD, 8-GROOVE
8	1	293631	STARTER WIRE ASSY
9	4	473769	10MM-1.50 X 100MM FLG HEX BOLT
10	2	473827	8MM-1.25 X 20MM HEX BOLT
11	2	473804	8MM LOCK WASHER
12	4	473798	10MM LOCK WASHER
13	4	473799	10MM FLAT WASHER
14	1	291700	BATT CABLE,RED 31"6GA 1/4-3/8
15	1	291706	BATT CABLE,RED 70"2/0 3/8-3/8
16	1	291877	BATT CABLE,RED 54"2/0 3/8-3/8
17	1	291708	BATT CABLE,BLK 73"2/0 3/8-3/8
18	1	291763	BATT CABLE,BLK 33"6GA.281-.406
19	2	520067	HOSE CLAMP NO 28 STAINLESS
20	1	520069	HOSE CLAMP NO 6 STAINLESS
21	3	520080	HOSE CLAMP NO 10 STAINLESS
22	2	520099	HOSE CLAMP NO 40 STAINLESS
23	1	601468	HOSE, 5/8 X 91 HEATER
24	2	616137	12-426-12FJX-12FJX-68 H/A
25	2	618191	1 1/16MJ-90-1 1/16FJ SWIV LBO
26	1	316372	LUBE FILTER (CUMM ENG 316360)
27	2	618302	1 1/16MJIC-90-1 5/16MOR LBO
28	1	316525	DRIVE BELT, QSB5.9C 316360 02
29	1	601529	HOSE, 3/4 X 34 CLEAR VINYL
30	2	618189	1 1/16MJIC-7/8MOR ADPTR





STEERING AND TREAD PUMP ASSEMBLY

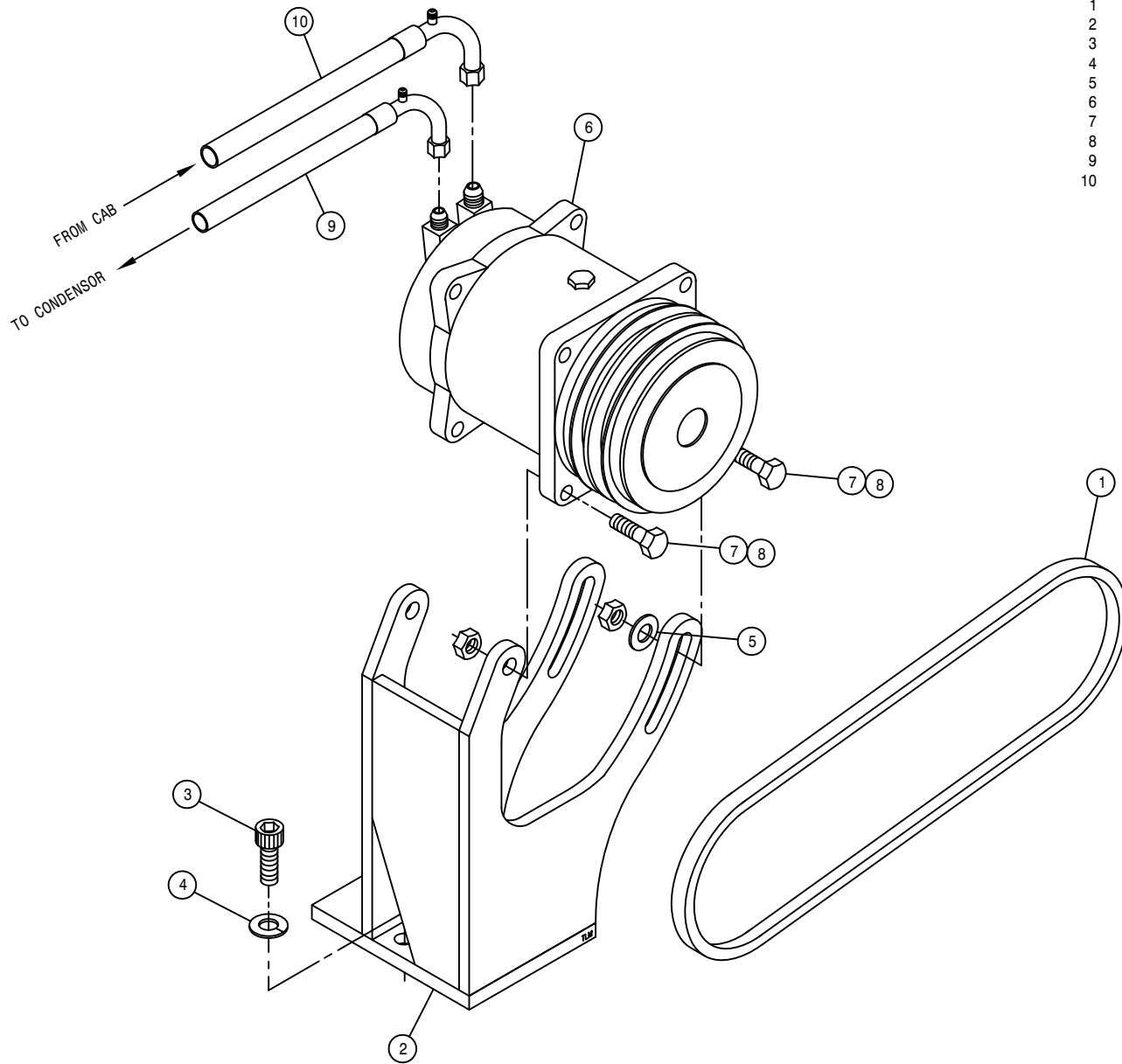
DET. QTY PART NO. DESCRIPTION

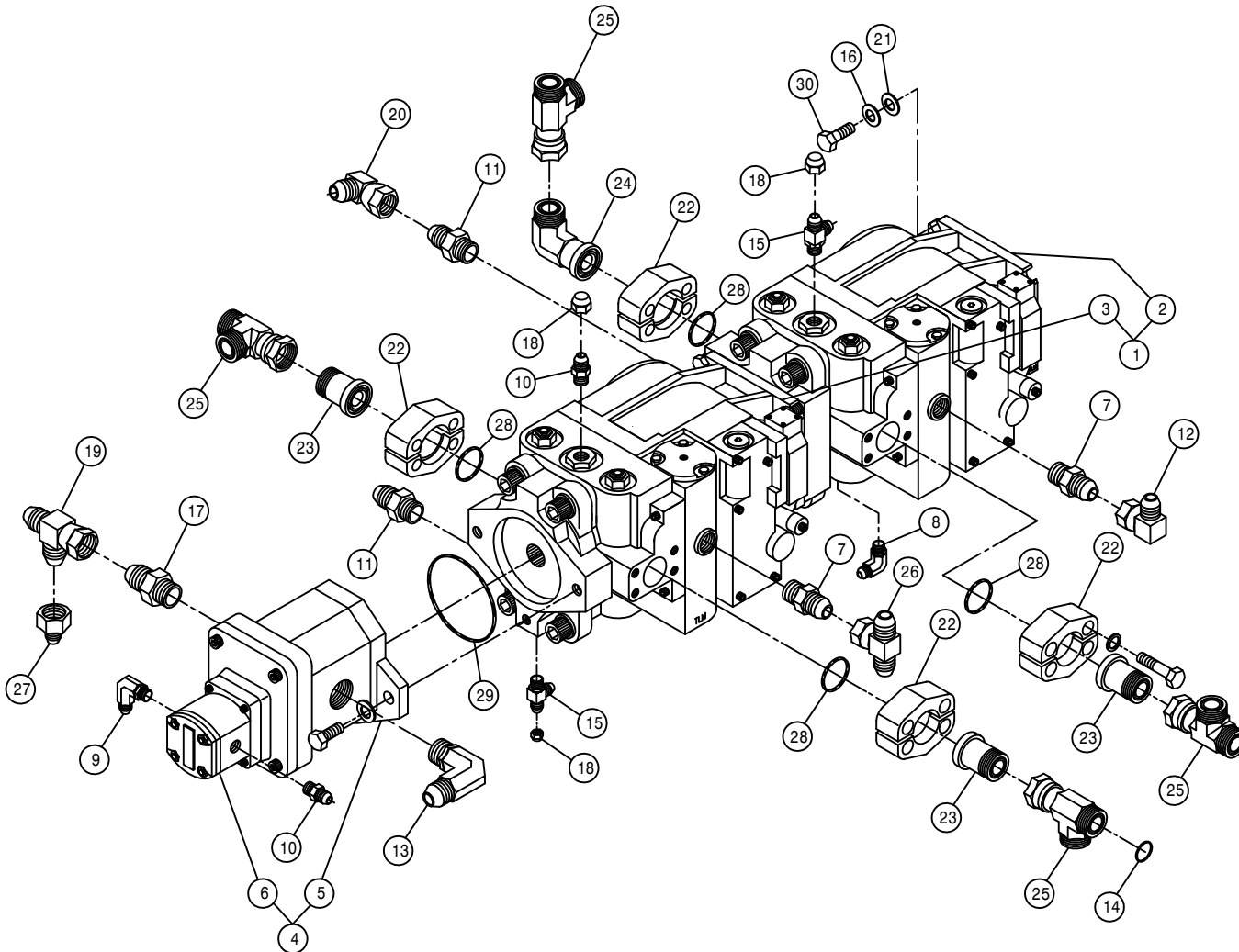
1	1	606990	TANDEM PUMP, .66CI/.51CI
2	2	473799	10MM FLAT WASHER
3	2	473844	10MM-1.50 X 30 SOC HD CAP SCR
4	1	618315	3/4MJIC-45-3/4MOR LBO
5	2	618183	3/4MJIC-90-7/8MOR LBO
6	1	618248	1 1/16MJIC-90-1 1/16MOR LBO
7	1	316371	GASKET, AUX DRIVE CUMM 154916

A/C COMPRESSOR PUMP ASSEMBLY

DET. QTY PART NO. DESCRIPTION

1	1	147052	BELT, 17470 GOODYEAR
2	1	316591	A/C MTG BRKT WLD, STS 2004
3	3	473844	10MM-1.50 X 30 SOC HD CAP SCR
4	3	473798	10MM LOCK WASHER
5	2	483043	3/8 REGULAR FLAT WASHER
6	1	657450	A/C COMP SR, 90D PORT TM15/12
7	4	900131	3/8UNC X 1 1/2 HEX BOLT
8	4	914004	3/8UNC HEX STOVER NUT
9	1	657446	A/C HOSE, 08-08F90-08F90SV-65"
10	1	657447	A/C HOSE, 10-10F90-10F90SV-92"

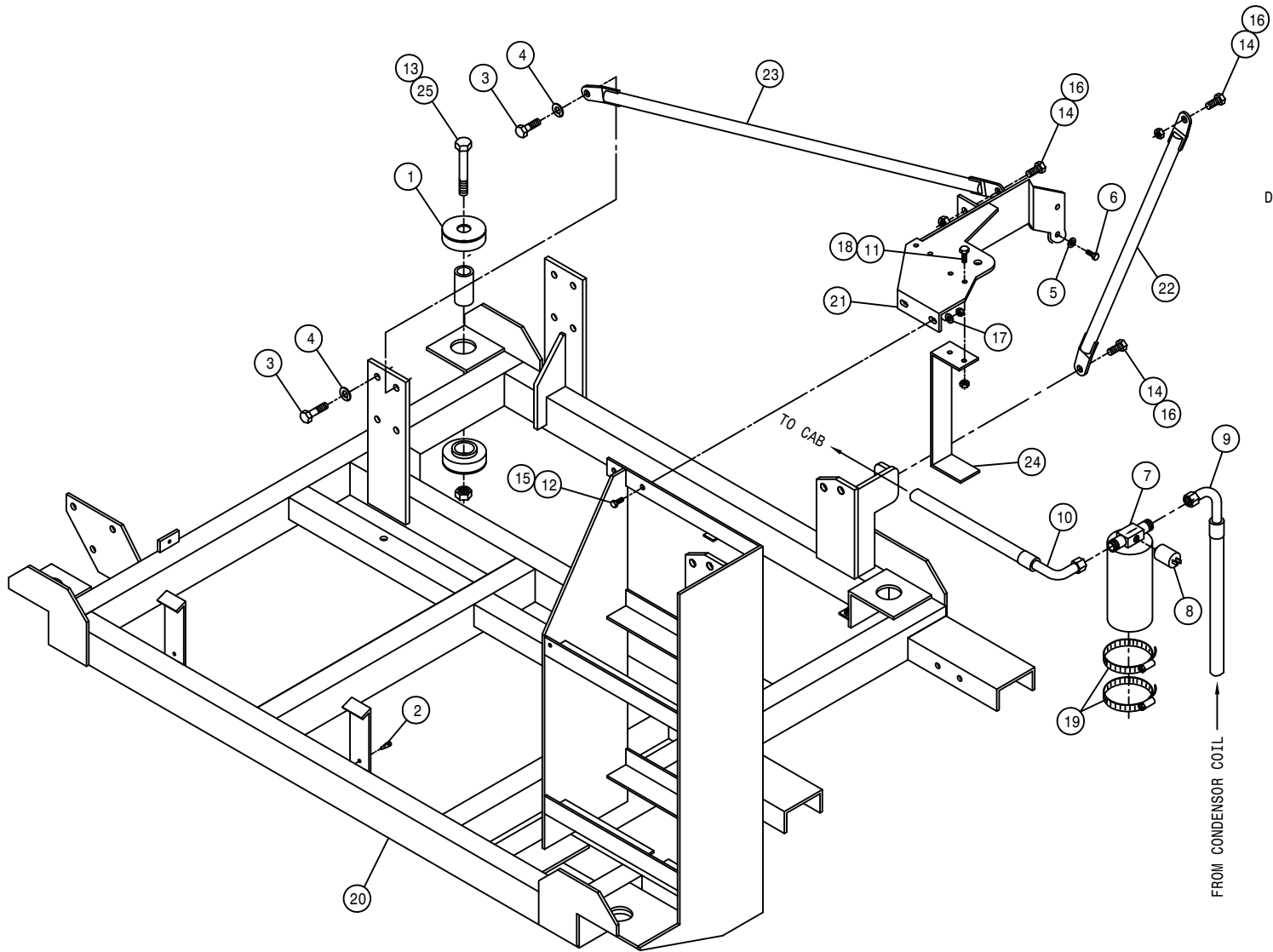




HYDROSTATIC PUMP ASSEMBLY

DET. QTY PART NO. DESCRIPTION

1	1	606150	TANDEM PUMP, 606153 & 606156
2	1	606153	SAUER 75CC PUMP,C/C-MT
3	1	606156	SAUER 75CC PUMP,C/B-MT
4	1	606972	TANDEM PUMP, 606984 & 606987
5	1	606984	SUND GEAR PUMP,2.02CI GRP3
6	1	606987	SUND GEAR PUMP, .128CI GRP3
7	2	611127	1 1/16MJIC-1 1/16MOR ADPTR
8	1	614754	.050 ELBOW ASSY,9/16MOR 90D
9	1	618241	3/4MJIC-90-3/4MOR LBO
10	2	618126	9/16MJIC-9/16MOR ADPTR
11	2	618186	1 5/16MJIC-1 5/16MOR ADPTR
12	1	618191	1 1/16MJ-90-1 1/16FJ SWIV LBO
13	1	618302	1 1/16MJIC-90-1 5/16MOR LBO
14	12	618677	O-RING,-16 FACE SEAL .93ID 90D
15	2	618444	9/16MOR RUN TEE-9/16MJIC
16	4	920504	1/2 LOCK WASHER
17	1	618527	1 7/8MJIC-1 5/8MOR ADPTR
18	3	618531	9/16FJIC CAP NUT
19	1	618681	1 7/8FJ SW RUN TEE-1 7/8MJ
20	1	618640	1 5/16MJ-90-1 5/16FJ SWIV LBO
21	4	920004	1/2 SAE FLAT WASHER
22	4	618652	1" SPLIT FLANGE KIT
23	3	618653	1" FLANGE-1 7/16MFOR ADPTR
24	1	618654	1" FLANGE-90-1 7/16MFOR LBO
25	4	618655	1 7/16FFOX RUN TEE-1 7/16MFOR
26	1	618660	1 1/16FJX BRANCH TEE-1 1/16MJ
27	1	618720	1 7/8FJIC-3/4MJIC ADPTR
28	4	618676	O-RING FOR 1" SPL FLG 618652
29	1	606870	O-RING FOR 606865 SUND B-MT
30	4	900265	1/2UNC X 1 1/2 HEX BOLT



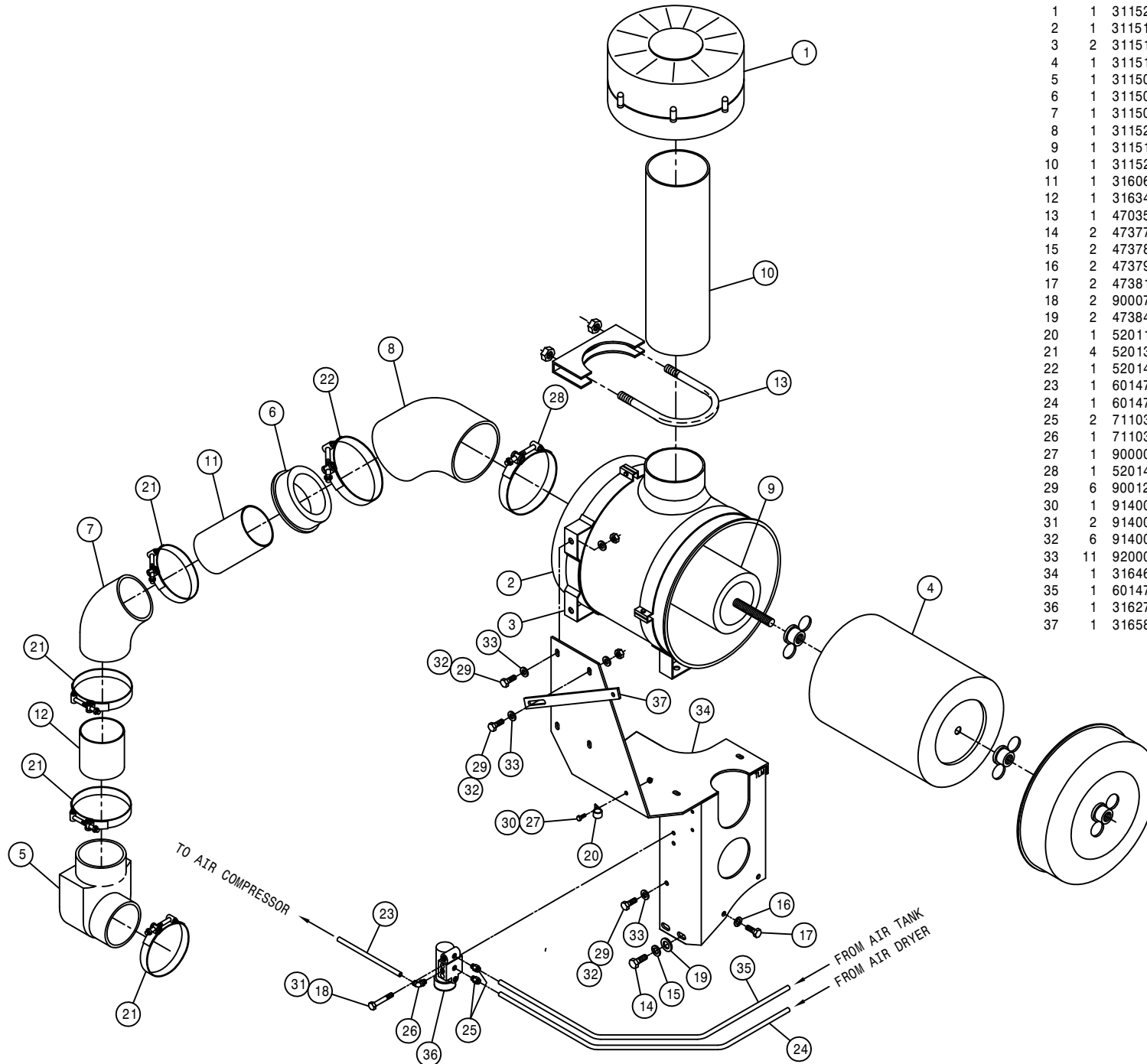
ENGINE SKID ASSEMBLY

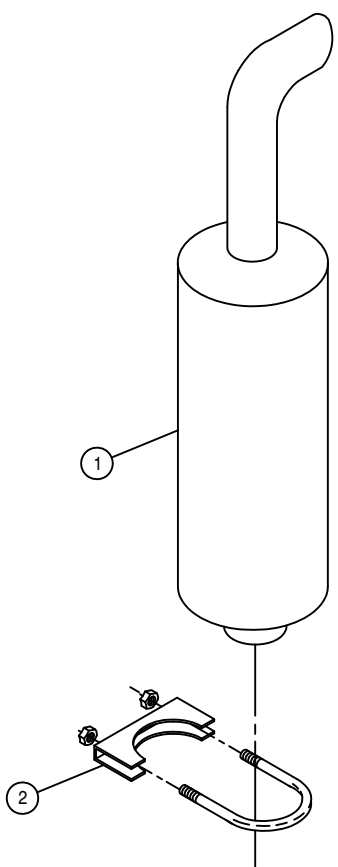
DET.	QTY	PART NO.	DESCRIPTION
1	4	311057	RUBBER MT SET,SSB33-1000-4
2	4	470313	GROMMET BUMPER,1/4T X 1/4D MT
3	12	473775	12MM-1.75 X 30MM HEX BOLT
4	12	473784	12MM LOCK WASHER
5	2	473804	8MM LOCK WASHER
6	2	473827	8MM-1.25 X 20MM HEX BOLT
7	1	657421	A/C RECEIVER/DRIER
8	1	657422	A/C BINARY SWITCH
9	1	657443	A/C HOSE,06-06F90-06F90-34"
10	1	657444	A/C HOSE,06-06F90-06F90-115"
11	2	900065	5/16UNC X 1" HEX BOLT
12	2	900129	3/8UNC X 1" HEX BOLT
13	4	914012	3/4UNC HEX STOVER NUT
14	3	900264	1/2UNC X 1 1/4 HEX BOLT
15	2	914004	3/8UNC HEX STOVER NUT
16	3	914008	1/2UNC HEX STOVER NUT
17	2	920002	3/8 SAE FLAT WASHER
18	2	914002	5/16UNC HEX STOVER NUT
19	2	520052	HOSE CLAMP NO 52 STAINLESS
20	1	316574	SKID WLD, STS 04
21	1	316581	RAD MT PLT WLD, STS 04
22	1	316433	RH RAD BRACE WLD
23	1	316434	LH RAD BRACE WLD
24	1	316432	A/C DRYER MT
25	4	900408	3/4UNC X 3 1/2 HEX BOLT

AIR CLEANER ASSEMBLY

DET. QTY PART NO. DESCRIPTION

DET.	QTY	PART NO.	DESCRIPTION
1	1	311520	ENGINE PRE CLEANER
2	1	311514	AIR CLEANER, 14" STS 03
3	2	311517	AIR CLEANER MT BAND, 14" STS 03
4	1	311515	PRIMARY AIR FILTER FOR 311514
5	1	311505	4.00 90 DEG COBRA ELBOW, RUBBER
6	1	311506	5.50-4.00 ID REDUCER BUSHING
7	1	311507	4.00" 45DEG ELBOW, RUBBER
8	1	311521	6.00 - 5.50 45DEG ELBOW, RUBBER
9	1	311516	SAFETY ELEMENT FOR 311514
10	1	311526	AIR CLEANER HOOD EXT, 6" X 16" LG
11	1	316068	4" X 6.00" AIR INTAKE TUBE
12	1	316344	4" X 4.00" AIR INTAKE TUBE 98
13	1	470354	MUFFLER CLAMP, 6.00
14	2	473775	12MM-1.75 X 30MM HEX BOLT
15	2	473784	12MM LOCK WASHER
16	2	473798	10MM LOCK WASHER
17	2	473818	10MM-1.50 X 40MM HEX BOLT
18	2	900072	5/16UNC X 3" HEX BOLT
19	2	473843	12MM FLAT WASHER
20	1	520117	CUSH HOSE CLAMP 5/8D X 1/2W
21	4	520134	4.31/4.59 T-BOLT HOSE CLAMP SS
22	1	520144	5.94/6.21 T-BOLT HOSE CLAMP SS
23	1	601474	HOSE, 1/4 X 26 AIR
24	1	601475	HOSE, 1/4 X 47 AIR
25	2	711036	1/8MNPT-1/4 NYL TUBE FTG
26	1	711039	1/8MNPT-1/4 NYL TUBE LBO
27	1	900000	1/4UNC X 1/2 HEX BOLT
28	1	520147	6.38/6.69 T-BOLT HOSE CLAMP
29	6	900129	3/8UNC X 1" HEX BOLT
30	1	914000	1/4UNC HEX STOVER NUT
31	2	914002	5/16UNC HEX STOVER NUT
32	6	914004	3/8UNC HEX STOVER NUT
33	11	920002	3/8 SAE FLAT WASHER
34	1	316464	AIR CLEANER MT WLD
35	1	601478	HOSE, 1/4 X 175 AIR
36	1	316277	AIR COMPRESSOR GOVERNOR KIT
37	1	316583	RH FRT HOOD BRACE, STS 04



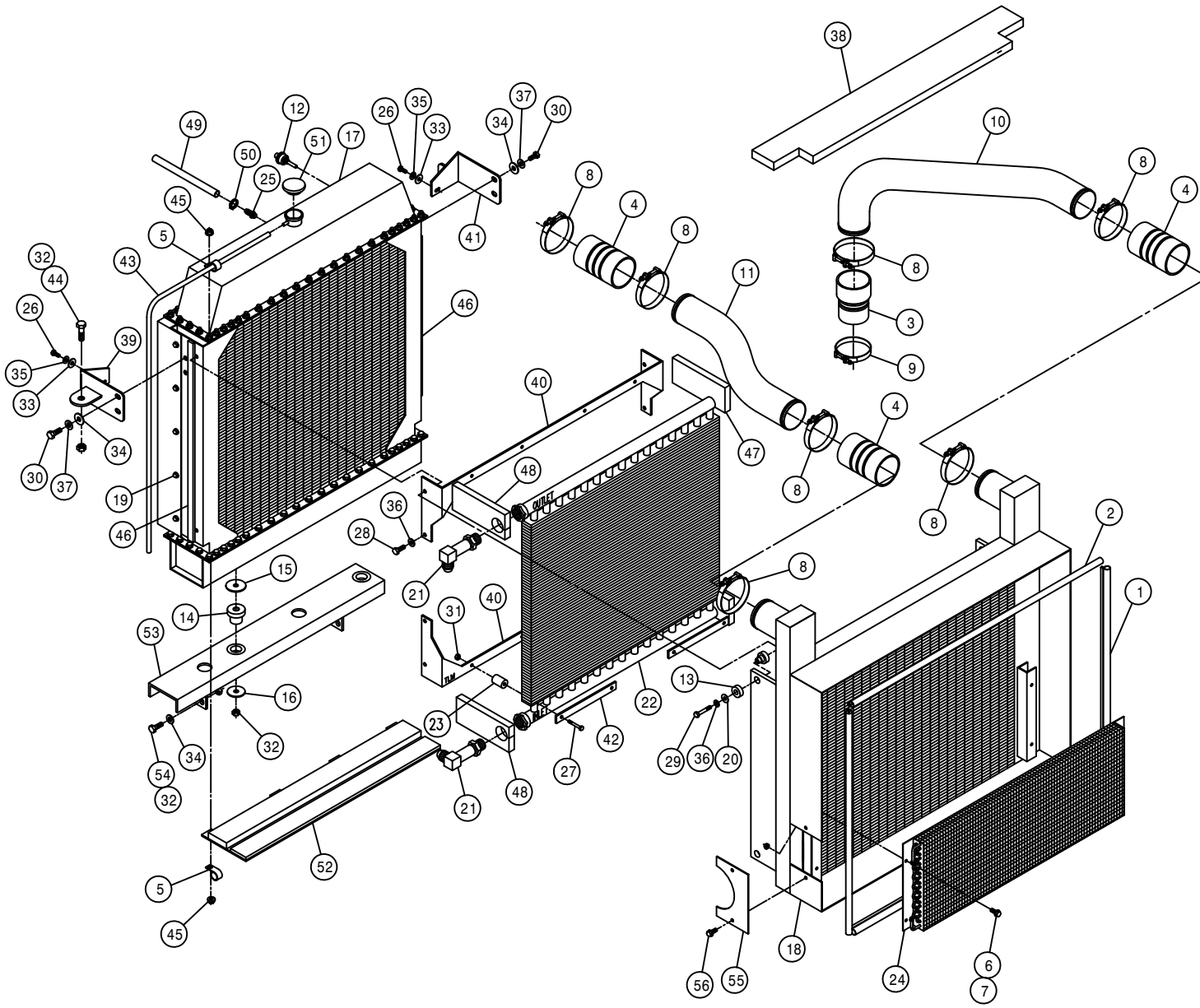


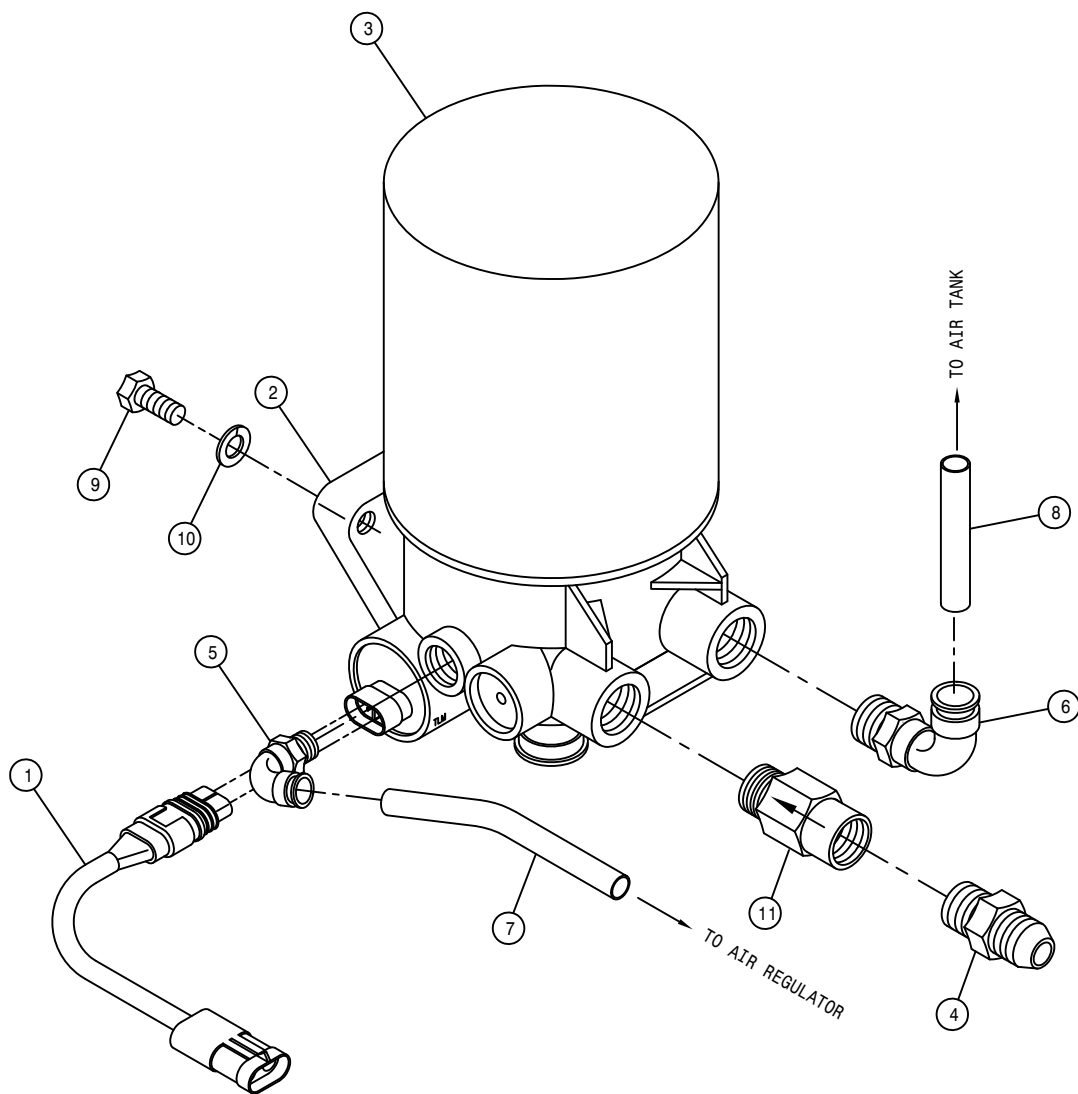
MUFFLER ASSEMBLY

DET.	QTY	PART NO.	DESCRIPTION
1	1	316366	MUFFLER, 2100/STS10/STS12
2	1	470160	MUFFLER CLAMP 3.00 IN

RADIATOR AND OIL COOLER ASSEMBLY

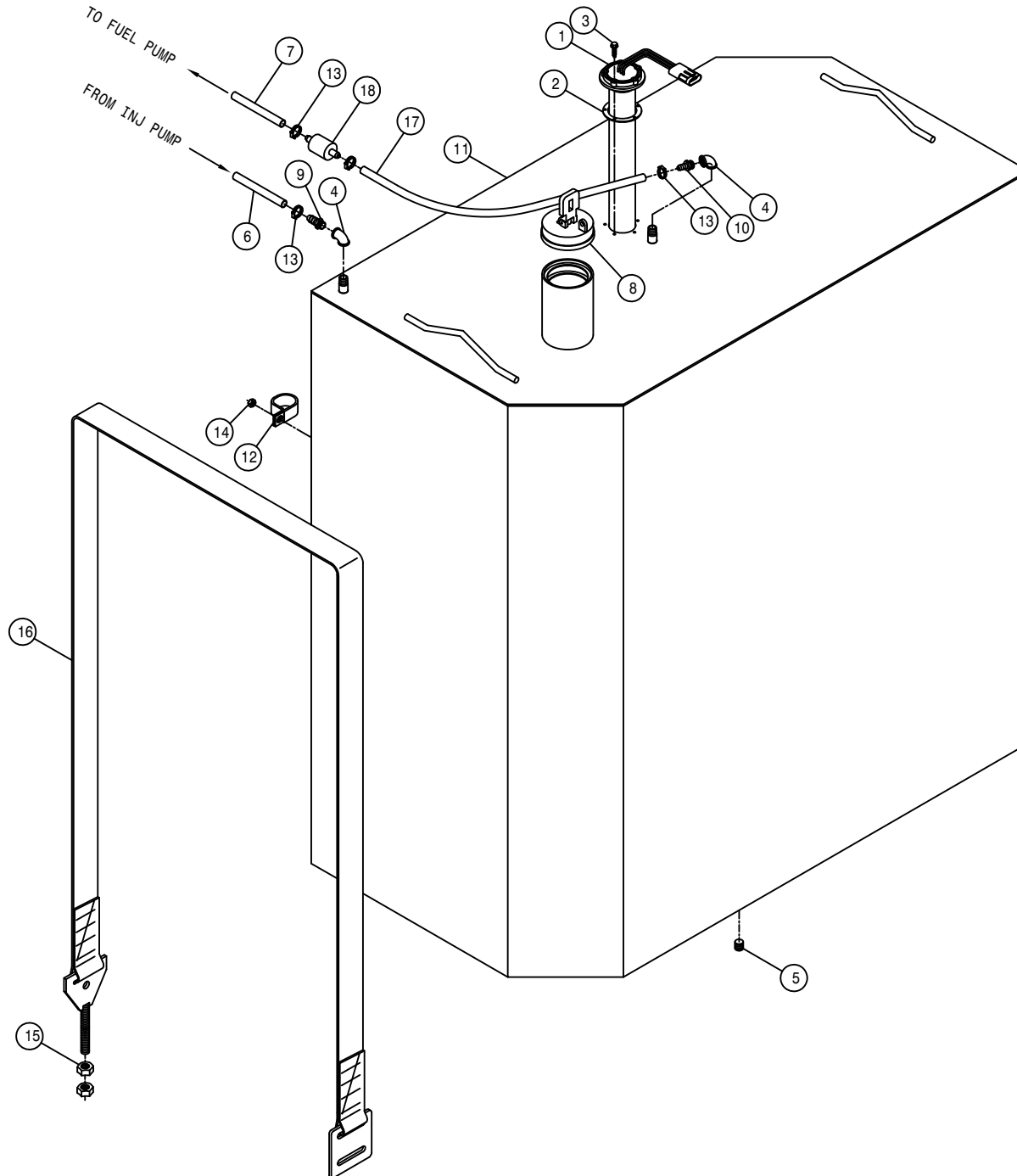
DET.	QTY	PART NO.	DESCRIPTION
1	2	316589	VERTICAL CAC LIP SEAL, STS 04
2	2	316590	HORIZONTAL CAC LIP SEAL, STS 04
3	1	311500	3.00-3.50 CAC HOSE, AIR INTAKE
4	3	311501	3.50 CAC HOSE, AIR INTAKE
5	2	520128	CUSH HOSE CLAMP 9/16D X 3/4W
6	4	470121	1/4UNC HEX FLANGE LOCK NUT
7	4	470122	1/4UNC X 1/2 FLANGE HEX BOLT
8	7	520145	356 T-BOLT HOSE CLAMP SS
9	1	520146	306 T-BOLT HOSE CLAMP SS
10	1	316459	RIGHT CHARGE AIR COOLER PIPE
11	1	316460	LEFT CHARGE AIR COOLER PIPE
12	1	291714	WATER LEVEL SENSOR
13	4	311056	RUBBER MOUNT SET, 2-PC CB 2320
14	2	311060	RUBBER MOUNT, 1-PC CB-1122-2
15	2	311061	HEAD WASHER FOR 311060
16	2	311062	TAIL WASHER FOR 311060
17	1	316364	RADIATOR, STS12 2000
18	1	316585	CHARGE AIR COOLER, STS 2004
19	10	470319	3/8UNC X 1/2 FLANGE HEX BOLT
20	4	483043	3/8 REGULAR FLAT WASHER
21	2	618463	1 5/16MJIC-90-1 5/16MOR XL LBO
22	1	618800	OIL COOLER STS12 2000
23	8	618801	MOUNTING KIT FOR 618800 COOLER
24	1	657434	A/C CONDENSER COIL 21-0302
25	1	783304	1/4 NPT X 3/8 HOSE BARB, BRS
26	2	900064	5/16UNC X 3/4 HEX BOLT
27	8	900071	5/16UNC X 2 3/4 HEX BOLT
28	4	900128	3/8UNC X 3/4 HEX BOLT
29	4	900133	3/8UNC X 2" HEX BOLT
30	4	900264	1/2UNC X 1 1/4 HEX BOLT
31	8	914002	5/16UNC HEX STOVER NUT
32	7	914008	1/2UNC HEX STOVER NUT
33	2	920001	5/16 SAE FLAT WASHER
34	8	920004	1/2 SAE FLAT WASHER
35	2	920501	5/16 LOCK WASHER
36	8	920502	3/8 LOCK WASHER
37	4	920504	1/2 LOCK WASHER
38	1	316588	FOAM, STS 04
39	1	316586	UPPER LH RAD MT WLD, STS 04
40	2	316452	RAD TO OIL COOLER MT
41	1	316446	UPPER RH RAD MT WLD 2000
42	4	316453	RAD TO OIL COOLER KEEPER
43	1	601614	HOSE, 5/16 X 64 EPDM
44	1	900264	1/2UNC X 1 1/4 HEX BOLT
45	5	470113	5/16UNC HEX FLANGE LOCK NUT
46	2	316493	SIDE FOAM, RAD/CAC
47	2	316494	RH UPR/LWR FOAM, OIL CLR/RAD 00
48	2	316495	LH UPR/LWR FOAM, OIL CLR/RAD 00
49	1	601472	HOSE, 3/8 X 24 HEATER
50	1	520069	HOSE CLAMP NO 6 STAINLESS
51	1	316377	RAD CAP, 10LB 10237
52	1	316490	LWR RADIATOR FILLER PANEL ASSY
53	1	316594	RADIATOR MT CHAN WLD, STS 04
54	4	900265	1/2UNC X 1 1/2 HEX BOLT
55	1	316599	CHARGE AIR ACCESS COVER, STS 04
56	2	470232	5/16UNC X 1/2 FLANGE HEX BOLT





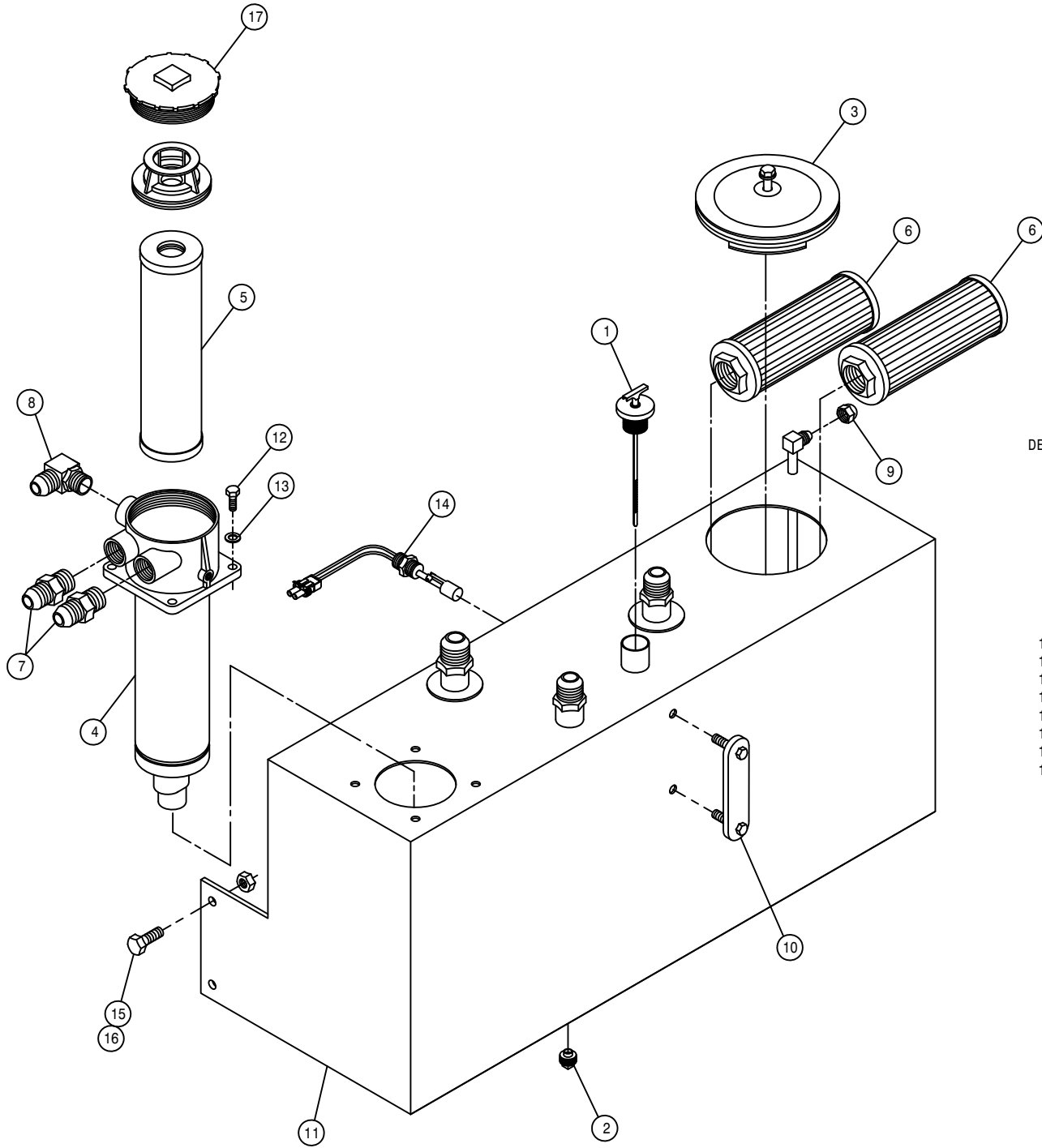
AIR DRYER ASSEMBLY

DET.	QTY	PART NO.	DESCRIPTION
1	1	293517	AIR DRYER HARNESS
2	1	311072	AIR DRYER, AD-SP SYSTEM PURGE
3	1	311073	CARTRIDGE FOR AIR DRYER 311072
4	1	618325	7/8MJIC-1/2MNPT ADPTR
5	1	711040	1/4MNPT-90-1/4 NYL TUBE LBO
6	1	711042	1/2MNPT-1/2 NYL TUBE LBO
7	1	601475	HOSE, 1/4 X 47 AIR
8	1	601483	HOSE, 1/2 X 84 AIR
9	3	900265	1/2UNC X 1 1/2 HEX BOLT
10	3	920504	1/2 LOCK WASHER
11	1	711032	CHECK VALVE, 1/2"FNPT-1/2"MNPT



FUEL TANK ASSEMBLY

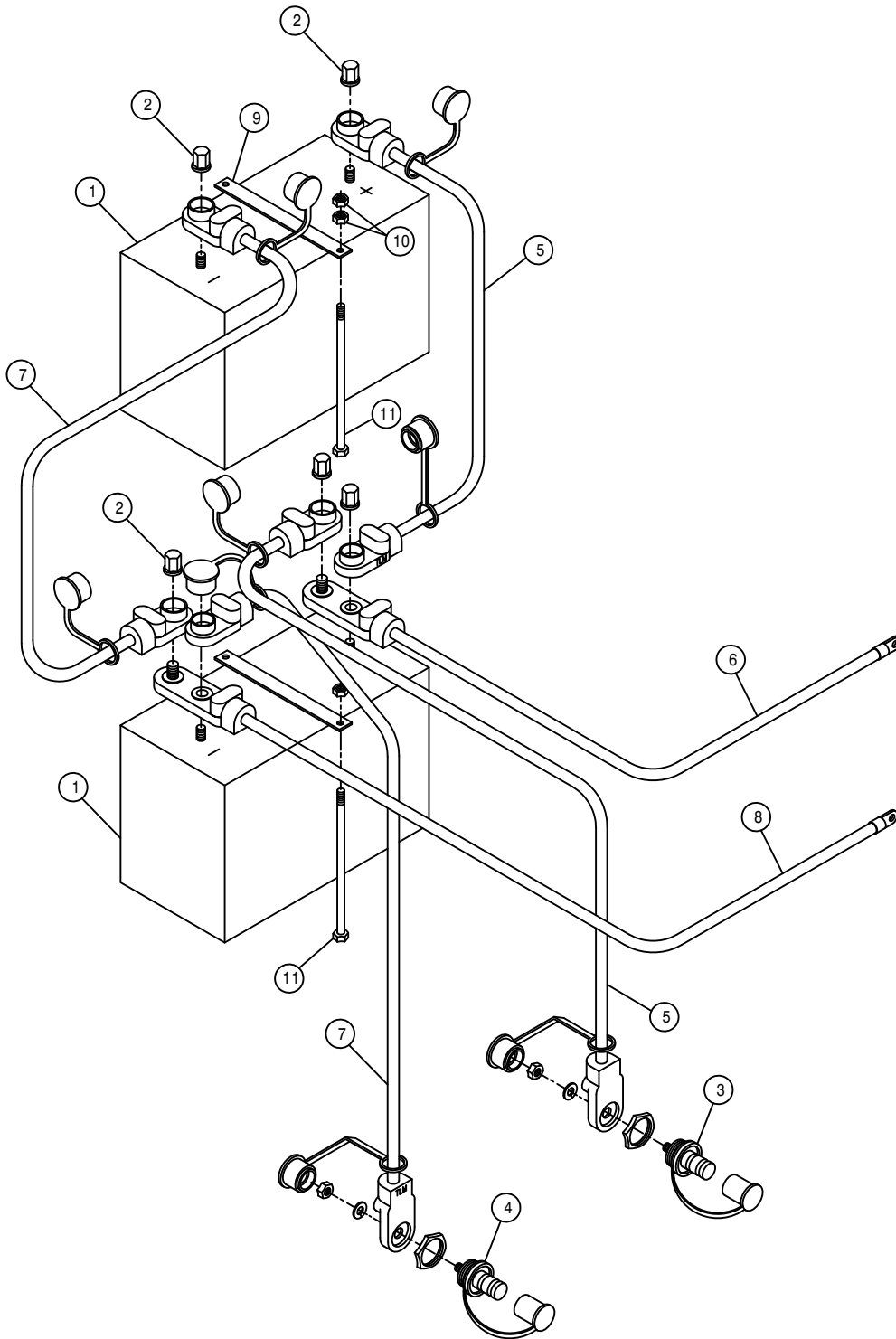
DET.	QTY	PART NO.	DESCRIPTION
	1	291353	FUEL LEVEL SENDER, 45"
	1	291789	GASKET FOR FUEL SENDER 291788
	5	472347	#10 X 1 1/4 SELF DRILL/TAP SCR
	4	501451	BLK PIPE EL 90DEG .25NPT
	1	503703	PIPE PLUG .50NPT SKT HD
	1	601300	HOSE, 5/16 X 60 FUEL LINE
	1	601550	HOSE, 3/8 X 22 FUEL LINE
	1	760469	FUEL TANK CAP, 3.50" VENTED
	1	783303	1/4 NPT X 5/16 HOSE BARB, BRS
	1	783304	1/4 NPT X 3/8 HOSE BARB, BRS
	1	760461	FUEL TANK WLD, STS 04
	1	520100	CUSH HOSE CLAMP, 1 1/2D X 1/2W
	4	520120	HOSE CLAMP NO 4 STAINLESS
	1	914000	1/4UNC HEX STOVER NUT
	4	910008	1/2UNC HEX NUT
	2	316575	FUEL TANK STRAP ASSY, STS 04
	1	601551	HOSE, 3/8 X 38 FUEL LINE
	1	316281	FUEL STRAINER, IN-LINE, DIESEL



HYDRAULIC TANK ASSEMBLY

DET. QTY PART NO. DESCRIPTION

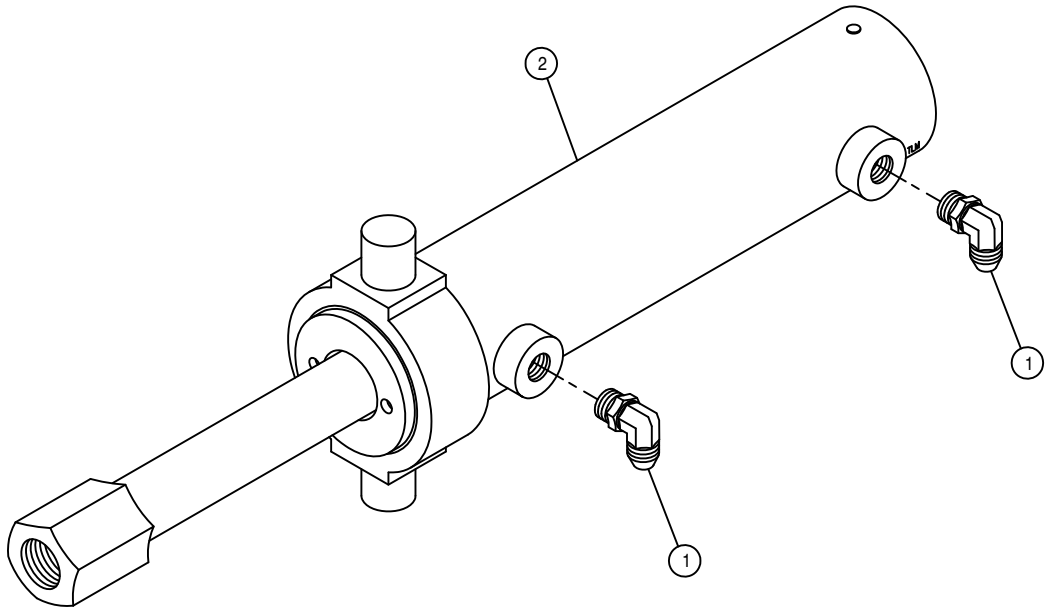
1	1	470293	DIPSTICK, VENTED
2	1	470308	1/2MNPT DRAIN PLUG,AL HD,MAG
3	1	470362	6" HOLE COVER
4	1	605618	HYD TANK FILTER, 10M HYDAC
5	1	605619	FILTER ELEMENT FOR 605618
6	2	605620	SUMP STRAINER,50GPM,100M,1.5NP
7	2	618186	1 5/16MJIC-1 5/16MOR ADPTR
8	1	618477	1 5/8MJIC-90-1 5/8MOR LBO
9	1	618532	3/4FJIC CAP NUT
10	1	760177	SIGHT GAUGE W/TEMP, HYD TANK
11	1	760288	HYD TANK WLD, STS 04
12	4	900130	3/8UNC X 1 1/4 HEX BOLT
13	4	920502	3/8 LOCK WASHER
14	1	470350	LIQUID LEVEL SWITCH ASSY,1/2NP
15	4	900264	1/2UNC X 1 1/4 HEX BOLT
16	4	914008	1/2UNC HEX STOVER NUT
17	1	605621	CAP, HYD TANK FILTER 605618



BATTERY ASSEMBLY

DET. QTY PART NO. DESCRIPTION

1	2	291196	BATTERY,12V 950CCA, SS STUD
2	6	291205	BATTERY NUT,3/8-16 SS CLSD CAP
3	1	291680	POSITIVE JUMPER STUD, RED
4	1	291681	NEGATIVE JUMPER STUD, BLACK
5	2	291705	BATT CABLE,RED 26"2/0 3/8-3/8
6	1	291706	BATT CABLE,RED 70"2/0 3/8-3/8
7	2	291707	BATT CABLE,BLK 26"2/0 3/8-3/8
8	1	291708	BATT CABLE,BLK 73"2/0 3/8-3/8
9	2	316470	BATTERY TIE-DOWN
10	8	910004	3/8UNC HEX NUT
11	4	900150	3/8UNC X 9 1/2 HEX BOLT



STEERING CYLINDER ASSEMBLY

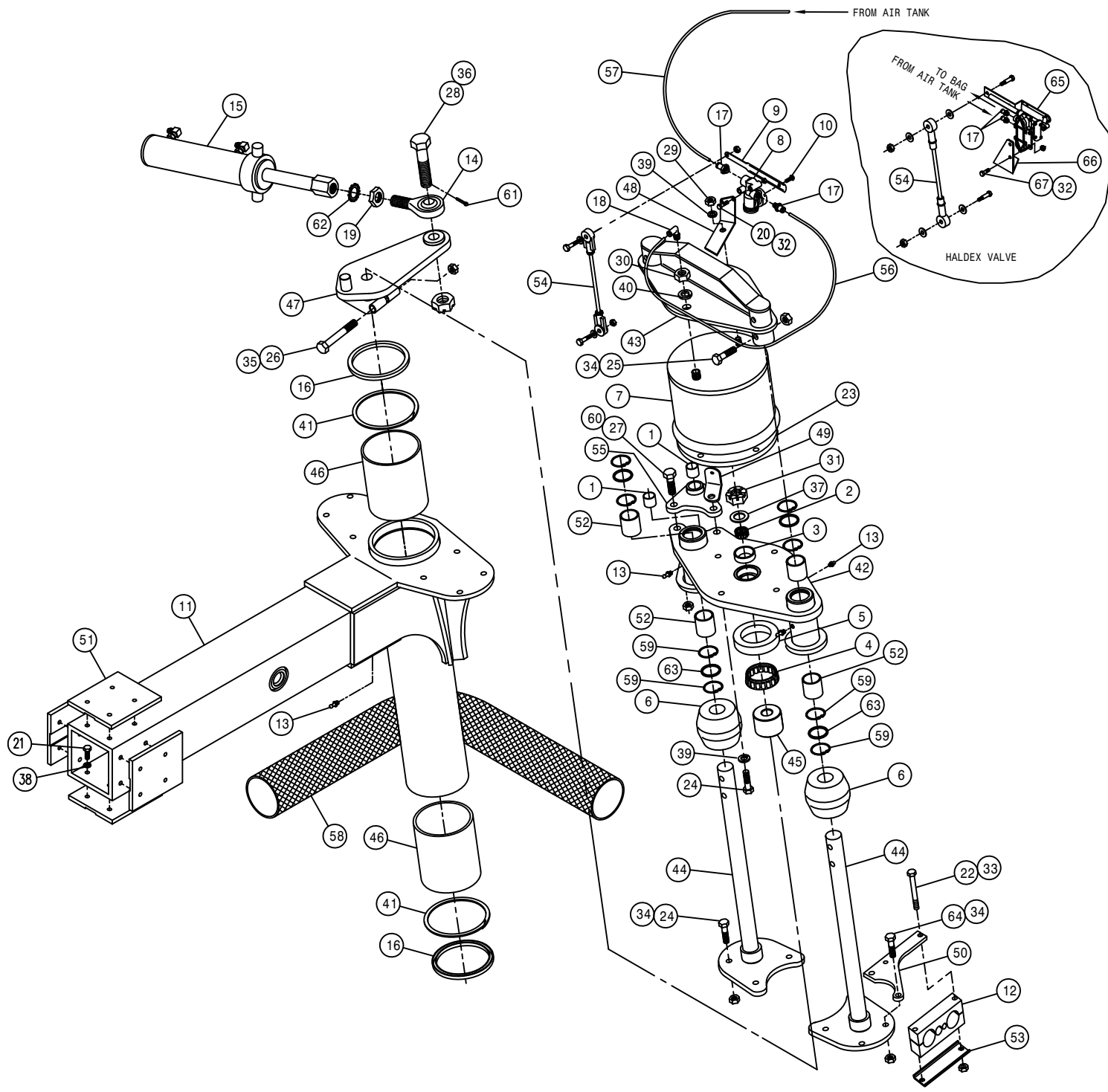
DET. QTY PART NO. DESCRIPTION

1	2	618249	3/4MJIC-90-9/16MOR LBO
2	1	621550	STEERING CYL,2.50 X 8.81 STS
NS	1	621551	REPAIR KIT,HYD CYL,STRG 621550

NOTE: 1. 621063 - STEERING CYLINDER ASSEMBLY WITH FITTINGS

RIGHT FRONT OUTER LEG ASSEMBLY

DET. QTY PART NO. DESCRIPTION

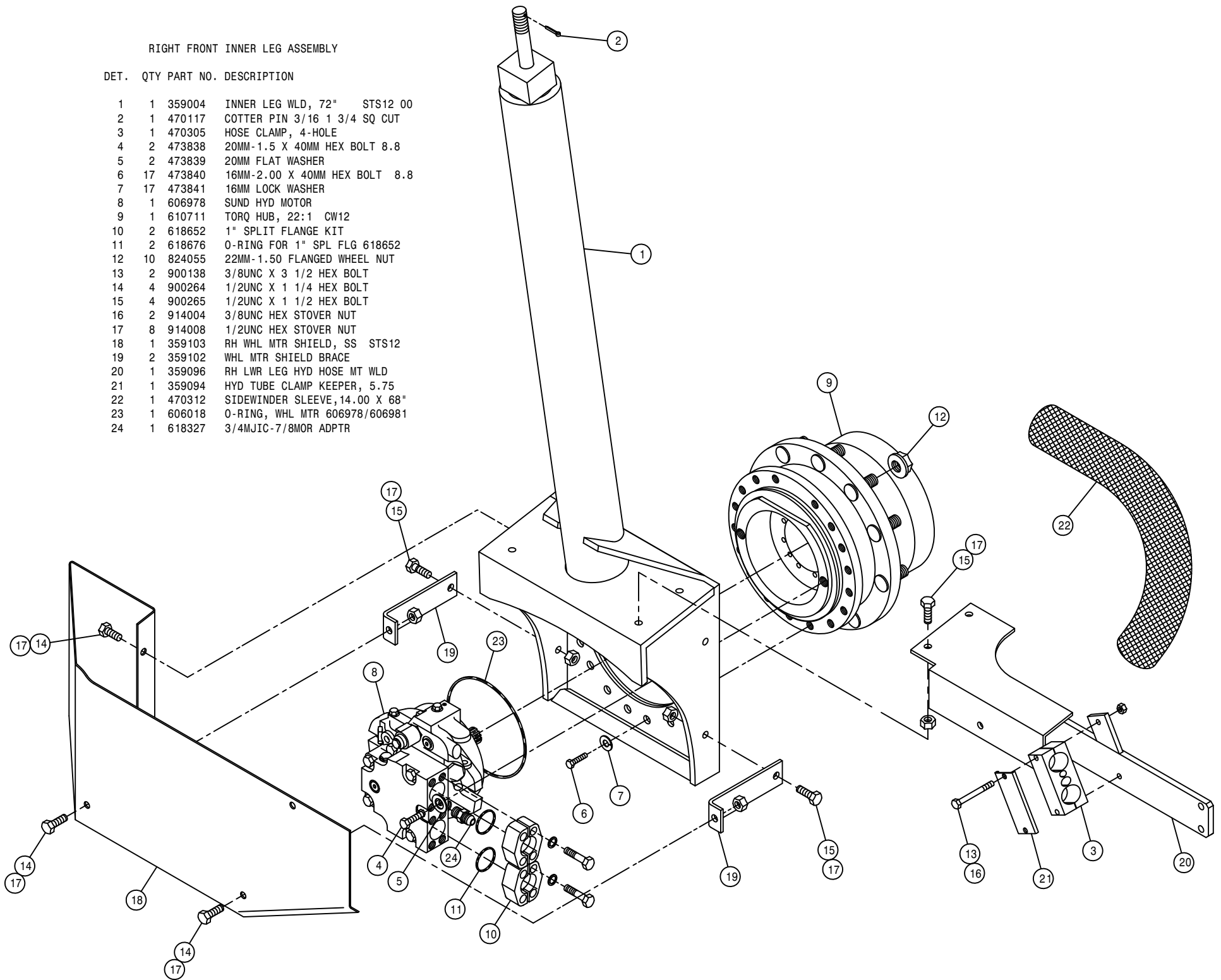


1	2	121029	JOURNAL BRG, 1.00 ID X 1.00 LG
2	1	125050	BRG CONE, 1.00 ID W/FACE SEAL
3	1	125051	BRG CUP FOR 125050
4	1	125052	BRG CONE, 2.687 ID W/FACE SEAL
5	1	125053	BRG CUP FOR 125052
6	2	311058	RUBBER SPRING
7	1	311066	AIRIDE SPRING, STS12
8	1	311067	HEIGHT CONTROL AIR VALVE
9	1	311069	7.00 LEVER, CTRL AIR VLV 311067
10	1	311070	LEVER SCREW, CTRL AIR VLV311067
11	1	359278	OUTER LEG WLD, 72" STS10/12 04
12	1	470305	HOSE CLAMP, 4-HOLE
13	4	471005	1/4 28 X 1/2 GREASE ZERK
14	1	473975	ROD END, 1.00 BORE, 1-12 RH MALE
15	1	621063	STEERING CYL ASSY STS 03
16	2	629621	SEAL, 4.500 ROD DIA
17	4	711036	1/8MNPT-1/4 NYL TUBE FTG
18	1	711040	1/4MNPT-90-1/4 NYL TUBE LBO
19	1	472328	1"-12 HEX JAM NUT
20	2	900006	1/4UNC X 1 3/4 HEX BOLT
21	16	900129	3/8UNC X 1" HEX BOLT
22	2	900138	3/8UNC X 3 1/2 HEX BOLT
23	1	359269	STS AIR SPRING SPACER PLATE, 04
24	10	900267	1/2UNC X 2" HEX BOLT
25	4	900269	1/2UNC X 2 3/4 HEX BOLT
26	1	900343	5/8UNC X 4 1/2 HEX BOLT
27	2	900352P	5/8UNC X 2 1/4 HEX BOLT
28	1	359085	STEERING ARM BOLT, 1"-8THD STS
29	1	910008	1/2UNC HEX NUT
30	1	910013	3/4UNF HEX NUT
31	1	910021	1"-14 SLOT JAM NUT
32	4	914000	1/4UNC HEX STOVER NUT
33	2	914004	3/8UNC HEX STOVER NUT
34	12	914008	1/2UNC HEX STOVER NUT
35	1	914010	5/8UNC HEX STOVER NUT
36	1	910020	1" UNC HEX SLOTTED NUT
37	1	920008	1" SAE FLAT WASHER
38	16	920502	3/8 LOCK WASHER
39	5	920504	1/2 LOCK WASHER
40	1	920506	3/4 LOCK WASHER
41	2	629538	4.5 SPIROLOX RING
42	1	359281	RH AIR BAG LWR PLT WLD STS 04
43	1	359052	AIR BAG TOWER TOP MT WLD
44	2	359077	NITRO TOWER SHAFT WLD STS
45	1	359082	STEERING ARM BRG SPACER
46	2	121112	LEG SLEEVE BEARING (POLYGON)
47	1	359070	RH STEERING ARM WLD
48	1	359049	RH LEG AIR VALVE MT
49	1	359051	LWR AIR VALVE ARM MT
50	1	359081	UPPER LEG HOSE MT PLT
51	4	342719	TRD ADJ BRONZE BEARING, TAPPED
52	4	121111	TOWER SLEEVE BEARING (POLYGON)
53	1	359094	HYD TUBE CLAMP KEEPER, 5.75
54	2	359095	LEG HEIGHT CTRL LINKAGE, STS12
55	1	359068	UPPER TRUNNION MT PLT WLD
56	1	601473	HOSE, 1/4 X 22 AIR
57	1	601480	HOSE, 1/4 X 230 AIR
58	1	470310	SIDEWINDER SLEEVE, 13.50 X 45"
59	8	629537	187RRH00 SNAP RING
60	2	914010P	5/8UNC HEX STOVER NUT
61	1	470117	COTTER PIN 3/16 1 3/4 SQ CUT
62	1	483018	1" EXTERNAL TOOTH LOCK WASHER
63	4	629620	SEAL, 1.500 ROD DIA
64	2	900268	1/2UNC X 2 1/2 HEX BOLT
65	1	358832	AIRIDE SPRING CTRL VALVE 98
66	1	359288	RH LEG AIR VALVE MT, STS 04
67	2	900002	1/4UNC X 3/4 HEX BOLT

RIGHT FRONT INNER LEG ASSEMBLY

DET. QTY PART NO. DESCRIPTION

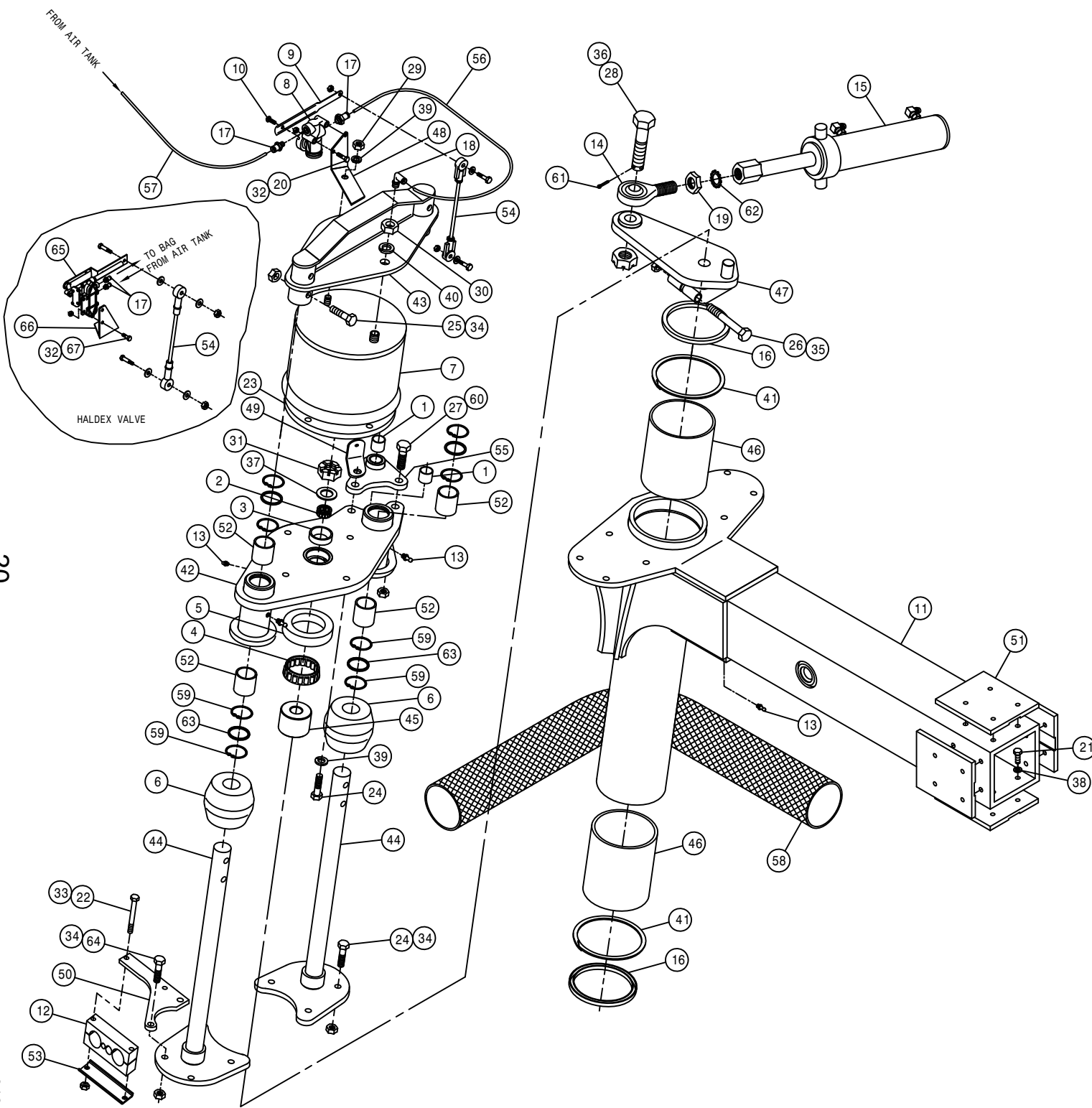
1	1	359004	INNER LEG WLD, 72" STS12 00
2	1	470117	COTTER PIN 3/16 1 3/4 SQ CUT
3	1	470305	HOSE CLAMP, 4-HOLE
4	2	473838	20MM-1.5 X 40MM HEX BOLT 8.8
5	2	473839	20MM FLAT WASHER
6	17	473840	16MM-2.00 X 40MM HEX BOLT 8.8
7	17	473841	16MM LOCK WASHER
8	1	606978	SUND HYD MOTOR
9	1	610711	TORQ HUB, 22:1 CW12
10	2	618652	1" SPLIT FLANGE KIT
11	2	618676	O-RING FOR 1" SPL FLG 618652
12	10	824055	22MM-1.50 FLANGED WHEEL NUT
13	2	900138	3/8UNC X 3 1/2 HEX BOLT
14	4	900264	1/2UNC X 1 1/4 HEX BOLT
15	4	900265	1/2UNC X 1 1/2 HEX BOLT
16	2	914004	3/8UNC HEX STOVER NUT
17	8	914008	1/2UNC HEX STOVER NUT
18	1	359103	RH WHL MTR SHIELD, SS STS12
19	2	359102	WHL MTR SHIELD BRACE
20	1	359096	RH LWR LEG HYD HOSE MT WLD
21	1	359094	HYD TUBE CLAMP KEEPER, 5.75
22	1	470312	SIDEWINDER SLEEVE, 14.00 X 68"
23	1	606018	O-RING, WHL MTR 606978/606981
24	1	618327	3/4MJIC-7/8MOR ADPTR



LEFT FRONT OUTER LEG ASSEMBLY

DET. QTY PART NO. DESCRIPTION

1	2	121029	JOURNAL BRG, 1.00 ID X 1.00 LG
2	1	125050	BRG CONE, 1.00 ID W/FACE SEAL
3	1	125051	BRG CUP FOR 125050
4	1	125052	BRG CONE, 2.687 ID W/FACE SEAL
5	1	125053	BRG CUP FOR 125052
6	2	311058	RUBBER SPRING
7	1	311066	AIRIDE SPRING, STS12
8	1	311067	HEIGHT CONTROL AIR VALVE
9	1	311069	7.00 LEVER, CTRL AIR VLV 311067
10	1	311070	LEVER SCREW, CTRL AIR VLV311067
11	1	359278	OUTER LEG WLD, 72" STS10/12 04
12	1	470305	HOSE CLAMP, 4-HOLE
13	4	471005	1/4 28 X 1/2 GREASE ZERK
14	1	473975	ROD END, 1.00 BORE, 1-12 RH MALE
15	1	621063	STEERING CYL ASSY STS 03
16	2	629621	SEAL, 4.500 ROD DIA
17	4	711036	1/8MNPT-1/4 NYL TUBE FTG
18	1	711040	1/4MNPT-90-1/4 NYL TUBE LBO
19	1	472328	1" -12 HEX JAM NUT
20	2	900006	1/4UNC X 1 3/4 HEX BOLT
21	16	900129	3/8UNC X 1" HEX BOLT
22	2	900138	3/8UNC X 3 1/2 HEX BOLT
23	1	359269	STS AIR SPRING SPACER PLATE,04
24	12	900267	1/2UNC X 2" HEX BOLT
25	4	900269	1/2UNC X 2 3/4 HEX BOLT
26	1	900343	5/8UNC X 4 1/2 HEX BOLT
27	2	900352P	5/8UNC X 2 1/4 HEX BOLT
28	1	359085	STEERING ARM BOLT, 1"-8THD STS
29	1	910008	1/2UNC HEX NUT
30	1	910013	3/4UNF HEX NUT
31	1	910021	1" -14 SLOT JAM NUT
32	4	914000	1/4UNC HEX STOVER NUT
33	2	914004	3/8UNC HEX STOVER NUT
34	12	914008	1/2UNC HEX STOVER NUT
35	1	914010	5/8UNC HEX STOVER NUT
36	1	910020	1" UNC HEX SLOTTED NUT
37	1	920008	1" SAE FLAT WASHER
38	16	920502	3/8 LOCK WASHER
39	5	920504	1/2 LOCK WASHER
40	1	920506	3/4 LOCK WASHER
41	2	659538	LH FRT NOSE COVER EXT
42	1	359282	LH AIR BAG LWR PLT WLD STS 04
43	1	359052	AIR BAG TOWER TOP MT WLD
44	2	359077	NITRO TOWER SHAFT WLD STS
45	1	359082	STEERING ARM BRG SPACER
46	2	121112	LEG SLEEVE BEARING (POLYGON)
47	1	359071	LH STEERING ARM WLD
48	1	359050	LH LEG AIR VALVE MT
49	1	359051	LWR AIR VALVE ARM MT
50	1	359081	UPPER LEG HOSE MT PLT
51	4	342719	TRD ADJ BRONZE BEARING, TAPPED
52	4	121111	TOWER SLEEVE BEARING (POLYGON)
53	1	359094	HYD TUBE CLAMP KEEPER, 5.75
54	2	359095	LEG HEIGHT CTRL LINKAGE, STS12
55	1	359068	UPPER TRUNNION MT PLT WLD
56	1	601473	HOSE, 1/4 X 22 AIR
57	1	601479	HOSE, 1/4 X 196 AIR
58	1	470310	SIDEWINDER SLEEVE, 13.50 X 45"
59	8	629537	187RRHO SNAP RING
60	2	914010P	5/8UNC HEX STOVER NUT
61	1	470117	COTTER PIN 3/16 1 3/4 SQ CUT
62	1	483018	1" EXTERNAL TOOTH LOCK WASHER
63	2	629620	SEAL, 1.500 ROD DIA
64	2	900268	1/2UNC X 2 1/2 HEX BOLT
65	1	358832	AIRIDE SPRING CTRL VALVE 98
66	1	359289	LH LEG AIR VALVE MT, STS 04
67	2	900002	1/4UNC X 3/4 HEX BOLT



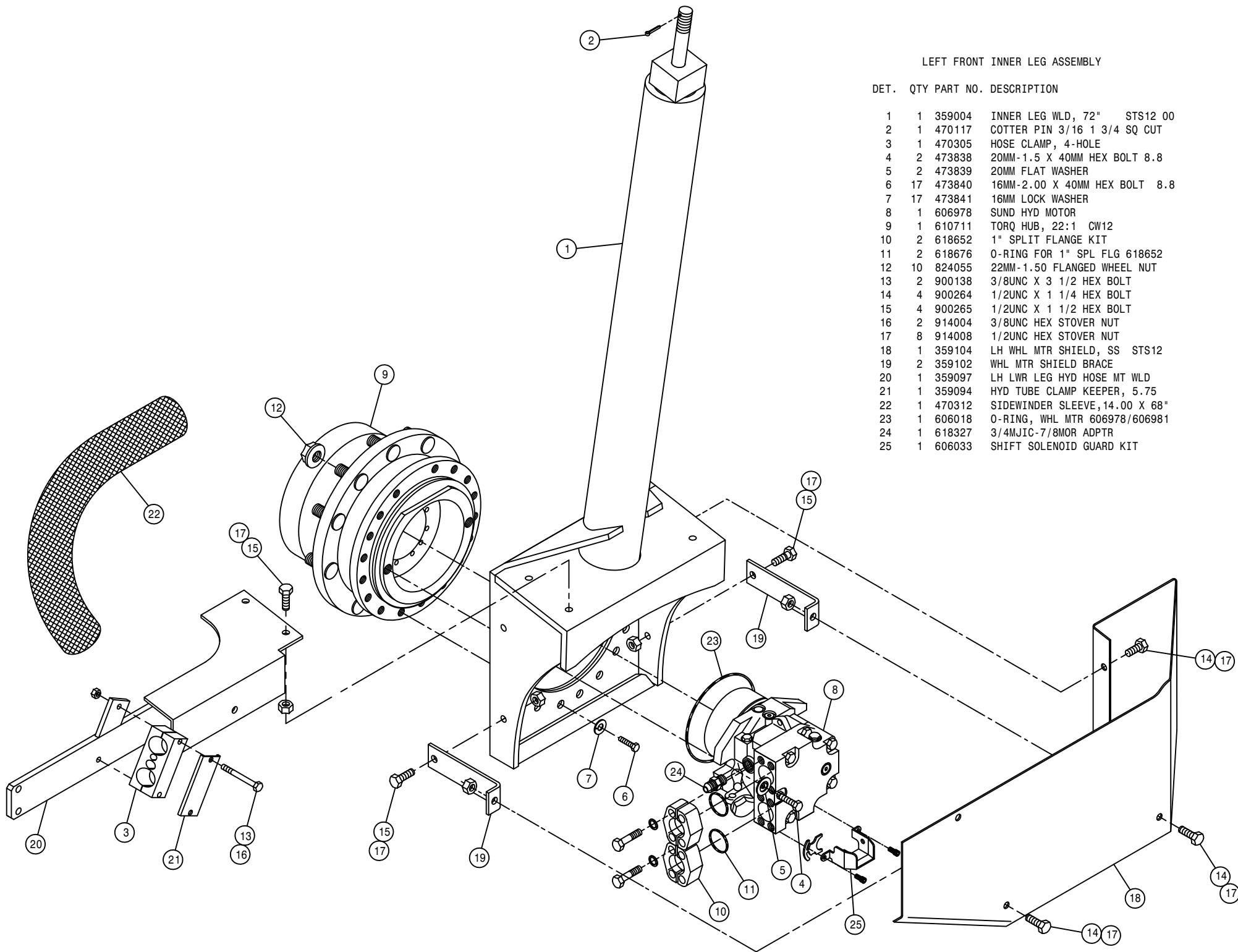
20

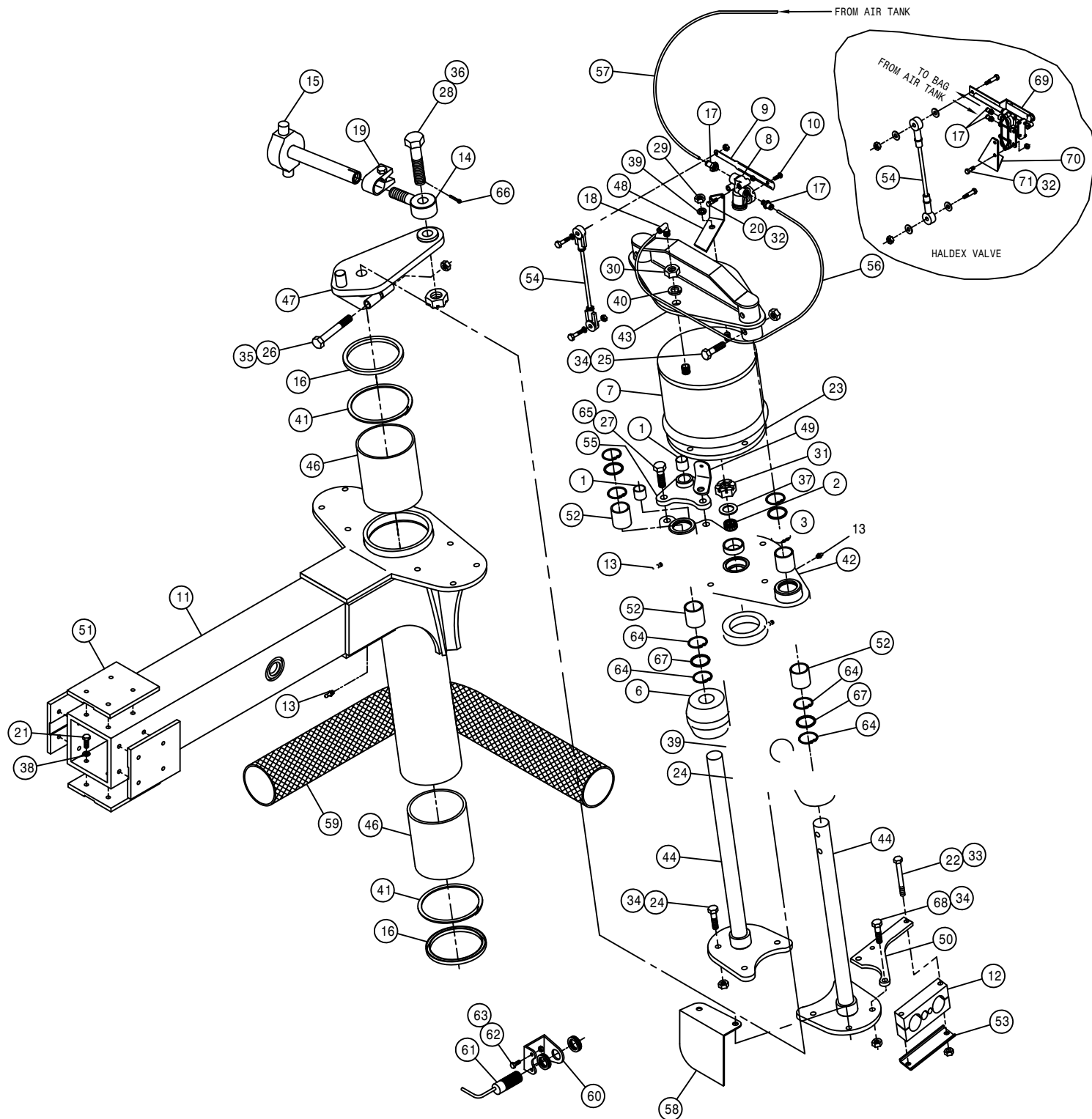
310020

LEFT FRONT INNER LEG ASSEMBLY

DET. QTY PART NO. DESCRIPTION

DET.	QTY	PART NO.	DESCRIPTION
1	1	359004	INNER LEG WLD, 72" STS12 00
2	1	470117	COTTER PIN 3/16 1 3/4 SQ CUT
3	1	470305	HOSE CLAMP, 4-HOLE
4	2	473838	20MM-1.5 X 40MM HEX BOLT 8.8
5	2	473839	20MM FLAT WASHER
6	17	473840	16MM-2.00 X 40MM HEX BOLT 8.8
7	17	473841	16MM LOCK WASHER
8	1	606978	SUND HYD MOTOR
9	1	610711	TORQ HUB, 22:1 CW12
10	2	618652	1" SPLIT FLANGE KIT
11	2	618676	O-RING FOR 1" SPL FLG 618652
12	10	824055	22MM-1.50 FLANGED WHEEL NUT
13	2	900138	3/8UNC X 3 1/2 HEX BOLT
14	4	900264	1/2UNC X 1 1/4 HEX BOLT
15	4	900265	1/2UNC X 1 1/2 HEX BOLT
16	2	914004	3/8UNC HEX STOVER NUT
17	8	914008	1/2UNC HEX STOVER NUT
18	1	359104	LH WHL MTR SHIELD, SS STS12
19	2	359102	WHL MTR SHIELD BRACE
20	1	359097	LH LWR LEG HYD HOSE MT WLD
21	1	359094	HYD TUBE CLAMP KEEPER, 5.75
22	1	470312	SIDEWINDER SLEEVE, 14.00 X 68"
23	1	606018	O-RING, WHL MTR 606978/606981
24	1	618327	3/4MJIC-7/8MOR ADPTR
25	1	606033	SHIFT SOLENOID GUARD KIT





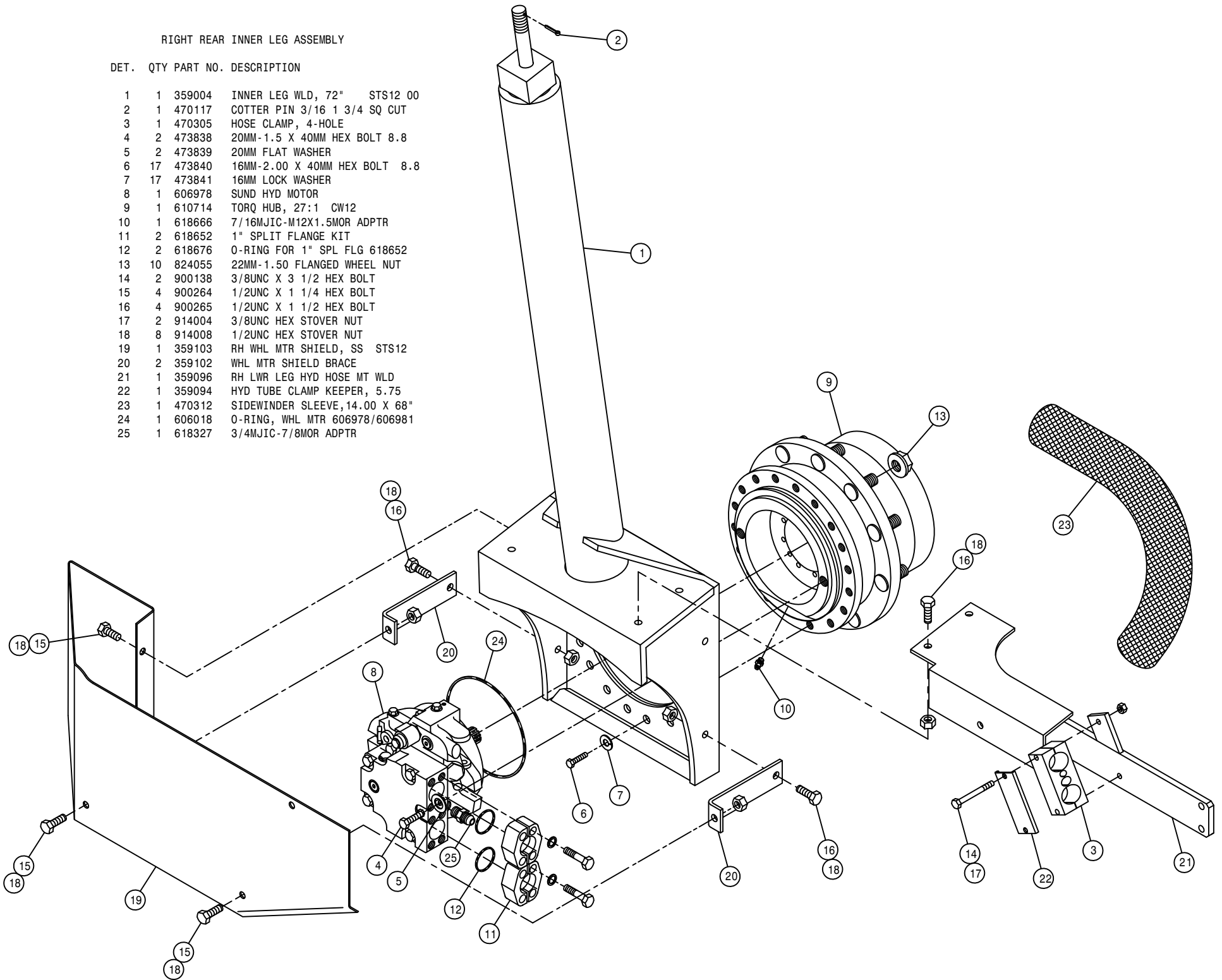
RIGHT REAR OUTER LEG ASSEMBLY

DET.	QTY	PART NO.	DESCRIPTION
1	2	121029	JOURNAL BRG, 1.00 ID X 1.00 LG
2	1	125050	BRG CONE, 1.00 ID W/FACE SEAL
3	1	125051	BRG CUP FOR 125050
4	1	125052	BRG CONE, 2.687 ID W/FACE SEAL
5	1	125053	BRG CUP FOR 125052
6	2	311058	RUBBER SPRING
7	1	311066	AIRIDE SPRING, STS12
8	1	311067	HEIGHT CONTROL AIR VALVE
9	1	311069	7.00 LEVER, CTRL AIR VLV 311067
10	1	311070	LEVER SCREW, CTRL AIR VLV311067
11	1	359278	OUTER LEG WLD, 72" STS10/12 04
12	1	470305	HOSE CLAMP, 4-HOLE
13	4	471005	1/4 28 X 1/2 GREASE ZERK
14	1	359089	TIE ROD STUD WLD
15	1	359086	REAR TIE ROD SHAFT WLD
16	2	629621	SEAL, 4.500 ROD DIA
17	4	711036	1/8MNPT-1/4 NYL TUBE FTG
18	1	711040	1/4MNPT-90-1/4 NYL TUBE LBO
19	1	749322	STEERING TUBE CLAMP & BOLT ASSY
20	2	900006	1/4UNC X 1 3/4 HEX BOLT
21	16	900129	3/8UNC X 1" HEX BOLT
22	2	900138	3/8UNC X 3 1/2 HEX BOLT
23	1	359269	STS AIR SPRING SPACER PLATE, 04
24	12	900267	1/2UNC X 2" HEX BOLT
25	4	900269	1/2UNC X 2 3/4 HEX BOLT
26	1	900343	5/8UNC X 4 1/2 HEX BOLT
27	2	900352P	5/8UNC X 2 1/4 HEX BOLT
28	1	359085	STEERING ARM BOLT, 1" -8THD STS
29	1	910008	1/2UNC HEX NUT
30	1	910013	3/4UNF HEX NUT
31	1	910021	1" -14 SLOT JAM NUT
32	4	914000	1/4UNC HEX STOVER NUT
33	2	914004	3/8UNC HEX STOVER NUT
34	12	914008	1/2UNC HEX STOVER NUT
35	1	914010	5/8UNC HEX STOVER NUT
36	1	910020	1" UNC HEX SLOTTED NUT
37	1	920008	1" SAE FLAT WASHER
38	16	920502	3/8 LOCK WASHER
39	5	920504	1/2 LOCK WASHER
40	1	920506	3/4 LOCK WASHER
41	2	629538	4.5 SPIROLOX RING
42	1	359281	RH AIR BAG LWR PLT WLD STS 04
43	1	359052	AIR BAG TOWER TOP MT WLD
44	2	359077	NITRO TOWER SHAFT WLD STS
45	1	359082	STEERING ARM BRG SPACER
46	2	121112	LEG SLEEVE BEARING (POLYGON)
47	1	359070	RH STEERING ARM WLD
48	1	359049	RH LEG AIR VALVE MT
49	1	359051	LWR AIR VALVE ARM MT
50	1	359081	UPPER LEG HOSE MT PLT
51	4	342719	TRD ADJ BRONZE BEARING, TAPPED
52	4	121111	TOWER SLEEVE BEARING (POLYGON)
53	1	359094	HYD TUBE CLAMP KEEPER, 5.75
54	2	359095	LEG HEIGHT CTRL LINKAGE, STS12
55	1	359068	UPPER TRUNNION MT PLT WLD
56	1	601473	HOSE, 1/4 X 22 AIR
57	1	601477	HOSE, 1/4 X 160 AIR
58	1	359092	RH SENSOR REFLECTOR
59	1	470311	SIDEWINDER SLEEVE, 14.00 X 60"
60	1	342856	TREAD SENSOR MT
61	1	293637	SENSOR W/SHROUD ASSY (SERV)
62	2	900064	5/16UNC X 3/4 HEX BOLT
63	2	914002	5/16UNC HEX STOVER NUT
64	8	629537	187RRHOOD SNAP RING
65	2	914010P	5/8UNC HEX STOVER NUT
66	1	470117	COTTER PIN 3/16 1 3/4 SQ CUT
67	4	629620	SEAL, 1.500 ROD DIA
68	2	900268	1/2UNC X 2 1/2 HEX BOLT
69	1	358832	AIRIDE SPRING CTRL VALVE 98
70	1	359288	RH LEG AIR VALVE MT, STS 04
71	2	900002	1/4UNC X 3/4 HEX BOLT

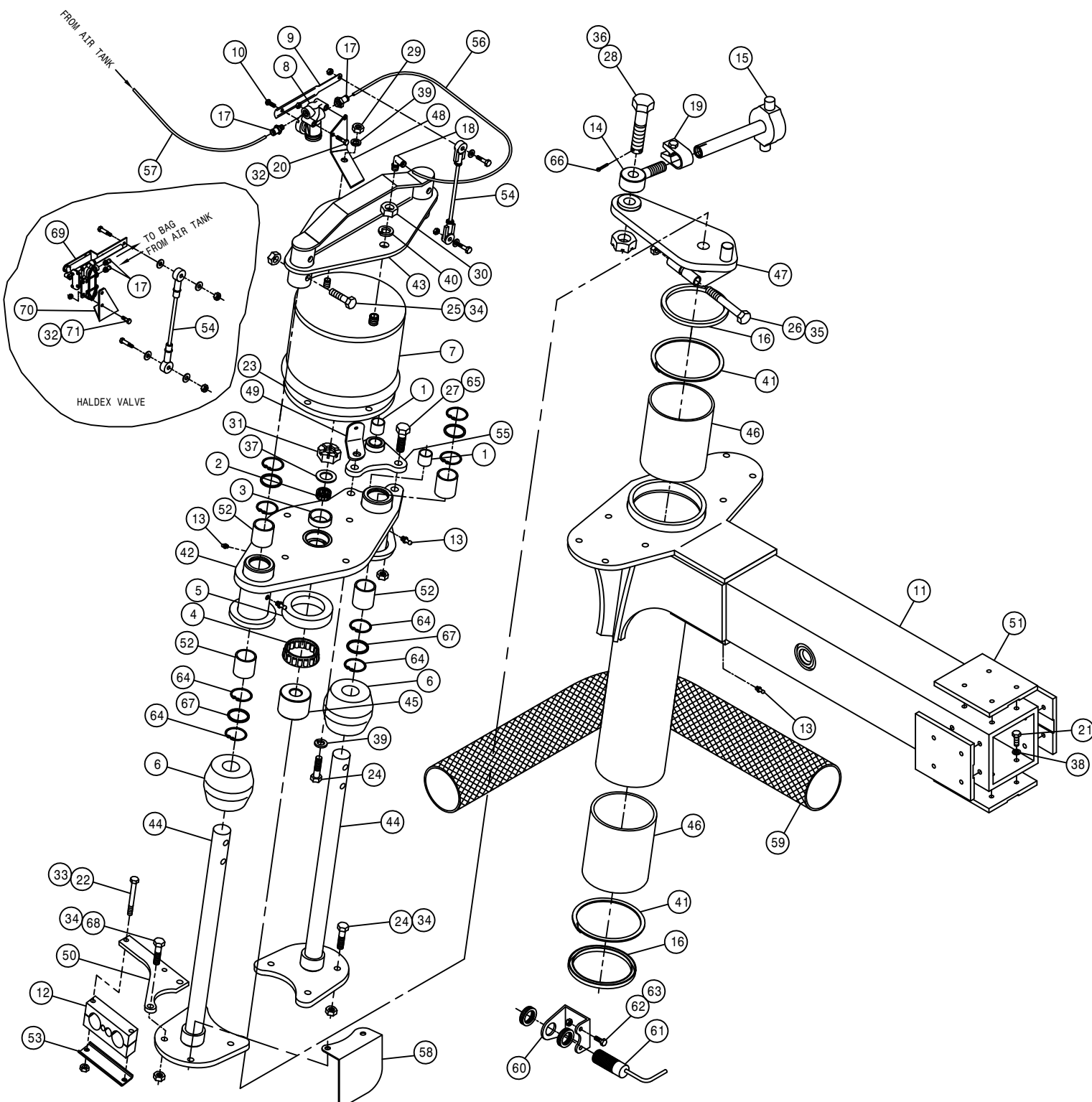
RIGHT REAR INNER LEG ASSEMBLY

DET. QTY PART NO. DESCRIPTION

1	1	359004	INNER LEG WLD, 72" STS12 00
2	1	470117	COTTER PIN 3/16 1 3/4 SQ CUT
3	1	470305	HOSE CLAMP, 4-HOLE
4	2	473838	20MM-1.5 X 40MM HEX BOLT 8.8
5	2	473839	20MM FLAT WASHER
6	17	473840	16MM-2.00 X 40MM HEX BOLT 8.8
7	17	473841	16MM LOCK WASHER
8	1	606978	SUND HYD MOTOR
9	1	610714	TORQ HUB, 27:1 CW12
10	1	618666	7/16MJIC-M12X1.5MOR ADPTR
11	2	618652	1" SPLIT FLANGE KIT
12	2	618676	O-RING FOR 1" SPL FLG 618652
13	10	824055	22MM-1.50 FLANGED WHEEL NUT
14	2	900138	3/8UNC X 3 1/2 HEX BOLT
15	4	900264	1/2UNC X 1 1/4 HEX BOLT
16	4	900265	1/2UNC X 1 1/2 HEX BOLT
17	2	914004	3/8UNC HEX STOVER NUT
18	8	914008	1/2UNC HEX STOVER NUT
19	1	359103	RH WHL MTR SHIELD, SS STS12
20	2	359102	WHL MTR SHIELD BRACE
21	1	359096	RH LWR LEG HYD HOSE MT WLD
22	1	359094	HYD TUBE CLAMP KEEPER, 5.75
23	1	470312	SIDEWINDER SLEEVE, 14.00 X 68"
24	1	606018	O-RING, WHL MTR 606978/606981
25	1	618327	3/4MJIC-7/8MOR ADPTR



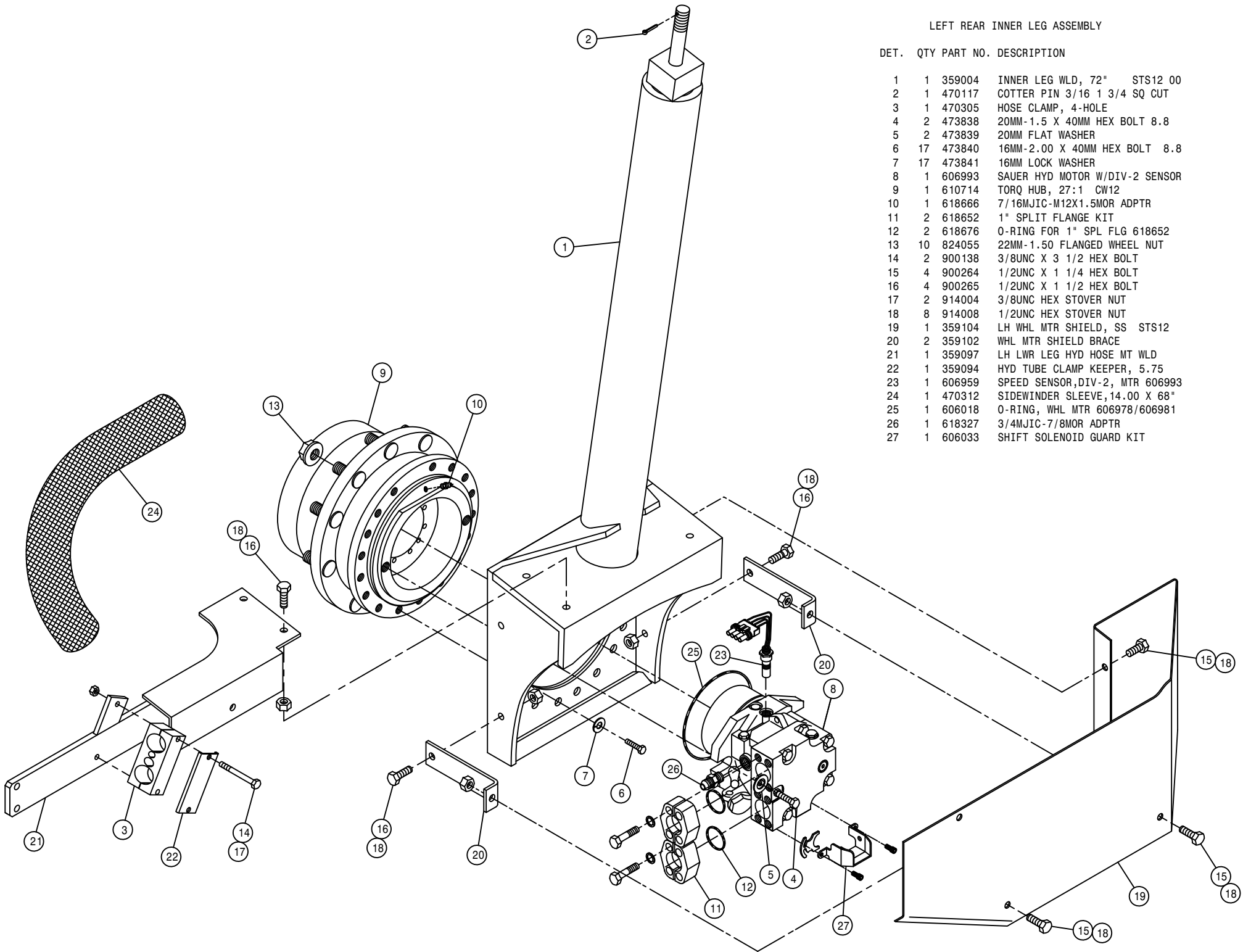
DET.	QTY	PART NO.	DESCRIPTION
1	2	121029	JOURNAL BRG, 1.00 ID X 1.00 LG
2	1	125050	BRG CONE, 1.00 ID W/FACE SEAL
3	1	125051	BRG CUP FOR 125050
4	1	125052	BRG CONE, 2.687 ID W/FACE SEAL
5	1	125053	BRG CUP FOR 125052
6	2	311058	RUBBER SPRING
7	1	311066	AIRIDE SPRING, STS12
8	1	311067	HEIGHT CONTROL AIR VALVE
9	1	311069	7.00 LEVER, CTRL AIR VLV 311067
10	1	311070	LEVER SCREW, CTRL AIR VLV311067
11	1	359278	OUTER LEG WLD, 72" STS10/12 04
12	1	470305	HOSE CLAMP, 4-HOLE
13	4	471005	1/4 28 X 1/2 GREASE ZERK
14	1	359089	TIE ROD STUD WLD
15	1	359086	REAR TIE ROD SHAFT WLD
16	2	629621	SEAL, 4.500 ROD DIA
17	4	711036	1/8MNPT-1/4 NYL TUBE FTG
18	1	711040	1/4MNPT-90-1/4 NYL TUBE LBO
19	1	749322	STEERING TUBE CLAMP & BOLT ASSY
20	2	900006	1/4UNC X 1 3/4 HEX BOLT
21	16	900129	3/8UNC X 1" HEX BOLT
22	2	900138	3/8UNC X 3 1/2 HEX BOLT
23	1	359269	STS AIR SPRING SPACER PLATE, 04
24	12	900267	1/2UNC X 2" HEX BOLT
25	4	900269	1/2UNC X 2 3/4 HEX BOLT
26	1	900343	5/8UNC X 4 1/2 HEX BOLT
27	2	900352P	5/8UNC X 2 1/4 HEX BOLT
28	1	359085	STEERING ARM BOLT, 1"-8THD STS
29	1	910008	1/2UNC HEX NUT
30	1	910013	3/4UNF HEX NUT
31	1	910021	1"-14 SLOT JAM NUT
32	4	914000	1/4UNC HEX STOVER NUT
33	2	914004	3/8UNC HEX STOVER NUT
34	12	914008	1/2UNC HEX STOVER NUT
35	1	914010	5/8UNC HEX STOVER NUT
36	1	910020	1" UNC HEX SLOTTED NUT
37	1	920008	1" SAE FLAT WASHER
38	16	920502	3/8 LOCK WASHER
39	5	920504	1/2 LOCK WASHER
40	1	920506	3/4 LOCK WASHER
41	2	629538	4.5 SPIROLOX RING
42	1	359282	LH AIR BAG LWR PLT WLD STS 04
43	1	359052	AIR BAG TOWER TOP MT WLD
44	2	359077	NITRO TOWER SHAFT WLD STS
45	1	359082	STEERING ARM BRG SPACER
46	2	121112	LEG SLEEVE BEARING (POLYGON)
47	1	359071	LH STEERING ARM WLD
48	1	359050	LH LEG AIR VALVE MT
49	1	359051	LWR AIR VALVE ARM MT
50	1	359081	UPPER LEG HOSE MT PLT
51	4	342719	TRD ADJ BRONZE BEARING, TAPPED
52	4	121111	TOWER SLEEVE BEARING (POLYGON)
53	1	359094	HYD TUBE CLAMP KEEPER, 5.75
54	2	359095	LEG HEIGHT CTRL LINKAGE, STS12
55	1	359068	UPPER TRUNNION MT PLT WLD
56	1	601473	HOSE, 1/4 X 22 AIR
57	1	601476	HOSE, 1/4 X 120 AIR
58	1	359093	LH SENSOR REFLECTOR
59	1	470311	SIDEWINDER SLEEVE, 14.00 X 60"
60	1	342856	TREAD SENSOR MT
61	1	293637	SENSOR W/SHROUD ASSY (SERV)
62	2	900064	5/16UNC X 3/4 HEX BOLT
63	2	914002	5/16UNC HEX STOVER NUT
64	8	629537	187RRHOOD SNAP RING
65	2	914010P	5/8UNC HEX STOVER NUT
66	1	470117	COTTER PIN 3/16 1 3/4 SQ CUT
67	4	629620	SEAL, 1.500 ROD DIA
68	2	900268	1/2UNC X 2 1/2 HEX BOLT
69	1	358832	AIRIDE SPRING CTRL VALVE 98
70	1	359289	LH LEG AIR VALVE MT, STS 04
71	2	900002	1/4UNC X 3/4 HEX BOLT



LEFT REAR INNER LEG ASSEMBLY

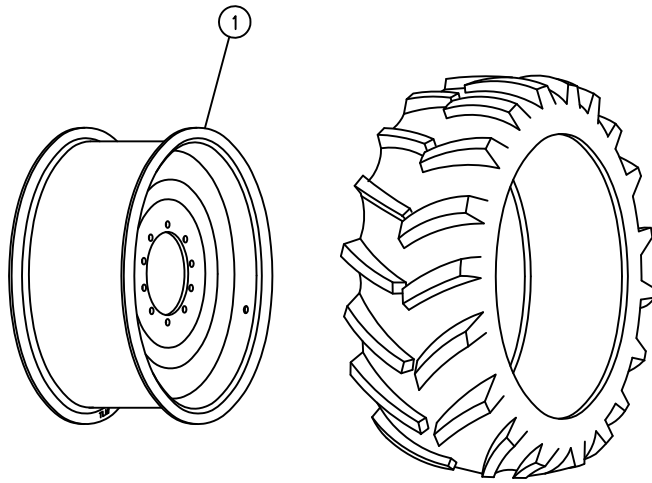
DET. QTY PART NO. DESCRIPTION

DET.	QTY	PART NO.	DESCRIPTION
1	1	359004	INNER LEG WLD, 72" STS12 00
2	1	470117	COTTER PIN 3/16 1 3/4 SQ CUT
3	1	470305	HOSE CLAMP, 4-HOLE
4	2	473838	20MM-1.5 X 40MM HEX BOLT 8.8
5	2	473839	20MM FLAT WASHER
6	17	473840	16MM-2.00 X 40MM HEX BOLT 8.8
7	17	473841	16MM LOCK WASHER
8	1	606993	SAUER HYD MOTOR W/DIV-2 SENSOR
9	1	610714	TORQ HUB, 27:1 CW12
10	1	618666	7/16MJIC-M12X1.5MOR ADPTR
11	2	618652	1" SPLIT FLANGE KIT
12	2	618676	O-RING FOR 1" SPL FLG 618652
13	10	824055	22MM-1.50 FLANGED WHEEL NUT
14	2	900138	3/8UNC X 3 1/2 HEX BOLT
15	4	900264	1/2UNC X 1 1/4 HEX BOLT
16	4	900265	1/2UNC X 1 1/2 HEX BOLT
17	2	914004	3/8UNC HEX STOVER NUT
18	8	914008	1/2UNC HEX STOVER NUT
19	1	359104	LH WHL MTR SHIELD, SS STS12
20	2	359102	WHL MTR SHIELD BRACE
21	1	359097	LH LWR LEG HYD HOSE MT WLD
22	1	359094	HYD TUBE CLAMP KEEPER, 5.75
23	1	606959	SPEED SENSOR, DIV-2, MTR 606993
24	1	470312	SIDEWINDER SLEEVE, 14.00 X 68"
25	1	606018	O-RING, WHL MTR 606978/606981
26	1	618327	3/4MJIC-7/8MOR ADPTR
27	1	606033	SHIFT SOLENOID GUARD KIT

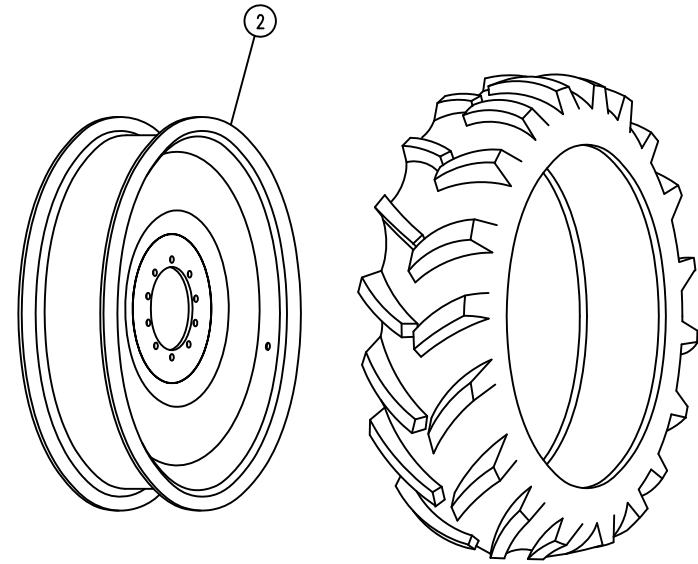


25

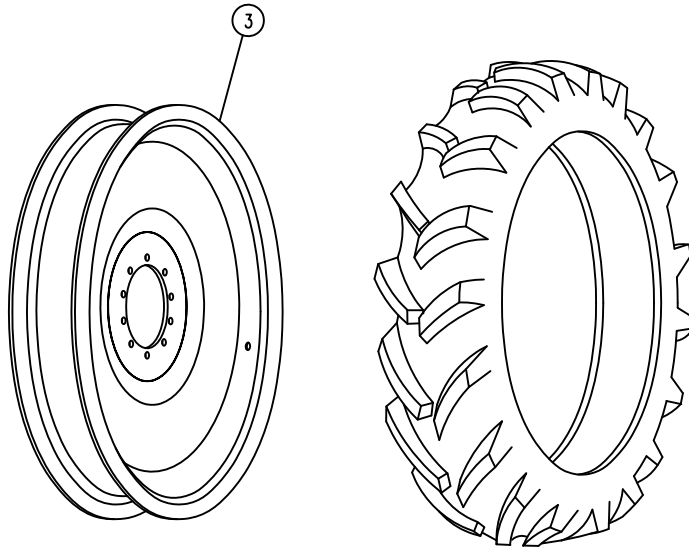
310025



580/70 R38 RADIAL TIRE



380/85 R46 RADIAL TIRE



320/90 R50 RADIAL TIRE

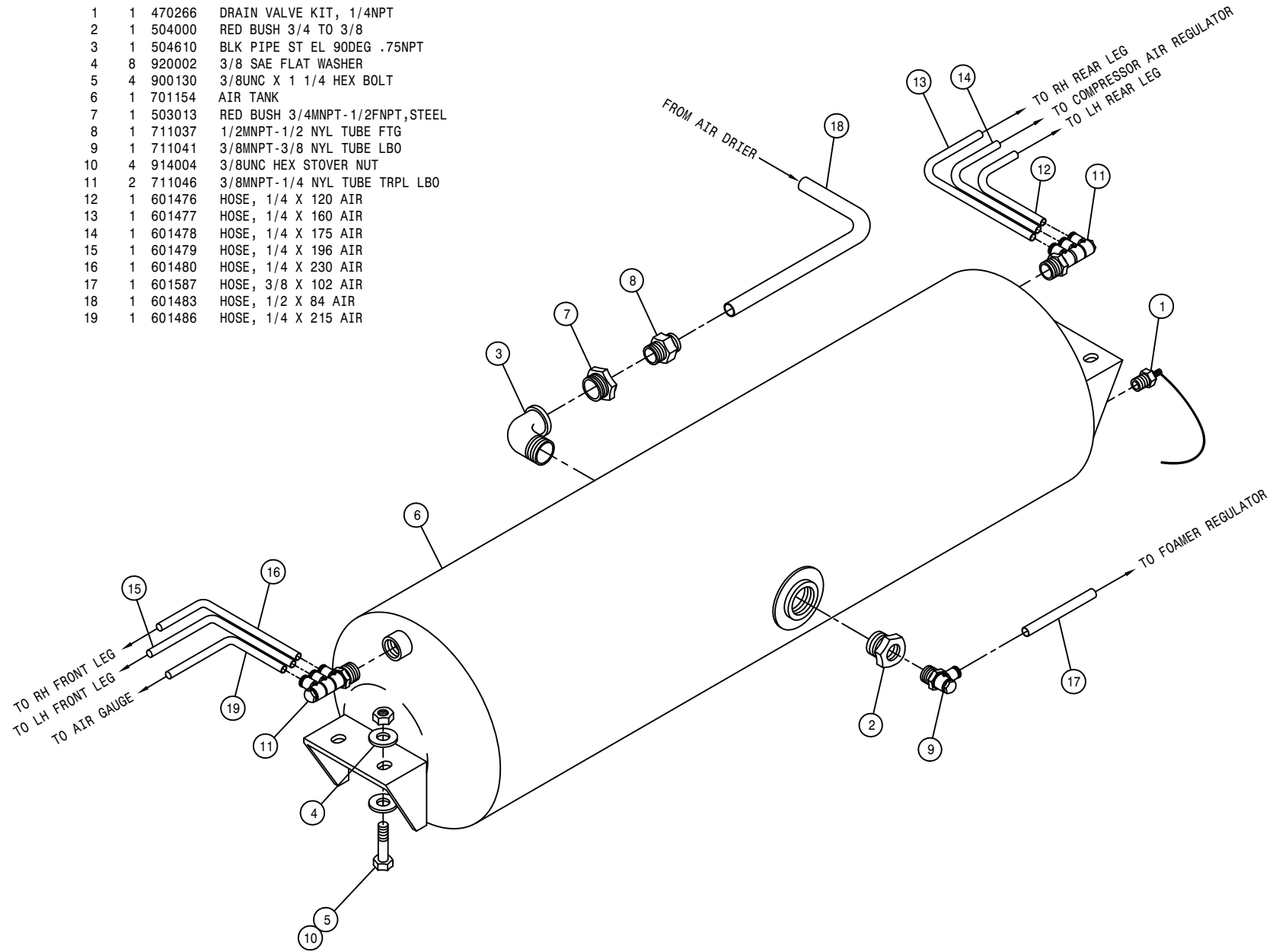
TIRE AND RIM ASSEMBLY

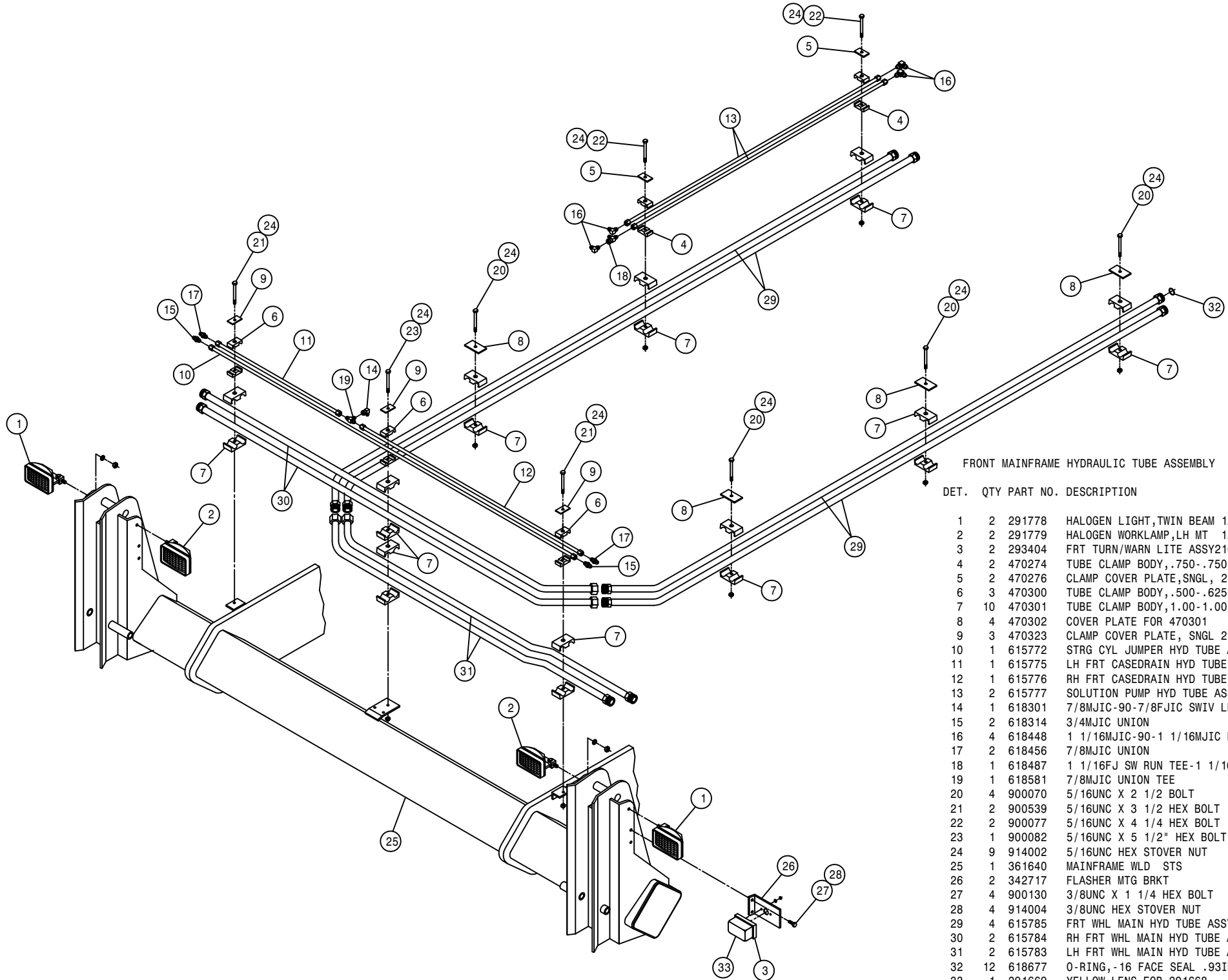
DET.	QTY	PART NO.	DESCRIPTION	
1	1	821055	RIM WLD, 38 X W18A	STS12
2	1	821054	RIM WLD, 46 X W13A	STS12
3	1	821056	RIM WLD, 50 X 10 TITAN	

AIR TANK ASSEMBLY

DET. QTY PART NO. DESCRIPTION

1	1	470266	DRAIN VALVE KIT, 1/4NPT
2	1	504000	RED BUSH 3/4 TO 3/8
3	1	504610	BLK PIPE ST EL 90DEG .75NPT
4	8	920002	3/8 SAE FLAT WASHER
5	4	900130	3/8UNC X 1 1/4 HEX BOLT
6	1	701154	AIR TANK
7	1	503013	RED BUSH 3/4MNPT-1/2FNPT,STEEL
8	1	711037	1/2MNPT-1/2 NYL TUBE FTG
9	1	711041	3/8MNPT-3/8 NYL TUBE LBO
10	4	914004	3/8UNC HEX STOVER NUT
11	2	711046	3/8MNPT-1/4 NYL TUBE TRPL LBO
12	1	601476	HOSE, 1/4 X 120 AIR
13	1	601477	HOSE, 1/4 X 160 AIR
14	1	601478	HOSE, 1/4 X 175 AIR
15	1	601479	HOSE, 1/4 X 196 AIR
16	1	601480	HOSE, 1/4 X 230 AIR
17	1	601587	HOSE, 3/8 X 102 AIR
18	1	601483	HOSE, 1/2 X 84 AIR
19	1	601486	HOSE, 1/4 X 215 AIR

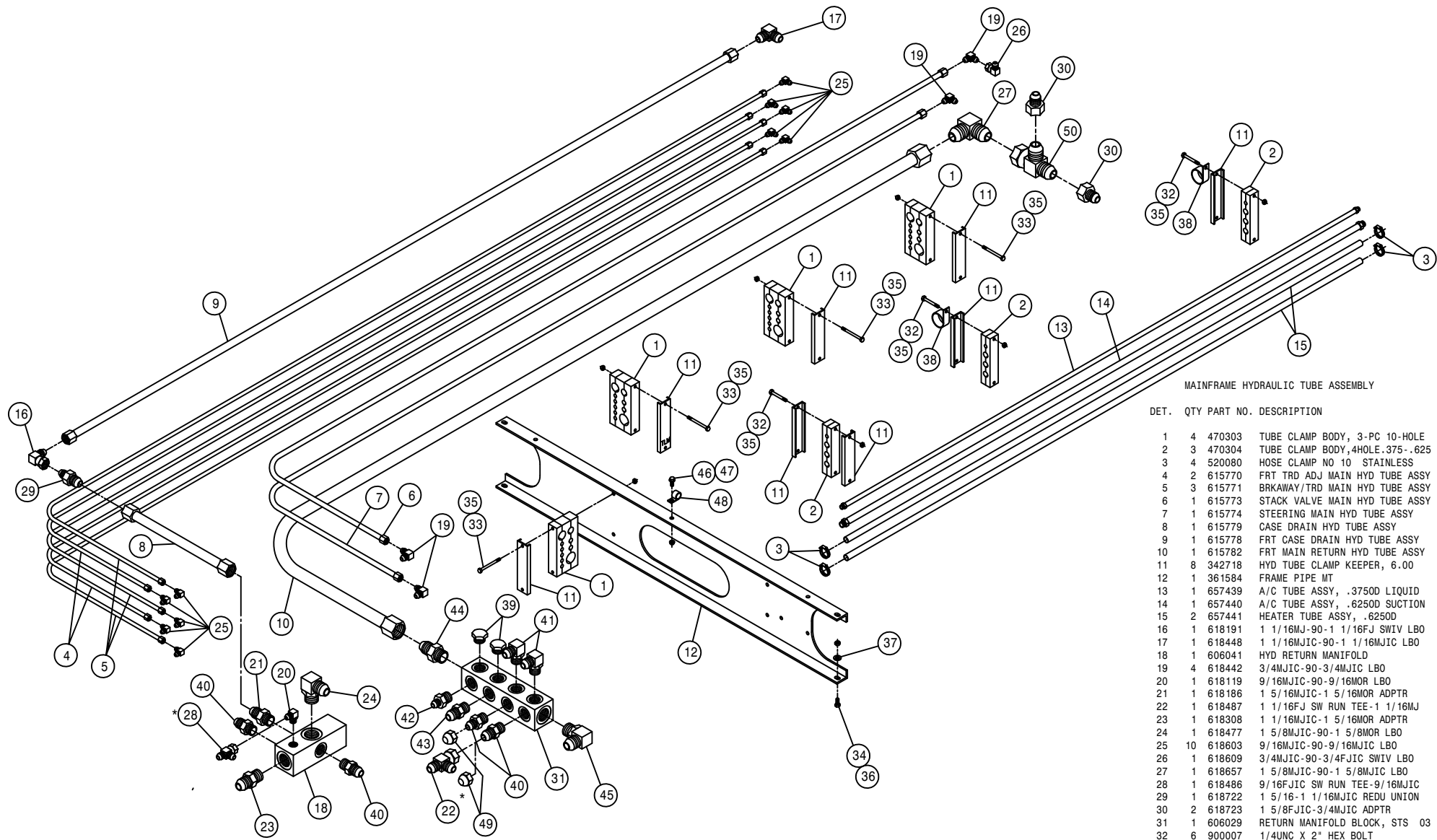




FRONT MAINFRAME HYDRAULIC TUBE ASSEMBLY

DET.	QTY	PART NO.	DESCRIPTION
1	2	291778	HALOGEN LIGHT,TWIN BEAM 12V55W
2	2	291779	HALOGEN WORKLAMP,LH MT 12V55W
3	2	293404	FRT TURN/WARN LITE ASSY2100 98
4	2	470274	TUBE CLAMP BODY, .750-.750
5	2	470276	CLAMP COVER PLATE,SNGL, 2.55LG
6	3	470300	TUBE CLAMP BODY, .500-.625
7	10	470301	TUBE CLAMP BODY,1.00-1.00
8	4	470302	COVER PLATE FOR 470301
9	3	470323	CLAMP COVER PLATE, SNGL 2.04LG
10	1	615772	STRG CYL JUMPER HYD TUBE ASSY
11	1	615775	LH FRT CASEDRAIN HYD TUBE ASSY
12	1	615776	RH FRT CASEDRAIN HYD TUBE ASSY
13	2	615777	SOLUTION PUMP HYD TUBE ASSY
14	1	618301	7/8MJIC-90-7/8FJIC SWIV LBO
15	2	618314	3/4MJIC UNION
16	4	618448	1 1/16MJIC-90-1 1/16MJIC LBO
17	2	618456	7/8MJIC UNION
18	1	618487	1 1/16FJ SW RUN TEE-1 1/16MJ
19	1	618581	7/8MJIC UNION TEE
20	4	900070	5/16UNC X 2 1/2 BOLT
21	2	900539	5/16UNC X 3 1/2 HEX BOLT
22	2	900077	5/16UNC X 4 1/4 HEX BOLT
23	1	900082	5/16UNC X 5 1/2" HEX BOLT
24	9	914002	5/16UNC HEX STOVER NUT
25	1	361640	MAINFRAME WLD STS
26	2	342717	FLASHER MTG BRKT
27	4	900130	3/8UNC X 1 1/4 HEX BOLT
28	4	914004	3/8UNC HEX STOVER NUT
29	4	615785	FRT WHL MAIN HYD TUBE ASSY
30	2	615784	RH FRT WHL MAIN HYD TUBE ASSY
31	2	615783	LH FRT WHL MAIN HYD TUBE ASSY
32	12	618677	O-RING,-16 FACE SEAL .93ID 90D
33	1	291669	YELLOW LENS FOR 291668

04

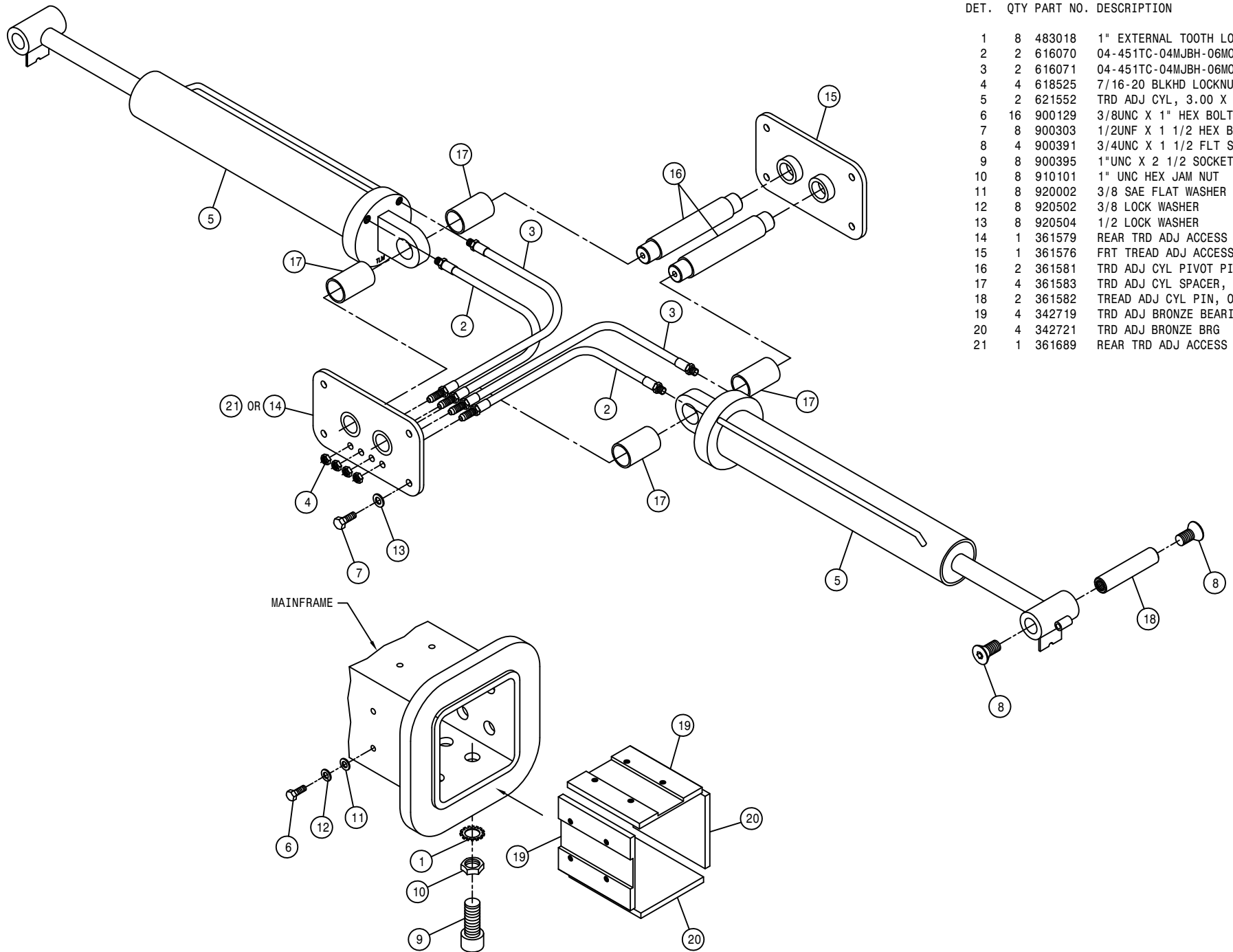


MAINFRAME HYDRAULIC TUBE ASSEMBLY

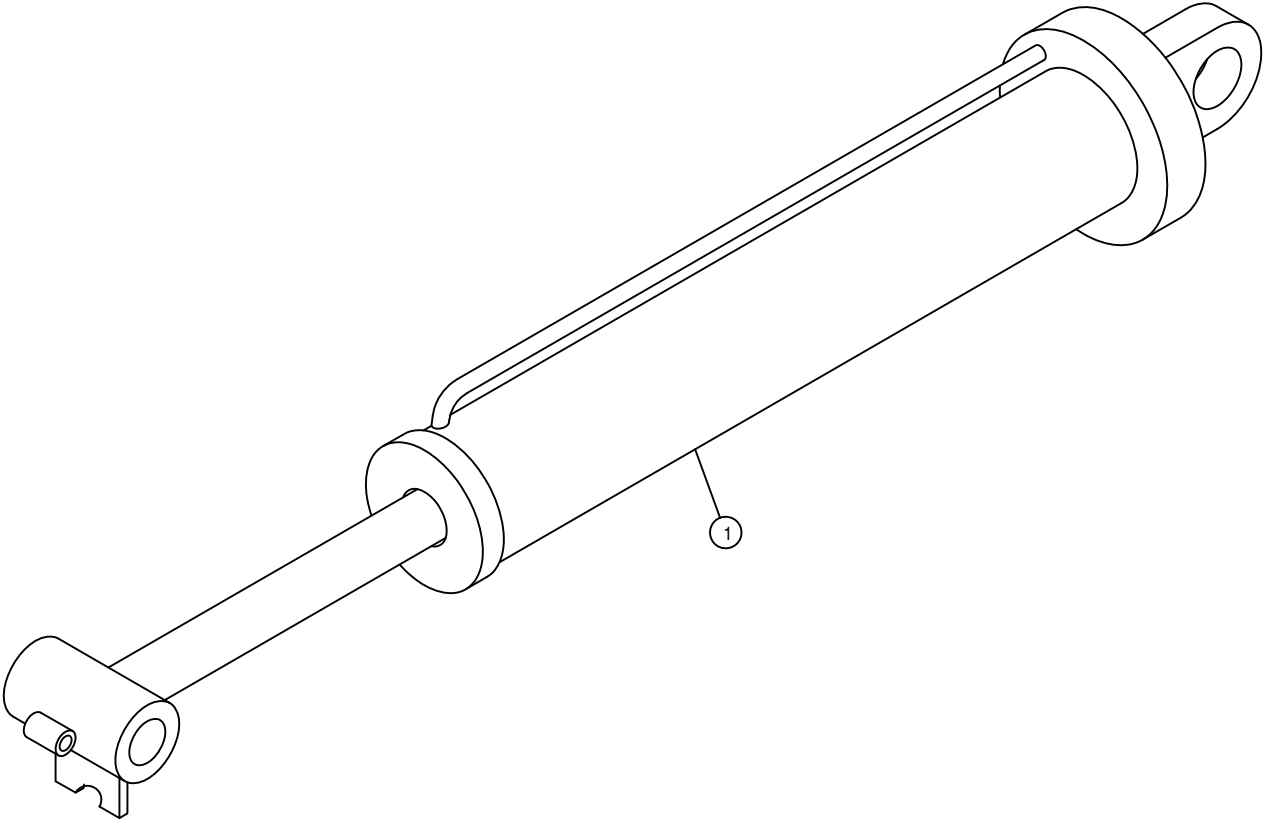
DET.	QTY	PART NO.	DESCRIPTION
1	4	470303	TUBE CLAMP BODY, 3-PC 10-HOLE
2	3	470304	TUBE CLAMP BODY, 4HOLE .375-.625
3	4	520080	HOSE CLAMP NO 10 STAINLESS
4	2	615770	FRT TRD ADJ MAIN HYD TUBE ASSY
5	3	615771	BRKAWAY/TRD MAIN HYD TUBE ASSY
6	1	615773	STACK VALVE MAIN HYD TUBE ASSY
7	1	615774	STEERING MAIN HYD TUBE ASSY
8	1	615779	CASE DRAIN HYD TUBE ASSY
9	1	615778	FRT CASE DRAIN HYD TUBE ASSY
10	1	615782	FRT MAIN RETURN HYD TUBE ASSY
11	8	342718	HYD TUBE CLAMP KEEPER, 6.00
12	1	361584	FRAME PIPE MT
13	1	657439	A/C TUBE ASSY, .3750D LIQUID
14	1	657440	A/C TUBE ASSY, .6250D SUCTION
15	2	657441	HEATER TUBE ASSY, .6250D
16	1	618191	1 1/16MJIC-90-1 1/16FJ SWIV LBO
17	1	618448	1 1/16MJIC-90-1 1/16MJIC LBO
18	1	606041	HYD RETURN MANIFOLD
19	4	618442	3/4MJIC-90-3/4MJIC LBO
20	1	618119	9/16MJIC-90-9/16MOR LBO
21	1	618186	1 5/16MJIC-1 5/16MOR ADPTR
22	1	618487	1 1/16FJ SW RUN TEE-1 1/16MJ
23	1	618308	1 1/16MJIC-1 5/16MOR ADPTR
24	1	618477	1 5/8MJIC-90-1 5/8MOR LBO
25	10	618603	9/16MJIC-90-9/16MJIC LBO
26	1	618609	3/4MJIC-90-3/4FJIC SWIV LBO
27	1	618657	1 5/8MJIC-90-1 5/8MJIC LBO
28	1	618486	9/16FJIC SW RUN TEE-9/16MJIC
29	1	618722	1 5/16-1 1/16MJIC REDU UNION
30	2	618723	1 5/8FJIC-3/4MJIC ADPTR
31	1	606029	RETURN MANIFOLD BLOCK, STS 03
32	6	900007	1/4UNC X 2" HEX BOLT
33	8	900014	1/4UNC X 4" HEX BOLT
34	4	900129	3/8UNC X 1" HEX BOLT
35	14	914000	1/4UNC HEX STOVER NUT
36	4	914004	3/8UNC HEX STOVER NUT
37	4	920002	3/8 SAE FLAT WASHER
38	2	520126	CUSH HOSE CLAMP 2IN X 5/8W
39	2	610186	1 1/16MOR PLUG
40	4	611127	1 1/16MJIC-1 1/16MOR ADPTR
41	2	618248	1 1/16MJIC-90-1 1/16MOR LBO
42	1	618344	9/16MJIC-1 1/16MOR ADPTR
43	1	618469	3/4MJIC-1 1/16MOR ADPTR
44	1	618471	1 5/8MJIC-1 5/16MOR ADPTR
45	1	618476	1 5/8MJIC-90-1 5/16MOR LBO
46	3	470118	1/4UNC X 3/4 FLANGE HEX BOLT
47	3	470121	1/4UNC HEX FLANGE LOCK NUT
48	3	520100	CUSH HOSE CLAMP, 1 1/2D X 1/2W
49	2	618533	1 1/16FJIC CAP NUT
50	1	618726	1 5/8FJ SW RUN TEE-1 5/8MJ

NOTE: ITEMS MARKED WITH A (*) ARE USED WITH THE SIDE FILL OPTION AND PRESSURE WASHER OPTION.

TREAD ADJUST ASSEMBLY

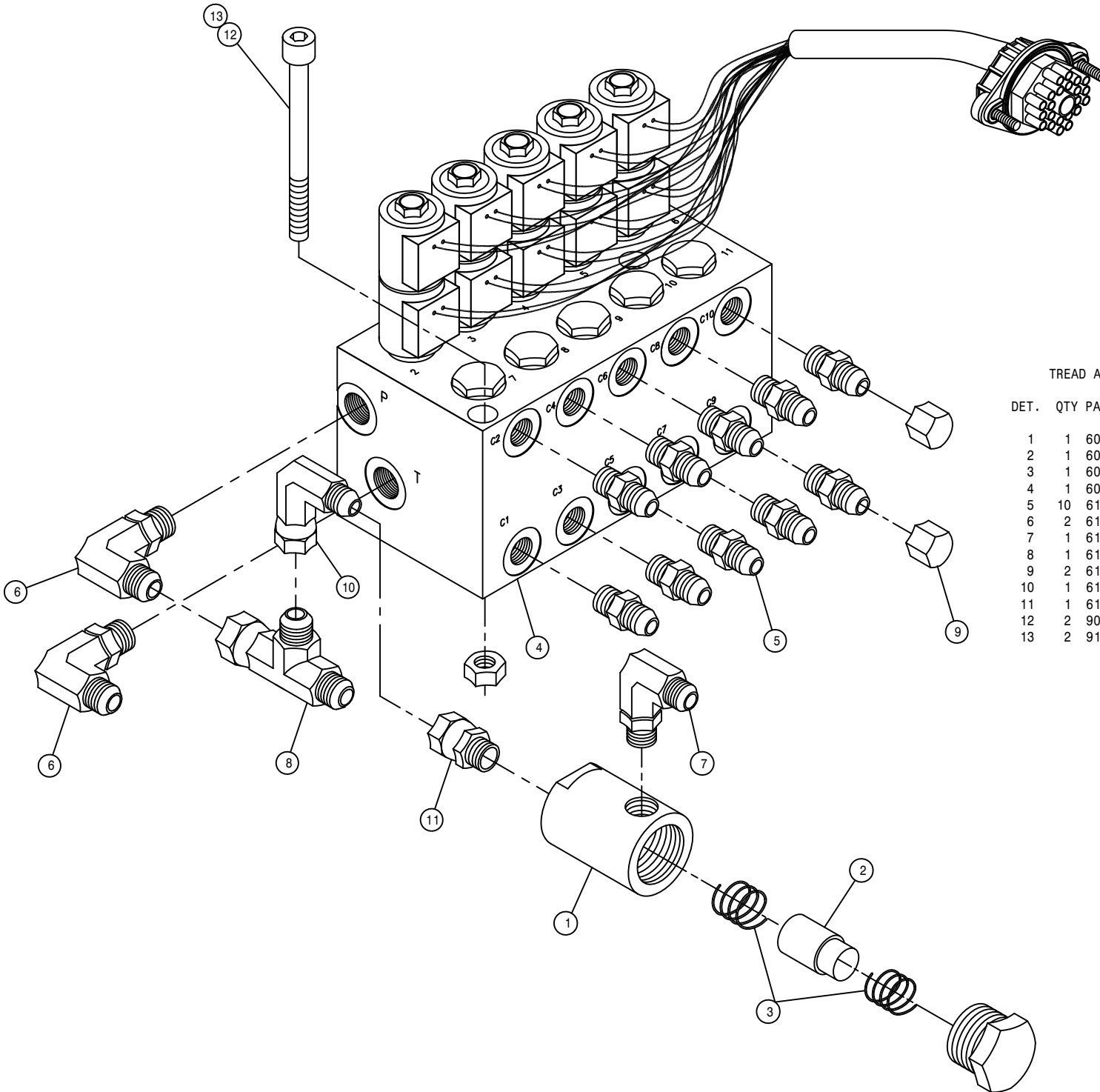


DET.	QTY	PART NO.	DESCRIPTION
1	8	483018	1" EXTERNAL TOOTH LOCK WASHER
2	2	616070	04-451TC-04MJBH-06MOR-11.00H/A
3	2	616071	04-451TC-04MJBH-06MOR-13.00H/A
4	4	618525	7/16-20 BLKHD LOCKNUT
5	2	621552	TRD ADJ CYL, 3.00 X 16.00 STS
6	16	900129	3/8UNC X 1" HEX BOLT
7	8	900303	1/2UNF X 1 1/2 HEX BOLT
8	4	900391	3/4UNC X 1 1/2 FLT SOC CAP SCR
9	8	900395	1"UNC X 2 1/2 SOCKET CAP SCR
10	8	910101	1" UNC HEX JAM NUT
11	8	920002	3/8 SAE FLAT WASHER
12	8	920502	3/8 LOCK WASHER
13	8	920504	1/2 LOCK WASHER
14	1	361579	REAR TRD ADJ ACCESS PLT WLD 00
15	1	361576	FRT TREAD ADJ ACCESS PLT WLD
16	2	361581	TRD ADJ CYL PIVOT PIN, M/F
17	4	361583	TRD ADJ CYL SPACER, M/F
18	2	361582	TREAD ADJ CYL PIN, OUTER LEG
19	4	342719	TRD ADJ BRONZE BEARING, TAPPED
20	4	342721	TRD ADJ BRONZE BRG
21	1	361689	REAR TRD ADJ ACCESS PLT WLD 04



TREAD ADJUST CYLINDER ASSEMBLY

DET.	QTY	PART NO.	DESCRIPTION
1	1	621552	TRD ADJ CYL, 3.00 X 16.00 STS
NS	1	621553	REPAIR KIT, HYD CYL 621552



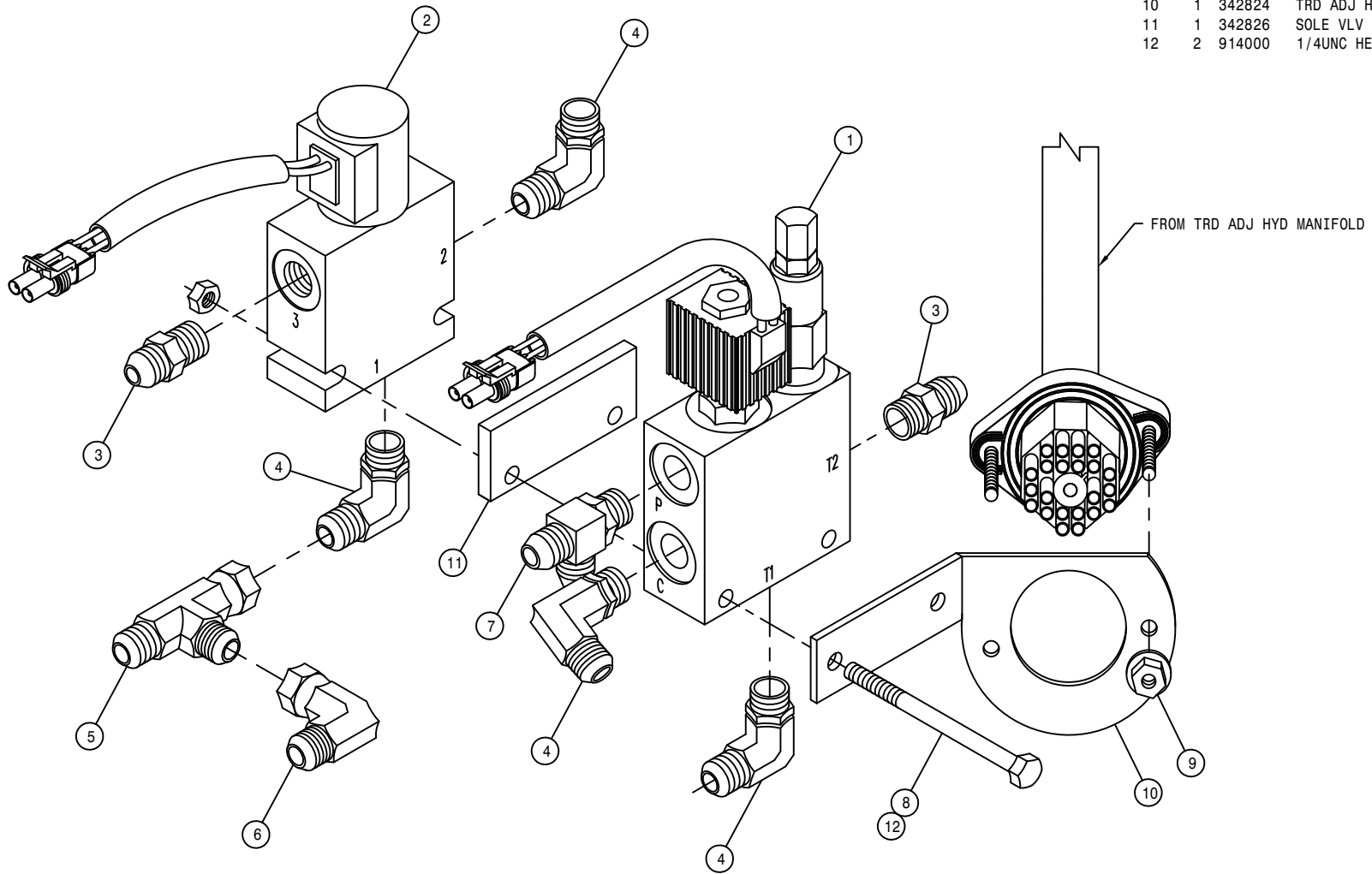
TREAD ADJUST HYD MANIFOLD ASSEMBLY

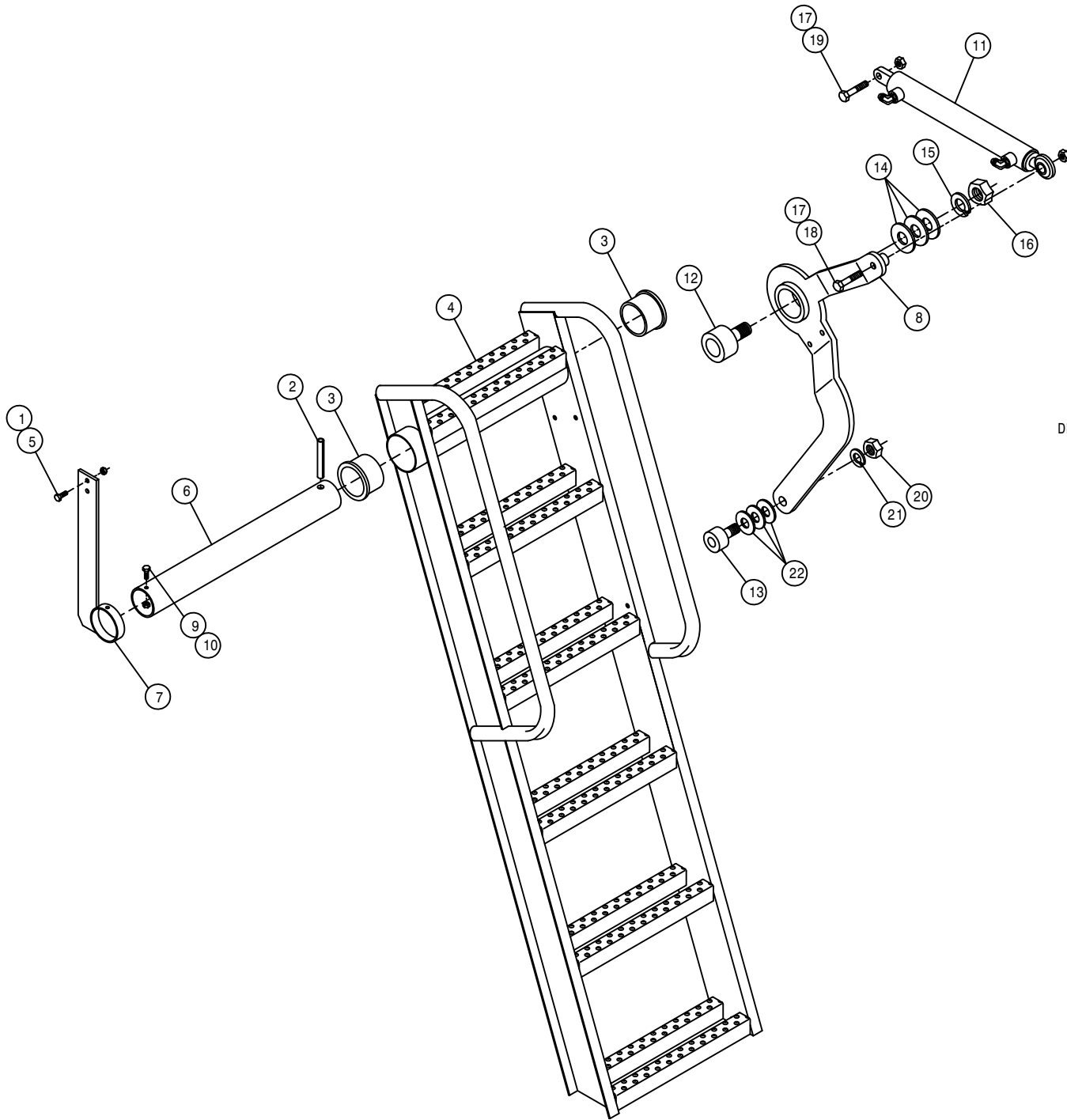
DET.	QTY	PART NO.	DESCRIPTION
1	1	605615	HYD FILTER, INLINE 25M 9/16FOR
2	1	605616	ELEMENT, 25M HYD FILTER 605615
3	1	605617	SPRING KIT, HYD FILTER 605615
4	1	606103	TREAD ADJ VLV, STS PWRSYS 03
5	10	618126	9/16MJIC-9-16MOR ADPTR
6	2	618241	3/4MJIC-90-3/4MOR LBO
7	1	618249	3/4MJIC-90-9/16MOR LBO
8	1	618451	3/4FJIC SW RUN TEE-3/4MJIC
9	2	618531	9/16FJIC CAP NUT
10	1	618609	3/4MJIC-90-3/4FJIC SWIV LBO
11	1	618692	3/4FJIC SWIV-9/16MOR ADPTR
12	2	900145	3/8UNC X 5 SOCKET HD CAP SCR
13	2	914004	3/8UNC HEX STOVER NUT

LADDER AND BRAKE VALVE ASSEMBLY

DET. QTY PART NO. DESCRIPTION

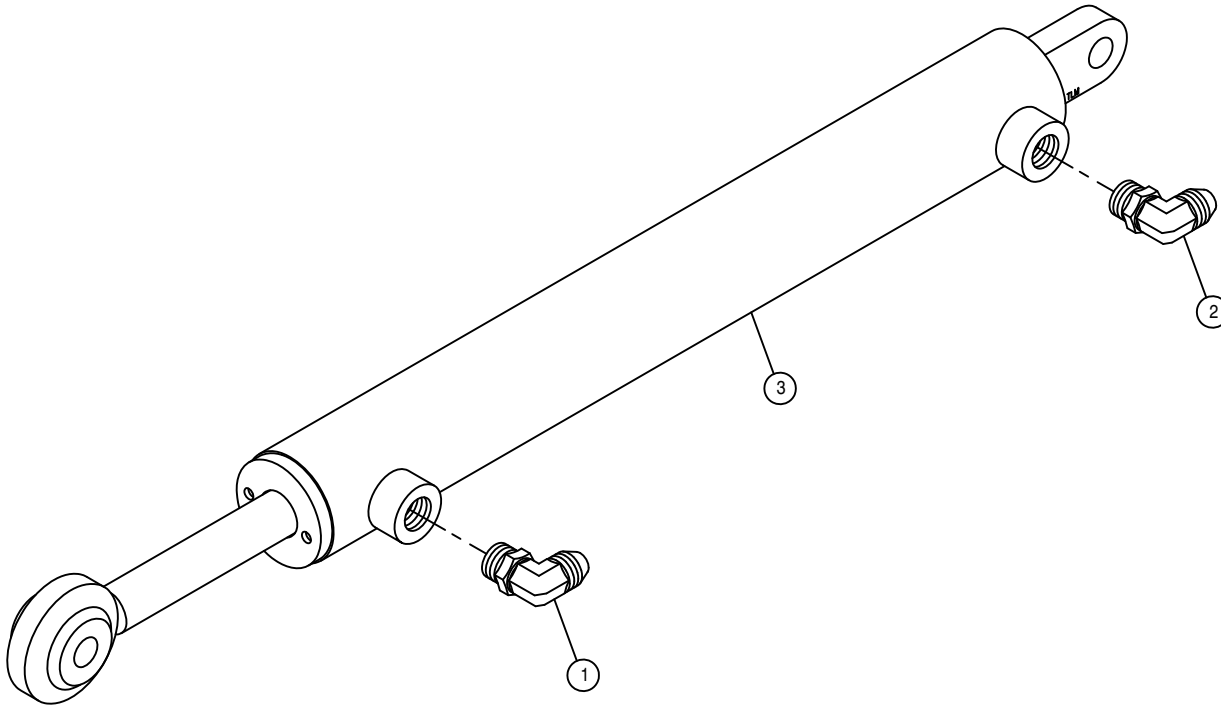
DET.	QTY	PART NO.	DESCRIPTION
1	1	606011	LADDER/BRKWAY VLV W/TOWER ASSY
2	1	606013	BRAKE VLV W/TOWER ASSY
3	2	618126	9/16MJIC-9/16MOR ADPTR
4	4	618119	9/16MJIC-90-9/16MOR LBO
5	1	618486	9/16FJIC SW RUN TEE-9/16MJIC
6	1	618618	9/16MJIC-90-9/16FJIC SWIV LBO
7	1	618444	9/16MOR RUN TEE-9/16MJIC
8	2	900012	1/4UNC X 3 1/2 HEX BOLT
9	2	470121	1/4UNC HEX FLANGE LOCK NUT
10	1	342824	TRD ADJ HARNESS CONNECTOR BRKT
11	1	342826	SOLE VLV SPACER
12	2	914000	1/4UNC HEX STOVER NUT





LADDER ASSEMBLY

DET.	QTY	PART NO.	DESCRIPTION
1	2	914002	5/16UNC HEX STOVER NUT
2	1	473978	ROLL PIN, 1/2 X 3 1/2 LG
3	2	121102	LADDER PIVOT BEARING, POLYGON
4	1	342817	LADDER WLD
5	2	900065	5/16UNC X 1" HEX BOLT
6	1	342805	LADDER MT TUBE
7	1	342806	LH PLTFRM SUPP BRKT WLD, STS12
8	1	342813	LADDER PIVOT ARM WLD
9	1	914000	1/4UNC HEX STOVER NUT
10	1	900003	1/4UNC X 1" HEX BOLT
11	1	621065	LADDER,SIDE FILL CYL ASSYSTS03
12	1	125055	TRACK ROLLER,2.500D,1.00-16THD
13	1	125054	TRACK ROLLER,1.750D,.75-16THD
14	3	920008	1" SAE FLAT WASHER
15	1	920508	1" LOCK WASHER
16	1	910016	1" UNF HEX NUT
17	2	914008	1/2UNC HEX STOVER NUT
18	1	900271	1/2UNC X 3 1/4 HEX BOLT
19	1	900267	1/2UNC X 2" HEX BOLT
20	1	910013	3/4UNF HEX NUT
21	1	920506	3/4 LOCK WASHER
22	3	920006	3/4 SAE FLAT WASHER

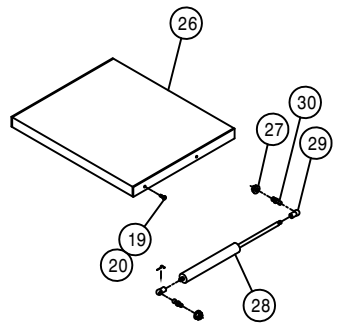
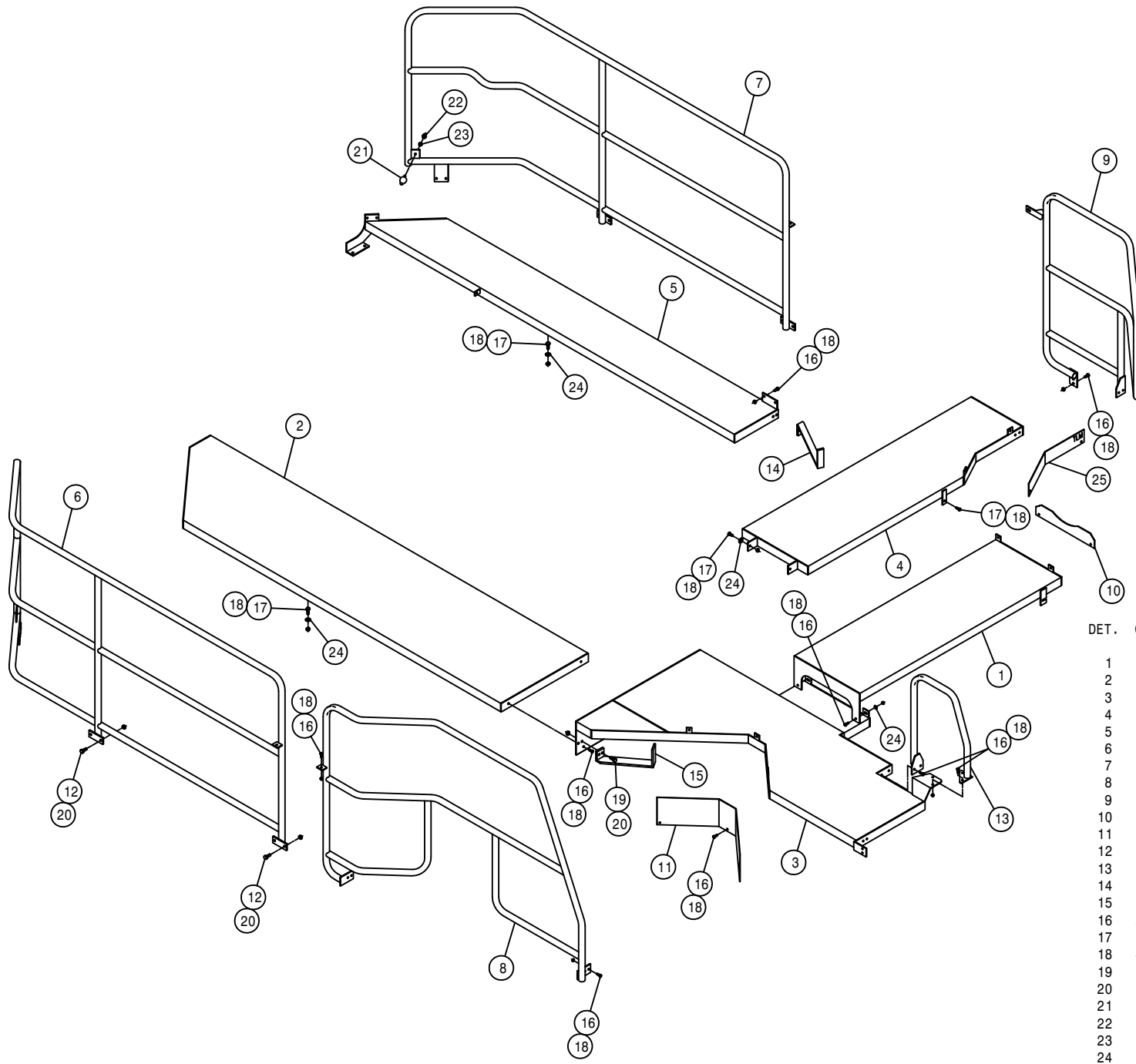


LADDER AND SIDE FILL CYLINDER ASSEMBLY

DET. QTY PART NO. DESCRIPTION

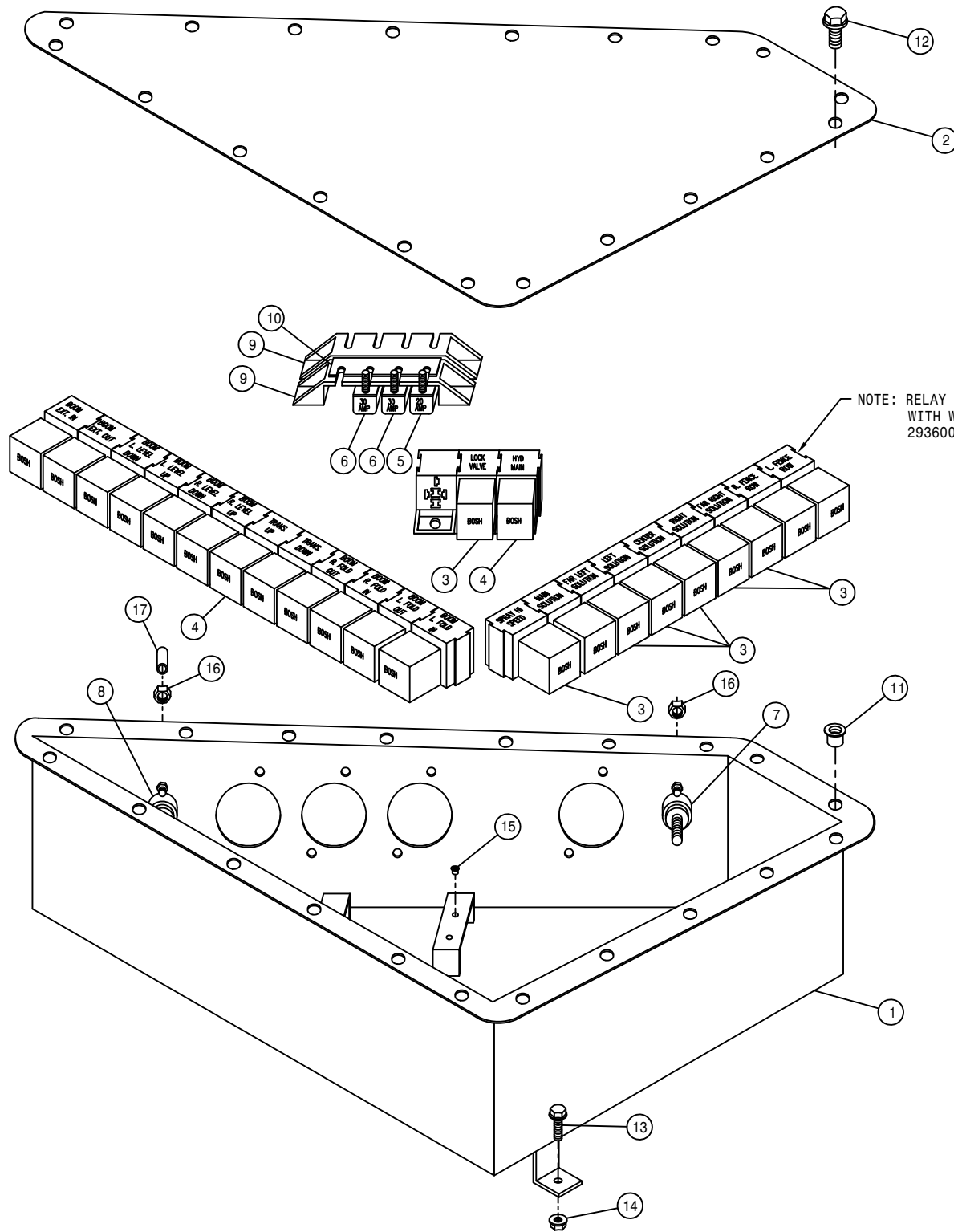
1	1	614750	.042 ELBOW ASSY,9/16MOR 90D
2	1	618119	9/16MJIC-90-9/16MOR LBO
3	1	621554	LADR/SF/BRKWAY CYL,1.50 X12.25
NS	1	621555	REPAIR KIT,HYD CYL 621554

NOTE: 621065 - LADDER & SIDE FILL CYLINDER ASSEMBLY WITH FITTINGS



SERVICE PLATFORM ASSEMBLY

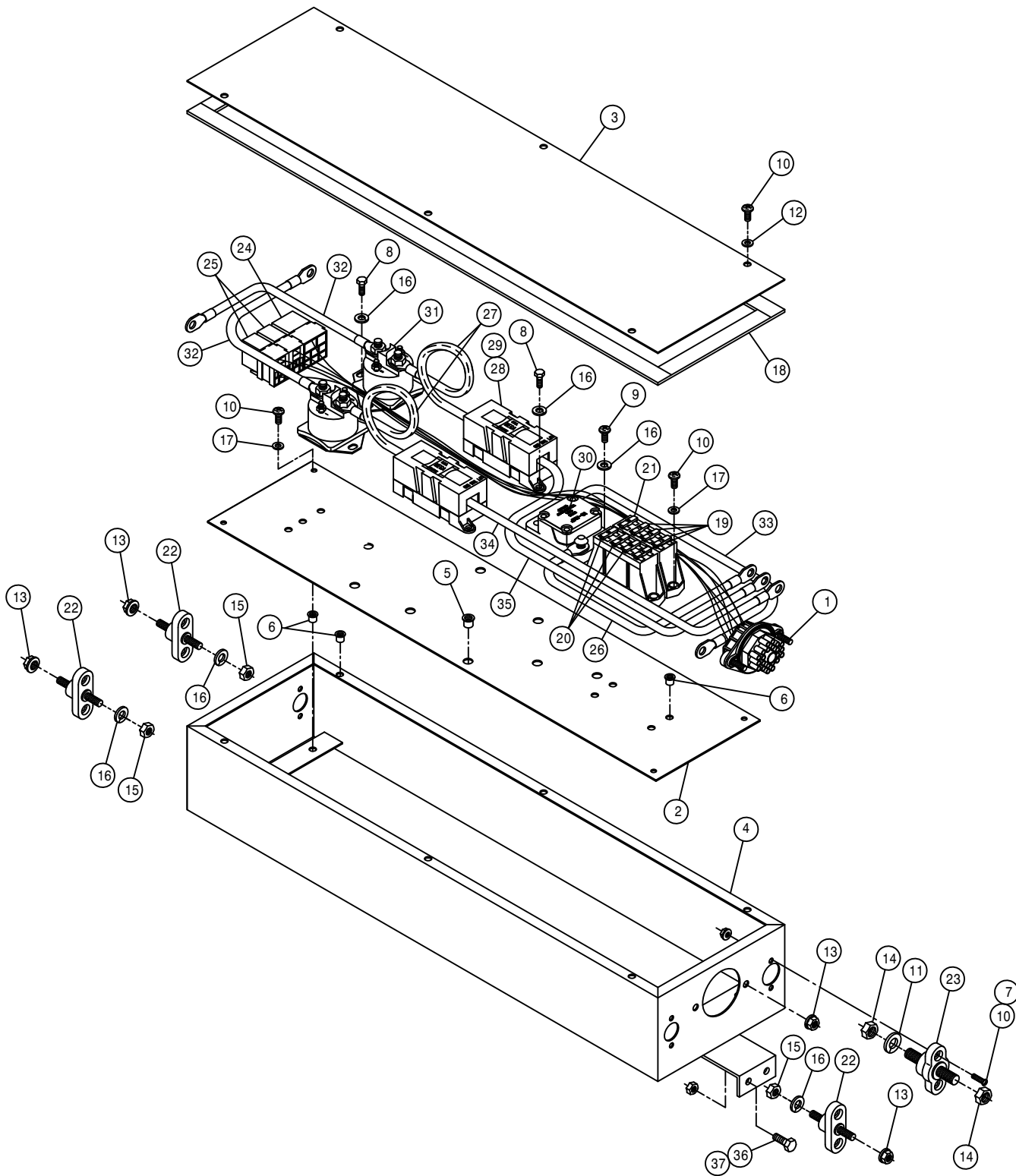
DET.	QTY	PART NO.	DESCRIPTION
1	1	343293	CNTR SERV PLATFORM WLD,STS 04
2	1	342752	LH SERV PLATFORM WLD
3	1	342769	LH REAR SERV PLATFORM WLD
4	1	343292	CENTER FRT PLATFORM WLD,STS 04
5	1	342955	RH SERV PLATFORM WLD STS 03
6	1	342724	LH FRT HANDRAIL WLD STS 00
7	1	342723	RH FRT HANDRAIL WLD
8	1	342738	LH REAR HANDRAIL WLD
9	1	343297	RH REAR HANDRAIL WLD, STS 04
10	1	343296	RH REAR SERV PLTFRM SHLD,STS04
11	1	342802	LH SERV PLATFORM SHIELD
12	8	900130	3/8UNC X 1 1/4 HEX BOLT
13	1	342747	RH HANDRAIL WLD, LH PLATFORM
14	1	342803	RH REAR LEG HOSE SUPPORT
15	1	342804	LH REAR LEG HOSE SUPPORT
16	26	900064	5/16UNC X 3/4 HEX BOLT
17	17	900065	5/16UNC X 1" HEX BOLT
18	44	914002	5/16UNC HEX STOVER NUT
19	10	900129	3/8UNC X 1" HEX BOLT
20	18	914004	3/8UNC HEX STOVER NUT
21	2	470314	RUBBER BUMPER,BULLET W/3/8-24S
22	2	910005	3/8UNF HEX NUT
23	2	920502	3/8 LOCK WASHER
24	18	920001	5/16 SAE FLAT WASHER
25	1	343295	RH SERV PLTFRM SHIELD, STS 04
26	1	343304	ENG CMPRTMNT PLTFRM WLD,STS 04
27	2	470113	5/16UNC HEX FLANGE LOCK NUT
28	1	470364	GAS SPRING, 90LB, 3.5 STROKE
29	2	470365	BALL STUD,5/16-18, FOR 470364
30	2	470366	CLIP FOR 470364



BOOM ELECTRICAL BOX ASSEMBLY

DET. QTY PART NO. DESCRIPTION

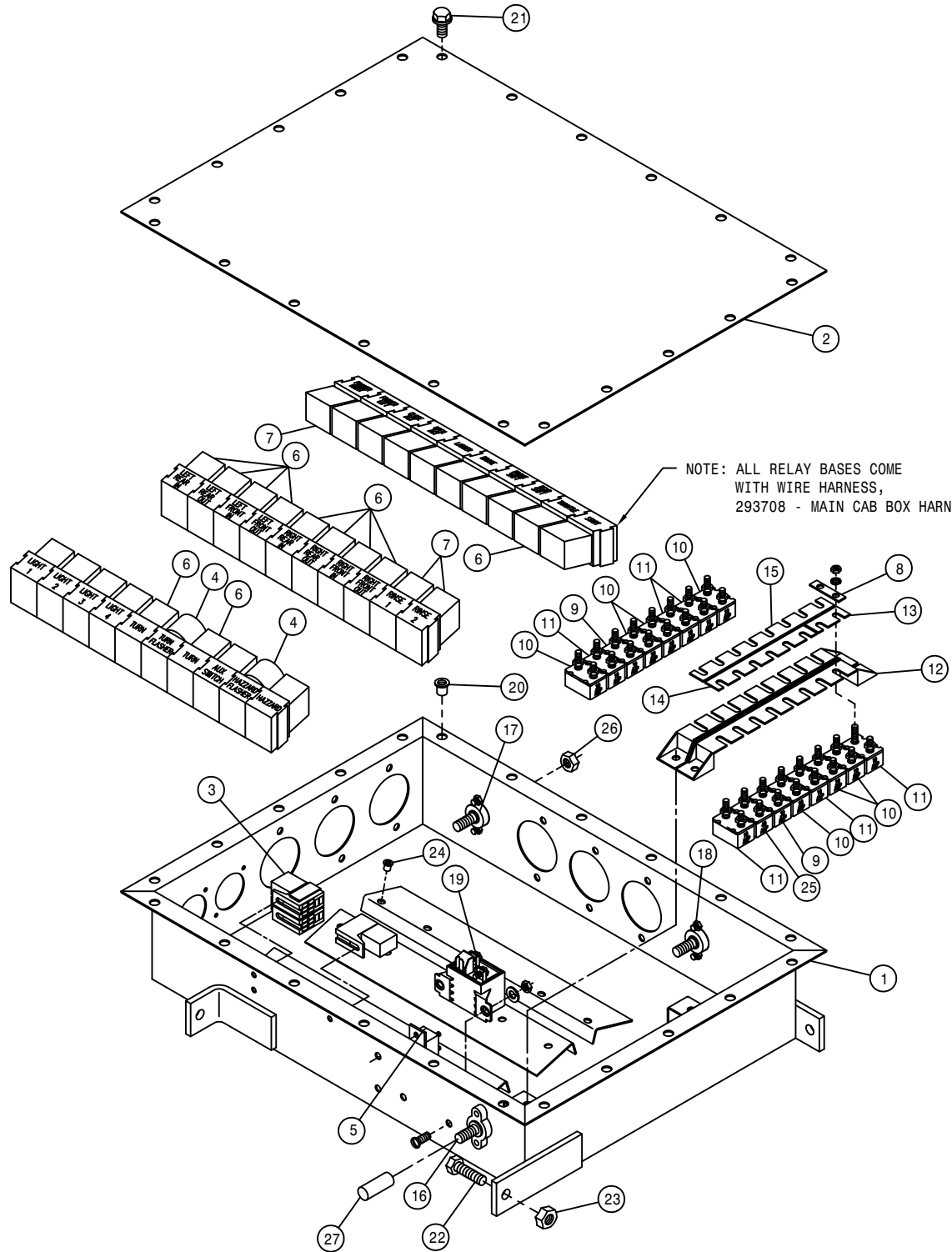
DET.	QTY	PART NO.	DESCRIPTION
1	1	342830	BOOM ELECTRICAL BOX WLD
2	1	342837	BOOM ELECTRICAL BOX COVER
3	7	291752	RELAY, SPDT 12V 50A-NO 5-TERM
4	16	291751	RELAY, SPST 12V 40A-NO, DIODE
5	1	291573	CIRCUIT BREAKER, 20AMP W/O MT
6	2	291574	CIRCUIT BREAKER, 30AMP W/O MT
7	1	291750	TERM BLOCK, RED, 3/8-16 THRU
8	1	291749	TERM BLOCK, BLACK, 3/8-16 THRU
9	2	291755	BREAKER MTG BRKT, 4-GANG NYLON
10	1	291756	BUS BAR, 4-GANG FOR 291755
11	20	470086	1/4UNC NUTSERT .020-.100MATL
12	20	470122	1/4UNC X 1/2 FLANGE HEX BOLT
13	3	470118	1/4UNC X 3/4 FLANGE HEX BOLT
14	3	470121	1/4UNC HEX FLANGE LOCK NUT
15	14	470165	10-32 NUTSERT .020-.100 MATL
16	2	910004	3/8UNC HEX NUT
17	2	629764	CAPPLUGS CAP, .375 X 1.00 VINYL



ENGINE ELECTRICAL BOX ASSEMBLY

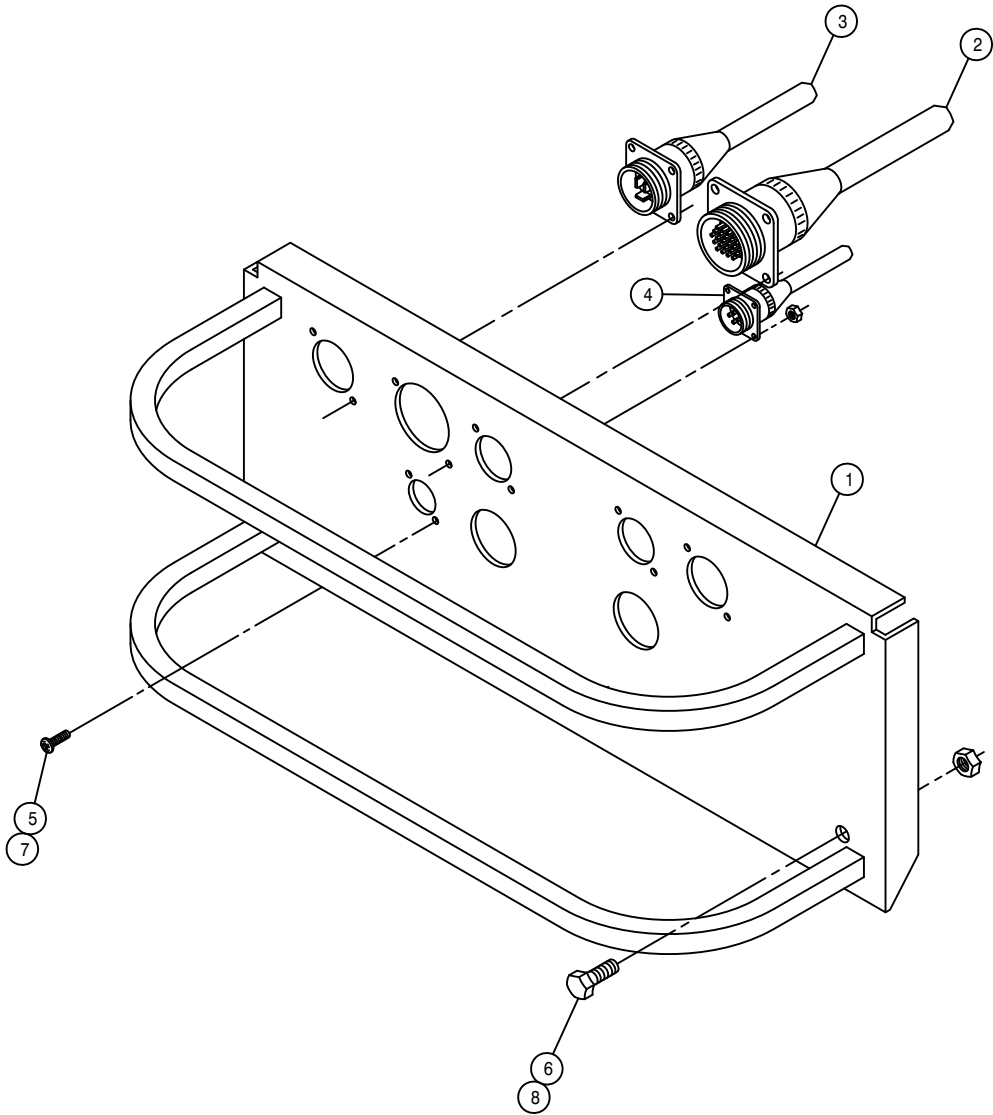
DET. QTY PART NO. DESCRIPTION

1	1	293763	ENGINE BOX HARNESS, STS	04
2	1	342960	ENG BOX MT PANEL, STS	04
3	1	342961	ENG BOX COVER, STS	04
4	1	342962	ENG BOX WLD, STS	04
5	10	470086	1/4UNC NUTSERT .020-.100MATL	
6	17	470165	10-32 NUTSERT .020-.100 MATL	
7	8	470175	10-32 HEX FLANGE LOCK NUT	
8	8	900000	1/4UNC X 1/2 HEX BOLT	
9	2	903722	1/4UNC X3/4 PHIL PNHD MACHSCR	
10	25	903710	10-32X5/8 PHIL PANHD MACH SCR	
11	1	920502	3/8 LOCK WASHER	
12	6	470351	#10 X 1/2 BONDED SEALING WASH	
13	5	470121	1/4UNC HEX FLANGE LOCK NUT	
14	2	910004	3/8UNC HEX NUT	
15	3	910000	1/4UNC HEX NUT	
16	13	920500	1/4 LOCK WASHER	
17	11	920510	#10 LOCK WASHER	
18	6	193037	STICKERTITE 1/8 X 3/4	
19	4	291027	7.5 AMP FUSE,1/4"BLADE ATO/ATC	
20	3	291545	10 AMP FUSE,1/4"BLADE ATO/ATC	
21	1	291547	20 AMP FUSE,1/4"BLADE ATO/ATC	
22	3	291748	TERM BLOCK,BLACK,1/4-20 THRU	
23	1	291750	TERM BLOCK,RED,3/8-16 THRU	
24	1	291751	RELAY, SPST 12V 40A-NO, DIODE	
25	2	291781	MICRO RELAY, BOSCH 12V SPDT	
26	1	291805	BATT CABLE,RED 12"6GA.281-.406	
27	2	291806	BATT CABLE,RED 11"6GA.343-.343	
28	2	291813	FUSE, 125 AMP 32V DC	
29	2	291814	FUSE HOLDER, HIGH AMP	
30	1	291815	CIRCUIT BREAKER,100 AMP BUSS	
31	2	291816	SOLENOID, STS	00
32	2	291872	BATT CABLE,RED 10"6GA.281-.343	
33	1	291873	BATT CABLE,RED 15"6GA.281-.281	
34	1	291874	BATT CABLE,RED 15"6GA.343-.406	
35	1	291875	BATT CABLE,RED 19"6GA.343-.406	
36	4	900002	1/4UNC X 3/4 HEX BOLT	
37	4	914000	1/4UNC HEX STOVER NUT	



CAB ELECTRICAL BOX ASSEMBLY

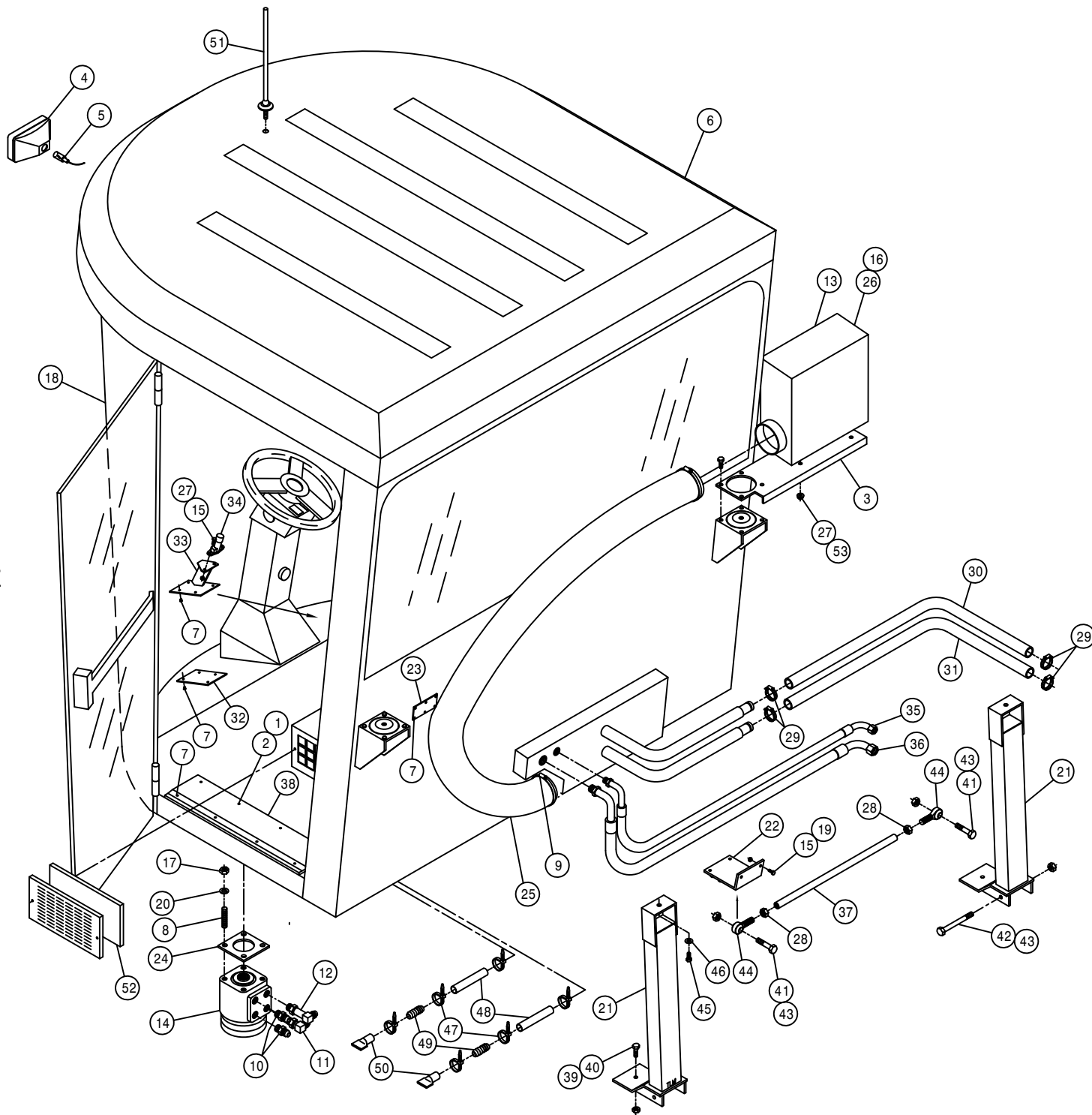
DET.	QTY	PART NO.	DESCRIPTION
1	1	342841	CAB ELECTRICAL BOX WLD
2	1	342847	CAB ELECTRICAL BOX COVER
3	3	291781	MICRO RELAY, BOSCH 12V SPDT
4	2	291564	FLASHER, 12V 3-PIN ELECTRONIC
5	1	291197	CIRCUIT BREAKER,30AMP,INLINEMT
6	11	291752	RELAY, SPDT 12V 50A-NO 5-TERM
7	17	291751	RELAY, SPST 12V 40A-NO, DIODE
8	1	291683	BUSS BAR,2 GANG CIRCUIT BREAKR
9	2	291574	CIRCUIT BREAKER,30AMP W/O MT
10	7	291573	CIRCUIT BREAKER,20AMP W/O MT
11	6	291575	CIRCUIT BREAKER,10AMP W/O MT
12	2	291757	BREAKER MTG BRKT, 8-GANG NYLON
13	1	291796	BUSS BAR,2-GANG FOR 291757
14	1	291797	BUSS BAR, 6-GANG FOR 291757
15	1	291758	BUS BAR,8-GANG FOR 291757
16	1	291748	TERM BLOCK,BLACK,1/4-20 THRU
17	1	291749	TERM BLOCK,BLACK,3/8-16 THRU
18	1	291750	TERM BLOCK,RED,3/8-16 THRU
19	1	657371	RELAY, 12 VOLT 75 AMP
20	22	470086	1/4UNC NUTSERT .020-.100MATL
21	22	470122	1/4UNC X 1/2 FLANGE HEX BOLT
22	3	900129	3/8UNC X 1" HEX BOLT
23	3	914004	3/8UNC HEX STOVER NUT
24	16	470165	10-32 NUTSERT .020-.100 MATL
25	1	291584	CIRCUIT BREAKER,40AMP W/O MT
26	2	910004	3/8UNC HEX NUT
27	1	629763	CAPPLUGS CAP,.250 X 1.00 VINYL



RECEPTACLE PANEL ASSEMBLY

DET. QTY PART NO. DESCRIPTION

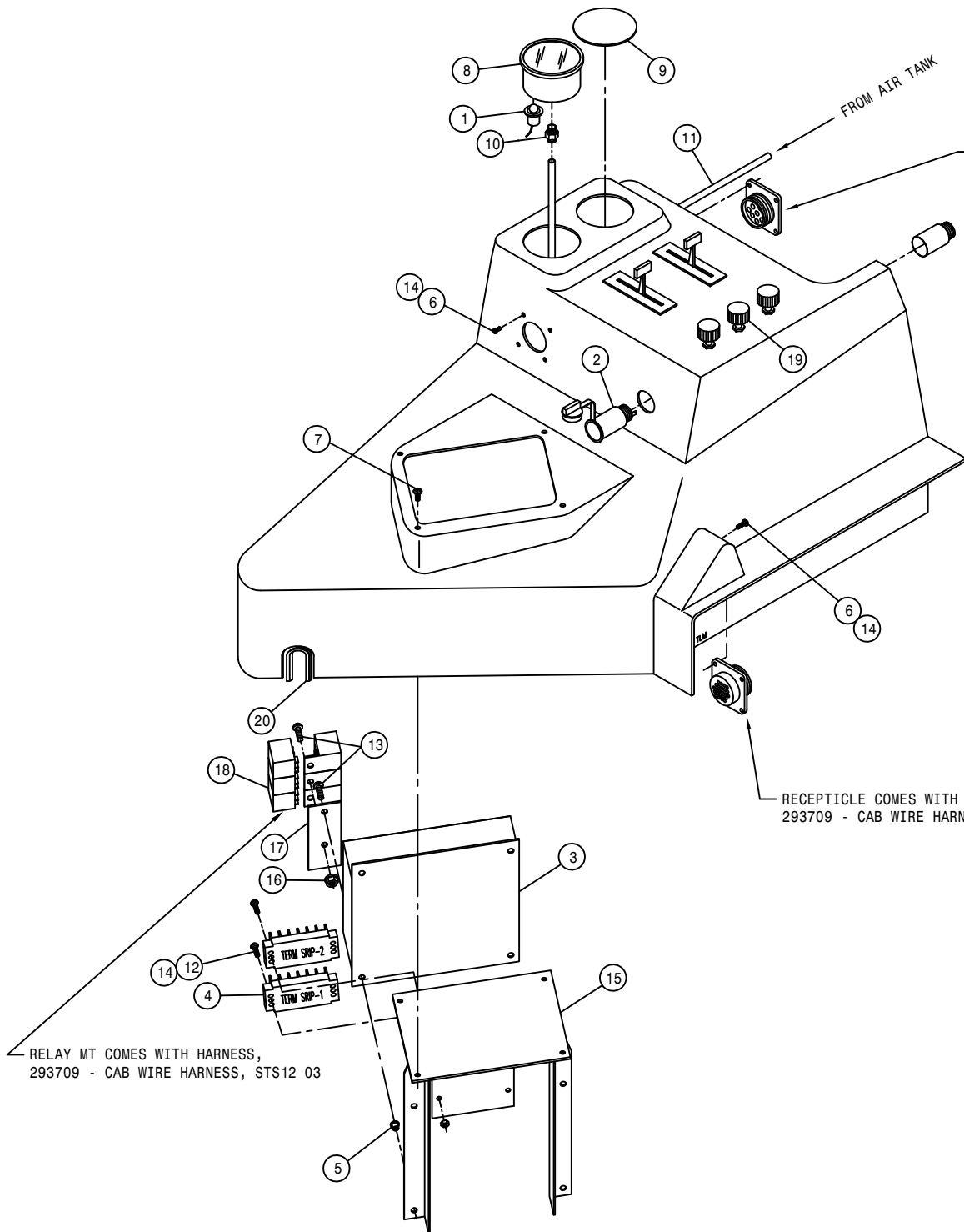
1	1	342957	FRT RECEPTACLE PNL WLD, STS 03
2	1	293642	JUMPER HARNESS,CAB-RECEPTCL MT
3	1	293710	POWER HARNESS, MAIN STS 03
4	1	293672	FLO CTRL CABLE,5FT RAVEN STSC
5	6	473989	6-32 X 3/4 BUTTON SOC CAP SCR
6	2	900064	5/16UNC X 3/4 HEX BOLT
7	6	910022	6-32 HEX NUT
8	2	914002	5/16UNC HEX STOVER NUT



CAB ASSEMBLY

DET.	QTY	PART NO.	DESCRIPTION
	1	4	470175 10-32 HEX FLANGE LOCK NUT
	2	4	903905 10-32X1 1/2 SLT RD HD MACH SCR
	3	1	343153 CAB AIR FILTER BOX MT, STS 03
	4	2	291828 WORKLIGHT W/O BULB, CAB, STS12
	5	2	291829 WORKLIGHT BULB FOR 291828, STS
	6	1	343000 CAB, NEW HOLLAND FX DISCOVERY
	7	26	485053 POP RIVET 3/16 X 3/8
	8	4	472335 3/8UNC X 2" STUD BOLT
	9	2	520064 HOSE CLAMP NO 64 STAINLESS
	10	2	611125 3/4MJIC-3/4MOR ADPTR
	11	1	618241 3/4MJIC-90-3/4MOR LBO
	12	1	618443 3/4MJIC-90-3/4MOR EX LG LBO
	13	1	657435 FILTER BOX W/FILTERS STS12
	14	1	749321 STEERING CONTROL MTR 14.1CI
	15	6	900002 1/4UNC X 3/4 HEX BOLT
	16	1	657437 CHARCOAL FILTER FOR 657435
	17	4	910004 3/8UNC HEX NUT
	18	1	343004 WINDSHIELD, STS12 CAB 2000
	19	4	914000 1/4UNC HEX STOVER NUT
	20	4	920502 3/8 LOCK WASHER
	21	2	343134 REAR CAB MT WLD, STS10
	22	1	343019 CAB STABILIZER MT WLD
	23	1	343022 REAR CAB COVER PLATE
	24	1	343023 STEERING MTR SPACER STS12
	25	1	343154 AIR DUCT HOSE, 4" X 60" LG
	26	1	657436 PANEL FILTER FOR 657435
	27	6	470121 1/4UNC HEX FLANGE LOCK NUT
	28	2	910009 1/2UNF HEX NUT
	29	4	520080 HOSE CLAMP NO 10 STAINLESS
	30	1	601465 HOSE, 5/8 X 19 HEATER
	31	1	601466 HOSE, 5/8 X 21 HEATER
	32	3	343027 DIMMER SWITCH MT PLT
	33	1	343026 DIMMER SWITCH MT WLD
	34	1	290412 DIMMER SWITCH
	35	1	657442 A/C HOSE,06-06F90-06M90-33"
	36	1	657445 A/C HOSE,08-10F90-10M90-35"
	37	1	343072 CAB STABILIZER ROD
	38	1	343025 CAB STEP PLATE
	39	2	914004 3/8UNC HEX STOVER NUT
	40	2	900129 3/8UNC X 1" HEX BOLT
	41	2	900267 1/2UNC X 2" HEX BOLT
	42	2	900274 1/2UNC X 4" HEX BOLT
	43	4	914008 1/2UNC HEX STOVER NUT
	44	2	473976 ROD END, .50B, .50-20UNF RH MALE
	45	2	473775 12MM-1.75 X 30MM HEX BOLT
	46	2	473784 12MM LOCK WASHER
	47	6	470154 CABLE TIE, 11.75" BLK PLASTIC
	48	2	601552 HOSE, 1/2 X 4 CLEAR VINYL
	49	2	619014 1/2" HOSE MENDER
	50	2	657451 A/C KAZOO, 1/2" X 2" LONG
	51	1	291214 ANTENNA
	52	1	343118 A/C FILTER ELEMENT, CAB STS12
	53	4	470122 1/4UNC X 1/2 FLANGE HEX BOLT

41



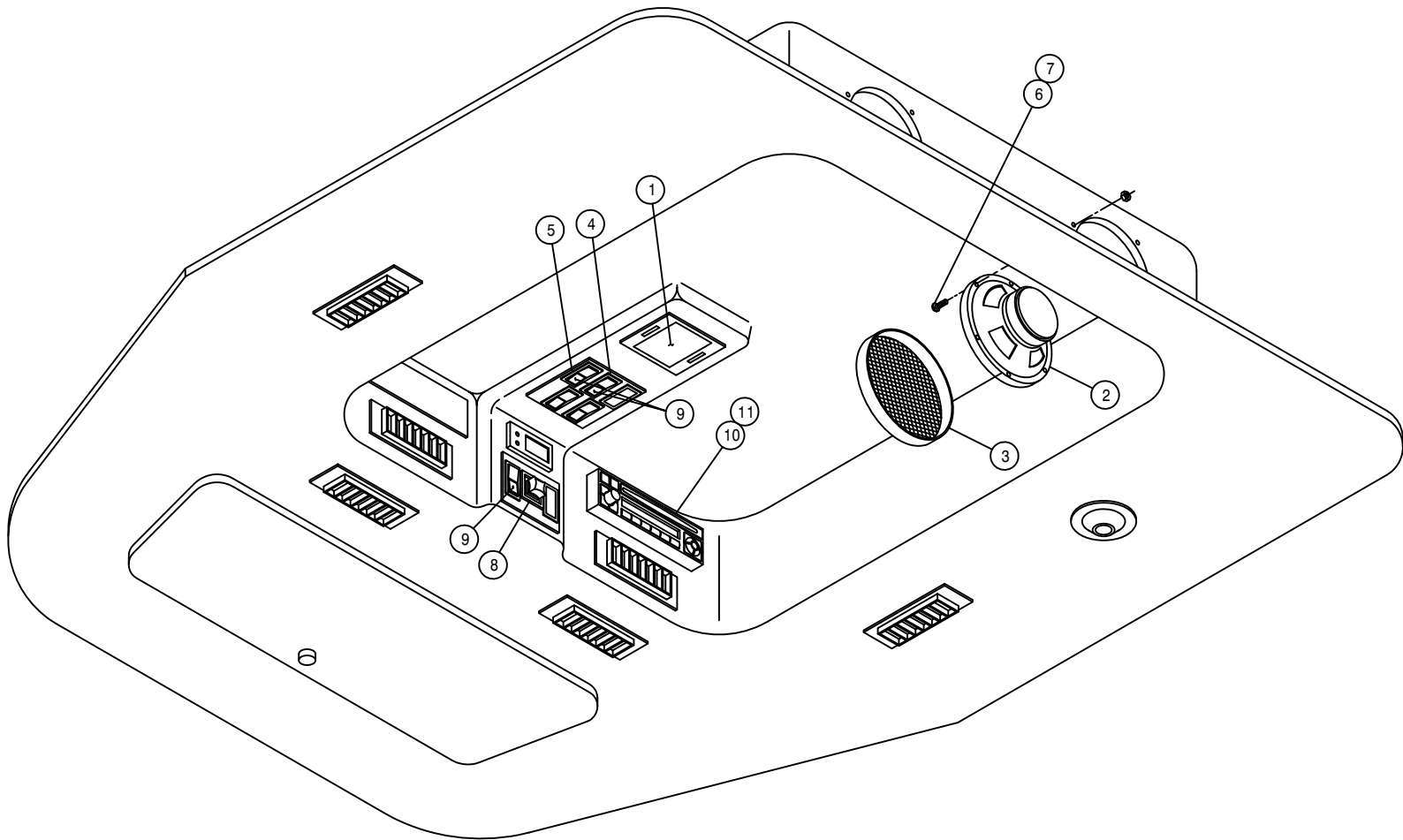
RECEPTICLE COMES WITH HARNESS,
293610 - DIAGNOSTIC READ HARNESS

RECEPTICLE COMES WITH HARNESS,
293709 - CAB WIRE HARNESS STS 03

RELAY MT COMES WITH HARNESS,
293709 - CAB WIRE HARNESS, STS12 03

HEATER CONTROL PANEL ASSEMBLY

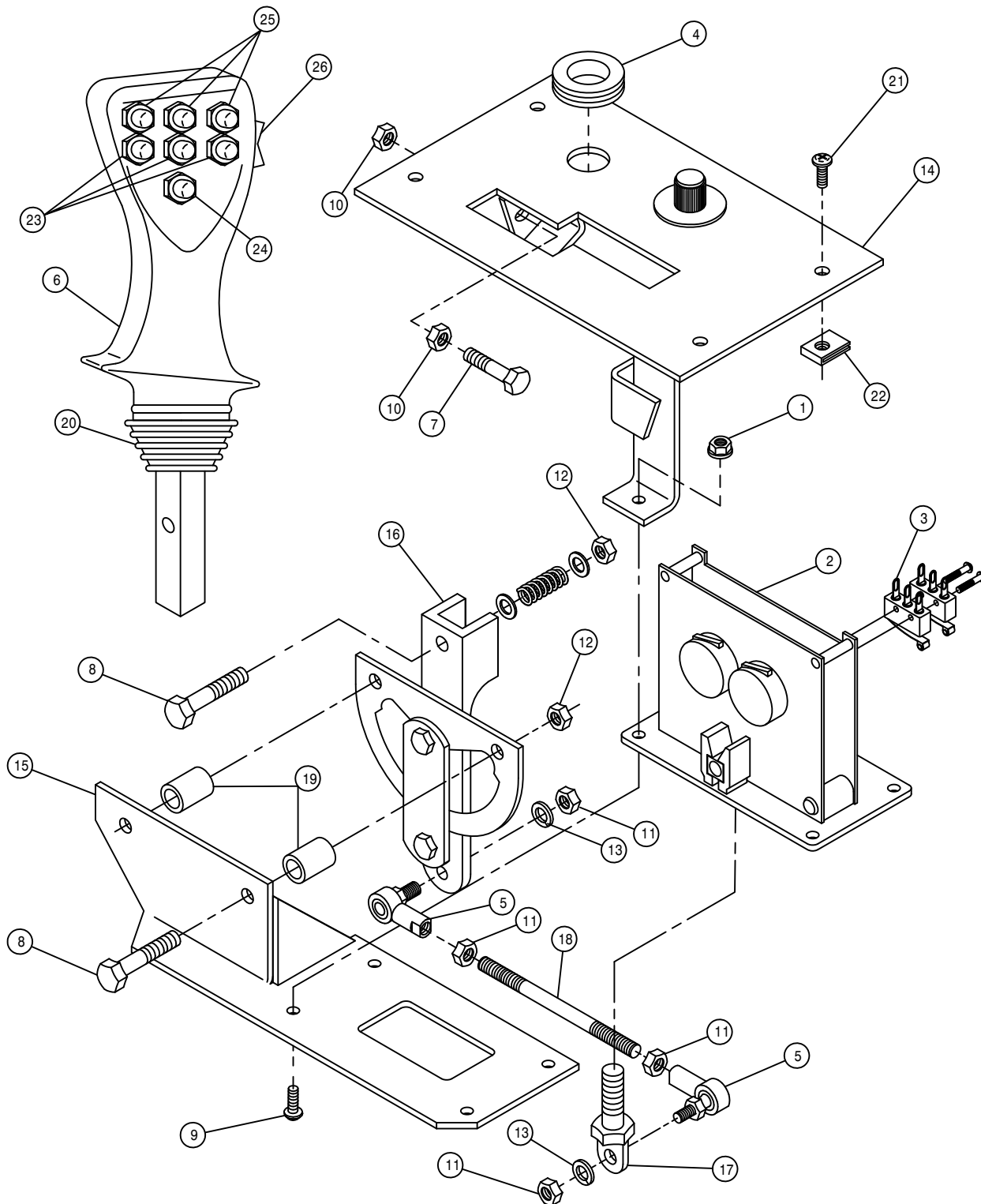
DET.	QTY	PART NO.	DESCRIPTION
	1	291612	LIGHT KIT FOR 2" GAUGE
	2	291648	POWER POINT RECEPTACLE
	3	291787	INPUT MODULE, ATI
	4	293093	TERMINAL BLOCK 6 POS - 2 ROW
	5	470165	10-32 NUTSERT .020-.100 MATL
	6	473989	6-32 X 3/4 BUTTON SOC CAP SCR
	7	473990	8-15 X 3/4 PHIL PAN SMS TY-A
	8	701311	AIR PRESS GAUGE, 150PSI, PNL MT
	9	701312	GAUGE BLANK
	10	711038	1/8FNPT-1/4 NYL TUBE FTG
	11	601486	HOSE, 1/4 X 215 AIR
	12	903814	6-32 X 3/4 SLT RD HD MACH SCR
	13	903883	10-32 X 1/2 SLT RDHD MACH SCR
	14	910022	6-32 HEX NUT
	15	343062	CONSOLE COVER WLD, CAB STS
	16	470175	10-32 HEX FLANGE LOCK NUT
	17	343067	RELAY BRKT
	18	291781	MICRO RELAY, BOSCH 12V SPDT
	19	343114	SWITCH, CAB FAN STS12 2000
	20	193011	EDGE GUARD, BLK



HEADLIGHT ASSEMBLY

DET. QTY PART NO. DESCRIPTION

1	1	343123	DOMELIGHT, CAB STS
2	2	291219	SPEAKER, 5 1/4"RD
3	2	291319	SPEAKER GRILLE, ROUND SNAP ON
4	1	291627	SWITCH,2P(ON)OFF(ON) 511-058
5	1	291775	SWITCH, LOCK OFF/ON 511-172
6	6	903812	6-32 X 1/2 SLT RD HD MACH SCR
7	6	910022	6-32 HEX NUT
8	1	291798	MIRROR SWITCH FOR 470316
9	3	291628	LENS, GREEN 596-650
10	1	291835	RADIO, AM/FM/CD/WB CRC-5320
11	1	291836	WIRE HARNESS FOR 291835 RADIO



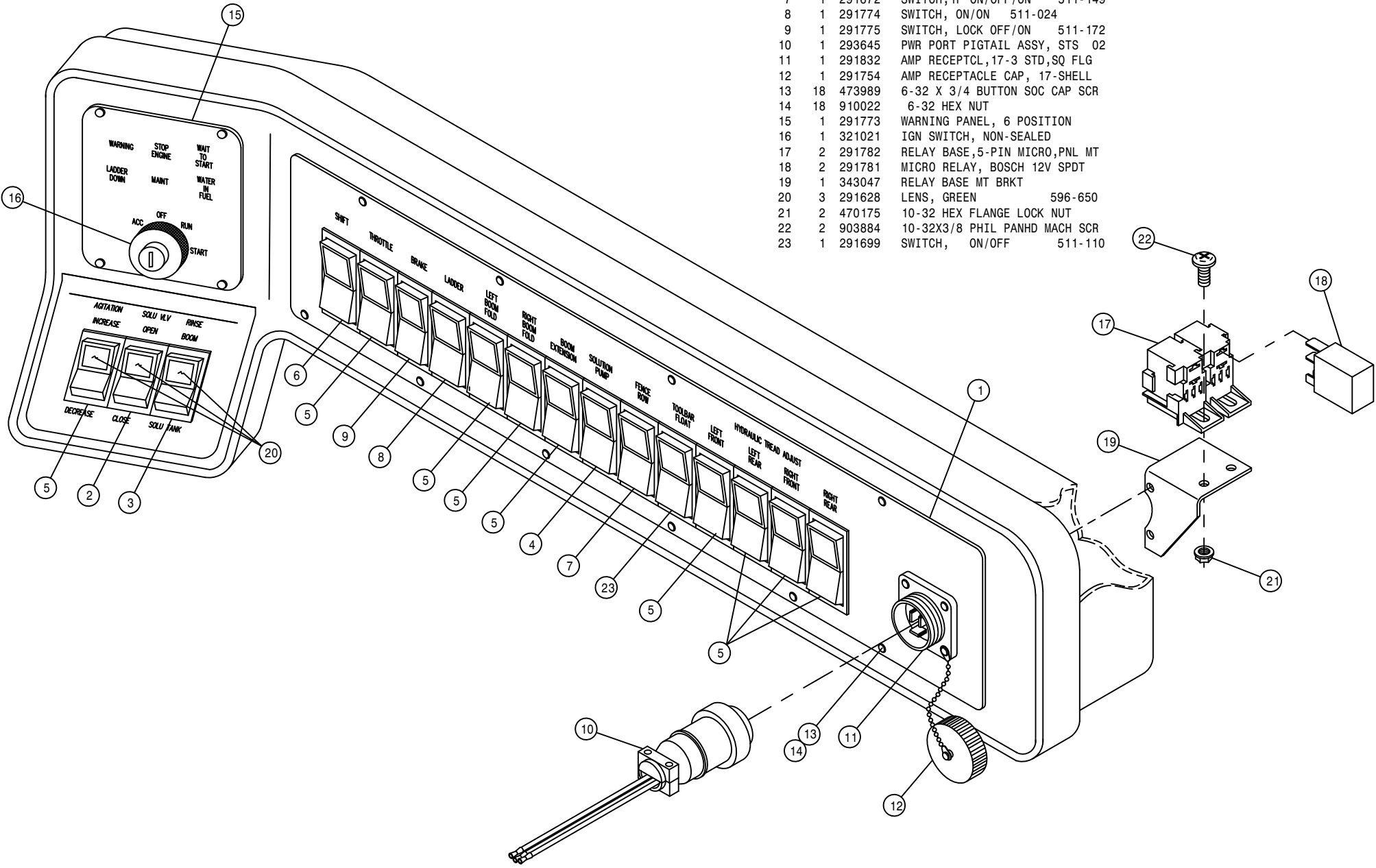
HYDROSTATIC CONTROL LEVER ASSEMBLY

DET.	QTY	PART NO.	DESCRIPTION
1	4	169028	10-24 HEX FLANGE LOCK NUT
2	1	291760	CONTROL HANDLE & POTENTIOMETER
3	4	291827	MICRO SWITCH FOR 291760
4	1	470296	GROMMET, .750ID .062GW 1.062GD
5	2	473918	BALL JOINT 1/4-28 FEM STUDED
6	1	785080	FASSE CTRL HANDLE, C12L4'11TRM
7	2	900003	1/4UNC X 1" HEX BOLT
8	3	900005	1/4UNC X 1 1/2 HEX BOLT
9	4	903888	10-24 X 3/4 SLT RDHD MACH SCR
10	4	910000	1/4UNC HEX NUT
11	4	910001	1/4UNF HEX NUT
12	3	914000	1/4UNC HEX STOVER NUT
13	2	920500	1/4 LOCK WASHER
14	1	343031	HYDRO LEVER MT PLT WLD
15	1	343037	HYDRO LEVER MT WLD
16	1	343040	HYDST CTRL LEVER STS12
17	1	343041	HYDRO LINKAGE BOLT WLD
18	1	343043	HYDRO LINKAGE ROD
19	2	343044	HYDRO LEVER SPACER
20	1	785081	BELLOW,FASSE CTRL HANDLE785080
21	4	473990	8-15 X 3/4 PHIL PAN SMS TY-A
22	4	470172	# 8 SPEED NUT
23	3	291883	SWITCH,PB 3TRM MOM 0, RED
24	1	291882	SWITCH,PB SPDT STAT 0, GREEN
25	3	291884	SWITCH,PB 3TRM MOM 0, GRAY
26	1	291885	SWITCH,ROCKER SPDT STAT

SWITCH PANEL ASSEMBLY

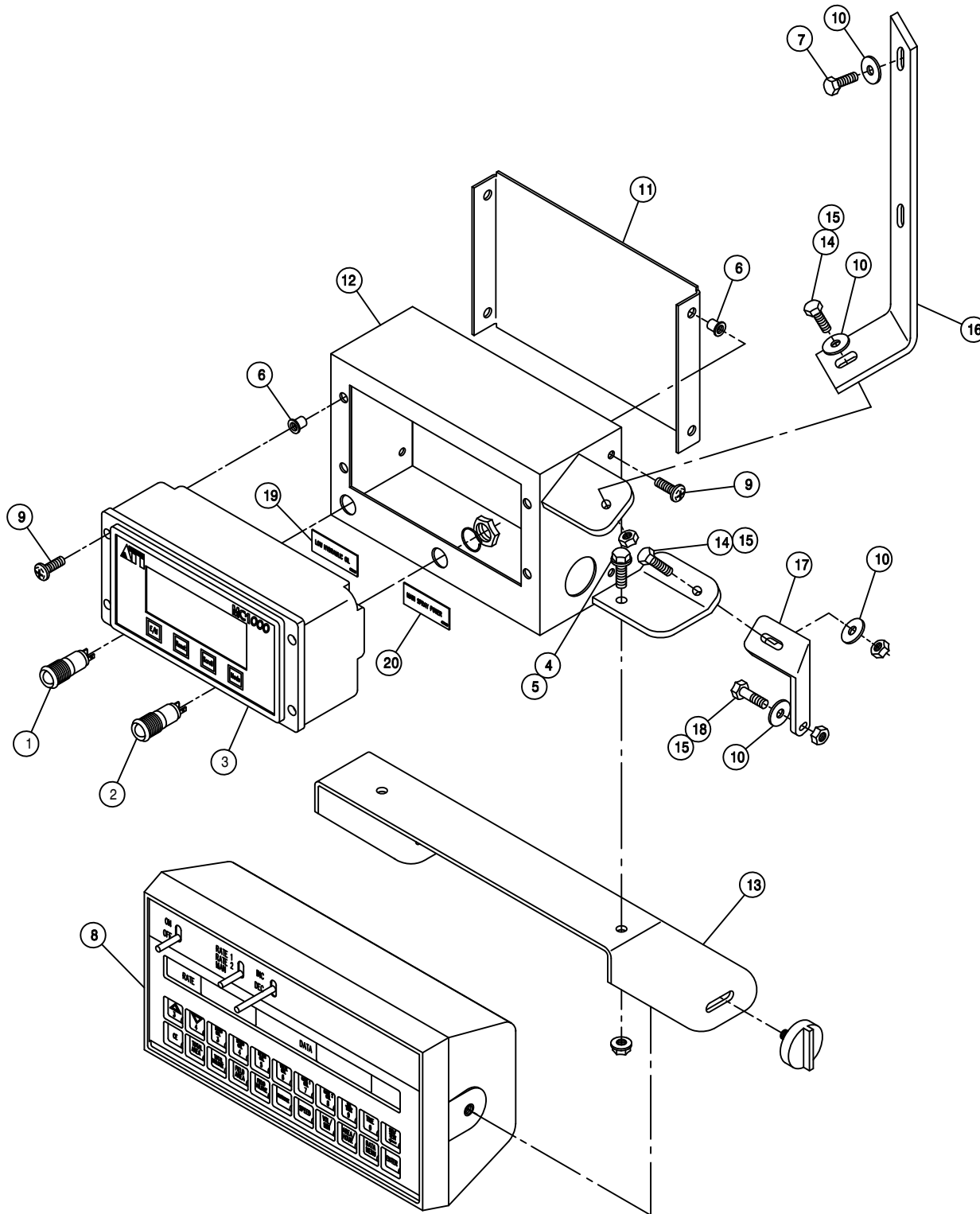
DET. QTY PART NO. DESCRIPTION

1	1	291851	SWITCH PANEL, W/SWITCH STS12 03
2	1	291622	SWITCH, 1P ON/OFF 511-003
3	1	291626	SWITCH, 2P ON/OFF/ON 511-053
4	1	291625	SWITCH, 2P ON/ON 511-108
5	9	291627	SWITCH, 2P (ON)OFF (ON) 511-058
6	1	291671	SWITCH, 2P OFF/ONA/ONAB 511-138
7	1	291672	SWITCH, 1P ON/OFF/ON 511-149
8	1	291774	SWITCH, ON/ON 511-024
9	1	291775	SWITCH, LOCK OFF/ON 511-172
10	1	293645	PWR PORT PIGTAIL ASSY, STS 02
11	1	291832	AMP RECEPTCL, 17-3 STD, SQ FLG
12	1	291754	AMP RECEPTACLE CAP, 17-SHELL
13	18	473989	6-32 X 3/4 BUTTON SOC CAP SCR
14	18	910022	6-32 HEX NUT
15	1	291773	WARNING PANEL, 6 POSITION
16	1	321021	IGN SWITCH, NON-SEALED
17	2	291782	RELAY BASE, 5-PIN MICRO, PNL MT
18	2	291781	MICRO RELAY, BOSCH 12V SPDT
19	1	343047	RELAY BASE MT BRKT
20	3	291628	LENS, GREEN 596-650
21	2	470175	10-32 HEX FLANGE LOCK NUT
22	2	903884	10-32X3/8 PHIL PANHD MACH SCR
23	1	291699	SWITCH, ON/OFF 511-110



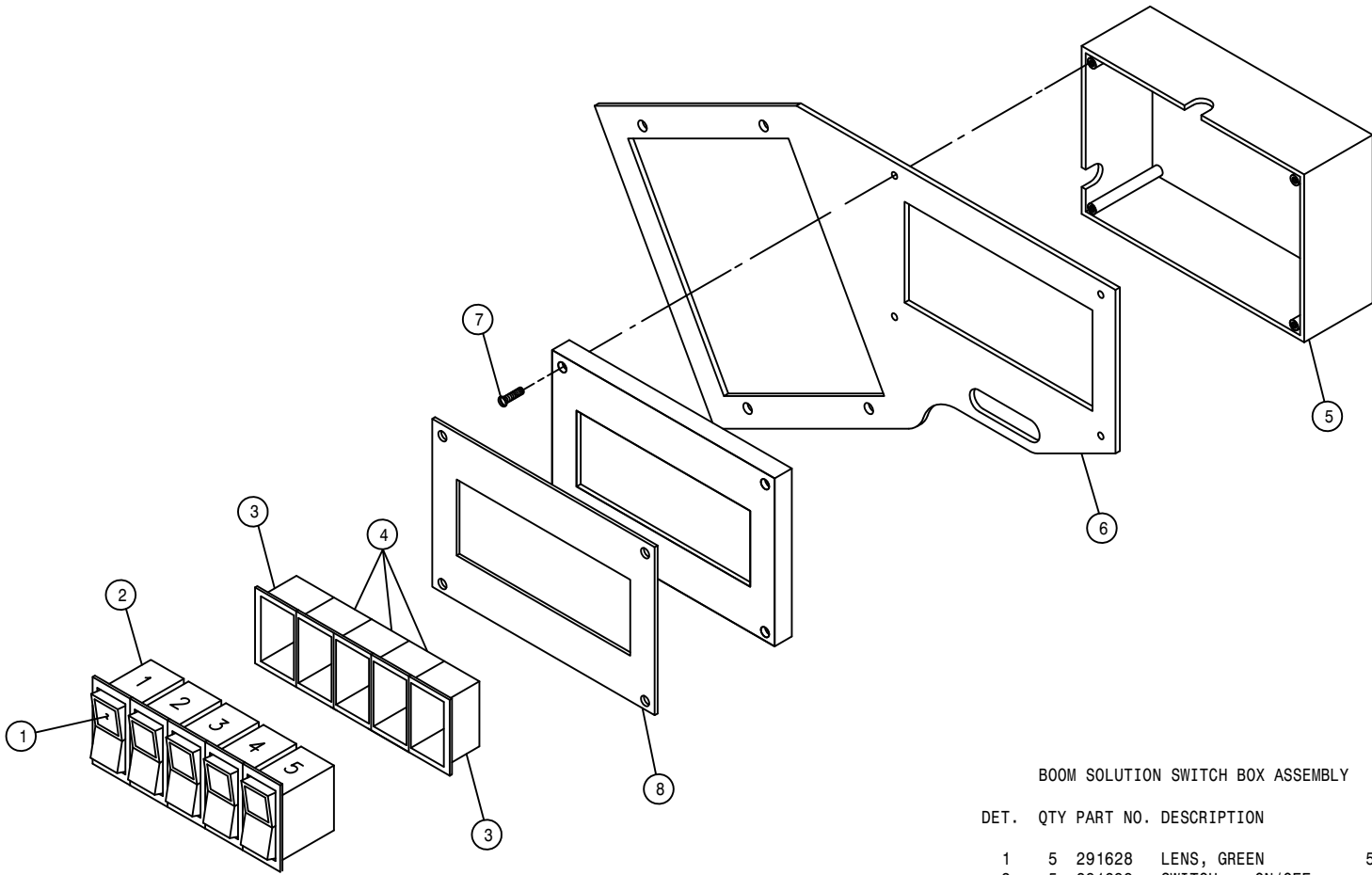
45

310045



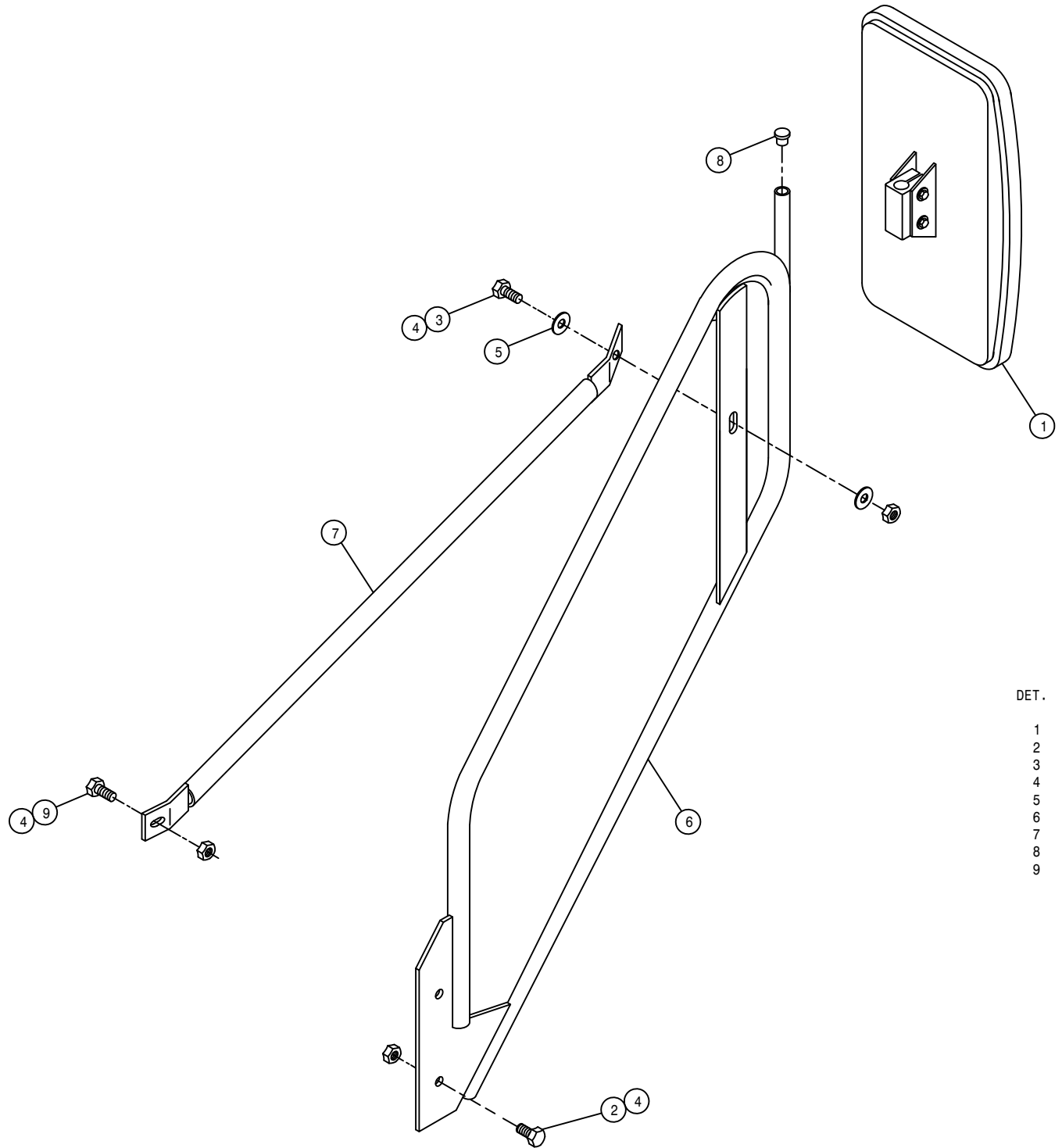
ATI MC1000 CONTROL BOX ASSEMBLY

DET.	QTY	PART NO.	DESCRIPTION
	1	291740	RED LED IND LIGHT, 12V 10MM
	1	291741	GREEN LED IND LIGHT, 12V 10MM
	1	291761	MESSAGE CENTER, ATI MC1000
	2	470118	1/4UNC X 3/4 FLANGE HEX BOLT
	2	470121	1/4UNC HEX FLANGE LOCK NUT
	8	470165	10-32 NUTSERT .020-.100 MATL
	2	473787	6MM-1.00 X 25MM HEX BOLT
	1	690618	CONSOLE, RAVEN 460 W/GPS PORT
	8	903710	10-32X5/8 PHIL PANHD MACH SCR
	5	920000	1/4 SAE FLAT WASHER
	1	343058	ATI MC1000 CTRL BOX COVER
	1	343053	ATI MC1000 CTRL BOX WLD
	1	343059	MONITOR MT BRKT, STS
	2	900003	1/4UNC X 1" HEX BOLT
	3	914000	1/4UNC HEX STOVER NUT
	1	343060	ATI MC1000 CTRL BOX UPR SUPP
	1	343061	ATI MC1000 CTRL BOX LWR SUPP
	1	900004	1/4UNC X 1 1/4 HEX BOLT
	1	650109	DECAL, LOW HYDRAULIC OIL
	1	650108	DECAL, MAIN SPRAY POWER



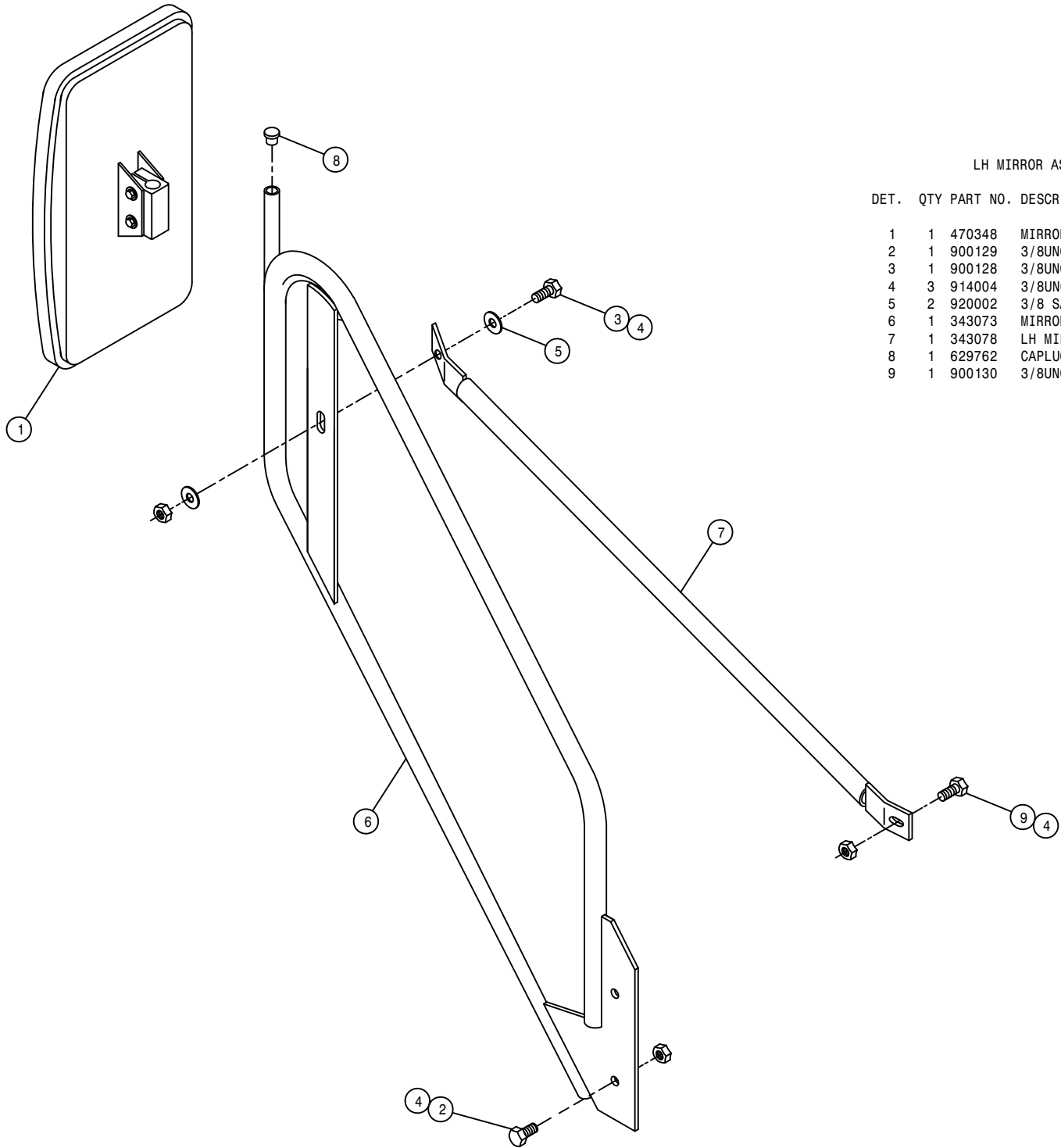
BOOM SOLUTION SWITCH BOX ASSEMBLY

DET.	QTY	PART NO.	DESCRIPTION	
1	5	291628	LENS, GREEN	596-650
2	5	291699	SWITCH, ON/OFF	511-110
3	2	293246	END BEZEL, 594-802	
4	3	293247	CENTER BEZEL, 594-801	
5	1	343049	BOOM SWITCH BOX	
6	1	343165	BOOM SOLU SWITCH BOX MT PLT 03	
7	4	473848	3MM-0.50 X 25MM PHILHD SCREW	
8	1	650101	DECAL, BOOM SPRAY VALVE SWITCH	



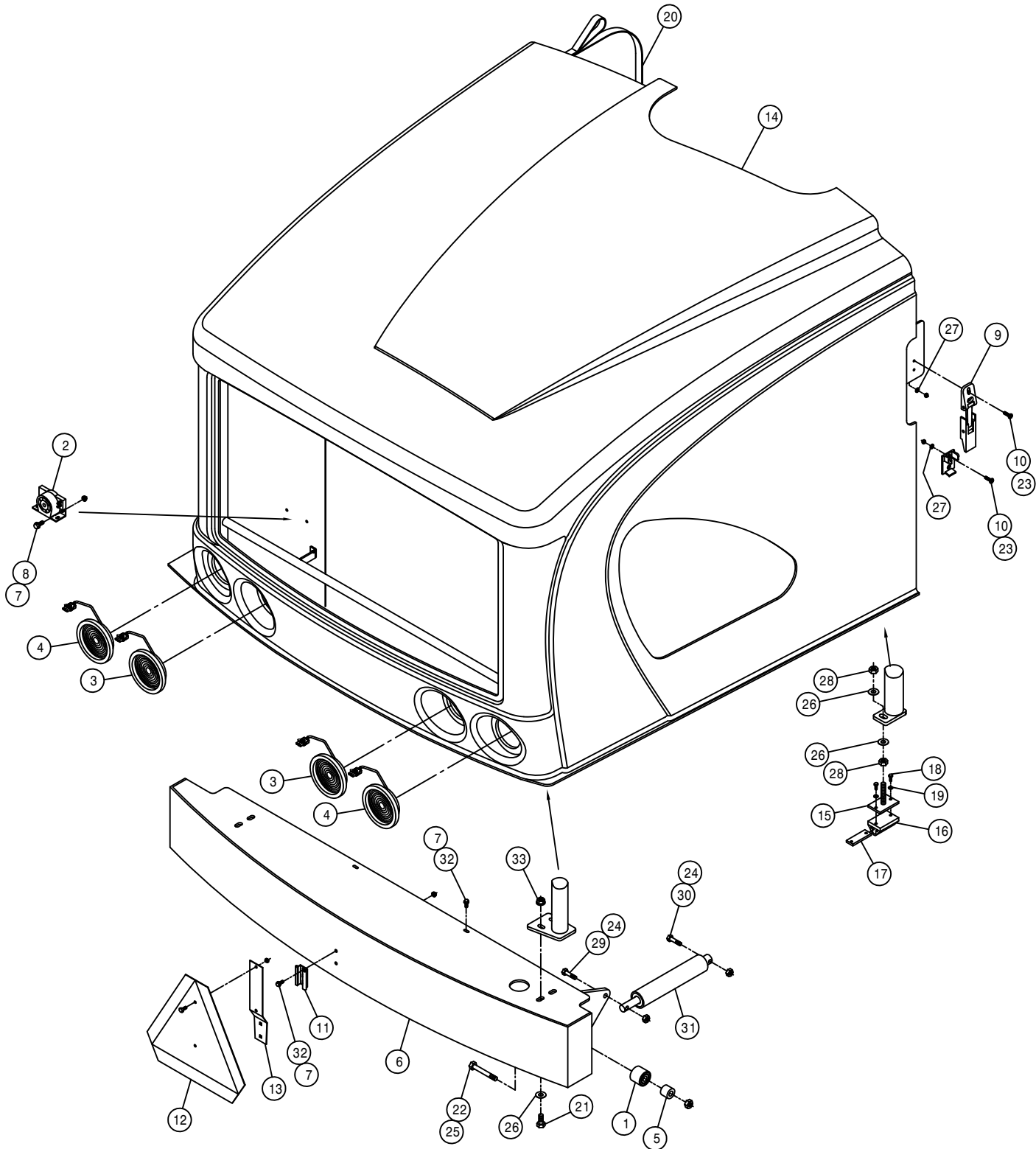
RH MIRROR ASSEMBLY

DET.	QTY	PART NO.	DESCRIPTION
1	1	470348	MIRROR STS10 & STS12
2	1	900129	3/8UNC X 1" HEX BOLT
3	1	900128	3/8UNC X 3/4 HEX BOLT
4	3	914004	3/8UNC HEX STOVER NUT
5	2	920002	3/8 SAE FLAT WASHER
6	1	343073	MIRROR MT TUBE WLD
7	1	343077	RH MIRROR BRACE TUBE BRKT WLD
8	1	629762	CAPLUG, 5/8" RD, BLACK POLY
9	1	900130	3/8UNC X 1 1/4 HEX BOLT



LH MIRROR ASSEMBLY

DET.	QTY	PART NO.	DESCRIPTION
1	1	470348	MIRROR STS10 & STS12
2	1	900129	3/8UNC X 1" HEX BOLT
3	1	900128	3/8UNC X 3/4 HEX BOLT
4	3	914004	3/8UNC HEX STOVER NUT
5	2	920002	3/8 SAE FLAT WASHER
6	1	343073	MIRROR MT TUBE WLD
7	1	343078	LH MIRROR BRACE TUBE BRKT WLD
8	1	629762	CAPPLUG, 5/8" RD, BLACK POLY
9	1	900130	3/8UNC X 1 1/4 HEX BOLT



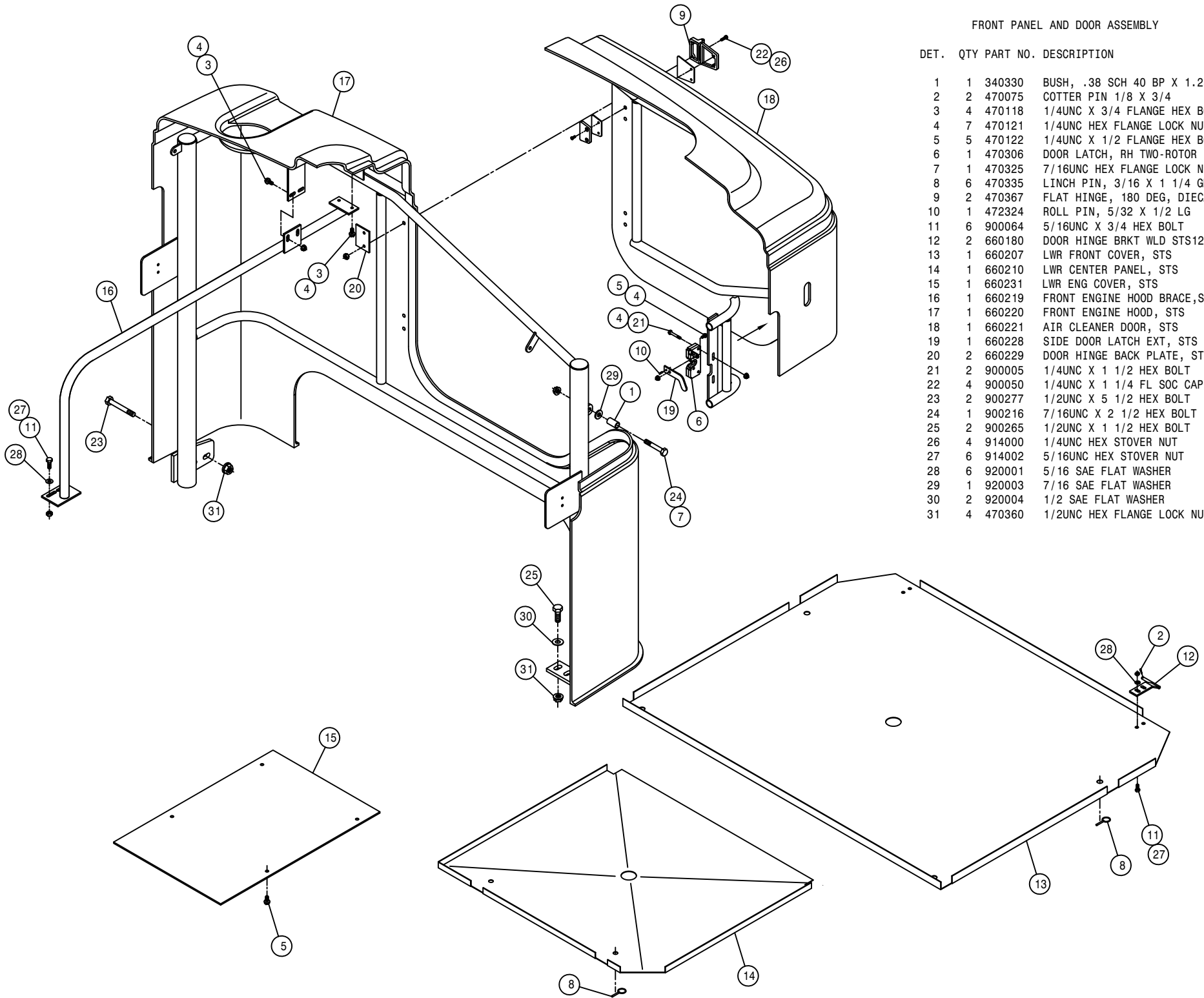
BUMPER AND REAR HOOD ASSEMBLY

DET.	QTY	PART NO.	DESCRIPTION
	1	2	125056 TRACK ROLLER,2.00 OD,.625 BORE
	1	291759	BACK-UP WARNING BEEPER, 112DB
	2	293768	RED LIGHT ASSY, STS 04
	2	293769	AMBER LIGHT ASSY, STS 04
	2	361679	BUMPER PIVOT BRG SPACER,STS 04
	1	361680	REAR BUMPER WLD, STS 04
	6	470121	1/4UNC HEX FLANGE LOCK NUT
	2	470122	1/4UNC X 1/2 FLANGE HEX BOLT
	2	470368	LATCH, FLEXIBLE LEVER DRAW
	8	472236	10-32 X 1/2 PHIL HD MACH SCR
	1	472251	MTG SOCKET
	1	472249	SLOW MOVING VEHICLE SIGN
	1	472250	SPADE MTG BRKT
	1	660222	REAR ENGINE HOOD, STS 04
	2	660224	ENG HOOD BUMPER WLD, STS 04
	2	660226	ENG HOOD BUMPER, STS 04
	2	660227	ENG HOOD BUMPER KEEPER, STS 04
	4	900003	1/4UNC X 1" HEX BOLT
	4	920500	1/4 LOCK WASHER
	1	660230	ENG HOOD PULL STRAP ASSY,STS04
	4	900265	1/2UNC X 1 1/2 HEX BOLT
	2	900341	5/8UNC X 3 3/4 HEX BOLT
	8	910027	10-32 HEX NUT
	2	914008	1/2UNC HEX STOVER NUT
	2	914010	5/8UNC HEX STOVER NUT
	8	920004	1/2 SAE FLAT WASHER
	8	920510	#10 LOCK WASHER
	4	910008	1/2UNC HEX NUT
	1	900267	1/2UNC X 2" HEX BOLT
	1	900268	1/2UNC X 2 1/2 HEX BOLT
	1	621077	HOOD HYD CYL ASSY, STS 04
	4	470118	1/4UNC X 3/4 FLANGE HEX BOLT
	4	470360	1/2UNC HEX FLANGE LOCK NUT

FRONT PANEL AND DOOR ASSEMBLY

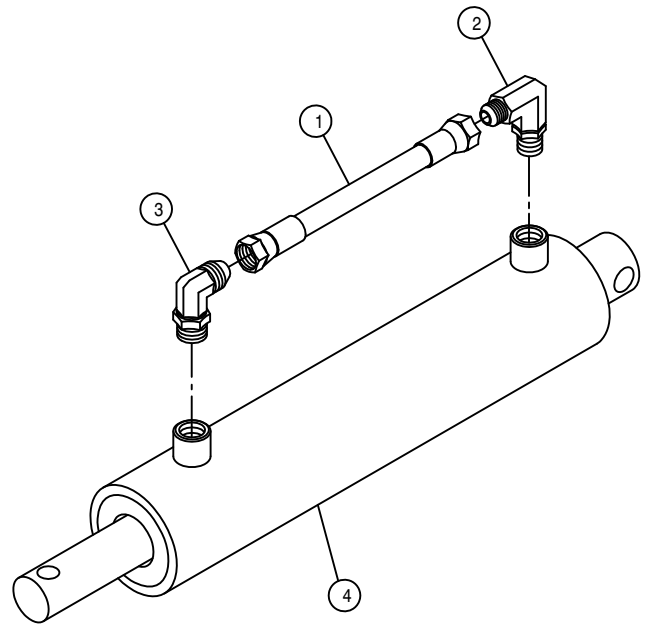
DET. QTY PART NO. DESCRIPTION

DET.	QTY	PART NO.	DESCRIPTION
1	1	340330	BUSH, .38 SCH 40 BP X 1.25 LG
2	2	470075	COTTER PIN 1/8 X 3/4
3	4	470118	1/4UNC X 3/4 FLANGE HEX BOLT
4	7	470121	1/4UNC HEX FLANGE LOCK NUT
5	5	470122	1/4UNC X 1/2 FLANGE HEX BOLT
6	1	470306	DOOR LATCH, RH TWO-ROTOR
7	1	470325	7/16UNC HEX FLANGE LOCK NUT
8	6	470335	LINCH PIN, 3/16 X 1 1/4 GRIP
9	2	470367	FLAT HINGE, 180 DEG, DIECAST
10	1	472324	ROLL PIN, 5/32 X 1/2 LG
11	6	900064	5/16UNC X 3/4 HEX BOLT
12	2	660180	DOOR HINGE BRKT WLD STS12 2001
13	1	660207	LWR FRONT COVER, STS 03
14	1	660210	LWR CENTER PANEL, STS 04
15	1	660231	LWR ENG COVER, STS 04
16	1	660219	FRONT ENGINE HOOD BRACE, STS 04
17	1	660220	FRONT ENGINE HOOD, STS 04
18	1	660221	AIR CLEANER DOOR, STS 04
19	1	660228	SIDE DOOR LATCH EXT, STS 04
20	2	660229	DOOR HINGE BACK PLATE, STS 04
21	2	900005	1/4UNC X 1 1/2 HEX BOLT
22	4	900050	1/4UNC X 1 1/4 FL SOC CAP SCR
23	2	900277	1/2UNC X 5 1/2 HEX BOLT
24	1	900216	7/16UNC X 2 1/2 HEX BOLT
25	2	900265	1/2UNC X 1 1/2 HEX BOLT
26	4	914000	1/4UNC HEX STOVER NUT
27	6	914002	5/16UNC HEX STOVER NUT
28	6	920001	5/16 SAE FLAT WASHER
29	1	920003	7/16 SAE FLAT WASHER
30	2	920004	1/2 SAE FLAT WASHER
31	4	470360	1/2UNC HEX FLANGE LOCK NUT



51

310051



HOOD HYDRAULIC CYLINDER ASSEMBLY

DET. QTY PART NO. DESCRIPTION

1	1	616246	04-451TC-06FJX-06FJX-10	H/A
2	1	618119	9/16MJIC-90-9/16MOR LBO	
3	1	618689	9/16MOR-90-9/16MJ .042 CHK VLV	
4	1	621530	LEG CYL ASSY, RH TREAD ADJ,284	
NS	1	621531	REPAIR KIT, HYD CYL 621530	

NOTE: 1. 621077 - HOOD HYDRAULIC CYLINDER ASSEMBLY

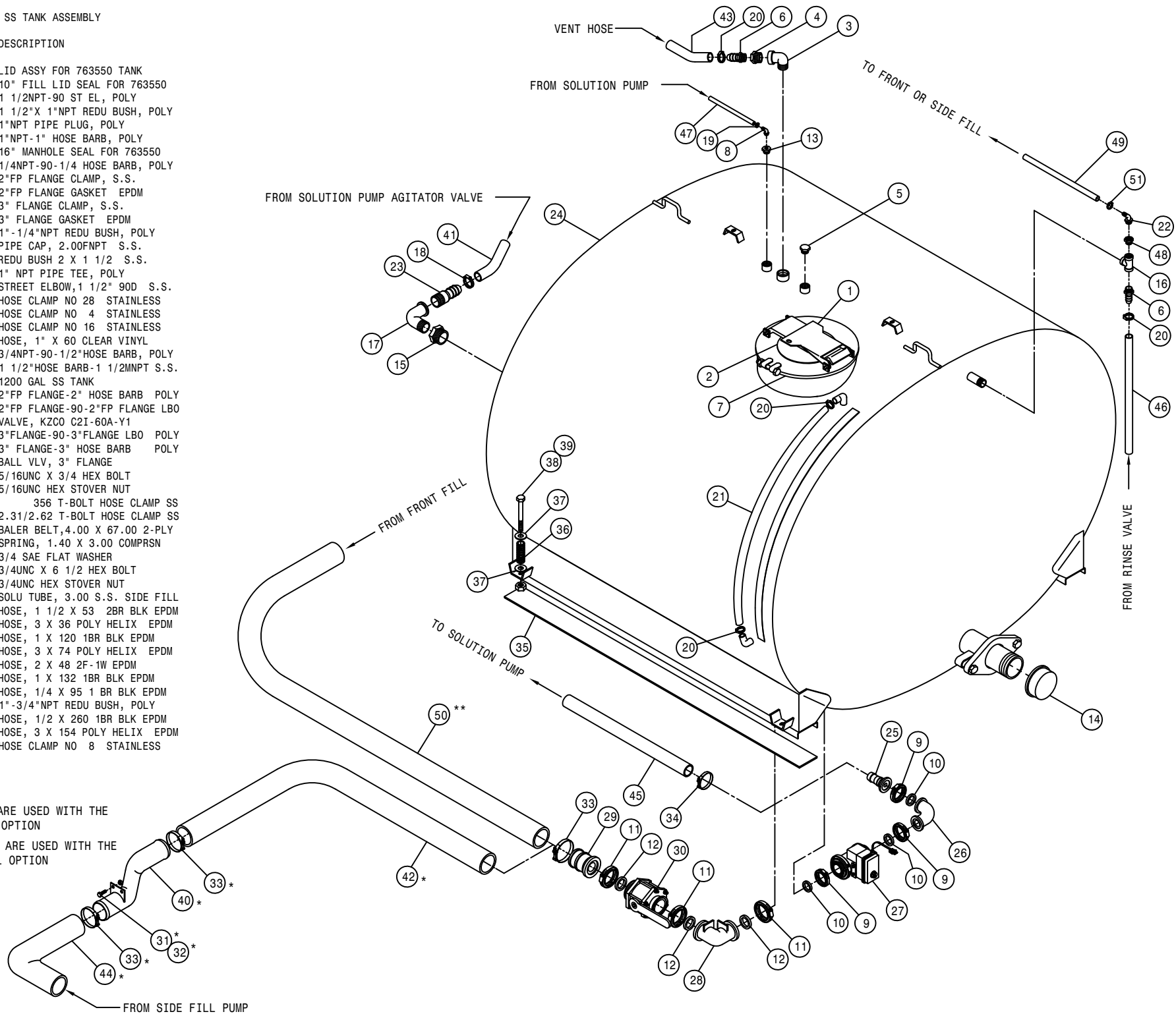
1200 GALLON SS TANK ASSEMBLY

DET. QTY PART NO. DESCRIPTION

1	1	763561	LID ASSY FOR 763550 TANK
2	1	763562	10" FILL LID SEAL FOR 763550
3	1	500034	1 1/2NPT-90 ST EL, POLY
4	1	500036	1 1/2" X 1"NPT REDU BUSH, POLY
5	1	500063	1"NPT PIPE PLUG, POLY
6	2	500074	1"NPT-1" HOSE BARB, POLY
7	1	763563	16" MANHOLE SEAL FOR 763550
8	1	500104	1/4NPT-90-1/4 HOSE BARB, POLY
9	3	500194	2"FP FLANGE CLAMP, S.S.
10	3	500195	2"FP FLANGE GASKET EPDM
11	3	500208	3" FLANGE CLAMP, S.S.
12	3	500209	3" FLANGE GASKET EPDM
13	1	505225	1"-1/4"NPT REDU BUSH, POLY
14	1	507103	PIPE CAP, 2.00FNPT S.S.
15	1	507725	REDU BUSH 2 X 1 1/2 S.S.
16	1	500075	1" NPT PIPE TEE, POLY
17	1	507727	STREET ELBOW, 1 1/2" 90D S.S.
18	1	520067	HOSE CLAMP NO 28 STAINLESS
19	1	520120	HOSE CLAMP NO 4 STAINLESS
20	4	520090	HOSE CLAMP NO 16 STAINLESS
21	1	601471	HOSE, 1" X 60 CLEAR VINYL
22	1	500041	3/4NPT-90-1/2"HOSE BARB, POLY
23	1	716106	1 1/2"HOSE BARB-1 1/2MNPT S.S.
24	1	763550	1200 GAL SS TANK
25	1	500196	2"FP FLANGE-2" HOSE BARB POLY
26	1	500219	2"FP FLANGE-90-2"FP FLANGE LBO
27	1	696252	VALVE, KZCO C2I-60A-Y1
28	1	500213	3"FLANGE-90-3"FLANGE LBO POLY
29	1	500210	3" FLANGE-3" HOSE BARB POLY
30	1	696149	BALL VLV, 3" FLANGE
31	2	900064	5/16UNC X 3/4 HEX BOLT
32	2	914002	5/16UNC HEX STOVER NUT
33	3	520145	356 T-BOLT HOSE CLAMP SS
34	1	520141	2.31/2.62 T-BOLT HOSE CLAMP SS
35	2	470321	BALER BELT, 4.00 X 67.00 2-PLY
36	4	482016	SPRING, 1.40 X 3.00 COMPRSN
37	8	920006	3/4 SAE FLAT WASHER
38	4	900416	3/4UNC X 6 1/2 HEX BOLT
39	4	914012	3/4UNC HEX STOVER NUT
40	1	690731	SOLU TUBE, 3.00 S.S. SIDE FILL
41	1	601591	HOSE, 1 1/2 X 53 2BR BLK EPDM
42	1	601574	HOSE, 3 X 36 POLY HELIX EPDM
43	1	601496	HOSE, 1 X 120 1BR BLK EPDM
44	1	601506	HOSE, 3 X 74 POLY HELIX EPDM
45	1	601573	HOSE, 2 X 48 2F-1W EPDM
46	1	601273	HOSE, 1 X 132 1BR BLK EPDM
47	1	601490	HOSE, 1/4 X 95 1 BR BLK EPDM
48	1	505214	1"-3/4"NPT REDU BUSH, POLY
49	1	601567	HOSE, 1/2 X 260 1BR BLK EPDM
50	1	601621	HOSE, 3 X 154 POLY HELIX EPDM
51	1	520070	HOSE CLAMP NO 8 STAINLESS

NOTE: ITEMS (*) ARE USED WITH THE SIDE FILL OPTION

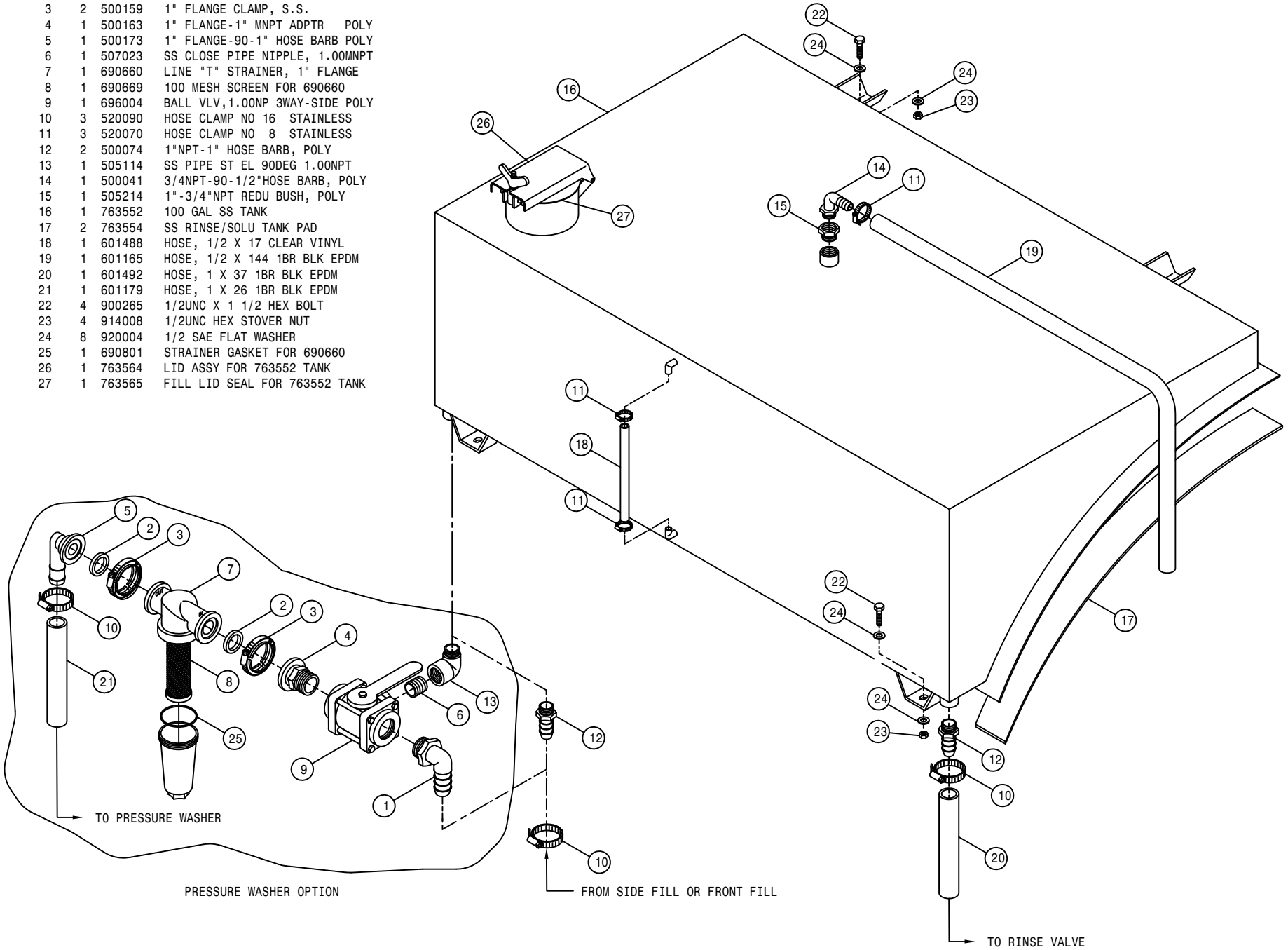
ITEMS (**) ARE USED WITH THE FRONT FILL OPTION



RINSE TANK ASSEMBLY

DET. QTY PART NO. DESCRIPTION

1	1	500024	1"NPT-90-1"HOSE BARB, POLY
2	2	500157	1" FLANGE GASKET EPDM
3	2	500159	1" FLANGE CLAMP, S.S.
4	1	500163	1" FLANGE-1" MNPT ADPTR POLY
5	1	500173	1" FLANGE-90-1" HOSE BARB POLY
6	1	507023	SS CLOSE PIPE NIPPLE, 1.00MNPT
7	1	690660	LINE "T" STRAINER, 1" FLANGE
8	1	690669	100 MESH SCREEN FOR 690660
9	1	696004	BALL VLV,1.00NP 3WAY-SIDE POLY
10	3	520090	HOSE CLAMP NO 16 STAINLESS
11	3	520070	HOSE CLAMP NO 8 STAINLESS
12	2	500074	1"NPT-1" HOSE BARB, POLY
13	1	505114	SS PIPE ST EL 90DEG 1.00NPT
14	1	500041	3/4NPT-90-1/2"HOSE BARB, POLY
15	1	505214	1"-3/4"NPT REDU BUSH, POLY
16	1	763552	100 GAL SS TANK
17	2	763554	SS RINSE/SOLU TANK PAD
18	1	601488	HOSE, 1/2 X 17 CLEAR VINYL
19	1	601165	HOSE, 1/2 X 144 1BR BLK EPDM
20	1	601492	HOSE, 1 X 37 1BR BLK EPDM
21	1	601179	HOSE, 1 X 26 1BR BLK EPDM
22	4	900265	1/2UNC X 1 1/2 HEX BOLT
23	4	914008	1/2UNC HEX STOVER NUT
24	8	920004	1/2 SAE FLAT WASHER
25	1	690801	STRAINER GASKET FOR 690660
26	1	763564	LID ASSY FOR 763552 TANK
27	1	763565	FILL LID SEAL FOR 763552 TANK



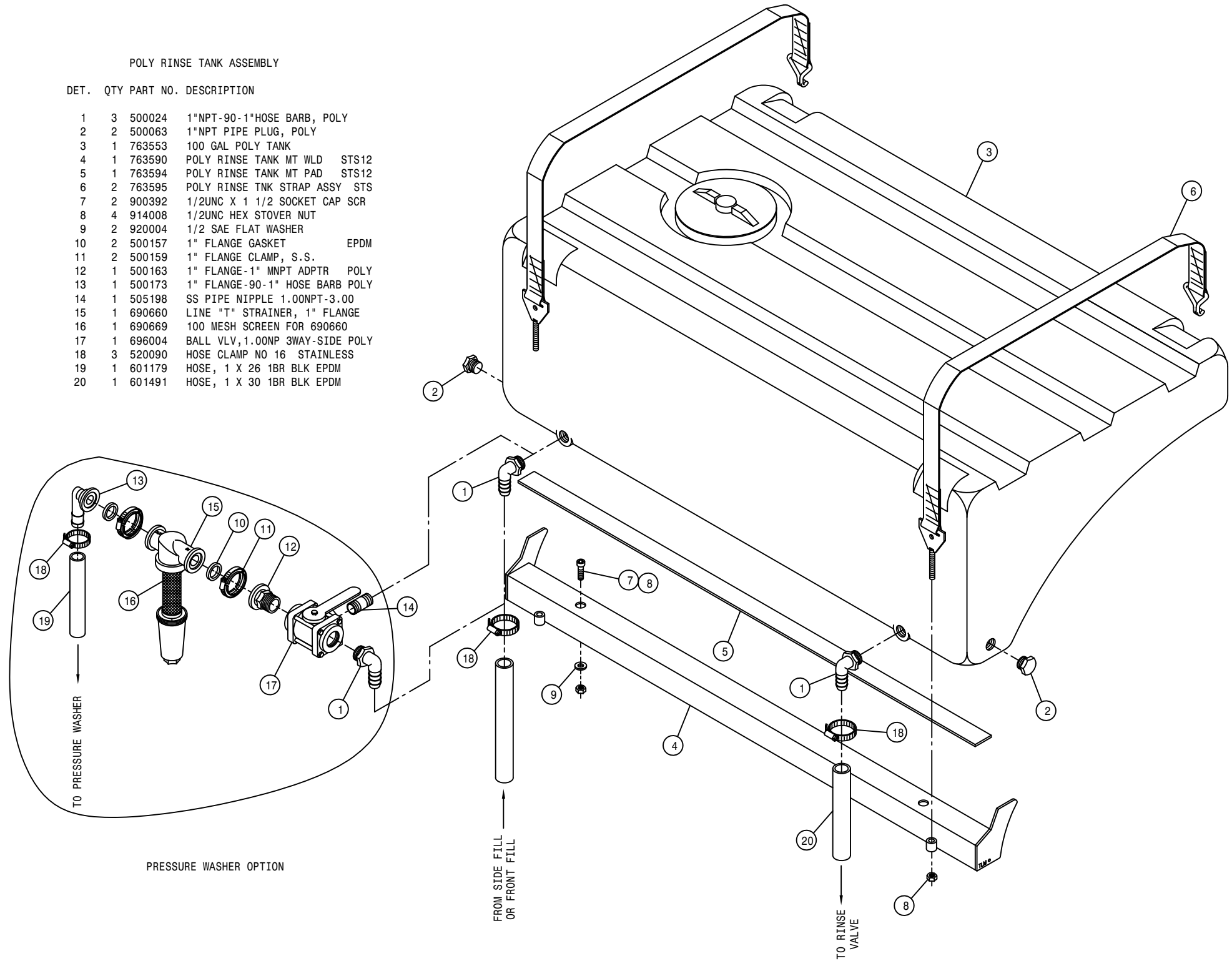
PRESSURE WASHER OPTION

FROM SIDE FILL OR FRONT FILL

TO RINSE VALVE

POLY RINSE TANK ASSEMBLY

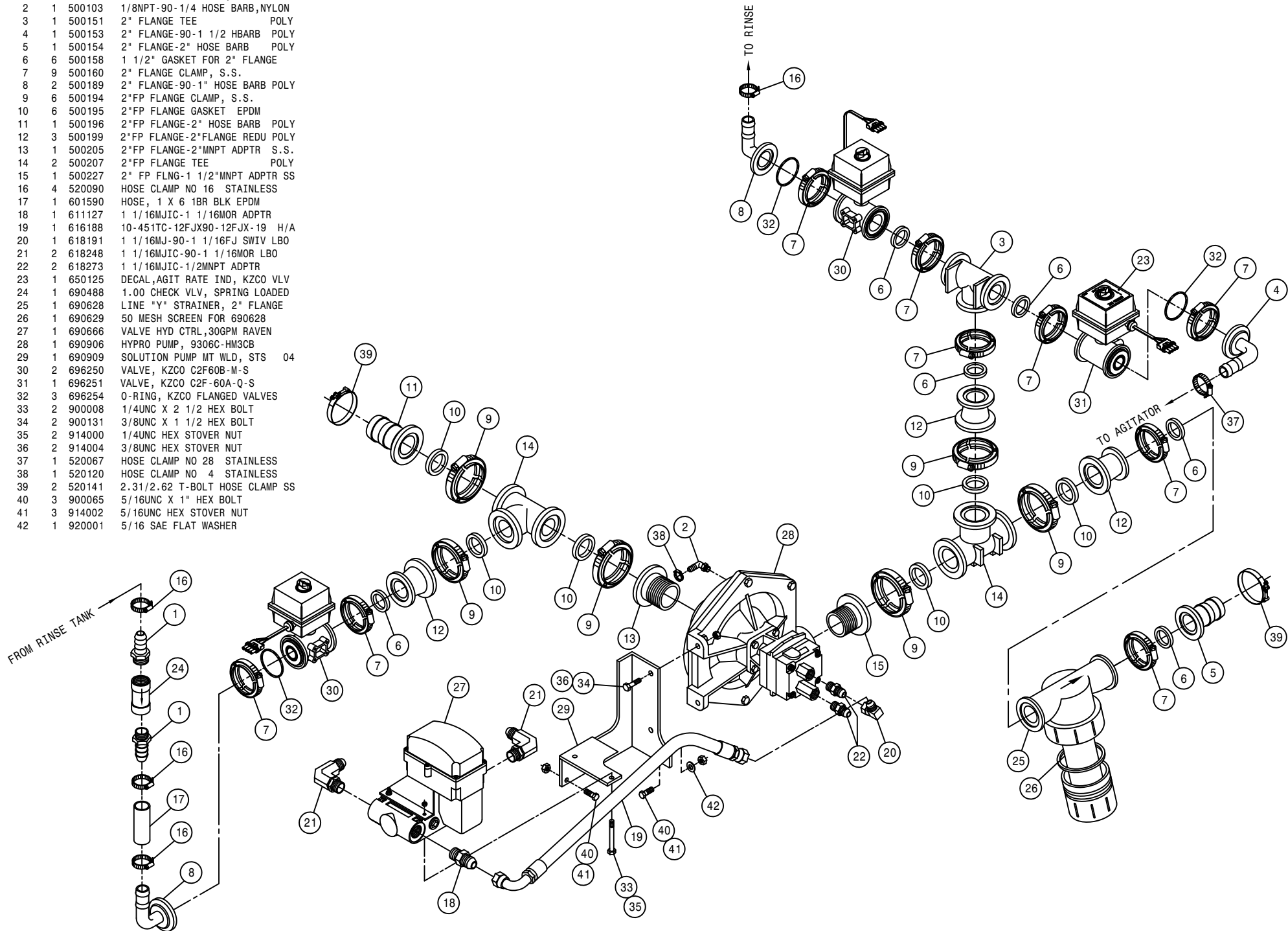
DET.	QTY	PART NO.	DESCRIPTION
1	3	500024	1"NPT-90-1"HOSE BARB, POLY
2	2	500063	1"NPT PIPE PLUG, POLY
3	1	763553	100 GAL POLY TANK
4	1	763590	POLY RINSE TANK MT WLD STS12
5	1	763594	POLY RINSE TANK MT PAD STS12
6	2	763595	POLY RINSE TNK STRAP ASSY STS
7	2	900392	1/2UNC X 1 1/2 SOCKET CAP SCR
8	4	914008	1/2UNC HEX STOVER NUT
9	2	920004	1/2 SAE FLAT WASHER
10	2	500157	1" FLANGE GASKET EPDM
11	2	500159	1" FLANGE CLAMP, S.S.
12	1	500163	1" FLANGE-1" MNPT ADPTR POLY
13	1	500173	1" FLANGE-90-1" HOSE BARB POLY
14	1	505198	SS PIPE NIPPLE 1.00NPT-3.00
15	1	690660	LINE "T" STRAINER, 1" FLANGE
16	1	690669	100 MESH SCREEN FOR 690660
17	1	696004	BALL VLV, 1.00NP 3WAY-SIDE POLY
18	3	520090	HOSE CLAMP NO 16 STAINLESS
19	1	601179	HOSE, 1 X 26 1BR BLK EPDM
20	1	601491	HOSE, 1 X 30 1BR BLK EPDM



PRESSURE WASHER OPTION

DET. QTY PART NO. DESCRIPTION

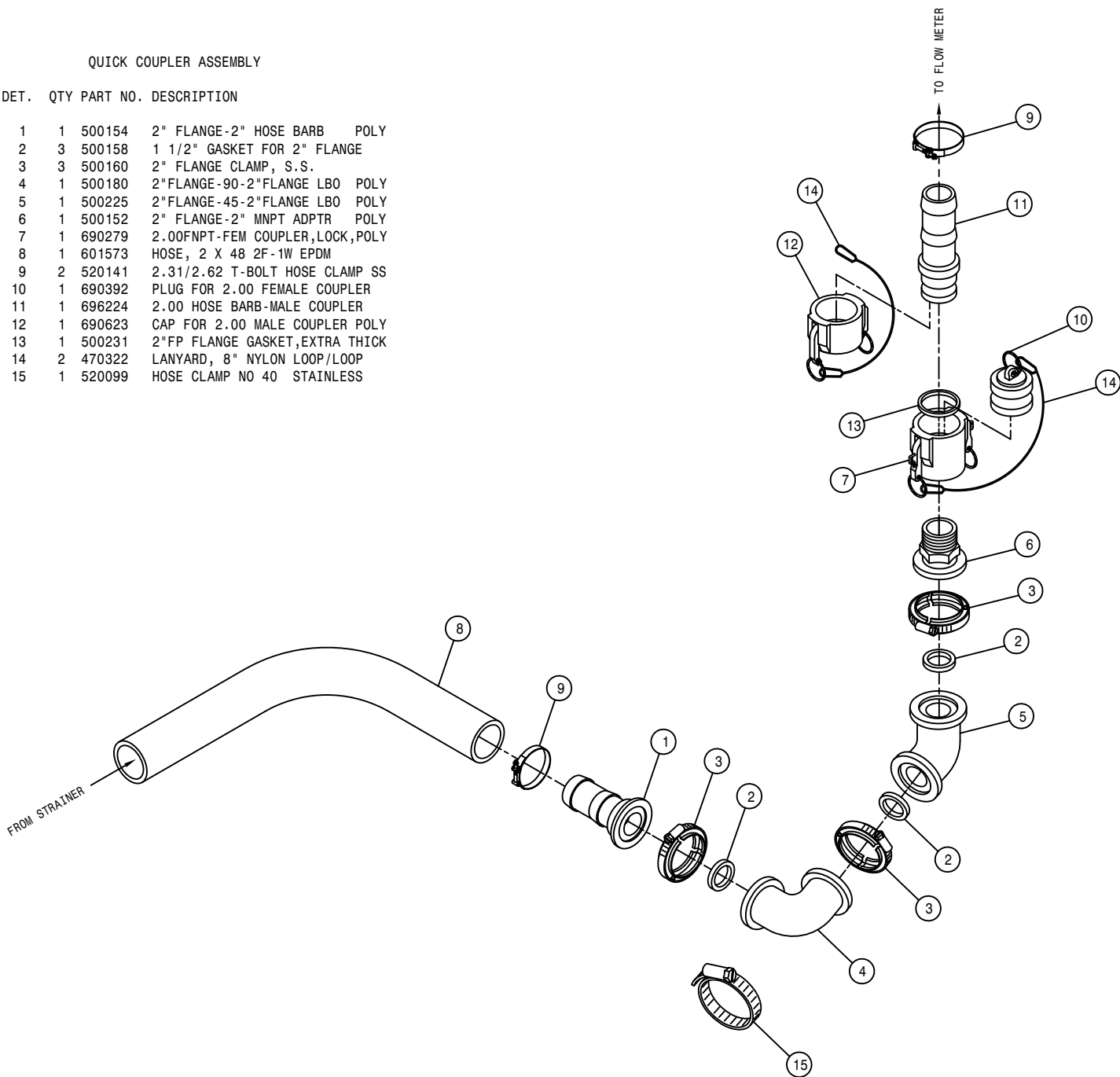
1	2	500074	1"NPT-1" HOSE BARB, POLY
2	1	500103	1/8NPT-90-1/4 HOSE BARB,NYLON
3	1	500151	2" FLANGE TEE POLY
4	1	500153	2" FLANGE-90-1 1/2 HBARB POLY
5	1	500154	2" FLANGE-2" HOSE BARB POLY
6	6	500158	1 1/2" GASKET FOR 2" FLANGE
7	9	500160	2" FLANGE CLAMP, S.S.
8	2	500189	2" FLANGE-90-1" HOSE BARB POLY
9	6	500194	2"FP FLANGE CLAMP, S.S.
10	6	500195	2"FP FLANGE GASKET EPDM
11	1	500196	2"FP FLANGE-2" HOSE BARB POLY
12	3	500199	2"FP FLANGE-2"FLANGE REDU POLY
13	1	500205	2"FP FLANGE-2"MNPT ADPTR S.S.
14	2	500207	2"FP FLANGE TEE POLY
15	1	500227	2" FP FLNG-1 1/2"MNPT ADPTR SS
16	4	520090	HOSE CLAMP NO 16 STAINLESS
17	1	601590	HOSE, 1 X 6 1BR BLK EPDM
18	1	611127	1 1/16MJIC-1 1/16MOR ADPTR
19	1	616188	10-451TC-12FJX90-12FJX-19 H/A
20	1	618191	1 1/16MJ-90-1 1/16FJ SWIV LBO
21	2	618248	1 1/16MJIC-90-1 1/16MOR LBO
22	2	618273	1 1/16MJIC-1/2MNPT ADPTR
23	1	650125	DECAL,AGIT RATE IND, KZCO VLV
24	1	690488	1.00 CHECK VLV, SPRING LOADED
25	1	690628	LINE "Y" STRAINER, 2" FLANGE
26	1	690629	50 MESH SCREEN FOR 690628
27	1	690666	VALVE HYD CTRL,30GPM RAVEN
28	1	690906	HYPRO PUMP, 9306C-HM3CB
29	1	690909	SOLUTION PUMP MT WLD, STS 04
30	2	696250	VALVE, KZCO C2F60B-M-S
31	1	696251	VALVE, KZCO C2F-60A-Q-S
32	3	696254	O-RING, KZCO FLANGED VALVES
33	2	900008	1/4UNC X 2 1/2 HEX BOLT
34	2	900131	3/8UNC X 1 1/2 HEX BOLT
35	2	914000	1/4UNC HEX STOVER NUT
36	2	914004	3/8UNC HEX STOVER NUT
37	1	520067	HOSE CLAMP NO 28 STAINLESS
38	1	520120	HOSE CLAMP NO 4 STAINLESS
39	2	520141	2.31/2.62 T-BOLT HOSE CLAMP SS
40	3	900065	5/16UNC X 1" HEX BOLT
41	3	914002	5/16UNC HEX STOVER NUT
42	1	920001	5/16 SAE FLAT WASHER



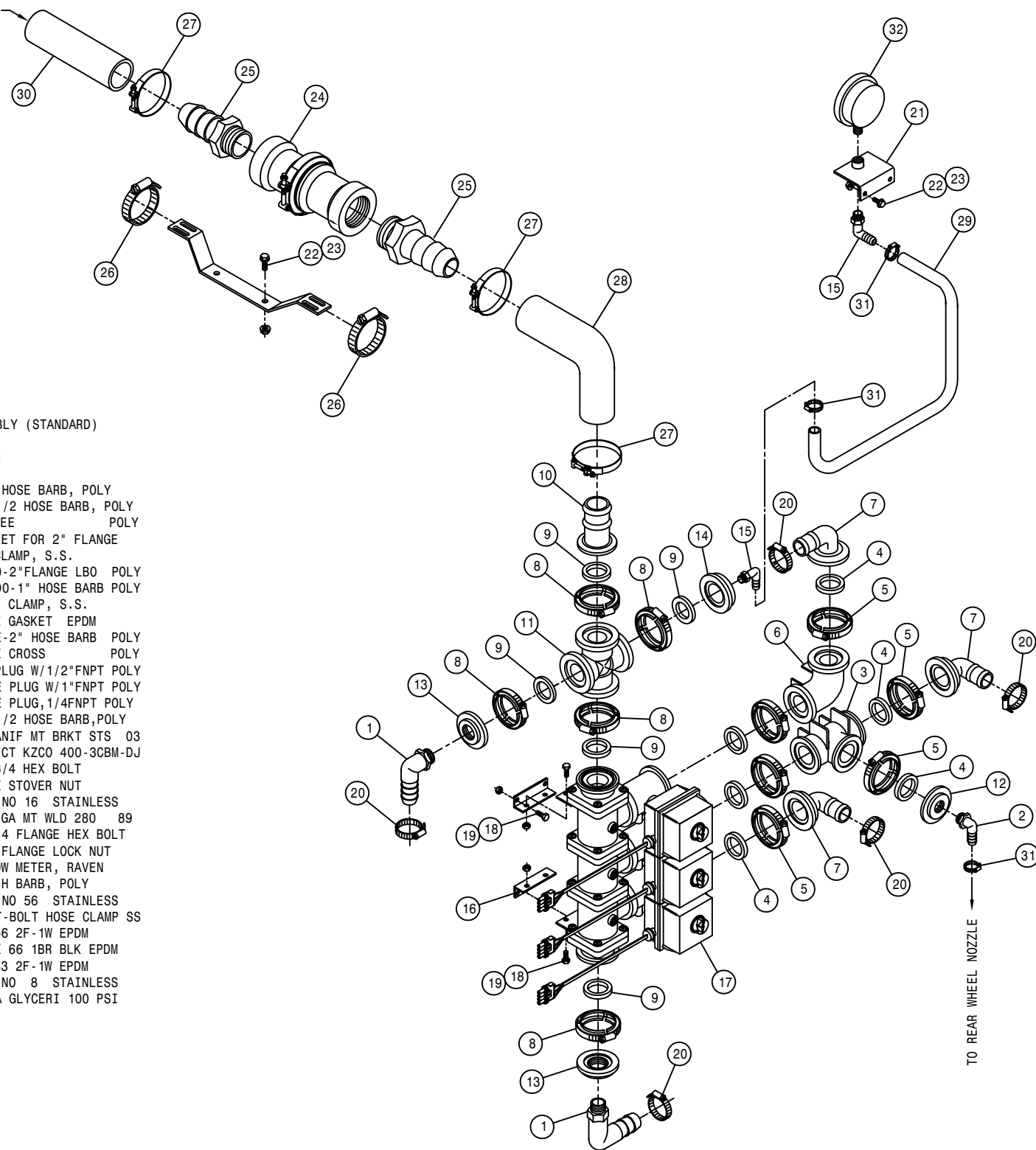
QUICK COUPLER ASSEMBLY

DET. QTY PART NO. DESCRIPTION

1	1	500154	2" FLANGE-2" HOSE BARB	POLY
2	3	500158	1 1/2" GASKET FOR 2" FLANGE	
3	3	500160	2" FLANGE CLAMP, S.S.	
4	1	500180	2"FLANGE-90-2"FLANGE LBO	POLY
5	1	500225	2"FLANGE-45-2"FLANGE LBO	POLY
6	1	500152	2" FLANGE-2" MNPT ADPTR	POLY
7	1	690279	2.00FNPT-FEM COUPLER, LOCK, POLY	
8	1	601573	HOSE, 2 X 48 2F-1W EPDM	
9	2	520141	2.31/2.62 T-BOLT HOSE CLAMP SS	
10	1	690392	PLUG FOR 2.00 FEMALE COUPLER	
11	1	696224	2.00 HOSE BARB-MALE COUPLER	
12	1	690623	CAP FOR 2.00 MALE COUPLER POLY	
13	1	500231	2"FP FLANGE GASKET, EXTRA THICK	
14	2	470322	LANYARD, 8" NYLON LOOP/LOOP	
15	1	520099	HOSE CLAMP NO 40 STAINLESS	



FROM STRAINER



SOLUTION CONTROL VALVE ASSEMBLY (STANDARD)

DET. QTY PART NO. DESCRIPTION

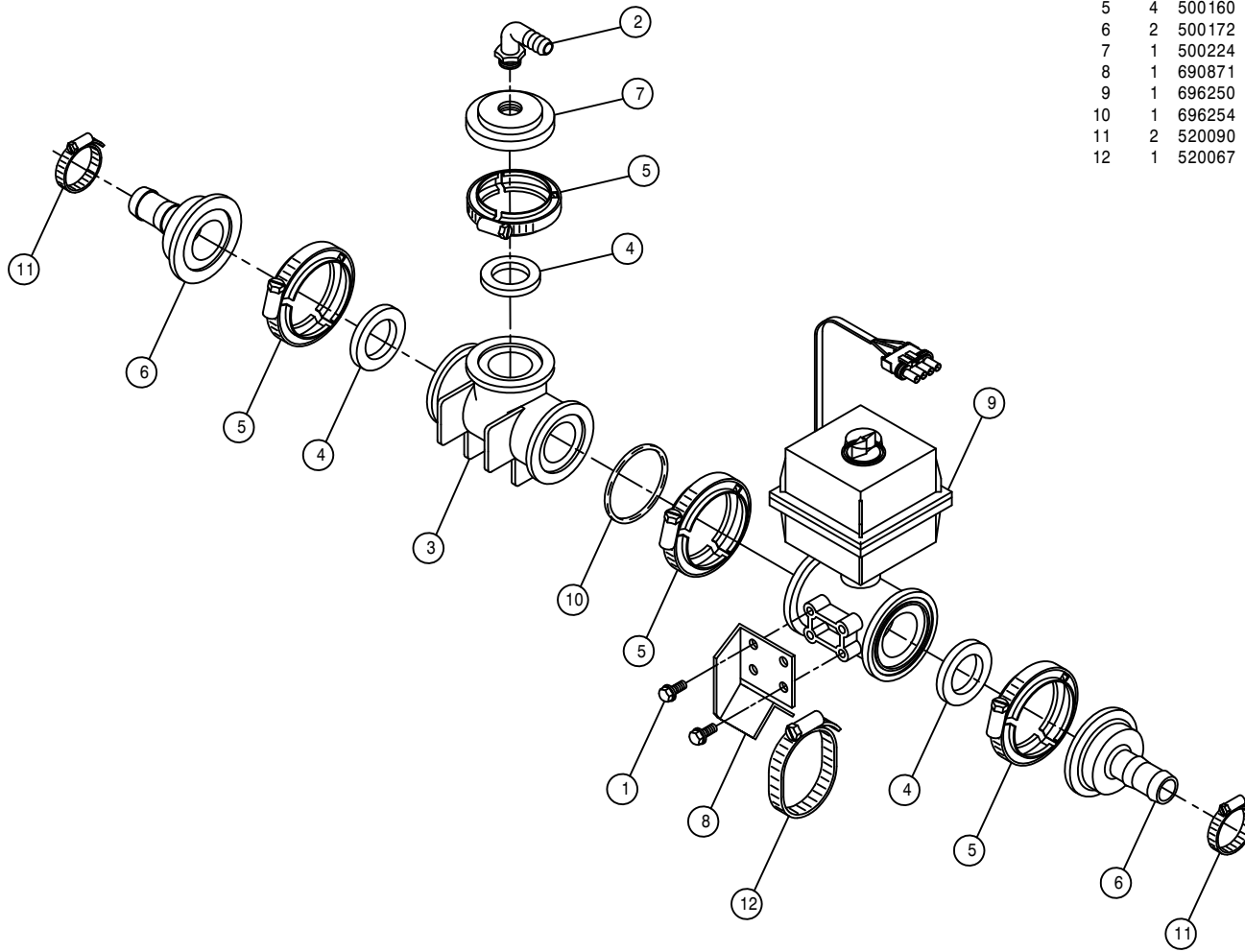
1	2	500024	1"NPT-90-1"HOSE BARB, POLY
2	1	500047	1/2NPT-90-1/2 HOSE BARB, POLY
3	1	500151	2" FLANGE TEE POLY
4	6	500158	1 1/2" GASKET FOR 2" FLANGE
5	6	500160	2" FLANGE CLAMP, S.S.
6	1	500180	2"FLANGE-90-2"FLANGE LBO POLY
7	3	500189	2" FLANGE-90-1" HOSE BARB POLY
8	5	500194	2"FP FLANGE CLAMP, S.S.
9	5	500195	2"FP FLANGE GASKET EPDM
10	1	500196	2"FP FLANGE-2" HOSE BARB POLY
11	1	500203	2"FP FLANGE CROSS POLY
12	1	500224	2" FLANGE PLUG W/1/2"FNPT POLY
13	2	500228	2"FP FLANGE PLUG W/1"FNPT POLY
14	1	500229	2"FP FLANGE PLUG,1/4FNPT POLY
15	2	618556	1/4NPT-90-1/2 HOSE BARB,POLY
16	2	690870	SOLU VLV MANIF MT BRKT STS 03
17	1	696253	VALVE, 3 SECT KZCO 400-3CBM-DJ
18	8	900064	5/16UNC X 3/4 HEX BOLT
19	8	914002	5/16UNC HEX STOVER NUT
20	5	520090	HOSE CLAMP NO 16 STAINLESS
21	1	160010	SOLU PRESS GA MT WLD 280 89
22	4	470118	1/4UNC X 3/4 FLANGE HEX BOLT
23	4	470121	1/4UNC HEX FLANGE LOCK NUT
24	1	690529	RFM 100 FLOW METER, RAVEN
25	2	500058	2"NPT X 2" H BARB, POLY
26	2	520056	HOSE CLAMP NO 56 STAINLESS
27	3	520141	2.31/2.62 T-BOLT HOSE CLAMP SS
28	1	601502	HOSE, 2 X 56 2F-1W EPDM
29	1	601514	HOSE, 1/2 X 66 1BR BLK EPDM
30	1	601613	HOSE, 2 X 43 2F-1W EPDM
31	3	520070	HOSE CLAMP NO 8 STAINLESS
32	1	690359	PRESSURE GA GLYCERI 100 PSI

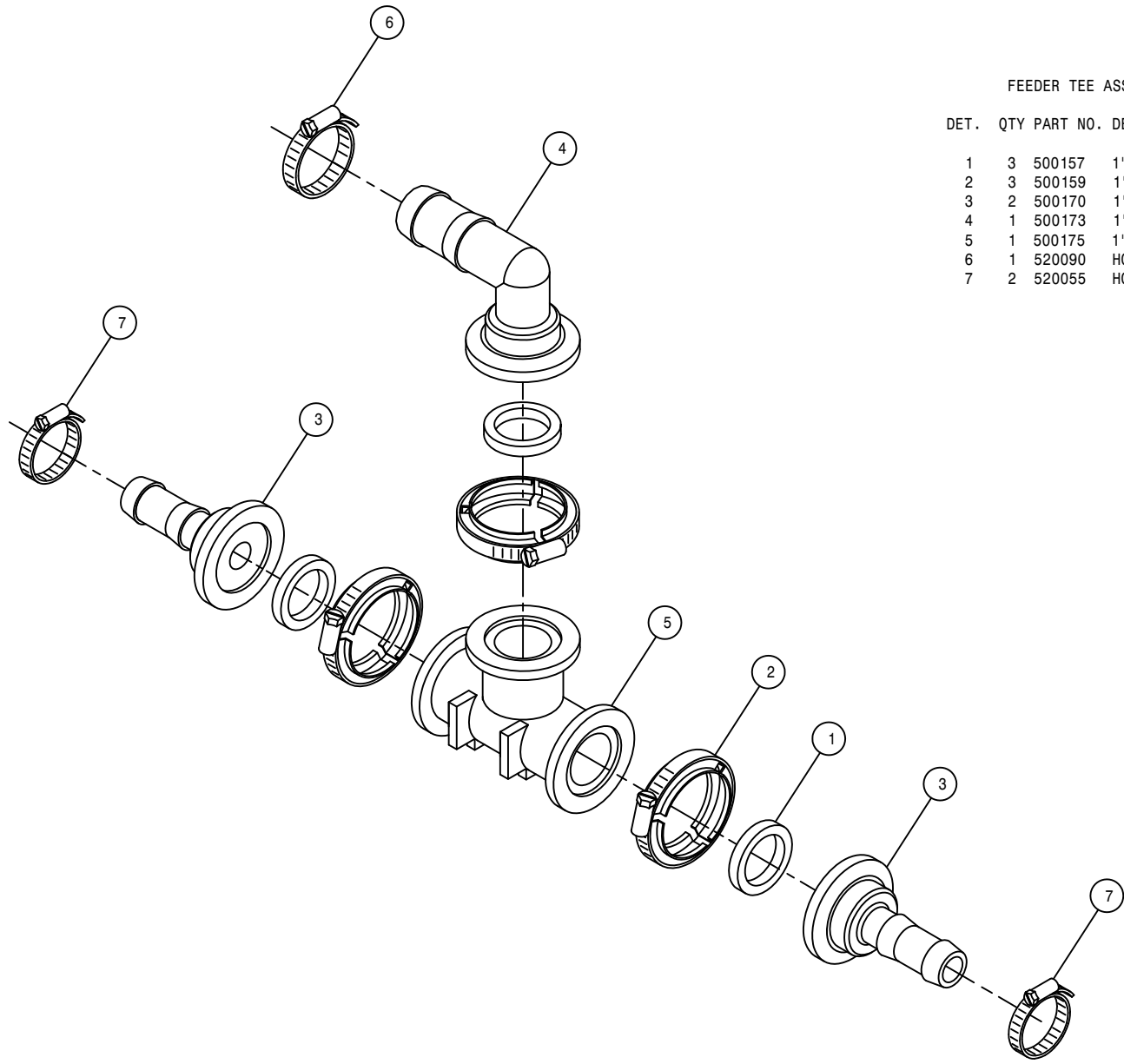
TO REAR WHEEL NOZZLE

80' -90' SOLUTION VALVE ASSEMBLY (STANDARD)

DET. QTY PART NO. DESCRIPTION

1	2	470122	1/4UNC X 1/2 FLANGE HEX BOLT
2	1	500047	1/2NPT-90-1/2 HOSE BARB, POLY
3	1	500151	2" FLANGE TEE POLY
4	3	500158	1 1/2" GASKET FOR 2" FLANGE
5	4	500160	2" FLANGE CLAMP, S.S.
6	2	500172	2" FLANGE-1" HOSE BARB POLY
7	1	500224	2" FLANGE PLUG W/1/2"FNPT POLY
8	1	690871	80/90 BOOM VLV MT WLD 03
9	1	696250	VALVE, KZCO C2F60B-M-S
10	1	696254	O-RING, KZCO FLANGED VALVES
11	2	520090	HOSE CLAMP NO 16 STAINLESS
12	1	520067	HOSE CLAMP NO 28 STAINLESS





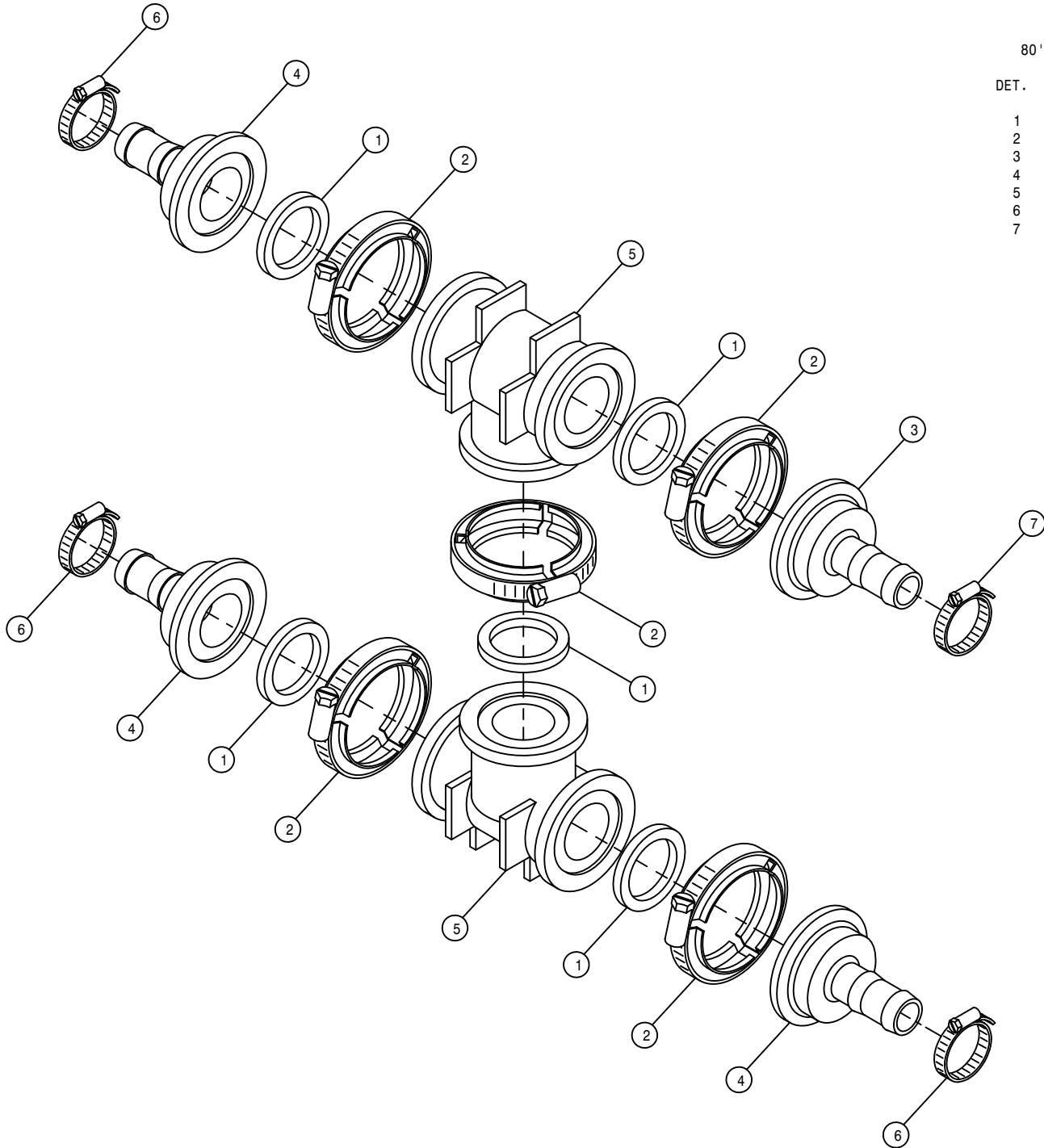
FEEDER TEE ASSEMBLY (STANDARD)

DET.	QTY	PART NO.	DESCRIPTION	
1	3	500157	1" FLANGE GASKET	EPDM
2	3	500159	1" FLANGE CLAMP, S.S.	
3	2	500170	1" FLANGE-3/4" HOSE BARB	POLY
4	1	500173	1" FLANGE-90-1" HOSE BARB	POLY
5	1	500175	1" FLANGE TEE	POLY
6	1	520090	HOSE CLAMP NO 16	STAINLESS
7	2	520055	HOSE CLAMP NO 12	STAINLESS

80°-90° FEEDER TEE ASSEMBLY (STANDARD)

DET. QTY PART NO. DESCRIPTION

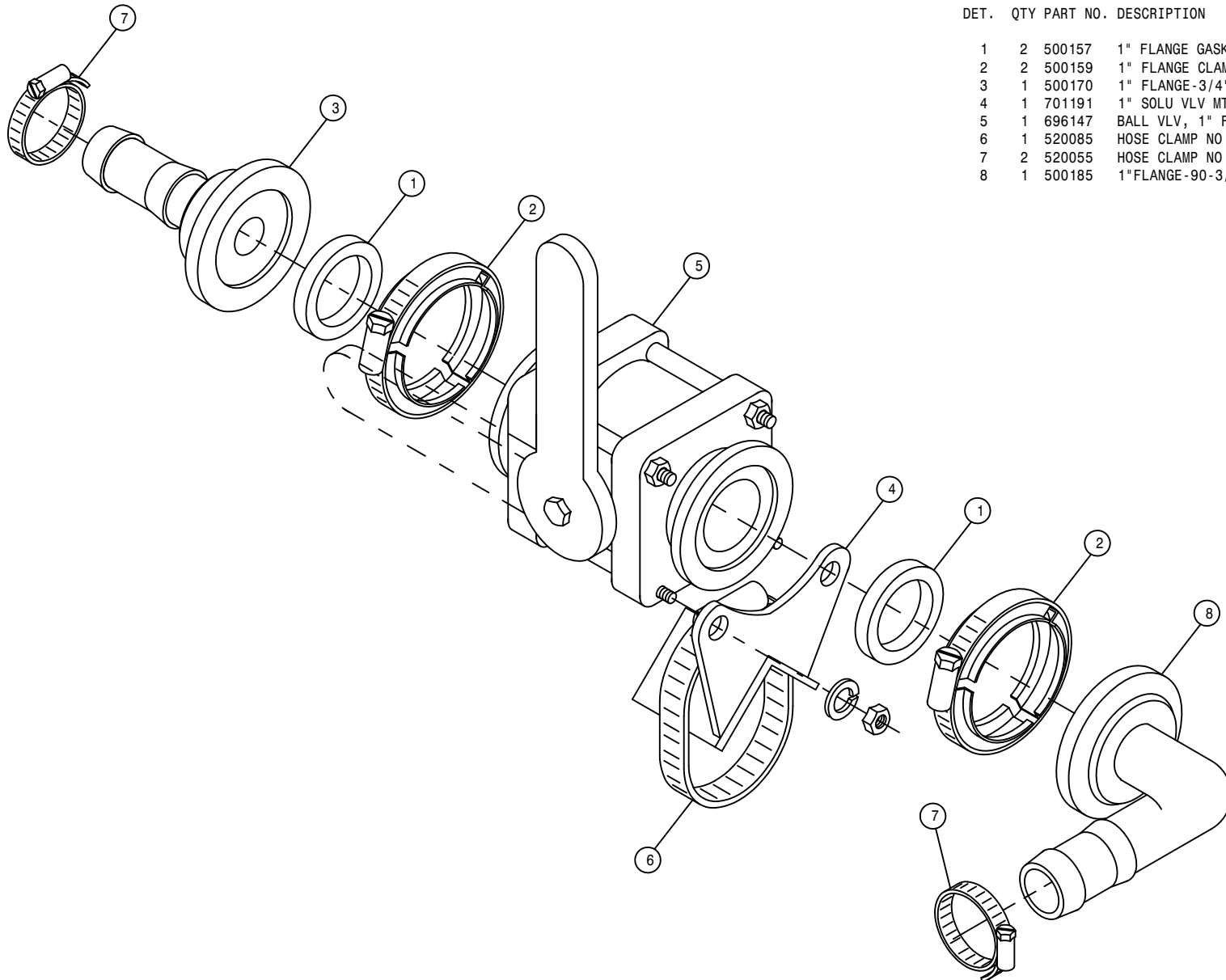
DET.	QTY	PART NO.	DESCRIPTION	
1	5	500157	1" FLANGE GASKET	EPDM
2	5	500159	1" FLANGE CLAMP, S.S.	
3	1	500171	1" FLANGE-1" HOSE BARB	POLY
4	3	500170	1" FLANGE-3/4" HOSE BARB	POLY
5	2	500175	1" FLANGE TEE	POLY
6	3	520055	HOSE CLAMP NO 12	STAINLESS
7	1	520090	HOSE CLAMP NO 16	STAINLESS

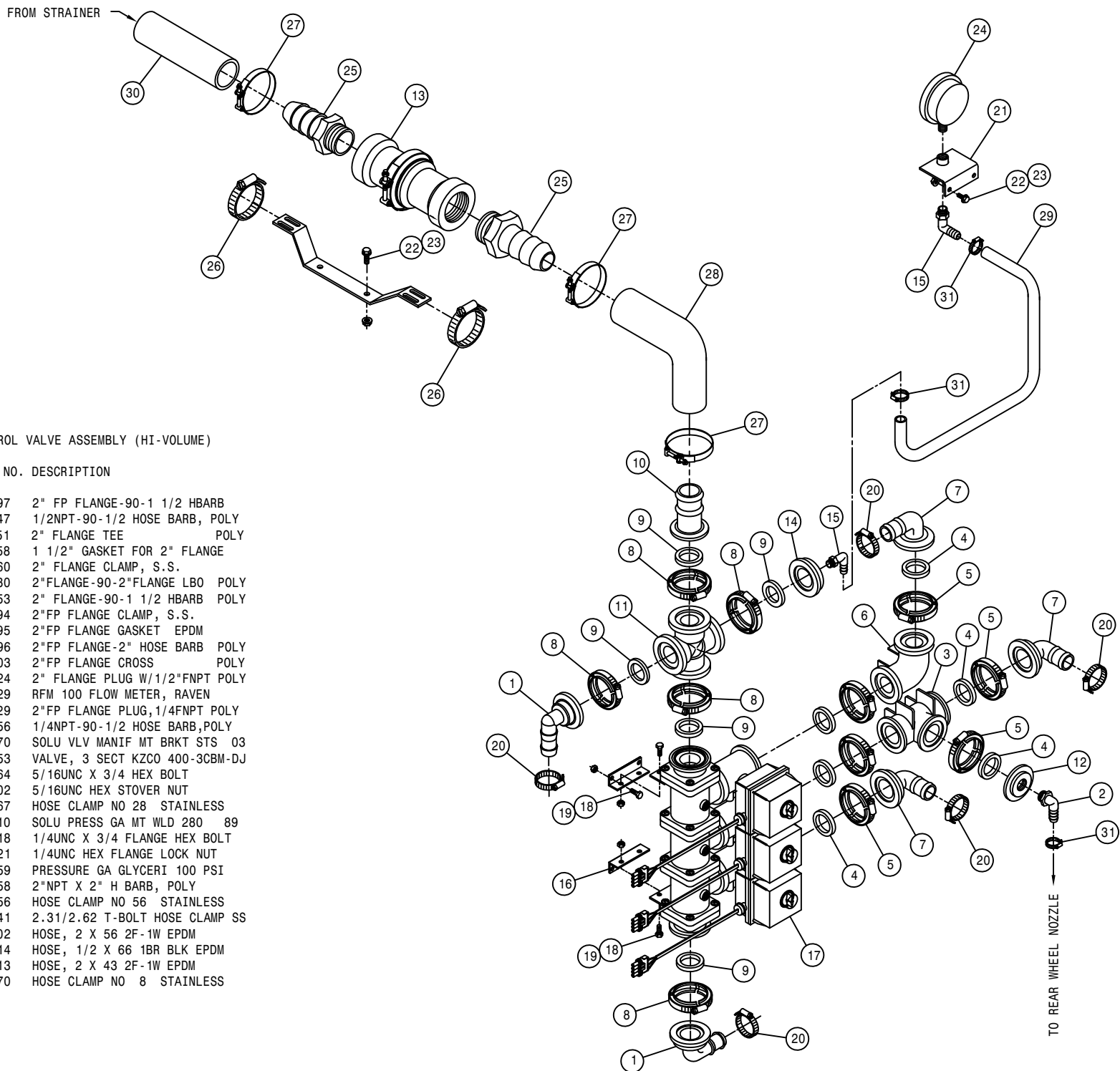


90° BALL VALVE ASSEMBLY (STANDARD)

DET. QTY PART NO. DESCRIPTION

1	2	500157	1" FLANGE GASKET	EPDM
2	2	500159	1" FLANGE CLAMP, S.S.	
3	1	500170	1" FLANGE-3/4" HOSE BARB	POLY
4	1	701191	1" SOLU VLV MT WLD	
5	1	696147	BALL VLV, 1" FLANGE	
6	1	520085	HOSE CLAMP NO 24	STAINLESS
7	2	520055	HOSE CLAMP NO 12	STAINLESS
8	1	500185	1" FLANGE-90-3/4" HOSE BARB	POLY





SOLUTION CONTROL VALVE ASSEMBLY (HI-VOLUME)

DET. QTY PART NO. DESCRIPTION

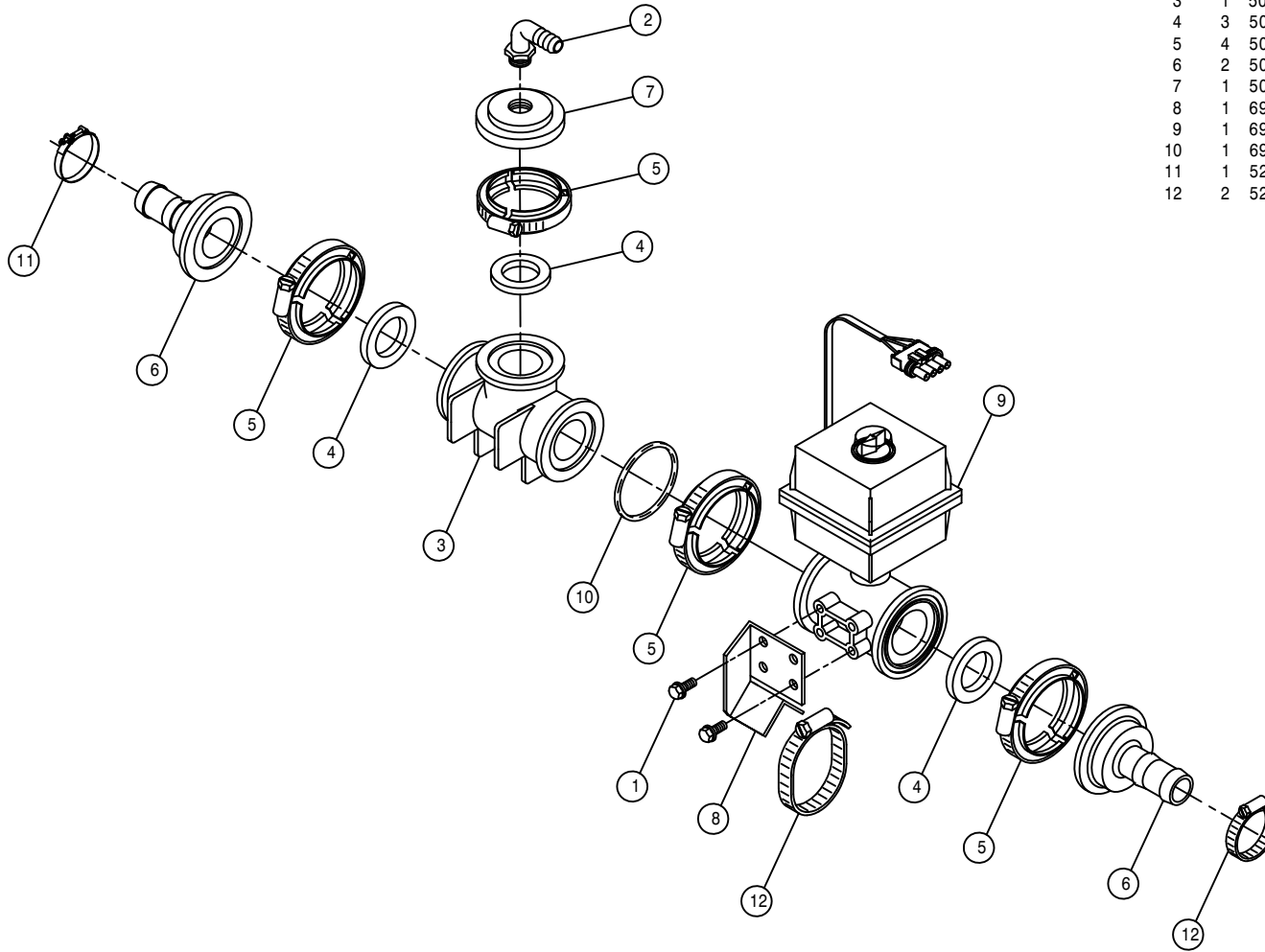
1	2	500197	2" FP FLANGE-90-1 1/2 HBARB
2	1	500047	1/2NPT-90-1/2 HOSE BARB, POLY
3	1	500151	2" FLANGE TEE POLY
4	6	500158	1 1/2" GASKET FOR 2" FLANGE
5	6	500160	2" FLANGE CLAMP, S.S.
6	1	500180	2"FLANGE-90-2"FLANGE LBO POLY
7	3	500153	2" FLANGE-90-1 1/2 HBARB POLY
8	5	500194	2"FP FLANGE CLAMP, S.S.
9	5	500195	2"FP FLANGE GASKET EPDM
10	1	500196	2"FP FLANGE-2" HOSE BARB POLY
11	1	500203	2"FP FLANGE CROSS POLY
12	1	500224	2" FLANGE PLUG W/1/2"FNPT POLY
13	1	690529	RFM 100 FLOW METER, RAVEN
14	1	500229	2"FP FLANGE PLUG,1/4FNPT POLY
15	2	618556	1/4NPT-90-1/2 HOSE BARB,POLY
16	2	690870	SOLU VLV MANIF MT BRKT STS 03
17	1	696253	VALVE, 3 SECT KZCO 400-3CBM-DJ
18	8	900064	5/16UNC X 3/4 HEX BOLT
19	8	914002	5/16UNC HEX STOVER NUT
20	5	520067	HOSE CLAMP NO 28 STAINLESS
21	1	160010	SOLU PRESS GA MT WLD 280 89
22	4	470118	1/4UNC X 3/4 FLANGE HEX BOLT
23	4	470121	1/4UNC HEX FLANGE LOCK NUT
24	1	690359	PRESSURE GA GLYCERI 100 PSI
25	2	500058	2"NPT X 2" H BARB, POLY
26	2	520056	HOSE CLAMP NO 56 STAINLESS
27	3	520141	2.31/2.62 T-BOLT HOSE CLAMP SS
28	1	601502	HOSE, 2 X 56 2F-1W EPDM
29	1	601514	HOSE, 1/2 X 66 1BR BLK EPDM
30	1	601613	HOSE, 2 X 43 2F-1W EPDM
31	3	520070	HOSE CLAMP NO 8 STAINLESS

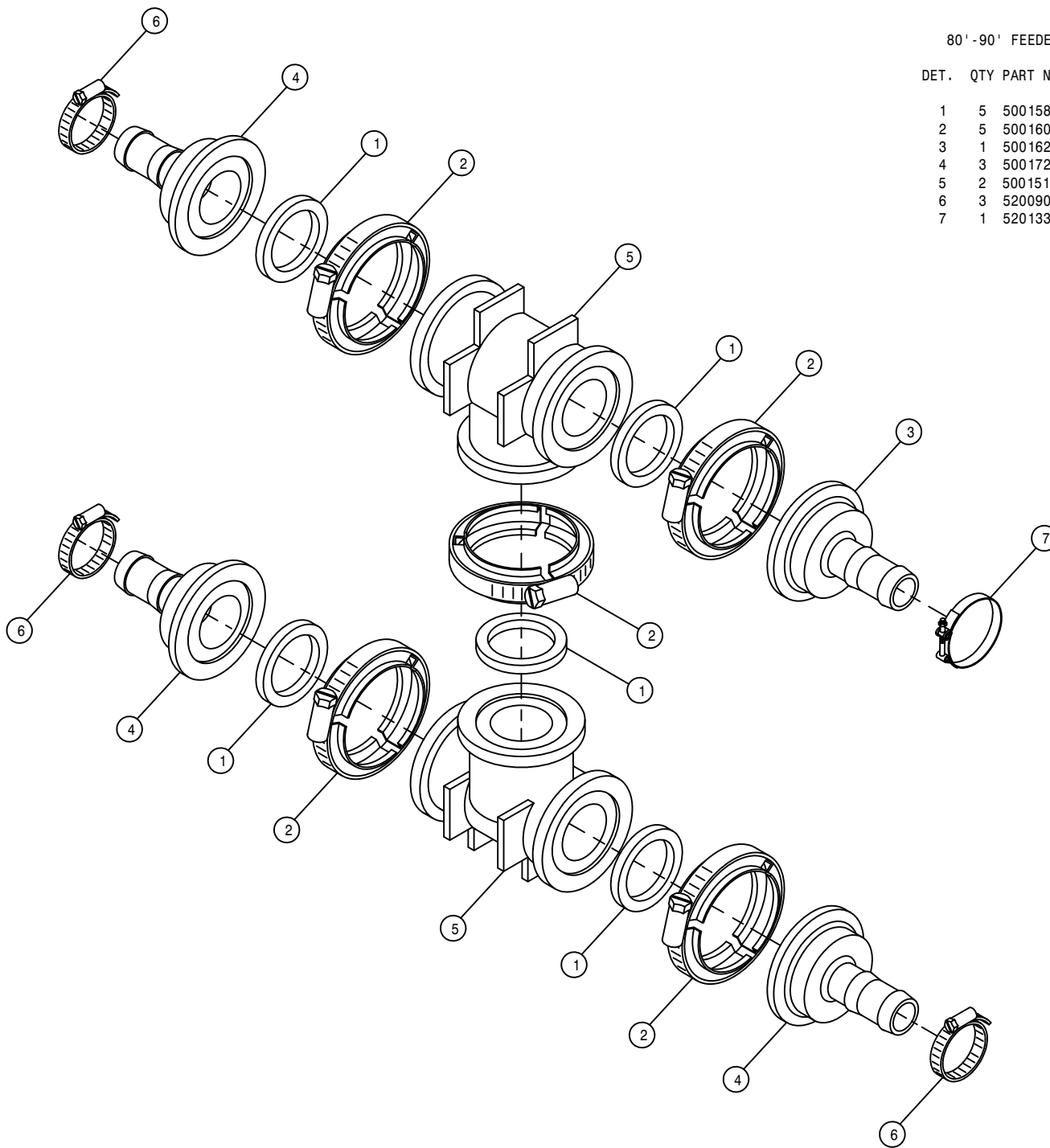
TO REAR WHEEL NOZZLE

80'-90' SOLUTION VALVE ASSEMBLY (HI-VOLUME)

DET. QTY PART NO. DESCRIPTION

DET.	QTY	PART NO.	DESCRIPTION
1	2	470122	1/4UNC X 1/2 FLANGE HEX BOLT
2	1	500047	1/2NPT-90-1/2 HOSE BARB, POLY
3	1	500151	2" FLANGE TEE POLY
4	3	500158	1 1/2" GASKET FOR 2" FLANGE
5	4	500160	2" FLANGE CLAMP, S.S.
6	2	500162	2" FLANGE-1 1/2 HOSE BARB POLY
7	1	500224	2" FLANGE PLUG W/1/2"FNPT POLY
8	1	690871	80/90 BOOM VLV MT WLD 03
9	1	696250	VALVE, KZCO C2F60B-M-S
10	1	696254	O-RING, KZCO FLANGED VALVES
11	1	520133	1.81/2.06 T-BOLT HOSE CLAMP SS
12	2	520067	HOSE CLAMP NO 28 STAINLESS

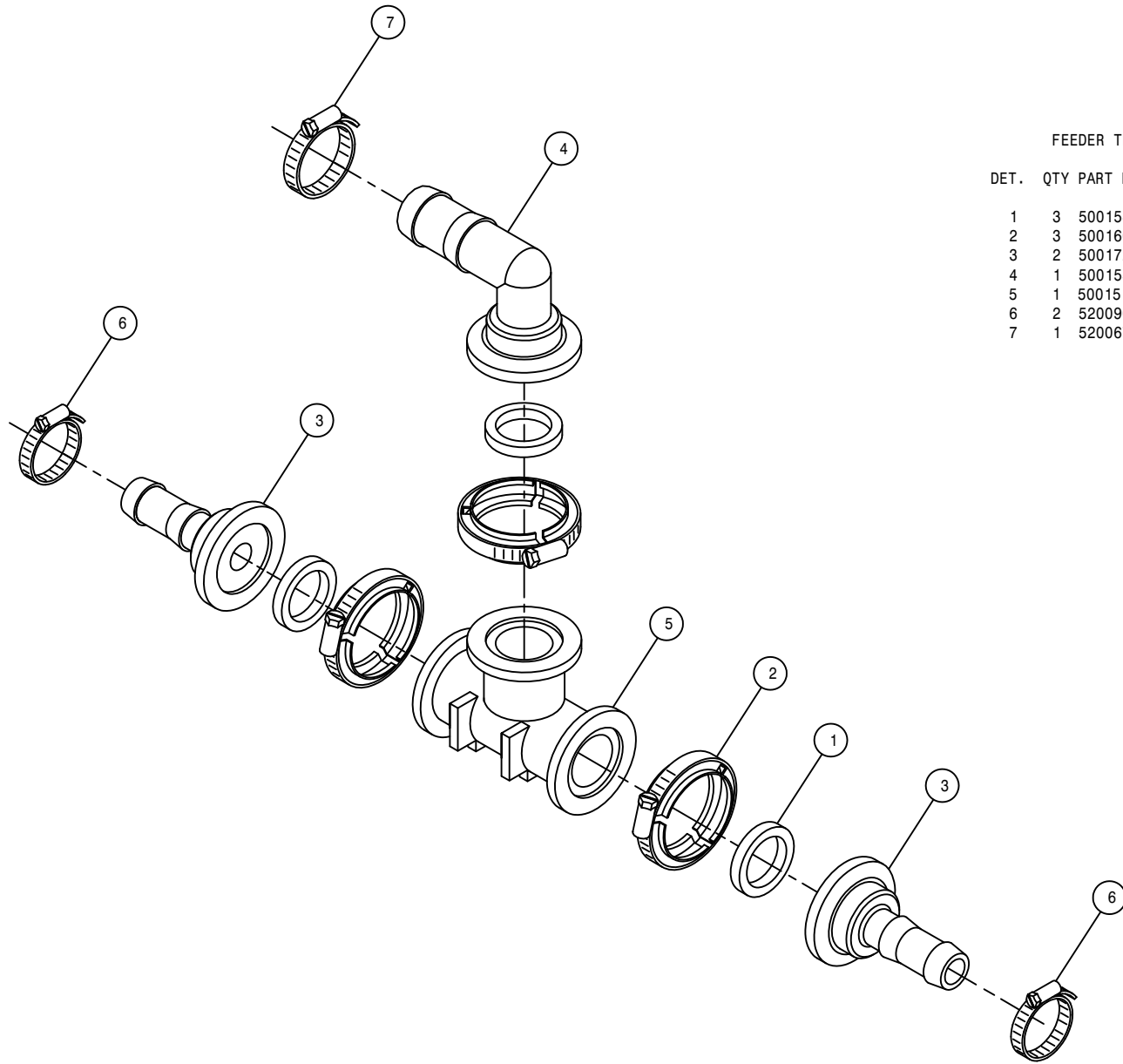




80' -90' FEEDER TEE ASSEMBLY (HI-VOLUME)

DET. QTY PART NO. DESCRIPTION

1	5	500158	1 1/2" GASKET FOR 2" FLANGE
2	5	500160	2" FLANGE CLAMP, S.S.
3	1	500162	2" FLANGE-1 1/2 HOSE BARB POLY
4	3	500172	2" FLANGE-1" HOSE BARB POLY
5	2	500151	2" FLANGE TEE POLY
6	3	520090	HOSE CLAMP NO 16 STAINLESS
7	1	520133	1.81/2.06 T-BOLT HOSE CLAMP SS



FEEDER TEE ASSEMBLY (HI-VOLUME)

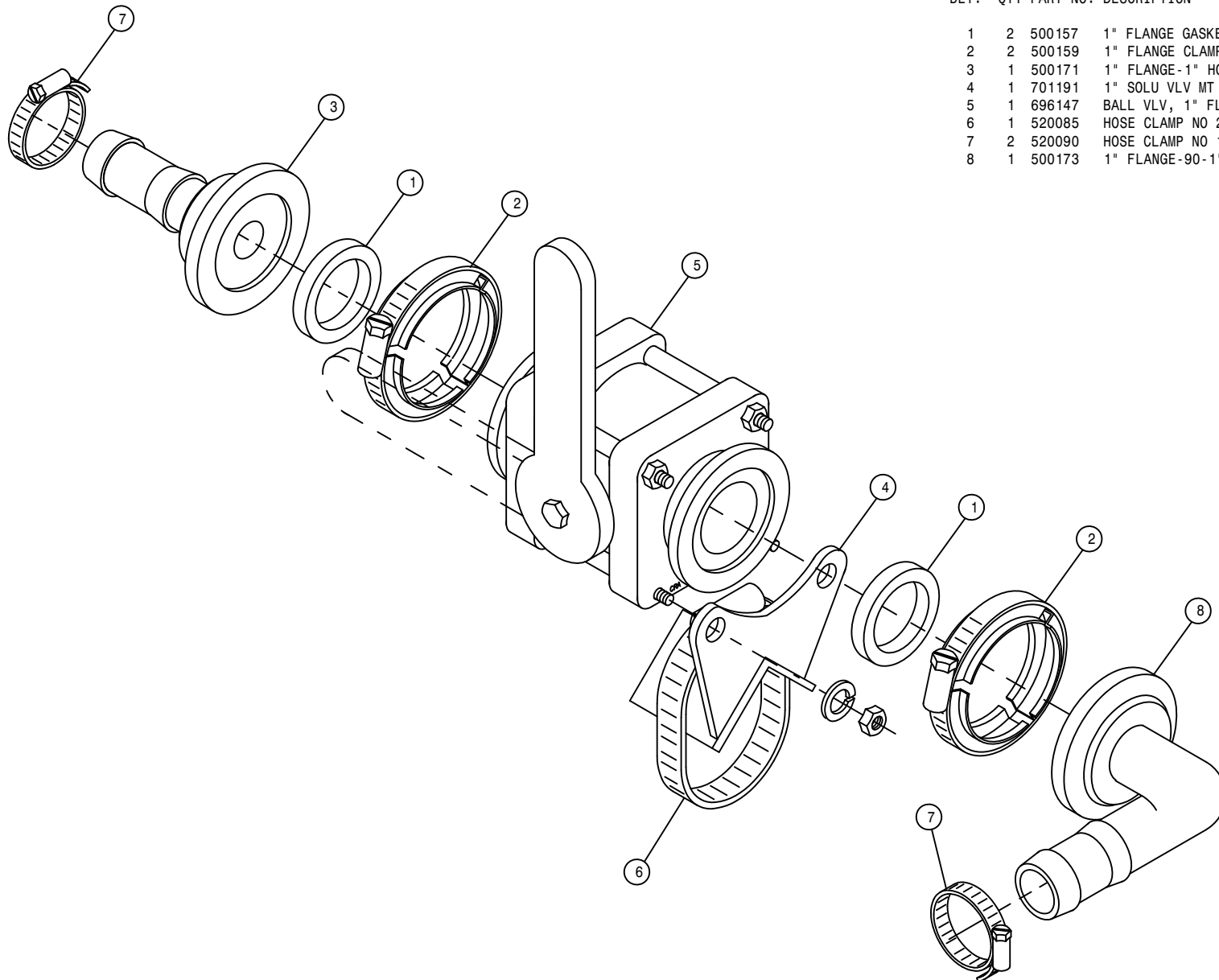
DET. QTY PART NO. DESCRIPTION

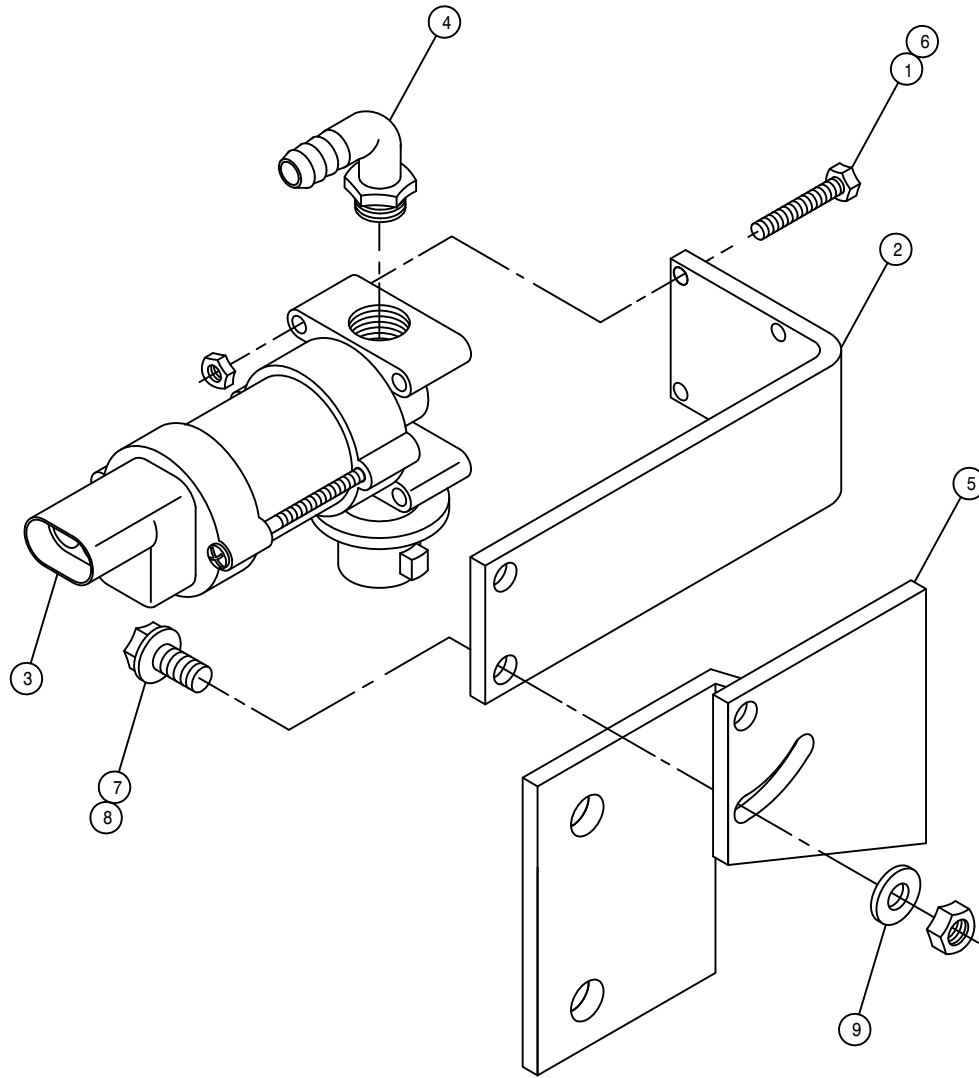
1	3	500158	1 1/2" GASKET FOR 2" FLANGE
2	3	500160	2" FLANGE CLAMP, S.S.
3	2	500172	2" FLANGE-1" HOSE BARB POLY
4	1	500153	2" FLANGE-90-1 1/2 HBARB POLY
5	1	500151	2" FLANGE TEE POLY
6	2	520090	HOSE CLAMP NO 16 STAINLESS
7	1	520067	HOSE CLAMP NO 28 STAINLESS

90° BALL VALVE ASSEMBLY (HI-VOLUME)

DET. QTY PART NO. DESCRIPTION

1	2	500157	1" FLANGE GASKET	EPDM
2	2	500159	1" FLANGE CLAMP, S.S.	
3	1	500171	1" FLANGE-1" HOSE BARB	POLY
4	1	701191	1" SOLU VLV MT WLD	
5	1	696147	BALL VLV, 1" FLANGE	
6	1	520085	HOSE CLAMP NO 24	STAINLESS
7	2	520090	HOSE CLAMP NO 16	STAINLESS
8	1	500173	1" FLANGE-90-1" HOSE BARB	POLY

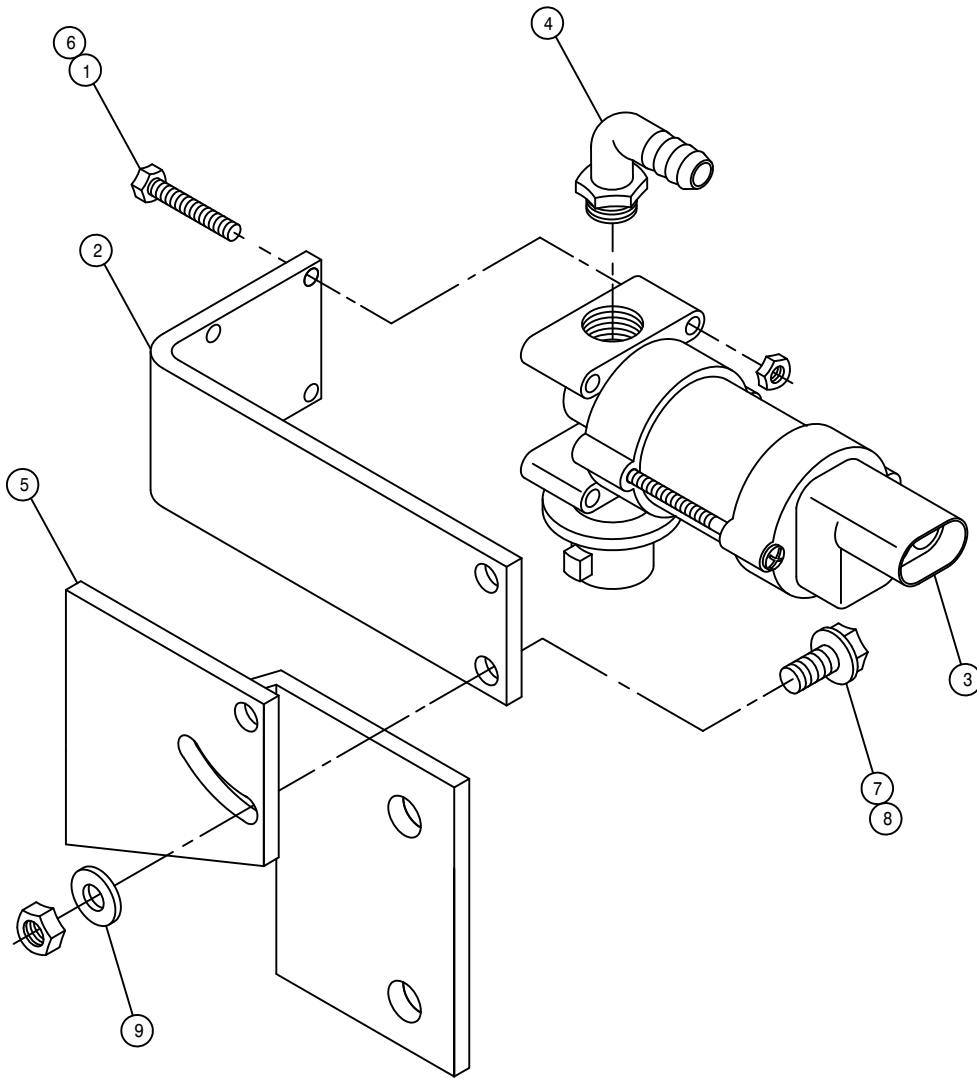




RH FENCE ROW NOZZLE ASSEMBLY

DET. QTY PART NO. DESCRIPTION

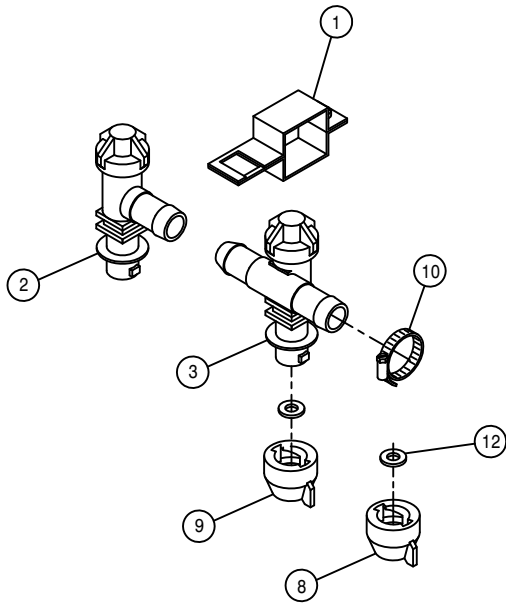
1	4	473993	6-32 X 1 1/4 HH MACH SCR
2	1	737906	FENCE ROW NOZL BRKT
3	1	737875	NOZZLE BODY VALVE, 12VDC
4	1	618556	1/4NPT-90-1/2 HOSE BARB,POLY
5	1	737907	RH FENCE ROW TIP BRKT MT
6	4	910022	6-32 HEX NUT
7	2	470118	1/4UNC X 3/4 FLANGE HEX BOLT
8	2	914000	1/4UNC HEX STOVER NUT
9	1	920000	1/4 SAE FLAT WASHER



LH FENCE ROW NOZZLE ASSEMBLY

DET. QTY PART NO. DESCRIPTION

DET.	QTY	PART NO.	DESCRIPTION
1	4	473993	6-32 X 1 1/4 HH MACH SCR
2	1	737906	FENCE ROW NOZL BRKT
3	1	737875	NOZZLE BODY VALVE, 12VDC
4	1	618556	1/4NPT-90-1/2 HOSE BARB, POLY
5	1	737908	LH FENCE ROW TIP BRKT MT
6	4	910022	6-32 HEX NUT
7	2	470118	1/4UNC X 3/4 FLANGE HEX BOLT
8	2	914000	1/4UNC HEX STOVER NUT
9	1	920000	1/4 SAE FLAT WASHER

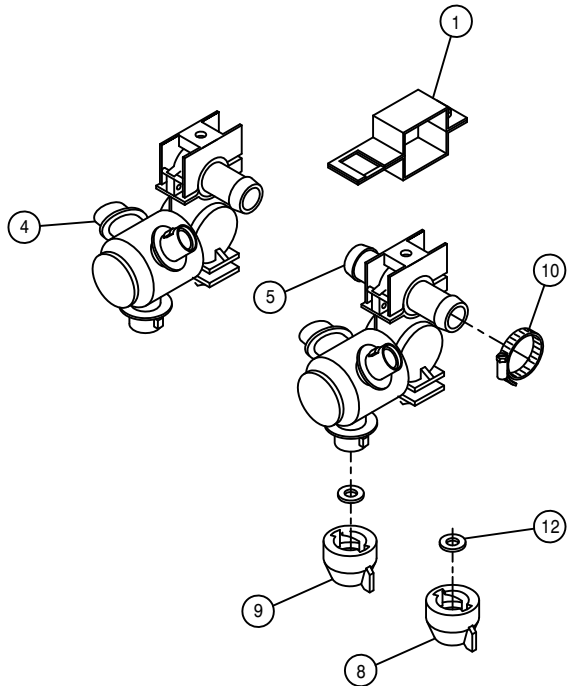


STANDARD SINGLE TIP SPACING

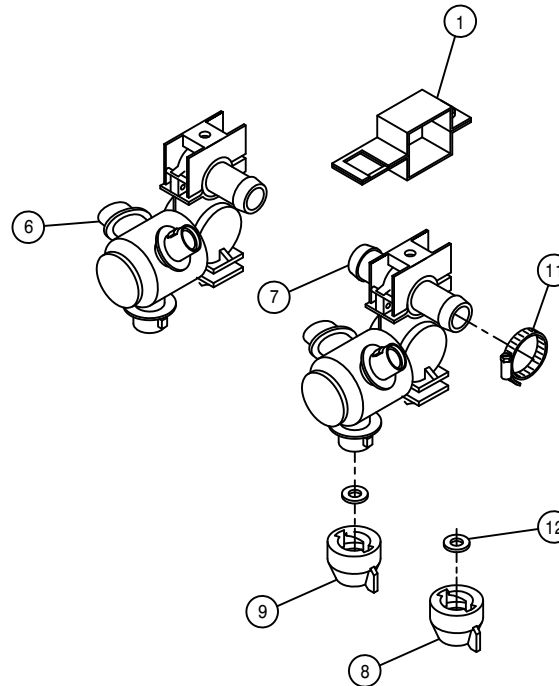
BOOM NOZZLE BODY

DET. QTY PART NO. DESCRIPTION

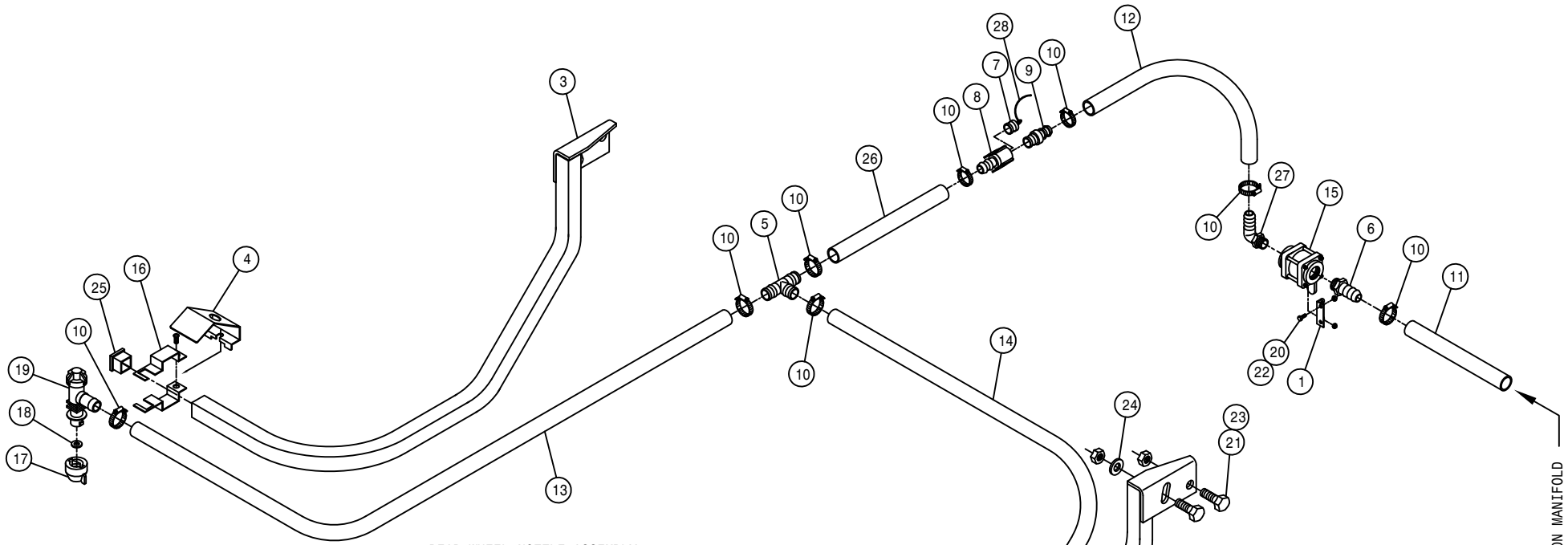
DET.	QTY	PART NO.	DESCRIPTION
1	3	737817	NOZL MT CLMP, 1.00 SQ SS, Q-TJET
2	1	737829	QUICK TJET LBO, 1-TIP BODY .75
3	1	737830	QUICK TJET TEE, 1-TIP BODY .75
4	1	737833	QUICK TJET LBO, 3-TIP BODY .75
5	1	737834	QUICK TJET TEE, 3-TIP BODY .75
6	1	737900	QUICK TJET LBO, 3-TIP BODY 1.00
7	1	737901	QUICK TJET TEE, 3-TIP BODY 1.00
8	3	737825	QUICK SHUT-OFF CAP
9	3	737822	CAP SET, YELLOW QUICK TEEJET
10	2	520055	HOSE CLAMP NO 12 STAINLESS
11	1	520090	HOSE CLAMP NO 16 STAINLESS
12	6	737824	QUICK TEEJET SEAT GASKET



STANDARD TRIPLE TIP SPACING



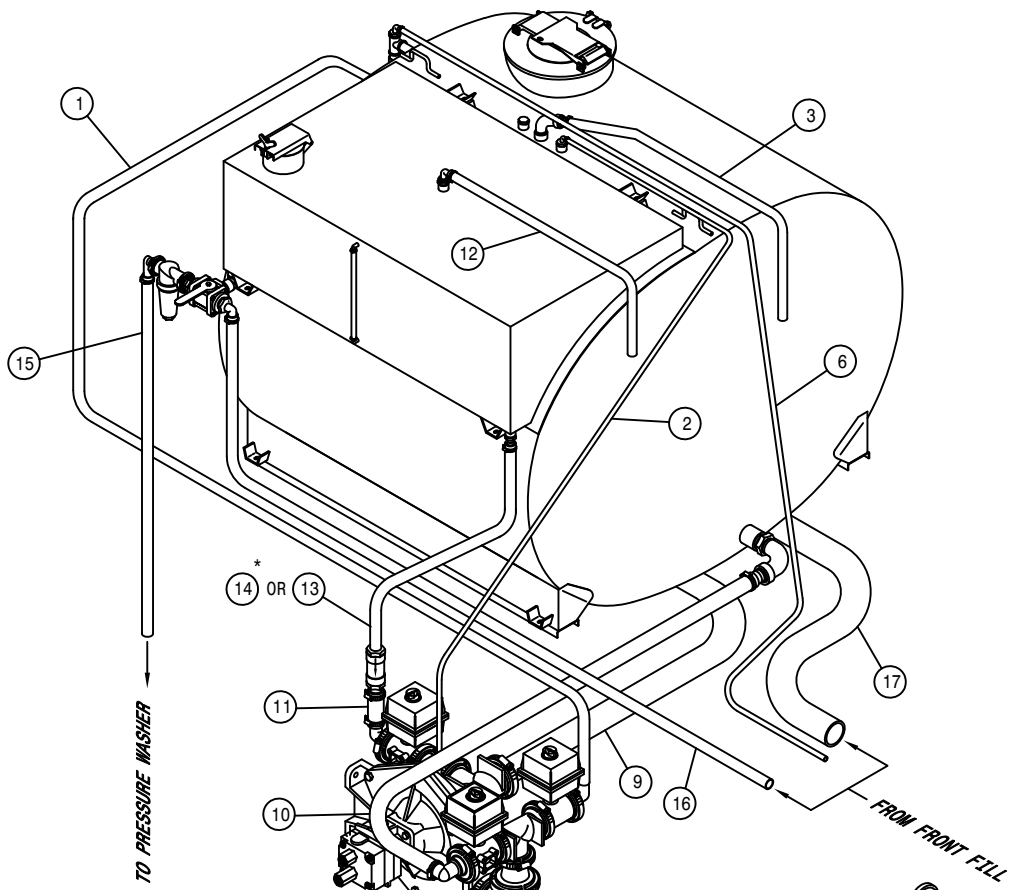
HI-VOLUME TRIPLE TIP SPACING



REAR WHEEL NOZZLE ASSEMBLY

DET.	QTY	PART NO.	DESCRIPTION
1	1	164724	VALVE MT, REAR NOZL STS 03
2	1	164670	RH REAR NOZL MT WLD STS12
3	1	164671	LH REAR NOZL MT WLD STS12
4	2	164676	NOZL SHIELD, REAR WHEEL 00
5	1	500120	1/2" HOSE BARB TEE, POLY
6	1	713340	1/2NPT-1/2 HOSE BARB, POLY
7	1	696204	PLUG FOR .50/.75 FEM COUPLER
8	1	696233	.50 HOSE BARB-FEMALE COUPLER
9	1	696234	.50 HOSE BARB-MALE COUPLER
10	9	520070	HOSE CLAMP NO 8 STAINLESS
11	1	601562	HOSE, 1/2 X 140 1BR BLK EPDM
12	1	601563	HOSE, 1/2 X 120 1BR BLK EPDM
13	1	601565	HOSE, 1/2 X 223 1BR BLK EPDM
14	1	601567	HOSE, 1/2 X 260 1BR BLK EPDM
15	1	696082	BALL VALVE 1/2FNPT POLY
16	2	737817	NOZL MT CLMP, 1.00 SQ SS, Q-TJET
17	2	737822	CAP SET, YELLOW QUICK TEEJET
18	2	737824	QUICK TEEJET SEAT GASKET
19	2	737827	QUICK TJET LBO, 1-TIP BODY .50
20	2	900065	5/16UNC X 1" HEX BOLT
21	4	900265	1/2UNC X 1 1/2 HEX BOLT
22	2	914002	5/16UNC HEX STOVER NUT
23	4	914008	1/2UNC HEX STOVER NUT
24	2	920004	1/2 SAE FLAT WASHER
25	2	629727	FINISH PLUG FOR 1" SQ X 16 GA
26	1	601572	HOSE, 1/2 X 95 1BR BLK EPDM
27	1	500047	1/2NPT-90-1/2 HOSE BARB, POLY
28	1	470322	LANYARD, 8" NYLON LOOP/LOOP

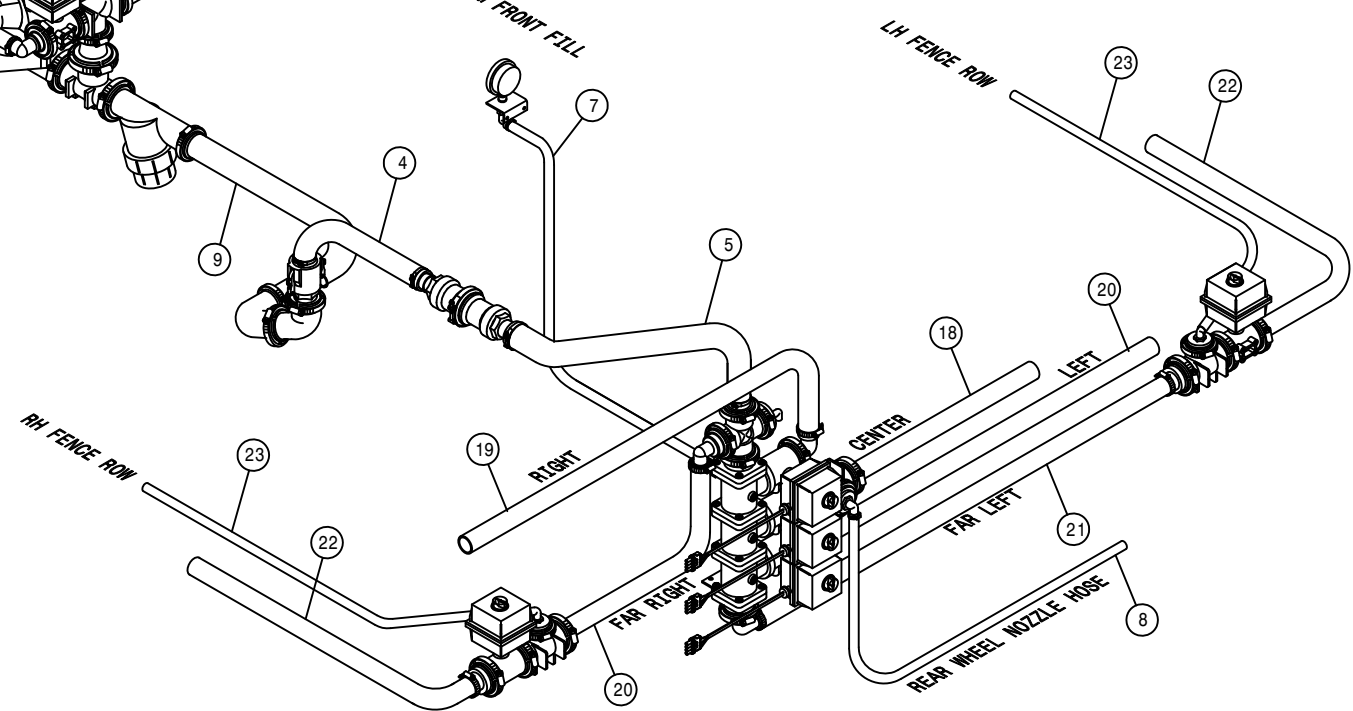
FROM SOLUTION MANIFOLD



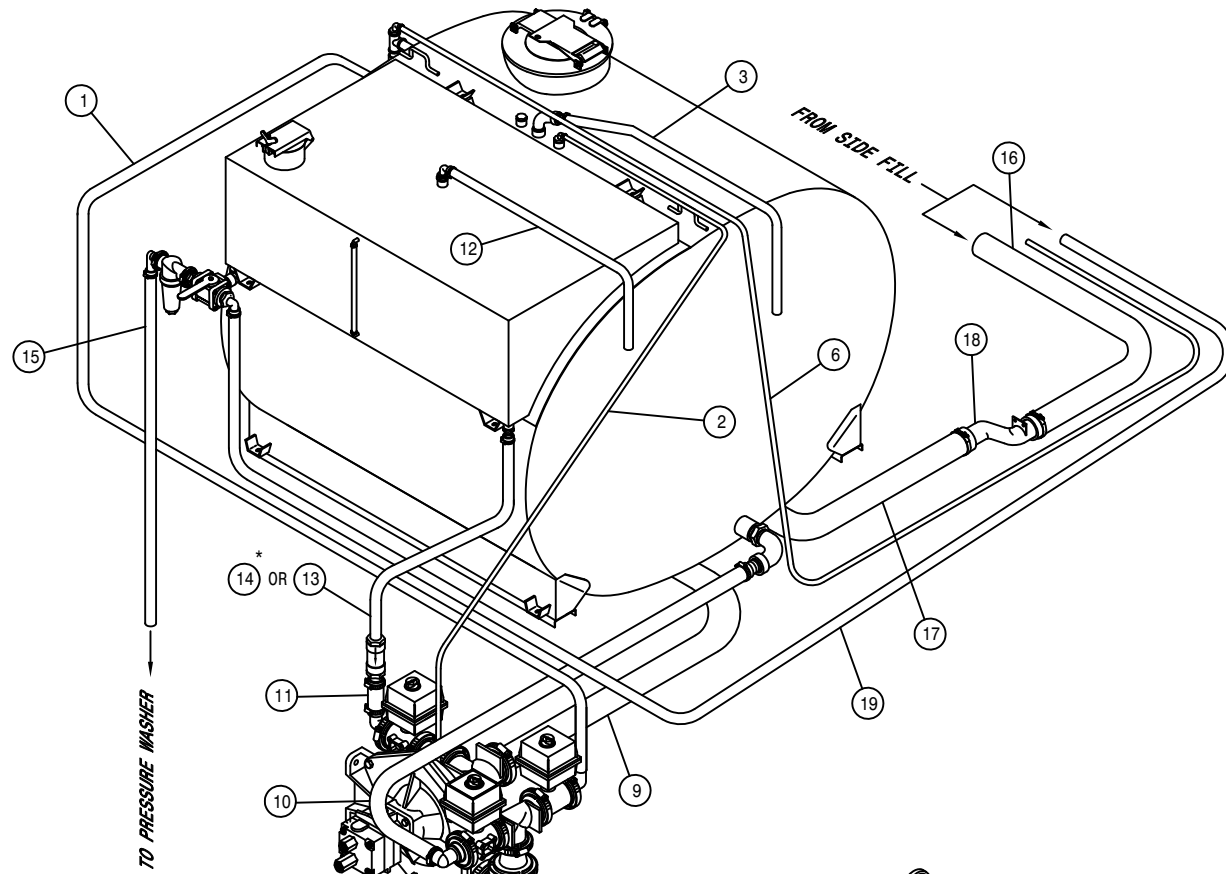
FRONT FILL SOLUTION HOISING (STANDARD)

DET.	QTY	PART NO.	DESCRIPTION
1	1	601273	HOSE, 1 X 132 1BR BLK EPDM
2	1	601490	HOSE, 1/4 X 95 1 BR BLK EPDM
3	1	601496	HOSE, 1 X 120 1BR BLK EPDM
4	1	601613	HOSE, 2 X 43 2F-1W EPDM
5	1	601502	HOSE, 2 X 56 2F-1W EPDM
6	1	601567	HOSE, 1/2 X 260 1BR BLK EPDM
7	1	601514	HOSE, 1/2 X 66 1BR BLK EPDM
8	1	601562	HOSE, 1/2 X 140 1BR BLK EPDM
9	2	601573	HOSE, 2 X 48 2F-1W EPDM
10	1	601591	HOSE, 1 1/2 X 53 2BR BLK EPDM
11	1	601590	HOSE, 1 X 6 1BR BLK EPDM
12	1	601165	HOSE, 1/2 X 144 1BR BLK EPDM
13	1	601492	HOSE, 1 X 37 1BR BLK EPDM
14	1	601491	HOSE, 1 X 30 1BR BLK EPDM
15	1	601179	HOSE, 1 X 26 1BR BLK EPDM
16	1	601497	HOSE, 1 X 200 1BR BLK EPDM
17	1	601621	HOSE, 3 X 154 POLY HELIX EPDM
18	1	601521	HOSE, 1 X 72 1BR BLK EPDM
19	1	601522	HOSE, 1 X 204 1BR BLK EPDM
20	2	601523	HOSE, 1 X 300 1BR BLK EPDM
21	1	601524	HOSE, 1 X 396 1BR BLK EPDM
22	2	601525	HOSE, 1 X 84 1BR BLK EPDM
23	2	601566	HOSE, 1/2 X 252 1BR BLK EPDM

*NOTE: THE SS RINSE TANK IS SHOWN, FOR THE POLY RINSE TANK USE DETAIL 14.



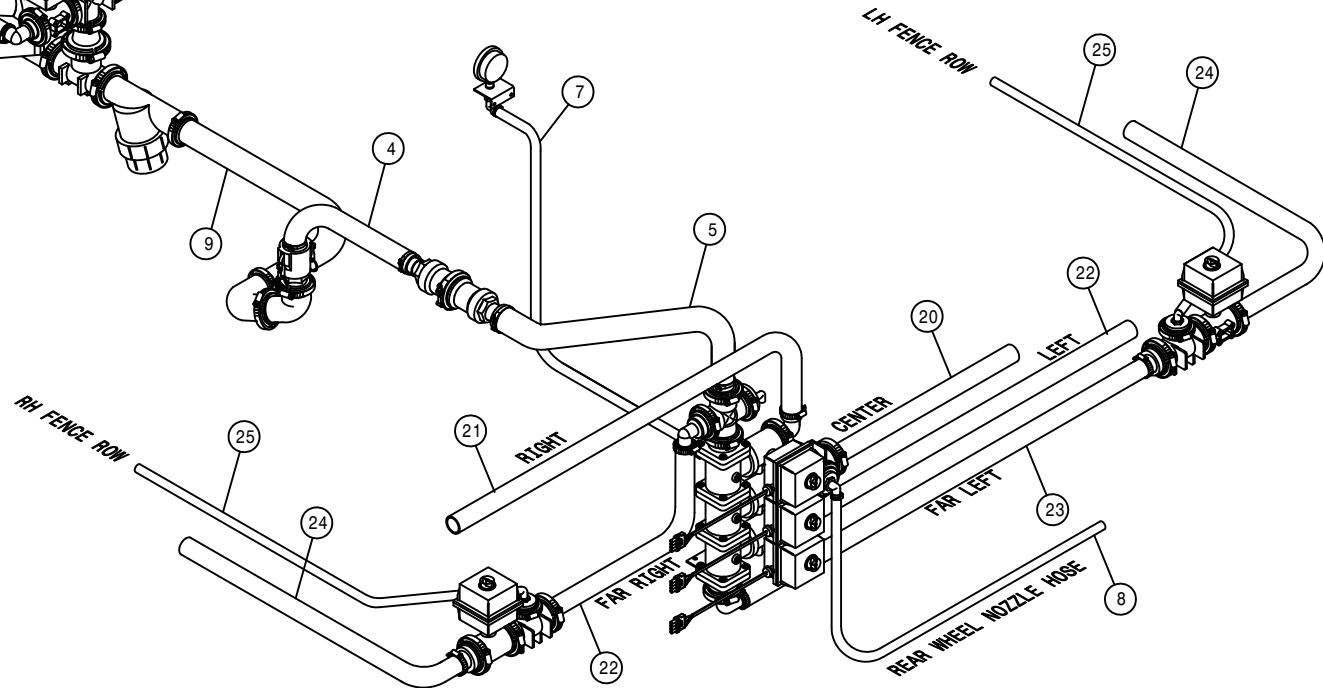
SIDE FILL SOLUTION HOISING (STANDARD)



DET. QTY PART NO. DESCRIPTION

DET.	QTY	PART NO.	DESCRIPTION
1	1	601273	HOSE, 1 X 132 1BR BLK EPDM
2	1	601490	HOSE, 1/4 X 95 1 BR BLK EPDM
3	1	601496	HOSE, 1 X 120 1BR BLK EPDM
4	1	601613	HOSE, 2 X 43 2F-1W EPDM
5	1	601502	HOSE, 2 X 56 2F-1W EPDM
6	1	601567	HOSE, 1/2 X 260 1BR BLK EPDM
7	1	601514	HOSE, 1/2 X 66 1BR BLK EPDM
8	1	601562	HOSE, 1/2 X 140 1BR BLK EPDM
9	2	601573	HOSE, 2 X 48 2F-1W EPDM
10	1	601591	HOSE, 1 1/2 X 53 2BR BLK EPDM
11	1	601590	HOSE, 1 X 6 1BR BLK EPDM
12	1	601165	HOSE, 1/2 X 144 1BR BLK EPDM
13	1	601492	HOSE, 1 X 37 1BR BLK EPDM
14	1	601491	HOSE, 1 X 30 1BR BLK EPDM
15	1	601179	HOSE, 1 X 26 1BR BLK EPDM
16	1	601506	HOSE, 3 X 74 POLY HELIX EPDM
17	1	601574	HOSE, 3 X 36 POLY HELIX EPDM
18	1	690731	SOLU TUBE, 3.00 S.S. SIDE FILL
19	1	601459	HOSE, 1 X 245 1BR BLK EPDM
20	1	601521	HOSE, 1 X 72 1BR BLK EPDM
21	1	601522	HOSE, 1 X 204 1BR BLK EPDM
22	2	601523	HOSE, 1 X 300 1BR BLK EPDM
23	1	601524	HOSE, 1 X 396 1BR BLK EPDM
24	2	601525	HOSE, 1 X 84 1BR BLK EPDM
25	2	601566	HOSE, 1/2 X 252 1BR BLK EPDM

*NOTE: THE SS RINSE TANK IS SHOWN, FOR THE POLY RINSE TANK USE DETAIL 14.

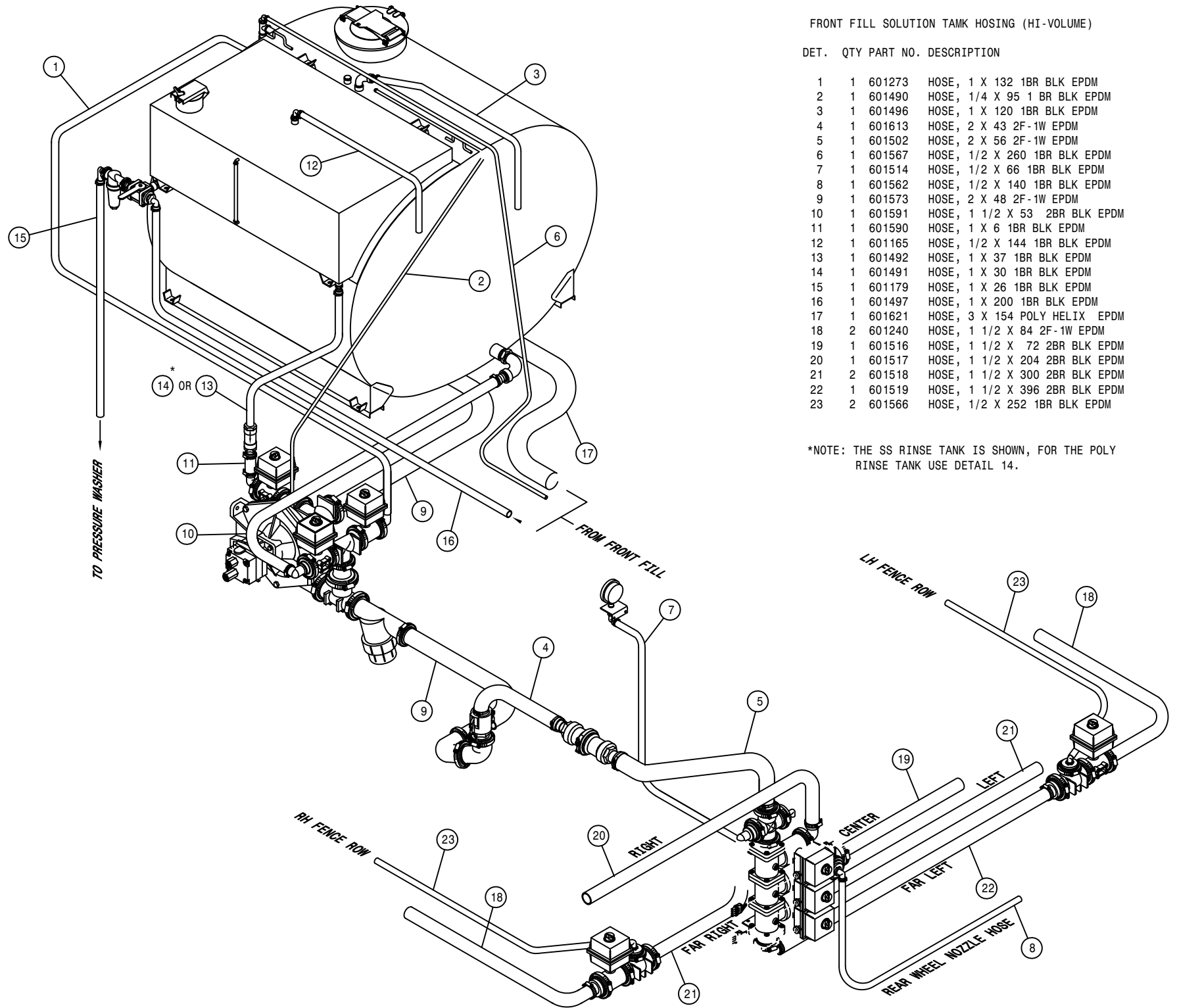


FRONT FILL SOLUTION TANK HOISING (HI-VOLUME)

DET. QTY PART NO. DESCRIPTION

DET.	QTY	PART NO.	DESCRIPTION
1	1	601273	HOSE, 1 X 132 1BR BLK EPDM
2	1	601490	HOSE, 1/4 X 95 1 BR BLK EPDM
3	1	601496	HOSE, 1 X 120 1BR BLK EPDM
4	1	601613	HOSE, 2 X 43 2F-1W EPDM
5	1	601502	HOSE, 2 X 56 2F-1W EPDM
6	1	601567	HOSE, 1/2 X 260 1BR BLK EPDM
7	1	601514	HOSE, 1/2 X 66 1BR BLK EPDM
8	1	601562	HOSE, 1/2 X 140 1BR BLK EPDM
9	1	601573	HOSE, 2 X 48 2F-1W EPDM
10	1	601591	HOSE, 1 1/2 X 53 2BR BLK EPDM
11	1	601590	HOSE, 1 X 6 1BR BLK EPDM
12	1	601165	HOSE, 1/2 X 144 1BR BLK EPDM
13	1	601492	HOSE, 1 X 37 1BR BLK EPDM
14	1	601491	HOSE, 1 X 30 1BR BLK EPDM
15	1	601179	HOSE, 1 X 26 1BR BLK EPDM
16	1	601497	HOSE, 1 X 200 1BR BLK EPDM
17	1	601621	HOSE, 3 X 154 POLY HELIX EPDM
18	2	601240	HOSE, 1 1/2 X 84 2F-1W EPDM
19	1	601516	HOSE, 1 1/2 X 72 2BR BLK EPDM
20	1	601517	HOSE, 1 1/2 X 204 2BR BLK EPDM
21	2	601518	HOSE, 1 1/2 X 300 2BR BLK EPDM
22	1	601519	HOSE, 1 1/2 X 396 2BR BLK EPDM
23	2	601566	HOSE, 1/2 X 252 1BR BLK EPDM

*NOTE: THE SS RINSE TANK IS SHOWN, FOR THE POLY RINSE TANK USE DETAIL 14.

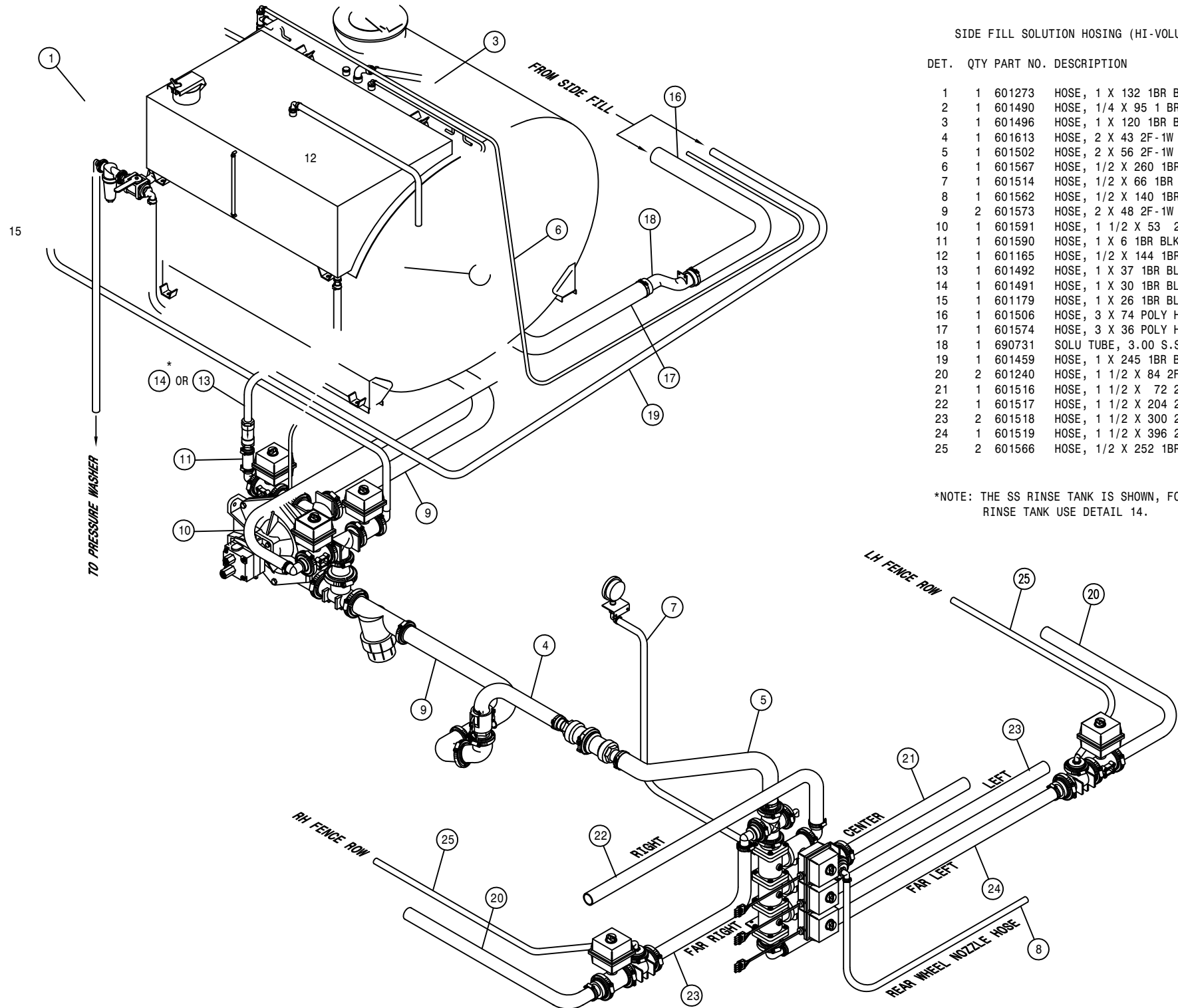


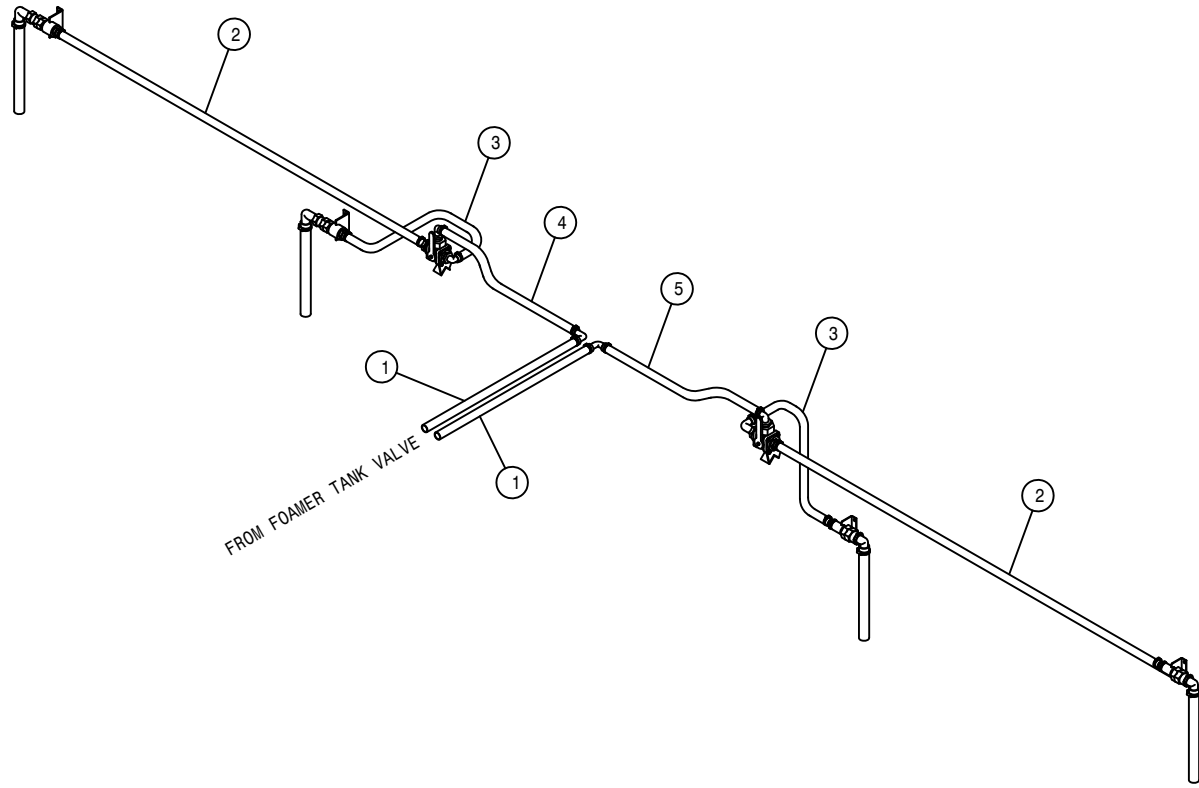
SIDE FILL SOLUTION HOISING (HI-VOLUME)

DET. QTY PART NO. DESCRIPTION

DET.	QTY	PART NO.	DESCRIPTION
1	1	601273	HOSE, 1 X 132 1BR BLK EPDM
2	1	601490	HOSE, 1/4 X 95 1 BR BLK EPDM
3	1	601496	HOSE, 1 X 120 1BR BLK EPDM
4	1	601613	HOSE, 2 X 43 2F-1W EPDM
5	1	601502	HOSE, 2 X 56 2F-1W EPDM
6	1	601567	HOSE, 1/2 X 260 1BR BLK EPDM
7	1	601514	HOSE, 1/2 X 66 1BR BLK EPDM
8	1	601562	HOSE, 1/2 X 140 1BR BLK EPDM
9	2	601573	HOSE, 2 X 48 2F-1W EPDM
10	1	601591	HOSE, 1 1/2 X 53 2BR BLK EPDM
11	1	601590	HOSE, 1 X 6 1BR BLK EPDM
12	1	601165	HOSE, 1/2 X 144 1BR BLK EPDM
13	1	601492	HOSE, 1 X 37 1BR BLK EPDM
14	1	601491	HOSE, 1 X 30 1BR BLK EPDM
15	1	601179	HOSE, 1 X 26 1BR BLK EPDM
16	1	601506	HOSE, 3 X 74 POLY HELIX EPDM
17	1	601574	HOSE, 3 X 36 POLY HELIX EPDM </td
18	1	690731	SOLU TUBE, 3.00 S.S. SIDE FILL
19	1	601459	HOSE, 1 X 245 1BR BLK EPDM
20	2	601240	HOSE, 1 1/2 X 84 2F-1W EPDM
21	1	601516	HOSE, 1 1/2 X 72 2BR BLK EPDM
22	1	601517	HOSE, 1 1/2 X 204 2BR BLK EPDM
23	2	601518	HOSE, 1 1/2 X 300 2BR BLK EPDM
24	1	601519	HOSE, 1 1/2 X 396 2BR BLK EPDM
25	2	601566	HOSE, 1/2 X 252 1BR BLK EPDM

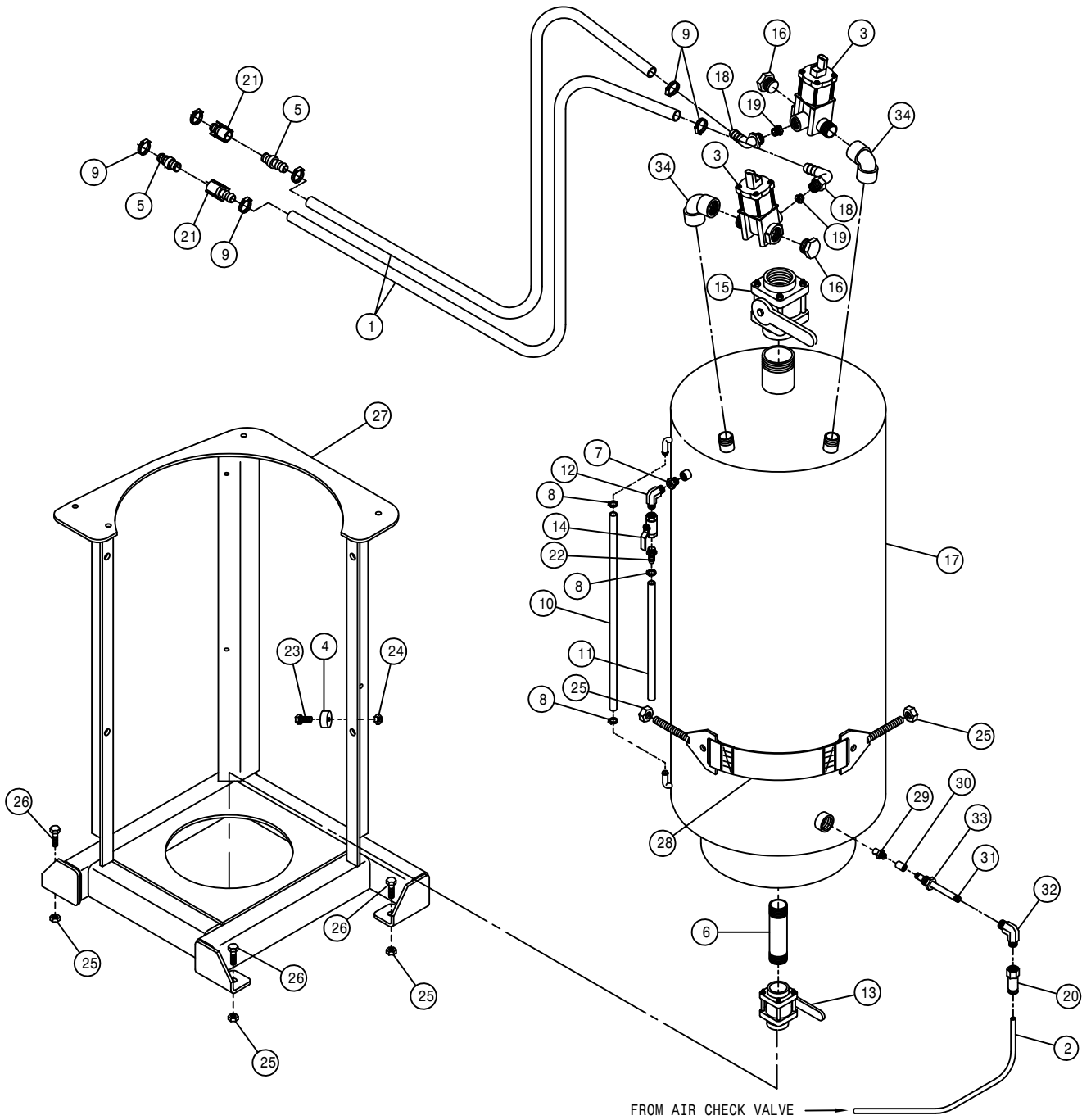
*NOTE: THE SS RINSE TANK IS SHOWN, FOR THE POLY RINSE TANK USE DETAIL 14.





90° BOOM FOAMER HOISING

DET.	QTY	PART NO.	DESCRIPTION
1	2	195908	HOSE, 3/4ID-1/8W CLEAR VINYL X 206"
2	2	195908	HOSE, 3/4ID-1/8W CLEAR VINYL X 205"
3	2	195908	HOSE, 3/4ID-1/8W CLEAR VINYL X 24"
4	1	195908	HOSE, 3/4ID-1/8W CLEAR VINYL X 584"
5	1	195908	HOSE, 3/4ID-1/8W CLEAR VINYL X 420"



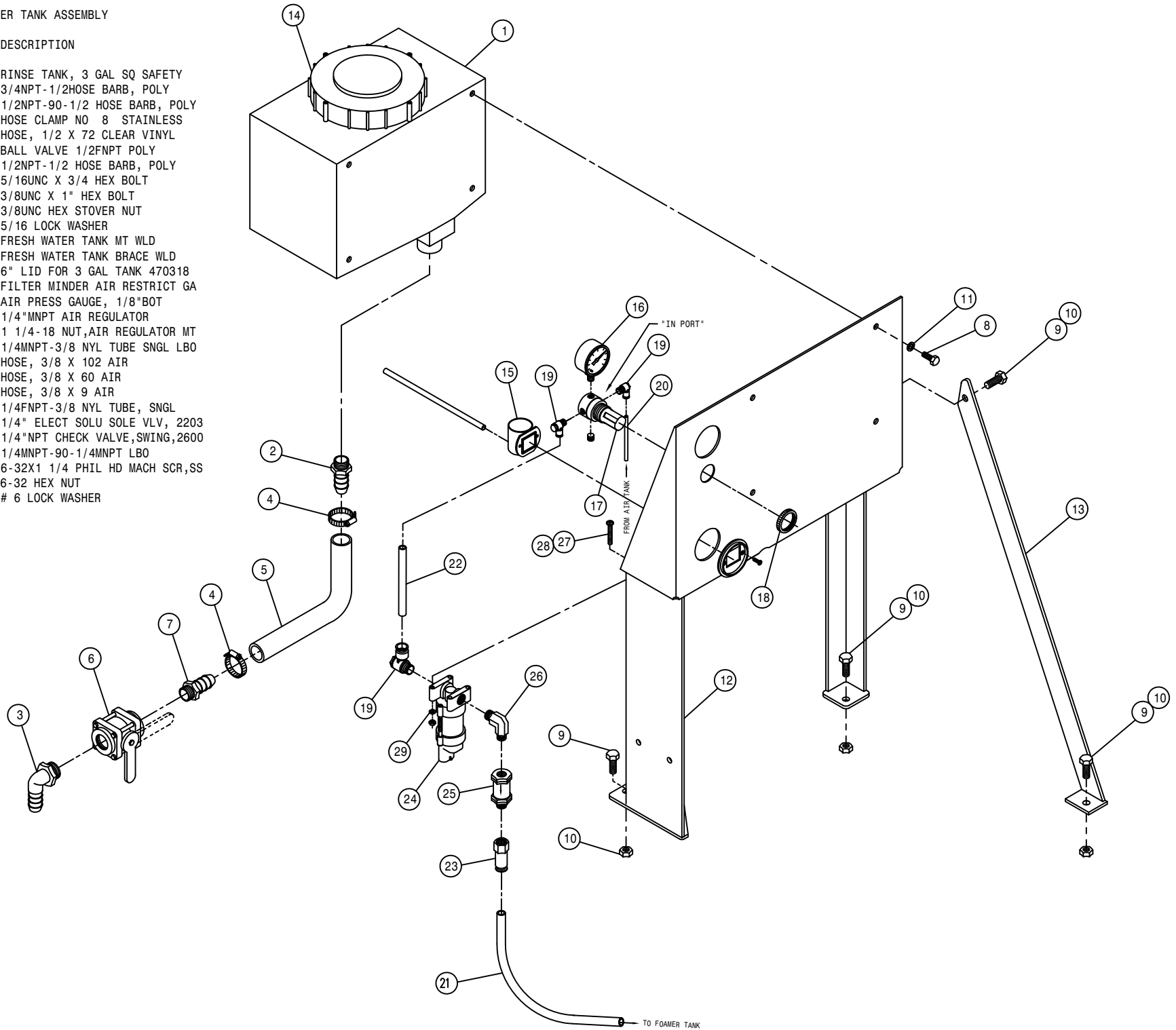
FOAMER TANK ASSEMBLY

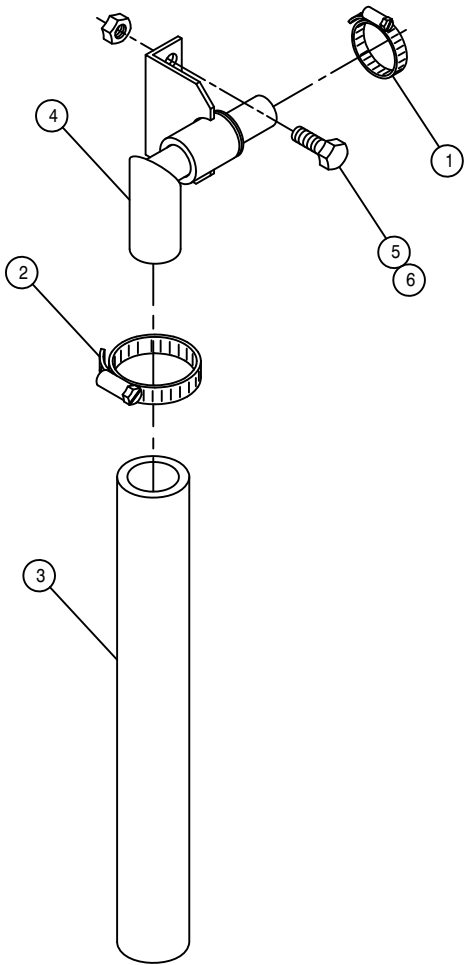
DET.	QTY	PART NO.	DESCRIPTION
1	2	195908	HOSE, 3/4ID-1/8W CLEAR VINYL
2	1	601624	HOSE, 3/8 X 60 AIR
3	2	696181	3/4" ELECT SOLU SOLE VALVE 02
4	6	470294	RUBBER BUMPER, RECESS, .63H-1.5D
5	2	696208	.75 HOSE BARB-MALE COUPLER
6	1	505205	BLK PIPE NIPPLE 1.00NPT-5.00
7	1	505211	3/8-1/4NPT REDU BUSH, BRS
8	3	520120	HOSE CLAMP NO 4 STAINLESS
9	6	520055	HOSE CLAMP NO 12 STAINLESS
10	1	601419	HOSE, 3/8 X 30 CLEAR VINYL
11	1	601420	HOSE, 3/8 X 48 CLEAR VINYL
12	1	618571	1/4MNPT-90-1/4MNPT LBO
13	1	695900	BALL VALVE 1IN FNPT POLY
14	1	696120	BALL VALVE, 1/4NPT, STEEL
15	1	696134	BALL VALVE 2IN FNPT POLY
16	2	500043	3/4NPT PIPE PLUG, POLY
17	1	701112	FOAM MARKER TANK, 36 GAL SS
18	2	701214	1/2NPT-90-3/4HBARB, 1/4TAP, POLY
19	2	701215	1/4PIPE PLUG, .187 ORIFICE, POLY
20	1	711051	1/4FNPT-3/8 NYL TUBE, SNGL
21	2	696207	.75 HOSE BARB-FEMALE COUPLER
22	1	783304	1/4 NPT X 3/8 HOSE BARB, BRS
23	6	900064	5/16UNC X 3/4 HEX BOLT
24	6	914002	5/16UNC HEX STOVER NUT
25	7	914008	1/2UNC HEX STOVER NUT
26	3	900264	1/2UNC X 1 1/4 HEX BOLT
27	1	701158	FOAMER TANK MT WLD STS12 2000
28	2	701170	FOAMER TANK STRAP ASSY
29	1	701144	FOAMER AIR NOZZLE
30	1	500223	SS PIPE CPLG, 1/8NPT
31	1	507021	SS PIPE NIPPLE, 1/8NPT X 6"
32	1	701143	FOAMER AIR TUBE FTG
33	1	507728	REDU BUSH 1/2MNPT X 1/4FNPT, SS
34	2	500079	3/4NPT-90 EL, POLY

FRESH WATER TANK ASSEMBLY

DET. QTY PART NO. DESCRIPTION

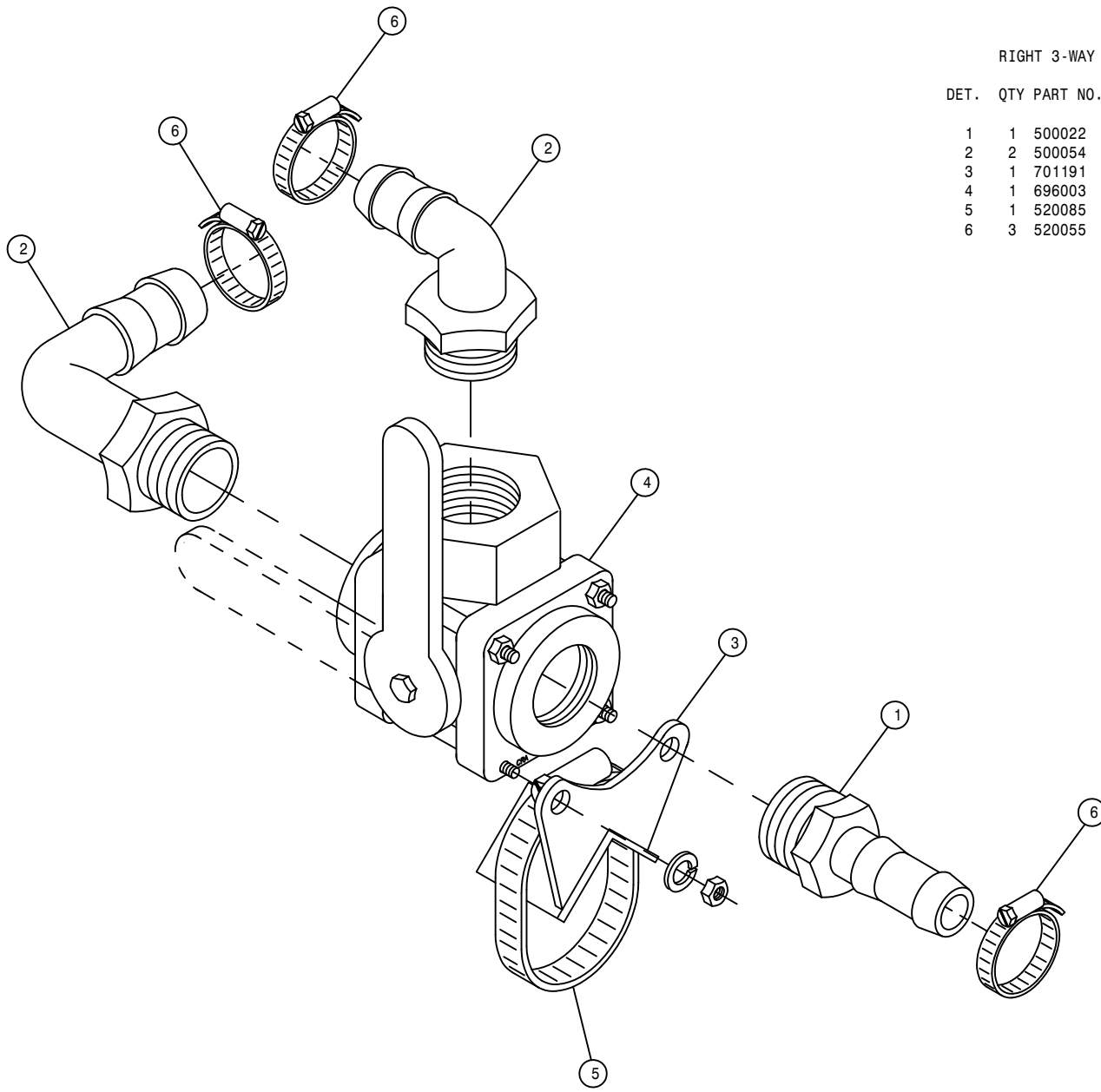
1	1	470318	RINSE TANK, 3 GAL SQ SAFETY
2	1	500019	3/4NPT-1/2HOSE BARB, POLY
3	1	500047	1/2NPT-90-1/2 HOSE BARB, POLY
4	2	520070	HOSE CLAMP NO 8 STAINLESS
5	1	601489	HOSE, 1/2 X 72 CLEAR VINYL
6	1	696082	BALL VALVE 1/2FNPT POLY
7	1	713340	1/2NPT-1/2 HOSE BARB, POLY
8	4	900064	5/16UNC X 3/4 HEX BOLT
9	5	900129	3/8UNC X 1" HEX BOLT
10	5	914004	3/8UNC HEX STOVER NUT
11	4	920501	5/16 LOCK WASHER
12	1	701174	FRESH WATER TANK MT WLD
13	1	701180	FRESH WATER TANK BRACE WLD
14	1	470337	6" LID FOR 3 GAL TANK 470318
15	1	314901	FILTER MINDER AIR RESTRICT GA
16	1	701310	AIR PRESS GAUGE, 1/8"BOT
17	1	711019	1/4"MNPT AIR REGULATOR
18	1	711021	1 1/4-18 NUT,AIR REGULATOR MT
19	3	711043	1/4MNPT-3/8 NYL TUBE SNGL LBO
20	1	601587	HOSE, 3/8 X 102 AIR
21	1	601624	HOSE, 3/8 X 60 AIR
22	1	601623	HOSE, 3/8 X 9 AIR
23	1	711051	1/4FNPT-3/8 NYL TUBE, SNGL
24	1	696235	1/4" ELECT SOLU SOLE VLV, 2203
25	1	711052	1/4" NPT CHECK VALVE, SWING, 2600
26	1	618571	1/4MNPT-90-1/4MNPT LBO
27	2	903853	6-32X1 1/4 PHIL HD MACH SCR,SS
28	2	910022	6-32 HEX NUT
29	2	920512	# 6 LOCK WASHER





FOAMER DROP HOSE ASSEMBLY

DET.	QTY	PART NO.	DESCRIPTION
1	1	520055	HOSE CLAMP NO 12 STAINLESS
2	1	520085	HOSE CLAMP NO 24 STAINLESS
3	1	601367	HOSE, 1 1/4 X 24 2BR BLK EPDM
4	1	701194	FOAMER DROP HOSE SWIVEL WLD
5	2	900129	3/8UNC X 1" HEX BOLT
6	2	914004	3/8UNC HEX STOVER NUT



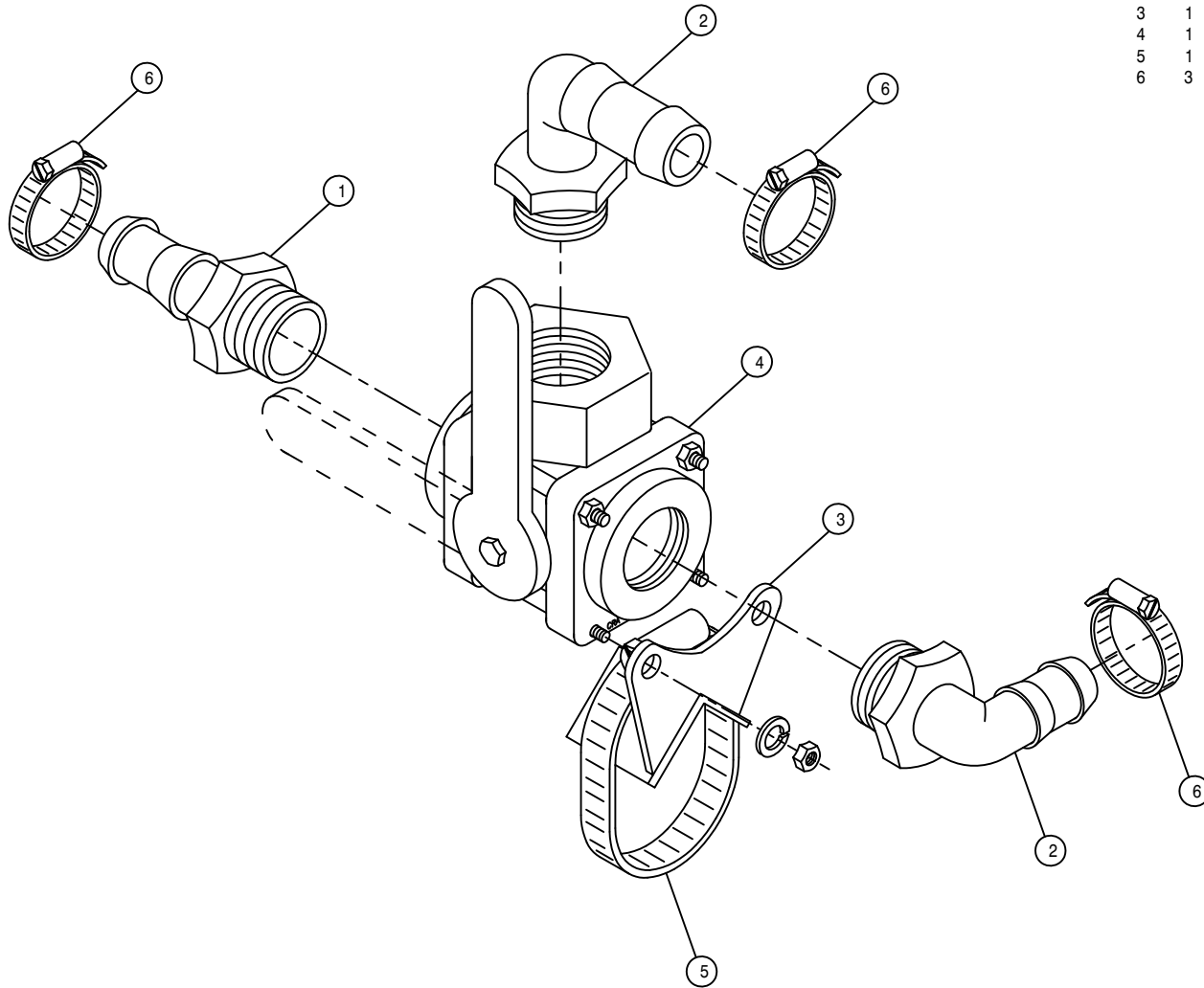
RIGHT 3-WAY FOAMER VALVE ASSEMBLY

DET.	QTY	PART NO.	DESCRIPTION
1	1	500022	3/4NPT-3/4HOSE BARB, POLY
2	2	500054	3/4NPT-90-3/4 HOSE BARB, POLY
3	1	701191	1" SOLU VLV MT WLD
4	1	696003	BALL VLV,3/4NPT 3WAY-SIDE POLY
5	1	520085	HOSE CLAMP NO 24 STAINLESS
6	3	520055	HOSE CLAMP NO 12 STAINLESS

LEFT 3-WAY FOAMER VALVE ASSEMBLY

DET. QTY PART NO. DESCRIPTION

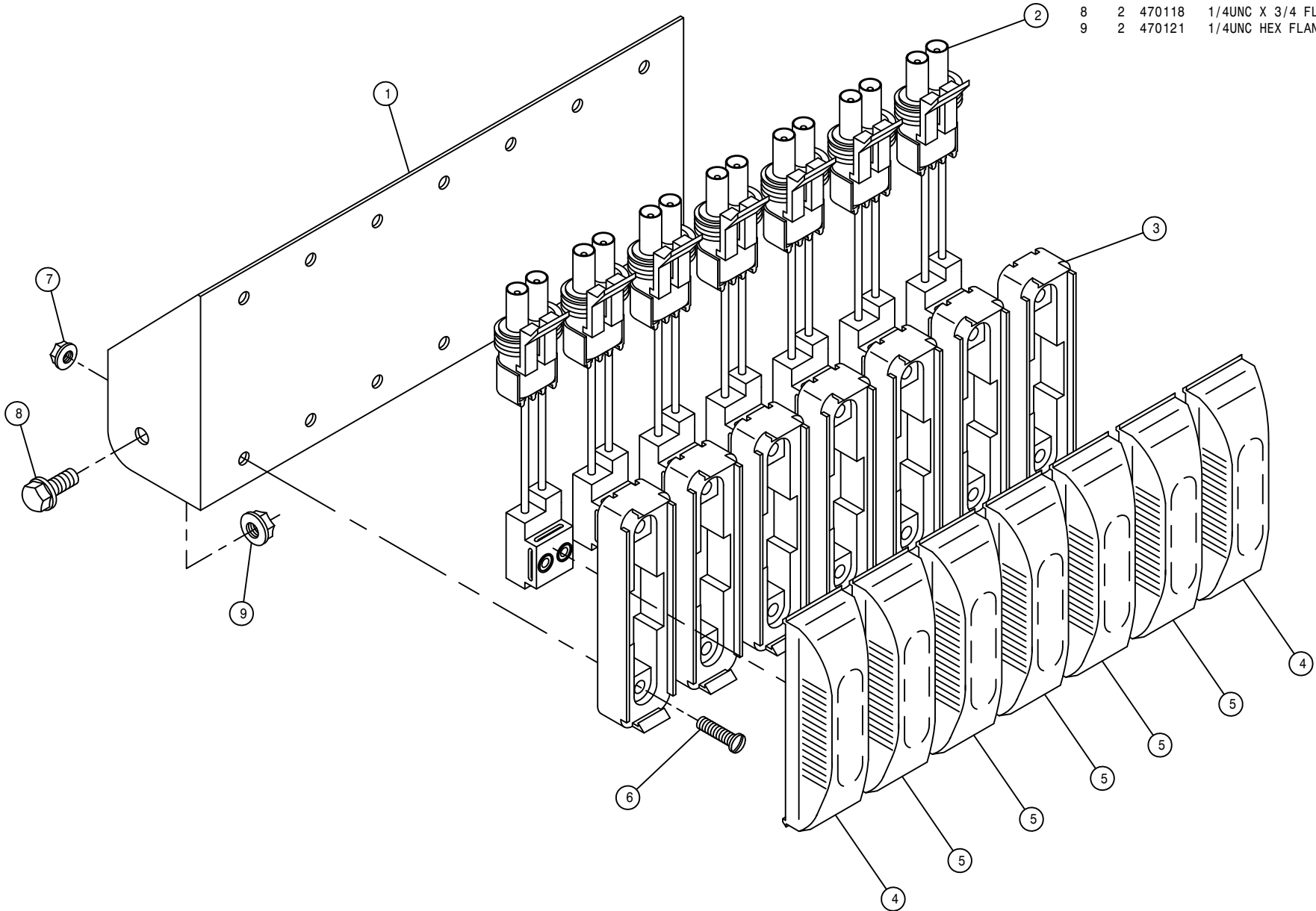
1	1	500022	3/4NPT-3/4HOSE BARB, POLY
2	2	500054	3/4NPT-90-3/4 HOSE BARB, POLY
3	1	701191	1" SOLU VLV MT WLD
4	1	696003	BALL VLV,3/4NPT 3WAY-SIDE POLY
5	1	520085	HOSE CLAMP NO 24 STAINLESS
6	3	520055	HOSE CLAMP NO 12 STAINLESS

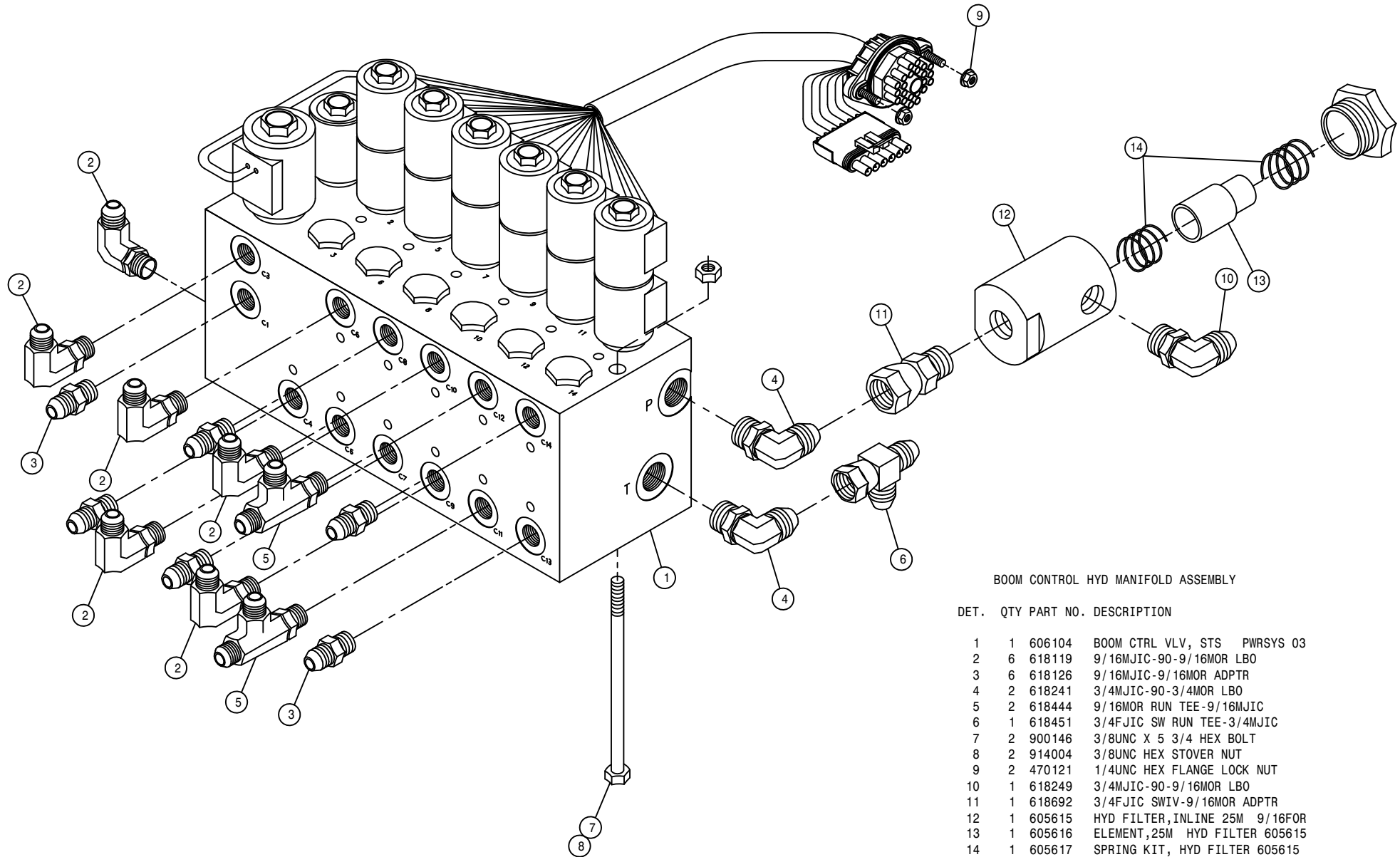


BOOM INDICATOR LIGHT ASSEMBLY

DET. QTY PART NO. DESCRIPTION

1	1	164503	BOOM INDICATOR LIGHT MT
2	7	293516	2-WIRE PIGTAIL ASSY
3	7	291713	MTG BRKT FOR 291710/291711
4	2	291711	YELLOW LAMP, 3 3/8" OVAL 12.8V
5	5	291710	RED LAMP, 3 3/8" OVAL 12.8V
6	14	903889	10-32 X 3/4 SLT RDHD MACH SCR
7	14	470175	10-32 HEX FLANGE LOCK NUT
8	2	470118	1/4UNC X 3/4 FLANGE HEX BOLT
9	2	470121	1/4UNC HEX FLANGE LOCK NUT





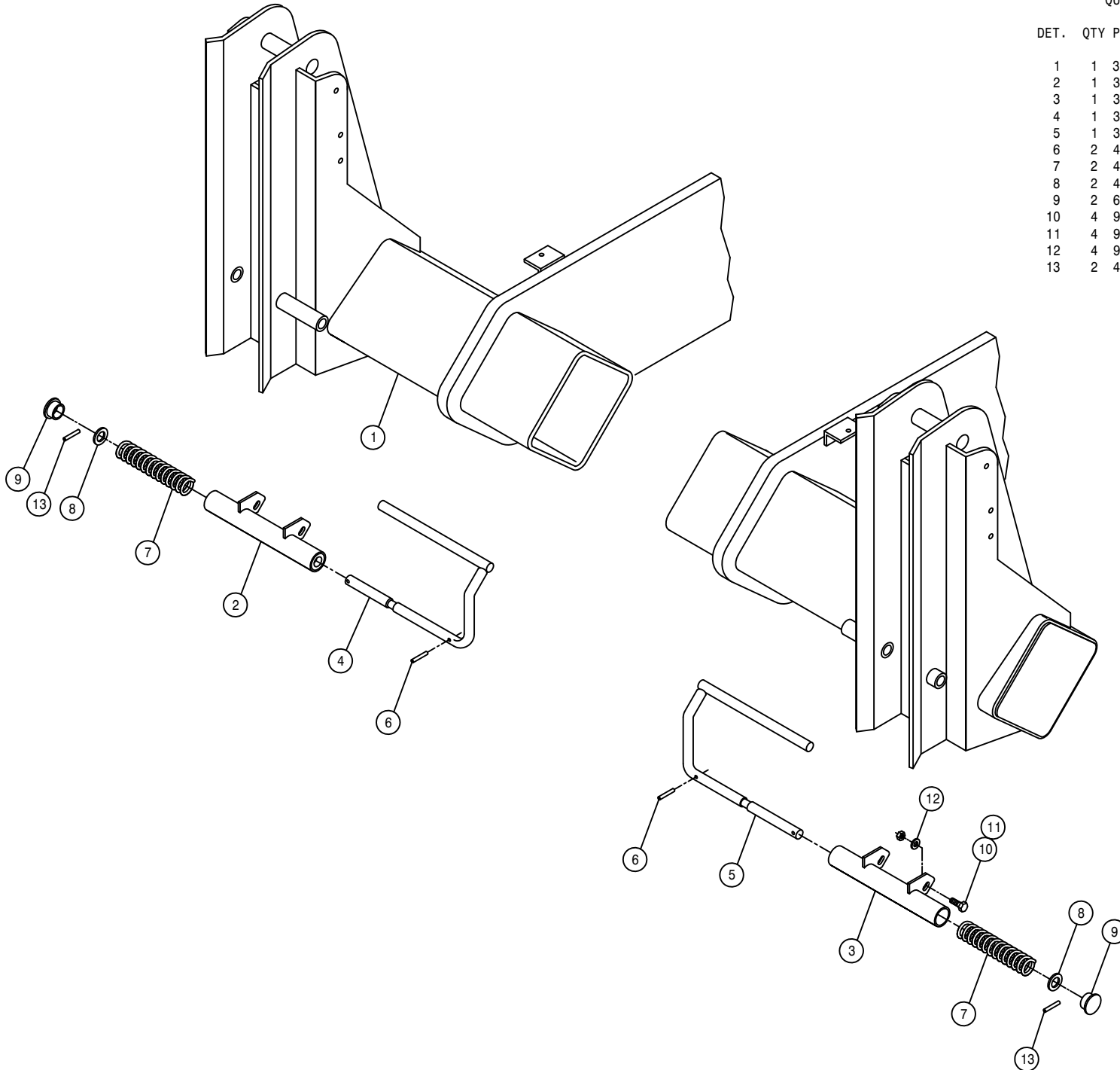
BOOM CONTROL HYD MANIFOLD ASSEMBLY

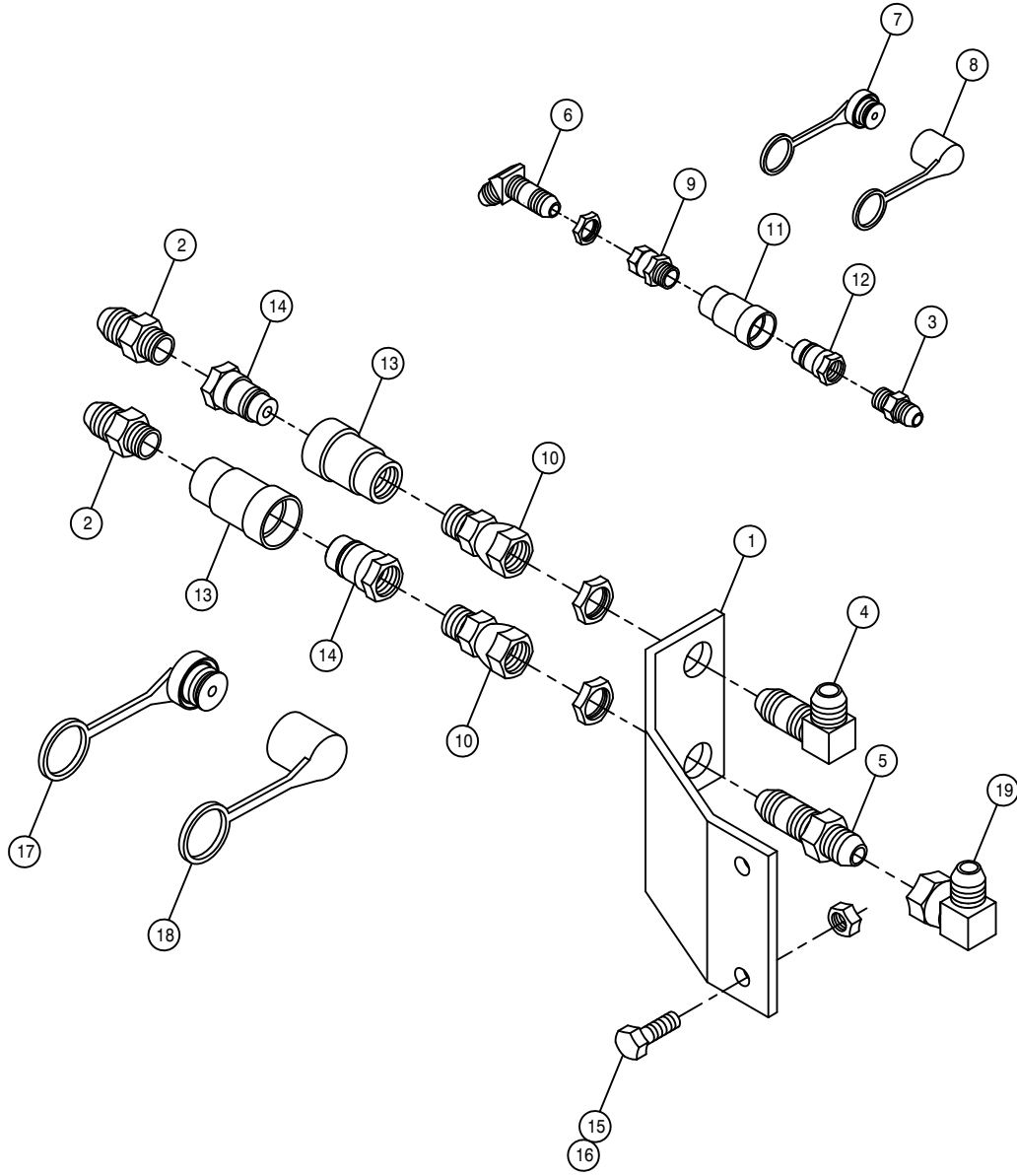
DET.	QTY	PART NO.	DESCRIPTION
	1	606104	BOOM CTRL VLV, STS PWRSYS 03
	2	618119	9/16MJIC-90-9/16MOR LBO
	3	618126	9/16MJIC-9/16MOR ADPTR
	4	618241	3/4MJIC-90-3/4MOR LBO
	5	618444	9/16MOR RUN TEE-9/16MJIC
	6	618451	3/4FJIC SW RUN TEE-3/4MJIC
	7	900146	3/8UNC X 5 3/4 HEX BOLT
	8	914004	3/8UNC HEX STOVER NUT
	9	470121	1/4UNC HEX FLANGE LOCK NUT
	10	618249	3/4MJIC-90-9/16MOR LBO
	11	618692	3/4FJIC SWIV-9/16MOR ADPTR
	12	605615	HYD FILTER, INLINE 25M 9/16FOR
	13	605616	ELEMENT, 25M HYD FILTER 605615
	14	605617	SPRING KIT, HYD FILTER 605615

QUICK ATTACH LEVER ASSEMBLY

DET. QTY PART NO. DESCRIPTION

DET.	QTY	PART NO.	DESCRIPTION	
1	1	361640	MAINFRAME WLD STS	04
2	1	361665	RH Q-ATTACH LOCK WLD, STS	04
3	1	361666	LH Q-ATTACH LOCK WLD, STS	04
4	1	361670	RH Q-ATTACH LOCK PIN WLD, STS04	
5	1	361671	LH Q-ATTACH LOCK PIN WLD, STS04	
6	2	473805	ROLL PIN, 1/4 X 1 1/2	
7	2	482018	SPRING, 1.00 X 12.00 COMPRSN	
8	2	483055	.771ID-1.2500D-.135T MACH WASH	
9	2	629765	CAPLUG, 1 1/2" RD, BLACK POLY	
10	4	900130	3/8UNC X 1 1/4 HEX BOLT	
11	4	914004	3/8UNC HEX STOVER NUT	
12	4	920002	3/8 SAE FLAT WASHER	
13	2	473850	ROLL PIN, 1/4 X 1"	





QUICK ATTACH FITTING ASSEMBLY

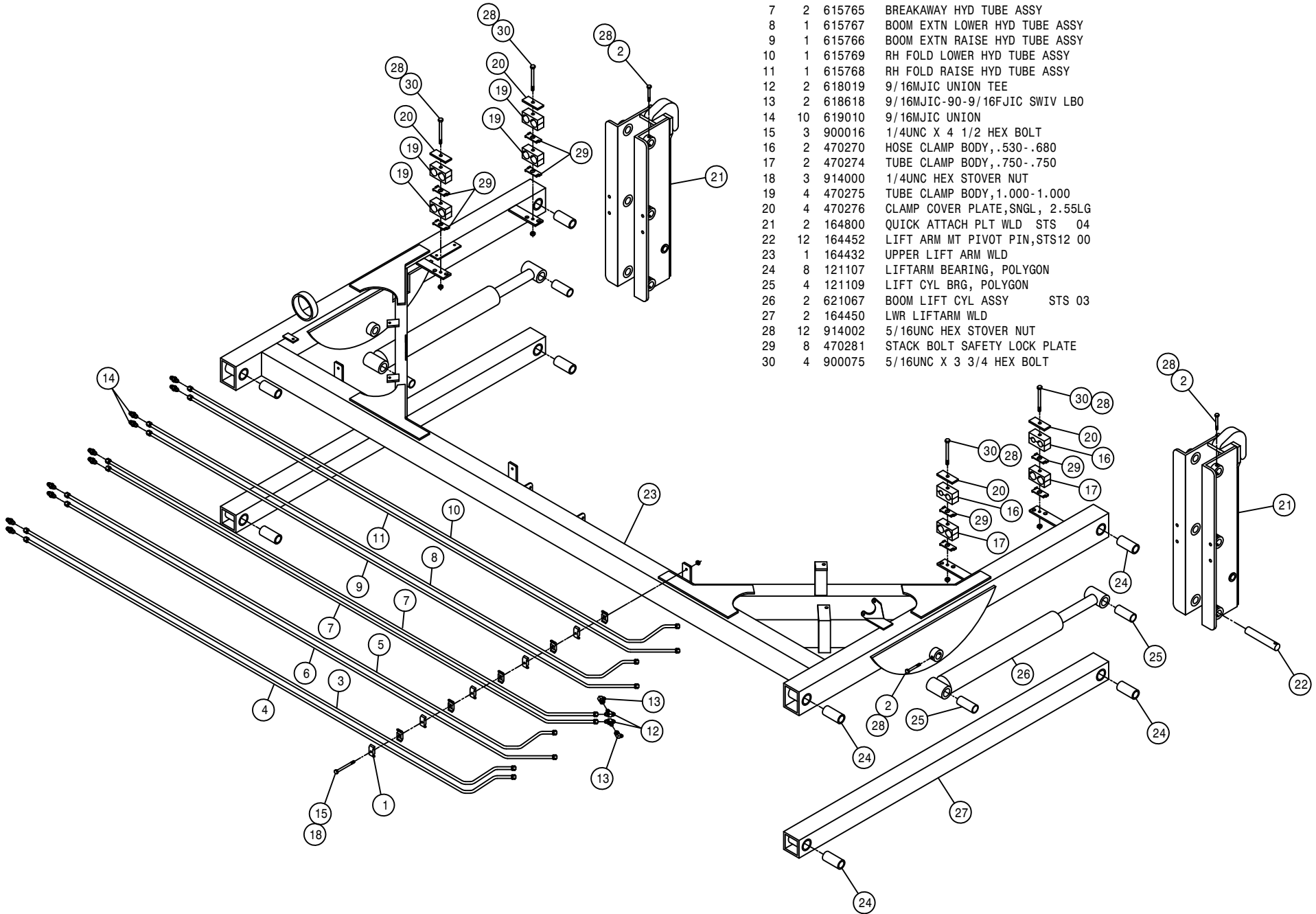
DET. QTY PART NO. DESCRIPTION

1	1	164773	QUICK ATTACH HOSE BRKT,STS 04
2	2	611125	3/4MJIC-3/4MOR ADPTR
3	1	618126	9/16MJIC-9/16MOR ADPTR
4	1	618010	3/4MJIC-90-BLKHD UNION LBO
5	1	618349	3/4MJIC-3/4MJIC BLKHD UNION
6	1	618350	9/16MJIC-45-BLKHD UNION LBO
7	1	618649	RUBBER DUST PLUG, 618559/694
8	1	618650	RUBBER DUST CAP, 618560/695
9	1	618668	9/16FJIC SWIV-9/16MOR ADPTR
10	2	618669	3/4FJIC SWIV-3/4MOR ADPTR
11	1	618694	HYD COUPLER,FEM 1/4B, 9/16FOR
12	1	618695	HYD COUPLER,MALE 1/4B, 9/16FOR
13	2	618696	HYD COUPLER,FEM 1/2B, 3/4FOR
14	2	618697	HYD COUPLER,MALE 1/2B, 3/4FOR
15	2	900129	3/8UNC X 1" HEX BOLT
16	2	914004	3/8UNC HEX STOVER NUT
17	1	618635	RUBBER DUST PLUG, 618621/696
18	1	618636	RUBBER DUST CAP, 618622/697
19	1	618609	3/4MJIC-90-3/4FJIC SWIV LBO

LIFTARM ASSEMBLY

DET. QTY PART NO. DESCRIPTION

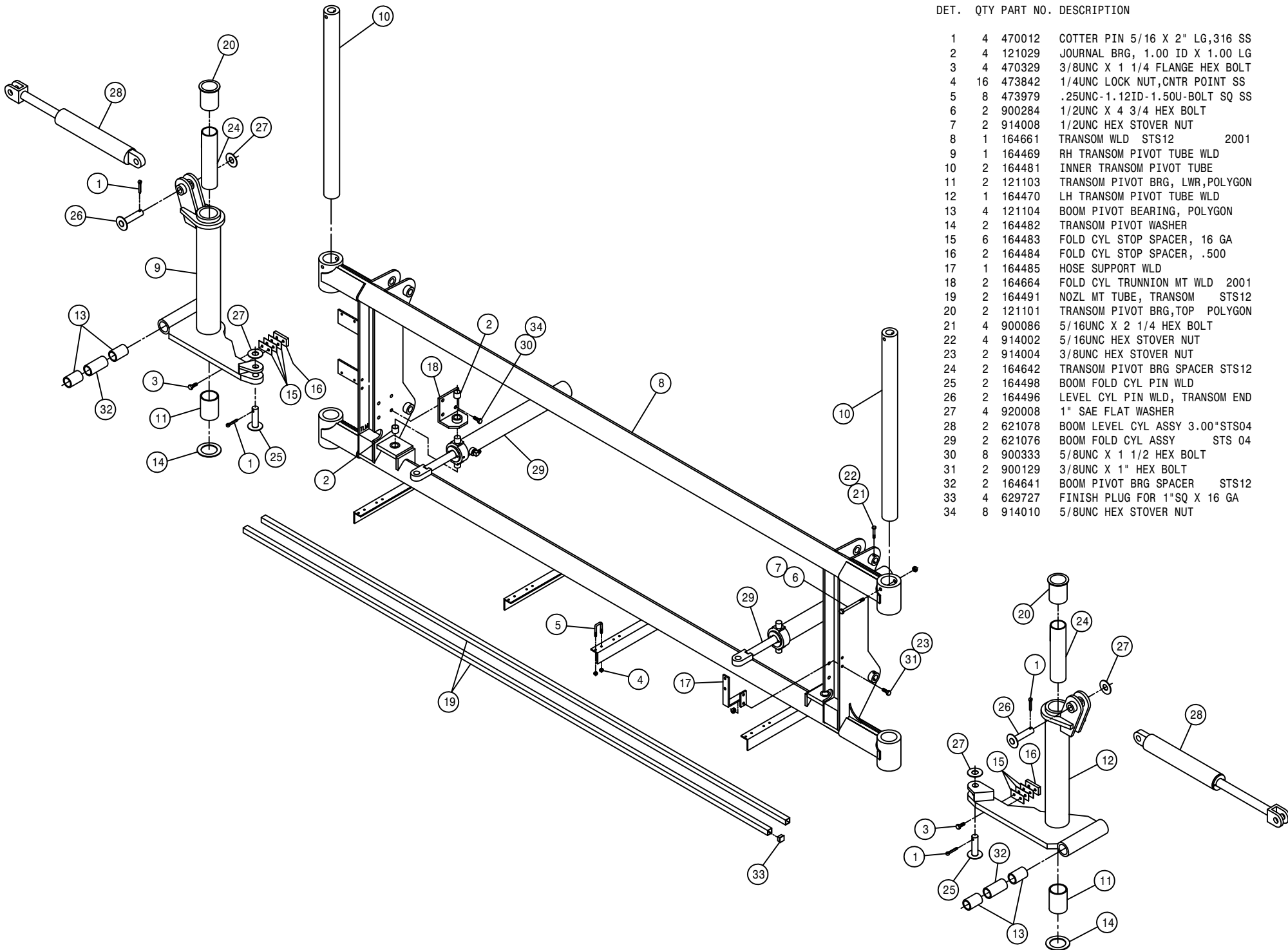
DET.	QTY	PART NO.	DESCRIPTION
1	15	470287	TUBE CLAMP, .375-.375 (PAIR)
2	8	900086	5/16UNC X 2 1/4 HEX BOLT
3	1	615761	LIFT RAISE HYD TUBE ASSY
4	1	615762	LIFT LOWER HYD TUBE ASSY
5	1	615764	LEVEL LOWER HYD TUBE ASSY
6	1	615763	LEVEL RAISE HYD TUBE ASSY
7	2	615765	BREAKAWAY HYD TUBE ASSY
8	1	615767	BOOM EXTN LOWER HYD TUBE ASSY
9	1	615766	BOOM EXTN RAISE HYD TUBE ASSY
10	1	615769	RH FOLD LOWER HYD TUBE ASSY
11	1	615768	RH FOLD RAISE HYD TUBE ASSY
12	2	618019	9/16MJIC UNION TEE
13	2	618618	9/16MJIC-90-9/16FJIC SWIV LBO
14	10	619010	9/16MJIC UNION
15	3	900016	1/4UNC X 4 1/2 HEX BOLT
16	2	470270	HOSE CLAMP BODY, .530-.680
17	2	470274	TUBE CLAMP BODY, .750-.750
18	3	914000	1/4UNC HEX STOVER NUT
19	4	470275	TUBE CLAMP BODY, 1.000-1.000
20	4	470276	CLAMP COVER PLATE, SNGL, 2.55LG
21	2	164800	QUICK ATTACH PLT WLD STS 04
22	12	164452	LIFT ARM MT PIVOT PIN, STS12 00
23	1	164432	UPPER LIFT ARM WLD
24	8	121107	LIFTARM BEARING, POLYGON
25	4	121109	LIFT CYL BRG, POLYGON
26	2	621067	BOOM LIFT CYL ASSY STS 03
27	2	164450	LWR LIFTARM WLD
28	12	914002	5/16UNC HEX STOVER NUT
29	8	470281	STACK BOLT SAFETY LOCK PLATE
30	4	900075	5/16UNC X 3 3/4 HEX BOLT

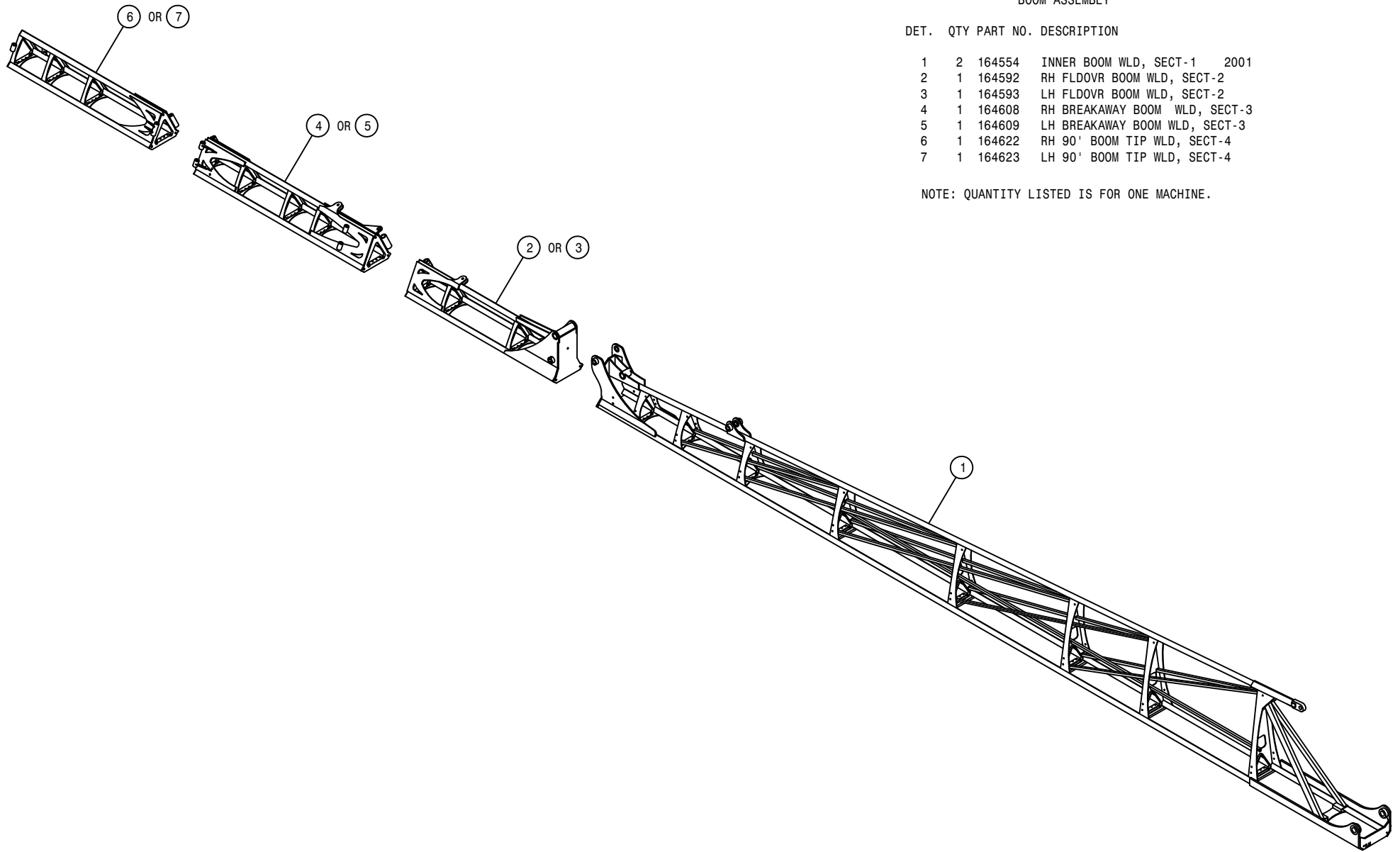


TRANSOM ASSEMBLY

DET. QTY PART NO. DESCRIPTION

DET.	QTY	PART NO.	DESCRIPTION
1	4	470012	COTTER PIN 5/16 X 2" LG,316 SS
2	4	121029	JOURNAL BRG, 1.00 ID X 1.00 LG
3	4	470329	3/8UNC X 1 1/4 FLANGE HEX BOLT
4	16	473842	1/4UNC LOCK NUT,CNTR POINT SS
5	8	473979	.25UNC-1.12ID-1.50U-BOLT SQ SS
6	2	900284	1/2UNC X 4 3/4 HEX BOLT
7	2	914008	1/2UNC HEX STOVER NUT
8	1	164661	TRANSOM WLD STS12 2001
9	1	164469	RH TRANSOM PIVOT TUBE WLD
10	2	164481	INNER TRANSOM PIVOT TUBE
11	2	121103	TRANSOM PIVOT BRG, LWR,POLYGON
12	1	164470	LH TRANSOM PIVOT TUBE WLD
13	4	121104	BOOM PIVOT BEARING, POLYGON
14	2	164482	TRANSOM PIVOT WASHER
15	6	164483	FOLD CYL STOP SPACER, 16 GA
16	2	164484	FOLD CYL STOP SPACER, .500
17	1	164485	HOSE SUPPORT WLD
18	2	164664	FOLD CYL TRUNNION MT WLD 2001
19	2	164491	NOZL MT TUBE, TRANSOM STS12
20	2	121101	TRANSOM PIVOT BRG,TOP POLYGON
21	4	900086	5/16UNC X 2 1/4 HEX BOLT
22	4	914002	5/16UNC HEX STOVER NUT
23	2	914004	3/8UNC HEX STOVER NUT
24	2	164642	TRANSOM PIVOT BRG SPACER STS12
25	2	164498	BOOM FOLD CYL PIN WLD
26	2	164496	LEVEL CYL PIN WLD, TRANSOM END
27	4	920008	1" SAE FLAT WASHER
28	2	621078	BOOM LEVEL CYL ASSY 3.00"STS04
29	2	621076	BOOM FOLD CYL ASSY STS 04
30	8	900333	5/8UNC X 1 1/2 HEX BOLT
31	2	900129	3/8UNC X 1" HEX BOLT
32	2	164641	BOOM PIVOT BRG SPACER STS12
33	4	629727	FINISH PLUG FOR 1" SQ X 16 GA
34	8	914010	5/8UNC HEX STOVER NUT





BOOM ASSEMBLY

DET. QTY PART NO. DESCRIPTION

1	2	164554	INNER BOOM WLD, SECT-1	2001
2	1	164592	RH FLDOVR BOOM WLD, SECT-2	
3	1	164593	LH FLDOVR BOOM WLD, SECT-2	
4	1	164608	RH BREAKAWAY BOOM WLD, SECT-3	
5	1	164609	LH BREAKAWAY BOOM WLD, SECT-3	
6	1	164622	RH 90' BOOM TIP WLD, SECT-4	
7	1	164623	LH 90' BOOM TIP WLD, SECT-4	

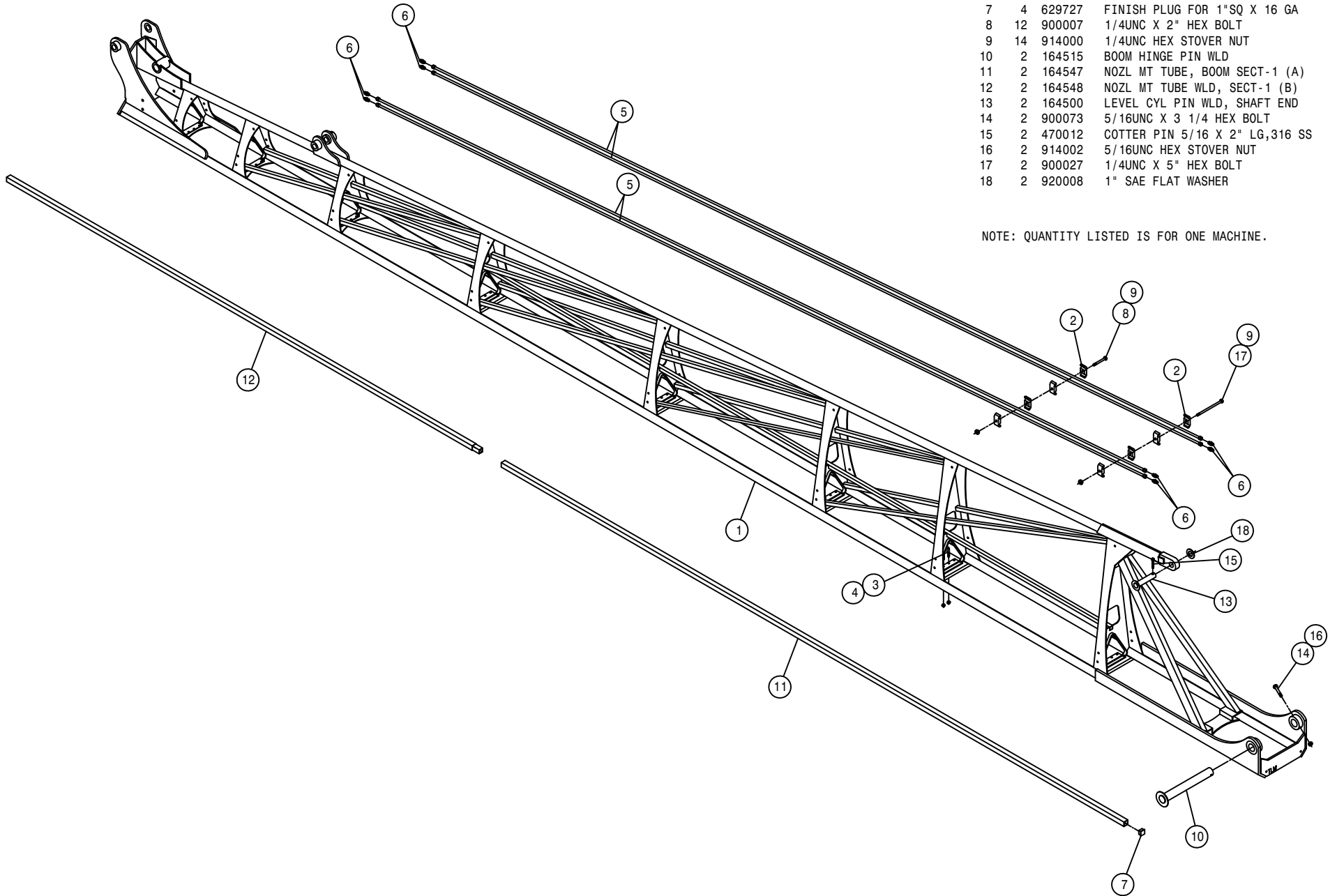
NOTE: QUANTITY LISTED IS FOR ONE MACHINE.

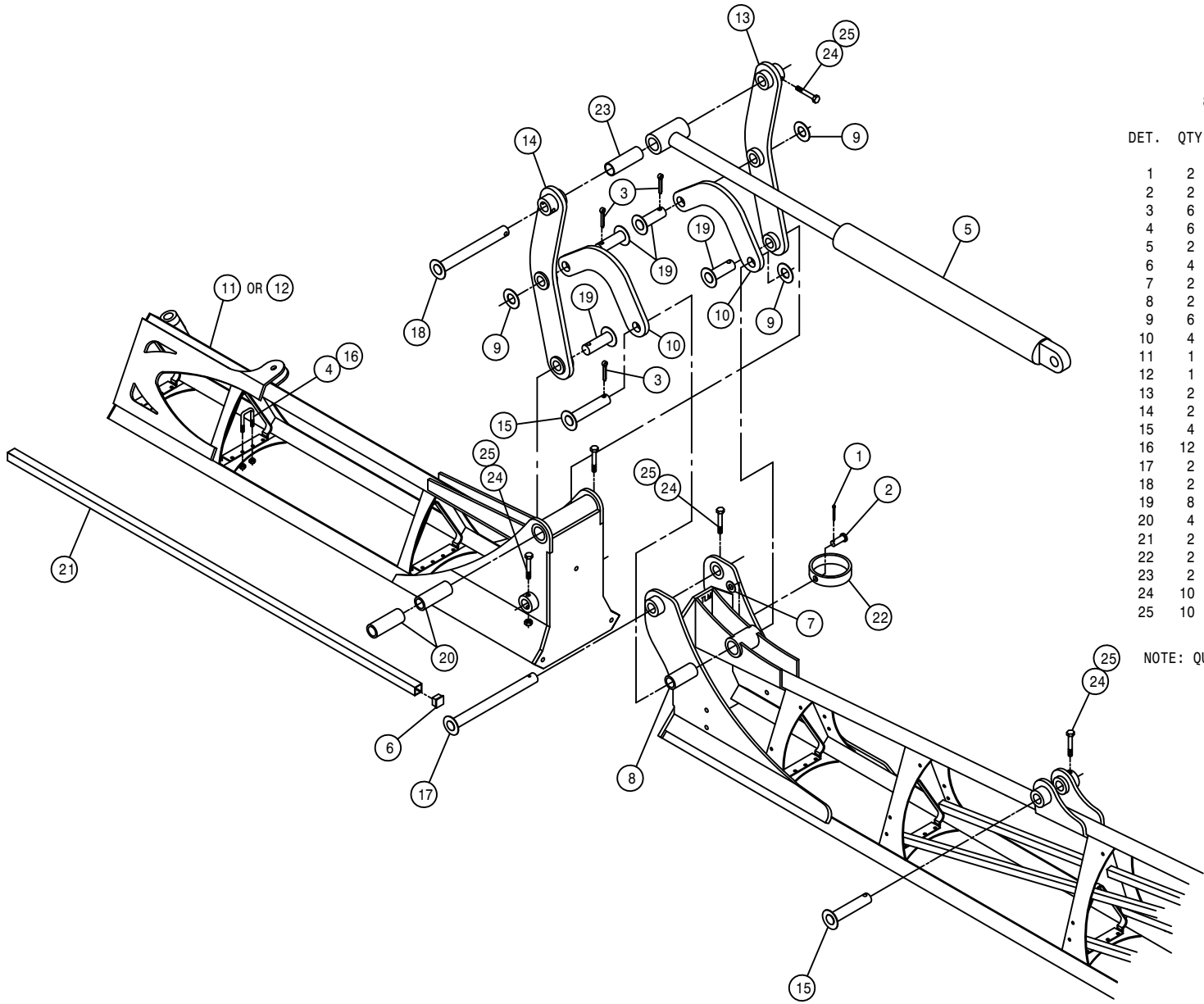
INNER BOOM ASSEMBLY

DET. QTY PART NO. DESCRIPTION

1	2	164554	INNER BOOM WLD, SECT-1	2001
2	28	470287	TUBE CLAMP, .375-.375 (PAIR)	
3	36	473842	1/4UNC LOCK NUT,CNTR POINT SS	
4	18	473979	.25UNC-1.12ID-1.50U-BOLT SQ SS	
5	8	615760	BOOM HYD TUBE ASSY	
6	16	619010	9/16MJIC UNION	
7	4	629727	FINISH PLUG FOR 1"SQ X 16 GA	
8	12	900007	1/4UNC X 2" HEX BOLT	
9	14	914000	1/4UNC HEX STOVER NUT	
10	2	164515	BOOM HINGE PIN WLD	
11	2	164547	NOZL MT TUBE, BOOM SECT-1 (A)	
12	2	164548	NOZL MT TUBE WLD, SECT-1 (B)	
13	2	164500	LEVEL CYL PIN WLD, SHAFT END	
14	2	900073	5/16UNC X 3 1/4 HEX BOLT	
15	2	470012	COTTER PIN 5/16 X 2" LG,316 SS	
16	2	914002	5/16UNC HEX STOVER NUT	
17	2	900027	1/4UNC X 5" HEX BOLT	
18	2	920008	1" SAE FLAT WASHER	

NOTE: QUANTITY LISTED IS FOR ONE MACHINE.





80'-90' BOOM HINGE ASSEMBLY

DET.	QTY	PART NO.	DESCRIPTION
	1	2 390984	COTTER PIN 1/8 X 1 1/4
	2	2 472277	CLEVIS PIN, .50 X 1.25LG PLT
	3	6 470012	COTTER PIN 5/16 X 2" LG, 316 SS
	4	6 473979	.25UNC-1.12ID-1.50U-BOLT SQ SS
	5	2 621070	OUTR BOOM FOLD CYL ASSY STS 03
	6	4 629727	FINISH PLUG FOR 1"SQ X 16 GA
	7	2 920004	1/2 SAE FLAT WASHER
	8	2 121107	LIFTARM BEARING, POLYGON
	9	6 920008	1" SAE FLAT WASHER
	10	4 164643	XK402 TOP ARM(LEFT) 10.35 CNTR
	11	1 164592	RH FLDOVR BOOM WLD, SECT-2
	12	1 164593	LH FLDOVR BOOM WLD, SECT-2
	13	2 164528	RH FOLD-OVER BOOMERANG WLD
	14	2 164529	LH FOLD-OVER BOOMERANG WLD
	15	4 164522	BOOM FOLD CYL PIN WLD
	16	12 473842	1/4UNC LOCK NUT, CNTR POINT SS
	17	2 164518	BOOM FOLD PIVOT PIN WLD
	18	2 164520	BOOM CYL PIVOT PIN WLD
	19	8 164524	BOOMERANG CNTR PIVOT PIN WLD
	20	4 121106	BOOM FOLD BRG, POLYGON
	21	2 164551	NOZL MT TUBE, BOOM SECT-2
	22	2 164517	HOSE SUPPORT RING
	23	2 121108	OUTR BOOM FOLD CYL BRG, POLYGON
	24	10 900086	5/16UNC X 2 1/4 HEX BOLT
	25	10 914002	5/16UNC HEX STOVER NUT

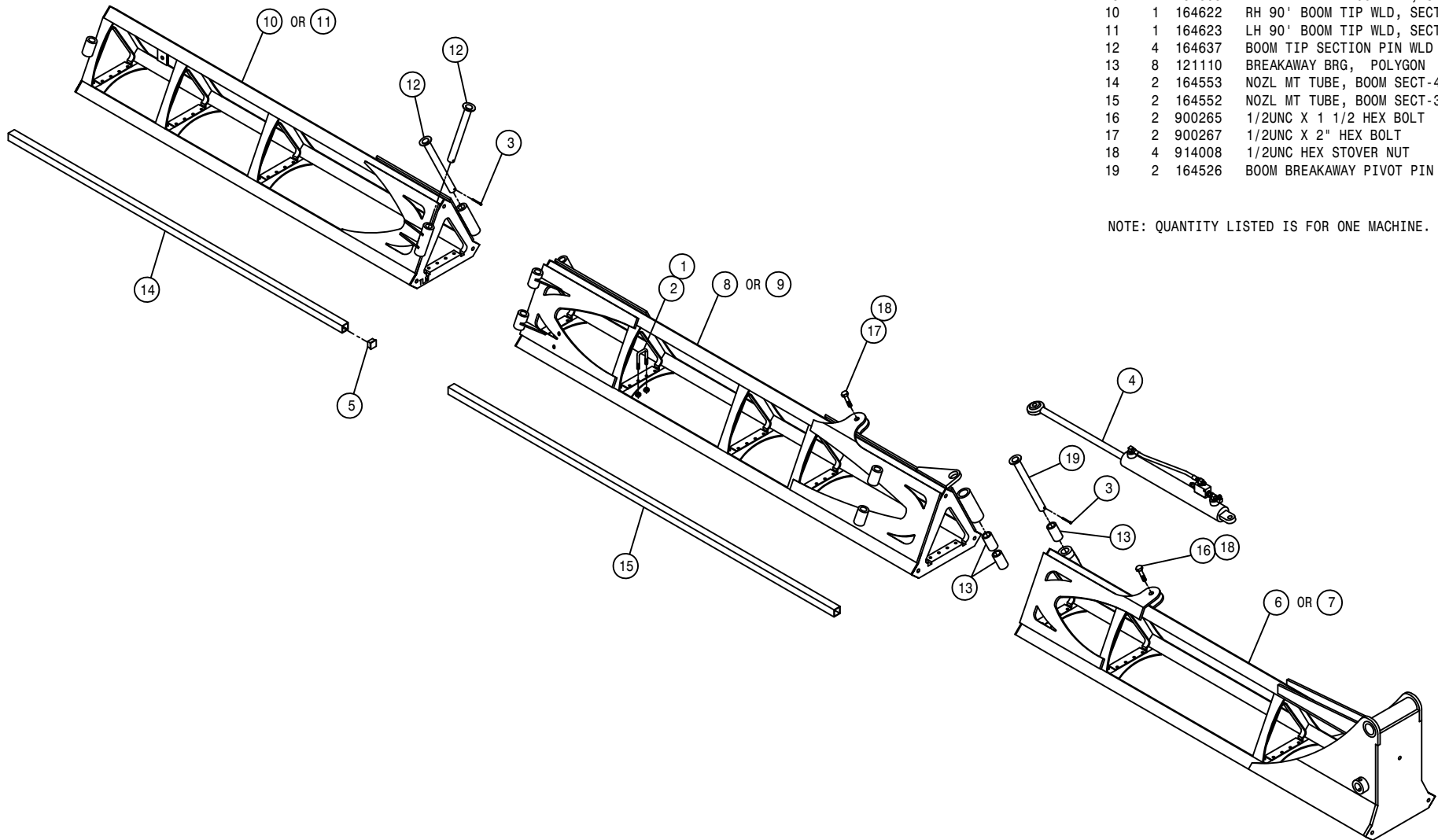
NOTE: QUANTITY LISTED IS FOR ONE MACHINE.

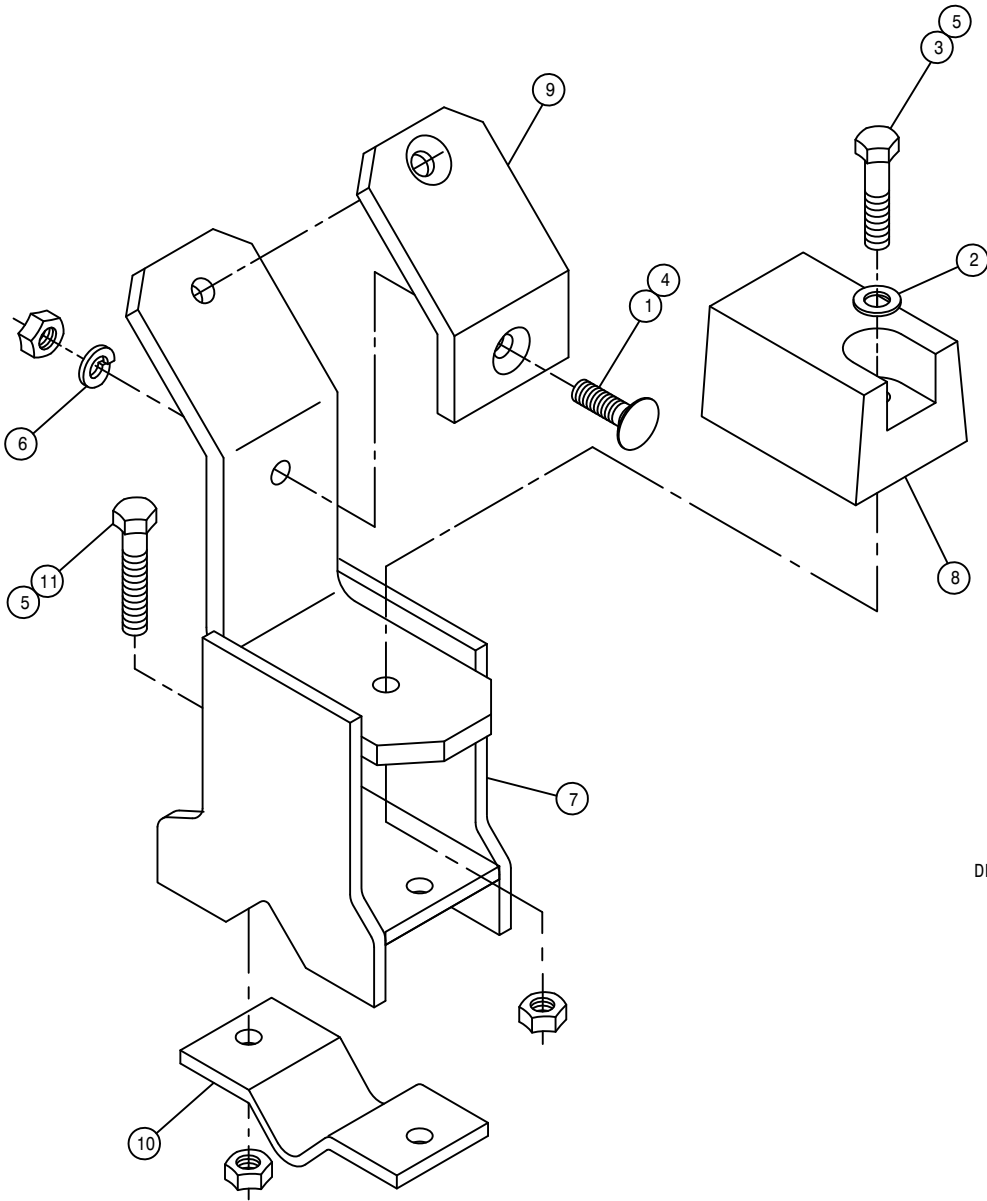
BOOM BREAKAWAY ASSEMBLY

DET. QTY PART NO. DESCRIPTION

DET.	QTY	PART NO.	DESCRIPTION
1	36	473842	1/4UNC LOCK NUT,CNTR POINT SS
2	18	473979	.25UNC-1.12ID-1.50U-BOLT SQ SS
3	6	470011	COTTER PIN 5/32 X 1 1/2,316 SS
4	2	621066	BOOM BREAKAWAY CYL ASSY STS 03
5	8	629727	FINISH PLUG FOR 1"SQ X 16 GA
6	1	164592	RH FLDOVR BOOM WLD, SECT-2
7	1	164593	LH FLDOVR BOOM WLD, SECT-2
8	1	164608	RH BREAKAWAY BOOM WLD, SECT-3
9	1	164609	LH BREAKAWAY BOOM WLD, SECT-3
10	1	164622	RH 90' BOOM TIP WLD, SECT-4
11	1	164623	LH 90' BOOM TIP WLD, SECT-4
12	4	164637	BOOM TIP SECTION PIN WLD
13	8	121110	BREAKAWAY BRG, POLYGON
14	2	164553	NOZL MT TUBE, BOOM SECT-4
15	2	164552	NOZL MT TUBE, BOOM SECT-3
16	2	900265	1/2UNC X 1 1/2 HEX BOLT
17	2	900267	1/2UNC X 2" HEX BOLT
18	4	914008	1/2UNC HEX STOVER NUT
19	2	164526	BOOM BREAKAWAY PIVOT PIN WLD

NOTE: QUANTITY LISTED IS FOR ONE MACHINE.

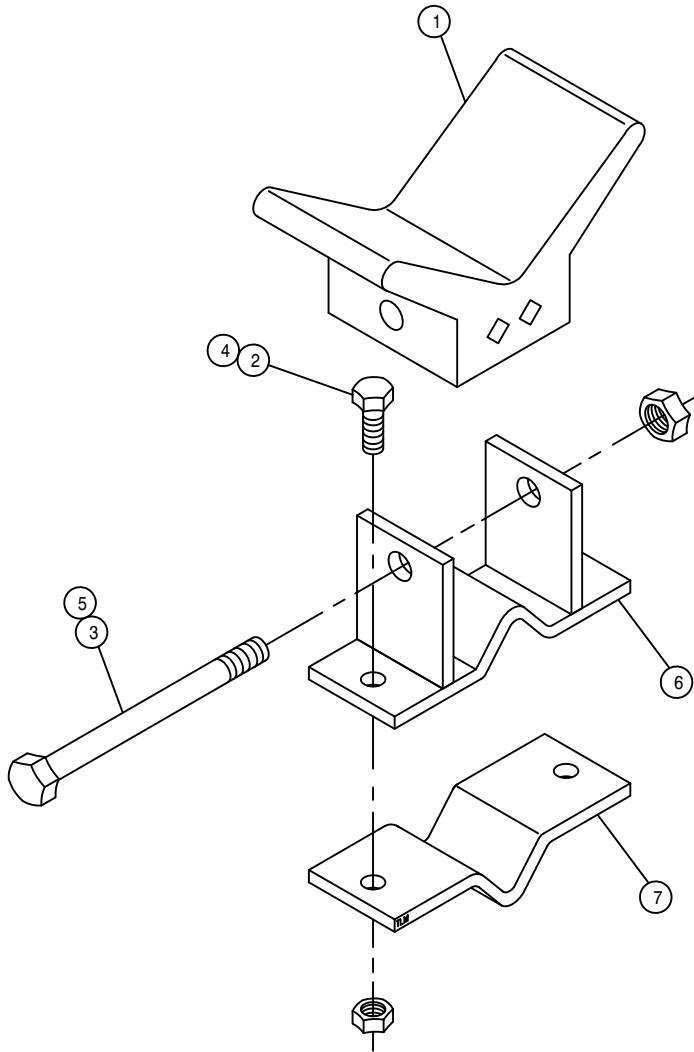




BOOM SUPPORT CRADLE ASSEMBLY, 80'-90'

DET. QTY PART NO. DESCRIPTION

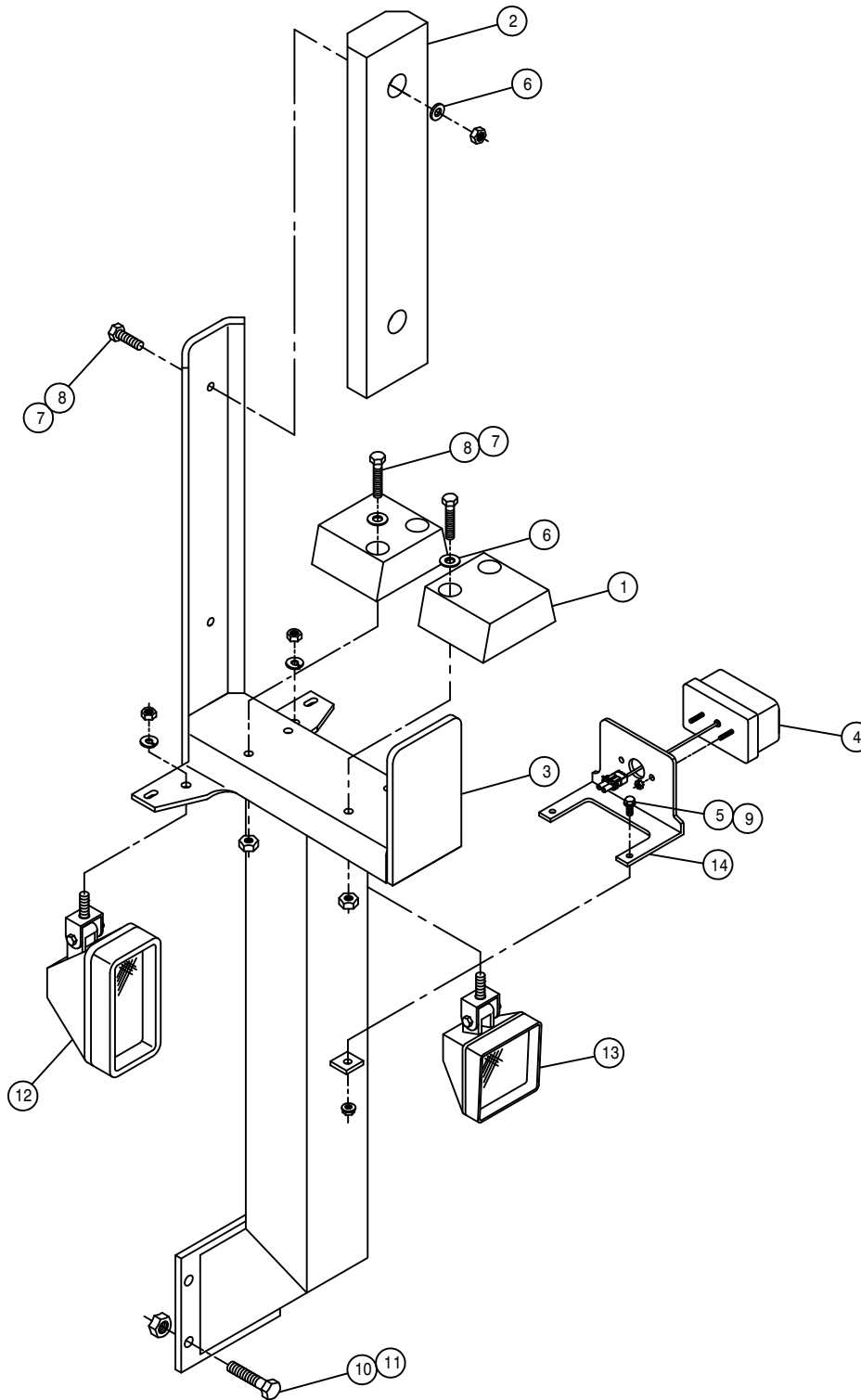
1	2	470328	3/8UNC X 1 1/4 #3HD PLOW BOLT
2	1	483043	3/8 REGULAR FLAT WASHER
3	1	900133	3/8UNC X 2" HEX BOLT
4	2	910004	3/8UNC HEX NUT
5	3	914004	3/8UNC HEX STOVER NUT
6	2	920502	3/8 LOCK WASHER
7	1	164811	BOOM SUPP CRADLE WLD,80/90' 04
8	1	164541	BOOM SUPPORT PAD
9	1	164542	BOOM SUPPORT CRADLE PAD
10	1	164543	BOOM SUPPORT KEEPER
11	2	900170	3/8UNC X 2 1/4 HEX BOLT



90' BOOM SUPPORT ASSEMBLY

DET. QTY PART NO. DESCRIPTION

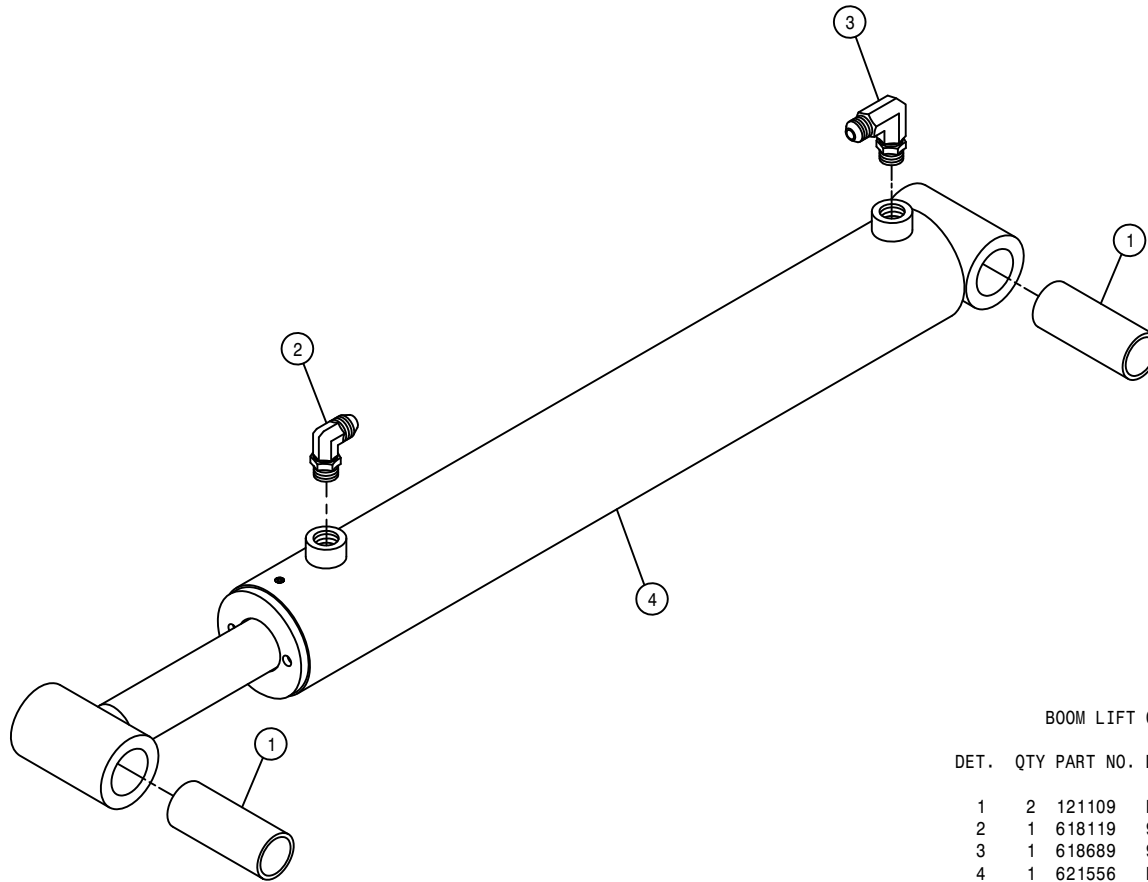
1	1	470324	3" RUBBER BOW GUARD
2	2	900130	3/8UNC X 1 1/4 HEX BOLT
3	1	900273	1/2UNC X 3 3/4 HEX BOLT
4	2	914004	3/8UNC HEX STOVER NUT
5	1	914008	1/2UNC HEX STOVER NUT
6	1	164544	FRT BOOM SUPPORT WLD, 90' BOOM
7	1	164545	FRT BOOM SUPPORT MT



BOOM CRADLE ASSEMBLY

DET.	QTY	PART NO.	DESCRIPTION
	4	164513	BOOM CRADLE PAD
	2	164512	RUBBER BUMPER, BOOM CRADLE
	2	164505	BOOM CRADLE WLD
	2	293404	FRT TURN/WARN LITE ASSY2100 98
	4	470118	1/4UNC X 3/4 FLANGE HEX BOLT
	12	920002	3/8 SAE FLAT WASHER
	12	914004	3/8UNC HEX STOVER NUT
	12	900133	3/8UNC X 2" HEX BOLT
	4	470121	1/4UNC HEX FLANGE LOCK NUT
	8	900265	1/2UNC X 1 1/2 HEX BOLT
	4	914008	1/2UNC HEX STOVER NUT
	2	291779	HALOGEN WORKLAMP,LH MT 12V55W
	2	291780	HALOGEN WORKLAMP,CNTR MT12V55W
	2	342799	EXTREMITY FLASHER MT, STS 03

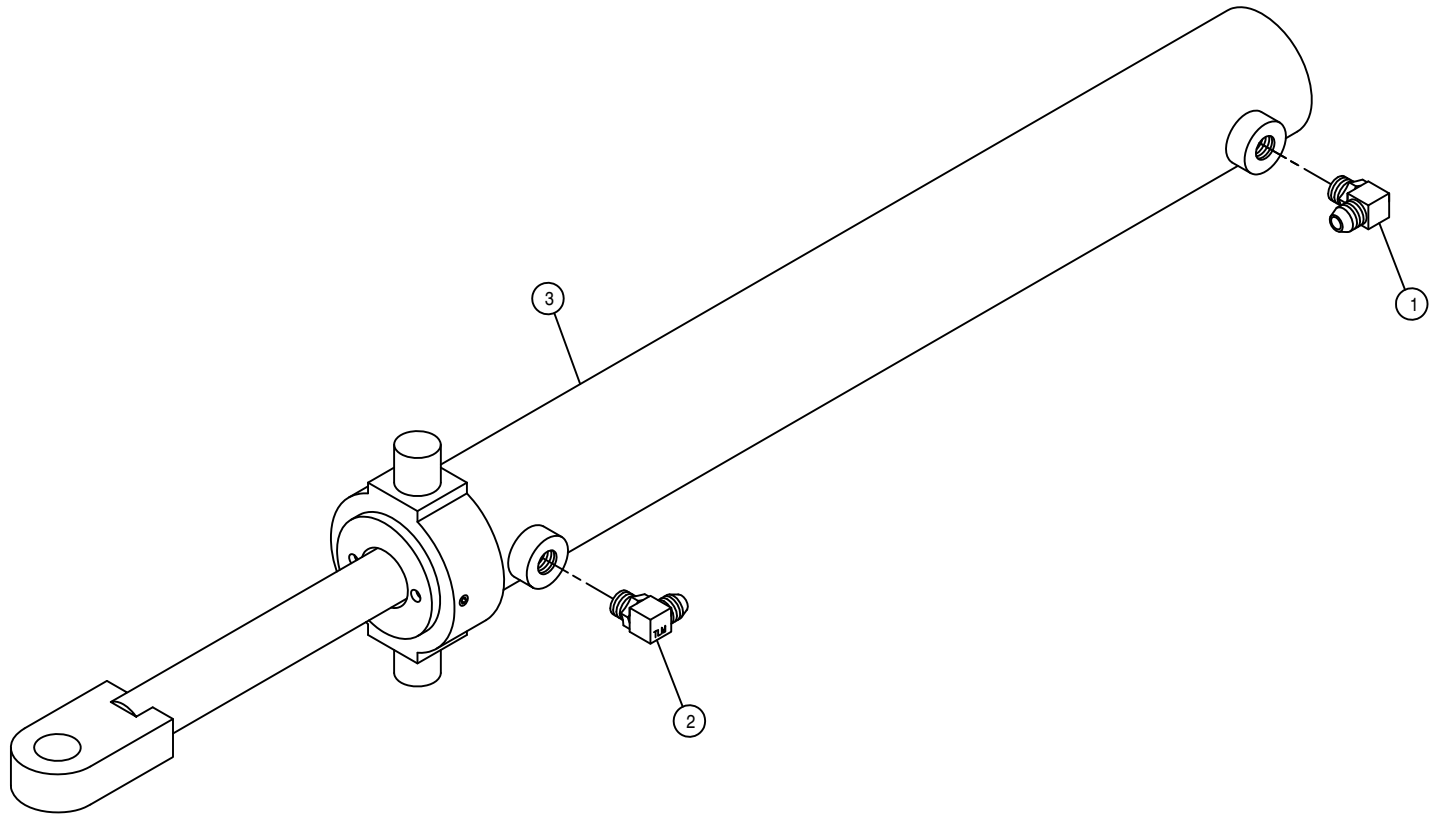
*NOTE: QUANTITY LISTED IS FOR ONE MACHINE.



BOOM LIFT CYLINDER ASSEMBLY

DET.	QTY	PART NO.	DESCRIPTION
	1	2	121109 LIFT CYL BRG, POLYGON
	2	1	618119 9/16MJIC-90-9/16MOR LBO
	3	1	618689 9/16MOR-90-9/16MJ .042 CHK VLV
	4	1	621556 LIFT CYL, 2.50 X 18.00 STS
	NS	1	621557 REPAIR KIT, HYD CYL 621556

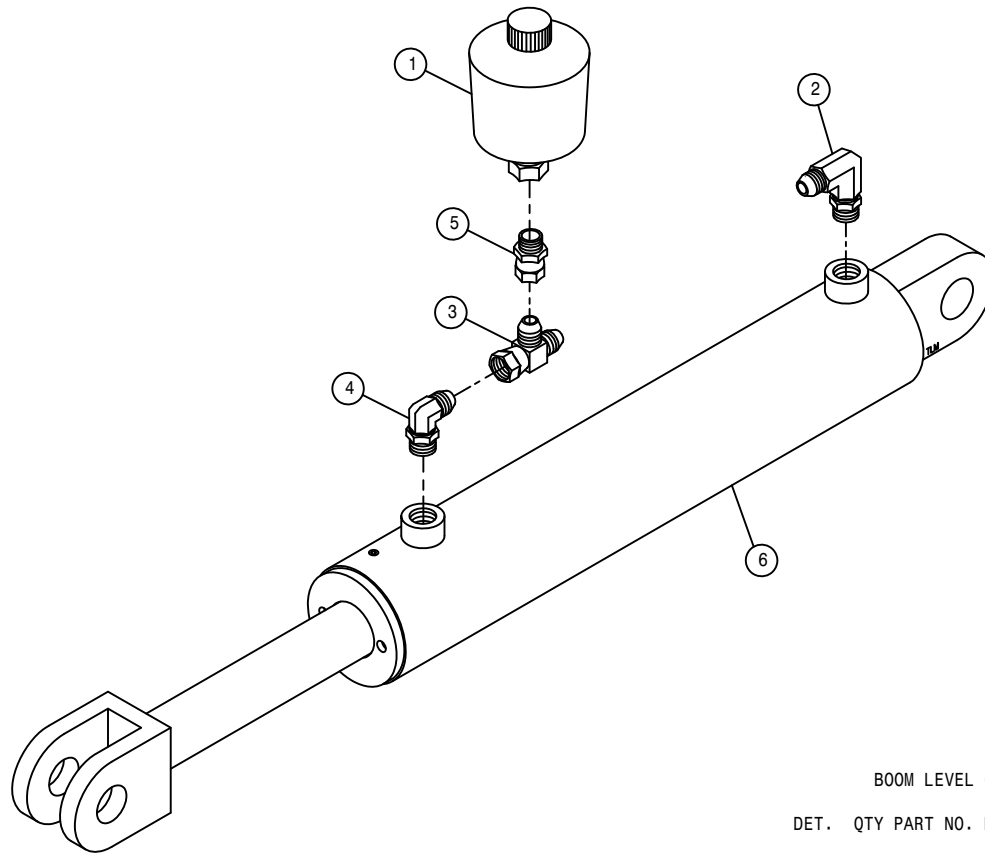
NOTE: 621067 - BOOM LIFTARM CYLINDER ASSEMBLY WITH FITTINGS



BOOM FOLD CYLINDER ASSEMBLY

DET.	QTY	PART NO.	DESCRIPTION
1	1	614750	.042 ELBOW ASSY,9/16MOR 90D
2	1	618119	9/16MJCIC-90-9/16MOR LBO
3	1	621560	FOLD CYL, 2.50 X 21.000 STS
NS	1	621561	REPAIR KIT,HYD CYL 621560

NOTE: 621076 - BOOM FOLD CYLINDER ASSEMBLY WITH FITTINGS

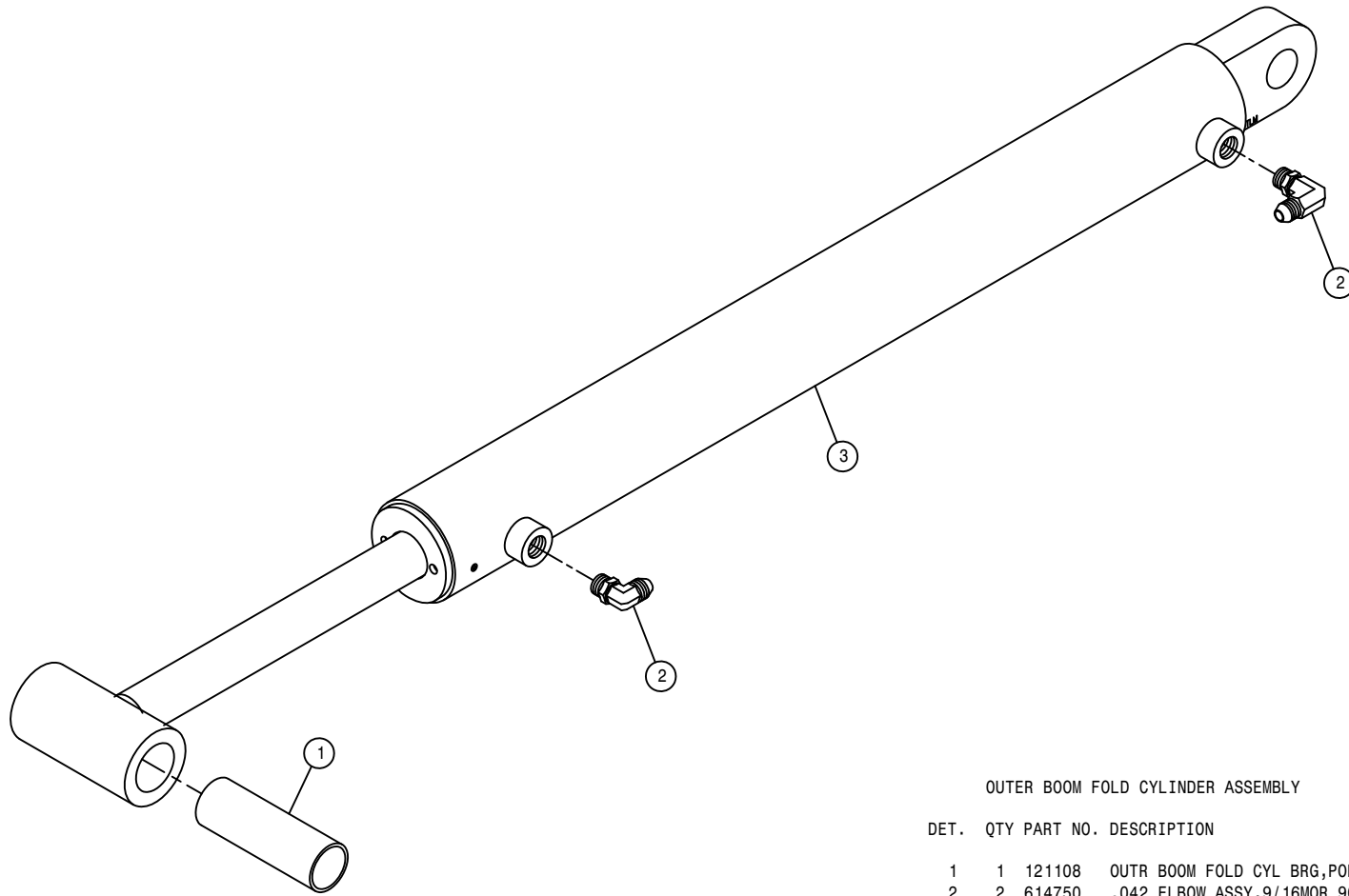


BOOM LEVEL CYLINDER ASSEMBLY

DET. QTY PART NO. DESCRIPTION

1	1	470326	ACCUMULATOR, DIAPHRAGM
2	1	618119	9/16MJIC-90-9/16MOR LBO
3	1	618486	9/16FJIC SW RUN TEE-9/16MJIC
4	1	618689	9/16MOR-90-9/16MJ .042 CHK VLV
5	1	618719	9/16FJIC SWIV-3/4MOR ADPTR
6	1	621558	LEVEL CYL, 3.00 X 11.00 STS
NS	1	621559	REPAIR KIT, HYD CYL 621558

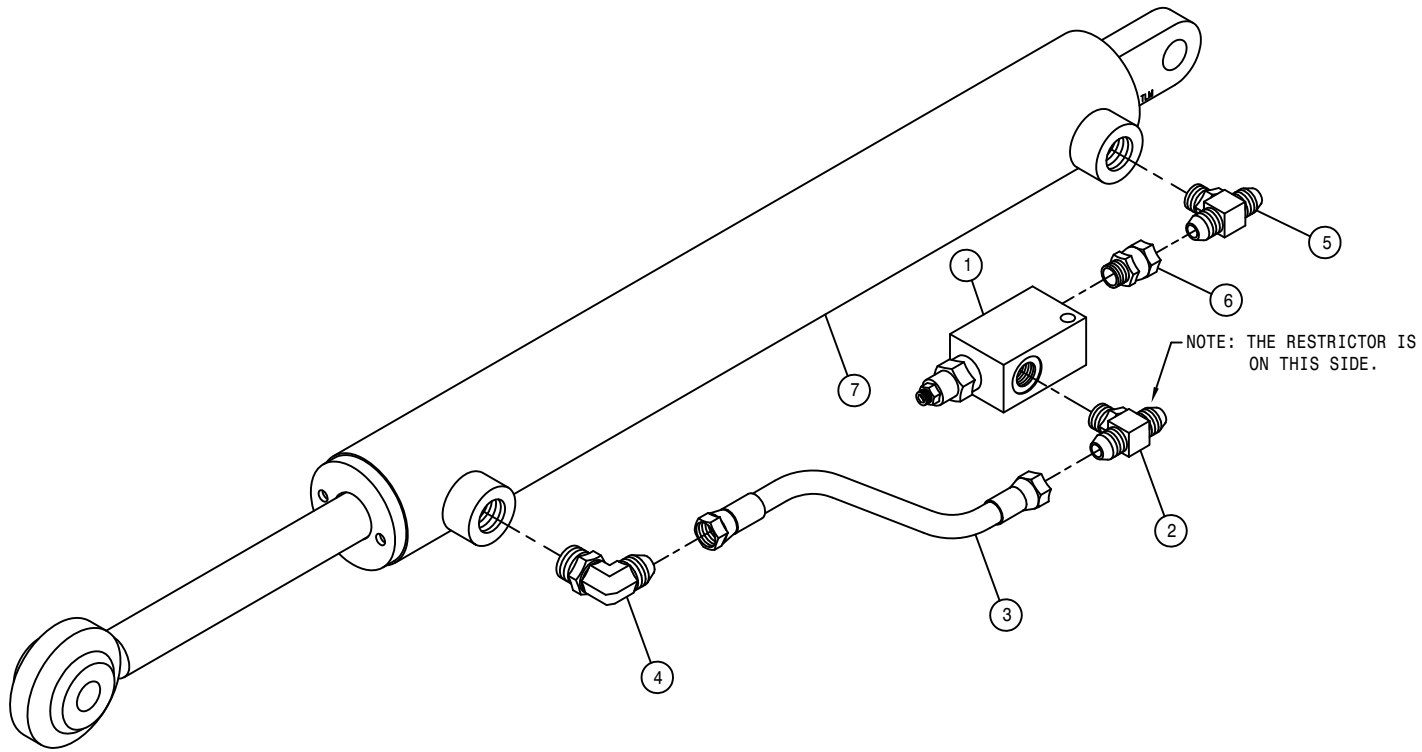
NOTE: 621078 - BOOM LEVEL CYLINDER ASSEMBLY WITH FITTINGS



OUTER BOOM FOLD CYLINDER ASSEMBLY

DET.	QTY	PART NO.	DESCRIPTION
	1	121108	OUTR BOOM FOLD CYL BRG,POLYGON
	2	614750	.042 ELBOW ASSY,9/16MOR 90D
	3	621562	OUTR FOLD CYL,2.25 X 21.00 STS
	NS	621563	REPAIR KIT,HYD CYL 621562

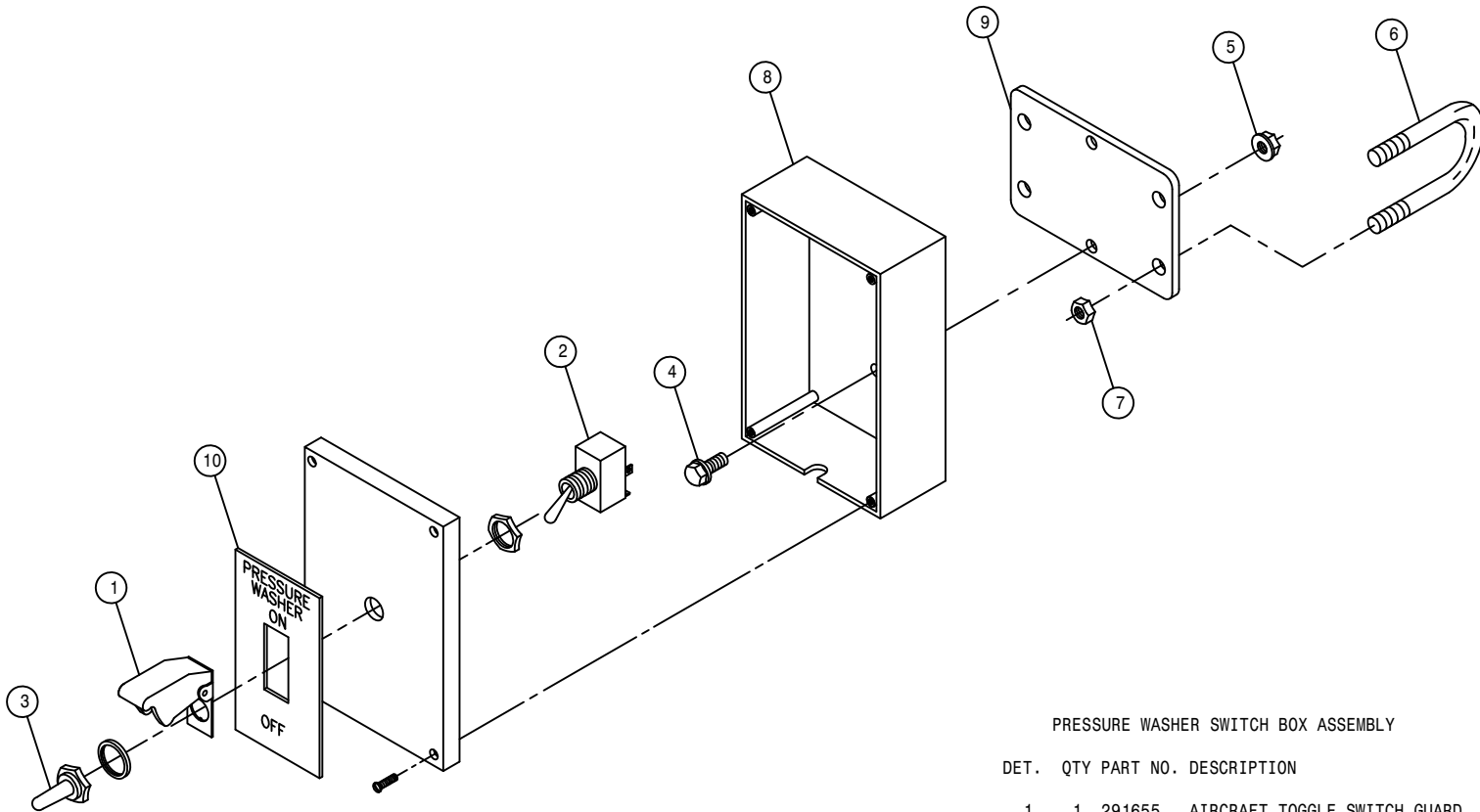
NOTE: 621070 - OUTER BOOM FOLD CYLINDER ASSEMBLY WITH FITTINGS



BOOM BREAKAWAY CYLINDER ASSEMBLY

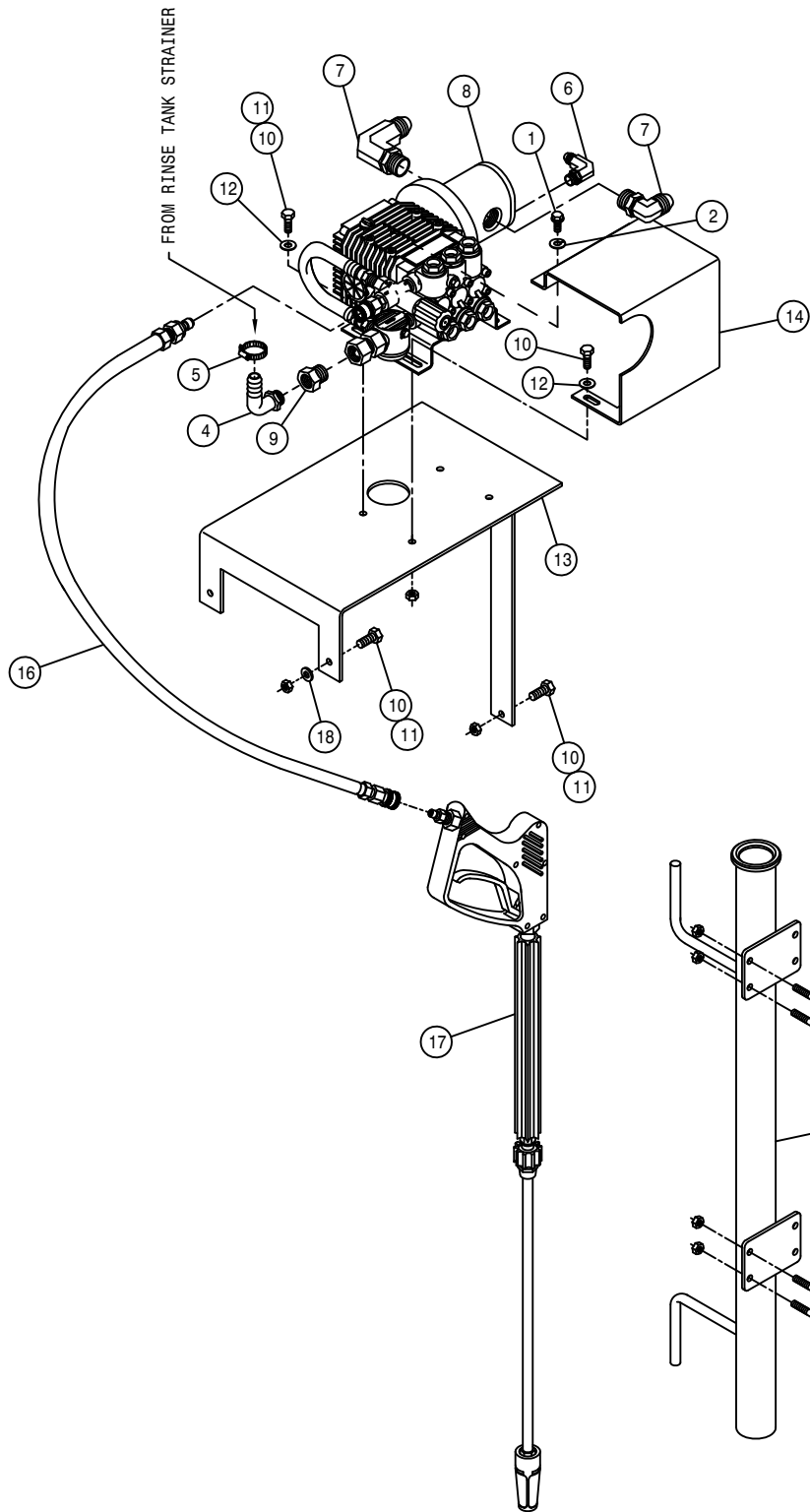
DET.	QTY	PART NO.	DESCRIPTION
	1	607540	KICK-DOWN RELIEF VALVE, 800PSI
	1	614752	RESTRICTOR BR TEE ASSY, .042DIA
	1	616075	04-451TC-06FJX-06FJX-9 H/A
	1	618119	9/16MJIC-90-9/16MOR LBO
	1	618629	9/16MOR BRANCH TEE-9/16MJIC
	1	618668	9/16FJIC SWIV-9/16MOR ADPTR
	1	621554	LADR/SF/BRKWAY CYL, 1.50 X12.25
NS	1	621555	REPAIR KIT, HYD CYL 621554

NOTE: 621066 - BOOM BREAKAWAY CYLINDER ASSEMBLY WITH FITTINGS



PRESSURE WASHER SWITCH BOX ASSEMBLY

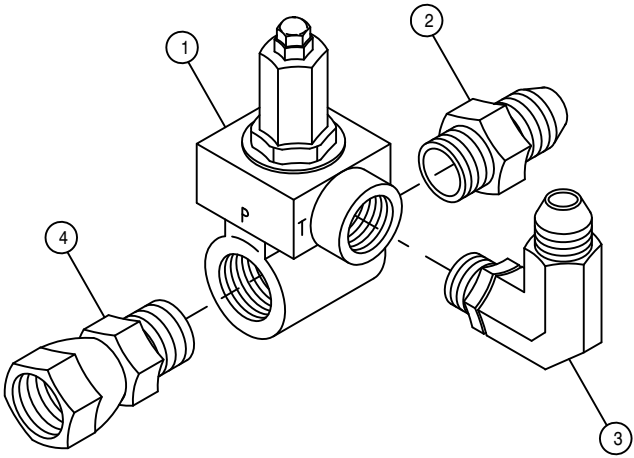
DET.	QTY	PART NO.	DESCRIPTION
	1	291655	AIRCRAFT TOGGLE SWITCH GUARD
	1	291790	TOGGLE SWITCH, ON-OFF DPDT
	1	470001	RUBBER BOOT W NUT FOR 298012
	2	470118	1/4UNC X 3/4 FLANGE HEX BOLT
	2	470121	1/4UNC HEX FLANGE LOCK NUT
	2	473911	5/16UNC-1.31ID-2.00 U-BOLT
	4	910002	5/16UNC HEX NUT
	1	690738	PRESSURE WASHER SWITCH BOX
	1	690739	PRESSURE WASHER SWITCH BOX MT
	1	650110	DECAL,PRESSURE WASH CTRL,STS12



PRESSURE WASHER ASSEMBLY

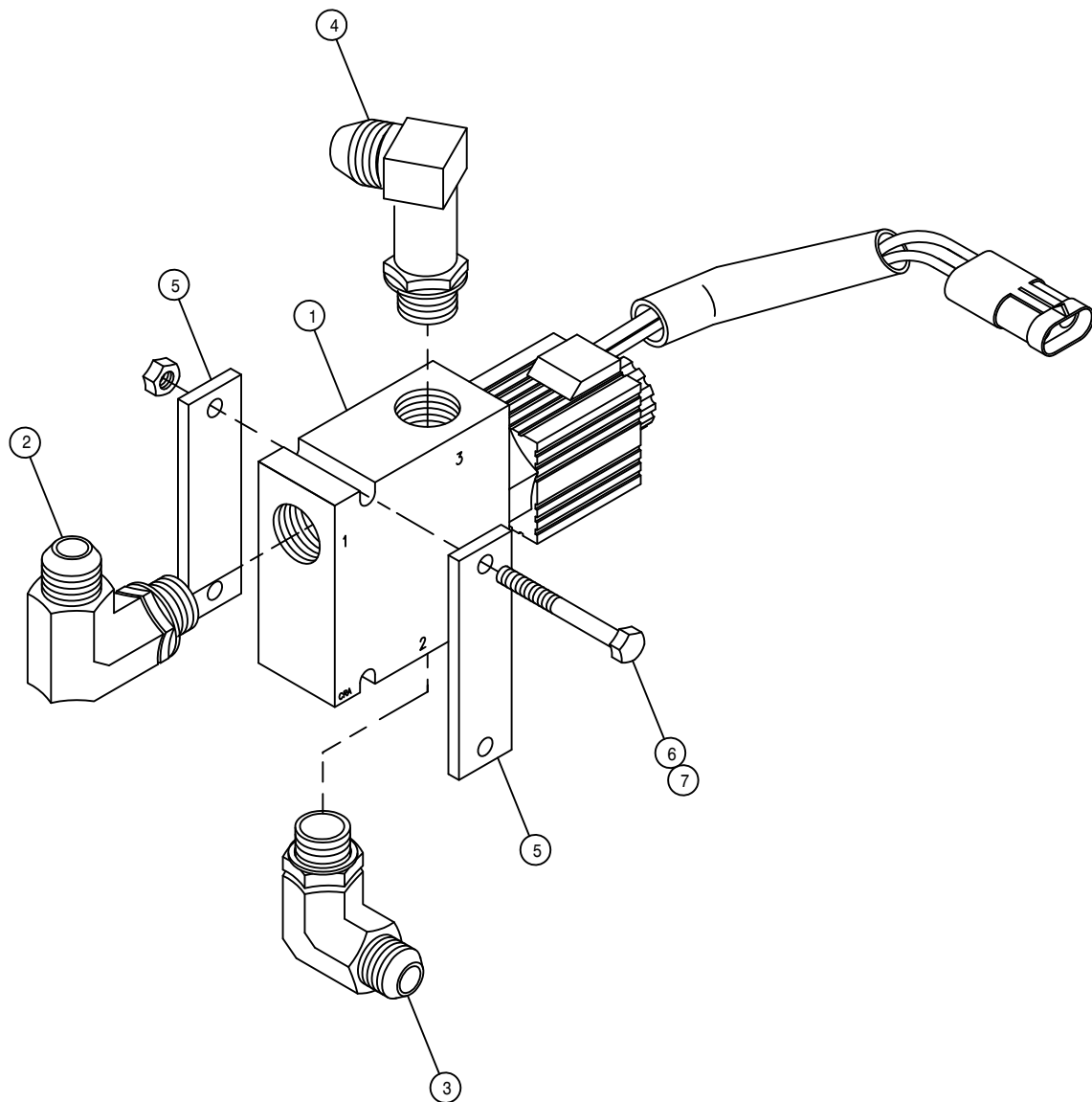
DET. QTY PART NO. DESCRIPTION

1	2	473803	8MM-1.25 X 16MM HEX BOLT
2	2	473804	8MM LOCK WASHER
3	4	473911	5/16UNC-1.31ID-2.00 U-BOLT
4	1	500026	3/4NPT-90-1"HOSE BARB, POLY
5	1	520090	HOSE CLAMP NO 16 STAINLESS
6	1	618119	9/16MJIC-90-9/16MOR LBO
7	2	618474	3/4MJIC-90-1 1/16MOR LBO
8	1	690672	PRESSURE WASHER,PACE 320 HYD
9	1	715449	3/4FNPT X 3/4MGHT ADPTR BRS
10	7	900064	5/16UNC X 3/4 HEX BOLT
11	15	914002	5/16UNC HEX STOVER NUT
12	4	920001	5/16 SAE FLAT WASHER
13	1	690877	PRESSURE WASHER MT WLD, STS 03
14	1	690879	PRESSURE WASHER SHIELD, STS 03
15	1	690732	PRESSURE WASHER WAND MT WLD
16	1	690791	HOSE, PRESSURE WASHER 690672
17	1	690673	TRIGGER GUN ASSY FOR 690672
18	2	920001	5/16 SAE FLAT WASHER



IN-LINE HYD RELIEF VALVE ASSEMBLY

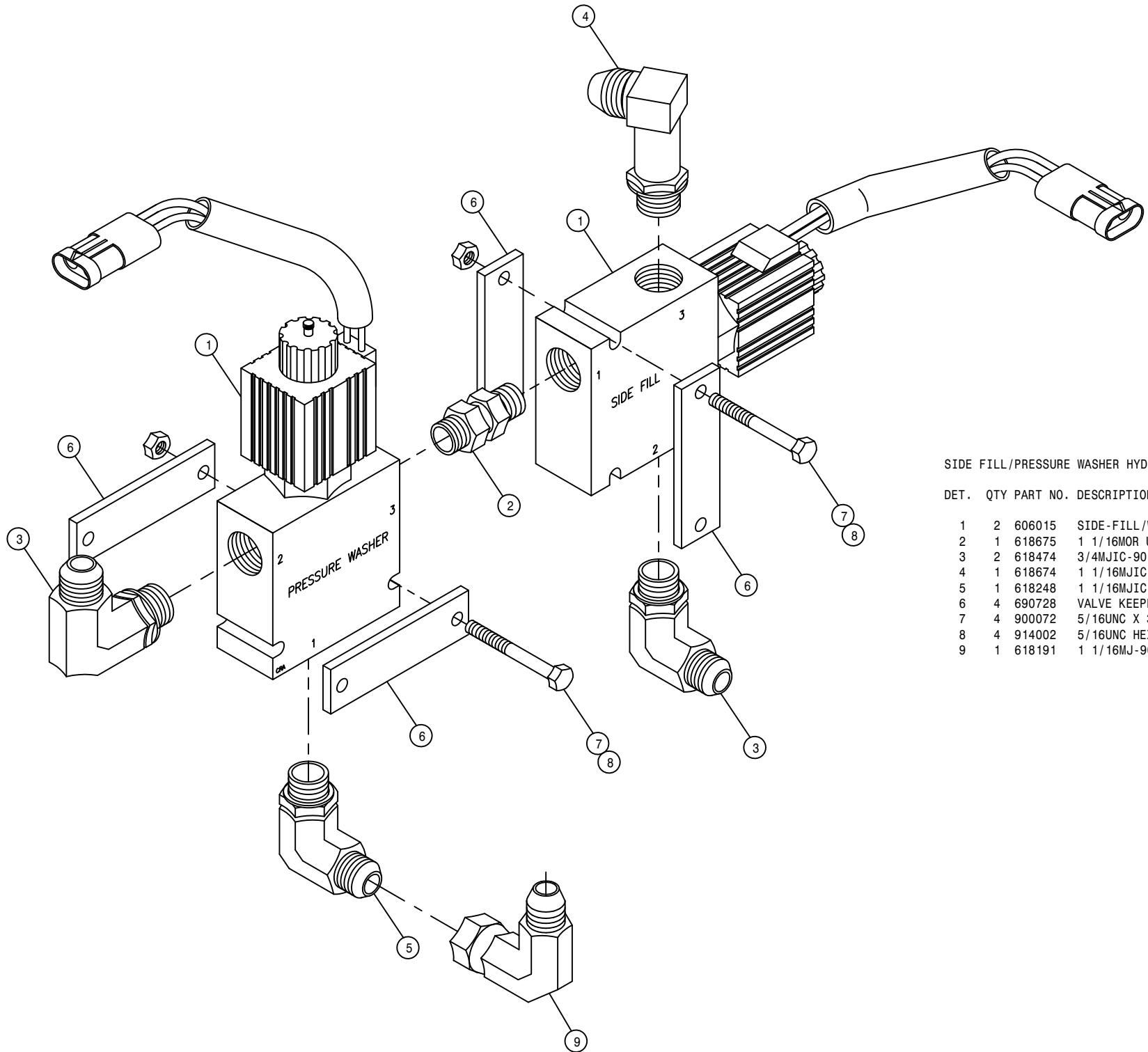
DET.	QTY	PART NO.	DESCRIPTION
1	1	607550	IN-LINE RELIEF VALVE, 2600 PSI
2	1	611127	1 1/16MJIC-1 1/16MOR ADPTR
3	1	618279	1 1/16MJIC-90-7/8MOR LBO
4	1	618578	1 1/16FJIC SWIV-1 1/16MOR



PRESSURE WASHER HYDRAULIC VALVE ASSEMBLY

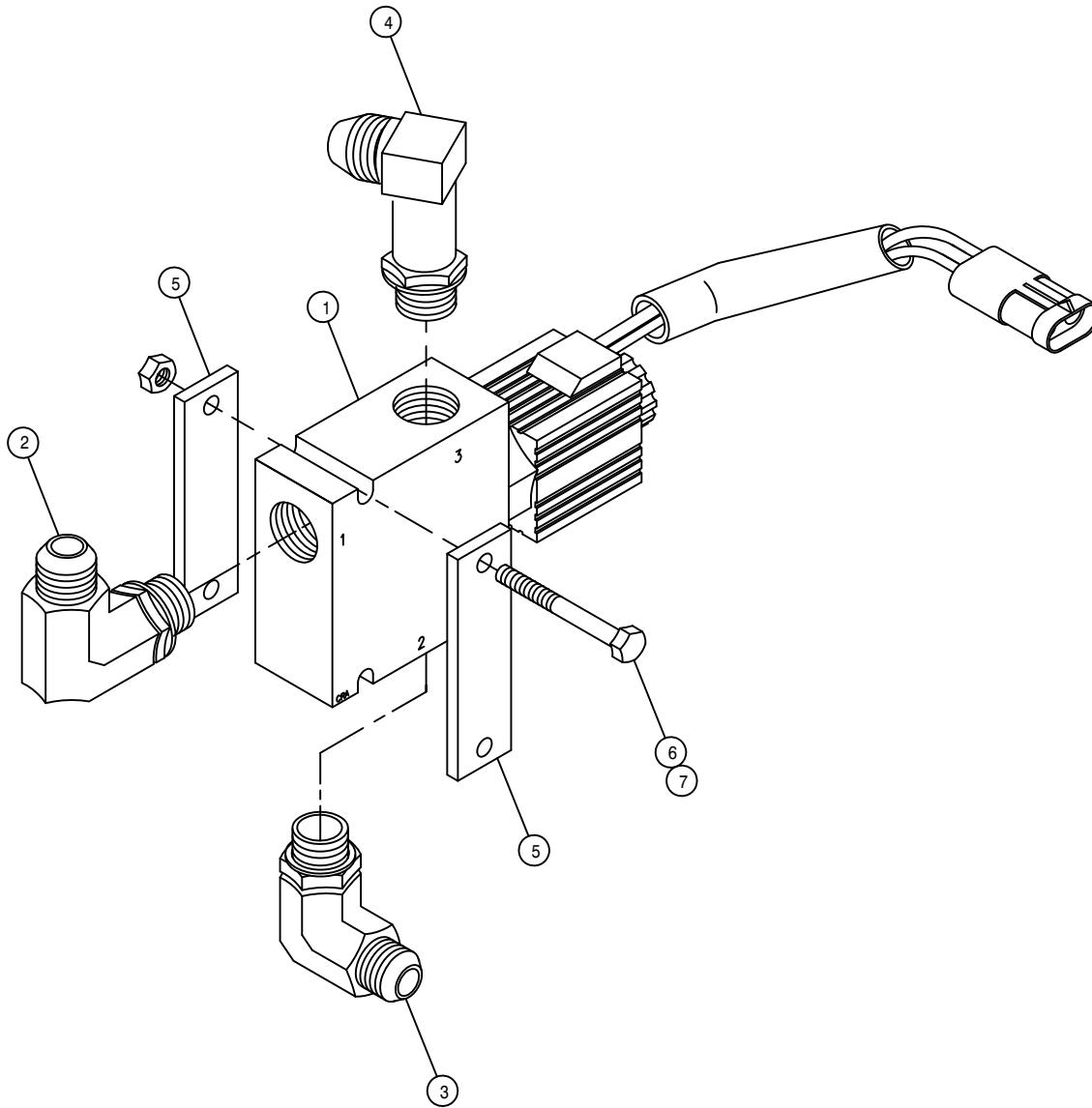
DET. QTY PART NO. DESCRIPTION

1	1	606015	SIDE-FILL/WASH VLV W/SHRD ASSY
2	1	618248	1 1/16MJIC-90-1 1/16MOR LBO
3	1	618474	3/4MJIC-90-1 1/16MOR LBO
4	1	618674	1 1/16MJIC-90-1 1/16MOR XL LBO
5	2	690728	VALVE KEEPER/SPACER
6	2	900072	5/16UNC X 3" HEX BOLT
7	2	914002	5/16UNC HEX STOVER NUT



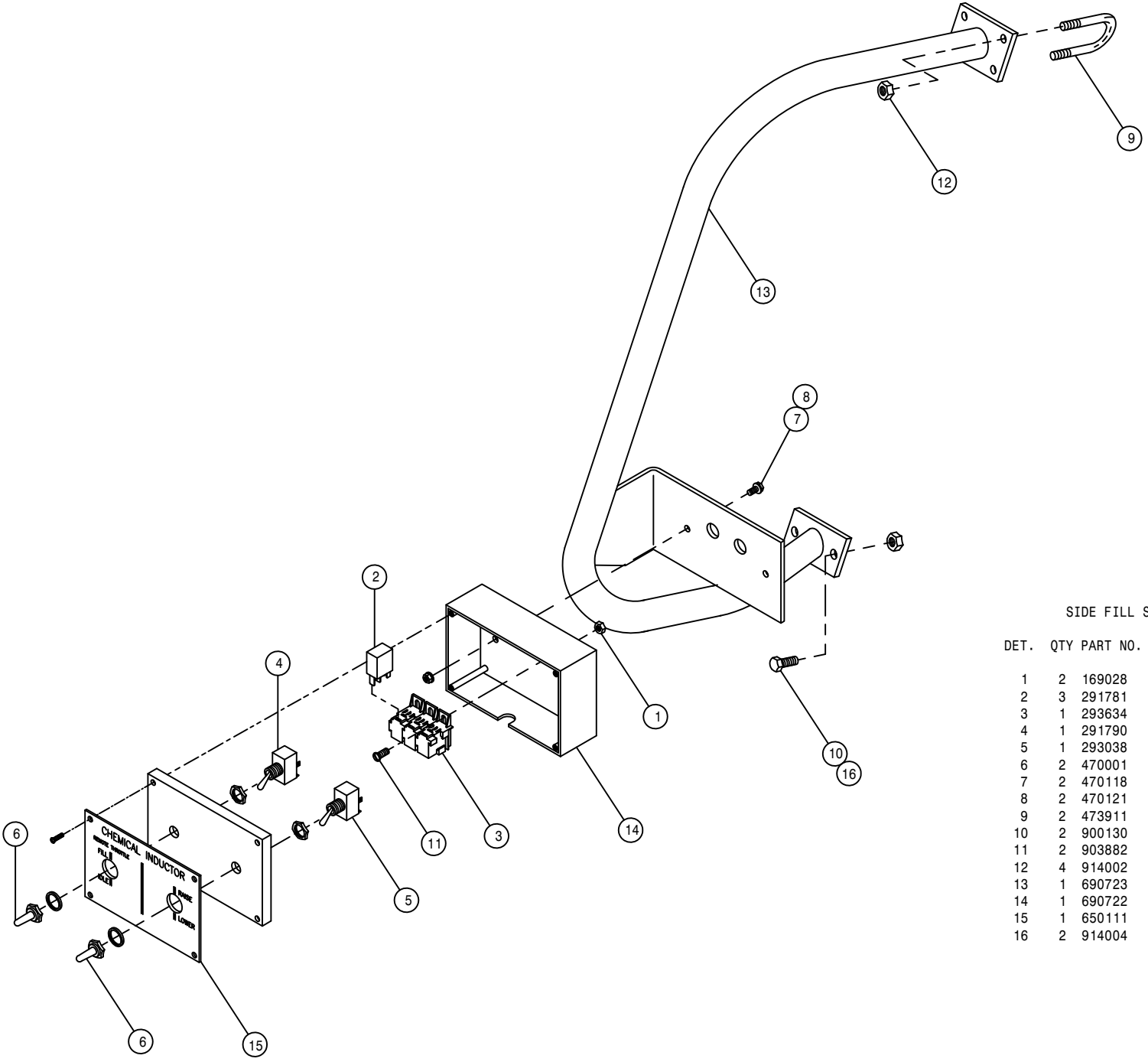
SIDE FILL/PRESSURE WASHER HYD VALVE ASSEMBLY

DET.	QTY	PART NO.	DESCRIPTION
1	2	606015	SIDE-FILL/WASH VLV W/SHRD ASSY
2	1	618675	1 1/16MOR UNION
3	2	618474	3/4MJIC-90-1 1/16MOR LBO
4	1	618674	1 1/16MJIC-90-1 1/16MOR XL LBO
5	1	618248	1 1/16MJIC-90-1 1/16MOR LBO
6	4	690728	VALVE KEEPER/SPACER
7	4	900072	5/16UNC X 3" HEX BOLT
8	4	914002	5/16UNC HEX STOVER NUT
9	1	618191	1 1/16MJ-90-1 1/16FJ SWIV LBO



SIDE FILL HYDRAULIC VALVE ASSEMBLY

DET.	QTY	PART NO.	DESCRIPTION
	1	606015	SIDE-FILL/WASH VLV W/SHRD ASSY
	2	618248	1 1/16MJIC-90-1 1/16MOR LBO
	3	618474	3/4MJIC-90-1 1/16MOR LBO
	4	618674	1 1/16MJIC-90-1 1/16MOR XL LBO
	5	690728	VALVE KEEPER/SPACER
	6	900072	5/16UNC X 3" HEX BOLT
	7	914002	5/16UNC HEX STOVER NUT

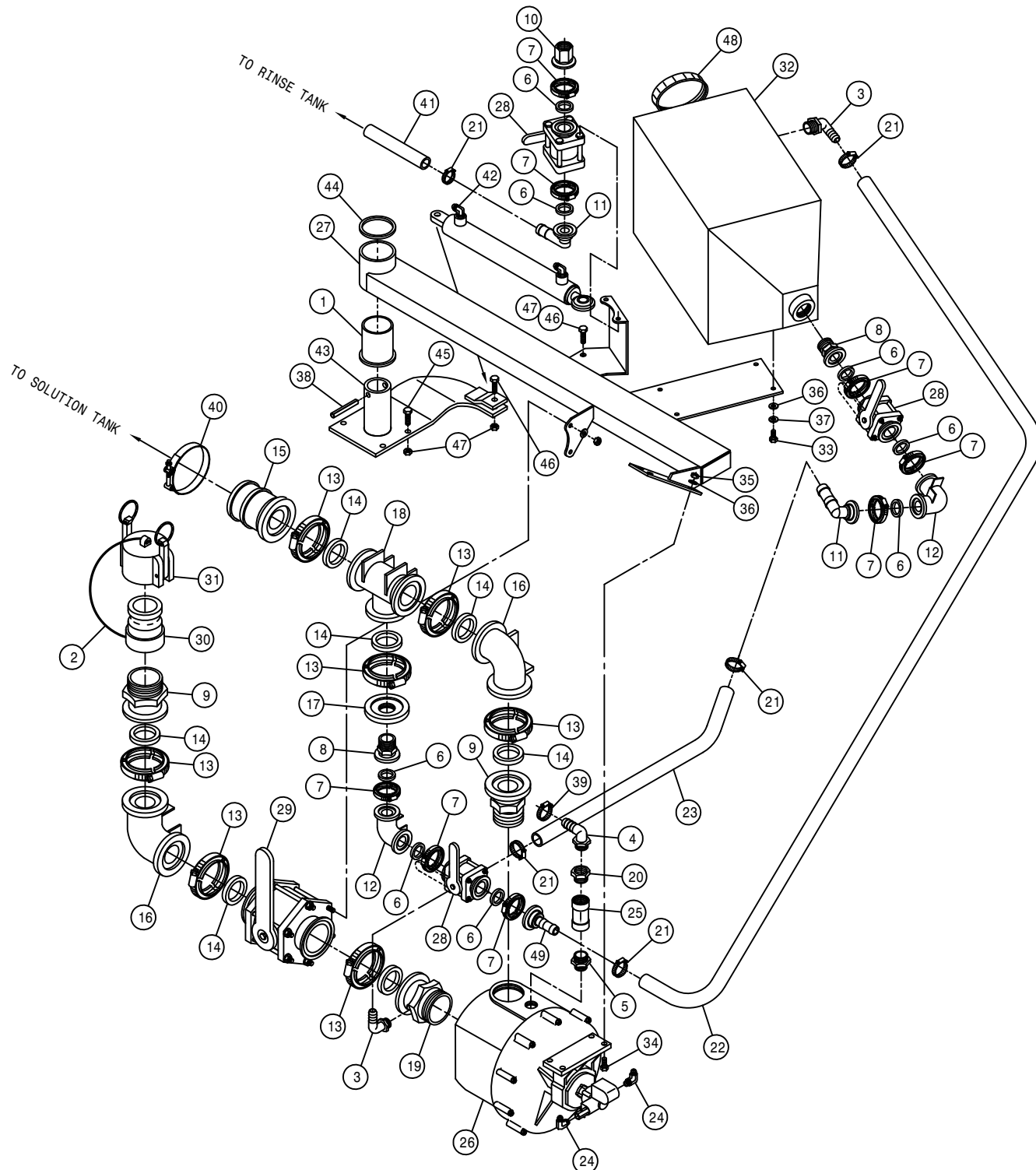


SIDE FILL SWITCH BOX ASSEMBLY

DET.	QTY	PART NO.	DESCRIPTION
1	2	169028	10-24 HEX FLANGE LOCK NUT
2	3	291781	MICRO RELAY, BOSCH 12V SPDT
3	1	293634	SIDE FILL BOX HARNESS
4	1	291790	TOGGLE SWITCH, ON-OFF DPDT
5	1	293038	TOGGLE SWITCH DPDT 15 AMP
6	2	470001	RUBBER BOOT W NUT FOR 298012
7	2	470118	1/4UNC X 3/4 FLANGE HEX BOLT
8	2	470121	1/4UNC HEX FLANGE LOCK NUT
9	2	473911	5/16UNC-1.31ID-2.00 U-BOLT
10	2	900130	3/8UNC X 1 1/4 HEX BOLT
11	2	903882	10-24 X 1/2 SLT RDHD MACH SCR
12	4	914002	5/16UNC HEX STOVER NUT
13	1	690723	CHEM IND GUARD WLD
14	1	690722	SIDE FILL SWITCH BOX
15	1	650111	DECAL,CHEM INDUCTOR CTRL.STS12
16	2	914004	3/8UNC HEX STOVER NUT

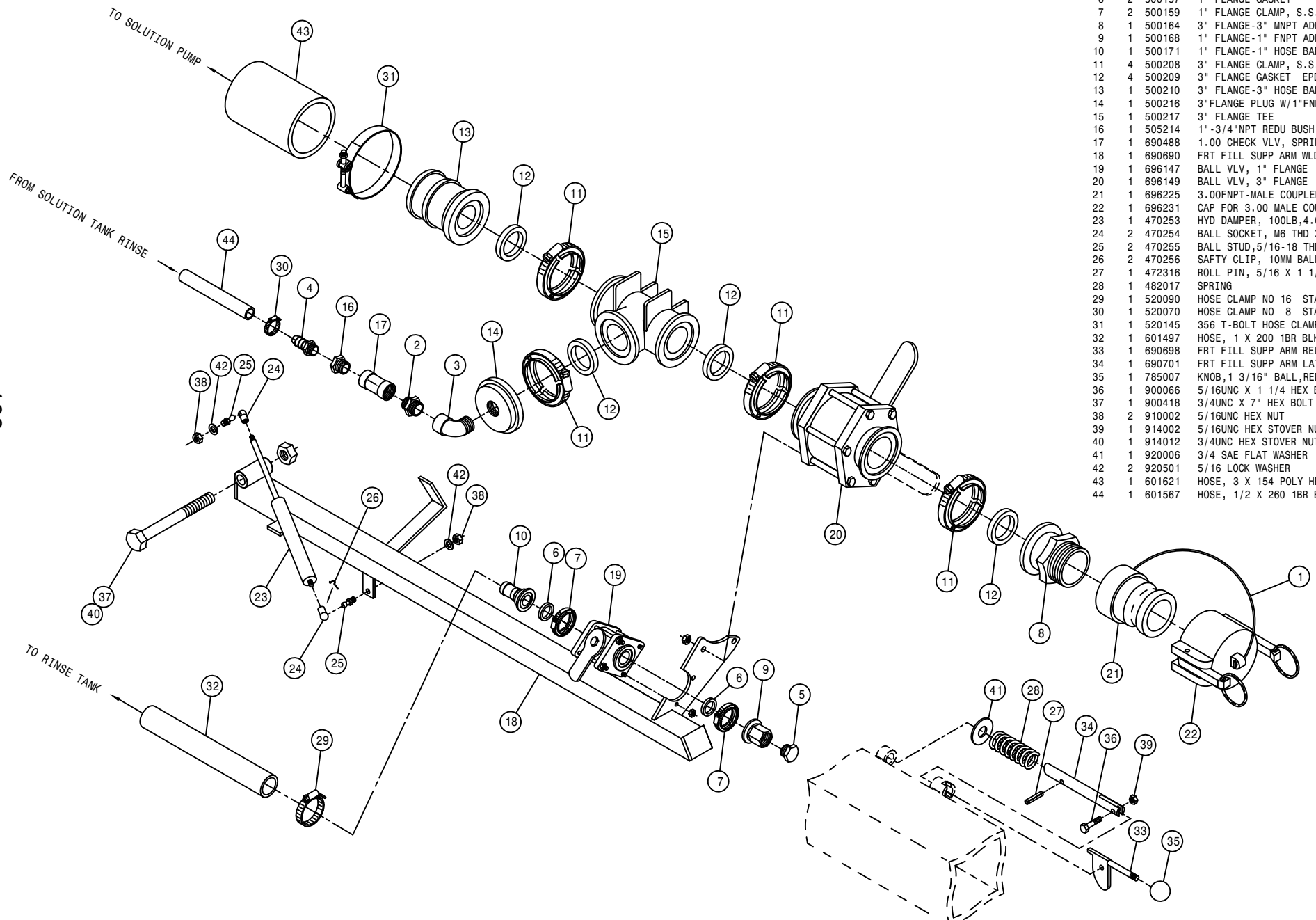
SIDE FILL/CHEMICAL INDUCTOR ASSEMBLY

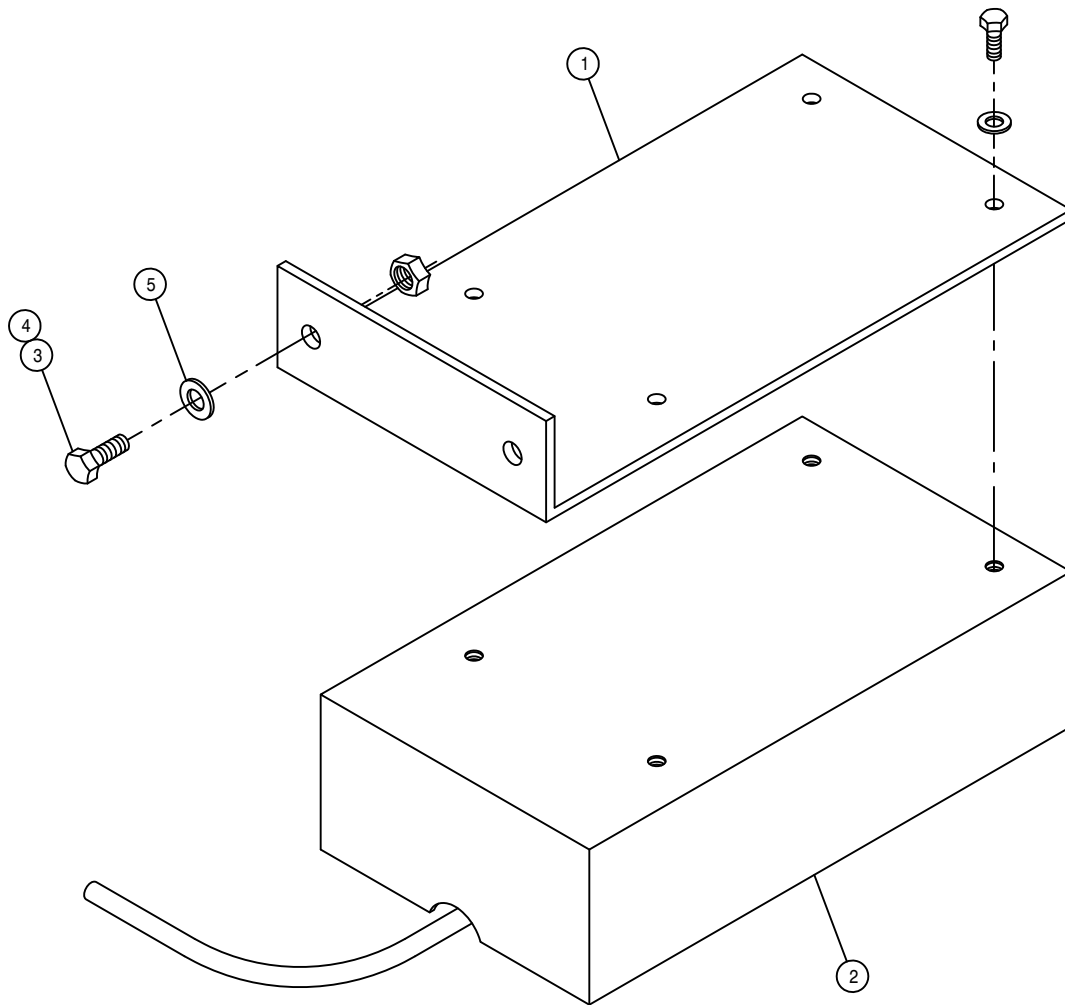
DET.	QTY	PART NO.	DESCRIPTION	
1	1	121101	TRANSOM PIVOT BRG,TOP	POLYGON
2	1	470352	LANYARD, 11" POLY	
3	2	500024	1"NPT-90-1"HOSE BARB, POLY	
4	1	500041	3/4NPT-90-1/2"HOSE BARB, POLY	
5	1	500085	1" X 3/4NPT REDU NIPPLE, POLY	
6	8	500157	1" FLANGE GASKET	EPDM
7	8	500159	1" FLANGE CLAMP, S.S.	
8	2	500163	1" FLANGE-1" MNPT ADPTR	POLY
9	2	500164	3" FLANGE-3" MNPT ADPTR	POLY
10	1	500168	1" FLANGE-1" FNPT ADPTR	POLY
11	2	500173	1" FLANGE-90-1" HOSE BARB	POLY
12	2	500174	1" FLANGE-90-1" FLANGE LBOPOLY	
13	7	500208	3" FLANGE CLAMP, S.S.	
14	7	500209	3" FLANGE GASKET	EPDM
15	1	500210	3" FLANGE-3" HOSE BARB	POLY
16	2	500213	3"FLANGE-90-3"FLANGE LBO	POLY
17	1	500216	3"FLANGE PLUG W/1"FNPT	POLY
18	1	500217	3" FLANGE TEE	POLY
19	1	500220	3"FLANGE-3"MNPT W/1"FNPT	POLY
20	1	505214	1"-3/4"NPT REDU BUSH, POLY	
21	5	520090	HOSE CLAMP NO 16	STAINLESS
22	1	601609	HOSE, 1 X 30 1BR BLK EPDM	
23	1	601611	HOSE, 1 X 30 2F-1W EPDM	
24	2	618183	3/4MJIC-90-7/8MOR LBO	
25	1	690488	1.00 CHECK VLV, SPRING LOADED	
26	1	690760	BANJO PUMP,3" SIDE FILL	STS12
27	1	690916	SIDE FILL ARM WLD, STS	2004
28	3	696147	BALL VLV, 1" FLANGE	
29	1	696149	BALL VLV, 3" FLANGE	
30	1	696225	3.00FNPT-MALE COUPLER	POLY
31	1	696231	CAP FOR 3.00 MALE COUPLER	POLY
32	1	701085	TANK, 5 GAL, SQ WHITE	
33	4	900064	5/16UNC X 3/4 HEX BOLT	
34	4	900066	5/16UNC X 1 1/4 HEX BOLT	
35	4	914002	5/16UNC HEX STOVER NUT	
36	8	920001	5/16 SAE FLAT WASHER	
37	4	920501	5/16 LOCK WASHER	
38	1	473978	ROLL PIN, 1/2 X 3 1/2 LG	
39	1	520070	HOSE CLAMP NO 8	STAINLESS
40	1	520145	356 T-BOLT HOSE CLAMP SS	
41	1	601459	HOSE, 1 X 245 1BR BLK EPDM	
42	1	621065	LADDER,SIDE FILL CYL ASSYSTS03	
43	1	690717	CHEM IND CYL MT WLD	
44	1	690729	3.50 OD X 2.68 ID X 11 GA WASH	
45	4	900265	1/2UNC X 1 1/2 HEX BOLT	
46	2	900267	1/2UNC X 2" HEX BOLT	
47	6	914008	1/2UNC HEX STOVER NUT	
48	1	701155	8" LID FOR 5 GAL TANK 701085	
49	1	500171	1" FLANGE-1" HOSE BARB	POLY



FRONT FILL ASSEMBLY

DET.	QTY	PART NO.	DESCRIPTION
1	1	470352	LANYARD, 11" POLY
2	1	500013	1"NPT HEX PIPE NIPPLE, POLY
3	1	500014	1"NPT-90 ST EL, POLY
4	1	500019	3/4NPT-1/2HOSE BARB, POLY
5	1	500063	1"NPT PIPE PLUG, POLY
6	2	500157	1" FLANGE GASKET EPDM
7	2	500159	1" FLANGE CLAMP, S.S.
8	1	500164	3" FLANGE-3" MNPT ADPTR POLY
9	1	500168	1" FLANGE-1" FNPT ADPTR POLY
10	1	500171	1" FLANGE-1" HOSE BARB POLY
11	4	500208	3" FLANGE CLAMP, S.S.
12	4	500209	3" FLANGE GASKET EPDM
13	1	500210	3" FLANGE-3" HOSE BARB POLY
14	1	500216	3"FLANGE PLUG W/1"FNPT POLY
15	1	500217	3" FLANGE TEE POLY
16	1	505214	1"-3/4"NPT REDU BUSH, POLY
17	1	690488	1.00 CHECK VLV, SPRING LOADED
18	1	690690	FRT FILL SUPP ARM WLD
19	1	696147	BALL VLV, 1" FLANGE
20	1	696149	BALL VLV, 3" FLANGE
21	1	696225	3.00FNPT-MALE COUPLER POLY
22	1	696231	CAP FOR 3.00 MALE COUPLER POLY
23	1	470253	HYD DAMPER, 100LB,4.0 STROKE
24	2	470254	BALL SOCKET, M6 THD X 10MM
25	2	470255	BALL STUD,5/16-18 THD X 10MM
26	2	470256	SAFTY CLIP, 10MM BALL SOCKET
27	1	472316	ROLL PIN, 5/16 X 1 1/2
28	1	482017	SPRING
29	1	520090	HOSE CLAMP NO 16 STAINLESS
30	1	520070	HOSE CLAMP NO 8 STAINLESS
31	1	520145	356 T-BOLT HOSE CLAMP SS
32	1	601497	HOSE, 1 X 200 1BR BLK EPDM
33	1	690698	FRT FILL SUPP ARM REL WLD
34	1	690701	FRT FILL SUPP ARM LATCH PIN
35	1	785007	KNOB,1 3/16" BALL,RED,3/8-16
36	1	900066	5/16UNC X 1 1/4 HEX BOLT
37	1	900418	3/4UNC X 7" HEX BOLT
38	2	910002	5/16UNC HEX NUT
39	1	914002	5/16UNC HEX STOVER NUT
40	1	914012	3/4UNC HEX STOVER NUT
41	1	920006	3/4 SAE FLAT WASHER
42	2	920501	5/16 LOCK WASHER
43	1	601621	HOSE, 3 X 154 POLY HELIX EPDM
44	1	601567	HOSE, 1/2 X 260 1BR BLK EPDM

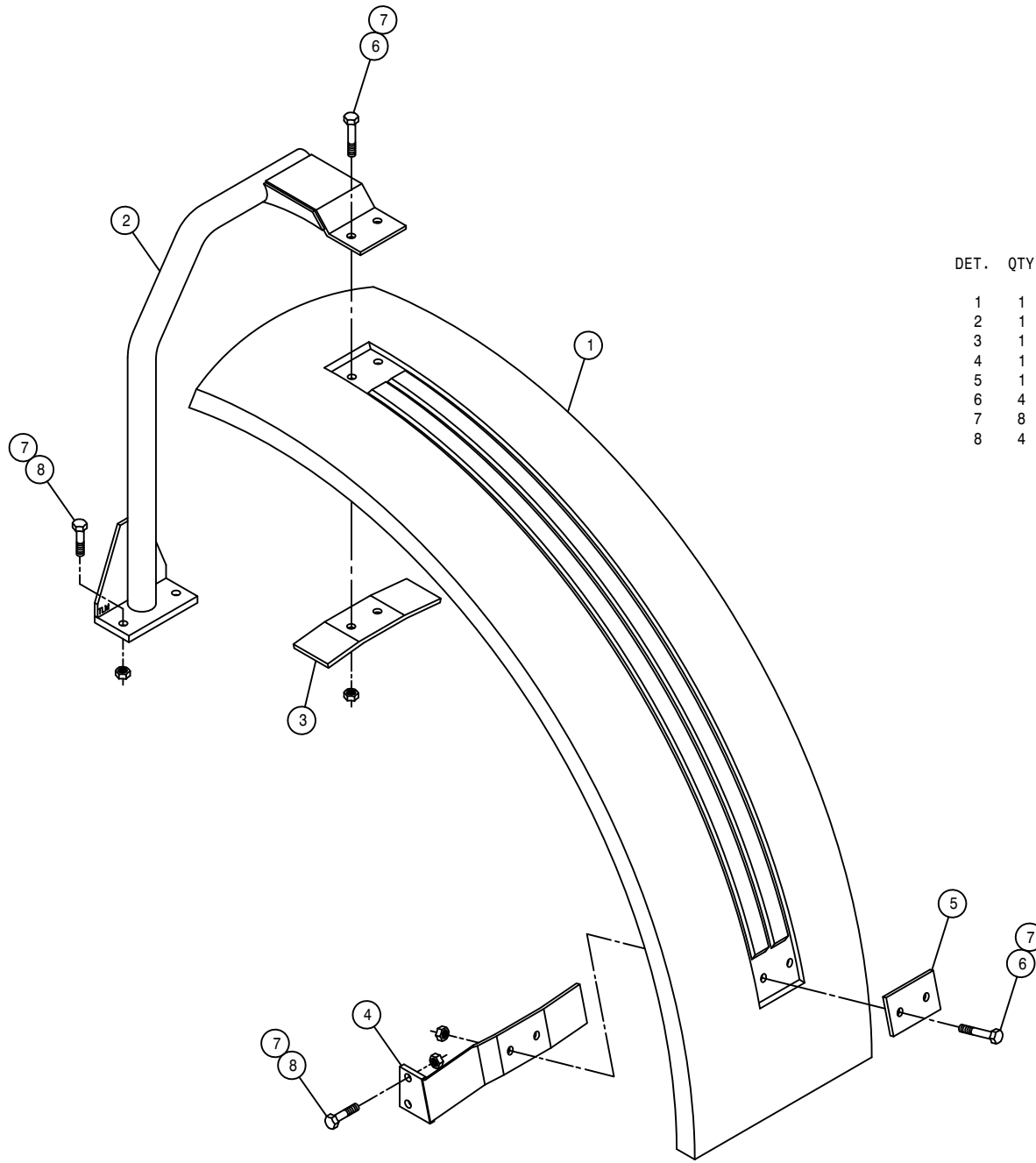




RADAR OPTION

DET. QTY PART NO. DESCRIPTION

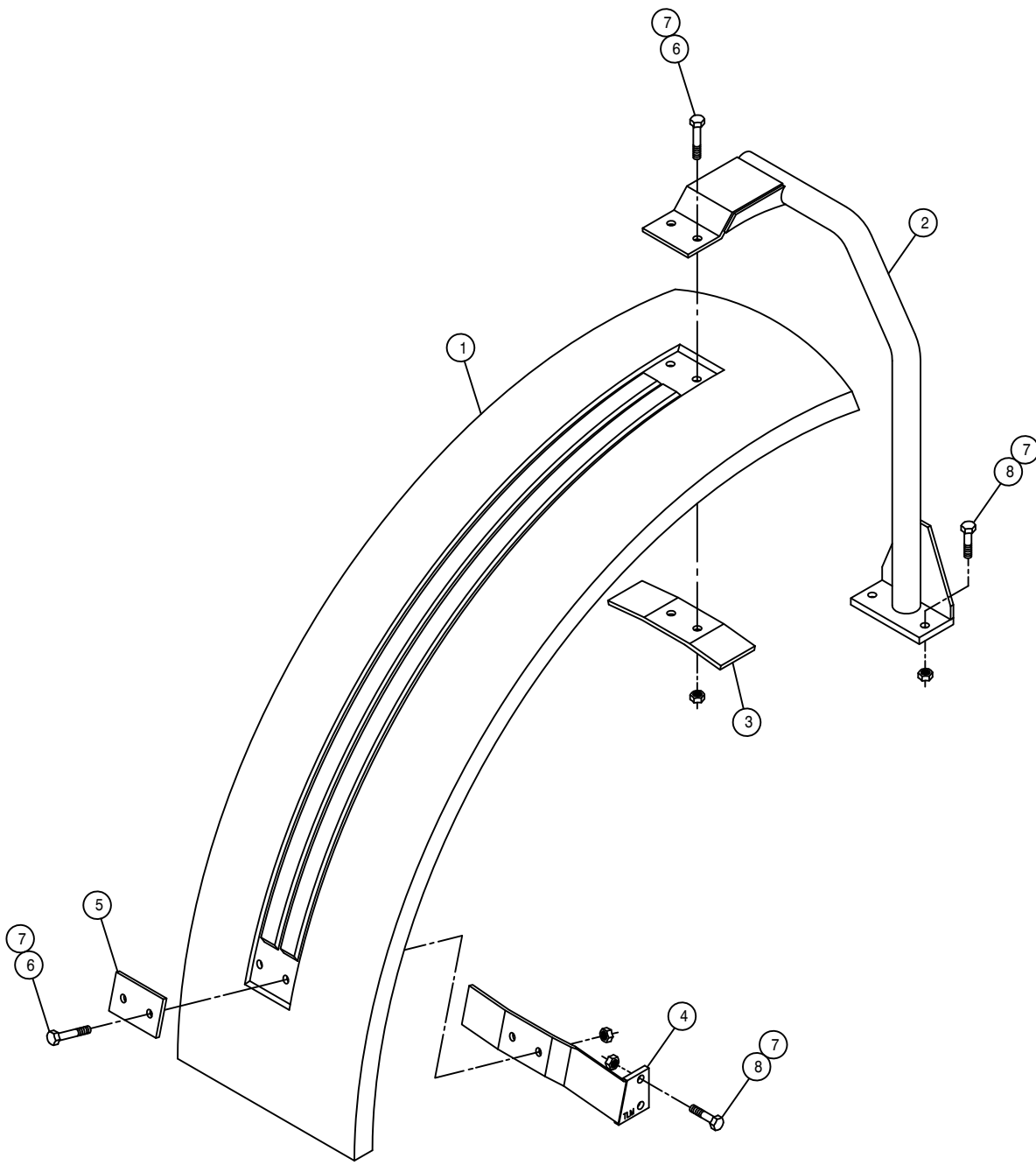
1	1	342857	RADAR MTG BRKT
2	1	690599	RAVEN RADAR UNIT W/CABLE
3	2	900129	3/8UNC X 1" HEX BOLT
4	2	914004	3/8UNC HEX STOVER NUT
5	2	920002	3/8 SAE FLAT WASHER



RIGHT FENDER ASSEMBLY

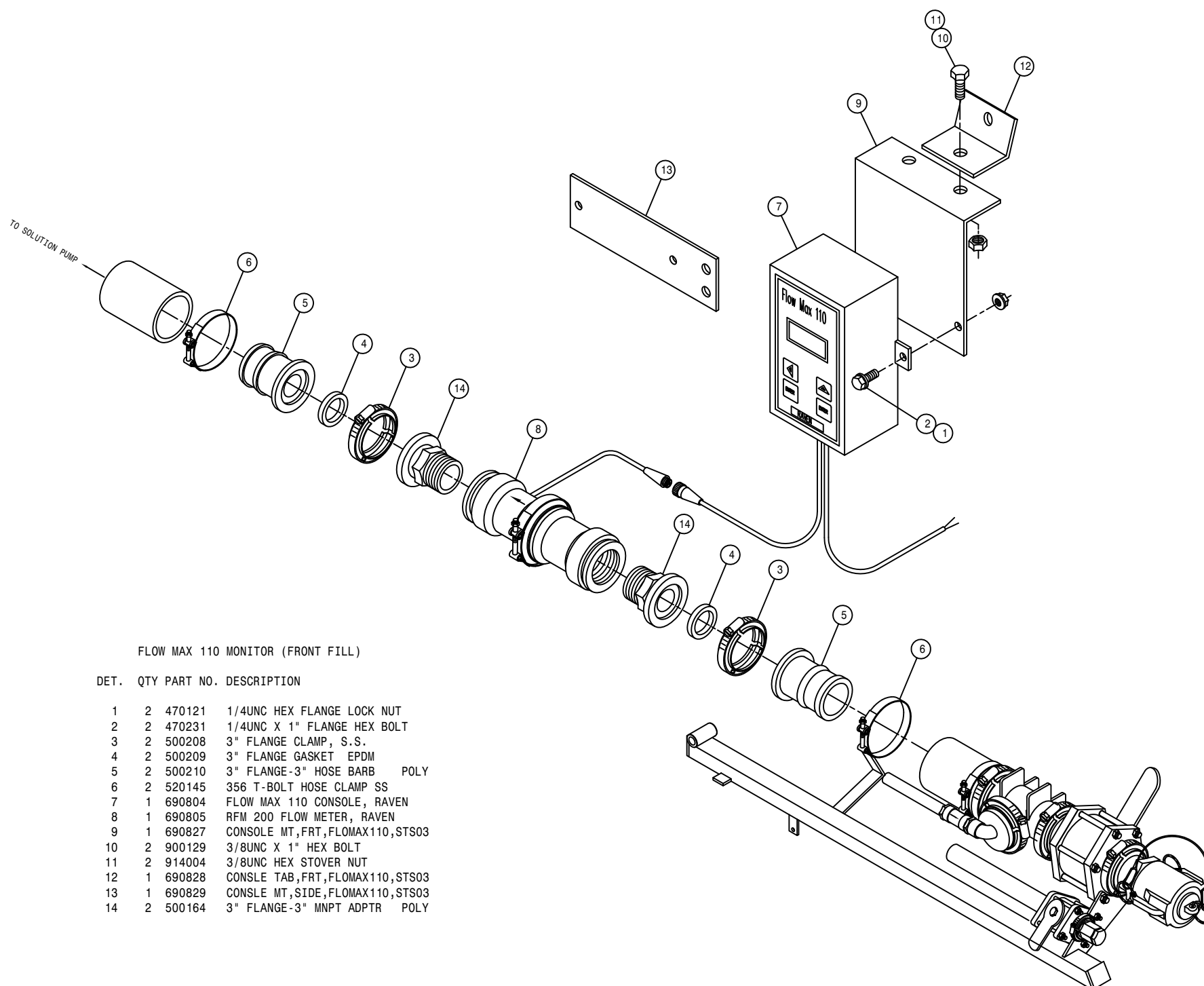
DET. QTY PART NO. DESCRIPTION

DET.	QTY	PART NO.	DESCRIPTION	
1	1	359151	FENDER, STS12	2000
2	1	359205	RH FENDER MT WLD STS	03
3	1	359160	FENDER MT KEEPER	STS12
4	1	359208	RH FENDER SUPP BRKT WLD STS	03
5	1	359167	FENDER SUPPORT KEEPER	STS12
6	4	900268	1/2UNC X 2 1/2 HEX BOLT	
7	8	914008	1/2UNC HEX STOVER NUT	
8	4	900266	1/2UNC X 1 3/4 HEX BOLT	



LEFT FENDER ASSEMBLY

DET.	QTY	PART NO.	DESCRIPTION	
1	1	359151	FENDER, STS12	2000
2	1	359206	LH FENDER MT WLD STS12	03
3	1	359160	FENDER MT KEEPER	STS12
4	1	359209	LH FENDER SUPP BRKT WLD	STS 03
5	1	359167	FENDER SUPPORT KEEPER	STS12
6	4	900268	1/2UNC X 2 1/2 HEX BOLT	
7	8	914008	1/2UNC HEX STOVER NUT	
8	4	900266	1/2UNC X 1 3/4 HEX BOLT	



FLOW MAX 110 MONITOR (FRONT FILL)

DET.	QTY	PART NO.	DESCRIPTION
	1	2 470121	1/4UNC HEX FLANGE LOCK NUT
	2	2 470231	1/4UNC X 1" FLANGE HEX BOLT
	3	2 500208	3" FLANGE CLAMP, S.S.
	4	2 500209	3" FLANGE GASKET EPDM
	5	2 500210	3" FLANGE-3" HOSE BARB POLY
	6	2 520145	356 T-BOLT HOSE CLAMP SS
	7	1 690804	FLOW MAX 110 CONSOLE, RAVEN
	8	1 690805	RFM 200 FLOW METER, RAVEN
	9	1 690827	CONSOLE MT,FRT,FLOMAX110,STS03
	10	2 900129	3/8UNC X 1" HEX BOLT
	11	2 914004	3/8UNC HEX STOVER NUT
	12	1 690828	CONSLE TAB,FRT,FLOMAX110,STS03
	13	1 690829	CONSLE MT,SIDE,FLOMAX110,STS03
	14	2 500164	3" FLANGE-3" MNPT ADPTR POLY

This Page Intentionally Blank

NOTICE

The following page contains decals for the model STS 12.

These decals can be obtained from Hagie Mfg. Co. and should be used whenever your machine is repainted or when the decals become worn, weathered, or faded.

Special attention should be paid to decals involving personal safety. They have been attached for your protection.

KEEP THEM IN PLACE.

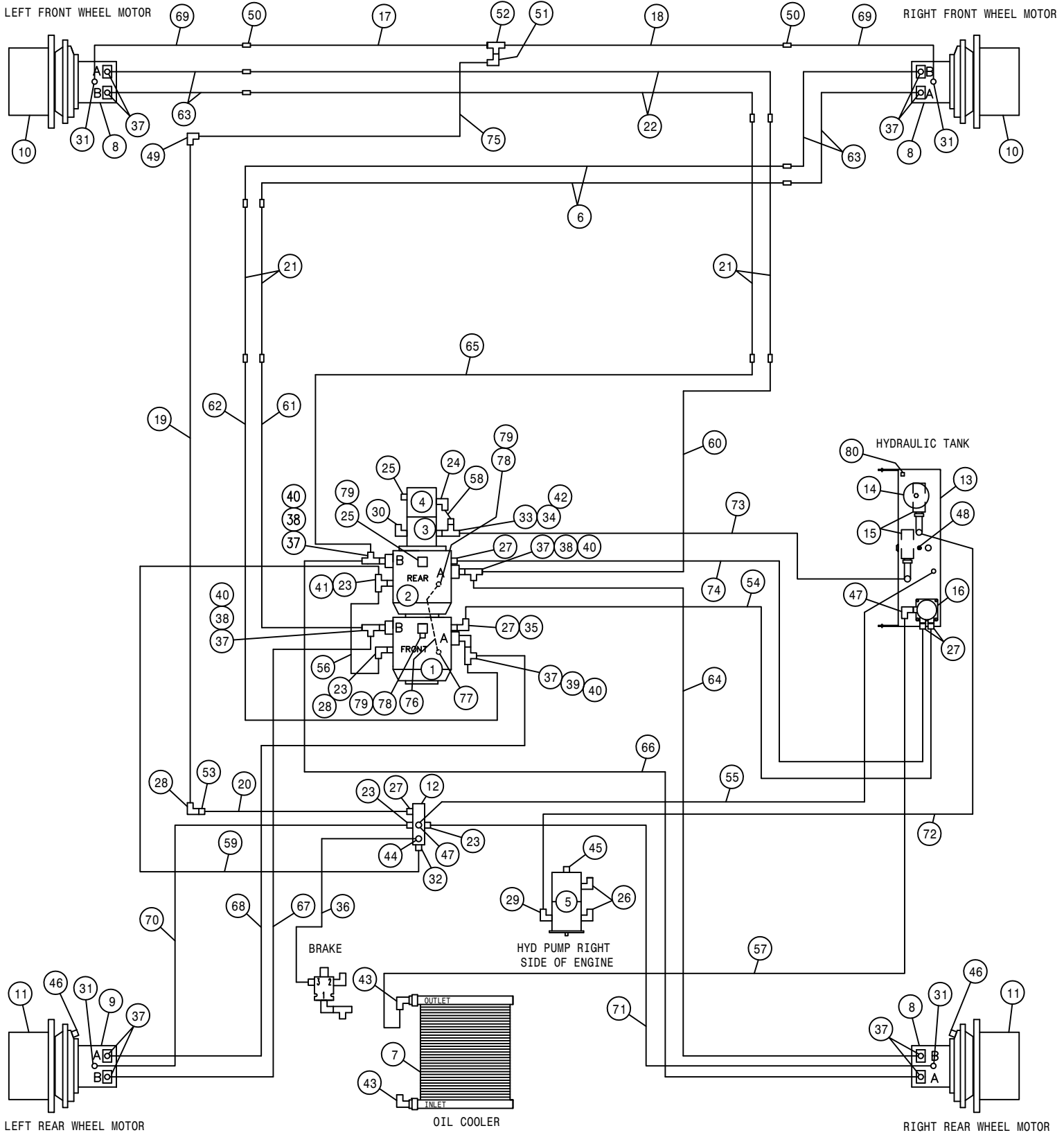
**Contact: Hagie Manufacturing Co.
Box 273
Clarion, Iowa 50525**

STS12 DECALS

<u>QTY.</u>	<u>PART NO.</u>	<u>DESCRIPTION</u>	<u>LOCATION</u>
1	650101	BOOM SPRAY VALVE SWITCH DECAL	ON THE SOLUTION SWITCH BOX
1	650102	HYDROSTATIC CONTROL PANEL DECAL	ON HYDRO LEVER MOUNT
4	650103	TREAD ADJUST INDICATOR DECAL	1-ON EACH LEG SLIDE TUBE
1	650105	SOLUTION TANK DECAL SET	ON SOLUTION TANK
1	650107	CAUTION BOOSTER DECAL	NEAR BOOSTER POSTS
1	650108	MAIN SPRAY POWER DECAL	ON ATI CONTROL BOX
1	650109	LOW HYDRAULIC OIL DECAL	ON ATI CONTROL BOX
1	650110	PRESSURE WASHER DECAL	ON PRESSURE WASHER SWITCH BOX
1	650111	CHEMICAL INDUCTOR CONTROL DECAL	ON CHEM INDUCTOR CONTROL BOX
1	650112	HAGIE UPFRONT STRG WHEEL DECAL	ON STEERING WHEEL
1	650113	EMERGENCY EXIT DECAL	ON RH SIDE WINDOW HANDLE
1	650114	FILL WITH FRESH WATER DECAL	ON FRESH WATER TANK
1	650115	HAND WASH ONLY DECAL	NEAR HAND WASH VALVE
1	650116	INDUCTOR FILL INSTRUCTION DECAL	ON SIDE OF FILL ARM
1	650118	DO NOT USE EITHER DECAL	NEAR AIR INTAKE ON SHEET METAL
1	650124	RINSE CONTROL PANEL DECAL	ON THE SWITCH PANEL
1	650125	AGITATOR RATE IND DECAL	ON KZCO AGITATION VALVE
1	650135	ENGINE COMPARTMENT DECAL SET	ON ENGINE HOOD
1	650337	ELECTROCUTION HAZARD DECAL	ON RH SIDE WINDOW
2	650339	WARNING, HYD OIL INJ DECAL	1-ON SIDE OF OIL TANK 1-NEAR ELECTIC VALVE ON TRANSOM
1	650340	CAUTION, PARKING BRAKE DECAL	ON RH SIDE WINDOW
1	650347	NOTICE-R134 DECAL	RH SIDE OF ENGINE ON FRAME
1	650363	FRONT RECEPTACLE PANEL DECAL	ON RECEPTACLE PANEL
1	650367	AIR FILTER INSTRUCTION DECAL	ON ENGINE AIR FILTER END CAP
1	650848	CAUTION, SLIP OR FALL DECAL	ON LADDER PIVOT TUBE
1	650849	CAUTION, ENGINE FUEL DECAL	NEAR FUEL TANK NECK
1	650850	DANGEROUS CHEM DECAL	SOLUTION TANK FILLER NECK
1	650851	SHIELDS DECAL	ON LOWER LH REAR MAINFRAME TUBE
1	650852	READ MANUAL DECAL	ON LEFT SIDE WINDOW
1	650954	DIESEL DECAL	NEAR FUEL TANK NECK
1	650981	COOLING SYSTEM DECAL	NEAR RADIATOR CAP
1	650982	ELECTRICAL DECAL	ON RH CAB DOOR
4	650985	WHEEL BOLT TORQUE DECAL	ON EACH WHEEL RIM

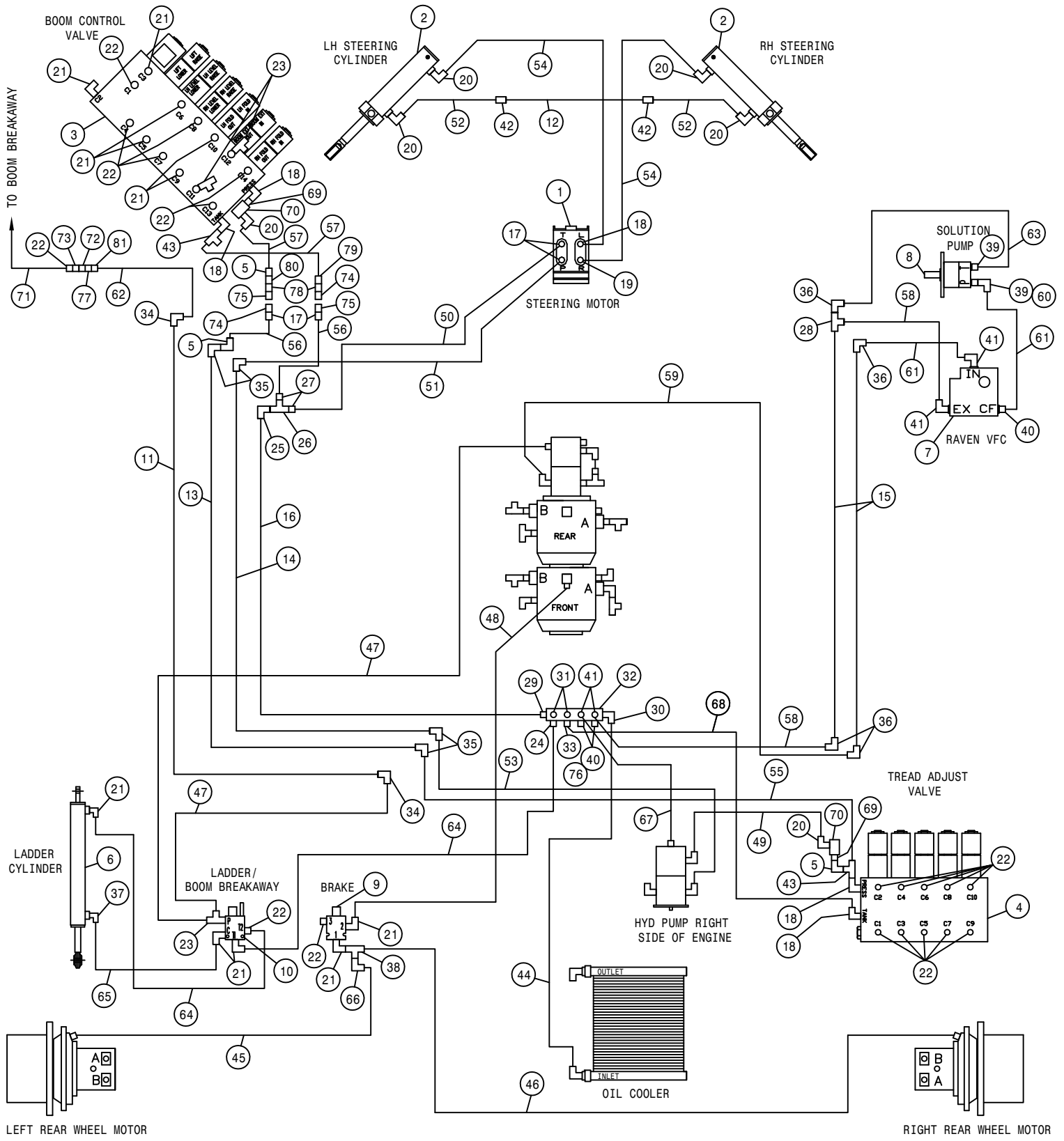
LEFT FRONT WHEEL MOTOR

RIGHT FRONT WHEEL MOTOR



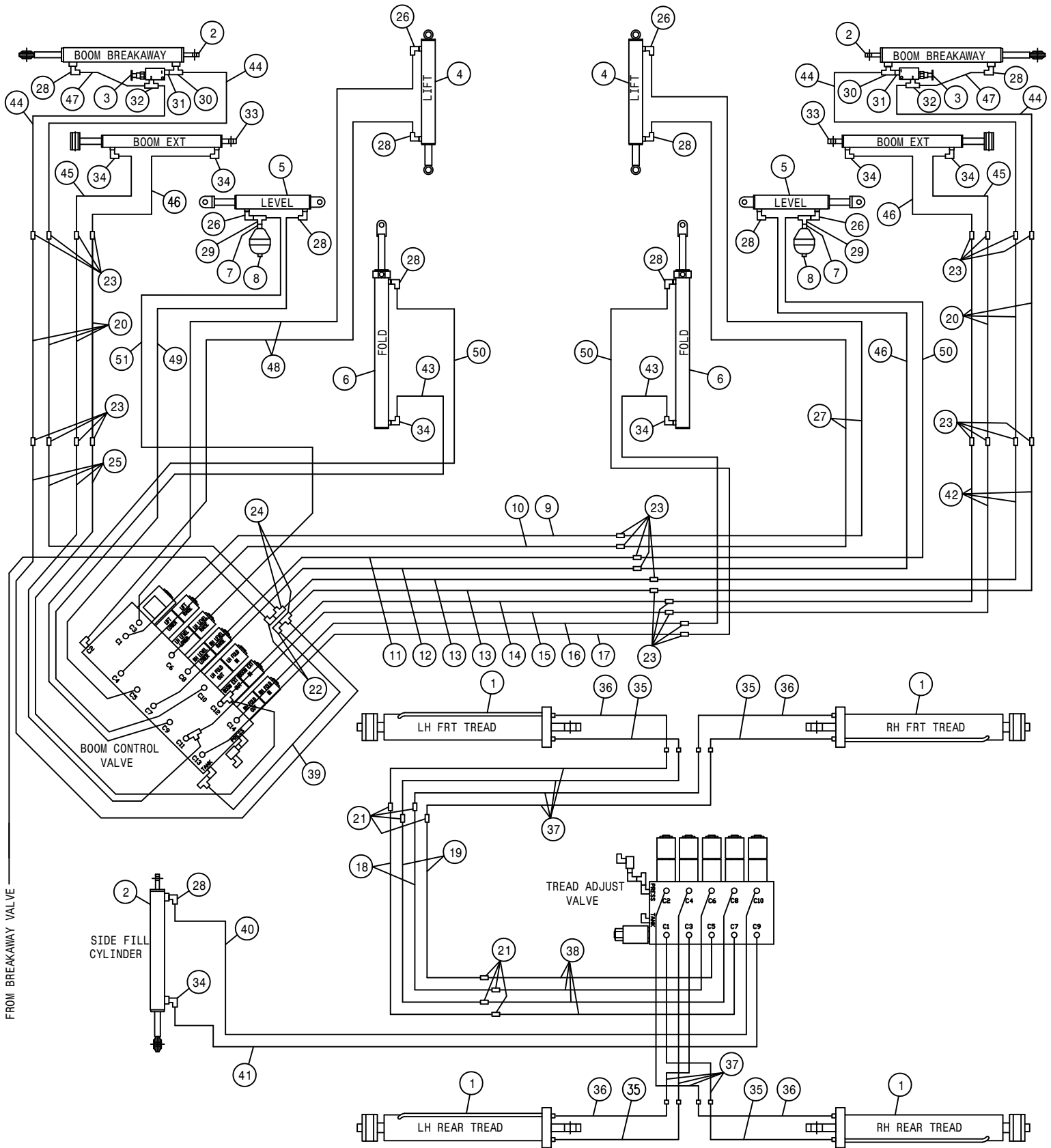
STS12 HYDRAULIC SCHEMATIC 2004
REFERENCE DRAWING NO. 498822S1

DET.	QTY	PART NO.	DESCRIPTION	DET.	QTY	PART NO.	DESCRIPTION
1	1	606153	SAUER 75CC PUMP,C/C-MT	41	1	618660	1 1/16FJX BRANCH TEE-1 1/16MJ
2	1	606156	SAUER 75CC PUMP,C/B-MT	42	1	618720	1 7/8FJIC-3/4MJIC ADPTR
3	1	606984	SUND GEAR PUMP,2.02CI GRP3	43	2	618463	1 5/16MJIC-90-1 5/16MOR XL LBO
4	1	606987	SUND GEAR PUMP, .128CI GRP3	44	1	618119	9/16MJIC-90-9/16MOR LBO
5	1	606990	TANDEM PUMP, .66CI/.51CI	45	1	618315	3/4MJIC-45-3/4MOR LBO
6	2	615784	RH FRT WHL MAIN HYD TUBE ASSY	46	2	618666	7/16MJIC-M12X1.5MOR ADPTR
7	1	618800	OIL COOLER STS12 2000	47	2	618477	1 5/8MJIC-90-1 5/8MOR LBO
8	3	606978	SUND HYD MOTOR	48	1	470308	1/2MNPT DRAIN PLUG,AL HD,MAG
9	1	606993	SAUER HYD MOTOR W/DIV-2 SENSOR	49	1	618448	1 1/16MJIC-90-1 1/16MJIC LBO
10	2	610711	TORQ HUB, 22:1 CW12	50	2	618456	7/8MJIC UNION
11	2	610714	TORQ HUB, 27:1 CW12	51	1	618301	7/8MJIC-90-7/8FJIC SWIV LBO
12	1	606041	HYD RETURN MANIFOLD	52	1	618581	7/8MJIC UNION TEE
13	1	760288	HYD TANK WLD, STS 04	53	1	618722	1 5/16-1 1/16MJIC REDU UNION
14	1	470362	6" HOLE COVER	54	1	616236	16-451TC-16FJX-16FJX-56 H/A
15	2	605620	SUMP STRAINER,50GPM,100M,1.5NP	55	1	616239	20-421-20FJX-20FJX90-70 H/A
16	1	605618	HYD TANK FILTER, 10M HYDAC	56	1	616107	08-451TC-12FJX-12FJX-17 H/A
17	1	615775	LH FRT CASEDRAIN HYD TUBE ASSY	57	1	616241	20-421-16FJX-20FJX-160 H/A
18	1	615776	RH FRT CASEDRAIN HYD TUBE ASSY	58	1	616243	06-451TC-08FJX-08FJX-17 H/A
19	1	615778	FRT CASE DRAIN HYD TUBE ASSY	59	1	616238	12-421-12FJX-12FJX-19 H/A
20	1	615779	CASE DRAIN HYD TUBE ASSY	60	1	616061	16C15-16FFOX-16FFOX-30 H/A
21	4	615785	FRT WHL MAIN HYD TUBE ASSY	61	1	616062	16C15-16FFOX-16FFOX-58 H/A
22	2	615783	LH FRT WHL MAIN HYD TUBE ASSY	62	1	616063	16C15-16FFOX-16FFOX90-81 H/A
23	4	611127	1 1/16MJIC-1 1/16MOR ADPTR	63	4	616064	16C15-16FFOX-16FLG-132 H/A
24	1	618241	3/4MJIC-90-3/4MOR LBO	64	1	616065	16C15-16FFOX-16FLG-165 H/A
25	2	618126	9/16MJIC-9/16MOR ADPTR	65	1	616066	16C15-16FFOX90-16FFOX90-38 H/A
26	2	618183	3/4MJIC-90-7/8MOR LBO	66	1	616067	16C15-16FFOX90-16FLG-193 H/A
27	5	618186	1 5/16MJIC-1 5/16MOR ADPTR	67	1	616068	16C15-16FFOX90-16FLG-203 H/A
28	2	618191	1 1/16MJ-90-1 1/16FJ SWIV LBO	68	1	616069	16C15-16FFOX90-16FLG-223 H/A
29	1	618248	1 1/16MJIC-90-1 1/16MOR LBO	69	2	616103	08-451TC-08FJX-10FJX-136 H/A
30	1	618302	1 1/16MJIC-90-1 5/16MOR LBO	70	1	616245	08-451TC-08FJX-12FJX-178 H/A
31	4	618327	3/4MJIC-7/8MOR ADPTR	71	1	616106	08-451TC-08FJX-12FJX-175 H/A
32	1	618308	1 1/16MJIC-1 5/16MOR ADPTR	72	1	616237	16-451TC-12FJX-20FJX90-119 H/A
33	1	618527	1 7/8MJIC-1 5/8MOR ADPTR	73	1	616242	24-881-24FJX-24FJX90-58 H/A
34	1	618681	1 7/8FJ SW RUN TEE-1 7/8MJ	74	1	616235	16-451TC-16FJX-16FJX-50 H/A
35	1	618640	1 5/16MJ-90-1 5/16FJ SWIV LBO	75	1	616113	10-421-10FJX-12FJX-55 H/A
36	1	616244	04-451TC-06FJX-06FJX-24 H/A	76	1	616038	04C2AT-06FJX-06FJX90-15 H/A
37	12	618652	1" SPLIT FLANGE KIT	77	1	614754	.050 ELBOW ASSY,9/16MOR 90D
38	3	618653	1" FLANGE-1 7/16MFOR ADPTR	78	2	618444	9/16MOR RUN TEE-9/16MJIC
39	1	618654	1" FLANGE-90-1 7/16MFOR LBO	79	3	618531	9/16FJIC CAP NUT
40	4	618655	1 7/16FFOX RUN TEE-1 7/16MFOR	80	1	618532	3/4FJIC CAP NUT



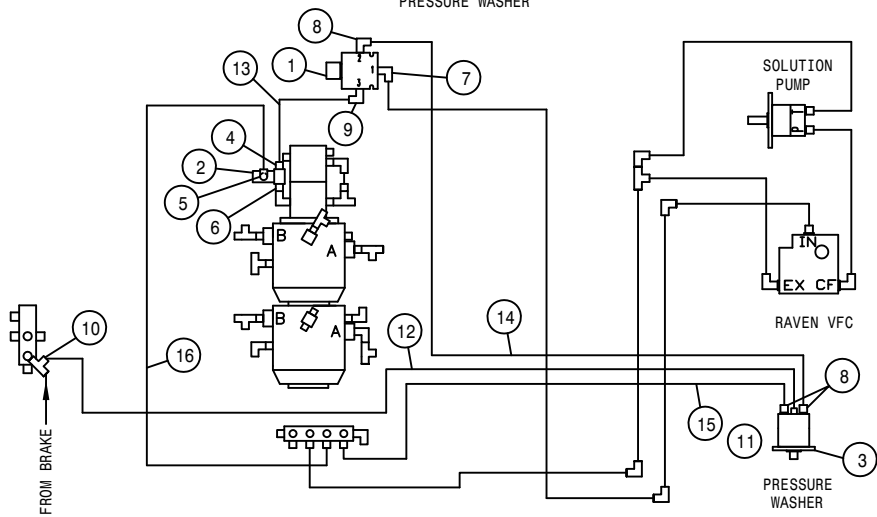
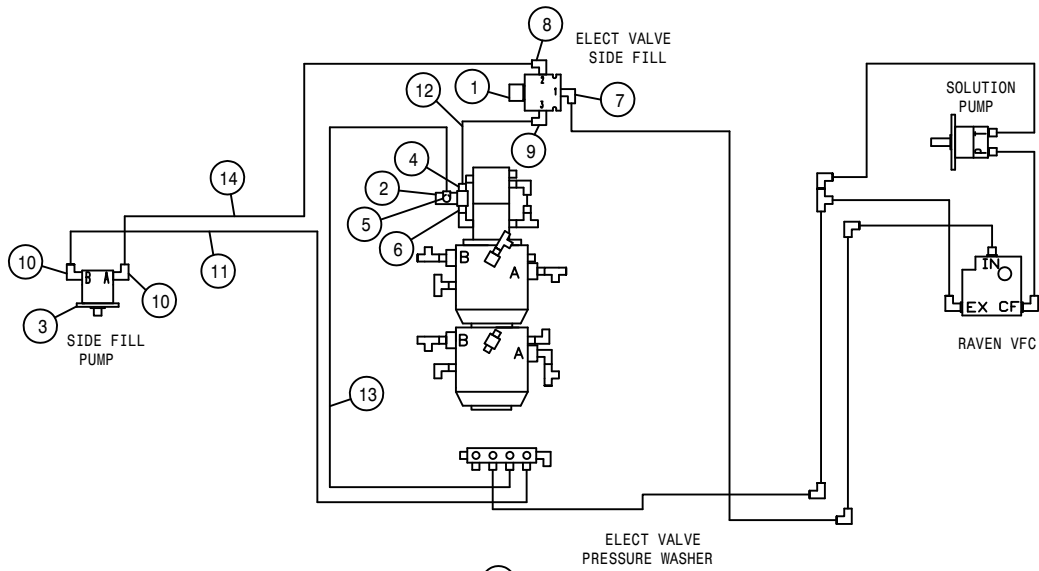
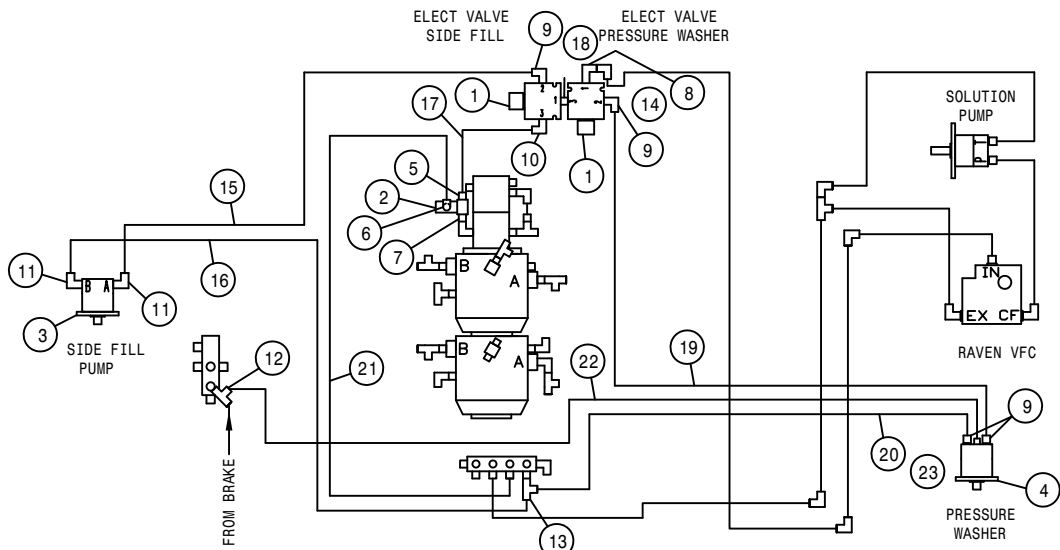
STS12 HYDRAULIC SCHEMATIC 2004
REFERENCE DRAWING NO. 49882S2

DET.	QTY	PART NO.	DESCRIPTION	DET.	QTY	PART NO.	DESCRIPTION
1	1	749321	STEERING CONTROL MTR 14.1CI	42	2	618314	3/4MJIC UNION
2	2	621550	STEERING CYL, 2.50 X 8.81 STS	43	2	618451	3/4FJIC SW RUN TEE-3/4MJIC
3	1	606104	BOOM CTRL VLV, STS PWRSYS 03	44	1	616240	20-421-16FJX-20FJX-103 H/A
4	1	606103	TREAD ADJ VLV, STS PWRSYS 03	45	1	616072	04-451TC-04FJX45-06FJX-195 H/A
5	3	618609	3/4MJIC-90-3/4FJIC SWIV LBO	46	1	616073	04-451TC-04FJX45-06FJX-202 H/A
6	1	621554	LADR/SF/BRKWAY CYL, 1.50 X12.25	47	2	616080	04-451TC-06FJX-06FJX-30 H/A
7	1	690666	VALVE HYD CTRL, 30GPM RAVEN	48	1	616081	04-451TC-06FJX-06FJX-31 H/A
8	1	690906	HYPRO PUMP, 9306C-HM3CB	49	1	616093	08-451TC-08FJX-08FJX-86 H/A
9	1	606013	BRAKE VLV W/TOWER ASSY	50	1	616094	06-451TC-08FJX-08FJX-31 H/A
10	1	606011	LADDER/BRKWAY VLV W/TOWER ASSY	51	1	616095	06-451TC-08FJX-08FJX-33 H/A
11	1	615771	BRKAWAY/TRD MAIN HYD TUBE ASSY	52	2	616096	06-451TC-08FJX-08FJX-37 H/A
12	1	615772	STRG CYL JUMPER HYD TUBE ASSY	53	1	616097	08-451TC-08FJX-08FJX-90 H/A
13	1	615773	STACK VALVE MAIN HYD TUBE ASSY	54	2	616098	06-451TC-08FJX-08FJX-94 H/A
14	1	615774	STEERING MAIN HYD TUBE ASSY	55	1	616101	08-451TC-08FJX-08FJX-31 H/A
15	2	615777	SOLUTION PUMP HYD TUBE ASSY	56	2	616234	08-451TC-08FJX-08FJX-66 H/A
16	1	615782	FRT MAIN RETURN HYD TUBE ASSY	57	2	616233	08-451TC-08FJX-08FJX-53 H/A
17	4	611125	3/4MJIC-3/4MOR ADPTR	58	2	616108	10-451TC-12FJX-12FJX-28 H/A
18	5	618241	3/4MJIC-90-3/4MOR LBO	59	1	616109	10-451TC-12FJX-12FJX-32 H/A
19	1	618443	3/4MJIC-90-3/4MOR EX LG LBO	60	1	618191	1 1/16MJ-90-1 1/16FJ SWIV LBO
20	6	618249	3/4MJIC-90-9/16MOR LBO	61	2	616188	10-451TC-12FJX90-12FJX-19 H/A
21	11	618119	9/16MJIC-90-9/16MOR LBO	62	1	616089	04-451TC-06FJX-06FJX-60 H/A
22	19	618126	9/16MJIC-9/16MOR ADPTR	63	1	616189	10-451TC-12FJX90-12FJX-29 H/A
23	3	618444	9/16MOR RUN TEE-9/16MJIC	64	2	616083	04-451TC-06FJX-06FJX-36 H/A
24	1	618344	9/16MJIC-1 1/16MOR ADPTR	65	1	616086	04-451TC-06FJX-06FJX-45 H/A
25	1	618657	1 5/8MJIC-90-1 5/8MJIC LBO	66	1	618618	9/16MJIC-90-9/16FJIC SWIV LBO
26	1	618726	1 5/8FJ SW RUN TEE-1 5/8MJ	67	1	616136	08-451TC-08FJX-12FJX-72 H/A
27	2	618723	1 5/8FJIC-3/4MJIC ADPTR	68	1	616139	08-451TC-08FJX-08FJX-36 H/A
28	1	618487	1 1/16FJ SW RUN TEE-1 1/16MJ	69	2	618692	3/4FJIC SWIV-9/16MOR ADPTR
29	1	618471	1 5/8MJIC-1 5/16MOR ADPTR	70	2	605615	HYD FILTER, INLINE 25M 9/16FOR
30	1	618476	1 5/8MJIC-90-1 5/16MOR LBO	71	1	616231	04-451TC-06FJX-06FJX-81 H/A
31	2	610186	1 1/16MOR PLUG	72	1	618694	HYD COUPLER, FEM 1/4B, 9/16FOR
32	1	606029	RETURN MANIFOLD BLOCK, STS 03	73	1	618695	HYD COUPLER, MALE 1/4B, 9/16FOR
33	1	618469	3/4MJIC-1 1/16MOR ADPTR	74	2	618696	HYD COUPLER, FEM 1/2B, 3/4FOR
34	2	618603	9/16MJIC-90-9/16MJIC LBO	75	2	618697	HYD COUPLER, MALE 1/2B, 3/4FOR
35	4	618442	3/4MJIC-90-3/4MJIC LBO	76	2	618533	1 1/16FJIC CAP NUT
36	4	618448	1 1/16MJIC-90-1 1/16MJIC LBO	77	1	618668	9/16FJIC SWIV-9/16MOR ADPTR
37	1	614750	.042 ELBOW ASSY, 9/16MOR 90D	78	2	618669	3/4FJIC SWIV-3/4MOR ADPTR
38	1	618486	9/16FJIC SW RUN TEE-9/16MJIC	79	1	618010	3/4MJIC-90-BLKHD UNION LBO
39	2	618273	1 1/16MJIC-1/2MNPT ADPTR	80	1	618349	3/4MJIC-3/4MJIC BLKHD UNION
40	3	611127	1 1/16MJIC-1 1/16MOR ADPTR	81	1	618350	9/16MJIC-45-BLKHD UNION LBO
41	4	618248	1 1/16MJIC-90-1 1/16MOR LBO				



STS12 HYDRAULIC SCHEMATIC 2004
REFERENCE DRAWING NO. 498822S3

DET.	QTY	PART NO.	DESCRIPTION	DET.	QTY	PART NO.	DESCRIPTION
1	4	621552	TRD ADJ CYL, 3.00 X 16.00 STS	27	2	616088	04-451TC-06FJX-06FJX-56 H/A
2	3	621554	LADR/SF/BRKWAY CYL,1.50 X12.25	28	9	618119	9/16MJIC-90-9/16MOR LBO
3	2	607540	KICK-DOWN RELIEF VALVE, 800PSI	29	2	618486	9/16FJIC SW RUN TEE-9/16MJIC
4	2	621556	LIFT CYL, 2.50 X 18.00 STS	30	2	618629	9/16MOR BRANCH TEE-9/16MJIC
5	2	621558	LEVEL CYL, 3.00 X 11.00 STS	31	2	618668	9/16FJIC SWIV-9/16MOR ADPTR
6	2	621560	FOLD CYL, 2.50 X 21.000 STS	32	2	614752	RESTRICTOR BR TEE ASSY, .042DIA
7	2	618719	9/16FJIC SWIV-3/4MOR ADPTR	33	2	621562	OUTR FOLD CYL,2.25 X 21.00 STS
8	2	470326	ACCUMULATOR, DIAPHRAGM	34	7	614750	.042 ELBOW ASSY,9/16MOR 90D
9	1	615761	LIFT RAISE HYD TUBE ASSY	35	4	616070	04-451TC-04MJBH-06MOR-11.00H/A
10	1	615762	LIFT LOWER HYD TUBE ASSY	36	4	616071	04-451TC-04MJBH-06MOR-13.00H/A
11	1	615763	LEVEL RAISE HYD TUBE ASSY	37	8	616074	04-451TC-04FJX90-06FJX-26 H/A
12	1	615764	LEVEL LOWER HYD TUBE ASSY	38	4	616079	04-451TC-06FJX-06FJX-29 H/A
13	2	615765	BREAKAWAY HYD TUBE ASSY	39	1	616124	04-451TC-06FJX-08FJX-24 H/A
14	1	615766	BOOM EXTN RAISE HYD TUBE ASSY	40	1	616118	04-451TC-06FJX-06FJX-165 H/A
15	1	615767	BOOM EXTN LOWER HYD TUBE ASSY	41	1	616119	04-451TC-06FJX-06FJX-175 H/A
16	1	615768	RH FOLD RAISE HYD TUBE ASSY	42	4	616089	04-451TC-06FJX-06FJX-60 H/A
17	1	615769	RH FOLD LOWER HYD TUBE ASSY	43	2	616230	04-451TC-06FJX-06FJX-62 H/A
18	2	615770	FRT TRD ADJ MAIN HYD TUBE ASSY	44	4	616090	04-451TC-06FJX-06FJX-85 H/A
19	2	615771	BRKAWAY/TRD MAIN HYD TUBE ASSY	45	2	616077	04-451TC-06FJX-06FJX-18 H/A
20	8	615760	BOOM HYD TUBE ASSY	46	3	616083	04-451TC-06FJX-06FJX-36 H/A
21	8	618603	9/16MJIC-90-9/16MJIC LBO	47	2	616075	04-451TC-06FJX-06FJX-9 H/A
22	2	618618	9/16MJIC-90-9/16FJIC SWIV LBO	48	2	616084	04-451TC-06FJX-06FJX-46 H/A
23	26	619010	9/16MJIC UNION	49	1	616085	04-451TC-06FJX-06FJX-43 H/A
24	2	618019	9/16MJIC UNION TEE	50	3	616086	04-451TC-06FJX-06FJX-45 H/A
25	4	616133	04-451TC-06FJX-06FJX-72 H/A	51	1	616087	04-451TC-06FJX-06FJX-52 H/A
26	4	618689	9/16MOR-90-9/16MJ .042 CHK VLV				



SIDE FILL AND PRESSURE WASHER OPTION

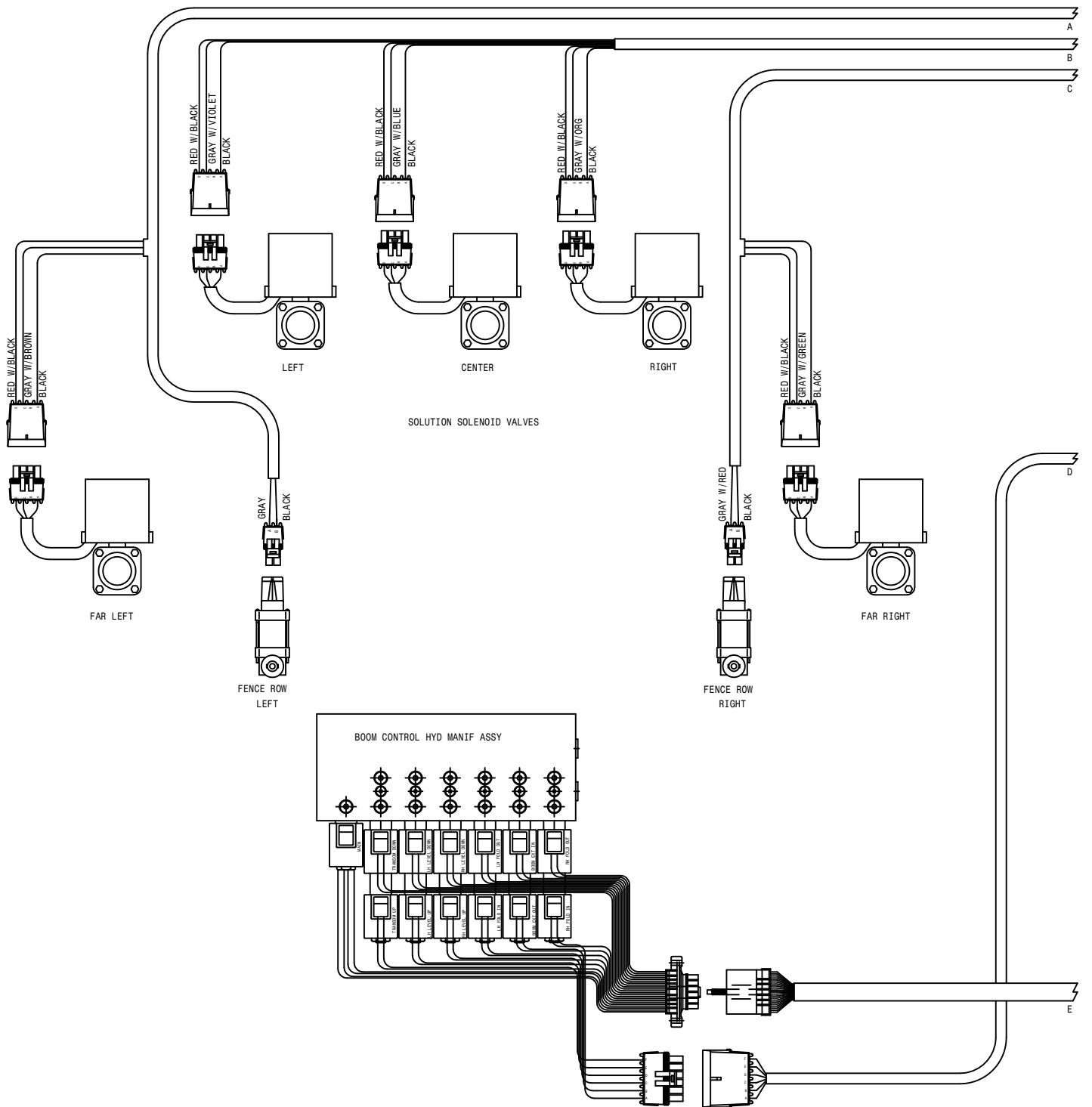
DET.	QTY	PART NO.	DESCRIPTION
1	2	606015	SIDE-FILL/WASH VLV W/SHRD ASSY
2	1	607550	IN-LINE RELIEF VALVE, 2600 PSI
3	1	690760	BANJO PUMP,3" SIDE FILL STS12
4	1	690672	PRESSURE WASHER,PACE 320 HYD
5	1	611127	1 1/16MJIC-1 1/16MOR ADPTR
6	1	618279	1 1/16MJIC-90-7/8MOR LBO
7	1	618578	1 1/16FJIC SWIV-1 1/16MOR
8	1	618248	1 1/16MJIC-90-1 1/16MOR LBO
9	4	618474	3/4MJIC-90-1 1/16MOR LBO
10	1	618674	1 1/16MJIC-90-1 1/16MOR XL LBO
11	2	618183	3/4MJIC-90-7/8MOR LBO
12	1	618486	9/16FJIC SW RUN TEE-9/16MJIC
13	1	618487	1 1/16FJ SW RUN TEE-1 1/16MJ
14	1	618191	1 1/16MJ-90-1 1/16FJ SWIV LBO
15	1	616129	08-451TC-08FJX-08FJX-204 H/A
16	1	616130	08-451TC-08FJX-12FJX-204 H/A
17	1	616131	10-451TC-12FJX-12FJX-14 H/A
18	1	618675	1 1/16MOR UNION
19	1	616135	08-451TC-08FJX-08FJX-50 H/A
20	1	616134	08-451TC-08FJX-12FJX-60 H/A
21	1	616132	08-451TC-12FJX-12FJX-18 H/A
22	1	616089	04-451TC-06FJX-06FJX-60 H/A
23	1	618119	9/16MJIC-90-9/16MOR LBO

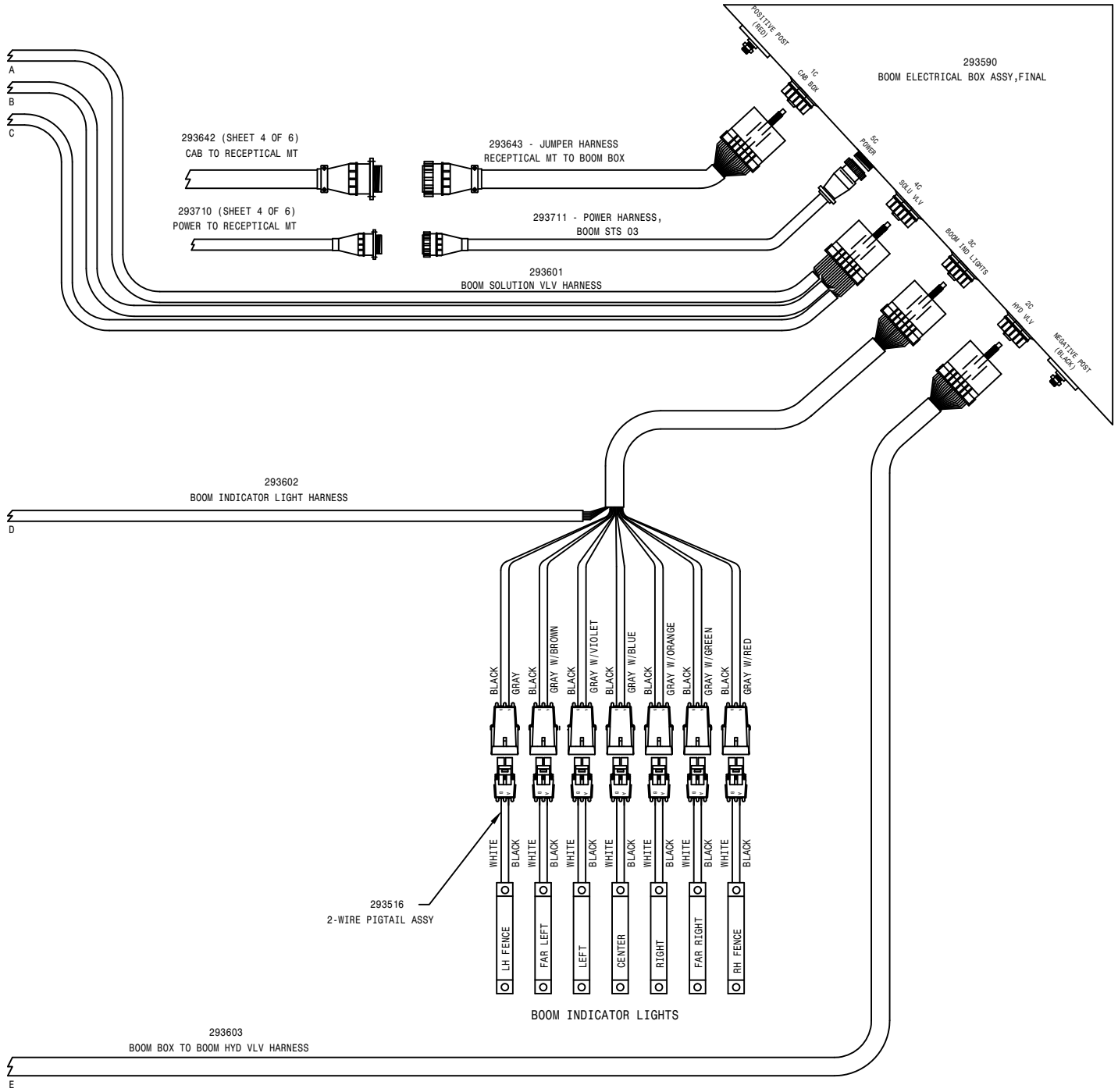
SIDE FILL OPTION

DET.	QTY	PART NO.	DESCRIPTION
1	1	606015	SIDE-FILL/WASH VLV W/SHRD ASSY
2	1	607550	IN-LINE RELIEF VALVE, 2600 PSI
3	1	690760	BANJO PUMP,3" SIDE FILL STS12
4	1	611127	1 1/16MJIC-1 1/16MOR ADPTR
5	1	618279	1 1/16MJIC-90-7/8MOR LBO
6	1	618578	1 1/16FJIC SWIV-1 1/16MOR
7	1	618248	1 1/16MJIC-90-1 1/16MOR LBO
8	1	618474	3/4MJIC-90-1 1/16MOR LBO
9	1	618674	1 1/16MJIC-90-1 1/16MOR XL LBO
10	2	618183	3/4MJIC-90-7/8MOR LBO
11	1	616130	08-451TC-08FJX-12FJX-204 H/A
12	1	616131	10-451TC-12FJX-12FJX-14 H/A
13	1	616132	08-451TC-12FJX-12FJX-18 H/A
14	1	616129	08-451TC-08FJX-08FJX-204 H/A

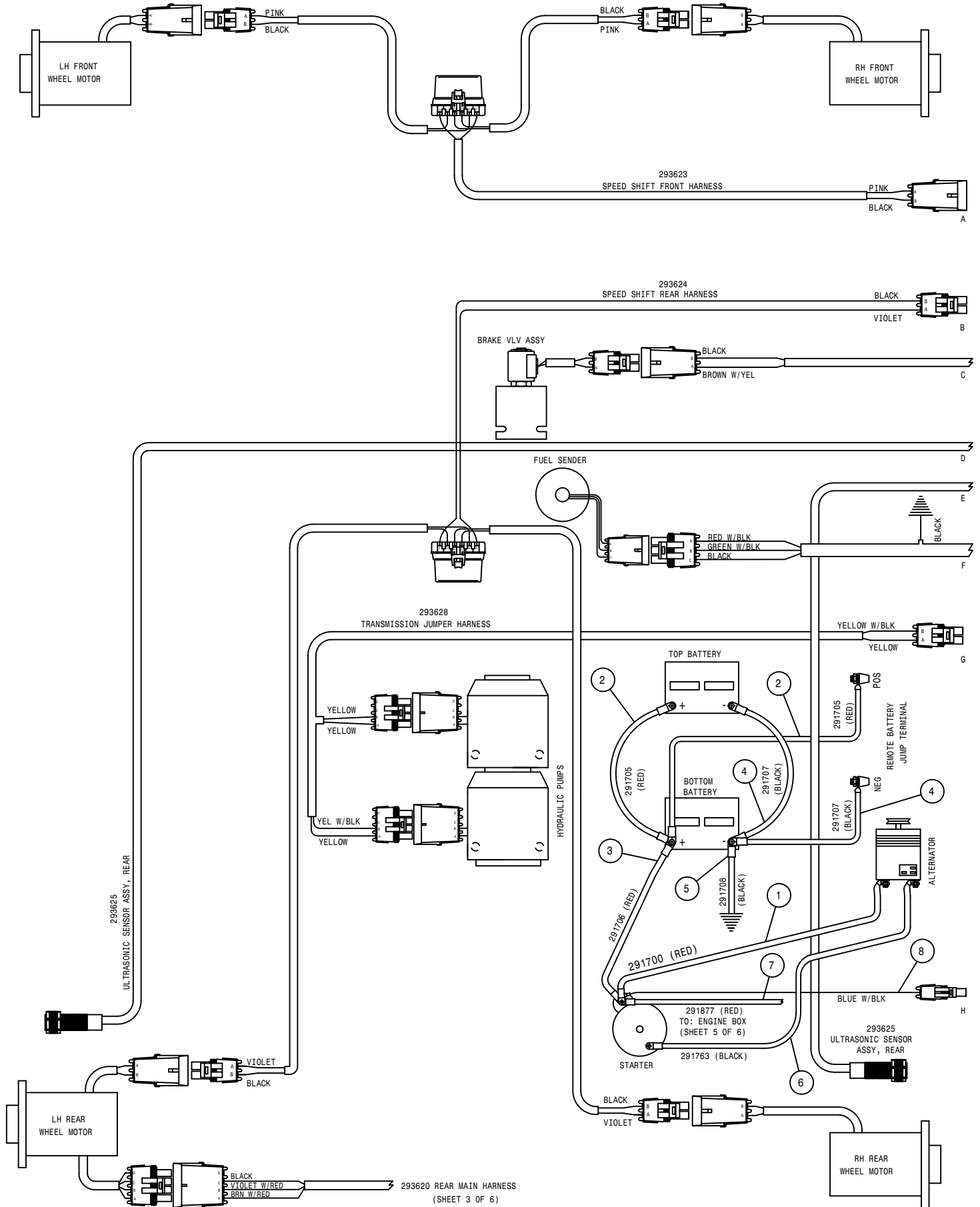
PRESSURE WASHER OPTION

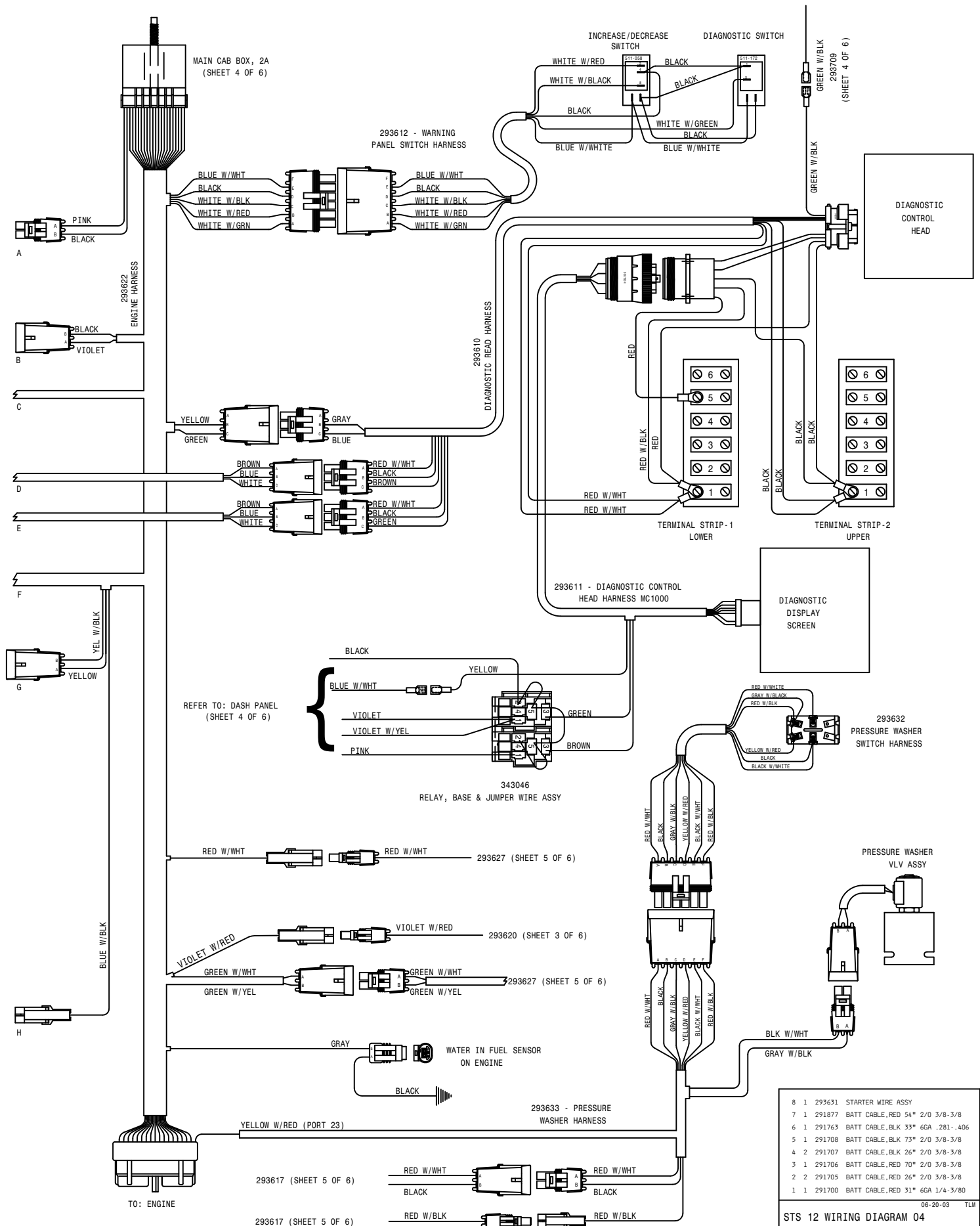
DET.	QTY	PART NO.	DESCRIPTION
1	1	606015	SIDE-FILL/WASH VLV W/SHRD ASSY
2	1	607550	IN-LINE RELIEF VALVE, 2600 PSI
3	1	690672	PRESSURE WASHER,PACE 320 HYD
4	1	611127	1 1/16MJIC-1 1/16MOR ADPTR
5	1	618279	1 1/16MJIC-90-7/8MOR LBO
6	1	618578	1 1/16FJIC SWIV-1 1/16MOR
7	1	618248	1 1/16MJIC-90-1 1/16MOR LBO
8	3	618474	3/4MJIC-90-1 1/16MOR LBO
9	1	618674	1 1/16MJIC-90-1 1/16MOR XL LBO
10	1	618486	9/16FJIC SW RUN TEE-9/16MJIC
11	1	618119	9/16MJIC-90-9/16MOR LBO
12	1	616089	04-451TC-06FJX-06FJX-60 H/A
13	1	616131	10-451TC-12FJX-12FJX-14 H/A
14	1	616135	08-451TC-08FJX-08FJX-50 H/A
15	1	616134	08-451TC-08FJX-12FJX-60 H/A
16	1	616132	08-451TC-12FJX-12FJX-18 H/A





06-20-03 TLM
 STS 12 WIRING DIAGRAM 04
 SHEET 1 OF 6
 REVISION DATE:
 498832



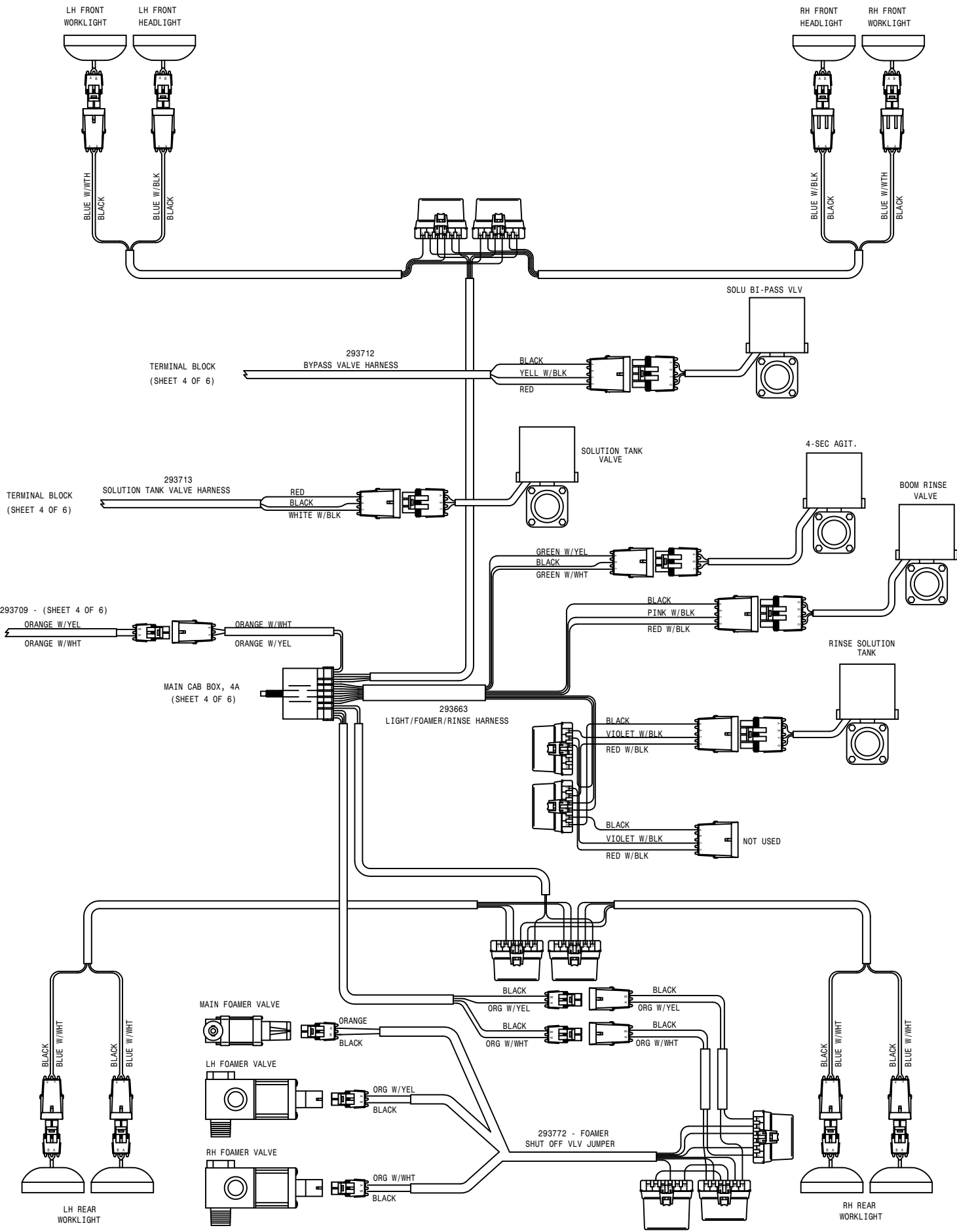


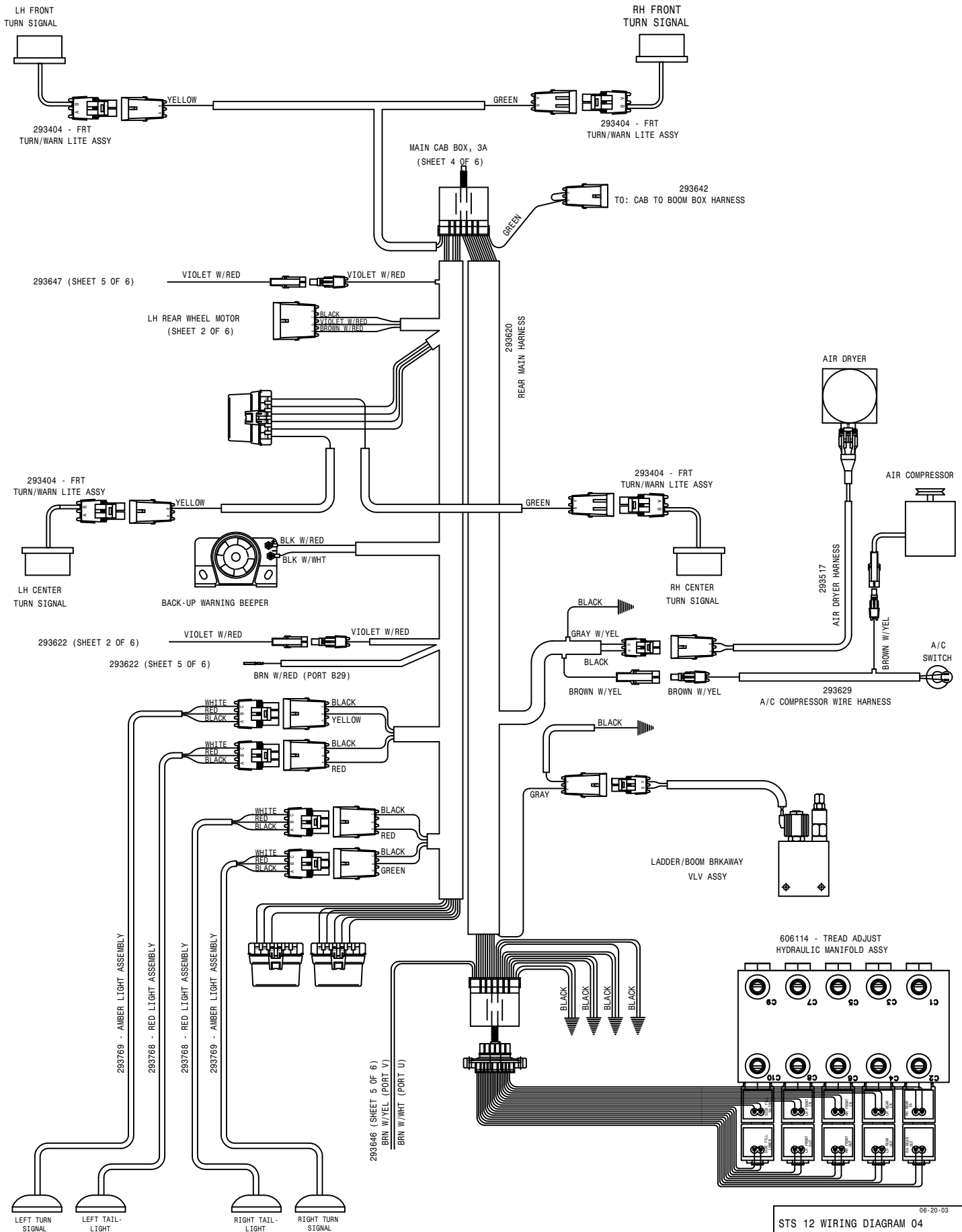
8	1	293631	STARTER WIRE ASSY
7	1	291877	BATT CABLE, RED 54" 2/0 3/8-3/8
6	1	291763	BATT CABLE, BLK 33" 6GA .281-.406
5	1	291708	BATT CABLE, BLK 73" 2/0 3/8-3/8
4	2	291707	BATT CABLE, BLK 26" 2/0 3/8-3/8
3	1	291706	BATT CABLE, RED 70" 2/0 3/8-3/8
2	2	291705	BATT CABLE, RED 26" 2/0 3/8-3/8
1	1	291700	BATT CABLE, RED 31" 6GA 1/4-3/80

06-20-03 TLM

STS 12 WIRING DIAGRAM 04

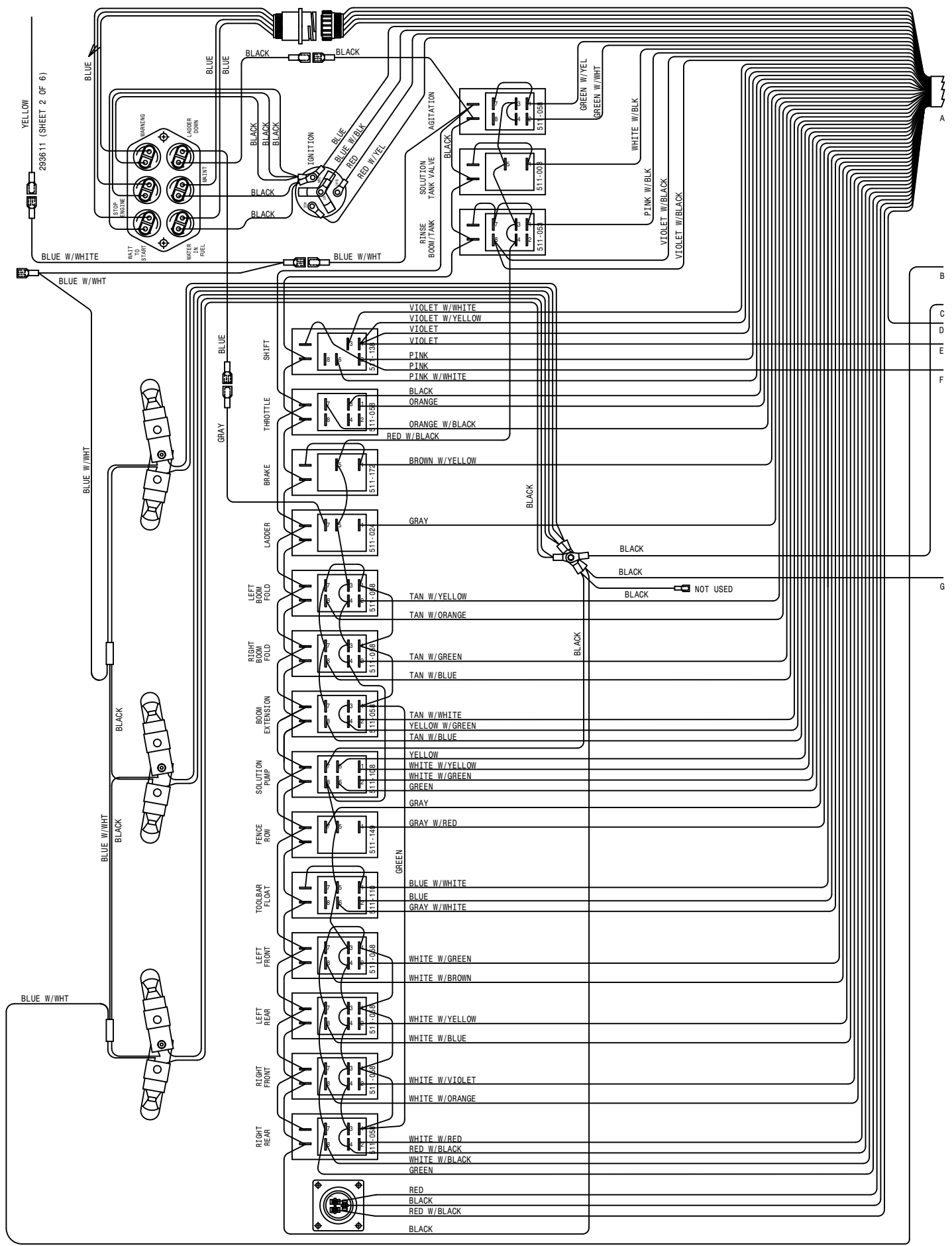
SHEET 2 OF 6
REVISION DATE: **498832**

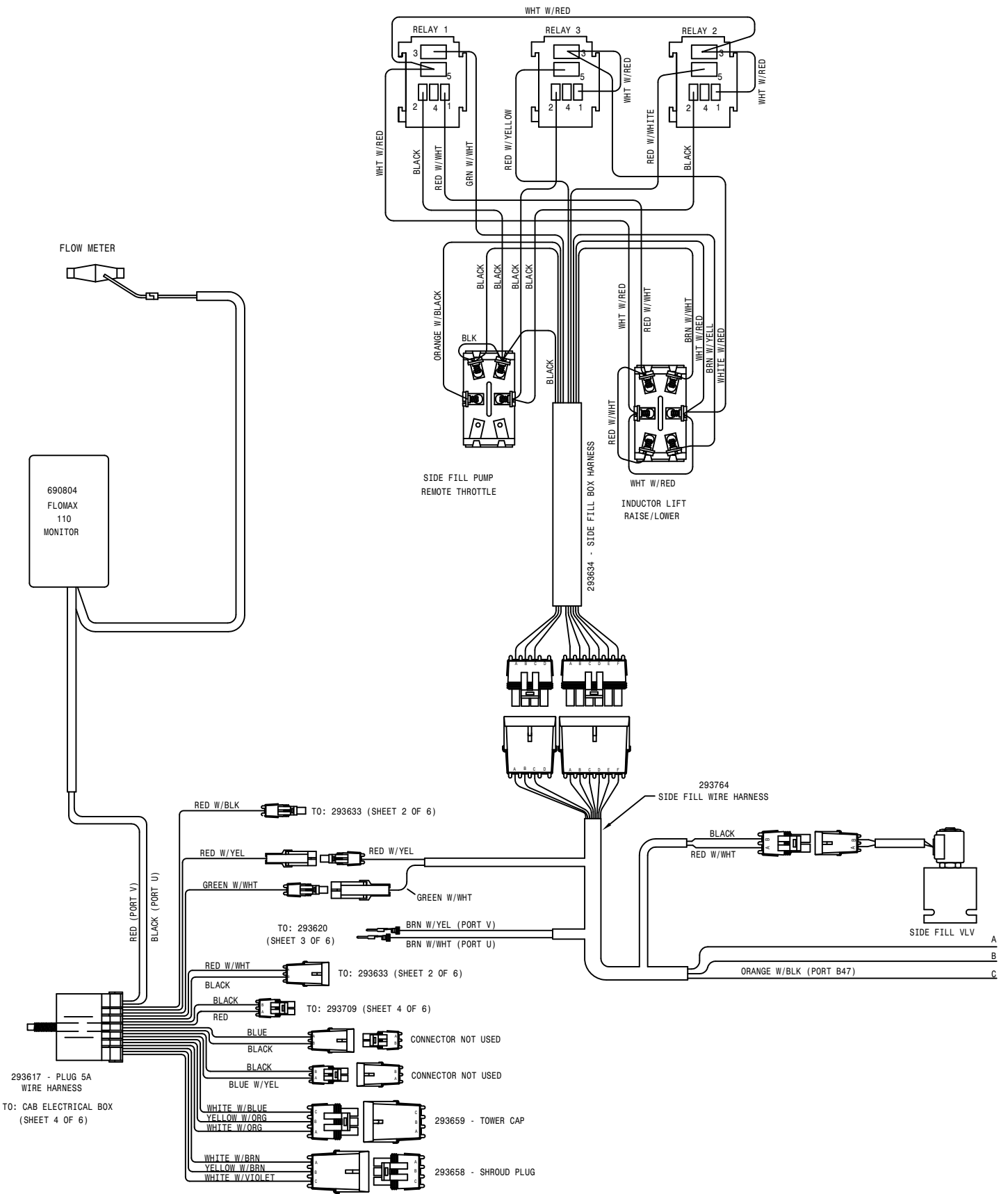


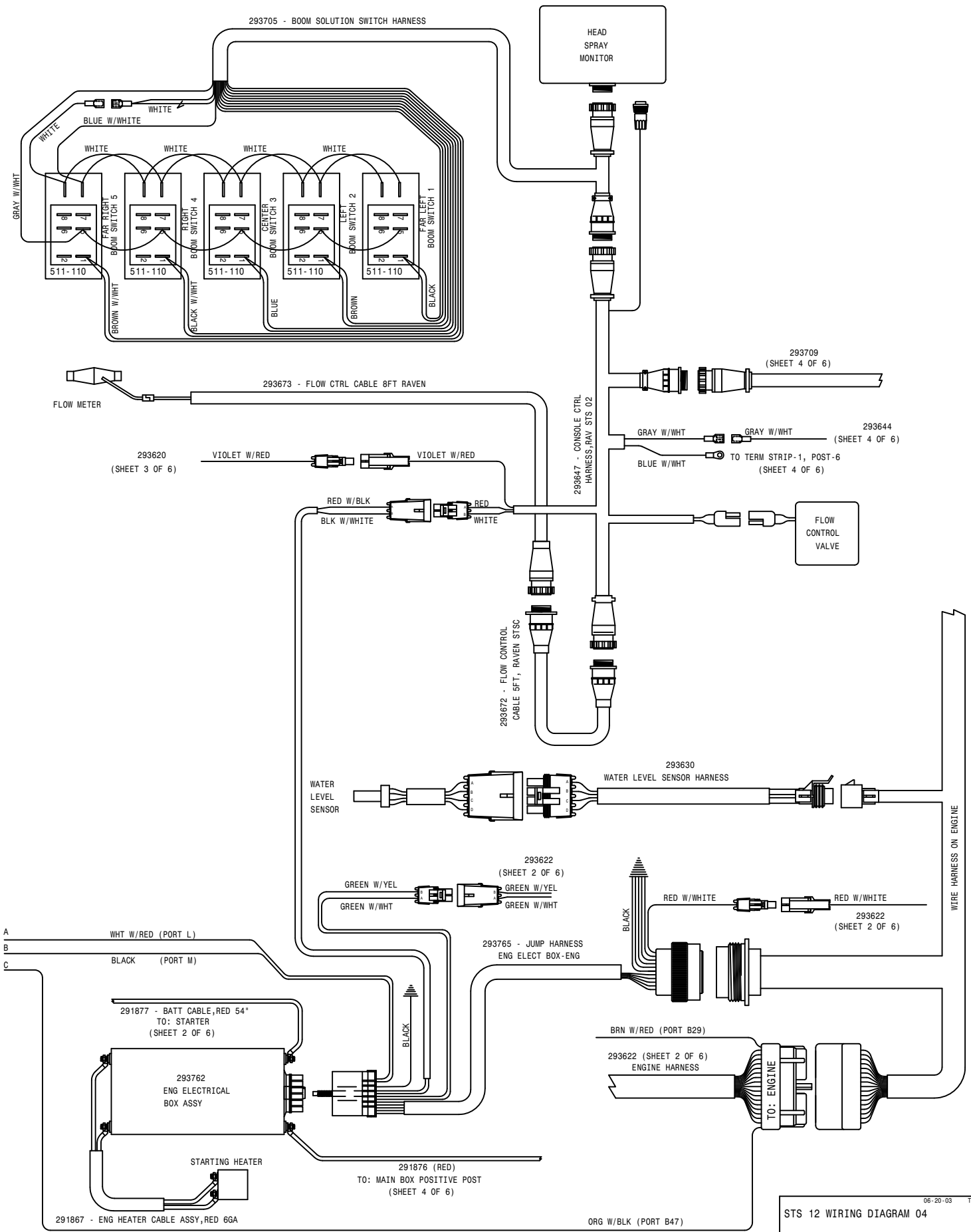


06-20-03 TLM
STS 12 WIRING DIAGRAM 04
 SHEET 3 OF 6
 REVISION DATE: 10-09-03
498832

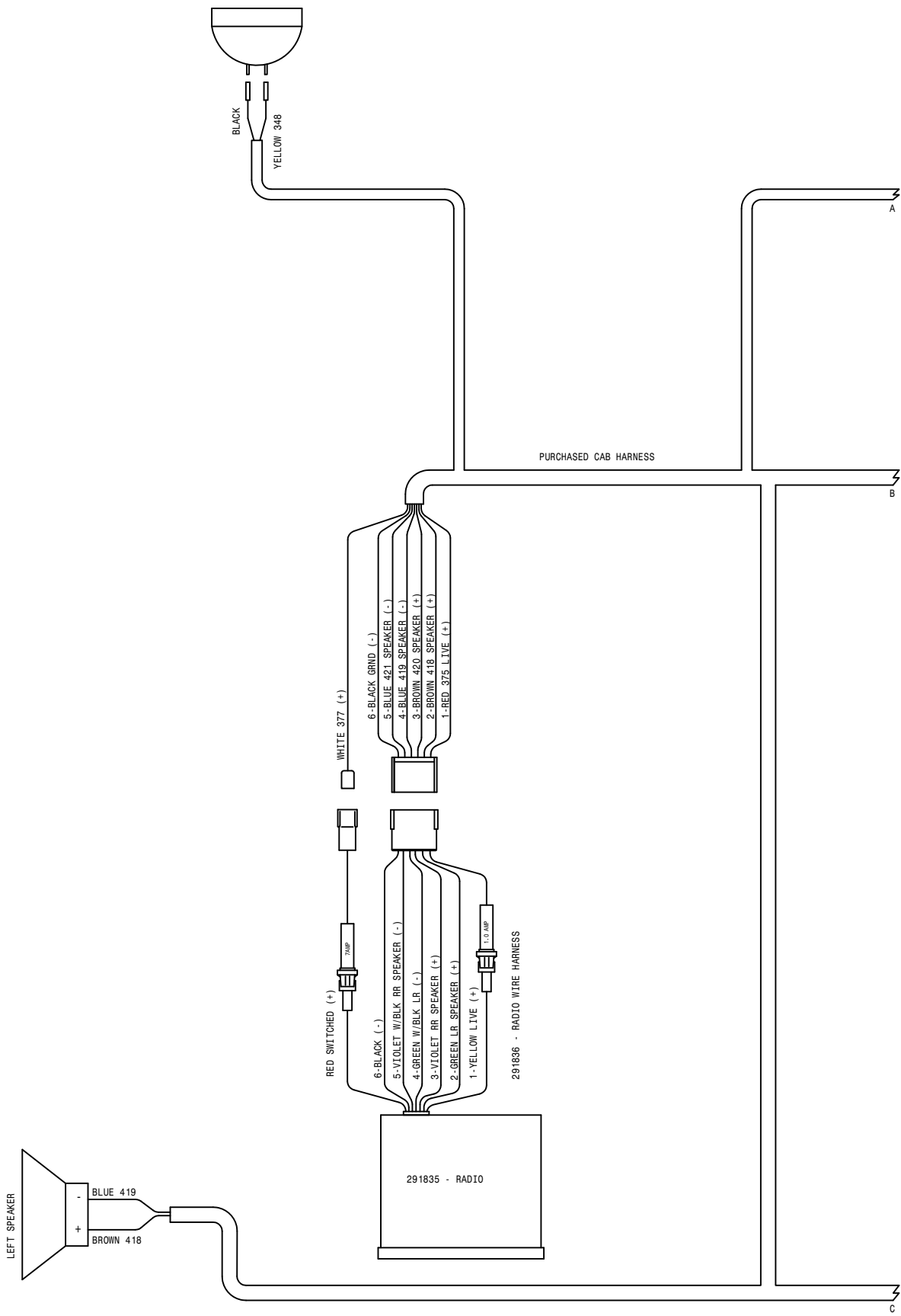
NOT USED

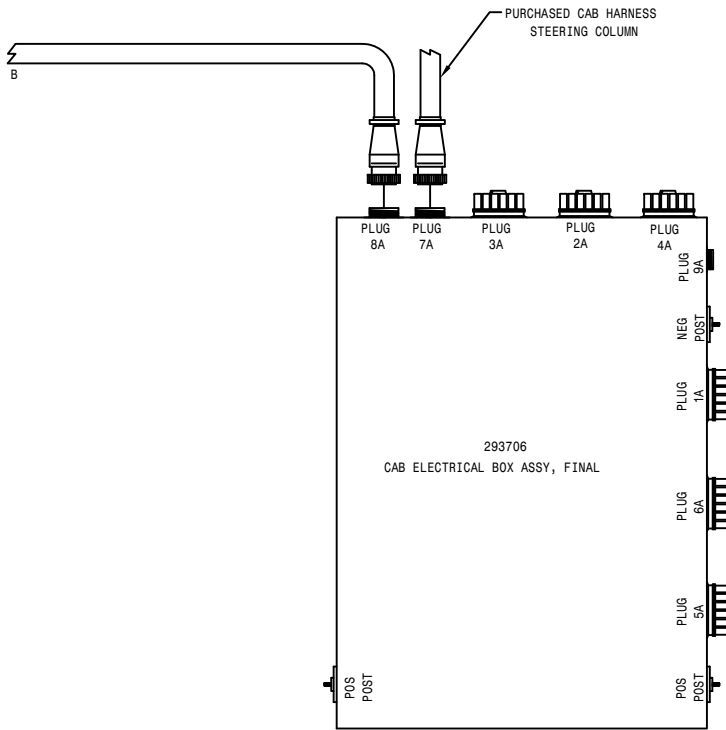




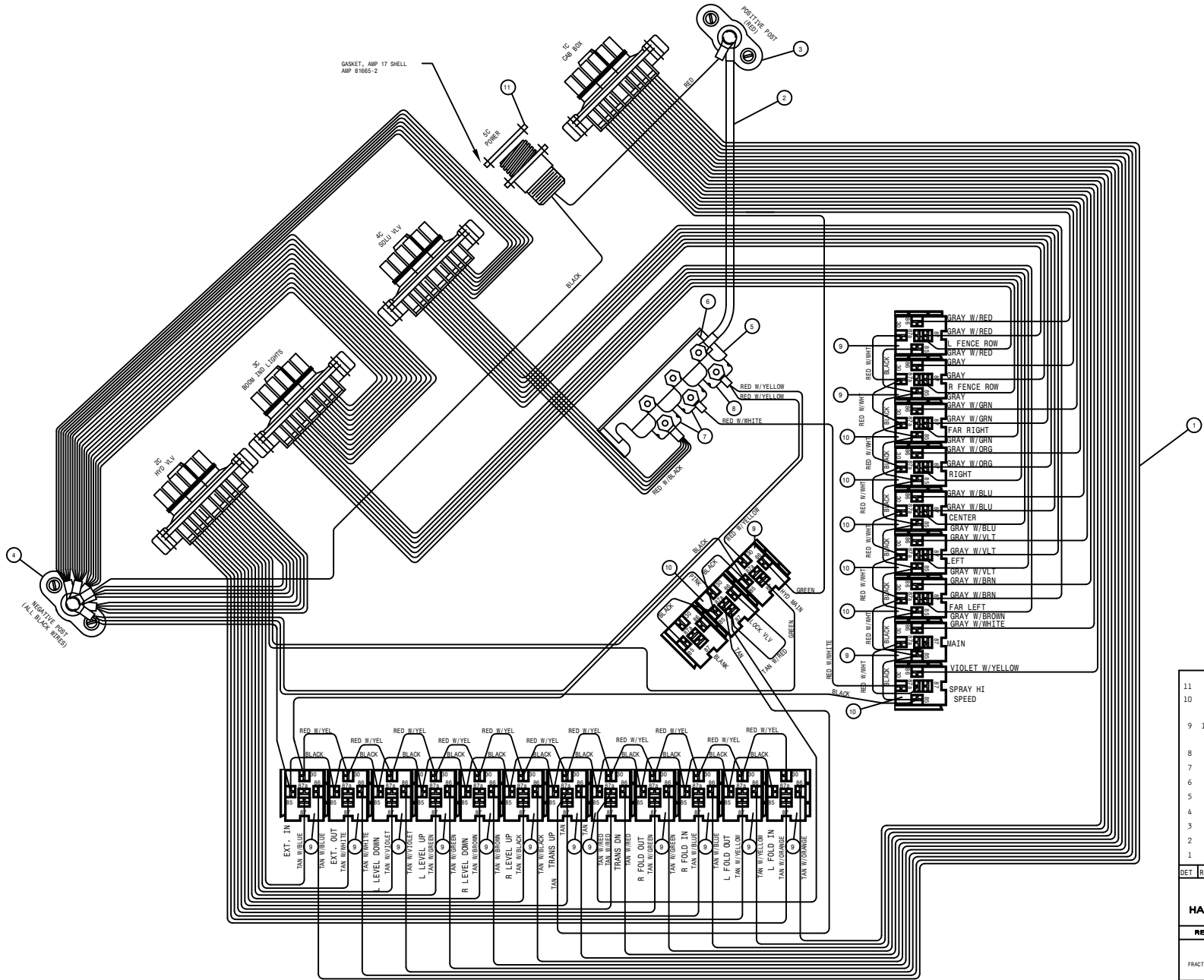


06-20-03 TLM
 STS 12 WIRING DIAGRAM 04
 SHEET 5 OF 6
 REVISION DATE: 08-01-03
 498832



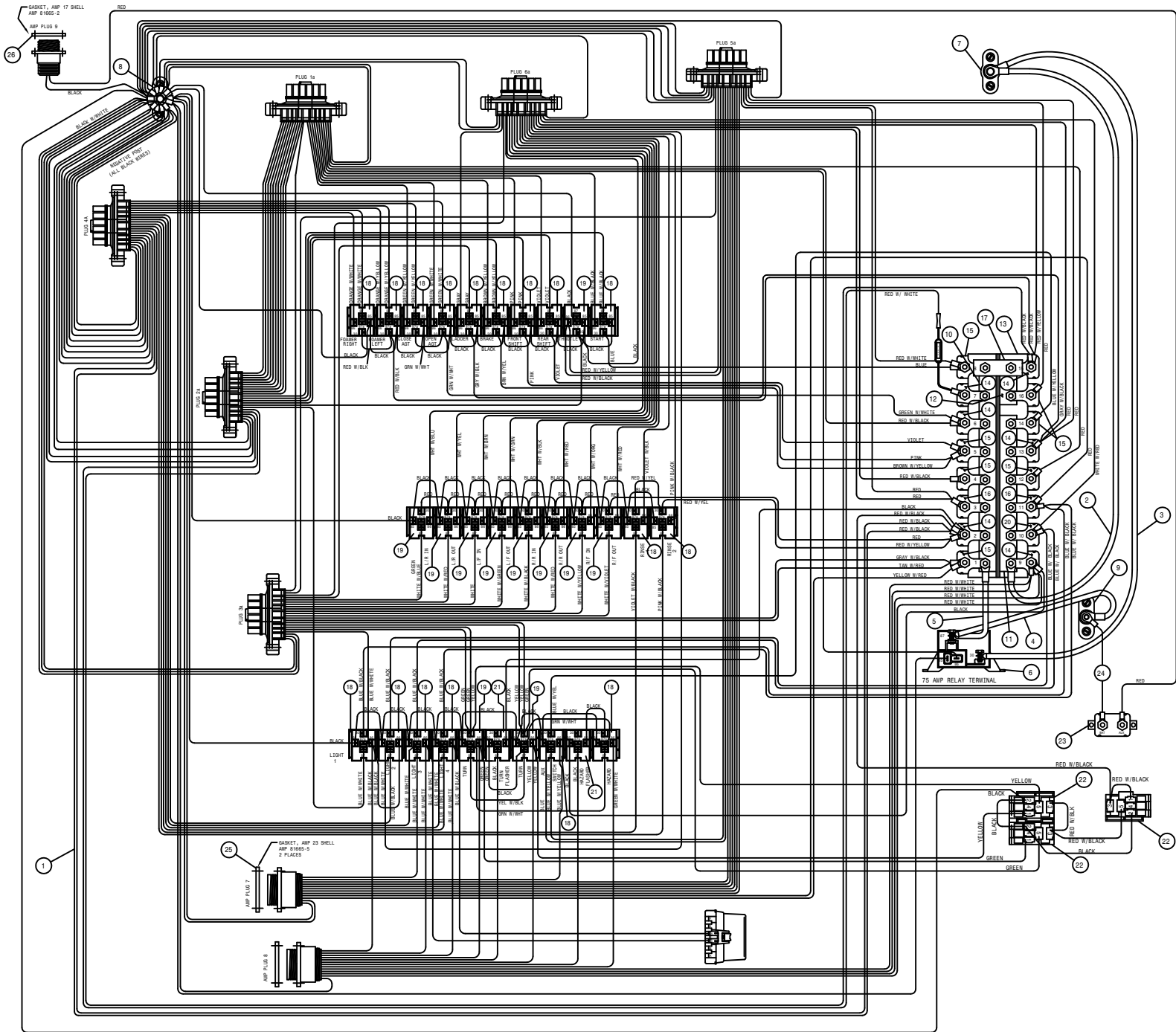


06-20-03 TLM
 STS 12 WIRING DIAGRAM 04
 SHEET 6 OF 6
 REVISION DATE: 498832



11	1	291846	GASKET, AMP 17 SHELL
10	7	291752	RELAY, SPDT 12V 50A-NO 5-TERM BOSH 0332 209 137
9	16	291751	RELAY, SPST 12V 40A-NO, DIODE BOSH 0332 019 155
8	1	291573	CIRCUIT BREAKER, 20AMP W/O MT
7	2	291974	CIRCUIT BREAKER, 30AMP W/O MT
6	1	291756	BUS BAR, 4-GANG FOR 291755
5	2	291755	BREAKER MTG BRKT, 4-GANG NYLON
4	1	291749	TERM BLOCK, BLACK, 3/8-16 THRU
3	1	291750	TERM BLOCK, RED, 3/8-16 THRU
2	1	291803	BATT CABLE, RED 9*6GA.218-.250
1	1	293600	BOOM CTRL BOX HARNESS (342829)

DET	REQ	DESCRIPTION
HAGIE HAGIE MANUFACTURING COMPANY CLARION, IOWA 50525		
REMOVE ALL SHARP CORNERS & BURRS		
TOLERANCE UNLESS OTHERWISE SPECIFIED		
FRACTION	1/32	DECIMALS
	X.XX	1/50
	X.XXX	1/500
DESCRIPTION		
OFF-SITE PARTS/ASSY FOR 293590		
DRAWN BY	C. ADAMS	SCALE
		NONE (1)
CHECKED BY		APPROVED BY
DATE	D1-18-00	DRAWING NUMBER
		293591
SHEET	OF	



26	1	291846	GASKET, AMP 17 SHELL
25	2	291847	GASKET, AMP 23 SHELL
24	1	293714	12GA RED-291561-291587-9
23	1	291197	CIRCUIT BREAKER, 30AMP, IN LINE MT
22	3	291781	MICRO RELAY, BOSCH 12V SPDT
21	2	291564	FLASHER, 12V 3-PIN ELECTRONIC
20	1	291584	CIRCUIT BREAKER, 40AMP W/O MT
19	11	291752	RELAY, SPDT 12V 50A-NO 5-TERM
18	17	291751	RELAY, SPST 12V 40A-NO 5-TERM
17	1	291683	BUSS BAR, 2-GANG CIRCUIT BREAKER
16	2	291574	CIRCUIT BREAKER, 30AMP W/O MT
15	7	291573	CIRCUIT BREAKER, 20AMP W/O MT
14	6	291575	CIRCUIT BREAKER, 10AMP W/O MT
13	2	291757	BREAKER MTG BRKT, 8-GANG NYLON
12	1	291796	BUSS BAR, 2-GANG FOR 291757
11	1	291797	BUSS BAR, 6-GANG FOR 291757
10	1	291758	BUSS BAR, 8-GANG FOR 291757
9	1	291748	TERM BLOCK, BLACK, 1/4-20 THRU
8	1	291749	TERM BLOCK, BLACK, 3/8-16 THRU
7	1	291750	TERM BLOCK, RED, 3/8-16 THRU
6	1	657371	BATT, 12 VOLT 75 AMP
5	1	291801	RELY, 12 VOLT 75 AMP
4	1	291803	BATT CABLE, RED 9"6GA, 218-.218
3	1	291809	BATT CABLE, RED 20"6GA, 218-.375
2	1	291808	BATT CABLE, RED 18"6GA, 218-.375
1	1	293708	MAIN CAB BOX HARNESS (293707)

DET	REQ	DESCRIPTION
HAGIE HAGIE MANUFACTURING COMPANY CLARION, IOWA 50525		
REMOVE ALL SHARP CORNERS & BURRS		
TOLERANCE UNLESS OTHERWISE SPECIFIED		
FRACTION	1/32	DECIMALS X.XX 100
		ANGLES X.XXX 1000
DESCRIPTION		
OFF-SITE PARTS/ASSY 03 FOR 293706		
DRAWN BY	T. MARKER	SCALE NONE (1)
CHECKED BY		APPROVED BY
DATE	07-26-02	DRAWING NUMBER
SHEET	OF	293707

ABBREVIATIONS

A/C - AIR CONDITIONER	MT - MOUNT
ADPTR - ADAPTER	MTR - MOTOR
AGI - AGITATOR	P/N - PART NUMBER
ALT - ALTERNATOR	PLT - PLATE
ASSY - ASSEMBLY	QTY - QUANTITY
BRKT - BRACKET	RED - REDUCER
DET - DETAIL	REF - REFERENCE
DISPL - DISPLACEMENT	REST - RESTRICTOR
EL - ELBOW	REQ - REQUIRED
EXT - EXTENSION	SHFT - SHAFT
FLO - FLOW	SOL - SOLUTION
FNPT - FEMALE NATIONAL PIPE THREAD	STRG - STEERING
FOR - FEMALE O-RING	ST - STREET
FRT - FRONT	SWIV - SWIVEL
HYD - HYDRAULIC	UNC - UNIFIED NATIONAL COURSE
HYDRO - HYDROSTATIC	UNF - UNIFIED NATIONAL FINE
LG - LONG	V - VOLT
LWR - LOWER	W/ - WITH
MJIC - MALE J.I.C.	WHL - WHEEL
MOR - MALE O-RING	WLD - WELDMENT

INDEX

-A-

ABBREVIATIONS.....138
ACCUMULATOR.....97
AIR DRYER.....13
AIR CLEANER.....10
 FILTER.....10
AIR COMPRESSOR GOVERNOR.....10
AIR CONDITIONER
 BINARY SWITCH.....9
 COMPRESSOR.....7
 CONDENSOR COIL.....12
 HOSE.....9,12
 RECEIVER/DRYER.....9
 TUBE.....29
AIR COOLER, CHARGE.....12
AIR PRESSURE GAUGE.....42,83
AIR REGULATOR, FOAMER.....78
AIRRIDE SPRING.....18,20,22,24,41
AIR VALVE.....18,20,22,24,41
ALTERNATOR.....5
ARM, STEERING.....18,20,22,24
ATI CONTROLER.....46

-B-

BACK-UP BEEPER.....12
BALL VALVE.....53,62
 ELECTRIC.....56,58,59,63
BATTERY.....16
 CABLE.....4,5,10,16
 BOX PANEL.....12
BEARING,
 BRONZE LEG.....18,20,22,24,30
 ORKOT.....18,20,22,24
BELT,
 AIR CONDITIONER.....7
 DRIVE.....5
BLOCK, TERMINAL.....42
BOOM.....88,89,90,91
 CRADLE.....92,93,94
 INDICATOR LIGHT.....82
 PIN.....90,91
 SWITCH.....46
 VALVE.....83
BOX,
 ELECTRICAL.....37,38,39
 PRESSURE WASHER.....100
 SIDE FILL.....106
BRACE, RADIATOR.....9
BREAKAWAY CYLINDER.....91,99
BUMPER, REAR.....50

-C-

CAB.....41
 FILTER.....41
 STABILIZER.....41
CABLE BATTERY.....4,5,10,16
CAP,
 FUEL.....14
 RADIATOR.....12
CHARGE AIR COOLER.....12
CHEMICAL INDUCTOR.....107
COMPRESSOR, A/C.....7
CONDENSOR COIL, A/C.....12
CONTROLER, ATI.....46
COOLER, OIL.....12
CRADLE, BOOM.....92,93,94
CYLINDER,
 BREAKAWAY.....91,99
 FOLD.....87,90,96,98
 GAS.....50,52
 LEVEL.....87,97
 LADDER.....34,35
 LIFT.....86,95
 SIDE FILL.....107
 STEERING.....17,18,20
 TREAD ADJUST.....30,31

-D-

DECALS.....114,115
DIAGRAMS, WIRING.....124
DIPSTICK, HYDRAULIC.....15
DOOR LATCH.....50,51
DRAIN COCK, AIR.....27
DRIVE
 BELT.....5
 DISK.....4

-E-

ELECTRIC BALL VALVE.....56,57,58
ELECTRICAL BOX,
 BOOM.....37
 CAB.....39
 ENGINE.....38
ENGINE.....4,5
 HOOD.....50,51
 SKID.....9

-F-

FAN.....5
 SPACER.....5

FEEDER TEE.....60,61,65,66
 FENCE ROW NOZZLE.....68,69
 FENDER.....110,111
 FILTER,
 AIR CLEANER.....10
 CAB.....41
 FUEL.....4
 HYDRAULIC.....17,32
 MINDER.....10
 OIL.....5,15
 FLASHER.....28,50
 FLOW METER.....58,63
 FOAMER
 AIR REGULATOR.....78
 DROP HOSE.....79
 HOSING.....76
 TANK.....77
 THREE-WAY VALVE.....77
 VALVE.....77
 FOLD CYLINDER.....87,90,96
 FRESH WATER.....78
 FRONT FILL.....108
 FUEL,
 CAP.....14
 SENDER.....14
 TANK.....14

-G-

GAUGE,
 AIR PRESSURE.....42,78
 SOLUTION.....58,63

-H-

HANDRAIL.....36
 HEATER TUBE.....29
 HOOD, ENGINE.....50,51
 HOSE, A/C.....9
 HOSING,
 FOAMER.....76
 SOLUTION.....72,73,74,75
 HUB, TORQUE.....19,21,23,25
 HYDRAULIC,
 FILTER.....17
 LEVER.....44
 MANIFOLD.....29
 SCHEMATIC.....116
 TANK.....15
 TUBE.....28,29,86,89
 VALVE.....33
 HYDROSTATIC PUMP.....8

-I-

IGNITION SWITCH.....45

INDICATOR LIGHT, BOOM.....82
 INLINE, HYDRAULIC FILTER.....32

-L-

LADDER.....34
 CYLINDER.....34,35
 PIVOT ARM.....34
 LEG.....18,20,22,24
 LEVEL CYLINDER.....87,97
 LEVER,
 HYDROSTATIC.....44
 QUICK ATTACH.....84,85
 LIFT CYLINDER.....86,95
 LIFTARM.....86
 LIGHT.....28,94
 LINE STRAINER.....54,55,57
 LIQUID LEVEL SWITCH.....15

-M-

MIRROR.....48,49
 MONITOR, SPRAYER.....46
 MOTOR,
 STEERING.....41
 WHEEL.....19,21,23,25
 MOUNT, RUBBER.....9,12
 MUFFLER.....11

-N-

NOZZLE,
 BODY.....70
 FENCE ROW.....68,69
 MOUNT TUBE.....89,90,91
 REAR WHEEL.....71

-O-

OIL COOLER.....12
 OIL FILTER.....5,15

-P-

PANEL,
 BATTERY BOX.....12
 SWITCH.....45
 PLATFORM, SERVICE.....36
 PRESSURE GAUGE.....58,63
 PRESSURE WASHER.....101
 BOX.....100
 VALVE.....103,104
 PUMP,
 HYDRAULIC.....6
 HYDROSTATIC.....8
 SIDE FILL.....107
 SOLUTION.....56

-R-

RADIATOR.....12
 BRACE.....9
 CAP.....12
 HOSE.....5
 RADIO.....43
 REAR WHEEL NOZZLE.....71
 RINSE TANK.....54,55
 RUBBER
 MOUNT.....9,12
 SPRING.....18,20,22,24

-S-

SCHEMATIC, HYDRAULIC.....116
 SENDER, FUEL.....14
 SENDER, WATER LEVEL.....12
 SERVICE PLATFORM.....36
 SHEET METAL.....51
 SHIELD, WHEEL MOTOR...19,21,23,25
 SIDFILL.....107
 BOX.....106
 CYLINDER.....107
 SIGHT GAUGE, OIL.....15
 SKID, ENGINE.....9
 SMV SIGN.....50
 SOLUTION
 HOSE.....72,73,74,75
 PUMP.....56
 TANK.....53
 VALVE.....58,59,63
 SPACER, FAN.....5
 SPEAKER.....43
 SPRAY MONITOR.....46
 SPRING,
 AIRRIDE.....18,20,41
 SOLUTION TANK.....53
 STABILIZER, CAB.....41
 STARTER.....5
 STEERING,
 ARM.....18,20,22,24
 CYLINDER.....17,18,20
 MOTOR.....41
 STRAINER, LINE.....54,55,57
 SWITCH,
 A/C BINARY.....9
 IGNITION.....45
 LIQUID LEVEL.....15
 PANEL.....45

-T-

TAILLIGHT.....50

TANK

AIR.....27
 FOAMER.....77
 FRESHWATER.....78
 FUEL.....14
 HYDRAULIC.....15
 RINSE.....54,55
 SOLUTION.....53
 TERMINAL BLOCK.....42
 TIRE.....26
 TORQUE HUB.....19,21,23,25
 TRANSOM.....87
 TREAD ADJUST
 CYLINDER.....30,31
 VALVE.....32
 TUBE,
 A/C.....29
 HEATER.....29
 HYDRAULIC.....28,29,86,89

-V-

VALVE,
 AIR.....18,20,22,24,41
 BALL.....53,62
 BOOM.....83
 ELECTRIC BALL.....55,56,58,63
 FOAMER.....77,80,81
 HYDRAULIC.....9,18
 PRESSURE WASHER.....103,104
 SIDE FILL.....98,105
 SOLUTION.....58,59,62
 TREAD ADJUST.....32

-W-

WASHER, PRESSURE.....101
 WATER LEVEL SENSOR.....12
 WHEELMOTOR.....19,21,23,25
 SHIELD.....19,21,23,25
 WIRING DIAGRAM.....124

Notes:



PARTS ORDER FAX

Fax
24 hours
a day
7 days
a week*

Ph. 1 (800) 247-4885

Fx. 1 (515) 532-3553

Photocopy and fax to Hagie Customer Support Department

ORDERED BY/BILL TO:

Name _____
 Co. Name _____
 Street _____
 City, St, Zip _____
 Ph. _____ Fx. _____

SHIP TO:

Name _____
 Co. Name _____
 Street _____
 City, St, Zip _____
 Ph. _____ Fx. _____

HOW SHIP: UPS Ground Next Day 2 Day 3 Day Other _____

If "HOW SHIP" is left blank, parts will be sent UPS ground service. If part is over 150 pounds, an independent motor freight company will be used.

PAYMENT: Hagie Account #** _____
 C.O.D

American Express Discover Visa Master Card

Signature: _____
 name as appears on card: _____
 card no. _____ exp. date _____

Year and Model No. _____

Serial No. _____

Item Serial No. (if necessary):

Engine (include type) _____

Hydrostatic Pump (s) _____

Torque Hub _____ LF RF LR RR

Wheel Motor _____ LF RF LR RR

HAGIE Part No.	Qty.	Description

Check here if you want phone confirmation of parts order.

* Orders received before 3:00 p.m., CST will be processed the same business day.
 Regular business hours are Monday through Friday, 7:00 a.m. through 5:00 p.m..

** If you do not have a Hagie account number, contact the Hagie Customer Support Department and you will be issued one.



PARTS ORDER FAX

Fax
24 hours
a day
7 days
a week*

Ph. 1 (800) 247-4885

Fx. 1 (515) 532-3553

Photocopy and fax to Hagie Customer Support Department

ORDERED BY/BILL TO:

Name _____
 Co. Name _____
 Street _____
 City, St, Zip _____
 Ph. _____ Fx. _____

SHIP TO:

Name _____
 Co. Name _____
 Street _____
 City, St, Zip _____
 Ph. _____ Fx. _____

HOW SHIP: UPS Ground Next Day 2 Day 3 Day Other _____

If "HOW SHIP" is left blank, parts will be sent UPS ground service. If part is over 150 pounds, an independent motor freight company will be used.

PAYMENT: Hagie Account #** _____
 C.O.D

American Express Discover Visa Master Card

Signature: _____
 name as appears on card: _____
 card no. _____ exp. date _____

Year and Model No. _____

Serial No. _____

Item Serial No. (if necessary):

Engine (include type) _____

Hydrostatic Pump (s) _____

Torque Hub _____ LF RF LR RR

Wheel Motor _____ LF RF LR RR

HAGIE Part No.	Qty.	Description

Check here if you want phone confirmation of parts order.

* Orders received before 3:00 p.m., CST will be processed the same business day.
 Regular business hours are Monday through Friday, 7:00 a.m. through 5:00 p.m..

** If you do not have a Hagie account number, contact the Hagie Customer Support Department and you will be issued one.