



**PARTS MANUAL  
FOR  
HAGIE MODEL STS 10T HI-TRACTOR**

**HAGIE MANUFACTURING COMPANY**

721 CENTRAL AVENUE WEST  
BOX 273  
CLARION, IOWA 50525-0273

(515) 532-2861

COVERS MACHINE SERIAL NUMBERS: U16T0880001 thru U16T0880100

02-08 493412

SPRAYER IDENTIFICATION

Each Hagie sprayer is identified by means of a frame serial number. This serial number denotes the model, the year in which it was built, and the number of the sprayer. As for further identification, the engine has a serial number and the planetary hubs have identification plates that describe the type of mount and gear ratio. To insure prompt, efficient service when ordering parts or requesting service repairs from Hagie Manufacturing Company, record the serial and identification numbers in the space provided below.

NOTE: Reference to left hand and right hand used throughout this manual refers to the position when seated in the operator's seat facing forward.

SPRAYER SERIAL NUMBER

ENGINE SERIAL NUMBER

PLANETARY HUB IDENTIFICATION NUMBERS

FILTER QUICK REFERENCE

<u>QTY.</u>	<u>PART NO.</u>	<u>DESCRIPTION</u>
1	311543	ENGINE AIR FILTER, PRIMARY
1	311544	ENGINE AIR FILTER, SECONDARY
1	316281	FUEL STRAINER IN LINE
1	316372	ENGINE OIL FILTER
1	316683	FUEL FILTER
1	316684	REMOTE FUEL FILTER
1	605626	HYDRAULIC OIL FILTER
1	657463	CAB PAPER FILTER
1	657464	CAB CHARCOAL FILTER

TABLE OF CONTENTS

ENGINE ASSEMBLY . . . . . 4-8

RADIATOR AND OIL COOLER ASSEMBLY. . . . . 9

AIR CLEANER AND EXHAUST ASSEMBLY. . . . . 10-11

FUEL AND OIL TANK ASSEMBLY. . . . . 12-13

BATTERY . . . . . 14

TIRE ASSEMBLY . . . . . 15

LEG ASSEMBLY . . . . . 16-23

TREAD ADJUST ASSEMBLY . . . . . 24-27

HYDRAULIC TUBING . . . . . 28-29

HYDRAULIC MANIFOLDS . . . . . 30-33

SOLUTION CONTROL AND QUICK COUPLER . . . . . 34-35

LADDER AND BRAKE VALVE ASSEMBLY . . . . . 36

LADDER ASSEMBLY . . . . . 37

SERVICE PLATFORM. . . . . 38

AIR DRIER AND AIR TANK ASSEMBLY . . . . . 39-41

CAB ASSEMBLY. . . . . 42-57

FLASHER AND LIGHT RELAY . . . . . 58

REAR ELECTRICAL AND ENGINE BOX ASSEMBLY . . . . . 59-60

BUMPER AND ENGINE HOOD. . . . . 61-63

SOLUTION TANK . . . . . 64-66

SOLUTION PUMP AND ELECTRIC VALVES . . . . . 67-71

TRANSOM, BOOM, AND LIFT COMPONENTS. . . . . 72-81

DECALS . . . . . 82-83

AIR LINE DIAGRAM. . . . . 84

HYDRAULIC DIAGRAM. . . . . 86-91

ELECTRICAL DIAGRAM . . . . . 92-101

ABBREVIATIONS . . . . . 102

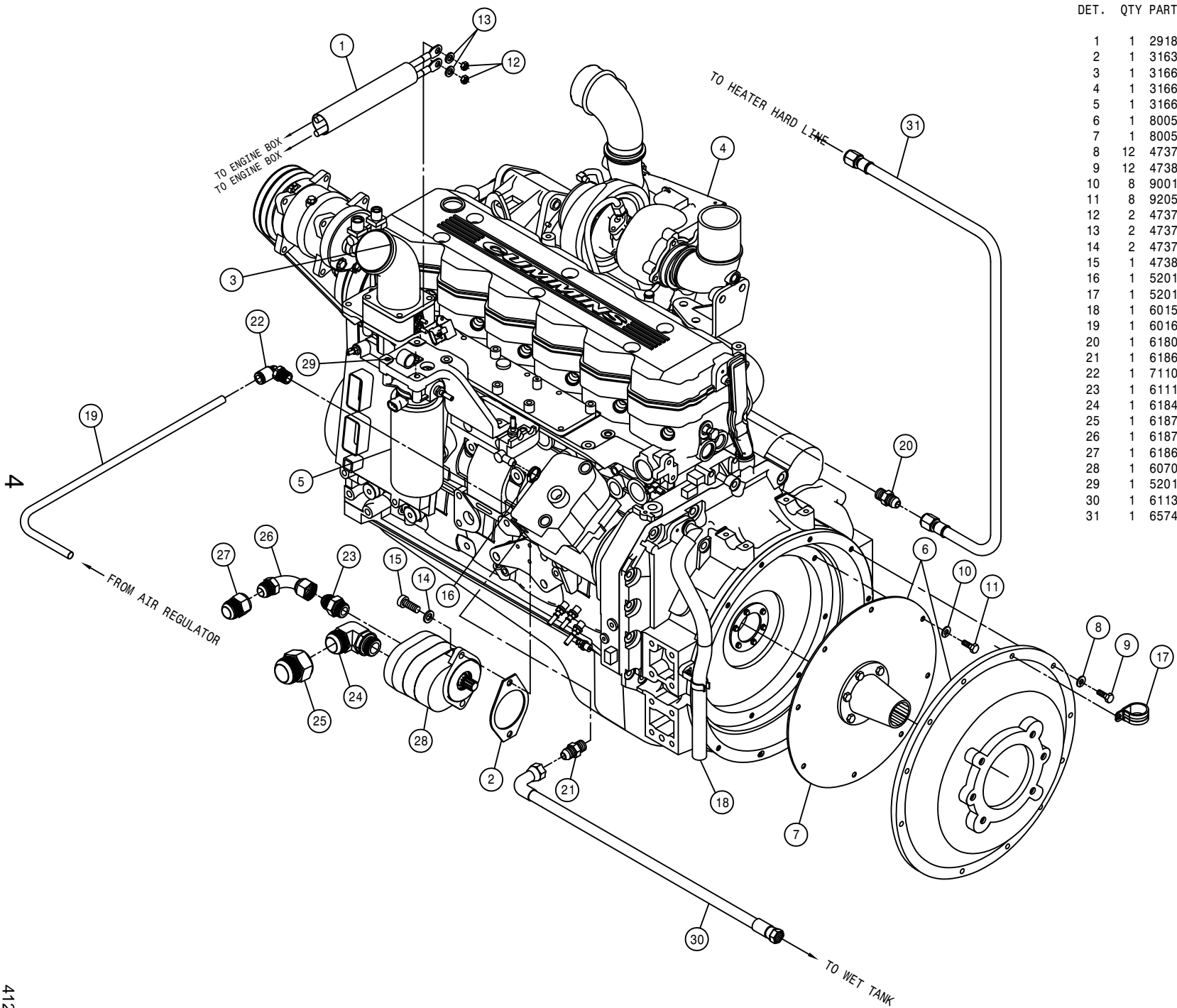
INDEX . . . . . 103

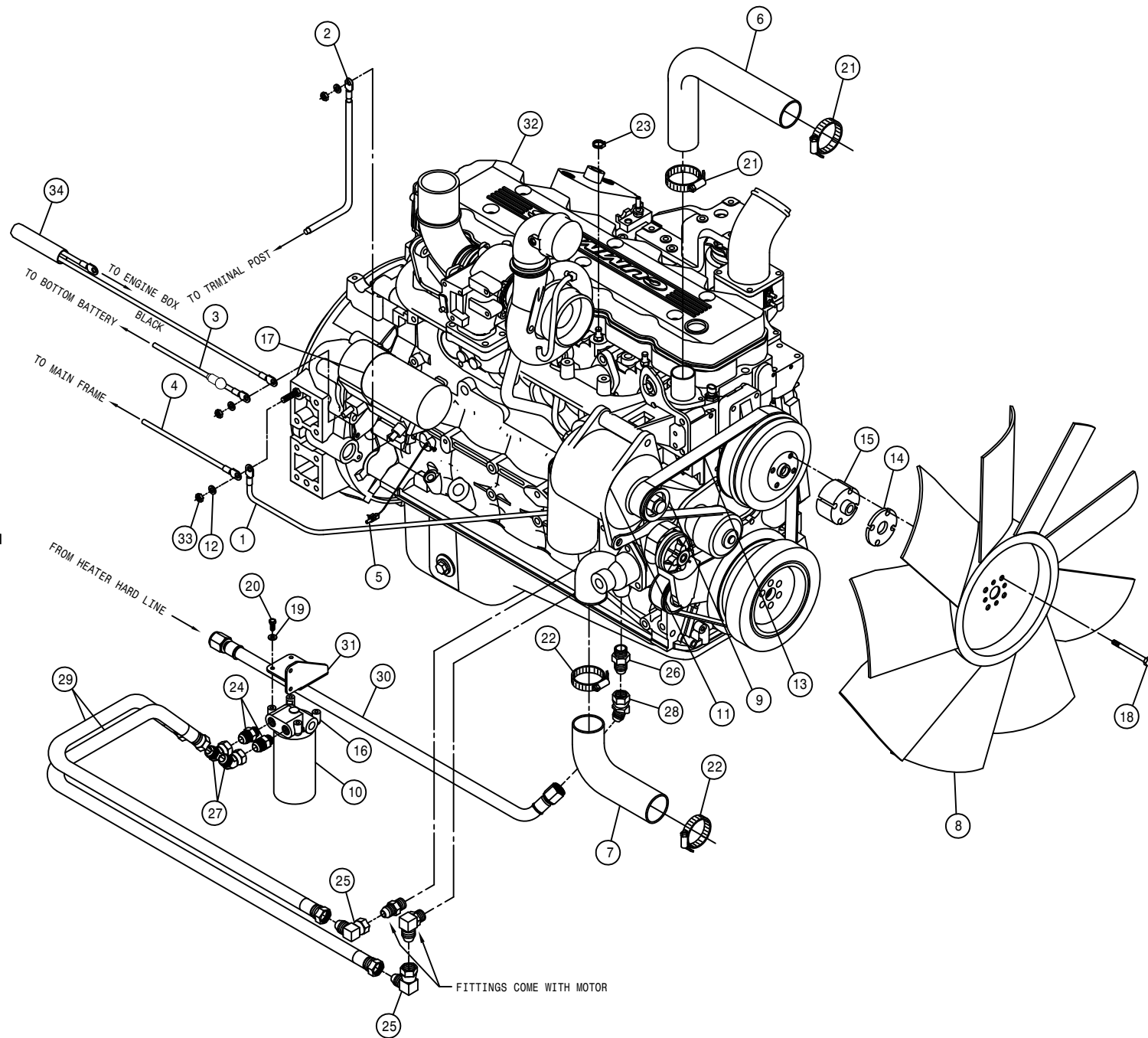
PARTS ORDER FORM. . . . . 107

ENGINE ASSEMBLY

DET. QTY PART NO. DESCRIPTION

DET.	QTY	PART NO.	DESCRIPTION
1	1	291867	ENG HEATER CABLE ASSY,RED 6GA
2	1	316371	GASKET, AUX DRIVE CUMM 154916
3	1	316662	AIR INTAKE PIPE W/FLG,T3 ENG
4	1	316665	CUMM ENG,QSB6.7C,215HP, 07
5	1	316683	FUEL FILTER, ENG, TIER 3 07
6	1	800502	PUMP DRIVE,DIRECT SAE#3/C 23T
7	1	800503	DRIVE DISK ASSY,11.5" 23T SPL
8	12	473798	10MM LOCK WASHER
9	12	473818	10MM-1.50 X 40MM HEX BOLT (H)
10	8	900128	3/8UNC X 3/4 HEX BOLT
11	8	920502	3/8 LOCK WASHER
12	2	473767	6MM-1.00 HEX NUT
13	2	473768	6MM LOCK WASHER
14	2	473799	10MM FLAT WASHER
15	1	473844	10MM-1.50 X 30 SOC HD CAP SCR
16	1	520120	HOSE CLAMP NO 4 STAINLESS
17	1	520160	CUSH CLAMP,#24 1 1/2D-3/4WLOOP
18	1	601537	HOSE, 3/4 X 24 CLEAR VINYL
19	1	601625	HOSE, 1/4 X 14 AIR
20	1	618059	7/8MJIC-3/4MNPT ADPTR
21	1	618699	1 1/16MJIC-M27X2.0MOR ADPTR
22	1	711039	1/8MNPT-90-1/4 NYL TUBE LBO
23	1	611127	1 1/16MJIC-1 1/16MOR ADPTR
24	1	618476	1 5/8MJIC-90-1 5/16MOR LBO
25	1	618762	1 5/8FJIC-1 7/8MJIC ADPTR
26	1	618763	1 1/16FJX-90-1 1/16MJIC TUBE
27	1	618641	1 1/16FJIC-1 5/16MJIC ADPTR
28	1	607001	SAUER GEAR PUMP 29CC DE1L
29	1	520101	CUSH CLAMP,#16 1"D X 1/2W
30	1	611306	12-P919J-12FJX-12FJX90-42 H/A
31	1	657485	10-213-10FJX-10FJX-62 H/A





ENGINE ASSEMBLY

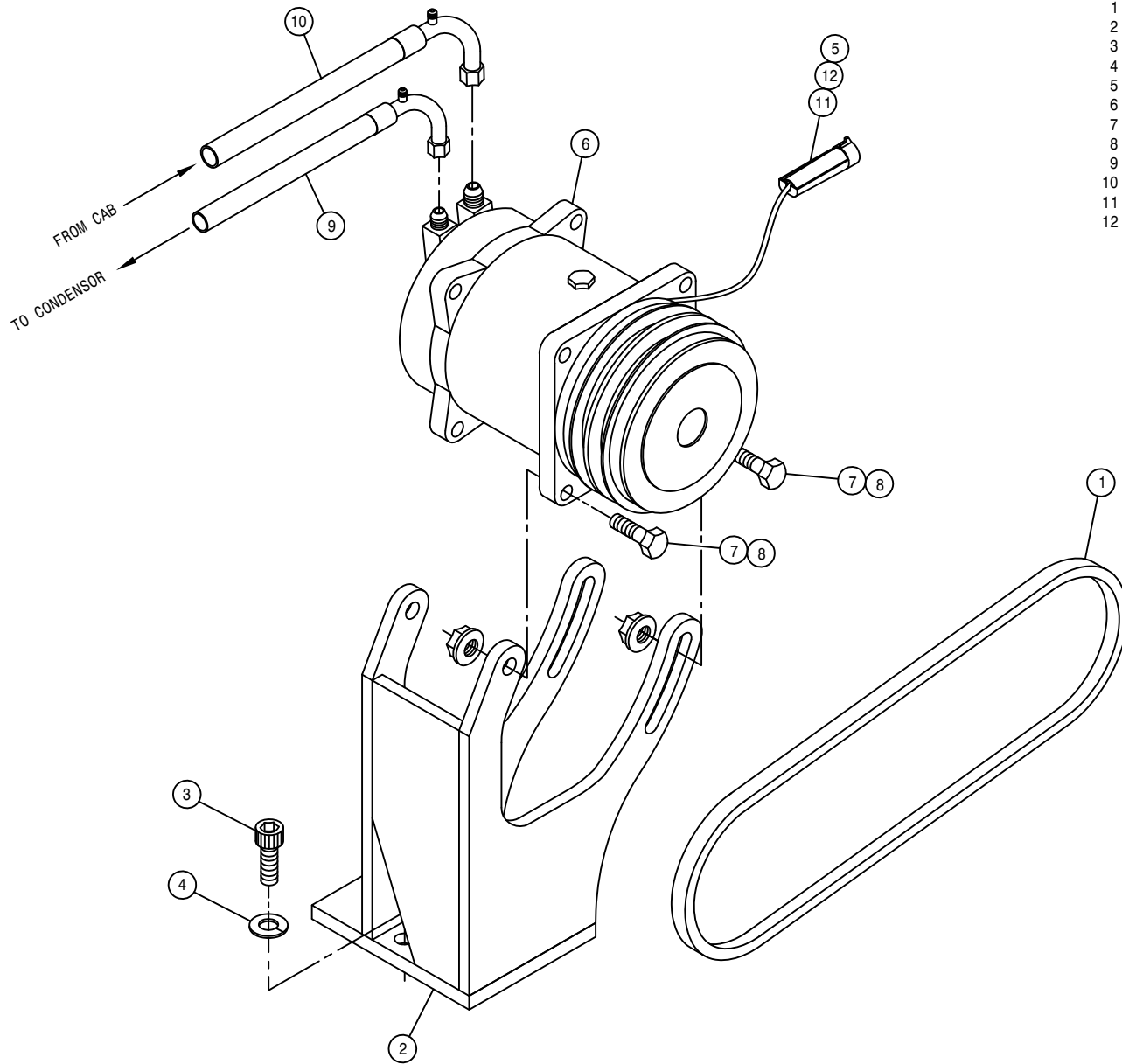
DET.	QTY	PART NO.	DESCRIPTION
1	1	291358	BATT CABLE, BLK 56"2GA.281-.406
2	1	291359	BATT CABLE, RED 26"2/0 3/8-3/8
3	1	291708	BATT CABLE, BLK 73"2/0 3/8-3/8
4	1	291892	BATT CABLE, BLK 42"4GA.406-.406
5	1	293631	STARTER WIRE ASSY
6	1	314832	RADIATOR HOSE 1.75 X 19(52423)
7	1	314987	LWR RADIATOR HOSE STS-12
8	1	316524	FAN, 28" CUMM QSB5.9C, STS 02
9	1	316370	ALT PULLEY, 2.76 OD, 8-GROOVE
10	1	316372	LUBE FILTER (CUMM ENG 316360)
11	1	316391	DELCO ALTERNATOR, 130 AMP 24SI
12	1	473804	8MM LOCK WASHER
13	1	316680	FAN BELT, TIER 3 ENGINE 07
14	1	316681	FAN SPACER, 6.4MM, TIER 3 ENG 07
15	1	316682	FAN SPACER, 63.5MM, TIER3 ENG 07
16	1	316685	REMOTE OIL FILTER HEAD, T3 07
17	1	316686	STARTER, CUMM TIER 3 07
18	4	473780	10MM-1.50 X 90MM FLANGE BOLT
19	4	473804	8MM LOCK WASHER
20	4	473827	8MM-1.25 X 20MM HEX BOLT
21	2	520067	HOSE CLAMP NO 28 STAINLESS
22	2	520099	HOSE CLAMP NO 40 STAINLESS
23	1	520069	HOSE CLAMP NO 6 STAINLESS
24	2	618189	1 1/16MJIC-7/8MOR ADPTR
25	2	618191	1 1/16MJ-90-1 1/16FJ SWIV LBO
26	1	618325	7/8MJIC-1/2MNPT ADPTR
27	2	618529	1 1/16MJ-45-1 1/16FJ SWIV LBO
28	1	618628	7/8MJIC-45-7/8FJIC SWIV LBO
29	2	616299	12-426-12FJX-12FJX-61 H/A
30	1	657484	10-213-10FJX-10FJX-89 H/A
31	1	316800	REMOTE FILTER HEAD BRKT, T3
32	1	316665	CUMM ENG, QSB6.7C, 215HP, 07
33	1	473778	8MM-1.25 HEX NUT
34	1	291888	CAB PWR CABLE ASSY, STS10/12 05

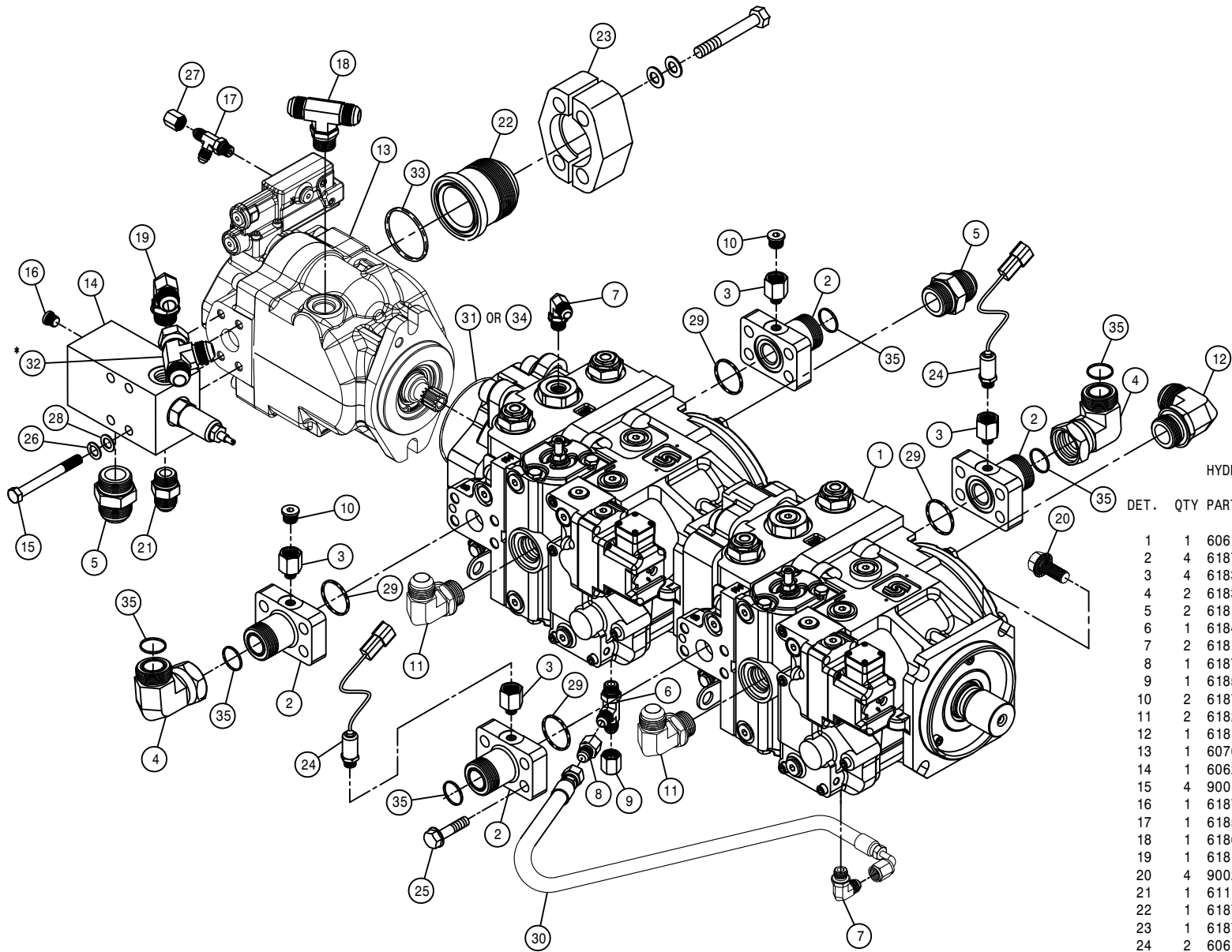
5

A/C COMPRESSOR PUMP ASSEMBLY

DET. QTY PART NO. DESCRIPTION

1	1	147052	BELT, 17470 GOODYEAR
2	1	316591	A/C MTG BRKT WLD, STS 2004
3	3	473844	10MM-1.50 X 30 SOC HD CAP SCR
4	3	473798	10MM LOCK WASHER
5	1	291675	MALE TERMINAL, 16-14GA PACKARD
6	1	657450	A/C COMP SR, 90D PORT TM15/12
7	4	900131	3/8UNC X 1 1/2 HEX BOLT
8	4	910004N	3/8UNC FLANGE CNTR LOCK NUT
9	1	657446	A/C HOSE, 08-08F90-08F90SV-65"
10	1	657447	A/C HOSE, 10-10F90-10F90SV-92"
11	1	291593	PACKARD CONNECT, 1-WIRE SHROUD
12	1	291620	PACKARD CABLE SEAL, GRN 20-18GA

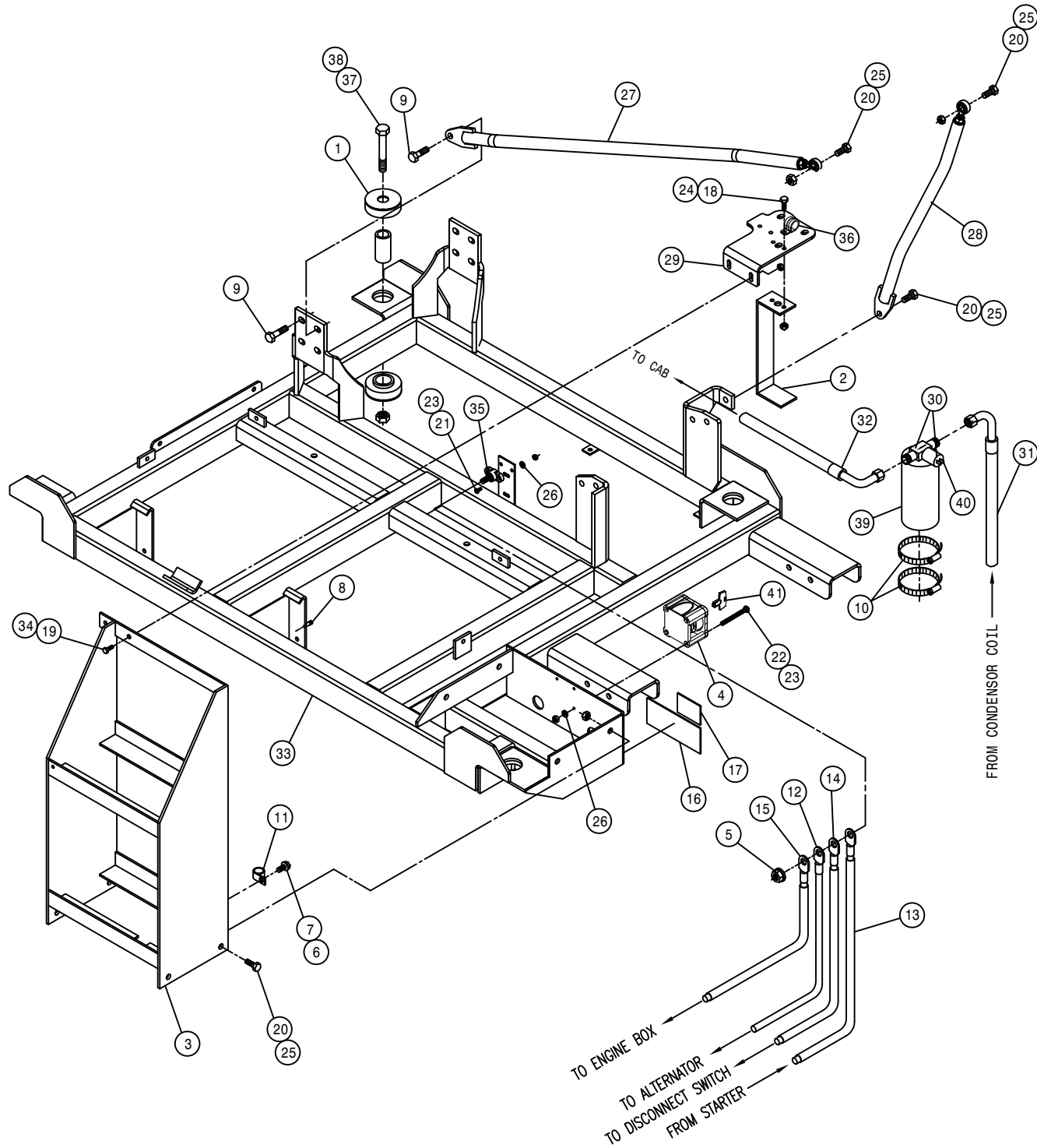




HYDROSTATIC PUMP ASSEMBLY

DET.	QTY	PART NO.	DESCRIPTION
1	1	606170	TANDEM PUMP,606173 & 606176 05
2	4	618742	1"FLG-1"ORFS ADPTR W/PRES PORT
3	4	618361	7/16MOR-9/16FOR ADPTR
4	2	618362	1 7/16MFOR-90-1 7/16FFOR LBO
5	2	618186	1 5/16MJIC-1 5/16MOR ADPTR
6	1	618444	9/16MOR RUN TEE-9/16MJIC
7	2	618119	9/16MJIC-90-9/16MOR LBO
8	1	618734	9/16JIC .047 ORIFICE ADPTR
9	1	618531	9/16FJIC CAP NUT
10	2	618754	9/16MOR PLUG, HEX SOCKET
11	2	618248	1 1/16MJIC-90-1 1/16MOR LBO
12	1	618178	1 5/16MJIC-90-1 5/16MOR LBO
13	1	607004	SAUER PISTON PUMP JRR060B
14	1	606258	REFIEF, LS PUMP SAUER
15	4	900138	3/8UNC X 3 1/2 HEX BOLT
16	1	618753	7/16MOR PLUG, HEX SOCKET
17	1	618509	7/16MOR RUN TEE-7/16MJIC
18	1	618637	7/8MOR BRANCH TEE-7/8MJIC
19	1	618183	3/4MJIC-90-7/8MOR LBO
20	4	900264	1/2UNC X 1 1/4 HEX BOLT
21	1	611126	7/8MJIC-7/8MOR ADPTR
22	1	618765	2" FLANGE-2 1/2MJIC ADPTR #61
23	1	618766	2" SPLIT FLANGE KIT #61/62
24	2	606196	PRESSURE TRANSDUCER, 9000 PSI
25	16	900197	7/16UNC X 1 1/2 HEX BOLT
26	4	920502	3/8 LOCK WASHER
27	1	618363	7/16FJIC CAP NUT
28	4	920002	3/8 SAE FLAT WASHER
29	4	870219	BUNA ORING 1 5/16 X 1 9/16
30	1	616038	04C2AT-06FJX-06FJX90-15 H/A
31	1	606870	O-RING,BMT 3.989ID-.07CS-4.129
32	1	618451	3/4FJIC SW RUN TEE-3/4MJIC
33	1	618394	O-RING FOR 2" FLANGE -32
34	1	606357	O-RING,BMT,3.737ID-.103CS-3.94
35	6	618677	O-RING,-16 FACE SEAL .93ID 90D

\*NOTE: USE WITH THE TREAD ADJUST OPTION.



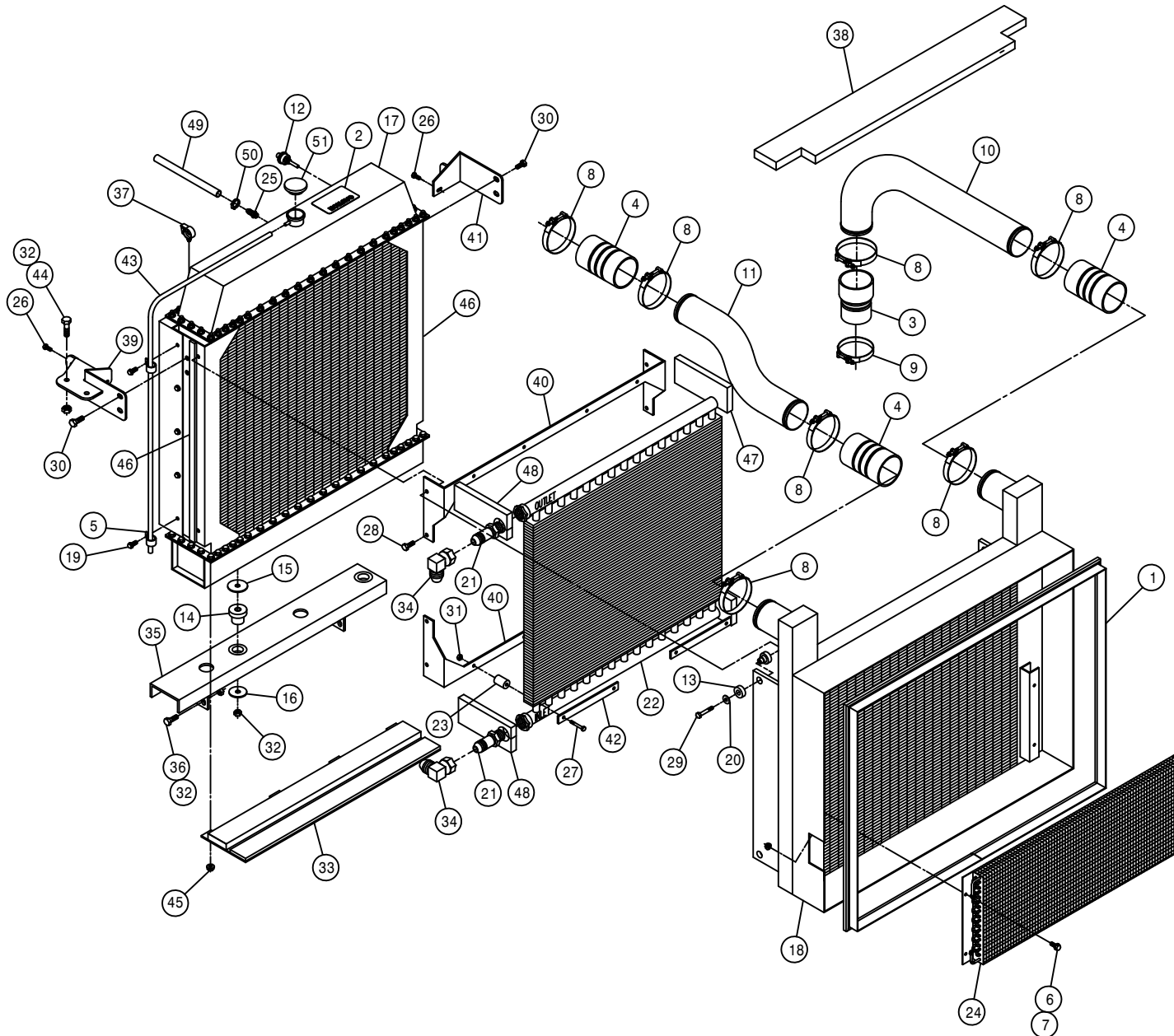
ENGINE SKID ASSEMBLY

DET.	QTY	PART NO.	DESCRIPTION
1	4	311057	RUBBER MT SET,SSB33-1000-4
2	1	316432	A/C DRIER MT
3	1	316637	BATTERY BOX WLD STS 05
4	1	291962	BATTERY SWITCH,ON/OFF(KEY)6005
5	1	910004N	3/8UNC FLANGE CNTR LOCK NUT
6	1	470121	1/4UNC HEX FLANGE LOCK NUT
7	1	470122	1/4UNC X 1/2 FLANGE HEX BOLT
8	6	470313	GROMMET BUMPER,1/4T X 1/4D MT
9	12	473855	12MM-1.75 X 35MM FLANGE BOLT
10	2	520052	HOSE CLAMP NO 52 STAINLESS
11	1	520121	CUSH CLAMP,#16 1IN X 3/4W
12	1	291357	BATT CABLE,RED 23"2GA.343-.406
13	1	291359	BATT CABLE,RED 26"2/0 3/8-3/8
14	1	291360	BATT CABLE,RED 40"2/0 3/8-3/8
15	1	291361	BATT CABLE,RED 72"2/0 3/8-3/8
16	1	650107	DECAL, CAUTION BOOSTER STS12
17	1	650372	DECAL,MAIN ELECTRIC DISCONNECT
18	2	900065	5/16UNC X 1" HEX BOLT
19	2	900129	3/8UNC X 1" SERR FLANGE BOLT
20	7	900264	1/2UNC X 1 1/4 HEX BOLT
21	2	903706	10-32X1 1/2 PHIL PANHD MACH SCR
22	4	903897	10-32X2 1/2 PHIL PAN MACH SCR
23	6	910027	10-32 HEX NUT
24	2	914002	5/16UNC HEX STOVER NUT
25	7	914008	1/2UNC HEX STOVER NUT
26	6	920510	#10 LOCK WASHER
27	1	316731	LH RAD BRACE ASSY,STS 10/12 07
28	1	316730	RH RAD BRACE ASSY,STS 10/12 07
29	1	316729	RAD MT PLT, STS T3 QSB 07
30	1	657438	RECEIVER DRIER W/SWITCH
31	1	657443	A/C HOSE,06-06F90-06F90-34"
32	1	657474	A/C HOSE,06-06F-06F90-128"
33	1	316650	SKID WLD, STS LS TIER 3 06
34	2	470087	3/8UNC HEX FLANGE LOCK NUT
35	1	291936	TERM BLOCK,RED, 3/8-16 SINGLE
36	1	520121	CUSH CLAMP,#16 1IN X 3/4W
37	4	900408	3/4UNC X 3 1/2 HEX BOLT
38	4	914012	3/4UNC HEX STOVER NUT
39	1	657421	A/C RECEIVER/DRIER
40	1	657422	A/C BINARY SWITCH
41	1	291963	KEY,BATTERY SWITCH 291962



RADIATOR AND OIL COOLER ASSEMBLY

DET. QTY PART NO. DESCRIPTION

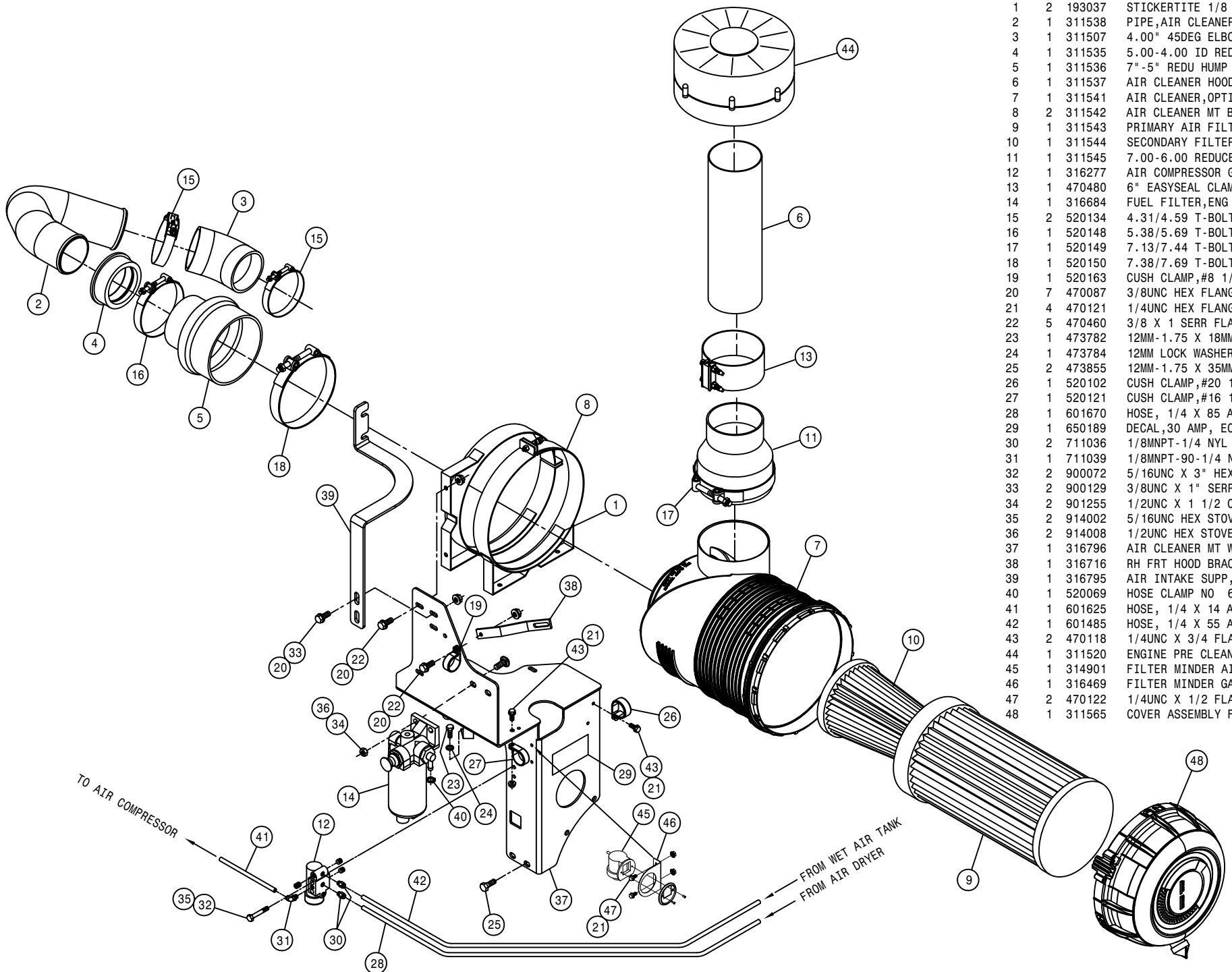


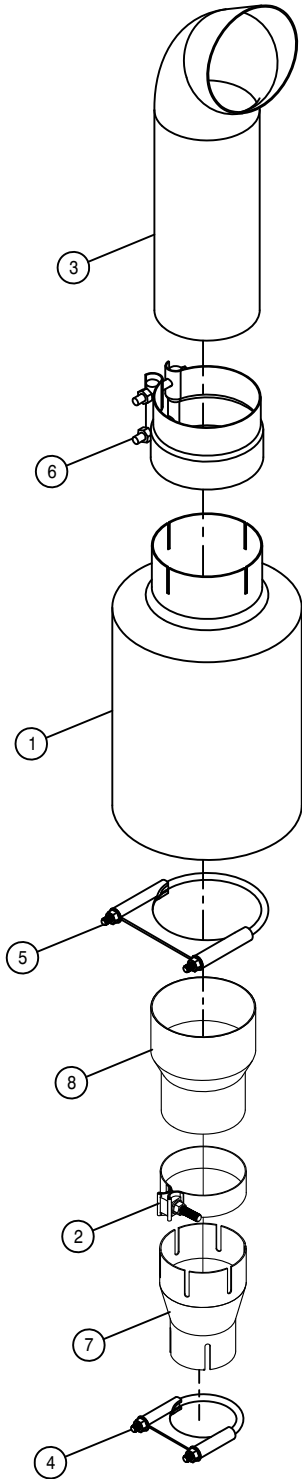
1	1	316612	CAC LIP SEAL, STS	03
2	1	650174	DECAL,CAUTION RADIATOR,STS	07
3	1	311500	3.00-3.50 CAC HOSE, AIR INTAKE	
4	3	311501	3.50 CAC HOSE, AIR INTAKE	
5	2	520128	CUSH CLAMP,#9 9/16D X 3/4W	
6	4	470121	1/4UNC HEX FLANGE LOCK NUT	
7	4	470122	1/4UNC X 1/2 FLANGE HEX BOLT	
8	7	520145	3.56/3.88 T-BOLT HOSE CLAMP SS	
9	1	520146	3.06/3.38 T-BOLT HOSE CLAMP SS	
10	1	311540	PIPE,CAC TO ENG, STS T3	07
11	1	311539	PIPE,TURBO TO CAC, STS T3	07
12	1	291935	RAD WATER LEVEL SENSOR,T3 ENG	
13	4	311056	RUBBER MOUNT SET,2-PC CB 2320	
14	2	311060	RUBBER MOUNT,1-PC CB-1122-2	
15	2	311061	HEAD WASHER FOR 311060	
16	2	311062	TAIL WASHER FOR 311060	
17	1	316364	RADIATOR, STS12	2000
18	1	316660	CHARGE AIR COOLER,STS TIER3 06	
19	10	470319	3/8UNC X 1/2 SERR FLANGE BOLT	
20	4	483043	3/8 REGULAR FLAT WASHER	
21	2	618610	1 5/16MJIC-1 5/16MOR LG ADPTR	
22	1	618800	OIL COOLER STS12	2000
23	8	618801	MOUNTING KIT FOR 618800 COOLER	
24	1	657434	A/C CONDENSER COIL 21-0302	
25	1	783304	1/4 NPT X 3/8 HOSE BARB, BRS	
26	2	900064	5/16UNC X 3/4 HEX BOLT	
27	8	900071	5/16UNC X 2 3/4 HEX BOLT	
28	4	900128	3/8UNC X 3/4 HEX BOLT	
29	4	900133	3/8UNC X 2" SERR FLANGE BOLT	
30	4	900264	1/2UNC X 1 1/4 HEX BOLT	
31	8	473001	5/16UNC HEX NUT,NY-LOC 316 SS	
32	8	914008	1/2UNC HEX STOVER NUT	
33	1	316490	LWR RADIATOR FILLER PANEL ASSY	
34	2	618640	1 5/16MJ-90-1 5/16FJ SWIV LBO	
35	1	316594	RADIATOR MT CHAN WLD, STS	04
36	4	900264	1/2UNC X 1 1/4 HEX BOLT	
37	4	291008	ROSEBUD CLIP FOR .350 CONDUIT	
38	1	316588	FOAM, STS	04
39	1	316727	UPPER LH RAD MT WLD,STS T3	07
40	2	316452	RAD TO OIL COOLER MT	
41	1	316446	UPPER RH RAD MT WLD	2000
42	4	316453	RAD TO OIL COOLER KEEPER	
43	1	601614	HOSE, 5/16 X 64 EPDM	
44	2	900264	1/2UNC X 1 1/4 HEX BOLT	
45	5	470113	5/16UNC HEX FLANGE LOCK NUT	
46	2	316493	SIDE FOAM,RAD/CAC	
47	2	316494	RH UPR/LWR FOAM,OIL CLR/RAD 00	
48	2	316495	LH UPR/LWR FOAM,OIL CLR/RAD 00	
49	1	601668	HOSE, 3/8 X 30 HEATER	
50	1	520069	HOSE CLAMP NO 6 STAINLESS	
51	1	316377	RAD CAP, 10LB 10237	

AIR CLEANER ASSEMBLY

DET. QTY PART NO. DESCRIPTION

1	2	193037	STICKERTITE 1/8 X 3/4
2	1	311538	PIPE,AIR CLEANER-TURBO,STS 07
3	1	311507	4.00" 45DEG ELBOW, RUBBER
4	1	311535	5.00-4.00 ID REDUCER BUSHING
5	1	311536	7" -5" REDU HUMP HOSE, RUBBER
6	1	311537	AIR CLEANER HOOD EXT,14"STS 07
7	1	311541	AIR CLEANER,OPTIAIR 1300
8	2	311542	AIR CLEANER MT BAND FOR 311541
9	1	311543	PRIMARY AIR FILTER FOR 311541
10	1	311544	SECONDARY FILTER FOR 311541
11	1	311545	7.00-6.00 REDUCER,STEEL W/CLMP
12	1	316277	AIR COMPRESSOR GOVERNOR KIT
13	1	470480	6" EASYSEAL CLAMP, SS
14	1	316684	FUEL FILTER,ENG REMOTE,T3 07
15	2	520134	4.31/4.59 T-BOLT HOSE CLAMP SS
16	1	520148	5.38/5.69 T-BOLT HOSE CLAMP SS
17	1	520149	7.13/7.44 T-BOLT HOSE CLAMP SS
18	1	520150	7.38/7.69 T-BOLT HOSE CLAMP SS
19	1	520163	CUSH CLAMP,#8 1/2D X 3/4W
20	7	470087	3/8UNC HEX FLANGE LOCK NUT
21	4	470121	1/4UNC HEX FLANGE LOCK NUT
22	5	470460	3/8 X 1 SERR FLANGE BOLT
23	1	473782	12MM-1.75 X 18MM HEX BOLT
24	1	473784	12MM LOCK WASHER
25	2	473855	12MM-1.75 X 35MM FLANGE BOLT
26	1	520102	CUSH CLAMP,#20 1 1/4D X 1/2W
27	1	520121	CUSH CLAMP,#16 1IN X 3/4W
28	1	601670	HOSE, 1/4 X 85 AIR
29	1	650189	DECAL,30 AMP, ECM FUSE, STS 07
30	2	711036	1/8MNPT-1/4 NYL TUBE FTG
31	1	711039	1/8MNPT-90-1/4 NYL TUBE LBO
32	2	900072	5/16UNC X 3" HEX BOLT
33	2	900129	3/8UNC X 1" SERR FLANGE BOLT
34	2	901255	1/2UNC X 1 1/2 CARR BOLT
35	2	914002	5/16UNC HEX STOVER NUT
36	2	914008	1/2UNC HEX STOVER NUT
37	1	316796	AIR CLEANER MT WLD, STS T3 07
38	1	316716	RH FRT HOOD BRACE, STS T3 07
39	1	316795	AIR INTAKE SUPP, STS10/12 07
40	1	520069	HOSE CLAMP NO 6 STAINLESS
41	1	601625	HOSE, 1/4 X 14 AIR
42	1	601485	HOSE, 1/4 X 55 AIR
43	2	470118	1/4UNC X 3/4 FLANGE HEX BOLT
44	1	311520	ENGINE PRE CLEANER
45	1	314901	FILTER MINDER AIR RESTRICT GA
46	1	316469	FILTER MINDER GAUGE MT
47	2	470122	1/4UNC X 1/2 FLANGE HEX BOLT
48	1	311565	COVER ASSEMBLY FOR 311541

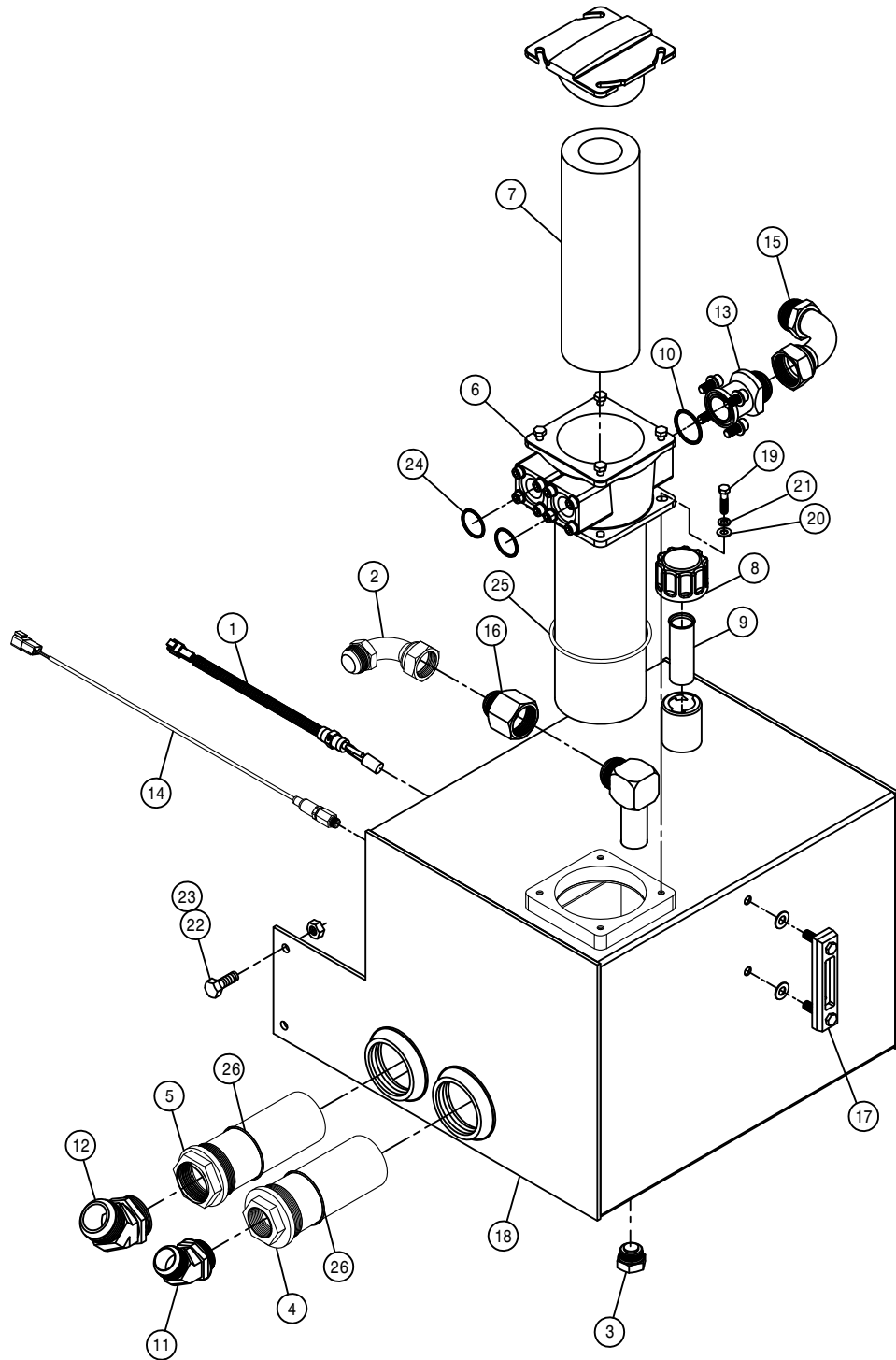




MUFFLER ASSEMBLY

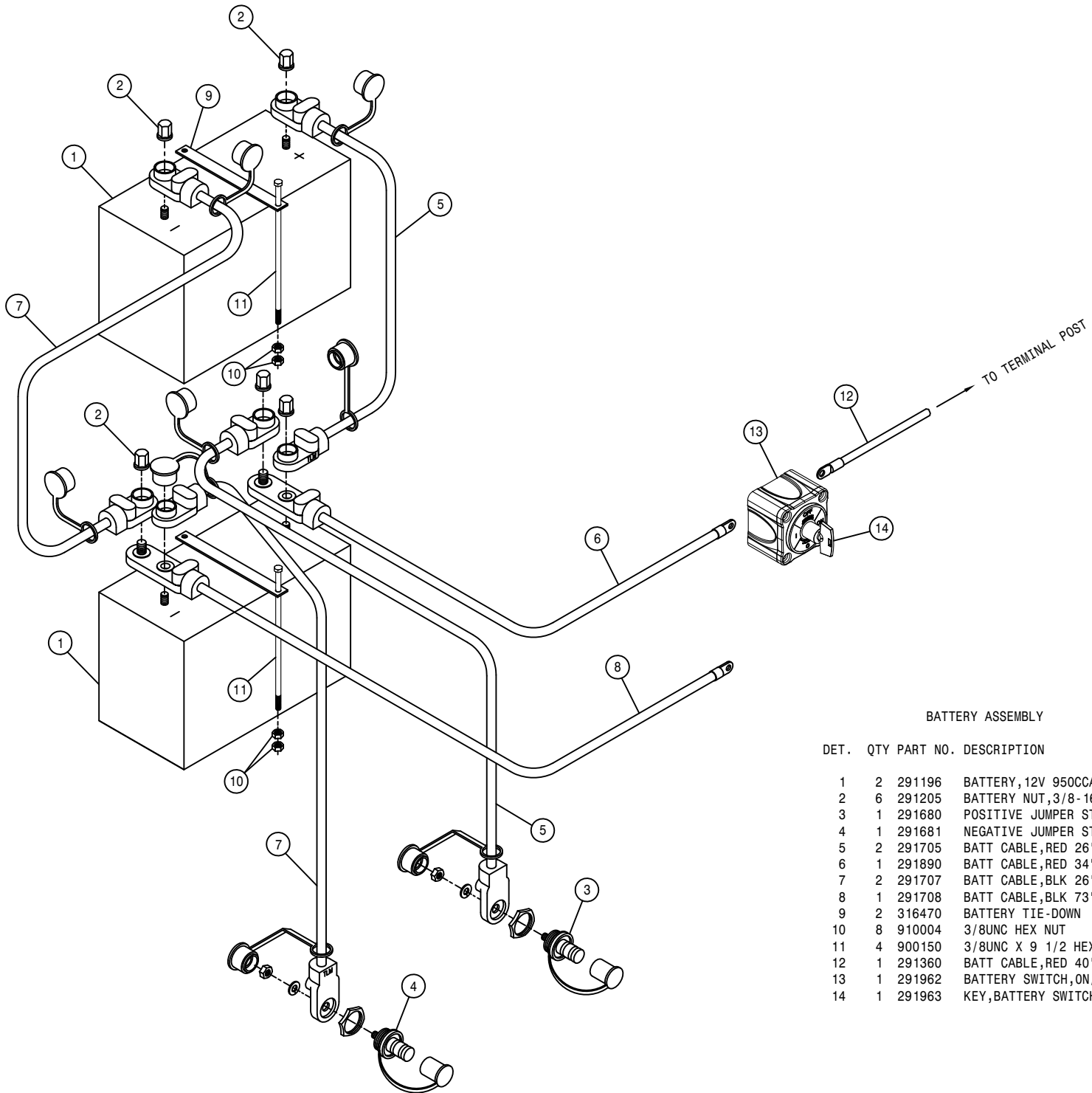
DET.	QTY	PART NO.	DESCRIPTION
1	1	316657	MUFFLER 5"
2	1	470519	MUFFLER CLAMP, 4.00 ACCUSEAL
3	1	316669	EXHAUST STACK, 5" X 21" BLK
4	1	470475	3" EXHAUST CLAMP
5	1	470476	5" EXHAUST CLAMP
6	1	470477	5" LAP EXHAUST CLAMP
7	1	311550	4" ID-3" ID REDUCER, EXHAUST PIPE
8	1	311552	5" OD-4" OD REDUCER, EXHAUST PIPE





HYDRAULIC TANK ASSEMBLY

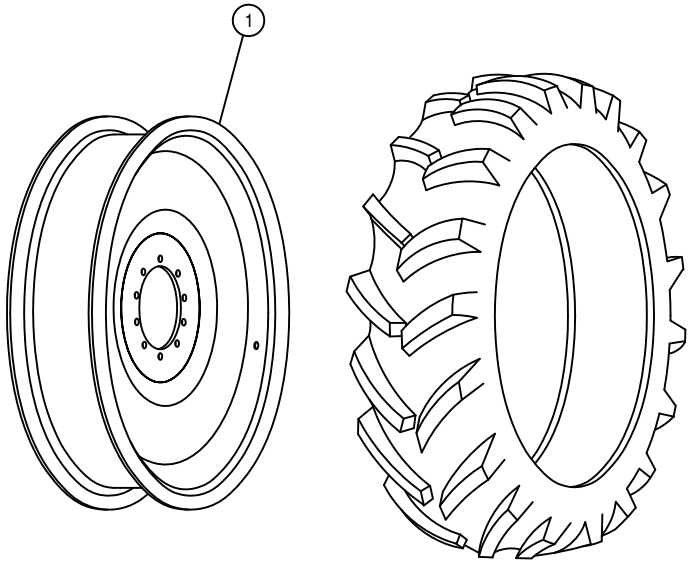
DET.	QTY	PART NO.	DESCRIPTION
1	1	293815	LIQUID LEV SWITCH ASSY,1/2NP05
2	1	618768	1 5/8FJX-90-1 5/8MJIC TUBE
3	1	470471	1 5/16MOR PLUG, MAGNETIC
4	1	605622	SUCTION STRAINER,21GPM 100M 24
5	1	605623	SUCTION STRAINER,39GPM 100M 32
6	1	605625	IN-TANK RETURN FILTER, 10M
7	1	605626	FILTER ELEMENT FOR 605625 10M
8	1	605628	FILL CAP, 6 PSI CHECK
9	1	605629	FILL SCREEN, 30 MESH
10	1	618395	O-RING FOR 1 1/2" FLANGE -24
11	1	618745	1 7/8MJIC-45-1 7/8MOR LBO
12	1	618746	2 1/2MJIC-45-2 1/2MOR LBO
13	1	618747	1 1/2 FLANGE-1 7/8MJIC ADPTR
14	1	291943	TEMPERATURE TRANSDUCER
15	1	618764	1 7/8FJX-90-1 7/8MJIC TUBE LBO
16	1	618767	1 7/8FJIC-1 5/8MJIC ADPTR
17	1	760177	SIGHT GAUGE W/TEMP, HYD TANK
18	1	760351	HYD TANK WLD, STLSL 07
19	1	900131	3/8UNC X 1 1/2 HEX BOLT
20	4	920002	3/8 SAE FLAT WASHER
21	4	920502	3/8 LOCK WASHER
22	4	900264	1/2UNC X 1 1/4 HEX BOLT
23	4	914008	1/2UNC HEX STOVER NUT
24	2	618465	O-RING FOR 1 1/4" FLANGE, -20
25	1	605632	O-RING FOR FILTER HEAD 605625
26	2	605638	O-RING, -48 3.228ID-.118W



BATTERY ASSEMBLY

DET. QTY PART NO. DESCRIPTION

1	2	291196	BATTERY, 12V 950CCA, SS STUD
2	6	291205	BATTERY NUT, 3/8-16 SS CLSD CAP
3	1	291680	POSITIVE JUMPER STUD, RED
4	1	291681	NEGATIVE JUMPER STUD, BLACK
5	2	291705	BATT CABLE, RED 26*2/0 3/8-3/8
6	1	291890	BATT CABLE, RED 34*2/0 3/8-3/8
7	2	291707	BATT CABLE, BLK 26*2/0 3/8-3/8
8	1	291708	BATT CABLE, BLK 73*2/0 3/8-3/8
9	2	316470	BATTERY TIE-DOWN
10	8	910004	3/8UNC HEX NUT
11	4	900150	3/8UNC X 9 1/2 HEX BOLT
12	1	291360	BATT CABLE, RED 40*2/0 3/8-3/8
13	1	291962	BATTERY SWITCH, ON/OFF (KEY) 6005
14	1	291963	KEY, BATTERY SWITCH 291962



380/85 R46 RADIAL TIRE

TIRE AND RIM ASSEMBLY

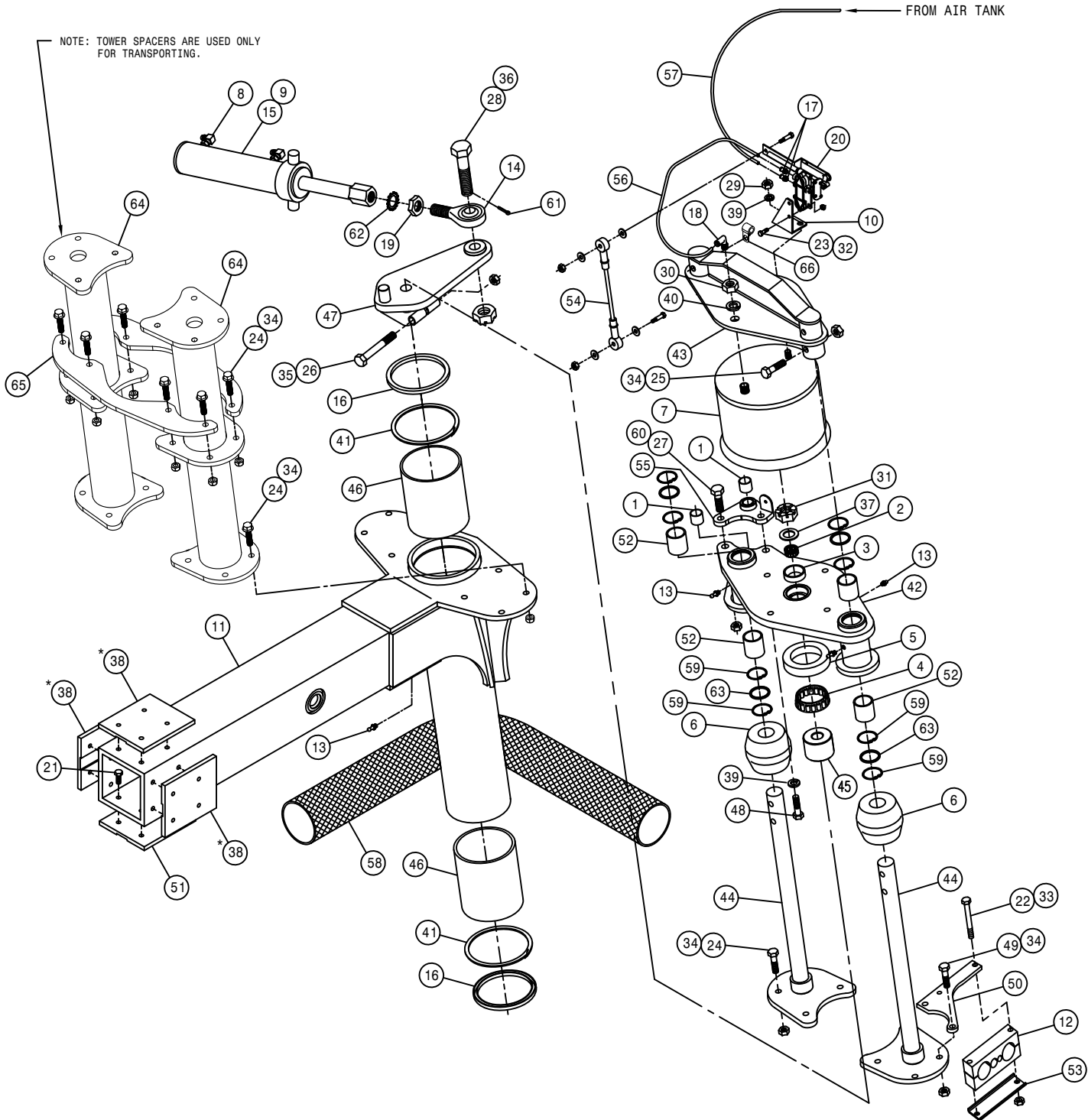
DET.	QTY	PART NO.	DESCRIPTION	
	1	821054	RIM WLD, 46 X W13A	STS12

RIGHT FRONT OUTER LEG ASSEMBLY

DET. QTY PART NO. DESCRIPTION

DET.	QTY	PART NO.	DESCRIPTION
1	2	121029	JOURNAL BRG, 1.00 ID X 1.00 LG
2	1	125050	BRG CONE, 1.00 ID W/FACE SEAL
3	1	125051	BRG CUP FOR 125050
4	1	125052	BRG CONE, 2.687 ID W/FACE SEAL
5	1	125053	BRG CUP FOR 125052
6	2	311058	RUBBER SPRING
7	1	311066	AIRIDE SPRING, 9.75 BASE
8	2	618249	3/4MJIC-90-9/16MOR LBO
9	1	621551	REPAIR KIT, HYD CYL, STRG 621550
10	1	359369	RH LEG AIR VALVE MT, STS16 05
11	1	359328	OUTER LEG WLD, STS 05
12	1	470305	HOSE CLAMP, 4-HOLE
13	4	471005	1/4 28 X 1/2 GREASE ZERK
14	1	473975	ROD END, 1.00 BORE, 1-12 RH MALE
15	1	621550	STEERING CYL, 2.50 X 8.81 STS
16	2	629621	SEAL, 4.500 ROD DIA
17	2	711036	1/8MNPT-1/4 NYL TUBE FTG
18	1	711040	1/4MNPT-90-1/4 NYL TUBE LBO
19	1	472328	1"-12 HEX JAM NUT
20	1	358832	AIRIDE SPRING CTRL VALVE 98
21	16	900128	3/8UNC X 3/4 HEX BOLT
22	2	900138	3/8UNC X 3 1/2 HEX BOLT
23	2	900002	1/4UNC X 3/4 HEX BOLT
24	22	900267	1/2UNC X 2" HEX BOLT
25	4	900269	1/2UNC X 2 3/4 HEX BOLT
26	1	900343	5/8UNC X 4 1/2 HEX BOLT
27	2	900352P	5/8UNC X 2 1/4 HEX BOLT
28	1	359085	STEERING ARM BOLT, 1"-8THD STS
29	1	910008	1/2UNC HEX NUT
30	1	910013	3/4UNF HEX NUT
31	1	910021	1"-14 SLOT JAM NUT
32	2	914000	1/4UNC HEX STOVER NUT
33	2	914004	3/8UNC HEX STOVER NUT
34	28	914008	1/2UNC HEX STOVER NUT
35	1	914010	5/8UNC HEX STOVER NUT
36	1	910020	1" UNC HEX SLOTTED NUT
37	1	920008	1" SAE FLAT WASHER
38	3	342917	TREAD ADJ PLATE, STEEL, THD
39	5	920504	1/2 LOCK WASHER
40	1	920506	3/4 LOCK WASHER
41	2	629538	4.5 SPIROLOX RING
42	1	359337	RH AIR BAG LWR PLT WLD, STS 05
43	1	359333	AIRBAG TOWER TOP MT WLD, STS 05
44	2	359077	NITRO TOWER SHAFT WLD STS
45	1	359082	STEERING ARM BRG SPACER
46	2	121112	LEG SLEEVE BEARING (POLYGON)04
47	1	359070	RH STEERING ARM WLD
48	4	900265	1/2UNC X 1 1/2 HEX BOLT
49	2	900268	1/2UNC X 2 1/2 HEX BOLT
50	1	359081	UPPER LEG HOSE MT PLT
51	4	342719	TRD ADJ BRONZE BEARING, THD-GRV
52	4	121113	TOWER SLEEVE BRG (POLYGON) 05
53	1	359094	HYD TUBE CLAMP KEEPER, 5.75
54	1	359095	LEG HEIGHT CTRL LINKAGE, STS12
55	1	359435	RH LEG UPR TRUNNION MT WLD 07
56	1	601473	HOSE, 1/4 X 22 AIR
57	1	601480	HOSE, 1/4 X 230 AIR
58	1	470310	SIDEWINDER SLEEVE, 14.06 X 45"
59	8	629537	187RRH00Z SNAP RING
60	2	914010P	5/8UNC HEX STOVER NUT
61	1	470117	COTTER PIN 3/16 1 3/4 SQ CUT
62	1	483018	1" EXTERNAL TOOTH LOCK WASHER
63	4	629620	SEAL, 1.500 ROD DIA
64	2	359363	STAND OFF TUBE WLD, STS 10T 05
65	2	359366	STAND OFF CROSS PLT, STS 10T 05
66	1	520164	CUSH CLAMP, 9/16D-3/4W-.531MT

\*NOTE: FOR TREAD ADJUST OPTION REPLACE ITEM 38 WITH THREE OF ITEM 51.

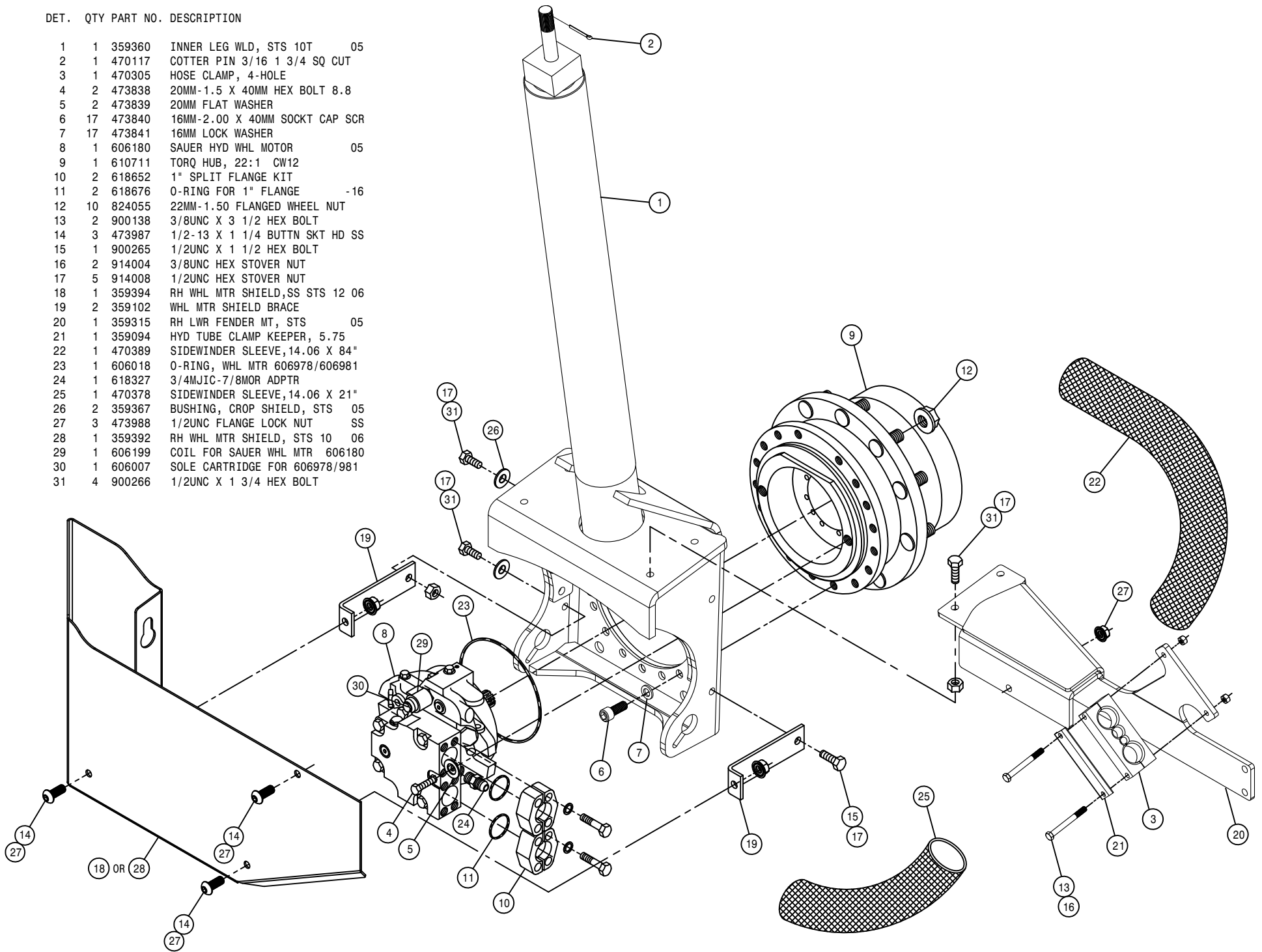




RH FRONT INNER LEG ASSEMBLY (FAIRFIELD HUB)

DET. QTY PART NO. DESCRIPTION

1	1	359360	INNER LEG WLD, STS 10T	05
2	1	470117	COTTER PIN 3/16 1 3/4 SQ CUT	
3	1	470305	HOSE CLAMP, 4-HOLE	
4	2	473838	20MM-1.5 X 40MM HEX BOLT 8.8	
5	2	473839	20MM FLAT WASHER	
6	17	473840	16MM-2.00 X 40MM SOCKT CAP SCR	
7	17	473841	16MM LOCK WASHER	
8	1	606180	SAUER HYD WHL MOTOR	05
9	1	610711	TORQ HUB, 22:1 CW12	
10	2	618652	1" SPLIT FLANGE KIT	
11	2	618676	O-RING FOR 1" FLANGE	-16
12	10	824055	22MM-1.50 FLANGED WHEEL NUT	
13	2	900138	3/8UNC X 3 1/2 HEX BOLT	
14	3	473987	1/2-13 X 1 1/4 BUTTN SKT HD SS	
15	1	900265	1/2UNC X 1 1/2 HEX BOLT	
16	2	914004	3/8UNC HEX STOVER NUT	
17	5	914008	1/2UNC HEX STOVER NUT	
18	1	359394	RH WHL MTR SHIELD,SS STS 12 06	
19	2	359102	WHL MTR SHIELD BRACE	
20	1	359315	RH LWR FENDER MT, STS	05
21	1	359094	HYD TUBE CLAMP KEEPER, 5.75	
22	1	470389	SIDEWINDER SLEEVE,14.06 X 84"	
23	1	606018	O-RING, WHL MTR 606978/606981	
24	1	618327	3/4MJIC-7/8MOR ADPTR	
25	1	470378	SIDEWINDER SLEEVE,14.06 X 21"	
26	2	359367	BUSHING, CROP SHIELD, STS	05
27	3	473988	1/2UNC FLANGE LOCK NUT	SS
28	1	359392	RH WHL MTR SHIELD, STS 10	06
29	1	606199	COIL FOR SAUER WHL MTR 606180	
30	1	606007	SOLE CARTRIDGE FOR 606978/981	
31	4	900266	1/2UNC X 1 3/4 HEX BOLT	



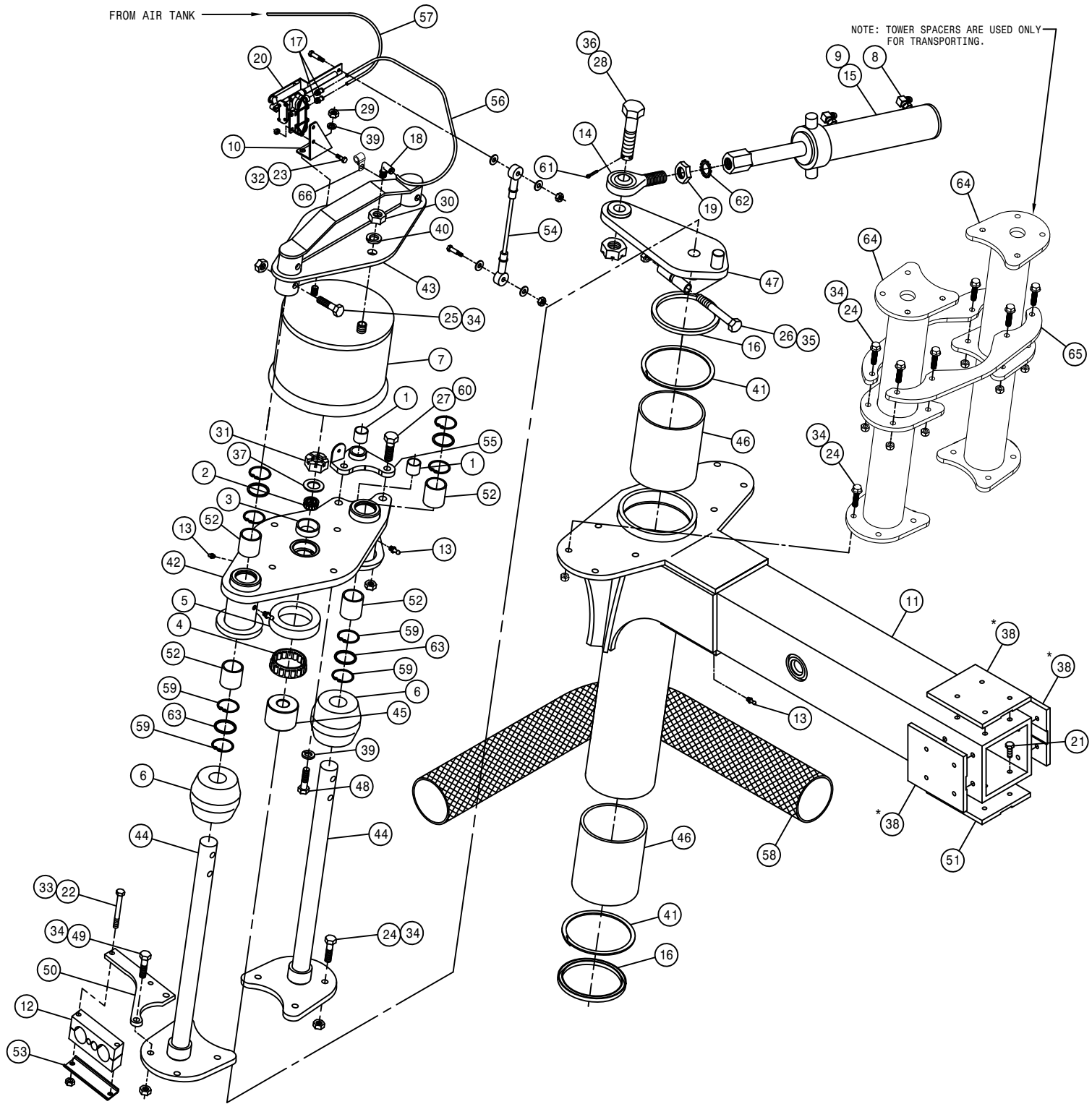
FROM AIR TANK

NOTE: TOWER SPACERS ARE USED ONLY FOR TRANSPORTING.

LEFT FRONT OUTER LEG ASSEMBLY

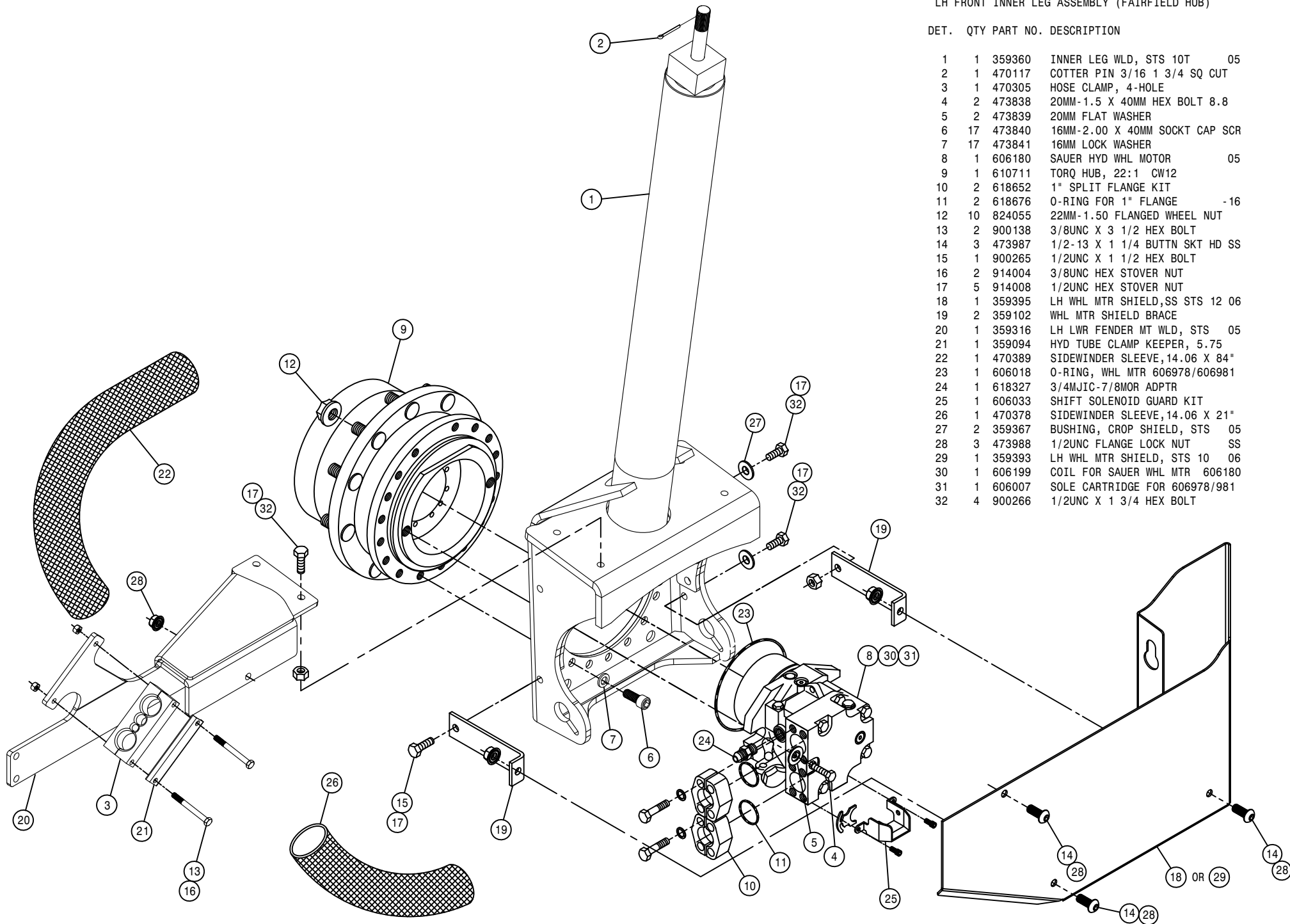
DET.	QTY	PART NO.	DESCRIPTION
1	2	121029	JOURNAL BRG, 1.00 ID X 1.00 LG
2	1	125050	BRG CONE, 1.00 ID W/FACE SEAL
3	1	125051	BRG CUP FOR 125050
4	1	125052	BRG CONE, 2.687 ID W/FACE SEAL
5	1	125053	BRG CUP FOR 125052
6	2	311058	RUBBER SPRING
7	1	311066	AIRIDE SPRING, 9.75 BASE
8	2	618249	3/4MJIC-90-9/16MOR LBO
9	1	621551	REPAIR KIT, HYD CYL, STRG 621550
10	1	359370	LH LEG AIR VALVE MT, STS16 05
11	1	359328	OUTER LEG WLD, STS 05
12	1	470305	HOSE CLAMP, 4-HOLE
13	4	471005	GREASE ZERK, 1/4 28 X 1/2
14	1	473975	ROD END, 1.00 BORE, 1-12 RH MALE
15	1	621550	STEERING CYL, 2.50 X 8.81 STS
16	2	629621	SEAL, 4.500 ROD DIA
17	2	711036	1/8MNPT-1/4 NYL TUBE FTG
18	1	711040	1/4MNPT-90-1/4 NYL TUBE LBO
19	1	472328	1" -12 HEX JAM NUT
20	1	358832	AIRIDE SPRING CTRL VALVE 98
21	16	900128	3/8UNC X 3/4 HEX BOLT
22	2	900138	3/8UNC X 3 1/2 HEX BOLT
23	2	900002	1/4UNC X 3/4 HEX BOLT
24	22	900267	1/2UNC X 2" HEX BOLT
25	4	900269	1/2UNC X 2 3/4 HEX BOLT
26	1	900343	5/8UNC X 4 1/2 HEX BOLT
27	2	900352P	5/8UNC X 2 1/4 HEX BOLT
28	1	359085	STEERING ARM BOLT, 1"-8THD STS
29	1	910008	1/2UNC HEX NUT
30	1	910013	3/4UNF HEX NUT
31	1	910021	1" -14 SLOT JAM NUT
32	2	914000	1/4UNC HEX STOVER NUT
33	2	914004	3/8UNC HEX STOVER NUT
34	28	914008	1/2UNC HEX STOVER NUT
35	1	914010	5/8UNC HEX STOVER NUT
36	1	910020	1" UNC HEX SLOTTED NUT
37	1	920008	1" SAE FLAT WASHER
38	3	342917	TREAD ADJ PLATE, STEEL, THD
39	5	920504	1/2 LOCK WASHER
40	1	920506	3/4 LOCK WASHER
41	2	629538	4.5 SPIROLOX RING
42	1	359338	LH AIR BAG LWR PLT WLD, STS 05
43	1	359333	AIRBAG TOWER TOP MT WLD, STS 05
44	2	359077	NITRO TOWER SHAFT WLD STS
45	1	359082	STEERING ARM BRG SPACER
46	2	121112	LEG SLEEVE BEARING (POLYGON)04
47	1	359071	LH STEERING ARM WLD
48	4	900265	1/2UNC X 1 1/2 HEX BOLT
49	2	900268	1/2UNC X 2 1/2 HEX BOLT
50	1	359081	UPPER LEG HOSE MT PLT
51	4	342719	TRD ADJ BRONZE BEARING, THD-GRV
52	4	121113	TOWER SLEEVE BRG (POLYGON) 05
53	1	359094	HYD TUBE CLAMP KEEPER, 5.75
54	1	359095	LEG HEIGHT CTRL LINKAGE, STS12
55	1	359436	LH LEG UPR TRUNNION MT WLD 07
56	1	601473	HOSE, 1/4 X 22 AIR
57	1	601479	HOSE, 1/4 X 196 AIR
58	1	470310	SIDEWINDER SLEEVE, 14.06 X 45"
59	8	629537	187RRHOZ SNAP RING
60	2	914010P	5/8UNC HEX STOVER NUT
61	1	470117	COTTER PIN 3/16 1 3/4 SQ CUT
62	1	483018	1" EXTERNAL TOOTH LOCK WASHER
63	4	629620	SEAL, 1.500 ROD DIA
64	2	359363	STAND OFF TUBE WLD, STS 10T 05
65	2	359366	STAND OFF CROSS PLT, STS 10T 05
66	1	520164	CUSH CLAMP, 9/16D-3/4W-.531MT

\*NOTE: FOR TREAD ADJUST OPTION REPLACE ITEM 38 WITH THREE OF ITEM 51.



LH FRONT INNER LEG ASSEMBLY (FAIRFIELD HUB)

DET.	QTY	PART NO.	DESCRIPTION
1	1	359360	INNER LEG WLD, STS 10T 05
2	1	470117	COTTER PIN 3/16 1 3/4 SQ CUT
3	1	470305	HOSE CLAMP, 4-HOLE
4	2	473838	20MM-1.5 X 40MM HEX BOLT 8.8
5	2	473839	20MM FLAT WASHER
6	17	473840	16MM-2.00 X 40MM SOCKT CAP SCR
7	17	473841	16MM LOCK WASHER
8	1	606180	SAUER HYD WHL MOTOR 05
9	1	610711	TORQ HUB, 22:1 CW12
10	2	618652	1" SPLIT FLANGE KIT
11	2	618676	O-RING FOR 1" FLANGE -16
12	10	824055	22MM-1.50 FLANGED WHEEL NUT
13	2	900138	3/8UNC X 3 1/2 HEX BOLT
14	3	473987	1/2-13 X 1 1/4 BUTTN SKT HD SS
15	1	900265	1/2UNC X 1 1/2 HEX BOLT
16	2	914004	3/8UNC HEX STOVER NUT
17	5	914008	1/2UNC HEX STOVER NUT
18	1	359395	LH WHL MTR SHIELD,SS STS 12 06
19	2	359102	WHL MTR SHIELD BRACE
20	1	359316	LH LWR FENDER MT WLD, STS 05
21	1	359094	HYD TUBE CLAMP KEEPER, 5.75
22	1	470389	SIDEWINDER SLEEVE,14.06 X 84"
23	1	606018	O-RING, WHL MTR 606978/606981
24	1	618327	3/4MJIC-7/8MOR ADPTR
25	1	606033	SHIFT SOLENOID GUARD KIT
26	1	470378	SIDEWINDER SLEEVE,14.06 X 21"
27	2	359367	BUSHING, CROP SHIELD, STS 05
28	3	473988	1/2UNC FLANGE LOCK NUT SS
29	1	359393	LH WHL MTR SHIELD, STS 10 06
30	1	606199	COIL FOR SAUER WHL MTR 606180
31	1	606007	SOLE CARTRIDGE FOR 606978/981
32	4	900266	1/2UNC X 1 3/4 HEX BOLT

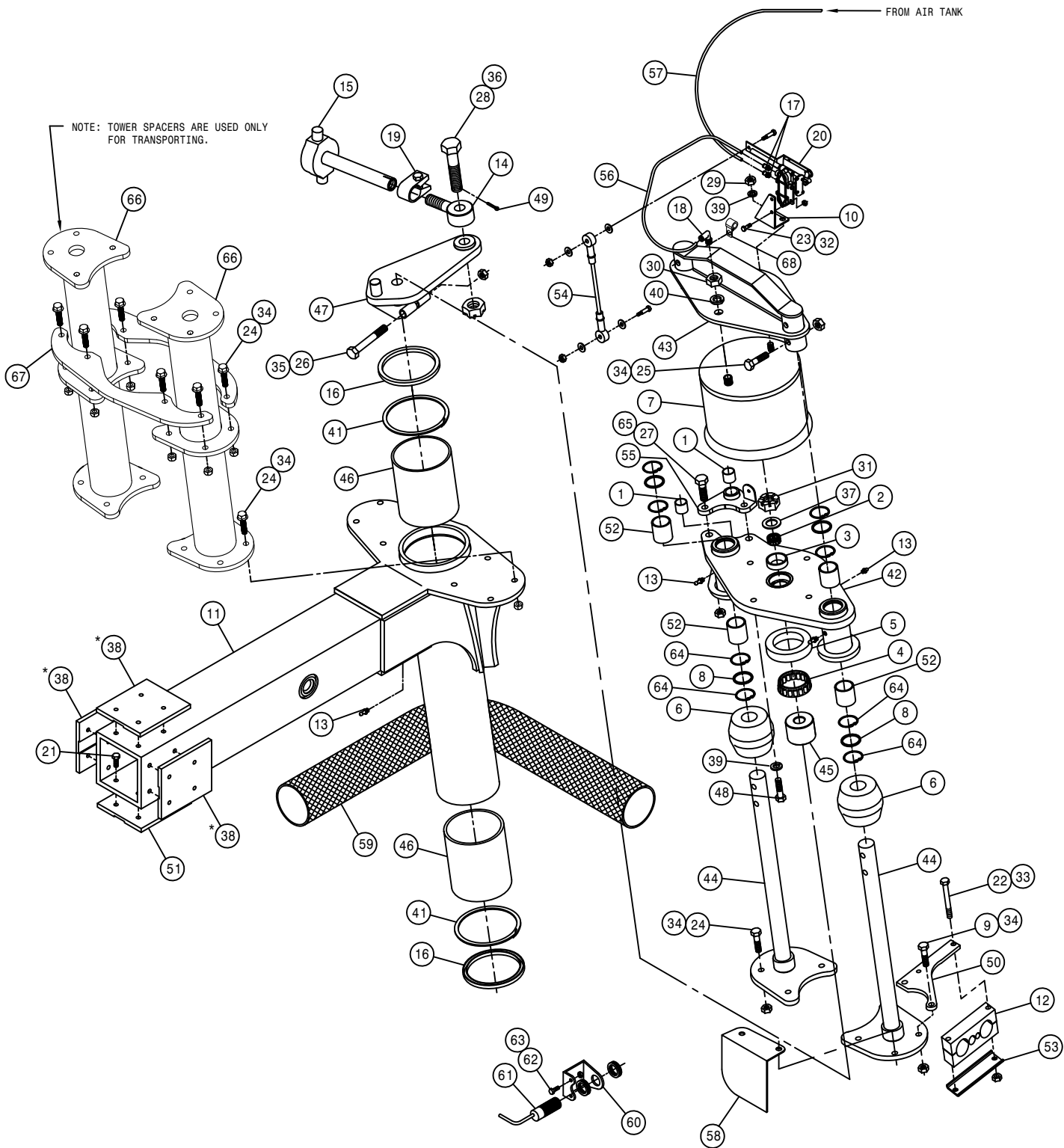


RIGHT REAR OUTER LEG ASSEMBLY

DET. QTY PART NO. DESCRIPTION

1	2	121029	JOURNAL BRG, 1.00 ID X 1.00 LG
2	1	125050	BRG CONE, 1.00 ID W/FACE SEAL
3	1	125051	BRG CUP FOR 125050
4	1	125052	BRG CONE, 2.687 ID W/FACE SEAL
5	1	125053	BRG CUP FOR 125052
6	2	311058	RUBBER SPRING
7	1	311066	AIRIDE SPRING, 9.75 BASE
8	4	629620	SEAL, 1.500 ROD DIA
9	2	900268	1/2UNC X 2 1/2 HEX BOLT
10	1	359369	RH LEG AIR VALVE MT, STS16 05
11	1	359328	OUTER LEG WLD, STS 05
12	1	470305	HOSE CLAMP, 4-HOLE
13	4	471005	GREASE ZERK, 1/4 28 X 1/2
14	1	359089	TIE ROD STUD WLD
15	1	359086	REAR TIE ROD SHAFT WLD
16	2	629621	SEAL, 4.500 ROD DIA
17	2	711036	1/8MNPT-1/4 NYL TUBE FTG
18	1	711040	1/4MNPT-90-1/4 NYL TUBE LBO
19	1	749322	STEERING TUBE CLAMP & BOLT ASSY
20	1	358832	AIRIDE SPRING CTRL VALVE 98
21	16	900128	3/8UNC X 3/4 HEX BOLT
22	2	900138	3/8UNC X 3 1/2 HEX BOLT
23	2	900002	1/4UNC X 3/4 HEX BOLT
24	22	900267	1/2UNC X 2" HEX BOLT
25	4	900269	1/2UNC X 2 3/4 HEX BOLT
26	1	900343	5/8UNC X 4 1/2 HEX BOLT
27	2	900352P	5/8UNC X 2 1/4 HEX BOLT
28	1	359085	STEERING ARM BOLT, 1"-8THD STS
29	1	910008	1/2UNC HEX NUT
30	1	910013	3/4UNF HEX NUT
31	1	910021	1" -14 SLOT JAM NUT
32	2	914000	1/4UNC HEX STOVER NUT
33	2	914004	3/8UNC HEX STOVER NUT
34	28	914008	1/2UNC HEX STOVER NUT
35	1	914010	5/8UNC HEX STOVER NUT
36	1	910020	1" UNC HEX SLOTTED NUT
37	1	920008	1" SAE FLAT WASHER
38	3	342917	TREAD ADJ PLATE, STEEL, THD
39	5	920504	1/2 LOCK WASHER
40	1	920506	3/4 LOCK WASHER
41	2	629538	4.5 SPIROLOX RING
42	1	359337	RH AIR BAG LWR PLT WLD, STS 05
43	1	359333	AIRBAG TOWER TOP MT WLD, STS 05
44	2	359077	NITRO TOWER SHAFT WLD STS
45	1	359082	STEERING ARM BRG SPACER
46	2	121112	LEG SLEEVE BEARING (POLYGON) 04
47	1	359070	RH STEERING ARM WLD
48	4	900265	1/2UNC X 1 1/2 HEX BOLT
49	1	470117	COTTER PIN 3/16 1 3/4 SQ CUT
50	1	359081	UPPER LEG HOSE MT PLT
51	4	342719	TRD ADJ BRONZE BEARING, THD-GRV
52	4	121113	TOWER SLEEVE BRG (POLYGON) 05
53	1	359094	HYD TUBE CLAMP KEEPER, 5.75
54	1	359095	LEG HEIGHT CTRL LINKAGE, STS12
55	1	359435	RH LEG UPR TRUNNION MT WLD 07
56	1	601473	HOSE, 1/4 X 22 AIR
57	1	601478	HOSE, 1/4 X 175 AIR
58	1	359092	RH SENSOR REFLECTOR
59	1	470311	SIDEWINDER SLEEVE, 14.06 X 60"
60	1	342856	TREAD SENSOR MT
61	1	293827	SENSOR W/DEUTSCH ASSY STS 05
62	2	900064	5/16UNC X 3/4 HEX BOLT
63	2	914002	5/16UNC HEX STOVER NUT
64	8	629537	187RRH00Z SNAP RING
65	2	914010P	5/8UNC HEX STOVER NUT
66	2	359363	STAND OFF TUBE WLD, STS 10T 05
67	2	359366	STAND OFF CROSS PLT, STS 10T 05
68	1	520164	CUSH CLAMP, 9/16D-3/4W-.531MT

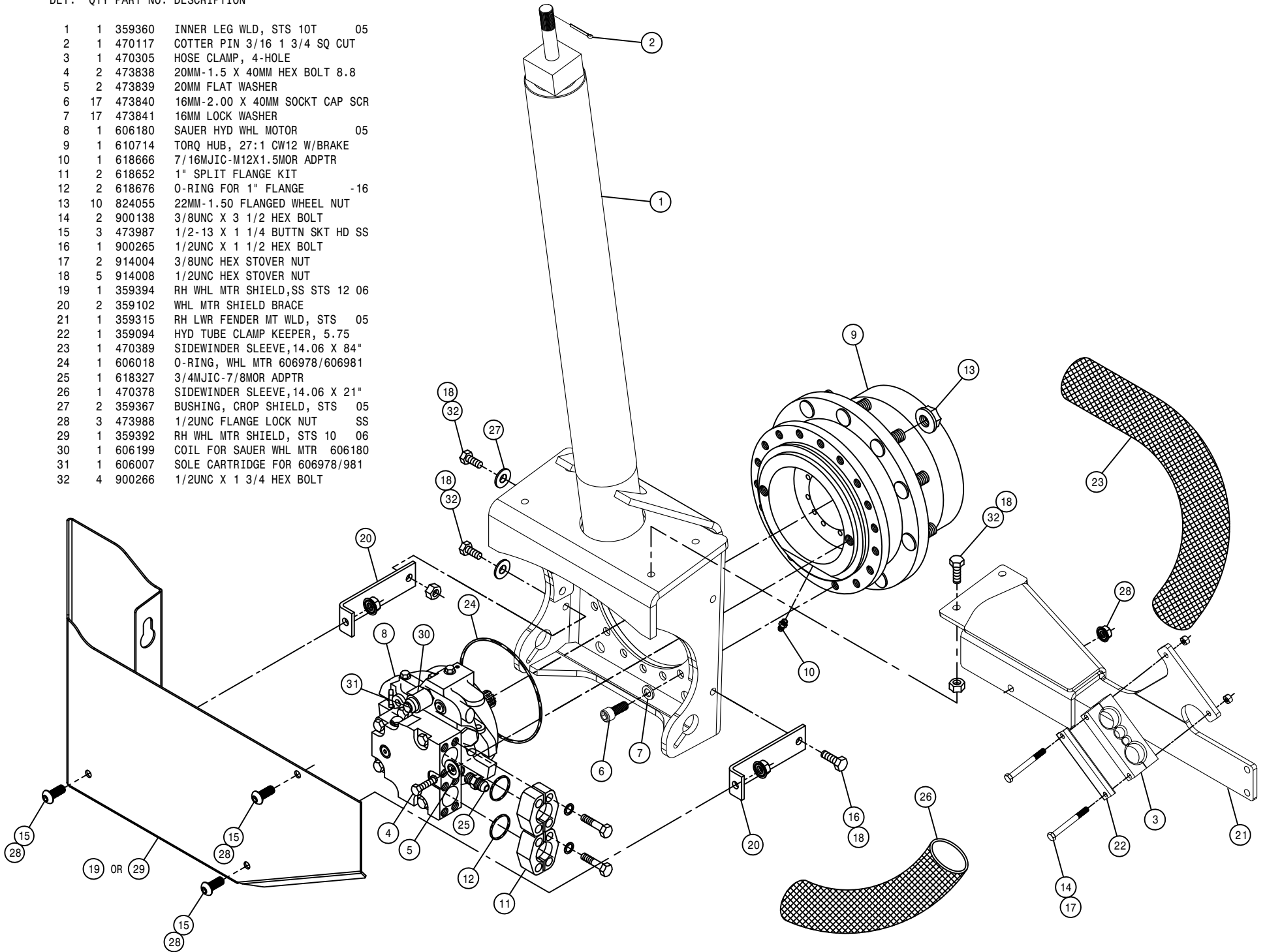
\*NOTE: FOR TREAD ADJUST OPTION REPLACE ITEM 38 WITH THREE OF ITEM 51.



RH REAR INNER LEG ASSEMBLY (FAIRFIELD HUB)

DET. QTY PART NO. DESCRIPTION

1	1	359360	INNER LEG WLD, STS 10T	05
2	1	470117	COTTER PIN 3/16 1 3/4 SQ CUT	
3	1	470305	HOSE CLAMP, 4-HOLE	
4	2	473838	20MM-1.5 X 40MM HEX BOLT 8.8	
5	2	473839	20MM FLAT WASHER	
6	17	473840	16MM-2.00 X 40MM SOCKET CAP SCR	
7	17	473841	16MM LOCK WASHER	
8	1	606180	SAUER HYD WHL MOTOR	05
9	1	610714	TORQ HUB, 27:1 CW12 W/BRAKE	
10	1	618666	7/16MJIC-M12X1.5MOR ADPTR	
11	2	618652	1" SPLIT FLANGE KIT	
12	2	618676	O-RING FOR 1" FLANGE	
13	10	824055	22MM-1.50 FLANGED WHEEL NUT	
14	2	900138	3/8UNC X 3 1/2 HEX BOLT	
15	3	473987	1/2-13 X 1 1/4 BUTTN SKT HD SS	
16	1	900265	1/2UNC X 1 1/2 HEX BOLT	
17	2	914004	3/8UNC HEX STOVER NUT	
18	5	914008	1/2UNC HEX STOVER NUT	
19	1	359394	RH WHL MTR SHIELD,SS STS 12 06	
20	2	359102	WHL MTR SHIELD BRACE	
21	1	359315	RH LWR FENDER MT WLD, STS 05	
22	1	359094	HYD TUBE CLAMP KEEPER, 5.75	
23	1	470389	SIDEWINDER SLEEVE,14.06 X 84"	
24	1	606018	O-RING, WHL MTR 606978/606981	
25	1	618327	3/4MJIC-7/8MOR ADPTR	
26	1	470378	SIDEWINDER SLEEVE,14.06 X 21"	
27	2	359367	BUSHING, CROP SHIELD, STS 05	
28	3	473988	1/2UNC FLANGE LOCK NUT	SS
29	1	359392	RH WHL MTR SHIELD, STS 10 06	
30	1	606199	COIL FOR SAUER WHL MTR 606180	
31	1	606007	SOLE CARTRIDGE FOR 606978/981	
32	4	900266	1/2UNC X 1 3/4 HEX BOLT	



FROM AIR TANK

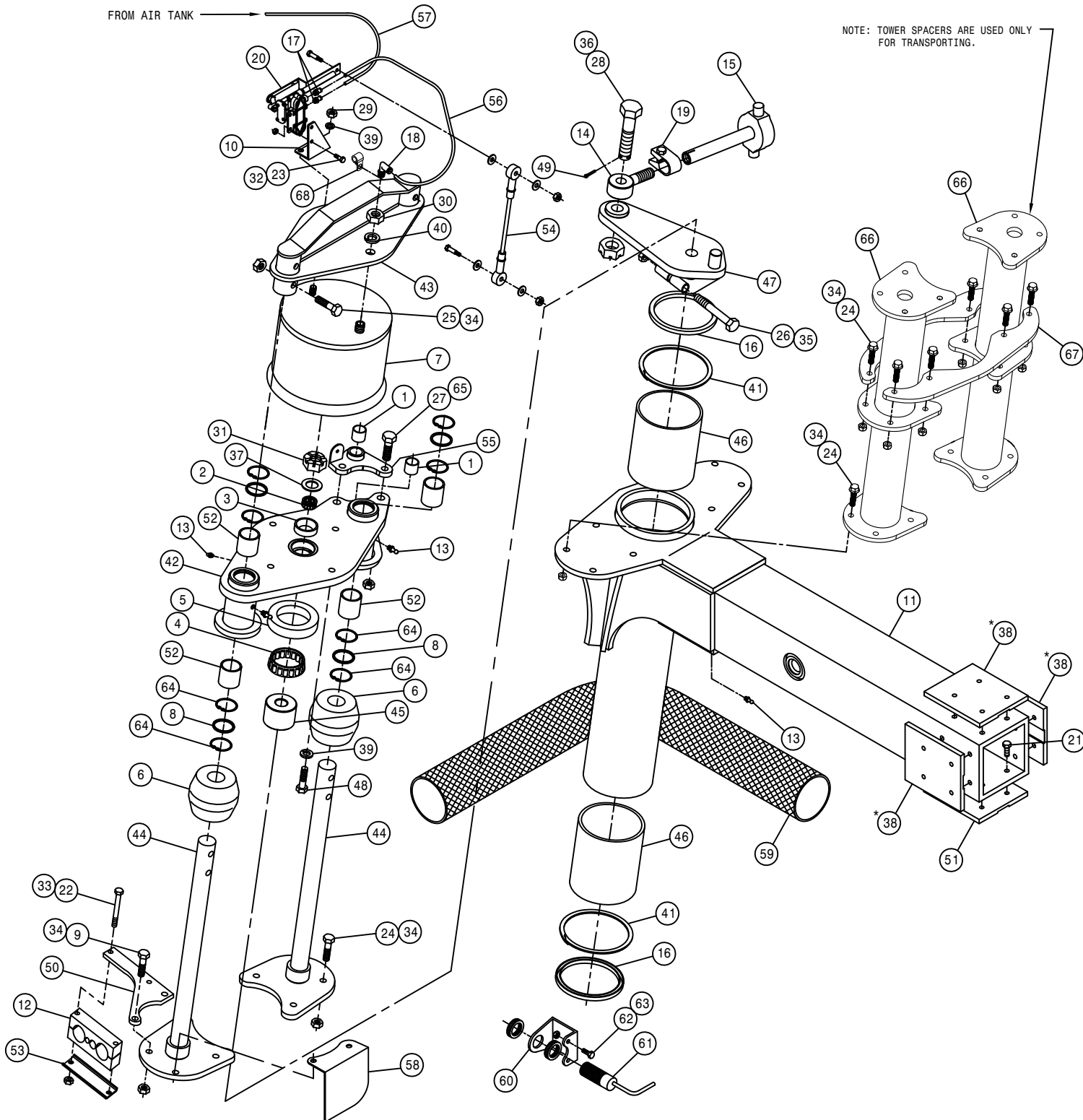
NOTE: TOWER SPACERS ARE USED ONLY FOR TRANSPORTING.

LEFT REAR OUTER LEG ASSEMBLY

DET. QTY PART NO. DESCRIPTION

1	2	121029	JOURNAL BRG, 1.00 ID X 1.00 LG
2	1	125050	BRG CONE, 1.00 ID W/FACE SEAL
3	1	125051	BRG CUP FOR 125050
4	1	125052	BRG CONE, 2.687 ID W/FACE SEAL
5	1	125053	BRG CUP FOR 125052
6	2	311058	RUBBER SPRING
7	1	311066	AIRIDE SPRING, 9.75 BASE
8	4	629620	SEAL, 1.500 ROD DIA
9	2	900268	1/2UNC X 2 1/2 HEX BOLT
10	1	359370	LH LEG AIR VALVE MT, STS16 05
11	1	359328	OUTER LEG WLD, STS 05
12	1	470305	HOSE CLAMP, 4-HOLE
13	4	471005	GREASE ZERK, 1/4 28 X 1/2
14	1	359089	TIE ROD STUD WLD
15	1	359086	REAR TIE ROD SHAFT WLD
16	2	629621	SEAL, 4.500 ROD DIA
17	2	711036	1/8MNPT-1/4 NYL TUBE FTG
18	1	711040	1/4MNPT-90-1/4 NYL TUBE LBO
19	1	749322	STEERING TUBE CLAMP & BOLT ASSY
20	1	358832	AIRIDE SPRING CTRL VALVE 98
21	16	900128	3/8UNC X 3/4 HEX BOLT
22	2	900138	3/8UNC X 3 1/2 HEX BOLT
23	2	900002	1/4UNC X 3/4 HEX BOLT
24	22	900267	1/2UNC X 2" HEX BOLT
25	4	900269	1/2UNC X 2 3/4 HEX BOLT
26	1	900343	5/8UNC X 4 1/2 HEX BOLT
27	2	900352P	5/8UNC X 2 1/4 HEX BOLT
28	1	359085	STEERING ARM BOLT, 1"-8THD STS
29	1	910008	1/2UNC HEX NUT
30	1	910013	3/4UNC HEX NUT
31	1	910021	1" -14 SLOT JAM NUT
32	2	914000	1/4UNC HEX STOVER NUT
33	2	914004	3/8UNC HEX STOVER NUT
34	28	914008	1/2UNC HEX STOVER NUT
35	1	914010	5/8UNC HEX STOVER NUT
36	1	910020	1" UNC HEX SLOTTED NUT
37	1	920008	1" SAE FLAT WASHER
38	3	342917	TREAD ADJ PLATE, STEEL, THD
39	5	920504	1/2 LOCK WASHER
40	1	920506	3/4 LOCK WASHER
41	2	629538	4.5 SPIROLOX RING
42	1	359338	LH AIR BAG LWR PLT WLD, STS 05
43	1	359333	AIRBAG TOWER TOP MT WLD, STS 05
44	2	359077	NITRO TOWER SHAFT WLD STS
45	1	359082	STEERING ARM BRG SPACER
46	2	121112	LEG SLEEVE BEARING (POLYGON)04
47	1	359071	LH STEERING ARM WLD
48	4	900265	1/2UNC X 1 1/2 HEX BOLT
49	1	470117	COTTER PIN 3/16 1 3/4 SQ CUT
50	1	359081	UPPER LEG HOSE MT PLT
51	4	342719	TRD ADJ BRONZE BEARING, THD-GRV
52	4	121113	TOWER SLEEVE BRG (POLYGON) 05
53	1	359094	HYD TUBE CLAMP KEEPER, 5.75
54	1	359095	LEG HEIGHT CTRL LINKAGE, STS12
55	1	359436	LH LEG UPR TRUNNION MT WLD 07
56	1	601473	HOSE, 1/4 X 22 AIR
57	1	601476	HOSE, 1/4 X 120 AIR
58	1	359093	LH SENSOR REFLECTOR
59	1	470311	SIDEWINDER SLEEVE, 14.06 X 60"
60	1	342856	TREAD SENSOR MT
61	1	293827	SENSOR W/DEUTSCH ASSY STS 05
62	2	900064	5/16UNC X 3/4 HEX BOLT
63	2	914002	5/16UNC HEX STOVER NUT
64	8	629537	187RRHOZ SNAP RING
65	2	914010P	5/8UNC HEX STOVER NUT
66	2	359363	STAND OFF TUBE WLD, STS 10T 05
67	2	359366	STAND OFF CROSS PLT, STS 10T 05
68	1	520164	CUSH CLAMP, 9/16D-3/4W-.531MT

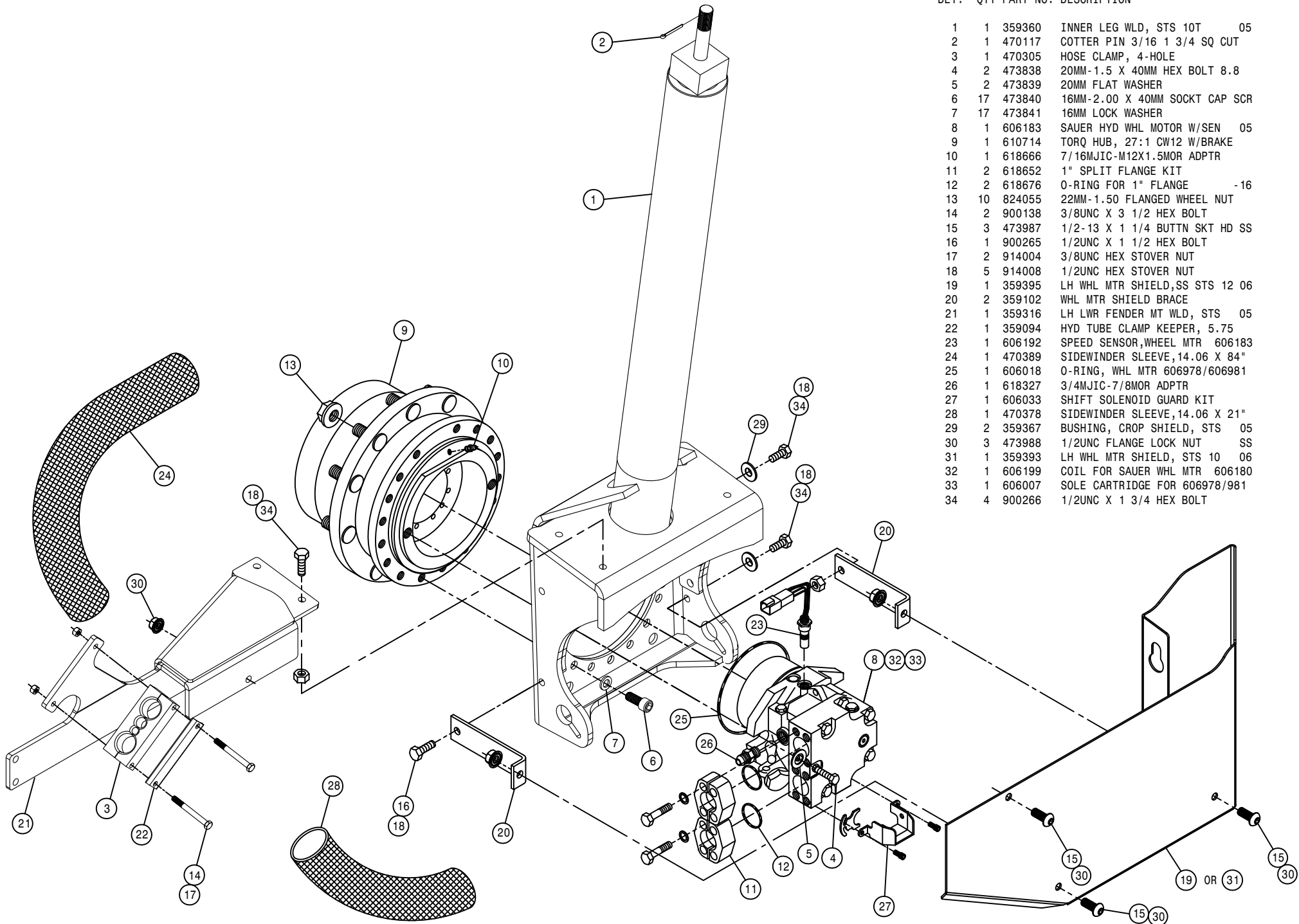
\*NOTE: FOR TREAD ADJUST OPTION REPLACE ITEM 38 WITH THREE OF ITEM 51.



LH REAR INNER LEG ASSEMBLY (FAIRFIELD HUB)

DET. QTY PART NO. DESCRIPTION

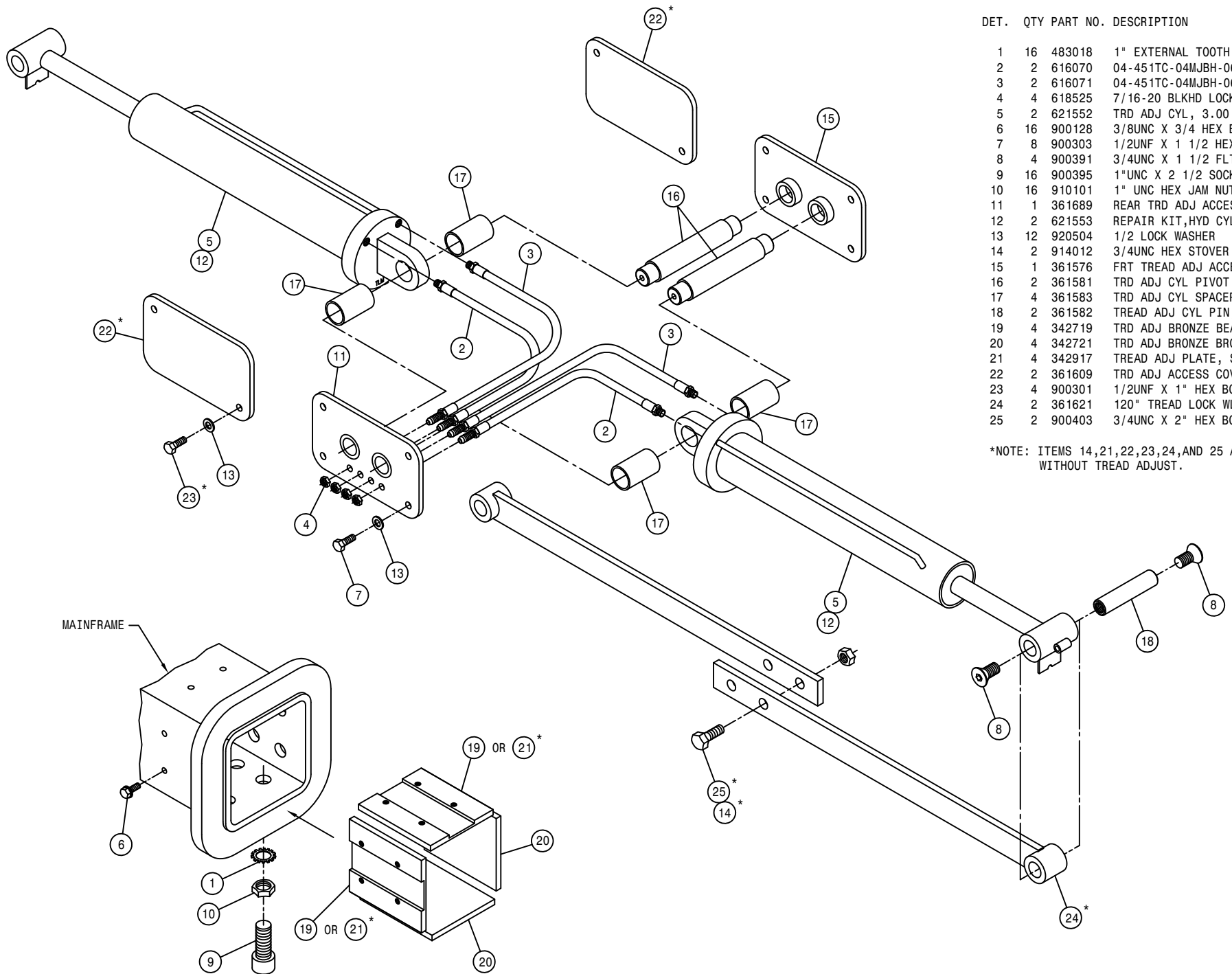
1	1	359360	INNER LEG WLD, STS 10T	05
2	1	470117	COTTER PIN 3/16 1 3/4 SQ CUT	
3	1	470305	HOSE CLAMP, 4-HOLE	
4	2	473838	20MM-1.5 X 40MM HEX BOLT 8.8	
5	2	473839	20MM FLAT WASHER	
6	17	473840	16MM-2.00 X 40MM SOCKT CAP SCR	
7	17	473841	16MM LOCK WASHER	
8	1	606183	SAUER HYD WHL MOTOR W/SEN	05
9	1	610714	TORQ HUB, 27:1 CW12 W/BRAKE	
10	1	618666	7/16MJIC-M12X1.5MOR ADPTR	
11	2	618652	1" SPLIT FLANGE KIT	
12	2	618676	O-RING FOR 1" FLANGE	-16
13	10	824055	22MM-1.50 FLANGED WHEEL NUT	
14	2	900138	3/8UNC X 3 1/2 HEX BOLT	
15	3	473987	1/2-13 X 1 1/4 BUTTN SKT HD SS	
16	1	900265	1/2UNC X 1 1/2 HEX BOLT	
17	2	914004	3/8UNC HEX STOVER NUT	
18	5	914008	1/2UNC HEX STOVER NUT	
19	1	359395	LH WHL MTR SHIELD,SS STS 12 06	
20	2	359102	WHL MTR SHIELD BRACE	
21	1	359316	LH LWR FENDER MT WLD, STS 05	
22	1	359094	HYD TUBE CLAMP KEEPER, 5.75	
23	1	606192	SPEED SENSOR,WHEEL MTR 606183	
24	1	470389	SIDEWINDER SLEEVE,14.06 X 84"	
25	1	606018	O-RING, WHL MTR 606978/606981	
26	1	618327	3/4MJIC-7/8MOR ADPTR	
27	1	606033	SHIFT SOLENOID GUARD KIT	
28	1	470378	SIDEWINDER SLEEVE,14.06 X 21"	
29	2	359367	BUSHING, CROP SHIELD, STS 05	
30	3	473988	1/2UNC FLANGE LOCK NUT	SS
31	1	359393	LH WHL MTR SHIELD, STS 10 06	
32	1	606199	COIL FOR SAUER WHL MTR 606180	
33	1	606007	SOLE CARTRIDGE FOR 606978/981	
34	4	900266	1/2UNC X 1 3/4 HEX BOLT	



23

412023

FRONT TREAD ADJUST ASSEMBLY



DET.	QTY	PART NO.	DESCRIPTION
1	16	483018	1" EXTERNAL TOOTH LOCK WASHER
2	2	616070	04-451TC-04MJBH-06MOR-11.00H/A
3	2	616071	04-451TC-04MJBH-06MOR-13.00H/A
4	4	618525	7/16-20 BLKHD LOCKNUT
5	2	621552	TRD ADJ CYL, 3.00 X 16.00 STS
6	16	900128	3/8UNC X 3/4 HEX BOLT
7	8	900303	1/2UNF X 1 1/2 HEX BOLT
8	4	900391	3/4UNC X 1 1/2 FLT SOC CAP SCR
9	16	900395	1"UNC X 2 1/2 SOCKET CAP SCR
10	16	910101	1" UNC HEX JAM NUT
11	1	361689	REAR TRD ADJ ACCESS PLT WLD 04
12	2	621553	REPAIR KIT, HYD CYL 621552
13	12	920504	1/2 LOCK WASHER
14	2	914012	3/4UNC HEX STOVER NUT
15	1	361576	FRT TREAD ADJ ACCESS PLT WLD
16	2	361581	TRD ADJ CYL PIVOT PIN, M/F
17	4	361583	TRD ADJ CYL SPACER, M/F
18	2	361582	TREAD ADJ CYL PIN, OUTER LEG
19	4	342719	TRD ADJ BRONZE BEARING, THD-GRV
20	4	342721	TRD ADJ BRONZE BRG W/DIMPLES
21	4	342917	TREAD ADJ PLATE, STEEL, THD
22	2	361609	TRD ADJ ACCESS COVER, M/F STS10
23	4	900301	1/2UNF X 1" HEX BOLT
24	2	361621	120" TREAD LOCK WLD, STS10 03
25	2	900403	3/4UNC X 2" HEX BOLT

\*NOTE: ITEMS 14, 21, 22, 23, 24, AND 25 ARE USED WITHOUT TREAD ADJUST.

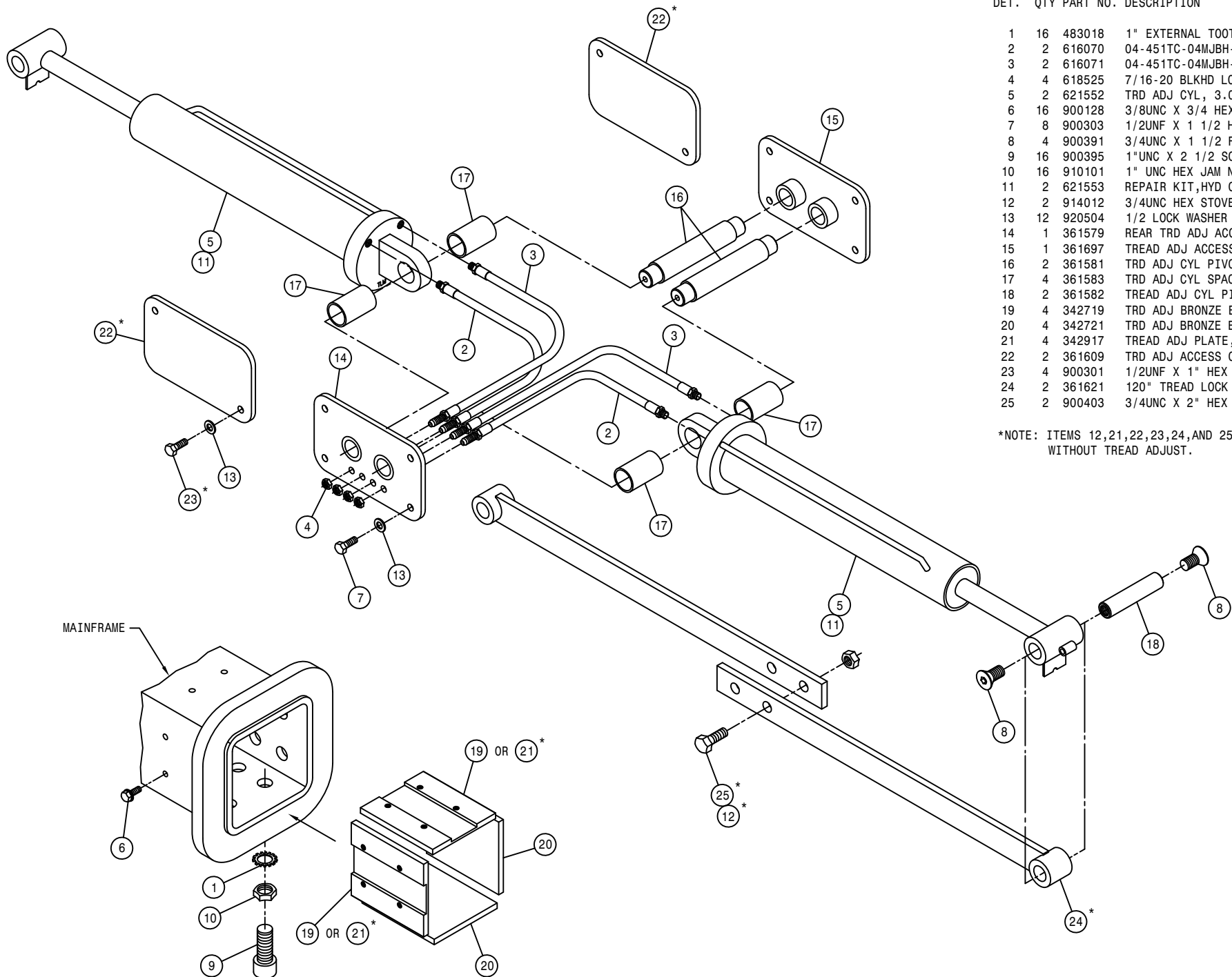


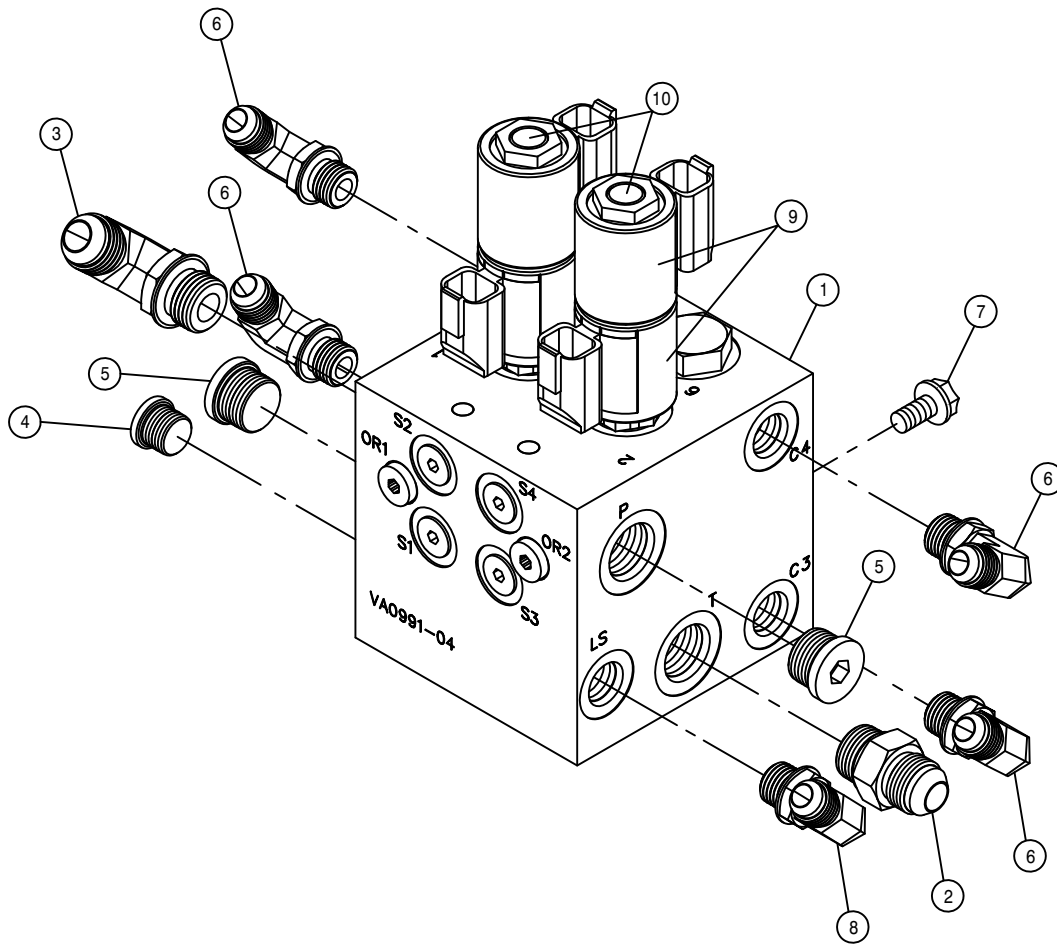
REAR TREAD ADJUST ASSEMBLY

DET. QTY PART NO. DESCRIPTION

DET.	QTY	PART NO.	DESCRIPTION
1	16	483018	1" EXTERNAL TOOTH LOCK WASHER
2	2	616070	04-451TC-04MJBH-06MOR-11.00H/A
3	2	616071	04-451TC-04MJBH-06MOR-13.00H/A
4	4	618525	7/16-20 BLKHD LOCKNUT
5	2	621552	TRD ADJ CYL, 3.00 X 16.00 STS
6	16	900128	3/8UNC X 3/4 HEX BOLT
7	8	900303	1/2UNF X 1 1/2 HEX BOLT
8	4	900391	3/4UNC X 1 1/2 FLT SOC CAP SCR
9	16	900395	1"UNC X 2 1/2 SOCKET CAP SCR
10	16	910101	1" UNC HEX JAM NUT
11	2	621553	REPAIR KIT, HYD CYL 621552
12	2	914012	3/4UNC HEX STOVER NUT
13	12	920504	1/2 LOCK WASHER
14	1	361579	REAR TRD ADJ ACCESS PLT WLD 00
15	1	361697	TREAD ADJ ACCESS PLT WLD 07
16	2	361581	TRD ADJ CYL PIVOT PIN, M/F
17	4	361583	TRD ADJ CYL SPACER, M/F
18	2	361582	TREAD ADJ CYL PIN, OUTER LEG
19	4	342719	TRD ADJ BRONZE BEARING, THD-GRV
20	4	342721	TRD ADJ BRONZE BRG W/DIMPLES
21	4	342917	TREAD ADJ PLATE, STEEL, THD
22	2	361609	TRD ADJ ACCESS COVER, M/F STS10
23	4	900301	1/2UNF X 1" HEX BOLT
24	2	361621	120" TREAD LOCK WLD, STS10 03
25	2	900403	3/4UNC X 2" HEX BOLT

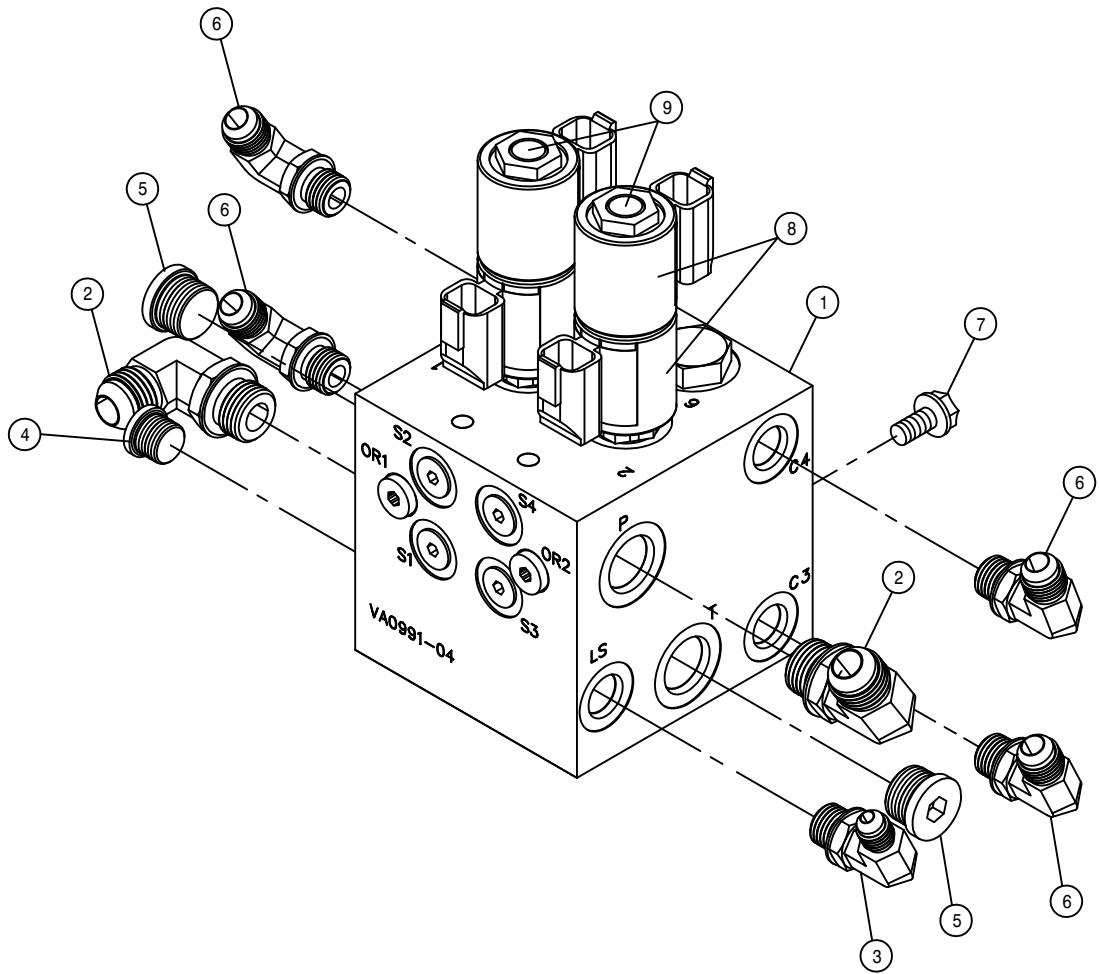
\*NOTE: ITEMS 12, 21, 22, 23, 24, AND 25 ARE USED WITHOUT TREAD ADJUST.





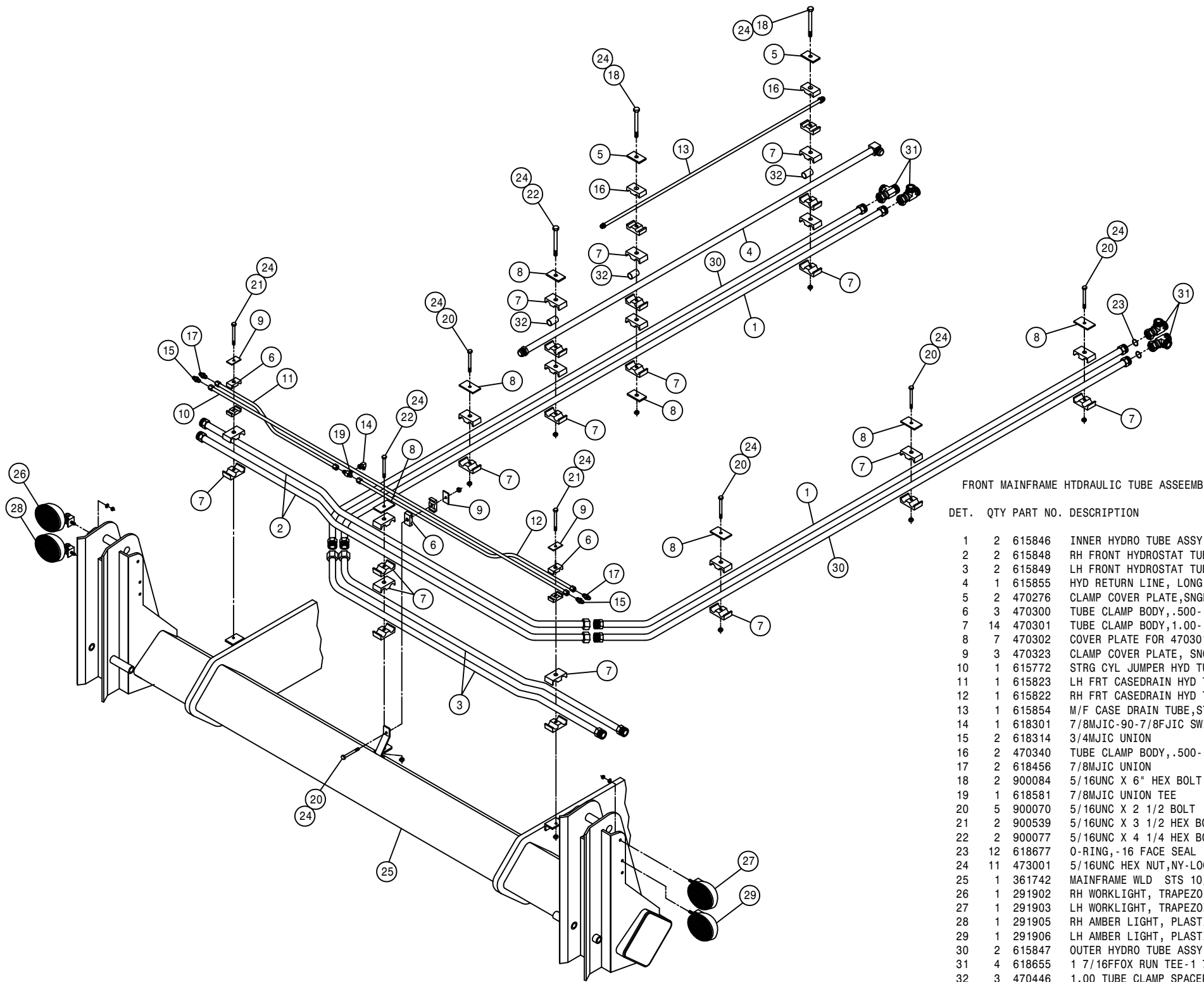
FRONT TREAD ADJUST VALVE ASSEMBLY

DET.	QTY	PART NO.	DESCRIPTION	
	1	606249	MANIFOLD, TRD ADJ	PWRSYS
	2	611125	3/4MJIC-3/4MOR ADPTR	
	3	618241	3/4MJIC-90-3/4MOR LBO	
	4	618754	9/16MOR PLUG, HEX SOCKET	
	5	618755	3/4MOR PLUG, HEX SOCKET	
	6	618119	9/16MJIC-90-9/16MOR LBO	
	7	900064	5/16UNC X 3/4 HEX BOLT	
	8	618499	7/16MJIC-90-9/16MOR LBO	
	9	606266	#8 COIL W/DEUTSCH	
	10	606358	CARTRIDGE SP08-47D, PROP, 3POS	



REAR TREAD ADJUST VALVE ASSEMBLY

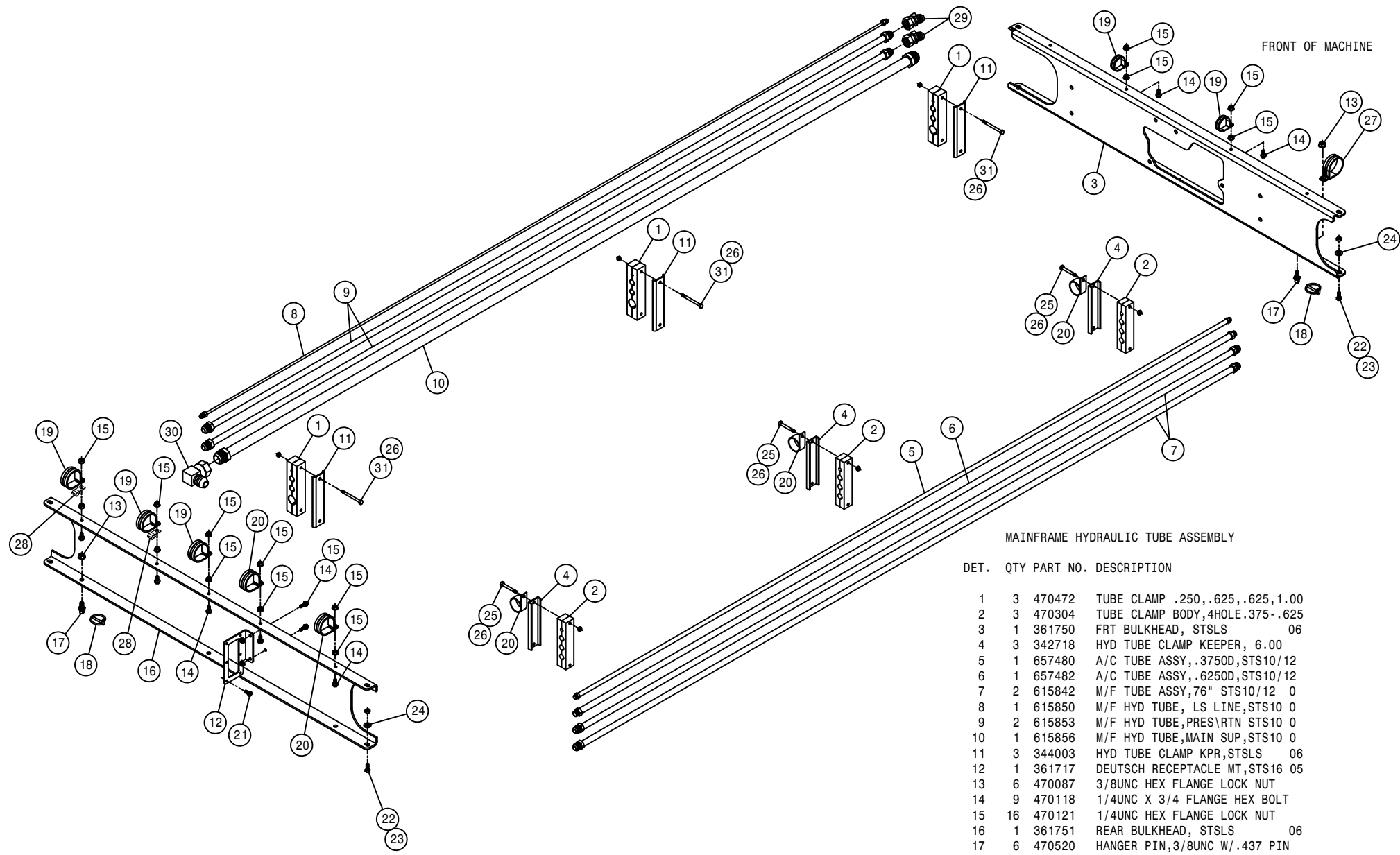
DET.	QTY	PART NO.	DESCRIPTION	PWRSYS
	1	606249	MANIFOLD, TRD ADJ	PWRSYS
	2	618241	3/4MJIC-90-3/4MOR LBO	
	3	618499	7/16MJIC-90-9/16MOR LBO	
	4	618754	9/16MOR PLUG, HEX SOCKET	
	5	618755	3/4MOR PLUG, HEX SOCKET	
	6	618119	9/16MJIC-90-9/16MOR LBO	
	7	900064	5/16UNC X 3/4 HEX BOLT	
	8	606266	#8 COIL W/DEUTSCH	
	9	606358	CARTRIDGE SP08-47D, PROP, 3POS	



FRONT MAINFRAME HTDRAULIC TUBE ASSEMBLY

DET.	QTY	PART NO.	DESCRIPTION
1	2	615846	INNER HYDRO TUBE ASSY,STS10 07
2	2	615848	RH FRONT HYDROSTAT TUBE ASSY
3	2	615849	LH FRONT HYDROSTAT TUBE ASSY
4	1	615855	HYD RETURN LINE, LONG,STS10 07
5	2	470276	CLAMP COVER PLATE,SNGL, 2.55LG
6	3	470300	TUBE CLAMP BODY, .500-.625
7	14	470301	TUBE CLAMP BODY,1.00-1.00
8	7	470302	COVER PLATE FOR 470301
9	3	470323	CLAMP COVER PLATE, SNGL 2.04LG
10	1	615772	STRG CYL JUMPER HYD TUBE ASSY
11	1	615823	LH FRT CASEDRAIN HYD TUBE ASSY
12	1	615822	RH FRT CASEDRAIN HYD TUBE ASSY
13	1	615854	M/F CASE DRAIN TUBE,STS10 07
14	1	618301	7/8MJIC-90-7/8FJIC SWIV LBO
15	2	618314	3/4MJIC UNION
16	2	470340	TUBE CLAMP BODY, .500-.750
17	2	618456	7/8MJIC UNION
18	2	900084	5/16UNC X 6" HEX BOLT
19	1	618581	7/8MJIC UNION TEE
20	5	900070	5/16UNC X 2 1/2 BOLT
21	2	900539	5/16UNC X 3 1/2 HEX BOLT
22	2	900077	5/16UNC X 4 1/4 HEX BOLT
23	12	618677	O-RING, -16 FACE SEAL .93ID 90D
24	11	473001	5/16UNC HEX NUT,NY-LOC 316 SS
25	1	361742	MAINFRAME WLD STS 10/12 07
26	1	291902	RH WORKLIGHT, TRAPEZOID GLASS
27	1	291903	LH WORKLIGHT, TRAPEZOID GLASS
28	1	291905	RH AMBER LIGHT, PLASTIC OVAL
29	1	291906	LH AMBER LIGHT, PLASTIC OVAL
30	2	615847	OUTER HYDRO TUBE ASSY,STS10 07
31	4	618655	1 7/16FOX RUN TEE-1 7/16MFOR
32	3	470446	1.00 TUBE CLAMP SPACER

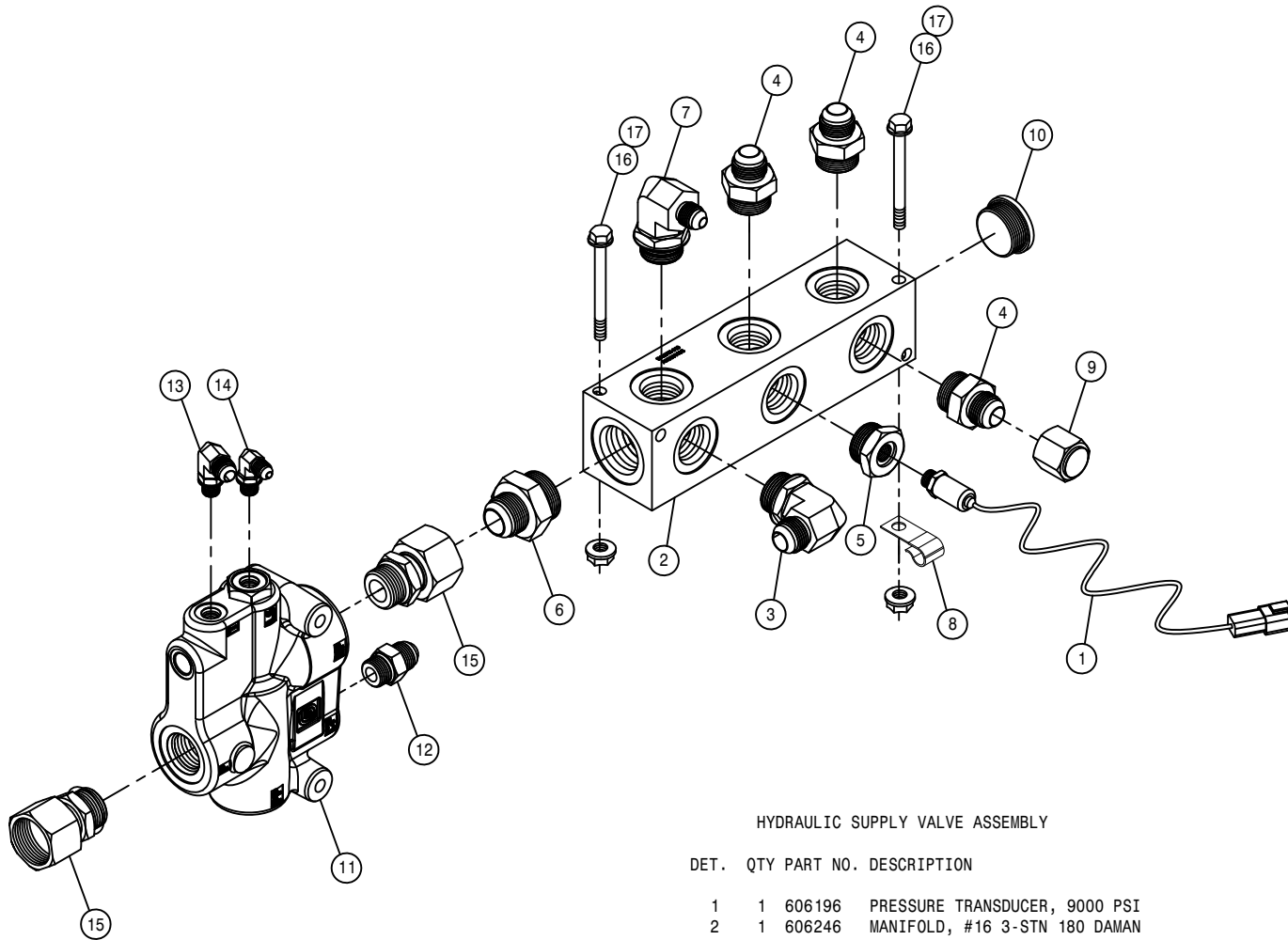
29



FRONT OF MACHINE

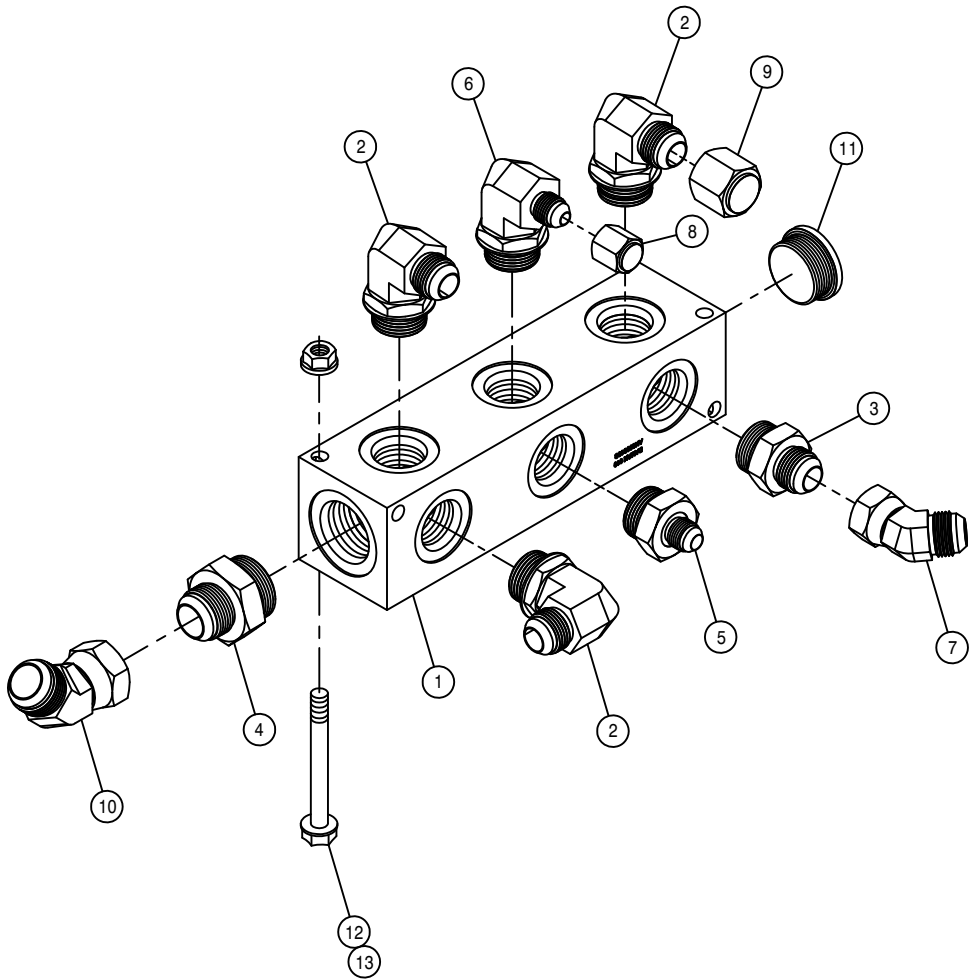
MAINFRAME HYDRAULIC TUBE ASSEMBLY

DET.	QTY	PART NO.	DESCRIPTION
1	3	470472	TUBE CLAMP .250, .625, .625, 1.00
2	3	470304	TUBE CLAMP BODY, 4HOLE .375- .625
3	1	361750	FRT BULKHEAD, STSLS 06
4	3	342718	HYD TUBE CLAMP KEEPER, 6.00
5	1	657480	A/C TUBE ASSY, .3750D, STS10/12
6	1	657482	A/C TUBE ASSY, .6250D, STS10/12
7	2	615842	M/F TUBE ASSY, 76" STS10/12 0
8	1	615850	M/F HYD TUBE, LS LINE, STS10 0
9	2	615853	M/F HYD TUBE, PRES\RTN STS10 0
10	1	615856	M/F HYD TUBE, MAIN SUP, STS10 0
11	3	344003	HYD TUBE CLAMP KPR, STSLS 06
12	1	361717	DEUTSCH RECEPTACLE MT, STS16 05
13	6	470087	3/8UNC HEX FLANGE LOCK NUT
14	9	470118	1/4UNC X 3/4 FLANGE HEX BOLT
15	16	470121	1/4UNC HEX FLANGE LOCK NUT
16	1	361751	REAR BULKHEAD, STSLS 06
17	6	470520	HANGER PIN, 3/8UNC W/.437 PIN
18	6	470335	LINHPIN, 3/16 X 1 1/4 GRIP
19	5	520102	CUSH CLAMP, #20 1 1/4D X 1/2W
20	5	520126	CUSH CLAMP, #32 2IN X 5/8W
21	6	470465	#12-14X3/4 PHL PAN SHT MTL SRW
22	8	900129	3/8UNC X 1" SERR FLANGE BOLT
23	8	914004	3/8UNC HEX STOVER NUT
24	8	920002	3/8 SAE FLAT WASHER
25	6	900007	1/4UNC X 2" HEX BOLT
26	12	470089	1/4UNC HEX NYL-LOC NUT, 316 S
27	1	520161	CUSH CLAMP, #32 2"D-3/4W LOOP
28	2	520128	CUSH J CLAMP, #9 9/16D X 3/4W
29	2	618628	7/8MJIC-45-7/8FJIC SWIV LBO
30	1	618640	1 5/16MJ-90-1 5/16FJ SWIV LBO
31	6	900008	1/4UNC X 2 1/2 HEX BOLT



HYDRAULIC SUPPLY VALVE ASSEMBLY

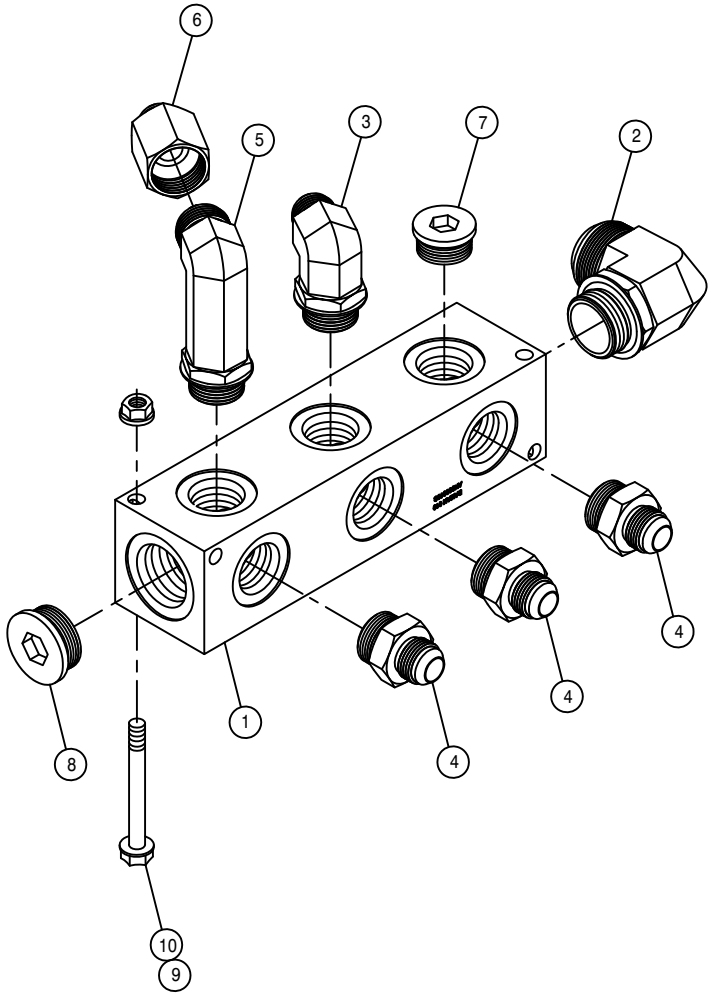
DET.	QTY	PART NO.	DESCRIPTION
	1	606196	PRESSURE TRANSDUCER, 9000 PSI
	1	606246	MANIFOLD, #16 3-STN 180 DAMAN
	1	618302	1 1/16MJIC-90-1 5/16MOR LBO
	3	618308	1 1/16MJIC-1 5/16MOR ADPTR
	1	618397	1 5/16MOR-9/16FOR ADPTR
	1	618455	1 5/16MJIC-1 5/8MOR ADPTR
	1	618475	3/4MJIC-90-1 5/16MOR LBO
	1	520128	CUSH J CLAMP,#9 9/16D X 3/4W
	1	618533	1 1/16FJIC CAP NUT
	1	618759	1 5/8MOR PLUG, HEX SOCKET
	1	606254	FLOW DIVIDER, OLS160 SAUER
	1	611125	3/4MJIC-3/4MOR ADPTR
	1	618114	9/16MJIC-90-7/16MOR LBO
	1	618473	7/16MJIC-90-7/16MOR LBO
	2	618761	1 5/16FJX-1 1/16MOR ADPTR
	2	900140	3/8UNC X 4" HEX BOLT
	2	470087	3/8UNC HEX FLANGE LOCK NUT



FRONT RETURN MANIFOLD ASSEMBLY

DET. QTY PART NO. DESCRIPTION

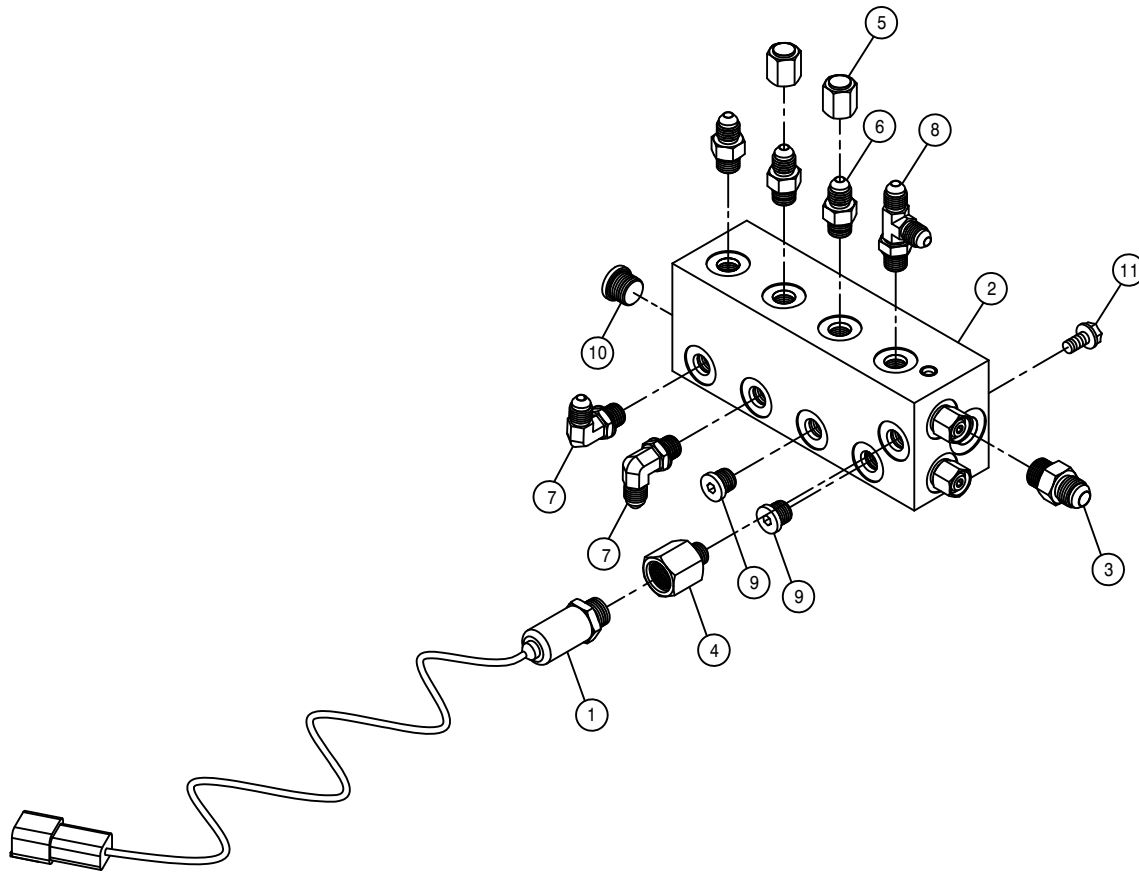
1	1	606246	MANIFOLD, 1 5/16FOR	DAMAN
2	3	618302	1 1/16MJIC-90-1 5/16MOR LBO	
3	1	618308	1 1/16MJIC-1 5/16MOR ADPTR	
4	1	618455	1 5/16MJIC-1 5/8MOR ADPTR	
5	1	618470	3/4MJIC-1 5/16MOR ADPTR	
6	1	618475	3/4MJIC-90-1 5/16MOR LBO	
7	1	618529	1 1/16MJ-45-1 1/16FJ SWIV LBO	
8	1	618532	3/4FJIC CAP NUT	
9	1	618533	1 1/16FJIC CAP NUT	
10	1	618630	1 5/16MJ-45-1 5/16FJ SWIV LBO	
11	1	618759	1 5/8MOR PLUG, HEX SOCKET	
12	2	470087	3/8UNC HEX FLANGE LOCK NUT	
13	2	900139	3/8UNC X 3 3/4 HEX BOLT	



CASE DRAIN MANIFOLD ASSEMBLY

DET.	QTY	PART NO.	DESCRIPTION
	1	606246	MANIFOLD, 1 5/16FOR DAMAN
	1	618477	1 5/8MJIC-90-1 5/8MOR LBO
	1	618302	1 1/16MJIC-90-1 5/16MOR LBO
	3	618308	1 1/16MJIC-1 5/16MOR ADPTR
	1	618463	1 5/16MJIC-90-1 5/16MOR XL LBO
	1	618541	1 5/16FJIC-1 1/16MJIC ADPTR
	1	618758	1 5/16 MOR PLUG, HEX SOCKET
	1	618759	1 5/8MOR PLUG, HEX SOCKET
	2	470087	3/8UNC HEX FLANGE LOCK NUT
	2	900139	3/8UNC X 3 3/4 HEX BOLT

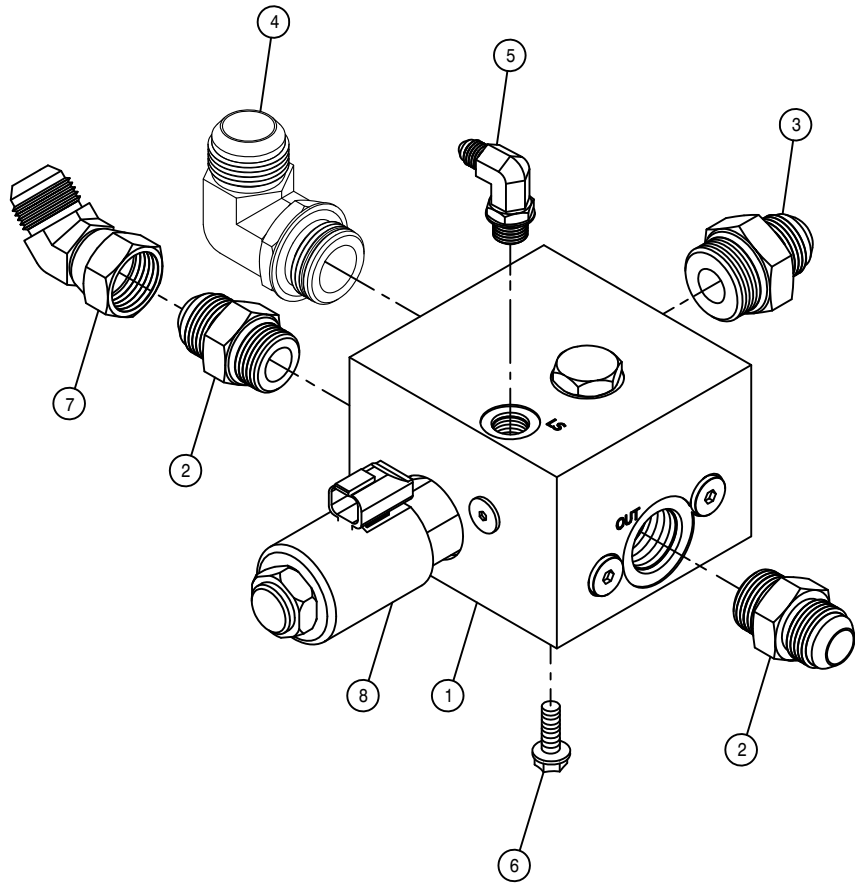




LS MANIFOLD ASSEMBLY

DET. QTY PART NO. DESCRIPTION

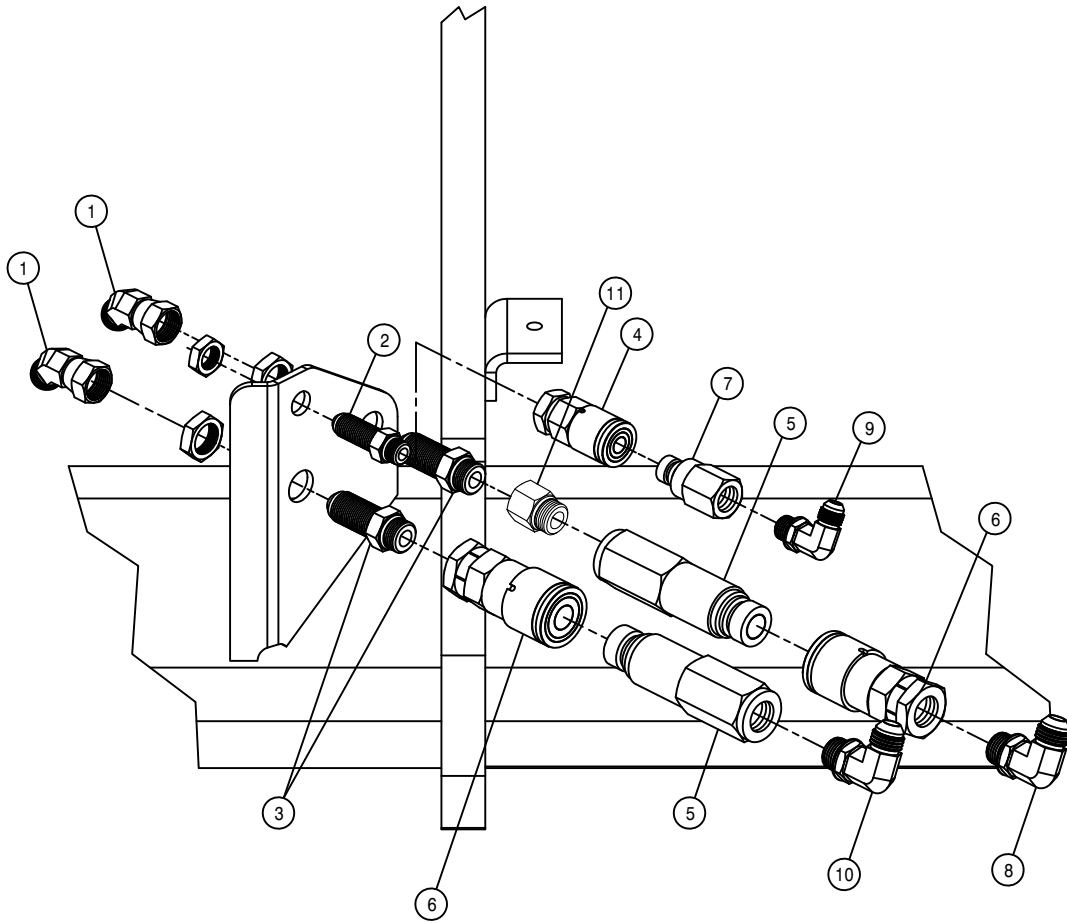
1	1	606196	PRESSURE TRANSDUCER, 9000 PSI
2	1	606247	MANIFOLD W/CHK VLV SAUER
3	1	618126	9/16MJIC-9/16MOR ADPTR
4	1	618361	7/16MOR-9/16FOR ADPTR
5	2	618363	7/16FJIC CAP NUT
6	3	618467	7/16MJIC-7/16MOR ADPTR
7	2	618473	7/16MJIC-90-7/16MOR LBO
8	1	618509	7/16MOR RUN TEE-7/16MJIC
9	2	618753	7/16MOR PLUG, HEX SOCKET
10	1	618754	9/16MOR PLUG, HEX SOCKET
11	2	900128	3/8UNC X 3/4 HEX BOLT



SOLUTION PUMP CONTROL VALVE ASSEMBLY

DET. QTY PART NO. DESCRIPTION

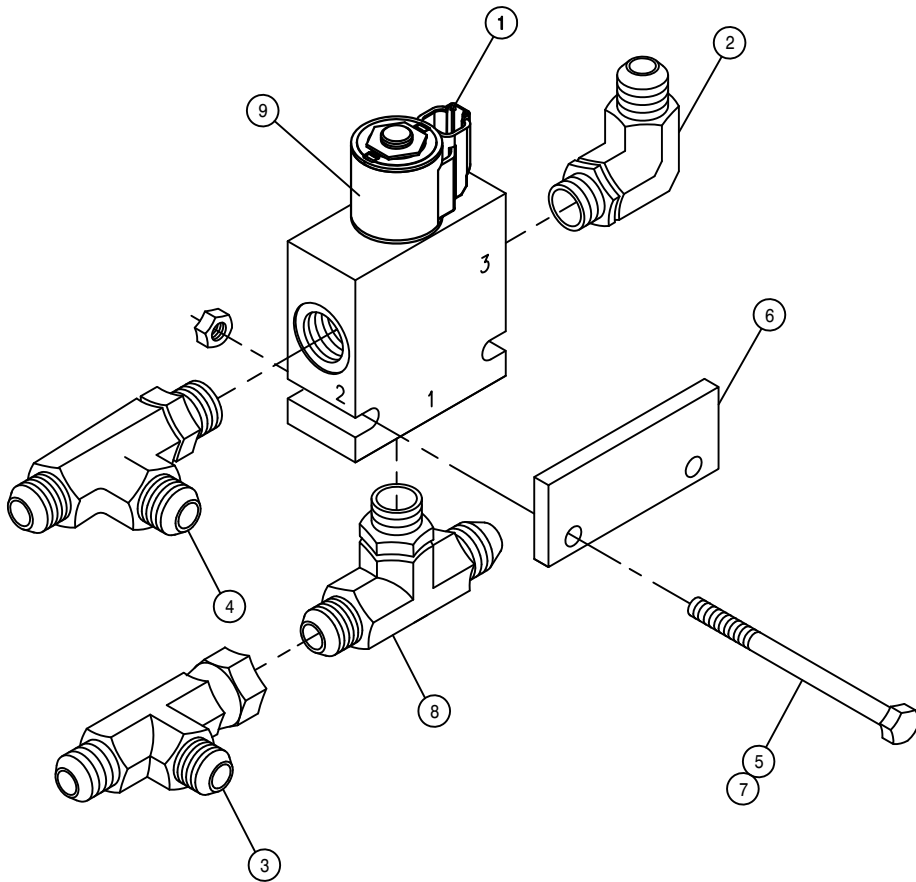
1	1	606253	CTRL VALVE,SOLU PUMP SAUER
2	2	611127	1 1/16MJIC-1 1/16MOR ADPTR
3	1	618308	1 1/16MJIC-1 5/16MOR ADPTR
4	1	618178	1 5/16MJIC-90-1 5/16MOR LBO
5	1	618499	7/16MJIC-90-9/16MOR LBO
6	4	900129	3/8UNC X 1" SERR FLANGE BOLT
7	1	618529	1 1/16MJ-45-1 1/16FJ SWIV LBO
8	1	606308	COIL FOR VLV 606253



QUICK CONNECT ASSEMBLY

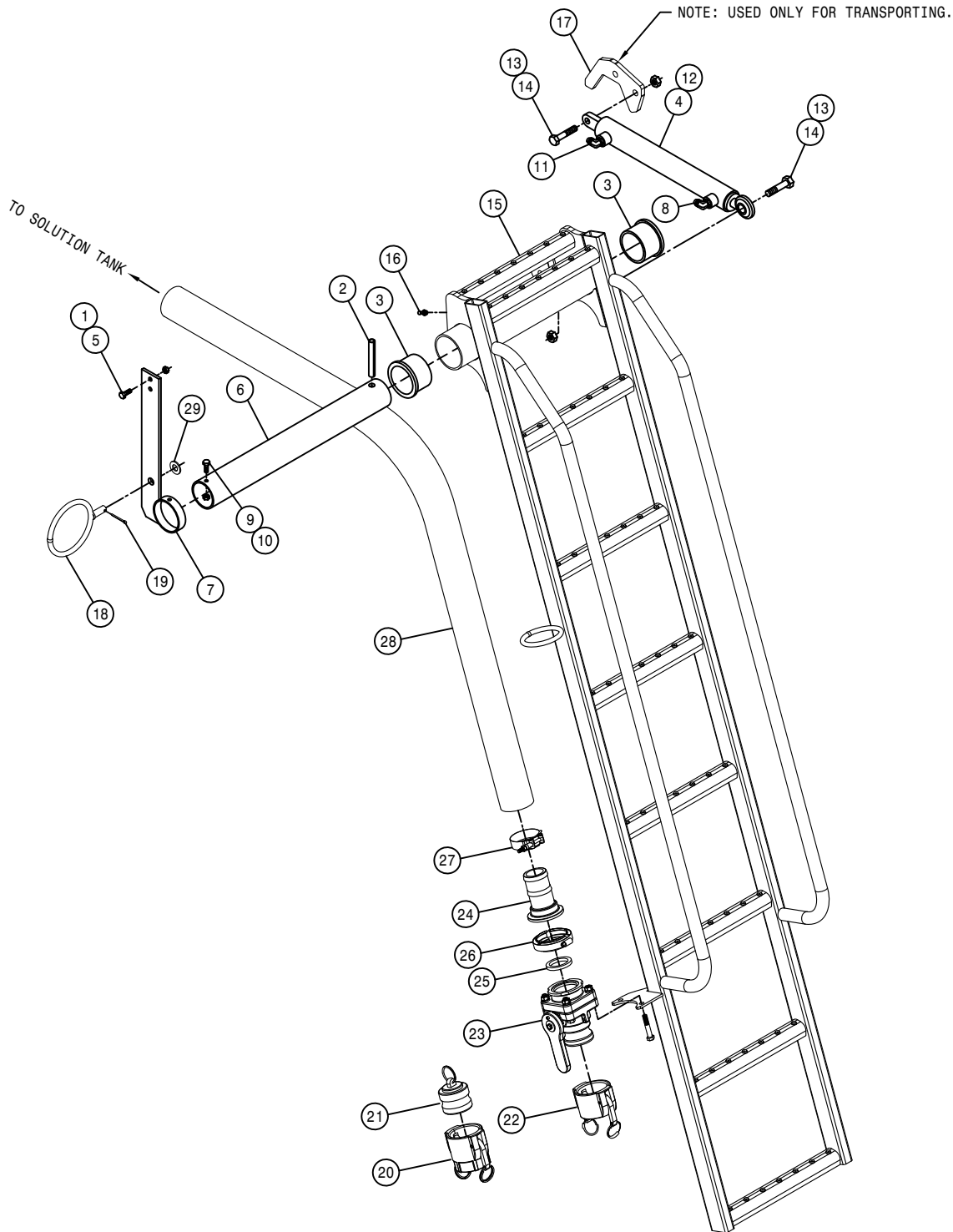
DET. QTY PART NO. DESCRIPTION

1	2	618590	3/4MJIC-45-3/4FJIC SWIV LBO
2	1	618769	9/16MJIC-9/16MOR BLKHD ADPT
3	2	618770	3/4MJIC-3/4MOR BLKHD ADPT
4	1	618805	HYD CPLR, FEM #14,9/16FOR
5	2	618806	HYD CPLR, MALE #12,7/8FOR
6	2	618807	HYD CPLR, FEM #12,3/4FOR
7	1	618804	HYD CPLR, MALE #14,9/16FOR
8	1	618241	3/4MJIC-90-3/4MOR LBO
9	1	618119	9/16MJIC-90-9/16MOR LBO
10	1	618183	3/4MJIC-90-7/8MOR LBO
11	1	618171	7/8MOR-3/4FOR ADPTR



LADDER AND BRAKE VALVE ASSEMBLY

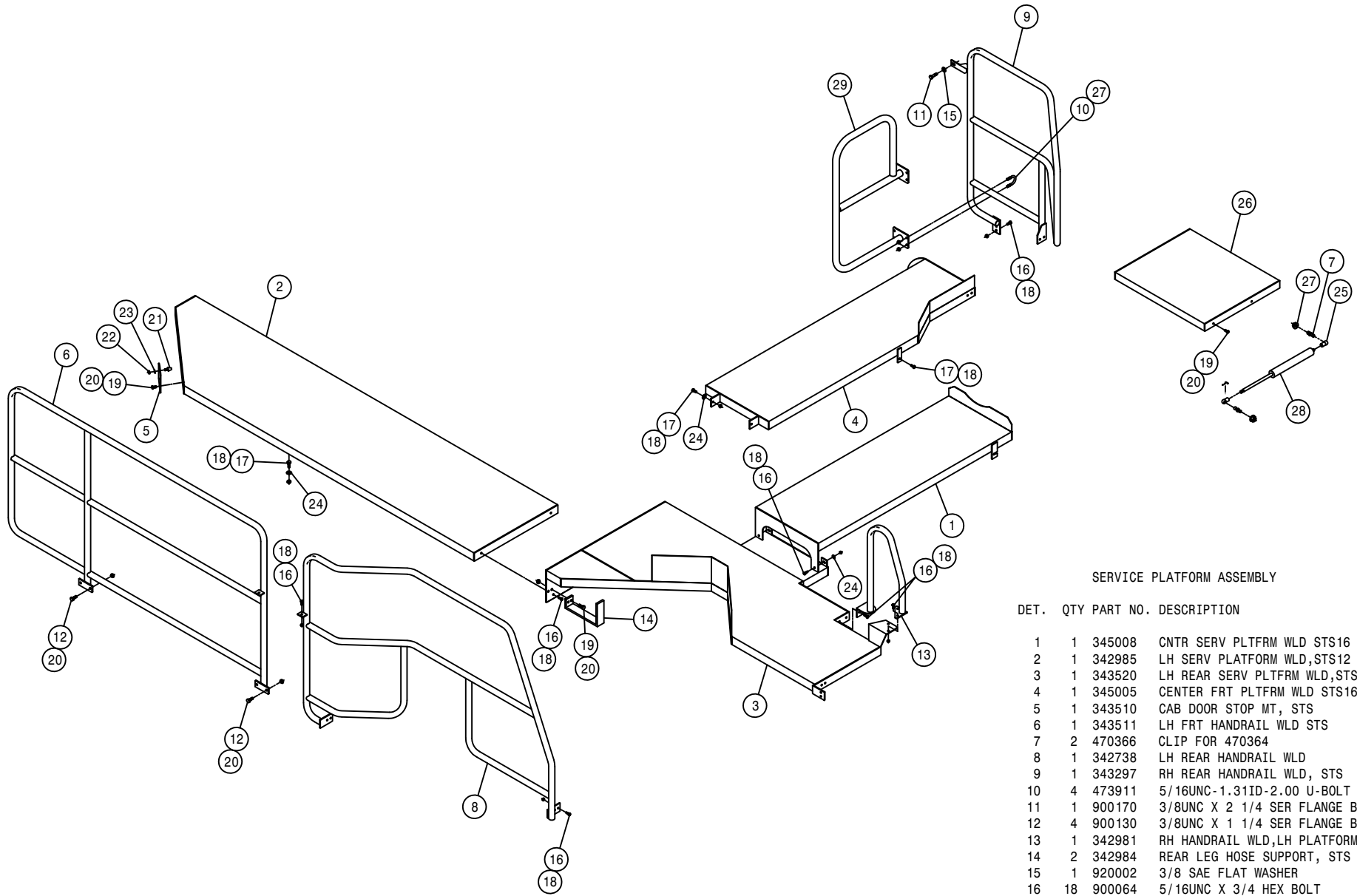
DET.	QTY	PART NO.	DESCRIPTION
1	1	606213	HYD SOLE VLV,2P-3W,9/16FOR 05
2	1	618119	9/16MJIC-90-9/16MOR LBO
3	1	618486	9/16FJIC SW RUN TEE-9/16MJIC
4	1	618444	9/16MOR RUN TEE-9/16MJIC
5	2	900007	1/4UNC X 2" HEX BOLT
6	1	342826	SOLE VLV SPACER
7	2	914000	1/4UNC HEX STOVER NUT
8	1	618629	9/16MOR BRANCH TEE-9/16MJIC
9	1	606266	#8 COIL W/DEUTSCH



LADDER ASSEMBLY

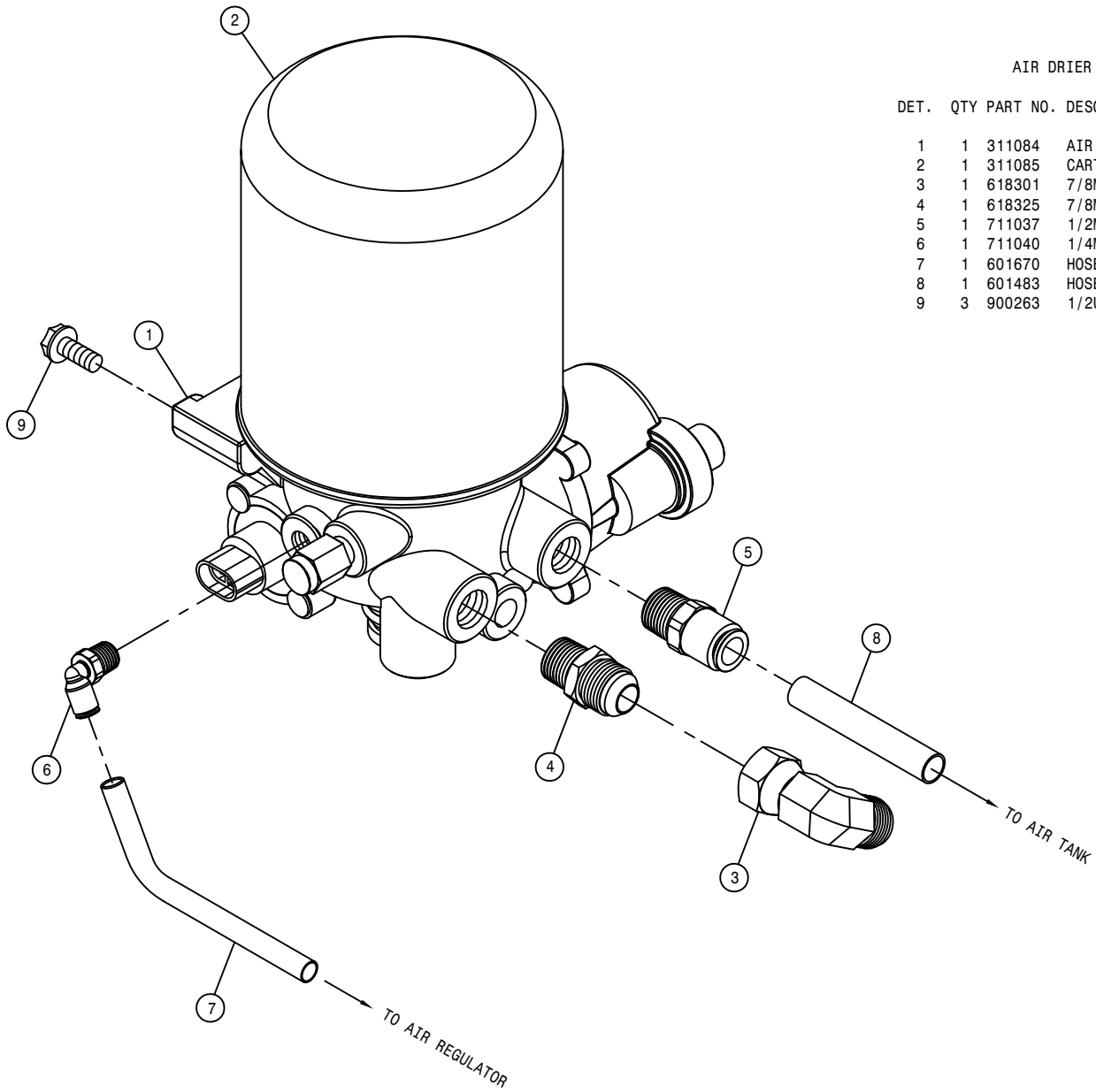
DET. QTY PART NO. DESCRIPTION

1	2	914002	5/16UNC HEX STOVER NUT
2	1	473978	ROLL PIN, 1/2 X 3 1/2 LG
3	2	121102	LADDER PIVOT BEARING, POLYGON
4	1	621554	LADR/SF/BRKWAY CYL,1.50 X12.25
5	2	900065	5/16UNC X 1" HEX BOLT
6	1	342805	LADDER MT TUBE
7	1	342806	LH PLTFRM SUPP BRKT WLD, STS12
8	1	618688	9/16MJ-90-9/16MOR .025 CHK VLV
9	1	914000	1/4UNC HEX STOVER NUT
10	1	900003	1/4UNC X 1" HEX BOLT
11	1	618119	9/16MJIC-90-9/16MOR LBO
12	1	621555	REPAIR KIT,HYD CYL 621554
13	2	914008	1/2UNC HEX STOVER NUT
14	2	900267	1/2UNC X 2" HEX BOLT
15	1	343533	LADDER WELDMENT, STS 10T 05
16	1	471005	GREASE ZERK, 1/4 28 X 1/2
17	1	343543	LADDER SHIPPING BRKT,STS10T 05
18	1	164517	HOSE SUPPORT RING WLD
19	1	390984	COTTER PIN 1/8 X 1 1/4
20	1	690390	2.00FNPT-FEMALE COUPLER POLY
21	1	690392	PLUG FOR 2.00 FEMALE COUPLER
22	1	690623	CAP FOR 2.00 MALE COUPLER POLY
23	1	696141	BALL VLV,2"FLANGE/2"MALE ADPTR
24	1	500154	2" FLANGE-2" HOSE BARB POLY
25	1	500158	1 1/2" GASKET FOR 2" FLANGE
26	1	500160	2" FLANGE CLAMP, S.S.
27	1	520141	2.31/2.62 T-BOLT HOSE CLAMP SS
28	1	601654	HOSE, 2 X 268 2F-1W EPDM
29	1	920004	1/2 SAE FLAT WASHER



SERVICE PLATFORM ASSEMBLY

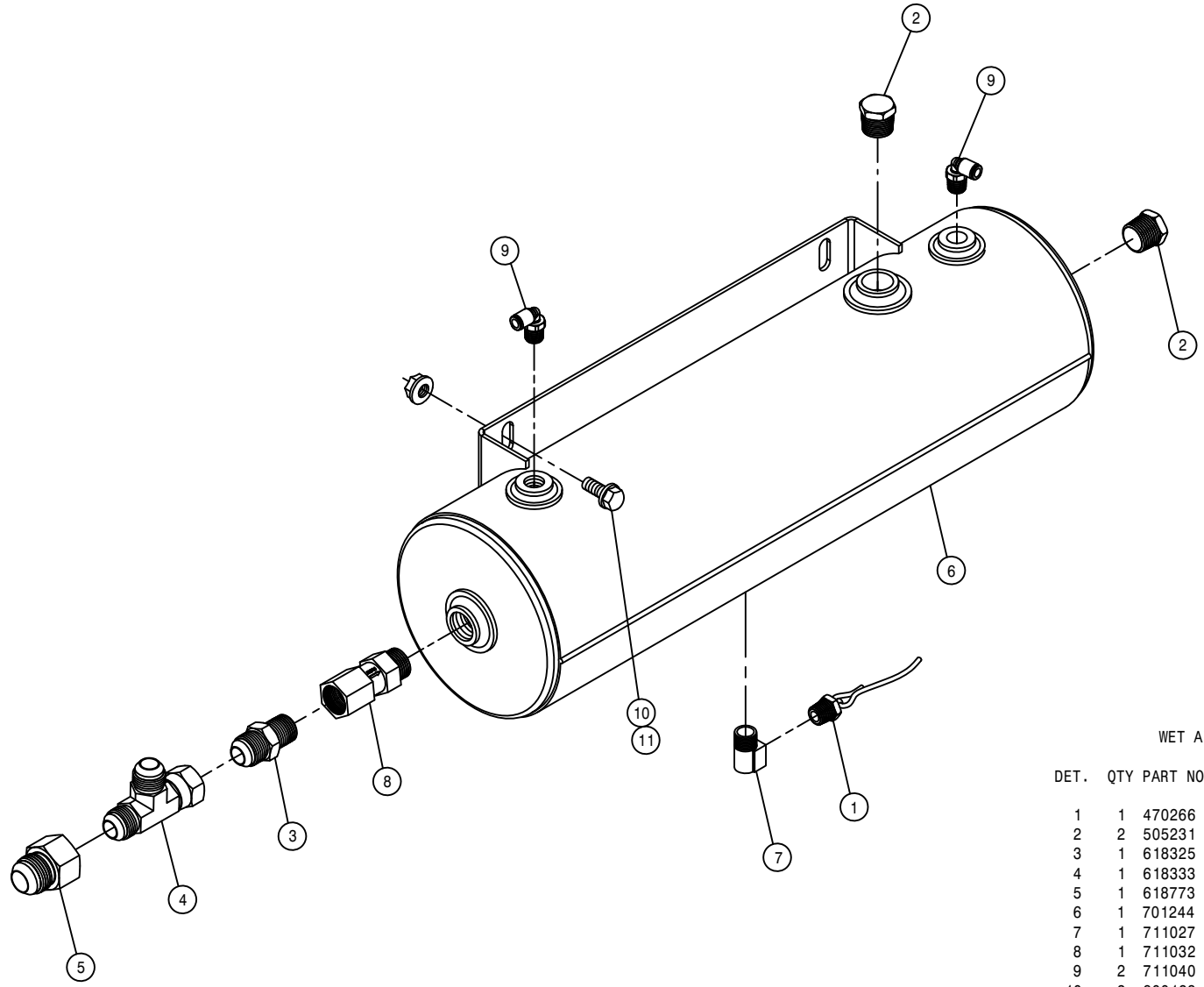
DET.	QTY	PART NO.	DESCRIPTION
1	1	345008	CNTR SERV PLTFRM WLD STS16 07
2	1	342985	LH SERV PLATFORM WLD,STS12 05
3	1	343520	LH REAR SERV PLTFRM WLD,STS 05
4	1	345005	CENTER FRT PLTFRM WLD STS16 07
5	1	343510	CAB DOOR STOP MT, STS 05
6	1	343511	LH FRT HANDRAIL WLD STS 05
7	2	470366	CLIP FOR 470364
8	1	342738	LH REAR HANDRAIL WLD
9	1	343297	RH REAR HANDRAIL WLD, STS 04
10	4	473911	5/16UNC-1.31ID-2.00 U-BOLT
11	1	900170	3/8UNC X 2 1/4 SER FLANGE BOLT
12	4	900130	3/8UNC X 1 1/4 SER FLANGE BOLT
13	1	342981	RH HANDRAIL WLD,LH PLATFORM 05
14	2	342984	REAR LEG HOSE SUPPORT, STS 05
15	1	920002	3/8 SAE FLAT WASHER
16	18	900064	5/16UNC X 3/4 HEX BOLT
17	9	900065	5/16UNC X 1" HEX BOLT
18	23	914002	5/16UNC HEX STOVER NUT
19	10	900129	3/8UNC X 1" SERR FLANGE BOLT
20	12	914004	3/8UNC HEX STOVER NUT
21	1	470314	RUBBER BUMPER,BULLET W/3/8-16S
22	1	470087	3/8UNC HEX FLANGE LOCK NUT
23	1	920502	3/8 LOCK WASHER
24	12	920001	5/16 SAE FLAT WASHER
25	2	470365	BALL STUD,5/16-18, FOR 470364
26	1	343304	ENG CMPRTMNT PLTFRM WLD,STS 04
27	10	470113	5/16UNC HEX FLANGE LOCK NUT
28	1	470364	GAS SPRING, 90LB, 3.5 STROKE
29	1	345001	RH REAR HANDRAIL EXT WLD,STS06



AIR DRIER ASSEMBLY

DET. QTY PART NO. DESCRIPTION

1	1	311084	AIR DRIER, SYSTEM SAVER 1200
2	1	311085	CARTRIDGE KIT FOR 311084 DRIER
3	1	618301	7/8MJIC-90-7/8FJIC SWIV LBO
4	1	618325	7/8MJIC-1/2MNPT ADPTR
5	1	711037	1/2MNPT-1/2 NYL TUBE FTG
6	1	711040	1/4MNPT-90-1/4 NYL TUBE LBO
7	1	601670	HOSE, 1/4 X 85 AIR
8	1	601483	HOSE, 1/2 X 84 AIR
9	3	900263	1/2UNC X 1" HEX BOLT



WET AIR TANK ASSEMBLY

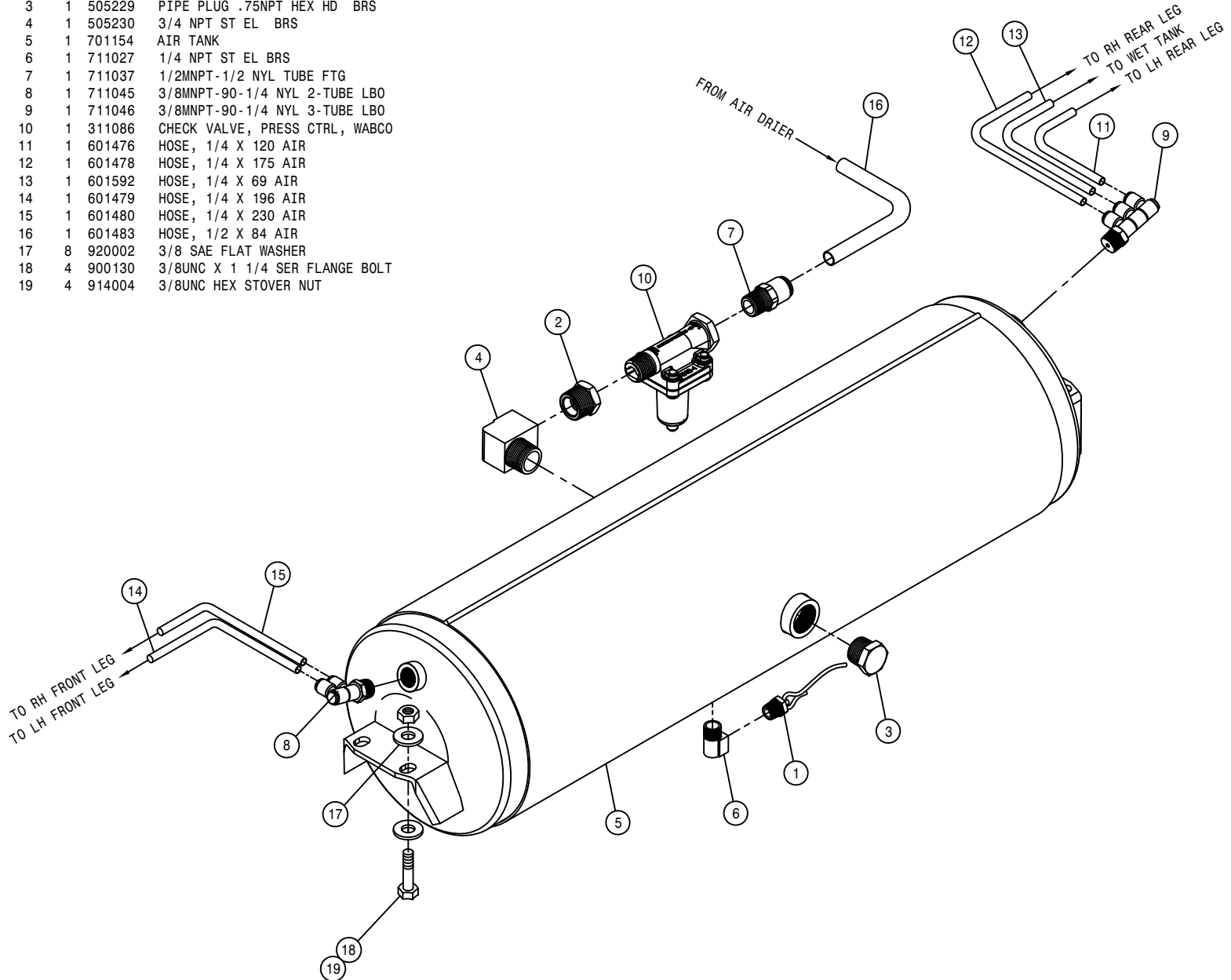
DET.	QTY	PART NO.	DESCRIPTION
1	1	470266	DRAIN VALVE KIT, 1/4NPT
2	2	505231	PIPE PLUG .50NPT HEX HD BRS
3	1	618325	7/8MJIC-1/2MNPT ADPTR
4	1	618333	7/8FJIC SW RUN TEE-7/8MJIC
5	1	618773	7/8FJIC-1 1/16MJIC ADPTR
6	1	701244	WET AIR TANK STSLS 16 06
7	1	711027	1/4 NPT ST EL BRS
8	1	711032	CHECK VALVE, 1/2"FNPT-1/2"MNPT
9	2	711040	1/4MNPT-90-1/4 NYL TUBE LBO
10	2	900128	3/8UNC X 3/4 HEX BOLT
11	2	470087	3/8UNC HEX FLANGE LOCK NUT



AIR TANK ASSEMBLY

DET. QTY PART NO. DESCRIPTION

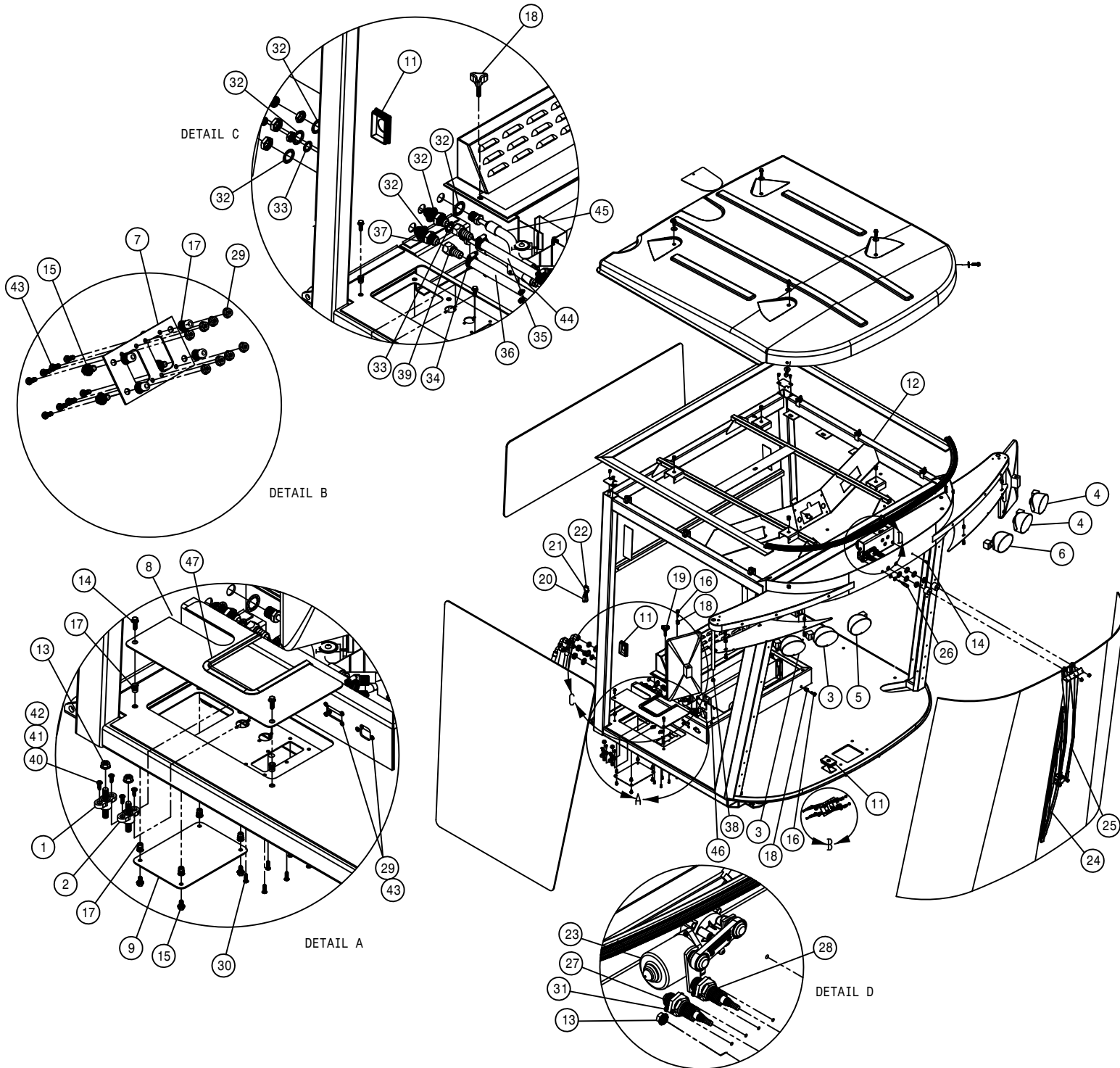
1	1	470266	DRAIN VALVE KIT, 1/4NPT
2	1	505228	RED BUSH 3/4MNPT-1/2FNPT, BRS
3	1	505229	PIPE PLUG .75NPT HEX HD BRS
4	1	505230	3/4 NPT ST EL BRS
5	1	701154	AIR TANK
6	1	711027	1/4 NPT ST EL BRS
7	1	711037	1/2MNPT-1/2 NYL TUBE FTG
8	1	711045	3/8MNPT-90-1/4 NYL 2-TUBE LBO
9	1	711046	3/8MNPT-90-1/4 NYL 3-TUBE LBO
10	1	311086	CHECK VALVE, PRESS CTRL, WABCO
11	1	601476	HOSE, 1/4 X 120 AIR
12	1	601478	HOSE, 1/4 X 175 AIR
13	1	601592	HOSE, 1/4 X 69 AIR
14	1	601479	HOSE, 1/4 X 196 AIR
15	1	601480	HOSE, 1/4 X 230 AIR
16	1	601483	HOSE, 1/2 X 84 AIR
17	8	920002	3/8 SAE FLAT WASHER
18	4	900130	3/8UNC X 1 1/4 SER FLANGE BOLT
19	4	914004	3/8UNC HEX STOVER NUT



CAB ASSEMBLY (FRONT VIEW)

DET. QTY PART NO. DESCRIPTION

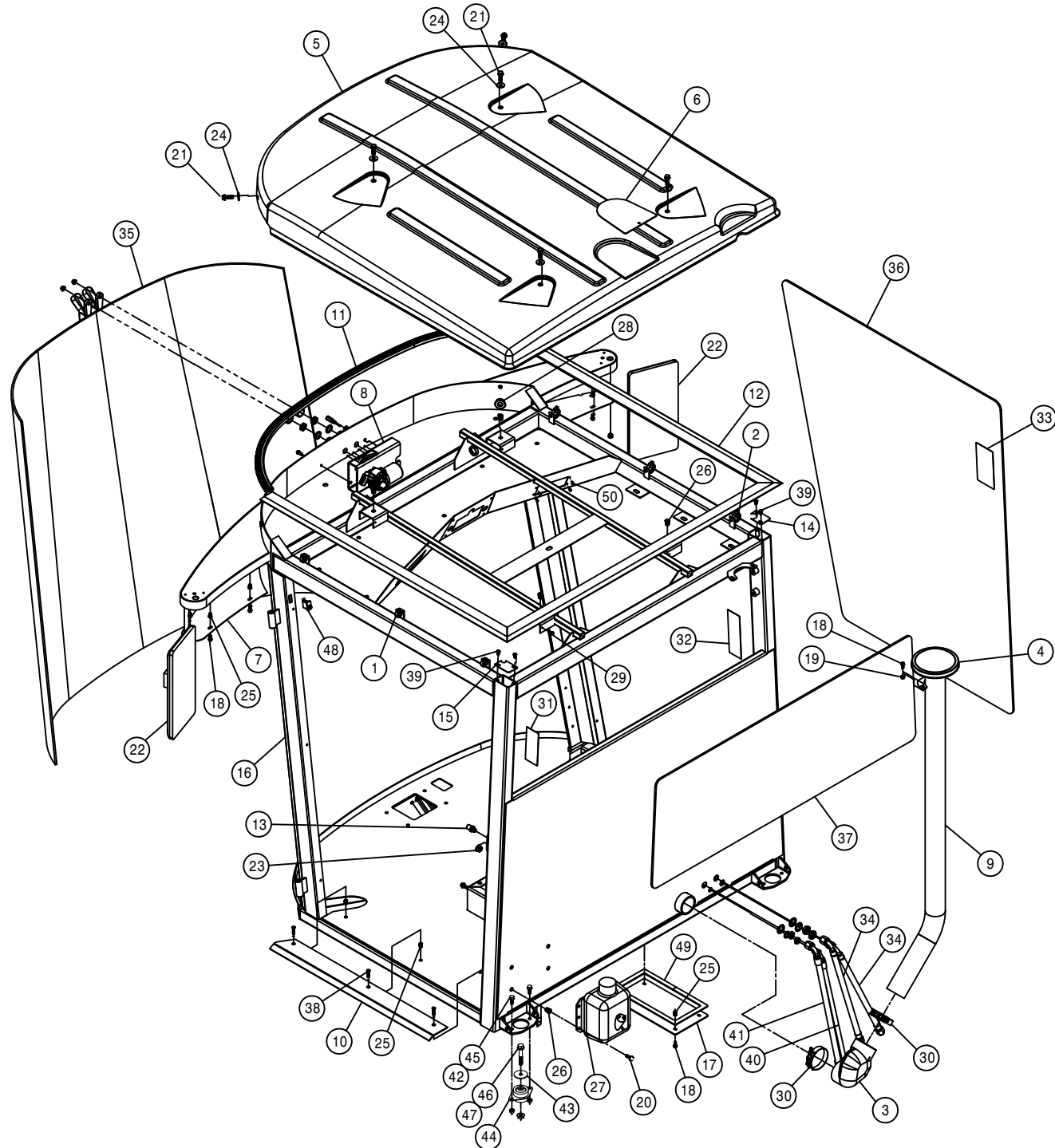
1	1	291749	TERM BLOCK, BLACK, 3/8-16 THRU
2	1	291750	TERM BLOCK, RED, 3/8-16 THRU
3	2	291900	RH WORKLIGHT, FLOOD GLASS
4	2	291901	LH WORKLIGHT, FLOOD GLASS
5	1	291902	RH WORKLIGHT, TRAPEZOID GLASS
6	1	291903	LH WORKLIGHT, TRAPEZOID GLASS
7	1	343431	STRG COLUMN ELECT PANEL, STS 05
8	1	343432	ELECT INPUT COVER, STS CAB 05
9	1	343433	AUX. ACCESS COVER, STS 05
10	1	343552	CAPLUG, 2X3 W/.75 HOLE, STS 05
11	1	343553	CAPLUG, 2X3 W/1.31 HOLE, STS 05
12	1	343638	CAB WELDMENT, STS 08
13	3	470087	3/8UNC HEX FLANGE LOCK NUT
14	3	470118	1/4UNC X 3/4 FLANGE HEX BOLT
15	8	470122	1/4UNC X 1/2 FLANGE HEX BOLT
16	4	470234	5/16UNC X 1" FLANGE HEX BOLT
17	10	470380	1/4-20 NUTSERT .027-.165 STL
18	4	470381	5/16-18 NUTSERT .027-.150 STL
19	2	470393	KNOB, 3-BLADE BLK, 5/16-18X1 1/2
20	1	470397	RES-Q-ME TOOL
21	1	470398	BEAD CHAIN, #10 X 4" LONG
22	1	470400	BEAD CHAIN CONNECTOR #10 WHITE
23	1	470426	MOTOR, WINDSHIELD WIPER, STS 05
24	1	470427	BLADE, WINDSHIELD WIPER STS 05
25	1	470428	ARM, WNDSHLD WIPER BLADE, STS 05
26	1	470429	SPRAY JET, WNDSHLD WIPER, STS 05
27	1	470503	SLAVE SHAFT, WINDSHIELD WIPER
28	1	470504	PIVOT SHAFT, 2.337 BALL STUD
29	14	470463	8-32 SERR. FLANGE NUT
30	6	470465	#12-14X3/4 PHL PAN SHT MTL SRW
31	4	472238	12-24 X 1/2 PHIL PAN HD SCR
32	6	483019	7/8" INTERNAL TOOTH LOCK WASHER
33	2	483020	5/8" INTERNAL TOOTH LOCK WASHER
34	4	520080	HOSE CLAMP NO 10 STAINLESS
35	1	601678	HOSE, 5/8 X 8 HEATER
36	1	601679	HOSE, 5/8 X 13 HEATER
37	2	618497	7/8MJIC-7/8MJIC BLKHD UNION
38	2	629762	CAPLUG, 5/8" RD, BLACK POLY
39	2	711101	5/8 HOSE BARB-7/8FJX ADPTR, BRS
40	4	903706	10-32X1/2 PHIL PANHD MACH SCR
41	4	920510	#10 LOCK WASHER
42	4	910027	10-32 HEX NUT
43	14	903844	8-32 X 1/2 PHIL PANHD MACH SCR
44	1	657475	A/C HOSE ASSY, 5/16X12.50 BLKHD
45	1	657476	A/C HOSE ASSY, 1/2X12.50 BLKHD
46	1	657500	A/C & HEATER BLOWER SYS, STS 07
47	1	193016	QUICKEDGE TRIM .060 TO .170



CAB ASSEMBLY (REAR VIEW)

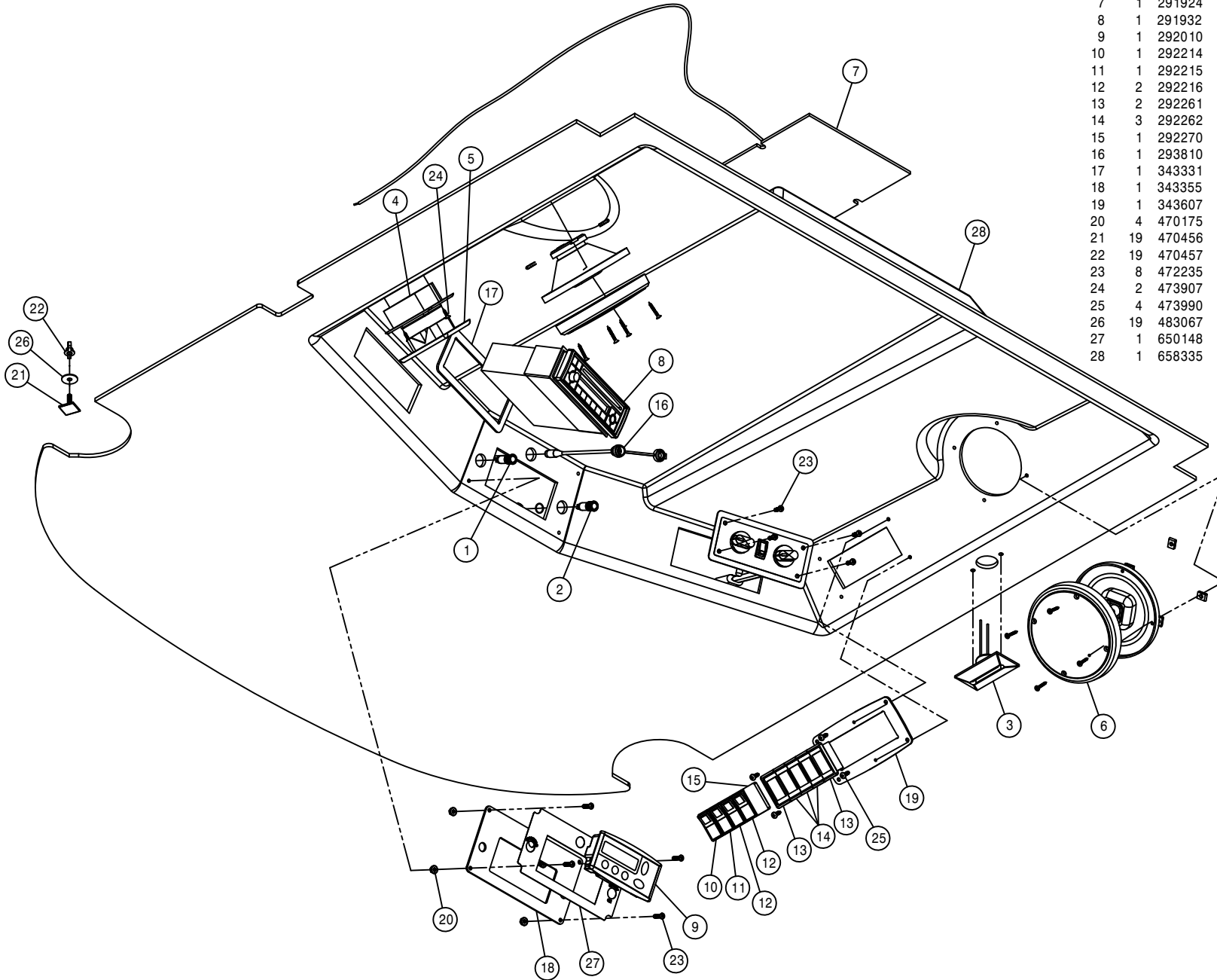
DET. QTY PART NO. DESCRIPTION

1	4	291009	ROSEBUD CLIP FOR .625 CONDUIT	
2	4	291010	ROSEBUD CLIP FOR 1.000 CONDUIT	
3	1	311533	3.00 90 DEG COBRA ELBOW RUBBER	
4	1	311534	RAIN CAP, 3.00 PLASTIC	
5	1	343350	CAB ROOF, STS	05
6	1	343351	GPS MTG PLATE, STS CAB	05
7	2	343352	LWR LIGHT MT COVER, STS CAB	05
8	1	343353	WIPER MTR MT BRKT, STS CAB	05
9	1	343422	HVAC INTAKE TUBE WLD, STS CAB	05
10	1	343434	CAB ENTRY STEP PLATE, STS	05
11	1	343582	FRT CAB ROOF SEAL, STS CAB	06
12	1	343583	CAB ROOF SEAL, STS CAB	06
13	1	470417	STRIKER PIN ASSY	
14	1	343605	RH REAR CORNER POST CAP, STS	07
15	1	343606	LH REAR CORNER POST CAP, STS	07
16	1	343638	CAB WELDMNT, STS	08
17	1	343642	HVAC ACCESS COVER, STS	08
18	14	470118	1/4UNC X 3/4 FLANGE HEX BOLT	
19	2	470121	1/4UNC HEX FLANGE LOCK NUT	
20	4	470234	5/16UNC X 1" FLANGE HEX BOLT	
21	6	470329	3/8UNC X 1 1/4 SER FLANGE BOLT	
22	2	470348	MIRROR STS10 & STS12	
23	1	470360	1/2UNC HEX FLANGE LOCK NUT	
24	6	470377	3/8 X 1 3/16 BONDED SS WASHER	
25	15	470380	1/4-20 NUTSERT .027-.165 STL	
26	4	470382	3/8-16 NUTSERT .027-.150 STL	
27	1	470440	WINDSHIELD WASHER TANK ASSY	05
28	1	470491	GROMMET, .75ID .125GW 1.25GD	
29	1	472349	1/4 X 3/4 20THD-IN TEK TYPE	
30	2	520130	3.31/3.59 T-BOLT HOSE CLAMP SS	
31	1	650164	DECAL, NO PASSNGR/NOT NEAR LEAK	
32	1	650165	DECAL, PWR LINE/BM FOLD/GLASS	
33	1	650176	DECAL, CAUTION, CAB CHEM EXPOSUR	
34	2	657479	10-213-10FJX-10FJX90-22	H/A
35	1	658035	WINDSHIELD, STS CAB	05
36	1	658036	RH CAB GLASS, STS	05
37	1	658038	REAR CAB GLASS, STS	05
38	3	900050	1/4UNC X 1 1/4 PH FLHD MAC SCR	
39	4	903708	1/4UNC X 1/2 PHIL PNHD MACHSCR	
40	1	657477	A/C HOSE ASSY, 5/16 X 24"	
41	1	657478	A/C HOSE, 10-10F-10F90-24	
42	8	470087	3/8UNC HEX FLANGE LOCK NUT	
43	4	311078	SNUBBING WASHER FOR 311077	05
44	4	311077	ISOLATION MOUNT, LF1.5 SER	05
45	8	470460	3/8 X 1 SERR FLANGE BOLT	
46	4	470461	1/2 X 3 SERR FLANGE BOLT	
47	4	470345	1/2UNC HEX SMTH FLNG LOCK NUT	
48	1	291915	SWITCH, PANEL MT PUSH BUTTON	
49	1	193037	STICKERTITE 1/8 X 3/4	
50	4	470384	10-32 NUTSERT .020-.130	STL

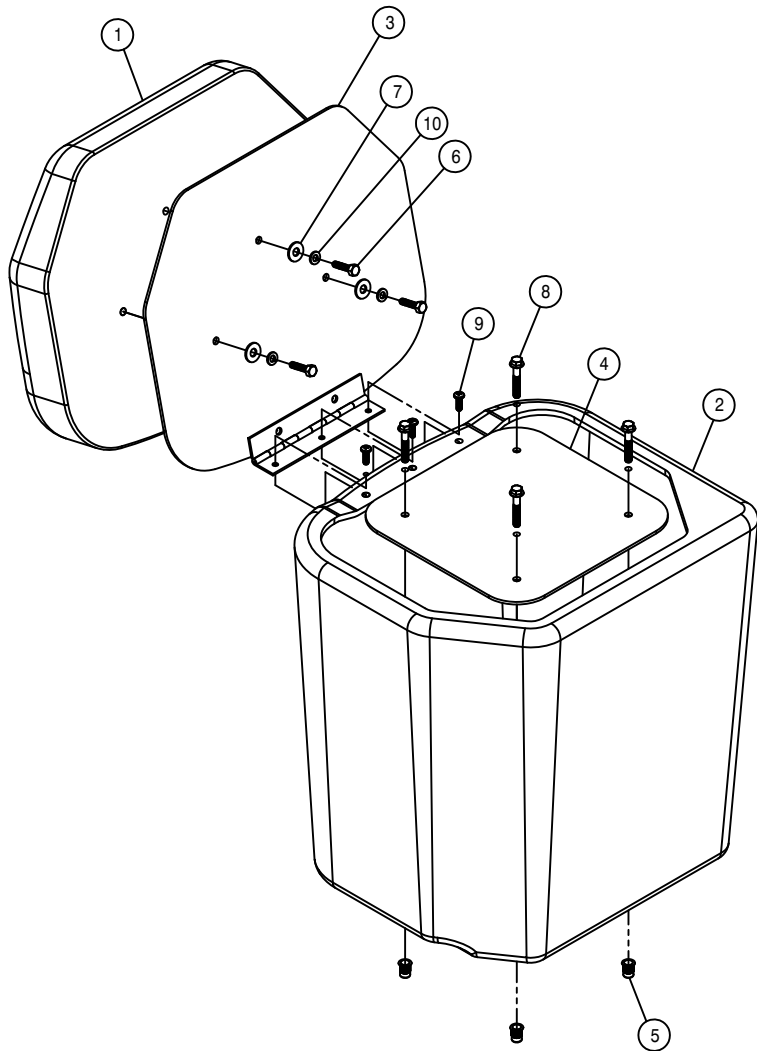


HEADLINER ASSEMBLY

DET.	QTY	PART NO.	DESCRIPTION
1	1	291740	RED LED IND LIGHT, 12V 10MM
2	1	291741	GREEN LED IND LIGHT, 12V 10MM
3	1	291909	L.E.D. COURTESY LIGHT W/LEADS
4	1	291912	DOME LIGHT
5	1	291913	TRIM RING, DOME LIGHT 291912
6	2	291922	SPEAKERS, PAIR
7	1	291924	ANTENNA AM/FM/WB HEADLINER MT
8	1	291932	RADIO CQ-5335U STS 06
9	1	292010	IQAN MDM MINI DISPLAY
10	1	292214	SWITCH, WASHER, STS
11	1	292215	SWITCH, WIPER, STS
12	2	292216	SWITCH, WORK/FIELD LIGHTS, STS
13	2	292261	MOUNTING TRIM, END VME
14	3	292262	MOUNTING TRIM, MIDDLE VMM
15	1	292270	SWITCH BLANK, VH2
16	1	293810	HR12 EXTENSION CABLE, PANEL MT
17	1	343331	RADIO BEZEL, CAB, BLK PLASIC 05
18	1	343355	MDM BEZEL, STS CAB 05
19	1	343607	BEZEL, LIGHT/WIPER GST20 07
20	4	470175	10-32 HEX FLANGE LOCK NUT
21	19	470456	1/4-20 X 1.00 STUD, SQ BASE, NYL
22	19	470457	1/4-20 WING NUT, NYLON
23	8	472235	10-32 X 3/4 PHIL HD MACH SCR
24	2	473907	#10X5/8 OHPHIL 8 SHT MTL SCR
25	4	473990	8-15 X 3/4 PHIL PAN SMS TY-A
26	19	483067	1/4 X 1.00 OD FENDER WASHER
27	1	650148	DECAL, MDM BEZEL, STS
28	1	658335	HEADLINER, GST 20 07

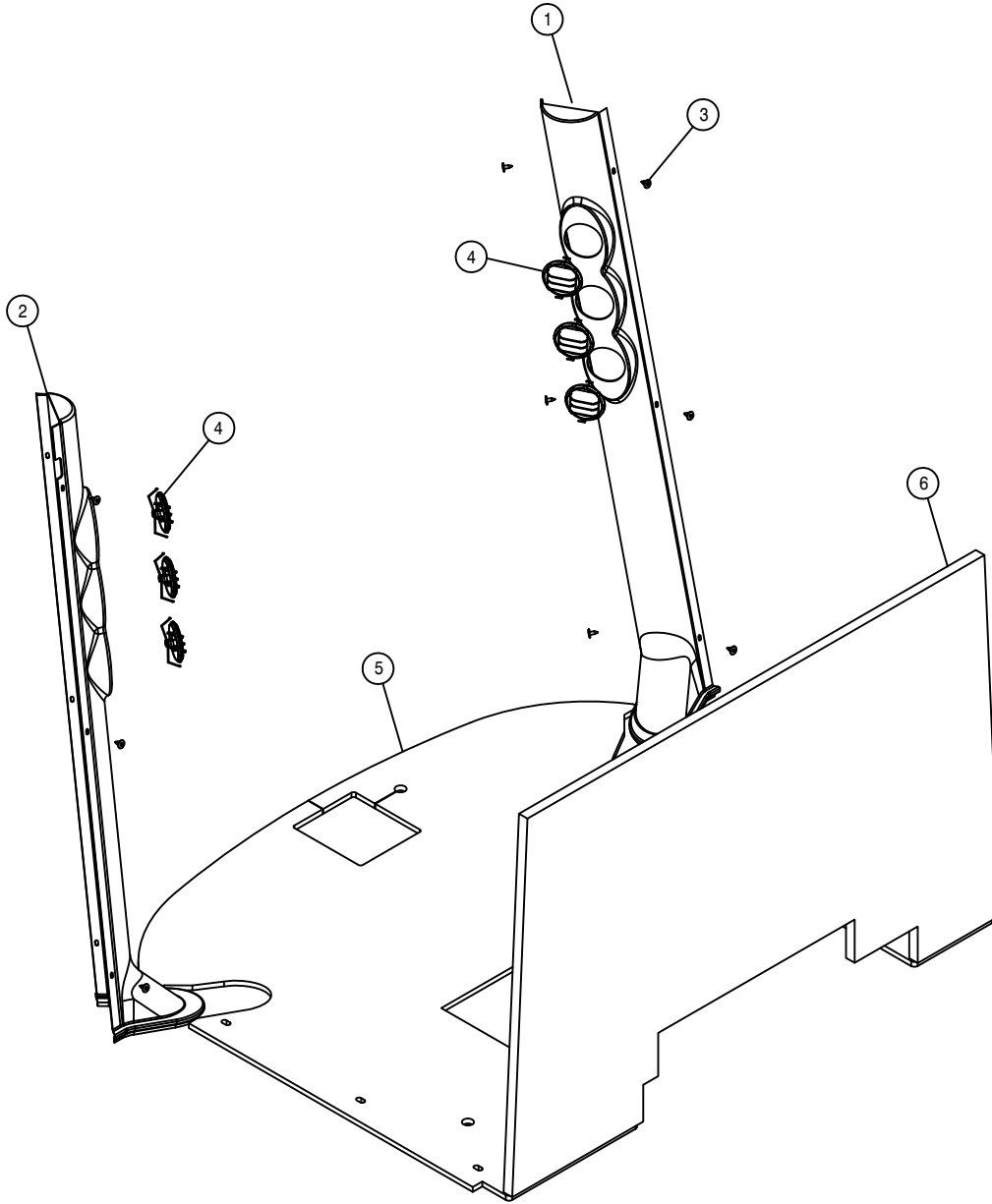






BUDDY SEAT ASSEMBLY

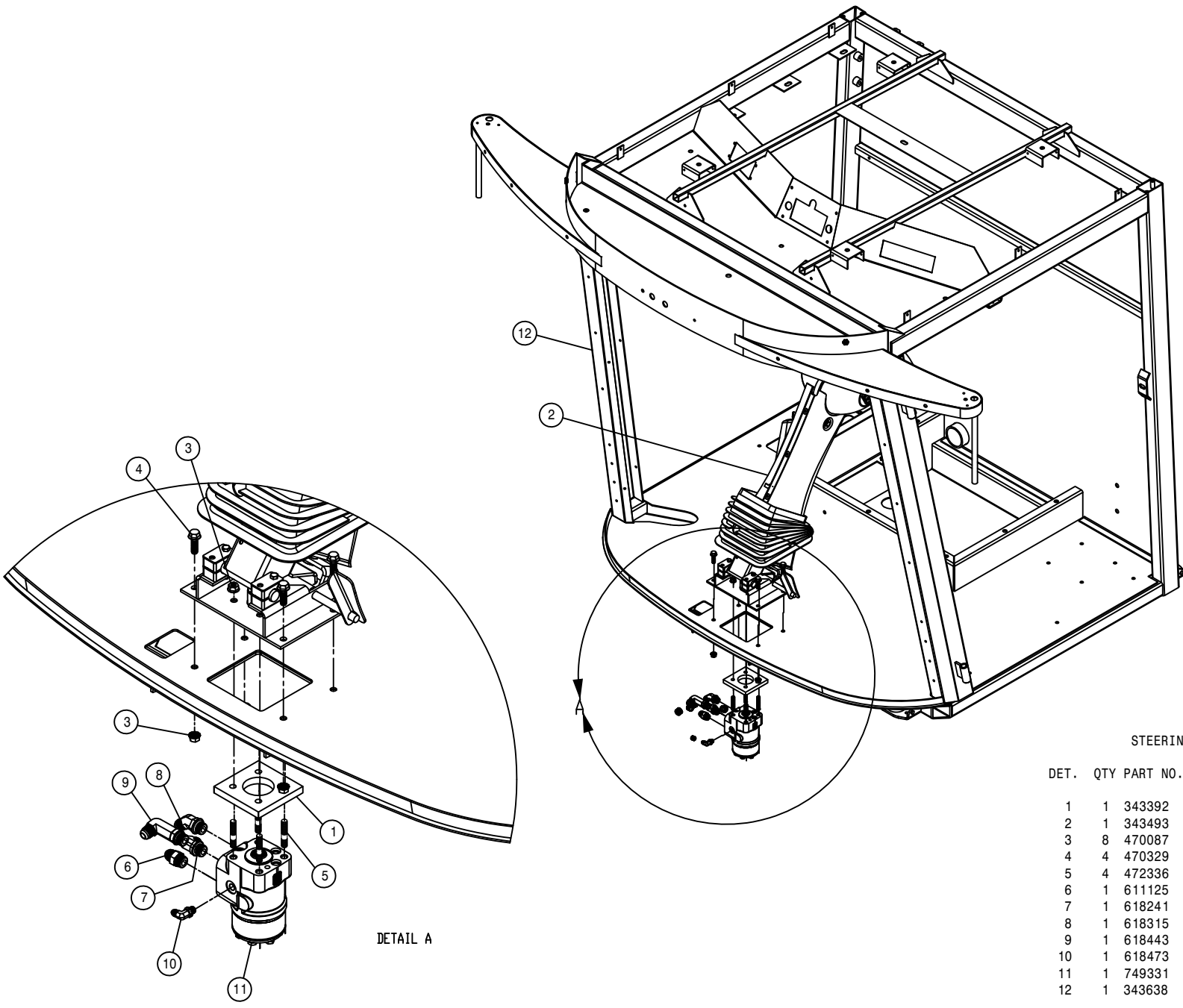
DET.	QTY	PART NO.	DESCRIPTION	
	1	330036	BUDDY SEAT CUSHION	05
	1	330037	BUDDY SEAT BASE, POLY	05
	1	343425	BUDDY SEAT MT WLD, STS CAB	05
	1	343428	BUDDY SEAT MT PANEL, STS CAB	05
	4	470380	1/4-20 NUTSERT .027-.165	STL
	3	473787	6MM-1.00 X 25MM HEX BOLT	
	3	483038	1/4 REGULAR FLAT WASHER	
	4	900005	1/4UNC X 1 1/2 HEX BOLT	
	3	903710	10-32X5/8 PHIL PANHD MACH SCR	
	3	920500	1/4 LOCK WASHER	



AIR DUCT AND FOAM ASSEMBLY

DET. QTY PART NO. DESCRIPTION

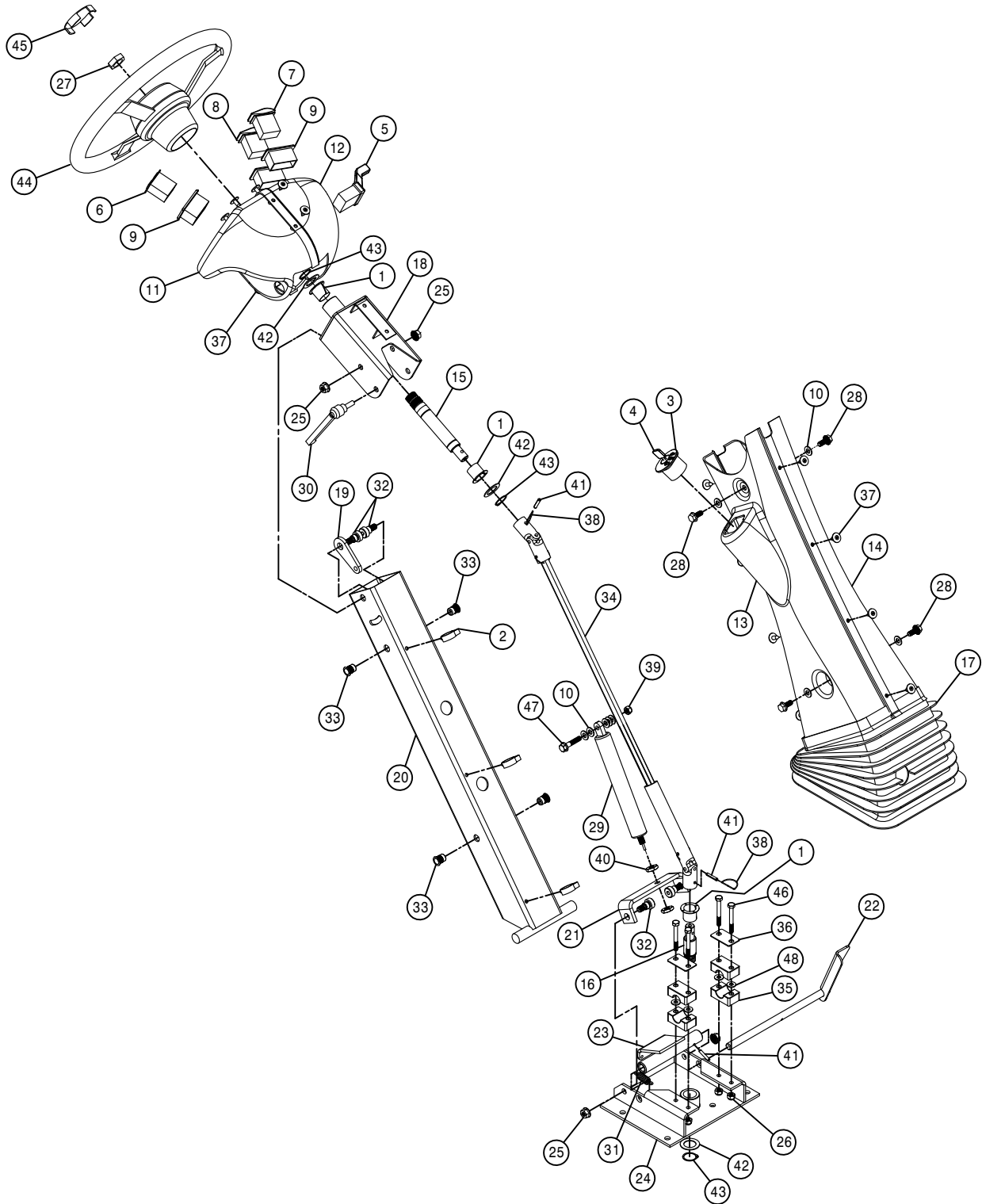
1	1	343356	RH AIR DUCT COVERS,STS CAB	05
2	1	343357	LH AIR DUCT COVERS,STS CAB	05
3	12	470466	1/4 X 3/4 PLTC LCK RIVET	
4	6	657469	LOUVER, ROUND	
5	1	658330	FLOORMAT, STS CAB	05
6	1	658333	FOAM, REAR CAB STS	05



STEERING MOTOR ASSEMBLY

DET.	QTY	PART NO.	DESCRIPTION
1	1	343392	.500 STRG MTR SPACER, STS CAB05
2	1	343493	STRG COLUMN ASSY, STS CAB 06
3	8	470087	3/8UNC HEX FLANGE LOCK NUT
4	4	470329	3/8UNC X 1 1/4 SER FLANGE BOLT
5	4	472336	3/8UNC X 2" STUD BOLT, DBL END
6	1	611125	3/4MJIC-3/4MOR ADPTR
7	1	618241	3/4MJIC-90-3/4MOR LBO
8	1	618315	3/4MJIC-45-3/4MOR LBO
9	1	618443	3/4MJIC-90-3/4MOR EX LG LBO
10	1	618473	7/16MJIC-90-7/16MOR LBO
11	1	749331	STEERING CTRL VALVE, LS SAUER
12	1	343638	CAB WELDMENT, STS 08





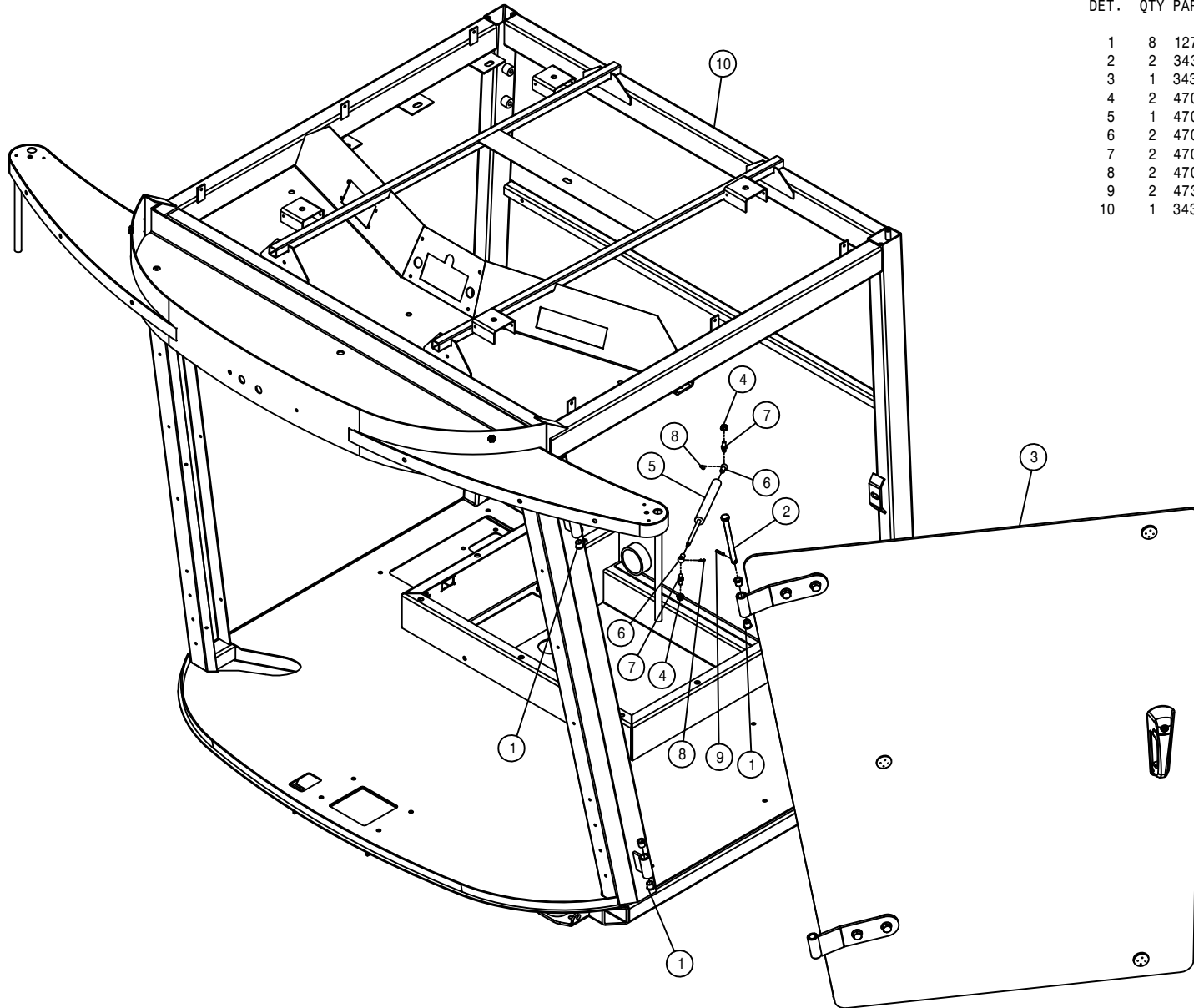
STEERING COLUMN ASSEMBLY

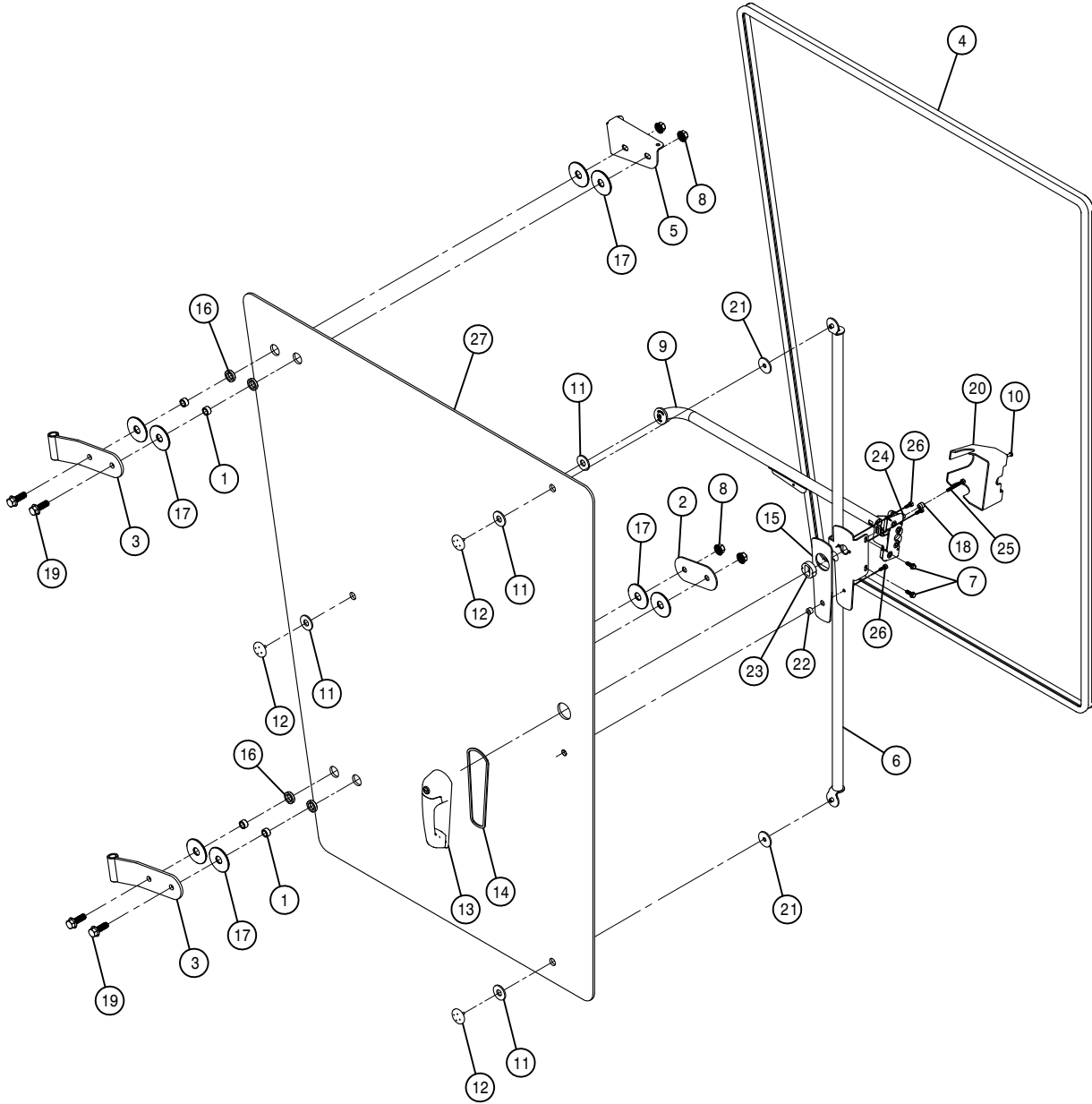
DET.	QTY	PART NO.	DESCRIPTION
	1	3	127503 NYLINER FLG BRG, .875 ID
	2	3	291006 ROSEBUD CLIP FOR .500 CONDUIT
	3	1	291916 IGNITION SWITCH
	4	2	291917 IGNITION KEY FOR 291916
	5	1	292210 SWITCH, TURN SIGNAL, STS
	6	1	292211 TURN INDICATOR W/GREEN LED, STS
	7	1	292212 SWITCH, HAZARD, STS
	8	1	292213 SWITCH, HEADLIGHTS, STS
	9	3	292260 MOUNTING TRIM, SINGLE VMS
	10	9	920001 5/16 SAE FLAT WASHER
	11	1	343359 RH UPR STRG CLMN COVERS, STS 05
	12	1	343360 LH UPR STRG CLMN COVERS, STS 05
	13	1	343361 RH LWR STRG CLMN COVERS, STS 05
	14	1	343362 LH LWR STRG CLMN COVERS, STS 05
	15	1	343364 STRG SHAFT, UPPER COLUMN, STS 05
	16	1	343365 STRG SHAFT, LOWER COLUMN, STS 05
	17	1	343366 BELLOWS, STEERING COLUMN, STS 05
	18	1	343367 STEERING SUPP WELD, STS CAB 05
	19	1	343372 STRG COLUMN TOP LOCK, STS CAB
	20	1	343373 STEERING COLUMN WLD, STS CAB 05
	21	1	343385 GAS SHOCK PIVOT MT, STS CAB 05
	22	1	343386 TILT PEDAL WELD, STS CAB 05
	23	1	343389 TILT RELEASE WLD, STS CAB 05
	24	1	343614 STEERING BASE WELD, STS CAB 07
	25	4	910004 3/8UNC HEX SMTH FLG NUT
	26	4	470089 1/4UNC HEX NYLOC NUT, 316 SS
	27	1	470157 13/16-20UNEF HEX NUT STRG WHL
	28	4	470233 5/16UNC X 3/4 FLANGE HEX BOLT
	29	1	470252 GAS SPRING, LOCKING 0350N
	30	1	470257 ADJ HANDLE, 3/8-16 STUD, BLACK
	31	1	470268 SPRING, EXTENSION, .50 X 1.75
	32	4	470283 3/8UNC 1/2 SCKT SHLDR BOLT
	33	4	470381 5/16-18 NUTSERT .027-.150 STL
	34	1	470401 DRIVE SHAFT ASSY, 625 U-JOINTS
	35	2	470405 CLAMP PAIR, 19MM SMOOTH BORE
	36	2	470406 TOP CLAMP, SIZE #3 FOR 470405
	37	16	470466 1/4 X 3/4 PLTC LCK RIVET
	38	4	470479 5" SAFETY LOCK WIRE, 304SS .051D
	39	1	473001 5/16UNC HEX NUT, NYLOC 316 SS
	40	2	473830 10MM-1.00 HEX JAM NUT
	41	3	473928 ROLL PIN, 3/16 X 1
	42	3	483031 1 3/8 X 7/8 X 18GA MACH WASHER
	43	3	629533 SNAP RING, 7/8 EXTRN
	44	1	749294 STEERING WHEEL, VIP 14"
	45	1	749295 STRG WHL CAP W/HAGIE EMBLEM
	46	4	900023 1/4UNC X 2 1/4 HEX BOLT
	47	1	900067 5/16UNC X 1 1/2 HEX BOLT
	48	4	920022 1/4 FLAT WASH, AN960-416 SS

CAB DOOR ASSEMBLY

DET. QTY PART NO. DESCRIPTION

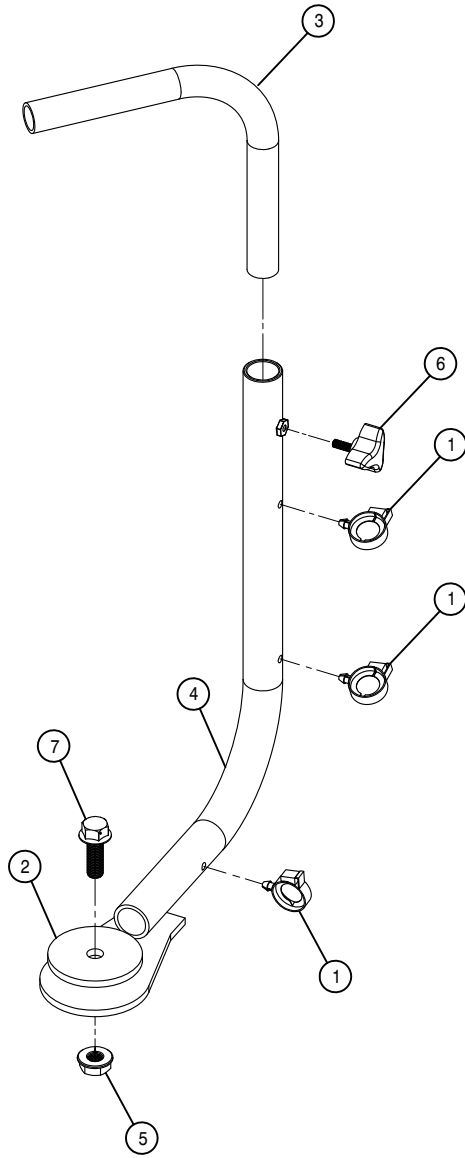
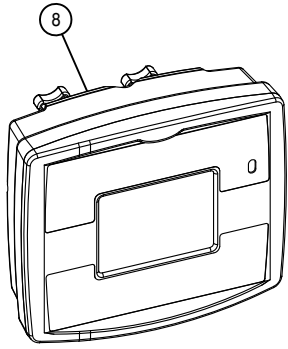
1	8	127502	NYLON FLANGE BRG	
2	2	343332	CAB DOOR HINGE PIN,SS	05
3	1	343588	DOOR ASSY, STS CAB	07
4	2	470113	5/16UNC HEX FLANGE LOCK NUT	
5	1	470253	HYD DAMPER,100LB,4"STROKE 1084	
6	2	470254	BALL SOCKET, M6 THD X 10MM	
7	2	470255	BALL STUD,5/16-18 THD X 10MM	
8	2	470256	SAFTY CLIP, 10MM BALL SOCKET	
9	2	473928	ROLL PIN, 3/16 X 1	
10	1	343638	CAB WELDMENT, STS	08





DOOR ASSEMBLY

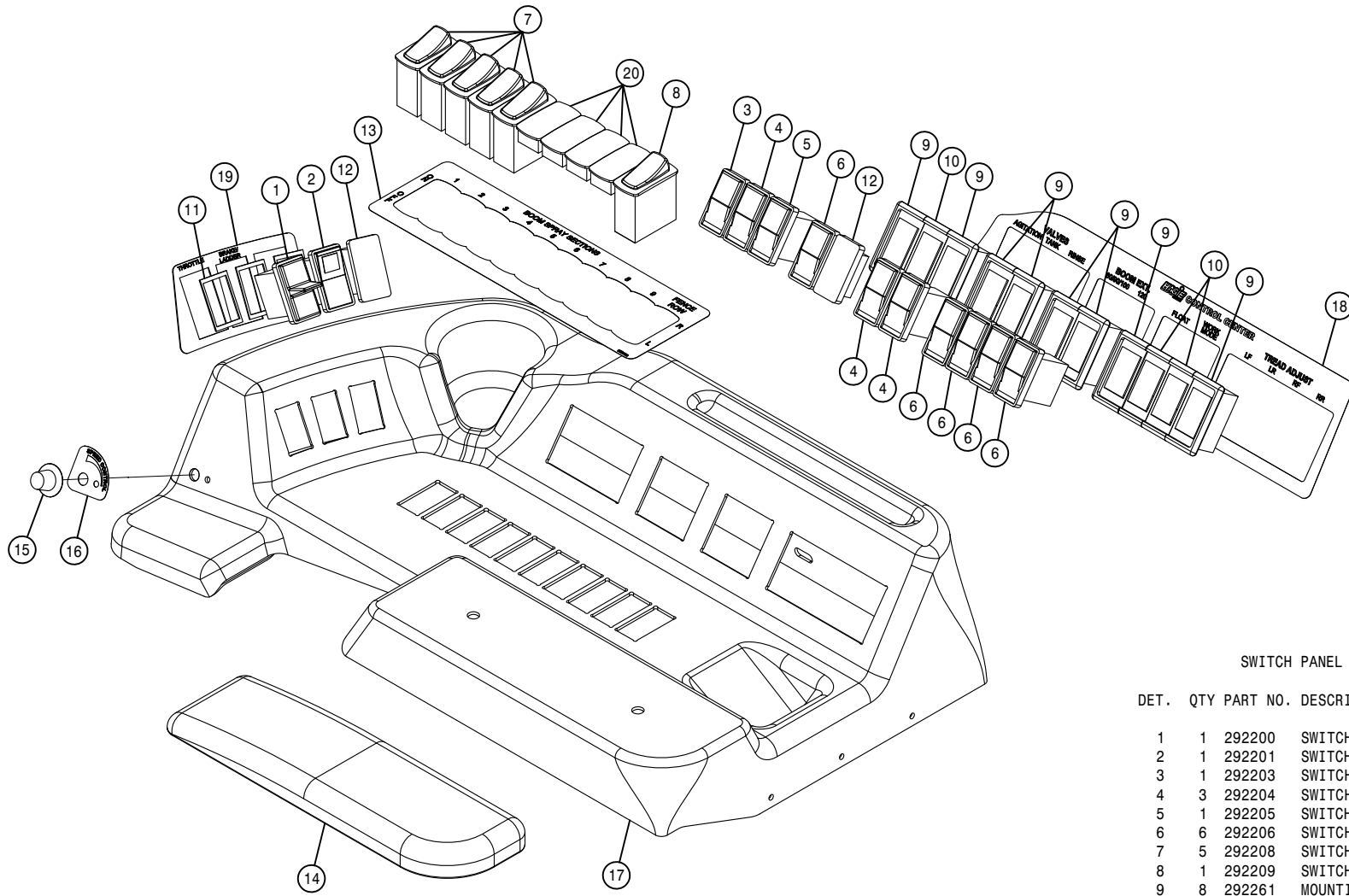
DET.	QTY	PART NO.	DESCRIPTION	
1	4	343335	DOOR HINGE GLASS BUSH, CAB	05
2	1	343337	LWR DOOR HINGE BACK PLT,	05
3	2	343338	HINGE WELD,CAB	05
4	1	343346	DOOR SEAL, STS CAB	05
5	1	343421	TOP DOOR HINGE PLT, STS	05
6	1	343598	CAB DOOR STIFF WLD, STS	05
7	2	470118	1/4UNC X 3/4 FLANGE HEX BOLT	
8	4	470360	1/2UNC HEX FLANGE LOCK NUT	
9	1	470410	INSIDE SQUEEZE LATCH ASSY	
10	1	470412	INSIDE SQUEEZE LATCH SCREWS	
11	4	470413	INSIDE SQUEEZE LATCH GASKET	
12	3	470414	INSIDE SQUEEZE LATCH CAP	
13	1	470415	OUTSIDE PULL HANDLE ASSY	
14	1	470416	OUTSIDE PULL HANDLE GASKET	
15	1	470418	DOOR HANDLE MT GASKET, STS CAB	
16	4	470419	DOOR HINGE BUSH, RUBBER STS	05
17	8	470420	DOOR HINGE WASH, RUBBER, STS	05
18	1	470421	NYLON SPACER, SPHERICAL 6MMX12	
19	4	470431	1/2UNC X 1 1/2 FLANGE BOLT	
20	1	470485	INSIDE SQUEEZE LATCH COVER	07
21	2	470489	GASKET, DOOR HANDLE STIFFENER	
22	1	470496	SPACER, BTM, DOOR HANDLE	470415
23	1	470497	SPACER, TOP, DOOR HANDLE	470415
24	1	473764	6MM-1.00 HEX HIGH NUT	
25	1	473794	6MM-1.00 X 50MM HEX BOLT	
26	3	473826	6MM-1.00 X 16MM HEX BOLT	
27	1	658039	DOOR GLASS, STS CAB	07



MONITOR ASSEMBLY

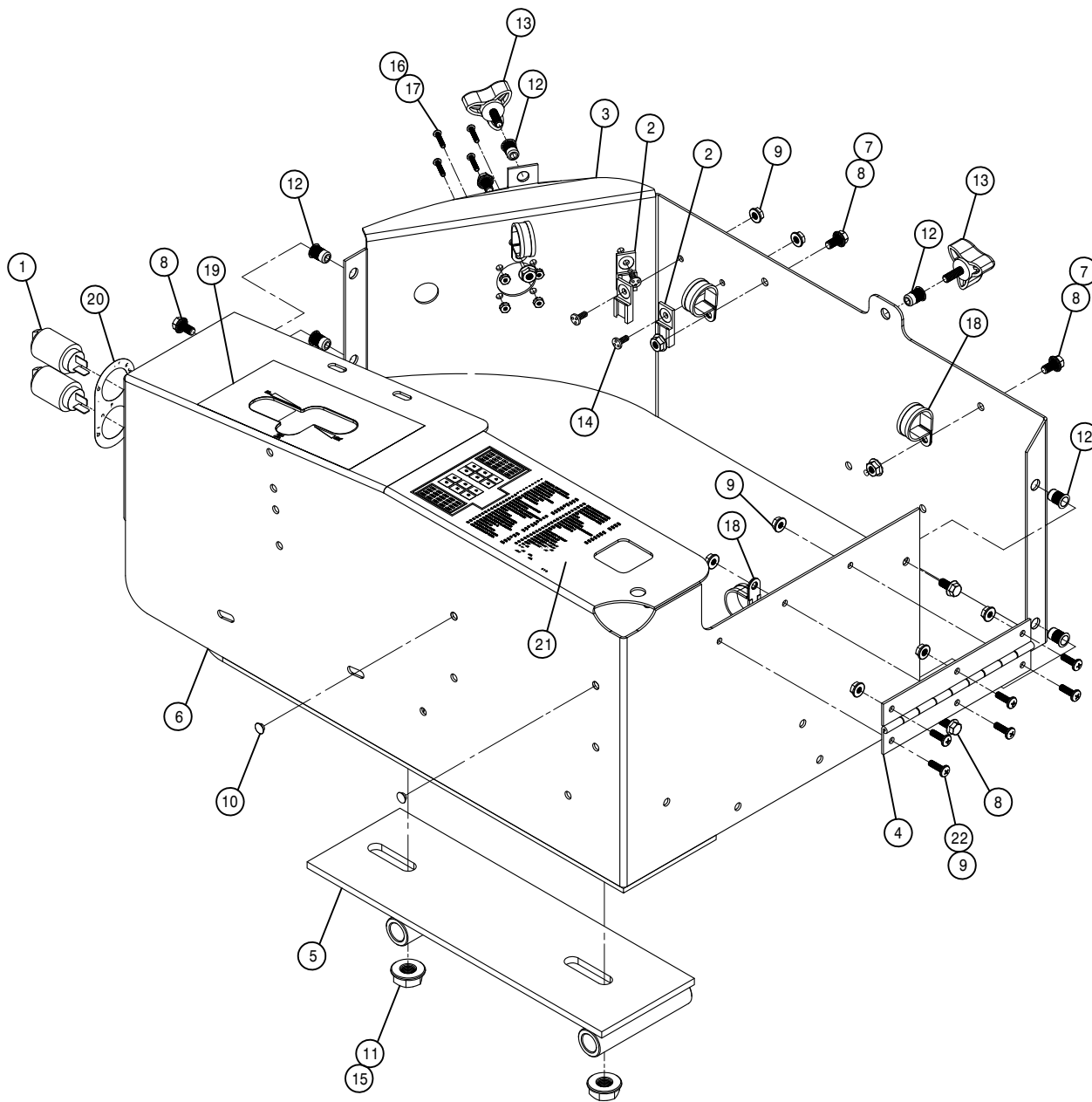
DET. QTY PART NO. DESCRIPTION

1	3	291007	ROSEBUD CLIP FOR .750 CONDUIT
2	1	343415	WASHER,3.00 X .531 X .25T UHMW
3	1	343416	MONITOR MT TUBE, STS 05
4	1	343417	MONITOR MT WELD, STS CAB 05
5	1	470345	1/2UNC HEX SMTH FLNG LOCK NUT
6	1	470392	KNOB,3-BLADE BLK,1/4-20 X 3/4
7	1	470431	1/2UNC X 1 1/2 FLANGE BOLT
8	1	690993	CONSOLE,RAVEN SCS 4600 SPANISH



SWITCH PANEL ASSEMBLY

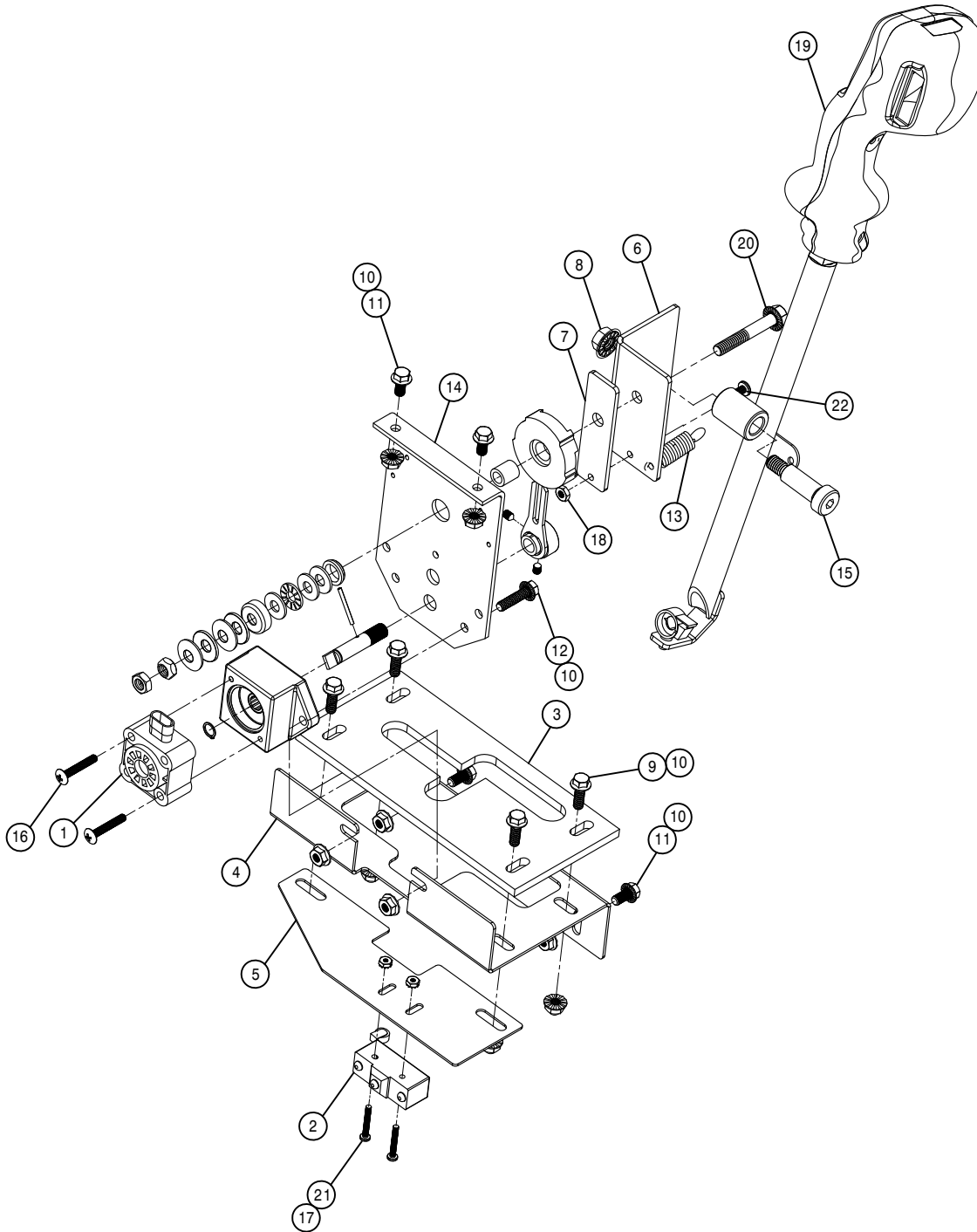
DET.	QTY	PART NO.	DESCRIPTION
1	1	292200	SWITCH, THROTTLE, STS
2	1	292201	SWITCH, BRAKE, STS
3	1	292203	SWITCH, AGITATION, STS
4	3	292204	SWITCH,SOLU TANK/NTB FLOAT,STS
5	1	292205	SWITCH, RINSE, STS
6	6	292206	SWITCH,TREAD/90° FOLD, STS
7	5	292208	SWITCH, SPRAY SWITCH, STS
8	1	292209	SWITCH, FENCE ROW, STS
9	8	292261	MOUNTING TRIM,END VME
10	3	292262	MOUNTING TRIM, MIDDLE VMM
11	3	292263	PANEL GASKET, SWITCH
12	2	292270	SWITCH BLANK, VH2
13	1	650196	DECAL,SPRAY SELECT STS 08
14	1	343397	ARM REST W/MTS, STS CAB 05
15	1	470395	DIAL KNOB W/ARROW FOR .25 SHFT
16	1	650158	DECAL,SPEED CONTROL STS CAB 05
17	1	343624	SIDE CONSOLE, STS/GST 08
18	1	650161	DECAL,BOOM FLT-TRD ADJ STS 05
19	1	650177	DECAL,THROTTLE & BRAKE STS 07
20	4	292271	SWITCH BLANK, LH2-01



CONSOLE ASSEMBLY

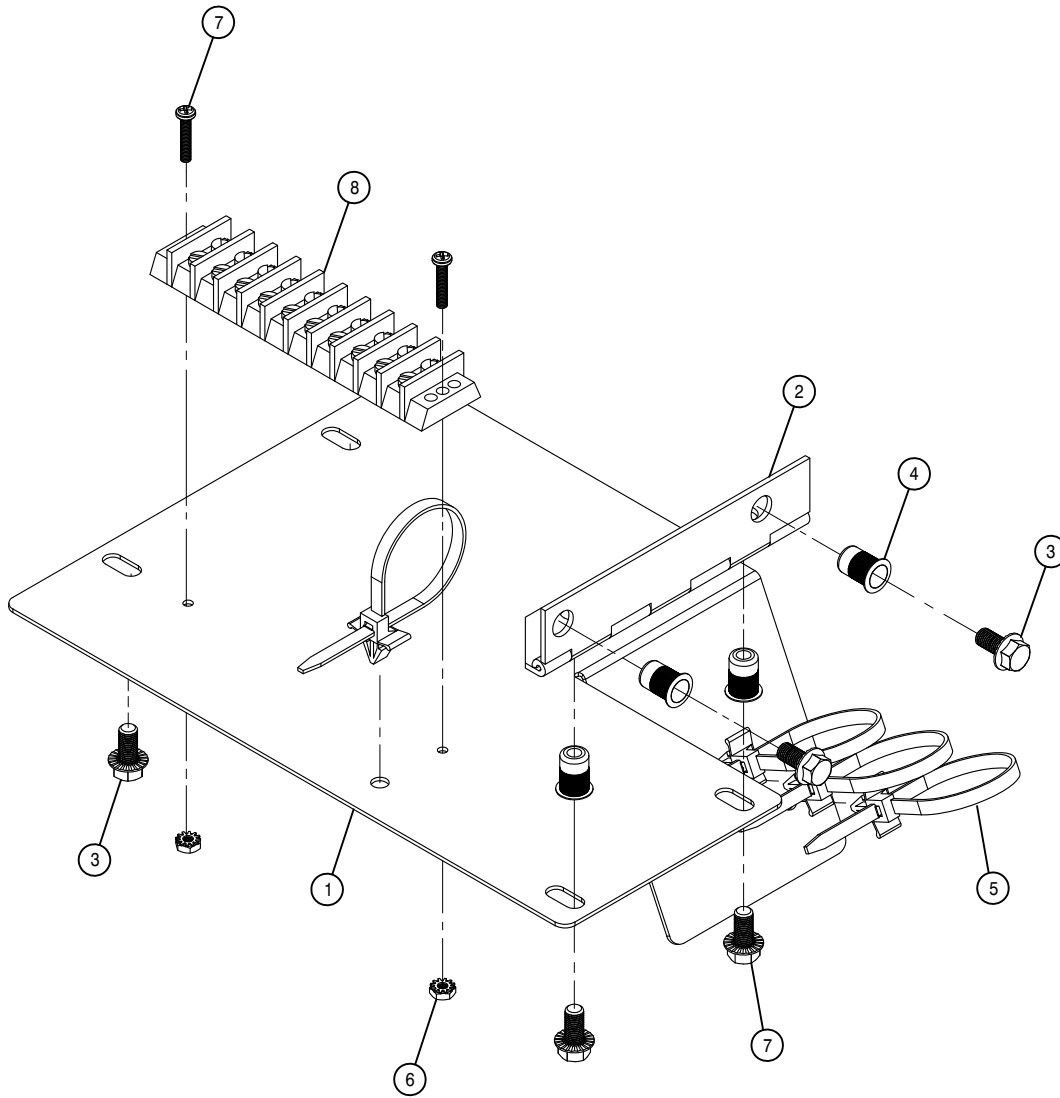
DET. QTY PART NO. DESCRIPTION

1	2	291648	POWER POINT RECEPTACLE
2	3	292125	DEUTSCH MTG CLIP
3	1	343403	SIDE CONSOLE OUTER WRAP,STS 05
4	1	343405	SIDE CONSOLE REAR HINGE,STS 05
5	1	343406	CONSOLE SEAT BASE WLD,STS 05
6	1	343488	CONSOLE WELD, STS CAB 06
7	3	470121	1/4UNC HEX FLANGE LOCK NUT
8	7	470122	1/4UNC X 1/2 FLANGE HEX BOLT
9	9	470175	10-32 HEX FLANGE LOCK NUT
10	2	470339	SNAP PLUG, BLK NYL, .250 DIA
11	2	470345	1/2UNC HEX SMTH FLNG LOCK NUT
12	6	470380	1/4-20 NUTSERT .027-.165 STL
13	2	470392	KNOB,3-BLADE BLK,1/4-20 X 3/4
14	3	470423	10-32 X 1/2 WELD STUD
15	2	470431	1/2UNC X 1 1/2 FLANGE BOLT
16	4	470467	6-32 KEP NUT
17	4	903814	6-32 X 3/4 SLT RD HD MACH SCR
18	4	520101	CUSH CLAMP,#16 1"D X 1/2W
19	1	650157	DECAL,HYDRASTAT STS CAB 05
20	1	650163	DECAL,POWER POINT, STS CAB 05
21	1	650186	DECAL,FUSE & RELAY,STS CAB 07
22	6	903710	10-32X5/8 PHIL PANHD MACH SCR



### HYDROSTATIC LEVER ASSEMBLY

DET.	QTY	PART NO.	DESCRIPTION
	1	291918	POTENTIOMETER, DZ1045
	1	293006	MICRO SWITCH, SPDT BZ-2RL-A2
	1	343408	SHIFT GUIDE,CAB CONSOLE STS 05
	1	343409	Z-GATE GUIDE SUPP, STS CAB 05
	1	343410	NEUTRAL SWITCH MT,STS CAB 05
	1	343411	ADJ U-LINK,HYD STAT CTRL,STS
	1	343412	HYD STAT CTRL STRAP,STS CAB 05
	1	470087	3/8UNC HEX FLANGE LOCK NUT
	4	470118	1/4UNC X 3/4 FLANGE HEX BOLT
	10	470121	1/4UNC HEX FLANGE LOCK NUT
	4	470122	1/4UNC X 1/2 FLANGE HEX BOLT
	2	470231	1/4UNC X 1" FLANGE HEX BOLT
	1	470268	SPRING, EXTENSION, .50 X 1.75
	1	470396	FRICTION CONTROL, QUADRATAT
	1	470462	1/2 X 1 1/4 SKT HD SHLDR BOLT
	2	470464	10-32 X 1 1/4 SS TRUSS PHILL
	2	470467	6-32 KEP NUT
	1	910027	10-32 HEX NUT
	1	785090	FASSE CTRL HANDLE
	1	900069	5/16UNC X 2" HEX BOLT
	2	903709	6-32 X 1" PHIL PANHD MACH SCR
	1	903710	10-32X5/8 PHIL PANHD MACH SCR

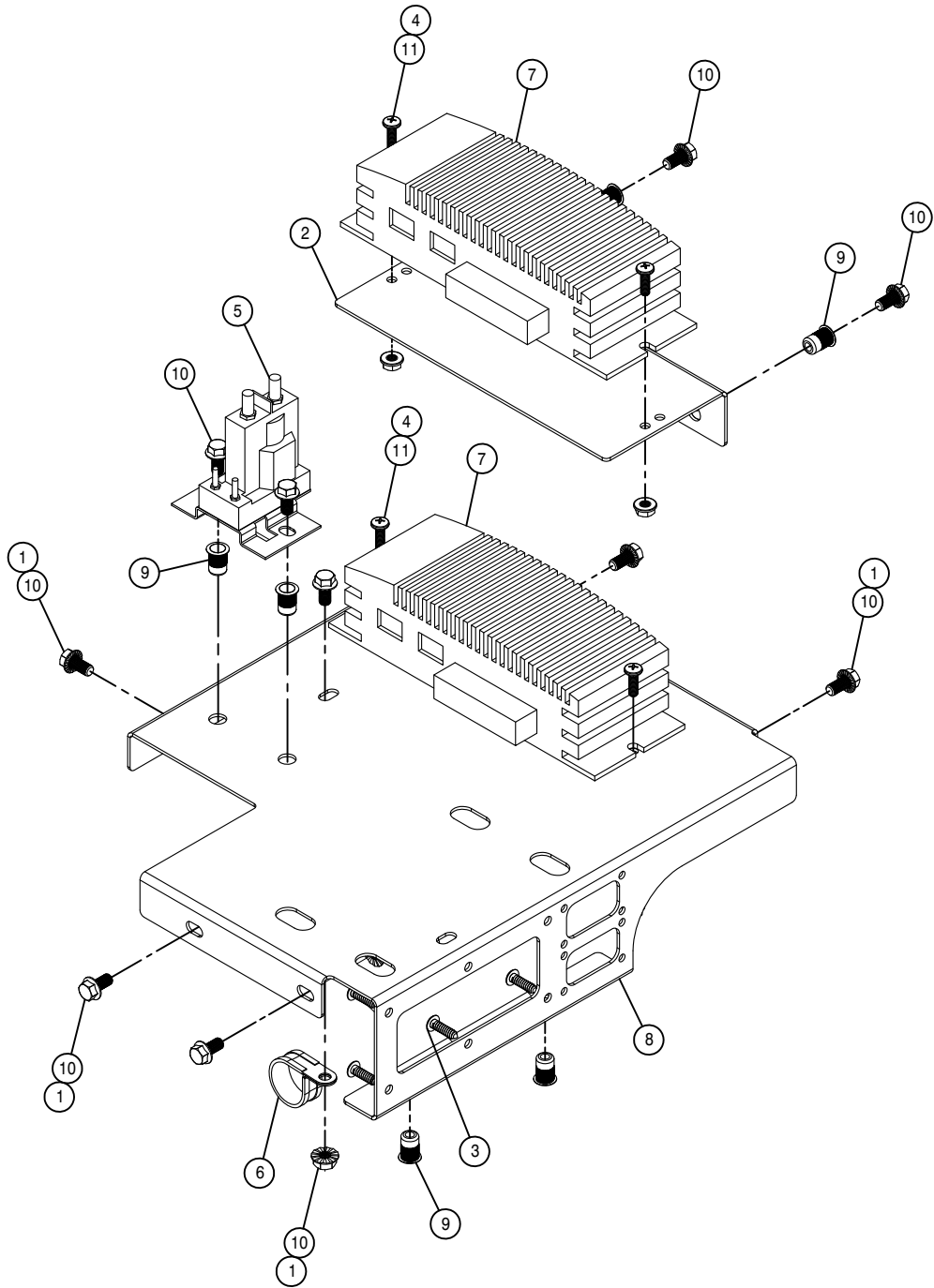


TERMINAL STRIP DOOR ASSEMBLY

DET. QTY PART NO. DESCRIPTION

1	1	343413	CONSOLE BOTTOM DOOR,CAB STS 05
2	1	343414	CONSOLE BTM DOOR HINGE,CAB STS
3	6	470122	1/4UNC X 1/2 FLANGE HEX BOLT
4	4	470380	1/4-20 NUTSERT .027-.165 STL
5	4	470445	CABLE TIE,PUSH MT 7.8" BLK NYL
6	2	470467	6-32 KEP NUT
7	2	903814	6-32 X 3/4 SLT RD HD MACH SCR
8	1	291886	TERMINAL BLOCK,10 POS-2ROW 20A

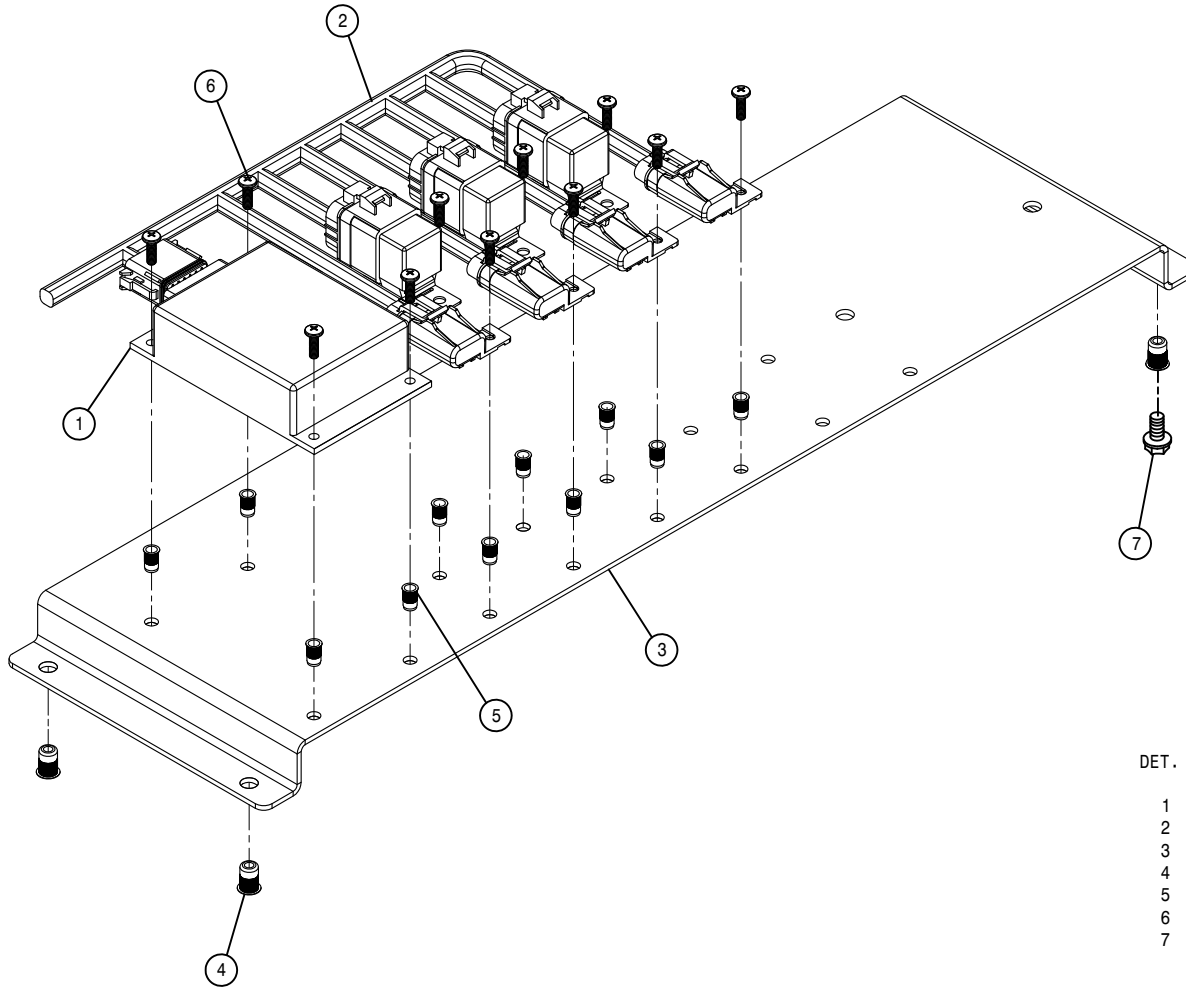




MODULE MOUNT ASSEMBLY

DET. QTY PART NO. DESCRIPTION

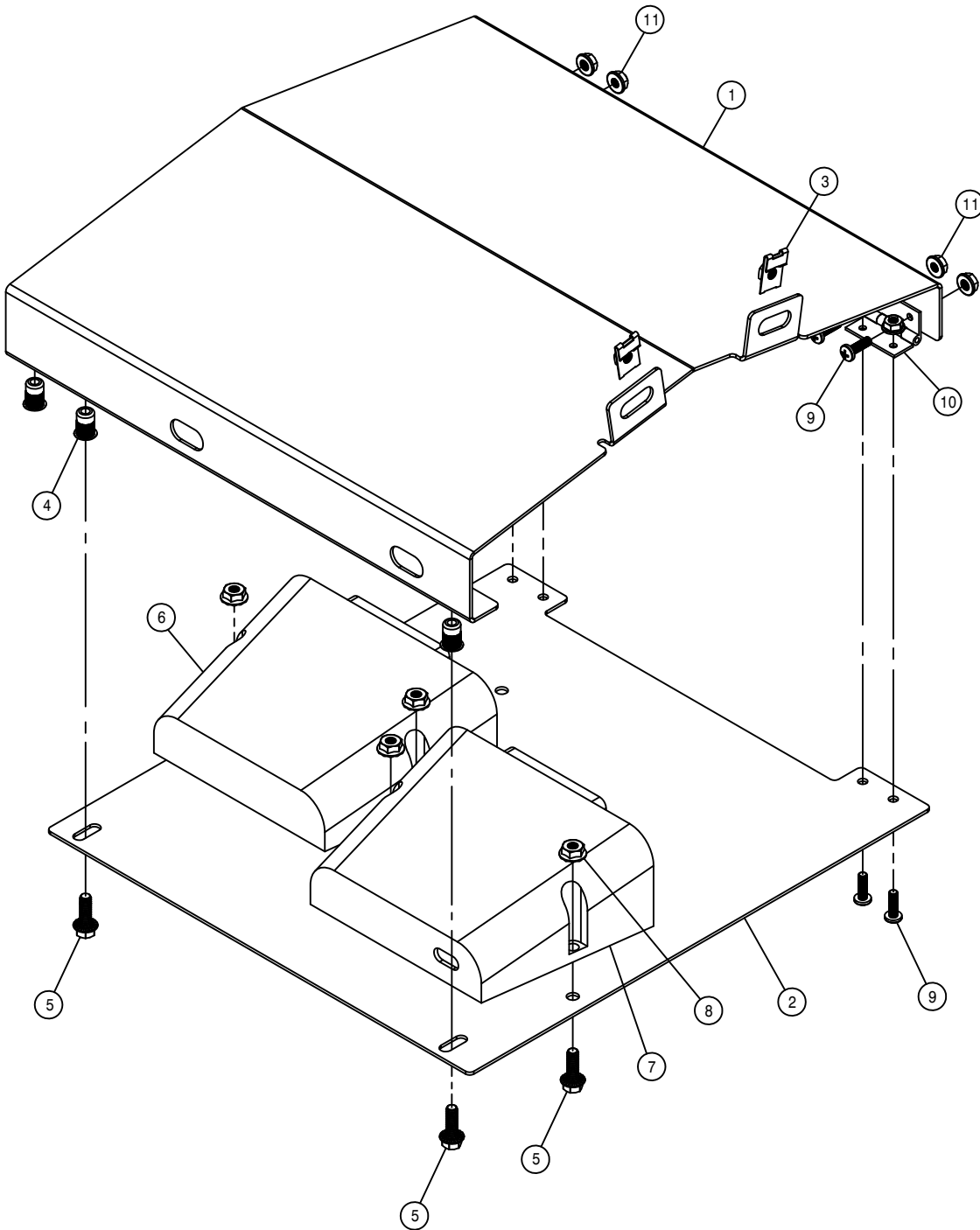
1	7	470121	1/4UNC HEX FLANGE LOCK NUT
2	1	343491	MODULE MT BRKT, STS 06
3	6	470465	#12-14X3/4 PHL PAN SHT MTL SRW
4	4	470175	10-32 HEX FLANGE LOCK NUT
5	1	291833	CONTACTOR RELAY, 15VDC 100A
6	1	520101	CUSH CLAMP, #16 1"D X 1/2W
7	2	292013	IQAN-XS SIGNAL MODULE
8	1	343490	MODULE MT, CAB CONSOLE STS 06
9	6	470380	1/4-20 NUTSERT .027-.165 STL
10	11	470122	1/4UNC X 1/2 FLANGE HEX BOLT
11	4	903710	10-32X5/8 PHIL PANHD MACH SCR



FLASHER AND LIGHT RELAY PANEL

DET. QTY PART NO. DESCRIPTION

1	1	291910	FLASHER, SOLID STATE, 12V
2	1	293586	LIGHT/FLASHER HARNESS, 10/12 07
3	1	343637	FLASHER/LIGHT RELAY PNL STS 08
4	4	470380	1/4-20 NUTSERT .027-.165 STL
5	11	470384	10-32 NUTSERT .020-.130 STL
6	11	903710	10-32X5/8 PHIL PANHD MACH SCR
7	4	470118	1/4UNC X 3/4 FLANGE HEX BOLT

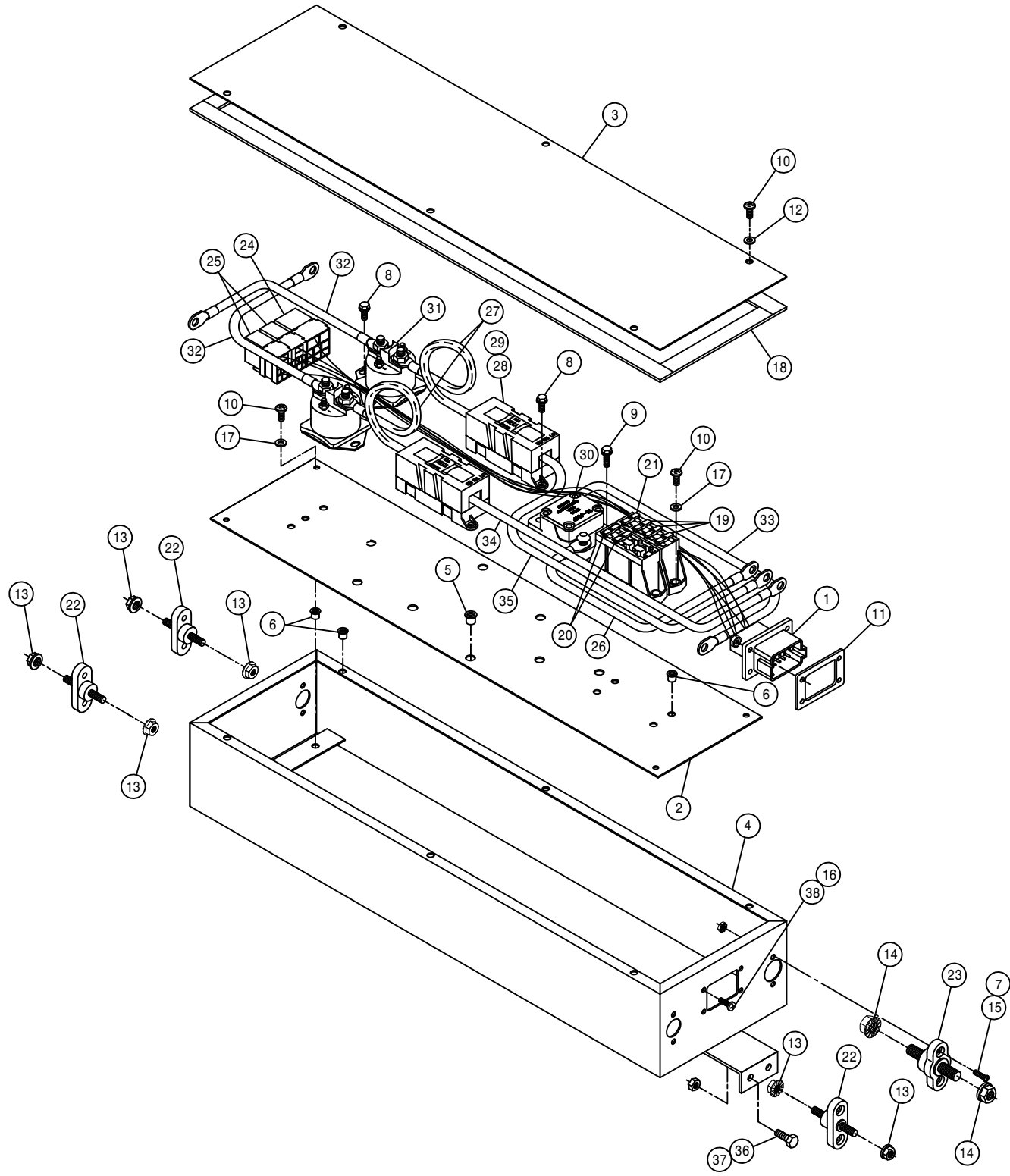


REAR ELECTRICAL BOX ASSEMBLY

DET. QTY PART NO. DESCRIPTION

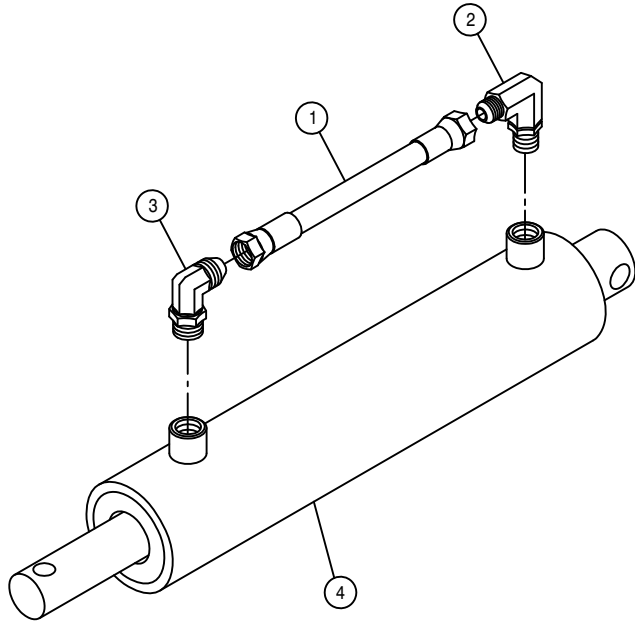
1	1	343577	TOP LH REAR ELECT BOX, STS 06
2	1	343578	BOT LH REAR ELECT BOX, STS 06
3	2	470218	1/4UNC NUT J-TYPE CAGE CLIP
4	4	470380	1/4-20 NUTSERT .027-.165 STL
5	6	470118	1/4UNC X 3/4 FLANGE HEX BOLT
6	1	292014	IQAN-XT2 TRANSMISSION MODULE
7	1	292012	IQAN-XP2 POWER MODULE
8	4	470121	1/4UNC HEX FLANGE LOCK NUT
9	8	903710	10-32X5/8 PHIL PANHD MACH SCR
10	2	470198	HINGE 146-035
11	8	470175	10-32 HEX FLANGE LOCK NUT

60



ENGINE ELECTRICAL BOX ASSEMBLY

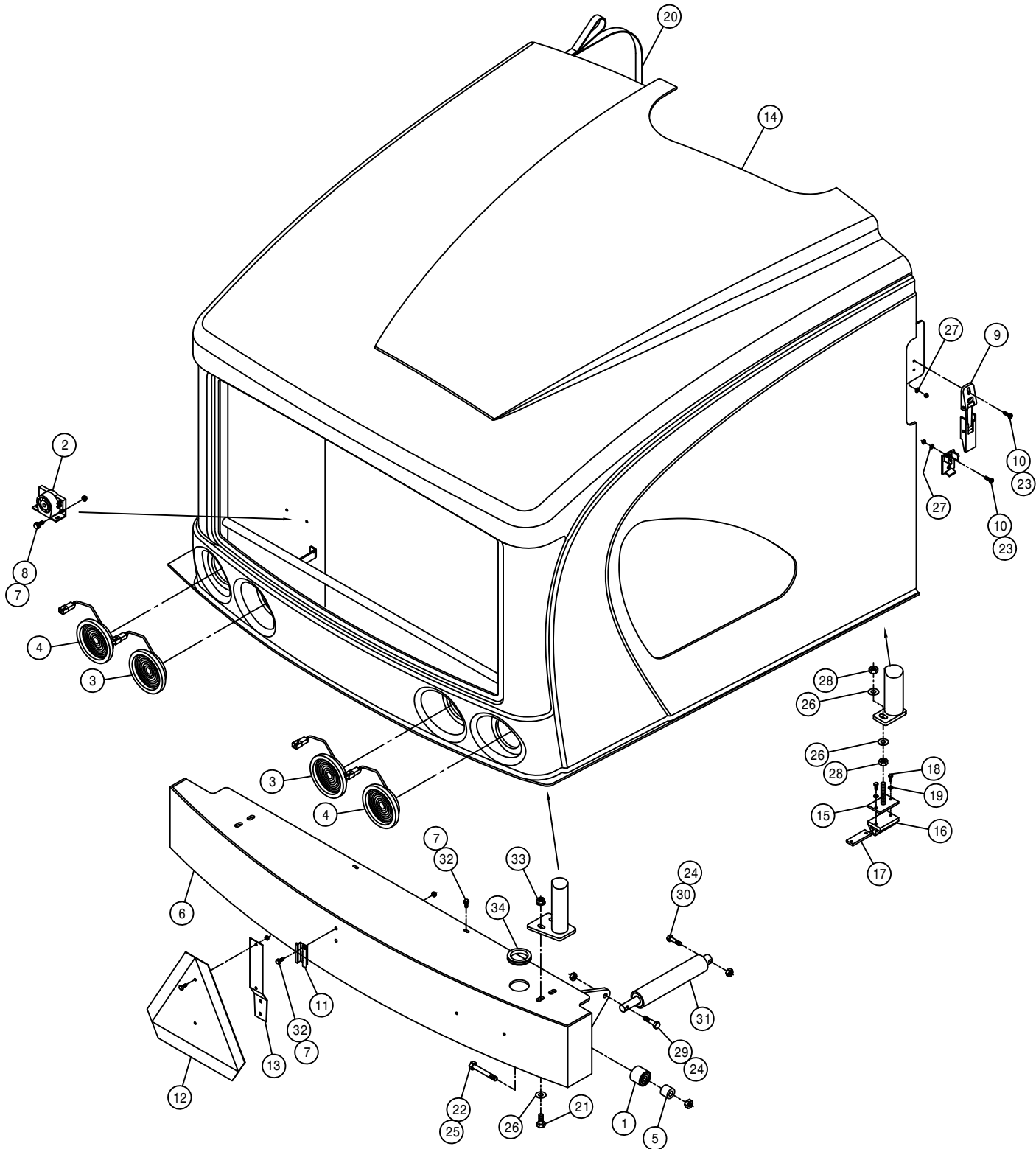
DET.	QTY	PART NO.	DESCRIPTION
	1	293802	ENG BOX HARNESS,STS (293803)05
	2	342960	ENG BOX MT PANEL, STS 04
	3	342961	ENG BOX COVER, STS 04
	4	343501	ENG BOX WLD, STS 05
	5	470380	1/4-20 NUTSERT .027-.165 STL
	6	470384	10-32 NUTSERT .020-.130 STL
	7	470542	10-32 KEP NUT
	8	470122	1/4UNC X 1/2 FLANGE HEX BOLT
	9	470118	1/4UNC X 3/4 FLANGE HEX BOLT
	10	903710	10-32X5/8 PHIL PANHD MACH SCR
	11	292120	DEUTSCH GASKET, DT12-L012
	12	470351	#10 X 1/2 BONDED SEALING WASH
	13	470121	1/4UNC HEX FLANGE LOCK NUT
	14	470087	3/8UNC HEX FLANGE LOCK NUT
	15	903706	10-32X1/2 PHIL PAN MACH SCR
	16	470541	8-32 KEP NUT
	17	920510	#10 LOCK WASHER
	18	193037	STICKERTITE 1/8 X 3/4
	19	291027	7.5 AMP FUSE,1/4"BLADE ATO/ATC
	20	291545	10 AMP FUSE,1/4"BLADE ATO/ATC
	21	291547	20 AMP FUSE,1/4"BLADE ATO/ATC
	22	291748	TERM BLOCK,BLACK,1/4-20 THRU
	23	291750	TERM BLOCK,RED,3/8-16 THRU
	24	291751	RELAY, SPST 12V 40A-NO, DIODE
	25	291781	MICRO RELAY, BOSCH 12V SPDT
	26	291805	BATT CABLE,RED 12"6GA.281-.406
	27	291806	BATT CABLE,RED 11"6GA.343-.343
	28	291813	FUSE, 125 AMP 32V DC
	29	291814	FUSE HOLDER, HIGH AMP
	30	291815	CIRCUIT BREAKER,100 AMP BUSS
	31	291816	SOLENOID, STS 00
	32	291872	BATT CABLE,RED 10"6GA.281-.343
	33	291873	BATT CABLE,RED 15"6GA.281-.281
	34	291874	BATT CABLE,RED 15"6GA.343-.406
	35	291875	BATT CABLE,RED 19"6GA.343-.406
	36	900002	1/4UNC X 3/4 HEX BOLT
	37	914000	1/4UNC HEX STOVER NUT
	38	903844	8-32 X 1/2 PHIL PANHD MACH SCR



HOOD HYDRAULIC CYLINDER ASSEMBLY

DET.	QTY	PART NO.	DESCRIPTION
	1	616246	04-451TC-06FJX-06FJX-10 H/A
	1	618119	9/16MJIC-90-9/16MOR LBO
	1	618689	9/16MOR-90-9/16MJ .042 CHK VLV
	1	621530	LH TRD ADJ CYL, DTS8 04
NS	1	621531	REPAIR KIT, HYD CYL 621530

NOTE: 1. 621077 - HOOD HYDRAULIC CYLINDER ASSEMBLY



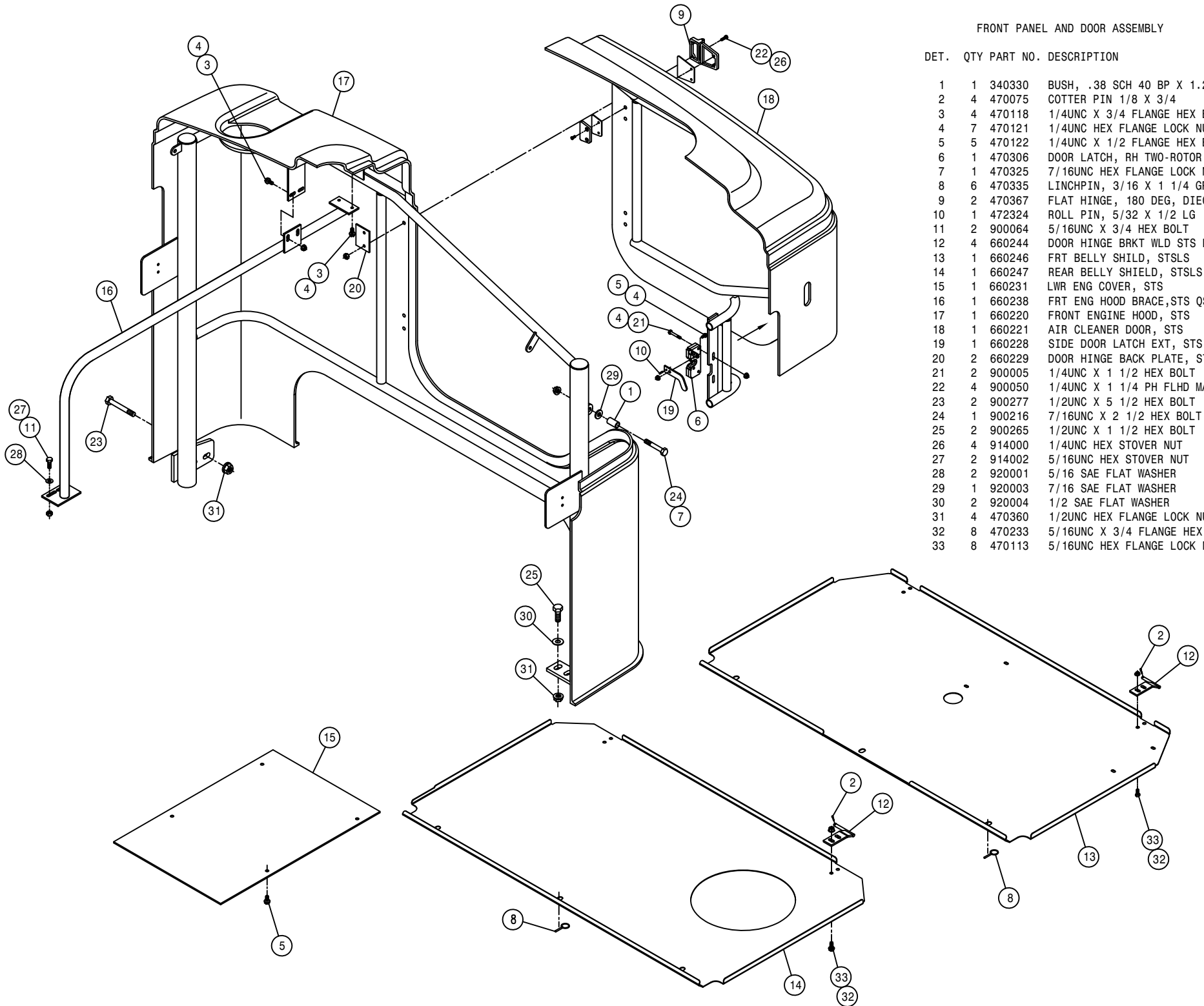
BUMPER AND REAR HOOD ASSEMBLY

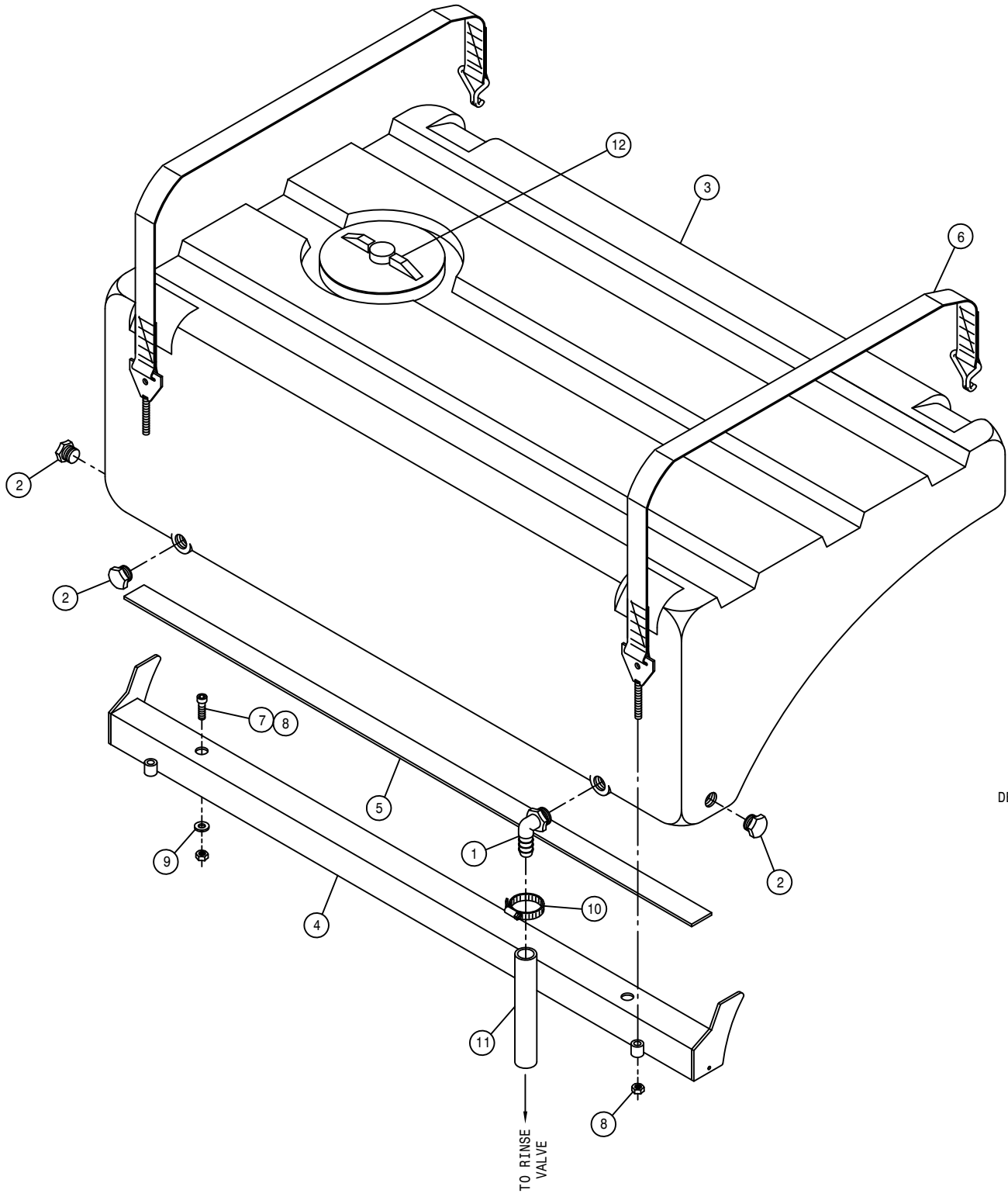
DET.	QTY	PART NO.	DESCRIPTION
	1	2	125056 TRACK ROLLER,2.00 OD,.625 BORE
	2	1	291759 BACK-UP WARNING BEEPER, 112DB
	3	2	293813 RED LIGHT ASSY, STS 05
	4	2	293814 AMBER LIGHT ASSY, STS 05
	5	2	361679 BUMPER PIVOT BRG SPACER,STS 04
	6	1	361680 REAR BUMPER WLD, STS 04
	7	6	470121 1/4UNC HEX FLANGE LOCK NUT
	8	2	470122 1/4UNC X 1/2 FLANGE HEX BOLT
	9	2	470368 LATCH, FLEXIBLE LEVER DRAW
	10	8	903710 10-32X5/8 PHIL PANHD MACH SCR
	11	1	472251 MTG SOCKET FOR 472249 SMV SIGN
	12	1	472249 SLOW MOVING VEHICLE SIGN
	13	1	472250 SPADE MTG BRKT FOR 472249 SMV
	14	1	660222 REAR ENGINE HOOD, STS 04
	15	2	660224 ENG HOOD BUMPER WLD, STS 04
	16	2	660226 ENG HOOD BUMPER, STS 04
	17	2	660227 ENG HOOD BUMPER KEEPER, STS 04
	18	4	900003 1/4UNC X 1" HEX BOLT
	19	4	920500 1/4 LOCK WASHER
	20	1	660230 ENG HOOD PULL STRAP ASSY,STS04
	21	4	900265 1/2UNC X 1 1/2 HEX BOLT
	22	2	900341 5/8UNC X 3 3/4 HEX BOLT
	23	8	910027 10-32 HEX NUT
	24	2	914008 1/2UNC HEX STOVER NUT
	25	2	914010 5/8UNC HEX STOVER NUT
	26	8	920004 1/2 SAE FLAT WASHER
	27	8	920510 #10 LOCK WASHER
	28	4	910008 1/2UNC HEX NUT
	29	1	900267 1/2UNC X 2" HEX BOLT
	30	1	900268 1/2UNC X 2 1/2 HEX BOLT
	31	1	621077 HOOD HYD CYL ASSY, STS 04
	32	4	470118 1/4UNC X 3/4 FLANGE HEX BOLT
	33	4	470360 1/2UNC HEX FLANGE LOCK NUT
	34	1	470441 GROMMET, .50OID .250GW 2.190GD

FRONT PANEL AND DOOR ASSEMBLY

DET. QTY PART NO. DESCRIPTION

DET.	QTY	PART NO.	DESCRIPTION
1	1	340330	BUSH, .38 SCH 40 BP X 1.25 LG
2	4	470075	COTTER PIN 1/8 X 3/4
3	4	470118	1/4UNC X 3/4 FLANGE HEX BOLT
4	7	470121	1/4UNC HEX FLANGE LOCK NUT
5	5	470122	1/4UNC X 1/2 FLANGE HEX BOLT
6	1	470306	DOOR LATCH, RH TWO-ROTOR
7	1	470325	7/16UNC HEX FLANGE LOCK NUT
8	6	470335	LINCHPIN, 3/16 X 1 1/4 GRIP
9	2	470367	FLAT HINGE, 180 DEG, DIECAST
10	1	472324	ROLL PIN, 5/32 X 1/2 LG
11	2	900064	5/16UNC X 3/4 HEX BOLT
12	4	660244	DOOR HINGE BRKT WLD STS LS 06
13	1	660246	FRT BELLY SHIELD, STSLS 06
14	1	660247	REAR BELLY SHIELD, STSLS 06
15	1	660231	LWR ENG COVER, STS 04
16	1	660238	FRT ENG HOOD BRACE, STS QSB 0
17	1	660220	FRONT ENGINE HOOD, STS 04
18	1	660221	AIR CLEANER DOOR, STS 04
19	1	660228	SIDE DOOR LATCH EXT, STS 04
20	2	660229	DOOR HINGE BACK PLATE, STS 04
21	2	900005	1/4UNC X 1 1/2 HEX BOLT
22	4	900050	1/4UNC X 1 1/4 PH FLHD MAC SCR
23	2	900277	1/2UNC X 5 1/2 HEX BOLT
24	1	900216	7/16UNC X 2 1/2 HEX BOLT
25	2	900265	1/2UNC X 1 1/2 HEX BOLT
26	4	914000	1/4UNC HEX STOVER NUT
27	2	914002	5/16UNC HEX STOVER NUT
28	2	920001	5/16 SAE FLAT WASHER
29	1	920003	7/16 SAE FLAT WASHER
30	2	920004	1/2 SAE FLAT WASHER
31	4	470360	1/2UNC HEX FLANGE LOCK NUT
32	8	470233	5/16UNC X 3/4 FLANGE HEX BOLT
33	8	470113	5/16UNC HEX FLANGE LOCK NUT

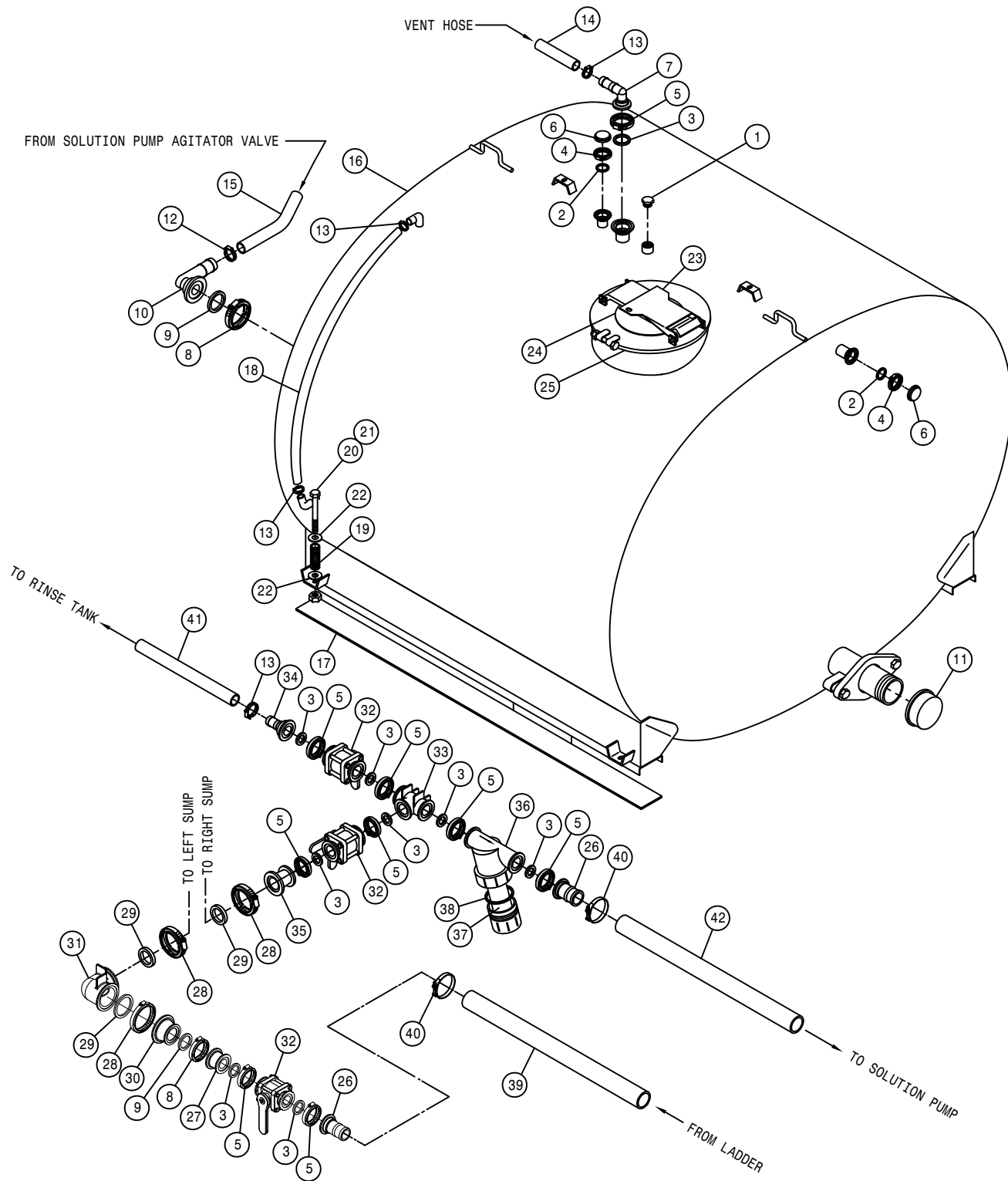




POLY RINSE TANK ASSEMBLY

DET.	QTY	PART NO.	DESCRIPTION
1	1	500024	1"NPT-90-1"HOSE BARB, POLY
2	3	500063	1"NPT PIPE PLUG, POLY
3	1	763553	100 GAL POLY TANK
4	1	763590	POLY RINSE TANK MT WLD STS12
5	1	763594	POLY RINSE TANK MT PAD STS12
6	2	763595	POLY RINSE TNK STRAP ASSY STS
7	2	900392	1/2UNC X 1 1/2 SOCKET CAP SCR
8	4	914008	1/2UNC HEX STOVER NUT
9	2	920004	1/2 SAE FLAT WASHER
10	1	520090	HOSE CLAMP NO 16 STAINLESS
11	1	601357	HOSE, 1 X 98 1BR BLK EPDM
12	1	701155	8" LID FOR 5 GAL TANK 701085





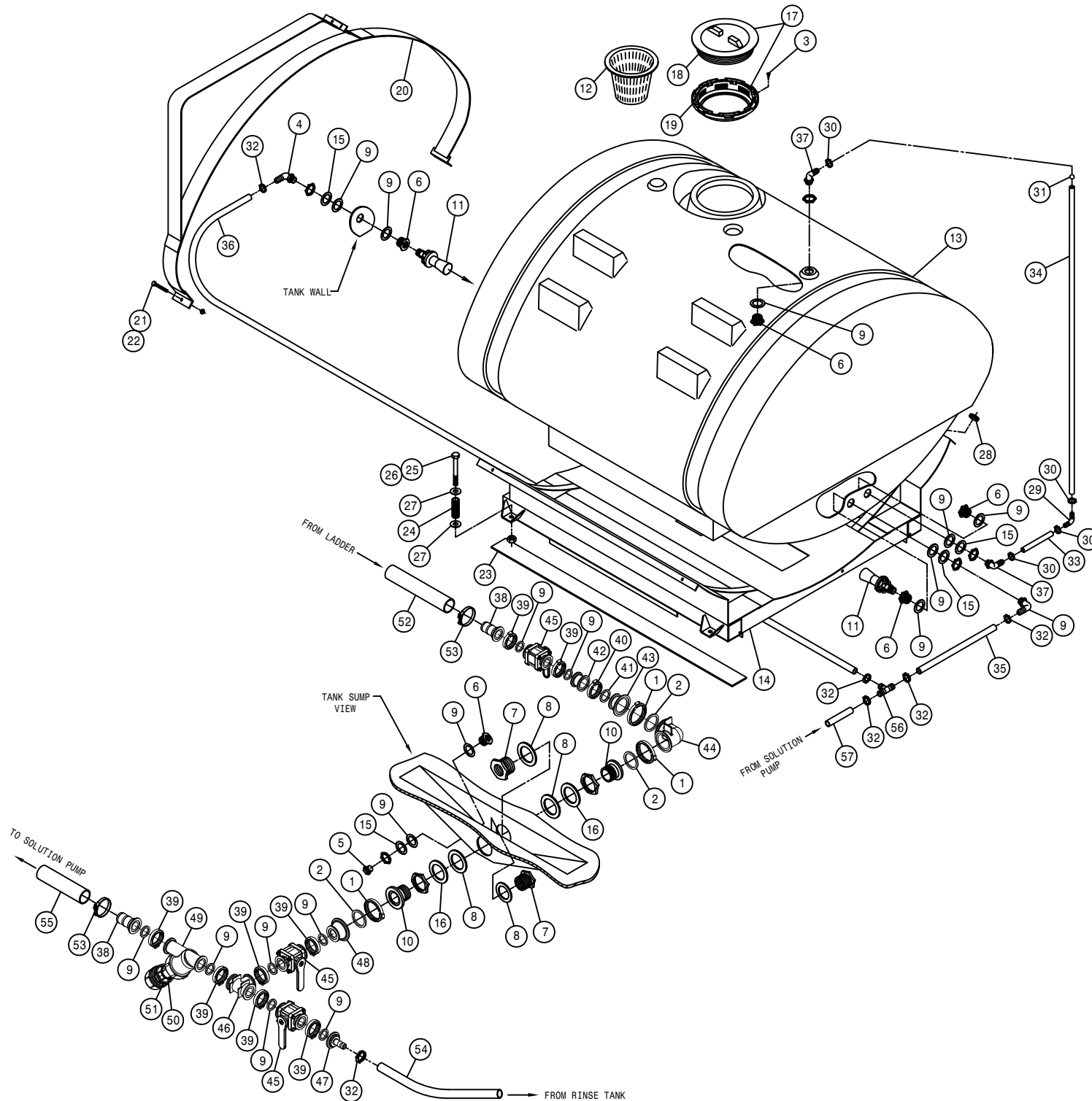
1000 GALLON SS TANK ASSEMBLY

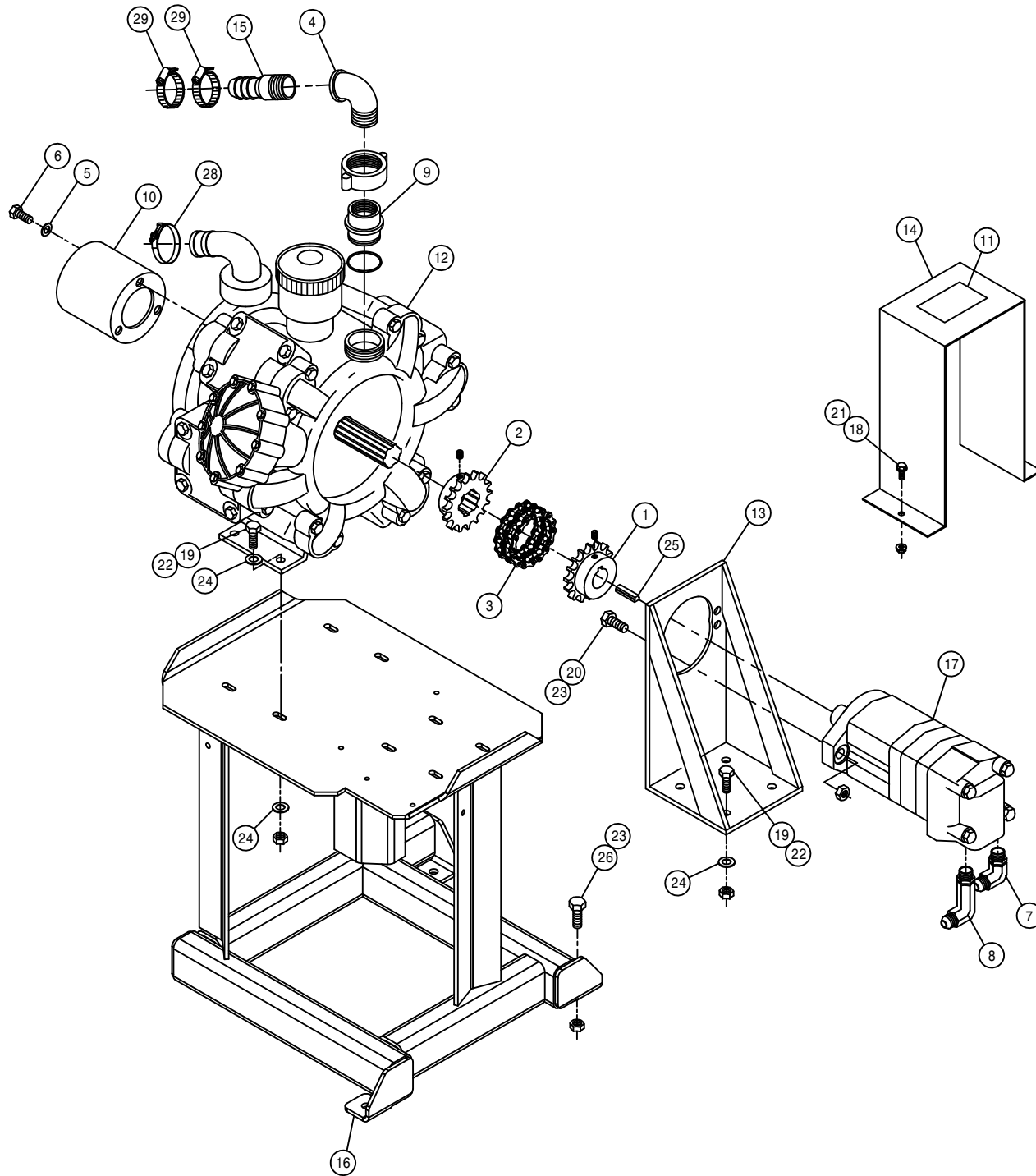
DET.	QTY	PART NO.	DESCRIPTION
1	1	500063	1"NPT PIPE PLUG, POLY
2	2	500157	1" FLANGE GASKET EPDM
3	9	500158	1 1/2" GASKET FOR 2" FLANGE
4	2	500159	1" FLANGE CLAMP, S.S.
5	9	500160	2" FLANGE CLAMP, S.S.
6	2	500155	1" FLANGE CAP PLUG POLY
7	1	500189	2" FLANGE-90-1" HOSE BARB POLY
8	2	500194	2"FP FLANGE CLAMP, S.S.
9	2	500195	2"FP FLANGE GASKET EPDM
10	1	500197	2" FP FLANGE-90-1 1/2 HBARB
11	1	507103	PIPE CAP, 2.00FNPT S.S.
12	1	520067	HOSE CLAMP NO 28 STAINLESS
13	4	520090	HOSE CLAMP NO 16 STAINLESS
14	1	601496	HOSE, 1 X 120 1BR BLK EPDM
15	1	601591	HOSE, 1 1/2 X 53 2BR BLK EPDM
16	1	763575	1000 GAL SS TANK 07
17	2	470321	BALER BELT,4.00 X 67.00 2-PLY
18	1	601471	HOSE, 1" X 60 CLEAR VINYL
19	4	482016	SPRING, 1.40 X 3.00 COMPRSN
20	4	900416	3/4UNC X 6 1/2 HEX BOLT
21	4	914012	3/4UNC HEX STOVER NUT
22	8	920006	3/4 SAE FLAT WASHER
23	1	763561	LID ASSY FOR 763550 TANK
24	1	763562	10" FILL LID SEAL FOR 763550
25	1	763563	16" MANHOLE SEAL FOR 763550
26	2	500154	2" FLANGE-2" HOSE BARB POLY
27	1	500199	2"FP FLANGE-2"FLANGE REDU POLY
28	3	500208	3" FLANGE CLAMP, S.S.
29	3	500209	3" FLANGE GASKET EPDM
30	1	500212	3"FLANGE-2"FP FLANGE REDU POLY
31	1	500213	3"FLANGE-90-3"FLANGE LBO POLY
32	3	696142	BALL VLV, 2" FLANGE
33	1	500151	2" FLANGE TEE POLY
34	1	500172	2" FLANGE-1" HOSE BARB POLY
35	1	500237	3"FLANGE-2"FLANGE REDU POLY
36	1	690628	LINE "Y" STRAINER, 2" FLANGE
37	1	690629	50 MESH SCREEN FOR 690628
38	1	690630	GASKET FOR 690628
39	1	601654	HOSE, 2 X 268 2F-1W EPDM
40	2	520141	2.31/2.62 T-BOLT HOSE CLAMP SS
41	1	601357	HOSE, 1 X 98 1BR BLK EPDM
42	1	601653	HOSE, 2 X 74 2F-1W EPDM

1000 GALLON POLY TANK ASSEMBLY

DET. QTY PART NO. DESCRIPTION

DET.	QTY	PART NO.	DESCRIPTION
1	3	500208	3" FLANGE CLAMP, S.S.
2	3	500209	3" FLANGE GASKET EPDM
3	8	473847	10-12 X 1 PHIL FLAT HD SCR SS
4	2	500026	3/4NPT-90-1"HOSE BARB, POLY
5	1	500043	3/4NPT PIPE PLUG, POLY
6	5	500110	3/4NPT BLKHD TANK FITTING POLY
7	2	500127	3" TANK FITTING W/.50 FLG POLY
8	4	500115	3"NPT BLKHD FITTING GASKET
9	17	500158	1 1/2" GASKET FOR 2" FLANGE
10	2	500164	3" FLANGE-3" MNPT ADPTR POLY
11	2	737879	EDUCTOR NOZZLE, 3/4MNPT TEEJET
12	1	763431	8" STRAINER BASKET, SOLU TANK
13	1	763571	1000 GAL POLY TANK
14	1	763601	POLY TANK CRADLE WELDMT STS10
15	4	763612	1.625 X 2.375 X 16GA WASHER
16	2	763614	4.500 X 5.500 X 16GA WASHER
17	1	763624	10" TANK LID W/RING ASSY, POLY
18	1	763625	10" TANK LID, POLY
19	1	763626	10" TANK LID RING, POLY
20	2	763630	POLY TANK STRAP ASSY STS10
21	6	900538	1/2UNC X 3 1/2 HEX BOLT FULL
22	6	914008	1/2UNC HEX STOVER NUT
23	2	470321	BALER BELT, 4.00 X 67.00 2-PLY
24	4	482016	SPRING, 1.40 X 3.00 COMPRSN
25	4	900416	3/4UNC X 6 1/2 HEX BOLT
26	4	914012	3/4UNC HEX STOVER NUT
27	8	920006	3/4 SAE FLAT WASHER
28	1	470203	GROMMET, .750ID .125GW 1.062GD
29	1	500098	1/2HB-90-1/2 HOSE BARB, POLY
30	4	520069	HOSE CLAMP NO 6 STAINLESS
31	1	763446	RED POLYPROPYLENE BALL 25/64"
32	5	520090	HOSE CLAMP NO 16 STAINLESS
33	1	601629	HOSE, 1/2 X 36 CLEAR VINYL
34	1	601630	HOSE, 1/2 X 80 CLEAR VINYL
35	1	601577	HOSE, 1 X 53 1BR BLK EPDM
36	1	601578	HOSE, 1 X 125 1BR BLK EPDM
37	2	500041	3/4NPT-90-1/2"HOSE BARB, POLY
38	2	500154	2" FLANGE-2" HOSE BARB POLY
39	8	500160	2" FLANGE CLAMP, S.S.
40	1	500194	2"FP FLANGE CLAMP, S.S.
41	1	500195	2"FP FLANGE GASKET EPDM
42	1	500199	2"FP FLANGE-2"FLANGE REDU POLY
43	1	500212	3"FLANGE-2"FP FLANGE REDU POLY
44	1	500213	3"FLANGE-90-3"FLANGE LBO POLY
45	3	696142	BALL VLV, 2" FLANGE
46	1	500151	2" FLANGE TEE POLY
47	1	500172	2" FLANGE-1" HOSE BARB POLY
48	1	500237	3"FLANGE-2"FLANGE REDU POLY
49	1	690628	LINE "Y" STRAINER, 2" FLANGE
50	1	690629	50 MESH SCREEN FOR 690628
51	1	690630	GASKET FOR 690628
52	1	601654	HOSE, 2 X 268 2F-1W EPDM
53	2	520141	2.31/2.62 T-BOLT HOSE CLAMP SS
54	1	601357	HOSE, 1 X 98 1BR BLK EPDM
55	1	601653	HOSE, 2 X 74 2F-1W EPDM
56	1	500105	1.00 HOSE BARB TEE, POLY
57	1	601590	HOSE, 1 X 6 1BR BLK EPDM





HYPRO D250 PUMP ASSEMBLY

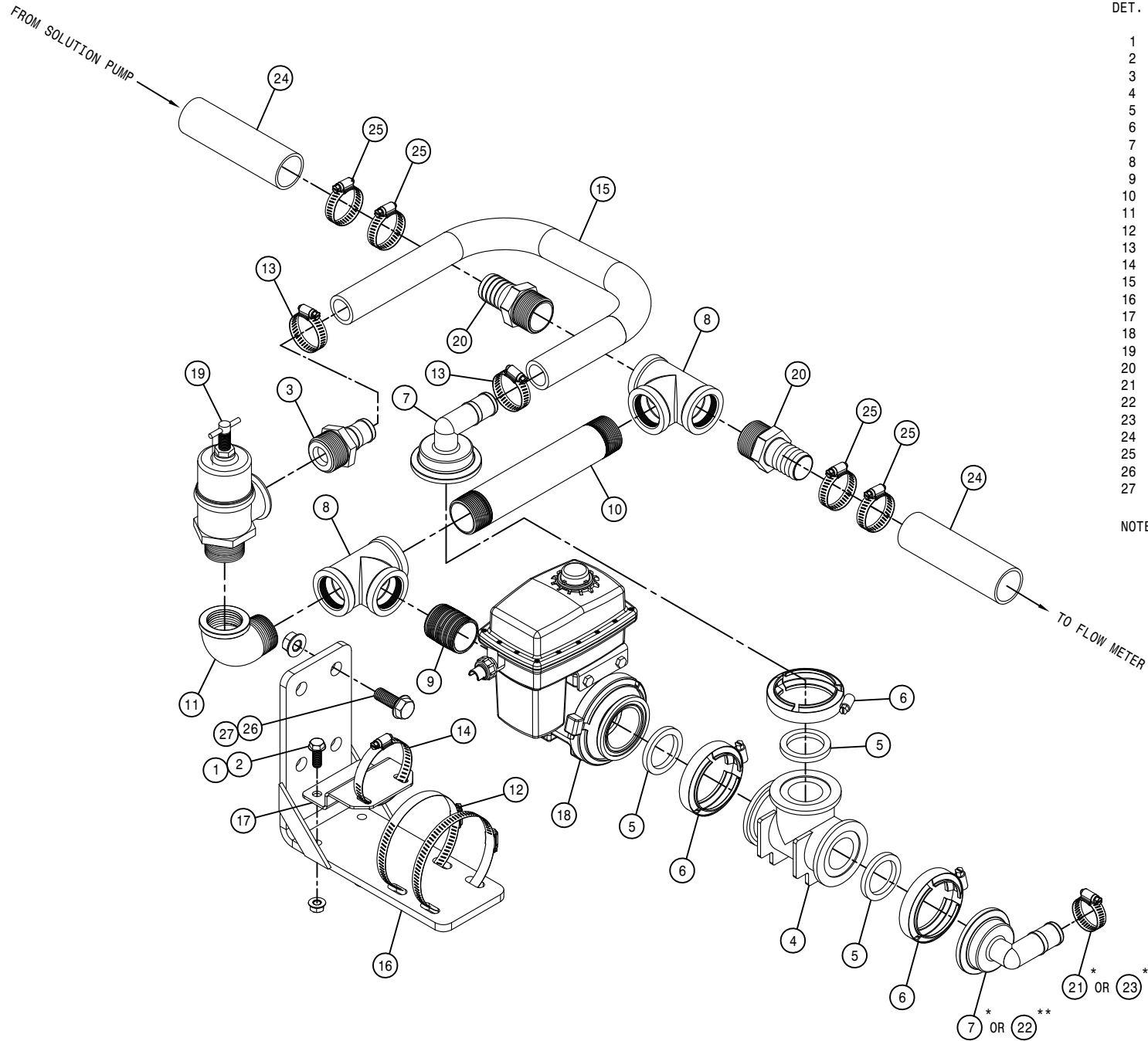
DET. QTY PART NO. DESCRIPTION

1	1	220025	SPROCKET,40BS16,1.25ID .25KEY
2	1	220027	SPROCKET WLD,4016-1.375-6SPL
3	1	492084	CHAIN FOR 4016 CHAIN COUPLER
4	1	505200	BLK PIPE ST EL 90DEG 1.00NPT
5	3	473804	8MM LOCK WASHER
6	3	473803	8MM-1.25 X 16MM HEX BOLT
7	1	618279	1 1/16MJIC-90-7/8MOR LBO
8	1	618774	7/8MJIC-90-7/8MOR LG LBO
9	1	690417	1FNPT ADAPTER, HYPRO D230
10	1	691040	PTO SHAFT GUARD WLD,D250 05
11	1	650851	DECAL,CAUTION, SHIELD PROTECT
12	1	690339	HYPRO D250 DIAPHRAM PUMP
13	1	690353	D150-D230 PUMP MTR MT WLD
14	1	690364	D150-D230 PUMP CPLR SHLD
15	1	714561	1.00NPT-1.25 HOSE BARB
16	1	691000	D250 PUMP MT WLD, STS 10T 05
17	1	695985	CHAR LYNN 2000 HYD MTR, 6.1CI
18	2	900003	1/4UNC X 1" HEX BOLT
19	8	900129	3/8UNC X 1" SERR FLANGE BOLT
20	2	900265	1/2UNC X 1 1/2 HEX BOLT
21	2	914000	1/4UNC HEX STOVER NUT
22	8	914004	3/8UNC HEX STOVER NUT
23	5	914008	1/2UNC HEX STOVER NUT
24	12	920002	3/8 SAE FLAT WASHER
25	1	472024	STEP KEY, .312 X .250 X 1.25 LG
26	3	900264	1/2UNC X 1 1/4 HEX BOLT
27	2	520085	HOSE CLAMP NO 24 STAINLESS
28	1	520141	2.31/2.62 T-BOLT HOSE CLAMP SS

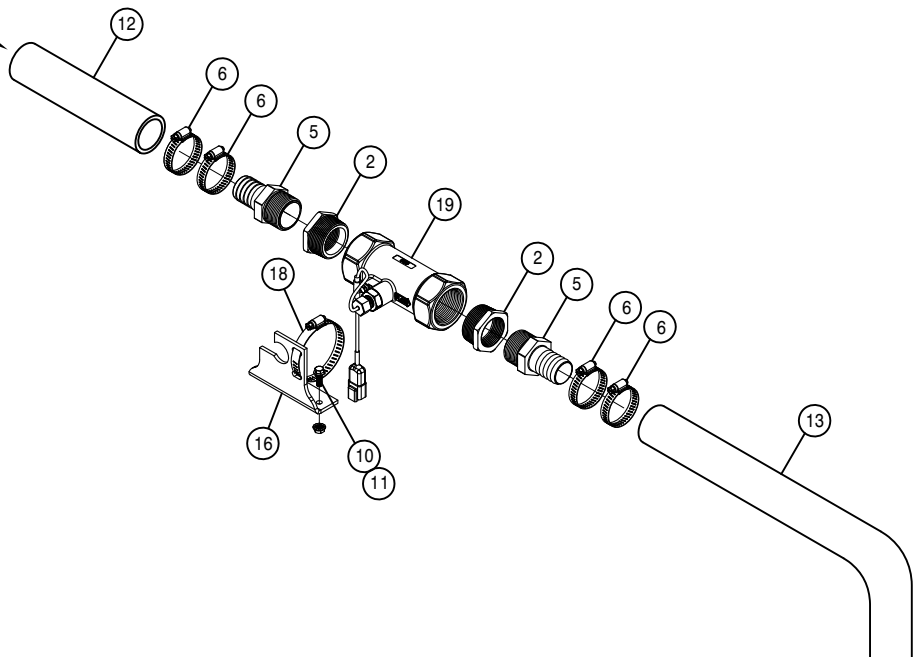
AGITATOR VALVE ASSEMBLY

DET.	QTY	PART NO.	DESCRIPTION
1	2	470087	3/8UNC HEX FLANGE LOCK NUT
2	2	470460	3/8 X 1 SERR FLANGE BOLT
3	1	500106	1 1/4NPT-1" HOSE BARB POLY
4	1	500151	2" FLANGE TEE POLY
5	3	500158	1 1/2" GASKET FOR 2" FLANGE
6	3	500160	2" FLANGE CLAMP, S.S.
7	2	500189	2" FLANGE-90-1" HOSE BARB POLY
8	2	506105	BLK PIPE TEE 1.25NPT
9	1	506200	CLOSE NIPPLE 1.25NPT
10	1	506214	BLK PIPE NIPPLE 1.25NPT-9.00
11	1	506410	BLK PIPE ST EL 90DEG 1.25NPT
12	2	520064	HOSE CLAMP NO 64 STAINLESS
13	2	520087	HOSE CLAMP NO 20 STAINLESS
14	1	520099	HOSE CLAMP NO 40 STAINLESS
15	1	601491	HOSE, 1 X 30 1BR BLK EPDM
16	1	691032	AGIT VLV MT WLD,STS 10T 06
17	1	691035	AGITATION VLV SUPP,STS 10T 06
18	1	696263	VALVE, 1 1/4 NYLON KZCO NF2G
19	1	699702	HAMILTON RELIEF VLV 200PSI
20	2	715660	HOSE BARB 1 1/4NPT X 1 1/4
21	1	520090	HOSE CLAMP NO 16 STAINLESS
22	1	500153	2" FLANGE-90-1 1/2 HBARB POLY
23	1	520067	HOSE CLAMP NO 28 STAINLESS
24	2	601306	HOSE, 1 1/4 X 116 2BR BLK EPDM
25	4	520085	HOSE CLAMP NO 24 STAINLESS
26	4	900334	5/8UNC X 1 3/4 HEX BOLT
27	4	914010	5/8UNC HEX STOVER NUT

NOTE: 1. ITEMS MARKED WITH A (\*) ARE USED WITH THE POLY TANK OPTION.  
 2. ITEMS MARKED WITH A (\*\*) ARE USED WITH THE STAINLESS STEEL OPTION.



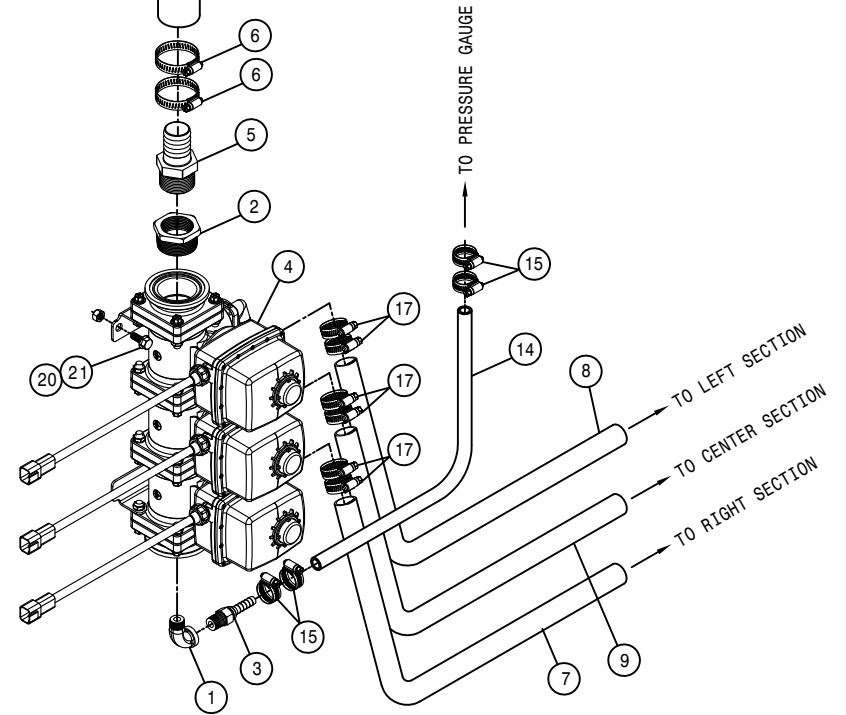
FROM BYPASS ASSEMBLY →

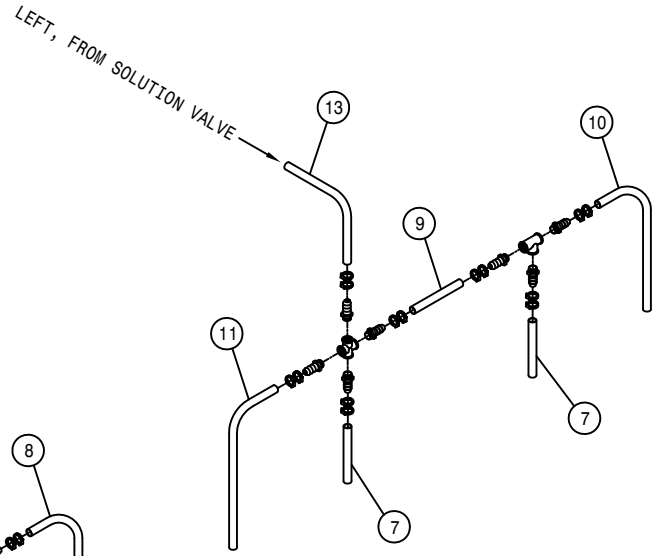
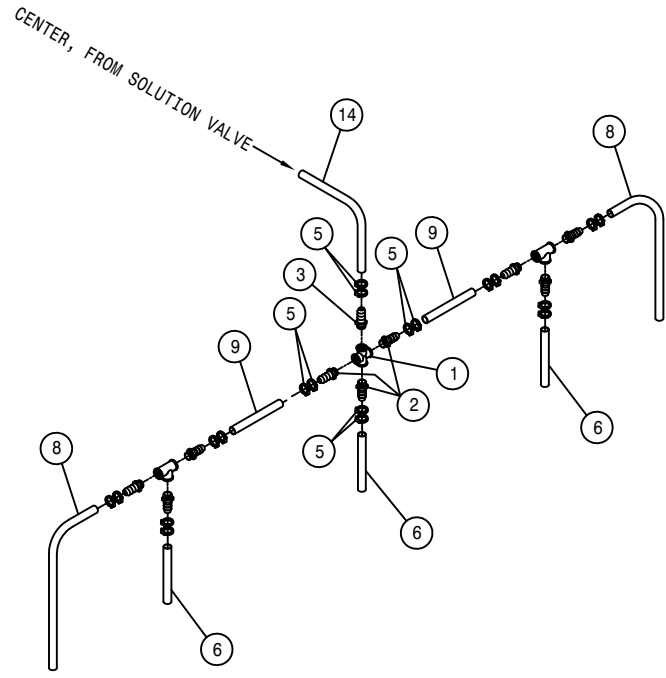
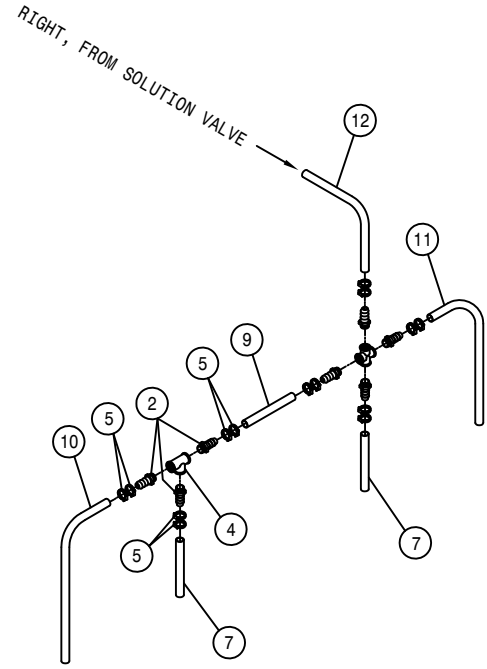


SOLUTION CONTROL VALVE ASSEMBLY

DET. QTY PART NO. DESCRIPTION

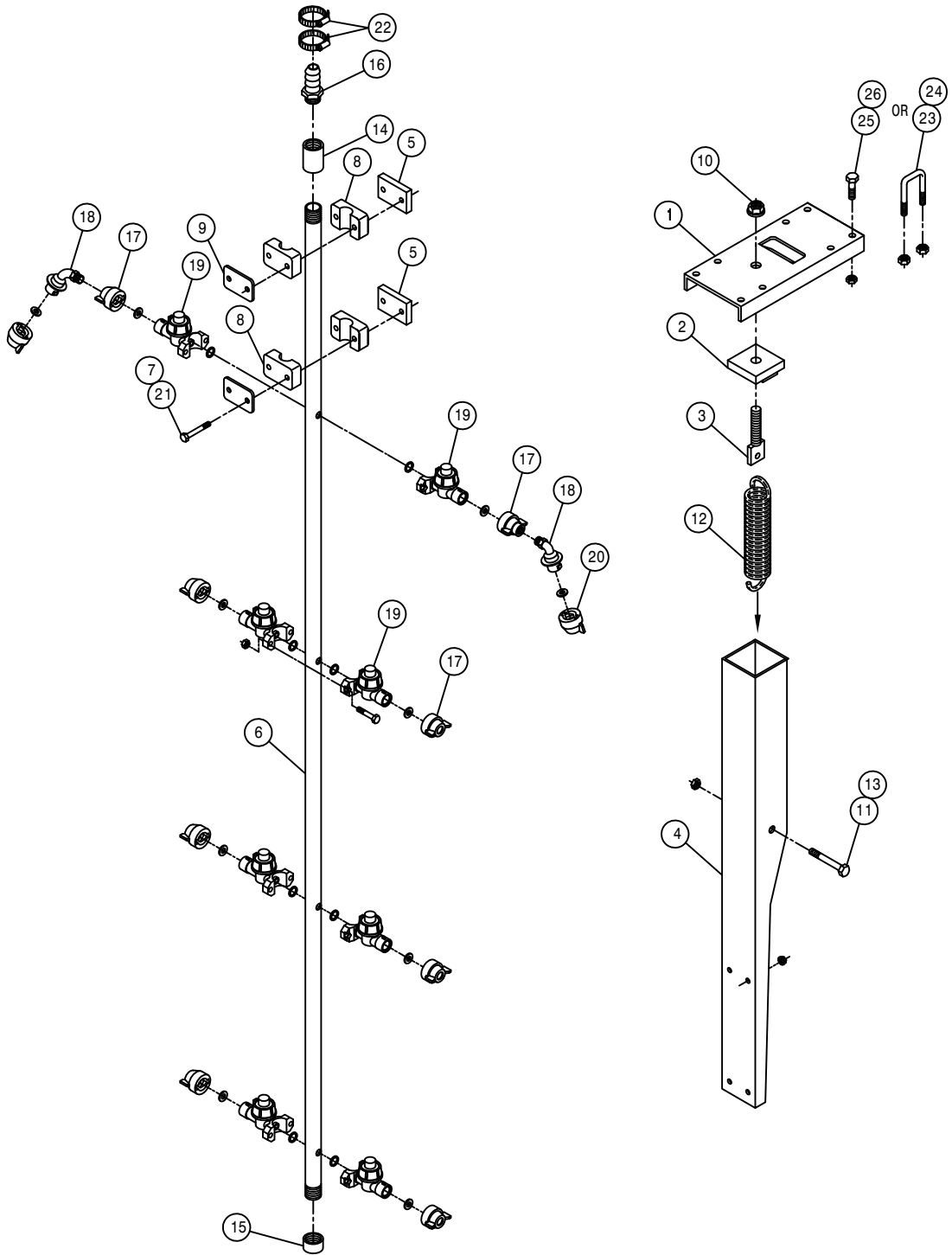
DET.	QTY	PART NO.	DESCRIPTION
1	1	502410	BLK PIPE ST EL 90DEG .375NPT
2	3	507015	RED BUSH 1.50NPT - 1.25FNPT
3	1	618401	3/8MNPT X 3/8 HOSE INSERT, RIG
4	1	696262	VALVE,3-SECT KZCO BARB,DEUTSCH
5	3	715660	HOSE BARB 1 1/4NPT X 1 1/4
6	6	520085	HOSE CLAMP NO 24 STAINLESS
7	1	601646	HOSE, 3/4 X 286 2BR BLK EPDM
8	1	601647	HOSE, 3/4 X 375 2BR BLK EPDM
9	1	601651	HOSE, 3/4 X 68 2BR BLK EPDM
10	2	470118	1/4UNC X 3/4 FLANGE HEX BOLT
11	2	470121	1/4UNC HEX FLANGE LOCK NUT
12	1	601306	HOSE, 1 1/4 X 116 2BR BLK EPDM
13	1	601652	HOSE, 1 1/4 X 52 2BR BLK EPDM
14	1	601659	HOSE, 3/8 X 120 2BR BLK EPDM
15	4	520080	HOSE CLAMP NO 10 STAINLESS
16	1	165010	RFM60 FLO METER MT,STS 10T 05
17	6	520055	HOSE CLAMP NO 12 STAINLESS
18	1	520099	HOSE CLAMP NO 40 STAINLESS
19	1	691005	RFM 60S FLOW METER,RAVEN,DEUTS
20	4	914002	5/16UNC HEX STOVER NUT
21	4	900064	5/16UNC X 3/4 HEX BOLT





13-DROP HOISING

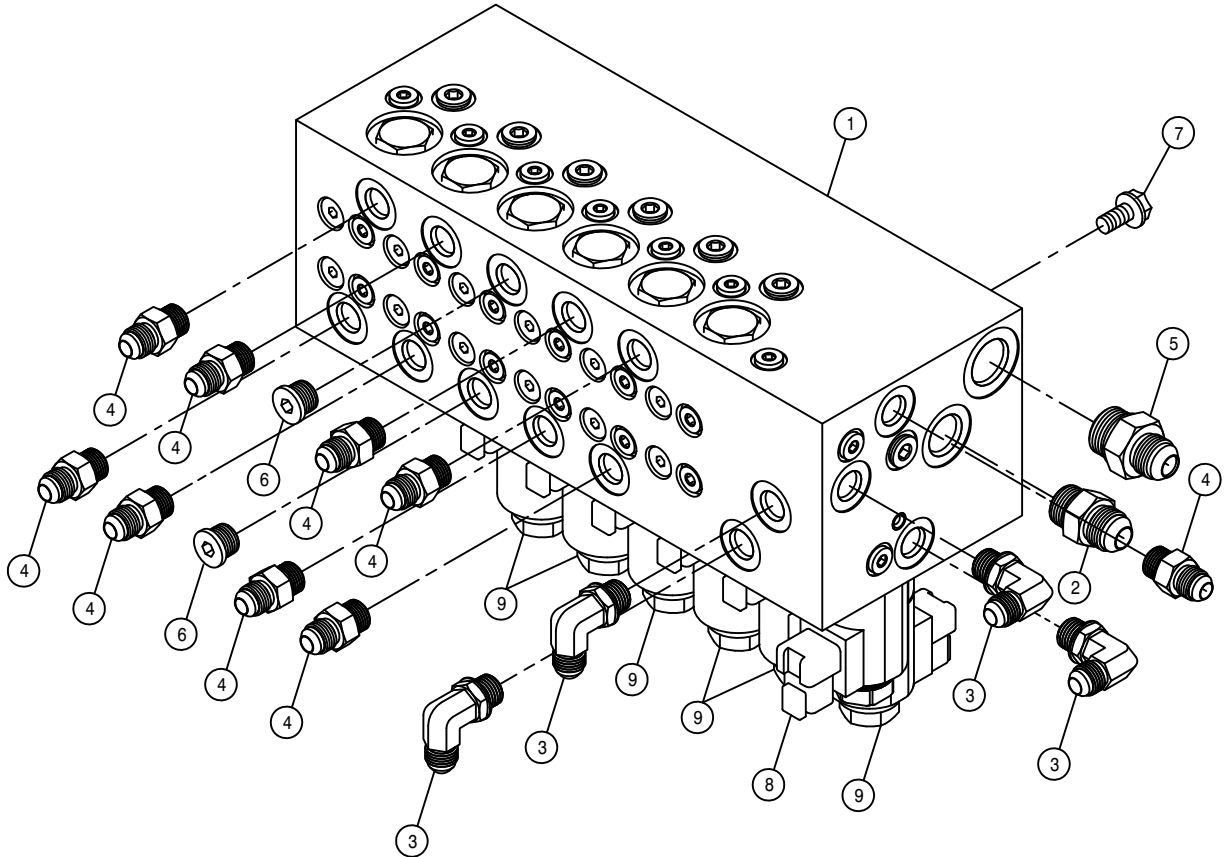
DET.	QTY	PART NO.	DESCRIPTION
1	3	507738	3/4FNPT PIPE CROSS SS
2	21	618416	INSERT, 3/4MALE PIPE RIGX1/2H
3	3	618417	INSERT, 3/4MALE PIPE RIGX3/4H
4	4	507736	1/2FNPT PIPE TEE SS
5	48	520055	HOSE CLAMP NO 12 STAINLESS
6	3	601333	HOSE, 1/2 X 48 2BR BLK EPDM
7	4	601601	HOSE, 1/2 X 70 2BR BLK EPDM
8	2	601615	HOSE, 1/2 X 175 2BR BLK EPDM
9	4	601648	HOSE, 1/2 X 62 2BR BLK EPDM
10	2	601649	HOSE, 1/2 X 113 2BR BLK EPDM
11	2	601650	HOSE, 1/2 X 157 2BR BLK EPDM
12	1	601646	HOSE, 3/4 X 286 2BR BLK EPDM
13	1	601647	HOSE, 3/4 X 375 2BR BLK EPDM
14	1	601651	HOSE, 3/4 X 68 2BR BLK EPDM



6' DROP NOZZLE ASSEMBLY

DET. QTY PART NO. DESCRIPTION

DET.	QTY	PART NO.	DESCRIPTION
1	1	164892	DROP MOUNT, STS
2	1	164762	6'DROP PIVOT PAD WLD,284TXP 03
3	1	164764	6'DROP SPRING BOLT WLD, TXP 03
4	1	164766	6'DROP PIVOT CHAN WLD,284TXP03
5	2	164769	DROP TUBE CLAMP SPACER, 284TXP
6	1	164770	6'DROP WET TUBE 284TXP 03
7	4	470121	1/4UNC HEX FLANGE LOCK NUT
8	2	470358	TUBE CLAMP BODY, .840 (1/2PIPE)
9	2	470359	COVER PLATE FOR 470358
10	1	470360	1/2UNC HEX FLANGE LOCK NUT
11	1	900136	3/8UNC X 3" SERR FLANGE BOLT
12	1	482022	SPRING,1.718 X 8.00 EXTENSION
13	1	914004	3/8UNC HEX STOVER NUT
14	1	507734	SS PIPE COUPLING .50NPT
15	1	507735	1/2FNPT PIPE CAP, SS
16	1	618281	1/2MNPT X 1/2 HOSE INSERT
17	2	737835	QUICK TEEJET-1/4"FNPT ADPTR
18	2	737842	1/4MNPT-45-QUICK TEEJET ADPTR
19	8	737919	NOZL BODY, WET BOOM, 1/2" PIPE
20	8	737920	CAP SET, BLACK, QUICK TEEJET
21	4	900008	1/4UNC X 2 1/2 HEX BOLT
22	2	520055	HOSE CLAMP NO 12 STAINLESS
23	4	473979	1/4UNC-1 1/8ID-1 1/2U-BOLTSQSS
24	8	473842	1/4UNC LOCK NUT,CNTR POINT SS
25	4	900065	5/16UNC X 1" HEX BOLT
26	4	914002	5/16UNC HEX STOVER NUT



BOOM MANIFOLD ASSEMBLY

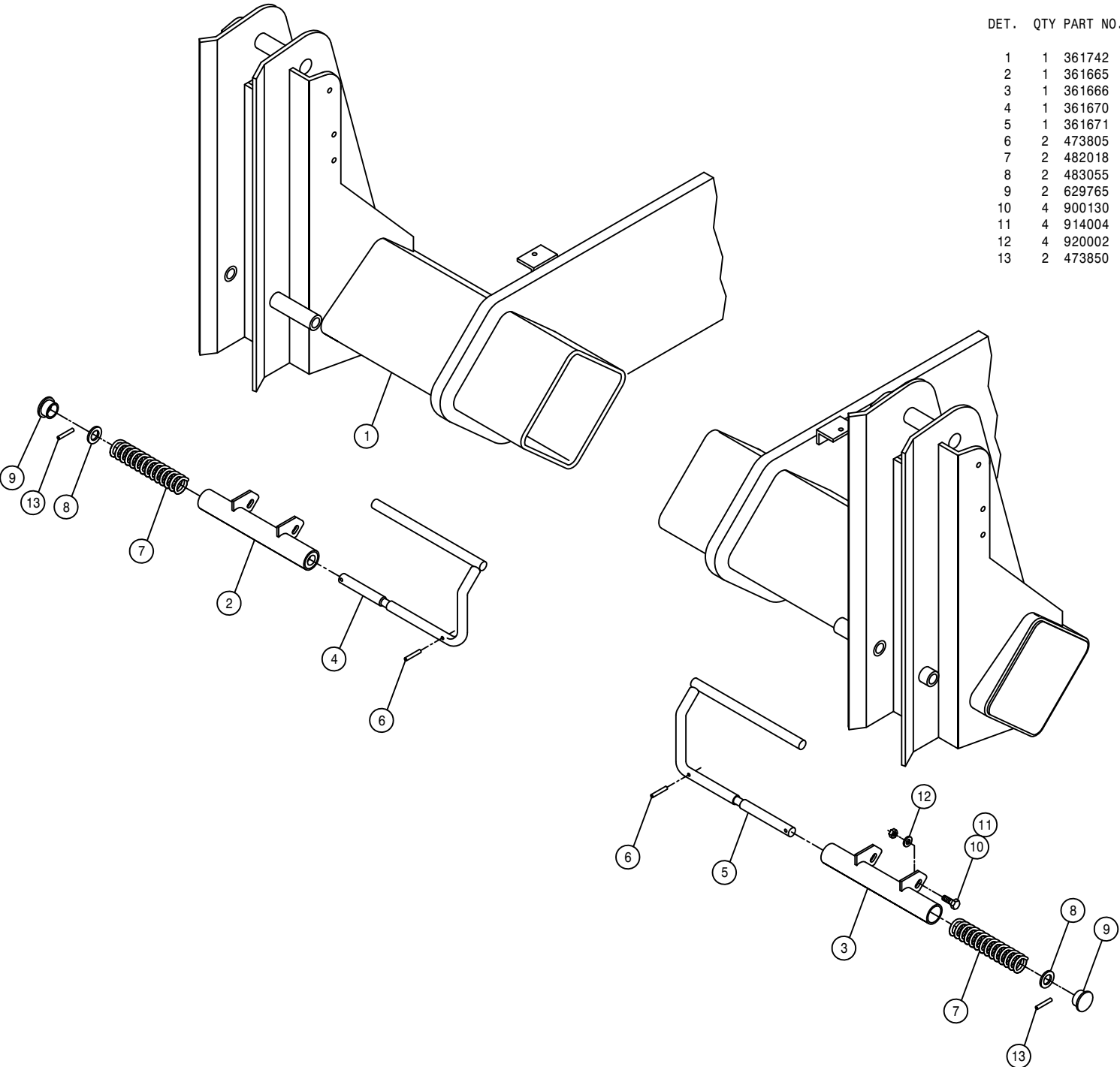
DET. QTY PART NO. DESCRIPTION

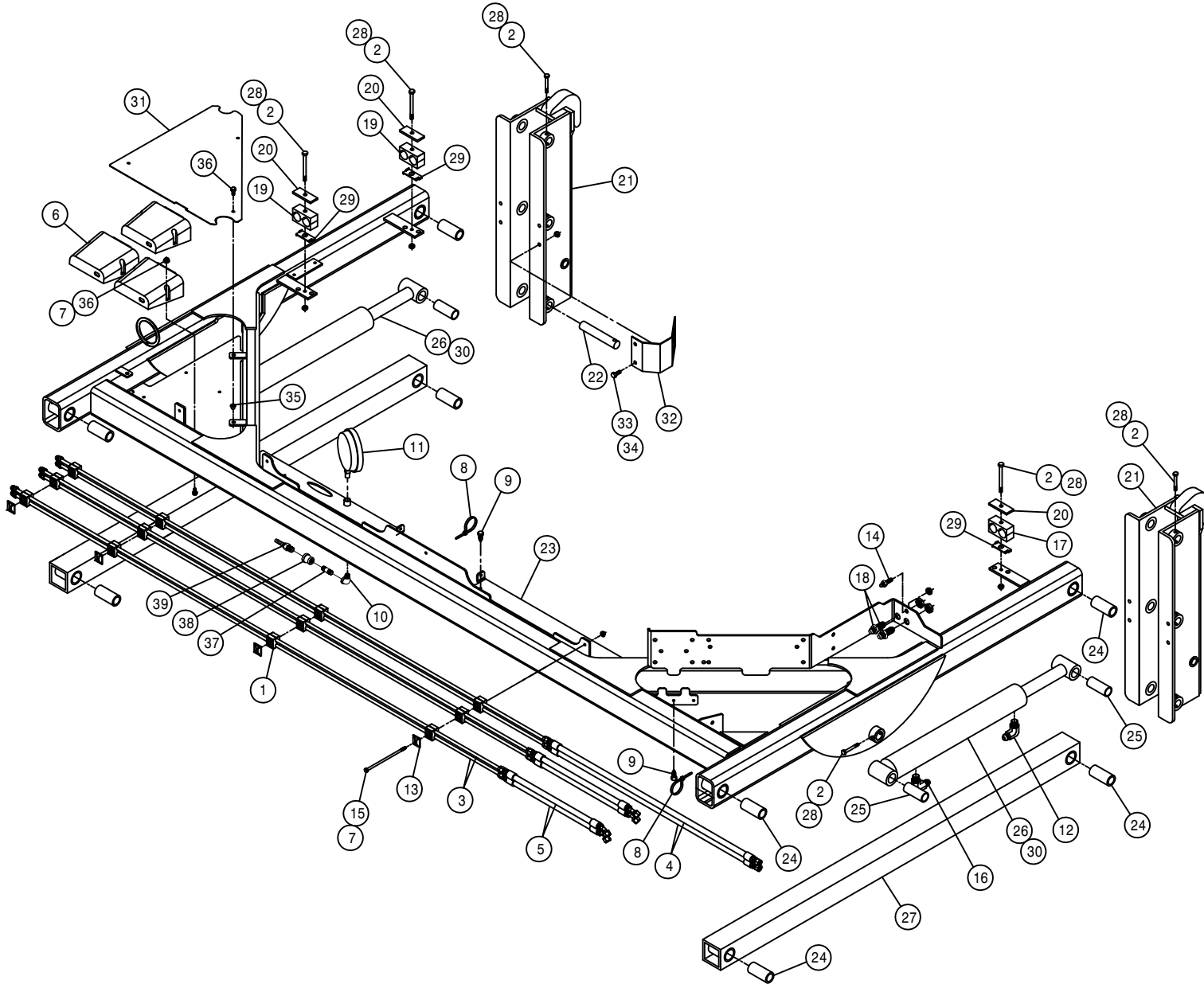
1	1	606272	VALVE, LOAD SENSE BOOM SAUER
2	1	611125	3/4MJIC-3/4MOR ADPTR
3	4	618119	9/16MJIC-90-9/16MOR LBO
4	9	618126	9/16MJIC-9/16MOR ADPTR
5	1	618327	3/4MJIC-7/8MOR ADPTR
6	2	618754	9/16MOR PLUG, HEX SOCKET
7	4	900128	3/8UNC X 3/4 HEX BOLT
8	1	606303	COIL, SV10, FOR VLV 606272
9	6	606304	COIL,PSV10, FOR VLV 606272



QUICK ATTACK LEVER ASSEMBLY

DET.	QTY	PART NO.	DESCRIPTION
1	1	361742	MAINFRAME WLD STS 10/12 07
2	1	361665	RH Q-ATTACH LOCK WLD, STS 04
3	1	361666	LH Q-ATTACH LOCK WLD, STS 04
4	1	361670	RH Q-ATTACH LOCK PIN WLD, STS04
5	1	361671	LH Q-ATTACH LOCK PIN WLD, STS04
6	2	473805	ROLL PIN, 1/4 X 1 1/2
7	2	482018	SPRING, 1.00 X 12.00 COMPRSN
8	2	483055	.771ID-1.2500D-.135T MACH WASH
9	2	629765	CAPLUG, 1 1/2" RD, BLACK POLY
10	4	900130	3/8UNC X 1 1/4 SER FLANGE BOLT
11	4	914004	3/8UNC HEX STOVER NUT
12	4	920002	3/8 SAE FLAT WASHER
13	2	473850	ROLL PIN, 1/4 X 1"





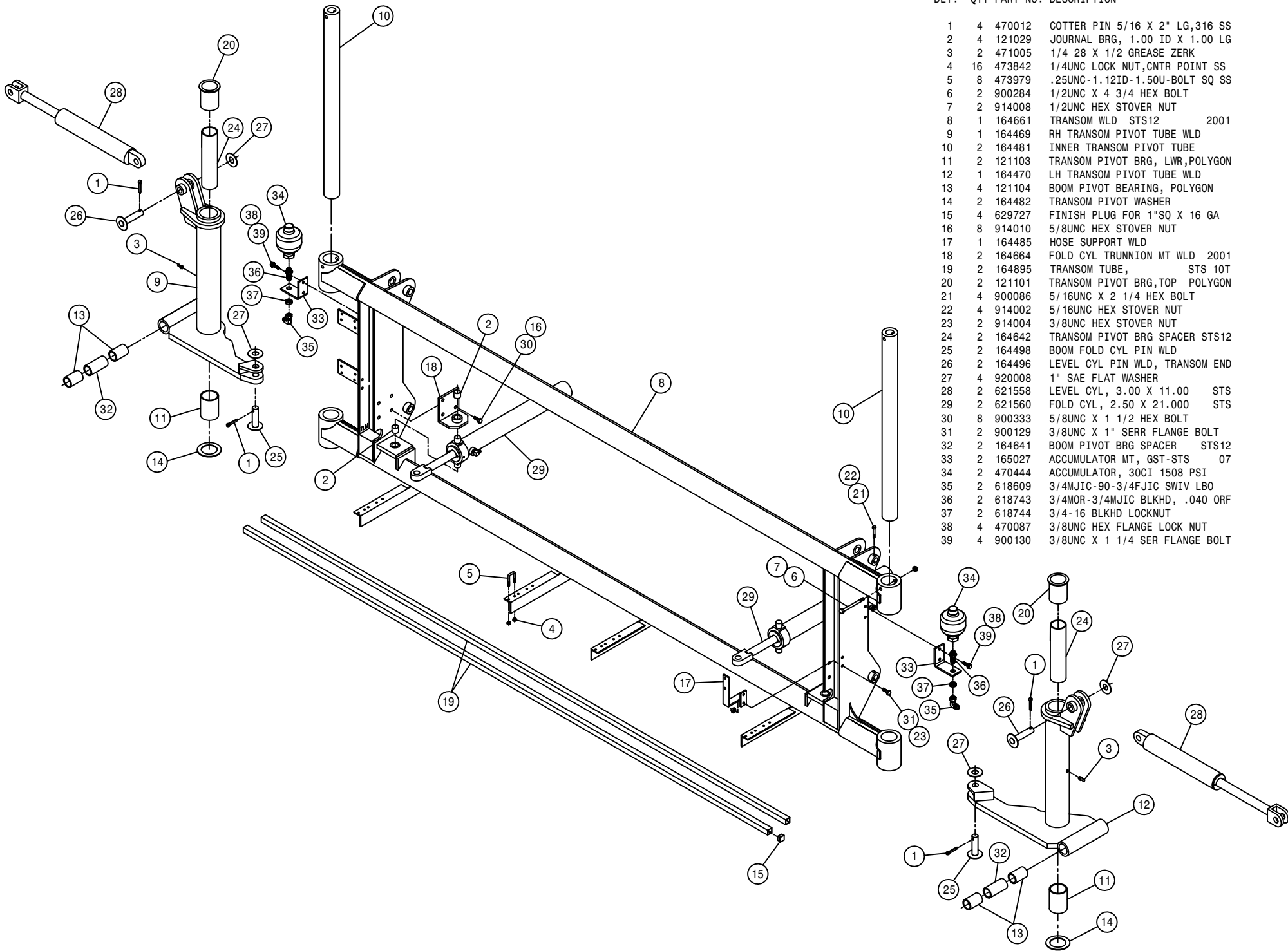
LIFTARM ASSEMBLY

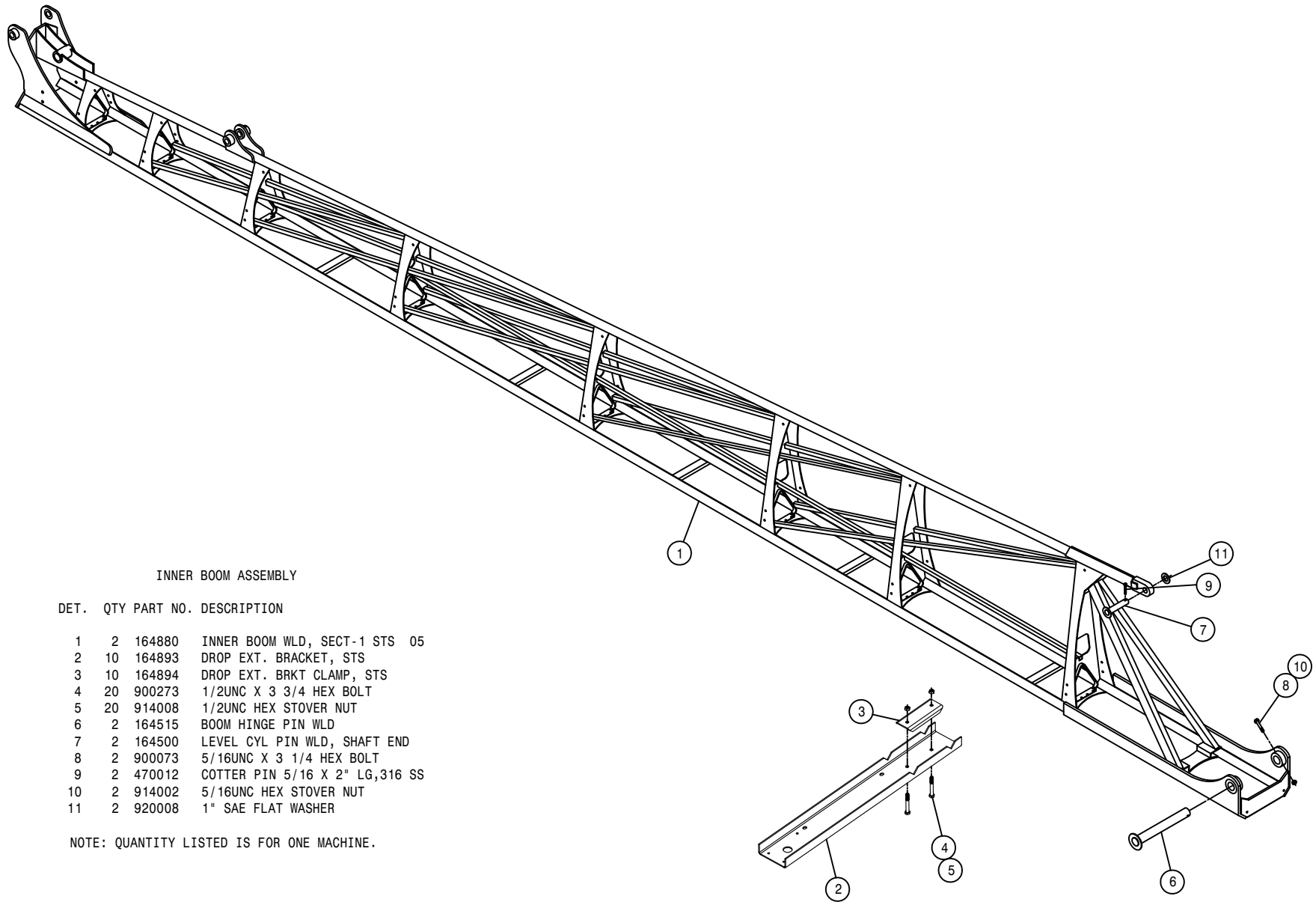
DET.	QTY	PART NO.	DESCRIPTION
	12	470473	TUBE CLAMP, HVY DTY .375-.375
	2	11	900086 5/16UNC X 2 1/4 HEX BOLT
	3	615852	LIFTARM HYD TUBE ASSY,STSL5 07
	4	2	616304 06-451TC-06FJX-06FJX-36 H/A
	5	4	616316 06-451TC-06FJX-06FJX45-18 H/A
	6	3	292012 IQAN-XP2 POWER MODULE
	7	10	470121 1/4UNC HEX FLANGE LOCK NUT
	8	8	470154 CABLE TIE, 11.75" BLK PLASTIC
	9	8	470432 PUSH MT BASE FOR PLASTIC TIE
	10	1	501450 BLK PIPE ST EL 90DEG .25NPT
	11	1	701350 PRESS GAUGE 300LB BOT FILL
	12	2	618119 9/16MJIC-90-9/16MOR LBO
	13	4	470474 COVER PLATE FOR 470473 CLAMP
	14	1	618511 7/16MJIC-7/16MJIC BLKHD UNION
	15	4	900013 1/4UNC X 3 3/4 HEX BOLT
	16	2	618689 9/16MJ-90-9/16MOR .042 CHK VLV
	17	1	470274 TUBE CLAMP BODY,.750-.750
	18	2	618349 3/4MJIC-3/4MJIC BLKHD UNION
	19	2	470275 TUBE CLAMP BODY,1.000-1.000
	20	3	470276 CLAMP COVER PLATE,SNGL, 2-.55LG
	21	2	164800 QUICK ATTACH PLT WLD STS 04
	22	12	164452 LIFT ARM MT PIVOT PIN,STS12 00
	23	1	165021 UPPER LIFT ARM WLD, STSL5 06
	24	8	121107 LIFTARM BEARING, POLYGON
	25	4	121109 LIFT CYL BRG, .313 POLYGON
	26	2	621556 LIFT CYL, 2.50 X 18.00 STS
	27	2	164450 LWR LIFTARM WLD, STS 00
	28	11	914002 5/16UNC HEX STOVER NUT
	29	3	470281 STACK BOLT SAFETY LOCK PLATE
	30	2	621557 REPAIR KIT,HYD CYL 621556
	31	1	165006 UPPER LIFTARM BUSS COVER,STS05
	32	1	165009 RECEPTACLE MT, STS 05
	33	2	900129 3/8UNC X 1" SERR FLANGE BOLT
	34	2	914004 3/8UNC HEX STOVER NUT
	35	3	470380 1/4-20 NUTSERT .027-.165 STL
	36	9	470118 1/4UNC X 3/4 FLANGE HEX BOLT
	37	1	501602 BLK PIPE NIPPLE .25NPT-1.50
	38	1	503607 REDU CPLG 3/8 TO 1/4
	39	1	618401 3/8MNPT X 3/8 HOSE INSERT, RIG

TRANSOM ASSEMBLY

DET. QTY PART NO. DESCRIPTION

DET.	QTY	PART NO.	DESCRIPTION
1	4	470012	COTTER PIN 5/16 X 2" LG,316 SS
2	4	121029	JOURNAL BRG, 1.00 ID X 1.00 LG
3	2	471005	1/4 28 X 1/2 GREASE ZERK
4	16	473842	1/4UNC LOCK NUT,CNTR POINT SS
5	8	473979	.25UNC-1.12ID-1.50U-BOLT SQ SS
6	2	900284	1/2UNC X 4 3/4 HEX BOLT
7	2	914008	1/2UNC HEX STOVER NUT
8	1	164661	TRANSOM WLD STS12 2001
9	1	164469	RH TRANSOM PIVOT TUBE WLD
10	2	164481	INNER TRANSOM PIVOT TUBE
11	2	121103	TRANSOM PIVOT BRG, LWR,POLYGON
12	1	164470	LH TRANSOM PIVOT TUBE WLD
13	4	121104	BOOM PIVOT BEARING, POLYGON
14	2	164482	TRANSOM PIVOT WASHER
15	4	629727	FINISH PLUG FOR 1"SQ X 16 GA
16	8	914010	5/8UNC HEX STOVER NUT
17	1	164485	HOSE SUPPORT WLD
18	2	164664	FOLD CYL TRUNNION MT WLD 2001
19	2	164895	TRANSOM TUBE, STS 10T
20	2	121101	TRANSOM PIVOT BRG, TOP POLYGON
21	4	900086	5/16UNC X 2 1/4 HEX BOLT
22	4	914002	5/16UNC HEX STOVER NUT
23	2	914004	3/8UNC HEX STOVER NUT
24	2	164642	TRANSOM PIVOT BRG SPACER STS12
25	2	164498	BOOM FOLD CYL PIN WLD
26	2	164496	LEVEL CYL PIN WLD, TRANSOM END
27	4	920008	1" SAE FLAT WASHER
28	2	621558	LEVEL CYL, 3.00 X 11.00 STS
29	2	621560	FOLD CYL, 2.50 X 21.000 STS
30	8	900333	5/8UNC X 1 1/2 HEX BOLT
31	2	900129	3/8UNC X 1" SERR FLANGE BOLT
32	2	164641	BOOM PIVOT BRG SPACER STS12
33	2	165027	ACCUMULATOR MT, GST-STS 07
34	2	470444	ACCUMULATOR, 30CI 1508 PSI
35	2	618609	3/4MJIC-90-3/4FJIC SWIV LBO
36	2	618743	3/4MOR-3/4MJIC BLKHD, .040 ORF
37	2	618744	3/4-16 BLKHD LOCKNUT
38	4	470087	3/8UNC HEX FLANGE LOCK NUT
39	4	900130	3/8UNC X 1 1/4 SER FLANGE BOLT





INNER BOOM ASSEMBLY

DET. QTY PART NO. DESCRIPTION

1	2	164880	INNER BOOM WLD, SECT-1 STS 05
2	10	164893	DROP EXT. BRACKET, STS
3	10	164894	DROP EXT. BRKT CLAMP, STS
4	20	900273	1/2UNC X 3 3/4 HEX BOLT
5	20	914008	1/2UNC HEX STOVER NUT
6	2	164515	BOOM HINGE PIN WLD
7	2	164500	LEVEL CYL PIN WLD, SHAFT END
8	2	900073	5/16UNC X 3 1/4 HEX BOLT
9	2	470012	COTTER PIN 5/16 X 2" LG, 316 SS
10	2	914002	5/16UNC HEX STOVER NUT
11	2	920008	1" SAE FLAT WASHER

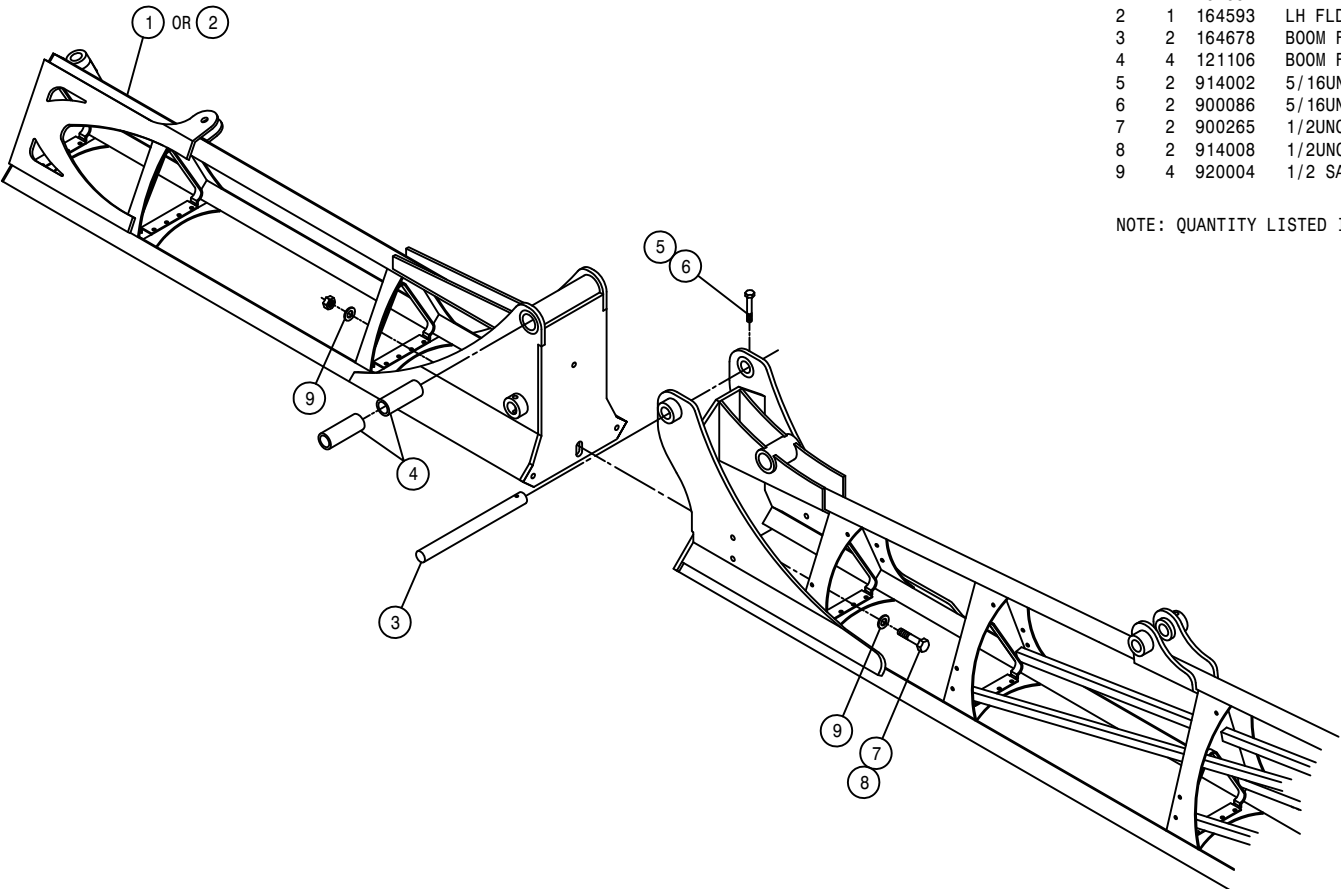
NOTE: QUANTITY LISTED IS FOR ONE MACHINE.

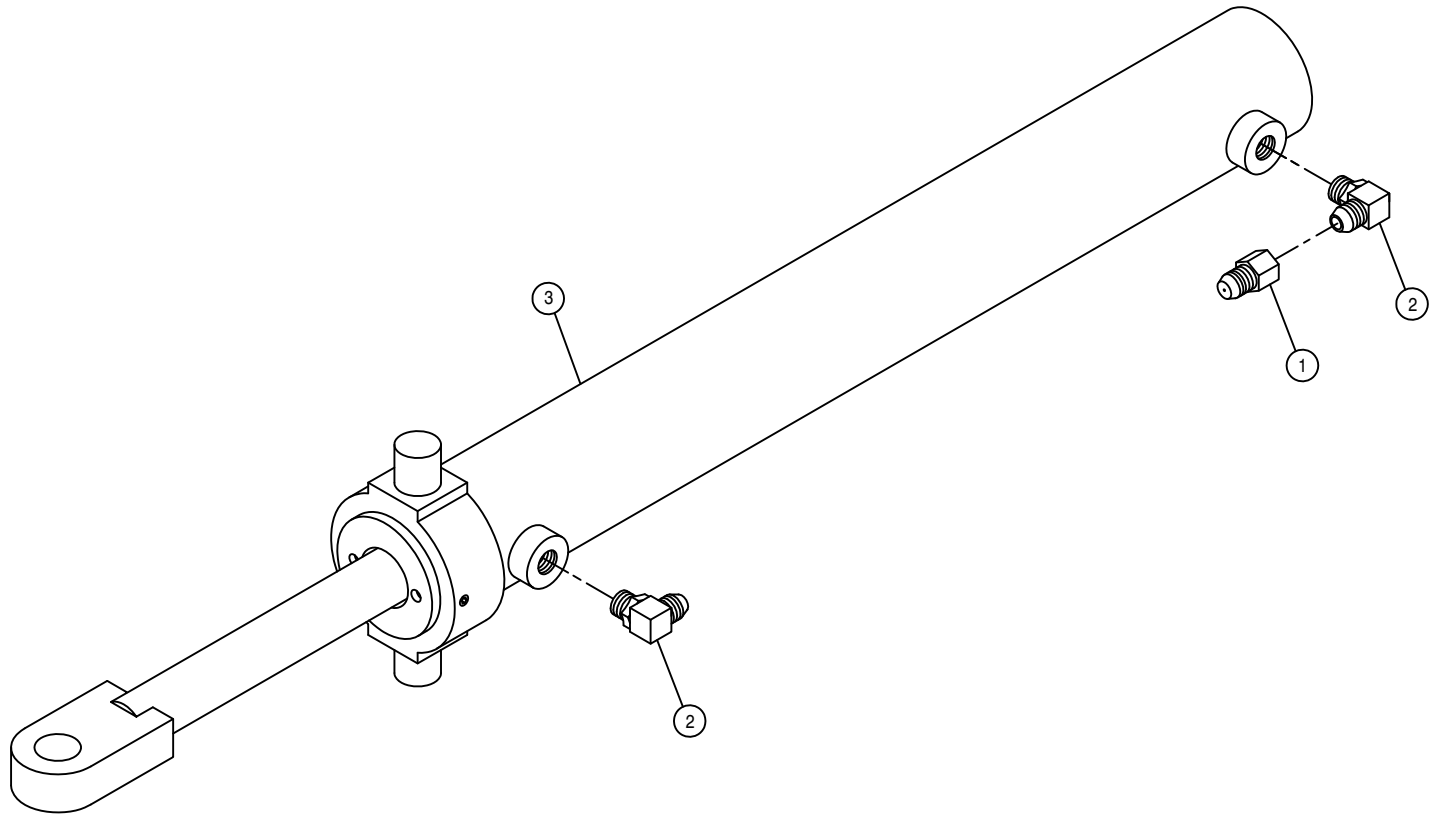
BOOM HINGE ASSEMBLY

DET. QTY PART NO. DESCRIPTION

1	1	164592	RH FLDOVR BOOM WLD, SECT-2	
2	1	164593	LH FLDOVR BOOM WLD, SECT-2	
3	2	164678	BOOM FOLD PIVOT PIN, STS	05
4	4	121106	BOOM FOLD BRG, POLYGON	
5	2	914002	5/16UNC HEX STOVER NUT	
6	2	900086	5/16UNC X 2 1/4 HEX BOLT	
7	2	900265	1/2UNC X 1 1/2 HEX BOLT	
8	2	914008	1/2UNC HEX STOVER NUT	
9	4	920004	1/2 SAE FLAT WASHER	

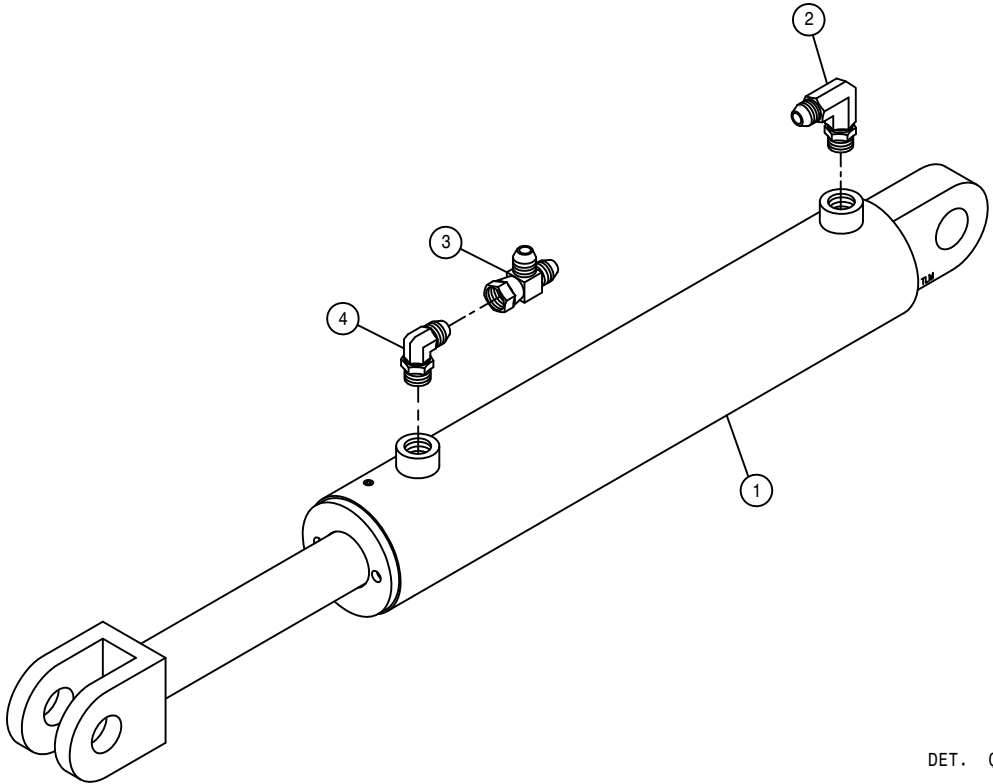
NOTE: QUANTITY LISTED IS FOR ONE MACHINE.





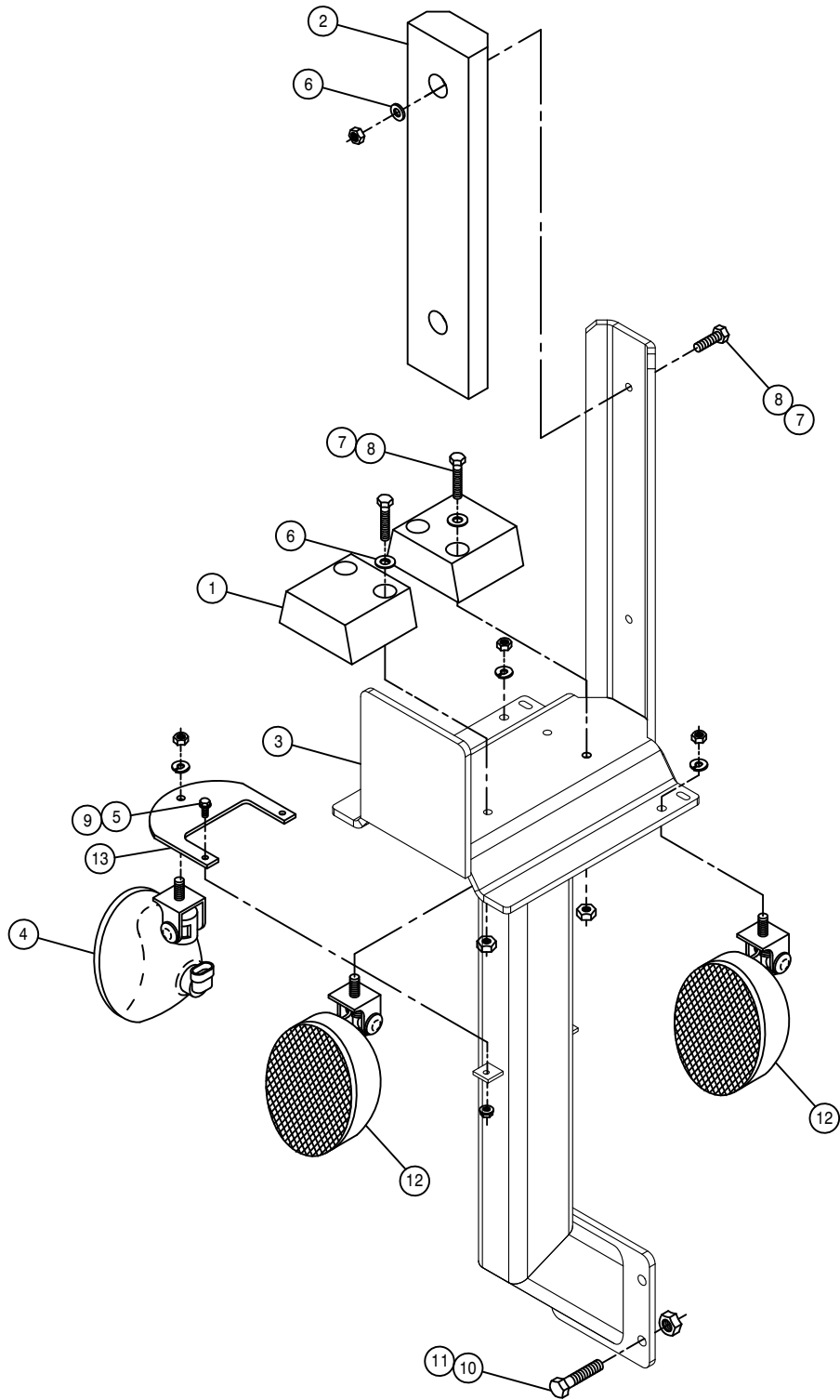
BOOM FOLD CYLINDER ASSEMBLY

DET.	QTY	PART NO.	DESCRIPTION
	1	618733	9/16JIC .042 ORIFICE ADPTR
	2	618119	9/16MJIC-90-9/16MOR LBO
	1	621560	FOLD CYL, 2.50 X 21.000 STS
	1	621561	REPAIR KIT, HYD CYL 621560



BOOM LEVEL CYLINDER ASSEMBLY

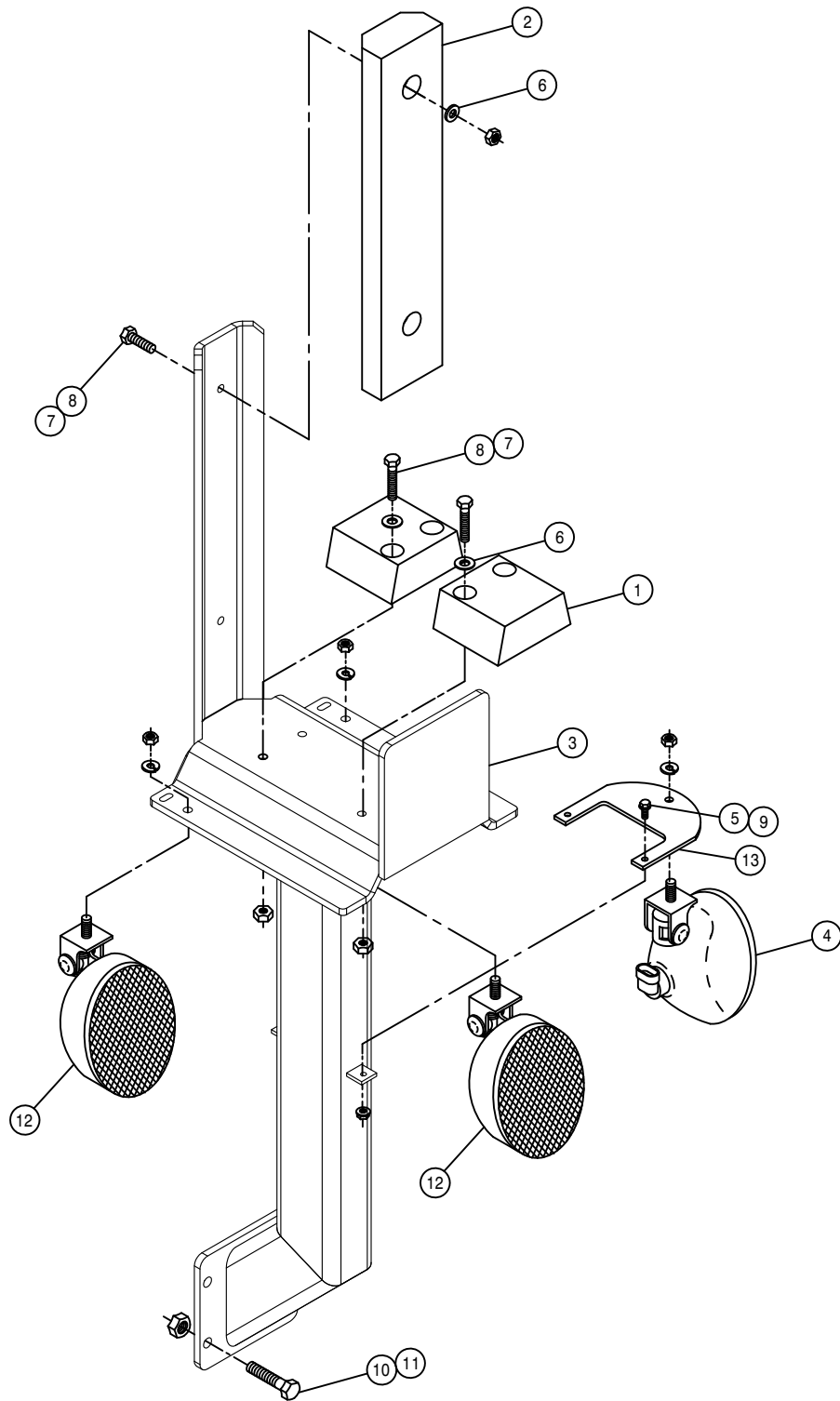
DET.	QTY	PART NO.	DESCRIPTION
1	1	621558	LEVEL CYL, 3.00 X 11.00 STS
2	1	618119	9/16MJIC-90-9/16MOR LBO
3	1	618486	9/16FJIC SW RUN TEE-9/16MJIC
4	1	618689	9/16MOR-90-9/16MJ .042 CHK VLV
NS	1	621559	REPAIR KIT, HYD CYL 621558



RH BOOM CRADLE ASSEMBLY (NEW)

DET.	QTY	PART NO.	DESCRIPTION
1	2	164513	BOOM CRADLE PAD
2	1	164512	RUBBER BUMPER, BOOM CRADLE
3	1	165041	BOOM CRADLE WLD
4	1	291905	RH AMBER LIGHT, PLASTIC OVAL
5	2	470118	1/4UNC X 3/4 FLANGE HEX BOLT
6	6	920002	3/8 SAE FLAT WASHER
7	6	914004	3/8UNC HEX STOVER NUT
8	6	900133	3/8UNC X 2" HEX BOLT
9	2	470121	1/4UNC HEX FLANGE LOCK NUT
10	4	900265	1/2UNC X 1 1/2 HEX BOLT
11	4	914008	1/2UNC HEX STOVER NUT
12	2	291904	WORKLIGHT, VERTICAL FLOOD PLAS
13	1	343509	EXTREMITY FLASHER MT, STS 05





LH BOOM CRADLE ASSEMBLY (NEW)

DET. QTY PART NO. DESCRIPTION

1	2	164513	BOOM CRADLE PAD
2	1	164512	RUBBER BUMPER, BOOM CRADLE
3	1	165041	BOOM CRADLE WLD 07
4	1	291906	LH AMBER LIGHT, PLASTIC OVAL
5	2	470118	1/4UNC X 3/4 FLANGE HEX BOLT
6	6	920002	3/8 SAE FLAT WASHER
7	6	914004	3/8UNC HEX STOVER NUT
8	6	900133	3/8UNC X 2" HEX BOLT
9	2	470121	1/4UNC HEX FLANGE LOCK NUT
10	4	900265	1/2UNC X 1 1/2 HEX BOLT
11	4	914008	1/2UNC HEX STOVER NUT
12	2	291904	WORKLIGHT, VERTICAL FLOOD PLAS
13	1	343509	EXTREMITY FLASHER MT, STS 05

# NOTICE

---

**The following page contains decals for the model STS 10Tall.**

**These decals can be obtained from Hagie Mfg. Co. and should be used whenever your machine is repainted or when the decals become worn, weathered, or faded.**

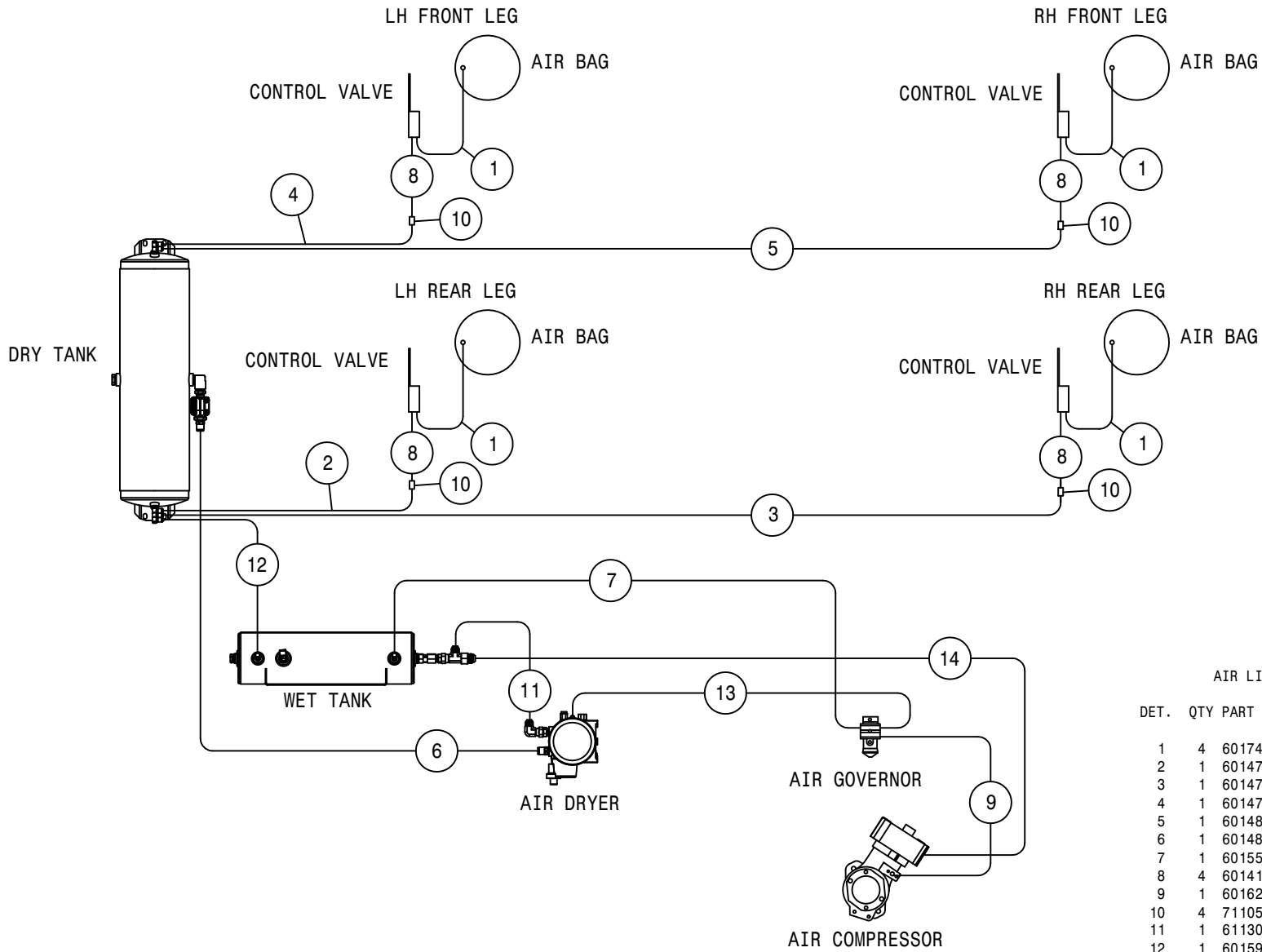
**Special attention should be paid to decals involving personal safety. They have been attached for your protection.**

**KEEP THEM IN PLACE.**

**Contact: Hagie Manufacturing Co.  
721 Central Ave West  
Box 273  
Clarion, Iowa 50525-0273**

STS10 TALL DECALS

QTY.	PART NO.	DESCRIPTION	LOCATION
1	650107	CAUTION BOOSTER DECAL	NEAR BOOSTER POSTS
1	650114	FILL WITH FRESH WATER DECAL	ON FRESH WATER TANK
1	650115	HAND WASH ONLY DECAL	NEAR HAND WASH VALVE
1	650118	DO NOT USE EITHER DECAL	NEAR AIR INTAKE ON SHEET METAL
1	650125	AGITATOR RATE IND DECAL	ON KZCO AGITATION VALVE
1	650132	CUMMINS POWER DECAL	LOCATED ON ENGINE HOOD
1	650140	ENGINE COMPARTMENT DECAL SET	ON ENGINE HOOD
2	650216	HAGIE LOGO,TANK MOLDIN DECAL	ON EACH SIDE SOLUTION TANK
1	650146	HAGIE UPFRONT DECAL	ON LOWER FRONT WINDSHIELD
1	650148	MDM BEZEL, STS DECAL	ON MDM DISPLAY
1	650150	SIGHT GAUGE, 1000G POLY DECAL	ON SOLUTION TANK
1	650151	SIGHT GAUGE, 1000G SS DECAL	ON SOLUTION TANK
1	650154	PATENTS,HAGIE UPFRONT DECAL	ON LOWER LEFT REAR OF MAINFRAME
1	650157	HYDROSTATIC STS CAB DECAL	ON CONSOLE
1	650158	SPEED CONTROL STS CAB DECAL	ON CONSOLE
1	650161	BOOM, FLOAT, TREAD ADJUST DECAL	ON CONSOLE
1	650163	POWER POINT DECAL	ON CONSOLE
1	650164	NO PASSNGR/NOT NEAR LEAK DECAL	ON LEFT UPPER REAR POST
1	650165	PWR LINE/BM FOLD/GLASS DECAL	ON RIGHT REAR UPPER CAB POST
1	650168	LIGHT/FLASHER-FUSE/RELAY DECAL	ON FLASHER/LIGHT RELAY PANEL
1	650167	BOOM MODULE PINOUT DECAL	INSIDE ELECT LIFT ARM COVER
1	650170	ENGINE ELECTRICAL BOX DECAL	INSIDE ENGINE ELECTRICAL BOX
1	650174	RADIATOR CAUTION DECAL	ON TOP OF RADIATOR
1	650176	CAUTION, CAB CHEM EXPOSER DECAL	ON UPPER RIGHT SIDE WINDOW
1	650177	THROTTLE, BRAKE, PUMP DECAL	ON CONSOLE
2	650178	CAUTION QUICK ATTACK PIN DECAL	1-EA ON FRONT CROSSMEMBER BY Q-ATTACH
1	650180	REAR MODULE PINOUTS DECAL	INSIDE REAR ELECTRICAL BOX
1	650189	30 AMP, EDM FUSE DECAL	ON AIR CLEANER MOUNT
1	650186	FUSE & RELAY DECAL	ON CONSOLE
1	650196	SPRAY SELECT STS DECAL	ON CONSOLE
2	650339	WARNING, HYD OIL IND DECAL	1-ON SIDE OF OIL TANK
1	650348	NOTICE DRAIN AIR TANK DECAL	ON AIR TANK
1	650367	AIR FILTER INSTRUCTION DECAL	ON ENGINE AIR FILTER END CAP
1	650372	MAIN ELECTRICAL DISCONNECT DECAL	NEAR BOOSTER POSTS
1	650377	NOTICE-R134A 3LB DECAL	1-NEAR ELECTIC VALVE ON TRANSOM RH SIDE OF ENGINE ON FRAME
1	650848	CAUTION, SLIP OR FALL DECAL	ON LADDER PIVOT TUBE
1	650849	CAUTION, ENGINE FUEL DECAL	NEAR FUEL TANK NECK
1	650850	DANGEROUS CHEM DECAL	SOLUTION TANK FILLER NECK
1	650851	SHIELDS DECAL	ON LOWER LH REAR MAINFRAME TUBE
1	650954	DIESEL DECAL	NEAR FUEL TANK NECK
1	650981	COOLING SYSTEM DECAL	NEAR RADIATOR CAP.
1	650982	ELECTRICAL DECAL	ON RH CAB DOOR
4	650985	WHEEL BOLT TORQUE DECAL	ON EACH WHEEL RIM

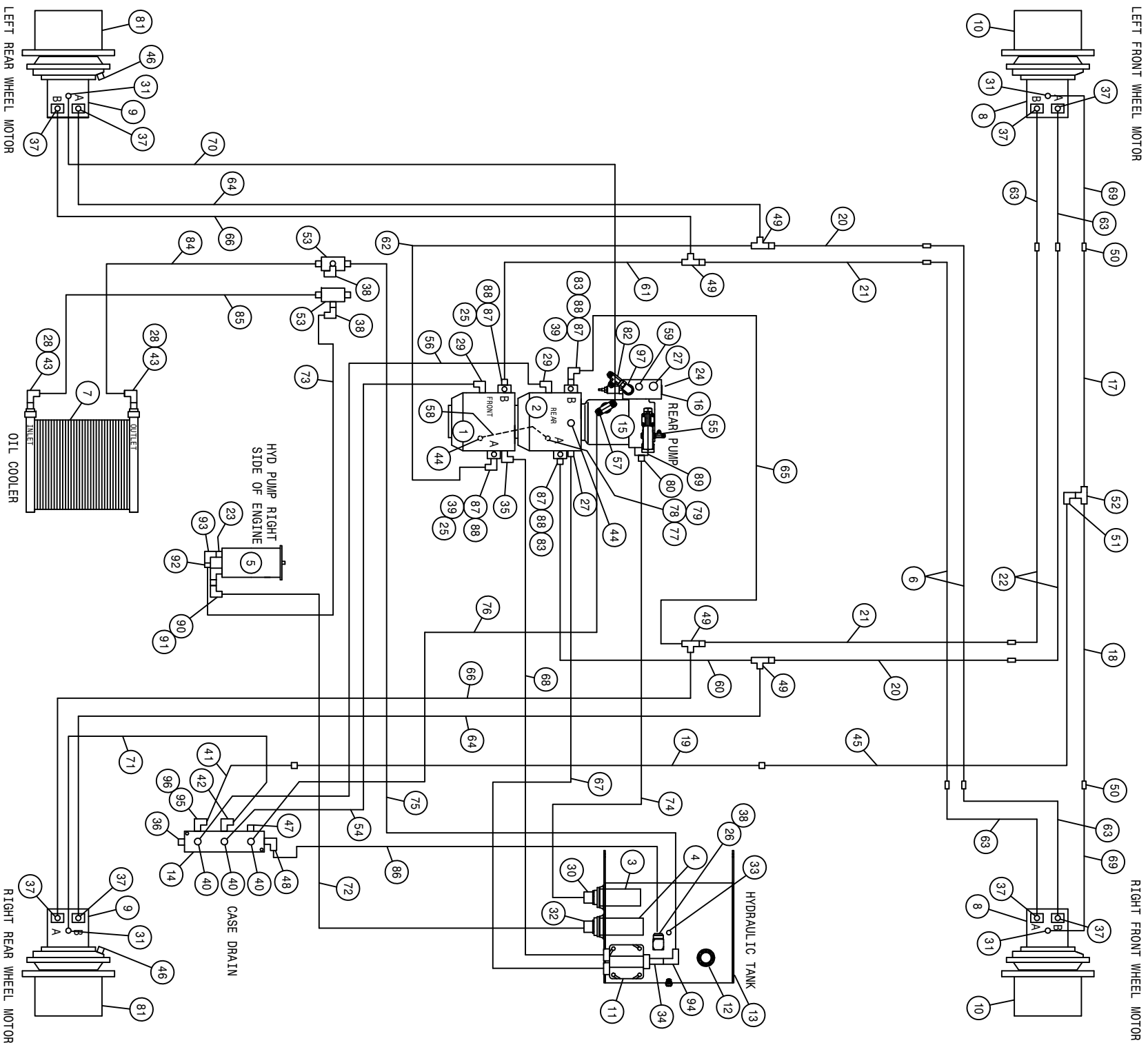


AIR LINE DIAGRAM STS 10 TALL

DET.	QTY	PART NO.	DESCRIPTION
1	4	601743	HOSE, 1/4 X 22 AIR
2	1	601476	HOSE, 1/4 X 120 AIR
3	1	601478	HOSE, 1/4 X 175 AIR
4	1	601479	HOSE, 1/4 X 196 AIR
5	1	601480	HOSE, 1/4 X 230 AIR
6	1	601483	HOSE, 1/2 X 84 AIR
7	1	601554	HOSE, 1/4 X 46 AIR
8	4	601414	HOSE, 1/4 X 31 AIR
9	1	601625	HOSE, 1/4 X 14 AIR
10	4	711054	1/4 NYL TUBE UNION, STRAIGHT
11	1	611307	10-P919J-10FJX-10FJX-40
12	1	601592	HOSE, 1/4 X 69 AIR
13	1	601707	HOSE, 1/4 X 63 AIR
14	1	611306	12-P919J-12FJX-12FJX90-42

NOTE: ITEMS 8 & 10 ARE USED FOR SHIPPING.

This Page Intentionally Blank



STS10 TALL HYDRAULIC DIAGRAM 2008  
REFERENCE DRAWING NO. 49900051

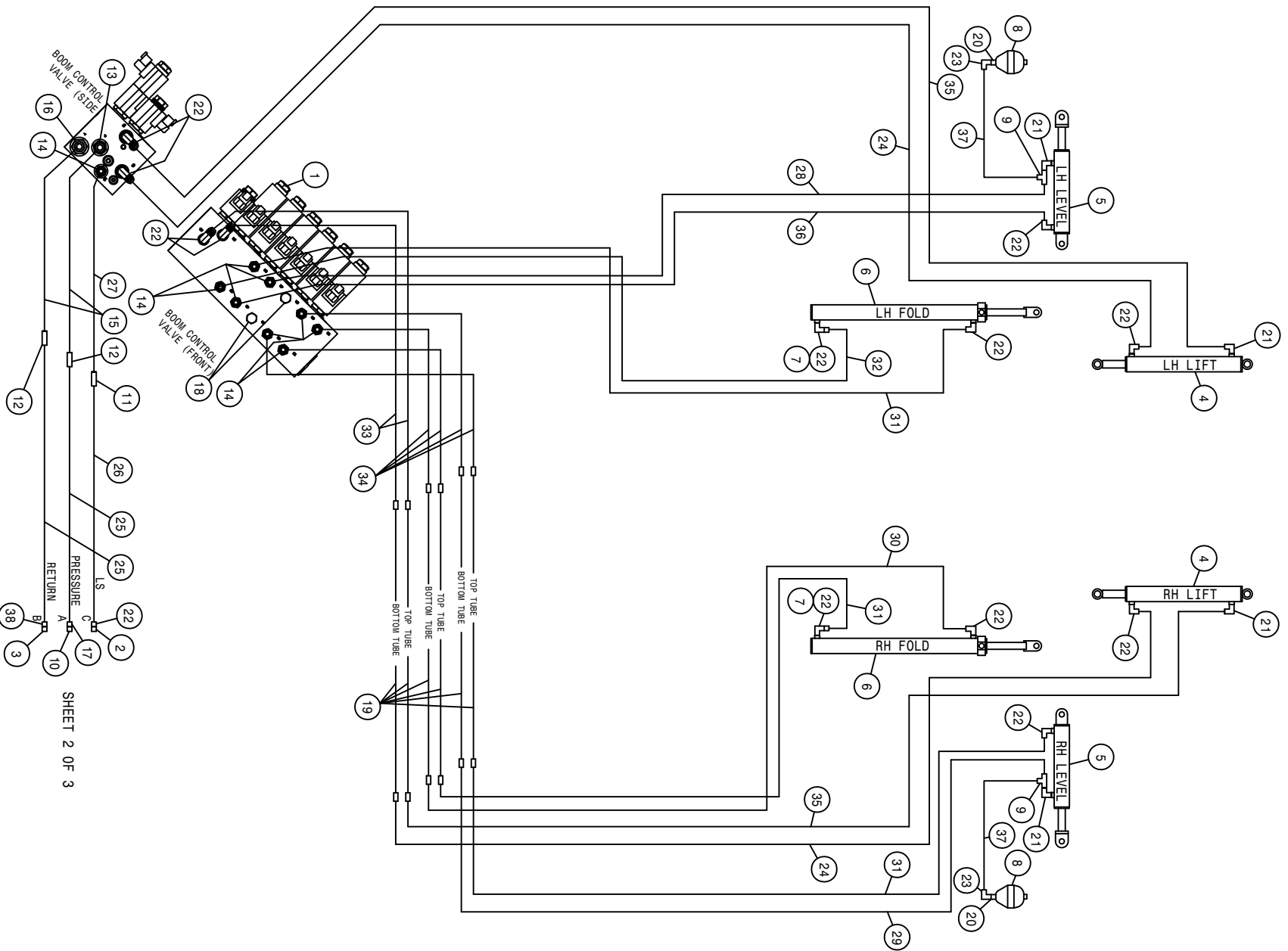
DET.	QTY	PART NO.	DESCRIPTION	DET.	QTY	PART NO.	DESCRIPTION
1	1	606173	SAUER 75CC PUMP,C/C-MT	50	2	618456	7/8MJIC UNION
2	1	606176	SAUER 75CC PUMP,C/B-MT	51	1	618301	7/8MJIC-90-7/8FJIC SWIV LBO
3	1	605623	SUCTION STRAINER,39GPM 100M	52	1	618581	7/8MJIC UNION TEE
4	1	605622	SUCTION STRAINER,21GPM 100M	53	2	618752	1 5/8MJIC BLKHD RUN TEE
5	1	607001	SAUER GEAR PUMP 29CC DEIL	54	1	616391	12-451TC-12FJX-12FJX90L-21 H/A
6	2	615848	RH FRONT HYDROSTAT TUBE ASSY	55	1	618509	7/16MOR RUN TEE-7/16MJIC
7	1	618800	OIL COOLER STS12	56	1	616400	12-451TC-12FJX-12FJX90L-24 H/A
8	2	606180	SAUER HYD WHL MOTOR	57	1	618637	7/8MOR BRANCH TEE-7/8MJIC
9	2	606183	SAUER HYD WHL MOTOR W/SEN	58	1	616038	04-381-06FJX-06FJX90-15 H/A
10	2	610711	TORQ HUB, 22:1 CM12	59	1	611126	7/8MJIC-7/8MOR ADPTR
11	1	605625	IN-TANK RETURN FILTER, 10M	60	1	616337	16C15-16FFOX-16FFOX45-37 H/A
12	1	605628	FILL CAP, 6 PSI CHECK	61	1	616340	16C15-16FFOX-16FFOX-51 H/A
13	1	760351	HYD TANK WLD, STLS	62	1	616336	16C15-16FFOX-16FFOXL90-78 H/A
14	1	606246	MANIFOLD, #16 3-STN 180 DAMAN	63	4	616273	16C15-16FLG-16FFOX-162 H/A
15	1	607004	SAUER PISTON PUMP JRR060B	64	2	616449	16C15-16FLG-16FFOX-184 H/A
16	1	606258	REFJEF, LS PUMP SAUER	65	1	616335	16C15-16FFOX90-16FFOXL90-32H/A
17	1	615823	LH FRT CASEDRAIN HYD TUBE ASSY	66	2	616412	16C15-16FLG-16FFOX90-184 H/A
18	1	615822	RH FRT CASEDRAIN HYD TUBE ASSY	67	1	616344	16-881-16FJX-20FLG-67 H/A
19	1	615854	M/F CASE DRAIN TUBE,STS10	68	1	616345	16-881-16FJX-20FLG-73 H/A
20	2	615847	OUTER HYDRO TUBE ASSY,STS10	69	2	616408	08-451TC-10FJX-08FJX45-166 H/A
21	2	615846	INNER HYDRO TUBE ASSY,STS10	70	1	616413	08-451TC-10FJX-08FJX45-242 H/A
22	2	615849	LH FRONT HYDROSTAT TUBE ASSY	71	1	616409	08-451TC-12FJX-08FJX45-205 H/A
23	1	611127	1 1/16MJIC-1 1/16MOR ADPTR	72	1	616346	24-881-24FJX-24FJX90-103 H/A
24	1	618753	7/16MOR PLUG, HEX SOCKET	73	1	616347	16-881-20FJX-16FJX90-59 H/A
25	2	606196	PRESSURE TRANSDUCER, 9000 PSI	74	1	616343	32-881-32FJX-32FJX-49 H/A
26	1	618767	1 7/8FJIC-1 5/8MJIC ADPTR	75	1	616399	24-881-20FJX-24FJX90-105 H/A
27	2	618186	1 5/16MJIC-1 5/16MOR ADPTR	76	1	616310	10-451TC-10FJX-12FJX-24 H/A
28	2	618640	1 5/16MJ-90-1 5/16FJ SWIV LBO	77	1	618734	9/16JIC .047 ORIFICE ADPTR
29	2	618248	1 1/16MJIC-90-1 1/16MOR LBO	78	1	618444	9/16MOR RUN TEE-9/16MJIC
30	1	618746	2 1/2MJIC-45-2 1/2MOR LBO	79	1	618531	9/16FJIC CAP NUT
31	4	618327	3/4MJIC-7/8MOR ADPTR	80	1	618765	2" FLANGE-2 1/2MJIC ADPTR #61
32	1	618745	1 7/8MJIC-45-1 7/8MOR LBO	81	2	610714	TORQ HUB, 27:1 CM12 W/BRAKE
33	1	470471	1 5/16MOR PLUG, MAGNETIC	82	1	618451	3/4FJIC SW RUN TEE-3/4MJIC
34	1	618747	1 1/2 FLANGE-1 7/8MJIC ADPTR	83	2	618754	9/16MOR PLUG, HEX SOCKET
35	1	618178	1 5/16MJIC-90-1 5/16MOR LBO	84	1	616398	20-881-16FJX-20FJX-83 H/A
36	1	618759	1 5/8MOR PLUG, HEX SOCKET	85	1	616397	20-881-16FJX-20FJX-77 H/A
37	8	618652	1" SPLIT FLANGE KIT	86	1	616396	20-881-20FJX-20FJX90-70 H/A
38	3	618768	1 5/8MJIC-90-1 5/8FJX TUBE	87	4	618742	1"FLG-1"ORFS ADPTR W/PRES PORT
39	2	618362	1 7/16MFOR-90-1 7/16FFOR LBO	88	4	618361	7/16MOR-9/16FOR ADPTR
40	3	618308	1 1/16MJIC-1 5/16MOR ADPTR	89	1	618766	2" SPLIT FLANGE KIT #61
41	1	616444	10-451TC-12FJX-12FJX90-48 H/A	90	1	618476	1 5/8MJIC-90-1 5/16MOR LBO
42	1	618302	1 1/16MJIC-90-1 5/16MOR LBO	91	1	618762	1 5/8MJIC-90-1 5/16MOR LBO
43	2	618610	1 5/16MJIC-1 5/16MOR LG ADPTR	92	1	618641	1 1/16FJIC-1 7/8MJIC ADPTR
44	2	618119	9/16MJIC-90-9/16MOR LBO	93	1	618763	1 1/16MJIC-90-1 1/16FJX TUBE
45	1	616388	10-451TC-12FJX-10FJX90-91 H/A	94	1	618764	1 7/8MJIC-90-1 7/8FJX TUBE LBO
46	2	618666	7/16MJIC-M12X1.5MOR ADPTR	95	1	618463	1 5/16MJIC-90-1 5/16MOR XL LBO
47	1	618758	1 5/16 MOR PLUG, HEX SOCKET	96	1	618541	1 5/16FJIC-1 1/16MJIC ADPTR
48	1	618396	1 5/8MJIC-45-1 5/8MOR LBO	97	1	618183	3/4MJIC-90-7/8MOR LBO
49	4	618655	1 7/16FFOX RUN TEE-1 7/16MFOR				





ST510 TALL HYDRAULIC DIAGRAM 2008  
REFERENCE DRAWING NO. 49900052

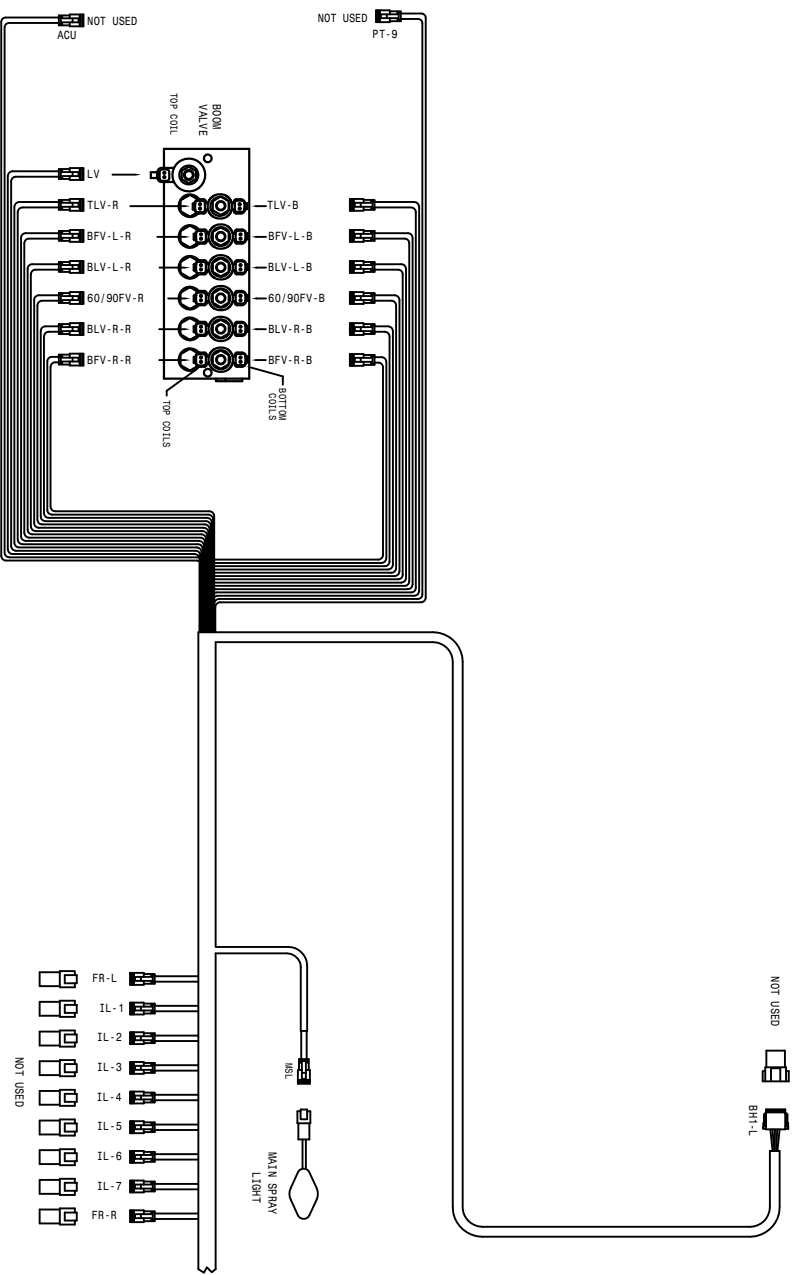
DET.	QTY	PART NO.	DESCRIPTION	DET.	QTY	PART NO.	DESCRIPTION
1	1	749331	STEERING CTRL VALVE, LS SAUER	53	4	616071	04-451TC-04MJBH-06MOR-13.00H/A
2	2	621550	STEERING CYL,2.50 X 8.81 STS	54	1	616385	08-451TC-08FJX-08FJX-80 H/A
3	1	606247	MANIFOLD W/CHK VLV SAUER	55	1	618807	HYD CPLR, FEM #12,3/4FOR
4	2	606246	MANIFOLD, #16 3-STN 180 DAMAN	56	1	616448	10-451ST-08FJX-12FJX-119 H/A
5	1	606254	FLOW DIVIDER, OLS160 SAUER	57	2	618770	3/4MJIC-3/4MOR BLKHD ADPT
6	1	621554	LADR/SF/BRKWAY CYL, 1.50 X12.25	58	1	618279	1 1/16MJIC-90-7/8MOR LBO
7	4	621552	TRD ADJ CYL, 3.00 X 16.00 STS	59	1	618178	7/16MJIC-90-1 5/16MOR LBO
8	1	695985	CHAR LYNN 2000 HYD MTR, 6.1CI	60	3	618499	04-451TC-04FJX-06FJX-21 H/A
9	1	606213	HYD SOLE VLV,2P-3M,9/16FOR	61	8	616301	04-451TC-08FJX-12FJX90-44 H/A
10	1	606253	CTRL VALVE,SOLU PUMP SAUER	62	1	616447	10-451ST-08FJX-12FJX90-44 H/A
11	2	606196	PRESSURE TRANSDUCER, 9000 PSI	63	1	618805	HYD CPLR, FEM #14,9/16FOR
12	1	615772	STRG CYL JUMPER HYD TUBE ASSY	64	1	618769	9/16MJIC-9/16MOR BLKHD ADPT
13	1	615850	M/F HYD TUBE, LS LINE,ST510 07	65	1	616377	04-451TC-06FJX-06FJX90-44 H/A
14	2	615853	M/F HYD TUBE,PRES,RTN ST510 07	66	1	616088	04-451TC-06FJX-06FJX-56 H/A
15	1	618629	9/16MOR RUN TEE-9/16MJIC	67	1	618806	HYD CPLR,MALE #12,7/8FOR
16	1	615856	M/F HYD TUBE,MAIN SUP,ST510 07	68	1	616453	12-451TC-12FJX-12FJX90-134 H/A
17	1	611125	3/4MJIC-3/4MOR ADPTR	69	1	616305	06-451TC-08FJX-08FJX-56 H/A
18	4	618241	3/4MJIC-90-3/4MOR LBO	70	1	616308	10-451TC-10FJX-12FJX-12 H/A
19	1	618443	3/4MJIC-90-3/4MOR EX LG LBO	71	1	616320	04-451TC-04FJX-04FJX90-47 H/A
20	4	618249	3/4MJIC-90-9/16MOR LBO	72	1	616435	04-451TC-06FJX-04FJX45-20 H/A
21	10	618119	9/16MJIC-90-9/16MOR LBO	73	1	616310	10-451TC-10FJX-12FJX-24 H/A
22	4	618473	7/16MJIC-90-7/16MOR LBO	74	1	616341	16-881-16FJX-20FJX-51 H/A
23	1	618444	9/16MOR RUN TEE-9/16MJIC	75	1	616330	10-451TC-12FJX-12FJX90-87 H/A
24	1	618126	9/16MJIC-9/16MOR ADPTR	76	1	616438	04-451TC-04FJX-04FJX45-51 H/A
25	2	618753	7/16MOR PLUG, HEX SOCKET	77	1	616437	10-451TC-10FJX-10FJX90-44 H/A
26	1	618754	9/16MOR PLUG, HEX SOCKET	78	1	616305	10-451ST-08FJX-12FJX90-85 H/A
27	1	618361	7/16MOR-9/16FOR ADPTR	79	1	616379	04-451TC-04FJX-04FJX90-79 H/A
28	1	618509	7/16MOR RUN TEE-7/16MJIC	80	1	616436	04-451TC-04FJX-04FJX-21 H/A
29	2	618759	1 5/8MOR PLUG, HEX SOCKET	81	1	616406	16-881-20FJX-16FJX90-122 H/A
30	4	618302	1 1/16MJIC-90-1 5/16MOR LBO	82	1	616326	08-451TC-08FJX-10FJX90-48 H/A
31	3	618467	7/16MJIC-7/16MOR ADPTR	83	1	616386	08-451TC-08FJX-08FJX90-86 H/A
32	5	618308	1 1/16MJIC-1 5/16MOR ADPTR	84	1	615855	HYD RETURN LINE, LONG,ST510 07
33	1	618529	1 1/16MJ-45-1 1/16FJ SWIV LBO	85	2	618590	3/4MJIC-45-3/4FJIC SWIV LBO
34	1	618470	3/4MJIC-1 5/16MOR ADPTR	86	1	616307	08-451TC-08FJX-08FJX-23 H/A
35	1	618529	1 1/16MJ-45-1 1/16FJ SWIV LBO	87	1	616395	16-881-16FJX-16FJX90-25 H/A
36	1	618630	1 5/16MJ-45-1 5/16FJ SWIV LBO	88	1	616319	04-451TC-04FJX-04FJX90-32 H/A
37	1	618688	9/16MJ-90-9/16MOR .025 CHK VLV	89	1	616452	10-451TC-10FJX-12FJX45-134 H/A
38	1	618486	9/16FJIC SW RUN TEE-9/16MJIC	90	1	616374	04-451TC-06FJX-06FJX-27 H/A
39	2	618455	1 5/16MJIC-1 5/8MOR ADPTR	91	1	616364	06-451TC-08FJX-06FJX90-31 H/A
40	2	618475	3/4MJIC-90-1 5/16MOR LBO	92	2	611127	1 1/16MJIC-1 1/16MOR ADPTR
41	2	618761	1 5/16FJX-1 1/16MOR ADPTR	93	1	616404	16-451TC-16FJX-16FJX45-40 H/A
42	6	618314	3/4MJIC UNITON	94	1	618315	3/4MJIC-45-3/4MOR LBO
43	1	618114	9/16MJIC-90-7/16MOR LBO	95	1	616322	06-451TC-08FJX-08FJX90-21 H/A
44	4	616070	04-451TC-04MJBH-06MOR-11.00H/A	96	1	616443	08-451TC-08FJX-08FJX90-76 H/A
45	1	616282	04-451TC-06FJX-04FJX45-225 H/A	97	1	616315	04-451TC-04FJX-04FJX45-74 H/A
46	1	616407	04-451TC-06FJX-04FJX45-252 H/A	98	4	616101	08-451TC-08FJX-08FJX-31 H/A
47	1	616446	04-451ST-06FJX-04FJX90-131 H/A	99	1	618640	1 5/16MJ-90-1 5/16FJ SWIV LBO
48	2	618628	7/8MJIC-45-7/8FJIC SWIV LBO	100	1	618171	7/8MOR-3/4FOR ADPTR
49	1	616382	06-451TC-06FJX-08FJX90-25 H/A	101	2	618754	9/16MOR PLUG, HEX SOCKET
50	1	618397	1 5/16MOR-9/16FOR ADPTR	102	4	618755	3/4MOR PLUG, HEX SOCKET
51	1	618774	7/8MJIC-90-7/8MOR LG LBO	103	1	611125	3/4MJIC-3/4MOR ADPTR
52	2	616384	08-451TC-08FJX-08FJX-43 H/A	104	2	606249	MANIFOLD, TRD ADJ PWRSYS



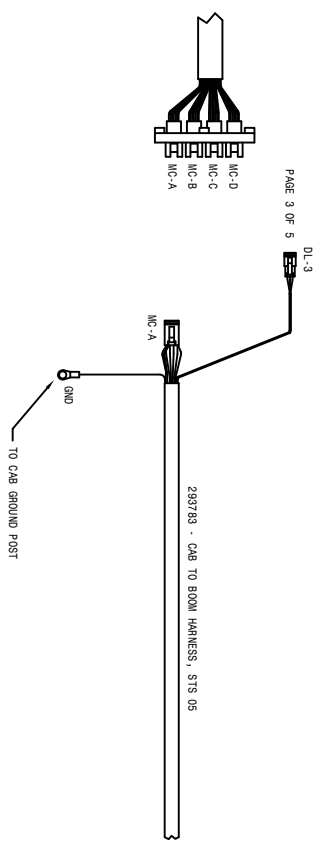
SHEET 2 OF 3

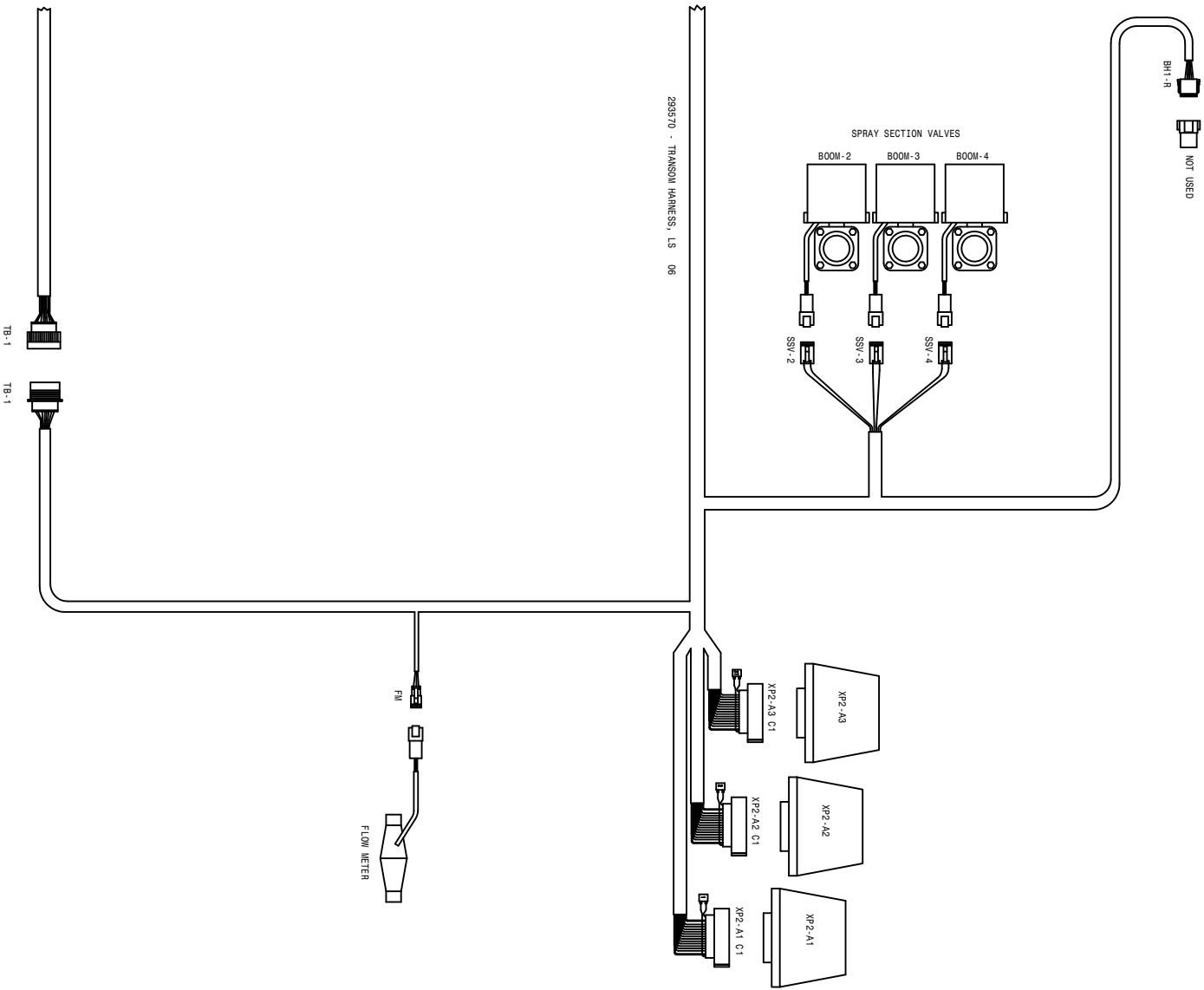
STS10 TALL HYDRAULIC DIAGRAM 2008  
REFERENCE DRAWING NO. 499000S3

DET.	QTY	PART NO.	DESCRIPTION	DET.	QTY	PART NO.	DESCRIPTION
1	1	606272	VALVE, LOAD SENSE BOOM SAUER	20	2	618743	3/4MOR-3/4MJIC BLKHD, .040 ORF
2	1	618804	HYD CPLR,MALE #14, 9/16FOR	21	4	618689	9/16MJ-90-9/16MOR .042 CHK VLV
3	1	618806	HYD CPLR,MALE #12, 7/8FOR	22	12	618119	9/16MJIC-90-9/16MOR LBO
4	2	621556	LIFT CYL, 2.50 X 18.00	23	2	618609	3/4MJIC-90-3/4FJIC SWIV LBO
5	2	621558	LEVEL CYL, 3.00 X 11.00	24	2	616371	06-451TC-06FJX-06FJX-38
6	2	621560	FOLD CYL, 2.50 X 21.000	25	2	616135	08-451TC-08FJX-08FJX-50
7	2	618733	9/16JIC .042 ORIFICE ADPTR	26	1	616431	04-451TC-04FJX-06FJX-51
8	2	470444	ACCUMULATOR, 30CI 1508 PSI	27	1	616430	04-451TC-06FJX-04FJX90-19
9	2	618486	9/16FJIC SW RUN TEE-9/16MJIC	28	1	616349	06-451TC-06FJX-06FJX-47
10	1	618807	HYD CPLR, FEM #12, 3/4FOR	29	1	616348	06-451TC-06FJX-06FJX-42
11	1	618511	7/16MJIC-7/16MJIC BLKHD UNION	30	1	616350	06-451TC-06FJX-06FJX-58
12	2	618349	3/4MJIC-3/4MJIC BLKHD UNION	31	3	616351	06-451TC-06FJX-06FJX-60
13	1	611125	3/4MJIC-3/4MOR ADPTR	32	1	616352	06-451TC-06FJX-06FJX-62
14	9	618126	9/16MJIC-9/16MOR ADPTR	33	2	616304	06-451TC-06FJX-06FJX-36
15	2	616366	08-451TC-08FJX-08FJX90-18	34	4	616316	06-451TC-06FJX-06FJX45-18
16	1	618327	3/4MJIC-7/8MOR ADPTR	35	2	616358	06-451TC-06FJX-06FJX-56
17	1	618241	3/4MJIC-90-3/4MOR LBO	36	1	616403	06-451TC-06FJX-06FJX-65
18	2	618754	9/16MOR PLUG, HEX SOCKET	37	2	616365	06-451TC-08FJX-06FJX90-30
19	6	615852	LIFTARM HYD TUBE ASSY, STSLS 07	38	1	618183	3/4MJIC-90-7/8MOR LBO

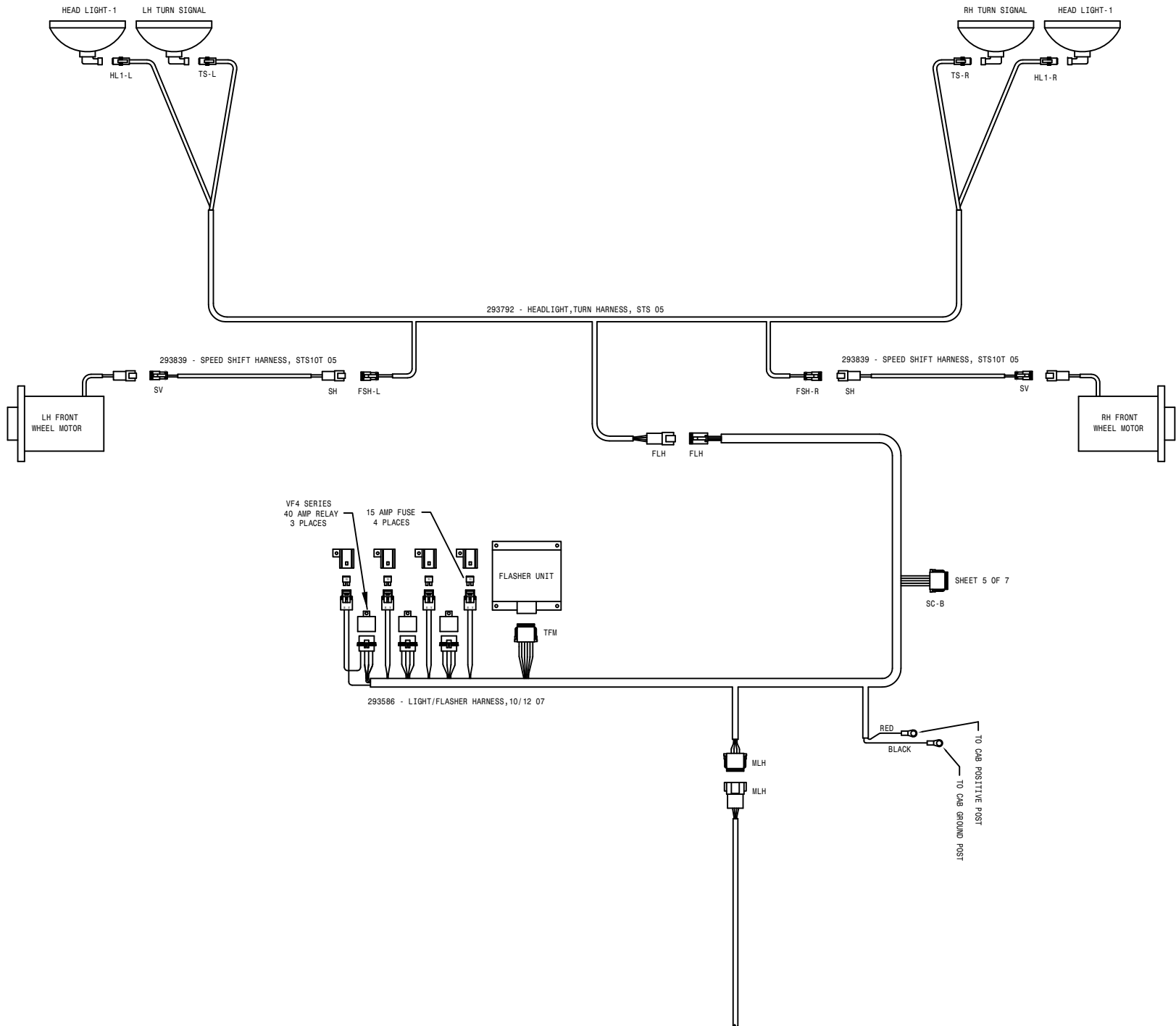


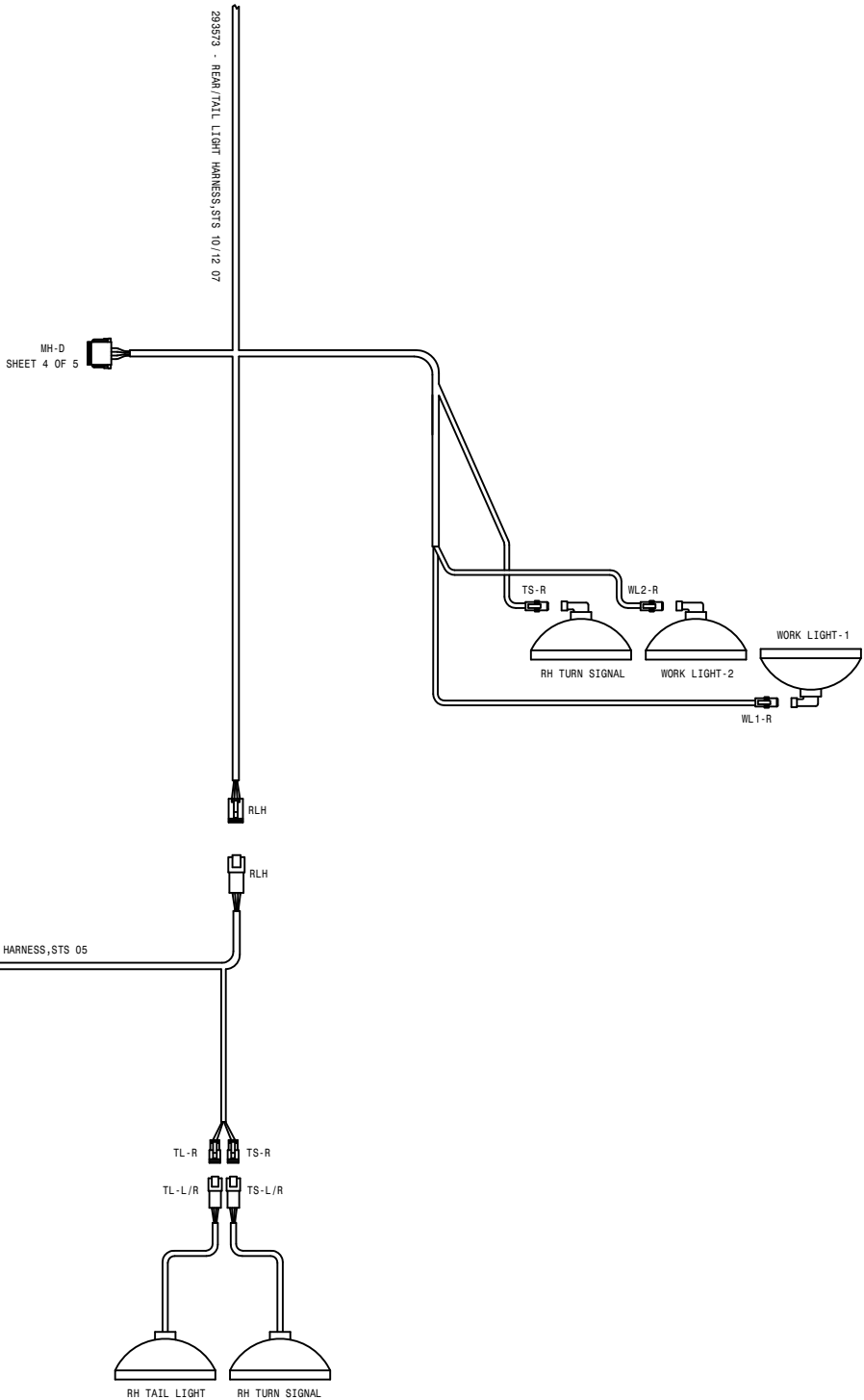
293950 - MAIN CAB HARNESS, STS 06  
PAGE 5 OF 5



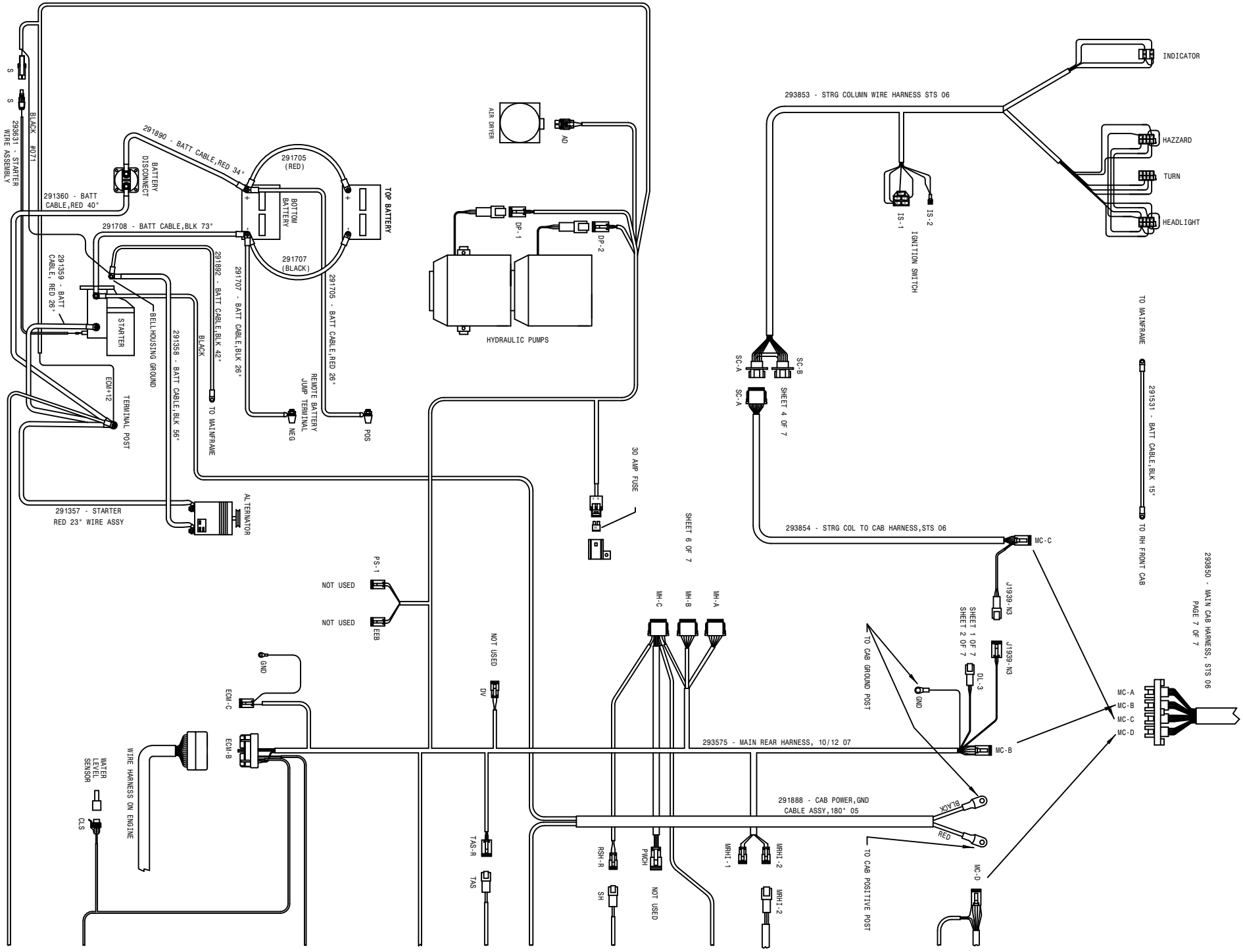


04-10-07 TLU  
**STS10 TALL WIRING DIAGRAM 08**  
 SHEET 1 OF 5  
 REVISION DATE: 12-26-07  
**498963**

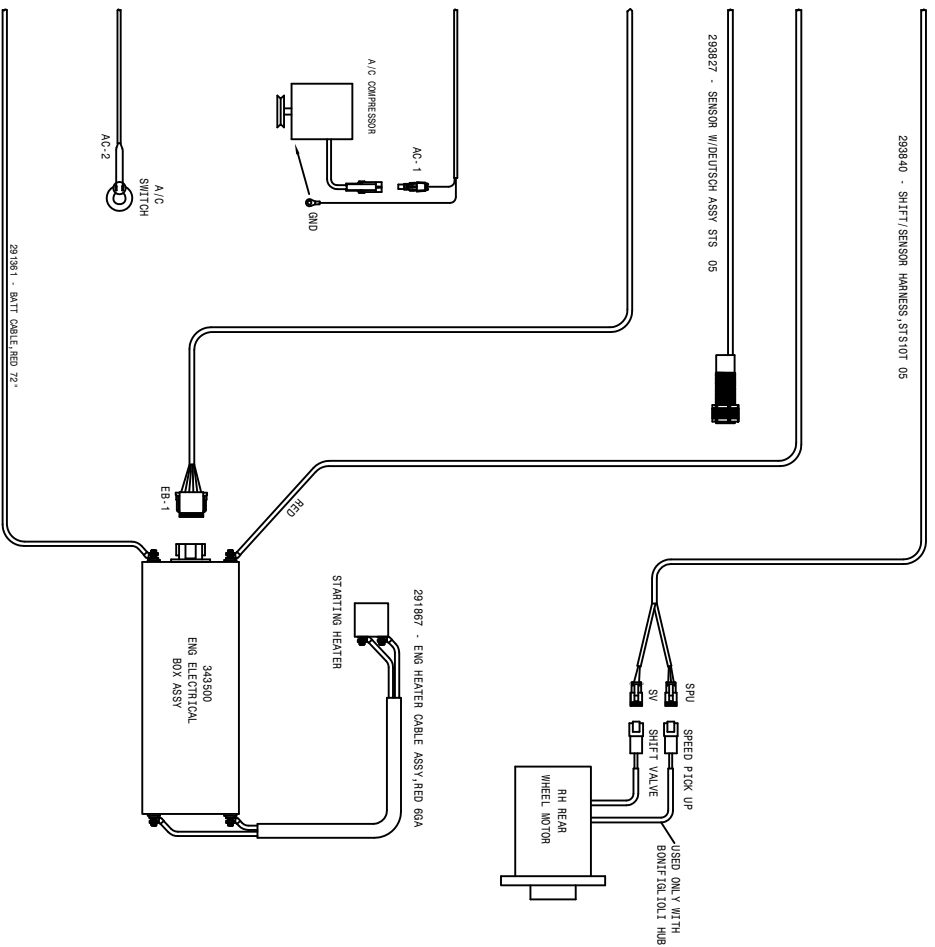
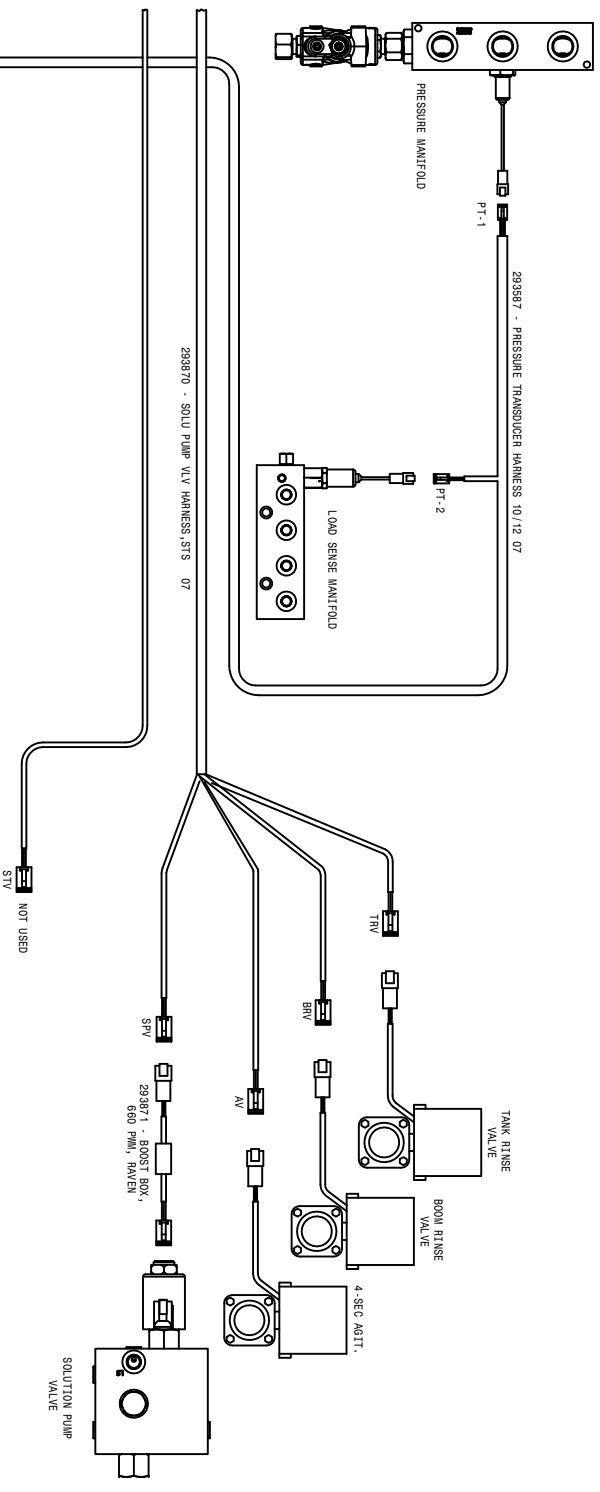




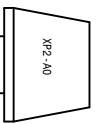
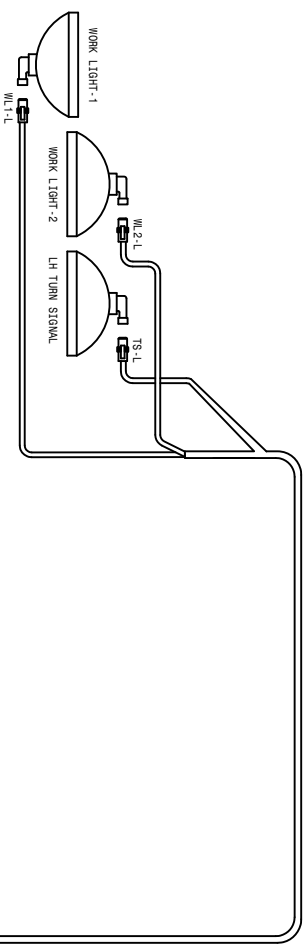
04-11-07 TUN  
**STS10 TAIL WIRING DIAGRAM 08**  
 SHEET 2 OF 5  
 REVISION DATE: 08-09-07  
**498963**





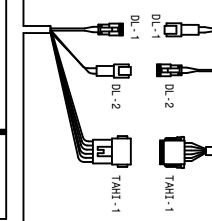
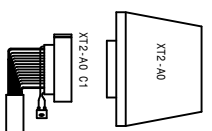


04-10-07 TLU  
**STS10 TALL WIRING DIAGRAM 08**  
 SHEET 3 OF 5  
 REVISION DATE: 09-03-09  
**498963**

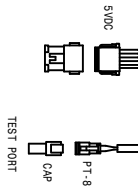


293989 - TREAD ADJUST HARNESS, 10/12 07

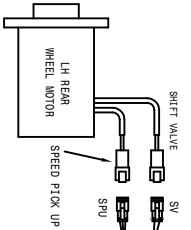
CAP-292142  
USED W/O SENSOR HARNESS



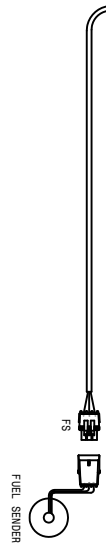
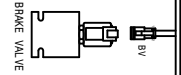
293988 - CHASSIS MODULE HARNESS, 10/12 07

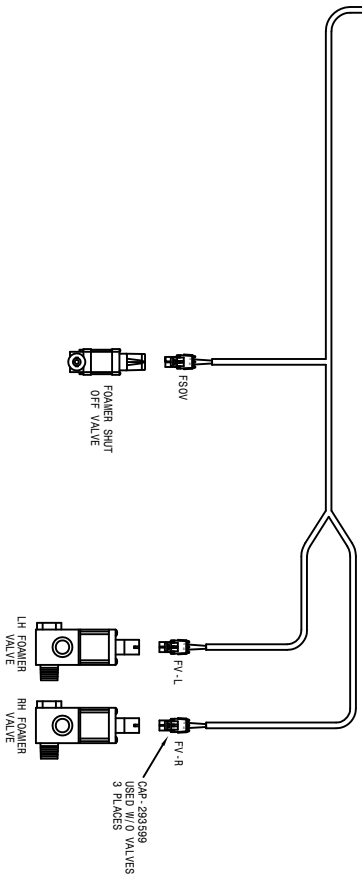
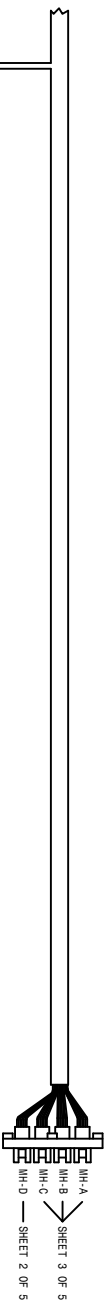
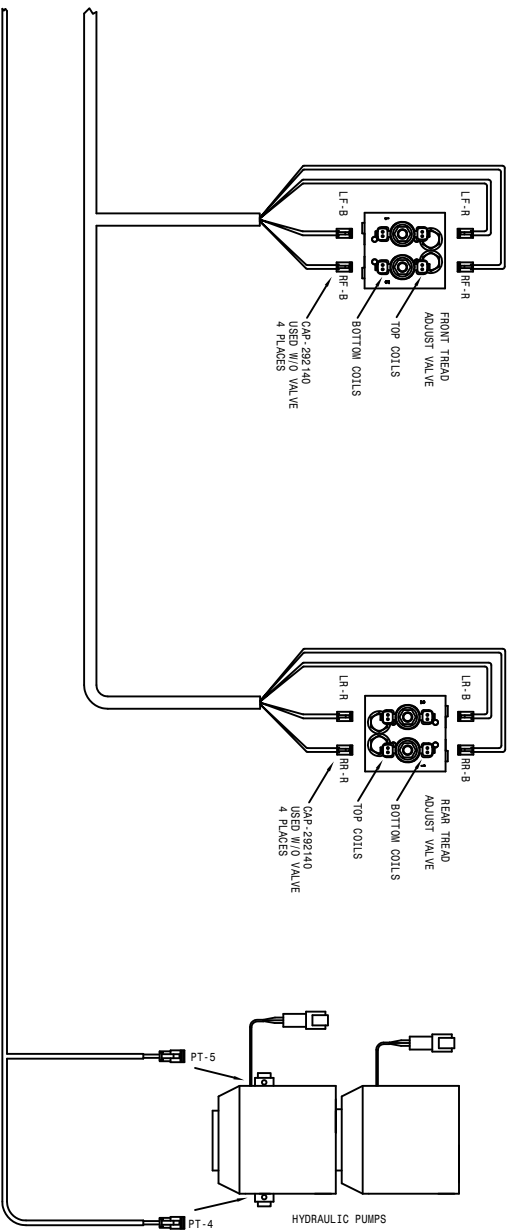


293827 - SENSOR W/DEUTSCH ASSY STS 05

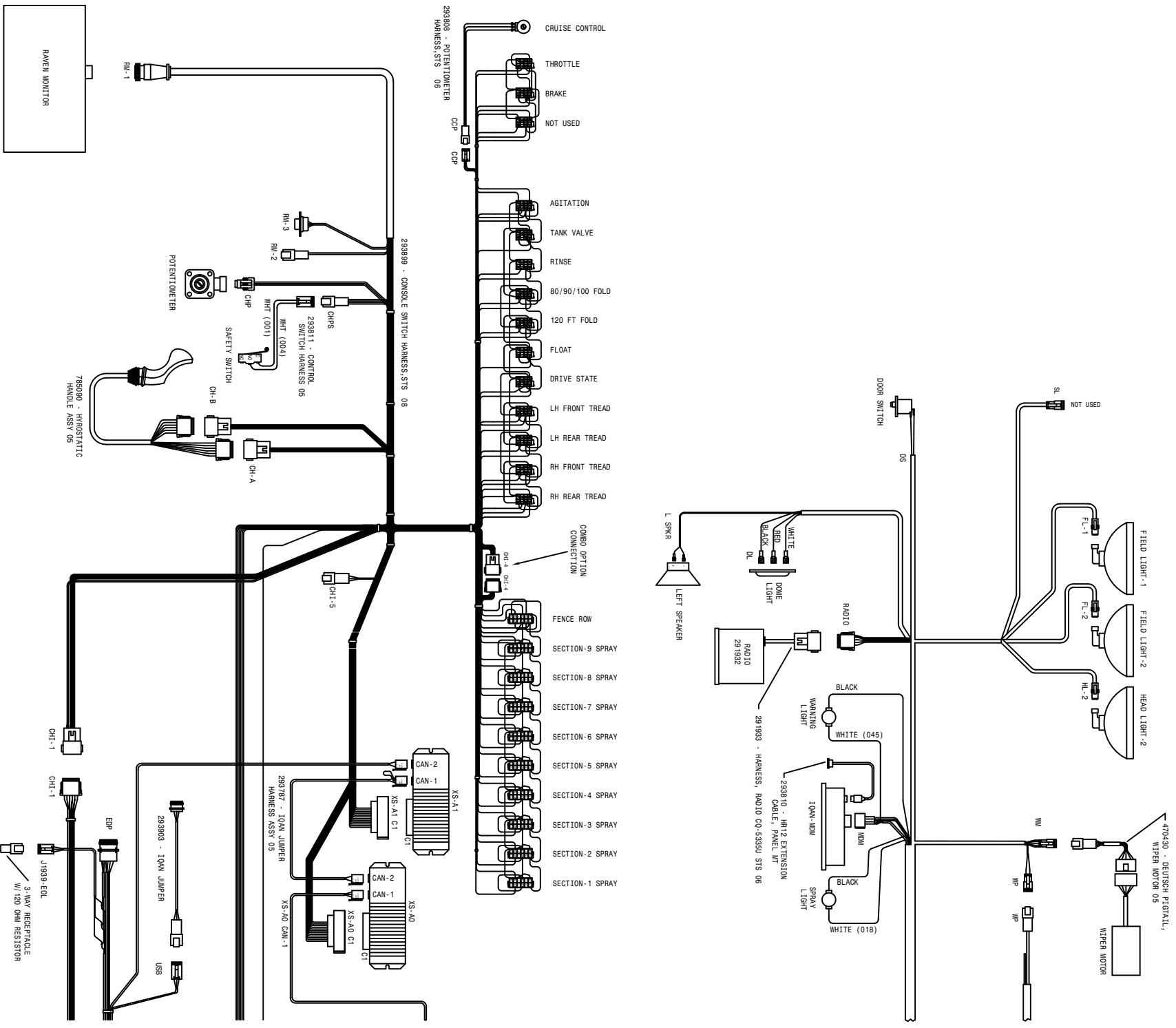


293840 - SHIFT/SENSOR HARNESS, STS10T 05





04-10-07 TUL  
**STS10 TALL WIRING DIAGRAM 08**  
 SHEET 4 OF 5  
 REVISION DATE: 498963





ABBREVIATIONS

A/C - AIR CONDITIONER	MT - MOUNT
ADPTR - ADAPTER	MTR - MOTOR
AGI - AGITATOR	P/N - PART NUMBER
ALT - ALTERNATOR	PLT - PLATE
ASSY - ASSEMBLY	QTY - QUANTITY
BRKT - BRACKET	RED - REDUCER
DET - DETAIL	REF - REFERENCE
DISPL - DISPLACEMENT	REST - RESTRICTOR
EL - ELBOW	REQ - REQUIRED
EXT - EXTENSION	SHFT - SHAFT
FLO - FLOW	SOL - SOLUTION
FNPT - FEMALE NATIONAL PIPE THREAD	STRG - STEERING
FOR - FEMALE O-RING	ST - STREET
FRT - FRONT	SV - STANDARD VOLUME
HV - HI-VOLUME	SWIV - SWIVEL
HYD - HYDRAULIC	UNC - UNIFIED NATIONAL COURSE
HYDRO - HYDROSTATIC	UNF - UNIFIED NATIONAL FINE
LG - LONG	V - VOLT
LWR - LOWER	W/ - WITH
MJIC - MALE J.I.C.	WHL - WHEEL
MOR - MALE O-RING	WLD - WELDMENT

INDEX

-A-

ABBREVIATIONS..... 102  
 ACCUMULATOR..... 74  
 AIR DRYER..... 39  
 AIR CLEANER..... 10  
     FILTER..... 10  
 AIR COMPRESSOR GOVERNOR..... 10  
 AIR CONDITIONER  
     BINARY SWITCH..... 8  
     COMPRESSOR..... 6  
     CONDENSOR COIL..... 9  
     CONTROLLER..... 36  
     HOSE..... 8,9  
     RECEIVER/DRYER..... 8  
     TUBE..... 29  
 AIR COOLER, CHARGE..... 9  
 AIRRIDE SPRING..... 16, 18, 20, 22  
 AIR VALVE..... 16, 18, 20, 22  
 ALTERNATOR..... 5  
 ARM, STEERING..... 16, 18, 20, 22

-B-

BACK-UP BEEPER..... 9  
 BALL VALVE..... 66  
     ELECTRIC..... 68, 69  
 BATTERY..... 14  
     CABLE..... 4, 5, 10, 14  
     BOX PANEL..... 9  
 BEARING,  
     BRONZE LEG..... 16, 18, 20, 22, 24  
     ORKOT..... 16, 18, 20, 22  
 BELT,  
     AIR CONDITIONER..... 6  
     DRIVE..... 5  
 BLOCK, TERMINAL..... 56  
 BOOM..... 76, 77  
     CRADLE..... 80, 81  
     PIN..... 76, 77  
     SWITCH..... 53  
 BOX,  
     ELECTRICAL..... 60  
 BRACE, RADIATOR..... 8  
 BUMPER, REAR..... 62

-C-

CAB..... 42, 43  
     ROOF..... 42, 43  
 CABLE BATTERY..... 4, 5, 10, 14  
 CAP,  
     FUEL..... 12  
     RADIATOR..... 9

CHARGE AIR COOLER..... 9

COMPRESSOR, A/C..... 6  
 CONDENSOR COIL, A/C..... 9  
 CONSOLE..... 54  
 COOLER, OIL..... 9  
 CRADLE, BOOM..... 80, 81  
 CYLINDER,  
     FOLD..... 75, 111  
     GAS..... 62  
     LEVEL..... 75, 79  
     LADDER..... 37  
     LIFT..... 74  
     STEERING..... 16, 18  
     TREAD ADJUST..... 24, 25

-D-

DECALS..... 82, 83  
 DIAGRAMS, WIRING..... 92  
 DOOR..... 50, 51  
     LATCH..... 40, 51, 62, 63  
 DRAIN COCK, AIR..... 41  
 DRIVE  
     BELT..... 5  
     DISK..... 4

-E-

ELECTRIC BALL VALVE..... 68, 69  
 ELECTRICAL BOX..... 59  
     ENGINE..... 60  
     ENGINE..... 4, 5  
     HOOD..... 62, 63  
     SKID..... 8

-F-

FAN..... 5  
     SPACER..... 5  
 FILTER,  
     AIR CLEANER..... 10  
     CAB..... 42  
     FUEL..... 4  
     HYDRAULIC..... 13  
     MINDER..... 10  
     OIL..... 5, 13  
     FLASHER..... 58, 62  
     FLOW METER..... 69  
     FOLD CYLINDER..... 75, 78  
     FUEL,  
         CAP..... 12  
         SENDER..... 12  
         TANK..... 12

-G-  
 GAUGE, SOLUTION.....74  
 GLASS.....72,43

-H-

HANDBAIL.....38  
 HEADLINER.....44  
 HEATER TUBE.....29  
 HOOD, ENGINE.....62,63  
 HOSE, A/C.....8  
 HOSING,  
 SOLUTION.....70  
 HUB, TORQUE.....17,19,21,23  
 HYDRAULIC,  
 FILTER.....13  
 LEVER.....55  
 MANIFOLD.....30,31,32,33  
 SCHEMATIC.....86  
 TANK.....13  
 TUBE.....28,29  
 VALVE.....30,34,36  
 HYDROSTATIC PUMP.....7

-I-

IGNITION SWITCH.....49

-L-

LADDER.....37  
 CYLINDER.....37  
 PIVOT ARM.....37  
 LEG.....16,18,20,22  
 LEVEL CYLINDER.....75,79  
 LEVER,  
 HYDROSTATIC.....55  
 QUICK ATTACH.....73  
 LIFT CYLINDER.....74  
 LIFTARM.....74  
 LIGHT.....28,42,43,80,81  
 LINE STRAINER.....64,66  
 LIQUID LEVEL SWITCH.....13

-M-

MDM DISPLAY.....44  
 MIRROR.....42,43  
 MONITOR, SPRAYER.....52

MOTOR,  
 STEERING.....48  
 WHEEL.....17,19,21,23  
 MOUNT, RUBBER.....8,43  
 MUFFLER.....11

-N-

NOZZLE,  
 BODY.....71  
 MOUNT TUBE.....75

-O-

OIL COOLER.....9  
 OIL FILTER.....5,13

-P-

PANEL,  
 BATTERY BOX.....9  
 SWITCH.....53  
 PLATFORM, SERVICE.....38  
 PRESSURE GAUGE.....74  
 PRESSURE TRANSDUCER.....30,33  
 PUMP,  
 HYDRAULIC.....4  
 HYDROSTATIC.....7  
 SOLUTION.....67

-R-

RADIATOR.....9  
 BRACE.....8  
 CAP.....9  
 HOSE.....5  
 RADIO.....44  
 RINSE TANK.....64  
 RUBBER  
 MOUNT.....8,9,43  
 SPRING.....16,18,20,22

-S-

SCHEMATIC, HYDRAULIC.....86  
 SEAT.....45,46  
 SENDER, FUEL.....12  
 SENDER, WATER LEVEL.....9  
 SERVICE PLATFORM.....38  
 SHEET METAL.....63  
 SHIELD, WHEEL MOTOR...17,19,21,23  
 SIGHT GAUGE, OIL.....13  
 SKID, ENGINE.....8  
 SMV SIGN.....62



SOLUTION	
HOSTING.....	70
PUMP.....	67
TANK.....	65,66
VALVE.....	34,66
SPACER, FAN.....	5
SPEAKER.....	44
SPRAY MONITOR.....	52
SPRING,	
AIRRIDE.....	16, 18, 20, 22
SOLUTION TANK.....	65, 66
STARTER.....	5
STEERING,	
ARM.....	16, 48, 20, 22
COLUMN.....	49
CYLINDER.....	16, 18
MOTOR.....	48
STRAINER, LINE.....	66
SWITCH,	
A/C BINARY.....	8
IGNITION.....	49
LIQUID LEVEL.....	13
PANEL.....	53

-T-

TAILLIGHT.....	62
TANK	
AIR.....	40, 41
FUEL.....	12
HYDRAULIC.....	13
RINSE.....	64
SOLUTION.....	65, 66
TERMINAL BLOCK.....	56
TIRE.....	15
TORQUE HUB.....	17, 19, 21, 23
TRANSOM.....	75
TREAD ADJUST	
CYLINDER.....	24, 25
VALVE.....	34, 35
TUBE,	
A/C.....	29
HEATER.....	29
HYDRAULIC.....	28, 29

-V-

VALVE,	
AIR.....	16, 18, 20, 22
BALL.....	66
BOOM.....	72

ELECTRIC BALL.....	64, 68, 69
HYDRAULIC.....	34, 36
SOLUTION.....	34, 66
TREAD ADJUST.....	26, 27

-W-

WATER LEVEL SENSOR.....	9
WHEELMOTOR.....	17, 19, 21, 23
SHIELD.....	17, 19, 21, 23
WIRING DIAGRAM.....	92

# Notes:



