



**PARTS MANUAL  
FOR  
HAGIE STS NITROGEN TOOLBAR**

**HAGIE MANUFACTURING COMPANY**

721 CENTRAL AVENUE WEST  
BOX 273  
CLARION, IOWA 50525-0273

COVERS TOOLBAR SERIAL NUMBERS:

02-15 493616  
03-15, 05-15,  
03-17

U80031515001-100  
U80041515001-100  
U80011515001-100  
U80021515001-100  
U80071515001-100

To obtain the most current parts manual for your machine, please visit [www.hagiehelp.com](http://www.hagiehelp.com).

© 2015-17 Hagie Manufacturing Company. Clarion, Iowa USA

## NITROGEN TOOLBAR IDENTIFICATION

Each Hagie toolbar is identified by means of a frame serial number. This serial number denotes the model, the year in which it was built, and the number of the toolbar. To ensure prompt, efficient service when ordering parts or requesting service repairs from Hagie Manufacturing Company, record the serial number in the space provided below.

**NOTE:** Reference to left hand and right hand used throughout this manual refers to the position when seated in the operator's seat facing forward.

*This manual is not intended to be a complete guide for machine maintenance and repairs. If you are not properly trained to perform service on this machine, contact Hagie Customer Support for assistance. Improper maintenance or repair may result in property damage, personal injury, or death.*

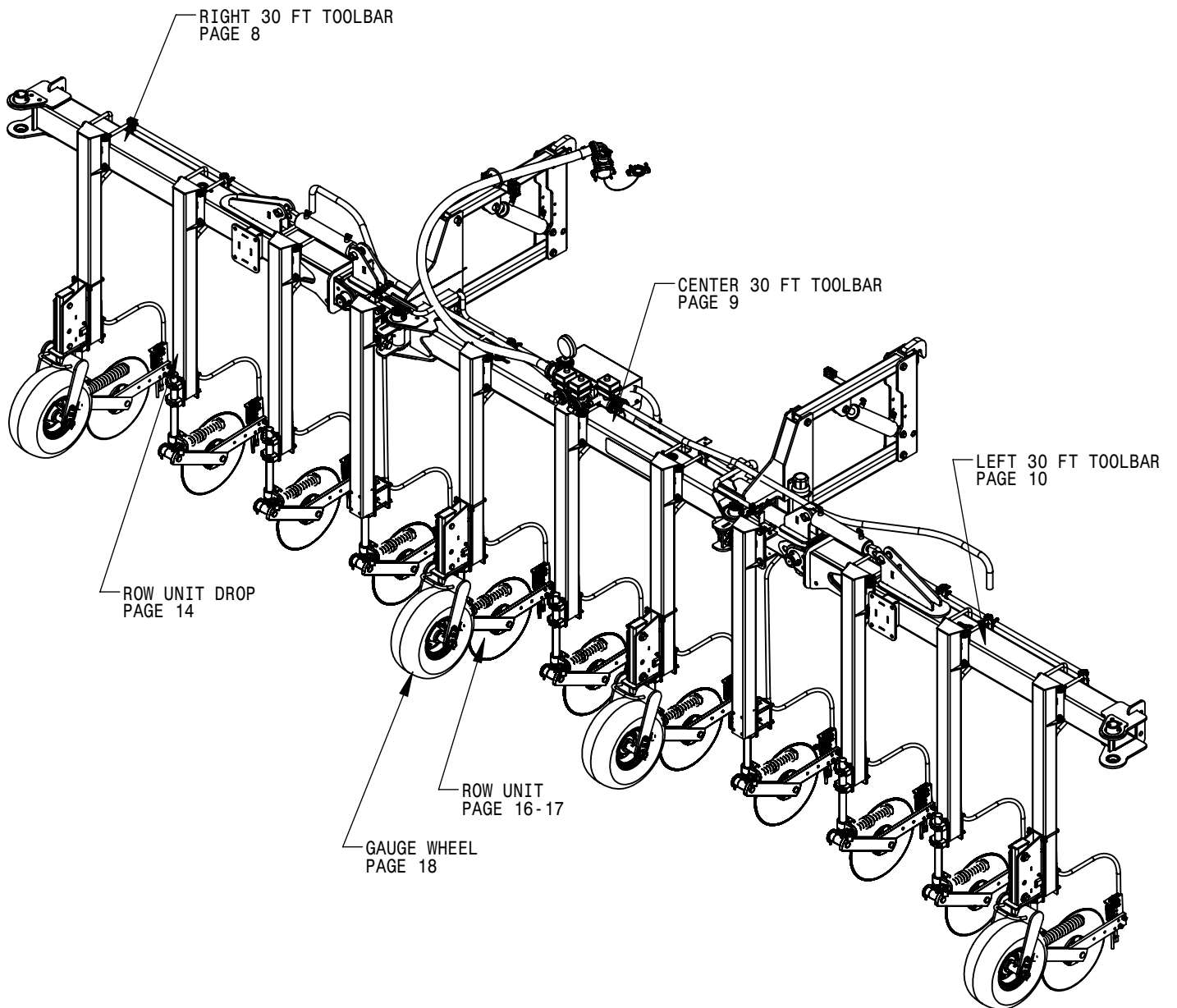
NITROGEN TOOLBAR SERIAL NUMBER

---

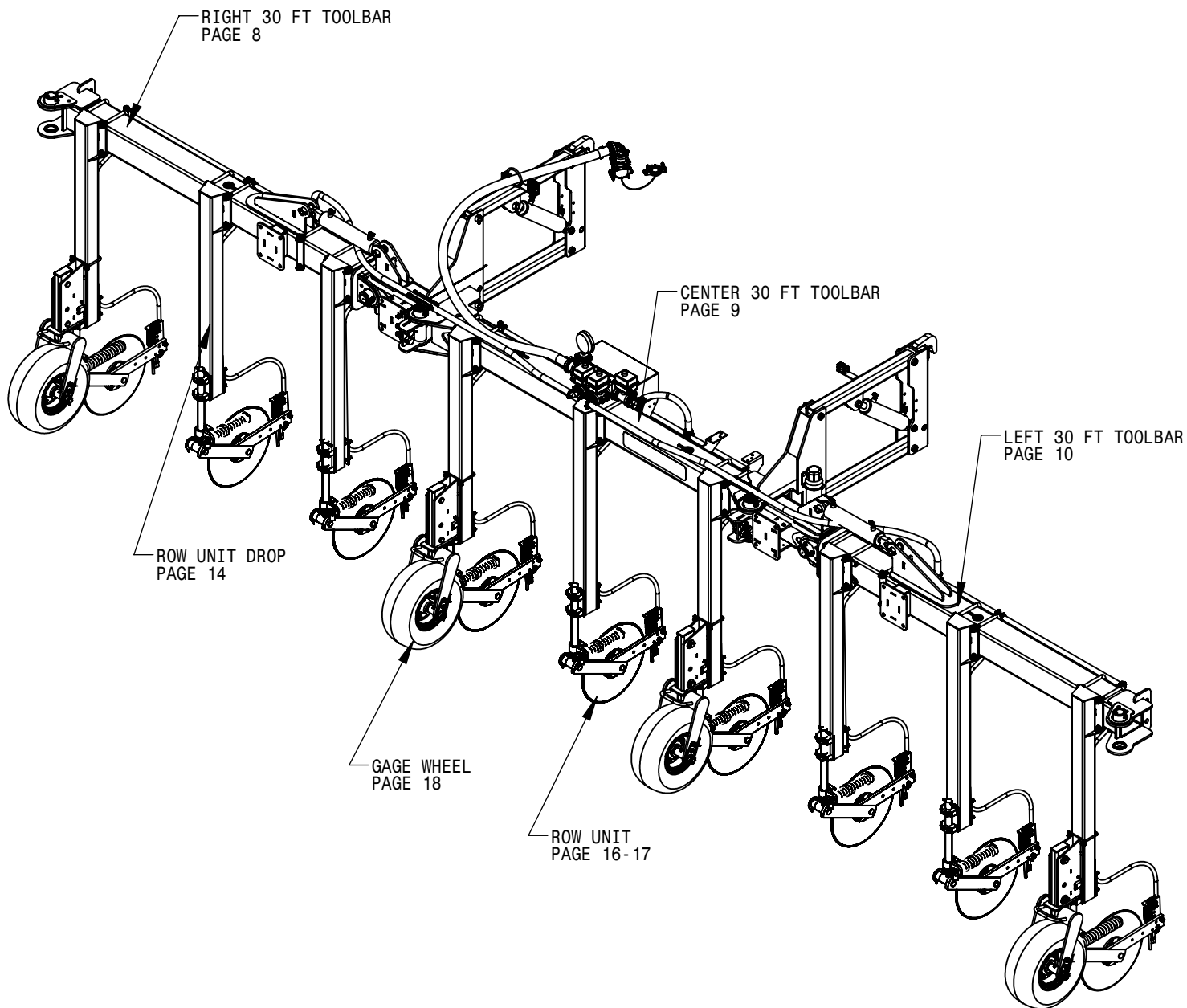
## TABLE OF CONTENTS

TOOLBAR ASSEMBLY 30-40 FT . . . . .	4-13
ROW UNIT DROP ASSEMBLY 30-40 FT. . . . .	14
BUMPER ASSEMBLY 30-40 FT . . . . .	15
COULTER ASSEMBLY 30-40 FT. . . . .	16-17
GAUGE WHEEL 30-40 FT . . . . .	18
FOAMER DROP AND HOSE ASSEMBLY 30-40 FT . . . . .	19-20
RETRO PACKS 30-40 FT . . . . .	21-30
CONTROL VALVE ASSEMBLY 30 FT. . . . .	31-32
CONTROL VALVE ASSEMBLY 40 FT. . . . .	33-34
SOLUTION CONTROL VALVE ASSEMBLY 30-40 FT. . . . .	35-37
SOLUTION HOSING 30-40 FT . . . . .	38-41
TOOLBAR ASSEMBLY 60 FT . . . . .	42-47
GAUGE WHEEL 60 FT . . . . .	48
COULTER ASSEMBLY 60 FT . . . . .	49
HYDRAULIC VALVE 60FT. . . . .	50
HYDRAULIC HOSING 60 FT. . . . .	51
ELECTRICAL WIRING 60 FT . . . . .	52
SOLUTION VALVE ASSEMBLY 60 FT . . . . .	53
SOLUTION HOSING 60 FT. . . . .	54
HYDRAULIC DIAGRAM 30-40 FT. . . . .	56-67
WIRING DIAGRAM 30-40 FT. . . . .	68-73

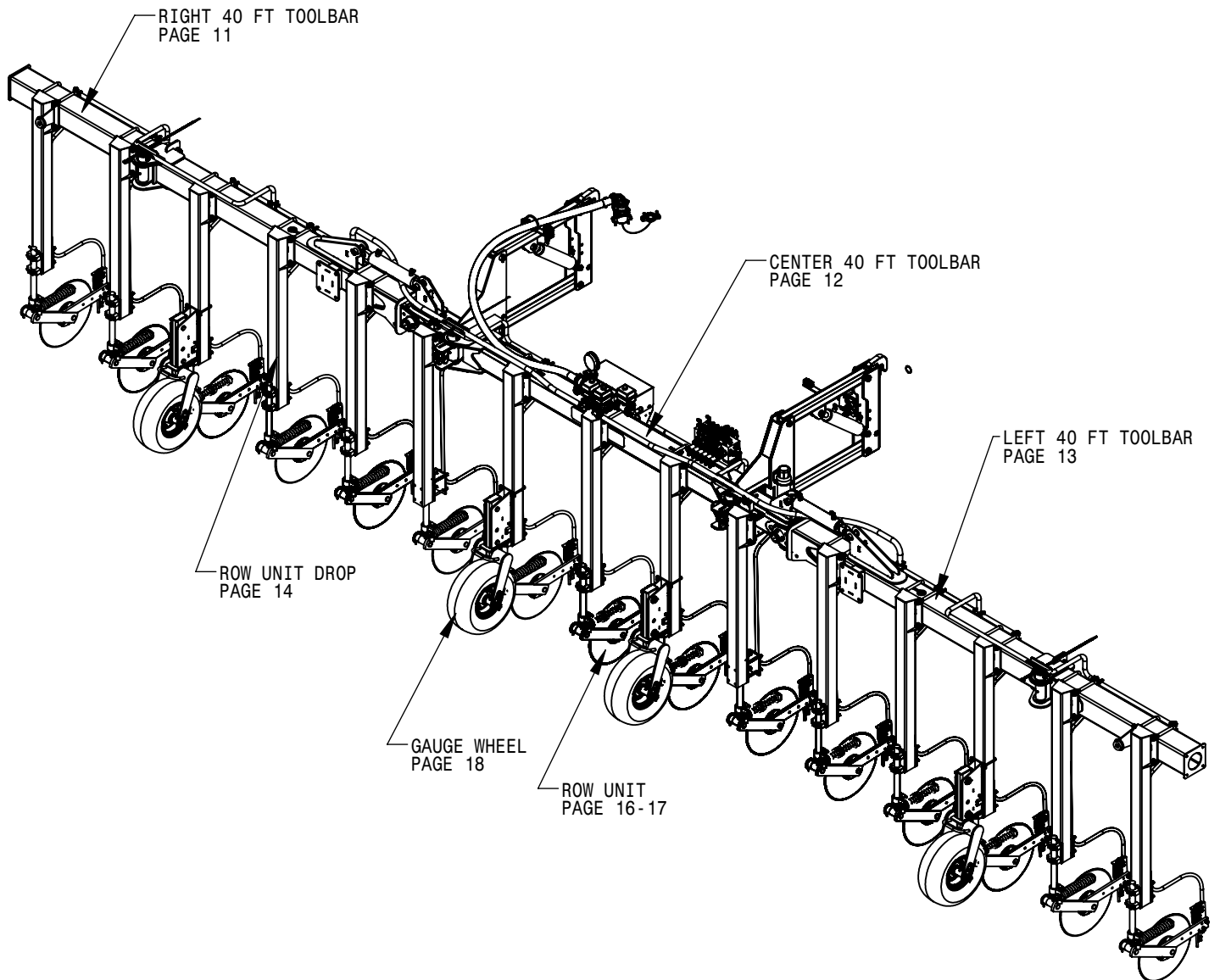
30 FT TOOLBAR  
12 ROW 30" SPACING



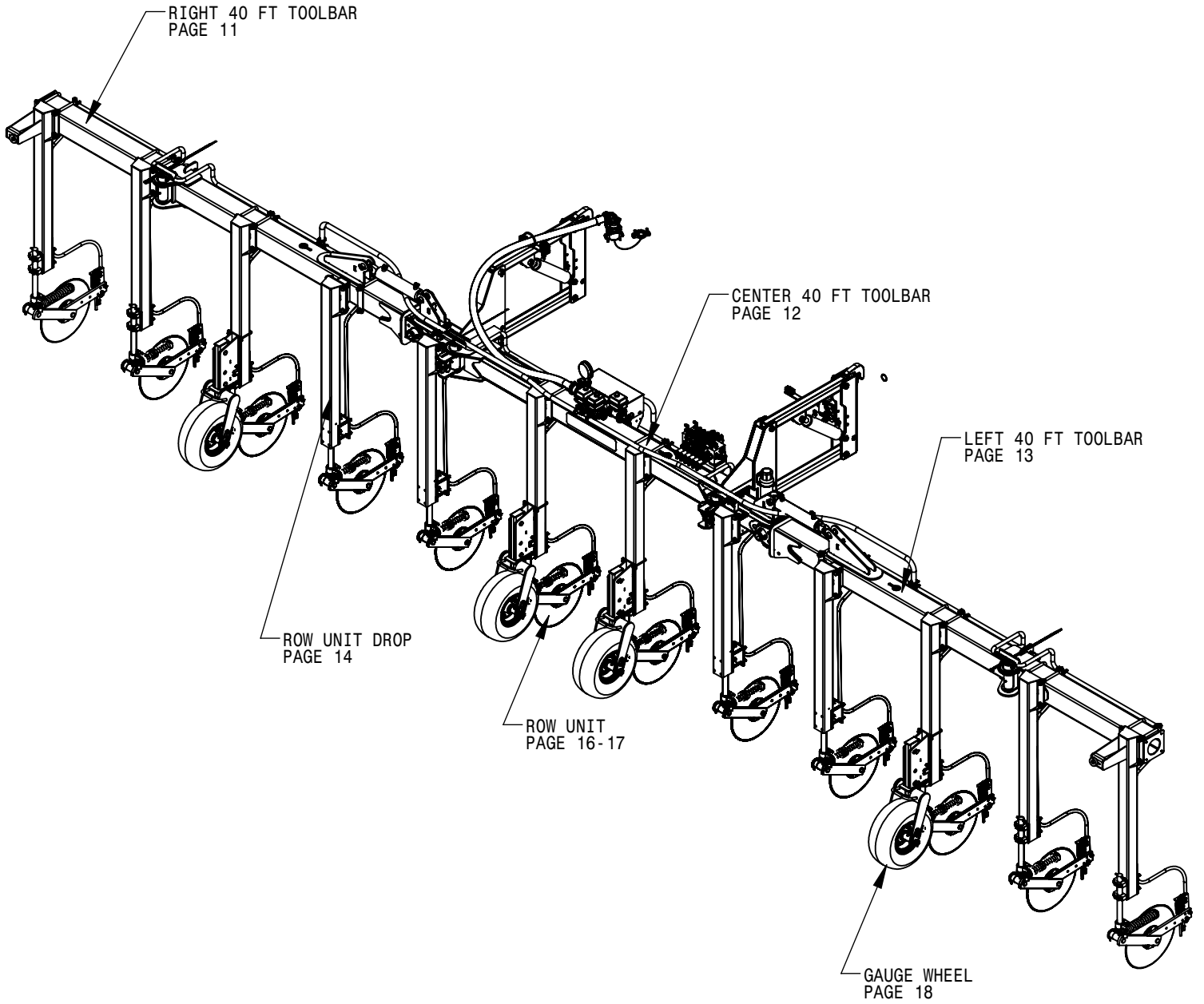
30 FT TOOLBAR  
18 ROW SKIP 20" SPACING

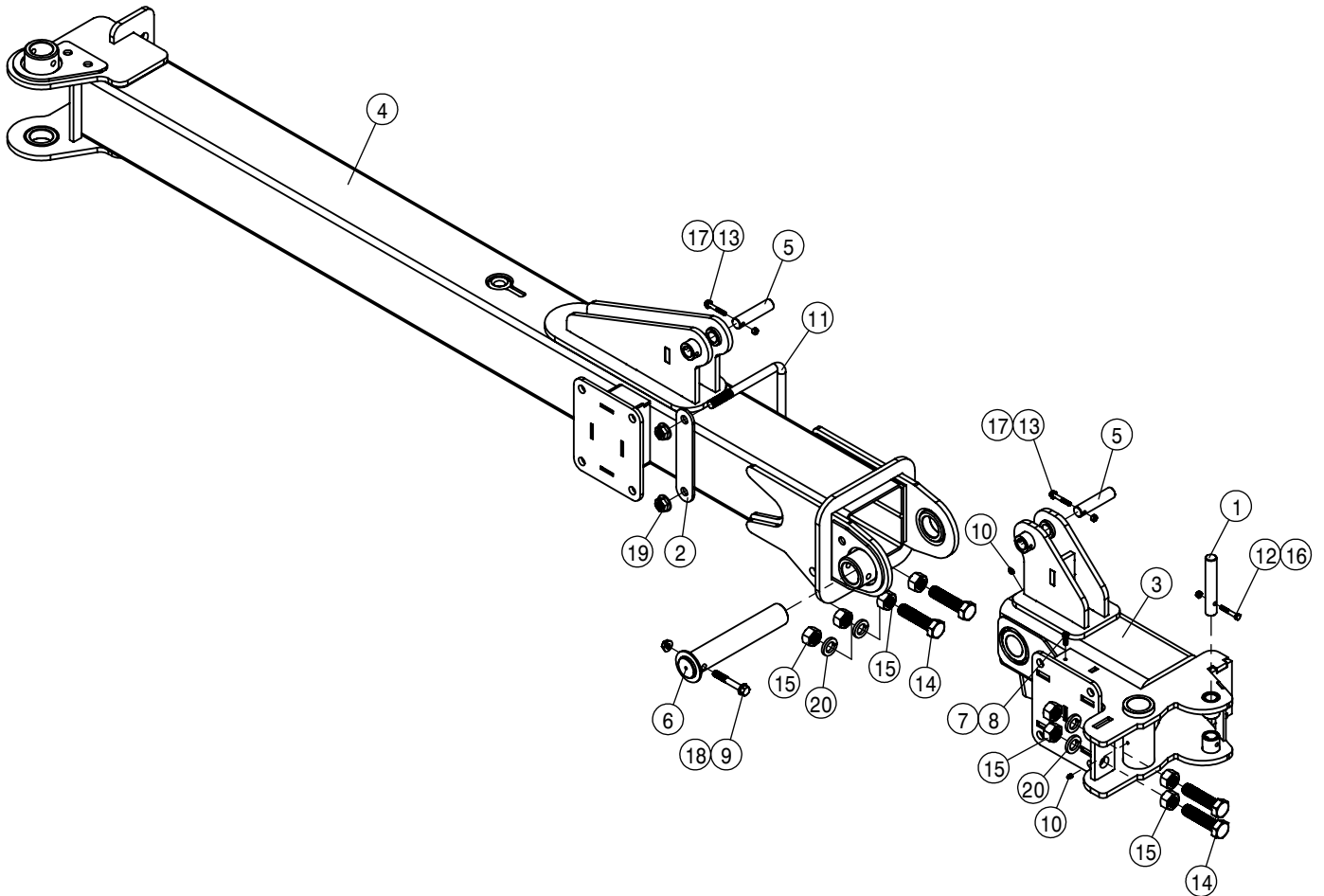


40 FT TOOLBAR  
16 ROW 30" SPACING



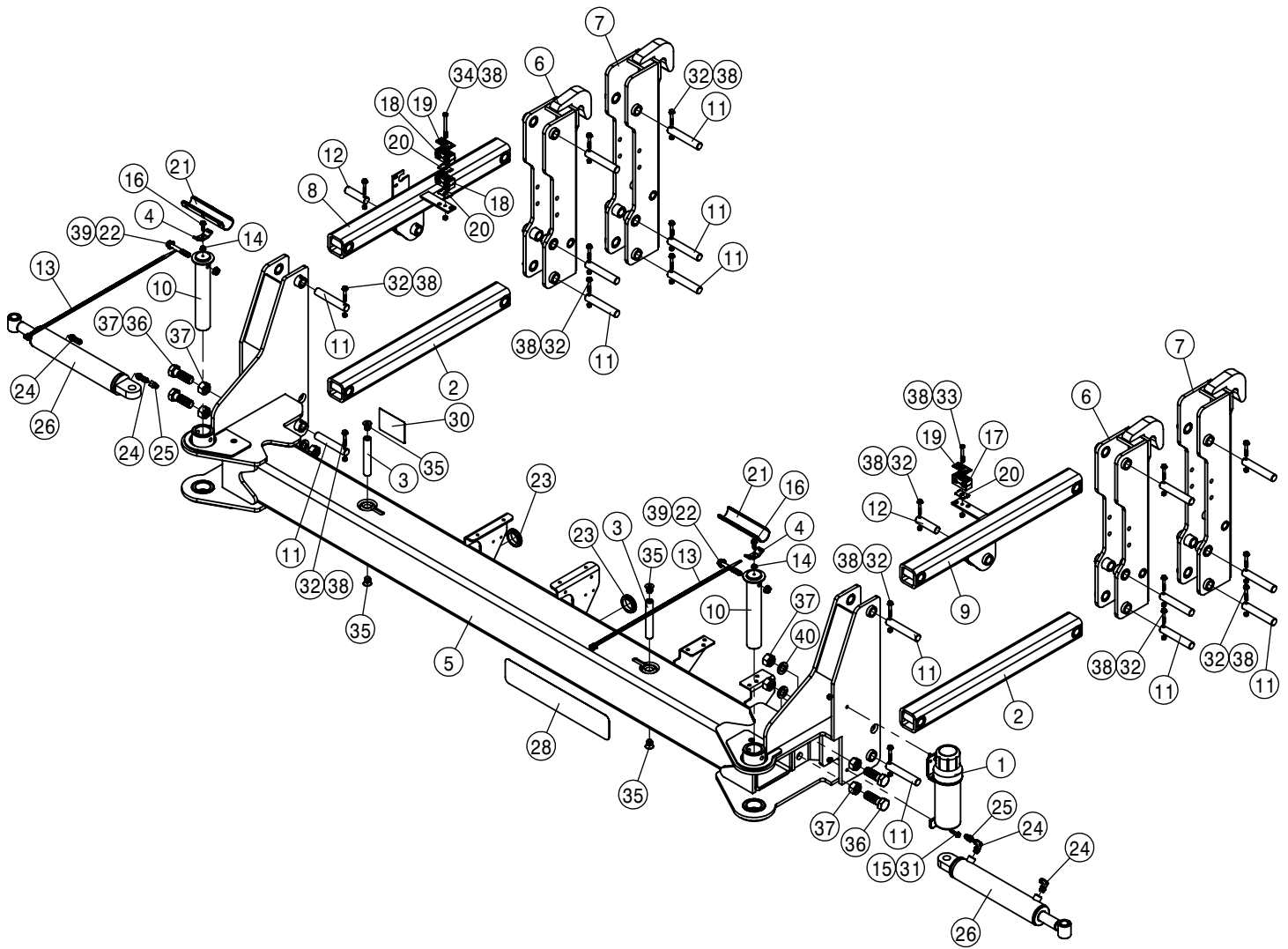
40 FT TOOLBAR  
24 ROW SKIP 20" SPACING





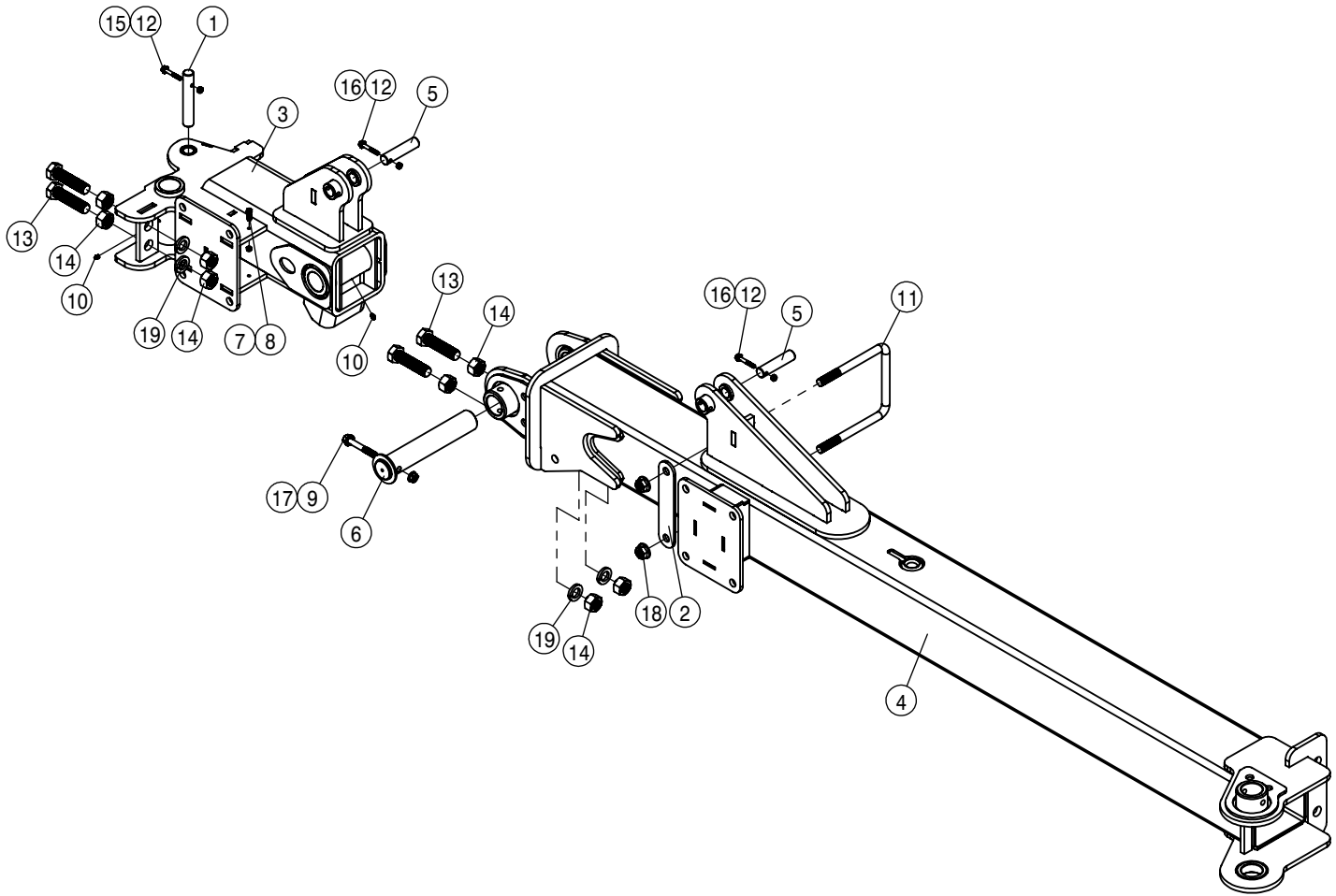
RIGHT 30FT TOOLBAR ASSEMBLY			
DET	QTY	P/N	DESCRIPTION
1	1	439386	ARTICULATOR FLD CYL PIN,NTB' 10
2	1	439444	NTB U-BOLT MOUNT PLATE
3	1	439948	RH OUTRGR ARTICULAR WLD, NTB '13
4	1	440086	RH OUTRGR WLD NTB 13
5	2	440106	OUTRGR CYL PIN, NTB 13
6	1	440108	OUTRGR ARTIC HINGE PIN WLD, NTB 13
7	1	470089	1/4UNC HEX NYL-LOC NUT
8	1	470231N	1/4UNC X 1" SERR FLG BOLT SS
9	1	470546	1/2UNC X 3-1/2" SER FLANGE BOLT
10	2	471005	GREASE ZERK, 1/4-28 X 1/2
11	1	473981	.750UNC-7.00ID-8.50 U-BOLT SQ YZ
12	1	900069	5/16UNC X 2" HEX BOLT
13	2	900069N	5/16UNC X 2" SERR FLG BOLT SS
14	4	900536	1" UNC X 4" HEX BOLT FULL THREAD
15	8	910017	1" UNC HEX NUT
16	1	914002	5/16UNC HEX STOVER NUT
17	2	914002N	5/16UNC HEX STOVER NUT YZ
18	1	914008N	1/2UNC SMTH FLG CTR LCK NUT YZ
19	2	914012N	3/4UNC CNTLCK SM FLG HEX NUT
20	4	920508	1" LOCK WASHER



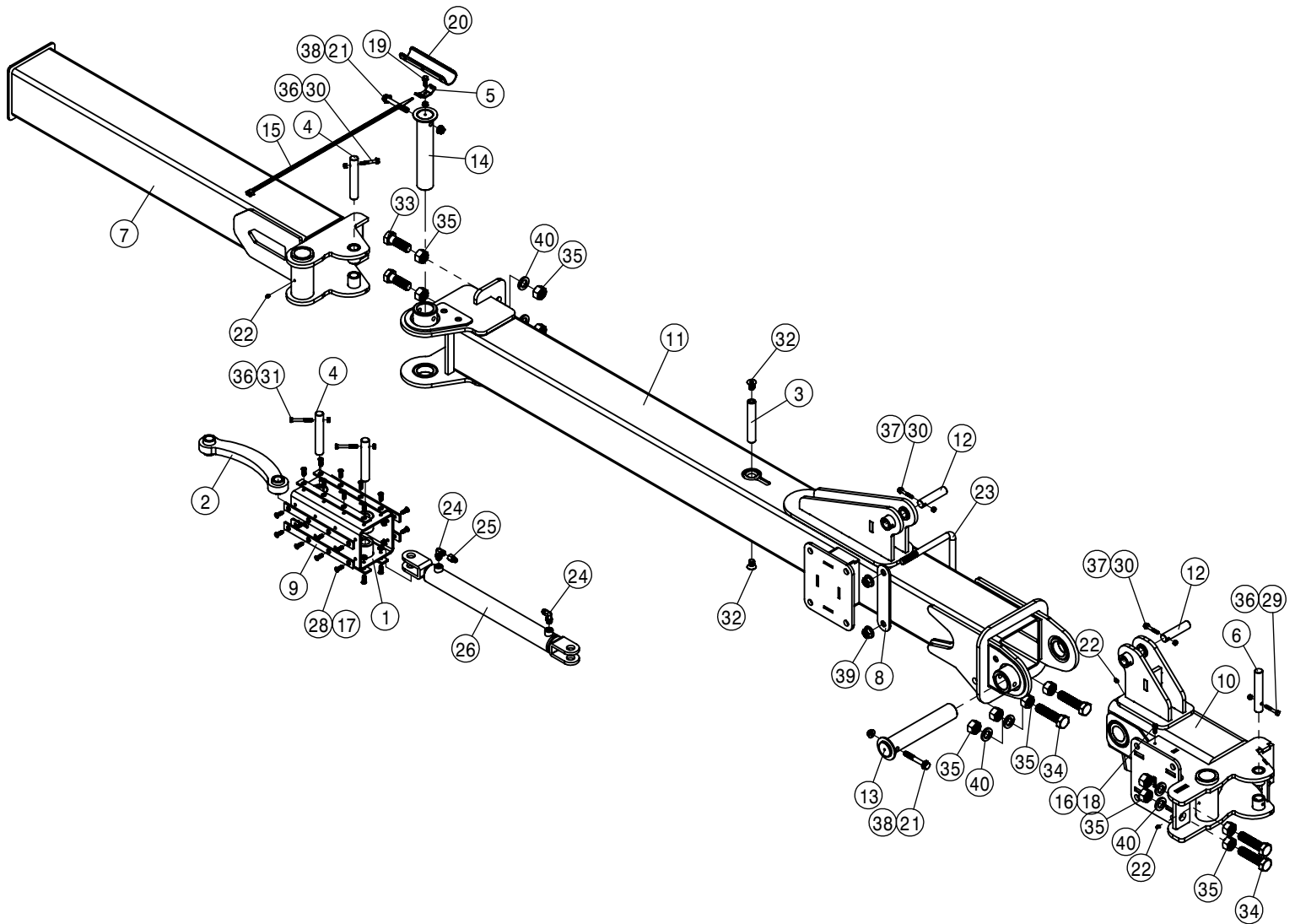


CENTER 30FT TOOLBAR ASSEMBLY			
DET	QTY	P/N	DESCRIPTION
1	1	344017	MANUAL CANISTER W/NEOPREN SEAL
2	2	439006	LWR LIFT ARM WLD, NTB STS 03
3	2	439077	OUTRGR FOLD CYL MT PIN, NTB 03
4	2	439113	HOSE RETAINER STS NTB
5	1	439945	CENTER TOOLBAR WELDMENT, NTB 13
6	2	440096	LFT ARM MT WLD, NTB 13
7	2	440097	LFT ARM MT WLD, 54 TIRE NTB 13
8	1	440102	RH UPR LIFT ARM WLD, NTB 13
9	1	440104	LH UPR LIFT ARM WLD, NTB
10	2	440108	OUTRGR ARTIC HINGE PIN WLD, NTB 13
11	16	440109	LIFT ARM PIN, NTB 13
12	2	440110	LIFT CYL PIN, NTB 13
13	2	470000	.50 X 28" CABLE TIE - UV BLACK NYLON
14	2	470113	5/16UNC SERR FLG LOCK NUT
15	2	470113N	5/16UNC SERR FLG LOCK NUT SS
16	2	470234N	5/16UNC X 1" SERR FLG BOLT SS
17	1	470274	TUBE CLAMP BODY, .750-.750
18	2	470275	TUBE CLAMP BODY, 1.00-1.000
19	2	470276	CLAMP COVER PLATE,SNGL, 2.55LG
20	3	470281	STACK BOLT SAFETY LOCK PLATE

CENTER 30FT TOOLBAR ASSEMBLY			
DET	QTY	P/N	DESCRIPTION
21	2	470369	HOSE PROTECTOR, 8" BLACK
22	2	470546	1/2UNC X 3-1/2" SER FLANGE BOLT
23	2	470552	GROMMET, 1.75ID .250GW 2.00GD
24	4	618119	9/16MJIC-90-9/16MOR LBO
25	2	618732	9/16JIC .031 ORIFICE ADPTR
26	2	621566	OUTRGR FOLD CYL, 2.50 X 11.00
NS	2	621567	REPAIR KIT, HYD CYL 621566
28	1	650450	DECAL, NTB 30'
NS	1	650451	DECAL SHEET, 30' NTB' 13
30	1	650456	DECAL, PATENTS, HAGIE NTB
31	2	900066N	5/16UNC X 1 1/4 SERR.FLG.HEX BOLT
32	18	900069N	5/16UNC X 2" SERR FLG BOLT SS
33	1	900070	5/16UNC X 2 1/2 BOLT
34	1	900075	5/16UNC X 3 3/4 HEX BOLT
35	4	900393	5/8UNC X 1" FLT SOC CAP SCR
36	4	900534	1" UNC X 3" HEX BOLT
37	8	910017	1" UNC HEX NUT
38	20	914002	5/16UNC HEX STOVER NUT
39	2	914008N	1/2UNC SMTH FLG CTR LCK NUT YZ
40	4	920508	1" LOCK WASHER

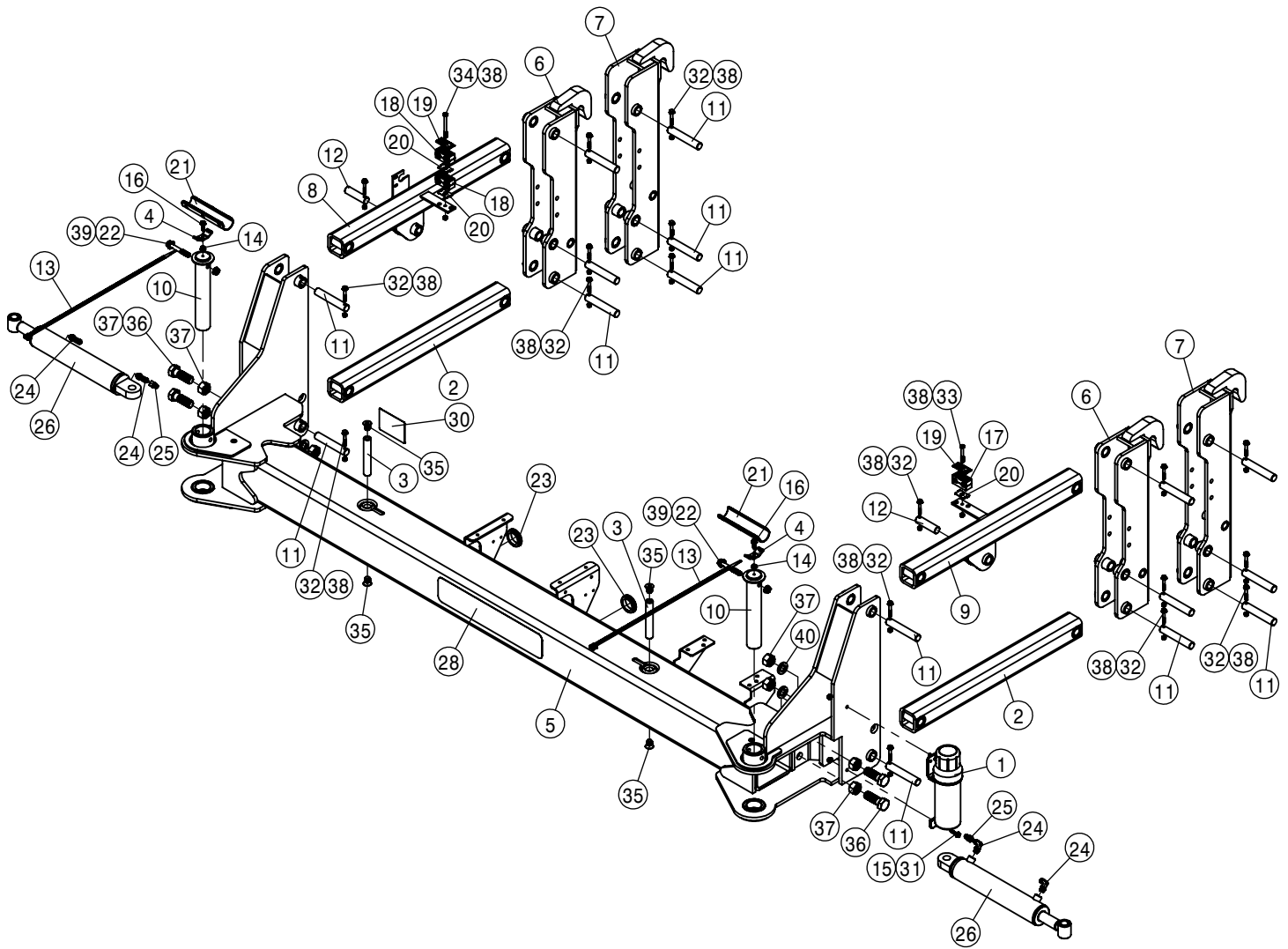


LEFT 30FT TOOLBAR ASSEMBLY			
DET	QTY	P/N	DESCRIPTION
1	1	439386	ARTICULATOR FLD CYL PIN,NTB' 10
2	1	439444	NTB U-BOLT MOUNT PLATE
3	1	439949	LH OUTRGR ARTICULAR WLD, NTB ' 12
4	1	440087	LH OUTRGR WLD NTB 13
5	2	440106	OUTRGR CYL PIN, NTB 13
6	1	440108	OUTRGR ARTIC HINGE PIN WLD, NTB 13
7	1	470089	1/4UNC HEX NYL-LOC NUT
8	1	470231N	1/4UNC X 1" SERR FLG BOLT SS
9	1	470546	1/2UNC X 3-1/2" SER FLANGE BOLT
10	2	471005	GREASE ZERK, 1/4-28 X 1/2
11	1	473981	.750UNC-7.00ID-8.50 U-BOLT SQ YZ
12	3	900069N	5/16UNC X 2" SERR FLG BOLT SS
13	4	900536	1" UNC X 4" HEX BOLT FULL THREAD
14	8	910017	1" UNC HEX NUT
15	1	914002	5/16UNC HEX STOVER NUT
16	2	914002N	5/16UNC HEX STOVER NUT YZ
17	1	914008N	1/2UNC SMTH FLG CTR LCK NUT YZ
18	2	914012N	3/4UNC CNTLCK SM FLG HEX NUT
19	4	920508	1" LOCK WASHER



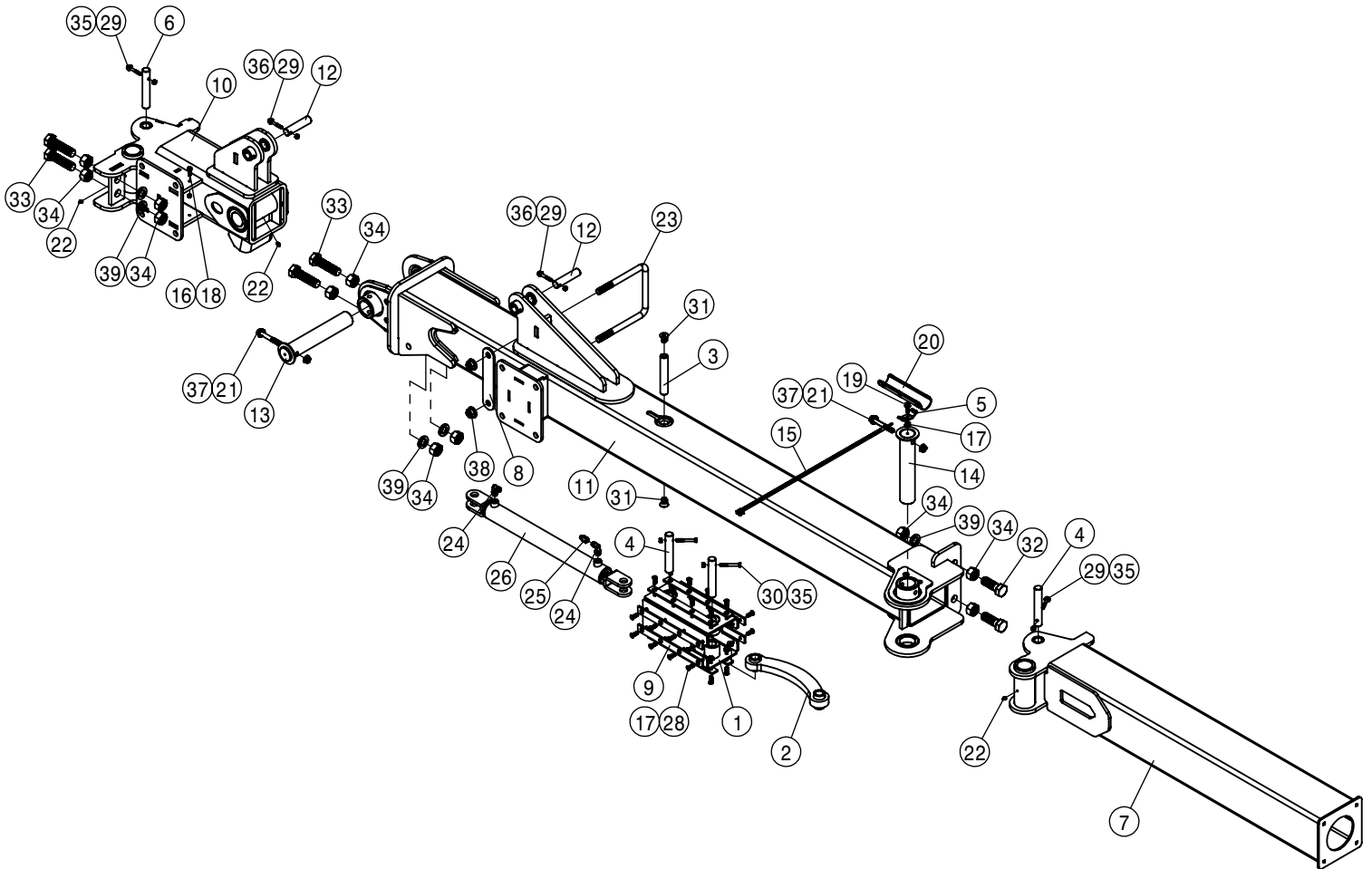
RIGHT 40FT TOOLBAR ASSEMBLY			
DET	QTY	P/N	DESCRIPTION
1	1	439054	OUTRGR EXT FOLD SLIDE WLD, NTB
2	1	439060	OUTRGR EXT FOLD ARM WLD,NTB 03
3	1	439077	OUTRGR FOLD CYL MT PIN, NTB 03
4	3	439078	ARTICULAR FOLD CYL PIN, NTB
5	1	439113	HOSE RETAINER STS NTB
6	1	439386	ARTICULATOR FLD CYL PIN,NTB' 10
7	1	439400	OUTER FOLD WELDMNT, NTB40' 12
8	1	439444	NTB U-BOLT MOUNT PLATE
9	8	439450	FOLD SIDE WEAR STRIP, 16R NTB
10	1	439948	RH OUTRGR ARTICULAR WLD, NTB ' 13
11	1	440086	RH OUTRGR WLD NTB 13
12	2	440106	OUTRGR CYL PIN, NTB 13
13	1	440108	OUTRGR ARTIC HINGE PIN WLD, NTB 13
14	1	440113	OUTRGR HINGE PIN WLD, NTB 13
15	1	470000	.50 X 28" CABLE TIE - UV BLACK NYLON
16	1	470089	1/4UNC HEX NYL-LOC NUT
17	33	470113	5/16UNC SERR FLG LOCK NUT
18	1	470231N	1/4UNC X 1" SERR FLG BOLT SS
19	1	470234N	5/16UNC X 1" SERR FLG BOLT SS
20	1	470369	HOSE PROTECTOR, 8" BLACK

RIGHT 40FT TOOLBAR ASSEMBLY			
DET	QTY	P/N	DESCRIPTION
21	2	470546	1/2UNC X 3-1/2" SER FLANGE BOLT
22	3	471005	GREASE ZERK, 1/4-28 X 1/2
23	1	473981	.750UNC-7.00ID-8.50 U-BOLT SQ YZ
24	2	618119	9/16MJIC-90-9/16MOR LBO
25	1	618732	9/16JIC .031 ORIFICE ADPTR
26	1	621568	OUTRGR FOLD CYL, 2.00 X 18
NS	2	621569	REPAIR KIT, HYD CYL 621568
28	32	900060	5/16UNC X 1" FLT SOC CAP SCR B0
29	1	900069	5/16UNC X 2" HEX BOLT
30	3	900069N	5/16UNC X 2" SERR FLG BOLT SS
31	3	900070	5/16UNC X 2 1/2 BOLT
32	2	900393	5/8UNC X 1" FLT SOC CAP SCR
33	2	900534	1" UNC X 3" HEX BOLT
34	4	900536	1" UNC X 4" HEX BOLT FULL THREAD
35	12	910017	1" UNC HEX NUT
36	5	914002	5/16UNC HEX STOVER NUT
37	2	914002N	5/16UNC HEX STOVER NUT YZ
38	3	914008N	1/2UNC SMTH FLG CTR LCK NUT YZ
39	2	914012N	3/4UNC CNTLCK SM FLG HEX NUT
40	6	920508	1" LOCK WASHER



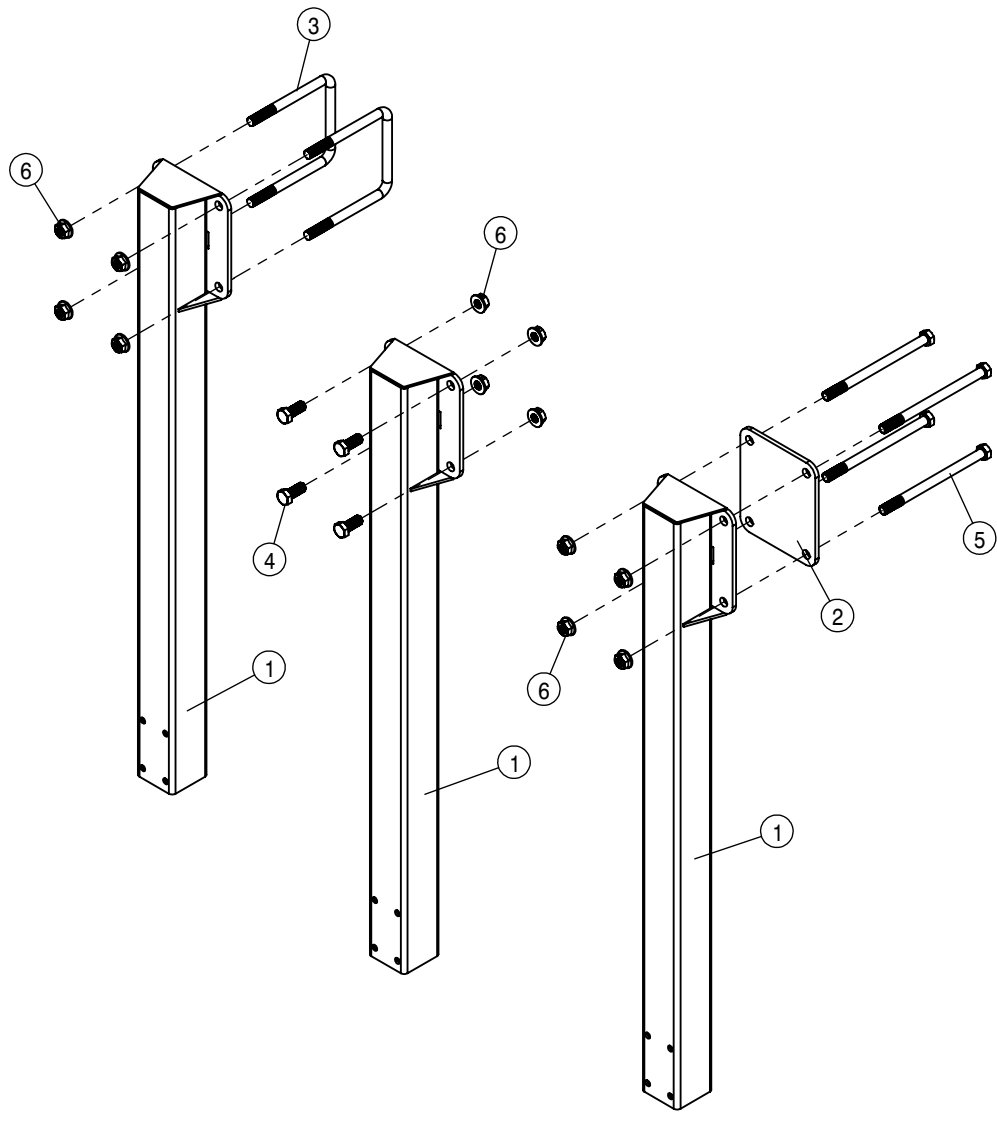
CENTER 40FT TOOLBAR ASSEMBLY			
DET	QTY	P/N	DESCRIPTION
1	1	344017	MANUAL CANISTER W/NEOPREN SEAL
2	2	439006	LWR LIFT ARM WLD, NTB STS 03
3	2	439077	OUTRGR FOLD CYL MT PIN, NTB 03
4	2	439113	HOSE RETAINER STS NTB
5	1	439945	CENTER TOOLBAR WELDMNT, NTB 13
6	2	440096	LFT ARM MT WLD, NTB 13
7	2	440097	LFT ARM MT WLD, 54 TIRE NTB 13
8	1	440102	RH UPR LIFT ARM WLD, NTB 13
9	1	440104	LH UPR LIFT ARM WLD, NTB
10	2	440108	OUTRGR ARTIC HINGE PIN WLD, NTB 13
11	16	440109	LIFT ARM PIN, NTB 13
12	2	440110	LIFT CYL PIN, NTB 13
13	2	470000	.50 X 28" CABLE TIE - UV BLACK NYLON
14	2	470113	5/16UNC SERR FLG LOCK NUT
15	2	470113N	5/16UNC SERR FLG LOCK NUT SS
16	2	470234N	5/16UNC X 1" SERR FLG BOLT SS
17	1	470274	TUBE CLAMP BODY, .750-.750
18	2	470275	TUBE CLAMP BODY, 1.00-1.000
19	2	470276	CLAMP COVER PLATE,SNGL, 2.55LG
20	3	470281	STACK BOLT SAFETY LOCK PLATE

CENTER 40FT TOOLBAR ASSEMBLY			
DET	QTY	P/N	DESCRIPTION
21	2	470369	HOSE PROTECTOR, 8" BLACK
22	2	470546	1/2UNC X 3-1/2" SER FLANGE BOLT
23	2	470552	GROMMET, 1.75ID .250GW 2.00GD
24	4	618119	9/16MJIC-90-9/16MOR LBO
25	2	618732	9/16JIC .031 ORIFICE ADPTR
26	2	621566	OUTRGR FOLD CYL, 2.50 X 11.00
NS	2	621567	REPAIR KIT, HYD CYL 621566
28	1	650449	DECAL, NTB 30'
NS	1	650452	DECAL SHEET, 40' NTB' 13
30	1	650456	DECAL, PATENTS, HAGIE NTB
31	2	900066N	5/16UNC X 1 1/4 SERR.FLG.HEX BOLT
32	18	900069N	5/16UNC X 2" SERR FLG BOLT SS
33	1	900070	5/16UNC X 2 1/2 BOLT
34	1	900075	5/16UNC X 3 3/4 HEX BOLT
35	4	900393	5/8UNC X 1" FLT SOC CAP SCR
36	4	900534	1" UNC X 3" HEX BOLT
37	8	910017	1" UNC HEX NUT
38	20	914002	5/16UNC HEX STOVER NUT
39	2	914008N	1/2UNC SMTH FLG CTR LCK NUT YZ
40	4	920508	1" LOCK WASHER

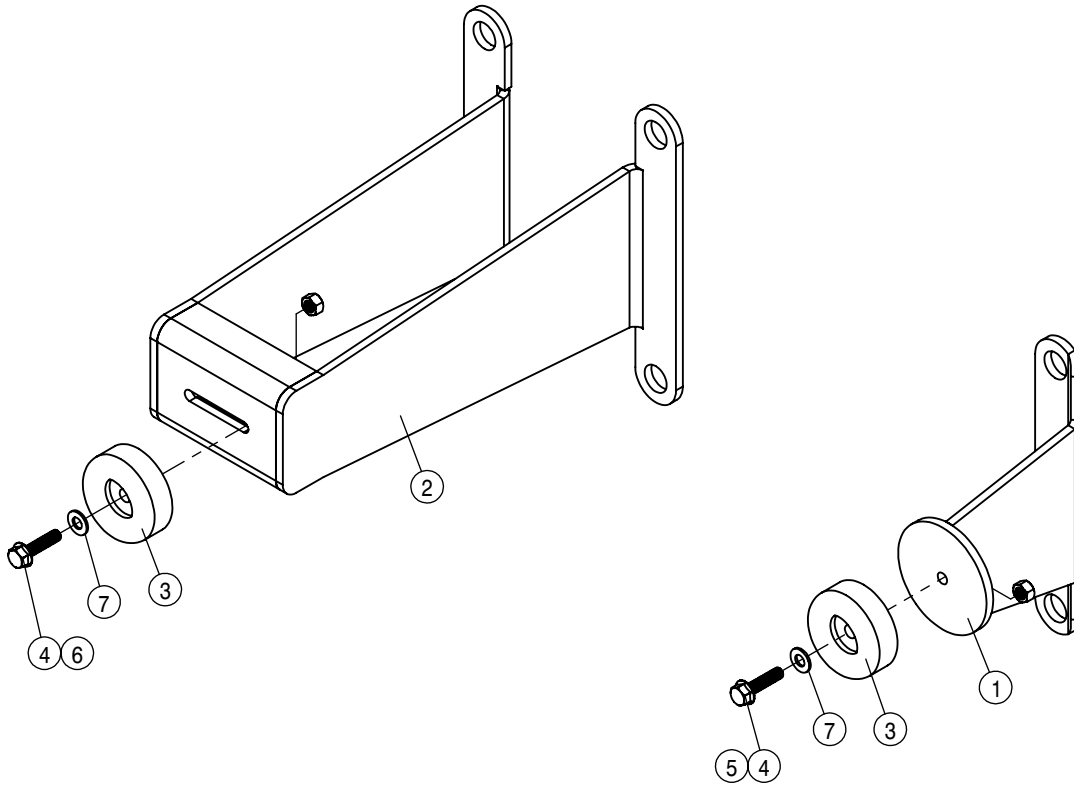


LEFT 40FT TOOLBAR ASSEMBLY			
DET	QTY	P/N	DESCRIPTION
1	1	439054	OUTRGR EXT FOLD SLIDE WLD, NTB
2	1	439060	OUTRGR EXT FOLD ARM WLD,NTB 03
3	1	439077	OUTRGR FOLD CYL MT PIN, NTB 03
4	3	439078	ARTICULAR FOLD CYL PIN, NTB
5	1	439113	HOSE RETAINER STS NTB
6	1	439386	ARTICULATOR FLD CYL PIN,NTB' 10
7	1	439400	OUTER FOLD WELDMNT, NTB40' 12
8	1	439444	NTB U-BOLT MOUNT PLATE
9	8	439450	FOLD SIDE WEAR STRIP, 16R NTB
10	1	439949	LH OUTRGR ARTICULAR WLD, NTB ' 12
11	1	440087	LH OUTRGR WLD NTB 13
12	2	440106	OUTRGR CYL PIN, NTB 13
13	1	440108	OUTRGR ARTIC HINGE PIN WLD, NTB 13
14	1	440113	OUTRGR HINGE PIN WLD, NTB 13
15	1	470000	.50 X 28" CABLE TIE - UV BLACK NYLON
16	1	470089	1/4UNC HEX NYL-LOC NUT
17	33	470113	5/16UNC SERR FLG LOCK NUT
18	1	470231N	1/4UNC X 1" SERR FLG BOLT SS
19	1	470234N	5/16UNC X 1" SERR FLG BOLT SS
20	1	470369	HOSE PROTECTOR, 8" BLACK

LEFT 40FT TOOLBAR ASSEMBLY			
DET	QTY	P/N	DESCRIPTION
21	3	470546	1/2UNC X 3-1/2" SER FLANGE BOLT
22	3	471005	GREASE ZERK, 1/4-28 X 1/2
23	1	473981	.750UNC-7.00ID-8.50 U-BOLT SQ YZ
24	2	618119	9/16MJIC-90-9/16MOR LBO
25	1	618732	9/16JIC .031 ORIFICE ADPTR
26	1	621568	OUTRGR FOLD CYL, 2.00 X 18
NS	2	621569	REPAIR KIT, HYD CYL 621568
28	32	900060	5/16UNC X 1" FLT SOC CAP SCR B0
29	4	900069N	5/16UNC X 2" SERR FLG BOLT SS
30	2	900070	5/16UNC X 2 1/2 BOLT
31	2	900393	5/8UNC X 1" FLT SOC CAP SCR
32	2	900534	1" UNC X 3" HEX BOLT
33	4	900536	1" UNC X 4" HEX BOLT FULL THREAD
34	12	910017	1" UNC HEX NUT
35	4	914002	5/16UNC HEX STOVER NUT
36	2	914002N	5/16UNC HEX STOVER NUT YZ
37	2	914008N	1/2UNC SMTH FLG CTR LCK NUT YZ
38	2	914012N	3/4UNC CNTLCK SM FLG HEX NUT
39	6	920508	1" LOCK WASHER

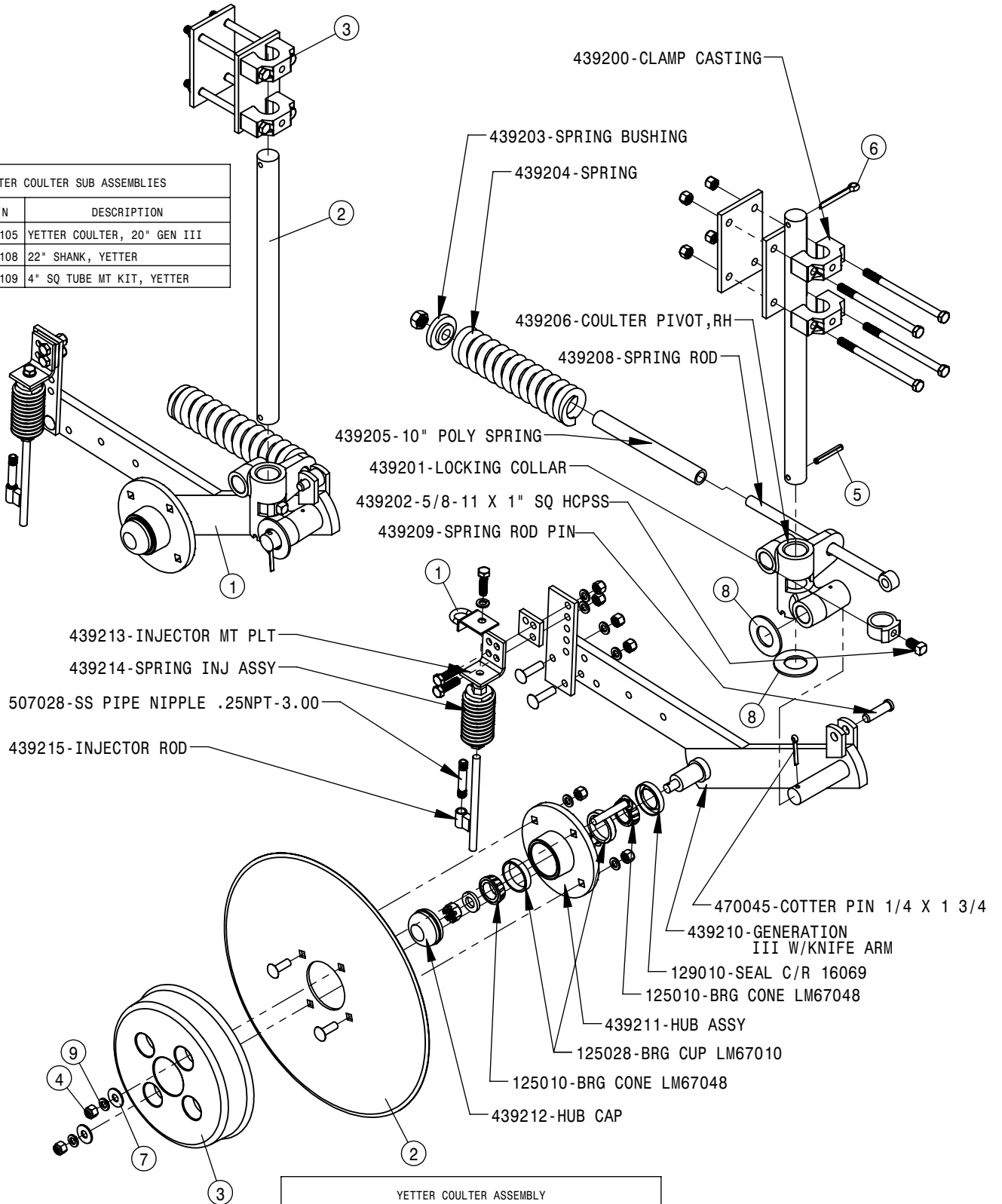


ROW UNIT DROP ASSEMBLY			
DET	QTY	P/N	DESCRIPTION
1	3	439080	ROW DROP WLD, NTB STS 03
2	1	439082	ROW DROP MT PLATE, NTB STS 03
3	2	473981	.750UNC-7.00ID-8.50 U-BOLT SQ YZ
4	4	900402	3/4UNC X 1 3/4 HEX BOLT
5	4	900422	3/4UNC X 11.00" HEX BOLT
6	12	914012N	3/4UNC CNTLCK SM FLG HEX NUT



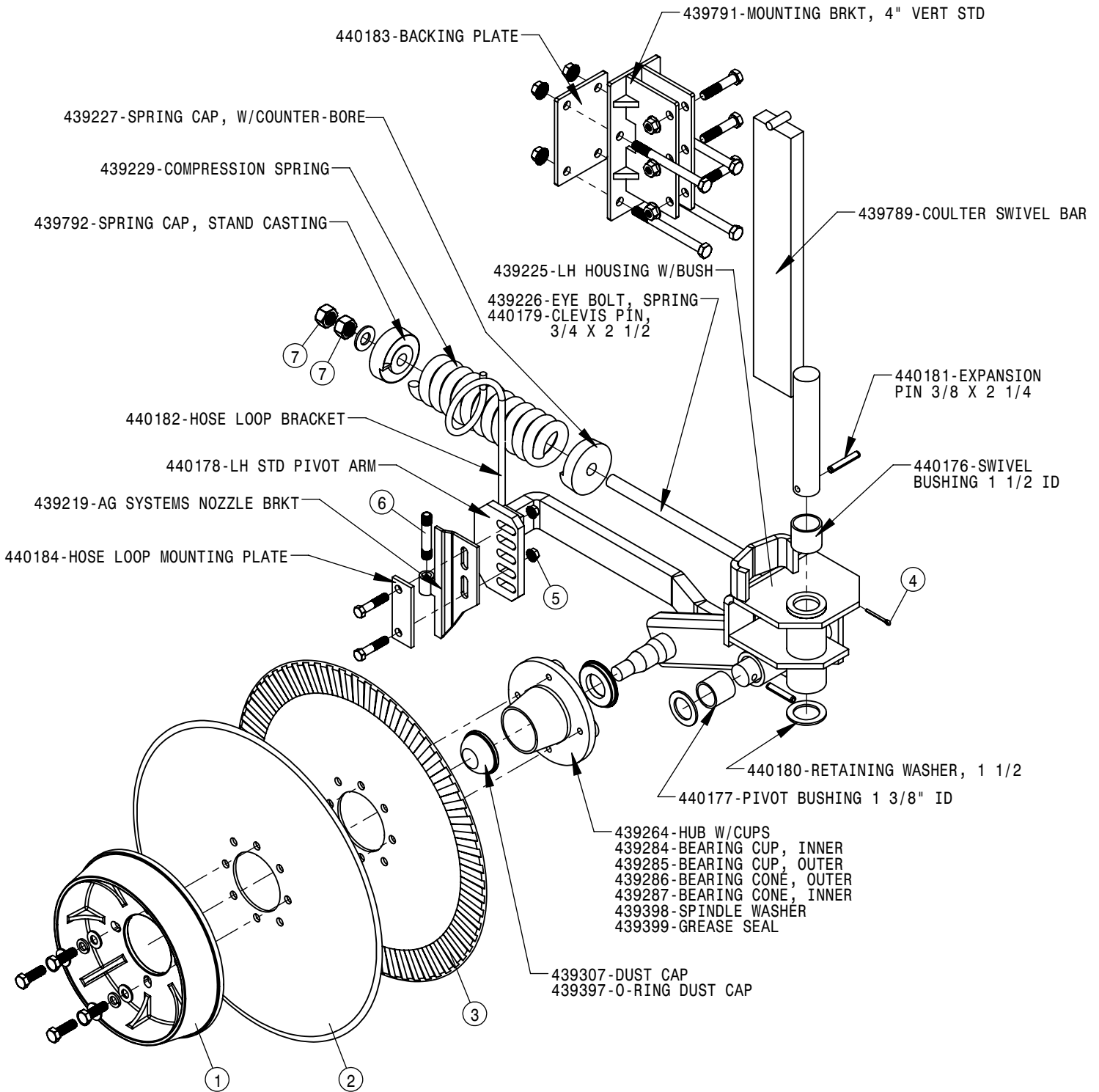
BUMPER ASSEMBLY			
DET	QTY	P/N	DESCRIPTION
1	1	439110	RUBBER BUMPER MT WLD, NTB 03
2	1	439117	RUBBER BUMPER MT EXT WLD,NTB
3	2	470098	RUBBER BUMPER 2.500 OD X .375 ID
4	2	900066N	5/16UNC X 1 1/4 SERR.FLG.HEX BOLT
5	1	914002	5/16UNC HEX STOVER NUT
6	1	914002N	5/16UNC HEX STOVER NUT YZ
7	2	920001N	5/16 SAE FLAT WASHER SS

YETTER COULTER SUB ASSEMBLIES			
DET	QTY	P/N	DESCRIPTION
1	1	439105	YETTER COULTER, 20" GEN III
2	1	439108	22" SHANK, YETTER
3	1	439109	4" SQ TUBE MT KIT, YETTER

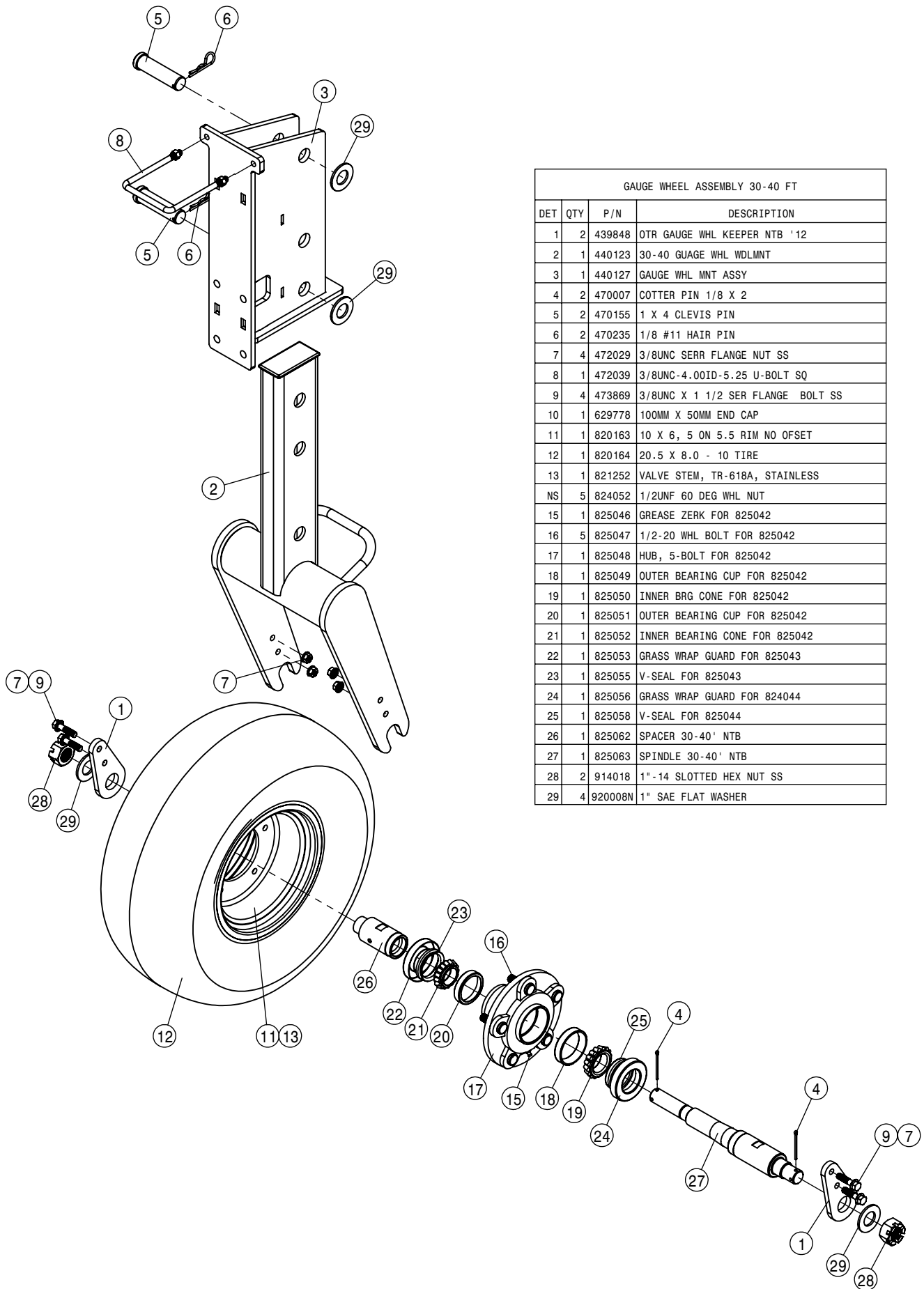


YETTER COULTER ASSEMBLY			
DET	QTY	P/N	DESCRIPTION
1	1	439092	HOSE RETAINER WLD, 1" NTB
2	1	439106	20" SMOOTH BLADE, YETTER
3	1	439107	POLY GAUGE WHEEL, YETTER
4	4	473007	1/2UNC HEX NUT, NYLOC
5	1	473937	ROLL PIN, 3/8DIA X 2 1/2
6	1	475013	COTTER PIN 3/8 X 2 1/2
7	2	483041	1/2 REGULAR FLAT WASHER
8	1	920013	1 1/2 SAE FLAT WASHER
9	4	920504	1/2 LOCK WASHER



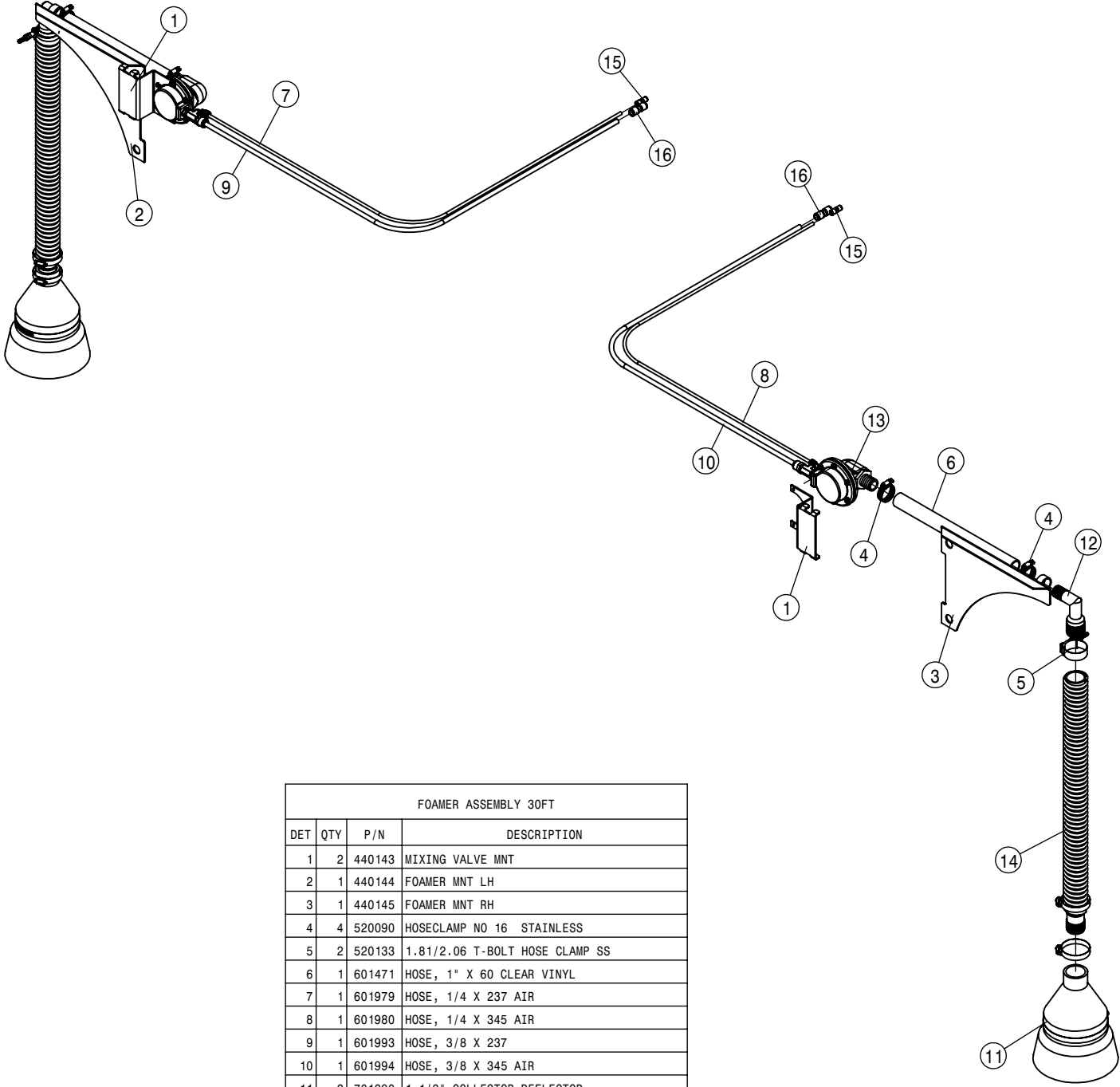


AG SYSTEM COULTER ASSEMBLY			
DET	QTY	P/N	DESCRIPTION
1	1	439224	DEPTH WHEEL
2	1	439790	COULTER BLADE, 20" SMOOTH
3	1	440081	COULTER BLADE, 20" FLUTED
4	1	470035	COTTER PIN 5/32 1 3/4 LG
5	2	470087	3/8UNC HEX SERR FLANGE NUT
6	1	507028	SS PIPE NIPPLE .25NPT-3.00
7	2	910012	3/4UNC HEX NUT



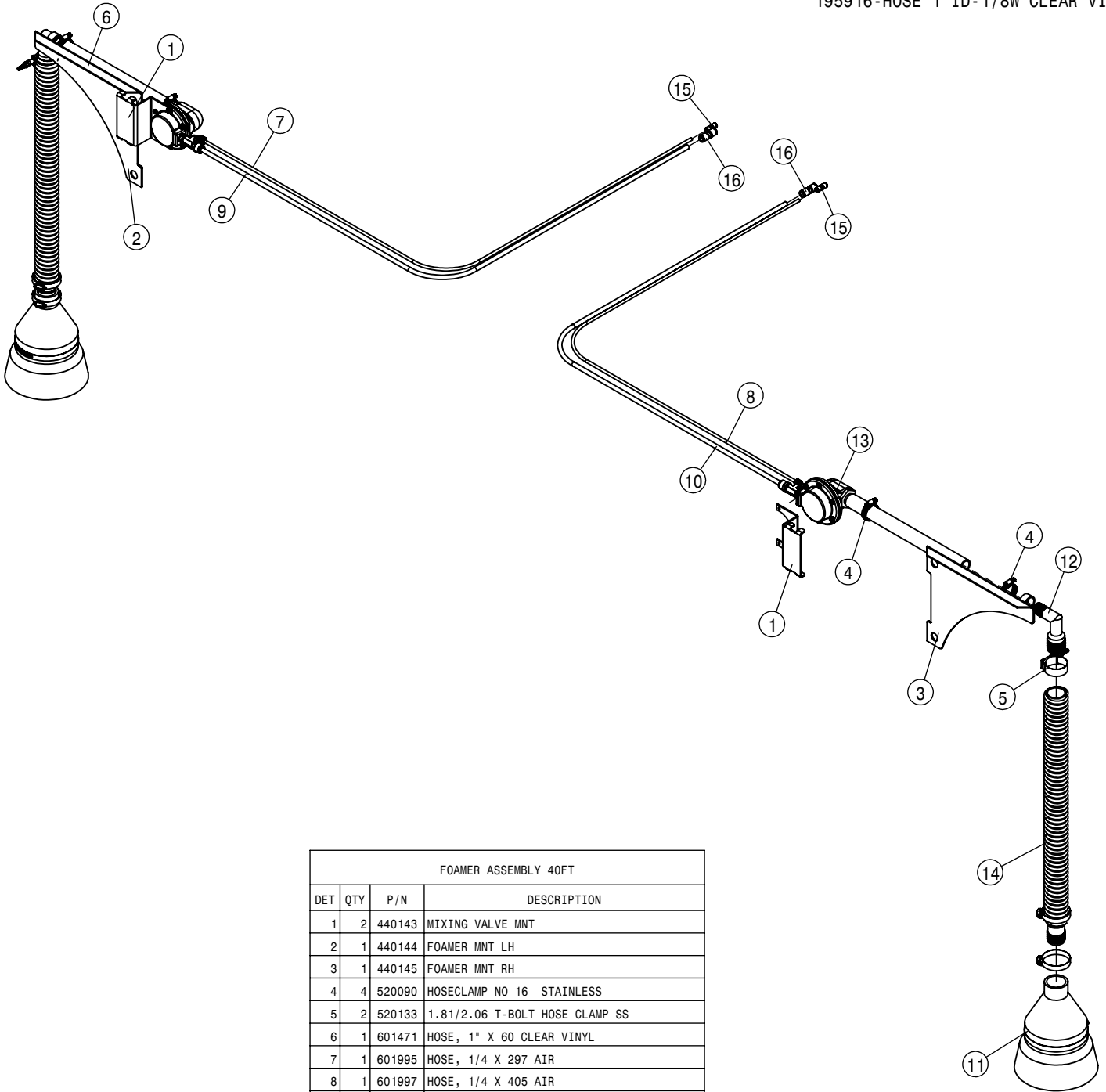
GAUGE WHEEL ASSEMBLY 30-40 FT			
DET	QTY	P/N	DESCRIPTION
1	2	439848	OTR GAUGE WHL KEEPER NTB '12
2	1	440123	30-40 GAUGE WHL WDMNT
3	1	440127	GAUGE WHL MNT ASSY
4	2	470007	COTTER PIN 1/8 X 2
5	2	470155	1 X 4 CLEVIS PIN
6	2	470235	1/8 #11 HAIR PIN
7	4	472029	3/8UNC SERR FLANGE NUT SS
8	1	472039	3/8UNC-4.00ID-5.25 U-BOLT SQ
9	4	473869	3/8UNC X 1 1/2 SER FLANGE BOLT SS
10	1	629778	100MM X 50MM END CAP
11	1	820163	10 X 6, 5 ON 5.5 RIM NO OFSET
12	1	820164	20.5 X 8.0 - 10 TIRE
13	1	821252	VALVE STEM, TR-618A, STAINLESS
NS	5	824052	1/2UNF 60 DEG WHL NUT
15	1	825046	GREASE ZERK FOR 825042
16	5	825047	1/2-20 WHL BOLT FOR 825042
17	1	825048	HUB, 5-BOLT FOR 825042
18	1	825049	OUTER BEARING CUP FOR 825042
19	1	825050	INNER BRG CONE FOR 825042
20	1	825051	OUTER BEARING CUP FOR 825042
21	1	825052	INNER BEARING CONE FOR 825042
22	1	825053	GRASS WRAP GUARD FOR 825043
23	1	825055	V-SEAL FOR 825043
24	1	825056	GRASS WRAP GUARD FOR 824044
25	1	825058	V-SEAL FOR 825044
26	1	825062	SPACER 30-40' NTB
27	1	825063	SPINDLE 30-40' NTB
28	2	914018	1"-14 SLOTTED HEX NUT SS
29	4	920008N	1" SAE FLAT WASHER

BULK HOSE  
 195906-1/40D AIR BRAKE TUBING  
 195915-3/80D AIR BRAKE TUBING  
 195916-HOSE 1"ID-1/8W CLEAR VINYL

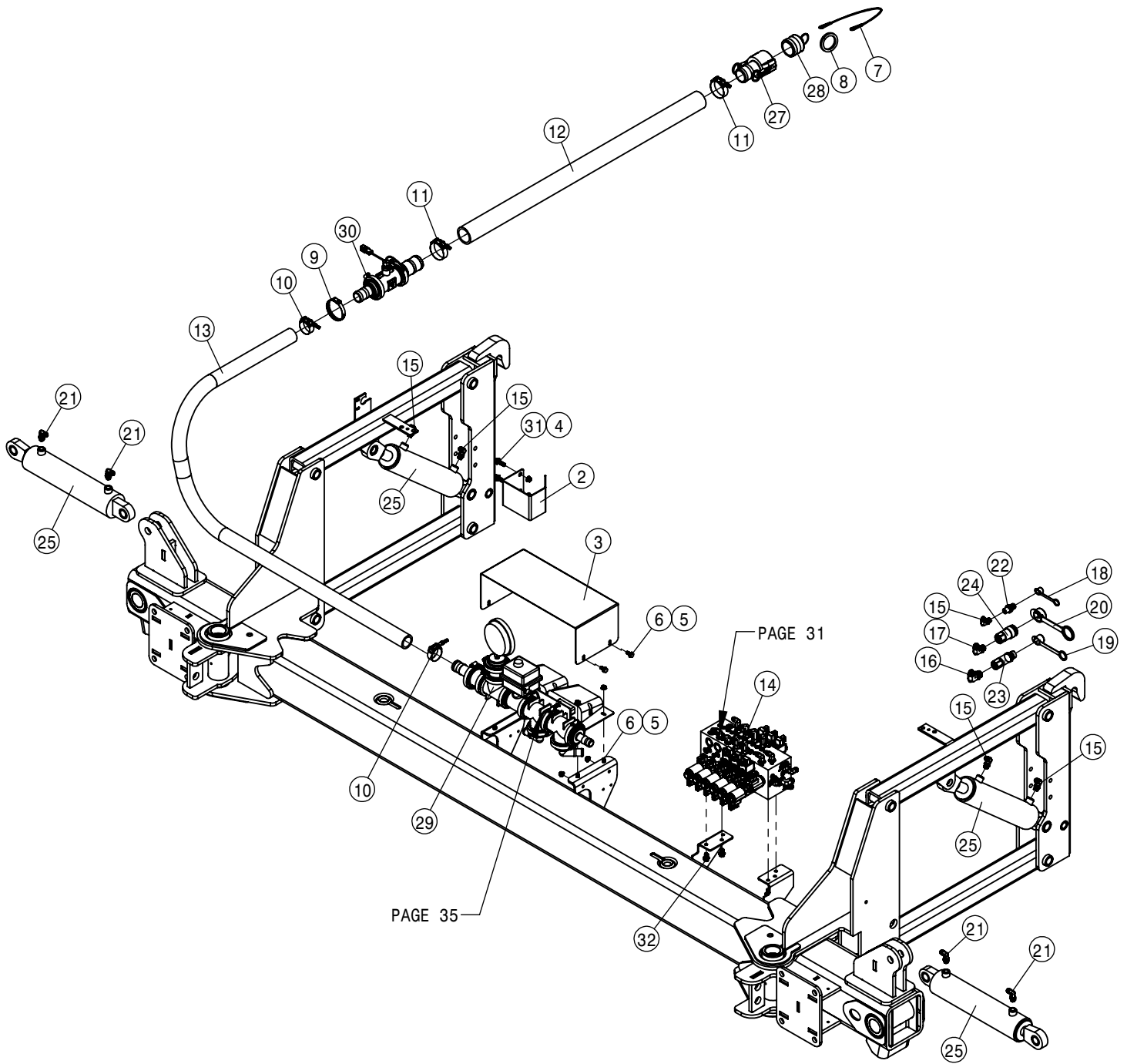


FOAMER ASSEMBLY 30FT			
DET	QTY	P/N	DESCRIPTION
1	2	440143	MIXING VALVE MNT
2	1	440144	FOAMER MNT LH
3	1	440145	FOAMER MNT RH
4	4	520090	HOSECLAMP NO 16 STAINLESS
5	2	520133	1.81/2.06 T-BOLT HOSE CLAMP SS
6	1	601471	HOSE, 1" X 60 CLEAR VINYL
7	1	601979	HOSE, 1/4 X 237 AIR
8	1	601980	HOSE, 1/4 X 345 AIR
9	1	601993	HOSE, 3/8 X 237
10	1	601994	HOSE, 3/8 X 345 AIR
11	2	701290	1 1/2" COLLECTOR DEFLECTOR
12	2	701291	1" X 1.5" BOOM END ELBOW
13	2	701298	RICHWAY FOAMHEAD ASSEMBLY
14	2	701334	2' DROP HOSE 1 1/2"
15	2	711054	1/4 NYL TUBE UNION, STRAIGHT
16	2	711055	3/8 NYL TUBE UNION, STRAIGHT

BULK HOSE  
 195906-1/40D AIR BRAKE TUBING  
 195915-3/80D AIR BRAKE TUBING  
 195916-HOSE 1"ID-1/8W CLEAR VINYL

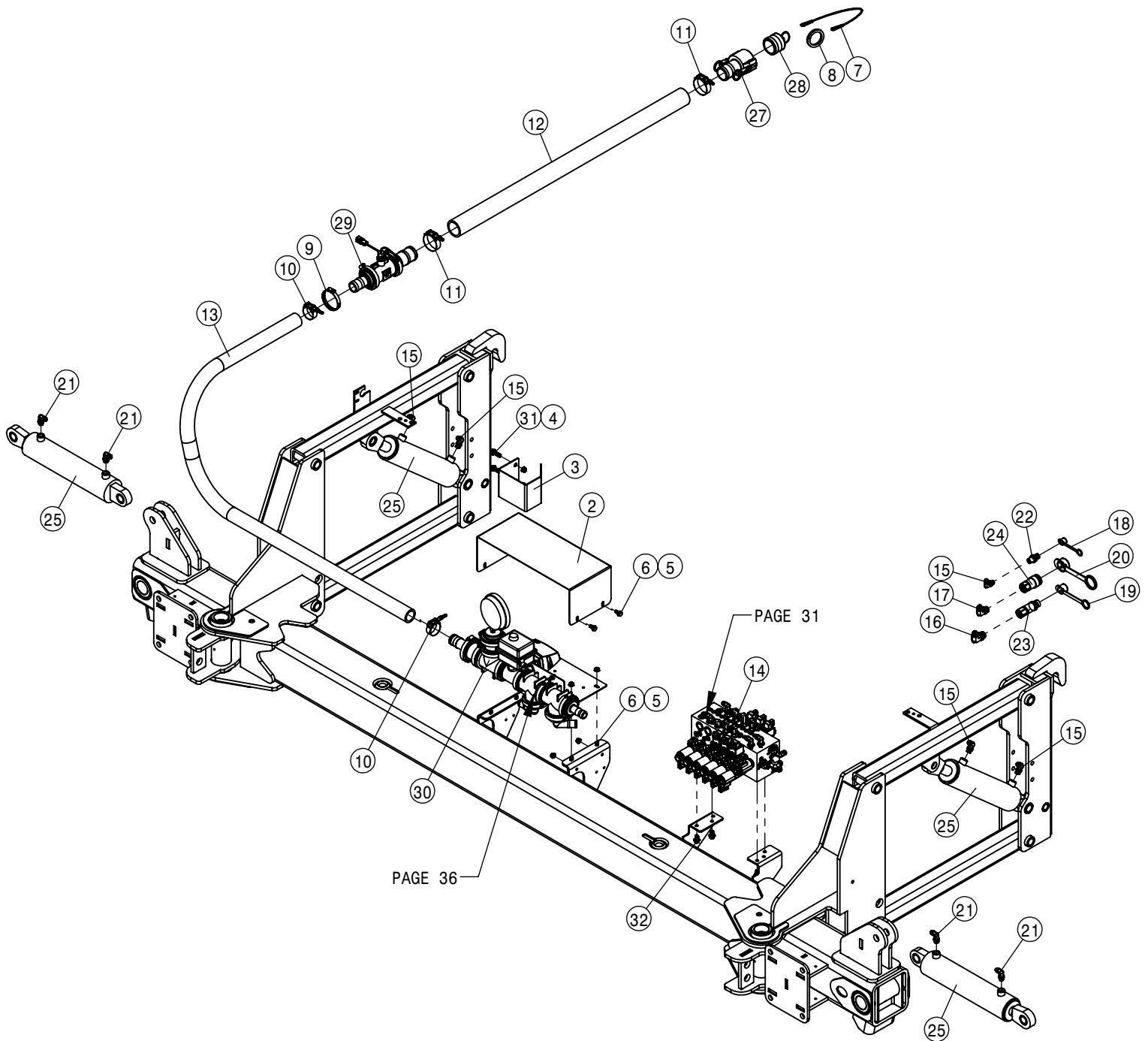


FOAMER ASSEMBLY 40FT			
DET	QTY	P/N	DESCRIPTION
1	2	440143	MIXING VALVE MNT
2	1	440144	FOAMER MNT LH
3	1	440145	FOAMER MNT RH
4	4	520090	HOSECLAMP NO 16 STAINLESS
5	2	520133	1.81/2.06 T-BOLT HOSE CLAMP SS
6	1	601471	HOSE, 1" X 60 CLEAR VINYL
7	1	601995	HOSE, 1/4 X 297 AIR
8	1	601997	HOSE, 1/4 X 405 AIR
9	1	602001	HOSE, 3/8 X 297 AIR
10	1	602002	HOSE, 3/8 X 405 AIR
11	2	701290	1 1/2" COLLECTOR DEFLECTOR
12	2	701291	1" X 1.5" BOOM END ELBOW
13	2	701298	RICHWAY FOAMHEAD ASSEMBLY
14	2	701334	2' DROP HOSE 1 1/2"
15	2	711054	1/4 NYL TUBE UNION, STRAIGHT
16	2	711055	3/8 NYL TUBE UNION, STRAIGHT



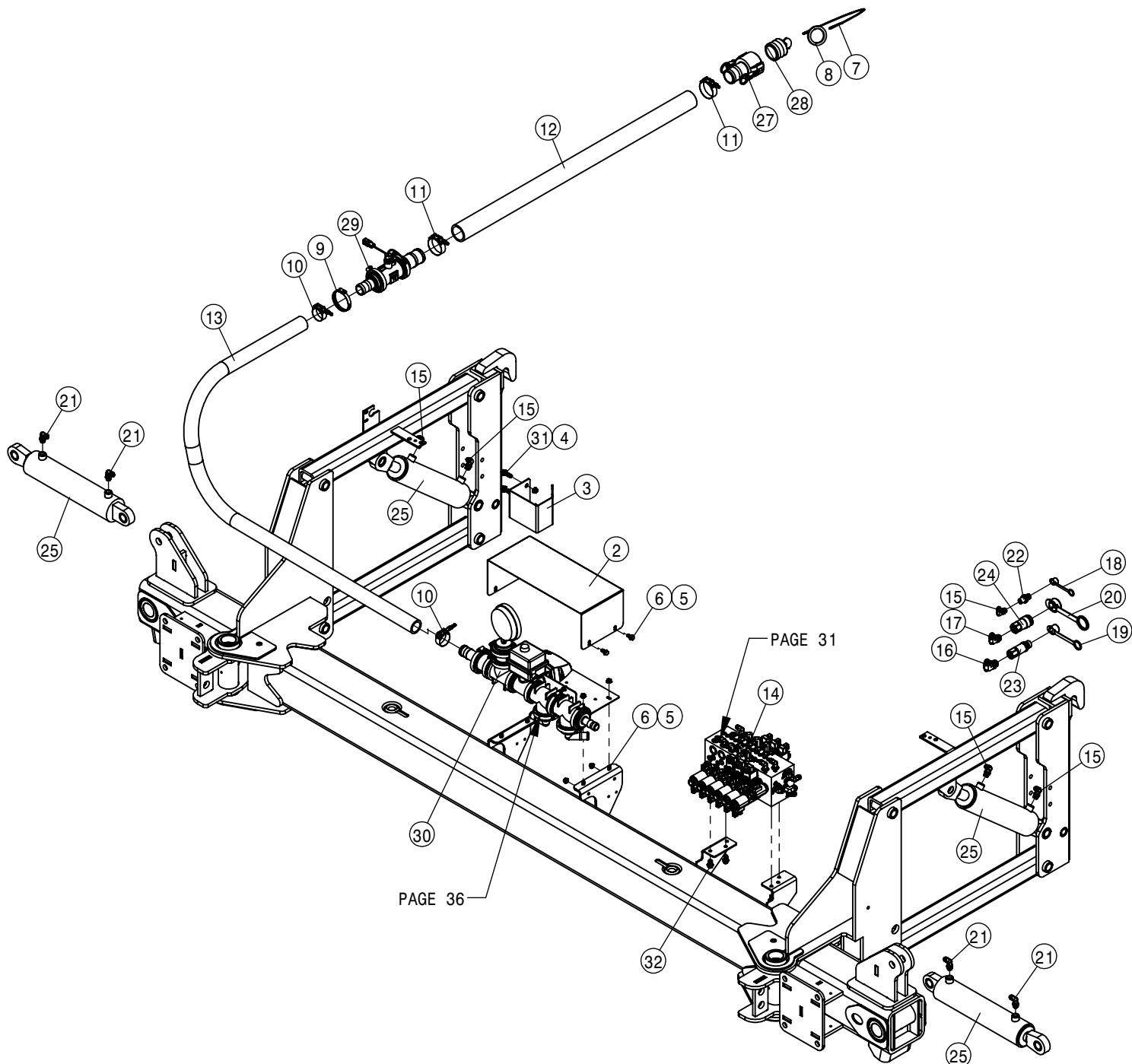
RETRO PACK 30FT TOOLBAR 2007-2009			
DET	QTY	P/N	DESCRIPTION
NS	1	293818	NTB HARNESS, STS 05
2	1	439104	RECEPT QUICK ATTACH BRKT, NTB 05
3	1	439195	ELECT CTRL BOX COVER, NTB 05
4	2	470087	3/8UNC HEX SERR FLANGE NUT
5	8	470113	5/16UNC SERR FLG LOCK NUT
6	8	470233	5/16UNC X 3/4 SERR FLG HEX BOLT
7	1	470322	LANYARD 8" NYLON LOOP/LOOP
8	1	500231	2"FP FLANGE GASKET,EXTRA THICK
9	1	520099	HOSE CLAMP NO 40 STAINLESS
10	2	520133	1.81/2.06 T-BOLT HOSE CLAMP SS
11	2	520141	2.31/2.62 T-BOLT HOSE CLAMP SS
12	1	601584	HOSE, 2 X 45 2F-1W EDPM
13	1	601585	HOSE, 1 1/2 X 77 2F-1W EDPM
14	1	615004	NTB CTRL VLV ASSY,12R30'STS 07
15	5	618119	9/16MJIC-90-9/16MOR LBO
16	1	618183	3/4MJIC-90-7/8MOR LBO

RETRO PACK 30FT TOOLBAR 2007-2009			
DET	QTY	P/N	DESCRIPTION
17	1	618241	3/4MJIC-90-3/4MOR LBO
18	1	618255	DUST CAP/PLUG FOR 618804/805
19	1	618256	DUST CAP FOR 618806
20	1	618257	DUST PLUG FOR 618807
21	4	618689	9/16MOR-90-9/16MJ .042 CHK VLV
22	1	618804	HYD QUICK CPLR, MALE 1/4B, 9/16FOR
23	1	618806	HYD QUICK CPLR, MALE 1/2B, 7/8FOR
24	1	618807	HYD QUICK CPLR, FEM 1/2B, 3/4FOR
25	4	621153	3.00 X 11.00 X 1.38 LEVEL CYL.
NS	4	621559	REPAIR KIT, HYD CYL 621558
27	1	690272	2" FEM COUPLER W/LOCK,2" BARB
28	1	690392	PLUG FOR 2.00 FEMALE COUPLER
29	1	690953	SOLU CTRL VLV ASSY, NTB STS 05
30	1	690981	NTB RFM60P FLO METER ASSY 05
31	2	900127N	3/8UNC X 1 1/4 SER FLANGE BOLT
32	4	900128N	3/8UNC X 3/4 SER FLANGE BOLT



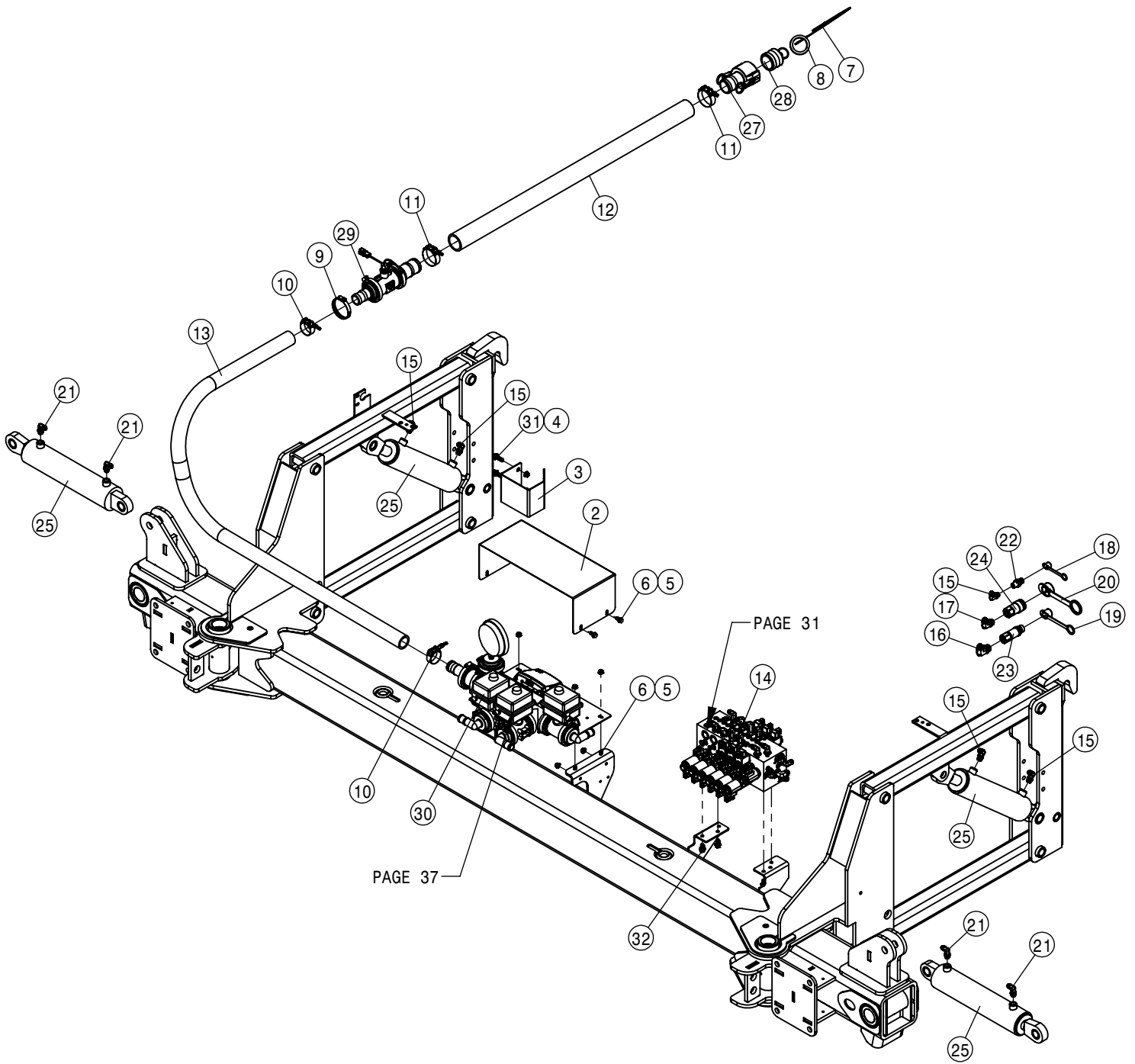
RETRO PACK 30FT TOOLBAR 2010			
DET	QTY	P/N	DESCRIPTION
NS	1	293943	NTB HARNESS, STS '10
2	1	439195	ELECT CTRL BOX COVER, NTB 05
3	1	439396	RECEPTACLE QUICK ATTACH BRKT, NTB '13
4	2	470087	3/8UNC HEX SERR FLANGE NUT
5	8	470113	5/16UNC SERR FLG LOCK NUT
6	8	470233	5/16UNC X 3/4 SERR FLG HEX BOLT
7	1	470322	LANYARD 8" NYLON LOOP/LOOP
8	1	500231	2"FP FLANGE GASKET,EXTRA THICK
9	1	520099	HOSE CLAMP NO 40 STAINLESS
10	2	520133	1.81/2.06 T-BOLT HOSE CLAMP SS
11	2	520141	2.31/2.62 T-BOLT HOSE CLAMP SS
12	1	601584	HOSE, 2 X 45 2F-1W EDPM
13	1	601585	HOSE, 1 1/2 X 77 2F-1W EDPM
14	1	615004	NTB CTRL VLV ASSY,12R30'STS 07
15	5	618119	9/16MJIC-90-9/16MOR LBO
16	1	618183	3/4MJIC-90-7/8MOR LBO

RETRO PACK 30FT TOOLBAR 2010			
DET	QTY	P/N	DESCRIPTION
17	1	618241	3/4MJIC-90-3/4MOR LBO
18	1	618255	DUST CAP/PLUG FOR 618804/805
19	1	618256	DUST CAP FOR 618806
20	1	618257	DUST PLUG FOR 618807
21	4	618689	9/16MOR-90-9/16MJ .042 CHK VLV
22	1	618804	HYD QUICK CPLR, MALE 1/4B, 9/16FOR
23	1	618806	HYD QUICK CPLR, MALE 1/2B, 7/8FOR
24	1	618807	HYD QUICK CPLR, FEM 1/2B, 3/4FOR
25	4	621153	3.00 X 11.00 X 1.38 LEVEL CYL.
NS	4	621559	REPAIR KIT, HYD CYL 621558
27	1	690272	2" FEM COUPLER W/LOCK,2" BARB
28	1	690392	PLUG FOR 2.00 FEMALE COUPLER
29	1	690981	NTB RFM60P FLO METER ASSY 05
30	1	691150	SOLU CTRL VLV ASSY, NTB STS'10
31	2	900127N	3/8UNC X 1 1/4 SER FLANGE BOLT
32	4	900128N	3/8UNC X 3/4 SER FLANGE BOLT



RETRO PACK 30FT TOOLBAR 2011-2012			
DET	QTY	P/N	DESCRIPTION
NS	1	293943	NTB HARNESS, STS '10
2	1	439195	ELECT CTRL BOX COVER, NTB '05
3	1	439396	RECEPTACLE QUICK ATTACH BRKT, NTB '13
4	2	470087	3/8UNC HEX SERR FLANGE NUT
5	8	470113	5/16UNC SERR FLG LOCK NUT
6	8	470233	5/16UNC X 3/4 SERR FLG HEX BOLT
7	1	470322	LANYARD 8" NYLON LOOP/LOOP
8	1	500231	2"FP FLANGE GASKET,EXTRA THICK
9	1	520099	HOSE CLAMP NO 40 STAINLESS
10	2	520133	1.81/2.06 T-BOLT HOSE CLAMP SS
11	2	520141	2.31/2.62 T-BOLT HOSE CLAMP SS
12	1	601584	HOSE, 2 X 45 2F-1W EDPM
13	1	601585	HOSE, 1 1/2 X 77 2F-1W EDPM
14	1	615004	NTB CTRL VLV ASSY,12R30'STS 07
15	5	618119	9/16MJIC-90-9/16MOR LBO
16	1	618183	3/4MJIC-90-7/8MOR LBO

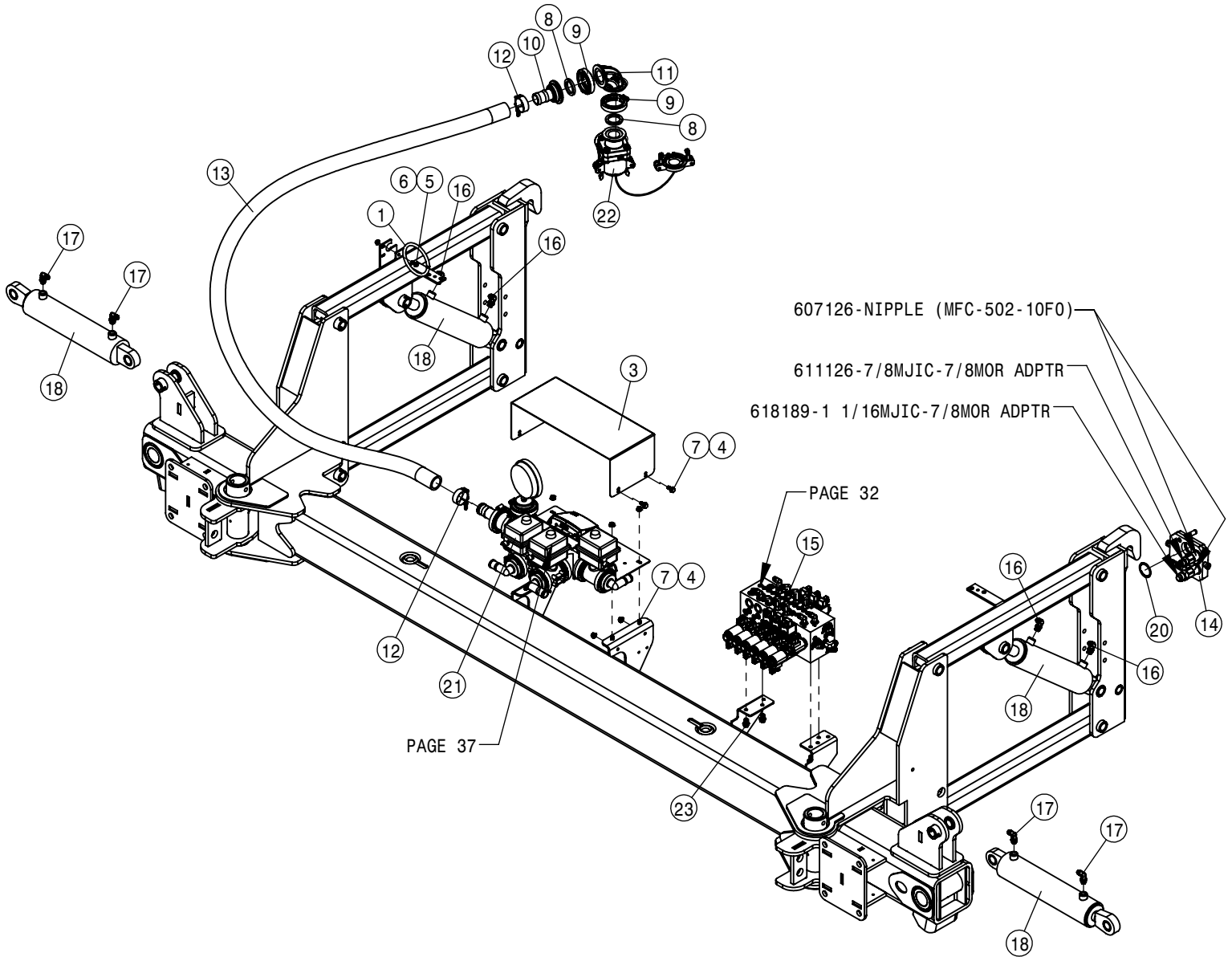
RETRO PACK 30FT TOOLBAR 2011-2012			
DET	QTY	P/N	DESCRIPTION
17	1	618241	3/4MJIC-90-3/4MOR LBO
18	1	618255	DUST CAP/PLUG FOR 618804/805
19	1	618256	DUST CAP FOR 618806
20	1	618257	DUST PLUG FOR 618807
21	4	618689	9/16MOR-90-9/16MJ .042 CHK VLV
22	1	618804	HYD QUICK CPLR, MALE 1/4B, 9/16FOR
23	1	618806	HYD QUICK CPLR, MALE 1/2B, 7/8FOR
24	1	618807	HYD QUICK CPLR, FEM 1/2B, 3/4FOR
25	4	621153	3.00 X 11.00 X 1.38 LEVEL CYL.
NS	4	621559	REPAIR KIT, HYD CYL 621558
27	1	690272	2" FEM COUPLER W/LOCK,2" BARB
28	1	690392	PLUG FOR 2.00 FEMALE COUPLER
29	1	690981	NTB RFM60P FLO METER ASSY 05
30	1	691150	SOLU CTRL VLV ASSY, NTB STS'10
31	2	900127N	3/8UNC X 1 1/4 SER FLANGE BOLT
32	4	900128N	3/8UNC X 3/4 SER FLANGE BOLT



RETRO PACK 30FT TOOLBAR 2013			
DET	QTY	P/N	DESCRIPTION
NS	1	293943	NTB HARNESS, STS '10
2	1	439195	ELECT CTRL BOX COVER, NTB 05
3	1	439396	RECEPTACLE QUICK ATTACH BRKT, NTB '13
4	2	470087	3/8UNC HEX SERR FLANGE NUT
5	8	470113	5/16UNC SERR FLG LOCK NUT
6	8	470233	5/16UNC X 3/4 SERR FLG HEX BOLT
7	1	470322	LANYARD 8" NYLON LOOP/LOOP
8	1	500231	2"FP FLANGE GASKET,EXTRA THICK
9	1	520099	HOSE CLAMP NO 40 STAINLESS
10	2	520133	1.81/2.06 T-BOLT HOSE CLAMP SS
11	2	520141	2.31/2.62 T-BOLT HOSE CLAMP SS
12	1	601584	HOSE, 2 X 45 2F-1W EDPM
13	1	601585	HOSE, 1 1/2 X 77 2F-1W EDPM
14	1	615004	NTB CTRL VLV ASSY,12R30'STS 07
15	5	618119	9/16MJIC-90-9/16MOR LBO
16	1	618183	3/4MJIC-90-7/8MOR LBO

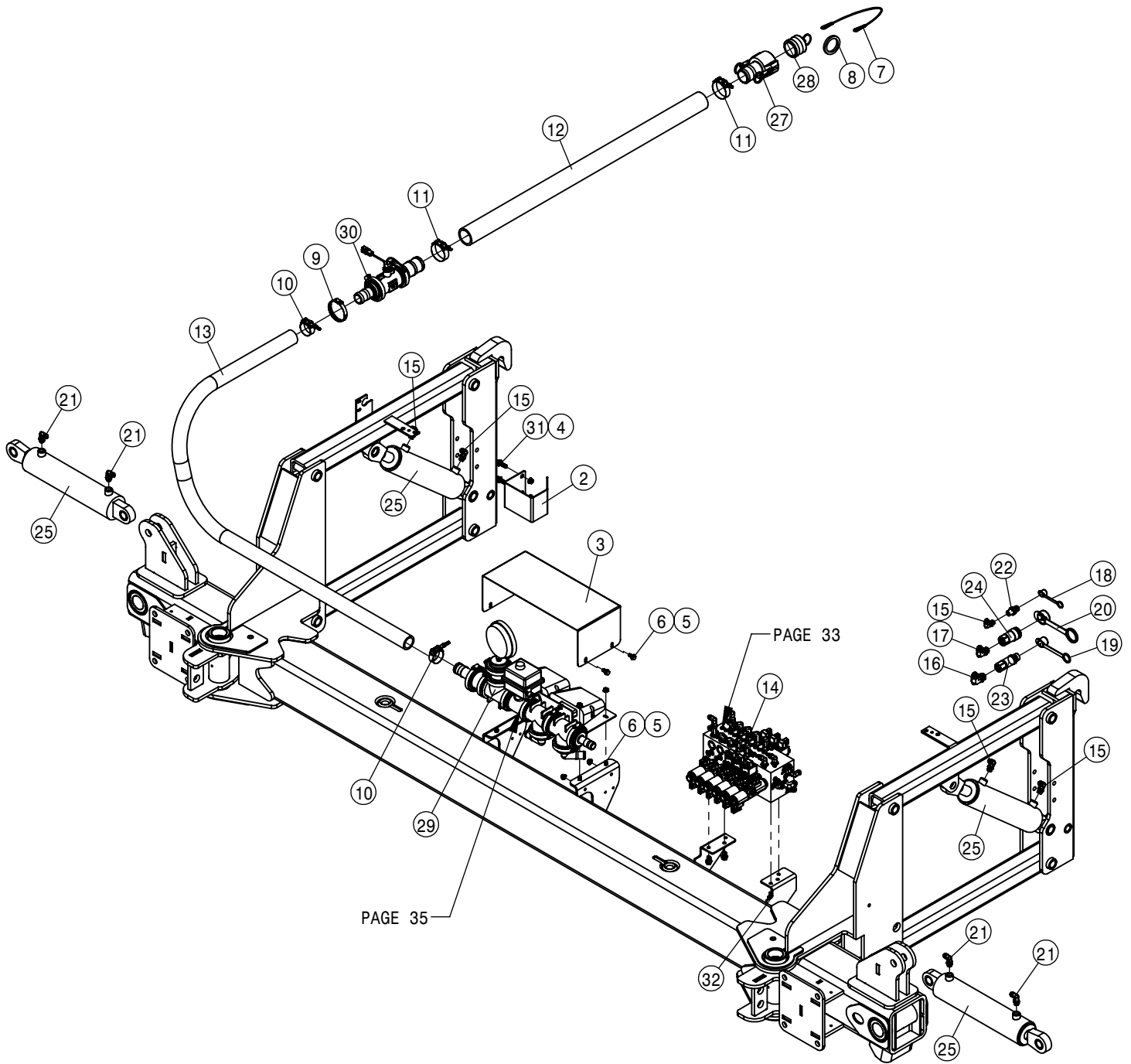
RETRO PACK 30FT TOOLBAR 2013			
DET	QTY	P/N	DESCRIPTION
17	1	618241	3/4MJIC-90-3/4MOR LBO
18	1	618255	DUST CAP/PLUG FOR 618804/805
19	1	618256	DUST CAP FOR 618806
20	1	618257	DUST PLUG FOR 618807
21	4	618689	9/16MOR-90-9/16MJ .042 CHK VLV
22	1	618804	HYD QUICK CPLR, MALE 1/4B, 9/16FOR
23	1	618806	HYD QUICK CPLR, MALE 1/2B, 3/4FOR
24	1	618807	HYD QUICK CPLR, FEM 1/2B, 3/4FOR
25	4	621153	3.00 X 11.00 X 1.38 LEVEL CYL.
NS	4	621559	REPAIR KIT, HYD CYL 621558
27	1	690272	2" FEM COUPLER W/LOCK,2" BARB
28	1	690392	PLUG FOR 2.00 FEMALE COUPLER
29	1	690981	NTB RFM60P FLO METER ASSY 05
30	1	691159	SOLU CTRL VLV ASSY,3SEC NTB'12
31	2	900127N	3/8UNC X 1 1/4 SER FLANGE BOLT
32	4	900128N	3/8UNC X 3/4 SER FLANGE BOLT





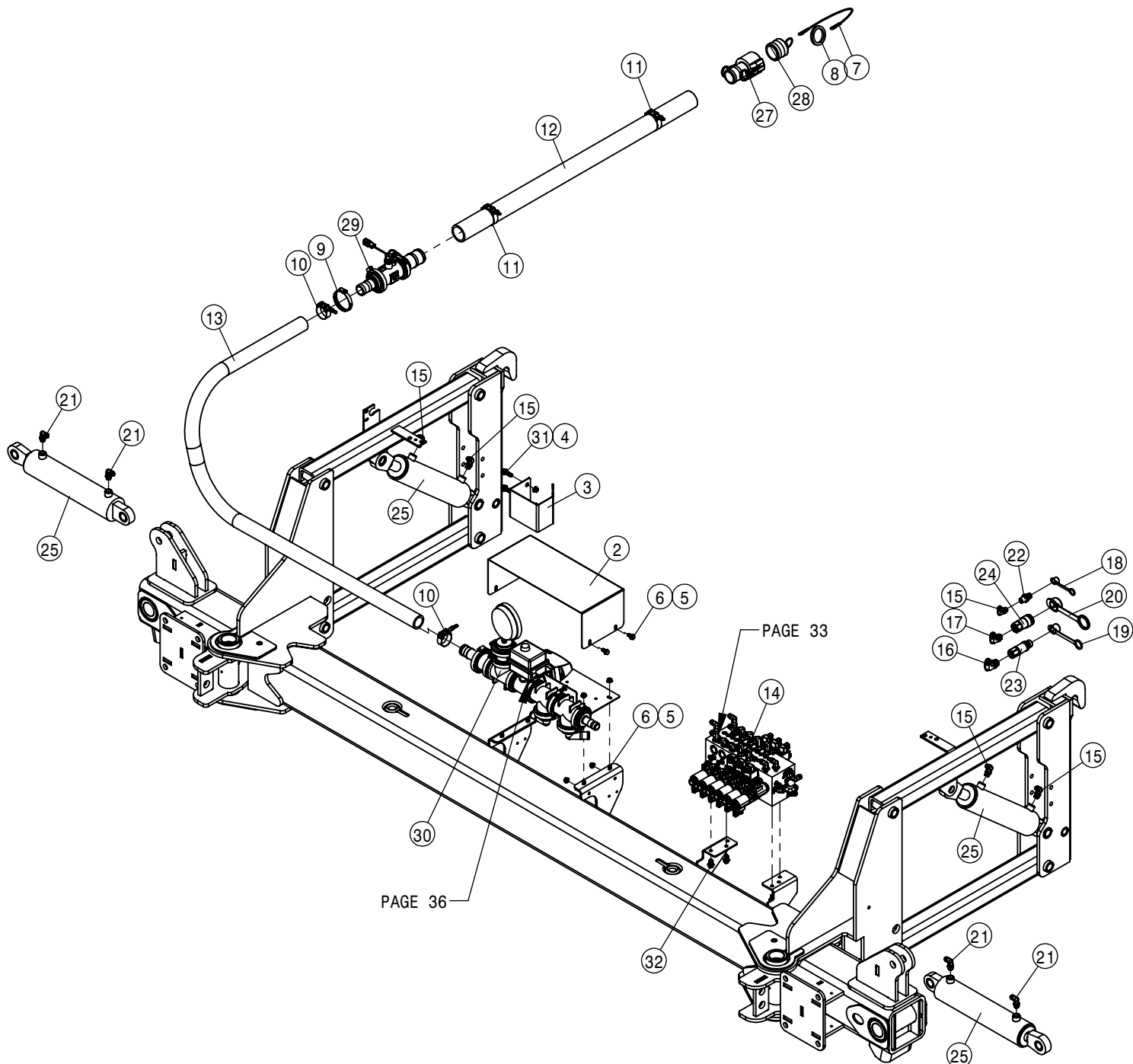
RETRO PACK 30FT TOOLBAR 2014-2015			
DET	QTY	P/N	DESCRIPTION
1	1	165954	HOSE RING WLD
NS	1	294033	30/40 NTB HARNESS
3	1	439195	ELECT CTRL BOX COVER, NTB 05
4	8	470113	5/16UNC SERR FLG LOCK NUT
5	1	470118	1/4 UNC X 3/4 SER FLG BOLT
6	1	470121	1/4 UNC SERR FLG LOCK NUT
7	8	470233	5/16UNC X 3/4 SERR FLG HEX BOLT
8	2	500158	1 1/2" GASKET FOR 2" FLANGE
9	2	500160	2" FLANGE CLAMP S.S.
10	1	500162	2" FLANGE-1 1/2 HOSE BARB POLY
11	1	500266	2" FLANGE SWEEP 90
12	2	520133	1.81/2.06 T-BOLT HOSE CLAMP SS

RETRO PACK 30FT TOOLBAR 2014-2015			
DET	QTY	P/N	DESCRIPTION
13	1	601083	HOSE, 1 1/2 X 101 2BR BLK EPDM
14	1	607114	MOBILE HALF COUPLER ASSY, 0502
15	1	615008	NTB CTRL VLV ASSY,12R30 'STS 14
16	4	618119	9/16MJIC-90-9/16MOR LBO
17	4	618689	9/16MOR-90-9/16MJ .042 CHK VLV
18	4	621153	3.00 X 11.00 X 1.38 LEVEL CYL.
NS	4	621559	REPAIR KIT, HYD CYL 621558
20	1	629546	SNAP RING, 1.637 EXTERNAL
21	1	691159	SOLU CTRL VLV ASSY,3SEC NTB '12
22	1	696236	2"MALE MANFLD DRYMATE VLV,POLY
23	4	900128N	3/8UNC X 3/4 SER FLANGE BOLT



RETRO PACK 40FT TOOLBAR 2007-2009			
DET	QTY	P/N	DESCRIPTION
NS	1	293818	NTB HARNESS, STS 05
2	1	439104	RECEPT QUICK ATTACH BRKT, NTB 05
3	1	439195	ELECT CTRL BOX COVER, NTB 05
4	2	470087	3/8UNC HEX SERR FLANGE NUT
5	8	470113	5/16UNC SERR FLG LOCK NUT
6	8	470233	5/16UNC X 3/4 SERR FLG HEX BOLT
7	1	470322	LANYARD 8" NYLON LOOP/LOOP
8	1	500231	2"FP FLANGE GASKET,EXTRA THICK
9	1	520099	HOSE CLAMP NO 40 STAINLESS
10	2	520133	1.81/2.06 T-BOLT HOSE CLAMP SS
11	2	520141	2.31/2.62 T-BOLT HOSE CLAMP SS
12	1	601584	HOSE, 2 X 45 2F-1W EDPM
13	1	601585	HOSE, 1 1/2 X 77 2F-1W EDPM
14	1	615005	NTB CTRL VLV ASSY,16R40'STS 07
15	5	618119	9/16MJIC-90-9/16MOR LBO
16	1	618183	3/4MJIC-90-7/8MOR LBO

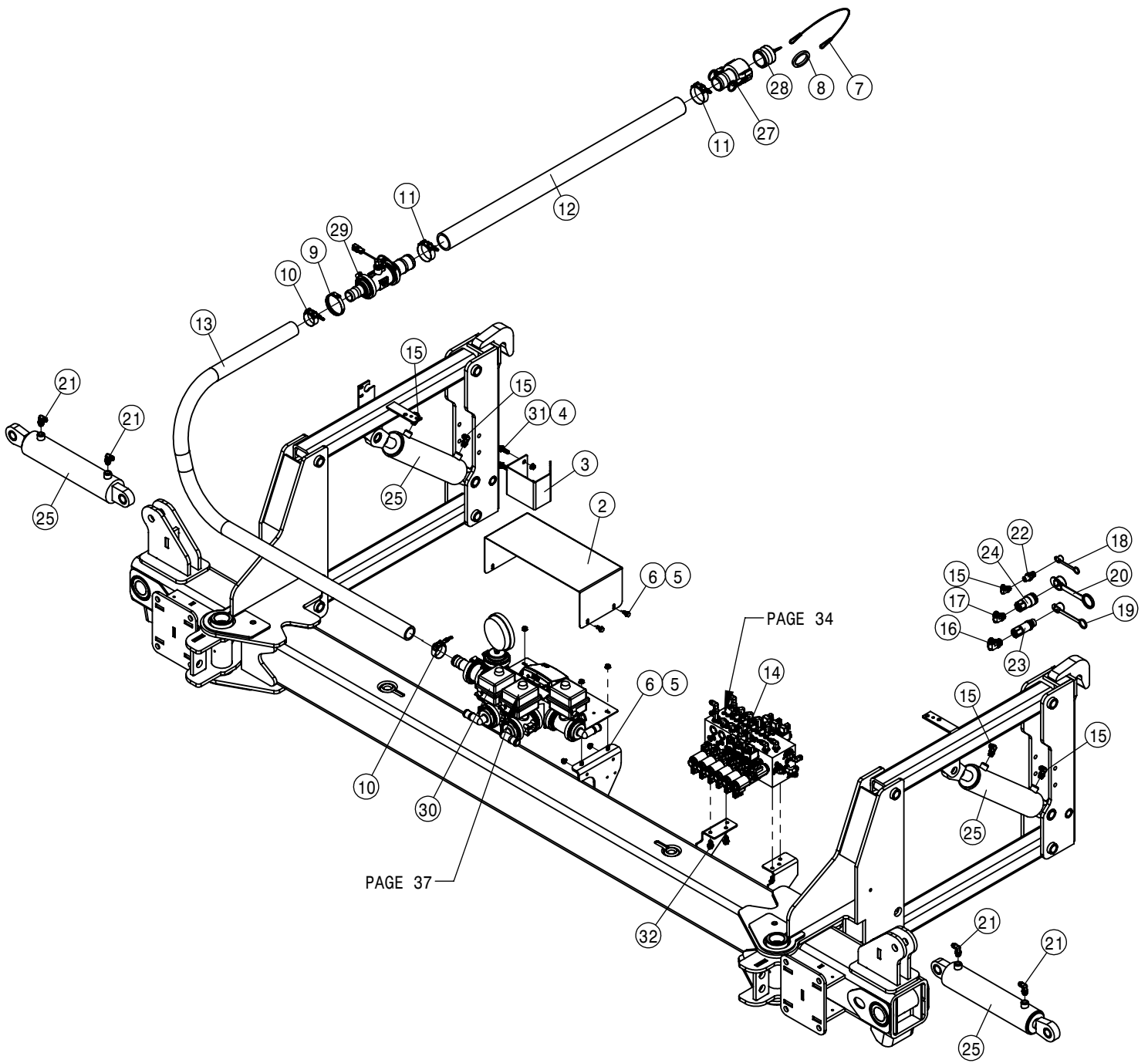
RETRO PACK 40FT TOOLBAR 2007-2009			
DET	QTY	P/N	DESCRIPTION
17	1	618241	3/4MJIC-90-3/4MOR LBO
18	1	618255	DUST CAP/PLUG FOR 618804/805
19	1	618256	DUST CAP FOR 618806
20	1	618257	DUST PLUG FOR 618807
21	4	618689	9/16MOR-90-9/16MJ .042 CHK VLV
22	1	618804	HYD QUICK CPLR, MALE 1/4B, 9/16FOR
23	1	618806	HYD QUICK CPLR, MALE 1/2B, 7/8FOR
24	1	618807	HYD QUICK CPLR, FEM 1/2B, 3/4FOR
25	4	621153	3.00 X 11.00 X 1.38 LEVEL CYL.
NS	4	621559	REPAIR KIT, HYD CYL 621558
27	1	690272	2" FEM COUPLER W/LOCK,2" BARB
28	1	690392	PLUG FOR 2.00 FEMALE COUPLER
29	1	690953	SOLU CTRL VLV ASSY, NTB STS 05
30	1	690981	NTB RFM60P FLO METER ASSY 05
31	2	900127N	3/8UNC X 1 1/4 SER FLANGE BOLT
32	4	900128N	3/8UNC X 3/4 SER FLANGE BOLT



RETRO PACK 40FT TOOLBAR 2011-2012			
DET	QTY	P/N	DESCRIPTION
NS	1	293943	NTB HARNESS, STS '10
2	1	439195	ELECT CTRL BOX COVER, NTB 05
3	1	439396	RECEPTACLE QUICK ATTACH BRKT, NTB '13
4	2	470087	3/8UNC HEX SERR FLANGE NUT
5	8	470113	5/16UNC SERR FLG LOCK NUT
6	8	470233	5/16UNC X 3/4 SERR FLG HEX BOLT
7	1	470322	LANYARD 8" NYLON LOOP/LOOP
8	1	500231	2"FP FLANGE GASKET,EXTRA THICK
9	1	520099	HOSE CLAMP NO 40 STAINLESS
10	2	520133	1.81/2.06 T-BOLT HOSE CLAMP SS
11	2	520141	2.31/2.62 T-BOLT HOSE CLAMP SS
12	1	601584	HOSE, 2 X 45 2F-1W EDPM
13	1	601585	HOSE, 1 1/2 X 77 2F-1W EDPM
14	1	615005	NTB CTRL VLV ASSY,16R40'STS 07
15	5	618119	9/16MJIC-90-9/16MOR LBO
16	1	618183	3/4MJIC-90-7/8MOR LBO

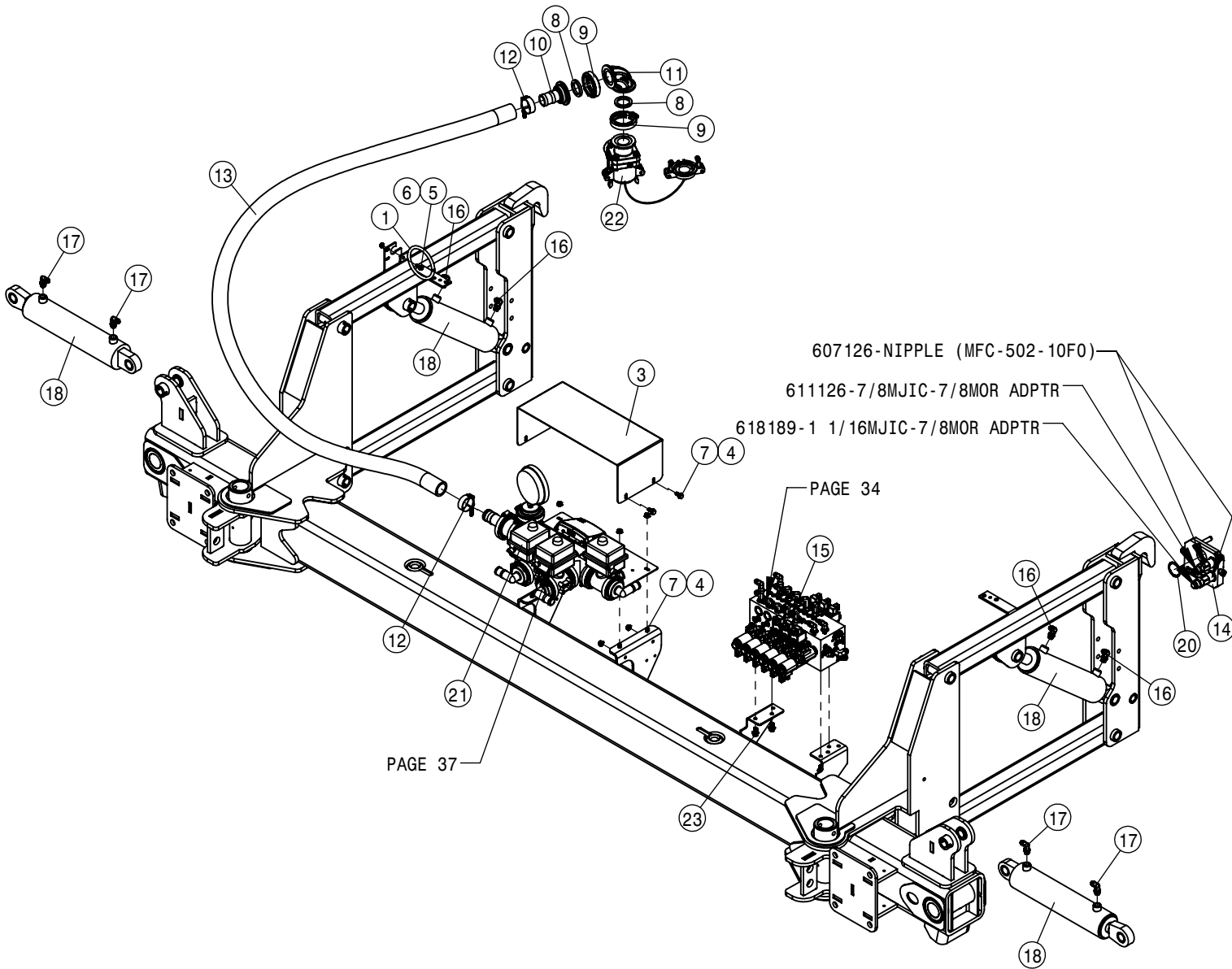
RETRO PACK 40FT TOOLBAR 2011-2012			
DET	QTY	P/N	DESCRIPTION
17	1	618241	3/4MJIC-90-3/4MOR LBO
18	1	618255	DUST CAP/PLUG FOR 618804/805
19	1	618256	DUST CAP FOR 618806
20	1	618257	DUST PLUG FOR 618807
21	4	618689	9/16MOR-90-9/16MJ .042 CHK VLV
22	1	618804	HYD QUICK CPLR, MALE 1/4B, 9/16FOR
23	1	618806	HYD QUICK CPLR, MALE 1/2B, 7/8FOR
24	1	618807	HYD QUICK CPLR, FEM 1/2B, 3/4FOR
25	4	621153	3.00 X 11.00 X 1.38 LEVEL CYL.
NS	4	621559	REPAIR KIT, HYD CYL 621558
27	1	690272	2" FEM COUPLER W/LOCK,2" BARB
28	1	690392	PLUG FOR 2.00 FEMALE COUPLER
29	1	690981	NTB RFM60P FLO METER ASSY 05
30	1	691150	SOLU CTRL VLV ASSY, NTB STS'10
31	2	900127N	3/8UNC X 1 1/4 SER FLANGE BOLT
32	4	900128N	3/8UNC X 3/4 SER FLANGE BOLT





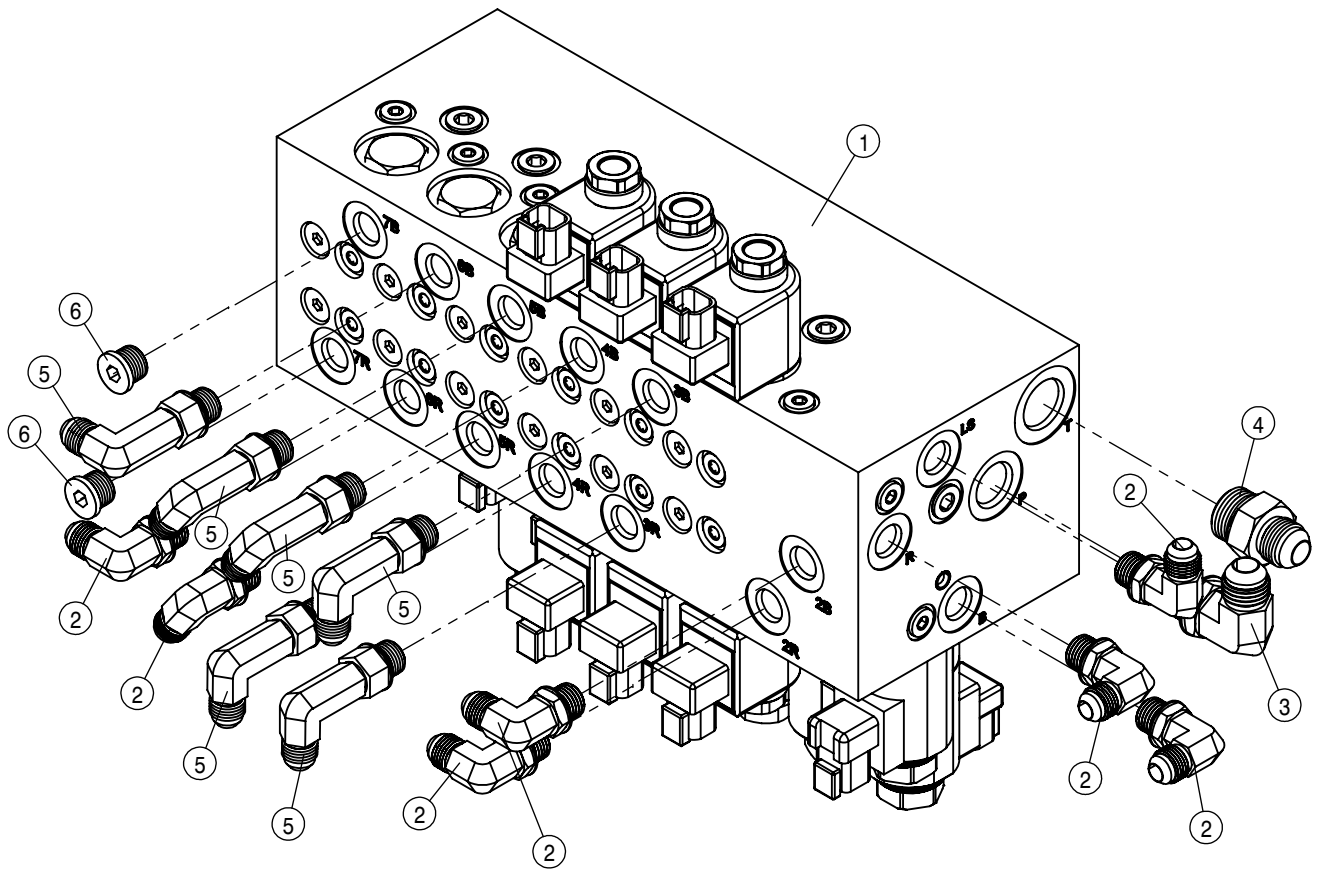
RETRO PACK 40FT TOOLBAR 2013			
DET	QTY	P/N	DESCRIPTION
NS	1	293943	NTB HARNESS, STS '10
2	1	439195	ELECT CTRL BOX COVER, NTB '05
3	1	439396	RECEPTACLE QUICK ATTACH BRKT, NTB '13
4	2	470087	3/8UNC HEX SERR FLANGE NUT
5	8	470113	5/16UNC SERR FLG LOCK NUT
6	8	470233	5/16UNC X 3/4 SERR FLG HEX BOLT
7	1	470322	LANYARD 8" NYLON LOOP/LOOP
8	1	500231	2"FP FLANGE GASKET,EXTRA THICK
9	1	520099	HOSE CLAMP NO 40 STAINLESS
10	2	520133	1.81/2.06 T-BOLT HOSE CLAMP SS
11	2	520141	2.31/2.62 T-BOLT HOSE CLAMP SS
12	1	601584	HOSE, 2 X 45 2F-1W EDPM
13	1	601585	HOSE, 1 1/2 X 77 2F-1W EDPM
14	1	615005	NTB CTRL VLV ASSY,16R40'STS 07
15	5	618119	9/16MJIC-90-9/16MOR LBO
16	1	618183	3/4MJIC-90-7/8MOR LBO

RETRO PACK 40FT TOOLBAR 2013			
DET	QTY	P/N	DESCRIPTION
17	1	618241	3/4MJIC-90-3/4MOR LBO
18	1	618255	DUST CAP/PLUG FOR 618804/805
19	1	618256	DUST CAP FOR 618806
20	1	618257	DUST PLUG FOR 618807
21	4	618689	9/16MOR-90-9/16MJ .042 CHK VLV
22	1	618804	HYD QUICK CPLR, MALE 1/4B, 9/16FOR
23	1	618806	HYD QUICK CPLR, MALE 1/2B, 3/4FOR
24	1	618807	HYD QUICK CPLR, FEM 1/2B, 3/4FOR
25	4	621153	3.00 X 11.00 X 1.38 LEVEL CYL.
NS	4	621559	REPAIR KIT, HYD CYL 621558
27	1	690272	2" FEM COUPLER W/LOCK,2" BARB
28	1	690392	PLUG FOR 2.00 FEMALE COUPLER
29	1	690981	NTB RFM60P FLO METER ASSY 05
30	1	691159	SOLU CTRL VLV ASSY,3SEC NTB'12
31	2	900127N	3/8UNC X 1 1/4 SER FLANGE BOLT
32	4	900128N	3/8UNC X 3/4 SER FLANGE BOLT

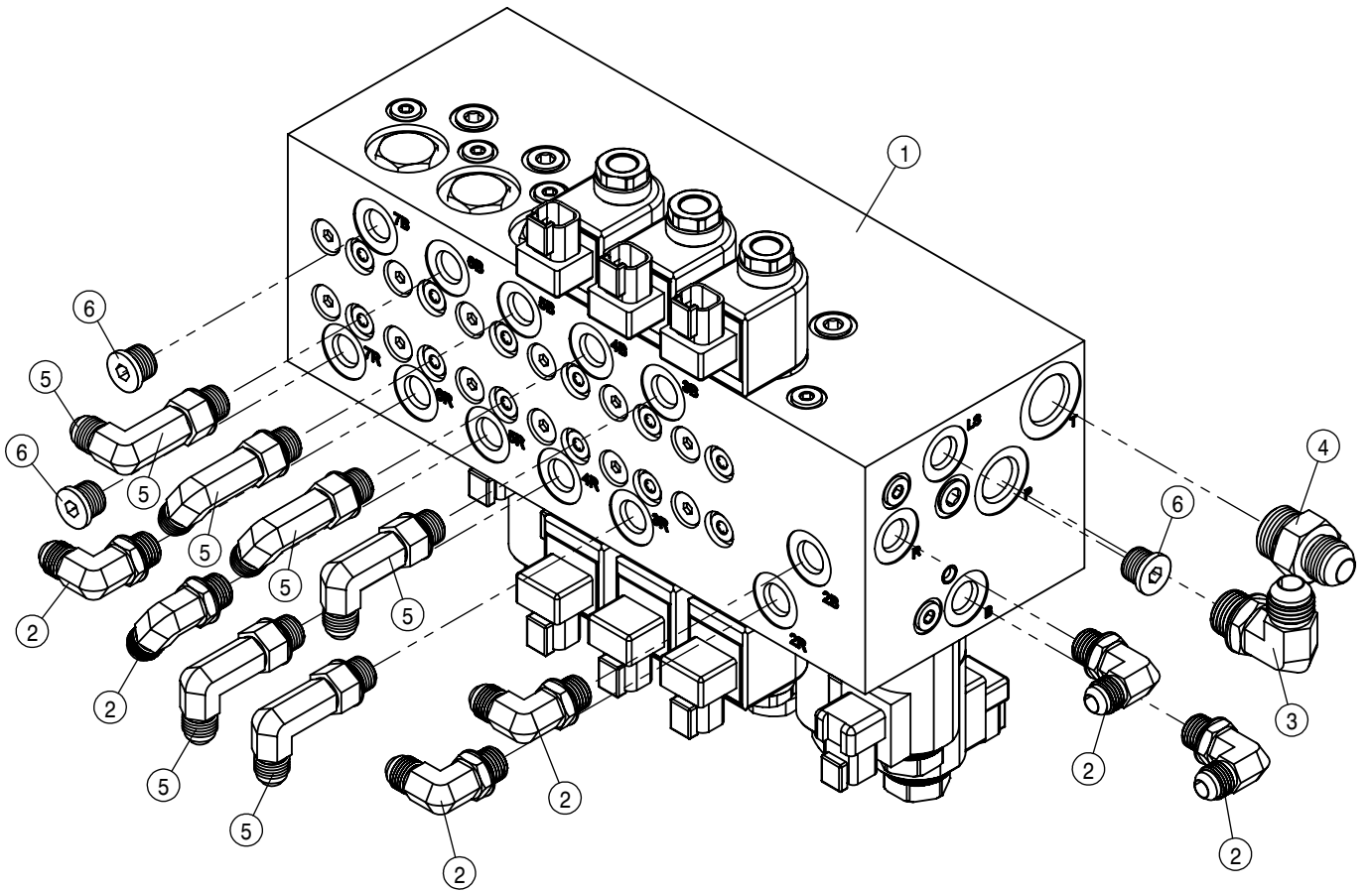


RETRO PACK 40FT TOOLBAR 2014-2015			
DET	QTY	P/N	DESCRIPTION
1	1	165954	HOSE RING WLD
NS	1	294033	30/40 NTB HARNESS
3	1	439195	ELECT CTRL BOX COVER, NTB 05
4	8	470113	5/16UNC SERR FLG LOCK NUT
5	1	470118	1/4 UNC X 3/4 SER FLG BOLT
6	1	470121	1/4 UNC SERR FLG LOCK NUT
7	8	470233	5/16UNC X 3/4 SERR FLG HEX BOLT
8	2	500158	1 1/2" GASKET FOR 2" FLANGE
9	2	500160	2" FLANGE CLAMP S.S.
10	1	500162	2" FLANGE-1 1/2 HOSE BARB POLY
11	1	500266	2" FLANGE SWEEP 90
12	2	520133	1.81/2.06 T-BOLT HOSE CLAMP SS

RETRO PACK 40FT TOOLBAR 2014-2015			
DET	QTY	P/N	DESCRIPTION
13	1	601083	HOSE, 1 1/2 X 101 2BR BLK EPDM
14	1	607114	MOBILE HALF COUPLER ASSY, 0502
15	1	615009	NTB CTRL VLV ASSY,16R40'STS 14
16	4	618119	9/16MJIC-90-9/16MOR LBO
17	4	618689	9/16MOR-90-9/16MJ .042 CHK VLV
18	4	621153	3.00 X 11.00 X 1.38 LEVEL CYL.
NS	4	621559	REPAIR KIT, HYD CYL 621558
20	1	629546	SNAP RING, 1.637 EXTERNAL
21	1	691159	SOLU CTRL VLV ASSY,3SEC NTB'12
22	1	696236	2"MALE MANFLD DRYMATE VLV,POLY
23	4	900128N	3/8UNC X 3/4 SER FLANGE BOLT

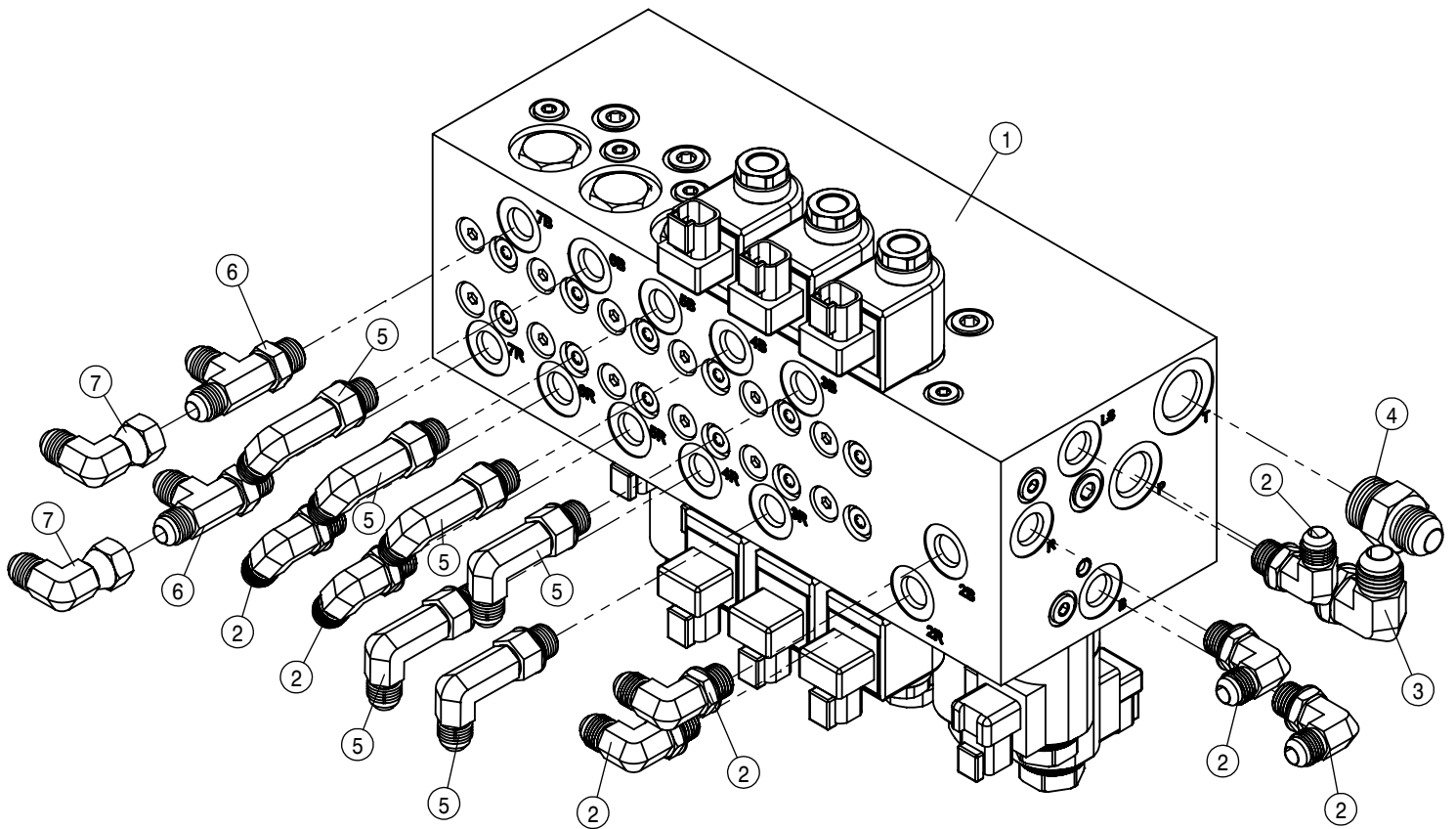


30FT TOOLBAR CONTROL VALVE ASSEMBLY 2007-2013			
DET	QTY	P/N	DESCRIPTION
1	1	606280	HYD VALVE, SAUER 6SPL NTB 07
2	7	618119	9/16MJIC-90-9/16MOR LBO
3	1	618241	3/4MJIC-90-3/4MOR LBO
4	1	618327	3/4MJIC-7/8MOR ADPTR
5	6	618440	9/16MJIC-90-9/16MOR EX LG LBO
6	2	618754	9/16 MOR PLUG, HEX SOCKET

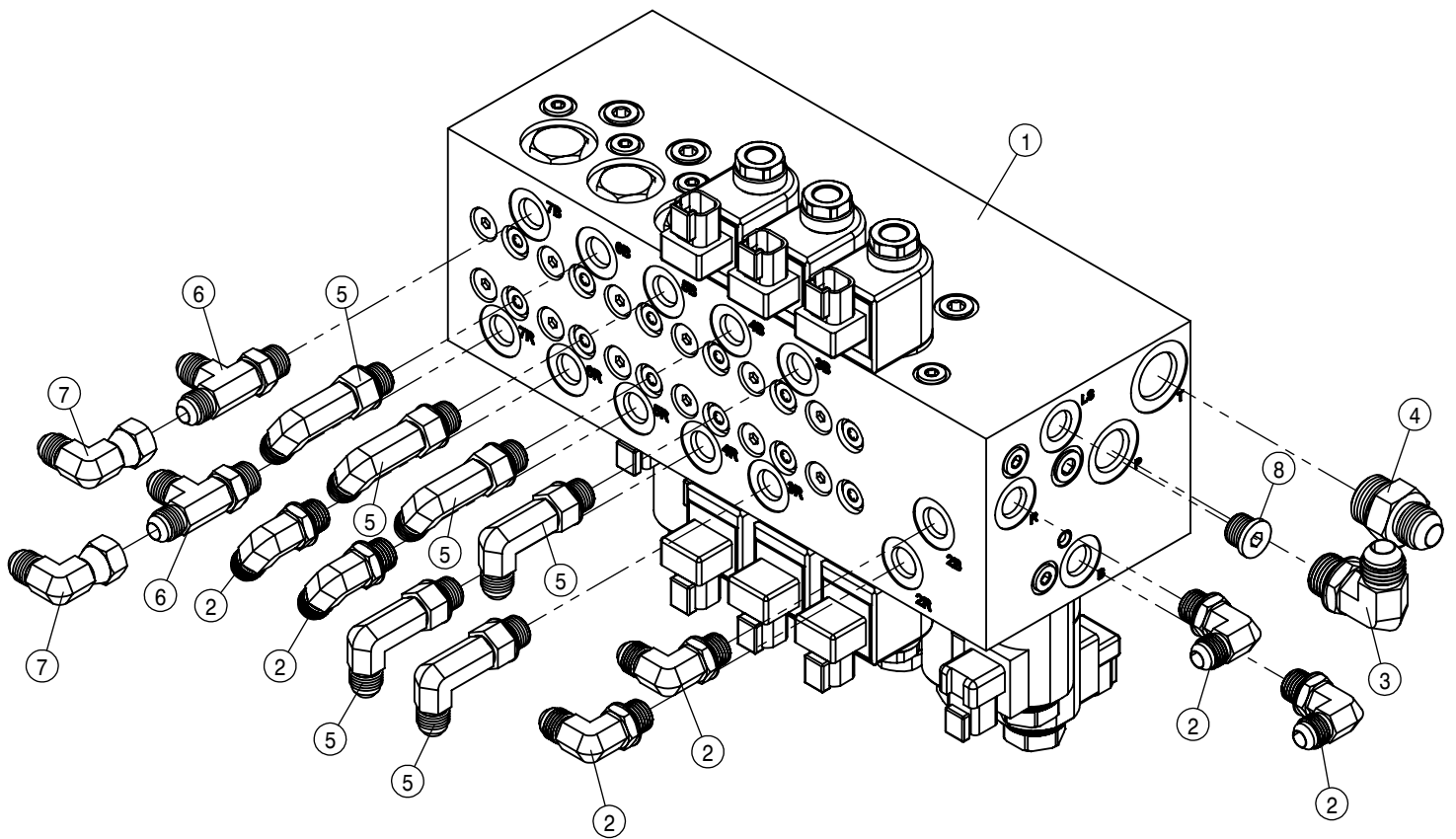


30FT TOOLBAR CONTROL VALVE ASSEMBLY 2014-2015			
DET	QTY	P/N	DESCRIPTION
1	1	606280	HYD VALVE, SAUER 6SPL NTB 07
2	6	618119	9/16MJIC-90-9/16MOR LBO
3	1	618241	3/4MJIC-90-3/4MOR LBO
4	1	618327	3/4MJIC-7/8MOR ADPTR
5	6	618440	9/16MJIC-90-9/16MOR EX LG LBO
6	3	618754	9/16 MOR PLUG, HEX SOCKET

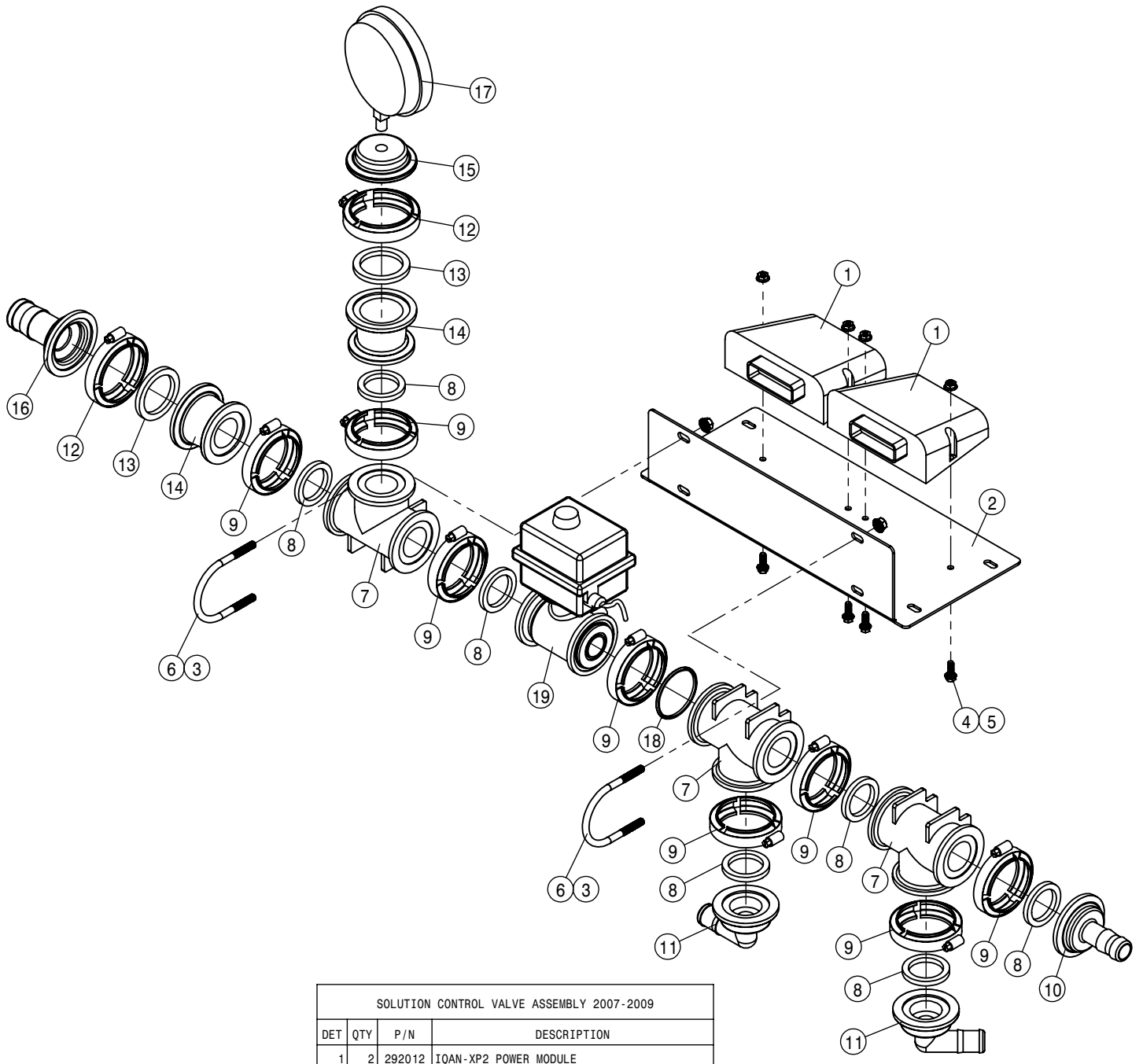




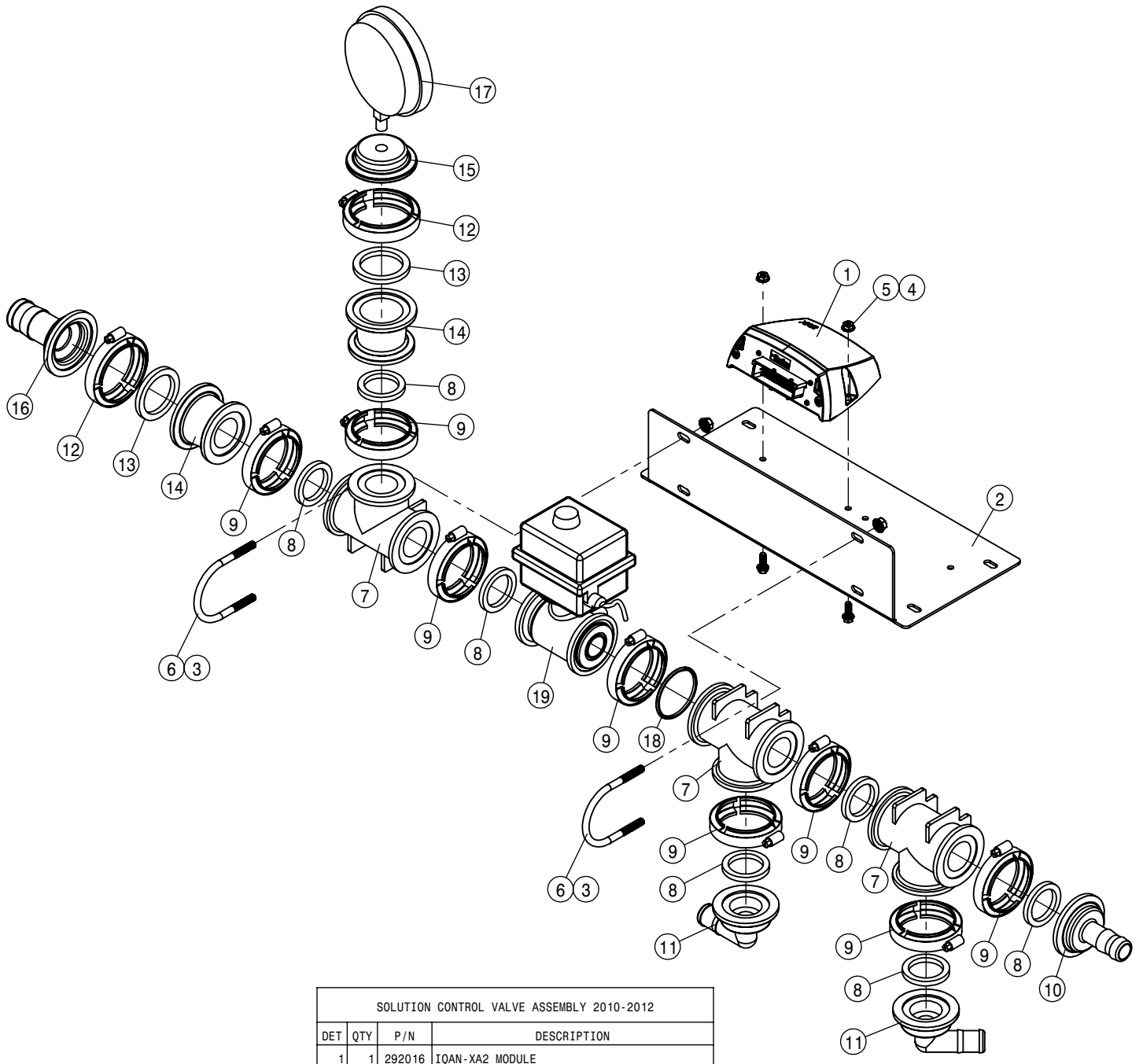
40FT TOOLBAR CONTROL VALVE ASSEMBLY 2007-2013			
DET	QTY	P/N	DESCRIPTION
1	1	606280	HYD VALVE, SAUER 6SPL NTB 07
2	7	618119	9/16MJIC-90-9/16MOR LBO
3	1	618241	3/4MJIC-90-3/4MOR LBO
4	1	618327	3/4MJIC-7/8MOR ADPTR
5	6	618440	9/16MJIC-90-9/16MOR EX LG LBO
6	2	618444	9/16MOR RUN TEE-9/16MJIC
7	2	618618	9/16MJIC-90-9/16FJIC SWIV LBO



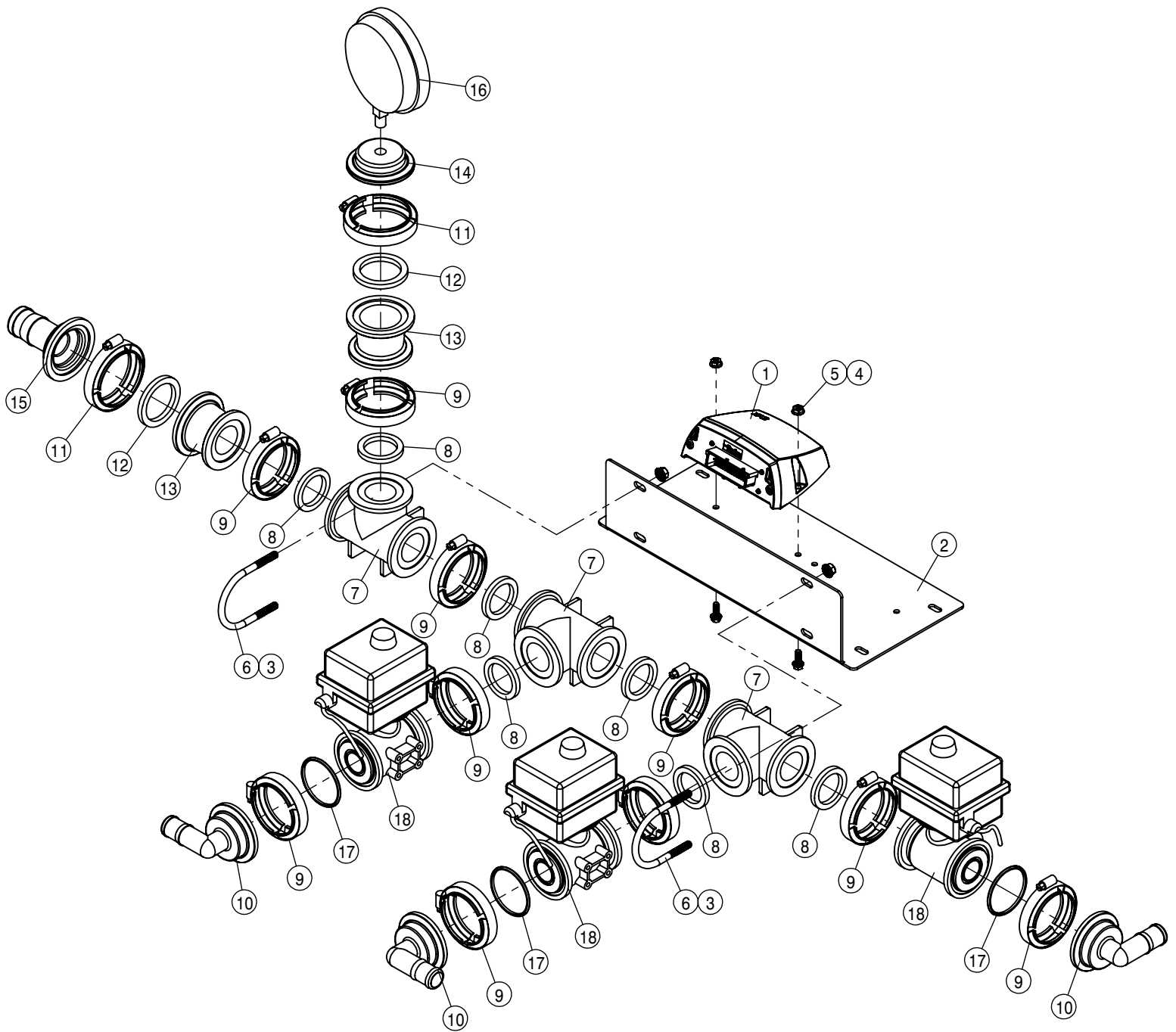
40FT TOOLBAR CONTROL VALVE ASSEMBLY 2014-2015			
DET	QTY	P/N	DESCRIPTION
1	1	606280	HYD VALVE, SAUER 6SPL NTB 07
2	6	618119	9/16MJIC-90-9/16MOR LBO
3	1	618241	3/4MJIC-90-3/4MOR LBO
4	1	618327	3/4MJIC-7/8MOR ADPTR
5	6	618440	9/16MJIC-90-9/16MOR EX LG LBO
6	2	618444	9/16MOR RUN TEE-9/16MJIC
7	2	618618	9/16MJIC-90-9/16FJIC SWIV LBO
8	1	618754	9/16 MOR PLUG, HEX SOCKET



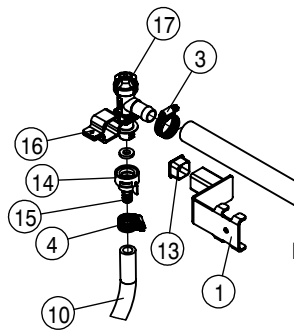
SOLUTION CONTROL VALVE ASSEMBLY 2007-2009			
DET	QTY	P/N	DESCRIPTION
1	2	292012	IQAN-XP2 POWER MODULE
2	1	439194	ELECT CTRL MT PANEL, NTB 05
3	4	470113	5/16UNC SERR FLG LOCK NUT
4	4	470118	1/4 UNC X 3/4 SER FLG BOLT
5	4	470121	1/4 UNC SERR FLG LOCK NUT
6	2	472195	5/16UNC-2 11/16ID-3 9/16U-BOLT
7	3	500151	2" FLANGE TEE, POLY
8	7	500158	1 1/2" GASKET FOR 2" FLANGE
9	8	500160	2" FLANGE CLAMP S.S.
10	1	500172	2" FLANGE-1 " HOSE BARB
11	2	500189	2" FLANGE-90-1" HOSE BARB POLY
12	2	500194	2" FP FLANGE CLAMP S.S.
13	2	500195	2" FP FLANGE GASKET EPDM
14	2	500199	2"FP FLANGE-2"FLAGE REDU POLY
15	1	500229	2"FP FLANGE PLUG, 1/4FNPT POLY
16	1	500230	2" FP FLANGE PLUG-1 1/2" HOSE BARB
17	1	690359	PRESSURE GA GLYCERI 100 PSI
18	1	696254	O-RING, KZCO FLANGED VALVE
19	1	696256	VALVE, KZCO C2F-60B-M-S9



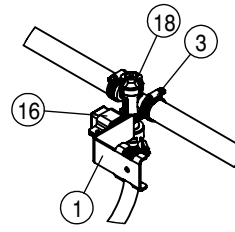
SOLUTION CONTROL VALVE ASSEMBLY 2010-2012			
DET	QTY	P/N	DESCRIPTION
1	1	292016	IQAN-XA2 MODULE
2	1	439194	ELECT CTRL MT PANEL, NTB 05
3	4	470113	5/16UNC SERR FLG LOCK NUT
4	2	470118	1/4 UNC X 3/4 SER FLG BOLT
5	2	470121	1/4 UNC SERR FLG LOCK NUT
6	2	472195	5/16UNC-2 11/16ID-3 9/16U-BOLT
7	3	500151	2" FLANGE TEE, POLY
8	7	500158	1 1/2" GASKET FOR 2" FLANGE
9	8	500160	2" FLANGE CLAMP S.S.
10	1	500172	2" FLANGE-1 " HOSE BARB
11	2	500189	2" FLANGE-90-1" HOSE BARB POLY
12	2	500194	2" FP FLANGE CLAMP S.S.
13	2	500195	2" FP FLANGE GASKET EPDM
14	2	500199	2"FP FLANGE-2"FLAGE REDU POLY
15	1	500229	2"FP FLANGE PLUG,1/4FNPT POLY
16	1	500230	2" FP FLANGE PLUG-1 1/2" HOSE BARB
17	1	690359	PRESSURE GA GLYCERI 100 PSI
18	1	696254	O-RING, KZCO FLANGED VALVE
19	1	696256	VALVE, KZCO C2F-60B-M-S9



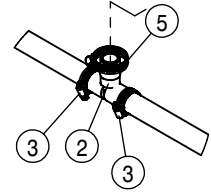
SOLUTION CONTROL VALVE ASSEMBLY 2013-2015			
DET	QTY	P/N	DESCRIPTION
1	1	292016	IQAN-XA2 MODULE
2	1	439194	ELECT CTRL MT PANEL, NTB 05
3	4	470113	5/16UNC SERR FLG LOCK NUT
4	2	470118	1/4 UNC X 3/4 SER FLG BOLT
5	2	470121	1/4 UNC SERR FLG LOCK NUT
6	2	472195	5/16UNC-2 11/16ID-3 9/16U-BOLT
7	3	500151	2" FLANGE TEE, POLY
8	7	500158	1 1/2" GASKET FOR 2" FLANGE
9	10	500160	2" FLANGE CLAMP S.S.
10	3	500189	2" FLANGE-90-1" HOSE BARB POLY
11	2	500194	2" FP FLANGE CLAMP S.S.
12	2	500195	2" FP FLANGE GASKET EPDM
13	2	500199	2"FP FLANGE-2"FLAGE REDU POLY
14	1	500229	2"FP FLANGE PLUG,1/4FNPT POLY
15	1	500230	2" FP FLANGE PLUG-1 1/2" HOSE BARB
16	1	690359	PRESSURE GA GLYCERI 100 PSI
17	3	696254	O-RING, KZCO FLANGED VALVE
18	3	696256	VALVE, KZCO C2F-60B-M-S9



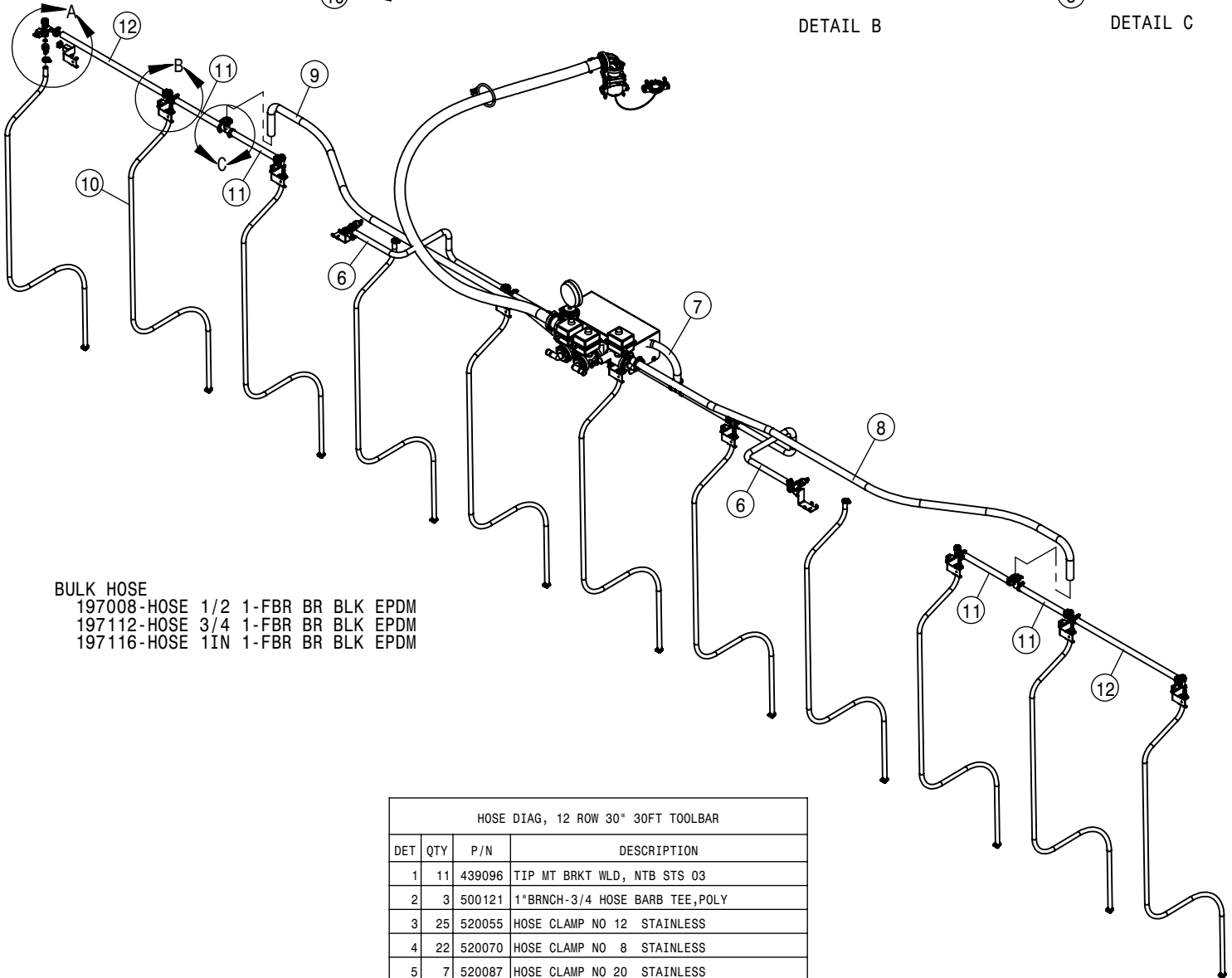
DETAIL A



DETAIL B

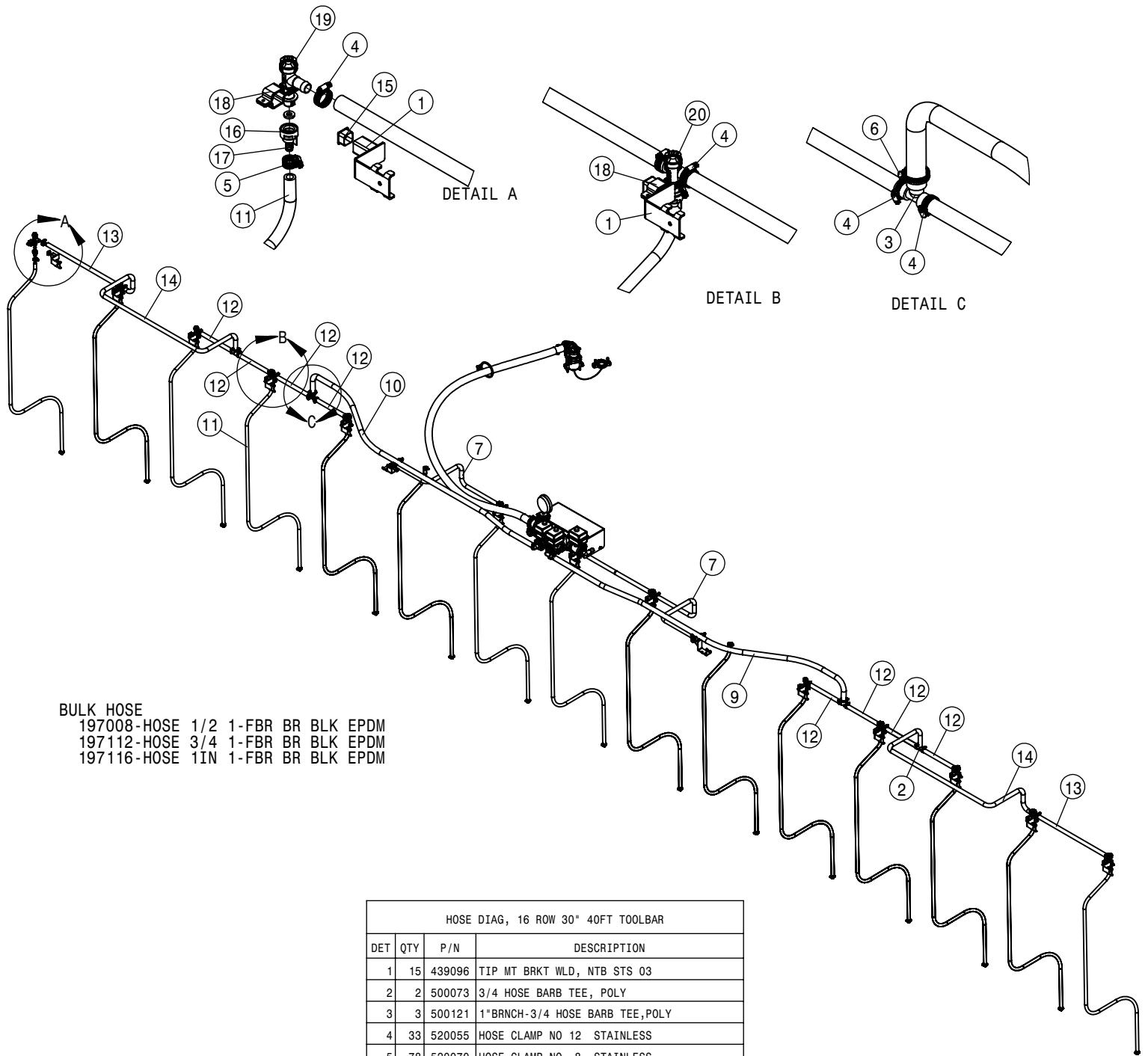


DETAIL C



BULK HOSE  
 197008-HOSE 1/2 1-FBR BR BLK EPDM  
 197112-HOSE 3/4 1-FBR BR BLK EPDM  
 197116-HOSE 1IN 1-FBR BR BLK EPDM

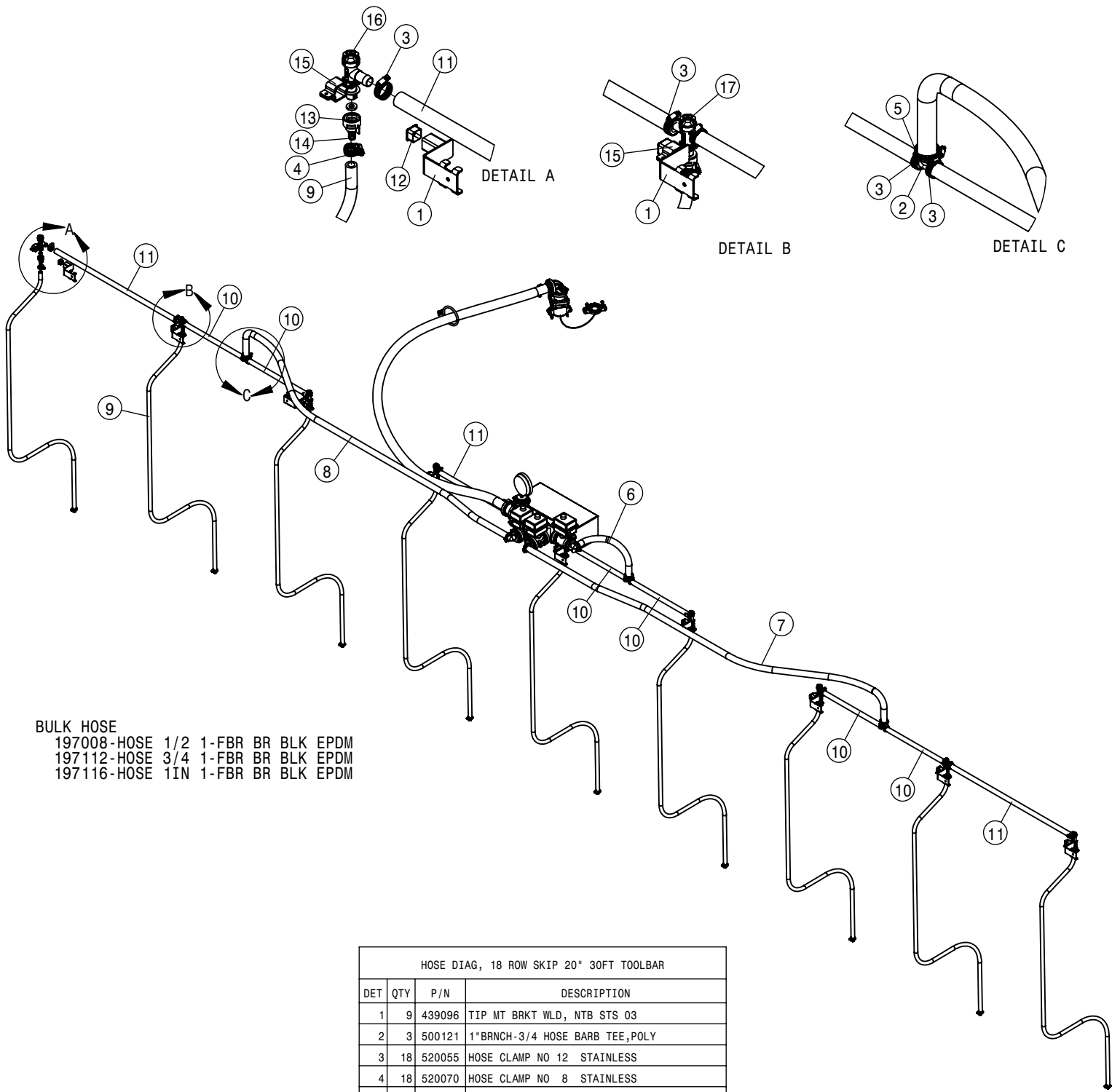
HOSE DIAG, 12 ROW 30" 30FT TOOLBAR			
DET	QTY	P/N	DESCRIPTION
1	11	439096	TIP MT BRKT WLD, NTB STS 03
2	3	500121	1"BRNCH-3/4 HOSE BARB TEE,POLY
3	25	520055	HOSE CLAMP NO 12 STAINLESS
4	22	520070	HOSE CLAMP NO 8 STAINLESS
5	7	520087	HOSE CLAMP NO 20 STAINLESS
6	2	601174	HOSE, 3/4 X 60 1BR BLK EPDM
7	1	601491	HOSE, 1 X 30 1BR BLK EPDM
8	1	601495	HOSE, 1 X 110 1BR BLK EPDM
9	1	601496	HOSE, 1 X 120 1BR BLK EPDM
10	11	601581	HOSE, 1/2 X 86 1BR BLK EPDM
11	6	601582	HOSE, 3/4 X 14 1BR BLK EPDM
12	3	601583	HOSE, 3/4 X 28 1BR BLK EPDM
13	11	629727	FINISH PLUG 1" SQ 16 GA
14	11	737790	CAP SET,ROUND,RED QUICK TEEJET
15	11	737791	1/2" TEEJET HOSE SHANK, NYLON
16	11	737817	NOZZLE BRACKET
17	6	737829	QUICK TJET LBO,1-TIP BODY .75
18	5	737830	QUICK TJET TEE,1-TIP BODY .75



**BULK HOSE**

- 197008-HOSE 1/2 1-FBR BR BLK EPDM
- 197112-HOSE 3/4 1-FBR BR BLK EPDM
- 197116-HOSE 1IN 1-FBR BR BLK EPDM

HOSE DIAG, 16 ROW 30" 40FT TOOLBAR			
DET	QTY	P/N	DESCRIPTION
1	15	439096	TIP MT BRKT WLD, NTB STS 03
2	2	500073	3/4 HOSE BARB TEE, POLY
3	3	500121	1"BRNCH-3/4 HOSE BARB TEE,POLY
4	33	520055	HOSE CLAMP NO 12 STAINLESS
5	78	520070	HOSE CLAMP NO 8 STAINLESS
6	6	520087	HOSE CLAMP NO 20 STAINLESS
7	2	601174	HOSE, 3/4 X 60 1BR BLK EPDM
8	1	601491	HOSE, 1 X 30 1BR BLK EPDM
9	1	601495	HOSE, 1 X 110 1BR BLK EPDM
10	1	601496	HOSE, 1 X 120 1BR BLK EPDM
11	39	601581	HOSE, 1/2 X 86 1BR BLK EPDM
12	11	601582	HOSE, 3/4 X 14 1BR BLK EPDM
13	4	601583	HOSE, 3/4 X 28 1BR BLK EPDM
14	2	601794	HOSE, 3/4 X 70 1BR BLK EPDM
15	15	629727	FINISH PLUG 1" SQ 16 GA
16	15	737790	CAP SET,ROUND,RED QUICK TEEJET
17	15	737791	1/2" TEEJET HOSE SHANK, NYLON
18	15	737817	NOZZLE BRACKET
19	8	737829	QUICK TJET LBO,1-TIP BODY .75
20	7	737830	QUICK TJET TEE,1-TIP BODY .75

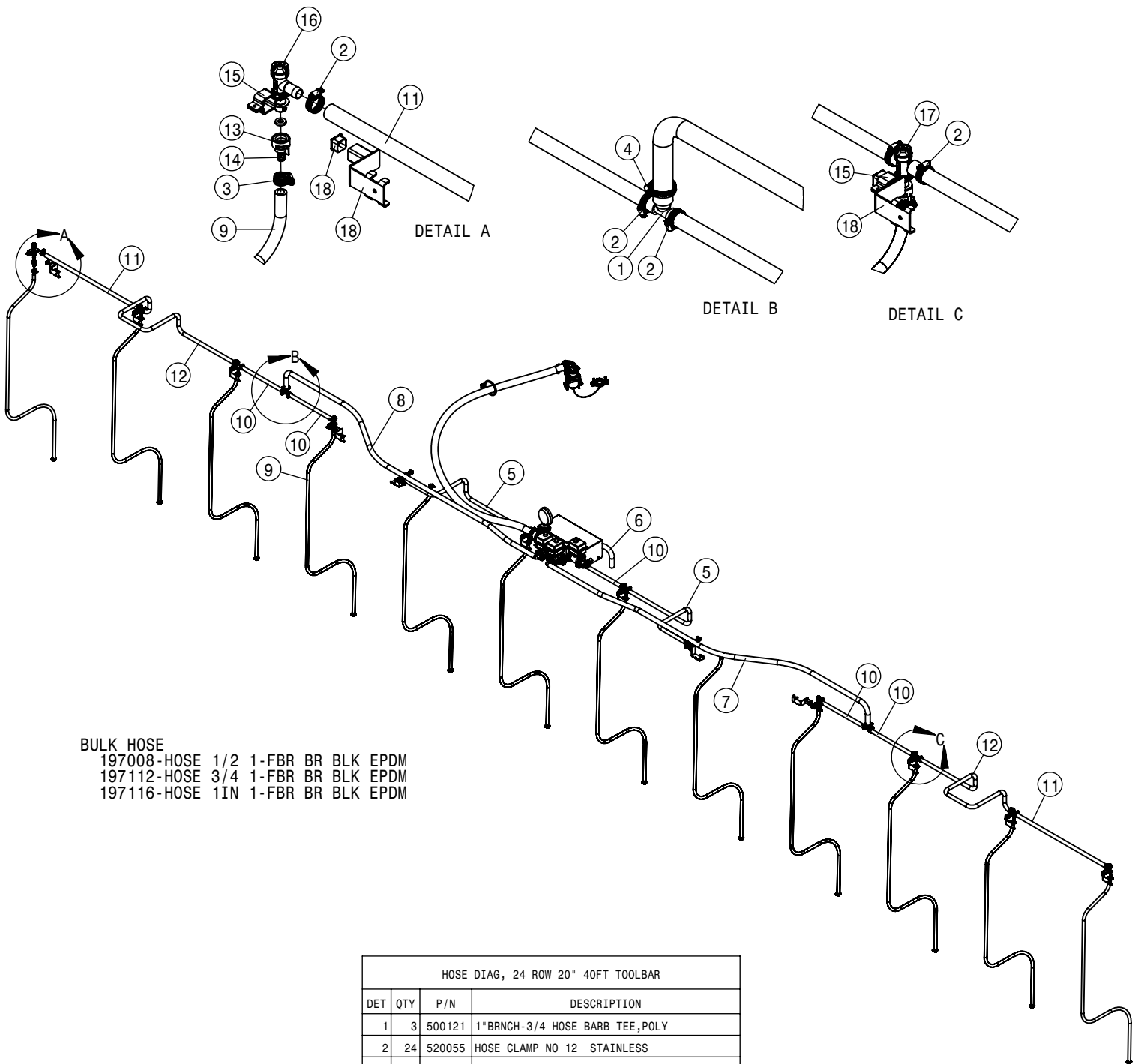


**BULK HOSE**

- 197008-HOSE 1/2 1-FBR BR BLK EPDM
- 197112-HOSE 3/4 1-FBR BR BLK EPDM
- 197116-HOSE 1IN 1-FBR BR BLK EPDM

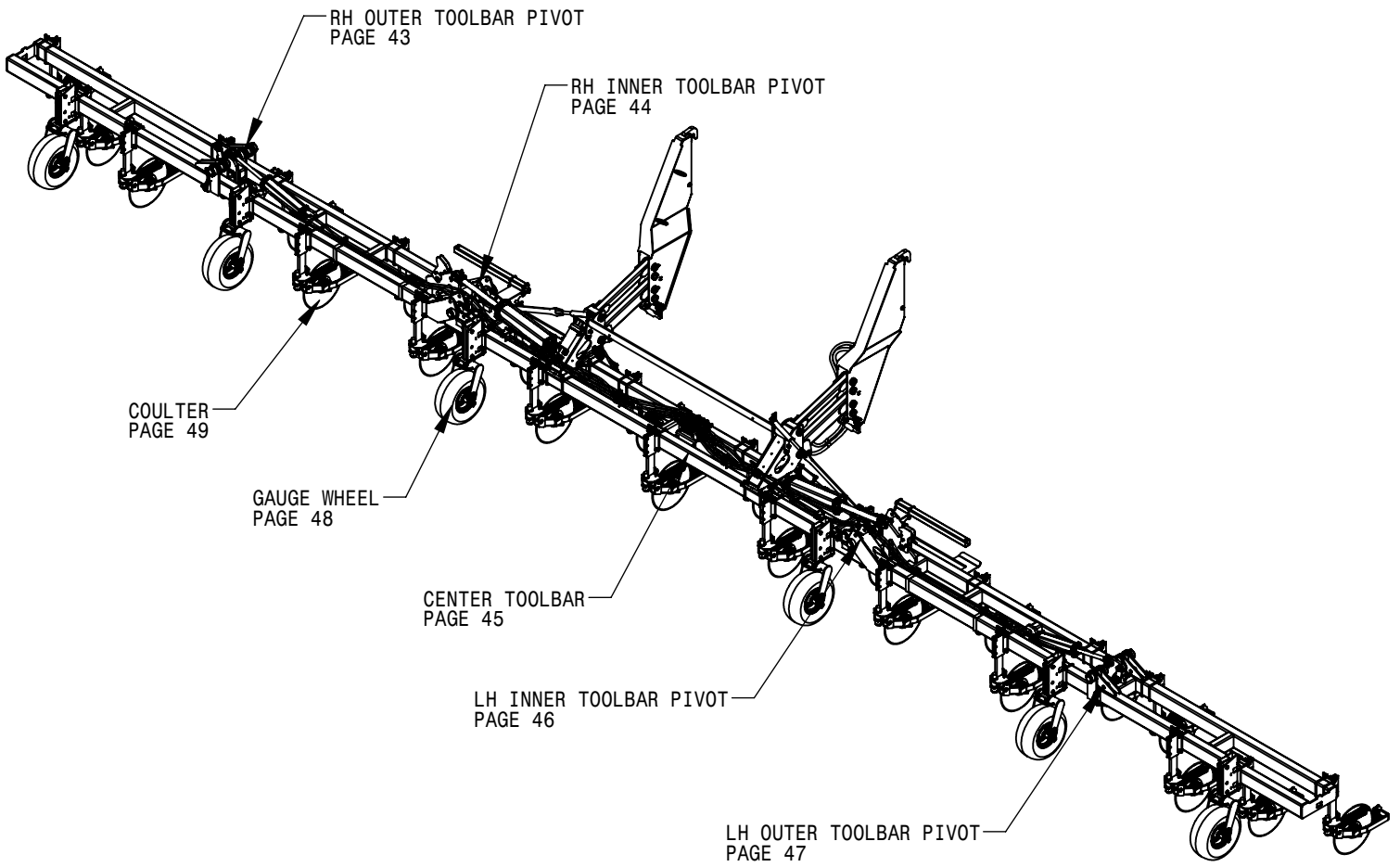
HOSE DIAG, 18 ROW SKIP 20" 30FT TOOLBAR			
DET	QTY	P/N	DESCRIPTION
1	9	439096	TIP MT BRKT WLD, NTB STS 03
2	3	500121	1"BRNCH-3/4 HOSE BARB TEE,POLY
3	18	520055	HOSE CLAMP NO 12 STAINLESS
4	18	520070	HOSE CLAMP NO 8 STAINLESS
5	6	520087	HOSE CLAMP NO 20 STAINLESS
6	1	601491	HOSE, 1 X 30 1BR BLK EPDM
7	1	601495	HOSE, 1 X 110 1BR BLK EPDM
8	1	601496	HOSE, 1 X 120 1BR BLK EPDM
9	9	601581	HOSE, 1/2 X 86 1BR BLK EPDM
10	6	601603	HOSE, 3/4 X 19 1BR BLK EPDM
11	3	601605	HOSE, 3/4 X 38 1BR BLK EPDM
12	9	629727	FINISH PLUG 1" SQ 16 GA
13	9	737790	CAP SET,ROUND,RED QUICK TEEJET
14	9	737791	1/2" TEEJET HOSE SHANK, NYLON
15	9	737817	NOZZLE BRACKET
16	6	737829	QUICK TJET LBO,1-TIP BODY .75
17	3	737830	QUICK TJET TEE,1-TIP BODY .75

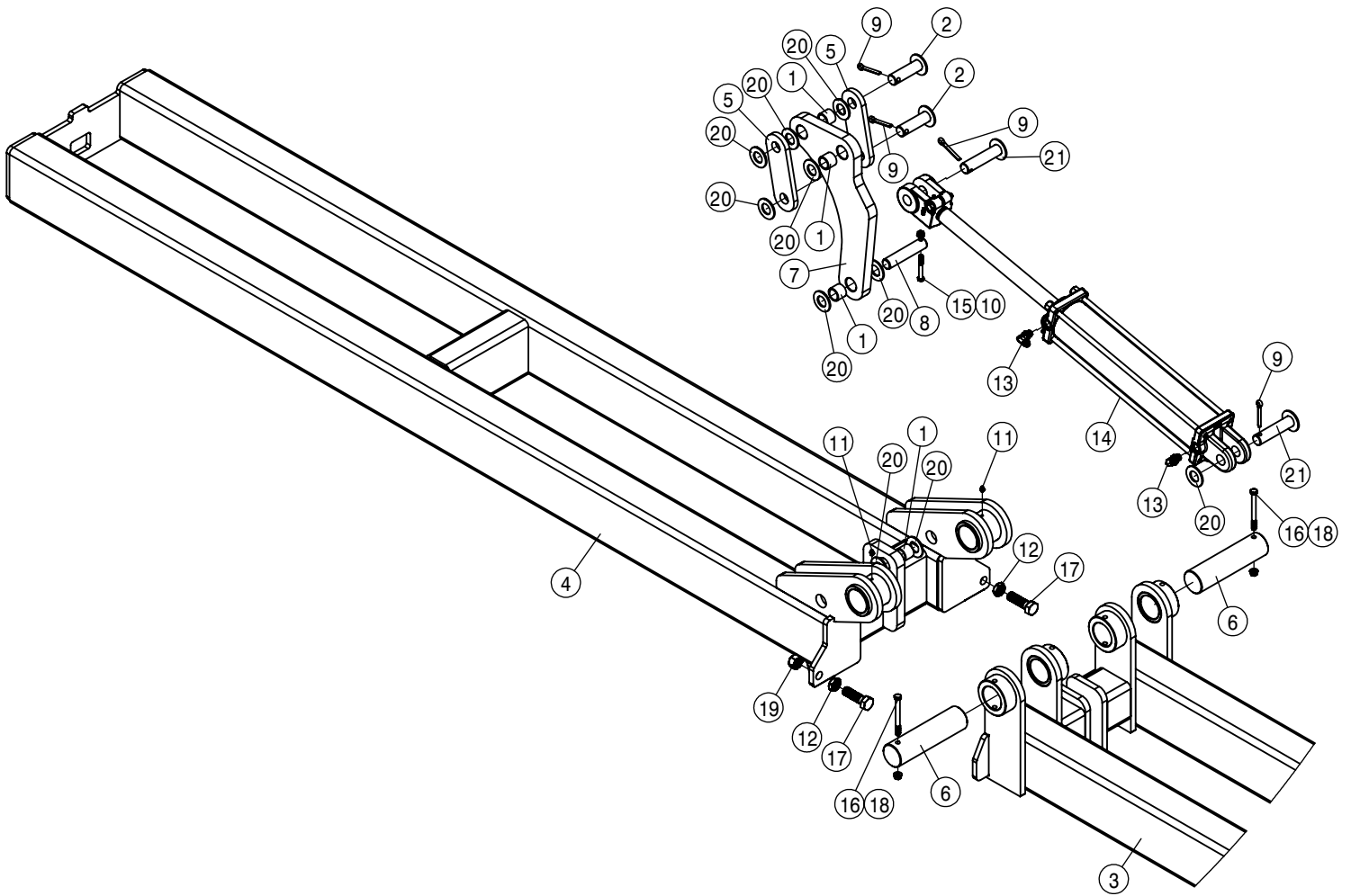




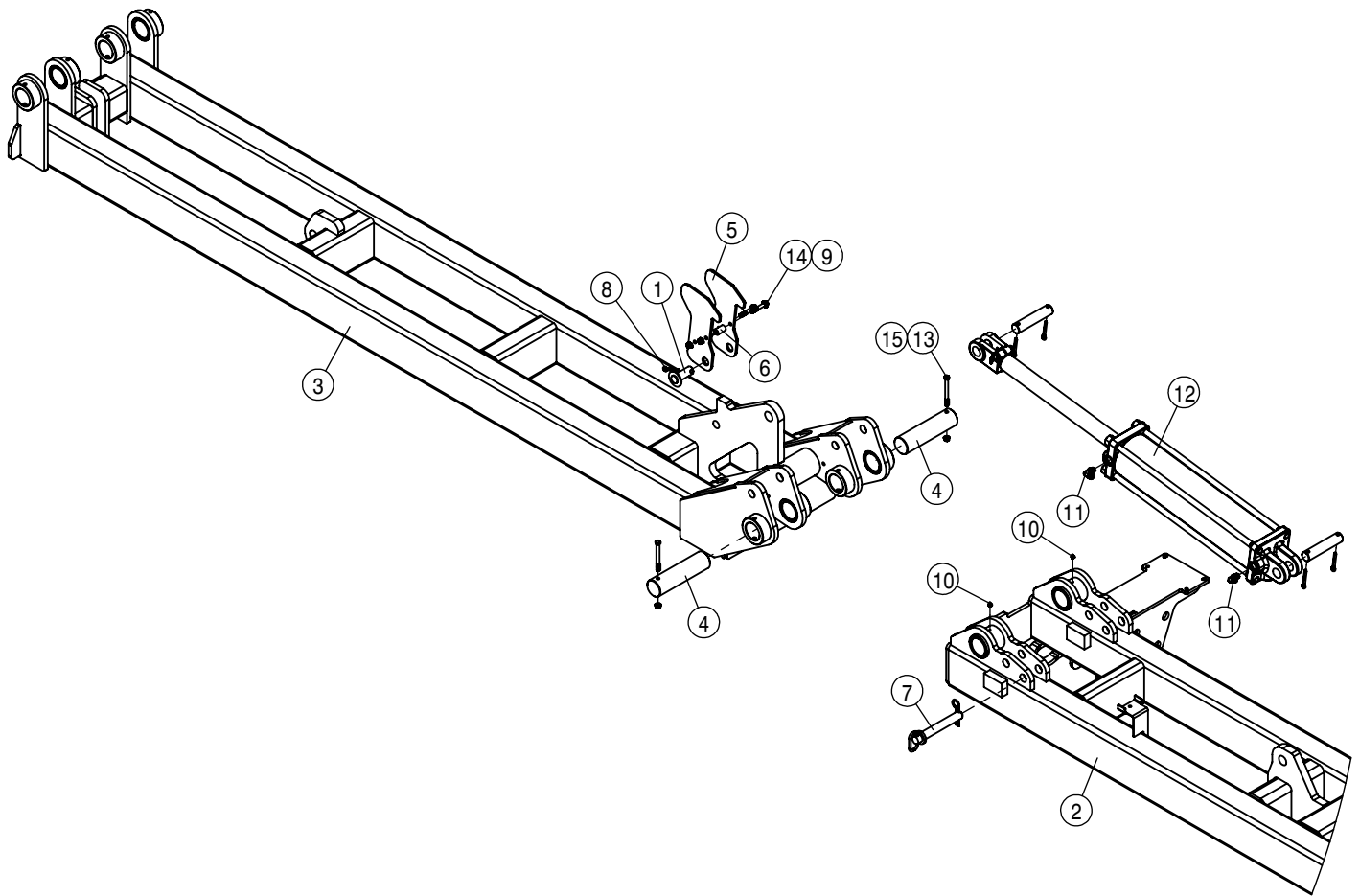
HOSE DIAG, 24 ROW 20" 40FT TOOLBAR			
DET	QTY	P/N	DESCRIPTION
1	3	500121	1"BRNCH-3/4 HOSE BARB TEE,POLY
2	24	520055	HOSE CLAMP NO 12 STAINLESS
3	62	520070	HOSE CLAMP NO 8 STAINLESS
4	6	520087	HOSE CLAMP NO 20 STAINLESS
5	2	601174	HOSE, 3/4 X 60 1BR BLK EPDM
6	1	601491	HOSE, 1 X 30 1BR BLK EPDM
7	1	601495	HOSE, 1 X 110 1BR BLK EPDM
8	1	601496	HOSE, 1 X 120 1BR BLK EPDM
9	30	601581	HOSE, 1/2 X 86 1BR BLK EPDM
10	6	601603	HOSE, 3/4 X 19 1BR BLK EPDM
11	2	601605	HOSE, 3/4 X 38 1BR BLK EPDM
12	2	601794	HOSE, 3/4 X 70 1BR BLK EPDM
13	12	737790	CAP SET,ROUND,RED QUICK TEEJET
14	12	737791	1/2" TEEJET HOSE SHANK, NYLON
15	12	737817	NOZZLE BRACKET
16	6	737829	QUICK TJET LBO,1-TIP BODY .75
17	6	737830	QUICK TJET TEE,1-TIP BODY .75
18	1	SS17035	NTB SOLU TIP MT BRKT 20" 40'

60 FT TOOLBAR  
24-ROW 30" SPACING

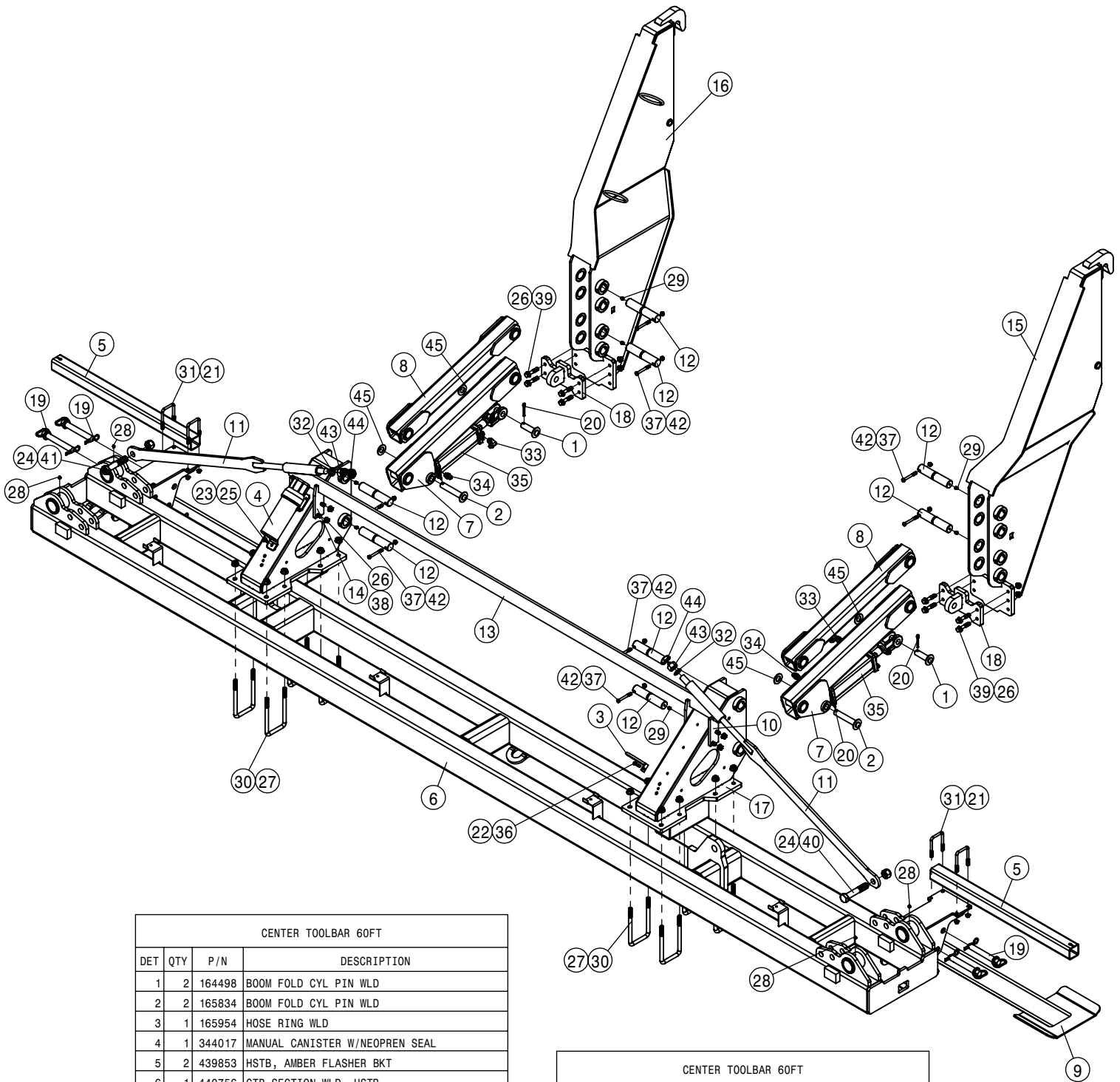




RIGHT OUTER TOOLBAR PIVOT 60FT			
DET	QTY	P/N	DESCRIPTION
1	5	121126	BEARING 1.00 x 1.25 x 1.00, POLYGON
2	2	164498	BOOM FOLD CYL PIN WLD
3	1	440773	INR WING WLD, HSTB '15
4	1	440790	OUTER WING WLD, HSTB '15
5	2	440814	OUTER FOLD LINK, HSTB '15
6	2	440815	FOLD PIN, HSTB '15
7	1	440819	INNER/OUTER FOLD LINK HSTB '15
8	1	440849	FOLD CYL PIN, HSTB
9	4	470012N	5/16 X 2 COTTER PIN SS
10	1	470570	5/16UNC HEX FLG CNTR LOCK NUT
11	2	471005N	GREASE ZERK, 1/4-28 X 1/2 YZ
12	2	472334	3/4UNC HEX JAM NUT
13	2	618972	9/16MOR-90-9/16MJ .031 CHK VLV
14	1	621038	HYD CYL 3.50 X 16.00 X 1.375
15	1	900070	5/16UNC X 2 1/2 BOLT
16	2	900140N	3/8UNC X 4" HEX BOLT
17	2	900404	3/4UNC X 2 1/2 HEX BOLT
18	2	910004N	3/8UNC FLANGE CNTR LOCK NUT
19	2	910012N	3/4UNC HEX NUT
20	10	920008N	1" SAE FLAT WASHER
21	2	A53623	LEVEL CYL PIN WLD, TRANSOM END

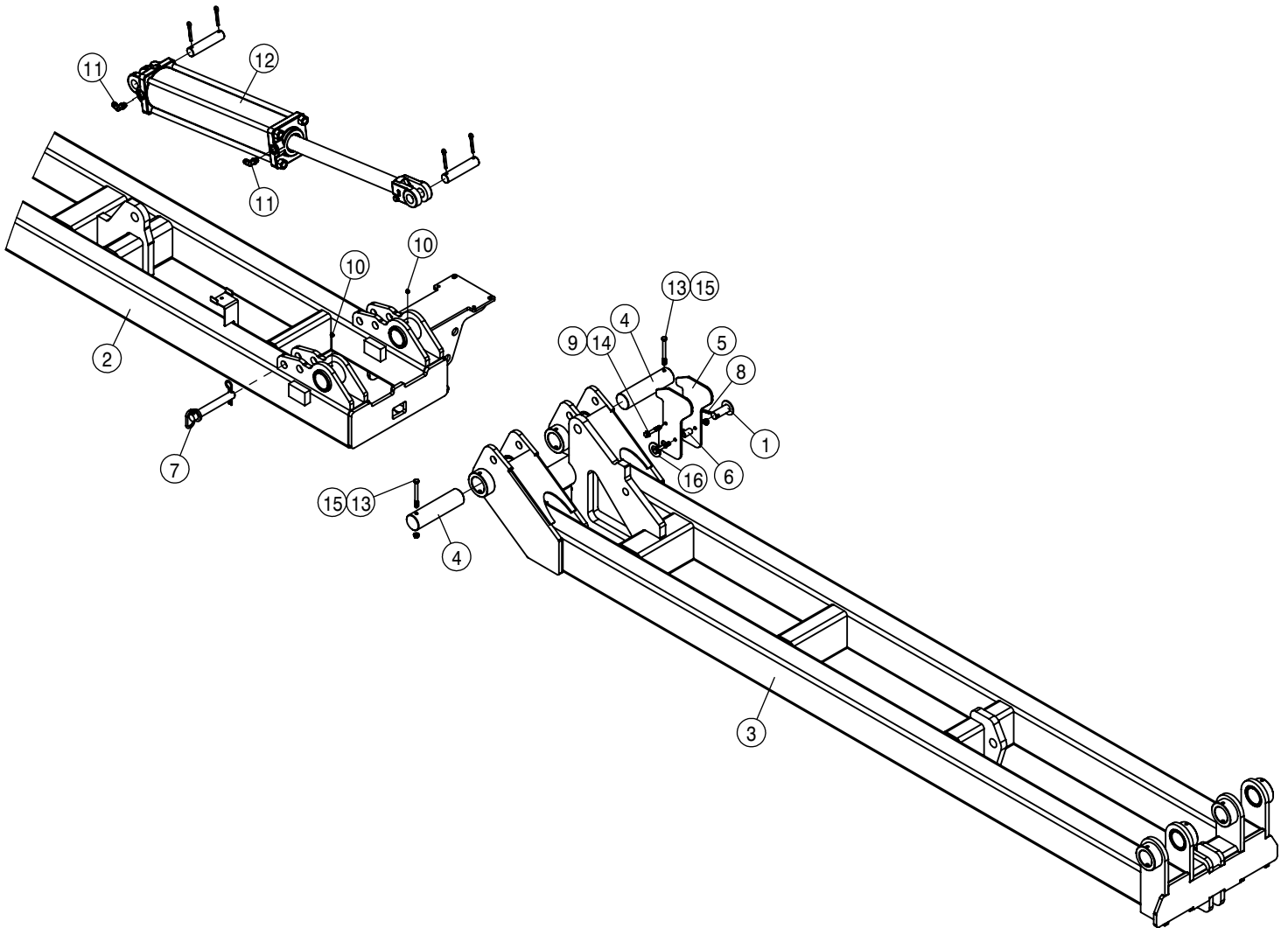


RIGHT INNER TOOLBAR PIVOT 60FT			
DET	QTY	P/N	DESCRIPTION
	1	164524	BOOMERANG CNTR PIVOT PIN WLD
	1	440756	CTR SECTION WLD, HSTB
	1	440773	INR WING WLD, HSTB '15
	2	440815	FOLD PIN, HSTB '15
	2	440823	WING LATCH, HSTB
	2	440824	.750 OD X 11 GA X 1.25 TUBE
	1	440850	HITCH PIN W/ CLIP 1 X 6-1/4
	1	470012N	5/16 X 2 COTTER PIN SS
	2	470087N	3/8UNC HEX SERR FLG NUT YZ
	2	471005N	GREASE ZERK, 1/4-28 X 1/2 YZ
	2	618119	9/16MJIC-90-9/16MOR LBO
	1	621039	HYD CYL 5.00 X 20.00 X 2.00
	2	900140N	3/8UNC X 4" HEX BOLT
	2	900170N	3/8UNC X 2 1/4 SER FLANGE BOLT
	2	910004N	3/8UNC FLANGE CNTR LOCK NUT

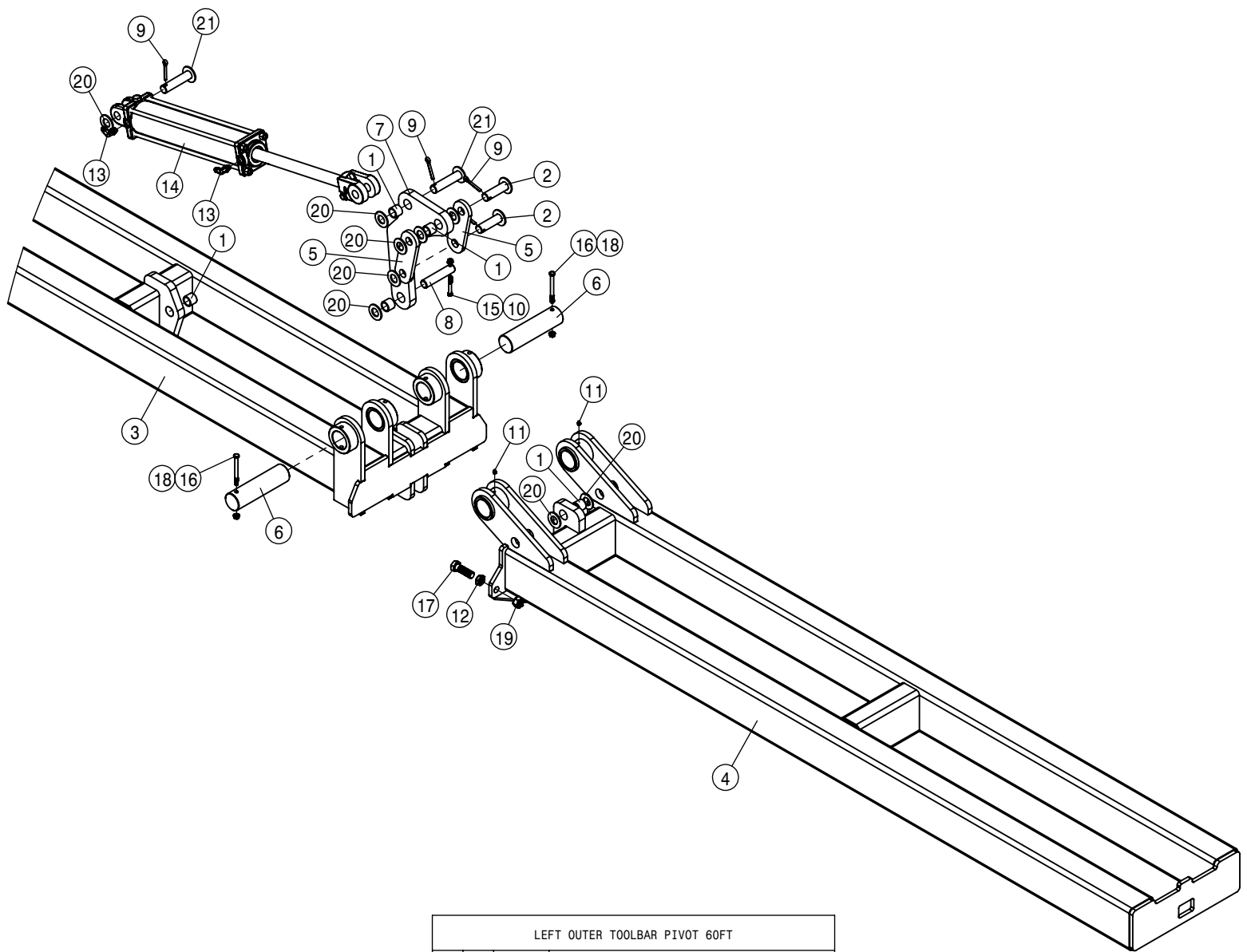


CENTER TOOLBAR 60FT			
DET	QTY	P/N	DESCRIPTION
1	2	164498	BOOM FOLD CYL PIN WLD
2	2	165834	BOOM FOLD CYL PIN WLD
3	1	165954	HOSE RING WLD
4	1	344017	MANUAL CANISTER W/NEOPREN SEAL
5	2	439853	HSTB, AMBER FLASHER BKT
6	1	440756	CTR SECTION WLD, HSTB
7	2	440791	LOWER LIFT ARM
8	2	440801	UPPER LIFT ARM WLD, HSTB
9	2	440809	STAND WLD, HSTB '15
10	2	440817	OUTER SUPPORT, CNTR TIE BAR
11	2	440822	TENSION BAR WLD, HSTB
12	8	440826	GREASABLE PIN, MAIN LIFT HSTB '15
13	1	440827	CNTR TIE BAR WLD, HSTB
14	2	440830	INNER SUPPORT, CNTR TIE BAR
15	1	440841	LH QUICK ATTACH WLD, HSNTB
16	1	440842	RH QUICK ATTACH WLD, HSNTB
17	2	440846	TOOL BAR ADPTR WLD, HSNTB
18	2	440848	MAIN LIFT ADJ MNT WLD, HSTB '15
19	4	440850	HITCH PIN W/ CLIP 1 X 6-1/4
20	4	470012N	5/16 X 2 COTTER PIN SS
21	8	470087N	3/8UNC HEX SERR FLG NUT YZ
22	1	470113	5/16UNC SERR FLG LOCK NUT
23	2	470113N	5/16UNC SERR FLG LOCK NUT SS
24	2	470144	1" UNC HEX NYLOCK NUT YZ
25	2	470234N	5/16UNC X 1" SERR FLG BOLT SS
26	16	470360N	1/2UNC SERR FLG HEX NUT YZ

CENTER TOOLBAR 60FT			
DET	QTY	P/N	DESCRIPTION
27	16	470682	5/8UNC HEX FLG CNTR LOCK NUT
28	4	471005N	GREASE ZERK, 1/4-28 X 1/2 YZ
29	8	471021N	GREASE ZERK 1/8 NPT STRAIGHT YZ
30	8	474006	5/8 UNC-4.00ID-8.00 U-BOLT SQ
31	4	474008	3/8UNC-2.50ID-3 1/2 U-BOLT SQ
32	2	483070	1.00-1.500D-10GA MACH BUSH
33	2	618241	3/4MJIC-90-3/4MOR LBO
34	2	618973	3/4MJIC-3/4MOR ADPTR
35	2	621037	HYD CYL 3.00 X 8.00 X 1.375
36	1	900066	5/16UNC X 1 1/4 HEX BOLT
37	8	900137	3/8UNC X 3 1/4 HEX BOLT
38	8	900266N	1/2UNC X 1 3/4 SERR FLANGE BOLT
39	8	900268N	1/2UNC X 2 1/2 SERR FLG BOLT
40	1	900817	1" UNC X 5 1/2" HEX BOLT GR8 YZ
41	1	900850	1" UNC X 5 HEX BOLT GR8 YZ
42	8	910004N	3/8UNC FLANGE CNTR LOCK NUT
43	2	910017N	1" UNC HEX NUT
44	2	910101N	1" UNC HEX JAM NUT
45	4	920008N	1" SAE FLAT WASHER

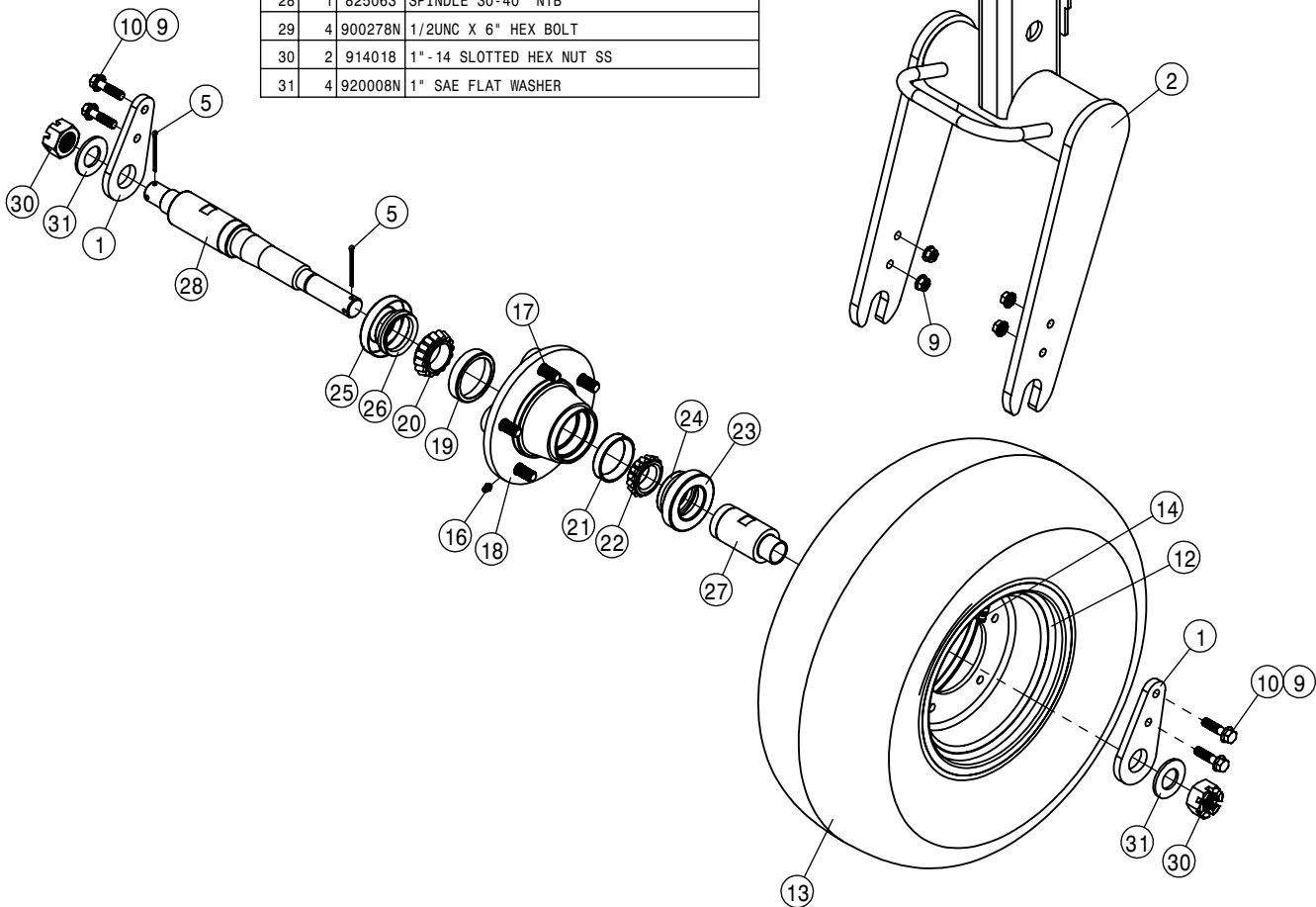


LEFT INNER TOOLBAR PIVOT 60FT			
DET	QTY	P/N	DESCRIPTION
1	1	164524	BOOMERANG CNTR PIVOT PIN WLD
2	1	440756	CTR SECTION WLD, HSTB
3	1	440773	INR WING WLD, HSTB '15
4	2	440815	FOLD PIN, HSTB '15
5	2	440823	WING LATCH, HSTB
6	2	440824	.750 OD X 11 GA X 1.25 TUBE
7	1	440850	HITCH PIN W/ CLIP 1 X 6-1/4
8	1	470012N	5/16 X 2 COTTER PIN SS
9	5	470087N	3/8UNC HEX SERR FLG NUT YZ
10	2	471005N	GREASE ZERK, 1/4-28 X 1/2 YZ
11	2	618119	9/16MJIC-90-9/16MOR LBO
12	1	621039	HYD CYL 5.00 X 20.00 X 2.00
13	2	900140N	3/8UNC X 4" HEX BOLT
14	2	900170N	3/8UNC X 2 1/4 SER FLANGE BOLT
15	2	910004N	3/8UNC FLANGE CNTR LOCK NUT
16	1	920008N	1" SAE FLAT WASHER

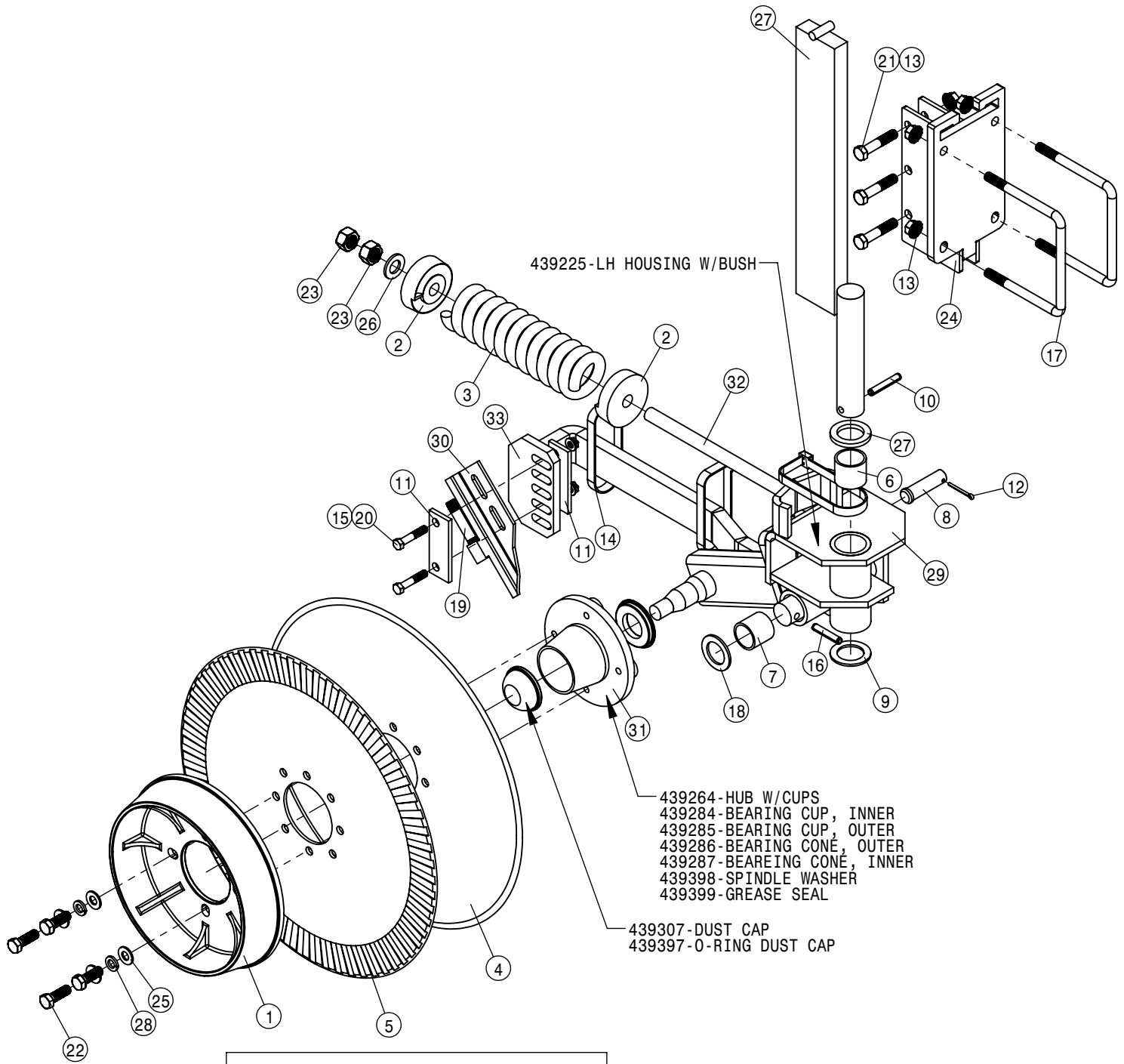


LEFT OUTER TOOLBAR PIVOT 60FT			
DET	QTY	P/N	DESCRIPTION
1	5	121126	BEARING 1.00 x 1.25 x 1.00, POLYGON
2	2	164498	BOOM FOLD CYL PIN WLD
3	1	440773	INR WING WLD, HSTB '15
4	1	440790	OUTER WING WLD, HSTB '15
5	2	440814	OUTER FOLD LINK, HSTB '15
6	2	440815	FOLD PIN, HSTB '15
7	1	440819	INNER/OUTER FOLD LINK HSTB '15
8	1	440849	FOLD CYL PIN, HSTB
9	4	470012N	5/16 X 2 COTTER PIN SS
10	1	470570	5/16UNC HEX FLG CNTR LOCK NUT
11	2	471005N	GREASE ZERK, 1/4-28 X 1/2 YZ
12	2	472334	3/4UNC HEX JAM NUT
13	2	618972	9/16MOR-90-9/16MJ .031 CHK VLV
14	1	621038	HYD CYL 3.50 X 16.00 X 1.375
15	1	900070	5/16UNC X 2 1/2 BOLT
16	2	900140N	3/8UNC X 4" HEX BOLT
17	2	900404	3/4UNC X 2 1/2 HEX BOLT
18	2	910004N	3/8UNC FLANGE CNTR LOCK NUT
19	2	910012N	3/4UNC HEX NUT
20	10	920008N	1" SAE FLAT WASHER
21	2	A53623	LEVEL CYL PIN WLD, TRANSOM END

GAUGE WHEEL ASSEMBLY 60FT			
DET	QTY	P/N	DESCRIPTION
1	2	439848	OTR GAUGE WHL KEEPER NTB '12
2	1	440123	30-40 GAUGE WHL WDLMNT
3	1	440743	GAUGE WHL MNT ASSY, HSNB
4	1	440831	COULTER MNT BRKT WLD HSTB '15
5	2	470007	COTTER PIN 1/8 X 2
6	2	470155	1 X 4 CLEVIS PIN
7	2	470235	1/8 #11 HAIR PIN
8	4	470360N	1/2UNC SERR FLG HEX NUT YZ
9	4	472029	3/8UNC SERR FLANGE NUT SS
10	4	473869	3/8UNC X 1 1/2 SER FLANGE BOLT SS
11	1	629778	100MM X 50MM END CAP
12	1	820163	10 X 6, 5 ON 5.5 RIM NO OFFSET
13	1	820164	20.5 X 8.0 - 10 TIRE
14	1	821252	VALVE STEM, TR-618A, STAINLESS
NS	5	824052	1/2UNF 60 DEG WHL NUT
16	1	825046	GREASE ZERK FOR 825042
17	5	825047	1/2-20 WHL BOLT FOR 825042
18	1	825048	HUB, 5-BOLT FOR 825042
19	1	825049	OUTER BEARING CUP FOR 825042
20	1	825050	INNER BRG CONE FOR 825042
21	1	825051	OUTER BEARING CUP FOR 825042
22	1	825052	INNER BEARING CONE FOR 825042
23	1	825053	GRASS WRAP GUARD FOR 825043
24	1	825055	V-SEAL FOR 825043
25	1	825056	GRASS WRAP GUARD FOR 824044
26	1	825058	V-SEAL FOR 825044
27	1	825062	SPACER 30-40' NTB
28	1	825063	SPINDLE 30-40' NTB
29	4	900278N	1/2UNC X 6" HEX BOLT
30	2	914018	1" - 14 SLOTTED HEX NUT SS
31	4	920008N	1" SAE FLAT WASHER

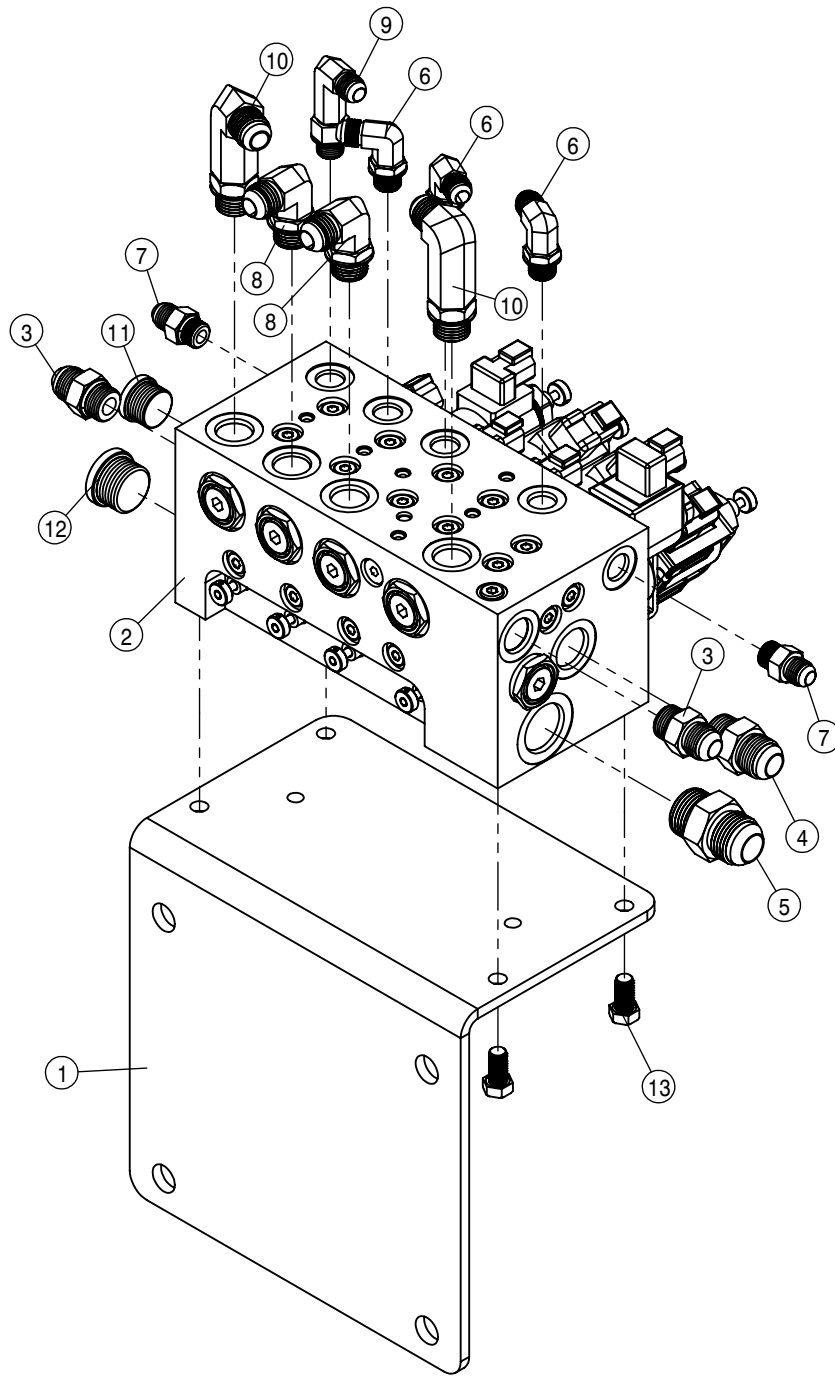




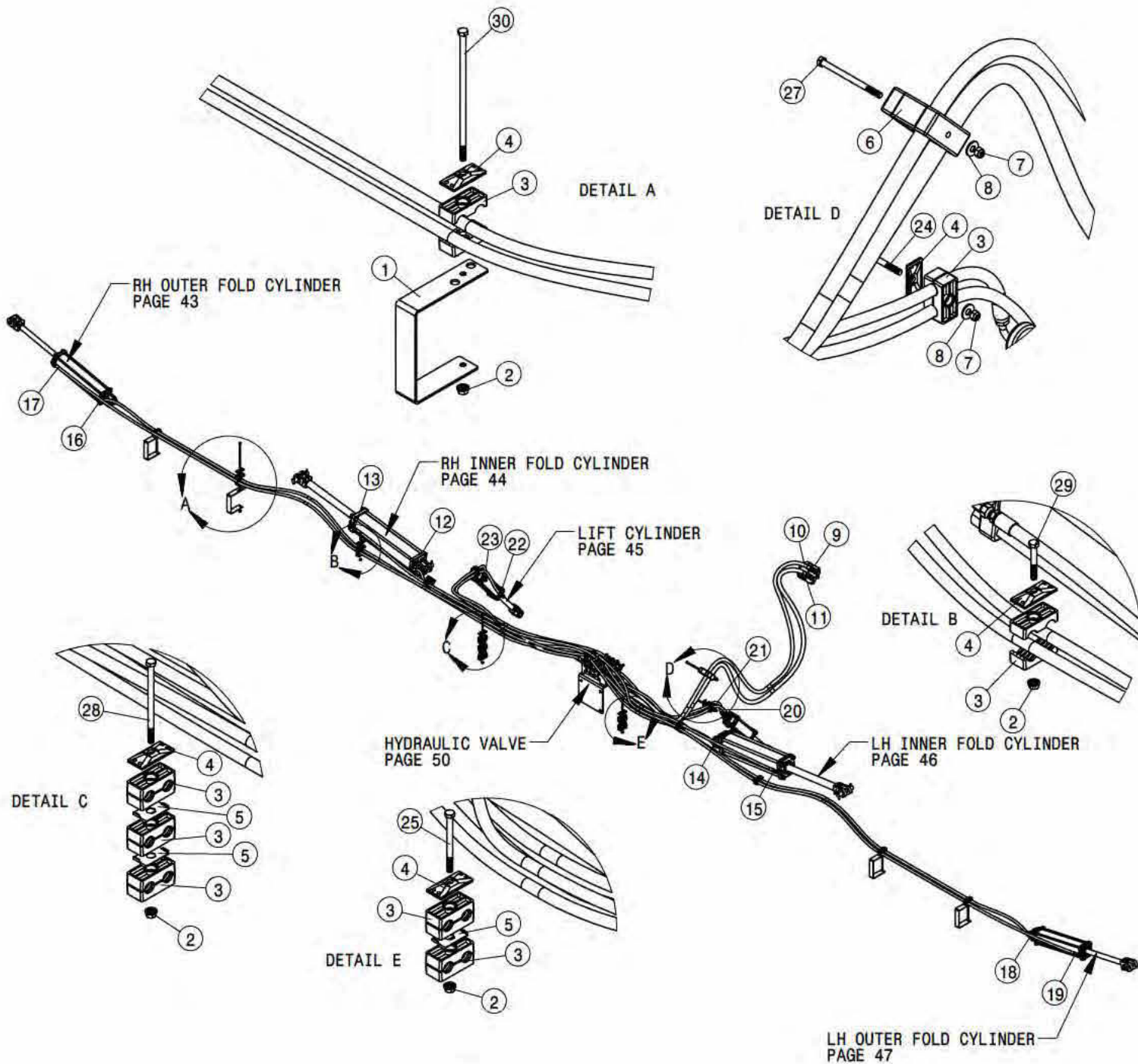


AG SYSTEM COULTER ASSEMBLY 60FT			
DET	QTY	P/N	DESCRIPTION
1	1	439224	DEPTH WHEEL
2	2	439227	SPRING STOP
3	1	439229	COMPRESSION SPRING
4	1	439790	COULTER BLADE, 20" SMOOTH
5	1	440081	COULTER BLADE, 20" FLUTED
6	2	440176	SWIVEL BUSHING
7	2	440177	PIVOT BUSHING
8	1	440179	SPRING PIVOT PIN
9	1	440180	1.5" WASHER
10	1	440181	ROLL PIN, 3/8DIA X 2 1/4
11	2	440184	HOSE LOOP BRKT
12	1	470035	COTTER PIN 5/32 1 3/4 LG
13	7	470360N	1/2UNC SERR FLG HEX NUT YZ
14	4	470555	CABLE TIE, 1/2 X 15" BLACK NYL
15	2	472043	3/8 UNC FLG CNTR LOCK NUT GR8
16	1	473962	ROLL PIN, 3/8 X 2
17	2	474007	1/2 UNC-6.00ID-5.50 U-BOLT SQ

AG SYSTEM COULTER ASSEMBLY 60FT			
DET	QTY	P/N	DESCRIPTION
18	1	483022	1.375 X 2.125 X .134 MACH WASH
19	1	507028	SS PIPE NIPPLE .25NPT-3.00
20	2	900133	3/8UNC X 2" HEX BOLT
21	3	900268	1/2UNC X 2 1/2 HEX BOLT
22	4	900303	1/2UNF X 1 1/2 HEX BOLT
23	2	910012	3/4UNC HEX NUT
24	1	440831	COULTER MNT BRKT WLD HSTB '15
25	4	920004	1/2 SAE FLAT WASHER
26	1	920006	3/4 SAE FLAT WASHER
27	1	439789	COULTER SWIVEL BAR
28	4	920504	1/2 LOCK WASHER
29	1	439225	CENTER MOUNT HOUSING
30	1	439219	SPRAY NOZZLE BRKT
31	1	439264	HUB WITH CUP
32	1	439226	EYE BOLT, SPRING RETAINER
33	1	440178	PIVOT ARM

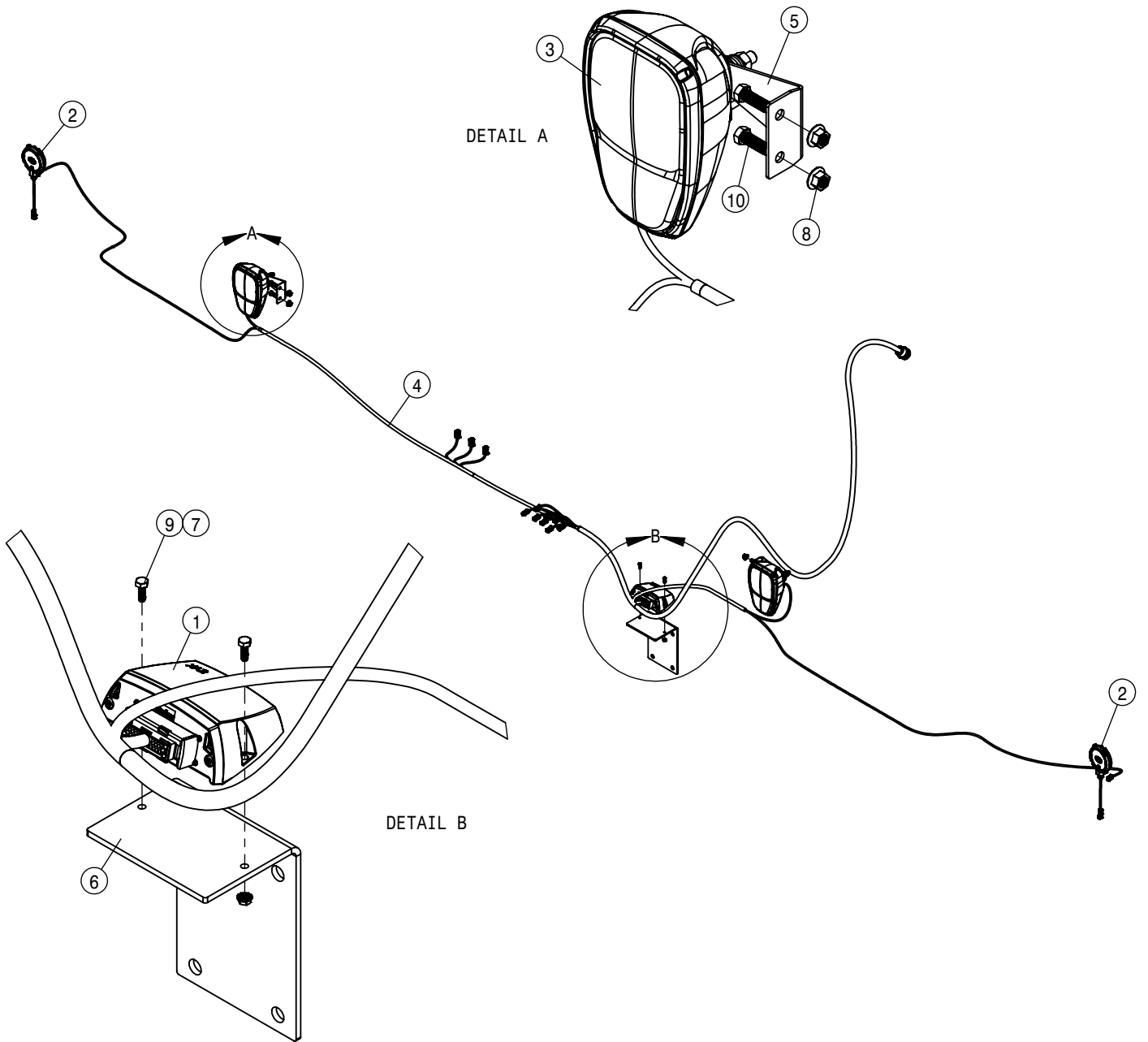


HYDRAULIC VALVE ASSEMBLY 60FT			
DET	QTY	P/N	DESCRIPTION
1	1	439852	VALVE BRKT HSTB '15
2	1	606453	HYD VALVE, COMATROL, LCNTB
3	2	611125	3/4MJIC-3/4MOR ADPTR
4	1	611126	7/8MJIC-7/8MOR ADPTR
5	1	611127	1/16MJIC-1/16MOR ADPTR
6	3	618119	9/16MJIC-90-9/16MOR LBO
7	2	618126	9/16MJIC-9/16MOR ADPTR
8	2	618241	3/4MJIC-90-3/4MOR LBO
9	1	618440	9/16MJIC-90-9/16MOR EX LG LBO
10	2	618443	3/4MJIC-90-3/4MOR EX LG LBO
11	1	618756	7/8 MOR PLUG, HEX SOCKET
12	1	618757	1/16MOR PLUG, HEX SOCKET
13	4	900128	3/8UNC X 3/4 HEX BOLT

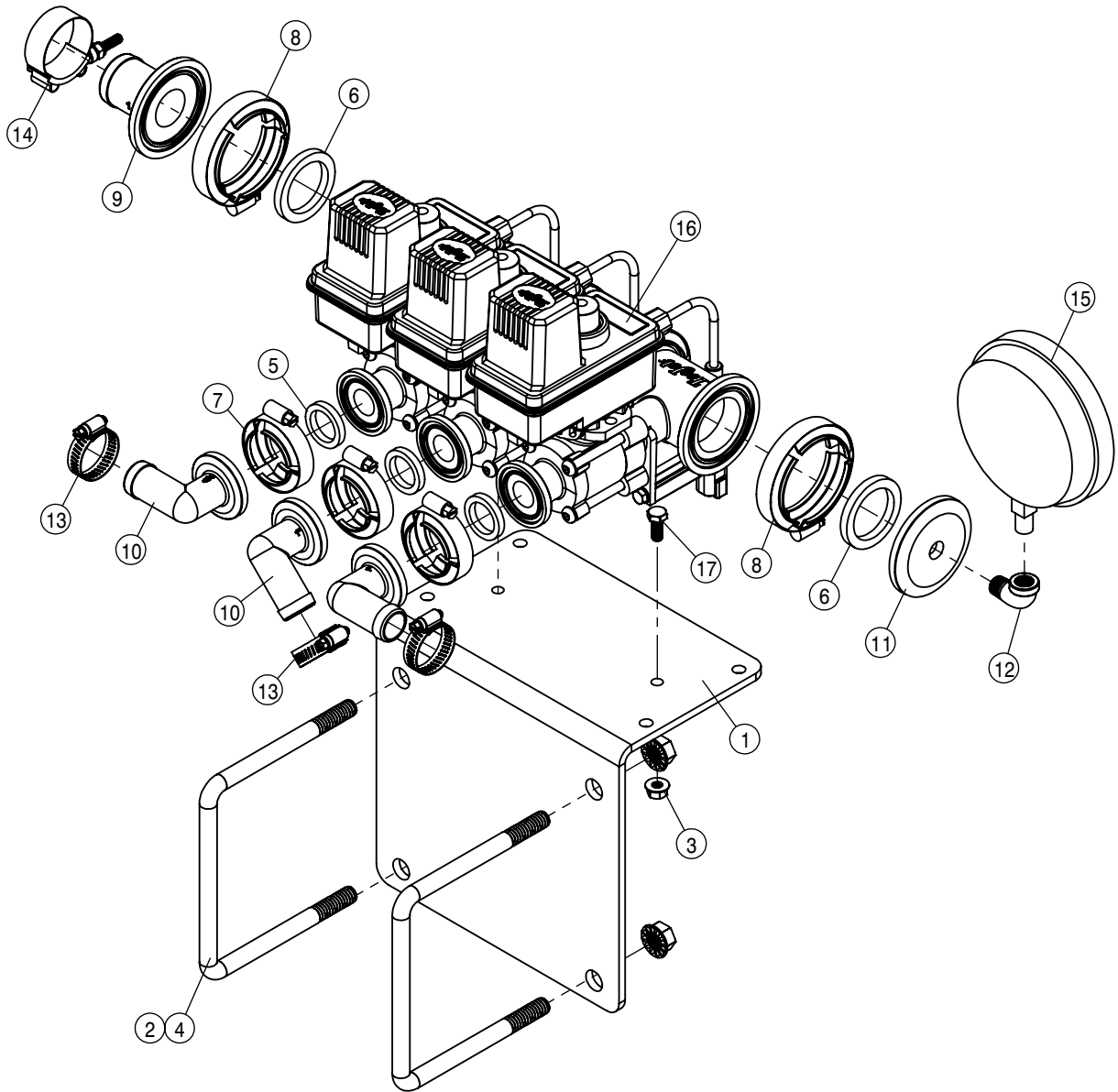


HYDRAULIC HOSEING 60FT			
DET	QTY	P/N	DESCRIPTION
1	4	439887	HSTB C CLAMP HOSE BKT
2	10	470113	5/16UNC SERR FLG LOCK NUT
3	17	470274	TUBE CLAMP BODY, .750-.750
4	12	470276	CLAMP COVER PLATE,SINGL, 2.55LG
5	11	470281	STACK BOLT SAFETY LOCK PLATE
6	1	470705	HSTB QUICK ATTACH CLAMP
7	3	473001	5/16UNC HEX NUT,NYLOC
8	3	483040	5/16 REGULAR FLAT WASHER
9	1	607114	MOBILE HALF COUPLER ASSY, 0502
10	1	617292	10-451TC-10FJX-10FJX-145 H/A
11	1	617293	12-451TC-12FJX-12FJX-144 H/A
12	1	617294	06-451TC-06FJX-08FJX90-76 H/A
13	1	617295	06-451TC-06FJX-06FJX-100 H/A
14	1	617296	06-451TC-06FJX-08FJX90-55 H/A
15	1	617297	06-451TC-06FJX-06FJX-78 H/A

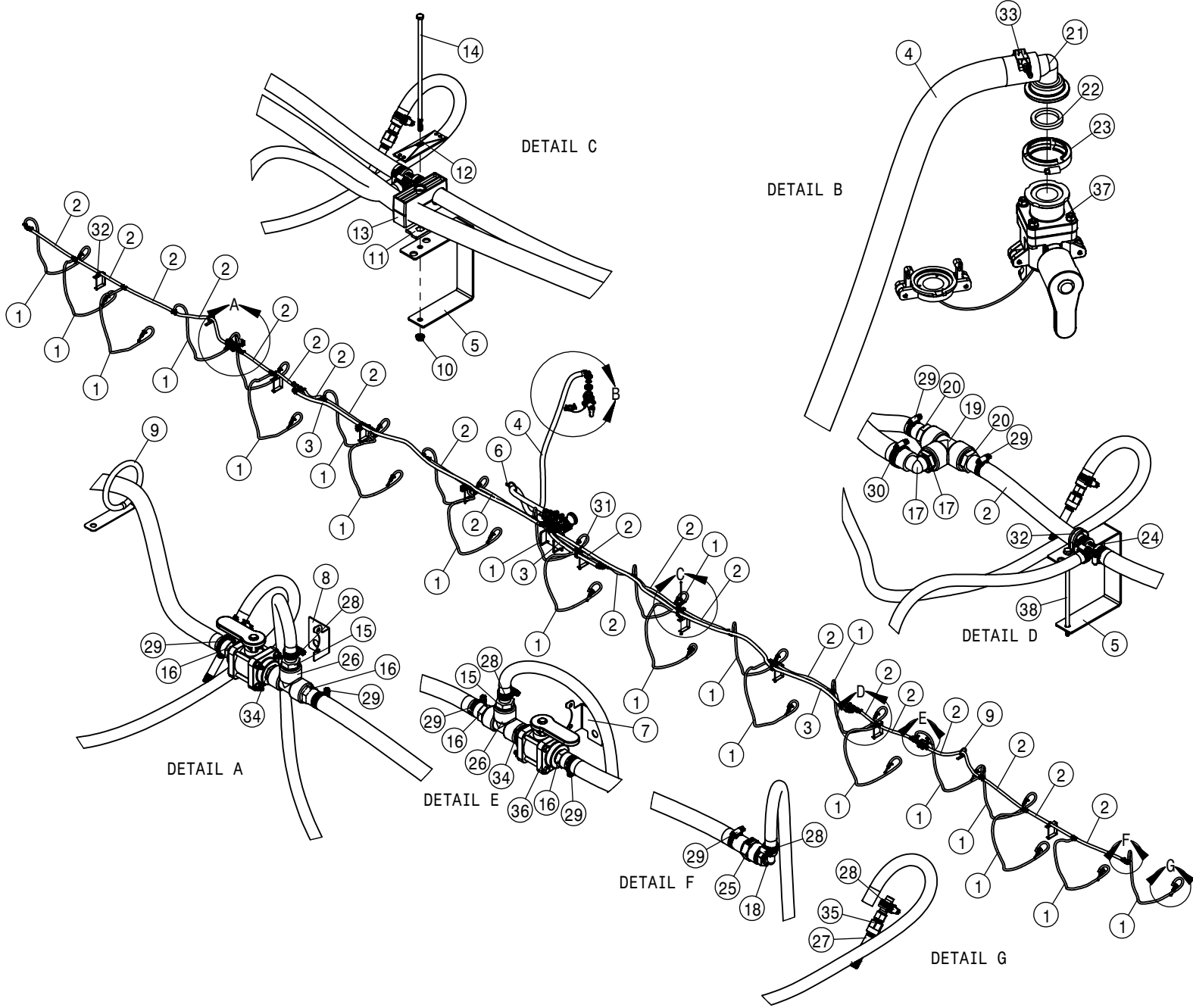
HYDRAULIC HOSEING 60FT			
DET	QTY	P/N	DESCRIPTION
16	1	617298	06-451TC-06FJX-08FJX-202 H/A
17	1	617299	06-451TC-06FJX-06FJX-220 H/A
18	1	617300	06-451TC-06FJX-08FJX-187 H/A
19	1	617301	06-451TC-06FJX-06FJX-205 H/A
20	1	617302	06-451TC-06FJX-08FJX-59 H/A
21	1	617303	06-451TC-08FJX90-08FJX-50 H/A
22	1	617304	06-451TC-06FJX-08FJX-93 H/A
23	1	617305	06-451TC-08FJX90-08FJX-84 H/A
24	2	900071	5/16UNC X 2 3/4 HEX BOLT
25	1	900075	5/16UNC X 3 3/4 HEX BOLT
26	2	900076	5/16UNC X 4* HEX BOLT
27	1	900078	5/16UNC X 4 1/2 HEX BOLT
28	1	900081	5/16UNC X 5 1/4 HEX BOLT YZ
29	2	900086	5/16UNC X 2 1/4 HEX BOLT
30	4	900087	5/16UNC X 8 1/2 HEX BOLT



ELECTRICAL WIRING 60FT			
DET	QTY	P/N	DESCRIPTION
1	1	292016	IQAN-XA2 MODULE
2	2	292246	LIGHT, AMBER FLASHER, LED
3	2	292556	HEAD/FLASHER LIGHT
4	1	294290	60FT HSNTB ELEC. HARNESS
5	2	439889	HSTB HEADLIGHT BKT
6	1	439890	HSNTB MODULE BRKT
7	2	470121	1/4 UNC SERR FLG LOCK NUT
8	4	470325	7/16 UNC SERR FLG HEX NUT
9	2	900002	1/4UNC x 3/4 HEX BOLT
10	4	900196	7/16UNC X 1 1/4 HEX BOLT



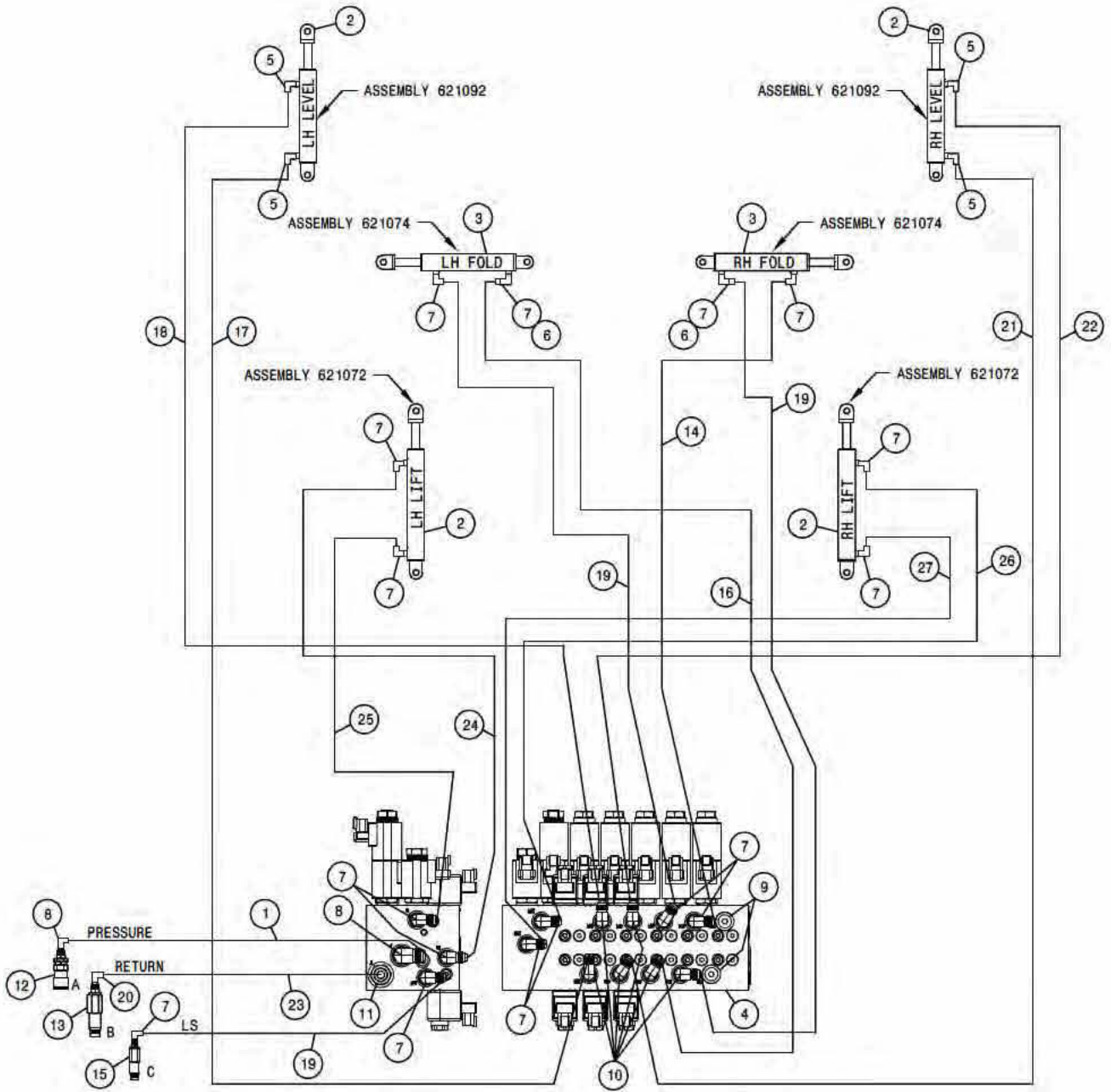
SOLUTION VALVE ASSEMBLY 60FT			
DET	QTY	P/N	DESCRIPTION
1	1	439852	VALVE BRKT HSTB '15
2	4	470360	1/2UNC SERR FLG HEX NUT
3	2	470570	5/16UNC HEX FLG CNTR LOCK NUT
4	2	474007	1/2 UNC-6.00ID-5.50 U-BOLT SQ
5	4	500157	1" FLANGE GASKET EPDM
6	4	500158	1 1/2" GASKET FOR 2" FLANGE
7	4	500159	1" FLANGE CLAMP S.S.
8	4	500160	2" FLANGE CLAMP S.S.
9	1	500162	2" FLANGE-1 1/2 HOSE BARB POLY
10	3	500173	1" FLANGE-90-1" HOSE BARB POLY
11	1	500181	2" FLANGE PLUG W/1/4"FNPT POLY
12	1	505116	SS PIPE ST EL 90DEG .25NPT
13	3	520090	HOSECLAMP NO 16 STAINLESS
14	1	520133	1.81/2.06 T-BOLT HOSE CLAMP SS
15	1	690359	PRESSURE GA GLYCERI 100 PSI
16	3	691433	3/4" MANF VLV SS 2"SP, 1" FLG
17	2	900064S	5/16UNC X 3/4" HEX BOLT SS



SOLUTION HOISING 60FT			
DET	QTY	P/N	DESCRIPTION
1	23	197008-070	HOSE 1/2 1-FBR BR BLK EPDM
2	23	197112-028	HOSE 3/4 1-FBR BR BLK EPDM
3	3	197116-183	HOSE 1IN 1-FBR BR BLK EPDM
4	1	197124-124	HOSE 1 1/2 2-FBR BR BLK EPDM
5	9	439887	HSTB C CLAMP HOSE BKT
6	2	440847	HOSE RING WLD
7	1	440851	MAN SHUT OFF VLV BRKT HSTB '15
8	1	440852	MAN SHUT OFF VLV BRKT HSTB '15
9	2	440854	3" X .41 MTNG HOLE, HOSE KEEPER WLD
10	9	470121	1/4 UNC SERR FLG LOCK NUT
11	5	470281	STACK BOLT SAFETY LOCK PLATE
12	5	470722	4 x 1 DUAL CLAMP COVER PLATE
13	5	470724	TUBE CLAMP BODY, 1.33 X 1.33
14	5	473884	1/4-20 UNC X 9 1/2 HEX BOLT
15	2	500019	3/4NPT-1/2HOSE BARB, POLY
16	4	500022	3/4NPT-3/4HOSE BARB, POLY
17	3	500024	1"NPT-90-1"HOSE BARB, POLY
18	6	500041	3/4NPT-90-1/2" HOSE BARB, POLY
19	3	500075	1" NPT PIPE TEE, POLY

SOLUTION HOISING 60FT			
DET	QTY	P/N	DESCRIPTION
20	6	500108	STRAIGHT-POLY, 1" MPT X 3/4 HOSE BARB
21	1	500153	2" FLANGE-90-1 1/2 HBARB POLY
22	1	500158	1 1/2" GASKET FOR 2" FLANGE
23	1	500160	2" FLANGE CLAMP S.S.
24	15	500284	"3/4 X 3/4 X 1/2" HOSE BARB, POLY
25	6	500290	"3/4NPT-3/4" HOSE BARB POLY
26	2	505218	3/4 NPT PIPE TEE, POLY
27	23	507028	SS PIPE NIPPLE .25NPT-3.00
28	46	520070	HOSE CLAMP NO 8 STAINLESS
29	46	520080	HOSE CLAMP NO 10 STAINLESS
30	3	520090	HOSECLAMP NO 16 STAINLESS
31	1	520100	CUSH HOSE CLAMP,#24, 1 1/2D X 1/2W
32	4	520102	CUSH HOSE CLAMP,#20, 1 1/4D X 1/2W
33	1	520133	1.81/2.06 T-BOLT HOSE CLAMP SS
34	2	690098	3/4NPT CLOSE NIPPLE, POLY
35	23	696012	TEE-JET HOSE SHANK CHECK VALVE SS
36	2	696135	1.00FNPT-MALE COUPLER POLY
37	1	696236	2"MALE MANFLD DRYMATE VLV,POLY
38	4	900034	1/4UNC X 7" HEX BOLT

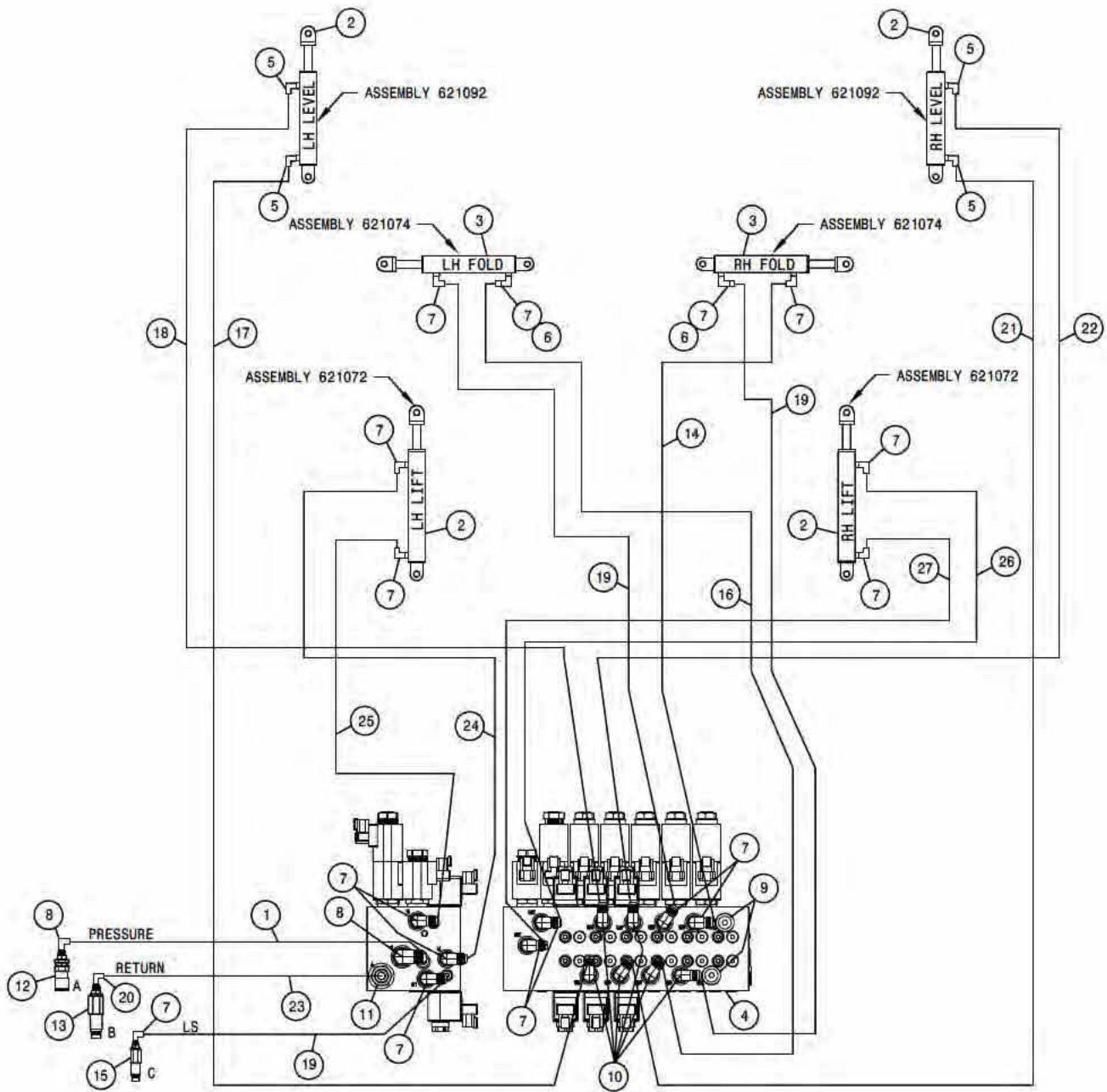
This Page Intentionally Blank





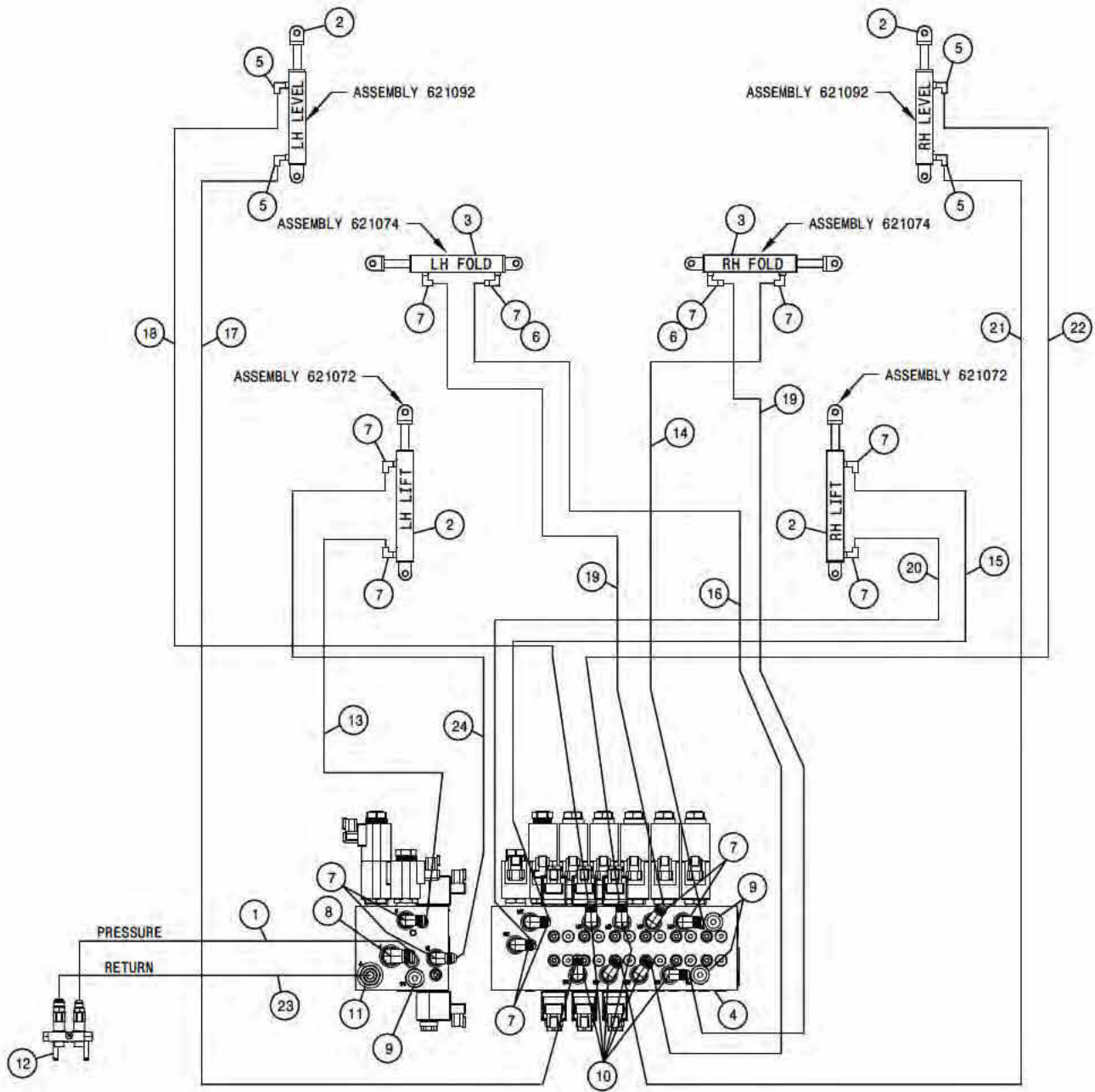
NITROGEN T-BAR 30FT HYD DIAGRAM 2007-2012  
REFERENCE DRAWING NO. 499229

DET.	QTY	PART NO.	DESCRIPTION		DET.	QTY	PART NO.	DESCRIPTION
1	1	616994	08-451TC-08FJX-08FJX-76	H/A	15	1	618804	HYD CPLR,MALE #14,9/16FOR
2	4	621153	3.00 X 11.00 X 1.38 LEVEL CYL		16	1	616209	04-451TC-06FJX-06FJX-64 H/A
3	2	621566	HYD CYL, 2.50 X 11.00 X 1.375		17	1	616084	04-451TC-06FJX-06FJX-46 H/A
4	1	606280	HYD VALVE,SAUER 6SPL NTB 07		18	1	616176	04-451TC-06FJX-06FJX-58 H/A
5	4	618689	9/16MJ-90-9/16MOR .042 CHK VLV		19	3	616177	04-451TC-06FJX-06FJX-74 H/A
6	2	618732	9/16JIC .031 ORIFICE ADPTR		20	1	618183	3/4MJIC-90-7/8MOR LBO
7	16	618119	9/16MJIC-90-9/16MOR LBO		21	1	616561	04-451TC-06FJX-06FJX-132 H/A
8	2	618241	3/4MJIC-90-3/4MOR LBO		22	1	616180	04-451TC-06FJX-06FJX-143 H/A
9	2	618754	9/16MOR PLUG, HEX SOCKET		23	1	616443	08-451TC-08FJX-08FJX90-76 H/A
10	6	618440	9/16MJIC-90-9/16MOR EX LG LBO		24	1	616182	06-451TC-06FJX-06FJX-41 H/A
11	1	618327	3/4MJIC-7/8MOR ADPTR		25	1	616183	06-451TC-06FJX-06FJX-52 H/A
12	1	618807	HYD CPLR, FEM #12,3/4FOR		26	1	616563	06-451TC-06FJX-06FJX-141 H/A
13	1	618806	HYD CPLR,MALE #12,7/8FOR		27	1	616564	06-451TC-06FJX-06FJX-151 H/A
14	1	616560	04-451TC-06FJX-06FJX-87	H/A				



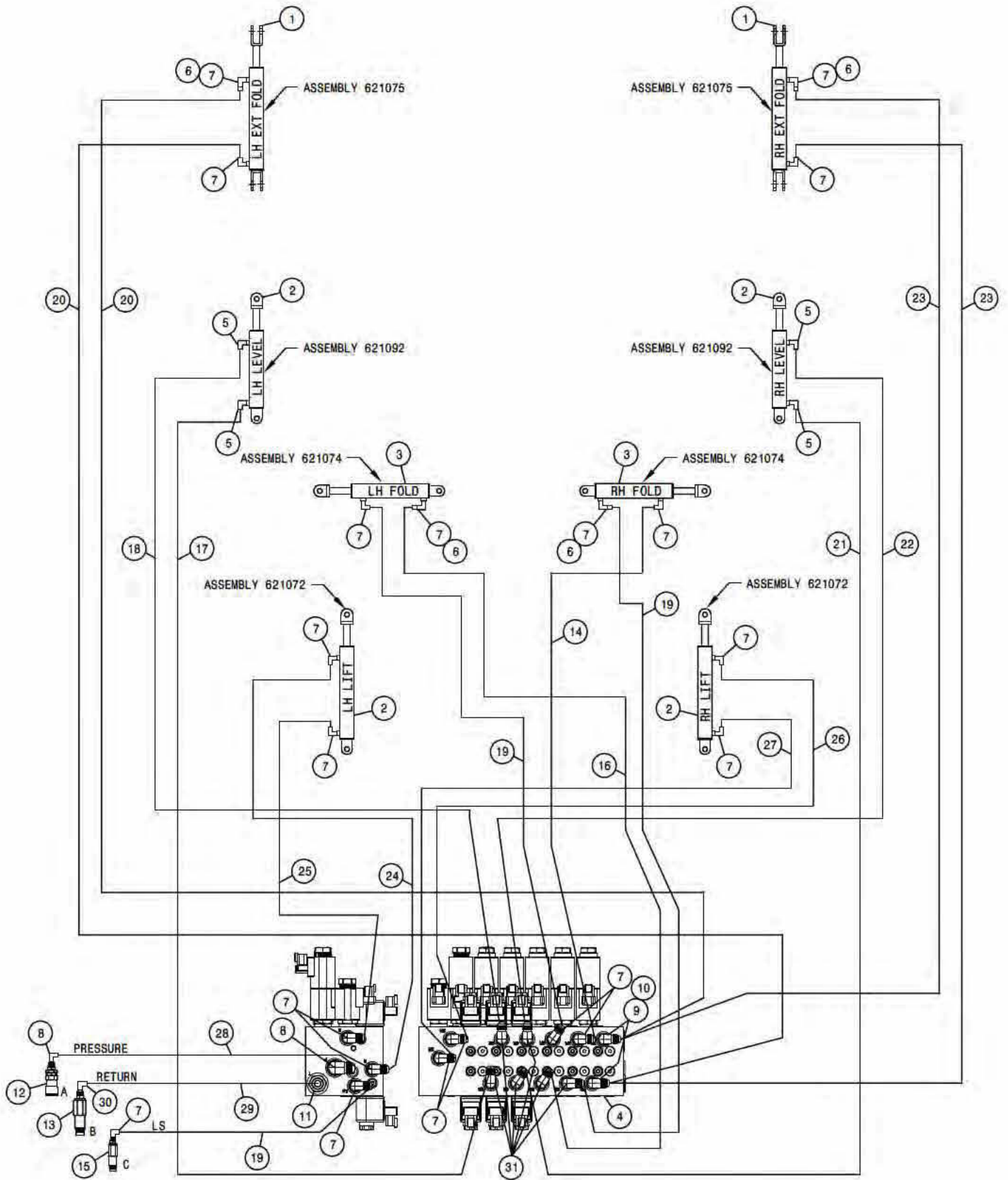
NITROGEN T-BAR 30FT HYD DIAGRAM 2013  
REFERENCE DRAWING NO. 499285

DET.	QTY	PART NO.	DESCRIPTION		DET.	QTY	PART NO.	DESCRIPTION	
1	1	616994	08-451TC-08FJX-08FJX-76	H/A	15	1	618804	HYD CPLR,MALE #14,9/16FOR	
2	4	621153	3.00 X 11.00 X 1.38 LEVEL CYL		16	1	616209	04-451TC-06FJX-06FJX-64	H/A
3	2	621566	HYD CYL, 2.50 X 11.00 X 1.375		17	1	616084	04-451TC-06FJX-06FJX-46	H/A
4	1	606280	HYD VALVE,SAUER 6SPL NTB 07		18	1	616176	04-451TC-06FJX-06FJX-58	H/A
5	4	618689	9/16MJ-90-9/16MOR .042 CHK VLV		19	3	616177	04-451TC-06FJX-06FJX-74	H/A
6	2	618732	9/16JIC .031 ORIFICE ADPTR		20	1	618183	3/4MJIC-90-7/8MOR LBO	
7	16	618119	9/16MJIC-90-9/16MOR LBO		21	1	616561	04-451TC-06FJX-06FJX-132	H/A
8	2	618241	3/4MJIC-90-3/4MOR LBO		22	1	616180	04-451TC-06FJX-06FJX-143	H/A
9	2	618754	9/16MOR PLUG, HEX SOCKET		23	1	616443	08-451TC-08FJX-08FJX90-76	H/A
10	6	618440	9/16MJIC-90-9/16MOR EX LG LBO		24	1	616182	06-451TC-06FJX-06FJX-41	H/A
11	1	618327	3/4MJIC-7/8MOR ADPTR		25	1	616183	06-451TC-06FJX-06FJX-52	H/A
12	1	618807	HYD CPLR, FEM #12,3/4FOR		26	1	616563	06-451TC-06FJX-06FJX-141	H/A
13	1	618806	HYD CPLR,MALE #12,7/8FOR		27	1	616564	06-451TC-06FJX-06FJX-151	H/A
14	1	616560	04-451TC-06FJX-06FJX-87	H/A					



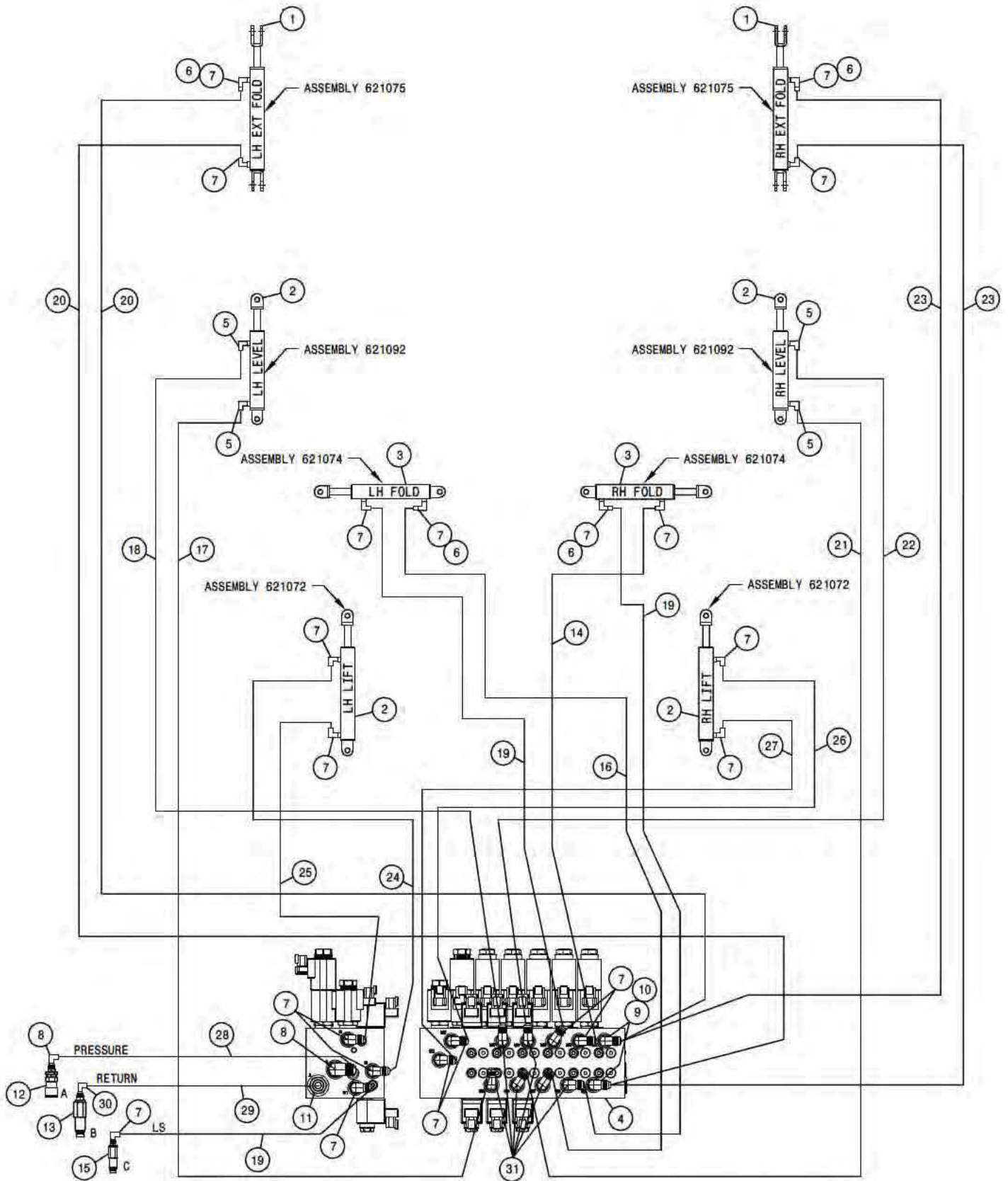
NITROGEN T-BAR 30FT HYD DIAGRAM 2014-2015  
REFERENCE DRAWING NO. 499295

DET.	QTY	PART NO.	DESCRIPTION		DET.	QTY	PART NO.	DESCRIPTION	
1	1	617170	08-451TC-08FJX-10FJX-76	H/A	13	1	616183	06-451TC-06FJX-06FJX-52	H/A
2	4	621153	3.00 X 11.00 X 1.38 LEVEL CYL		14	1	616560	04-451TC-06FJX-06FJX-87	H/A
3	2	621566	HYD CYL, 2.50 X 11.00 X 1.375		15	1	616563	06-451TC-06FJX-06FJX-141	H/A
4	1	606280	HYD VALVE, SAUER 6SPL NTB 07		16	1	616209	04-451TC-06FJX-06FJX-64	H/A
5	4	618689	9/16MJ-90-9/16MOR .042 CHK VLV		17	1	616084	04-451TC-06FJX-06FJX-46	H/A
6	2	618732	9/16JIC .031 ORIFICE ADPTR		18	1	616176	04-451TC-06FJX-06FJX-58	H/A
7	14	618119	9/16MJIC-90-9/16MOR LBO		19	2	616177	04-451TC-06FJX-06FJX-74	H/A
8	1	618241	3/4MJIC-90-3/4MOR LBO		20	1	616564	06-451TC-06FJX-06FJX-151	H/A
9	3	618754	9/16MOR PLUG, HEX SOCKET		21	1	616561	04-451TC-06FJX-06FJX-132	H/A
10	6	618440	9/16MJIC-90-9/16MOR EX LG LBO		22	1	616180	04-451TC-06FJX-06FJX-143	H/A
11	1	618327	3/4MJIC-7/8MOR ADPTR		23	1	617169	08-451TC-12FJX-08FJX90-76	H/A
12	1	607114	MOBILE HALF COUPLER ASSY, 0502		24	1	616182	06-451TC-06FJX-06FJX-41	H/A



NITROGEN T-BAR 40FT HYD DIAGRAM 2007-2012  
REFERENCE DRAWING NO. 499226

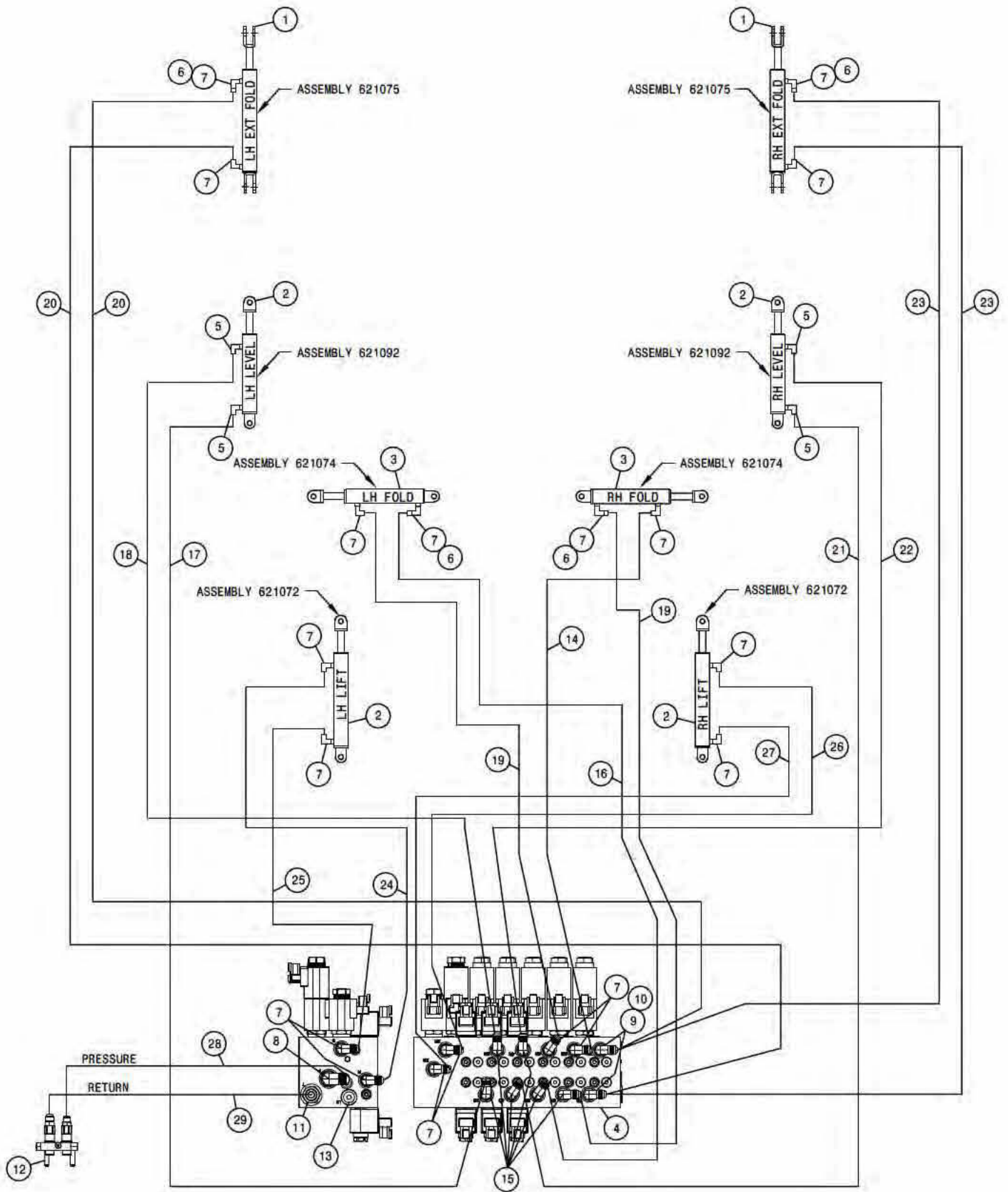
DET.	QTY	PART NO.	DESCRIPTION	DET.	QTY	PART NO.	DESCRIPTION	
1	2	621568	HYD CYL, 2.00 X 18.00 X 1.125	17	1	616084	04-451TC-06FJX-06FJX-46	H/A
2	4	621153	3.00 X 11.00 X 1.38 LEVEL CYL	18	1	616176	04-451TC-06FJX-06FJX-58	H/A
3	2	621566	HYD CYL, 2.50 X 11.00 X 1.375	19	3	616177	04-451TC-06FJX-06FJX-74	H/A
4	1	606280	HYD VALVE, SAUER 6SPL NTB 07	20	2	616414	04-451TC-06FJX-06FJX-126	H/A
5	4	618689	9/16MJ-90-9/16MOR .042 CHK VLV	21	1	616561	04-451TC-06FJX-06FJX-132	H/A
6	4	618732	9/16JIC .031 ORIFICE ADPTR	22	1	616180	04-451TC-06FJX-06FJX-143	H/A
7	20	618119	9/16MJIC-90-9/16MOR LBO	23	2	616260	04-451TC-06FJX-06FJX-200	H/A
8	2	618241	3/4MJIC-90-3/4MOR LBO	24	1	616182	06-451TC-06FJX-06FJX-41	H/A
9	2	618444	9/16MOR RUN TEE-9/16MJIC	25	1	616183	06-451TC-06FJX-06FJX-52	H/A
10	2	618618	9/16MJIC-90-9/16FJIC SWIV LBO	26	1	616563	06-451TC-06FJX-06FJX-141	H/A
11	1	618327	3/4MJIC-7/8MOR ADPTR	27	1	616564	06-451TC-06FJX-06FJX-151	H/A
12	1	618807	HYD CPLR, FEM #12, 3/4FOR	28	1	616994	08-451TC-08FJX-08FJX-76	H/A
13	1	618806	HYD CPLR, MALE #12, 7/8FOR	29	1	616443	08-451TC-08FJX-08FJX90-76	H/A
14	1	616560	04-451TC-06FJX-06FJX-87	H/A	30	1	618183	3/4MJIC-90-7/8MOR LBO
15	1	618804	HYD CPLR, MALE #14, 9/16FOR	31	6	618440	9/16MJIC-90-9/16MOR EX LG LBO	
16	1	616209	04-451TC-06FJX-06FJX-64	H/A				





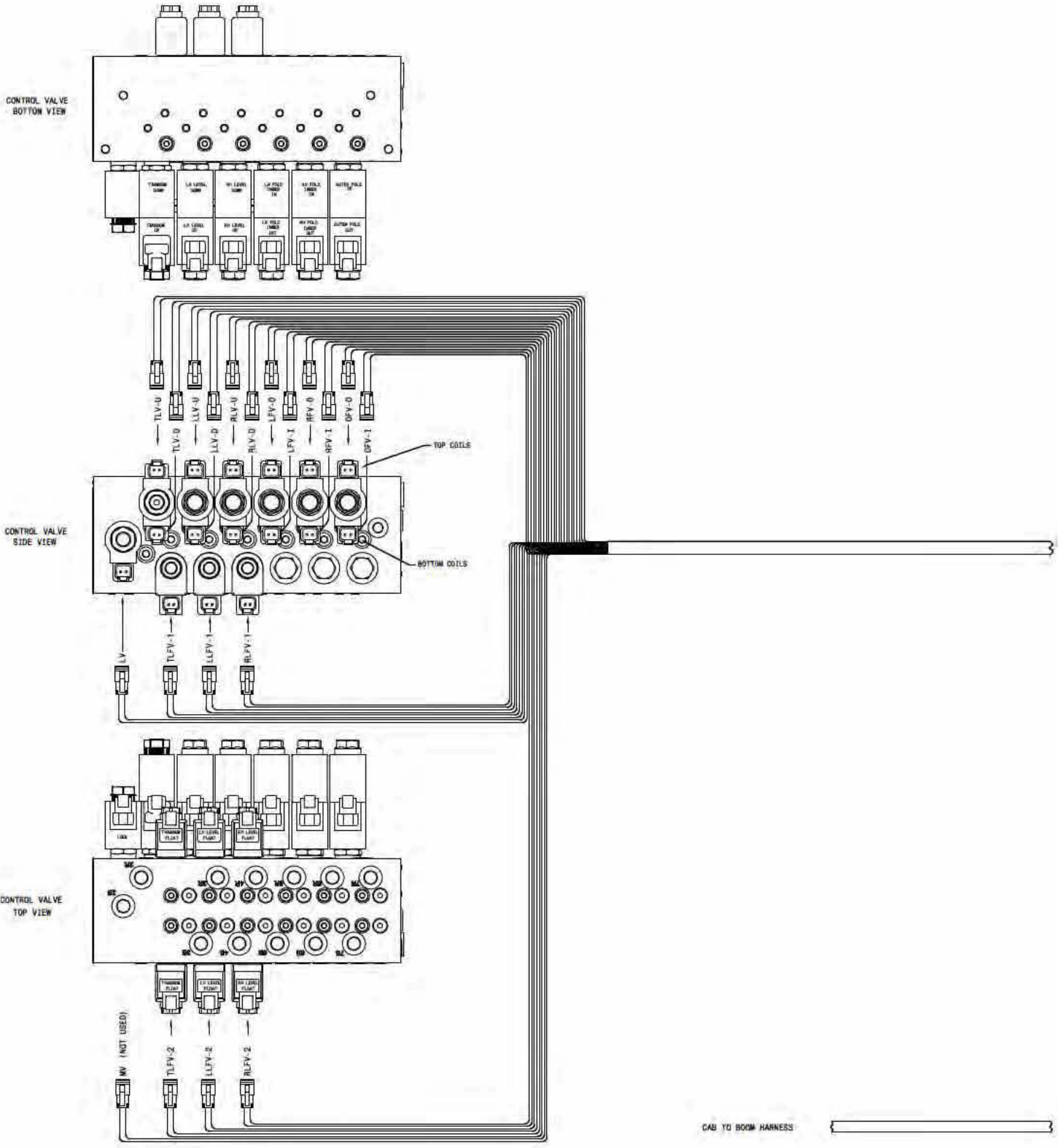
NITROGEN T-BAR 40FT HYD DIAGRAM 2013  
REFERENCE DRAWING NO. 499286

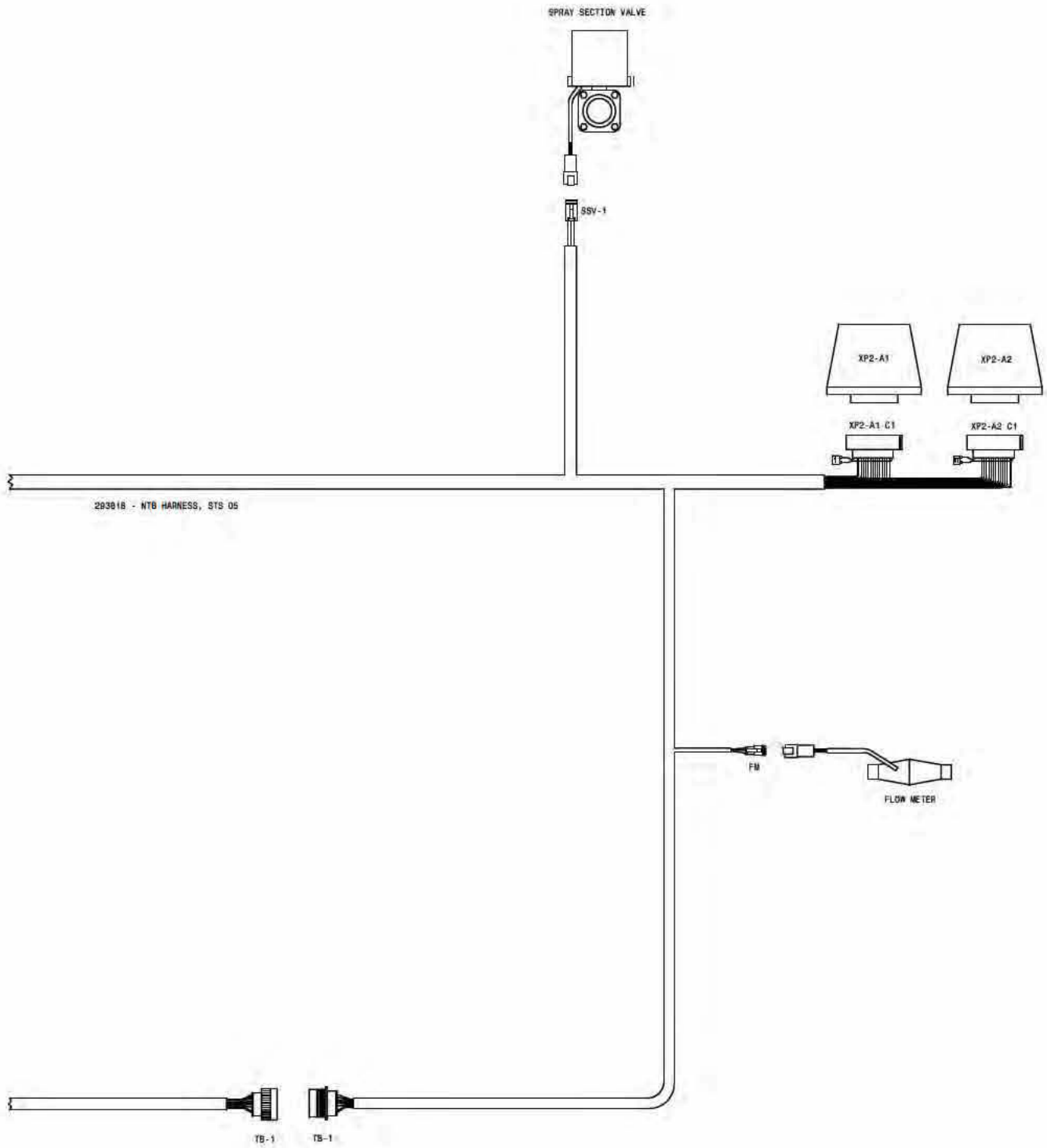
DET.	QTY	PART NO.	DESCRIPTION	DET.	QTY	PART NO.	DESCRIPTION	
1	2	621568	HYD CYL, 2.00 X 18.00 X 1.125	17	1	616084	04-451TC-06FJX-06FJX-46	H/A
2	4	621153	3.00 X 11.00 X 1.38 LEVEL CYL	18	1	616176	04-451TC-06FJX-06FJX-58	H/A
3	2	621566	HYD CYL, 2.50 X 11.00 X 1.375	19	3	616177	04-451TC-06FJX-06FJX-74	H/A
4	1	606280	HYD VALVE, SAUER 6SPL NTB 07	20	2	616414	04-451TC-06FJX-06FJX-126	H/A
5	4	618689	9/16MJ-90-9/16MOR .042 CHK VLV	21	1	616561	04-451TC-06FJX-06FJX-132	H/A
6	4	618732	9/16JIC .031 ORIFICE ADPTR	22	1	616180	04-451TC-06FJX-06FJX-143	H/A
7	20	618119	9/16MJIC-90-9/16MOR LBO	23	2	616260	04-451TC-06FJX-06FJX-200	H/A
8	2	618241	3/4MJIC-90-3/4MOR LBO	24	1	616182	06-451TC-06FJX-06FJX-41	H/A
9	2	618444	9/16MOR RUN TEE-9/16MJIC	25	1	616183	06-451TC-06FJX-06FJX-52	H/A
10	2	618618	9/16MJIC-90-9/16FJIC SWIV LBO	26	1	616563	06-451TC-06FJX-06FJX-141	H/A
11	1	618327	3/4MJIC-7/8MOR ADPTR	27	1	616564	06-451TC-06FJX-06FJX-151	H/A
12	1	618807	HYD CPLR, FEM #12, 3/4FOR	28	1	616994	08-451TC-08FJX-08FJX-76	H/A
13	1	618806	HYD CPLR, MALE #12, 7/8FOR	29	1	616443	08-451TC-08FJX-08FJX90-76	H/A
14	1	616560	04-451TC-06FJX-06FJX-87	30	1	618183	3/4MJIC-90-7/8MOR LBO	
15	1	618804	HYD CPLR, MALE #14, 9/16FOR	31	6	618440	9/16MJIC-90-9/16MOR EX LG LBO	
16	1	616209	04-451TC-06FJX-06FJX-64					H/A



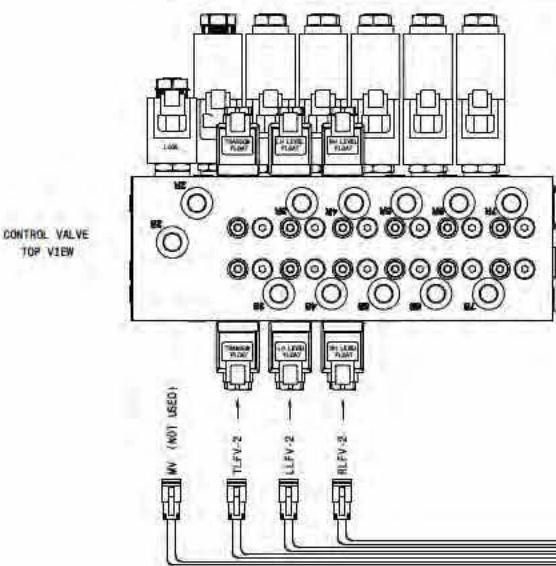
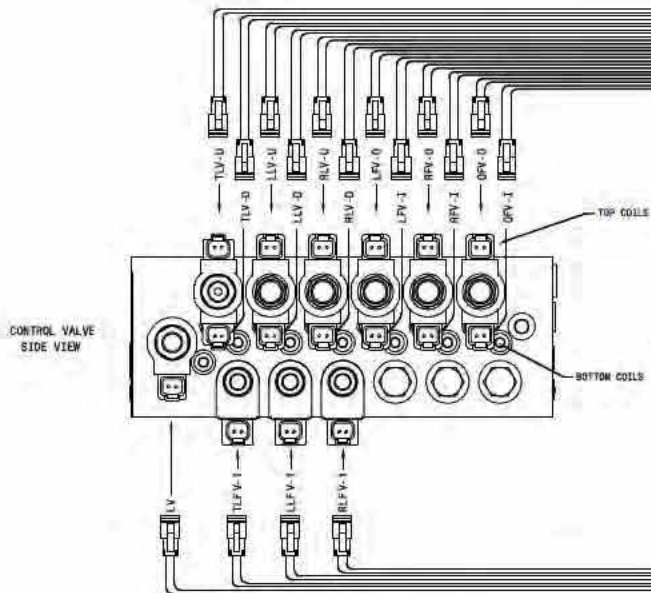
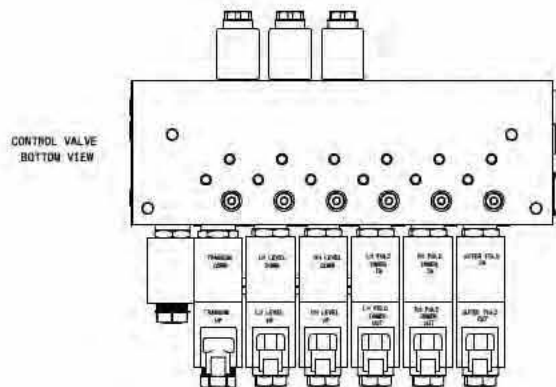
NITROGEN T-BAR 40FT HYD DIAGRAM 2014-2015  
REFERENCE DRAWING NO. 499296

DET.	QTY	PART NO.	DESCRIPTION	DET.	QTY	PART NO.	DESCRIPTION	
1	2	621568	HYD CYL, 2.00 X 18.00 X 1.125	16	1	616209	04-451TC-06FJX-06FJX-64	H/A
2	4	621153	3.00 X 11.00 X 1.38 LEVEL CYL	17	1	616084	04-451TC-06FJX-06FJX-46	H/A
3	2	621566	HYD CYL, 2.50 X 11.00 X 1.375	18	1	616176	04-451TC-06FJX-06FJX-58	H/A
4	1	606280	HYD VALVE, SAUER 6SPL NTB 07	19	2	616177	04-451TC-06FJX-06FJX-74	H/A
5	4	618689	9/16MJ-90-9/16MOR .042 CHK VLV	20	2	616414	04-451TC-06FJX-06FJX-126	H/A
6	4	618732	9/16JIC .031 ORIFICE ADPTR	21	1	616561	04-451TC-06FJX-06FJX-132	H/A
7	18	618119	9/16MJIC-90-9/16MOR LBO	22	1	616180	04-451TC-06FJX-06FJX-143	H/A
8	1	618241	3/4MJIC-90-3/4MOR LBO	23	2	616260	04-451TC-06FJX-06FJX-200	H/A
9	2	618444	9/16MOR RUN TEE-9/16MJIC	24	1	616182	06-451TC-06FJX-06FJX-41	H/A
10	2	618618	9/16MJIC-90-9/16FJIC SWIV LBO	25	1	616183	06-451TC-06FJX-06FJX-52	H/A
11	1	618327	3/4MJIC-7/8MOR ADPTR	26	1	616563	06-451TC-06FJX-06FJX-141	H/A
12	1	607114	MOBILE HALF COUPLER ASSY, 0502	27	1	616564	06-451TC-06FJX-06FJX-151	H/A
13	1	618754	9/16MOR PLUG, HEX SOCKET	28	1	617170	08-451TC-08FJX-10FJX-76	H/A
14	1	616560	04-451TC-06FJX-06FJX-87 H/A	29	1	617169	08-451TC-12FJX-08FJX90-76	H/A
15	6	618440	9/16MJIC-90-9/16MOR EX LG LBO					

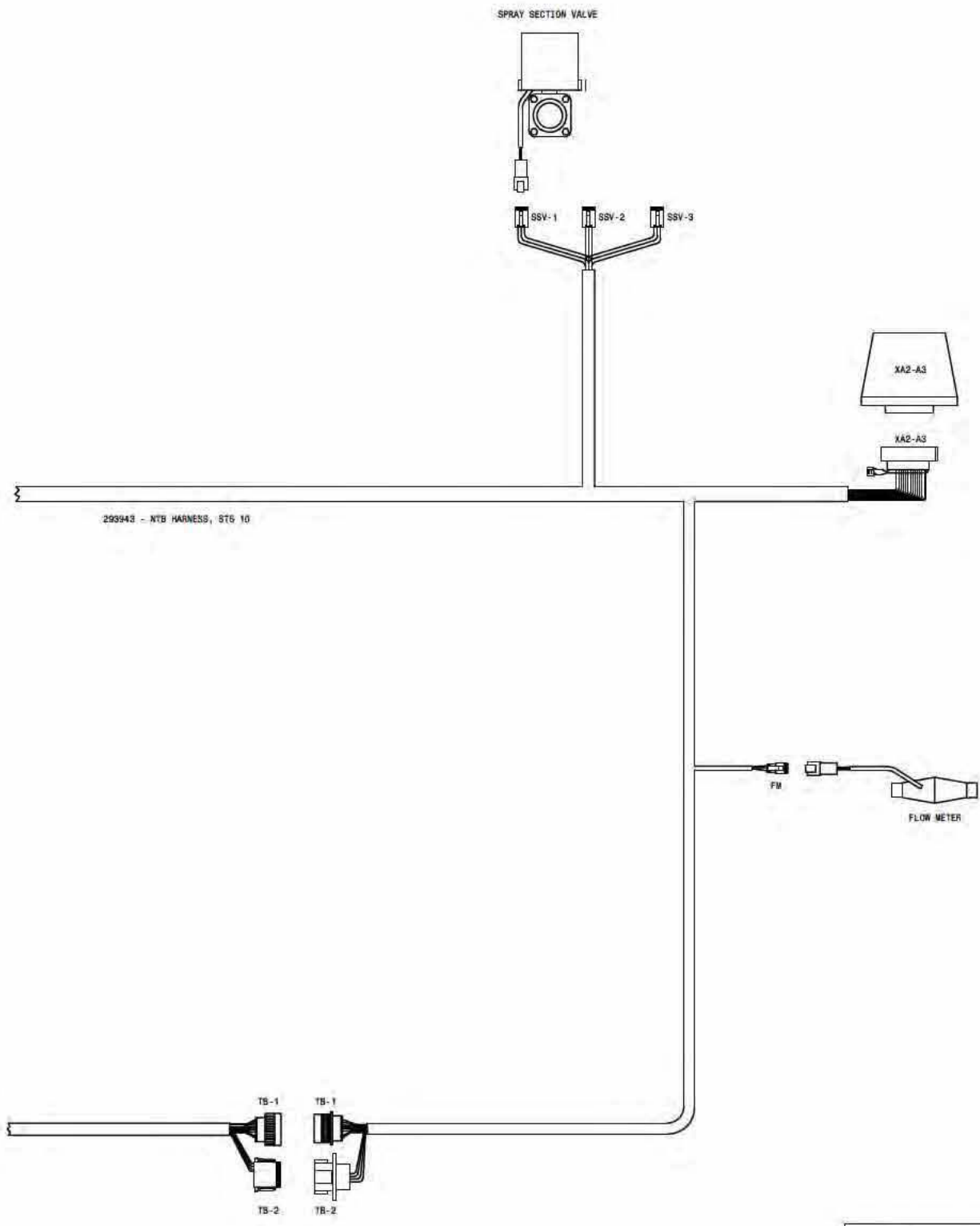




01-29-07 TLM  
 STS NTB WIRING DIAGRAM 07  
 REVISION DATE: 07-17-14 498957

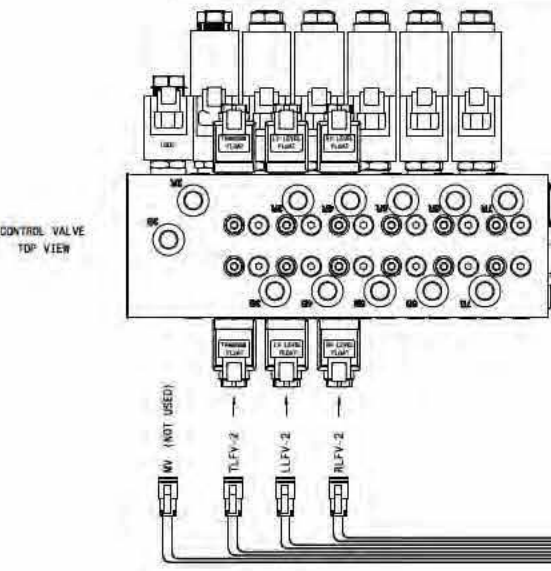
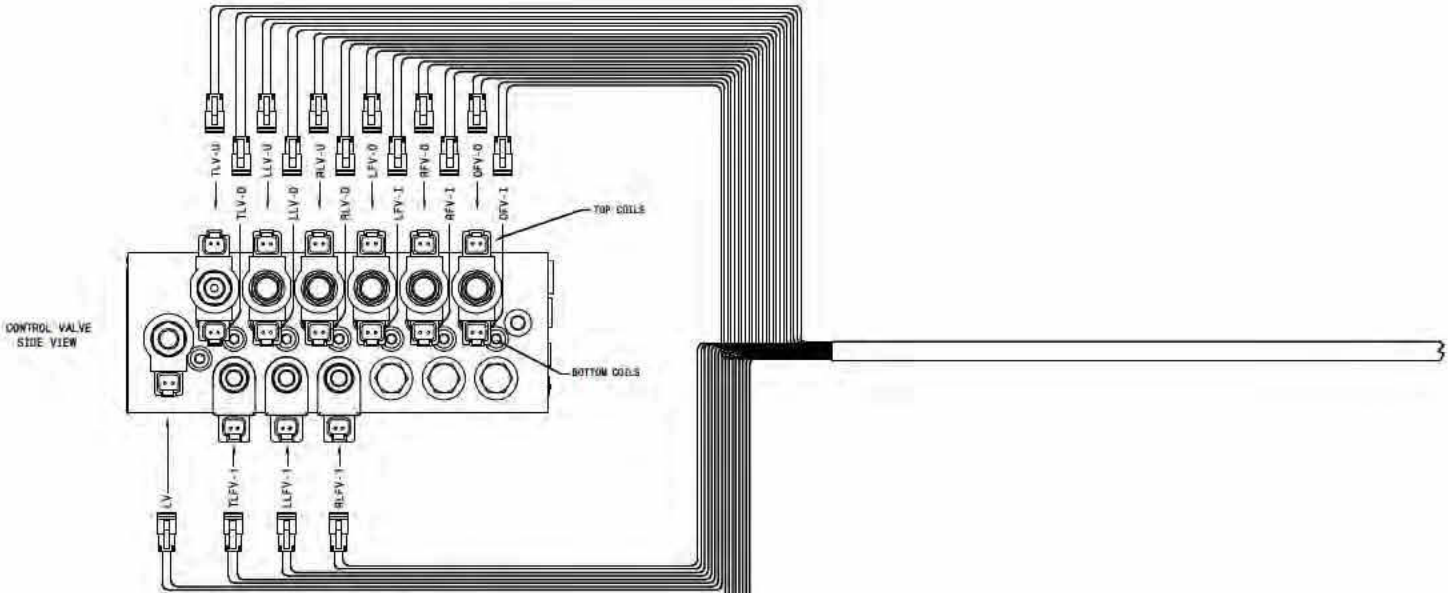
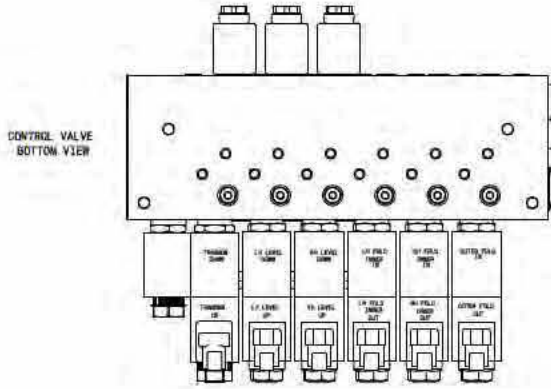


CAB TO BOOM HARNESS   
293917 - CAB TO BOOM HARNESS, SIS 10

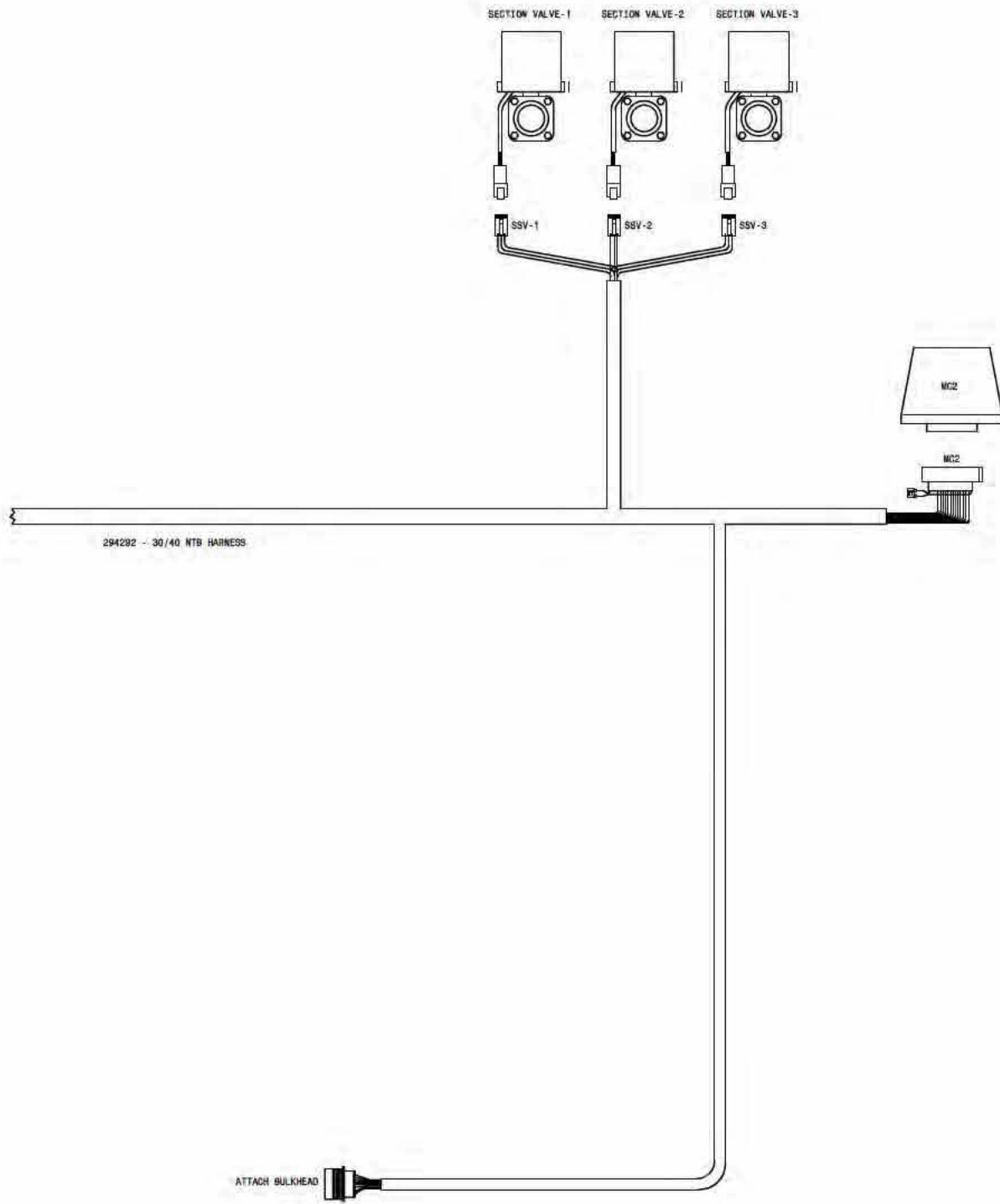


299943 - NTB HARNESS, STS 10

STS NTB WIRING DIAGRAM 10 REVISION DATE: 07-17-14	06-11-09 TLW 499045
--	------------------------







294292 - 30/40 NTB HARNESS

ATTACH BULKHEAD

03-04-18 TLM	
STS NTB WIRING DIAGRAM 16	
REV_A 03-04-18	499366

# Notes: