

DTB



PARTS MANUAL FOR STS DETASSELER HAGIE MANUFACTURING COMPANY

721 CENTRAL AVENUE WEST
BOX 273
CLARION, IOWA 50525-0273

COVERS TOOLBAR SERIAL NUMBERS:

DTB 18001-18500

02-18 493752

**To obtain the most current parts manual for your machine,
please visit www.hagie.com.**

© 2018 Hagie Manufacturing Company. Clarion, Iowa USA



DETASSELER TOOLBAR IDENTIFICATION

Each Hagie toolbar is identified by means of a frame serial number. This serial number denotes the model, the year in which it was built, and the number of the toolbar. To ensure prompt, efficient service when ordering parts or requesting service repairs from your local John Deere dealer, record the serial number in the space provided below.

NOTE: Reference to left hand and right hand used throughout this manual refers to the position when seated in the operator's seat facing forward.

This manual is not intended to be a complete guide for machine maintenance and repairs. If you are not properly trained to perform service on this machine, contact your local John Deere dealer for assistance. Improper maintenance or repair may result in property damage, personal injury, or death.

DETASSELER TOOLBAR SERIAL NUMBER

TABLE OF CONTENTS

QUICK ATTACH 4-5

MOTOR CONTROL VALVE 6

LIFT VALVE 7

CASE DRAIN MANIFOLD 8

FOLD VALVE 9-10

DETASSELER MODULE 11

CONTROL RELAY BOX 12

OUTRIGGER ASSEMBLY 13-15

LIFT ASSEMBLY 16-18

QUAD PULLER HEAD ASSEMBLY 19

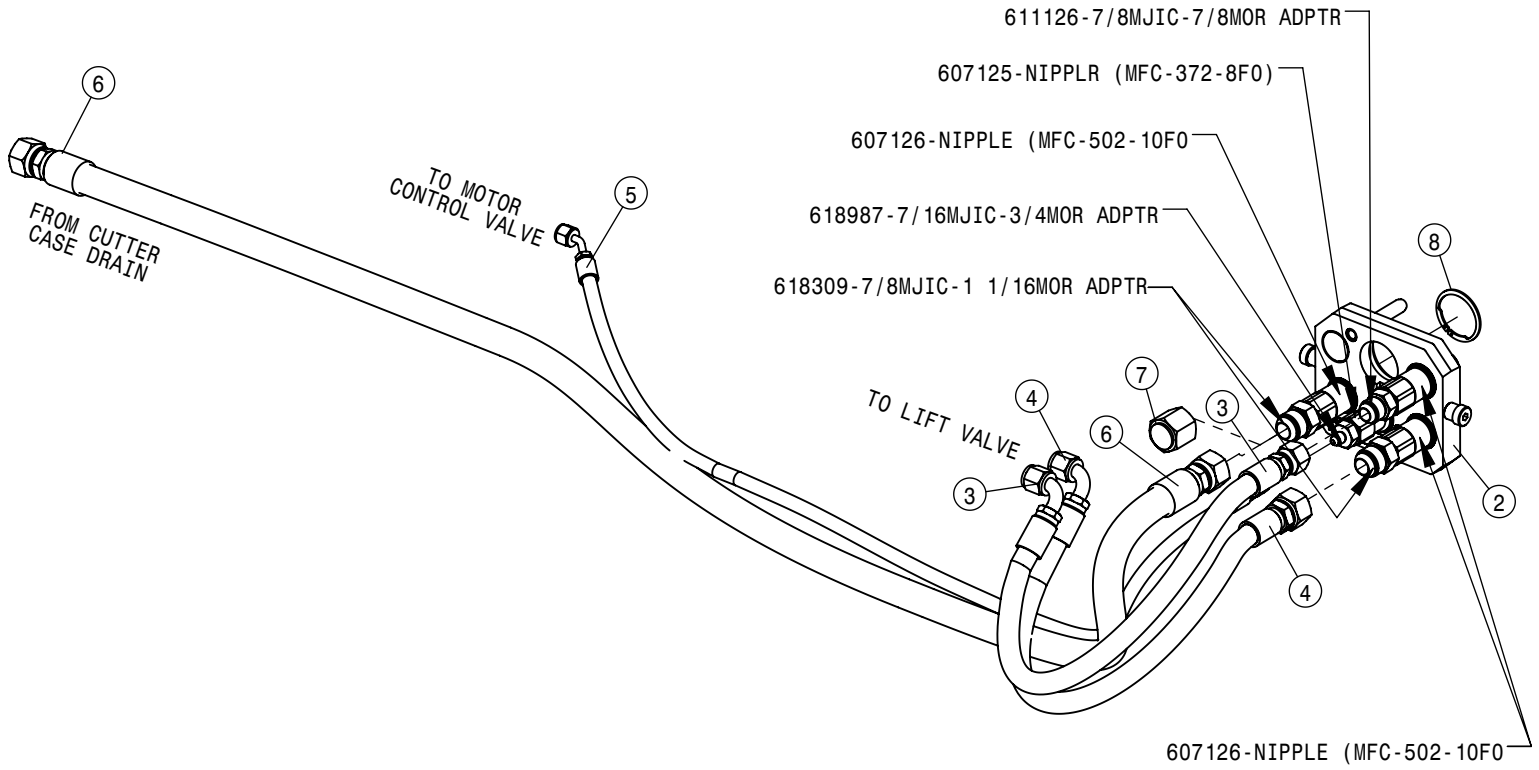
CUTTER HEAD ASSEMBLY 20-21

LS SENSOR ASSEMBLY 22

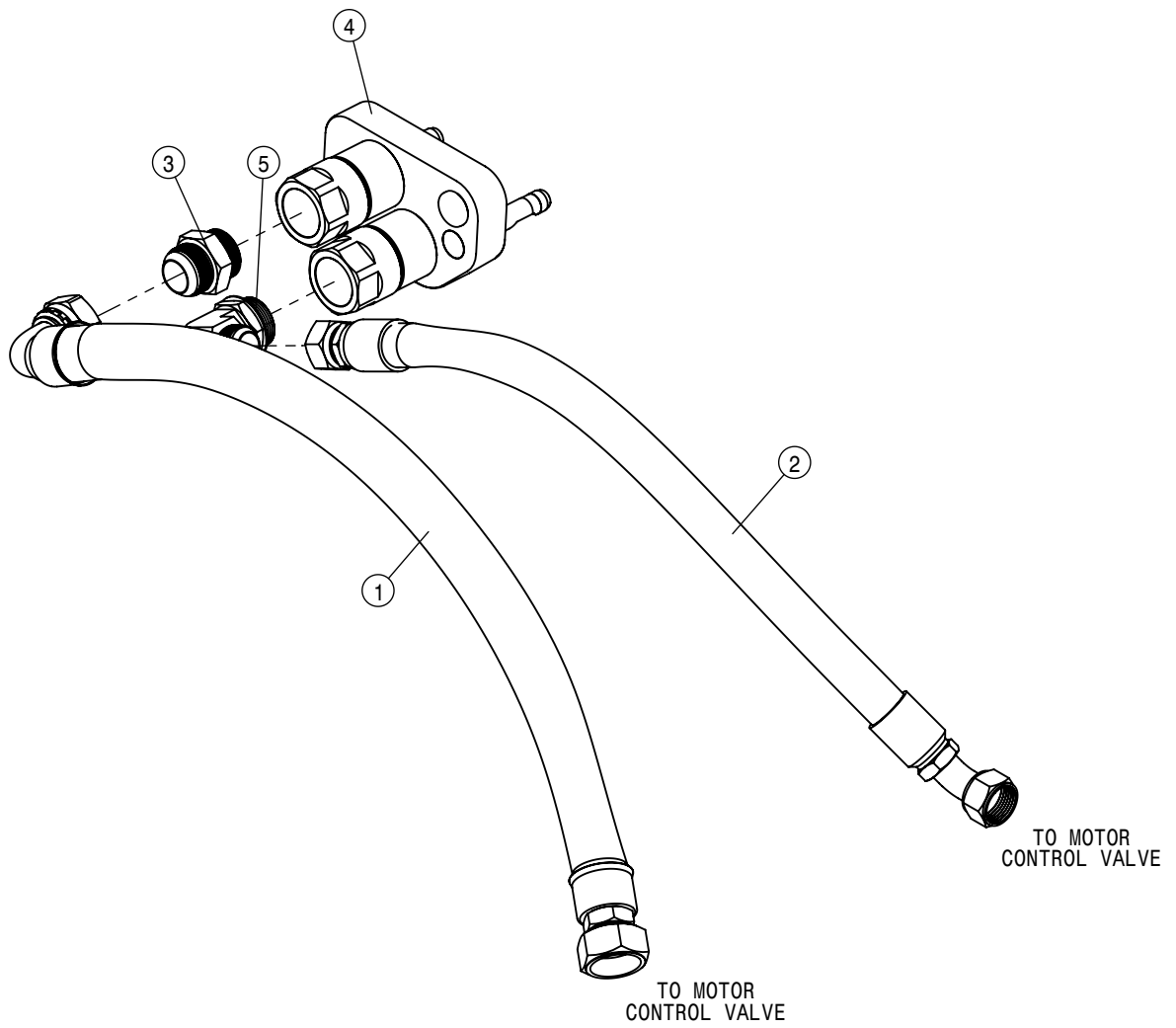
TOOLBAR STAND 23

HYDRAILUC DIAGRAM 24-47

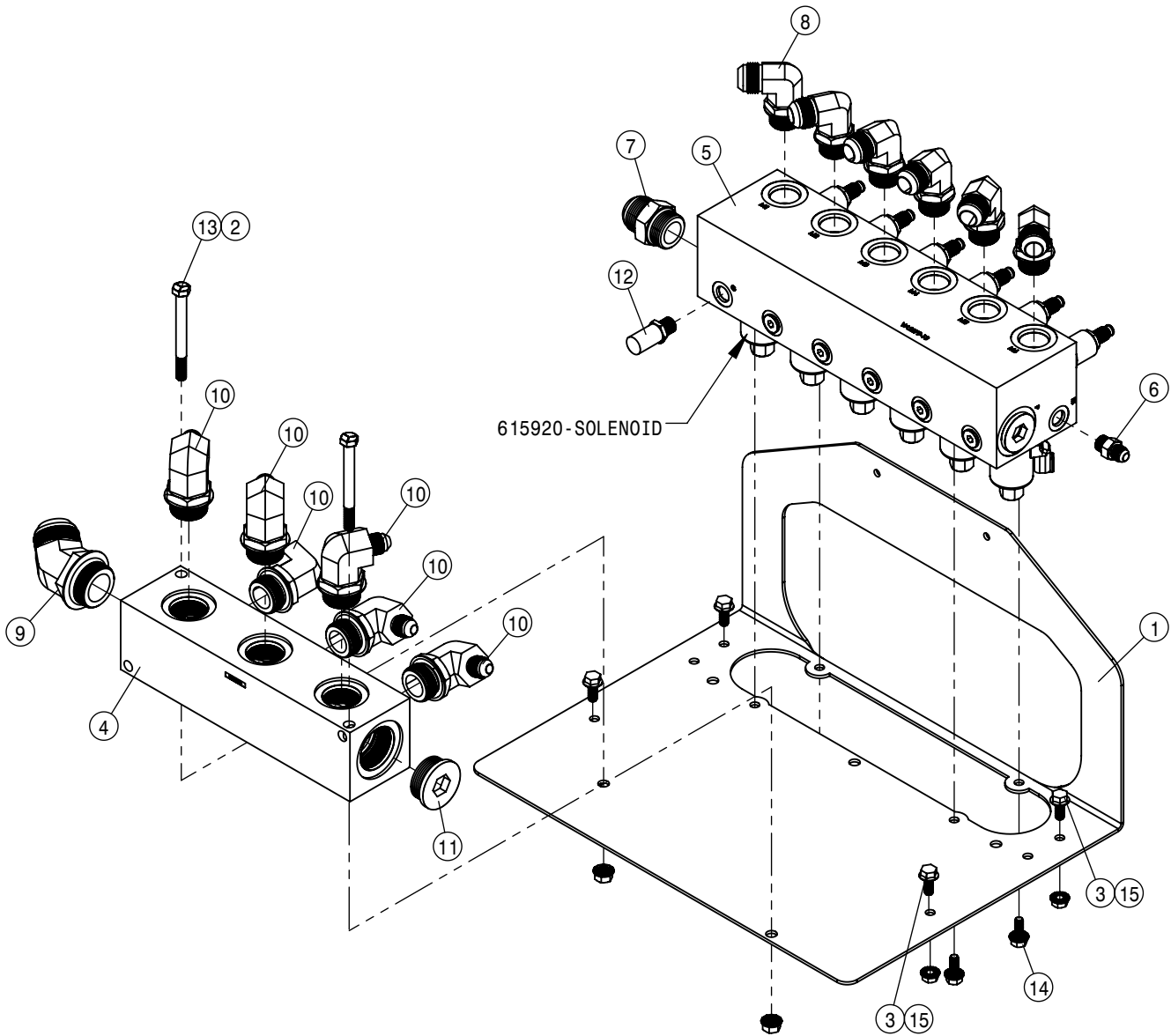
ELECTRICAL DIAGRAM 48-51



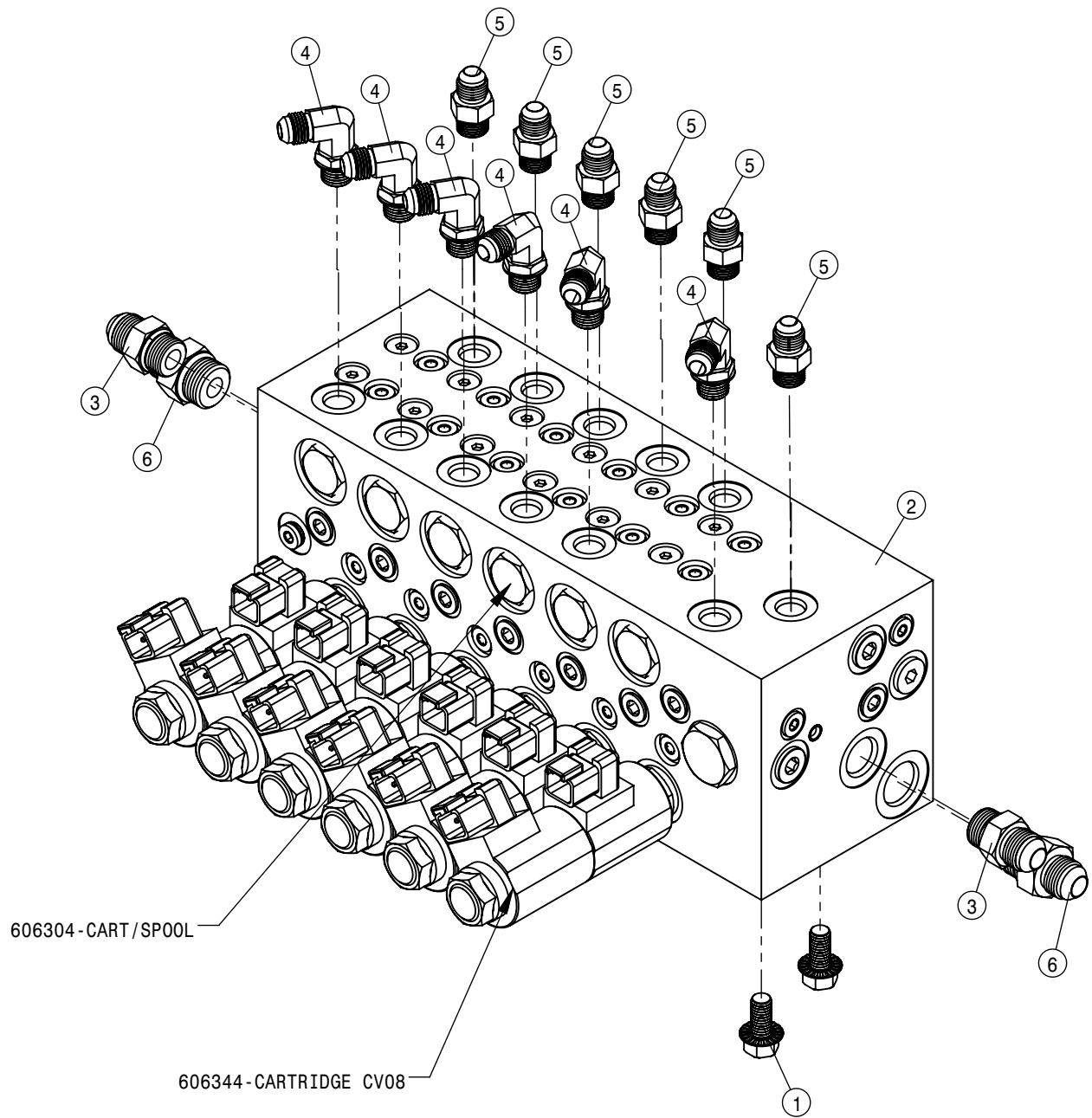
LIFT VALVE QUICK ATTACH ASSEMBLY			
DET	QTY	P/N	DESCRIPTION
NS	1	294257	DTB ID BIT HARNESS
2	1	607113	MOBILE HALF COUPLER ASSY
3	1	617186	08-451TC-10FJX-08FJX90-29 H/A
4	1	617187	08-451TC-12FJX-08FJX90-29 H/A
5	1	617188	04-451TC-04FJX-06FJX45-50 H/A
6	1	617189	12-451TC-12FJX-12FJX-70 H/A
7	1	618533	1 1/16FJIC CAP NUT
8	1	629546	SNAP RING, 1.637 EXTERNAL



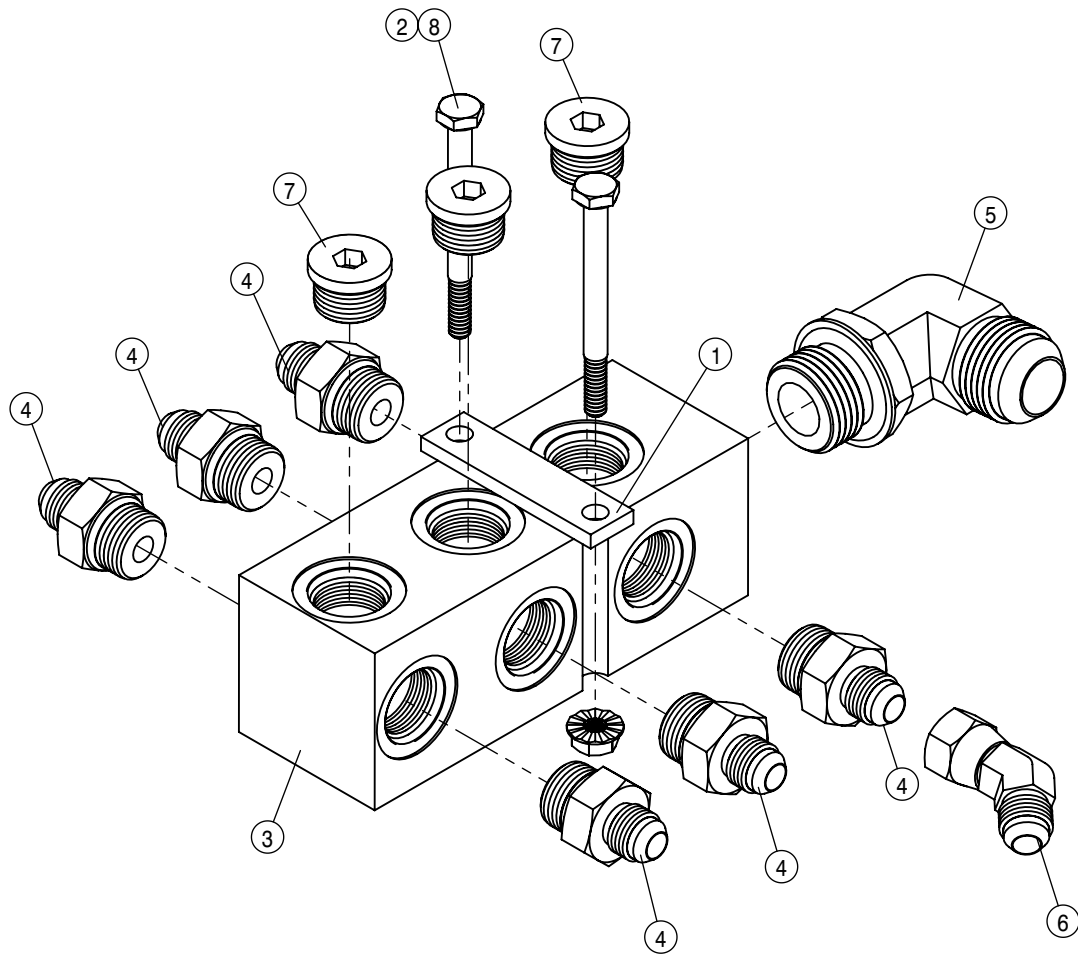
MOTOR CONTROL VALVE QUICK ATTACH ASSEMBLY			
DET	QTY	P/N	DESCRIPTION
1	1	614766	20-811-20FJX-20FJX90-40 H/A
2	1	614767	16-451TC-16FJX-16FJX45-34 H/A
3	1	618472	1 5/8MJIC-1 5/8MOR ADPTR
4	1	618879	COMBO MUTI COUP MOBILE
5	1	618883	1 5/16MJIC-90-1 5/8MOR LBO



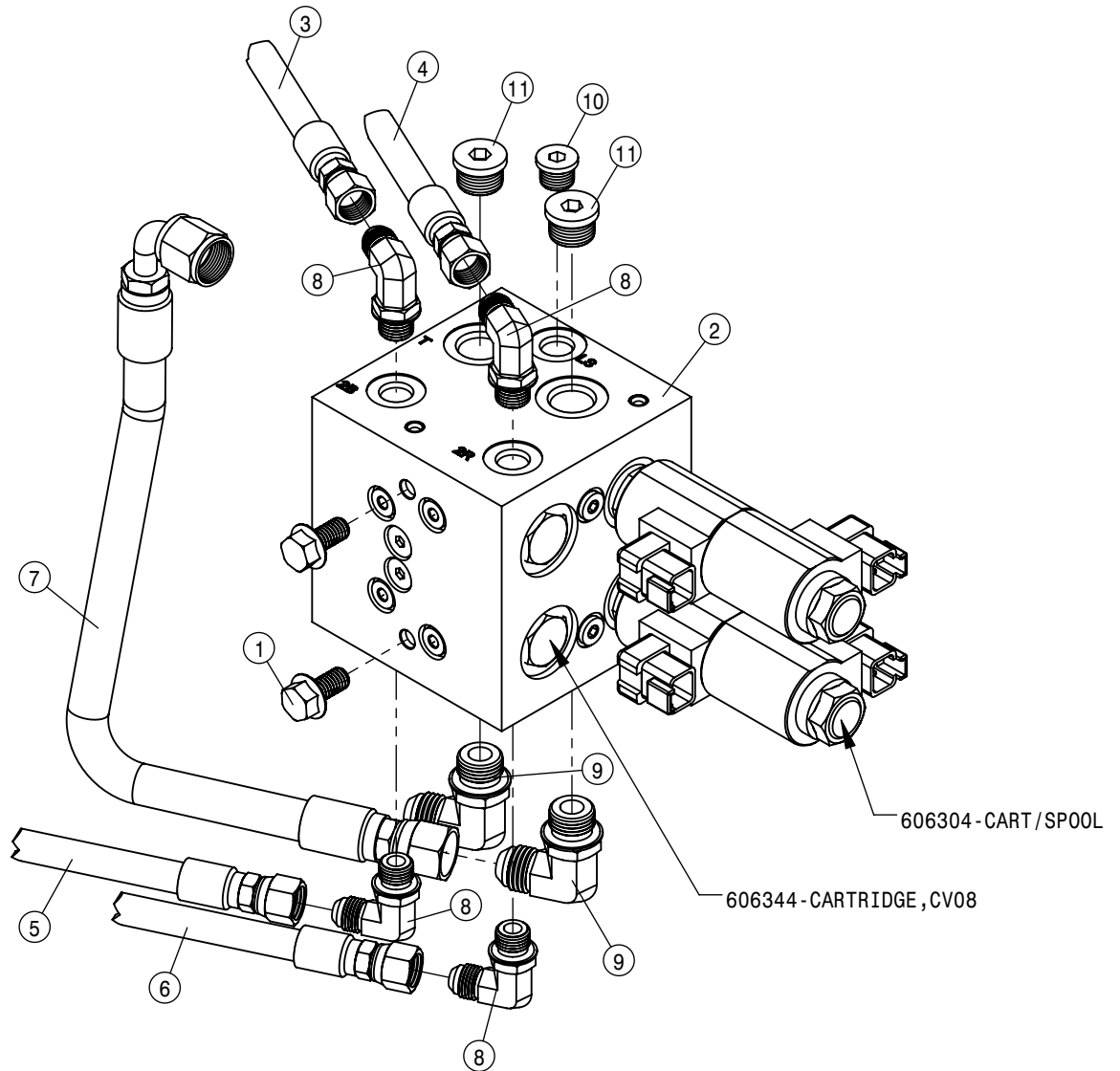
MOTOR CONTROL VALVE ASSEMBLY			
DET	QTY	P/N	DESCRIPTION
1	1	362099	MTR CNTL VLV MT STS COMBO 14
2	2	470087	3/8UNC HEX SERR FLANGE NUT
3	4	470233	5/16UNC X 3/4 SERR FLG HEX BOLT
4	1	606246	MANIFOLD, 1 5/16FOR
5	1	615911	MOTOR CONTROL MANIFOLD STS
6	1	618126	9/16MJIC-9/16MOR ADPTR
7	1	618186	1 5/16MJIC-1 5/16MOR ADPTR
8	6	618248	1 1/16MJIC-90-1 1/16MOR LBO
9	1	618396	1 5/8MJIC-45-1 5/8MOR LBO
10	6	618475	3/4MJIC-90-1 5/16MOR LBO
11	1	618759	1 5/8MOR PLUG, HEX SOCKET
12	1	619023	9/16 MOR DIAGNOSTIC FITTING
13	2	900139	3/8UNC X 3 3/4 HHCS GR5 MC
14	4	900486	5/16UNC X 3/4 HHSFB SS
15	4	910119	5/16-18UNC HEX FLG NUT SER SS



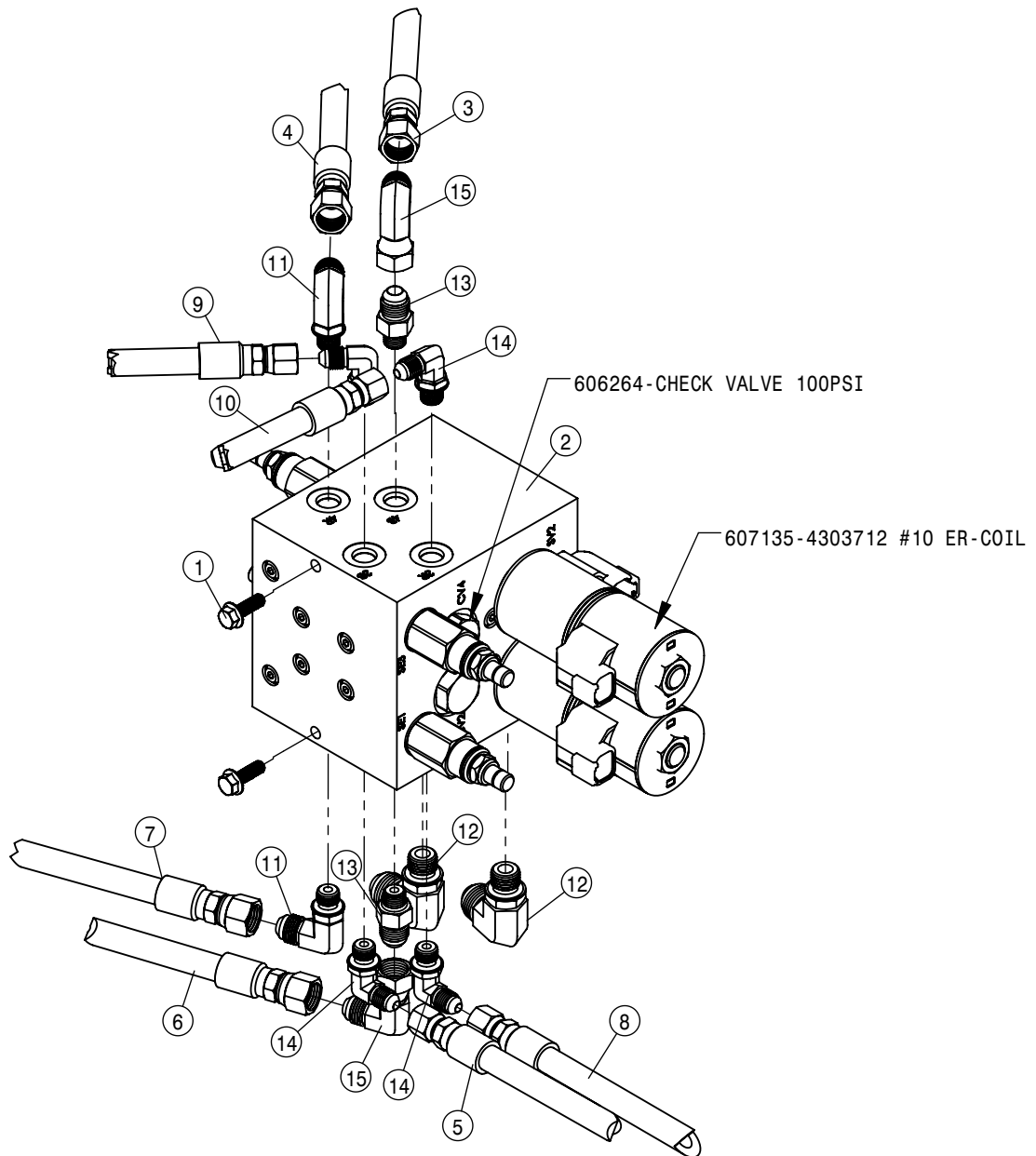
LIFT VALVE ASSEMBLY			
DET	QTY	P/N	DESCRIPTION
1	4	470409	3/8UNC X 3/4" SERR FLG BOLT
2	1	606285	LIFT VALVE,STS COMBO,SAUER
3	2	611125	3/4MJIC-3/4MOR ADPTR
4	6	618119	9/16MJIC-90-9/16MOR LBO
5	6	618126	9/16MJIC-9/16MOR ADPTR
6	2	618327	3/4MJIC-7/8MOR ADPTR



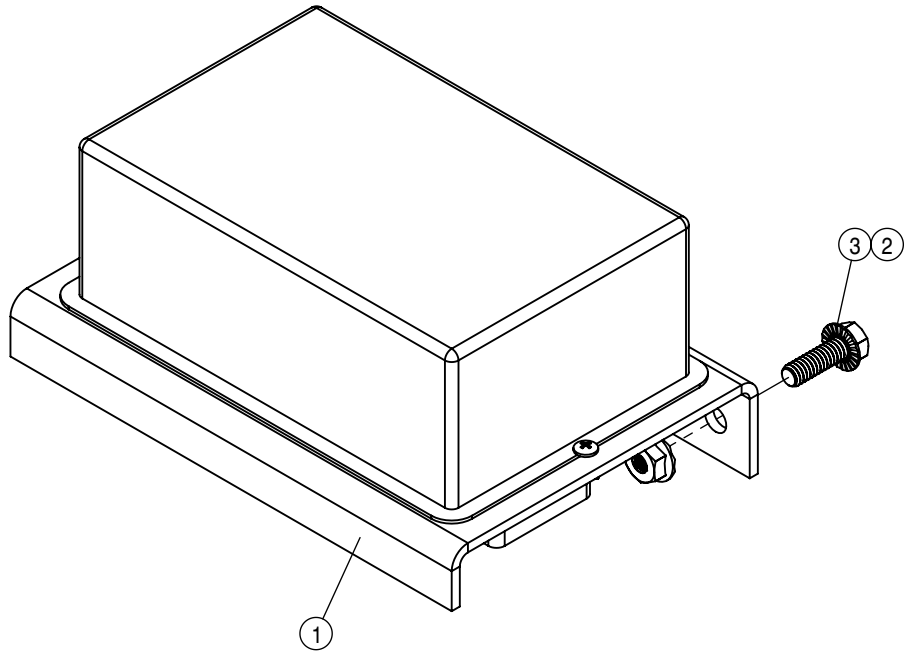
CASE DRAIN MANIFOLD ASSEMBLY			
DET	QTY	P/N	DESCRIPTION
1	1	438729	CUTTER RETURN MANIF MT KEEPER
2	2	470121	1/4 UNC SERR FLG LOCK NUT
3	1	606021	HYD RETURN MANIF, 3/4FOR, 9-PORT
4	6	618109	9/16MJIC-3/4MOR ADPTR
5	1	618248	1 1/16MJIC-90-1 1/16MOR LBO
6	1	618634	9/16MJIC-45-9/16FJIC SWIV LBO
7	3	618755	3/4MOR PLUG, HEX SOCKET
8	2	900466	1/4UNC X 2 3/4 HHCS SS



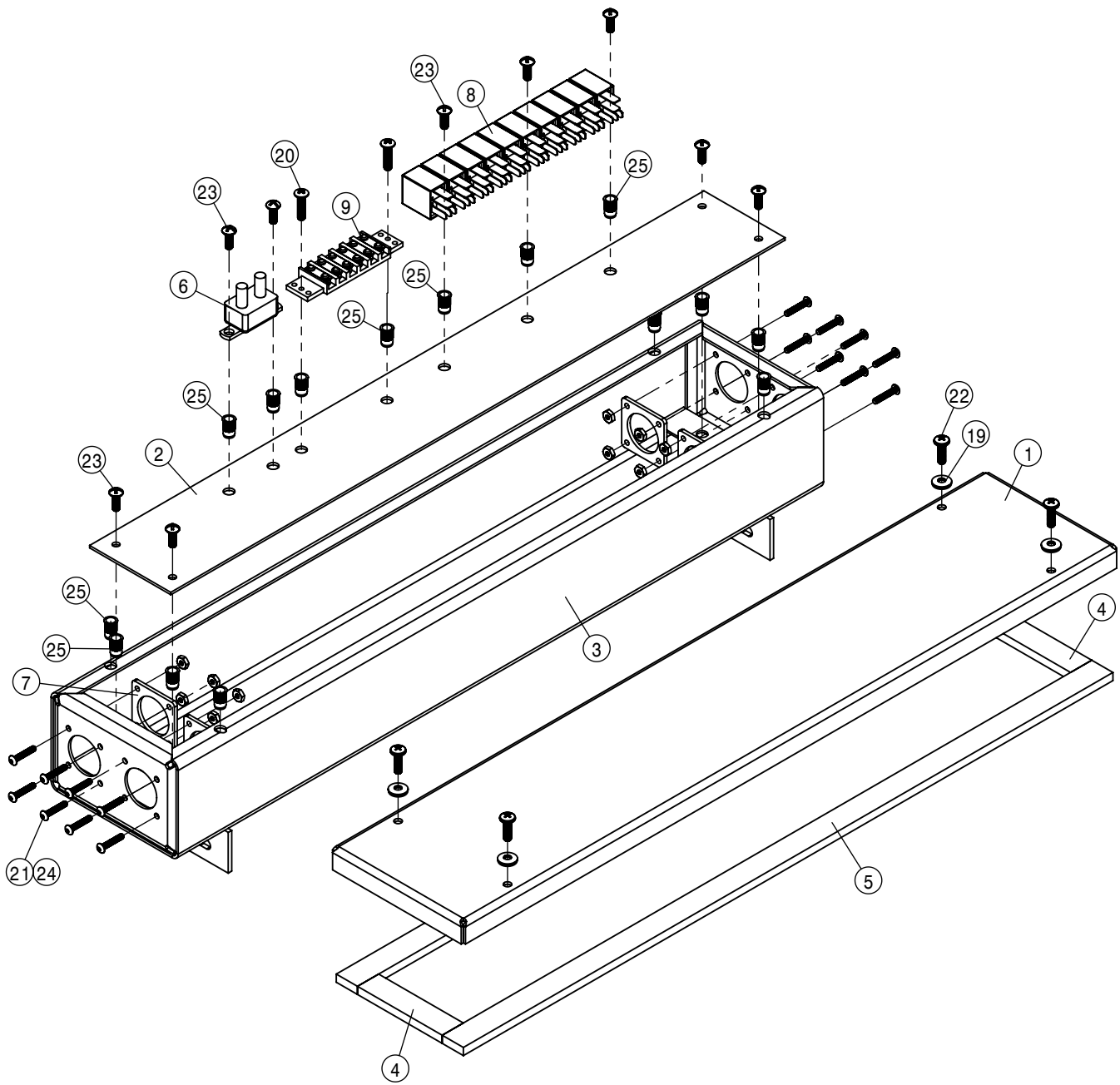
FOLD VALVE ASSEMBLY			
DET	QTY	P/N	DESCRIPTION
1	2	470409	3/8UNC X 3/4" SERR FLG BOLT
2	1	606286	FOLD VALVE, STS COMBO, SAUER
3	1	616089	04-451TC-06FJX-06FJX-60 H/A
4	1	616177	04-451TC-06FJX-06FJX-74 H/A
5	1	616511	04-451TC-06FJX-06FJX-33 H/A
6	1	616512	04-451TC-06FJX-06FJX-49 H/A
7	1	616529	06-451TC-08FJX-08FJX90-16 H/A
8	4	618119	9/16MJIC-90-9/16MOR LBO
9	2	618241	3/4MJIC-90-3/4MOR LBO
10	1	618754	9/16 MOR PLUG, HEX SOCKET
11	2	618755	3/4MOR PLUG, HEX SOCKET



FOLD VALVE 4-2 ASSEMBLY				
DET	QTY	P/N	DESCRIPTION	
1	2	470118	1/4 UNC X 3/4 SER FLG BOLT	
2	1	606464	FOLD/EXT SEQ VLV, 4-2 COMBO	
3	1	616089	04-451TC-06FJX-06FJX-60	H/A
4	1	616177	04-451TC-06FJX-06FJX-74	H/A
5	1	616302	04-451TC-04FJX-06FJX-60	H/A
6	1	616511	04-451TC-06FJX-06FJX-33	H/A
7	1	616512	04-451TC-06FJX-06FJX-49	H/A
8	1	617158	04-451TC-04FJX-06FJX-94	H/A
9	1	617159	04-451TC-04FJX-06FJX-105	H/A
10	1	617160	04-451TC-04FJX-06FJX-140	H/A
11	2	618114	9/16MJIC-90-7/16MOR LBO	
12	2	618249	3/4MJIC-90-9/16MOR LBO	
13	2	618304	9/16MJIC-7/16MOR ADPTR	
14	4	618473	7/16MJIC-90-7/16MOR LBO	
15	2	618618	9/16MJIC-90-9/16FJIC SWIV LBO	

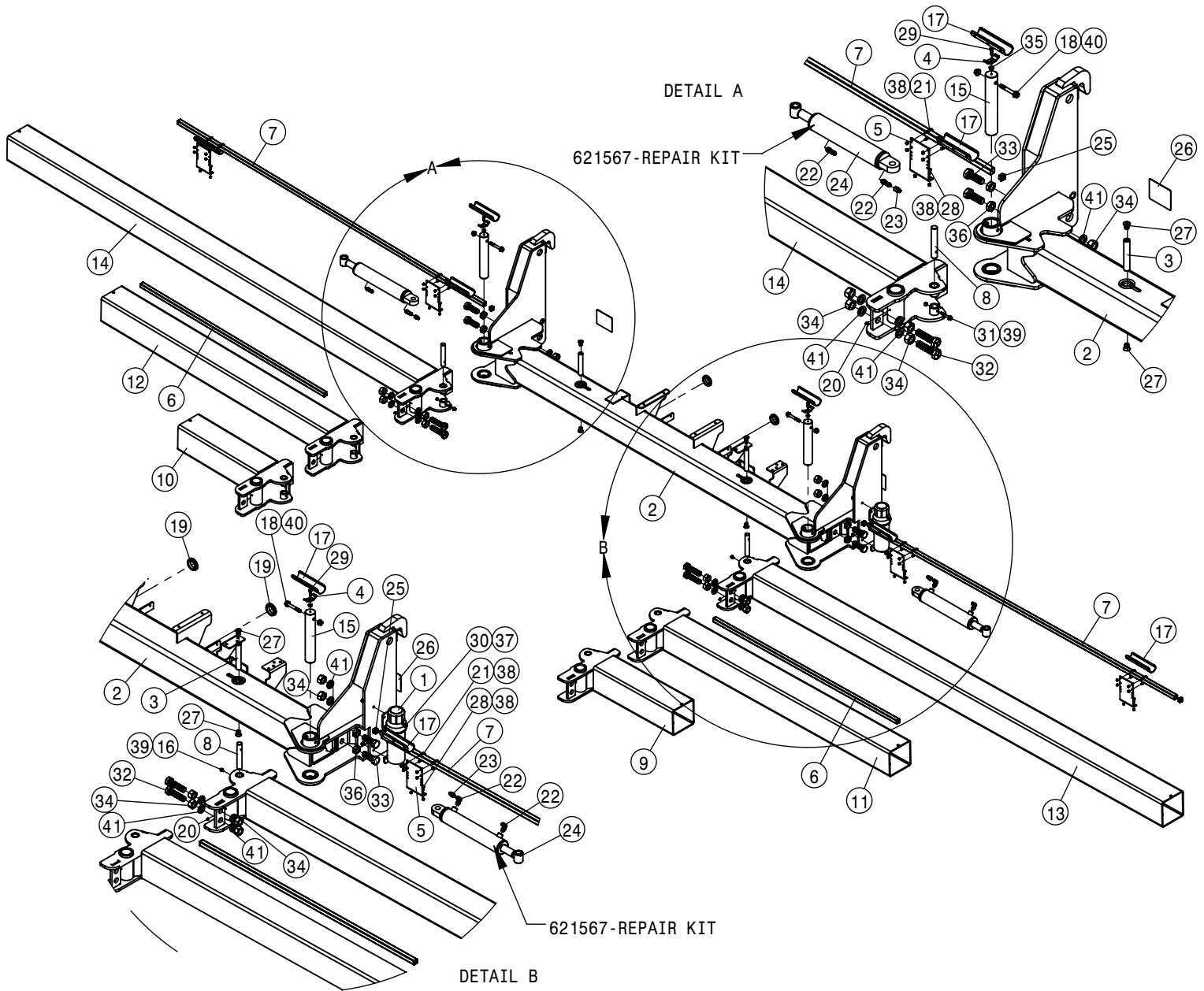


DETASSELER MODULE ASSEMBLY			
DET	QTY	P/N	DESCRIPTION
1	1	294034	DETASSLER MODULE
2	2	470121	1/4 UNC SERR FLG LOCK NUT
3	2	470118	1/4 UNC X 3/4 SER FLG BOLT



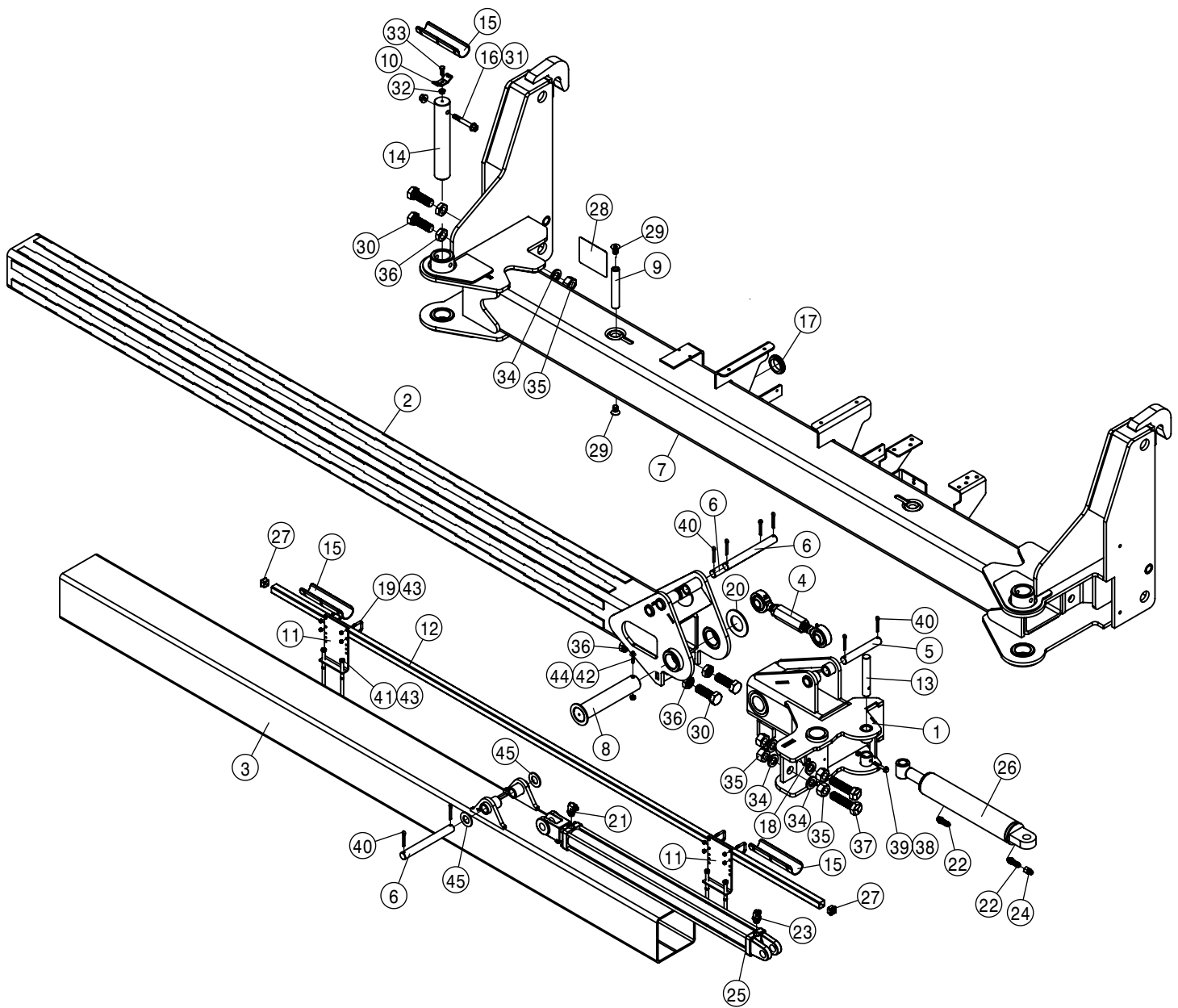
CONTROL RELAY BOX ASSEMBLY			
DET	QTY	P/N	DESCRIPTION
1	1	003068	FOLD/MTR CTRL RELAY BOX COVER 07
2	1	003069	FOLD/MTR CTRL RELY MT PANEL 07
3	1	003070	FOLD/MTR CTRL RELAY BOX WLD 07
4	2	193022-003	STICKERTITE 1/4 X 3/4
5	2	193022-023	STICKERTITE 1/4 X 3/4
6	1	291552	CIRCUIT BREAKER,20AMP,INLINEMT
7	4	291846	GASKET, AMP 17-SHELL FLANGED
8	10	291928	RELAY,SPDT,MICRO 12V DIODE
9	1	293093	TERMINAL BLOCK 6 POS - 2 ROW
NS	1	293688	POWER HARNESS, OUTRGR BOX STS
NS	2	293693	DEPTH CMD JUMPER HARNESS,PANEL
NS	1	293883	FOLD/CTRL VLV RELAY HARNESS 07
NS	1	293884	OUTRGR FOLD HARNESS,BOX-VLV 07

CONTROL RELAY BOX ASSEMBLY			
DET	QTY	P/N	DESCRIPTION
NS	1	293885	MTR CTRL HARNESS, BOX-VLV 07
NS	1	294037	COMBO/204 PHOTO EYE HARNESS
NS	1	294038	COMBO LIFT HARNESS
NS	1	294046	STS COMBO ACTUATOR HARNESS
NS	1	294257	DTB ID BIT HARNESS
19	4	470351	#10 X 1/2 BONDED SEALING WASH
20	2	472235	10-32 X 3/4 PHIL HD MACH SCR
21	16	473989	6-32 X 3/4 BUTTON SOC CAP SCR BO
22	4	903710	10-32 X 5/8 PHIL PANHD MACH SCR
23	9	903883	10-32 X 1/2 PHIL PAN MACH SCR
24	16	910022	6-32 HEX NUT
25	15	910130	10-32 NUTSERT .020-.130 STL



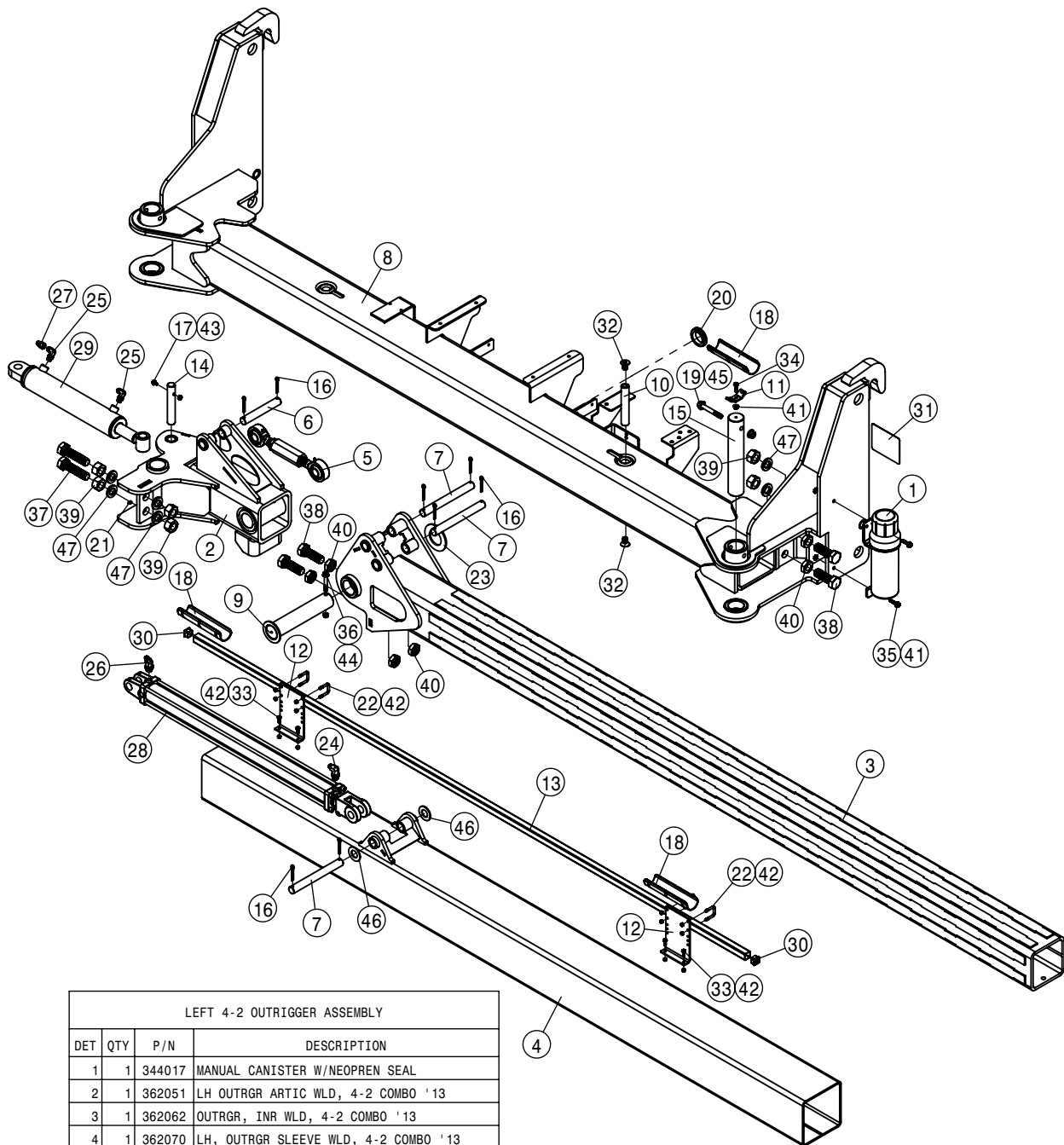
OUTRIGGER TOOLBAR ASSEMBLY			
DET	QTY	P/N	DESCRIPTION
1	1	344017	MANUAL CANISTER W/NEOPREN SEAL
2	1	362118	CNTR TOOLBAR WLD, COMBO '14
3	2	439077	OUTRGR FOLD CYL MT PIN, NTB 03
4	2	439113	HOSE RETAINER STS NTB
5	4	439133	TUBE MTG BRKT, STS COMBO 03
6	2	439134	HOSE MTG TUBE, 8-10R STSC 03
7	2	439135	HOSE MTG TUBE 12R STSC 03
8	2	439386	ARTICULATOR FLD CYL PIN,NTB'10
9	1	440114	OUTRGR EXT LH WLD, 6R STSC '14
10	1	440115	OUTRGR EXT RH WLD, 6R STSC '14
11	1	440116	OTRGR XT LH WLD,8-10R STSC 14
12	1	440117	OTRGR XT RH WLD,8-10R STSC 14
13	1	440118	LH OTRGR EXT WLD 12/18 STSC'14
14	1	440119	RH OTRGR EXT WLD 12/18 STSC'14
15	2	440275	PIN, 2.00 OD, 11.75 LG
16	1	470122	1/4UNC X 1/2 HHSFB GR5 MC
17	6	470369	HOSE PROTECTOR, 8" BLACK
18	2	470546	1/2UNC X 3 1/2 HHSFB GR5 MC
19	2	470552	GROMMET,1.75ID .250GW 2.00GD
20	2	471005	GREASE ZERK, 1/4-28 X 1/2

OUTRIGGER TOOLBAR ASSEMBLY			
DET	QTY	P/N	DESCRIPTION
21	8	473979	1/4UNC-1 1/8ID-1 1/2U-BOLTSQSS
22	4	618119	9/16MJIC-90-9/16MOR LBO
23	2	618732	9/16JIC .031 ORIFICE ADPTR
24	2	621566	OUTRGR FOLD CYL, 2.50 X 11.00
25	8	629727	FINISH PLUG 1" SQ 16 GA
26	2	650218	DECAL,DANGER, COMBO DISCONNECT
27	4	900393	5/8UNC X 1" FLT SOC CAP SCR
28	8	900448	1/4UNC X 3/4 HHCS SS
29	2	900489	5/16UNC X 1 HHCS SS
30	2	900490	5/16UNC X 1 1/4 HHSFB SS
31	1	900493	5/16UNC X 2 HHSFB SS
32	4	900536	1UNC X 4 HHCS GR5 MC FT
33	4	900545	1"UNC X 3" HEX BLT,FULL THD YZ
34	12	910017	1-8UNC HEX NUT MC GR5
35	1	910042	3/8-16UNC HEX FLG NUT SM MC GR8
36	4	910101	1-8UNC HEX JAM NUT MC GR5
37	3	910119	5/16-18UNC HEX FLG NUT SER SS
38	24	914000	1/4UNC HEX STOVER NUT
39	2	914002	5/16-18UNC STOVER NUT MC GR5
40	2	914015	1/2-13UNC CTRLK FLG NUT MC GR5
41	12	920508	HLOCK WASHER 1 MC



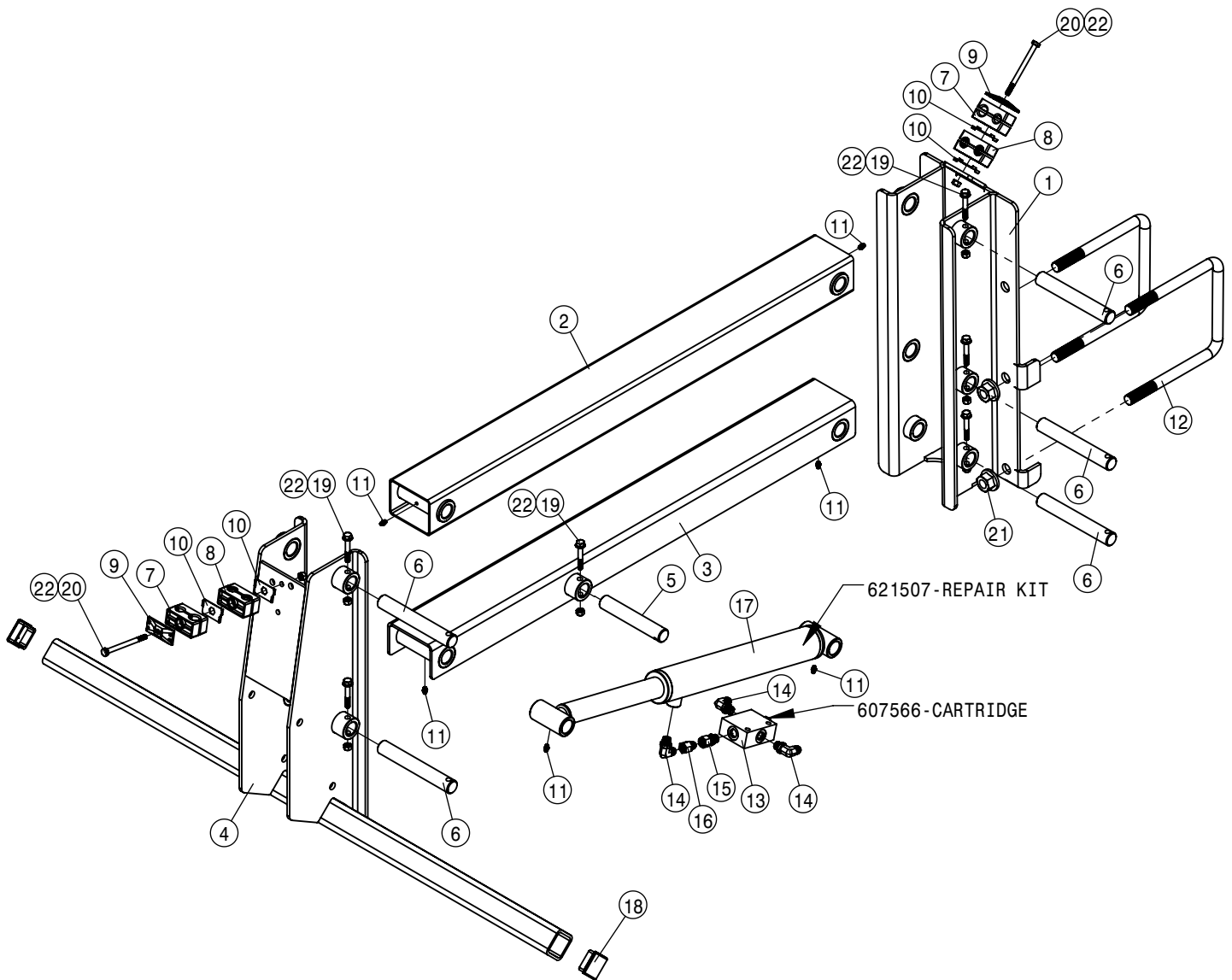
RIGHT 4-2 OUTRIGGER ASSEMBLY			
DET	QTY	P/N	DESCRIPTION
1	1	362052	RH OUTRGR ARTIC WLD, 4-2 COMBO '13
2	1	362062	OUTRGR, INR WLD, 4-2 COMBO '13
3	1	362071	RH, OUTRGR SLEEVE WLD 4-2 COMBO '13
4	1	362075	TURNBUCKLE
5	1	362084	PIN, .993 OD x 6.50 LG
6	3	362085	PIN, .993 OD x 9.00 LG
7	1	362118	CNTR TOOLBAR WLD, COMBO '14
8	1	439074	OUTRGR HINGE PIN WLD, NTB 03
9	1	439077	OUTRGR FOLD CYL MT PIN, NTB 03
10	1	439113	HOSE RETAINER STS NTB
11	2	439133	TUBE MTG BRKT, STS COMBO 03
12	1	439135	HOSE MTG TUBE 12R STSC 03
13	1	439386	ARTICULATOR FLD CYL PIN, NTB '10
14	1	440275	PIN, 2.00 OD, 11.75 LG
15	3	470369	HOSE PROTECTOR, 8" BLACK
16	1	470546	1/2UNC X 3 1/2 HHSFB GR5 MC
17	1	470552	GROMMET, 1.75ID .250GW 2.00GD
18	1	471005	GREASE ZERK, 1/4-28 X 1/2
19	4	473979	1/4UNC-1 1/8ID-1 1/2U-BOLTSQSS
20	1	483081	2.00 FLAT WASH, GR5 PLT
21	1	618115	9/16MJIC-90-3/4MOR LBO
22	2	618119	9/16MJIC-90-9/16MOR LBO
23	1	618496	9/16MJIC-45-3/4MOR LBO

RIGHT 4-2 OUTRIGGER ASSEMBLY			
DET	QTY	P/N	DESCRIPTION
24	1	618732	9/16JIC .031 ORIFICE ADPTR
25	1	621156	EXTENSION CYLINDER (PRINCE)
26	1	621566	OUTRGR FOLD CYL, 2.50 X 11.00
27	2	629727	FINISH PLUG 1" SQ 16 GA
28	1	650218	DECAL, DANGER, COMBO DISCONNECT
29	2	900393	5/8UNC X 1" FLT SOC CAP SCR
30	4	900545	1"UNC X 3" HEX BLT, FULL THD YZ
31	1	914015	1/2-13UNC CTRLK FLG NUT MC GR5
32	1	910042	3/8-16UNC HEX FLG NUT SM MC GR8
33	1	900489	5/16UNC X 1 HHCS SS
34	6	920508	HLCK WASH 1 MC
35	6	910017	1-8UNC HEX NUT MC GR5
36	6	910101	1-8UNC HEX JAM NUT MC GR5
37	2	900536	1UNC X 4 HHCS GR5 MC FT
38	1	914002	5/16-18UNC STOVER NUT MC GR5
39	1	900493	5/16UNC X 2 HHSFB SS
40	8	470045	COTTER PIN 1/4 X 1 3/4 SQ CUT
41	4	900149	3/8UNC X 8 1/2 HHCS GR5 MC
42	1	470767	10-32UNF X 1 1/2 HHSFB MC
43	12	914000	1/4UNC HEX STOVER NUT
44	1	914004	3/8UNC HEX STOVER NUT
45	2	920008	1" SAE FLAT WASH

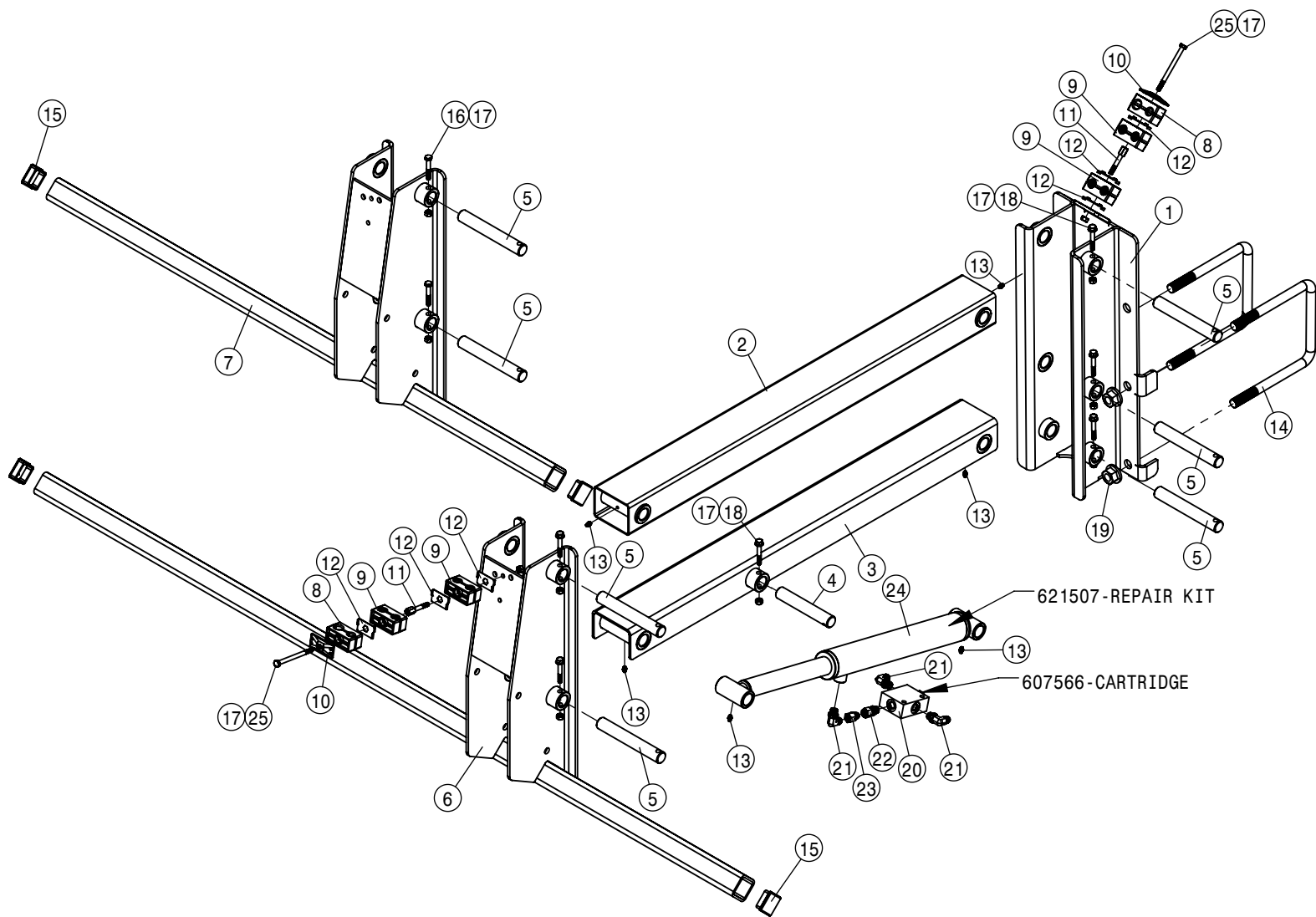


LEFT 4-2 OUTRIGGER ASSEMBLY			
DET	QTY	P/N	DESCRIPTION
1	1	344017	MANUAL CANISTER W/NEOPREN SEAL
2	1	362051	LH OUTRGR ARTIC WLD, 4-2 COMBO '13
3	1	362062	OUTRGR, INR WLD, 4-2 COMBO '13
4	1	362070	LH, OUTRGR SLEEVE WLD, 4-2 COMBO '13
5	1	362075	TURNBUCKLE
6	1	362084	PIN, .993 OD x 6.50 LG
7	3	362085	PIN, .993 OD x 9.00 LG
8	1	362118	CNTR TOOLBAR WLD, COMBO '14
9	1	439074	OUTRGR HINGE PIN WLD, NTB 03
10	1	439077	OUTRGR FOLD CYL MT PIN, NTB 03
11	1	439113	HOSE RETAINER STS NTB
12	2	439133	TUBE MTG BRKT, STS COMBO 03
13	1	439135	HOSE MTG TUBE 12R STSC 03
14	1	439386	ARTICULATOR FLD CYL PIN,NTB'10
15	1	440275	PIN, 2.00 OD, 11.75 LG
16	8	470045	COTTER PIN 1/4 X 1 3/4 SQ CUT
17	1	470122	1/4UNC X 1/2 HHSFB GR5 MC
18	3	470369	HOSE PROTECTOR, 8" BLACK
19	1	470546	1/2UNC X 3 1/2 HHSFB GR5 MC
20	1	470552	GROMMET,1.75ID .250GW 2.00GD
21	1	471005	GREASE ZERK, 1/4-28 X 1/2
22	4	473979	1/4UNC-1 1/8ID-1 1/2U-BOLTSQSS
23	1	483081	2.00 FLAT WASH, GR5 PLT
24	1	618115	9/16MJIC-90-3/4MOR LBO
25	2	618119	9/16MJIC-90-9/16MOR LBO
26	1	618496	9/16MJIC-45-3/4MOR LBO
27	1	618732	9/16JIC .031 ORIFICE ADPTR
28	1	621156	EXTENSION CYLINDER (PRINCE)

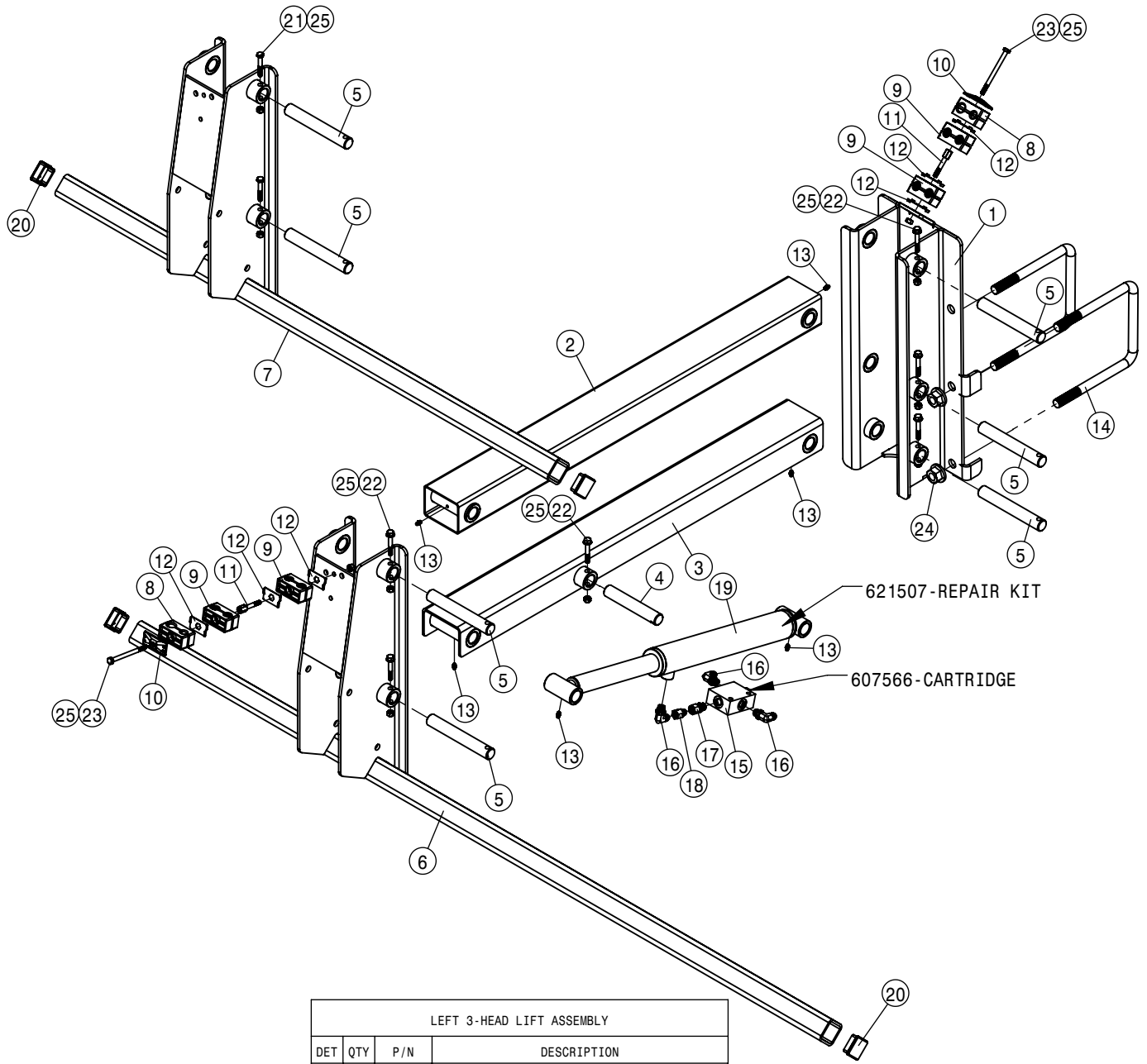
LEFT 4-2 OUTRIGGER ASSEMBLY			
DET	QTY	P/N	DESCRIPTION
29	1	621566	OUTRGR FOLD CYL, 2.50 X 11.00
30	2	629727	FINISH PLUG 1" SQ 16 GA
31	1	650218	DECAL,DANGER, COMBO DISCONNECT
32	2	900393	5/8UNC X 1" FLT SOC CAP SCR
33	4	900448	1/4UNC X 3/4 HHCS SS
34	1	900489	5/16UNC X 1 HHCS SS
35	2	900490	5/16UNC X 1 1/4 HHSFB SS
36	1	900507	3/8UNC X 2 1/2 HHSFB GR5 MC
37	2	900536	1UNC X 4 HHCS GR5 MC FT
38	4	900545	1"UNC X 3" HEX BLT,FULL THD YZ
39	6	910017	1-8UNC HEX NUT MC GR5
40	6	910101	1-8UNC HEX JAM NUT MC GR5
41	3	910119	5/16-18UNC HEX FLG NUT SER SS
42	12	914000	1/4UNC HEX STOVER NUT
43	1	914002	5/16-18UNC STOVER NUT MC GR5
44	1	914004	3/8UNC HEX STOVER NUT
45	1	914015	1/2-13UNC CTRLK FLG NUT MC GR5
46	2	920008	1" SAE FLAT WASHER
47	6	920508	HLOCK WASHER 1 MC



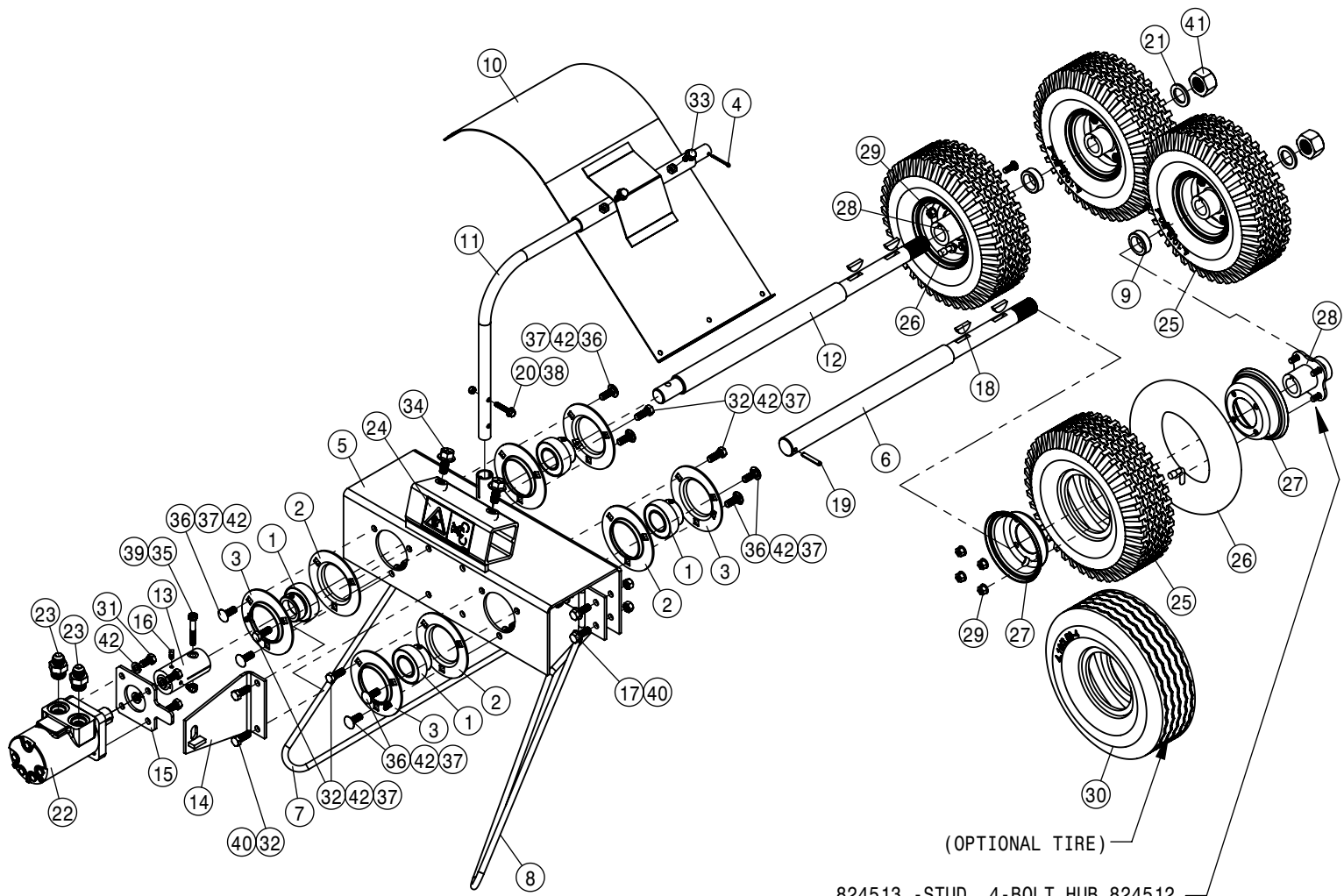
2-HEAD LIFT ASSEMBLY			
DET	QTY	P/N	DESCRIPTION
1	1	439136	TOOLBAR MT BRKT WLD, STSC 03
2	1	439143	UPPER LIFTARM WLD,STS COMBO 03
3	1	439146	LWR LIFTARM WLD, STS COMBO 03
4	1	439151	50" HEAD TOOLBAR WLD,STSC 03
5	1	439156	LWR CYL MT PIN, STS COMBO 03
6	5	439158	LIFT ARM PIVOT PIN, STSC 03
7	2	470270	TUBE CLAMP BODY, .530-.680
8	2	470274	TUBE CLAMP BODY, .750-.750
9	2	470276	CLAMP COVER PLATE,SNGL, 2.55LG
10	4	470281	STACK BOLT SAFETY LOCK PLATE
11	6	471005	GREASE ZERK, 1/4-28 X 1/2
12	2	473981	.750UNC-7.00ID-8.50 U-BOLT SQ YZ
13	1	607565	CHECK VLV,PILOT TO OPEN, SUN
14	3	618119	9/16MJIC-90-9/16MOR LBO
15	1	618668	9/16FJIC SWIV-9/16MOR ADPTR
16	1	618732	9/16JIC .031 ORIFICE ADPTR
17	1	621564	DETAS LIFT CYL,2.00 X 11.00STS
18	2	629773	CAPLUGS 1 3/4"SQ PLUG,BLK POLY
19	6	900493	5/16UNC X 2 HHSFB SS
20	2	900499	5/16UNC X 4 HHCS SS
21	4	910111	3/4-10UNC CTRLK FLG NUT MC GR5
22	8	914002	5/16UNC HEX STOVER NUT



RIGHT 3-WAY LIFT ASSEMBLY				
DET	QTY	P/N	DESCRIPTION	
1	1	439136	TOOLBAR MT BRKT WLD, STSC 03	
2	1	439143	UPPER LIFTARM WLD, STS COMBO 03	
3	1	439146	LWR LIFTARM WLD, STS COMBO 03	
4	1	439156	LWR CYL MT PIN, STS COMBO 03	
5	7	439158	LIFT ARM PIVOT PIN, STSC 03	
6	1	439163	80"RH HEAD TOOLBAR WLD, STSC 03	
7	1	439182	57"RH HEAD TOOLBAR WLD, 20"R 05	
8	2	470270	TUBE CLAMP BODY, .530-.680	
9	4	470274	TUBE CLAMP BODY, .750-.750	
10	2	470276	CLAMP COVER PLATE, SNGL, 2.55LG	
11	2	470280	STACK BOLT, 5/16UNC X 1 3/4	
12	6	470281	STACK BOLT SAFETY LOCK PLATE	
13	6	471005	GREASE ZERK, 1/4-28 X 1/2	
14	2	473981	.750UNC-7.00ID-8.50 U-BOLT SQ YZ	
15	4	629773	CAPPLUGS 1 3/4"SQ PLUG, BLK POLY	
16	2	900069	5/16UNC X 2" HEX BOLT	
17	10	914002	5/16UNC HEX STOVER NUT	
18	6	900493	5/16UNC X 2 HHSFB SS	
19	4	910111	3/4-10UNC CTRLK FLG NUT MC GR5	
20	1	607565	CHECK VLV, PILOT TO OPEN, SUN	
21	3	618119	9/16MJIC-90-9/16MOR LBO	
22	1	618668	9/16FJIC SWIV-9/16MOR ADPTR	
23	1	618732	9/16JIC .031 ORIFICE ADPTR	
24	1	621564	DETAS LIFT CYL, 2.00 X 11.00STS	
25	2	900499	5/16UNC X 4 HHCS SS	



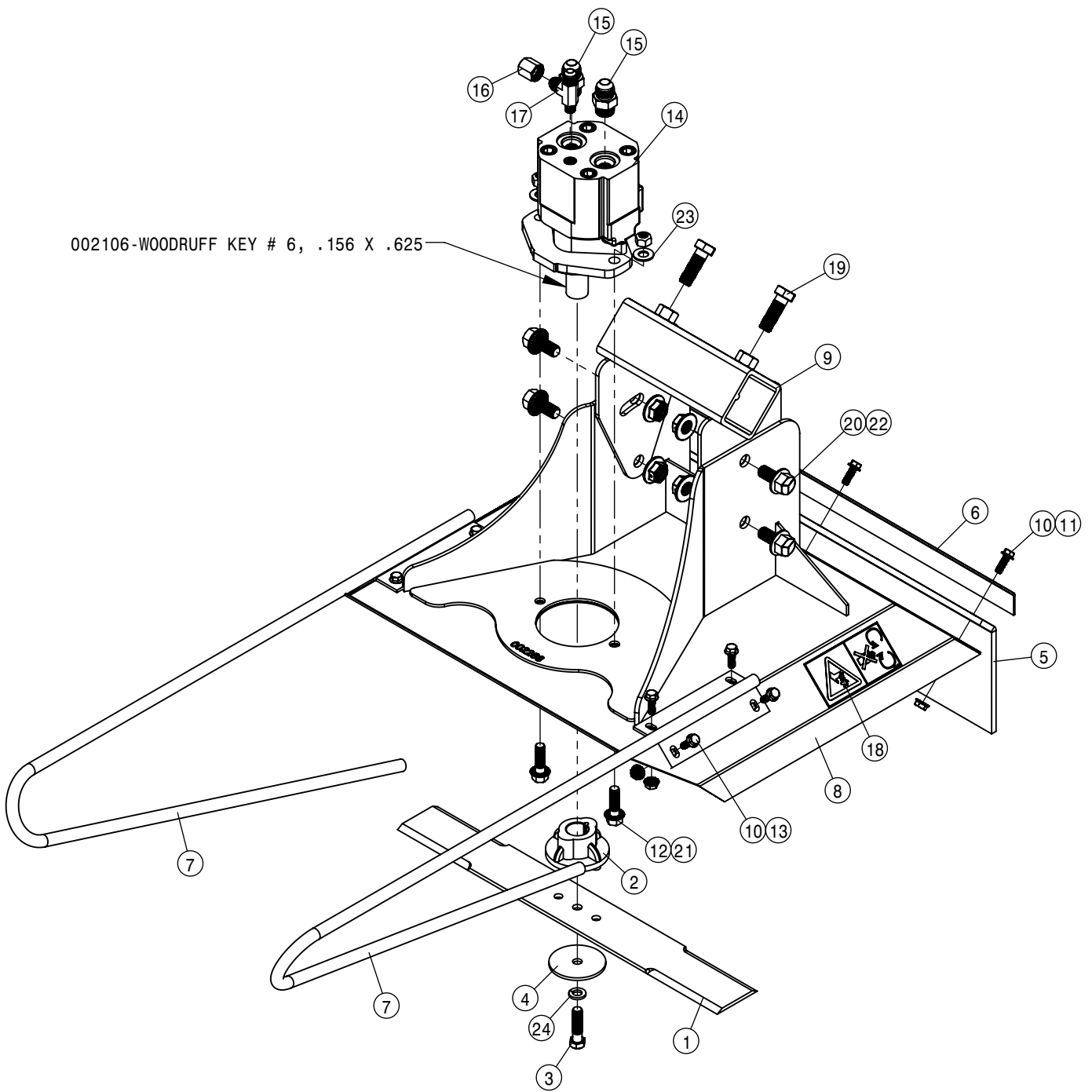
LEFT 3-HEAD LIFT ASSEMBLY			
DET	QTY	P/N	DESCRIPTION
1	1	439136	TOOLBAR MT BRKT WLD, STSC 03
2	1	439143	UPPER LIFTARM WLD,STS COMBO 03
3	1	439146	LWR LIFTARM WLD, STS COMBO 03
4	1	439156	LWR CYL MT PIN, STS COMBO 03
5	7	439158	LIFT ARM PIVOT PIN, STSC 03
6	1	439164	80"LH HEAD TOOLBAR WLD,STSC 03
7	1	439183	57"LH HEAD TOOLBAR WLD,20*R 05
8	2	470270	TUBE CLAMP BODY, .530-.680
9	4	470274	TUBE CLAMP BODY, .750-.750
10	2	470276	CLAMP COVER PLATE,SNGL, 2.55LG
11	2	470280	STACK BOLT, 5/16UNC X 1 3/4
12	6	470281	STACK BOLT SAFETY LOCK PLATE
13	6	471005	GREASE ZERK, 1/4-28 X 1/2
14	2	473981	.750UNC-7.00ID-8.50 U-BOLT SQ YZ
15	1	607565	CHECK VLV,PILOT TO OPEN, SUN
16	3	618119	9/16MJIC-90-9/16MOR LBO
17	1	618668	9/16FJIC SWIV-9/16MOR ADPTR
18	1	618732	9/16JIC .031 ORIFICE ADPTR
19	1	621564	DETAS LIFT CYL,2.00 X 11.00STS
20	4	629773	CAPLUGS 1 3/4"SQ PLUG,BLK POLY
21	2	900069	5/16UNC X 2" HEX BOLT
22	6	900493	5/16UNC X 2 HHSFB SS
23	2	900499	5/16UNC X 4 HHCS SS
24	4	910111	3/4-10UNC CTRLK FLG NUT MC GR5
25	10	914002	5/16UNC HEX STOVER NUT



824513 -STUD, 4-BOLT HUB 824512

QUAD PULLER HEAD ASSEMBLY			
DET	QTY	P/N	DESCRIPTION
1	4	123024	BGR 1 1/4 BORE SPHERICL RELUB
2	4	123026	FLANGETT 1 1/4
3	4	123035	FLANGETT 1 1/4 180 DEG ZERK
4	1	390984	1/8 X 1 1/4 COTTER PIN
5	1	438369	QUAD PLR FRAME WLD 200 90
6	1	438375	QUAD PLR SHAFT SHORT 200 90
7	1	438381	RH QUAD PLR STALK GUIDE WLD90
8	1	438384	LH QUAD PLR STALK GUIDE WLD90
9	2	438388	.50 HUB SPACER, QUAD PLR
10	1	438415	QUAD PLR SHIELD WLD 200 91
11	1	438419	QUAD PLR SHIELD MT TUBE 91
12	1	438422	QUAD PLR SHAFT LONG 200 91
13	1	438423	QUAD PLR MOTOR COUPLER 200 91
14	1	438424	QUAD PLR MTR MT PLT WLD
15	1	438425	QUAD PLR MTR MT 200 91
16	2	470199	1/4UNC X 3/8 SQHD CUP SET SCR
17	4	470460	3/8 X 1" SERR FLG BOLT
18	4	472020	WOODRUFF KEY # 18 1/4 X 1 1/8
19	1	473805	ROLL PIN, 1/4 X 1 1/2
20	1	473836	1/4UNC X 1 1/4 FLANGE BOLT SS
21	2	483032	1 1/2 X 1" X .134TH MACH WASH

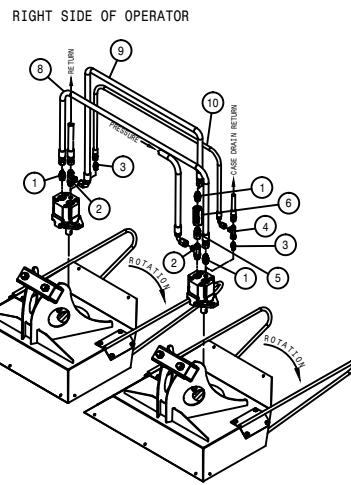
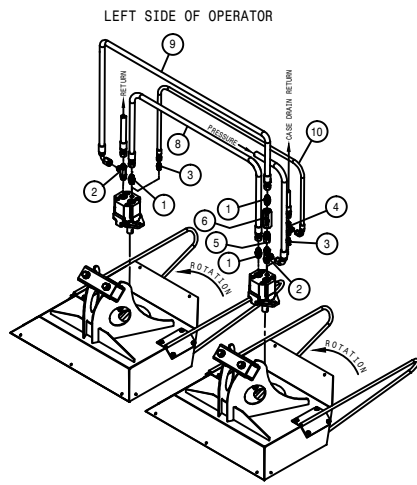
QUAD PULLER HEAD ASSEMBLY			
DET	QTY	P/N	DESCRIPTION
22	1	610547	HYD MOTOR 4.5CI 1IN SHFT
23	2	618327	3/4MJIC-7/8MOR ADPTR
24	1	650259	DECAL MOVING PARTS ROLLER
25	4	824509	4.10/3.50-4 2PLY STUD TIRE
26	4	824510	4.10/3.50-4 BENT STEM TUBE
27	4	824511	RIM, 410-4 2PC
28	4	824512	HUB, 4-BOLT, 1" KEYED BORE
29	16	824514	WHL NUT, 4-BOLT HUB
30	4	824516	4.10/3.50 2P SAWTOOTH TIRE
31	4	900128	3/8UNC X 3/4 HEX BOLT
32	6	900129	3/8UNC X 1" HEX BOLT
33	2	900486	5/16UNC X 3/4 HHSFB SS
34	2	900516	1/2UNC X 1 HHSFB GR5 MC
35	1	900830	5/16UNC X 2" HEX BOLT GR8 YZ
36	8	901129	3/8-16 X 1 CARRIAGE BOLT
37	12	910004	3/8UNC HEX NUT
38	1	914000	1/4UNC HEX STOVER NUT
39	1	914002	5/16UNC HEX STOVER NUT
40	6	914004	3/8UNC HEX STOVER NUT
41	2	914016	1" UNC HEX STOVER NUT
42	16	920502	3/8 LOCK WASHER



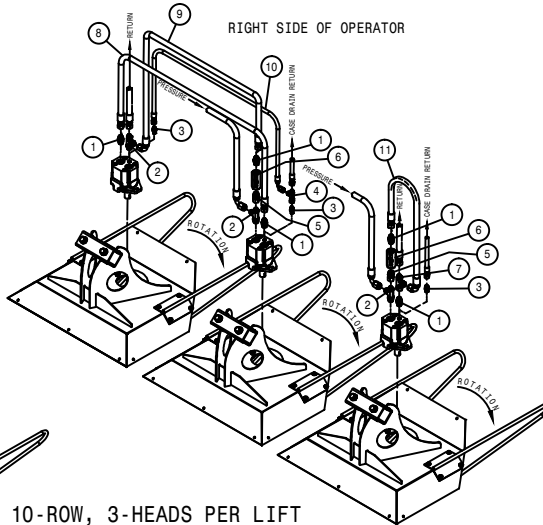
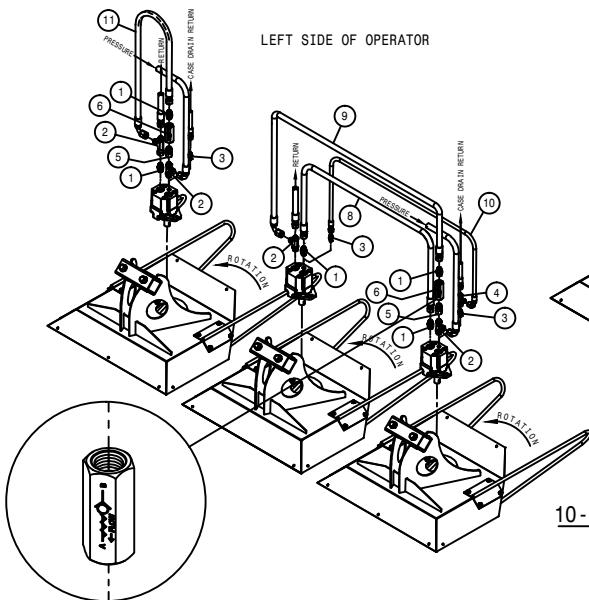
002106-WOODRUFF KEY # 6, .156 X .625

19" CUTTER HEAD ASSEMBLY			
DET	QTY	P/N	DESCRIPTION
1	1	002103	CUTR BLADE 18 IN
2	1	002104	CUTTER BLADE ADAPTER, RD LUG
3	1	002107	3/8UNF X 1 1/2 HEX BOLT CUTR
4	1	002108	STEEL WASHER CUTTER BLADE
5	1	002256	19" REAR CUTR DECK EXT FLAP 04
6	1	002257	19" REAR CUTR DECK FLAP KPR 04
7	2	002258	19" CUTR STALK GUIDE WLD
8	1	002265	19" CUTTER DECK WLD 08
9	1	002269	CUTR TUBE MT WLD 08
10	11	470118	1/4 UNC X 3/4 SER FLG BOLT
11	3	470121	1/4 UNC SERR FLG LOCK NUT
12	2	470329	3/8UNC X 1 1/4 SERR FLG HEX BOLT

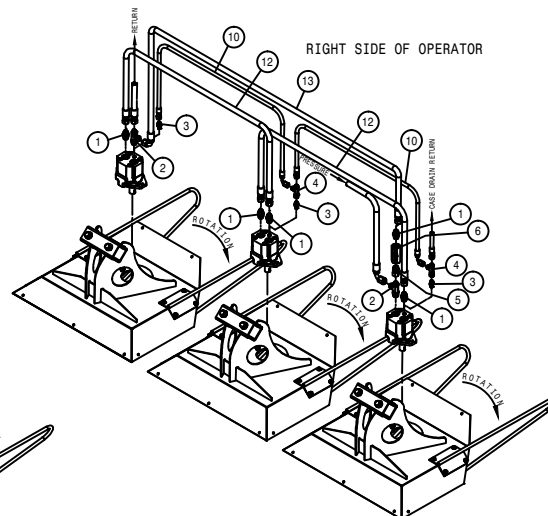
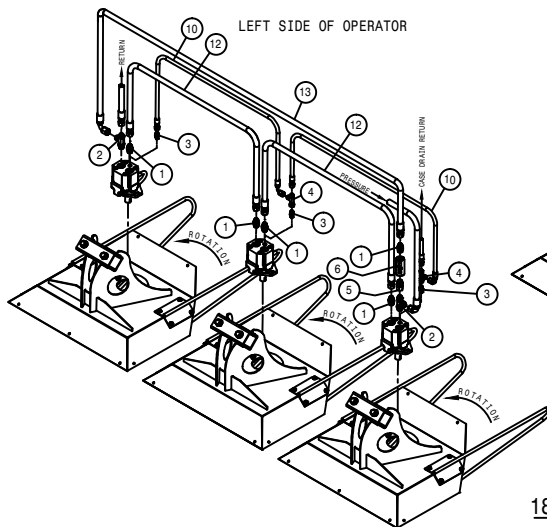
19" CUTTER HEAD ASSEMBLY			
DET	QTY	P/N	DESCRIPTION
13	8	473832	1/4UNC HEX FLANGE LOCK NUT SS
14	1	610755	BARNES HYD MOTOR, D-SERIES 01
15	2	611125	3/4MJIC-3/4MOR ADPTR
16	1	618531	9/16FJIC CAP NUT
17	1	618546	1/8MNPT RUN TEE-9/16MJIC
18	2	650258	DECAL CUTTING BLADES
19	2	900265	1/2UNC X 1 1/2 HEX BOLT
20	4	900516	1/2UNC X 1 HHSFB GR5 MC
21	2	914004	3/8UNC HEX STOVER NUT
22	4	914015	1/2UNC HEX CENTER-LOCK NUT
23	2	920002	3/8 SAE FLAT WASHER
24	1	920502	3/8 LOCK WASHER



8-10-12 ROW, 2-HEADS PER LIFT



10-ROW, 3-HEADS PER LIFT



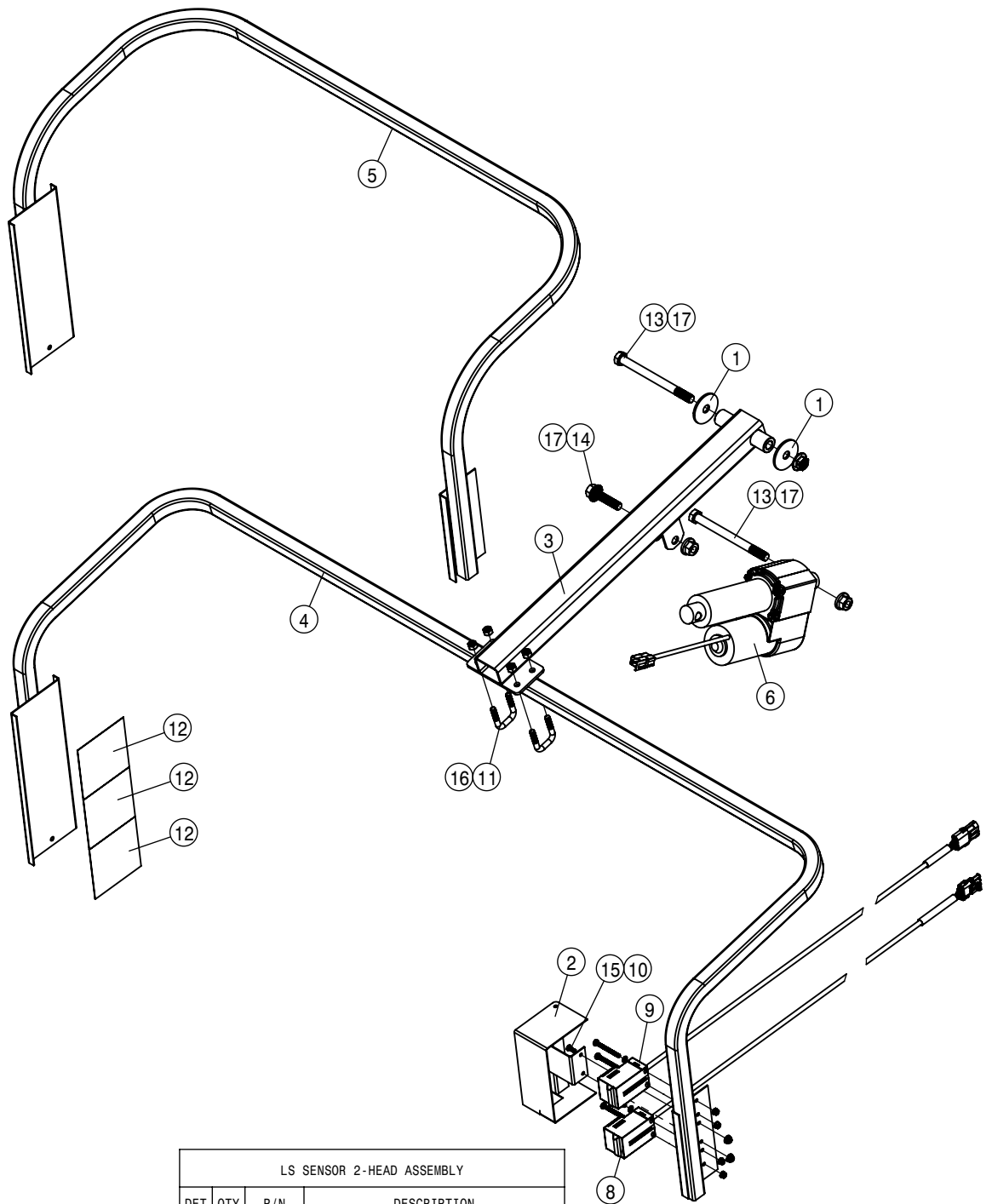
18-ROW, 3-HEADS PER LIFT

HYD DIAG,CUTR CHK VLV STS'11

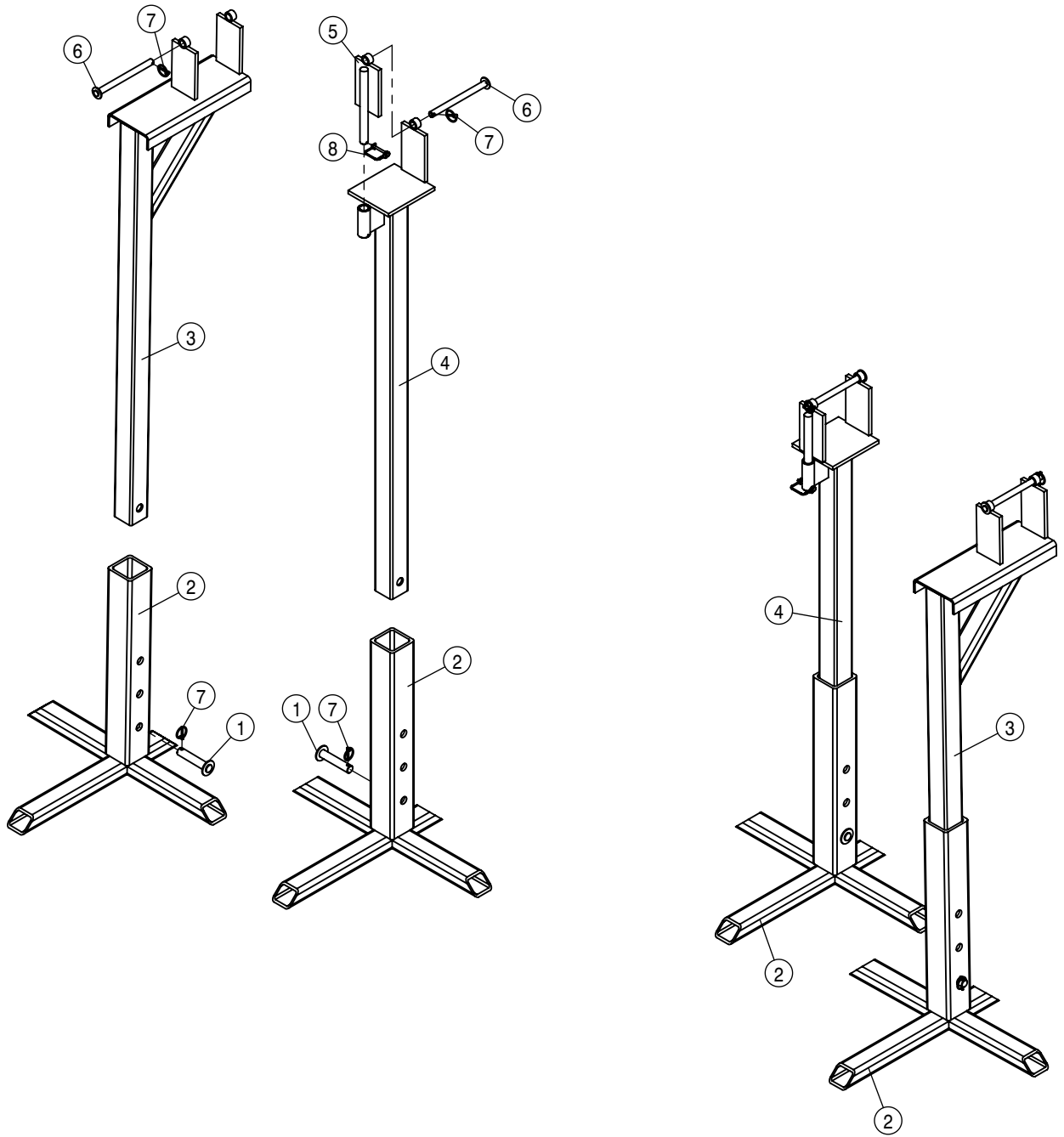
DET.	PART NO.	DESCRIPTION
1	611125	3/4MJIC-3/4MOR ADPTR
2	618494	3/4MOR RUN TEE-3/4MJIC
3	618530	9/16MJIC-1/8MNPT ADPTR
4	618486	9/16FJIC SW RUN TEE-9/16MJIC
5	618669	3/4FJIC SWIV-3/4MOR ADPTR
6	618292	CHECK VALVE,3/4FOR INLINE
7	618451	3/4FJIC SW RUN TEE-3/4MJIC

HYD DIAG,CUTR CHK VLV STS'11

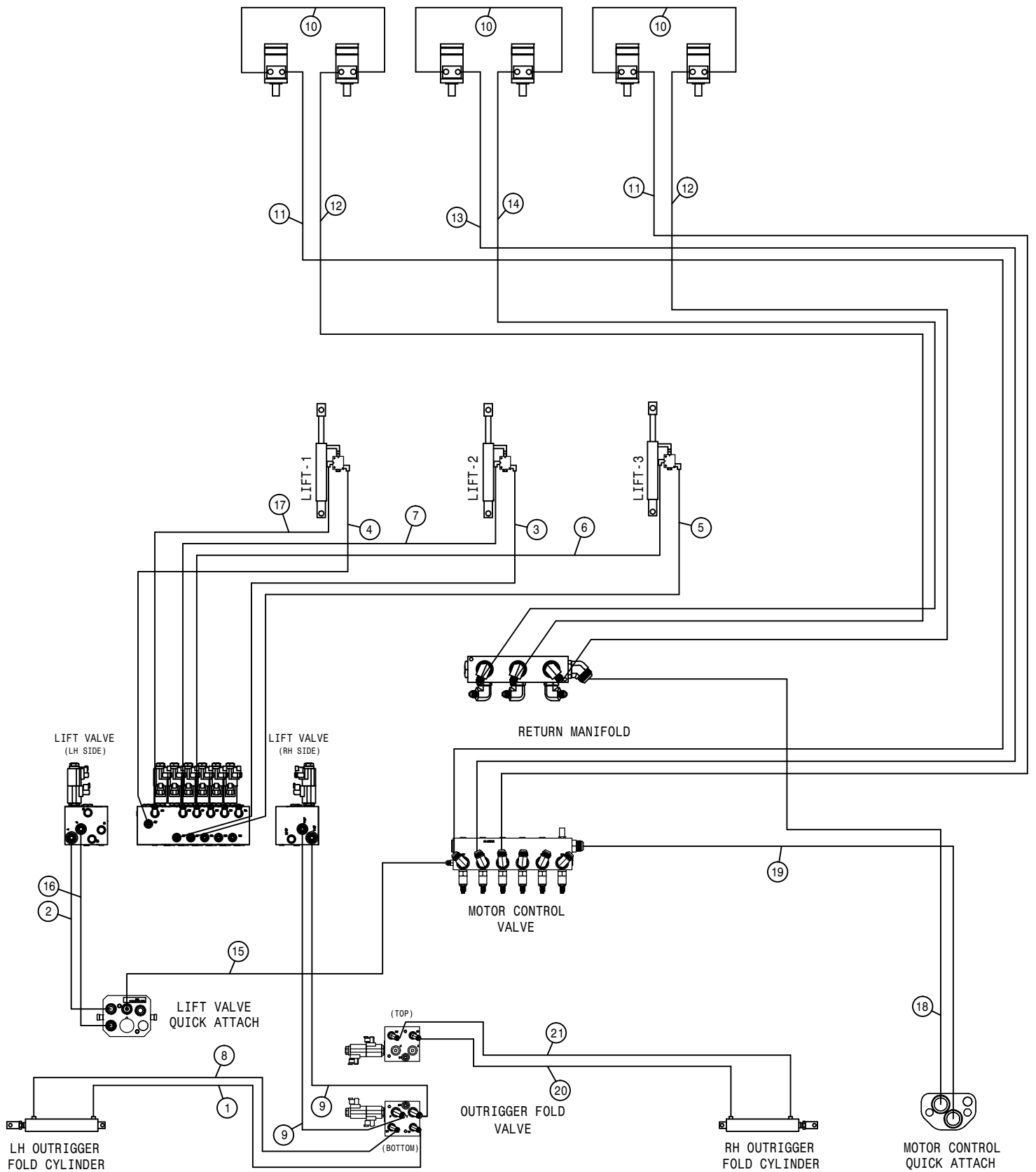
DET.	PART NO.	DESCRIPTION	
8	616531	08-451TC-08FJX-08FJX-55	H/A
9	616537	08-451TC-08FJX-08FJX90-52	H/A
10	616521	04-451TC-06FJX-06FJX90-54	H/A
11	616530	08-451TC-08FJX-08FJX90-27	H/A
12	616025	08-482TC-08FJX-08FJX-50	H/A
13	614562	08-451TC-08FJX-08FJX90-66	H/A



LS SENSOR 2-HEAD ASSEMBLY			
DET	QTY	P/N	DESCRIPTION
1	2	002815	SENSOR ARM WASH, NYL
2	1	002841	LS 42GRU SENSOR SHIELD WLD
3	1	003028	LS SENSOR MT SUPP WLD, STSC 03
4	1	003033	LS SENSOR MT WLD, STS COMBO 03
5	1	003050	LS SENSOR MT WLD
6	1	292610	LINEAR ACTUATOR, 4" STROKE
NS	1	293188	SENSOR CONNECTOR WIRE ASSY
8	1	293258	UPR LS 9200 SENSOR ASSY, FEM
9	1	293259	UPR LS 9200 SENSOR ASSY, MALE
10	2	473004	10-32 FLANGE NYLOC NUT
11	2	473980	.31UNC-1.06ID-1.75SQ U-BOLT SS
12	3	650297	REFLECTIVE TAPE, 4 X 4, RTC4-4C
13	2	900278	1/2UNC X 6" HEX BOLT
14	1	900519	1/2UNC X 2 HHSFB GR5 MC FT
15	2	903883	10-32 X 1 1/2 PHIL PAN MACH SCR
16	4	914002	5/16UNC HEX STOVER NUT
17	3	914015	1/2UNC HEX CENTER-LOCK NUT

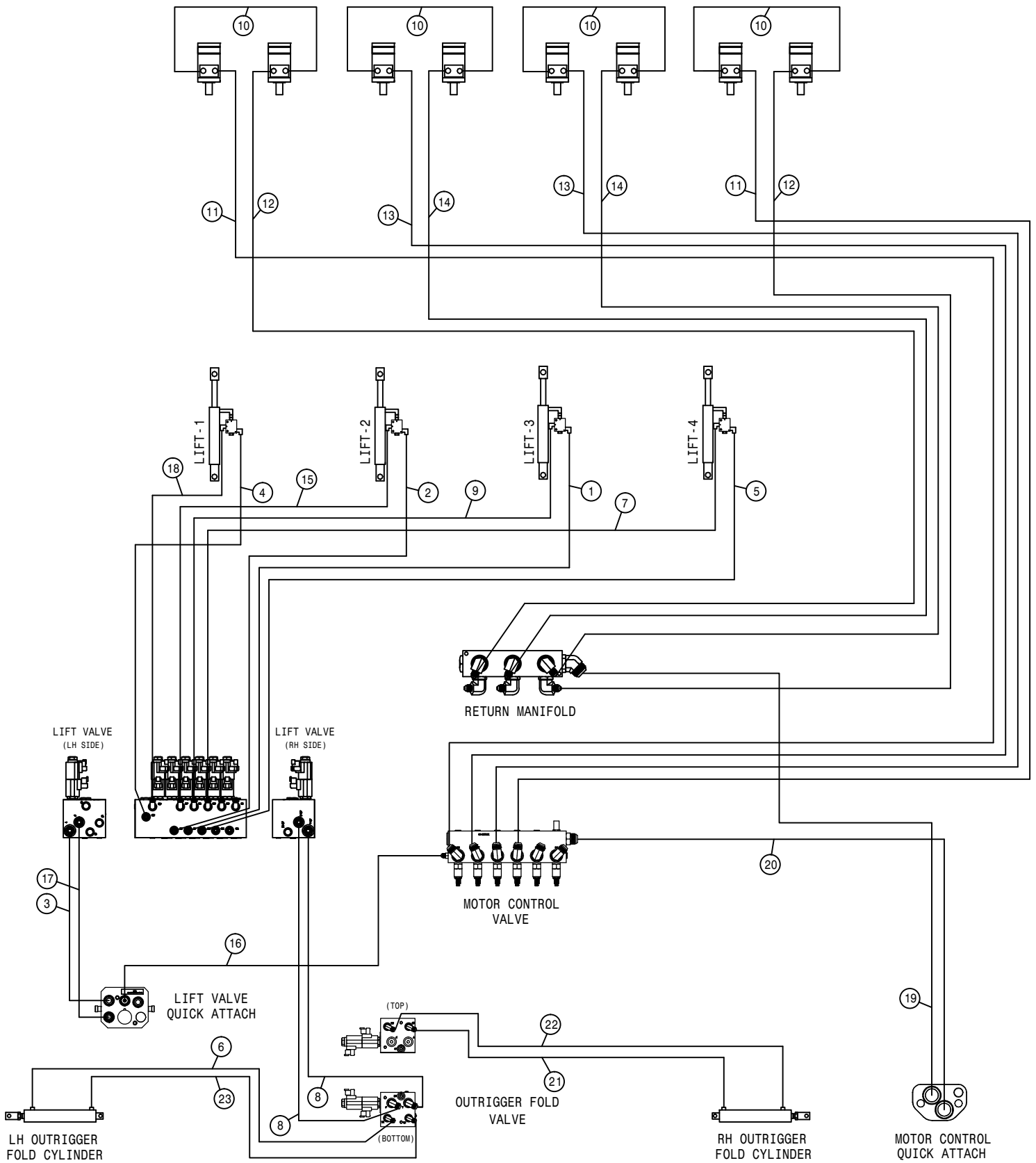


TOOLBAR STAND ASSEMBLY			
DET	QTY	P/N	DESCRIPTION
1	4	164522	BOOM FOLD CYL PIN WLD
2	4	439265	TOOL BAR STAND BASE, WLDMT
3	2	439270	FRT TOOL BAR STAND, UPPER WLDMT
4	2	439276	REAR TOOL BAR STAND, TOP WLDMT
5	2	439281	TOOL BAR STAND, PIN MT WLDMT
6	4	439282	TOOL BAR STAND PIN WLD
7	8	470335	LINCHPIN, 3/16 X 1 1/4 GRIP
8	2	473895	1/4 X 1 3/4 LINCHPIN



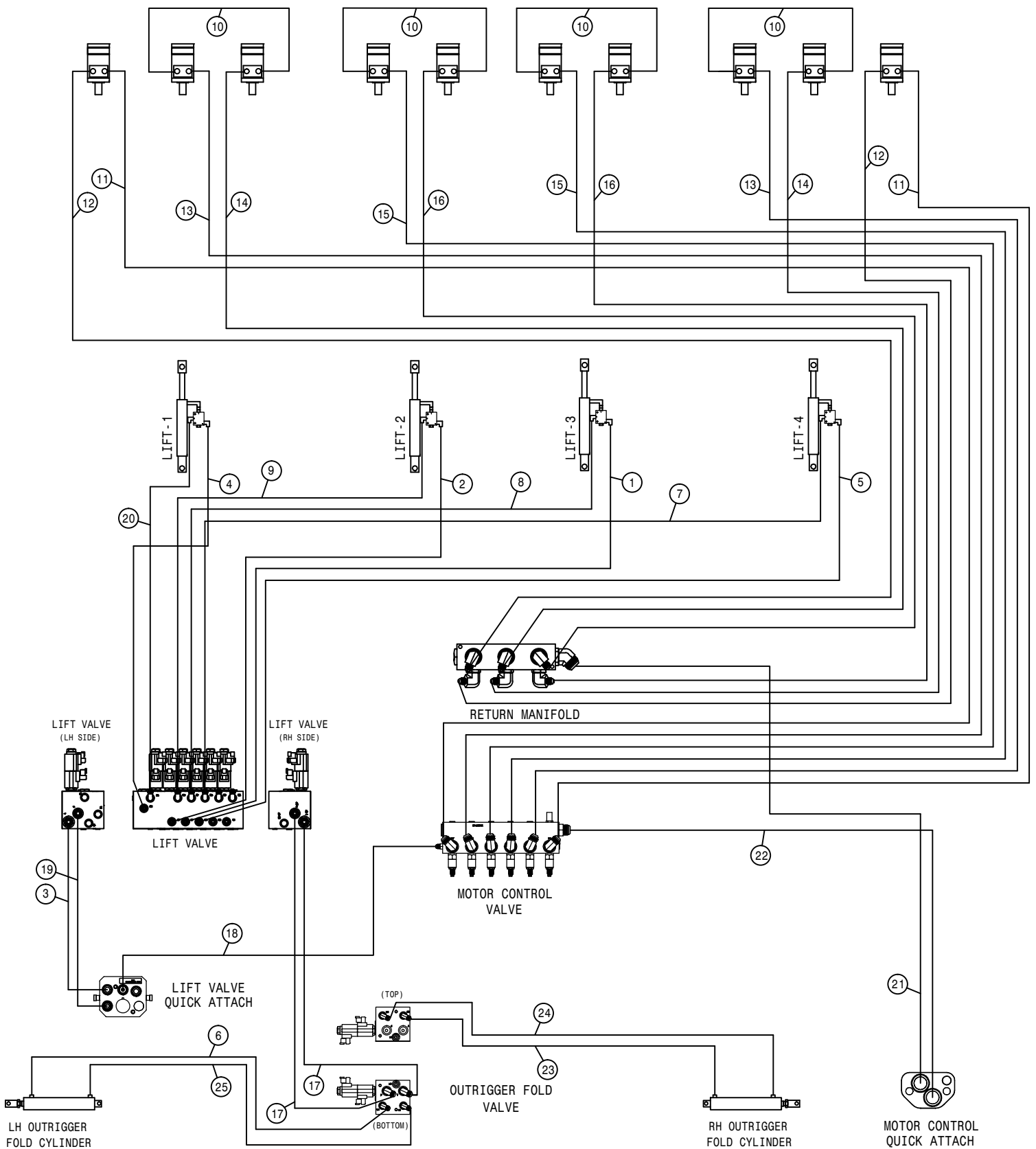
STS COMBO 6R QUAD HYD DIAG 2014-18
REFERENCE DRAWING NO. 499319_RevB

DET.	QTY	PART NO.	DESCRIPTION		DET.	QTY	PART NO.	DESCRIPTION	
1	1	616511	04-387TC-06FJX-06FJX-33	H/A	12	2	616533	08-387TC-08FJX-08FJX-218	H/A
2	1	617187	08-387TC-12FJX-08FJX90-29	H/A	13	1	616538	08-387TC-12FJX-08FJX90-125	H/A
3	1	616723	06-387TC-06FJX-06FJX90-85	H/A	14	1	616532	08-387TC-08FJX-08FJX-125	H/A
4	1	616873	06-387TC-06FJX-06FJX90-128	H/A	15	1	617188	04-387TC-04FJX-06FJX45-50	H/A
5	1	616626	06-387TC-06FJX-06FJX90-175	H/A	16	1	617186	08-387TC-10FJX-08FJX90-29	H/A
6	1	616526	06-387TC-06FJX-06FJX45-171	H/A	17	1	616525	06-387TC-06FJX-06FJX45-124	H/A
7	1	616523	06-387TC-06FJX-06FJX45-80	H/A	18	1	614766	20-811-20FJX-20FJX90-40	H/A
8	1	616512	04-387TC-06FJX-06FJX-49	H/A	19	1	614767	16-387TC-16FJX-16FJX45-34	H/A
9	2	616529	06-387TC-08FJX-08FJX90-16	H/A	20	1	616089	04-387TC-06FJX-06FJX-60	H/A
10	3	616135	08-387TC-08FJX-08FJX-50	H/A	21	1	616177	04-387TC-06FJX-06FJX-74	H/A
11	2	616539	08-387TC-12FJX-08FJX90-220	H/A					



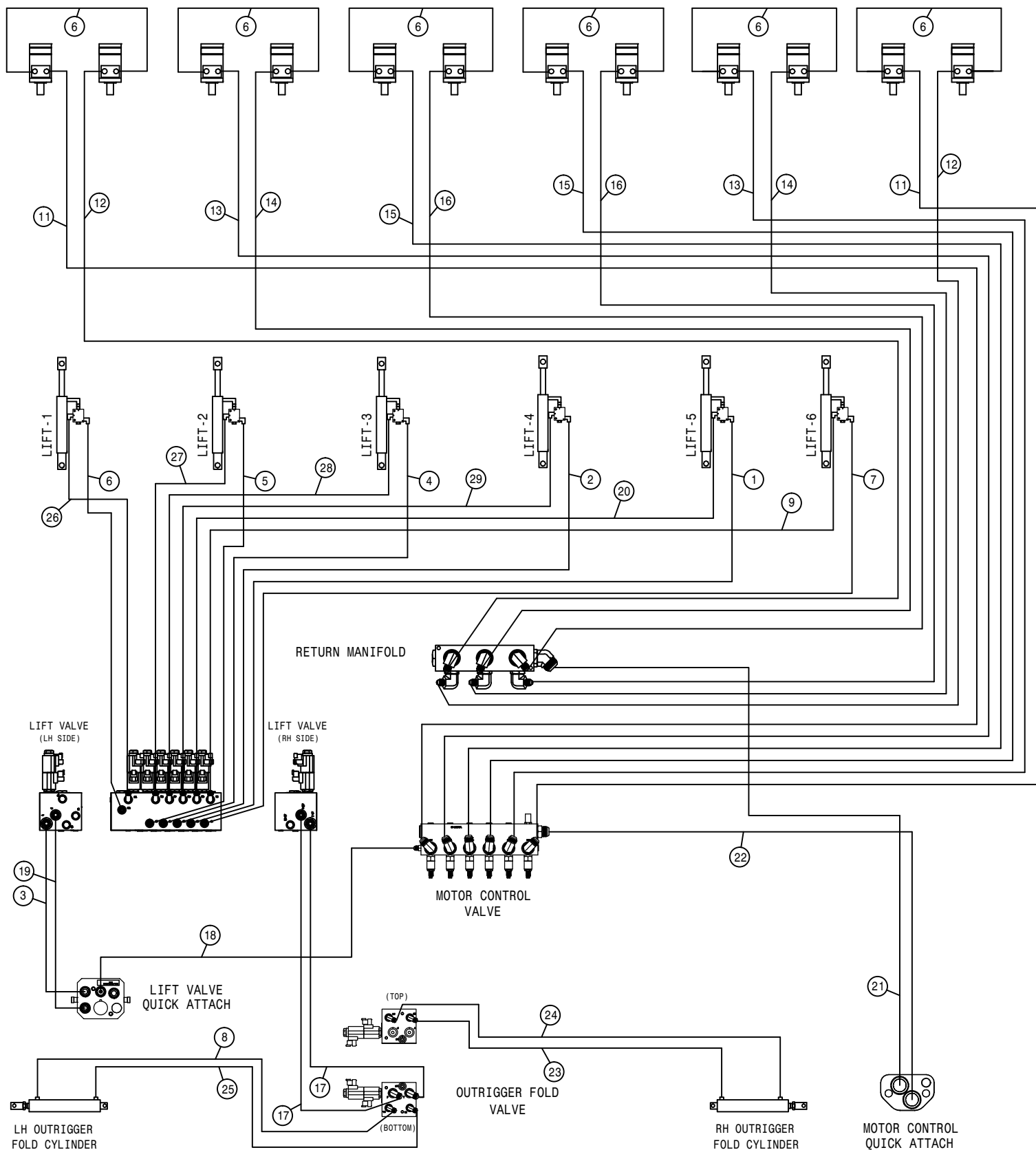
STS COMBO 8R QUAD HYD DIAG 2014-18
REFERENCE DRAWING NO. 499320_RevB

DET.	QTY	PART NO.	DESCRIPTION		DET.	QTY	PART NO.	DESCRIPTION
1	1	616723	06-387TC-06FJX-06FJX90-85	H/A	13	2	616538	08-387TC-12FJX-08FJX90-125 H/A
2	1	616581	06-387TC-06FJX-06FJX90-40	H/A	14	2	616532	08-387TC-08FJX-08FJX-125 H/A
3	1	617187	08-387TC-12FJX-08FJX90-29	H/A	15	1	616644	06-387TC-06FJX-06FJX45-36 H/A
4	1	616873	06-387TC-06FJX-06FJX90-128	H/A	16	1	617188	04-387TC-04FJX-06FJX45-50 H/A
5	1	616626	06-387TC-06FJX-06FJX90-175	H/A	17	1	617186	08-387TC-10FJX-08FJX90-29 H/A
6	1	616512	04-387TC-06FJX-06FJX-49	H/A	18	1	616525	06-387TC-06FJX-06FJX45-124 H/A
7	1	616526	06-387TC-06FJX-06FJX45-171	H/A	19	1	614766	20-811-20FJX-20FJX90-40 H/A
8	2	616529	06-387TC-08FJX-08FJX90-16	H/A	20	1	614767	16-387TC-16FJX-16FJX45-34 H/A
9	1	616523	06-387TC-06FJX-06FJX45-80	H/A	21	1	616089	04-387TC-06FJX-06FJX-60 H/A
10	4	616135	08-387TC-08FJX-08FJX-50	H/A	22	1	616177	04-387TC-06FJX-06FJX-74 H/A
11	2	616539	08-387TC-12FJX-08FJX90-220	H/A	23	1	616511	04-387TC-06FJX-06FJX-33 H/A
12	2	616533	08-387TC-08FJX-08FJX-218	H/A				



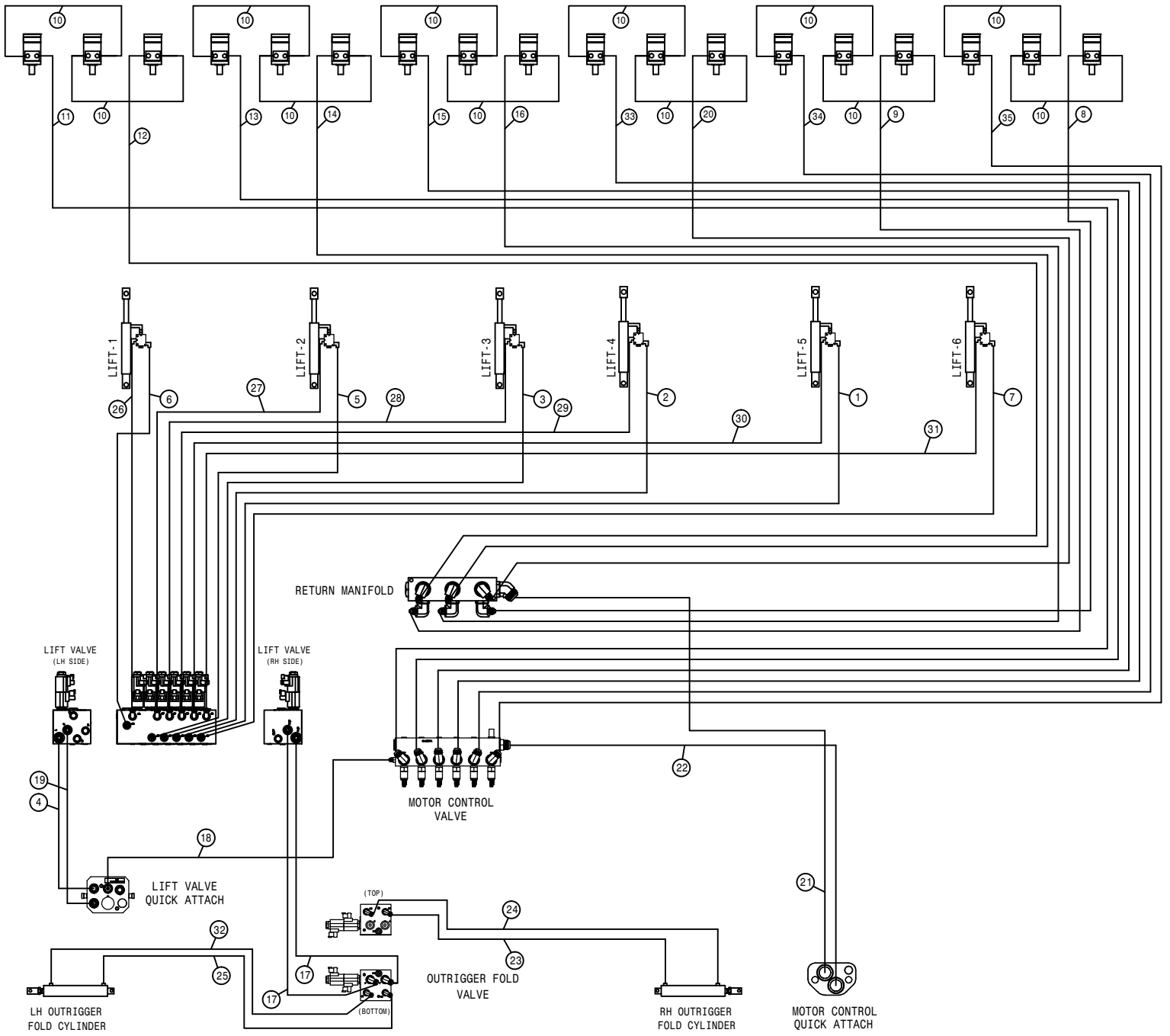
STS COMBO 10R QUAD HYD DIAG 2014-18
REFERENCE DRAWING NO. 499321_RevB

DET.	QTY	PART NO.	DESCRIPTION		DET.	QTY	PART NO.	DESCRIPTION	
1	1	616723	06-387TC-06FJX-06FJX90-85	H/A	14	2	616533	08-387TC-08FJX-08FJX-218	H/A
2	1	616581	06-387TC-06FJX-06FJX90-40	H/A	15	2	616538	08-387TC-12FJX-08FJX90-125	H/A
3	1	617187	08-387TC-12FJX-08FJX90-29	H/A	16	2	616532	08-387TC-08FJX-08FJX-125	H/A
4	1	616873	06-387TC-06FJX-06FJX90-128	H/A	17	2	616529	06-387TC-08FJX-08FJX90-16	H/A
5	1	616626	06-387TC-06FJX-06FJX90-175	H/A	18	1	617188	04-387TC-04FJX-06FJX45-50	H/A
6	1	616512	04-387TC-06FJX-06FJX-49	H/A	19	1	617186	08-387TC-10FJX-08FJX90-29	H/A
7	1	616526	06-387TC-06FJX-06FJX45-171	H/A	20	1	616525	06-387TC-06FJX-06FJX45-124	H/A
8	1	616523	06-387TC-06FJX-06FJX45-80	H/A	21	1	614766	20-811-20FJX-20FJX90-40	H/A
9	1	616644	06-387TC-06FJX-06FJX45-36	H/A	22	1	614767	16-387TC-16FJX-16FJX45-34	H/A
10	4	616135	08-387TC-08FJX-08FJX-50	H/A	23	1	616089	04-387TC-06FJX-06FJX-60	H/A
11	2	616540	08-387TC-12FJX-08FJX90-252	H/A	24	1	616177	04-387TC-06FJX-06FJX-74	H/A
12	2	616535	08-387TC-08FJX-08FJX-252	H/A	25	1	616511	04-387TC-06FJX-06FJX-33	H/A
13	2	616539	08-387TC-12FJX-08FJX90-220	H/A					



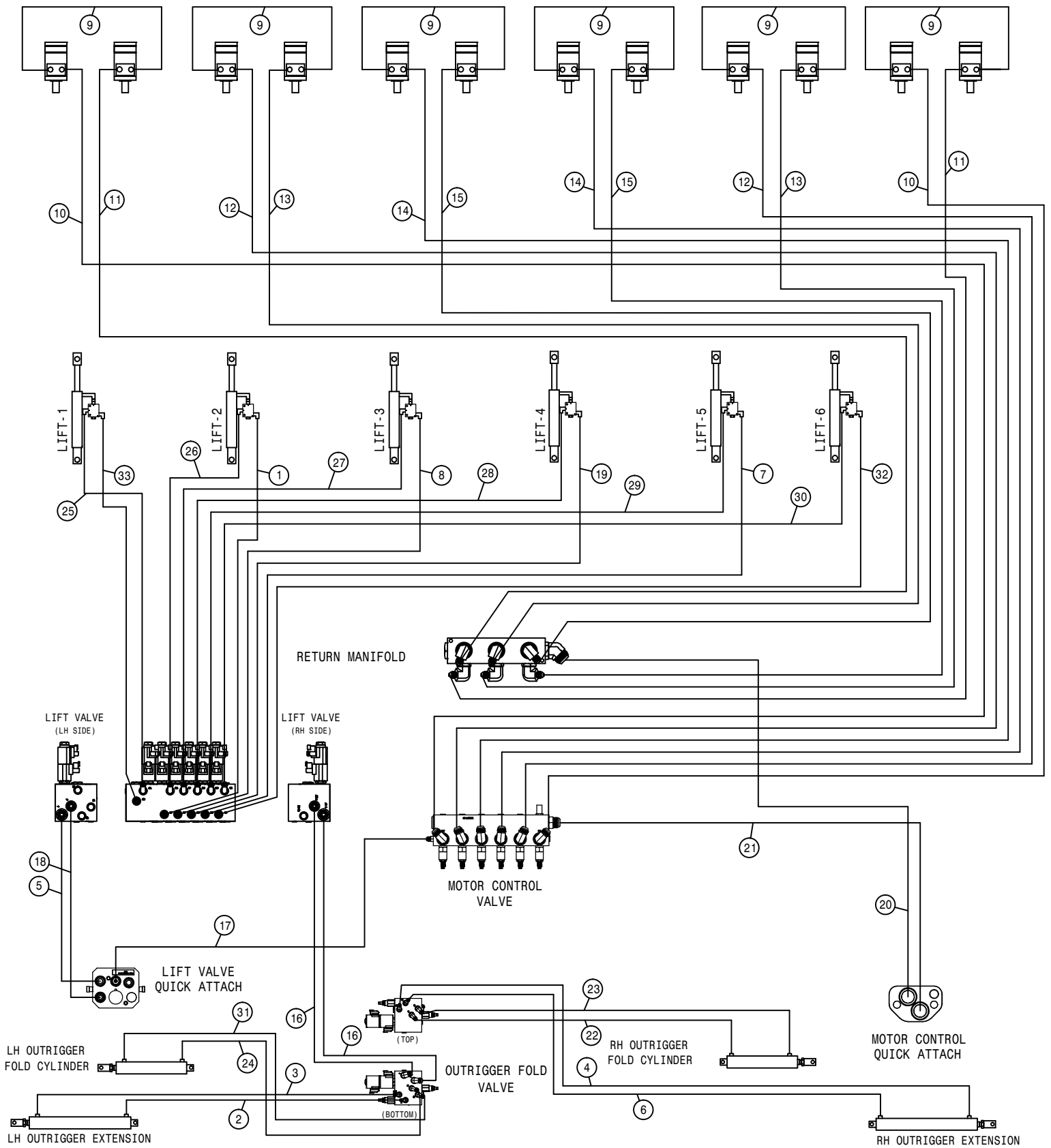
STS COMBO 12R QUAD HYD DIAG 2014-18
REFERENCE DRAWING NO. 499322_RevB

DET.	QTY	PART NO.	DESCRIPTION	DET.	QTY	PART NO.	DESCRIPTION
1	1	616626	06-387TC-06FJX-06FJX90-175 H/A	16	2	616532	08-387TC-08FJX-08FJX-125 H/A
2	1	616723	06-387TC-06FJX-06FJX90-85 H/A	17	2	616529	06-387TC-08FJX-08FJX90-16 H/A
3	1	617187	08-387TC-12FJX-08FJX90-29 H/A	18	1	617188	04-387TC-04FJX-06FJX45-50 H/A
4	1	616581	06-387TC-06FJX-06FJX90-40 H/A	19	1	617186	08-387TC-10FJX-08FJX90-29 H/A
5	1	616873	06-387TC-06FJX-06FJX90-128 H/A	20	1	616526	06-387TC-06FJX-06FJX45-171 H/A
6	1	616876	06-387TC-06FJX-06FJX90-189 H/A	21	1	614766	20-811-20FJX-20FJX90-40 H/A
7	1	616878	06-387TC-06FJX-06FJX90-233 H/A	22	1	614767	16-387TC-16FJX-16FJX45-34 H/A
8	1	616512	04-387TC-06FJX-06FJX-49 H/A	23	1	616089	04-387TC-06FJX-06FJX-60 H/A
9	1	616527	06-387TC-06FJX-06FJX45-229 H/A	24	1	616177	04-387TC-06FJX-06FJX-74 H/A
10	6	616135	08-387TC-08FJX-08FJX-50 H/A	25	1	616511	04-387TC-06FJX-06FJX-33 H/A
11	2	616541	08-387TC-12FJX-08FJX90-280 H/A	26	1	616524	06-387TC-06FJX-06FJX45-185 H/A
12	2	616534	08-387TC-08FJX-08FJX-278 H/A	27	1	616525	06-387TC-06FJX-06FJX45-124 H/A
13	2	616539	08-387TC-12FJX-08FJX90-220 H/A	28	1	616644	06-387TC-06FJX-06FJX45-36 H/A
14	2	616533	08-387TC-08FJX-08FJX-218 H/A	29	1	616523	06-387TC-06FJX-06FJX45-80 H/A
15	2	616538	08-387TC-12FJX-08FJX90-125 H/A				



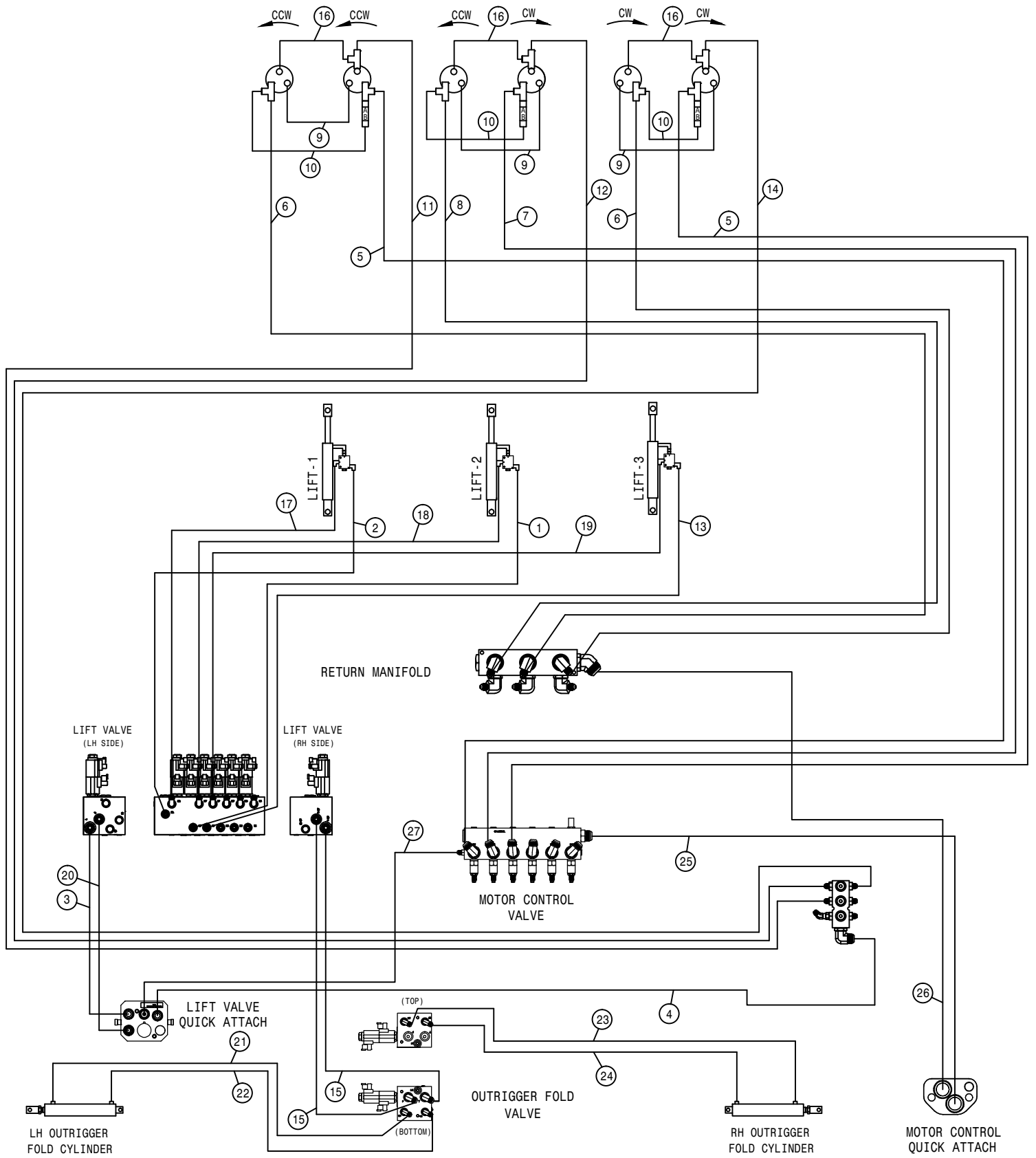
STS COMBO 18R QUAD HYD DIAG 2014-18
REFERENCE DRAWING NO. 499323_RevB

DET.	QTY	PART NO.	DESCRIPTION	DET.	QTY	PART NO.	DESCRIPTION
1	1	616874	06-387TC-06FJX-06FJX90-157 H/A	19	1	617186	08-387TC-10FJX-08FJX90-29 H/A
2	1	616872	06-387TC-06FJX-06FJX90-76 H/A	20	1	616102	08-387TC-08FJX-08FJX-132 H/A
3	1	616581	06-387TC-06FJX-06FJX90-40 H/A	21	1	614766	20-811-20FJX-20FJX90-40 H/A
4	1	617187	08-387TC-12FJX-08FJX90-29 H/A	22	1	614767	16-387TC-16FJX-16FJX45-34 H/A
5	1	616746	06-387TC-06FJX-06FJX90-110 H/A	23	1	616089	04-387TC-06FJX-06FJX-60 H/A
6	1	616875	06-387TC-06FJX-06FJX90-171 H/A	24	1	616177	04-387TC-06FJX-06FJX-74 H/A
7	1	616877	06-387TC-06FJX-06FJX90-215 H/A	25	1	616511	04-387TC-06FJX-06FJX-33 H/A
8	1	616660	08-387TC-08FJX-08FJX-275 H/A	26	1	616648	06-387TC-06FJX-06FJX45-167 H/A
9	1	616657	08-387TC-08FJX-08FJX-215 H/A	27	1	616646	06-387TC-06FJX-06FJX45-106 H/A
10	12	616298	08-387TC-08FJX-08FJX-44 H/A	28	1	616644	06-387TC-06FJX-06FJX45-36 H/A
11	1	616654	08-387TC-12FJX-08FJX90-264 H/A	29	1	616645	06-387TC-06FJX-06FJX45-72 H/A
12	1	616659	08-387TC-08FJX-08FJX-255 H/A	30	1	616647	06-387TC-06FJX-06FJX45-153 H/A
13	1	616653	08-387TC-12FJX-08FJX90-204 H/A	31	1	616649	06-387TC-06FJX-06FJX45-211 H/A
14	1	616658	08-387TC-08FJX-08FJX-195 H/A	32	1	616512	04-387TC-06FJX-06FJX-49 H/A
15	1	616651	08-387TC-12FJX-08FJX90-119 H/A	33	1	616650	08-387TC-12FJX-08FJX90-114 H/A
16	1	616656	08-387TC-08FJX-08FJX-112 H/A	34	1	616652	08-387TC-12FJX-08FJX90-197 H/A
17	2	616529	06-387TC-08FJX-08FJX90-16 H/A	35	1	616655	08-387TC-12FJX-08FJX90-257 H/A
18	1	617188	04-387TC-04FJX-06FJX45-50 H/A				



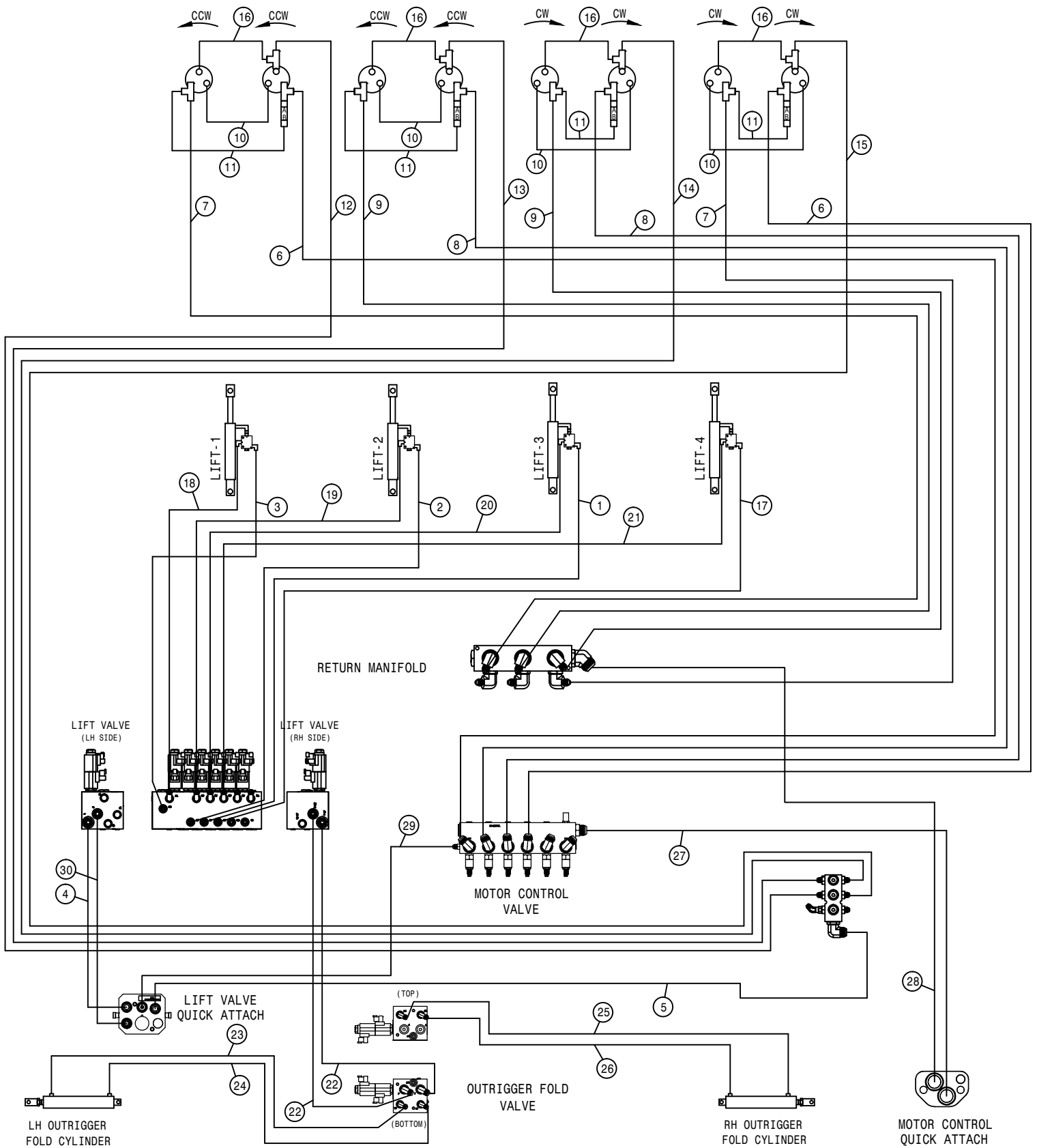
STS COMBO 4-2 QUAD HYD DIAG 2014-18
REFERENCE DRAWING NO. 499324_RevB

DET.	QTY	PART NO.	DESCRIPTION	DET.	QTY	PART NO.	DESCRIPTION
1	1	616875	06-387TC-06FJX-06FJX90-171 H/A	18	1	617186	08-387TC-10FJX-08FJX90-29 H/A
2	1	616302	04-387TC-04FJX-06FJX-60 H/A	19	1	616723	06-387TC-06FJX-06FJX90-85 H/A
3	1	617158	04-387TC-04FJX-06FJX-94 H/A	20	1	614766	20-811-20FJX-20FJX90-40 H/A
4	1	617160	04-387TC-04FJX-06FJX-140 H/A	21	1	614767	16-387TC-16FJX-16FJX45-34 H/A
5	1	617187	08-387TC-12FJX-08FJX90-29 H/A	22	1	616089	04-387TC-06FJX-06FJX-60 H/A
6	1	617159	04-387TC-04FJX-06FJX-105 H/A	23	1	616177	04-387TC-06FJX-06FJX-74 H/A
7	1	616877	06-387TC-06FJX-06FJX90-215 H/A	24	1	616511	04-387TC-06FJX-06FJX-33 H/A
8	1	616581	06-387TC-06FJX-06FJX90-40 H/A	25	1	616527	06-387TC-06FJX-06FJX45-229 H/A
9	6	616135	08-387TC-08FJX-08FJX-50 H/A	26	1	616648	06-387TC-06FJX-06FJX45-167 H/A
10	2	617184	08-387TC-12FJX-08FJX-300 H/A	27	1	616644	06-387TC-06FJX-06FJX45-36 H/A
11	2	617179	08-387TC-08FJX-08FJX-305 H/A	28	1	616523	06-387TC-06FJX-06FJX45-80 H/A
12	2	617183	08-387TC-12FJX-08FJX-234 H/A	29	1	616649	06-387TC-06FJX-06FJX45-211 H/A
13	2	617178	08-387TC-08FJX-08FJX-242 H/A	30	1	617157	06-387TC-06FJX-06FJX45-271 H/A
14	2	617182	08-387TC-12FJX-08FJX-125 H/A	31	1	616512	04-387TC-06FJX-06FJX-49 H/A
15	2	616532	08-387TC-08FJX-08FJX-125 H/A	32	1	616785	06-387TC-06FJX-06FJX90-276 H/A
16	2	616529	06-387TC-08FJX-08FJX90-16 H/A	33	1	616878	06-387TC-06FJX-06FJX90-233 H/A
17	1	617188	04-387TC-04FJX-06FJX45-50 H/A				



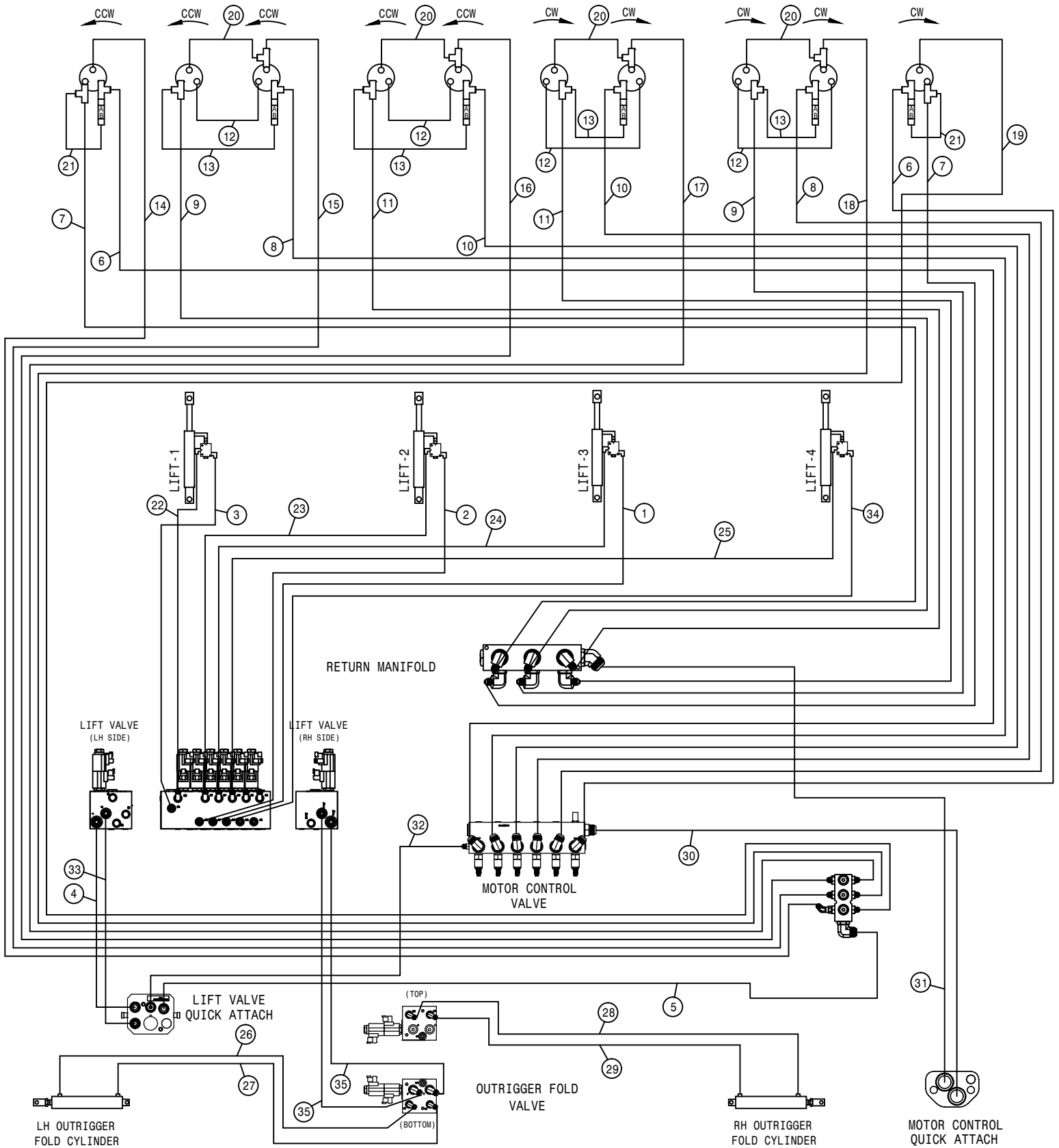
STS COMBO 6R CUTR HYD DIAG 2014-18
REFERENCE DRAWING NO. 499325_RevB

DET.	QTY	PART NO.	DESCRIPTION	DET.	QTY	PART NO.	DESCRIPTION
1	1	616723	06-387TC-06FJX-06FJX90-85 H/A	15	2	616529	06-387TC-08FJX-08FJX90-16 H/A
2	1	616873	06-387TC-06FJX-06FJX90-128 H/A	16	3	616521	04-387TC-06FJX-06FJX90-54 H/A
3	1	617187	08-387TC-12FJX-08FJX90-29 H/A	17	1	616525	06-387TC-06FJX-06FJX45-124 H/A
4	1	617189	12-387TC-12FJX-12FJX-70 H/A	18	1	616523	06-387TC-06FJX-06FJX45-80 H/A
5	2	616539	08-387TC-12FJX-08FJX90-220 H/A	19	1	616526	06-387TC-06FJX-06FJX45-171 H/A
6	2	616533	08-387TC-08FJX-08FJX-218 H/A	20	1	617186	08-387TC-10FJX-08FJX90-29 H/A
7	1	616538	08-387TC-12FJX-08FJX90-125 H/A	21	1	616512	04-387TC-06FJX-06FJX-49 H/A
8	1	616532	08-387TC-08FJX-08FJX-125 H/A	22	1	616511	04-387TC-06FJX-06FJX-33 H/A
9	3	616531	08-387TC-08FJX-08FJX-55 H/A	23	1	616177	04-387TC-06FJX-06FJX-74 H/A
10	3	616537	08-387TC-08FJX-08FJX90-52 H/A	24	1	616089	04-387TC-06FJX-06FJX-60 H/A
11	1	616515	04-387TC-06FJX-06FJX-238 H/A	25	1	614767	16-387TC-16FJX-16FJX45-34 H/A
12	1	616180	04-387TC-06FJX-06FJX-143 H/A	26	1	614766	20-811-20FJX-20FJX90-40 H/A
13	1	616626	06-387TC-06FJX-06FJX90-175 H/A	27	1	617188	04-387TC-04FJX-06FJX45-50 H/A
14	1	616514	04-387TC-06FJX-06FJX-208 H/A				



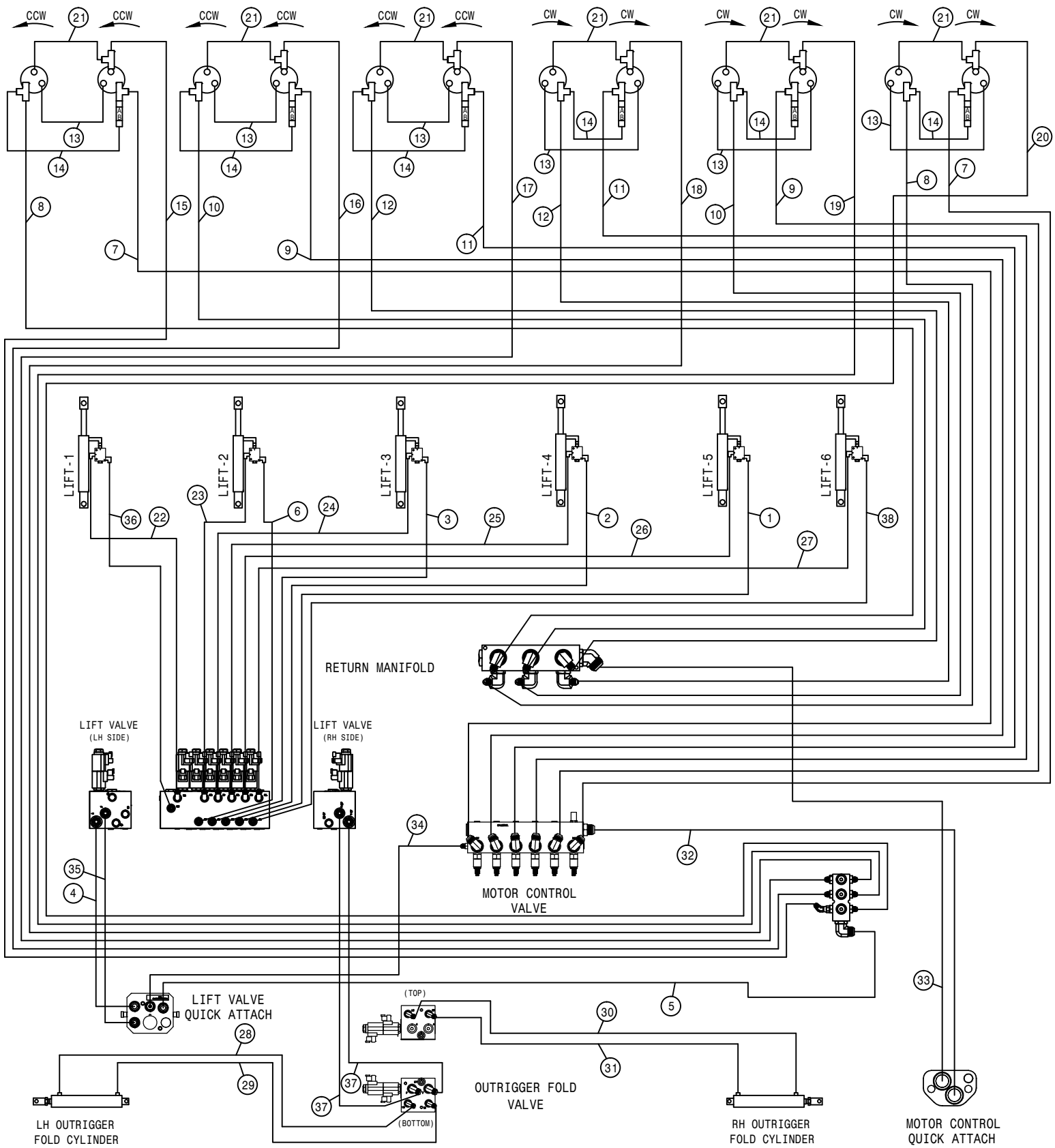
STS COMBO 8R CUTR HYD DIAG 2014-18
 REFERENCE DRAWING NO. 499326_RevB

DET.	QTY	PART NO.	DESCRIPTION		DET.	QTY	PART NO.	DESCRIPTION	
1	1	616723	06-387TC-06FJX-06FJX90-85	H/A	16	4	616521	04-387TC-06FJX-06FJX90-54	H/A
2	1	616581	06-387TC-06FJX-06FJX90-40	H/A	17	1	616626	06-387TC-06FJX-06FJX90-175	H/A
3	1	616873	06-387TC-06FJX-06FJX90-128	H/A	18	1	616525	06-387TC-06FJX-06FJX45-124	H/A
4	1	617187	08-387TC-12FJX-08FJX90-29	H/A	19	1	616644	06-387TC-06FJX-06FJX45-36	H/A
5	1	617189	12-387TC-12FJX-12FJX-70	H/A	20	1	616523	06-387TC-06FJX-06FJX45-80	H/A
6	2	616539	08-387TC-12FJX-08FJX90-220	H/A	21	1	616526	06-387TC-06FJX-06FJX45-171	H/A
7	2	616533	08-387TC-08FJX-08FJX-218	H/A	22	2	616529	06-387TC-08FJX-08FJX90-16	H/A
8	2	616538	08-387TC-12FJX-08FJX90-125	H/A	23	1	616512	04-387TC-06FJX-06FJX-49	H/A
9	2	616532	08-387TC-08FJX-08FJX-125	H/A	24	1	616511	04-387TC-06FJX-06FJX-33	H/A
10	4	616531	08-387TC-08FJX-08FJX-55	H/A	25	1	616177	04-387TC-06FJX-06FJX-74	H/A
11	4	616537	08-387TC-08FJX-08FJX90-52	H/A	26	1	616089	04-387TC-06FJX-06FJX-60	H/A
12	1	616515	04-387TC-06FJX-06FJX-238	H/A	27	1	614767	16-387TC-16FJX-16FJX45-34	H/A
13	1	616180	04-387TC-06FJX-06FJX-143	H/A	28	1	614766	20-811-20FJX-20FJX90-40	H/A
14	1	616513	04-387TC-06FJX-06FJX-112	H/A	29	1	617188	04-387TC-04FJX-06FJX45-50	H/A
15	1	616514	04-387TC-06FJX-06FJX-208	H/A	30	1	617186	08-387TC-10FJX-08FJX90-29	H/A



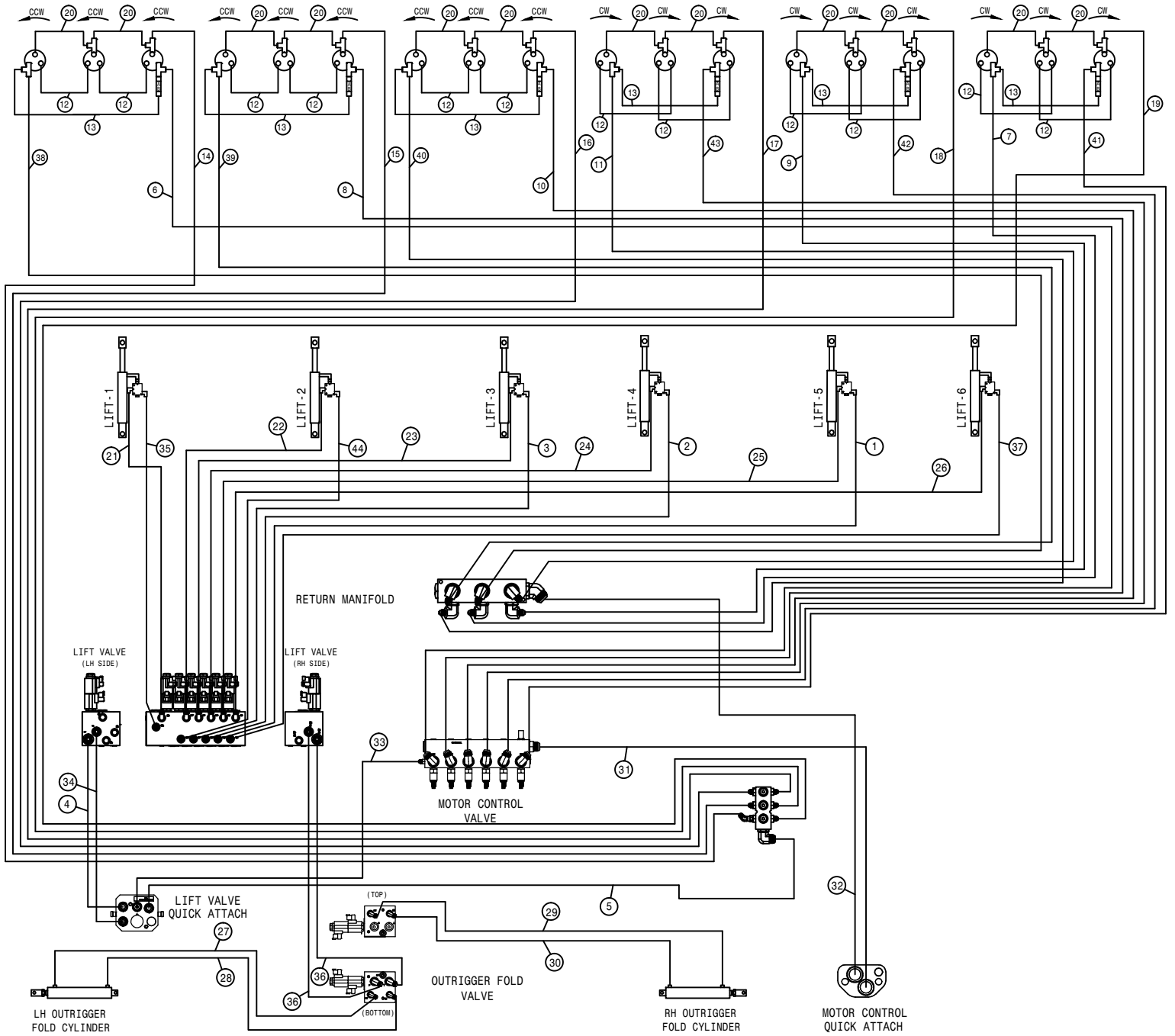
STS COMBO 10R CUTR HYD DIAG 2014-18
REFERENCE DRAWING NO. 499327_RevB

DET.	QTY	PART NO.	DESCRIPTION		DET.	QTY	PART NO.	DESCRIPTION	
1	1	616723	06-387TC-06FJX-06FJX90-85	H/A	19	1	616516	04-387TC-06FJX-06FJX-246	H/A
2	1	616581	06-387TC-06FJX-06FJX90-40	H/A	20	4	616521	04-387TC-06FJX-06FJX90-54	H/A
3	1	616873	06-387TC-06FJX-06FJX90-128	H/A	21	2	616530	08-387TC-08FJX-08FJX90-27	H/A
4	1	617187	08-387TC-12FJX-08FJX90-29	H/A	22	1	616525	06-387TC-06FJX-06FJX45-124	H/A
5	1	617189	12-387TC-12FJX-12FJX-70	H/A	23	1	616644	06-387TC-06FJX-06FJX45-36	H/A
6	2	616540	08-387TC-12FJX-08FJX90-252	H/A	24	1	616523	06-387TC-06FJX-06FJX45-80	H/A
7	2	616535	08-387TC-08FJX-08FJX-252	H/A	25	1	616526	06-387TC-06FJX-06FJX45-171	H/A
8	2	616539	08-387TC-12FJX-08FJX90-220	H/A	26	1	616512	04-387TC-06FJX-06FJX-49	H/A
9	2	616533	08-387TC-08FJX-08FJX-218	H/A	27	1	616511	04-387TC-06FJX-06FJX-33	H/A
10	2	616538	08-387TC-12FJX-08FJX90-125	H/A	28	1	616177	04-387TC-06FJX-06FJX-74	H/A
11	2	616532	08-387TC-08FJX-08FJX-125	H/A	29	1	616089	04-387TC-06FJX-06FJX-60	H/A
12	4	616531	08-387TC-08FJX-08FJX-55	H/A	30	1	614767	16-387TC-16FJX-16FJX45-34	H/A
13	4	616537	08-387TC-08FJX-08FJX90-52	H/A	31	1	614766	20-811-20FJX-20FJX90-40	H/A
14	1	616517	04-387TC-06FJX-06FJX-272	H/A	32	1	617188	04-387TC-04FJX-06FJX45-50	H/A
15	1	616515	04-387TC-06FJX-06FJX-238	H/A	33	1	617186	08-387TC-10FJX-08FJX90-29	H/A
16	1	616180	04-387TC-06FJX-06FJX-143	H/A	34	1	616626	06-387TC-06FJX-06FJX90-175	H/A
17	1	616513	04-387TC-06FJX-06FJX-112	H/A	35	2	616529	06-387TC-08FJX-08FJX90-16	H/A
18	1	616514	04-387TC-06FJX-06FJX-208	H/A					



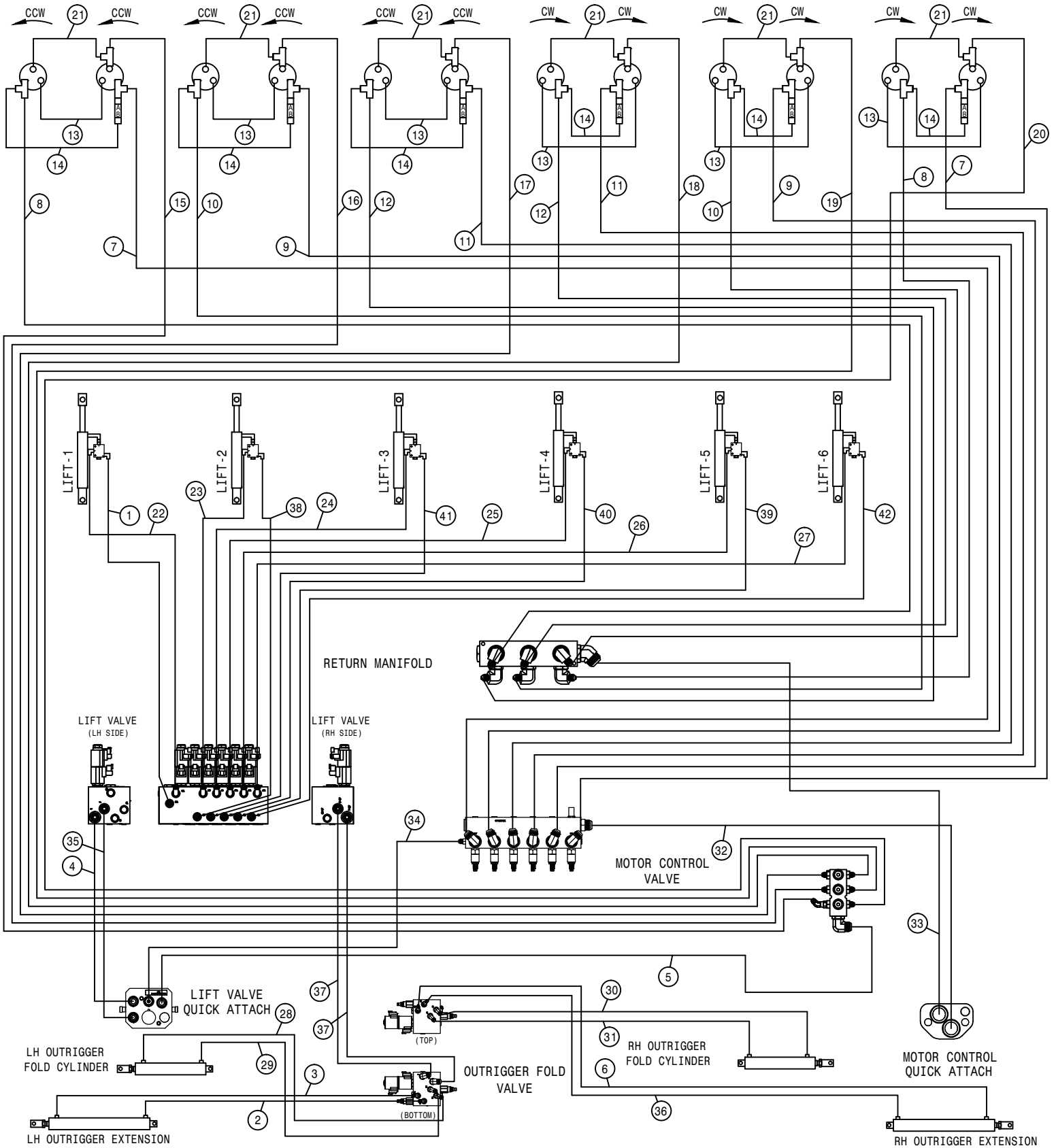
STS COMBO 12R CUTR HYD DIAG 2014-18
 REFERENCE DRAWING NO. 499328_RevB

DET.	QTY	PART NO.	DESCRIPTION	DET.	QTY	PART NO.	DESCRIPTION
1	1	616626	06-387TC-06FJX-06FJX90-175 H/A	20	1	616517	04-387TC-06FJX-06FJX-272 H/A
2	1	616723	06-387TC-06FJX-06FJX90-85 H/A	21	6	616521	04-387TC-06FJX-06FJX90-54 H/A
3	1	616581	06-387TC-06FJX-06FJX90-40 H/A	22	1	616524	06-387TC-06FJX-06FJX45-185 H/A
4	1	617187	08-387TC-12FJX-08FJX90-29 H/A	23	1	616525	06-387TC-06FJX-06FJX45-124 H/A
5	1	617189	12-387TC-12FJX-12FJX-70 H/A	24	1	616644	06-387TC-06FJX-06FJX45-36 H/A
6	1	616873	06-387TC-06FJX-06FJX90-128 H/A	25	1	616523	06-387TC-06FJX-06FJX45-80 H/A
7	2	616541	08-387TC-12FJX-08FJX90-280 H/A	26	1	616526	06-387TC-06FJX-06FJX45-171 H/A
8	2	616534	08-387TC-08FJX-08FJX-278 H/A	27	1	616527	06-387TC-06FJX-06FJX45-229 H/A
9	2	616539	08-387TC-12FJX-08FJX90-220 H/A	28	1	616512	04-387TC-06FJX-06FJX-49 H/A
10	2	616533	08-387TC-08FJX-08FJX-218 H/A	29	1	616511	04-387TC-06FJX-06FJX-33 H/A
11	2	616538	08-387TC-12FJX-08FJX90-125 H/A	30	1	616177	04-387TC-06FJX-06FJX-74 H/A
12	2	616532	08-387TC-08FJX-08FJX-125 H/A	31	1	616089	04-387TC-06FJX-06FJX-60 H/A
13	6	616531	08-387TC-08FJX-08FJX-55 H/A	32	1	614767	16-387TC-16FJX-16FJX45-34 H/A
14	6	616537	08-387TC-08FJX-08FJX90-52 H/A	33	1	614766	20-811-20FJX-20FJX90-40 H/A
15	1	616518	04-387TC-06FJX-06FJX-298 H/A	34	1	617188	04-387TC-04FJX-06FJX45-50 H/A
16	1	616515	04-387TC-06FJX-06FJX-238 H/A	35	1	617186	08-387TC-10FJX-08FJX90-29 H/A
17	1	616180	04-387TC-06FJX-06FJX-143 H/A	36	1	616876	06-387TC-06FJX-06FJX90-189 H/A
18	1	616513	04-387TC-06FJX-06FJX-112 H/A	37	2	616529	06-387TC-08FJX-08FJX90-16 H/A
19	1	616514	04-387TC-06FJX-06FJX-208 H/A	38	1	616878	06-387TC-06FJX-06FJX90-233 H/A



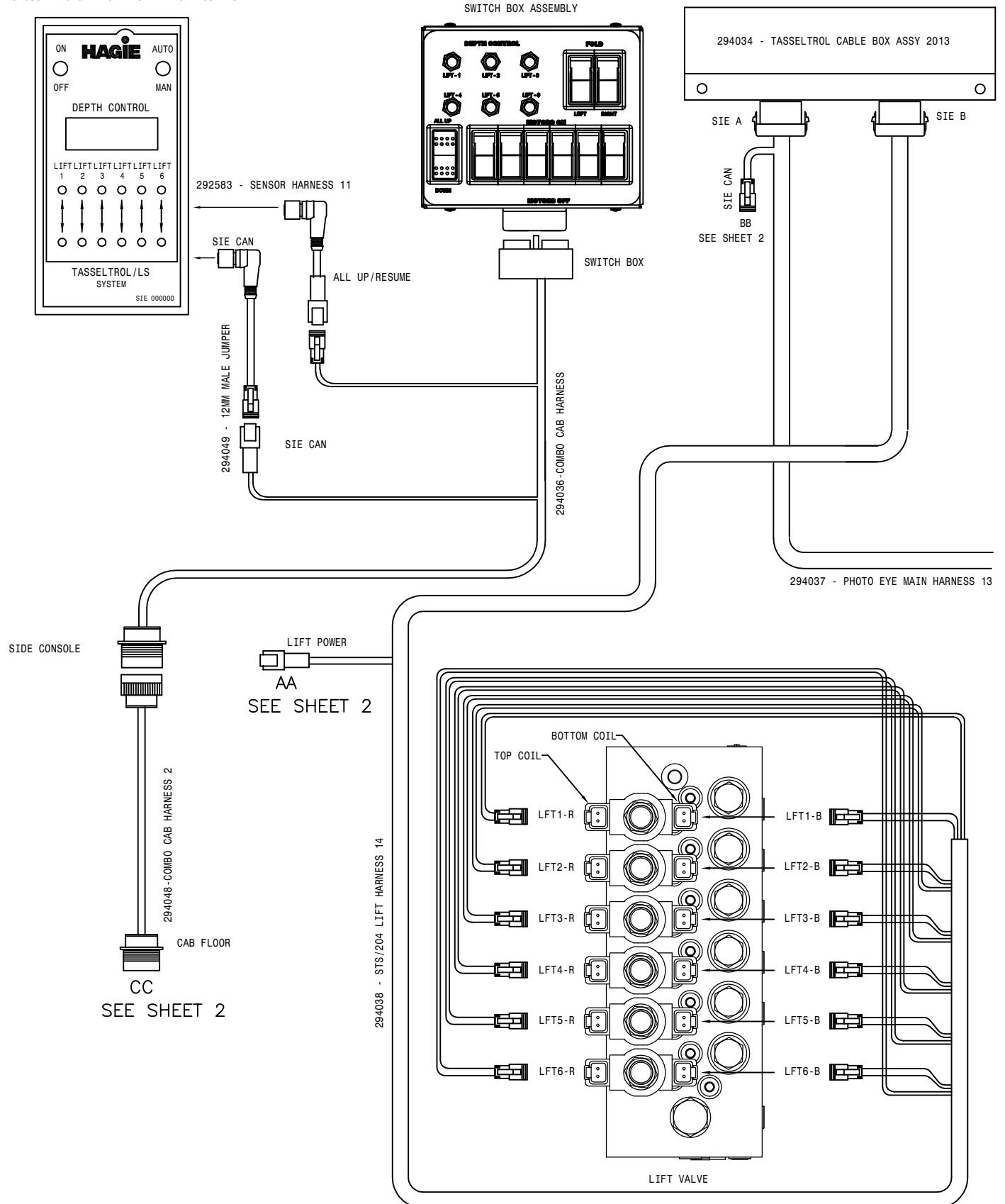
STS COMBO 18R CUTR HYD DIAG 2014-18
 REFERENCE DRAWING NO. 499329_RevB

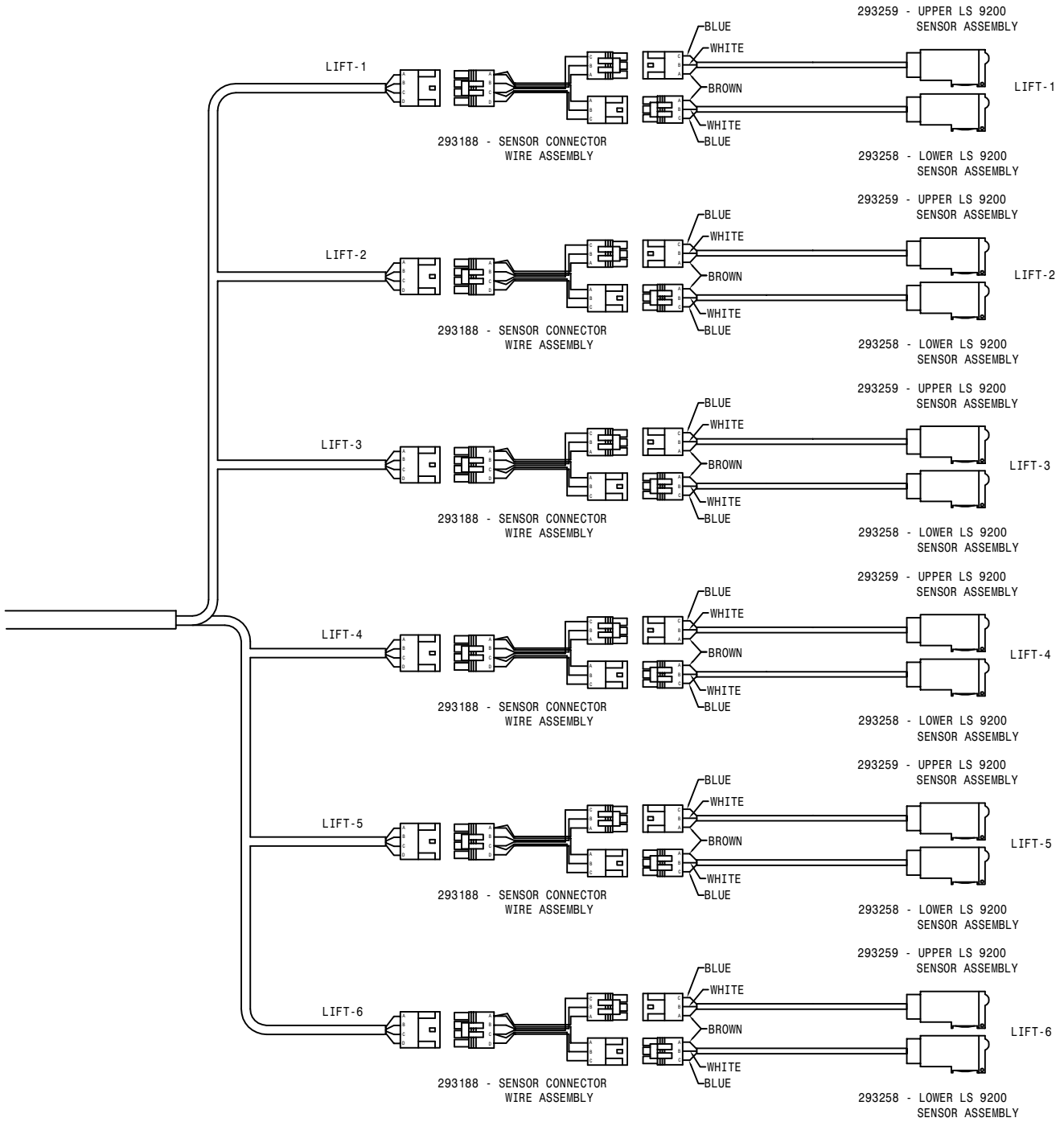
DET.	QTY	PART NO.	DESCRIPTION	DET.	QTY	PART NO.	DESCRIPTION
1	1	616874	06-387TC-06FJX-06FJX90-157 H/A	23	1	616644	06-387TC-06FJX-06FJX45-36 H/A
2	1	616872	06-387TC-06FJX-06FJX90-76 H/A	24	1	616645	06-387TC-06FJX-06FJX45-72 H/A
3	1	616581	06-387TC-06FJX-06FJX90-40 H/A	25	1	616647	06-387TC-06FJX-06FJX45-153 H/A
4	1	617187	08-387TC-12FJX-08FJX90-29 H/A	26	1	616649	06-387TC-06FJX-06FJX45-211 H/A
5	1	617189	12-387TC-12FJX-12FJX-70 H/A	27	1	616512	04-387TC-06FJX-06FJX-49 H/A
6	1	616654	08-387TC-12FJX-08FJX90-264 H/A	28	1	616511	04-387TC-06FJX-06FJX-33 H/A
7	1	616659	08-387TC-08FJX-08FJX-255 H/A	29	1	616177	04-387TC-06FJX-06FJX-74 H/A
8	1	616653	08-387TC-12FJX-08FJX90-204 H/A	30	1	616089	04-387TC-06FJX-06FJX-60 H/A
9	1	616658	08-387TC-08FJX-08FJX-195 H/A	31	1	614767	16-387TC-16FJX-16FJX45-34 H/A
10	1	616651	08-387TC-12FJX-08FJX90-119 H/A	32	1	614766	20-811-20FJX-20FJX90-40 H/A
11	1	616656	08-387TC-08FJX-08FJX-112 H/A	33	1	617188	04-387TC-04FJX-06FJX45-50 H/A
12	12	616025	08-482TC-08FJX-08FJX-50 H/A	34	1	617186	08-387TC-10FJX-08FJX90-29 H/A
13	6	616562	08-387TC-08FJX-08FJX90-66 H/A	35	1	616875	06-387TC-06FJX-06FJX90-171 H/A
14	1	616666	04-387TC-06FJX-06FJX-282 H/A	36	2	616529	06-387TC-08FJX-08FJX90-16 H/A
15	1	616664	04-387TC-06FJX-06FJX-222 H/A	37	1	616877	06-387TC-06FJX-06FJX90-215 H/A
16	1	616662	04-387TC-06FJX-06FJX-137 H/A	38	1	616660	08-387TC-08FJX-08FJX-275 H/A
17	1	616513	04-387TC-06FJX-06FJX-112 H/A	39	1	616657	08-387TC-08FJX-08FJX-215 H/A
18	1	616260	04-387TC-06FJX-06FJX-200 H/A	40	1	616102	08-387TC-08FJX-08FJX-132 H/A
19	1	616665	04-387TC-06FJX-06FJX-249 H/A	41	1	616655	08-387TC-12FJX-08FJX90-257 H/A
20	12	616422	04-482TC-06FJX-06FJX90-56 H/A	42	1	616652	08-387TC-12FJX-08FJX90-197 H/A
21	1	616648	06-387TC-06FJX-06FJX45-167 H/A	43	1	616650	08-387TC-12FJX-08FJX90-114 H/A
22	1	616646	06-387TC-06FJX-06FJX45-106 H/A	44	1	616746	06-387TC-06FJX-06FJX90-110 H/A



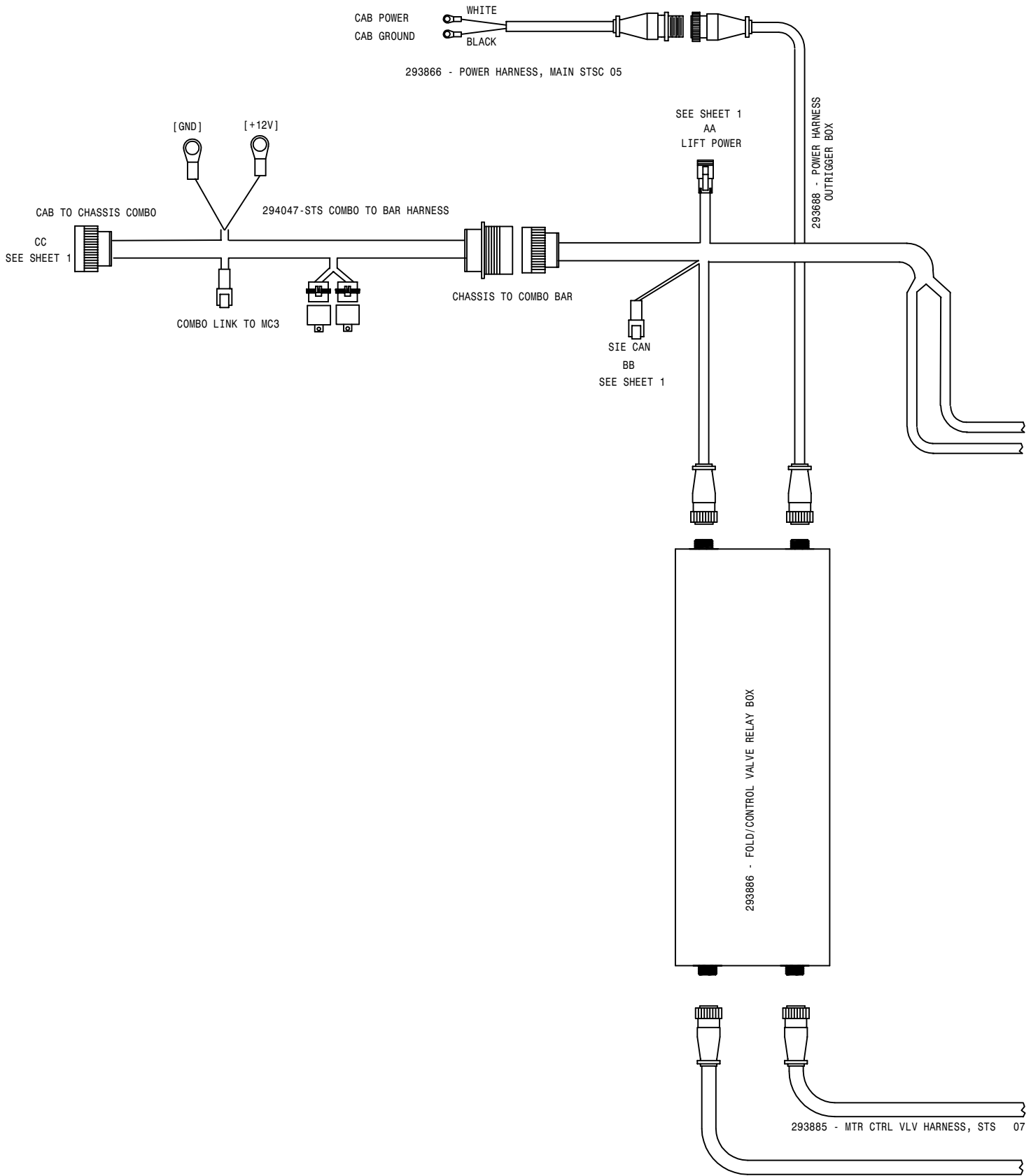
STS COMBO 4-2 CUTR HYD DIAG 2014-18
REFERENCE DRAWING NO. 499330_RevB

DET.	QTY	PART NO.	DESCRIPTION		DET.	QTY	PART NO.	DESCRIPTION	
1	1	616878	06-387TC-06FJX-06FJX90-233	H/A	22	1	616527	06-387TC-06FJX-06FJX45-229	H/A
2	1	616302	04-387TC-04FJX-06FJX-60	H/A	23	1	616648	06-387TC-06FJX-06FJX45-167	H/A
3	1	617158	04-387TC-04FJX-06FJX-94	H/A	24	1	616644	06-387TC-06FJX-06FJX45-36	H/A
4	1	617187	08-387TC-12FJX-08FJX90-29	H/A	25	1	616523	06-387TC-06FJX-06FJX45-80	H/A
5	1	617189	12-387TC-12FJX-12FJX-70	H/A	26	1	616649	06-387TC-06FJX-06FJX45-211	H/A
6	1	617160	04-387TC-04FJX-06FJX-140	H/A	27	1	617157	06-387TC-06FJX-06FJX45-271	H/A
7	2	617181	08-387TC-12FJX-08FJX90-300	H/A	28	1	616512	04-387TC-06FJX-06FJX-49	H/A
8	2	617179	08-387TC-08FJX-08FJX-305	H/A	29	1	616511	04-387TC-06FJX-06FJX-33	H/A
9	2	617180	08-387TC-12FJX-08FJX90-234	H/A	30	1	616177	04-387TC-06FJX-06FJX-74	H/A
10	2	617178	08-387TC-08FJX-08FJX-242	H/A	31	1	616089	04-387TC-06FJX-06FJX-60	H/A
11	2	616538	08-387TC-12FJX-08FJX90-125	H/A	32	1	614767	16-387TC-16FJX-16FJX45-34	H/A
12	2	616532	08-387TC-08FJX-08FJX-125	H/A	33	1	614766	20-811-20FJX-20FJX90-40	H/A
13	6	616531	08-387TC-08FJX-08FJX-55	H/A	34	1	617188	04-387TC-04FJX-06FJX45-50	H/A
14	6	616537	08-387TC-08FJX-08FJX90-52	H/A	35	1	617186	08-387TC-10FJX-08FJX90-29	H/A
15	1	617177	04-387TC-06FJX-06FJX-330	H/A	36	1	617159	04-387TC-04FJX-06FJX-105	H/A
16	1	617175	04-387TC-06FJX-06FJX-252	H/A	37	2	616529	06-387TC-08FJX-08FJX90-16	H/A
17	1	617185	04-387TC-06FJX-06FJX-140	H/A	38	1	616875	06-387TC-06FJX-06FJX90-171	H/A
18	1	617174	04-387TC-06FJX-06FJX-105	H/A	39	1	616877	06-387TC-06FJX-06FJX90-215	H/A
19	1	616283	04-387TC-06FJX-06FJX-220	H/A	40	1	616723	06-387TC-06FJX-06FJX90-85	H/A
20	1	617176	04-387TC-06FJX-06FJX-285	H/A	41	1	616581	06-387TC-06FJX-06FJX90-40	H/A
21	6	616521	04-387TC-06FJX-06FJX90-54	H/A	42	1	616785	06-387TC-06FJX-06FJX90-276	H/A

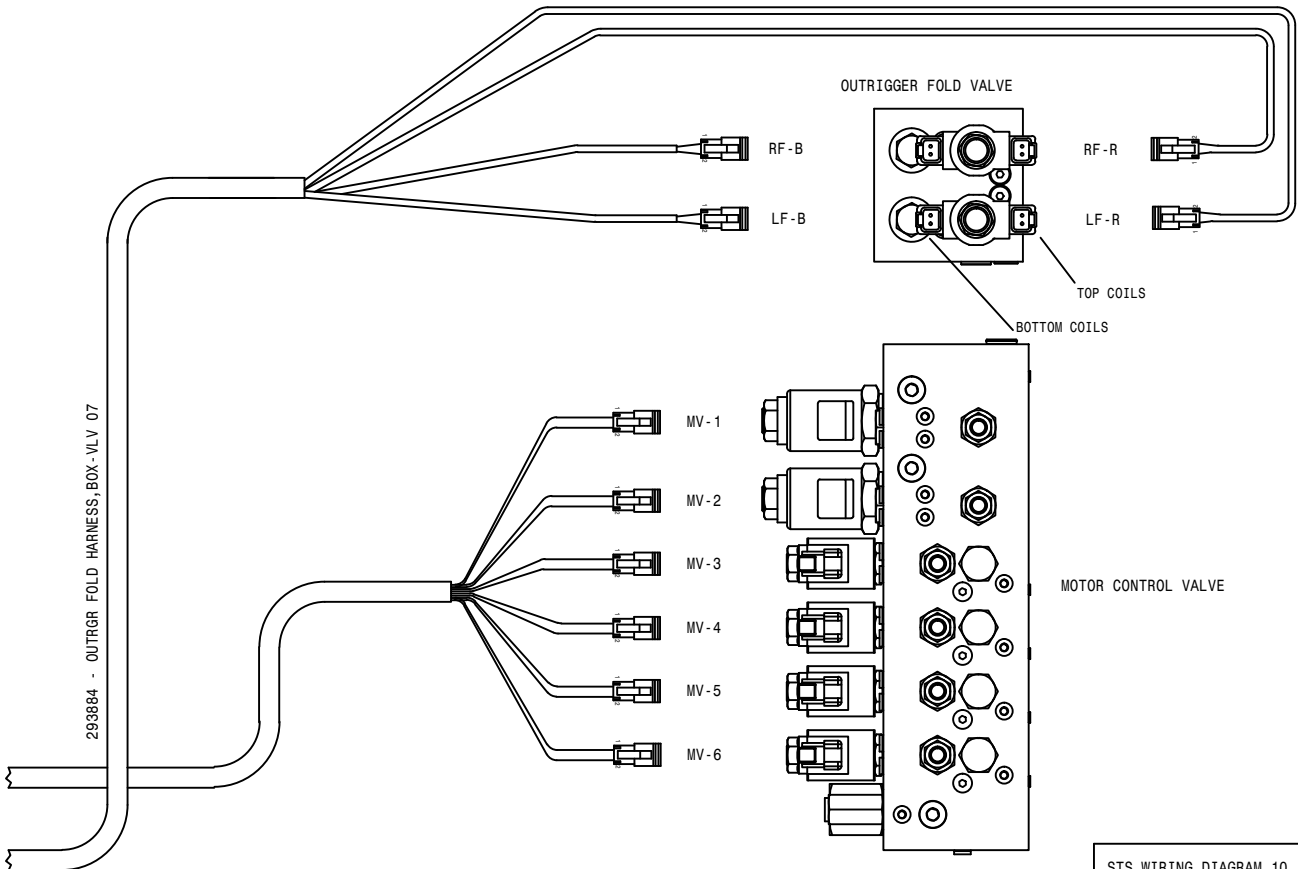
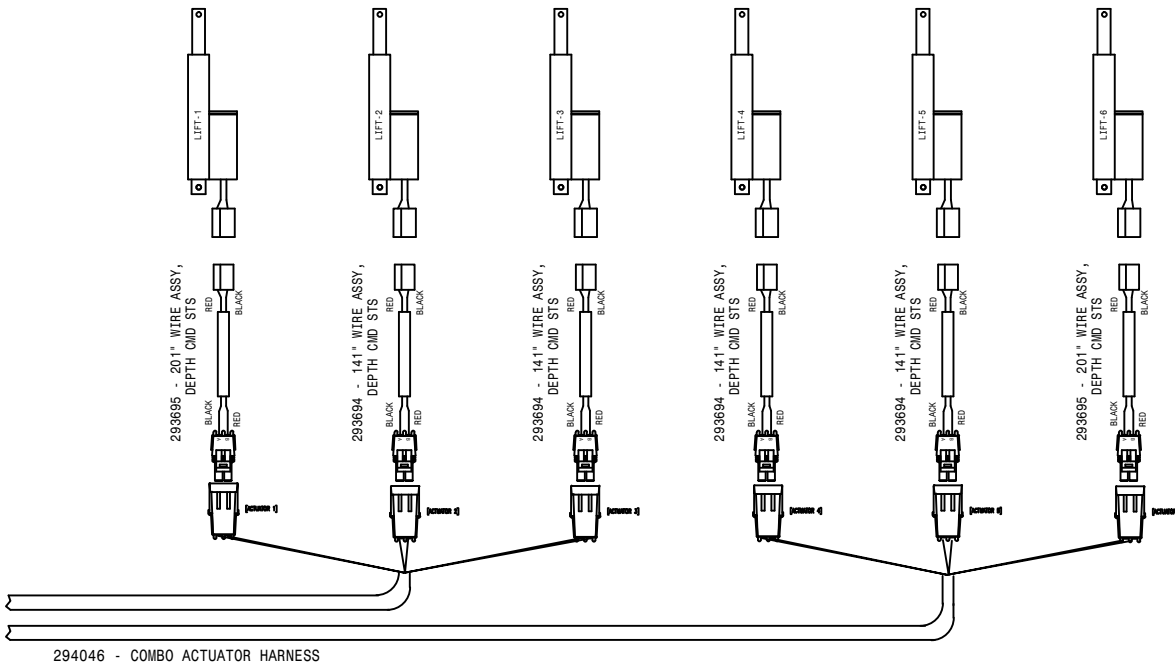




STS WIRING DIAGRAM 10
 COMBO OPTION
 SHEET 1 OF 2
 REVISION DATE: 03-27-13
 499333



6-LIFT OPTION



STS WIRING DIAGRAM 10
COMBO OPTION
SHEET 2 OF 2
REVISION DATE: 03-27-13
499333

Notes: