

DTB



PARTS MANUAL FOR STS DETASSELER HAGIE MANUFACTURING COMPANY

721 CENTRAL AVENUE WEST
BOX 273
CLARION, IOWA 50525-0273

(515) 532-2861

COVERS MACHINE SERIAL NUMBERS: U80081515001-200, U80091515001-200

U80101515001-200, U80111515001-200

05-15 493614

U80121515001-200, U80131515001-200

02-16

U80141515001-200, U80151515001-200, U80161515001-200

U80171515001-200, U80181515001-200, U80191515001-200

To obtain the most current parts manual for your machine,
please visit www.hagiehelp.com.

© 2015-16 Hagie Manufacturing Company. Clarion, Iowa USA



DETASSELER TOOLBAR IDENTIFICATION

Each Hagie toolbar is identified by means of a frame serial number. This serial number denotes the model, the year in which it was built, and the number of the toolbar. To ensure prompt, efficient service when ordering parts or requesting service repairs from Hagie Manufacturing Company, record the serial number in the space provided below.

NOTE: Reference to left hand and right hand used throughout this manual refers to the position when seated in the operator's seat facing forward.

This manual is not intended to be a complete guide for machine maintenance and repairs. If you are not properly trained to perform service on this machine, contact Hagie Customer Support for assistance. Improper maintenance or repair may result in property damage, personal injury, or death.

DETASSELER TOOLBAR SERIAL NUMBER

TABLE OF CONTENTS

QUICK ATTACH 4-5

MOTOR CONTROL VALVE 6

LIFT VALVE 7

CASE DRAIN MANIFOLD 8

FOLD VALVE 9-10

DETASSELER MODULE 11

OUTRIGGER ASSEMBLY 12-14

LIFT ASSEMBLY 15-17

QUAD PULLER HEAD ASSEMBLY 18

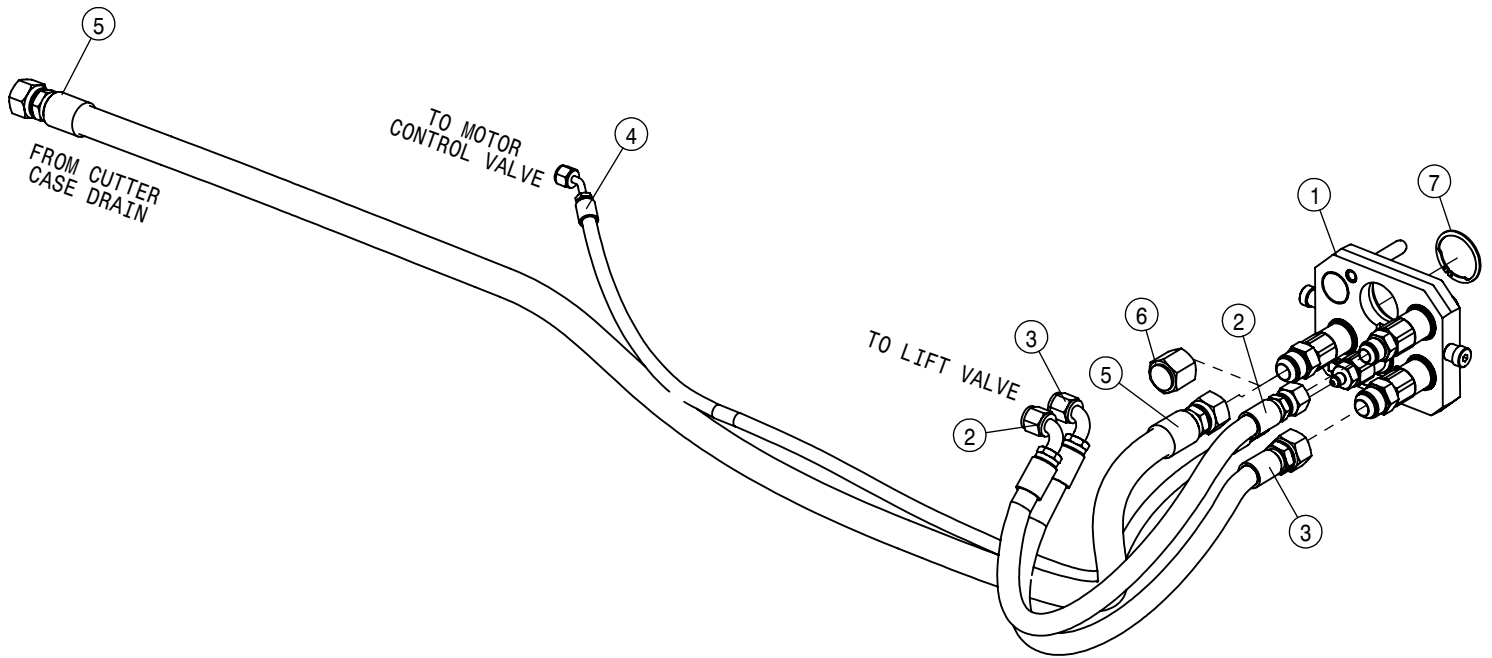
CUTTER HEAD ASSEMBLY 19-20

LS SENSOR ASSEMBLY 21

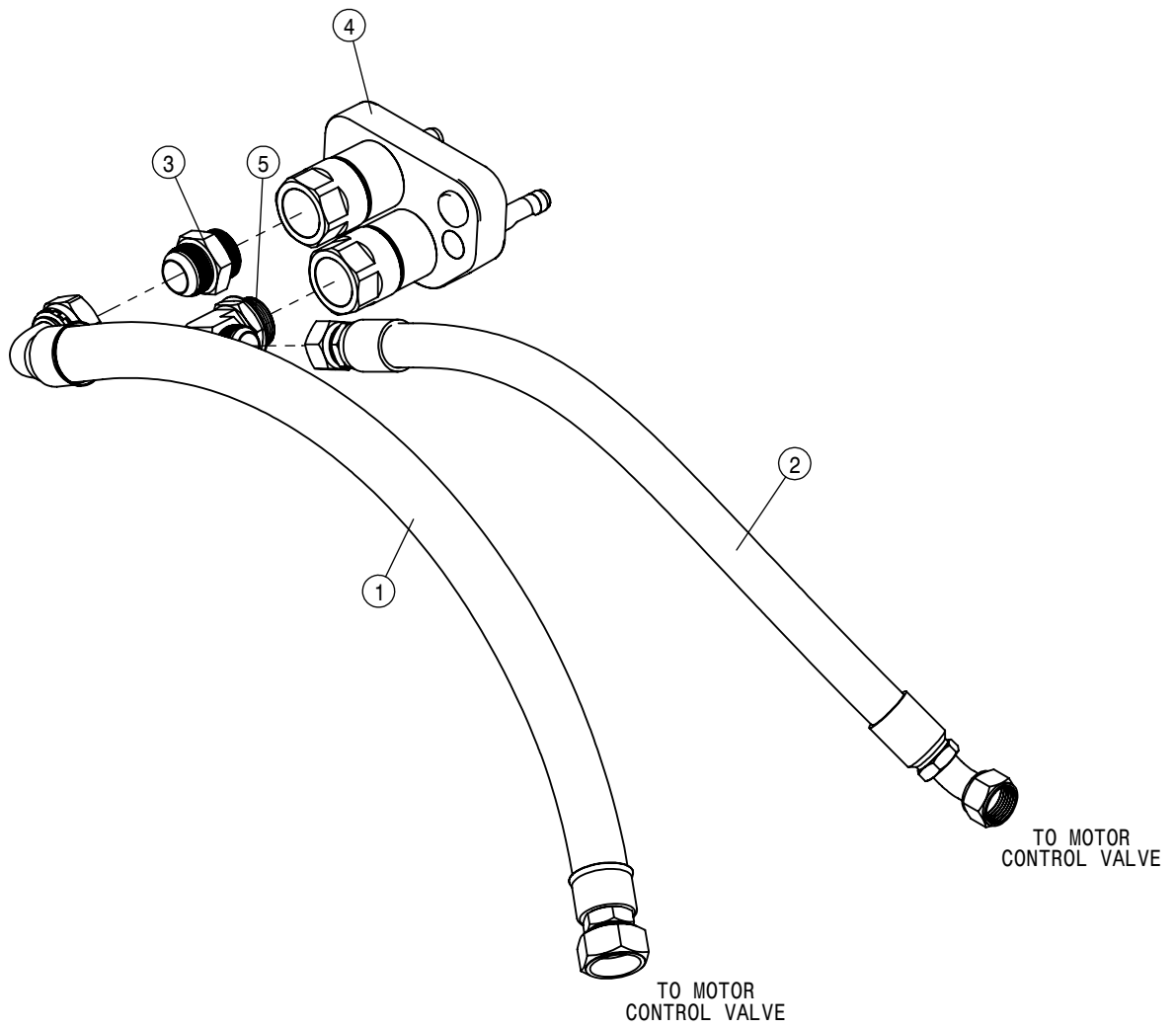
TOOLBAR STAND 22

HYDRAILUC DIAGRAM 24-47

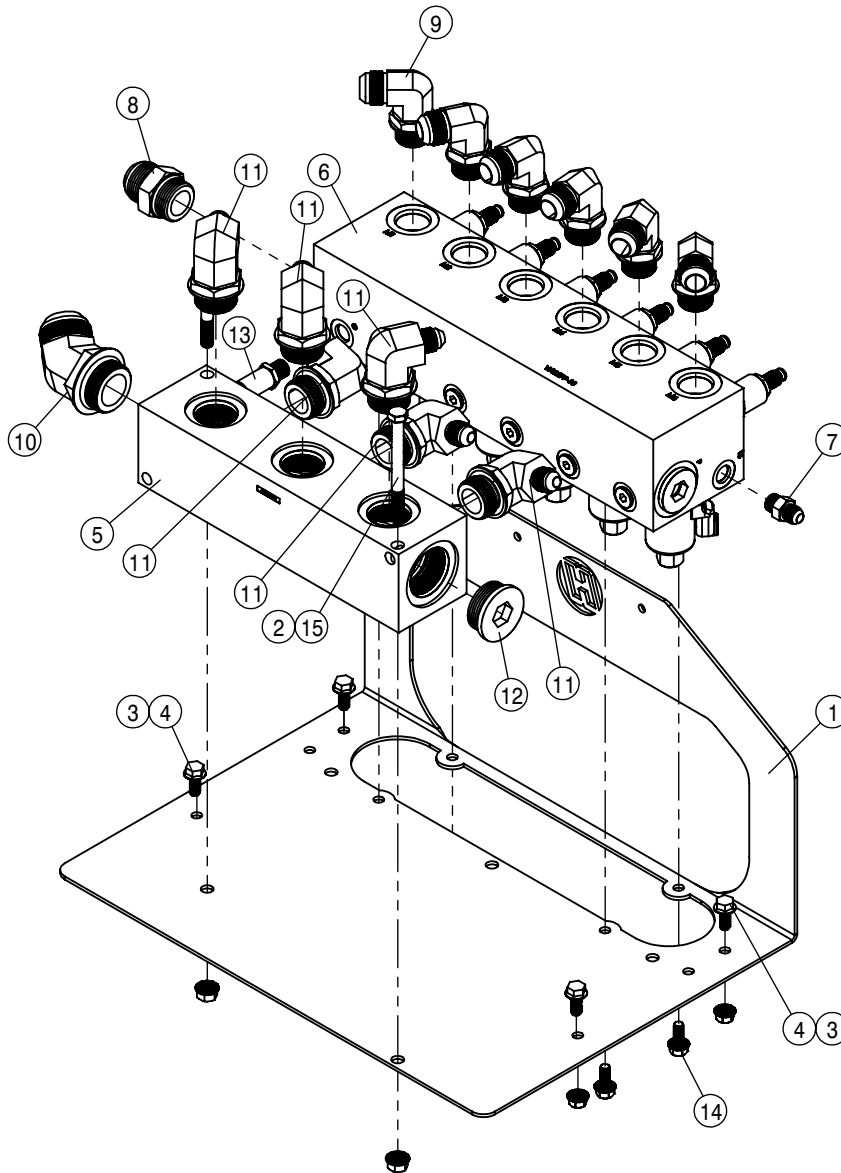
ELECTRICAL DIAGRAM 48-51



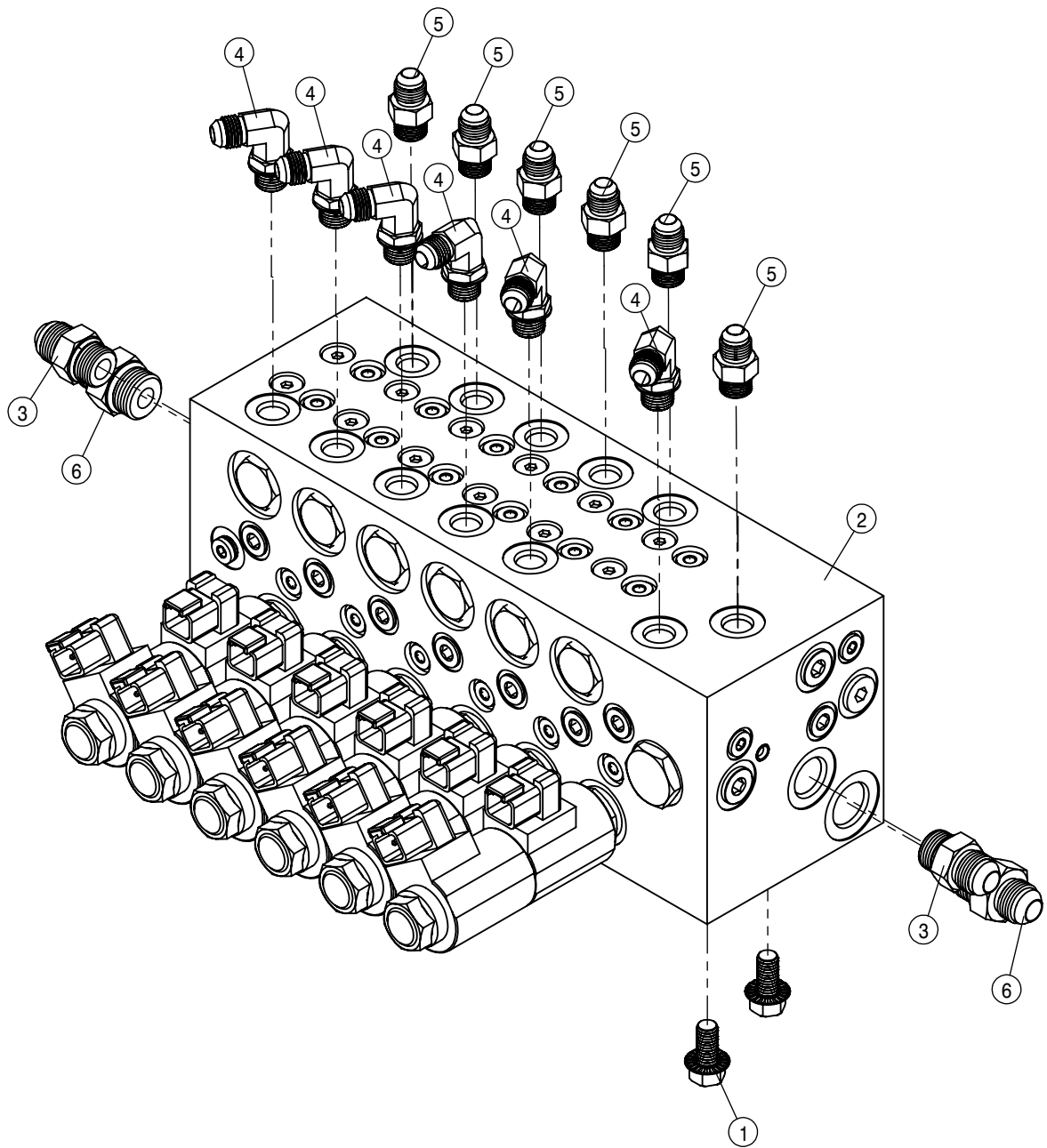
LIFT VALVE QUICK ATTACH ASSEMBLY			
DET	QTY	P/N	DESCRIPTION
1	1	607113	MOBILE HALF COUPLER ASSY
2	1	617186	08-451TC-10FJX-08FJX90-29 H/A
3	1	617187	08-451TC-12FJX-08FJX90-29 H/A
4	1	617188	04-451TC-04FJX-06FJX45-50 H/A
5	1	617189	12-451TC-12FJX-12FJX-70 H/A
6	1	618533	1 1/16FJIC CAP NUT
7	1	629546	SNAP RING, 1.637 EXTERNAL
NS	1	294257	DTB ID BIT HARNESS



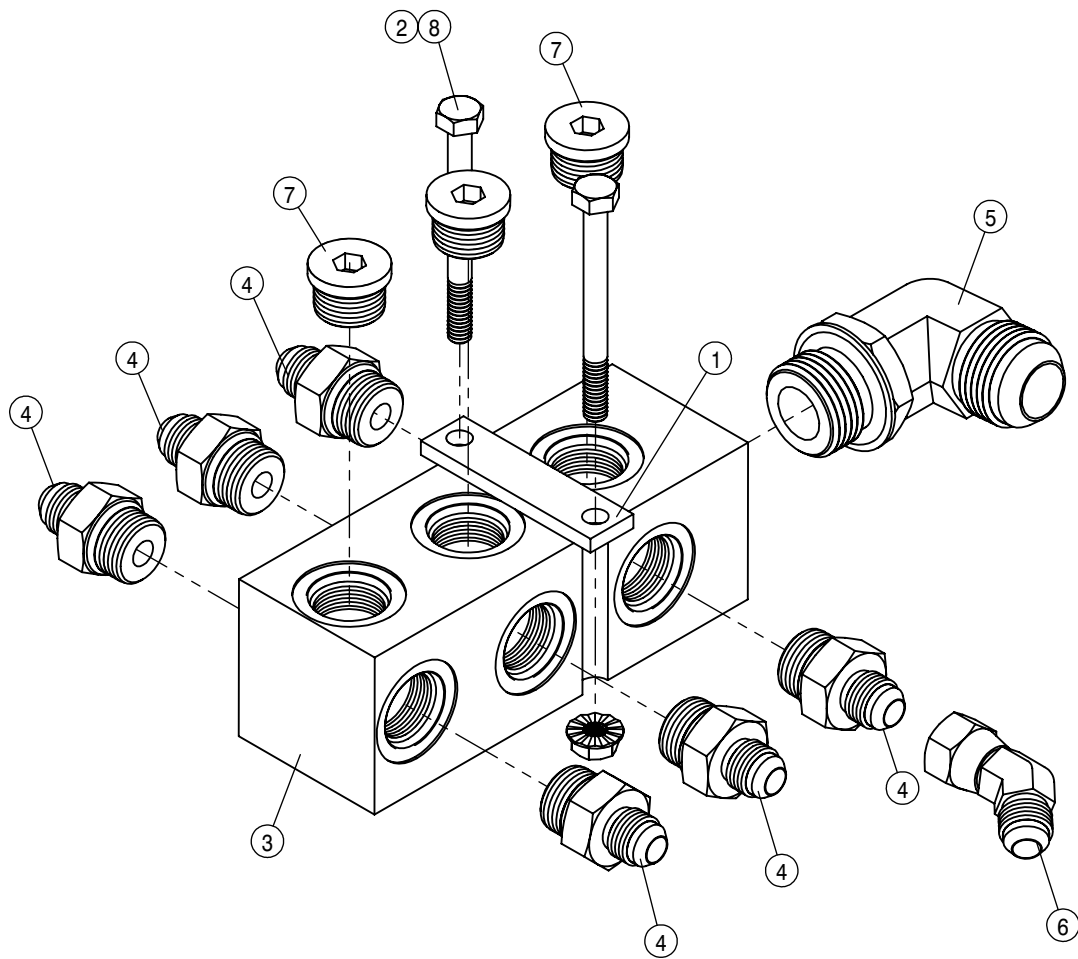
MOTOR CONTROL VALVE QUICK ATTACH ASSEMBLY				
DET	QTY	P/N	DESCRIPTION	
	1	614766	20-811-20FJX-20FJX90-40	H/A
	1	614767	16-451TC-16FJX-16FJX45-34	H/A
	1	618472	1 5/8MJIC-1 5/8MOR	ADPTR
	1	618879	COMBO MUTI COUP	MOBILE
	1	618883	1 5/16MJIC-90-1 5/8MOR	LBO



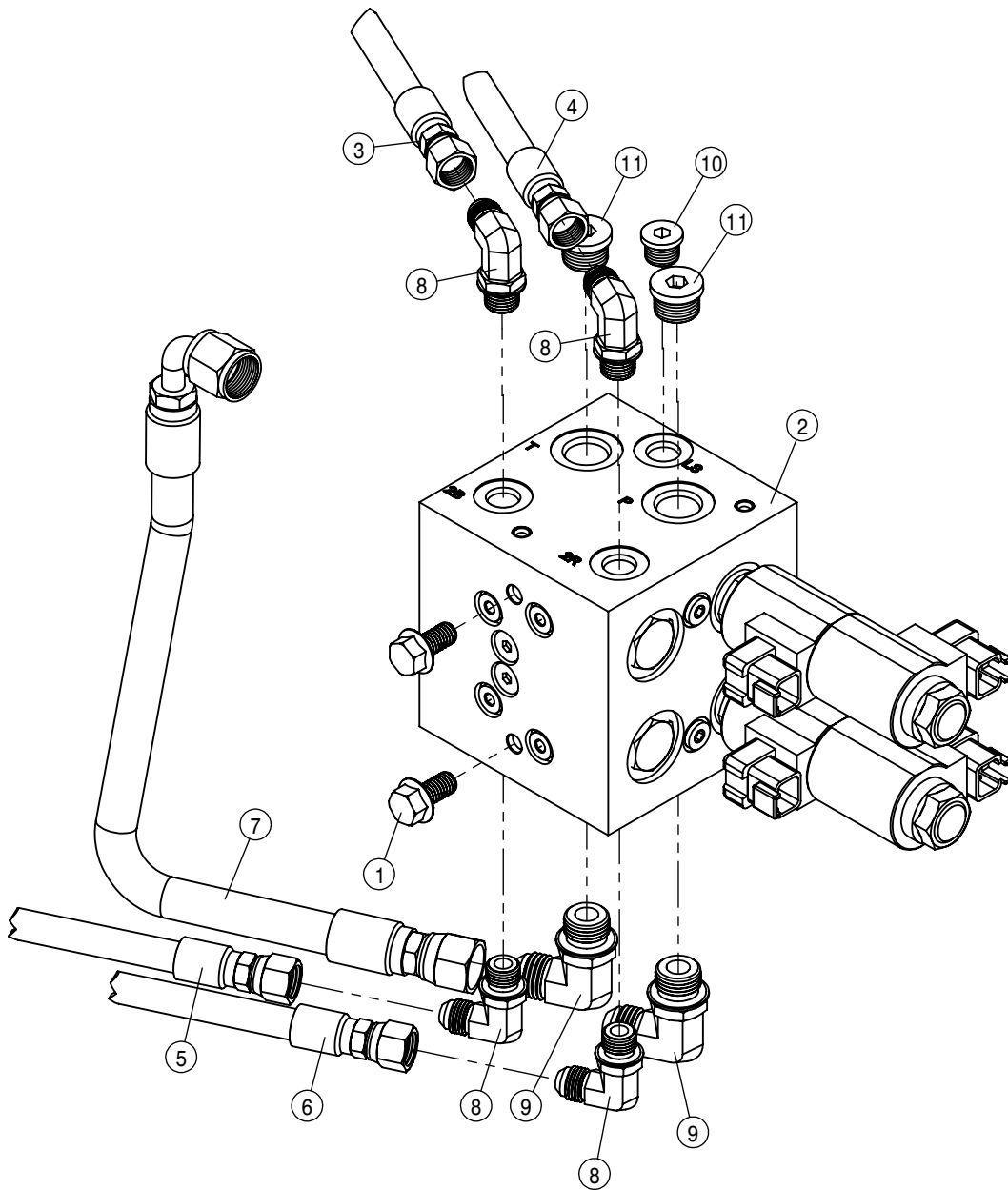
MOTOR CONTROL VALVE ASSEMBLY			
DET	QTY	P/N	DESCRIPTION
1	1	362099	MTR CNTL VLV MT STS COMBO 14
2	2	470087	3/8UNC HEX SERR FLANGE NUT
3	4	470113N	5/16UNC SERR FLG LOCK NUT SS
4	4	470233	5/16UNC X 3/4 SERR FLG HEX BOLT
5	1	606246	MANIFOLD, 1 5/16FOR
6	1	615911	MOTOR CONTROL MANIFOLD STS
7	1	618126	9/16MJIC-9/16MOR ADPTR
8	1	618186	1 5/16MJIC-1 5/16MOR ADPTR
9	6	618248	1 1/16MJIC-90-1 1/16MOR LBO
10	1	618396	1 5/8MJIC-45-1 5/8MOR LBO
11	6	618475	3/4MJIC-90-1 5/16MOR LBO
12	1	618759	1 5/8MOR PLUG, HEX SOCKET
13	1	619023	9/16 MOR DIAGNOSTIC FITTING
14	4	900064N	5/16UNC X 3/4" SER FLG BOLT SS
15	2	900139N	3/8UNC X 3 3/4 HEX BOLT



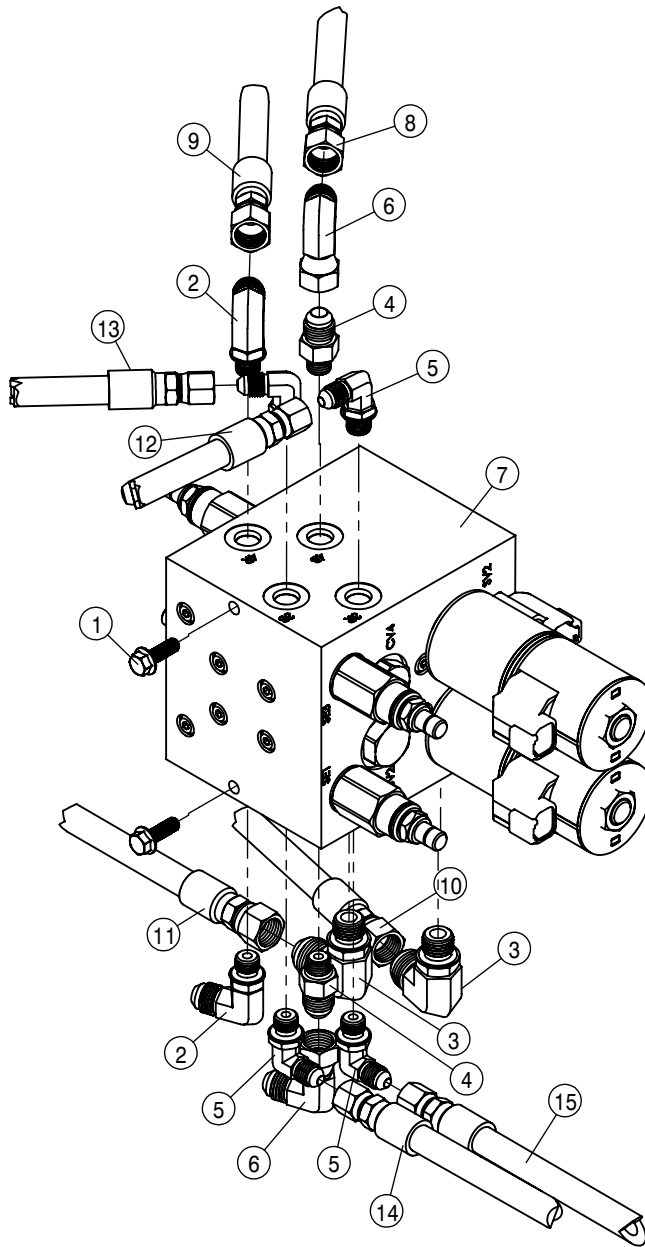
LIFT VALVE ASSEMBLY				
DET	QTY	P/N	DESCRIPTION	
1	4	470409	3/8UNC X 3/4" SERR FLG BOLT	
2	1	606285	LIFT VALVE, STS COMBO, SAUER	
3	2	611125	3/4MJIC-3/4MOR ADPTR	
4	6	618119	9/16MJIC-90-9/16MOR LBO	
5	6	618126	9/16MJIC-9/16MOR ADPTR	
6	2	618327	3/4MJIC-7/8MOR ADPTR	



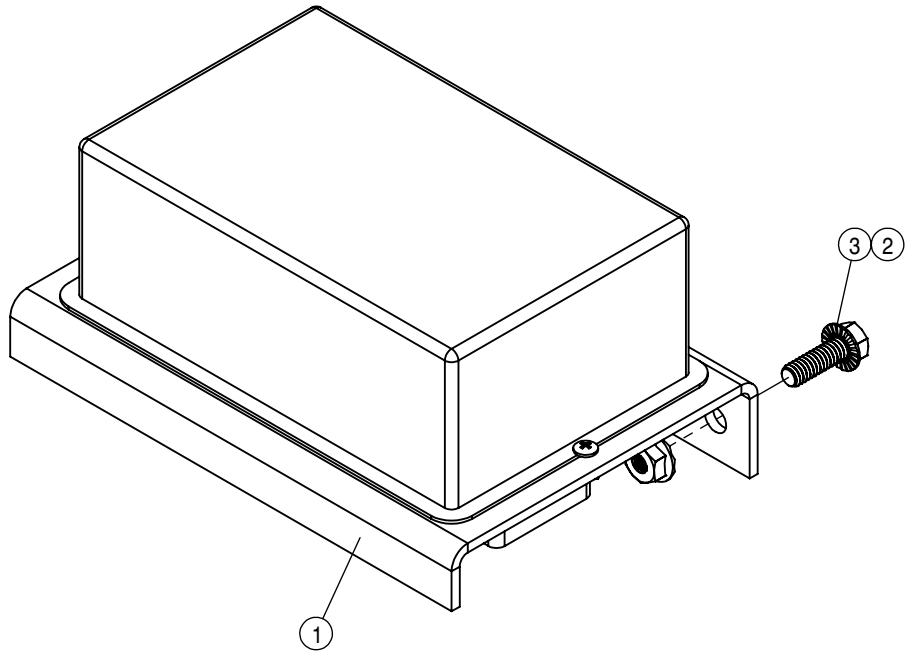
CASE DRAIN MANIFOLD ASSEMBLY			
DET	QTY	P/N	DESCRIPTION
1	1	438729	CUTTER RETURN MANIF MT KEEPER
2	2	470121	1/4 UNC SERR FLG LOCK NUT
3	1	606021	HYD RETURN MANIF,3/4FOR,9-PORT
4	6	618109	9/16MJIC-3/4MOR ADPTR
5	1	618248	1 1/16MJIC-90-1 1/16MOR LBO
6	1	618634	9/16MJIC-45-9/16FJIC SWIV LBO
7	3	618755	3/4MOR PLUG, HEX SOCKET
8	2	900009N	1/4UNC X 2 3/4 HEX BOLT SS



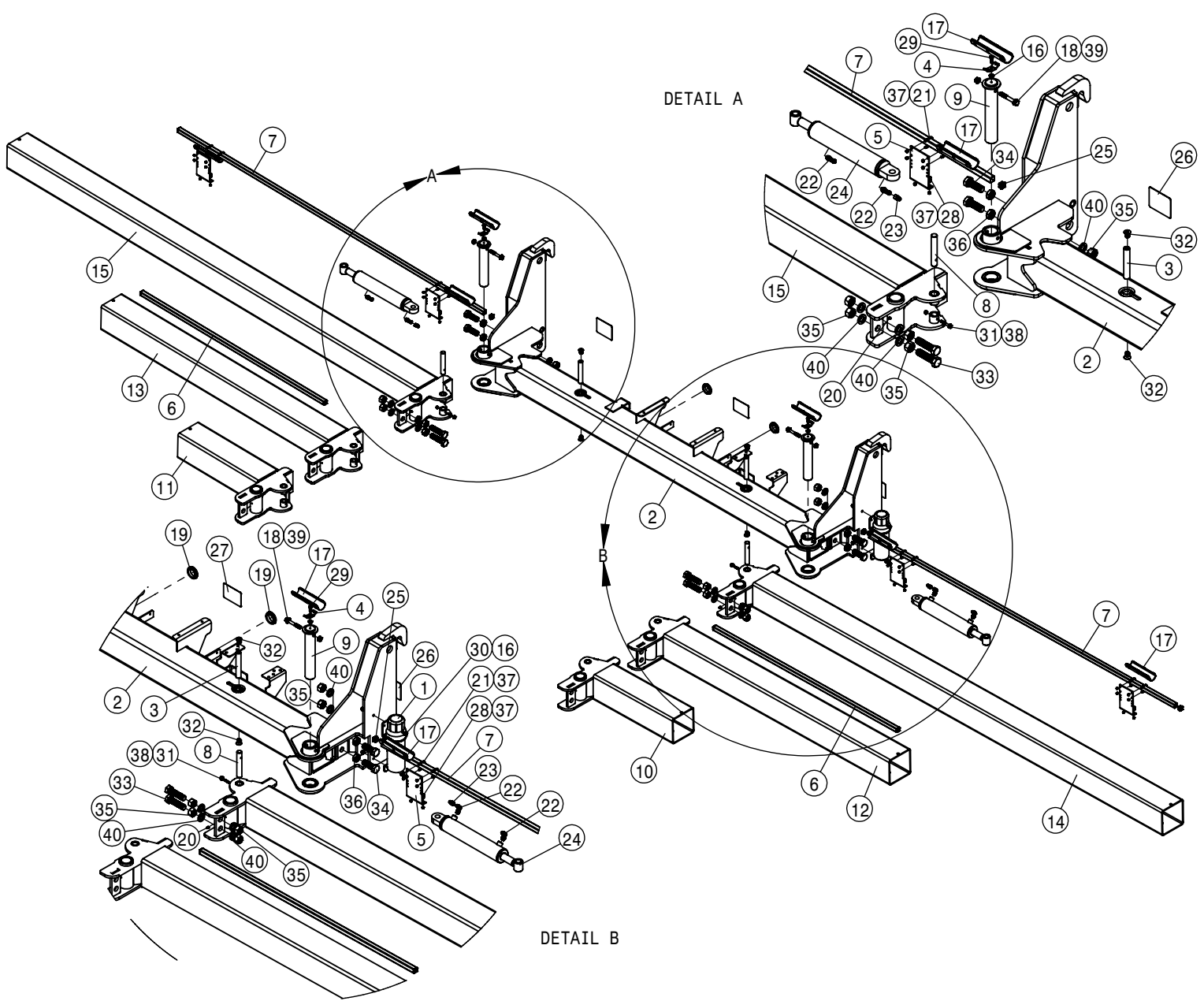
FOLD VALVE ASSEMBLY			
DET	QTY	P/N	DESCRIPTION
1	2	470409	3/8UNC X 3/4" SERR FLG BOLT
2	1	606286	FOLD VALVE, STS COMBO, SAUER
3	1	616089	04-451TC-06FJX-06FJX-60 H/A
4	1	616177	04-451TC-06FJX-06FJX-74 H/A
5	1	616511	04-451TC-06FJX-06FJX-33 H/A
6	1	616512	04-451TC-06FJX-06FJX-49 H/A
7	1	616529	06-451TC-08FJX-08FJX90-16 H/A
8	4	618119	9/16MJIC-90-9/16MOR LBO
9	2	618241	3/4MJIC-90-3/4MOR LBO
10	1	618754	9/16 MOR PLUG, HEX SOCKET
11	2	618755	3/4MOR PLUG, HEX SOCKET



FOLD VALVE 4-2 ASSEMBLY				
DET	QTY	P/N	DESCRIPTION	
1	2	470118	1/4 UNC X 3/4 SER FLG BOLT	
2	2	618114	9/16MJIC-90-7/16MOR LBO	
3	2	618249	3/4MJIC-90-9/16MOR LBO	
4	2	618304	9/16MJIC-7/16MOR ADPTR	
5	4	618473	7/16MJIC-90-7/16MOR LBO	
6	2	618618	9/16MJIC-90-9/16FJIC SWIV LBO	
7	1	606464	FOLD/EXT SEQ VLV, 4-2 COMBO	
8	1	616089	04-451TC-06FJX-06FJX-60	H/A
9	1	616177	04-451TC-06FJX-06FJX-74	H/A
10	1	616511	04-451TC-06FJX-06FJX-33	H/A
11	1	616512	04-451TC-06FJX-06FJX-49	H/A
12	1	617160	04-451TC-04FJX-06FJX-140	H/A
13	1	617159	04-451TC-04FJX-06FJX-105	H/A
14	1	616302	04-451TC-04FJX-06FJX-60	H/A
15	1	617158	04-451TC-04FJX-06FJX-94	H/A

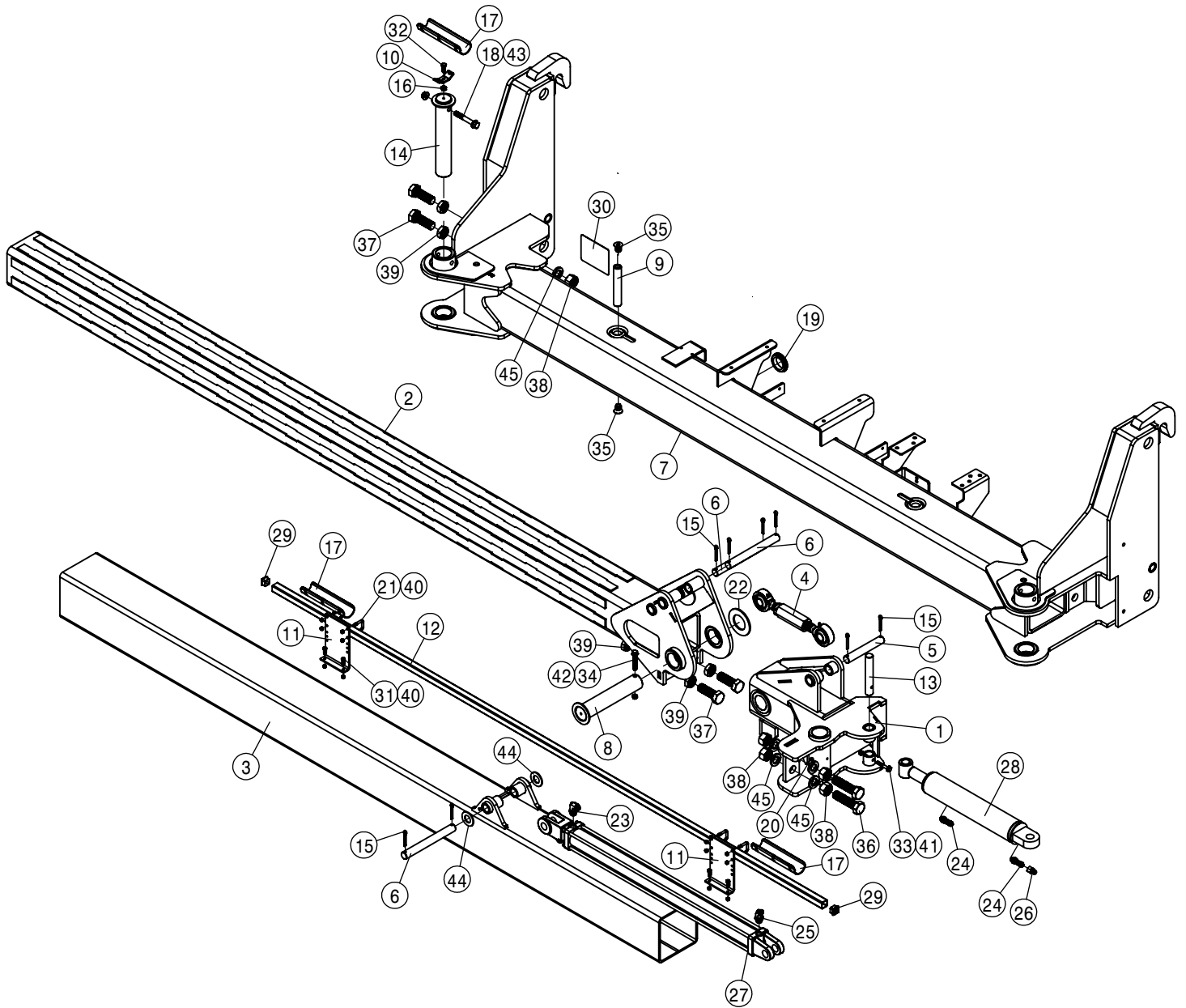


DETASSELER MODULE ASSEMBLY			
DET	QTY	P/N	DESCRIPTION
1	1	294034	DETASSLER MODULE
2	2	470121	1/4 UNC SERR FLG LOCK NUT
3	2	470118	1/4 UNC X 3/4 SER FLG BOLT



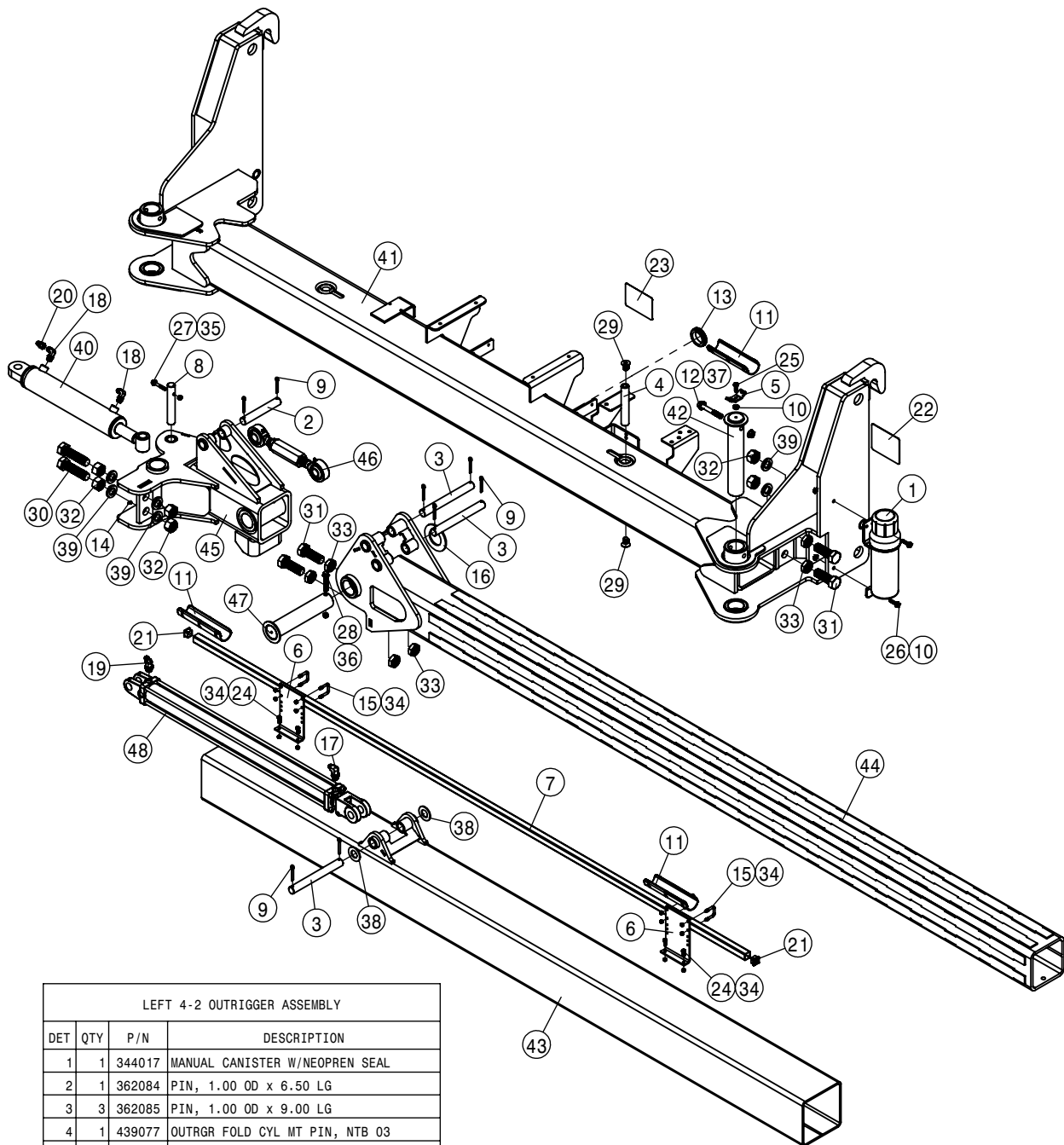
OUTRIGGER TOOLBAR ASSEMBLY			
DET	QTY	P/N	DESCRIPTION
1	1	344017	MANUAL CANISTER W/NEOPREN SEAL
2	1	362118	CNTR TOOLBAR WLD, COMBO '14
3	2	439077	OUTRGR FOLD CYL MT PIN, NTB 03
4	2	439113	HOSE RETAINER STS NTB
5	4	439133	TUBE MTG BRKT, STS COMBO 03
6	2	439134	HOSE MTG TUBE, 8-10R STSC 03
7	2	439135	HOSE MTG TUBE 12R STSC 03
8	2	439386	ARTICULATOR FLD CYL PIN,NTB'10
9	2	440108	OUTRGR ARTIC HINGE PIN WLD, NTB 13
10	1	440114	OUTRGR EXT LH WLD, 6R STSC '14
11	1	440115	OUTRGR EXT RH WLD, 6R STSC '14
12	1	440116	OTRGR XT LH WLD,8-10R STSC 14
13	1	440117	OTRGR XT RH WLD,8-10R STSC 14
14	1	440118	LH OTRGR EXT WLD 12/18 STSC'14
15	1	440119	RH OTRGR EXT WLD 12/18 STSC'14
16	4	470113N	5/16UNC SERR FLG LOCK NUT SS
17	6	470369	HOSE PROTECTOR, 8" BLACK
18	2	470546	1/2UNC X 3-1/2" SER FLANGE BOLT
19	2	470552	GROMMET,1.75ID .250GW 2.00GD
20	2	471005	GREASE ZERK, 1/4-28 X 1/2

OUTRIGGER TOOLBAR ASSEMBLY			
DET	QTY	P/N	DESCRIPTION
21	8	473979	1/4UNC-1 1/8ID-1 1/2U-BOLTSQSS
22	4	618119	9/16MJIC-90-9/16MOR LBO
23	2	618732	9/16JIC .031 ORIFICE ADPTR
24	2	621566	OUTRGR FOLD CYL, 2.50 X 11.00
25	8	629727	FINISH PLUG 1" SQ 16 GA
26	2	650218	DECAL,DANGER, COMBO DISCONNECT
27	1	650458	DECAL,PATENTS, HAGIE BOOM/DTB
28	8	900002N	1/4UNC X 3/4 HEX BOLT
29	2	900065N	5/16UNC X 1" HEX BOLT SS
30	2	900066N	5/16UNC X 1 1/4 SERR.FLG HEX BOLT
31	2	900069N	5/16UNC X 2" SERR FLG BOLT SS
32	4	900393	5/8UNC X 1" FLT SOC CAP SCR
33	4	900536N	1" UNC X 4" HEX BLT FULL THRD YZ
34	4	900545	1"UNC X 3" HEX BLT,FULL THD YZ
35	12	910017N	1" UNC HEX NUT
36	4	910101N	1" UNC HEX JAM NUT
37	24	914000N	1/4UNC HEX STOVER NUT YZ
38	2	914002N	5/16UNC HEX STOVER NUT YZ
39	2	914008N	1/2UNC SMTH FLG CTR LCK NUT YZ
40	12	920508N	1" LOCK WASHER



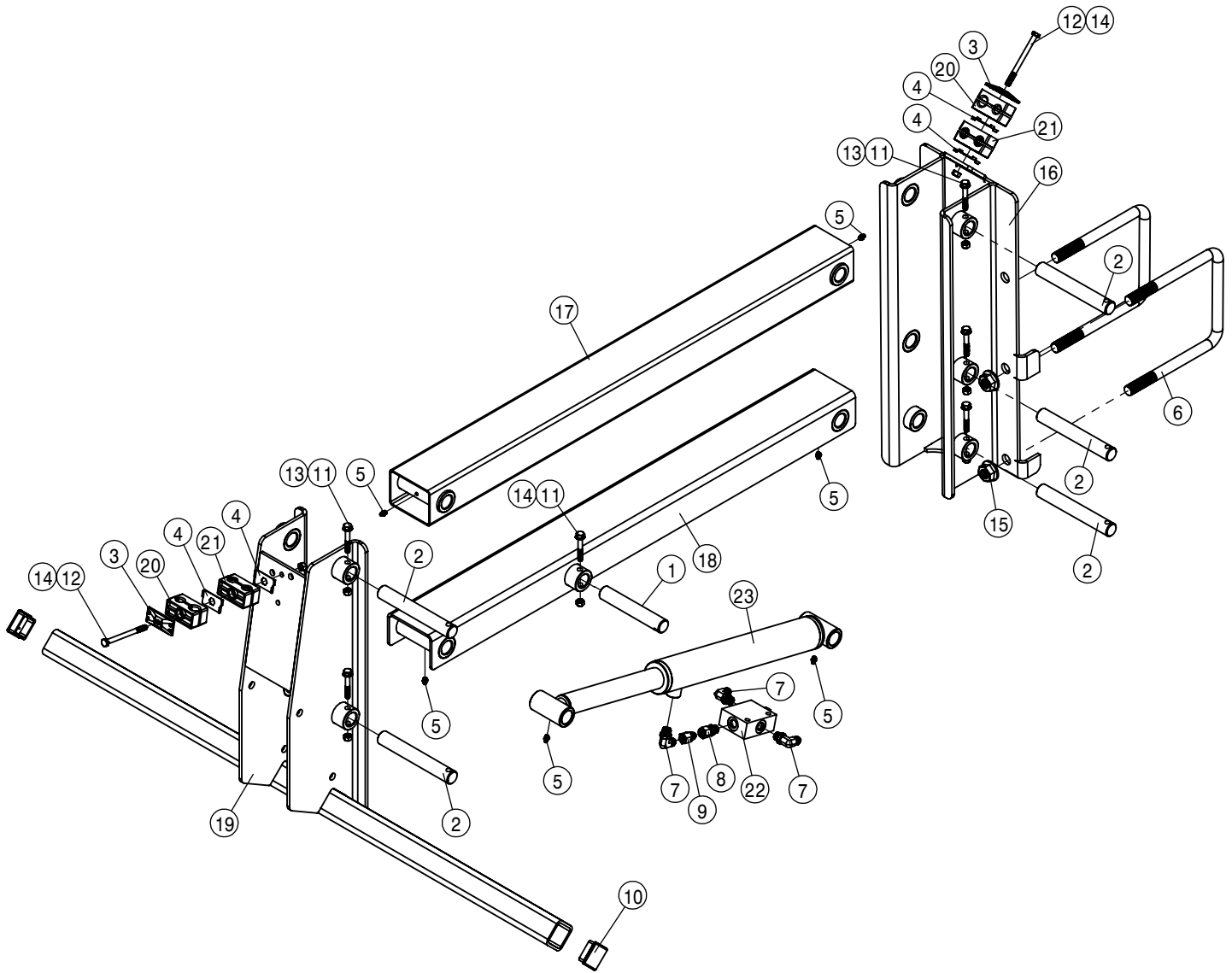
RIGHT 4-2 OUTRIGGER ASSEMBLY			
DET	QTY	P/N	DESCRIPTION
1	1	362052	RH OUTRGR ARTIC WLD, 4-2 COMBO '13
2	1	362062	OUTRGR, INR WLD, 4-2 COMBO '13
3	1	362071	RH, OUTRGR SLEEVE WLD 4-2 COMBO '13
4	1	362075	TURNBUCKLE
5	1	362084	PIN, 1.00 OD x 6.50 LG
6	3	362085	PIN, 1.00 OD x 9.00 LG
7	1	362118	CNTR TOOLBAR WLD, COMBO '14
8	1	439074	OUTRGR HINGE PIN WLD, NTB 03
9	1	439077	OUTRGR FOLD CYL MT PIN, NTB 03
10	1	439113	HOSE RETAINER STS NTB
11	2	439133	TUBE MTG BRKT, STS COMBO 03
12	1	439135	HOSE MTG TUBE 12R STSC 03
13	1	439386	ARTICULATOR FLD CYL PIN,NTB'10
14	1	440108	OUTRGR ARTIC HINGE PIN WLD, NTB 13
15	8	470045N	COTTER PIN 1/4 X 1 3/4 SQ CUT
16	1	470113N	5/16UNC SERR FLG LOCK NUT SS
17	3	470369	HOSE PROTECTOR, 8" BLACK
18	1	470546	1/2UNC X 3-1/2" SER FLANGE BOLT
19	1	470552	GROMMET,1.75ID .250GW 2.00GD
20	1	471005	GREASE ZERK, 1/4-28 X 1/2
21	4	473979	1/4UNC-1 1/8ID-1 1/2U-BOLTSQSS
22	1	483081	2.00 FLAT WASH, GR5 PLT
23	1	618115	9/16MJIC-90-3/4MOR LBO

RIGHT 4-2 OUTRIGGER ASSEMBLY			
DET	QTY	P/N	DESCRIPTION
24	2	618119	9/16MJIC-90-9/16MOR LBO
25	1	618496	9/16MJIC-45-3/4MOR LBO
26	1	618732	9/16JIC .031 ORIFICE ADPTR
27	1	621156	EXTENSION CYLINDER (PRINCE)
28	1	621566	OUTRGR FOLD CYL, 2.50 X 11.00
29	2	629727	FINISH PLUG 1" SQ 16 GA
30	1	650218	DECAL,DANGER, COMBO DISCONNECT
31	4	900002N	1/4UNC x 3/4 HEX BOLT
32	1	900065N	5/16UNC X 1" HEX BOLT SS
33	1	900069N	5/16UNC X 2" SERR FLG BOLT SS
34	1	900134N	3/8UNC X 2 1/2 SER FLANGE BOLT
35	2	900393	5/8UNC X 1" FLT SOC CAP SCR
36	2	900536N	1" UNC X 4" HEX BLT FULL THRD YZ
37	4	900545	1"UNC X 3" HEX BLT,FULL THD YZ
38	6	910017N	1" UNC HEX NUT
39	6	910101N	1" UNC HEX JAM NUT
40	12	914000N	1/4UNC HEX STOVER NUT YZ
41	1	914002N	5/16UNC HEX STOVER NUT YZ
42	1	914004N	3/8UNC HEX STOVER NUT
43	1	914008N	1/2UNC SMTH FLG CTR LCK NUT YZ
44	2	920008N	1" SAE FLAT WASHER
45	6	920508N	1" LOCK WASHER

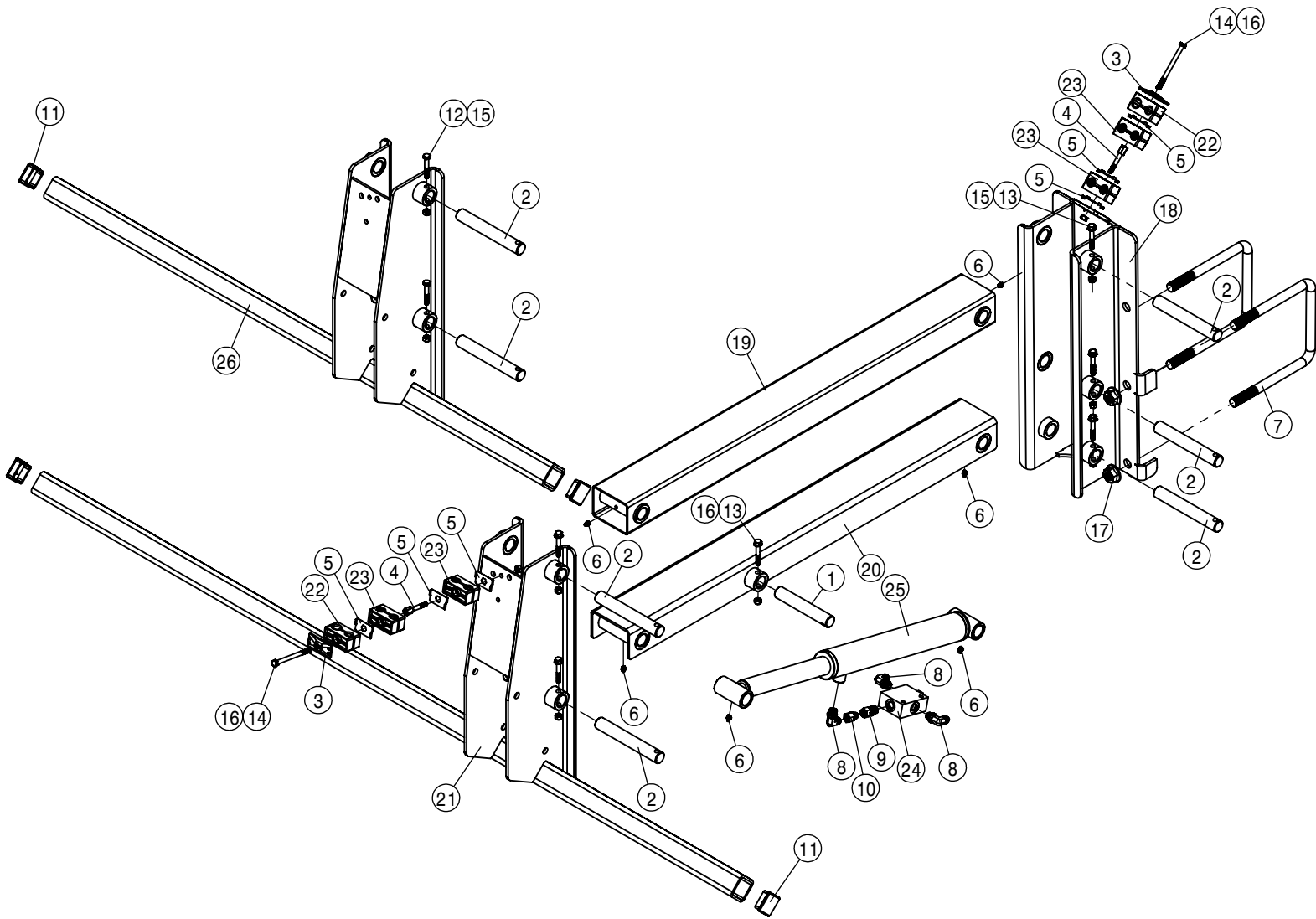


LEFT 4-2 OUTRIGGER ASSEMBLY			
DET	QTY	P/N	DESCRIPTION
1	1	344017	MANUAL CANISTER W/NEOPREN SEAL
2	1	362084	PIN, 1.00 OD x 6.50 LG
3	3	362085	PIN, 1.00 OD x 9.00 LG
4	1	439077	OUTRGR FOLD CYL MT PIN, NTB 03
5	1	439113	HOSE RETAINER STS NTB
6	2	439133	TUBE MTG BRKT, STS COMBO 03
7	1	439135	HOSE MTG TUBE 12R STSC 03
8	1	439386	ARTICULATOR FLD CYL PIN,NTB' 10
9	8	470045N	COTTER PIN 1/4 X 1 3/4 SQ CUT
10	3	470113N	5/16UNC SERR FLG LOCK NUT SS
11	3	470369	HOSE PROTECTOR, 8" BLACK
12	1	470546	1/2UNC X 3-1/2" SER FLANGE BOLT
13	1	470552	GROMMET,1.75ID .250GW 2.00GD
14	1	471005	GREASE ZERK, 1/4-28 X 1/2
15	4	473979	1/4UNC-1 1/8ID-1 1/2U-BOLTSQSS
16	1	483081	2.00 FLAT WASH, GR5 PLT
17	1	618115	9/16MJIC-90-3/4MOR LBO
18	2	618119	9/16MJIC-90-9/16MOR LBO
19	1	618496	9/16MJIC-45-3/4MOR LBO
20	1	618732	9/16JIC .031 ORIFICE ADPTR
21	2	629727	FINISH PLUG 1" SQ 16 GA
22	1	650218	DECAL,DANGER, COMBO DISCONNECT
23	1	650458	DECAL,PATENTS, HAGIE BOOM/DTB
24	4	900002N	1/4UNC X 3/4 HEX BOLT
25	1	900065N	5/16UNC X 1" HEX BOLT SS
26	2	900066N	5/16UNC X 1 1/4 SERR.FLG.HEX BOLT
27	1	900069N	5/16UNC X 2" SERR FLG BOLT SS
28	1	900134N	3/8UNC X 2 1/2 SER FLANGE BOLT

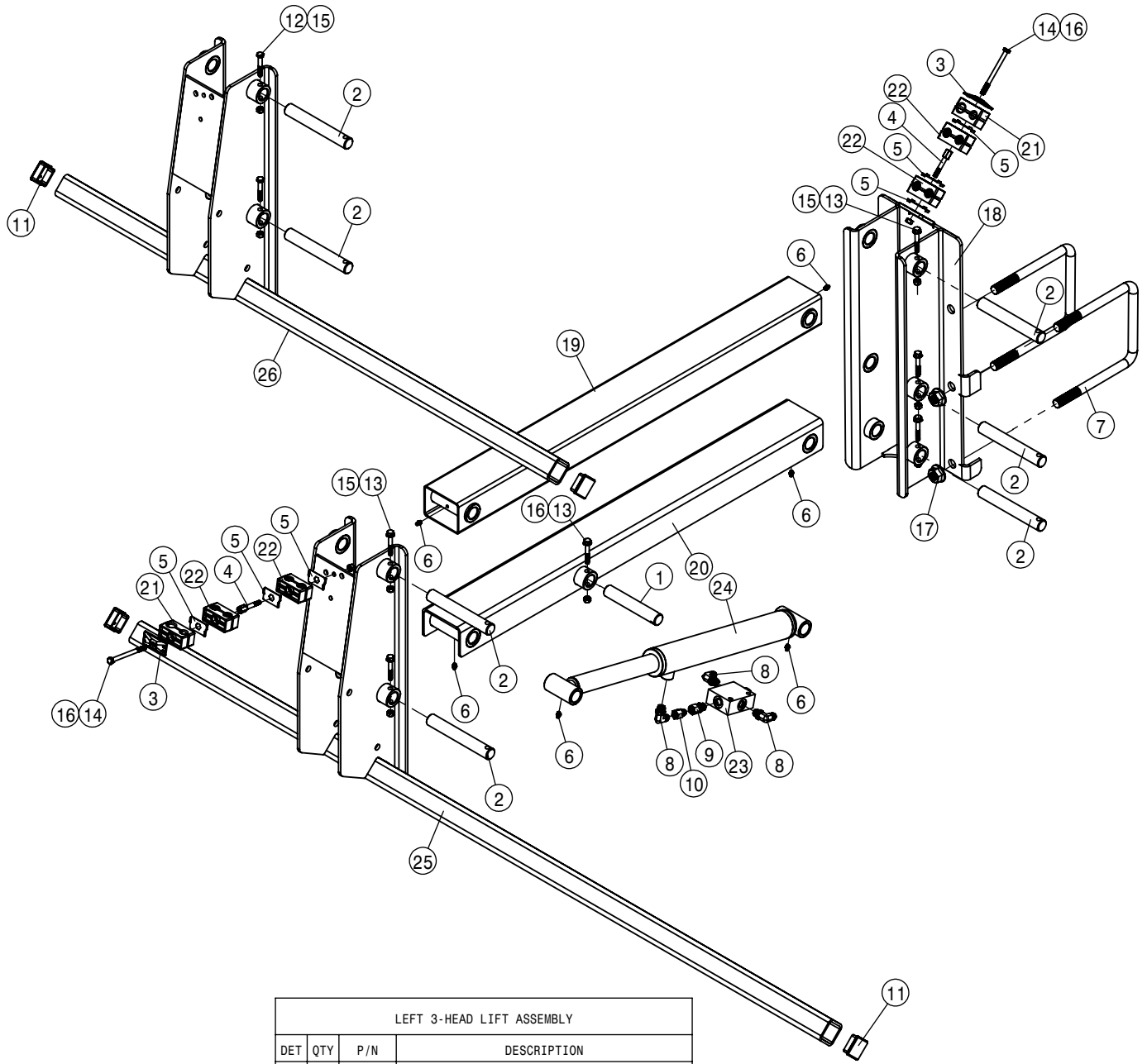
LEFT 4-2 OUTRIGGER ASSEMBLY			
DET	QTY	P/N	DESCRIPTION
29	2	900393	5/8UNC X 1" FLT SOC CAP SCR
30	2	900536N	1" UNC X 4" HEX BLT FULL THRD YZ
31	4	900545	1"UNC X 3" HEX BLT,FULL THD YZ
32	6	910017N	1" UNC HEX NUT
33	6	910101N	1" UNC HEX JAM NUT
34	12	914000N	1/4UNC HEX STOVER NUT YZ
35	1	914002N	5/16UNC HEX STOVER NUT YZ
36	1	914004N	3/8UNC HEX STOVER NUT
37	1	914008N	1/2UNC SMTH FLG CTR LCK NUT YZ
38	2	920008N	1" SAE FLAT WASHER
39	6	920508N	1" LOCK WASHER
40	1	621566	OUTRGR FOLD CYL, 2.50 X 11.00
41	1	362118	CNTR TOOLBAR WLD, COMBO '14
42	1	440108	OUTRGR ARTIC HINGE PIN WLD, NTB 13
43	1	362070	LH, OUTRGR SLEEVE WLD, 4-2 COMBO '13
44	1	362062	OUTRGR, INR WLD, 4-2 COMBO '13
45	1	362051	LH OUTRGR ARTIC WLD, 4-2 COMBO '13
46	1	362075	TURNBUCKLE
47	1	439074	OUTRGR HINGE PIN WLD, NTB 03
48	1	621156	EXTENSION CYLINDER (PRINCE)



2-HEAD LIFT ASSEMBLY			
DET	QTY	P/N	DESCRIPTION
1	1	439156	LWR CYL MT PIN, STS COMBO 03
2	5	439158	LIFT ARM PIVOT PIN, STSC 03
3	2	470276	CLAMP COVER PLATE,SNGL, 2.55LG
4	4	470281	STACK BOLT SAFETY LOCK PLATE
5	6	471005	GREASE ZERK, 1/4-28 X 1/2
6	2	473981	.750UNC-7.00ID-8.50 U-BOLT SQ YZ
7	3	618119	9/16MJIC-90-9/16MOR LBO
8	1	618668	9/16FJIC SWIV-9/16MOR ADPTR
9	1	618732	9/16JIC .031 ORIFICE ADPTR
10	2	629773	CAPPLUGS 1 3/4"SQ PLUG,BLK POLY
11	6	900069N	5/16UNC X 2" SERR FLG BOLT SS
12	2	900076N	5/16UNC X 4" HEX BOLT SS
13	4	914002	5/16UNC HEX STOVER NUT
14	4	914002N	5/16UNC HEX STOVER NUT YZ
15	4	914012N	3/4UNC CNTLCK SM FLG HEX NUT
16	1	439136	TOOLBAR MT BRKT WLD, STSC 03
17	1	439143	UPPER LIFTARM WLD,STS COMBO 03
18	1	439146	LWR LIFTARM WLD, STS COMBO 03
19	1	439151	50" HEAD TOOLBAR WLD,STSC 03
20	2	470270	TUBE CLAMP BODY, .530-.680
21	2	470274	TUBE CLAMP BODY, .750-.750
22	1	607565	CHECK VLV,PILOT TO OPEN, SUN
23	1	621564	DETA5 LIFT CYL,2.00 X 11.00STS



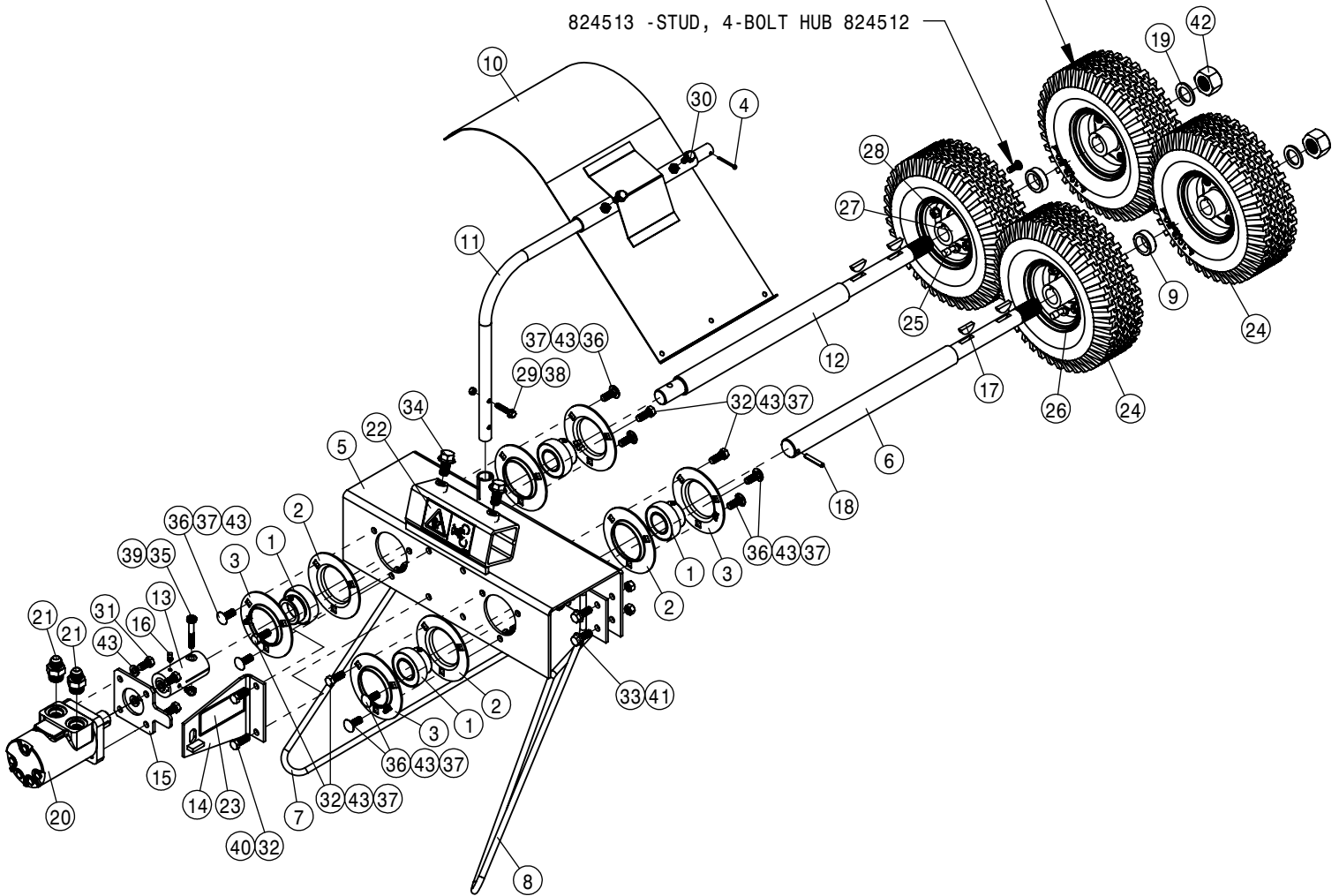
RIGHT 3-HEAD LIFT ASSEMBLY			
DET	QTY	P/N	DESCRIPTION
1	1	439156	LWR CYL MT PIN, STS COMBO 03
2	7	439158	LIFT ARM PIVOT PIN, STSC 03
3	2	470276	CLAMP COVER PLATE,SNGL, 2.55LG
4	2	470280	STACK BOLT, 5/16UNC X 1 3/4
5	6	470281	STACK BOLT SAFETY LOCK PLATE
6	6	471005	GREASE ZERK, 1/4-28 X 1/2
7	2	473981	.750UNC-7.00ID-8.50 U-BOLT SQ YZ
8	3	618119	9/16MJIC-90-9/16MOR LBO
9	1	618668	9/16FJIC SWIV-9/16MOR ADPTR
10	1	618732	9/16JIC .031 ORIFICE ADPTR
11	4	629773	CAPPLUGS 1 3/4"SQ PLUG,BLK POLY
12	2	900069	5/16UNC X 2" HEX BOLT
13	6	900069N	5/16UNC X 2" SERR FLG BOLT SS
14	2	900076N	5/16UNC X 4" HEX BOLT SS
15	6	914002	5/16UNC HEX STOVER NUT
16	4	914002N	5/16UNC HEX STOVER NUT YZ
17	4	914012N	3/4UNC CNTLCK SM FLG HEX NUT
18	1	439136	TOOLBAR MT BRKT WLD, STSC 03
19	1	439143	UPPER LIFTARM WLD,STS COMBO 03
20	1	439146	LWR LIFTARM WLD, STS COMBO 03
21	1	439163	80"RH HEAD TOOLBAR WLD,STSC 03
22	2	470270	TUBE CLAMP BODY, .530-.680
23	4	470274	TUBE CLAMP BODY, .750-.750
24	1	607565	CHECK VLV,PILOT TO OPEN, SUN
25	1	621564	DETAS LIFT CYL,2.00 X 11.00STS
26	1	439182	57"RH HEAD TOOLBAR WLD,20"R 05



LEFT 3-HEAD LIFT ASSEMBLY			
DET	QTY	P/N	DESCRIPTION
1	1	439156	LWR CYL MT PIN, STS COMBO 03
2	7	439158	LIFT ARM PIVOT PIN, STSC 03
3	2	470276	CLAMP COVER PLATE, SNGL, 2.55LG
4	2	470280	STACK BOLT, 5/16UNC X 1 3/4
5	6	470281	STACK BOLT SAFETY LOCK PLATE
6	6	471005	GREASE ZERK, 1/4-28 X 1/2
7	2	473981	.750UNC-7.00ID-8.50 U-BOLT SQ YZ
8	3	618119	9/16MJIC-90-9/16MOR LBO
9	1	618668	9/16FJIC SWIV-9/16MOR ADPTR
10	1	618732	9/16JIC .031 ORIFICE ADPTR
11	4	629773	CAPPLUGS 1 3/4"SQ PLUG, BLK POLY
12	2	900069	5/16UNC X 2" HEX BOLT
13	6	900069N	5/16UNC X 2" SERR FLG BOLT SS
14	2	900076N	5/16UNC X 4" HEX BOLT SS
15	6	914002	5/16UNC HEX STOVER NUT
16	4	914002N	5/16UNC HEX STOVER NUT YZ
17	4	914012N	3/4UNC CNTLCK SM FLG HEX NUT
18	1	439136	TOOLBAR MT BRKT WLD, STSC 03
19	1	439143	UPPER LIFTARM WLD, STS COMBO 03
20	1	439146	LWR LIFTARM WLD, STS COMBO 03
21	2	470270	TUBE CLAMP BODY, .530-.680
22	4	470274	TUBE CLAMP BODY, .750-.750
23	1	607565	CHECK VLV, PILOT TO OPEN, SUN
24	1	621564	DETAS LIFT CYL, 2.00 X 11.00STS
25	1	439164	80"LH HEAD TOOLBAR WLD, STSC 03
26	1	439183	57"LH HEAD TOOLBAR WLD, 20"R 05

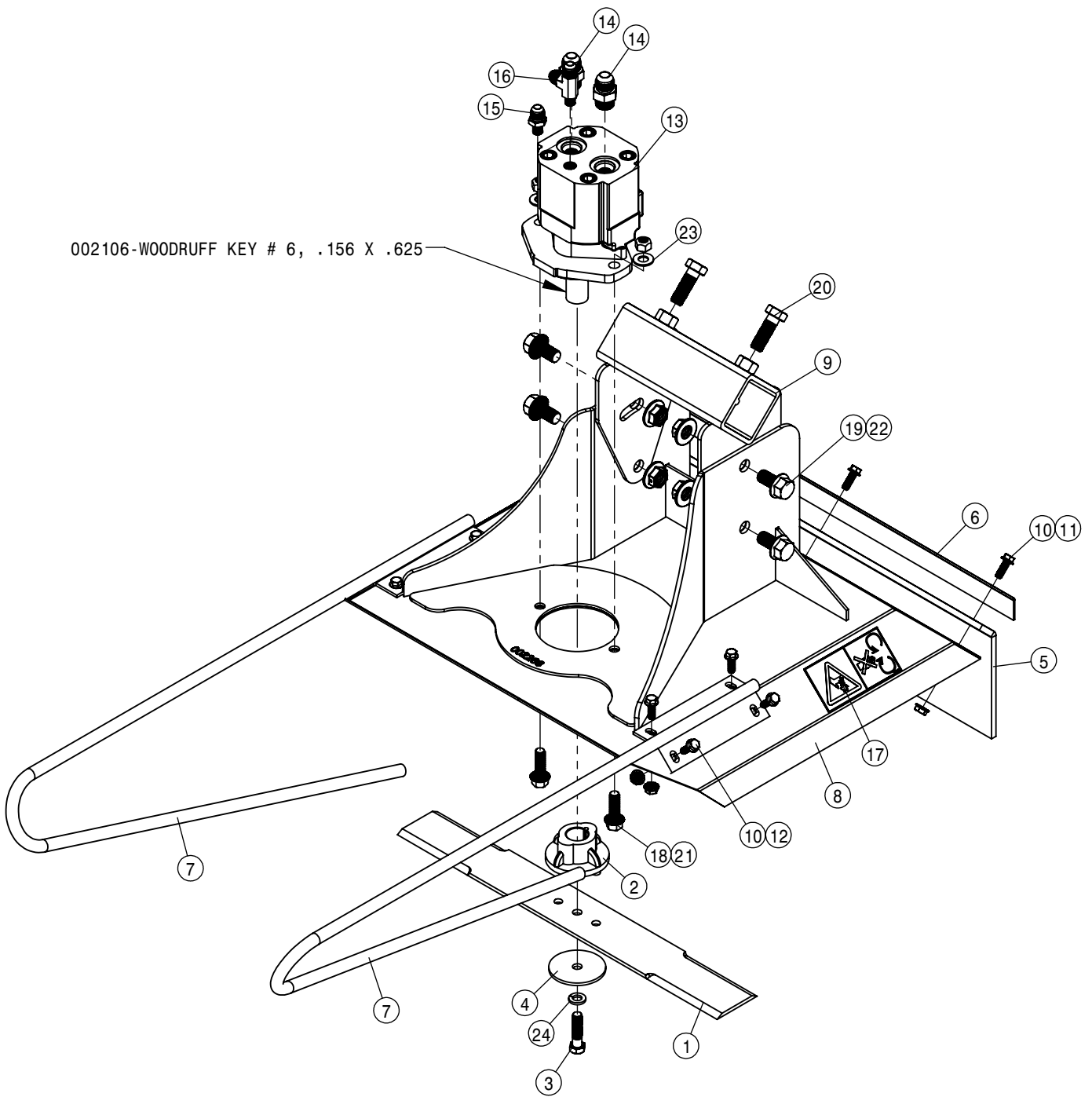
(OPTIONAL) 824516 - 4.10/3.50 2P SAWTOOTH TIRE

824513 -STUD, 4-BOLT HUB 824512



QUAD PULLER HEAD ASSEMBLY			
DET	QTY	P/N	DESCRIPTION
1	4	123024	BGR 1 1/4 BORE SPHERICL RELUB
2	4	123026	FLANGETT 1 1/4
3	4	123035	FLANGETT 1 1/4 180 DEG ZERK
4	1	390984	1/8 X 1 1/4 COTTER PIN
5	1	438369	QUAD PLR FRAME WLD 200 90
6	1	438375	QUAD PLR SHAFT SHORT 200 90
7	1	438381	RH QUAD PLR STALK GUIDE WLD90
8	1	438384	LH QUAD PLR STALK GUIDE WLD90
9	2	438388	.50 HUB SPACER, QUAD PLR
10	1	438415	QUAD PLR SHIELD WLD 200 91
11	1	438419	QUAD PLR SHIELD MT TUBE 91
12	1	438422	QUAD PLR SHAFT LONG 200 91
13	1	438423	QUAD PLR MOTOR COUPLER 200 91
14	1	438424	QUAD PLR MTR MT PLT WLD
15	1	438425	QUAD PLR MTR MT 200 91
16	2	470199	1/4UNC X 3/8 SQHD CUP SET SCR
17	4	472020	WOODRUFF KEY # 18 1/4 X 1 1/8
18	1	473805	ROLL PIN, 1/4 X 1 1/2
19	2	483032	1 1/2 X 1" X .134TH MACH WASH
20	1	610547	HYD MOTOR 4.5CI 1IN SHFT
21	2	618327	3/4MJIC-7/8MOR ADPTR
22	1	650259	DECAL MOVING PARTS ROLLER

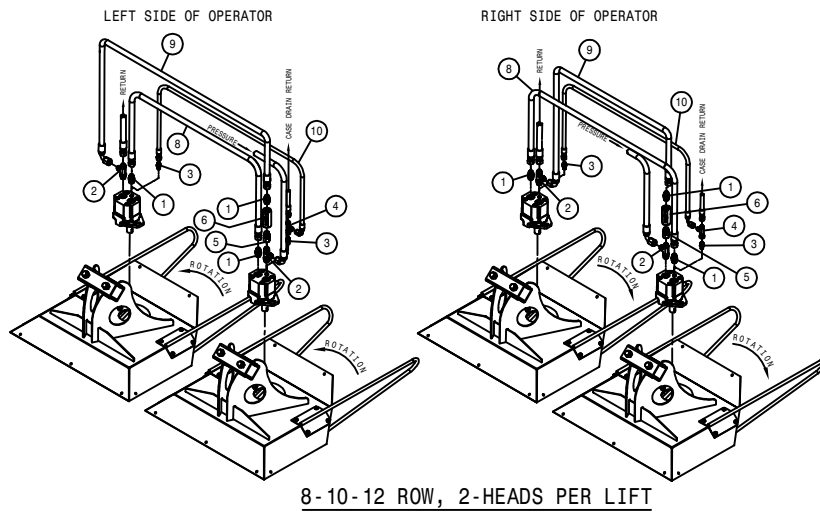
QUAD PULLER HEAD ASSEMBLY			
DET	QTY	P/N	DESCRIPTION
23	1	650931	DECAL HAGIE 1 3/4 X 4
24	4	824509	4.10/3.50-4 2PLY STUD TIRE
25	4	824510	4.10/3.50-4 BENT STEM TUBE
26	4	824511	RIM, 410-4 2PC
27	4	824512	HUB, 4-BOLT, 1" KEYED BORE
28	16	824514	WHL NUT, 4-BOLT HUB
29	1	900004N	1/4 UNC X 1 1/4 SER FLG BOLT SS
30	2	900064N	5/16UNC X 3/4" SER FLG BOLT SS
31	4	900128	3/8UNC X 3/4 HEX BOLT
32	6	900129	3/8UNC X 1" HEX BOLT
33	4	900129N	3/8UNC X 1" SERR FLANGE BOLT
34	2	900263N	1/2UNC X 1" SER FLANGE BOLT
35	1	900830	5/16UNC X 2" HEX BOLT GR8 YZ
36	8	901129	3/8-16 X 1 CARRIAGE BOLT
37	12	910004	3/8UNC HEX NUT
38	1	914000N	1/4UNC HEX STOVER NUT YZ
39	1	914002	5/16UNC HEX STOVER NUT
40	2	914004	3/8UNC HEX STOVER NUT
41	4	914004N	3/8UNC HEX STOVER NUT
42	2	914016	1" UNC HEX STOVER NUT
43	16	920502	3/8 LOCK WASHER



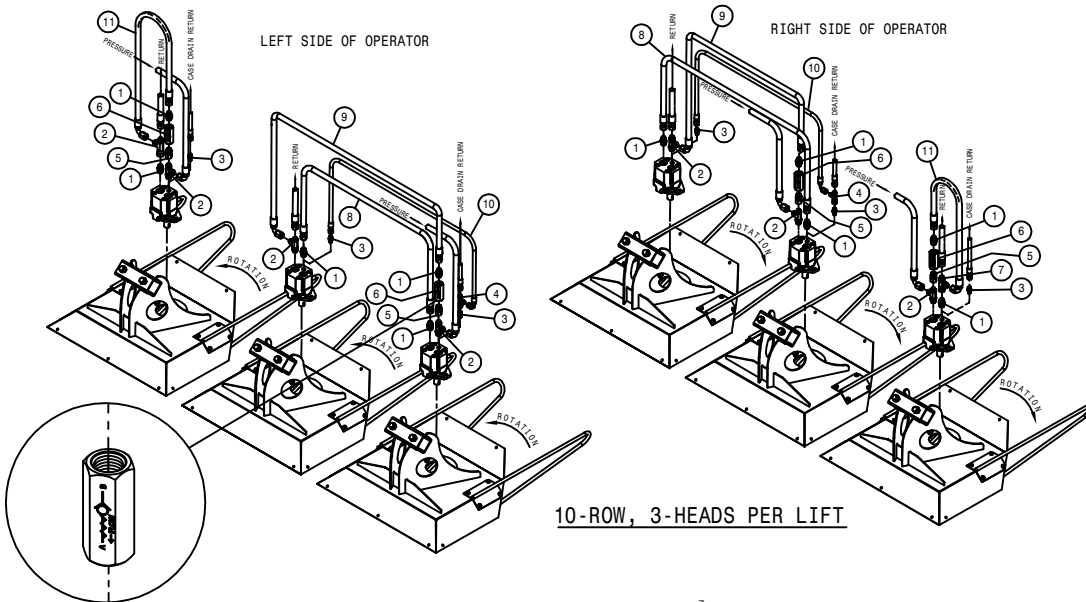
002106-WOODRUFF KEY # 6, .156 X .625

19" CUTTER HEAD ASSEMBLY			
DET	QTY	P/N	DESCRIPTION
1	1	002103	CUTR BLADE 18 IN
2	1	002104	CUTTER BLADE ADAPTER, RD LUG
3	1	002107	3/8UNF X 1 1/2 HEX BOLT CUTR
4	1	002108	STEEL WASHER CUTTER BLADE
5	1	002256	19" REAR CUTR DECK EXT FLAP 04
6	1	002257	19" REAR CUTR DECK FLAP KPR 04
7	2	002258	19" CUTR STALK GUIDE WLD
8	1	002265	19" CUTTER DECK WLD 08
9	1	002269	CUTR TUBE MT WLD 08
10	11	470118	1/4 UNC X 3/4 SER FLG BOLT
11	3	470121	1/4 UNC SERR FLG LOCK NUT
12	8	470121N	1/4 UNC SERR FLG LOCK NUT SS

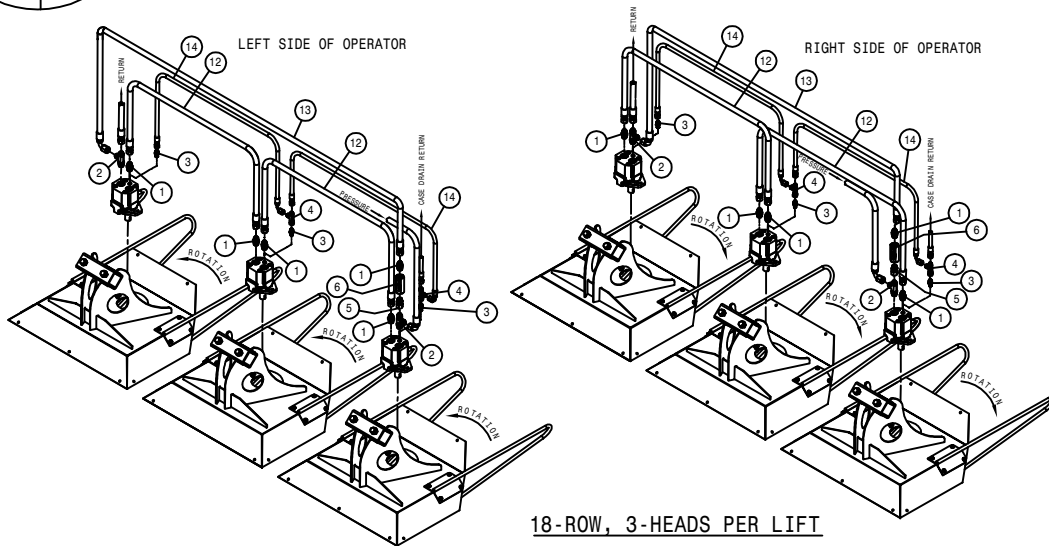
19" CUTTER HEAD ASSEMBLY			
DET	QTY	P/N	DESCRIPTION
13	1	610755	BARNES HYD MOTOR, D-SERIES 01
14	2	611125	3/4MJIC-3/4MOR ADPTR
15	1	618530	9/16MJIC-1/8MNPT ADPTR
16	1	618546	1/8MNPT RUN TEE-9/16MJIC
17	2	650258	DECAL CUTTING BLADES
18	2	900127N	3/8UNC X 1 1/4 SER FLANGE BOLT
19	4	900263N	1/2UNC X 1" SER FLANGE BOLT
20	2	900265	1/2UNC X 1 1/2 HEX BOLT
21	2	914004N	3/8UNC HEX STOVER NUT
22	4	914015	1/2UNC HEX CENTER-LOCK NUT
23	2	920002	3/8 SAE FLAT WASHER
24	1	920502	3/8 LOCK WASHER



8-10-12 ROW, 2-HEADS PER LIFT



10-ROW, 3-HEADS PER LIFT



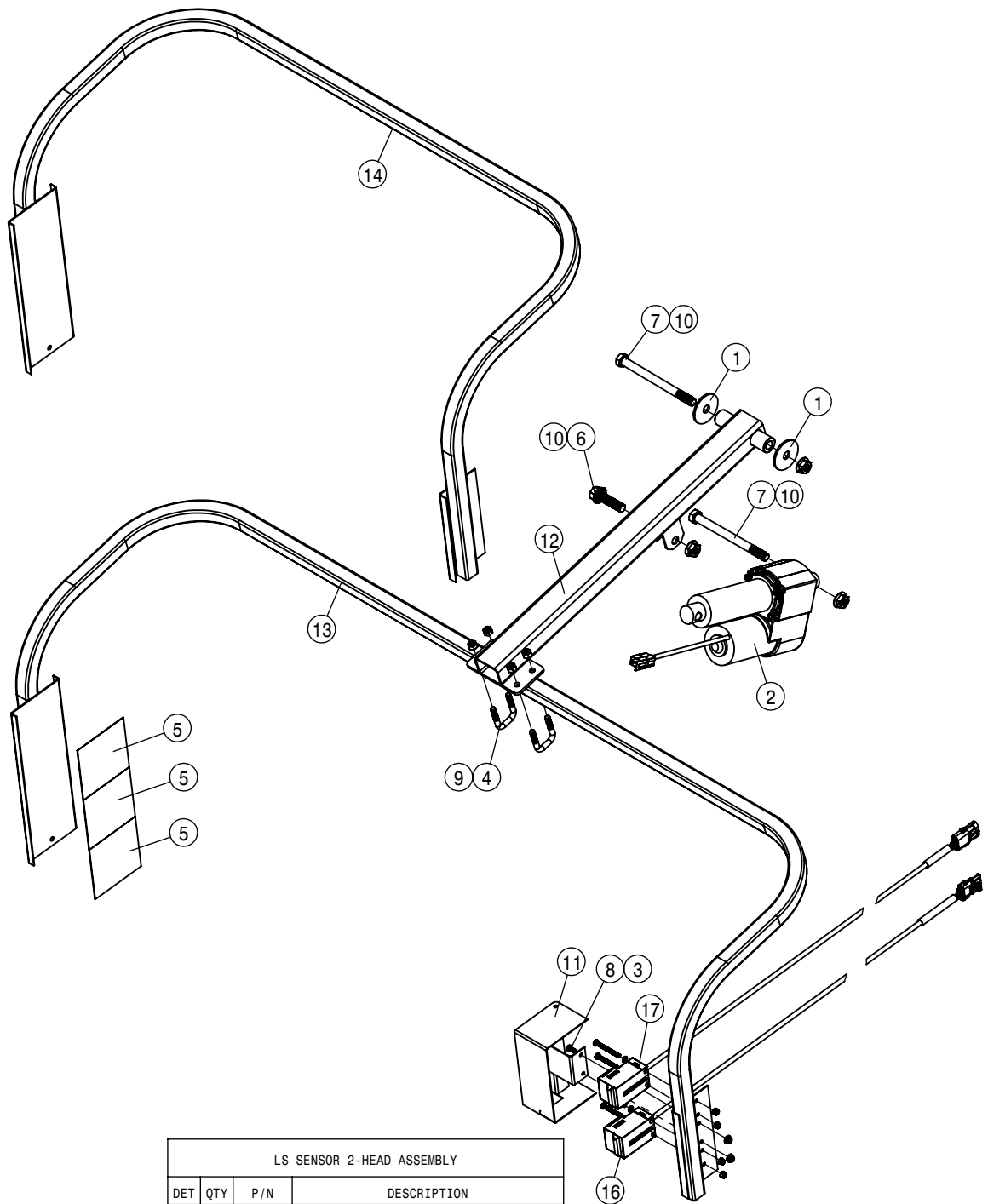
18-ROW, 3-HEADS PER LIFT

HYD DIAG,CUTR CHK VLV STS'11

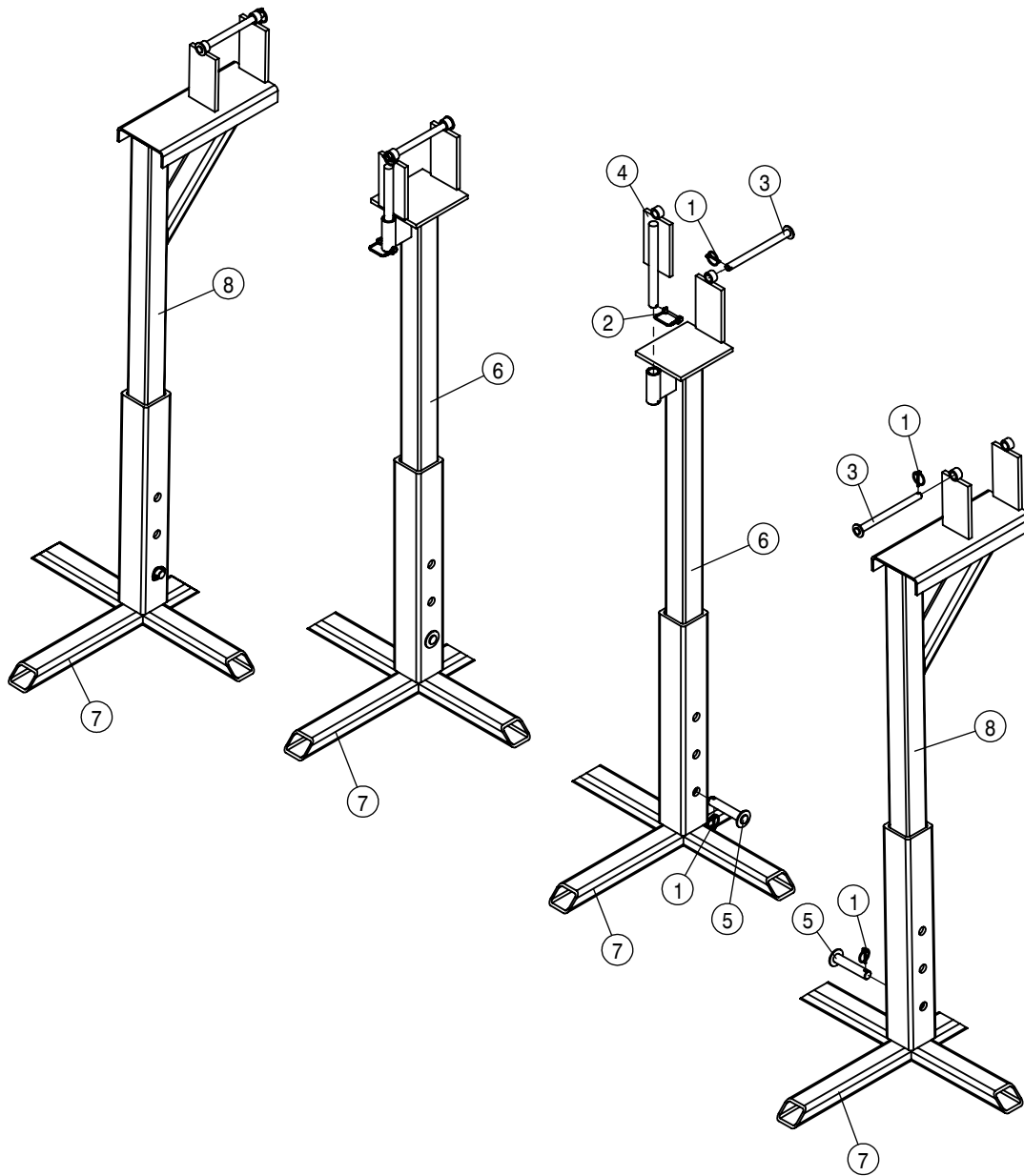
DET.	PART NO.	DESCRIPTION
1	611125	3/4MJIC-3/4MOR ADPTR
2	618494	3/4MOR RUN TEE-3/4MJIC
3	618530	9/16MJIC-1/8MNPT ADPTR
4	618486	9/16FJIC SW RUN TEE-9/16MJIC
5	618669	3/4FJIC SWIV-3/4MOR ADPTR
6	618292	CHECK VALVE,3/4FOR INLINE
7	618451	3/4FJIC SW RUN TEE-3/4MJIC

HYD DIAG,CUTR CHK VLV STS'11

DET.	PART NO.	DESCRIPTION	
8	616531	08-451TC-08FJX-08FJX-55	H/A
9	616537	08-451TC-08FJX-08FJX90-52	H/A
10	616521	04-451TC-06FJX-06FJX90-54	H/A
11	616530	08-451TC-08FJX-08FJX90-27	H/A
12	616025	08-482TC-08FJX-08FJX-50	H/A
13	614562	08-451TC-08FJX-08FJX90-66	H/A
14	616422	04-482TC-06FJX-06FJX90-50	H/A

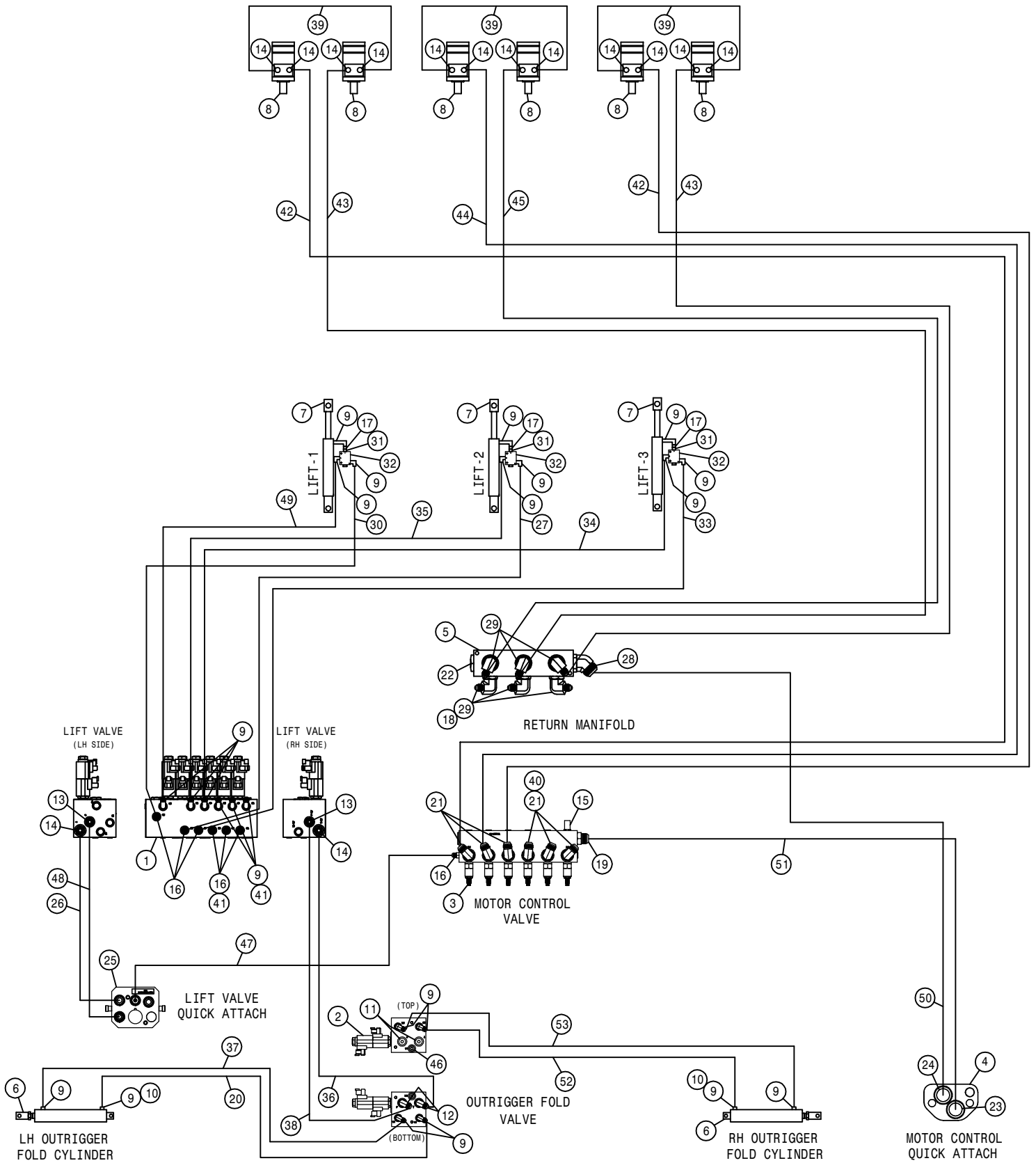


LS SENSOR 2-HEAD ASSEMBLY			
DET	QTY	P/N	DESCRIPTION
1	2	002815	SENSOR ARM WASH, NYL
2	1	292610	LINEAR ACTUATOR, 4" STROKE
3	2	473004	10-32 FLANGE NYLOC NUT
4	2	473980	.31UNC-1.06ID-1.75SQ U-BOLT SS
5	3	650297	REFLECTIVE TAPE, 4 X 4, RTC4-4C
6	1	900267N	1/2UNC X 2" SERR FLG BOLT
7	2	900278N	1/2UNC X 6" HEX BOLT
8	2	903883	10-32 X 1/2 PHIL PAN MACH SCR
9	4	914002N	5/16UNC HEX STOVER NUT YZ
10	3	914008N	1/2UNC SMTH FLG CTR LCK NUT YZ
11	1	002841	LS 42GRU SENSOR SHIELD WLD
12	1	003028	LS SENSOR MT SUPP WLD, STSC 03
13	1	003033	LS SENSOR MT WLD, STS COMBO 03
14	1	003050	LS SENSOR MT WLD
NS	1	293188	SENSOR CONNECTOR WIRE ASSY
16	1	293258	UPR LS 9200 SENSOR ASSY, FEM
17	1	293259	UPR LS 9200 SENSOR ASSY, MALE
NS	1	294046	STS COMBO ACTUATOR HARNESS



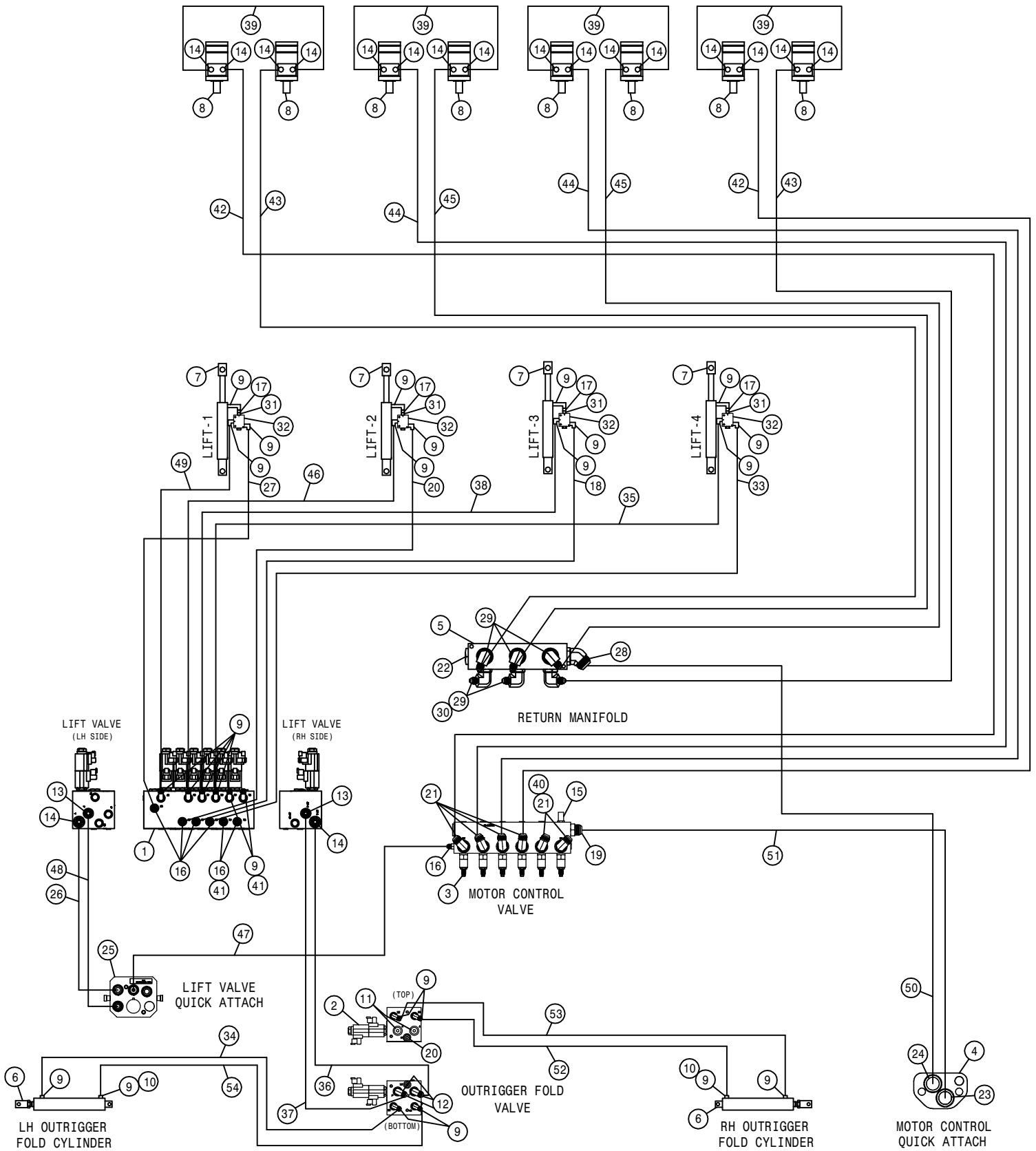
TOOLBAR STAND ASSEMBLY			
DET	QTY	P/N	DESCRIPTION
1	8	470335	LINCHPIN, 3/16 X 1 1/4 GRIP
2	2	473895	1/4 X 1 3/4 LINCHPIN
3	4	439282	TOOL BAR STAND PIN WLD
4	2	439281	TOOL BAR STAND,PIN MT WLDMT
5	4	164522	BOOM FOLD CYL PIN WLD
6	2	439276	REAR TOOL BAR STAND, TOP WLDMT
7	4	439265	TOOL BAR STAND BASE, WLDMT
8	2	439270	FRT TOOL BAR STAND, UPPER WLDMT

This Page Intentionally Blank



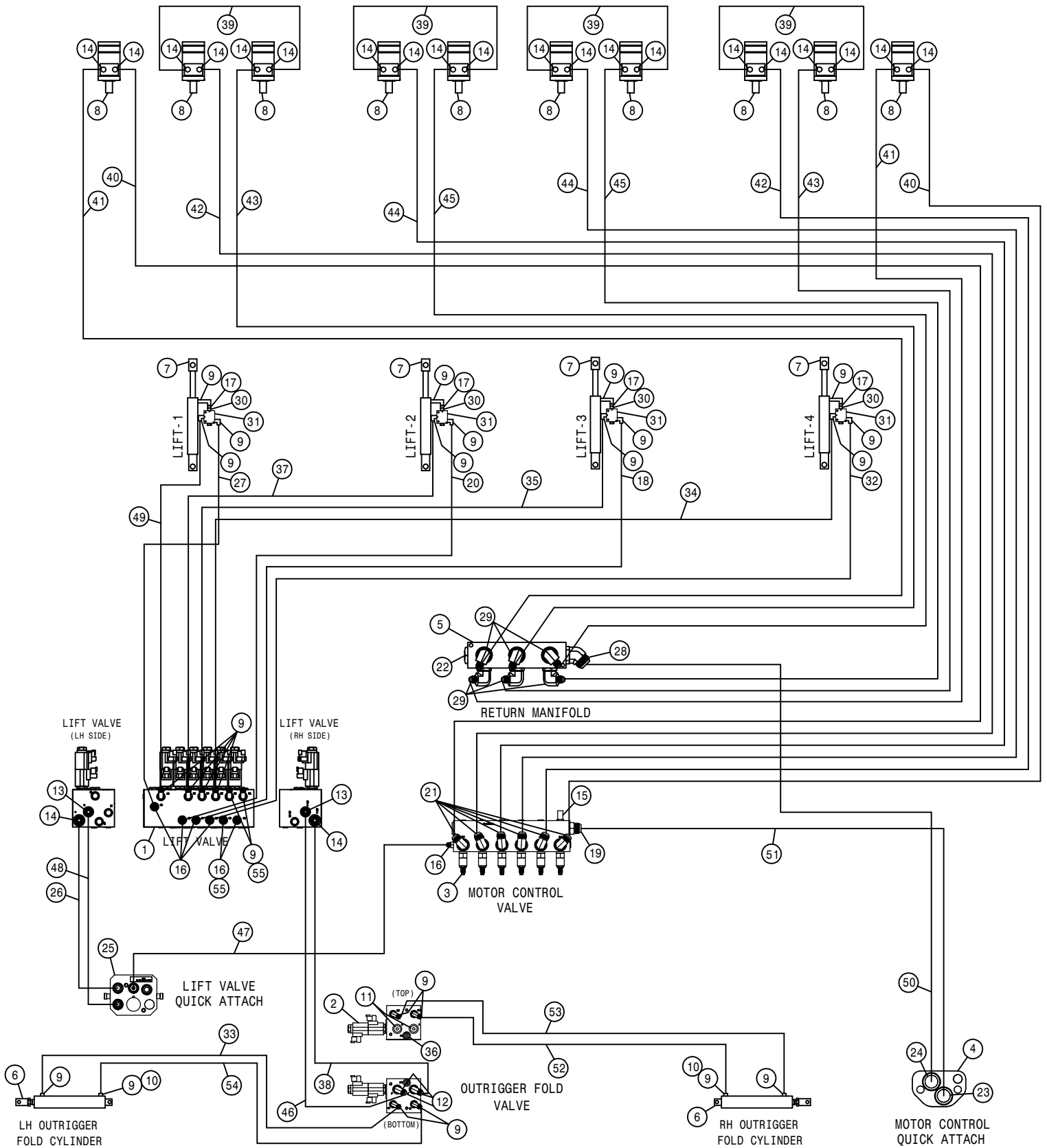
STS COMBO 6R QUAD HYD DIAG 2014
REFERENCE DRAWING NO. 499319

DET.	QTY	PART NO.	DESCRIPTION	DET.	QTY	PART NO.	DESCRIPTION
1	1	606285	LIFT VALVE,STS COMBO,SAUER	28	1	618396	1 5/8MJIC-45-1 5/8MOR LBO
2	1	606286	FOLD VALVE,STS COMBO,SAUER	29	6	618475	3/4MJIC-90-1 5/16MOR LBO
3	1	615911	MOTOR CONTROL MANIFOLD	30	1	616873	06-451TC-06FJX-06FJX90-128 H/A
4	1	618879	COMBO MULTI COUPLR MOBILE '14	31	3	618668	9/16FJIC SWIV-9/16MOR ADPTR
5	1	606246	MANIFOLD, #16 3-STN 180	32	3	607565	CHECK VLV,PILOT TO OPEN, SUN
6	2	621566	HYD CYL, 2.50 X 11.00 X 1.375	33	1	616626	06-451TC-06FJX-06FJX90-175 H/A
7	3	621564	HYD CYL,2.00 X 11.00 X 1.50 1W	34	1	616526	06-451TC-06FJX-06FJX45-171 H/A
8	6	610547	HYD MOTOR 4.5CI 1IN SHFT	35	1	616523	06-451TC-06FJX-06FJX45-80 H/A
9	23	618119	9/16MJIC-90-9/16MOR LBO	36	1	616528	06-451TC-08FJX-08FJX90-13 H/A
10	2	618732	9/16JIC .031 ORIFICE ADPTR	37	1	616512	04-451TC-06FJX-06FJX-49 H/A
11	2	618755	3/4MOR PLUG, HEX SOCKET	38	1	616529	06-451TC-08FJX-08FJX90-16 H/A
12	2	618241	3/4MJIC-90-3/4MOR LBO	39	3	616135	08-451TC-08FJX-08FJX-50 H/A
13	2	611125	3/4MJIC-3/4MOR ADPTR	40	3	618533	1 1/16FJIC CAP NUT
14	14	618327	3/4MJIC-7/8MOR ADPTR	41	6	618531	9/16FJIC CAP NUT
15	1	619023	9/16 MOR DIAG FITTING STS'14	42	2	616539	08-451TC-12FJX-08FJX90-220 H/A
16	7	618126	9/16MJIC-9/16MOR ADPTR	43	2	616533	08-451TC-08FJX-08FJX-218 H/A
17	3	618733	9/16JIC .042 ORIFICE ADPTR	44	1	616538	08-451TC-12FJX-08FJX90-125 H/A
18	3	618532	3/4FJIC CAP NUT	45	1	616532	08-451TC-08FJX-08FJX-125 H/A
19	1	618186	1 5/16MJIC-1 5/16MOR ADPTR	46	1	618754	9/16MOR PLUG, HEX SOCKET
20	1	616511	04-451TC-06FJX-06FJX-33 H/A	47	1	617188	04-451TC-04FJX-06FJX45-50 H/A
21	6	618248	1 1/16MJIC-90-1 1/16MOR LBO	48	1	617186	08-451TC-10FJX-08FJX90-29 H/A
22	1	618759	1 5/8MOR PLUG, HEX SOCKET	49	1	616525	06-451TC-06FJX-06FJX45-124 H/A
23	1	618883	1 5/16MJIC-90-1 5/8MOR LBO	50	1	614766	20-811-20FJX-20FJX90-40 H/A
24	1	618472	1 5/8MJIC-1 5/8MOR ADPTR	51	1	614767	16-451TC-16FJX-16FJX45-34 H/A
25	1	607113	MOBILE HALF COUPLER ASSY, 0504	52	1	616089	04-451TC-06FJX-06FJX-60 H/A
26	1	617187	08-451TC-12FJX-08FJX90-29 H/A	53	1	616177	04-451TC-06FJX-06FJX-74 H/A
27	1	616723	06-451TC-06FJX-06FJX90-85 H/A				



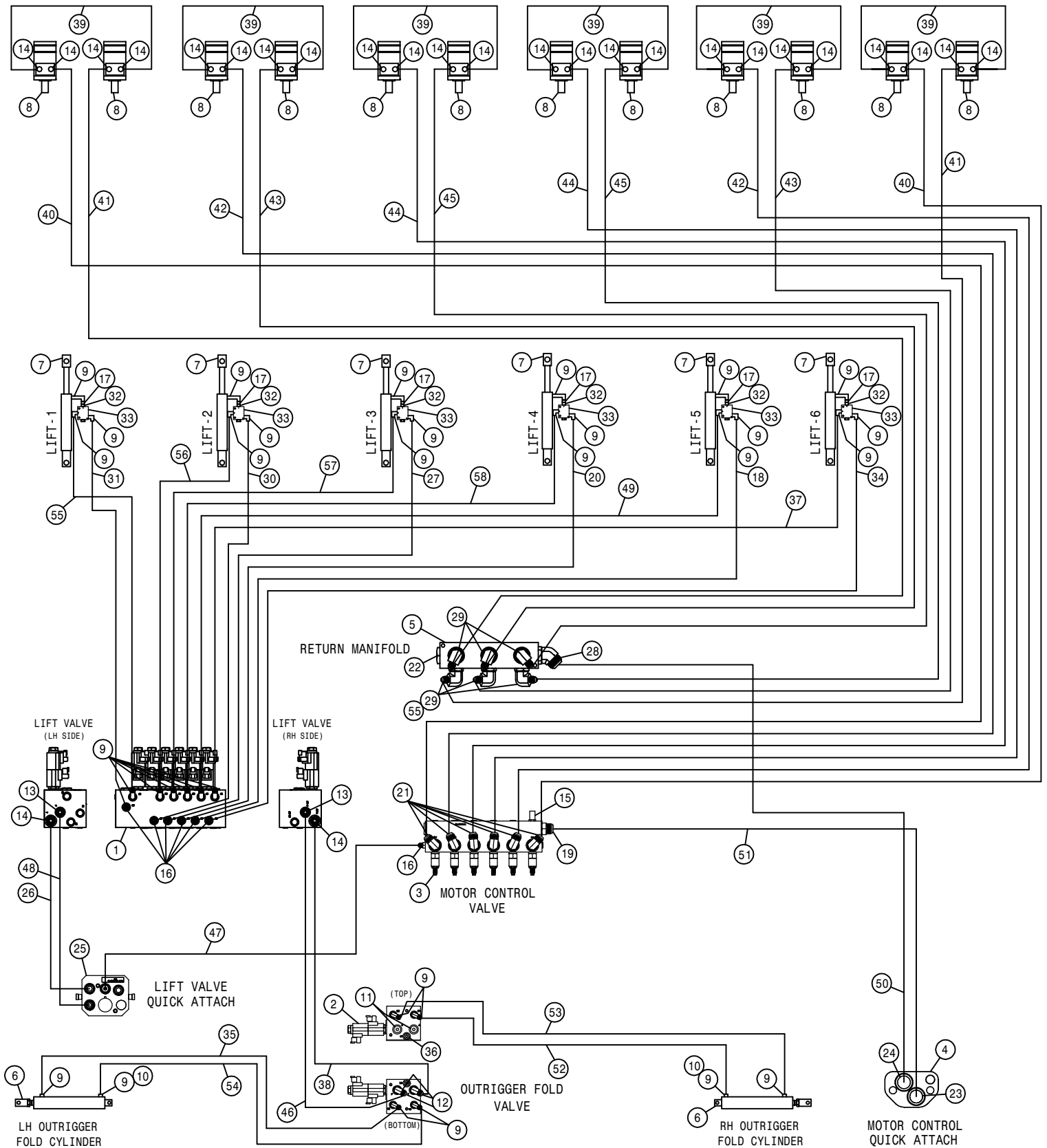
STS COMBO 8R QUAD HYD DIAG 2014
REFERENCE DRAWING NO. 499320

DET.	QTY	PART NO.	DESCRIPTION	DET.	QTY	PART NO.	DESCRIPTION
1	1	606285	LIFT VALVE, STS COMBO, SAUER	28	1	618396	1 5/8MJIC-45-1 5/8MOR LBO
2	1	606286	FOLD VALVE, STS COMBO, SAUER	29	6	618475	3/4MJIC-90-1 5/16MOR LBO
3	1	615911	MOTOR CONTROL MANIFOLD	30	2	618532	3/4FJIC CAP NUT
4	1	618879	COMBO MULTI COUPLR MOBILE '14	31	4	618668	9/16FJIC SWIV-9/16MOR ADPTR
5	1	606246	MANIFOLD, #16 3-STN 180	32	4	607565	CHECK VLV, PILOT TO OPEN, SUN
6	2	621566	HYD CYL, 2.50 X 11.00 X 1.375	33	1	616626	06-451TC-06FJX-06FJX90-175 H/A
7	4	621564	HYD CYL, 2.00 X 11.00 X 1.50 1W	34	1	616512	04-451TC-06FJX-06FJX-49 H/A
8	8	610547	HYD MOTOR 4.5CI 1IN SHFT	35	1	616526	06-451TC-06FJX-06FJX45-171 H/A
9	26	618119	9/16MJIC-90-9/16MOR LBO	36	1	618528	3/4FOR-3/4MNPT ADPTR
10	2	618732	9/16JIC .031 ORIFICE ADPTR	37	1	616529	06-451TC-08FJX-08FJX90-16 H/A
11	2	618755	3/4MOR PLUG, HEX SOCKET	38	1	616523	06-451TC-06FJX-06FJX45-80 H/A
12	2	618241	3/4MJIC-90-3/4MOR LBO	39	4	616135	08-451TC-08FJX-08FJX-50 H/A
13	2	611125	3/4MJIC-3/4MOR ADPTR	40	2	618533	1 1/16FJIC CAP NUT
14	18	618327	3/4MJIC-7/8MOR ADPTR	41	4	618531	9/16FJIC CAP NUT
15	1	619023	9/16 MOR DIAG FITTING STS'14	42	2	616539	08-451TC-12FJX-08FJX90-220 H/A
16	7	618126	9/16MJIC-9/16MOR ADPTR	43	2	616533	08-451TC-08FJX-08FJX-218 H/A
17	4	618733	9/16JIC .042 ORIFICE ADPTR	44	2	616538	08-451TC-12FJX-08FJX90-125 H/A
18	1	616723	06-451TC-06FJX-06FJX90-85 H/A	45	2	616532	08-451TC-08FJX-08FJX-125 H/A
19	1	618186	1 5/16MJIC-1 5/16MOR ADPTR	46	1	616644	06-451TC-06FJX-06FJX45-36 H/A
20	1	616581	06-451TC-06FJX-06FJX90-40 H/A	47	1	617188	04-451TC-04FJX-06FJX45-50 H/A
21	6	618248	1 1/16MJIC-90-1 1/16MOR LBO	48	1	617186	08-451TC-10FJX-08FJX90-29 H/A
22	1	618759	1 5/8MOR PLUG, HEX SOCKET	49	1	616525	06-451TC-06FJX-06FJX45-124 H/A
23	1	618883	1 5/16MJIC-90-1 5/8MOR LBO	50	1	614766	20-811-20FJX-20FJX90-40 H/A
24	1	618472	1 5/8MJIC-1 5/8MOR ADPTR	51	1	614767	16-451TC-16FJX-16FJX45-34 H/A
25	1	607113	MOBILE HALF COUPLER ASSY, 0504	52	1	616089	04-451TC-06FJX-06FJX-60 H/A
26	1	617187	08-451TC-12FJX-08FJX90-29 H/A	53	1	616177	04-451TC-06FJX-06FJX-74 H/A
27	1	616873	06-451TC-06FJX-06FJX90-128 H/A	54	1	616511	04-451TC-06FJX-06FJX-33 H/A



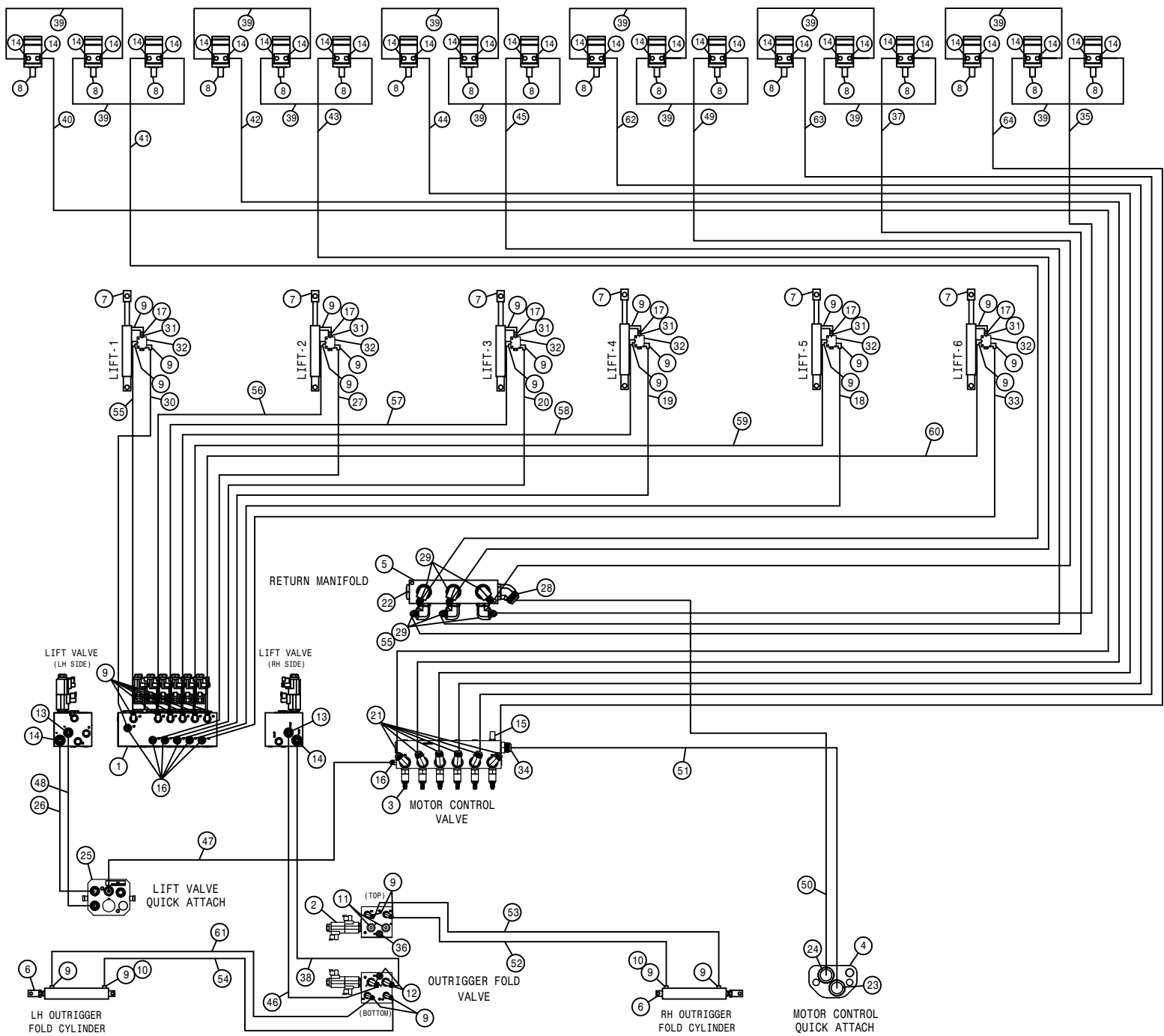
STS COMBO 10R QUAD HYD DIAG 2014
REFERENCE DRAWING NO. 499321

DET.	QTY	PART NO.	DESCRIPTION	DET.	QTY	PART NO.	DESCRIPTION
1	1	606285	LIFT VALVE,STS COMBO,SAUER	28	1	618396	1 5/8MJIC-45-1 5/8MOR LBO
2	1	606286	FOLD VALVE,STS COMBO,SAUER	29	6	618475	3/4MJIC-90-1 5/16MOR LBO
3	1	615911	MOTOR CONTROL MANIFOLD	30	4	618668	9/16FJIC SWIV-9/16MOR ADPTR
4	1	618879	COMBO MULTI COUPLR MOBILE '14	31	4	607565	CHECK VLV,PILOT TO OPEN, SUN
5	1	606246	MANIFOLD, #16 3-STN 180	32	1	616626	06-451TC-06FJX-06FJX90-175 H/A
6	2	621566	HYD CYL, 2.50 X 11.00 X 1.375	33	1	616512	04-451TC-06FJX-06FJX-49 H/A
7	4	621564	HYD CYL,2.00 X 11.00 X 1.50 1W	34	1	616526	06-451TC-06FJX-06FJX45-171 H/A
8	10	610547	HYD MOTOR 4.5CI 1IN SHFT	35	1	616523	06-451TC-06FJX-06FJX45-80 H/A
9	26	618119	9/16MJIC-90-9/16MOR LBO	36	1	618754	9/16MOR PLUG, HEX SOCKET
10	2	618732	9/16JIC .031 ORIFICE ADPTR	37	1	616644	06-451TC-06FJX-06FJX45-36 H/A
11	2	618755	3/4MOR PLUG, HEX SOCKET	38	1	616528	06-451TC-08FJX-08FJX90-13 H/A
12	2	618241	3/4MJIC-90-3/4MOR LBO	39	4	616135	08-451TC-08FJX-08FJX-50 H/A
13	2	611125	3/4MJIC-3/4MOR ADPTR	40	2	616540	08-451TC-12FJX-08FJX90-252 H/A
14	22	618327	3/4MJIC-7/8MOR ADPTR	41	2	616535	08-451TC-08FJX-08FJX-252 H/A
15	1	619023	9/16 MOR DIAG FITTING STS'14	42	2	616539	08-451TC-12FJX-08FJX90-220 H/A
16	7	618126	9/16MJIC-9/16MOR ADPTR	43	2	616533	08-451TC-08FJX-08FJX-218 H/A
17	4	618733	9/16JIC .042 ORIFICE ADPTR	44	2	616538	08-451TC-12FJX-08FJX90-125 H/A
18	1	616723	06-451TC-06FJX-06FJX90-85 H/A	45	2	616532	08-451TC-08FJX-08FJX-125 H/A
19	1	618186	1 5/16MJIC-1 5/16MOR ADPTR	46	1	616529	06-451TC-08FJX-08FJX90-16 H/A
20	1	616581	06-451TC-06FJX-06FJX90-40 H/A	47	1	617188	04-451TC-04FJX-06FJX45-50 H/A
21	6	618248	1 1/16MJIC-90-1 1/16MOR LBO	48	1	617186	08-451TC-10FJX-08FJX90-29 H/A
22	1	618759	1 5/8MOR PLUG, HEX SOCKET	49	1	616525	06-451TC-06FJX-06FJX45-124 H/A
23	1	618883	1 5/16MJIC-90-1 5/8MOR LBO	50	1	614766	20-811-20FJX-20FJX90-40 H/A
24	1	618472	1 5/8MJIC-1 5/8MOR ADPTR	51	1	614767	16-451TC-16FJX-16FJX45-34 H/A
25	1	607113	MOBILE HALF COUPLER ASSY, 0504	52	1	616089	04-451TC-06FJX-06FJX-60 H/A
26	1	617187	08-451TC-12FJX-08FJX90-29 H/A	53	1	616177	04-451TC-06FJX-06FJX-74 H/A
27	1	616873	06-451TC-06FJX-06FJX90-128 H/A	54	1	616511	04-451TC-06FJX-06FJX-33 H/A



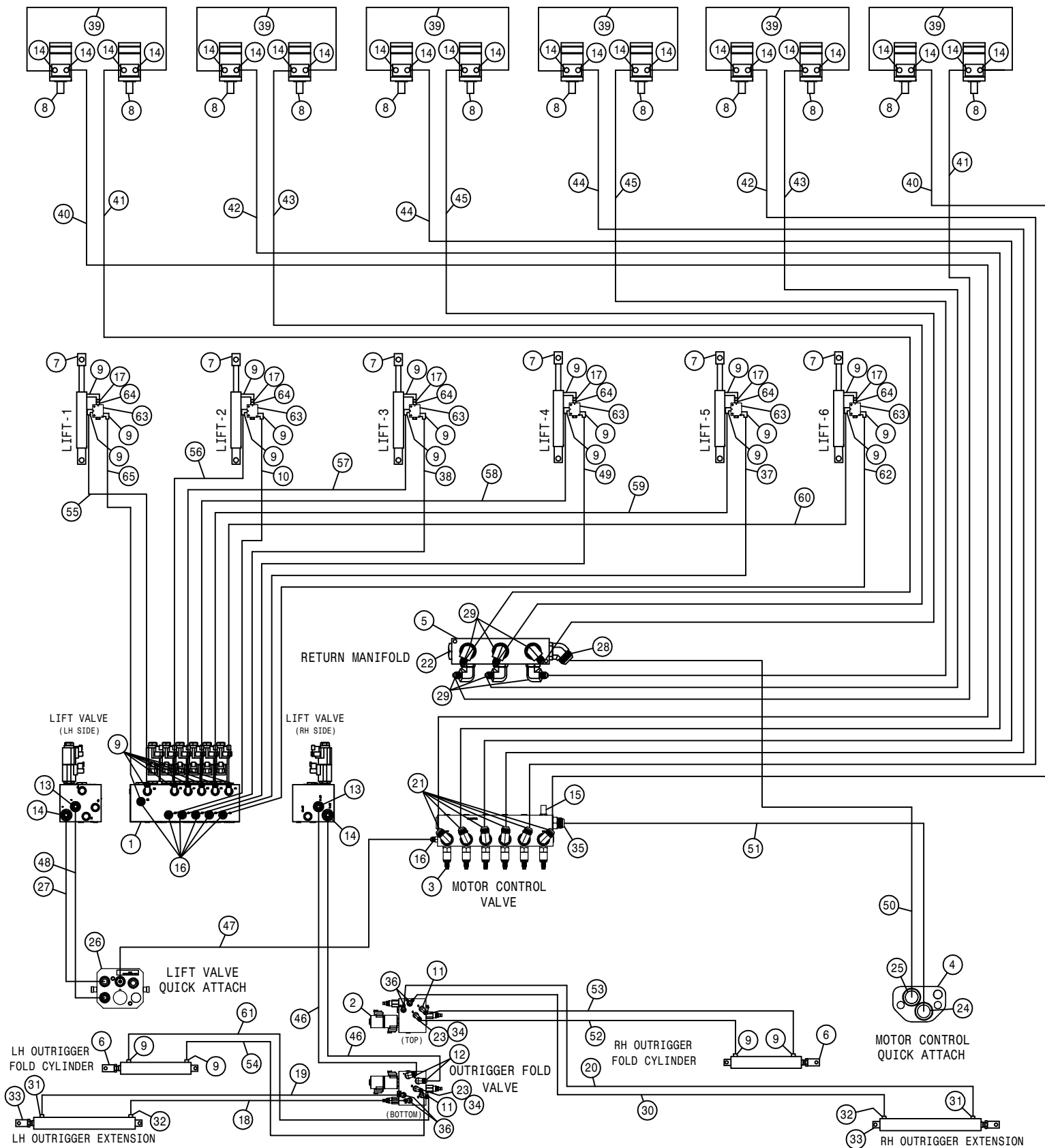
STS COMBO 12R QUAD HYD DIAG 2014
REFERENCE DRAWING NO. 499322

DET.	QTY	PART NO.	DESCRIPTION	DET.	QTY	PART NO.	DESCRIPTION
1	1	606285	LIFT VALVE,STS COMBO,SAUER	30	1	616873	06-451TC-06FJX-06FJX90-128 H/A
2	1	606286	FOLD VALVE,STS COMBO,SAUER	31	1	616876	06-451TC-06FJX-06FJX90-189 H/A
3	1	615911	MOTOR CONTROL MANIFOLD	32	6	618668	9/16FJIC SWIV-9/16MOR ADPTR
4	1	618879	COMBO MULTI COUPLR MOBILE '14	33	6	607565	CHECK VLV,PILOT TO OPEN, SUN
5	1	606246	MANIFOLD, #16 3-STN 180	34	1	616878	06-451TC-06FJX-06FJX90-233 H/A
6	2	621566	HYD CYL, 2.50 X 11.00 X 1.375	35	1	616512	04-451TC-06FJX-06FJX-49 H/A
7	6	621564	HYD CYL,2.00 X 11.00 X 1.50 1W	36	1	618754	9/16MOR PLUG, HEX SOCKET
8	12	610547	HYD MOTOR 4.5CI 1IN SHFT	37	1	616527	06-451TC-06FJX-06FJX45-229 H/A
9	32	618119	9/16MJIC-90-9/16MOR LBO	38	1	616528	06-451TC-08FJX-08FJX90-13 H/A
10	2	614757	.032 ELBOW ASSY,9/16MOR 90D	39	6	616135	08-451TC-08FJX-08FJX-50 H/A
11	2	618755	3/4MOR PLUG, HEX SOCKET	40	2	616541	08-451TC-12FJX-08FJX90-280 H/A
12	2	618241	3/4MJIC-90-3/4MOR LBO	41	2	616534	08-451TC-08FJX-08FJX-278 H/A
13	2	611125	3/4MJIC-3/4MOR ADPTR	42	2	616539	08-451TC-12FJX-08FJX90-220 H/A
14	26	618327	3/4MJIC-7/8MOR ADPTR	43	2	616533	08-451TC-08FJX-08FJX-218 H/A
15	1	619023	9/16 MOR DIAG FITTING STS'14	44	2	616538	08-451TC-12FJX-08FJX90-125 H/A
16	7	618126	9/16MJIC-9/16MOR ADPTR	45	2	616532	08-451TC-08FJX-08FJX-125 H/A
17	6	618733	9/16JIC .042 ORIFICE ADPTR	46	1	616529	06-451TC-08FJX-08FJX90-16 H/A
18	1	616626	06-451TC-06FJX-06FJX90-175 H/A	47	1	617188	04-451TC-04FJX-06FJX45-50 H/A
19	1	618186	1 5/16MJIC-1 5/16MOR ADPTR	48	1	617186	08-451TC-10FJX-08FJX90-29 H/A
20	1	616723	06-451TC-06FJX-06FJX90-85 H/A	49	1	616526	06-451TC-06FJX-06FJX45-171 H/A
21	6	618248	1 1/16MJIC-90-1 1/16MOR LBO	50	1	614766	20-811-20FJX-20FJX90-40 H/A
22	1	618759	1 5/8MOR PLUG, HEX SOCKET	51	1	614767	16-451TC-16FJX-16FJX45-34 H/A
23	1	618883	1 5/16MJIC-90-1 5/8MOR LBO	52	1	616089	04-451TC-06FJX-06FJX-60 H/A
24	1	618472	1 5/8MJIC-1 5/8MOR ADPTR	53	1	616177	04-451TC-06FJX-06FJX-74 H/A
25	1	607113	MOBILE HALF COUPLER ASSY, 0504	54	1	616511	04-451TC-06FJX-06FJX-33 H/A
26	1	617187	08-451TC-12FJX-08FJX90-29 H/A	55	1	616524	06-451TC-06FJX-06FJX45-185 H/A
27	1	616581	06-451TC-06FJX-06FJX90-40 H/A	56	1	616525	06-451TC-06FJX-06FJX45-124 H/A
28	1	618396	1 5/8MJIC-45-1 5/8MOR LBO	57	1	616644	06-451TC-06FJX-06FJX45-36 H/A
29	6	618475	3/4MJIC-90-1 5/16MOR LBO	58	1	616523	06-451TC-06FJX-06FJX45-80 H/A



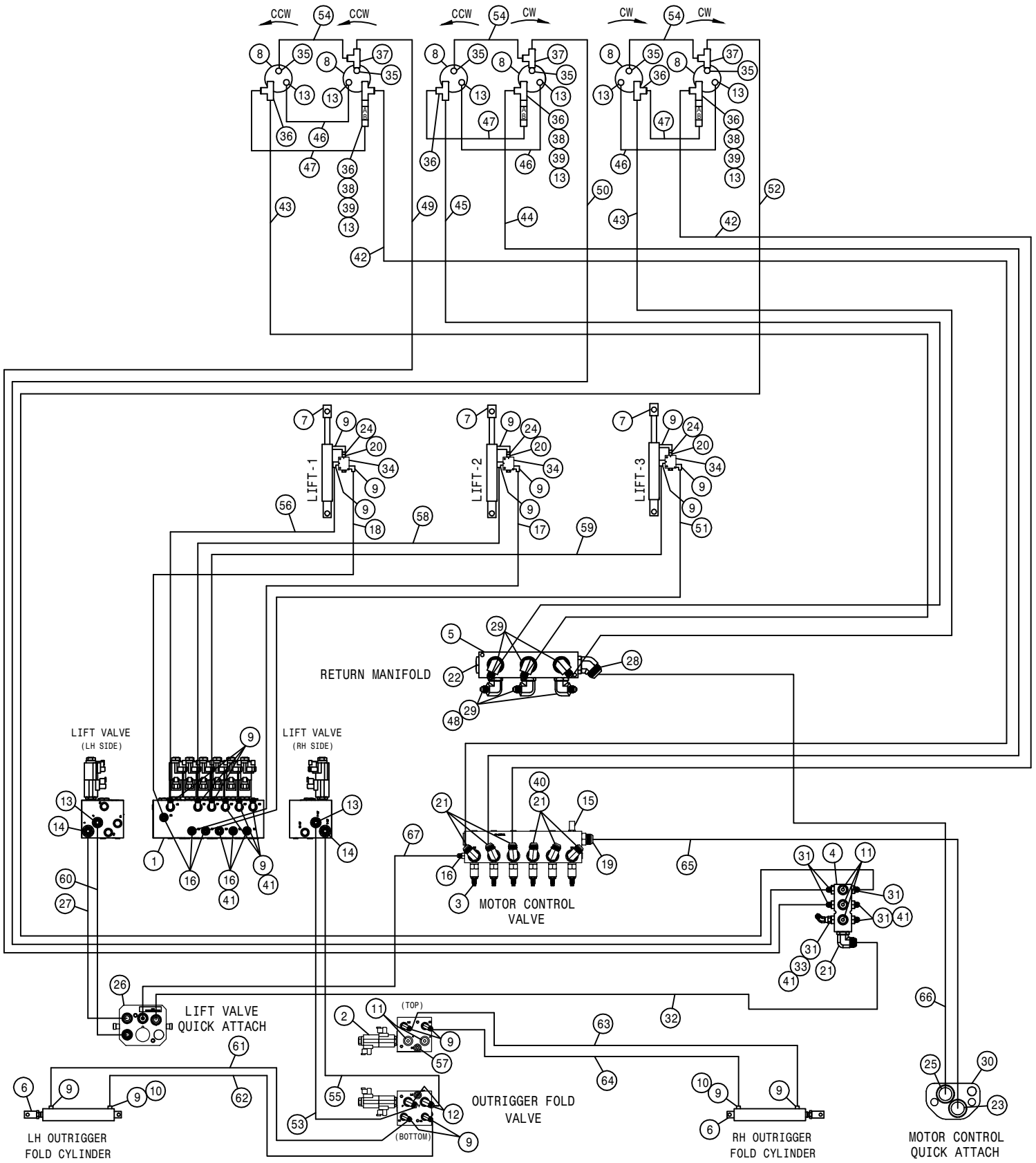
STS COMBO 18R QUAD HYD DIAG 2014
REFERENCE DRAWING NO. 499323

DET.	QTY	PART NO.	DESCRIPTION	DET.	QTY	PART NO.	DESCRIPTION
1	1	606285	LIFT VALVE, STS COMBO, SAUER	33	1	616877	06-451TC-06FJX-06FJX90-215 H/A
2	1	606286	FOLD VALVE, STS COMBO, SAUER	34	1	618186	1 5/16MJIC-1 5/16MOR ADPTR
3	1	615911	MOTOR CONTROL MANIFOLD	35	1	616660	08-451TC-08FJX-08FJX-275 H/A
4	1	618879	COMBO MULTI COUPLR MOBILE '14	36	1	618754	9/16MOR PLUG, HEX SOCKET
5	1	606246	MANIFOLD, #16 3-STN 180	37	1	616657	08-451TC-08FJX-08FJX-215 H/A
6	2	621566	HYD CYL, 2.50 X 11.00 X 1.375	38	1	616528	06-451TC-08FJX-08FJX90-13 H/A
7	6	621564	HYD CYL, 2.00 X 11.00 X 1.50 1W	39	12	616298	08-451TC-08FJX-08FJX-44 H/A
8	18	610547	HYD MOTOR 4.5CI 1IN SHFT	40	1	616654	08-451TC-12FJX-08FJX90-264 H/A
9	32	618119	9/16MJIC-90-9/16MOR LBO	41	1	616659	08-451TC-08FJX-08FJX-255 H/A
10	2	614757	.032 ELBOW ASSY, 9/16MOR 90D	42	1	616653	08-451TC-12FJX-08FJX90-204 H/A
11	2	618755	3/4MOR PLUG, HEX SOCKET	43	1	616658	08-451TC-08FJX-08FJX-195 H/A
12	2	618241	3/4MJIC-90-3/4MOR LBO	44	1	616651	08-451TC-12FJX-08FJX90-119 H/A
13	2	611125	3/4MJIC-3/4MOR ADPTR	45	1	616656	08-451TC-08FJX-08FJX-112 H/A
14	38	618327	3/4MJIC-7/8MOR ADPTR	46	1	616529	06-451TC-08FJX-08FJX90-16 H/A
15	1	619023	9/16 MOR DIAG FITTING STS'14	47	1	617188	04-451TC-04FJX-06FJX45-50 H/A
16	7	618126	9/16MJIC-9/16MOR ADPTR	48	1	617186	08-451TC-10FJX-08FJX90-29 H/A
17	7	618733	9/16JIC .042 ORIFICE ADPTR	49	1	616102	08-451TC-08FJX-08FJX-132 H/A
18	1	616874	06-451TC-06FJX-06FJX90-157 H/A	50	1	614766	20-811-20FJX-20FJX90-40 H/A
19	1	616872	06-451TC-06FJX-06FJX90-76 H/A	51	1	614767	16-451TC-16FJX-16FJX45-34 H/A
20	1	616581	06-451TC-06FJX-06FJX90-40 H/A	52	1	616089	04-451TC-06FJX-06FJX-60 H/A
21	6	618248	1 1/16MJIC-90-1 1/16MOR LBO	53	1	616177	04-451TC-06FJX-06FJX-74 H/A
22	1	618759	1 5/8MOR PLUG, HEX SOCKET	54	1	616511	04-451TC-06FJX-06FJX-33 H/A
23	1	618883	1 5/16MJIC-90-1 5/8MOR LBO	55	1	616648	06-451TC-06FJX-06FJX45-167 H/A
24	1	618472	1 5/8MJIC-1 5/8MOR ADPTR	56	1	616646	06-451TC-06FJX-06FJX45-106 H/A
25	1	607113	MOBILE HALF COUPLER ASSY, 0504	57	1	616644	06-451TC-06FJX-06FJX45-36 H/A
26	1	617187	08-451TC-12FJX-08FJX90-29 H/A	58	1	616645	06-451TC-06FJX-06FJX45-72 H/A
27	1	616746	06-451TC-06FJX-06FJX90-110 H/A	59	1	616647	06-451TC-06FJX-06FJX45-153 H/A
28	1	618396	1 5/8MJIC-45-1 5/8MOR LBO	60	1	616649	06-451TC-06FJX-06FJX45-211 H/A
29	6	618475	3/4MJIC-90-1 5/16MOR LBO	61	1	616512	04-451TC-06FJX-06FJX-49 H/A
30	1	616875	06-451TC-06FJX-06FJX90-171 H/A	62	1	616650	08-451TC-12FJX-08FJX90-114 H/A
31	6	618668	9/16FJIC SWIV-9/16MOR ADPTR	63	1	616652	08-451TC-12FJX-08FJX90-197 H/A
32	6	607565	CHECK VLV, PILOT TO OPEN, SUN	64	1	616655	08-451TC-12FJX-08FJX90-257 H/A



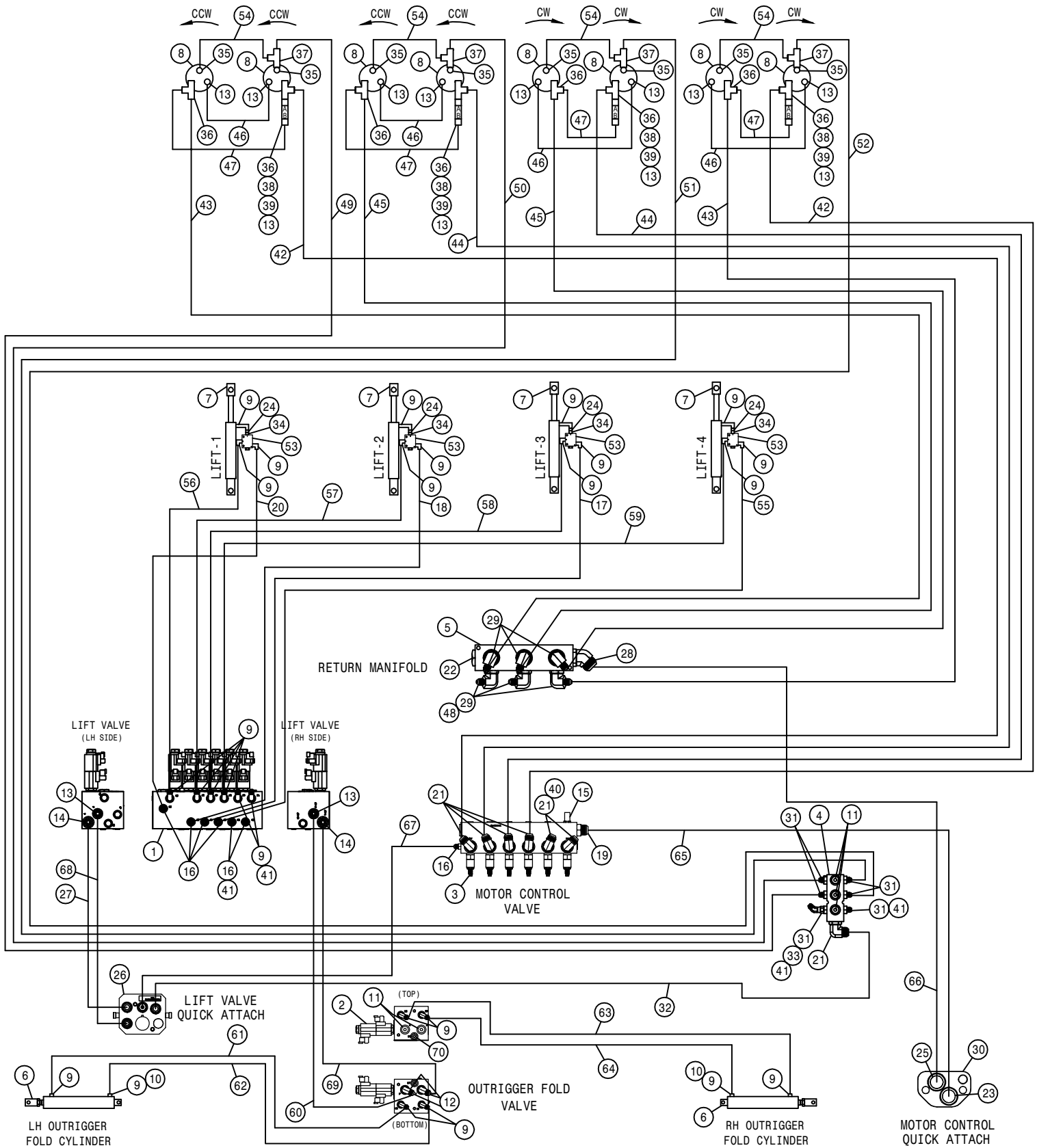
STS COMBO 4-2 QUAD HYD DIAG 2014
REFERENCE DRAWING NO. 499324

DET.	QTY	PART NO.	DESCRIPTION	DET.	QTY	PART NO.	DESCRIPTION
1	1	606285	LIFT VALVE, STS COMBO, SAUER	34	2	618618	9/16MJIC-90-9/16FJIC SWIV LBO
2	1	606464	FOLD/EXT SEQ VLV, 4-2COM STS'13	35	1	618186	1 5/16MJIC-1 5/16MOR ADPTR
3	1	615911	MOTOR CONTROL MANIFOLD	36	4	618473	7/16MJIC-90-7/16MOR LBO
4	1	618879	COMBO MULTI COUPLR MOBILE '14	37	1	616877	06-451TC-06FJX-06FJX90-215 H/A
5	1	606246	MANIFOLD, #16 3-STN 180	38	1	616581	06-451TC-06FJX-06FJX90-40 H/A
6	2	621566	HYD CYL, 2.50 X 11.00 X 1.375	39	6	616135	08-451TC-08FJX-08FJX-50 H/A
7	6	621564	HYD CYL, 2.00 X 11.00 X 1.50 1W	40	2	617184	08-451TC-12FJX-08FJX-300 H/A
8	12	610547	HYD MOTOR 4.5CI 1IN SHFT	41	2	617179	08-451TC-08FJX-08FJX-305 H/A
9	28	618119	9/16MJIC-90-9/16MOR LBO	42	2	617183	08-451TC-12FJX-08FJX-234 H/A
10	1	616875	06-451TC-06FJX-06FJX90-171 H/A	43	2	617178	08-451TC-08FJX-08FJX-242 H/A
11	2	618114	9/16MJIC-90-7/16MOR LBO	44	2	617182	08-451TC-12FJX-08FJX-125 H/A
12	2	618249	3/4MJIC-90-9/16MOR LBO	45	2	616532	08-451TC-08FJX-08FJX-125 H/A
13	2	611125	3/4MJIC-3/4MOR ADPTR	46	2	616529	06-451TC-08FJX-08FJX90-16 H/A
14	26	618327	3/4MJIC-7/8MOR ADPTR	47	1	617188	04-451TC-04FJX-06FJX45-50 H/A
15	1	619023	9/16 MOR DIAG FITTING STS'14	48	1	617186	08-451TC-10FJX-08FJX90-29 H/A
16	7	618126	9/16MJIC-9/16MOR ADPTR	49	1	616723	06-451TC-06FJX-06FJX90-85 H/A
17	6	618733	9/16JIC .042 ORIFICE ADPTR	50	1	614766	20-811-20FJX-20FJX90-40 H/A
18	1	616302	04-451TC-04FJX-06FJX-60 H/A	51	1	614767	16-451TC-16FJX-16FJX45-34 H/A
19	1	617158	04-451TC-04FJX-06FJX-94 H/A	52	1	616089	04-451TC-06FJX-06FJX-60 H/A
20	1	617160	04-451TC-04FJX-06FJX-140 H/A	53	1	616177	04-451TC-06FJX-06FJX-74 H/A
21	6	618248	1 1/16MJIC-90-1 1/16MOR LBO	54	1	616511	04-451TC-06FJX-06FJX-33 H/A
22	1	618759	1 5/8MOR PLUG, HEX SOCKET	55	1	616527	06-451TC-06FJX-06FJX45-229 H/A
23	2	618304	9/16MJIC-7/16MOR ADPTR	56	1	616648	06-451TC-06FJX-06FJX45-167 H/A
24	1	618883	1 5/16MJIC-90-1 5/8MOR LBO	57	1	616644	06-451TC-06FJX-06FJX45-36 H/A
25	1	618472	1 5/8MJIC-1 5/8MOR ADPTR	58	1	616523	06-451TC-06FJX-06FJX45-80 H/A
26	1	607113	MOBILE HALF COUPLER ASSY, 0504	59	1	616649	06-451TC-06FJX-06FJX45-211 H/A
27	1	617187	08-451TC-12FJX-08FJX90-29 H/A	60	1	617157	06-451TC-06FJX-06FJX45-271 H/A
28	1	618396	1 5/8MJIC-45-1 5/8MOR LBO	61	1	616512	04-451TC-06FJX-06FJX-49 H/A
29	6	618475	3/4MJIC-90-1 5/16MOR LBO	62	1	616785	06-451TC-06FJX-06FJX90-276 H/A
30	1	617159	04-451TC-04FJX-06FJX-105 H/A	63	6	607565	CHECK VLV, PILOT TO OPEN, SUN
31	2	618115	9/16MJIC-90-3/4MOR LBO	64	6	618668	9/16FJIC SWIV-9/16MOR ADPTR
32	2	618496	9/16MJIC-45-3/4MOR LBO	65	1	616878	06-451TC-06FJX-06FJX90-233 H/A
33	2	621156	EXTENSION CYL, 4-2 COM STS'13				



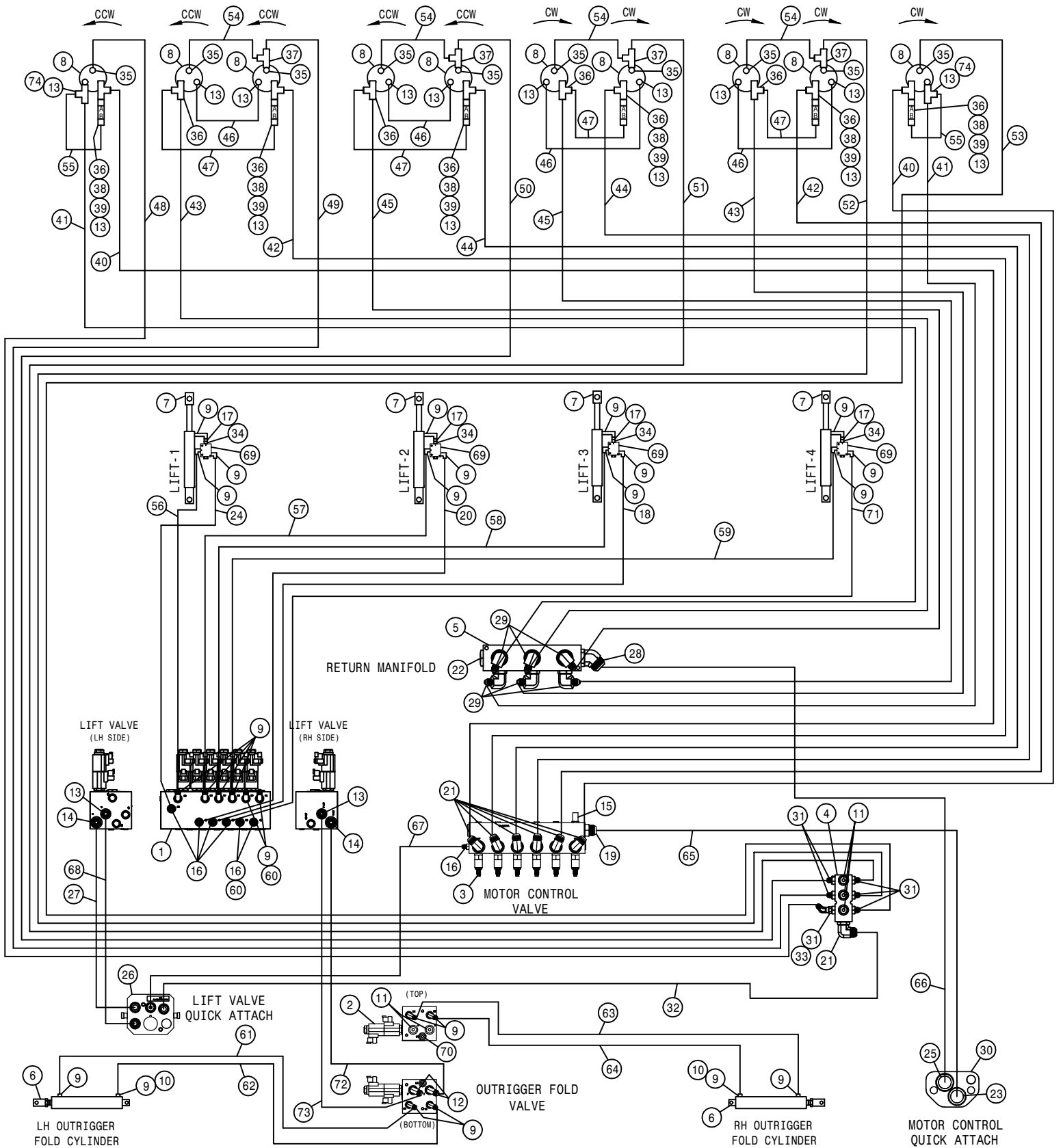
STS COMBO 6R CUTR HYD DIAG 2014
REFERENCE DRAWING NO. 499325

DET.	QTY	PART NO.	DESCRIPTION	DET.	QTY	PART NO.	DESCRIPTION
1	1	606285	LIFT VALVE,STS COMBO,SAUER	35	6	618530	9/16MJIC-1/8MNPT ADPTR
2	1	606286	FOLD VALVE,STS COMBO,SAUER	36	6	618494	3/4MOR RUN TEE-3/4MJIC
3	1	615911	MOTOR CONTROL MANIFOLD	37	3	618486	9/16FJIC SW RUN TEE-9/16MJIC
4	1	606021	HYD RETURN MANIF,3/4FOR,9-PORT	38	3	618669	3/4FJIC SWIV-3/4MOR ADPTR
5	1	606246	MANIFOLD, #16 3-STN 180	39	3	618292	CHECK VALVE,3/4FOR INLINE
6	2	621566	HYD CYL, 2.50 X 11.00 X 1.375	40	3	618533	1 1/16FJIC CAP NUT
7	3	621564	HYD CYL,2.00 X 11.00 X 1.50 1W	41	9	618531	9/16FJIC CAP NUT
8	6	610755	BARNES HYD MOTOR, D-SERIES 01	42	2	616539	08-451TC-12FJX-08FJX90-220 H/A
9	20	618119	9/16MJIC-90-9/16MOR LBO	43	2	616533	08-451TC-08FJX-08FJX-218 H/A
10	2	618732	9/16JIC .031 ORIFICE ADPTR	44	1	616538	08-451TC-12FJX-08FJX90-125 H/A
11	5	618755	3/4MOR PLUG, HEX SOCKET	45	1	616532	08-451TC-08FJX-08FJX-125 H/A
12	2	618241	3/4MJIC-90-3/4MOR LBO	46	3	616531	08-451TC-08FJX-08FJX-55 H/A
13	11	611125	3/4MJIC-3/4MOR ADPTR	47	3	616537	08-451TC-08FJX-08FJX90-52 H/A
14	2	618327	3/4MJIC-7/8MOR ADPTR	48	3	618532	3/4FJIC CAP NUT
15	1	619023	9/16 MOR DIAG FITTING STS'14	49	1	616515	04-451TC-06FJX-06FJX-238 H/A
16	8	618126	9/16MJIC-9/16MOR ADPTR	50	1	616180	04-451TC-06FJX-06FJX-143 H/A
17	1	616723	06-451TC-06FJX-06FJX90-85 H/A	51	1	616626	06-451TC-06FJX-06FJX90-175 H/A
18	1	616873	06-451TC-06FJX-06FJX90-128 H/A	52	1	616514	04-451TC-06FJX-06FJX-208 H/A
19	1	618186	1 5/16MJIC-1 5/16MOR ADPTR	53	1	616529	06-451TC-08FJX-08FJX90-16 H/A
20	3	618668	9/16FJIC SWIV-9/16MOR ADPTR	54	3	616521	04-451TC-06FJX-06FJX90-54 H/A
21	6	618248	1 1/16MJIC-90-1 1/16MOR LBO	55	1	616528	06-451TC-08FJX-08FJX90-13 H/A
22	1	618759	1 5/8MOR PLUG, HEX SOCKET	56	1	616525	06-451TC-06FJX-06FJX45-124 H/A
23	1	618883	1 5/16MJIC-90-1 5/8MOR LBO	57	1	618754	9/16MOR PLUG, HEX SOCKET
24	3	618733	9/16JIC .042 ORIFICE ADPTR	58	1	616523	06-451TC-06FJX-06FJX45-80 H/A
25	1	618472	1 5/8MJIC-1 5/8MOR ADPTR	59	1	616526	06-451TC-06FJX-06FJX45-171 H/A
26	1	607113	MOBILE HALF COUPLER ASSY, 0504	60	1	617186	08-451TC-10FJX-08FJX90-29 H/A
27	1	617187	08-451TC-12FJX-08FJX90-29 H/A	61	1	616512	04-451TC-06FJX-06FJX-49 H/A
28	1	618396	1 5/8MJIC-45-1 5/8MOR LBO	62	1	616511	04-451TC-06FJX-06FJX-33 H/A
29	6	618475	3/4MJIC-90-1 5/16MOR LBO	63	1	616177	04-451TC-06FJX-06FJX-74 H/A
30	1	618879	COMBO MULTI COUPLR MOBILE '14	64	1	616089	04-451TC-06FJX-06FJX-60 H/A
31	6	618109	9/16MJIC-3/4MOR ADPTR	65	1	614767	16-451TC-16FJX-16FJX45-34 H/A
32	1	617189	12-451TC-12FJX-12FJX-70 H/A	66	1	614766	20-811-20FJX-20FJX90-40 H/A
33	1	618634	9/16MJIC-45-9/16FJIC SWIV LBO	67	1	617188	04-451TC-04FJX-06FJX45-50 H/A
34	3	607565	CHECK VLV,PILOT TO OPEN, SUN				



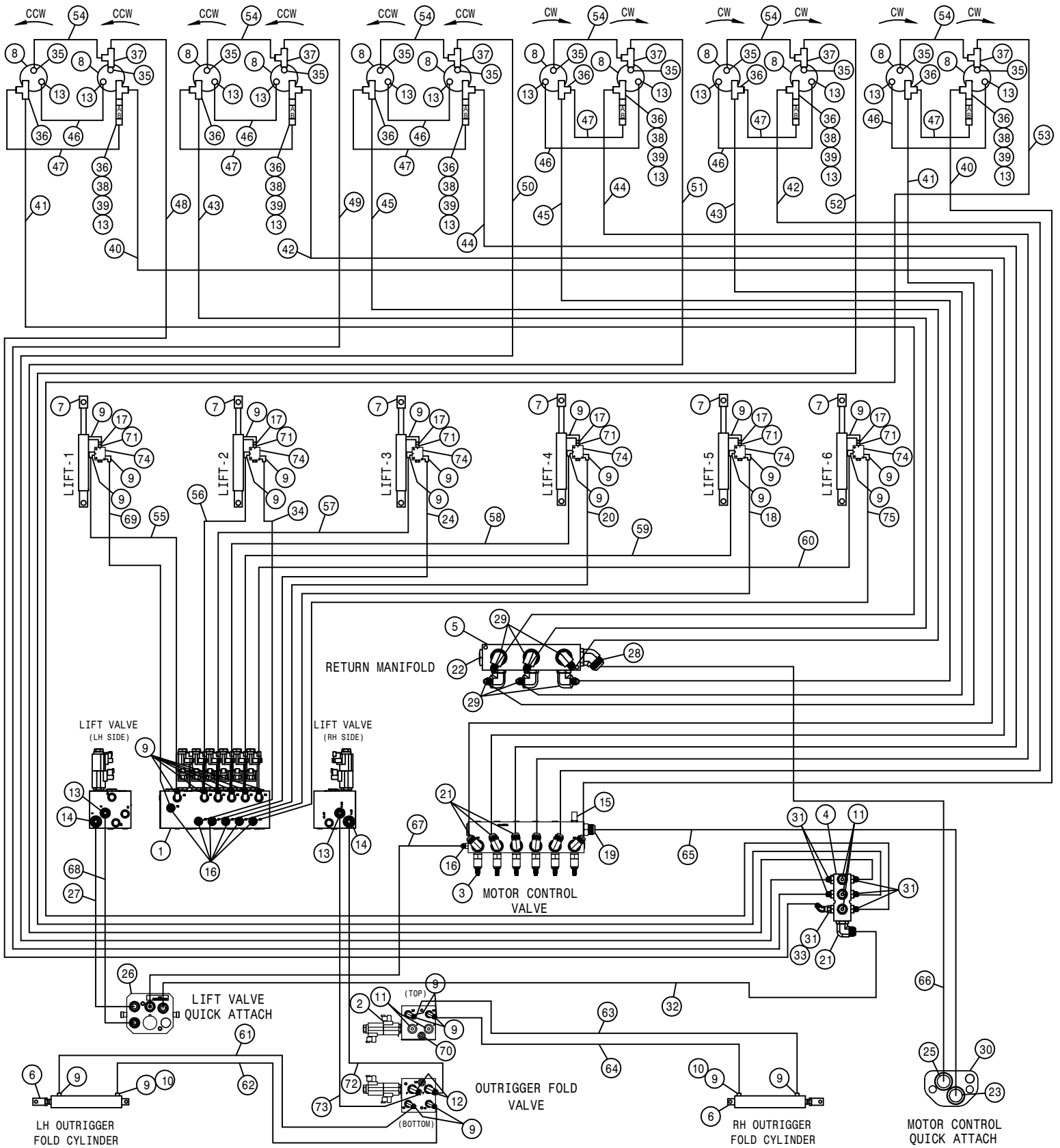
STS COMBO 8R CUTR HYD DIAG 2014
REFERENCE DRAWING NO. 499326

DET.	QTY	PART NO.	DESCRIPTION	DET.	QTY	PART NO.	DESCRIPTION
1	1	606285	LIFT VALVE, STS COMBO, SAUER	36	8	618494	3/4MOR RUN TEE-3/4MJIC
2	1	606286	FOLD VALVE, STS COMBO, SAUER	37	4	618486	9/16FJIC SW RUN TEE-9/16MJIC
3	1	615911	MOTOR CONTROL MANIFOLD	38	4	618669	3/4FJIC SWIV-3/4MOR ADPTR
4	1	606021	HYD RETURN MANIF, 3/4FOR, 9-PORT	39	4	618292	CHECK VALVE, 3/4FOR INLINE
5	1	606246	MANIFOLD, #16 3-STN 180	40	2	618533	1 1/16FJIC CAP NUT
6	2	621566	HYD CYL, 2.50 X 11.00 X 1.375	41	6	618531	9/16FJIC CAP NUT
7	4	621564	HYD CYL, 2.00 X 11.00 X 1.50 1W	42	2	616539	08-451TC-12FJX-08FJX90-220 H/A
8	8	610755	BARNES HYD MOTOR, D-SERIES 01	43	2	616533	08-451TC-08FJX-08FJX-218 H/A
9	26	618119	9/16MJIC-90-9/16MOR LBO	44	2	616538	08-451TC-12FJX-08FJX90-125 H/A
10	2	618732	9/16JIC .031 ORIFICE ADPTR	45	2	616532	08-451TC-08FJX-08FJX-125 H/A
11	5	618755	3/4MOR PLUG, HEX SOCKET	46	4	616531	08-451TC-08FJX-08FJX-55 H/A
12	2	618241	3/4MJIC-90-3/4MOR LBO	47	4	616537	08-451TC-08FJX-08FJX90-52 H/A
13	14	611125	3/4MJIC-3/4MOR ADPTR	48	2	618532	3/4FJIC CAP NUT
14	2	618327	3/4MJIC-7/8MOR ADPTR	49	1	616515	04-451TC-06FJX-06FJX-238 H/A
15	1	619023	9/16 MOR DIAG FITTING STS'14	50	1	616180	04-451TC-06FJX-06FJX-143 H/A
16	7	618126	9/16MJIC-9/16MOR ADPTR	51	1	616513	04-451TC-06FJX-06FJX-112 H/A
17	1	616723	06-451TC-06FJX-06FJX90-85 H/A	52	1	616514	04-451TC-06FJX-06FJX-208 H/A
18	1	616581	06-451TC-06FJX-06FJX90-40 H/A	53	4	607565	CHECK VLV, PILOT TO OPEN, SUN
19	1	618186	1 5/16MJIC-1 5/16MOR ADPTR	54	4	616521	04-451TC-06FJX-06FJX90-54 H/A
20	1	616873	06-451TC-06FJX-06FJX90-128 H/A	55	1	616626	06-451TC-06FJX-06FJX90-175 H/A
21	7	618248	1 1/16MJIC-90-1 1/16MOR LBO	56	1	616525	06-451TC-06FJX-06FJX45-124 H/A
22	1	618759	1 5/8MOR PLUG, HEX SOCKET	57	1	616644	06-451TC-06FJX-06FJX45-36 H/A
23	1	618883	1 5/16MJIC-90-1 5/8MOR LBO	58	1	616523	06-451TC-06FJX-06FJX45-80 H/A
24	4	618733	9/16JIC .042 ORIFICE ADPTR	59	1	616526	06-451TC-06FJX-06FJX45-171 H/A
25	1	618472	1 5/8MJIC-1 5/8MOR ADPTR	60	1	616529	06-451TC-08FJX-08FJX90-16 H/A
26	1	607113	MOBILE HALF COUPLER ASSY, 0504	61	1	616512	04-451TC-06FJX-06FJX-49 H/A
27	1	617187	08-451TC-12FJX-08FJX90-29 H/A	62	1	616511	04-451TC-06FJX-06FJX-33 H/A
28	1	618396	1 5/8MJIC-45-1 5/8MOR LBO	63	1	616177	04-451TC-06FJX-06FJX-74 H/A
29	6	618475	3/4MJIC-90-1 5/16MOR LBO	64	1	616089	04-451TC-06FJX-06FJX-60 H/A
30	1	618879	COMBO MULTI COUPLR MOBILE '14	65	1	614767	16-451TC-16FJX-16FJX45-34 H/A
31	6	618109	9/16MJIC-3/4MOR ADPTR	66	1	614766	20-811-20FJX-20FJX90-40 H/A
32	1	617189	12-451TC-12FJX-12FJX-70 H/A	67	1	617188	04-451TC-04FJX-06FJX45-50 H/A
33	1	618634	9/16MJIC-45-9/16FJIC SWIV LBO	68	1	617186	08-451TC-10FJX-08FJX90-29 H/A
34	4	618668	9/16FJIC SWIV-9/16MOR ADPTR	69	1	616528	06-451TC-08FJX-08FJX90-13 H/A
35	8	618530	9/16MJIC-1/8MNPT ADPTR	70	1	618754	9/16MOR PLUG, HEX SOCKET



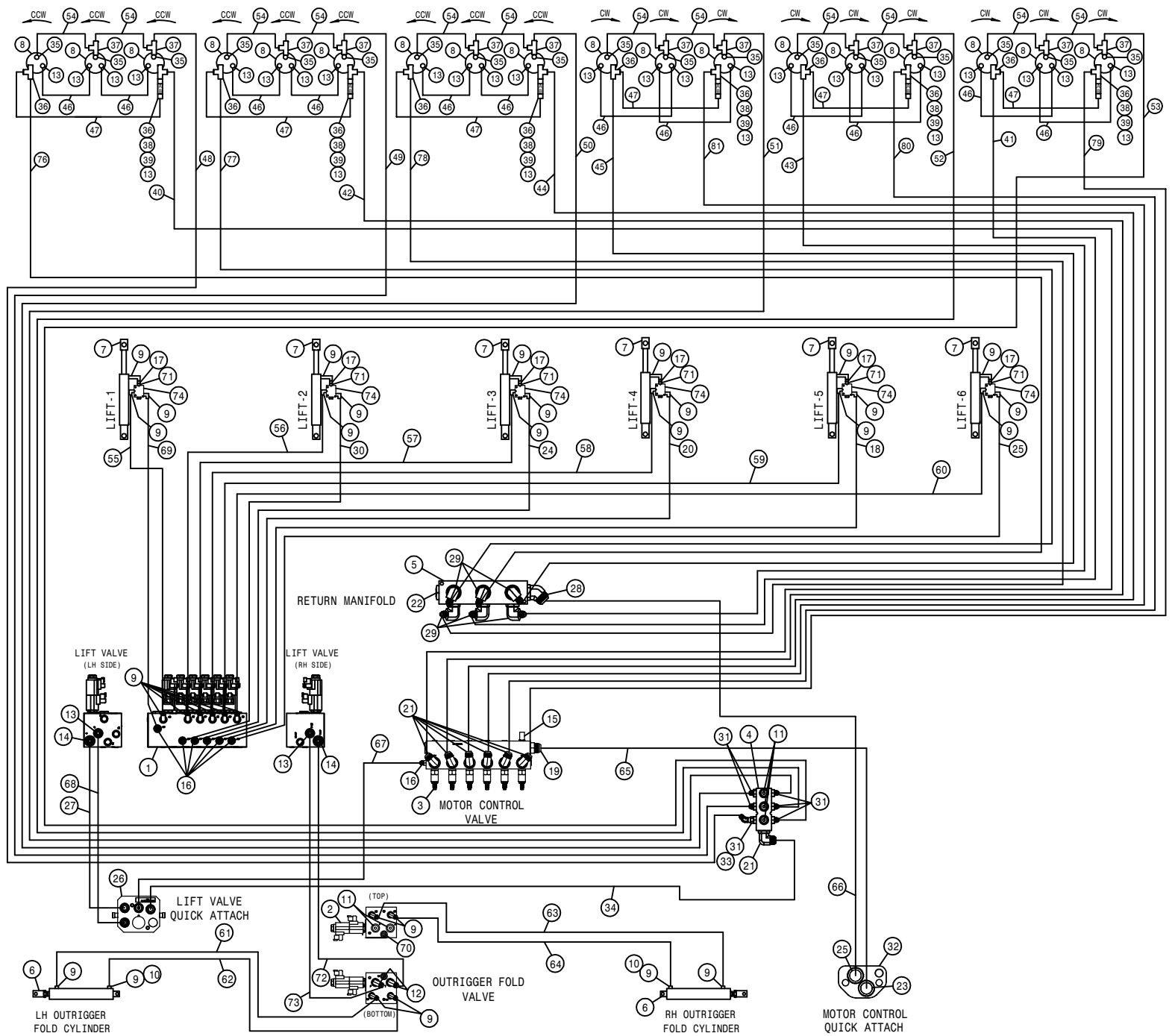
STS COMBO 10R CUTR HYD DIAG 2014
REFERENCE DRAWING NO. 499327

DET.	QTY	PART NO.	DESCRIPTION	DET.	QTY	PART NO.	DESCRIPTION
1	1	606285	LIFT VALVE,STS COMBO,SAUER	38	6	618669	3/4FJIC SWIV-3/4MOR ADPTR
2	1	606286	FOLD VALVE,STS COMBO,SAUER	39	6	618292	CHECK VALVE,3/4FOR INLINE
3	1	615911	MOTOR CONTROL MANIFOLD	40	2	616540	08-451TC-12FJX-08FJX90-252 H/A
4	1	606021	HYD RETURN MANIF,3/4FOR,9-PORT	41	2	616535	08-451TC-08FJX-08FJX-252 H/A
5	1	606246	MANIFOLD, #16 3-STN 180	42	2	616539	08-451TC-12FJX-08FJX90-220 H/A
6	2	621566	HYD CYL, 2.50 X 11.00 X 1.375	43	2	616533	08-451TC-08FJX-08FJX-218 H/A
7	4	621564	HYD CYL,2.00 X 11.00 X 1.50 1W	44	2	616538	08-451TC-12FJX-08FJX90-125 H/A
8	10	610755	BARNES HYD MOTOR, D-SERIES 01	45	2	616532	08-451TC-08FJX-08FJX-125 H/A
9	26	618119	9/16MJIC-90-9/16MOR LBO	46	4	616531	08-451TC-08FJX-08FJX-55 H/A
10	2	618732	9/16JIC .031 ORIFICE ADPTR	47	4	616537	08-451TC-08FJX-08FJX90-52 H/A
11	5	618755	3/4MOR PLUG, HEX SOCKET	48	1	618517	1 5/16MJ-90-1 5/16FJX TUBETRN
12	2	618241	3/4MJIC-90-3/4MOR LBO	49	1	616515	04-451TC-06FJX-06FJX-238 H/A
13	18	611125	3/4MJIC-3/4MOR ADPTR	50	1	616180	04-451TC-06FJX-06FJX-143 H/A
14	2	618327	3/4MJIC-7/8MOR ADPTR	51	1	616513	04-451TC-06FJX-06FJX-112 H/A
15	1	619023	9/16 MOR DIAG FITTING STS'14	52	1	616514	04-451TC-06FJX-06FJX-208 H/A
16	7	618126	9/16MJIC-9/16MOR ADPTR	53	1	616516	04-451TC-06FJX-06FJX-246 H/A
17	4	618733	9/16JIC .042 ORIFICE ADPTR	54	4	616521	04-451TC-06FJX-06FJX90-54 H/A
18	1	616723	06-451TC-06FJX-06FJX90-85 H/A	55	2	616530	08-451TC-08FJX-08FJX90-27 H/A
19	1	618186	1 5/16MJIC-1 5/16MOR ADPTR	56	1	616525	06-451TC-06FJX-06FJX45-124 H/A
20	1	616581	06-451TC-06FJX-06FJX90-40 H/A	57	1	616644	06-451TC-06FJX-06FJX45-36 H/A
21	7	618248	1 1/16MJIC-90-1 1/16MOR LBO	58	1	616523	06-451TC-06FJX-06FJX45-80 H/A
22	1	618759	1 5/8MOR PLUG, HEX SOCKET	59	1	616526	06-451TC-06FJX-06FJX45-171 H/A
23	1	618883	1 5/16MJIC-90-1 5/8MOR LBO	60	4	618531	9/16FJIC CAP NUT
24	1	616873	06-451TC-06FJX-06FJX90-128 H/A	61	1	616512	04-451TC-06FJX-06FJX-49 H/A
25	1	618472	1 5/8MJIC-1 5/8MOR ADPTR	62	1	616511	04-451TC-06FJX-06FJX-33 H/A
26	1	607113	MOBILE HALF COUPLER ASSY, 0504	63	1	616177	04-451TC-06FJX-06FJX-74 H/A
27	1	617187	08-451TC-12FJX-08FJX90-29 H/A	64	1	616089	04-451TC-06FJX-06FJX-60 H/A
28	1	618396	1 5/8MJIC-45-1 5/8MOR LBO	65	1	614767	16-451TC-16FJX-16FJX45-34 H/A
29	6	618475	3/4MJIC-90-1 5/16MOR LBO	66	1	614766	20-811-20FJX-20FJX90-40 H/A
30	1	618879	COMBO MULTI COUPLR MOBILE '14	67	1	617188	04-451TC-04FJX-06FJX45-50 H/A
31	6	618109	9/16MJIC-3/4MOR ADPTR	68	1	617186	08-451TC-10FJX-08FJX90-29 H/A
32	1	617189	12-451TC-12FJX-12FJX-70 H/A	69	4	607565	CHECK VLV,PILOT TO OPEN, SUN
33	1	618634	9/16MJIC-45-9/16FJIC SWIV LBO	70	1	618754	9/16MOR PLUG, HEX SOCKET
34	4	618668	9/16FJIC SWIV-9/16MOR ADPTR	71	1	616626	06-451TC-06FJX-06FJX90-175 H/A
35	10	618530	9/16MJIC-1/8MNPT ADPTR	72	1	616528	06-451TC-08FJX-08FJX90-13 H/A
36	10	618494	3/4MOR RUN TEE-3/4MJIC	73	1	616529	06-451TC-08FJX-08FJX90-16 H/A
37	4	618486	9/16FJIC SW RUN TEE-9/16MJIC	74	1	618451	3/4FJIC SW RUN TEE-3/4MJIC



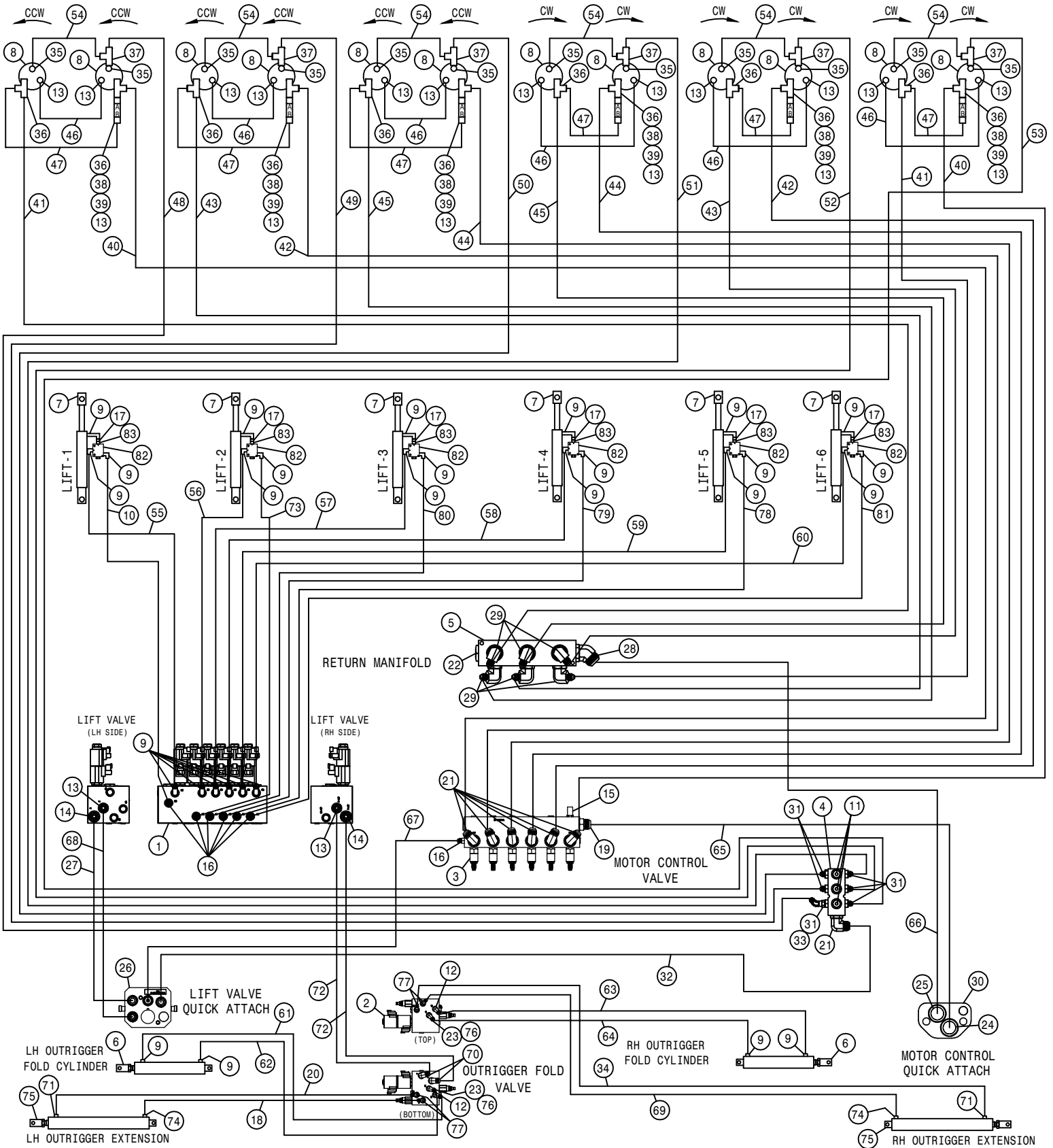
STS COMBO 12R HYD DIAG 2014
REFERENCE DRAWING NO. 499328

DET.	QTY	PART NO.	DESCRIPTION	DET.	QTY	PART NO.	DESCRIPTION
1	1	606285	LIFT VALVE, STS COMBO, SAUER	39	6	618292	CHECK VALVE, 3/4 FOR INLINE
2	1	606286	FOLD VALVE, STS COMBO, SAUER	40	2	616541	08-451TC-12FJX-08FJX90-280 H/A
3	1	615911	MOTOR CONTROL MANIFOLD	41	2	616534	08-451TC-08FJX-08FJX-278 H/A
4	1	606021	HYD RETURN MANIF, 3/4 FOR, 9-PORT	42	2	616539	08-451TC-12FJX-08FJX90-220 H/A
5	1	606246	MANIFOLD, #16 3-STN 180	43	2	616533	08-451TC-08FJX-08FJX-218 H/A
6	2	621566	HYD CYL, 2.50 X 11.00 X 1.375	44	2	616538	08-451TC-12FJX-08FJX90-125 H/A
7	6	621564	HYD CYL, 2.00 X 11.00 X 1.50 1W	45	2	616532	08-451TC-08FJX-08FJX-125 H/A
8	12	610755	BARNES HYD MOTOR, D-SERIES 01	46	6	616531	08-451TC-08FJX-08FJX-55 H/A
9	32	618119	9/16MJIC-90-9/16MOR LBO	47	6	616537	08-451TC-08FJX-08FJX90-52 H/A
10	2	614757	.032 ELBOW ASSY, 9/16MOR 90D	48	1	616518	04-451TC-06FJX-06FJX-298 H/A
11	5	618755	3/4MOR PLUG, HEX SOCKET	49	1	616515	04-451TC-06FJX-06FJX-238 H/A
12	2	618241	3/4MJIC-90-3/4MOR LBO	50	1	616180	04-451TC-06FJX-06FJX-143 H/A
13	20	611125	3/4MJIC-3/4MOR ADPTR	51	1	616513	04-451TC-06FJX-06FJX-112 H/A
14	2	618327	3/4MJIC-7/8MOR ADPTR	52	1	616514	04-451TC-06FJX-06FJX-208 H/A
15	1	619023	9/16 MOR DIAG FITTING STS'14	53	1	616517	04-451TC-06FJX-06FJX-272 H/A
16	7	618126	9/16MJIC-9/16MOR ADPTR	54	6	616521	04-451TC-06FJX-06FJX90-54 H/A
17	2	618733	9/16JIC .042 ORIFICE ADPTR	55	1	616524	06-451TC-06FJX-06FJX45-185 H/A
18	1	616626	06-451TC-06FJX-06FJX90-175 H/A	56	1	616525	06-451TC-06FJX-06FJX45-124 H/A
19	1	618186	1 5/16MJIC-1 5/16MOR ADPTR	57	1	616644	06-451TC-06FJX-06FJX45-36 H/A
20	1	616723	06-451TC-06FJX-06FJX90-85 H/A	58	1	616523	06-451TC-06FJX-06FJX45-80 H/A
21	7	618248	1 1/16MJIC-90-1 1/16MOR LBO	59	1	616526	06-451TC-06FJX-06FJX45-171 H/A
22	1	618759	1 5/8MOR PLUG, HEX SOCKET	60	1	616527	06-451TC-06FJX-06FJX45-229 H/A
23	1	618883	1 5/16MJIC-90-1 5/8MOR LBO	61	1	616512	04-451TC-06FJX-06FJX-49 H/A
24	1	616581	06-451TC-06FJX-06FJX90-40 H/A	62	1	616511	04-451TC-06FJX-06FJX-33 H/A
25	1	618472	1 5/8MJIC-1 5/8MOR ADPTR	63	1	616177	04-451TC-06FJX-06FJX-74 H/A
26	1	607113	MOBILE HALF COUPLER ASSY, 0504	64	1	616089	04-451TC-06FJX-06FJX-60 H/A
27	1	617187	08-451TC-12FJX-08FJX90-29 H/A	65	1	614767	16-451TC-16FJX-16FJX45-34 H/A
28	1	618396	1 5/8MJIC-45-1 5/8MOR LBO	66	1	614766	20-811-20FJX-20FJX90-40 H/A
29	6	618475	3/4MJIC-90-1 5/16MOR LBO	67	1	617188	04-451TC-04FJX-06FJX45-50 H/A
30	1	618879	COMBO MULTI COUPLR MOBILE '14	68	1	617186	08-451TC-10FJX-08FJX90-29 H/A
31	6	618109	9/16MJIC-3/4MOR ADPTR	69	1	616876	06-451TC-06FJX-06FJX90-189 H/A
32	1	617189	12-451TC-12FJX-12FJX-70 H/A	70	1	618754	9/16MOR PLUG, HEX SOCKET
33	1	618634	9/16MJIC-45-9/16FJIC SWIV LBO	71	6	618668	9/16FJIC SWIV-9/16MOR ADPTR
34	1	616873	06-451TC-06FJX-06FJX90-128 H/A	72	1	616528	06-451TC-08FJX-08FJX90-13 H/A
35	12	618530	9/16MJIC-1/8MNPT ADPTR	73	1	618529	1 1/16MJ-45-1 1/16FJ SWIV LBO
36	12	618494	3/4MOR RUN TEE-3/4MJIC	74	6	607565	CHECK VLV, PILOT TO OPEN, SUN
37	6	618486	9/16FJIC SW RUN TEE-9/16MJIC	75	1	616878	06-451TC-06FJX-06FJX90-233 H/A
38	6	618669	3/4FJIC SWIV-3/4MOR ADPTR				



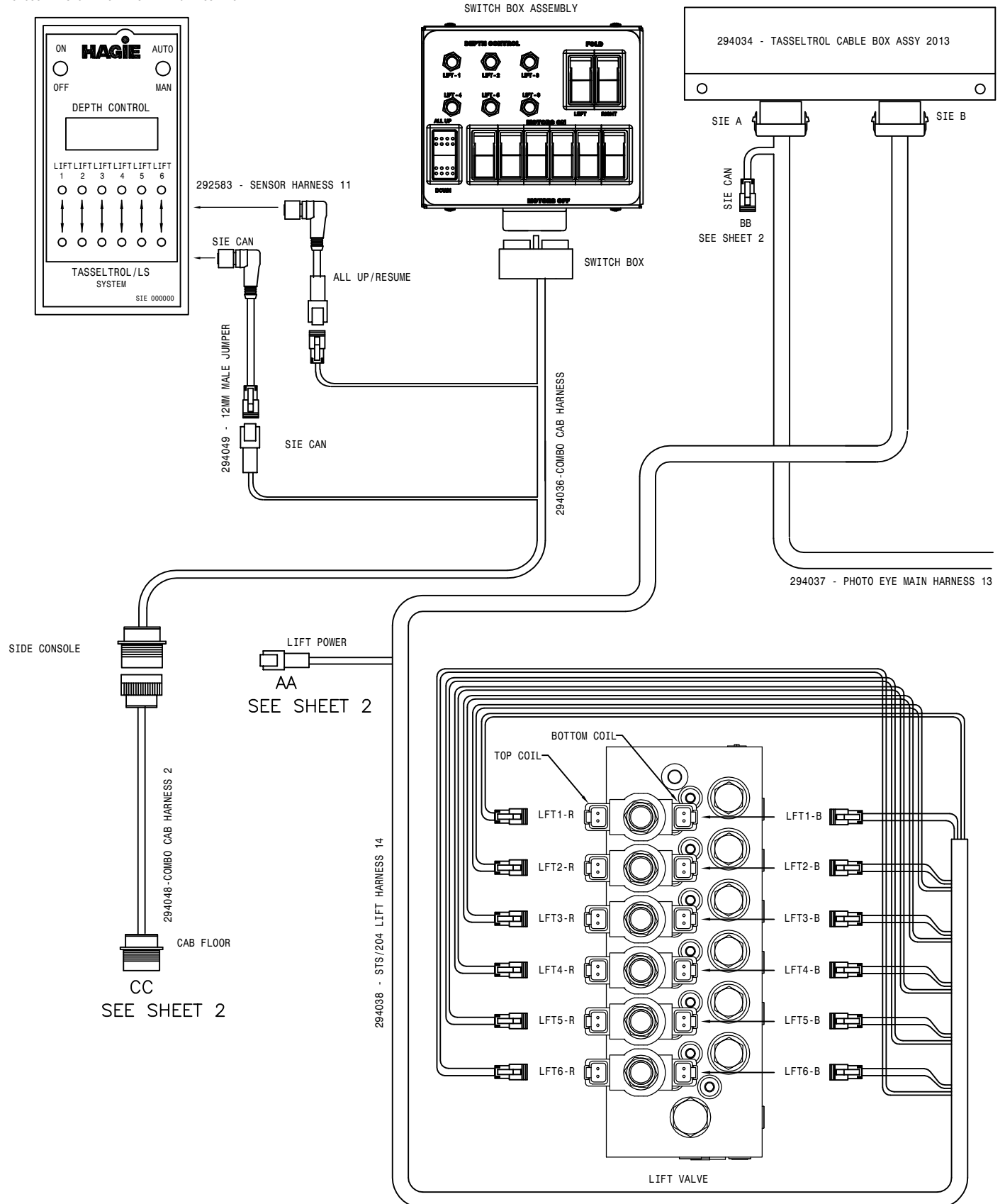
STS COMBO 18R CUTR HYD DIAG 2014
REFERENCE DRAWING NO. 499329

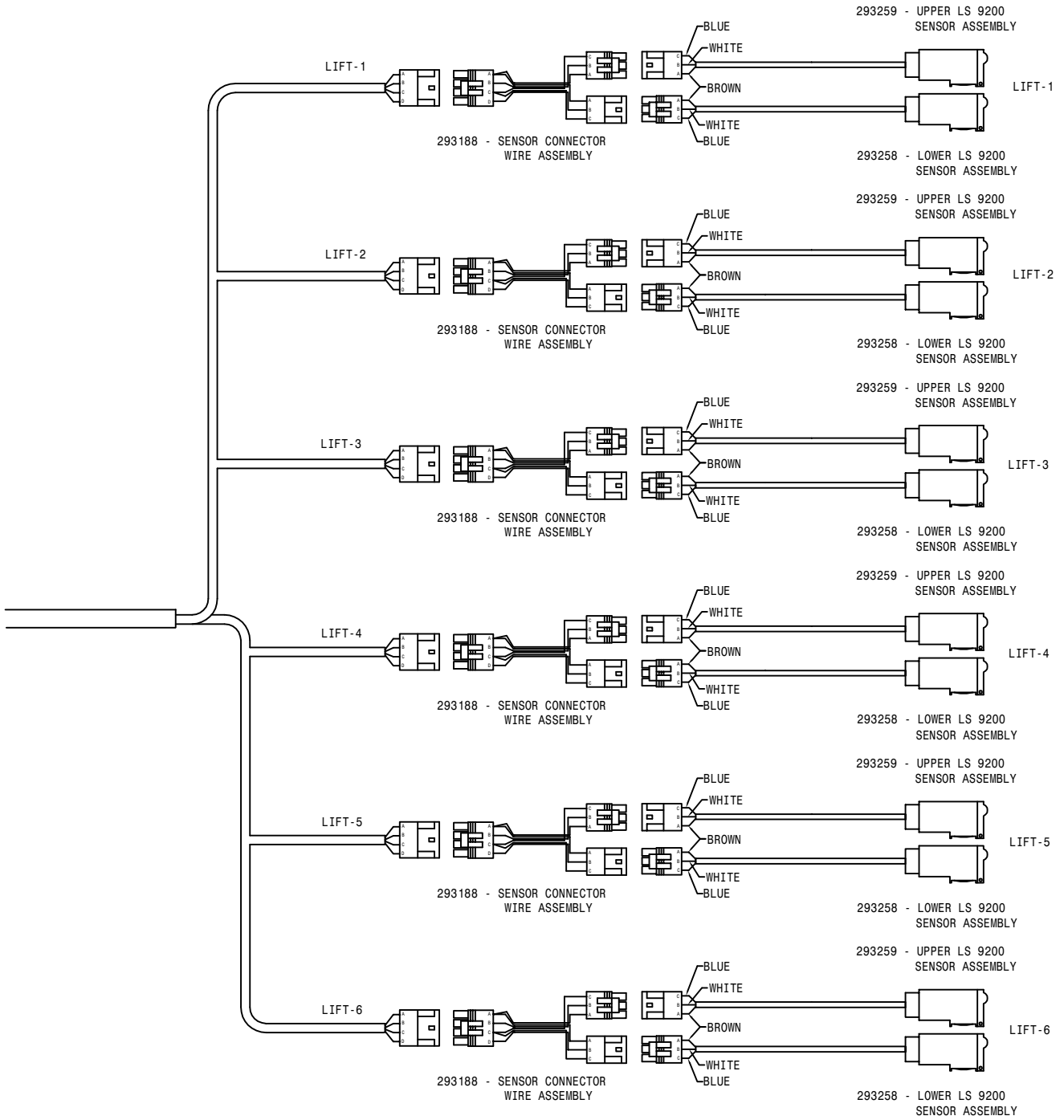
DET.	QTY	PART NO.	DESCRIPTION	DET.	QTY	PART NO.	DESCRIPTION
1	1	606285	LIFT VALVE,STS COMBO,SAUER	42	1	616653	08-451TC-12FJX-08FJX90-204 H/A
2	1	606286	FOLD VALVE,STS COMBO,SAUER	43	1	616658	08-451TC-08FJX-08FJX-195 H/A
3	1	615911	MOTOR CONTROL MANIFOLD	44	1	616651	08-451TC-12FJX-08FJX90-119 H/A
4	1	606021	HYD RETURN MANIF,3/4FOR,9-PORT	45	1	616656	08-451TC-08FJX-08FJX-112 H/A
5	1	606246	MANIFOLD, #16 3-STN 180	46	12	616025	08-482TC-08FJX-08FJX-50 H/A
6	2	621566	HYD CYL, 2.50 X 11.00 X 1.375	47	6	616562	08-451TC-08FJX-08FJX90-66 H/A
7	6	621564	HYD CYL,2.00 X 11.00 X 1.50 1W	48	1	616666	04-451TC-06FJX-06FJX-282 H/A
8	18	610755	BARNES HYD MOTOR, D-SERIES 01	49	1	616664	04-451TC-06FJX-06FJX-222 H/A
9	32	618119	9/16MJIC-90-9/16MOR LBO	50	1	616662	04-451TC-06FJX-06FJX-137 H/A
10	2	614757	.032 ELBOW ASSY,9/16MOR 90D	51	1	616513	04-451TC-06FJX-06FJX-112 H/A
11	5	618755	3/4MOR PLUG, HEX SOCKET	52	1	616260	04-451TC-06FJX-06FJX-200 H/A
12	2	618241	3/4MJIC-90-3/4MOR LBO	53	1	616665	04-451TC-06FJX-06FJX-249 H/A
13	32	611125	3/4MJIC-3/4MOR ADPTR	54	12	616422	04-482TC-06FJX-06FJX90-50 H/A
14	2	618327	3/4MJIC-7/8MOR ADPTR	55	1	616648	06-451TC-06FJX-06FJX45-167 H/A
15	1	619023	9/16 MOR DIAG FITTING STS'14	56	1	616646	06-451TC-06FJX-06FJX45-106 H/A
16	7	618126	9/16MJIC-9/16MOR ADPTR	57	1	616644	06-451TC-06FJX-06FJX45-36 H/A
17	6	618733	9/16JIC .042 ORIFICE ADPTR	58	1	616645	06-451TC-06FJX-06FJX45-72 H/A
18	1	616874	06-451TC-06FJX-06FJX90-157 H/A	59	1	616647	06-451TC-06FJX-06FJX45-153 H/A
19	1	618186	1 5/16MJIC-1 5/16MOR ADPTR	60	1	616649	06-451TC-06FJX-06FJX45-211 H/A
20	1	616872	06-451TC-06FJX-06FJX90-76 H/A	61	1	616512	04-451TC-06FJX-06FJX-49 H/A
21	7	618248	1 1/16MJIC-90-1 1/16MOR LBO	62	1	616511	04-451TC-06FJX-06FJX-33 H/A
22	1	618759	1 5/8MOR PLUG, HEX SOCKET	63	1	616177	04-451TC-06FJX-06FJX-74 H/A
23	1	616581	06-451TC-06FJX-06FJX90-40 H/A	64	1	616089	04-451TC-06FJX-06FJX-60 H/A
24	1	617030	12-451TC-12FJX-12FJX90-50 H/A	65	1	614767	16-451TC-16FJX-16FJX45-34 H/A
25	1	618472	1 5/8MJIC-1 5/8MOR ADPTR	66	1	614766	20-811-20FJX-20FJX90-40 H/A
26	1	607113	MOBILE HALF COUPLER ASSY, 0504	67	1	617188	04-451TC-04FJX-06FJX45-50 H/A
27	1	617187	08-451TC-12FJX-08FJX90-29 H/A	68	1	617186	08-451TC-10FJX-08FJX90-29 H/A
28	1	618396	1 5/8MJIC-45-1 5/8MOR LBO	69	1	616875	06-451TC-06FJX-06FJX90-171 H/A
29	6	618475	3/4MJIC-90-1 5/16MOR LBO	70	1	618754	9/16MOR PLUG, HEX SOCKET
30	1	616746	06-451TC-06FJX-06FJX90-110 H/A	71	6	618668	9/16FJIC SWIV-9/16MOR ADPTR
31	6	618109	9/16MJIC-3/4MOR ADPTR	72	1	616528	06-451TC-08FJX-08FJX90-13 H/A
32	1	618879	COMBO MULTI COUPLR MOBILE '14	73	1	616529	06-451TC-08FJX-08FJX90-16 H/A
33	1	618634	9/16MJIC-45-9/16FJIC SWIV LBO	74	6	607565	CHECK VLV,PILOT TO OPEN, SUN
34	1	617189	12-451TC-12FJX-12FJX-70 H/A	75	1	616877	06-451TC-06FJX-06FJX90-215 H/A
35	18	618530	9/16MJIC-1/8MNPT ADPTR	76	1	616660	08-451TC-08FJX-08FJX-275 H/A
36	12	618494	3/4MOR RUN TEE-3/4MJIC	77	1	616657	08-451TC-08FJX-08FJX-215 H/A
37	12	618486	9/16FJIC SW RUN TEE-9/16MJIC	78	1	616102	08-451TC-08FJX-08FJX-132 H/A
38	6	618669	3/4FJIC SWIV-3/4MOR ADPTR	79	1	616655	08-451TC-12FJX-08FJX90-257 H/A
39	6	618292	CHECK VALVE,3/4FOR INLINE	80	1	616652	08-451TC-12FJX-08FJX90-197 H/A
40	1	616654	08-451TC-12FJX-08FJX90-264 H/A	81	1	616650	08-451TC-12FJX-08FJX90-114 H/A
41	1	616659	08-451TC-08FJX-08FJX-255 H/A				



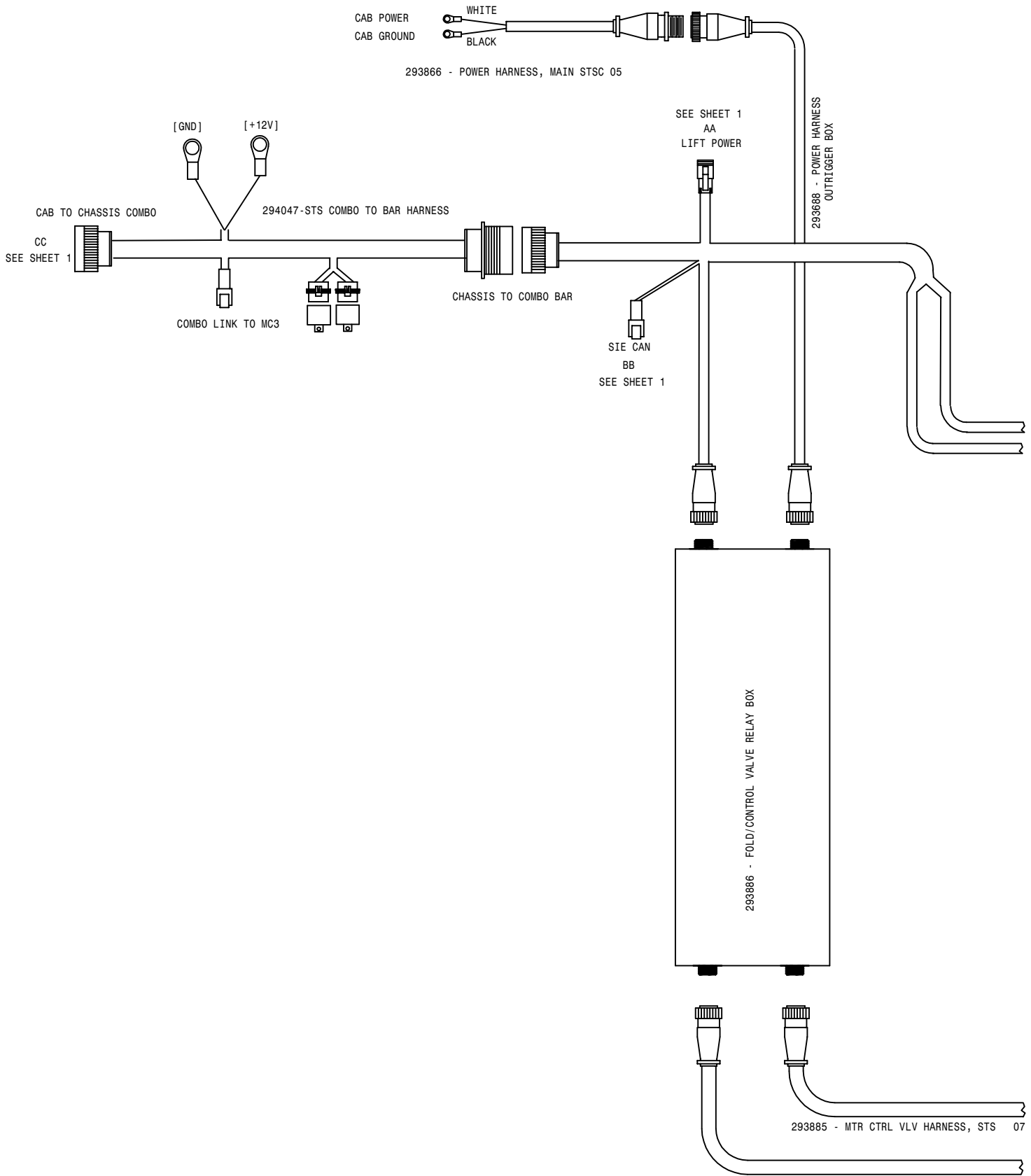
STS COMBO 4-2 CUTR HYD DIAG 2014
REFERENCE DRAWING NO. 499330

DET.	QTY	PART NO.	DESCRIPTION	DET.	QTY	PART NO.	DESCRIPTION
1	1	606285	LIFT VALVE, STS COMBO, SAUER	43	2	617178	08-451TC-08FJX-08FJX-242 H/A
2	1	606464	FOLD/EXT SEQ VLV, 4-2COM STS'13	44	2	616538	08-451TC-12FJX-08FJX90-125 H/A
3	1	615911	MOTOR CONTROL MANIFOLD	45	2	616532	08-451TC-08FJX-08FJX-125 H/A
4	1	606021	HYD RETURN MANIF, 3/4FOR, 9-PORT	46	6	616531	08-451TC-08FJX-08FJX-55 H/A
5	1	606246	MANIFOLD, #16 3-STN 180	47	6	616537	08-451TC-08FJX-08FJX90-52 H/A
6	2	621566	HYD CYL, 2.50 X 11.00 X 1.375	48	1	617177	04-451TC-06FJX-06FJX-330 H/A
7	6	621564	HYD CYL, 2.00 X 11.00 X 1.50 1W	49	1	617175	04-451TC-06FJX-06FJX-252 H/A
8	12	610755	BARNES HYD MOTOR, D-SERIES 01	50	1	617185	04-451TC-06FJX-06FJX-120 H/A
9	28	618119	9/16MJIC-90-9/16MOR LBO	51	1	617174	04-451TC-06FJX-06FJX-105 H/A
10	2	614757	.032 ELBOW ASSY, 9/16MOR 90D	52	1	616283	04-451TC-06FJX-06FJX-220 H/A
11	3	618755	3/4MOR PLUG, HEX SOCKET	53	1	617176	04-451TC-06FJX-06FJX-285 H/A
12	2	618114	9/16MJIC-90-7/16MOR LBO	54	6	616521	04-451TC-06FJX-06FJX90-54 H/A
13	20	611125	3/4MJIC-3/4MOR ADPTR	55	1	616527	06-451TC-06FJX-06FJX45-229 H/A
14	2	618327	3/4MJIC-7/8MOR ADPTR	56	1	616648	06-451TC-06FJX-06FJX45-167 H/A
15	1	619023	9/16 MOR DIAG FITTING STS'14	57	1	616644	06-451TC-06FJX-06FJX45-36 H/A
16	7	618126	9/16MJIC-9/16MOR ADPTR	58	1	616523	06-451TC-06FJX-06FJX45-80 H/A
17	2	618733	9/16JIC .042 ORIFICE ADPTR	59	1	616649	06-451TC-06FJX-06FJX45-211 H/A
18	1	616302	04-451TC-04FJX-06FJX-60 H/A	60	1	617157	06-451TC-06FJX-06FJX45-271 H/A
19	1	618186	1 5/16MJIC-1 5/16MOR ADPTR	61	1	616512	04-451TC-06FJX-06FJX-49 H/A
20	1	617158	04-451TC-04FJX-06FJX-94 H/A	62	1	616511	04-451TC-06FJX-06FJX-33 H/A
21	7	618248	1 1/16MJIC-90-1 1/16MOR LBO	63	1	616177	04-451TC-06FJX-06FJX-74 H/A
22	1	618759	1 5/8MOR PLUG, HEX SOCKET	64	1	616089	04-451TC-06FJX-06FJX-60 H/A
23	2	618304	9/16MJIC-7/16MOR ADPTR	65	1	614767	16-451TC-16FJX-16FJX45-34 H/A
24	1	618883	1 5/16MJIC-90-1 5/8MOR LBO	66	1	614766	20-811-20FJX-20FJX90-40 H/A
25	1	618472	1 5/8MJIC-1 5/8MOR ADPTR	67	1	617188	04-451TC-04FJX-06FJX45-50 H/A
26	1	607113	MOBILE HALF COUPLER ASSY, 0504	68	1	617186	08-451TC-10FJX-08FJX90-29 H/A
27	1	617187	08-451TC-12FJX-08FJX90-29 H/A	69	1	617159	04-451TC-04FJX-06FJX-105 H/A
28	1	618396	1 5/8MJIC-45-1 5/8MOR LBO	70	2	618249	3/4MJIC-90-9/16MOR LBO
29	6	618475	3/4MJIC-90-1 5/16MOR LBO	71	2	618115	9/16MJIC-90-3/4MOR LBO
30	1	618879	COMBO MULTI COUPLR MOBILE '14	72	2	616529	06-451TC-08FJX-08FJX90-16 H/A
31	6	618109	9/16MJIC-3/4MOR ADPTR	73	1	616875	06-451TC-06FJX-06FJX90-171 H/A
32	1	617189	12-451TC-12FJX-12FJX-70 H/A	74	2	618496	9/16MJIC-45-3/4MOR LBO
33	1	618634	9/16MJIC-45-9/16FJIC SWIV LBO	75	2	621156	EXTENSION CYL, 4-2 COM STS'13
34	1	617160	04-451TC-04FJX-06FJX-140 H/A	76	2	618618	9/16MJIC-90-9/16FJIC SWIV LBO
35	12	618530	9/16MJIC-1/8MNPT ADPTR	77	4	618473	7/16MJIC-90-7/16MOR LBO
36	12	618494	3/4MOR RUN TEE-3/4MJIC	78	1	616877	06-451TC-06FJX-06FJX90-215 H/A
37	6	618486	9/16FJIC SW RUN TEE-9/16MJIC	79	1	616723	06-451TC-06FJX-06FJX90-85 H/A
38	6	618669	3/4FJIC SWIV-3/4MOR ADPTR	80	1	616581	06-451TC-06FJX-06FJX90-40 H/A
39	6	618292	CHECK VALVE, 3/4FOR INLINE	81	1	616785	06-451TC-06FJX-06FJX90-276 H/A
40	2	617181	08-451TC-12FJX-08FJX90-300 H/A	82	6	607565	CHECK VLV, PILOT TO OPEN, SUN
41	2	617179	08-451TC-08FJX-08FJX-305 H/A	83	6	618668	9/16FJIC SWIV-9/16MOR ADPTR
42	2	617180	08-451TC-12FJX-08FJX90-234 H/A	84	1	616878	06-451TC-06FJX-06FJX90-233 H/A

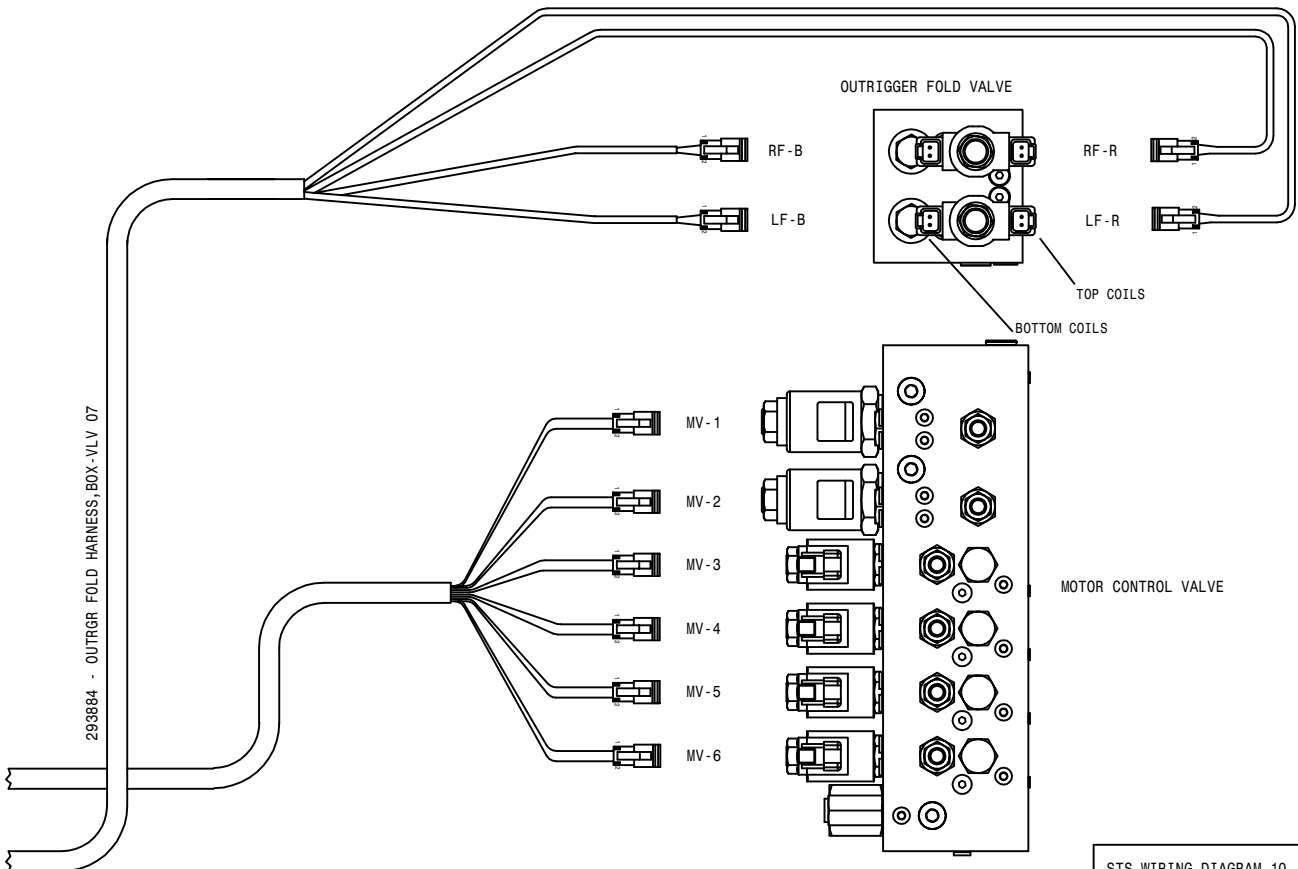
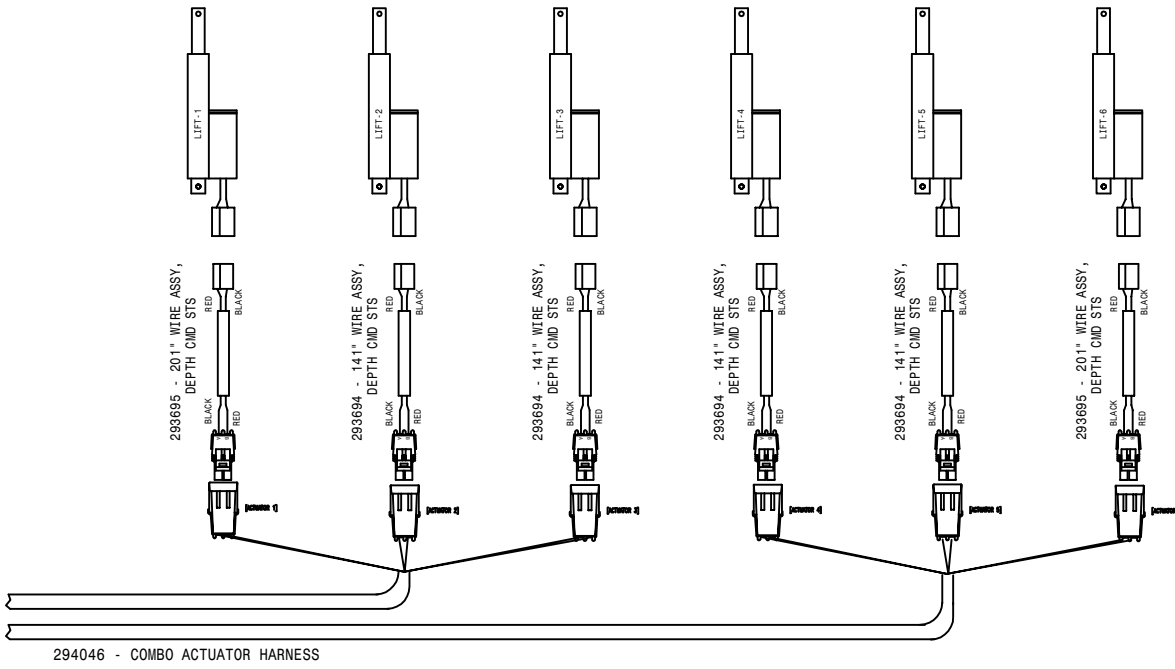




STS WIRING DIAGRAM 10
 COMBO OPTION
 SHEET 1 OF 2
 REVISION DATE: 03-27-13
 499333



6-LIFT OPTION



STS WIRING DIAGRAM 10
COMBO OPTION
SHEET 2 OF 2
REVISION DATE: 03-27-13
499333

Notes:



PARTS ORDER FAX

Fax
24 hours
a day
7 days
a week*

Ph. 1 (800) 247-4885

Fx. 1 (515) 532-3553

Photocopy and fax to Hagie Customer Support Department

ORDERED BY/BILL TO:

Name _____

Co. Name _____

Street _____

City, St, Zip _____

Ph. _____ Fx. _____

SHIP TO:

Name _____

Co. Name _____

Street _____

City, St, Zip _____

Ph. _____ Fx. _____

HOW SHIP: UPS Ground Next Day 2 Day 3 Day Other _____

If "HOW SHIP" is left blank, parts will be sent UPS ground service. If part is over 150 pounds, an independent motor freight company will be used.

PAYMENT: Hagie Account #** _____

C.O.D

American Express Discover Visa Master Card

Signature: _____

name as appears on card: _____

card no. _____ exp. date _____

Year and Model No. _____

Serial No. _____

Item Serial No. (if necessary):

Engine (include type) _____

Hydrostatic Pump (s) _____

Torque Hub _____ LF RF LR RR

Wheel Motor _____ LF RF LR RR

HAGIE Part No.	Qty.	Description

Check here if you want phone confirmation of parts order.

* Orders received before 3:00 p.m., CST will be processed the same business day.
Regular business hours are Monday through Friday, 7:00 a.m. through 5:00 p.m..

** If you do not have a Hagie account number, contact the Hagie Customer Support Department and you will be issued one.



PARTS ORDER FAX

Fax
24 hours
a day
7 days
a week*

Ph. 1 (800) 247-4885

Fx. 1 (515) 532-3553

Photocopy and fax to Hagie Customer Support Department

ORDERED BY/BILL TO:

Name _____
 Co. Name _____
 Street _____
 City, St, Zip _____
 Ph. _____ Fx. _____

SHIP TO:

Name _____
 Co. Name _____
 Street _____
 City, St, Zip _____
 Ph. _____ Fx. _____

HOW SHIP: UPS Ground Next Day 2 Day 3 Day Other _____

If "HOW SHIP" is left blank, parts will be sent UPS ground service. If part is over 150 pounds, an independent motor freight company will be used.

PAYMENT: Hagie Account #** _____
 C.O.D

American Express Discover Visa Master Card
 Signature: _____
 name as appears on card: _____
 card no. _____ exp. date _____

Year and Model No. _____

Serial No. _____

Item Serial No. (if necessary):

Engine (include type) _____

Hydrostatic Pump (s) _____

Torque Hub _____ LF RF LR RR

Wheel Motor _____ LF RF LR RR

HAGIE Part No.	Qty.	Description

Check here if you want phone confirmation of parts order.

* Orders received before 3:00 p.m., CST will be processed the same business day.
 Regular business hours are Monday through Friday, 7:00 a.m. through 5:00 p.m..

** If you do not have a Hagie account number, contact the Hagie Customer Support Department and you will be issued one.