

# DTS10



## PARTS MANUAL FOR HAGIE DTS 10

### HAGIE MANUFACTURING COMPANY

721 CENTRAL AVENUE WEST  
BOX 273  
CLARION, IOWA 50525-0273

COVERS MACHINE SERIAL NUMBERS:

U16191616001-200

12-15 493624  
02-16, 05-16, 03-17,  
01-18, 06-18

To obtain the most current parts manual for your machine,  
please visit [www.hagie.com](http://www.hagie.com).

© 2015-18 Hagie Manufacturing Company. Clarion, Iowa USA

# HAGIE

## SPRAYER IDENTIFICATION

Each Hagie sprayer is identified by means of a frame serial number. This serial number denotes the model, the year in which it was built, and the number of the sprayer. As for further identification, the engine has a serial number and the planetary hubs have an identification plate that describe the type of mount and gear ratio. To ensure prompt, efficient service when ordering parts or requesting service repairs from your local John Deere dealer, record the serial and identification numbers in the spaces provided below.

**NOTE:** Reference to left hand and right hand used throughout this manual refers to the position when seated in the operator's seat facing forward.

*This manual is not intended to be a complete guide for machine maintenance and repairs. If you are not properly trained to perform service on this machine, contact your local John Deere dealer for assistance. Improper maintenance or repair may result in property damage, personal injury, or death.*

SPRAYER SERIAL NUMBER

ENGINE SERIAL NUMBER

\_\_\_\_\_

\_\_\_\_\_

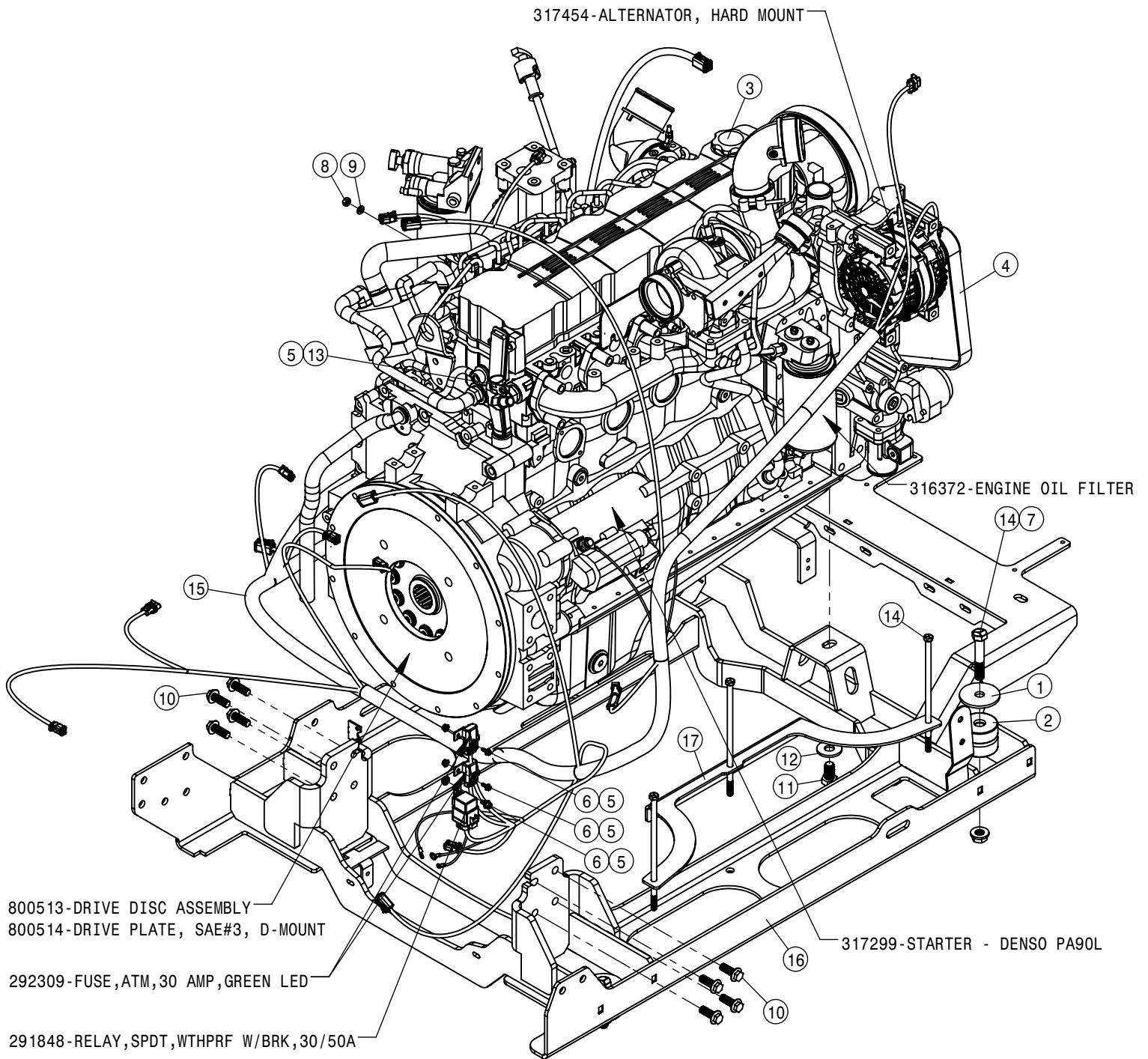
---

## FILTER QUICK REFERENCE

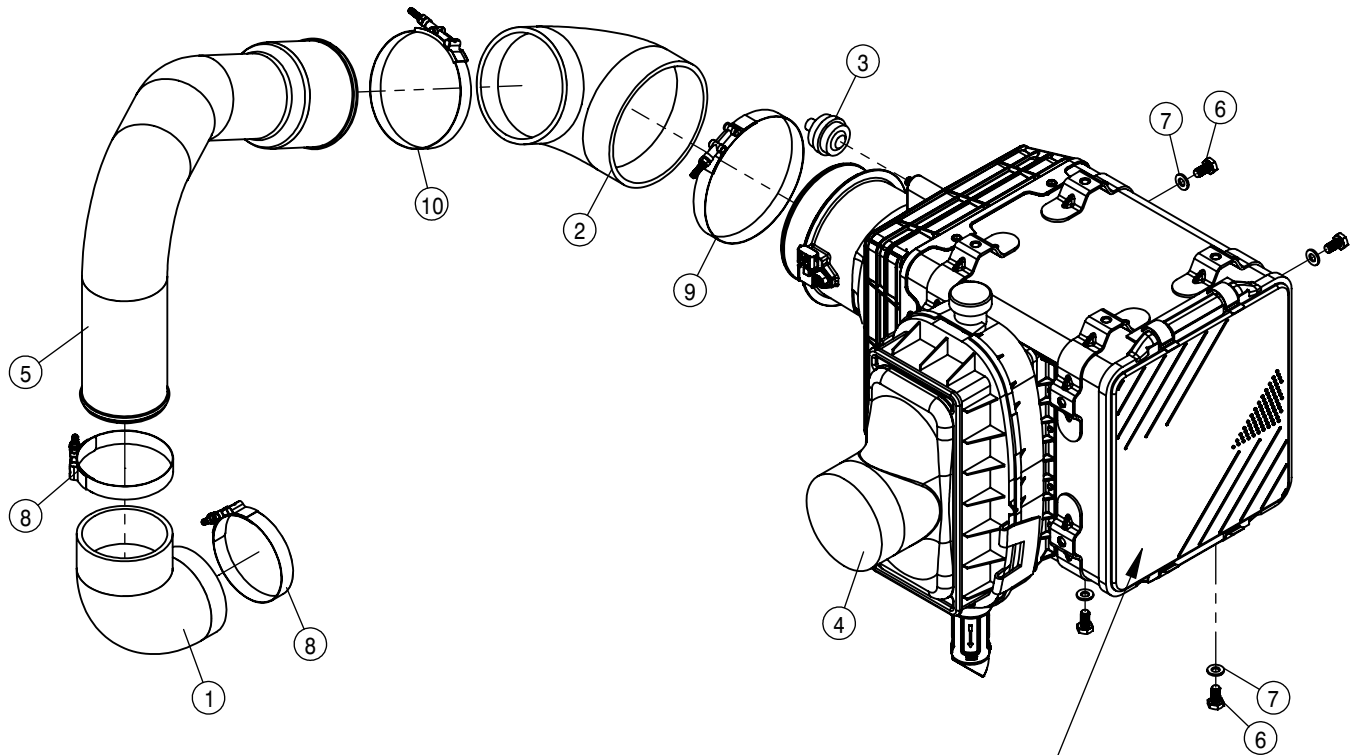
<u>QTY</u>	<u>P/N</u>	<u>DESCRIPTION</u>
1	605657	HYD OIL FILTER, CHARGE PUMP
1	605659	HYD TANK OIL FILTER
1	605661	STEERING MOTOR OIL FILTER
1	657557	CAB PRECLEANER AIR FILTER
1	657558	CAB CHARCOAL FILTER
1	657559	CAB PAPER FILTER
		<u>T3 ENGINE</u>
1	317491	ENGINE AIR FILTER, PRIMARY
1	317492	ENGINE AIR FILTER, SECONDARY
1	316372	ENGINE OIL FILTER T3,T4I,T4F
1	316684	FUEL/WATER SEPERATOR T3
1	316683	PRIMARY FUEL FILTER T3
		<u>T4F ENGINE</u>
1	317491	ENGINE AIR FILTER, PRIMARY
1	317492	ENGINE AIR FILTER, SECONDARY
1	316372	ENGINE OIL FILTER T3,T4I,T4F
1	317400	FUEL/WATER SEPERATOR T4F
1	317399	PRIMARY FUEL FILTER T4

# TABLE OF CONTENTS

ENGINE ASSEMBLY T3 AND T4F.....	4-15
A/C AND HEATER LINES.....	17
HYDRAULIC HOISING.....	18-19
HYDRAULIC PUMP ASSEMBLY.....	20
WHEEL MOTOR ASSEMBLY.....	21-22
HYDRAULIC TANK ASSEMBLY.....	23
HYDRAULIC COMPONETS.....	24-36
TREAD ADJUST ASSEMBLY.....	37-40
ALL WHEEL STEER ASSEMBLY.....	41-42
FUEL SYSTEM.....	43
LEG ASSEMBLIES.....	44-47
STEERING CYLINDER AND TIE ROD ASSEMBLY.....	48-52
TIRE ASSEMBLY.....	53
AIR BAG AND AIR SYSTEM.....	56-59
AIR PURGE OPTION.....	60
CHASSIS ELECTRICAL.....	61
CAB ASSEMBLY.....	62-79
TOOLBOX OPTION.....	80
MAINFRAME.....	81
HEAD LIGHTS AND FLASHER.....	82-83
BELLY SHIELDS.....	84
ENGINE HOOD.....	85-86
BACK-UP CAMERA.....	87
SERVICE PLATFORM AND LADDER.....	88-89
SOLUTION SYSTEM.....	90-93
REAR FILL OPTION.....	94
REAR WHEEL NOZZLE OPTION.....	96
HAND WASH OPTION.....	97
BOOM CRADLES.....	98
FENDER OPTION.....	99
FIRE EXTINGUISHER.....	100
FOAMER OPTION.....	101-102
PRESSURE WASHER OPTION.....	103-105
NIGHT SPRAY OPTION.....	106
TALL CROP OPTION.....	107-109
REAR BOOM OPTION.....	110-112
LIFTARM AND TRANSOM ASSEMBLY.....	113-114
BOOM SECTION LIGHTS.....	115
BOOM HYDRAULIC VALVES.....	116-117
BOOM ASSEMBLIES.....	118-124
BOOM SOLUTION SYSTEM.....	125-136
BOOM SPACINGS.....	137-152
HYDRAULIC DIAGRAM.....	154-157
WIRING DIAGRAM.....	158-161
ABBREVIATIONS.....	162
INDEX.....	163

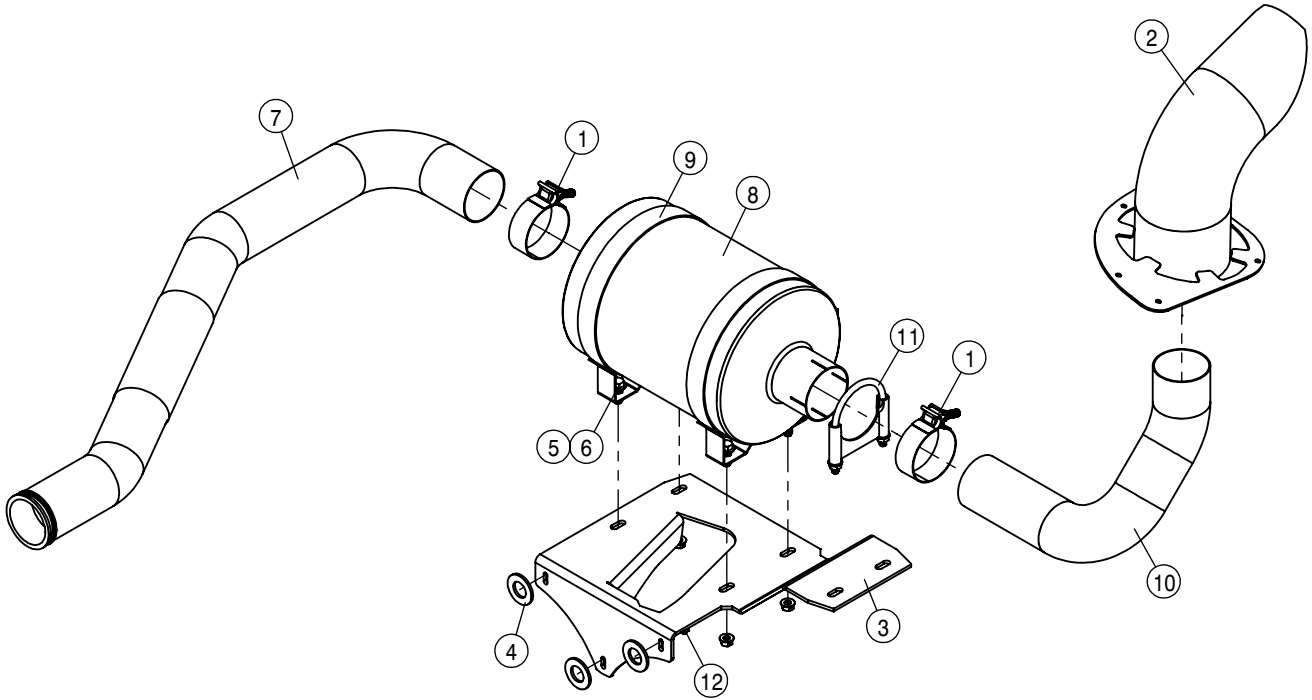


TIER-3 215 HP ENGINE ASSEMBLY			
DET	QTY	P/N	DESCRIPTION
1	4	311095	SNUBBING WASHER FOR 311093/094
2	4	311104	RUBBER MT, 1330LB LOAD 60272-5
3	1	317701	ENGINE-215hp 6.7L T3,FR91597
4	1	317709	2395mm MULTI-RIBBED BELT
5	4	470087	3/8-16UNC HEX FLG NUT SER MC GR5
6	3	470122	1/4UNC X 1/2 HHSFB GR5 MC
7	4	470682	5/8UNC HEX FLG CNTR LOCK NUT
8	1	473778	8MM-1.25 HEX NUT
9	1	473804	8MM LOCK WASHER
10	8	473855N	12MM-1.75 X 35MM SM FLG BOLT YZ
11	1	473881	M16-2.0 x 30MM HEX BOLT
12	1	483037N	5/8 REGULAR FLAT WASHER YZ
13	1	520121	CUSH CLAMP,#16 1IN X 3/4W
14	7	900340	5/8UNC X 3 1/2 HHCS GR5 MC
15	1	294272	HARNESS T3 ENGINE
16	1	317510	DTS ENGINE FRAME WLD
17	1	317530	BATTERY CLAMP

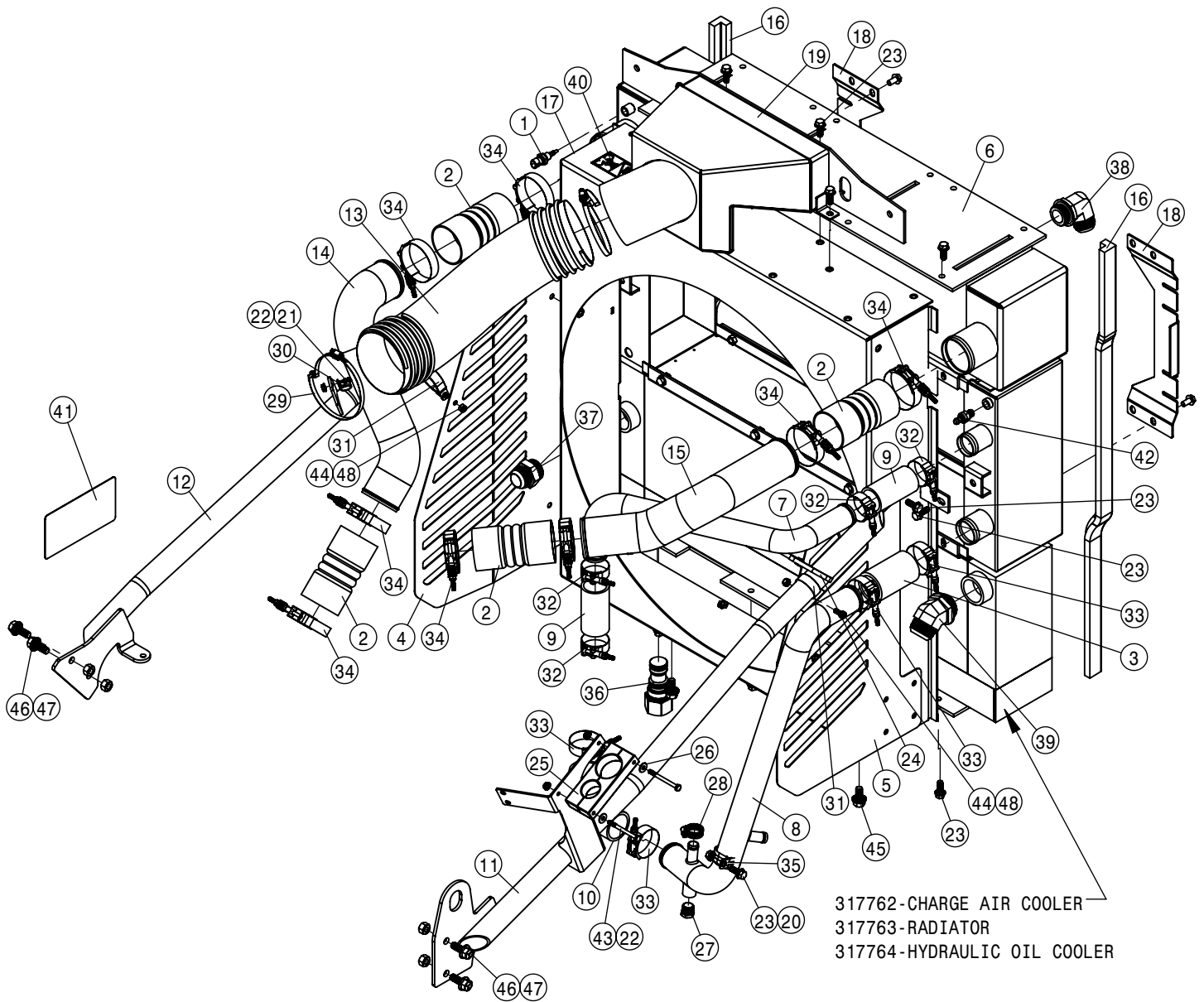


317491-PRIMARY ELEMENT, AIR CLEANER  
 317492-SECONDARY ELEMENT, AIR CLEANER

TIER-3 AIR CLEANER ASSEMBLY			
DET	QTY	P/N	DESCRIPTION
1	1	316325	4" 90 DEG ELBOW
2	1	317288	ELBOW 90L6R50SR
3	1	317355	AIR FILTER MINDER SWITCH
4	1	317502	AIR CLEANER
5	1	317708	TUBE AIR INTAKE TURBO
6	4	473793	10MM-1.50 X 20MM HEX BOLT GR8
7	4	473799	10MM FLAT WASHER
8	2	520134	4.31/4.59 T-BOLT HOSE CLAMP SS
9	1	520147	6.38/6.69 T-BOLT HOSE CLAMP
10	1	520148	5.38/5.69 T-BOLT HOSE CLAMP SS



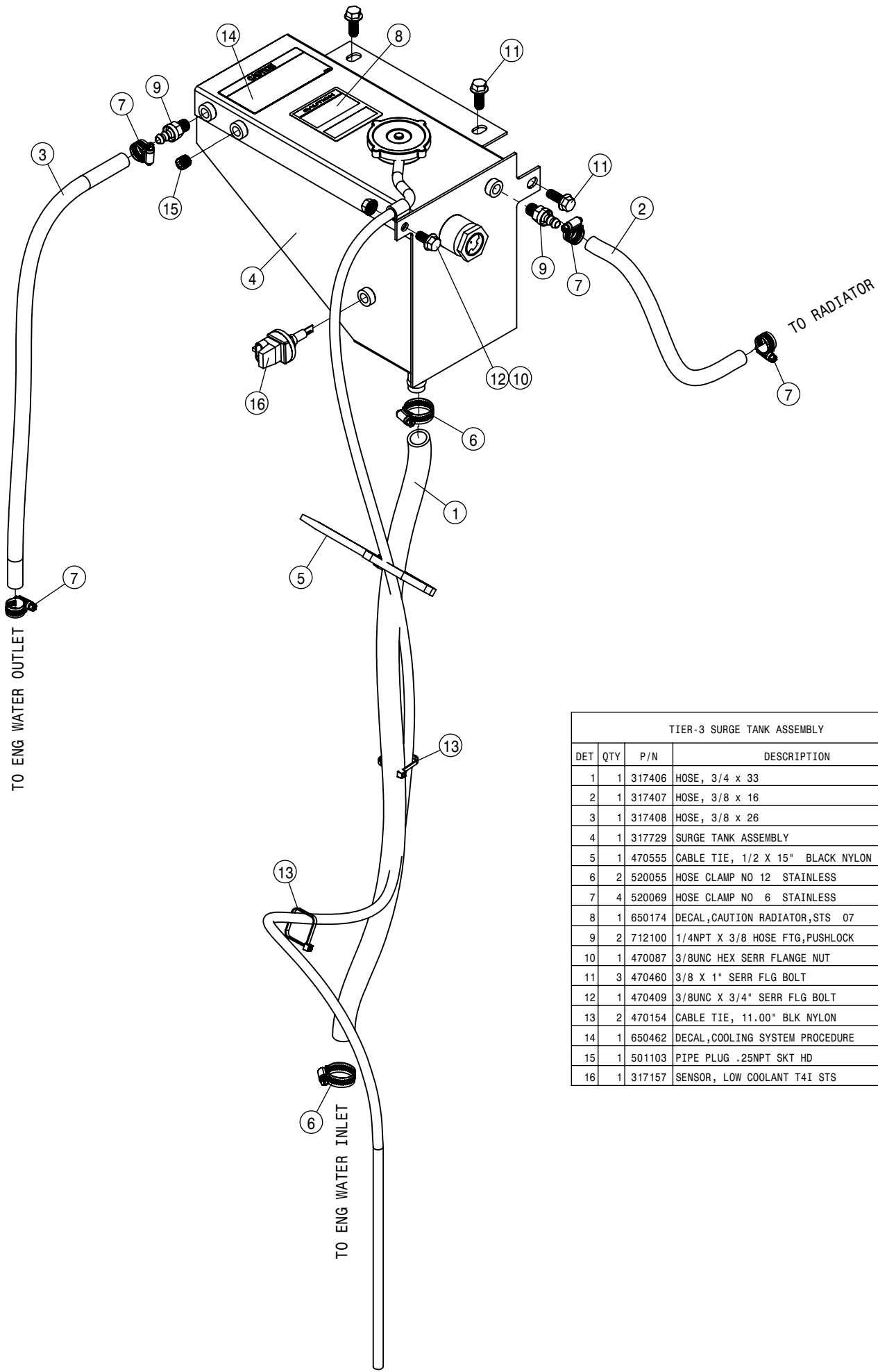
TIER-3 EXHAUST ASSEMBLY			
DET	QTY	P/N	DESCRIPTION
1	2	470458	MUFFLER CLAMP, 3.00 ACCUSEAL
2	1	660254	EXHAUST STACK WLDT DTS T4F
3	1	317712	BRKT-RESONATOR SUPPORT WLD DTS
4	3	920007	7/8 SAE FLAT WASHER
5	4	910004N	3/8UNC FLANGE CNTR LOCK NUT
6	4	900129N	3/8UNC X 1" SERR FLANGE BOLT
7	1	317704	PIPE, TURBO TO MUFFLER
8	1	317307	3" RESONATOR
9	2	317106	MUFFLER MNTG CLAMP
10	1	317705	PIPE, EXHAUST OUTLET
11	1	470475	MUFFLER CLAMP, 3.00 IN
12	3	470121	1/4 UNC SERR FLG LOCK NUT



TIER-3 RADIATOR ASSEMBLY (EXPORT ONLY)			
DET	QTY	P/N	DESCRIPTION
1	1	290098	TEMP SENDER - CAC
2	4	311579	CAC HOSE, 3"
3	1	317203	COOLANT HOSE
4	1	317504	DTS LEFT SIDE FAN GUARD
5	1	317508	DTS RIGHT SIDE FAN GUARD
6	1	317521	ASMY-RADIATOR,CAC AND HOC
7	1	317523	PIPE - COOLANT ENGINE OUTLET
8	1	317524	PIPE - COOLANT ENGINE RAD
9	2	317528	COOLANT HOSE 1.75 x 4"
10	1	317529	COOLANT ELBOW
11	1	317548	COOLING PKG BRACE-RT
12	1	317549	COOLING PKG BRACE-LH
13	1	317551	AIR INTAKE FLEX HOSE-DTS
14	1	317706	PIPE - CAC INLET COLD
15	1	317707	PIPE - CAC OUTLET HOT
16	2	317716	ISOLATOR-FOAM (COOLING PACK) DTS

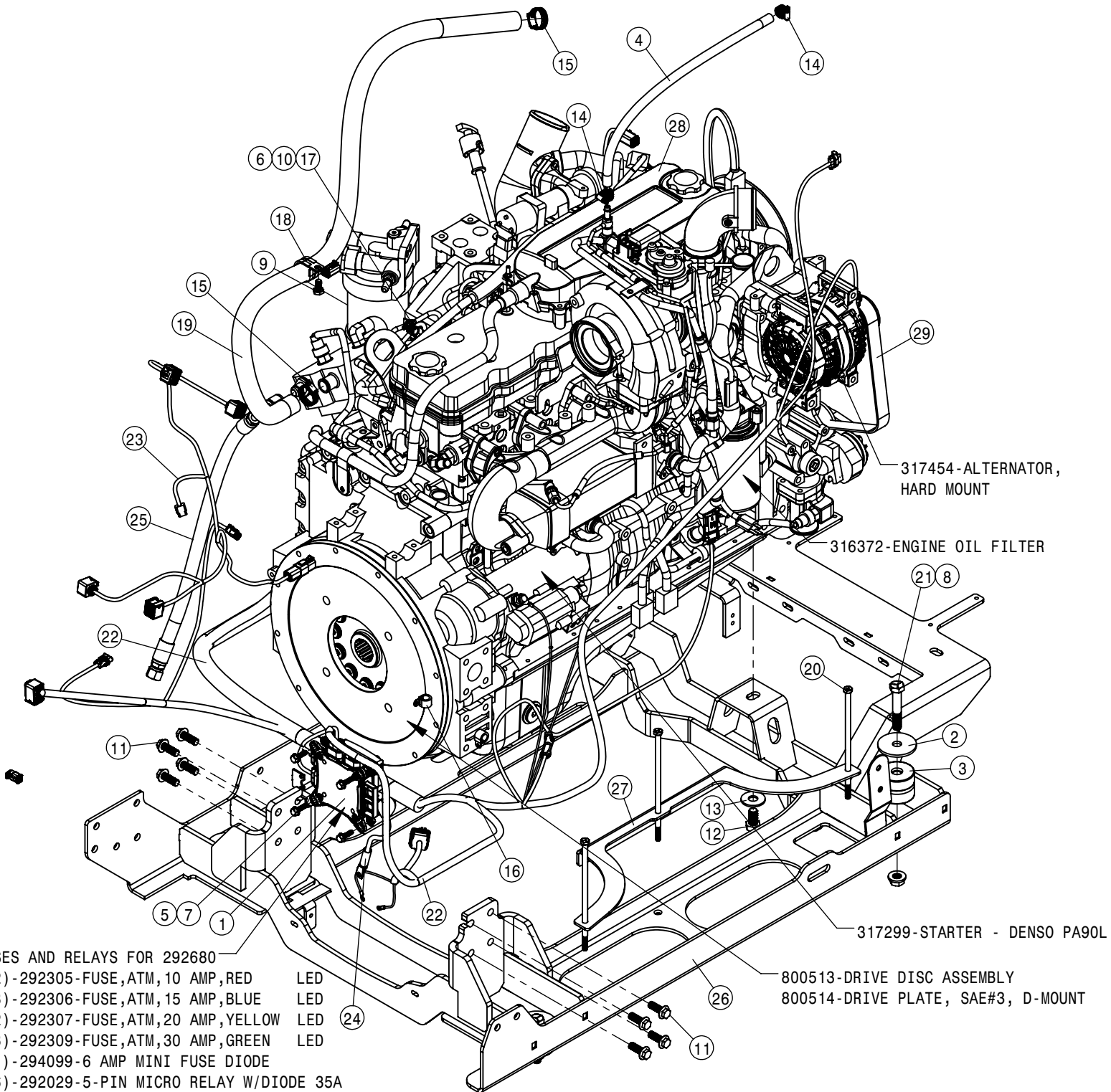
TIER-3 RADIATOR ASSEMBLY (EXPORT ONLY)			
DET	QTY	P/N	DESCRIPTION
17	1	317717	ASMY-FAN SHROUD (WELD),DTS
18	2	317718	BRACKET-AC CONDENSOR MTG, DTS
19	1	317721	AIR INTAKE WLD, DTS
20	1	470087	3/8UNC HEX SERR FLANGE NUT
21	1	470118	1/4 UNC X 3/4 SER FLG BOLT
22	3	470121	1/4 UNC SERR FLG LOCK NUT
23	15	470460	3/8 X 1" SERR FLG BOLT
24	1	470555	CABLE TIE, 1/2 X 15" BLACK NYLON
25	1	470731	TUBE CLAMP BODY,1.50, 2.05 OD
26	2	483038	1/4 REGULAR FLAT WASHER
27	1	505231	PIPE PLUG .50NPT HEX HD BRS
28	1	520055	HOSE CLAMP NO 12 STAINLESS
29	2	520089	BRIDGE CLAMP 5" DIA
30	1	520104	CUSH HOSE CLMP,#12, 3/4D x 1/2W
31	2	520123	CUSH CLAMP,#32 1 3/4D X 5/8W
32	4	520139	1.93/2.18 T-BOLT HOSE CLAMP SS

TIER-3 RADIATOR ASSEMBLY (EXPORT ONLY)			
DET	QTY	P/N	DESCRIPTION
33	4	520140	2.18/2.50 T-BOLT HOSE CLAMP SS
34	8	520146	3.06/3.38 T-BOLT HOSE CLAMP SS
35	1	520161	CUSH CLAMP,#32 2"D-3/4W LOOP
36	1	606674	VALVE, LOGIC
37	1	618472	1 5/8MJIC-1 5/8MOR ADPTR
38	1	618477	1 5/8MJIC-90-1 5/8MOR LBO
39	1	618745	1 7/8MJIC-45-1 7/8MOR LBO
40	1	650434	DECAL, FAN BLADE WARNING
41	1	650466	DECAL, FLUIDS FOR ALL MODELS
42	1	712100	1/4NPT X 3/8 HOSE FTG,PUSHLOCK
43	2	900010	1/4UNC X 3" HEX BOLT
44	2	900064	5/16UNC X 3/4 HHCS GR5 MC
45	2	900516	1/2UNC X 1 HHSFB GR5 MC
46	4	900517	1/2UNC X 1 1/4 HHSFB GR5 MC
47	4	910008	1/2-13UNC HEX NUT MC GR5
48	2	910132	5/16-18UNC NYLOCK NUT SS



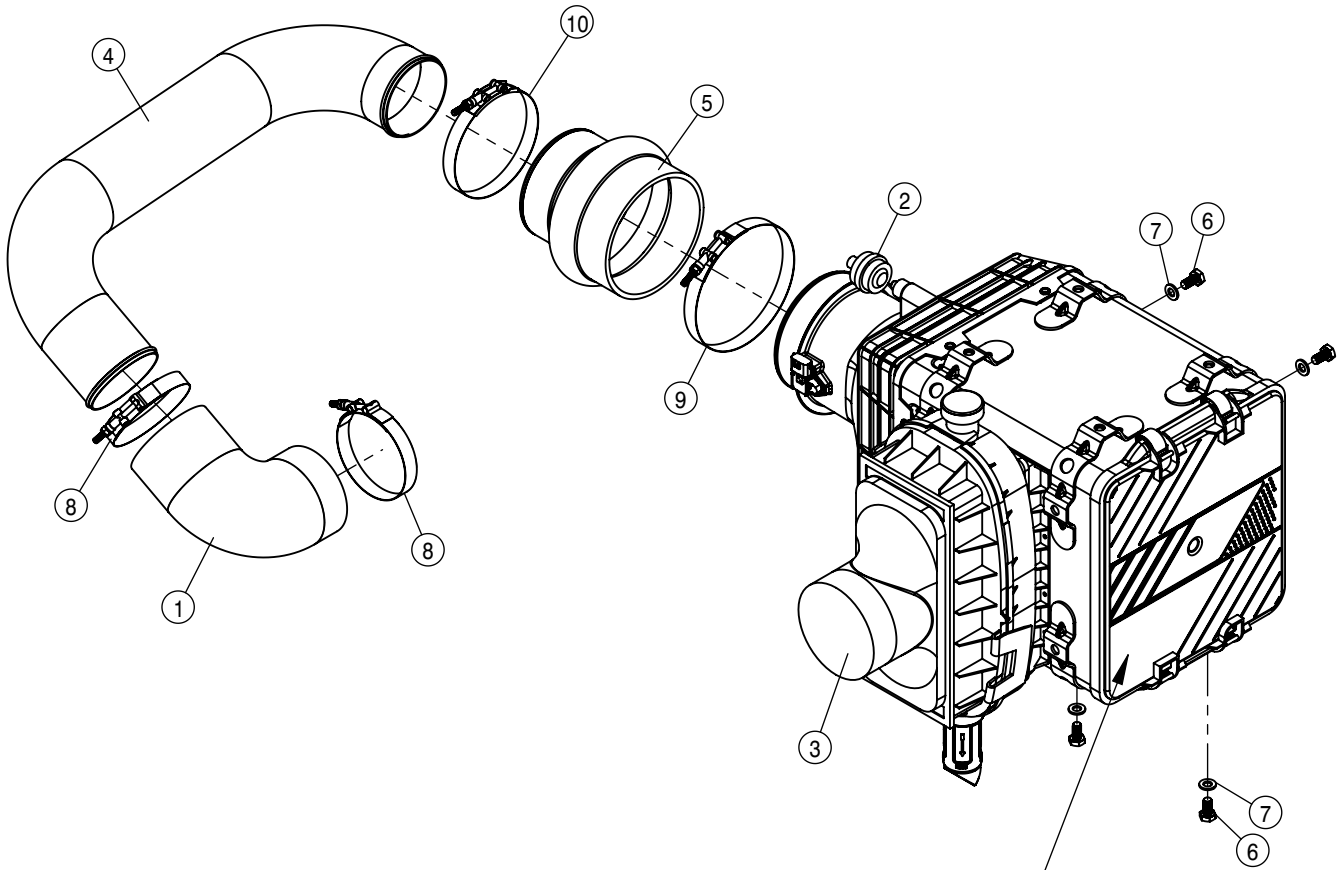
TIER-3 SURGE TANK ASSEMBLY			
DET	QTY	P/N	DESCRIPTION
	1	317406	HOSE, 3/4 x 33
	1	317407	HOSE, 3/8 x 16
	1	317408	HOSE, 3/8 x 26
	1	317729	SURGE TANK ASSEMBLY
	1	470555	CABLE TIE, 1/2 X 15" BLACK NYLON
	2	520055	HOSE CLAMP NO 12 STAINLESS
	4	520069	HOSE CLAMP NO 6 STAINLESS
	1	650174	DECAL, CAUTION RADIATOR, STS 07
	2	712100	1/4NPT X 3/8 HOSE FTG, PUSHLOCK
	1	470087	3/8UNC HEX SERR FLANGE NUT
	3	470460	3/8 X 1" SERR FLG BOLT
	1	470409	3/8UNC X 3/4" SERR FLG BOLT
	2	470154	CABLE TIE, 11.00" BLK NYLON
	1	650462	DECAL, COOLING SYSTEM PROCEDURE
	1	501103	PIPE PLUG .25NPT SKT HD
	1	317157	SENSOR, LOW COOLANT T4I STS





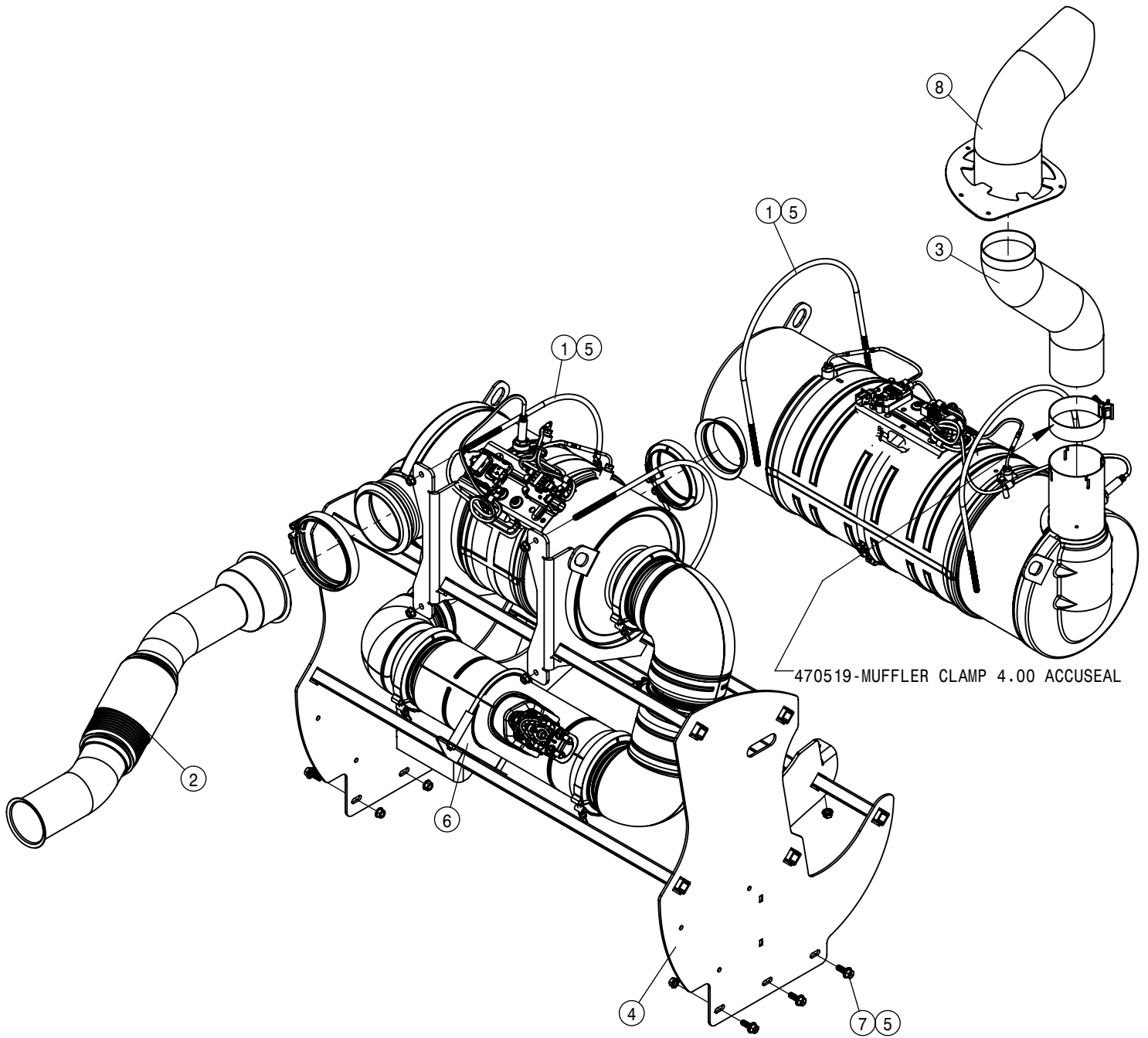
TIER-4 225 HP ENGINE ASSEMBLY			
DET	QTY	P/N	DESCRIPTION
1	1	292680	VEC
2	4	311095	SNUBBING WASHER FOR 311093/094
3	4	311104	RUBBER MT, 1330LB LOAD 60272-5
4	1	317409	HOSE, 3/8 x 20
5	4	470113N	5/16UNC SERR FLG LOCK NUT SS
6	1	470121N	1/4 UNC SERR FLG LOCK NUT SS
7	4	470234N	5/16UNC X 1" SERR FLG BOLT SS
8	4	470682	5/8UNC HEX FLG CNTR LOCK NUT
9	1	473793	10MM-1.50 X 20MM HEX BOLT GR8
10	1	473834	1/4UNC X 3/4 SER FLG BOLT SS
11	8	473855	12MM-1.75 X 35MM SM FLG BOLT
12	1	473881	M16-2.0 x 30MM HEX BOLT
13	1	483037	USS FLAT WASHER 5/8 MC
14	2	520069	HOSE CLAMP NO 6 STAINLESS
15	2	520090	HOSECLAMP NO 16 STAINLESS

TIER-4 225 HP ENGINE ASSEMBLY			
DET	QTY	P/N	DESCRIPTION
16	2	520117	CUSH HOSE CLAMP,#10, 5/8D X 1/2W
17	1	520118	CUSH CLAMP,#8 1/2D X 1/2W
18	1	520160	CUSH CLAMP,#24 1 1/2D-3/4WLOOP
19	1	602029	HOSE, 1" X 48.00, DTS AIR
20	3	900150	3/8UNC X 9 1/2 HHCS GR5 MC
21	4	900340	5/8UNC X 3 1/2 HHCS GR5 MC
22	1	294273	HARNESS T4F ENGINE
23	1	294277	HARNESS AFTER TREATMENT
24	1	292683	VEC POWER CABLE
25	1	617048	10-451TC-10FJX-10FJX90-24 H/A
26	1	317510	DTS ENGINE FRAME WLD
27	1	317530	BATTERY CLAMP
28	1	317501	ENGINE-225hp 6.7L T4F,FR93877
29	1	317770	BELT-ENGINE

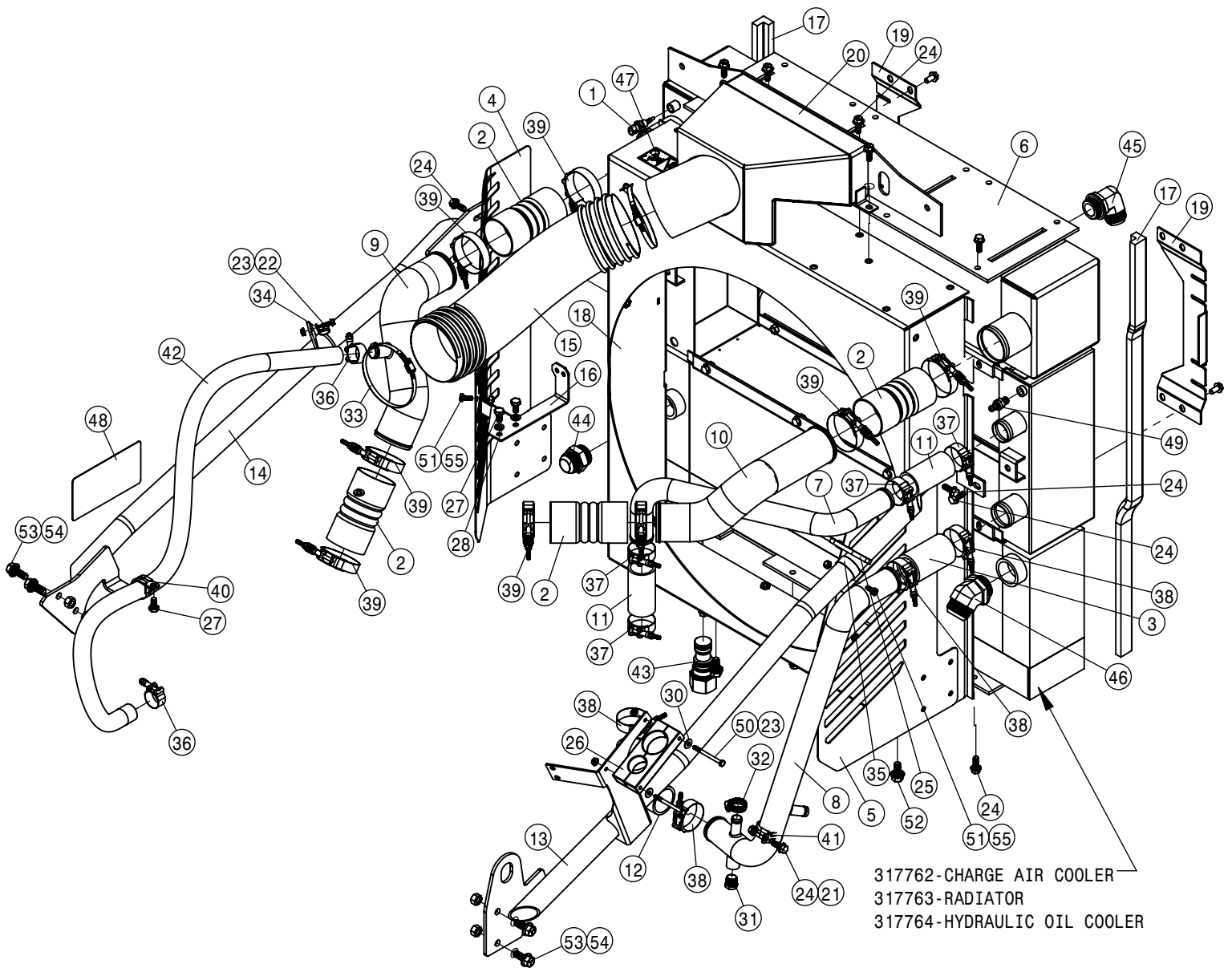


317491-PRIMARY ELEMENT, AIR CLEANER  
 317492-SECONDARY ELEMENT, AIR CLEANER

TIER-4F AIR CLEANER ASSEMBLY			
DET	QTY	P/N	DESCRIPTION
1	1	316624	4.00" 4.50 X 5.75 EDPM ELBOW
2	1	317355	AIR FILTER MINDER SWITCH
3	1	317502	AIR CLEANER
4	1	317520	TUBE AIR INTAKE TURBO
5	1	317550	REDUCER HUMP HOSE
6	4	473793	10MM-1.50 X 20MM HEX BOLT GR8
7	4	473799	10MM FLAT WASHER
8	2	520134	4.31/4.59 T-BOLT HOSE CLAMP SS
9	1	520147	6.38/6.69 T-BOLT HOSE CLAMP
10	1	520148	5.38/5.69 T-BOLT HOSE CLAMP SS



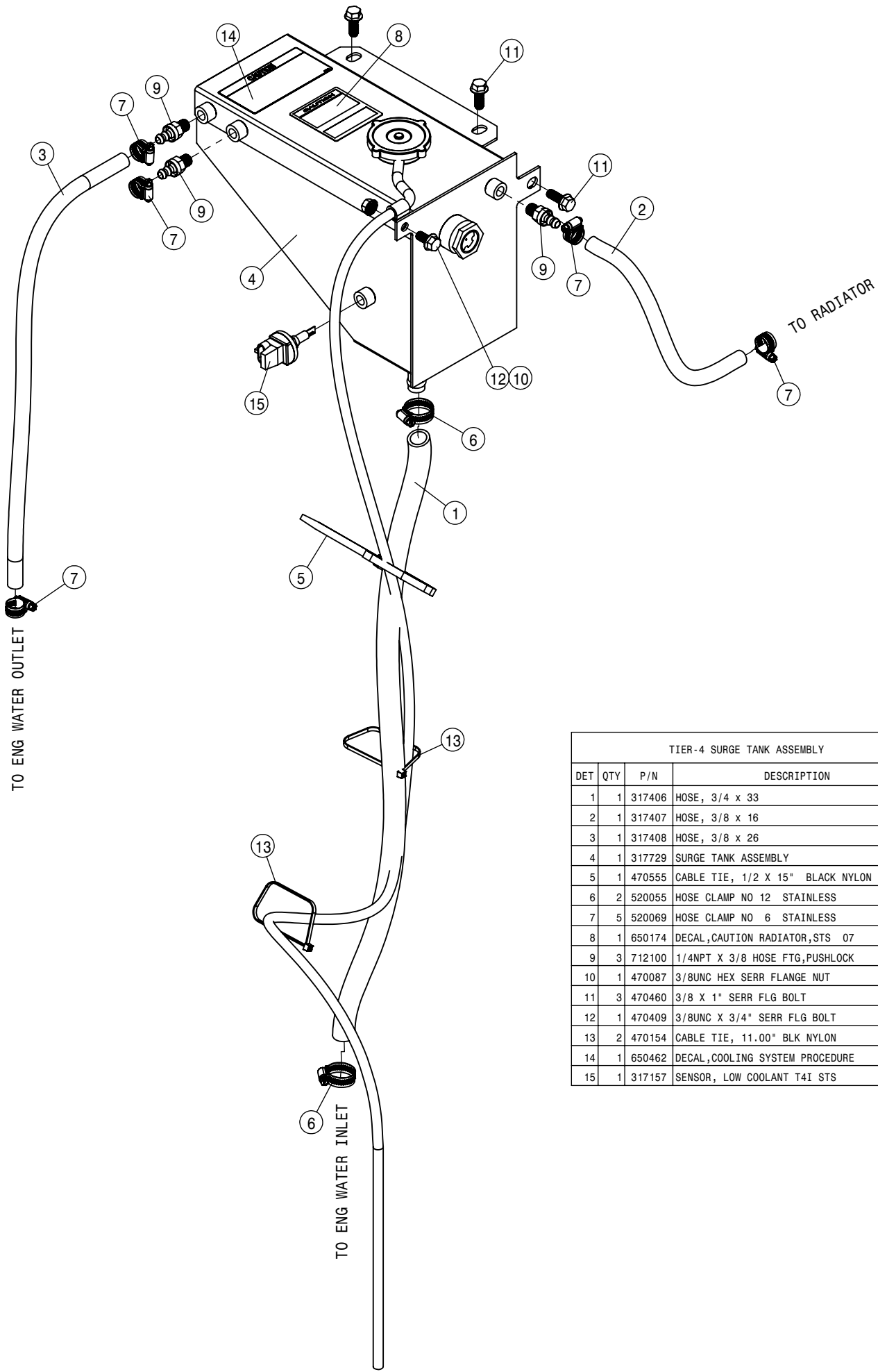
TIER-4F EXHAUST ASSEMBLY			
DET	QTY	P/N	DESCRIPTION
1	4	317322	3/8UNC-11.63ID-14.5 UBOLT
2	1	317522	PIPE, TURBO-DOC DTS2015
3	1	317525	EXHAUST OUTLET PIPE
4	1	317555	AFTERTREATMENT SUPP WLD-DTS
5	14	470087	3/8-16UNC HEX FLG NUT SER MC GR5
6	1	470354	MUFFLER CLAMP, 6.00 STD U-BOLT
7	6	470460	3/8UNC X 1 HHSFB GR5 MC
8	1	660254	EXHAUST STACK WLDT DTS T4F



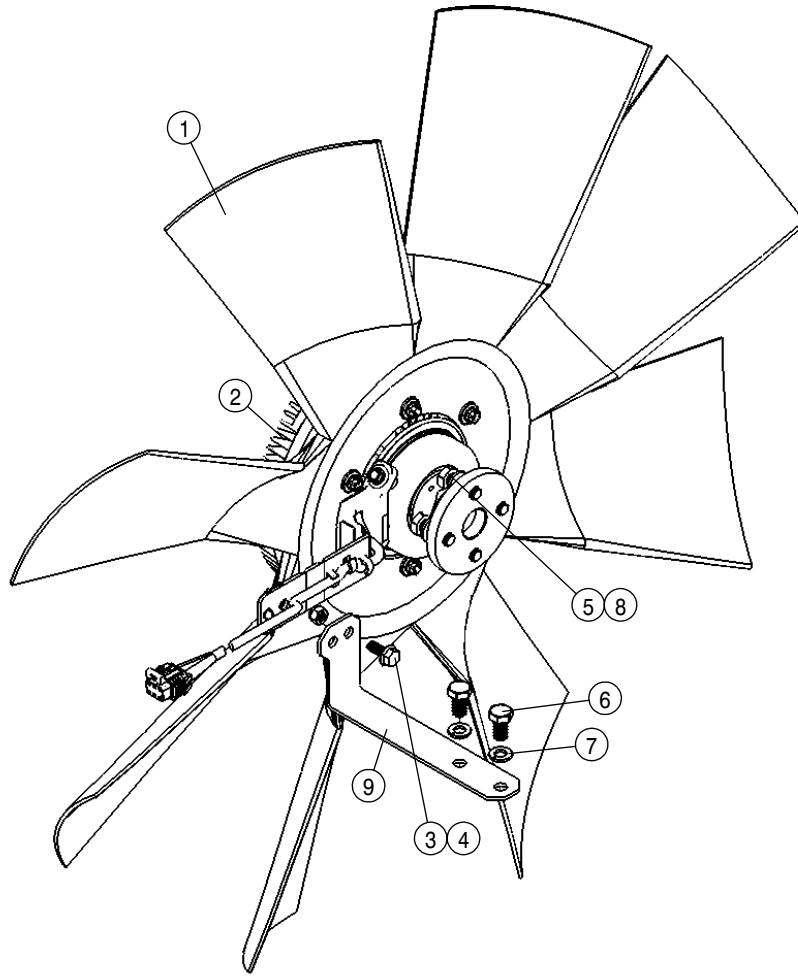
TIER-4F RADIATOR ASSEMBLY			
DET	QTY	P/N	DESCRIPTION
1	1	290098	TEMP SENDER - CAC
2	4	311579	CAC HOSE, 3"
3	1	317203	COOLANT HOSE
4	1	317503	DTS LEFT SIDE FAN GUARD
5	1	317508	DTS RIGHT SIDE FAN GUARD
6	1	317521	ASMY-RADIATOR,CAC AND HOC
7	1	317523	PIPE - COOLANT ENGINE OUTLET
8	1	317524	PIPE - COOLANT ENGINE RAD
9	1	317526	PIPE - CAC INLET COLD
10	1	317527	PIPE - CAC OUTLET HOT
11	2	317528	COOLANT HOSE 1.75 x 4"
12	1	317529	COOLANT ELBOW
13	1	317548	COOLING PKG BRACE-RT
14	1	317549	COOLING PKG BRACE-LH
15	1	317551	AIR INTAKE FLEX HOSE-DTS
16	1	317703	FAN CLUTCH/SHIELD BRACKET
17	2	317716	ISOLATOR-FOAM (COOLING PACK) DTS
18	1	317717	ASMY-FAN SHROUD (WELD),DTS
19	2	317718	BRACKET-AC CONDENSOR MTG, DTS

TIER-4F RADIATOR ASSEMBLY			
DET	QTY	P/N	DESCRIPTION
20	1	317721	AIR INTAKE WLD, DTS
21	1	470087	3/8UNC HEX SERR FLANGE NUT
22	1	470118	1/4 UNC X 3/4 SER FLG BOLT
23	3	470121	1/4 UNC SERR FLG LOCK NUT
24	15	470460	3/8 X 1" SERR FLG BOLT
25	1	470555	CABLE TIE, 1/2 X 15" BLACK NYLON
26	1	470731	TUBE CLAMP BODY,1.50, 2.05 OD
27	3	473793	10MM-1.50 X 20MM HEX BOLT GR8
28	2	473798	10MM LOCK WASHER
29	1	473799	10MM FLAT WASHER
30	2	483038	1/4 REGULAR FLAT WASHER
31	1	505231	PIPE PLUG .50NPT HEX HD BRS
32	1	520055	HOSE CLAMP NO 12 STAINLESS
33	2	520089	BRIDGE CLAMP 5" DIA
34	1	520104	CUSH HOSE CLMP,#12, 3/4D X 1/2W
35	1	520123	CUSH CLAMP,#32 1 3/4D X 5/8W
36	2	520138	1.38/1.56 T-BOLT HOSE CLAMP
37	4	520139	1.93/2.18 T-BOLT HOSE CLAMP SS

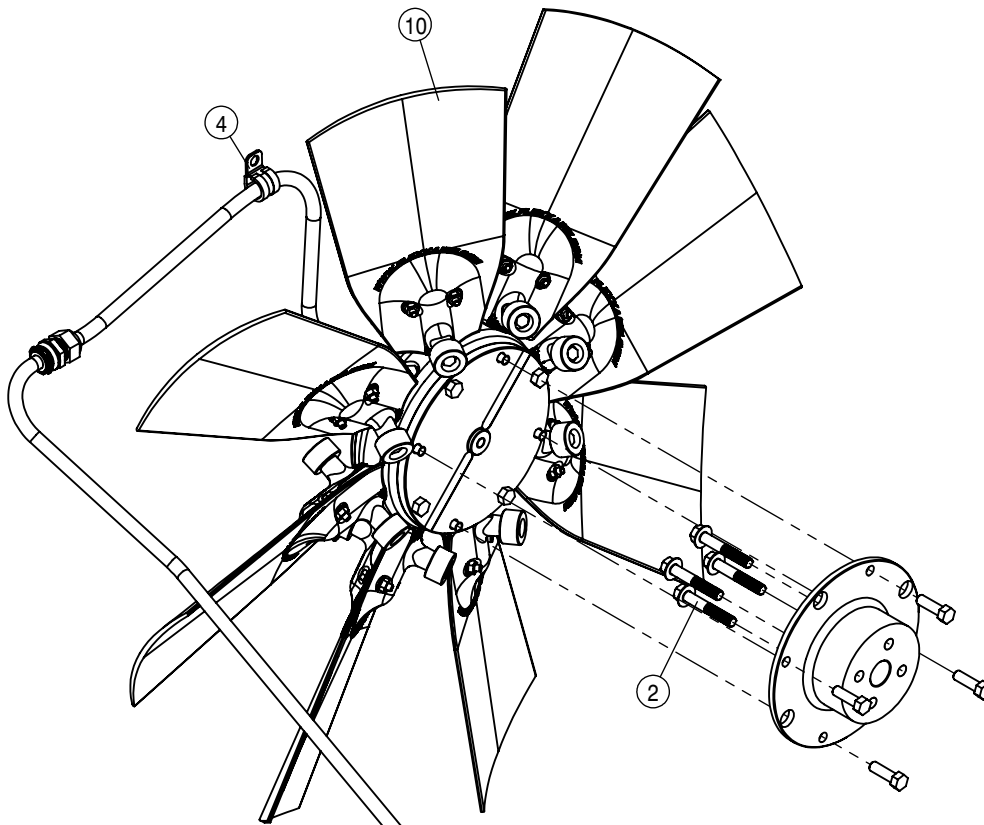
TIER-4F RADIATOR ASSEMBLY			
DET	QTY	P/N	DESCRIPTION
38	4	520140	2.18/2.50 T-BOLT HOSE CLAMP SS
39	8	520146	3.06/3.38 T-BOLT HOSE CLAMP SS
40	1	520160	CUSH CLAMP,#24 1 1/2D-3/4W LOOP
41	1	520161	CUSH CLAMP,#32 2"D-3/4W LOOP
42	1	602029	HOSE, 1" X 48.00, DTS AIR
43	1	606674	VALVE, LOGIC
44	1	618472	1 5/8MJIC-1 5/8MOR ADPTR
45	1	618477	1 5/8MJIC-90-1 5/8MOR LBO
46	1	618745	1 7/8MJIC-45-1 7/8MOR LBO
47	1	650434	DECAL, FAN BLADE WARNING
48	1	650466	DECAL, FLUIDS FOR ALL MODELS
49	1	712100	1/4NPT X 3/8 HOSE FTG,PUSHLOCK
50	2	900010	1/4UNC X 3" HEX BOLT
51	2	900064	5/16UNC X 3/4 HHCS GR5 MC
52	2	900516	1/2UNC X 1 HHSFB GR5 MC
53	4	900517	1/2UNC X 1 1/4 HHSFB GR5 MC
54	4	910008	1/2-13UNC HEX NUT MC GR5
55	2	910132	5/16-18UNC NYLOCK NUT SS



TIER-4 SURGE TANK ASSEMBLY			
DET	QTY	P/N	DESCRIPTION
	1	317406	HOSE, 3/4 x 33
	1	317407	HOSE, 3/8 x 16
	1	317408	HOSE, 3/8 x 26
	1	317729	SURGE TANK ASSEMBLY
	1	470555	CABLE TIE, 1/2 X 15" BLACK NYLON
	2	520055	HOSE CLAMP NO 12 STAINLESS
	5	520069	HOSE CLAMP NO 6 STAINLESS
	1	650174	DECAL, CAUTION RADIATOR, STS 07
	3	712100	1/4NPT X 3/8 HOSE FTG, PUSHLOCK
	1	470087	3/8UNC HEX SERR FLANGE NUT
	3	470460	3/8 X 1" SERR FLG BOLT
	1	470409	3/8UNC X 3/4" SERR FLG BOLT
	2	470154	CABLE TIE, 11.00" BLK NYLON
	1	650462	DECAL, COOLING SYSTEM PROCEDURE
	1	317157	SENSOR, LOW COOLANT T4I STS

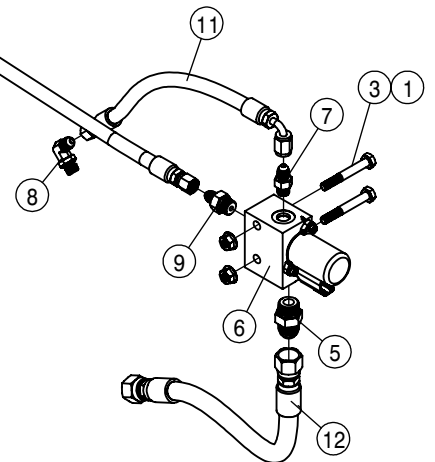


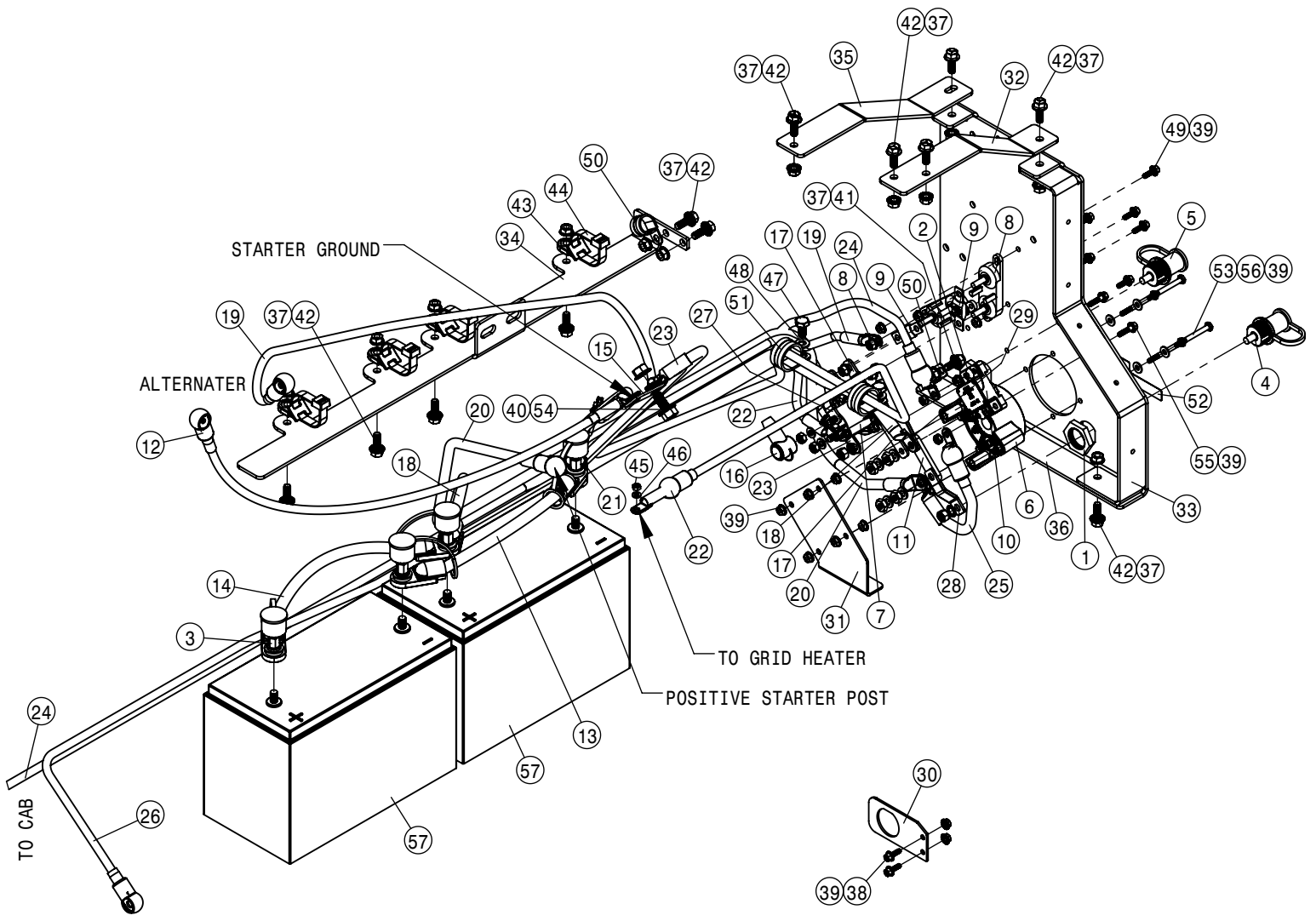
STANDARD FAN ASSEMBLY			
DET	QTY	P/N	DESCRIPTION
1	1	317543	FAN
2	1	317544	FAN CLUTCH ASSEMBLY
3	1	470233	5/16UNC X 3/4 SERR FLG HEX BOLT
4	1	473001	5/16UNC HEX NUT, NYLOC
5	4	473792	10MM-1.50 X 30MM HEX BOLT GR8
6	2	473793	10MM-1.50 X 20MM HEX BOLT GR8
7	2	473798	10MM LOCK WASHER
8	4	473799	10MM FLAT WASHER
9	1	317545	FAN CLUTCH BRACKET



10

REVERSING FAN ASSEMBLY			
DET	QTY	P/N	DESCRIPTION
1	2	470113	5/16UNC SERR FLG LOCK NUT
2	4	473760	10MM-1.50 X 60MM FLG HEX BOLT
3	2	900503	5/16UNC X 2 1/4 HHCS SS
4	1	520115	CUSH CLAMP,#12 0.75"D-3/4W LOOP
5	1	611125	3/4MJIC-3/4MOR ADPTR
6	1	615923	VALVE ASSY, PRR
7	1	618467	7/16MJIC-7/16MOR ADPTR
8	1	618473	7/16MJIC-90-7/16MOR LBO
9	1	618468	7/16MJIC-9/16MOR ADPTR
10	1	317546	VAR-PITCH REVERSING FAN-DTS
11	1	617352	04-451TC-04FJX-04FJX90-18 H/A
12	1	617353	06-451TC-08FJX-08FJX-16 H/A
NS	1	294323	VARIABLE PITCH FAN HARNESS



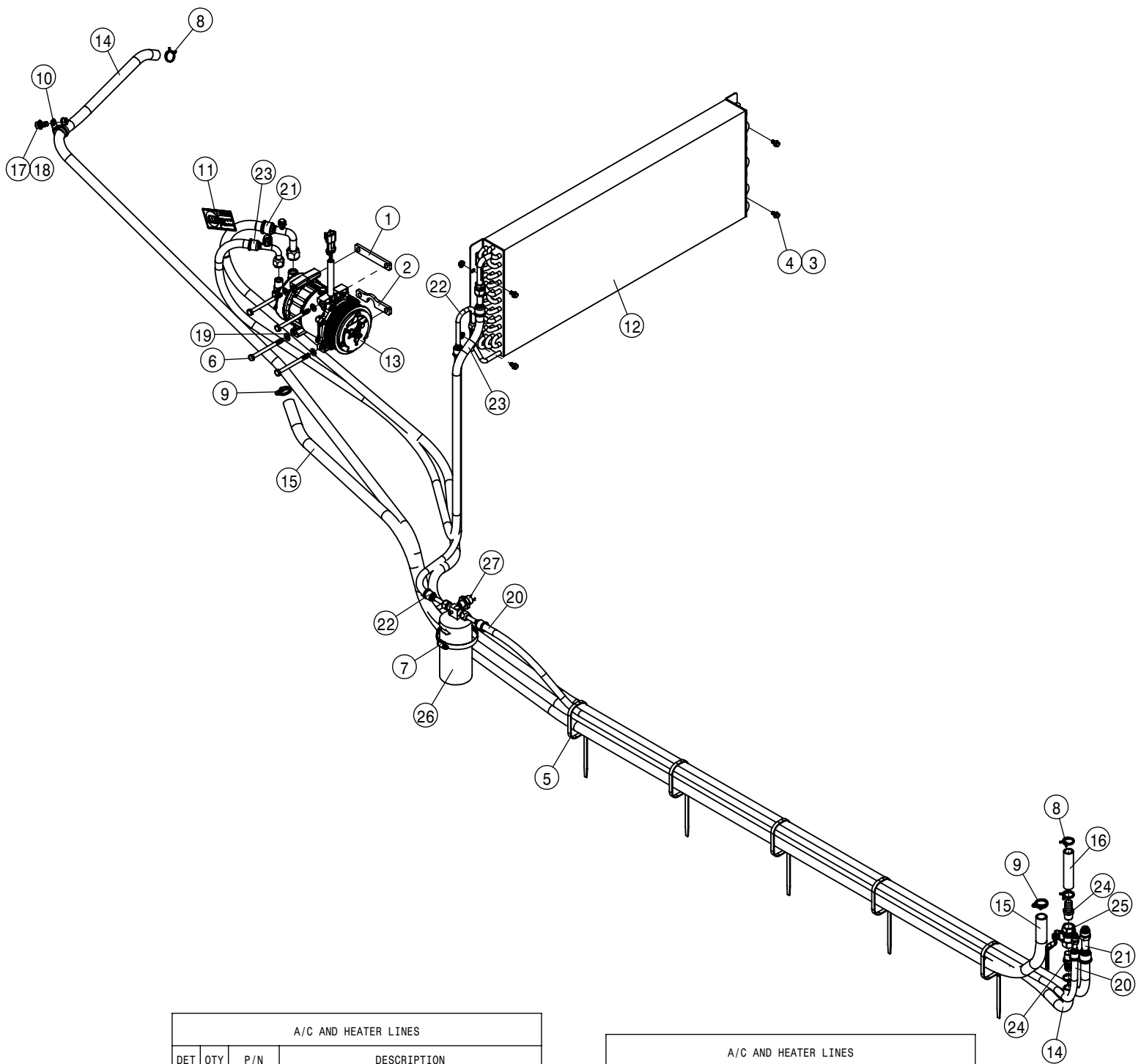


TO FRAME GROUND

BATTERY AND CABLE ASSEMBLY			
DET	QTY	P/N	DESCRIPTION
1	1	291014	PLASTIC SEALING NUT, RED
2	1	291015	PLASTIC SEALING NUT, BLK
3	4	291205	BATTERY NUT, 3/8-16 SS CLSD CAP
4	1	291680	POSITIVE JUMPER STUD, RED
5	1	291681	NEGATIVE JUMPER STUD, BLACK
6	1	291957	BATTERY SWITCH, DUAL CIRCUIT
7	1	292505	MCR
8	2	292578	HIGH AMP FUSE HOLDER W/COVER
9	2	292641	FUSE, 250 AMP 32 VOLT DC
10	1	292642	CIRCUIT BREAKER, 150 AMP BUSS
11	1	292652	BUSBAR, MASTER DISC. JUMPER
12	1	292657	BATT CABLE, BLK 35*2GA 1/2-1/4
13	1	292659	BATT CABLE, BLK 16*2/0 3/8-3/8
14	1	292660	BATT CABLE, RED 18*2/0 3/8-3/8
15	1	292671	BUSBAR, GND EXT
16	1	292677	RUBBER BOOT (RED) 2 TO 2/0 GAUGE
17	1	292679	BUSBAR, MD TO GRID, SHRINK
18	1	292685	BATT CABLE, RED 50*2/0 3/8-3/8
19	1	292686	BATT CABLE, RED 84*1/0 5/16-5/1
20	1	292687	BATT CABLE, RED 60*2/0 1/2-3/8
21	1	292688	BATT CABLE, BLK 18*2/0 3/8-1/2
22	1	292689	BATT CABLE, RED 87*2GA 1/4-5/16
23	1	292690	BATT CABLE, BLK 48*2/0 1/2-3/8
24	1	292691	CAB PWR, GND CABLE ASY
25	1	292692	BATT CABLE, RED 18*1/0 1/2-1/4
26	1	292693	BATT CABLE, BLK 70*2GA 3/8-1/2
27	1	292754	BUSBAR, MCR TO FUSE, W/SHRINK
28	1	292755	BUSBAR, POST TO MD, W/SHRINK
29	1	292756	BUSBAR, MD TO ALT, W/SHRINK

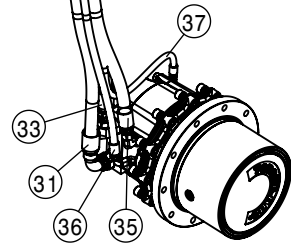
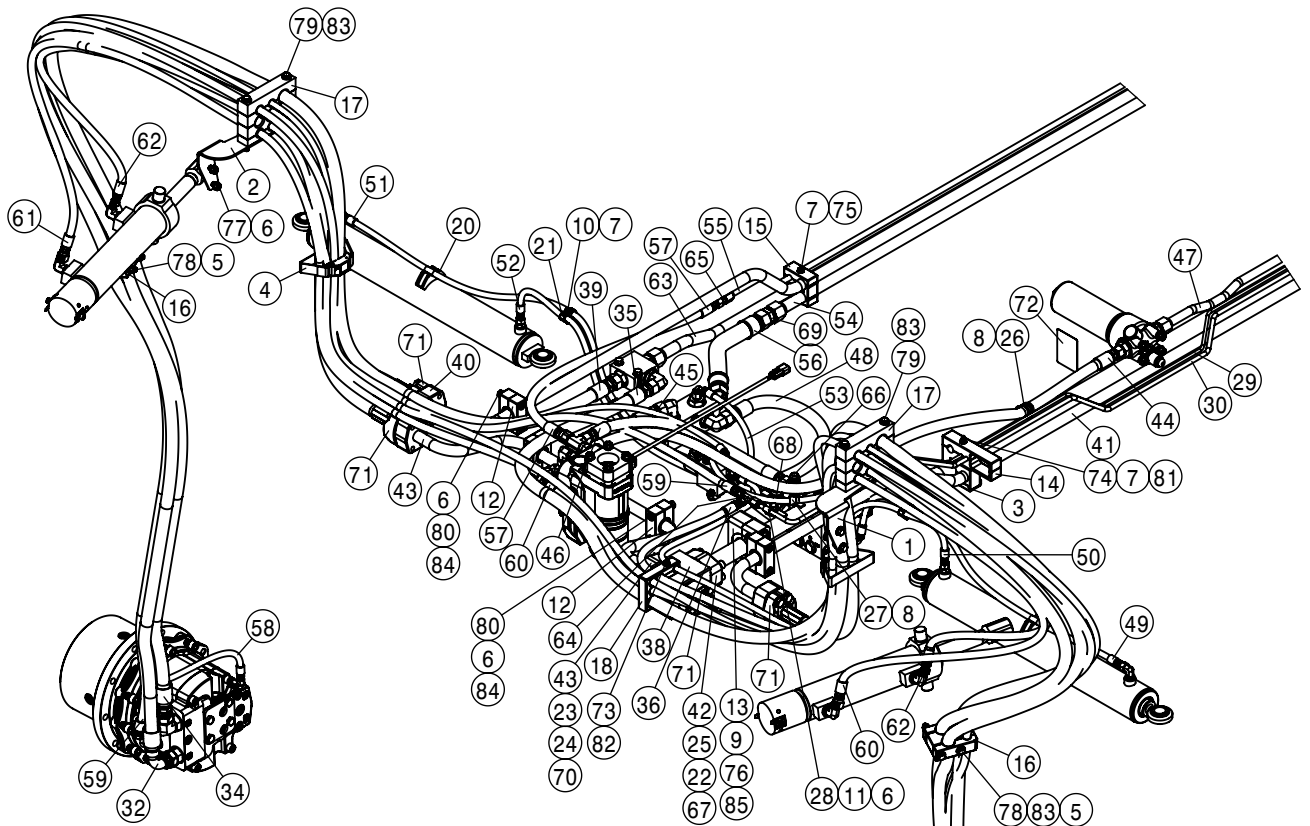
BATTERY AND CABLE ASSEMBLY			
DET	QTY	P/N	DESCRIPTION
30	1	317054	DEUTSCH RECP HOLDER BRACKET
31	1	317672	MST DISC. COVER - DTS
32	1	317683	MST DISC PLATE TOP BRKT
33	1	317684	MST DISC PLT GUSS
34	1	317685	BATTERY CABLE TRAY
35	1	317759	DISCONNECT PLATE SUPPORT
36	1	318167	MASTER DISCONN PLT DTS W/DECAL
37	14	470087	3/8-16UNC HEX FLG NUT SER MC GR5
38	2	470118	1/4UNC X 3/4 HHSFB GR5 MC
39	18	470121	1/4-20UNC HEX FLG NUT SER MC GR5
40	1	470360	1/2-13UNC HEX FLG NUT SER MC GR5
41	1	470409	3/8UNC X 3/4 HHSFB GR5 MC
42	13	470460	3/8UNC X 1 HHSFB GR5 MC
43	4	470516	CABLE TIE MT, 3/8 MT HOLE, NYL
44	4	470556	.50 X 19" CABLE TIE - UV BLACK
45	1	473767	6MM-1.00 HEX NUT
46	1	473768	6MM LOCK WASHER
47	2	473793	10MM-1.50 X 20MM HEX BOLT GR8
48	2	473799	10MM FLAT WASHER
49	6	473834	1/4UNC X 3/4 HHSFB SS
50	2	520121	CUSH CLAMP, #16 1IN X 3/4W
51	2	520160	CUSH CLAMP, #24 1 1/2D-3/4WLOOP
52	1	650518	MAIN ELECTRICAL DISCON DECAL
53	4	900008	1/4UNC X 2 1/2 HHCS GR5 MC
54	1	900516	1/2UNC X 1 HHSFB GR5 MC
55	2	910124	1/4UNC X 1 HHSFB SS
56	4	920000	SAE FLAT WASHER 1/4 MC
57	2	TY24546A	BATTERY 12 V





A/C AND HEATER LINES			
DET	QTY	P/N	DESCRIPTION
1	1	317673	SPACER-A/C COMPRESSOR (TOP)
2	1	317674	SPACER-A/C COMPRESSOR (BOTTOM)
3	4	470121N	1/4 UNC SERR FLG LOCK NUT SS
4	4	470122N	1/4 UNC X 1/2 SERR FLG BOLT SS
5	5	470555	CABLE TIE, 1/2 X 15" BLACK NYLON
6	4	473868	8MM-1.25 X 100MM HEX BOLT
7	1	520052	HOSE CLAMP NO 52 STAINLESS
8	4	520081	HOSE CLAMP NO 14 DBL WIRE
9	2	520082	HOSE CLAMP NO 16 DBL WIRE
10	1	520121	CUSH CLAMP, #16 1IN X 3/4W
11	1	650435	DECAL, NOTICE R134A, 3.50LB
12	1	657457	COIL, COND 12 X 31.6
13	1	657534	A/C COMPRESSOR
14	1	657616	HOSE, 5/8 X 170.00 HEATER

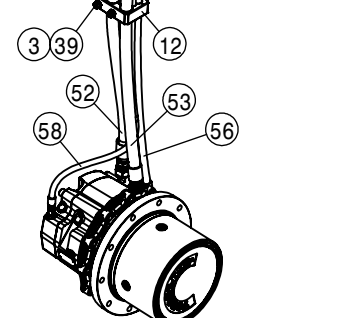
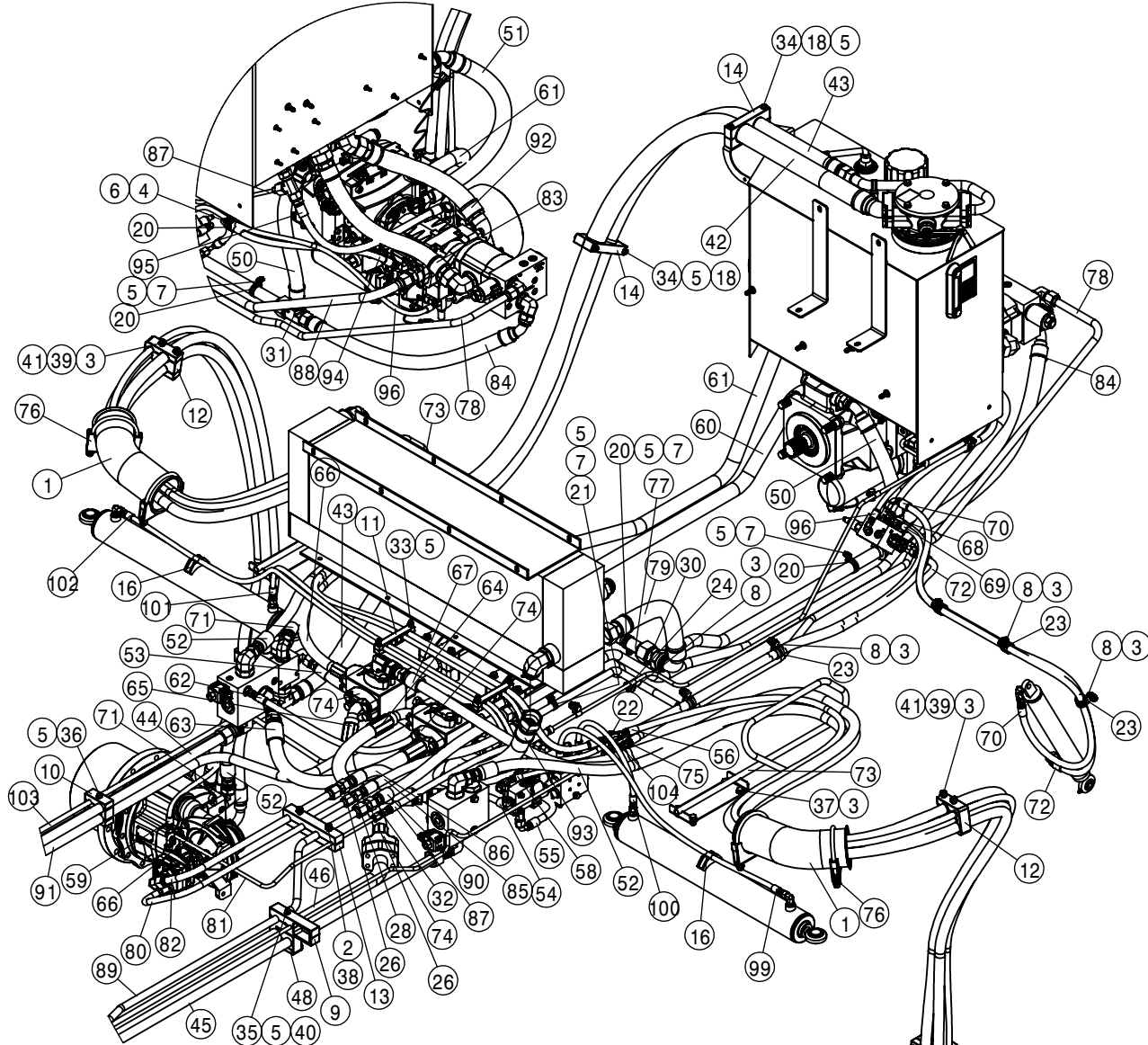
A/C AND HEATER LINES			
DET	QTY	P/N	DESCRIPTION
15	1	657617	HOSE, 3/4 X 119.00 HEATER
16	1	657619	HOSE, 5/8 X 4.00 HEATER
17	1	900128N	3/8UNC X 3/4 SER FLANGE BOLT
18	1	910004N	3/8UNC FLANGE CNTR LOCK NUT
19	4	920001	5/16 SAE FLAT WASHER
20	1	657612	A/C HOSE, 06-06F-06M-92
21	1	657613	A/C HOSE, 10-10F90SP-10M-152
22	1	657614	A/C HOSE, 06-06F180-06F-36
23	1	657615	A/C HOSE, 08-08F90SP-08F-80
24	2	716007	1/2 X 5/8 HOSE BARB
25	1	696011	1/2 NPT FEMALE BALL VALVE
26	1	657421	A/C RECEIVER/DRIER
27	1	657422	A/C BINARY SWITCH



FRONT HYDRAULIC HOSE SYSTEM			
DET	QTY	P/N	DESCRIPTION
1	1	359675	LH HOSE CLAMP PLT
2	1	359681	RH HOSE CLAMP PLT
3	1	362386	HOSE CLAMP BRACKET
4	2	362482	1" X 2" CAM BUCKLE STRAP
5	8	470087	3/8UNC HEX SERR FLANGE NUT
6	13	470087N	3/8UNC HEX SERR FLG NUT YZ
7	8	470121	1/4 UNC SERR FLG LOCK NUT
8	3	470122	1/4 UNC X 1/2 SERR FLG BOLT
9	2	470325	7/16 UNC SERR FLG HEX NUT
10	3	470407	1/4UNC X 1 1/4 SERR FLG BOLT
11	1	470409	3/8UNC X 3/4" SERR FLG BOLT
12	4	470693	CLAMP ASSY W/ 1" RUBBER INS
13	1	470696	CLAMP ASSY W/ 1 1/2" RUB INS
14	1	470697	TUBE CLAMP BODY 1"-1.5" OD
15	1	470698	TUBE CLAMP BODY, 1" -1/2" OD
16	2	470700	LEG HOSE CLAMP
17	2	470702	HOSE CLAMP, 8-HOLE DTS
18	1	470747	HOSE CLAMP BODY, 5 HOLE
NS	2	470751	SLEEVE, DTS
20	2	470887	Cylinder Saddle Clamp
21	3	470888	TWIN #4 CLAMP
22	4	473784	12MM LOCK WASHER
23	4	473785	10MM-1.50 X 60MM HEX BOLT
24	4	473798	10MM LOCK WASHER
25	4	474005	12MM-1.75X60MM SOC HD CAP SCR
26	2	520101	CUSH HOSE CLAMP,#16, 1"D X 1/2W
27	1	520118	CUSH CLAMP,#8 1/2D X 1/2W
28	1	520171	CUSH CLAMP, #6,3/8D X 3/4W
29	1	606154	FRT SFT LINE 0.25"OD X 0.049"W
30	1	606155	FRT BRK LNE 0.375"OD X 0.049"W
31	1	606157	12-797TC-16C62FX-12FFOX90-147
32	1	606157	12-797TC-16C62FX-12FFOX90-147
33	1	606158	12-797TC-16C62FX-12FFOX-150 H/A

FRONT HYDRAULIC HOSE SYSTEM			
DET	QTY	P/N	DESCRIPTION
34	1	606158	12-797TC-16C62FX-12FFOX-150 H/A
35	1	606162	12-451TC-08FJX-12FJX-194 H/A
36	1	606163	06-451TC-06FJX-06FJX90-173 H/A
37	1	607131	04-451TC-04FJX-04FJX-186 H/A
38	1	607133	HYD DRIVE RETURN CODE 62 BLOCK
39	1	614768	12-451TC-08FJX-12FJX-176 H/A
40	1	614772	HYD TUBE RF DRIVE 1"ODX.12"WT
41	1	614773	HYD TUBE LF DRIVE 1"ODX.12"WT
42	1	614774	HYD TUBE B DRIVE 1.5"ODX.134"WT
43	1	614776	HYD TUBE B FRT 1.00" OD X .120" W
44	1	617226	10-451TC-10FJX-10FJX90-63 H/A
45	1	617227	10-451TC-12FJX-10FJX90-14 H/A
46	1	617228	10-451TC-10FJX-10FJX-23 H/A
47	1	617229	HYD AUX TUBE 0.75" OD X .065WT
48	1	617231	12-451TC-12FJX-12FJX90-25 H/A
49	1	617232	04-451TC-06FJX-04FJX90-39 H/A
50	1	617233	04-451TC-06FJX-04FJX90-20 H/A
51	1	617234	04-451TC-06FJX-04FJX-63 H/A
52	1	617235	04-451TC-06FJX-04FJX-43 H/A
53	1	617236	04-451TC-06FJX-06FJX90-15 H/A
54	1	617237	AUX RETURN 1"OD X 0.065"WT
55	1	617238	OPT AUX TUBE 0.5"OD X .049"WT
56	1	617239	16-811-16FJX-16FJX-17 HA
57	1	617250	08-451TC-08FJX-10FJX-35 H/A
58	1	617287	04-451TC-04FJX-04FJX90-195 H/A
59	1	617288	06-451TC-06FJX-06FJX90-190 H/A
60	1	617289	06-451TC-08FJX-08FJX90-111 H/A
61	1	617290	06-451TC-08FJX-08FJX-110 H/A
62	1	617291	06-451TC-06FJX-06FJX-200 H/A
63	1	617391	WMC TUBE 1.00"OD X 0.065"WT
64	1	618019	9/16MJIC UNION TEE
65	1	618314	3/4MJIC UNION
66	1	618333	7/8FJIC SW RUN TEE-7/8MJIC

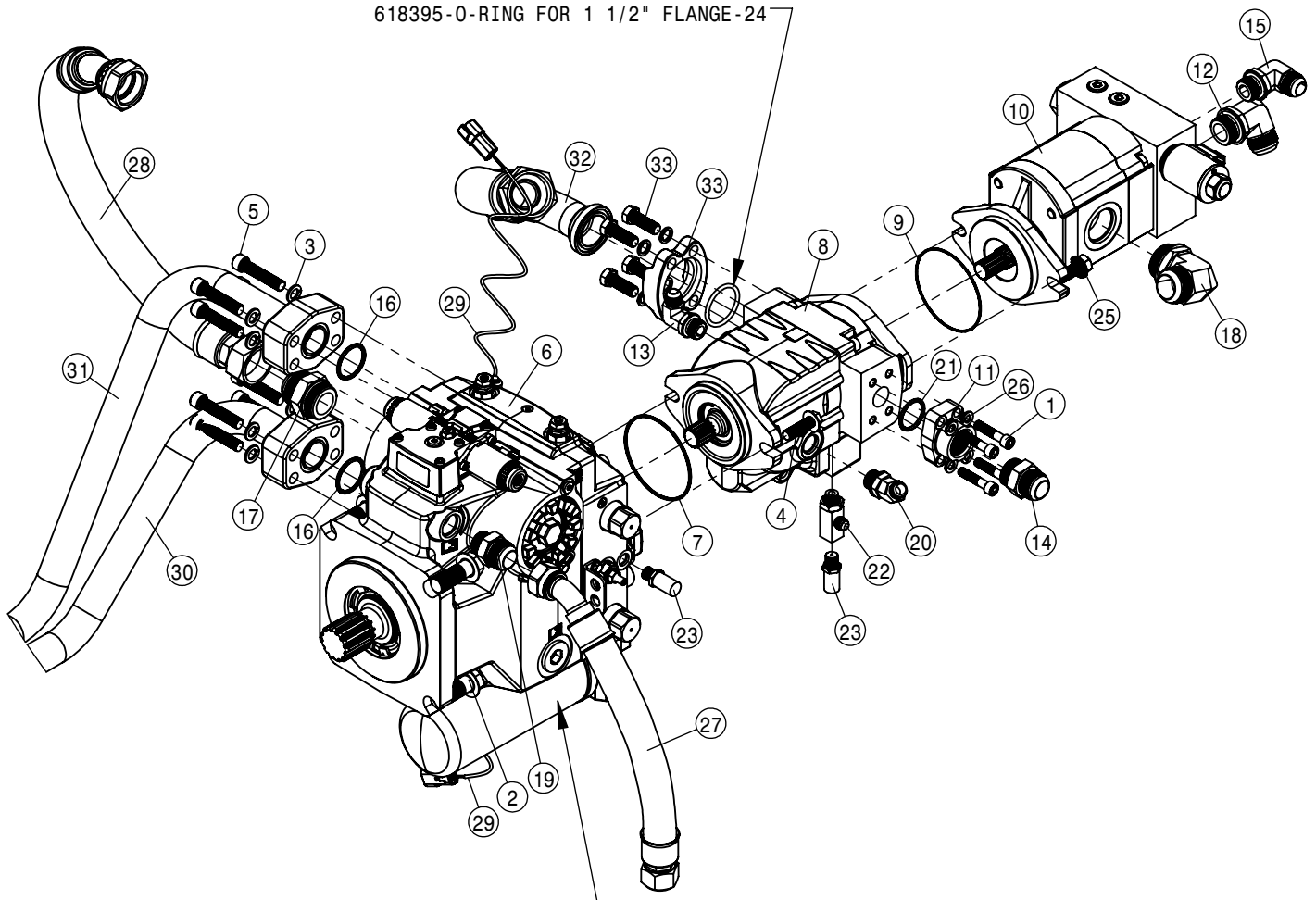
FRONT HYDRAULIC HOSE SYSTEM			
DET	QTY	P/N	DESCRIPTION
67	1	618465	O-RING FOR 1 1/4" FLANGE -20
68	1	618487	1 1/16FJ SW RUN TEE-1 1/16MJ
69	1	618577	1 5/16MJIC UNION
70	1	618676	O-RING FOR 1" FLANGE -16
71	4	618933	M12 SPLIT FLANGE KIT #62 (-16)
72	1	650339	DECAL, WARNING, HYD. OIL INJ
73	1	900007N	1/4 UNC X 2 SER FLG BOLT SS
74	1	900027	1/4UNC X 5" HEX BOL
75	1	900051	1/4UNC X 3" SOC HD CAP SCR
76	2	900052	7/16UNC X 3 3/4 SOC HD CAP SCR
77	4	900129N	3/8UNC X 1" SERR FLANGE BOLT
78	4	900140	3/8UNC X 4" HEX BOLT
79	4	900143	3/8UNC X 5 1/2 HEX BOLT
80	8	900398	3/8UNC X 2 1/2" SOC HD CAP SCR
81	1	920000	1/4 SAE FLAT WASHER
82	1	920000N	1/4 SAE FLAT WASHER SS
83	8	920002	3/8 SAE FLAT WASHER
84	8	920502N	3/8 LOCK WASHER
85	2	920503	7/16 LOCK WASHER



REAR HYDRAULIC HOSEING SYSTEM			
DET	QTY	P/N	DESCRIPTION
1	2	362376	LEG HOSE GUIDE TUBE
2	2	470087	3/8UNC HEX SERR FLANGE NUT
3	25	470087N	3/8UNC HEX SERR FLG NUT YZ
4	2	470118	1/4 UNC X 3/4 SER FLG BOLT
5	16	470121	1/4 UNC SERR FLG LOCK NUT
6	1	470121N	1/4 UNC SERR FLG LOCK NUT SS
7	3	470122	1/4 UNC X 1/2 SERR FLG BOLT
8	9	470409	3/8UNC X 3/4" SERR FLG BOLT
9	1	470697	TUBE CLAMP BODY 1"-1.5" OD
10	1	470698	TUBE CLAMP BODY, 1" -1/2" OD
11	2	470699	TUBE CLAMP BODY,0.52"-0.68" OD
12	4	470700	LEG HOSE CLAMP
13	1	470712	TUBE CLAMP BODY, .41"-.78" OD
14	3	470731	TUBE CLAMP BODY,1.50, 2.05 OD
NS	2	470751	SLEEVE, DTS
16	2	470887	Cylinder Saddle Clamp
17	2	473781	6MM-1.00 X 12MM HEX BOLT
18	6	483038	1/4 REGULAR FLAT WASHER
19	3	520101	CUSH HOSE CLAMP, #16, 1"D X 1/2W
20	3	520102	CUSH HOSE CLAMP, #20, 1 1/4D X 1/2W
21	1	520104	CUSH HOSE CLMP, #12, 3/4D X 1/2W
22	1	520116	CUSH HOSE CLAMP, #16, 1IN DBL TUBE
23	5	520121	CUSH CLAMP, #16 1IN X 3/4W
24	3	520171	CUSH CLAMP, #6,3/8D X 3/4W
25	1	606870	O-RING FOR 606865 SUND B-MT
26	3	618177	1 1/16MJC UNION
27	1	618451	3/4FJIC SW RUN TEE-3/4MJC
28	1	618456	7/8MJC UNION
29	1	618577	1 5/16MJC UNION
30	1	618632	1 5/8 MJC UNION
31	1	618962	1 5/8MJC UNION TEE-1 5/16MJC
32	1	619010	9/16MJC UNION
33	4	900006	1/4UNC X 1 3/4 HEX BOLT
34	6	900010	1/4UNC X 3" HEX BOLT
35	1	900027	1/4UNC X 5" HEX BOL
36	1	900051	1/4UNC X 3" SOC HD CAP SCR
37	10	900128N	3/8UNC X 3/4 SER FLANGE BOLT
38	2	900134N	3/8UNC X 2 1/2 SER FLANGE BOLT
39	8	900139	3/8UNC X 3 3/4 HEX BOLT
40	1	920000	1/4 SAE FLAT WASHER

REAR HYDRAULIC HOSEING SYSTEM			
DET	QTY	P/N	DESCRIPTION
41	8	920002	3/8 SAE FLAT WASHER
42	1	617273	24-811-24FJX-24C61F45-99
43	1	617386	16-811-16FJX-16FJX-104 H/A
44	1	614772	HYD TUBE RF DRIVE 1"ODX.12"WT
45	1	614773	HYD TUBE LF DRIVE 1"ODX.12"WT
46	1	614774	HYD TUBE B DRIVE 1.5"ODX.134"WT
47	1	606155	FRT BRK LNE 0.375"OD X 0.049"W
48	1	362386	HOSE CLAMP BRACKET
49	1	617391	WMC TUBE 1.00"OD X 0.065"WT
50	1	617244	16-811-16FJX45-16FJX-18 H/A
51	1	617241	20-811-20FJX-20FJX45-28 H/A
52	2	617276	12-797TC-12FFOX-12FFOX-163 H/A
53	1	617277	12-451TC-12FJX-08FJX-186 H/A
54	1	617278	06-451TC-06FJX90-08FJX-13 H/A
55	1	617279	06-451TC-06FJX-08FJX90-23 H/A
56	1	617280	06-451TC-06FJX-06FJX90-146 H/A
57	1	617281	06-451TC-06FJX-06FJX90-195 H/A
58	1	617282	04-451TC-04FJX-04FJX90-165 H/A
59	1	617283	04-451TC-04FJX-04FJX90-199 H/A
60	1	615114	HYD DRIVE TUBE A SIDE 1.5X.134W
61	1	615115	HYD DRIVE TUBE B SIDE 1.5X.134W
62	1	617252	06-451TC-06FJX-06FJX-24 H/A
63	1	617261	16-797TC-16FFOX-20C62F-28 H/A
64	1	617262	16-797TC-16C62FX90-16FFOX-25 H/A
65	1	617263	16-797TC-20C62F-20C62FX45-23 HA
66	1	617265	12-797TC-16C62F-12FFOX-168 H/A
67	1	617268	12-797TC-16FFOX-12FFOX90-178 H/A
68	1	617269	06-451TC-06FJX-06FJX-52 H/A
69	1	617270	04-451TC-04FJX-04FJX90-62 H/A
70	1	617274	06-451TC-06FJX-06FJX90-64 H/A
71	1	617401	12-451TC-12FJX-08FJX-156 H/A
72	1	617402	06-451TC-08FJX-08FJX90-54 H/A
73	2	360301	LEG HOSE GUIDE LOOP BKT
74	2	618966	M12 SPLIT FLANGE KIT #62 (-20)
75	1	618514	9/16FJIC SW BRANCH TEE-9/16MJC
76	4	472218	4" MUFFLER CLAMP 3/8UNC GRAY
77	1	617240	DP CASE, SOL COOLER RETURN TUBE
78	1	614775	SOL PUMP TUBE .75"ODX.095"WT
79	1	617246	20-811-20FJX-20FJX90-19 H/A
80	1	617255	ISOL PRESS LN 0.625"OD X 0.049"

REAR HYDRAULIC HOSEING SYSTEM			
DET	QTY	P/N	DESCRIPTION
81	1	617256	SOL CD LN, 0.375"OD X 0.049"W
82	1	617257	SOL TANK 0.75"OD X 0.049"W
83	1	617243	20-811-20FJX-20FJX-22
84	1	617245	16-811-16FJX-16FJX45-32 H/A
85	1	617258	10-451TC-10FJX-12FJX-25 H/A
86	1	617259	12-451TC-12FJX-12FJX-23 H/A
87	1	617260	SOL CD LINE ENG F .3750D X.049
88	1	615116	HYD AUX TUBE 1" OD X .12" WT
89	1	617229	HYD AUX TUBE 0.75" OD X .065WT
90	1	617230	12-451TC-16FJX-12FJX-22 HA
91	1	617237	AUX RETURN 1"OD X 0.065"WT
92	1	617242	24-811-24FJX-24C61F90-20 H/A
93	1	617247	20-811-20FJX-20FJX-24 H/A
94	1	617249	06-451TC-08FJX-08FJX90-36 H/A
95	1	617272	08-451TC-12FJX-08FJX90-25 H/A
96	1	617248	04-451TC-06FJX-04FJX-44 H/A
97	1	617253	08-451TC-10FJX-08FJX-26 H/A
98	1	617254	08-451TC-08FJX-08FJX90-21 H/A
99	1	617284	04-451TC-04FJX-06FJX-41 H/A
100	1	617285	04-451TC-04FJX-06FJX-19 H/A
101	1	617267	04-451TC-04FJX-06FJX-55 H/A
102	1	617286	04-451TC-04FJX-06FJX-74 H/A
103	1	617238	OPT AUX TUBE 0.5"OD X .049"WT
104	1	618964	9/16MJC BLKHD RUN TEE

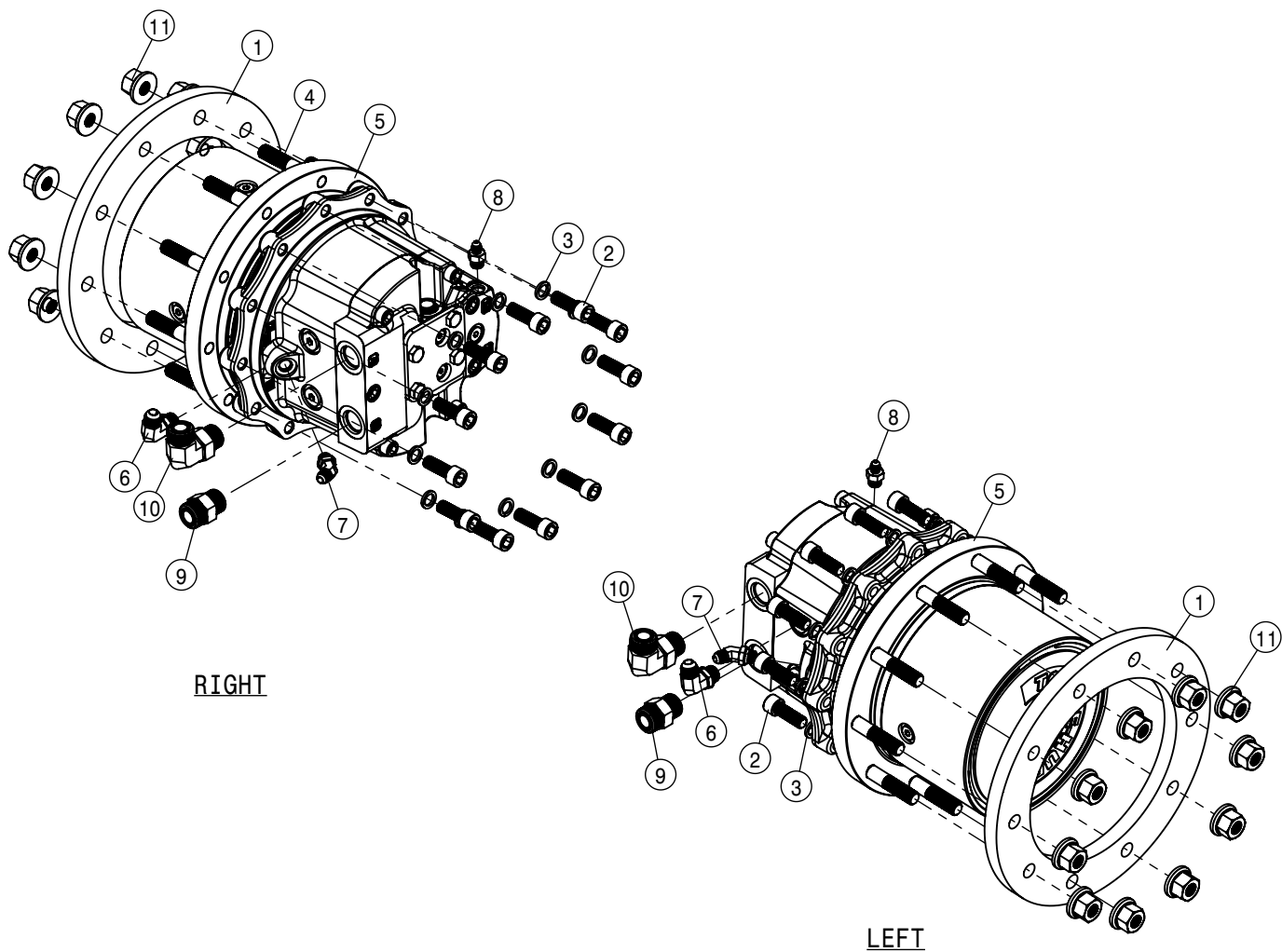


618395-O-RING FOR 1 1/2" FLANGE-24

605657-HYD FILTER-DRIVE PUMP  
 317377-ORING, 1.239ID.070CS 70DURO NBR  
 317378-ORING, 1.299ID.103CS 70DURO NBR

HYDROSTATIC PUMP ASSEMBLY			
DET	QTY	P/N	DESCRIPTION
1	4	472243	3/8UNC X 1 3/4 AL HD CAP SCR
2	4	472367	3/4UNC X 2" SM FLG BOLT GR8 YZ
3	8	473784	12MM LOCK WASHER
4	2	473856	12MM-1.75 X 40MM SM FLANGED BOLT
5	8	474005	12MM-1.75X60MM SOC HD CAP SCR
6	1	606070	H1 PUMP 165CC D/BB MT
7	1	606357	O-RING, B-MT, 3.737ID X .103CS
8	1	606523	PUMP-38CC BB/B MNT
9	1	606870	O-RING FOR 606865 SUND B-MT
10	1	607129	30CC PUMP W/PROP FLOW CNTRL
11	1	618176	1" 4 BOLT FLANGE X 1 5/16 OR
12	1	618178	1 5/16MJIC-90-1 5/16MOR LBO
13	1	618183	3/4MJIC-90-7/8MOR LBO
14	1	618186	1 5/16MJIC-1 5/16MOR ADPTR
15	1	618248	1 1/16MJIC-90-1 1/16MOR LBO
16	2	618465	O-RING FOR 1 1/4" FLANGE -20
17	1	618472	1 5/8MJIC-1 5/8MOR ADPTR

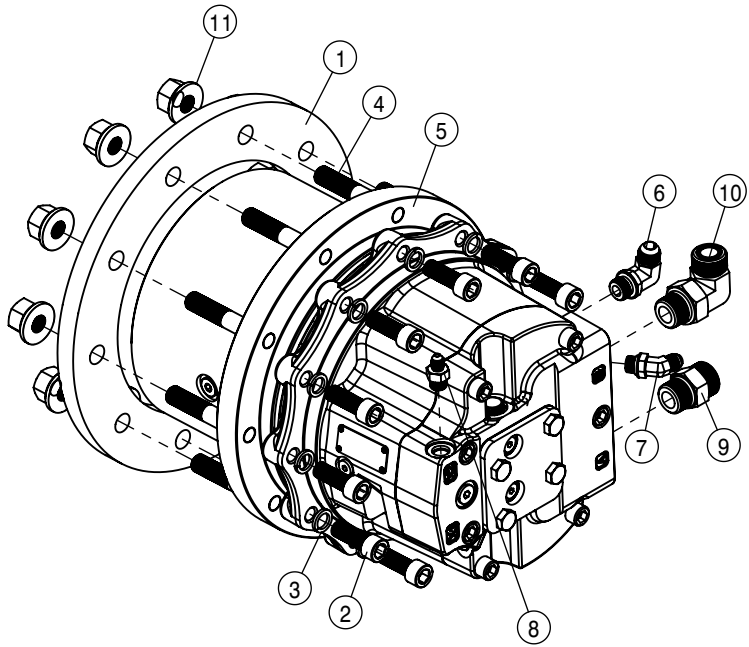
HYDROSTATIC PUMP ASSEMBLY			
DET	QTY	P/N	DESCRIPTION
18	1	618477	1 5/8MJIC-90-1 5/8MOR LBO
19	1	618558	1 5/16MJIC-1 1/16MOR ADPTR
20	1	618602	3/4MJIC-45-7/8MOR LBO
21	1	618676	O-RING FOR 1" FLANGE -16
22	1	618782	9/16MOR-9/16FOR-9/16MJIC BRNCH
23	2	619023	9/16 MOR DIAGNOSTIC FITTING
NS	1	651006	DECAL FOR 605657
25	2	900264N	1/2UNC X 1 1/4 SER FLANGE BOLT
26	4	920502	3/8 LOCK WASHER
27	1	617244	16-811-16FJX45-16FJX-18 H/A
28	1	617241	20-811-20FJX-20FJX45-28 H/A
29	2	606196	PRESSURE TRANSDUCER, 9000 PSI
30	1	615114	HYD DRIVE TUBE A SIDE 1.5X.134W
31	1	615115	HYD DRIVE TUBE B SIDE 1.5X.134W
32	1	617242	24-811-24FJX-24C61F90-20
33	1	618299	1.50 SPLIT FLANGE KIT #61



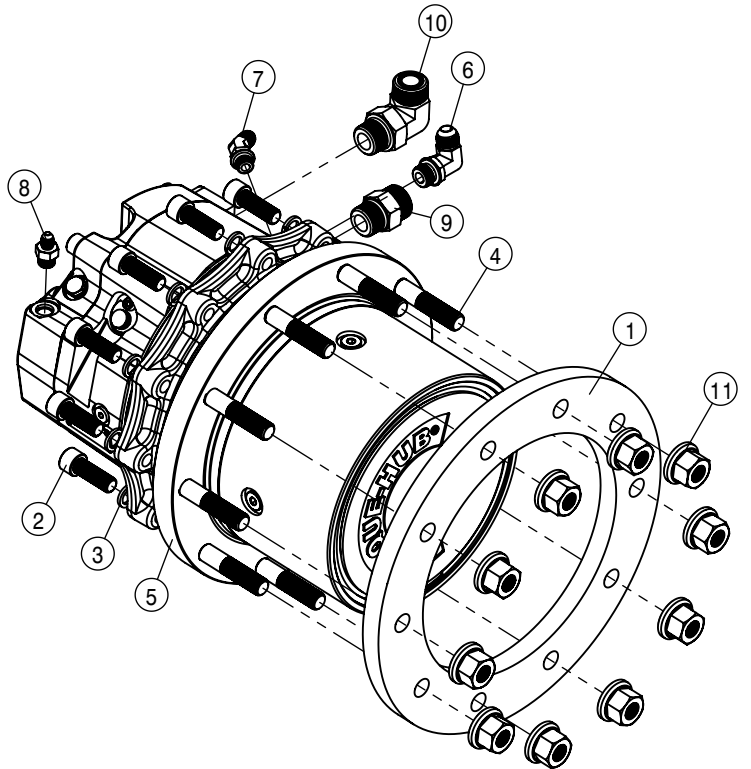
RIGHT

LEFT

FRONT WHEEL MOTOR ASSEMBLY			
DET	QTY	P/N	DESCRIPTION
1	2	360585	SPACER - DTS
2	24	470891	14MM-2.00X40MM SOC HD CAP SCR
3	24	470892	14MM LOCK WASHER
4	20	470687	16MM-2.00 TO 5/8-18 3IN STUD
5	2	606064	WHEEL DRIVE, 53CC, 21:1
6	2	618241	3/4MJIC-90-3/4MOR LBO
7	2	618425	9/16MJIC-45-9/16MOR LBO
8	2	618468	7/16MJIC-9/16MOR ADPTR
9	2	618859	1 1/16MOR-1 3/16MORFS ADPTR
10	2	618977	1 1/16MOR- 90-1 3/16MORFS LBO
11	20	470688	5/8-18 SWIVEL FLANGE NUT



RIGHT

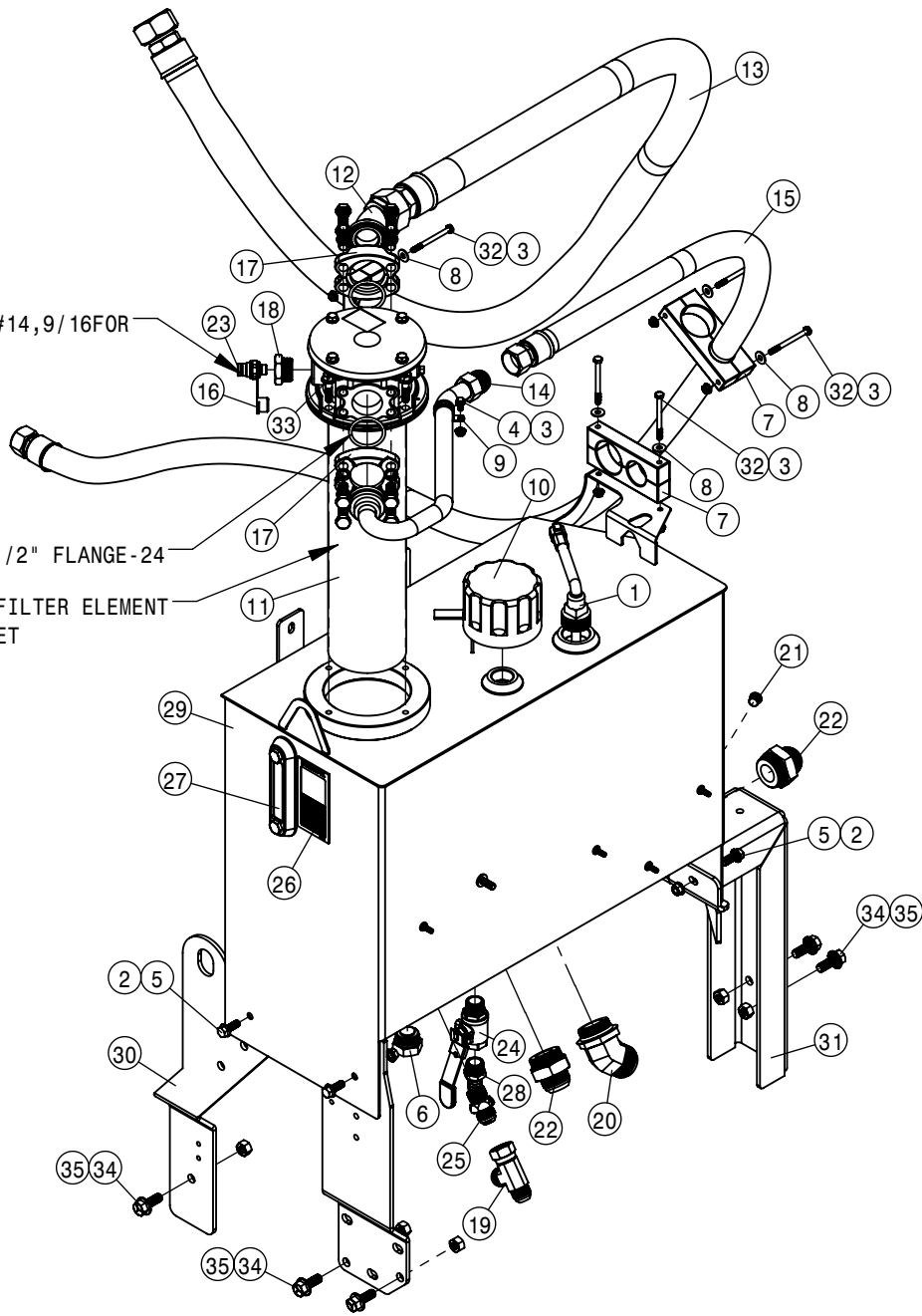


LEFT

REAR WHEEL MOTOR ASSEMBLY			
DET	QTY	P/N	DESCRIPTION
1	2	360585	SPACER - DTS
2	24	470891	14MM-2.00X40MM SOC HD CAP SCR
3	24	470892	14MM LOCK WASHER
4	20	470687	16MM-2.00 TO 5/8-18 3IN STUD
5	2	606064	WHEEL DRIVE, 53CC, 21:1
6	2	618241	3/4MJIC-90-3/4MOR LBO
7	2	618425	9/16MJIC-45-9/16MOR LBO
8	2	618468	7/16MJIC-9/16MOR ADPTR
9	2	618859	1 1/16MOR-1 3/16MORFS ADPTR
10	2	618977	1 1/16MOR- 90-1 3/16MORFS LBO
11	20	470688	5/8-18 SWIVEL FLANGE NUT

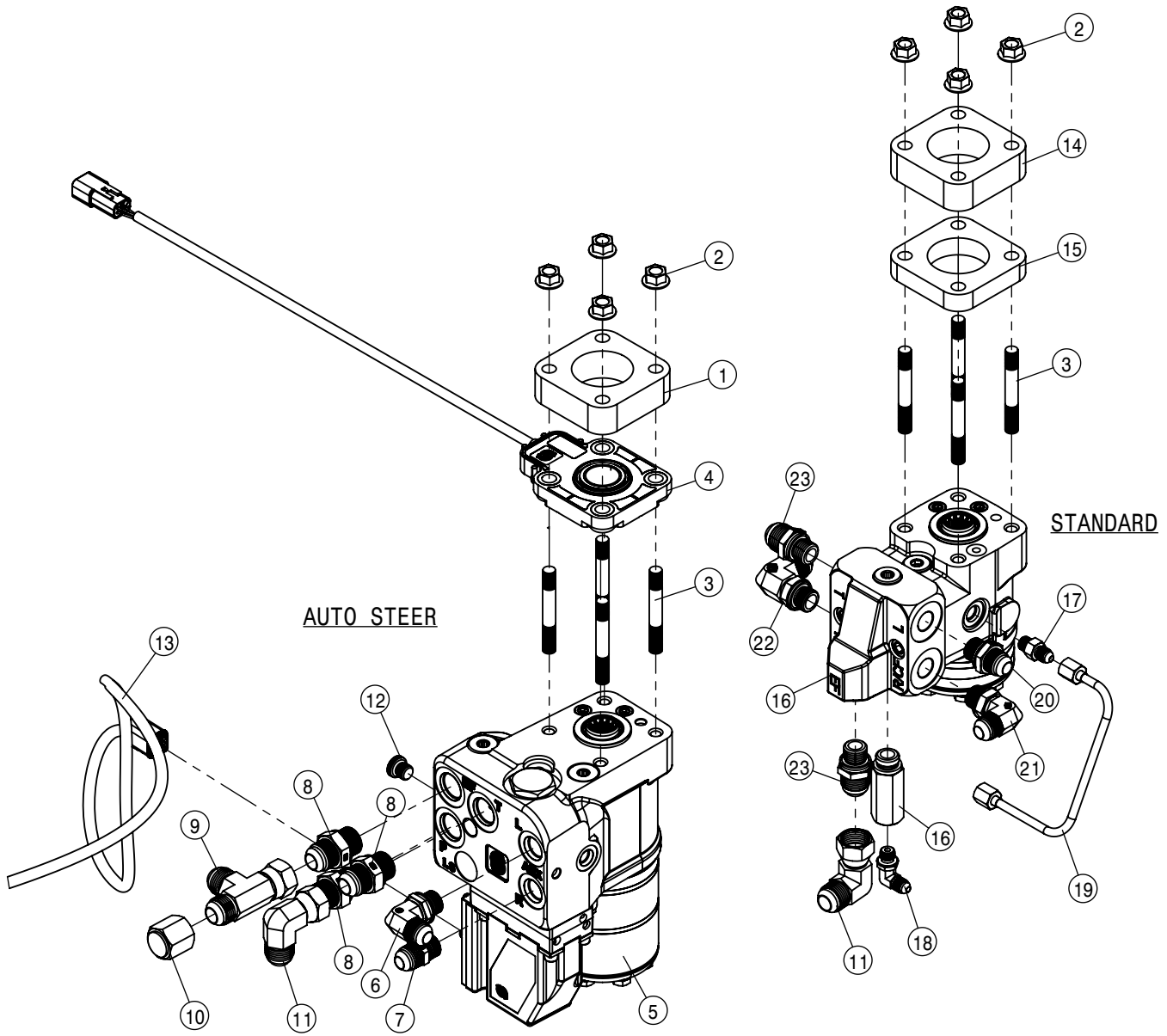
NOTE: FILL ADAPTOR  
618805-HYD CPLR, FEM #14,9/16FOR

618395-0-RING FOR 1 1/2" FLANGE-24  
605659-HYD FILTER ELEMENT  
605668-GASKET



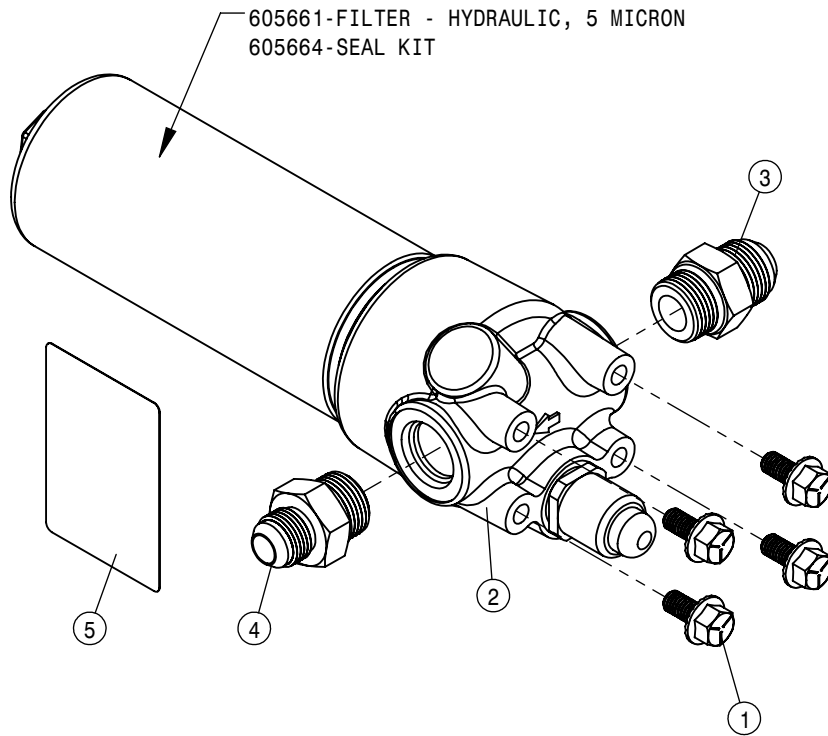
HYDRAULIC TANK ASSEMBLY			
DET	QTY	P/N	DESCRIPTION
1	1	294069	TEMPERATURE/OIL LEVEL SENSOR
2	4	470087	3/8-16UNC HEX FLG NUT SER MC GR5
3	7	470121	1/4 UNC SERR FLG LOCK NUT
4	1	470122	1/4 UNC X 1/2 SERR FLG BOLT
5	4	470460	3/8 X 1" SERR FLG BOLT
6	1	470471	1 5/16MOR PLUG, MAGNETIC
7	3	470731	TUBE CLAMP BODY, 1.50, 2.05 OD
8	6	483038	1/4 REGULAR FLAT WASHER
9	1	520101	CUSH HOSE CLAMP,#16, 1"D X 1/2W
10	1	605656	T.R.A.P. BREATHER 1" NPT
11	1	605669	HYD TANK RETURN FILTER
12	1	614769	1 7/8MJIC-45-1 1/2 FLANGE ADPTR
13	1	617273	24-811-24FJX-24FJX-99 H/A
14	1	617385	HYD RET 1.00" OD X 0.065" WT
15	1	617386	16-811-16FJX-16FJX-104 H/A
16	1	618255	DUST CAP/PLUG FOR 618804/805
17	2	618299	1.50 SPLIT FLANGE KIT #61
18	1	618397	1 5/16MOR-9/16FOR ADPTR

HYDRAULIC TANK ASSEMBLY			
DET	QTY	P/N	DESCRIPTION
19	1	618487	1 1/16FJ SW RUN TEE-1 1/16MJ
20	1	618745	1 7/8MJIC-45-1 7/8MOR LBO
21	1	618754	9/16 MOR PLUG, HEX SOCKET
22	2	618788	1 5/8MJIC-1 7/8MOR ADPTR
23	1	618870	HYD CPLR, MALE #14 9/16MOR
24	1	618881	3/4 NPT BALL VLV BRS LOCK
25	1	618961	1 1/16MJIC-1 1/16MOR CHECK
26	1	650493	DECAL, HYDRAULIC OIL
27	1	701367	SIGHT GAUGE
28	1	711102	3/4NPT X 3/4 HOSE BARB, BRS
29	1	760857	HYD TANK WLD,DTS
30	1	760863	HYD TANK SUPPORT LH, DTS
31	1	760864	HYD SUPP WLDT RH, DTS
32	6	900010	1/4UNC X 3" HEX BOLT
33	4	900504	3/8UNC X 1 1/2 HHSFB GR5 MC
34	5	900517	1/2UNC X 1 1/4 HHSFB GR5 MC
35	5	910008	1/2UNC HEX NUT

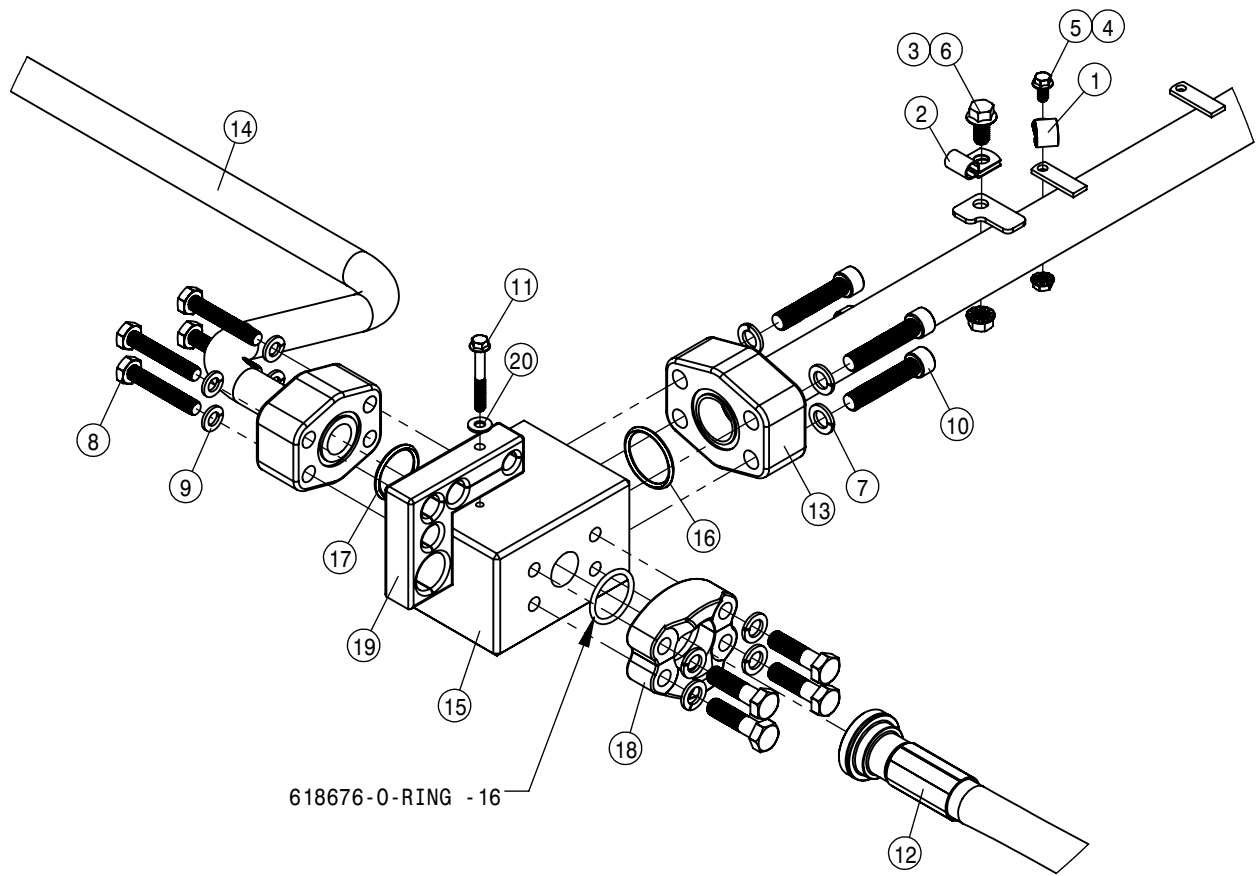


STEERING MOTOR ASSEMBLY			
DET	QTY	P/N	DESCRIPTION
1	1	345017	STEERING VALVE SPACER BLOCK
2	8	473866	M10 X 1.5 HEX SERR FLG NUT
3	8	472340	M10 X 1.5 X 3" STUD BOLT, DBL END
4	1	749341	BEI STEERING ANGLE SENSOR
5	1	749343	VALVE ASM-STEERING,AUTO
6	1	618912	3/4MJIC-90-M18MOR LBO
7	1	618910	3/4MJIC-M18MOR ADPTR
8	3	618911	7/8MJIC-M22 MOR ADPTR
9	1	618333	7/8FJIC SW RUN TEE-7/8MJIC
10	1	618328	7/8FJIC CAP NUT
11	2	618301	7/8MJIC-90-7/8FJIC SWIV LBO
12	1	618909	M12 MOR PLUG, HEX SOCKET
13	1	294145	AUTOSTEER EXT HARNESS STS'12
14	1	345017	STEERING VALVE SPACER BLOCK
15	1	345019	DTS NAS VLV ADDITION BLOCK
16	1	749342	Valve Steering, Non Auto Steer
17	1	618467	7/16MJIC-7/16MOR ADPTR
18	1	618934	7/16MJIC-90-M12MOR LBO
19	1	606151	NAS LS 0.25" OD X 0.049" W
20	1	618982	3/4MJIC-M18X1.5MOR-ISO 9974-1
21	1	618984	3/4MJIC-90-M18x1.5MOR-ISO9974-1
22	1	618985	7/8MJIC-90-M18x1.5MOR-ISO9974-1
23	2	618983	7/8MJIC-M18x1.5MOR-ISO 9974-1



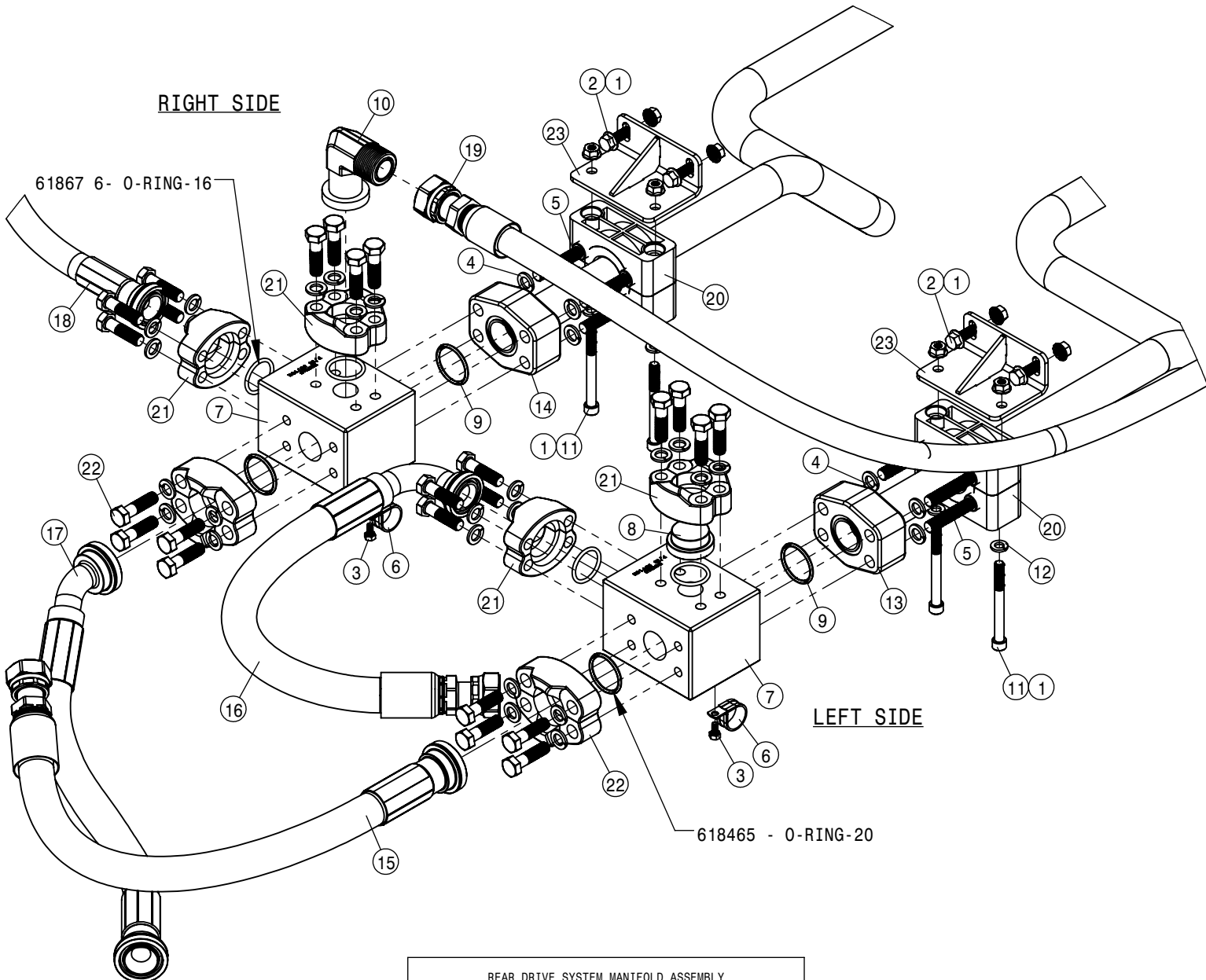


STEERING MOTOR INLINE FILTER			
DET	QTY	P/N	DESCRIPTION
1	4	470409	3/8UNC X 3/4 HHSFB GR5 MC
2	1	605660	HYD FILTER 5M SAE12
3	1	611127	1 1/16MJIC-1 1/16MOR ADPTR
4	1	618309	7/8MJIC-1 1/16MOR ADPTR
5	1	650339	DECAL, WARNING, HYD. OIL INJ

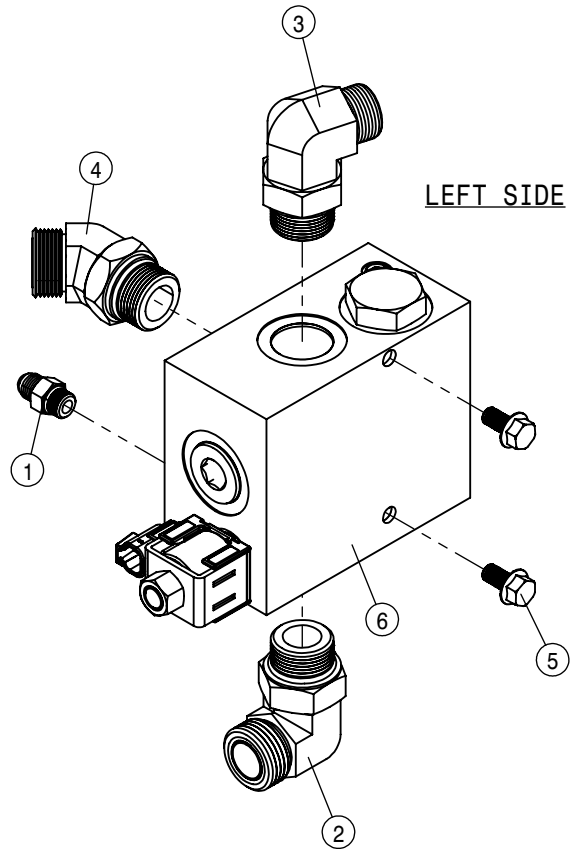
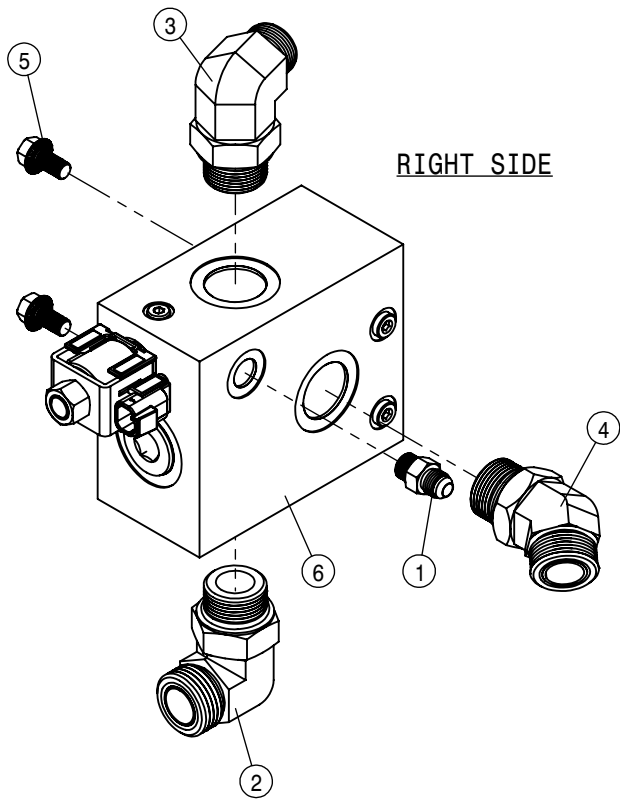


618676-O-RING -16

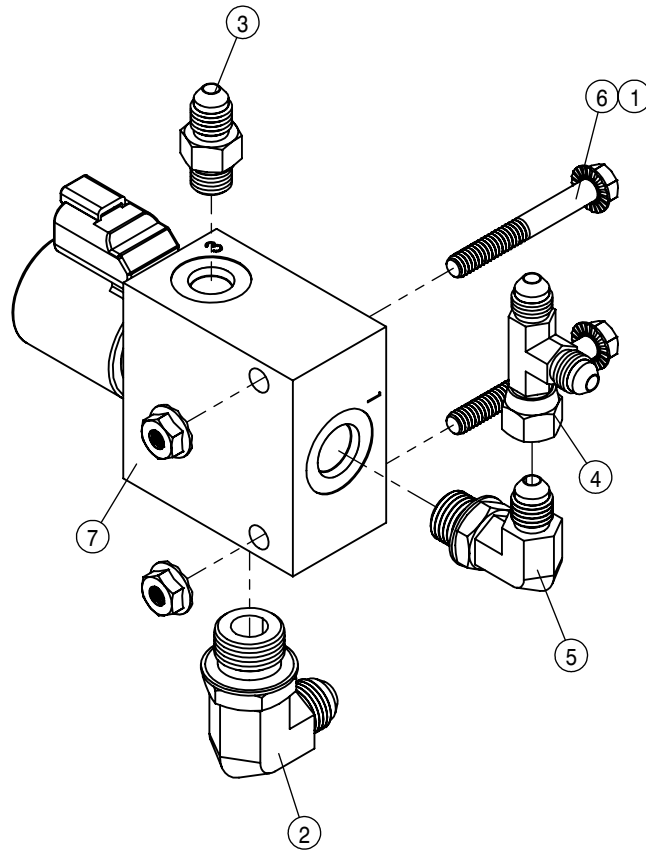
FRONT DRIVE SYSTEM MANIFOLD ASSEMBLY			
DET	QTY	P/N	DESCRIPTION
	1	520118	CUSH CLAMP, #8 1/2D X 1/2W
	1	520171	CUSH CLAMP, #6, 3/8D X 3/4W
	1	470087N	3/8UNC HEX SERR FLG NUT YZ
	1	470121	1/4 UNC SERR FLG LOCK NUT
	1	470122	1/4 UNC X 1/2 SERR FLG BOLT
	1	470409	3/8UNC X 3/4" SERR FLG BOLT
	4	473784	12MM LOCK WASHER
	4	473785	10MM-1.50 X 60MM HEX BOLT
	4	473798	10MM LOCK WASHER
	4	474005	12MM-1.75X60MM SOC HD CAP SCR
	1	900007N	1/4 UNC X 2 SER FLG BOLT SS
	1	606158	12-797TC-16C62FX-12FFOX-150 H/A
	1	614774	HYD TUBE B DRIVE 1.5"ODX.134"WT
	1	614776	HYD TUBE B FRT 1.00" OD X .120" W
	1	607133	HYD DRIVE RETURN CODE 62 BLOCK
	1	618465	O-RING FOR 1 1/4" FLANGE -20
	1	618676	O-RING FOR 1" FLANGE -16
	1	618933	M12 SPLIT FLANGE KIT #62 (-16)
	1	470747	HOSE CLAMP BODY, 5 HOLE
	1	920000N	1/4 SAE FLAT WASHER SS



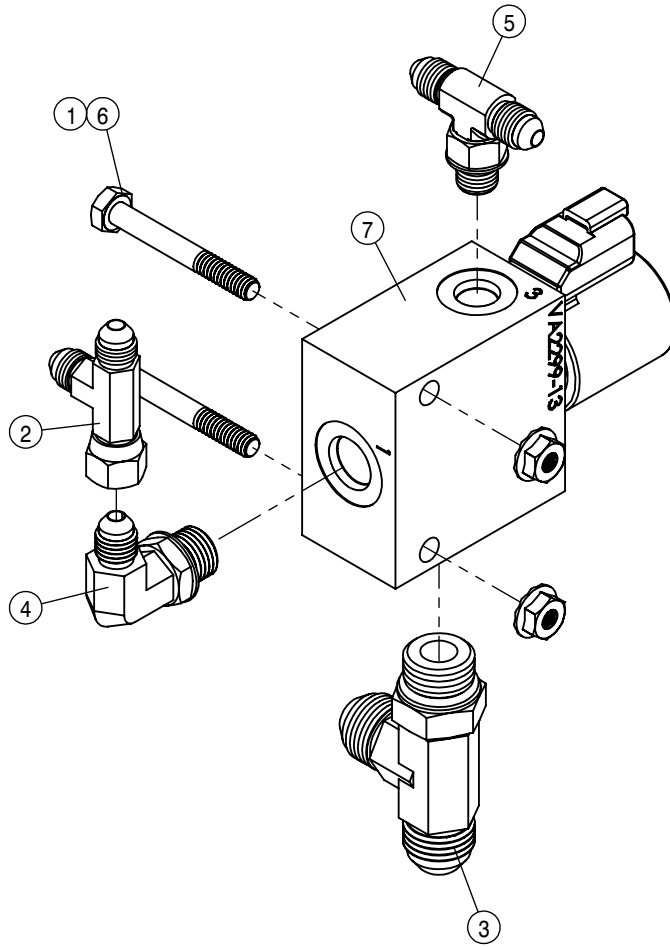
REAR DRIVE SYSTEM MANIFOLD ASSEMBLY			
DET	QTY	P/N	DESCRIPTION
1	8	470087N	3/8UNC HEX SERR FLG NUT YZ
2	4	470460	3/8 X 1" SERR FLG BOLT
3	2	473781	6MM-1.00 X 12MM HEX BOLT
4	8	473784	12MM LOCK WASHER
5	8	474005	12MM-1.75X60MM SOC HD CAP SCR
6	2	520101	CUSH HOSE CLAMP,#16, 1"D X 1/2W
7	2	607132	HYD DRIVE CODE 62 BLOCK
8	1	617275	-16 CD 62 PLUG
9	2	618465	O-RING FOR 1 1/4" FLANGE -20
10	1	618654	1" FLANGE-90-1 7/16MFOR LBO
11	4	900405	3/8UNC X 3 3/4" SOCKET HD CAP SCR
12	4	920502	3/8 LOCK WASHER
13	1	615114	HYD DRIVE TUBE A SIDE 1.5X.134W
14	1	615115	HYD DRIVE TUBE B SIDE 1.5X.134W
15	1	617261	16-797TC-16FFOX-20C62F-28 H/A
16	1	617262	16-797TC-16C62FX90-16FFOX-25 H/A
17	1	617263	16-797TC-20C62F-20C62FX45-23 HA
18	1	617265	12-797TC-16C62F-12FFOX-168 H/A
19	1	617268	12-797TC-16FFOX-12FFOX90-178 H/A
20	2	470696	CLAMP ASSY W/ 1 1/2" RUB INS
21	4	618933	M12 SPLIT FLANGE KIT #62 (-16)
22	2	618966	M12 SPLIT FLANGE KIT #62 (-20)
23	2	362514	DRIVE TUBE BRKT



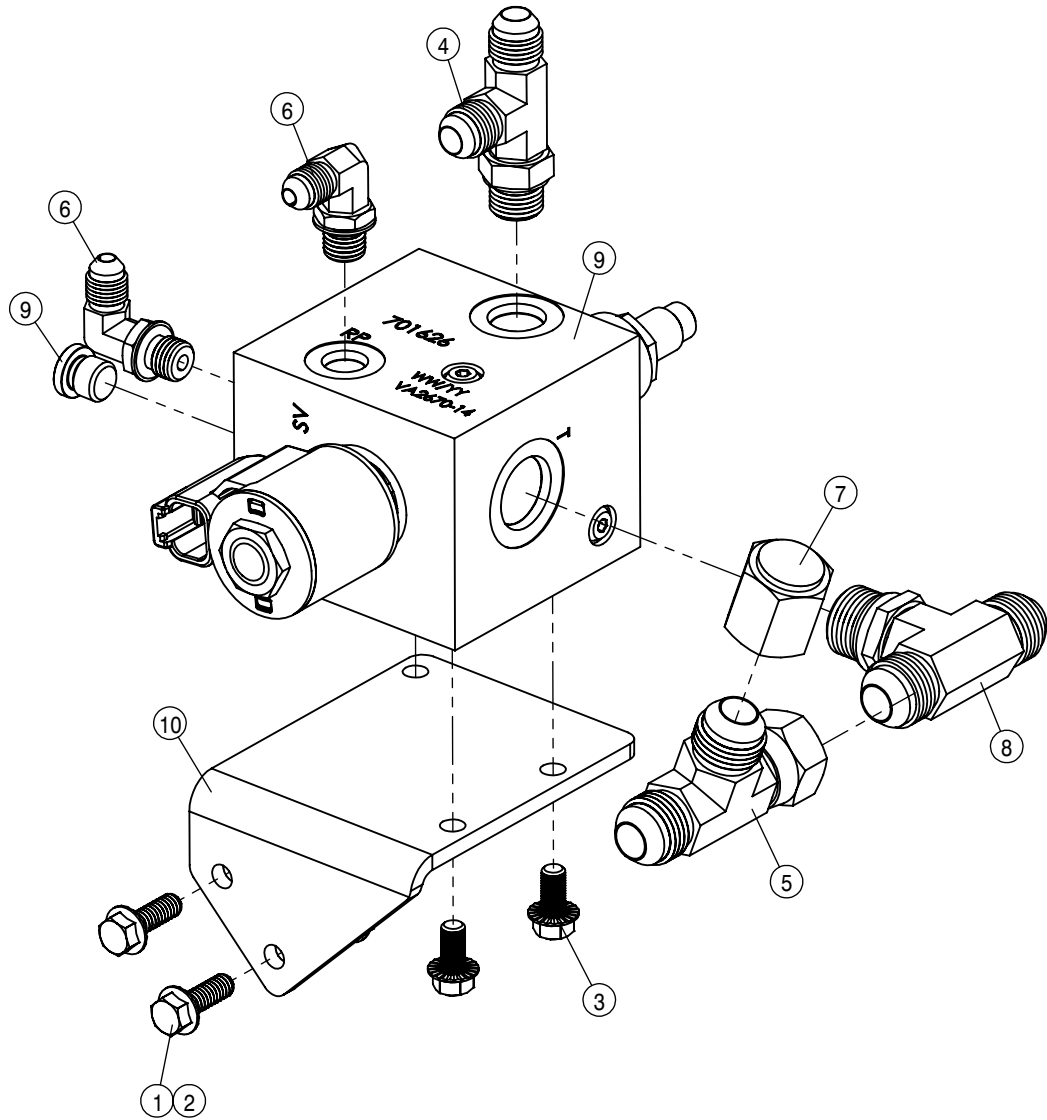
REAR TRACTION CONTROL ASSEMBLY			
DET	QTY	P/N	DESCRIPTION
1	2	618126	9/16MJIC-9/16MOR ADPTR
2	2	618701	1 5/16MOR-90-1 7/16MFOR LBO
3	2	618975	1 5/16MOR-90- 1 3/16 MORFS LBO
4	2	618976	1 5/16MOR-45-1 7/16MFOR
5	4	900128N	3/8UNC X 3/4 SER FLANGE BOLT
6	2	607130	TRACTION FLOW DIVIDER VALVE



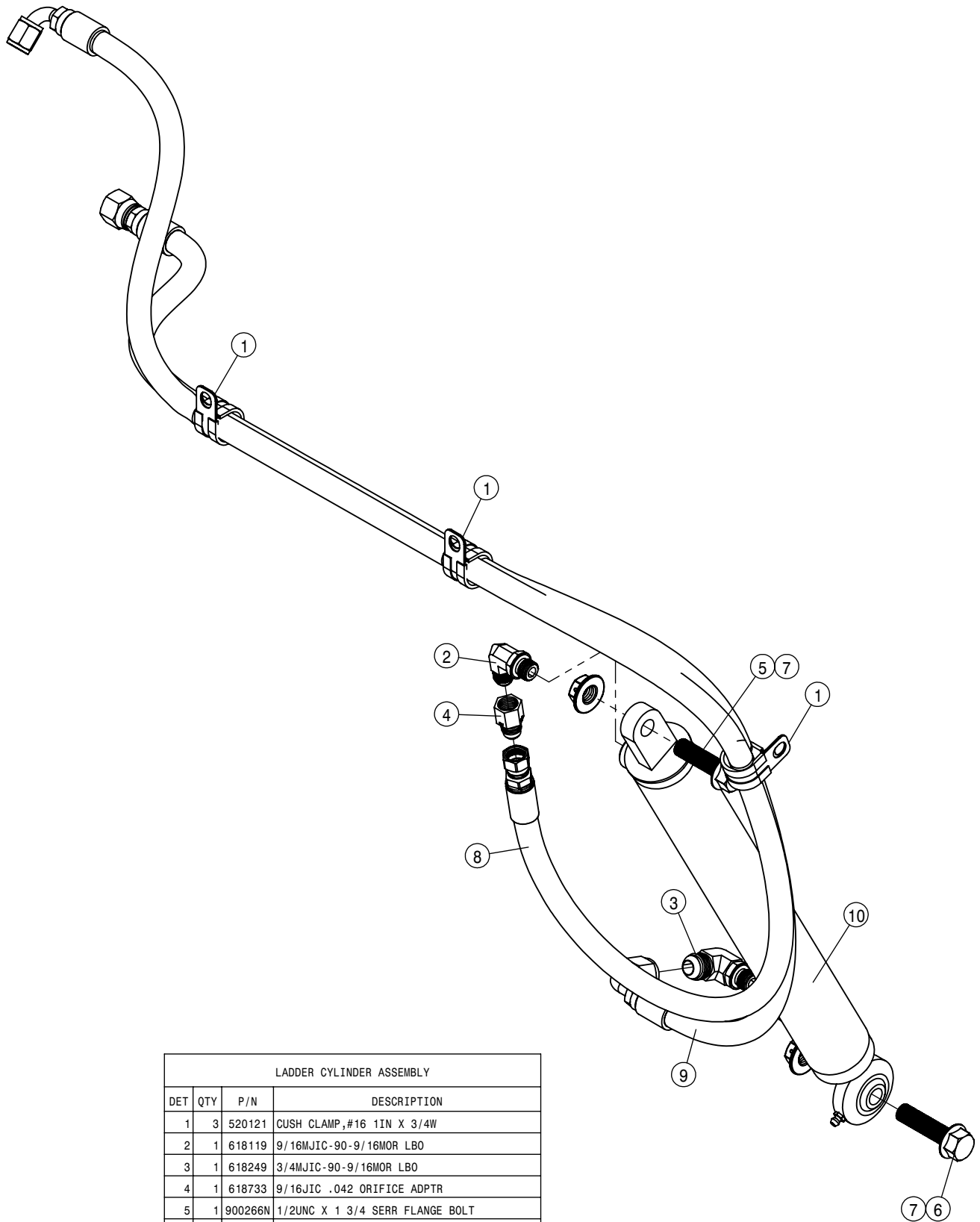
FRONT SHIFT VALVE ASSEMBLY			
DET	QTY	P/N	DESCRIPTION
1	2	470121	1/4 UNC SERR FLG LOCK NUT
2	1	618115	9/16MJIC-90-3/4MOR LBO
3	1	618467	7/16MJIC-7/16MOR ADPTR
4	1	618485	7/16FJIC SW RUN TEE-7/16MJIC
5	1	618499	7/16MJIC-90-9/16MOR LBO
6	2	900007N	1/4 UNC X 2 SER FLG BOLT SS
7	1	701625	ASSY, BRAKE/LADDER VALVE



REAR SHIFT VALVE ASSEMBLY				
DET	QTY	P/N	DESCRIPTION	
1	2	470121	1/4 UNC SERR FLG LOCK NUT	
2	1	618485	7/16JIC SW RUN TEE-7/16MJIC	
3	1	618494	3/4MOR RUN TEE-3/4MJIC	
4	1	618499	7/16MJIC-90-9/16MOR LBO	
5	1	618965	7/16MOR BRANCH TEE - 7/16MJIC	
6	2	900007	1/4UNC X 2" HEX BOLT	
7	1	701625	ASSY, BRAKE/LADDER VALVE	

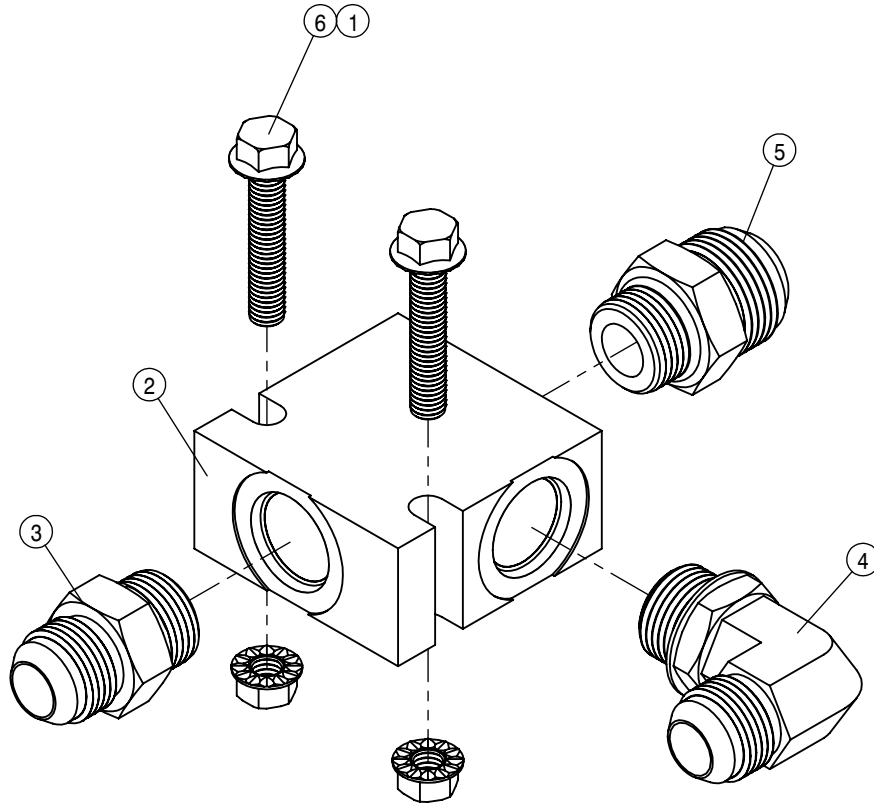


BRAKE VALVE ASSEMBLY			
DET	QTY	P/N	DESCRIPTION
1	2	470118	1/4 UNC X 3/4 SER FLG BOLT
2	2	470121	1/4 UNC SERR FLG LOCK NUT
3	3	470122	1/4 UNC X 1/2 SERR FLG BOLT
4	1	618444	9/16MOR RUN TEE-9/16MJIC
5	1	618451	3/4FJIC SW RUN TEE-3/4MJIC
6	2	618473	7/16MJIC-90-7/16MOR LBO
7	1	618532	3/4FJIC CAP NUT
8	1	618978	3/4MOR BRANCH TEE-3/4MJIC
9	1	701626	ASSY, PARK BRAKE CNTRL-REDUC/RELIEVE
10	1	317753	PRESS RED/REL BRKT

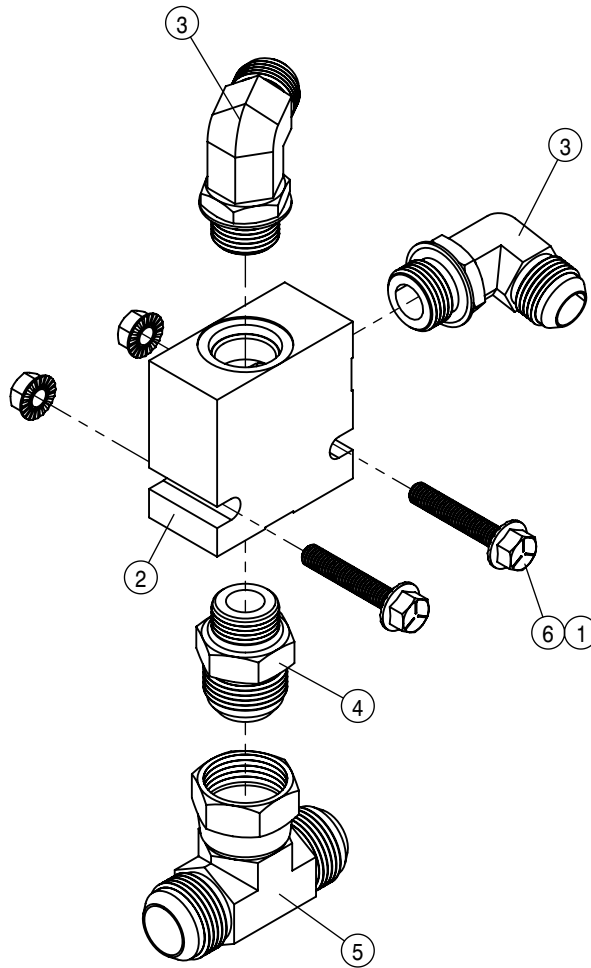


LADDER CYLINDER ASSEMBLY			
DET	QTY	P/N	DESCRIPTION
1	3	520121	CUSH CLAMP, #16 1IN X 3/4W
2	1	618119	9/16MJIC-90-9/16MOR LBO
3	1	618249	3/4MJIC-90-9/16MOR LBO
4	1	618733	9/16JIC .042 ORIFICE ADPTR
5	1	900266N	1/2UNC X 1 3/4 SERR FLANGE BOLT
6	1	900267N	1/2UNC X 2" SERR FLG BOLT
7	2	914015	1/2UNC HEX CENTER-LOCK NUT
8	1	617274	06-451TC-08FJX-08FJX90-64 H/A
9	1	617402	06-451TC-08FJX-08FJX90-54 H/A
10	1	621554	HYD CYL, 1.50" X 12.25" X 0.75"

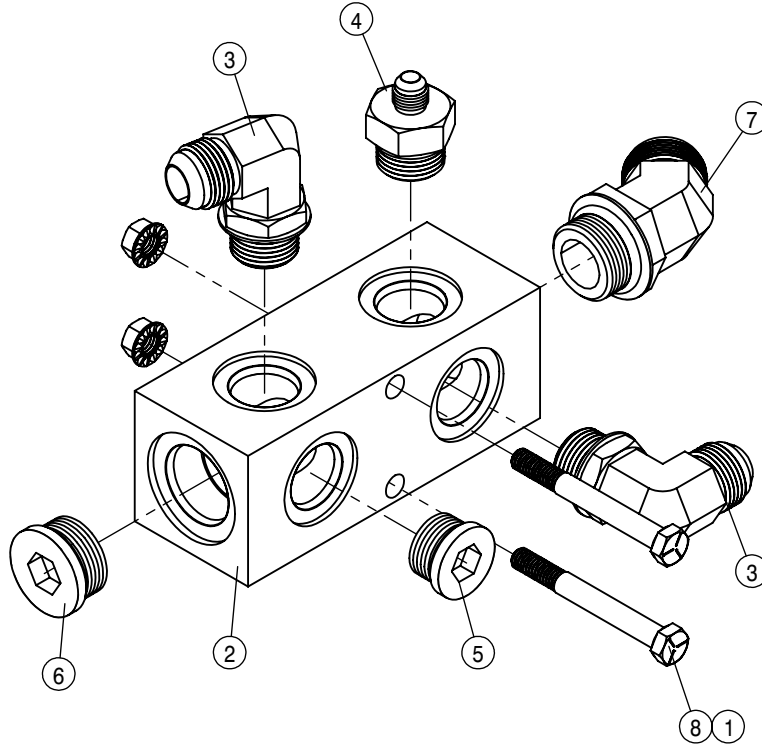




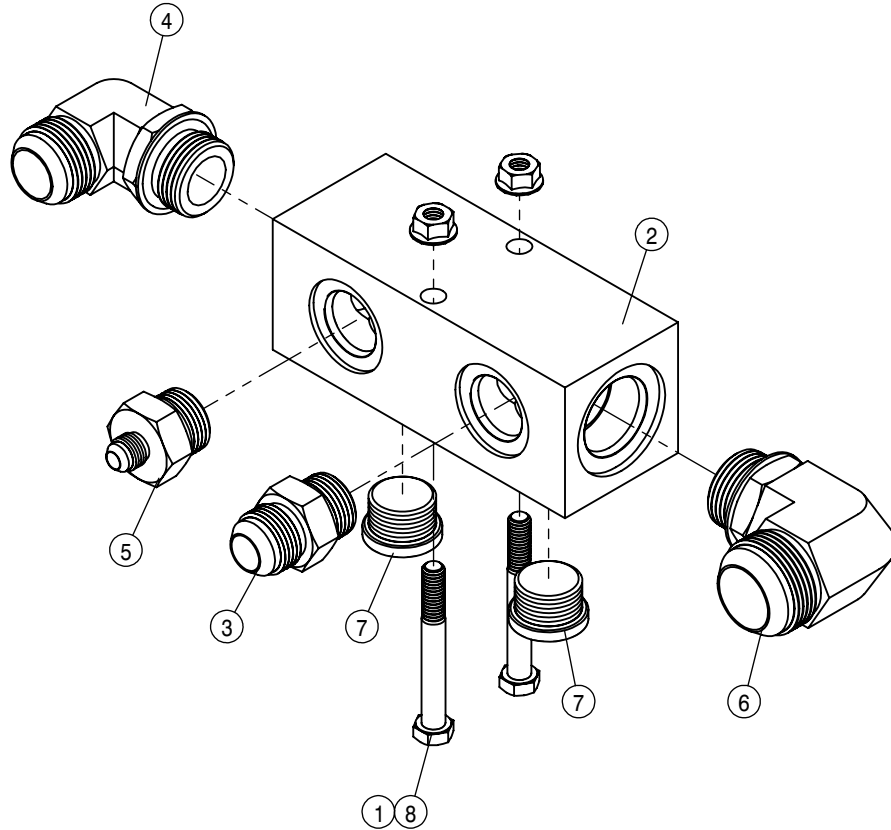
FRONT RETURN CASE DRAIN MANIFOLD			
DET	QTY	P/N	DESCRIPTION
1	2	470087N	3/8UNC HEX SERR FLG NUT YZ
2	1	606356	1 1/16FOR MANIFOLD,3 #12PORTS
3	1	611127	1 1/16MJIC-1 1/16MOR ADPTR
4	1	618248	1 1/16MJIC-90-1 1/16MOR LBO
5	1	618558	1 5/16MJIC-1 1/16MOR ADPTR
6	2	900133N	3/8UNC X 2" SERR FLANGE BOLT



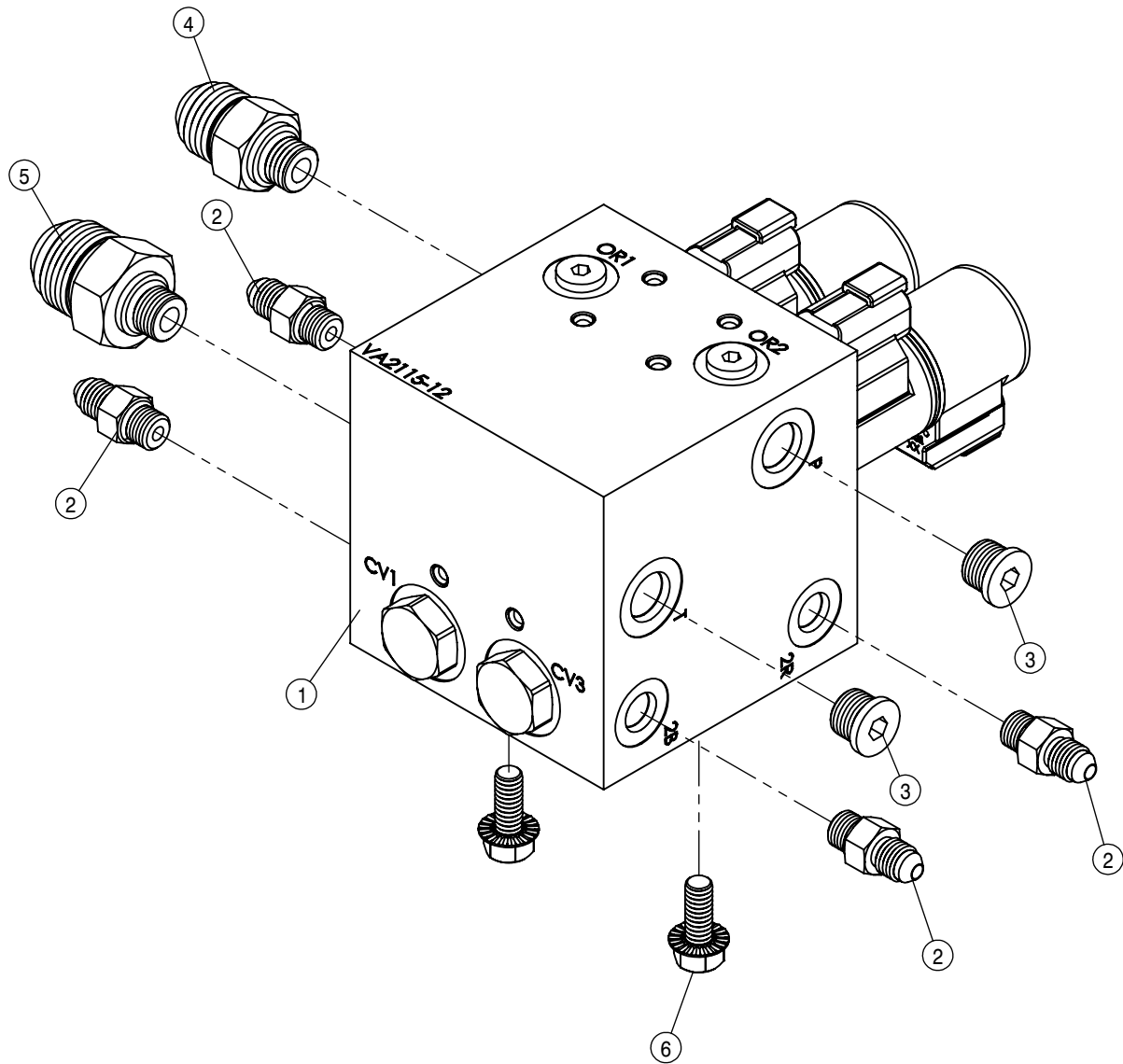
REAR RETURN CASE DRAIN MANIFOLD			
DET	QTY	P/N	DESCRIPTION
1	2	470087	3/8-16UNC HEX FLG NUT SER MC GR5
2	1	606356	1 1/16FOR MANIFOLD,3 #12PORTS
3	2	618248	1 1/16MJIC-90-1 1/16MOR LBO
4	1	618558	1 5/16MJIC-1 1/16MOR ADPTR
5	1	618717	1 5/16FJX BRANCH TEE-1 5/16MJ
6	2	900506	3/8UNC X 2 HHSFB GR5 MC FT



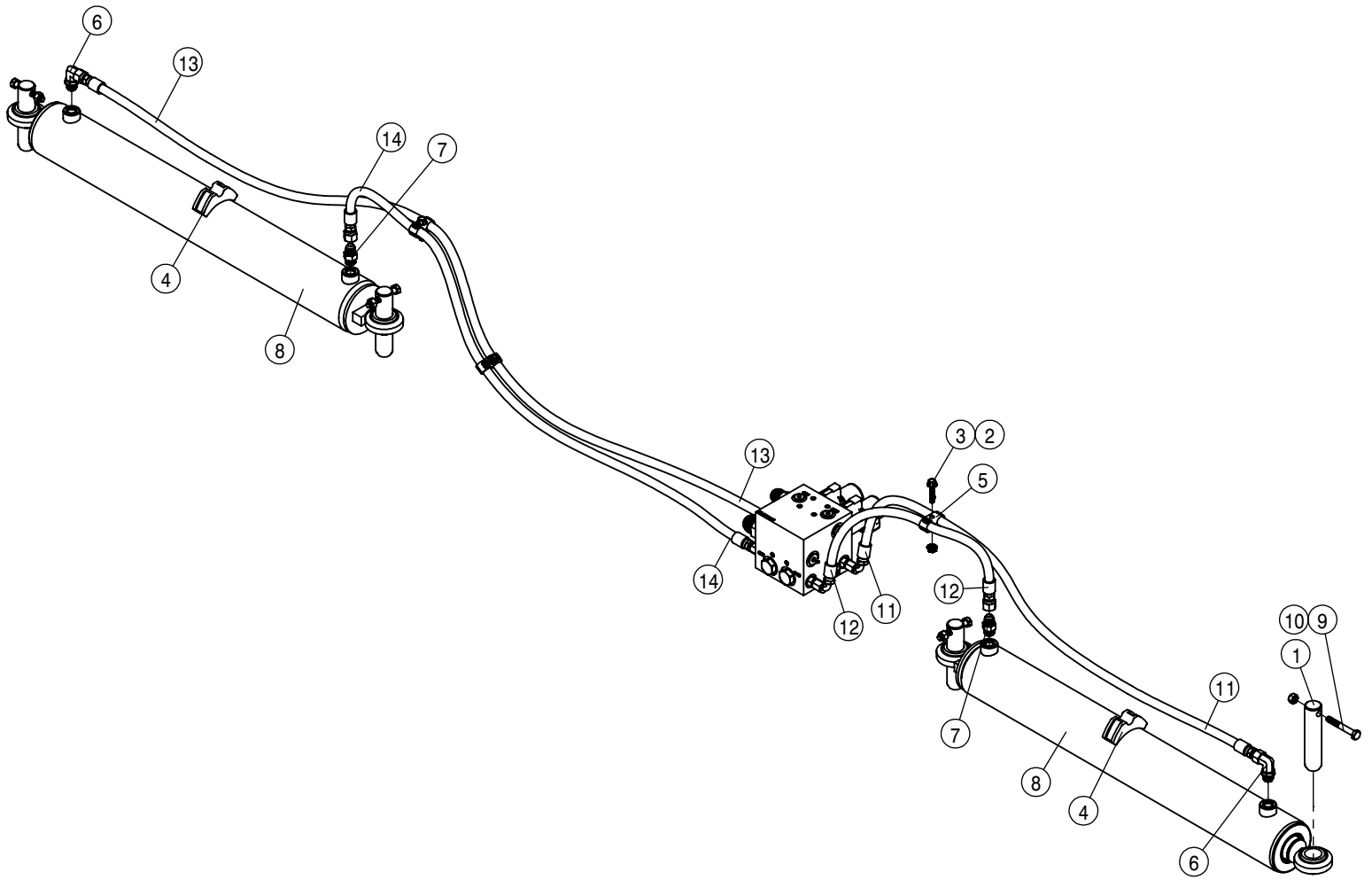
FRONT RETURN MANIFOLD ASSEMBLY			
DET	QTY	P/N	DESCRIPTION
1	2	470087	3/8UNC HEX SERR FLANGE NUT
2	1	606472	MANIFOLD
3	2	618248	1 1/16MJIC-90-1 1/16MOR LBO
4	1	618344	9/16MJIC-1 1/16MOR ADPTR
5	1	618757	1 1/16MOR PLUG, HEX SOCKET
6	1	618758	1 5/16MOR PLUG, HEX SOCKET
7	1	618901	1 5/16MJIC-45-1 5/16MOR LBO
8	2	900137	3/8UNC X 3 1/4 HHCS GR5 MC



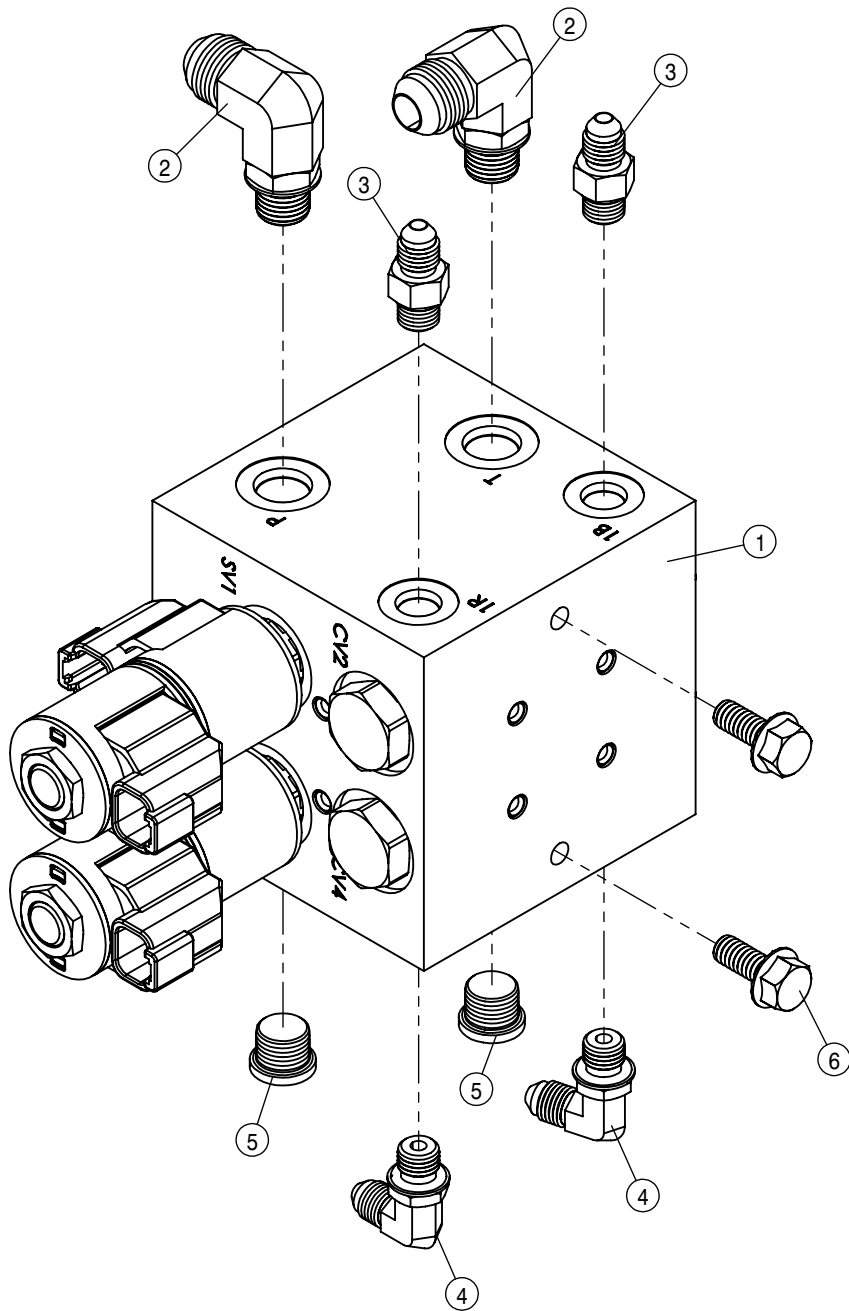
REAR RETURN MANIFOLD ASSEMBLY			
DET	QTY	P/N	DESCRIPTION
1	2	470087	3/8UNC HEX SERR FLANGE NUT
2	1	606472	MANIFOLD
3	1	611127	1 1/16MJC-1 1/16MOR ADPTR
4	1	618178	1 5/16MJC-90-1 5/16MOR LBO
5	1	618344	9/16MJC-1 1/16MOR ADPTR
6	1	618476	1 5/8MJC-90-1 5/16MOR LBO
7	2	618757	1 1/16MOR PLUG, HEX SOCKET
8	2	900137	3/8UNC X 3 1/4 HHCS GR5 MC



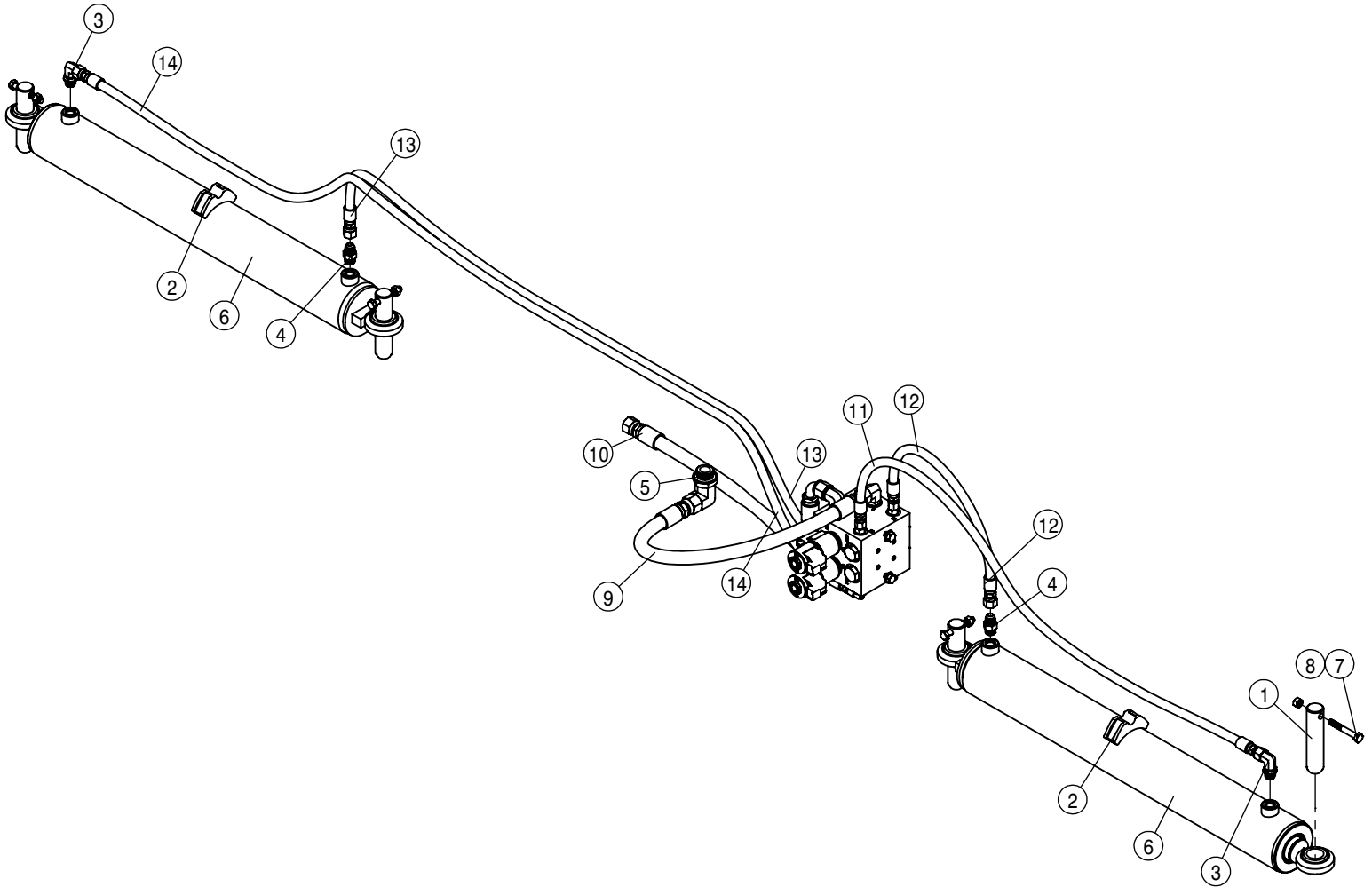
FRONT HYDRAULIC TREAD ADJUST VALVE ASSEMBLY			
DET	QTY	P/N	DESCRIPTION
1	1	606540	TREAD ADJ VLV,STS PWRSYS 14
2	4	618467	7/16MJIC-7/16MOR ADPTR
3	2	618754	9/16 MOR PLUG, HEX SOCKET
4	1	618832	7/8MJIC-9/16MOR ADPTR
5	1	618907	1 1/16MJIC-9/16MOR ADPTR
6	2	900064N	5/16UNC X 3/4" SER FLG BOLT SS



FRONT TREAD ADJUST CYLINDER ASSEMBLY			
DET	QTY	P/N	DESCRIPTION
1	4	360154	TREAD ADJ CYL PIN
2	3	470121	1/4 UNC SERR FLG LOCK NUT
3	3	470407	1/4UNC X 1 1/4 SERR FLG BOLT
4	2	470887	Cylinder Saddle Clamp
5	3	470888	TWIN #4 CLAMP
6	2	618119	9/16MJIC-90-9/16MOR LBO
7	2	618126	9/16MJIC-9/16MOR ADPTR
8	2	621668	HYD CYL, 2.50" X 21.50" X 1.50"
9	4	900086	5/16UNC X 2 1/4 HEX BOLT
10	4	914002	5/16UNC HEX STOVER NUT
11	1	617232	04-451TC-06FJX-04FJX90-39 H/A
12	1	617233	04-451TC-06FJX-04FJX90-20 H/A
13	1	617234	04-451TC-06FJX-04FJX-63 H/A
14	1	617235	04-451TC-06FJX-04FJX-43 H/A

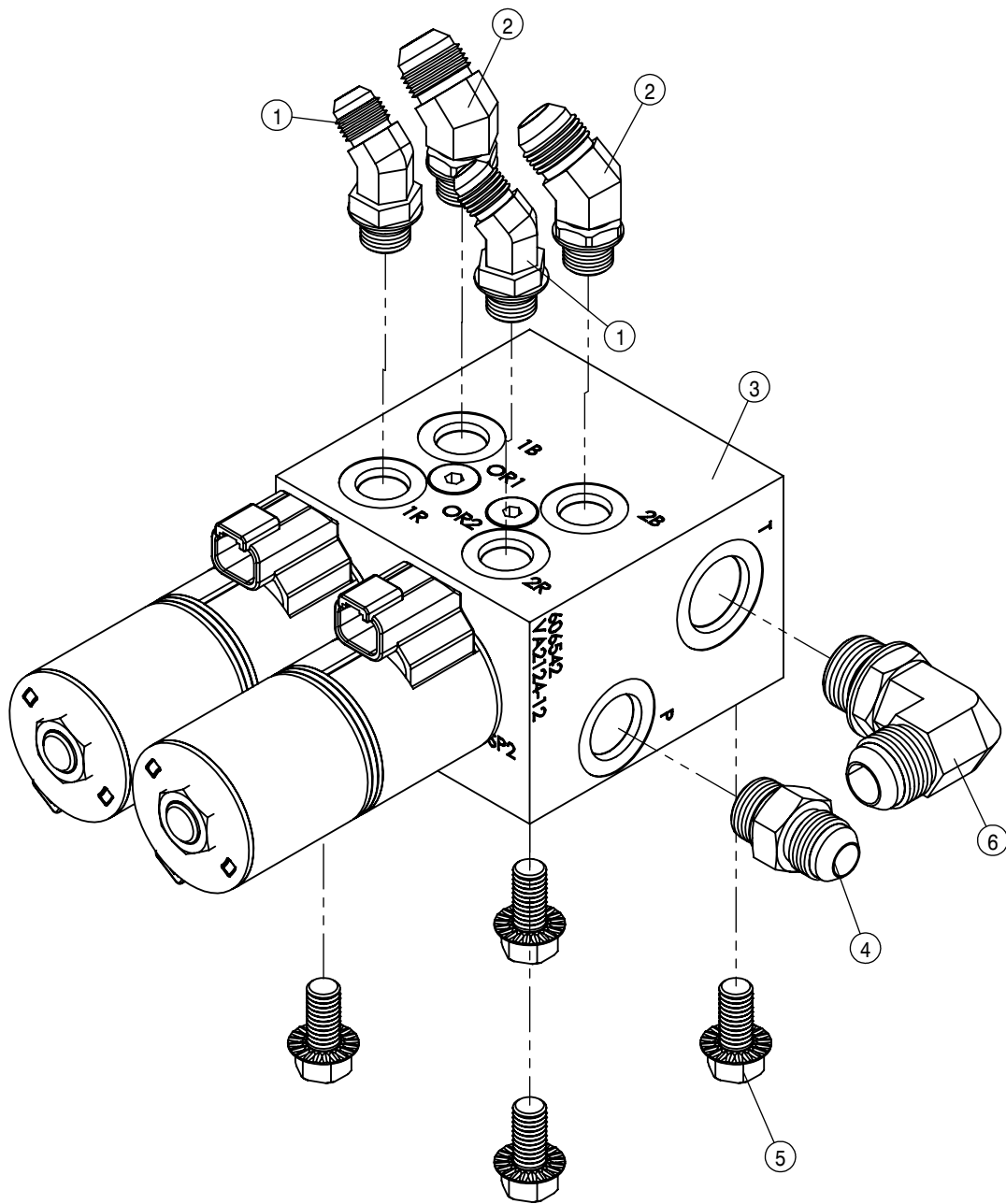


REAR HYDRAULIC TREAD ADJUST VALVE ASSEMBLY			
DET	QTY	P/N	DESCRIPTION
1	1	606540	TREAD ADJ VLV, STS PWSYS 14
2	2	618249	3/4MJC-90-9/16MOR LBO
3	2	618467	7/16MJC-7/16MOR ADPTR
4	2	618473	7/16MJC-90-7/16MOR LBO
5	2	618754	9/16 MOR PLUG, HEX SOCKET
6	2	900064N	5/16UNC X 3/4" SER FLG BOLT SS

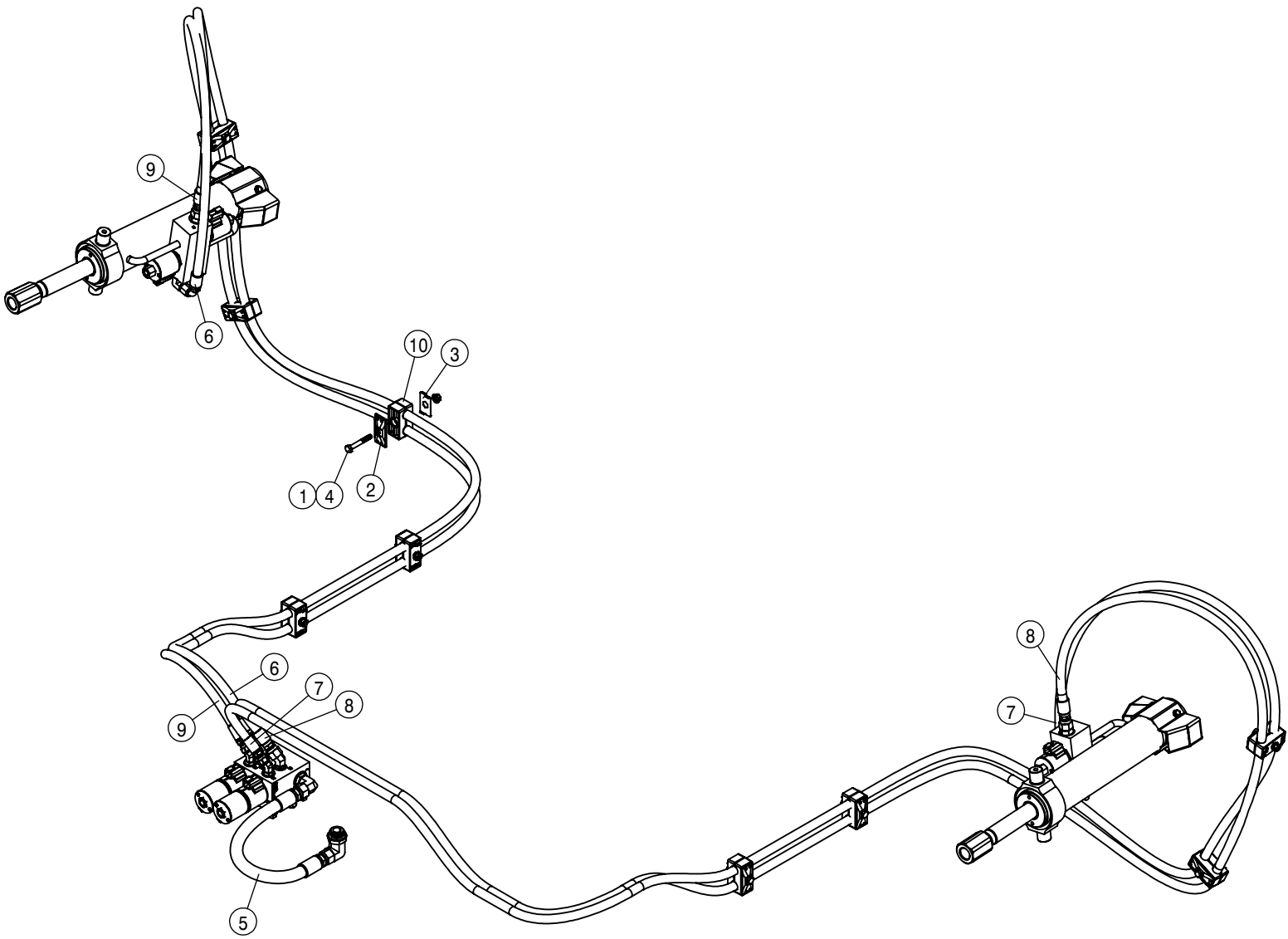


REAR TREAD ADJUST CYLINDER ASSEMBLY			
DET	QTY	P/N	DESCRIPTION
1	4	360154	TREAD ADJ CYL PIN
2	2	470887	Cylinder Saddle Clamp
3	2	618119	9/16MJIC-90-9/16MOR LBO
4	2	618126	9/16MJIC-9/16MOR ADPTR
5	1	618535	7/8MJIC-90-1 1/16MOR LBO
6	2	621668	HYD CYL, 2.50" X 21.50" X 1.50"
7	4	900086	5/16UNC X 2 1/4 HEX BOLT
8	4	914002	5/16UNC HEX STOVER NUT
9	1	617253	08-451TC-10FJX-08FJX-26 H/A
10	1	617254	08-451TC-08FJX-08FJX90-21 H/A
11	1	617284	04-451TC-04FJX-06FJX-41 H/A
12	1	617285	04-451TC-04FJX-06FJX-19 H/A
13	1	617267	04-451TC-04FJX-06FJX-55 H/A
14	1	617286	04-451TC-04FJX-06FJX-74 H/A





ALL WHEEL STEERING VALVE ASSEMBLY			
DET	QTY	P/N	DESCRIPTION
1	2	618425	9/16MJIC-45-9/16MOR LBO
2	2	618679	3/4MJIC-45-9/16MOR LBO
3	1	606542	AWS VLV, STS PWRSYS 14
4	1	611125	3/4MJIC-3/4MOR ADPTR
5	4	900128N	3/8UNC X 3/4 SER FLANGE BOLT
6	1	611128	7/8MJIC-90-7/8MOR LBO

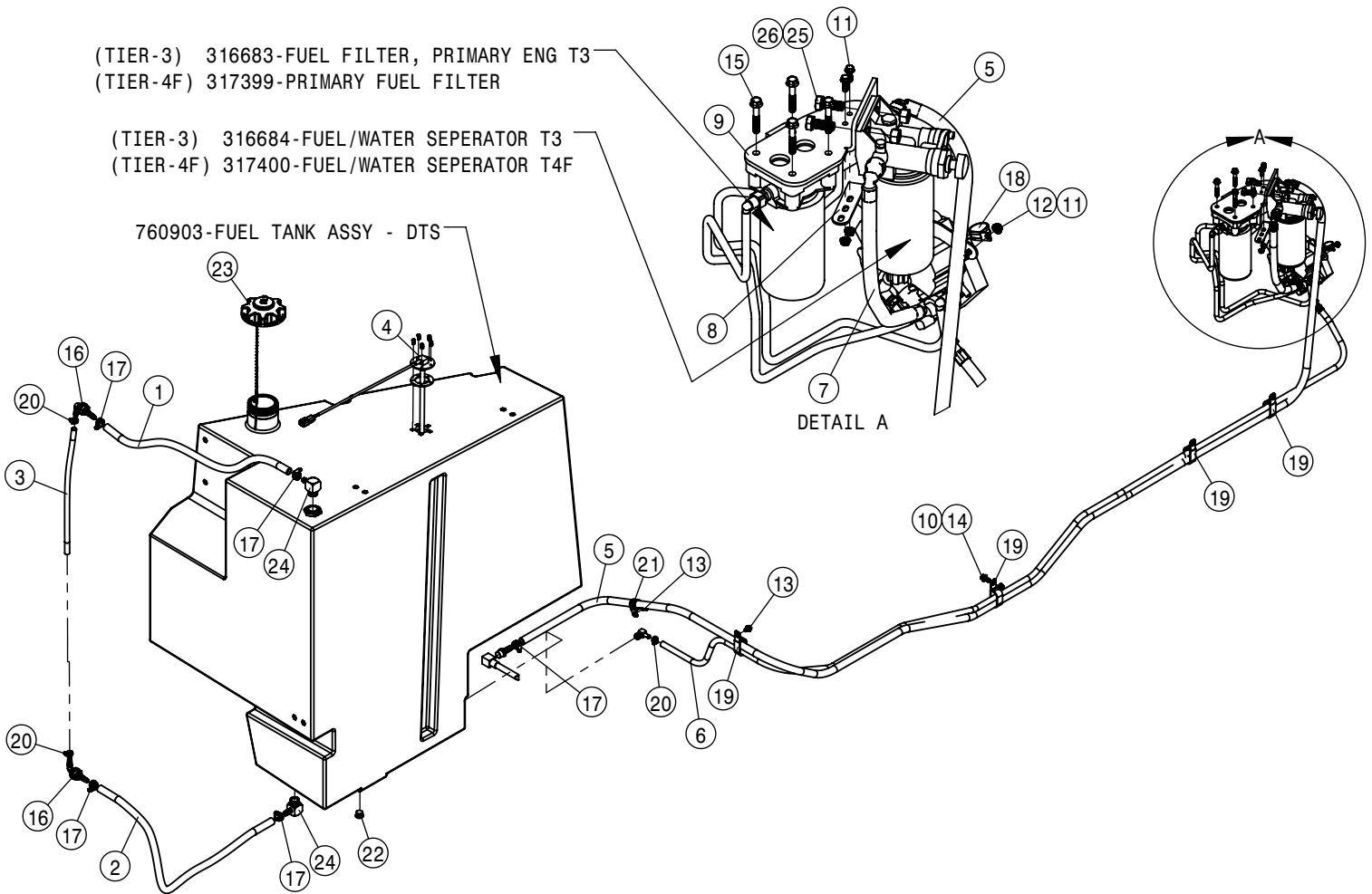


ALL WHEEL STEERING HOISING			
DET	QTY	P/N	DESCRIPTION
1	10	470113	5/16UNC SERR FLG LOCK NUT
2	10	470276	CLAMP COVER PLATE,SNGL, 2.55LG
3	10	470281	STACK BOLT SAFETY LOCK PLATE
4	10	900086	5/16UNC X 2 1/4 HEX BOLT
5	1	617251	10-451TC-10FJX-10FJX-19 H/A
6	1	617197	06-451TC-08FJX-06FJX90-136 H/A
7	1	618945	06-451TC-06FJX-06FJX90-165 H/A
8	1	619024	06-451TC-08FJX-08FJX-160 H/A
9	1	617266	06-451TC-06FJX-08FJX-131 H/A
10	10	470274	TUBE CLAMP BODY, .750-.750

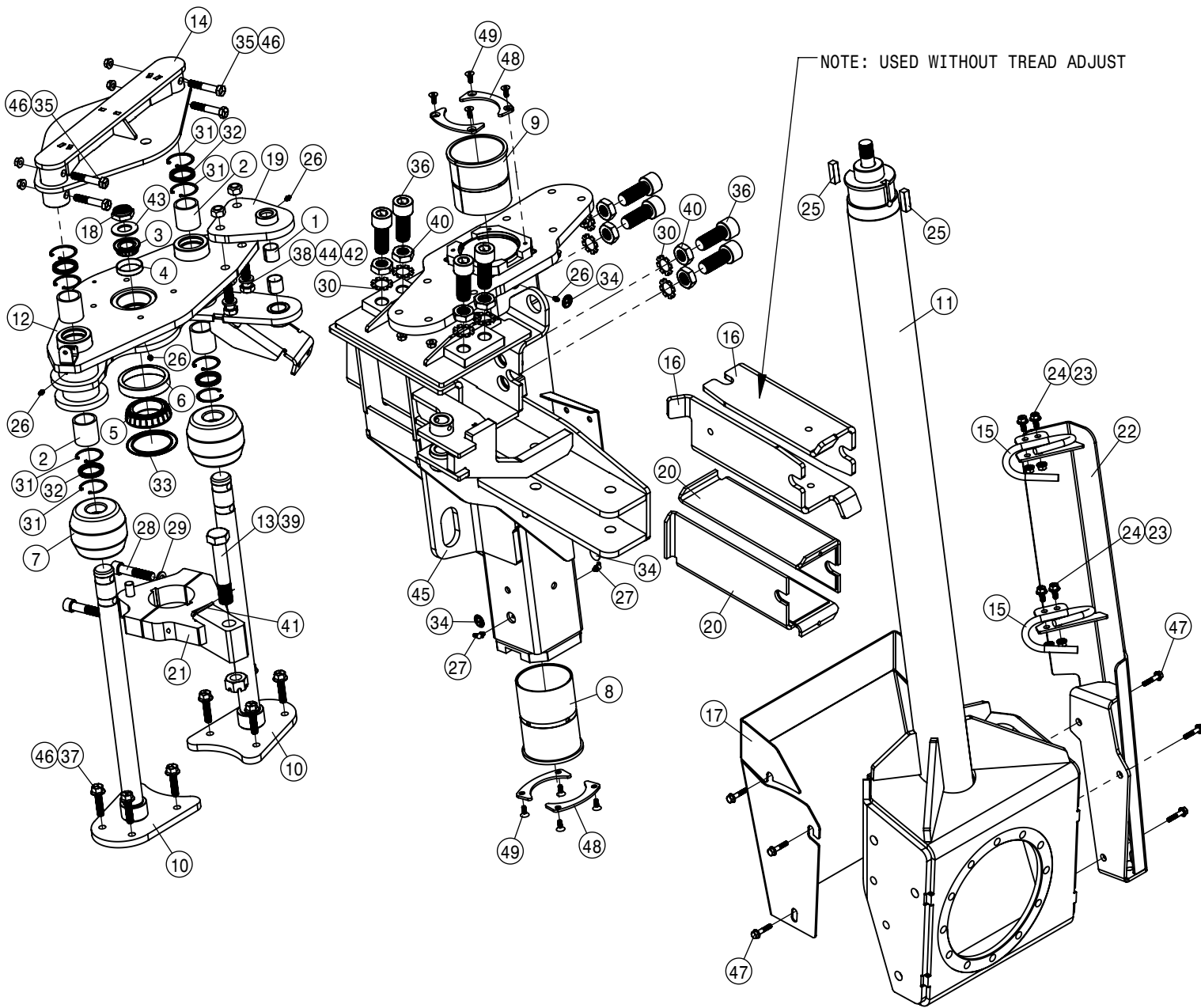
(TIER-3) 316683-FUEL FILTER, PRIMARY ENG T3  
 (TIER-4F) 317399-PRIMARY FUEL FILTER

(TIER-3) 316684-FUEL/WATER SEPERATOR T3  
 (TIER-4F) 317400-FUEL/WATER SEPERATOR T4F

760903-FUEL TANK ASSY - DTS



FUEL SYSTEM ASSEMBLY			
DET	QTY	P/N	DESCRIPTION
1	1	195903-030	HOSE 1/2 FUEL LN 1-FBR 30R1
2	1	195903-034	HOSE 1/2 FUEL LN 1-FBR 30R1
3	1	195973-018	HOSE 7/16ID-1/16W YEL PVC TUBING
4	1	290102	FUEL SENSOR
5	1	317403	FUEL SUCTION HOSE ASSY-DTS
6	1	317404	FUEL RETURN HOSE-DTS
7	1	317405	FUEL SUCTION HOSE ASSY-DTS
8	1	317506	BRKT FUEL SUCTION HOSE - DTS
9	1	317562	PRIM FUEL FILTER BRACKET-DTS
10	1	470087	3/8UNC HEX SERR FLANGE NUT
11	3	470118	1/4 UNC X 3/4 SER FLG BOLT
12	3	470121	1/4 UNC SERR FLG LOCK NUT
13	2	470232	5/16UNC X 1/2 SERR FLG HEX BOLT
14	1	470409	3/8UNC X 3/4" SERR FLG BOLT
15	4	473880	8MM-1.25 X 50MM SM FLG BOLT
16	2	500344	1/2 HOSE BARB 90, BLKHD PP
17	5	520069	HOSE CLAMP NO 6 STAINLESS
18	1	520101	CUSH HOSE CLAMP,#16, 1"D X 1/2W
19	4	520116	CUSH HOSE CLAMP,#16, 1IN DBL TUBE
20	3	520120	HOSE CLAMP NO 4 STAINLESS
21	1	520121	CUSH CLAMP,#16 1IN X 3/4W
22	1	618755	3/4MOR PLUG, HEX SOCKET
23	1	701477	CAP - FUEL, VENTED & FILTERED
24	2	716004	1/2 HOSE BARB-90-3/4MNPT
25	2	900264	1/2UNC X 1 1/4 HEX BOLT
26	2	910008	1/2UNC HEX NUT

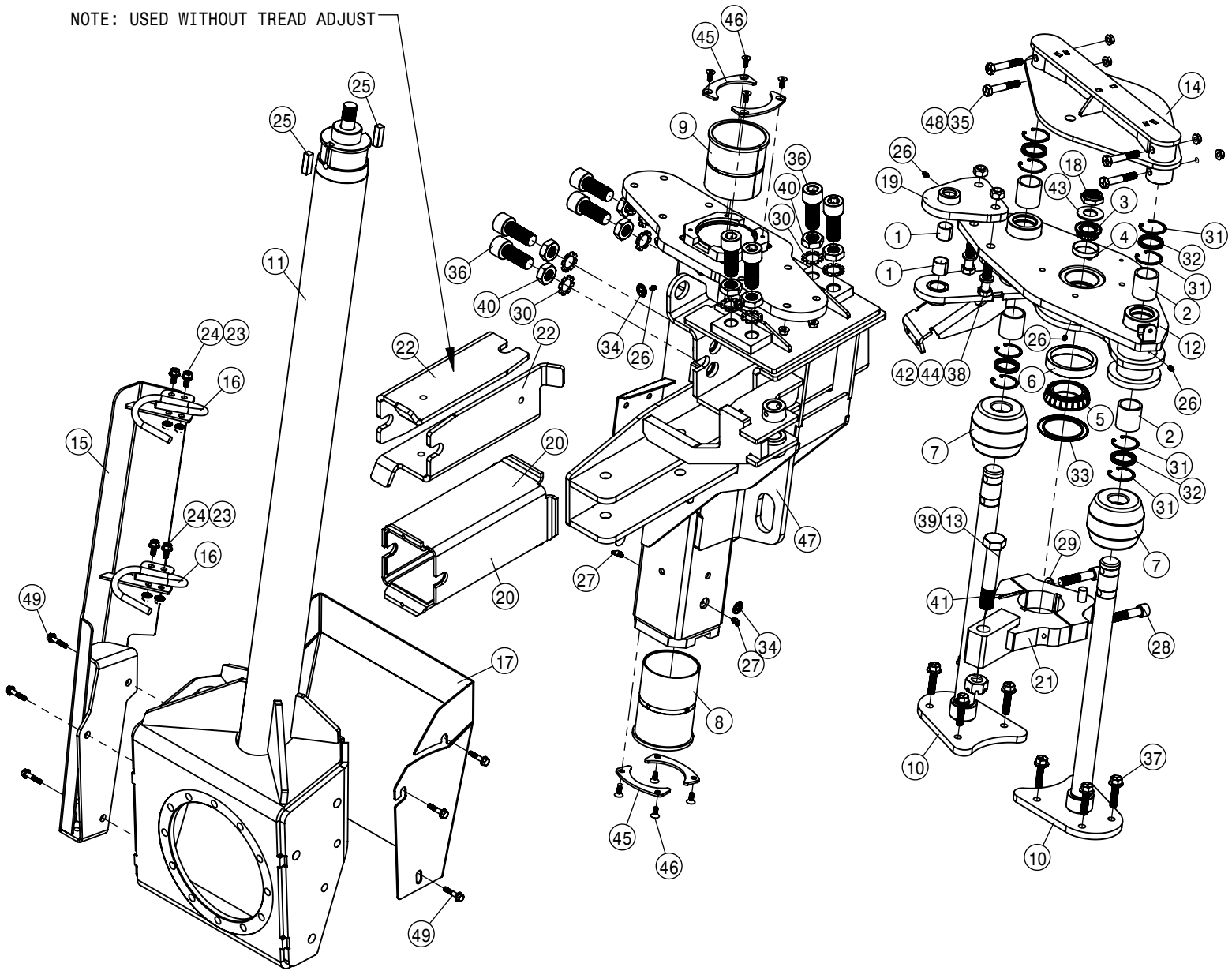


RIGHT FRONT LEG ASSEMBLY			
DET	QTY	P/N	DESCRIPTION
1	2	121029	JOURNAL BRG, 1.00 ID x 1.00 LG
2	4	121113	TOWER SLEEVE BRG (POLYGON) 05
3	1	125050	BRG CONE, 1.00 ID W/FACE SEAL
4	1	125051	BRG CUP FOR 125050
5	1	125059	BRG CONE, 2.25 ID
6	1	125060	BEARING CUP FOR 125059
7	2	311058	RUBBER SPRING
8	1	358564	FRT LEG LWR NYL SLEEVE 280 89
9	1	358565	FRT LEG UPR NYL SLEEVE 280 89
10	2	359491	NITRO TOWER WLD
11	1	359513	RF/LR INNER LEG WLD
12	1	359524	LH AIR BAG LWR PLT WLD
13	1	359534	STRG CYL BOLT
14	1	359536	AIR BAG TOWER TOP MT WLD
15	2	359672	LWR HOSE GUIDE- WLD
16	2	360187	LEG ATTACHMENT REINF PLT RH
17	1	360198	CROP SHIELD

RIGHT FRONT LEG ASSEMBLY			
DET	QTY	P/N	DESCRIPTION
18	1	360561	1-14 UNS THIN HEX NUT LCK
19	1	360584	UPPER TRUNION MT WLD FRONT RH
20	2	360602	TREAD ADJUST WEAR PLT
21	1	360603	STRG ARM CLAMP WLD
22	1	362423	LWR LEG HOSE GUIDE WLD RH
23	4	470087	3/8-16UNC HEX FLG NUT SER MC GR5
24	4	470409	3/8UNC X 3/4 HHSFB GR5 MC
25	2	470447	KEY .50 SQ X 1.69 LONG
26	4	471005	GREASE ZERK, 1/4-28 X 1/2
27	2	471023	GREASE ZERK 1/4-28 X 45
28	2	472337	5/8UNC X 3" SOC HD CAP SCR
29	2	473841	16MM LOCK WASHER
30	8	483018	EXT TOOTH LOCK WASHER 1 MC
31	8	629537	187RRH00Z SNAP RING
32	4	629620	SEAL, 1.500 ROD DIA
33	1	629626	SEAL, 3.875 DIA, FOR 125059
34	3	650206	DECAL, GREASE DAILY

RIGHT FRONT LEG ASSEMBLY			
DET	QTY	P/N	DESCRIPTION
35	4	900269	1/2UNC X 2 3/4 HHCS GR5 MC
36	8	900395	1"UNC X 2 1/2 SOCKET CAP SCR
37	8	900519	1/2UNC X 2 HHSFB GR5 MC FT
38	2	900857	5/8UNC X 2 1/4 HEX BOLT GR8
39	1	910020	1-8UNC HEX SLTDD NUT MC GR5
40	8	910101	1" UNC HEX JAM NUT
41	1	910120	3/16 X 1 3/4 COTTER PIN SS
42	2	914010	5/8-11UNC STOVER NUT MC GR5
43	1	920008	SAE FLAT WASHER 1 MC
44	2	920505	HLOCK WASHER 5/8 MC
45	1	360067	RH FRT OTR LEG WLD
46	12	910042	3/8-16UNC HEX FLG NUT SM MC GR8
47	6	900491	5/16UNC X 1 1/2 HHSFB SS
48	4	360110	BRG KPR, LEG
49	8	903728	1/4-20 UNC X 3/4 FHSCS GR5 BZ

NOTE: USED WITHOUT TREAD ADJUST

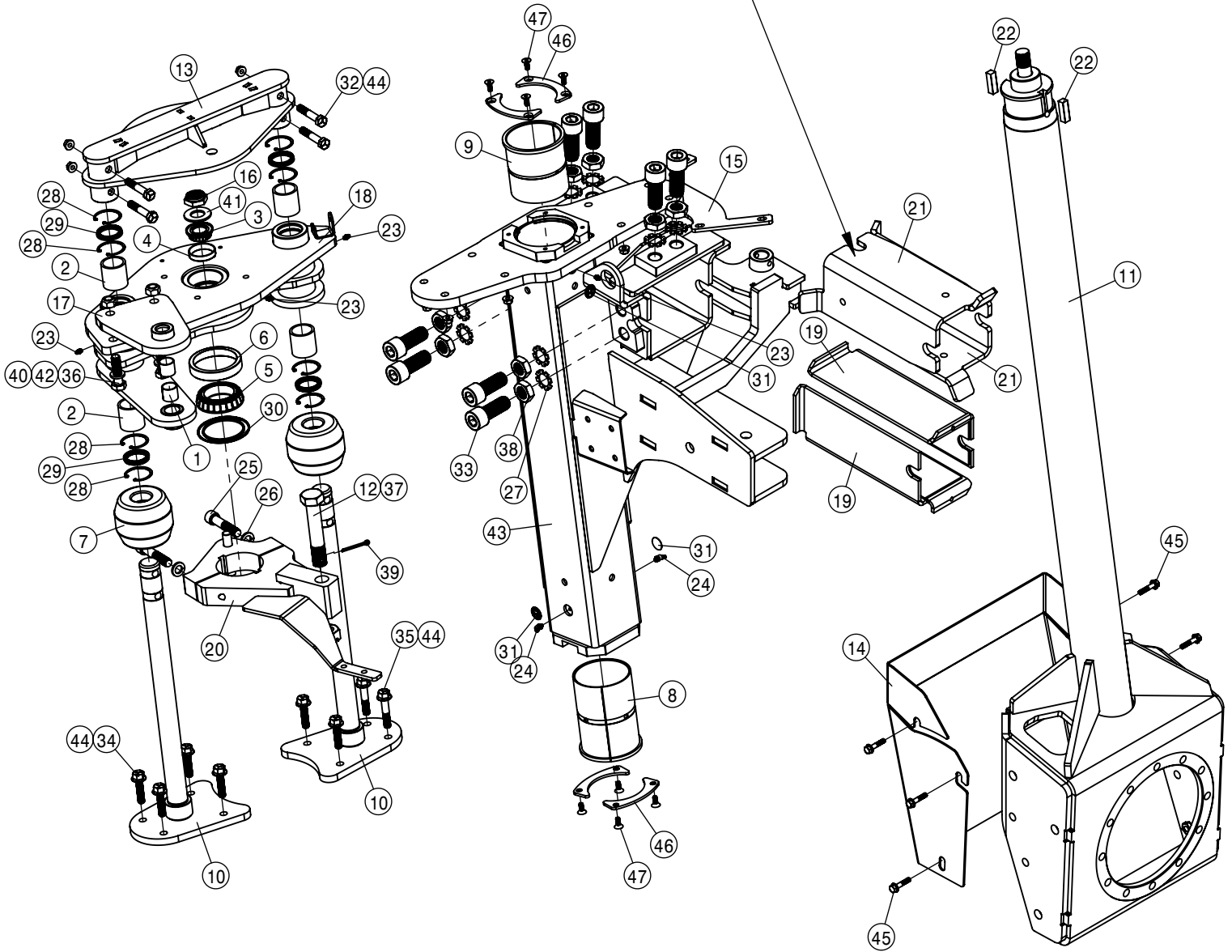


LEFT FRONT LEG ASSEMBLY			
DET	QTY	P/N	DESCRIPTION
1	2	121029	JOURNAL BRG, 1.00 ID x 1.00 LG
2	4	121113	TOWER SLEEVE BRG (POLYGON) 05
3	1	125050	BRG CONE, 1.00 ID W/FACE SEAL
4	1	125051	BRG CUP FOR 125050
5	1	125059	BRG CONE, 2.25 ID
6	1	125060	BEARING CUP FOR 125059
7	2	311058	RUBBER SPRING
8	1	358564	FRT LEG LWR NYL SLEEVE 280 89
9	1	358565	FRT LEG UPR NYL SLEEVE 280 89
10	2	359491	NITRO TOWER WLD
11	1	359514	LF/RR INNER LEG WLD
12	1	359515	RH AIR BAG LWR PLT WLD
13	1	359534	STRG CYL BOLT
14	1	359536	AIR BAG TOWER TOP MT WLD
15	1	359668	LWR LEG HOSE GUIDE WLD LH
16	2	359672	LWR HOSE GUIDE- WLD
17	1	360198	CROP SHIELD

LEFT FRONT LEG ASSEMBLY			
DET	QTY	P/N	DESCRIPTION
18	1	360561	1-14 UNS THIN HEX NUT LCK
19	1	360584	UPPER TRUNION MT WLD FRONT RH
20	2	360602	TREAD ADJUST WEAR PLT
21	1	360603	STRG ARM CLAMP WLD
22	2	360810	LEG ATTACHMENT REINF PLT LH
23	4	470087	3/8-16UNC HEX FLG NUT SER MC GR5
24	4	470409	3/8UNC X 3/4 HHSFB GR5 MC
25	2	470447	KEY .50 SQ X 1.69 LONG
26	4	471005	GREASE ZERK, 1/4-28 X 1/2
27	2	471023	GREASE ZERK 1/4-28 X 45
28	2	472337	5/8UNC X 3" SOC HD CAP SCR
29	2	473841	16MM LOCK WASHER
30	8	483018	EXT TOOTH LOCK WASHER 1 MC
31	8	629537	187RRH00Z SNAP RING
32	4	629620	SEAL, 1.500 ROD DIA
33	1	629626	SEAL, 3.875 DIA, FOR 125059
34	3	650206	DECAL, GREASE DAILY

LEFT FRONT LEG ASSEMBLY			
DET	QTY	P/N	DESCRIPTION
35	4	900269	1/2UNC X 2 3/4 HHCS GR5 MC
36	8	900395	1"UNC X 2 1/2 SOCKET CAP SCR
37	8	900519	1/2UNC X 2 HHSFB GR5 MC FT
38	2	900857	5/8UNC X 2 1/4 HEX BOLT GR8
39	1	910020	1-8UNC HEX SLTTD NUT MC GR5
40	8	910101	1" UNC HEX JAM NUT
41	1	910120	3/16 X 1 3/4 COTTER PIN SS
42	2	914010	5/8-11UNC STOVER NUT MC GR5
43	1	920008	SAE FLAT WASHER 1 MC
44	2	920505	HLOCK WASHER 5/8 MC
45	4	360110	BRG KPR, LEG
46	8	903728	1/4-20 UNC X 3/4 FHSCS GR5 BZ
47	1	360068	LH FRT OTR LEG WLD
48	12	910042	3/8-16UNC HEX FLG NUT SM MC GR8
49	6	900491	5/16UNC X 1 1/2 HHSFB SS

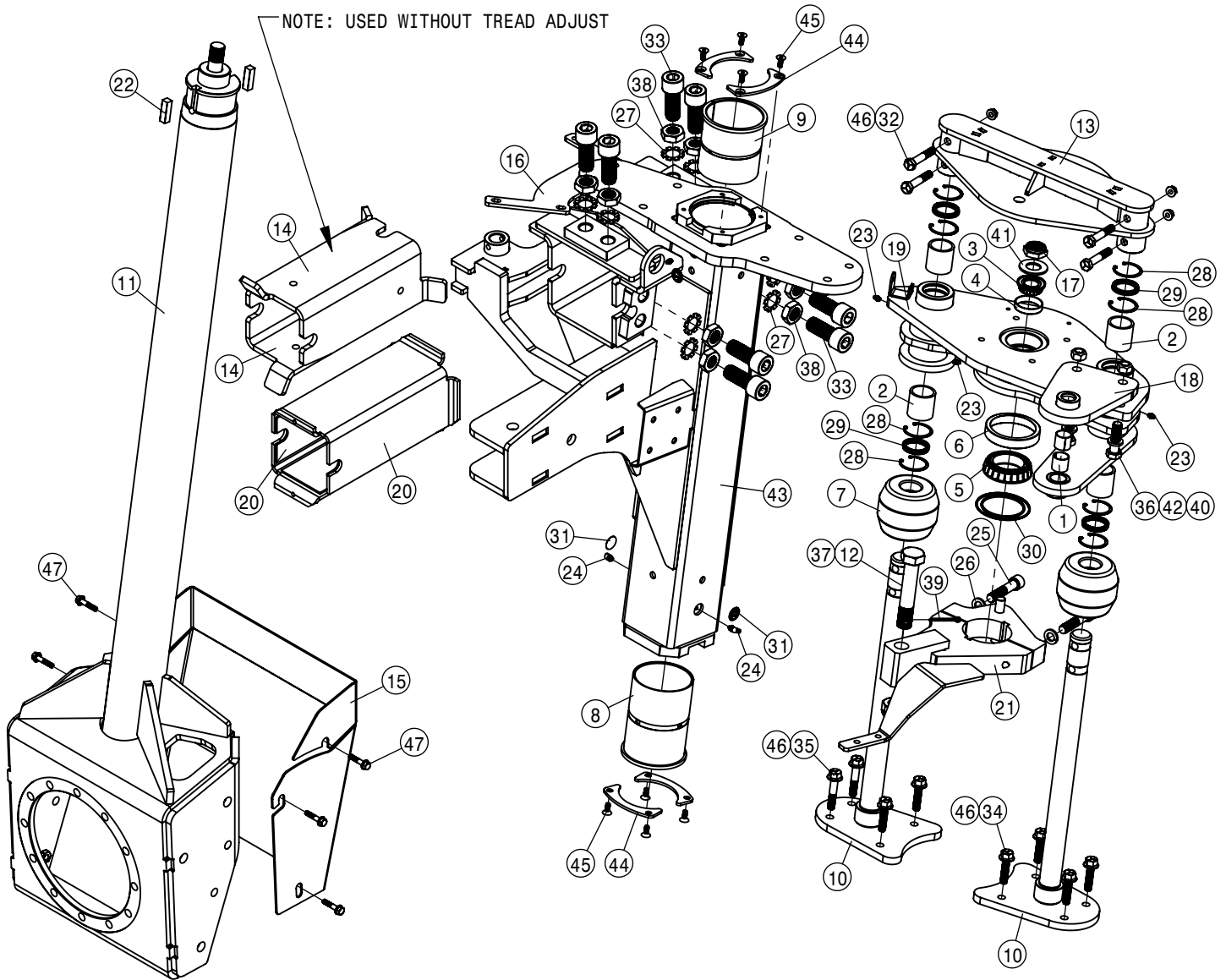
NOTE: USED WITHOUT TREAD ADJUST



RIGHT REAR LEG ASSEMBLY			
DET	QTY	P/N	DESCRIPTION
1	2	121029	JOURNAL BRG, 1.00 ID x 1.00 LG
2	4	121113	TOWER SLEEVE BRG (POLYGON) 05
3	1	125050	BRG CONE, 1.00 ID W/FACE SEAL
4	1	125051	BRG CUP FOR 125050
5	1	125059	BRG CONE, 2.25 ID
6	1	125060	BEARING CUP FOR 125059
7	2	311058	RUBBER SPRING
8	1	358564	FRT LEG LWR NYL SLEEVE 280 89
9	1	358565	FRT LEG UPR NYL SLEEVE 280 89
10	2	359491	NITRO TOWER WLD
11	1	359514	LF/RR INNER LEG WLD
12	1	359534	STRG CYL BOLT
13	1	359536	AIR BAG TOWER TOP MT WLD
14	1	360198	CROP SHIELD
15	1	360297	REAR LEG HYD ROUTING PLATE
16	1	360561	1-14 UNS THIN HEX NUT LCK

RIGHT REAR LEG ASSEMBLY			
DET	QTY	P/N	DESCRIPTION
17	1	360586	UPPER TRUNION MT WLD RH REAR
18	1	360590	RH AIR BAG LWR PLT WLD
19	2	360602	TREAD ADJUST WEAR PLT
20	1	360613	STRG ARM CLAMP WLD RH
21	2	360810	LEG ATTACHMENT REINF PLT LH
22	2	470447	KEY .50 SQ X 1.69 LONG
23	4	471005	GREASE ZERK, 1/4-28 X 1/2
24	2	471023	GREASE ZERK 1/4-28 X 45
25	2	472337	5/8UNC X 3" SOC HD CAP SCR
26	2	473841	16MM LOCK WASHER
27	8	483018	EXT TOOTH LOCK WASHER 1 MC
28	8	629537	187RRHOZ SNAP RING
29	4	629620	SEAL, 1.500 ROD DIA
30	1	629626	SEAL, 3.875 DIA, FOR 125059
31	3	650206	DECAL, GREASE DAILY
32	4	900269	1/2UNC X 2 3/4 HHCS GR5 MC

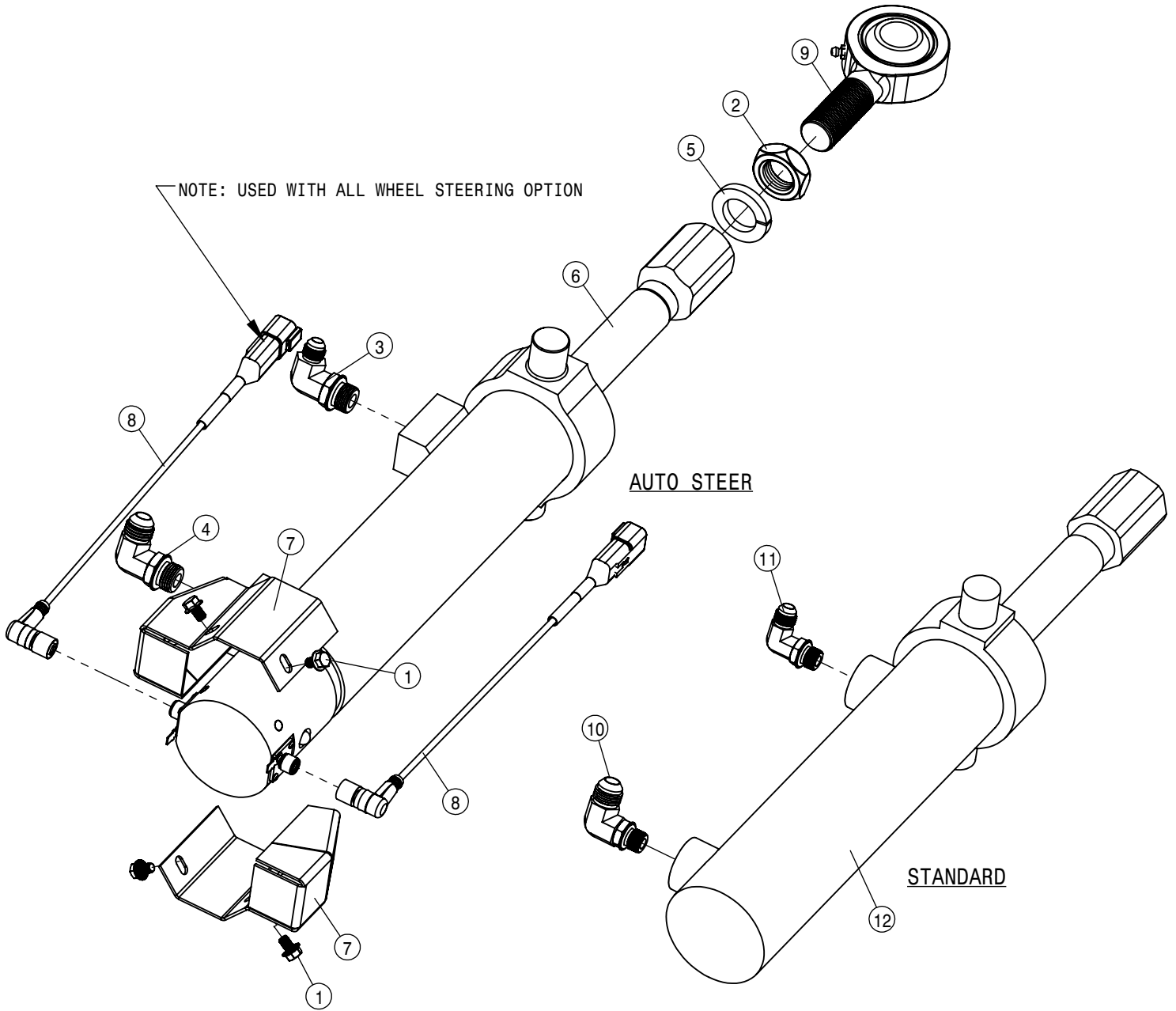
RIGHT REAR LEG ASSEMBLY			
DET	QTY	P/N	DESCRIPTION
33	8	900395	1"UNC X 2 1/2 SOCKET CAP SCR
34	6	900519	1/2UNC X 2 HHSFB GR5 MC FT
35	2	900520	1/2UNC X 2 1/2 HHSFB GR5 MC
36	2	900857	5/8UNC X 2 1/4 HEX BOLT GR8
37	1	910020	1-8UNC HEX SLTTD NUT MC GR5
38	8	910101	1" UNC HEX JAM NUT
39	1	910120	3/16 X 1 3/4 COTTER PIN SS
40	2	914010	5/8-11UNC STOVER NUT MC GR5
41	1	920008	SAE FLAT WASHER 1 MC
42	2	920505	HLOCK WASHER 5/8 MC
43	1	360068	LH FRT LEG WLD
44	12	910042	3/8-16UNC HEX FLG NUT SM MC GR8
45	6	900491	5/16UNC X 1 1/2 HHSFB SS
46	4	360110	BRG KPR, LEG
47	8	903728	1/4-20 UNC X 3/4 FHCS GR5 BZ



LEFT REAR LEG ASSEMBLY			
DET	QTY	P/N	DESCRIPTION
1	2	121029	JOURNAL BRG, 1.00 ID x 1.00 LG
2	4	121113	TOWER SLEEVE BRG (POLYGON) 05
3	1	125050	BRG CONE, 1.00 ID W/FACE SEAL
4	1	125051	BRG CUP FOR 125050
5	1	125059	BRG CONE, 2.25 ID
6	1	125060	BEARING CUP FOR 125059
7	2	311058	RUBBER SPRING
8	1	358564	FRT LEG LWR NYL SLEEVE 280 89
9	1	358565	FRT LEG UPR NYL SLEEVE 280 89
10	2	359491	NITRO TOWER WLD
11	1	359513	RF/LR INNER LEG WLD
12	1	359534	STRG CYL BOLT
13	1	359536	AIR BAG TOWER TOP MT WLD
14	2	360187	LEG ATTACHMENT REINF PLT RH
15	1	360198	CROP SHIELD
16	1	360297	REAR LEG HYD ROUTING PLATE

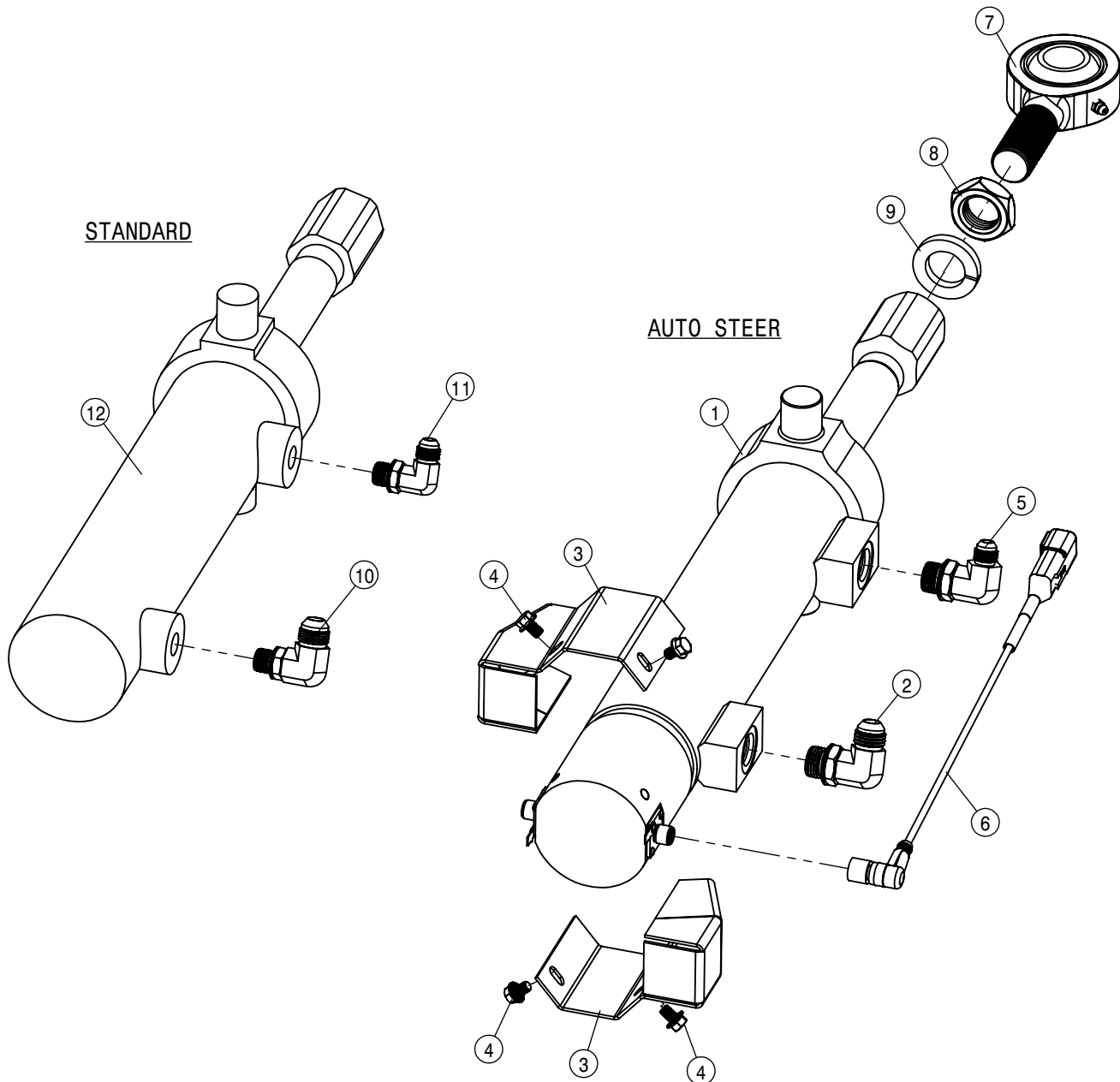
LEFT REAR LEG ASSEMBLY			
DET	QTY	P/N	DESCRIPTION
17	1	360561	1-14 UNS THIN HEX NUT LCK
18	1	360587	UPPER TRUNION MT WLD LH REAR
19	1	360591	LH AIR BAG LWR PLT WLD
20	2	360602	TREAD ADJUST WEAR PLT
21	1	360614	STRG ARM CLAMP WLD LH
22	2	470447	KEY .50 SQ X 1.69 LONG
23	4	471005	GREASE ZERK, 1/4-28 X 1/2
24	2	471023	GREASE ZERK 1/4-28 X 45
25	2	472337	5/8UNC X 3" SOC HD CAP SCR
26	2	473841	16MM LOCK WASHER
27	8	483018	EXT TOOTH LOCK WASHER 1 MC
28	8	629537	187RRHOZ SNAP RING
29	4	629620	SEAL, 1.500 ROD DIA
30	1	629626	SEAL, 3.875 DIA, FOR 125059
31	3	650206	DECAL, GREASE DAILY
32	4	900269	1/2UNC X 2 3/4 HHCS GR5 MC

LEFT REAR LEG ASSEMBLY			
DET	QTY	P/N	DESCRIPTION
33	8	900395	1"UNC X 2 1/2 SOCKET CAP SCR
34	6	900519	1/2UNC X 2 HHSFB GR5 MC FT
35	2	900520	1/2UNC X 2 1/2 HHSFB GR5 MC
36	2	900857	5/8UNC X 2 1/4 HEX BOLT GR8
37	1	910020	1-8UNC HEX SLTDD NUT MC GR5
38	8	910101	1" UNC HEX JAM NUT
39	1	910120	3/16 X 1 3/4 COTTER PIN SS
40	2	914010	5/8-11UNC STOVER NUT MC GR5
41	1	920008	SAE FLAT WASHER 1 MC
42	2	920505	HLOCK WASHER 5/8 MC
43	1	360067	RH FRT OTR LEG WLD
44	4	360110	BRG KPR, LEG
45	8	903728	1/4-20 UNC X 3/4 FHSCS GR5 BZ
46	12	910042	3/8-16UNC HEX FLG NUT SM MC GR8
47	6	900491	5/16UNC X 1 1/2 HHSFB SS

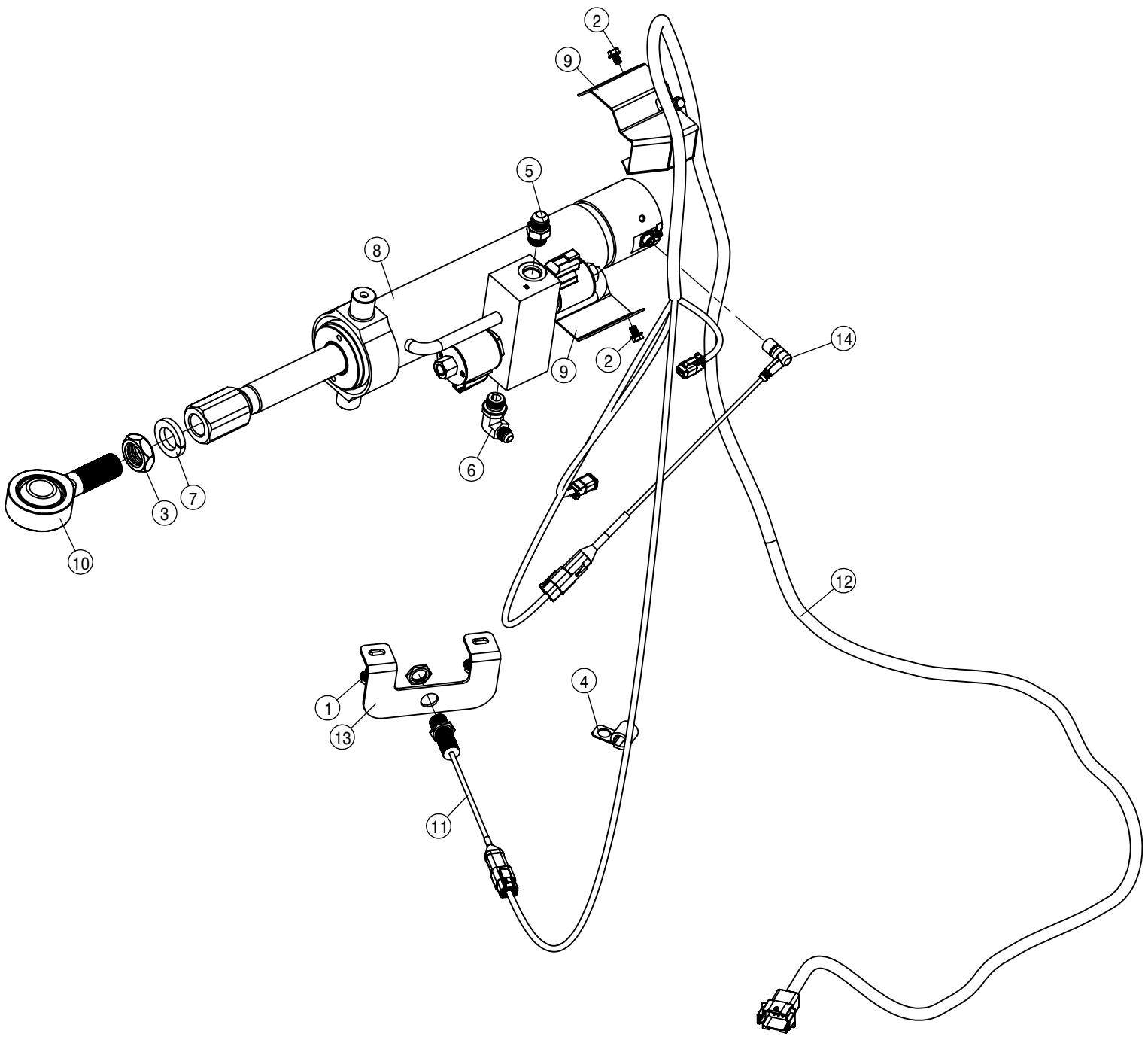


RIGHT FRONT STEERING CYLINDER ASSEMBLY			
DET	QTY	P/N	DESCRIPTION
1	4	470883	1/4UNC X 3/8 SERR FLG BOLT SS
2	1	472328	1" - 12 HEX JAM NUT
3	1	618115	9/16MJIC-90-3/4MOR LBO
4	1	618241	3/4MJIC-90-3/4MOR LBO
5	1	920508	1" LOCK WASHER
6	1	621654	HYD CYL, 2.50 X 8.81 PHASE/SENS
7	2	359645	STRG CYL SENSOR GUARD
8	2	291994	SENSOR HARNESS FOR AWS
9	1	474004	ROD END, 1.00 BORE, 1-12 RH MALE
10	1	618249	3/4MJIC-90-9/16MOR LBO
11	1	618119	9/16MJIC-90-9/16MOR LBO
12	1	621550	2.50 x 8.81 x 1.25 STEERING CYL

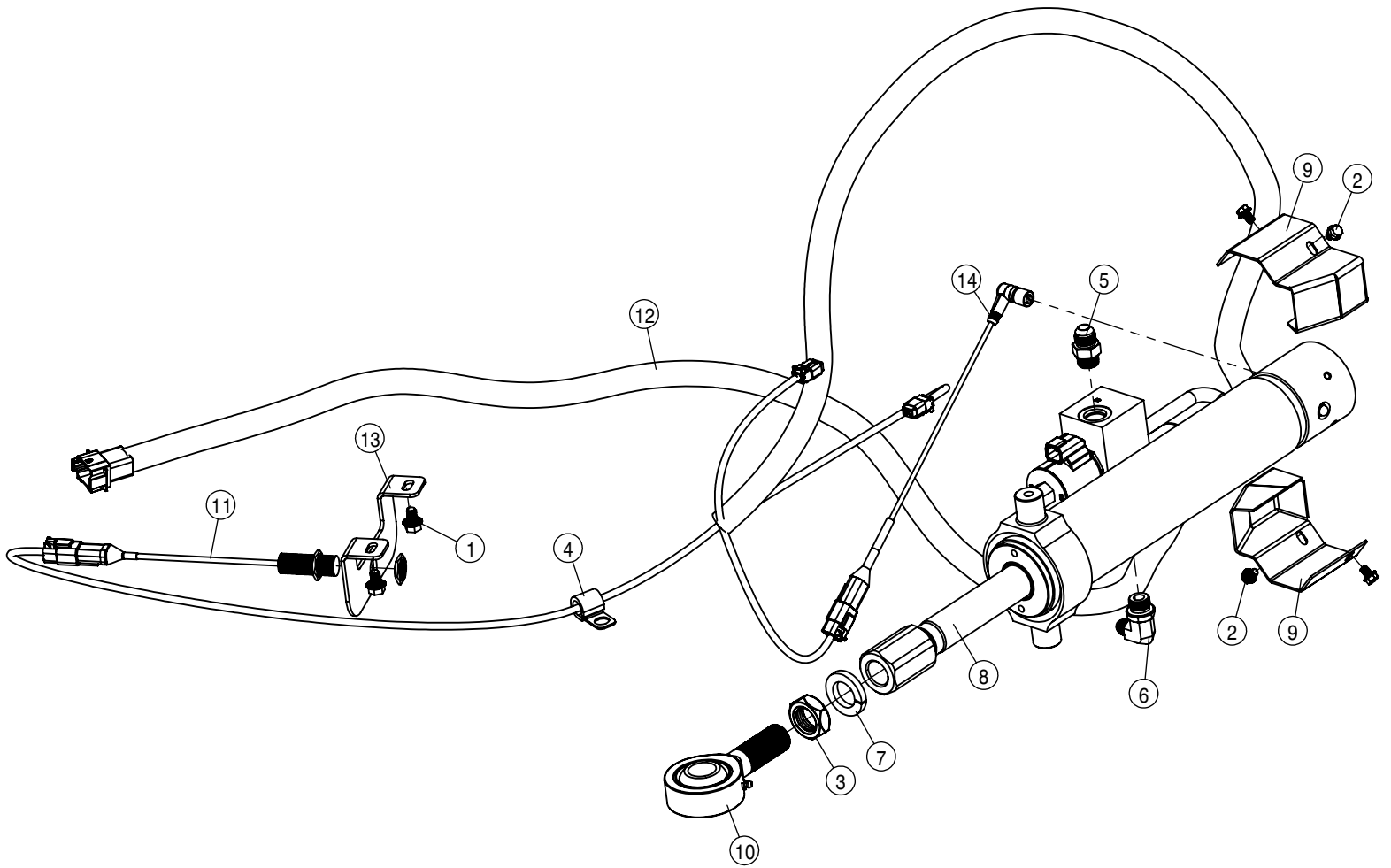




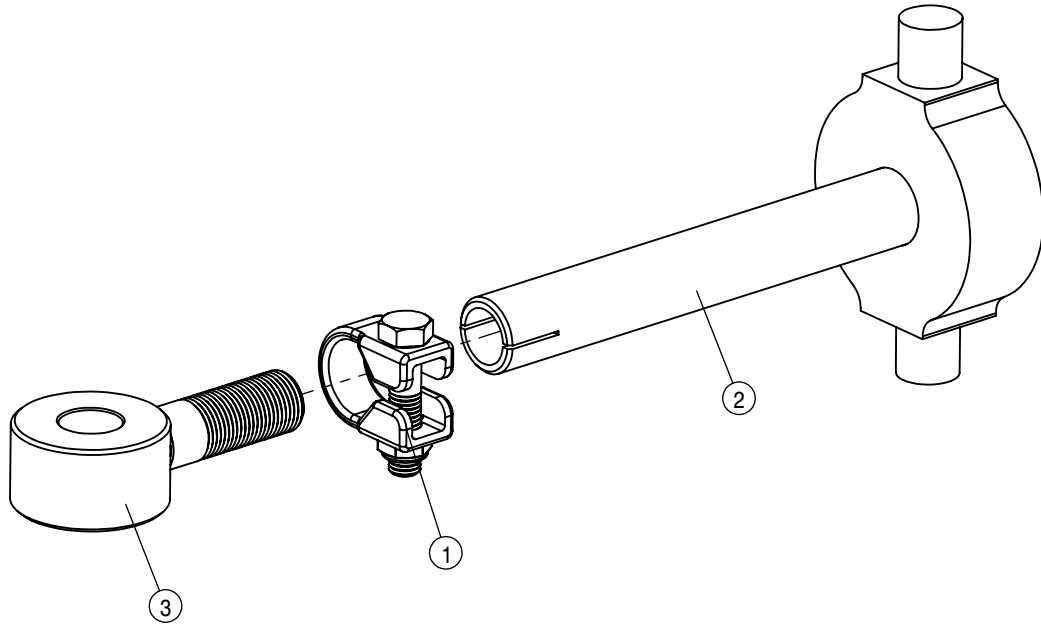
LEFT FRONT STEERING CYLINDER ASSEMBLY			
DET	QTY	P/N	DESCRIPTION
1	1	621654	HYD CYL, 2.50 X 8.81 PHASE/SENS
2	1	618241	3/4MJIC-90-3/4MOR LBO
3	2	359645	STRG CYL SENSOR GUARD
4	4	470883	1/4UNC X 3/8 SERR FLG BOLT SS
5	1	618115	9/16MJIC-90-3/4MOR LBO
6	1	291994	SENSOR HARNESS FOR AWS
7	1	474004	ROD END, 1.00 BORE, 1-12 RH MALE
8	1	472328	1" - 12 HEX JAM NUT
9	1	920508	1" LOCK WASHER
10	1	618249	3/4MJIC-90-9/16MOR LBO
11	1	618119	9/16MJIC-90-9/16MOR LBO
12	1	621550	2.50 x 8.81 x 1.25 STEERING CYL



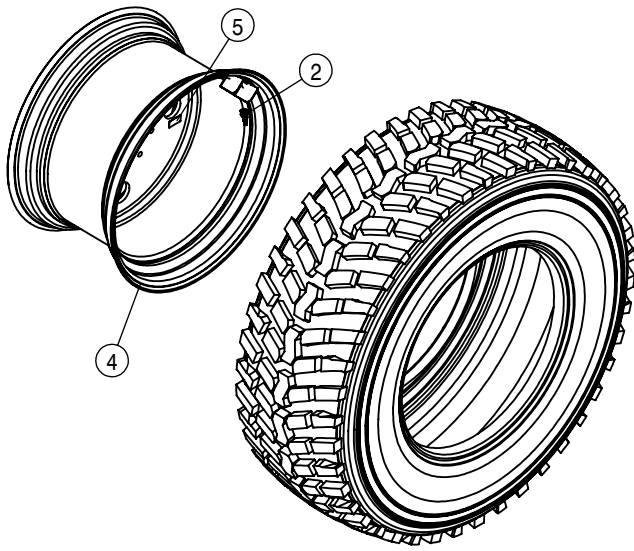
RIGHT REAR STEERING CYLINDER ASSEMBLY				
DET	QTY	P/N	DESCRIPTION	
1	2	470232	5/16UNC X 1/2 SERR FLG HEX BOLT	
2	4	470883	1/4UNC X 3/8 SERR FLG BOLT SS	
3	1	472328	1" -12 HEX JAM NUT	
4	1	520164	CUSH HOSE CLAMP,#9, 9/16D X 3/4W	
5	1	611125	3/4MJIC-3/4MOR ADPTR	
6	1	618115	9/16MJIC-90-3/4MOR LBO	
7	1	920508	1" LOCK WASHER	
8	1	621653	HYD CYL,2.50 X 8.81 X 1.25	
9	2	359645	STRG CYL SENSOR GUARD	
10	1	474004	ROD END,1.00 BORE,1-12 RH MALE	
11	1	292926	INDUCTIVE PROX SENSOR, 18MM	
12	1	294269	REAR LEG AWS HARNESS	
13	1	360153	SENSOR BRKT, DTS AWS	
14	1	291994	SENSOR HARNESS FOR AWS	



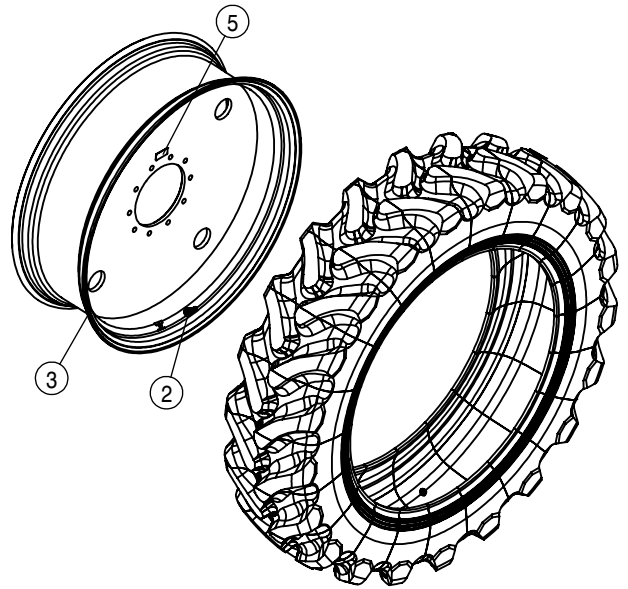
LEFT REAR STEERING CYLINDER ASSEMBLY				
DET	QTY	P/N	DESCRIPTION	
	1	2	470232	5/16UNC X 1/2 SERR FLG HEX BOLT
	2	4	470883	1/4UNC X 3/8 SERR FLG BOLT SS
	3	1	472328	1" - 12 HEX JAM NUT
	4	1	520164	CUSH HOSE CLAMP, #9, 9/16D X 3/4W
	5	1	611125	3/4MJIC-3/4MOR ADPTR
	6	1	618115	9/16MJIC-90-3/4MOR LBO
	7	1	920508	1" LOCK WASHER
	8	1	621653	HYD CYL, 2.50 X 8.81 X 1.25
	9	2	359645	STRG CYL SENSOR GUARD
	10	1	474004	ROD END, 1.00 BORE, 1-12 RH MALE
	11	1	292926	INDUCTIVE PROX SENSOR, 18MM
	12	1	294269	REAR LEG AWS HARNESS
	13	1	360153	SENSOR BRKT, DTS AWS
	14	1	291994	SENSOR HARNESS FOR AWS



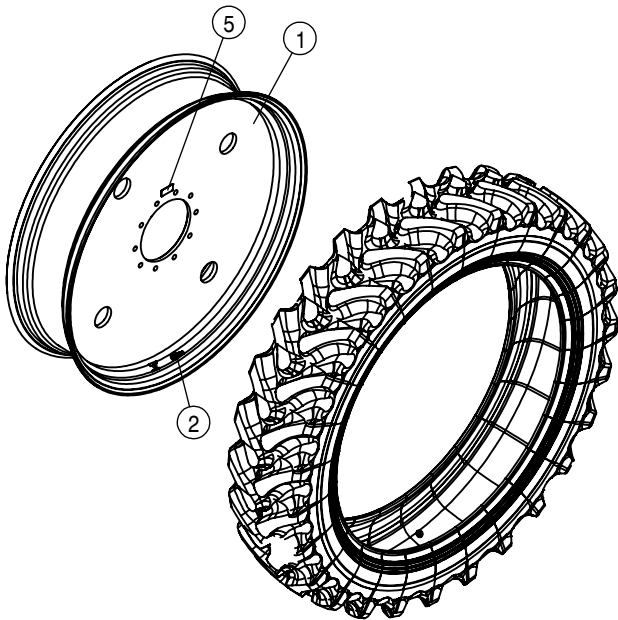
REAR STANDARD TIE ROD ASSEMBLY			
DET	QTY	P/N	DESCRIPTION
	1	749322	STEERING TUBE CLAMP & BOLT ASSY
	1	359086	REAR TIE ROD SHAFT WLD
	1	359089	TIE ROD STUD WLD



540/65 R30 RADIAL TIRE

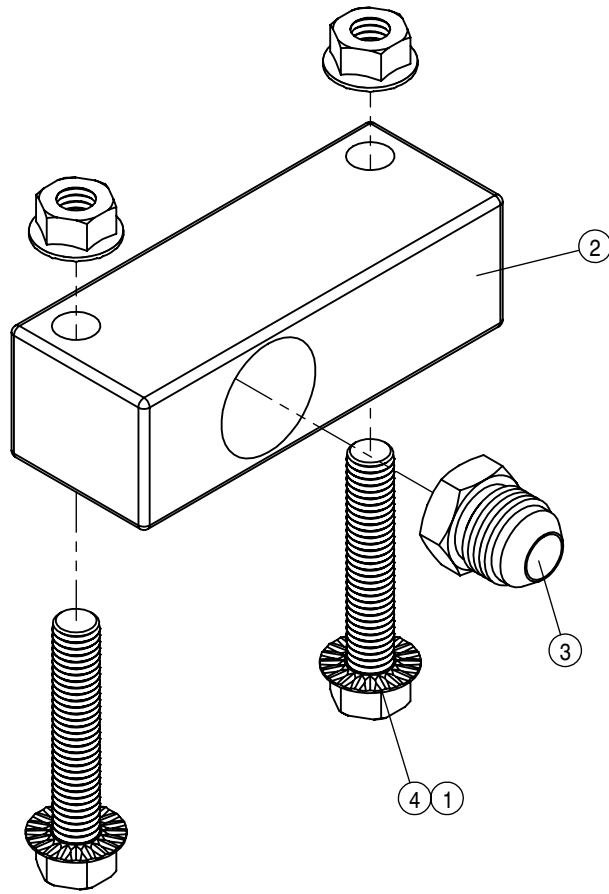


380/80 R38 RADIAL TIRE

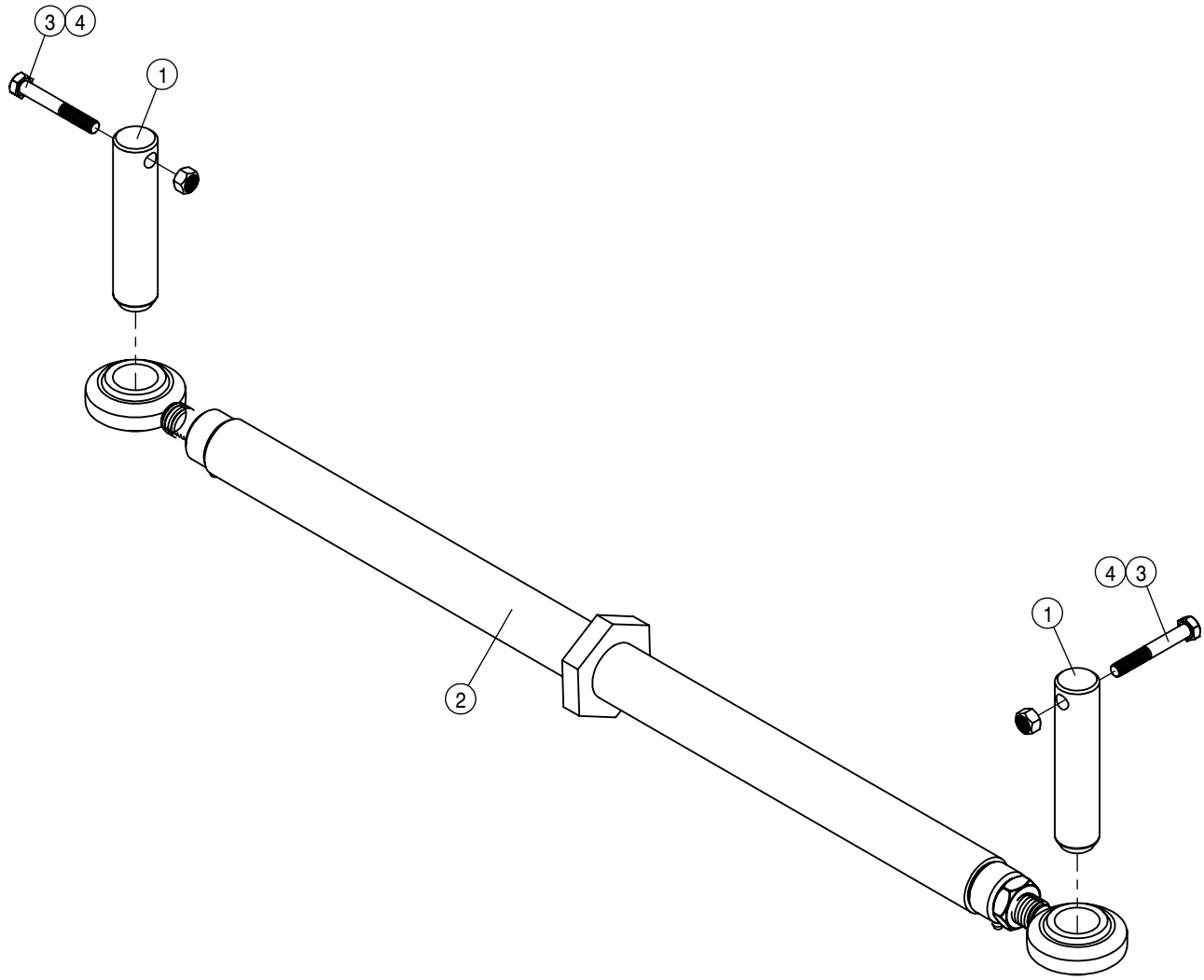


IF320/80 R42 RADIAL TIRE

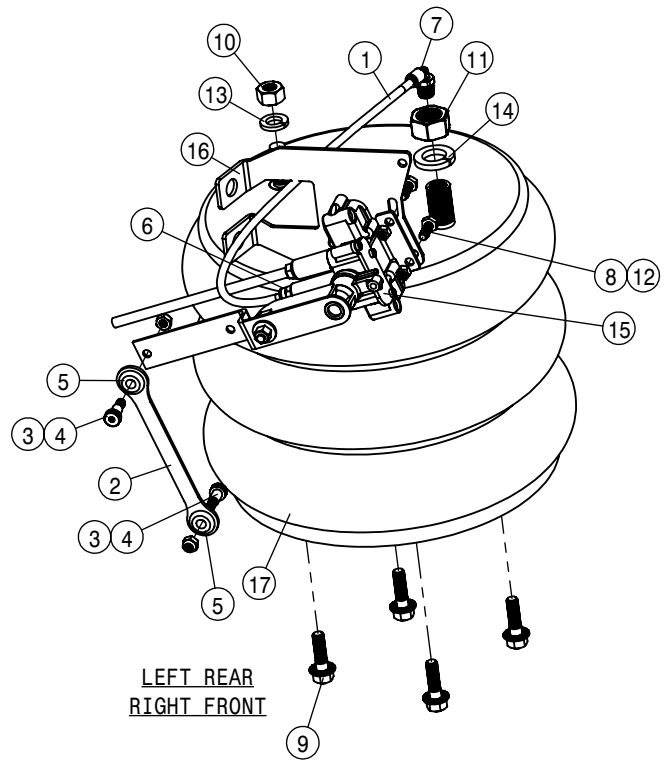
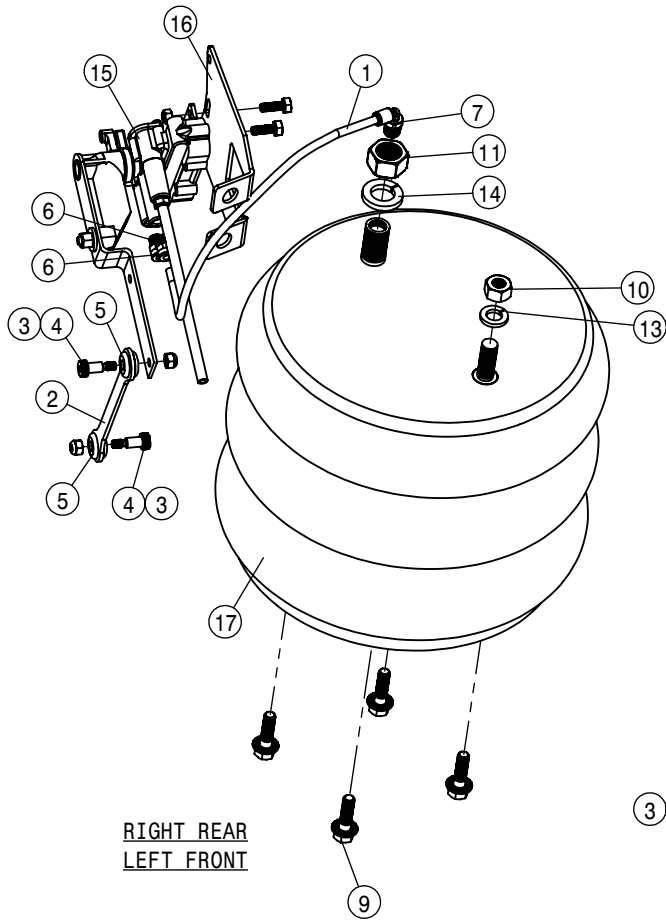
TIRE AND RIM ASSEMBLY				
DET	QTY	P/N	DESCRIPTION	
1	1	821084	WHEEL - 42 x W10	
2	3	821252	VALVE STEM, TR-618A, STAINLESS	
3	1	821075	WHEEL - 38 x W12	
4	1	820179	WHEEL - 30 x DW18	
5	3	650985	DECAL, WHL BOLT TORQ 203854C	



SUPPORT WITHOUT ALL WHEEL STEER VALVE			
DET	QTY	P/N	DESCRIPTION
1	2	470087N	3/8UNC HEX SERR FLG NUT YZ
2	1	470690	POLY CLAMP, DTS HYD AUX OPT
3	1	618457	3/4MJIC PLUG
4	2	900133N	3/8UNC X 2" SERR FLANGE BOLT

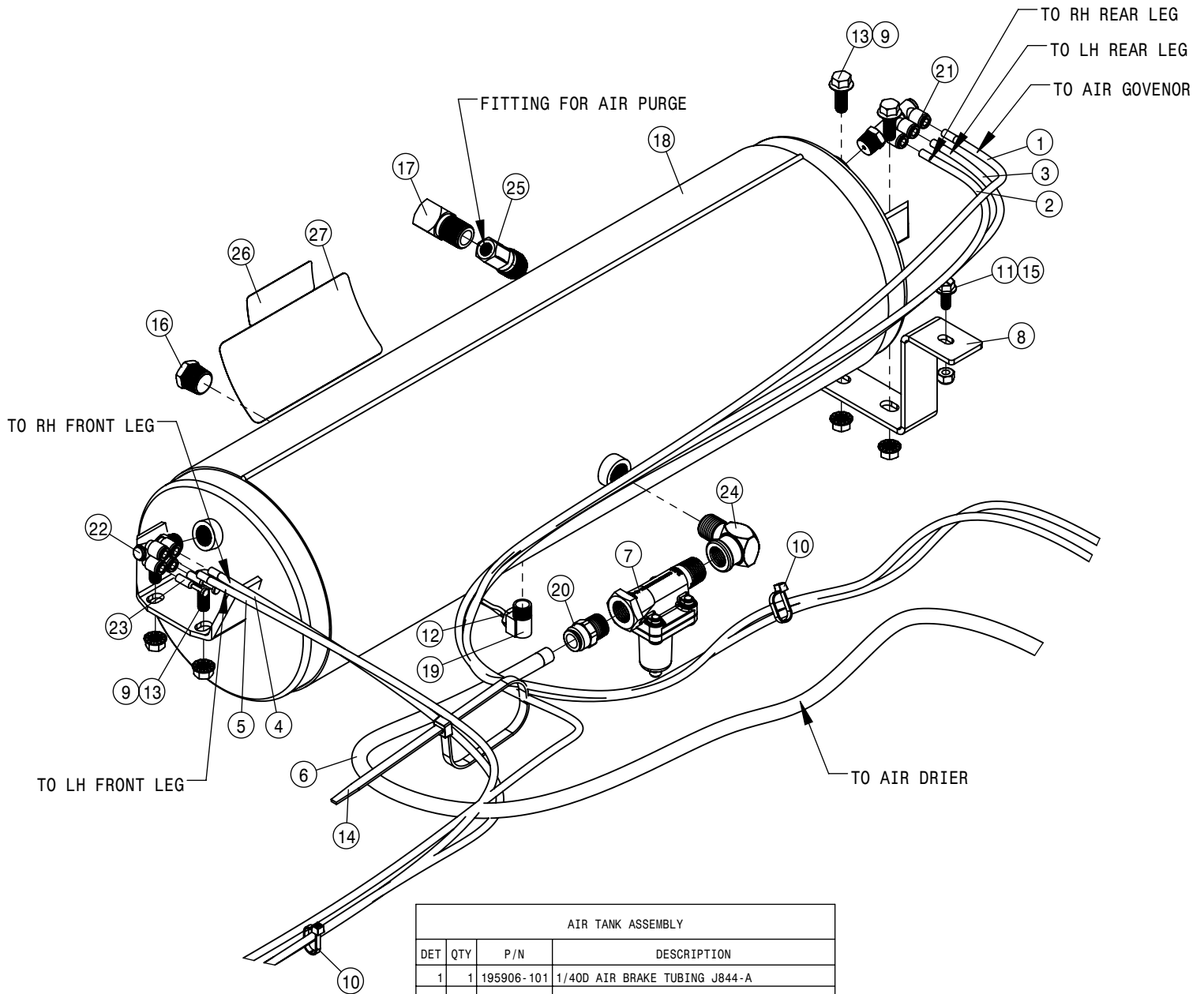


MANUAL TREAD ADJUST ASSEMBLY			
DET	QTY	P/N	DESCRIPTION
1	2	360154	TREAD ADJ CYL PIN
2	1	470017	DTS MANUAL TREAD ADJUST LINK
3	2	900086	5/16UNC X 2 1/4 HEX BOLT
4	2	914002	5/16UNC HEX STOVER NUT

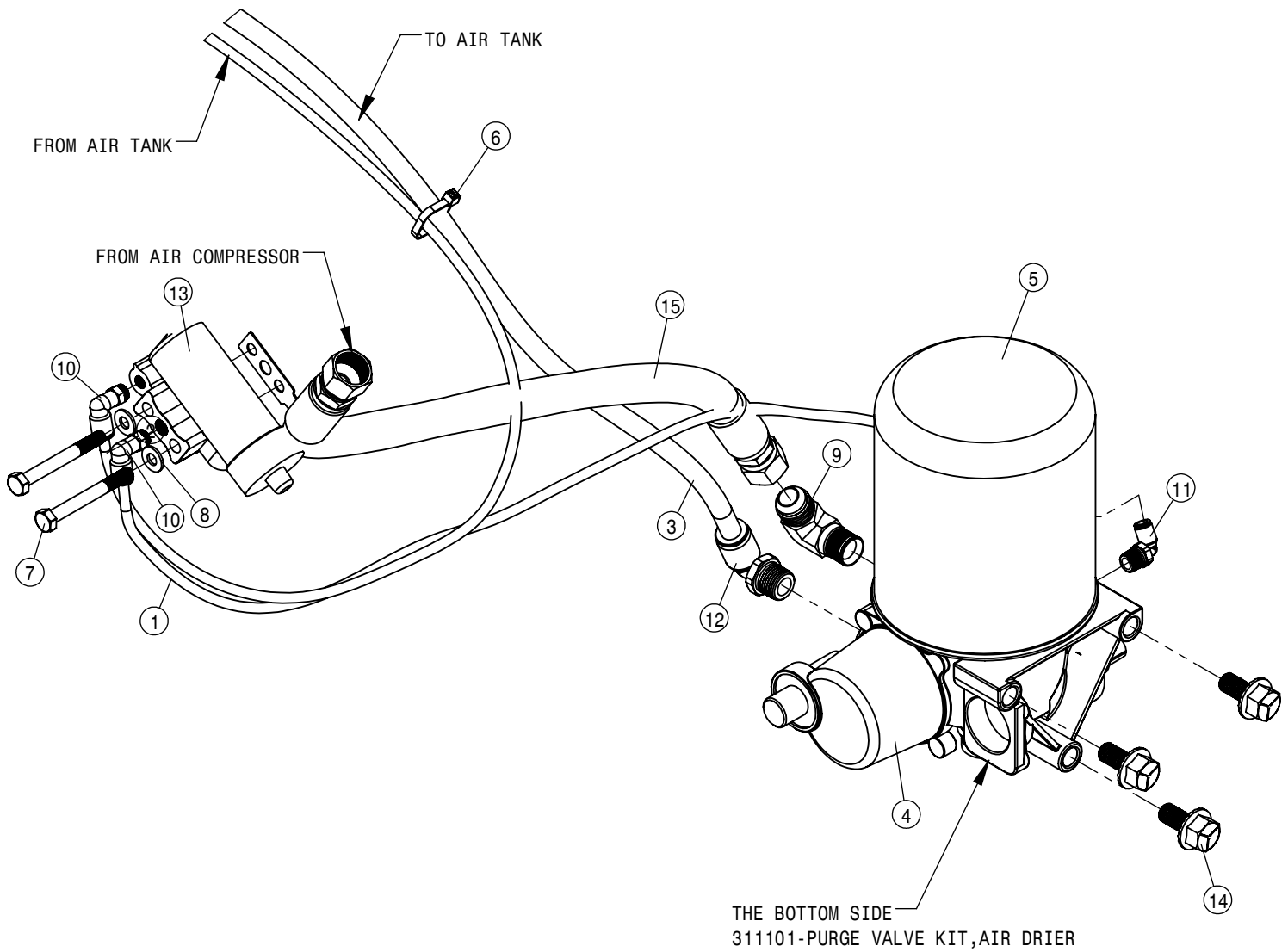


AIR BAG ASSEMBLY			
DET	QTY	P/N	DESCRIPTION
1	2	195906-013	1/40D AIR BRAKE TUBING J844-A
2	2	360175	LINK-AIR VALVE, FRONT MOUNT
3	4	470089N	1/4UNC HEX NYLOC NUT, 316 SS
4	4	470607	1/4UNC-5/16 X .50 SHLDR SCR SS
5	4	470608	GROMMET-.31 ID X .56 PD X .19 PG
6	4	711036	1/8MNPT-1/4 NYL TUBE FTG
7	2	711040	1/4MNPT-90-1/4 NYL TUBE LBO
8	4	900002	1/4UNC x 3/4 HEX BOLT
9	9	470329	3/8UNC X 1 1/4 HHSFB GR5 MC
10	2	910008N	1/2UNC HEX NUT
11	2	910013N	3/4UNF HEX NUT
12	4	914000	1/4UNC HEX STOVER NUT
13	2	920504	1/2 LOCK WASHER
14	2	920506N	3/4 LOCK WASHER YZ
15	2	358832	AIRIDE SPRING CTRL VALVE 98
16	2	360176	DTS AIRRIDE VALVE BRACKET
17	2	360180	AIR RIDE SPRING

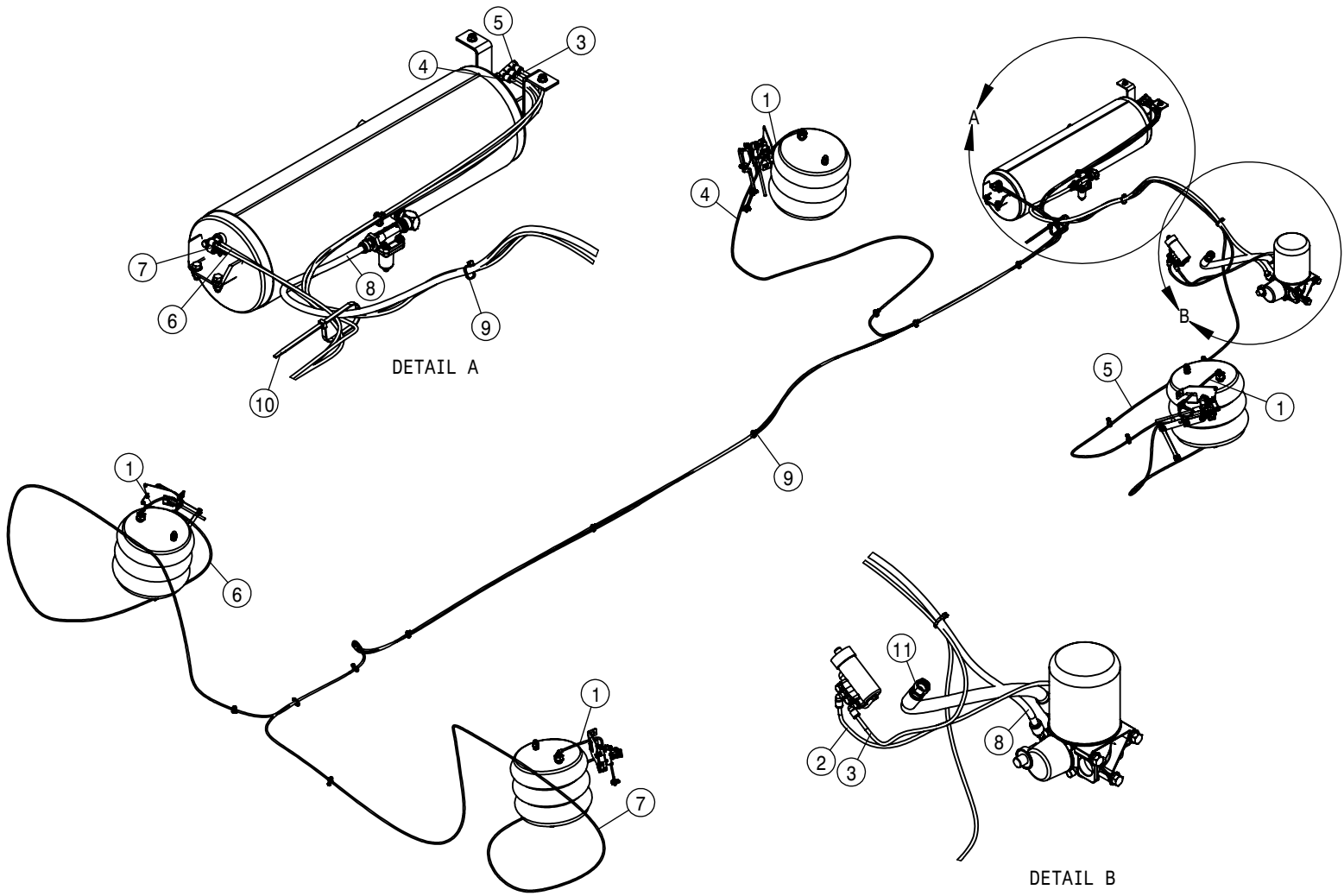




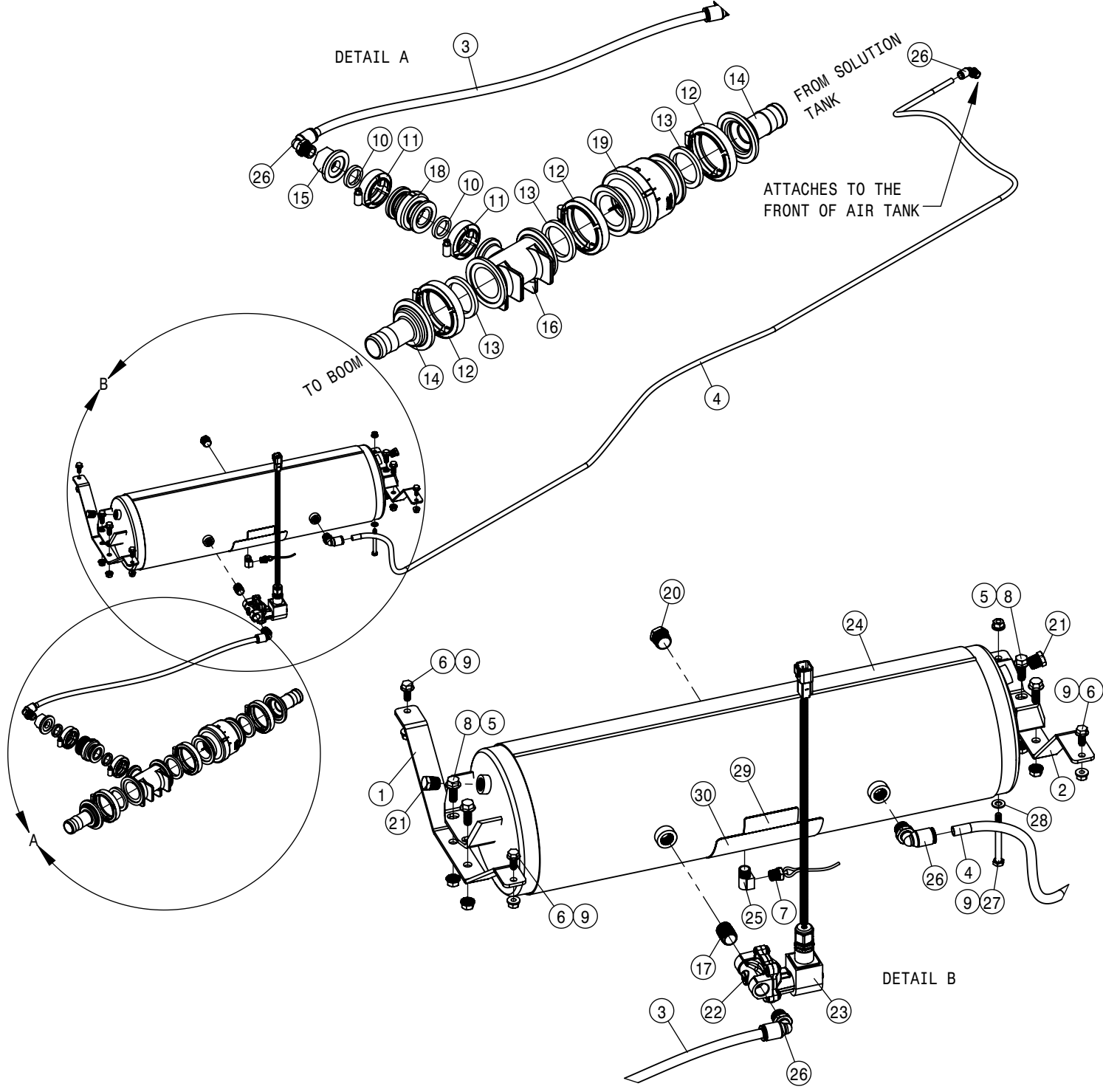
AIR TANK ASSEMBLY			
DET	QTY	P/N	DESCRIPTION
1	1	195906-101	1/40D AIR BRAKE TUBING J844-A
2	1	195906-160	1/40D AIR BRAKE TUBING J844-A
3	1	195906-211	1/40D AIR BRAKE TUBING J844-A
4	1	195906-333	1/40D AIR BRAKE TUBING J844-A
5	1	195906-365	1/40D AIR BRAKE TUBING J844-A
6	1	195914-071	1/20D AIR BRAKE TUBING J844-B
7	1	311086	CHECK VALVE, PRESS CRTL, WABCO
8	1	362529	AIR TANK BKT, DTS
9	6	470087	3/8UNC HEX SERR FLANGE NUT
10	2	470154	CABLE TIE, 11.00" BLK NYLON
11	2	470233	5/16UNC X 3/4 HHSFB GR5 MC
12	1	470266	DRAIN VALVE KIT, 1/4NPT
13	6	470460	3/8 X 1" SERR FLG BOLT
14	1	470555	CABLE TIE, 1/2 X 15" BLACK NYLON
15	2	473001	5/16-18UNC NYLOCK NUT MC GR5
16	1	505231	PIPE PLUG .50NPT HEX HD BRS
17	1	618633	1/2MNPT-90-1/4MNPT REDU LBO
18	1	701519	DTS AIR TANK W/DECAL
19	1	711027	1/4 NPT ST EL BRS
20	1	711037	1/2MNPT-1/2 NYL TUBE FTG
21	1	711046	3/8MNPT-1/4 NYL TUBE TRPL LBO
22	1	711047	3/8MNPT-1/4NYL TUBE, DBL BRANCH
23	2	711063	RUBBER PLUG FOR 1/4 PISCO CPLR7
24	1	711079	1/2NPT ST EL BRS
25	1	711083	1/4 NPTF SLV LOCK SOCKET BRS
26	1	N209334	LABEL, AIR TANK DRAIN
27	1	N404969	LABEL, DECAL SAFETY AIR DRIER



AIR DRIER AND GOVERNOR ASSEMBLY			
DET	QTY	P/N	DESCRIPTION
1	1	195906-033	1/40D AIR BRAKE TUBING J844-A
2	1	195906-101	1/40D AIR BRAKE TUBING J844-A
3	1	195914-071	1/20D AIR BRAKE TUBING J844-B
4	1	311084	AIR DRYER,SYSTEM SAVER 1200
5	1	311085	CARTRIDGE KIT FOR 311084 DRYER
6	1	470154	CABLE TIE, 11.00" BLK NYLON
7	2	473822	8MM-1.25 X 70MM HEX BOLT GR8
8	2	473849	8MM FLAT WASHER
9	1	611124	7/8MJIC-90-1/2MNPT LBO
10	2	711039	1/8MNPT-90-1/4 NYL TUBE LBO
11	1	711040	1/4MNPT-90-1/4 NYL TUBE LBO
12	1	711042	1/2MNPT-1/2 NYL TUBE LBO
13	1	316277	AIR COMPRESSOR GOVERNOR KIT
14	3	900516	1/2UNC X 1 HHSFB GR5 MC
15	1	617228	10-451TC-10FJX-10FJX-23 H/A

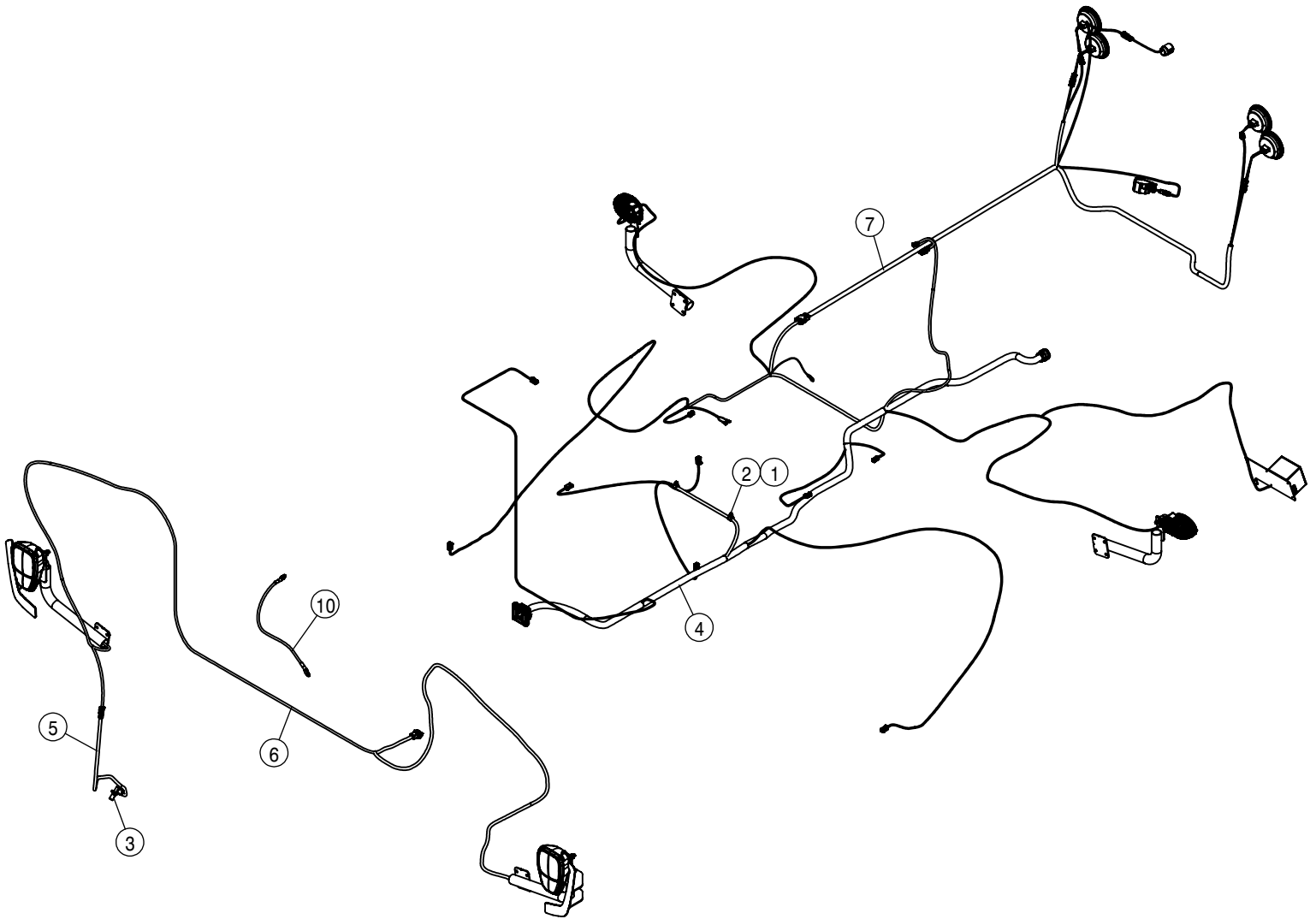


AIR LINE ASSEMBLY			
DET	QTY	P/N	DESCRIPTION
1	4	195906-013	1/40D AIR BRAKE TUBING J844-A
2	1	195906-033	1/40D AIR BRAKE TUBING J844-A
3	1	195906-101	1/40D AIR BRAKE TUBING J844-A
4	1	195906-160	1/40D AIR BRAKE TUBING J844-A
5	1	195906-211	1/40D AIR BRAKE TUBING J844-A
6	1	195906-333	1/40D AIR BRAKE TUBING J844-A
7	1	195906-365	1/40D AIR BRAKE TUBING J844-A
8	1	195914-071	1/20D AIR BRAKE TUBING J844-B
9	16	470154	CABLE TIE, 11.00" BLK NYLON
10	1	470555	CABLE TIE, 1/2 X 15" BLACK NYLON
11	1	617228	10-451TC-10FJX-10FJX-23 H/A

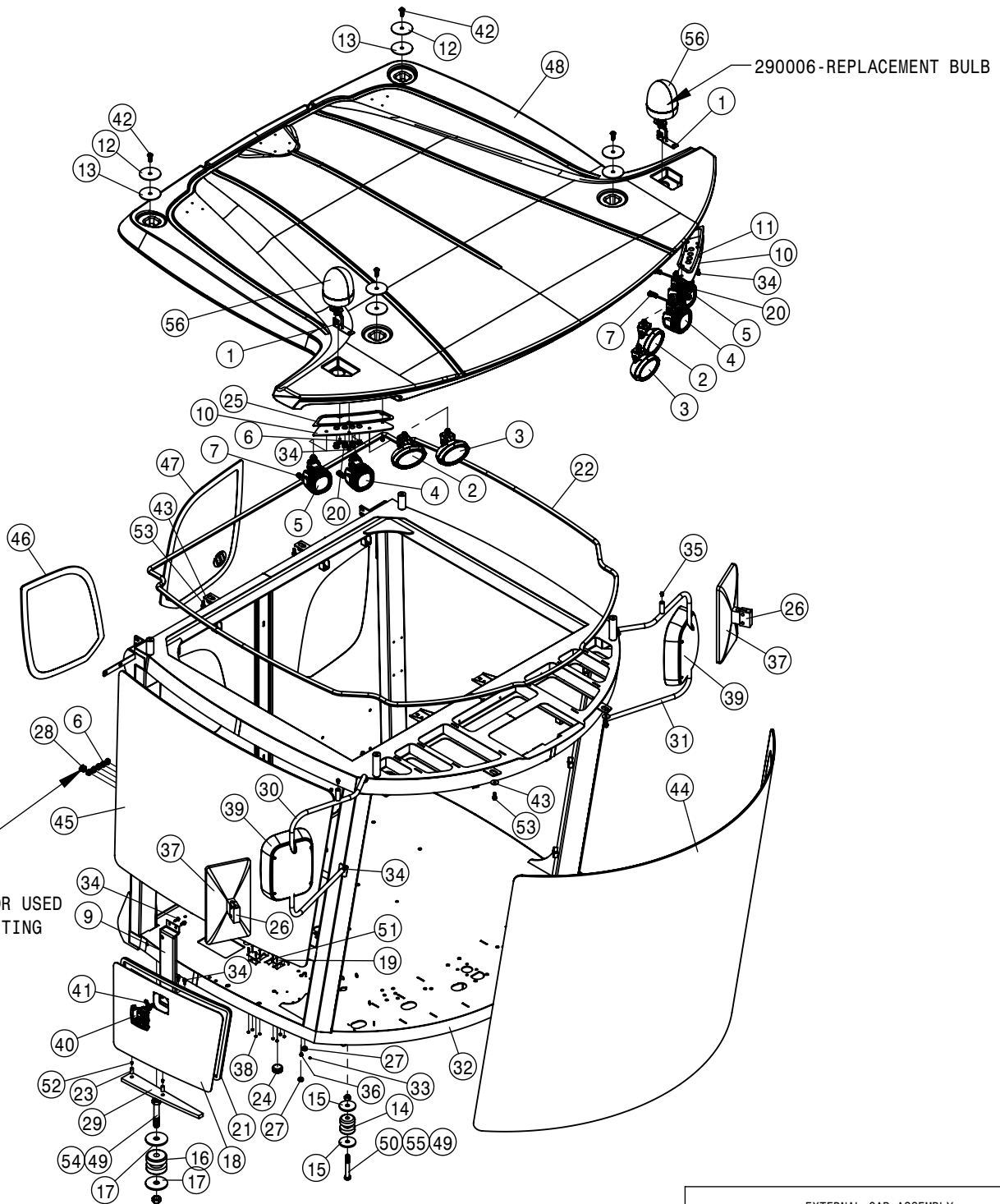


AIR PURGE OPTION			
DET	QTY	P/N	DESCRIPTION
1	1	167501	DTS AP PURGE BRACKET
2	1	167502	DTS AIR PURGE TANK BRKT
3	1	195914-027	1/20D AIR BRAKE TUBING J844-B
4	1	195914-133	1/20D AIR BRAKE TUBING J844-B
5	4	470087	3/8UNC HEX SERR FLANGE NUT
6	3	470233	5/16UNC X 3/4 SERR FLG HEX BOLT
7	1	470266	DRAIN VALVE KIT, 1/4NPT
8	4	470460	3/8 X 1" SERR FLG BOLT
9	4	470570	5/16-18UNC CTRLK FLG NUT MC GR5
10	2	500157	1" FLANGE GASKET EPDM
11	2	500159	1" FLANGE CLAMP S.S.
12	3	500194	2" FP FLANGE CLAMP S.S.
13	3	500195	2" FP FLANGE GASKET EPDM
14	2	500230	2" FP FLANGE PLUG-1 1/2" HOSE BARB
15	1	500238	1" FLANGE PLUG W/1/2"FNPT POLY

AIR PURGE OPTION			
DET	QTY	P/N	DESCRIPTION
16	1	500272	2" FP FLANGE TEE X 1" FLANGE TEE
17	1	502717	CLOSE NIPPLE .50NPT BRS
18	1	503102	1" FLANGE CHECK VALVE
19	1	503105	2" FP CHECK VALVE, LOW RESTRICTION
20	1	505231	PIPE PLUG .50NPT HEX HD BRS
21	2	505238	PIPE PLUG .375NPT HEX HD BRS
22	1	696241	.5FNPT N/C SOLENOID VALVE
23	1	696242	12V COIL FOR SOLE VLV
24	1	701519	DTS AIR TANK W/DECAL
25	1	711027	1/4 NPT ST EL BRS
26	4	711042	1/2MNPT-1/2 NYL TUBE LBO
27	1	900072	5/16UNC X 3 HHCS GR5 MC
28	1	920001	SAE FLAT WASHER 5/16 MC
29	1	N209334	LABEL, AIR TANK DRAIN
30	1	N404969	LABEL, DECAL SAFETY AIR DRIER



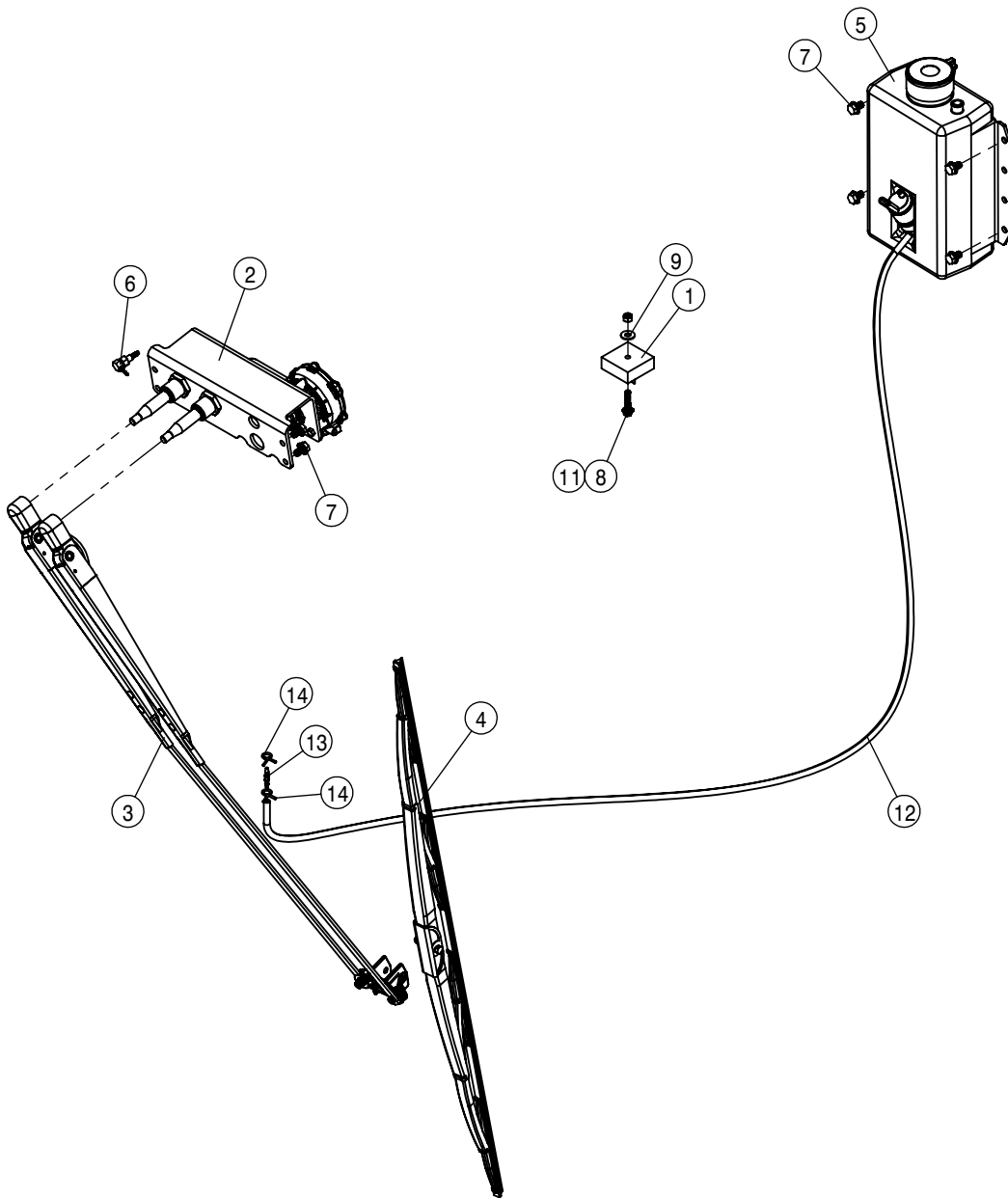
CHASSIS ELECTRICAL HARNESS			
DET	QTY	P/N	DESCRIPTION
1	2	470121	1/4 UNC SERR FLG LOCK NUT
2	2	520118	CUSH CLAMP,#8 1/2D X 1/2W
3	1	606537	SPEED SENSOR, DANFOSS H1
4	1	294268	HARNESS CHASSIS
5	1	294270	HARNESS WHEEL MOTOR
6	1	294271	HARNESS FRT LIGHT, WHL MTR SPD
7	1	294274	HARNESS HOOD
NS	1	294030	HARNESS,DTS PRCN INTERFACE
NS	1	294080	HARNESS,TANK VALVE SWITCH
10	1	292666	BATT CABLE,BLK 20*4GA 3/8-3/8



EXTERNAL CAB ASSEMBLY			
DET	QTY	P/N	DESCRIPTION
1	2	290060	BEACON TILT SURFACE MT,QK CHG
2	2	292614	WORKLIGHT - HALOGEN CLOSE RANGE
3	2	292615	Worklight - Oval 100 Long Range
4	2	292618	WORKLIGHT-TYRI LED FLOOD
5	2	292619	WORKLIGHT-TYRI LED TRAP
6	7	292634	HOLE PLUG
7	4	294299	TYRI JUMPER HARNESS
NS	1	294324	HARNESS, WINDSHIELD WASHER EXT
9	1	344299	ACCESS PANEL SEALING SURFACE WLDT
10	2	344357	ROOF LIGHT MNT PLT, STSCAB' 14
11	1	344358	ROOF LIGHT MNT PLT GASKET, STSCAB' 14
12	4	344359	ROOF RETAINER WASHER, STSCAB' 14
13	4	344360	ROOF RETAINER WASHER SEAL, STSCAB' 14
14	2	344393	ISO MOUNT
15	4	344394	ISO MT WASHER FRNT, STS' 14
16	2	344395	ISO MOUNT
17	4	344396	ISO MT WASHER REAR, STS' 14
18	1	344452	FRT ACCESS PNL WLDT, STS' 14

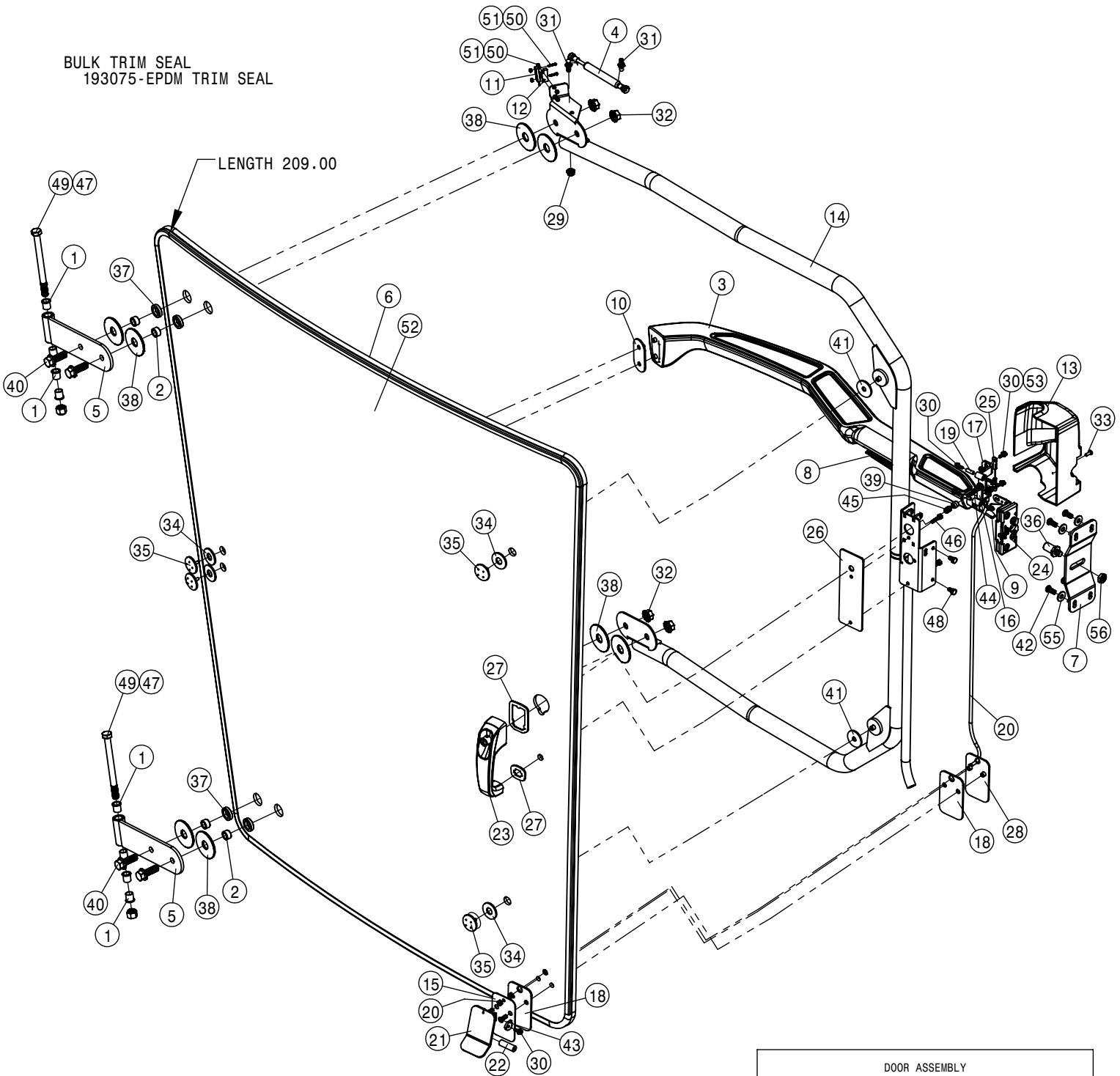
EXTERNAL CAB ASSEMBLY			
DET	QTY	P/N	DESCRIPTION
19	2	344477	PLATE - 12 PIN COVER
20	10	344478	BUSHING - STRAIN RELIEF
21	1	344479	SEAL - ACCESS PANEL
22	1	344481	SEAL - CAB ROOF STS
23	2	344497	THREADED NYLN SPCR, STS' 14
24	1	344509	HOLE PLUG - 24 SERIES
25	1	344513	ROOF LIGHT MT PLT RH GASKET, STS' 14
26	2	344515	STD MIR BRKT, STS' 14
27	2	344554	HOSE GROMMET, STS' 14
28	1	344572	BUSHING - ANTENNA STRAIGHT
29	1	344579	ACCESS PANEL SEAL LWR, STS' 14
30	1	344631	MIRROR BRKT WLDT RH, STS' 15
31	1	344635	MIRROR BRKT WLDT LH, STS' 15
32	1	344824	CAB WLDT, STS 17 W/DECALS
33	7	470053	1/4-20X1/4 AL HD SET SCR CUP
34	16	470118	1/4UNC X 3/4 HHSFB GR5 MC
35	2	470122	1/4 UNC X 1/2 SERR FLG BOLT
36	3	470143	3/8UNC X 1/2 SKT HD SET SCR

EXTERNAL CAB ASSEMBLY			
DET	QTY	P/N	DESCRIPTION
37	2	470348	MIRROR STS 10 & 12
38	8	470467	#6-32UNC KEP NUT MC GR5
39	2	470648	POWER MIRROR
40	1	470660	LATCH ASSY, STS' 14
41	1	470661	CAM LATCH, STS' 14
42	4	474001	1/2-13 UNC X 1 1/4 BHCS SS PATCH
43	4	483024	FENDER WASHER 5/16 MC
44	1	658100	WINDOW - FRT 2014 STS
45	1	658101	WINDOW - RH SIDE 2014 STS CAB
46	1	658103	WINDOW - REAR RH 2014 STS CAB
47	1	658104	WINDOW - REAR LH 2014 STS CAB
48	1	658139	CAB ROOF, STS/DTS '17
49	2	900481	7/8UNC X 5 HHCS GR8 MC
50	2	900847	5/8UNC X 4 1/2 HHCS GR8 MC
51	8	903814	#6-32 UNC X 3/4 PHMS PH BZ
52	2	903884	#10-32 UNF X 3/8 PHMS PH BZ
53	4	910126	5/16UNC X 1 HHSFB SS
54	2	914014	7/8-9UNC STOVER NUT MC GR8
55	2	914810	5/8-11UNC STOVER NUT MC GR8
56	2	AZ101891	IDENT LAMP ROTATING BEACON



WIPER ASSEMBLY			
DET	QTY	P/N	DESCRIPTION
1	1	290094	TIMER - WIPER
2	1	344367	WIPER MOTOR STS
3	1	344379	WIPER ARM STS
4	1	344380	WIPER BLADE STS
5	1	344382	WASHER BOTTLE
6	1	344483	WASHER BULKHEAD, STS' 14
7	8	470232	5/16UNC X 1/2 SERR FLG HEX BOLT
8	1	473836	1/4UNC X 1 1/4 FLANGE BOLT SS
9	1	483038	1/4 REGULAR FLAT WASHER
NS	1	294324	W Washer Extension Harness
11	1	910118	1/4-20UNC NYLOCK NUT SS
12	1	344383	HOSE - WASHER STS
13	1	500401	5/32 ID HOSE BARB, POLY
14	2	711091	3/8 OD HOSE CLAMP, STEEL YZ

BULK TRIM SEAL  
193075-EPDM TRIM SEAL



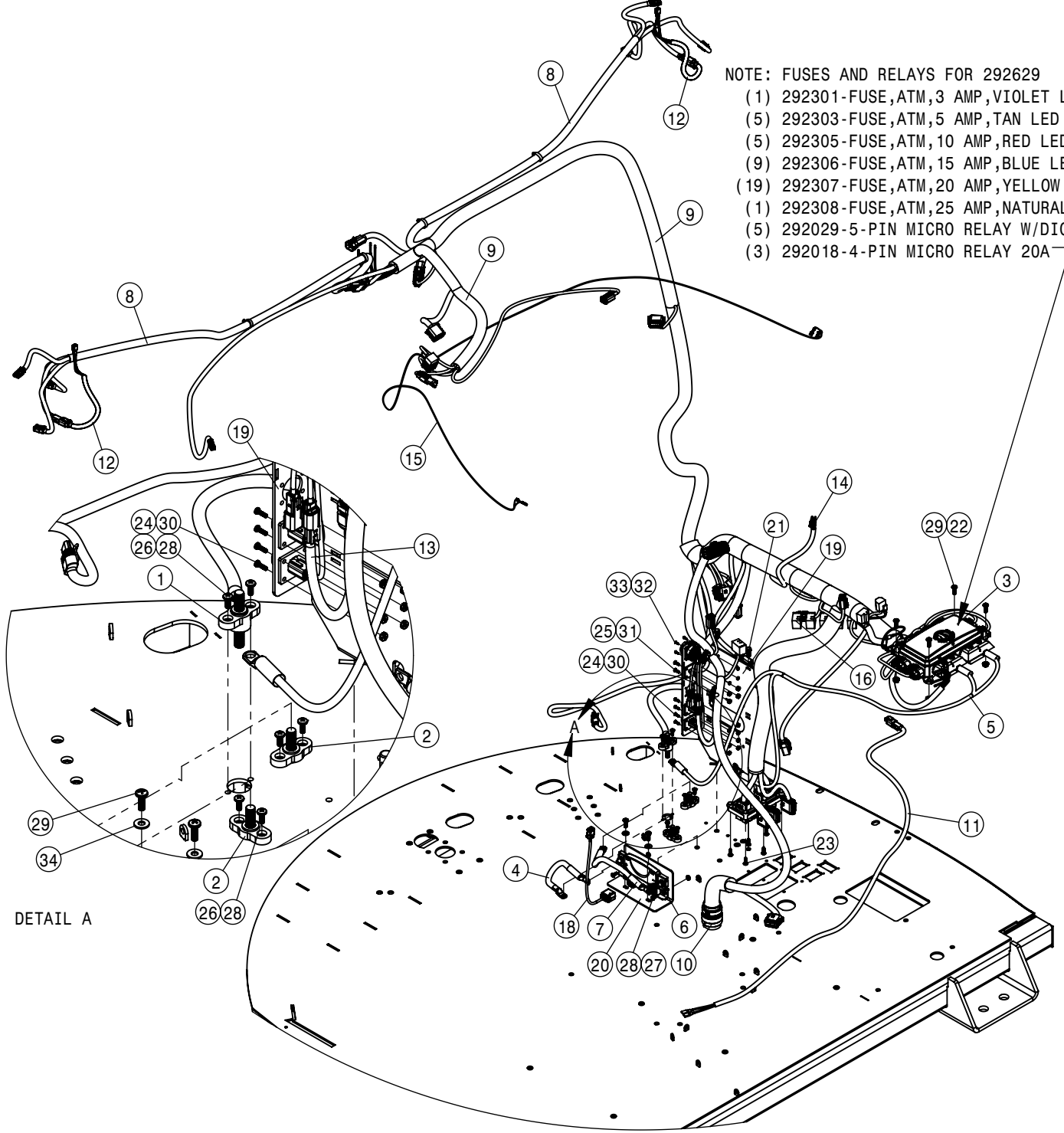
DOOR ASSEMBLY			
DET	QTY	P/N	DESCRIPTION
1	8	127506	NYLON FLANGE BRG, STS
2	4	343335	DOOR HINGE GLASS BUSH, CAB 05
3	1	344331	DOOR LATCH TUBE MOLDED, STSCAB' 14
4	1	344335	GAS CYLINDER 40LB 2.0 STROKE
5	2	344336	DOOR HINGE WLDT, STSCAB' 14
6	1	344423	BULB SEAL - DOOR, CAB
7	1	344428	DOOR LATCH STRKR PIN MNT PLATE '14
8	1	344508	DOOR LOCK KIT, STS' 14
9	1	344510	DOOR LATCH ROD, STS' 14
10	1	344551	GASKET - DOOR ARM REST MOUNT
11	1	344560	DOOR SWITCH, STS' 14
12	1	344561	DOOR SWITCH MAGNET, STS' 14
13	1	344589	DOOR LATCH COVER, STS' 15
14	1	344590	DOOR FRAME WLDT, STS' 15
15	1	344592	FOOT PEDAL BASE WLDT, STS' 15
16	1	344596	DOOR LATCH HINGE, STS' 15
17	1	344597	DOOR LATCH HINGE WLDT, STS' 15
18	2	344600	FOOT PEDAL MT GASKET, STS' 15

DOOR ASSEMBLY			
DET	QTY	P/N	DESCRIPTION
19	2	344604	DOOR LATCH HINGE PIN, STS' 15
20	1	344607	DOOR RELEASE CABLE, STS' 15
21	1	344611	FOOT PEDAL WLDT, STS' 15
22	1	344618	FOOT PEDAL PIVOT PIN, STS' 15
23	1	344620	DOOR HANDLE PUSH BUTTON' 15
24	1	344621	DOOR LATCH, STS' 15
25	1	344624	DOOR LATCH CABLE ASSY, STS' 15
26	1	344625	DOOR HANDLE MT GASKET, STS' 15
27	1	344627	DOOR HANDLE GASKET, STS' 15
28	1	344628	FOOT PEDAL MT WLDT, STS' 15
29	1	470113	5/16UNC SERR FLG LOCK NUT
30	8	470215	10-32 X 1/2 SERR FLG HEX BOLT
31	2	470255	BALL STUD, 5/16-18 THRD X 10MM
32	4	470360	1/2UNC SERR FLG HEX NUT
33	1	470412	INSIDE SQUEEZE LATCH SCREWS
34	4	470413	INSIDE SQUEEZE LATCH GASKET
35	4	470414	INSIDE SQUEEZE LATCH CAP
36	1	470417	STRIKER PIN, DOOR LATCH, TRIMARK

DOOR ASSEMBLY			
DET	QTY	P/N	DESCRIPTION
37	4	470419	DOOR HINGE BUSH,RUBBER STS 05
38	8	470420	DOOR HINGE BUSH,RUBBER STS 05
39	1	470421	NYLON SPACER, SPHERICAL 6MMx12
40	4	470431	1/2UNC X 1 1/2 SERR FLG BOLT
41	2	470489	GASKET, DOOR HANDLE STIFFENER
42	4	472375	5/16UNC X 3/4 BUTN CAP SCR BLK
43	2	473761	6MM-1.00 X 20MM FLT HD SCREW
44	1	473762	6MM-1.00 X 45 PAN HD PHL SCREW
45	2	473767	6MM-1.00 HEX NUT
46	2	473787	6MM-1.00 X 25MM HEX BOLT GR8
47	2	473988	1/2UNC HEX NUT, NYLOC SS
48	2	900000	1/4UNC X 1/2 HEX BOLT
49	2	900348	1/2UNC X 6" HEX BOLT SS
50	4	903906	#4-40 X 5/8 PHIL PAN HD SCREW
51	4	910031	#4-40 HEX LOCK NUT
52	1	658019	GLASS DOOR, DTS
53	2	470542	10-32 KEP NUT
54	1	344623	DOOR SNUB BUSHING, STS' 15
55	4	910133	USS FLAT WASHER 5/16 BZ
56	1	473759	12MM-1.75 HEX JAM NUT YZ



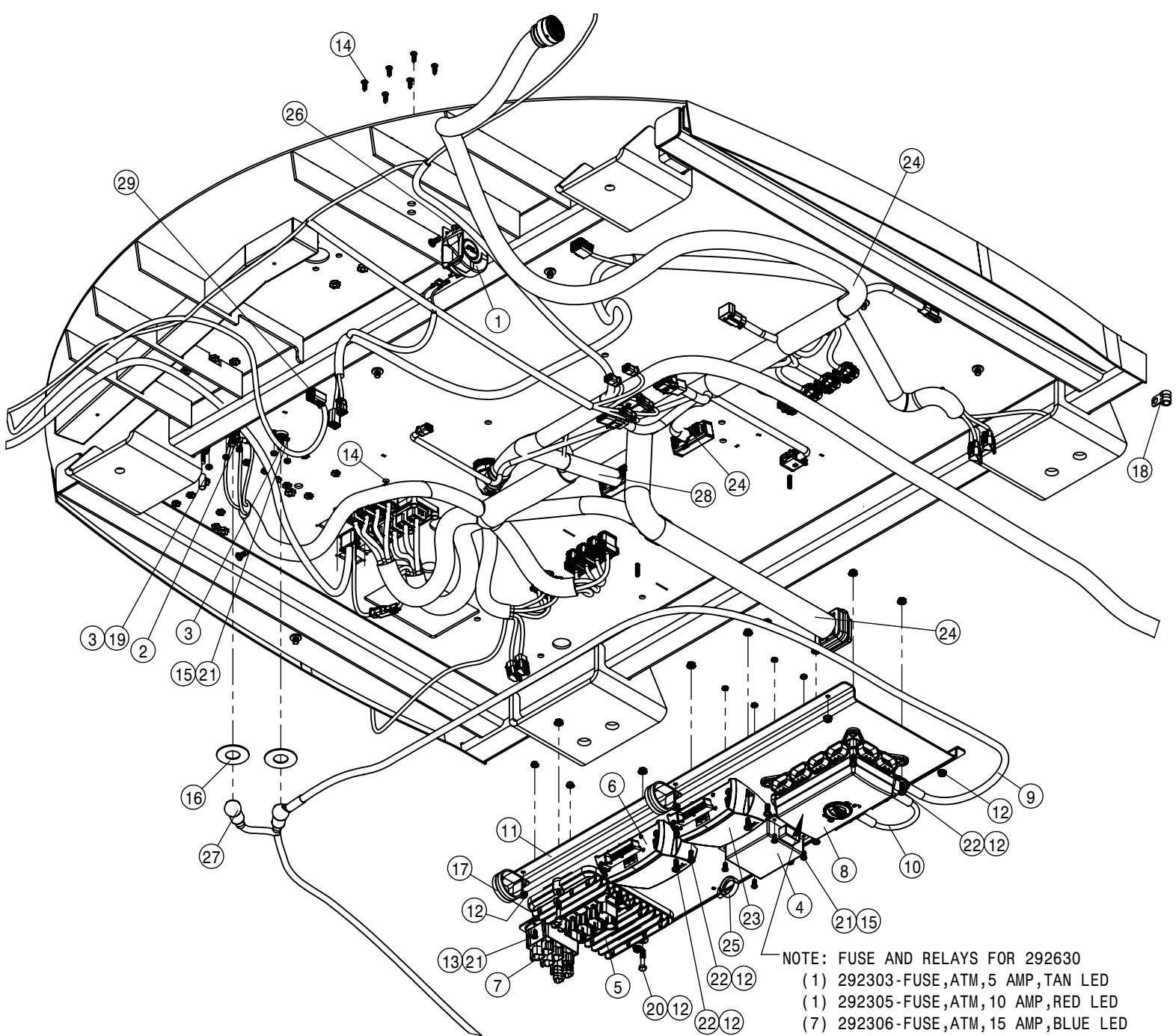
NOTE: FUSES AND RELAYS FOR 292629  
 (1) 292301-FUSE,ATM,3 AMP,VIOLET LED  
 (5) 292303-FUSE,ATM,5 AMP,TAN LED  
 (5) 292305-FUSE,ATM,10 AMP,RED LED  
 (9) 292306-FUSE,ATM,15 AMP,BLUE LED  
 (19) 292307-FUSE,ATM,20 AMP,YELLOW LED  
 (1) 292308-FUSE,ATM,25 AMP,NATURAL LED  
 (5) 292029-5-PIN MICRO RELAY W/DIODE 35A  
 (3) 292018-4-PIN MICRO RELAY 20A



DETAIL A

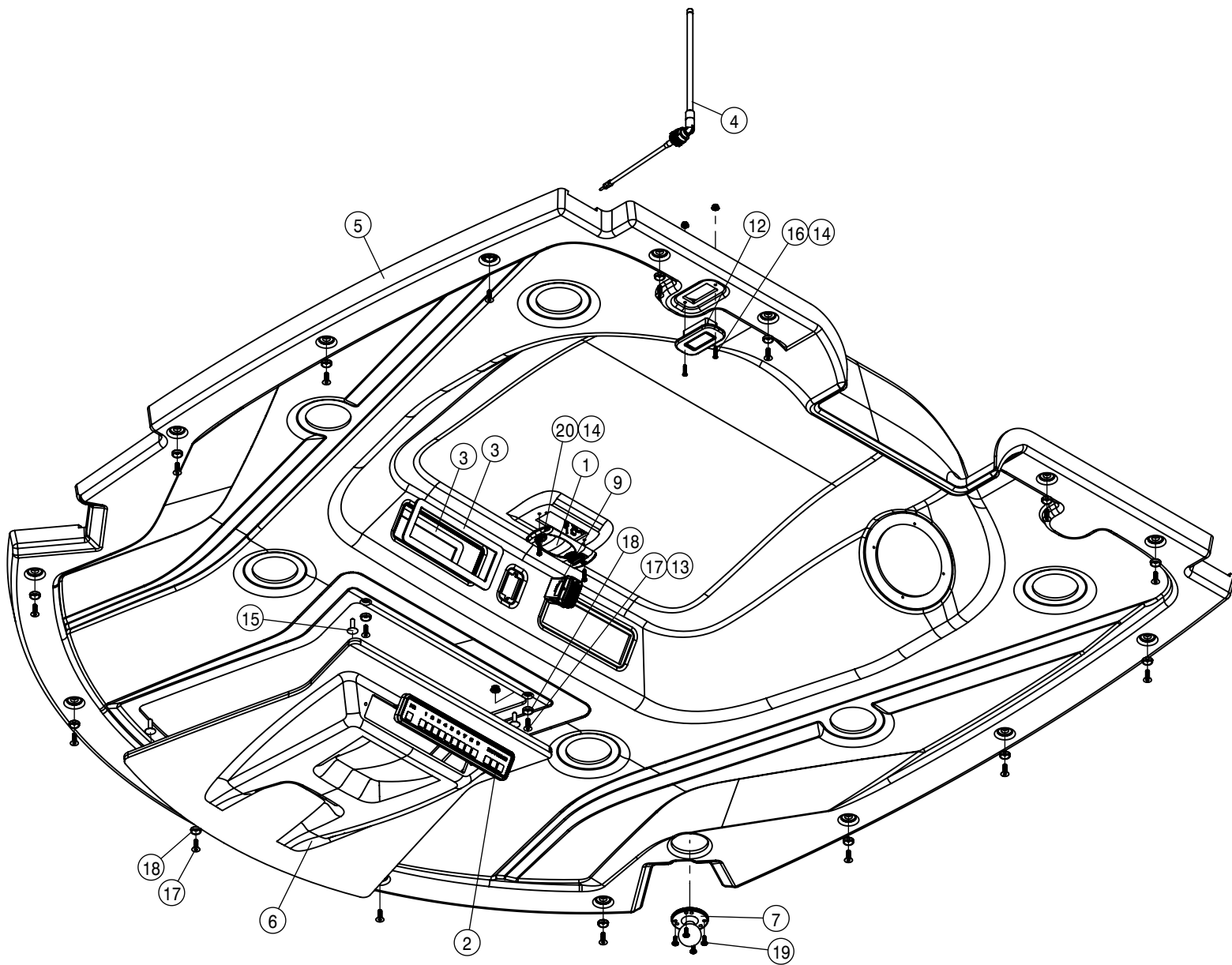
CAB ELECTRICAL -TOP ASSEMBLY			
DET	QTY	P/N	DESCRIPTION
1	1	291749	TERM BLOCK,BLACK,3/8-16 THRU
2	2	291750	TERM BLOCK,RED,3/8-16 THRU
3	1	292629	DVEC - INTERIOR
4	1	292647	CABLE - BATTERY POWER STS
5	1	292648	CABLE - DVEC POWER STS
6	1	292761	SOLID STATE MCR
7	1	292762	CABLE - SWITCH POWER STS
8	2	294200	HARNESS - ROOF STS
9	1	294201	HARNESS - MAIN CAB INT STS
10	1	294203	HARNESS - SEAT POD STS
11	1	294204	HARNESS - 12V POWER PLUG STS
12	2	294207	HARNESS - BEACON STS
13	1	294210	HARNESS - PRES SWITCH STS
14	1	294211	HARNESS - E-STOP STS
15	1	294212	HARNESS - SPEAKER STS
16	1	294276	HARNESS,CAB SWITCH DTS
NS	1	294324	HARNESS, WINDSHIELD WASHER EXT

CAB ELECTRICAL -TOP ASSEMBLY			
DET	QTY	P/N	DESCRIPTION
18	1	294425	HARNESS, SOLID STATE MCR
19	1	344310	CAB ELEC BRKT '15
20	1	345233	MCR MT BRKT
21	2	470118	1/4 UNC X 3/4 SER FLG BOLT
22	4	470121	1/4 UNC SERR FLG LOCK NUT
23	6	470465	#12 X 3/4 PHIL PAN SHT MTL SCR
24	8	470467	6-32 KEP NUT
25	4	470541	8-32 KEP NUT
26	6	470542	10-32 KEP NUT
27	2	470542	#10-32UNF KEP NUT MC GR5
28	8	903706	10-32X1/2 PHIL PAN MACH SCR
29	6	903711	1/4UNC X3/4PHIL PANHD MACH SCR
30	8	903812	6-32 X 1/2 PHIL PAN MACH SCR
31	4	903844	8-32 X 1/2 PHIL PANHD MACH SCR
32	4	903904	4-40 X 3/8 PHIL PAN MACH SCR
33	4	910029	4-40 HEX NUT
34	2	910112	SAE FLAT WASHER 1/4 SS

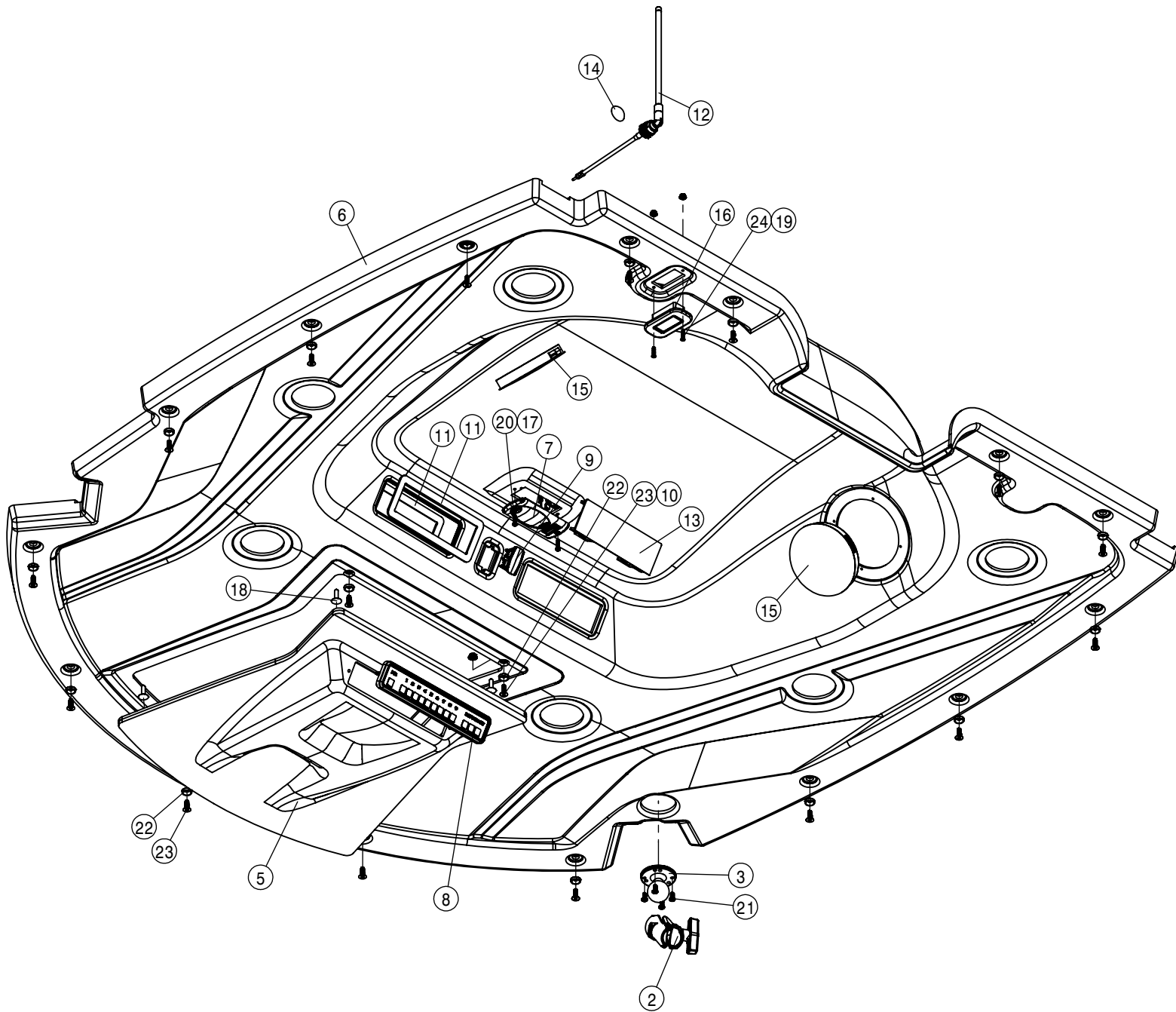


CAB ELECTRICAL-BOTTOM ASSEMBLY			
DET	QTY	P/N	DESCRIPTION
1	1	290062	HORN
2	1	291749	TERM BLOCK,BLACK,3/8-16 THRU
3	2	291750	TERM BLOCK,RED,3/8-16 THRU
4	1	291910	FLASHER, SOLID STATE, 12V
5	1	292009	IQAN-MC3 CONTROLLER
6	1	292016	IQAN-XA2 MODULE
7	1	292406	J1939 JUNCTION MODULE
8	1	292630	DVEC - EXTERIOR
9	1	292645	CABLE - SSDVEC POWER CABLE
10	1	292650	CABLE - SSDVEC JUMPER
11	1	344442	BRACKET - ELEC MODULE MOUT CAB
12	14	470121	1/4 UNC SERR FLG LOCK NUT
13	2	470175	10-32 SERR FLANGE NUT
14	12	470465	#12 X 3/4 PHIL PAN SHT MTL SCR
15	10	470542	10-32 KEP NUT

CAB ELECTRICAL-BOTTOM ASSEMBLY			
DET	QTY	P/N	DESCRIPTION
16	2	470677	NYLON WASHER 1"ID, 2-1/4"OD, .075"W
17	2	520161	CUSH CLAMP,#32 2"D-3/4W LOOP
18	1	520163	CUSH HOSE CLAMP,#8, 1/2D X 3/4W
19	1	629736	CAPLUGS CAP, .312 X 1.00 VINYL
20	2	900005	1/4UNC X 1 1/2 HEX BOLT
21	12	903706	10-32X1/2 PHIL PAN MACH SCR
22	8	903711	1/4UNC X3/4PHIL PANHD MACH SCR
23	1	292017	IQAN-XS2 MODULE
24	1	294266	HARNESS - MAIN CAB EXT STS
25	1	291010	ROSEBUD CLIP FOR 1.00 CONDUIT
26	1	470087	HEX FLANGE NUT SER 3/8-16 MC GR5
27	1	292691	CAB PWR,GND CABLE ASY
28	1	294267	DTS OPTION HARNESS
29	1	294145	AUTOSTEER EXT HARNESS STS' 12

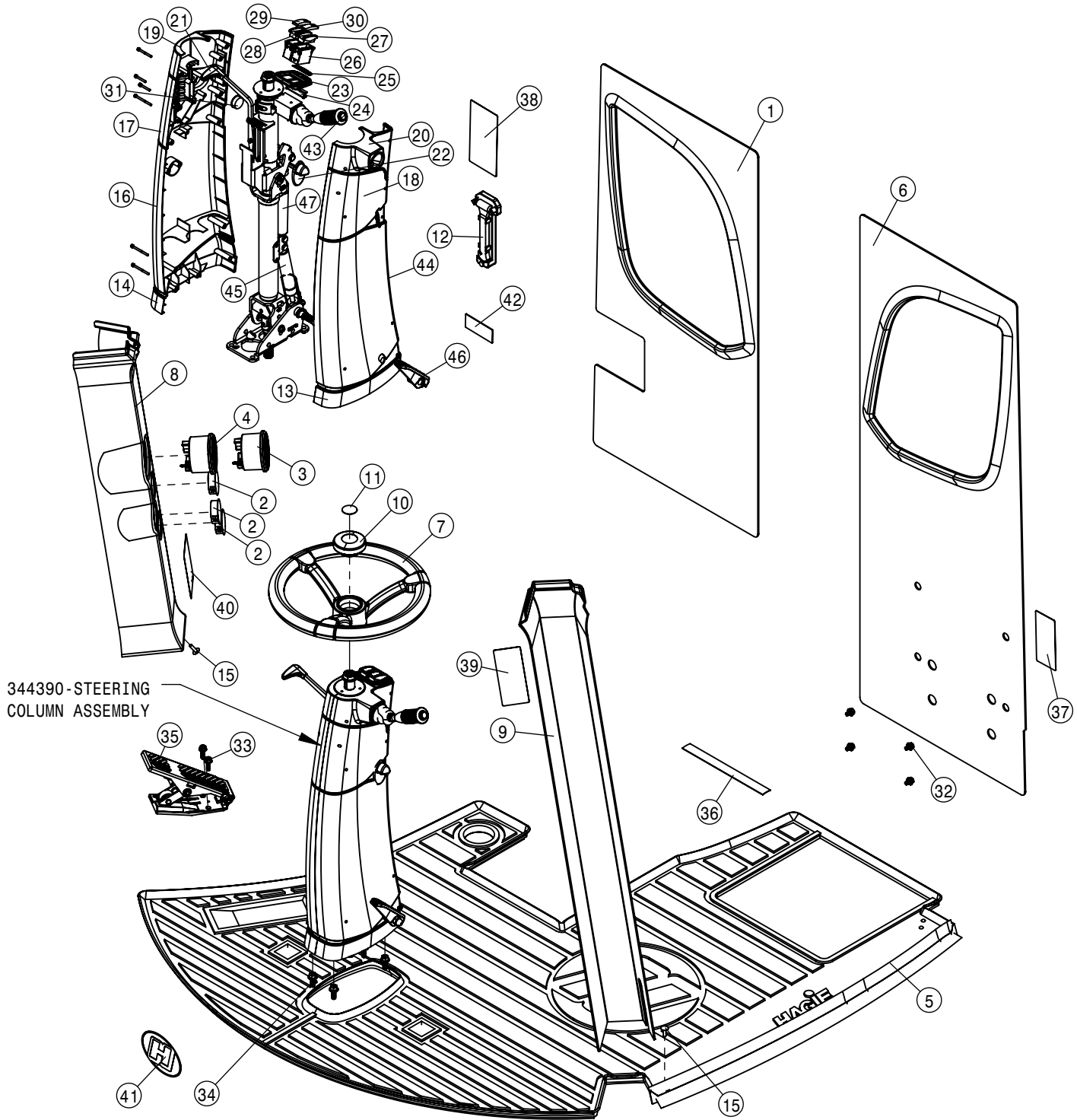


PREMIUM HEADLINER ASSEMBLY			
DET	QTY	P/N	DESCRIPTION
1	1	292620	DOMELIGHT
2	1	292678	LIGHT BAR - SECTION INDICATOR
3	2	343331	RADIO BEZEL,CAB, BLK PLASIC 05
4	1	344177	ANTENNA - RADIO
5	1	344349	HEADLINER
6	1	344350	HEADLINER ACCESS PANEL
7	1	344384	1.5" RAM BALL MNT BASE 2.50"DIA
NS	1	344416	RADIO - PREMIUM
9	1	344417	BLUETOOTH MIC
NS	1	344418	HARNES - BLUETOOTH MIC
NS	2	344419	SPEAKER
12	1	344459	GARMENT HOOK
13	2	470121	1/4-20UNC HEX FLG NUT SER MC GR5
14	4	470463	#8-32UNC HEX FLG NUT SER MC GR5
15	4	470545	PUSH TREE FASTENER 1/4 X 1
16	2	472376	#8-32 X 3/4 FLT HD PHIL SCREW
17	17	472378	1/4-20 UNC X 3/4 FHSCS GR5 BZ
18	17	472380	1/4 CNTR SNK WASH, NYLON
19	4	903706	10-32X1/2 PHIL PAN MACH SCR
20	2	903850	8-32 X 3/4 PHIL PAN MACH SCR BZ



STANDARD HEADLINER ASSEMBLY			
DET	QTY	P/N	DESCRIPTION
NS	2	344419	SPEAKER
2	1	344385	1.5" RAM BALL MNT 4.50"DBL SOC ARM
3	1	344384	1.5" RAM BALL MNT BASE 2.50"DIA
NS	1	344415	RADIO - STANDARD
5	1	344350	HEADLINER ACCESS PANEL
6	1	344349	HEADLINER
7	1	292620	DOMELIGHT
8	1	292678	LIGHT BAR - SECTION INDICATOR
9	1	344461	HOLE PLUG - CONTURA V
10	2	470121	1/4 UNC SERR FLG LOCK NUT
11	2	343331	RADIO BEZEL,CAB, BLK PLASIC 05
12	1	344177	ANTENNA - RADIO

STANDARD HEADLINER ASSEMBLY			
DET	QTY	P/N	DESCRIPTION
13	1	343900	RADIO COVER STD CAB, DTS
14	1	343899	ANTENNA HOLE PLUG, DTS
15	2	343893	SPEAKER COVER, DTS 10
16	1	344459	GARMENT HOOK
17	2	470463	8-32 SERR FLANGE NUT
18	4	470545	PUSH TREE FASTENER 1/4 X 1
19	2	910119	HEX FLANGE NUT SER 5/16-18 SS
20	2	903850	8-32 X 3/4 PHIL PAN MACH SCR BZ
21	4	903706	10-32X1/2 PHIL PAN MACH SCR
22	17	472380	1/4 CNTR SNK WASH, NYLON
23	17	472378	1/4-20 X 3/4 FLT HD SOCKET SCREW ZN BLK
24	2	472376	#8-32 X 3/4 FLT HD PHIL SCREW

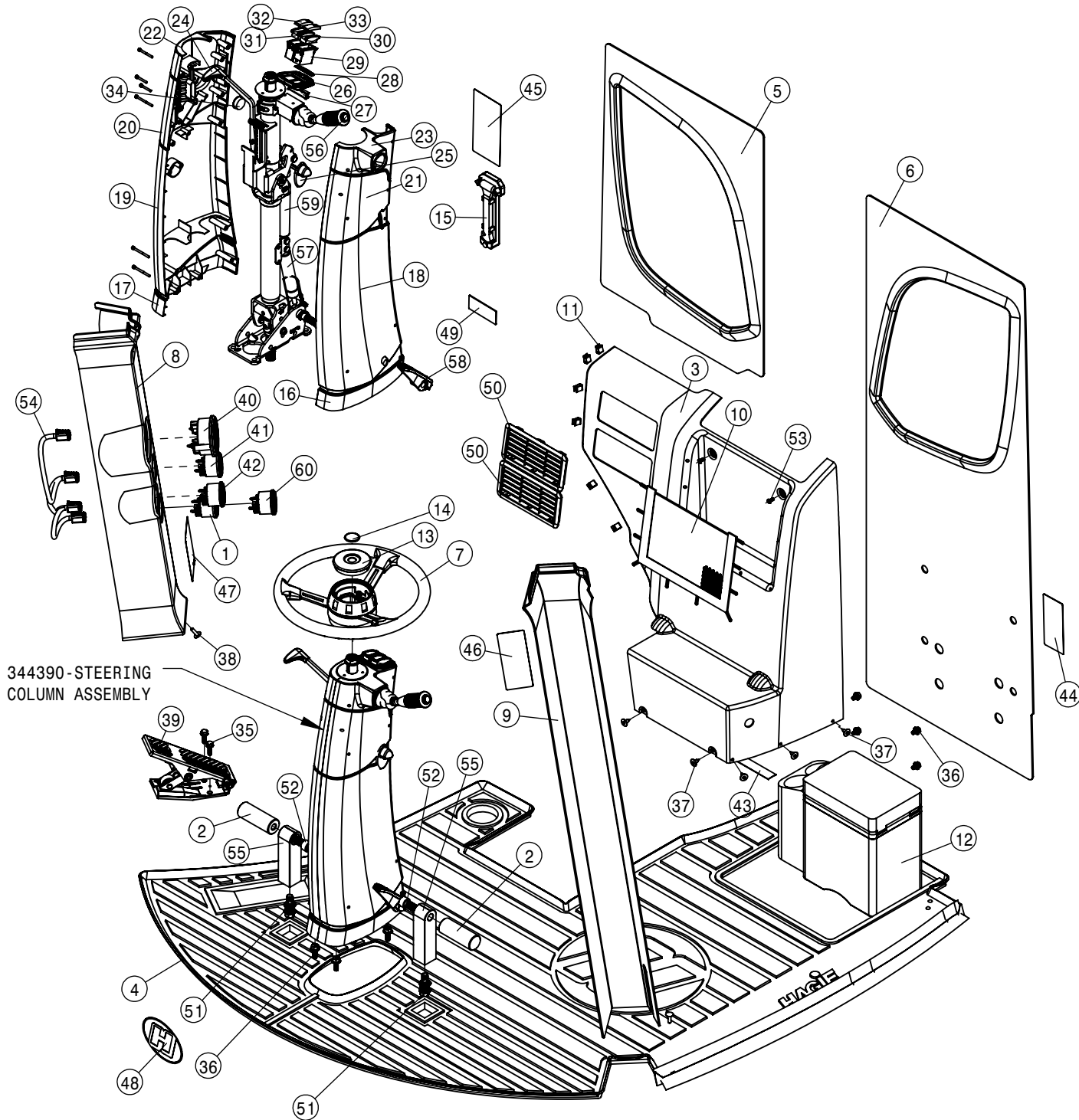


344390-STEERING  
COLUMN ASSEMBLY

STANDARD CAB INTERIOR ASSEMBLY			
DET	QTY	P/N	DESCRIPTION
1	1	343866	RH REAR WALL LINER, DTS
2	3	343875	BLANK GAGE HOLE COVER, DTS
3	1	343889	STD CAB TIER IV GAGE, DTS
4	1	343902	STD CAB TIER III GAUGE, DTS
5	1	343916	FLOORMAT - MOLDED STD CAB, DTS
6	1	344348	LH REAR WALL LINER
7	1	344391	STEERING WHEEL - DELUXE
8	1	344397	RH A POST COVER
9	1	344398	LH A POST COVER
10	1	344574	CTR CAP STEERING WHEEL - DELUXE
11	1	344575	DECAL - STEERING WHEEL CENTER
12	1	344646	WINDOW BREAKING TOOL, STS' 15
13	1	344686	LH SIDE-LWR COVER, STRG COLUMN
14	1	344687	RH SIDE-LWR COVER, STRG COLUMN
15	2	470545	PUSH TREE FASTENER 1/4 X 1
16	1	344689	RH SIDE-MID COVER, STRG COLUMN

STANDARD CAB INTERIOR ASSEMBLY			
DET	QTY	P/N	DESCRIPTION
17	1	344690	RH SIDE-UPR COVER, STRG COLUMN
18	1	344692	LH SIDE-UPR COVER, STRG COLUMN
19	1	344693	RH SIDE-TOP COVER, STRG COLUMN
20	1	344694	LH SIDE-TOP COVER, STRG COLUMN
21	1	344695	UPR HANDLE RAL, STRG COLUMN
22	1	344696	LH UPR HANDLE RAL, STRG COLUMN
23	1	344697	SWITCH HOUSING, STRG COLUMN
24	1	344698	LIGHT 4LED 12V, STRG COLUMN
25	1	344699	INDICATOR PAD, STRG COLUMN
26	2	344700	SWITCH BASE, STRG COLUMN
27	1	344701	SWITCH ON/OFF SERIES 533
28	1	344702	SWITCH ON/OFF SERIES 533
29	1	344703	BLUE COVER, LIGHTS, 1-LED
30	1	344704	RED COVER, HAZARD SERIES 533
31	1	344734	RH CAP, STRG COLUMN
32	4	470232	5/16UNC X 1/2 HHSFB GR5 MC

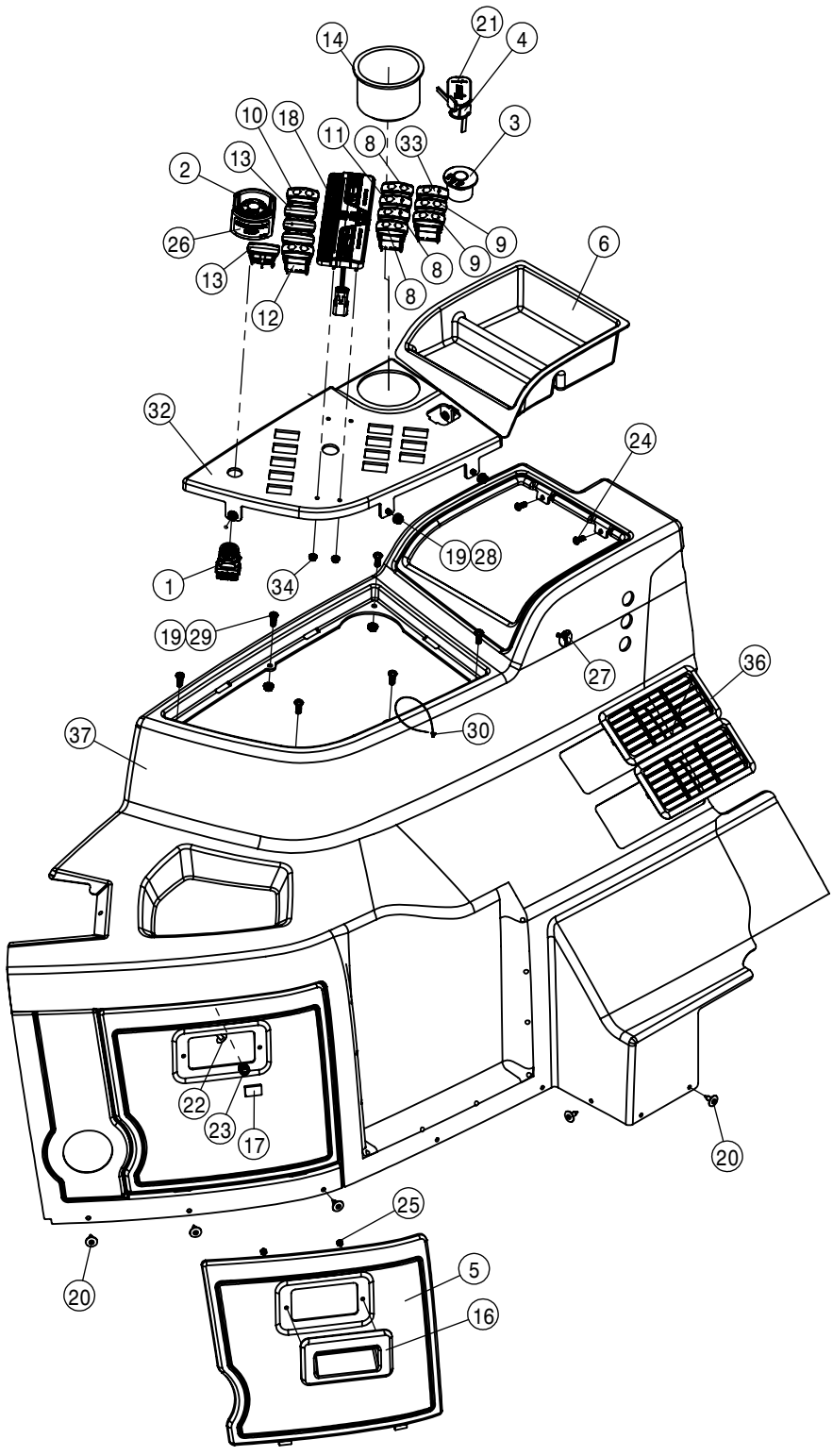
STANDARD CAB INTERIOR ASSEMBLY			
DET	QTY	P/N	DESCRIPTION
33	2	470234	5/16UNC X 1 HHSFB GR5 MC
34	4	470460	3/8UNC X 1 HHSFB GR5 MC
35	1	470649	PEDAL - DECEL
36	1	490645	VHB TAPE 5952, BLACK
37	1	650164	DECAL,NO PASSNGR/NOT NEAR LEAK
38	1	650176	DECAL,CAUTION,CAB CHEM EXPOSUR
39	1	650474	DECAL,PWR LINE/BM FOLD
40	1	650479	JOYSTICK DECAL, STS' 15
41	1	651008	DECAL - H-DOT FRONT GLASS 5.00"
42	1	651009	ROPS DECAL, STS' 14
43	1	344691	LH SWITCH, WIPER/LIGHTS, STRG
44	1	344688	LH SIDE-MID COVER, STRG COLUMN
45	1	344708	GAS SPRING 500N, STRG COLUMN
46	1	344705	LEFT PEDAL, STRG COLUMN
47	1	344707	GAS SPRING 400N, STRG COLUMN



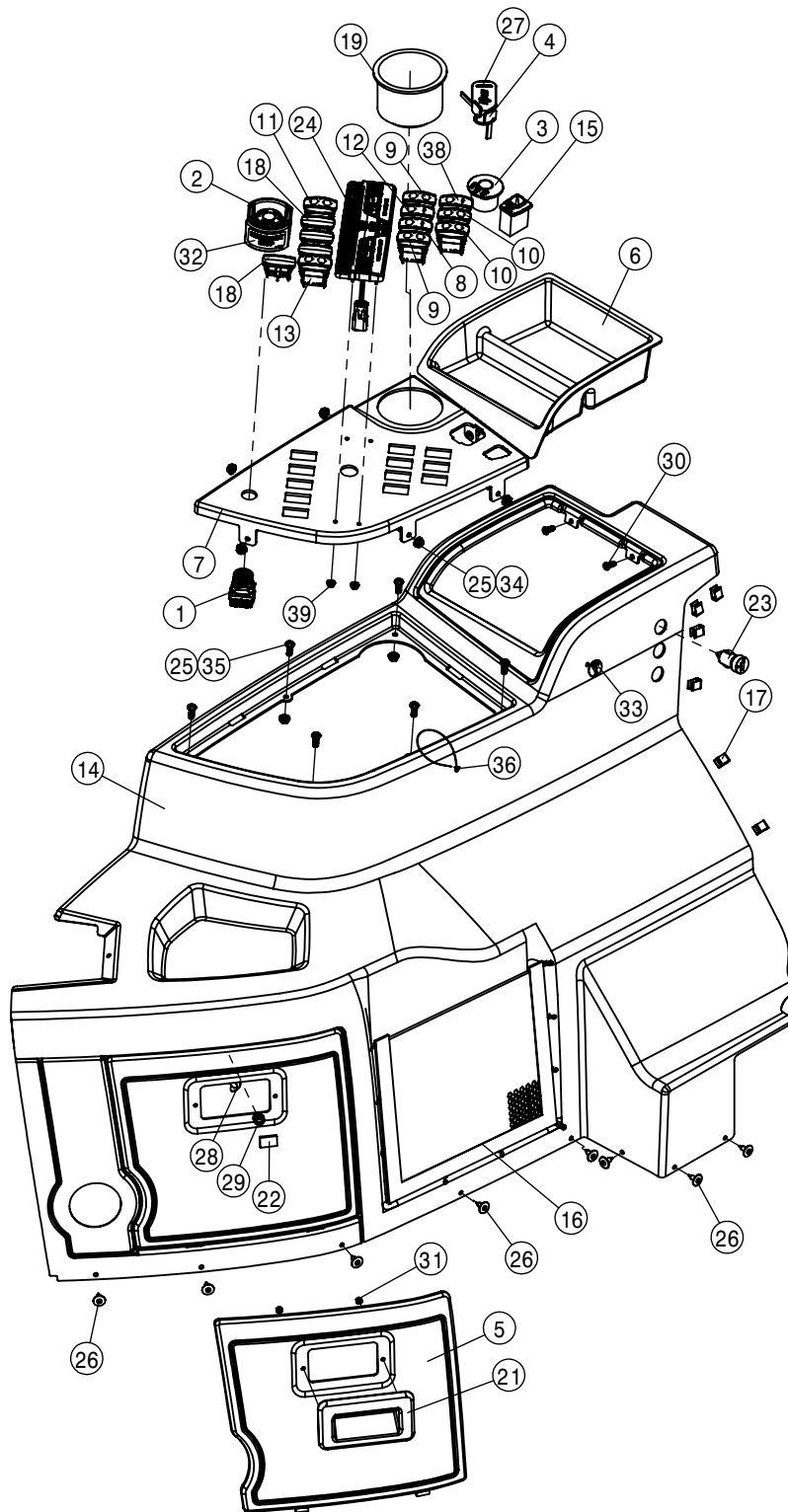
PREMIUM CAB INTERIOR ASSEMBLY			
DET	QTY	P/N	DESCRIPTION
1	1	344171	GAUGE BLANK
2	2	344284	STS CAB FOOT PEG '14
3	1	344308	REAR CONSOLE
4	1	344339	FLOORMAT - MOLDED
5	1	344347	RH REAR WALL LINER
6	1	344348	LH REAR WALL LINER
7	1	344392	STEERING WHEEL - PREMIUM
8	1	344397	RH A POST COVER
9	1	344398	LH A POST COVER
10	1	344411	CARGO NET - REAR CONSOLE
11	6	344413	"U" CLIP
12	1	344420	ELEC COOLER
13	1	344573	CTR CAP,STEERING WHEEL-PREMIUM
14	1	344575	DECAL - STEERING WHEEL CENTER
15	1	344646	WINDOW BREAKING TOOL, STS'15
16	1	344686	LH SIDE-LWR COVER, STRG COLUMN
17	1	344687	RH SIDE-LWR COVER, STRG COLUMN
18	1	344688	LH SIDE-MID COVER, STRG COLUMN
19	1	344689	RH SIDE-MID COVER, STRG COLUMN
20	1	344690	RH SIDE-UPR COVER, STRG COLUMN

PREMIUM CAB INTERIOR ASSEMBLY			
DET	QTY	P/N	DESCRIPTION
21	1	344692	LH SIDE-UPR COVER, STRG COLUMN
22	1	344693	RH SIDE-TOP COVER, STRG COLUMN
23	1	344694	LH SIDE-TOP COVER, STRG COLUMN
24	1	344695	UPR HANDLE RAL, STRG COLUMN
25	1	344696	LH UPR HANDLE RAL, STRG COLUMN
26	1	344697	SWITCH HOUSING, STRG COLUMN
27	1	344698	LIGHT 4LED 12V, STRG COLUMN
28	1	344699	INDICATOR PAD, STRG COLUMN
29	2	344700	SWITCH BASE, STRG COLUMN
30	1	344701	SWITCH ON/OFF SERIES 533
31	1	344702	SWITCH ON/OFF SERIES 533
32	1	344703	BLUE COVER, LIGHTS, 1-LED
33	1	344704	RED COVER, HAZARD SERIES 533
34	1	344734	RH CAP, STRG COLUMN
35	2	470234	5/16UNC X 1" SERR FLG HEX BOLT
36	8	470460	3/8UNC X 1" HHSFB GR5 MC
37	5	470466	1/4 X 3/4 PLTC LCK RIVET
38	2	470545	PUSH TREE FASTENER 1/4 X 1
39	1	470649	PEDAL - DECEL
40	1	470650	GAUGE - 3" RPM

PREMIUM CAB INTERIOR ASSEMBLY			
DET	QTY	P/N	DESCRIPTION
41	1	470651	GAUGE - 2" FUEL
42	1	470652	GAUGE - 2" COOLANT TEMP
43	1	490645	VHB TAPE 5952, BLACK
44	1	650164	DECAL,NO PASSNGR/NOT NEAR LEAK
45	1	650176	DECAL,CAUTION,CAB CHEM EXPOSUR
46	1	650474	DECAL,PWR LINE/BM FOLD
47	1	650479	JOYSTICK DECAL, STS'15
48	1	651008	DECAL - H-DOT FRONT GLASS 5.00"
49	1	651009	ROPS DECAL, STS'14
50	2	657549	2412, 4"X8" Louver Grill
51	4	900263N	1/2UNC X 1" SER FLANGE BOLT
52	2	900396	5/8UNC X 2 SOCKET CAP SCR
53	2	903706	10-32X1/2 PHIL PAN MACH SCR
54	1	294205	HARNES - A-POST GAUGE STS
55	2	344286	STS CAB FOOT PEG RISER
56	1	344691	LH SWITCH, WIPER/LIGHTS, STRG
57	1	344708	GAS SPRING 500N, STRG COLUMN
58	1	344705	LEFT PEDAL, STRG COLUMN
59	1	344707	GAS SPRING 400N, STRG COLUMN
60	1	470654	GAUGE, DEF 2" '14

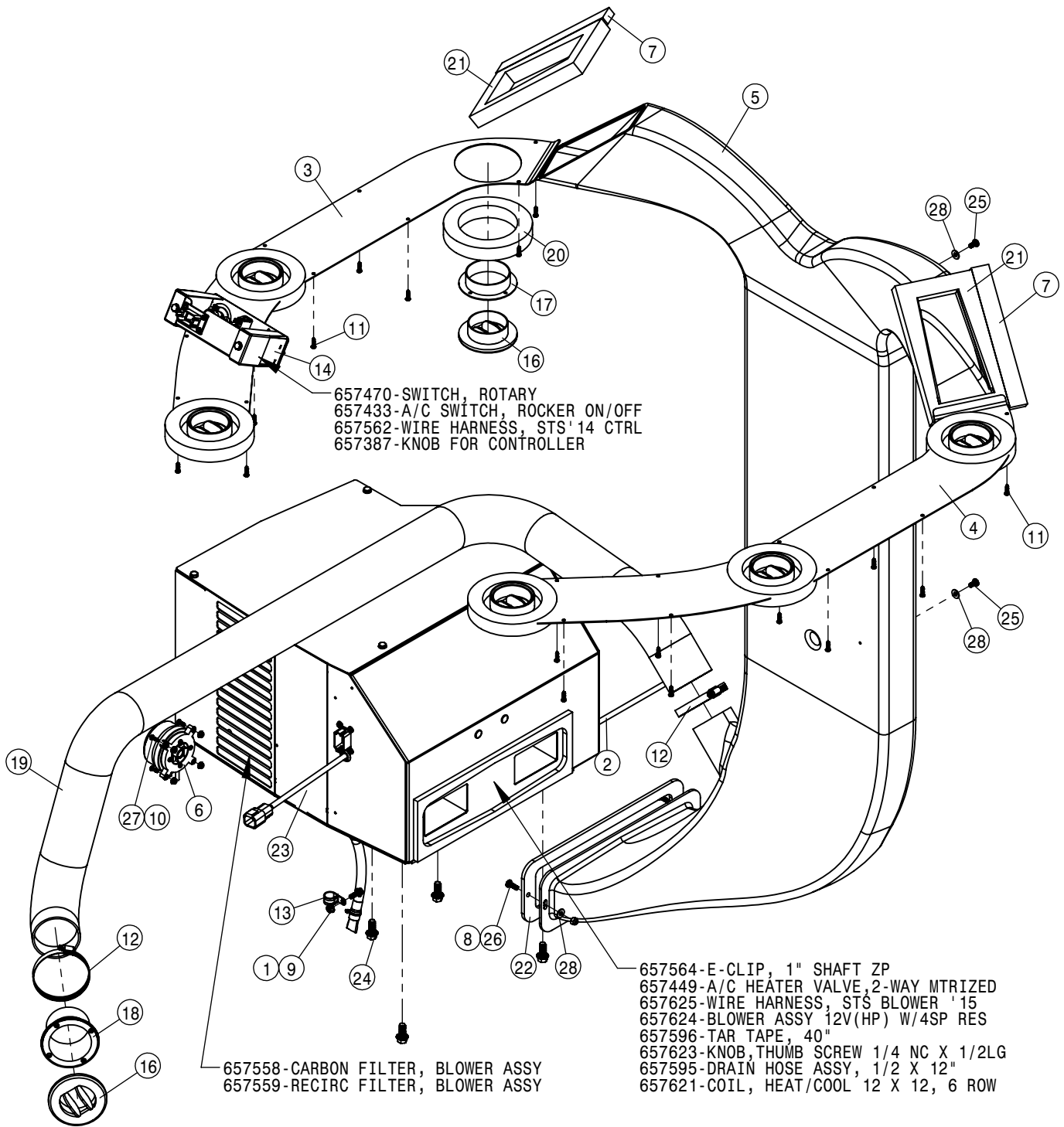


STANDARD CONSOLE ASSEMBLY			
DET	QTY	P/N	DESCRIPTION
1	1	290081	E-STOP SWITCH,LED MUSHROOM
2	1	290089	E-STOP SHROUD, STS '11
3	1	291916	IGNITION SWITCH
4	2	291917	IGNITION KEY FOR 291916
5	1	344306	CONSOLE DOOR
6	1	344307	CONSOLE TRAY
8	1	344312	SWITCH - SOLUTION PUMP
8	2	344313	SWITCH - MAIN TANK
9	2	344314	SWITCH - BOOM FOLD
10	1	344315	SWITCH - RINSE
11	1	344316	SWITCH - AGITATION
12	1	344317	SWITCH - FOAMER
13	4	344461	HOLE PLUG - CONTURA V
14	1	344462	CUP HOLDER - LARGE
NS	4	344464	POWER OUTLET 12V
16	1	344465	DOOR HANDLE
17	1	344514	PLATE - CONSOLE DOOR
18	1	344556	SECTION KEYPAD STS '15
19	12	470121	1/4 UNC SERR FLG LOCK NUT
20	5	470466	1/4 X 3/4 PLTC LCK RIVET
21	1	470544	HAGIE KEY CHAIN
22	1	470545	PUSH TREE FASTENER 1/4 X 1
23	1	470676	MORTISE MOUNT-PULL MAG CATCH
24	2	472344	1/4UNCX5/8 ALHD BUTTON CAP SCR
25	2	473870	M5 HEX NUT
26	1	650278	DECAL, E-STOP, STS '11
27	1	650467	DECAL - AUX 2
28	6	903708	1/4UNC X1/2PHIL PANHD MACH SCR
29	6	903711	1/4UNC X3/4PHIL PANHD MACH SCR
30	1	470609	8" BEAD CHAIN
NS	1	493626	STS QUICK START GUIDE
32	1	343912	CONSOLE SWITCH PANEL, NO MRR
33	1	292274	SWITCH - TRACTION CONTROL
34	4	470463	HEX FLANGE NUT SER #8-32 MC GR5
NS	1	493673	STS TOOL INSTRUCTION SHEET
36	2	657549	2412, 4"X8" Louver Grill
37	1	343873	CONSOLE BODY, X8 DTS



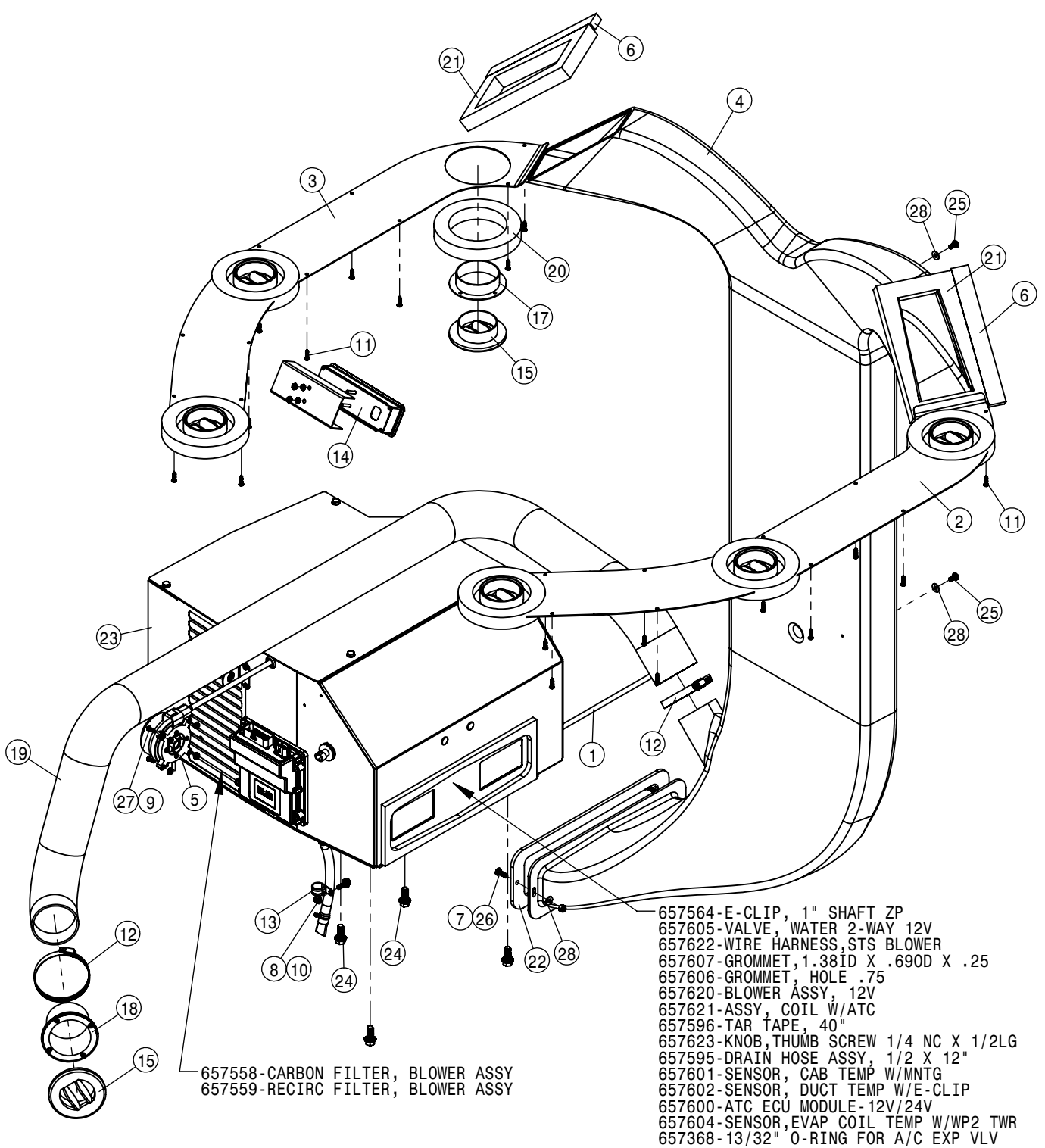
PREMIUM CONSOLE ASSEMBLY			
DET	QTY	P/N	DESCRIPTION
1	1	290081	E-STOP SWITCH,LED MUSHROOM
2	1	290089	E-STOP SHROUD, STS '11
3	1	291916	IGNITION SWITCH
4	2	291917	IGNITION KEY FOR 291916
5	1	344306	CONSOLE DOOR
6	1	344307	CONSOLE TRAY
7	1	344309	CONSOLE SWITCH PANEL
8	1	344312	SWITCH - SOLUTION PUMP
9	2	344313	SWITCH - MAIN TANK
10	2	344314	SWITCH - BOOM FOLD
11	1	344315	SWITCH - RINSE
12	1	344316	SWITCH - AGITATION
13	1	344317	SWITCH - FOAMER
14	1	344407	CONSOLE BODY
15	1	344409	SWITCH - POWER MIRROR
16	1	344410	CARGO NET - SIDE CONSOLE
17	6	344413	"U" CLIP
18	4	344461	HOLE PLUG - CONTURA V
19	1	344462	CUP HOLDER - LARGE
NS	4	344464	POWER OUTLET 12V
21	1	344465	DOOR HANDLE
22	1	344514	PLATE - CONSOLE DOOR
23	1	344555	USB CHARGING ADAPTER - DC
24	1	344556	SECTION KEYPAD STS'15
25	12	470121	1/4 UNC SERR FLG LOCK NUT
26	8	470466	1/4 X 3/4 PLTC LCK RIVET
27	1	470544	HAGIE KEY CHAIN
28	1	470545	PUSH TREE FASTENER 1/4 X 1
29	1	470676	MORTISE MOUNT-PULL MAG CATCH
30	2	472344	1/4UNCX5/8 ALHD BUTTON CAP SCR
31	2	473870	M5 HEX NUT
32	1	650278	DECAL, E-STOP, STS '11
33	1	650467	DECAL - AUX 2
34	6	903708	1/4UNC X1/2PHIL PANHD MACH SCR
35	6	903711	1/4UNC X3/4PHIL PANHD MACH SCR
36	1	470609	8" BEAD CHAIN
NS	1	493626	STS QUICK START GUIDE
38	1	292274	SWITCH - TRACTION CONTROL
39	4	470463	HEX FLANGE NUT SER #8-32 MC GR5
NS	1	493673	STS TOOL INSTRUCTION SHEET





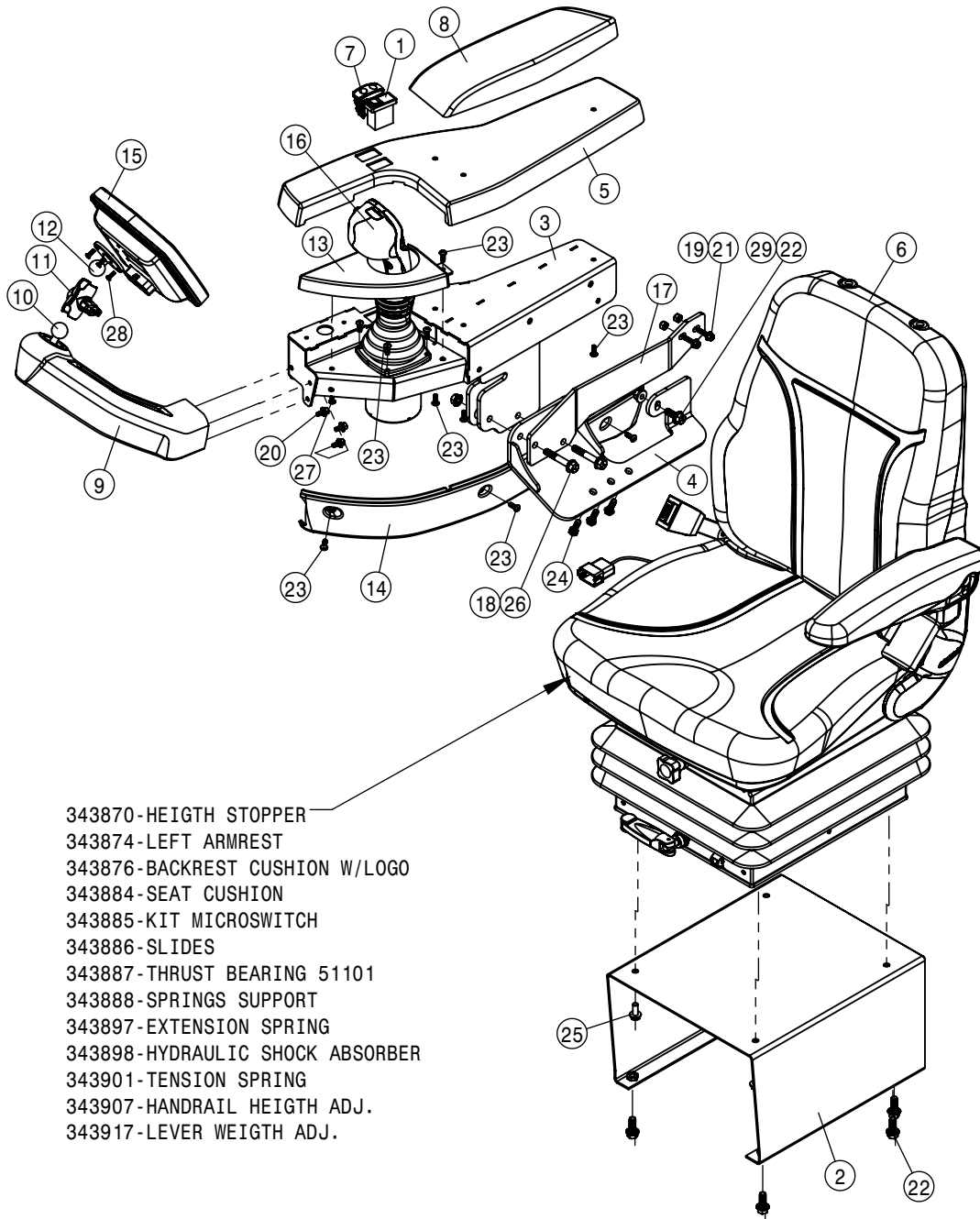
DELUXE/STANDARD HVAC ASSEMBLY			
DET	QTY	P/N	DESCRIPTION
1	1	473834	1/4UNC X 3/4 SER FLG BOLT SS
2	1	317315	HOSE - HVAC PRESSURE
3	1	344361	PLATE, ROOF DUCT COVER RH, STSCAB' 14
4	1	344362	PLATE, ROOF DUCT COVER LH, STSCAB' 14
5	1	344366	DUCT HVAC - STS CAB
6	1	344425	PRESSURE SWITCH - HVAC
7	2	344576	TEMP SEAL DUCT, STS' 14
8	2	470089	1/4UNC HEX NYL-LOC NUT
9	1	470121N	1/4 UNC SERR FLG LOCK NUT SS
10	4	470463	8-32 SERR FLANGE NUT
11	20	473990N	#8 X 3/4 PHIL PAN SMS TY-A BZ
12	2	520052	HOSE CLAMP NO 52 STAINLESS
13	1	520104	CUSH HOSE CLMP, #12, 3/4D x 1/2W
14	1	657542	HVAC CONTROL - MANUAL, STS' 14

DELUXE/STANDARD HVAC ASSEMBLY			
DET	QTY	P/N	DESCRIPTION
NS	1	657544	HARNESS - HVAC MAN CONTROL
16	7	657546	LOUVER, 4" W/O MNT
17	6	657547	PANEL MNT, LOUVER (THK PANEL)
18	1	657548	PANEL MNT, LOUVER (THK PANEL)
19	1	657550	HOSE - 3IN HVAC
20	6	657552	GASKET SEAL ROOF LOUVER
21	2	657553	GASKET SEAL ROOF LOUVER
22	1	657556	GASKET SEAL ROOF LOUVER
23	1	657560	HVAC STANDARD CONTROL ENHANCED
24	4	900129N	3/8UNC X 1" SERR FLANGE BOLT
25	2	903708N	1/4UNC X1/2PHIL PAN MACH SCR BZ
26	2	903711	1/4UNC X3/4PHIL PANHD MACH SCR
27	4	903844	8-32 X 1/2 PHIL PANHD MACH SCR
28	4	920000	1/4 SAE FLAT WASHER



PREMIUM HVAC ASSEMBLY			
DET	QTY	P/N	DESCRIPTION
1	1	317315	HOSE - HVAC PRESSURE
2	1	344362	PLATE, ROOF DUCT COVER LH, STSCAB'14
3	1	344361	PLATE, ROOF DUCT COVER RH, STSCAB'14
4	1	344366	DUCT HVAC - STS CAB
5	1	344425	PRESSURE SWITCH - HVAC
6	2	344576	TEMP SEAL DUCT, STS'14
7	2	470089	1/4UNC HEX NYL-LOC NUT
8	1	470121N	1/4 UNC SERR FLG LOCK NUT SS
9	4	470463	8-32 SERR FLANGE NUT
10	1	473834	1/4UNC X 3/4 SER FLG BOLT SS
11	20	473990N	#8 X 3/4 PHIL PAN SMS TY-A BZ
12	2	520052	HOSE CLAMP NO 52 STAINLESS
13	1	520104	CUSH HOSE CLMP, #12, 3/4D x 1/2W
14	1	657543	HVAC-CTRL-AUTO, CAB

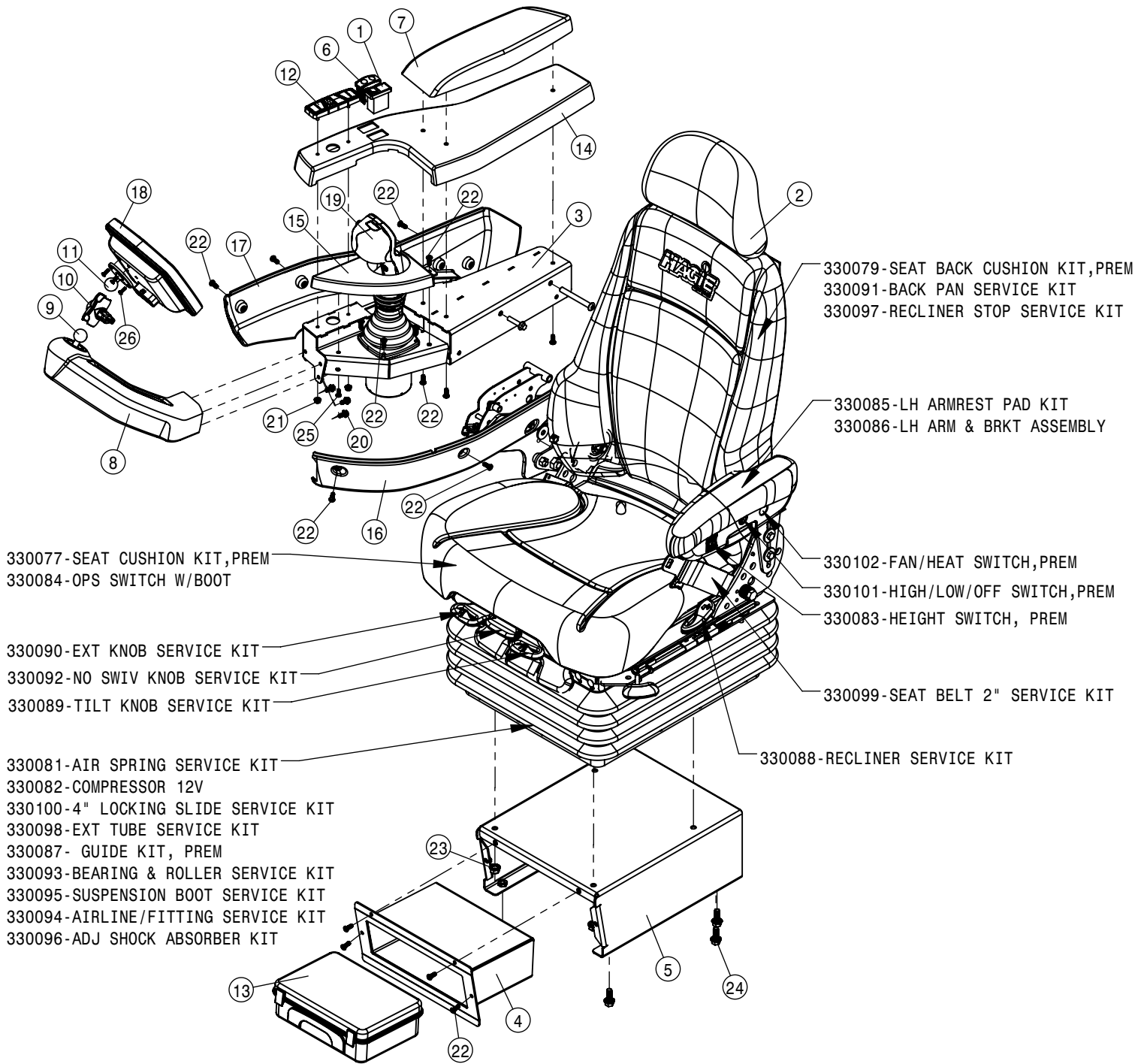
PREMIUM HVAC ASSEMBLY			
DET	QTY	P/N	DESCRIPTION
15	7	657546	LOUVER, 4" W/O MNT
NS	1	657545	HARNESS-HVAC AUTO CTRL STS'14
17	6	657547	PANEL MNT, LOUVER (THK PANEL)
18	1	657548	PANEL MNT, LOUVER (THK PANEL)
19	1	657550	HOSE - 3IN HVAC
20	6	657552	GASKET SEAL ROOF LOUVER
21	2	657553	GASKET SEAL ROOF LOUVER
22	1	657556	GASKET SEAL ROOF LOUVER
23	1	657561	BLOWER UNIT-AUT TMP CTRL STS'15
24	4	900129N	3/8UNC X 1" SERR FLANGE BOLT
25	2	903708N	1/4UNC X1/2PHIL PAN MACH SCR BZ
26	2	903711	1/4UNC X3/4PHIL PANHD MACH SCR
27	4	903844	8-32 X 1/2 PHIL PANHD MACH SCR
28	4	920000	1/4 SAE FLAT WASHER



- 343870-HEIGHT STOPPER
- 343874-LEFT ARMREST
- 343876-BACKREST CUSHION W/LOGO
- 343884-SEAT CUSHION
- 343885-KIT MICROSWITCH
- 343886-SLIDES
- 343887-THRUST BEARING 51101
- 343888-SPRINGS SUPPORT
- 343897-EXTENSION SPRING
- 343898-HYDRAULIC SHOCK ABSORBER
- 343901-TENSION SPRING
- 343907-HANDRAIL HEIGHT ADJ.
- 343917-LEVER WEIGHT ADJ.

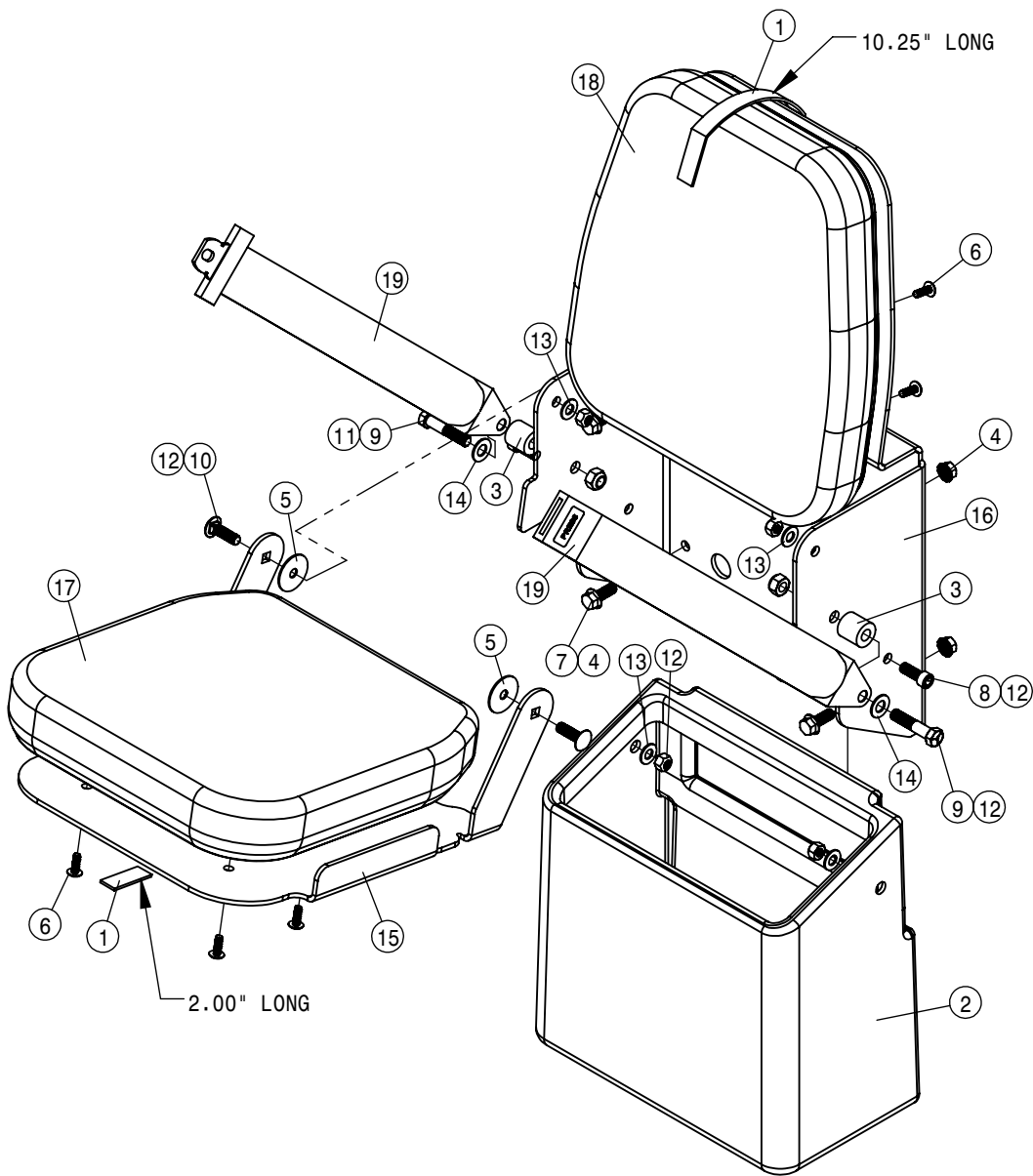
STANDARD SEAT ASSEMBLY			
DET	QTY	P/N	DESCRIPTION
1	1	292201	SWITCH, BRAKE, STS
2	1	343865	SEAT RISER WLDMNT STANDARD CAB
3	1	343880	STD SEAT POD WLD, DTS
4	1	343913	STD SEAT POD SUPP WLD, DTS
5	1	343915	UPR POD COVER STD SEAT, DTS
6	1	343918	DTS STD SEAT ELECTRICAL
7	1	344311	SWITCH - THROTTLE
8	1	344340	ARMREST POD, ASSY, STSCAB' 14
9	1	344342	POD DISPLAY MNT ASSY MOLDED, STSCAB' 14
10	1	344363	1" RAM BALL MNT 1/4UNC THRD HOLE
11	1	344364	1" RAM BALL MNT 2.00"DBL SOC ARM
12	1	344365	1" RAM BALL MNT BASE 2.50"DIA
13	1	344517	POD MIDDLE, CAB
14	1	344518	POD INNER, CAB
15	1	344612	MACHINE DISPLAY ASSEMBLY, 2014

STANDARD SEAT ASSEMBLY			
DET	QTY	P/N	DESCRIPTION
16	1	344656	JOYSTICK, CAB
17	1	345525	POD SUPPORT BRKT
18	2	470087	3/8-16UNC HEX FLG NUT SER MC GR5
19	2	470089	1/4-20UNC NYLOCK NUT MC GR5
20	4	470122	1/4UNC X 1/2 HHSFB GR5 MC
21	2	470231	1/4UNC X 1 HHSFB GR5 MC
22	7	470460	3/8 X 1" SERR FLG BOLT
23	11	472344	1/4-20 UNC X 5/8 BHCS GR5 MC
24	3	473816	8MM-1.25 X 25MM HEX BOLT
25	4	473873	M8 x 20MM LG SERR FLG HEX BOLT
26	2	900509	3/8UNC X 2 1/4 HHSFB GR5 MC
27	1	903706	10-32X1/2 PHIL PAN MACH SCR
28	4	903844	8-32 X 1/2 PHIL PANHD MACH SCR
29	1	910106	3/8-16UNC CTRLK FLG NUT MC GR5

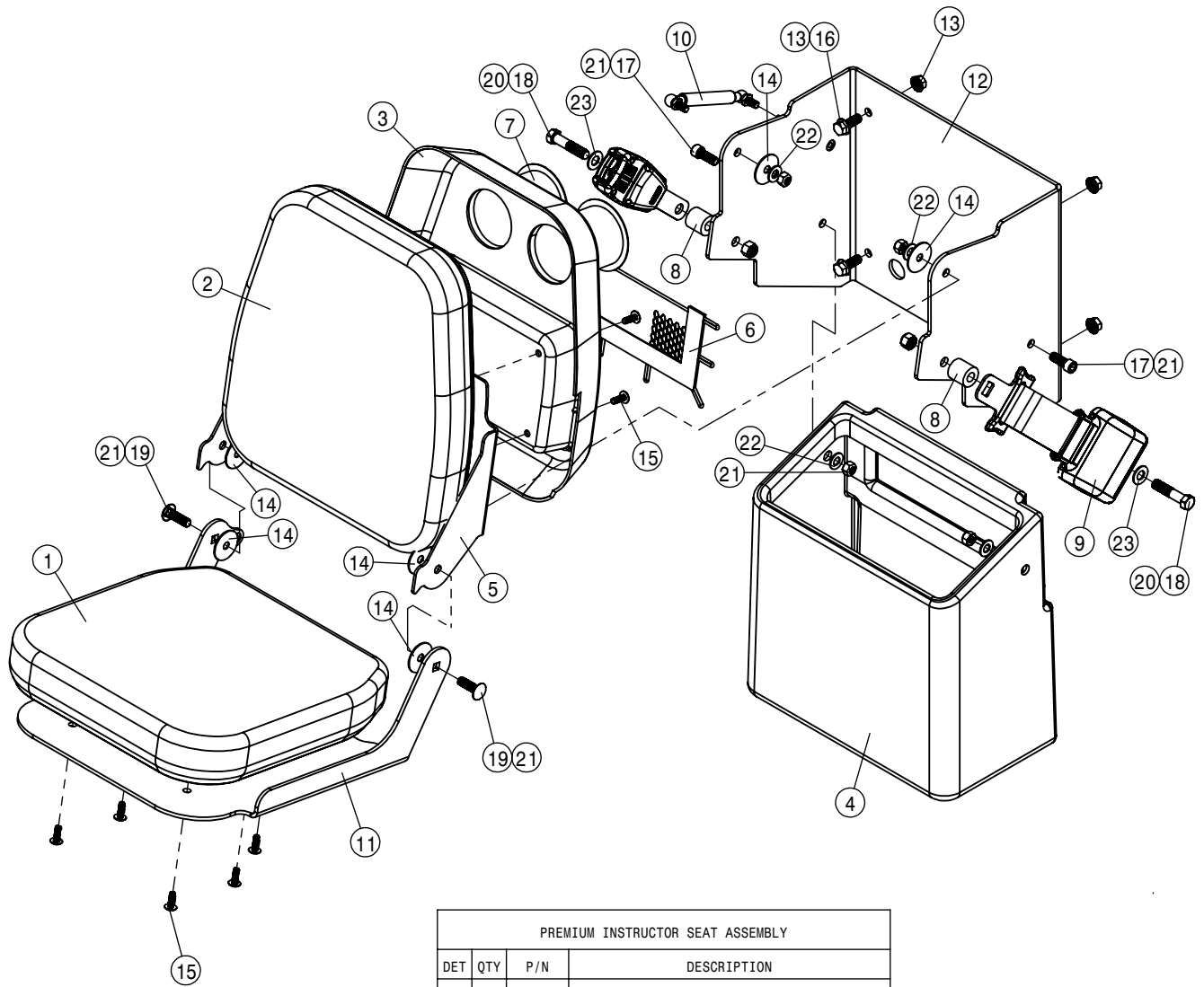


PREMIUM SEAT ASSEMBLY			
DET	QTY	P/N	DESCRIPTION
1	1	292201	SWITCH, BRAKE, STS
2	1	330068	SEAT - PREMIUM, CAB STS' 14
3	1	344167	POD STRUCTURE WLDMT
4	1	344279	STS CAB FIRST AID WLDMNT ' 14
5	1	344280	STS CAB SEAT RSR WLDMNT ' 14
6	1	344311	SWITCH - THROTTLE
7	1	344340	ARMREST POD, ASSY, STSCAB' 14
8	1	344342	POD DISPLAY MNT ASSY MOLDED, STSCAB' 14
9	1	344363	1" RAM BALL MNT 1/4UNC THRD HOLE
10	1	344364	1" RAM BALL MNT 2.00"DBL SOC ARM
11	1	344365	1" RAM BALL MNT BASE 2.50"DIA
12	1	344399	RADIO KEYPAD
13	1	344427	MEDICAL KIT

PREMIUM SEAT ASSEMBLY			
DET	QTY	P/N	DESCRIPTION
14	1	344516	POD UPPER, CAB
15	1	344517	POD MIDDLE, CAB
16	1	344518	POD INNER, CAB
17	1	344519	POD OUTER
18	1	344612	MACHINE DISPLAY ASSEMBLY, 2014
19	1	344656	JOYSTICK, CAB
20	4	470122	1/4 UNC X 1/2 SERR FLG BOLT
21	2	470175	#10-32UNF HEX FLG NUT SER MC GR5
22	19	472344	1/4UNCX5/8 ALHD BUTTON CAP SCR
23	4	473866	M10 X 1.5 HEX SERR FLG NUT
24	6	900129N	3/8UNC X 1" SERR FLANGE BOLT
25	1	903706	10-32X1/2 PHIL PAN MACH SCR
26	4	903844	8-32 X 1/2 PHIL PANHD MACH SCR

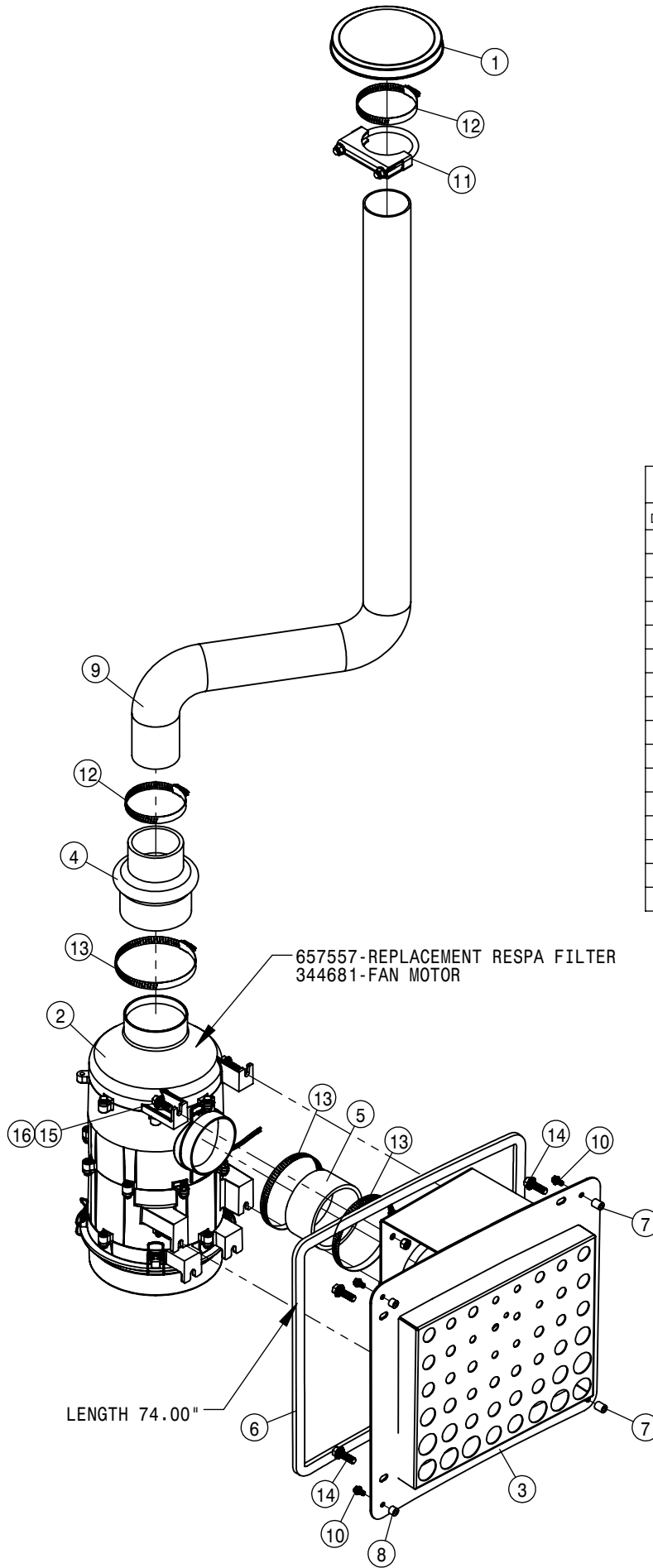


STANDARD INSTRUCTOR SEAT ASSEMBLY			
DET	QTY	P/N	DESCRIPTION
1	.85	193038	3M DUAL LOCK 1IN,MP3541/MP3542
2	1	344163	BIN STORAGE INSTRUCTOR SEAT
3	2	344489	INST SEAT BELT BUSHING, STS'14
4	4	470087	3/8UNC HEX SERR FLANGE NUT
5	2	470657	3/8 PTFE LOW-FRICT WASHER
6	10	472261	1/4UNC X 3/4 TRUSS HD BOLT
7	4	900129N	3/8UNC X 1" SERR FLANGE BOLT
8	2	900172	3/8UNC X 1"SOC HD CAP SCR,ZINC
9	2	900235	7/16UNF X 2 HHCS GR5 MC
10	2	901130	3/8UNC X 1 1/4 CARR BOLT
11	2	910030	NYLOCK NUT 7/16-20 MC GR5
12	4	914004	3/8UNC HEX STOVER NUT
13	4	920002	3/8 SAE FLAT WASHER
14	2	920003	7/16 SAE FLAT WASHER
15	1	343895	BRKT BASE INSTRUCTOR SEAT MOUNT
16	1	343896	BRKT INSTRUCTOR SEAT MOUNT, DTS
17	1	344174	CUSH BASE INST SEAT STD
18	1	344175	CUSH BACK INST SEAT STD
19	1	344811	LAP SEAT BELT STD SEAT, DTS

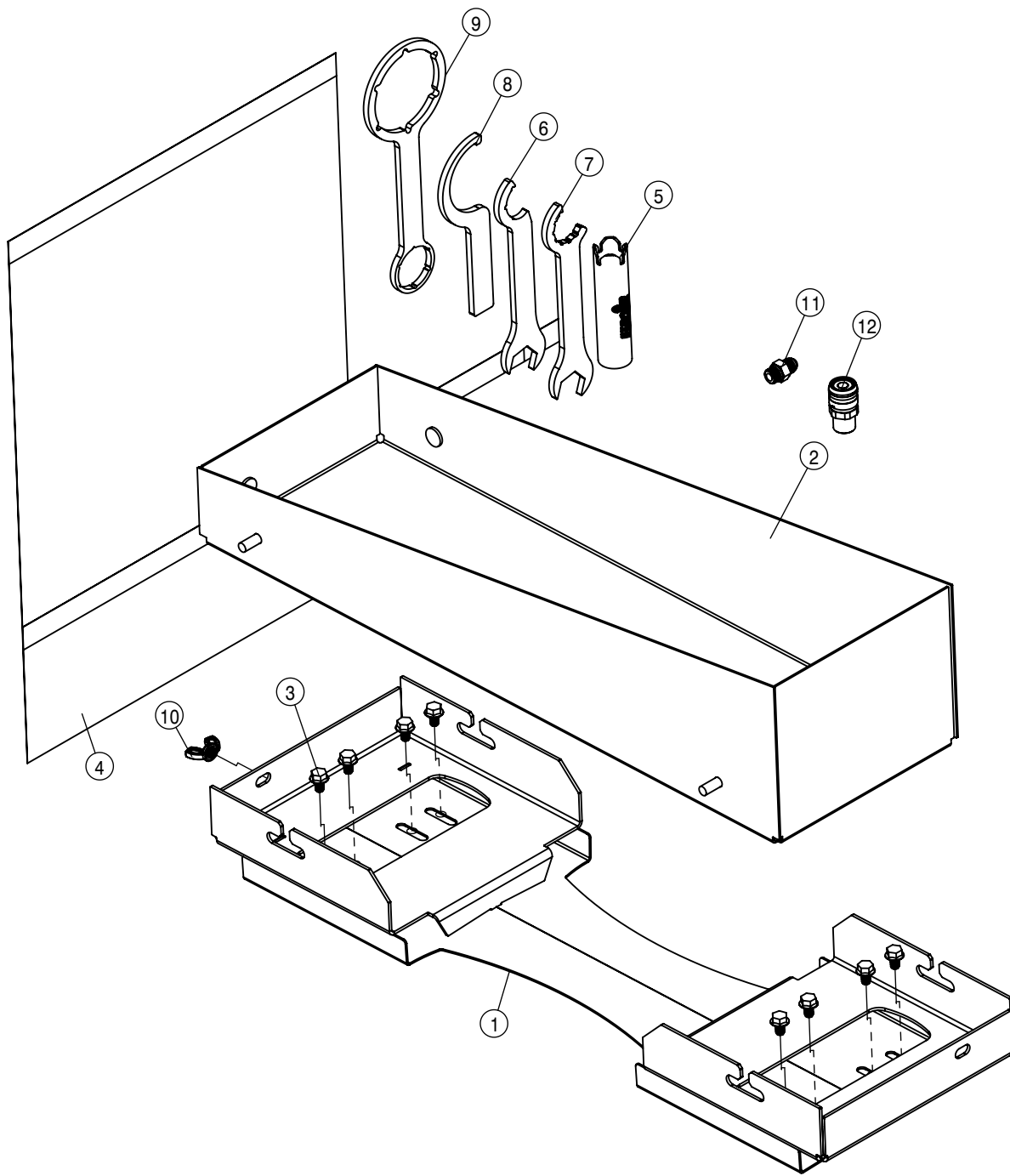


PREMIUM INSTRUCTOR SEAT ASSEMBLY			
DET	QTY	P/N	DESCRIPTION
1	1	330070	CUSH BASE INST SEAT PREM
2	1	330071	CUSH BACK INST SEAT PREM
3	1	344162	PANEL BACK INSTRUCTOR SEAT BACK
4	1	344163	BIN STORAGE INSTRUCTOR SEAT
5	1	344166	BRKT BACK INSTRUCTOR SEAT MOUNT
6	1	344412	CARGO NET - INSTRUCTOR SEAT
7	2	344463	CUP HOLDER - SMALL
8	2	344489	INST SEAT BELT BUSHING, STS' 14
9	1	344493	INST SEAT BELT ASSY, STS' 14
10	1	344559	INST SEAT GAS SPRING, STS' 14
11	1	344564	BRKT BASE INST SEAT WLDT, STS' 14
12	1	344566	BRKT INST SEAT MT WLDT, STS' 14
13	4	470087	3/8UNC HEX SERR FLANGE NUT
14	6	470657	3/8 PTFE LOW-FRICT WASHER
15	10	472261	1/4UNC X 3/4 TRUSS HD BOLT
16	4	900129N	3/8UNC X 1" SERR FLANGE BOLT
17	2	900172	3/8UNC X 1" SOC HD CAP SCR, ZINC
18	2	900235	7/16-20 HEX HEAD BOLT, GR 5
19	2	901130	3/8UNC X 1 1/4 CARR BOLT
20	2	910030	7/16UNF HEX NUT, NYLOC GR5
21	4	914004	3/8UNC HEX STOVER NUT
22	4	920002	3/8 SAE FLAT WASHER
23	2	920003	7/16 SAE FLAT WASHER

**BULK TRIM SEAL**  
 193070-SEAL, .63 X .63 D-SECT EDPM

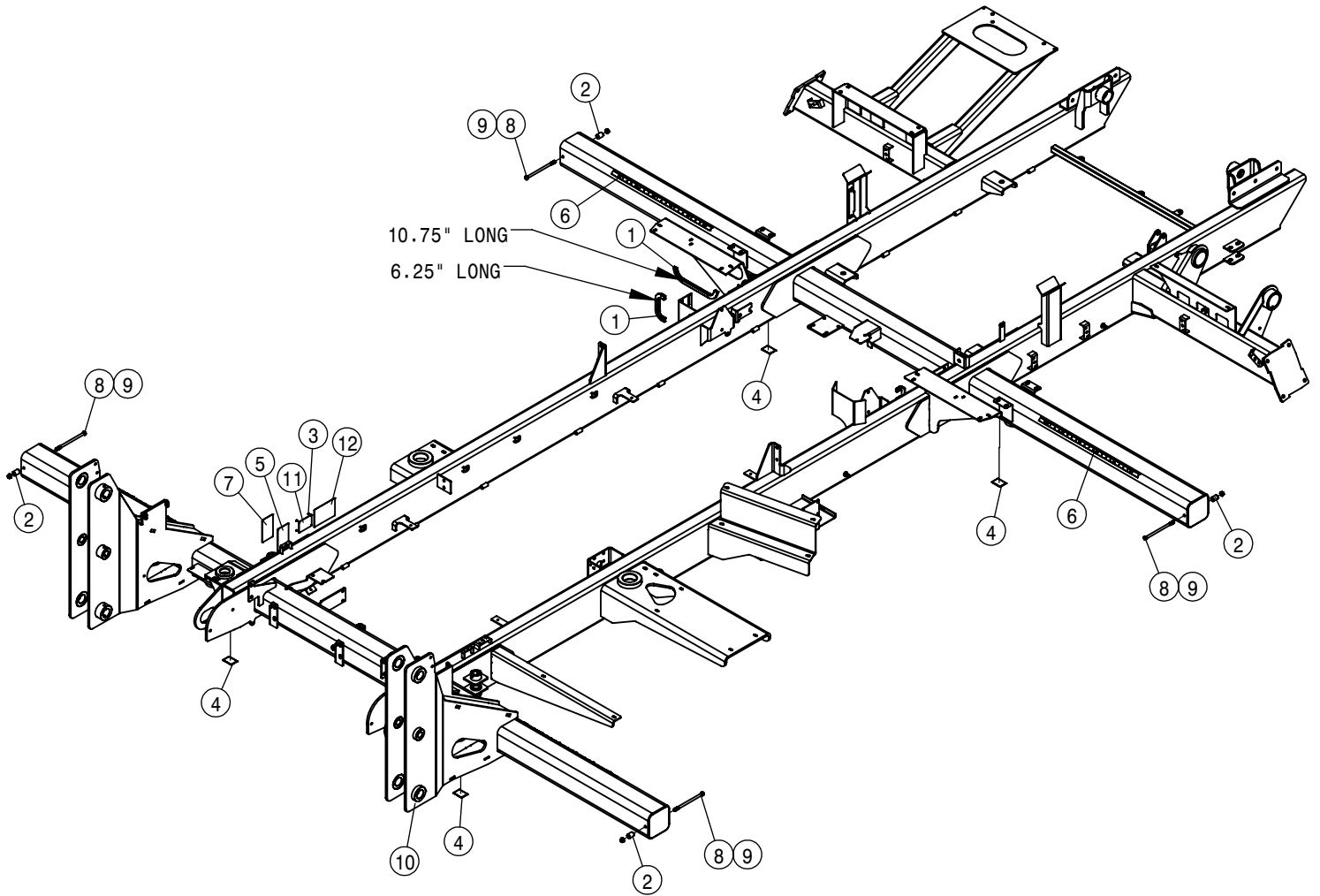


AIR INTAKE ASSEMBLY			
DET	QTY	P/N	DESCRIPTION
1	1	311534	RAIN CAP, 3" INLET, POLY
2	1	343863	HVAC FILTRATION UNIT, DTS
3	1	343903	TALL CROP MT WLD, DTS
4	1	343909	AIR INTAKE COUPLING, DTS
5	1	344669	TC HVAC DUCT, STS' 15
6	1	344480	SEAL - RESPA PANEL
7	2	344557	STAND OFF 5/8" LG, STS' 14
8	2	344558	STAND OFF 3/8" LG, STS' 14
9	1	344667	TALL CROP INTAKE TUBE, STS' 16
10	4	470122	1/4 UNC X 1/2 SERR FLG BOLT
11	1	470160	MUFFLER CLAMP 3.00 IN
12	2	520052	HOSE CLAMP NO 52 STAINLESS
13	3	520072	HOSE CLAMP NO 72 STAINLESS
14	4	900127N	3/8UNC X 1 1/4 SER FLANGE BOLT
15	4	900129N	3/8UNC X 1" SERR FLANGE BOLT
16	4	910004	3/8UNC HEX NUT

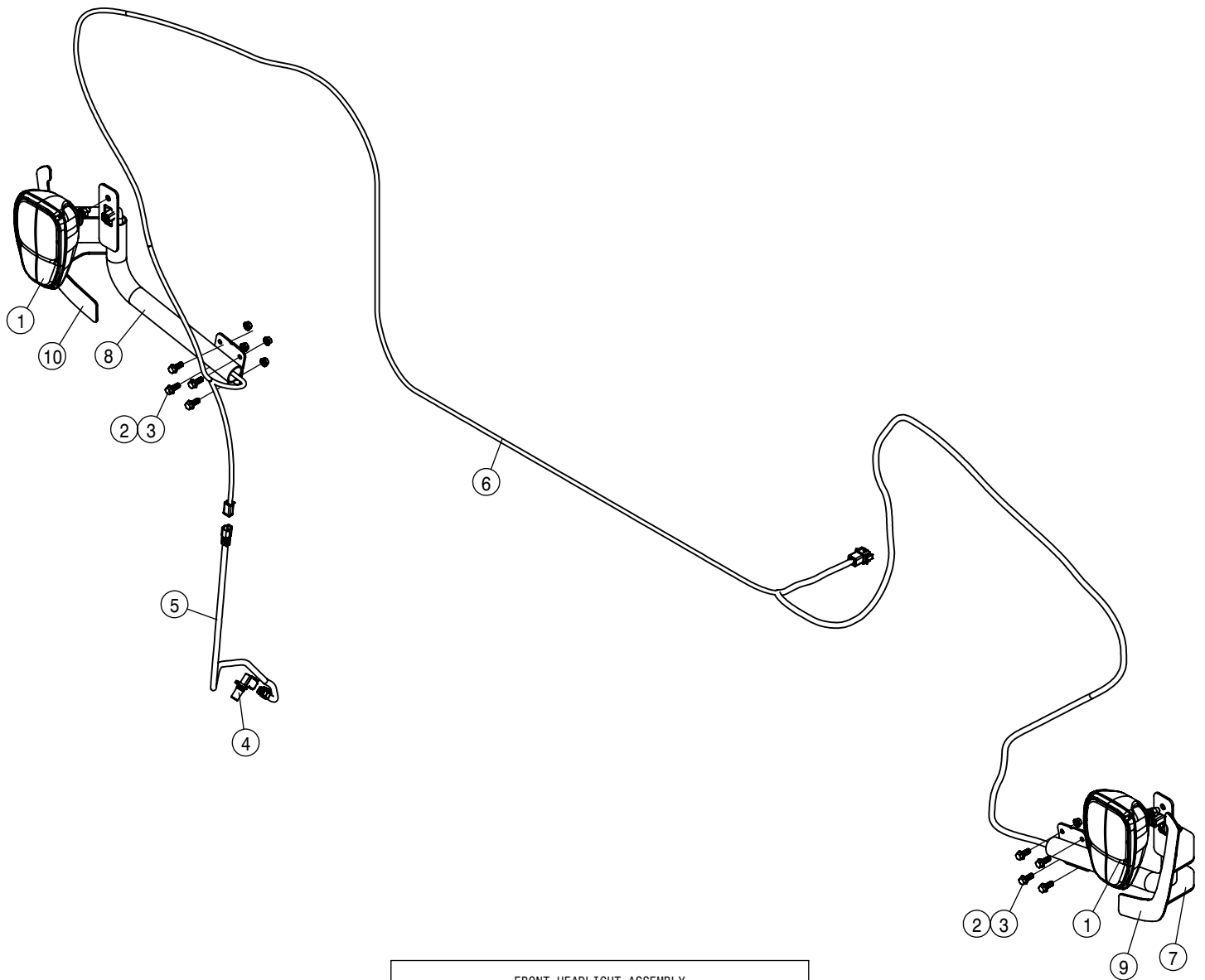


TOOLBOX ASSEMBLY			
DET	QTY	P/N	DESCRIPTION
1	1	317738	RAIL WLDMT, DTS TOOL TRAY
2	1	344729	TOOL TRAY DTS WLD
3	8	470232	5/16UNC X 1/2 SERR FLG HEX BOLT
4	1	470758	STS/DTS TOOL POUCH
5	1	470896	TEEJET NOZZEL REMOVAL SOCKET
6	1	470899	EASY FIT T3 FITTING SPEED WRNH
7	1	470900	EASY FIT T3 FITTING WRENCH
8	1	470901	ARAG 322 T3 SERIES WRNH
9	1	470902	TEEJET AA126-75 STRAINER WRNH
10	1	473801	3/8UNC WING NUT
11	1	618126	9/16MJIC-9/16MOR ADPTR
12	1	618805	HYD CPLR, FEM #14,9/16FOR

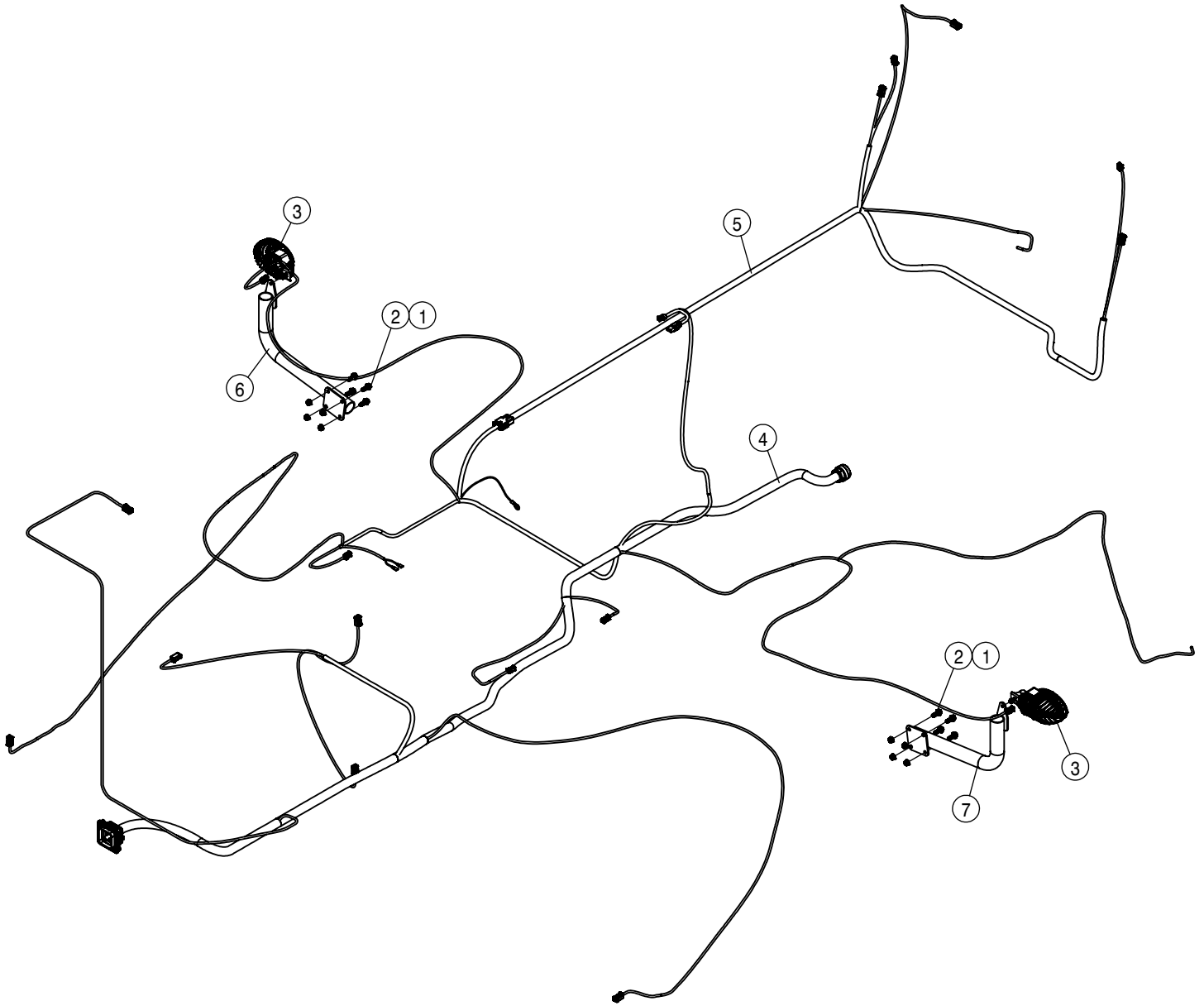




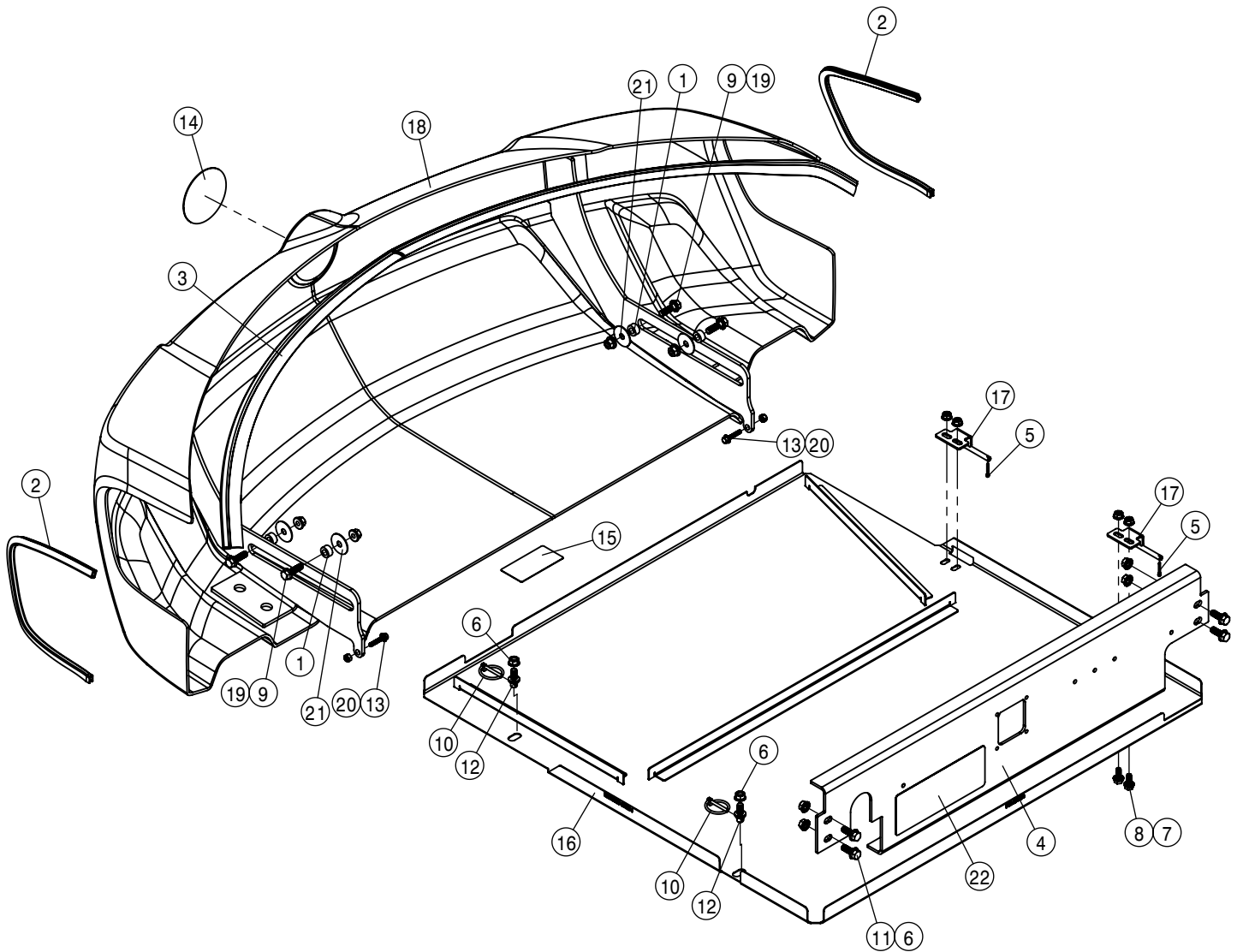
MAINFRAME ASSEMBLY			
DET	QTY	P/N	DESCRIPTION
1	1.41	193012	QUICKEDGE TRIM .135 TO .250
2	4	362324	BUSHING-.41 X .75 X 1.00
3	4	485073	METAL-TACK GRIP .02/.03,3/16HD
4	4	650277	DECAL,LIFT POINT
5	1	650484	DECAL, NOTICE:EMISSION CTRL'15
6	4	650486	DECAL,TREAD ADJ INDICATOR DTS
7	1	650505	DECAL, NOTICE:EMISSION CTRL'16
8	4	900144	3/8UNC X 6 1/2 HEX BOLT
9	4	910004N	3/8UNC FLANGE CNTR LOCK NUT
10	1	361941	MAINFRAME WLD,DTS10
11	1	650315	HAGIE NAMEPLATE
12	1	650543	DECAL,PATENTS, HAGIE DTS 2016



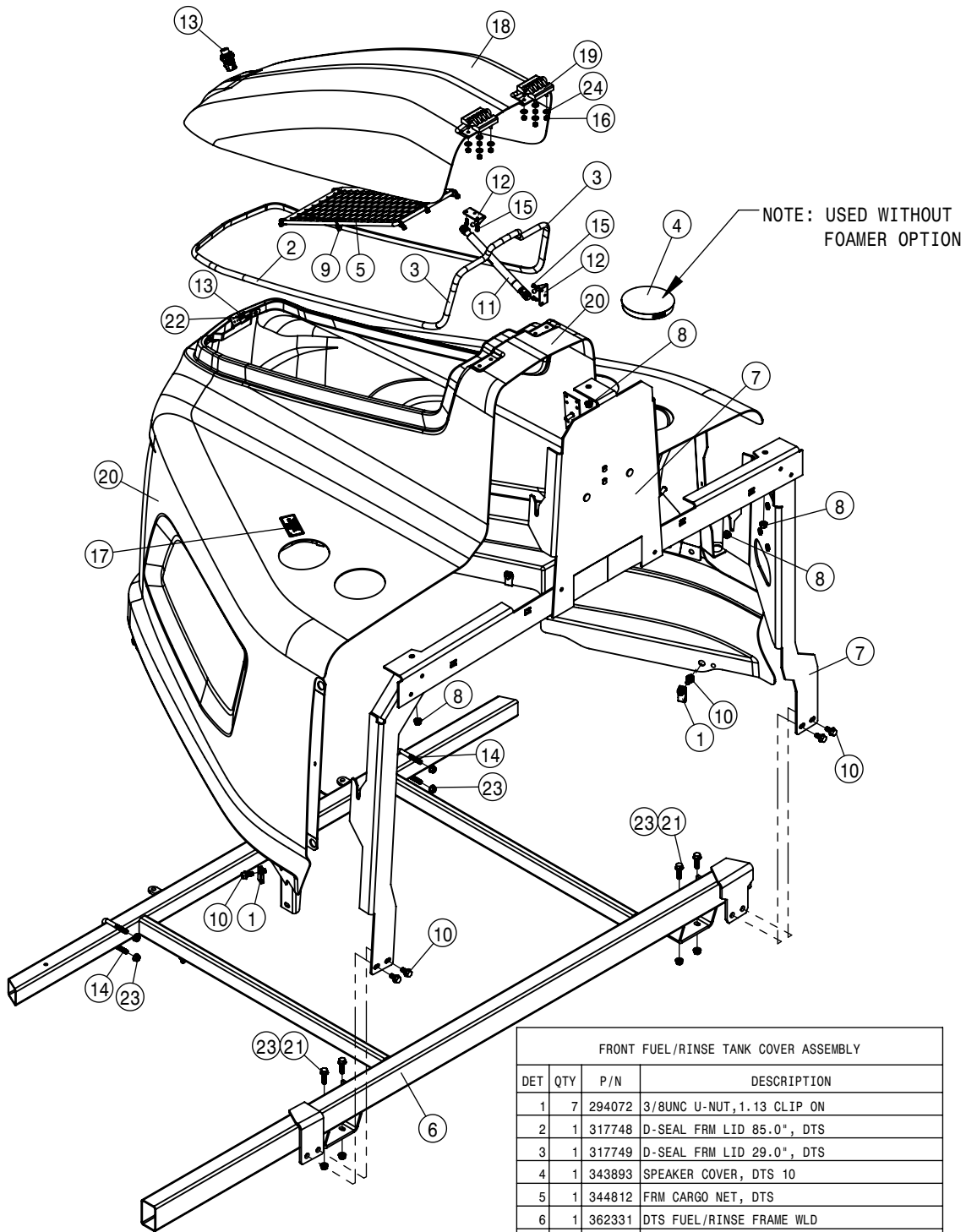
FRONT HEADLIGHT ASSEMBLY			
DET	QTY	P/N	DESCRIPTION
1	2	292556	HEAD/FLASHER LIGHT
2	8	470087	3/8UNC HEX SERR FLANGE NUT
3	8	470460	3/8 X 1" SERR FLG BOLT
4	1	606537	SPEED SENSOR, DANFOSS H1
5	1	294270	HARNESS WHEEL MOTOR
6	1	294271	HARNESS FRT LIGHT, WHL MTR SPD
7	1	360225	LH HEADLIGHT BRKT
8	1	360226	RH HEADLIGHT BRKT
9	1	650513	LH FRONT REFLECTOR, DTS
10	1	650514	RH FRONT REFLECTOR, DTS



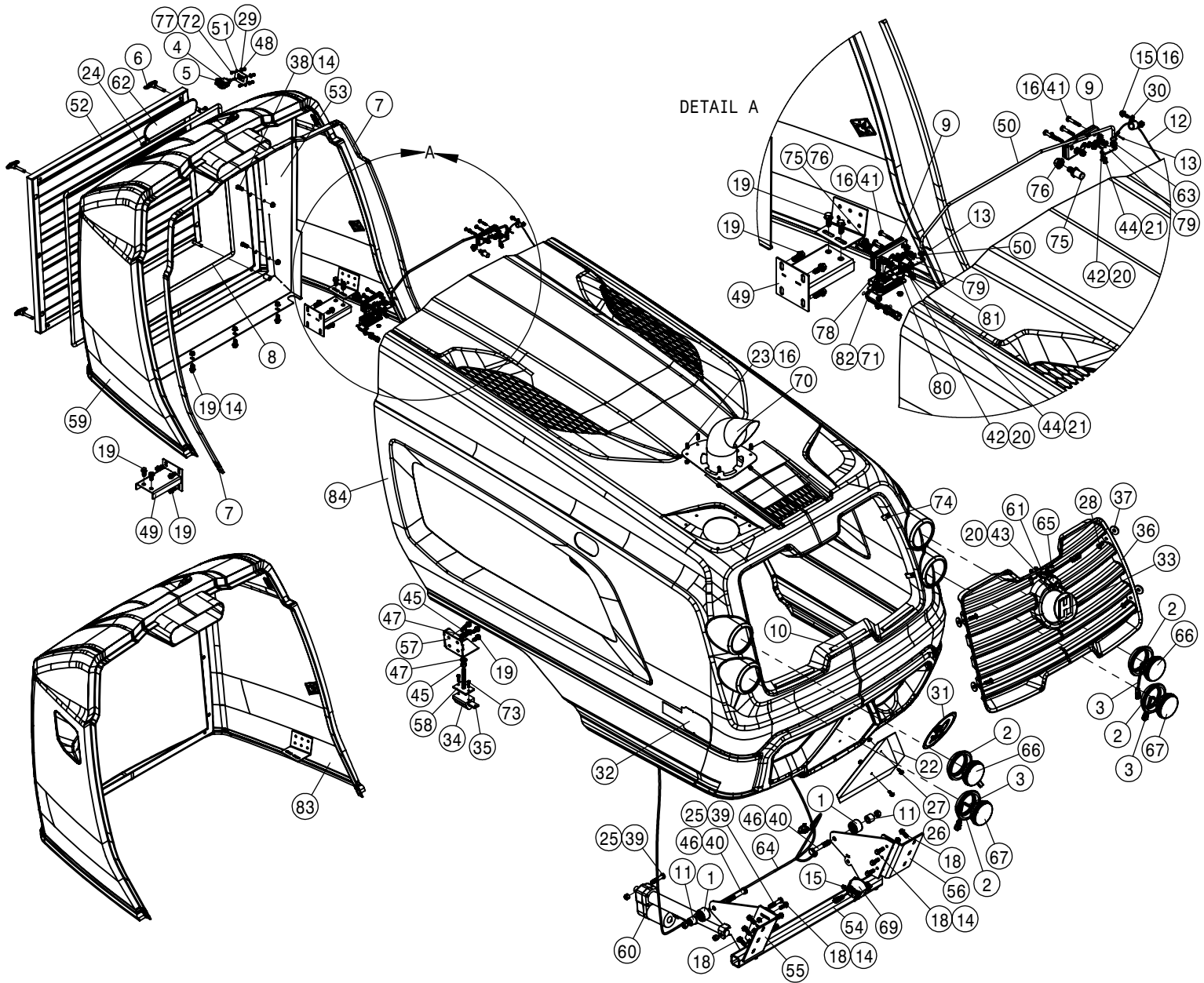
FLASHER LIGHT ASSEMBLY			
DET	QTY	P/N	DESCRIPTION
1	8	470087	3/8UNC HEX SERR FLANGE NUT
2	8	470460	3/8 X 1" SERR FLG BOLT
3	2	292917	LED LIGHT, AMBER
4	1	294268	HARNESS CHASSIS
5	1	294274	HARNESS HOOD
6	1	360227	RH AMBER FLASHER BRKT
7	1	360228	LH AMBER FLASHER BRKT
NS	1	294030	HARNESS,DTS PRCN INTERFACE
NS	1	294080	HARNESS,TANK VALVE SWITCH



FRONT AND BELLY SHIELD ASSEMBLY			
DET	QTY	P/N	DESCRIPTION
1	4	314998	SPACER, .75 OD, .38 ID
2	2	318105	193077 X 20.63 INCHES
3	1	318106	193078 X 70.00 INCHES
4	1	362799	FRT BULKHD DTS W/DECAL
5	2	470075	1/8 X 3/4 COTTER PIN
6	6	470087	3/8-16UNC HEX FLG NUT SER MC GR5
7	4	470113	5/16UNC SERR FLG LOCK NUT
8	4	470233	5/16UNC X 3/4 SERR FLG HEX BOLT
9	4	470329	3/8UNC X 1 1/4 SERR FLG HEX BOLT
10	2	470335	LINCHPIN, 3/16 X 1 1/4 GRIP
11	4	470460	3/8 X 1" SERR FLG BOLT
12	2	470520	HANGER PIN, 3/8UNC x .437Dx .500L
13	2	473836	1/4UNC X 1 1/4 HHSFB SS FT
14	1	650491	DECAL, H-DOT, 4.00"
15	1	650504	DECAL, READ OPERATORS MANUAL
16	1	660694	FRONT BELLY SHIELD WLD DTS' 16
17	2	660705	HINGE- BELLY PAN WELD DTS' 16
18	1	660926	CAB GUARD DTS W/DECAL, TRIM
19	4	910106	3/8-16UNC CTRLK FLG NUT MC GR5
20	2	910118	1/4-20UNC NYLOCK NUT SS
21	4	920025	WASHER, 1.50D, .406 ID
22	1	HXE28534	LABEL, HYDRAULIC ENGLISH



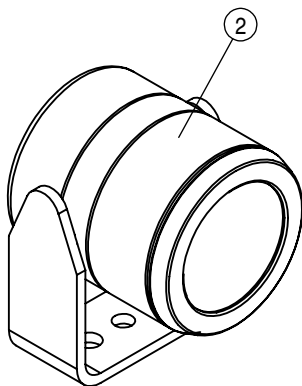
FRONT FUEL/RINSE TANK COVER ASSEMBLY			
DET	QTY	P/N	DESCRIPTION
1	7	294072	3/8UNC U-NUT, 1.13 CLIP ON
2	1	317748	D-SEAL FRM LID 85.0°, DTS
3	1	317749	D-SEAL FRM LID 29.0°, DTS
4	1	343893	SPEAKER COVER, DTS 10
5	1	344812	FRM CARGO NET, DTS
6	1	362331	DTS FUEL/RINSE FRAME WLD
7	1	362341	FRM REAR FRAME WLD, DTS
8	7	470087	3/8UNC HEX SERR FLANGE NUT
9	7	470154	CABLE TIE, 11.00° BLK NYLON
10	11	470409	3/8UNC X 3/4" SERR FLG BOLT
11	1	470637	GAS SPRING, 78lbf 6.3" STROKE
12	2	470714	BRACKET-GAS SPRING
13	1	470721	LATCH FRM, DTS
14	2	472044	3/8UNC-2ID-3.00 U-BOLT S0,ZINC
15	4	472236	10-32 X 1/2 PHIL HD MACH SCR
16	8	473883	6MM x1.00 LOCKNUT, NYLON
17	1	650431	DECAL, ULTRA LOW SULFUR FUEL
18	1	660598	LID ASMY-FRM, DTS
19	2	660780	HINGE FRM, DTS
20	1	660925	SHELL ASSY FRM, DTS W/DECAL
21	4	900127N	3/8UNC X 1 1/4 SER FLANGE BOLT
22	2	903804	6-32 X 1/4 PHIL PAN MACH SCR
23	8	910004N	3/8UNC FLANGE CNTR LOCK NUT
24	8	910112	SAE FLAT WASHER 1/4 SS



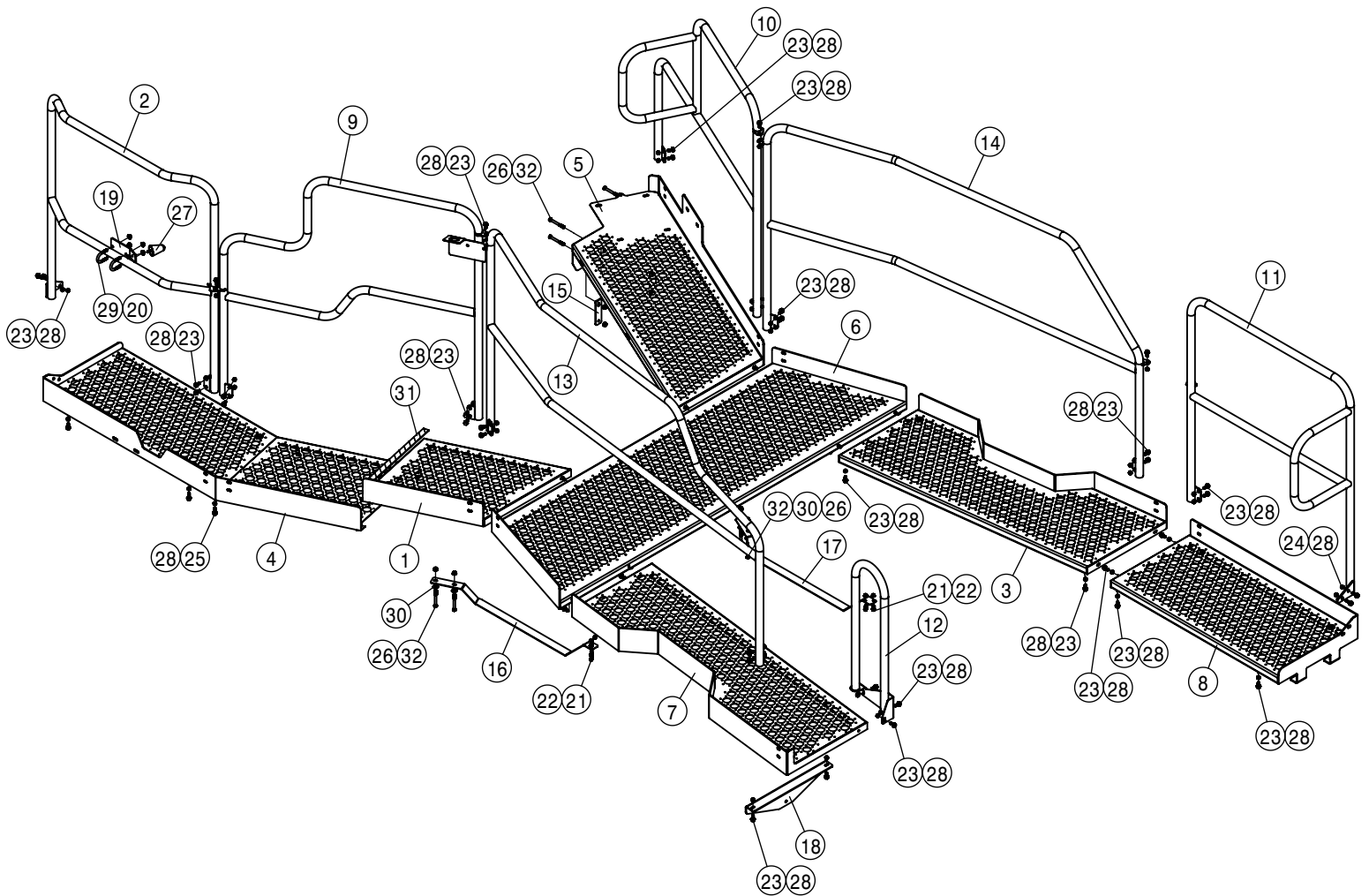
ENGINE HOOD ASSEMBLY			
DET	QTY	P/N	DESCRIPTION
1	2	125056	TRACK ROLLER,2.00 OD,.625 BORE
2	4	290204	4" GROMMET FR 290200 & 290201
3	4	290207	3-WIRE PIGTAIL FOR TAILLIGHTS
4	1	292220	SWITCH,DPDT, MOM-OFF-MOM ON
5	1	292221	SWITCH ACUATOR FOR 292220
6	4	317364	T-HANDLE QUICK PIN - 1.75" X 3/8 D
7	2	317715	ISOLATOR-FOAM (HOOD-FRONT) DTS
8	1	318094	FOAM RUBBER SEAL-131.38
9	2	318096	LATCH-SLAM ACTION ROTARY
10	6	318112	FOAM RUBBER SEAL-8.00
11	2	361679	BUMPER PIVOT BRG SPACER,STS 04
12	1	470018	LANYARD DTS LATCH RELEASE
13	2	470029	COTTER PIN 1/16 X 1/2
14	20	470087	3/8UNC HEX SERR FLANGE NUT
15	3	470118	1/4UNC X 3/4 HHFSB GR5 MC
16	14	470121	1/4 UNC SERR FLG LOCK NUT
NS	1	470154	CABLE TIE, 11.00" BLK NYLON
18	12	470329	3/8UNC X 1 1/4 SERR FLG HEX BOLT
19	28	470460	3/8 X 1" SERR FLG BOLT
20	4	470509	6-32 SERR. FLANGE NUT
21	2	470510	10-24 SERR. FLANGE NUT
22	1	472249	SLOW MOVING VEHICLE SIGN
23	5	472345	1/4UNC X 1 ALHD BUTTON CAP SCR
24	2	472368	#10-24THD IN X 3/4 TEK TYP E
25	2	473007	1/2UNC HEX NUT, NYLOC
26	2	473832	1/4UNC HEX FLANGE LOCK NUT SS
27	2	473834	1/4UNC X 3/4 SER FLG BOLT SS
28	4	474013	3/8-16UNCX1.25 FLGD BTN HD SCREW
29	4	483016	#10 REGULAR FLAT WASHER
30	1	520125	CUSH HOSE CLAMP,#5, 5/16D X 1/2W

ENGINE HOOD ASSEMBLY			
DET	QTY	P/N	DESCRIPTION
31	1	650223	DECAL,30MPH ID SYMBOL, VINYL
32	2	650490	DECAL, DTS10 LOGO, 5X12.5
33	1	651008	DECAL - H-DOT FRONT GLASS 5.00"
34	2	660226	ENG HOOD BUMPER, STS 04
35	2	660227	ENG HOOD BUMPER KEEPER, STS 04
36	1	660769	REAR GRILL DTS
37	4	749115	RUBBER WASH .188 X .500 X 1.50
38	6	900129	3/8UNC X 1" HEX BOLT
39	2	900268	1/2UNC X 2 1/2 HEX BOLT
40	2	900341	5/8UNC X 3 3/4 HEX BOLT
41	8	900462	1/4UNC X 1 1/2 HHCS SS
42	2	903812	6-32 X 1/2 PHIL PAN MACH SCR
43	2	903814	6-32 X 3/4 PHIL PANHD MACH SCR BZ
44	2	903882	10-24 X 1/2 PHIL PAN MACH SCR
45	4	910008	1/2UNC HEX NUT
46	2	914010	5/8-11UNC STOVER NUT MC GR5
47	4	920004	1/2 SAE FLAT WASHER
48	4	920510	#10 LOCK WASHER
49	2	318087	FRNT HOOD MNT WLDMNT, DTS
50	1	318098	HOOD LATCH LINKAGE WLD, DTS
51	1	362116	HOOD SWITCH MT PLATE
52	1	660707	ASMY-FRONT SCREEN WLD, DTS
53	1	660712	SHROUD-GRILL ASMY WELD, DTS
54	1	660721	ENGINE HOOD HINGE MNT WLDT
55	1	660724	ENGINE HOOD BLKHD MT BRKT LH
56	1	660725	ENGINE HOOD BLKHD MT BRKT RH
57	2	660761	REAR HOOD BUMPER MTG WLDMNT DTS
58	2	660224	ENG HOOD BUMPER WLD, STS 04
59	1	660750	DTS FRONT HOOD ASSEMBLY T3
60	1	292235	DTS HOOD ACTUATOR

ENGINE HOOD ASSEMBLY			
DET	QTY	P/N	DESCRIPTION
61	1	693501	CAMERA BRACKET DTS
62	1	660090	INLET AIR SCREEN WLD ASMY DTS
63	1	310909	THREADED LATCH LINK DTS WLD
64	1	294083	HOOD ACTUATOR HARNESS
65	1	693930	BACKUP CAMERA
66	2	290205	OPTRONICS, 3 DIODE AMBER LED
67	2	290206	OPTRONICS, 3 DIODE RED LED
NS	1	294080	HARNESS,TANK VALVE SWITCH
69	1	290061	ALARM,BACKUP 107DBA LT DUTY
70	1	660254	EXHAUST STACK WLDT DTS T4F
71	3	470175	#10-32UNF HEX FLG NUT SER MC GR5
72	4	910131	#10-32 UNF X 3/4 PHMS PH BZ
73	4	900449	1/4UNC X 1 HHCS SS
74	4	470905	3/8UNC U-NUT,1.13 CLIP ON
75	2	318113	STRIKER PIN
76	2	473852	12MM-1.75 SERR FLG NUT,ZINC
77	4	910027	#10-32UNF HEX NUT MC GR5
78	1	318084	ACTUATOR MNT BRKT
79	2	318083	HOOD LATCH T BRKT, DTS
80	1	318085	ACTUATOR, POWER, PUSH, PULL
81	1	220001	RC 40 CHAIN CONNECT LINK
82	3	903905	#10-32 UNF X 1 1/2 PHMS PH BZ
83	1	660751	DTS FRONT HOOD ASSEMBLY T4F
84	1	660753	REAR HOOD ASSEMBLY DTS



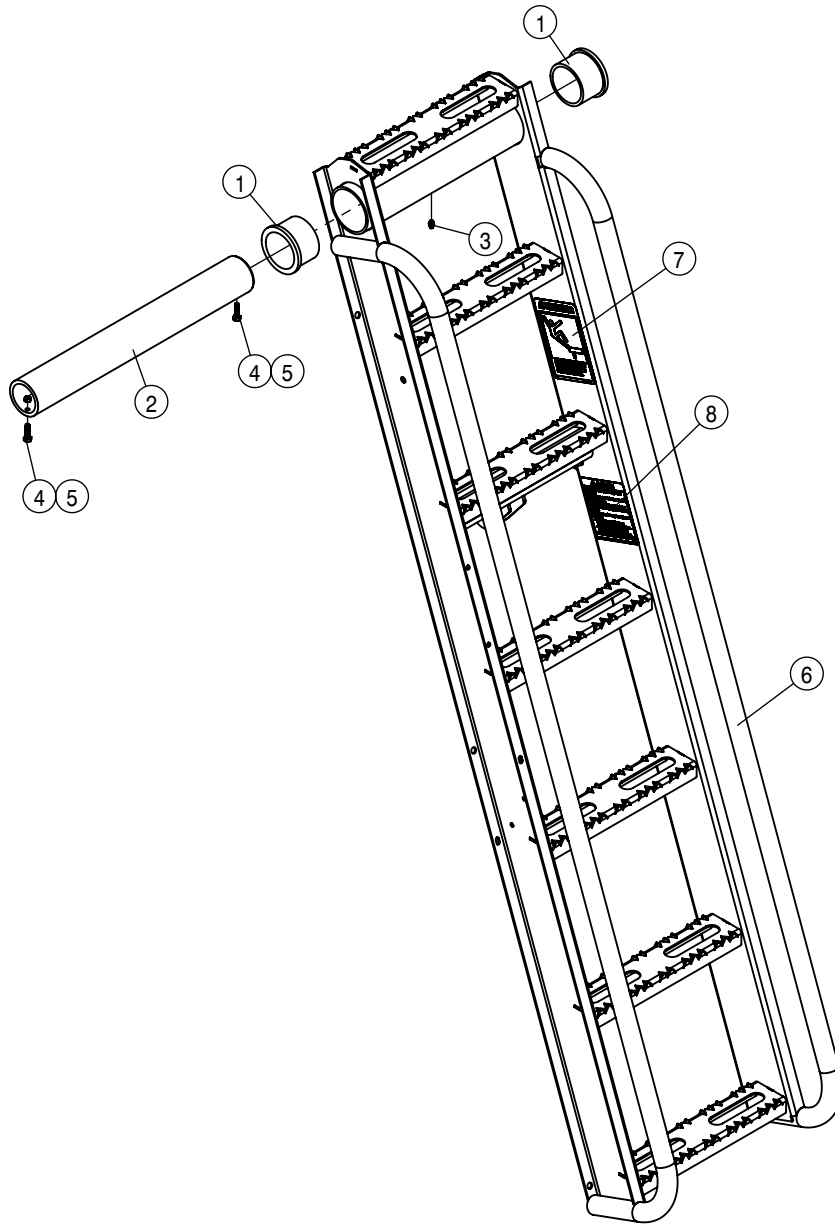
SINGLE CAMERA OPTION			
DET	QTY	P/N	DESCRIPTION
NS	1	294219	LONG VIDEO CABLE
2	1	693518	B-UP CAMERA



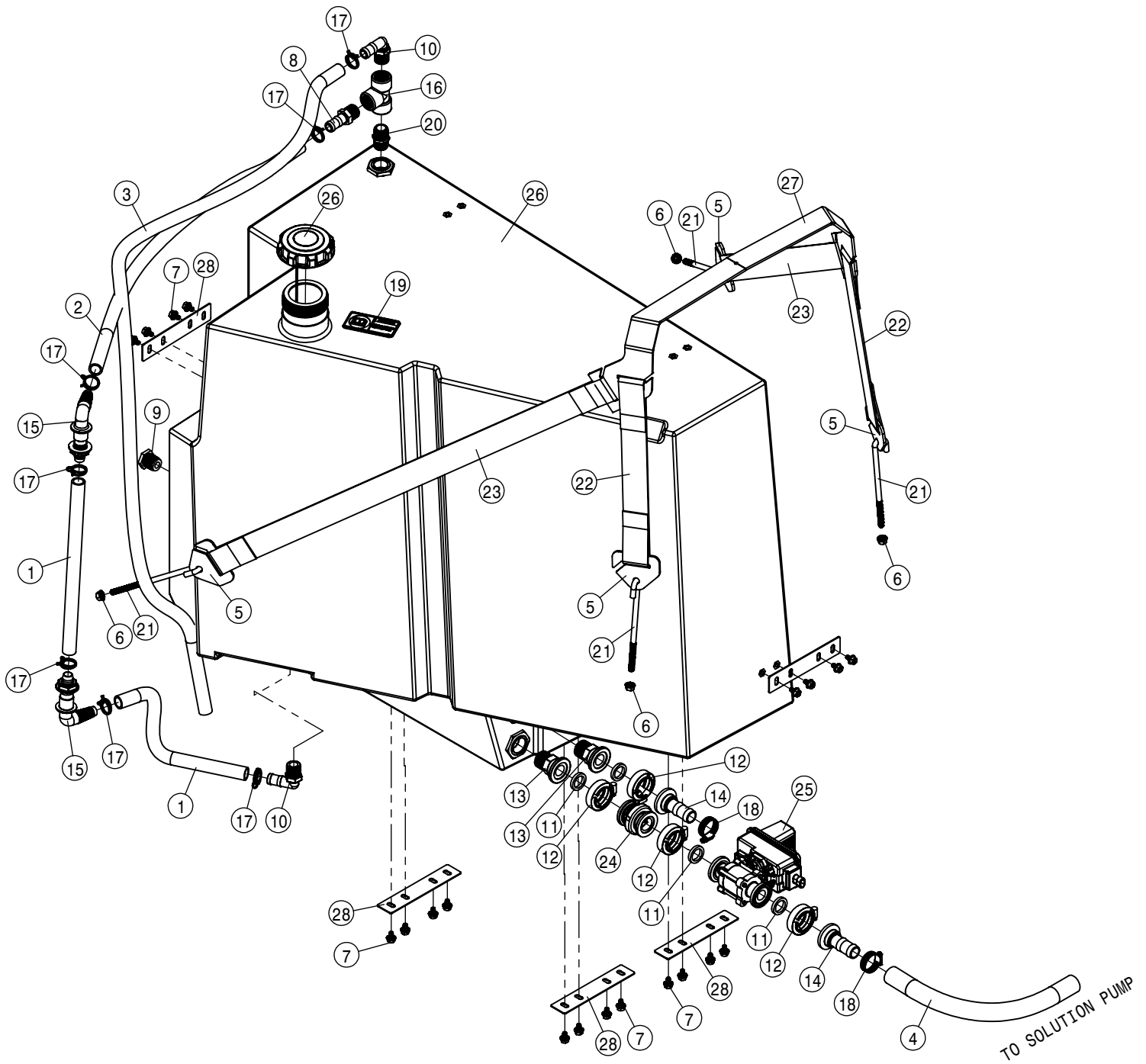
SERVICE PLATFORM ASSEMBLY			
DET	QTY	P/N	DESCRIPTION
1	1	344716	PLTFRM-WLD, SHORT LH, DTS
2	1	344720	HANDRAIL WLD-DTS, LEFT FRT
3	1	344930	PLTFRM WLD-RH WHEEL WELL, DTS
4	1	344936	PLTFRM WLD-LH STEP DOWN, DTS
5	1	344945	PLTFRM WLD-RH FRONT, DTS
6	1	344947	PLTFRM WLD-CNTR SECTION, DTS
7	1	344950	PLTFRM WLD-LH WHEEL WELL
8	1	344954	PLTFRM WLD-RH REAR/TANK, DTS
9	1	344958	HANDRAIL-LH FRT, DTS
10	1	344963	HANDRAIL-RH FRONT, DTS
11	1	344965	HANDRAIL-RH REAR, DTS
12	1	344968	HANDRAIL-LADDER, DTS
13	1	344971	HANDRAIL-LH WHEELWELL, DTS
14	1	344974	HANDRAIL-RH WHEELWELL, DTS
15	2	344981	MOUNTING STRAP-PLTFRM, DTS
16	1	362527	DTS HOSE SUPPORT LH

SERVICE PLATFORM ASSEMBLY			
DET	QTY	P/N	DESCRIPTION
17	1	362528	DTS HOSE SUPPORT RH
18	1	362530	HANGER BKT REAR FILL HOSE, DTS
19	1	363104	HANDRAIL DOOR STOP BRKT, DTS
20	4	470113	5/16-18UNC HEX FLG NUT SER MC GR5
21	4	470118	1/4 UNC X 3/4 SER FLG BOLT
22	4	470121	1/4 UNC SERR FLG LOCK NUT
23	63	470233	5/16UNC X 3/4 SERR FLG HEX BOLT
24	2	470234	5/16UNC X 1 HHSFB GR5 MC
25	4	470234	5/16UNC X 1" SERR FLG HEX BOLT
26	8	470570	5/16UNC HEX FLG CNTR LOCK NUT
27	1	470571	BUMPER,MALE STUD 2.375 X 1.75
28	70	473001	5/16UNC HEX NUT,NYLOC
29	2	473911	5/16UNC-1.31ID-2.00 U-BOLT ZINC
30	4	483040	5/16 REGULAR FLAT WASHER
31	1	650994	SAFETY GLOW TAPE 1" X 18"
32	8	900072	5/16UNC X 3" HEX BOLT



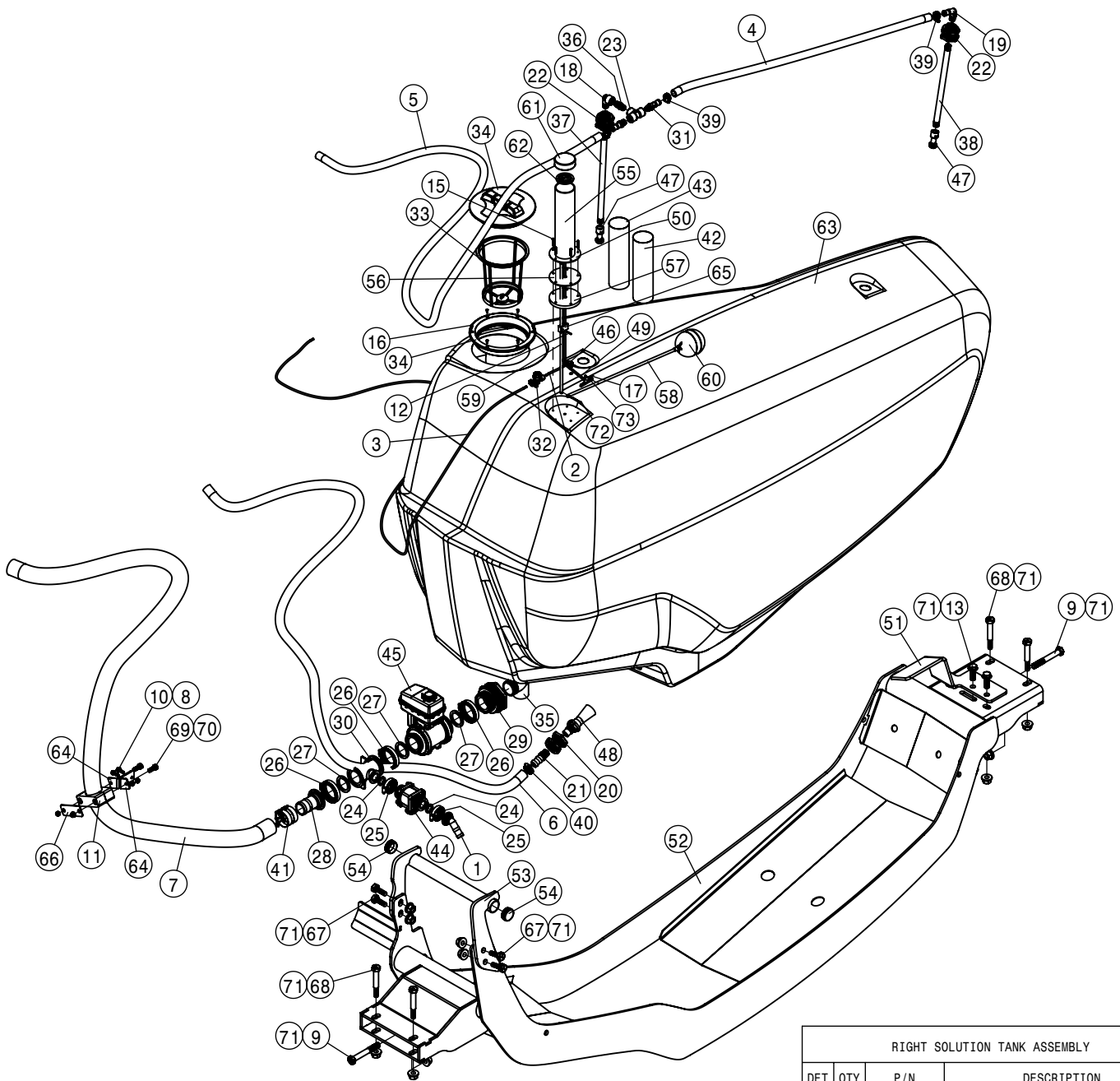


LADDER ASSEMBLY			
DET	QTY	P/N	DESCRIPTION
1	2	121102	LADDER PIVOT BEARING, POLYGON
2	1	344919	TUBE-LADDER MOUNT, DTS
3	1	471005	GREASE ZERK, 1/4-28 X 1/2
4	2	900003	1/4UNC X 1" HEX BOLT
5	2	914000	1/4UNC HEX STOVER NUT
6	1	343946	LADDER W/DECAL DTS
7	1	N403721	LABEL, DO-NOT-RIDE
8	1	HXE19558	LABEL, CAUTION



RINSE TANK ASSEMBLY			
DET	QTY	P/N	DESCRIPTION
1	2	195908-015	HOSE 3/4ID-1/8W CLEAR VINYL
2	1	195908-029	HOSE 3/4ID-1/8W CLEAR VINYL
3	1	195908-066	HOSE 3/4ID-1/8W CLEAR VINYL
4	1	197116-017	HOSE 1IN 1-FBR BR BLK EPDM
5	4	317734	BUCKLE-1 STRAP, DTS TANK TIEDOWN
6	4	470087	3/8UNC HEX SERR FLANGE NUT
7	20	470232	5/16UNC X 1/2 HHSFB GR5 MC
8	1	500022	3/4NPT-3/4HOSE BARB, POLY
9	1	500043	3/4NPT PIPE PLUG, POLY
10	2	500054	3/4NPT-90-3/4 HOSE BARB, POLY
11	4	500157	1" FLANGE GASKET EPDM
12	4	500159	1" FLANGE CLAMP S.S.
13	2	500163	1" FLANGE-1" MNPT ADPTR POLY
14	2	500171	1" FLANGE-1" HOSE BARB POLY

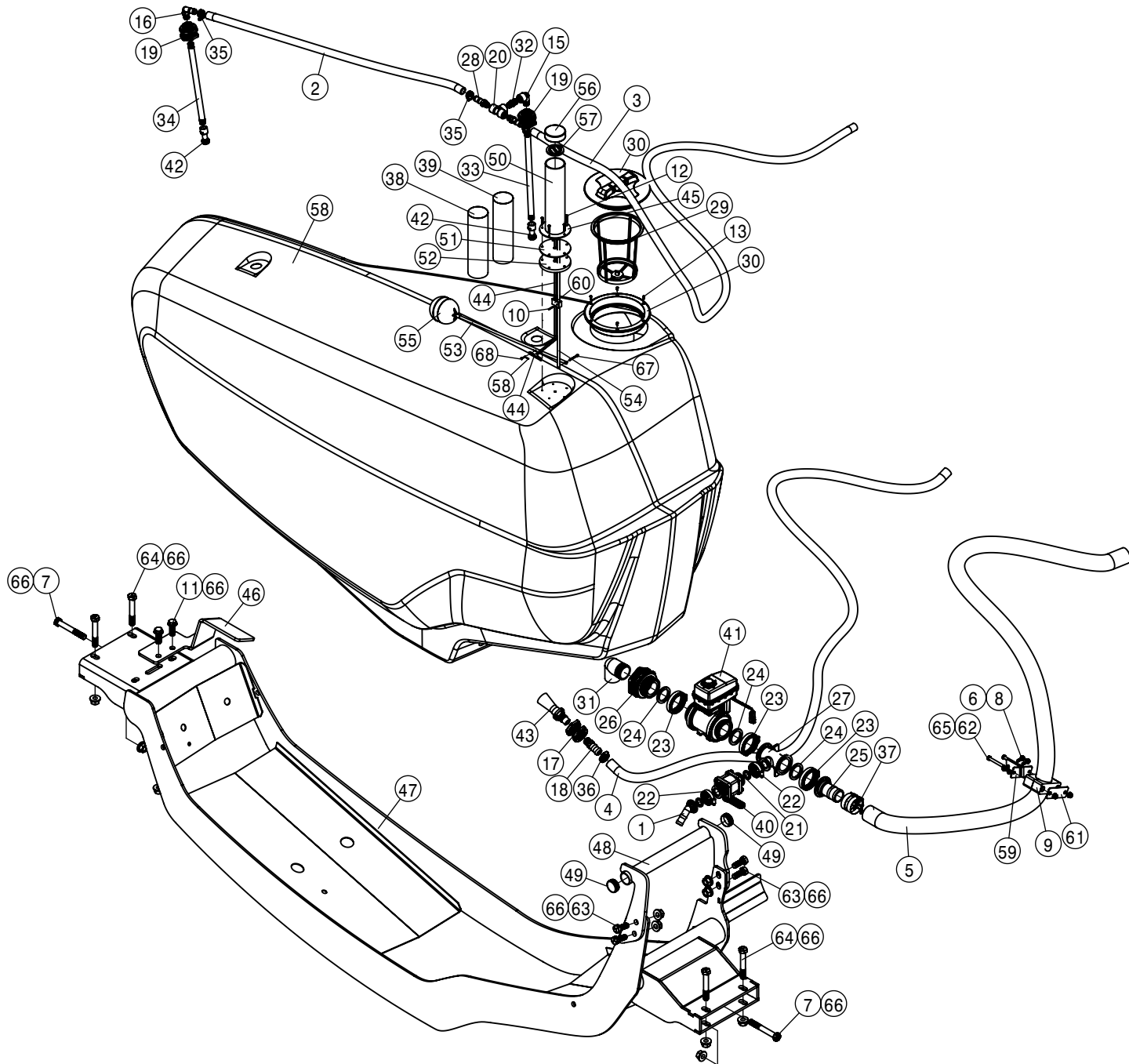
RINSE TANK ASSEMBLY			
DET	QTY	P/N	DESCRIPTION
15	2	500340	3/4 HOSE BARB 90, BLKHD POLY
16	1	505218	3/4 NPT PIPE TEE, POLY
17	7	520082	HOSE CLAMP NO 16 DBL WIRE
18	2	520090	HOSECLAMP NO 16 STAINLESS
19	1	650114	DECAL, FILL WITH FRESH WATER
20	1	690098	3/4NPT CLOSE NIPPLE, POLY
21	4	701301	J-BOLT, 3/8-16 X 8.0
22	2	763905	STRAP-.12 X 2.00 X 15.50
23	2	763906	STRAP-.12 X 2.00 X 38.00
24	1	503102	1" FLANGE CHECK VALVE
25	1	696196	3/4" ELEG BALL VALVE SS 1" FLG
26	1	760904	RINSE TANK ASMY-DTS
27	1	362335	TOP BRACE-DTS TANK TIEDOWN
28	5	362337	BRACKET-TANK SUPPORT



RIGHT SOLUTION TANK ASSEMBLY			
DET	QTY	P/N	DESCRIPTION
1	1	166149	1" FLANGE-45-1" HOSE BARB POLY
2	1	195906-004	1/40D AIR BRAKE TUBING J844-A
3	1	195906-121	1/40D AIR BRAKE TUBING J844-A
4	1	197112-050	HOSE 3/4 1-FBR BR BLK EPDM
5	1	197112-116	HOSE 3/4 1-FBR BR BLK EPDM
6	1	197116-120	HOSE 1IN 1-FBR BR BLK EPDM
7	1	197133-115	HOSE 2" SUCTION, 2F-1W EPDM
8	2	470113	5/16UNC SERR FLG LOCK NUT
9	2	470131	3/4UNC X 5 1/2 HEX BOLT GR8
10	2	470234	5/16UNC X 1" SERR FLG HEX BOLT
11	1	470717	CLAMP BODY 2.5 OD
12	1	472341	ROLL PIN, 1/8 X 7/8 SS
13	2	472367	3/4UNC X 2" SM FLG BOLT GR8 YZ
14	1	473010	3/8-16UNC NYLOCK NUT SS
15	5	474014	#8 X 1 1/4 PAN HD SCR SS SQ DR
16	6	474021	#6 X 1/2 PAN HD SHT MTL SCR SS
17	1	475017	COTTER PIN 3/64 X 1/2 SS
18	1	500044	1/2NPT-90 ST EL, POLY
19	1	500072	1/2 NPT-90- 3/4 HOSE BARB, POLY
20	1	500110	3/4NPT BLKHD TANK FITTING POLY
21	1	500123	3/4NPT-1"HOSE BARB, POLY
22	2	500131	1/2"NPT TANK FLANGE POLY
23	1	500143	1/2 NPT PIPE TEE, POLY

RIGHT SOLUTION TANK ASSEMBLY			
DET	QTY	P/N	DESCRIPTION
24	2	500157	1" FLANGE GASKET EPDM
25	2	500159	1" FLANGE CLAMP S.S.
26	3	500194	2" FP FLANGE CLAMP S.S.
27	3	500195	2" FP FLANGE GASKET EPDM
28	1	500196	2"FP FLANGE-2"HOSE BARB POLY
29	1	500271	2"FP BULKHEAD 2" NPT
30	1	500272	2"FP FLANGE TEE X 1" FLANGE TEE
31	2	500319	1/2NPT-3/4 HOSE BARB POLY
32	1	500320	CHECK VLV 1/4" PUSH TO CONNECT
33	1	500321	STRAINER BASKET 18 MESH
34	1	500322	TANK LID, 210MM DIA
35	1	500371	SIPHON TUBE 2"NPT, POLY 3.57LG
36	1	503101	1/2NPT CLOSE NIPPLE, POLY
37	1	507032	SS PIPE NIPPE, .50NPT-16.00
38	1	507033	SS PIPE NIPPE, .50NPT-14.00
39	3	520080	HOSE CLAMP NO 10 STAINLESS
40	1	520090	HOSECLAMP NO 16 STAINLESS
41	2	520141	2.31/2.62 T-BOLT HOSE CLAMP SS
42	1	650494	DTS DECAL GALLONS
43	1	650495	DTS DECAL LITERS
44	1	696147	BALL VLV, 1" FLANGE
45	1	696258	KZCO, 1 1/2" VALVE
46	1	711040	1/4MNPT-90-1/4 NYL TUBE LBO

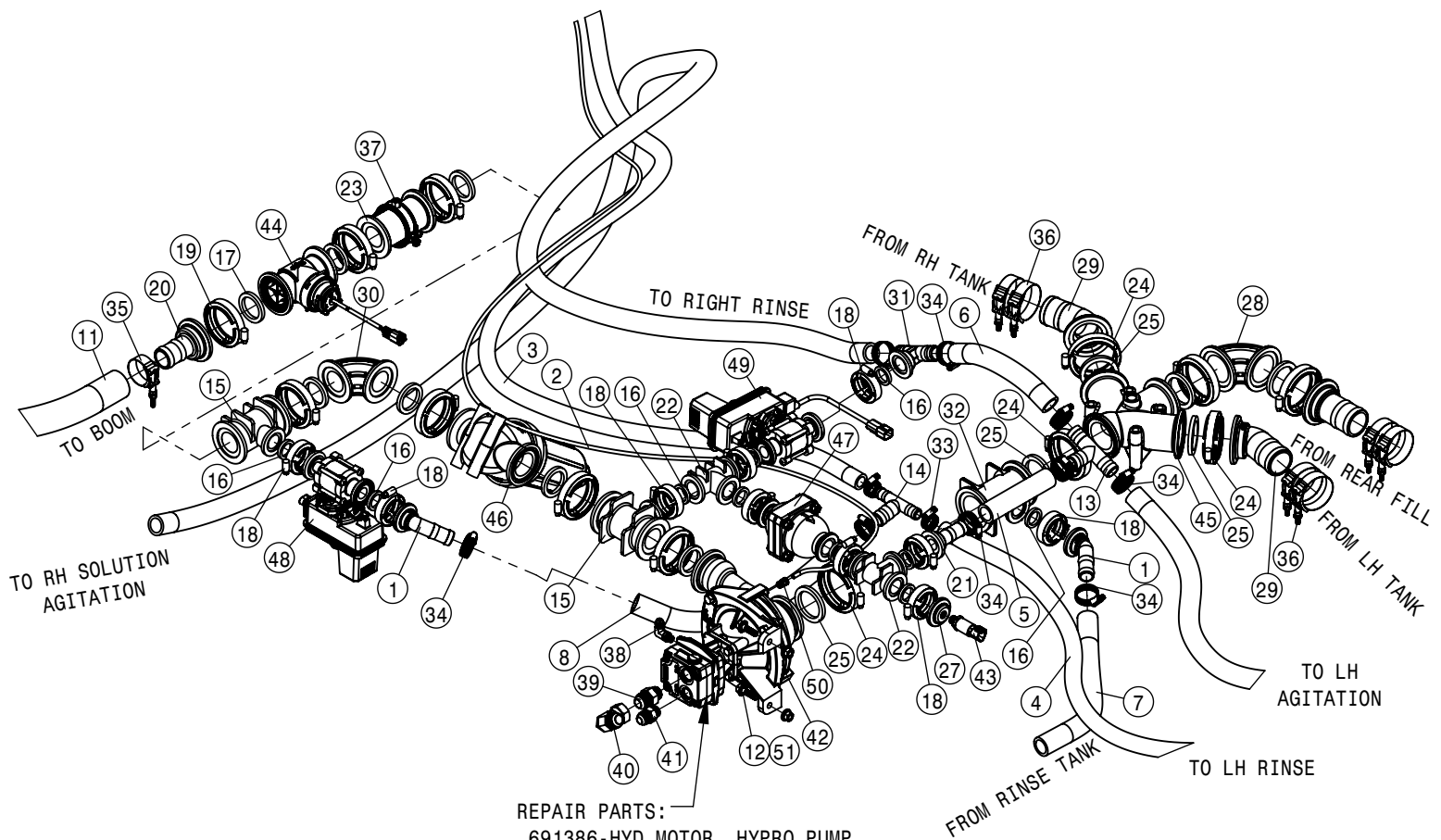
RIGHT SOLUTION TANK ASSEMBLY			
DET	QTY	P/N	DESCRIPTION
47	2	737953	NOZZLE,PROCLEAN TANKWASH
48	1	737955	JET AGITAITON NOZZLE HYPRO
49	1	763648	LEVEL INDICATION WLD
50	1	763649	LEVEL INDICATOR ATTACH WLD
51	1	763857	RH SOLU TANK CLAMP PLT, DTS
52	1	763881	RH SOLU TANK CRDL WLD, DTS
53	1	763883	RH SOLU TANK CRDL CLAMP, DTS
54	2	763885	1.75" ID TUBE END CAP
55	1	763893	SIGHT GAUGE LEVEL TUBE
56	1	763895	DTS SIGHT GAUGE GASKET
57	1	763896	DTS SIGHT GAUGE BASE
58	1	763897	SIGHT GAUGE FLOAT ROD
59	1	763898	DTS SIGHT GAUGE PIVOT
60	1	763901	FLOAT POLY, 3.9" X 5.75"
61	1	763902	CAP 3" ID X 1" BLACK VINYL
62	1	763903	TANK LEVEL INDICATOR
63	1	763919	DTS 10 SOLUTION TANK RH '16
64	2	763921	DTS SUCTION HOSE MNT RH
65	1	763923	GUIDE BLOCK
66	1	763924	COVER PLATE FOR 470717
67	4	900403	3/4UNC X 2 HHCS GR5 MC
68	4	900412	3/4UNC X 5 HHCS GR5 MC
69	2	900522	1/2UNF X 1 1/4 HHCS GR5 MC
70	1	910106	3/8-16UNC CTRLK FLG NUT MC GR5
71	12	910111	3/4-10UNC CTRLK FLG NUT MC GR5
72	1	910123	COTTER PIN 3/16 X 1 1/2 SS
73	1	910136	CLEVIS PIN, 1/8DIA X .75



LEFT SOLUTION TANK ASSEMBLY			
DET	QTY	P/N	DESCRIPTION
1	1	166149	1"FLANGE-45-1" HOSE BARB POLY
2	1	197112-050	HOSE 3/4 1-FBR BR BLK EPDM
3	1	197112-124	HOSE 3/4 1-FBR BR BLK EPDM
4	1	197116-124	HOSE 1IN 1-FBR BR BLK EPDM
5	1	197133-115	HOSE 2" SUCTION, 2F-1W EPDM
6	2	470113	5/16UNC SERR FLG LOCK NUT
7	2	470131	3/4UNC X 5 1/2 HEX BOLT GR8
8	2	470234	5/16UNC X 1" SERR FLG HEX BOLT
9	1	470717	CLAMP BODY 2.5 OD
10	1	472341	ROLL PIN, 1/8 X 7/8 SS
11	2	472367	3/4UNC X 2" SM FLG BOLT GR8 YZ
12	5	474014	#8 X 1 1/4 PAN HD SCR SS SQ DR
13	6	474021	#6 X 1/2 PAN HD SHT MTL SCR SS
14	1	475017	COTTER PIN 3/64 X 1/2 SS
15	1	500044	1/2NPT-90 ST EL, POLY
16	1	500072	1/2 NPT-90- 3/4 HOSE BARB, POLY
17	1	500110	3/4NPT BLKHD TANK FITTING POLY
18	1	500123	3/4NPT-1"HOSE BARB, POLY
19	2	500131	1/2"NPT TANK FLANGE POLY
20	1	500143	1/2 NPT PIPE TEE, POLY
21	2	500157	1" FLANGE GASKET EPDM
22	2	500159	1" FLANGE CLAMP S.S.
23	3	500194	2" FP FLANGE CLAMP S.S.

LEFT SOLUTION TANK ASSEMBLY			
DET	QTY	P/N	DESCRIPTION
24	3	500195	2" FP FLANGE GASKET EPDM
25	1	500196	2"FP FLANGE-2"HOSE BARB POLY
26	1	500271	2"FP BULKHEAD 2" NPT
27	1	500272	2" FP FLANGE TEE X 1" FLANGE TEE
28	2	500319	1/2NPT-3/4 HOSE BARB POLY
29	1	500321	STRAINER BASKET 18 MESH
30	1	500322	TANK LID, 210MM DIA
31	1	500371	SIPHON TUBE 2"NPT, POLY 3.57LG
32	1	503101	1/2NPT CLOSE NIPPLE, POLY
33	1	507032	SS PIPE NIPPE, .50NPT-16.00
34	1	507033	SS PIPE NIPPE, .50NPT-14.00
35	3	520080	HOSE CLAMP NO 10 STAINLESS
36	1	520090	HOSECLAMP NO 16 STAINLESS
37	2	520141	2.31/2.62 T-BOLT HOSE CLAMP SS
38	1	650494	DTS DECAL GALLONS
39	1	650495	DTS DECAL LITERS
40	1	696147	BALL VLV, 1" FLANGE
41	1	696258	KZCO, 1 1/2" VALVE
42	2	737953	NOZZLE,PROCLEAN TANKWASH
43	1	737955	JET AGITAITON NOZZLE HYPRO
44	1	763648	LEVEL INDICATION WLD
45	1	763649	LEVEL INDICATOR ATTACH WLD
46	1	763875	LH SOLU TANK CLAMP PLT, DTS

LEFT SOLUTION TANK ASSEMBLY			
DET	QTY	P/N	DESCRIPTION
47	1	763882	LH SOLU TANK CRDL WLD, DTS
48	1	763884	LH SOLU TANK CRDL CLAMP, DTS
49	2	763885	1.75" ID TUBE END CAP
50	1	763893	SIGHT GAUGE LEVEL TUBE
51	1	763895	DTS SIGHT GAUGE GASKET
52	1	763896	DTS SIGHT GAUGE BASE
53	1	763897	SIGHT GAUGE FLOAT ROD
54	1	763898	DTS SIGHT GAUGE PIVOT
55	1	763901	FLOAT POLY, 3.9" X 5.75"
56	1	763902	CAP 3" ID X 1" BLACK VINYL
57	1	763903	TANK LEVEL INDICATOR
58	1	763918	HOSECLAMP NO 16 STAINLESS
59	2	763920	DTS SUCTION HOSE MNT LH
60	1	763923	GUIDE BLOCK
61	1	763924	COVER PLATE FOR 470717
62	2	900140	3/8UNC X 4 HHCS GR5 MC
63	4	900403	3/4UNC X 2 HHCS GR5 MC
64	4	900412	3/4UNC X 5 HHCS GR5 MC
65	2	910106	3/8-16UNC CTRLK FLG NUT MC GR5
66	12	910111	3/4-10UNC CTRLK FLG NUT MC GR5
67	1	910123	COTTER PIN 3/16 X 1 1/2 SS
68	1	910136	CLEVIS PIN, 1/8DIA X .75

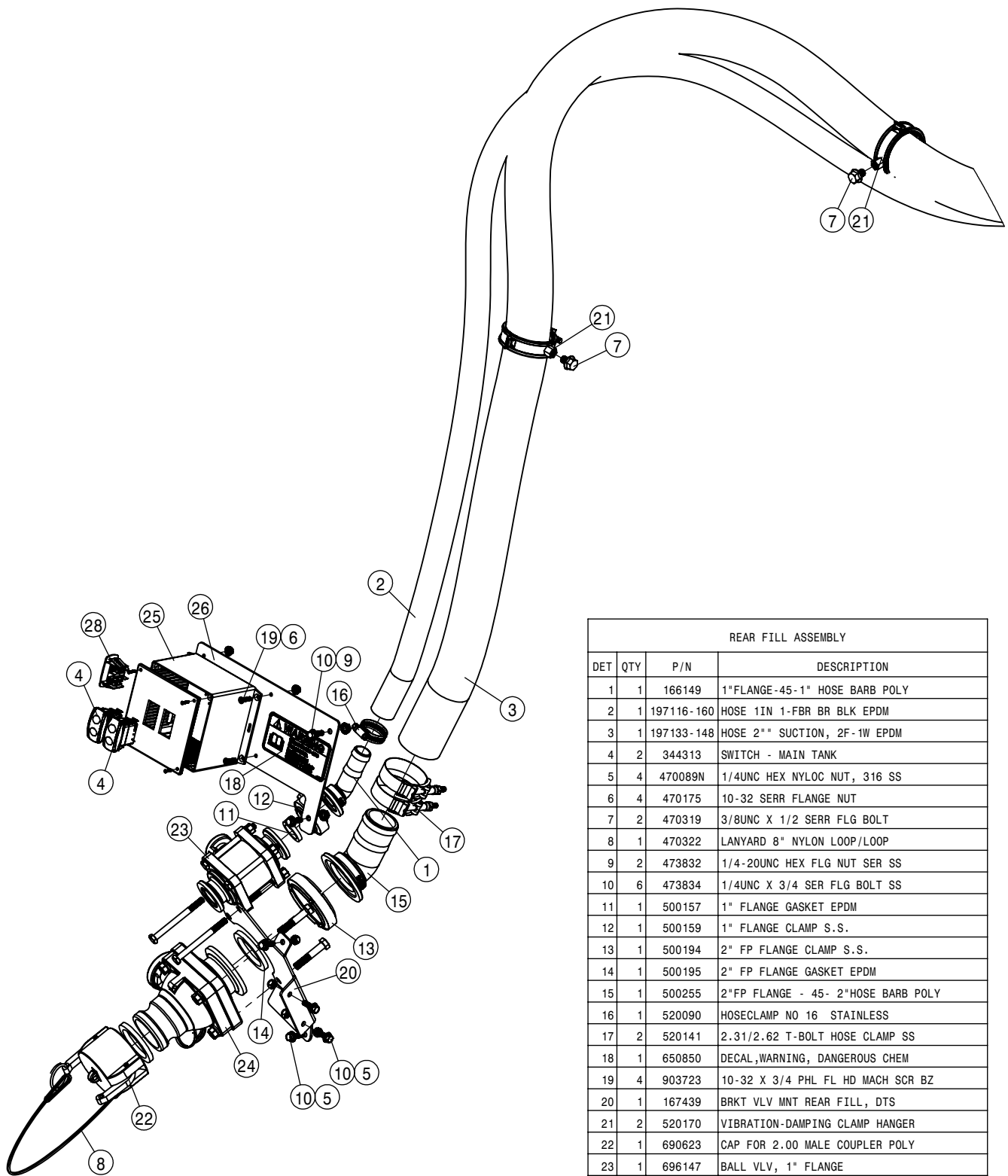


REPAIR PARTS:

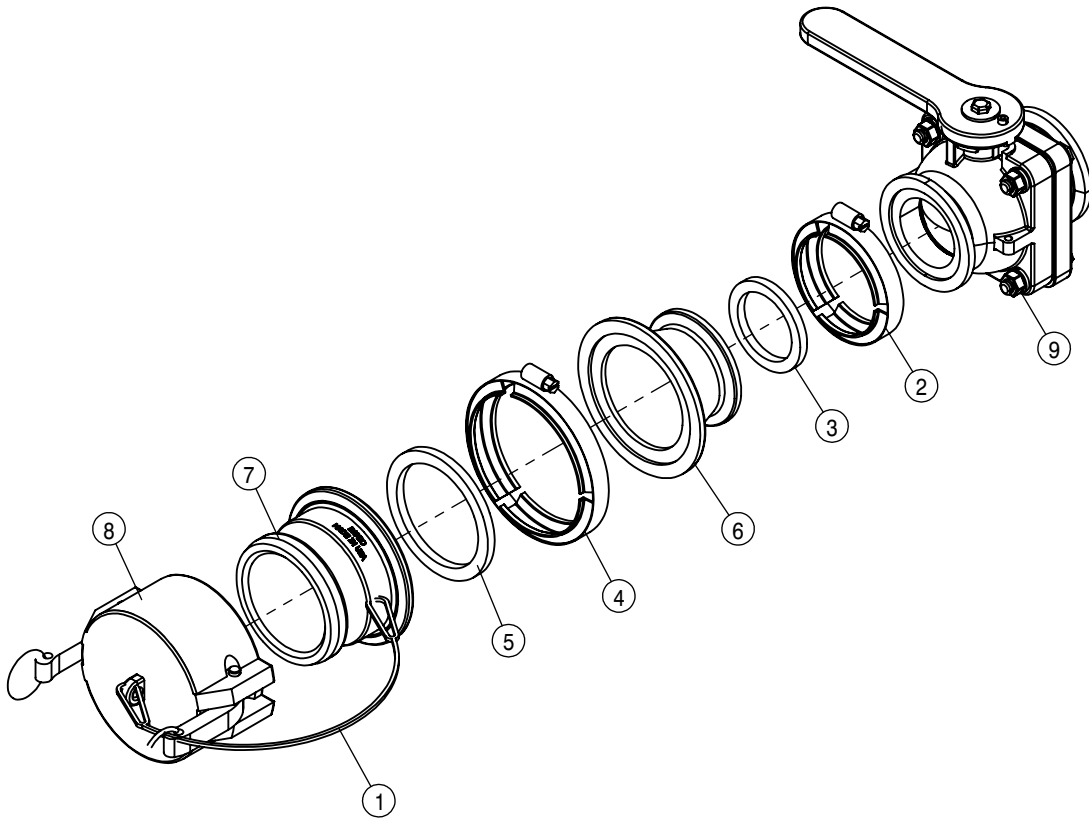
- 691386-HYD MOTOR, HYPRO PUMP
- 690944-SEAL KIT,SILICON HYPRO
- 690253-IMPELLER HYPRO HM1 PUMP
- 691168-MOTOR REPAIR KIT

SOLUTION PUMP ASSEMBLY			
DET	QTY	P/N	DESCRIPTION
1	2	166149	1"FLANGE-45-1" HOSE BARB POLY
2	1	195906-121	1/40D AIR BRAKE TUBING J844-A
3	1	197112-116	HOSE 3/4 1-FBR BR BLK EPDM
4	1	197112-124	HOSE 3/4 1-FBR BR BLK EPDM
5	1	197116-006	HOSE 1IN 1-FBR BR BLK EPDM
6	1	197116-009	HOSE 1IN 1-FBR BR BLK EPDM
7	1	197116-015	HOSE 1IN 1-FBR BR BLK EPDM
8	1	197116-017	HOSE 1IN 1-FBR BR BLK EPDM
9	1	197116-120	HOSE 1IN 1-FBR BR BLK EPDM
10	1	197116-124	HOSE 1IN 1-FBR BR BLK EPDM
11	1	197127-153	HOSE 1 1/2" SUCTION,2F-1W EPDM
12	2	470329	3/8UNC X 1 1/4 HHSFB GR5 MC
13	1	500105	1.00 HOSE BARB TEE, POLY
14	1	500121	1"BRNCH-3/4 HOSE BARB TEE,POLY
15	2	500150	2" FLANGE-1" BRANCH TEE POLY
16	10	500157	1" FLANGE GASKET EPDM
17	7	500158	1 1/2" GASKET FOR 2" FLANGE
18	10	500159	1" FLANGE CLAMP S.S.
19	7	500160	2" FLANGE CLAMP S.S.
20	1	500162	2" FLANGE-1 1/2 HOSE BARB POLY
21	1	500171	1" FLANGE-1" HOSE BARB POLY
22	2	500175	1" FLANGE TEE, POLY
23	1	500177	2" FLANGE-2" FLANGE CPLR POLY
24	6	500194	2" FP FLANGE CLAMP S.S.
25	6	500195	2" FP FLANGE GASKET EPDM
26	1	500196	2"FP FLANGE-2"HOSE BARB POLY

SOLUTION PUMP ASSEMBLY			
DET	QTY	P/N	DESCRIPTION
27	1	500226	1" FLANGE PLUG W/1/4"FNPT POLY
28	1	500254	2"FP FLANGE-90-2"FP SWEEP LBO
29	2	500255	2"FP FLANGE - 45- 2"HOSE BARB POLY
30	1	500266	2" FLANGE SWEEP 90
31	1	500268	1" FLANGE HOSE BARB TEE
32	1	500272	2" FP FLANGE TEE X 1" FLANGE TEE
33	2	520080	HOSE CLAMP NO 10 STAINLESS
34	9	520090	HOSECLAMP NO 16 STAINLESS
35	1	520133	1.81/2.06 T-BOLT HOSE CLAMP SS
36	6	520141	2.31/2.62 T-BOLT HOSE CLAMP SS
37	1	520170	VIBRATION-DAMPING CLAMP HANGER
38	1	618114	9/16MJIC-90-7/16MOR LBO
39	1	618189	1 1/16MJIC-7/8MOR ADPTR
40	1	618191	1 1/16MJ-90-1 1/16FJ SWIV LBO
41	1	618574	7/8MJIC-3/4MOR ADPTR
42	1	691250	HYPRO 9303C-HM1C-BU-002
43	1	691281	PRESSURE TRANSDUCER,300PSI
44	1	691427	802 FLOW METER W/DEUTSCH 3 PIN
45	1	691428	2"FP MANIFOLD 1 INLET 3 OUTLET
46	1	691429	2"SP TEE STRAINER 50 MESH
47	1	696008	PRESS RELIEF VLV,100PSI,1"FLG
48	1	696196	3/4" ELEC BALL VALVE SS 1" FLG
49	1	696198	3/4" ELEC BALL VLV SS 1FLG REG
50	1	711036	1/8MNP-1/4 NYL TUBE FTG
51	2	910106	3/8-16UNC CTRLK FLG NUT MC GR5

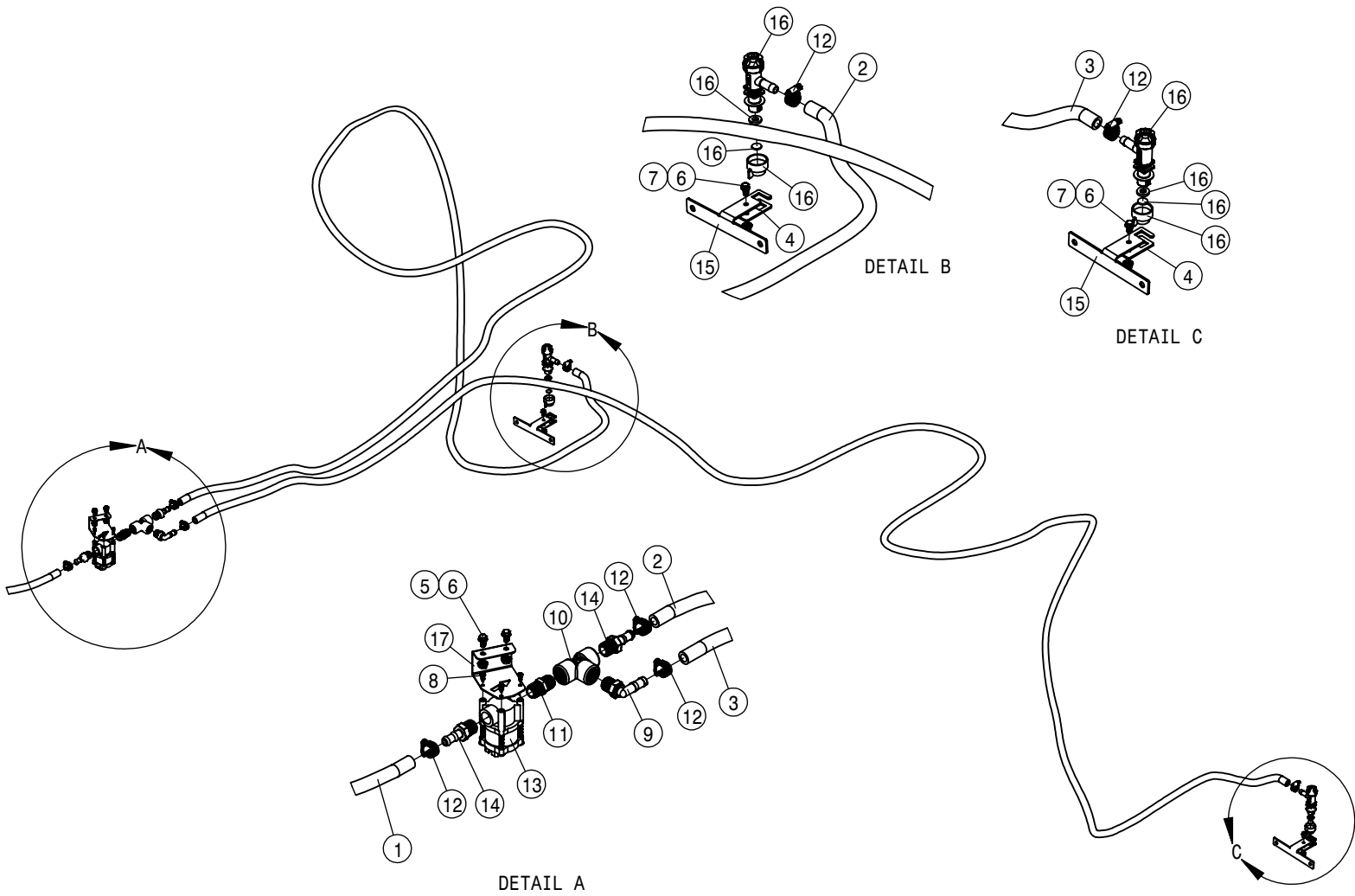


REAR FILL ASSEMBLY			
DET	QTY	P/N	DESCRIPTION
1	1	166149	1" FLANGE-45-1" HOSE BARB POLY
2	1	197116-160	HOSE 1IN 1-FBR BR BLK EPDM
3	1	197133-148	HOSE 2" SUCTION, 2F-1W EPDM
4	2	344313	SWITCH - MAIN TANK
5	4	470089N	1/4UNC HEX NYLOC NUT, 316 SS
6	4	470175	10-32 SERR FLANGE NUT
7	2	470319	3/8UNC X 1/2 SERR FLG BOLT
8	1	470322	LANYARD 8" NYLON LOOP/LOOP
9	2	473832	1/4-20UNC HEX FLG NUT SER SS
10	6	473834	1/4UNC X 3/4 SER FLG BOLT SS
11	1	500157	1" FLANGE GASKET EPDM
12	1	500159	1" FLANGE CLAMP S.S.
13	1	500194	2" FP FLANGE CLAMP S.S.
14	1	500195	2" FP FLANGE GASKET EPDM
15	1	500255	2"FP FLANGE - 45- 2"HOSE BARB POLY
16	1	520090	HOSECLAMP NO 16 STAINLESS
17	2	520141	2.31/2.62 T-BOLT HOSE CLAMP SS
18	1	650850	DECAL,WARNING, DANGEROUS CHEM
19	4	903723	10-32 X 3/4 PHL FL HD MACH SCR BZ
20	1	167439	BRKT VLV MNT REAR FILL, DTS
21	2	520170	VIBRATION-DAMPING CLAMP HANGER
22	1	690623	CAP FOR 2.00 MALE COUPLER POLY
23	1	696147	BALL VLV, 1" FLANGE
24	1	696151	2"FP STUBBY VLV-2"MALE CPLR
25	1	691406	SIDE FILL SWITCH BOX, DTS '16
26	1	691325	SWITCH BOX BRACKET
NS	1	294080	HARNESS,TANK VALVE SWITCH
28	1	344461	HOLE PLUG - CONTURA V



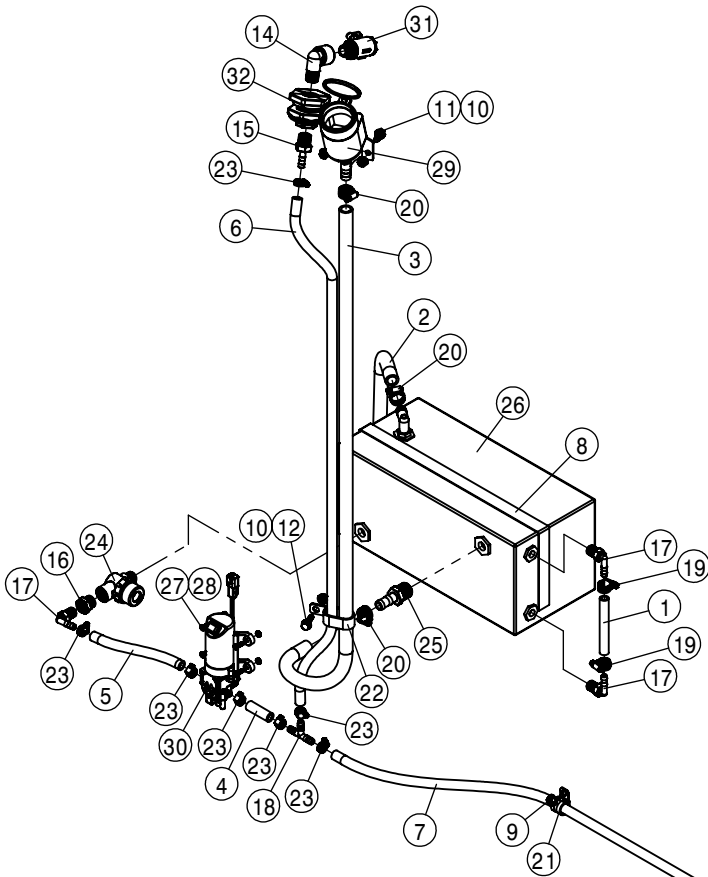
3" FILL CONNECTION ASSEMBLY			
DET	QTY	P/N	DESCRIPTION
1	1	470322	LANYARD 8" NYLON LOOP/LOOP
2	1	500194	2" FP FLANGE CLAMP S.S.
3	1	500195	2" FP FLANGE GASKET EPDM
4	1	500208	3" FLANGE CLAMP S.S.
5	1	500209	3" FLANGE GASKET EPDM
6	1	500212	3"FLANGE - 2" FP FLANGE ADTPTR
7	1	500377	3"FP FLANGE-3" MALE CPLR
8	1	696231	CAP FOR 3" MALE COUPLER POLY
9	1	696150	BALL VLV, 2"FP FLANGE STUBBY

KSF011-3" FILL CONNECTION KIT, DTS10' 16

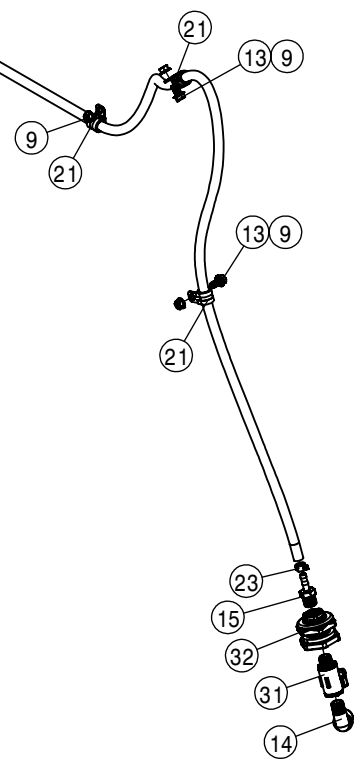


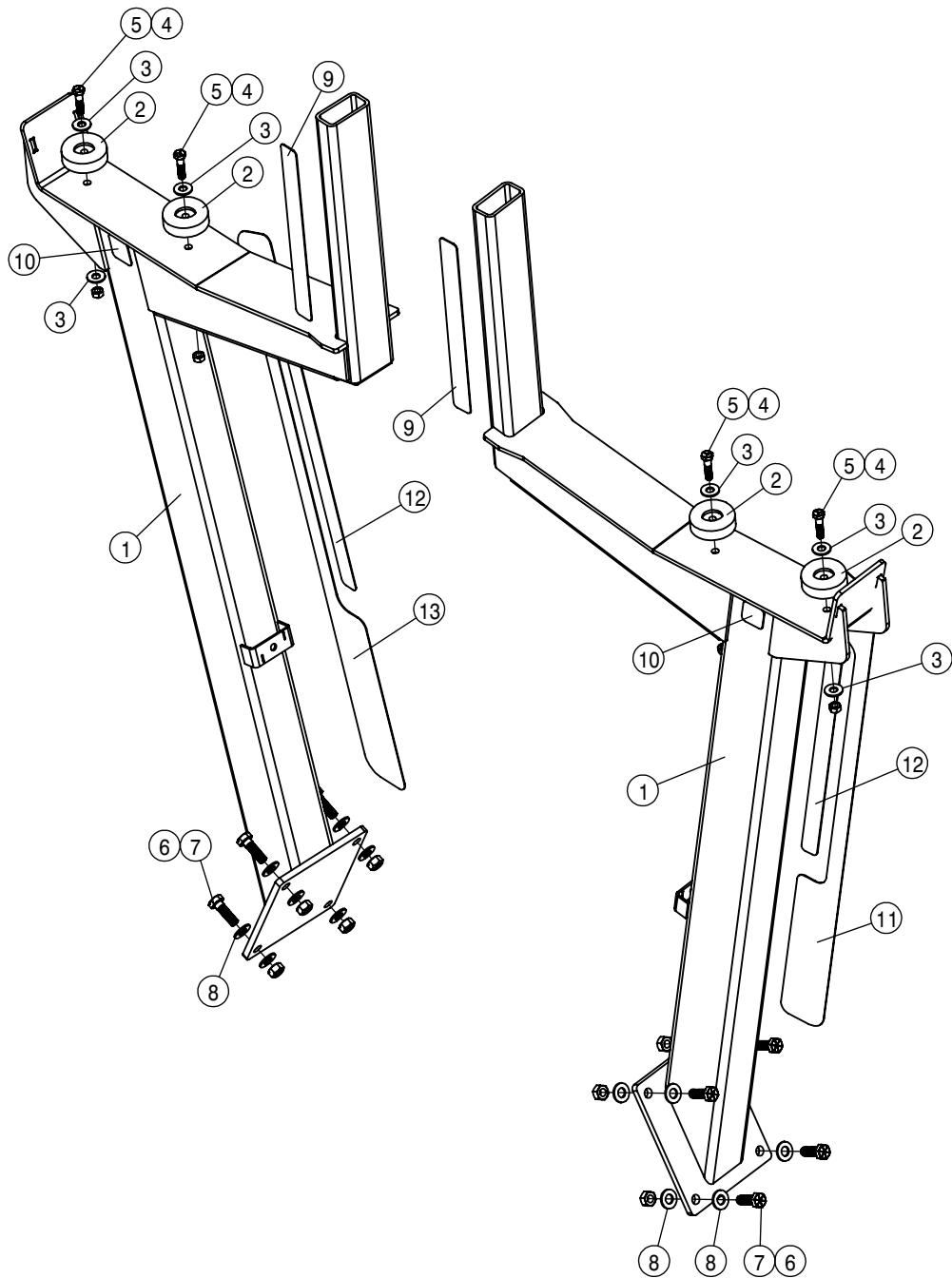
REAR NOZZLE ASSEMBLY				
DET	QTY	P/N	DESCRIPTION	
1	1	197008-164	HOSE 1/2	1-FBR BR BLK EPDM
2	1	197008-236	HOSE 1/2	1-FBR BR BLK EPDM
3	1	197008-266	HOSE 1/2	1-FBR BR BLK EPDM
4	2	360320	REAR SPRAY NOZZLE BODY CLAMP	
5	2	470121	1/4 UNC SERR FLG LOCK NUT	
6	4	470122	1/4 UNC X 1/2 SERR FLG BOLT	
7	2	473832	1/4UNC HEX FLANGE LOCK NUT SS	
8	3	473902	#8 X 1/2 PHIL PAN HD MTL SCR	
9	1	500047	1/2NPT-90-1/2 HOSE BARB, POLY	
10	1	500143	1/2 NPT PIPE TEE, POLY	
11	1	503101	1/2NPT CLOSE NIPPLE, POLY	
12	5	520069	HOSE CLAMP NO 6 STAINLESS	
13	1	696238	SOLU VLV, 1/2FNPT, 12V 150PSI	
14	2	713340	1/2NPT-1/2 HOSE BARB, POLY	
15	2	360319	REAR SPRAY BRACKET	
16	2	737827	QUICK TJET LBO, 1-TIP BODY .50	
17	1	362550	RWN VLV BRKT	



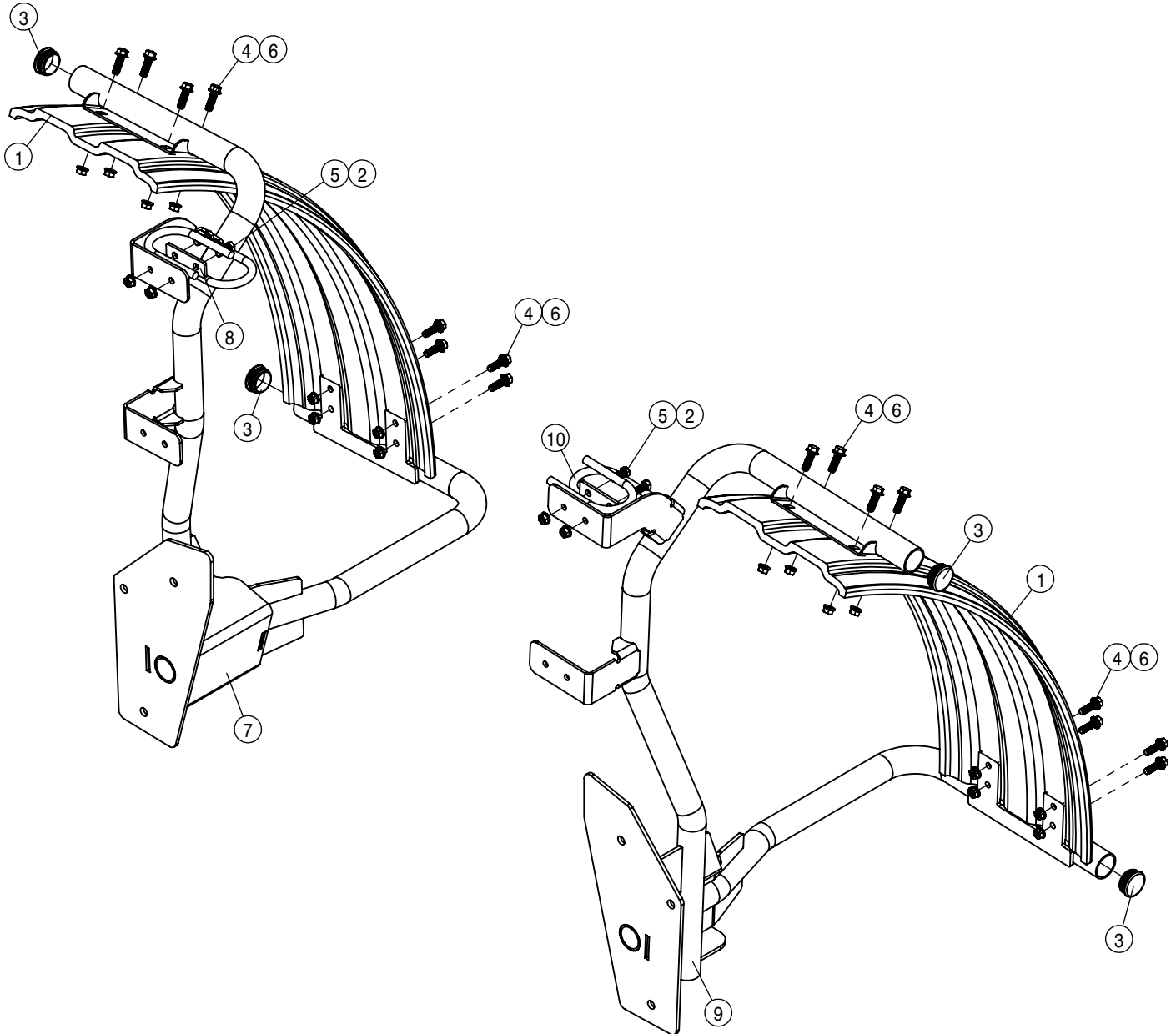


HANDWASH ASSEMBLY			
DET	QTY	P/N	DESCRIPTION
1	1	195907-005	HOSE 3/8 ID 1/8W CLEAR VINYL
2	1	195909-010	HOSE 5/8 HEATER 1-FBR BR 20R3
3	1	195909-048	HOSE 5/8 HEATER 1-FBR BR 20R3
4	1	195923-002	HOSE 3/8 1FBR BR BLK RLA
5	1	195923-008	HOSE 3/8 1FBR BR BLK RLA
6	1	195923-048	HOSE 3/8 1FBR BR BLK RLA
7	1	195923-136	HOSE 3/8 1FBR BR BLK RLA
8	1	362539	HOOK AND LOOP D-RING STRAP
9	4	470087	3/8UNC HEX SERR FLANGE NUT
10	3	470113	5/16UNC SERR FLG LOCK NUT
11	2	470233	5/16UNC X 3/4 SERR FLG HEX BOLT
12	1	470234	5/16UNC X 1" SERR FLG HEX BOLT
13	2	470409	3/8UNC X 3/4" SERR FLG BOLT
14	2	500044	1/2NPT-90 ST EL, POLY
15	2	500137	1/2" MALE THD x 3/8" HOSE SHANK
16	1	500286	1/2"-3/8"NPT REDU BUSH, POLY
17	3	500287	3/8NPT-90-3/8 HOSE BARB, POLY
18	1	500338	3/8" HOSE BARB TEE
19	2	520069	HOSE CLAMP NO 6 STAINLESS
20	3	520070	HOSE CLAMP NO 8 STAINLESS
21	4	520115	CUSH CLAMP,#12 0.75"D-3/4W LOOP
22	1	520116	CUSH HOSE CLAMP,#16, 1IN DBL TUBE
23	8	520120	HOSE CLAMP NO 4 STAINLESS
24	1	690207	IN-LINE STRAINER, 1/2 FNPT, HYPRO
25	1	713332	5/8 HOSE BARB X 3/4 NPT POLY
26	1	763922	FRESH WATER TANK, DTS
27	4	903710N	10-32 X 5/8 PHIL PANHD MACH SCR
28	4	910027	10-32 HEX NUT
29	1	343972	REMOTE FILL
30	1	470596	DIAPHRAM PUMP W/DEUTSCH CONNEC
31	2	696195	1/2FNPT-1/2MNPT MICRO BALL VLV
32	2	500131	1/2"NPT TANK FLANGE POLY

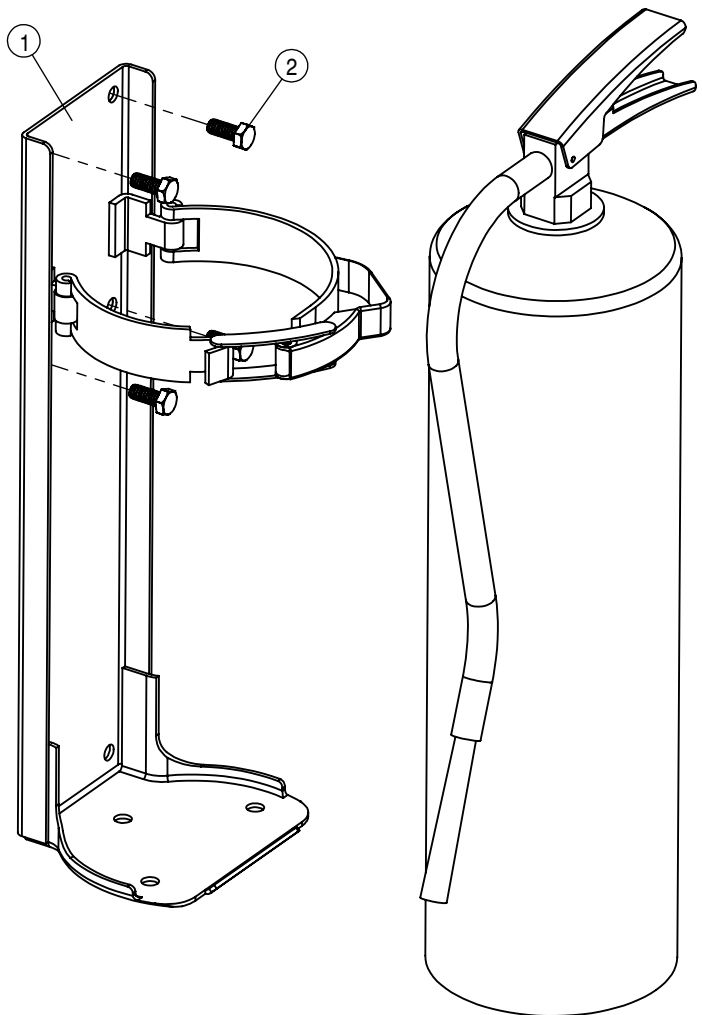




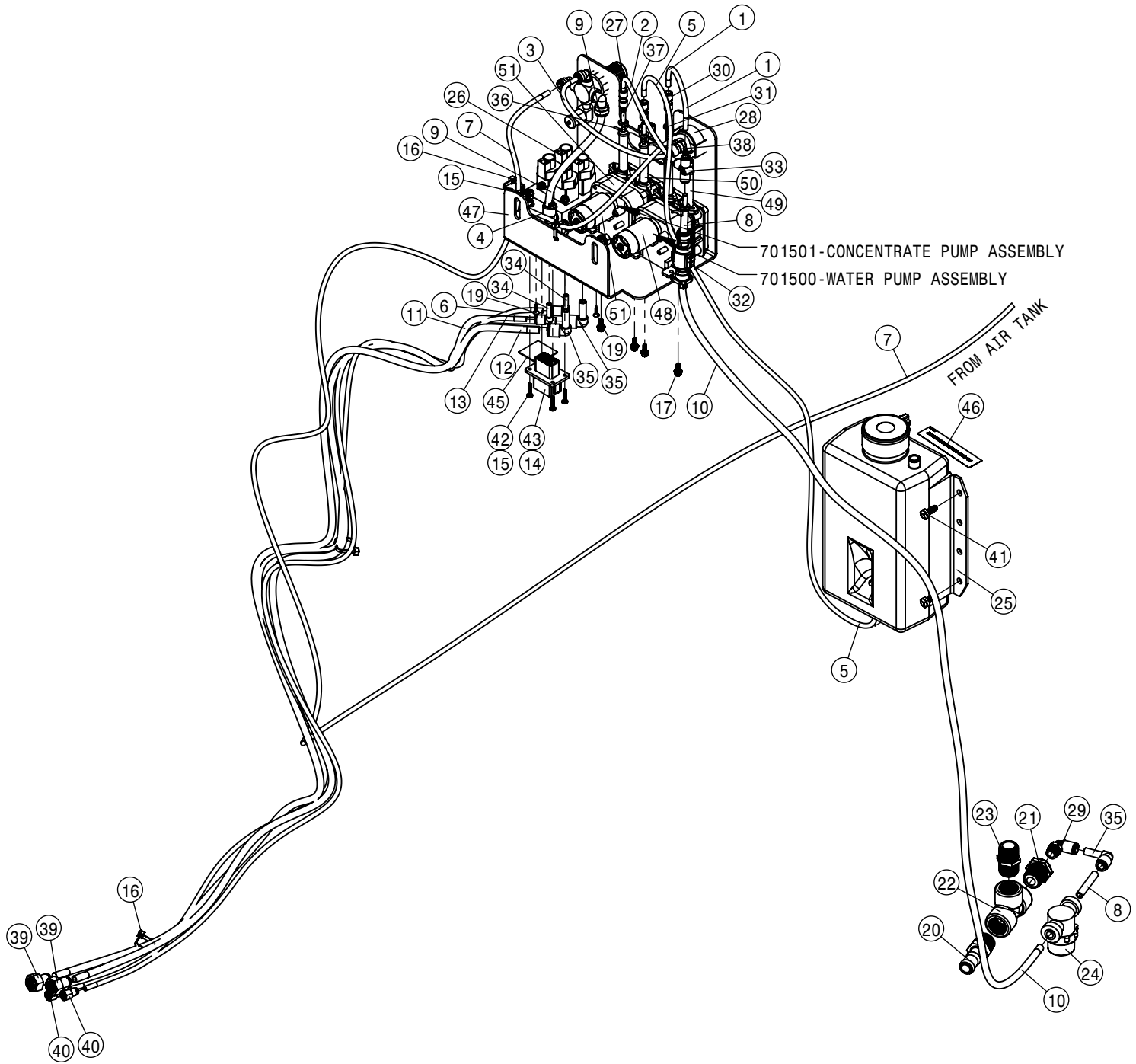
BOOM CRADLE ASSEMBLY			
DET	QTY	P/N	DESCRIPTION
1	2	167314	BM CRADLE WLD, DTS
2	4	470098	RUBBER BUMPER 2.500 OD X .375 ID
3	6	483043	USS FLAT WASHER 3/8 MC
4	4	914004	3/8-16UNC STOVER NUT MC GR5
5	4	900131	3/8UNC X 1 1/2 HHCS GR5 MC
6	8	914808	1/2-13UNC STOVER NUT MC GR8
7	8	900804	1/2UNC X 1 1/2 HHCS GR8 MC
8	16	920004	SAE FLAT WASHER 1/2 MC
9	2	650508	BOOM CRADLE REFLECTOR, DTS
10	2	650509	BOOM CRADLE DECAL, DTS
11	1	650510	LH REAR REFLECTOR, DTS
12	2	650511	REAR BOOM CRADLE REFLECTIVE DECAL, DTS
13	1	650512	RH REAR REFLECTOR, DTS



REAR FENDER ASSEMBLY			
DET	QTY	P/N	DESCRIPTION
1	2	360271	REAR FENDER, DTS
2	4	470087N	3/8UNC HEX SERR FLG NUT YZ
3	4	629772	CAPPLUGS PLUG, 1 3/4" RD, BLACK POLY
4	16	900127N	3/8UNC X 1 1/4 SER FLANGE BOLT
5	4	900129	3/8UNC X 1" HEX BOLT
6	16	910004N	3/8UNC FLANGE CNTR LOCK NUT
7	1	360247	REAR POLY FENDER WLD RH, DTS
8	1	360277	REAR FENDER HYD BKT WLD RH
9	1	360248	REAR POLY FENDER WLD LH, DTS
10	1	360279	REAR FENDER HYD BKT WLD LH



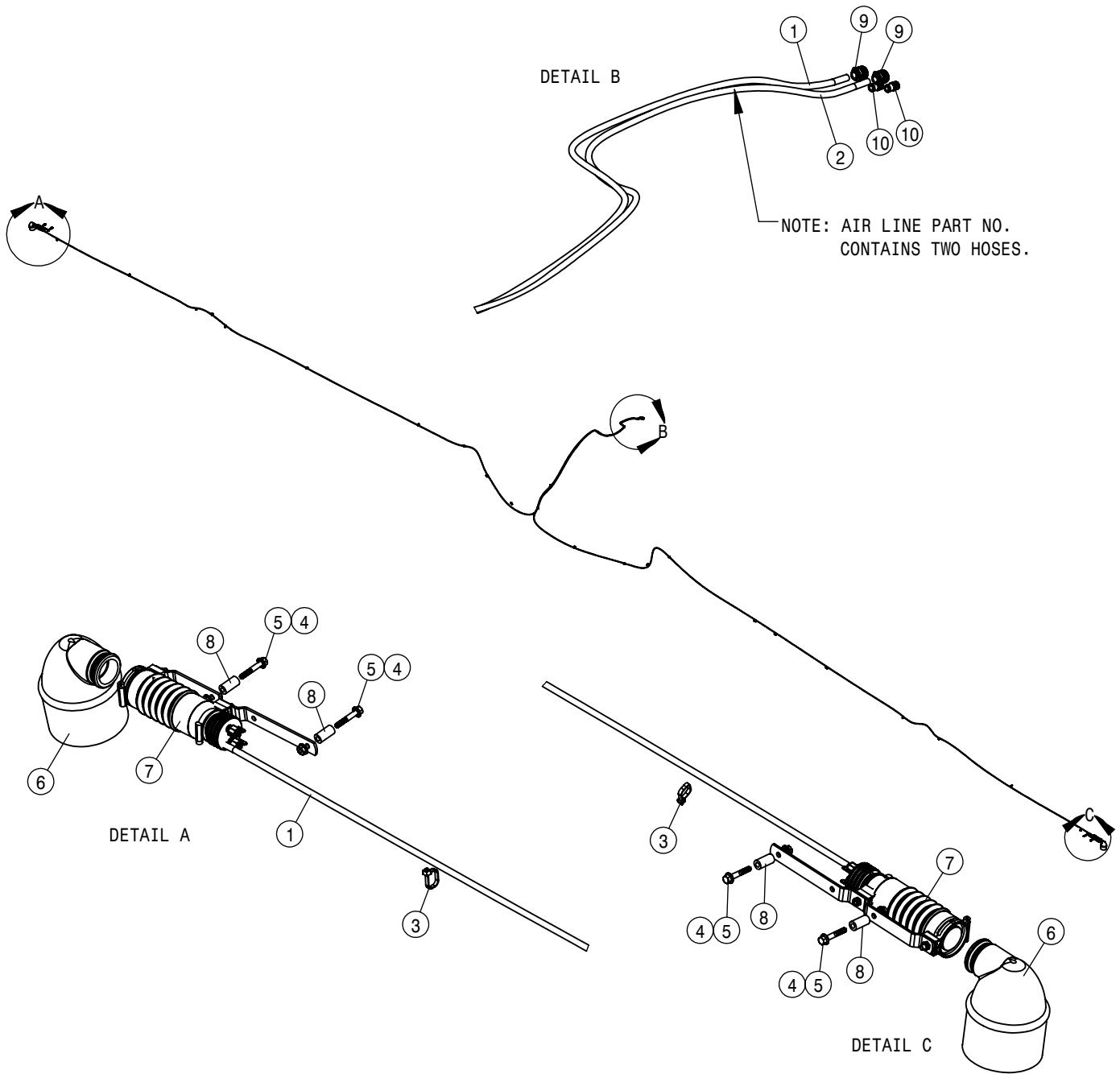
FIRE EXTINGUISHER ASSEMBLY			
DET	QTY	P/N	DESCRIPTION
1	1	490508	FIRE EXTINGUISHER 10LB ABC
2	4	900064	5/16UNC X 3/4" HEX BOLT



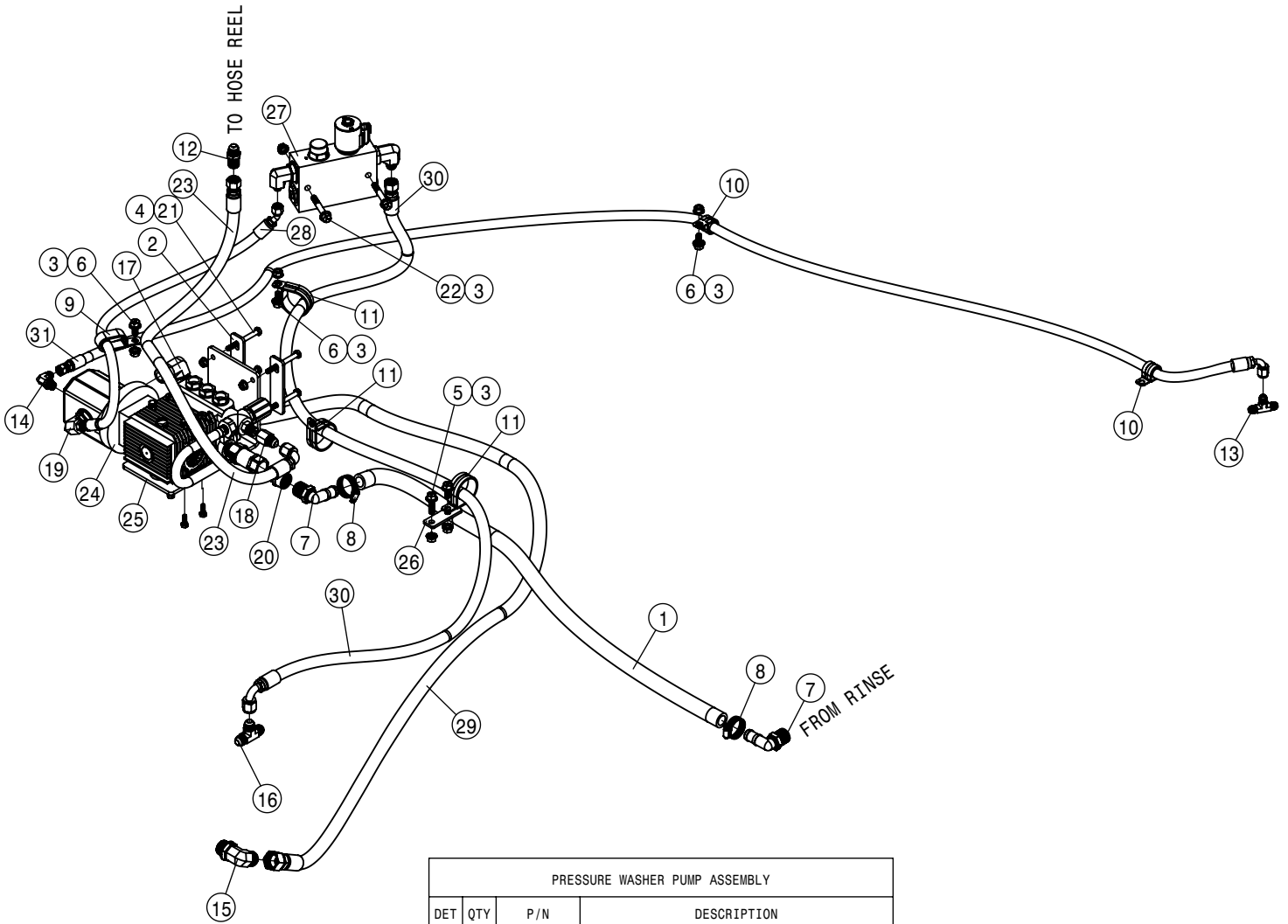
FOAMER ASSEMBLY			
DET	QTY	P/N	DESCRIPTION
1	1	195906-006	1/40D AIR BRAKE TUBING J844-A
2	1	195906-008	1/40D AIR BRAKE TUBING J844-A
3	1	195906-011	1/40D AIR BRAKE TUBING J844-A
4	1	195906-016	1/40D AIR BRAKE TUBING J844-A
5	1	195906-043	1/40D AIR BRAKE TUBING J844-A
6	1	195906-075	1/40D AIR BRAKE TUBING J844-A
7	1	195906-210	1/40D AIR BRAKE TUBING J844-A
8	2	195915-002	3/80D AIR BRAKE TUBING J844-B
9	1	195915-019	3/80D AIR BRAKE TUBING J844-B
10	1	195915-062	3/80D AIR BRAKE TUBING J844-B
11	1	195915-076	3/80D AIR BRAKE TUBING J844-B
12	1	195957-075	3/80D AIR BRAKE HOSE-A YELLOW
13	1	195963-076	1/40D NYLON TUBING,YELLOW
14	1	292105	DEUTSCH,WEDGELOCK,W12P
15	2	470087	3/8-16UNC HEX FLG NUT SER MC GR5
16	7	470154	CABLE TIE, 11.00" BLK NYLON
17	4	470215	10-32 X 1/2 SERR FLG HEX BOLT

FOAMER ASSEMBLY			
DET	QTY	P/N	DESCRIPTION
18	4	470463	8-32 SERR FLANGE NUT
19	2	473907	#10X5/8 OPHIL 8 SHT MTL SCR
20	1	500022	3/4NPT-3/4HOSE BARB, POLY
21	1	500343	3/8"-3/4" NPT REDU BUSH, POLY
22	1	505218	3/4 NPT PIPE TEE, POLY
23	1	690098	3/4NPT CLOSE NIPPLE, POLY
24	1	690251	3/8" PTC STRAINER 80 MESH
25	1	701499	1GA RESERVOIR
26	1	701502	MANIFOLD BLOCK VLV ASSY, STS'16
27	1	701503	AIR REGULATOR ASSY
28	1	701504	30 PSI AIR PRESSURE GAUGE
29	1	711041	3/8MNPT-3/8 NYL TUBE LBO
30	4	711054	1/4 NYL TUBE UNION, STRAIGHT
31	3	711086	1/4 OD PLUG IN STEM W/ BARB, POLY
32	1	711087	3/8" JG DB CHK VLV, POLY
33	1	711088	1/4 PUSH CONNECT UNION TEE, POLY
34	2	711089	1/4 OD PLUG IN ELBOW, POLY

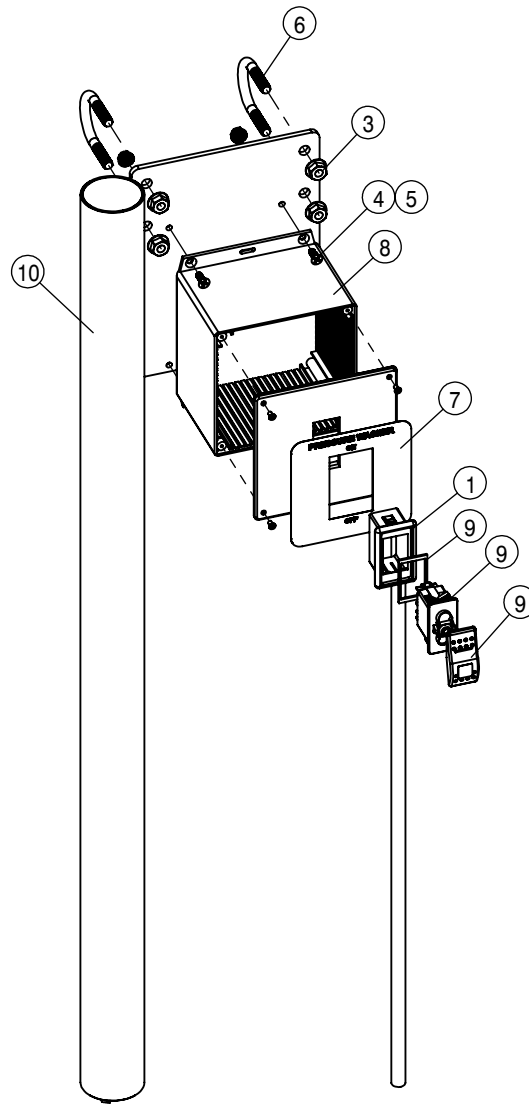
FOAMER ASSEMBLY			
DET	QTY	P/N	DESCRIPTION
35	4	711090	3/8 OD PLUG IN ELBOW, POLY
36	5	711091	3/8 OD HOSE CLAMP, STEEL YZ
37	2	711095	1/4 OD X 1/8 HOSE BARB STEM, POLY
38	1	711096	1/4"OD PUSH CONNECT X 1/8 NPT
39	2	711112	3/80D X 3/8NPT FEM CONNECT BRS
40	2	711113	1/40D X 1/8NPT FEM CONNECT BRS
41	4	900064	5/16UNC X 3/4 HHCS GR5 MC
42	4	903850	8-32 X 3/4 PHIL PAN MACH SCR BZ
43	1	292181	DEUTSCH,RECP,DT 12P,FLG MT,A
NS	1	294079	HARNES,DTS FOAMER EXTENSION
45	1	651013	DECAL, RIGHT LEFT, LIQUID, AIR
46	1	651014	FOAMER CONCENTRATE ONLY, DECAL
47	1	711093	FOAMER BRKT, DTS
48	1	701282	WATER PUMP GEAR MOTOR
49	1	701280	0.25" ID PUMP TUBE
50	1	701297	1/8" ID PUMP TUBE
51	1	701284	CONCENTRATE PUMP GEAR MOTOR



BOOM FOAMER LINES			
DET	QTY	P/N	DESCRIPTION
1	1	195958-660	AIR LIQUID TUBING 6-8mm
2	1	195958-729	AIR LIQUID TUBING 6-8mm
3	23	470154	CABLE TIE, 11.00" BLK NYLON
4	4	473832	1/4-20UNC HEX FLG NUT SER SS
5	4	473837	1/4UNC X 1 1/2 HHSFB SS
6	2	701317	FOAM NOZZLE BELL
7	2	701327	FOAM NOZZLE SUB ASSEMBLY
8	4	711108	NYLON SPACER 1/2 X 1"
9	2	711114	8MM OD X 3/8 NPT MALE CONNECTOR, BRS
10	2	711115	6MM OD X 1/8NPT MALE CONNECTOR, BRS

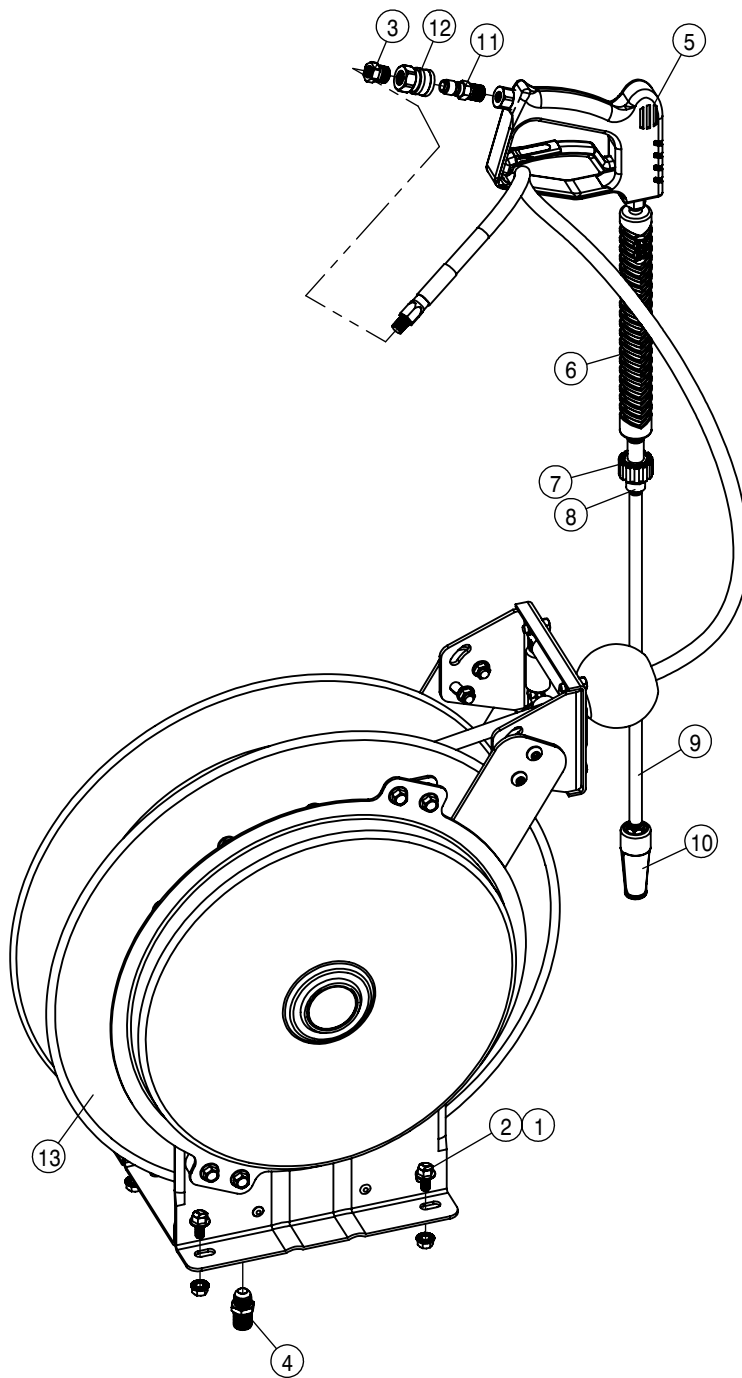


PRESSURE WASHER PUMP ASSEMBLY			
DET	QTY	P/N	DESCRIPTION
1	1	197112-038	HOSE 3/4 1-FBR BR BLK EPDM
2	2	344981	MOUNTING STRAP-PLTFRM, DTS
3	7	470087	3/8-16UNC HEX FLG NUT SER MC GR5
4	4	470113	5/16-18UNC HEX FLG NUT SER MC GR5
5	1	470329	3/8UNC X 1 1/4 HHSFB GR5 MC
6	4	470409	3/8UNC X 3/4 HHSFB GR5 MC
7	2	500054	3/4NPT-90-3/4 HOSE BARB, POLY
8	2	520090	HOSECLAMP NO 16 STAINLESS
9	1	520116	CUSH HOSE CLAMP,#16, 1IN DBL TUBE
10	2	520121	CUSH CLAMP,#16 1IN X 3/4W
11	3	520161	CUSH CLAMP,#32 2"D-3/4W LOOP
12	1	611147	3/4MJIC-1/2MNPT ADPTR
13	1	618019	9/16MJIC UNION TEE
14	1	618119	9/16MJIC-90-9/16MOR LBO
15	1	618248	1 1/16MJIC-90-1 1/16MOR LBO
16	1	618311	3/4MJIC UNION TEE
17	1	618535	7/8MJIC-90-1 1/16MOR LBO
18	1	618787	3/4MJIC-3/8FNPT ADPTR
19	1	618813	9/16MJIC-90-1 1/16MOR LBO
20	1	715449	3/4FNPT X 3/4MGHT ADPTR BRS
21	4	900072	5/16UNC X 3 HHCS GR5 MC
22	2	900507	3/8UNC X 2 1/2 HHSFB GR5 MC
23	1	617451	08-451TC-08FJX-08FJX90-37 H/A
24	1	690672	PRESSURE WASHER,PACE 320 HYD
25	1	691455	PRESSURE WASHER MT BRKT, DTS
26	1	344110	STS BRCKT PRESSURE WASHER
27	1	606543	HYD VLV 7GPM PFC
28	1	617452	06-451TC-06FJX-06FJX45-29 H/A
29	1	617453	10-451TC-10FJX45-12FJX-79 H/A
30	1	617454	08-451TC-08FJX-08FJX90-74 H/A
31	1	617455	06-451TC-06FJX-06FJX90-99

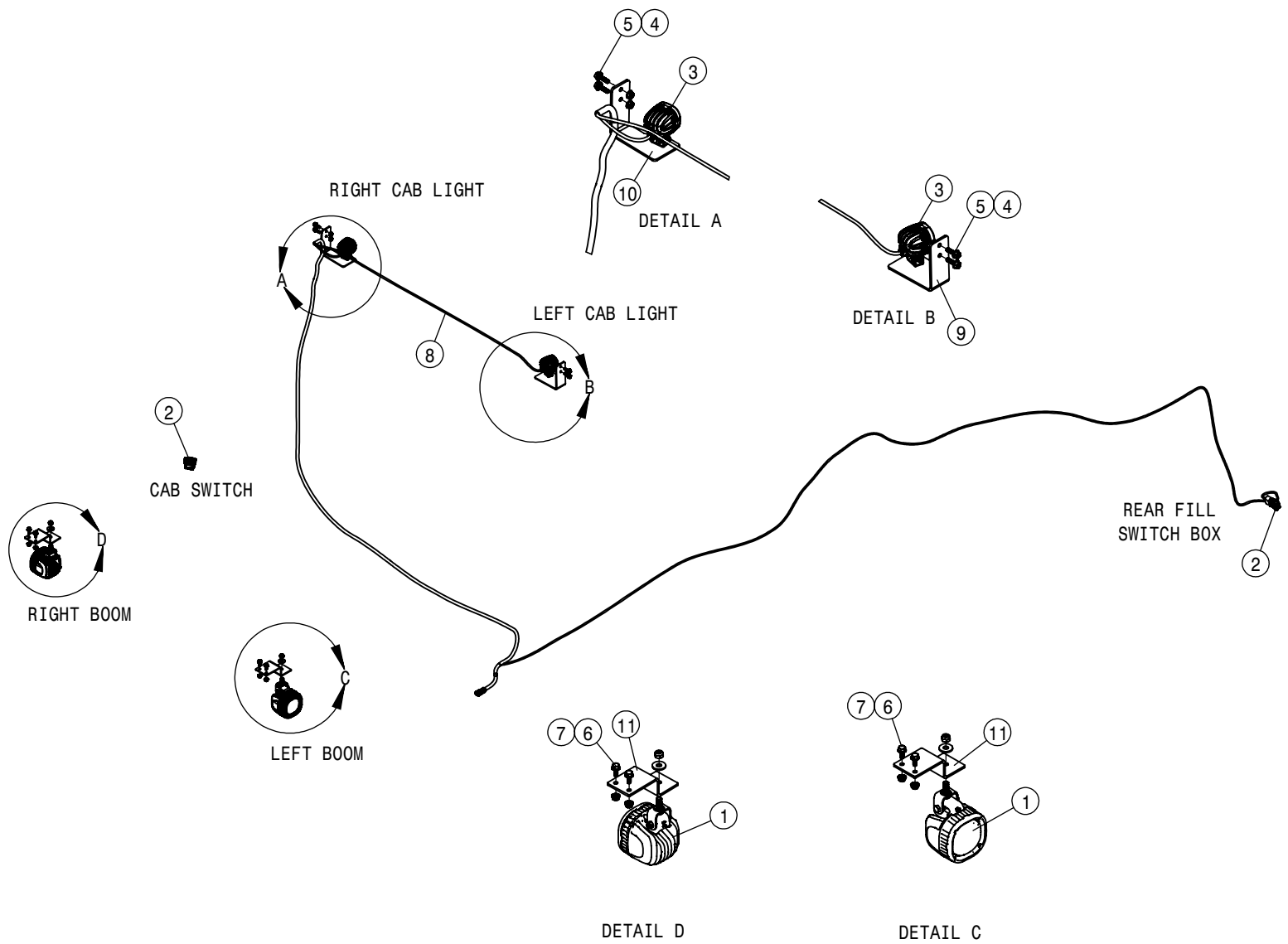


PRESSURE WASHER SWITCH BOX ASSEMBLY			
DET	QTY	P/N	DESCRIPTION
1	1	292260	MOUNTING TRIM, SINGLE VMS
NS	1	293878	PRESS WASH WIRE HARNESS, STS 07
3	4	470113	5/16-18UNC HEX FLG NUT SER MC GR5
4	4	470138	10-32 X 1/2 PHIL FLHD MACH SCR
5	4	470175	10-32 SERR FLANGE NUT
6	2	473911N	5/16UNC-1.31ID-2.00 U-BOLT YZ
7	1	650156	DECAL, PRESS WASH CTRL STS 05
8	1	690975	PRESS WASH SWTCH BOX, STS 05
9	1	292218	SWITCH,SIDE FILL PUMP/PRESWASH
10	1	691454	BRACKET WLD-PRESS WASH WAND

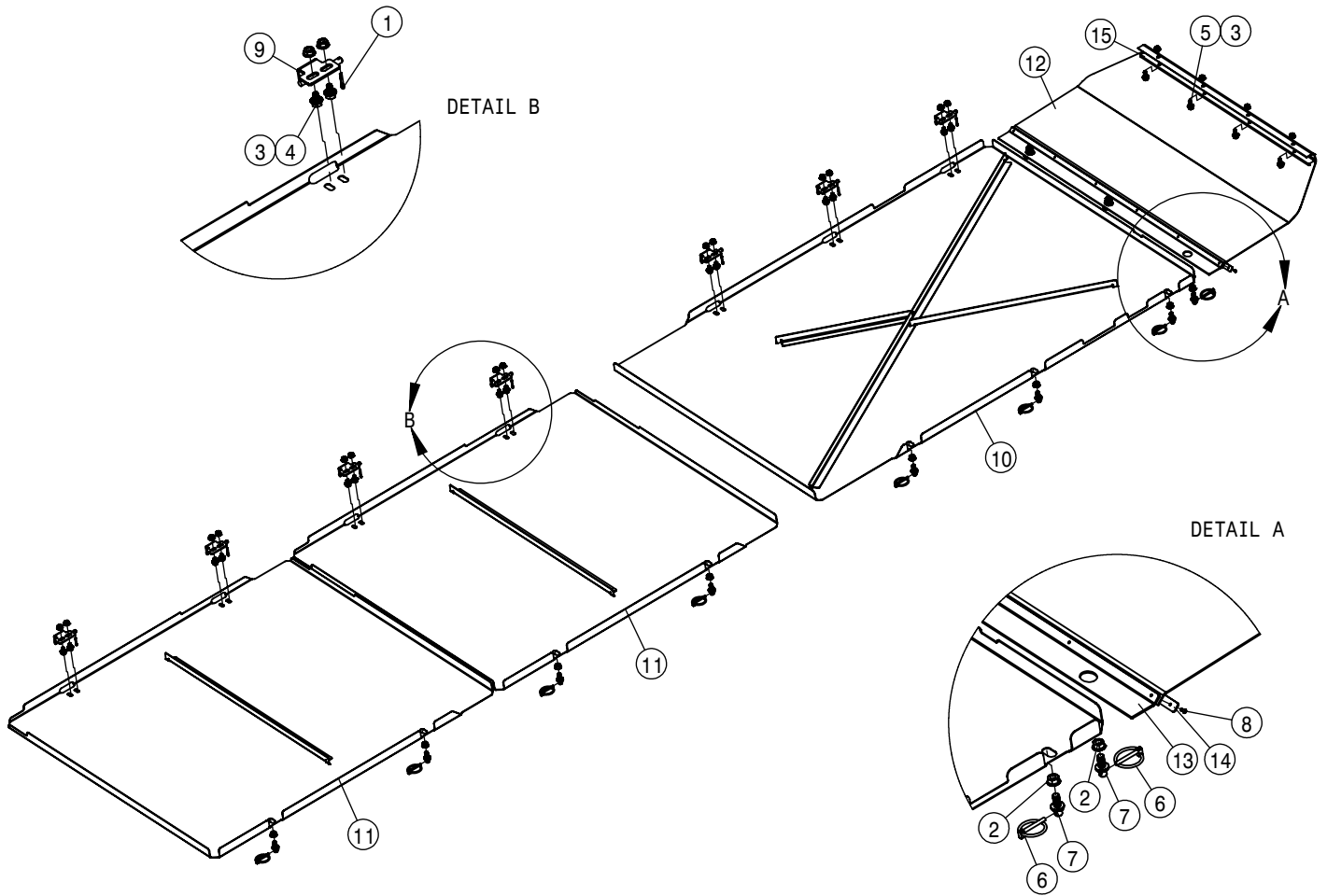




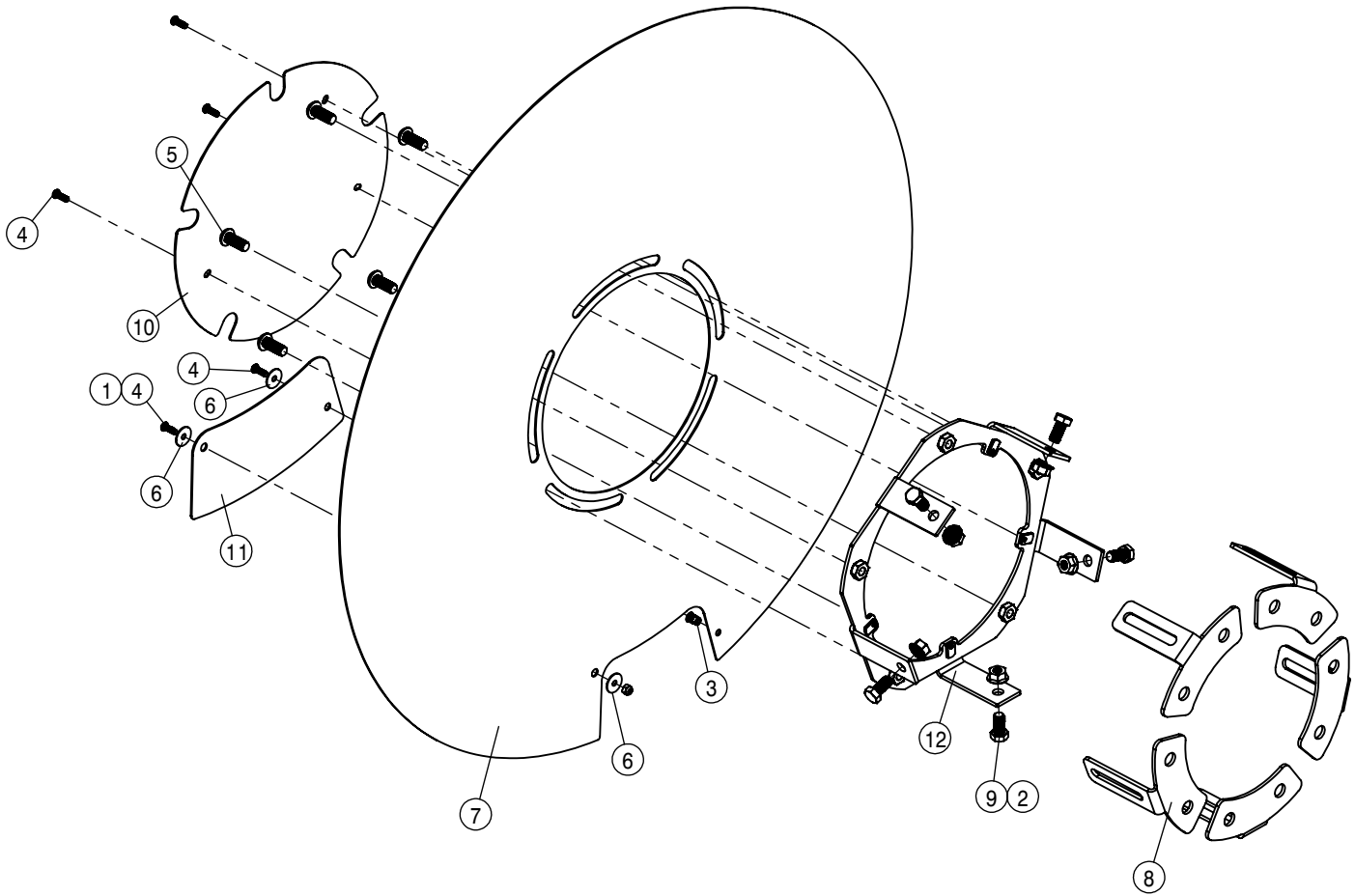
PRESSURE WASHER REEL ASSEMBLY				
DET	QTY	P/N	DESCRIPTION	
1	4	470087	3/8-16UNC HEX FLG NUT SER MC GR5	
2	4	470409	3/8UNC X 3/4 HHSFB GR5 MC	
3	1	505211	3/8-1/4NPT REDU BUSH, BRS	
4	1	611147	3/4MJIC-1/2MNPT ADPTR	
5	1	690792	TRIGGER GUN, PRESS WASH 690672	
6	1	690793	12' LANCE FOR WASH 690672	
7	1	690794	ST-40 CONNECT,PRESS WASH690672	
8	1	690795	ST-41 CONNECT,PRESS WASH690672	
9	1	690796	LANCE, PRESSURE WASHER 690672	
10	1	690797	NOZZEL, PRESSURE WASHER 690672	
11	1	690798	MALE CPLR,MNPT FOR 690672	
12	1	690799	FEM CPLR FNPT FOR 690672	
13	1	690984	HOSE REEL-PRESS WASH .25" X 100'	



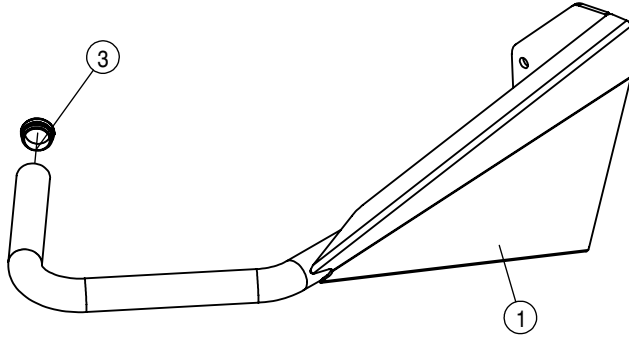
NIGHT SPRAY OPTION				
DET	QTY	P/N	DESCRIPTION	
1	2	290014	LIGHT, 1010L4-BLUE POINT	
2	2	290015	ROCKER SWITCH - LIGHT	
3	2	292624	LIGHT, 0606P1-750 FLOOD	
4	4	470113	5/16-18UNC HEX FLG NUT SER MC GR5	
5	4	470234	5/16UNC X 1 HHSFB GR5 MC	
6	4	900486	5/16UNC X 3/4 HHSFB SS	
7	4	910119	5/16-18UNC HEX FLG NUT SER SS	
8	1	294294	LIGHT EXTENSION HARNESS	
9	1	345044	RH WORK LIGHT BKT	
10	1	345043	LH WORK LIGHT BKT	
11	2	301005	LIGHT MNT BRACKET, DTS BOOM	



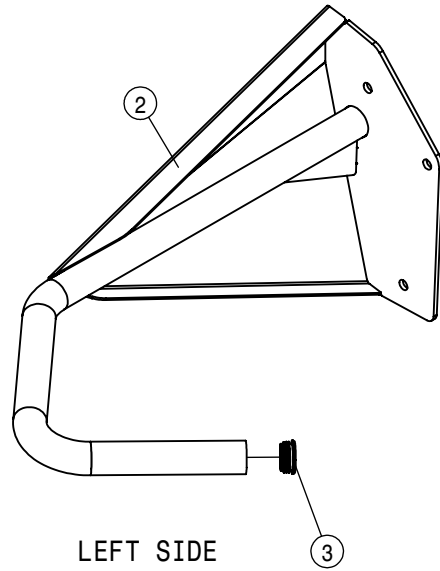
TALL CROP BELLY SHIELD ASSEMBLY			
DET	QTY	P/N	DESCRIPTION
1	7	470075	1/8 X 3/4 COTTER PIN
2	10	470087	3/8-16UNC HEX FLG NUT SER MC GR5
3	18	470113	5/16-18UNC HEX FLG NUT SER MC GR5
4	14	470232	5/16UNC X 1/2 HHSFB GR5 MC
5	4	470233	5/16UNC X 3/4 HHSFB GR5 MC
6	10	470335	LINCHPIN, 3/16 X 1 1/4 GRIP
7	10	470520	HANGER PIN, 3/8UNC x .437Dx .500L
8	6	485072	POP RIVET, 1/8DIA X 1/4 GRIP SS
9	7	660705	HINGE- BELLY PAN WELD DTS' 16
10	1	660696	ENGINE BELLY SHIELD LG WLD DTS
11	2	660695	MIDDLE BELLY SHIELD WLD DTS' 16
12	1	660787	CURTAIN - HOOD
13	1	660788	HOLDER - CURTAIN
14	1	660789	HOLDER - CURTAIN, OUTER SCT 1
15	1	660791	HOLDER CURTAIN DTS



TALL CROP WHEEL GUARD ASSEMBLY			
DET	QTY	P/N	DESCRIPTION
1	1	470089	1/4UNC HEX NYL-LOC NUT
2	5	470360	1/2UNC SERR FLG HEX NUT
3	1	470385	1/4-20 NUTSERT .027-.165BLK STL
4	5	472379	1/4UNC X 3/4 SKT HD LOC SCR SS
5	5	473987N	1/2UNC X 1 1/4BUT SKTHD SCR SS
6	3	483067	1/4 X 1.00 OD FENDER WASHER
7	1	662312	DTS WHEEL HUB CAP
8	5	662316	DTS HUB CAP ADAPTER PLATE
9	5	900263	1/2UNC X 1" HEX BOLT
10	1	662317	DTS HUB CAP ACCESS DOOR
11	1	662315	DTS HUB CAP VALVE STEM DOOR
12	1	662313	DTS HUB CAP ADAPTER WLD

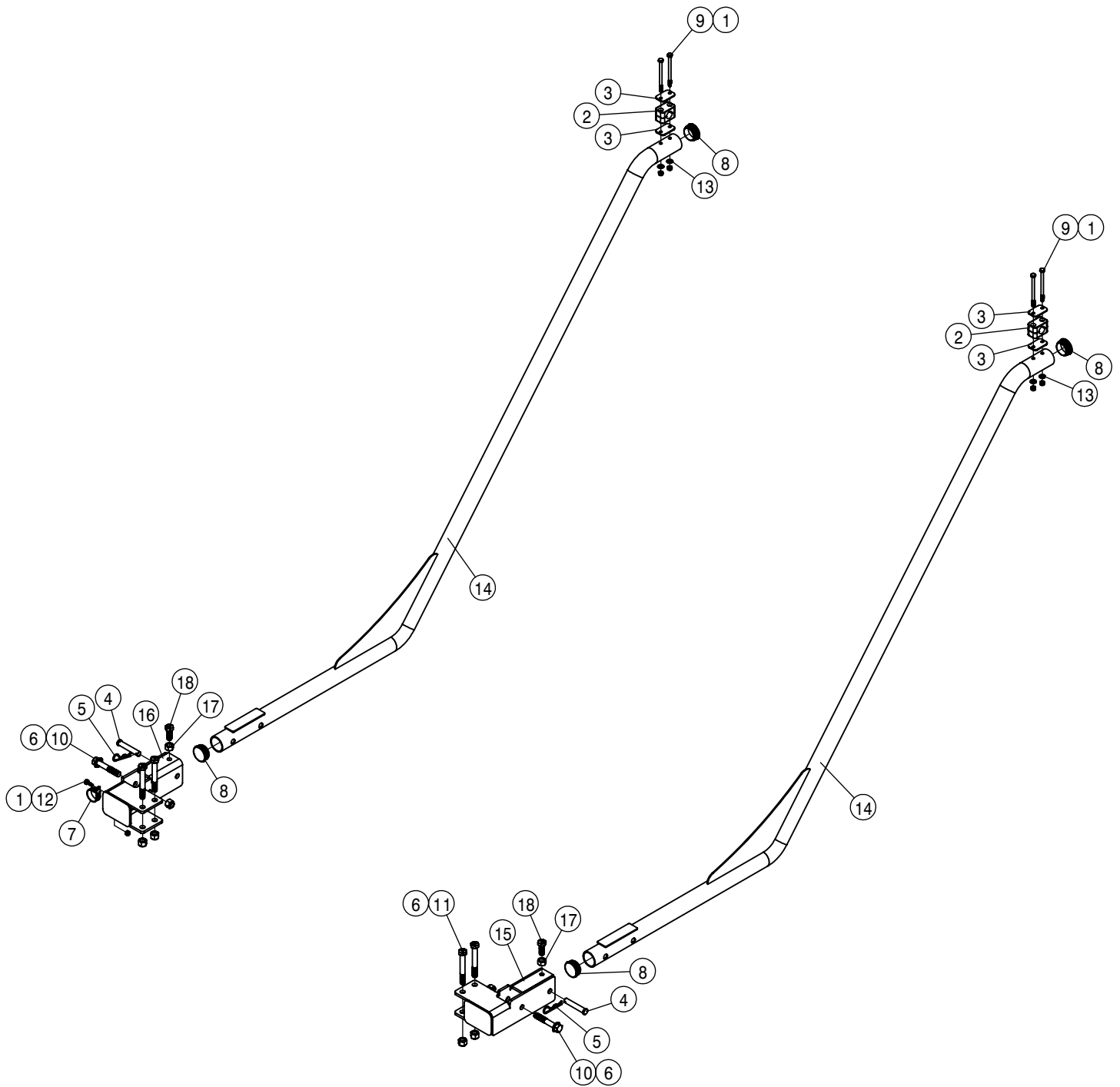


RIGHT SIDE

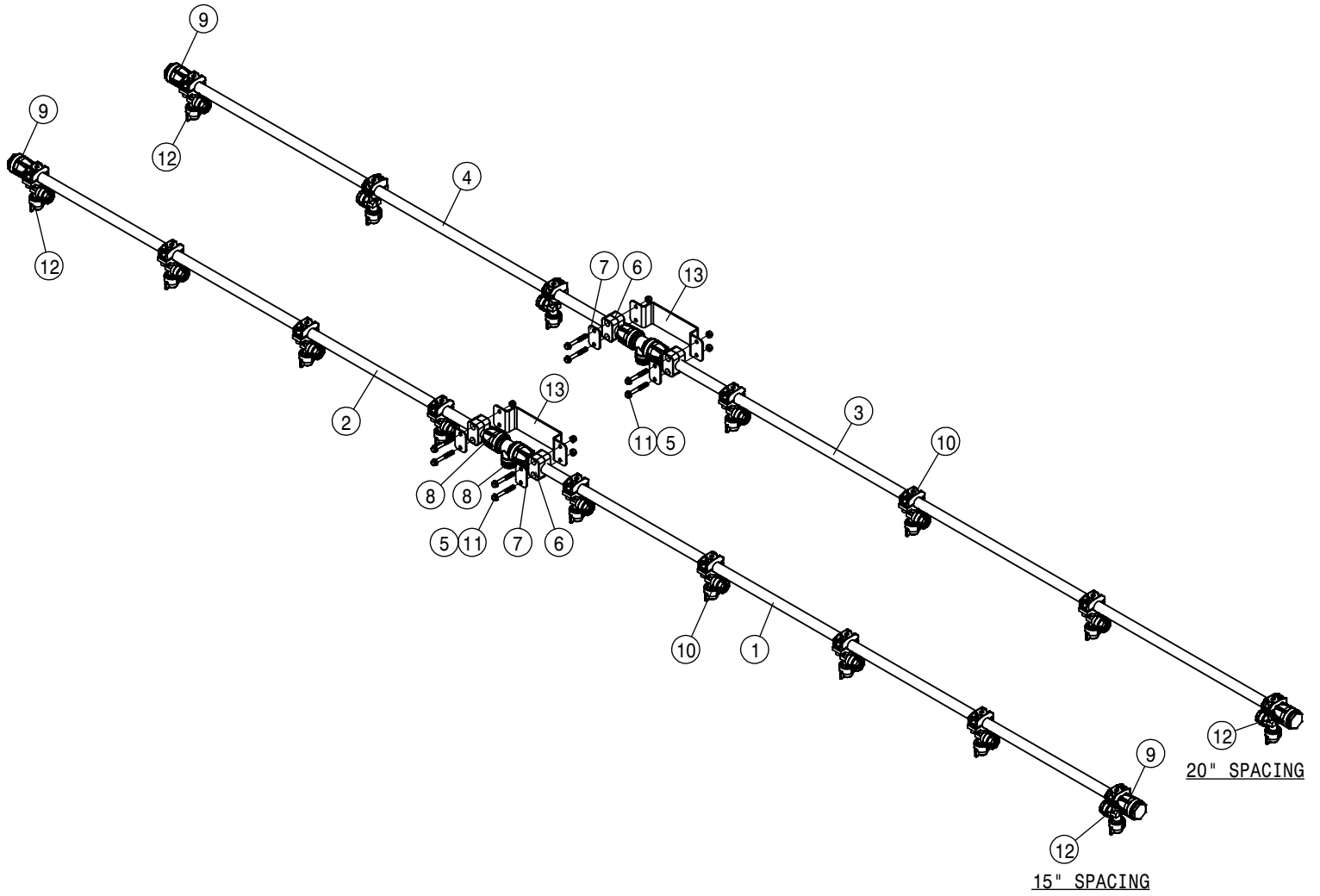


LEFT SIDE

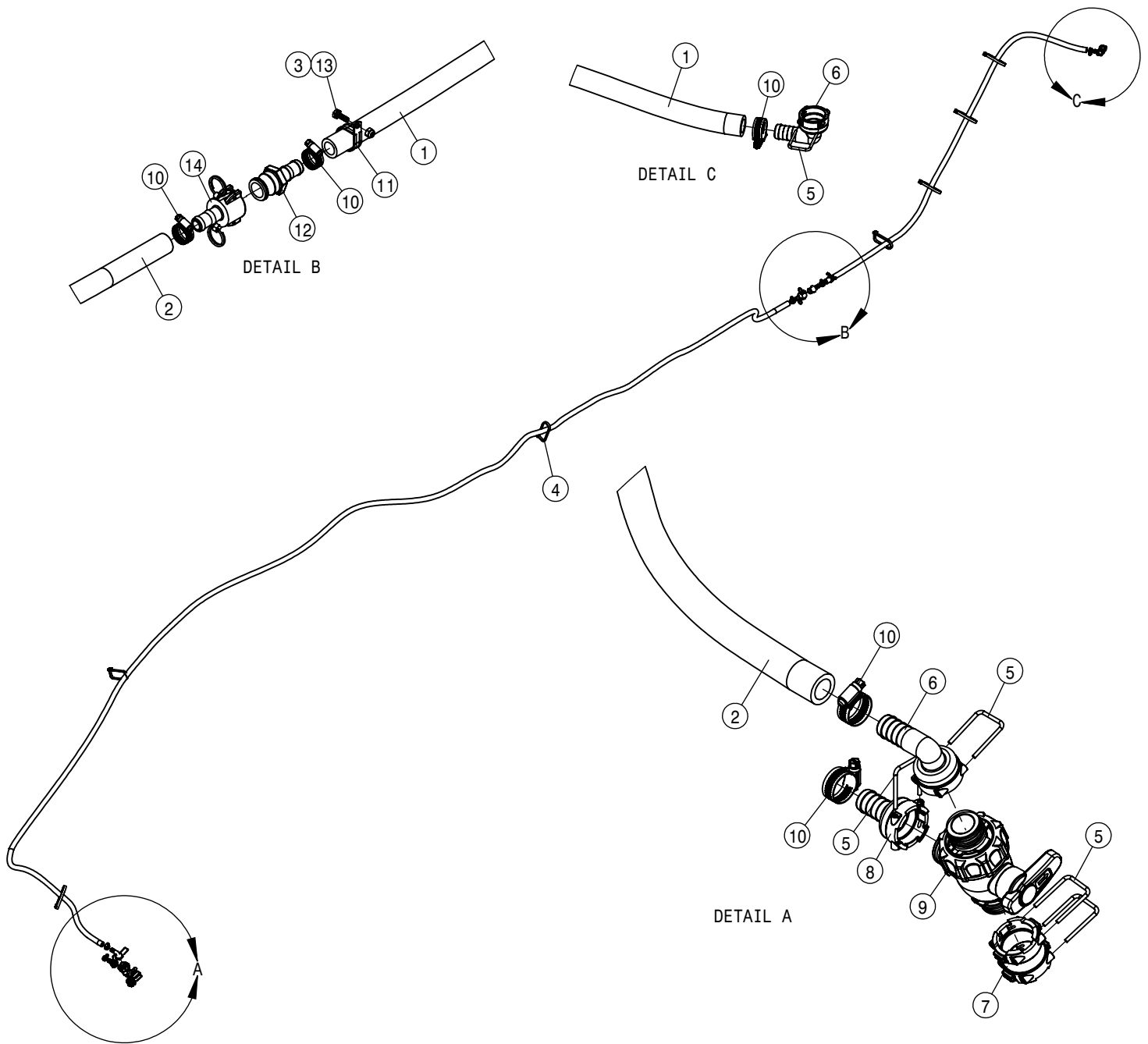
TALL CROP DIVIDER ASSEMBLY			
DET	QTY	P/N	DESCRIPTION
1	1	662293	RH CROP DIVIDER WLD
2	1	662294	LH CROP DIVIDER WLD
3	2	629772	CAPPLUGS PLUG, 1 3/4" RD, BLACK POLY



REAR BOOM MOUNTING ASSEMBLY			
DET	QTY	P/N	DESCRIPTION
1	5	470089N	1/4UNC HEX NYLOC NUT, 316 SS
2	2	470358	TUBE CLAMP BODY, .840 (1/2 PIPE)
3	4	470359	COVER PLATE FOR 470358
4	2	470749	1/2 X 2 1/2 CLEVIS PIN
5	2	470753	HAIR PIN, 1/8 DIA X 2 5/8 LG SS
6	6	473007	1/2-13UNC NYLOCK NUT MC GR5
7	1	520102	CUSH HOSE CLAMP, #20, 1 1/4 X 1 1/2 W
8	4	629772	CAPPLUGS PLUG, 1 3/4" RD, BLACK POLY
9	4	900013N	1/4UNC X 3 3/4 HEX BOLT SS
10	2	900270N	1/2UNC X 3" SER FLANGE BOLT
11	4	900273	1/2UNC X 3 3/4 HHCS GR5 MC
12	1	900448	1/4UNC X 3/4 HHCS SS
13	4	920000N	1/4 SAE FLAT WASHER SS
14	2	165089	REAR BOOM WLD, DTS
15	1	362579	LH REAR BOOM BRKT WLT, DTS
16	1	362618	RH SIDE REAR BOOM BRKT WLD, DTS
17	2	910009	1/2-20UNF HEX NUT MC GR5
18	2	900522	1/2UNF X 1 1/4 HHCS GR5 MC

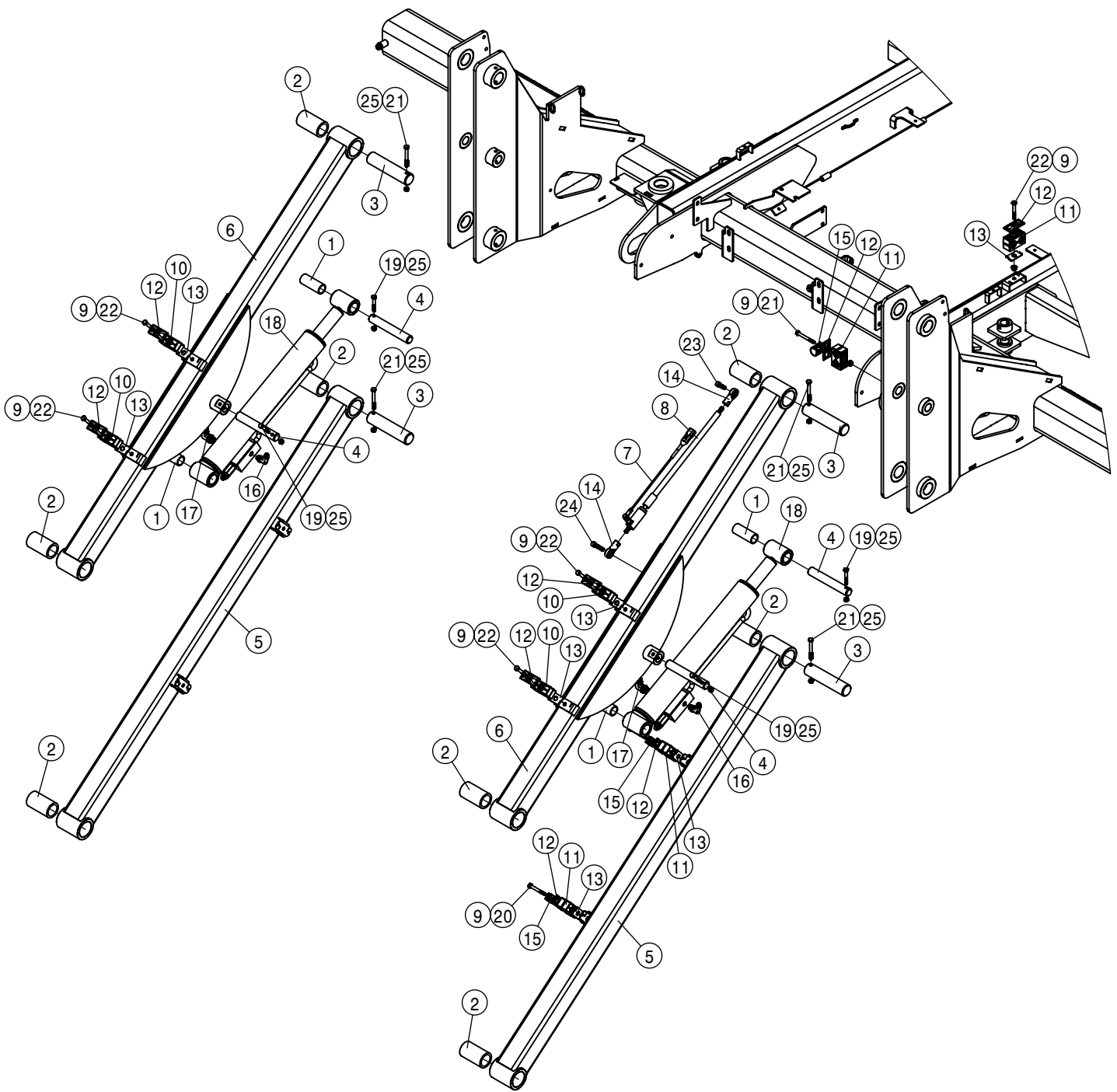


REAR BOOM NOZZLE SPACING			
DET	QTY	P/N	DESCRIPTION
1	1	167264	TUBE-WET BM .50X69.08 15"SP
2	1	167265	TUBE-WET BM .50X54.08 15" SP
3	1	167466	TUBE-WET BM .5X71.58 20"SP
4	1	167467	TUBE-WET BM .5X51.58 20"SP
5	8	470089N	1/4UNC HEX NYLOC NUT, 316 SS
6	4	470358	TUBE CLAMP BODY, .840 (1/2 PIPE)
7	4	470359	COVER PLATE FOR 470358
8	2	500330	T3 - TEE 1/2" PIPE BOOM END
9	4	500332	1/2" PIPE BOOM END
10	12	737970	QUICK TJET SINGLE BODY, 1/2"
11	8	900007N	1/4 UNC X 2 SER FLG BOLT SS
12	4	737971	QUICK TJET SINGLE BODY 1/2" RS
13	2	165088	REAR BOOM SOL SUPPORT BRK



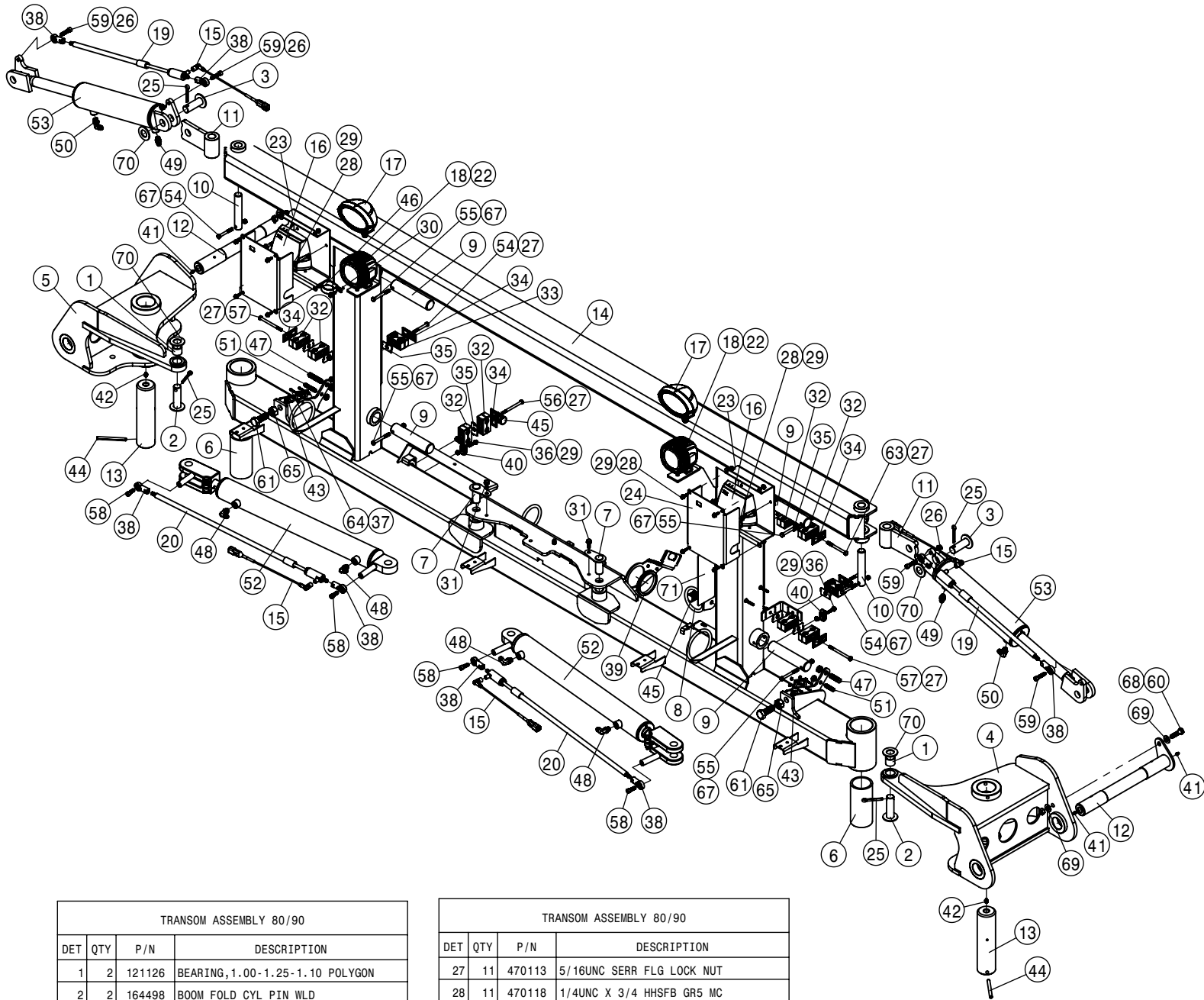
REAR BOOM SOLUTION HOISING			
DET	QTY	P/N	DESCRIPTION
1	1	197121-098	HOSE 3/4 2-FBR BR BLK EPDM
2	1	197121-325	HOSE 3/4 2-FBR BR BLK EPDM
3	1	470089N	1/4UNC HEX NYLOC NUT, 316 SS
4	7	470555	CABLE TIE, 1/2 X 15" BLACK NYL
5	5	500311	FORK D3 DIST 29
6	2	500327	T3 TO 20MM HB 90
7	1	500348	T3 FEMALE COUPLER
8	1	500349	T3 FEMALE - .75 HB
9	1	503124	3 WAY T3 CONTINUOUS FLOW VALV
10	5	520080	HOSE CLAMP NO 10 STAINLESS
11	1	520102	CUSH HOSE CLAMP,#20, 1 1/4D X 1/2W
12	1	696208	.75 HOSE BARB-MALE COUPLER
13	1	900448	1/4UNC X 3/4 HHCS SS
14	1	696207	.75 HOSE BARB-FEMALE COUPLER





LIFTARM ASSEMBLY 80/90			
DET	QTY	P/N	DESCRIPTION
1	4	121109	LIFT CYL BRG, 3.13 POLYGON
2	8	166053	LIFT ARM BEARING
3	4	166118	LIFT ARM PINS, DTS
4	4	166121	LIFT ARM PIN MID, A10
5	2	167489	LWR LIFT ARM WLD, DTS
6	2	167490	UPR LIFT ARM WLD, DTS
7	1	291994	SENSOR HARNESS FOR AWS
8	1	292706	LINEAR POSITION SENSOR, 300MM
9	8	470113	5/16UNC SERR FLG LOCK NUT
10	4	470274	TUBE CLAMP BODY, .750-.750
11	4	470275	TUBE CLAMP BODY, 1.00-1.000
12	8	470276	CLAMP COVER PLATE, SNGL, 2.55LG
13	7	470281	STACK BOLT SAFETY LOCK PLATE

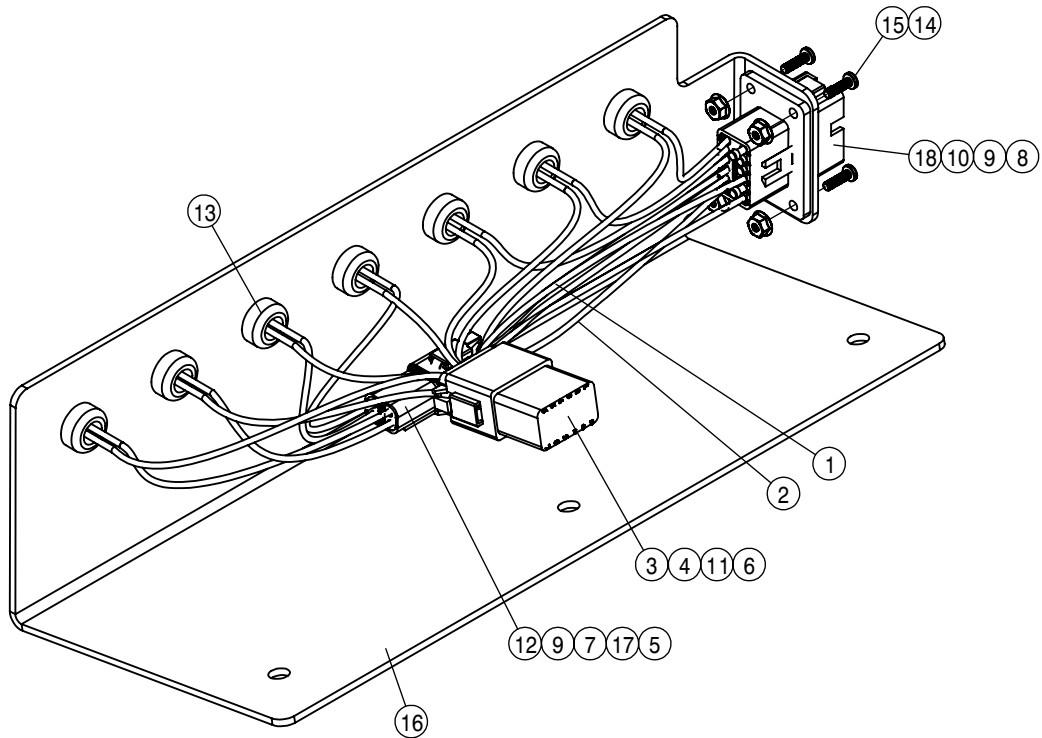
LIFTARM ASSEMBLY 80/90			
DET	QTY	P/N	DESCRIPTION
14	2	470628	BALL END, 9.9MM BORE X 10MM THD
15	3	520121	CUSH CLAMP, #16 1IN X 3/4W
16	2	618119	9/16MJIC-90-9/16MOR LBO
17	2	618241	3/4MJIC-90-3/4MOR LBO
18	2	621633	2.50 X 16.00 X 1.50 LIFT CYL
19	4	900069	5/16UNC X 2" HEX BOLT
20	2	900070	5/16UNC X 2 1/2 HHCS GR5 MC
21	5	900071	5/16UNC X 2 3/4 HEX BOLT
22	5	900086	5/16UNC X 2 1/4 HEX BOLT
23	1	900172	3/8UNC X 1" SOC HD CAP SCR, ZINC
24	1	900174	3/8UNC x 1 1/2" SOC HD CAP SCR
25	8	914002	5/16UNC HEX STOVER NUT



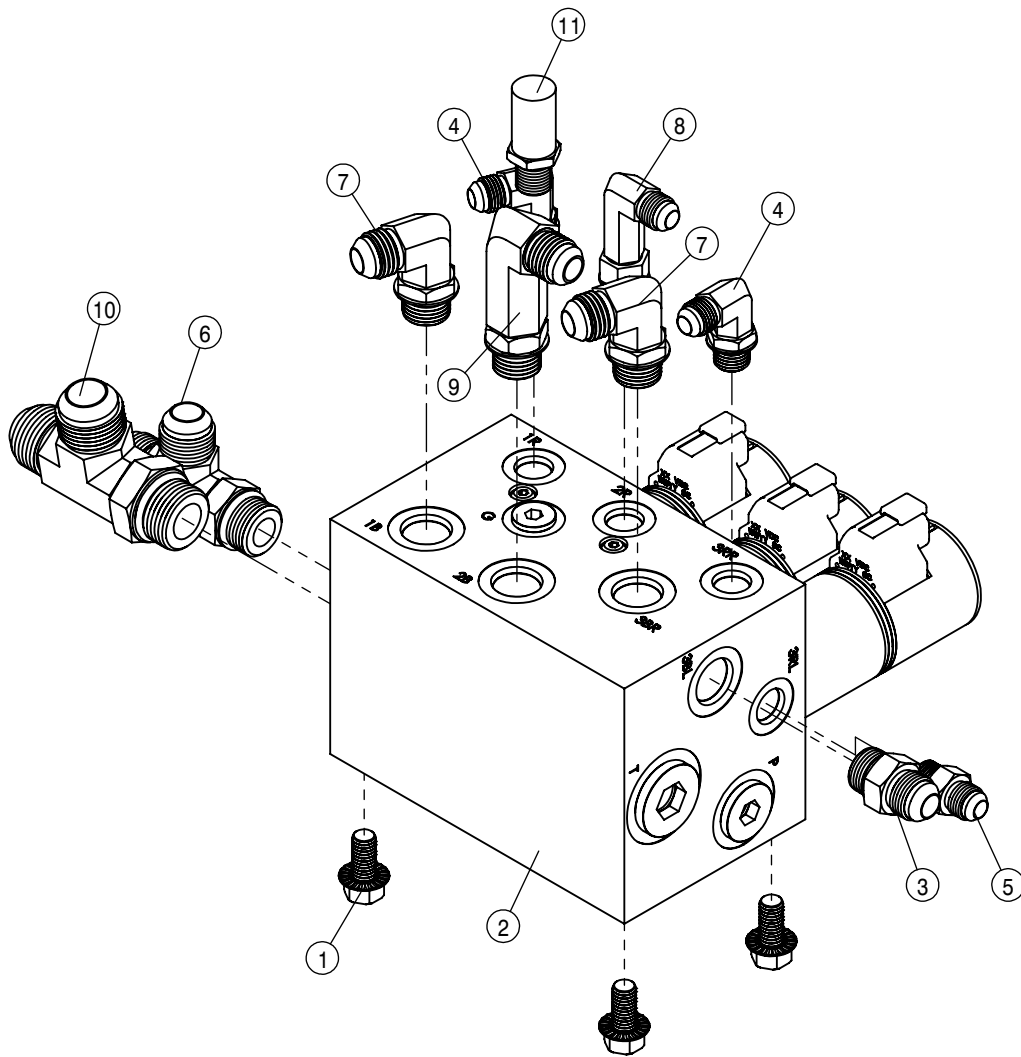
TRANSOM ASSEMBLY 80/90			
DET	QTY	P/N	DESCRIPTION
1	2	121126	BEARING,1.00-1.25-1.10 POLYGON
2	2	164498	BOOM FOLD CYL PIN WLD
3	2	164500	LEVEL CYL PIN WLD, SHAFT END
4	1	166039	LH TRANSOM PIVOT WLD
5	1	166045	RH TRANSOM PIVOT WLD
6	2	166048	FOLD BLOCK BEARING
7	2	166127	TRANSOM PIN WLD 1", A10
8	1	166983	HOSE SUPPORT RING WLD
9	4	167482	LIFT ARM PIN, DTS
10	2	167483	TRANSOM SWIVEL PIN, DTS
11	2	167495	LVL CYL PVT WLD, DTS
12	2	167719	LEVEL PIN WLD DTS
13	2	167720	PIN, 2.50 OD, 9.96 LG, DRILLED
14	1	167855	TRANSOM DTS W/DECAL
15	4	291994	SENSOR HARNESS FOR AWS
16	2	292086	IQAN-XA2 MODULE->611
17	2	292614	WORK LIGHT, HALOGEN FLOOD '14
18	2	292618	WORKLIGHT-TYRI LED FLOOD
19	2	292706	LINEAR POSITION SENSOR, 300MM
20	2	292707	LINER POSITION SENSOR, 550 MM
NS	1	294278	MAIN BOOM HARNESS
22	2	294299	TYRI JUMPER HARNESS
23	2	362079	DTS MODULE GUARD
24	2	362180	DTS MODULE GUARD TOP PLT
25	4	470012	5/16 X 2 COTTER PIN
26	4	470087N	3/8UNC HEX SERR FLG NUT YZ

TRANSOM ASSEMBLY 80/90			
DET	QTY	P/N	DESCRIPTION
27	11	470113	5/16UNC SERR FLG LOCK NUT
28	11	470118	1/4UNC X 3/4 HHSFB GR5 MC
29	13	470121	1/4 UNC SERR FLG LOCK NUT
30	2	470233	5/16UNC X 3/4 HHSFB GR5 MC
31	2	470234	5/16UNC X 1" SERR FLG HEX BOLT
32	10	470274	TUBE CLAMP BODY, .750-.750
33	4	470275	TUBE CLAMP BODY, 1.00-1.000
34	9	470276	CLAMP COVER PLATE,SNGL, 2.55LG
35	14	470281	STACK BOLT SAFETY LOCK PLATE
36	2	470407	1/4UNC X 1 1/4 SERR FLG BOLT
37	8	470467	6-32 KEP NUT
38	8	470628	BALL END,9.9MM BORE X 10MM THD
39	1	470691	GROMMET,3.000ID .125GW 3.25GD
40	2	470888	TWIN #4 CLAMP
41	4	471005	GREASE ZERK, 1/4-28 X 1/2
42	2	471021	GREASE ZERK 1/8 NPT STRAIGHT
43	2	472334	3/4UNC HEX JAM NUT
44	2	473964	ROLL PIN, 3/8 X 4
45	2	520121	CUSH CLAMP,#16 1IN X 3/4W
46	2	520123	CUSH CLAMP,#32 1 3/4D X 5/8W
47	2	618009	9/16MJIC-90-BLKHD UNION LBO
48	4	618119	9/16MJIC-90-9/16MOR LBO
49	2	618126	9/16MJIC-9/16MOR ADPTR
50	2	618739	9/16MJIC-90-9/16MOR .065 CHK
51	2	618889	7/16MJIC-90-BLKHD UNION LBO
52	2	621665	HYD CYL, 2.50 X 19.75 X 1.38

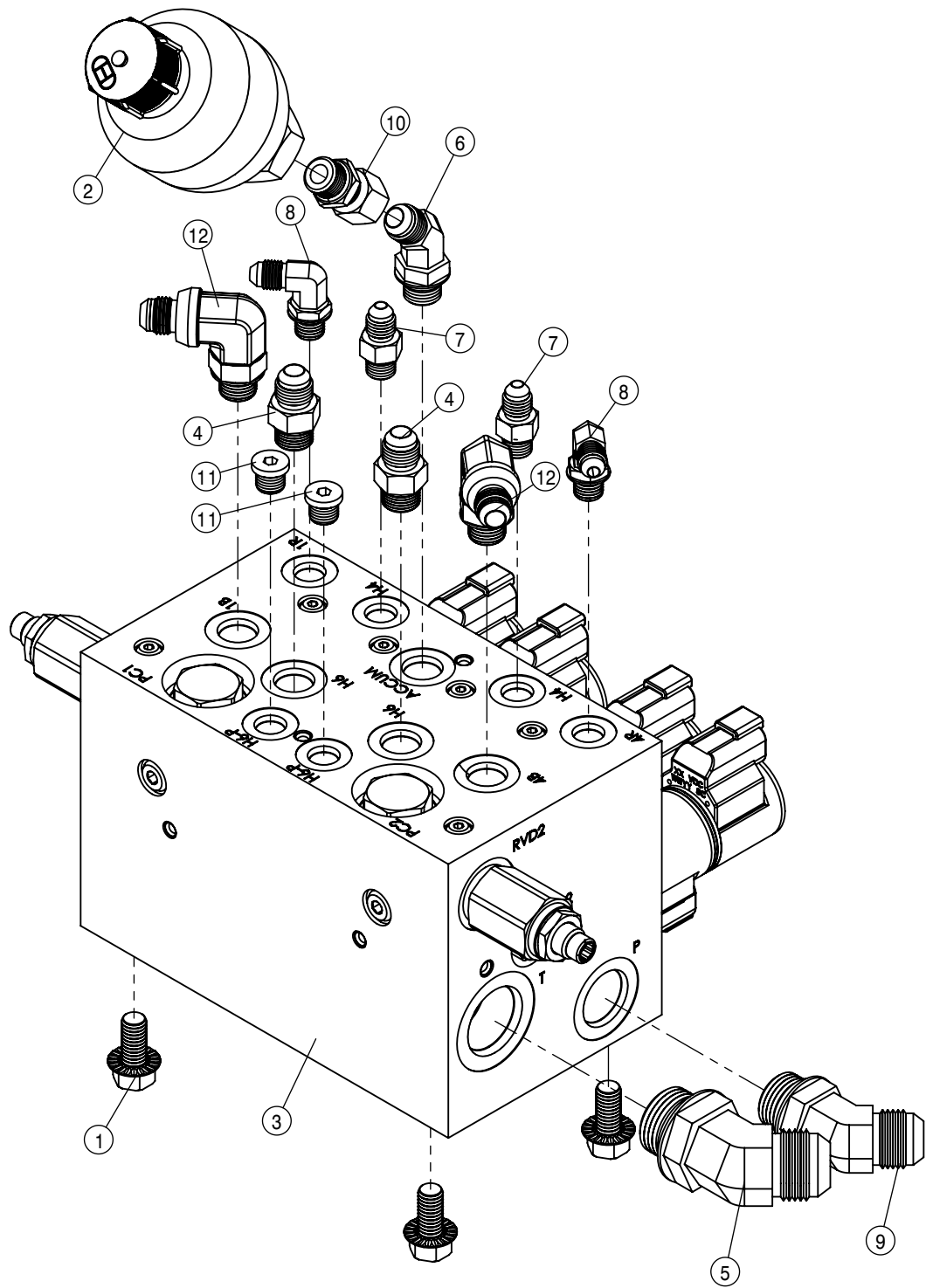
TRANSOM ASSEMBLY 80/90			
DET	QTY	P/N	DESCRIPTION
53	2	621666	HYD CYL, 3.00" X 11.00" X 1.38"
54	6	900070	5/16UNC X 2 1/2 BOLT
55	4	900072	5/16UNC X 3" HEX BOLT
56	1	900075	5/16UNC X 3 3/4 HHCS GR5 MC
57	3	900076	5/16UNC X 4 HHCS GR5 MC
58	4	900172	3/8UNC X 1" SOC HD CAP SCR,ZINC
59	4	900174	3/8UNC X 1 1/2" SOC HD CAP SCR
60	2	900266	1/2UNC X 1 3/4 HHCS GR5 MC
61	2	900403	3/4UNC X 2" HEX BOLT
62	1	900491	5/16UNC X 1 1/2 HHSFB SS
63	1	900539	5/16UNC X 3 1/2 HEX BOLT
64	8	903814	6-32 X 3/4 PHIL PANHD MACH SCR BZ
65	2	910012	3/4UNC HEX NUT
66	1	910042	3/8-16UNC HEX FLG NUT SM MC GR8
67	8	914002	5/16UNC HEX STOVER NUT
68	2	914008	1/2-13UNC STOVER NUT MC GR5
69	4	920004	SAE FLAT WASHER 1/2 MC
70	4	920008	1" SAE FLAT WASHER
71	1	HXE28534	LABEL, HYDRAULIC ENGLISH



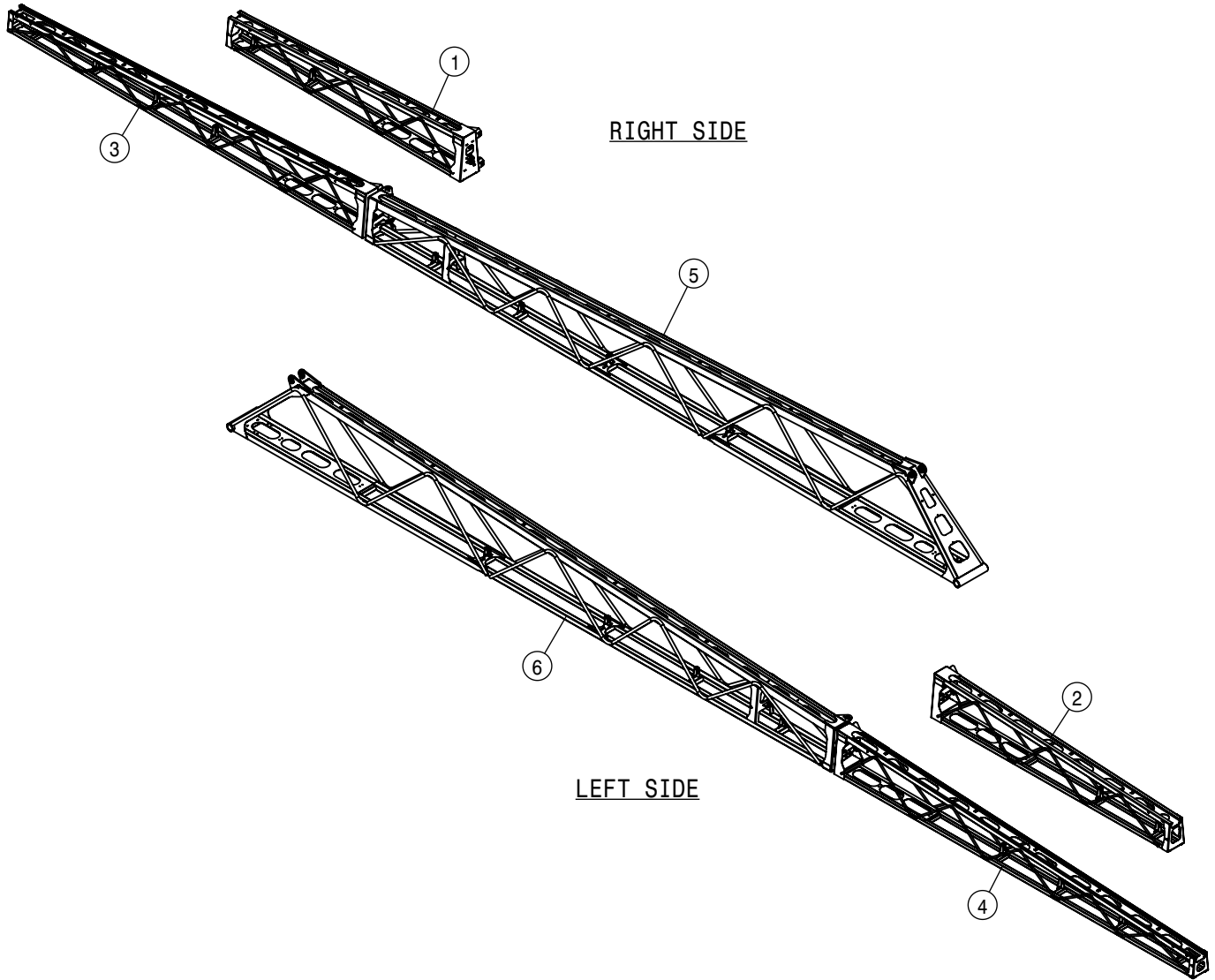
BOOM SECTION LIGHTS 80/90			
DET	QTY	P/N	DESCRIPTION
1	1	196116-008	16 GA STRANDED BLACK WIRE
2	4	196318-006	18 GA STRANDED WHITE WIRE
3	1	290012	DEUTSCH,RECT,DT04-12PA-P021
4	1	292058	DEUTSCH,PLUG,DT 12S,POS A
5	1	292092	DEUTSCH,WEDGELock,W4S-P012
6	1	292095	DEUTSCH DT WEDGE LOCK,W12SP012
7	1	292102	DEUTSCH DT WEDGE LOCK, W4P
8	1	292105	DEUTSCH,WEDGELock,W12P
9	12	292109	DEUTSCH,S&F PIN,SZ16,16-14GA
10	8	292130	DEUTSCH SEAL PLUG,12-16CAV/AWG
11	12	292156	DEUTSCH,S&F SOC,SZ16,18-14GA
12	1	292334	DEUTSCH,RECP,DT04-4PE004
13	7	292709	LIGHT, SPRAY SECTION
14	4	470509	6-32 SERR. FLANGE NUT
15	4	903812	6-32 X 1/2 PHIL PAN MACH SCR
16	1	167616	BOOM SECTION LIGHT BKT
17	1	292322	DEUTSCH,PLUG,DT06-4S-P012
18	1	292181	DEUTSCH,RECP,DT 12P,FLG MT,A



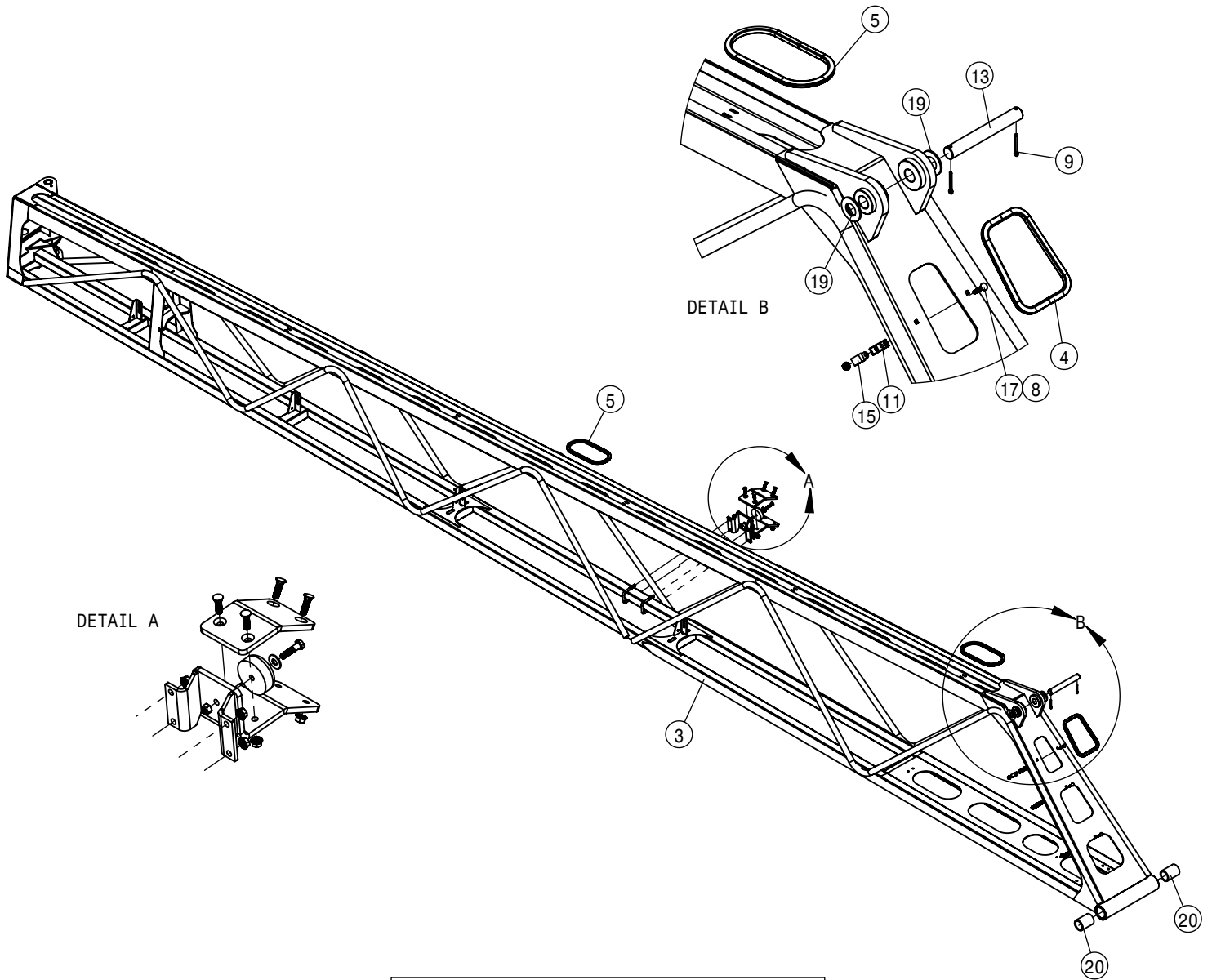
LIFT AND LEVEL VALVE ASSEMBLY 80/90				
DET	QTY	P/N	DESCRIPTION	
1	4	470409	3/8UNC X 3/4" SERR FLG BOLT	
2	1	606469	VALVE, LIFT/LEVEL 3-SECTION	
3	1	611125	3/4MJIC-3/4MOR ADPTR	
4	2	618119	9/16MJIC-90-9/16MOR LBO	
5	1	618126	9/16MJIC-9/16MOR ADPTR	
6	1	618130	7/8MOR RUN TEE-7/8MJIC	
7	2	618241	3/4MJIC-90-3/4MOR LBO	
8	1	618440	9/16MJIC-90-9/16MOR EX LG LBO	
9	1	618443	3/4MJIC-90-3/4MOR EX LG LBO	
10	1	618914	1 1/16MOR RUN TEE-1 1/16MJIC	
11	1	619023	9/16 MOR DIAGNOSTIC FITTING	



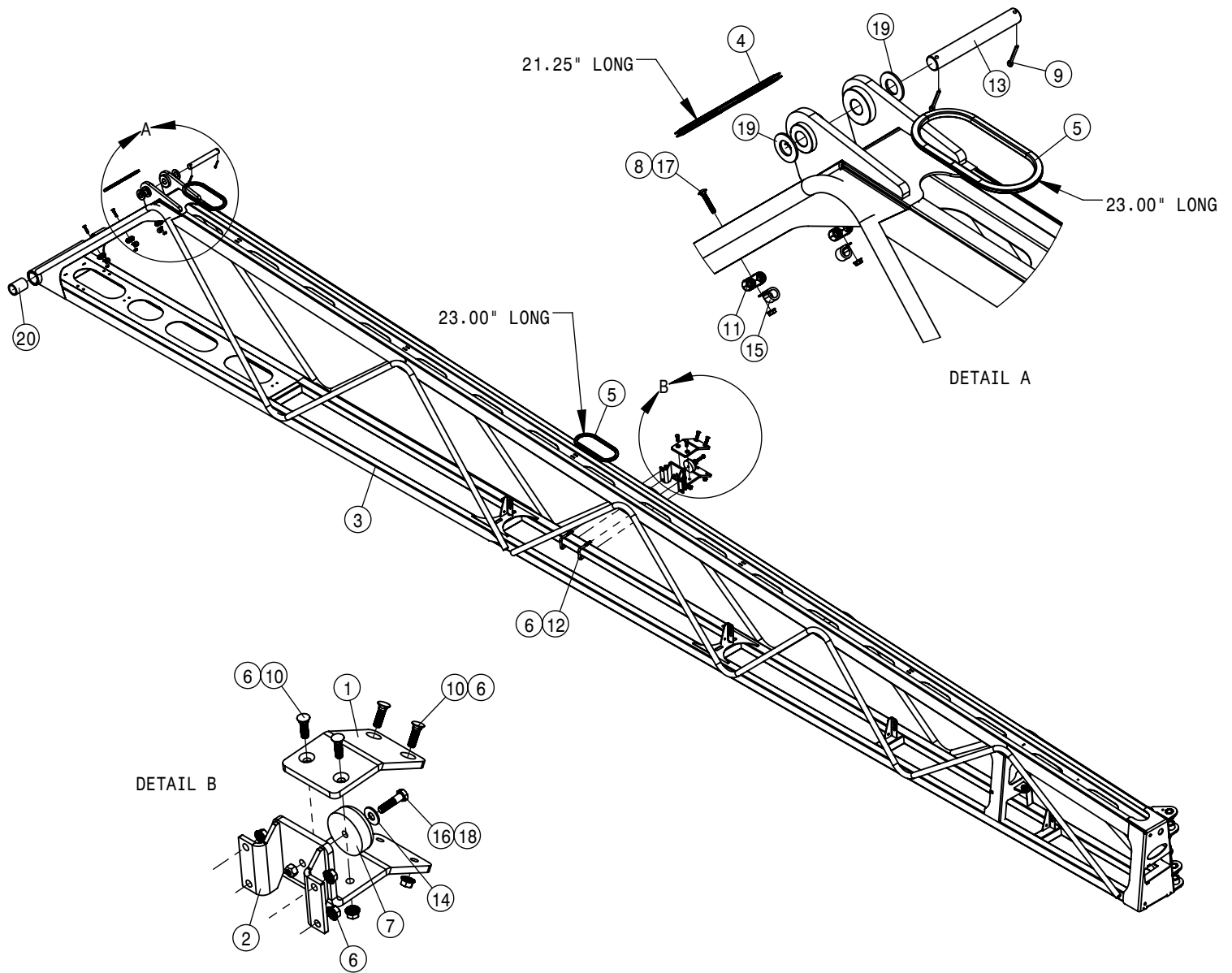
FOLD VALVE ASSEMBLY 80/90			
DET	QTY	P/N	DESCRIPTION
1	4	470409	3/8UNC X 3/4" SERR FLG BOLT
2	1	470759	ACCUMULATOR, 5CI 800 PSI
3	1	606468	VALVE, FOLD, 4-SECTION
4	2	618126	9/16MJIC-9/16MOR ADPTR
5	1	618313	1 1/16MJIC-45-1 1/16MOR LBO
6	1	618425	9/16MJIC-45-9/16MOR LBO
7	2	618467	7/16MJIC-7/16MOR ADPTR
8	2	618473	7/16MJIC-90-7/16MOR LBO
9	1	618644	7/8MJIC-45-7/8MOR LBO
10	1	618668	9/16FJIC SWIV-9/16MOR ADPTR
11	2	618753	7/16 MOR PLUG, HEX SOCKET
12	2	618981	9/16MOR-90-9/16MJ .042 CHK VLV



BOOM ASSEMBLY 80/90			
DET	QTY	P/N	DESCRIPTION
1	1	167849	RH BM, SECT-2 80' DTS W/DECAL
2	1	167850	LH BM, SECT-2 80' DTS W/DECAL
3	1	167851	RH BM SECT-2 90' DTS W/DECAL
4	1	167852	LH BM SECT-2 90' DTS W/DECAL
5	1	167853	RH BM SECT-1 DTS W/DECAL
6	1	167854	LH BM SECT-1 DTS W/DECAL

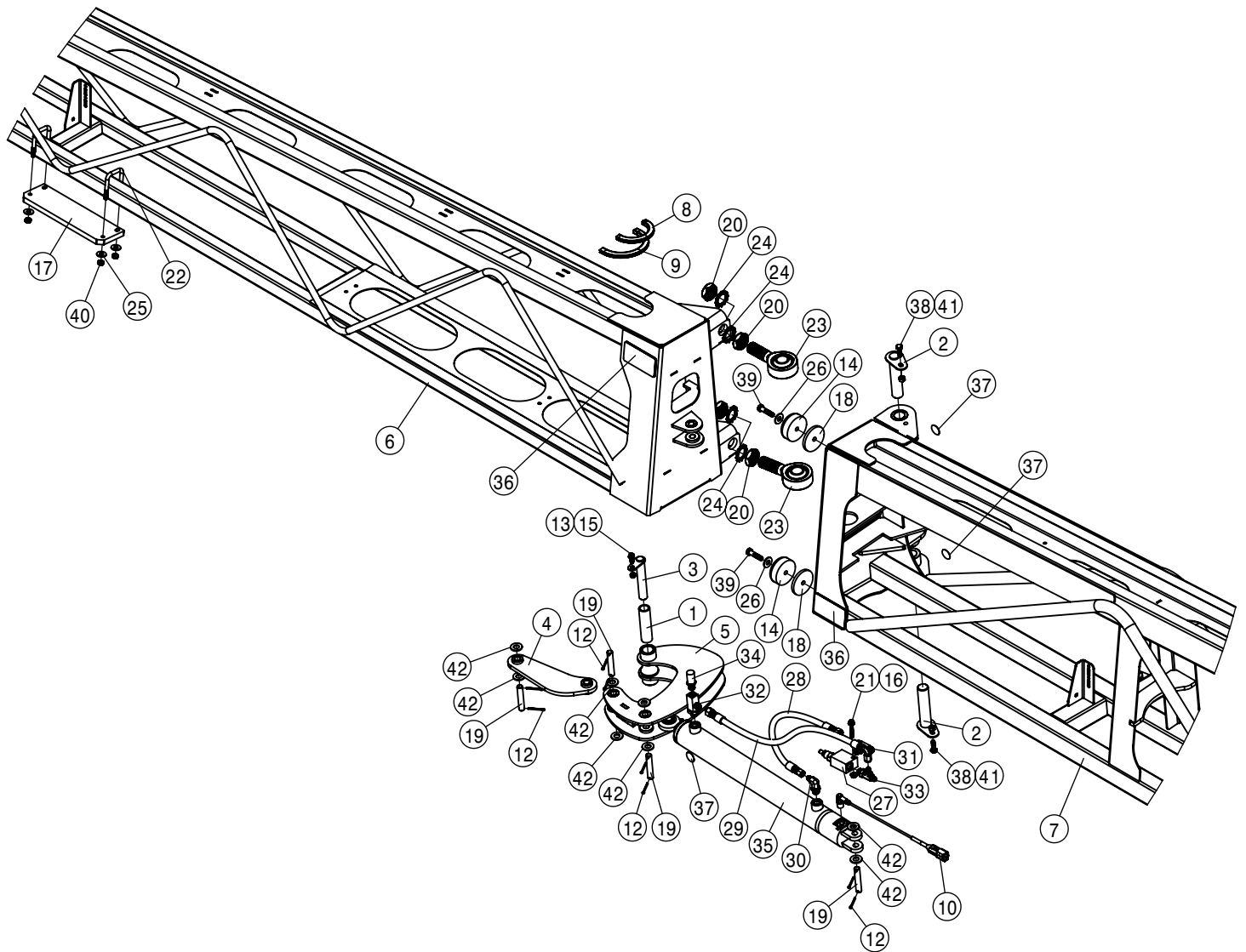


RIGHT INNER BOOM ASSEMBLY 80/90			
DET	QTY	P/N	DESCRIPTION
1	1	166092	CRADLE PAD A10
2	1	167612	FOLD CRADLE WLD, DTS
3	1	167853	RH BM SECT-1 DTS W/DECAL
4	1	193016-021	QUICKEDGE TRIM .060 TO .170
5	2	193016-023	QUICKEDGE TRIM .060 TO .170
6	8	470087	3/8UNC HEX SERR FLANGE NUT
7	1	470098	RUBBER BUMPER 2.500 OD X .375 ID
8	3	470121	1/4 UNC SERR FLG LOCK NUT
9	2	470162	3/16 X 1 1/2 COTTER PIN
10	4	470328	3/8UNC X 1 1/4 #3HD PLOW BOLT
11	3	470888	TWIN #4 CLAMP
12	2	472044	3/8UNC-2ID-3.00 U-BOLT SQ,ZINC
13	1	472221	CLEVIS PIN HL 1.0 DIA X 6.875
14	1	483043	USS FLAT WASHER 3/8 MC
15	3	520117	CUSH HOSE CLAMP,#10, 5/8D X 1/2W
16	1	900131	3/8UNC X 1 1/2 HHCS GR5 MC
17	3	901012	1/4UNC X 1 1/2 CARR BOLT
18	1	914004	3/8UNC HEX STOVER NUT
19	2	920008	1" SAE FLAT WASHER
20	2	A57375	BEARING,1.75-2.25-3.00 POLYGON



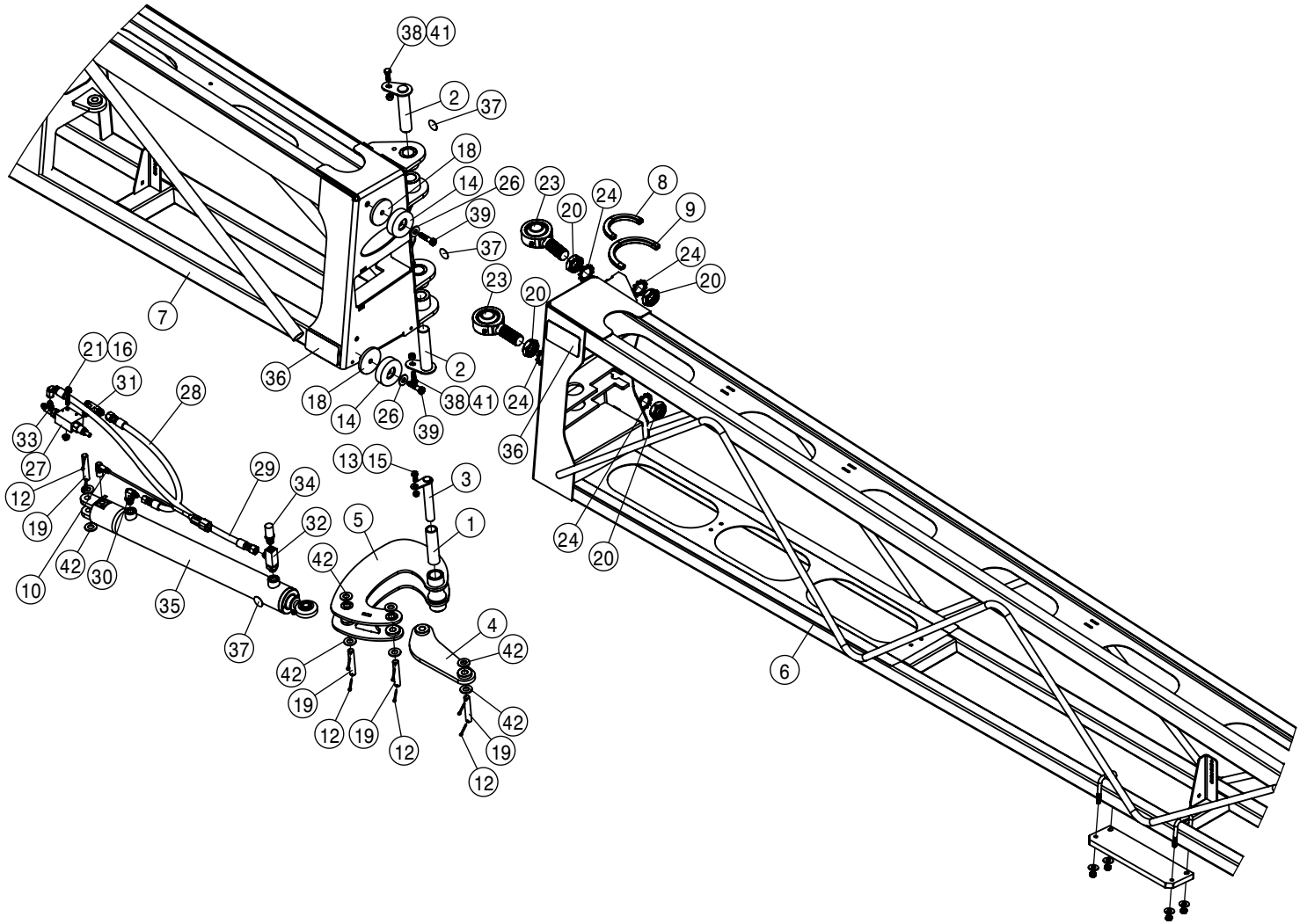
LEFT INNER BOOM ASSEMBLY 80/90			
DET	QTY	P/N	DESCRIPTION
1	1	166092	CRADLE PAD A10
2	1	167612	FOLD CRADLE WLD, DTS
3	1	167675	BOOM WLD LH, SECT 1 A10
4	1	193016	QUICKEDGE TRIM .060 TO .170
5	2	193016-023	QUICKEDGE TRIM .060 TO .170
6	8	470087	3/8UNC HEX SERR FLANGE NUT
7	1	470098	RUBBER BUMPER 2.500 OD X .375 ID
8	3	470121	1/4 UNC SERR FLG LOCK NUT
9	2	470162	3/16 X 1 1/2 COTTER PIN
10	4	470328	3/8UNC X 1 1/4 #3HD PLOW BOLT
11	3	470888	TWIN #4 CLAMP
12	2	472044	3/8UNC-2ID-3.00 U-BOLT SQ,ZINC
13	1	472221	CLEVIS PIN HL 1.0 DIA X 6.875
14	1	483043	USS FLAT WASHER 3/8 MC
15	3	520117	CUSH HOSE CLAMP,#10, 5/8D X 1/2W
16	1	900131	3/8UNC X 1 1/2 HHCS GR5 MC
17	3	901012	1/4UNC X 1 1/2 CARR BOLT
18	1	914004	3/8UNC HEX STOVER NUT
19	2	920008	1" SAE FLAT WASHER
20	2	A57375	BEARING,1.75-2.25-3.00 POLYGON





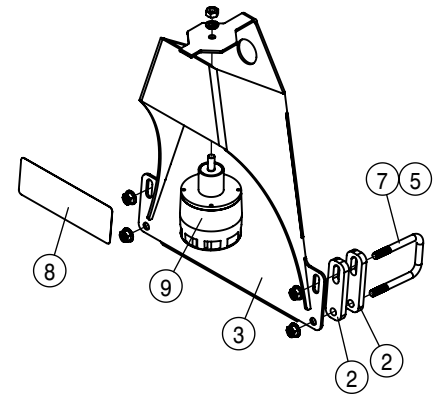
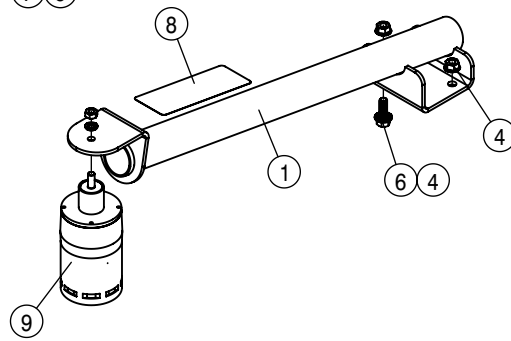
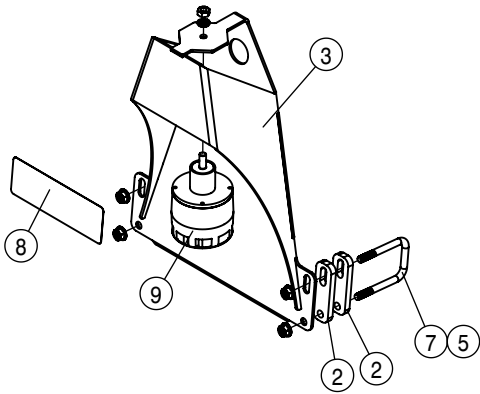
RIGHT BOOM HINGE ASSEMBLY 80/90			
DET	QTY	P/N	DESCRIPTION
1	1	121122	FOLD BUSHING, SECT 1 A10
2	2	166086	60 FT FOLD PIN WLD A10
3	1	167578	FOLD PIN WLD, SECT 1 A10
4	1	167663	FOLD LINK WLD A10
5	1	167666	FOLD LINK WLD, A10
6	1	167849	RH BM, SECT-2 80' DTS W/DECAL
7	1	167853	RH BM SECT-1 DTS W/DECAL
8	1	193016	QUICKEDGE TRIM .060 TO .170
9	1	193016	QUICKEDGE TRIM .060 TO .170
10	1	291994	SENSOR HARNESS FOR AWS
NS	1	294279	DTS WING HARNESS
12	8	390984	1/8 X 1 1/4 COTTER PIN
13	1	470089	1/4UNC HEX NYL-LOC NUT
14	2	470098	RUBBER BUMPER 2.500 OD X .375 ID
15	1	470118	1/4 UNC X 3/4 SER FLG BOLT
16	1	470121	1/4 UNC SERR FLG LOCK NUT
17	1	470716	BM CRADLE BUMPER,DTS
18	2	470757	SPACER .395 X 2.500 X .250
19	4	472220	CLEVIS PIN HL 0.5 DIA X 2.250
20	4	472328	1"-12 HEX JAM NUT
21	1	473837	1/4UNC X 1 1/2 FLANGE BOLT SS

RIGHT BOOM HINGE ASSEMBLY 80/90			
DET	QTY	P/N	DESCRIPTION
22	2	473986	5/16UNC-1 9/16ID-2 3/8 U-BOLT SS
23	2	474004	ROD END,1.00 BORE,1-12 RH MALE
24	4	483018	1" EXTERNAL TOOTH LOCK WASHER
25	4	483040	5/16 REGULAR FLAT WASHER
26	2	483043	USS FLAT WASHER 3/8 MC
27	1	607549	KICK-DOWN RELIEF, 4000PSI
28	1	617307	04-451TC-06FJX-04FJX-16 H/A
29	1	617308	04-451TC-06FJX-04FJX90-26 H/A
30	1	618499	7/16MJIC-90-9/16MOR LBO
31	1	618629	9/16MOR BRANCH TEE-9/16MJIC
32	1	618782	9/16MOR-9/16FOR-9/16MJIC BRNCH
33	1	618847	9/16MOR RUN TEE - 7/16MJIC
34	1	619023	9/16 MOR DIAGNOSTIC FITTING
35	1	621667	HYD CYL, 2.00 X 15.25 X 1.25
36	2	650204	DECAL, WARNING, CRUSH HAZARD FP
37	3	650205	DECAL, GREASE WEEKLY
38	2	900065	5/16UNC X 1" HEX BOLT
39	2	900858	3/8UNC X 1 1/2 HHCS GR8 MC
40	4	910002	5/16UNC HEX NUT
41	2	914002	5/16UNC HEX STOVER NUT
42	8	920004	SAE FLAT WASHER 1/2 MC

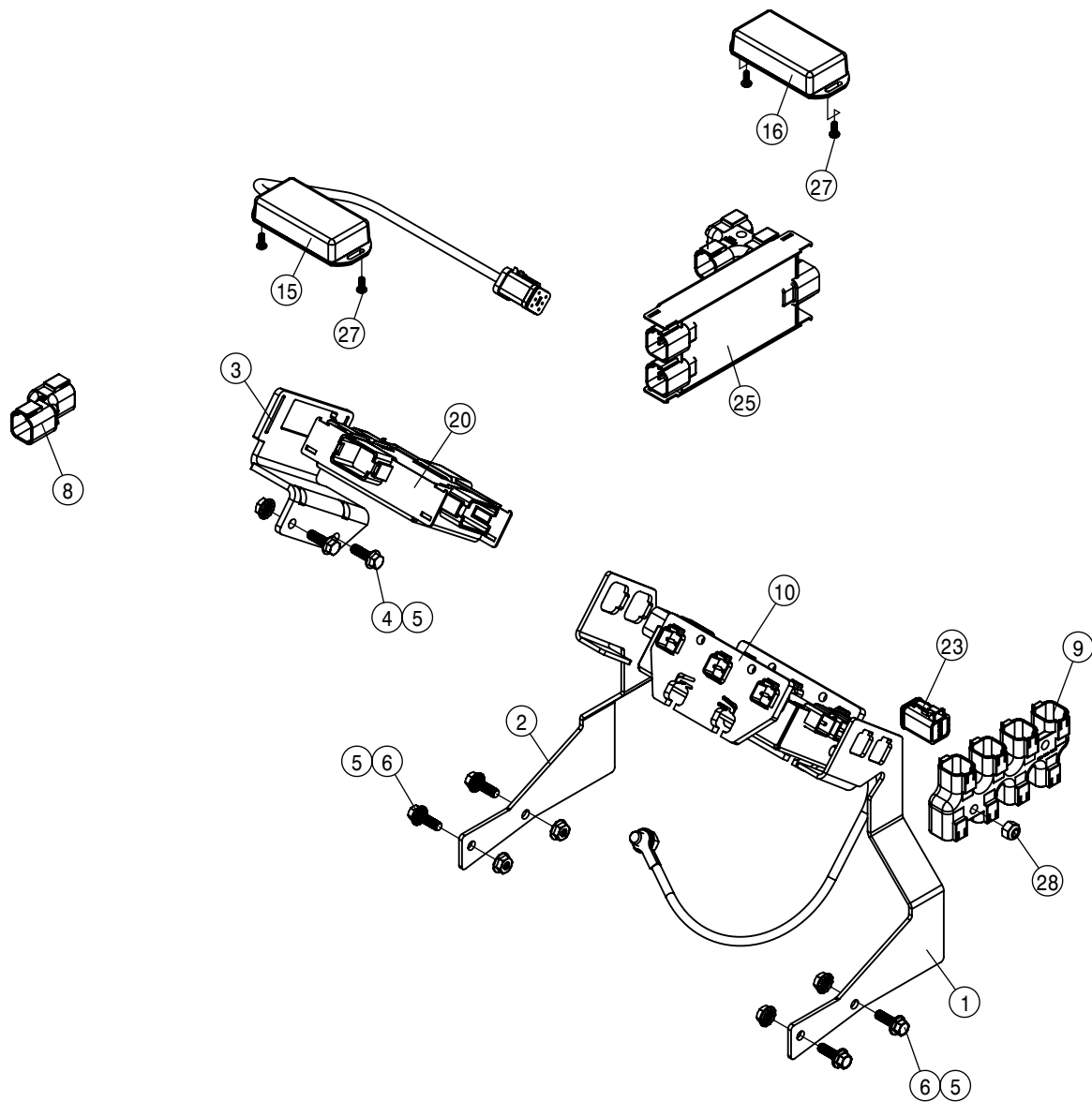


LEFT BOOM HINGE ASSEMBLY			
DET	QTY	P/N	DESCRIPTION
1	1	121122	FOLD BUSHING, SECT 1 A10
2	2	166086	60 FT FOLD PIN WLD A10
3	1	167578	FOLD PIN WLD, SECT 1 A10
4	1	167663	FOLD LINK WLD A10
5	1	167666	FOLD LINK WLD, A10
6	1	167850	LH BM, SECT-2 80'DTS W/DECAL
7	1	167854	LH BM SECT-1 DTS W/DECAL
8	1	193016	QUICKEDGE TRIM .060 TO .170
9	1	193016	QUICKEDGE TRIM .060 TO .170
10	1	291994	SENSOR HARNESS FOR AWS
NS	1	294279	DTS WING HARNESS
12	8	390984	1/8 X 1 1/4 COTTER PIN
13	1	470089	1/4UNC HEX NYL-LOC NUT
14	2	470098	RUBBER BUMPER 2.500 OD X .375 ID
15	1	470118	1/4 UNC X 3/4 SER FLG BOLT
16	1	470121	1/4 UNC SERR FLG LOCK NUT
17	1	470716	BM CRADLE BUMPER,DTS
18	2	470757	SPACER .395 X 2.500 X .250
19	4	472220	CLEVIS PIN HL 0.5 DIA X 2.250
20	4	472328	1"-12 HEX JAM NUT
21	1	473837	1/4UNC X 1 1/2 FLANGE BOLT SS

LEFT BOOM HINGE ASSEMBLY			
DET	QTY	P/N	DESCRIPTION
22	2	473986	5/16UNC-1 9/16ID-2 3/8 U-BOLT SS
23	2	474004	ROD END,1.00 BORE,1-12 RH MALE
24	4	483018	1" EXTERNAL TOOTH LOCK WASHER
25	4	483040	5/16 REGULAR FLAT WASHER
26	2	483043	USS FLAT WASHER 3/8 MC
27	1	607549	KICK-DOWN RELIEF, 4000PSI
28	1	617307	04-451TC-06FJX-04FJX-16 H/A
29	1	617308	04-451TC-06FJX-04FJX90-26 H/A
30	1	618499	7/16MJIC-90-9/16MOR LBO
31	1	618629	9/16MOR BRANCH TEE-9/16MJIC
32	1	618782	9/16MOR-9/16FOR-9/16MJIC BRNCH
33	1	618847	9/16MOR RUN TEE - 7/16MJIC
34	1	619023	9/16 MOR DIAGNOSTIC FITTING
35	1	621667	HYD CYL, 2.00 X 15.25 X 1.25
36	2	650204	DECAL, WARNING, CRUSH HAZARD FP
37	3	650205	DECAL, GREASE WEEKLY
38	2	900065	5/16UNC X 1" HEX BOLT
39	2	900858	3/8UNC X 1 1/2 HHCS GR8 MC
40	4	910002	5/16UNC HEX NUT
41	2	914002	5/16UNC HEX STOVER NUT
42	8	920004	SAE FLAT WASHER 1/2 MC

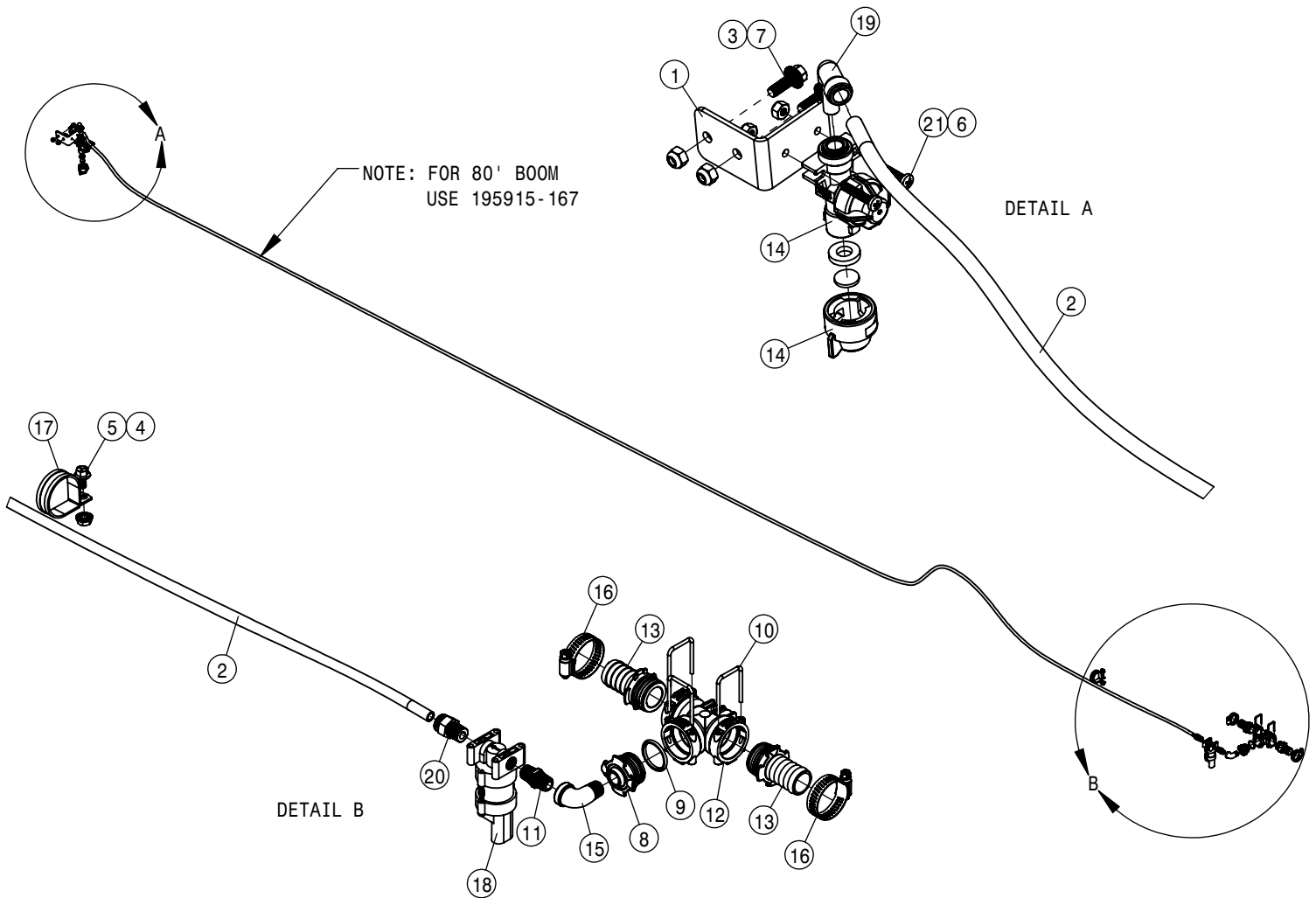


NORAC SENSOR MOUNTS			
DET	QTY	P/N	DESCRIPTION
1	1	167310	NORAC MNT WLD CTR, 120
2	8	169150	NORAC BRKT .312 SPACER
3	2	344984	NORAC SENSOR MOUNT DTS
4	2	470087	3/8-16UNC HEX FLG NUT SER MC GR5
5	8	470113	5/16UNC SERR FLG LOCK NUT
6	1	470460	3/8UNC X 1 HHSFB GR5 MC
7	4	472264	5/16UNC-1 3/4ID-2 15/16SQ U-BOLT
8	3	650210	DECAL, WARNING, UNEXPECTED MOVE
9	3	693113	SENSOR, NORAC UC5 ULTRASONIC

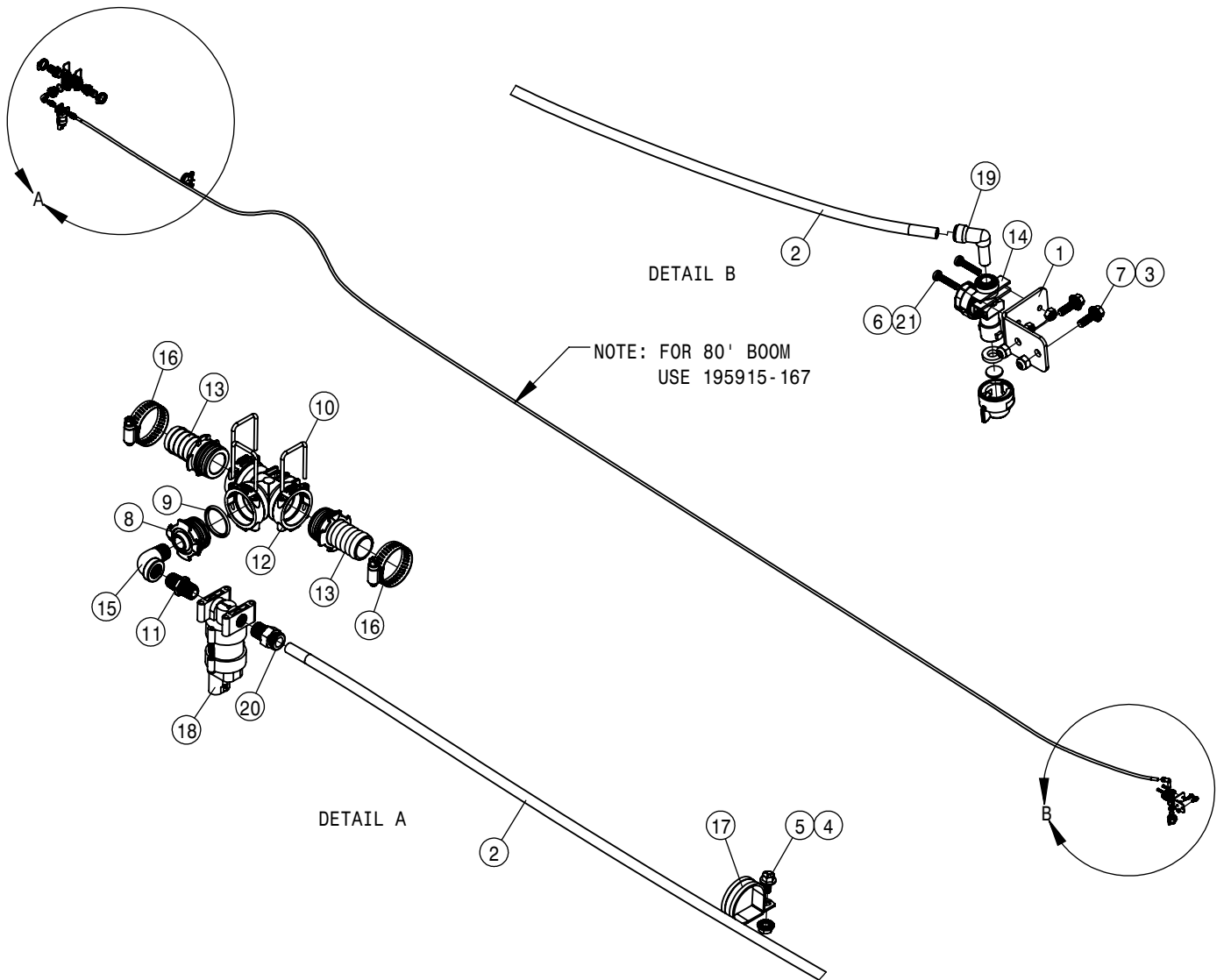


NORAC ELECTRICAL ASSEMBLY			
DET	QTY	P/N	DESCRIPTION
1	1	167556	NORAC MODULE BRKT LFT
2	1	362535	NORAC MODULE BRKT LFT
3	1	362536	NORAC INPUT MOD BRKT DTS
4	2	470118	1/4 UNC X 3/4 SER FLG BOLT
5	6	470121	1/4 UNC SERR FLG LOCK NUT
6	4	473834	1/4UNC X 3/4 SER FLG BOLT SS
NS	1	693078	NORAC CABLE, UC5 NETWORK, 90"
8	2	693128	NORAC UC5 NETWORK 2-WAY CPLR
9	1	693131	NORAC UC5 NETWORK CPLR, 8-WAY
10	1	693133	NORAC MODULE, UC5 VALVE
NS	1	693142	NORAC CABLE, STS IN-CAB CANBUS
NS	1	693146	NORAC UC5 2-WAY CPLR W/TRMNTOR
NS	3	693147	NORAC UC5 NETWORK CPLR, 3-WAY
NS	1	693161	NORAC CABLE, UC5 NETWORK, 5M

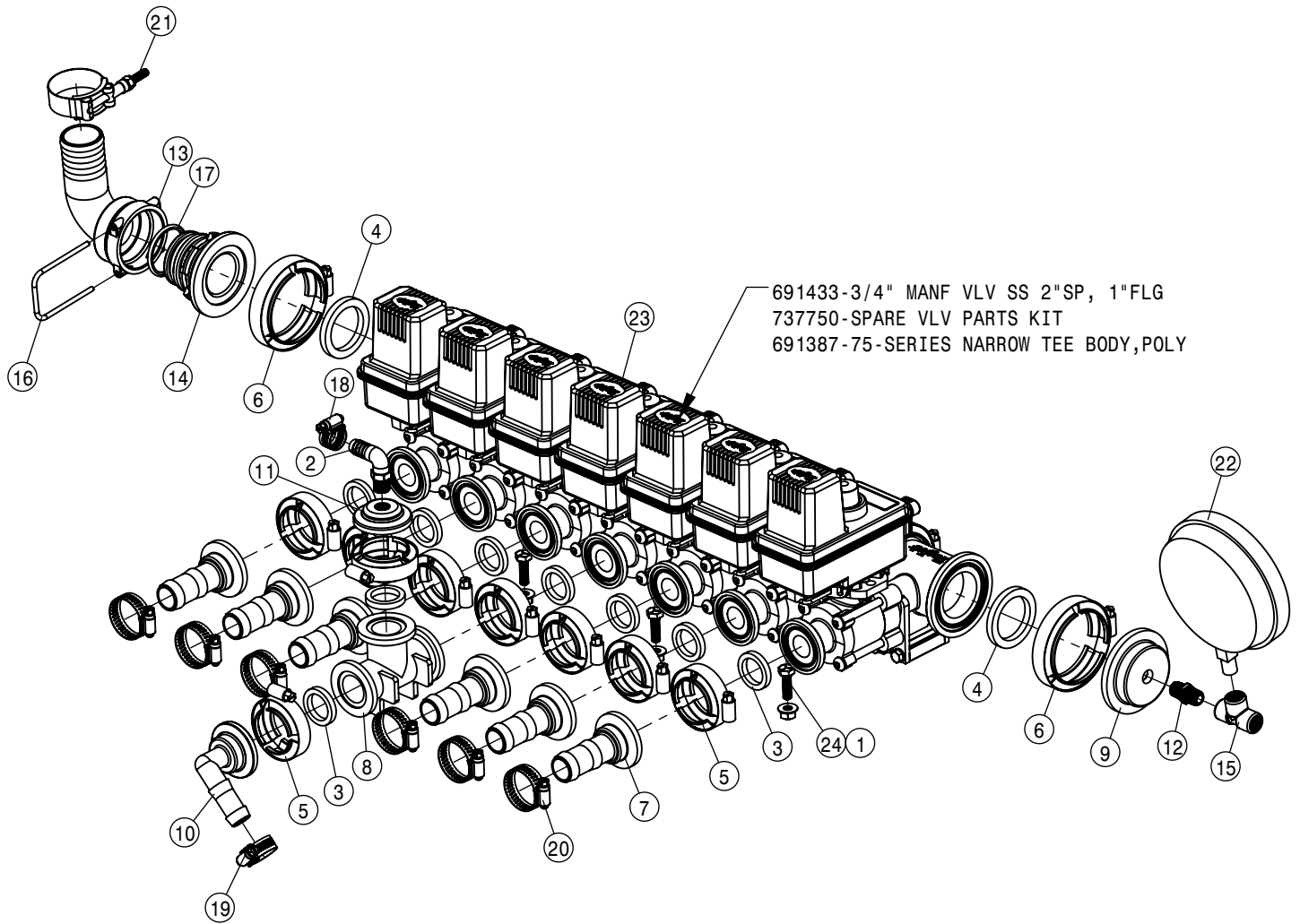
NORAC ELECTRICAL ASSEMBLY			
DET	QTY	P/N	DESCRIPTION
15	1	693165	NORAC UC5 ROLL SENSOR
16	1	693165	NORAC UC5 ROLL SENSOR
NS	2	693741	CABLE UC5 NETWORK 14 AWG 1M
NS	1	693746	CABLE, BATT, 4-PIN DT FUSED-5A
NS	1	693750	UC5 INTERFACE CABLE
20	1	693751	UC5 INPUT PASS THRU MODULE
NS	1	693757	UC5 NETWORK CABLE, 14 AWG .5M
NS	3	693758	UC5 NETWORK CABLE, 14 AWG 3M
23	5	693800	UC5 NETWORK 6PIN PLUG
NS	1	693825	NORAC VALVE HARNESS DTS '16
25	1	693877	UC5 HW/SW
NS	2	693964	CABLE UC5 NETWORK 14 AWG 10M
27	4	903808	6-32 X 3/8 PHIL PANHD MACH SCR
28	1	910118	1/4-20UNC NYLOCK NUT SS



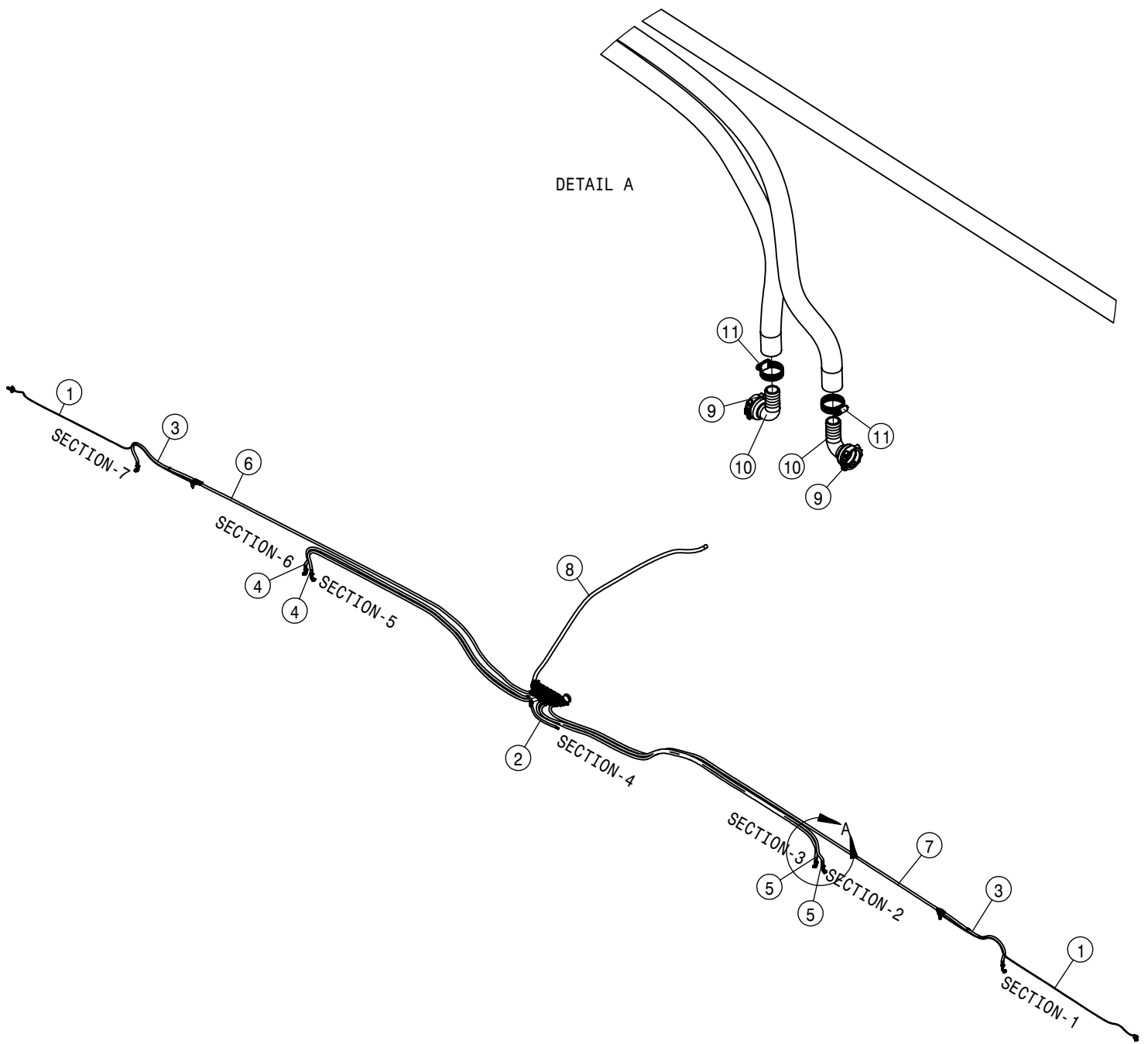
RIGHT FENCE ROW ASSEMBLY 80/90			
DET	QTY	P/N	DESCRIPTION
1	1	167438	FENCE ROW BRACKET DTS
2	1	195915-226	3/8OD AIR BRAKE TUBING J844-B
3	2	470089N	1/4UNC HEX NYLOC NUT, 316 SS
4	1	470121	1/4-20UNC HEX FLG NUT SER MC GR5
5	1	470122	1/4UNC X 1/2 HHSFB GR5 MC
6	2	473012	10-32 HEX NUT, NYLOC GR5
7	2	473834	1/4UNC X 3/4 SER FLG BOLT SS
8	2	500306	T3 MALE TO 1/4" NPT
9	4	500309	O-RING, -120 EPDM
10	4	500311	FORK D3 DIST 29
11	1	500314	PIPE NIPPLE 1/4NPT POLY
12	1	500324	T3 FEMALE TEE
13	2	500325	T3 TO 25MM HB
14	1	500334	NOZZLE-3/8OD PUSH TO CONNECT
15	1	505116	SS PIPE ST EL 90DEG .25NPT
16	2	520090	HOSECLAMP NO 16 STAINLESS
17	1	520100	CUSH HOSE CLAMP,#24, 1 1/2D X 1/2W
18	1	696235	1/4" ELECT SOLU SOLE VLV, 2203
19	1	711066	3/8 NYL PUSH IN ELBOW 90 DEG
20	1	711068	3/8 TUBE-1/4 MNPT PRESS ON, BRASS
21	2	903894	10-32 X 1 PHIL RDHD MACH SCR



LEFT FENCE ROW ASSEMBLY 80/90			
DET	QTY	P/N	DESCRIPTION
1	1	167438	FENCE ROW BRACKET DTS
2	1	195915-226	3/8OD AIR BRAKE TUBING J844-B
3	2	470089N	1/4UNC HEX NYLOC NUT, 316 SS
4	1	470121	1/4-20UNC HEX FLG NUT SER MC GR5
5	1	470122	1/4UNC X 1/2 HHSFB GR5 MC
6	2	473012	10-32 HEX NUT, NYLOC GR5
7	2	473834	1/4UNC X 3/4 SER FLG BOLT SS
8	1	500306	T3 MALE TO 1/4" NPT
9	3	500309	O-RING, -120 EPDM
10	3	500311	FORK D3 DIST 29
11	1	500314	PIPE NIPPLE 1/4NPT POLY
12	1	500324	T3 FEMALE TEE
13	2	500325	T3 TO 25MM HB
14	1	500334	NOZZLE-3/8OD PUSH TO CONNECT
15	1	505116	SS PIPE ST EL 90DEG .25NPT
16	2	520090	HOSECLAMP NO 16 STAINLESS
17	1	520100	CUSH HOSE CLAMP,#24, 1 1/2D X 1/2W
18	1	696235	1/4" ELECT SOLU SOLE VLV, 2203
19	1	711066	3/8 NYL PUSH IN ELBOW 90 DEG
20	1	711068	3/8 TUBE-1/4 MNPT PRESS ON, BRASS
21	2	903894	10-32 X 1 PHIL RDHD MACH SCR

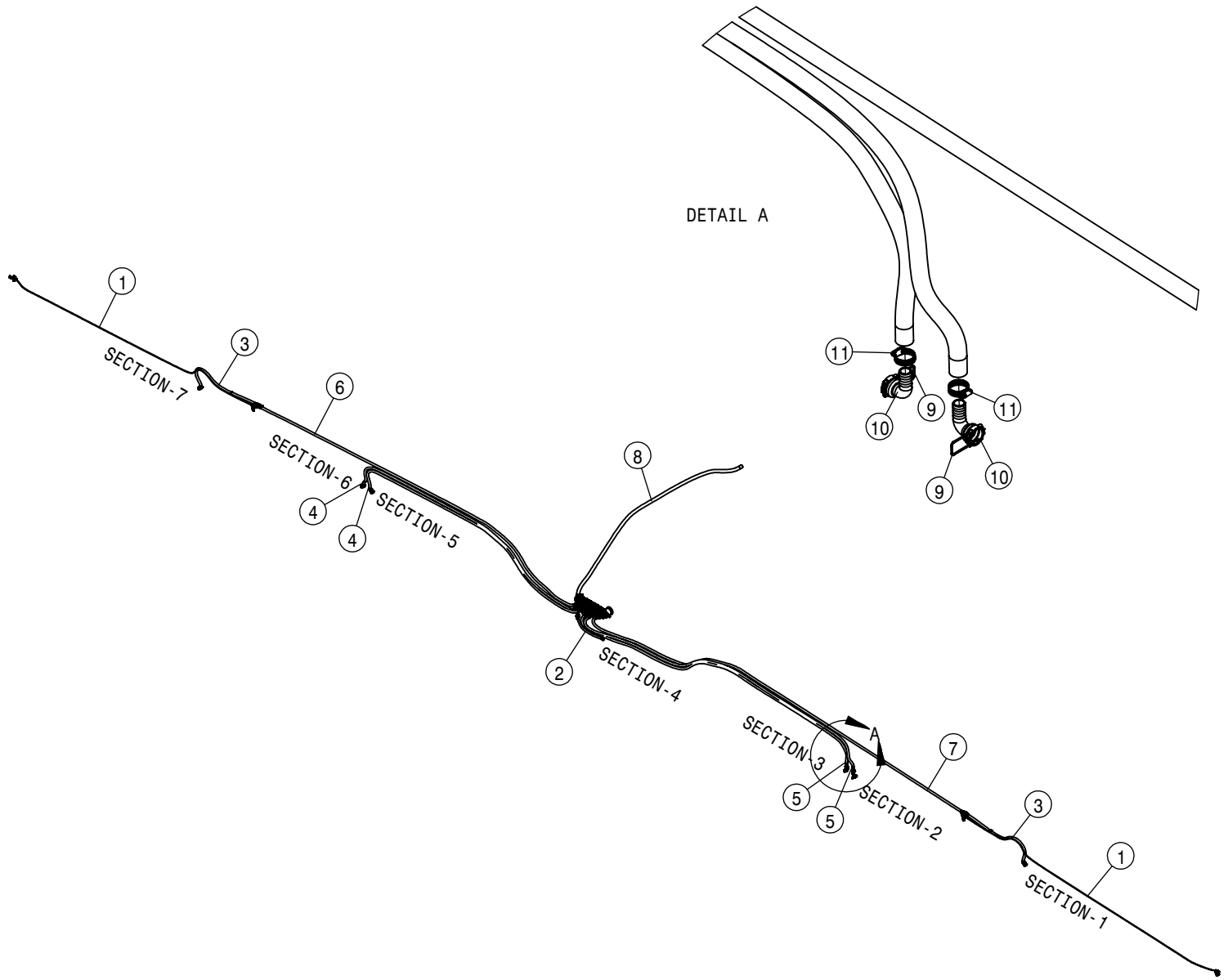


BOOM SOLUTION VALVE ASSEMBLY 80/90			
DET	QTY	P/N	DESCRIPTION
1	3	470570	5/16UNC HEX FLG CNTR LOCK NUT
2	1	500118	1/4"NPT-90-1/2"HOSE BARB, POLY
3	9	500157	1" FLANGE GASKET EPDM
4	2	500158	1 1/2" GASKET FOR 2" FLANGE
5	9	500159	1" FLANGE CLAMP S.S.
6	2	500160	2" FLANGE CLAMP S.S.
7	6	500171	1" FLANGE-1" HOSE BARB POLY
8	1	500175	1" FLANGE TEE, POLY
9	1	500181	2" FLANGE PLUG, 1/4FNPT POLY
10	1	500185	1"FLANGE-90-3/4"HOSE BARB POLY
11	1	500226	1" FLANGE PLUG W/1/4"FNPT POLY
12	1	500314	PIPE NIPPLE 1/4NPT POLY
13	1	500329	T6 TO 38MM HB 90
14	1	500333	T6 - 2" FLANGE
15	1	500335	1/4 NPT PIPE TEE, POLY
16	1	500336	FORK T6 CONNECTION
17	1	500337	O-RING, -223 EPDM
18	1	520069	HOSE CLAMP NO 6 STAINLESS
19	1	520080	HOSE CLAMP NO 10 STAINLESS
20	6	520090	HOSECLAMP NO 16 STAINLESS
21	1	520133	1.81/2.06 T-BOLT HOSE CLAMP SS
22	1	690359	PRESSURE GA GLYCERI 100 PSI
23	1	696291	VALVE, 3/4 MANIFOLD 7 BANK
24	3	900065	5/16UNC X 1 HHCS GR5 MC

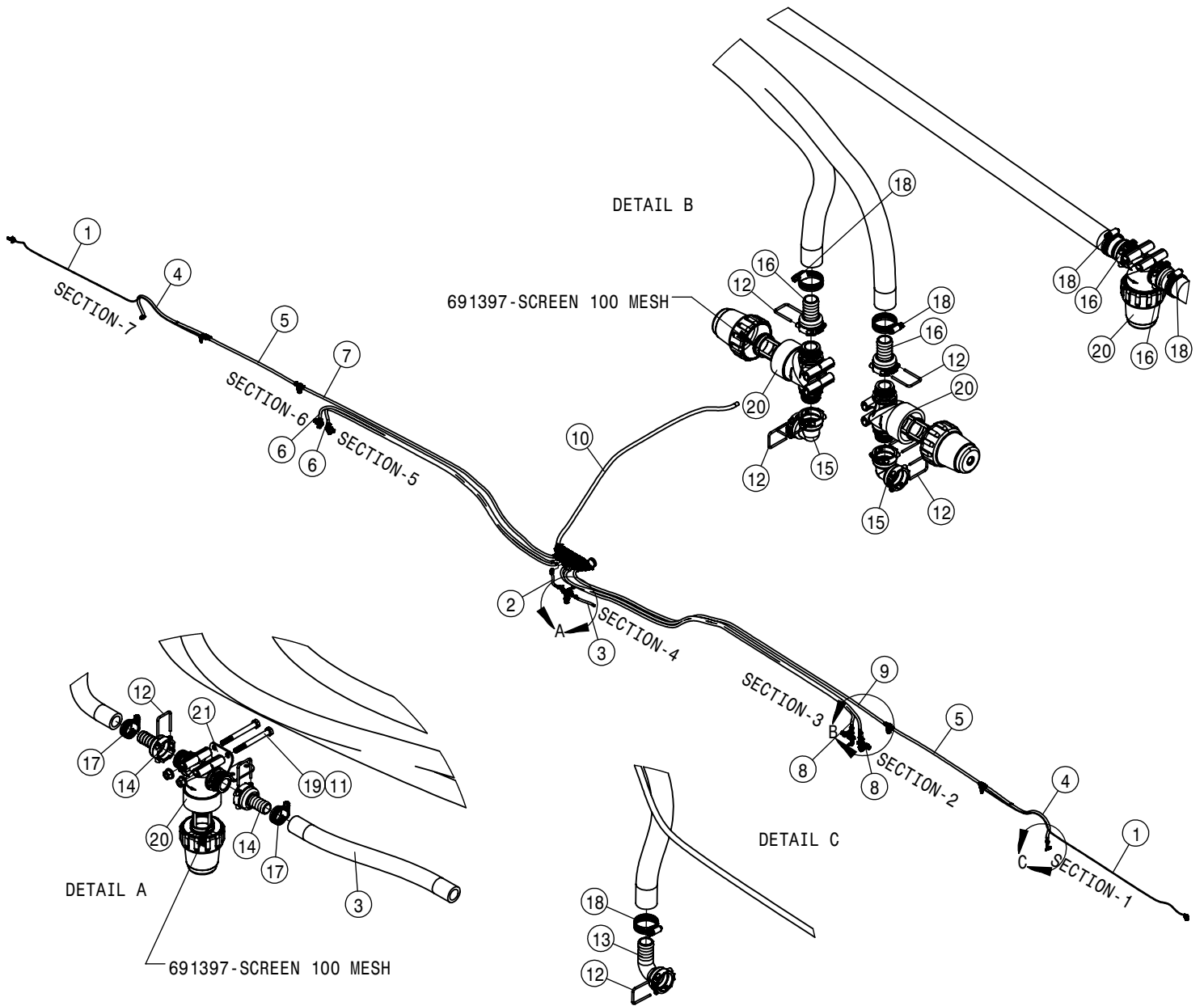


15" 80FT SOLUTION HOSE (NO STRAINERS)			
DET	QTY	P/N	DESCRIPTION
1	2	195915-167	3/80D AIR BRAKE TUBING J844-B
2	1	197112-028	HOSE 3/4 1-FBR BR BLK EPDM
3	2	197116-070	HOSE 1IN 1-FBR BR BLK EPDM
4	2	197116-219	HOSE 1IN 1-FBR BR BLK EPDM
5	2	197116-258	HOSE 1IN 1-FBR BR BLK EPDM
6	1	197116-298	HOSE 1IN 1-FBR BR BLK EPDM
7	1	197116-336	HOSE 1IN 1-FBR BR BLK EPDM
8	1	197127-153	HOSE 1 1/2" SUCTION, 2F-1W EPDM
9	6	500311	FORK D3 DIST 29
10	6	500328	T3 TO 25MM HB 90
11	6	520090	HOSECLAMP NO 16 STAINLESS

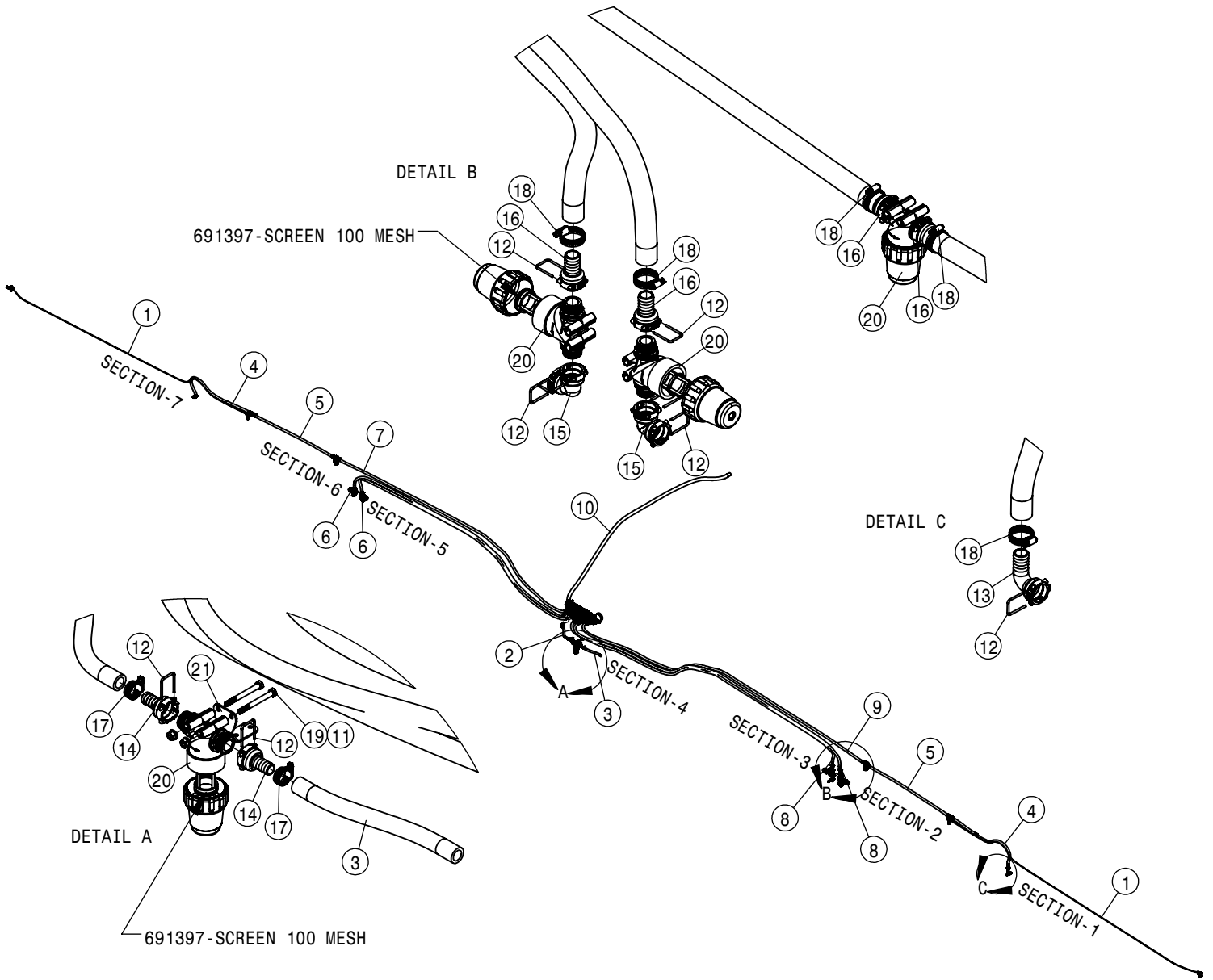




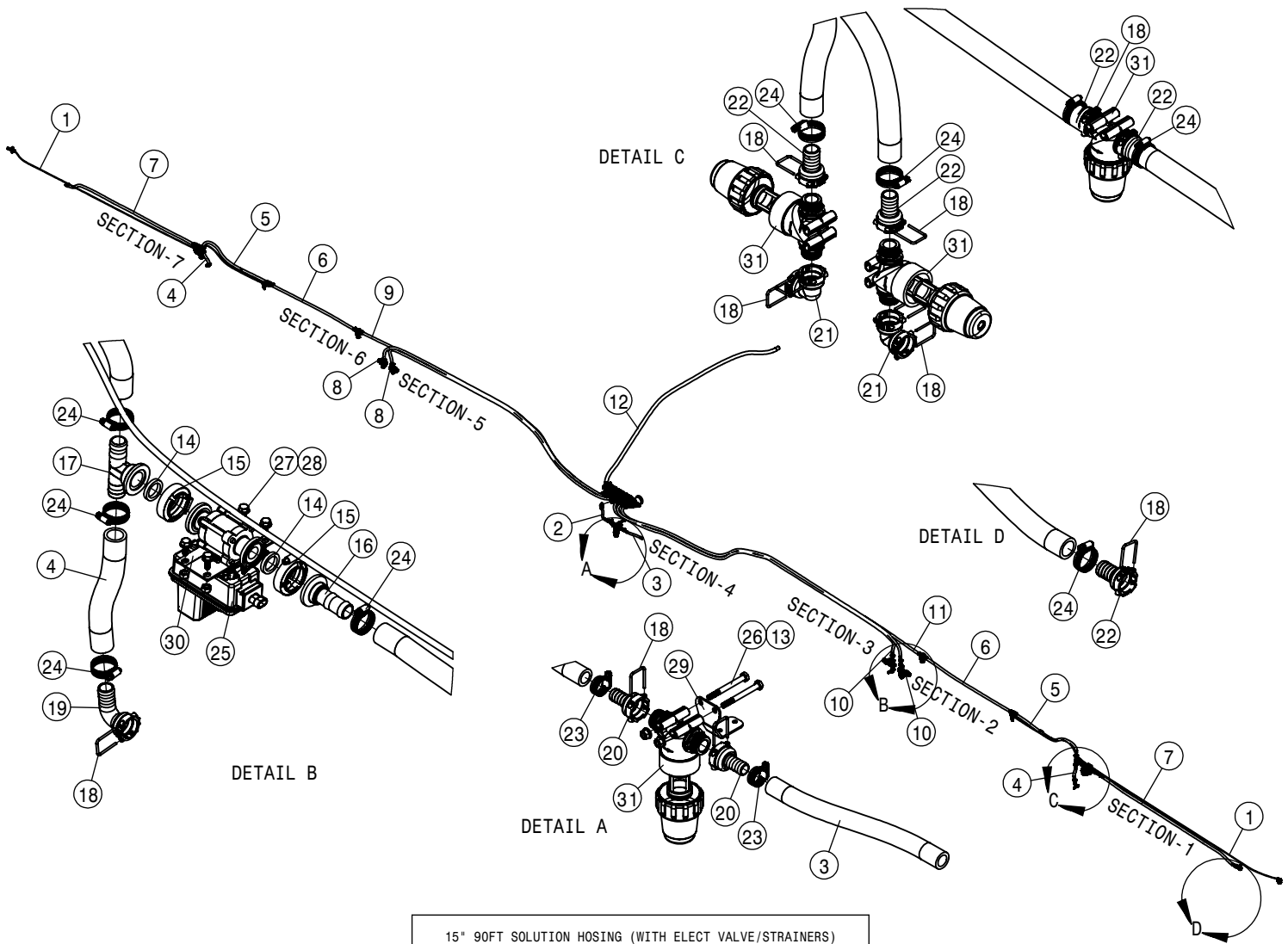
15° 90FT SOLUTION HOISING (NO STRAINERS)			
DET	QTY	P/N	DESCRIPTION
1	2	195915-226	3/80D AIR BRAKE TUBING J844-B
2	1	197112-028	HOSE 3/4 1-FBR BR BLK EPDM
3	2	197116-070	HOSE 1IN 1-FBR BR BLK EPDM
4	2	197116-219	HOSE 1IN 1-FBR BR BLK EPDM
5	2	197116-258	HOSE 1IN 1-FBR BR BLK EPDM
6	1	197116-298	HOSE 1IN 1-FBR BR BLK EPDM
7	1	197116-336	HOSE 1IN 1-FBR BR BLK EPDM
8	1	197127-153	HOSE 1 1/2" SUCTION, 2F-1W EPDM
9	6	500311	FORK D3 DIST 29
10	6	500328	T3 TO 25MM HB 90
11	6	520090	HOSECLAMP NO 16 STAINLESS



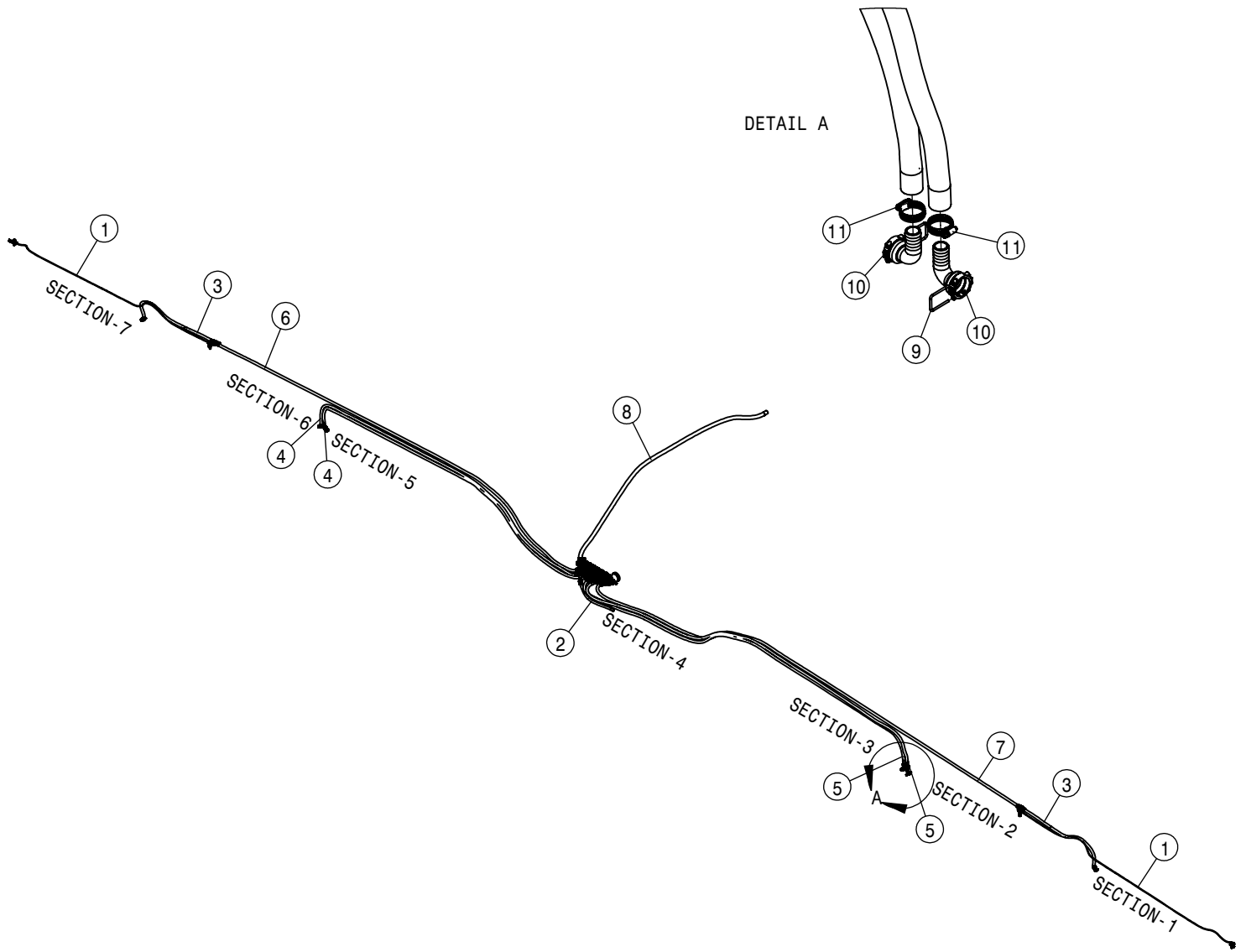
15" 80FT SOLUTION HOISING (WITH STRAINERS)				
DET	QTY	P/N	DESCRIPTION	
1	2	195915-167	3/80D AIR BRAKE TUBING J844-B	
2	1	197112-012	HOSE 3/4 1-FBR BR BLK EPDM	
3	1	197112-013	HOSE 3/4 1-FBR BR BLK EPDM	
4	2	197116-070	HOSE 1IN 1-FBR BR BLK EPDM	
5	2	197116-073	HOSE 1IN 1-FBR BR BLK EPDM	
6	2	197116-215	HOSE 1IN 1-FBR BR BLK EPDM	
7	1	197116-220	HOSE 1IN 1-FBR BR BLK EPDM	
8	2	197116-255	HOSE 1IN 1-FBR BR BLK EPDM	
9	1	197116-259	HOSE 1IN 1-FBR BR BLK EPDM	
10	1	197127-153	HOSE 1 1/2" SUCTION,2F-1W EPDM	
11	2	470570	5/16-18UNC CTRLK FLG NUT MC GR5	
12	20	500311	FORK D3 DIST 29	
13	2	500328	T3 TO 25MM HB 90	
14	2	500349	T3 FEMALE - .75 HB	
15	4	500351	T3 FORK 90 DEG FTG	
16	8	500352	T3 FEMALE TO 25MM HB	
17	2	520080	HOSE CLAMP NO 10 STAINLESS	
18	10	520090	HOSECLAMP NO 16 STAINLESS	
19	2	900072	5/16UNC X 3 HHCS GR5 MC	
20	7	691396	STRAINER T3 100 MESH	
21	1	167647	DTS STRAINER BRKT 16'	



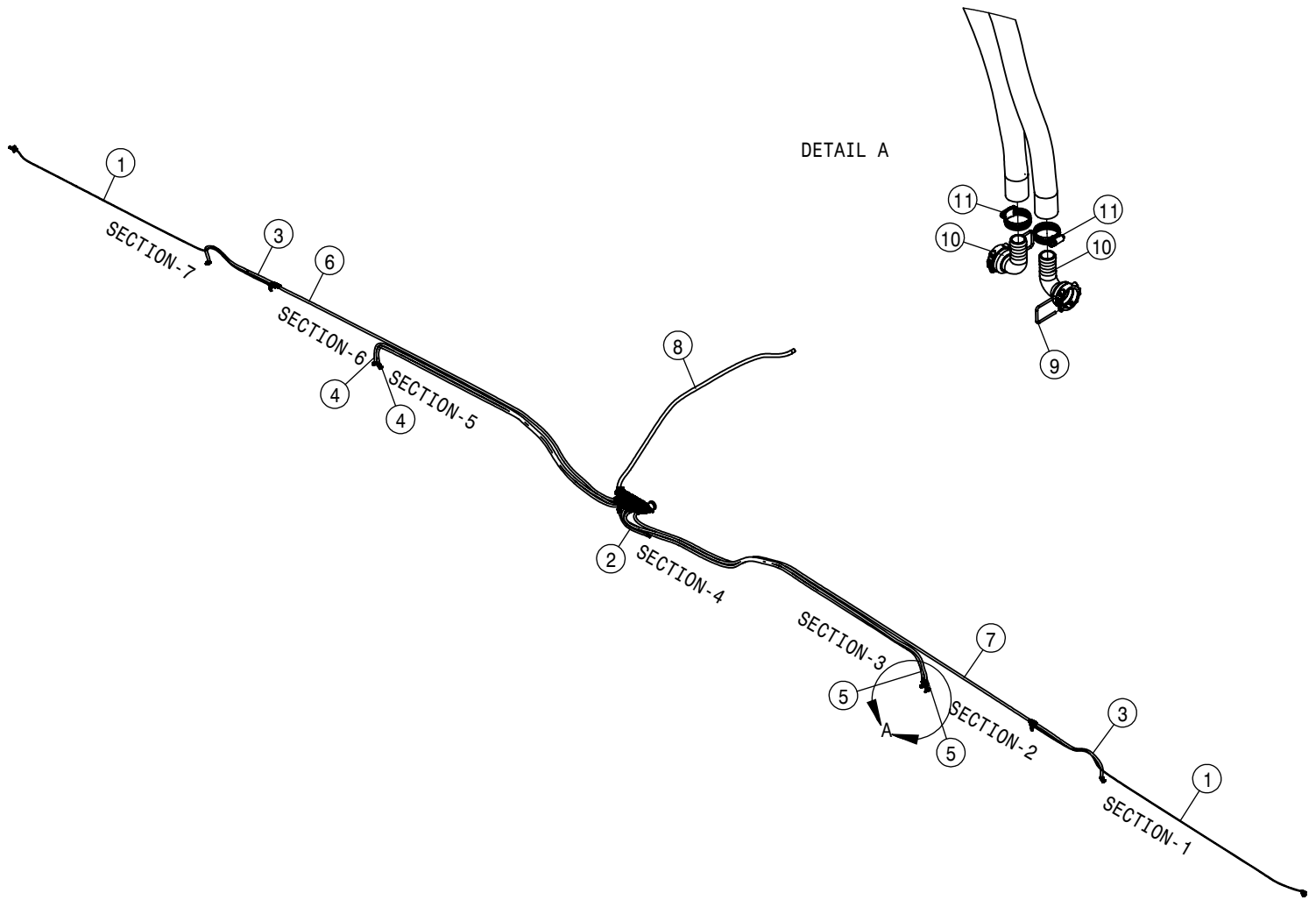
15" 90FT SOLUTION HOSEING (WITH STRAINERS)			
DET	QTY	P/N	DESCRIPTION
1	2	195915-226	3/80D AIR BRAKE TUBING J844-B
2	1	197112-012	HOSE 3/4 1-FBR BR BLK EPDM
3	1	197112-013	HOSE 3/4 1-FBR BR BLK EPDM
4	2	197116-070	HOSE 1IN 1-FBR BR BLK EPDM
5	2	197116-073	HOSE 1IN 1-FBR BR BLK EPDM
6	2	197116-215	HOSE 1IN 1-FBR BR BLK EPDM
7	1	197116-220	HOSE 1IN 1-FBR BR BLK EPDM
8	2	197116-255	HOSE 1IN 1-FBR BR BLK EPDM
9	1	197116-259	HOSE 1IN 1-FBR BR BLK EPDM
10	1	197127-153	HOSE 1 1/2" SUCTION,2F-1W EPDM
11	2	470570	5/16-18UNC CTRLK FLG NUT MC GR5
12	20	500311	FORK D3 DIST 29
13	2	500328	T3 TO 25MM HB 90
14	2	500349	T3 FEMALE - .75 HB
15	4	500351	T3 FORK 90 DEG FTG
16	8	500352	T3 FEMALE TO 25MM HB
17	2	520080	HOSE CLAMP NO 10 STAINLESS
18	10	520090	HOSECLAMP NO 16 STAINLESS
19	2	900072	5/16UNC X 3 HHCS GR5 MC
20	7	691396	STRAINER T3 100 MESH
21	1	167647	DTS STRAINER BRKT 16'



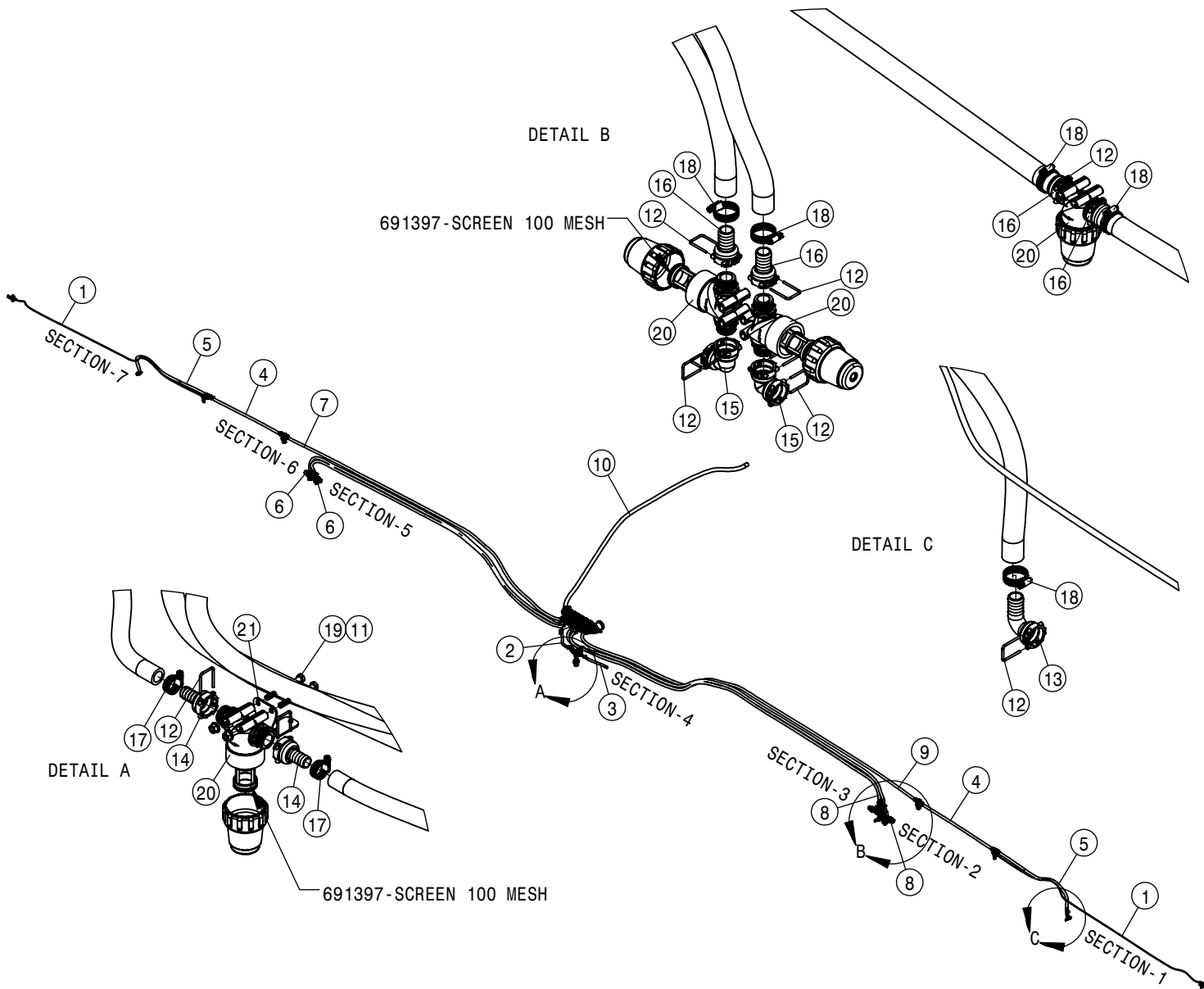
15' 90FT SOLUTION HOSE (WITH ELECT VALVE/STRAINERS)			
DET	QTY	P/N	DESCRIPTION
1	2	195915-226	3/80D AIR BRAKE TUBING J844-B
2	1	197112-012	HOSE 3/4 1-FBR BR BLK EPDM
3	1	197112-013	HOSE 3/4 1-FBR BR BLK EPDM
4	2	197116-011	HOSE 1IN 1-FBR BR BLK EPDM
5	2	197116-059	HOSE 1IN 1-FBR BR BLK EPDM
6	2	197116-073	HOSE 1IN 1-FBR BR BLK EPDM
7	2	197116-113	HOSE 1IN 1-FBR BR BLK EPDM
8	2	197116-215	HOSE 1IN 1-FBR BR BLK EPDM
9	1	197116-220	HOSE 1IN 1-FBR BR BLK EPDM
10	2	197116-255	HOSE 1IN 1-FBR BR BLK EPDM
11	1	197116-259	HOSE 1IN 1-FBR BR BLK EPDM
12	1	197127-153	HOSE 1 1/2" SUCTION,2F-1W EPDM
13	2	470570	5/16-18UNC CTRLK FLG NUT MC GR5
14	4	500157	1" FLANGE GASKET EPDM
15	4	500159	1" FLANGE CLAMP S.S.
16	2	500171	1" FLANGE-1" HOSE BARB POLY
17	2	500268	1" FLANGE HOSE BARB TEE
18	22	500311	FORK D3 DIST 29
19	2	500328	T3 TO 25MM HB 90
20	2	500349	T3 FEMALE - .75 HB
21	4	500351	T3 FORK 90 DEG FTG
22	10	500352	T3 FEMALE TO 25MM HB
23	2	520080	HOSE CLAMP NO 10 STAINLESS
24	18	520090	HOSECLAMP NO 16 STAINLESS
25	2	696196	3/4" ELEC BALL VALVE SS 1" FLG
26	2	900072	5/16UNC X 3 HHCS GR5 MC
27	8	900486	5/16UNC X 3/4 HHSFB SS
28	8	910132	5/16-18UNC NYLOCK NUT SS
29	1	167647	DTS STRAINER BRKT 16'
30	4	167723	DTS SCT 2 VLV BRKT 16'
31	7	691396	STRAINER T3 100 MESH



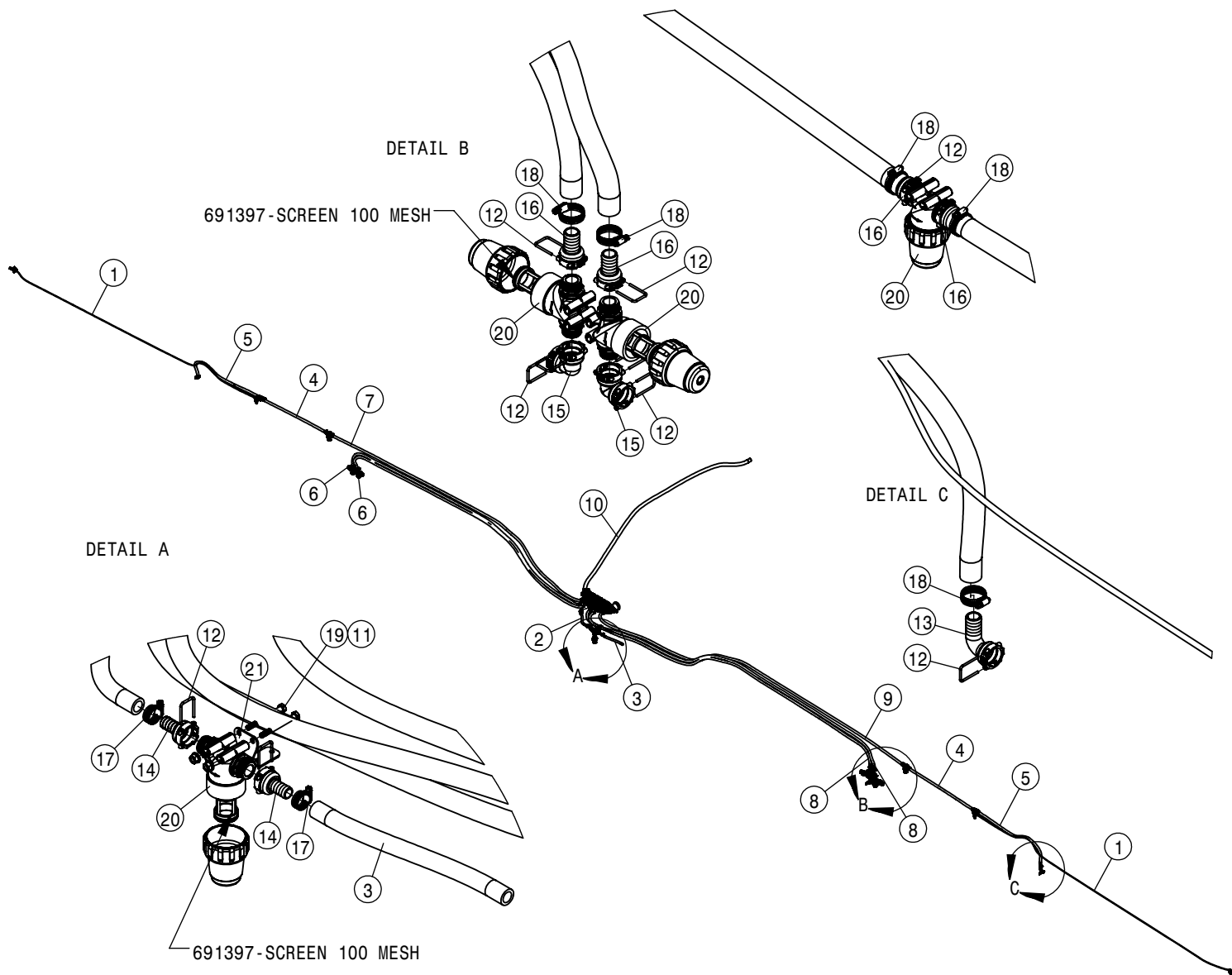
20' 80FT SOLUTION HOISING (NO STRAINER)			
DET	QTY	P/N	DESCRIPTION
1	2	195915-167	3/80D AIR BRAKE TUBING J844-B
2	1	197112-031	HOSE 3/4 1-FBR BR BLK EPDM
3	2	197116-070	HOSE 1IN 1-FBR BR BLK EPDM
4	2	197116-230	HOSE 1IN 1-FBR BR BLK EPDM
5	2	197116-270	HOSE 1IN 1-FBR BR BLK EPDM
6	1	197116-298	HOSE 1IN 1-FBR BR BLK EPDM
7	1	197116-336	HOSE 1IN 1-FBR BR BLK EPDM
8	1	197127-153	HOSE 1 1/2" SUCTION,2F-1W EPDM
9	6	500311	FORK D3 DIST 29
10	6	500328	T3 TO 25MM HB 90
11	6	520090	HOSECLAMP NO 16 STAINLESS



20' 90FT SOLUTION HOISING (NO STRAINER)			
DET	QTY	P/N	DESCRIPTION
1	2	195915-226	3/80D AIR BRAKE TUBING J844-B
2	1	197112-031	HOSE 3/4 1-FBR BR BLK EPDM
3	2	197116-070	HOSE 1IN 1-FBR BR BLK EPDM
4	2	197116-230	HOSE 1IN 1-FBR BR BLK EPDM
5	2	197116-270	HOSE 1IN 1-FBR BR BLK EPDM
6	1	197116-298	HOSE 1IN 1-FBR BR BLK EPDM
7	1	197116-336	HOSE 1IN 1-FBR BR BLK EPDM
8	1	197127-153	HOSE 1 1/2" SUCTION, 2F-1W EPDM
9	6	500311	FORK D3 DIST 29
10	6	500328	T3 TO 25MM HB 90
11	6	520090	HOSECLAMP NO 16 STAINLESS

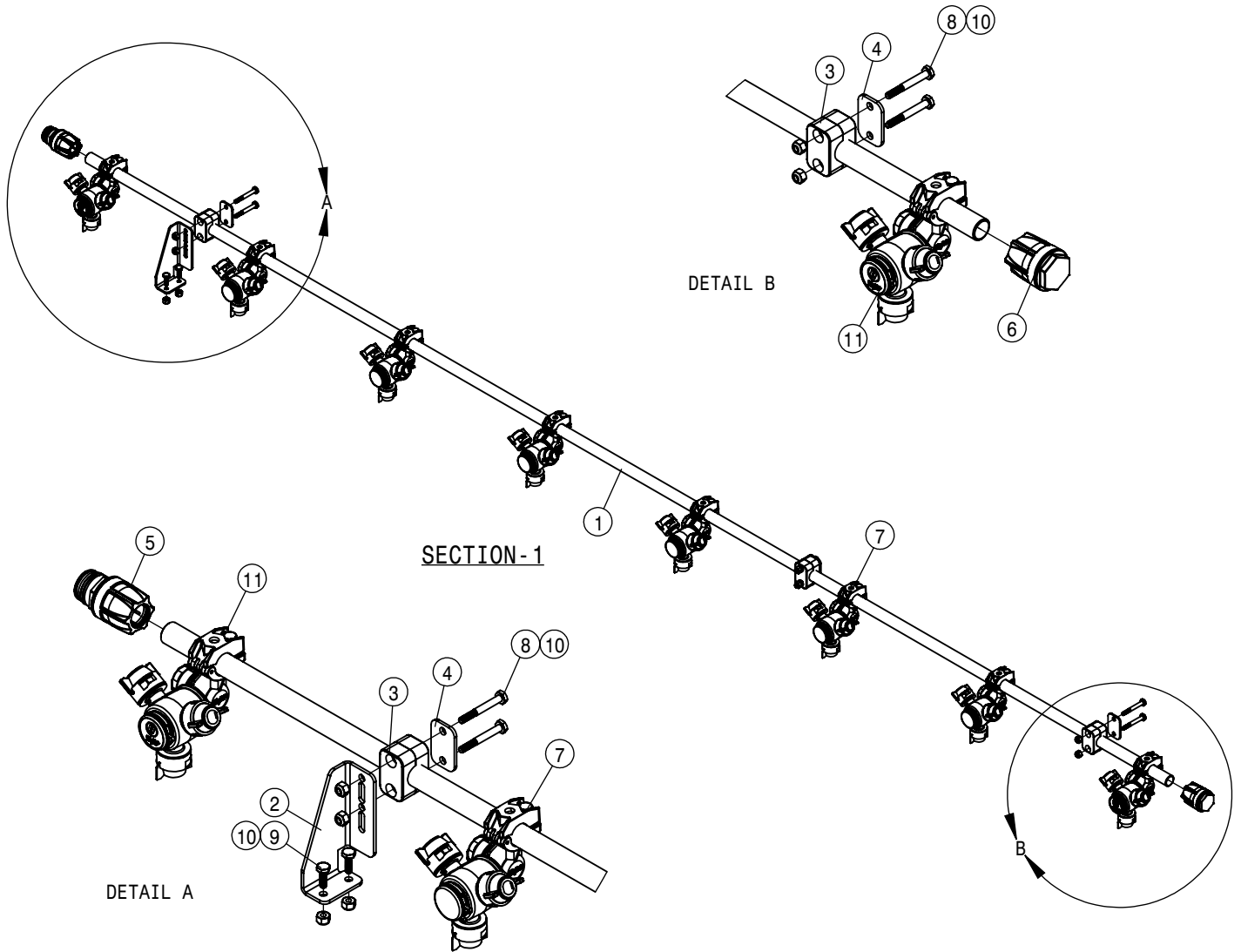


20' 80FT SOLUTION HOISING (WITH STRAINERS)			
DET	QTY	P/N	DESCRIPTION
1	2	195915-167	3/80D AIR BRAKE TUBING J844-B
2	1	197112-012	HOSE 3/4 1-FBR BR BLK EPDM
3	1	197112-015	HOSE 3/4 1-FBR BR BLK EPDM
4	2	197116-058	HOSE 1IN 1-FBR BR BLK EPDM
5	2	197116-070	HOSE 1IN 1-FBR BR BLK EPDM
6	2	197116-227	HOSE 1IN 1-FBR BR BLK EPDM
7	1	197116-236	HOSE 1IN 1-FBR BR BLK EPDM
8	2	197116-266	HOSE 1IN 1-FBR BR BLK EPDM
9	1	197116-274	HOSE 1IN 1-FBR BR BLK EPDM
10	1	197127-153	HOSE 1 1/2" SUCTION, 2F-1W EPDM
11	2	470570	5/16-18UNC CTRLK FLG NUT MC GR5
12	20	500311	FORK D3 DIST 29
13	2	500328	T3 TO 25MM HB 90
14	2	500349	T3 FEMALE - .75 HB
15	4	500351	T3 FORK 90 DEG FTG
16	8	500352	T3 FEMALE TO 25MM HB
17	2	520080	HOSE CLAMP NO 10 STAINLESS
18	10	520090	HOSECLAMP NO 16 STAINLESS
19	2	900072	5/16UNC X 3 HHCS GR5 MC
20	7	691396	STRAINER T3 100 MESH
21	1	167647	DTS STRAINER BRKT 16'

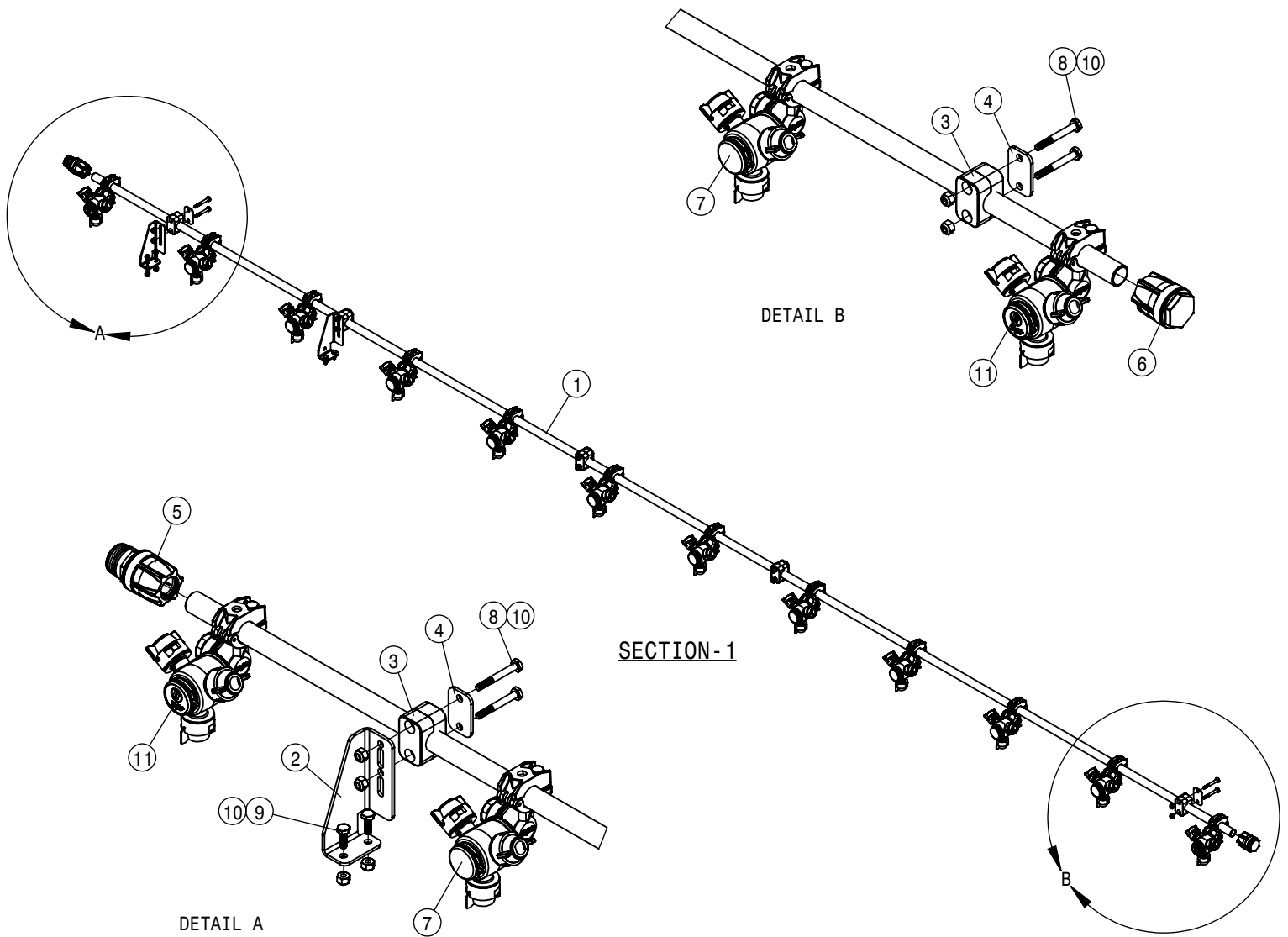


20' 90FT SOLUTION HOSE (WITH STRAINER)			
DET	QTY	P/N	DESCRIPTION
1	2	195915-226	3/80D AIR BRAKE TUBING J844-B
2	1	197112-012	HOSE 3/4 1-FBR BR BLK EPDM
3	1	197112-015	HOSE 3/4 1-FBR BR BLK EPDM
4	2	197116-058	HOSE 1IN 1-FBR BR BLK EPDM
5	2	197116-070	HOSE 1IN 1-FBR BR BLK EPDM
6	2	197116-227	HOSE 1IN 1-FBR BR BLK EPDM
7	1	197116-236	HOSE 1IN 1-FBR BR BLK EPDM
8	2	197116-266	HOSE 1IN 1-FBR BR BLK EPDM
9	1	197116-274	HOSE 1IN 1-FBR BR BLK EPDM
10	1	197127-153	HOSE 1 1/2" SUCTION, 2F-1W EPDM
11	2	470570	5/16-18UNC CTRLK FLG NUT MC GR5
12	20	500311	FORK D3 DIST 29
13	2	500328	T3 TO 25MM HB 90
14	2	500349	T3 FEMALE - .75 HB
15	4	500351	T3 FORK 90 DEG FTG
16	8	500352	T3 FEMALE TO 25MM HB
17	2	520080	HOSE CLAMP NO 10 STAINLESS
18	10	520090	HOSECLAMP NO 16 STAINLESS
19	2	900072	5/16UNC X 3 HHCS GR5 MC
20	7	691396	STRAINER T3 100 MESH
21	1	167647	DTS STRAINER BRKT 16'

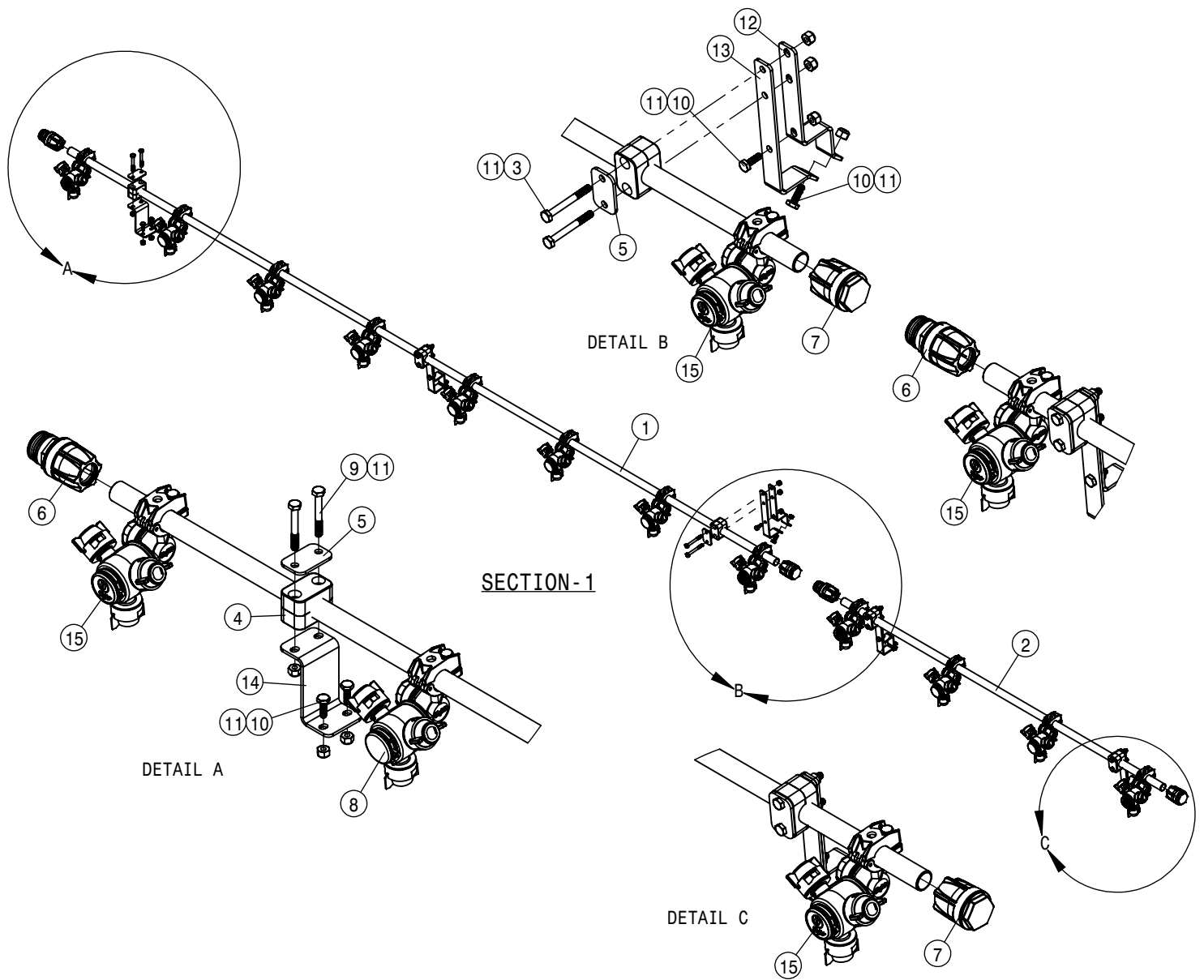




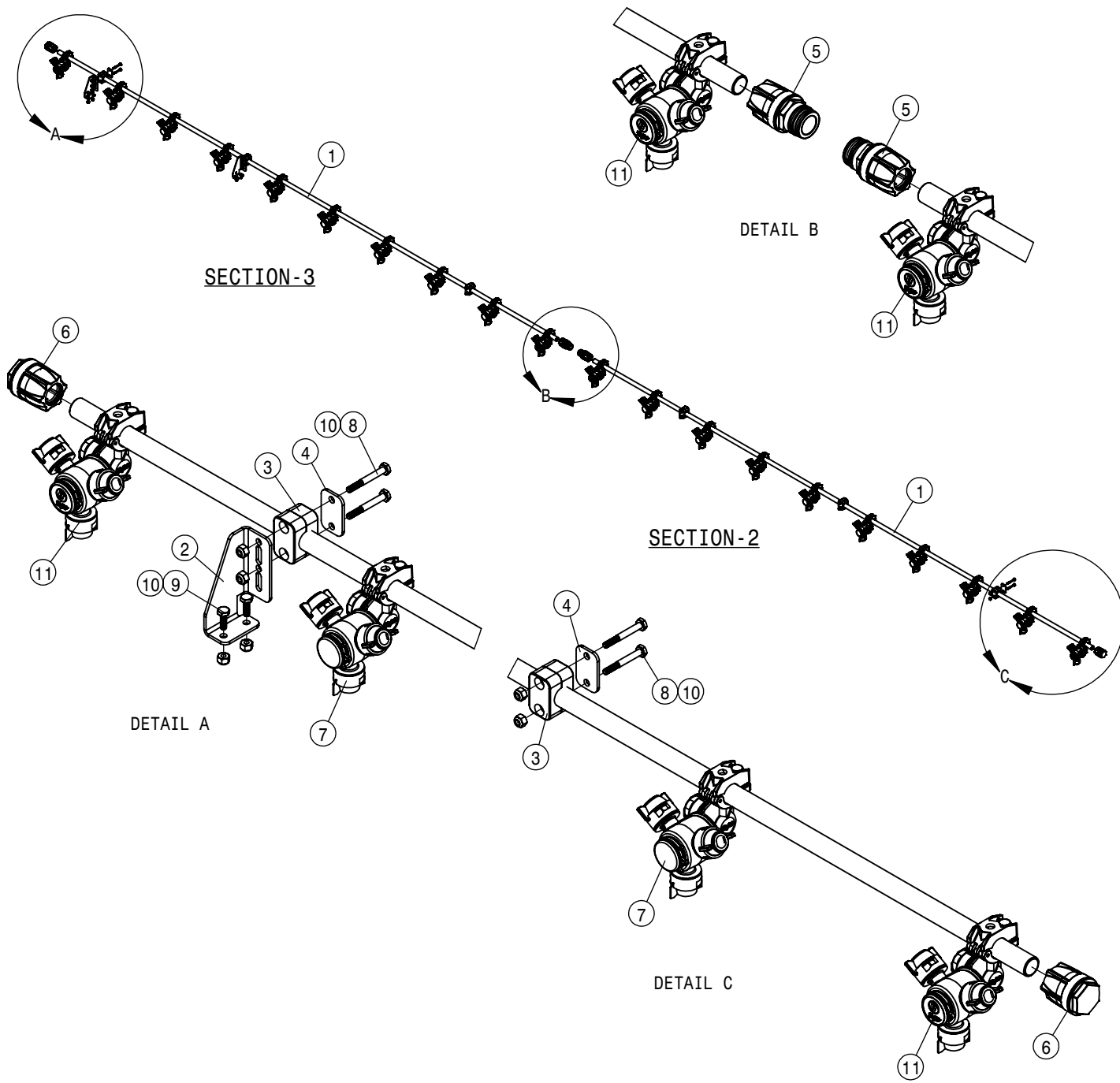
15" WET BOOM SPACING, SECTION-1 80" BOOM			
DET	QTY	P/N	DESCRIPTION
1	1	167802	TUBE-WET BM .50X109.63 15"SP
2	1	169154	OUTER SOLU BRKT, DTS' 16
3	3	470358	TUBE CLAMP BODY, .840 (1/2 PIPE)
4	3	470752	SS COVER PLATE FOR 470358
5	1	500331	T3 - 1/2" PIPE BOOM END
6	1	500332	1/2" PIPE BOOM END
7	6	737961	QUICK TJET 3-TIP BODY, 1/2"
8	6	900022	1/4UNC X 2 HHCS SS
9	2	900448	1/4UNC X 3/4 HHCS SS
10	8	910118	1/4-20UNC NYLOCK NUT SS
11	2	737962	QUICK TJET 3-TIP BODY, 1/2" RS



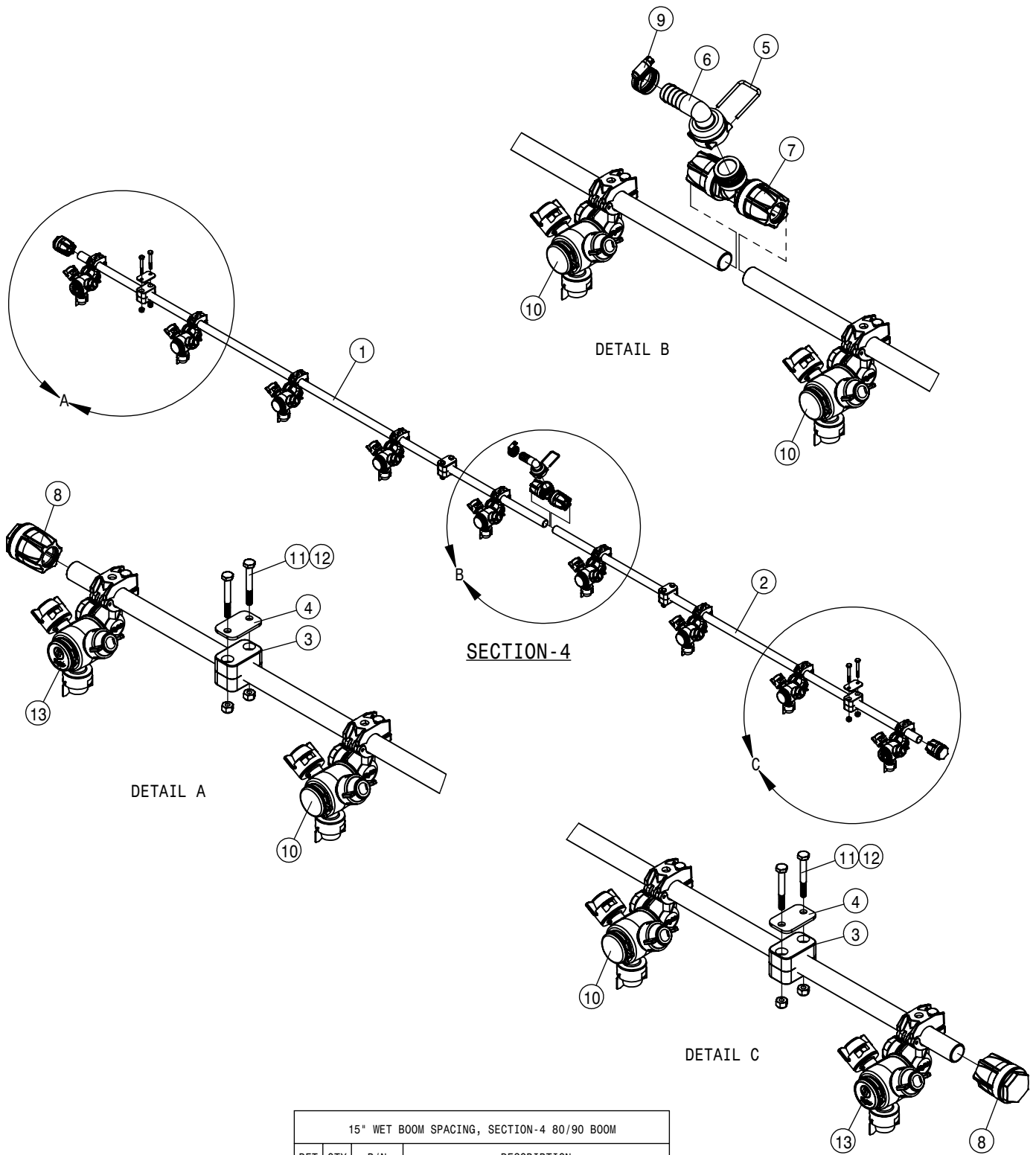
15" WET BOOM SPACING, SECTION-1 90' BOOM			
DET	QTY	P/N	DESCRIPTION
1	1	167267	TUBE-WET BM .50X169.63 15"SP
2	2	169154	OUTER SOLU BRKT, DTS'16
3	5	470358	TUBE CLAMP BODY, .840 (1/2 PIPE)
4	5	470752	SS COVER PLATE FOR 470358
5	1	500331	T3 - 1/2" PIPE BOOM END
6	1	500332	1/2" PIPE BOOM END
7	10	737961	QUICK TJET 3-TIP BODY, 1/2"
8	10	900022	1/4UNC X 2 HHCS SS
9	4	900448	1/4UNC X 3/4 HHCS SS
10	14	910118	1/4-20UNC NYLOCK NUT SS
11	2	737962	QUICK TJET 3-TIP BODY, 1/2" RS



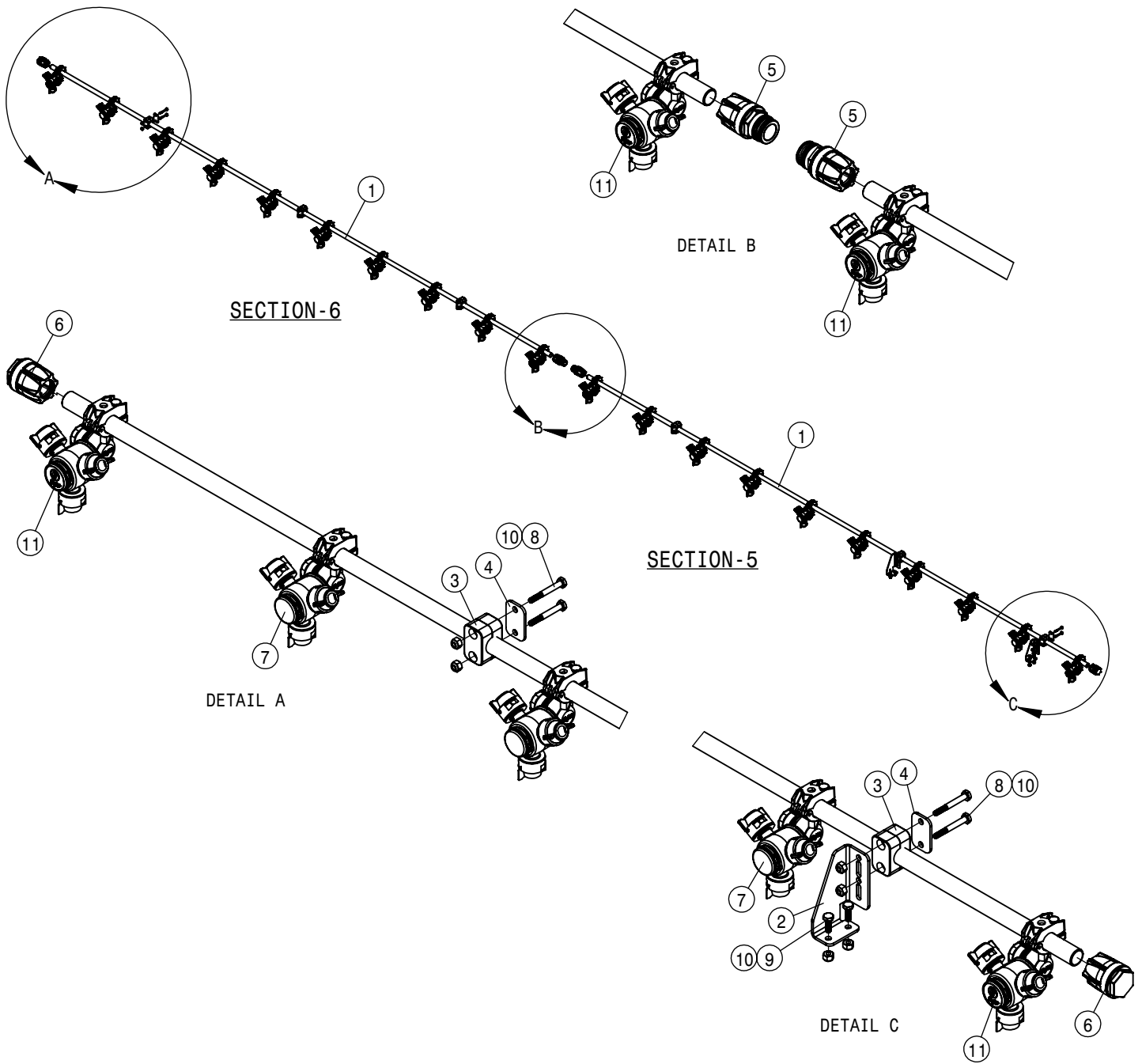
15" WET BOOM SPACING, SECTION-1 90',80' ELECT				
DET	QTY	P/N	DESCRIPTION	
1	1	167802	TUBE-WET BM .50X109.63 15"SP	
2	1	167805	TUBE-WET BM .50X49.63 15"SP	
3	8	470091	1/4UNC X 2 1/4 HEX BOLT SS	
4	5	470358	TUBE CLAMP BODY, .840 (1/2 PIPE)	
5	5	470752	SS COVER PLATE FOR 470358	
6	2	500331	T3 - 1/2" PIPE BOOM END	
7	2	500332	1/2" PIPE BOOM END	
8	8	737961	QUICK TJET 3-TIP BODY, 1/2"	
9	2	900022	1/4UNC X 2 HEX BOLT SS	
10	10	900448	1/4UNC X 3/4 HHCS SS	
11	20	910118	1/4-20UNC NYLOCK NUT SS	
12	4	167429	BOOM MT, .50 PIPE 1.5" SQ UPPR	
13	4	167430	BOOM MT, .50 PIPE 1.5" SQ LWR	
14	1	167434	WET BOOM MT 1/2" PIPE X 2.98	
15	4	737962	QUICK TJET 3-TIP BODY, 1/2" RS	



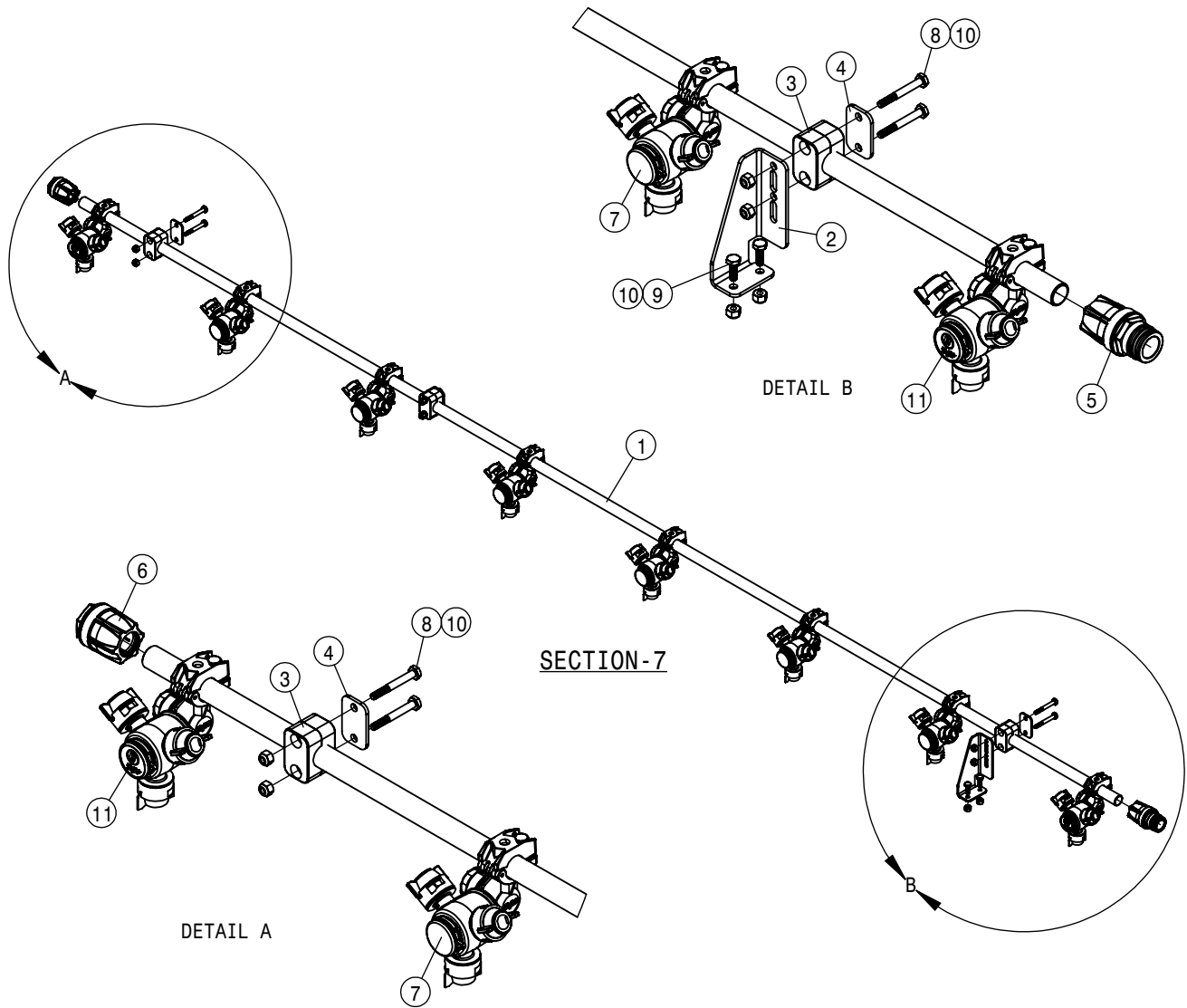
15" WET BOOM SPACING, SECTION 2-3 80/90 BOOM			
DET	QTY	P/N	DESCRIPTION
1	2	167266	TUBE-WET BM .50X139.63 15"SP
2	2	169153	INNER SOLU BRKT, DTS' 16
3	6	470358	TUBE CLAMP BODY, .840 (1/2 PIPE)
4	6	470752	SS COVER PLATE FOR 470358
5	2	500331	T3 - 1/2" PIPE BOOM END
6	2	500332	1/2" PIPE BOOM END
7	16	737961	QUICK TJET 3-TIP BODY, 1/2"
8	12	900022	1/4UNC X 2 HHCS SS
9	4	900448	1/4UNC X 3/4 HHCS SS
10	16	910118	1/4-20UNC NYLOCK NUT SS
11	4	737962	QUICK TJET 3-TIP BODY, 1/2" RS



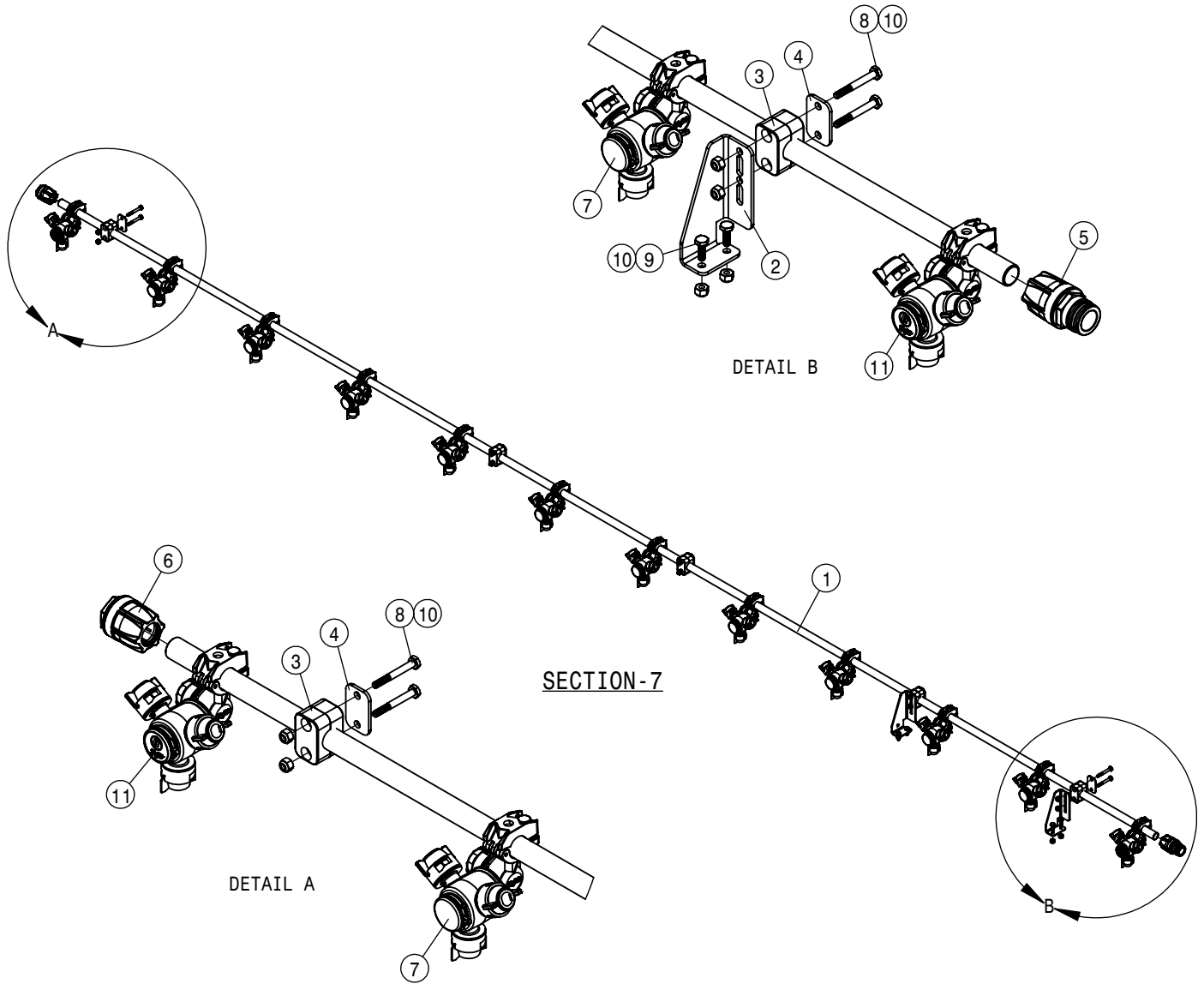
15" WET BOOM SPACING, SECTION-4 80/90 BOOM			
DET	QTY	P/N	DESCRIPTION
1	1	167264	TUBE-WET BM .50X69.08 15"SP
2	1	167265	TUBE-WET BM .50X54.08 15" SP
3	4	470358	TUBE CLAMP BODY, .840 (1/2 PIPE)
4	4	470752	SS COVER PLATE FOR 470358
5	1	500311	FORK D3 DIST 29
6	1	500327	T3 TO 20MM HB 90
7	1	500330	T3 - TEE 1/2" PIPE BOOM END
8	2	500332	1/2" PIPE BOOM END
9	1	520080	HOSE CLAMP NO 10 STAINLESS
10	7	737961	QUICK TJET 3-TIP BODY, 1/2"
11	8	900022	1/4UNC X 2 HHCS SS
12	8	910118	1/4-20UNC NYLOCK NUT SS
13	2	737962	QUICK TJET 3-TIP BODY, 1/2" RS



15" WET BOOM SPACING, SECTION 5-6 80/90 BOOM			
DET	QTY	P/N	DESCRIPTION
1	2	167266	TUBE-WET BM .50X139.63 15"SP
2	2	169153	INNER SOLU BRKT, DTS' 16
3	6	470358	TUBE CLAMP BODY, .840 (1/2 PIPE)
4	6	470752	SS COVER PLATE FOR 470358
5	2	500331	T3 - 1/2" PIPE BOOM END
6	2	500332	1/2" PIPE BOOM END
7	16	737961	QUICK TJET 3-TIP BODY, 1/2"
8	12	900022	1/4UNC X 2 HHCS SS
9	4	900448	1/4UNC X 3/4 HHCS SS
10	16	910118	1/4-20UNC NYLOCK NUT SS
11	4	737962	QUICK TJET 3-TIP BODY, 1/2" RS



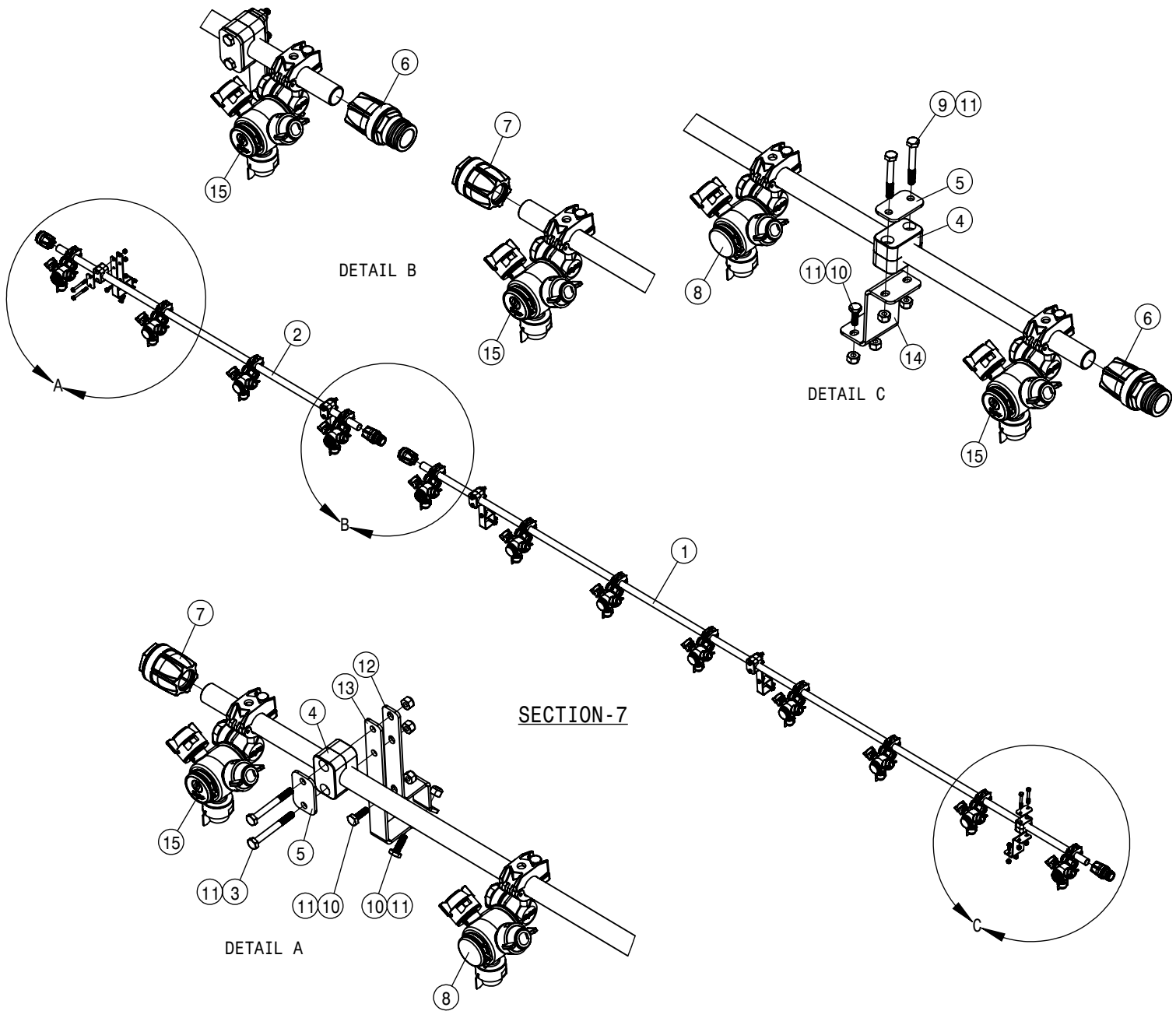
15" WET BOOM SPACING, SECTION-7 80' BOOM			
DET	QTY	P/N	DESCRIPTION
1	1	167802	TUBE-WET BM .50X109.63 15"SP
2	1	169154	OUTER SOLU BRKT, DTS'16
3	3	470358	TUBE CLAMP BODY, .840 (1/2 PIPE)
4	3	470752	SS COVER PLATE FOR 470358
5	1	500331	T3 - 1/2" PIPE BOOM END
6	1	500332	1/2" PIPE BOOM END
7	6	737961	QUICK TJET 3-TIP BODY, 1/2"
8	6	900022	1/4UNC X 2 HHCS SS
9	2	900448	1/4UNC X 3/4 HHCS SS
10	8	910118	1/4-20UNC NYLOCK NUT SS
11	2	737962	QUICK TJET 3-TIP BODY, 1/2" RS



SECTION-7

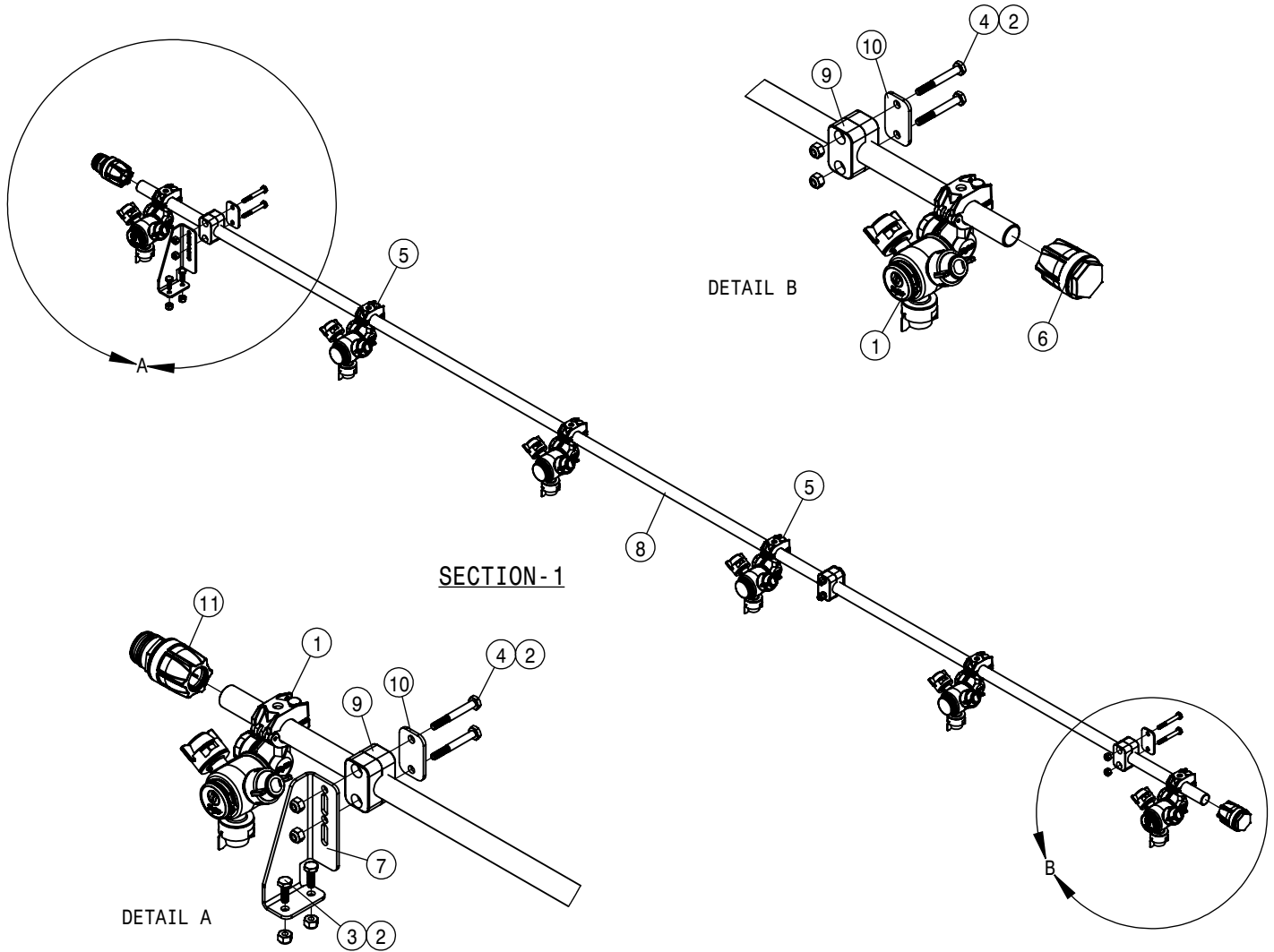
15" WET BOOM SPACING, SECTION-7 90' BOOM			
DET	QTY	P/N	DESCRIPTION
1	1	167267	TUBE-WET BM .50X169.63 15"SP
2	2	169154	OUTER SOLU BRKT, DTS'16
3	5	470358	TUBE CLAMP BODY, .840 (1/2 PIPE)
4	5	470752	SS COVER PLATE FOR 470358
5	1	500331	T3 - 1/2" PIPE BOOM END
6	1	500332	1/2" PIPE BOOM END
7	10	737961	QUICK TJET 3-TIP BODY, 1/2"
8	10	900022	1/4UNC X 2 HHCS SS
9	4	900448	1/4UNC X 3/4 HHCS SS
10	14	910118	1/4-20UNC NYLOCK NUT SS
11	2	737962	QUICK TJET 3-TIP BODY, 1/2" RS



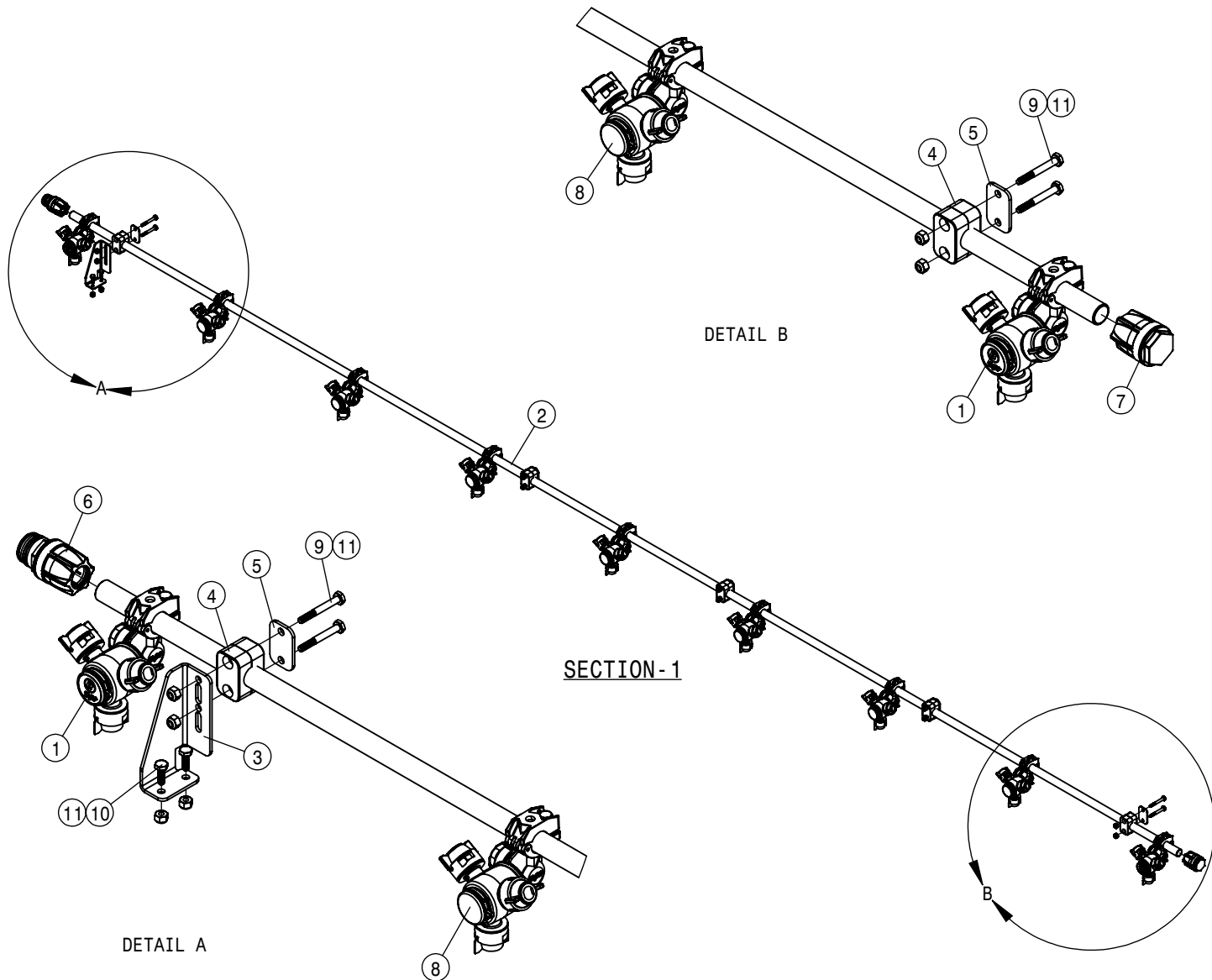


SECTION-7

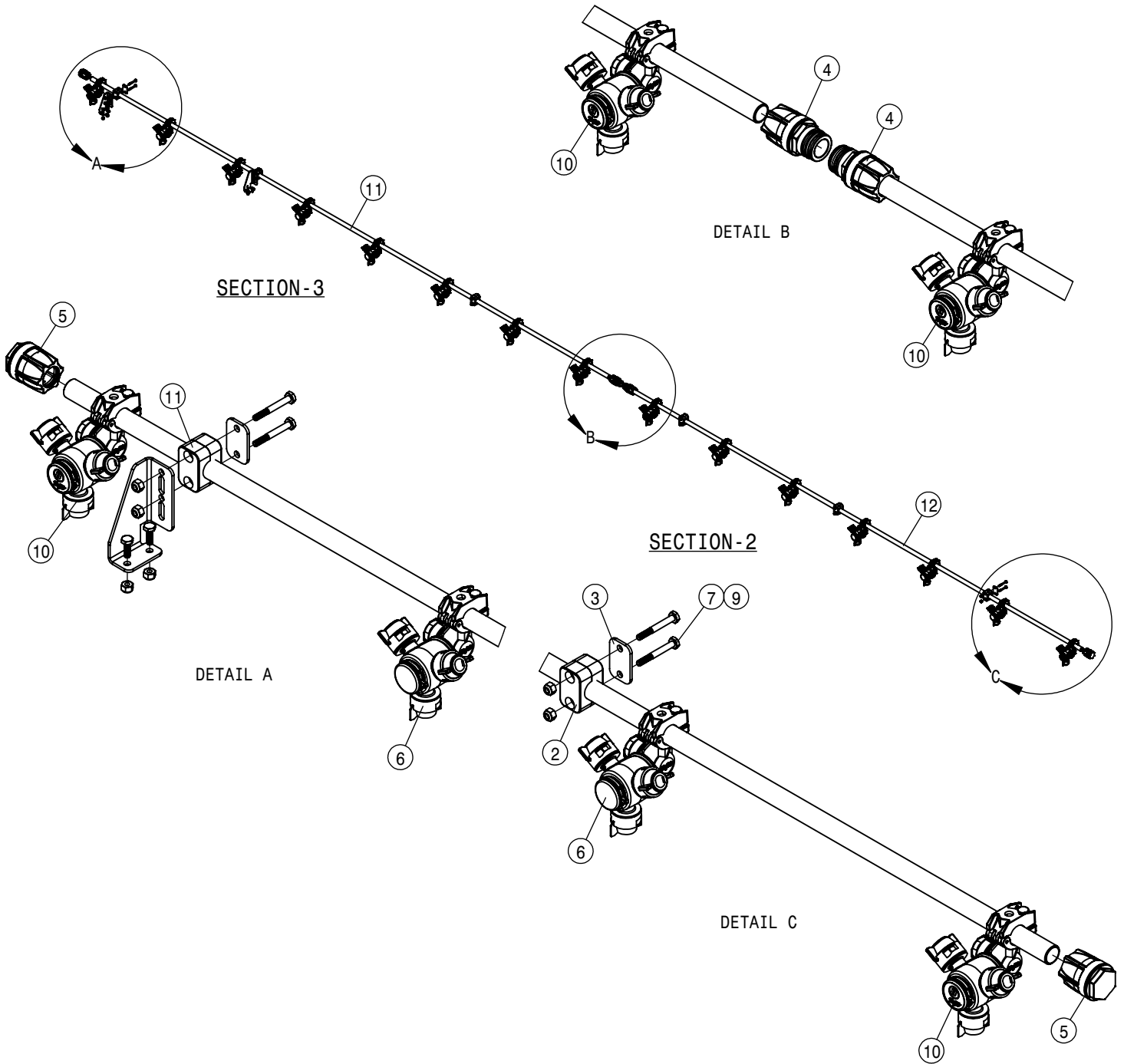
15" WET BOOM SPACING, SECTION-7 90',80' ELECT			
DET	QTY	P/N	DESCRIPTION
1	1	167802	TUBE-WET BM .50X109.63 15"SP
2	1	167805	TUBE-WET BM .50X49.63 15"SP
3	8	470091	1/4UNC X 2 1/4 HEX BOLT SS
4	5	470358	TUBE CLAMP BODY, .840 (1/2 PIPE)
5	5	470752	SS COVER PLATE FOR 470358
6	2	500331	T3 - 1/2" PIPE BOOM END
7	2	500332	1/2" PIPE BOOM END
8	8	737961	QUICK TJET 3-TIP BODY, 1/2"
9	2	900022	1/4UNC X 2 HEX BOLT SS
10	10	900448	1/4UNC X 3/4 HHCS SS
11	20	910118	1/4-20UNC NYLOCK NUT SS
12	4	167429	BOOM MT, .50 PIPE 1.5" SQ UPPR
13	4	167430	BOOM MT, .50 PIPE 1.5" SQ LWR
14	1	167434	WET BOOM MT 1/2" PIPE X 2.98
15	4	737962	QUICK TJET 3-TIP BODY, 1/2" RS



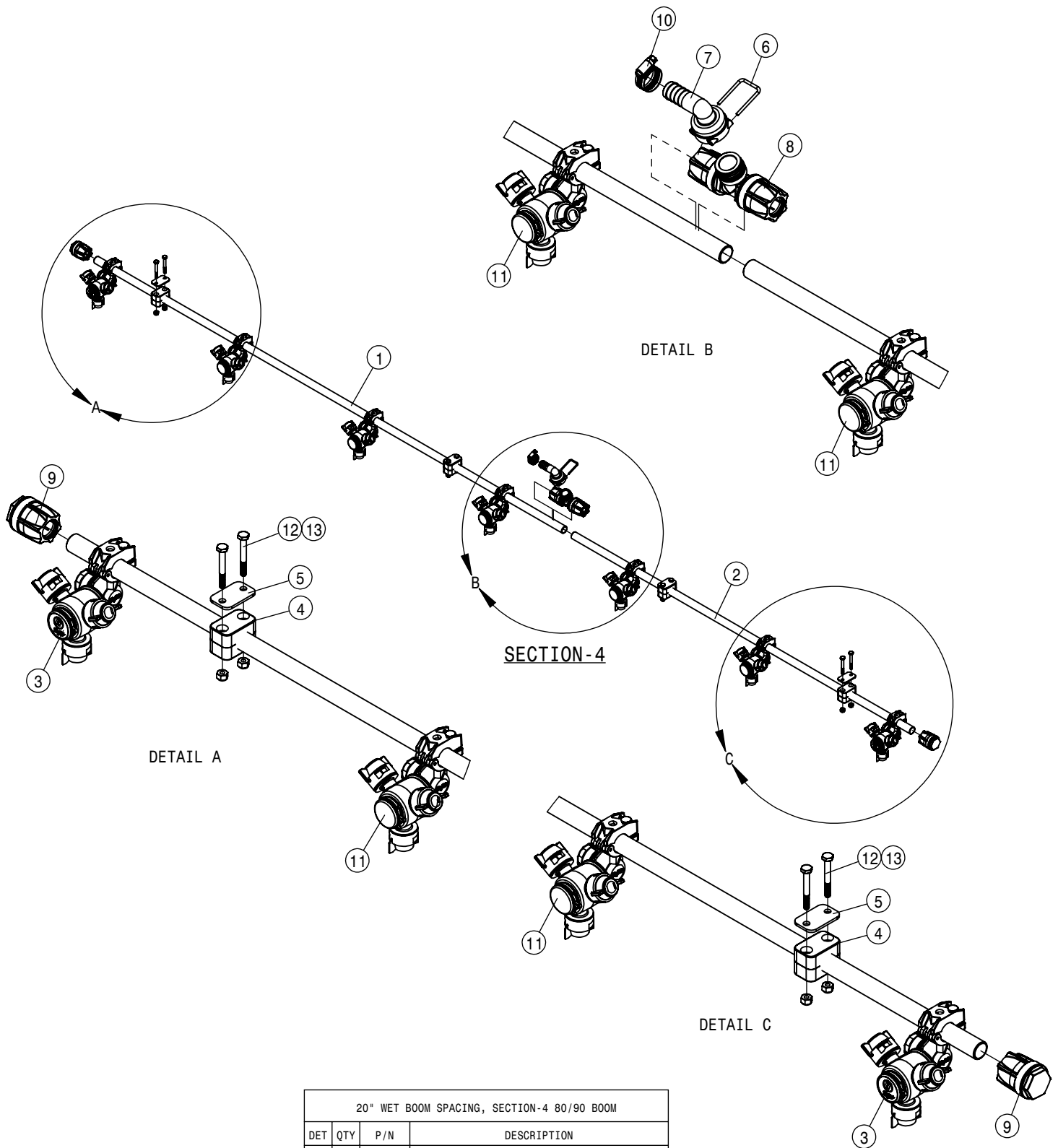
20" WET BOOM SPACING, SECTION-1 80" BOOM			
DET	QTY	P/N	DESCRIPTION
1	2	737962	QUICK TJET 3-TIP BODY, 1/2" RS
2	8	910118	1/4-20UNC NYLOCK NUT SS
3	2	900448	1/4UNC X 3/4 HHCS SS
4	6	900022	1/4UNC X 2 HHCS SS
5	4	737961	QUICK TJET 3-TIP BODY, 1/2"
6	1	500332	1/2" PIPE BOOM END
7	1	169154	OUTER SOLU BRKT, DTS' 16
8	1	167803	TUBE-WET BM .50X105 20"SP
9	3	470358	TUBE CLAMP BODY, .840 (1/2 PIPE)
10	3	470752	SS COVER PLATE FOR 470358
11	1	500331	T3 - 1/2" PIPE BOOM END



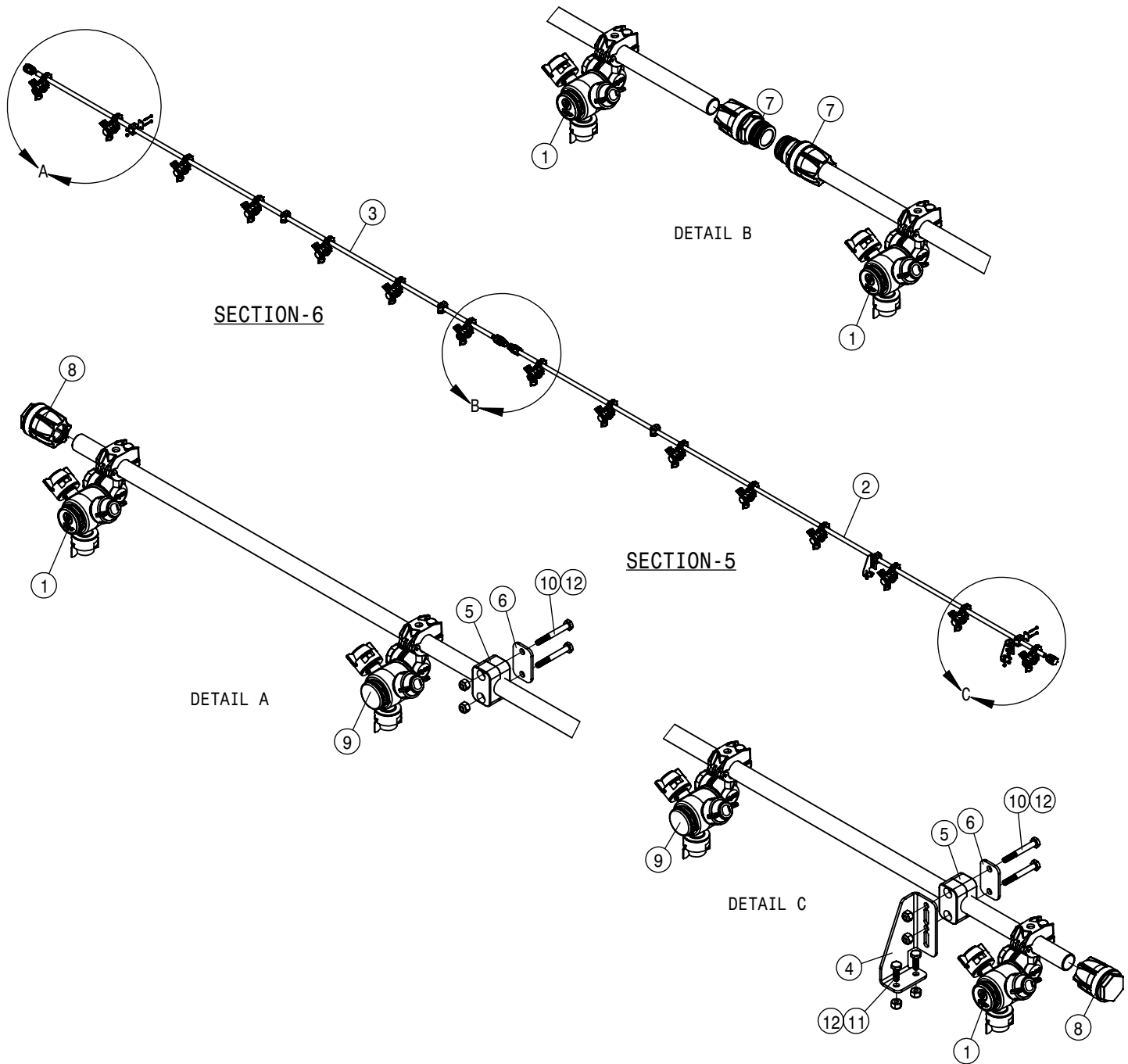
20" WET BOOM SPACING, SECTION-1 90' BOOM			
DET	QTY	P/N	DESCRIPTION
1	2	737962	QUICK TJET 3-TIP BODY, 1/2" RS
2	1	167707	TUBE-WET BM .50X165 20"SP
3	1	169154	OUTER SOLU BRKT, DTS'16
4	5	470358	TUBE CLAMP BODY, .840 (1/2 PIPE)
5	5	470752	SS COVER PLATE FOR 470358
6	1	500331	T3 - 1/2" PIPE BOOM END
7	1	500332	1/2" PIPE BOOM END
8	7	737961	QUICK TJET 3-TIP BODY, 1/2"
9	10	900022	1/4UNC X 2 HHCS SS
10	2	900448	1/4UNC X 3/4 HHCS SS
11	12	910118	1/4-20UNC NYLOCK NUT SS



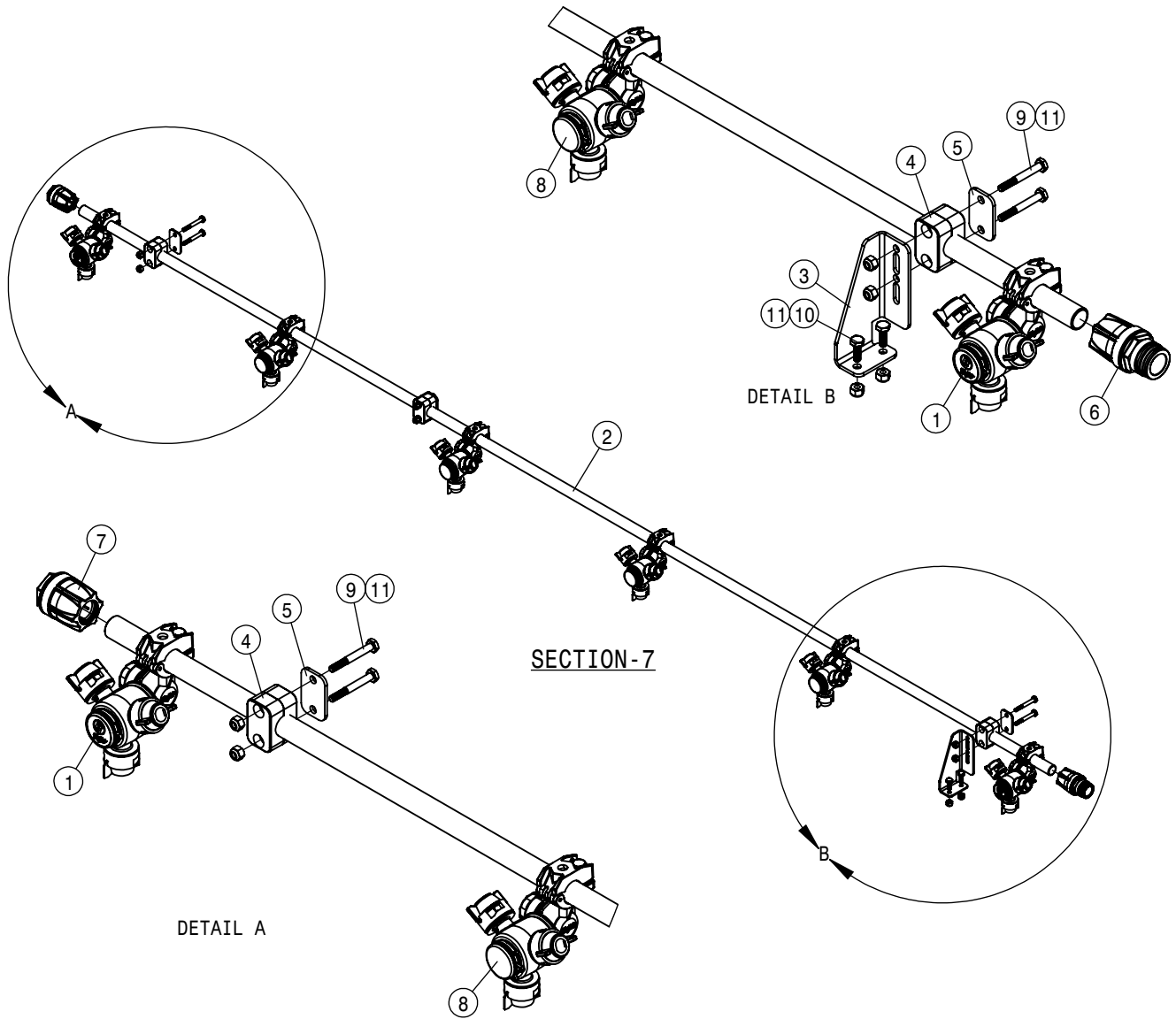
20" WET BOOM SPACING, SECTION 2-3 80/90 BOOM			
DET	QTY	P/N	DESCRIPTION
1	2	169153	INNER SOLU BRKT, DTS' 16
2	6	470358	TUBE CLAMP BODY, .840 (1/2 PIPE)
3	6	470752	SS COVER PLATE FOR 470358
4	2	500331	T3 - 1/2" PIPE BOOM END
5	2	500332	1/2" PIPE BOOM END
6	11	737961	QUICK TJET 3-TIP BODY, 1/2"
7	12	900022	1/4UNC X 2 HHCS SS
8	4	900448	1/4UNC X 3/4 HHCS SS
9	16	910118	1/4-20UNC NYLOCK NUT SS
10	4	737962	QUICK TJET 3-TIP BODY, 1/2" RS
11	1	167706	TUBE-WET BM .50X149 20*SP
12	1	167801	TUBE-WET BM .50X129 20*SP



20" WET BOOM SPACING, SECTION-4 80/90 BOOM			
DET	QTY	P/N	DESCRIPTION
1	1	167704	TUBE-WET BM .50X71.583 20"SP
2	1	167705	TUBE-WET BM .50X51.78 20" SP
3	2	737962	QUICK TJET 3-TIP BODY, 1/2" RS
4	4	470358	TUBE CLAMP BODY, .840 (1/2 PIPE)
5	4	470752	SS COVER PLATE FOR 470358
6	1	500311	FORK D3 DIST 29
7	1	500327	T3 TO 20MM HB 90
8	1	500330	T3 - TEE 1/2" PIPE BOOM END
9	2	500332	1/2" PIPE BOOM END
10	1	520080	HOSE CLAMP NO 10 STAINLESS
11	5	737961	QUICK TJET 3-TIP BODY, 1/2"
12	8	900022	1/4UNC X 2 HHCS SS
13	8	910118	1/4-20UNC NYLOCK NUT SS

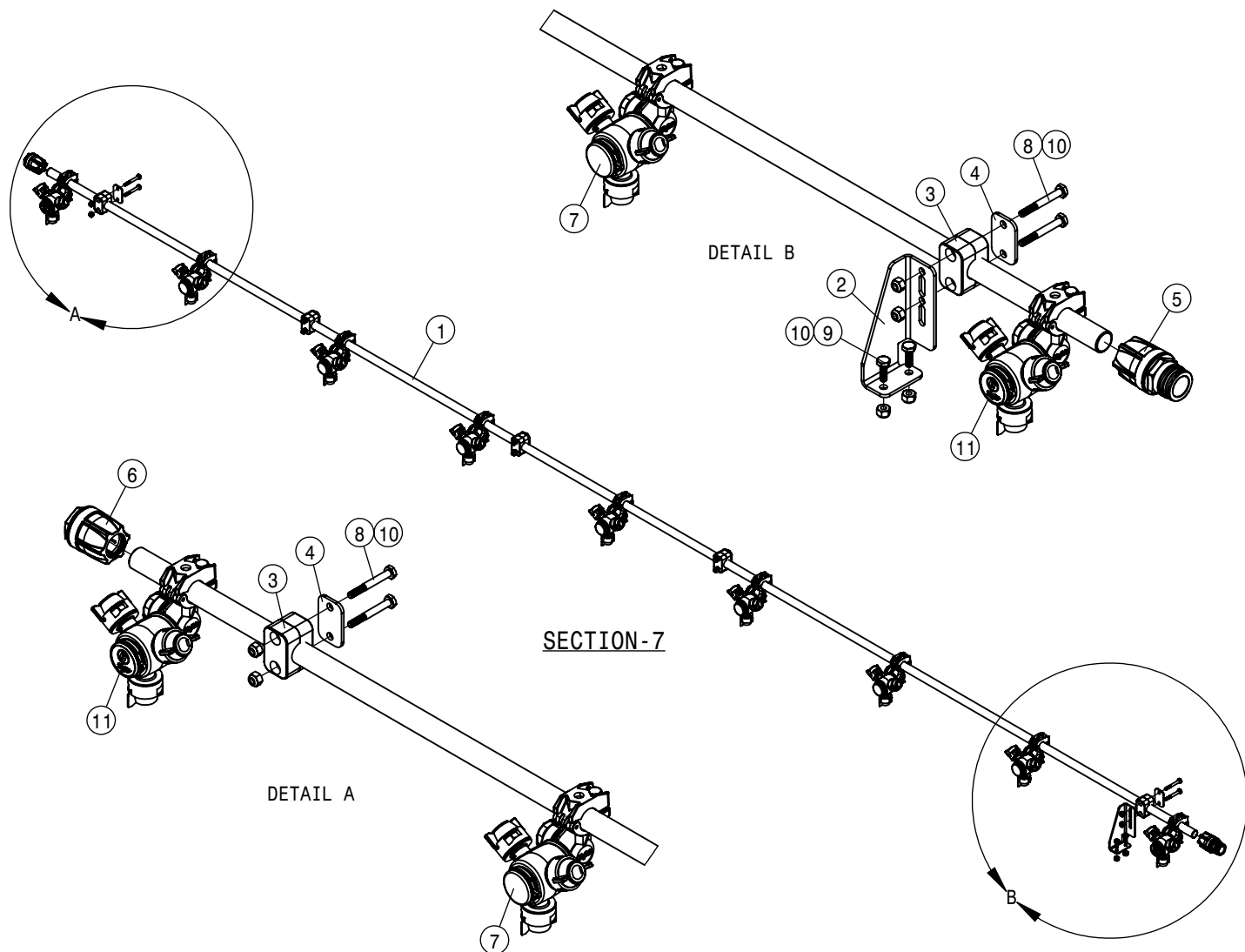


20" WET BOOM SPACING, SECTION 5-6 80/90 BOOM			
DET	QTY	P/N	DESCRIPTION
1	4	737962	QUICK TJET 3-TIP BODY, 1/2" RS
2	1	167706	TUBE-WET BM .50X149 20"SP
3	1	167801	TUBE-WET BM .50X129 20"SP
4	2	169153	INNER SOLU BRKT, DTS' 16
5	6	470358	TUBE CLAMP BODY, .840 (1/2 PIPE)
6	6	470752	SS COVER PLATE FOR 470358
7	2	500331	T3 - 1/2" PIPE BOOM END
8	2	500332	1/2" PIPE BOOM END
9	11	737961	QUICK TJET 3-TIP BODY, 1/2"
10	12	900022	1/4UNC X 2 HHCS SS
11	4	900448	1/4UNC X 3/4 HHCS SS
12	16	910118	1/4-20UNC NYLOCK NUT SS



SECTION-7

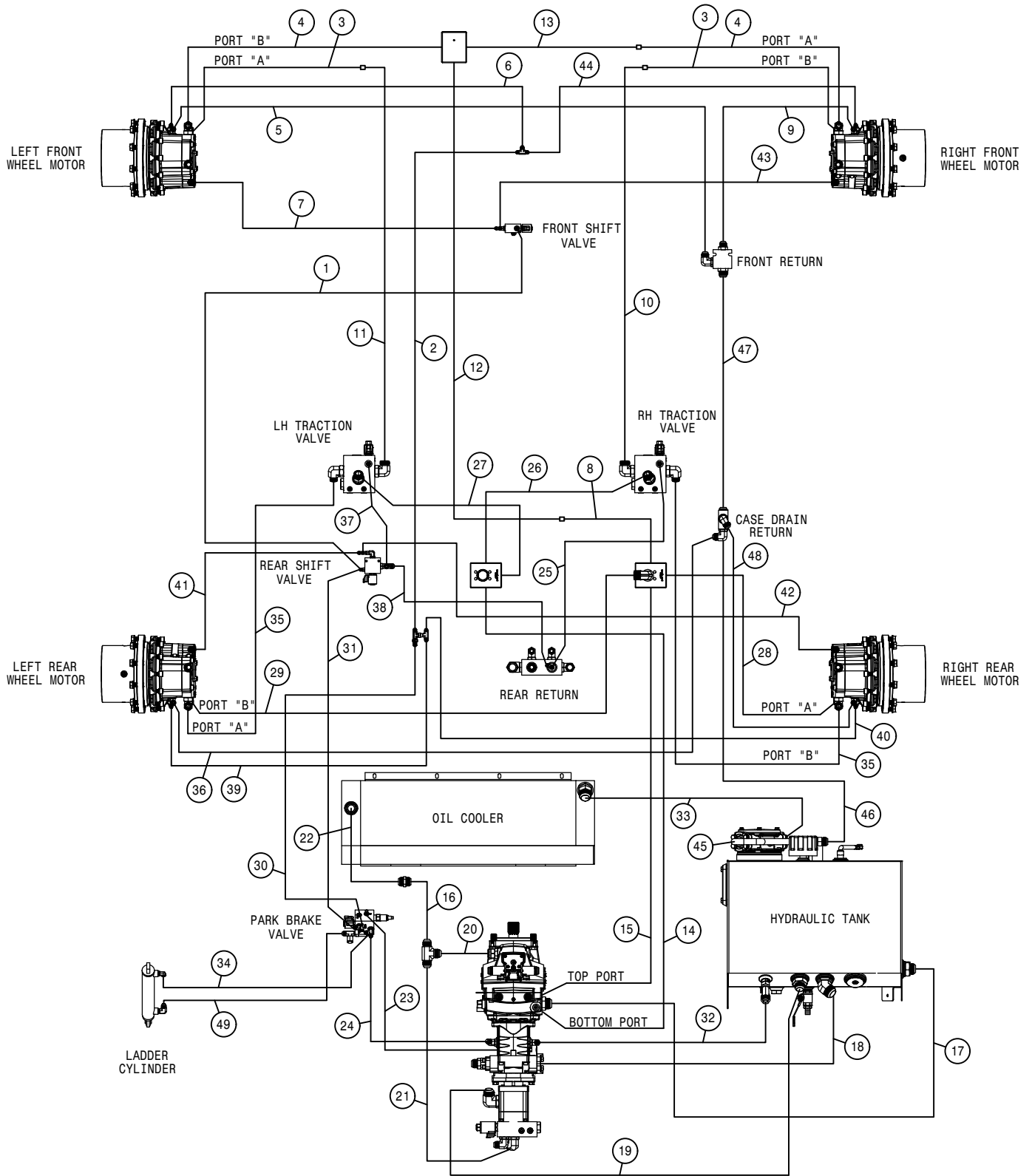
20" WET BOOM SPACING, SECTION-7 80' BOOM			
DET	QTY	P/N	DESCRIPTION
1	2	737962	QUICK TJET 3-TIP BODY, 1/2" RS
2	1	167803	TUBE-WET BM .50X105 20"SP
3	1	169154	OUTER SOLU BRKT, DTS'16
4	3	470358	TUBE CLAMP BODY, .840 (1/2 PIPE)
5	3	470752	SS COVER PLATE FOR 470358
6	1	500331	T3 - 1/2" PIPE BOOM END
7	1	500332	1/2" PIPE BOOM END
8	4	737961	QUICK TJET 3-TIP BODY, 1/2"
9	6	900022	1/4UNC X 2 HHCS SS
10	2	900448	1/4UNC X 3/4 HHCS SS
11	8	910118	1/4-20UNC NYLOCK NUT SS



20" WET BOOM SPACING, SECTION-7 90' BOOM			
DET	QTY	P/N	DESCRIPTION
1	1	167707	TUBE-WET BM .50X165 20"SP
2	1	169154	OUTER SOLU BRKT, DTS'16
3	5	470358	TUBE CLAMP BODY, .840 (1/2 PIPE)
4	5	470752	SS COVER PLATE FOR 470358
5	1	500331	T3 - 1/2" PIPE BOOM END
6	1	500332	1/2" PIPE BOOM END
7	7	737961	QUICK TJET 3-TIP BODY, 1/2"
8	10	900022	1/4UNC X 2 HHCS SS
9	2	900448	1/4UNC X 3/4 HHCS SS
10	12	910118	1/4-20UNC NYLOCK NUT SS
11	2	737962	QUICK TJET 3-TIP BODY, 1/2" RS

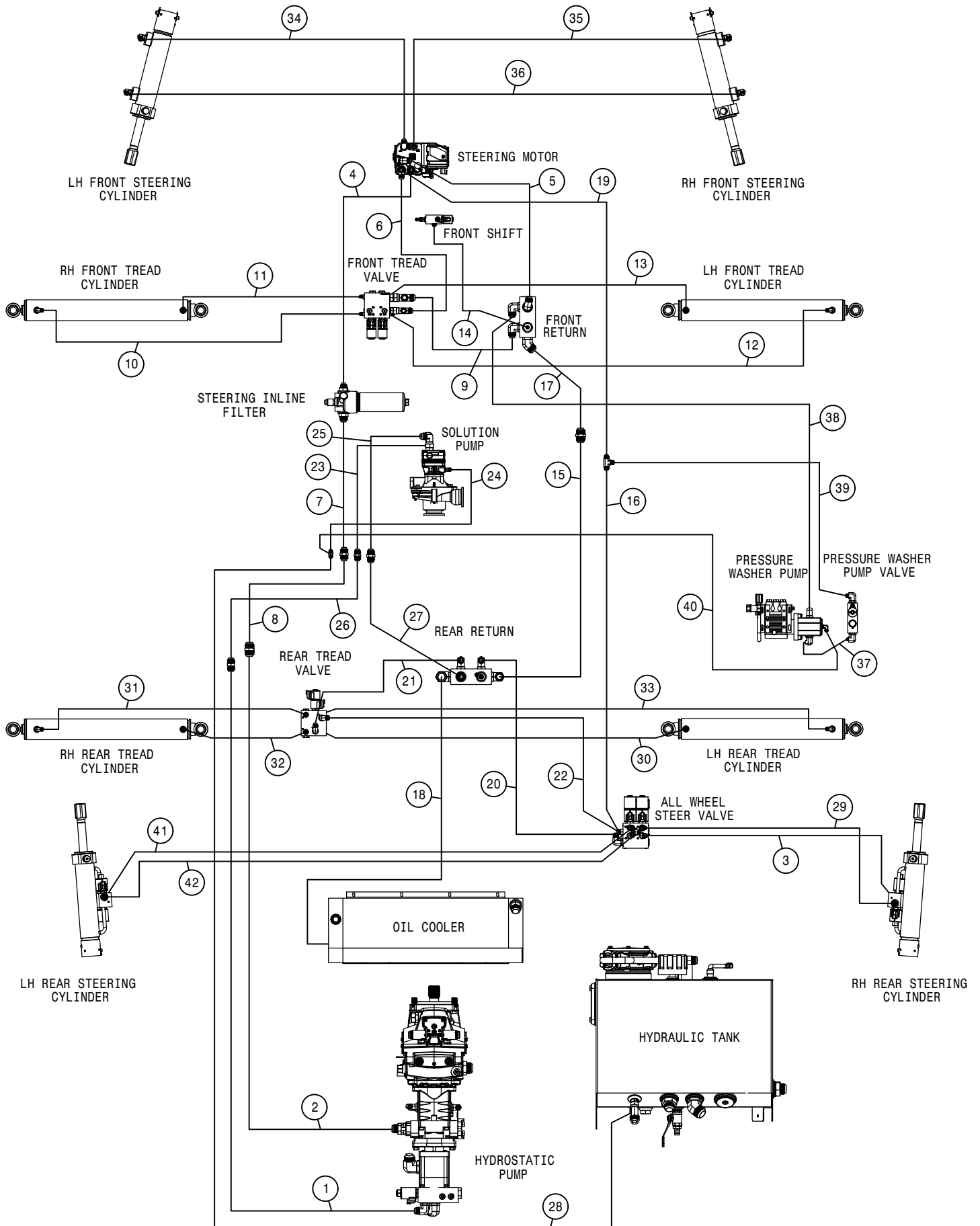


This Page Intentionally Blank



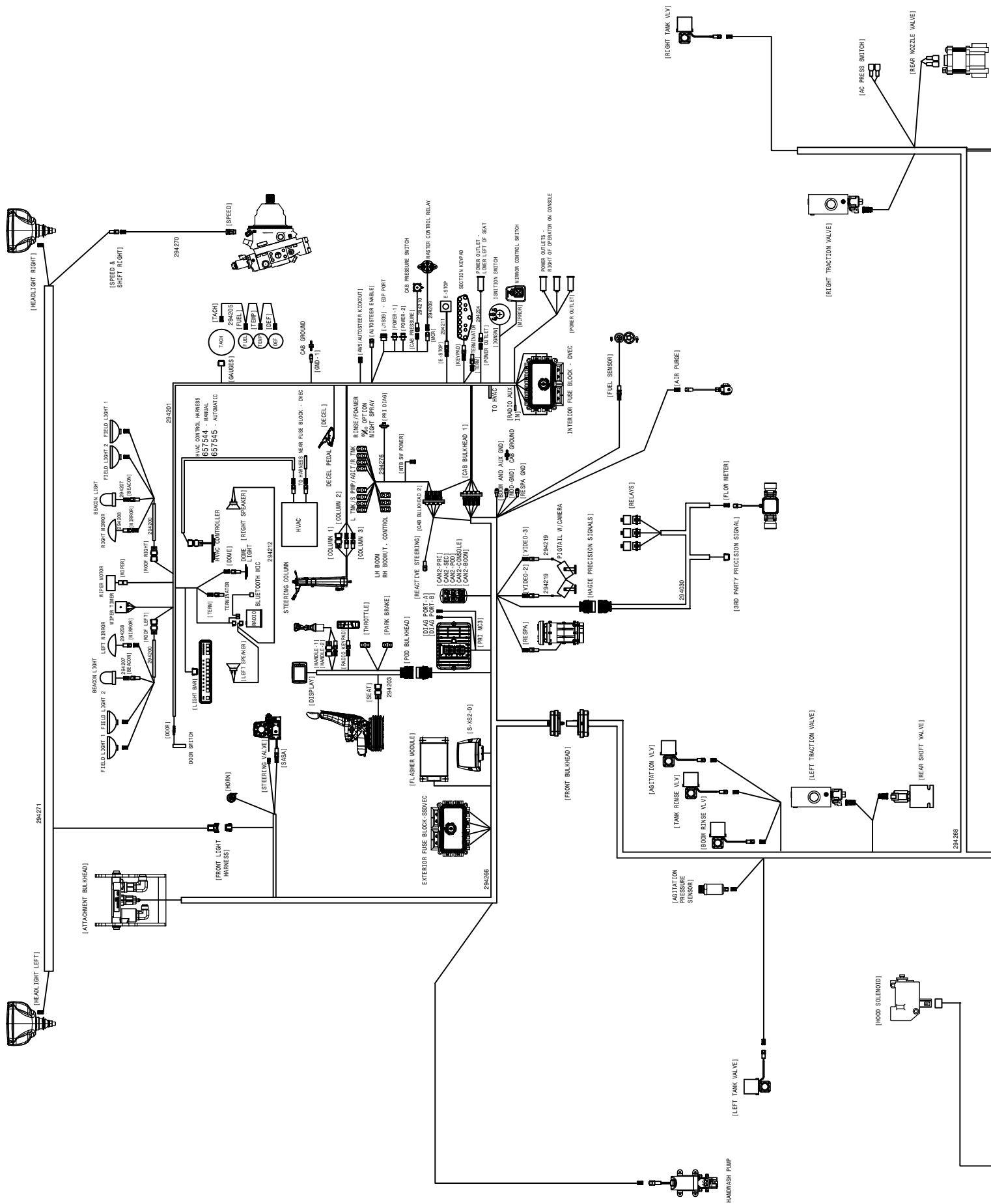
DTS10 HYDRAULIC DIAGRAM 2016-17  
REFERENCE DRAWING NO. 499343s1\_RevB

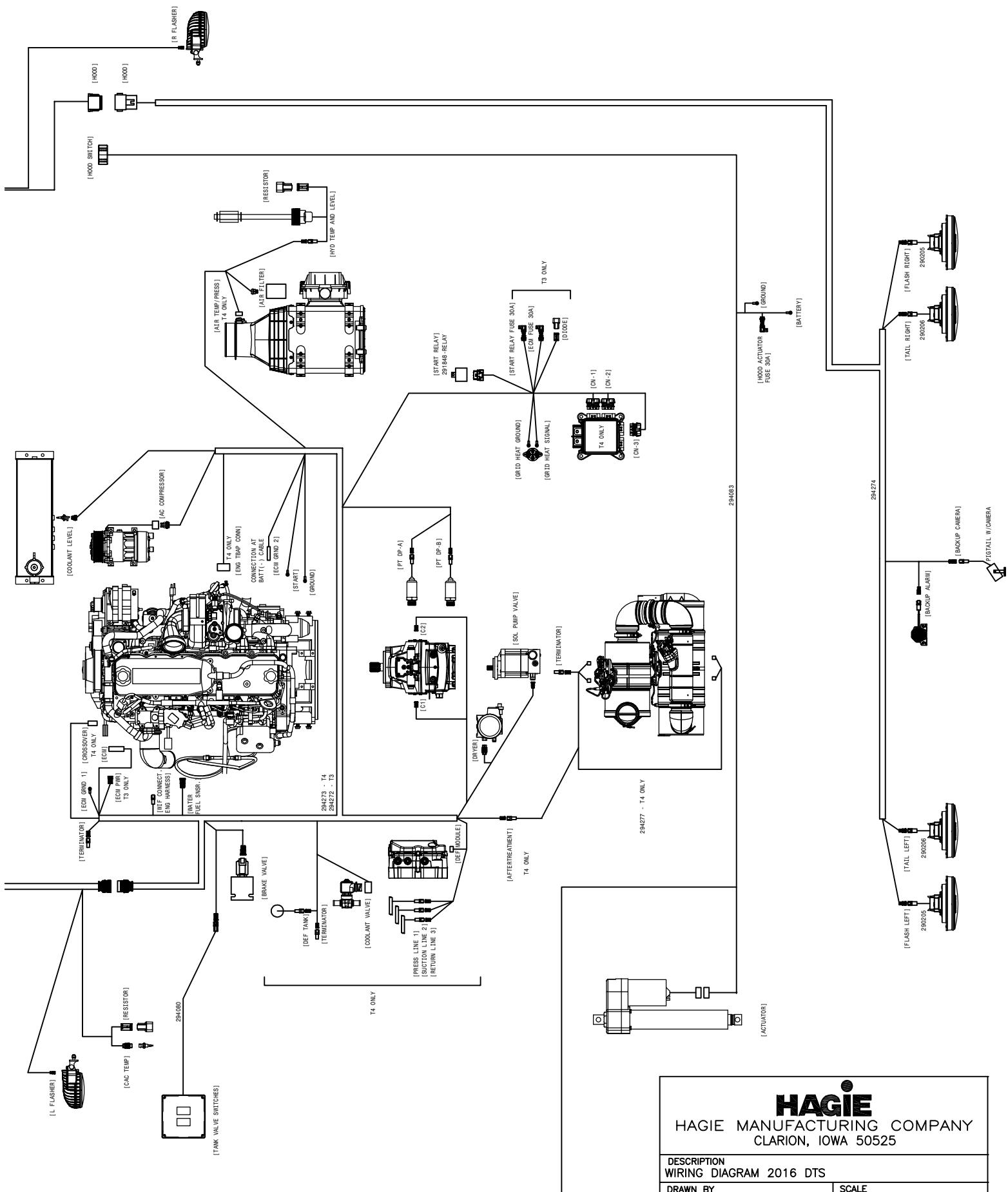
DET.	QTY	PART NO.	DESCRIPTION	DET.	QTY	PART NO.	DESCRIPTION
1	1	606154	FRT SFT LINE 0.25"OD X 0.049"W	26	1	617261	16-797TC-16FFOX-20C62F-28 H/A
2	1	606155	FRT BRK LNE 0.375"OD X 0.049"W	27	1	617262	16-797TC-16C62FX90-160FFOX-25H
3	2	606157	12-797TC-16C62FX-12FFOX90-147H	28	1	617265	12-797TC-16C62F-12FFOX-168 H/A
4	2	606158	12-797TC-16C62FX-12FFOX-150H/A	29	1	617268	12-797TC-16FFOX-12FFOX90-178 H
5	1	606162	12-451TC-08FJX-12FJX-194 H/A	30	1	617269	06-451TC-06FJX-06FJX-52 H/A
6	1	606163	06-451TC-06FJX-06FJX90-173 H/A	31	1	617270	04-451TC-04FJX-04FJX90-62 H/A
7	1	607131	04-451TC-04FJX-04FJX-186 H/A	32	1	617272	08-451TC-12FJX-08FJX90-25 H/A
8	1	617263	16-797TC-20C62F-20C62FX45-21H/	33	1	617273	24-811-24FJX-24FJX-99 H/A
9	1	614768	12-451TC-08FJX-12FJX-176 H/A	34	1	617274	06-451TC-06FJX-06FJX90-64 H/A
10	1	614772	HYD TUBE RF DRIVE 1"OD X.12"W	35	2	617276	12-797TC-12FFOX-12FFOX-163 H/A
11	1	614773	HYD TUBE LF DRIVE 1"OD X.12"W	36	1	617277	12-451TC-12FJX-08FJX-186 H/A
12	1	614774	HYD TUBE B DRIVE 1.5"ODX.12"W	37	1	617278	06-451TC-06FJX90-08FJX-13 H/A
13	1	614776	HYD TUBE B FRT 1.00"OD X.120"W	38	1	617279	06-451TC-06FJX-08FJX90-23 H/A
14	1	615114	HYD DRIVE TUBE A SIDE 1.5X.12W	39	1	617280	06-451TC-06FJX-06FJX90-146 H/A
15	1	615115	HYD DRIVE TUBE B SIDE 1.5X.12W	40	1	617281	06-451TC-06FJX-06FJX90-195 H/A
16	1	617240	DP CASE SOL COOLER REAR TUBE	41	1	617282	04-451TC-04FJX-04FJX90-165 H/A
17	1	617241	20-811-20FJX-20FJX45-28 H/A	42	1	617283	04-451TC-04FJX-04FJX90-199 H/A
18	1	617242	24-811-24FJX-24C61F90-20 H/A	43	1	617287	04-451TC-04FJX-04FJX90-195 H/A
19	1	617243	20-811-20FJX-20FJX-22 H/A	44	1	617288	06-451TC-06FJX-06FJX90-190 H/A
20	1	617244	16-811-16FJX45-16FJX-18 H/A	45	1	617385	HYD RET 1.00" OD X 0.065" WT
21	1	617245	16-811-16FJX-16FJX45-32 H/A	46	1	617386	16-811-16FJX-16FJX-104 H/A
22	1	617246	20-811-20FJX-20FJX90-19 H/A	47	1	617391	WMC TUBE 1.00"OD X 0.065"WT
23	1	617248	04-451TC-06FJX-04FJX-44 H/A	48	1	617401	12-451TC-12FJX-08FJX-156 H/A
24	1	617249	06-451TC-08FJX-08FJX90-36 H/A	49	1	617402	06-451TC-08FJX-08FJX90-54 H/A
25	1	617252	06-451TC-06FJX-06FJX-24 H/A				



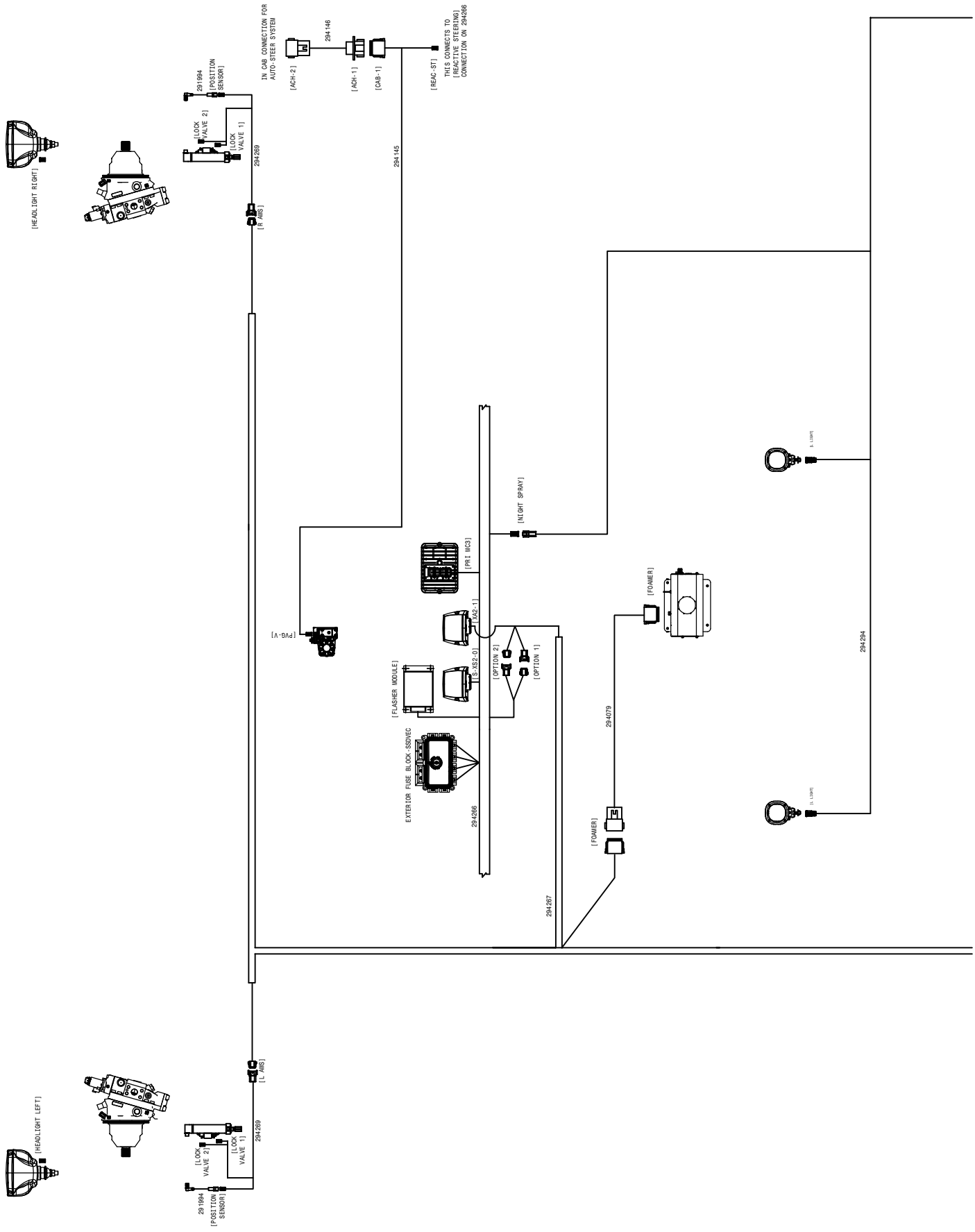
DTS10 HYDRAULIC DIAGRAM 2016-17  
REFERENCE DRAWING NO. 499343s2\_RevB

DET.	QTY	PART NO.	DESCRIPTION	DET.	QTY	PART NO.	DESCRIPTION
1	1	614775	SOL PUMP TUBE, .75"OD X .95"WT	22	1	617254	08-451TC-08FJX-08FJX90-21 H/A
2	1	615116	HYD DRIVE TUBE 1" OD X .12 WT	23	1	617255	SOL PRESS LN .625"OD X .049"
3	1	617197	06-451TC-08FJX-06FJX90-136 H/A	24	1	617256	SOL CD LN, .375OD X .049"W
4	1	617226	10-451TC-10FJX-10FJX90-63 H/A	25	1	617257	SOL TANK .75"OD X .049"W
5	1	617227	10-451TC-12FJX-10FJX90-14 H/A	26	1	617258	10-451TC-10FJX-12FJX-25 H/A
6	1	617228	10-451TC-10FJX-10FJX-23 H/A	27	1	617259	12-451TC-12FJX-12FJX-23 H/A
7	1	617229	HYD AUX TUBE 0.75" OD X .065WT	28	1	617260	SOL CD LINE ENG F .375OD X.049
8	1	617230	12-451TC-16FJX-12FJX-22 H/A	29	1	617266	06-451TC-06FJX-08FJX-131 H/A
9	1	617231	12-451TC-12FJX-12FJX90-25 H/A	30	1	617267	04-451TC-04FJX-06FJX-55 H/A
10	1	617232	04-451TC-06FJX-04FJX90-39 H/A	31	1	617284	04-451TC-04FJX-06FJX-41 H/A
11	1	617233	04-451TC-06FJX-04FJX90-20 H/A	32	1	617285	04-451TC-04FJX-06FJX-19 H/A
12	1	617234	04-451TC-06FJX-04FJX-63 H/A	33	1	617286	04-451TC-04FJX-06FJX-74 H/A
13	1	617235	04-451TC-06FJX-04FJX-43 H/A	34	1	617289	06-451TC-08FJX-08FJX90-111 H/A
14	1	617236	04-451TC-06FJX-06FJX90-15 H/A	35	1	617290	06-451TC-08FJX-08FJX-110 H/A
15	1	617237	AUX RETURN 1"OD X 0.065"WT	36	1	617291	06-451TC-06FJX-06FJX-200 H/A
16	1	617238	OPT AUX TUBE 0.5"OD X .049"WT	37	1	617452	06-451TC-06FJX-06FJX45-29 H/A
17	1	617239	16-811-16FJX-16FJX-17 H/A	38	1	617453	10-451TC-10FJX-12FJX-79 H/A
18	1	617247	20-811-20FJX-20FJX-27 H/A	39	1	617454	08-451TC-08FJX-08FJX90-74 H/A
19	1	617250	08-451TC-08FJX-10FJX-35 H/A	40	1	617455	06-451TC-06FJX-06FJX90-99 H/A
20	1	617251	10-451TC-10FJX-10FJX-19 H/A	41	1	618945	06-451TC-06FJX-06FJX90-165 H/A
21	1	617253	08-451TC-10FJX-08FJX-26 H/A	42	1	619024	06-451TC-08FJX-08FJX-160 H/A

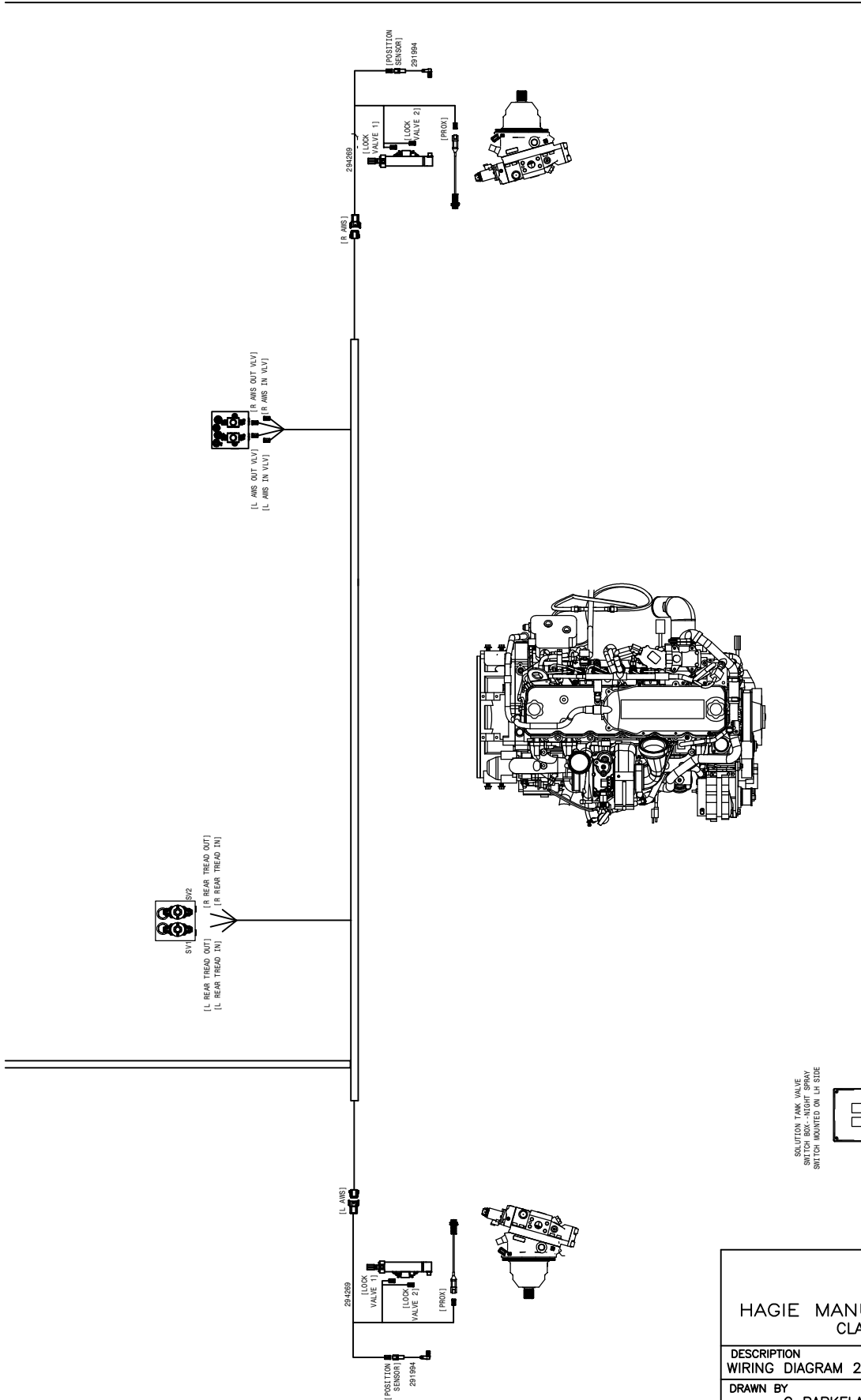




<b>HAGIE</b>		
HAGIE MANUFACTURING COMPANY CLARION, IOWA 50525		
DESCRIPTION WIRING DIAGRAM 2016 DTS		
DRAWN BY C BARKELA	SCALE NONE	
CHECKED BY B HRNICEK	APPROVED BY	
DATE 12/10/2015	DRAWING NUMBER 499357	REV A
SHEET 1 OF 2		







SOLUTION TANK VALVE SWITCH BOX-NIGHT SPRAY SWITCH MOUNTED ON LH SIDE

<b>HAGIE</b>		
HAGIE MANUFACTURING COMPANY CLARION, IOWA 50525		
DESCRIPTION WIRING DIAGRAM 2016 DTS		
DRAWN BY C BARKELA	SCALE NTS	
CHECKED BY B HRNICEK	APPROVED BY	
DATE 12/15/2015	DRAWING NUMBER 499357	REV A
SHEET 2 OF 2		

## ABBREVIATIONS

A/C - AIR CONDITIONER	MT - MOUNT
ADPTR - ADAPTER	MTR - MOTOR
AGI - AGITATOR	P/N - PART NUMBER
ALT - ALTERNATOR	PLT - PLATE
ASSY - ASSEMBLY	QTY - QUANTITY
BRKT - BRACKET	RED - REDUCER
DET - DETAIL	REF - REFERENCE
DISPL - DISPLACEMENT	REST - RESTRICTOR
EL - ELBOW	REQ - REQUIRED
EXT - EXTENSION	SHFT - SHAFT
FLO - FLOW	SOL - SOLUTION
FNPT - FEMALE NATIONAL PIPE THREAD	STRG - STEERING
FOR - FEMALE O-RING	ST - STREET
FRT - FRONT	SV - STANDARD VOLUME
HV - HI-VOLUME	SWIV - SWIVEL
HYD - HYDRAULIC	UNC - UNIFIED NATIONAL COURSE
HYDRO - HYDROSTATIC	UNF - UNIFIED NATIONAL FINE
LG - LONG	V - VOLT
LWR - LOWER	W/ - WITH
MJIC - MALE J.I.C.	WHL - WHEEL
MOR - MALE O-RING	WLD - WELDMENT

-A-

ABBREVIATIONS.....162  
 AIR BAG.....56  
 AIR CLEANER.....5,10  
 AIR CONDITIONER  
 BLOWER.....73,74  
 COMPRESSOR.....17  
 DRIER.....17  
 HOSE.....17  
 AIR COOLER, CHARGE.....7,12  
 AIR DRIER.....58  
 AIR FILTER, CAB.....73,74  
 AIR GOVERNOR.....58  
 AIR LINES.....57,59  
 AIR PURGE.....60  
 AIR TANK.....57  
 AIR VALVE.....56,60  
 AGITATION.....91,92  
 ALTERNATOR.....4,9  
 ANTENNA.....67  
 ARMREST.....75,76

-B-

BACKUP ALARM.....86  
 BATTERY.....16  
 CABLE.....16  
 SWITCH.....16  
 BEACON.....62  
 BELLY SHIELD.....84  
 BELT, DRIVE.....4,9  
 BLOWER, A/C.....73,74  
 BOOM.....118  
 CRADLE.....98  
 REAR.....110  
 BRAKE VALVE.....31  
 BREATHER.....23  
 BUSBAR.....16

-C-

CAB.....62  
 ELECTRICAL.....65,66  
 MOUNTS.....62  
 CAMERA.....86,87  
 CIRCUIT BREAKER.....16  
 CLAMP, TUBE.....18  
 COMPRESSOR, A/C.....17  
 CONDENSOR, A/C.....17  
 CONSOLE.....71,72  
 REAR.....70  
 CONTROL VALVE, SOLUTION.....11  
 COOLANT SENSOR.....7,10  
 COOLER.....70

CHARGE AIR.....7,12  
 OIL.....7,12  
 CRADLE,  
 BOOM.....98  
 FUEL TANK.....43  
 CYLINDER,  
 FOLD.....114,121  
 LADDER.....24  
 LEVEL.....114  
 LIFT.....113  
 STEERING.....48,49,50,51  
 TREAD ADJUST.....38,40,55

-D-

DIAGRAM,  
 ELECTRICAL.....154  
 HYDRAULIC.....158  
 DOOR.....64  
 DRIVE BELT.....4,9  
 DRIVE DISC.....4,9

-E-

ELECTRICAL VALVE.....91,92  
 ELECTRICAL, CAB.....65,66  
 ELECTRICAL, CHASSIS.....61  
 ENGINE.....4,9  
 FRAME.....4,9  
 HOOD.....85,86  
 MOUNTS.....4,9  
 EXHAUST  
 PIPE.....6,11  
 SUPPORT.....6,11

-F-

FAN.....14,15  
 SHROUD.....7,10  
 FENCE ROW NOZZLE.....125  
 FENDERS.....99  
 FILTERS,  
 AIR DRIER.....57  
 FUEL.....43  
 MINDER.....5,10  
 OIL.....9,23  
 STEERING.....25  
 FIRE EXTINGUISHER.....100  
 FLASHER.....83  
 FLOORMAT.....69,70  
 FLOWMETER.....93  
 FOAMER.....101  
 FUEL SENSOR.....43  
 FUEL TANK.....43  
 FUSE.....16

-G-	
GAUGE.....	70
GLASS.....	62,64

-H-	
HANDRAIL.....	88
HANDWASH.....	97
HEADLIGHT.....	82
HEAD LINER.....	67
HOOD, ENGINE.....	86
HOSE SLEEVE.....	18,19
HOSING, HYDRAULIC.....	18,19
HUB, WHEEL.....	21,22
HYDRAULIC	
DIAGRAM.....	154
OIL COOLER.....	7,10
TANK.....	23
HYDROSTATIC PUMP.....	20

-I-	
INSTRUCTINAL SEAT.....	77,78

-J-	
JOYSTICK.....	75,76

-L-	
LADDER.....	89
CYLINDER.....	32
LATCH.....	64,85
LEG.....	44,45,46,47
LEVEL SENSOR.....	23
LIFTARM.....	113
LIGHTS.....	62,82
BOOM SECTION.....	115
LINE STRAINER.....	93

-M-	
MAINFRAME.....	81
MANIFOLD, DRIVE.....	26,27
MANIFOLD, RETURN.....	33,34
MIRROR.....	62
MOTOR,	
STEERING.....	24
WHEEL.....	21,22
MOUNT,	
CAB.....	62
RUBBER.....	4,9
MUFFLER.....	6

-N-

NOZZLE SPACING.....	137
---------------------	-----

-O-	
OIL COOLER.....	7
OIL FILTER.....	4,9

-P-	
PLATFORM, SERVICE.....	88
PRESSURE WASHER.....	103
PUMP, HYROSTATIC.....	20

-R-	
RADIATOR.....	7
RADIO.....	67
REAR FILL.....	101
RETURN MANIFOLD.....	33,34
RINSE TANK.....	90
ROOF.....	62
RUBBER MOUNT.....	4,9

-S-	
-----	--

SEAT.....	75,76,77,78
SENSOR	
COOLANT.....	13
FUEL.....	43
LEVEL.....	23
NORAC.....	123
SHIELD	
BELLY.....	84
TALL CROP.....	107,108,109
WHEEL MOTOR.....	108
SHIFT VALVE.....	29,30
SHROUD, FAN.....	7,12
SMV SIGN.....	86
SOLUTION	
HOSING.....	128
PUMP.....	93
TANK.....	91,92
SPEAKER, RADIO.....	67
STARTER.....	4,9
STEERING	
COLUMN.....	69,70
CYLINDER.....	48,49,50,51
FILTER.....	25
MOTOR.....	24
WHEEL.....	69,70
STRAINER, LINE.....	93,132,135
SURGE TANK.....	8,13
SWITCH,	
BATTERY.....	16

-T-

TANK  
AIR.....49  
FUEL.....43  
HYDRAULIC.....23  
RINSE.....80  
SOLUTION.....81,82  
SURGE.....8,13  
TIE ROD.....52  
TIRE.....53  
TOOLBOX.....80  
TRACTION VALVE.....28  
TRANSOM.....114  
TREAD ADJUST.....38,40  
CYLINDER.....38,40  
TREAD VALVE.....37,39  
TUBE CLAMP.....18

-V-

VALVE,  
ALL WHEEL STEER.....41  
BRAKE.....31  
ELECTRIC.....92,82  
FOLD.....117  
LEVEL/LIFT.....116  
REAR NOZZLE.....96  
SHIFT.....29,30  
SOLUTION.....127  
TRACTION.....28  
TREAD.....37,39

-W-

WHEEL HUB.....21,22  
WHEEL MOTOR.....21,22  
WIPER.....63  
WIRING DIAGRAM.....158

# Notes: