

# D400



## PARTS MANUAL FOR HAGIE D400

### HAGIE MANUFACTURING COMPANY

721 CENTRAL AVENUE WEST  
BOX 273  
CLARION, IOWA 50525-0273

COVERS MACHINE SERIAL NUMBERS:

D400 17001-17500

05-17 493735 (PC13315)  
07-17, 01-18

To obtain the most current parts manual for your machine,  
please visit [www.hagie.com](http://www.hagie.com).

© 2017-18 Hagie Manufacturing Company. Clarion, Iowa USA



## DETASSELER IDENTIFICATION

Each Hagie detasseler is identified by means of a frame serial number. This serial number denotes the model, the year in which it was built, and the number of the detasseler. As for further identification, the engine has a serial number. To ensure prompt, efficient service when ordering parts or requesting service repairs from your local John Deere dealer, record the serial and identification numbers in the spaces provided below.

**NOTE:** Reference to left hand and right hand used throughout this manual refers to the position when seated in the operator's seat facing forward.

*This manual is not intended to be a complete guide for machine maintenance and repairs. If you are not properly trained to perform service on this machine, contact your local John Deere dealer for assistance. Improper maintenance or repair may result in property damage, personal injury, or death.*

DETASSELER SERIAL NUMBER

\_\_\_\_\_

ENGINE SERIAL NUMBER

\_\_\_\_\_

---

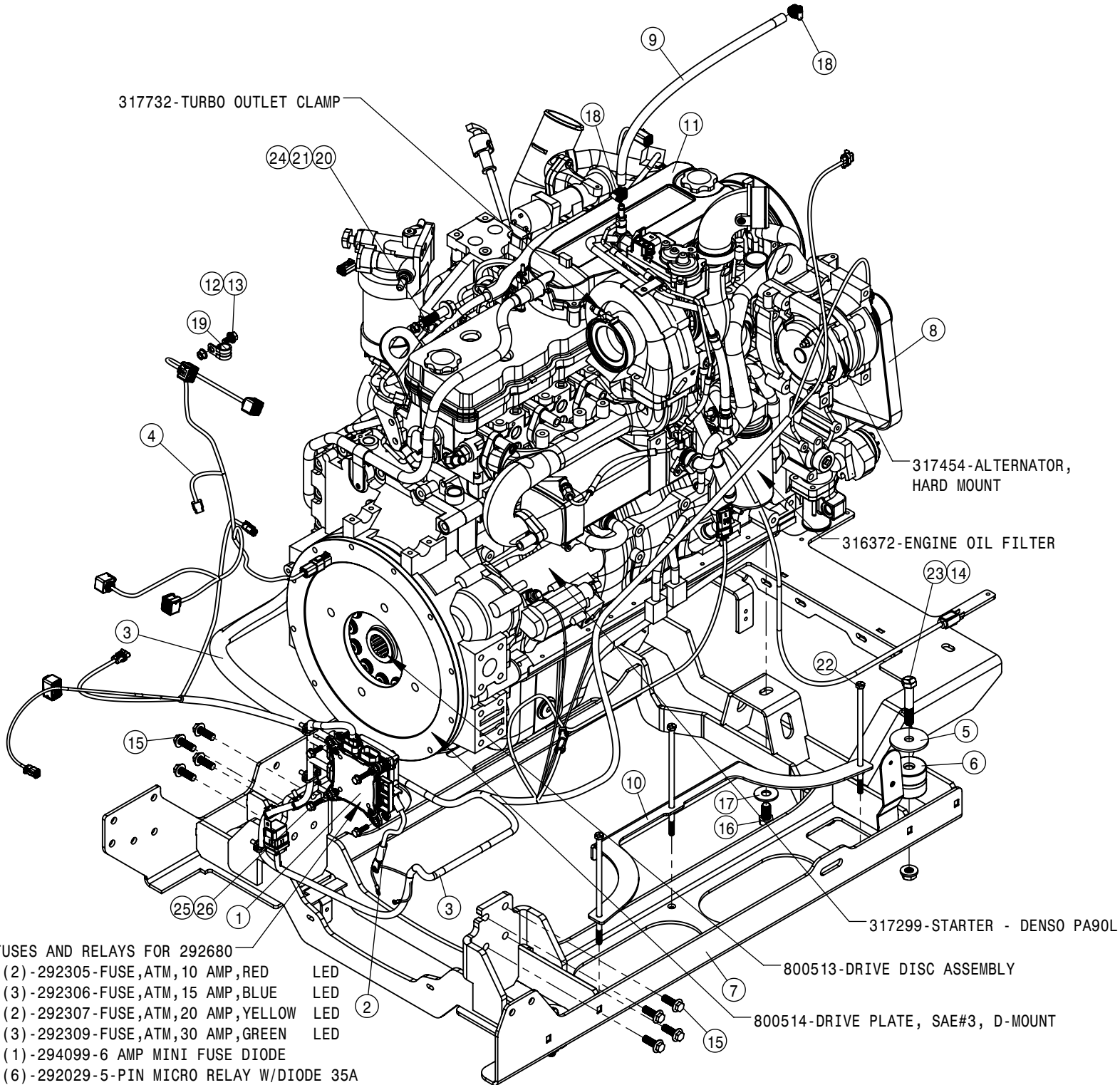
## FILTER QUICK REFERENCE

<u>QTY</u>	<u>P/N</u>	<u>DESCRIPTION</u>
1	605657	HYD OIL FILTER, CHARGE PUMP
1	605659	HYD TANK OIL FILTER
1	605661	STEERING MOTOR OIL FILTER
1	657557	CAB PRECLEANER AIR FILTER
1	657558	CAB CHARCOAL FILTER
1	657559	CAB PAPER FILTER
1	317491	ENGINE AIR FILTER, PRIMARY
1	317492	ENGINE AIR FILTER, SECONDARY
1	316372	ENGINE OIL FILTER T3,T4I,T4F
1	317400	FUEL/WATER SEPERATOR T4F
1	317399	PRIMARY FUEL FILTER T4

# TABLE OF CONTENTS

ENGINE ASSEMBLY T4F. ....	4-12
A/C AND HEATER LINES. ....	13
FUEL SYSTEM. ....	14
HYDRAULIC HOISING. ....	15-16
HYDRAULIC PUMP ASSEMBLY. ....	17
WHEEL MOTOR ASSEMBLY. ....	18-21
HYDRAULIC TANK ASSEMBLY. ....	22
HYDRAULIC COMPONENTS. ....	23-27
TREAD ADJUST ASSEMBLY. ....	38-41
ALL WHEEL STEER ASSEMBLY. ....	42-43
TIRE ASSEMBLY. ....	44
LEG ASSEMBLIES. ....	45-50
STEERING CYLINDER AND TIE ROD ASSEMBLY. ....	51-55
AIR BAG AND AIR SYSTEM. ....	58
CHASSIS ELECTRICAL. ....	59
CAB ASSEMBLY. ....	60-77
TOOLBOX OPTION. ....	78
MAINFRAME. ....	79
HEAD LIGHTS AND FLASHER. ....	80-81
ENGINE HOOD. ....	82-84
SERVICE PLATFORM AND LADDER. ....	85-86
FIRE EXTINGUISHER. ....	87
REFLECTOR. ....	88
TALL CROP OPTION. ....	89-91
CONTROL BOX ASSEMBLY. ....	92
DETASSELER MODULE. ....	93
OUTRIGGER TOOLBAR. ....	94-97
DETASSELER HYDRAULIC. ....	98-101
LIFT ASSEMBLY. ....	102-104
QUAD AND CUTTER HEAD ASSEMBLY. ....	105-107
LS SENSOR. ....	108
AUTO TRACK READY. ....	109
HYDRAULIC DIAGRAM. ....	110-129
WIRING DIAGRAM. ....	130-137
ABBREVIATIONS. ....	138
INDEX. ....	139

317732-TURBO OUTLET CLAMP

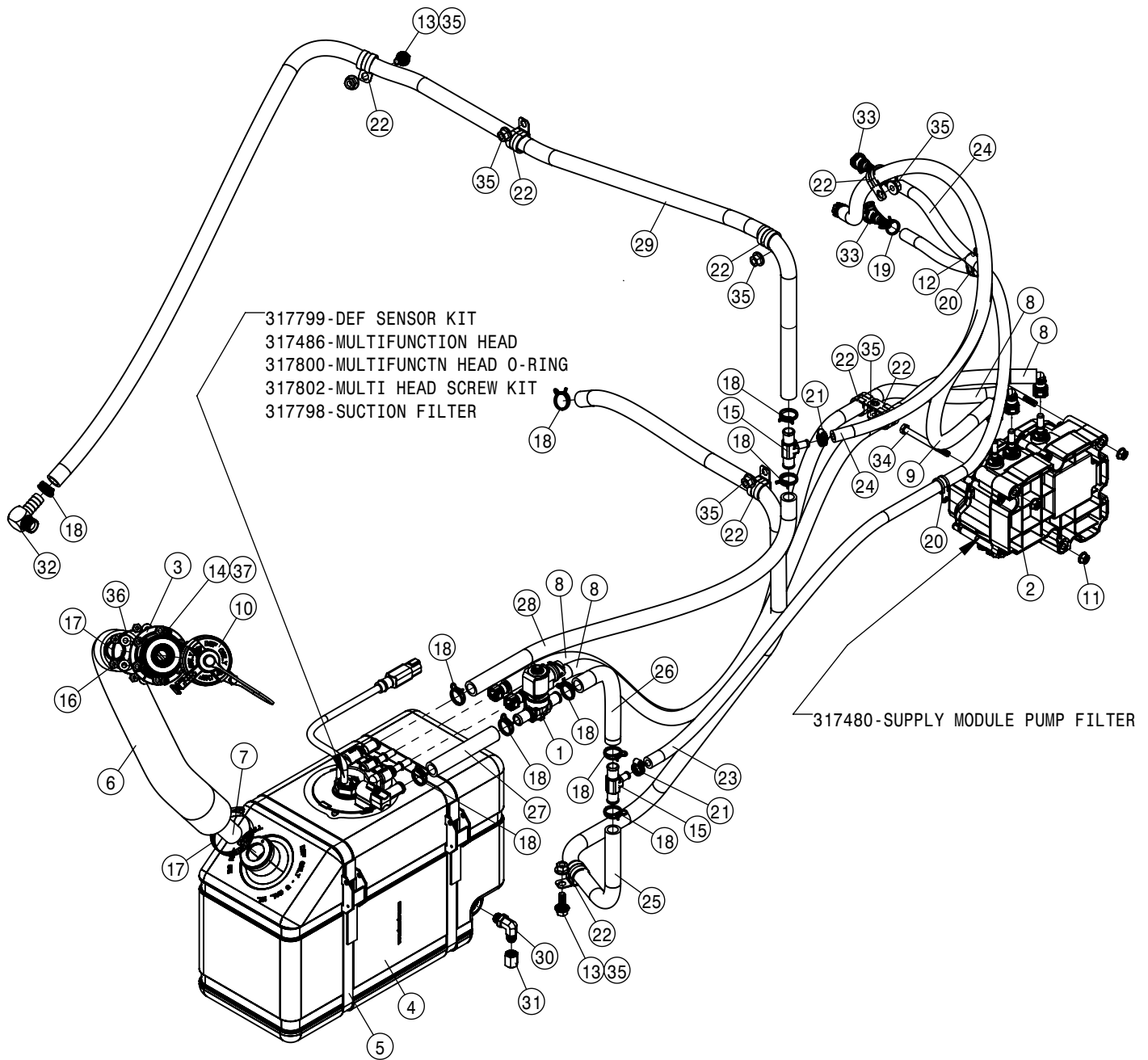


FUSES AND RELAYS FOR 292680

- (2) -292305-FUSE,ATM, 10 AMP,RED LED
- (3) -292306-FUSE,ATM, 15 AMP,BLUE LED
- (2) -292307-FUSE,ATM, 20 AMP,YELLOW LED
- (3) -292309-FUSE,ATM, 30 AMP,GREEN LED
- (1) -294099-6 AMP MINI FUSE DIODE
- (6) -292029-5-PIN MICRO RELAY W/DIODE 35A

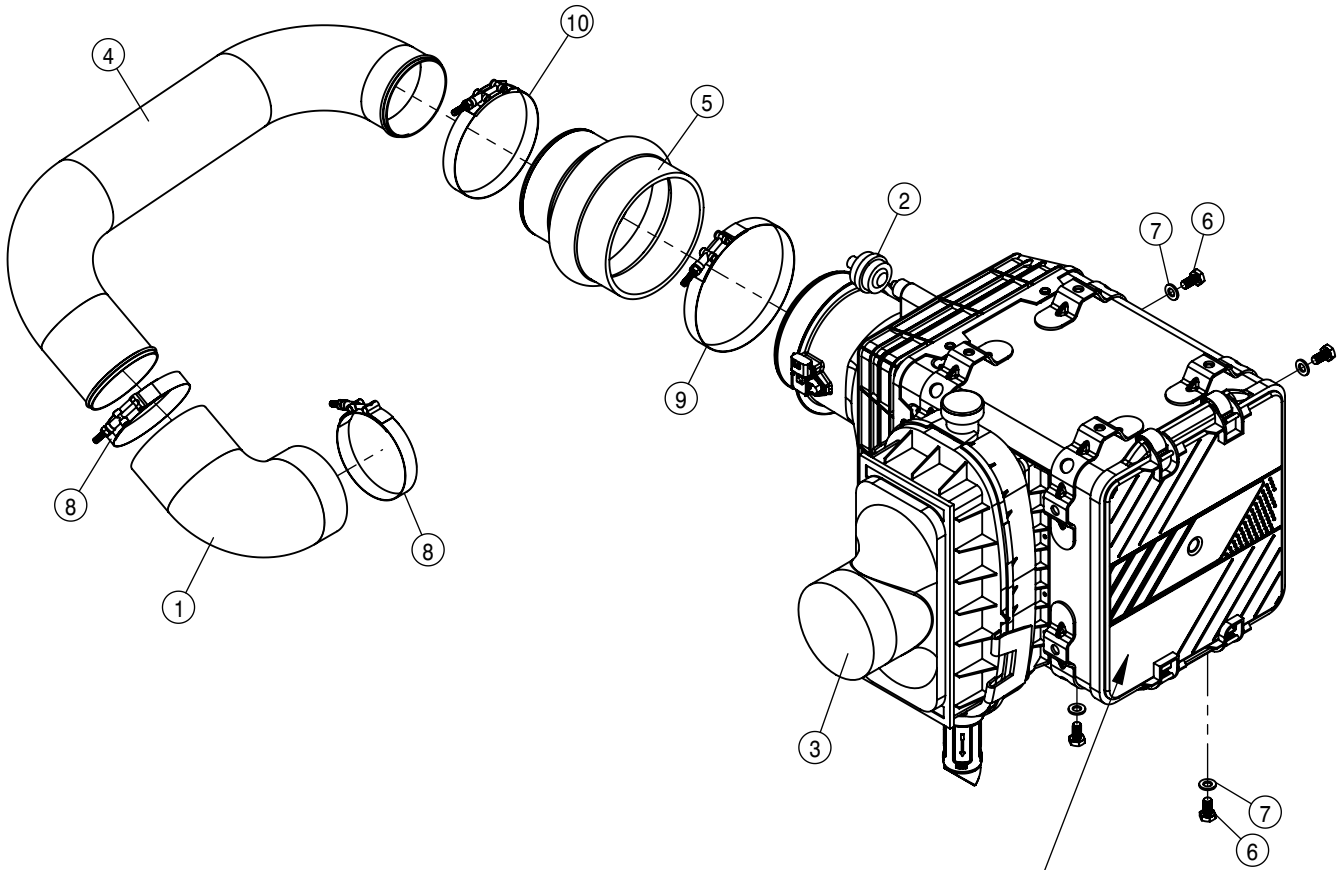
TIER-4F 225 HP ENGINE ASSEMBLY			
DET	QTY	P/N	DESCRIPTION
1	1	292680	VEC
2	1	292683	VEC POWER CABLE
3	1	294273	HARNESS T4F ENGINE
4	1	294277	HARNESS AFTER TREATMENT
5	4	311095	SNUBBING WASHER FOR 311093/094
6	4	311104	RUBBER MT, 1330LB LOAD 60272-5
7	1	317052	DTS ENGINE FRAME WLD 2017
8	1	317128	BELT, V-RIBBED (2435mm)
9	1	317409	HOSE, 3/8 x 20
10	1	317530	BATTERY CLAMP
11	1	318012	QSB6.7 195HP T4F FR93878
12	1	470087	3/8-16UNC HEX FLG NUT SER MC GR5
13	1	470409	3/8UNC X 3/4 HHSFB GR5 MC

TIER-4F 225 HP ENGINE ASSEMBLY			
DET	QTY	P/N	DESCRIPTION
14	4	470682	5/8UNC HEX FLG CNTR LOCK NUT
15	8	473855	12MM-1.75 X 35MM SM FLG BOLT
16	1	473881	M16-2.0 x 30MM HEX BOLT
17	1	483037	USS FLAT WASHER 5/8 MC
18	2	520069	HOSE CLAMP NO 6 STAINLESS
19	1	520115	CUSH CLAMP,#12 0.75"D-3/4W LOOP
20	1	520117	CUSH HOSE CLAMP,#10, 5/8D X 1/2W
21	1	900015	5/8UNC X 2 1/2 HHFB GR8 MC
22	3	900150	3/8UNC X 9 1/2 HHCS GR5 MC
23	4	900340	5/8UNC X 3 1/2 HHCS GR5 MC
24	1	910042	3/8-16UNC HEX FLG NUT SM MC GR8
25	4	910119	5/16-18UNC HEX FLG NUT SER SS
26	4	910126	5/16UNC X 1 HHSFB SS



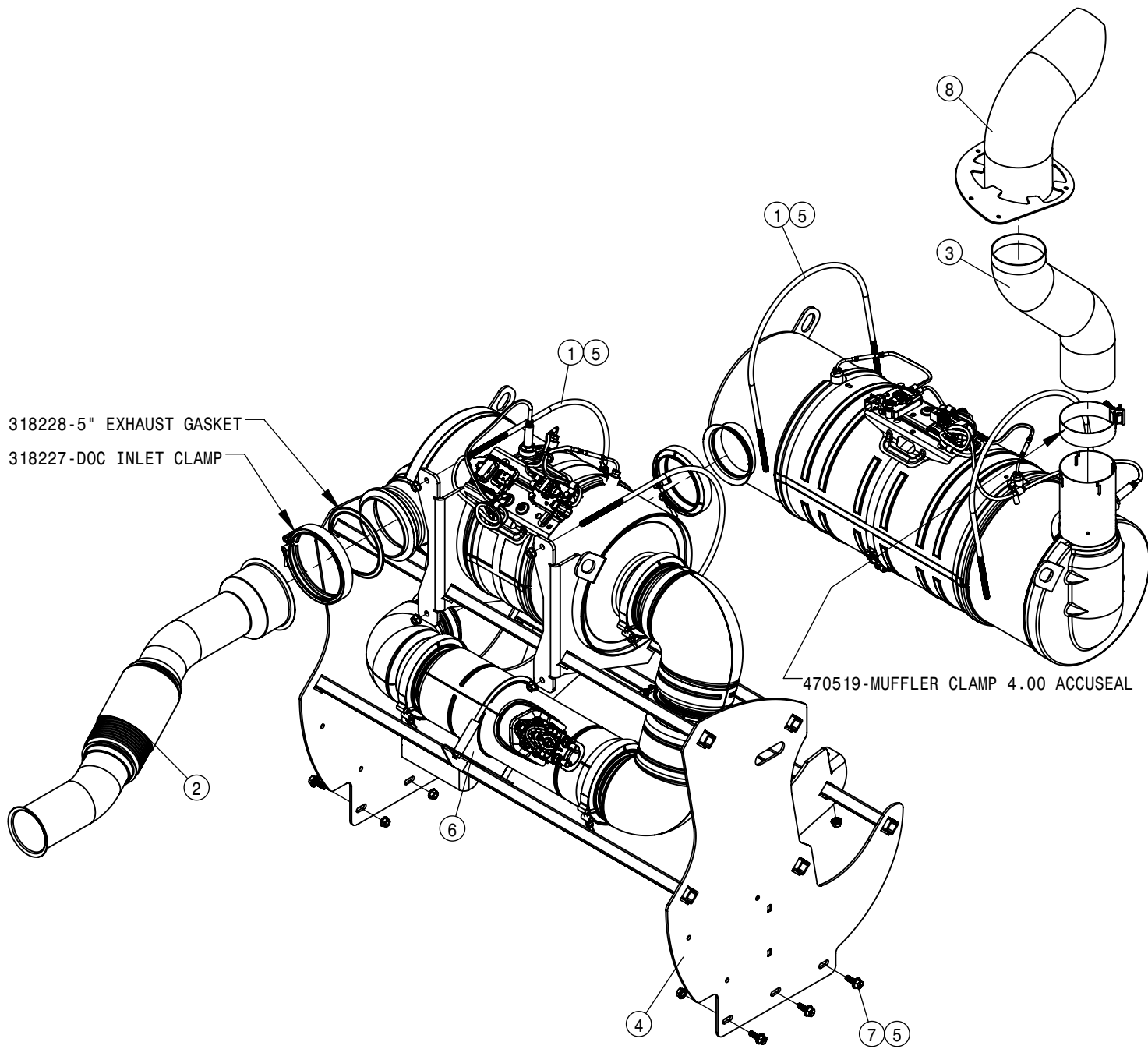
TIER-4F DEF TANK ASSEMBLY			
DET	QTY	P/N	DESCRIPTION
1	1	317359	COOLANT VALVE STS '14
2	1	317479	DEF SUPPLY MODULE PUMP
3	1	317541	BOLT ON CAP ADAPTER ASMY
4	1	317542	TANK ASSY, DEF 5 GALLON
5	2	317552	DEF TIE DOWN STRAP-DTS
6	1	317553	DEF REFILL VENT HOSE-DTS
7	1	317554	DEF REMOTE REFILL HOSE-DTS
8	2	317675	DEF SUCTION/RETURN HOSE ASSY
9	1	317676	PRESSURE HOSE ASSY, DTS
10	1	317702	CAP ASMY-DEF LOCKING
11	3	470113	5/16UNC SERR FLG LOCK NUT
12	1	470121	1/4 UNC SERR FLG LOCK NUT
13	2	470460	3/8UNC X 1 HHSFB GR5 MC
14	6	472348	1/4UNC X 1 ALHD BUTTON CAP SCR
15	2	500285	3/8 x 5/8 x 5/8 MOLDED TEE
16	1	520010	CRIMP CLAMP
17	2	520068	HOSE CLAMP NO 32 STAINLESS
18	10	520081	HOSE CLAMP NO 14 DBL WIRE
19	2	520083	HOSE CLAMP NO 11.5 DBL WIRE

TIER-4F DEF TANK ASSEMBLY			
DET	QTY	P/N	DESCRIPTION
20	2	520104	CUSH HOSE CLMP,#12, 3/4D x 1/2W
21	2	520120	HOSE CLAMP NO 4 STAINLESS
22	8	520121	CUSH CLAMP,#16 1IN X 3/4W
23	1	602016	HOSE, 3/8 X 53.00 HEATER
24	1	602017	HOSE, 3/8 X 26.00 HEATER
25	1	602018	HOSE, 5/8 X 58.00 HEATER
26	1	602019	HOSE, 5/8 X 8.00 HEATER
27	1	602020	HOSE, 5/8 X 5.13 HEATER
28	1	602021	HOSE, 5/8 X 26.00 HEATER
29	1	602022	HOSE, 5/8 X 80.00 HEATER
30	1	618119	9/16MJIC-90-9/16MOR LBO
31	1	618531	9/16FJIC CAP NUT
32	1	618573	5/8 HOSE BARB-90-1/2MNPT
33	2	618880	3/8 J2044 QUICK CONNECT
34	3	900539	5/16UNC X 3 1/2 HHCS GR5 MC
35	7	910106	3/8-16UNC CTRLK FLG NUT MC GR5
36	6	910112	SAE FLAT WASHER 1/4 SS
37	6	910118	1/4-20UNC NYLOCK NUT SS

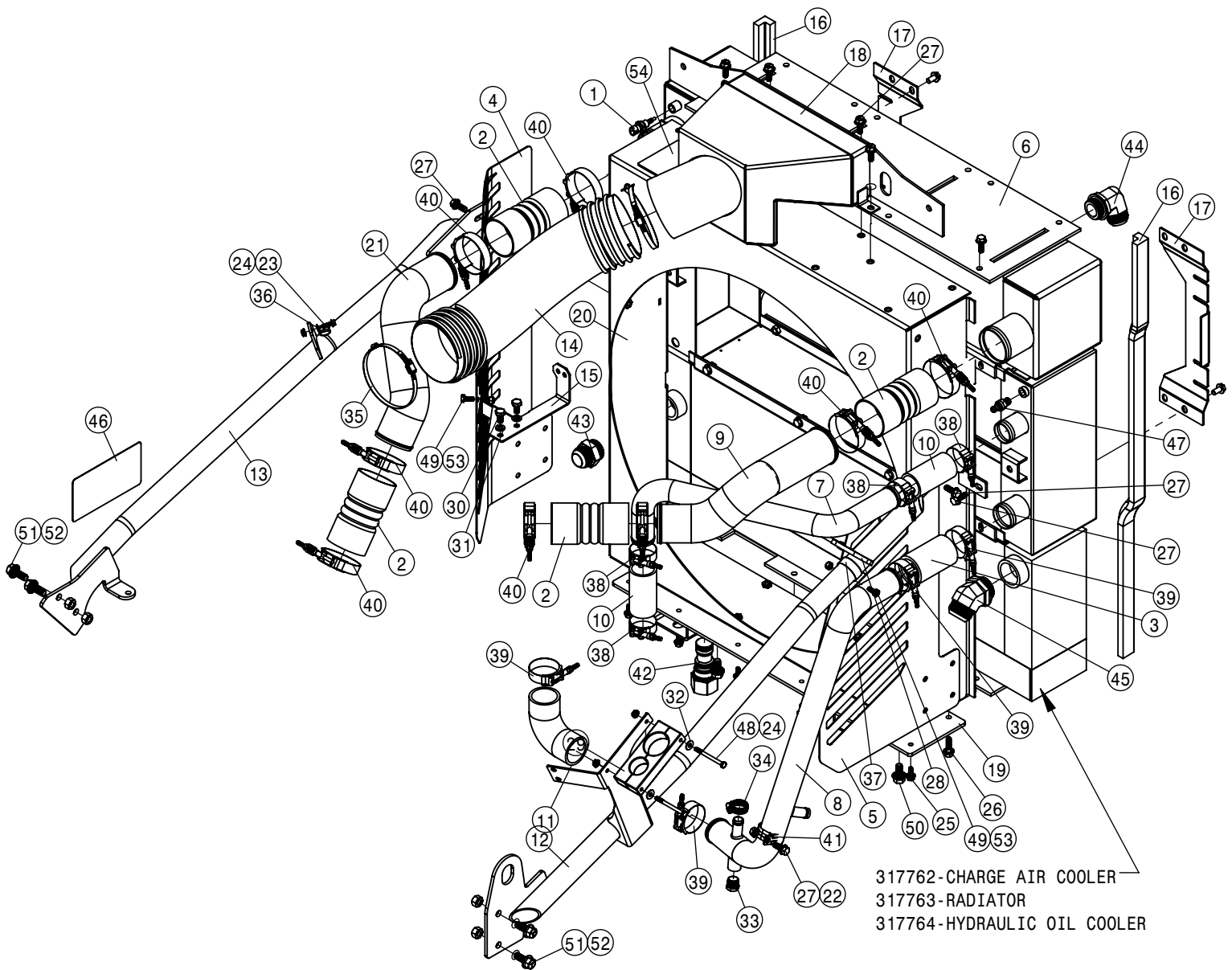


317491-PRIMARY ELEMENT, AIR CLEANER  
 317492-SECONDARY ELEMENT, AIR CLEANER

TIER-4F AIR CLEANER ASSEMBLY			
DET	QTY	P/N	DESCRIPTION
1	1	316624	4.00" 4.50 X 5.75 EDPM ELBOW
2	1	317355	AIR FILTER MINDER SWITCH
3	1	317502	AIR CLEANER
4	1	317520	TUBE AIR INTAKE TURBO
5	1	317550	REDUCER HUMP HOSE
6	4	473793	10MM-1.50 X 20MM HEX BOLT GR8
7	4	473799	10MM FLAT WASHER
8	2	520134	4.31/4.59 T-BOLT HOSE CLAMP SS
9	1	520147	6.38/6.69 T-BOLT HOSE CLAMP
10	1	520148	5.38/5.69 T-BOLT HOSE CLAMP SS



TIER-4F EXHAUST ASSEMBLY			
DET	QTY	P/N	DESCRIPTION
1	4	317322	3/8UNC-11.63ID-14.5 UBOLT
2	1	317522	PIPE, TURBO-DOC DTS2015
3	1	317525	EXHAUST OUTLET PIPE
4	1	317555	AFTERTREATMENT SUPP WLD-DTS
5	14	470087	3/8-16UNC HEX FLG NUT SER MC GR5
6	1	470354	MUFFLER CLAMP, 6.00 STD U-BOLT
7	6	470460	3/8UNC X 1 HHSFB GR5 MC
8	1	660254	EXHAUST STACK WLD DTS T4F



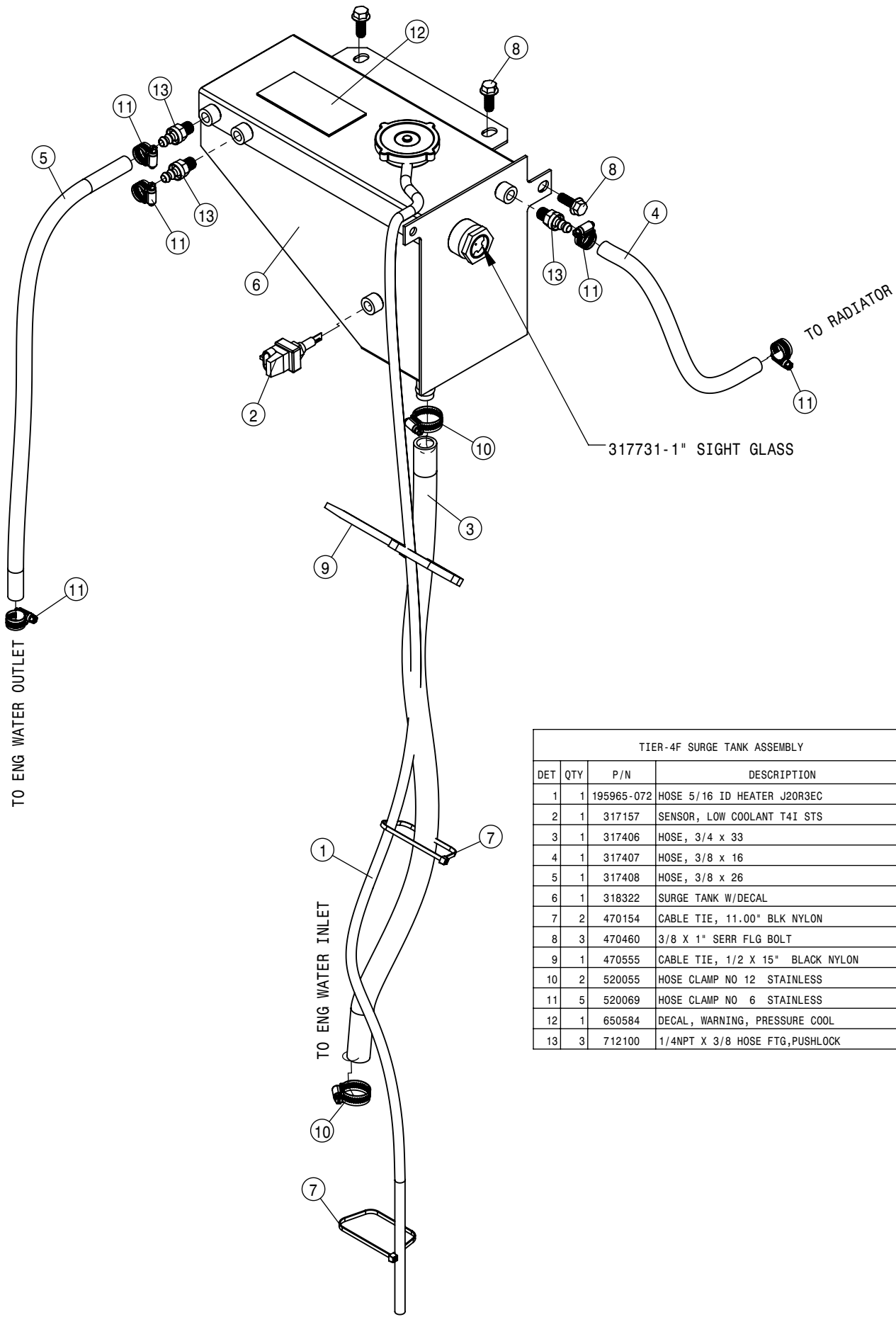
317762-CHARGE AIR COOLER  
 317763-RADIATOR  
 317764-HYDRAULIC OIL COOLER

TIER-4F RADIATOR ASSEMBLY			
DET	QTY	P/N	DESCRIPTION
1	1	290098	TEMP SENDER - CAC
2	4	311579	CAC HOSE, 3"
3	1	317203	COOLANT HOSE
4	1	317503	DTS LEFT SIDE FAN GUARD
5	1	317508	DTS RIGHT SIDE FAN GUARD
6	1	317521	ASMY-RADIATOR,CAC AND HOC
7	1	317523	PIPE - COOLANT ENGINE OUTLET
8	1	317524	PIPE - COOLANT ENGINE RAD
9	1	317527	PIPE - CAC OUTLET HOT
10	2	317528	COOLANT HOSE 1.75 X 4"
11	1	317529	COOLANT ELBOW
12	1	317548	COOLING PKG BRACE-RT
13	1	317549	COOLING PKG BRACE-LH
14	1	317551	AIR INTAKE FLEX HOSE-DTS
15	1	317703	FAN CLUTCH/SHIELD BRACKET
16	2	317716	ISOLATOR-FOAM (COOLING PACK) DTS
17	2	317718	BRACKET-AC CONDENSOR MTG, DTS
18	1	317721	AIR INTAKE WLD, DTS

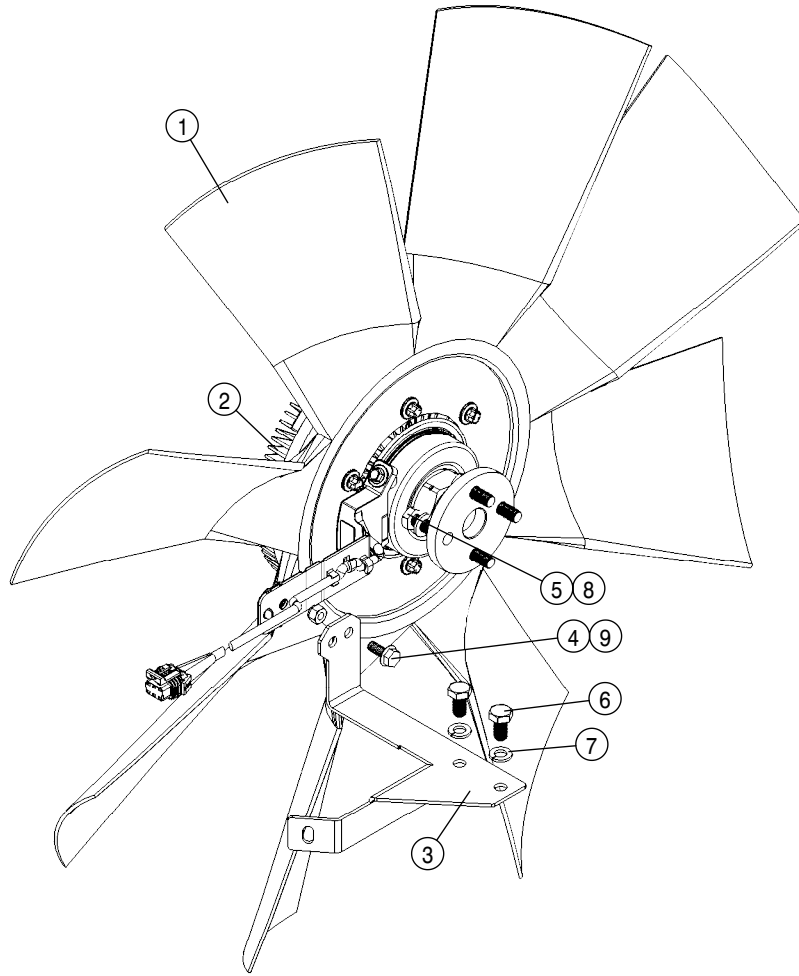
TIER-4F RADIATOR ASSEMBLY			
DET	QTY	P/N	DESCRIPTION
19	1	317751	BASE WLD-FAN SHROUD
20	1	318321	FAN SHROUD W/DECAL
21	1	318682	PIPE-CAC INLET COLD
22	1	470087	3/8UNC HEX SERR FLANGE NUT
23	1	470118	1/4 UNC X 3/4 SER FLG BOLT
24	3	470121	1/4 UNC SERR FLG LOCK NUT
25	6	470233	5/16UNC X 3/4 HHSFB GR5 MC
26	4	470329	3/8UNC X 1 1/4 HHSFB GR5 MC
27	11	470460	3/8 X 1" SERR FLG BOLT
28	1	470555	CABLE TIE, 1/2 X 15" BLACK NYLON
29	1	470731	TUBE CLAMP BODY,1.50, 2.05 OD
30	2	473793	10MM-1.50 X 20MM HEX BOLT GR8
31	2	473798	10MM LOCK WASHER
32	2	483038	1/4 REGULAR FLAT WASHER
33	1	505231	PIPE PLUG .50NPT HEX HD BRS
34	1	520055	HOSE CLAMP NO 12 STAINLESS
35	2	520089	BRIDGE CLAMP 5" DIA
36	1	520104	CUSH HOSE CLMP,#12, 3/4D X 1/2W

TIER-4F RADIATOR ASSEMBLY			
DET	QTY	P/N	DESCRIPTION
37	1	520123	CUSH CLAMP,#32 1 3/4D X 5/8W
38	4	520139	1.93/2.18 T-BOLT HOSE CLAMP SS
39	4	520140	2.18/2.50 T-BOLT HOSE CLAMP SS
40	8	520146	3.06/3.38 T-BOLT HOSE CLAMP SS
41	1	520161	CUSH CLAMP,#32 2"D-3/4W LOOP
42	1	606674	VALVE, LOGIC
43	1	618472	1 5/8MJIC-1 5/8MOR ADPTR
44	1	618477	1 5/8MJIC-90-1 5/8MOR LBO
45	1	618745	1 7/8MJIC-45-1 7/8MOR LBO
46	1	650558	DECAL, FLUIDS JD ENGINE
47	1	712100	1/4NPT X 3/8 HOSE FTG,PUSHLOCK
48	2	900010	1/4UNC X 3" HEX BOLT
49	2	900064	5/16UNC X 3/4 HHCS GR5 MC
50	2	900516	1/2UNC X 1 HHSFB GR5 MC
51	4	900517	1/2UNC X 1 1/4 HHSFB GR5 MC
52	4	910008	1/2-13UNC HEX NUT MC GR5
53	2	910132	5/16-18UNC NYLOCK NUT SS
54	1	T188283	LABEL, WARNING,FAN GUARD,ENG

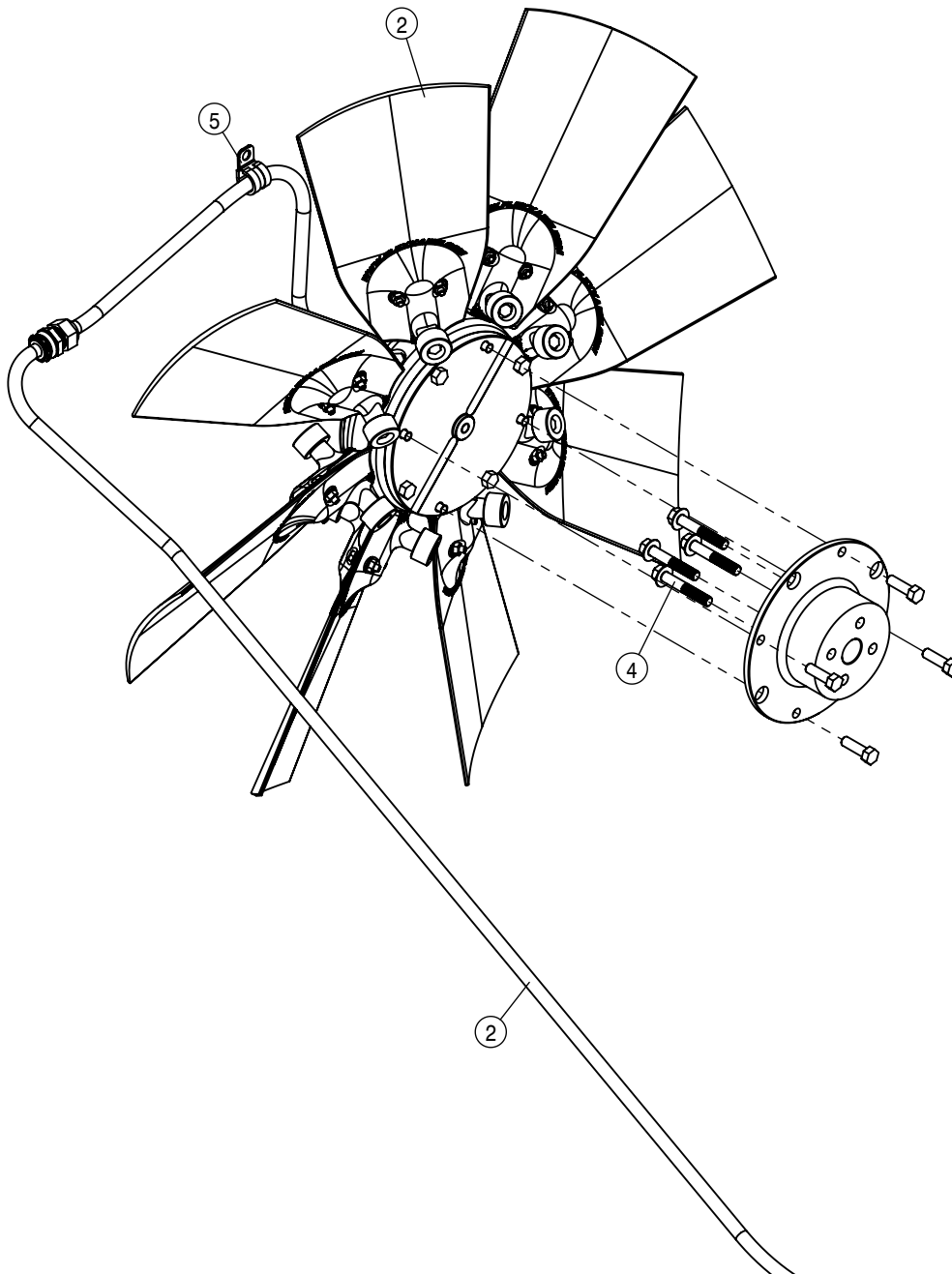




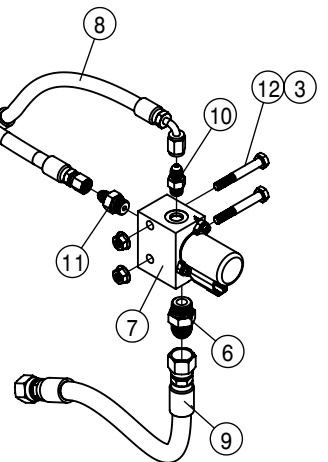
TIER-4F SURGE TANK ASSEMBLY			
DET	QTY	P/N	DESCRIPTION
1	1	195965-072	HOSE 5/16 ID HEATER J20R3EC
2	1	317157	SENSOR, LOW COOLANT T4I STS
3	1	317406	HOSE, 3/4 x 33
4	1	317407	HOSE, 3/8 x 16
5	1	317408	HOSE, 3/8 x 26
6	1	318322	SURGE TANK W/DECAL
7	2	470154	CABLE TIE, 11.00" BLK NYLON
8	3	470460	3/8 X 1" SERR FLG BOLT
9	1	470555	CABLE TIE, 1/2 X 15" BLACK NYLON
10	2	520055	HOSE CLAMP NO 12 STAINLESS
11	5	520069	HOSE CLAMP NO 6 STAINLESS
12	1	650584	DECAL, WARNING, PRESSURE COOL
13	3	712100	1/4NPT X 3/8 HOSE FTG,PUSHLOCK

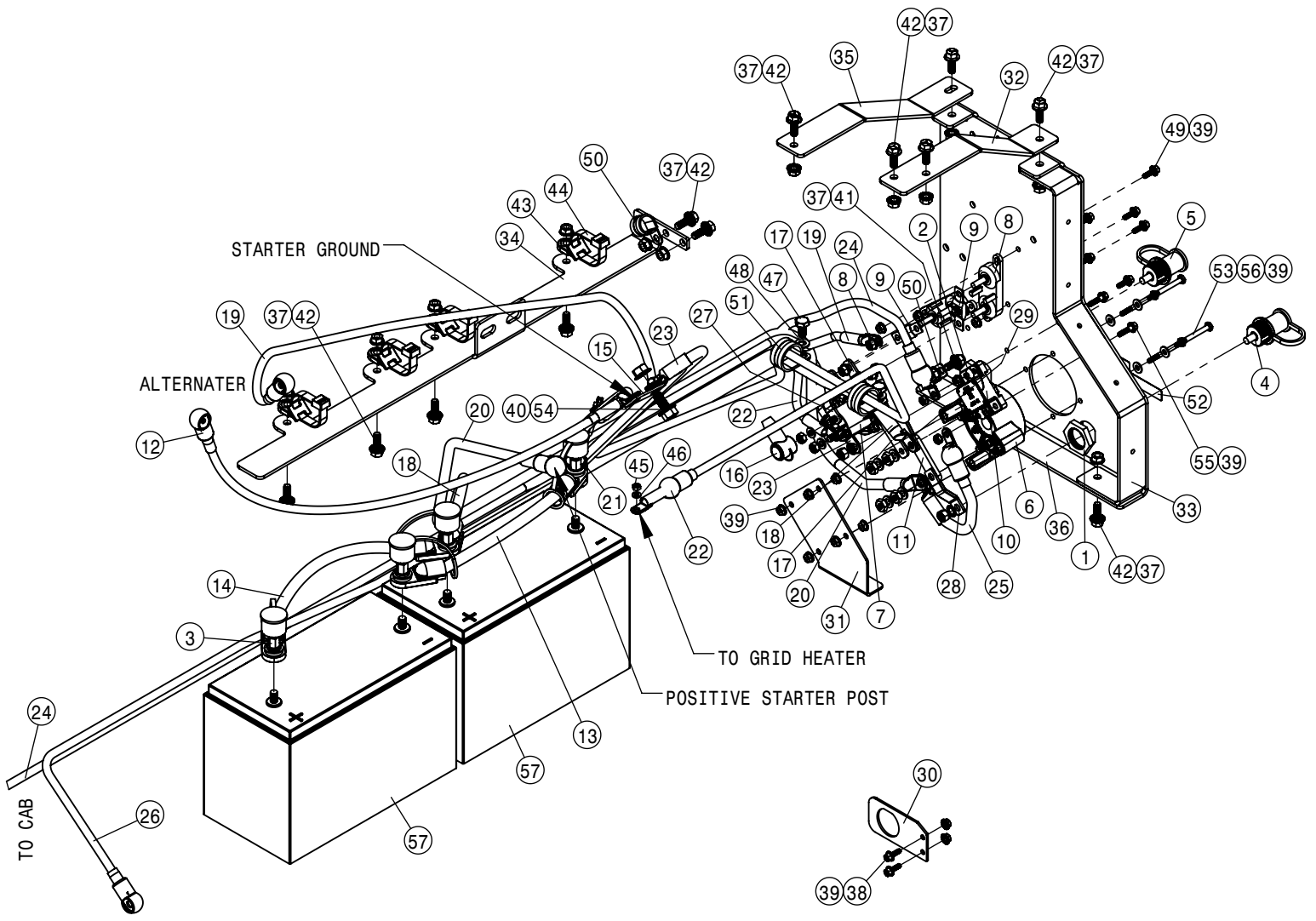


STANDARD FAN ASSEMBLY			
DET	QTY	P/N	DESCRIPTION
1	1	317543	FAN
2	1	317544	FAN CLUTCH ASSEMBLY
3	1	317703	FAN CLUTCH/SHIELD BRACKET
4	1	470233	5/16UNC X 3/4 SERR FLG HEX BOLT
5	4	473792	10MM-1.50 X 30MM HEX BOLT GR8
6	2	473793	10MM-1.50 X 20MM HEX BOLT GR8
7	2	473798	10MM LOCK WASHER
8	4	473799	10MM FLAT WASHER
9	1	910132	5/16-18UNC NYLOCK NUT SS



REVERSING FAN ASSEMBLY			
DET	QTY	P/N	DESCRIPTION
NS	1	294323	VARIABLE PITCH FAN HARNESS
	2	317546	VAR-PITCH REVERSING FAN-DTS
	3	470113	5/16UNC SERR FLG LOCK NUT
	4	473760	10MM-1.50 X 60MM FLG HEX BOLT
	5	520115	CUSH CLAMP,#12 0.75"D-3/4W LOOP
	6	611125	3/4MJIC-3/4MOR ADPTR
	7	615923	VALVE ASSY, PRR
	8	617352	04-451TC-04FJX-04FJX90-18 H/A
	9	617353	06-451TC-08FJX-08FJX-16 H/A
	10	618467	7/16MJIC-7/16MOR ADPTR
	11	618468	7/16MJIC-9/16MOR ADPTR
	12	900503	5/16UNC X 2 1/4 HHCS SS

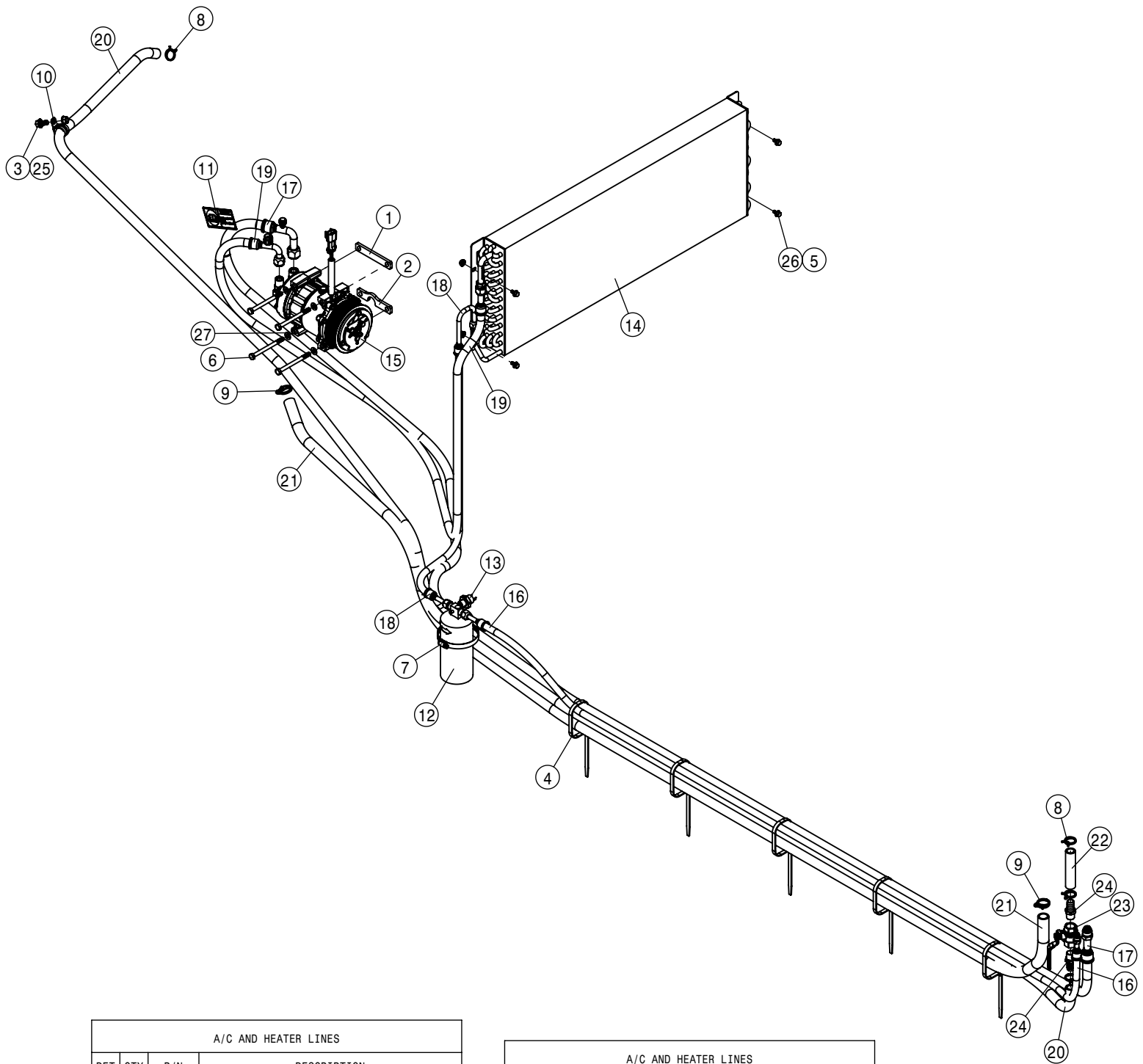




TO FRAME GROUND

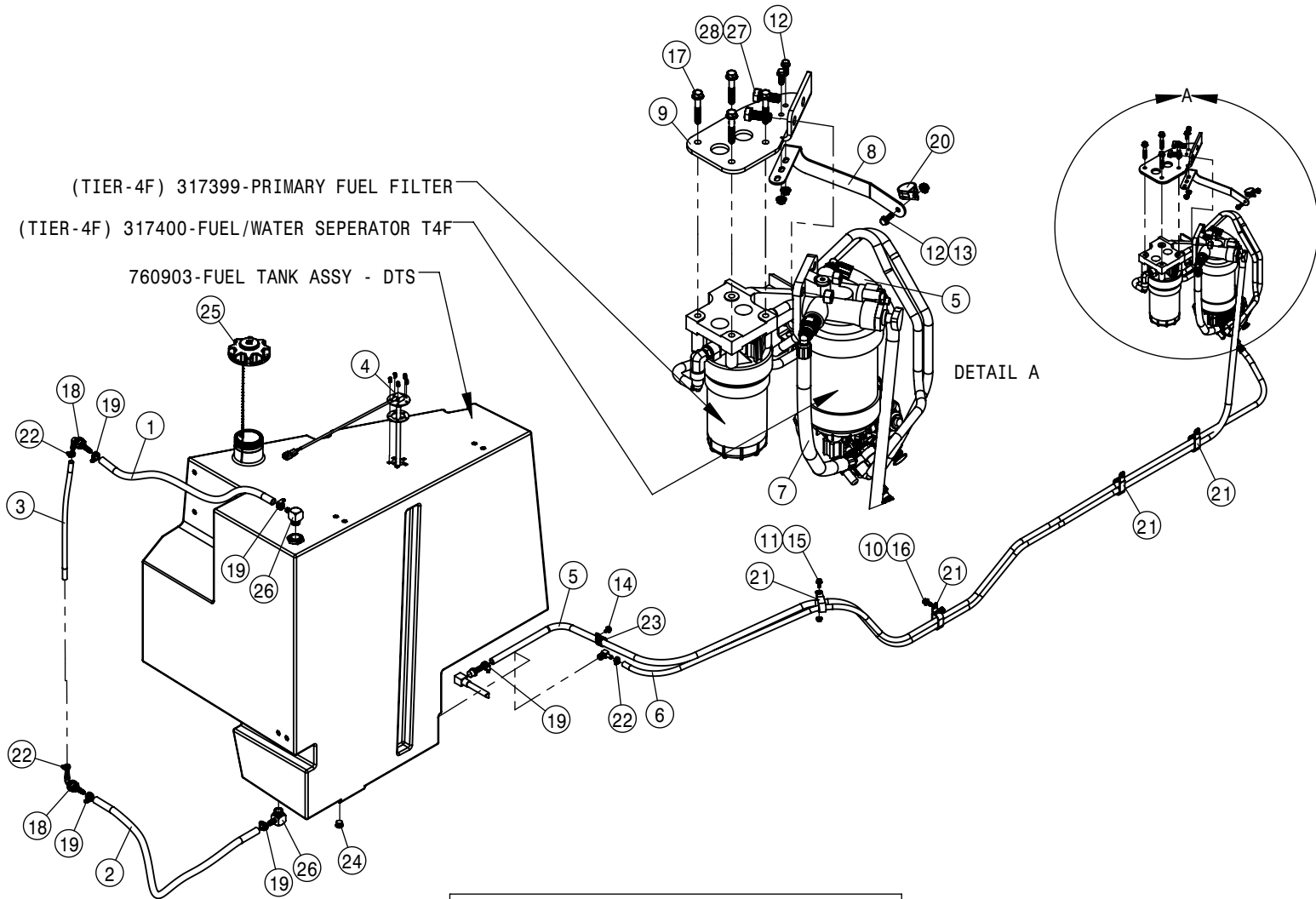
BATTERY AND CABLE ASSEMBLY			
DET	QTY	P/N	DESCRIPTION
1	1	291014	PLASTIC SEALING NUT, RED
2	1	291015	PLASTIC SEALING NUT, BLK
3	4	291205	BATTERY NUT, 3/8-16 SS CLSD CAP
4	1	291680	POSITIVE JUMPER STUD, RED
5	1	291681	NEGATIVE JUMPER STUD, BLACK
6	1	291957	BATTERY SWITCH, DUAL CIRCUIT
7	1	292505	MCR
8	2	292578	HIGH AMP FUSE HOLDER W/COVER
9	2	292641	FUSE, 250 AMP 32 VOLT DC
10	1	292642	CIRCUIT BREAKER, 150 AMP BUSS
11	1	292652	BUSBAR, MASTER DISC. JUMPER
12	1	292657	BATT CABLE, BLK 35*2GA 1/2-1/4
13	1	292659	BATT CABLE, BLK 16*2/0 3/8-3/8
14	1	292660	BATT CABLE, RED 18*2/0 3/8-3/8
15	1	292671	BUSBAR, GND EXT
16	1	292677	RUBBER BOOT (RED) 2 TO 2/0 GAUGE
17	1	292679	BUSBAR, MD TO GRID, SHRINK
18	1	292685	BATT CABLE, RED 50*2/0 3/8-3/8
19	1	292686	BATT CABLE, RED 84*1/0 5/16-5/1
20	1	292687	BATT CABLE, RED 60*2/0 1/2-3/8
21	1	292688	BATT CABLE, BLK 18*2/0 3/8-1/2
22	1	292689	BATT CABLE, RED 87*2GA 1/4-5/16
23	1	292690	BATT CABLE, BLK 48*2/0 1/2-3/8
24	1	292691	CAB PWR, GND CABLE ASY
25	1	292692	BATT CABLE, RED 18*1/0 1/2-1/4
26	1	292693	BATT CABLE, BLK 70*2GA 3/8-1/2
27	1	292754	BUSBAR, MCR TO FUSE, W/SHRINK
28	1	292755	BUSBAR, POST TO MD, W/SHRINK
29	1	292756	BUSBAR, MD TO ALT, W/SHRINK

BATTERY AND CABLE ASSEMBLY			
DET	QTY	P/N	DESCRIPTION
30	1	317054	DEUTSCH RECP HOLDER BRACKET
31	1	317672	MST DISC. COVER - DTS
32	1	317683	MST DISC PLATE TOP BRKT
33	1	317684	MST DISC PLT GUSS
34	1	317685	BATTERY CABLE TRAY
35	1	317759	DISCONNECT PLATE SUPPORT
36	1	318167	MASTER DISCONN PLT DTS W/DECAL
37	14	470087	3/8-16UNC HEX FLG NUT SER MC GR5
38	2	470118	1/4UNC X 3/4 HHSFB GR5 MC
39	18	470121	1/4-20UNC HEX FLG NUT SER MC GR5
40	1	470360	1/2-13UNC HEX FLG NUT SER MC GR5
41	1	470409	3/8UNC X 3/4 HHSFB GR5 MC
42	13	470460	3/8UNC X 1 HHSFB GR5 MC
43	4	470516	CABLE TIE MT, 3/8 MT HOLE, NYL
44	4	470556	.50 X 19" CABLE TIE-UV BLACK
45	1	473767	6MM-1.00 HEX NUT
46	1	473768	6MM LOCK WASHER
47	2	473793	10MM-1.50 X 20MM HEX BOLT GR8
48	2	473799	10MM FLAT WASHER
49	6	473834	1/4UNC X 3/4 HHSFB SS
50	2	520121	CUSH CLAMP, #16 1IN X 3/4W
51	2	520160	CUSH CLAMP, #24 1 1/2D-3/4WLOOP
52	1	650518	MAIN ELECTRICAL DISCON DECAL
53	4	900008	1/4UNC X 2 1/2 HHCS GR5 MC
54	1	900516	1/2UNC X 1 HHSFB GR5 MC
55	2	910124	1/4UNC X 1 HHSFB SS
56	4	920000	SAE FLAT WASHER 1/4 MC
57	2	TY24546A	BATTERY 12 V

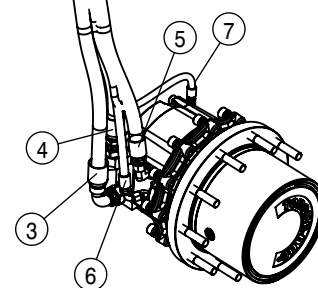
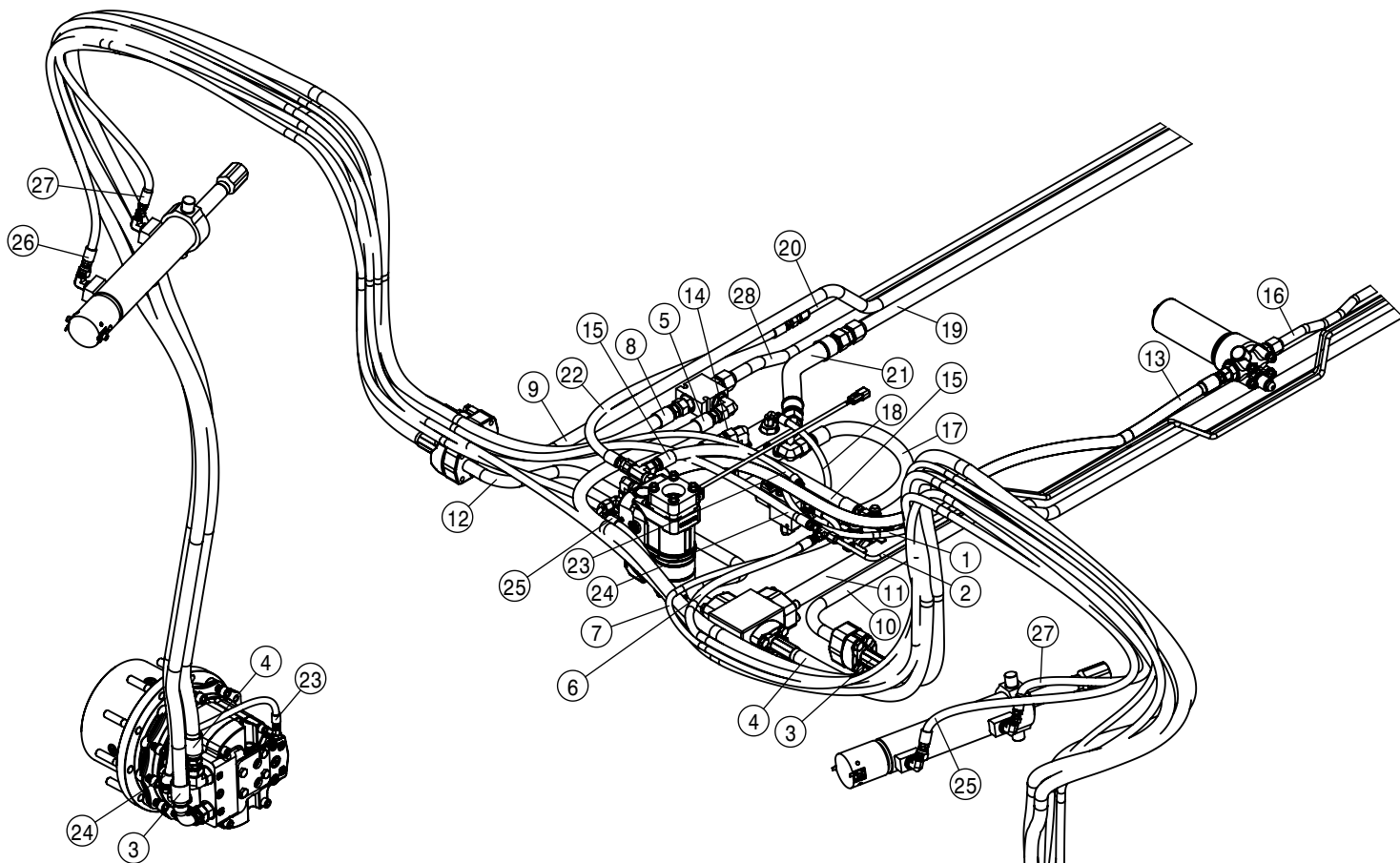


A/C AND HEATER LINES			
DET	QTY	P/N	DESCRIPTION
1	1	317673	SPACER-A/C COMPRESSOR (TOP)
2	1	317674	SPACER-A/C COMPRESSOR (BOTTOM)
3	1	470409	3/8UNC X 3/4" SERR FLG BOLT
4	5	470555	CABLE TIE, 1/2 X 15" BLACK NYLON
5	4	473832	1/4-20UNC HEX FLG NUT SER SS
6	4	473868	8MM-1.25 X 100MM HEX BOLT
7	1	520052	HOSE CLAMP NO 52 STAINLESS
8	4	520081	HOSE CLAMP NO 14 DBL WIRE
9	2	520082	HOSE CLAMP NO 16 DBL WIRE
10	1	520121	CUSH CLAMP,#16 1IN X 3/4W
11	1	650435	DECAL, NOTICE R134A,3.50LB
12	1	657421	A/C RECEIVER/DRIER
13	1	657422	A/C BINARY SWITCH
14	1	657457	COIL, COND 12 X 31.6

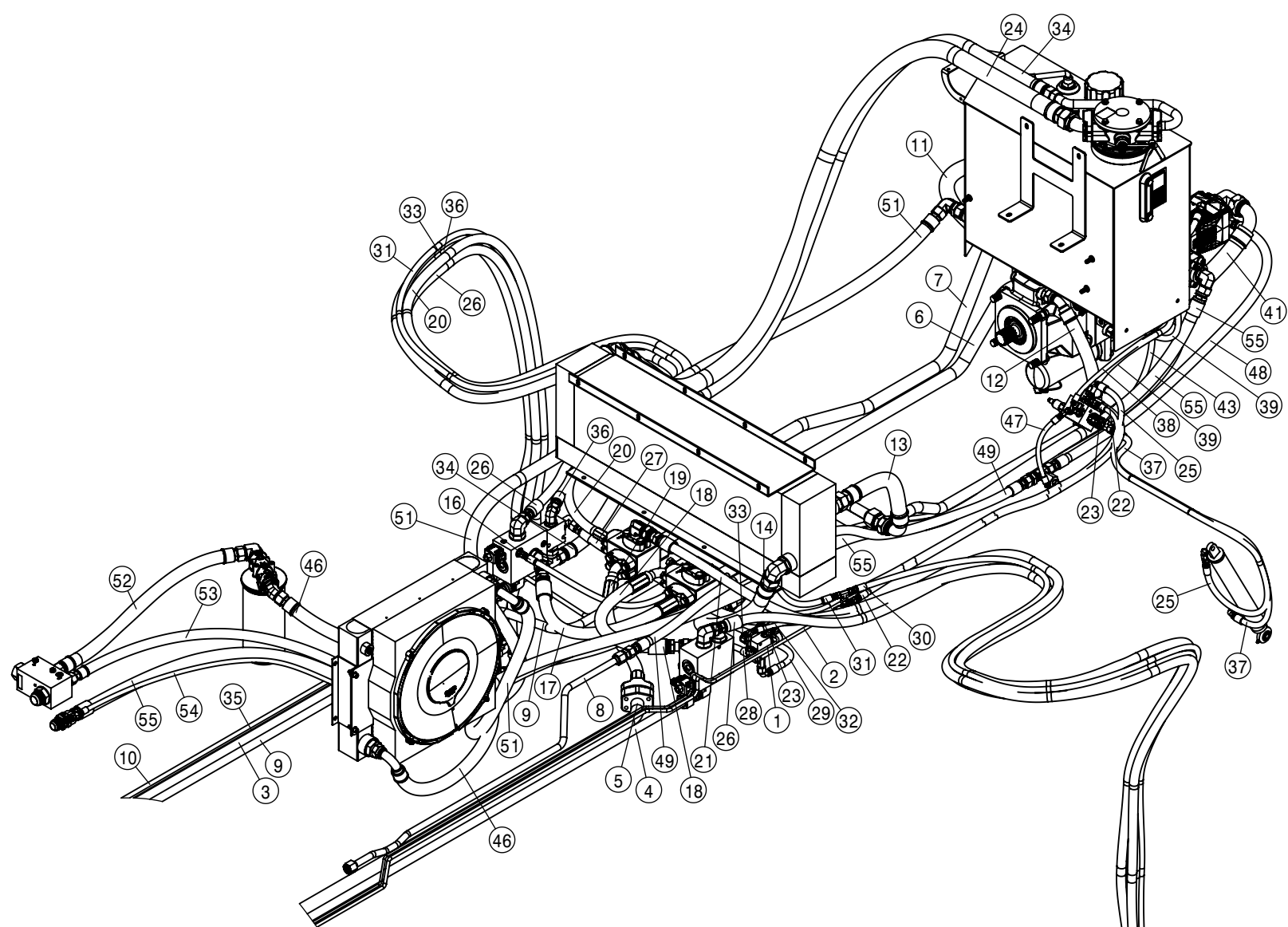
A/C AND HEATER LINES			
DET	QTY	P/N	DESCRIPTION
15	1	657534	A/C COMPRESSOR
16	1	657612	A/C HOSE, 06-06F-06M-92
17	1	657613	A/C HOSE, 10-10F90SP-10M-152
18	1	657614	A/C HOSE, 06-06F180-06F-36
19	1	657615	A/C HOSE, 08-08F90SP-08F-80
20	1	657616	HOSE, 5/8 X 170.00 HEATER
21	1	657617	HOSE, 3/4 X 119.00 HEATER
22	1	657619	HOSE, 5/8 X 4.00 HEATER
23	1	696011	1/2 NPT FEMALE BALL VALVE
24	2	716007	1/2 x 5/8 HOSE BARB
25	1	910042	3/8-16UNC HEX FLG NUT SM MC GR8
26	4	910122	1/4UNC X 1/2 HHSFB SS
27	4	920001	5/16 SAE FLAT WASHER



FUEL SYSTEM ASSEMBLY			
DET	QTY	P/N	DESCRIPTION
1	1	195903-030	HOSE 1/2 FUEL LN 1-FBR 30R1
2	1	195903-034	HOSE 1/2 FUEL LN 1-FBR 30R1
3	1	195973-018	HOSE 7/16ID-1/16W YEL PVC TUBING
4	1	290102	FUEL SENSOR
5	1	317403	FUEL SUCTION HOSE ASSY-DTS
6	1	317404	FUEL RETURN HOSE-DTS
7	1	317405	FUEL SUCTION HOSE ASSY-DTS
8	1	317506	BRKT FUEL SUCTION HOSE - DTS
9	1	317562	PRIM FUEL FILTER BRACKET-DTS
10	1	470087	3/8UNC HEX SERR FLANGE NUT
11	1	470113	5/16-18UNC HEX FLG NUT SER MC GR5
12	3	470118	1/4 UNC X 3/4 SER FLG BOLT
13	3	470121	1/4 UNC SERR FLG LOCK NUT
14	1	470232	5/16UNC X 1/2 HHSFB GR5 MC
15	1	470233	5/16UNC X 3/4 HHSFB GR5 MC
16	1	470409	3/8UNC X 3/4" SERR FLG BOLT
17	4	473880	8MM-1.25 X 50MM SM FLG BOLT
18	2	500344	1/2 HOSE BARB 90, BLKHD PP
19	5	520069	HOSE CLAMP NO 6 STAINLESS
20	1	520101	CUSH HOSE CLAMP,#16, 1"D X 1/2W
21	4	520116	CUSH HOSE CLAMP,#16, 1IN DBL TUBE
22	3	520120	HOSE CLAMP NO 4 STAINLESS
23	1	520121	CUSH CLAMP,#16 1IN X 3/4W
24	1	618755	3/4MOR PLUG, HEX SOCKET
25	1	701477	CAP - FUEL, VENTED & FILTERED
26	2	716004	1/2 HOSE BARB-90-3/4MNPT
27	2	900264	1/2UNC X 1 1/4 HEX BOLT
28	2	910008	1/2UNC HEX NUT

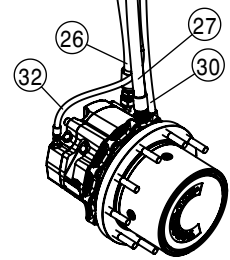


FRONT HYDRAULIC HOISING SYSTEM			
DET	QTY	P/N	DESCRIPTION
1	1	606154	FRT SFT LINE 0.25"OD X 0.049"W
2	1	606155	FRT BRK LNE 0.375"OD X 0.049"W
3	2	606157	12-797TC-16C62FX-12FFOX90-147
4	2	606158	12-797TC-16C62FX-12FFOX-150 H/A
5	1	606162	12-451TC-08FJX-12FJX-194 H/A
6	1	606163	06-451TC-06FJX-06FJX90-173 H/A
7	1	607131	04-451TC-04FJX-04FJX-186 H/A
8	1	614768	12-451TC-08FJX-12FJX-176 H/A
9	1	614772	HYD TUBE RF DRIVE 1"ODX.12"WT
10	1	614773	HYD TUBE LF DRIVE 1"ODX.12"WT
11	1	614774	HYD TUBE B DRIVE 1.5"ODX.134"WT
12	1	614776	HYD TUBE B FRT 1.00" OD X .120" W
13	2	617226	10-451TC-10FJX-10FJX90-63 H/A
14	1	617227	10-451TC-12FJX-10FJX90-14 H/A
15	1	617228	10-451TC-10FJX-10FJX-23 H/A
16	1	617229	HYD AUX TUBE 0.75" OD X .065WT
17	1	617231	12-451TC-12FJX-12FJX90-25 H/A
18	1	617236	04-451TC-06FJX-06FJX90-15 H/A
19	1	617237	AUX RETURN 1"OD X 0.065"WT
20	1	617238	OPT AUX TUBE 0.5"OD X .049"WT
21	1	617239	16-811-16FJX-16FJX-17 HA
22	1	617250	08-451TC-08FJX-10FJX-35 H/A
23	1	617287	04-451TC-04FJX-04FJX90-195 H/A
24	1	617288	06-451TC-06FJX-06FJX90-190 H/A
25	1	617289	06-451TC-08FJX-08FJX90-111 H/A
26	1	617290	06-451TC-08FJX-08FJX-110 H/A
27	1	617291	06-451TC-06FJX-06FJX-200 H/A
28	1	617391	WMC TUBE 1.00"OD X 0.065"WT



REAR HYDRAULIC HOSE SYSTEM			
DET	QTY	P/N	DESCRIPTION
1	1	606154	FRT SFT LINE 0.25"OD X 0.049"W
2	1	606155	FRT BRK LNE 0.375"OD X 0.049"W
3	1	614772	HYD TUBE RF DRIVE 1"ODX.12"WT
4	1	614773	HYD TUBE LF DRIVE 1"ODX.12"WT
5	1	614774	HYD TUBE B DRIVE 1.5"ODX.134"WT
6	1	615114	HYD DRIVE TUBE A SIDE 1.5X.134W
7	1	615115	HYD DRIVE TUBE B SIDE 1.5X.134W
8	1	617229	HYD AUX TUBE 0.75" OD X .065WT
9	1	617237	AUX RETURN 1"OD X 0.065"WT
10	1	617238	OPT AUX TUBE 0.5"OD X .049"WT
11	1	617241	20-811-20FJX-20FJX45-31 H/A
12	1	617244	16-811-16FJX45-16FJX-18 H/A
13	1	617246	20-811-20FJX-20FJX90-19 H/A
14	1	617247	20-811-20FJX-20FJX-27 H/A
15	1	617250	08-451TC-08FJX-10FJX-35 H/A
16	1	617252	06-451TC-06FJX-06FJX-24 H/A
17	1	617261	16-797TC-16FFOX-20C62F-28 H/A
18	1	617262	16-797TC-16C62FX90-16FFOX-25 H/A
19	1	617263	16-797TC-20C62F-20C62FX45-21.8
20	1	617265	12-797TC-16C62F-12FFOX-168 H/A
21	1	617268	12-797TC-16FFOX-12FFOX90-178 H/A
22	1	617269	06-451TC-06FJX-06FJX-52 H/A
23	1	617270	04-451TC-04FJX-04FJX90-62 H/A
24	1	617273	24-811-24FJX-24FJX-99 H/A
25	1	617274	06-451TC-06FJX-06FJX90-64 H/A
26	2	617276	12-797TC-12FFOX-12FFOX-163 H/A
27	1	617277	12-451TC-12FJX-08FJX-186 H/A
28	1	617278	06-451TC-06FJX90-08FJX-13 H/A

REAR HYDRAULIC HOSE SYSTEM			
DET	QTY	P/N	DESCRIPTION
29	1	617279	06-451TC-06FJX-08FJX90-23 H/A
30	1	617280	06-451TC-06FJX-06FJX90-146 H/A
31	1	617281	06-451TC-06FJX-06FJX90-195 H/A
32	1	617282	04-451TC-04FJX-04FJX90-165 H/A
33	1	617283	04-451TC-04FJX-04FJX90-199 H/A
34	1	617386	16-811-16FJX-16FJX-104 H/A
35	1	617391	WMC TUBE 1.00"OD X 0.065"WT
36	1	617401	12-451TC-12FJX-08FJX-156 H/A
37	1	617402	06-451TC-08FJX-08FJX90-54 H/A
38	1	617506	04-451TC-06FJX-04FJX90-40 H/A
39	1	619037	06-451TC-08FJX-08FJX90-39 H/A
40	1	619038	08-451TC-08FJX-12FJX-22 H/A
41	1	619039	24-811-24FJX-24FJX90-35 H/A
42	1	619040	08-451TC-08FJX-12FJX90-29 H/A
43	1	619041	06-451TC-06FJX-08FJX-19 H/A
44	1	619042	04-451TC-04FJX-06FJX-11 H/A
45	1	619043	24-811-24FJX-24FJX-17.5 H/A
46	1	619044	16-811-16FJX-16FJX90-67 H/A
47	1	619045	04-451TC-04FJX-06FJX90-13 H/A
48	1	619046	12-451TC-10FJX-12FJX-50 H/A
49	1	619047	12-451TC-12FJX-12FJX-68 H/A
50	1	619048	16-811-16FJX-16FJX90-28 H/A
51	1	619049	16-811-16FJX-16FJX90-153 H/A
52	1	619050	16-811-16FJX-16FJX-29 H/A
53	1	619051	12-811-12FJX-12FJX-93 H/A
54	1	619160	04-451TC-04FJX-06FJX-173 H/A
55	1	619161	16-451TC-16FJX-16FJX-176 H/A





618372-O-RING, .468ID-  
.078W, 9/16 ORB

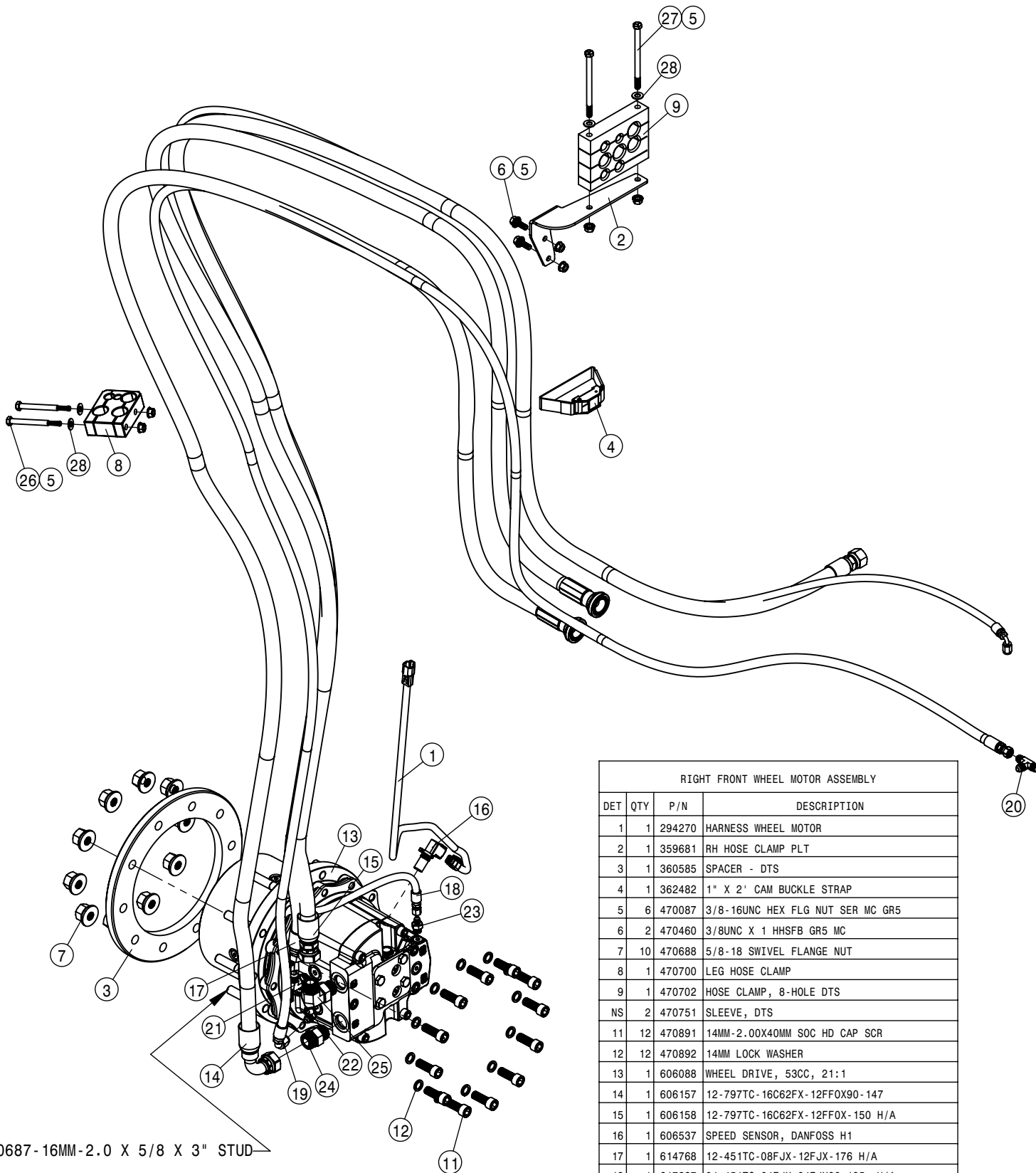
605657-HYD FILTER-DRIVE PUMP  
317377-ORING, 1.239ID.070CS 70DURO NBR  
317378-ORING, 1.299ID.103CS 70DURO NBR

618372-O-RING, .468ID-.078W, 9/16 ORB

HYDROSTATIC PUMP ASSEMBLY			
DET	QTY	P/N	DESCRIPTION
1	1	363092	REAR BLKHD MT D400
2	2	470121	1/4 UNC SERR FLG LOCK NUT
3	2	470122	1/4 UNC X 1/2 SERR FLG BOLT
4	2	470369	HOSE PROTECTOR, 8" BLACK
5	4	472367	3/4UNC X 2" SM FLG BOLT GR8 YZ
6	8	473784	12MM LOCK WASHER
7	4	473856	12MM-1.75 X 40MM SM FLANGED BOLT
8	8	474005	12MM-1.75X60MM SOC HD CAP SCR
9	2	520102	CUSH HOSE CLAMP,#20, 1 1/4D X 1/2W
10	1	606181	ALUM 3-WAY VALVE SAE 8
11	1	606185	2.5 4BOLT FLG, SAE 24 LBO C61
12	2	606196	PRESSURE TRANSDUCER, 9000 PSI
13	1	606197	O-RING, 4.73ID-.103CS-4.9430D
14	1	606232	H1 PUMP, 165CC, D13/C14 MT
15	1	606526	PUMP 100CC C/BB MT
16	1	606679	PUMP-K2-038CC, SAE B MT, 15T
17	1	606977	O-RING, B-MT, 3.989ID X .103CS
18	1	610186	1 1/16MOR PLUG, HEX HEAD
19	1	613776	1 5/16MJIC-90-BLKHD UNION LBO

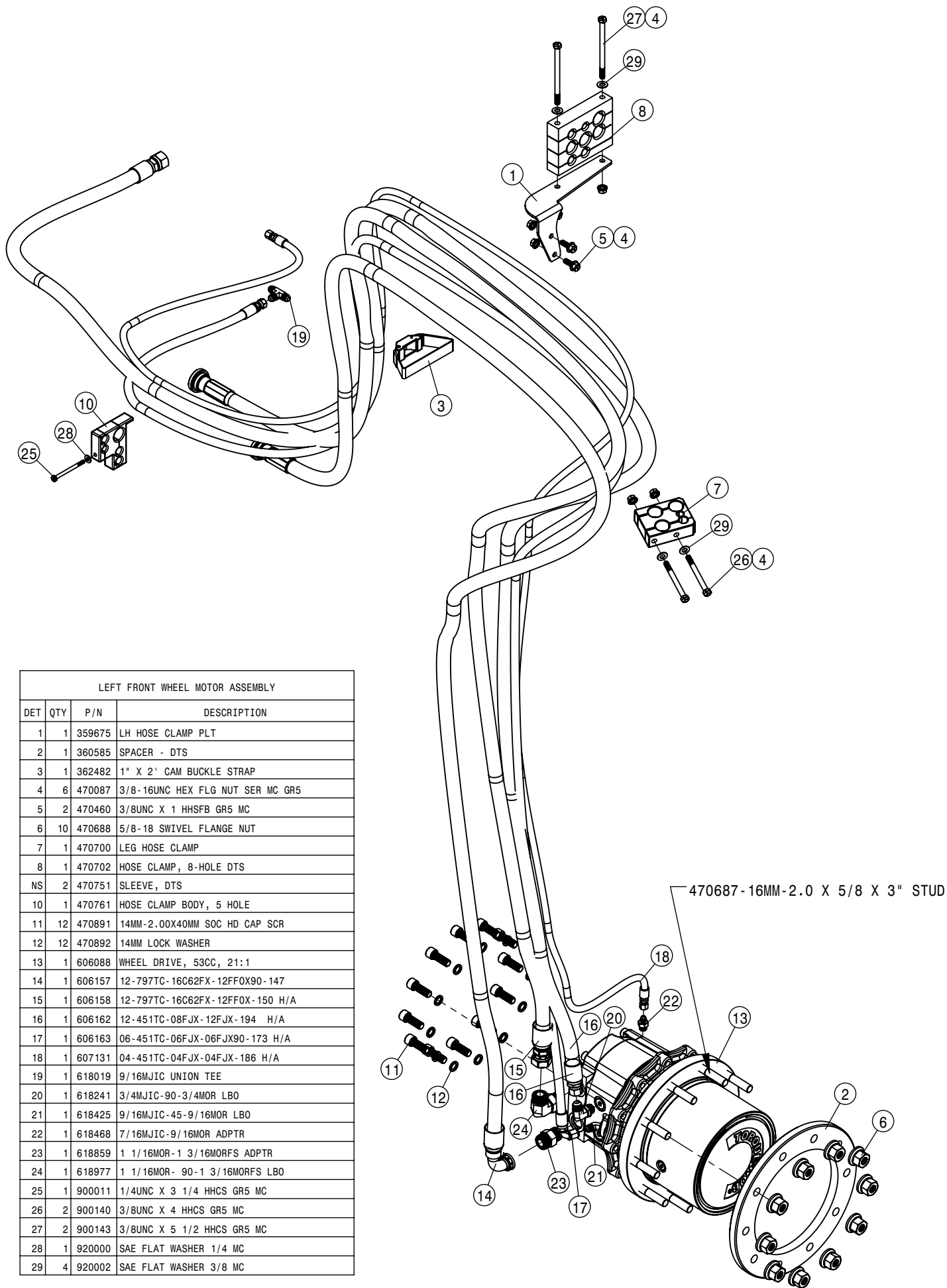
HYDROSTATIC PUMP ASSEMBLY			
DET	QTY	P/N	DESCRIPTION
20	1	615114	HYD DRIVE TUBE A SIDE 1.5X.134W
21	1	615115	HYD DRIVE TUBE B SIDE 1.5X.134W
22	1	617240	DP CASE, SOL COOLER REAR TUBE
23	1	617241	20-811-20FJX-20FJX45-31 H/A
24	1	617244	16-811-16FJX45-16FJX-18 H/A
25	1	617246	20-811-20FJX-20FJX90-19 H/A
26	1	618109	9/16MJIC-3/4MOR ADPTR
27	2	618178	1 5/16MJIC-90-1 5/16MOR LBO
28	1	618183	3/4MJIC-90-7/8MOR LBO
29	1	618241	3/4MJIC-90-3/4MOR LBO
30	1	618366	1 5/16-12 BULKHEAD LOCK NUT
31	1	618432	1 7/8MJIC-90-1 7/8MOR LBO
32	4	618465	O-RING FOR 1 1/4" FLANGE -20
33	1	618467	7/16MJIC-7/16MOR ADPTR
34	1	618469	3/4MJIC- 1 1/16MOR ADPTR
35	1	618472	1 5/8MJIC-1 5/8MOR ADPTR
36	1	618473	7/16MJIC-90-7/16MOR LBO
37	2	618474	3/4MJIC-90-1 1/16MOR LBO
38	1	618558	1 5/16MJIC-1 1/16MOR ADPTR

HYDROSTATIC PUMP ASSEMBLY			
DET	QTY	P/N	DESCRIPTION
39	1	618589	7/8MJIC-90-1 5/16MOR LBO
40	1	618632	1 5/8 MJIC UNION
41	1	618661	1 5/16FJIC-9/16MJIC ADPTR
42	1	618669	3/4FJIC SWIV-3/4MOR ADPTR
43	1	618745	1 7/8MJIC-45-1 7/8MOR LBO
44	1	618782	9/16MOR-9/16FOR-9/16MJIC BRNCH
45	1	618944	O-RING FOR 2 1/2" FLANGE -40
46	1	618962	1 5/8MJIC UNION TEE-1 5/16MJIC
47	1	618993	1 1/4 4-BOLT FLGX1 5/16FOR C62
48	1	618994	1 1/4 4-BOLT FLG X #12FORPORT
49	1	619023	9/16 MOR DIAGNOSTIC FITTING
50	1	619038	08-451TC-08FJX-12FJX-22 H/A
51	1	619041	06-451TC-06FJX-08FJX-19 H/A
52	1	619042	04-451TC-04FJX-06FJX-11 H/A
53	1	619043	24-811-24FJX-24FJX-17.5 H/A
54	1	619048	16-811-16FJX-16FJX90-28 H/A
55	1	619160	04-451TC-04FJX-06FJX-173 H/A
56	1	619161	16-451TC-16FJX-16FJX-176 H/A
57	4	900384	1/2-13 UNC X 3 1/2 SHCS GR8 MC
58	2	900517	1/2UNC X 1 1/4 HHSFB GR5 MC
59	4	910047	1/2-13 UNC X 3 1/4 SHCS GR8 MC
60	8	920504	HLOCK WASHER 1/2 MC

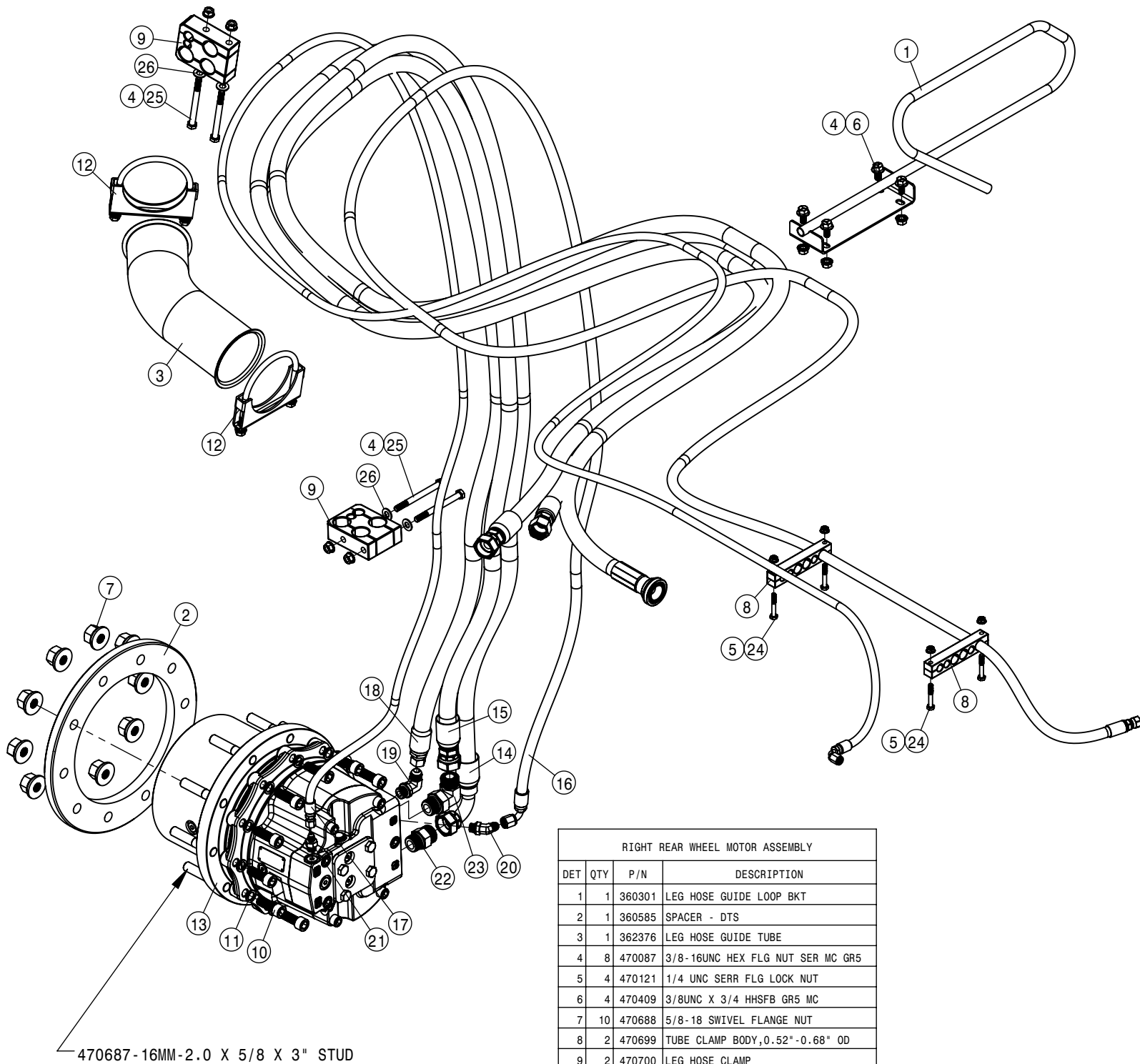


470687-16MM-2.0 X 5/8 X 3" STUD

RIGHT FRONT WHEEL MOTOR ASSEMBLY			
DET	QTY	P/N	DESCRIPTION
1	1	294270	HARNES WHEEL MOTOR
2	1	359681	RH HOSE CLAMP PLT
3	1	360585	SPACER - DTS
4	1	362482	1" X 2' CAM BUCKLE STRAP
5	6	470087	3/8-16UNC HEX FLG NUT SER MC GR5
6	2	470460	3/8UNC X 1 HHFSB GR5 MC
7	10	470688	5/8-18 SWIVEL FLANGE NUT
8	1	470700	LEG HOSE CLAMP
9	1	470702	HOSE CLAMP, 8-HOLE DTS
NS	2	470751	SLEEVE, DTS
11	12	470891	14MM-2.00X40MM SOC HD CAP SCR
12	12	470892	14MM LOCK WASHER
13	1	606088	WHEEL DRIVE, 53CC, 21:1
14	1	606157	12-797TC-16C62FX-12FFOX90-147
15	1	606158	12-797TC-16C62FX-12FFOX-150 H/A
16	1	606537	SPEED SENSOR, DANFOSS H1
17	1	614768	12-451TC-08FJX-12FJX-176 H/A
18	1	617287	04-451TC-04FJX-04FJX90-195 H/A
19	1	617288	06-451TC-06FJX-06FJX90-190 H/A
20	1	618019	9/16MJIC UNION TEE
21	1	618241	3/4MJIC-90-3/4MOR LBO
22	1	618425	9/16MJIC-45-9/16MOR LBO
23	1	618468	7/16MJIC-9/16MOR ADPTR
24	1	618859	1 1/16MOR-1 3/16MORFS ADPTR
25	1	618977	1 1/16MOR- 90-1 3/16MORFS LBO
26	2	900140	3/8UNC X 4 HHCS GR5 MC
27	2	900143	3/8UNC X 5 1/2 HHCS GR5 MC
28	4	920002	SAE FLAT WASHER 3/8 MC



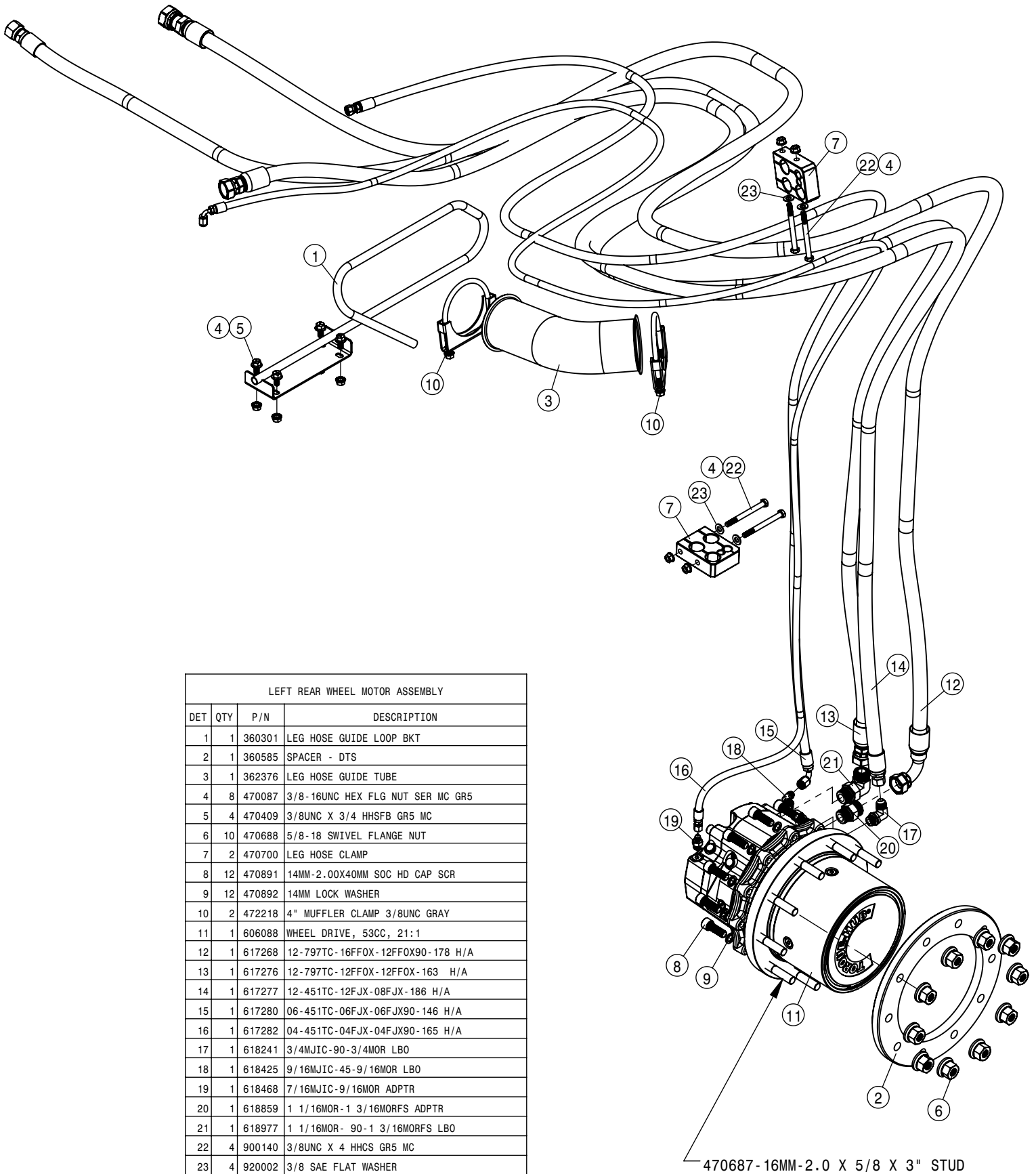
LEFT FRONT WHEEL MOTOR ASSEMBLY			
DET	QTY	P/N	DESCRIPTION
1	1	359675	LH HOSE CLAMP PLT
2	1	360585	SPACER - DTS
3	1	362482	1" X 2' CAM BUCKLE STRAP
4	6	470087	3/8-16UNC HEX FLG NUT SER MC GR5
5	2	470460	3/8UNC X 1 HHSFB GR5 MC
6	10	470688	5/8-18 SWIVEL FLANGE NUT
7	1	470700	LEG HOSE CLAMP
8	1	470702	HOSE CLAMP, 8-HOLE DTS
NS	2	470751	SLEEVE, DTS
10	1	470761	HOSE CLAMP BODY, 5 HOLE
11	12	470891	14MM-2.00X40MM SOC HD CAP SCR
12	12	470892	14MM LOCK WASHER
13	1	606088	WHEEL DRIVE, 53CC, 21:1
14	1	606157	12-797TC-16C62FX-12FFOX90-147
15	1	606158	12-797TC-16C62FX-12FFOX-150 H/A
16	1	606162	12-451TC-08FJX-12FJX-194 H/A
17	1	606163	06-451TC-06FJX-06FJX90-173 H/A
18	1	607131	04-451TC-04FJX-04FJX-186 H/A
19	1	618019	9/16MJIC UNION TEE
20	1	618241	3/4MJIC-90-3/4MOR LBO
21	1	618425	9/16MJIC-45-9/16MOR LBO
22	1	618468	7/16MJIC-9/16MOR ADPTR
23	1	618859	1 1/16MOR-1 3/16MORFS ADPTR
24	1	618977	1 1/16MOR- 90-1 3/16MORFS LBO
25	1	900011	1/4UNC X 3 1/4 HHCS GR5 MC
26	2	900140	3/8UNC X 4 HHCS GR5 MC
27	2	900143	3/8UNC X 5 1/2 HHCS GR5 MC
28	1	920000	SAE FLAT WASHER 1/4 MC
29	4	920002	SAE FLAT WASHER 3/8 MC



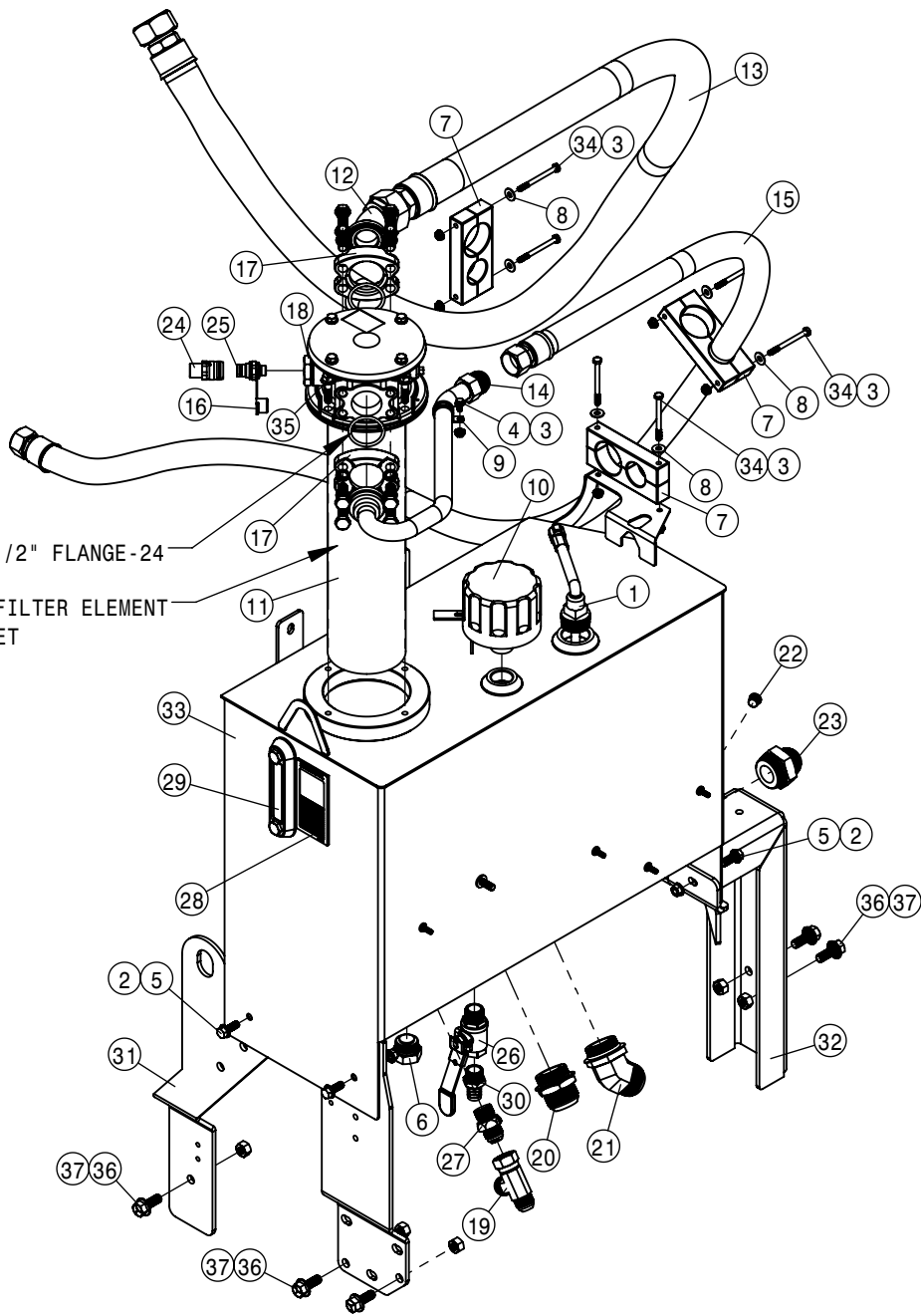
470687-16MM-2.0 X 5/8 X 3" STUD

RIGHT REAR WHEEL MOTOR ASSEMBLY

DET	QTY	P/N	DESCRIPTION
1	1	360301	LEG HOSE GUIDE LOOP BKT
2	1	360585	SPACER - DTS
3	1	362376	LEG HOSE GUIDE TUBE
4	8	470087	3/8-16UNC HEX FLG NUT SER MC GR5
5	4	470121	1/4 UNC SERR FLG LOCK NUT
6	4	470409	3/8UNC X 3/4 HHSFB GR5 MC
7	10	470688	5/8-18 SWIVEL FLANGE NUT
8	2	470699	TUBE CLAMP BODY, 0.52"-0.68" OD
9	2	470700	LEG HOSE CLAMP
10	12	470891	14MM-2.00X40MM SOC HD CAP SCR
11	12	470892	14MM LOCK WASHER
12	2	472218	4" MUFFLER CLAMP 3/8UNC GRAY
13	1	606088	WHEEL DRIVE, 53CC, 21:1
14	1	617265	12-797TC-16C62F-12FFOX-168 H/A
15	1	617276	12-797TC-12FFOX-12FFOX-163 H/A
16	1	617281	06-451TC-06FJX-06FJX90-195 H/A
17	1	617283	04-451TC-04FJX-04FJX90-199 H/A
18	1	617401	12-451TC-12FJX-08FJX-156 H/A
19	1	618241	3/4MJIC-90-3/4MOR LBO
20	1	618425	9/16MJIC-45-9/16MOR LBO
21	1	618468	7/16MJIC-9/16MOR ADPTR
22	1	618859	1 1/16MOR-1 3/16MORFS ADPTR
23	1	618977	1 1/16MOR- 90-1 3/16MORFS LBO
24	4	900006	1/4UNC X 1 3/4 HEX BOLT
25	4	900140	3/8UNC X 4 HHCS GR5 MC
26	4	920002	3/8 SAE FLAT WASHER



LEFT REAR WHEEL MOTOR ASSEMBLY			
DET	QTY	P/N	DESCRIPTION
1	1	360301	LEG HOSE GUIDE LOOP BKT
2	1	360585	SPACER - DTS
3	1	362376	LEG HOSE GUIDE TUBE
4	8	470087	3/8-16UNC HEX FLG NUT SER MC GR5
5	4	470409	3/8UNC X 3/4 HHSFB GR5 MC
6	10	470688	5/8-18 SWIVEL FLANGE NUT
7	2	470700	LEG HOSE CLAMP
8	12	470891	14MM-2.00X40MM SOC HD CAP SCR
9	12	470892	14MM LOCK WASHER
10	2	472218	4" MUFFLER CLAMP 3/8UNC GRAY
11	1	606088	WHEEL DRIVE, 53CC, 21:1
12	1	617268	12-797TC-16FFOX-12FFOX90-178 H/A
13	1	617276	12-797TC-12FFOX-12FFOX-163 H/A
14	1	617277	12-451TC-12FJX-08FJX-186 H/A
15	1	617280	06-451TC-06FJX-06FJX90-146 H/A
16	1	617282	04-451TC-04FJX-04FJX90-165 H/A
17	1	618241	3/4MJIC-90-3/4MOR LBO
18	1	618425	9/16MJIC-45-9/16MOR LBO
19	1	618468	7/16MJIC-9/16MOR ADPTR
20	1	618859	1 1/16MOR-1 3/16MORFS ADPTR
21	1	618977	1 1/16MOR- 90-1 3/16MORFS LBO
22	4	900140	3/8UNC X 4 HHCS GR5 MC
23	4	920002	3/8 SAE FLAT WASHER

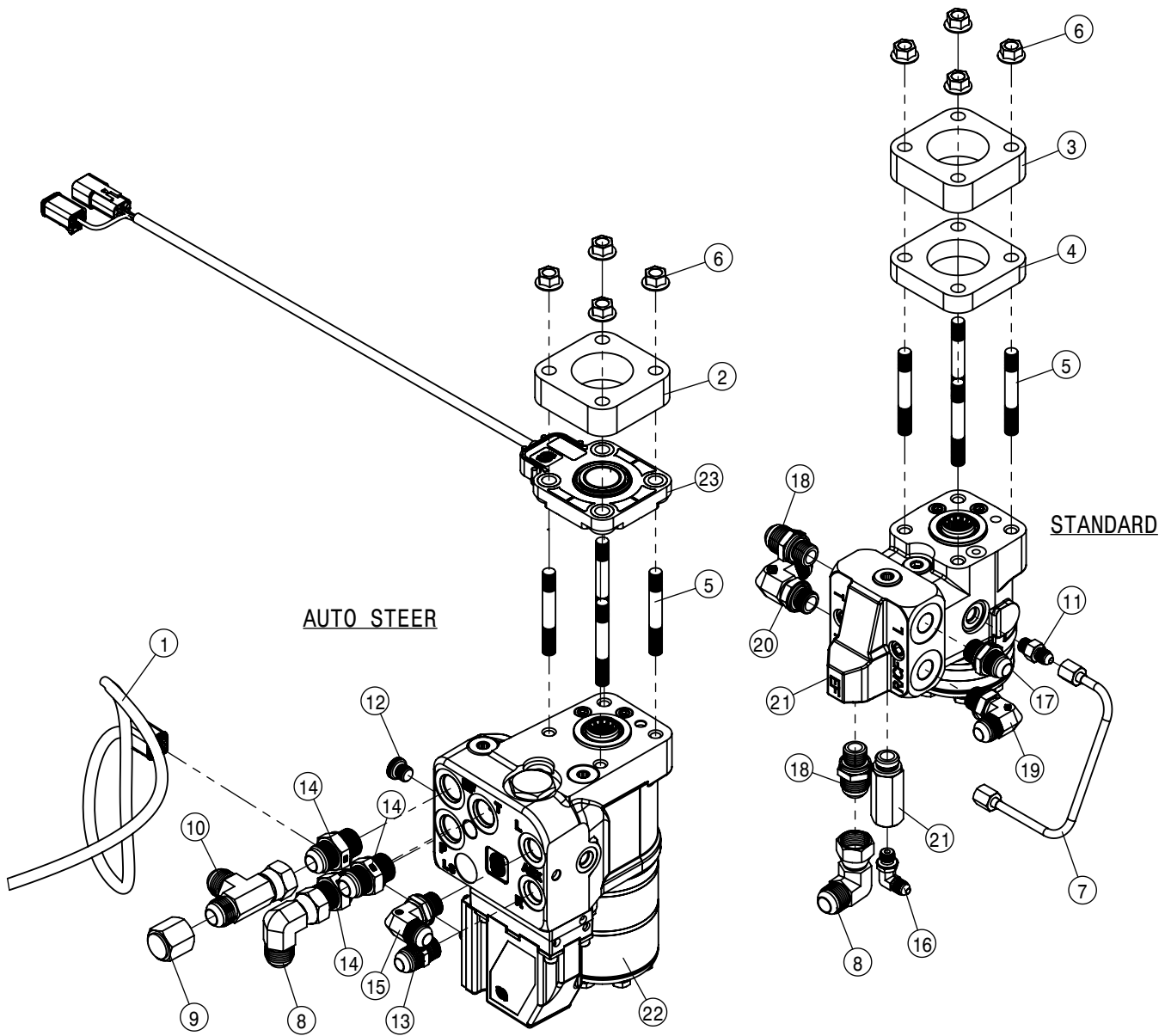


618395-O-RING FOR 1 1/2" FLANGE-24

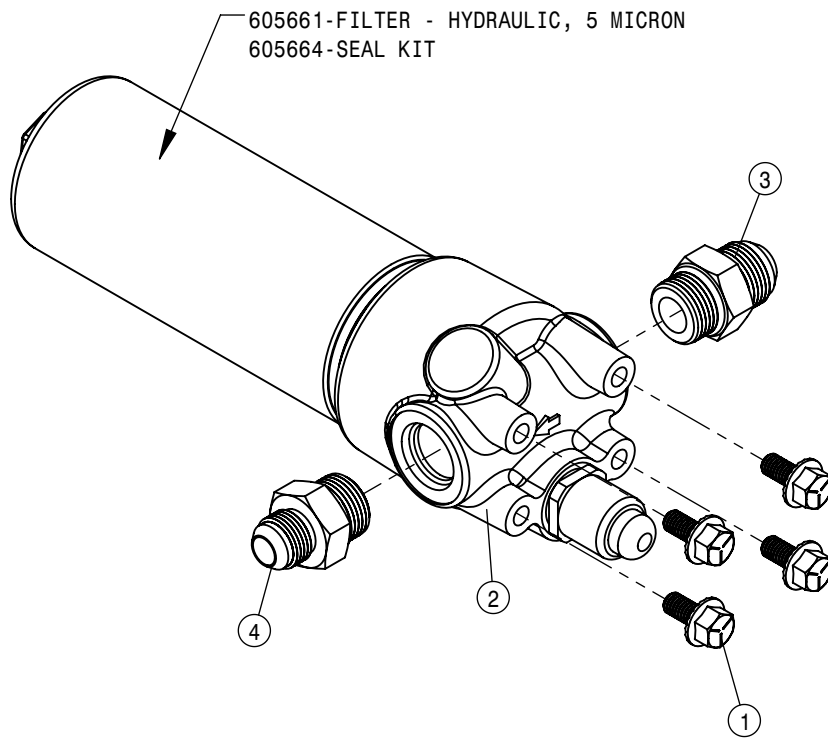
605659-HYD FILTER ELEMENT  
605668-GASKET

HYDRAULIC TANK ASSEMBLY			
DET	QTY	P/N	DESCRIPTION
1	1	294069	TEMPERATURE/OIL LEVEL SENSOR
2	4	470087	3/8-16UNC HEX FLG NUT SER MC GR5
3	7	470121	1/4 UNC SERR FLG LOCK NUT
4	1	470122	1/4 UNC X 1/2 SERR FLG BOLT
5	4	470460	3/8 X 1" SERR FLG BOLT
6	1	470471	1 5/16MOR PLUG, MAGNETIC
7	3	470731	TUBE CLAMP BODY, 1.50, 2.05 OD
8	6	483038	1/4 REGULAR FLAT WASHER
9	1	520101	CUSH HOSE CLAMP,#16, 1"D X 1/2W
10	1	605656	T.R.A.P. BREATHER 1" NPT
11	1	605669	HYD TANK RETURN FILTER
12	1	614769	1 7/8MJIC-45-1 1/2 FLANGE ADPTR
13	1	617273	24-811-24FJX-24FJX-99 H/A
14	1	617385	HYD RET 1.00" OD X 0.065" WT
15	1	617386	16-811-16FJX-16FJX-104 H/A
16	1	618255	DUST CAP/PLUG FOR 618804/805
17	2	618299	1.50 SPLIT FLANGE KIT #61
18	1	618397	1 5/16MOR-9/16FOR ADPTR

HYDRAULIC TANK ASSEMBLY			
DET	QTY	P/N	DESCRIPTION
19	1	618487	1 1/16FJ SW RUN TEE-1 1/16MJ
20	1	618682	1 7/8MOR-1 7/8MJIC ADPTR
21	1	618745	1 7/8MJIC-45-1 7/8MOR LBO
22	1	618754	9/16 MOR PLUG, HEX SOCKET
23	1	618788	1 5/8MJIC-1 7/8MOR ADPTR
24	1	618805	HYD CPLR, FEM #14,9/16FOR
25	1	618870	HYD CPLR, MALE #14 9/16MOR
26	1	618881	3/4 NPT BALL VLV BRS LOCK
27	1	618961	1 1/16MJIC-1 1/16MOR CHECK
28	1	650493	DECAL, HYDRAULIC OIL
29	1	701367	SIGHT GAUGE
30	1	711102	3/4NPT X 3/4 HOSE BARB, BRS
31	1	760863	HYD TANK SUPPORT LH, DTS
32	1	760864	HYD SUPP WLD RH, DTS
33	1	760961	HYD TANK, DTS10 W/DECAL
34	6	900010	1/4UNC X 3" HEX BOLT
35	4	900504	3/8UNC X 1 1/2 HHSFB GR5 MC
36	5	900517	1/2UNC X 1 1/4 HHSFB GR5 MC
37	5	910008	1/2UNC HEX NUT

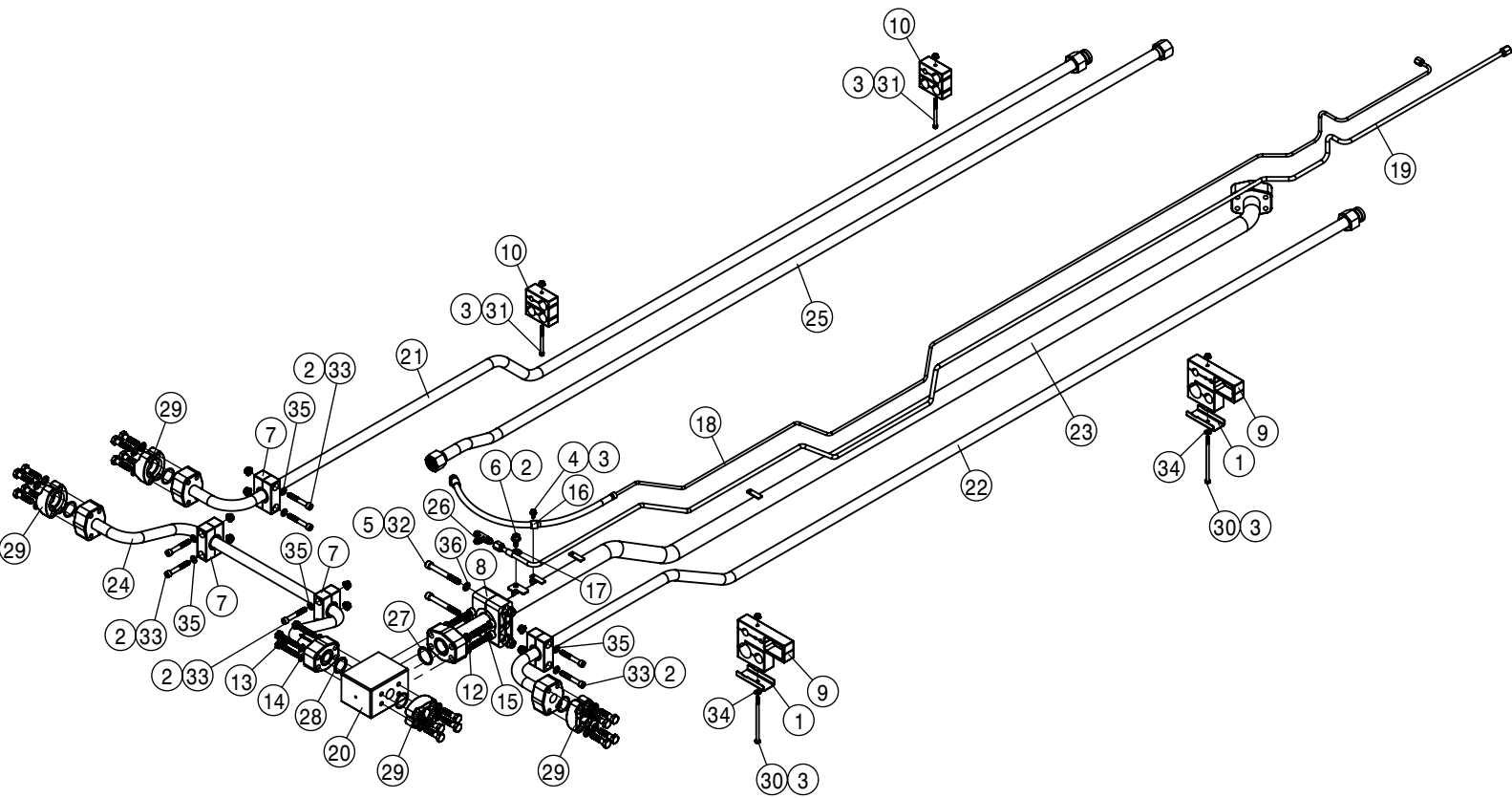


STEERING MOTOR ASSEMBLY			
DET	QTY	P/N	DESCRIPTION
1	1	294368	HARNES, AUTOSTEER EXTENSION
2	1	345017	STEERING VALVE SPACER BLOCK
3	1	345017	STEERING VALVE SPACER BLOCK
4	1	345019	DTS NAS VLV ADDITION BLOCK
5	8	472340	M10 X 1.5 X 3" STUD BOLT, DBL END
6	8	473866	M10 X 1.5 HEX SERR FLG NUT
7	1	606151	NAS LS 0.25" OD X 0.049" W
8	2	618301	7/8MJIC-90-7/8FJIC SWIV LBO
9	1	618328	7/8FJIC CAP NUT
10	1	618333	7/8FJIC SW RUN TEE-7/8MJIC
11	1	618467	7/16MJIC-7/16MOR ADPTR
12	1	618909	M12 MOR PLUG, HEX SOCKET
13	1	618910	3/4MJIC-M18MOR ADPTR
14	3	618911	7/8MJIC-M22 MOR ADPTR
15	1	618912	3/4MJIC-90-M18MOR LBO
16	1	618934	7/16MJIC-90-M12MOR LBO
17	1	618982	3/4MJIC-M18X1.5MOR-ISO 9974-1
18	2	618983	7/8MJIC-M18x1.5MOR-ISO 9974-1
19	1	618984	3/4MJIC-90-M18x1.5MOR-ISO9974-1
20	1	618985	7/8MJIC-90-M18x1.5MOR-ISO9974-1
21	1	749342	Valve Steering, Non Auto Steer
22	1	749343	VALVE ASM-STEERING,AUTO
23	1	749344	BEI STEERING ANGLE SENSOR



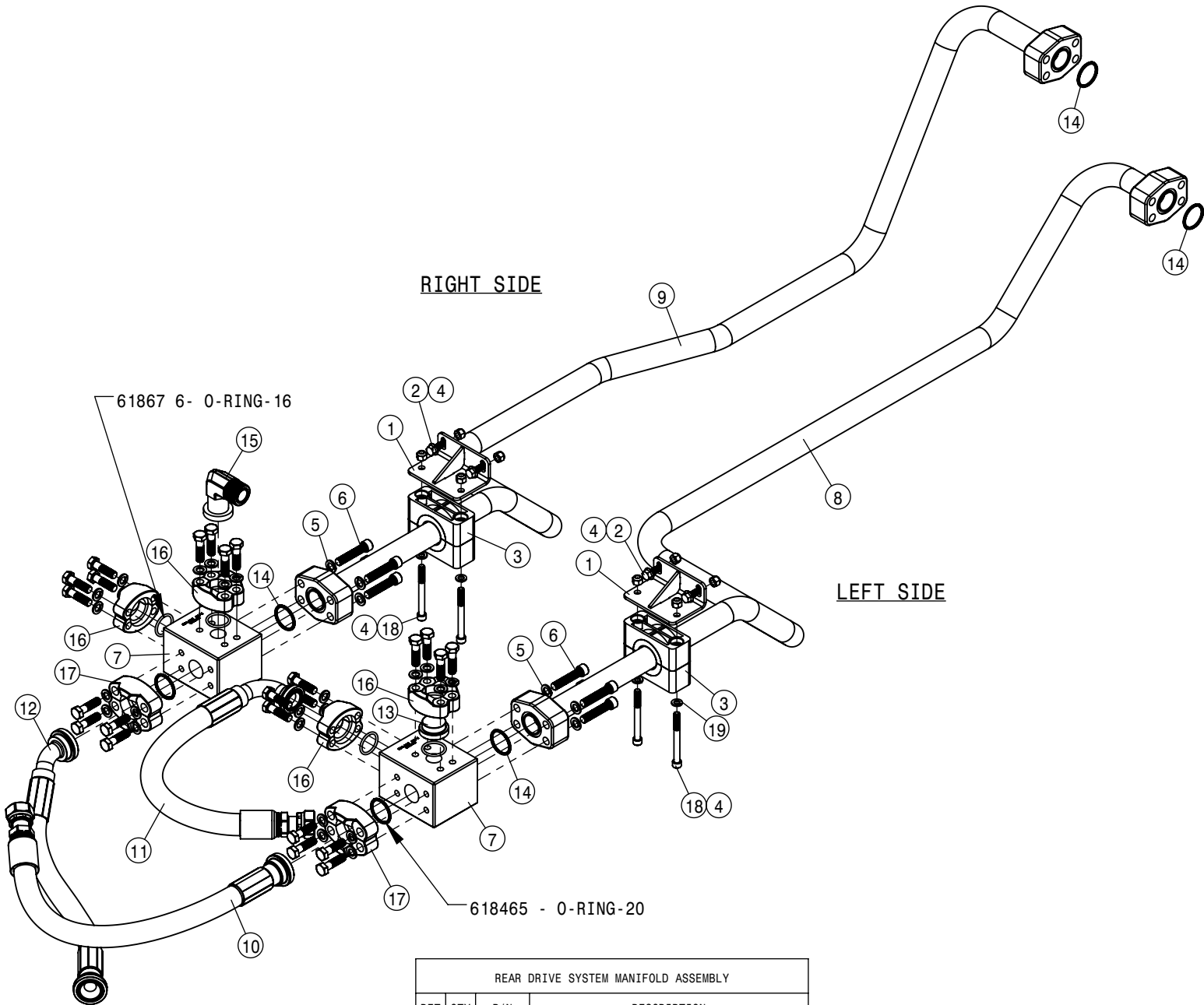
STEERING MOTOR INLINE FILTER			
DET	QTY	P/N	DESCRIPTION
1	4	470409	3/8UNC X 3/4 HHSFB GR5 MC
2	1	605660	HYD FILTER 5M SAE12
3	1	611127	1 1/16MJIC-1 1/16MOR ADPTR
4	1	618309	7/8MJIC-1 1/16MOR ADPTR



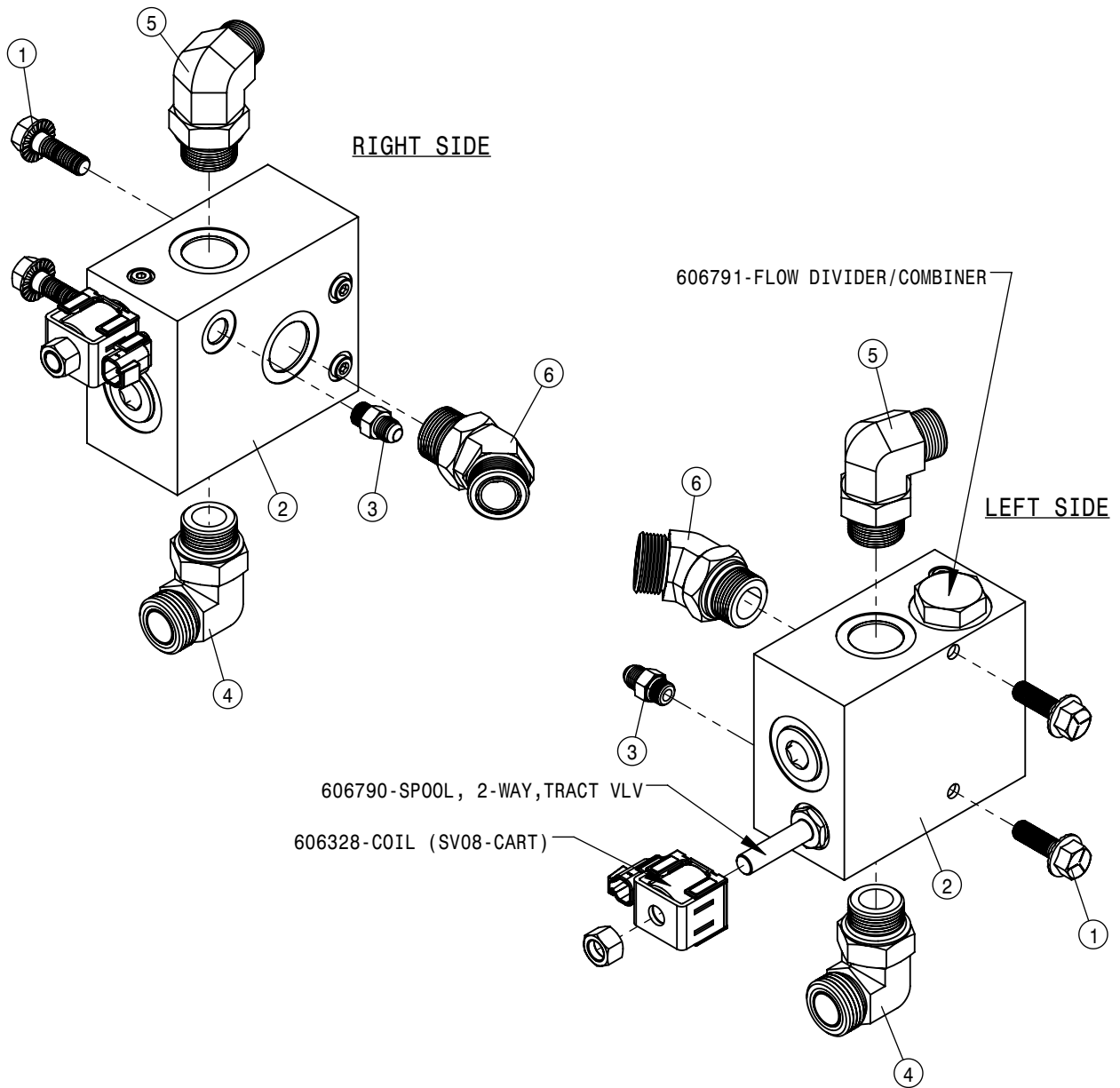


DRIVE TUBE ASSEMBLY			
DET	QTY	P/N	DESCRIPTION
1	2	362386	HOSE CLAMP BRACKET
2	9	470087	3/8-16UNC HEX FLG NUT SER MC GR5
3	5	470121	1/4-20UNC HEX FLG NUT SER MC GR5
4	1	470122	1/4UNC X 1/2 HHSFB GR5 MC
5	2	470325	7/16-14UNC HEX FLG NUT SER MC GR5
6	1	470409	3/8UNC X 3/4 HHSFB GR5 MC
7	4	470693	CLAMP ASSY W/ 1" RUBBER INS
8	1	470696	CLAMP ASSY W/ 1 1/2" RUB INS
9	2	470697	TUBE CLAMP BODY 1"-1.5" OD
10	2	470698	TUBE CLAMP BODY, 1" -1/2" OD
NS	2	470751	SLEEVE, DTS
12	4	473784	12MM LOCK WASHER
13	4	473785	10MM-1.50 X 60MM HEX BOLT
14	4	473798	10MM LOCK WASHER
15	4	474005	12MM-1.75X60MM SOC HD CAP SCR
16	1	520118	CUSH CLAMP, #8 1/2D X 1/2W
17	1	520171	CUSH CLAMP, #6,3/8D X 3/4W
18	1	606154	FRT SFT LINE 0.25"OD X 0.049"W

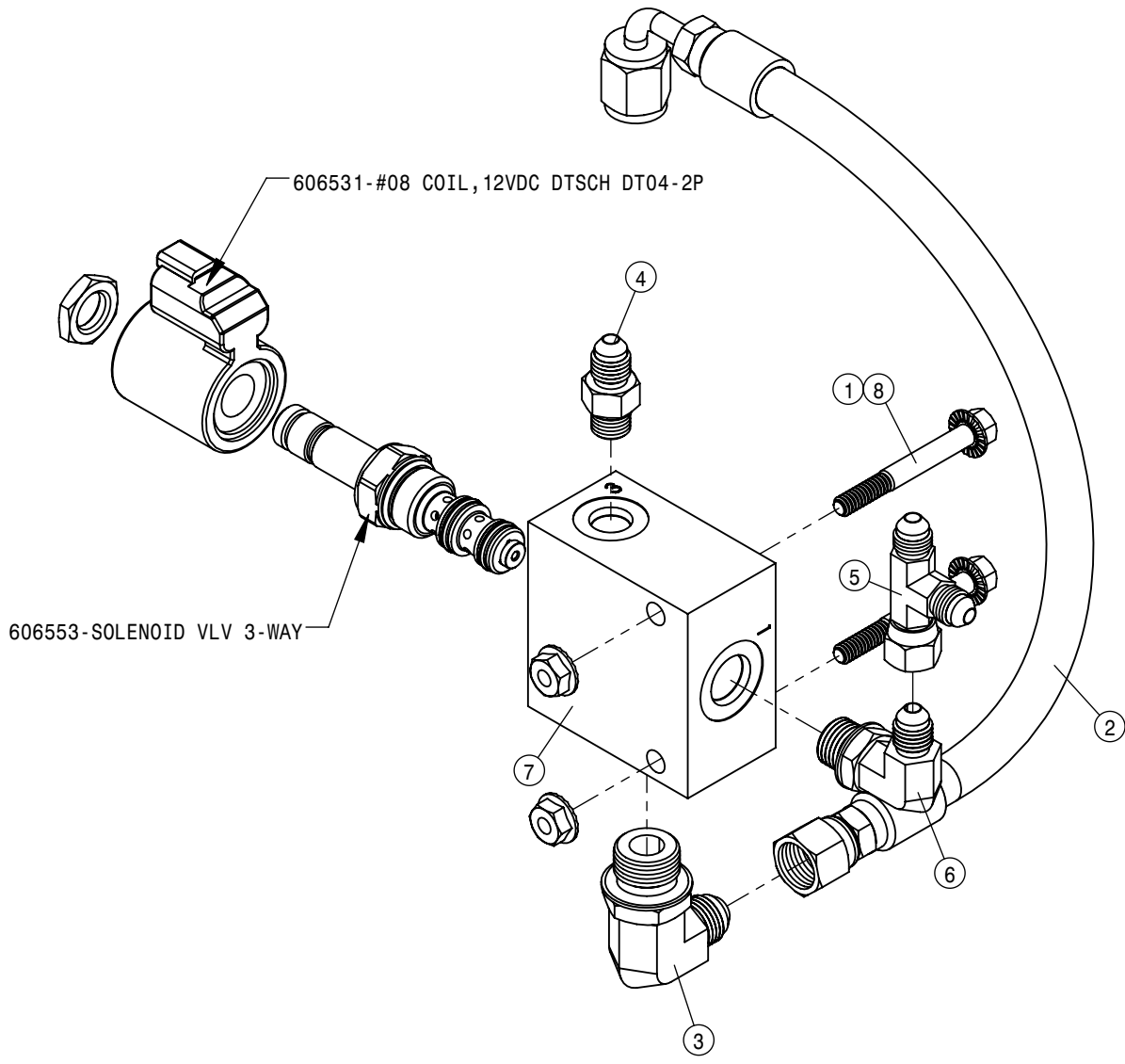
DRIVE TUBE ASSEMBLY			
DET	QTY	P/N	DESCRIPTION
19	1	606155	FRT BRK LNE 0.375"OD X 0.049"W
20	1	607133	HYD DRIVE RETURN CODE 62 BLOCK
21	1	614772	HYD TUBE RF DRIVE 1"ODX.12"WT
22	1	614773	HYD TUBE LF DRIVE 1"ODX.12"WT
23	1	614774	HYD TUBE B DRIVE 1.5"ODX.134"WT
24	1	614776	HYD TUBE B FRT 1.00" OD X .120" W
25	1	617391	WMC TUBE 1.00"OD X 0.065"WT
26	1	618019	9/16MJIC UNION TEE
27	1	618465	O-RING FOR 1 1/4" FLANGE -20
28	1	618676	O-RING FOR 1" FLANGE -16
29	4	618933	M12 SPLIT FLANGE KIT #62 (-16)
30	2	900027	1/4UNC X 5 HHCS GR5 MC
31	2	900051	1/4UNC X 3" SOC HD CAP SCR
32	2	900052	7/16UNC X 3 3/4 SOC HD CAP SCR
33	8	900398	3/8UNC X 2 1/2" SOC HD CAP SCR
34	2	920000	SAE FLAT WASHER 1/4 MC
35	8	920502	HLOCK WASHER 3/8 MC
36	2	920503	HLOCK WASHER 7/16 MC



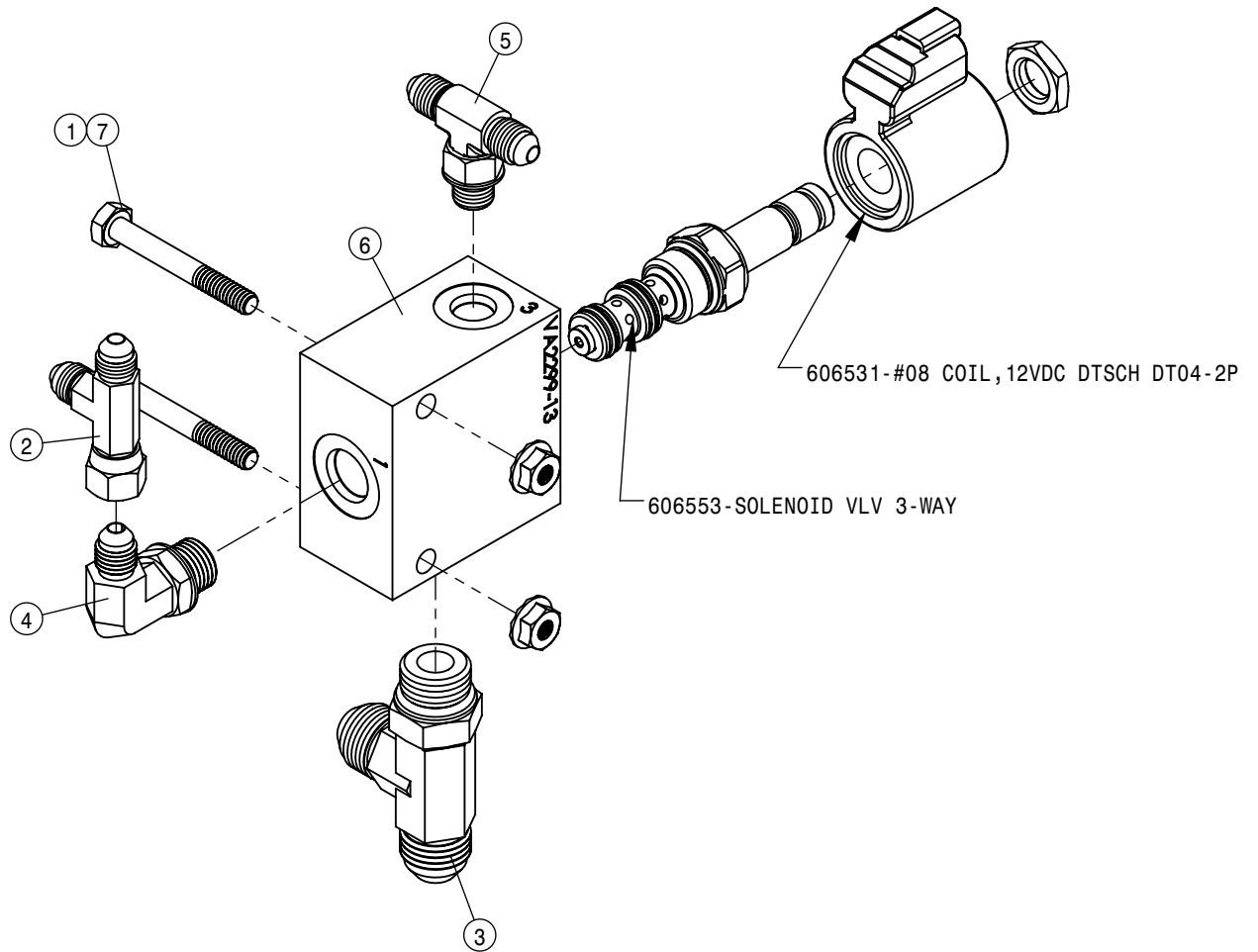
REAR DRIVE SYSTEM MANIFOLD ASSEMBLY			
DET	QTY	P/N	DESCRIPTION
1	2	362514	DRIVE TUBE BRKT
2	4	470460	3/8 X 1" SERR FLG BOLT
3	2	470696	CLAMP ASSY W/ 1 1/2" RUB INS
4	8	473010	3/8-16UNC NYLOCK NUT SS
5	8	473784	12MM LOCK WASHER
6	8	474005	12MM-1.75X60MM SOC HD CAP SCR
7	2	607132	HYD DRIVE CODE 62 BLOCK
8	1	615114	HYD DRIVE TUBE A SIDE 1.5X.134W
9	1	615115	HYD DRIVE TUBE B SIDE 1.5X.134W
10	1	617261	16-797TC-16FFOX-20C62F-28 H/A
11	1	617262	16-797TC-16C62FX90-16FFOX-25 H/A
12	1	617263	16-797TC-20C62F-20C62FX45-21.75 HA
13	1	617275	-16 CD 62 PLUG
14	4	618465	O-RING FOR 1 1/4" FLANGE -20
15	1	618654	1" FLANGE-90-1 7/16MFOR LBO
16	4	618933	M12 SPLIT FLANGE KIT #62 (-16)
17	2	618966	M12 SPLIT FLANGE KIT #62 (-20)
18	4	900405	3/8UNC X 3 3/4" SOCKET HD CAP SCR
19	4	920502	3/8 LOCK WASHER



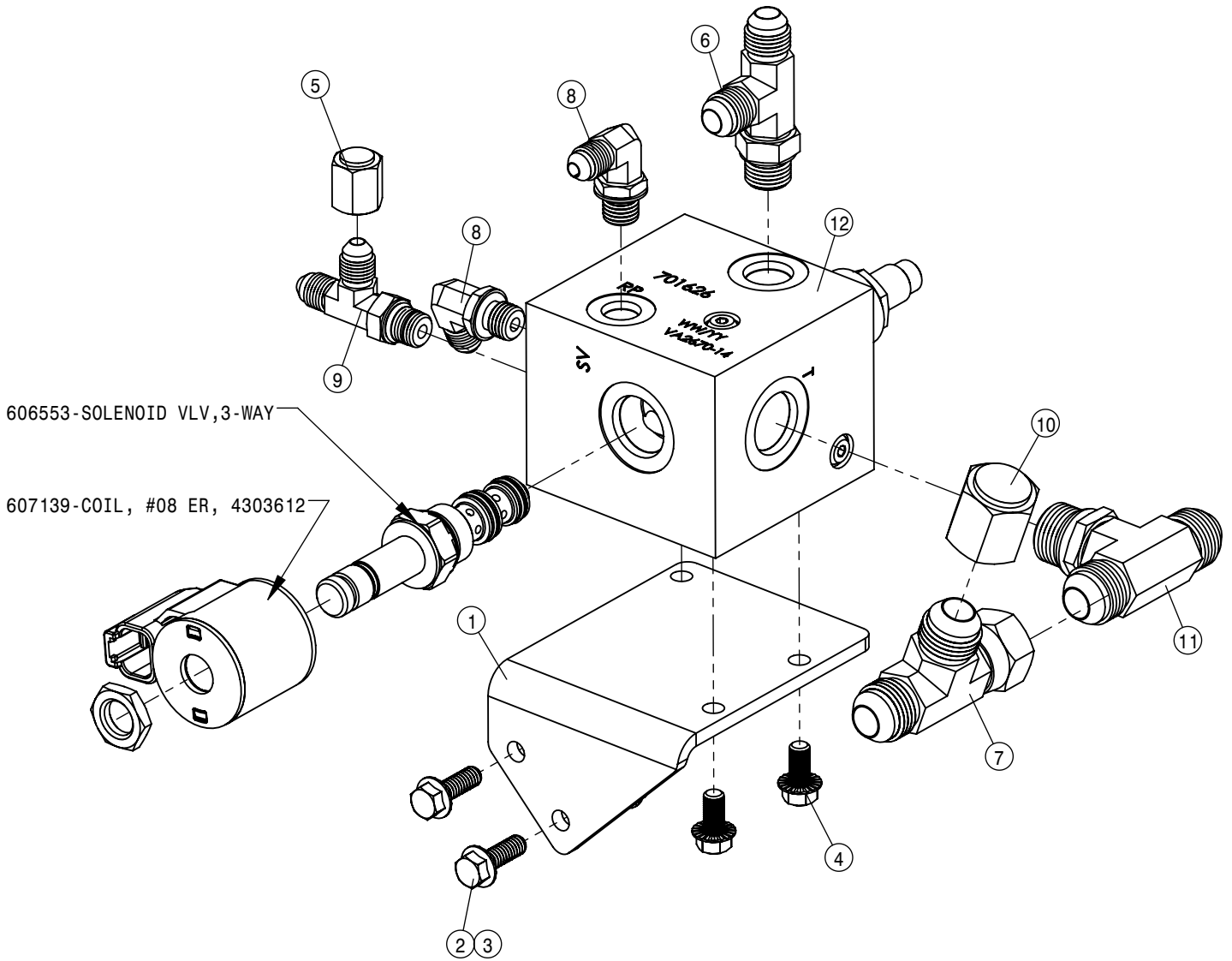
REAR TRACTION CONTROL ASSEMBLY			
DET	QTY	P/N	DESCRIPTION
1	4	470431	1/2UNC X 1 1/2 HHSFB GR5 MC
2	2	607130	TRACTION FLOW DIVIDER VALVE
3	2	618126	9/16MJIC-9/16MOR ADPTR
4	2	618701	1 5/16MOR-90-1 7/16MFOR LBO
5	2	618975	1 5/16MOR-90- 1 3/16 MORFS LBO
6	2	618976	1 5/16MOR-45-1 7/16MFOR



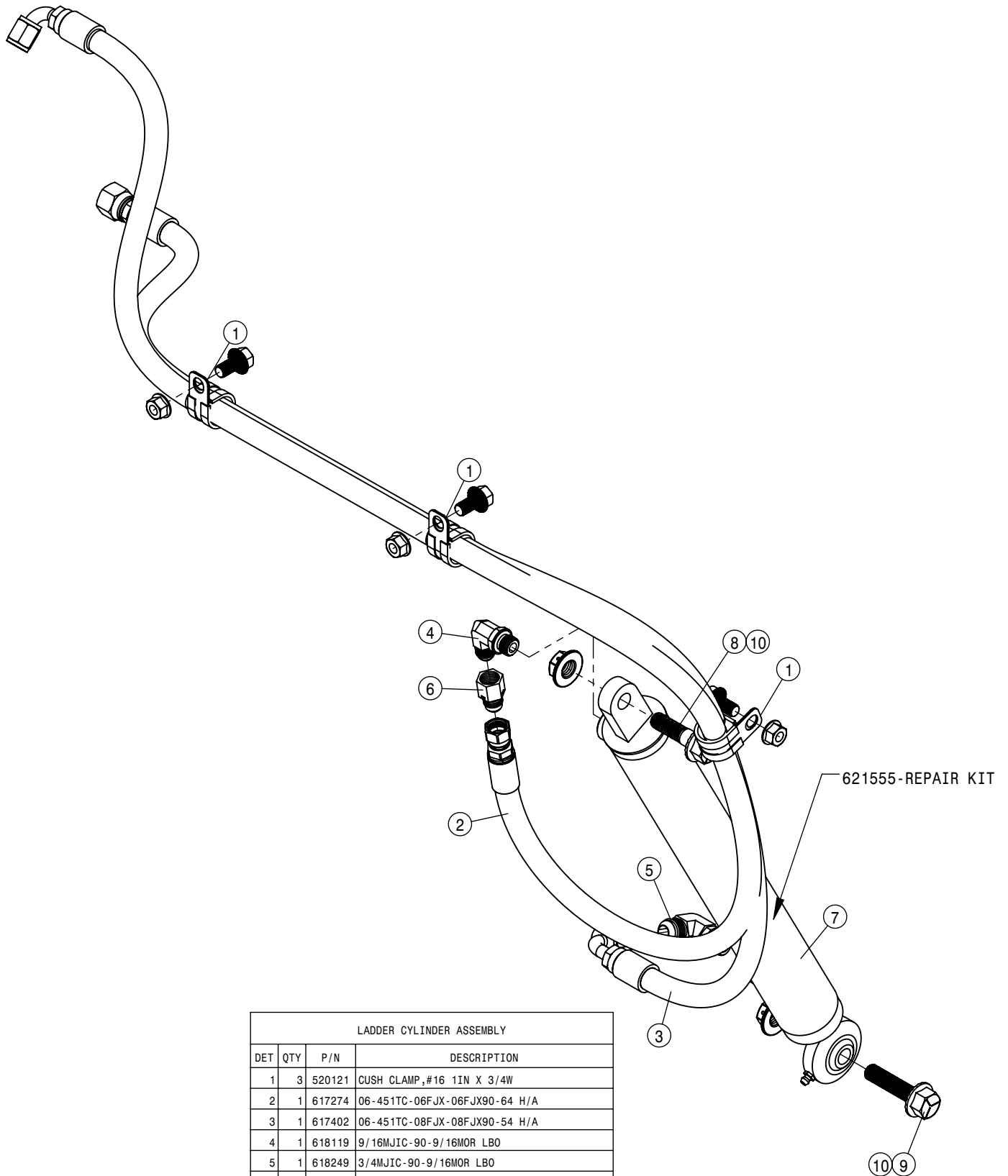
FRONT SHIFT VALVE ASSEMBLY			
DET	QTY	P/N	DESCRIPTION
1	2	470121	1/4-20UNC HEX FLG NUT SER MC GR5
2	1	617236	04-451TC-06FJX-06FJX90-15 H/A
3	1	618115	9/16MJIC-90-3/4MOR LBO
4	1	618467	7/16MJIC-7/16MOR ADPTR
5	1	618485	7/16FJIC SW RUN TEE-7/16MJIC
6	1	618499	7/16MJIC-90-9/16MOR LBO
7	1	701625	ASSY, BRAKE/LADDER VALVE
8	2	900464	1/4UNC X 2 HHSFB SS



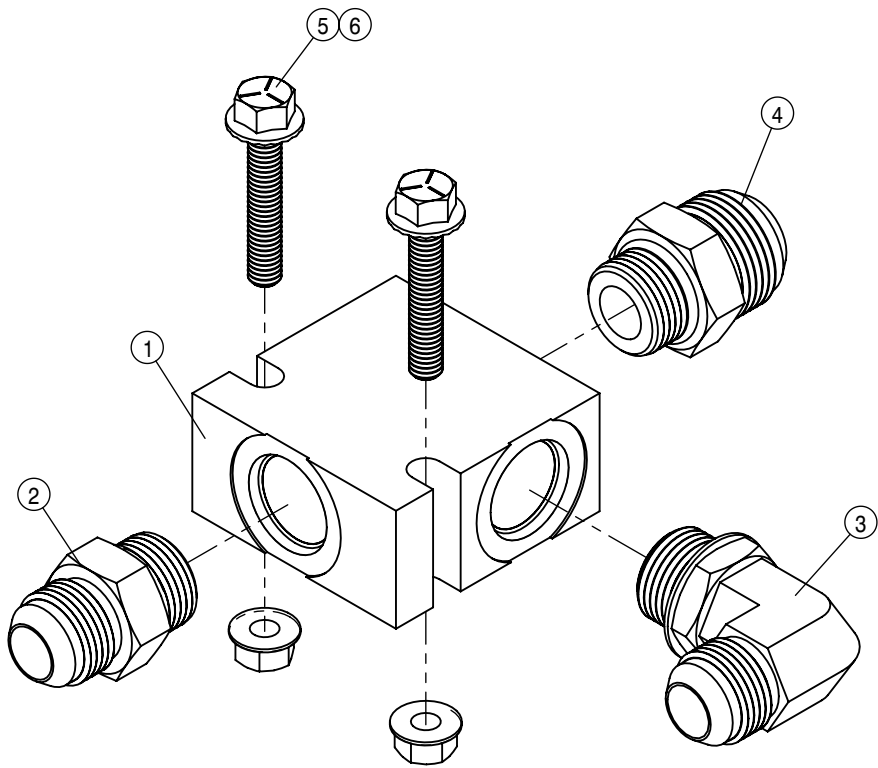
REAR SHIFT VALVE ASSEMBLY			
DET	QTY	P/N	DESCRIPTION
1	2	470121	1/4 UNC SERR FLG LOCK NUT
2	1	618485	7/16FJIC SW RUN TEE-7/16MJIC
3	1	618494	3/4MOR RUN TEE-3/4MJIC
4	1	618499	7/16MJIC-90-9/16MOR LBO
5	1	618965	7/16MOR BRANCH TEE - 7/16MJIC
6	1	701625	ASSY, BRAKE/LADDER VALVE
7	2	900007	1/4UNC X 2" HEX BOLT



BRAKE VALVE ASSEMBLY			
DET	QTY	P/N	DESCRIPTION
1	1	317753	PRESS RED/REL BRKT
2	2	470118	1/4 UNC X 3/4 SER FLG BOLT
3	2	470121	1/4 UNC SERR FLG LOCK NUT
4	3	470122	1/4 UNC X 1/2 SERR FLG BOLT
5	1	618363	7/16FJIC CAP NUT
6	1	618444	9/16MOR RUN TEE-9/16MJIC
7	1	618451	3/4FJIC SW RUN TEE-3/4MJIC
8	2	618473	7/16MJIC-90-7/16MOR LBO
9	1	618509	7/16MOR RUN TEE-7/16MJIC
10	1	618532	3/4FJIC CAP NUT
11	1	618978	3/4MOR BRANCH TEE-3/4MJIC
12	1	701626	ASSY, PARK BRAKE CNTRL-REDUC/RELIEVE

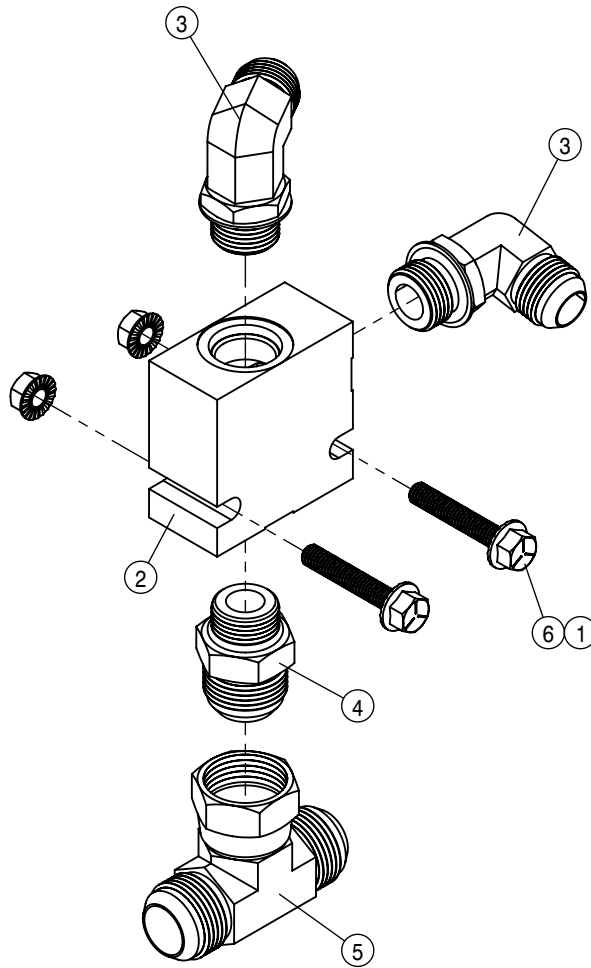


LADDER CYLINDER ASSEMBLY			
DET	QTY	P/N	DESCRIPTION
1	3	520121	CUSH CLAMP,#16 1IN X 3/4W
2	1	617274	06-451TC-06FJX-06FJX90-64 H/A
3	1	617402	06-451TC-08FJX-08FJX90-54 H/A
4	1	618119	9/16MJIC-90-9/16MOR LBO
5	1	618249	3/4MJIC-90-9/16MOR LBO
6	1	618733	9/16JIC .042 ORIFICE ADPTR
7	1	621554	HYD CYL, 1.50" X 12.25" X 0.75"
8	1	900518	1/2UNC X 1 3/4 HHSFB GR5 MC
9	1	900519	1/2UNC X 2 HHSFB GR5 MC FT
10	2	914015	1/2UNC HEX CENTER-LOCK NUT
11	3	910042	3/8-16UNC HEX FLG NUT SM MC GR8
12	3	470409	3/8UNC X 3/4" SERR FLG BOLT

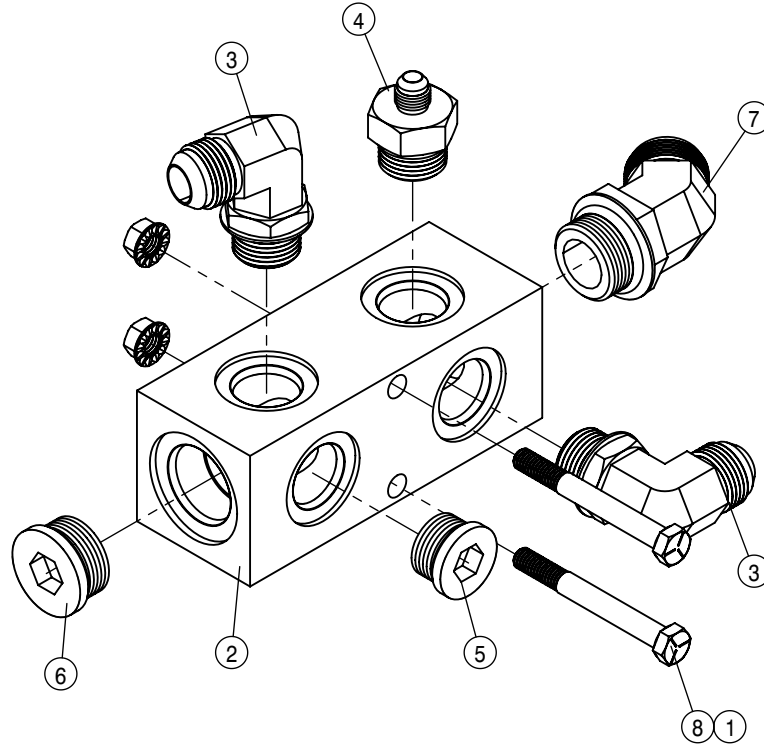


FRONT RETURN CASE DRAIN MANIFOLD			
DET	QTY	P/N	DESCRIPTION
1	1	606356	1 1/16FOR MANIFOLD,3 #12PORTS
2	1	611127	1 1/16MJIC-1 1/16MOR ADPTR
3	1	618248	1 1/16MJIC-90-1 1/16MOR LBO
4	1	618558	1 5/16MJIC-1 1/16MOR ADPTR
5	2	900506	3/8UNC X 2 HHSFB GR5 MC FT
6	2	910042	3/8-16UNC HEX FLG NUT SM MC GR8

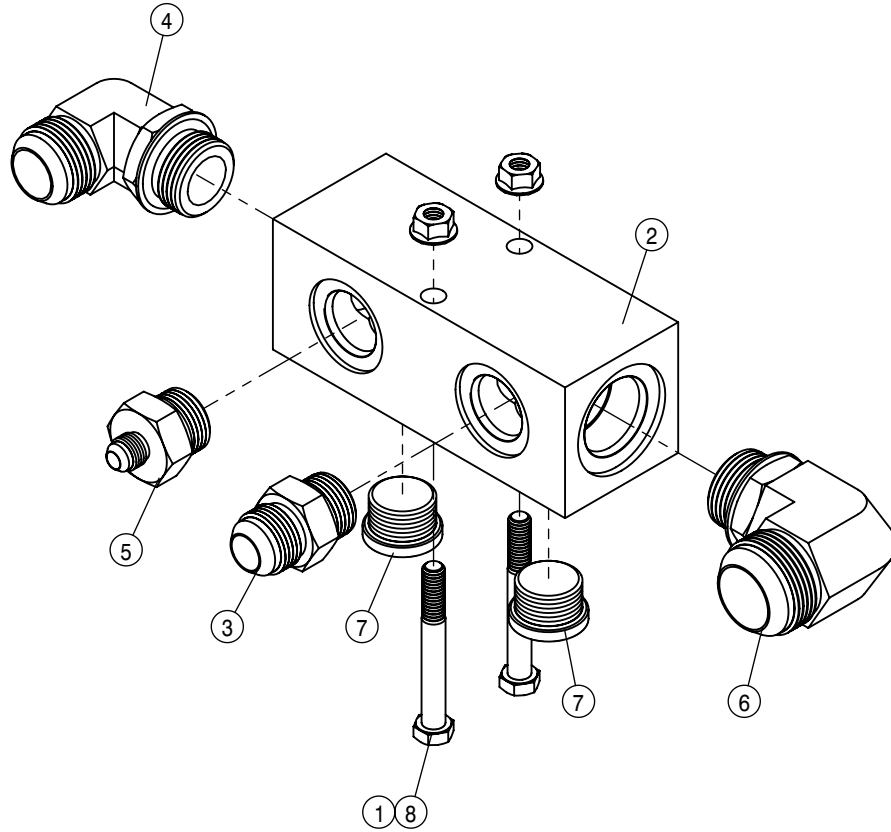




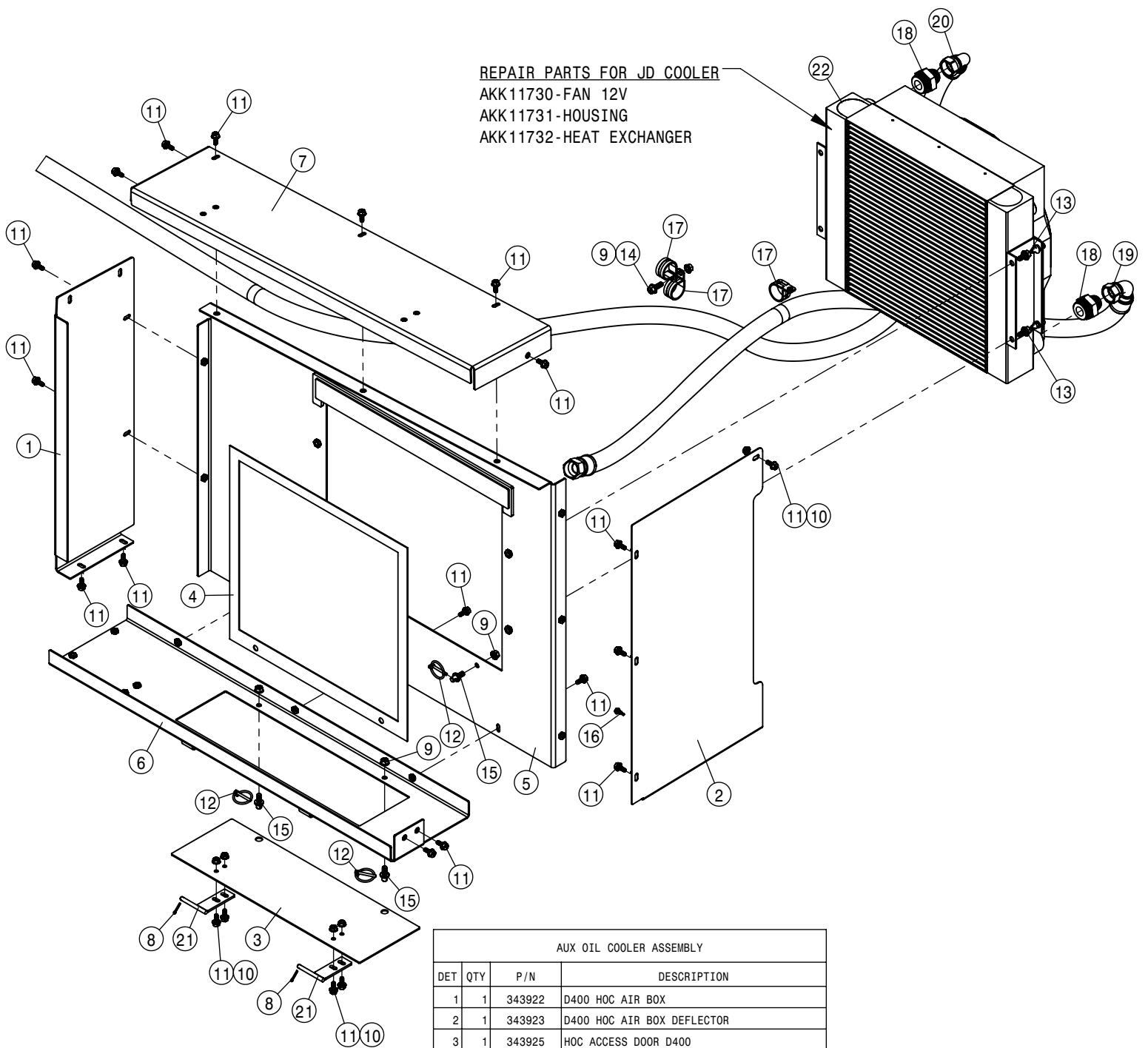
REAR RETURN CASE DRAIN MANIFOLD			
DET	QTY	P/N	DESCRIPTION
1	2	470087	3/8-16UNC HEX FLG NUT SER MC GR5
2	1	606356	1 1/16FOR MANIFOLD,3 #12PORTS
3	2	618248	1 1/16MJIC-90-1 1/16MOR LBO
4	1	618558	1 5/16MJIC-1 1/16MOR ADPTR
5	1	618717	1 5/16FJX BRANCH TEE-1 5/16MJ
6	2	900506	3/8UNC X 2 HHSFB GR5 MC FT



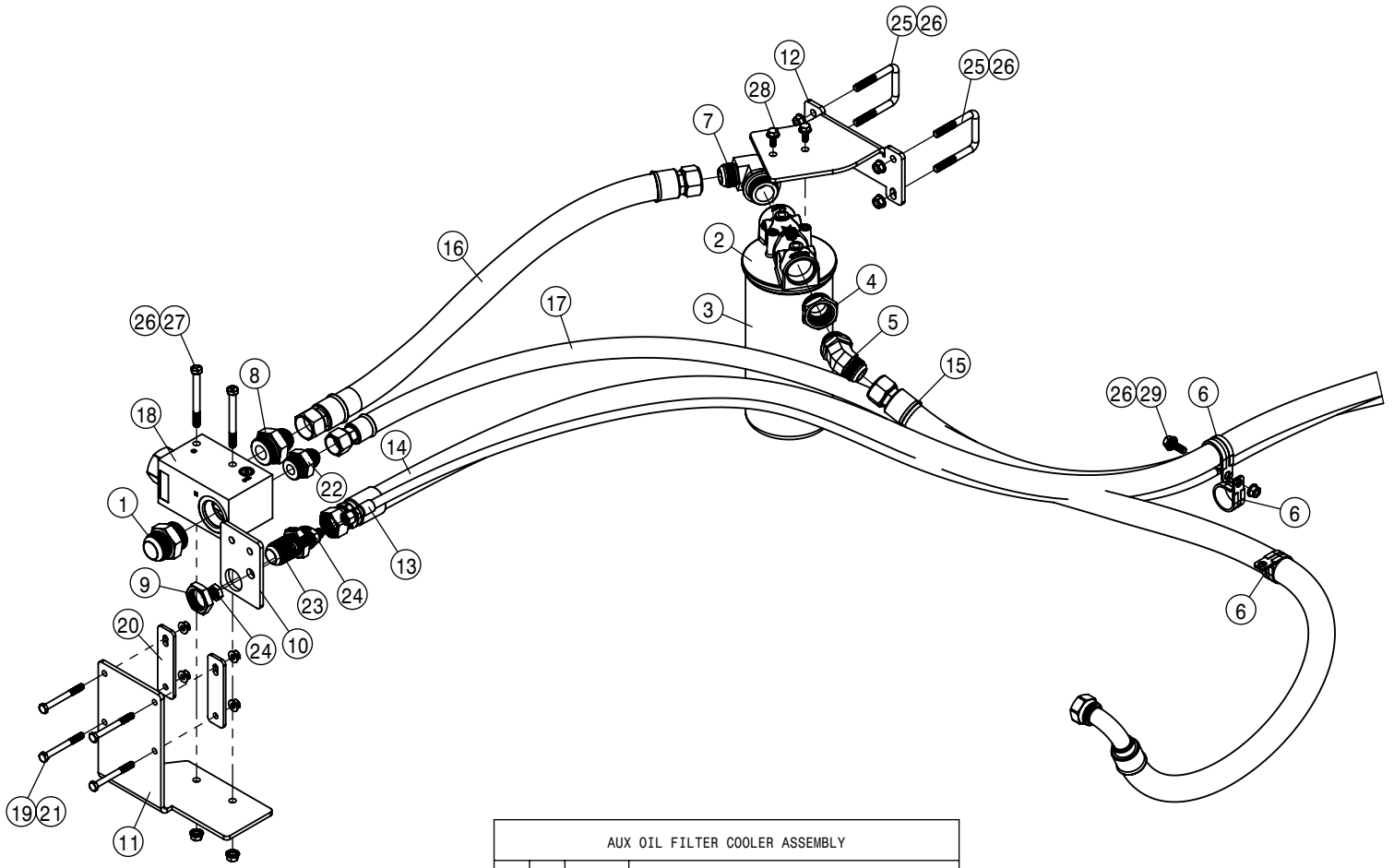
FRONT RETURN MANIFOLD ASSEMBLY			
DET	QTY	P/N	DESCRIPTION
1	2	470087	3/8UNC HEX SERR FLANGE NUT
2	1	606472	MANIFOLD
3	2	618248	1 1/16MJIC-90-1 1/16MOR LBO
4	1	618344	9/16MJIC-1 1/16MOR ADPTR
5	1	618757	1 1/16MOR PLUG, HEX SOCKET
6	1	618758	1 5/16MOR PLUG, HEX SOCKET
7	1	618901	1 5/16MJIC-45-1 5/16MOR LBO
8	2	900137	3/8UNC X 3 1/4 HHCS GR5 MC



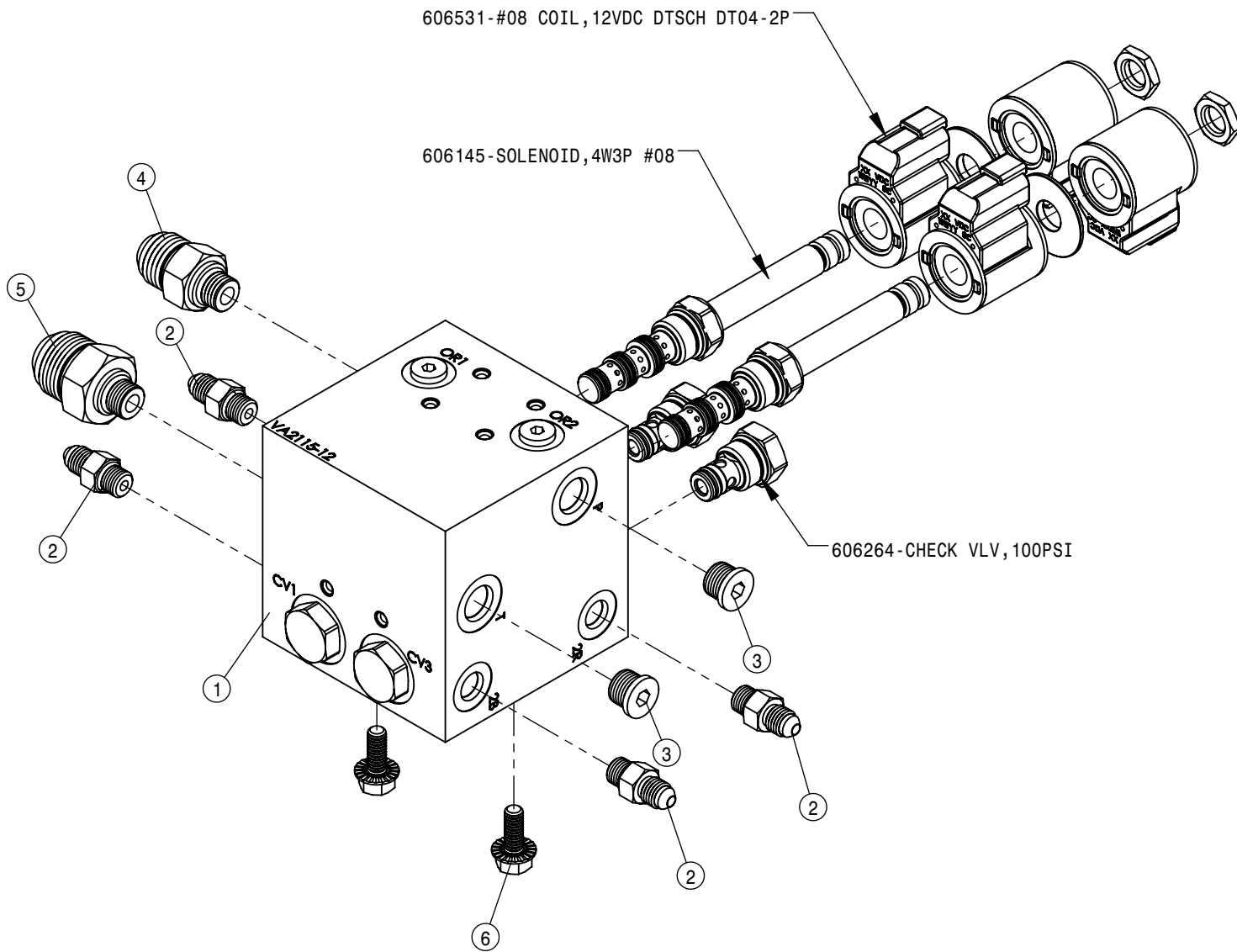
REAR RETURN MANIFOLD ASSEMBLY			
DET	QTY	P/N	DESCRIPTION
1	2	470087	3/8UNC HEX SERR FLANGE NUT
2	1	606472	MANIFOLD
3	1	611127	1 1/16MJIC-1 1/16MOR ADPTR
4	1	618178	1 5/16MJIC-90-1 5/16MOR LBO
5	1	618344	9/16MJIC-1 1/16MOR ADPTR
6	1	618476	1 5/8MJIC-90-1 5/16MOR LBO
7	2	618757	1 1/16MOR PLUG, HEX SOCKET
8	2	900136	3/8UNC X 3 HHCS GR5 MC



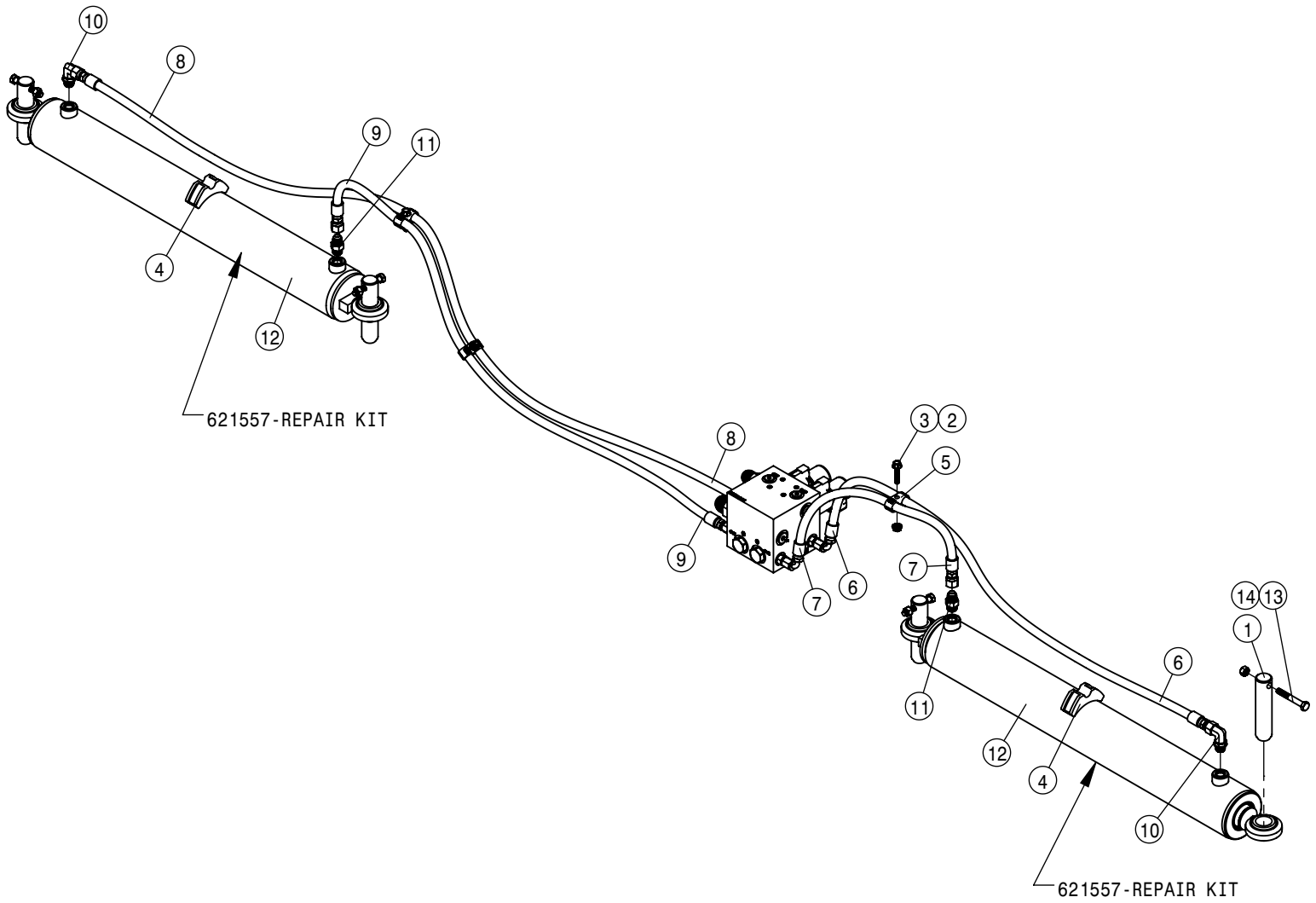
AUX OIL COOLER ASSEMBLY			
DET	QTY	P/N	DESCRIPTION
1	1	343922	D400 HOC AIR BOX
2	1	343923	D400 HOC AIR BOX DEFLECTOR
3	1	343925	HOC ACCESS DOOR D400
4	1	343928	GRILLE - HOC SCREEN
5	1	343932	HOC D400 SUB FRAME 2
6	1	343933	HOC D400 SUB FRAME 1 WLD
7	1	343934	HOC D400 SUB FRAME 3
8	2	470075	COTTER PIN 1/8 X 3/4 ZN
9	5	470087	3/8UNC HEX SERR FLANGE NUT
10	5	470113	5/16-18UNC HEX FLG NUT SER MC GR5
11	23	470233	5/16UNC X 3/4 HHSFB GR5 MC
12	4	470335	LINCHPIN, 3/16 X 1 1/4 GRIP
13	4	470409	3/8UNC X 3/4 HHSFB GR5 MC
14	1	470460	3/8UNC X 1 HHSFB GR5 MC
15	4	470520	HANGER PIN, 3/8UNC x .437Dx.500L
16	1	472349	1/4 X 3/4 20THD-IN TEK TYPE
17	3	520160	CUSH CLAMP,#24 1 1/2D-3/4WLOOP
18	2	618455	1 5/16MJIC-1 5/8 MOR ADPTR
19	1	619044	16-811-16FJX-16FJX90-67 H/A
20	1	619049	16-811-16FJX-16FJX90-153 H/A
21	2	660462	HINGE - HOC SCREEN DOOR WLD
22	1	AKK11143	D400 HOC AUX IN FRM



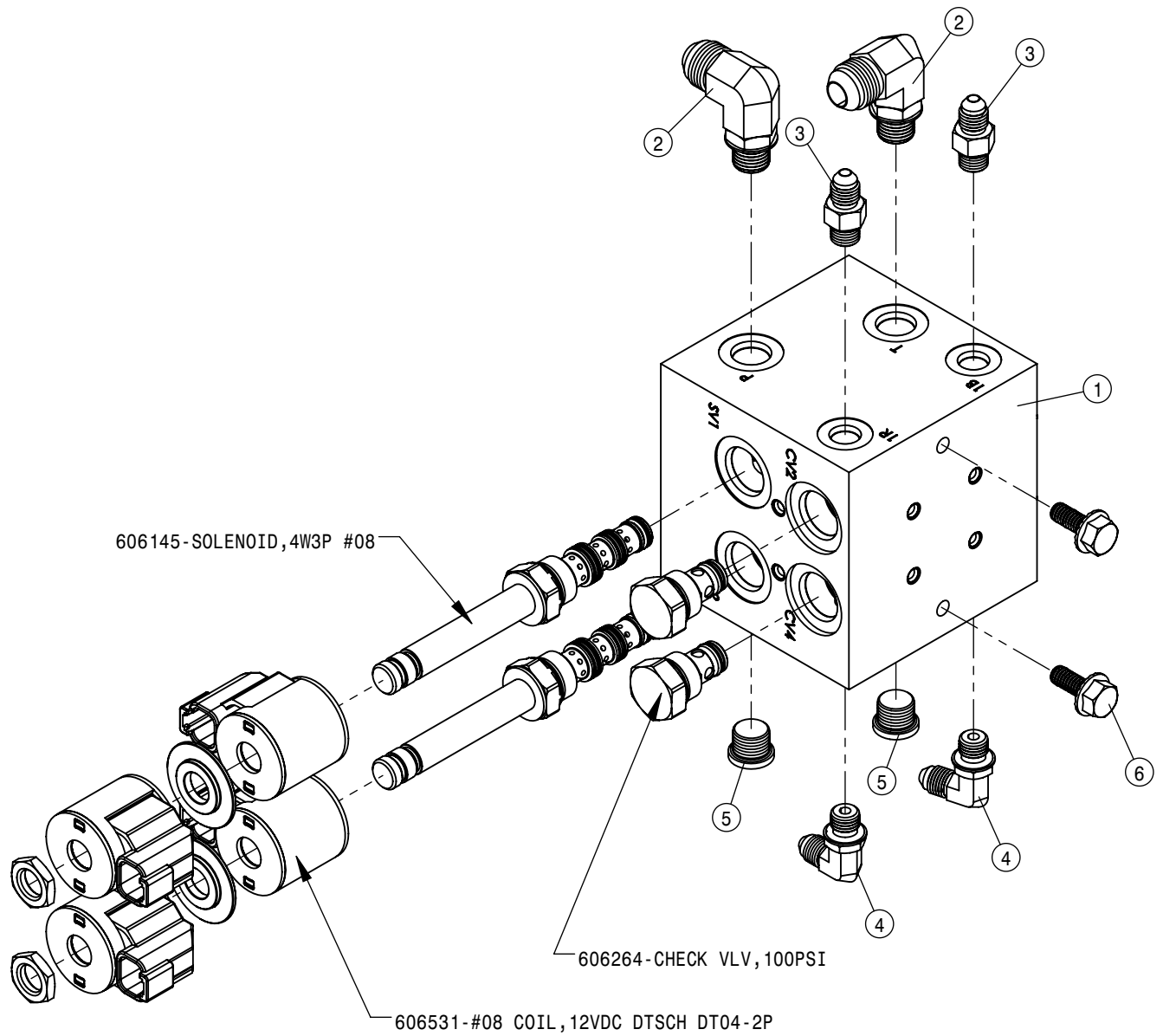
AUX OIL FILTER COOLER ASSEMBLY			
DET	QTY	P/N	DESCRIPTION
1	1	618472	1 5/8MJIC-1 5/8MOR ADPTR
2	1	605662	CASE DRAIN FILTER HEAD
3	1	605663	CASE DRAIN FILTER ELEMENT
4	1	618639	1 5/8MOR-1 5/16FOR ADPTR
5	1	618901	1 5/16MJIC-45-1 5/16MOR LBO
6	3	520160	CUSH CLAMP,#24 1 1/2D-3/4WLOOP
7	1	618883	1 5/16MJIC-90-1 5/8MOR LBO
8	1	618455	1 5/16MJIC-1 5/8 MOR ADPTR
9	1	618366	1 5/16-12 BULKHEAD LOCK NUT
10	1	363093	FRT BLKHD MT D400
11	1	343924	FLOW DIVIDER MT
12	1	343945	OIL FILTER MT
13	1	619160	04-451TC-04FJX-06FJX-173 H/A
14	1	619161	16-451TC-16FJX-16FJX-176 H/A
15	1	619044	16-811-16FJX-16FJX90-67 H/A
16	1	619050	16-811-16FJX-16FJX-29 H/A
17	1	619051	12-811-12FJX-12FJX-93 H/A
18	1	606315	PRIORITY FLOW DIVIDER
19	4	900072	5/16UNC X 3" HEX BOLT
20	2	344981	MOUNTING STRAP-PLTFRM, DTS
21	4	470570	5/16UNC HEX FLG CNTR LOCK NUT
22	1	618308	1 1/16MJIC-1 5/16MOR ADPTR
23	1	613720	1 5/16MJIC-1 5/16MJIC BLKHD UN
24	1	618510	9/16MJIC-9/16MJIC BLKHD UNION
25	2	472044	3/8UNC-2ID-3.00 U-BOLT SQ,ZINC
26	7	470087	3/8-16UNC HEX FLG NUT SER MC GR5
27	2	900139	3/8UNC X 3 3/4 HHCS GR5 MC
28	2	900486	5/16UNC X 3/4 HHSFB SS
29	1	470460	3/8UNC X 1 HHSFB GR5 MC



FRONT HYDRAULIC TREAD ADJUST VALVE ASSEMBLY			
DET	QTY	P/N	DESCRIPTION
1	1	606540	TREAD ADJ VLV, STS PWRSYS 14
2	4	618467	7/16MJIC-7/16MOR ADPTR
3	2	618754	9/16 MOR PLUG, HEX SOCKET
4	1	618832	7/8MJIC-9/16MOR ADPTR
5	1	618907	1 1/16MJIC-9/16MOR ADPTR
6	2	900486	5/16UNC X 3/4 HHSFB SS

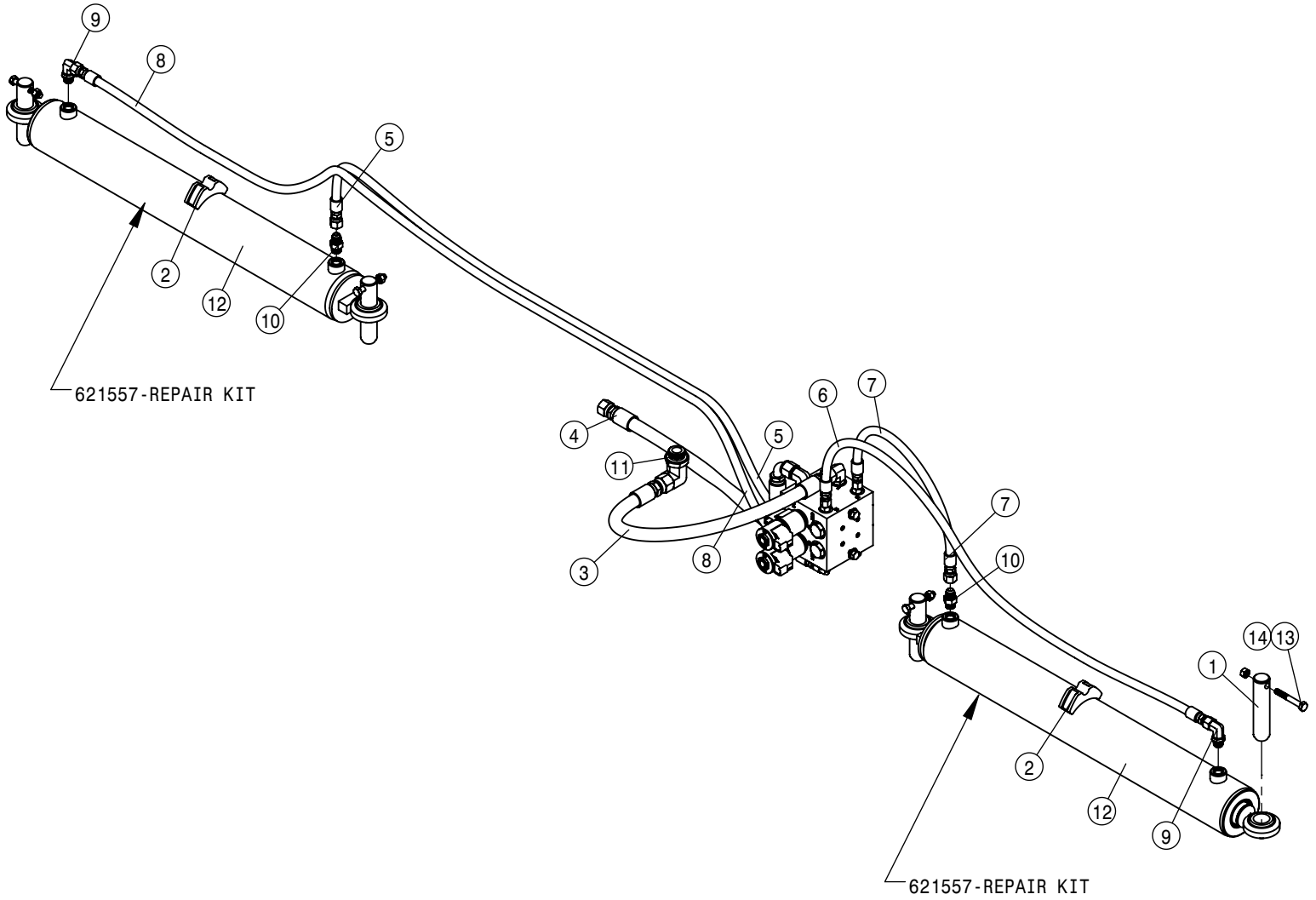


FRONT TREAD ADJUST CYLINDER ASSEMBLY			
DET	QTY	P/N	DESCRIPTION
1	4	360154	TREAD ADJ CYL PIN
2	3	470121	1/4 UNC SERR FLG LOCK NUT
3	3	470407	1/4UNC X 1 1/4 SERR FLG BOLT
4	2	470887	Cylinder Saddle Clamp
5	3	470888	TWIN #4 CLAMP
6	1	617232	04-451TC-06FJX-04FJX90-39 H/A
7	1	617233	04-451TC-06FJX-04FJX90-20 H/A
8	1	617234	04-451TC-06FJX-04FJX-63 H/A
9	1	617235	04-451TC-06FJX-04FJX-43 H/A
10	2	618119	9/16MJIC-90-9/16MOR LBO
11	2	618126	9/16MJIC-9/16MOR ADPTR
12	2	621668	HYD CYL, 2.50" X 21.50" X 1.50"
13	4	900086	5/16UNC X 2 1/4 HEX BOLT
14	4	914002	5/16UNC HEX STOVER NUT

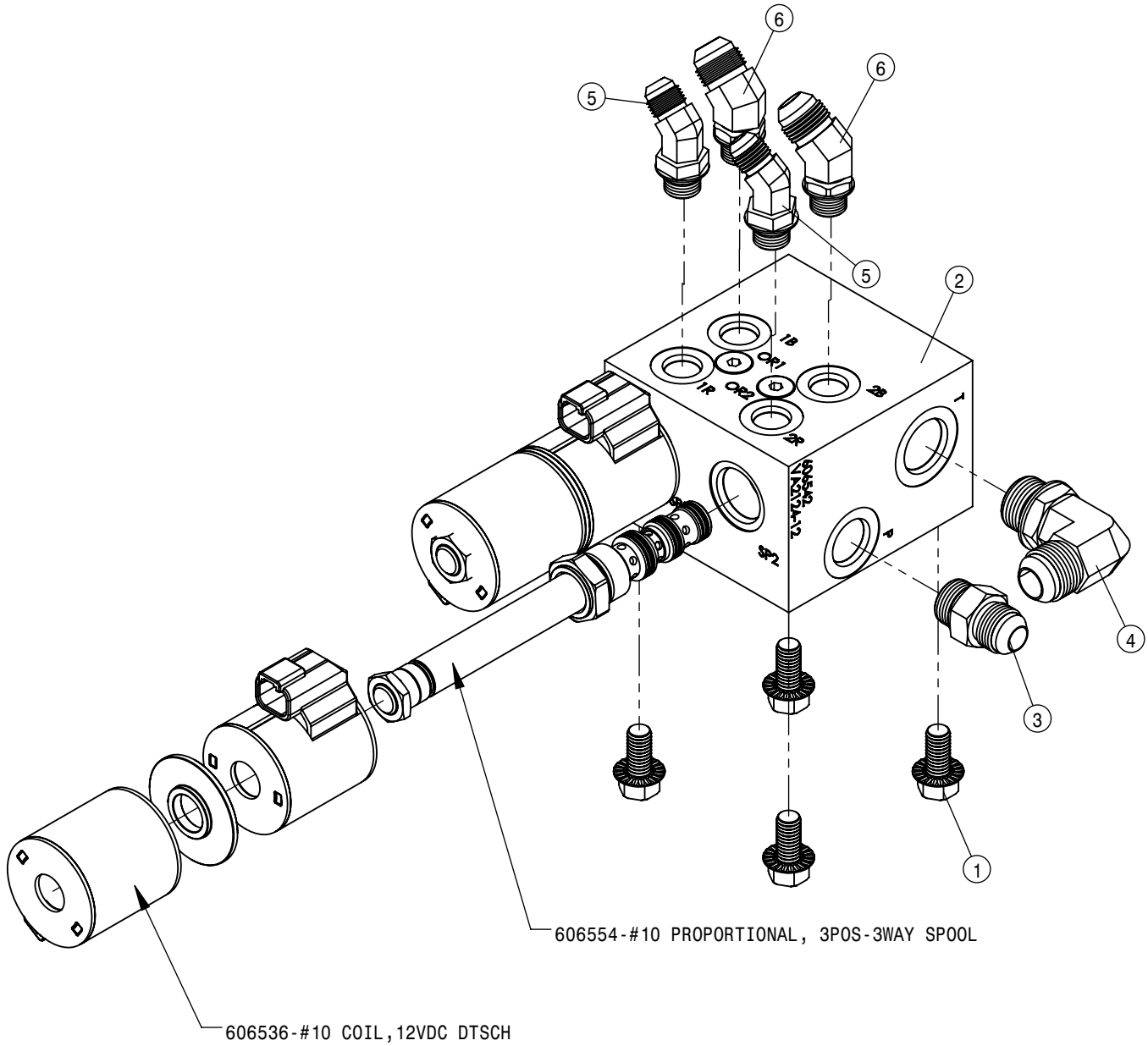


REAR HYDRAULIC TREAD ADJUST VALVE ASSEMBLY			
DET	QTY	P/N	DESCRIPTION
1	1	606540	TREAD ADJ VLV, STS PWRSYS 14
2	2	618249	3/4MJIC-90-9/16MOR LBO
3	2	618467	7/16MJIC-7/16MOR ADPTR
4	2	618473	7/16MJIC-90-7/16MOR LBO
5	2	618754	9/16 MOR PLUG, HEX SOCKET
6	2	900486	5/16UNC X 3/4 HHSFB SS

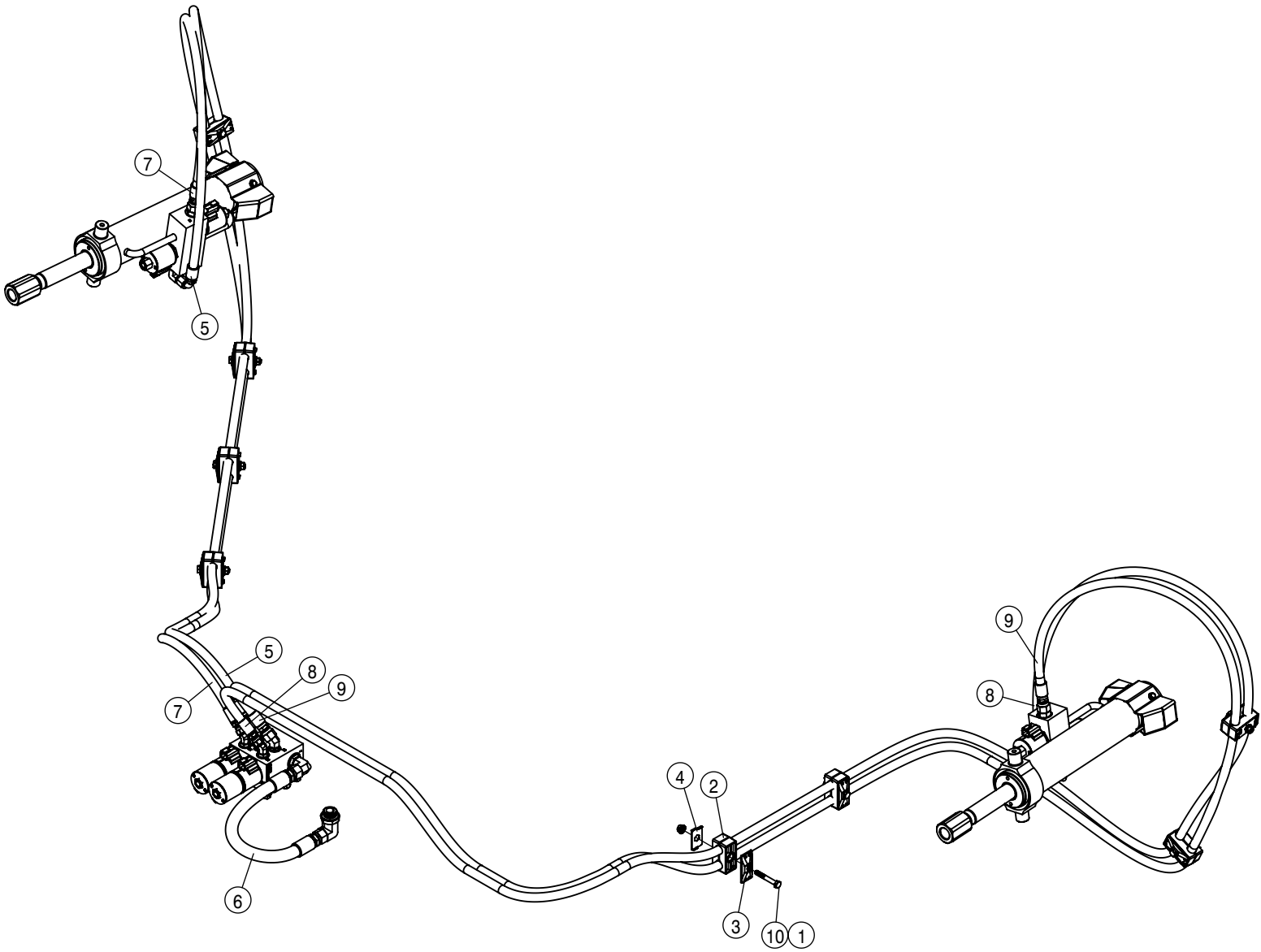




REAR TREAD ADJUST CYLINDER ASSEMBLY				
DET	QTY	P/N	DESCRIPTION	
1	4	360154	TREAD ADJ CYL PIN	
2	2	470887	Cylinder Saddle Clamp	
3	1	617253	08-451TC-10FJX-08FJX-26 H/A	
4	1	617254	08-451TC-08FJX-08FJX90-21 H/A	
5	1	617267	04-451TC-04FJX-06FJX-55 H/A	
6	1	617284	04-451TC-04FJX-06FJX-41 H/A	
7	1	617285	04-451TC-04FJX-06FJX-19 H/A	
8	1	617286	04-451TC-04FJX-06FJX-74 H/A	
9	2	618119	9/16MJIC-90-9/16MOR LBO	
10	2	618126	9/16MJIC-9/16MOR ADPTR	
11	1	618535	7/8MJIC-90-1 1/16MOR LBO	
12	2	621668	HYD CYL, 2.50" X 21.50" X 1.50"	
13	4	900086	5/16UNC X 2 1/4 HEX BOLT	
14	4	914002	5/16UNC HEX STOVER NUT	



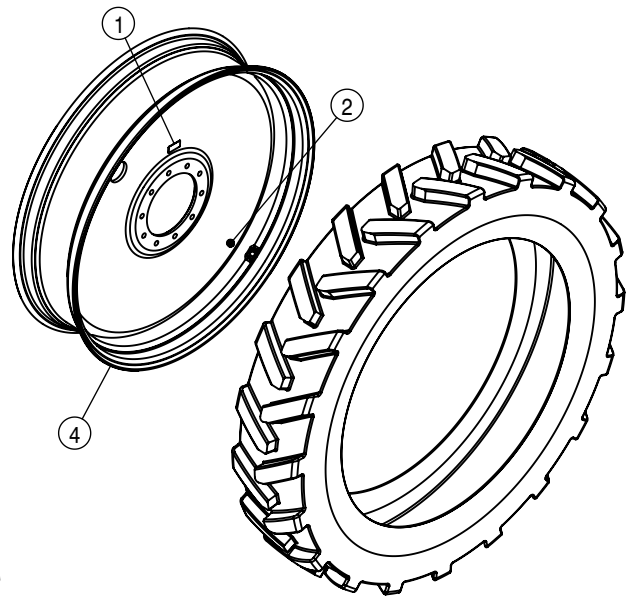
ALL WHEEL STEERING VALVE ASSEMBLY			
DET	QTY	P/N	DESCRIPTION
1	4	470409	3/8UNC X 3/4" SERR FLG BOLT
2	1	606542	AWS VLV, STS PWRSYS 14
3	1	611125	3/4MJIC-3/4MOR ADPTR
4	1	611128	7/8MJIC-90-7/8MOR LBO
5	2	618425	9/16MJIC-45-9/16MOR LBO
6	2	618679	3/4MJIC-45-9/16MOR LBO



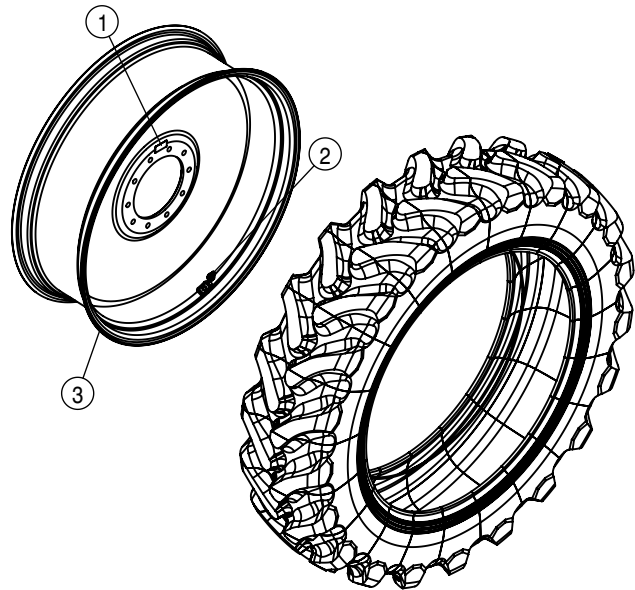
ALL WHEEL STEERING HOISING				
DET	QTY	P/N	DESCRIPTION	
1	9	470113	5/16UNC SERR FLG LOCK NUT	
2	9	470274	TUBE CLAMP BODY, .750-.750	
3	9	470276	CLAMP COVER PLATE, SNGL, 2.55LG	
4	9	470281	STACK BOLT SAFETY LOCK PLATE	
5	1	617197	06-451TC-08FJX-06FJX90-116 H/A	
6	1	617251	10-451TC-10FJX-10FJX-19 H/A	
7	1	617266	06-451TC-06FJX-08FJX-114 H/A	
8	1	618945	06-451TC-06FJX-06FJX90-165 H/A	
9	1	619024	06-451TC-08FJX-08FJX-160 H/A	
10	9	900086	5/16UNC X 2 1/4 HEX BOLT	



320/80 R42 RADIAL TIRE

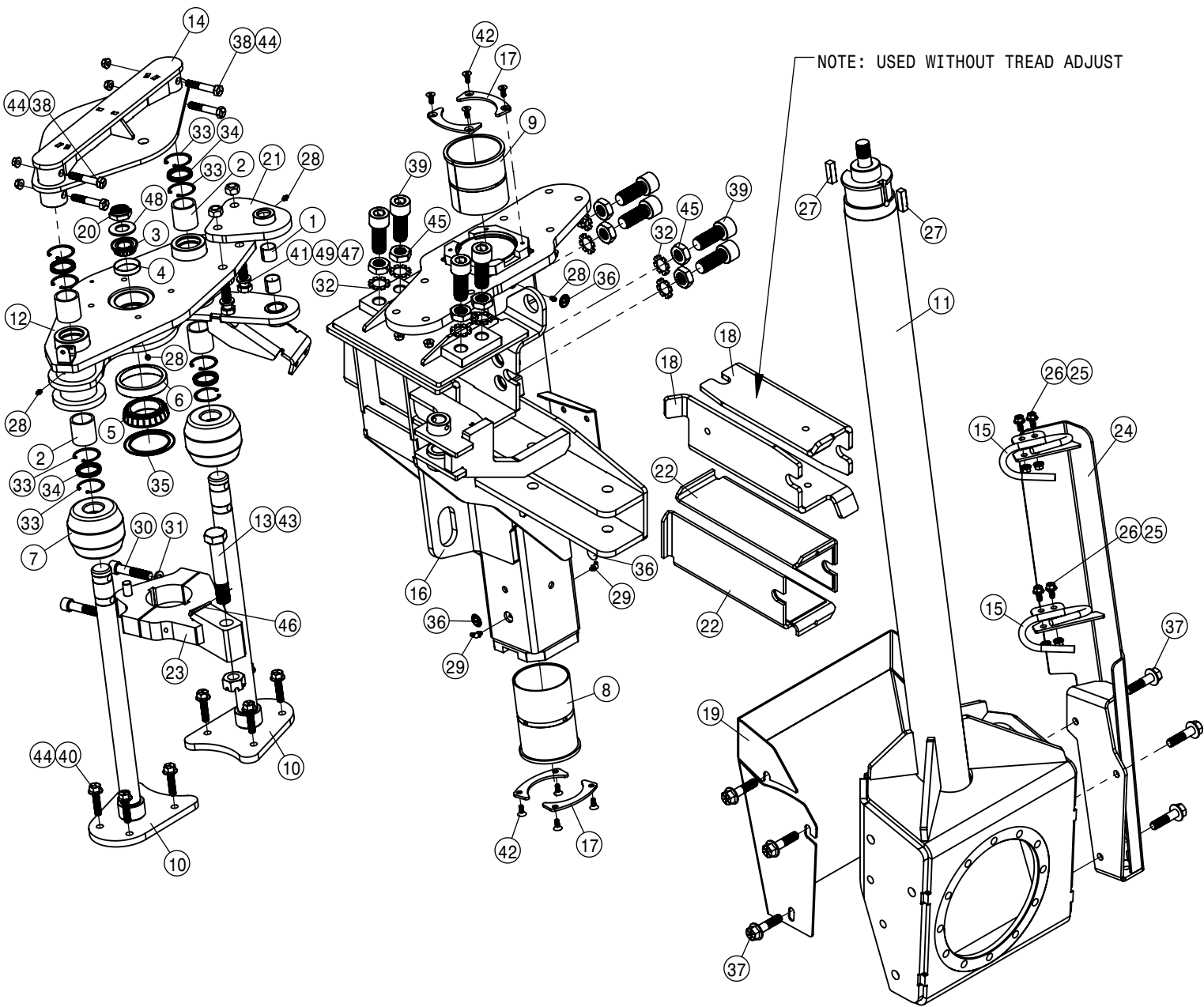


300/85 R42 RADIAL TIRE



380/80 R38 RADIAL TIRE

TIRE AND RIM ASSEMBLY			
DET	QTY	P/N	DESCRIPTION
1	3	650985	DECAL, WHL BOLT TORQ 203854C
2	3	821252	VALVE STEM, TR-618A, STAINLESS
3	1	821309	WHL 38XW12 10-11.220
4	2	821318	RIM WLD 42XW10 10-11.220

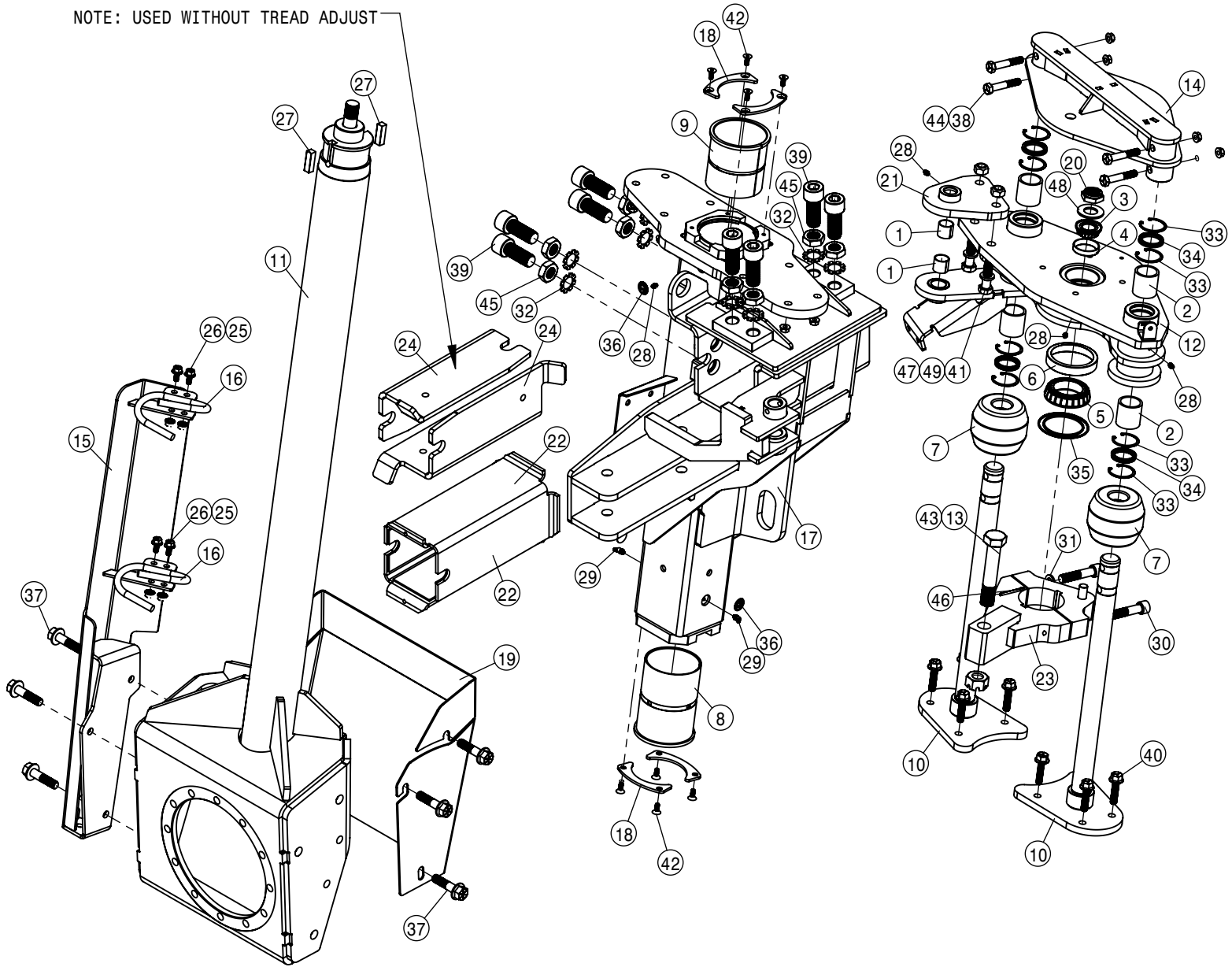


RIGHT FRONT LEG ASSEMBLY			
DET	QTY	P/N	DESCRIPTION
1	2	121029	JOURNAL BRG, 1.00 ID x 1.00 LG
2	4	121113	TOWER SLEEVE BRG (POLYGON) O5
3	1	125050	BRG CONE, 1.00 ID W/FACE SEAL
4	1	125051	BRG CUP FOR 125050
5	1	125059	BRG CONE, 2.25 ID
6	1	125060	BEARING CUP FOR 125059
7	2	311058	RUBBER SPRING
8	1	358564	FRT LEG LWR NYL SLEEVE 280 89
9	1	358565	FRT LEG UPR NYL SLEEVE 280 89
10	2	359491	NITRO TOWER WLD
11	1	359513	RF/LR INNER LEG WLD
12	1	359524	LH AIR BAG LWR PLT WLD
13	1	359534	STRG CYL BOLT
14	1	359536	AIR BAG TOWER TOP MT WLD
15	2	359672	LWR HOSE GUIDE- WLD
16	1	360067	RH FRT OTR LEG WLD
17	4	360110	BRG KPR, LEG

RIGHT FRONT LEG ASSEMBLY			
DET	QTY	P/N	DESCRIPTION
18	2	360187	LEG ATTACHMENT REINF PLT RH
19	1	360198	CROP SHIELD
20	1	360561	1-14 UNS THIN HEX NUT LCK
21	1	360584	UPPER TRUNION MT WLD FRONT RH
22	2	360602	TREAD ADJUST WEAR PLT
23	1	360603	STRG ARM CLAMP WLD
24	1	362423	LWR LEG HOSE GUIDE WLD RH
25	4	470087	3/8-16UNC HEX FLG NUT SER MC GR5
26	4	470409	3/8UNC X 3/4 HHSFB GR5 MC
27	2	470447	KEY .50 SQ X 1.69 LONG
28	4	471005	GREASE ZERK, 1/4-28 X 1/2
29	2	471023	GREASE ZERK 1/4-28 X 45
30	2	472337	5/8UNC X 3" SOC HD CAP SCR
31	2	473841	16MM LOCK WASHER
32	8	483018	EXT TOOTH LOCK WASHER 1 MC
33	8	629537	187RRHOZ SNAP RING
34	4	629620	SEAL, 1.500 ROD DIA

RIGHT FRONT LEG ASSEMBLY			
DET	QTY	P/N	DESCRIPTION
35	1	629626	SEAL, 3.875 DIA, FOR 125059
36	3	650206	DECAL, GREASE DAILY
37	6	900015	5/8UNC X 2 1/2 HHFB GR8 MC
38	4	900269	1/2UNC X 2 3/4 HHCS GR5 MC
39	8	900395	1"UNC X 2 1/2 SOCKET CAP SCR
40	8	900519	1/2UNC X 2 HHSFB GR5 MC FT
41	2	900857	5/8UNC X 2 1/4 HEX BOLT GR8
42	8	903728	1/4-20 UNC X 3/4 FHSCS GR5 BZ
43	1	910020	1-8UNC HEX SLTDD NUT MC GR5
44	12	910042	3/8-16UNC HEX FLG NUT SM MC GR8
45	8	910101	1" UNC HEX JAM NUT
46	1	910120	3/16 X 1 3/4 COTTER PIN SS
47	2	914010	5/8-11UNC STOVER NUT MC GR5
48	1	920008	SAE FLAT WASHER 1 MC
49	2	920505	HLOCK WASHER 5/8 MC

NOTE: USED WITHOUT TREAD ADJUST

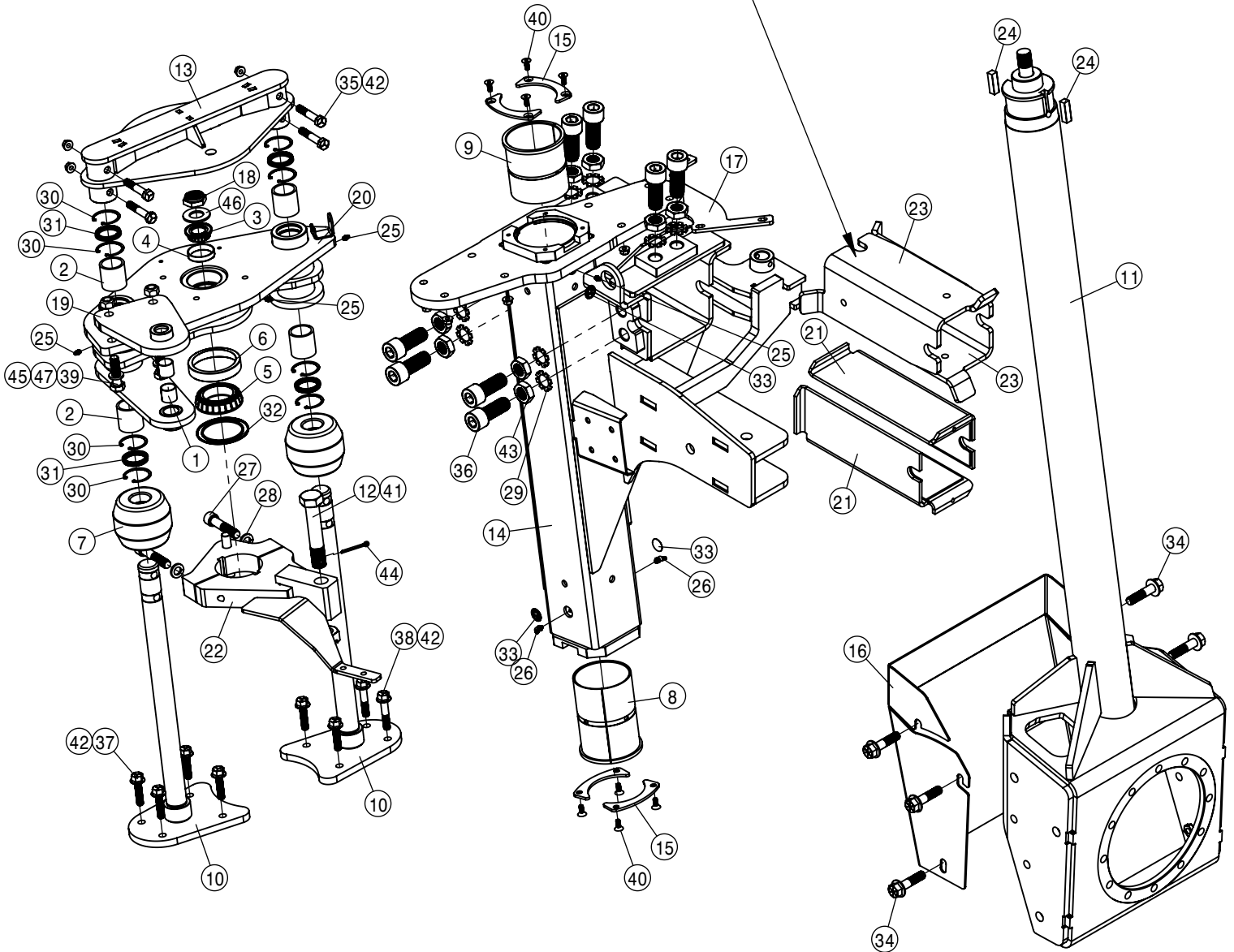


LEFT FRONT LEG ASSEMBLY			
DET	QTY	P/N	DESCRIPTION
1	2	121029	JOURNAL BRG, 1.00 ID x 1.00 LG
2	4	121113	TOWER SLEEVE BRG (POLYGON) 05
3	1	125050	BRG CONE, 1.00 ID W/FACE SEAL
4	1	125051	BRG CUP FOR 125050
5	1	125059	BRG CONE, 2.25 ID
6	1	125060	BEARING CUP FOR 125059
7	2	311058	RUBBER SPRING
8	1	358564	FRT LEG LWR NYL SLEEVE 280 89
9	1	358565	FRT LEG UPR NYL SLEEVE 280 89
10	2	359491	NITRO TOWER WLD
11	1	359514	LF/RR INNER LEG WLD
12	1	359515	RH AIR BAG LWR PLT WLD
13	1	359534	STRG CYL BOLT
14	1	359536	AIR BAG TOWER TOP MT WLD
15	1	359668	LWR LEG HOSE GUIDE WLD LH
16	2	359672	LWR HOSE GUIDE- WLD
17	1	360068	LH FRT OTR LEG WLD

LEFT FRONT LEG ASSEMBLY			
DET	QTY	P/N	DESCRIPTION
18	4	360110	BRG KPR, LEG
19	1	360198	CROP SHIELD
20	1	360561	1-14 UNS THIN HEX NUT LCK
21	1	360584	UPPER TRUNION MT WLD FRONT RH
22	2	360602	TREAD ADJUST WEAR PLT
23	1	360603	STRG ARM CLAMP WLD
24	2	360810	LEG ATTACHMENT REINF PLT LH
25	4	470087	3/8-16UNC HEX FLG NUT SER MC GR5
26	4	470409	3/8UNC X 3/4 HHSFB GR5 MC
27	2	470447	KEY .50 SQ X 1.69 LONG
28	4	471005	GREASE ZERK, 1/4-28 X 1/2
29	2	471023	GREASE ZERK 1/4-28 X 45
30	2	472337	5/8UNC X 3" SOC HD CAP SCR
31	2	473841	16MM LOCK WASHER
32	8	483018	EXT TOOTH LOCK WASHER 1 MC
33	8	629537	187RRHOZD SNAP RING
34	4	629620	SEAL, 1.500 ROD DIA

LEFT FRONT LEG ASSEMBLY			
DET	QTY	P/N	DESCRIPTION
35	1	629626	SEAL, 3.875 DIA, FOR 125059
36	3	650206	DECAL, GREASE DAILY
37	6	900015	5/8UNC X 2 1/2 HHFB GR8 MC
38	4	900269	1/2UNC X 2 3/4 HHCS GR5 MC
39	8	900395	1"UNC X 2 1/2 SOCKET CAP SCR
40	8	900519	1/2UNC X 2 HHSFB GR5 MC FT
41	2	900857	5/8UNC X 2 1/4 HEX BOLT GR8
42	8	903728	1/4-20 UNC X 3/4 FHSCS GR5 BZ
43	1	910020	1-8UNC HEX SLTTD NUT MC GR5
44	12	910042	3/8-16UNC HEX FLG NUT SM MC GR8
45	8	910101	1" UNC HEX JAM NUT
46	1	910120	3/16 X 1 3/4 COTTER PIN SS
47	2	914010	5/8-11UNC STOVER NUT MC GR5
48	1	920008	SAE FLAT WASHER 1 MC
49	2	920505	HLOCK WASHER 5/8 MC

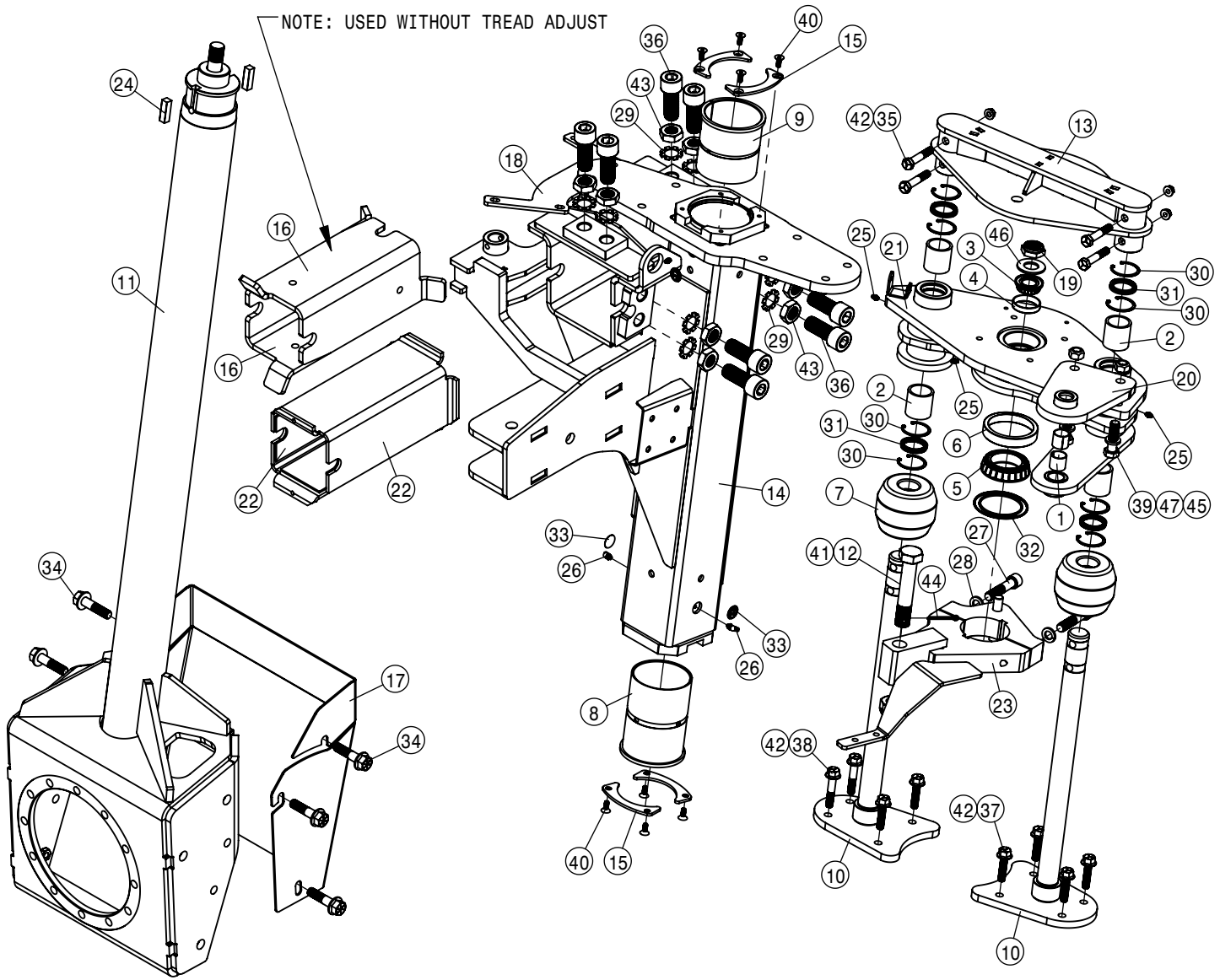
NOTE: USED WITHOUT TREAD ADJUST



RIGHT REAR LEG ASSEMBLY			
DET	QTY	P/N	DESCRIPTION
1	2	121029	JOURNAL BRG, 1.00 ID x 1.00 LG
2	4	121113	TOWER SLEEVE BRG (POLYGON) 05
3	1	125050	BRG CONE, 1.00 ID W/FACE SEAL
4	1	125051	BRG CUP FOR 125050
5	1	125059	BRG CONE, 2.25 ID
6	1	125060	BEARING CUP FOR 125059
7	2	311058	RUBBER SPRING
8	1	358564	FRT LEG LWR NYL SLEEVE 280 89
9	1	358565	FRT LEG UPR NYL SLEEVE 280 89
10	2	359491	NITRO TOWER WLD
11	1	359514	LF/RR INNER LEG WLD
12	1	359534	STRG CYL BOLT
13	1	359536	AIR BAG TOWER TOP MT WLD
14	1	360068	LH FRT OTR LEG WLD
15	4	360110	BRG KPR, LEG
16	1	360198	CROP SHIELD

RIGHT REAR LEG ASSEMBLY			
DET	QTY	P/N	DESCRIPTION
17	1	360297	REAR LEG HYD ROUTING PLATE
18	1	360561	1-14 UNS THIN HEX NUT LCK
19	1	360586	UPPER TRUNION MT WLD RH REAR
20	1	360590	RH AIR BAG LWR PLT WLD
21	2	360602	TREAD ADJUST WEAR PLT
22	1	360613	STRG ARM CLAMP WLD RH
23	2	360810	LEG ATTACHMENT REINF PLT LH
24	2	470447	KEY .50 SQ X 1.69 LONG
25	4	471005	GREASE ZERK, 1/4-28 X 1/2
26	2	471023	GREASE ZERK 1/4-28 X 45
27	2	472337	5/8UNC X 3" SOC HD CAP SCR
28	2	473841	16MM LOCK WASHER
29	8	483018	EXT TOOTH LOCK WASHER 1 MC
30	8	629537	187RRH00Z SNAP RING
31	4	629620	SEAL, 1.500 ROD DIA
32	1	629626	SEAL, 3.875 DIA, FOR 125059

RIGHT REAR LEG ASSEMBLY			
DET	QTY	P/N	DESCRIPTION
33	3	650206	DECAL, GREASE DAILY
34	6	900015	5/8UNC X 2 1/2 HHFB GR8 MC
35	4	900269	1/2UNC X 2 3/4 HHCS GR5 MC
36	8	900395	1"UNC X 2 1/2 SOCKET CAP SCR
37	6	900519	1/2UNC X 2 HHSFB GR5 MC FT
38	2	900520	1/2UNC X 2 1/2 HHSFB GR5 MC
39	2	900857	5/8UNC X 2 1/4 HEX BOLT GR8
40	8	903728	1/4-20 UNC X 3/4 FHSCS GR5 BZ
41	1	910020	1-8UNC HEX SLTTD NUT MC GR5
42	12	910042	3/8-16UNC HEX FLG NUT SM MC GR8
43	8	910101	1" UNC HEX JAM NUT
44	1	910120	3/16 X 1 3/4 COTTER PIN SS
45	2	914010	5/8-11UNC STOVER NUT MC GR5
46	1	920008	SAE FLAT WASHER 1 MC
47	2	920505	HLOCK WASHER 5/8 MC

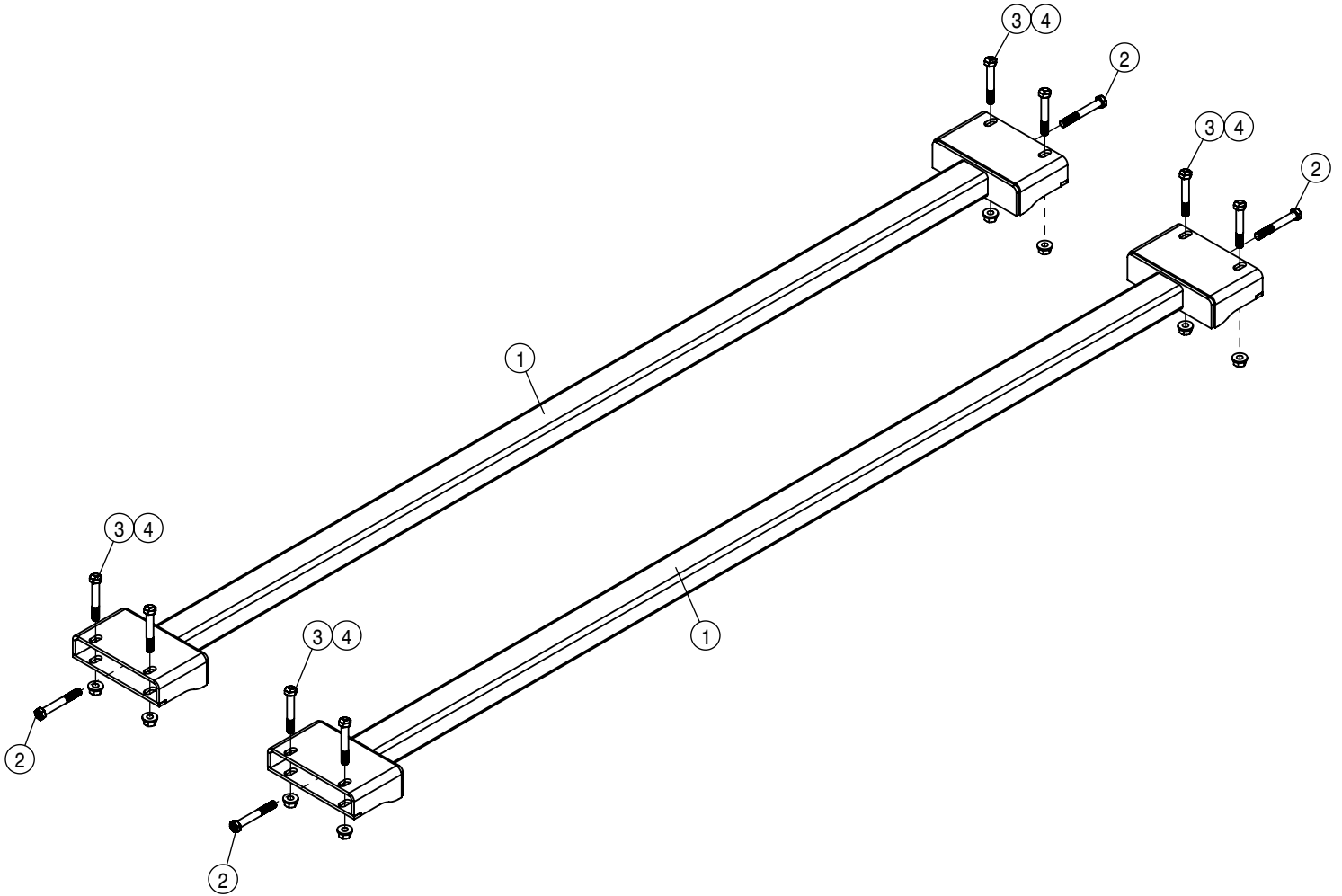


LEFT REAR LEG ASSEMBLY			
DET	QTY	P/N	DESCRIPTION
1	2	121029	JOURNAL BRG, 1.00 ID x 1.00 LG
2	4	121113	TOWER SLEEVE BRG (POLYGON) 05
3	1	125050	BRG CONE, 1.00 ID W/FACE SEAL
4	1	125051	BRG CUP FOR 125050
5	1	125059	BRG CONE, 2.25 ID
6	1	125060	BEARING CUP FOR 125059
7	2	311058	RUBBER SPRING
8	1	358564	FRT LEG LWR NYL SLEEVE 280 89
9	1	358565	FRT LEG UPR NYL SLEEVE 280 89
10	2	359491	NITRO TOWER WLD
11	1	359513	RF/LR INNER LEG WLD
12	1	359534	STRG CYL BOLT
13	1	359536	AIR BAG TOWER TOP MT WLD
14	1	360067	RH FRT OTR LEG WLD
15	4	360110	BRG KPR, LEG
16	2	360187	LEG ATTACHMENT REINF PLT RH

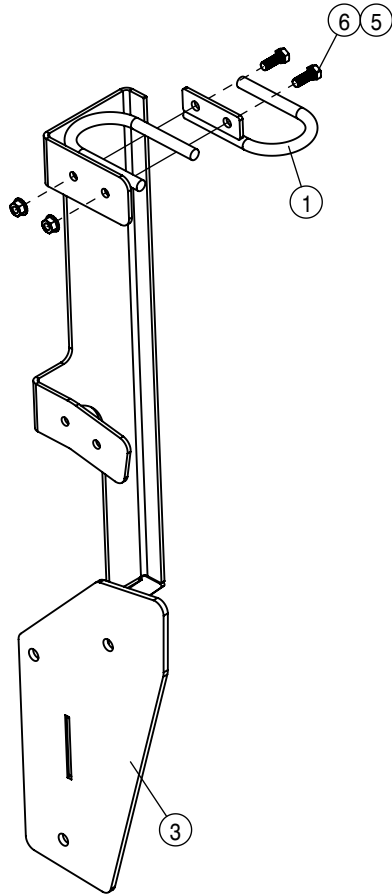
LEFT REAR LEG ASSEMBLY			
DET	QTY	P/N	DESCRIPTION
17	1	360198	CROP SHIELD
18	1	360297	REAR LEG HYD ROUTING PLATE
19	1	360561	1-14 UNS THIN HEX NUT LCK
20	1	360587	UPPER TRUNION MT WLD LH REAR
21	1	360591	LH AIR BAG LWR PLT WLD
22	2	360602	TREAD ADJUST WEAR PLT
23	1	360614	STRG ARM CLAMP WLD LH
24	2	470447	KEY .50 SQ X 1.69 LONG
25	4	471005	GREASE ZERK, 1/4-28 X 1/2
26	2	471023	GREASE ZERK 1/4-28 X 45
27	2	472337	5/8UNC X 3" SOC HD CAP SCR
28	2	473841	16MM LOCK WASHER
29	8	483018	EXT TOOTH LOCK WASHER 1 MC
30	8	629537	187RRHOZ SNAP RING
31	4	629620	SEAL, 1.500 ROD DIA
32	1	629626	SEAL, 3.875 DIA, FOR 125059

LEFT REAR LEG ASSEMBLY			
DET	QTY	P/N	DESCRIPTION
33	3	650206	DECAL, GREASE DAILY
34	6	900015	5/8UNC X 2 1/2 HHFB GR8 MC
35	4	900269	1/2UNC X 2 3/4 HHCS GR5 MC
36	8	900395	1"UNC X 2 1/2 SOCKET CAP SCR
37	6	900519	1/2UNC X 2 HHSFB GR5 MC FT
38	2	900520	1/2UNC X 2 1/2 HHSFB GR5 MC
39	2	900857	5/8UNC X 2 1/4 HEX BOLT GR8
40	8	903728	1/4-20 UNC X 3/4 FHSCS GR5 BZ
41	1	910020	1-8UNC HEX SLTDD NUT MC GR5
42	12	910042	3/8-16UNC HEX FLG NUT SM MC GR8
43	8	910101	1" UNC HEX JAM NUT
44	1	910120	3/16 X 1 3/4 COTTER PIN SS
45	2	914010	5/8-11UNC STOVER NUT MC GR5
46	1	920008	SAE FLAT WASHER 1 MC
47	2	920505	HLOCK WASHER 5/8 MC

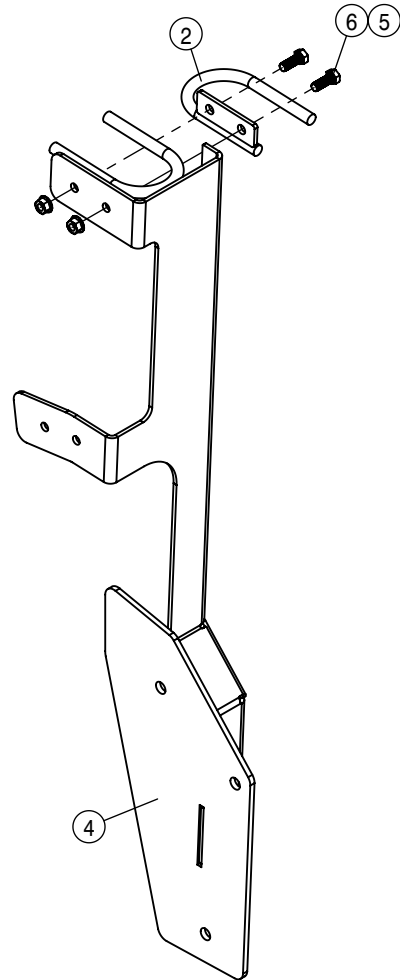




LEG CROSS BAR BRACE ASSEMBLY			
DET	QTY	P/N	DESCRIPTION
1	2	360698	CROSS BAR LINK WLD
2	4	470131	3/4UNC X 5 1/2 HEX BOLT GR8
3	8	900412	3/4UNC X 5 HHCS GR5 MC
4	12	910111	3/4-10UNC CTRLK FLG NUT MC GR5

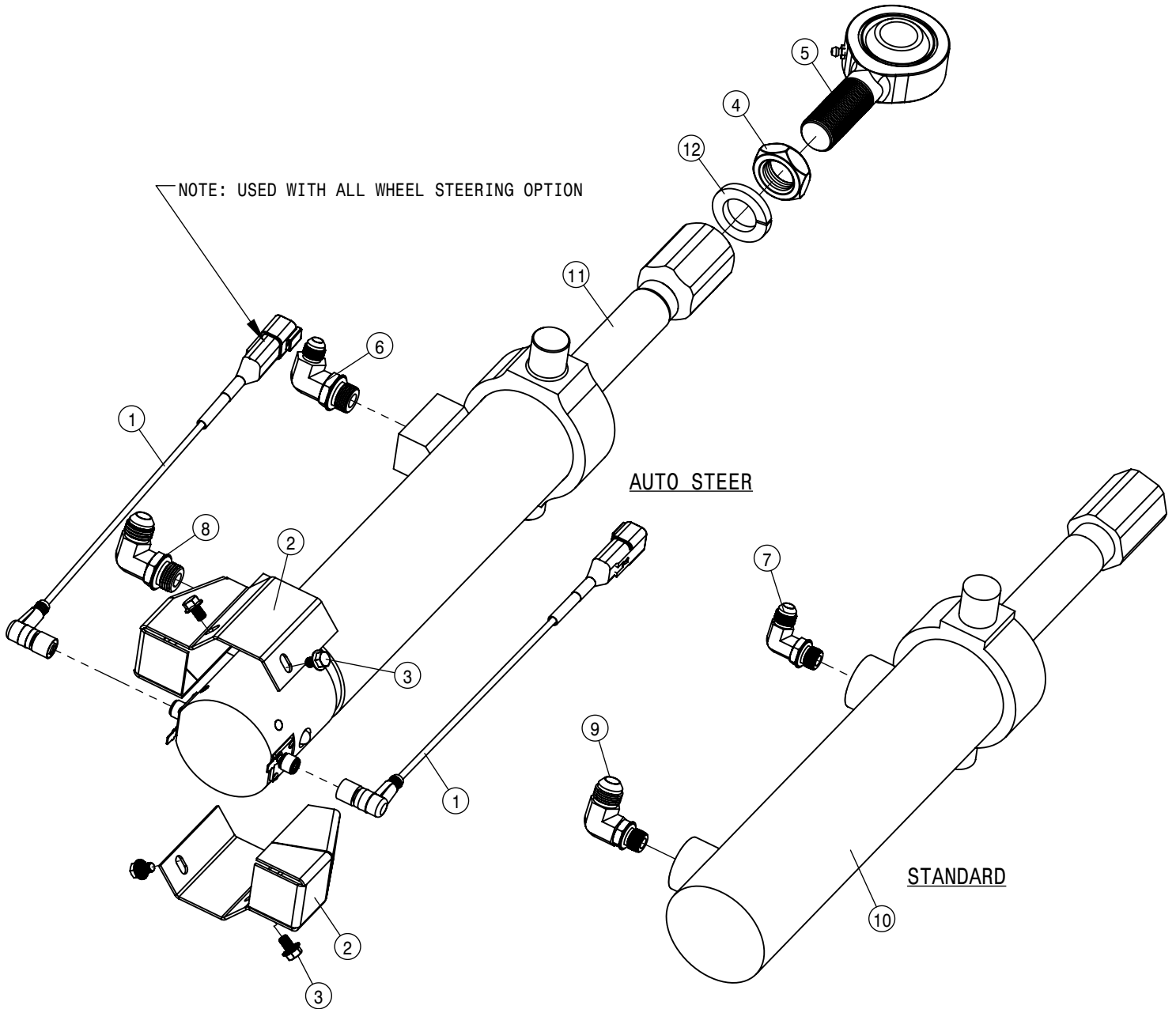


RIGHT SIDE

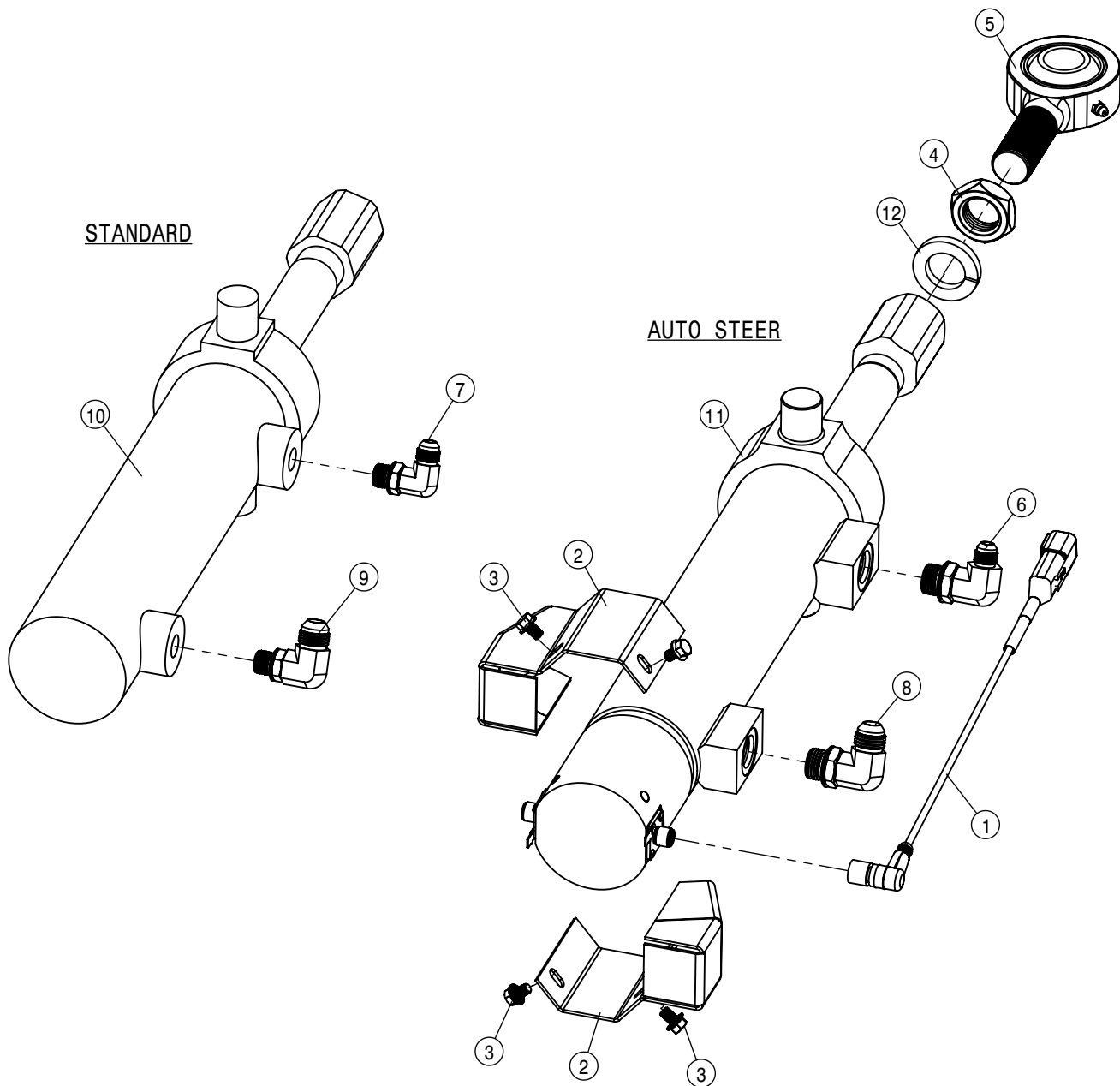


LEFT SIDE

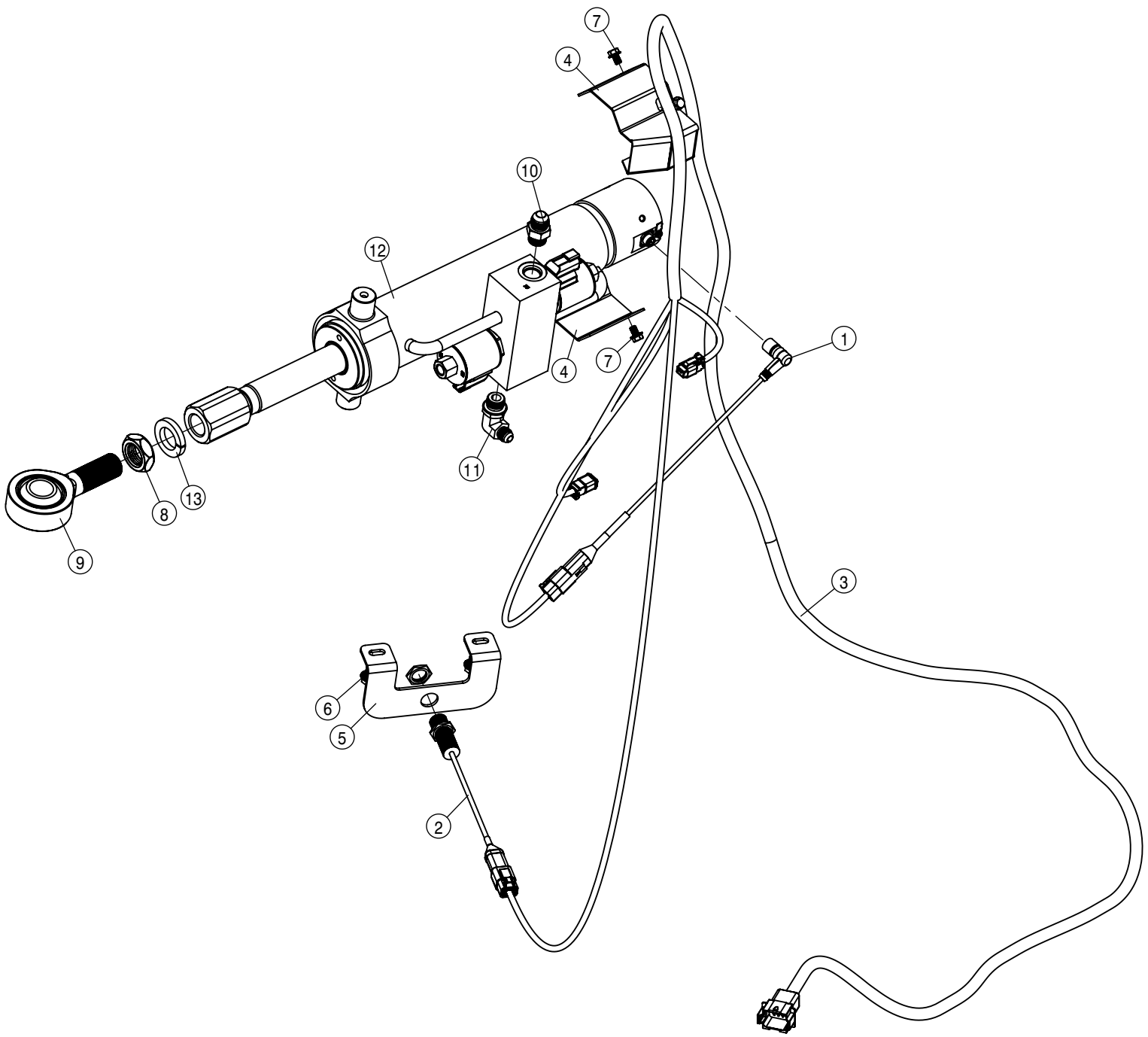
REAR DRIVE HYDRAULIC HOSE SUPPORT ASSEMBLY			
DET	QTY	P/N	DESCRIPTION
1	1	360277	REAR FENDER HYD BKT WLD RH
2	1	360279	REAR FENDER HYD BKT WLD LH
3	1	360707	REAR DRIVE HYD SUPP WLD RH
4	1	360708	REAR DRIVE HYD SUPP WLD LH
5	4	470087	3/8-16UNC HEX FLG NUT SER MC GR5
6	4	900129	3/8UNC X 1" HEX BOLT



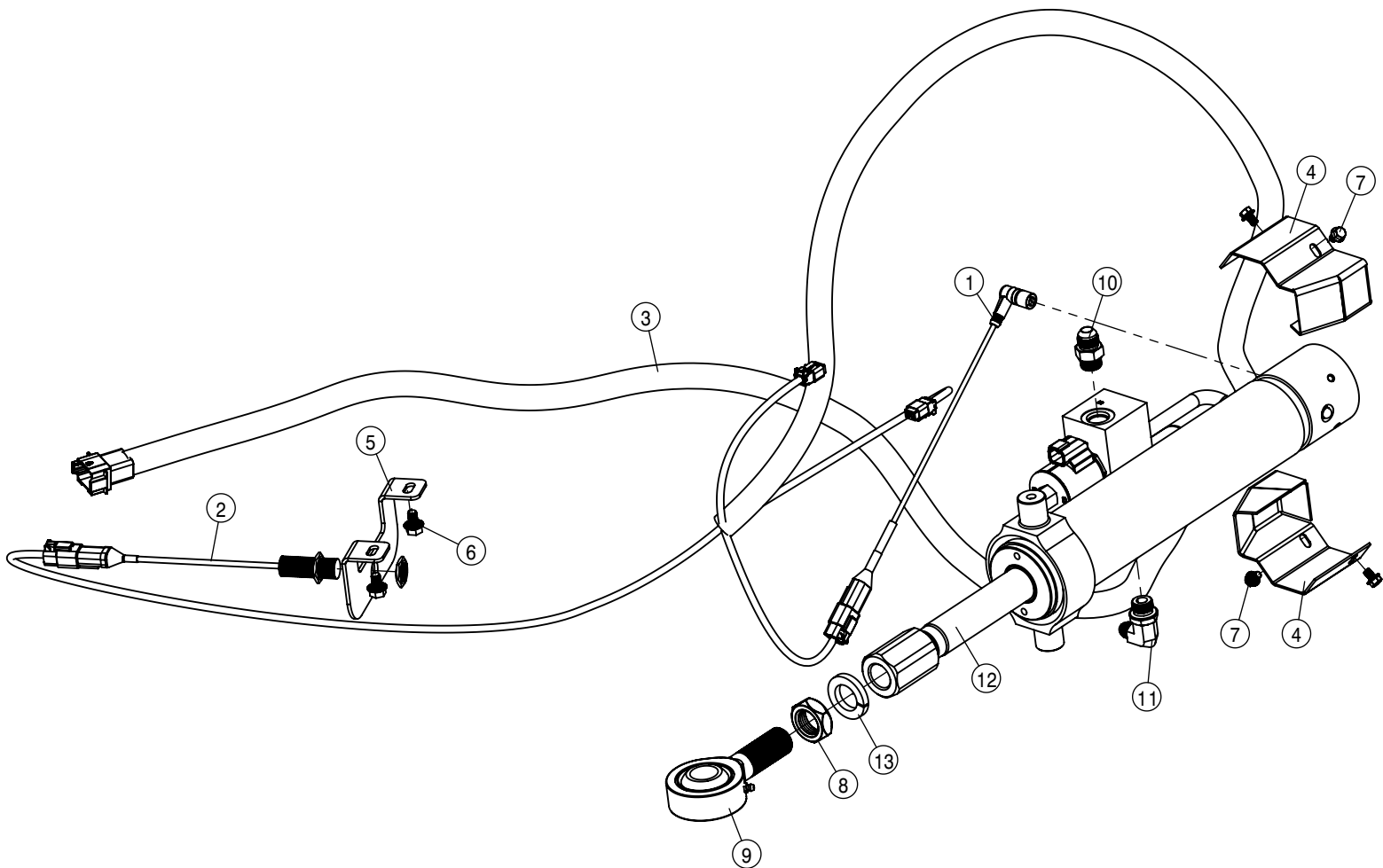
RIGHT FRONT STEERING CYLINDER ASSEMBLY			
DET	QTY	P/N	DESCRIPTION
1	2	291994	SENSOR HARNESS FOR AWS
2	2	359645	STRG CYL SENSOR GUARD
3	4	470883	1/4UNC X 3/8 SERR FLG BOLT SS
4	1	472328	1" -12 HEX JAM NUT
5	1	474004	ROD END, 1.00 BORE, 1-12 RH MALE
6	1	618115	9/16MJIC-90-3/4MOR LBO
7	1	618119	9/16MJIC-90-9/16MOR LBO
8	1	618241	3/4MJIC-90-3/4MOR LBO
9	1	618249	3/4MJIC-90-9/16MOR LBO
10	1	621550	2.50 x 8.81 x 1.25 STEERING CYL
11	1	621654	HYD CYL, 2.50 X 8.81 PHASE/SENS
12	1	920508	1" LOCK WASHER



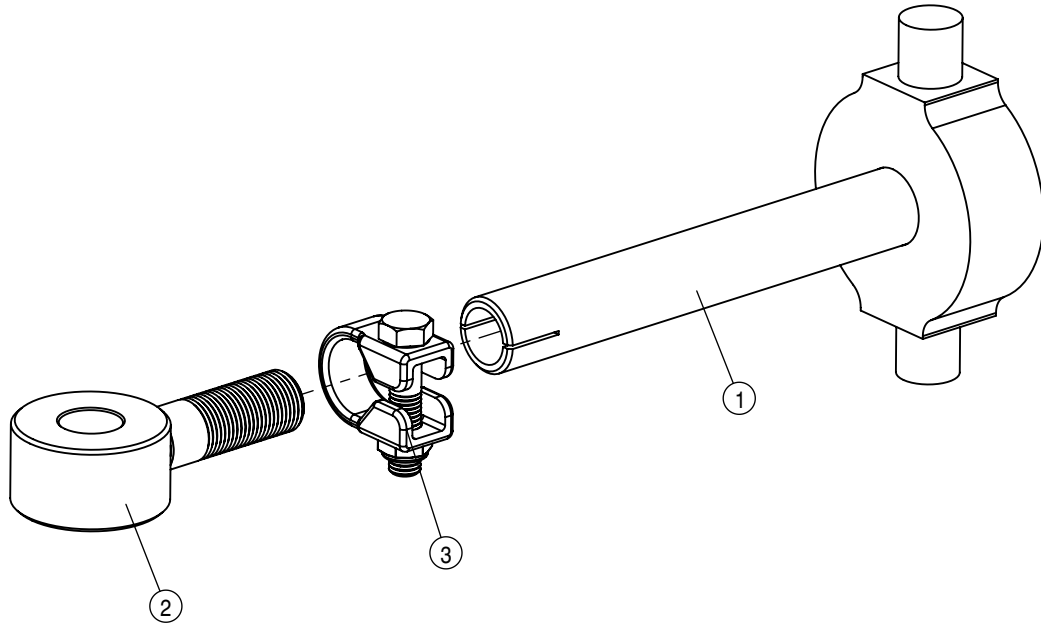
LEFT FRONT STEERING CYLINDER ASSEMBLY			
DET	QTY	P/N	DESCRIPTION
1	1	291994	SENSOR HARNESS FOR AWS
2	2	359645	STRG CYL SENSOR GUARD
3	4	470883	1/4UNC X 3/8 SERR FLG BOLT SS
4	1	472328	1" -12 HEX JAM NUT
5	1	474004	ROD END, 1.00 BORE, 1-12 RH MALE
6	1	618115	9/16MJIC-90-3/4MOR LBO
7	1	618119	9/16MJIC-90-9/16MOR LBO
8	1	618241	3/4MJIC-90-3/4MOR LBO
9	1	618249	3/4MJIC-90-9/16MOR LBO
10	1	621550	2.50 X 8.81 X 1.25 STEERING CYL
11	1	621654	HYD CYL, 2.50 X 8.81 PHASE/SENS
12	1	920508	1" LOCK WASHER



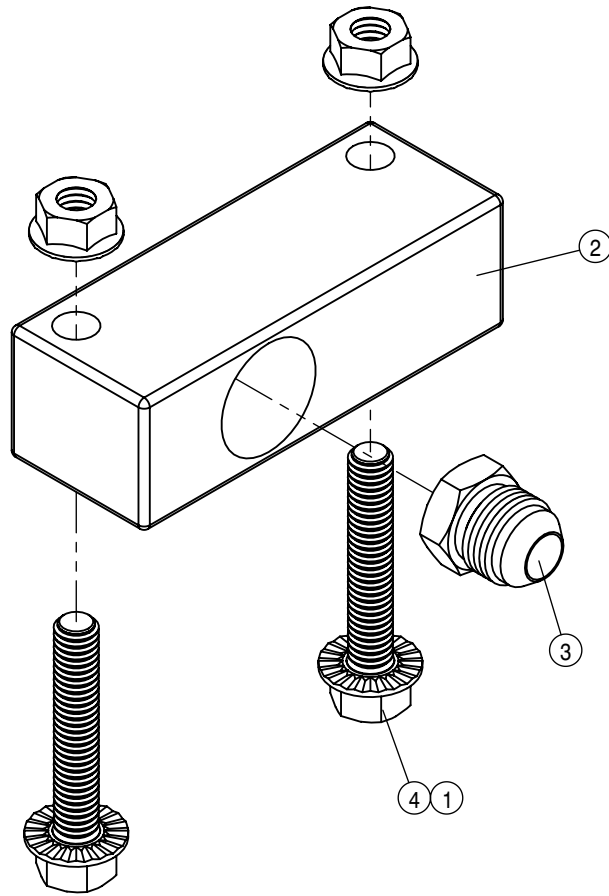
RIGHT REAR STEERING CYLINDER ASSEMBLY			
DET	QTY	P/N	DESCRIPTION
1	1	291994	SENSOR HARNESS FOR AWS
2	1	292926	INDUCTIVE PROX SENSOR, 18MM
3	1	294269	REAR LEG AWS HARNESS
4	2	359645	STRG CYL SENSOR GUARD
5	1	360153	SENSOR BRKT, DTS AWS
6	2	470232	5/16UNC X 1/2 SERR FLG HEX BOLT
7	4	470883	1/4UNC X 3/8 SERR FLG BOLT SS
8	1	472328	1" - 12 HEX JAM NUT
9	1	474004	ROD END, 1.00 BORE, 1-12 RH MALE
10	1	611125	3/4MJIC-3/4MOR ADPTR
11	1	618115	9/16MJIC-90-3/4MOR LBO
12	1	621653	HYD CYL, 2.50 X 8.81 X 1.25
13	1	920508	1" LOCK WASHER



LEFT REAR STEERING CYLINDER ASSEMBLY			
DET	QTY	P/N	DESCRIPTION
1	1	291994	SENSOR HARNESS FOR AWS
2	1	292926	INDUCTIVE PROX SENSOR, 18MM
3	1	294269	REAR LEG AWS HARNESS
4	2	359645	STRG CYL SENSOR GUARD
5	1	360153	SENSOR BRKT, DTS AWS
6	2	470232	5/16UNC X 1/2 SERR FLG HEX BOLT
7	4	470883	1/4UNC X 3/8 SERR FLG BOLT SS
8	1	472328	1" -12 HEX JAM NUT
9	1	474004	ROD END, 1.00 BORE, 1-12 RH MALE
10	1	611125	3/4MJIC-3/4MOR ADPTR
11	1	618115	9/16MJIC-90-3/4MOR LBO
12	1	621653	HYD CYL, 2.50 X 8.81 X 1.25
13	1	920508	1" LOCK WASHER

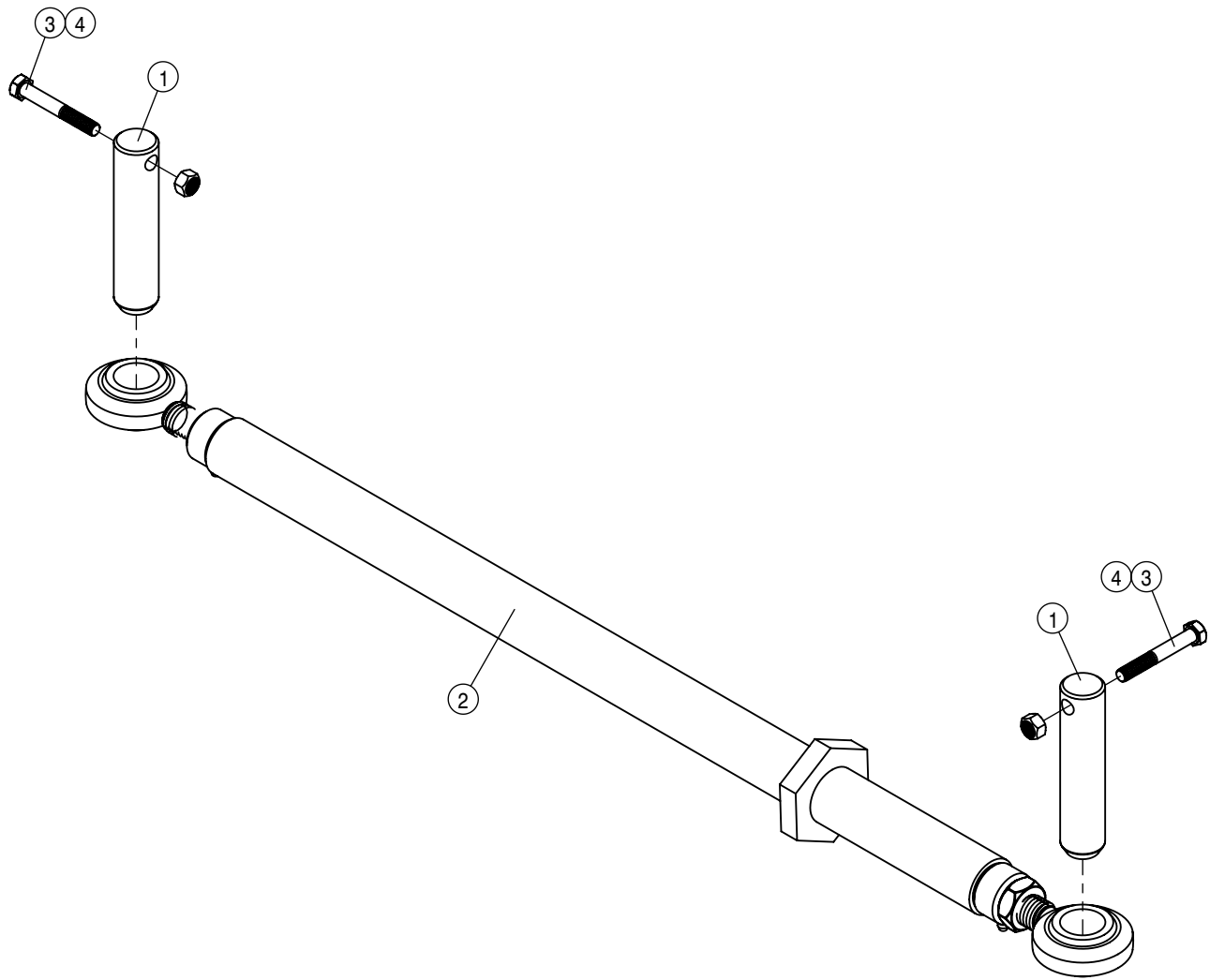


REAR STANDARD TIE ROD ASSEMBLY			
DET	QTY	P/N	DESCRIPTION
	1	359086	REAR TIE ROD SHAFT WLD
	1	359089	TIE ROD STUD WLD
	1	749322	STEERING TUBE CLAMP & BOLT ASSY

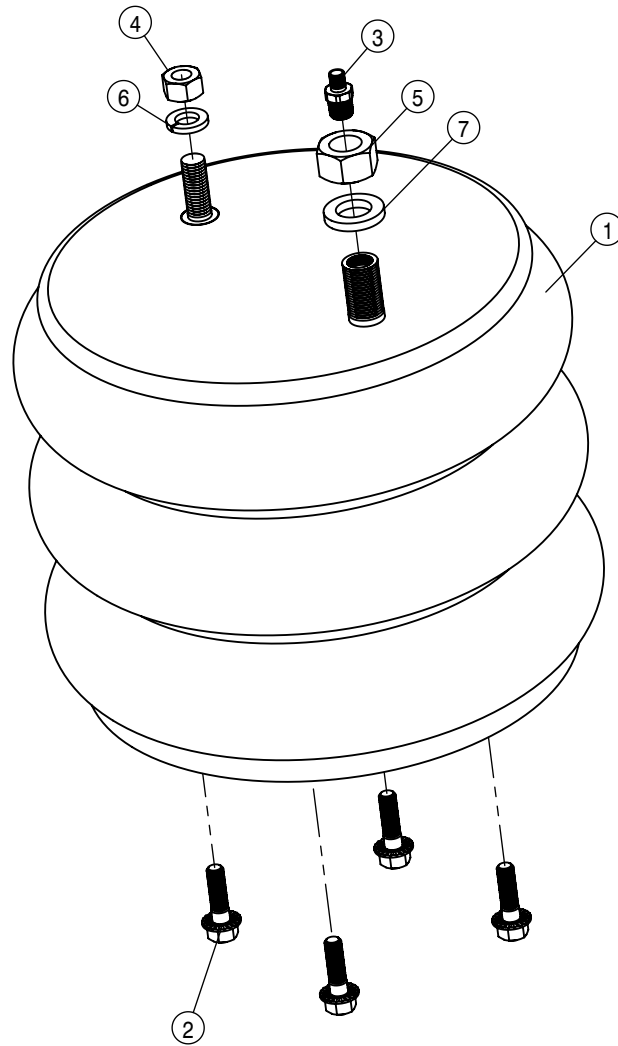


SUPPORT WITHOUT ALL WHEEL STEER VALVE			
DET	QTY	P/N	DESCRIPTION
1	2	470087	3/8UNC HEX SERR FLANGE NUT
2	1	470690	POLY CLAMP, DTS HYD AUX OPT
3	1	618457	3/4MJIG PLUG
4	2	900506	3/8UNC X 2 HHSFB GR5 MC FT

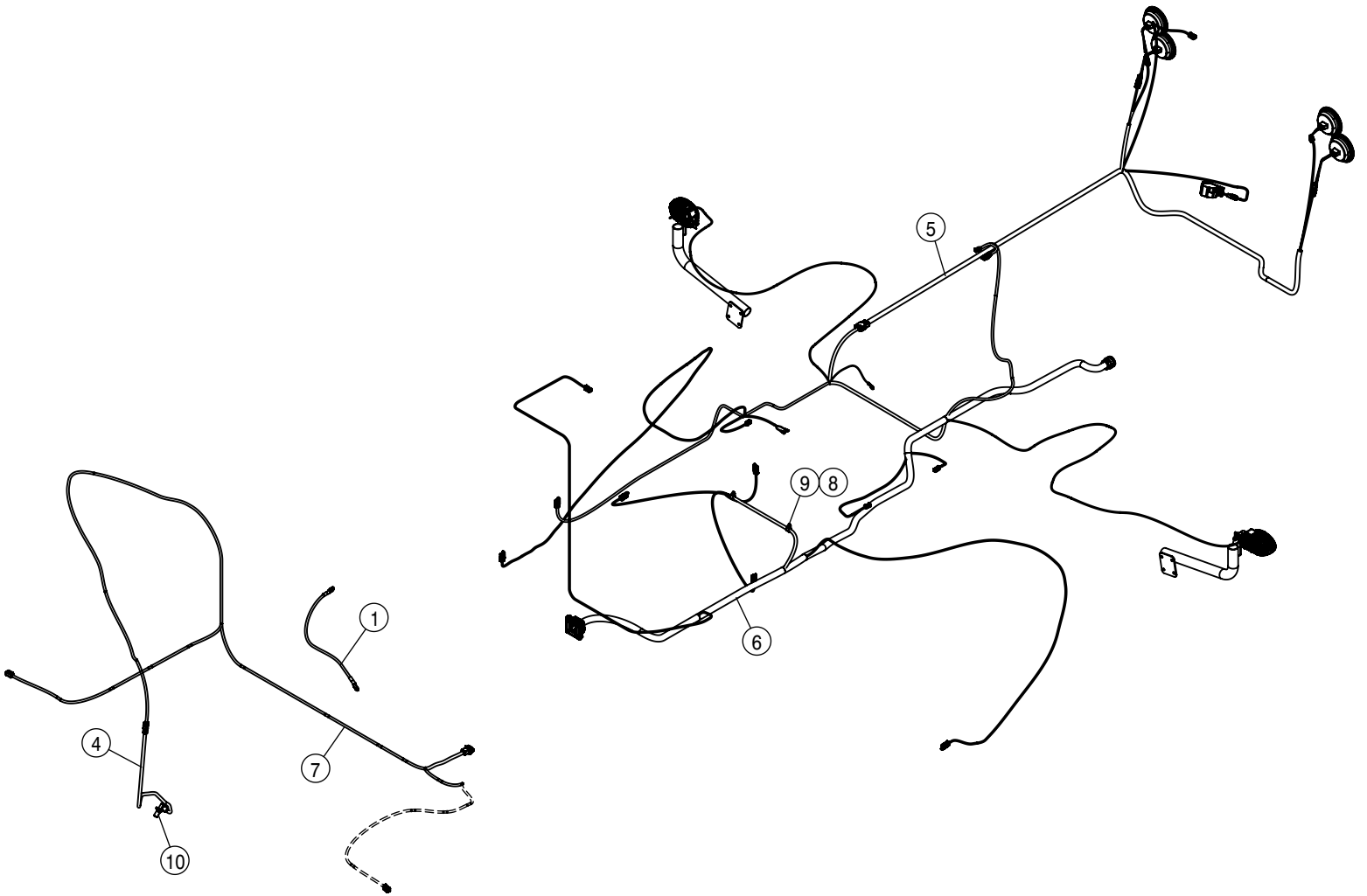




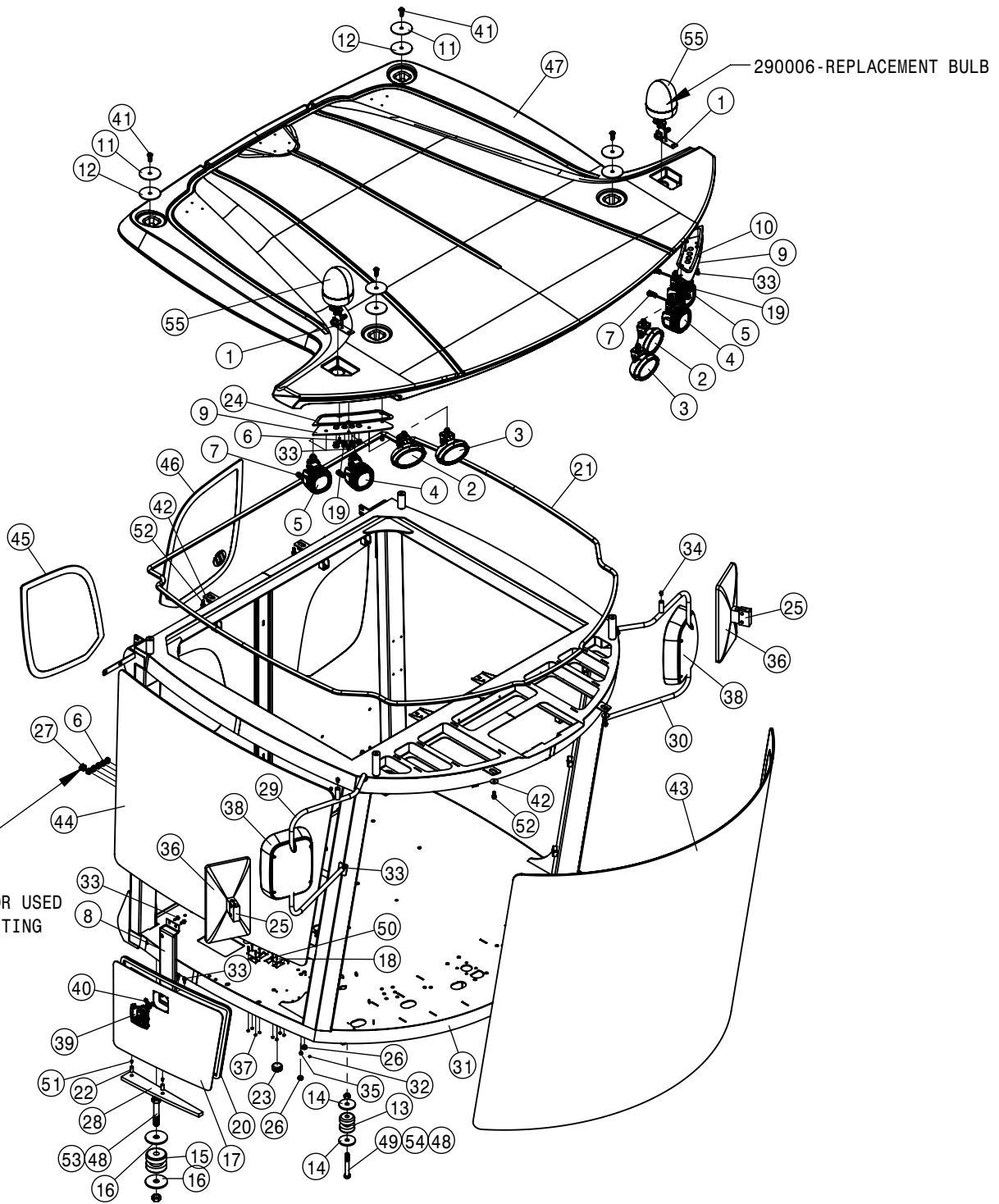
MANUAL TREAD ADJUST ASSEMBLY			
DET	QTY	P/N	DESCRIPTION
1	2	360154	TREAD ADJ CYL PIN
2	1	470017	DTS MANUAL TREAD ADJUST LINK
3	2	900086	5/16UNC X 2 1/4 HEX BOLT
4	2	914002	5/16UNC HEX STOVER NUT



AIR BAG ASSEMBLY			
DET	QTY	P/N	DESCRIPTION
1	1	360180	AIR RIDE SPRING
2	4	470329	3/8UNC X 1 1/4 HHSFB GR5 MC
3	1	470338	AIR TANK VALVE, 1/4MNPT W/CAP
4	1	910008	1/2-13UNC HEX NUT MC GR5
5	1	910013	3/4-16UNF HEX NUT MC GR5
6	1	920504	1/2 LOCK WASHER
7	1	920506	HLOCK WASHER 3/4 MC



CHASSIS ELECTRICAL HARNESS			
DET	QTY	P/N	DESCRIPTION
1	1	292666	BATT CABLE, BLK 20' 4GA 3/8-3/8
NS	1	294030	HARNESS, DTS PRCN INTERFACE
NS	1	294080	HARNESS, TANK VALVE SWITCH
4	1	294270	HARNESS WHEEL MOTOR
5	1	294274	HARNESS HOOD
6	1	294391	CHASSIS HARNESS- '18 D-400/DTS
7	1	294400	FRT LIGHT HARNESS- '18 D400
8	2	470121	1/4 UNC SERR FLG LOCK NUT
9	2	520118	CUSH CLAMP, #8 1/2D X 1/2W
10	1	606537	SPEED SENSOR, DANFOSS H1

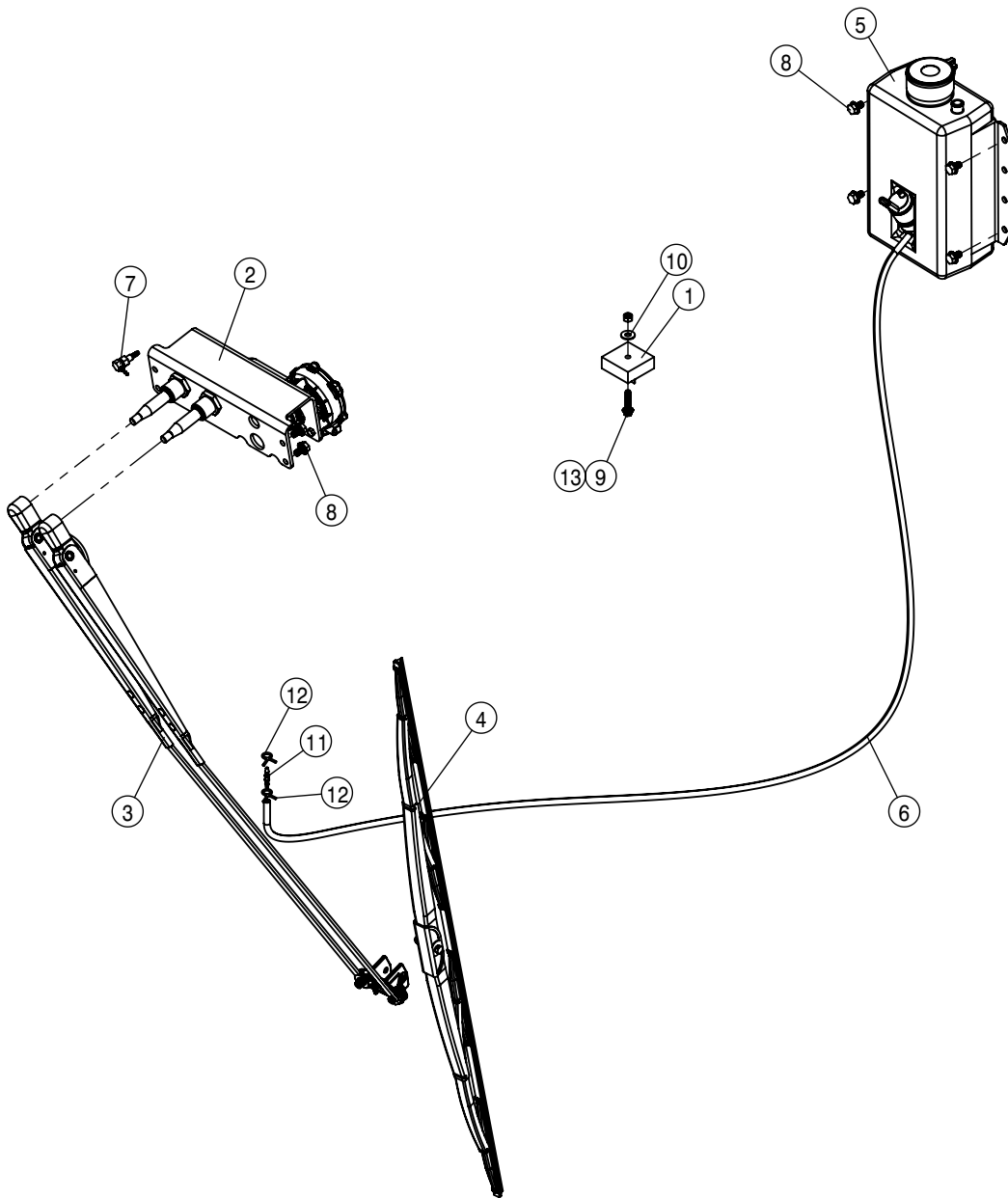


NOTE:  
WIRE PROTECTOR USED  
FOR WIRES EXITING  
THE CAB.

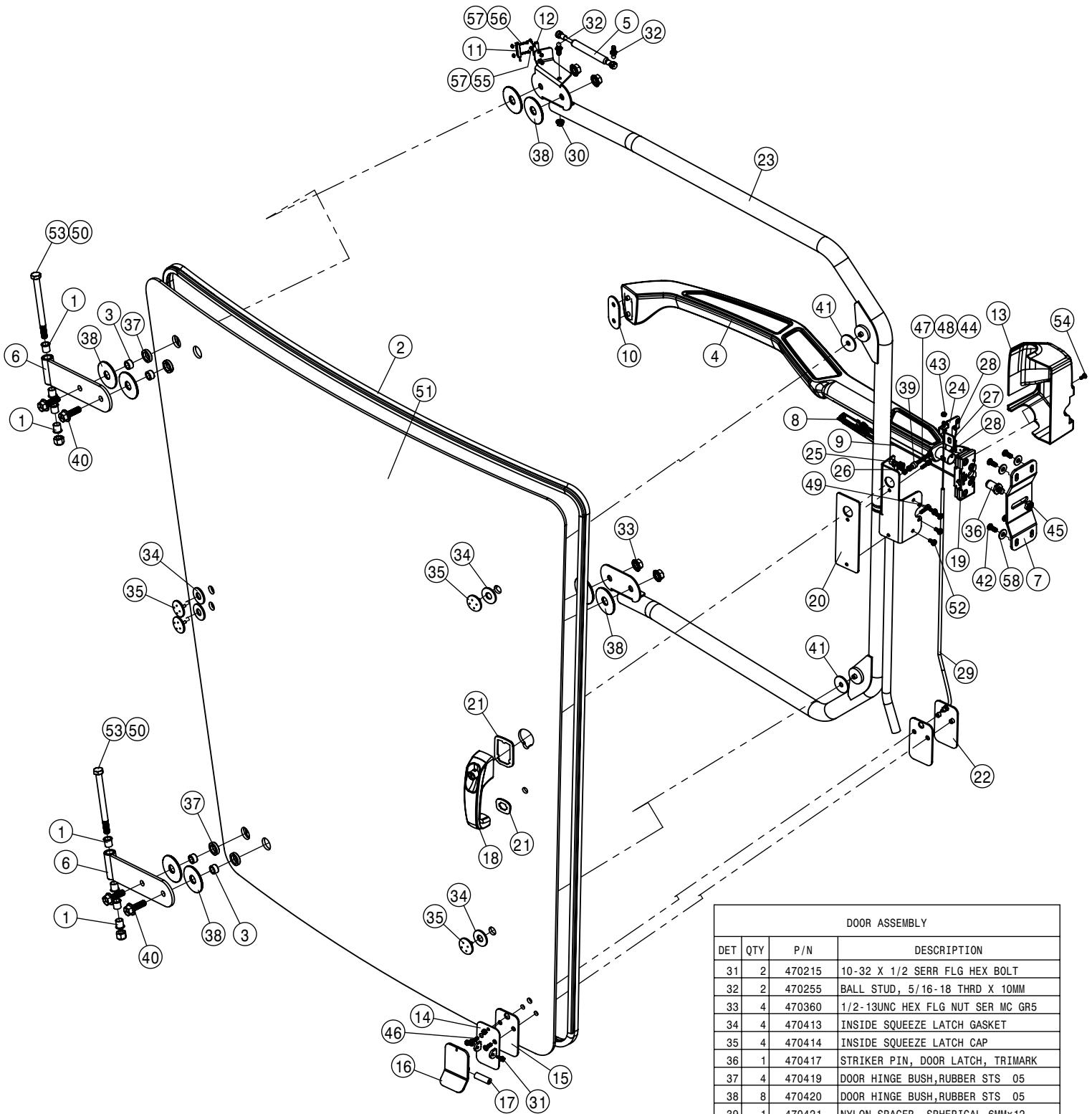
EXTERNAL CAB ASSEMBLY			
DET	QTY	P/N	DESCRIPTION
1	2	290060	BEACON TILT SURFACE MT,QK CHG
2	2	292614	WORKLIGHT - HALOGEN CLOSE RANGE
3	2	292615	WorkLight - Oval 100 Long Range
4	2	292618	WORKLIGHT-TYRI LED FLOOD
5	2	292619	WORKLIGHT-TYRI LED TRAP
6	7	292634	HOLE PLUG
7	4	294299	TYRI JUMPER HARNESS
8	1	344299	ACCESS PANEL SEALING SURFACE WLDT
9	2	344357	ROOF LIGHT MNT PLT, STSCAB'14
10	1	344358	ROOF LIGHT MNT PLT GASKET, STSCAB'14
11	4	344359	ROOF RETAINER WASHER, STSCAB'14
12	4	344360	ROOF RETAINER WASHER SEAL, STSCAB'14
13	2	344393	ISO MOUNT
14	4	344394	ISO MT WASHER FRNT, STS'14
15	2	344395	ISO MOUNT
16	4	344396	ISO MT WASHER REAR, STS'14
17	1	344452	FRT ACCESS PNL WLDT, STS'14
18	2	344477	PLATE - 12 PIN COVER

EXTERNAL CAB ASSEMBLY			
DET	QTY	P/N	DESCRIPTION
19	10	344478	BUSHING - STRAIN RELIEF
20	1	344479	SEAL - ACCESS PANEL
21	1	344481	SEAL - CAB ROOF STS
22	2	344497	THREADED NYLN SPCR, STS'14
23	1	344509	HOLE PLUG - 24 SERIES
24	1	344513	ROOF LIGHT MT PLT RH GASKET, STS'14
25	2	344515	STD MIR BRKT, STS'14
26	2	344554	HOSE GROMMET, STS'14
27	1	344572	BUSHING - ANTENNA STRAIGHT
28	1	344579	ACCESS PANEL SEAL LWR, STS'14
29	1	344631	MIRROR BRKT WLDT RH, STS'15
30	1	344635	MIRROR BRKT WLDT LH, STS'15
31	1	344824	CAB WLD, STS 17 W/DECALS
32	7	470053	1/4-20X1/4 AL HD SET SCR CUP
33	16	470118	1/4UNC X 3/4 HHSFB GR5 MC
34	2	470122	1/4 UNC X 1/2 SERR FLG BOLT
35	3	470143	3/8UNC X 1/2 SKT HD SET SCR
36	2	470348	MIRROR STS 10 & 12

EXTERNAL CAB ASSEMBLY			
DET	QTY	P/N	DESCRIPTION
37	8	470467	#6-32UNC KEP NUT MC GR5
38	2	470648	POWER MIRROR
39	1	470660	LATCH ASSY, STS'14
40	1	470661	CAM LATCH, STS'14
41	4	474001	1/2-13 UNC X 1 1/4 BHCS SS PATCH
42	4	483024	FENDER WASHER 5/16 MC
43	1	658100	WINDOW - FRT 2014 STS
44	1	658101	WINDOW - RH SIDE 2014 STS CAB
45	1	658103	WINDOW - REAR RH 2014 STS CAB
46	1	658104	WINDOW - REAR LH 2014 STS CAB
47	1	658139	CAB ROOF, STS/DTS '17
48	2	900481	7/8UNC X 5 HHCS GR8 MC
49	2	900847	5/8UNC X 4 1/2 HHCS GR8 MC
50	8	903814	#6-32 UNC X 3/4 PHMS PH BZ
51	2	903884	#10-32 UNF X 3/8 PHMS PH BZ
52	4	910126	5/16UNC X 1 HHSFB SS
53	2	914014	7/8-9UNC STOVER NUT MC GR8
54	2	914810	5/8-11UNC STOVER NUT MC GR8
55	2	AZ101891	IDENT LAMP ROTATING BEACON



WIPER ASSEMBLY			
DET	QTY	P/N	DESCRIPTION
1	1	290094	TIMER - WIPER
2	1	344367	WIPER MOTOR STS
3	1	344379	WIPER ARM STS
4	1	344380	WIPER BLADE STS
5	1	344382	WASHER BOTTLE
6	1	344383	HOSE - WASHER STS
7	1	344483	WASHER BULKHEAD, STS' 14
8	8	470232	5/16UNC X 1/2 SERR FLG HEX BOLT
9	1	473836	1/4UNC X 1 1/4 FLANGE BOLT SS
10	1	483038	1/4 REGULAR FLAT WASHER
11	1	500401	5/32 ID HOSE BARB, POLY
12	2	711091	3/8 OD HOSE CLAMP, STEEL YZ
13	1	910118	1/4-20UNC NYLOCK NUT SS

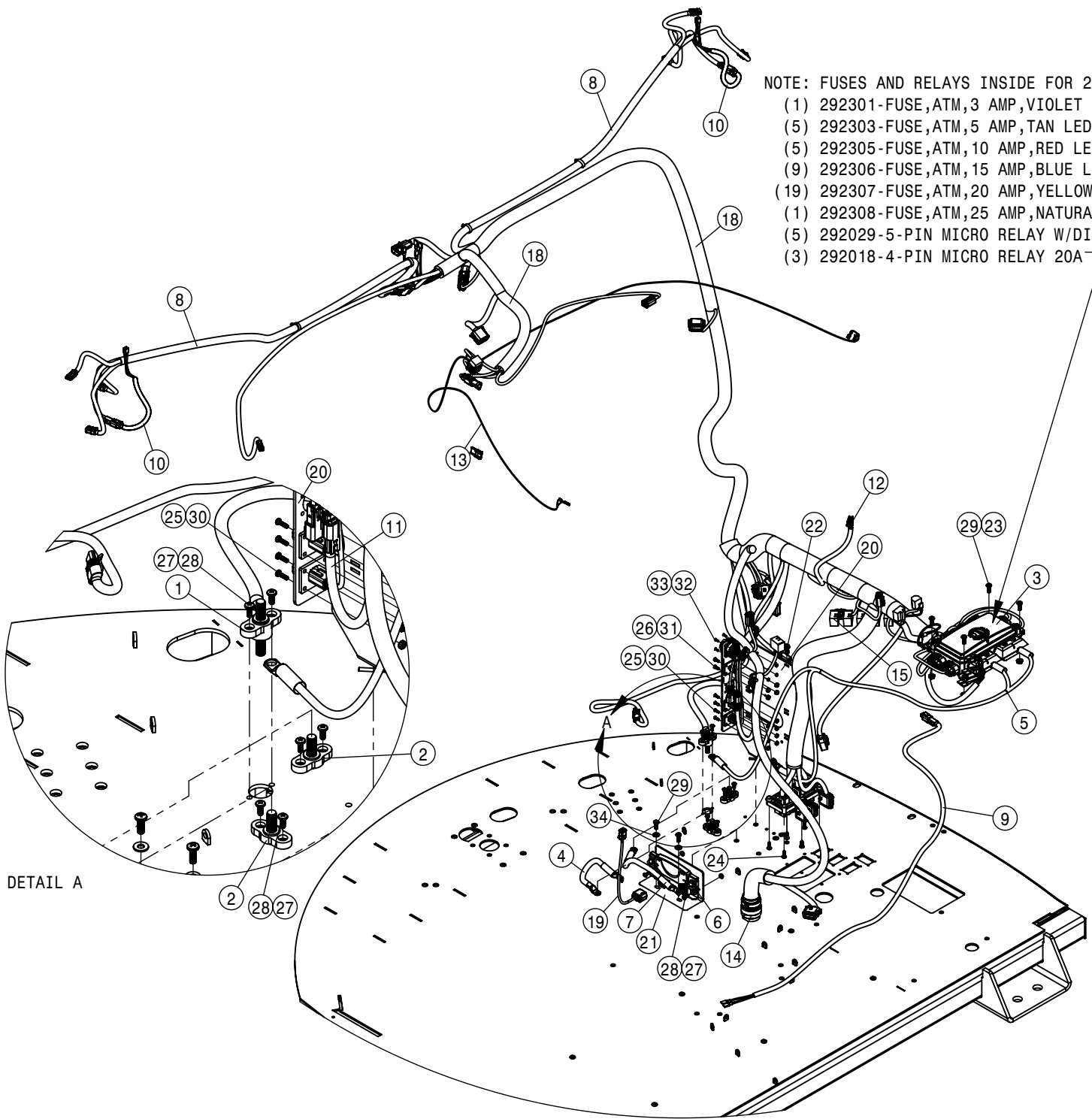


DOOR ASSEMBLY			
DET	QTY	P/N	DESCRIPTION
1	8	127506	NYLON FLANGE BRG, STS
2	1	193075-209	EPDM TRIM SEAL
3	4	343335	DOOR HINGE GLASS BUSH, CAB 05
4	1	344331	DOOR LATCH TUBE MOLDED, STSCAB '14
5	1	344335	GAS CYLINDER 40LB 2.0 STROKE
6	2	344336	DOOR HINGE WLDT, STSCAB '14
7	1	344428	DOOR LATCH STRKR PIN MT PLT '14
8	1	344508	DOOR LOCK KIT, STS '14
9	1	344510	DOOR LATCH ROD, STS '14
10	1	344551	GASKET - DOOR ARM REST MOUNT
11	1	344560	DOOR SWITCH, STS '14
12	1	344561	DOOR SWITCH MAGNET, STS '14
13	1	344589	DOOR LATCH COVER, STS '15
14	1	344592	FOOT PEDAL BASE WLDT, STS '15
15	2	344600	FOOT PEDAL MT GASKET, STS '15

DOOR ASSEMBLY			
DET	QTY	P/N	DESCRIPTION
16	1	344611	FOOT PEDAL WLDT, STS '15
17	1	344618	FOOT PEDAL PIVOT PIN, STS '15
18	1	344620	DOOR HANDLE PUSH BUTTON '15
19	1	344621	DOOR LATCH, STS '15
20	1	344625	DOOR HANDLE MT GASKET, STS '15
21	1	344627	DOOR HANDLE GASKET, STS '15
22	1	344628	FOOT PEDAL MT WLDT, STS '15
23	1	345050	DOOR FRAME WLD, STS/DTS
24	1	345056	DOOR HINGE BRKT
25	1	345057	DOOR LATCH SPRING
26	1	345058	E-STYLE RETAINING RING, .375
27	1	345060	DOOR CABLE '17
28	2	345120	.19 X .5 GRVED CLEXIS PIN ASSY
29	1	345124	HANDS FREE RELEASE CBLE, '17
30	1	470113	5/16-18UNC HEX FLG NUT SER MC GR5

DOOR ASSEMBLY			
DET	QTY	P/N	DESCRIPTION
31	2	470215	10-32 X 1/2 SERR FLG HEX BOLT
32	2	470255	BALL STUD, 5/16-18 THRD X 10MM
33	4	470360	1/2-13UNC HEX FLG NUT SER MC GR5
34	4	470413	INSIDE SQUEEZE LATCH GASKET
35	4	470414	INSIDE SQUEEZE LATCH CAP
36	1	470417	STRIKER PIN, DOOR LATCH, TRIMARK
37	4	470419	DOOR HINGE BUSH,RUBBER STS 05
38	8	470420	DOOR HINGE BUSH,RUBBER STS 05
39	1	470421	NYLON SPACER, SPHERICAL 6MMx12
40	4	470431	1/2UNC X 1 1/2 HHSFB GR5 MC
41	2	470489	GASKET, DOOR HANDLE STIFFENER
42	4	472375	5/16UNC X 3/4 BUTN CAP SCR BLK
43	1	473004	#10-32UNF NYLOCK NUT MC GR5
44	1	473758	6MM X 1.00 NYLON-LOCK HEX NUT
45	1	473759	12MM-1.75 HEX JAM NUT YZ
46	2	473761	6MM-1.00 X 20MM FLT HD SCR
47	1	473762	6MM-1.00 X 45 PAN HD PHL SCREW
48	1	473767	6MM-1.00 HEX NUT
49	2	473787	6MM-1.00 X 25MM HEX BOLT GR8
50	2	473988	1/2-13UNC NYLOCK NUT SS
51	1	658019	GLASS DOOR, DTS
52	4	900000	1/4UNC X 1/2 HHCS GR5 MC
53	2	900348	1/2UNC X 6 HHCS SS
54	1	903706	10-32X1/2 PHIL PAN MACH SCR
55	2	903904	4-40 X 3/8 PHIL PAN MACH SCR
56	2	903906	#4-40 X 5/8 PHIL PAN HD SCR
57	4	910031	#4-40UNC NYLOCK NUT MC GR2
58	4	910133	USS FLAT WASHER 5/16 BZ

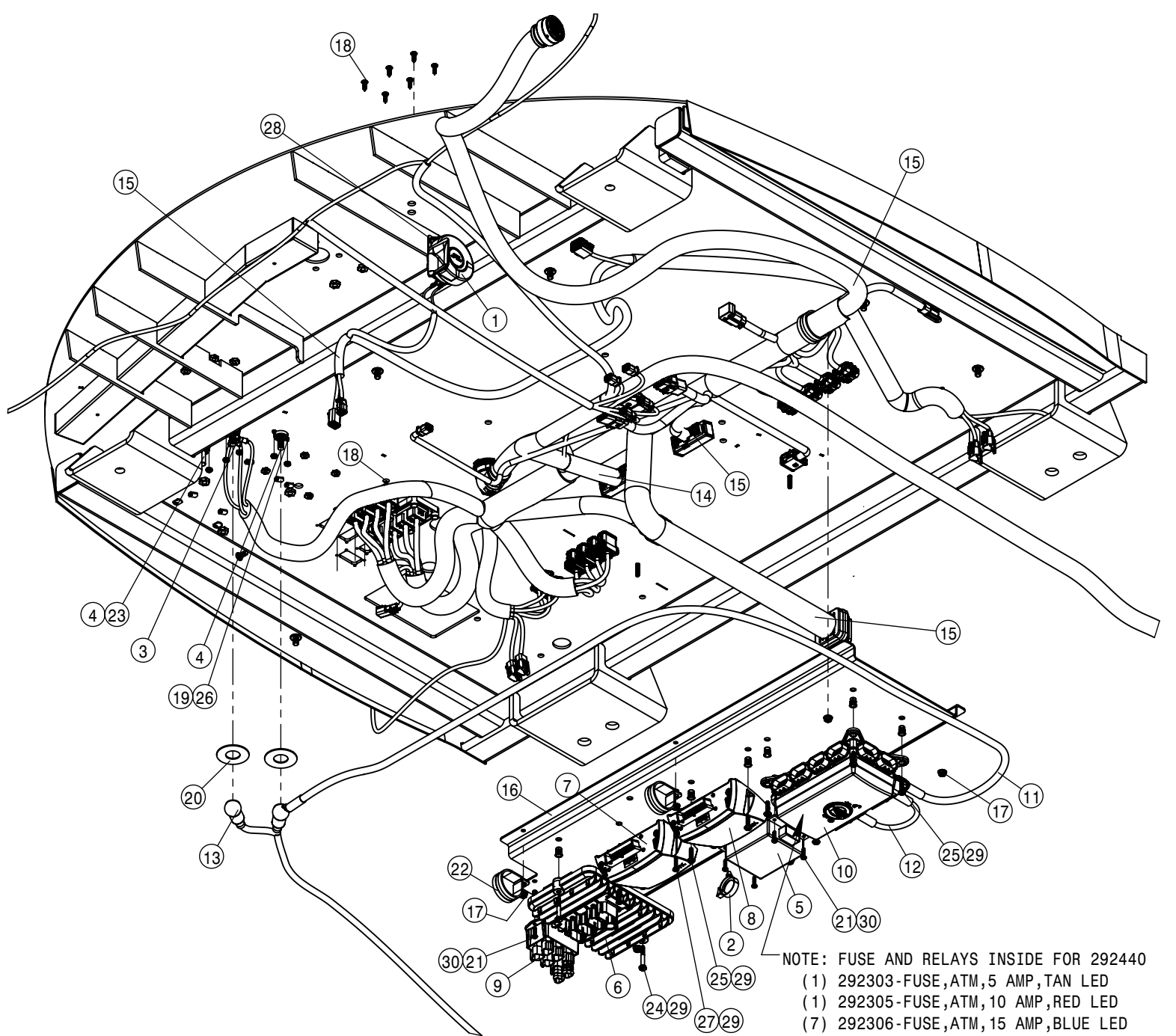
NOTE: FUSES AND RELAYS INSIDE FOR 292108  
 (1) 292301-FUSE,ATM,3 AMP,VIOLET LED  
 (5) 292303-FUSE,ATM,5 AMP,TAN LED  
 (5) 292305-FUSE,ATM,10 AMP,RED LED  
 (9) 292306-FUSE,ATM,15 AMP,BLUE LED  
 (19) 292307-FUSE,ATM,20 AMP,YELLOW LED  
 (1) 292308-FUSE,ATM,25 AMP,NATURAL LED  
 (5) 292029-5-PIN MICRO RELAY W/DIODE 35A  
 (3) 292018-4-PIN MICRO RELAY 20A



DETAIL A

CAB ELECTRICAL-TOP ASSEMBLY			
DET	QTY	P/N	DESCRIPTION
1	1	291749	TERM BLOCK, BLACK, 3/8-16 THRU
2	2	291750	TERM BLOCK, RED, 3/8-16 THRU
3	1	292108	DVEC - INTERIOR
4	1	292647	CABLE - BATTERY POWER STS
5	1	292648	CABLE - DVEC POWER STS
6	1	292761	SOLID STATE MCR
7	1	292762	CABLE - SWITCH POWER STS
8	2	294200	HARNESS - ROOF STS
9	1	294204	HARNESS - 12V POWER PLUG STS
10	2	294207	HARNESS - BEACON STS
11	1	294210	HARNESS - PRES SWITCH STS
12	1	294211	HARNESS - E-STOP STS
13	1	294212	HARNESS - SPEAKER STS
14	1	294215	HARNESS - SEAT POD STS
15	1	294276	HARNESS, CAB SWITCH DTS
NS	1	294324	HARNESS, WINDSHIELD WASHER EXT
NS	1	294373	PRECISION INTERFACE HARN. -2018

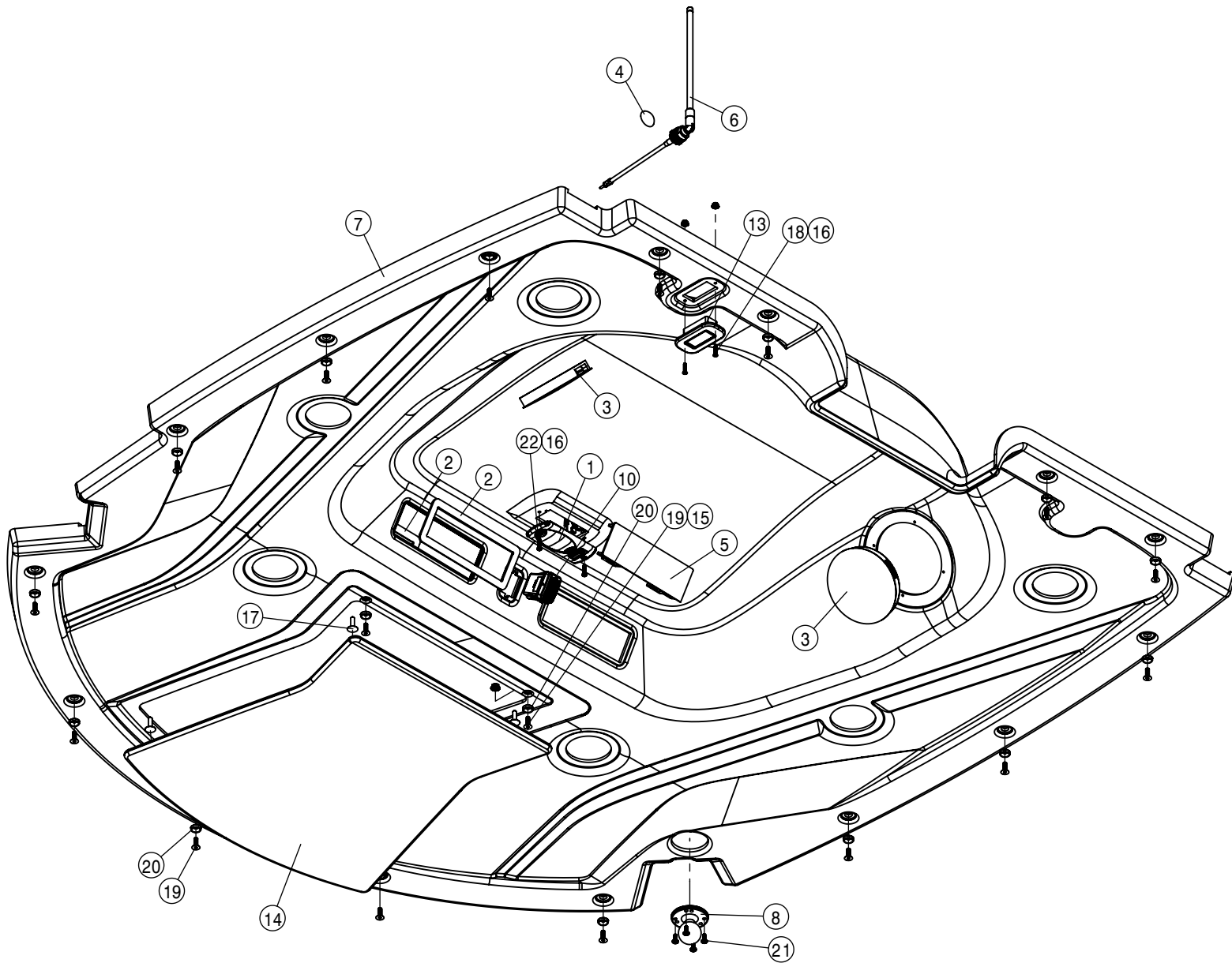
CAB ELECTRICAL-TOP ASSEMBLY			
DET	QTY	P/N	DESCRIPTION
18	1	294379	MAIN INT. HARNESS '18 STS/DTS
19	1	294425	HARNESS, SOLID STATE MCR
20	1	344310	CAB ELEC BRKT '15
21	1	345233	MCR MT BRKT
22	2	470118	1/4 UNC X 3/4 SER FLG BOLT
23	4	470121	1/4 UNC SERR FLG LOCK NUT
24	6	470465	#12 X 3/4 PHIL PAN SHT MTL SCR
25	8	470467	6-32 KEP NUT
26	4	470541	8-32 KEP NUT
27	8	470542	10-32 KEP NUT
28	8	903706	10-32X1/2 PHIL PAN MACH SCR
29	6	903711	1/4UNC X3/4PHIL PANHD MACH SCR
30	8	903812	6-32 X 1/2 PHIL PAN MACH SCR
31	4	903844	8-32 X 1/2 PHIL PANHD MACH SCR
32	4	903904	4-40 X 3/8 PHIL PAN MACH SCR
33	4	910029	4-40 HEX NUT
34	2	910112	SAE FLAT WASHER 1/4 SS



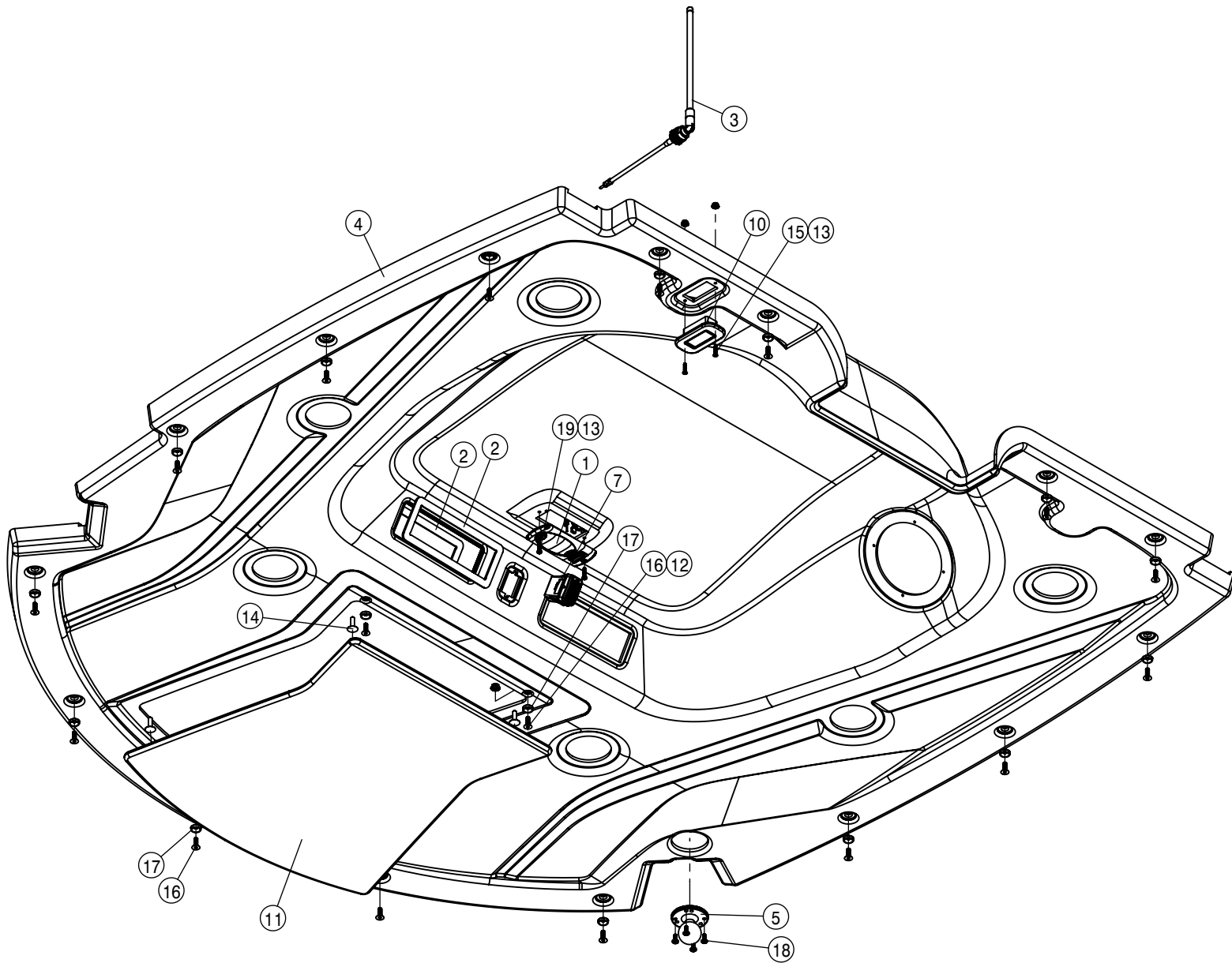
CAB ELECTRICAL-BOTTOM ASSEMBLY			
DET	QTY	P/N	DESCRIPTION
1	1	290062	HORN
2	1	291010	ROSEBUD CLIP FOR 1.00 CONDUIT
3	1	291749	TERM BLOCK,BLACK,3/8-16 THRU
4	2	291750	TERM BLOCK,RED,3/8-16 THRU
5	1	291910	FLASHER, SOLID STATE, 12V
6	1	292005	IQAN MC31
7	1	292086	IQAN-XA2 MODULE->611
8	1	292087	IQAN-XS2 MODULE>611
9	1	292406	J1939 JUNCTION MODULE
10	1	292440	DVEC - EXTERIOR
11	1	292645	CABLE - SSDVEC POWER CABLE
12	1	292650	CABLE - SSDVEC JUMPER
13	1	292691	CAB PWR,GND CABLE ASY
14	1	294267	DTS OPTION HARNESS
15	1	294293	HARNESS - MAIN CAB EXT D400

CAB ELECTRICAL-BOTTOM ASSEMBLY			
DET	QTY	P/N	DESCRIPTION
16	1	344541	BRKT-CAB ELEC MODULE MOUT
17	6	470121	1/4 UNC SERR FLG LOCK NUT
18	12	470465	#12 X 3/4 PHIL PAN SHT MTL SCR
19	6	470542	10-32 KEP NUT
20	2	470677	NYLON WASHER 1"ID, 2-1/4"OD, .075"W
21	6	472235	#10-32 UNF X 3/4 PHMS PH ZN
22	3	520161	CUSH CLAMP,#32 2"D-3/4W LOOP
23	1	629736	CAPLUGS CAP,.312 X 1.00 VINYL
24	2	900006	1/4UNC X 1 3/4 HHCS GR5 MC
25	6	903701	1/4-20 UNC X 1 PHMS PH ZN
26	6	903706	10-32X1/2 PHIL PAN MACH SCR
27	2	903894	#10-32 UNF X 1 PHMS PH ZN
28	1	910119	5/16-18UNC HEX FLG NUT SER SS
29	8	910127	1/4-20 NUTSERT .027-1.65 STL
30	6	910130	10-32 NUTSERT .020-.130 STL

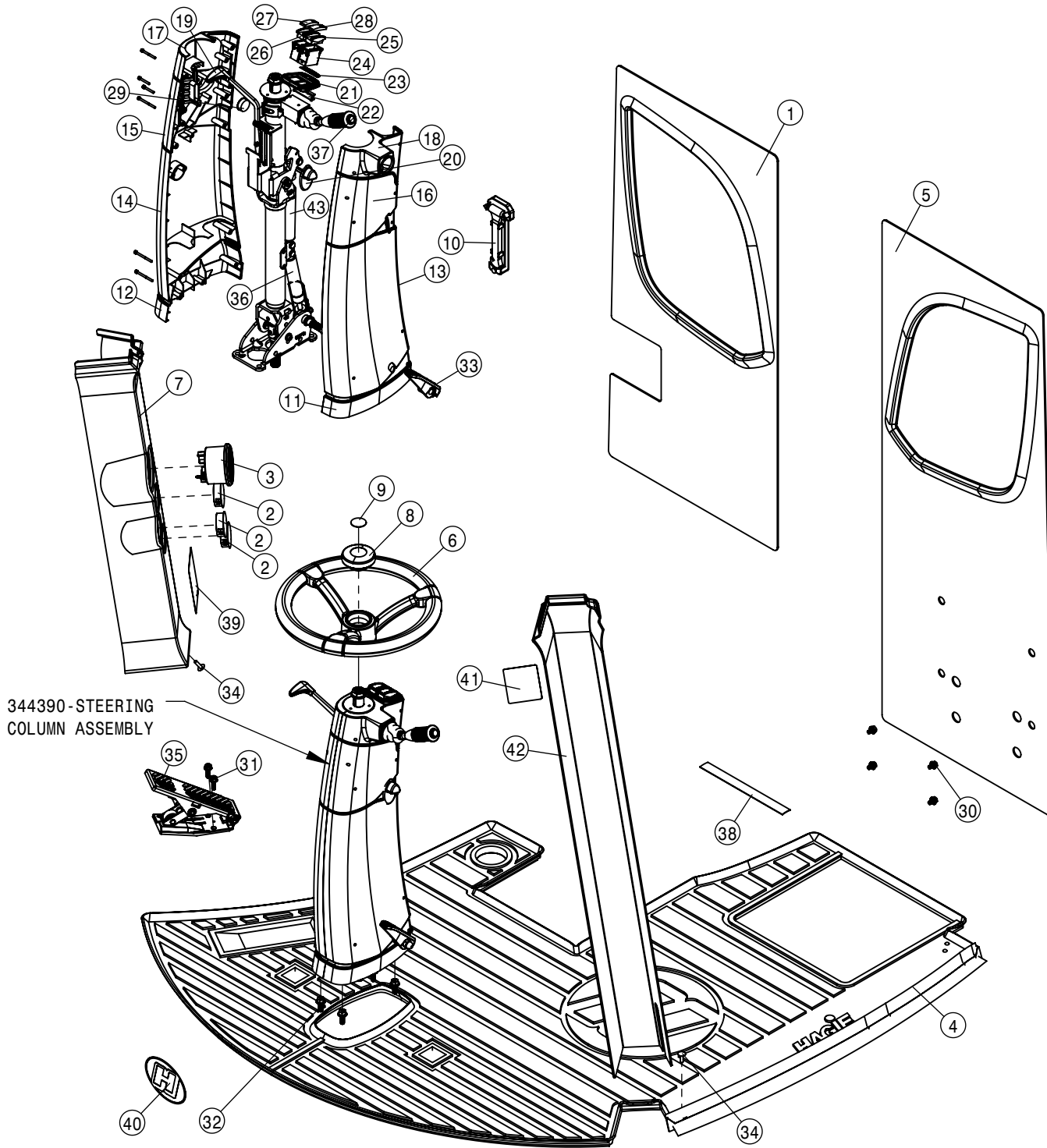




STANDARD HEADLINER ASSEMBLY			
DET	QTY	P/N	DESCRIPTION
	1	292620	DOMELIGHT
	2	343331	RADIO BEZEL,CAB, BLK PLASIC 05
	2	343893	SPEAKER COVER, DTS 10
	1	343899	ANTENNA HOLE PLUG, DTS
	1	343900	RADIO COVER STD CAB, DTS
	1	344177	ANTENNA - RADIO
	1	344349	HEADLINER
	1	344384	1.5" RAM BALL MNT BASE 2.50"
NS	1	344416	RADIO - PREMIUM
	1	344417	BLUETOOTH MIC
NS	1	344418	HARNESS - BLUETOOTH MIC
NS	2	344419	SPEAKER
	1	344459	GARMENT HOOK
	1	344825	HEADLINER ACCESS PANEL
	2	470121	1/4-20UNC HEX FLG NUT SER MC GR5
	4	470463	#8-32UNC HEX FLG NUT SER MC GR5
	4	470545	PUSH TREE FASTENER 1/4 X 1
	2	472376	#8-32 X 3/4 FLT HD PHIL SCREW
	17	472378	1/4-20 UNC X 3/4 FHSCS GR5 BZ
	17	472380	1/4 CNTR SNK WASH, NYLON
	4	903706	10-32X1/2 PHIL PAN MACH SCR
	2	903850	8-32 X 3/4 PHIL PAN MACH SCR BZ



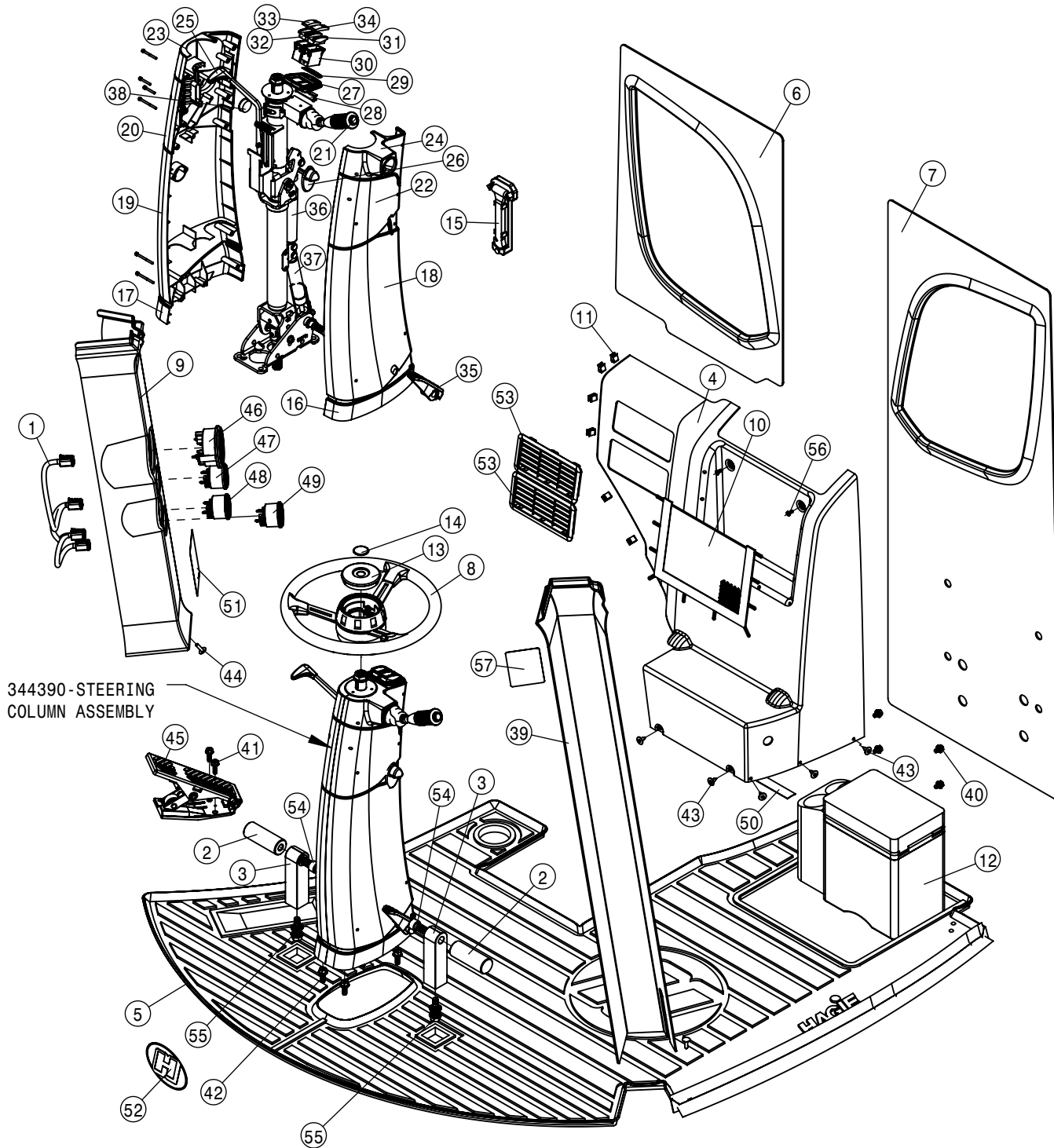
PREMIUM HEADLINER ASSEMBLY			
DET	QTY	P/N	DESCRIPTION
1	1	292620	DOMELIGHT
2	2	343331	RADIO BEZEL,CAB, BLK PLASIC 05
3	1	344177	ANTENNA - RADIO
4	1	344349	HEADLINER
5	1	344384	1.5" RAM BALL MNT BASE 2.50"
NS	1	344416	RADIO - PREMIUM
7	1	344417	BLUETOOTH MIC
NS	1	344418	HARNESS - BLUETOOTH MIC
NS	2	344419	SPEAKER
10	1	344459	GARMENT HOOK
11	1	344825	HEADLINER ACCESS PANEL
12	2	470121	1/4-20UNC HEX FLG NUT SER MC GR5
13	4	470463	#8-32UNC HEX FLG NUT SER MC GR5
14	4	470545	PUSH TREE FASTENER 1/4 X 1
15	2	472376	#8-32 X 3/4 FLT HD PHIL SCREW
16	17	472378	1/4-20 UNC X 3/4 FHSCS GR5 BZ
17	17	472380	1/4 CNTR SNK WASH, NYLON
18	4	903706	10-32X1/2 PHIL PAN MACH SCR
19	2	903850	8-32 X 3/4 PHIL PAN MACH SCR BZ



STANDARD CAB INTERIOR ASSEMBLY			
DET	QTY	P/N	DESCRIPTION
1	1	343866	RH REAR WALL LINER, DTS
2	3	343875	BLANK GAGE HOLE COVER, DTS
3	1	343889	STD CAB TIER IV GAGE, DTS
4	1	343916	FLOORMAT - MOLDED STD CAB, DTS
5	1	344348	LH REAR WALL LINER
6	1	344391	STEERING WHEEL - DELUXE
7	1	344397	RH A POST COVER
8	1	344574	CTR CAP STEERING WHEEL - DELUXE
9	1	344575	DECAL - STEERING WHEEL CENTER
10	1	344646	WINDOW BREAKING TOOL, STS'15
11	1	344686	LH SIDE-LWR COVER, STRG COLUMN
12	1	344687	RH SIDE-LWR COVER, STRG COLUMN
13	1	344688	LH SIDE-MID COVER, STRG COLUMN
14	1	344689	RH SIDE-MID COVER, STRG COLUMN
15	1	344690	RH SIDE-UPR COVER, STRG COLUMN

STANDARD CAB INTERIOR ASSEMBLY			
DET	QTY	P/N	DESCRIPTION
16	1	344692	LH SIDE-UPR COVER, STRG COLUMN
17	1	344693	RH SIDE-TOP COVER, STRG COLUMN
18	1	344694	LH SIDE-TOP COVER, STRG COLUMN
19	1	344695	UPR HANDLE RAL, STRG COLUMN
20	1	344696	LH UPR HANDLE RAL, STRG COLUMN
21	1	344697	SWITCH HOUSING, STRG COLUMN
22	1	344698	LIGHT 4LED 12V, STRG COLUMN
23	1	344699	INDICATOR PAD, STRG COLUMN
24	2	344700	SWITCH BASE, STRG COLUMN
25	1	344701	SWITCH ON/OFF SERIES 533
26	1	344702	SWITCH ON/OFF SERIES 533
27	1	344703	BLUE COVER, LIGHTS, 1-LED
28	1	344704	RED COVER, HAZARD SERIES 533
29	1	344734	RH CAP, STRG COLUMN
30	4	470232	5/16UNC X 1/2 HHSFB GR5 MC

STANDARD CAB INTERIOR ASSEMBLY			
DET	QTY	P/N	DESCRIPTION
31	2	470234	5/16UNC X 1 HHSFB GR5 MC
32	4	470460	3/8UNC X 1 HHSFB GR5 MC
33	1	344705	LEFT PEDAL, STRG COLUMN
34	2	470545	PUSH TREE FASTENER 1/4 X 1
35	1	470649	PEDAL - DECEL
36	1	344708	GAS SPRING 500N, STRG COLUMN
37	1	344691	LH SWITCH, WIPER/LIGHTS, STRG
38	1	490645	VHB TAPE 5952, BLACK
39	1	650479	JOYSTICK DECAL, STS'15
40	1	651008	DECAL - H-DOT FRONT GLASS 5.00"
41	1	N204628	LABEL, TACH OPENING
42	1	344823	LH A PSOT COVER,CAB W/DECAL
43	1	344707	GAS SPRING 400N, STRG COLUMN

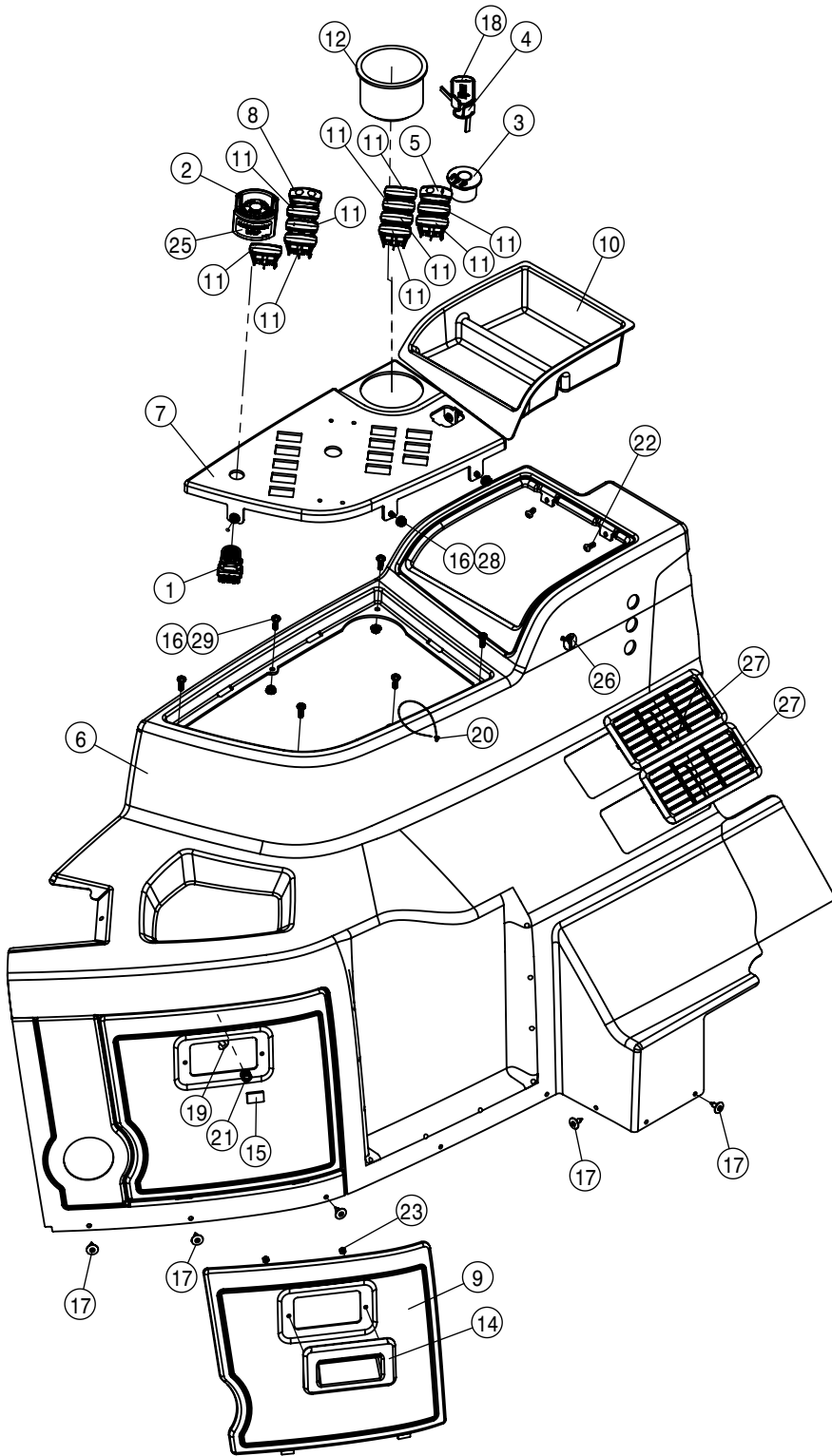


344390-STEERING  
COLUMN ASSEMBLY

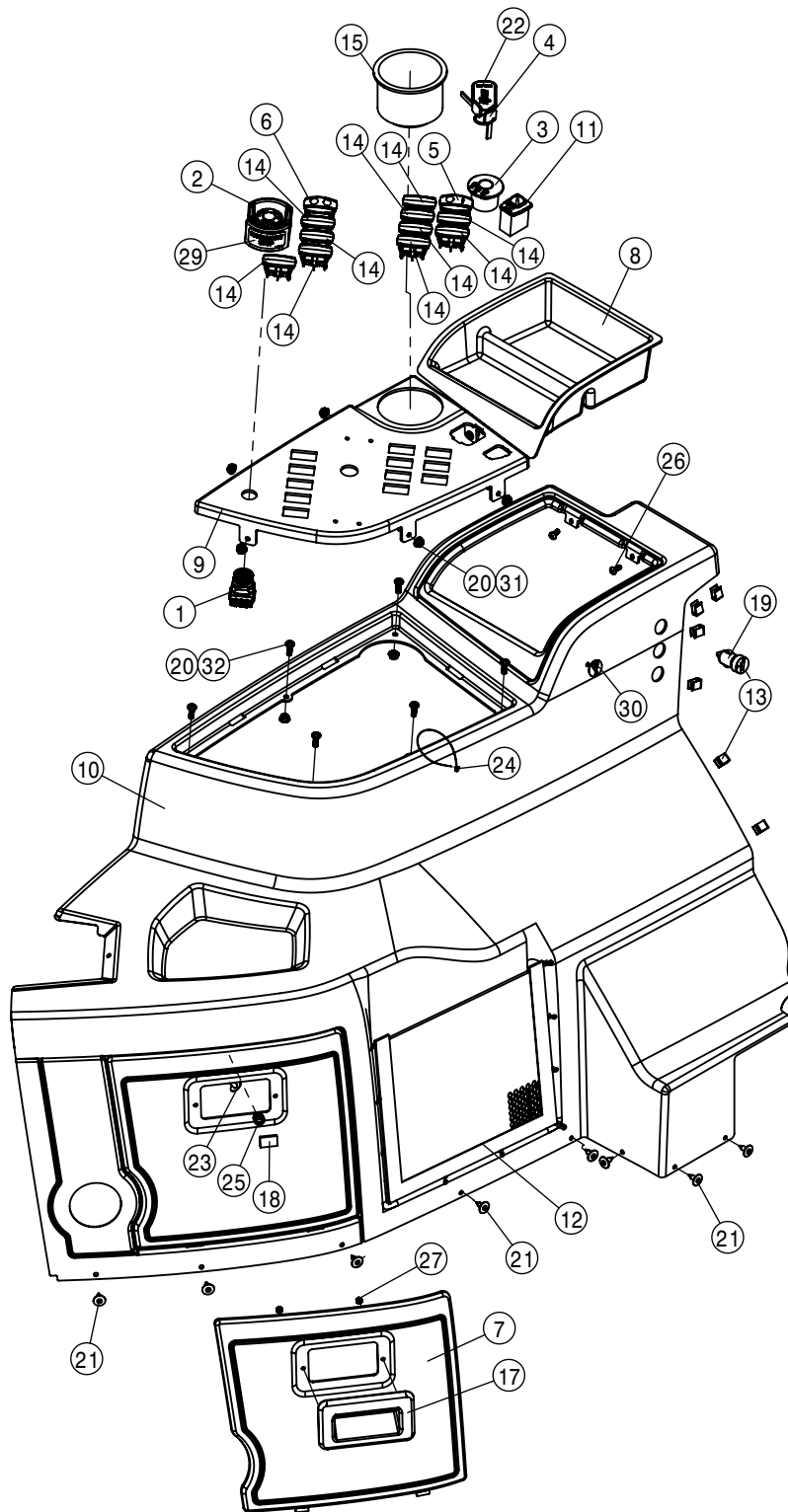
PREMIUM CAB INTERIOR ASSEMBLY			
DET	QTY	P/N	DESCRIPTION
1	1	294205	HARNES - A-POST GAUGE STS
2	2	344284	STS CAB FOOT PEG '14
3	2	344286	STS CAB FOOT PEG RISER
4	1	344308	REAR CONSOLE
5	1	344339	FLOORMAT - MOLDED
6	1	344347	RH REAR WALL LINER
7	1	344348	LH REAR WALL LINER
8	1	344392	STEERING WHEEL - PREMIUM
9	1	344397	RH A POST COVER
10	1	344411	CARGO NET - REAR CONSOLE
11	6	344413	"U" CLIP
12	1	344420	ELEC COOLER
13	1	344573	CTR CAP,STEERING WHEEL-PREMIUM
14	1	344575	DECAL - STEERING WHEEL CENTER
15	1	344646	WINDOW BREAKING TOOL, STS'15
16	1	344686	LH SIDE-LWR COVER, STRG COLUMN
17	1	344687	RH SIDE-LWR COVER, STRG COLUMN
18	1	344688	LH SIDE-MID COVER, STRG COLUMN
19	1	344689	RH SIDE-MID COVER, STRG COLUMN

PREMIUM CAB INTERIOR ASSEMBLY			
DET	QTY	P/N	DESCRIPTION
20	1	344690	RH SIDE-UPR COVER, STRG COLUMN
21	1	344691	LH SWITCH, WIPER/LIGHTS, STRG
22	1	344692	LH SIDE-UPR COVER, STRG COLUMN
23	1	344693	RH SIDE-TOP COVER, STRG COLUMN
24	1	344694	LH SIDE-TOP COVER, STRG COLUMN
25	1	344695	UPR HANDLE RAL, STRG COLUMN
26	1	344696	LH UPR HANDLE RAL, STRG COLUMN
27	1	344697	SWITCH HOUSING, STRG COLUMN
28	1	344698	LIGHT 4LED 12V, STRG COLUMN
29	1	344699	INDICATOR PAD, STRG COLUMN
30	2	344700	SWITCH BASE, STRG COLUMN
31	1	344701	SWITCH ON/OFF SERIES 533
32	1	344702	SWITCH ON/OFF SERIES 533
33	1	344703	BLUE COVER, LIGHTS, 1-LED
34	1	344704	RED COVER, HAZARD SERIES 533
35	1	344705	LEFT PEDAL, STRG COLUMN
36	1	344707	GAS SPRING 400N, STRG COLUMN
37	1	344708	GAS SPRING 500N, STRG COLUMN
38	1	344734	RH CAP, STRG COLUMN

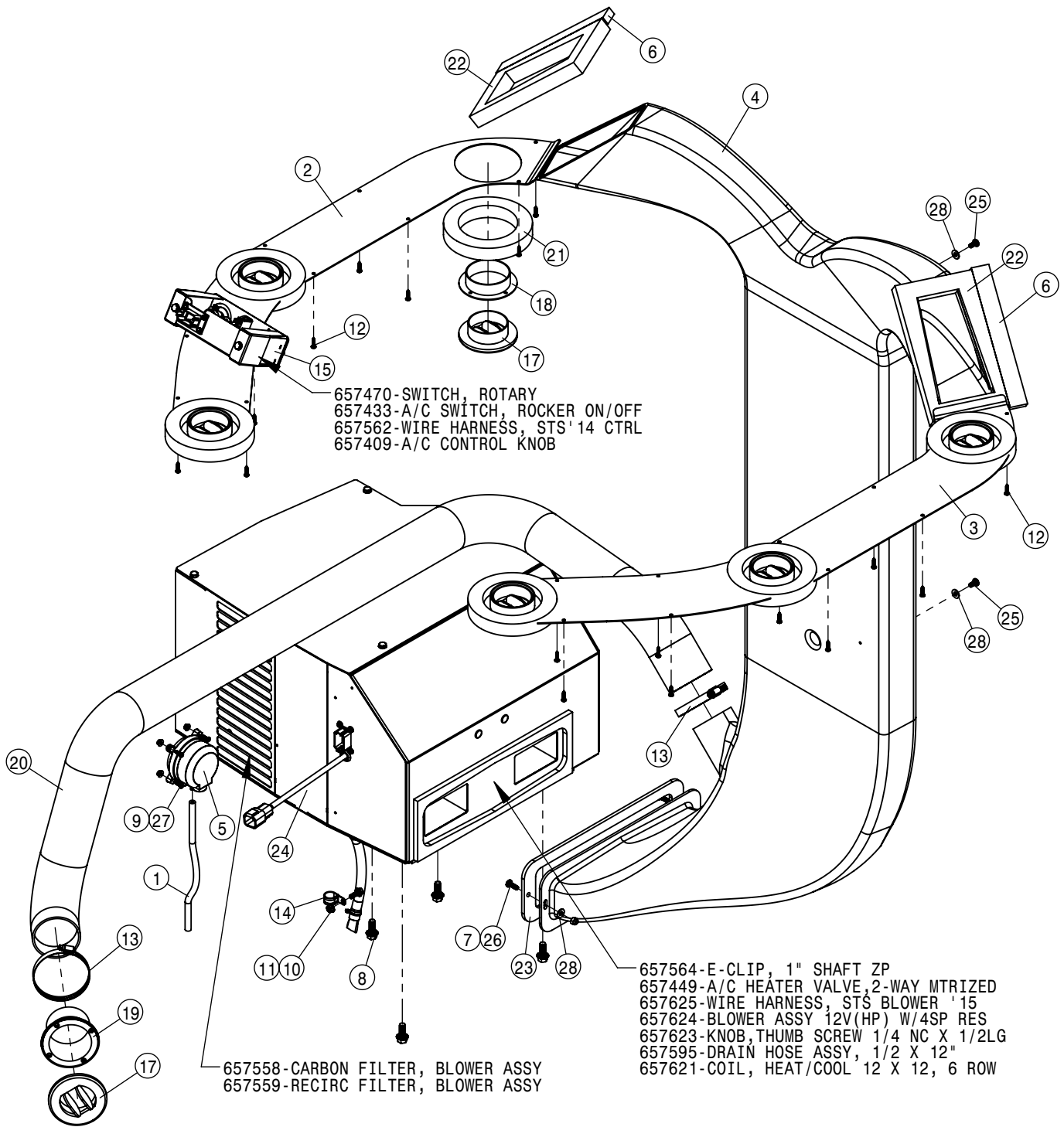
PREMIUM CAB INTERIOR ASSEMBLY			
DET	QTY	P/N	DESCRIPTION
39	1	344823	LH A PSOT COVER,CAB W/DECAL
40	4	470232	5/16UNC X 1/2 HHSFB GR5 MC
41	2	470234	5/16UNC X 1 HHSFB GR5 MC
42	4	470460	3/8UNC X 1 HHSFB GR5 MC
43	5	470466	1/4 X 3/4 PLTC LCK RIVET
44	2	470545	PUSH TREE FASTENER 1/4 X 1
45	1	470649	PEDAL - DECEL
46	1	470650	GAUGE - 3" RPM
47	1	470651	GAUGE - 2" FUEL
48	1	470652	GAUGE - 2" COOLANT TEMP
49	1	470654	GAUGE, DEF 2" '14
50	1	490645	VHB TAPE 5952, BLACK
51	1	650479	JOYSTICK DECAL, STS'15
52	1	651008	DECAL - H-DOT FRONT GLASS 5.00"
53	2	657549	2412, 4"X8" Louver Grill
54	2	900396	5/8UNC X 2 SOCKET CAP SCR
55	4	900516	1/2UNC X 1 HHSFB GR5 MC
56	2	903706	10-32X1/2 PHIL PAN MACH SCR
57	1	N204628	LABEL, TACH OPENING



STANDARD CONSOLE ASSEMBLY			
DET	QTY	P/N	DESCRIPTION
1	1	290081	E-STOP SWITCH,LED MUSHROOM
2	1	290089	E-STOP SHROUD, STS '11
3	1	291916	IGNITION SWITCH
4	2	291917	IGNITION KEY FOR 291916
5	1	292274	SWITCH - TRACTION CONTROL
6	1	343873	CONSOLE BODY, X8 DTS
7	1	343912	CONSOLE SWITCH PANEL, NO MRR
8	1	344179	SWITCH - 4-2 '18
9	1	344306	CONSOLE DOOR
10	1	344307	CONSOLE TRAY
11	10	344461	HOLE PLUG - CONTURA V
12	1	344462	CUP HOLDER - LARGE
NS	4	344464	POWER OUTLET 12V
14	1	344465	DOOR HANDLE
15	1	344514	PLATE - CONSOLE DOOR
16	12	470121	1/4-20UNC HEX FLG NUT SER MC GR5
17	5	470466	1/4 X 3/4 PLTC LCK RIVET
18	1	470544	HAGIE KEY CHAIN
19	1	470545	PUSH TREE FASTENER 1/4 X 1
20	1	470609	8" BEAD CHAIN
21	1	470676	MORTISE MOUNT-PULL MAG CATCH
22	2	472344	1/4-20 UNC X 5/8 BHCS GR5 MC
23	2	473870	M5 HEX NUT
NS	1	493673	STS TOOL INSTRUCTION SHEET
25	1	650278	DECAL, E-STOP, STS '11
26	1	650467	DECAL - AUX 2
27	2	657549	2412, 4"X8" Louver Grill
28	6	903708	1/4UNC X1/2PHIL PANHD MACH SCR
29	6	903711	1/4UNC X3/4PHIL PANHD MACH SCR

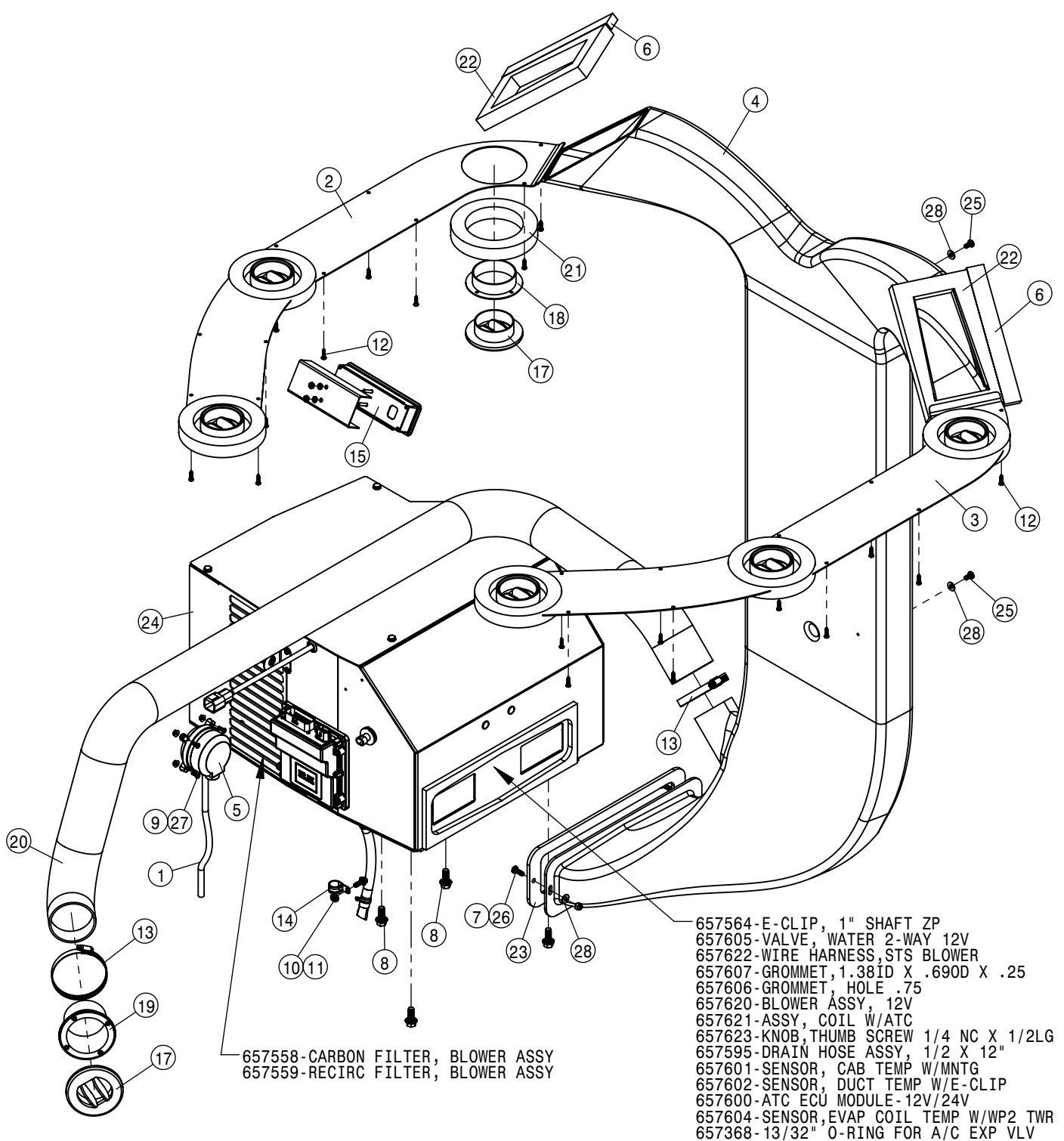


PREMIUM CONSOLE ASSEMBLY			
DET	QTY	P/N	DESCRIPTION
1	1	290081	E-STOP SWITCH,LED MUSHROOM
2	1	290089	E-STOP SHROUD, STS '11
3	1	291916	IGNITION SWITCH
4	2	291917	IGNITION KEY FOR 291916
5	1	292274	SWITCH - TRACTION CONTROL
6	1	344179	SWITCH - 4-2 '18
7	1	344306	CONSOLE DOOR
8	1	344307	CONSOLE TRAY
9	1	344309	CONSOLE SWITCH PANEL
10	1	344407	CONSOLE BODY
11	1	344409	SWITCH - POWER MIRROR
12	1	344410	CARGO NET - SIDE CONSOLE
13	6	344413	"U" CLIP
14	10	344461	HOLE PLUG - CONTURA V
15	1	344462	CUP HOLDER - LARGE
NS	4	344464	POWER OUTLET 12V
17	1	344465	DOOR HANDLE
18	1	344514	PLATE - CONSOLE DOOR
19	1	344555	USB CHARGING ADAPTER - DC
20	12	470121	1/4-20UNC HEX FLG NUT SER MC GR5
21	8	470466	1/4 X 3/4 PLTC LCK RIVET
22	1	470544	HAGIE KEY CHAIN
23	1	470545	PUSH TREE FASTENER 1/4 X 1
24	1	470609	8" BEAD CHAIN
25	1	470676	MORTISE MOUNT-PULL MAG CATCH
26	2	472344	1/4-20 UNC X 5/8 BHCS GR5 MC
27	2	473870	M5 HEX NUT
NS	1	493673	STS TOOL INSTRUCTION SHEET
29	1	650278	DECAL, E-STOP, STS '11
30	1	650467	DECAL - AUX 2
31	6	903708	1/4UNC X1/2PHIL PANHD MACH SCR
32	6	903711	1/4UNC X3/4PHIL PANHD MACH SCR



STANDARD HVAC ASSEMBLY			
DET	QTY	P/N	DESCRIPTION
1	1	317315	HOSE - HVAC PRESSURE
2	1	344361	PLATE, ROOF DUCT COVER RH, STSCAB' 14
3	1	344362	PLATE, ROOF DUCT COVER LH, STSCAB' 14
4	1	344366	DUCT HVAC - STS CAB
5	1	344425	PRESSURE SWITCH - HVAC
6	2	344576	TEMP SEAL DUCT, STS' 14
7	2	470089	1/4UNC HEX NYL-LOC NUT
8	4	470460	3/8 X 1" SERR FLG BOLT
9	4	470463	8-32 SERR FLANGE NUT
10	1	473832	1/4UNC HEX FLANGE LOCK NUT SS
11	1	473834	1/4UNC X 3/4 SER FLG BOLT SS
12	20	473990	#8 X 3/4 PHIL PAN SHTMTL(A)SCR
13	2	520052	HOSE CLAMP NO 52 STAINLESS
14	1	520104	CUSH HOSE CLMP,#12, 3/4D x 1/2W

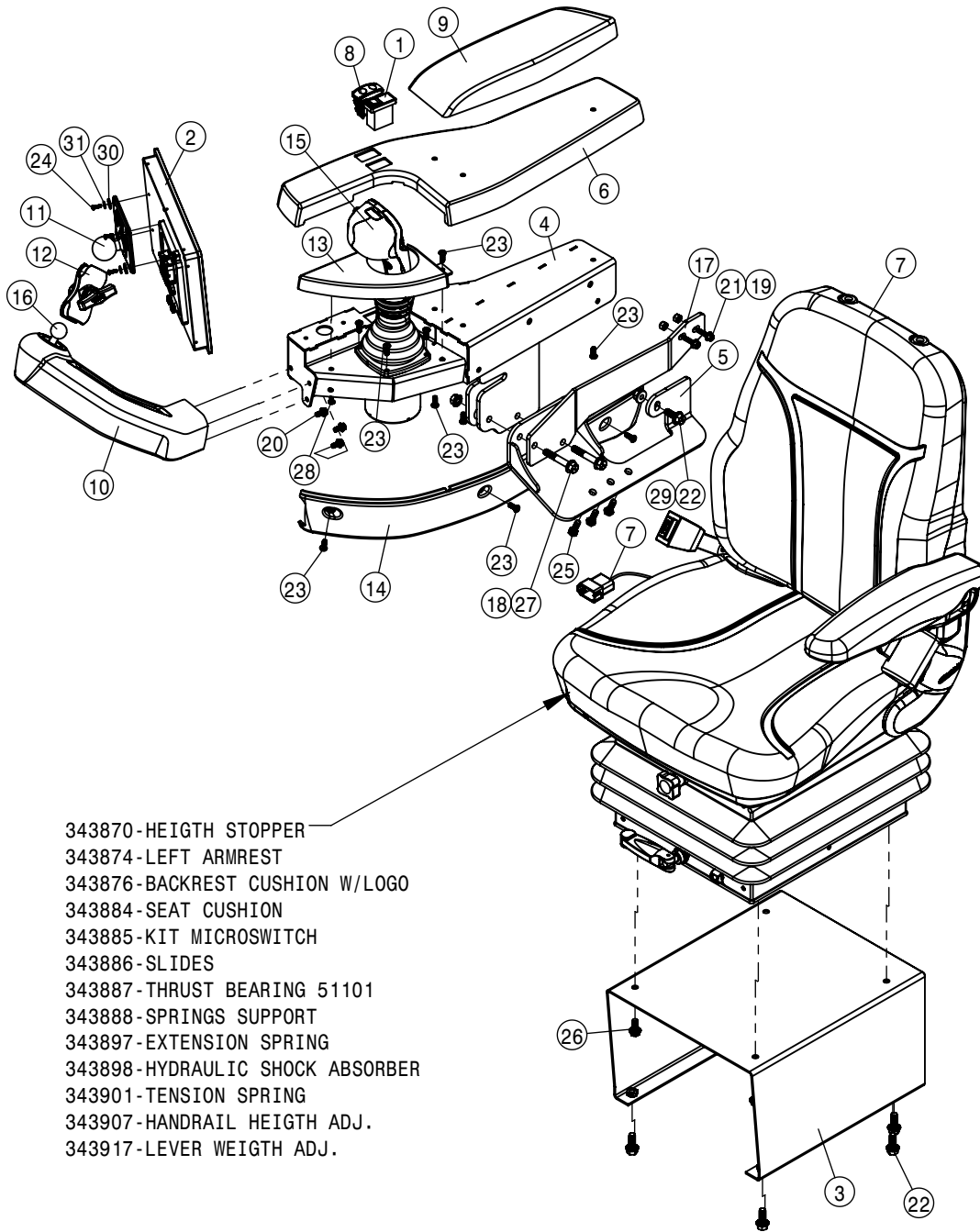
STANDARD HVAC ASSEMBLY			
DET	QTY	P/N	DESCRIPTION
15	1	657542	HVAC CONTROL - MANUAL, STS' 14
NS	1	657544	HARNESS - HVAC MAN CONTROL
17	7	657546	LOUVER, 4" W/O MNT
18	6	657547	PANEL MNT, LOUVER (THK PANEL)
19	1	657548	PANEL MNT, LOUVER (THK PANEL)
20	1	657550	HOSE - 3IN HVAC
21	6	657552	GASKET SEAL ROOF LOUVER
22	2	657553	GASKET SEAL ROOF LOUVER
23	1	657556	GASKET SEAL ROOF LOUVER
24	1	657560	HVAC STANDARD CONTROL ENHANCED
25	2	903708	1/4UNC X1/2PHIL PANHD MACH SCR
26	2	903711	1/4UNC X3/4PHIL PANHD MACH SCR
27	4	903844	8-32 X 1/2 PHIL PANHD MACH SCR
28	4	920000	1/4 SAE FLAT WASHER



PREMIUM HVAC ASSEMBLY			
DET	QTY	P/N	DESCRIPTION
1	1	317315	HOSE - HVAC PRESSURE
2	1	344361	PLATE, ROOF DUCT COVER RH, STSCAB' 14
3	1	344362	PLATE, ROOF DUCT COVER LH, STSCAB' 14
4	1	344366	DUCT HVAC - STS CAB
5	1	344425	PRESSURE SWITCH - HVAC
6	2	344576	TEMP SEAL DUCT, STS' 14
7	2	470089	1/4UNC HEX NYL-LOC NUT
8	4	470460	3/8 X 1" SERR FLG BOLT
9	4	470463	8-32 SERR FLANGE NUT
10	1	473832	1/4UNC HEX FLANGE LOCK NUT SS
11	1	473834	1/4UNC X 3/4 SER FLG BOLT SS
12	20	473990	#8 X 3/4 PHIL PAN SHTMTL(A)SCR
13	2	520052	HOSE CLAMP NO 52 STAINLESS
14	1	520104	CUSH HOSE CLMP,#12, 3/4D x 1/2W

PREMIUM HVAC ASSEMBLY			
DET	QTY	P/N	DESCRIPTION
15	1	657543	HVAC-CTRL-AUTO,CAB
NS	1	657545	HARNESS-HVAC AUTO CTRL STS' 14
17	7	657546	LOUVER, 4" W/O MNT
18	6	657547	PANEL MNT, LOUVER (THK PANEL)
19	1	657548	PANEL MNT, LOUVER (THK PANEL)
20	1	657550	HOSE - 3IN HVAC
21	6	657552	GASKET SEAL ROOF LOUVER
22	2	657553	GASKET SEAL ROOF LOUVER
23	1	657556	GASKET SEAL ROOF LOUVER
24	1	657561	BLOWER UNIT-AUT TMP CTRL STS' 15
25	2	903708	1/4UNC X1/2PHIL PANHD MACH SCR
26	2	903711	1/4UNC X3/4PHIL PANHD MACH SCR
27	4	903844	8-32 X 1/2 PHIL PANHD MACH SCR
28	4	920000	1/4 SAE FLAT WASHER

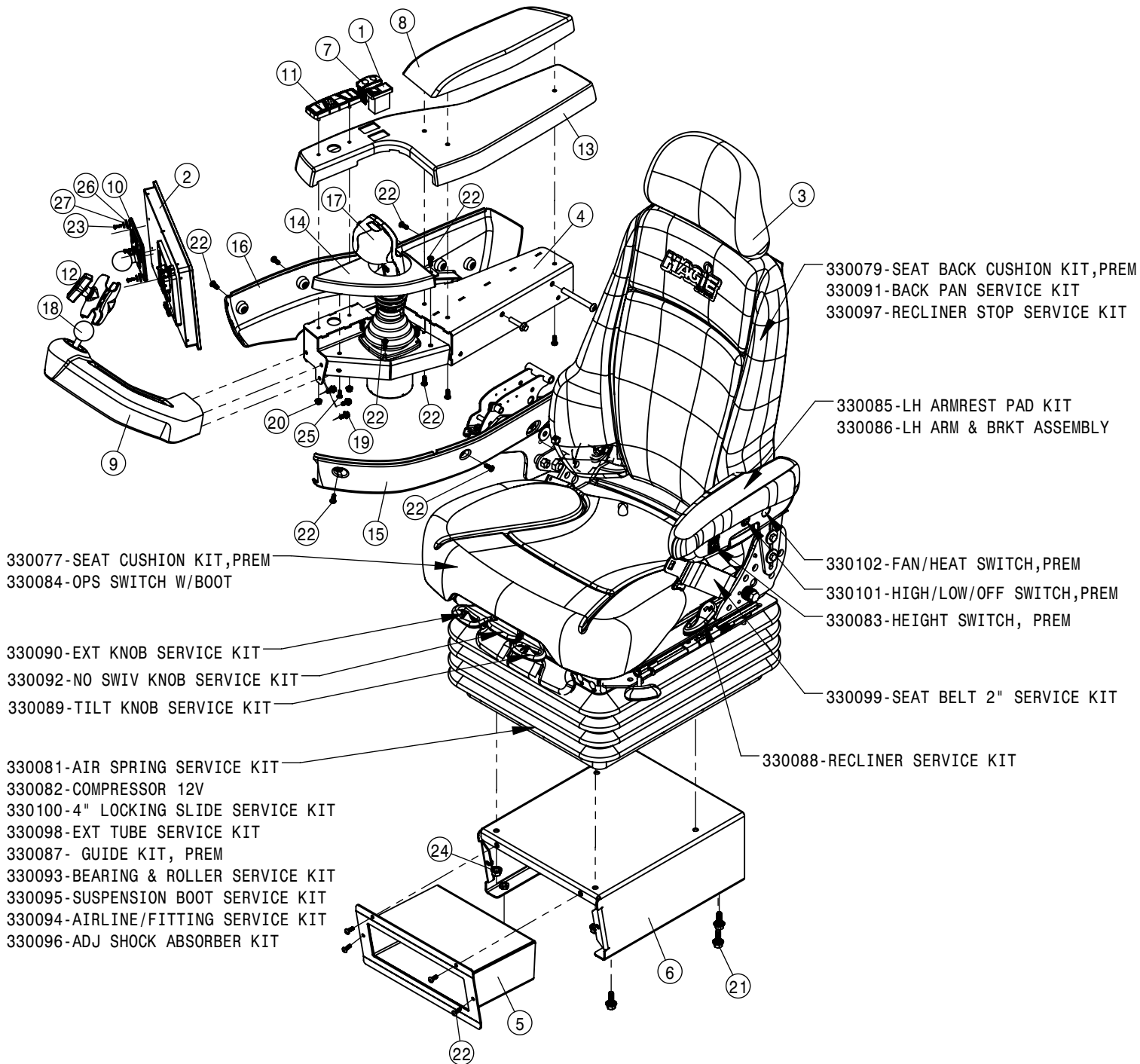




- 343870-HEIGHT STOPPER
- 343874-LEFT ARMREST
- 343876-BACKREST CUSHION W/LOGO
- 343884-SEAT CUSHION
- 343885-KIT MICROSWITCH
- 343886-SLIDES
- 343887-THRUST BEARING 51101
- 343888-SPRINGS SUPPORT
- 343897-EXTENSION SPRING
- 343898-HYDRAULIC SHOCK ABSORBER
- 343901-TENSION SPRING
- 343907-HANDRAIL HEIGHT ADJ.
- 343917-LEVER WEIGHT ADJ.

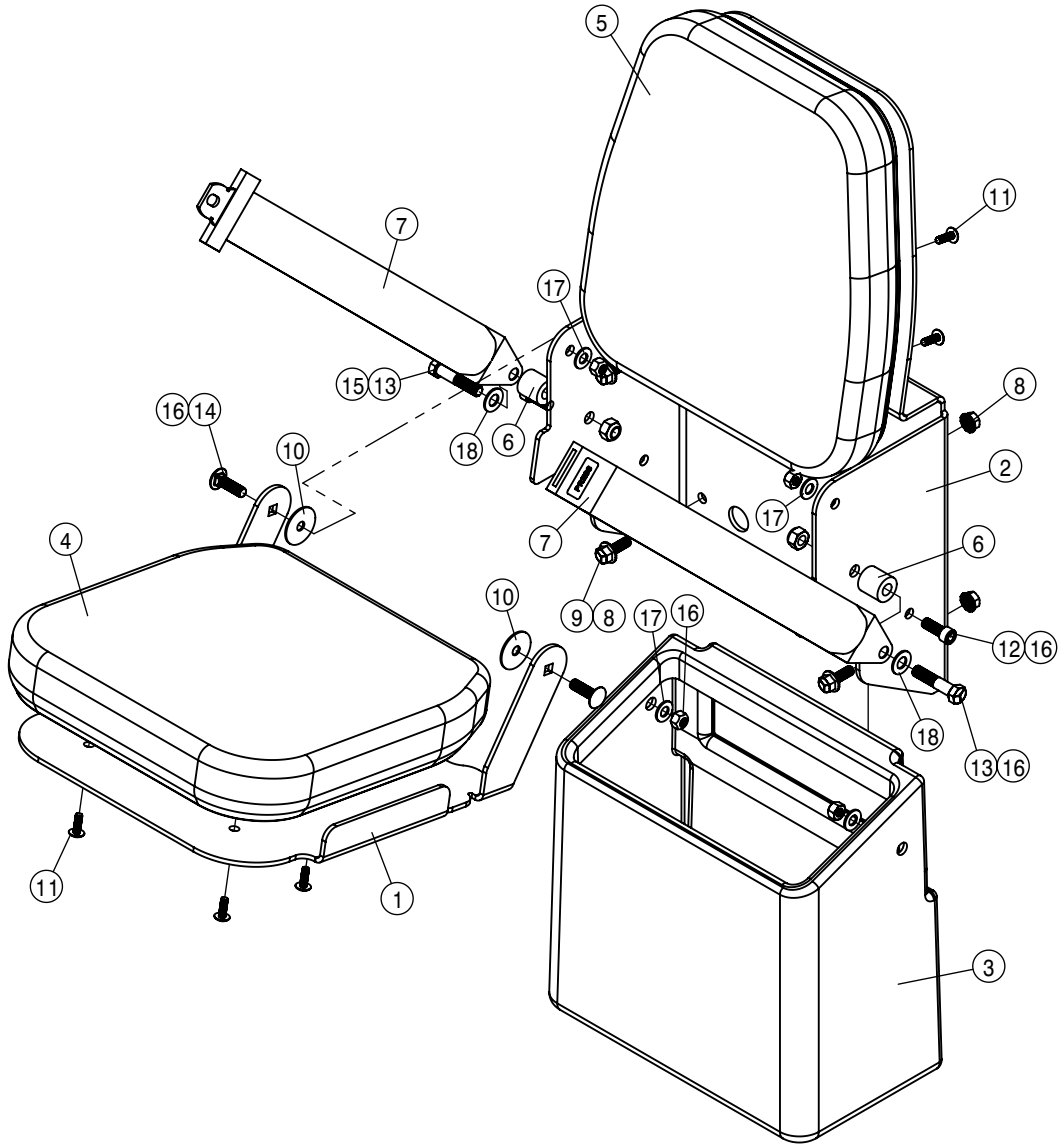
STANDARD SEAT ASSEMBLY			
DET	QTY	P/N	DESCRIPTION
1	1	292201	SWITCH, BRAKE, STS
2	1	292628	PARKER MD4-10" TOUCH DISPLAY
3	1	343865	SEAT RISER WLDMNT STANDARD CAB
4	1	343880	STD SEAT POD WLD, DTS
5	1	343913	STD SEAT POD SUPP WLD, DTS
6	1	343915	UPR POD COVER STD SEAT, DTS
7	1	343918	DTS STD SEAT ELECTRICAL
8	1	344311	SWITCH - THROTTLE
9	1	344340	ARMREST POD, ASSY, STSCAB'14
10	1	344342	POD DISPLAY MNT ASSY MOLDED, STSCAB'14
11	1	344386	1.5" RAM BALL MNT BASE 3.625"SQ
12	1	344491	RAM SHRT SCKT ARM 1.5" BALL
13	1	344517	POD MIDDLE, CAB
14	1	344518	POD INNER, CAB
15	1	344656	JOYSTICK, CAB
16	1	344988	1.5" RAM BALL MT 1/4UNC THRD

STANDARD SEAT ASSEMBLY			
DET	QTY	P/N	DESCRIPTION
17	1	345525	POD SUPPORT BRKT
18	2	470087	3/8-16UNC HEX FLG NUT SER MC GR5
19	2	470089	1/4-20UNC NYLOCK NUT MC GR5
20	4	470122	1/4 UNC X 1/2 SERR FLG BOLT
21	2	470231	1/4UNC X 1 HHSFB GR5 MC
22	7	470460	3/8 X 1" SERR FLG BOLT
23	11	472344	1/4UNCX5/8 ALHD BUTTON CAP SCR
24	4	473701	4MM-0.70 x 12 PAN HD PHL SCREW
25	3	473816	8MM-1.25 X 25MM HEX BOLT
26	4	473873	M8 x 20MM LG SERR FLANGE HEX BOLT
27	2	900509	3/8UNC X 2 1/4 HHSFB GR5 MC
28	1	903706	10-32X1/2 PHIL PAN MACH SCR
29	1	910106	3/8-16UNC CTRLK FLG NUT MC GR5
30	4	920000	SAE FLAT WASHER 1/4 MC
31	4	920021	SAE FLAT WASHER #8 MC

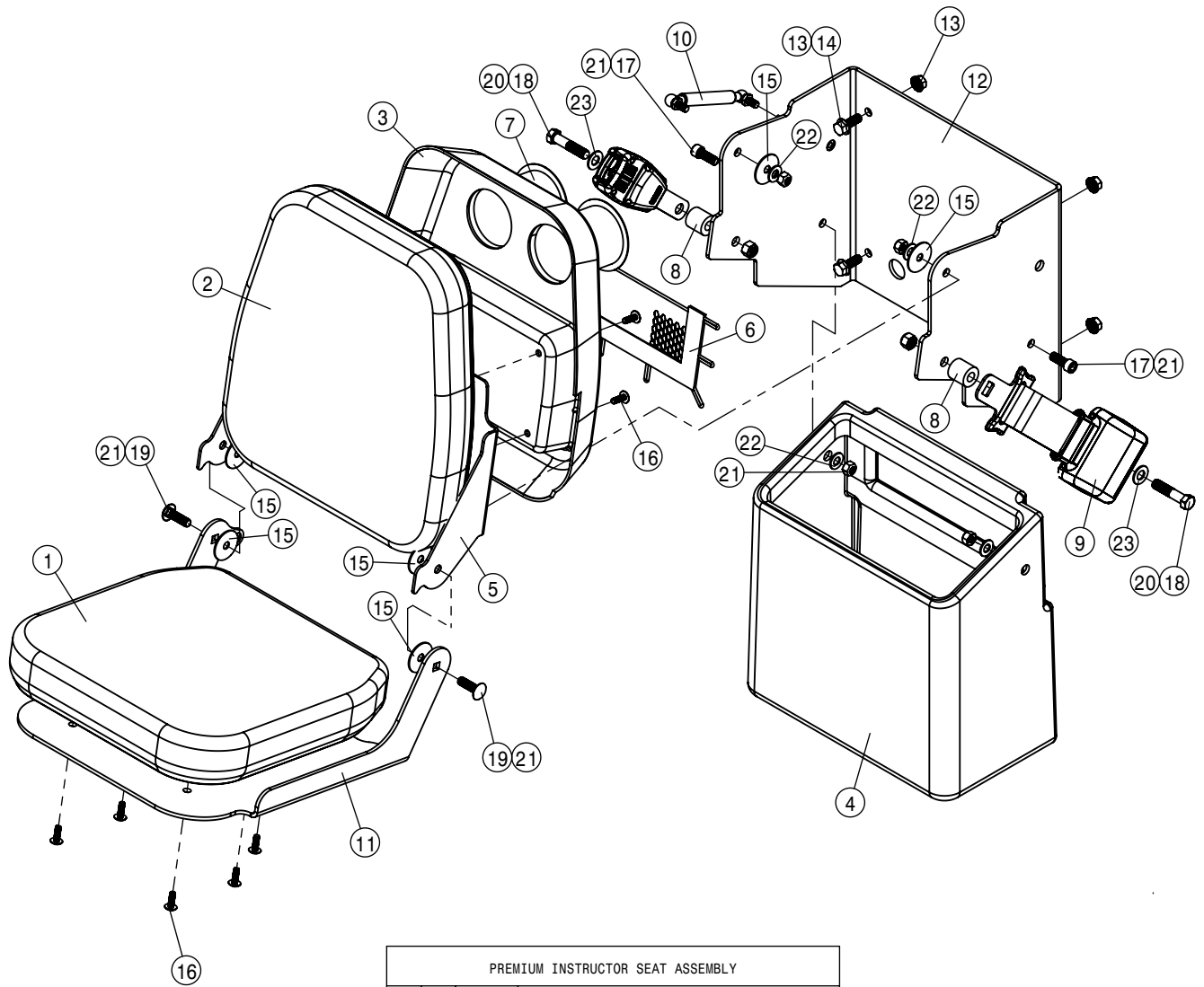


PREMIUM SEAT ASSEMBLY			
DET	QTY	P/N	DESCRIPTION
1	1	292201	SWITCH, BRAKE, STS
2	1	292628	PARKER MD4-10" TOUCH DISPLAY
3	1	330068	SEAT - PREMIUM, CAB STS' 14
4	1	344167	POD STRUCTURE WLDMT
5	1	344279	STS CAB FIRST AID WLDMNT '14
6	1	344280	STS CAB SEAT RSR WLDMNT '14
7	1	344311	SWITCH - THROTTLE
8	1	344340	ARMREST POD, ASSY, STSCAB '14
9	1	344342	POD DISPLAY MNT ASSY MOLDED, STSCAB '14
10	1	344386	1.5" RAM BALL MNT BASE 3.625" SQ
11	1	344399	RADIO KEYPAD
12	1	344491	RAM SHRT SCKT ARM 1.5" BALL
13	1	344516	POD UPPER, CAB
14	1	344517	POD MIDDLE, CAB

PREMIUM SEAT ASSEMBLY			
DET	QTY	P/N	DESCRIPTION
15	1	344518	POD INNER, CAB
16	1	344519	POD OUTER
17	1	344656	JOYSTICK, CAB
18	1	344988	1.5" RAM BALL MT 1/4UNC THRD
19	4	470122	1/4 UNC X 1/2 SERR FLG BOLT
20	2	470175	#10-32UNF HEX FLG NUT SER MC GR5
21	6	470460	3/8UNC X 1 HHSFB GR5 MC
22	19	472344	1/4UNCX5/8 ALHD BUTTON CAP SCR
23	4	473701	4MM-0.70 x 12 PAN HD PHL SCREW
24	4	473866	M10 X 1.5 HEX SERR FLG NUT
25	1	903706	10-32X1/2 PHIL PAN MACH SCR
26	4	920000	SAE FLAT WASHER 1/4 MC
27	4	920021	SAE FLAT WASHER #8 MC

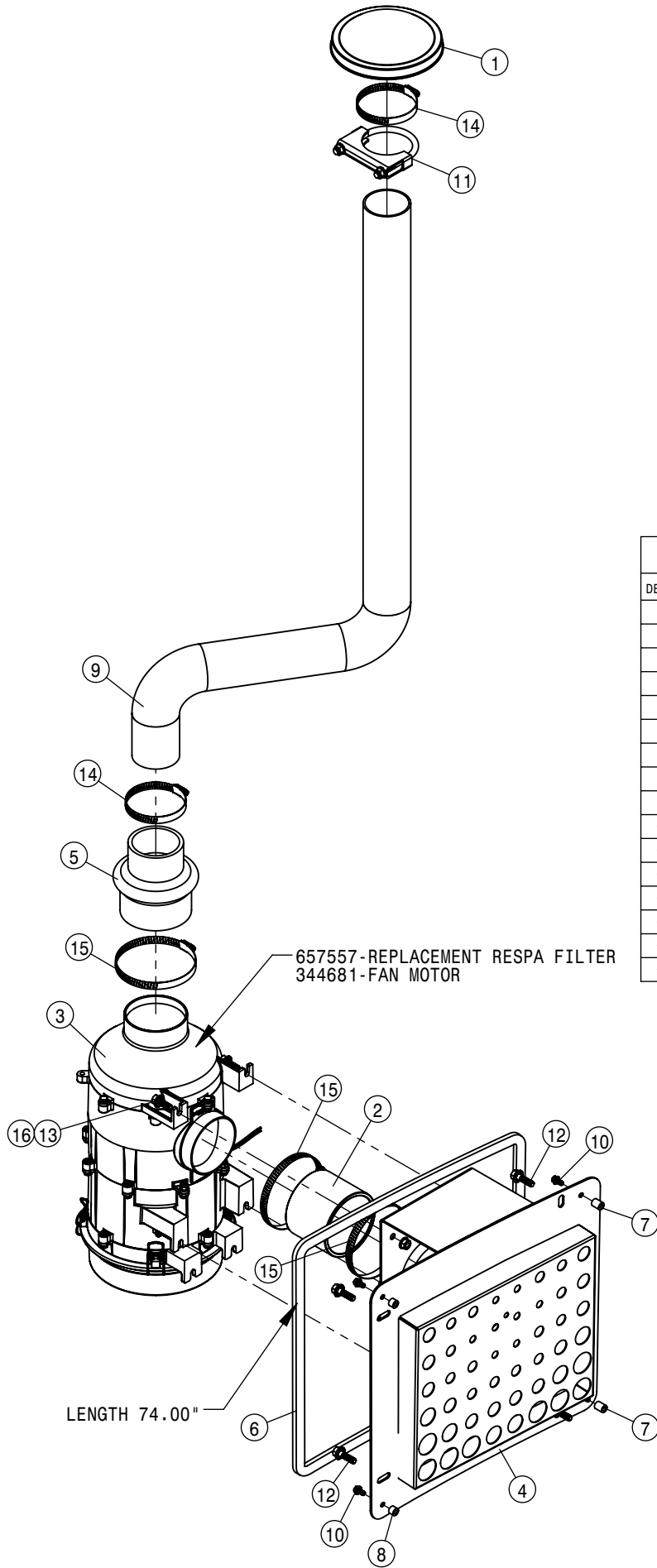


STANDARD INSTRUCTOR SEAT ASSEMBLY			
DET	QTY	P/N	DESCRIPTION
1	1	343895	BRKT BASE INSTRUCTOR SEAT MOUNT
2	1	343896	BRKT INSTRUCTOR SEAT MOUNT, DTS
3	1	344163	BIN STORAGE INSTRUCTOR SEAT
4	1	344174	CUSH BASE INST SEAT STD
5	1	344175	CUSH BACK INST SEAT STD
6	2	344489	INST SEAT BELT BUSHING, STS' 14
7	1	344811	LAP SEAT BELT STD SEAT, DTS
8	4	470087	3/8UNC HEX SERR FLANGE NUT
9	4	470460	3/8UNC X 1 HHSFB GR5 MC
10	2	470657	3/8 PTFE LOW-FRICT WASHER
11	10	472261	1/4UNC X 3/4 TRUSS HD BOLT
12	2	900172	3/8UNC X 1" SOC HD CAP SCR, ZINC
13	2	900235	7/16UNF X 2 HHCS GR5 MC
14	2	901130	3/8UNC X 1 1/4 CARR BOLT
15	2	910030	7/16-20UNF NYLOCK NUT MC GR5
16	4	914004	3/8UNC HEX STOVER NUT
17	4	920002	3/8 SAE FLAT WASHER
18	2	920003	7/16 SAE FLAT WASHER

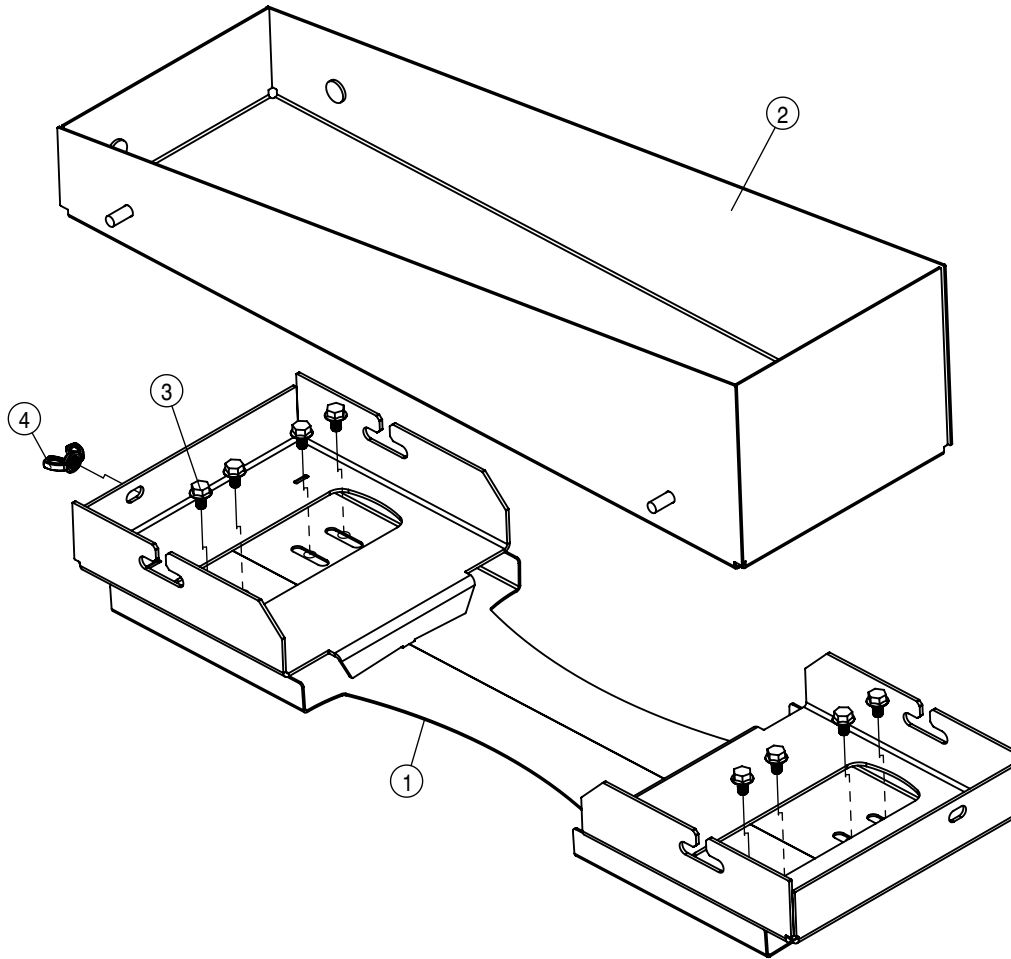


PREMIUM INSTRUCTOR SEAT ASSEMBLY			
DET	QTY	P/N	DESCRIPTION
1	1	330070	CUSH BASE INST SEAT PREM
2	1	330071	CUSH BACK INST SEAT PREM
3	1	344162	PANEL BACK INSTRUCTOR SEAT BACK
4	1	344163	BIN STORAGE INSTRUCTOR SEAT
5	1	344166	BRKT BACK INSTRUCTOR SEAT MOUNT
6	1	344412	CARGO NET - INSTRUCTOR SEAT
7	2	344463	CUP HOLDER - SMALL
8	2	344489	INST SEAT BELT BUSHING, STS' 14
9	1	344493	INST SEAT BELT ASSY, STS' 14
10	1	344559	INST SEAT GAS SPRING, STS' 14
11	1	344564	BRKT BASE INST SEAT WLDT, STS' 14
12	1	344566	BRKT INST SEAT MT WLDT, STS' 14
13	4	470087	3/8UNC HEX SERR FLANGE NUT
14	4	470460	3/8 X 1" SERR FLG BOLT
15	6	470657	3/8 PTFE LOW-FRICT WASHER
16	10	472261	1/4UNC X 3/4 TRUSS HD BOLT
17	2	900172	3/8UNC X 1" SOC HD CAP SCR, ZINC
18	2	900235	7/16-20 HEX HEAD BOLT, GR 5
19	2	901130	3/8UNC X 1 1/4 CARR BOLT
20	2	910030	7/16UNF HEX NUT, NYLOC GR5
21	4	914004	3/8UNC HEX STOVER NUT
22	4	920002	3/8 SAE FLAT WASHER
23	2	920003	7/16 SAE FLAT WASHER

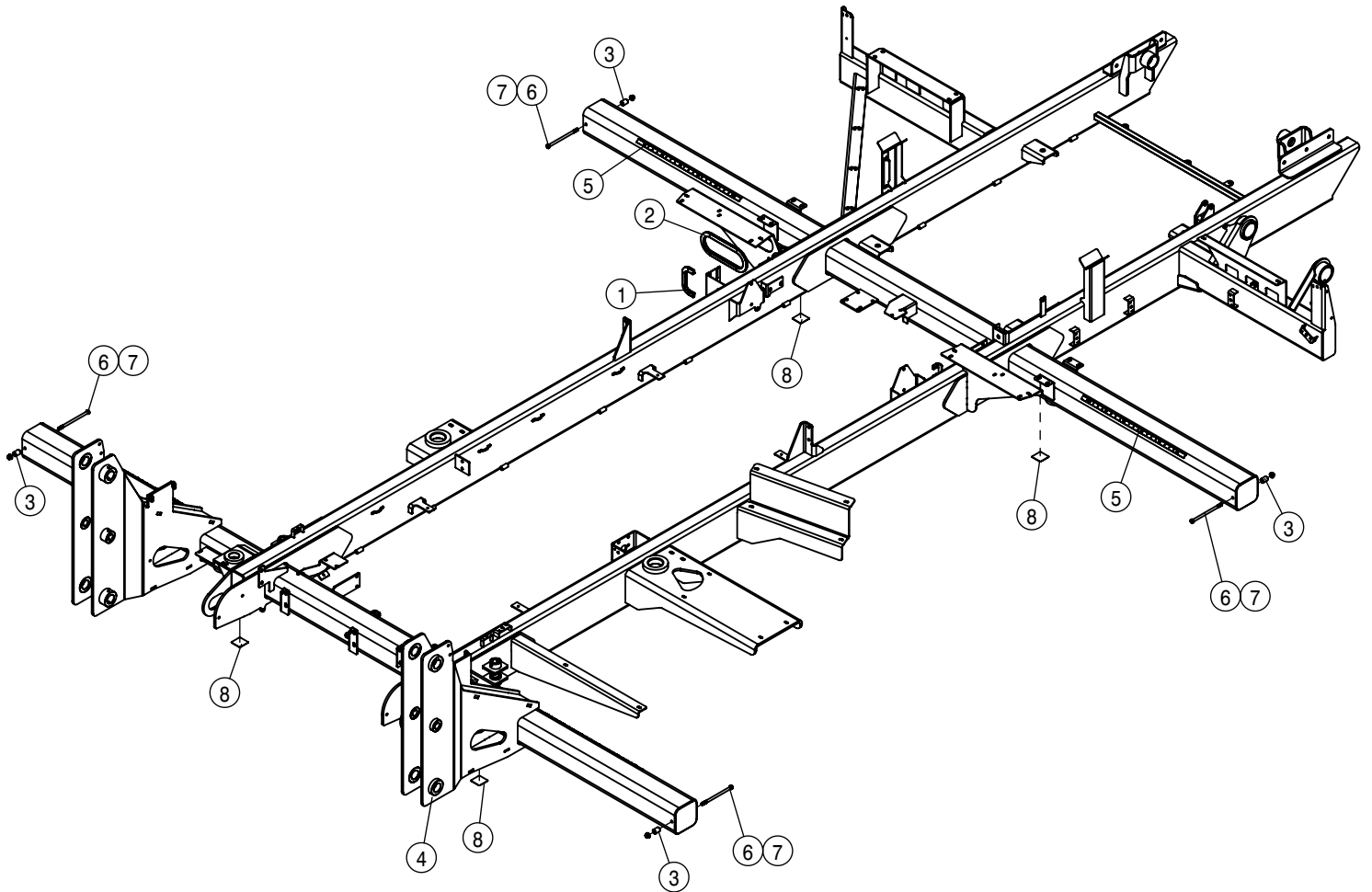
BULK TRIM SEAL  
 193070-SEAL, .63 X .63 D-SECT EDPM



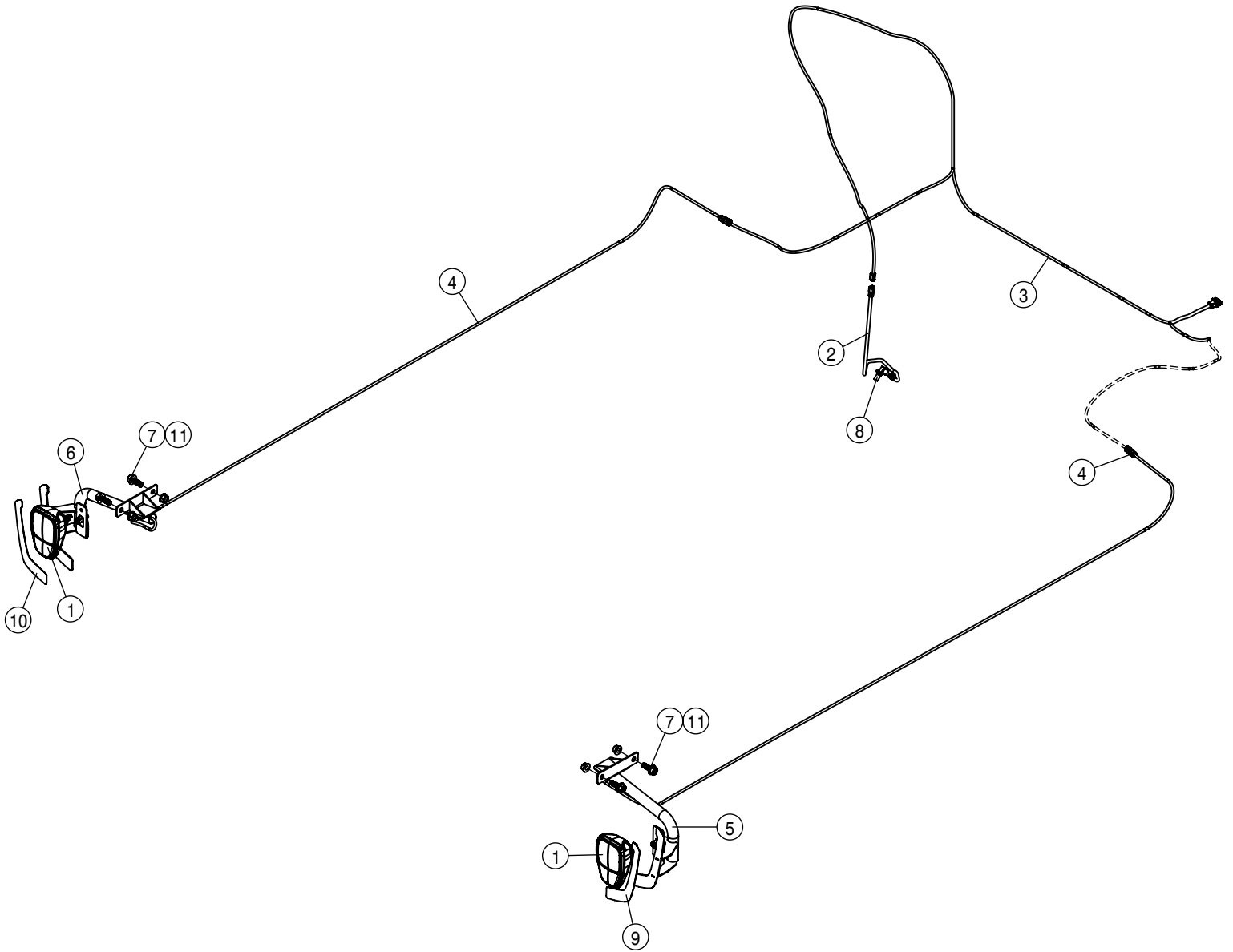
AIR INTAKE ASSEMBLY			
DET	QTY	P/N	DESCRIPTION
1	1	311534	RAIN CAP, 3" INLET, POLY
2	1	317296	STRAIGHT SLEEVE, 4.0" X 3.5"
3	1	343863	HVAC FILTRATION UNIT, DTS
4	1	343903	TALL CROP MT WLD, DTS
5	1	343909	AIR INTAKE COUPLING, DTS
6	1	344480	SEAL - RESPA PANEL
7	2	344557	STAND OFF 5/8" LG, STS' 14
8	2	344558	STAND OFF 3/8" LG, STS' 14
9	1	344667	TALL CROP INTAKE TUBE, STS' 16
10	4	470122	1/4 UNC X 1/2 SERR FLG BOLT
11	1	470160	MUFFLER CLAMP 3.00 IN
12	4	470329	3/8UNC X 1 1/4 HHSFB GR5 MC
13	4	470460	3/8UNC X 1 HHSFB GR5 MC
14	2	520052	HOSE CLAMP NO 52 STAINLESS
15	3	520072	HOSE CLAMP NO 72 STAINLESS
16	4	910042	3/8-16UNC HEX FLG NUT SM MC GR8



TOOLBOX ASSEMBLY			
DET	QTY	P/N	DESCRIPTION
1	1	317738	RAIL WLDMT, DTS TOOL TRAY
2	1	344729	TOOL TRAY DTS WLD
3	8	470232	5/16UNC X 1/2 SERR FLG HEX BOLT
4	1	473801	3/8UNC WING NUT

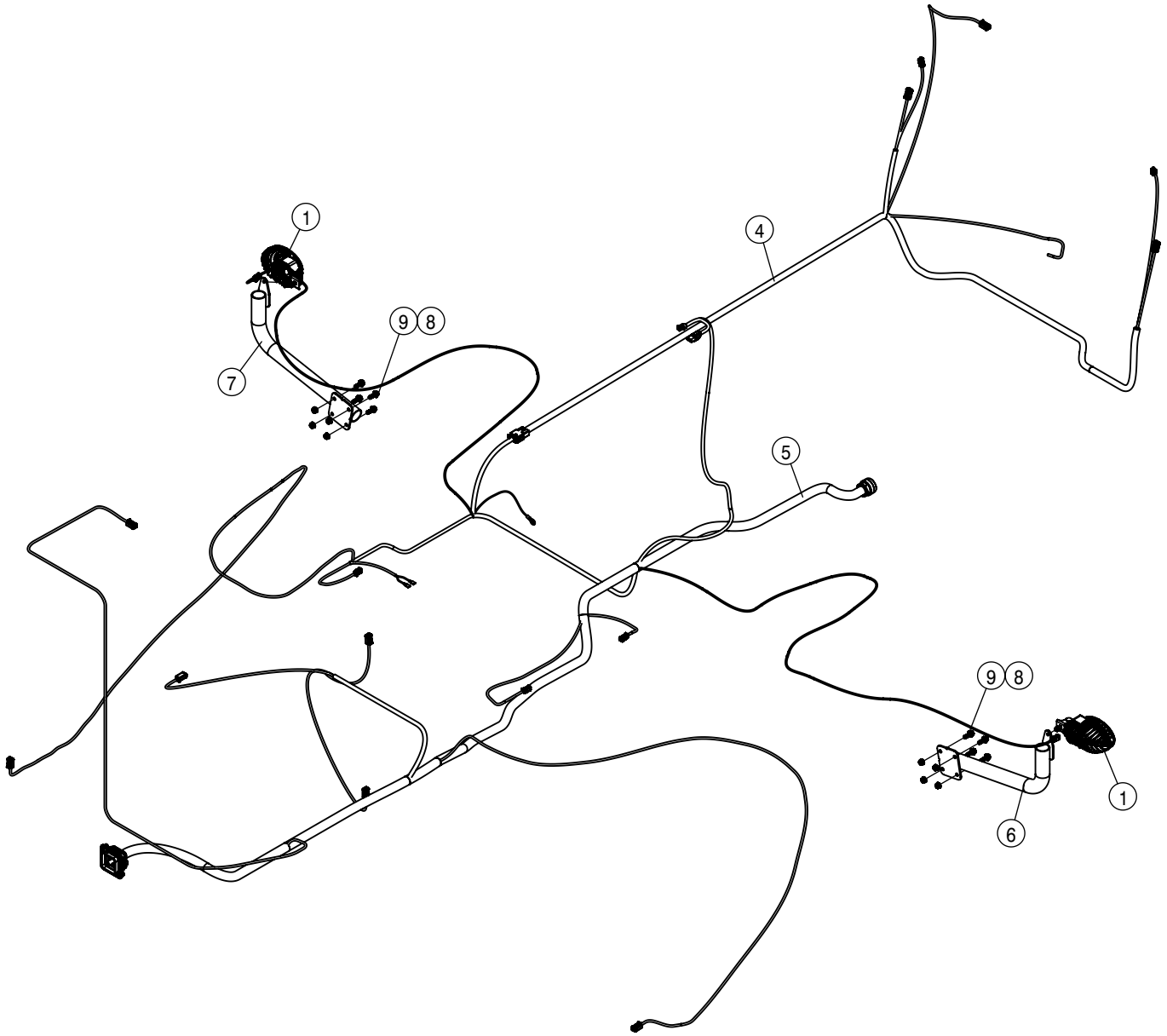


MAINFRAME ASSEMBLY			
DET	QTY	P/N	DESCRIPTION
1	1	193012-006	QUICKEDGE TRIM .135 TO .250
2	1	193012-022	QUICKEDGE TRIM .135 TO .250
3	4	362324	BUSHING-.41 X .75 X 1.00
4	1	362744	M/F WLD D400
5	4	650486	DECAL,TREAD ADJ INDICATOR DTS
6	4	900144	3/8UNC X 6 1/2 HEX BOLT
7	4	910106	3/8-16UNC CTRLK FLG NUT MC GR5
8	4	L212136	LABEL, JACKING POINT

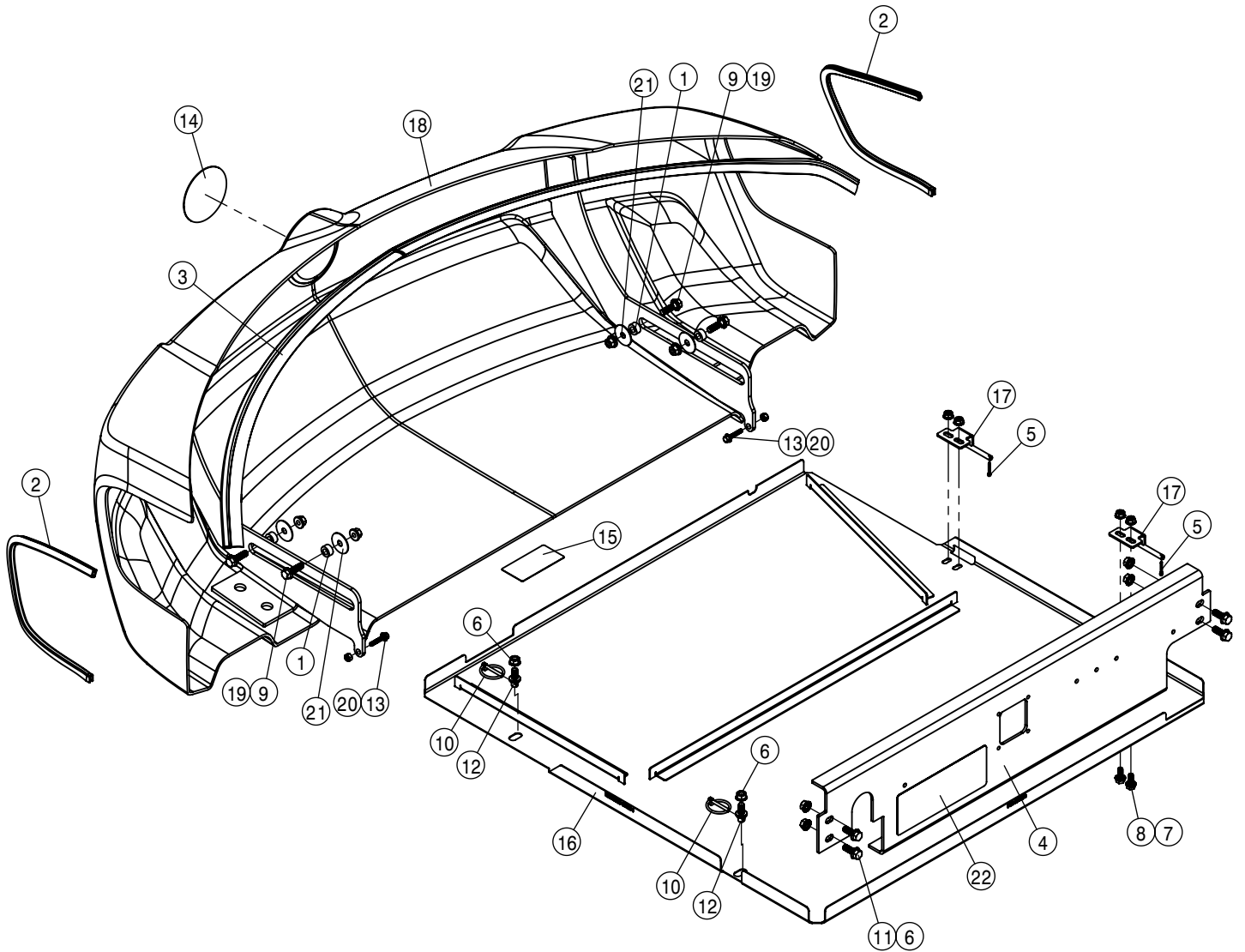


FRONT HEADLIGHT ASSEMBLY			
DET	QTY	P/N	DESCRIPTION
1	2	292556	HEAD/FLASHER LIGHT
2	1	294270	HARNESS WHEEL MOTOR
3	1	294400	FRT LIGHT HARNESS-'18 D400
4	2	294403	FRT LIGHT HARNESS EXT.'18 D400
5	1	363173	LH HEADLIGHT BRKT, D400
6	1	363174	RH HEADLIGHT BRKT
7	4	472367	3/4UNC X 2 HHFB GR8 MC
8	1	606537	SPEED SENSOR, DANFOSS H1
9	1	650513	LH FRONT REFLECTOR, DTS
10	1	650514	RH FRONT REFLECTOR, DTS
11	4	914030	3/4-16UNF HEX FLG NUT SM MC GR8

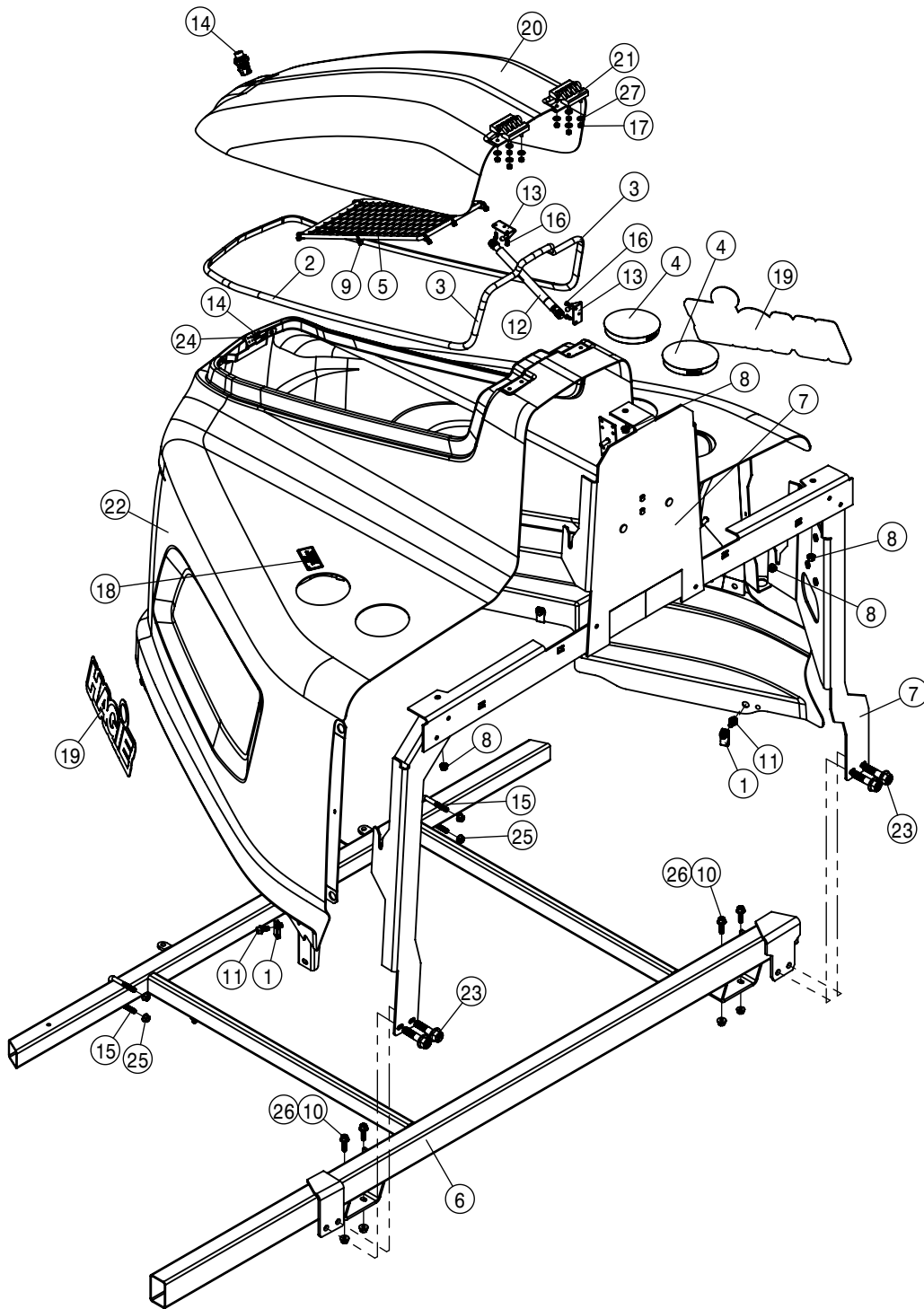




FLASHER LIGHT ASSEMBLY			
DET	QTY	P/N	DESCRIPTION
1	2	292917	LED LIGHT, AMBER
NS	1	294030	HARNESS,DTS PRCN INTERFACE
NS	1	294080	HARNESS,TANK VALVE SWITCH
4	1	294274	HARNESS HOOD
5	1	294391	CHASSIS HARNESS-' 18 D-400/DTS
6	1	363123	LH AMBER FLASHER BRKT
7	1	363124	RH AMBER FLASHER BRKT
8	8	470087	3/8UNC HEX SERR FLANGE NUT
9	8	470460	3/8 X 1" SERR FLG BOLT

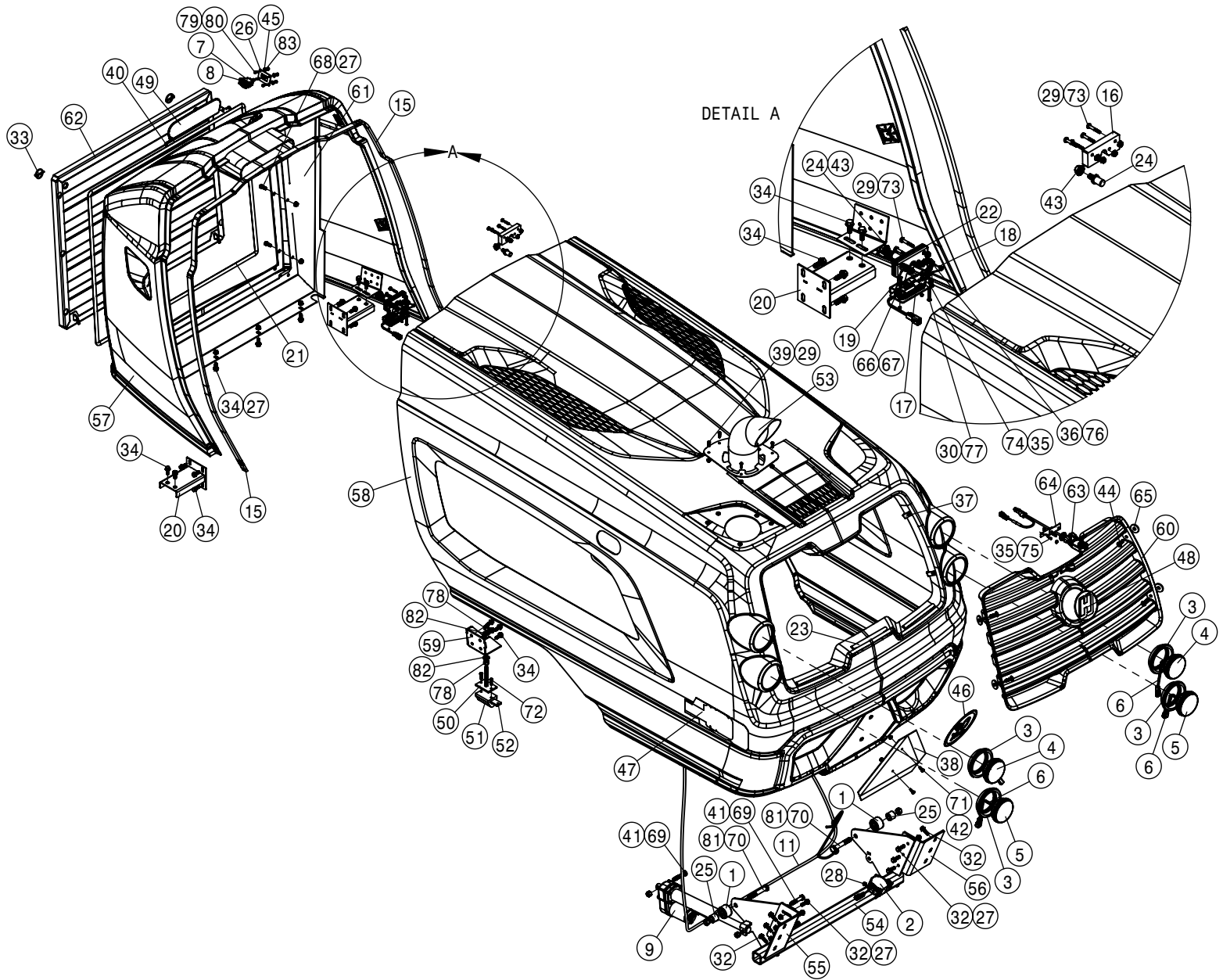


FRONT AND BELLY SHIELD ASSEMBLY			
DET	QTY	P/N	DESCRIPTION
1	4	314998	SPACER, .75 OD, .38 ID
2	2	318105	193077 X 20.63 INCHES
3	1	318106	193078 X 70.00 INCHES
4	1	362799	FRT BULKHD DTS W/DECAL
5	2	470075	1/8 X 3/4 COTTER PIN
6	6	470087	3/8-16UNC HEX FLG NUT SER MC GR5
7	4	470113	5/16UNC SERR FLG LOCK NUT
8	4	470233	5/16UNC X 3/4 SERR FLG HEX BOLT
9	4	470329	3/8UNC X 1 1/4 SERR FLG HEX BOLT
10	2	470335	LINCHPIN, 3/16 X 1 1/4 GRIP
11	4	470460	3/8 X 1" SERR FLG BOLT
12	2	470520	HANGER PIN, 3/8UNC x .437Dx .500L
13	2	473836	1/4UNC X 1 1/4 HHSFB SS FT
14	1	650491	DECAL, H-DOT, 4.00"
15	1	650504	DECAL, READ OPERATORS MANUAL
16	1	660694	FRONT BELLY SHIELD WLD DTS' 16
17	2	660705	HINGE- BELLY PAN WELD DTS' 16
18	1	660926	CAB GUARD DTS W/DECAL, TRIM
19	4	910106	3/8-16UNC CTRLK FLG NUT MC GR5
20	2	910118	1/4-20UNC NYLOCK NUT SS
21	4	920025	WASHER, 1.50D, .406 ID
22	1	HXE28534	LABEL, HYDRAULIC ENGLISH



FRONT FUEL TANK COVER ASSEMBLY			
DET	QTY	P/N	DESCRIPTION
1	7	294072	3/8UNC U-NUT, 1.13 CLIP ON
2	1	317748	D-SEAL FRM LID 85.0", DTS
3	1	317749	D-SEAL FRM LID 29.0", DTS
4	2	343893	SPEAKER COVER, DTS 10
5	1	344812	FRM CARGO NET, DTS
6	1	362331	DTS FUEL/RINSE FRAME WLD
7	1	362341	FRM REAR FRAME WLD, DTS
8	7	470087	3/8UNC HEX SERR FLANGE NUT
9	7	470154	CABLE TIE, 11.00" BLK NYLON
10	4	470329	3/8UNC X 1 1/4 HHSFB GR5 MC
11	7	470409	3/8UNC X 3/4" SERR FLG BOLT
12	1	470637	GAS SPRING, 781bf 6.3" STROKE
13	2	470714	BRACKET-GAS SPRING
14	1	470721	LATCH FRM, DTS

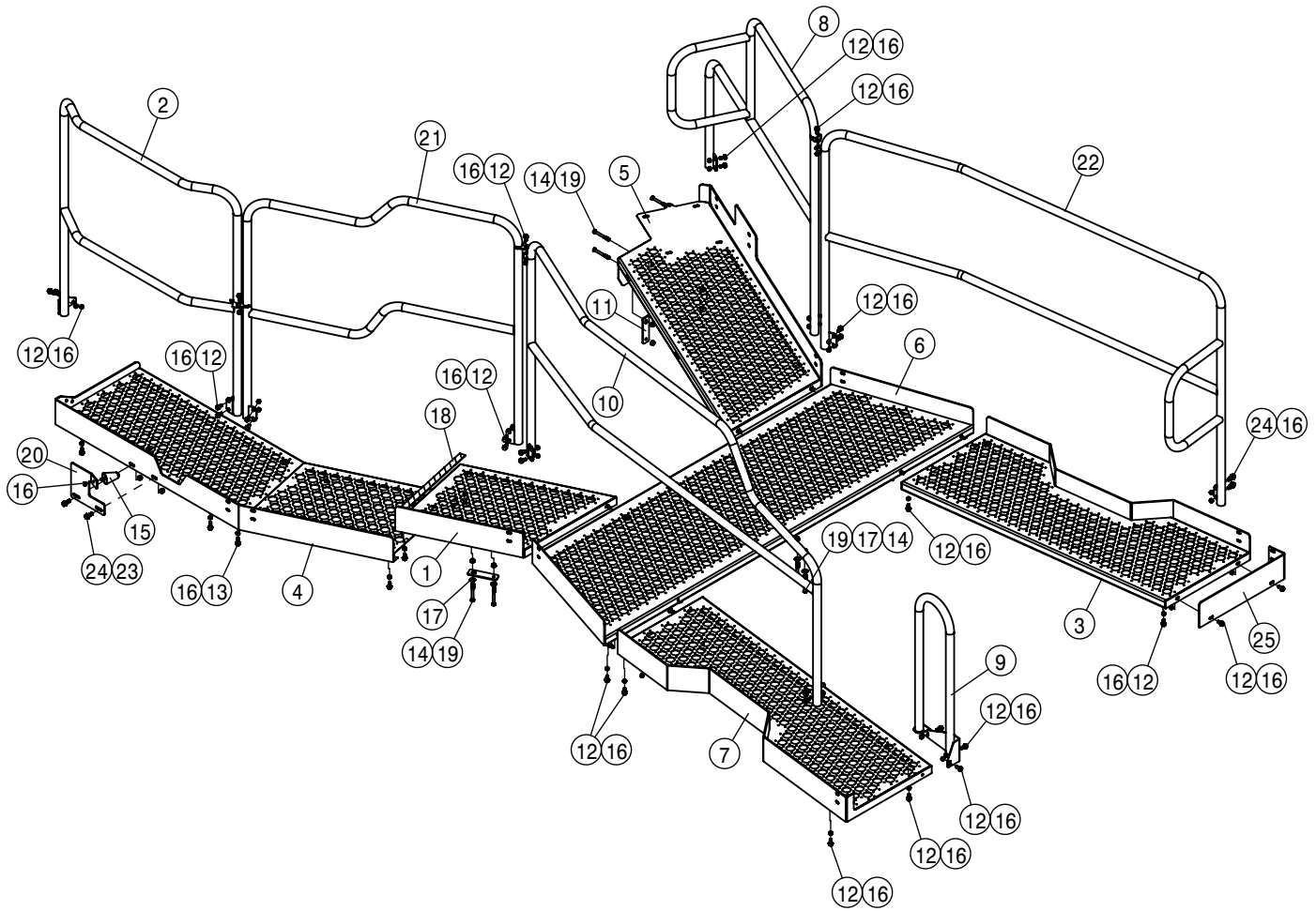
FRONT FUEL TANK COVER ASSEMBLY			
DET	QTY	P/N	DESCRIPTION
15	2	472044	3/8UNC-2ID-3.00 U-BOLT SQ,ZINC
16	4	472236	10-32 X 1/2 PHIL HD MACH SCR
17	8	473883	6MM x1.00 LOCKNUT, NYLON
18	1	650431	DECAL, ULTRA LOW SULFUR FUEL
19	2	650568	HAGIE DECAL 16
20	1	660598	LID ASMY-FRM, DTS
21	2	660780	HINGE FRM, DTS
22	1	660925	SHELL ASSY FRM, DTS W/DECAL
23	4	900015	5/8UNC X 2 1/2 HHFB GR8 MC
24	2	903804	6-32 X 1/4 PHIL PAN MACH SCR
25	5	910042	3/8-16UNC HEX FLG NUT SM MC GR8
26	3	910106	3/8-16UNC CTRLK FLG NUT MC GR5
27	8	910112	SAE FLAT WASHER 1/4 SS



ENGINE HOOD ASSEMBLY			
DET	QTY	P/N	DESCRIPTION
1	2	125056	TRACK ROLLER,2.00 OD,.625 BORE
2	1	290061	ALARM,BACKUP 107DBA LT DUTY
3	4	290204	4" GROMMET FR 290200 & 290201
4	2	290205	OPTRONICS, 3 DIODE AMBER LED
5	2	290206	OPTRONICS, 3 DIODE RED LED
6	4	290207	3-WIRE PIGTAIL FOR TAILLIGHTS
7	1	292220	SWITCH,DPDT, MOM-OFF-MOM ON
8	1	292221	SWITCH ACUATOR FOR 292220
9	1	292313	HOOD ACTUATOR
NS	1	294080	HARNES,TANK VALVE SWITCH
11	1	294083	HOOD ACTUATOR HARNES
NS	1	294384	ETHERNET CABLE (8M)
NS	1	294385	CAMERA POWER ADAPTER HARNES
14	1	299110	.35 ID WIRE FLEX GUARD
15	2	317715	ISOLATOR-FOAM (HOOD-FRONT) DTS
16	1	318081	ALIGNER-DTS HOOD LATCH
17	1	318082	ACTUATOR ASMY
18	1	318083	HOOD LATCH T BRKT, DTS
19	1	318084	ACTUATOR MT BRKT
20	2	318087	FRNT HOOD MNT WLDMNT, DTS
21	1	318094	FOAM RUBBER SEAL-131.38
22	1	318096	LATCH-SLAM ACTION ROTARY
23	6	318112	FOAM RUBBER SEAL-8.00
24	2	318113	STRIKER PIN
25	2	361679	BUMPER PIVOT BRG SPACER,STS 04
26	1	362116	HOOD SWITCH MT PLATE
27	20	470087	3/8UNC HEX SERR FLANGE NUT
28	2	470118	1/4UNC X 3/4 HHSFB GR5 MC

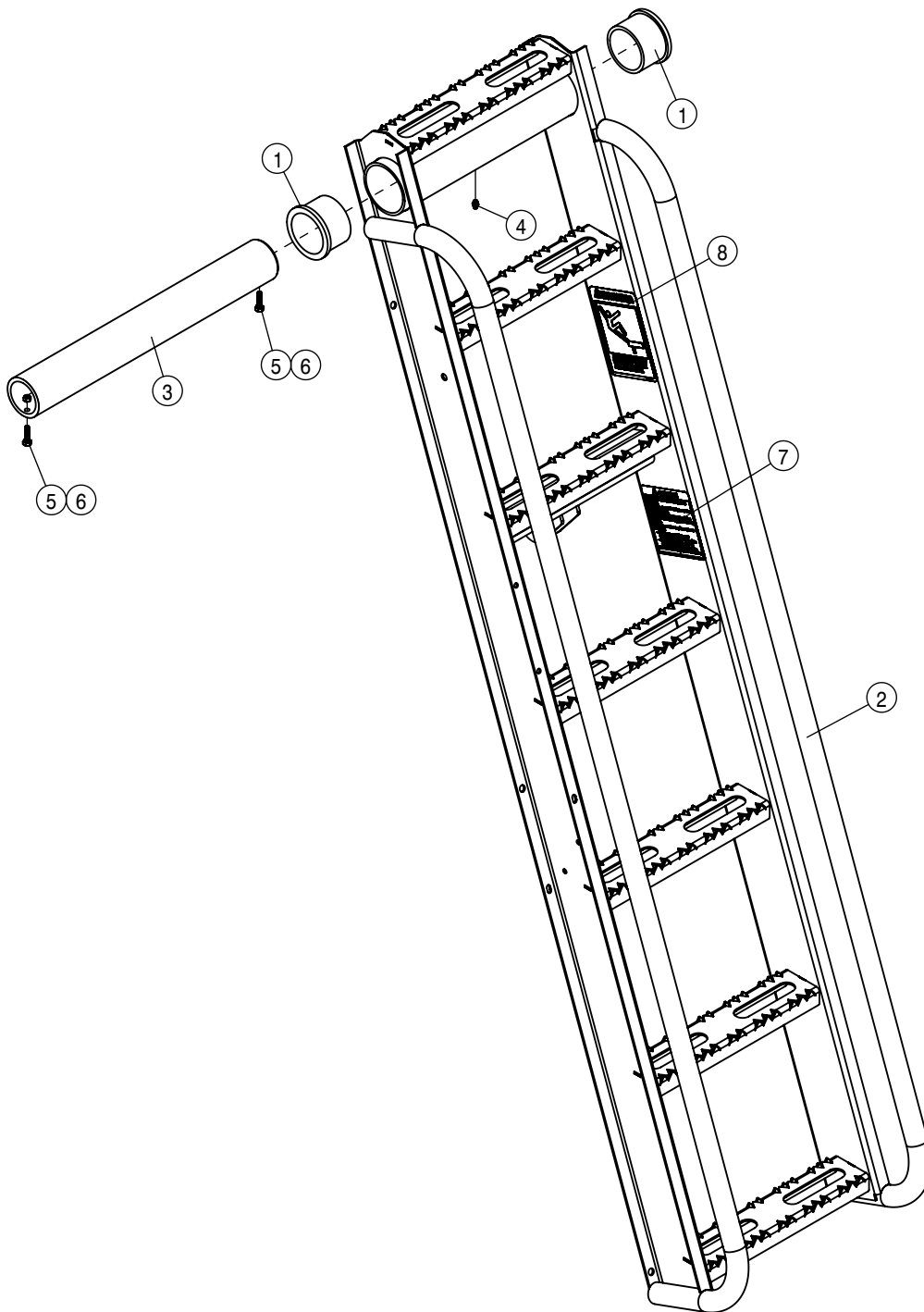
ENGINE HOOD ASSEMBLY			
DET	QTY	P/N	DESCRIPTION
29	13	470121	1/4 UNC SERR FLG LOCK NUT
30	1	470175	#10-32UNF HEX FLG NUT SER MC GR5
31	7	470212	1/4 BONDED SEALING WASH, SS
32	12	470329	3/8UNC X 1 1/4 SERR FLG HEX BOLT
33	2	470335	LINCHPIN, 3/16 X 1 1/4 GRIP
34	28	470460	3/8 X 1" SERR FLG BOLT
35	3	470509	6-32 SERR. FLANGE NUT
36	1	470510	10-24 SERR. FLANGE NUT
37	4	470905	3/8UNC U-NUT,1.13 CLIP ON
38	1	472249	SLOW MOVING VEHICLE SIGN
39	5	472345	1/4UNC X 1 ALHD BUTTON CAP SCR
40	2	472368	#10-24THD IN X 3/4 TEK TYP E
41	2	473007	1/2UNC HEX NUT, NYLOC
42	2	473832	1/4UNC HEX FLANGE LOCK NUT SS
43	2	473852	12MM-1.75 SERR FLG NUT,ZINC
44	4	474013	3/8-16UNCx1.25 FLGD BTN HD SCREW
45	4	483016	#10 REGULAR FLAT WASHER
46	1	650223	DECAL,30MPH ID SYMBOL, VINYL
47	1	650569	DECAL, D400 LOGO, 5X14.9
48	1	651008	DECAL - H-DOT FRONT GLASS 5.00"
49	1	660090	INLET AIR SCREEN WLD ASMY DTS
50	2	660224	ENG HOOD BUMPER WLD, STS 04
51	2	660226	ENG HOOD BUMPER, STS 04
52	2	660227	ENG HOOD BUMPER KEEPER, STS 04
53	1	660254	EXHAUST STACK WLD DTS T4F
54	1	660721	ENGINE HOOD HINGE MNT WLD
55	1	660724	ENGINE HOOD BLKHD MT BRKT LH
56	1	660725	ENGINE HOOD BLKHD MT BRKT RH

ENGINE HOOD ASSEMBLY			
DET	QTY	P/N	DESCRIPTION
57	1	660751	DTS FRONT HOOD ASSEMBLY T4F
58	1	660753	REAR HOOD ASSEMBLY DTS
59	2	660761	REAR HOOD BUMPER MT WLD DTS
60	1	660769	REAR GRILL DTS
61	1	660849	SHROUD-GRILL ASSY WLD, DTS
62	1	660851	INTAKE SCREEN WLD, DTS '17
63	1	694030	PARKER IQAN CAMERA
64	1	694043	CAMERA MT BRKT
65	4	749115	RUBBER WASH .188 X .500 X 1.50
66	3	900040	3MM-0.50 X 35MM PAN HD SCR
67	3	900041	3M X 0.5MM NUT, NYLOCK SS
68	6	900129	3/8UNC X 1" HEX BOLT
69	2	900268	1/2UNC X 2 1/2 HEX BOLT
70	2	900341	5/8UNC X 3 3/4 HEX BOLT
71	2	900448	1/4UNC X 3/4 HHCS SS
72	4	900449	1/4UNC X 1 HHCS SS
73	8	900462	1/4UNC X 1 1/2 HHCS SS
74	1	903812	6-32 X 1/2 PHIL PAN MACH SCR
75	2	903814	6-32 X 3/4 PHIL PANHD MACH SCR BZ
76	1	903882	10-24 X 1/2 PHIL PAN MACH SCR
77	1	903905	#10-32 UNF X 1 1/2 PHMS PH BZ
78	4	910008	1/2UNC HEX NUT
79	4	910027	#10-32UNF HEX NUT MC GR5
80	4	910131	#10-32 UNF X 3/4 PHMS PH BZ
81	2	914010	5/8-11UNC10 STOVER NUT MC GR5
82	4	920004	1/2 SAE FLAT WASHER
83	4	920510	#10 LOCK WASHER

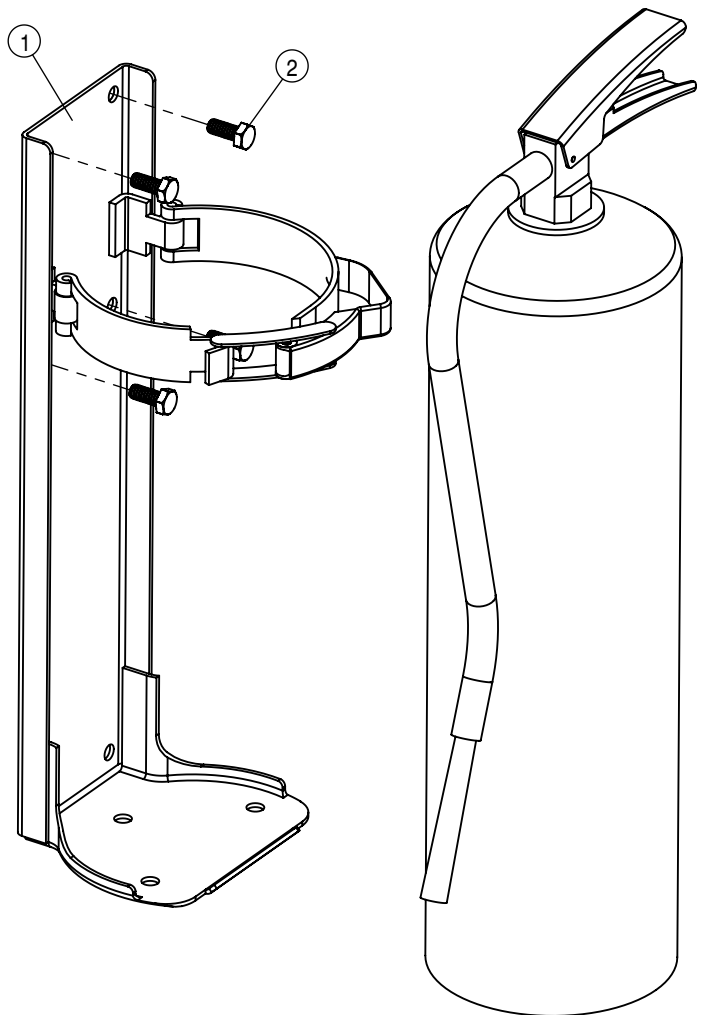


SERVICE PLATFORM ASSEMBLY			
DET	QTY	P/N	DESCRIPTION
1	1	344716	PLTFRM-WLD, SHORT LH, DTS
2	1	344720	HANDRAIL WLD-DTS, LEFT FRT
3	1	344930	PLTFRM WLD-RH WHEEL WELL, DTS
4	1	344936	PLTFRM WLD-LH STEP DOWN, DTS
5	1	344945	PLTFRM WLD-RH FRONT, DTS
6	1	344947	PLTFRM WLD-CNTR SECTION, DTS
7	1	344950	PLTFRM WLD-LH WHEEL WELL
8	1	344963	HANDRAIL-RH FRONT, DTS
9	1	344968	HANDRAIL-LADDER, DTS
10	1	344971	HANDRAIL-LH WHEELWELL, DTS
11	4	344981	MOUNTING STRAP-PLTFRM, DTS
12	52	470233	5/16UNC X 3/4 SERR FLG HEX BOLT
13	4	470234	5/16UNC X 1" SERR FLG HEX BOLT

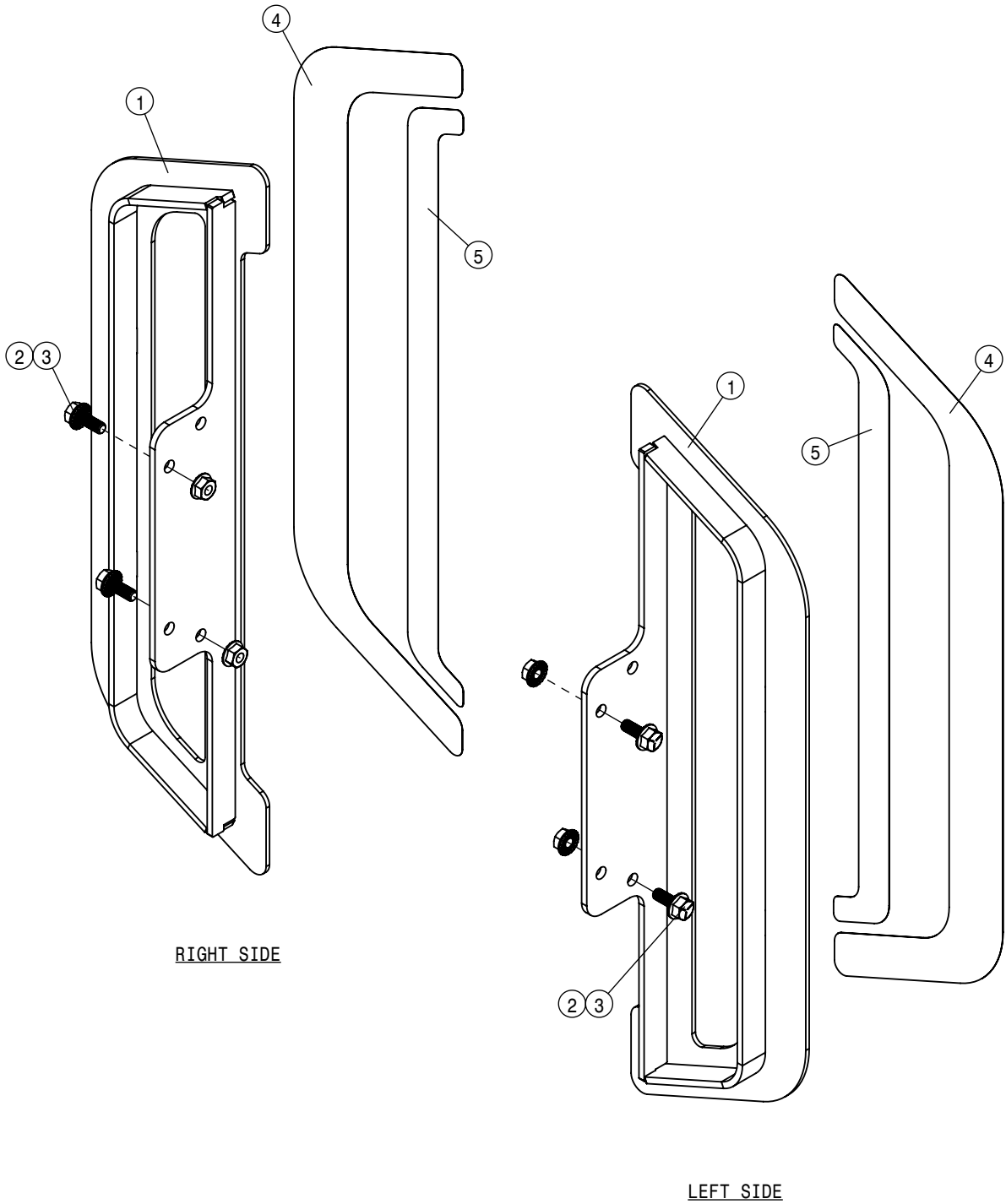
SERVICE PLATFORM ASSEMBLY			
DET	QTY	P/N	DESCRIPTION
14	8	470570	5/16UNC HEX FLG CNTR LOCK NUT
15	1	470571	BUMPER,MALE STUD 2.375 X 1.75
16	60	473001	5/16UNC HEX NUT,NYLOC
17	4	483040	5/16 REGULAR FLAT WASHER
18	1	650994	SAFETY GLOW TAPE 1" X 18"
19	8	900072	5/16UNC X 3" HEX BOLT
20	1	344730	DOOR STOP BRACKET DTS
21	1	343937	HDRL-LH FRT, WLD D400
22	1	343935	HDRL-RH WHEELWELL, D400
23	2	473010	3/8-16UNC NYLOCK NUT SS
24	4	470460	3/8 X 1" SERR FLG BOLT
25	1	343939	TOE KICK RH PLTFRM, D400



LADDER ASSEMBLY			
DET	QTY	P/N	DESCRIPTION
1	2	121102	LADDER PIVOT BEARING, POLYGON
2	1	343947	LADDER W/DECAL D400
3	1	344919	TUBE-LADDER MOUNT, DTS
4	1	471005	GREASE ZERK, 1/4-28 X 1/2
5	2	900003	1/4UNC X 1" HEX BOLT
6	2	914000	1/4UNC HEX STOVER NUT
7	1	HXE19558	LABEL, CAUTION
8	1	N403721	LABEL, DO-NOT-RIDE

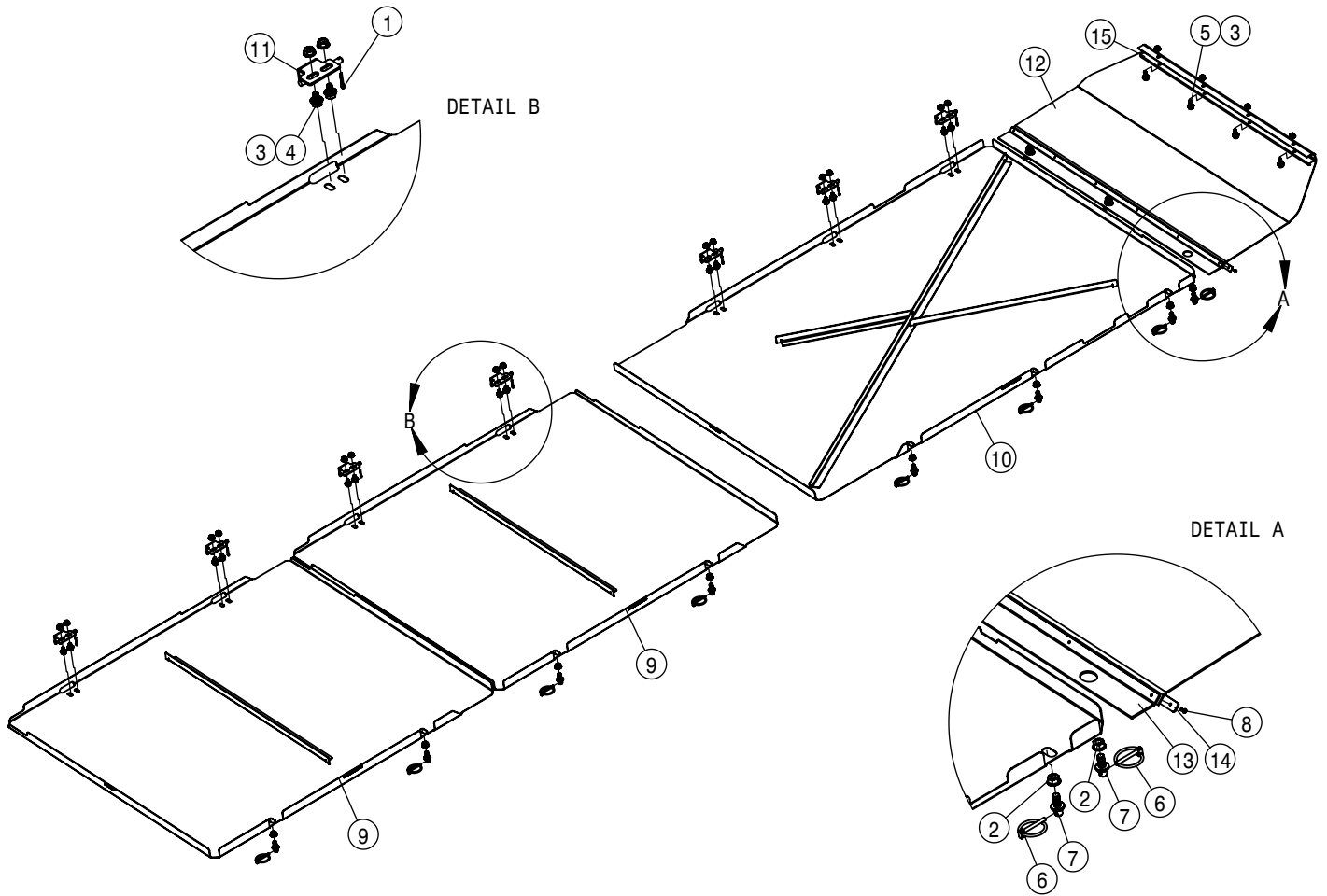


FIRE EXTINGUISHER ASSEMBLY			
DET	QTY	P/N	DESCRIPTION
1	1	490508	FIRE EXTINGUISHER 10LB ABC
2	4	900064	5/16UNC X 3/4" HEX BOLT



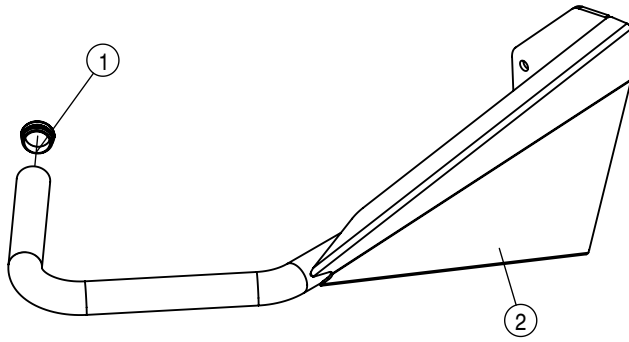
REAR REFLECTOR ASSEMBLY			
DET	QTY	P/N	DESCRIPTION
1	2	363117	D400 R REFLECTOR BRKT
2	4	470113	5/16-18UNC HEX FLG NUT SER MC GR5
3	4	470233	5/16UNC X 3/4 HHSFB GR5 MC
4	2	650565	REAR RED REFLECTOR DECAL, M300
5	2	650566	REAR AMBER REFLECTOR DECAL, M3



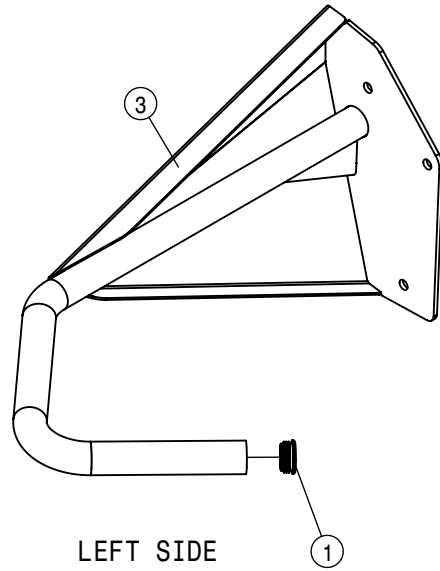


TALL CROP BELLY SHIELD ASSEMBLY			
DET	QTY	P/N	DESCRIPTION
1	7	470075	1/8 X 3/4 COTTER PIN
2	10	470087	3/8-16UNC HEX FLG NUT SER MC GR5
3	18	470113	5/16-18UNC HEX FLG NUT SER MC GR5
4	14	470232	5/16UNC X 1/2 HHSFB GR5 MC
5	4	470233	5/16UNC X 3/4 HHSFB GR5 MC
6	10	470335	LINCHPIN, 3/16 X 1 1/4 GRIP
7	10	470520	HANGER PIN, 3/8UNC x .437Dx .500L
8	6	485072	POP RIVET, 1/8DIA X 1/4 GRIP SS
9	2	660695	MIDDLE BELLY SHIELD WLD DTS' 16
10	1	660696	ENGINE BELLY SHIELD LG WLD DTS
11	7	660705	HINGE- BELLY PAN WELD DTS' 16
12	1	660787	CURTAIN - HOOD
13	1	660788	HOLDER - CURTAIN
14	1	660789	HOLDER - CURTAIN, OUTER SCT 1
15	1	660791	HOLDER CURTAIN DTS



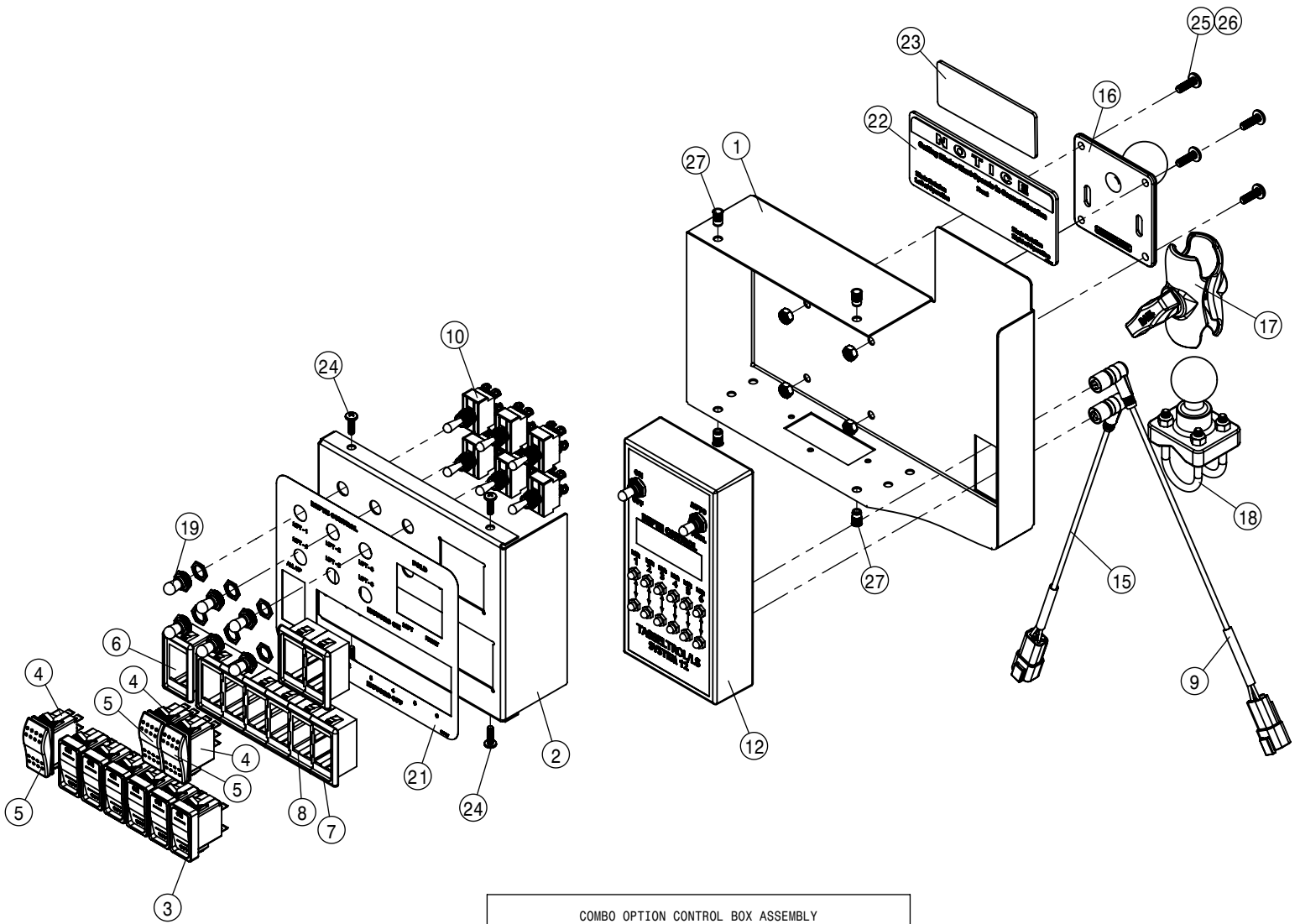


RIGHT SIDE

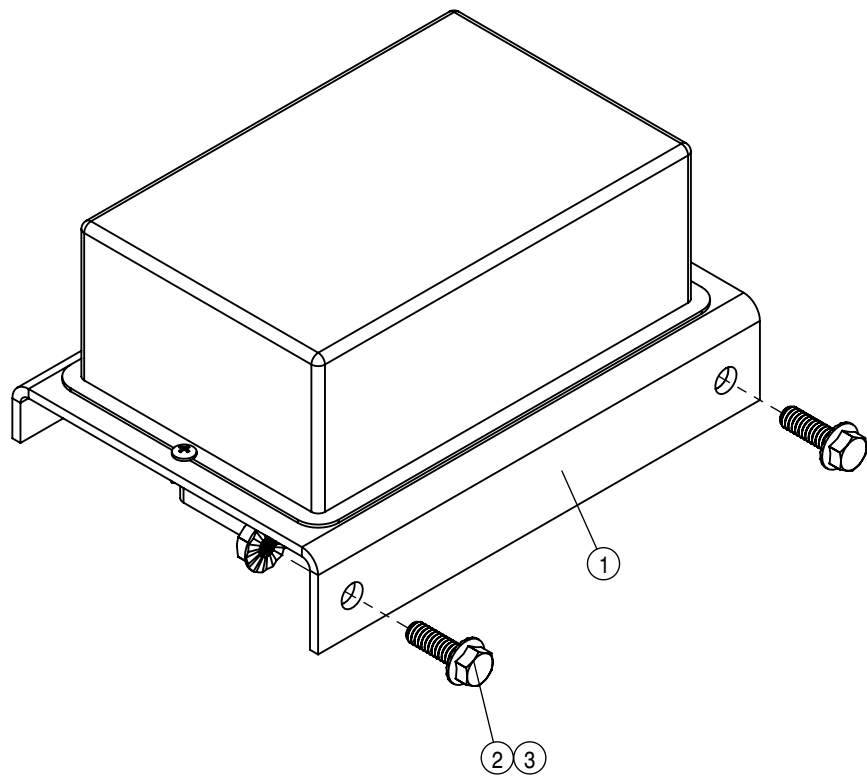


LEFT SIDE

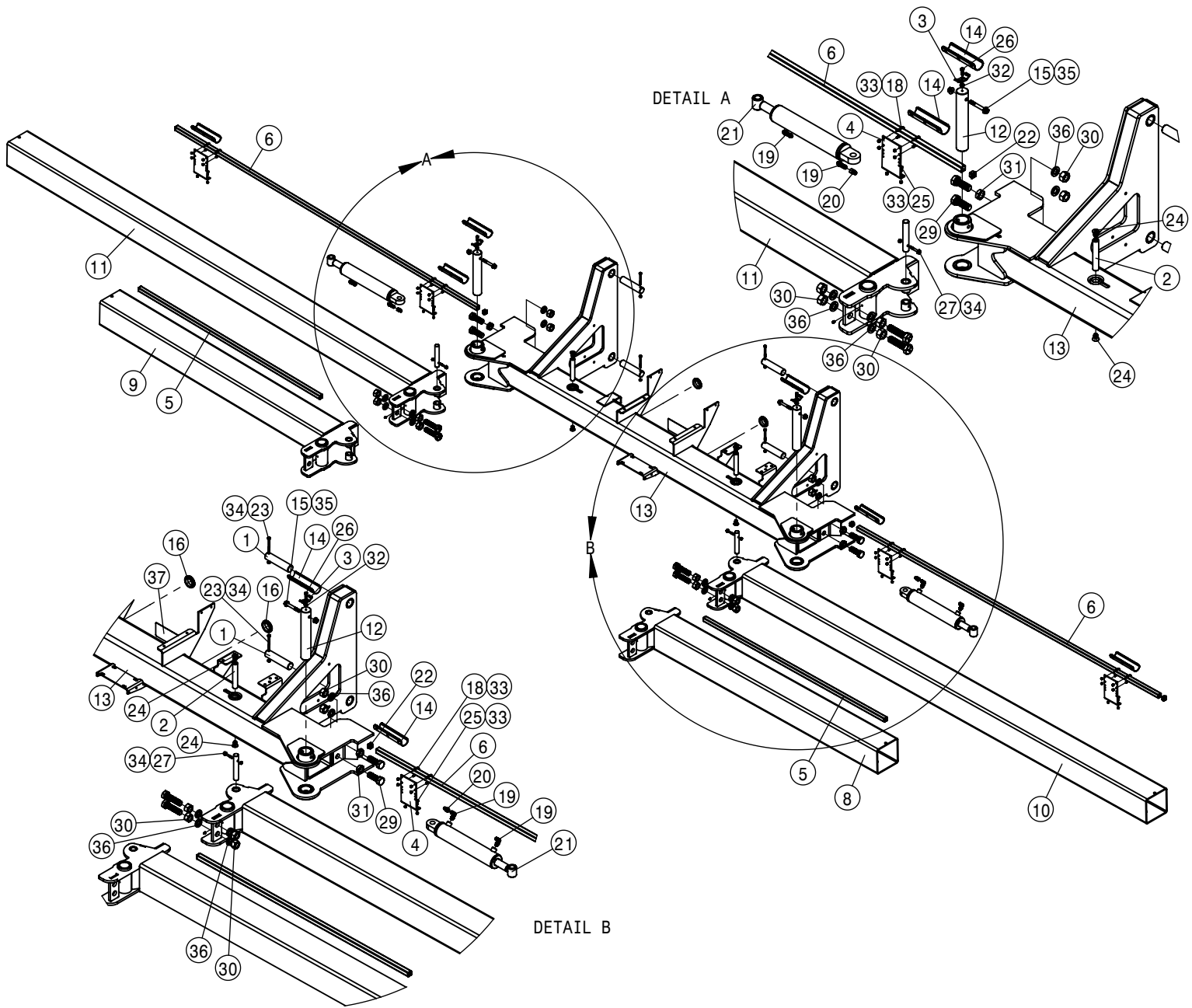
TALL CROP DIVIDER ASSEMBLY			
DET	QTY	P/N	DESCRIPTION
1	2	629772	CAPPLUGS PLUG, 1 3/4" RD, BLACK POLY
2	1	662293	RH CROP DIVIDER WLD
3	1	662294	LH CROP DIVIDER WLD



COMBO OPTION CONTROL BOX ASSEMBLY			
DET	QTY	P/N	DESCRIPTION
1	1	003200	SWITCH BOX HOUSING WLD,STSC 05
2	1	003201	SWITCH BOX COVER,STS COMBO 05
3	6	292204	SWITCH,SOLU TANK/NTB FLOAT,STS
4	3	292220	SWITCH,DPDT, MOM-OFF-MOM ON
5	3	292221	SWITCH ACUATOR FOR 292220
6	1	292260	MOUNTING TRIM, SINGLE VMS
7	4	292261	MOUNTING TRIM, END VME
8	4	292262	MOUNTING TRIM, MIDDLE VME
9	1	292583	SENSOR HARNESS FOR AWS
10	6	293172	TOGGLE SWITCH DPDT W/JUMPERS
NS	1	293862	SWITCH BOX HARNESS,STS COMB005
12	1	294035	LS CTRL 6L DISPLAY BOX ASSY
NS	1	294036	STS COMBO CAB HARNESS, '14
NS	1	294048	STS CAB HARNESS 2
15	1	294049	SENSOR HARNESS FOR SIE
16	1	344386	1.5" RAM BALL MNT BASE 3.625"SQ
17	1	344491	RAM SHRT SCKT ARM 1.5" BALL
18	1	344492	RAM U BLT BASE 1.5 BALL
19	6	470001	RUBBER BOOT AND NUT FOR 298012
NS	2	471100	DUAL LOCK, 1.00 x 1.00
21	1	650127	DECAL,STS COMBO CAB BOX 05
22	1	650303	CUTTER ROTATION DECAL
23	1	650379	DECAL,ENGAGE DET HD HYD MTRS
24	4	903710	10-32 X 5/8 PHIL PANHD MACH SCR
25	4	903711	1/4-20 UNC X 3/4 PHMS PH BZ
26	4	910000	1/4UNC HEX NUT
27	4	910130	10-32 NUTSERT .020-.130 STL

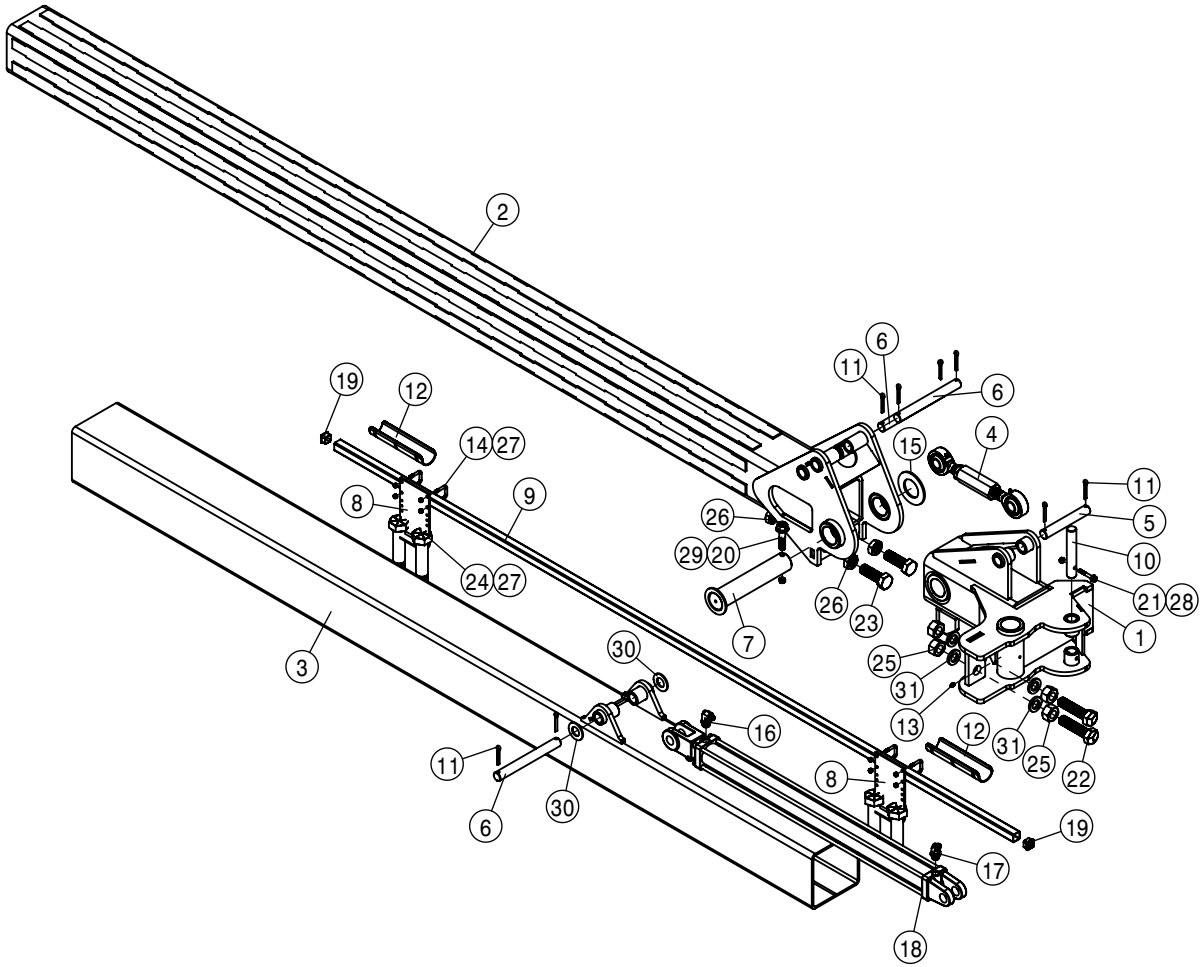


DETASSELER MODULE ASSEMBLY			
DET	QTY	P/N	DESCRIPTION
1	1	294034	DETASSLER MODULE
2	2	470118	1/4 UNC X 3/4 SER FLG BOLT
3	2	470121	1/4 UNC SERR FLG LOCK NUT

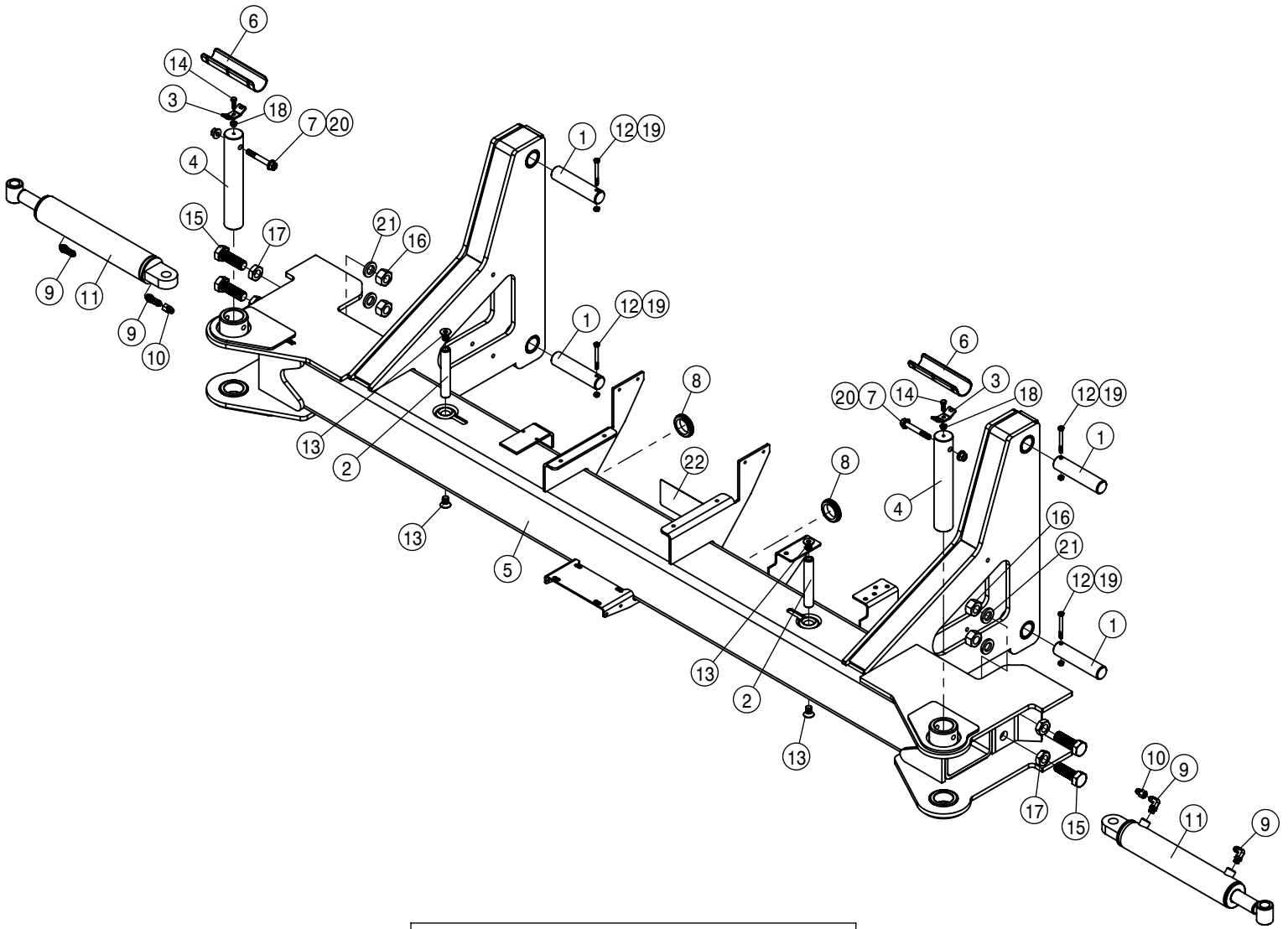


OUTRIGGER TOOLBAR ASSEMBLY				
DET	QTY	P/N	DESCRIPTION	
1	4	166118	LIFT ARM PINS, DTS	
2	2	439077	OUTRGR FOLD CYL MT PIN, NTB 03	
3	2	439113	HOSE RETAINER STS NTB	
4	4	439133	TUBE MTG BRKT, STS COMBO 03	
5	2	439134	HOSE MTG TUBE, 8-10R STSC 03	
6	2	439135	HOSE MTG TUBE 12R STSC 03	
7	2	439386	ARTICULATOR FLD CYL PIN,NTB'10	
8	1	440116	OTRGR XT LH WLD,8-10R STSC 14	
9	1	440117	OTRGR XT RH WLD,8-10R STSC 14	
10	1	440118	LH OTRGR EXT WLD 12/18 STSC'14	
11	1	440119	RH OTRGR EXT WLD 12/18 STSC'14	
12	2	440275	PIN, 2.00 OD, 11.75 LG	
13	1	441029	CTR TOOLBAR W/DECAL D400	
14	6	470369	HOSE PROTECTOR, 8" BLACK	
15	2	470546	1/2UNC X 3 1/2 HHSFB GR5 MC	
16	2	470552	GROMMET,1.75ID .250GW 2.00GD	
17	2	471005	GREASE ZERK, 1/4-28 X 1/2	
18	8	473979	1/4UNC-1 1/8ID-1 1/2U-BOLTSQSS	
19	4	618119	9/16MJTC-90-9/16MR LBO	

OUTRIGGER TOOLBAR ASSEMBLY				
DET	QTY	P/N	DESCRIPTION	
20	2	618732	9/16JIC .031 ORIFICE ADPTR	
21	2	621566	OUTRGR FOLD CYL, 2.50 X 11.00	
22	8	629727	FINISH PLUG 1" SQ 16 GA	
23	4	900072	5/16UNC X 3 HHCS GR5 MC	
24	4	900393	5/8UNC X 1" FLT SOC CAP SCR	
25	8	900448	1/4UNC X 3/4 HHCS SS	
26	2	900489	5/16UNC X 1 HHCS SS	
27	2	900493	5/16UNC X 2 HHSFB SS	
28	4	900536	1UNC X 4 HHCS GR5 MC	
29	4	900545	1"UNC X 3" HEX BLT,FULL THD YZ	
30	12	910017	1-8UNC HEX NUT MC GR5	
31	4	910101	1-8UNC HEX JAM NUT MC GR5	
32	2	910119	5/16-18UNC HEX FLG NUT SER SS	
33	24	914000	1/4UNC HEX STOVER NUT	
34	6	914002	5/16-18UNC STOVER NUT MC GR5	
35	2	914015	1/2-13UNC CTRLK FLG NUT MC GR5	
36	12	920508	HLOCK WASHER 1 MC	
37	1	HXE28534	LABEL, HYDRAULIC ENGLISH	

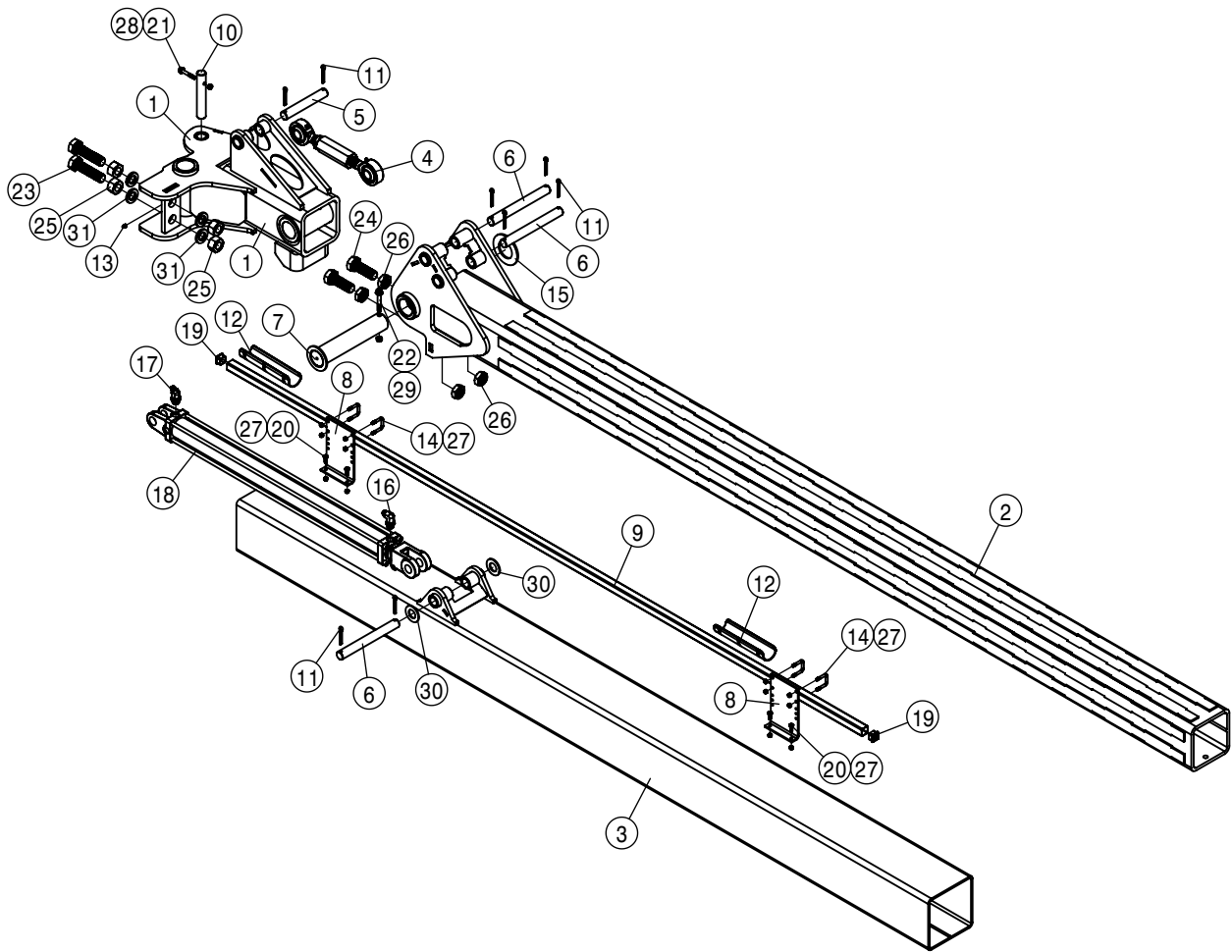


RIGHT 4-2 OUTRIGGER ASSEMBLY			
DET	QTY	P/N	DESCRIPTION
1	1	362052	RH OUTRGR ARTIC WLD, 4-2 COMBO '13
2	1	362062	OUTRGR, INR WLD, 4-2 COMBO '13
3	1	362071	RH, OUTRGR SLEEVE WLD 4-2 COMBO '13
4	1	362075	TURNBUCKLE
5	1	362084	PIN, 1.00 OD x 6.50 LG
6	3	362085	PIN, 1.00 OD x 9.00 LG
7	1	439074	OUTRGR HINGE PIN WLD, NTB 03
8	2	439133	TUBE MTG BRKT, STS COMBO 03
9	1	439135	HOSE MTG TUBE 12R STSC 03
10	1	439386	ARTICULATOR FLD CYL PIN,NTB'10
11	8	470045	COTTER PIN 1/4 X 1 3/4 SQ CUT
12	2	470369	HOSE PROTECTOR, 8" BLACK
13	1	471005	GREASE ZERK, 1/4-28 X 1/2
14	4	473979	1/4UNC-1 1/8ID-1 1/2U-BOLTSQSS
15	1	483081	2.00 FLAT WASH, GR5 PLT
16	1	618115	9/16MJIC-90-3/4MOR LBO
17	1	618496	9/16MJIC-45-3/4MOR LBO
18	1	621156	EXTENSION CYLINDER (PRINCE)
19	2	629727	FINISH PLUG 1" SQ 16 GA
20	1	900015	5/8UNC X 2 1/2 HHFB GR8 MC
21	1	900493	5/16UNC X 2 HHSFB SS
22	2	900536	1UNC X 4 HHCS GR5 MC
23	2	900545	1"UNC X 3" HEX BLT,FULL THD YZ
24	4	900868	1 1/4UNC X 7 1/4 HHCS GR8 MC
25	4	910017	1-8UNC HEX NUT MC GR5
26	4	910101	1" UNC HEX JAM NUT
27	12	914000	1/4UNC HEX STOVER NUT
28	1	914002	5/16-18UNC STOVER NUT MC GR5
29	1	914004	3/8UNC HEX STOVER NUT
30	2	920008	1" SAE FLAT WASHER
31	4	920508	HLCK WASH 1 MC

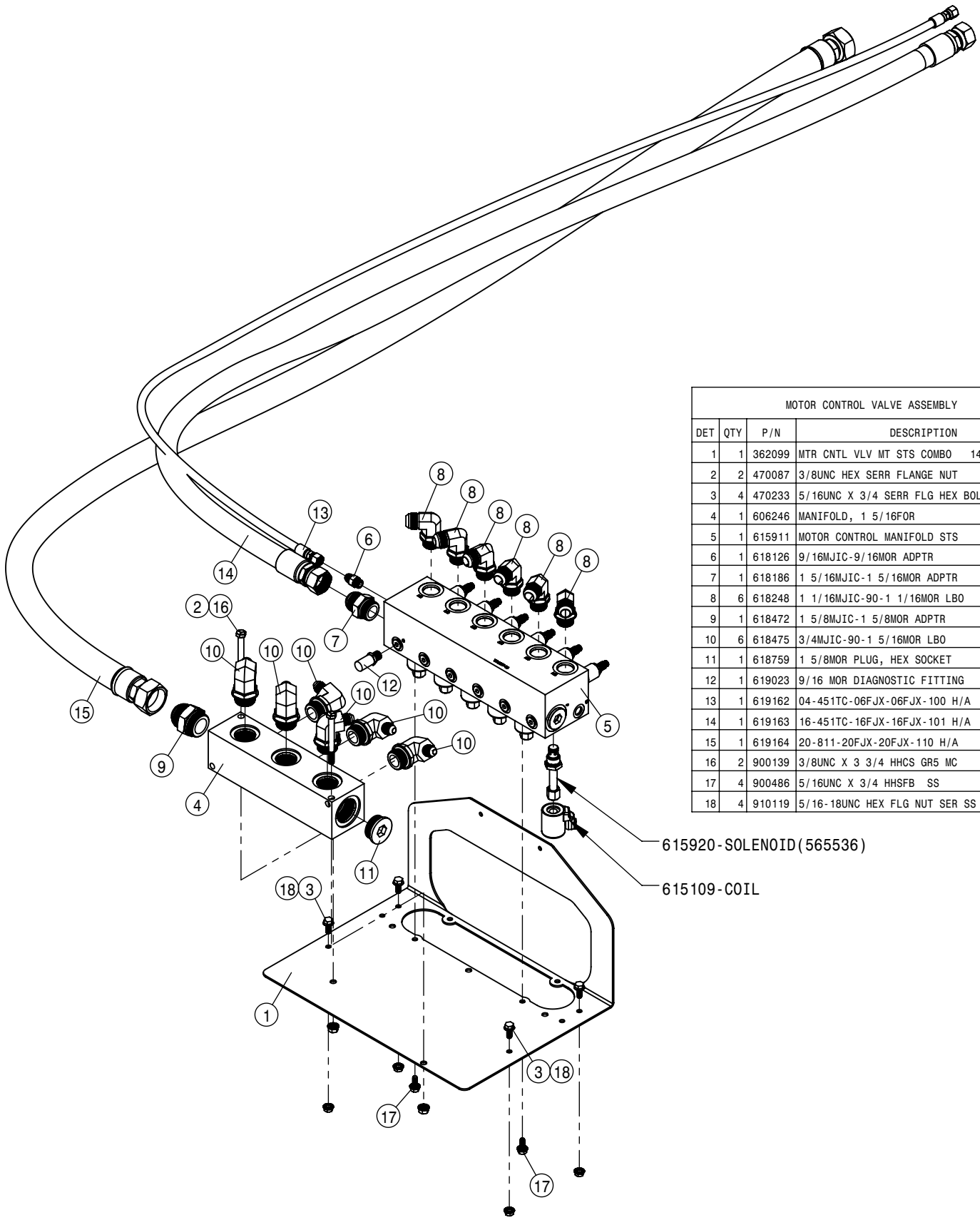


CENTER 4-2 OUTRIGGER ASSEMBLY			
DET	QTY	P/N	DESCRIPTION
1	4	166118	LIFT ARM PINS, DTS
2	2	439077	OUTRGR FOLD CYL MT PIN, NTB 03
3	2	439113	HOSE RETAINER STS NTB
4	2	440275	PIN, 2.00 OD, 11.75 LG
5	1	441029	CNTR TOOLBAR W/DECAL D400
6	2	470369	HOSE PROTECTOR, 8" BLACK
7	2	470546	1/2UNC X 3 1/2 HHSFB GR5 MC
8	2	470552	GROMMET, 1.75ID .250GW 2.00GD
9	4	618119	9/16MJIC-90-9/16MOR LBO
10	2	618732	9/16JIC .031 ORIFICE ADPTR
11	2	621566	OUTRGR FOLD CYL, 2.50 X 11.00
12	4	900072	5/16UNC X 3 HHCS GR5 MC
13	4	900393	5/8UNC X 1" FLT SOC CAP SCR
14	2	900489	5/16UNC X 1 HHCS SS
15	4	900545	1"UNC X 3" HEX BLT, FULL THD YZ
16	4	910017	1-8UNC HEX NUT MC GR5
17	4	910101	1-8UNC HEX JAM NUT MC GR5
18	2	910119	5/16-18UNC HEX FLG NUT SER SS
19	4	914002	5/16-18UNC STOVER NUT MC GR5
20	2	914015	1/2-13UNC CTRLK FLG NUT MC GR5
21	4	920508	HLOCK WASHER 1 MC
22	1	HXE28534	LABEL, HYDRAULIC ENGLISH





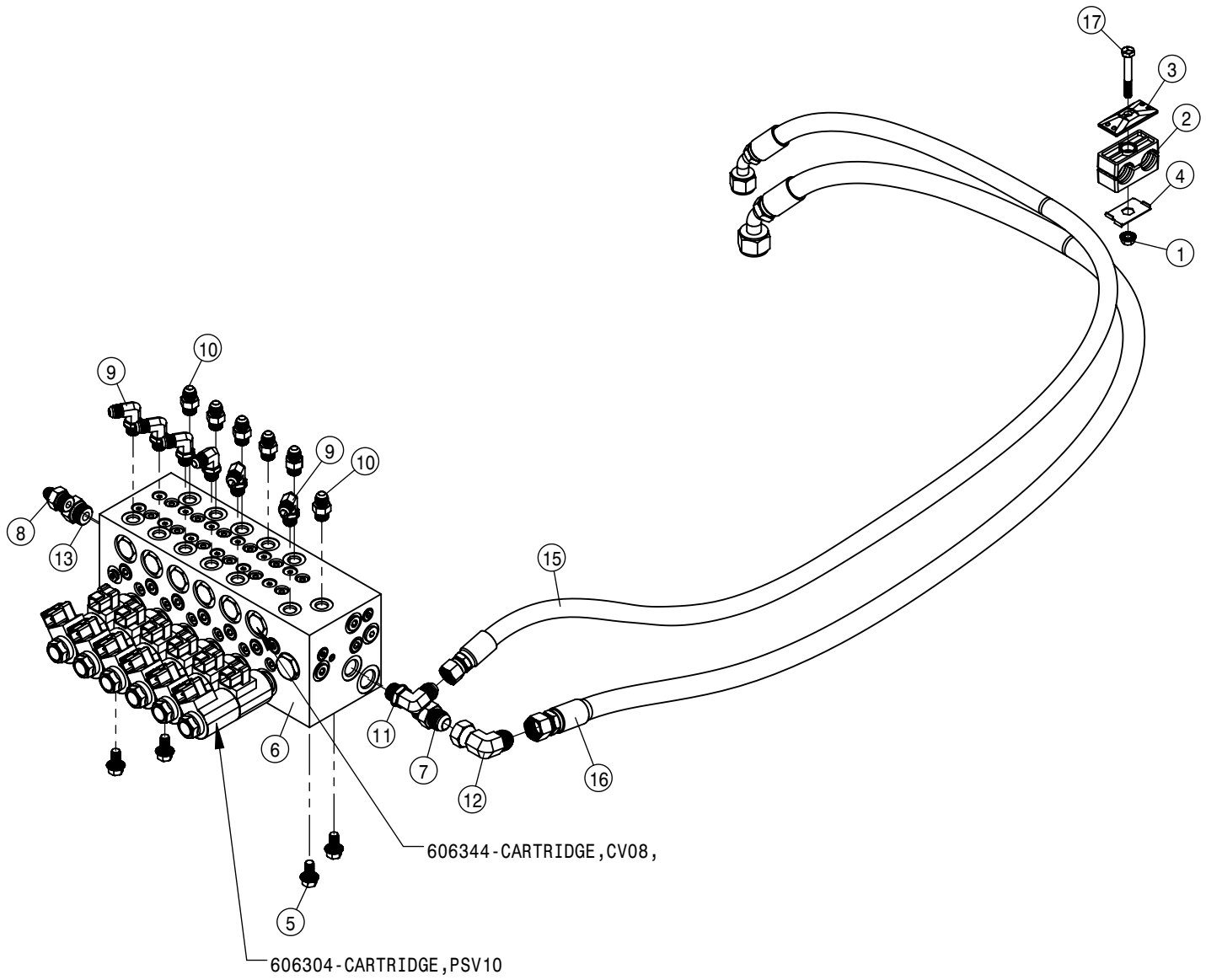
LEFT 4-2 OUTRIGGER ASSEMBLY			
DET	QTY	P/N	DESCRIPTION
1	1	362051	LH OUTGR ARTIC WLD, 4-2 COMBO '13
2	1	362062	OUTGR, INR WLD, 4-2 COMBO '13
3	1	362070	LH, OUTGR SLEEVE WLD, 4-2 COMBO '13
4	1	362075	TURNBUCKLE
5	1	362084	PIN, 1.00 OD x 6.50 LG
6	3	362085	PIN, 1.00 OD x 9.00 LG
7	1	439074	OUTGR HINGE PIN WLD, NTB 03
8	2	439133	TUBE MTG BRKT, STS COMBO 03
9	1	439135	HOSE MTG TUBE 12R STSC 03
10	1	439386	ARTICULATOR FLD CYL PIN,NTB'10
11	8	470045	COTTER PIN 1/4 X 1 3/4 SQ CUT
12	2	470369	HOSE PROTECTOR, 8" BLACK
13	1	471005	GREASE ZERK, 1/4-28 X 1/2
14	4	473979	1/4UNC-1 1/8ID-1 1/2U-BOLTSQSS
15	1	483081	2.00 FLAT WASH, GR5 PLT
16	1	618115	9/16MJIC-90-3/4MOR LBO
17	1	618496	9/16MJIC-45-3/4MOR LBO
18	1	621156	EXTENSION CYLINDER (PRINCE)
19	2	629727	FINISH PLUG 1" SQ 16 GA
20	4	900448	1/4UNC X 3/4 HHCS SS
21	1	900493	5/16UNC X 2 HHSFB SS
22	1	900507	3/8UNC X 2 1/2 HHSFB GR5 MC
23	2	900536	1UNC X 4 HHCS GR5 MC
24	2	900545	1"UNC X 3" HEX BLT,FULL THD YZ
25	4	910017	1-8UNC HEX NUT MC GR5
26	4	910101	1" UNC HEX JAM NUT
27	12	914000	1/4UNC HEX STOVER NUT
28	1	914002	5/16-18UNC STOVER NUT MC GR5
29	1	914004	3/8UNC HEX STOVER NUT
30	2	920008	1" SAE FLAT WASHER
31	4	920508	HLOCK WASHER 1 MC



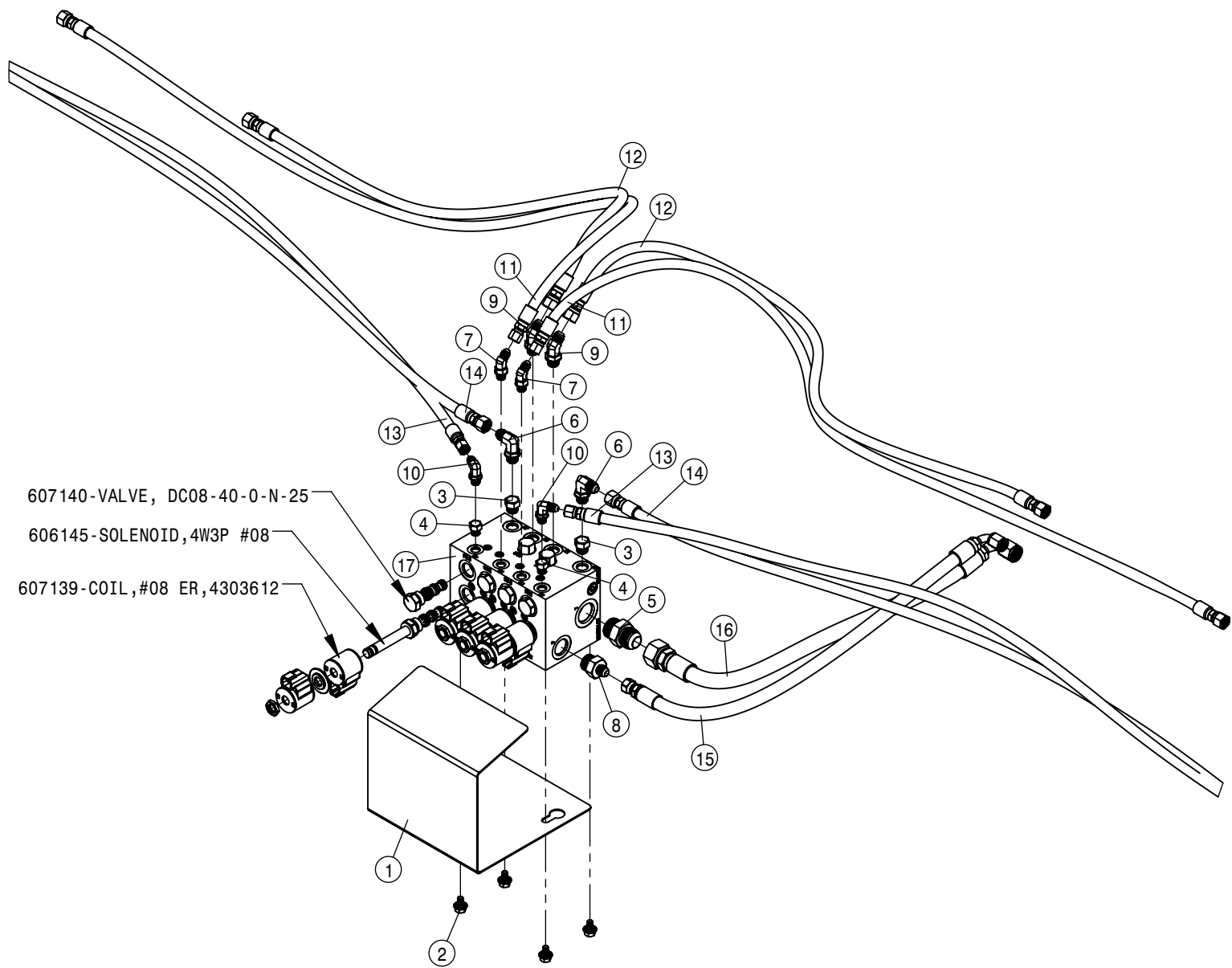
MOTOR CONTROL VALVE ASSEMBLY				
DET	QTY	P/N	DESCRIPTION	
1	1	362099	MTR CNTL VLV MT STS COMBO	14
2	2	470087	3/8UNC HEX SERR FLANGE NUT	
3	4	470233	5/16UNC X 3/4 SERR FLG HEX BOLT	
4	1	606246	MANIFOLD, 1 5/16FOR	
5	1	615911	MOTOR CONTROL MANIFOLD STS	
6	1	618126	9/16MJIC-9/16MOR ADPTR	
7	1	618186	1 5/16MJIC-1 5/16MOR ADPTR	
8	6	618248	1 1/16MJIC-90-1 1/16MOR LBO	
9	1	618472	1 5/8MJIC-1 5/8MOR ADPTR	
10	6	618475	3/4MJIC-90-1 5/16MOR LBO	
11	1	618759	1 5/8MOR PLUG, HEX SOCKET	
12	1	619023	9/16 MOR DIAGNOSTIC FITTING	
13	1	619162	04-451TC-06FJX-06FJX-100 H/A	
14	1	619163	16-451TC-16FJX-16FJX-101 H/A	
15	1	619164	20-811-20FJX-20FJX-110 H/A	
16	2	900139	3/8UNC X 3 3/4 HHCS GR5 MC	
17	4	900486	5/16UNC X 3/4 HHSFB SS	
18	4	910119	5/16-18UNC HEX FLG NUT SER SS	

615920-SOLENOID (565536)

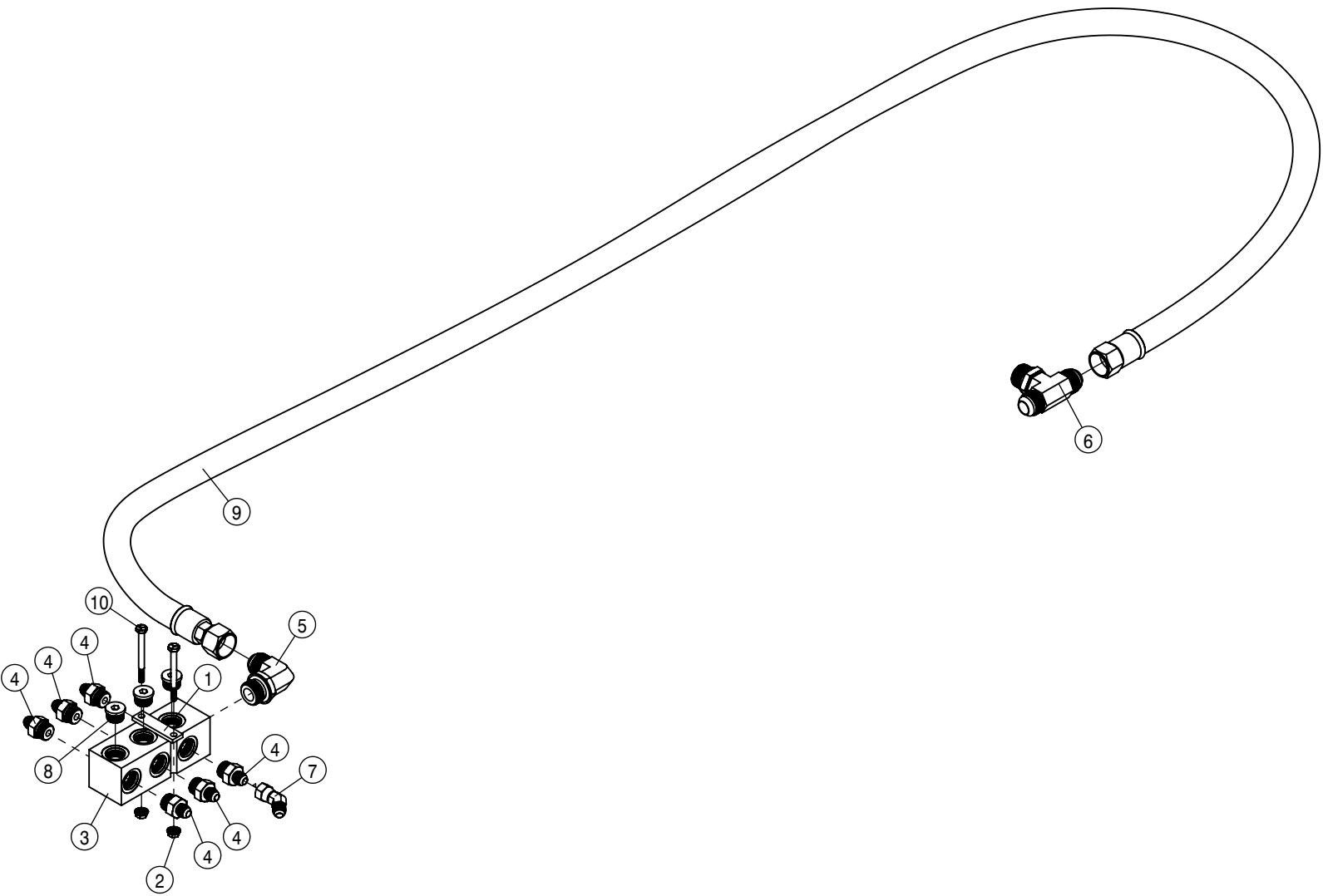
615109-COIL



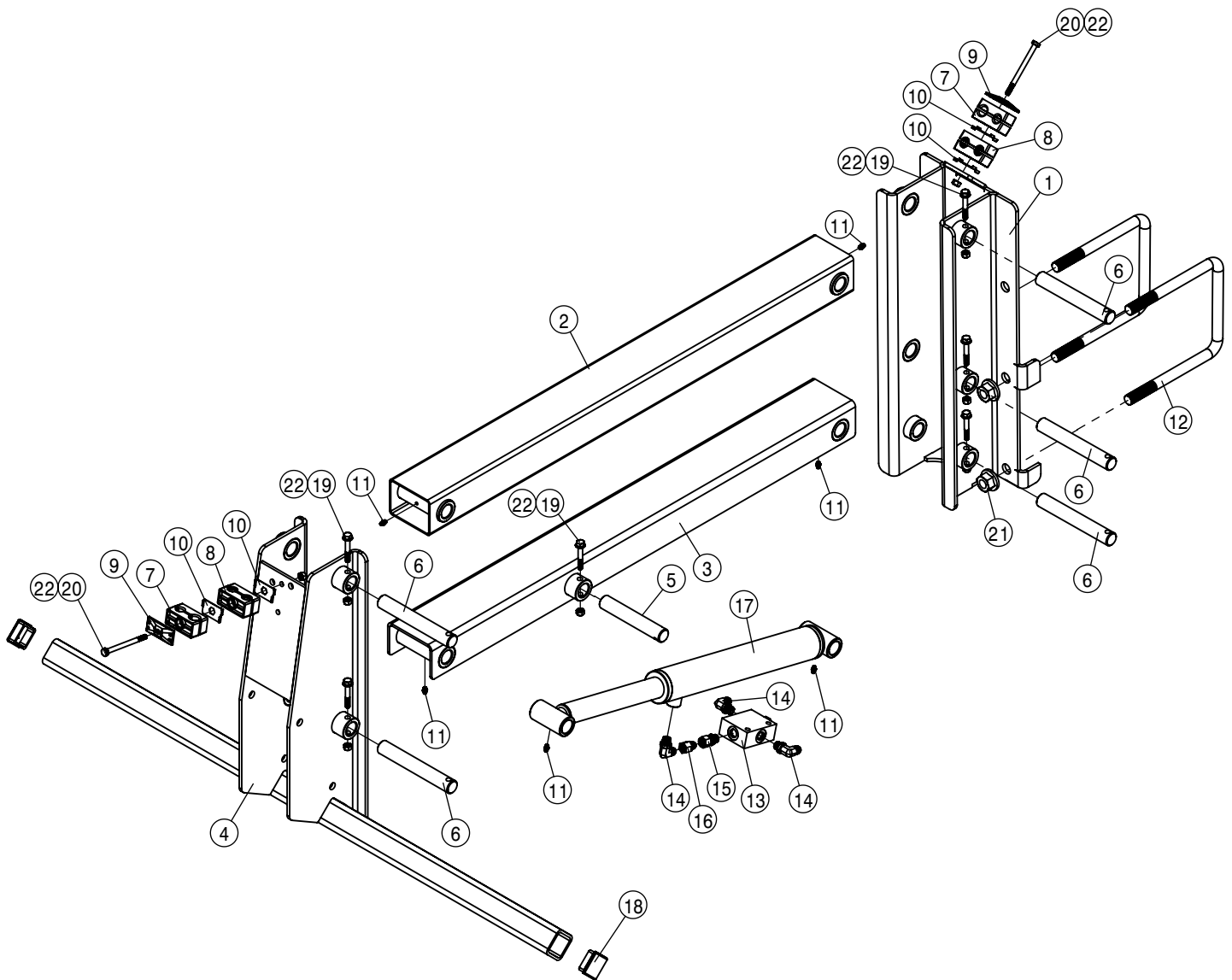
LIFT VALVE ASSEMBLY			
DET	QTY	P/N	DESCRIPTION
1	1	470113	5/16-18UNC HEX FLG NUT SER MC GR5
2	1	470275	TUBE CLAMP BODY, 1.00-1.000
3	1	470276	CLAMP COVER PLATE, SNGL, 2.55LG
4	1	470281	STACK BOLT SAFETY LOCK PLATE
5	4	470409	3/8UNC X 3/4" SERR FLG BOLT
6	1	606285	LIFT VALVE, STS COMBO, SAUER
7	1	611126	7/8MJIC-7/8MOR ADPTR
8	1	618109	9/16MJIC-3/4MOR ADPTR
9	6	618119	9/16MJIC-90-9/16MOR LBO
10	6	618126	9/16MJIC-9/16MOR ADPTR
11	1	618241	3/4MJIC-90-3/4MOR LBO
12	1	618301	7/8MJIC-90-7/8FJIC SWIV LBO
13	1	618327	3/4MJIC-7/8MOR ADPTR
14	2	618754	9/16 MOR PLUG, HEX SOCKET
15	1	619165	08-451TC-08FJX-10FJX45-71 H/A
16	1	619166	10-451TC-10FJX-12FJX45-68 H/A
17	1	900086	5/16UNC X 2 1/4 HHCS GR5 MC



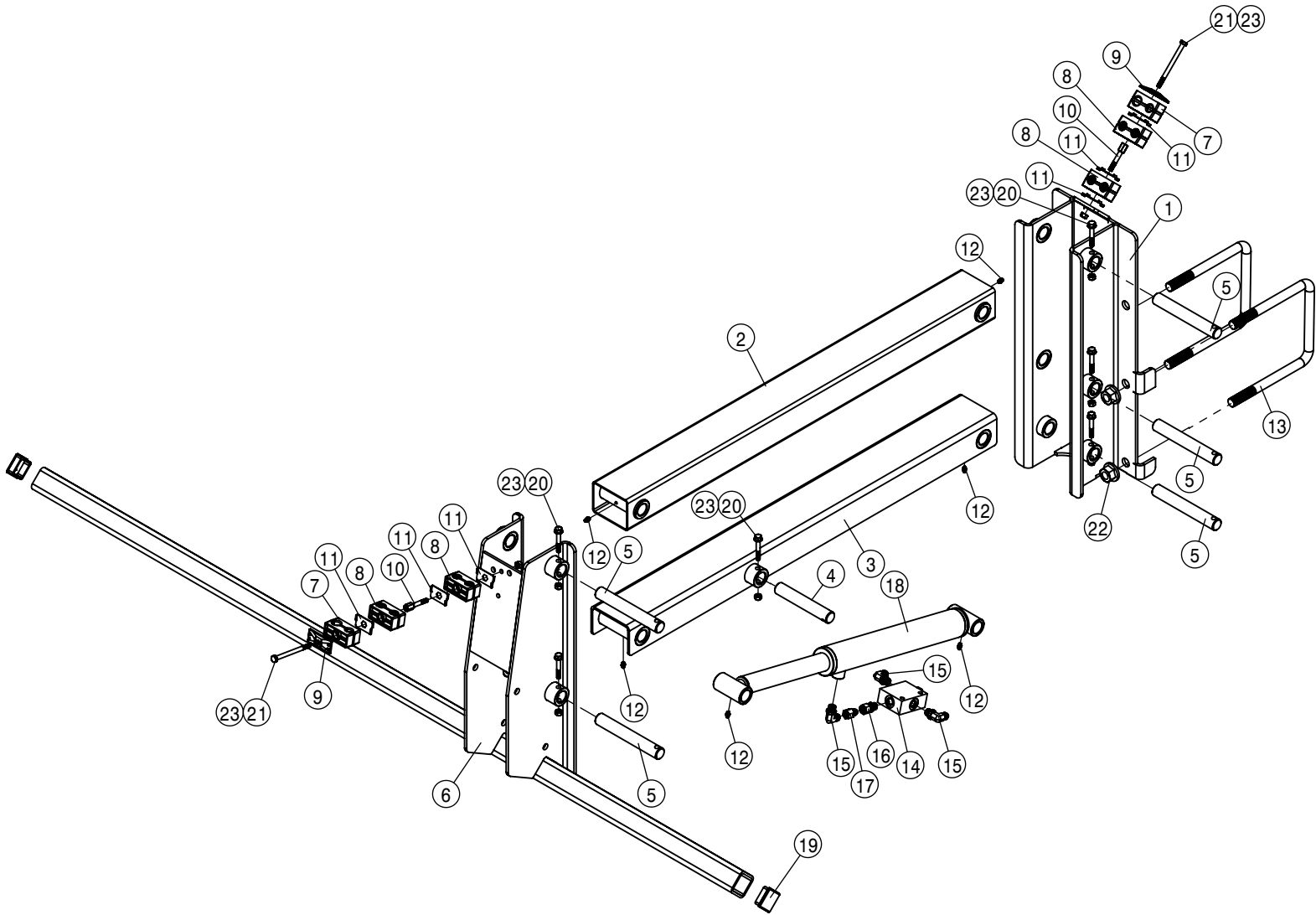
FOLD VALVE ASSEMBLY			
DET	QTY	P/N	DESCRIPTION
1	1	363003	D400 VALVE WIRING SHROUD
2	4	470232	5/16UNC X 1/2 HHSFB GR5 MC
3	2	610185	9/16MOR PLUG, HEX HEAD
4	2	611014	7/16MOR PLUG, HEX HEAD
5	1	611127	1 1/16MJIC-1 1/16MOR ADPTR
6	2	618119	9/16MJIC-90-9/16MOR LBO
7	2	618214	7/16MJIC-45-7/16MOR
8	1	618310	9/16MJIC-7/8MOR ADPTR
9	2	618425	9/16MJIC-45-9/16MOR LBO
10	2	618473	7/16MJIC-90-7/16MOR LBO
11	2	619167	04-451TC-04FJX-06FJX-56 H/A
12	2	619168	04-451TC-06FJX-06FJX-40 H/A
13	2	619169	04-451TC-04FJX-06FJX-106 H/A
14	2	619170	04-451TC-06FJX-06FJX-74 H/A
15	1	619171	06-451TC-06FJX-06FJX90-25 H/A
16	1	619172	08-451TC-08FJX90-12FJX-24 H/A
17	1	696300	FOLD/EXT VLV



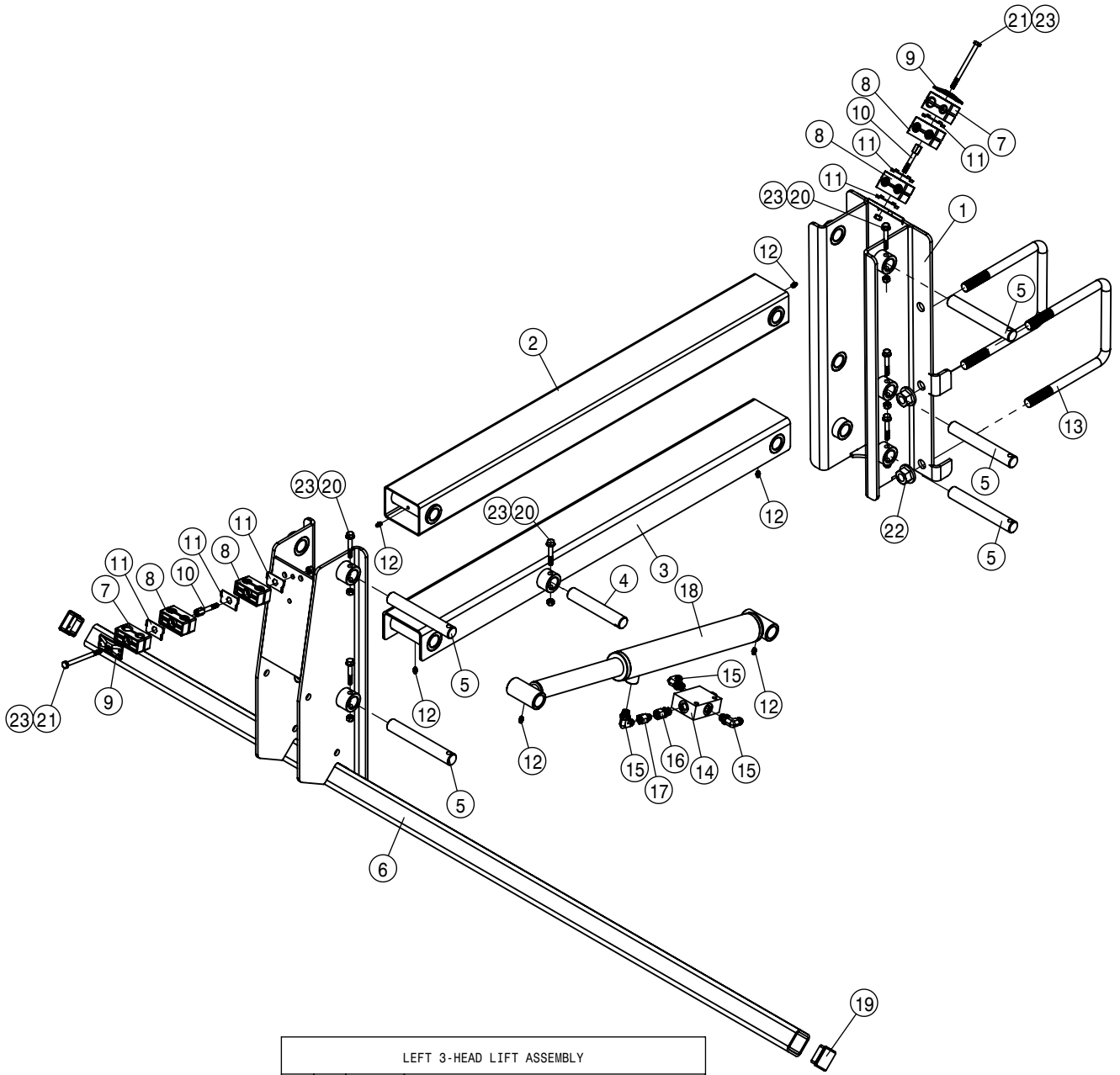
CASE DRAIN MANIFOLD ASSEMBLY			
DET	QTY	P/N	DESCRIPTION
1	1	438729	CUTTER RETURN MANIF MT KEEPER
2	2	470121	1/4 UNC SERR FLG LOCK NUT
3	1	606021	HYD RETURN MANIF, 3/4FOR, 9-PORT
4	6	618109	9/16MJIC-3/4MOR ADPTR
5	1	618248	1 1/16MJIC-90-1 1/16MOR LBO
6	1	618569	1 1/16MOR BRANCH TEE-1 1/16MJIC
7	1	618634	9/16MJIC-45-9/16FJIC SWIV LBO
8	3	618755	3/4MOR PLUG, HEX SOCKET
9	1	619173	12-811-12FJX-12FJX-108 H/A
10	2	900009	1/4UNC X 2 3/4 HHCS GR5 MC



2-HEAD LIFT ASSEMBLY			
DET	QTY	P/N	DESCRIPTION
1	1	439136	TOOLBAR MT BRKT WLD, STSC 03
2	1	439143	UPPER LIFTARM WLD,STS COMBO 03
3	1	439146	LWR LIFTARM WLD, STS COMBO 03
4	1	439151	50" HEAD TOOLBAR WLD,STSC 03
5	1	439156	LWR CYL MT PIN, STS COMBO 03
6	5	439158	LIFT ARM PIVOT PIN, STSC 03
7	2	470270	TUBE CLAMP BODY, .530-.680
8	2	470274	TUBE CLAMP BODY, .750-.750
9	2	470276	CLAMP COVER PLATE,SINGL, 2.55LG
10	4	470281	STACK BOLT SAFETY LOCK PLATE
11	6	471005	GREASE ZERK, 1/4-28 X 1/2
12	2	473981	.750UNC-7.00ID-8.50 U-BOLT SQ YZ
13	1	607565	CHECK VLV,PILOT TO OPEN, SUN
14	3	618119	9/16MJIC-90-9/16MOR LBO
15	1	618668	9/16FJIC SWIV-9/16MOR ADPTR
16	1	618732	9/16JIC .031 ORIFICE ADPTR
17	1	621564	DETA LIFT CYL,2.00 X 11.00STS
18	2	629773	CAPPLUGS 1 3/4"SQ PLUG,BLK POLY
19	6	900493	5/16UNC X 2 HHSFB SS
20	2	900499	5/16UNC X 4 HHCS SS
21	4	910111	3/4-10UNC CTRLK FLG NUT MC GR5
22	8	914002	5/16UNC HEX STOVER NUT

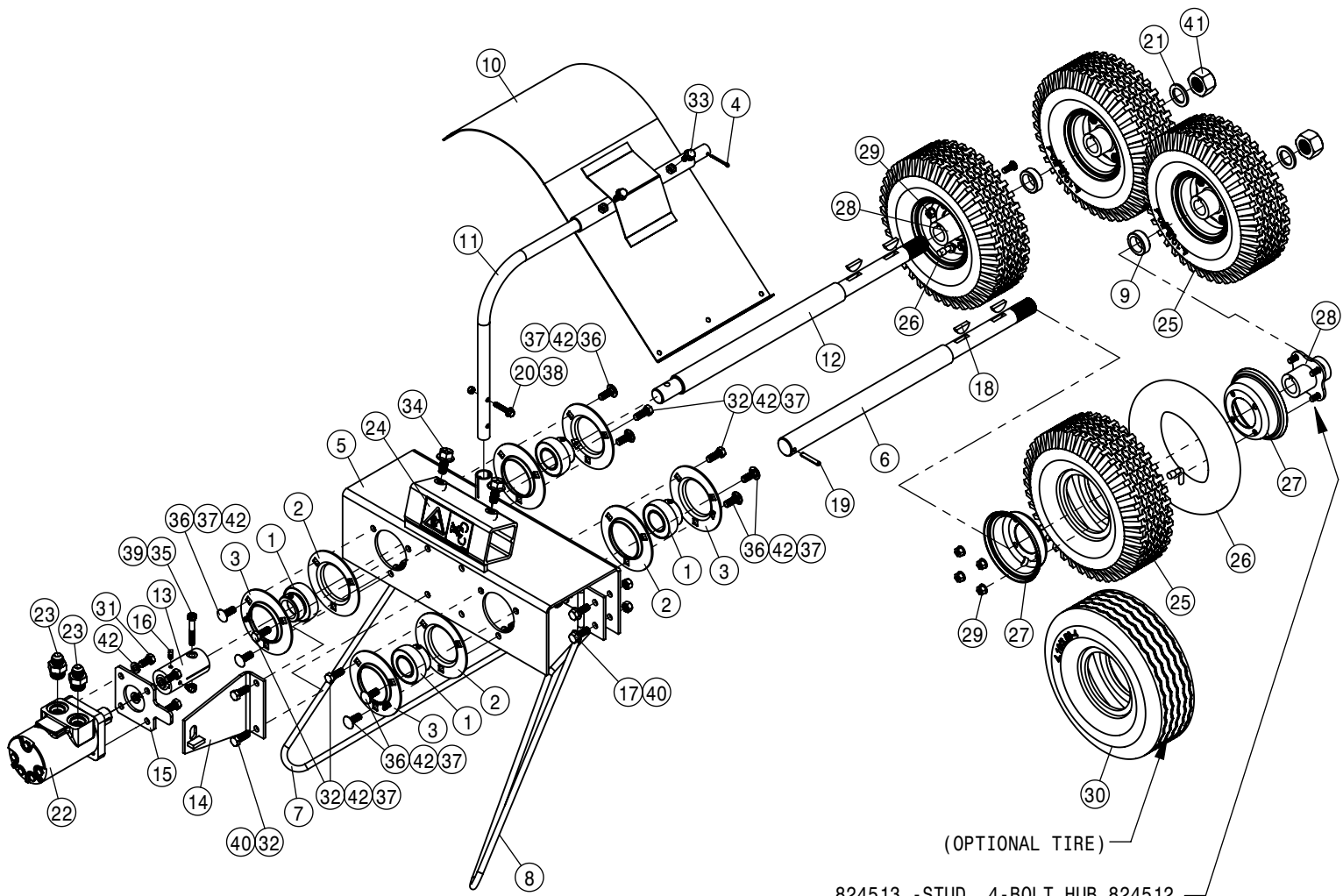


RIGHT 3-WAY LIFT ASSEMBLY			
DET	QTY	P/N	DESCRIPTION
1	1	439136	TOOLBAR MT BRKT WLD, STSC 03
2	1	439143	UPPER LIFTARM WLD, STS COMBO 03
3	1	439146	LWR LIFTARM WLD, STS COMBO 03
4	1	439156	LWR CYL MT PIN, STS COMBO 03
5	5	439158	LIFT ARM PIVOT PIN, STSC 03
6	1	439163	80°RH HEAD TOOLBAR WLD, STSC 03
7	2	470270	TUBE CLAMP BODY, .530-.680
8	4	470274	TUBE CLAMP BODY, .750-.750
9	2	470276	CLAMP COVER PLATE, SNGL, 2.55LG
10	2	470280	STACK BOLT, 5/16UNC X 1 3/4
11	6	470281	STACK BOLT SAFETY LOCK PLATE
12	6	471005	GREASE ZERK, 1/4-28 X 1/2
13	2	473981	.750UNC-7.00ID-8.50 U-BOLT SQ YZ
14	1	607565	CHECK VLV, PILOT TO OPEN, SUN
15	3	618119	9/16MJIC-90-9/16MOR LBO
16	1	618668	9/16FJIC SWIV-9/16MOR ADPTR
17	1	618732	9/16JIC .031 ORIFICE ADPTR
18	1	621564	DETAS LIFT CYL, 2.00 X 11.00STS
19	2	629773	CAPPLUGS 1 3/4" SQ PLUG, BLK POLY
20	6	900493	5/16UNC X 2 HHSFB SS
21	2	900499	5/16UNC X 4 HHCS SS
22	4	910111	3/4-10UNC CTRLK FLG NUT MC GR5
23	8	914002	5/16UNC HEX STOVER NUT



LEFT 3-HEAD LIFT ASSEMBLY			
DET	QTY	P/N	DESCRIPTION
1	1	439136	TOOLBAR MT BRKT WLD, STSC 03
2	1	439143	UPPER LIFTARM WLD,STS COMBO 03
3	1	439146	LWR LIFTARM WLD, STS COMBO 03
4	1	439156	LWR CYL MT PIN, STS COMBO 03
5	5	439158	LIFT ARM PIVOT PIN, STSC 03
6	1	439164	80"LH HEAD TOOLBAR WLD,STSC 03
7	2	470270	TUBE CLAMP BODY, .530-.680
8	4	470274	TUBE CLAMP BODY, .750-.750
9	2	470276	CLAMP COVER PLATE,SNGL, 2.55LG
10	2	470280	STACK BOLT, 5/16UNC X 1 3/4
11	6	470281	STACK BOLT SAFETY LOCK PLATE
12	6	471005	GREASE ZERK, 1/4-28 X 1/2
13	2	473981	.750UNC-7.00ID-8.50 U-BOLT SQ YZ
14	1	607565	CHECK VLV,PILOT TO OPEN, SUN
15	3	618119	9/16MJIC-90-9/16MOR LBO
16	1	618668	9/16FJIC SWIV-9/16MOR ADPTR
17	1	618732	9/16JIC .031 ORIFICE ADPTR
18	1	621564	DETAS LIFT CYL,2.00 X 11.00STS
19	2	629773	CAPPLUGS 1 3/4"SQ PLUG,BLK POLY
20	6	900493	5/16UNC X 2 HHSFB SS
21	2	900499	5/16UNC X 4 HHCS SS
22	4	910111	3/4-10UNC CTRLK FLG NUT MC GR5
23	8	914002	5/16UNC HEX STOVER NUT



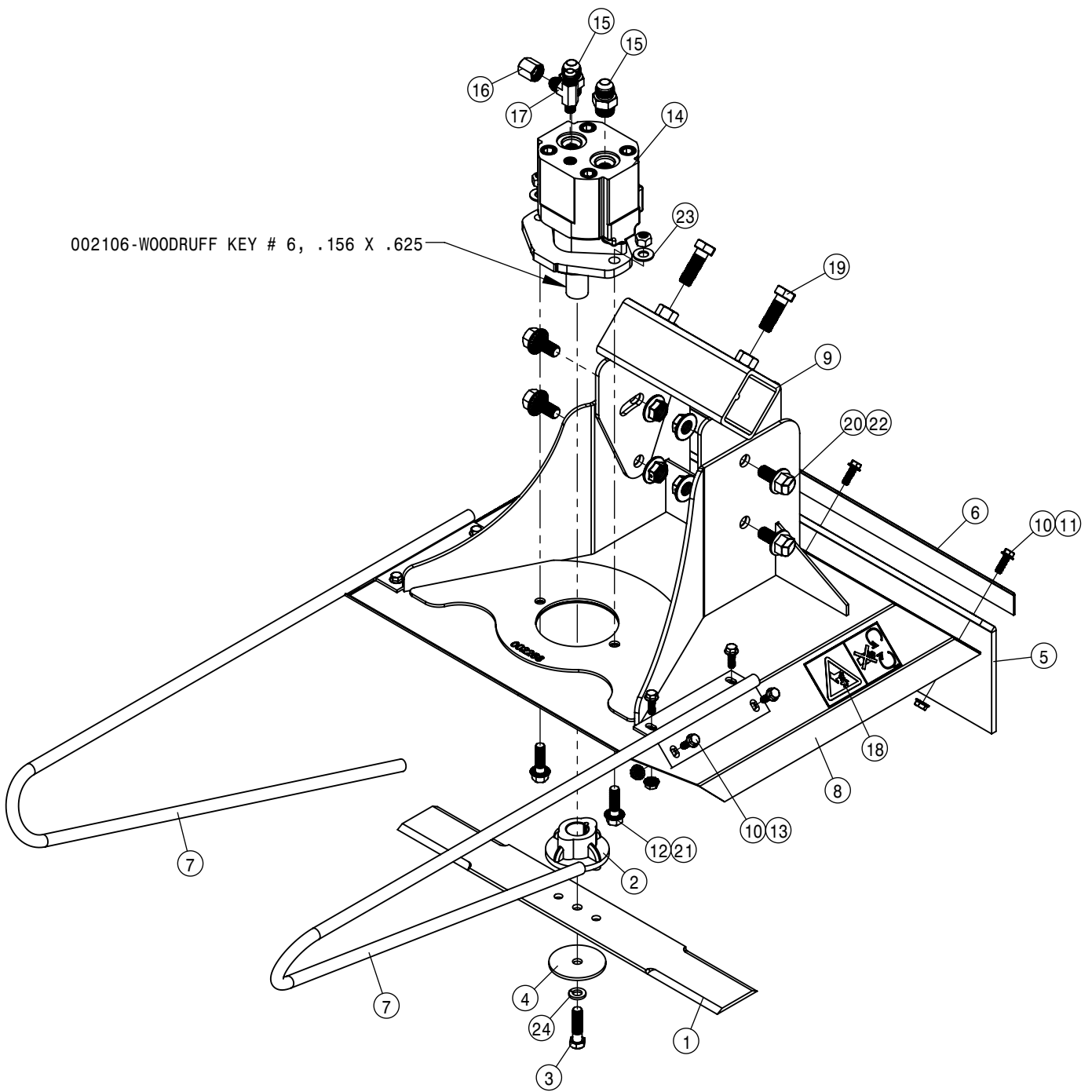


(OPTIONAL TIRE)

824513 -STUD, 4-BOLT HUB 824512

QUAD PULLER HEAD ASSEMBLY			
DET	QTY	P/N	DESCRIPTION
1	4	123024	BGR 1 1/4 BORE SPHERICL RELUB
2	4	123026	FLANGETT 1 1/4
3	4	123035	FLANGETT 1 1/4 180 DEG ZERK
4	1	390984	1/8 X 1 1/4 COTTER PIN
5	1	438369	QUAD PLR FRAME WLD 200 90
6	1	438375	QUAD PLR SHAFT SHORT 200 90
7	1	438381	RH QUAD PLR STALK GUIDE WLD90
8	1	438384	LH QUAD PLR STALK GUIDE WLD90
9	2	438388	.50 HUB SPACER, QUAD PLR
10	1	438415	QUAD PLR SHIELD WLD 200 91
11	1	438419	QUAD PLR SHIELD MT TUBE 91
12	1	438422	QUAD PLR SHAFT LONG 200 91
13	1	438423	QUAD PLR MOTOR COUPLER 200 91
14	1	438424	QUAD PLR MTR MT PLT WLD
15	1	438425	QUAD PLR MTR MT 200 91
16	2	470199	1/4UNC X 3/8 SQHD CUP SET SCR
17	4	470460	3/8 X 1" SERR FLG BOLT
18	4	472020	WOODRUFF KEY # 18 1/4 X 1 1/8
19	1	473805	ROLL PIN, 1/4 X 1 1/2
20	1	473836	1/4UNC X 1 1/4 FLANGE BOLT SS
21	2	483032	1 1/2 X 1" X .134TH MACH WASH

QUAD PULLER HEAD ASSEMBLY			
DET	QTY	P/N	DESCRIPTION
22	1	610547	HYD MOTOR 4.5CI 1IN SHFT
23	2	618327	3/4MJIC-7/8MOR ADPTR
24	1	650259	DECAL MOVING PARTS ROLLER
25	4	824509	4.10/3.50-4 2PLY STUD TIRE
26	4	824510	4.10/3.50-4 BENT STEM TUBE
27	4	824511	RIM, 410-4 2PC
28	4	824512	HUB, 4-BOLT, 1" KEYED BORE
29	16	824514	WHL NUT, 4-BOLT HUB
30	4	824516	4.10/3.50 2P SAWTOOTH TIRE
31	4	900128	3/8UNC X 3/4 HEX BOLT
32	6	900129	3/8UNC X 1" HEX BOLT
33	2	900486	5/16UNC X 3/4 HHSFB SS
34	2	900516	1/2UNC X 1 HHSFB GR5 MC
35	1	900830	5/16UNC X 2" HEX BOLT GR8 YZ
36	8	901129	3/8-16 X 1 CARRIAGE BOLT
37	12	910004	3/8UNC HEX NUT
38	1	914000	1/4UNC HEX STOVER NUT
39	1	914002	5/16UNC HEX STOVER NUT
40	6	914004	3/8UNC HEX STOVER NUT
41	2	914016	1" UNC HEX STOVER NUT
42	16	920502	3/8 LOCK WASHER



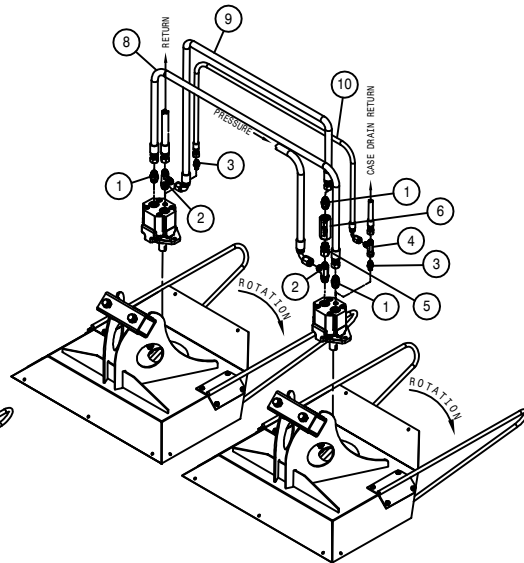
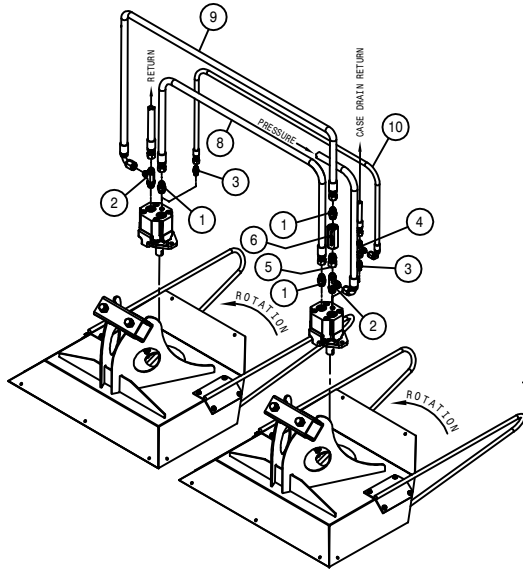
002106-WOODRUFF KEY # 6, .156 X .625

19" CUTTER HEAD ASSEMBLY			
DET	QTY	P/N	DESCRIPTION
1	1	002103	CUTR BLADE 18 IN
2	1	002104	CUTTER BLADE ADAPTER, RD LUG
3	1	002107	3/8UNF X 1 1/2 HEX BOLT CUTR
4	1	002108	STEEL WASHER CUTTER BLADE
5	1	002256	19" REAR CUTR DECK EXT FLAP 04
6	1	002257	19" REAR CUTR DECK FLAP KPR 04
7	2	002258	19" CUTR STALK GUIDE WLD
8	1	002265	19" CUTTER DECK WLD 08
9	1	002269	CUTR TUBE MT WLD 08
10	11	470118	1/4 UNC X 3/4 SER FLG BOLT
11	3	470121	1/4 UNC SERR FLG LOCK NUT
12	2	470329	3/8UNC X 1 1/4 SERR FLG HEX BOLT

19" CUTTER HEAD ASSEMBLY			
DET	QTY	P/N	DESCRIPTION
13	8	473832	1/4UNC HEX FLANGE LOCK NUT SS
14	1	610755	BARNES HYD MOTOR, D-SERIES 01
15	2	611125	3/4MJIC-3/4MOR ADPTR
16	1	618531	9/16FJIC CAP NUT
17	1	618546	1/8MNPT RUN TEE-9/16MJIC
18	2	650258	DECAL CUTTING BLADES
19	2	900265	1/2UNC X 1 1/2 HEX BOLT
20	4	900516	1/2UNC X 1 HHSFB GR5 MC
21	2	914004	3/8UNC HEX STOVER NUT
22	4	914015	1/2UNC HEX CENTER-LOCK NUT
23	2	920002	3/8 SAE FLAT WASHER
24	1	920502	3/8 LOCK WASHER

LEFT SIDE OF OPERATOR

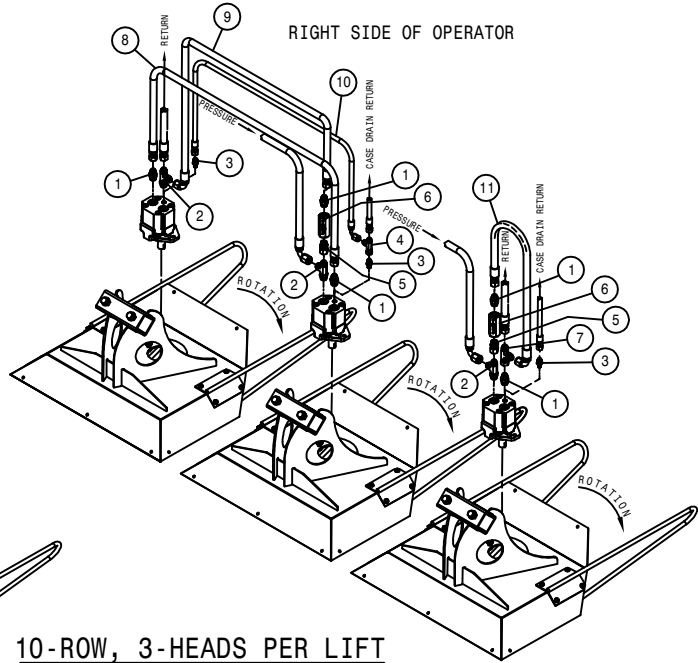
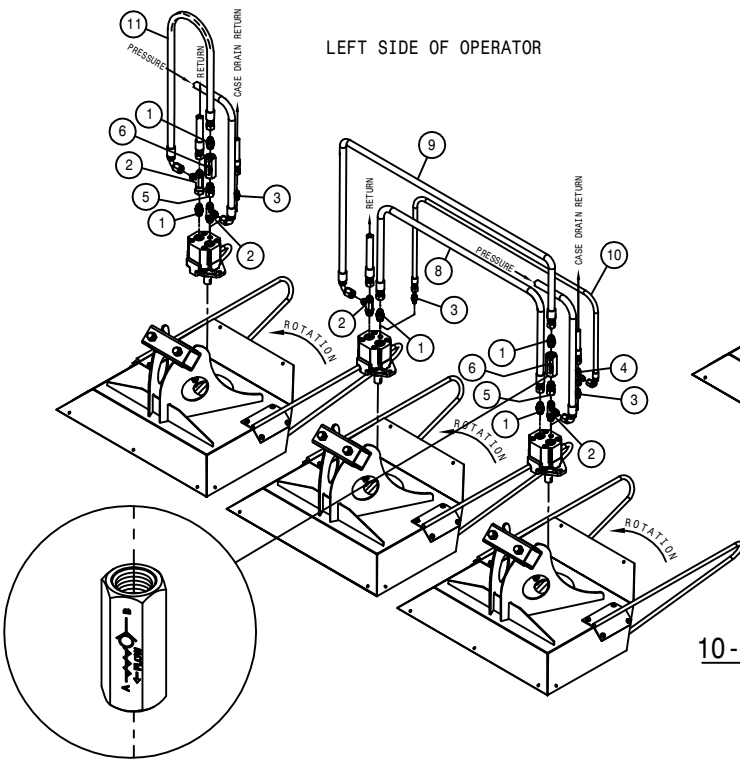
RIGHT SIDE OF OPERATOR



8-10-12 ROW, 2-HEADS PER LIFT

LEFT SIDE OF OPERATOR

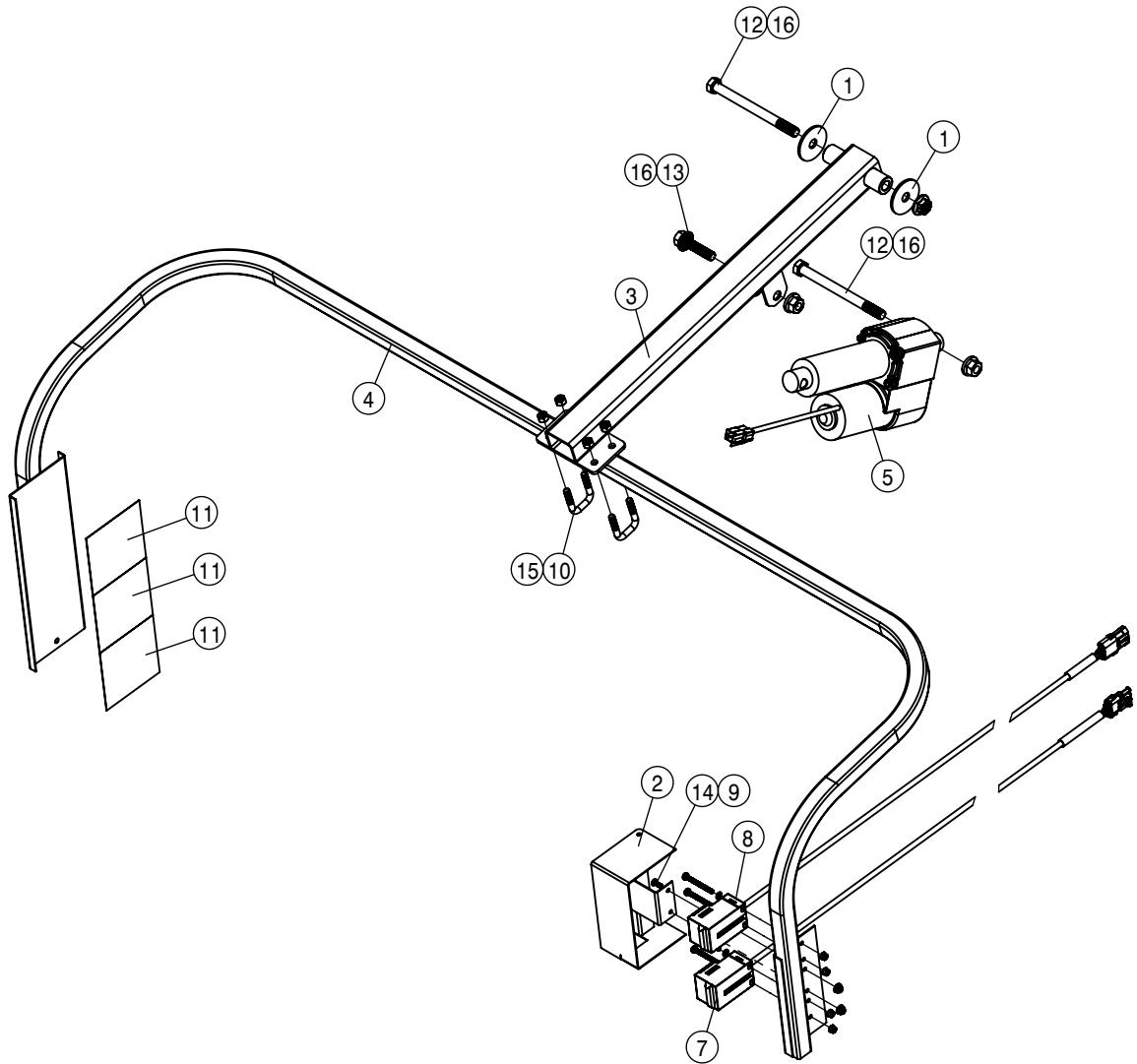
RIGHT SIDE OF OPERATOR



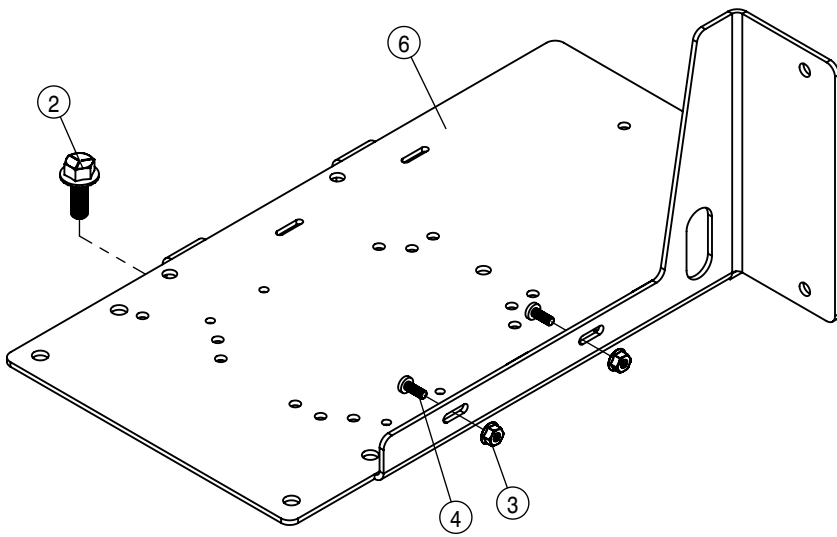
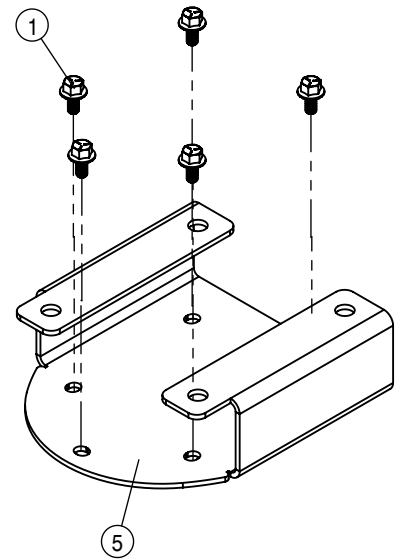
10-ROW, 3-HEADS PER LIFT

HYD DIAG, CUTR CHK VLV

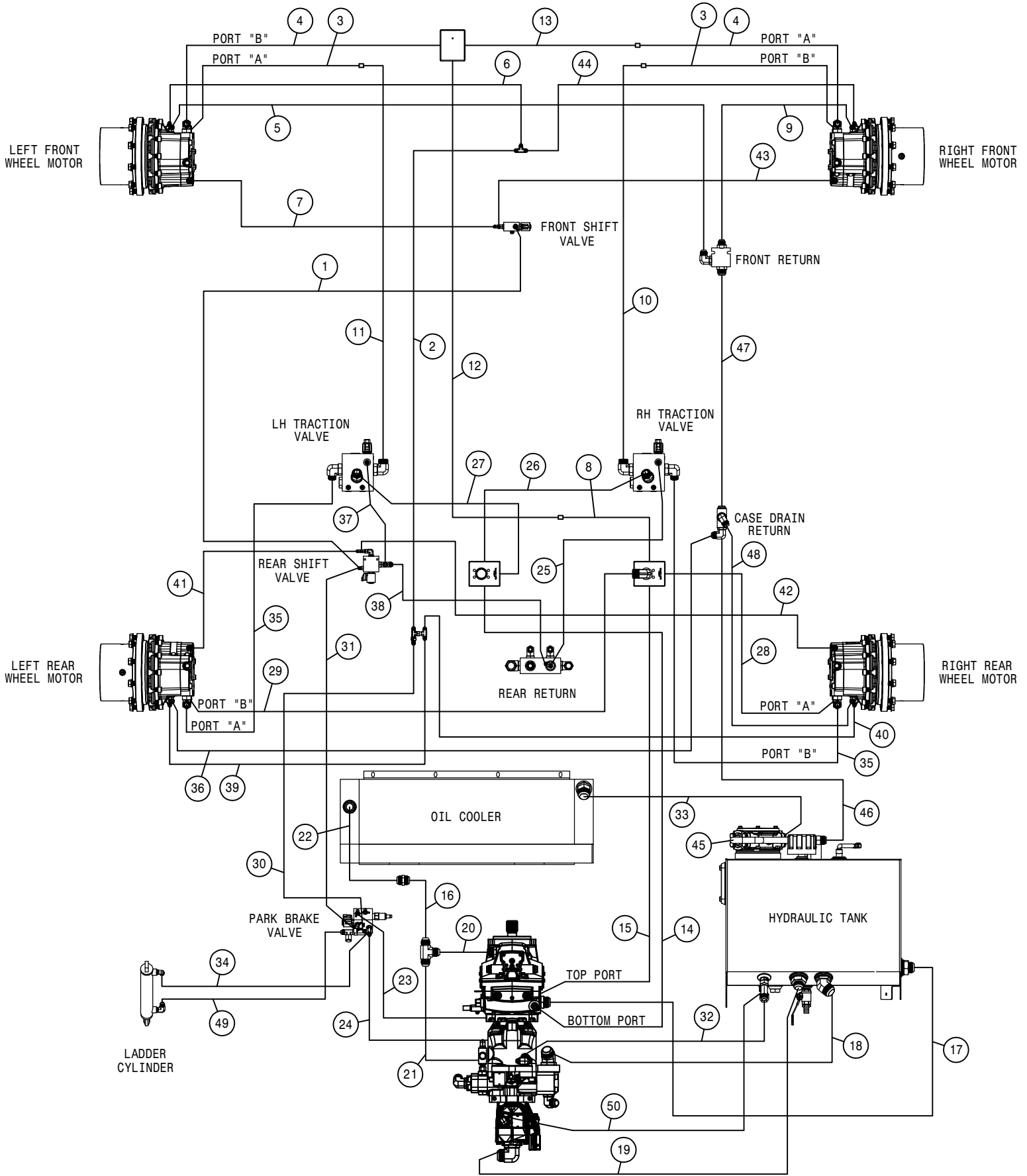
DET.	PART NO.	DESCRIPTION	
1	611125	3/4MJIC-3/4MOR ADPTR	
2	618494	3/4MOR RUN TEE-3/4MJIC	
3	618530	9/16MJIC-1/8MNPT ADPTR	
4	618486	9/16FJIC SW RUN TEE-9/16MJIC	
5	618669	3/4FJIC SWIV-3/4MOR ADPTR	
6	618292	CHECK VALVE, 3/4FOR INLINE	
7	618451	3/4FJIC SW RUN TEE-3/4MJIC	
8	616531	08-451TC-08FJX-08FJX-55	H/A
9	616537	08-451TC-08FJX-08FJX90-52	H/A
10	616521	04-451TC-06FJX-06FJX90-54	H/A
11	616530	08-451TC-08FJX-08FJX90-27	H/A



LS SENSOR 2-HEAD ASSEMBLY			
DET	QTY	P/N	DESCRIPTION
1	2	002815	SENSOR ARM WASH, NYL
2	1	002841	LS 42GRU SENSOR SHIELD WLD
3	1	003028	LS SENSOR MT SUPP WLD, STSC 03
4	1	003033	LS SENSOR MT WLD, STS COMBO 03
5	1	292610	LINEAR ACTUATOR, 4" STROKE
NS	1	293188	SENSOR CONNECTOR WIRE ASSY
7	1	293258	UPR LS 9200 SENSOR ASSY, FEM
8	1	293259	UPR LS 9200 SENSOR ASSY, MALE
9	2	473004	10-32 FLANGE NYLOC NUT
10	2	473980	.31UNC-1.06ID-1.75SQ U-BOLT SS
11	3	650297	REFLECTIVE TAPE, 4 X 4, RTC4-4C
12	2	900278	1/2UNC X 6" HEX BOLT
13	1	900519	1/2UNC X 2 HHSFB GR5 MC FT
14	2	903883	10-32 X 1/2 PHIL PAN MACH SCR
15	4	914002	5/16UNC HEX STOVER NUT
16	3	914015	1/2UNC HEX CENTER-LOCK NUT

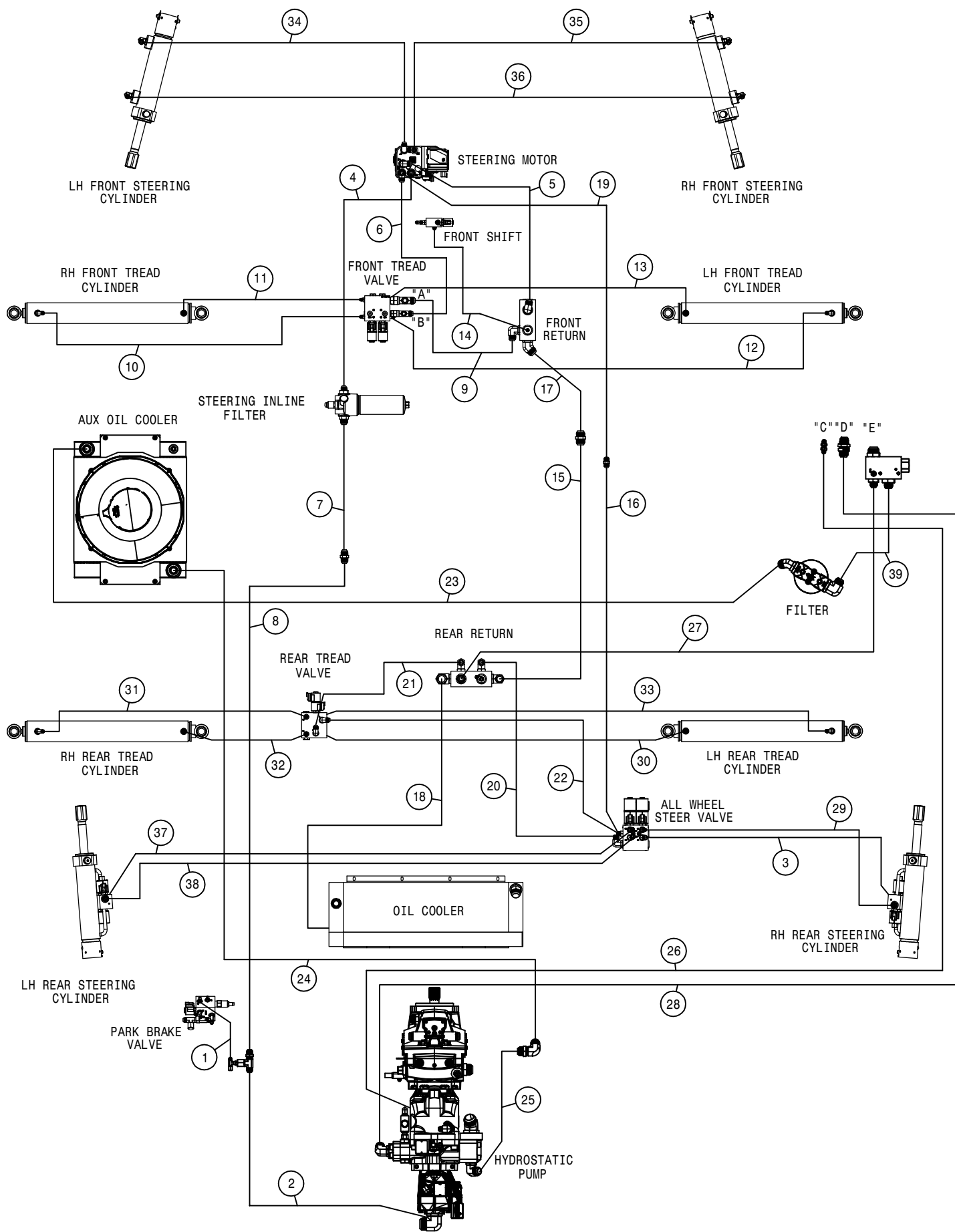


AUTO TRACK READY ASSEMBLY			
DET	QTY	P/N	DESCRIPTION
1	5	470122	1/4UNC X 1/2 HHSFB GR5 MC
2	1	470460	3/8UNC X 1 HHSFB GR5 MC
3	2	470510	10-24 SERR. FLANGE NUT
4	2	472199	10-24 X 1/2 PHIL PANHD MACH SCR
5	1	693107	STARFIRE HOOP MT BRKT
6	1	693870	THIRD PARTY PLATE
NS	1	693999	MAGNET KIT



D400 HYDRAULIC DIAGRAM 2017  
REFERENCE DRAWING NO. 499382s1\_RevA

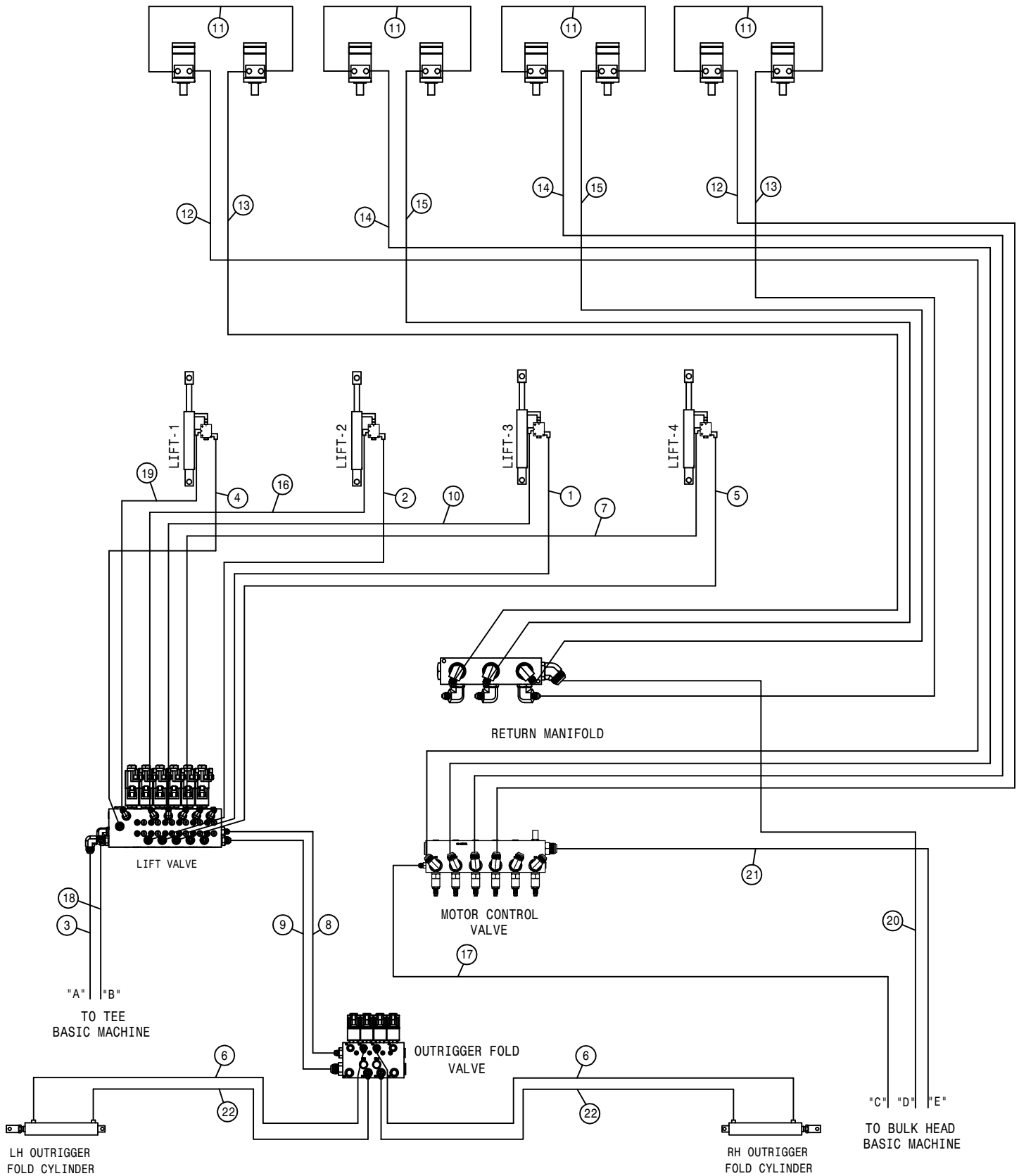
DET.	QTY	PART NO.	DESCRIPTION	DET.	QTY	PART NO.	DESCRIPTION
1	1	606154	FRT SFT LINE 0.25"OD X 0.049"W	26	1	617261	16-797TC-16FFOX-20C62F-28 H/A
2	1	606155	FRT BRK LNE 0.375"OD X 0.049"W	27	1	617262	16-797TC-16C62FX90-160FFOX-25H
3	2	606157	12-797TC-16C62FX-12FFOX90-147H	28	1	617265	12-797TC-16C62F-12FFOX-168 H/A
4	2	606158	12-797TC-16C62FX-12FFOX-150H/A	29	1	617268	12-797TC-16FFOX-12FFOX90-178 H
5	1	606162	12-451TC-08FJX-12FJX-194 H/A	30	1	617269	06-451TC-06FJX-06FJX-52 H/A
6	1	606163	06-451TC-06FJX-06FJX90-173 H/A	31	1	617270	04-451TC-04FJX-04FJX90-62 H/A
7	1	607131	04-451TC-04FJX-04FJX-186 H/A	32	1	619038	08-451TC-08FJX-12FJX-22 H/A
8	1	617263	16-797TC-20C62F-20C62FX45-21.8	33	1	617273	24-811-24FJX-24FJX-99 H/A
9	1	614768	12-451TC-08FJX-12FJX-176 H/A	34	1	617274	06-451TC-06FJX-06FJX90-64 H/A
10	1	614772	HYD TUBE RF DRIVE 1"OD X.12"WT	35	2	617276	12-797TC-12FFOX-12FFOX-163 H/A
11	1	614773	HYD TUBE LF DRIVE 1"OD X.12"WT	36	1	617277	12-451TC-12FJX-08FJX-186 H/A
12	1	614774	HYD TUBE B DRIVE 1.5"ODX.12"WT	37	1	617278	06-451TC-06FJX90-08FJX-13 H/A
13	1	614776	HYD TUBE B FRT 1.00"OD X.120"W	38	1	617279	06-451TC-06FJX-08FJX90-23 H/A
14	1	615114	HYD DRIVE TUBE A SIDE 1.5X.12W	39	1	617280	06-451TC-06FJX-06FJX90-146 H/A
15	1	615115	HYD DRIVE TUBE B SIDE 1.5X.12W	40	1	617281	06-451TC-06FJX-06FJX90-195 H/A
16	1	617240	DP CASE SOL COOLER REAR TUBE	41	1	617282	04-451TC-04FJX-04FJX90-165 H/A
17	1	617241	20-811-20FJX-20FJX45-31 H/A	42	1	617283	04-451TC-04FJX-04FJX90-199 H/A
18	1	619043	24-811-24FJX-24FJX-17.5 H/A	43	1	617287	04-451TC-04FJX-04FJX90-195 H/A
19	1	619039	24-811-24FJX-24FJX90-35 H/A	44	1	617288	06-451TC-06FJX-06FJX90-190 H/A
20	1	617244	16-811-16FJX45-16FJX-18 H/A	45	1	617385	HYD RET 1.00" OD X 0.065" WT
21	1	619041	06-451TC-06FJX-08FJX-19 H/A	46	1	617386	16-811-16FJX-16FJX-104 H/A
22	1	617246	20-811-20FJX-20FJX90-19 H/A	47	1	617391	WMC TUBE 1.00"OD X 0.065"WT
23	1	617506	04-451TC-06FJX-04FJX90-40 H/A	48	1	617401	12-451TC-12FJX-08FJX-156 H/A
24	1	619037	06-451TC-08FJX-08FJX90-39 H/A	49	1	617402	06-451TC-08FJX-08FJX90-54 H/A
25	1	617252	06-451TC-06FJX-06FJX-24 H/A	50	1	619040	08-451TC-08FJX-12FJX90-29 H/A





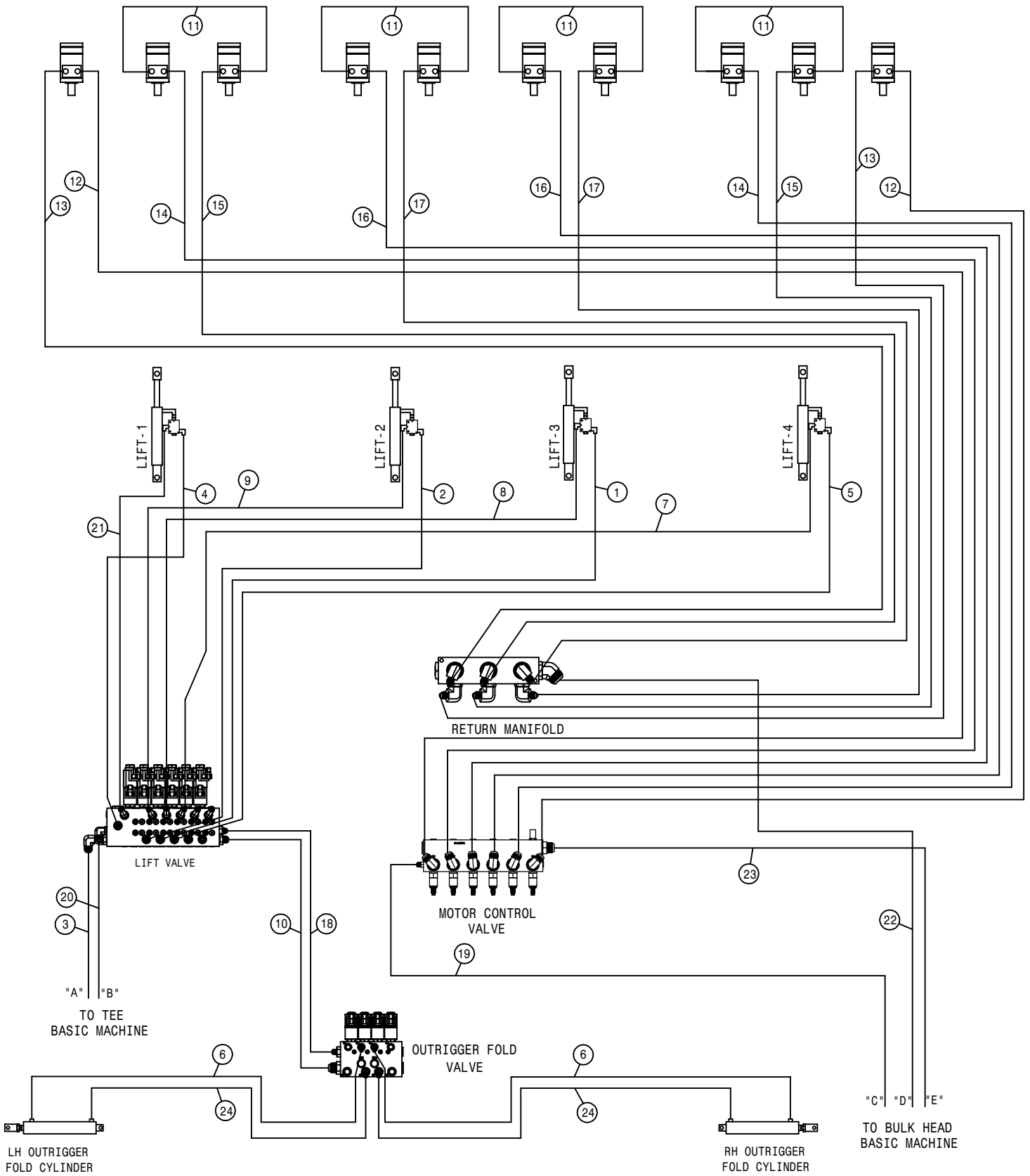
D400 HYDRAULIC DIAGRAM 2017  
REFERENCE DRAWING NO. 499382s2\_RevA

DET.	QTY	PART NO.	DESCRIPTION	DET.	QTY	PART NO.	DESCRIPTION
1	1	619045	04-451TC-04FJX-06FJX90-13 H/A	21	1	617253	08-451TC-10FJX-08FJX-26 H/A
2	1	619046	12-451TC-10FJX-12FJX-50 H/A	22	1	617254	08-451TC-08FJX-08FJX90-21 H/A
3	1	617197	06-451TC-08FJX-06FJX90-116 H/A	23	1	619044	16-811-16FJX-16FJX90-67 H/A
4	1	617226	10-451TC-10FJX-10FJX90-63 H/A	24	1	619049	16-811-16FJX-16FJX90-153 H/A
5	1	617227	10-451TC-12FJX-10FJX90-14 H/A	25	1	619048	16-811-16FJX-16FJX90-28 H/A
6	1	617228	10-451TC-10FJX-10FJX-23 H/A	26	1	619160	04-451TC-04FJX-06FJX-173 H/A
7	1	617229	HYD AUX TUBE 0.75" OD X .065WT	27	1	619051	12-811-12FJX-12FJX-93 H/A
8	1	619047	12-451TC-12FJX-12FJX-68 H/A	28	1	619161	16-451TC-16FJX-16FJX-176 H/A
9	1	617231	12-451TC-12FJX-12FJX90-25 H/A	29	1	617266	06-451TC-06FJX-08FJX-114 H/A
10	1	617232	04-451TC-06FJX-04FJX90-39 H/A	30	1	617267	04-451TC-04FJX-06FJX-55 H/A
11	1	617233	04-451TC-06FJX-04FJX90-20 H/A	31	1	617284	04-451TC-04FJX-06FJX-41 H/A
12	1	617234	04-451TC-06FJX-04FJX-63 H/A	32	1	617285	04-451TC-04FJX-06FJX-19 H/A
13	1	617235	04-451TC-06FJX-04FJX-43 H/A	33	1	617286	04-451TC-04FJX-06FJX-74 H/A
14	1	617236	04-451TC-06FJX-06FJX90-15 H/A	34	1	617289	06-451TC-08FJX-08FJX90-111 H/A
15	1	617237	AUX RETURN 1"OD X 0.065"WT	35	1	617290	06-451TC-08FJX-08FJX-110 H/A
16	1	617238	OPT AUX TUBE 0.5"OD X .049"WT	36	1	617291	06-451TC-06FJX-06FJX-200 H/A
17	1	617239	16-811-16FJX-16FJX-17 H/A	37	1	618945	06-451TC-06FJX-06FJX90-165 H/A
18	1	617247	20-811-20FJX-20FJX-27 H/A	38	1	619024	06-451TC-08FJX-08FJX-160 H/A
19	1	617250	08-451TC-08FJX-10FJX-35 H/A	39	1	619050	16-811-16FJX-16FJX-29 H/A
20	1	617251	10-451TC-10FJX-10FJX-19 H/A				



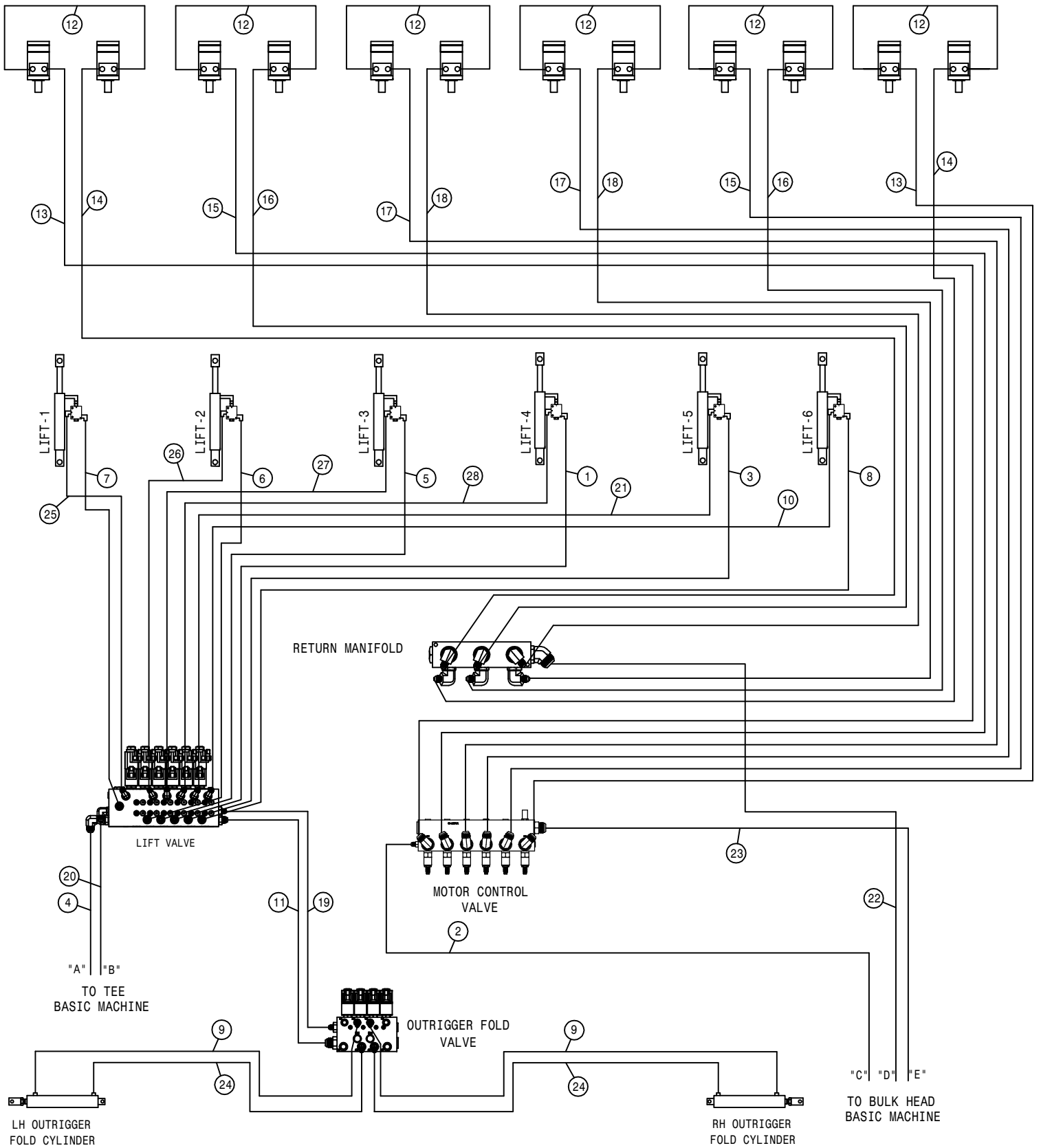
D400 8R QUAD HYD DIAG 2017  
REFERENCE DRAWING NO. 499383\_RevA

DET.	QTY	PART NO.	DESCRIPTION	DET.	QTY	PART NO.	DESCRIPTION
1	1	616723	06-451TC-06FJX-06FJX90-85 H/A	12	2	616539	08-451TC-12FJX-08FJX90-220 H/A
2	1	616581	06-451TC-06FJX-06FJX90-40 H/A	13	2	616533	08-451TC-08FJX-08FJX-218 H/A
3	1	619166	10-451TC-10FJX-12FJX45-68 H/A	14	2	616538	08-451TC-12FJX-08FJX90-125 H/A
4	1	616873	06-451TC-06FJX-06FJX90-128 H/A	15	2	616532	08-451TC-08FJX-08FJX-125 H/A
5	1	616626	06-451TC-06FJX-06FJX90-175 H/A	16	1	616644	06-451TC-06FJX-06FJX45-36 H/A
6	2	619167	04-451TC-04FJX-06FJX-56 H/A	17	1	619162	04-451TC-06FJX-06FJX-100 H/A
7	1	616526	06-451TC-06FJX-06FJX45-171 H/A	18	1	619165	08-451TC-08FJX-10FJX-71 H/A
8	1	619171	06-451TC-06FJX-06FJX90-25 H/A	19	1	616525	06-451TC-06FJX-06FJX45-124 H/A
9	1	619172	08-451TC-08FJX90-12FJX-24 H/A	20	1	619164	20-811-20FJX-20FJX-110 H/A
10	1	616523	06-451TC-06FJX-06FJX45-80 H/A	21	1	619163	16-451TC-16FJX-16FJX-101 H/A
11	4	616135	08-451TC-08FJX-08FJX-50 H/A	22	2	619168	04-451TC-06FJX-06FJX-40 H/A



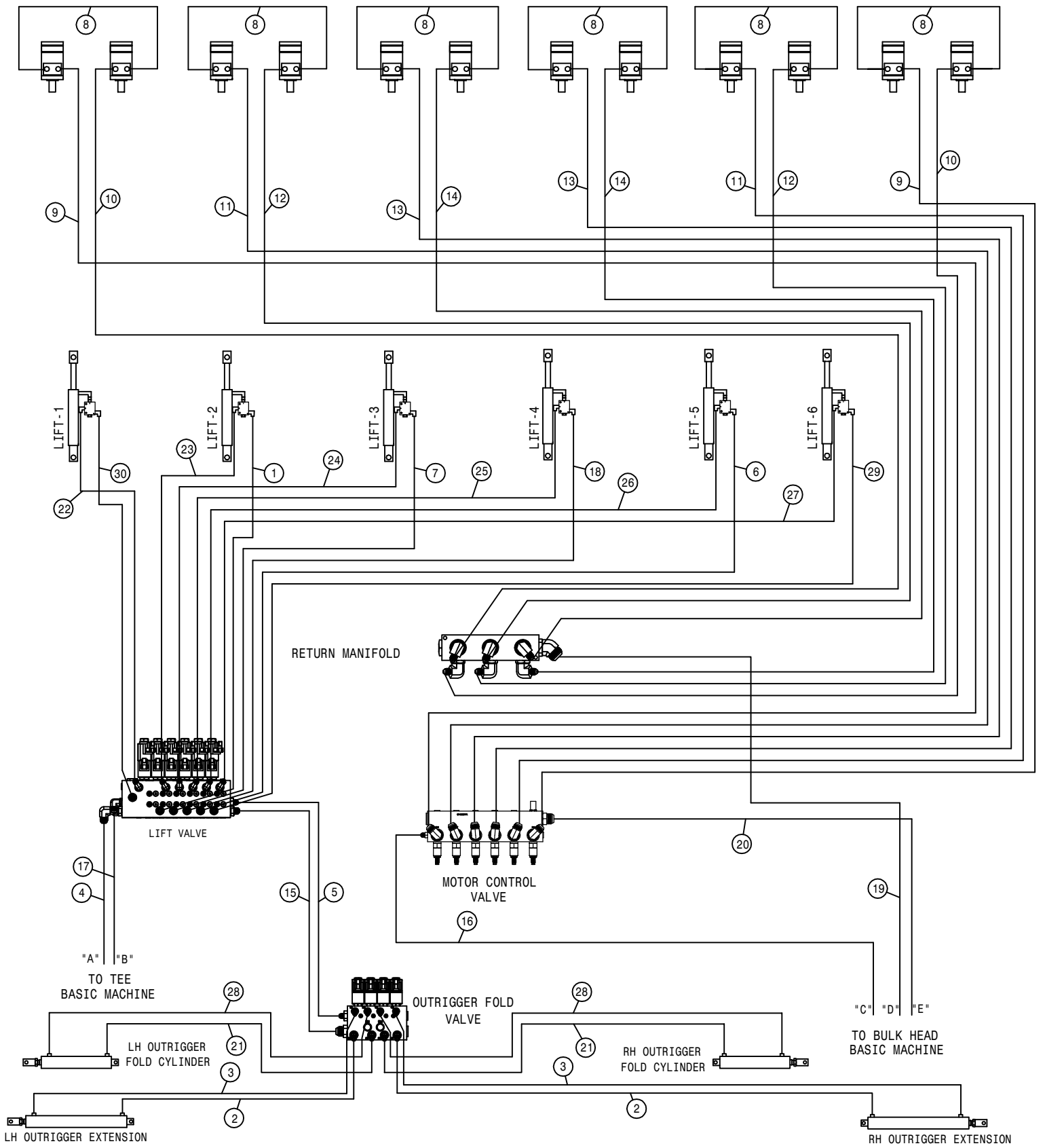
D400 10R QUAD HTD DIAG 2017  
REFERENCE DRAWING NO. 499384\_RevA

DET.	QTY	PART NO.	DESCRIPTION	DET.	QTY	PART NO.	DESCRIPTION
1	1	616723	06-451TC-06FJX-06FJX90-85 H/A	13	2	616535	08-451TC-08FJX-08FJX-252 H/A
2	1	616581	06-451TC-06FJX-06FJX90-40 H/A	14	2	616539	08-451TC-12FJX-08FJX90-220 H/A
3	1	619166	10-451TC-10FJX-12FJX45-68 H/A	15	2	616533	08-451TC-08FJX-08FJX-218 H/A
4	1	616873	06-451TC-06FJX-06FJX90-128 H/A	16	2	616538	08-451TC-12FJX-08FJX90-125 H/A
5	1	616626	06-451TC-06FJX-06FJX90-175 H/A	17	2	616532	08-451TC-08FJX-08FJX-125 H/A
6	2	619167	04-451TC-04FJX-06FJX-56 H/A	18	1	619171	06-451TC-06FJX-06FJX90-25 H/A
7	1	616526	06-451TC-06FJX-06FJX45-171 H/A	19	1	619162	04-451TC-06FJX-06FJX-100 H/A
8	1	616523	06-451TC-06FJX-06FJX45-80 H/A	20	1	619165	08-451TC-08FJX-10FJX-71 H/A
9	1	616644	06-451TC-06FJX-06FJX45-36 H/A	21	1	616525	06-451TC-06FJX-06FJX45-124 H/A
10	1	619172	08-451TC-08FJX90-12FJX-24 H/A	22	1	619164	20-811-20FJX-20FJX-110 H/A
11	4	616135	08-451TC-08FJX-08FJX-50 H/A	23	1	619163	16-451TC-16FJX-16FJX-101 H/A
12	2	616540	08-451TC-12FJX-08FJX90-252 H/A	24	2	619168	04-451TC-06FJX-06FJX-40 H/A



D400 12R QUAD HYD DIAG 2017  
REFERENCE DRAWING NO. 499385\_RevA

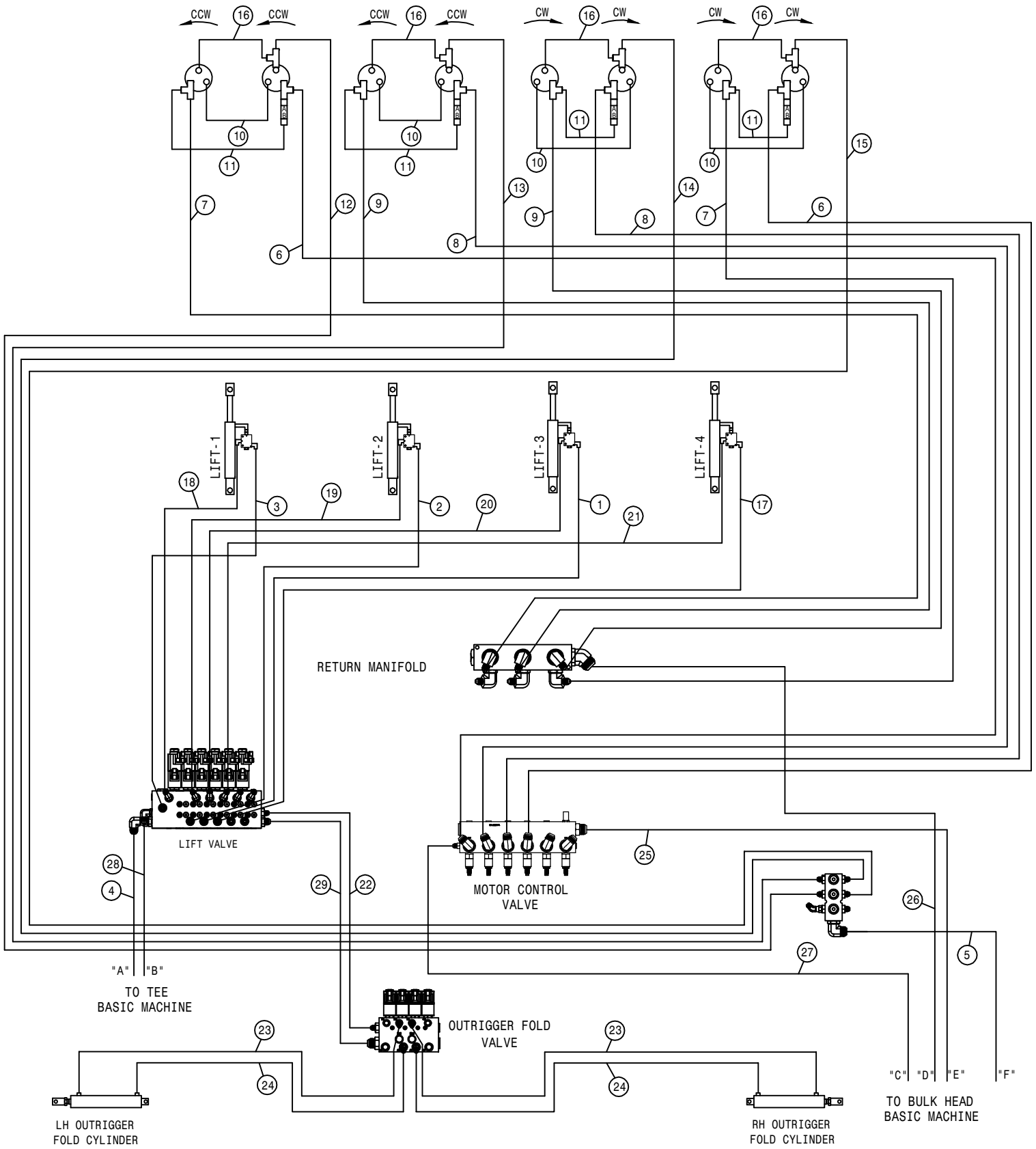
DET.	QTY	PART NO.	DESCRIPTION	DET.	QTY	PART NO.	DESCRIPTION
1	1	616723	06-451TC-06FJX-06FJX90-85 H/A	15	2	616539	08-451TC-12FJX-08FJX90-220 H/A
2	1	619162	04-451TC-06FJX-06FJX-100 H/A	16	2	616533	08-451TC-08FJX-08FJX-218 H/A
3	1	616626	06-451TC-06FJX-06FJX90-175 H/A	17	2	616538	08-451TC-12FJX-08FJX90-125 H/A
4	1	619166	10-451TC-10FJX-12FJX45-68 H/A	18	2	616532	08-451TC-08FJX-08FJX-125 H/A
5	1	616581	06-451TC-06FJX-06FJX90-40 H/A	19	1	619171	06-451TC-06FJX-06FJX90-25 H/A
6	1	616873	06-451TC-06FJX-06FJX90-128 H/A	20	1	619165	08-451TC-08FJX-10FJX-71 H/A
7	1	616876	06-451TC-06FJX-06FJX90-189 H/A	21	1	616526	06-451TC-06FJX-06FJX45-171 H/A
8	1	616878	06-451TC-06FJX-06FJX90-233 H/A	22	1	619164	20-811-20FJX-20FJX-110 H/A
9	2	619167	04-451TC-04FJX-06FJX-56 H/A	23	1	619163	16-451TC-16FJX-16FJX-101 H/A
10	1	616527	06-451TC-06FJX-06FJX45-229 H/A	24	2	619168	04-451TC-06FJX-06FJX-40 H/A
11	1	619172	08-451TC-08FJX90-12FJX-24 H/A	25	1	616524	06-451TC-06FJX-06FJX45-185 H/A
12	6	616135	08-451TC-08FJX-08FJX-50 H/A	26	1	616525	06-451TC-06FJX-06FJX45-124 H/A
13	2	616541	08-451TC-12FJX-08FJX90-280 H/A	27	1	616644	06-451TC-06FJX-06FJX45-36 H/A
14	2	616534	08-451TC-08FJX-08FJX-278 H/A	28	1	616523	06-451TC-06FJX-06FJX45-80 H/A





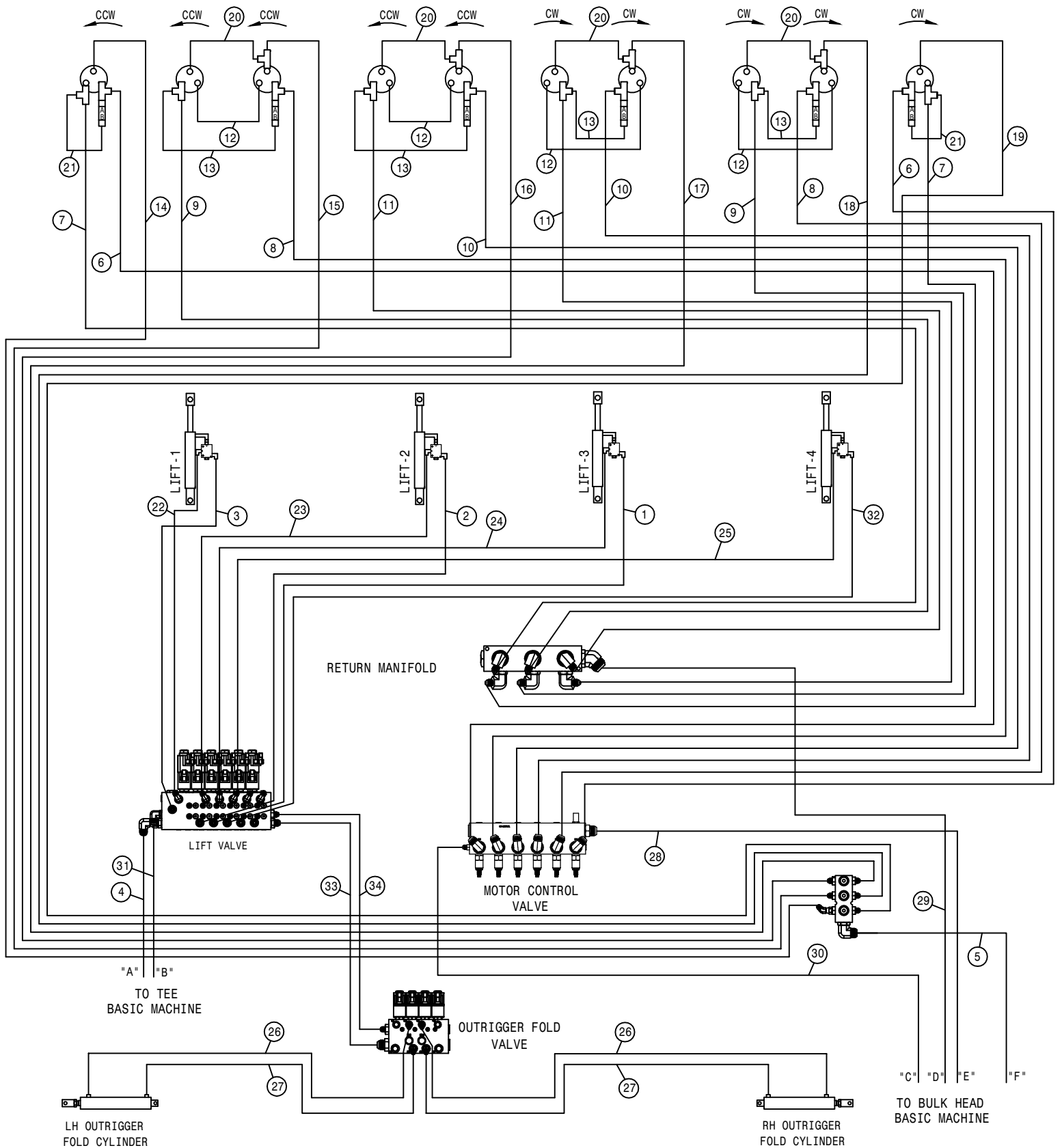
D400 4-2 QUAD HYD DIAG 2017  
REFERENCE DRAWING NO. 499386\_RevA

DET.	QTY	PART NO.	DESCRIPTION	DET.	QTY	PART NO.	DESCRIPTION
1	1	616875	06-451TC-06FJX-06FJX90-171 H/A	16	1	619162	04-451TC-06FJX-06FJX-100 H/A
2	2	619170	04-451TC-06FJX-06FJX-74 H/A	17	1	619165	08-451TC-08FJX-10FJX-71 H/A
3	2	619169	04-451TC-04FJX-06FJX-106 H/A	18	1	616723	06-451TC-06FJX-06FJX90-85 H/A
4	1	619166	10-451TC-10FJX-12FJX45-68 H/A	19	1	619164	20-811-20FJX-20FJX-110 H/A
5	1	619171	06-451TC-06FJX-06FJX90-25 H/A	20	1	619163	16-451TC-16FJX-16FJX-101 H/A
6	1	616877	06-451TC-06FJX-06FJX90-215 H/A	21	2	619168	04-451TC-06FJX-06FJX-40 H/A
7	1	616581	06-451TC-06FJX-06FJX90-40 H/A	22	1	616527	06-451TC-06FJX-06FJX45-229 H/A
8	6	616135	08-451TC-08FJX-08FJX-50 H/A	23	1	616648	06-451TC-06FJX-06FJX45-167 H/A
9	2	617184	08-451TC-12FJX-08FJX-300 H/A	24	1	616644	06-451TC-06FJX-06FJX45-36 H/A
10	2	617179	08-451TC-08FJX-08FJX-305 H/A	25	1	616523	06-451TC-06FJX-06FJX45-80 H/A
11	2	617183	08-451TC-12FJX-08FJX-234 H/A	26	1	616649	06-451TC-06FJX-06FJX45-211 H/A
12	2	617178	08-451TC-08FJX-08FJX-242 H/A	27	1	617157	06-451TC-06FJX-06FJX45-271 H/A
13	2	617182	08-451TC-12FJX-08FJX-125 H/A	28	2	619167	04-451TC-04FJX-06FJX-56 H/A
14	2	616532	08-451TC-08FJX-08FJX-125 H/A	29	1	616785	06-451TC-06FJX-06FJX90-276 H/A
15	1	619172	08-451TC-08FJX90-12FJX-24 H/A	30	1	616878	06-451TC-06FJX-06FJX90-233 H/A



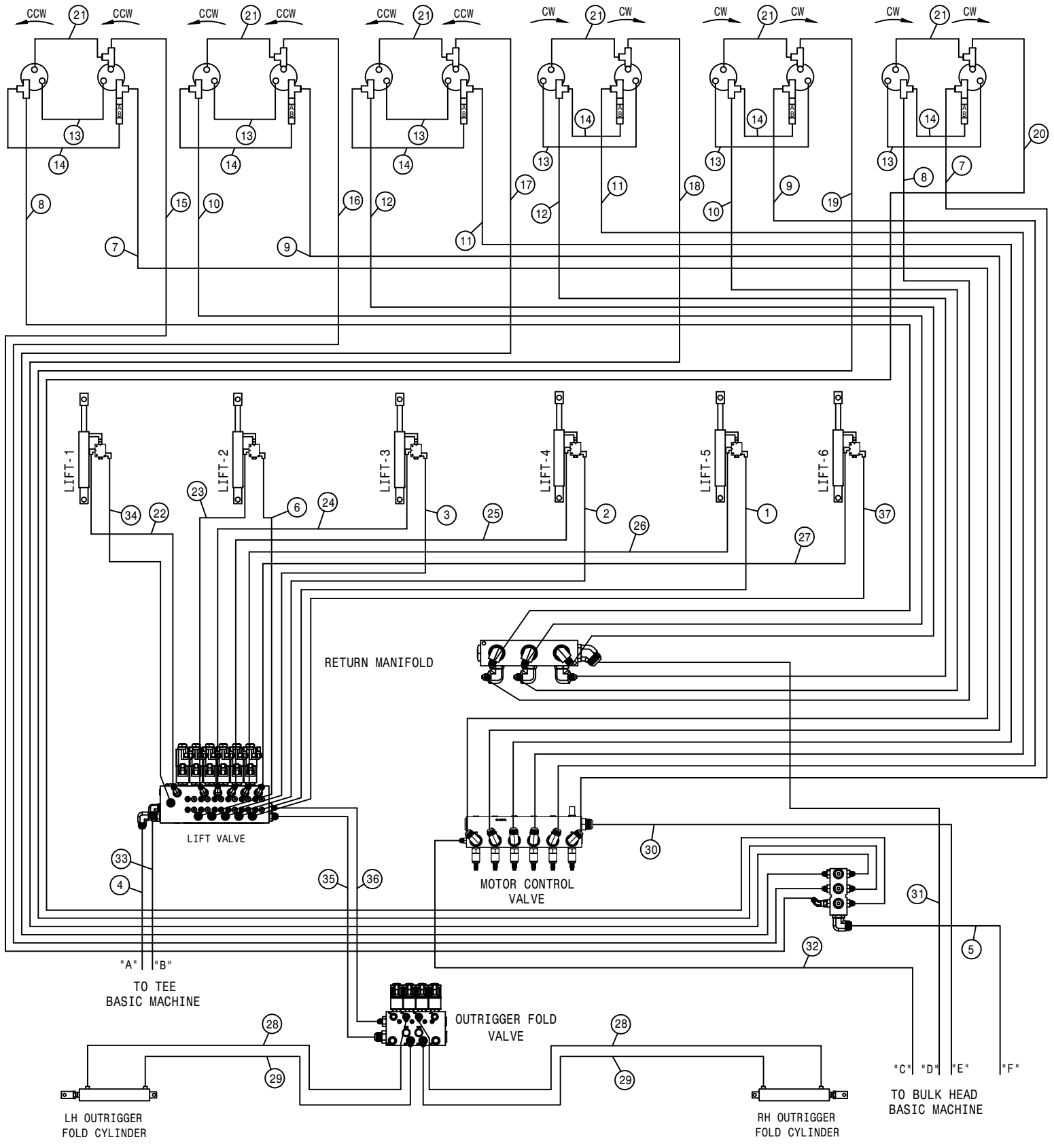
D400 8R CUTR HYD DIAG 2017  
REFERENCE DRAWING NO. 499387\_RevA

DET.	QTY	PART NO.	DESCRIPTION	DET.	QTY	PART NO.	DESCRIPTION
1	1	616723	06-451TC-06FJX-06FJX90-85 H/A	16	4	616521	04-451TC-06FJX-06FJX90-54 H/A
2	1	616581	06-451TC-06FJX-06FJX90-40 H/A	17	1	616626	06-451TC-06FJX-06FJX90-175 H/A
3	1	616873	06-451TC-06FJX-06FJX90-128 H/A	18	1	616525	06-451TC-06FJX-06FJX45-124 H/A
4	1	619166	10-451TC-10FJX-12FJX45-68 H/A	19	1	616644	06-451TC-06FJX-06FJX45-36 H/A
5	1	619173	12-811-12FJX-12FJX-108 H/A	20	1	616523	06-451TC-06FJX-06FJX45-80 H/A
6	2	616539	08-451TC-12FJX-08FJX90-220 H/A	21	1	616526	06-451TC-06FJX-06FJX45-171 H/A
7	2	616533	08-451TC-08FJX-08FJX-218 H/A	22	1	619171	06-451TC-06FJX-06FJX90-25 H/A
8	2	616538	08-451TC-12FJX-08FJX90-125 H/A	23	2	619167	04-451TC-04FJX-06FJX-56 H/A
9	2	616532	08-451TC-08FJX-08FJX-125 H/A	24	1	619168	04-451TC-06FJX-06FJX-40 H/A
10	4	616531	08-451TC-08FJX-08FJX-55 H/A	25	1	619163	16-451TC-16FJX-16FJX-101 H/A
11	4	616537	08-451TC-08FJX-08FJX90-52 H/A	26	1	619164	20-811-20FJX-20FJX-110 H/A
12	1	616515	04-451TC-06FJX-06FJX-238 H/A	27	1	619162	04-451TC-06FJX-06FJX-100 H/A
13	1	616180	04-451TC-06FJX-06FJX-143 H/A	28	1	619165	08-451TC-08FJX-10FJX-71 H/A
14	1	616513	04-451TC-06FJX-06FJX-112 H/A	29	1	619172	08-451TC-08FJX90-12FJX-24 H/A
15	1	616514	04-451TC-06FJX-06FJX-208 H/A				



D400 10R CUTR HYD DIAG 2017  
REFERENCE DRAWING NO. 499388\_RevA

DET.	QTY	PART NO.	DESCRIPTION	DET.	QTY	PART NO.	DESCRIPTION
1	1	616723	06-451TC-06FJX-06FJX90-85 H/A	18	1	616514	04-451TC-06FJX-06FJX-208 H/A
2	1	616581	06-451TC-06FJX-06FJX90-40 H/A	19	1	616516	04-451TC-06FJX-06FJX-246 H/A
3	1	616873	06-451TC-06FJX-06FJX90-128 H/A	20	4	616521	04-451TC-06FJX-06FJX90-54 H/A
4	1	619166	10-451TC-10FJX-12FJX45-68 H/A	21	2	616530	08-451TC-08FJX-08FJX90-27 H/A
5	1	619173	12-811-12FJX-12FJX-108 H/A	22	1	616525	06-451TC-06FJX-06FJX45-124 H/A
6	2	616540	08-451TC-12FJX-08FJX90-252 H/A	23	1	616644	06-451TC-06FJX-06FJX45-36 H/A
7	2	616535	08-451TC-08FJX-08FJX-252 H/A	24	1	616523	06-451TC-06FJX-06FJX45-80 H/A
8	2	616539	08-451TC-12FJX-08FJX90-220 H/A	25	1	616526	06-451TC-06FJX-06FJX45-171 H/A
9	2	616533	08-451TC-08FJX-08FJX-218 H/A	26	2	619167	04-451TC-04FJX-06FJX-56 H/A
10	2	616538	08-451TC-12FJX-08FJX90-125 H/A	27	2	619168	04-451TC-06FJX-06FJX-40 H/A
11	2	616532	08-451TC-08FJX-08FJX-125 H/A	28	1	619163	16-451TC-16FJX-16FJX-101 H/A
12	4	616531	08-451TC-08FJX-08FJX-55 H/A	29	1	619164	20-811-20FJX-20FJX-110 H/A
13	4	616537	08-451TC-08FJX-08FJX90-52 H/A	30	1	619162	04-451TC-06FJX-06FJX-100 H/A
14	1	616517	04-451TC-06FJX-06FJX-272 H/A	31	1	619165	08-451TC-08FJX-10FJX-71 H/A
15	1	616515	04-451TC-06FJX-06FJX-238 H/A	32	1	616626	06-451TC-06FJX-06FJX90-175 H/A
16	1	616180	04-451TC-06FJX-06FJX-143 H/A	33	1	619172	08-451TC-08FJX90-12FJX-24 H/A
17	1	616513	04-451TC-06FJX-06FJX-112 H/A	34	1	619171	06-451TC-06FJX-06FJX90-25 H/A



D400 12R CUTR HYD DIAG 2017  
REFERENCE DRAWING NO. 499389\_RevA

DET.	QTY	PART NO.	DESCRIPTION	DET.	QTY	PART NO.	DESCRIPTION
1	1	616626	06-451TC-06FJX-06FJX90-175 H/A	20	1	616517	04-451TC-06FJX-06FJX-272 H/A
2	1	616723	06-451TC-06FJX-06FJX90-85 H/A	21	6	616521	04-451TC-06FJX-06FJX90-54 H/A
3	1	616581	06-451TC-06FJX-06FJX90-40 H/A	22	1	616524	06-451TC-06FJX-06FJX45-185 H/A
4	1	619166	10-451TC-10FJX-12FJX45-68 H/A	23	1	616525	06-451TC-06FJX-06FJX45-124 H/A
5	1	619173	12-811-12FJX-12FJX-108 H/A	24	1	616644	06-451TC-06FJX-06FJX45-36 H/A
6	1	616873	06-451TC-06FJX-06FJX90-128 H/A	25	1	616523	06-451TC-06FJX-06FJX45-80 H/A
7	2	616541	08-451TC-12FJX-08FJX90-280 H/A	26	1	616526	06-451TC-06FJX-06FJX45-171 H/A
8	2	616534	08-451TC-08FJX-08FJX-278 H/A	27	1	616527	06-451TC-06FJX-06FJX45-229 H/A
9	2	616539	08-451TC-12FJX-08FJX90-220 H/A	28	2	619167	04-451TC-04FJX-06FJX-56 H/A
10	2	616533	08-451TC-08FJX-08FJX-218 H/A	29	2	619168	04-451TC-06FJX-06FJX-40 H/A
11	2	616538	08-451TC-12FJX-08FJX90-125 H/A	30	1	619163	16-451TC-16FJX-16FJX-101 H/A
12	2	616532	08-451TC-08FJX-08FJX-125 H/A	31	1	619164	20-811-20FJX-20FJX-110 H/A
13	6	616531	08-451TC-08FJX-08FJX-55 H/A	32	1	619162	04-451TC-06FJX-06FJX-100 H/A
14	6	616537	08-451TC-08FJX-08FJX90-52 H/A	33	1	619165	08-451TC-08FJX-10FJX-71 H/A
15	1	616518	04-451TC-06FJX-06FJX-298 H/A	34	1	616876	06-451TC-06FJX-06FJX90-189 H/A
16	1	616515	04-451TC-06FJX-06FJX-238 H/A	35	1	619172	08-451TC-08FJX90-12FJX-24 H/A
17	1	616180	04-451TC-06FJX-06FJX-143 H/A	36	1	619171	06-451TC-06FJX-06FJX90-25 H/A
18	1	616513	04-451TC-06FJX-06FJX-112 H/A	37	1	616878	06-451TC-06FJX-06FJX90-233 H/A
19	1	616514	04-451TC-06FJX-06FJX-208 H/A				

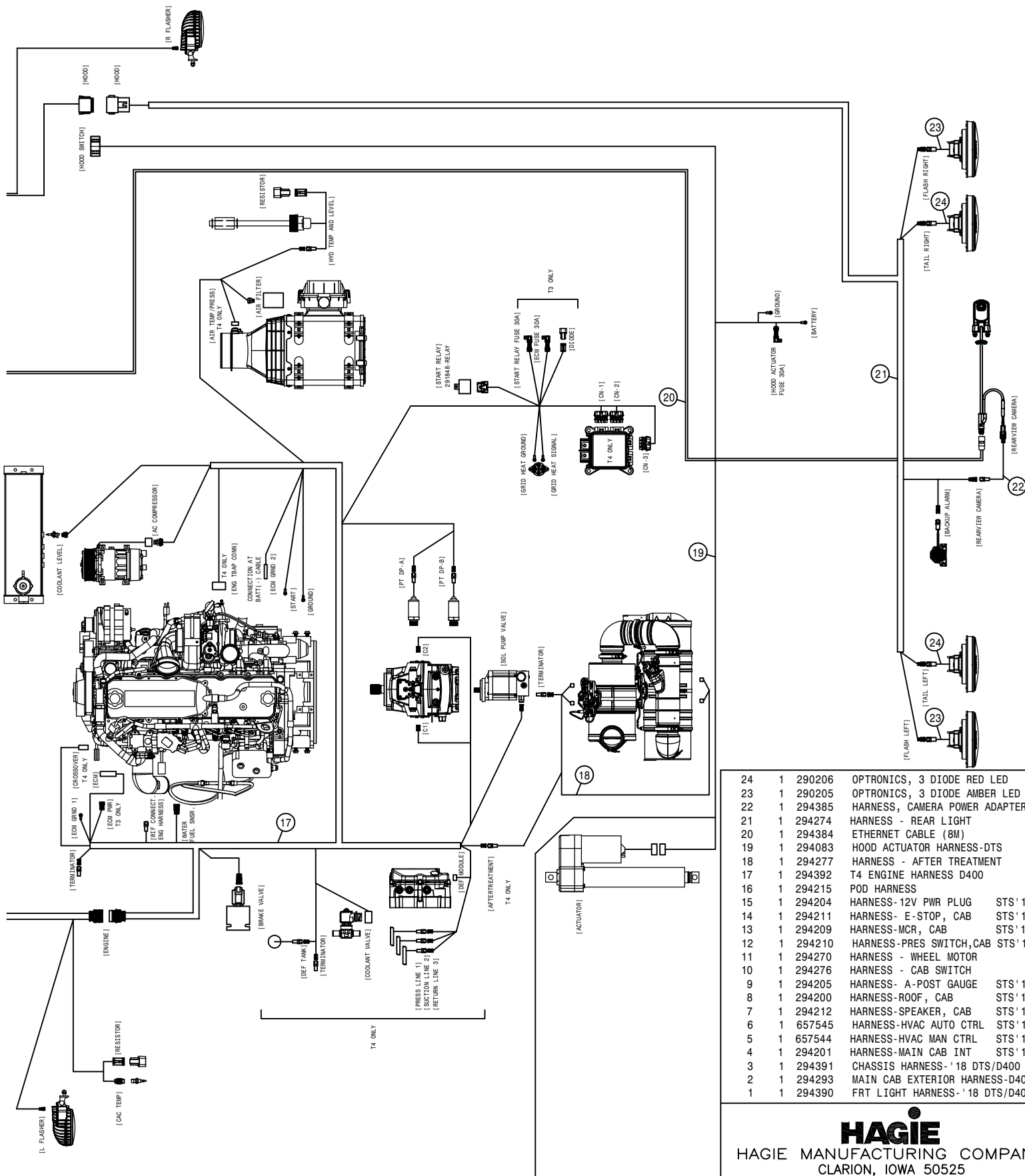




D400 4-2 CUTR HYD DIAG 2017  
REFERENCE DRAWING NO. 499390\_RevA

DET.	QTY	PART NO.	DESCRIPTION	DET.	QTY	PART NO.	DESCRIPTION
1	1	616878	06-451TC-06FJX-06FJX90-233 H/A	21	1	616527	06-451TC-06FJX-06FJX45-229 H/A
2	2	619170	04-451TC-06FJX-06FJX-74 H/A	22	1	616648	06-451TC-06FJX-06FJX45-167 H/A
3	2	619169	04-451TC-04FJX-06FJX-106 H/A	23	1	616644	06-451TC-06FJX-06FJX45-36 H/A
4	1	619166	10-451TC-10FJX-12FJX45-68 H/A	24	1	616523	06-451TC-06FJX-06FJX45-80 H/A
5	1	616723	06-451TC-06FJX-06FJX90-85 H/A	25	1	616649	06-451TC-06FJX-06FJX45-211 H/A
6	2	617181	08-451TC-12FJX-08FJX90-300 H/A	26	1	617157	06-451TC-06FJX-06FJX45-271 H/A
7	2	617179	08-451TC-08FJX-08FJX-305 H/A	27	2	619168	04-451TC-06FJX-06FJX-40 H/A
8	2	617180	08-451TC-12FJX-08FJX90-234 H/A	28	2	619167	04-451TC-04FJX-06FJX-56 H/A
9	2	617178	08-451TC-08FJX-08FJX-242 H/A	29	1	619163	16-451TC-16FJX-16FJX-101 H/A
10	2	616538	08-451TC-12FJX-08FJX90-125 H/A	30	1	619164	20-811-20FJX-20FJX-110 H/A
11	2	616532	08-451TC-08FJX-08FJX-125 H/A	31	1	619162	04-451TC-06FJX-06FJX-100 H/A
12	6	616531	08-451TC-08FJX-08FJX-55 H/A	32	1	619165	08-451TC-08FJX-10FJX-71 H/A
13	6	616537	08-451TC-08FJX-08FJX90-52 H/A	33	1	619171	06-451TC-06FJX-06FJX90-25 H/A
14	1	617177	04-451TC-06FJX-06FJX-330 H/A	34	1	619172	08-451TC-08FJX90-12FJX-24 H/A
15	1	617175	04-451TC-06FJX-06FJX-252 H/A	35	1	616875	06-451TC-06FJX-06FJX90-171 H/A
16	1	617185	04-451TC-06FJX-06FJX-140 H/A	36	1	616877	06-451TC-06FJX-06FJX90-215 H/A
17	1	617174	04-451TC-06FJX-06FJX-105 H/A	37	1	616723	06-451TC-06FJX-06FJX90-85 H/A
18	1	616283	04-451TC-06FJX-06FJX-220 H/A	38	1	616581	06-451TC-06FJX-06FJX90-40 H/A
19	1	617176	04-451TC-06FJX-06FJX-285 H/A	39	1	616785	06-451TC-06FJX-06FJX90-276 H/A
20	6	616521	04-451TC-06FJX-06FJX90-54 H/A				

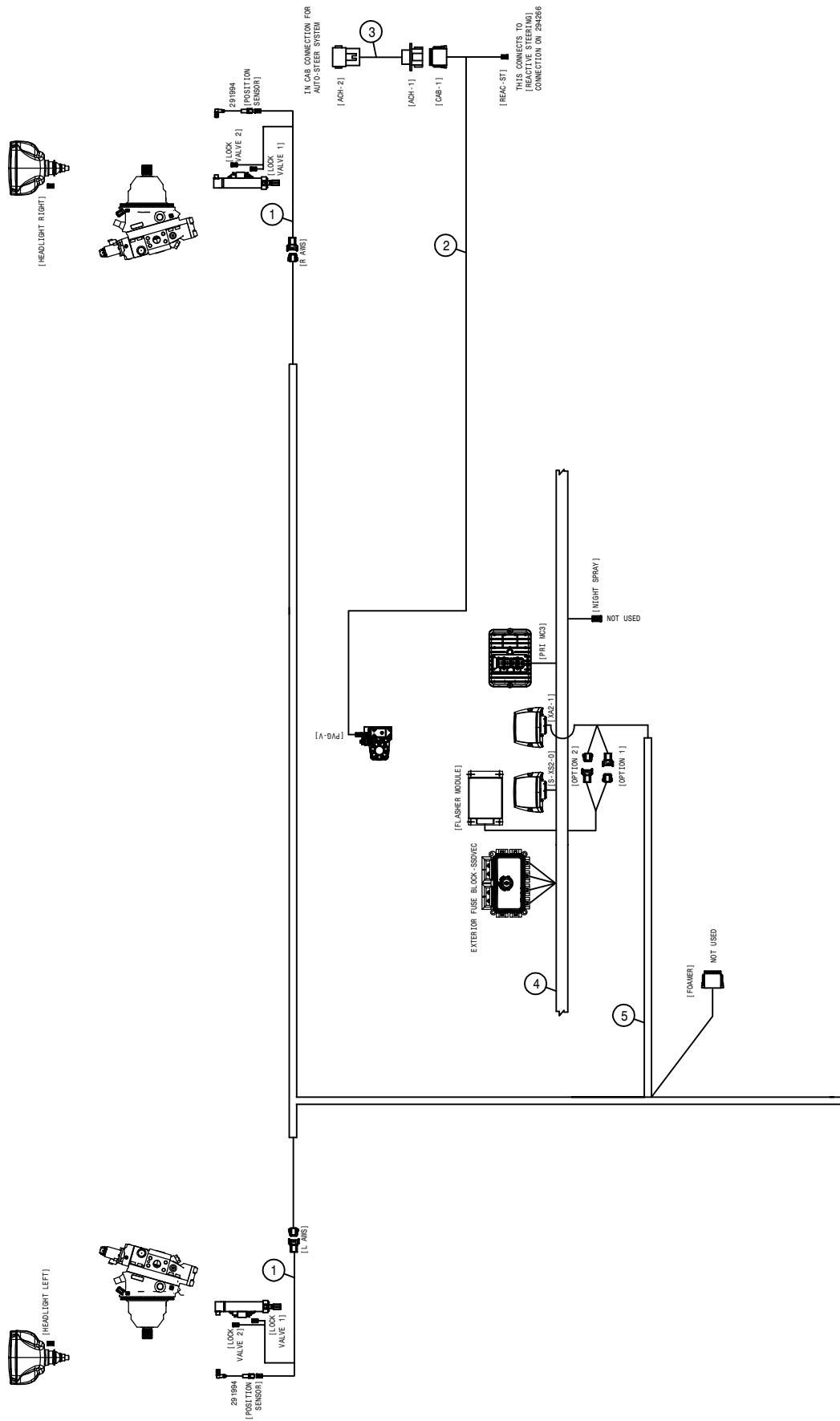


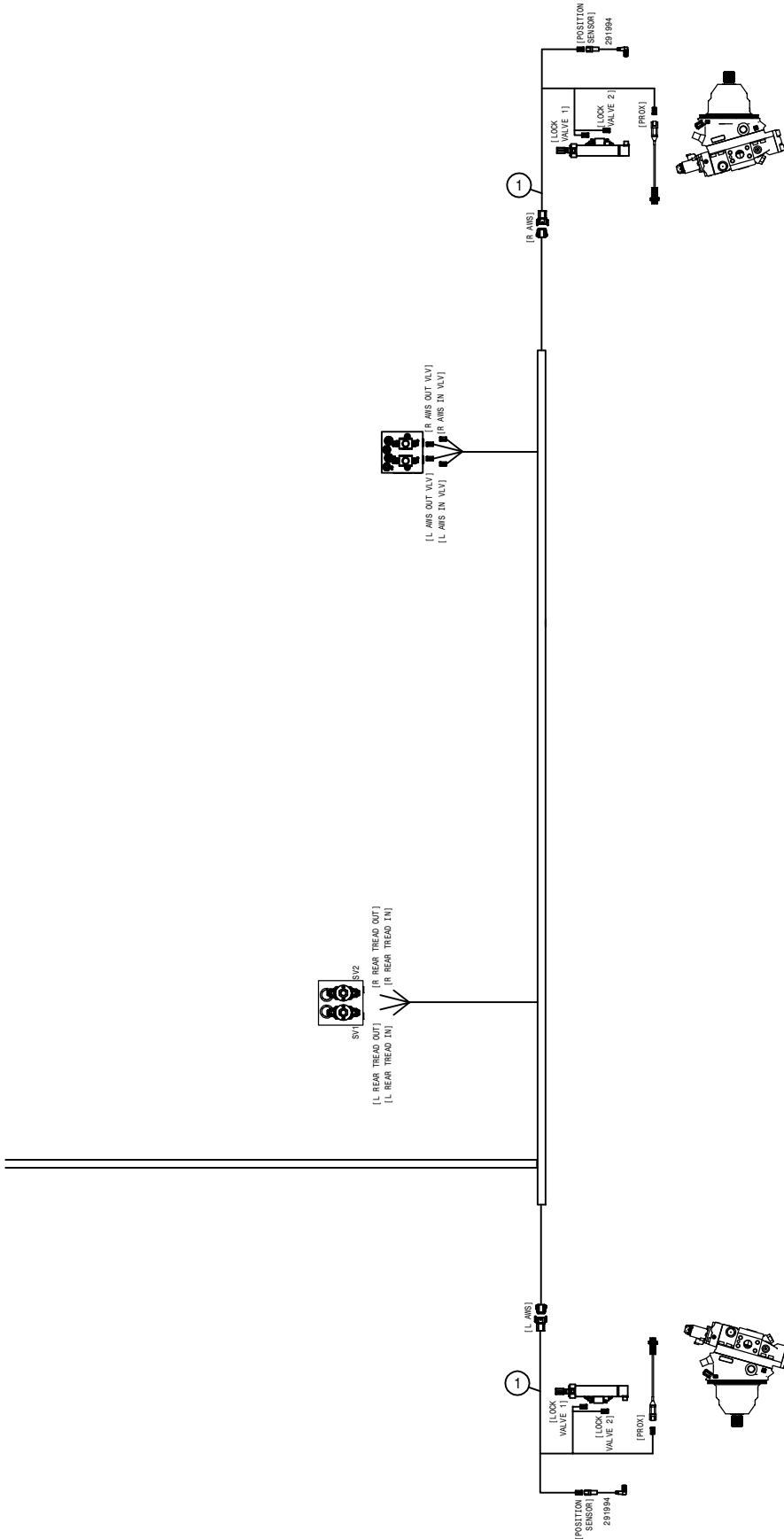


24	1	290206	OPTRONICS, 3 DIODE RED LED	
23	1	290205	OPTRONICS, 3 DIODE AMBER LED	
22	1	294385	HARNES, CAMERA POWER ADAPTER	
21	1	294274	HARNES - REAR LIGHT	
20	1	294384	ETHERNET CABLE (8M)	
19	1	294083	HOOD ACTUATOR HARNES-DTS	
18	1	294277	HARNES - AFTER TREATMENT	
17	1	294392	T4 ENGINE HARNES D400	
16	1	294215	POD HARNES	
15	1	294204	HARNES-12V PWR PLUG	STS' 14
14	1	294211	HARNES- E-STOP, CAB	STS' 14
13	1	294209	HARNES-MCR, CAB	STS' 14
12	1	294210	HARNES-PRES SWITCH,CAB	STS' 14
11	1	294270	HARNES - WHEEL MOTOR	
10	1	294276	HARNES - CAB SWITCH	
9	1	294205	HARNES- A-POST GAUGE	STS' 14
8	1	294200	HARNES-ROOF, CAB	STS' 14
7	1	294212	HARNES-SPEAKER, CAB	STS' 14
6	1	657545	HARNES-HVAC AUTO CTRL	STS' 14
5	1	657544	HARNES-HVAC MAN CTRL	STS' 14
4	1	294201	HARNES-MAIN CAB INT	STS' 14
3	1	294391	CHASSIS HARNES-' 18 DTS/D400	
2	1	294293	MAIN CAB EXTERIOR HARNES-D400	
1	1	294390	FRT LIGHT HARNES-' 18 DTS/D400	

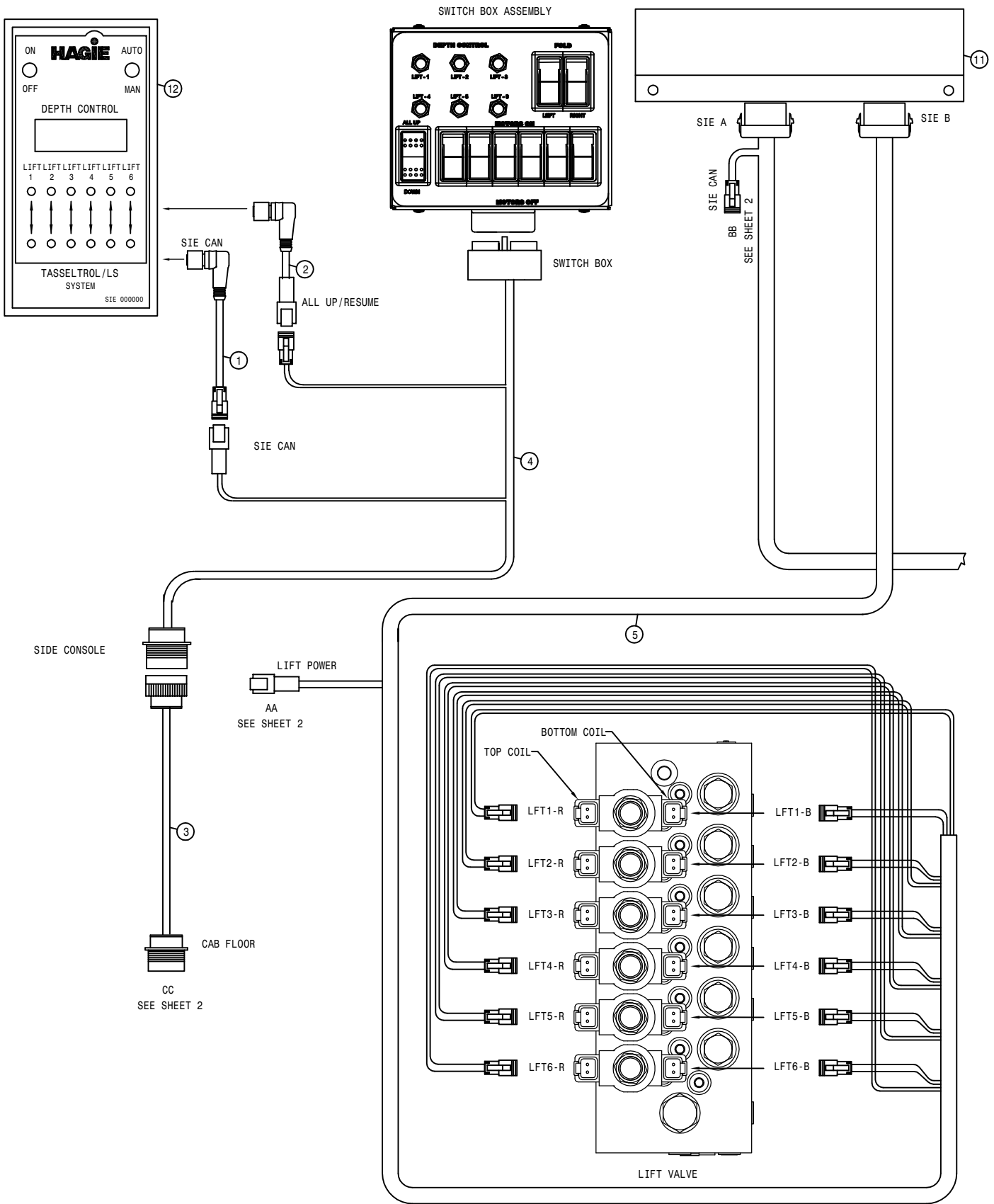
**HAGIE**  
HAGIE MANUFACTURING COMPANY  
CLARION, IOWA 50525

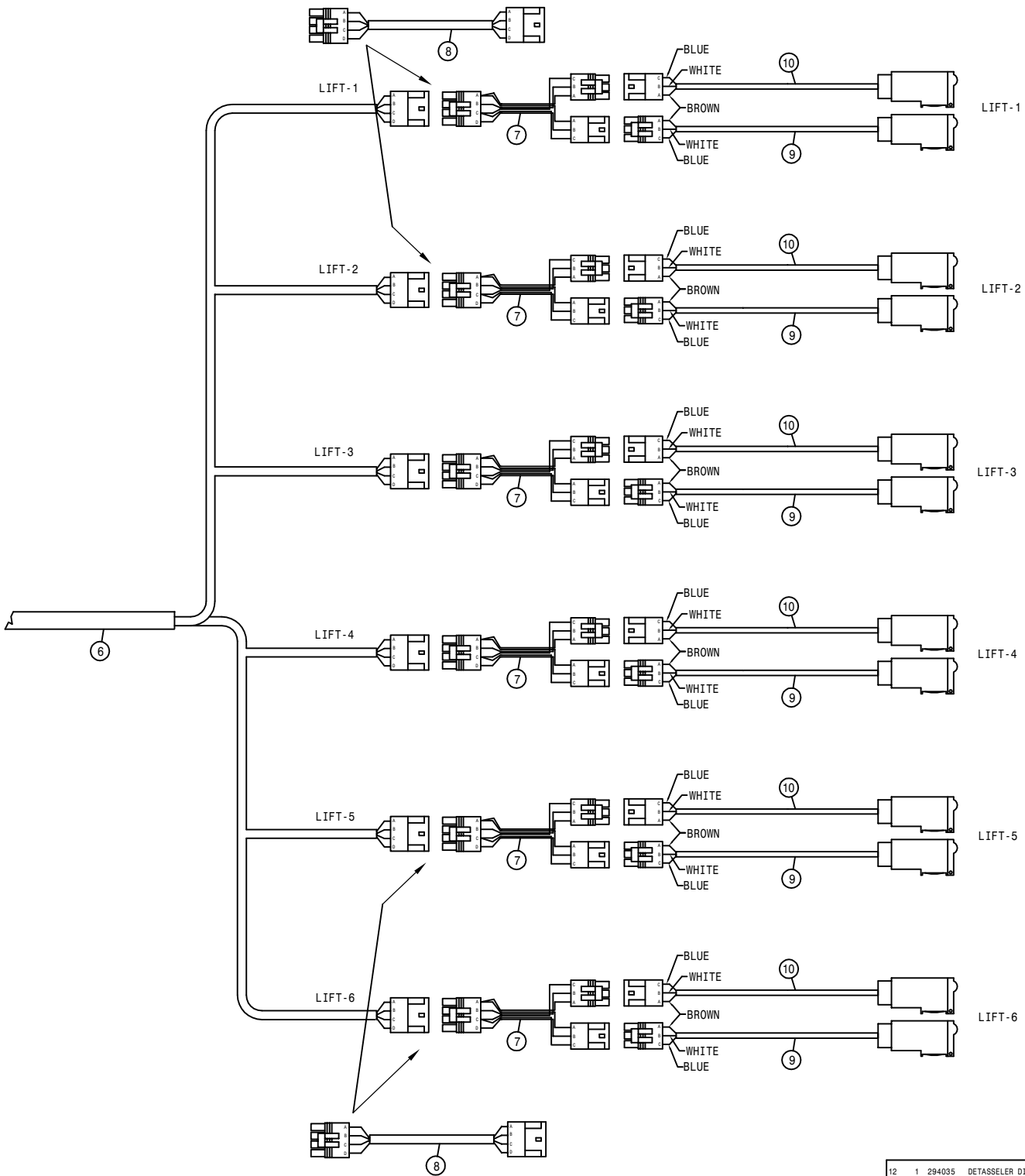
DESCRIPTION WIRING DIAGRAM D400 2017		
DRAWN BY T. MARKER	SCALE NONE	
CHECKED BY	APPROVED BY	
DATE 05/17/2017	DRAWING NUMBER 499391	REV A
SHEET 1 OF 2		





5	1	294267	DTS OPTION CHASSIS HARNESS
4	1	294266	HARNESS - MAIN CAB EXT
3	1	294369	AUTOSTEER CAB HARNESS, STS' 17
2	1	294368	AUTOSTEER EXT HARNESS, STS' 12
1	4	294269	HARNESS - REAR LEG AWS, DTS
 <b>HAGIE</b> HAGIE MANUFACTURING COMPANY CLARION, IOWA 50525			
DESCRIPTION WIRING DIAGRAM D400 2017			
DRAWN BY T. MARKER		SCALE NTS	
CHECKED BY		APPROVED BY	
DATE 5/17/2017	DRAWING NUMBER 499391		REV A
SHEET 2 OF 2			





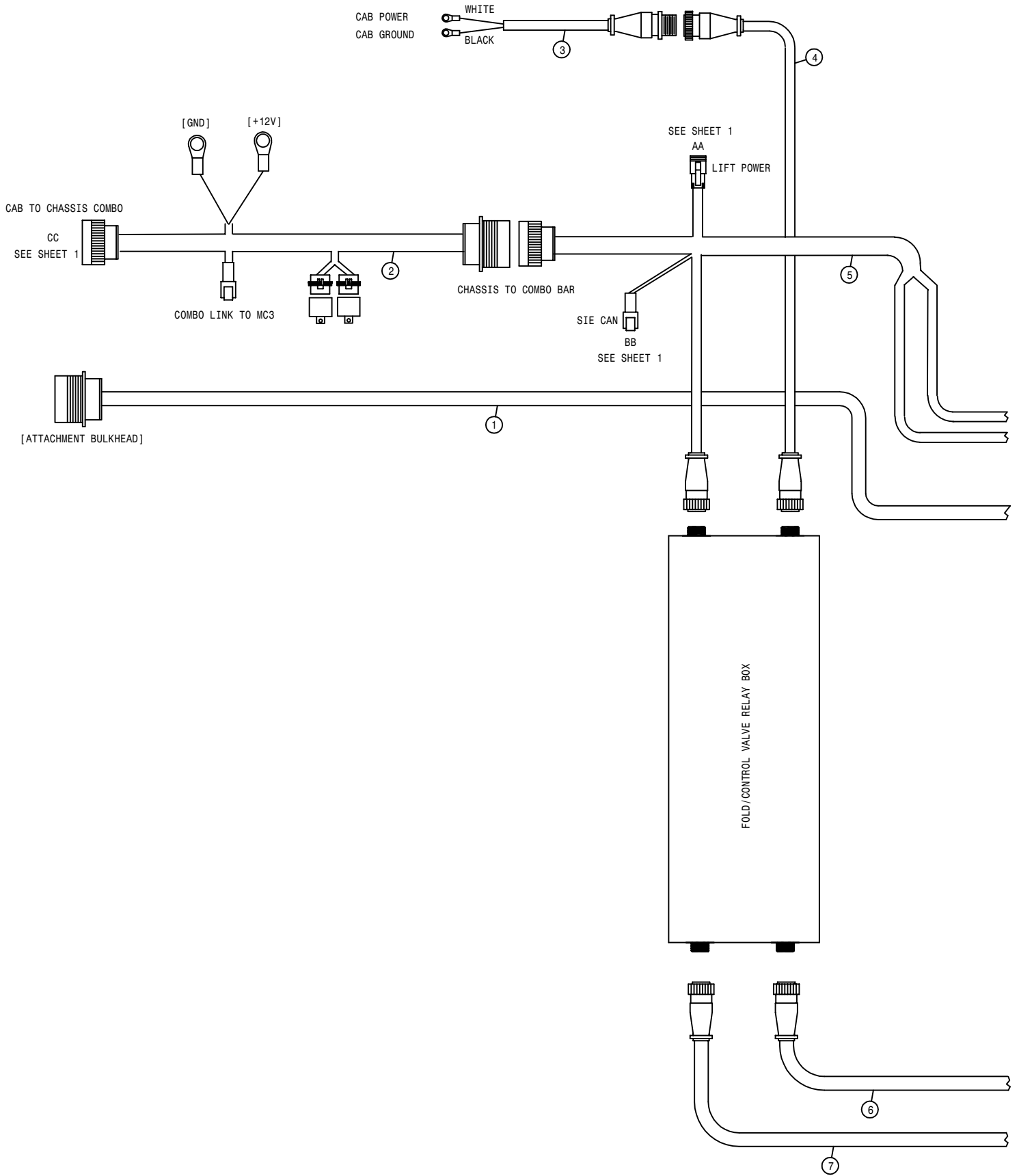
12	1	294035	DETASSELER DISPLAY
11	1	294034	DETASSELER MODULE
10	6	293259	UPR LS 9200 SENSOR ASSY, MALE
9	6	293258	LWR LS 9200 SENSOR ASSY, FEM
8	4	294259	4-2 COMBO PHOTOEYE EXT HARNESS
7	6	293188	SENSOR CONNECTOR WIRE ASSY
6	1	294037	PHOTO EYE HARNESS 204SP* 14
5	1	294038	LIFT HARNESS 204SP* 14
4	1	294036	COMBO CAB 1 HARNESS
3	1	294048	COMBO CAB 2 HARNESS
2	1	292583	SENSOR HARNESS, MICRO-DEUTSCH
1	1	294049	MALE M12 JUMPER 204SP* 14

TLW

**D400 OPTION WIRING DIAGRAM 17**

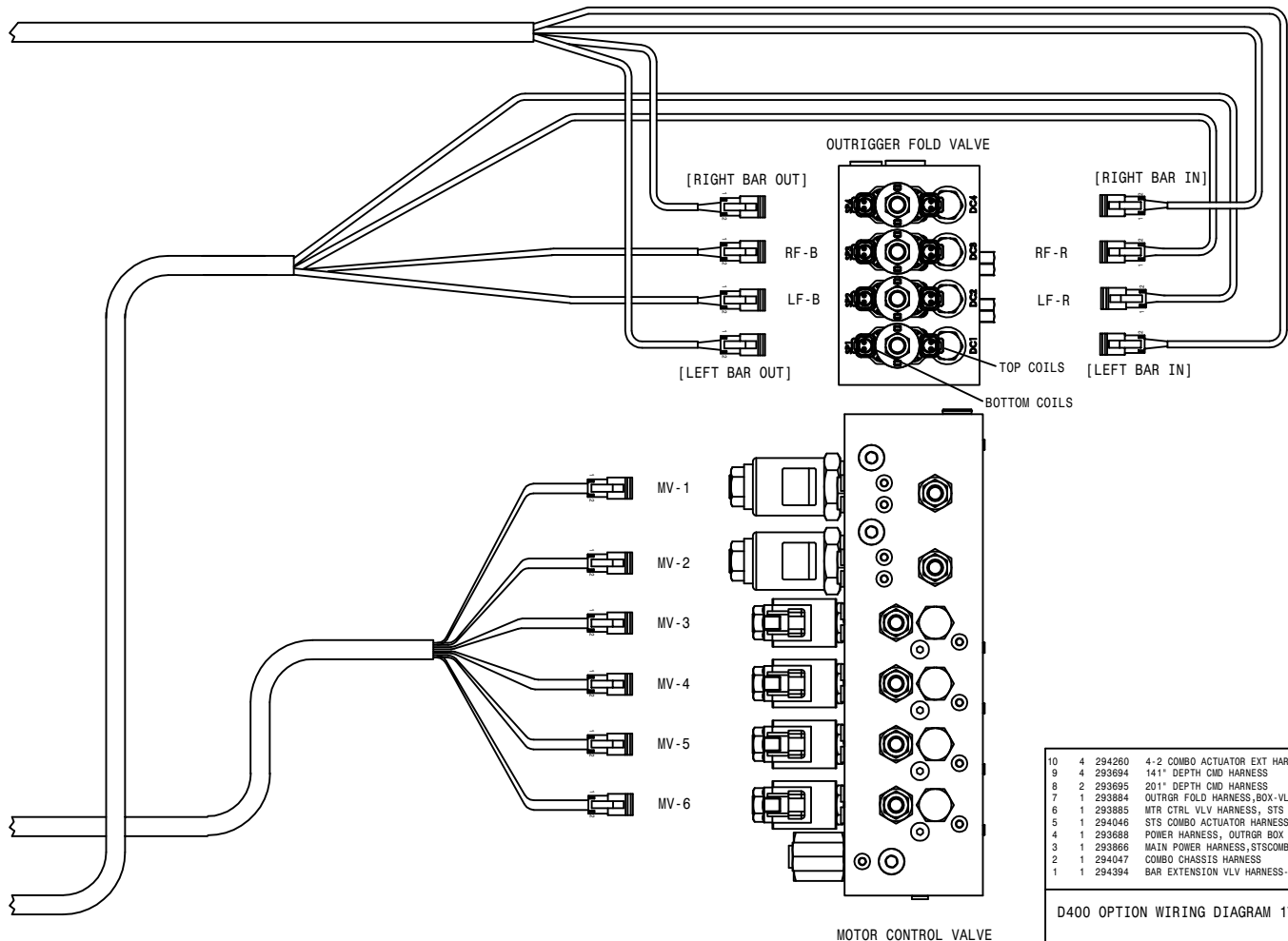
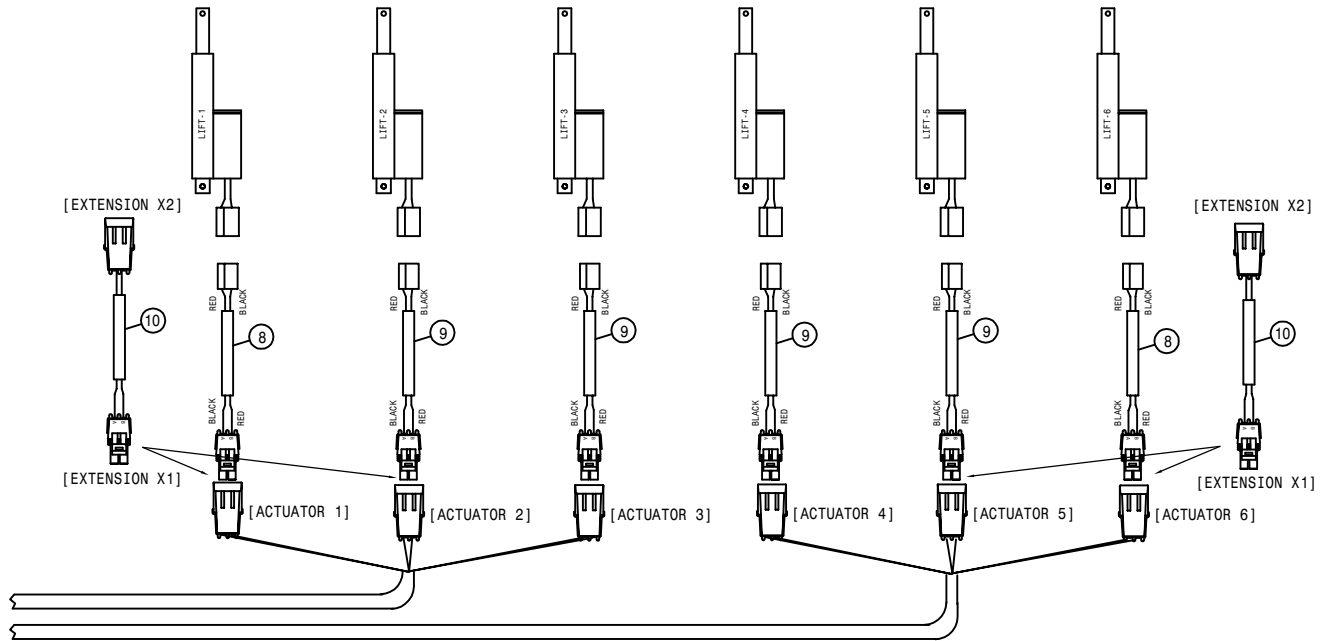
SHEET 1 OF 2  
REV\_A 05-16-17

**499400**





6-LIFT OPTION



10	4	294260	4-2 COMBO ACTUATOR EXT HARNESS
9	4	293694	14" DEPTH CMD HARNESS STS
8	2	293695	20" DEPTH CMD HARNESS STS
7	1	293884	OUTRGR FOLD HARNESS,BOX-VLV 07
6	1	293885	MTR CTRL VLV HARNESS, STS 07
5	1	294046	STS COMBO ACTUATOR HARNESS '14
4	1	293688	POWER HARNESS, OUTRGR BOX STS
3	1	293866	MAIN POWER HARNESS, STSCOMBO 05
2	1	294047	COMBO CHASSIS HARNESS
1	1	294394	BAR EXTENSION VLV HARNESS-D400

D400 OPTION WIRING DIAGRAM 17  
 SHEET 2 OF 2  
 REV\_A 05-16-17  
 499400

## ABBREVIATIONS

A/C - AIR CONDITIONER	MT - MOUNT
ADPTR - ADAPTER	MTR - MOTOR
AGI - AGITATOR	P/N - PART NUMBER
ALT - ALTERNATOR	PLT - PLATE
ASSY - ASSEMBLY	QTY - QUANTITY
BRKT - BRACKET	RED - REDUCER
DET - DETAIL	REF - REFERENCE
DISPL - DISPLACEMENT	REST - RESTRICTOR
EL - ELBOW	REQ - REQUIRED
EXT - EXTENSION	SHFT - SHAFT
FLO - FLOW	SOL - SOLUTION
FNPT - FEMALE NATIONAL PIPE THREAD	STRG - STEERING
FOR - FEMALE O-RING	ST - STREET
FRT - FRONT	SV - STANDARD VOLUME
HV - HI-VOLUME	SWIV - SWIVEL
HYD - HYDRAULIC	UNC - UNIFIED NATIONAL COURSE
HYDRO - HYDROSTATIC	UNF - UNIFIED NATIONAL FINE
LG - LONG	V - VOLT
LWR - LOWER	W/ - WITH
MJIC - MALE J.I.C.	WHL - WHEEL
MOR - MALE O-RING	WLD - WELDMENT

-A-

ABBREVIATIONS.....138  
 AIR BAG.....58  
 AIR CLEANER.....6  
 AIR CONDITIONER  
   BLOWER.....71,72  
   COMPRESSOR.....13  
   DRIER.....13  
   HOSE.....13  
 AIR COOLER, CHARGE.....8  
 AIR FILTER, CAB.....71,72  
 ALTERNATOR.....4  
 ANTENNA.....65  
 ARMREST.....73,74

-B-

BACKUP ALARM.....84  
 BATTERY.....12  
   CABLE.....12  
   SWITCH.....12  
 BEACON.....60  
 BELLY SHIELD.....82  
 BELT, DRIVE.....4  
 BLOWER, A/C.....71,72  
 BRAKE VALVE.....30  
 BREATHER.....22  
 BUSBAR.....12

-C-

CAB.....60  
   ELECTRICAL.....63,64  
   MOUNTS.....60  
 CAMERA.....84  
 CIRCUIT BREAKER.....12  
 CLAMP, TUBE.....18  
 COMPRESSOR, A/C.....13  
 CONDENSOR, A/C.....13  
 CONSOLE.....69,70  
   REAR.....68  
 CONTROL BOX.....92  
 COOLANT SENSOR.....8  
 COOLER.....68  
   CHARGE AIR.....8  
   OIL.....8  
 CRADLE,  
   FUEL TANK.....14  
 CUTTER HEAD.....106  
 CYLINDER,  
   FOLD.....94,96  
   LADDER.....31  
   LIFT.....102  
   STEERING.....51,52,53,54

TREAD ADJUST.....39,41,57

-D-

DIAGRAM,  
   ELECTRICAL.....130  
   HYDRAULIC.....110  
 DEF SYSTEM.....5  
 DOOR.....62  
 DRIVE BELT.....4  
 DRIVE DISC.....4

-E-

ELECTRICAL, CAB.....63,64  
 ELECTRICAL, CHASSIS.....59  
 ENGINE.....4  
   FRAME.....4  
   HOOD.....83,84  
   MOUNTS.....4  
 EXHAUST  
   PIPE.....7  
   SUPPORT.....7

-F-

FAN.....10,11  
   SHROUD.....8  
 FILTERS,  
   FUEL.....14  
   MINDER.....6  
   OIL.....9,22  
   STEERING.....24  
 FIRE EXTINGUISHER.....87  
 FLASHER.....81  
 FLOORMAT.....67,68  
 FUEL SENSOR.....14  
 FUEL TANK.....14  
 FUSE.....12

-G-

GAUGE.....67,68  
 GLASS.....60,62

-H-

HANDRAIL.....85  
 HEADLIGHT.....80  
 HEAD LINER.....65  
 HOOD, ENGINE.....84  
 HOSE SLEEVE.....18,19  
 HOSING, HYDRAULIC.....15,16  
 HUB, WHEEL.....18.19,20,21



MOTOR CONTROL.....98  
SHIFT.....38,29  
TRACTION.....27  
TREAD.....38,40

-W-

WHEEL HUB.....18,19,20,21  
WHEEL MOTOR.....18,19,20,21  
WIPER.....61  
WIRING DIAGRAM.....130

# Notes: