

**PARTS MANUAL**  
**FOR**  
**HAGIE MODEL 284 HI-TRACTOR**  
**144 IN TREAD**

**HAGIE MANUFACTURING COMPANY**

BOX 273 CLARION, IOWA 50525 (515) 532-2861

COVERS MACHINE SERIAL NUMBERS: 083679001 thru 083679200

08-96 493171  
02-08

SPRAYER IDENTIFICATION

Each Hagie sprayer is identified by means of a frame serial number. This serial number denotes the model, the year in which it was built, and the number of the sprayer. As for further identification, the engine has a serial number and the planetary hubs have identification plates that describe the type of mount and gear ratio. To insure prompt, efficient service when ordering parts or requesting service repairs from Hagie Manufacturing Company, record the serial and identification numbers in the space provided below.

NOTE: Reference to left hand and right hand used throughout this manual refers to the position when seated in the operator's seat facing forward.

SPRAYER SERIAL NUMBER

\_\_\_\_\_

ENGINE SERIAL NUMBER

\_\_\_\_\_

PLANETARY HUB IDENTIFICATION NUMBERS

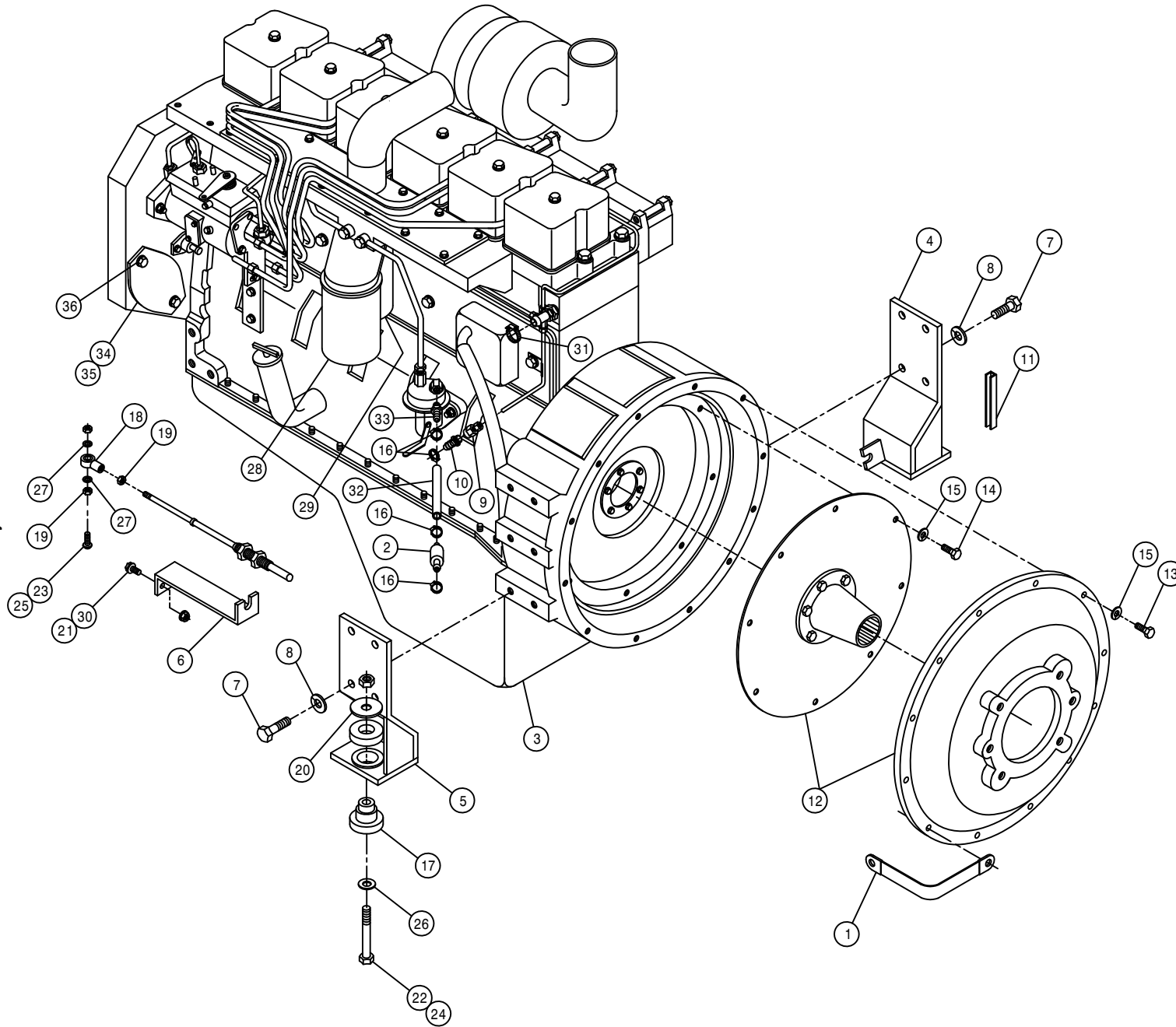
\_\_\_\_\_

TABLE OF CONTENTS

|   |          |
|---|----------|
| ENGINE ASSEMBLIES . . . . .                         | .4-6     |
| FLOW DIVIDER AND FLUSHING VALVE . . . . .           | .7-9     |
| A/C AND RADIATOR . . . . .                          | .10-11   |
| AIR CLEANER AND EXHAUST PIPE . . . . .              | 12       |
| BATTERY . . . . .                                   | 13       |
| LEG ASSEMBLIES. . . . .                             | .14-15   |
| TIRE AND CROP GUIDES. . . . .                       | .16-17   |
| LEG AND STEERING CYLINDER . . . . .                 | .18-19   |
| TIE ROD ASSEMBLY. . . . .                           | .20-23   |
| FUEL AND OIL TANKS. . . . .                         | .24-25   |
| CAB ASSEMBLY. . . . .                               | .26-30   |
| INSTRUMENT PANEL ASSEMBLY . . . . .                 | 31       |
| SWITCH PANEL ASSEMBLY . . . . .                     | 32       |
| CONSOLE ASSEMBLY. . . . .                           | .33-35   |
| BRAKE SOLENOID AND SEAT . . . . .                   | .36-38   |
| SELECTOR VALVE AND VFC. . . . .                     | .39-40   |
| BOOM GRADLE . . . . .                               | 41       |
| SHEET METAL . . . . .                               | .42-43   |
| TANK SHIELDS. . . . .                               | .44-45   |
| LADDER AND SERVICE PLATFORM ASSEMBLY. . . . .       | 46       |
| BOOM VALVE. . . . .                                 | 47       |
| TRANSOM, BOOM AND LIFT COMPONENTS . . . . .         | .48-61   |
| SOLUTION SYSTEM . . . . .                           | .61-71   |
| RINSE OPTION. . . . .                               | .72-73   |
| TREAD ADJUSTMENT OPTION . . . . .                   | .74-77   |
| FOAMER OPTION . . . . .                             | .78-82   |
| INJECTION PLATFORM. . . . .                         | 83       |
| HYPRO D-230 OPTION. . . . .                         | .84-87   |
| WINSHIELD WASHER OPTION . . . . .                   | 88       |
| CROPSHIELD. . . . .                                 | 89       |
| PRESSURE WASHER OPTION. . . . .                     | .90-91   |
| SOLUTION HOISING . . . . .                          | .92-93   |
| INDUCTOR TANK AND TRACTION VALVE ASSEMBLY . . . . . | .94-96   |
| WHEEL DRIVE ASSEMBLY. . . . .                       | .97-99   |
| HYDRAULIC SCHEMATIC . . . . .                       | .100-105 |
| ELECTRICAL SCHEMATIC. . . . .                       | .106-115 |
| DECALS. . . . .                                     | .116-117 |
| ABBREVIATIONS . . . . .                             | .118     |
| INDEX . . . . .                                     | .119     |

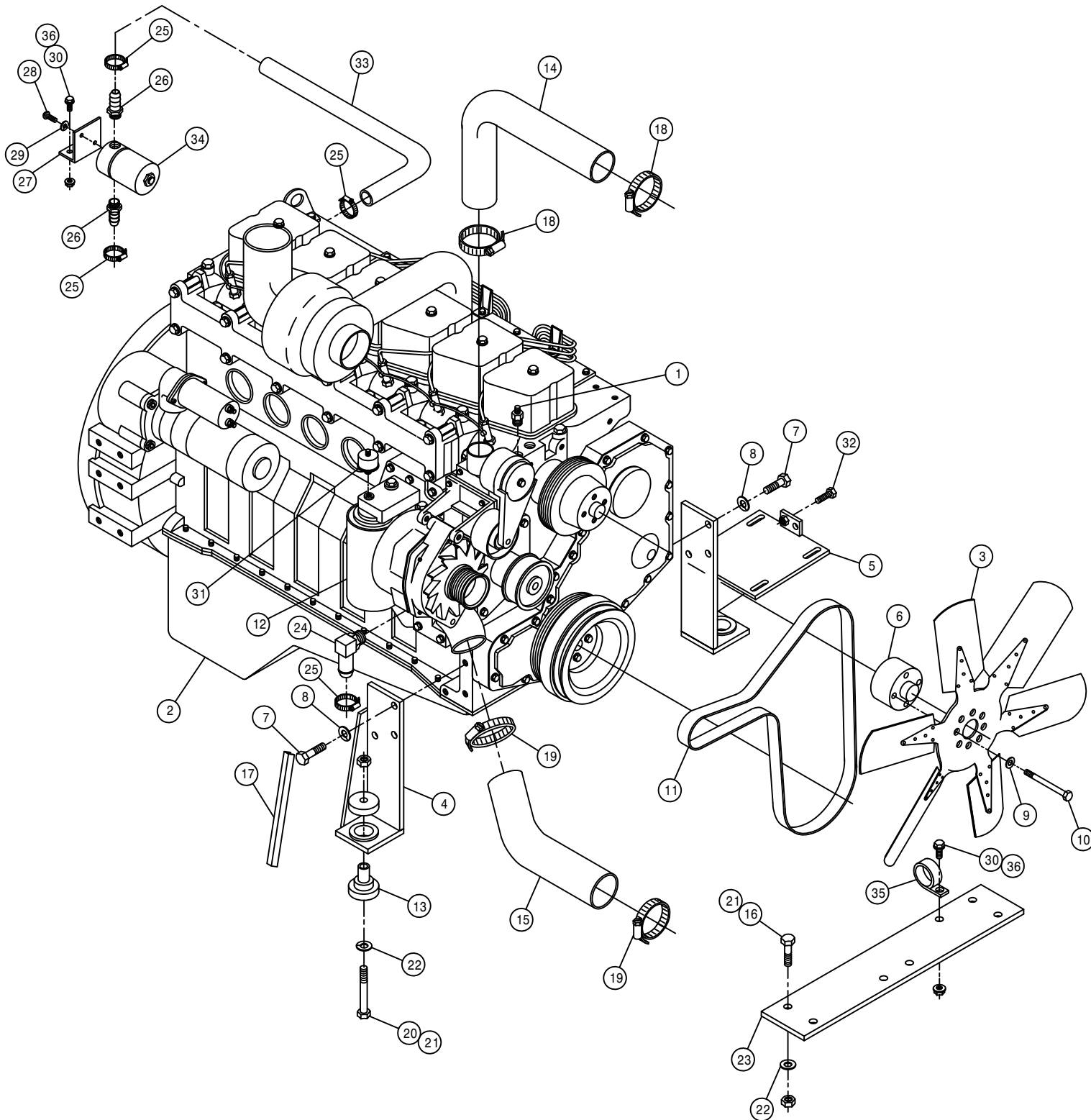
ENGINE ASSEMBLY

DET. QTY PART NO. DESCRIPTION



| DET. | QTY | PART NO. | DESCRIPTION                   |
|------|-----|----------|-------------------------------|
| 1    | 1   | 290107   | ENG TO GROUND STRAP 8 IN      |
| 2    | 1   | 316281   | FUEL STRAINER, DIESEL         |
| 3    | 1   | 316286   | CUMMINS ENGINE 6BT5.9-A       |
| 4    | 1   | 316252   | RH REAR ENG MT WLD, CUMM 94   |
| 5    | 1   | 316253   | LH REAR ENG MT WLD, CUMM 94   |
| 6    | 1   | 316305   | THROTTLE CABLE MT,6CYL CUMM97 |
| 7    | 8   | 473775   | 12MM-1.75 X 30MM HEX BOLT     |
| 8    | 8   | 473784   | 12MM LOCK WASHER              |
| 9    | 1   | 618611   | 1/8FNPT-3/16 TUBE ADPTR,BRASS |
| 10   | 1   | 711001   | 1/8 NPT X 5/16 HOSE BARB      |
| 11   | 1   | 193012   | QUICKEDGE TRIM .135 TO .250   |
| 12   | 1   | 800495   | SUND DRIVE ASSY,2.83PILOT 14T |
| 13   | 12  | 473792   | 10MM-1.50 X 30MM HEX BOLT     |
| 14   | 8   | 473793   | 10MM-1.50 X 20MM HEX BOLT     |
| 15   | 20  | 473798   | 10MM LOCK WASHER              |
| 16   | 4   | 520120   | HOSE CLAMP NO 4 PLATED MINI   |
| 17   | 2   | 311054   | RUBBER MOUNT SET, CB-2202-4   |
| 18   | 1   | 473921   | BALL JOINT NO 10-32 THD       |
| 19   | 2   | 910027   | 10-32 HEX NUT                 |
| 20   | 2   | 311055   | REBOUND WASHER FOR 311054     |
| 21   | 2   | 470121   | 1/4UNC HEX FLANGE LOCK NUT    |
| 22   | 2   | 900271   | 1/2UNC X 3 1/4 HEX BOLT       |
| 23   | 1   | 903893   | 10-32 X 1" SLT RD HD MACH SCR |
| 24   | 2   | 914008   | 1/2UNC HEX STOVER NUT         |
| 25   | 1   | 914027   | 10-32 HEX STOVER NUT          |
| 26   | 2   | 920004   | 1/2 SAE FLAT WASHER           |
| 27   | 2   | 920510   | #10 LOCK WASHER               |
| 28   | 1   | 316208   | FUEL FILTER, PRIMARY CUMM 92  |
| 29   | 1   | 316209   | FUEL FILTER, SECONDARY CUMM92 |
| 30   | 2   | 470118   | 1/4UNC X 3/4 FLANGE HEX BOLT  |
| 31   | 1   | 520055   | HOSE CLAMP NO 12 PLATED       |
| 32   | 1   | 601393   | HOSE, 3/8 X 3IN FUEL LINE     |
| 33   | 1   | 714220   | 1/4 NPT X 3/8 HOSE BARB       |
| 34   | 1   | 316306   | COVER PLATE, CUMM 6BT5.9-A    |
| 35   | 1   | 316307   | GASKET,COVER PLT,CUMM 6BT5.9A |
| 36   | 2   | 316308   | COVER PLT BOLT,CUMM 6BT5.9-A  |

4



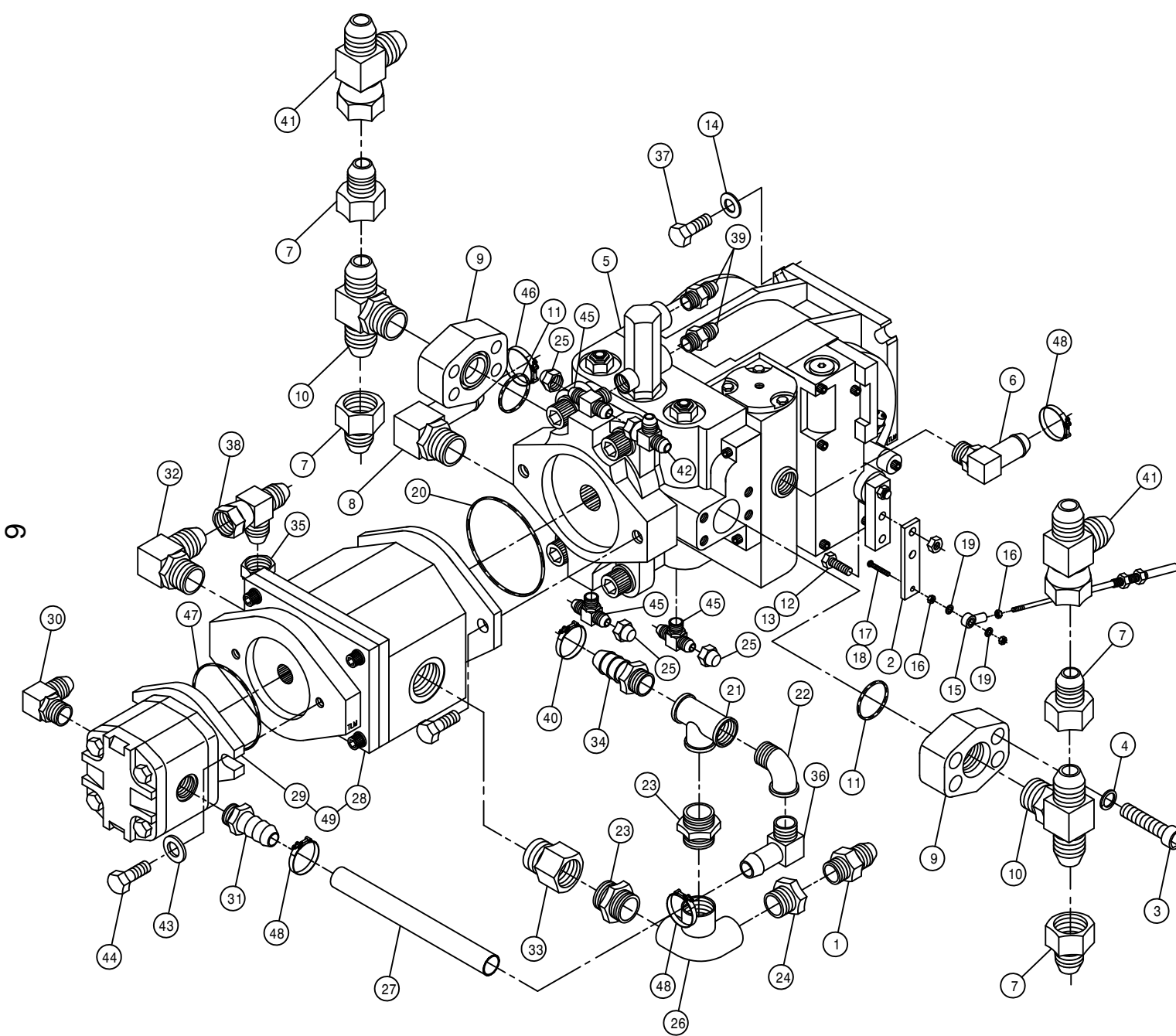
ENGINE ASSEMBLY

| DET. | QTY | PART NO. | DESCRIPTION                   |
|------|-----|----------|-------------------------------|
| 1    | 1   | 314836   | TEMP SENDR 280D 1/2NPT FOR GA |
| 2    | 1   | 316286   | CUMMINS ENGINE 6BT5.9-A       |
| 3    | 1   | 316180   | 22 IN DIA 6 BLADE 2.25 PITCH  |
| 4    | 1   | 316250   | RH FRT ENG MT WLD, CUMM 94    |
| 5    | 1   | 316251   | LH FRT ENG MT WLD, CUMM 94    |
| 6    | 1   | 316199   | 22IN FAN SPACER CUMM 92       |
| 7    | 6   | 473775   | 12MM-1.75 X 30MM HEX BOLT     |
| 8    | 6   | 473784   | 12MM LOCK WASHER              |
| 9    | 4   | 473804   | 8MM LOCK WASHER               |
| 10   | 4   | 473822   | 8MM-1.25 X 70MM HEX BOLT      |
| 11   | 1   | 316206   | POLY V BELT CUMMINS DIESEL 92 |
| 12   | 1   | 316207   | LUBE FILTER CUMMINS DIESEL 92 |
| 13   | 2   | 311053   | RUBBER MOUNT SET,SSB26-1000-1 |
| 14   | 1   | 314832   | RADIATOR HOSE 1.75 X 19       |
| 15   | 1   | 314886   | RADIATOR HOSE 2 1/4 20717     |
| 16   | 4   | 900265   | 1/2UNC X 1 1/2 HEX BOLT       |
| 17   | 1   | 193012   | QUICKEDGE TRIM .135 TO .250   |
| 18   | 2   | 520067   | HOSE CLAMP NO 28 PLATED       |
| 19   | 2   | 520099   | HOSE CLAMP NO 40 PLATED       |
| 20   | 2   | 900271   | 1/2UNC X 3 1/4 HEX BOLT       |
| 21   | 6   | 914008   | 1/2UNC HEX STOVER NUT         |
| 22   | 6   | 920004   | 1/2 SAE FLAT WASHER           |
| 23   | 1   | 341968   | TIE PLT 250/280 CUMM 92       |
| 24   | 1   | 618573   | 5/8 HOSE BARB-90-1/2MNPT      |
| 25   | 4   | 520055   | HOSE CLAMP NO 12 PLATED       |
| 26   | 2   | 711013   | 1/4 NPT X 1/2 HOSE BARB, BRS  |
| 27   | 1   | 657361   | HEATER SOL VLV MT 94          |
| 28   | 2   | 903710   | 10-32X1/2 PHIL PANHD MACH SCR |
| 29   | 2   | 920510   | #10 LOCK WASHER               |
| 30   | 3   | 470121   | 1/4UNC HEX FLANGE LOCK NUT    |
| 31   | 1   | 291610   | OIL PRESS SENDER, 1/8NPT      |
| 32   | 1   | 900130   | 3/8UNC X 1 1/4 HEX BOLT       |
| 33   | 1   | 601349   | HOSE, 5/8 X 15" HEATER        |
| 34   | 1   | 657370   | HEATER SOLENOID VLV W/O HBARB |
| 35   | 1   | 520126   | CUSH HOSE CLAMP 2IN X 5/8W    |
| 36   | 3   | 470118   | 1/4UNC X 3/4 FLANGE HEX BOLT  |

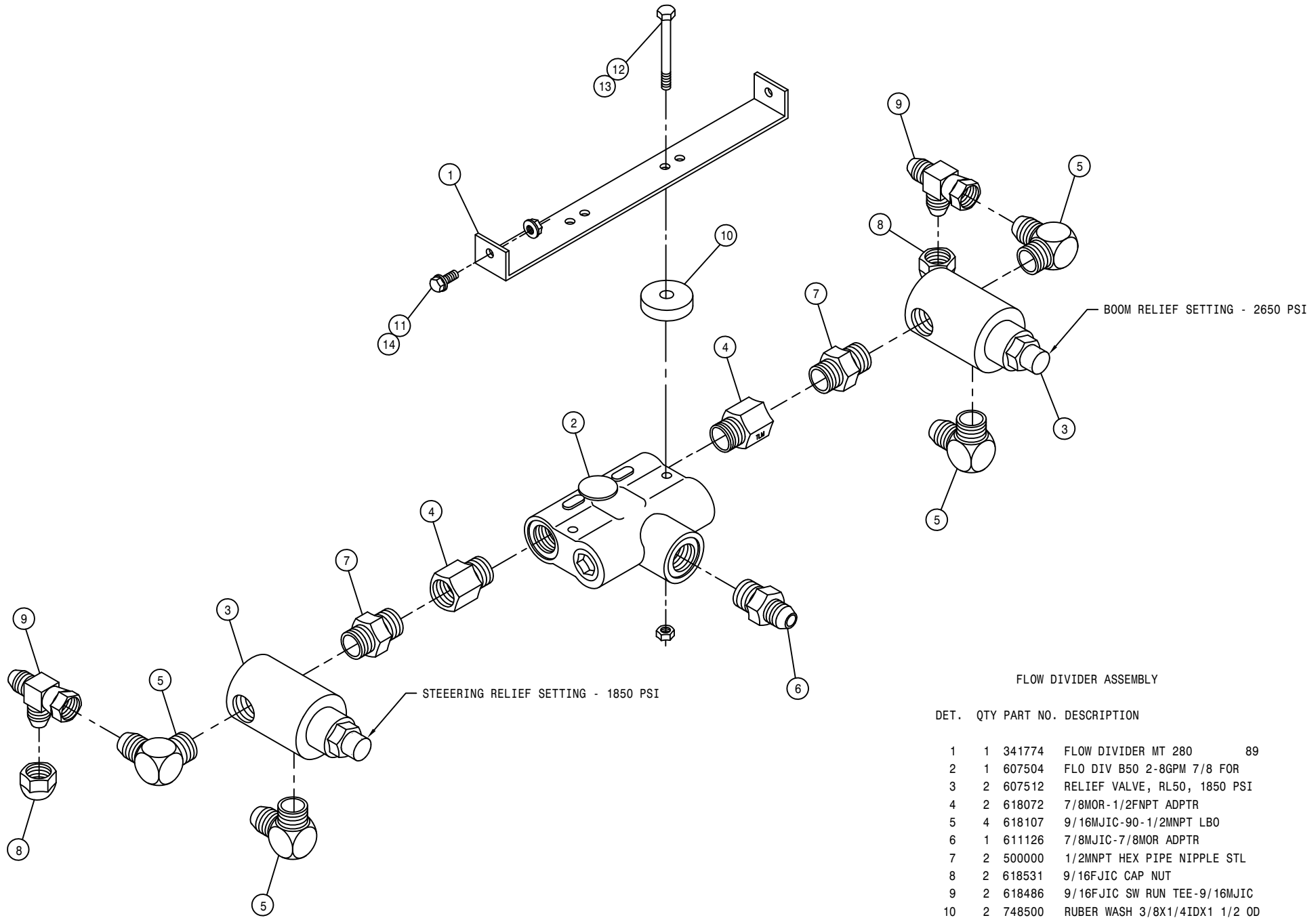
5

SUNDSTRAND PUMP ASSEMBLY

DET. QTY PART NO. DESCRIPTION



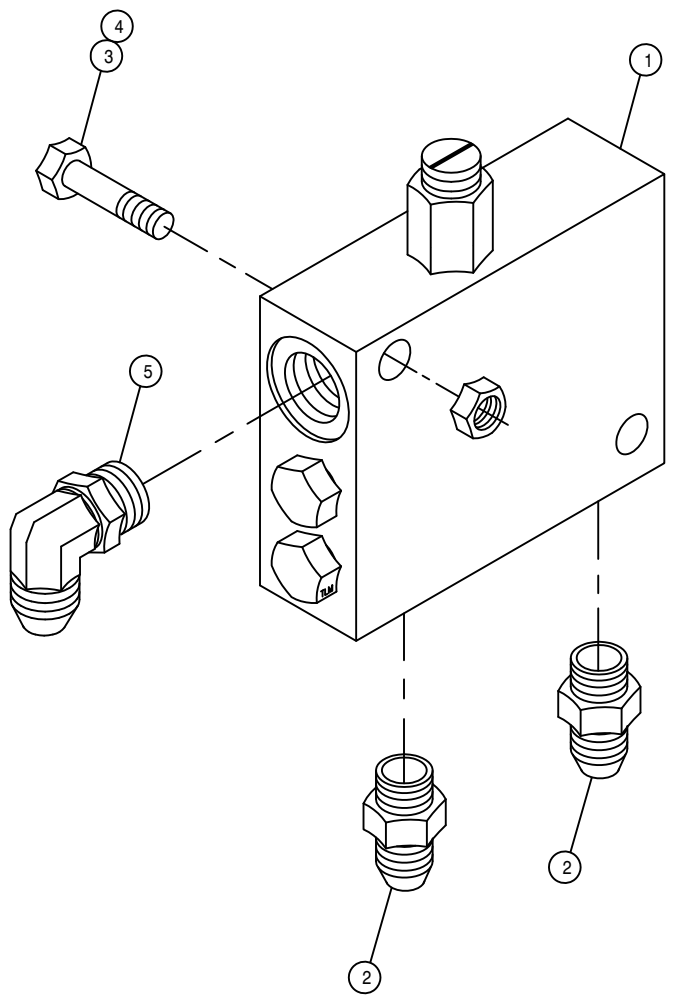
|    |   |        |                               |
|----|---|--------|-------------------------------|
| 1  | 1 | 610300 | 3/4MJIC-3/4MNPT ADPTR         |
| 2  | 1 | 316160 | PUMP CONT LEVER EXT 280 CUMM  |
| 3  | 8 | 470188 | 7/16-14 X 1 1/2 SOCHD CAP SCR |
| 4  | 8 | 470189 | 7/16 HC LOCK WASH FOR 618598  |
| 5  | 1 | 606902 | SUND 100CC PUMP,B-MT W/FILT   |
| 6  | 1 | 618118 | 3/4 HOSE BARB-90-1 1/16MOR    |
| 7  | 4 | 618541 | 1 5/16FJIC-1 1/16MJIC ADPTR   |
| 8  | 1 | 618626 | 1 1/4 HOSE BARB-45-1 5/8MOR   |
| 9  | 2 | 618598 | 1 IN 4-BOLT FLG X 1 5/16FOR   |
| 10 | 2 | 618599 | 1 5/16MOR BRANCH TEE-1 5/16MJ |
| 11 | 2 | 870219 | BUNA ORING 1 5/16 X 1 9/16    |
| 12 | 2 | 900003 | 1/4UNC X 1 HEX BOLT           |
| 13 | 2 | 914000 | 1/4UNC HEX STOVER NUT         |
| 14 | 4 | 920004 | 1/2 FLAT WASHER SAE           |
| 15 | 1 | 473921 | BALL JOINT NO 10-32 THD       |
| 16 | 2 | 910027 | #10-32 HEX NUT                |
| 17 | 1 | 903893 | 10 32 X 1 SLT RD HD MACH SCR  |
| 18 | 1 | 914027 | #10-32 HEX STOVER NUT         |
| 19 | 2 | 920510 | LOCK WASH NO 10               |
| 20 | 1 | 606870 | O-RING FOR 606865 SUND B-MT   |
| 21 | 1 | 505101 | BLK PIPE TEE 1.00NPT          |
| 22 | 1 | 505200 | BLK PIPE ST EL 90DEG 1.00NPT  |
| 23 | 2 | 505105 | 1MNPT HEX PIPE NIPPLE STL     |
| 24 | 1 | 505213 | RED BUSH 1 X 3/4 BLK MAL      |
| 25 | 3 | 618531 | 9/16FJIC CAP NUT              |
| 26 | 1 | 505098 | SIDE OUTLET EL 90DEG 1.00NPT  |
| 27 | 1 | 601383 | HOSE, 3/4 X 8 1FBR-15PI       |
| 28 | 1 | 606897 | SUND GEAR PUMP 1.34CI SPLINED |
| 29 | 1 | 606891 | SUND GEAR PMP .52CI SPLINED   |
| 30 | 1 | 611128 | 7/8MJIC-90-7/8MOR LBO         |
| 31 | 1 | 618075 | 3/4 HOSE BARB-1 1/16MOR       |
| 32 | 1 | 618535 | 7/8MJIC-90-1 1/16MOR LBO      |
| 33 | 1 | 618090 | 1 5/16MOR-1FNPT ADPTR         |
| 34 | 1 | 714560 | 1NPT X 1 HOSE BARB            |
| 35 | 1 | 618328 | 7/8FJIC CAP NUT               |
| 36 | 1 | 716000 | 3/4 HOSE BARB-90-1MNPT        |
| 37 | 4 | 900265 | 1/2UNC X 1 1/2 HEX BOLT       |
| 38 | 1 | 618333 | 7/8FJIC SW RUN TEE-7/8MJIC    |
| 39 | 2 | 618327 | 3/4MJIC-7/8MOR ADPTR          |
| 40 | 1 | 520138 | 1.00 T-BOLT HOSE CLAMP        |
| 41 | 2 | 618487 | 1 1/16FJ SW RUN TEE-1 1/16MJ  |
| 42 | 1 | 618486 | 9/16FJIC SW RUN TEE-9/16MJIC  |
| 43 | 2 | 920002 | WASH FLAT 3/8 SAE             |
| 44 | 2 | 900130 | 3/8UNC X 1 1/4 HEX BOLT       |
| 45 | 3 | 618629 | 9/16MOR BRANCH TEE-9/16MJIC   |
| 46 | 1 | 520132 | 1.62/1.87 T-BOLT HOSE CLAMP   |
| 47 | 1 | 606924 | O-RING FOR SUND A-MT          |
| 48 | 3 | 520137 | .75 T-BOLT HOSE CLAMP         |
| 49 | 1 | 606810 | TANDEM PUMP, 606891 & 606897  |



FLOW DIVIDER ASSEMBLY

DET. QTY PART NO. DESCRIPTION

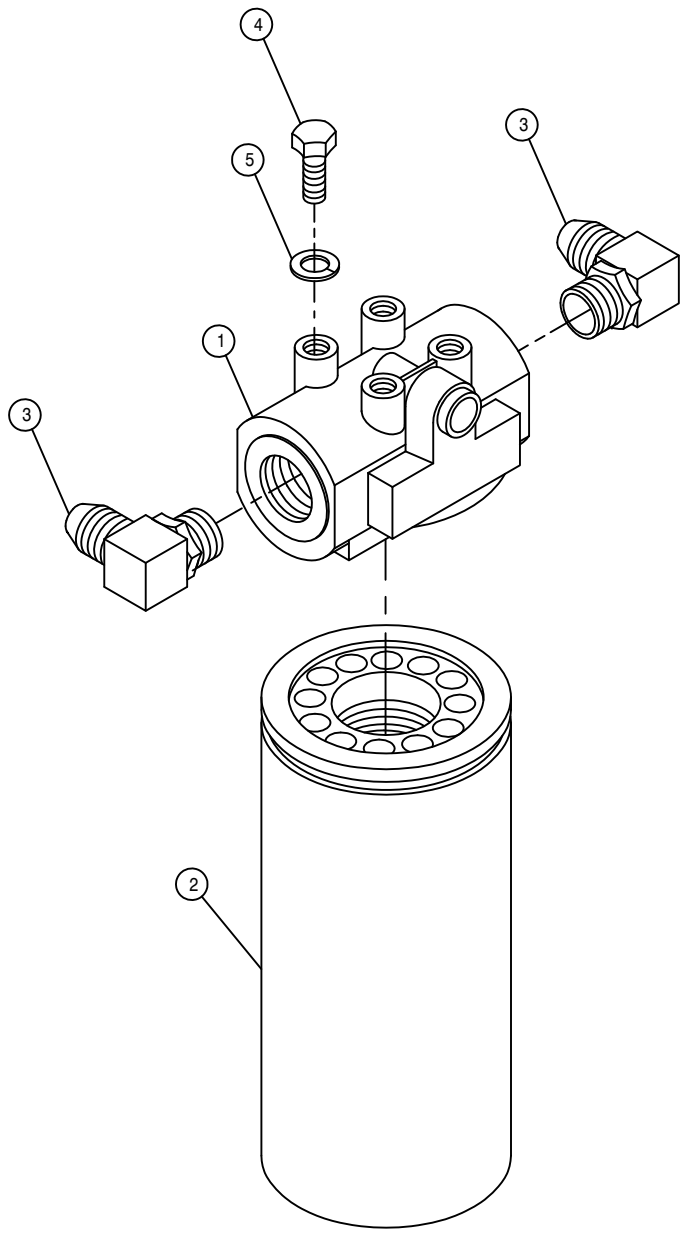
| DET. | QTY | PART NO. | DESCRIPTION                   |    |
|------|-----|----------|-------------------------------|----|
| 1    | 1   | 341774   | FLOW DIVIDER MT 280           | 89 |
| 2    | 1   | 607504   | FLO DIV B50 2-8GPM 7/8 FOR    |    |
| 3    | 2   | 607512   | RELIEF VALVE, RL50, 1850 PSI  |    |
| 4    | 2   | 618072   | 7/8MOR-1/2FNPT ADPTR          |    |
| 5    | 4   | 618107   | 9/16MJIC-90-1/2MNPT LBO       |    |
| 6    | 1   | 611126   | 7/8MJIC-7/8MOR ADPTR          |    |
| 7    | 2   | 500000   | 1/2MNPT HEX PIPE NIPPLE STL   |    |
| 8    | 2   | 618531   | 9/16FJIC CAP NUT              |    |
| 9    | 2   | 618486   | 9/16FJIC SW RUN TEE-9/16MJIC  |    |
| 10   | 2   | 748500   | RUBER WASH 3/8X1/4IDX1 1/2 OD |    |
| 11   | 2   | 470118   | 1/4UNC X 3/4 FLANGE HEX BOLT  |    |
| 12   | 2   | 900008   | 1/4UNC X 2 1/2 HEX BOLT       |    |
| 13   | 2   | 914000   | 1/4UNC HEX STOVER NUT         |    |
| 14   | 2   | 470121   | 1/4UNC HEX FLANGE LOCK NUT    |    |



LOOP FLUSHING VALVE ASSEMBLY

| DET. | QTY | PART NO. | DESCRIPTION                 |
|------|-----|----------|-----------------------------|
|      | 1   | 610580   | REMOTE FLUSHING VALVE, SUND |
|      | 2   | 618126   | 9/16MJC-9/16MOR ADPTR       |
|      | 3   | 900133   | 3/8UNC X 2 HEX BOLT         |
|      | 4   | 914004   | 3/8UNC HEX STOVER NUT       |
|      | 5   | 618119   | 9/16MJC-90-9/16MOR LBO      |

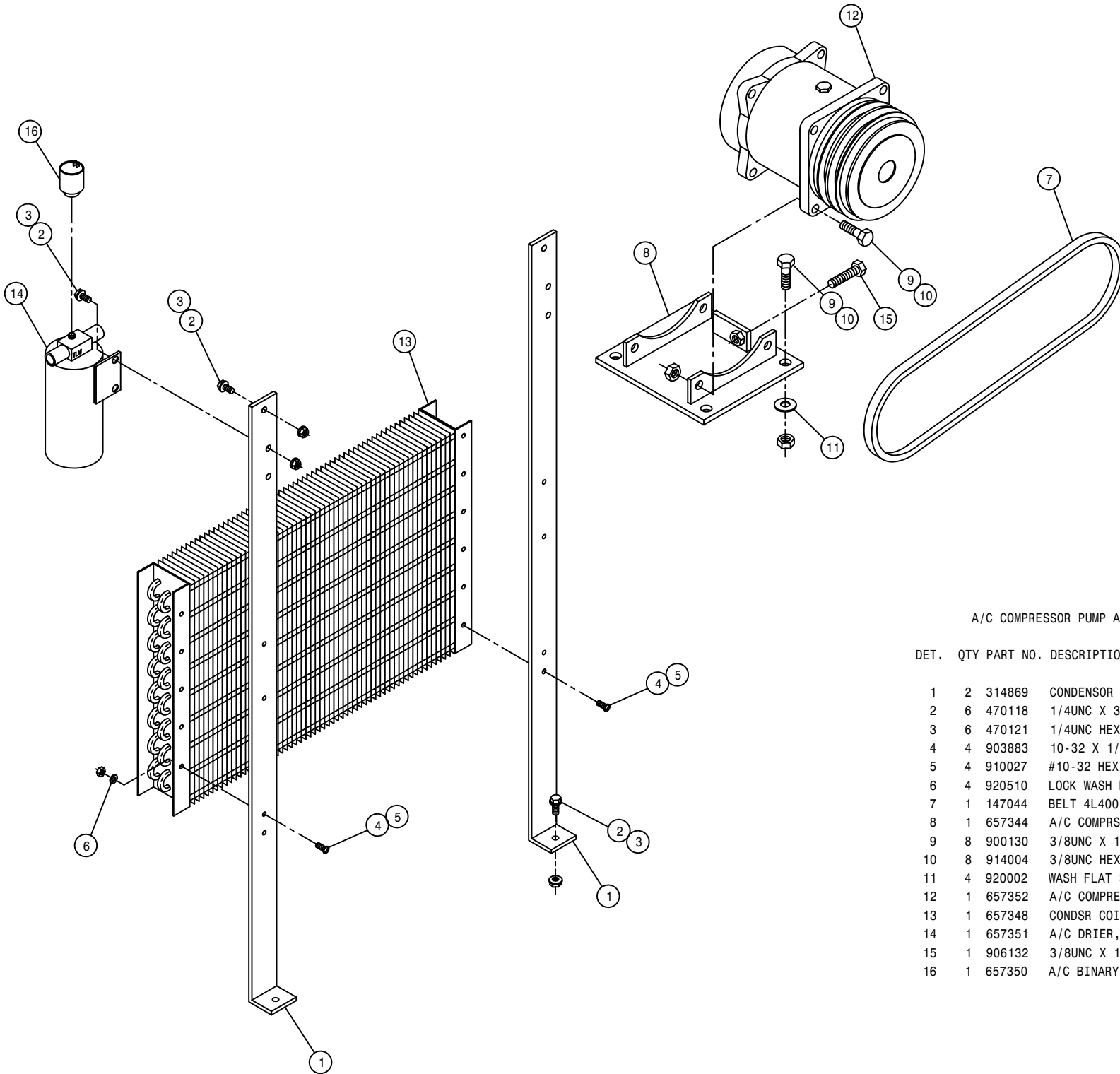




HI-PRESS FILTER ASSEMBLY

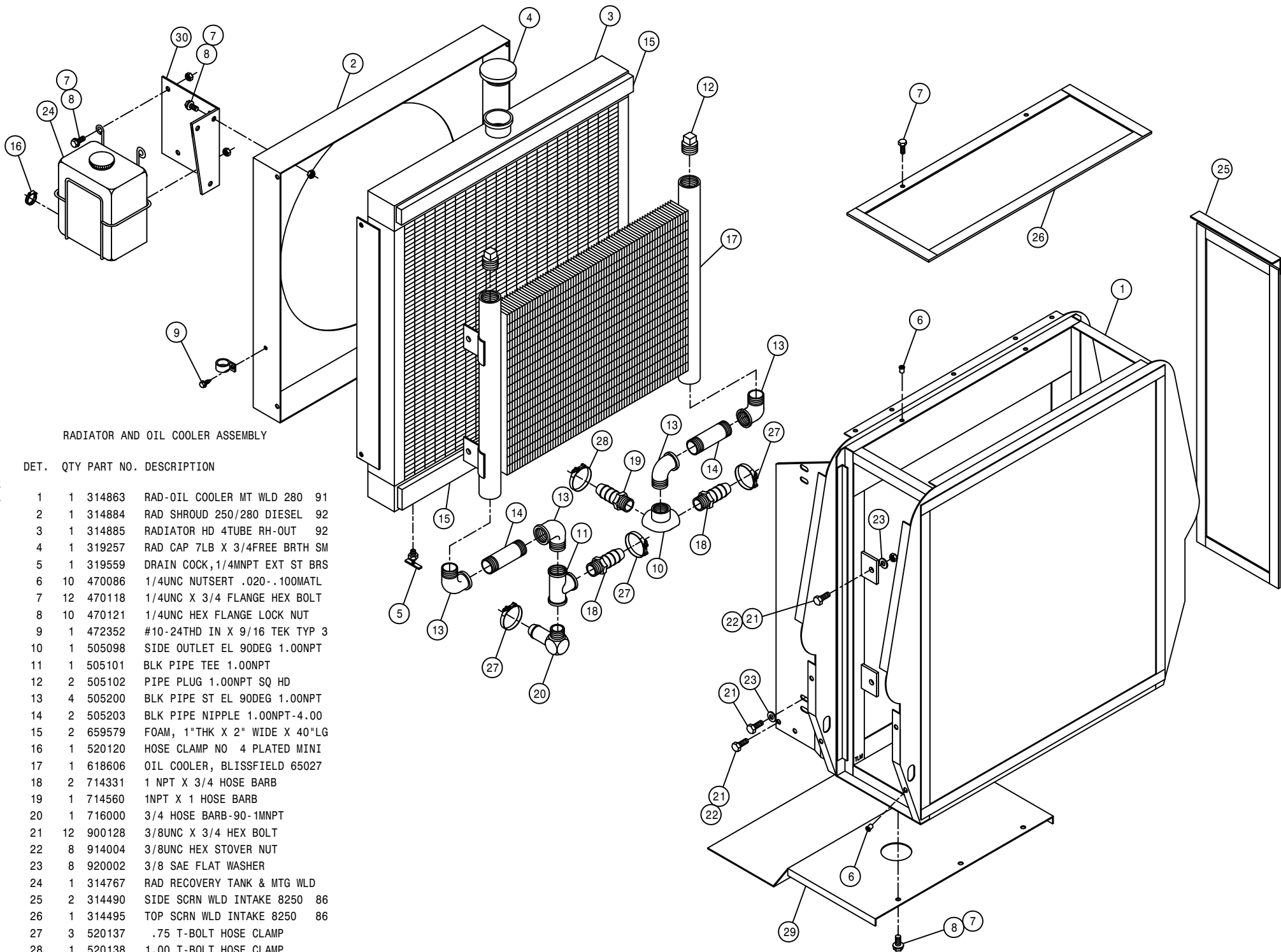
DET. QTY PART NO. DESCRIPTION

|   |   |        |                               |
|---|---|--------|-------------------------------|
| 1 | 1 | 605608 | HYD FILTER HEAD, DONALDSON    |
| 2 | 1 | 605609 | HYD FILTER ELEMENT, DONALDSON |
| 3 | 2 | 618474 | 3/4MJIC-90-1 1/16MOR LBO      |
| 4 | 4 | 900128 | 3/8UNC X 3/4 HEX BOLT         |
| 5 | 4 | 920502 | 3/8 LOCK WASHER               |



A/C COMPRESSOR PUMP ASSEMBLY

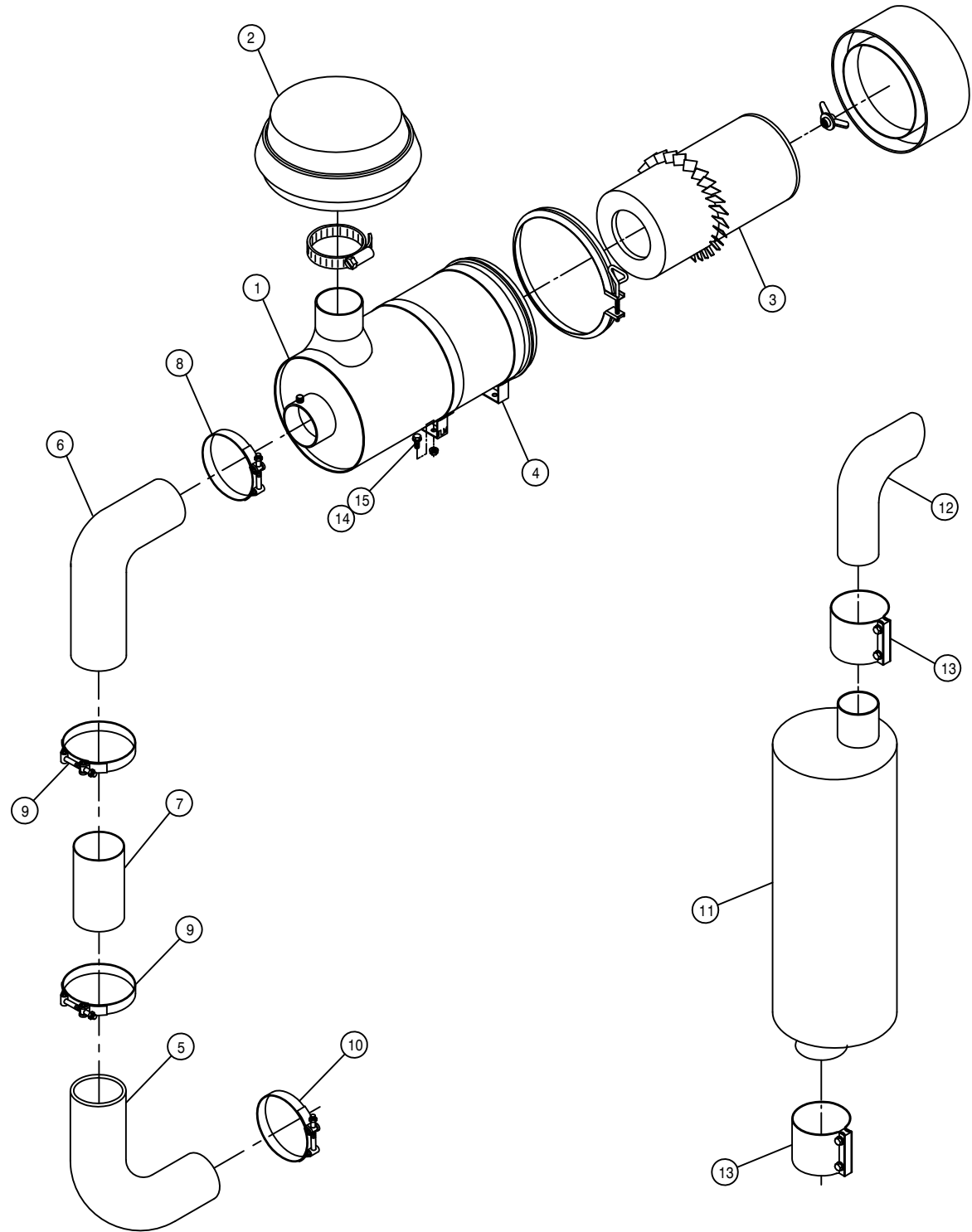
| DET. | QTY | PART NO. | DESCRIPTION                   |
|------|-----|----------|-------------------------------|
|      | 1   | 2 314869 | CONDENSOR MTG BRKT 280 91     |
|      | 2   | 6 470118 | 1/4UNC X 3/4 FLANGED HEX BOLT |
|      | 3   | 6 470121 | 1/4UNC HEX FLANGED LOCK NUT   |
|      | 4   | 4 903883 | 10-32 X 1/2 SLTRD HD MACH SCR |
|      | 5   | 4 910027 | #10-32 HEX NUT                |
|      | 6   | 4 920510 | LOCK WASH NO 10               |
|      | 7   | 1 147044 | BELT 4L400                    |
|      | 8   | 1 657344 | A/C COMPRSR MT WLD CUMM 92    |
|      | 9   | 8 900130 | 3/8UNC X 1 1/4 HEX BOLT       |
|      | 10  | 8 914004 | 3/8UNC HEX STOVER NUT         |
|      | 11  | 4 920002 | WASH FLAT 3/8 SAE             |
|      | 12  | 1 657352 | A/C COMPRESSOR, R134A         |
|      | 13  | 1 657348 | CONDSR COIL FOR 657309        |
|      | 14  | 1 657351 | A/C DRIER, O-RING TYPE        |
|      | 15  | 1 906132 | 3/8UNC X 1 3/4 HEX BOLT FULL  |
|      | 16  | 1 657350 | A/C BINARY SWITCH             |



RADIATOR AND OIL COOLER ASSEMBLY

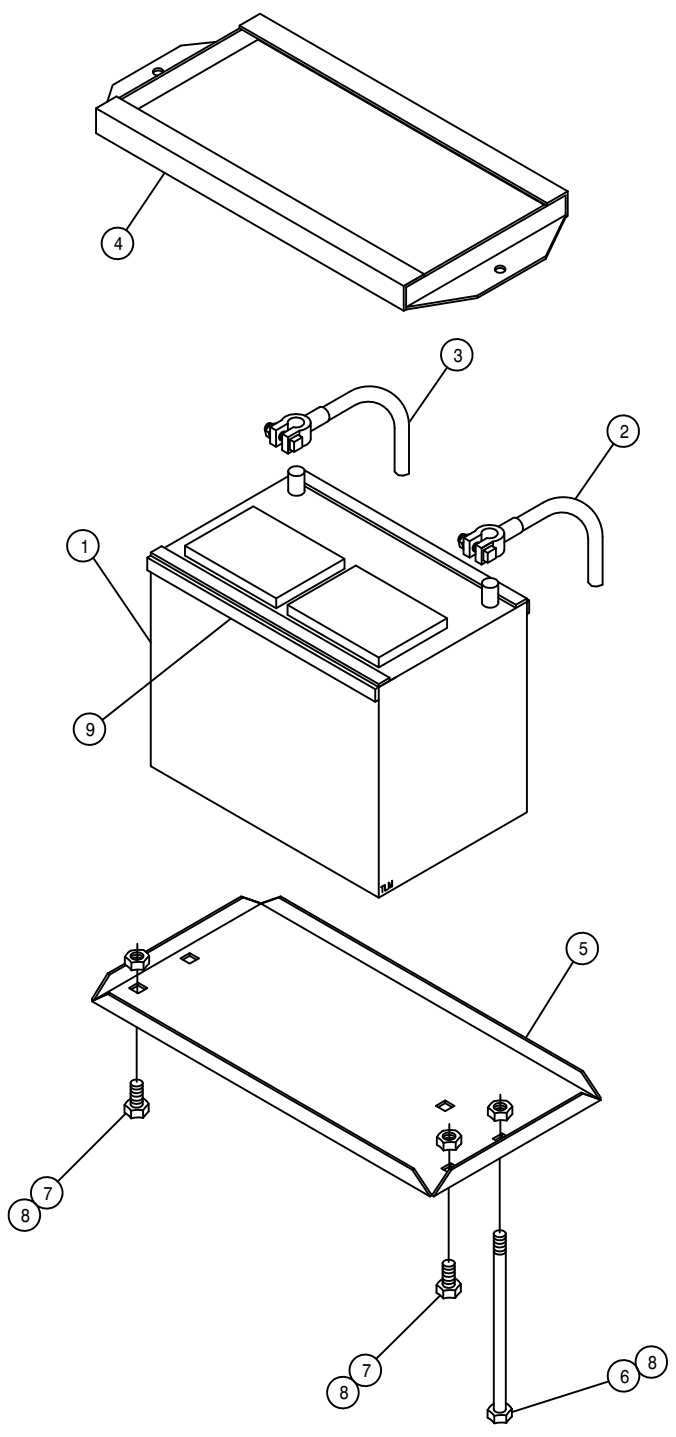
DET. QTY PART NO. DESCRIPTION

|    |    |        |                                |    |
|----|----|--------|--------------------------------|----|
| 1  | 1  | 314863 | RAD-OIL COOLER MT WLD 280      | 91 |
| 2  | 1  | 314884 | RAD SHROUD 250/280 DIESEL      | 92 |
| 3  | 1  | 314885 | RADIATOR HD 4TUBE RH-OUT       | 92 |
| 4  | 1  | 319257 | RAD CAP 7LB X 3/4FREE BRTH SM  |    |
| 5  | 1  | 319559 | DRAIN COCK, 1/4MNPT EXT ST BRS |    |
| 6  | 10 | 470086 | 1/4UNC NUTSERT .020-.100MATL   |    |
| 7  | 12 | 470118 | 1/4UNC X 3/4 FLANGE HEX BOLT   |    |
| 8  | 10 | 470121 | 1/4UNC HEX FLANGE LOCK NUT     |    |
| 9  | 1  | 472352 | #10-24THD IN X 9/16 TEK TYP 3  |    |
| 10 | 1  | 505098 | SIDE OUTLET EL 90DEG 1.00NPT   |    |
| 11 | 1  | 505101 | BLK PIPE TEE 1.00NPT           |    |
| 12 | 2  | 505102 | PIPE PLUG 1.00NPT SQ HD        |    |
| 13 | 4  | 505200 | BLK PIPE ST EL 90DEG 1.00NPT   |    |
| 14 | 2  | 505203 | BLK PIPE NIPPLE 1.00NPT-4.00   |    |
| 15 | 2  | 659579 | FOAM, 1"THK X 2" WIDE X 40"LG  |    |
| 16 | 1  | 520120 | HOSE CLAMP NO 4 PLATED MINI    |    |
| 17 | 1  | 618606 | OIL COOLER, BLISSFIELD 65027   |    |
| 18 | 2  | 714331 | 1 NPT X 3/4 HOSE BARB          |    |
| 19 | 1  | 714560 | 1NPT X 1 HOSE BARB             |    |
| 20 | 1  | 716000 | 3/4 HOSE BARB-90-1MNPT         |    |
| 21 | 12 | 900128 | 3/8UNC X 3/4 HEX BOLT          |    |
| 22 | 8  | 914004 | 3/8UNC HEX STOVER NUT          |    |
| 23 | 8  | 920002 | 3/8 SAE FLAT WASHER            |    |
| 24 | 1  | 314767 | RAD RECOVERY TANK & MTG WLD    |    |
| 25 | 2  | 314490 | SIDE SCR N WLD INTAKE 8250     | 86 |
| 26 | 1  | 314495 | TOP SCR N WLD INTAKE 8250      | 86 |
| 27 | 3  | 520137 | .75 T-BOLT HOSE CLAMP          |    |
| 28 | 1  | 520138 | 1.00 T-BOLT HOSE CLAMP         |    |
| 29 | 1  | 314871 | HEAT SHIELD 280                | 91 |
| 30 | 1  | 314893 | RECOVERY TANK MTG BRKT 280     | 92 |



AIR CLEANER AND EXHAUST PIPE

| DET. | QTY | PART NO. | DESCRIPTION                      |
|------|-----|----------|----------------------------------|
| 1    | 1   | 314970   | AIR CLEANER, 510 CFM             |
| 2    | 1   | 314971   | AIR CLEANER HOOD FOR 314970      |
| 3    | 1   | 314973   | AIR CLEANER ELEMENT FOR314970    |
| 4    | 2   | 314972   | AIR CLEANER MT BAND FOR314970    |
| 5    | 1   | 316296   | 4\" -3\" 90DEG REDU ELBOW,RUBBER |
| 6    | 1   | 316297   | 5\" -4\" 90DEG REDU ELBOW,RUBBER |
| 7    | 1   | 316298   | 4\" AIR INTAKE TUBE, 284 97      |
| 8    | 1   | 520136   | 5.00 T-BOLT HOSE CLAMP           |
| 9    | 2   | 520134   | 4.00 T-BOLT HOSE CLAMP           |
| 10   | 1   | 520131   | 3.50 T-BOLT HOSE CLAMP           |
| 11   | 1   | 316299   | MUFFLER, 3\" DONALDSON 97        |
| 12   | 1   | 316300   | 3\" EXHAUST STACK 97             |
| 13   | 2   | 470243   | 3\" STRAP BAND EXHAUST CLAMP     |
| 14   | 4   | 470233   | 5/16UNC X 3/4 FLANGE HEX BOLT    |
| 15   | 4   | 470113   | 5/16UNC HEX FLANGE LOCK NUT      |



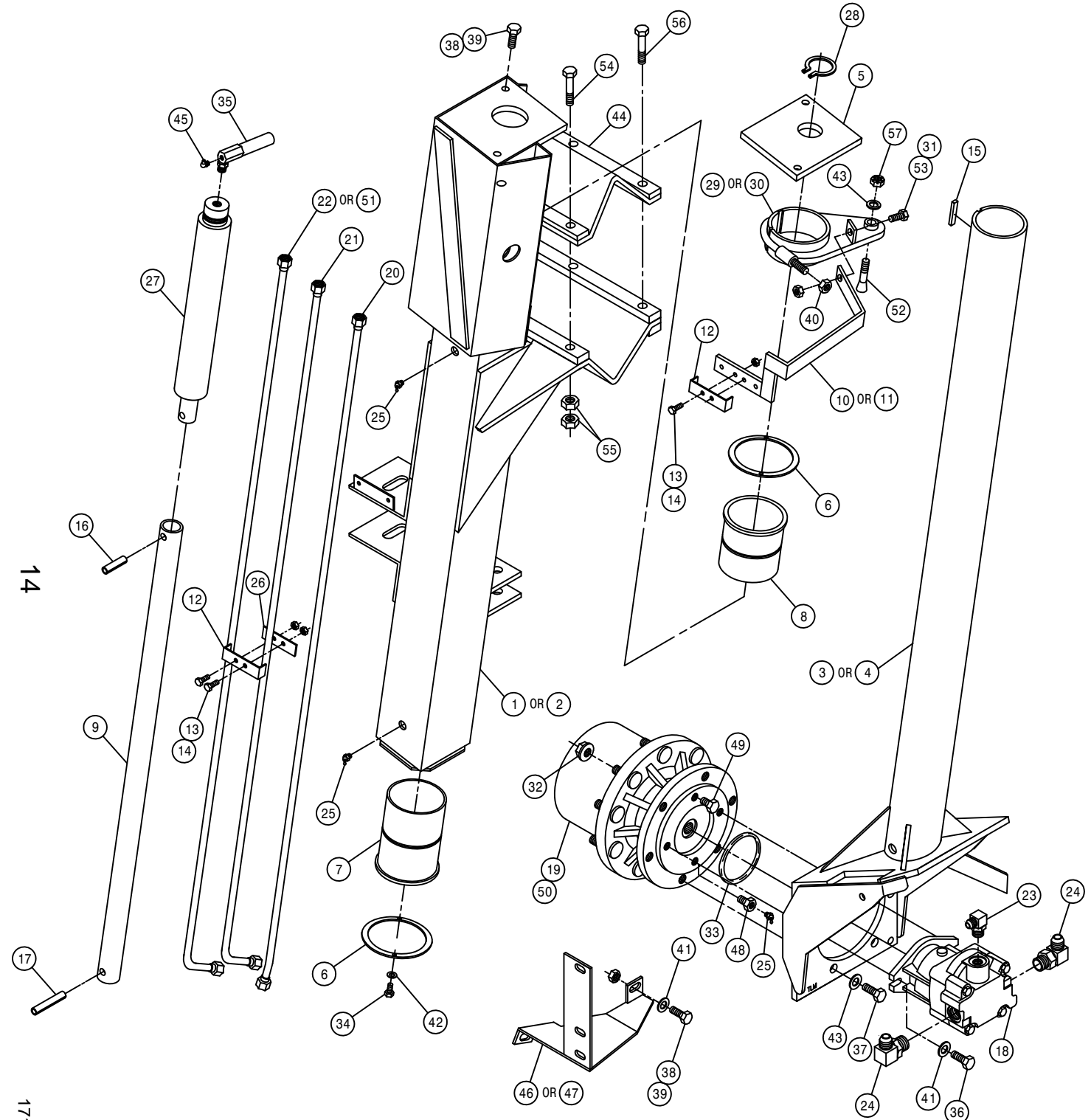
BATTERY BOX ASSEMBLY

| DET. | QTY | PART NO. | DESCRIPTION                 |
|------|-----|----------|-----------------------------|
| 1    | 1   | 291122   | BATTERY, 950 C.C.A. 185 RES |
| 2    | 1   | 291128   | BATTERY CABLE 48 IN         |
| 3    | 1   | 291530   | BATTERY GROUND CABLE, 23"   |
| 4    | 1   | 341322   | BATTERY HOLD DOWN WLD 1981  |
| 5    | 1   | 361149   | BATTERY BOX 8300-8400 1981  |
| 6    | 2   | 901150   | 3/8UNC X 9" CARR BOLT       |
| 7    | 2   | 900129   | 3/8UNC X 1" HEX BOLT        |
| 8    | 4   | 914004   | 3/8UNC HEX STOVER NUT       |
| 9    | 4   | 193022   | STICKERTITE 1/4 X 3/4       |

FRONT LEG ASSEMBLY

DET. QTY PART NO. DESCRIPTION

| DET. | QTY | PART NO. | DESCRIPTION                   |
|------|-----|----------|-------------------------------|
| 1    | 1   | 358755   | RH FRT OUTER LEG WLD, 284T 94 |
| 2    | 1   | 358756   | LH FRT OUTER LEG WLD, 284T 94 |
| 3    | 1   | 358535   | RH FRT INNER LEG WLD 280 89   |
| 4    | 1   | 358536   | LH FRT INNER LEG WLD 280 89   |
| 5    | 1   | 358562   | LEG CYL MTG PLATE 280 89      |
| 6    | 2   | 358563   | FRT LEG BRG KPR 280 89        |
| 7    | 1   | 358564   | FRT LEG LWR NYL SLEEVE 280 89 |
| 8    | 1   | 358565   | FRT LEG UPR NYL SLEEVE 280 89 |
| 9    | 1   | 358566   | LEG CYL SHAFT EXTENSION280 89 |
| 10   | 1   | 358707   | RH FRT LEG TUBE BRKT WLD280TA |
| 11   | 1   | 358708   | LH FRT LEG TUBE BRKT WLD280TA |
| 12   | 2   | 358739   | FRT LEG HYD TUBE CLMP, 284 94 |
| 13   | 4   | 900004   | 1/4UNC X 1 1/4 HEX BOLT       |
| 14   | 4   | 470121   | 1/4UNC HEX FLANGE LOCK NUT    |
| 15   | 1   | 470185   | KEY .25 X .375 X 2.00 LG      |
| 16   | 1   | 473903   | SPIRAL PIN 1/2 X 2 640        |
| 17   | 1   | 473904   | SPIRAL PIN 1/2 X 3 640        |
| 18   | 1   | 610571   | SUND M35-3002 WHL MTR         |
| 19   | 1   | 610568   | TORQ HUB 13 TO 1, B-MT W2B2FZ |
| 20   | 1   | 615655   | FRT LEG INNER HYD TUBE ASY284 |
| 21   | 1   | 615656   | FRT LEG CNTR HYD TUBE ASSY284 |
| 22   | 1   | 615658   | LH FRTLEG OTR HYDTUBE ASY284  |
| 23   | 1   | 618183   | 3/4MJIC-90-7/8MOR LBO         |
| 24   | 2   | 618535   | 7/8MJIC-90-1 1/16MOR LBO      |
| 25   | 3   | 471023   | GREASE ZERK 1/4-28 X 45       |
| 26   | 1   | 358740   | FRT LEG HYD TUBE KPR, 284 94  |
| 27   | 1   | 620570   | HYD CYL LEG LEVEL 2.00 X 12   |
| 28   | 1   | 629515   | SNAP RING 1 3/4 EXTRN HDUTY   |
| 29   | 1   | 749290   | RH STRG ARM WLD,280 TREAD ADJ |
| 30   | 1   | 749291   | LH STRG ARM WLD,280 TREAD ADJ |
| 31   | 1   | 914004   | 3/8UNC HEX STOVER NUT         |
| 32   | 9   | 470140   | 5/8UNF HEX SMTH FLANGE NUT PL |
| 33   | 1   | 870045   | O-RING 4 1/8 OD X 4 ID        |
| 34   | 4   | 900000   | 1/4UNC X 1/2 HEX BOLT         |
| 35   | 1   | 615666   | FRT LEG CYL HOSE, 284W 95     |
| 36   | 2   | 900266   | 1/2UNC X 1 3/4 HEX BOLT       |
| 37   | 6   | 900333   | 5/8UNC X 1 1/2 HEX BOLT       |
| 38   | 5   | 914008   | 1/2UNC HEX STOVER NUT         |
| 39   | 5   | 900265   | 1/2UNC X 1 1/2 HEX BOLT       |
| 40   | 1   | 914010   | 5/8UNC HEX STOVER NUT         |
| 41   | 5   | 920004   | 1/2 SAE FLAT WASHER           |
| 42   | 4   | 920500   | 1/4 LOCK WASHER               |
| 43   | 7   | 920505   | 5/8 LOCK WASHER               |
| 44   | 1   | 358759   | LEG MT V-PLT WLD, 284T 94     |
| 45   | 1   | 471027   | GREASE ZERK 1/8NPT 90DEG LP   |
| 46   | 1   | 662157   | RH FRT MTG WLD FOR CROP GUIDE |
| 47   | 1   | 662156   | LH FRT MTG WLD FOR CROP GUIDE |
| 48   | 1   | 610556   | 1/2UNC X 1/2 ZERK BOLT T-HUB  |
| 49   | 1   | 900260   | 1/2UNC X 1/2 H BOLT GR2 UNPLT |
| 50   | 1   | 610552   | SEAL BOOT FOR W1BFNZ, W2B2FZ  |
| 51   | 1   | 615657   | RH FRTLEG OTR HYDTUBE ASY284  |
| 52   | 1   | 749293   | STRG ARM BOLT, TAPERED        |
| 53   | 1   | 900129   | 3/8UNC X 1" HEX BOLT          |
| 54   | 3   | 900836   | 5/8UNF X 3 1/4 HEX BOLT GR8   |
| 55   | 12  | 914811   | 5/8UNF HEX NUT GR8            |
| 56   | 3   | 900837   | 5/8UNF X 3 1/2 HEX BOLT GR8   |
| 57   | 1   | 822040   | 5/8UNF SLOTTED HEX NUT        |



14

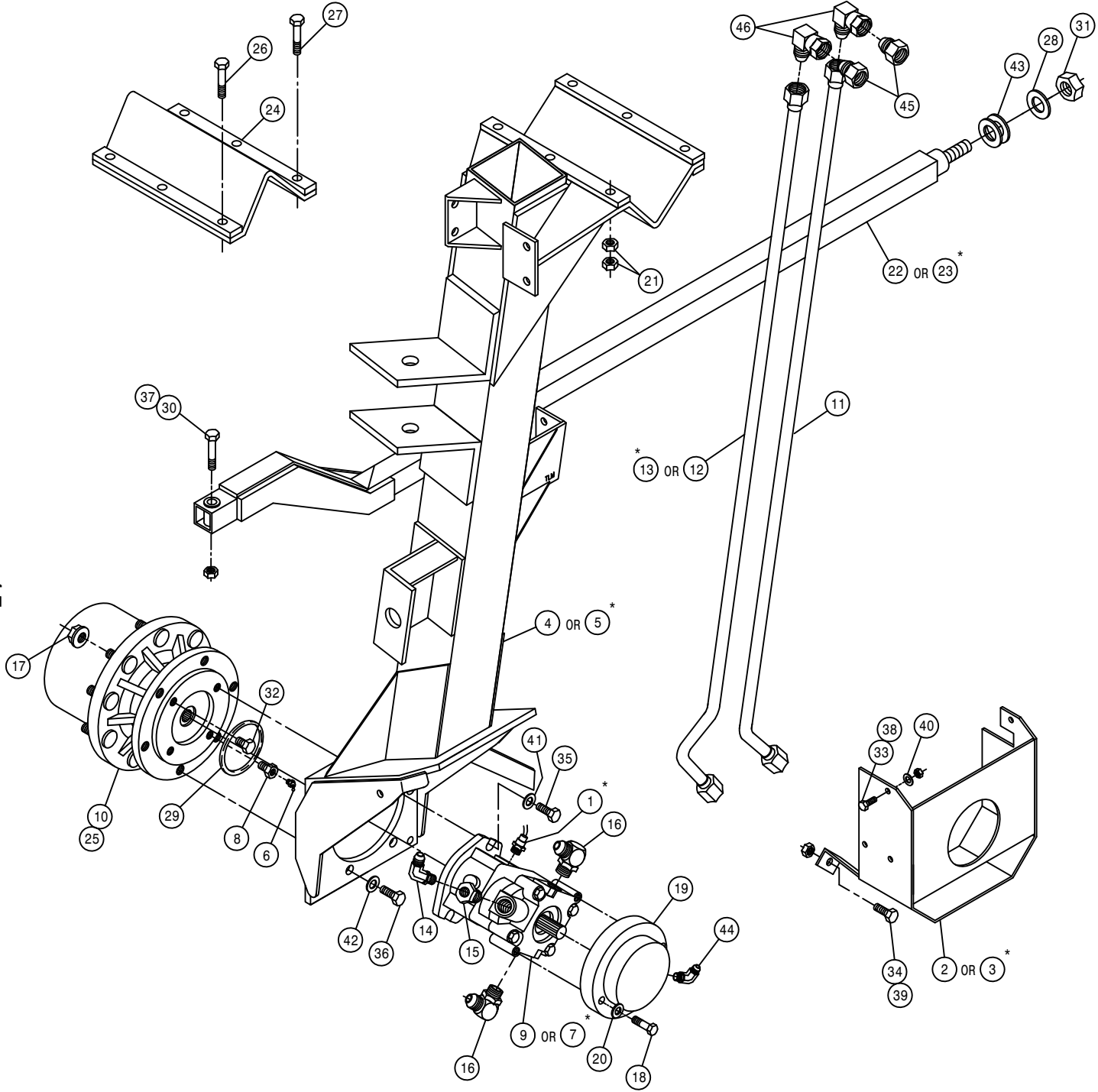
171014

REAR LEG ASSEMBLY

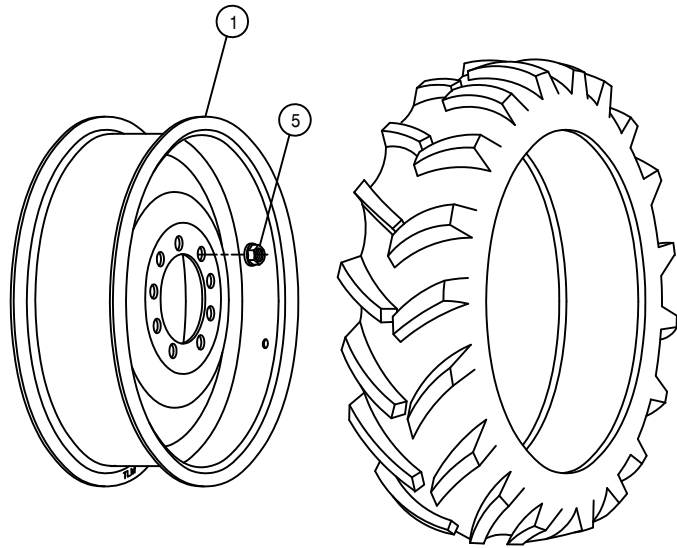
DET. QTY PART NO. DESCRIPTION

|    |    |        |                               |
|----|----|--------|-------------------------------|
| 1  | 1  | 610625 | SENSOR FOR SUND MOTOR 610621  |
| 2  | 1  | 358823 | RH REAR WHL MTR SHLD WLD 97   |
| 3  | 1  | 358824 | LH REAR WHL MTR SHLD WLD 97   |
| 4  | 1  | 358827 | RH REAR LEG WLD, 284 97       |
| 5  | 1  | 358828 | LH REAR LEG WLD, 284 97       |
| 6  | 1  | 471023 | GREASE ZERK 1/4-28 X 45       |
| 7  | 1  | 610621 | SUND HYD MOTOR                |
| 8  | 1  | 610556 | 1/2UNC X 1/2 ZERK BOLT T-HUB  |
| 9  | 1  | 610557 | SUND M35-3102 WHL MTR W/SHFT  |
| 10 | 1  | 610565 | TORQ HUB 28 TO 1, B-MT W2B2FZ |
| 11 | 1  | 615705 | REAR LEG HYD TUBE ASSY 284 97 |
| 12 | 1  | 615706 | RH REAR LEG HYDTUBE ASSY28497 |
| 13 | 1  | 615707 | LH REAR LEG HYDTUBE ASSY28497 |
| 14 | 1  | 618119 | 9/16MJIC-90-9/16MOR LBO       |
| 15 | 1  | 618172 | 7/8MOR-9/16FOR ADPTR          |
| 16 | 2  | 618576 | 1 5/16MJIC-90-1 1/16MOR LBO   |
| 17 | 9  | 470140 | 5/8UNF HEX SMTH FLANGE NUT PL |
| 18 | 2  | 900268 | 1/2UNC X 2 1/2 HEX BOLT       |
| 19 | 1  | 828092 | MICRO HYD BRAKE               |
| 20 | 2  | 920504 | 1/2 LOCK WASHER               |
| 21 | 12 | 914811 | 5/8UNF HEX NUT GR8            |
| 22 | 1  | 358670 | RH LEG BRACE WLD 280 92       |
| 23 | 1  | 358671 | LH LEG BRACE WLD 280 92       |
| 24 | 1  | 358759 | LEG MT V-PLT WLD, 284T 94     |
| 25 | 1  | 610552 | SEAL BOOT FOR W1BFNZ, W2B2FZ  |
| 26 | 3  | 900836 | 5/8UNF X 3 1/4 HEX BOLT GR8   |
| 27 | 3  | 900837 | 5/8UNF X 3 1/2 HEX BOLT GR8   |
| 28 | 1  | 920508 | 1" LOCK WASHER                |
| 29 | 1  | 870045 | O-RING 4 1/8 OD X 4 ID        |
| 30 | 1  | 900410 | 3/4UNC X 4" HEX BOLT          |
| 31 | 1  | 910017 | 1" UNC HEX NUT                |
| 32 | 1  | 900260 | 1/2UNC X 1/2 H BOLT GR2 UNPLT |
| 33 | 2  | 900130 | 3/8UNC X 1 1/4 HEX BOLT       |
| 34 | 2  | 900265 | 1/2UNC X 1 1/2 HEX BOLT       |
| 35 | 2  | 900266 | 1/2UNC X 1 3/4 HEX BOLT       |
| 36 | 6  | 900333 | 5/8UNC X 1 1/2 HEX BOLT       |
| 37 | 1  | 914012 | 3/4UNC HEX STOVER NUT         |
| 38 | 2  | 914004 | 3/8UNC HEX STOVER NUT         |
| 39 | 2  | 914008 | 1/2UNC HEX STOVER NUT         |
| 40 | 2  | 920002 | 3/8 SAE FLAT WASHER           |
| 41 | 2  | 920004 | 1/2 SAE FLAT WASHER           |
| 42 | 6  | 920505 | 5/8 LOCK WASHER               |
| 43 | 2  | 920008 | 1" SAE FLAT WASHER            |
| 44 | 1  | 618114 | 9/16MJIC-90-7/16MOR LBO       |
| 45 | 2  | 618641 | 1 1/16FJIC-1 5/16MJIC ADPTR   |
| 46 | 2  | 618640 | 1 5/16MJ-90-1 5/16FJ SWIV LBO |

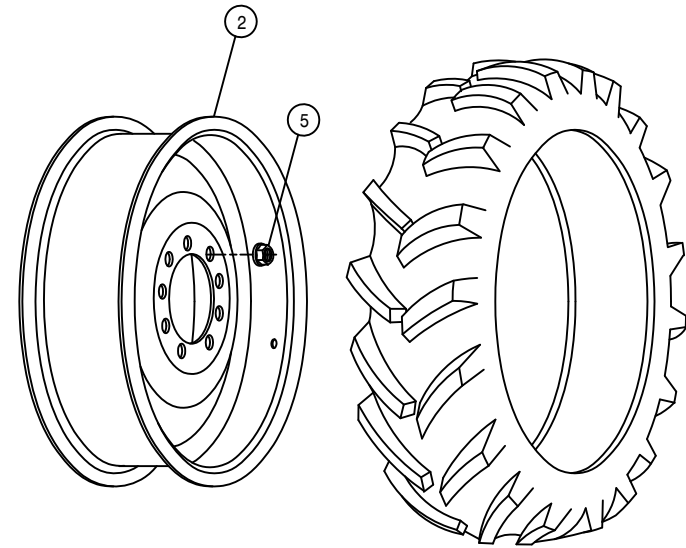
\*NOTE: 1. ITEMS 1,3,5,7,13 AND 23 ARE USED IN THE LEFT HAND LEG ASSEMBLY.



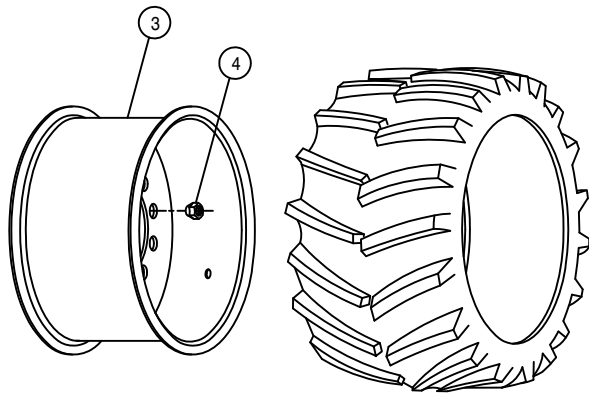
15



13.6-28 RADIAL TIRE



12.4-28 BIAS TIRE



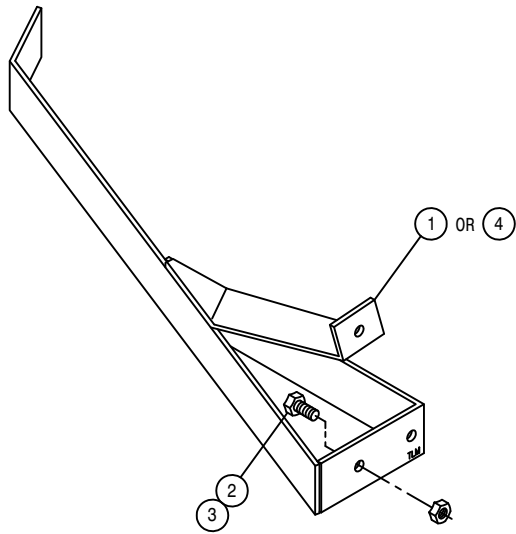
42/25.00-20 FLOTATION TIRE

TIRE AND RIM ASSEMBLIES

DET. QTY PART NO. DESCRIPTION

|   |    |        |                               |
|---|----|--------|-------------------------------|
| 1 | 1  | 821037 | RIM WLD, W12-28, W2B, 284 97  |
| 2 | 1  | 821038 | RIM WLD, W10-28, W2B, 284 97  |
| 3 | 1  | 821031 | RIM WLD, 20.5 X 20 284 W2B 94 |
| 4 | 9  | 824053 | 5/8UNF 60 DEG WHL NUT         |
| 5 | 18 | 470140 | 5/8UNF HEX SMTH FLANGE NUT PL |

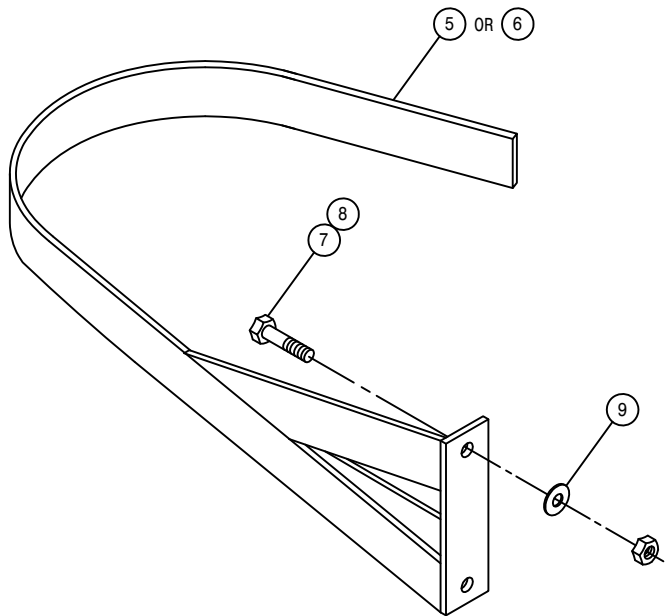




CROP GUIDES

DET. QTY PART NO. DESCRIPTION

|   |   |        |                            |        |
|---|---|--------|----------------------------|--------|
| 1 | 1 | 662217 | RH REAR STALK GUIDE WLD280 | 89     |
| 2 | 2 | 900129 | 3/8UNC X 1 HEX BOLT        |        |
| 3 | 2 | 914004 | 3/8UNC HEX STOVER NUT      |        |
| 4 | 1 | 662218 | LH REAR STALK GUIDE WLD280 | 89     |
| 5 | 1 | 662221 | RH STALK GUIDE WLD         | 284 94 |
| 6 | 1 | 662222 | LH STALK GUIDE WLD         | 284 94 |
| 7 | 2 | 900264 | 1/2UNC X 1 1/4 HEX BOLT    |        |
| 8 | 2 | 914008 | 1/2UNC HEX STOVER NUT      |        |
| 9 | 2 | 920004 | 1/2 FLAT WASHER SAE        |        |

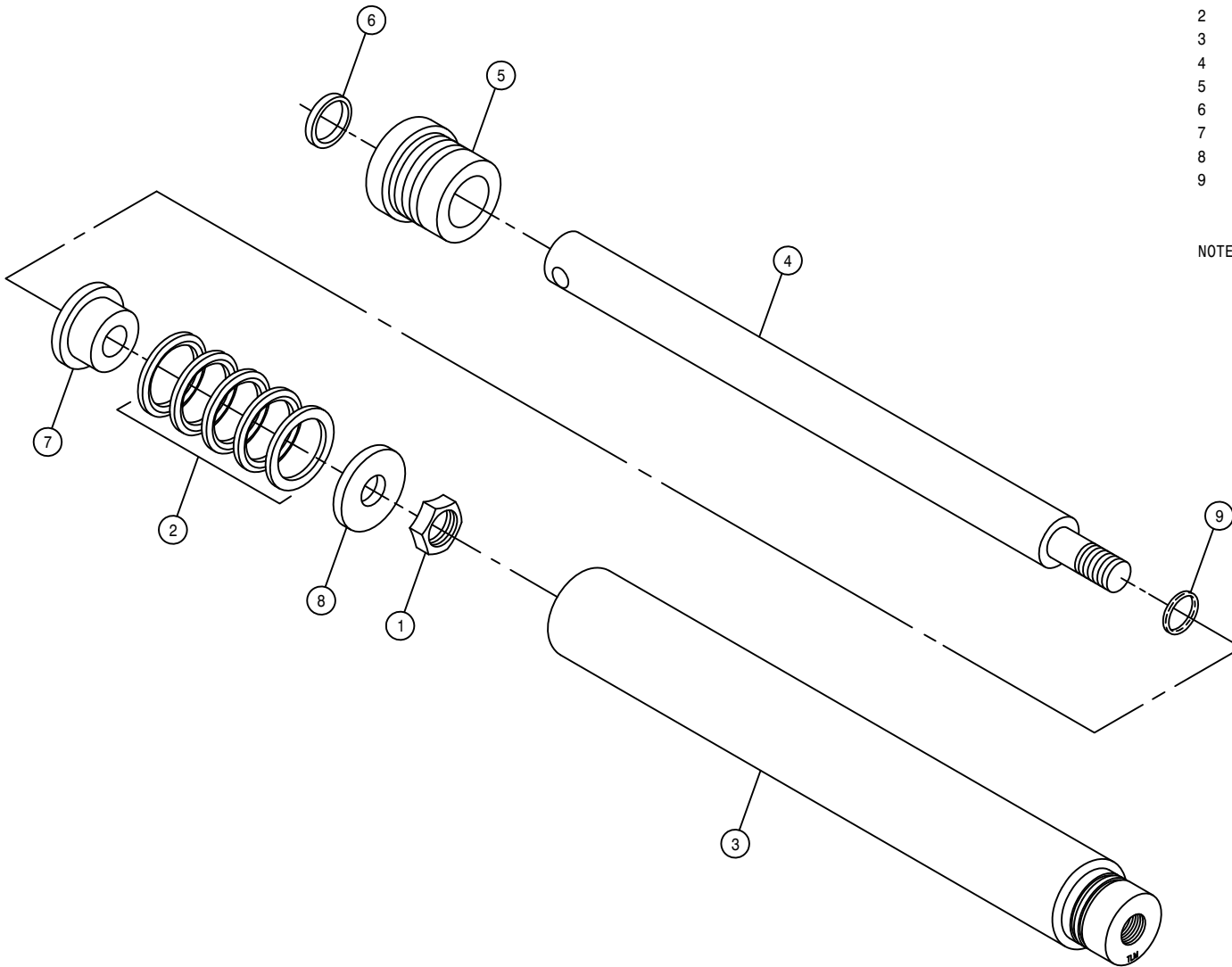


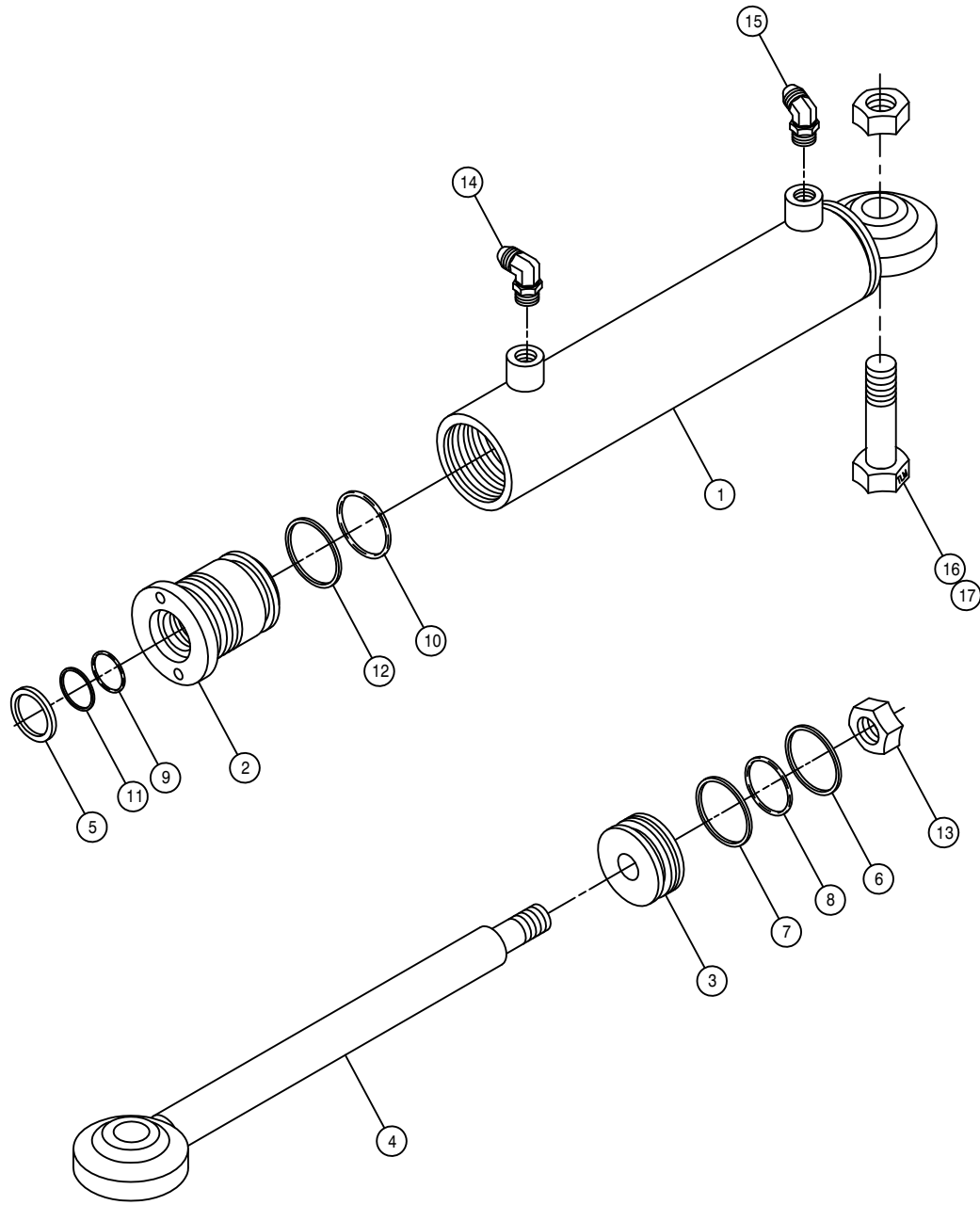
FRONT LEG CYLINDER ASSEMBLY

DET. QTY PART NO. DESCRIPTION

|   |   |        |                            |
|---|---|--------|----------------------------|
| 1 | 1 | 472297 | 3/4UNF HEX STOVER NUT THIN |
| 2 | 1 | 620321 | VEE PACK 1 1/2 X 2         |
| 3 | 1 | 620571 | TUBE WLD                   |
| 4 | 1 | 620573 | SHAFT 1 1/4 X 17 3/8       |
| 5 | 1 | 620574 | BRG HEAD 2 X 1 1/4         |
| 6 | 1 | 629002 | WIPER 1 1/4 X 1 1/2 X 1/8  |
| 7 | 1 | 620578 | PISTON 2 X 3/4 VPX         |
| 8 | 1 | 620579 | RETAINER 2 X 3/4 X 1/4     |
| 9 | 1 | 870018 | NEO ORING 3/4 X 7/8        |

NOTE: 620570 - CYLINDER ASSEMBLY  
620575 - SEAL KIT





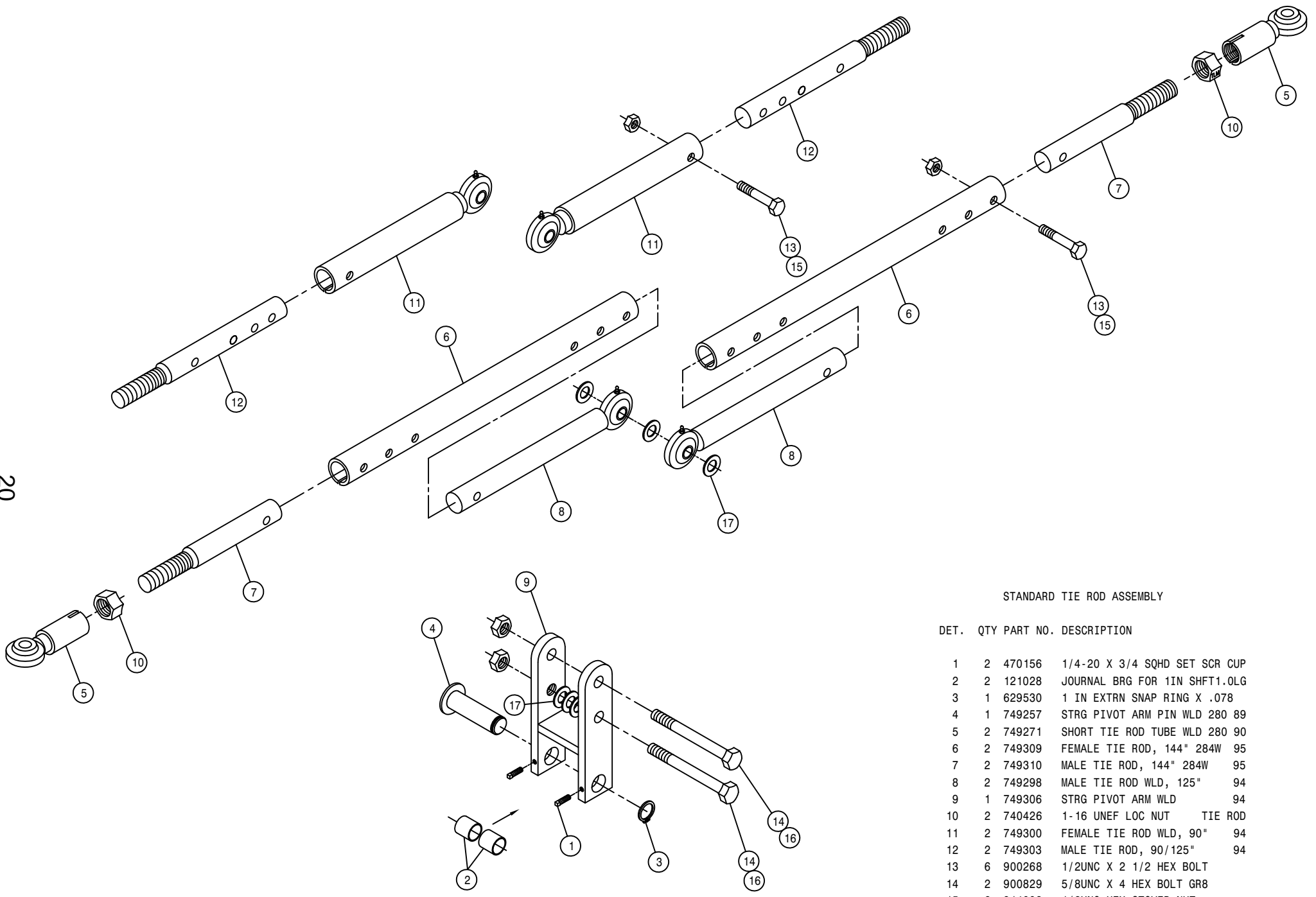
STEERING CYLINDER ASSEMBLY

DET. QTY PART NO. DESCRIPTION

|    |   |        |                                |
|----|---|--------|--------------------------------|
| 1  | 1 | 620089 | STRG CYL TUBE WLD 1.5 X 6. 85  |
| 2  | 1 | 620109 | GLAND HYD CYL 1.5 X .75 1985   |
| 3  | 1 | 620129 | PISTON HYD CYL 1.5 X .5 1985   |
| 4  | 1 | 620148 | STRG CYL SHAFT WLD             |
| 5  | 1 | 629028 | WIPER, 10D X 3/4ID X 1/8       |
| 6  | 1 | 629616 | SEAL, 1704-24 HT20550R POLYHON |
| 7  | 1 | 629618 | WEAR RING, 1.5" HYD CYL        |
| 8  | 1 | 870025 | BUNA ORING 1 3/16 X 1 5/16     |
| 9  | 1 | 870210 | BUNA ORING 3/4 X 1             |
| 10 | 1 | 870218 | BUNA ORING 1 1/4 X 1 1/2       |
| 11 | 1 | 890210 | BACKUP WASH 3/4 X1 HT2022      |
| 12 | 1 | 890218 | BACKUP WASH1 1/4X1 1/2 HT2022  |
| 13 | 1 | 914009 | 1/2UNF HEX STOVER NUT          |
| 14 | 1 | 611122 | 9/16MJIC-90-1/4MNPT LBO        |
| 15 | 1 | 618338 | 9/16MJIC-45-1/4MNPT LBO        |
| 16 | 1 | 900336 | 5/8UNC X 2 1/2 HEX BOLT        |
| 17 | 1 | 914010 | 5/8UNC HEX STOVER NUT          |

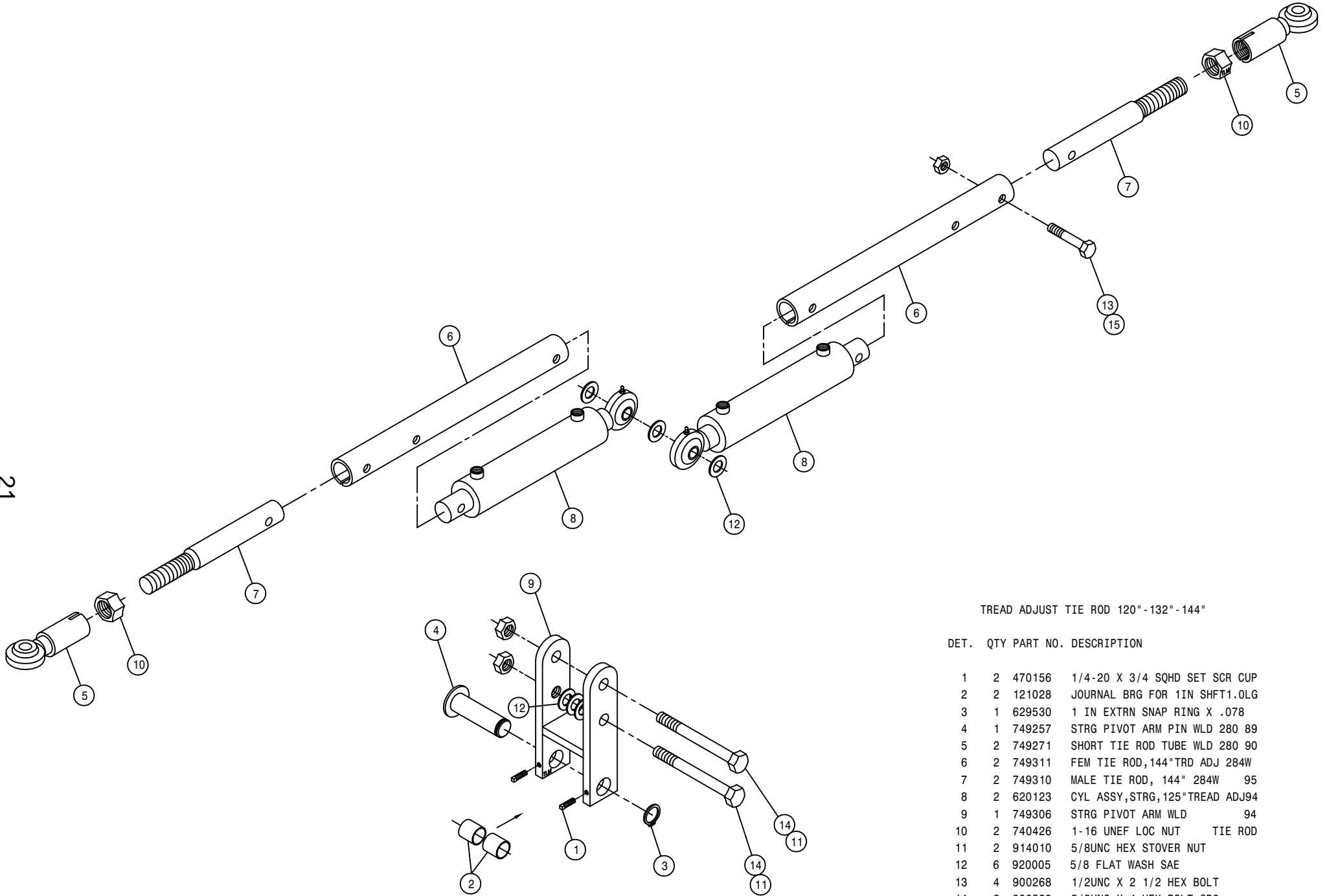
NOTE: 1. 620080 - CYLINDER ASSEMBLY

2. 620998 - SEAL KIT



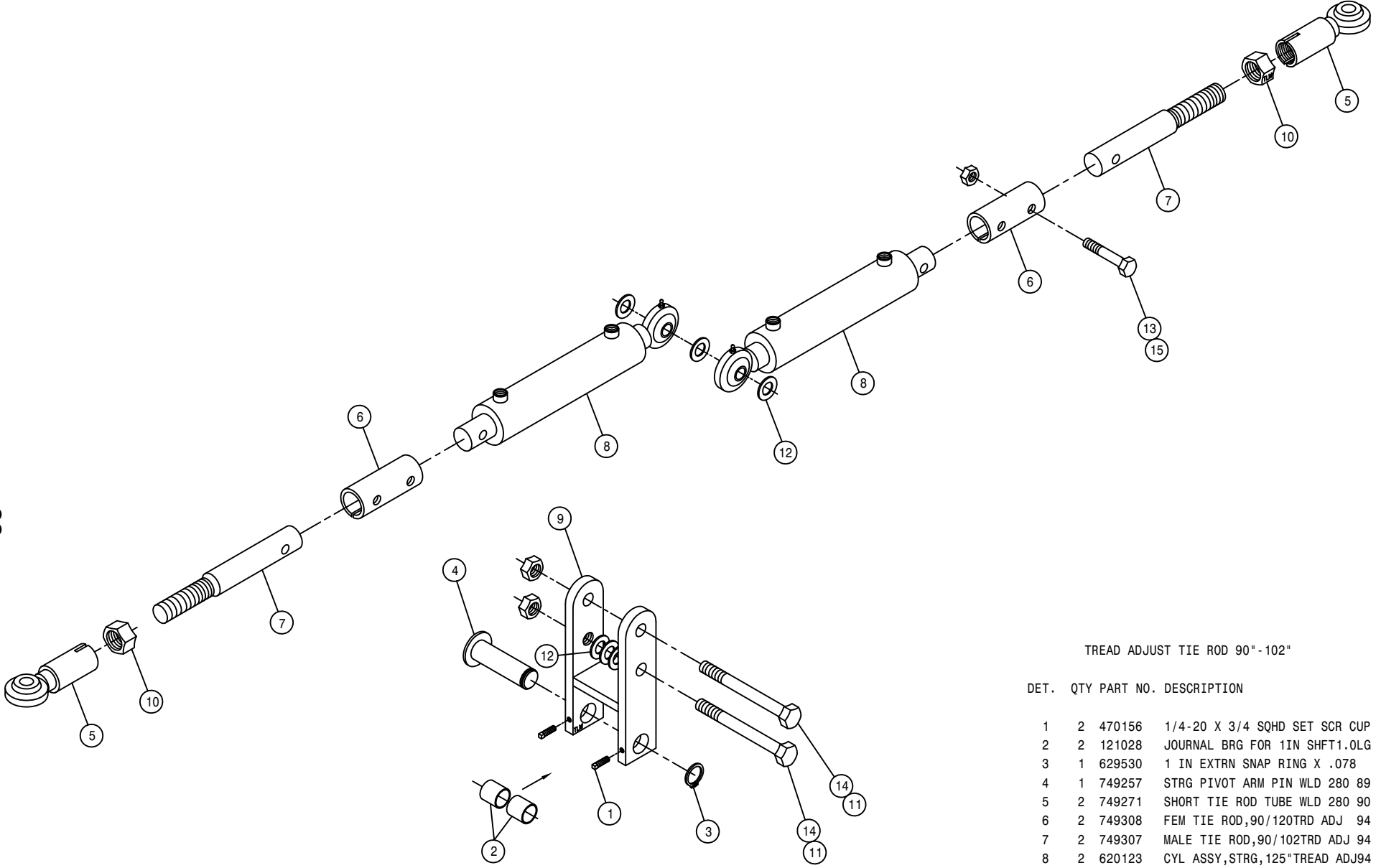
STANDARD TIE ROD ASSEMBLY

| DET. | QTY | PART NO. | DESCRIPTION                   |
|------|-----|----------|-------------------------------|
| 1    | 2   | 470156   | 1/4-20 X 3/4 SQHD SET SCR CUP |
| 2    | 2   | 121028   | JOURNAL BRG FOR 1IN SHFT1.0LG |
| 3    | 1   | 629530   | 1 IN EXTRN SNAP RING X .078   |
| 4    | 1   | 749257   | STRG PIVOT ARM PIN WLD 280 89 |
| 5    | 2   | 749271   | SHORT TIE ROD TUBE WLD 280 90 |
| 6    | 2   | 749309   | FEMALE TIE ROD, 144" 284W 95  |
| 7    | 2   | 749310   | MALE TIE ROD, 144" 284W 95    |
| 8    | 2   | 749298   | MALE TIE ROD WLD, 125" 94     |
| 9    | 1   | 749306   | STRG PIVOT ARM WLD 94         |
| 10   | 2   | 740426   | 1-16 UNEF LOC NUT TIE ROD     |
| 11   | 2   | 749300   | FEMALE TIE ROD WLD, 90" 94    |
| 12   | 2   | 749303   | MALE TIE ROD, 90/125" 94      |
| 13   | 6   | 900268   | 1/2UNC X 2 1/2 HEX BOLT       |
| 14   | 2   | 900829   | 5/8UNC X 4 HEX BOLT GR8       |
| 15   | 6   | 914008   | 1/2UNC HEX STOVER NUT         |
| 16   | 2   | 914010   | 5/8UNC HEX STOVER NUT         |
| 17   | 6   | 920005   | 5/8 FLAT WASH SAE             |



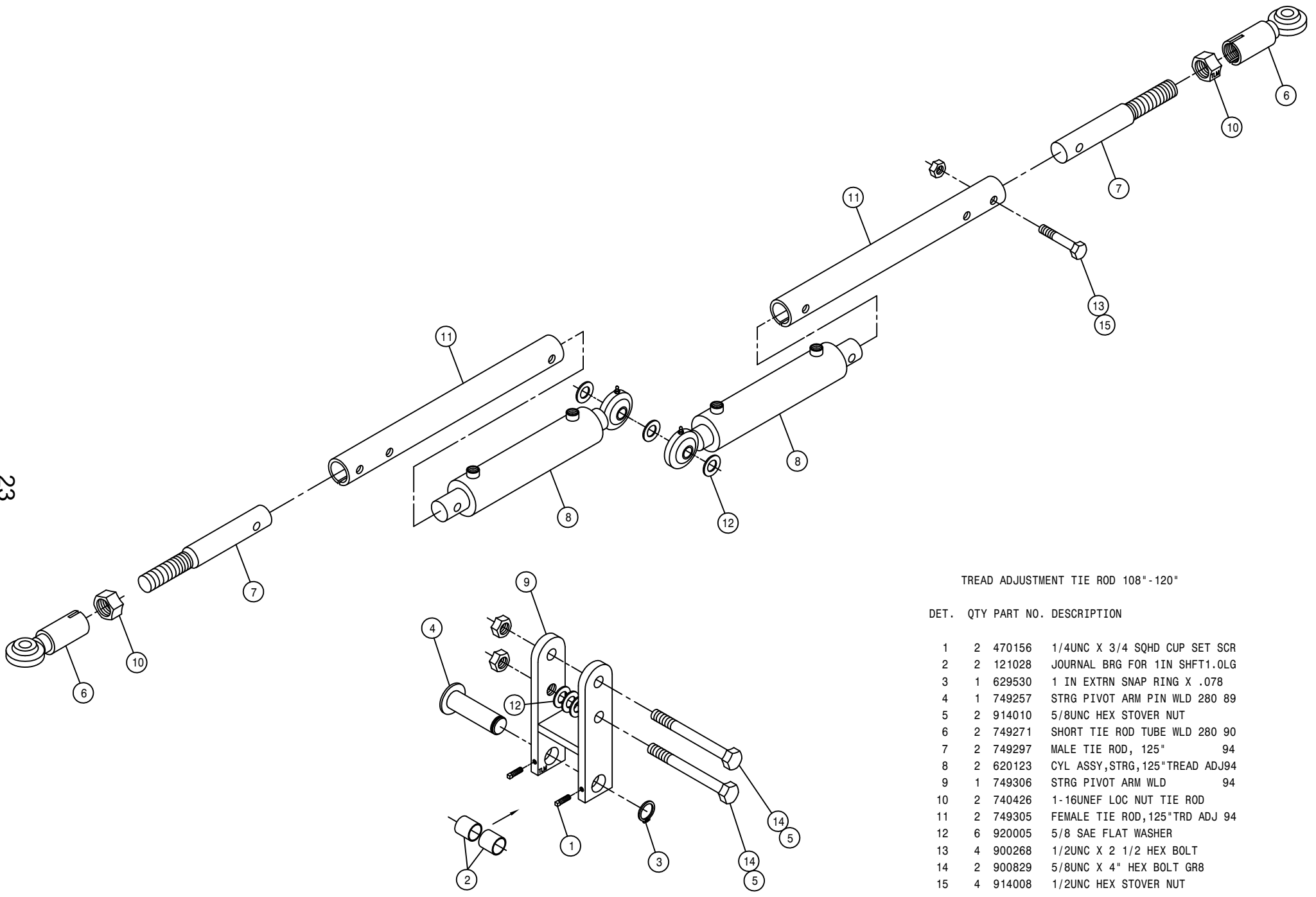
TREAD ADJUST TIE ROD 120"-132"-144"

| DET. | QTY | PART NO. | DESCRIPTION                    |
|------|-----|----------|--------------------------------|
| 1    | 2   | 470156   | 1/4-20 X 3/4 SQHD SET SCR CUP  |
| 2    | 2   | 121028   | JOURNAL BRG FOR 1IN SHFT1.0LG  |
| 3    | 1   | 629530   | 1 IN EXTRN SNAP RING X .078    |
| 4    | 1   | 749257   | STRG PIVOT ARM PIN WLD 280 89  |
| 5    | 2   | 749271   | SHORT TIE ROD TUBE WLD 280 90  |
| 6    | 2   | 749311   | FEM TIE ROD,144"TRD ADJ 284W   |
| 7    | 2   | 749310   | MALE TIE ROD, 144" 284W 95     |
| 8    | 2   | 620123   | CYL ASSY,STRG,125" TREAD ADJ94 |
| 9    | 1   | 749306   | STRG PIVOT ARM WLD 94          |
| 10   | 2   | 740426   | 1-16 UNEF LOC NUT TIE ROD      |
| 11   | 2   | 914010   | 5/8UNC HEX STOVER NUT          |
| 12   | 6   | 920005   | 5/8 FLAT WASH SAE              |
| 13   | 4   | 900268   | 1/2UNC X 2 1/2 HEX BOLT        |
| 14   | 2   | 900829   | 5/8UNC X 4 HEX BOLT GR8        |
| 15   | 4   | 914008   | 1/2UNC HEX STOVER NUT          |



TREAD ADJUST TIE ROD 90"-102"

| DET. | QTY | PART NO. | DESCRIPTION                    |
|------|-----|----------|--------------------------------|
|      | 1   | 2 470156 | 1/4-20 X 3/4 SQHD SET SCR CUP  |
|      | 2   | 121028   | JOURNAL BRG FOR 1IN SHFT1.0LG  |
|      | 3   | 629530   | 1 IN EXTRN SNAP RING X .078    |
|      | 4   | 749257   | STRG PIVOT ARM PIN WLD 280 89  |
|      | 5   | 749271   | SHORT TIE ROD TUBE WLD 280 90  |
|      | 6   | 749308   | FEM TIE ROD,90/120TRD ADJ 94   |
|      | 7   | 749307   | MALE TIE ROD,90/102TRD ADJ 94  |
|      | 8   | 620123   | CYL ASSY,STRG,125" TREAD ADJ94 |
|      | 9   | 749306   | STRG PIVOT ARM WLD             |
|      | 10  | 740426   | 1-16 UNEF LOC NUT TIE ROD      |
|      | 11  | 914010   | 5/8UNC HEX STOVER NUT          |
|      | 12  | 920005   | 5/8 FLAT WASH SAE              |
|      | 13  | 900268   | 1/2UNC X 2 1/2 HEX BOLT        |
|      | 14  | 900829   | 5/8UNC X 4 HEX BOLT GR8        |
|      | 15  | 914008   | 1/2UNC HEX STOVER NUT          |

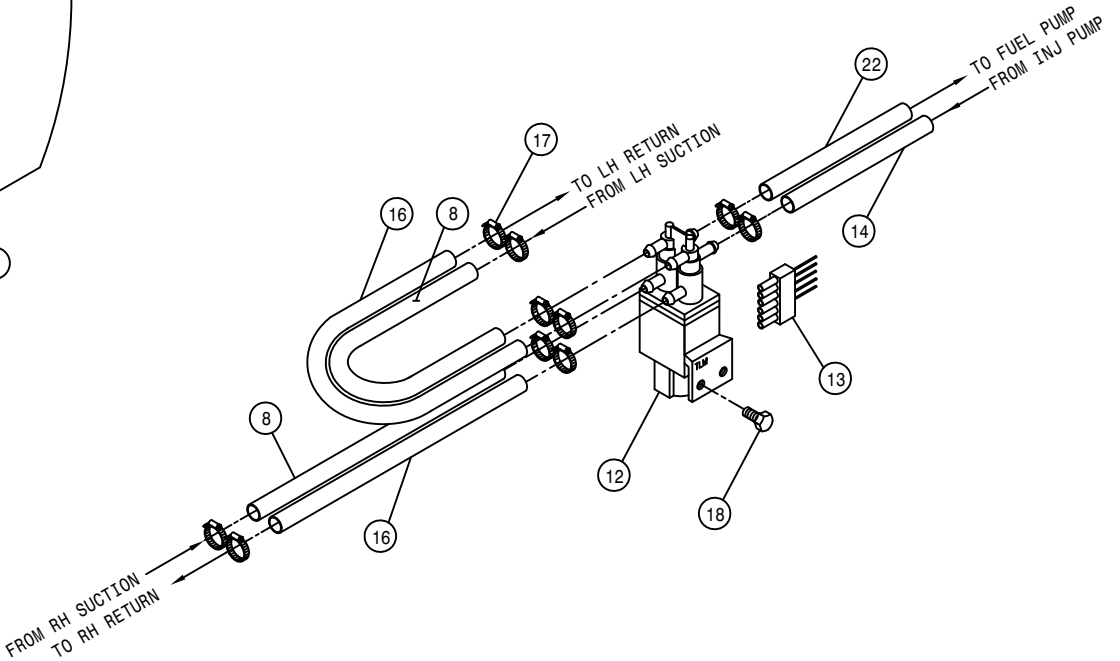
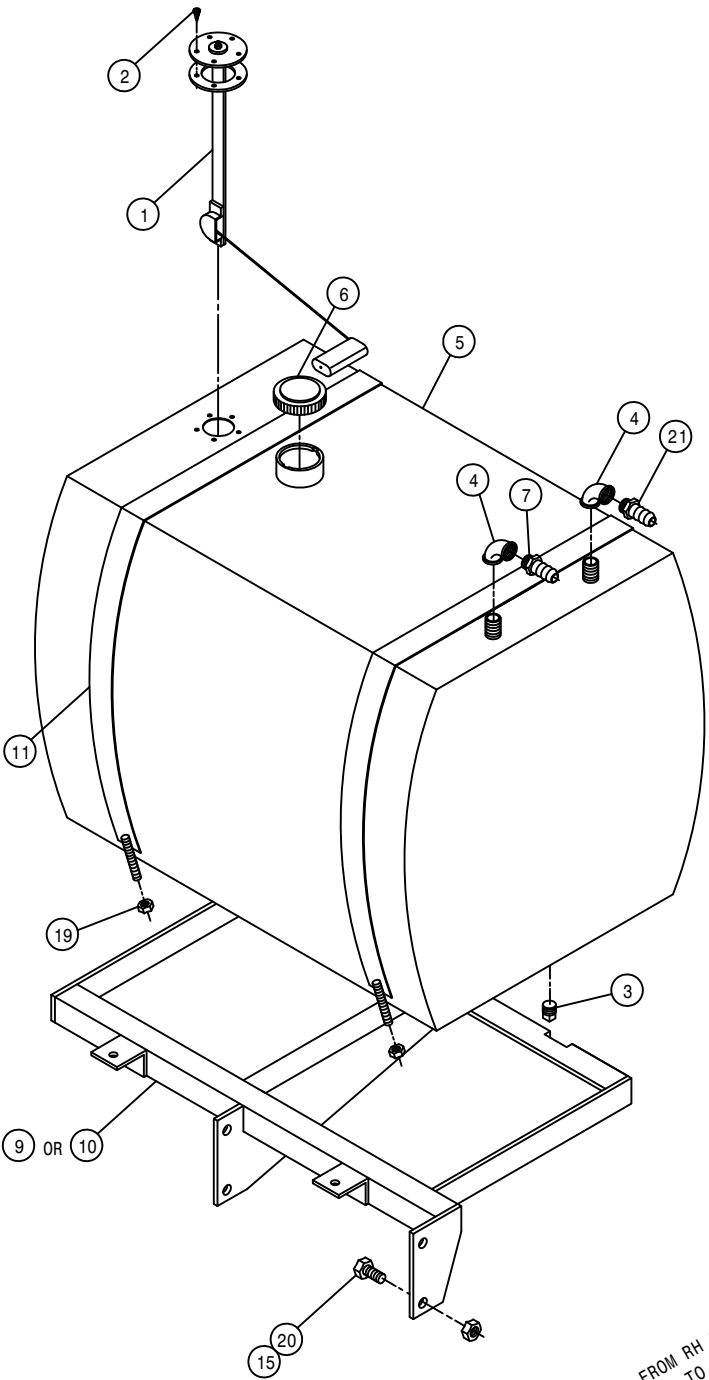


TREAD ADJUSTMENT TIE ROD 108" - 120"

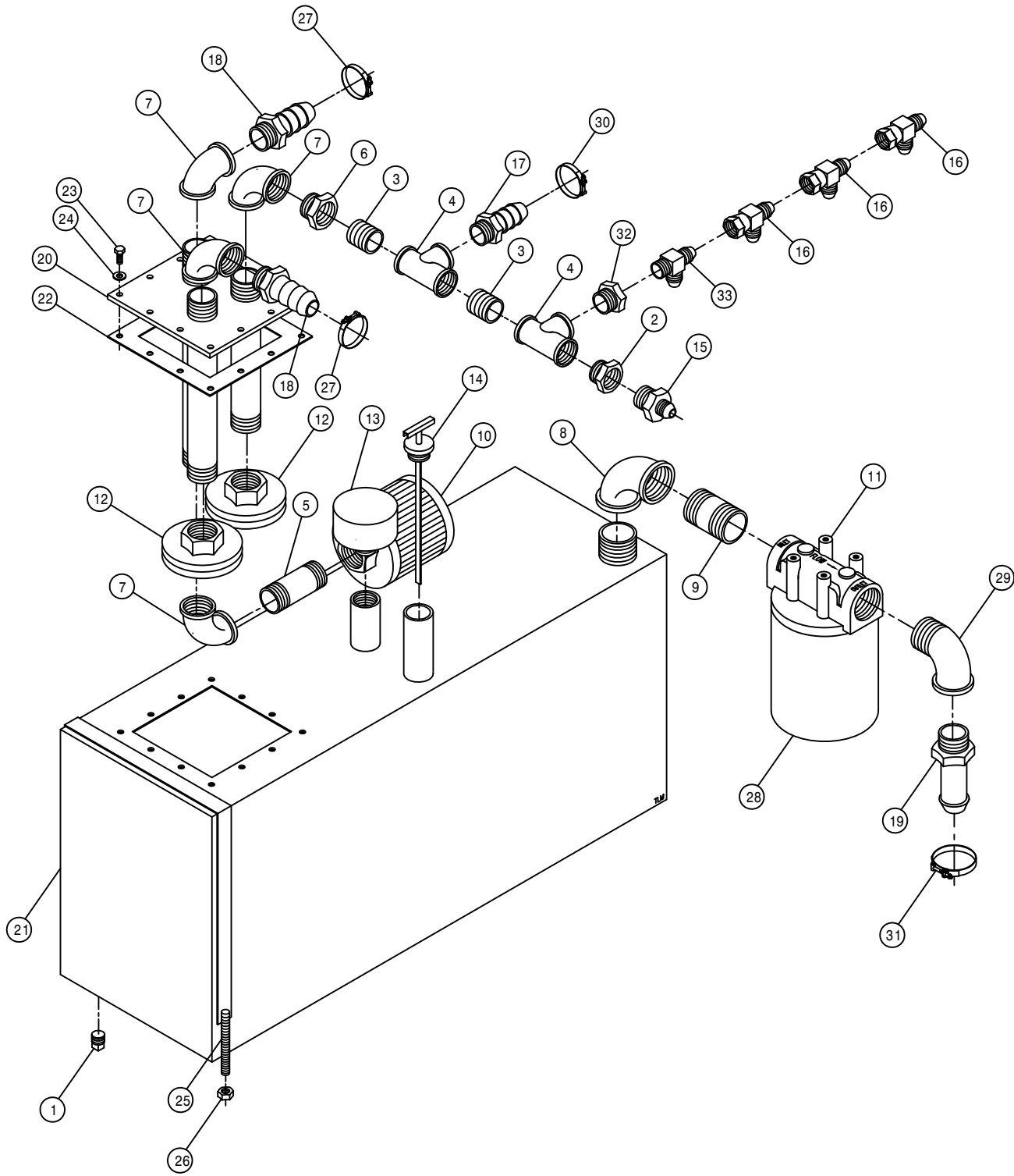
| DET. | QTY | PART NO. | DESCRIPTION                   |
|------|-----|----------|-------------------------------|
|      | 2   | 470156   | 1/4UNC X 3/4 SQHD CUP SET SCR |
|      | 2   | 121028   | JOURNAL BRG FOR 1IN SHFT1.0LG |
|      | 1   | 629530   | 1 IN EXTRN SNAP RING X .078   |
|      | 1   | 749257   | STRG PIVOT ARM PIN WLD 280 89 |
|      | 2   | 914010   | 5/8UNC HEX STOVER NUT         |
|      | 2   | 749271   | SHORT TIE ROD TUBE WLD 280 90 |
|      | 2   | 749297   | MALE TIE ROD, 125" 94         |
|      | 2   | 620123   | CYL ASSY,STRG,125"TRD ADJ94   |
|      | 1   | 749306   | STRG PIVOT ARM WLD 94         |
|      | 2   | 740426   | 1-16UNEF LOC NUT TIE ROD      |
|      | 2   | 749305   | FEMALE TIE ROD,125"TRD ADJ 94 |
|      | 6   | 920005   | 5/8 SAE FLAT WASHER           |
|      | 4   | 900268   | 1/2UNC X 2 1/2 HEX BOLT       |
|      | 2   | 900829   | 5/8UNC X 4" HEX BOLT GR8      |
|      | 4   | 914008   | 1/2UNC HEX STOVER NUT         |

FUEL TANK ASSEMBLY

| DET. | QTY | PART NO. | DESCRIPTION                   |
|------|-----|----------|-------------------------------|
|      | 1   | 291428   | FUEL SENDER 19 IN.            |
|      | 5   | 473902   | NO 8 X 1/2 PAN HD MET SC      |
|      | 1   | 501102   | 1/4 PIPE PLUG                 |
|      | 2   | 501451   | BLK PIPE EL 90DEG .25NPT      |
|      | 1   | 760149   | FUEL TANK WLD 200-280 90      |
|      | 1   | 761200   | GAS CAP                       |
|      | 1   | 783303   | HOSE BARB 1/4 NPT X 5/16 HOSE |
|      | 2   | 601355   | HOSE, 3/8 X 100" FUEL LINE    |
|      | 1   | 760153   | RH FUEL TNK MT WLD 200-280 90 |
|      | 1   | 760154   | LH FUEL TNK MT WLD 200-280 90 |
|      | 2   | 760162   | FUEL TANK BAND WLD 200-280 90 |
|      | 1   | 610529   | FUEL SELECTOR VALVE W/RETURN  |
|      | 1   | 610530   | 5 WIRE CONNECTOR FOR 610529   |
|      | 1   | 601293   | HOSE, 5/16 X 26 FUEL LINE     |
|      | 4   | 914008   | 1/2UNC HEX STOVER NUT         |
|      | 2   | 601354   | HOSE, 5/16 X 100" FUEL LINE   |
|      | 10  | 520120   | HOSE CLAMP NO 4 PLATED MINI   |
|      | 2   | 900064   | 5/16UNC X 3/4 HEX BOLT        |
|      | 2   | 914004   | 3/8UNC HEX STOVER NUT         |
|      | 4   | 900264   | 1/2UNC X 1 1/4 HEX BOLT       |
|      | 1   | 783304   | HOSE BARB 1/4 NPT X 3/8 HOSE  |
|      | 1   | 601322   | HOSE, 3/8 X 26IN FUEL LINE    |







HYDRAULIC TANK ASSEMBLY

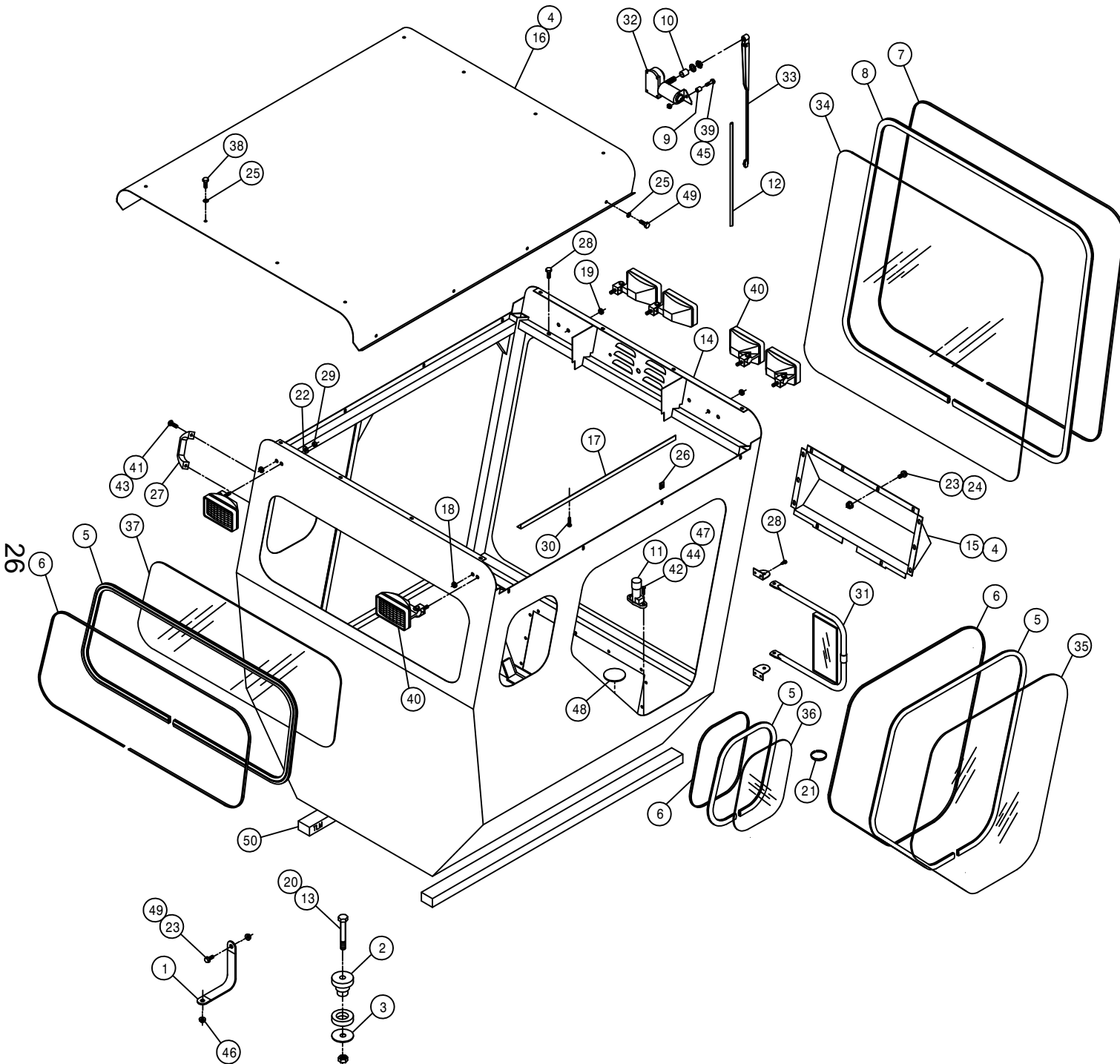
DET. QTY PART NO. DESCRIPTION

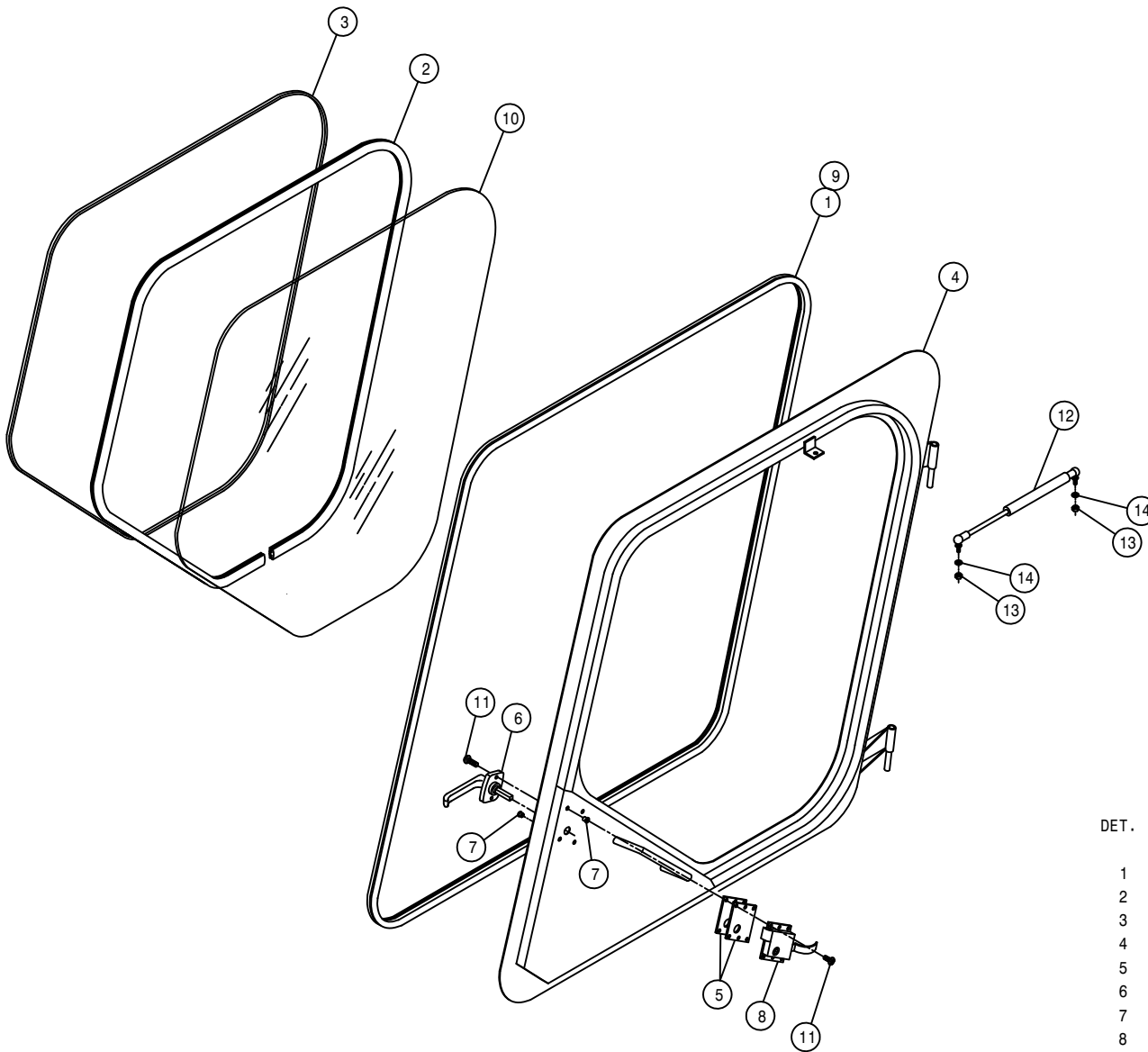
|    |    |        |                              |
|----|----|--------|------------------------------|
| 1  | 1  | 501102 | 1/4 PIPE PLUG                |
| 2  | 1  | 504210 | RED BUSH 3/4 NPT X 1/2 NPT   |
| 3  | 2  | 504702 | CLOSE NIPPLE .75NPT          |
| 4  | 2  | 504955 | BLK PIPE TEE .75NPT          |
| 5  | 1  | 505203 | BLK PIPE NIPPLE 1.00NPT-4.00 |
| 6  | 1  | 505213 | RED BUSH 1 X 3/4 BLK MAL     |
| 7  | 4  | 505300 | BLK PIPE EL 90DEG 1.00NPT    |
| 8  | 1  | 506303 | BLK PIPE EL 90DEG 1.25NPT    |
| 9  | 1  | 506602 | PIPE NIPPLE 1 1/4NPT-2 1/2   |
| 10 | 1  | 605600 | MICHIGAN RESERVOIR FILTER    |
| 11 | 1  | 605601 | GRESN FILTER 10 MICRON 40GPM |
| 12 | 2  | 605603 | LINE SUMP DIFFUSER           |
| 13 | 1  | 611052 | FILLER BREATHER 3/4NPT       |
| 14 | 1  | 614453 | DIPSTICK, 8IN                |
| 15 | 1  | 618018 | 9/16MJIC-1/2MNPT ADPTR       |
| 16 | 3  | 618486 | 9/16FJIC SW RUN TEE-9/16MJIC |
| 17 | 1  | 713220 | HOSE BARB 3/4 NPT X 3/4      |
| 18 | 2  | 714560 | 1NPT X 1 HOSE BARB           |
| 19 | 1  | 715660 | HOSE BARB 1 1/4NPT X 1 1/4   |
| 20 | 1  | 760090 | RECIEVER PLT WLD 8240        |
| 21 | 1  | 760097 | OIL TANK WLD 8240 1982       |
| 22 | 1  | 763039 | HYD MTR MTG PLT GSKT         |
| 23 | 12 | 900064 | 5/16UNC X 3/4 HEX BOLT       |
| 24 | 12 | 920001 | 5/16 SAE FLAT WASHER         |
| 25 | 2  | 341360 | OIL TANK STRAP WLD 8240 1982 |
| 26 | 4  | 914004 | 3/8UNC HEX STOVER NUT        |
| 27 | 2  | 520138 | 1.00 T-BOLT HOSE CLAMP       |
| 28 | 1  | 605602 | FILT ELEMENT 10MICRON 40GPM  |
| 29 | 1  | 506410 | BLK PIPE ST EL 90DEG 1.25NPT |
| 30 | 1  | 520137 | .75 T-BOLT HOSE CLAMP        |
| 31 | 1  | 520132 | 1.62/1.87 T-BOLT HOSE CLAMP  |
| 32 | 1  | 504001 | RED BUSH 3/4 X 1/4 BLK MAL   |
| 33 | 1  | 618520 | 1/4MNPT RUN TEE-9/16MJIC     |

CAB ASSEMBLY

DET. QTY PART NO. DESCRIPTION

| DET. | QTY | PART NO. | DESCRIPTION                   |
|------|-----|----------|-------------------------------|
| 1    | 1   | 290107   | ENG TO GROUND STRAP 8 IN      |
| 2    | 4   | 311051   | RUBBER MOUNT, RB3-350         |
| 3    | 4   | 311052   | SNUBBING WASHER FOR 311051    |
| 4    | 24  | 193037   | STICKERTITE 1/8 X 3/4         |
| 5    | 25  | 193044   | WINDOW WEATHERSTRIP 94        |
| 6    | 25  | 193045   | LOCK STRIP FOR 193044 94      |
| 7    | 13  | 192001   | FILLR STRIP FOR WEATHERSTRIP  |
| 8    | 13  | 193018   | 2 P/C SELF SEAL WEATHERSTRIP  |
| 9    | 1   | 200019   | .25 SCH 40BP X 1.00 LG C/L    |
| 10   | 1   | 202037   | WINDSHIELD WIPER SPACER       |
| 11   | 1   | 290412   | DIMMER SWITCH                 |
| 12   | 1   | 290417   | 18" WIPER BLADE               |
| 13   | 4   | 900343   | 5/8UNC X 4 1/2 HEX BOLT       |
| 14   | 1   | 342330   | CAB WELDMT, 284 97            |
| 15   | 1   | 342146   | KICK PANEL WLD, 284 CAB 94    |
| 16   | 1   | 342150   | CAB ROOF WLD, 284 94          |
| 17   | 1   | 342180   | HEADLINER KPR ANGLE,284CAB 94 |
| 18   | 2   | 470067   | RUBBER GROMMET 1/4 ID         |
| 19   | 2   | 470070   | RUBBER GROMMET 3/8 ID         |
| 20   | 4   | 914010   | 5/8UNC HEX STOVER NUT         |
| 21   | 1   | 470229   | IDENTIFICATION TIE, 3/4"      |
| 22   | 6   | 470100   | 3/8 INT TOOTH LOCK WASHER     |
| 23   | 13  | 470121   | 1/4UNC HEX FLANGE LOCK NUT    |
| 24   | 12  | 470122   | 1/4UNC X 1/2 FLANGE HEX BOLT  |
| 25   | 16  | 470212   | 1/4 BONDED NEO SEALING WASHER |
| 26   | 16  | 470218   | 1/4UNC NUT J-TYPE CAGE CLIP   |
| 27   | 1   | 470222   | GRAB HANDLE, BLACK MOULDED    |
| 28   | 12  | 472349   | 1/4 X 3/4 20THD-IN TEK TYPE   |
| 29   | 6   | 473779   | 10MM-1.50 HEX NUT             |
| 30   | 2   | 473910   | 1/4 X 1 1/2 PHIL HD SHT MTL S |
| 31   | 2   | 650524   | OUTSIDE REAR VIEW MIRROR      |
| 32   | 1   | 658008   | WINDSHIELD WIPER MOTOR        |
| 33   | 1   | 658013   | WIPER ARM                     |
| 34   | 1   | 658014   | FRONT CAB GLASS 94            |
| 35   | 1   | 658015   | FRONT SIDE CAB/DOOR GLASS 94  |
| 36   | 2   | 658016   | REAR SIDE CAB GLASS 94        |
| 37   | 1   | 658017   | REAR CAB GLASS 94             |
| 38   | 8   | 900002   | 1/4UNC X 3/4 HEX BOLT         |
| 39   | 1   | 900005   | 1/4UNC X 1 1/2 HEX BOLT       |
| 40   | 6   | 291603   | WORKLAMP, SIDE MT 12V HALOGEN |
| 41   | 2   | 903883   | 10-32 X 1/2 SLT RDHD MACH SCR |
| 42   | 2   | 903889   | 10-32 X 3/4 SLT RDHD MACH SCR |
| 43   | 2   | 470175   | 10-32 HEX FLANGE LOCK NUT     |
| 44   | 2   | 910027   | 10-32 HEX NUT                 |
| 45   | 1   | 914000   | 1/4UNC HEX STOVER NUT         |
| 46   | 1   | 914004   | 3/8UNC HEX STOVER NUT         |
| 47   | 2   | 920510   | #10 LOCK WASHER               |
| 48   | 1   | 629728   | FINISH PLUG FOR 2.12 HOLE     |
| 49   | 9   | 470118   | 1/4UNC X 3/4 FLANGE HEX BOLT  |
| 50   | 2   | 659704   | FOAM, 2"THK X 2" WIDE X 42"LG |

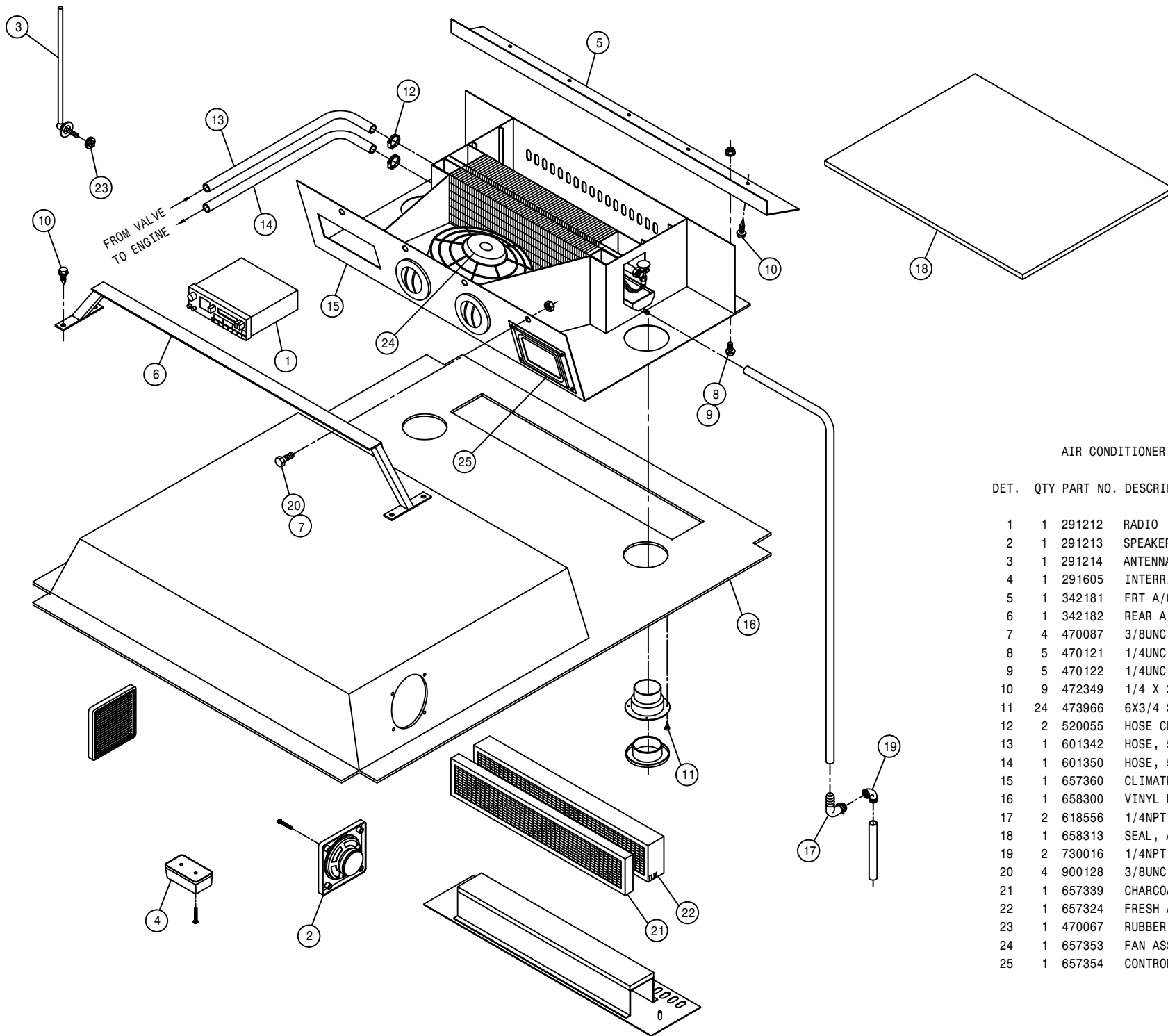




DOOR ASSEMBLY

DET. QTY PART NO. DESCRIPTION

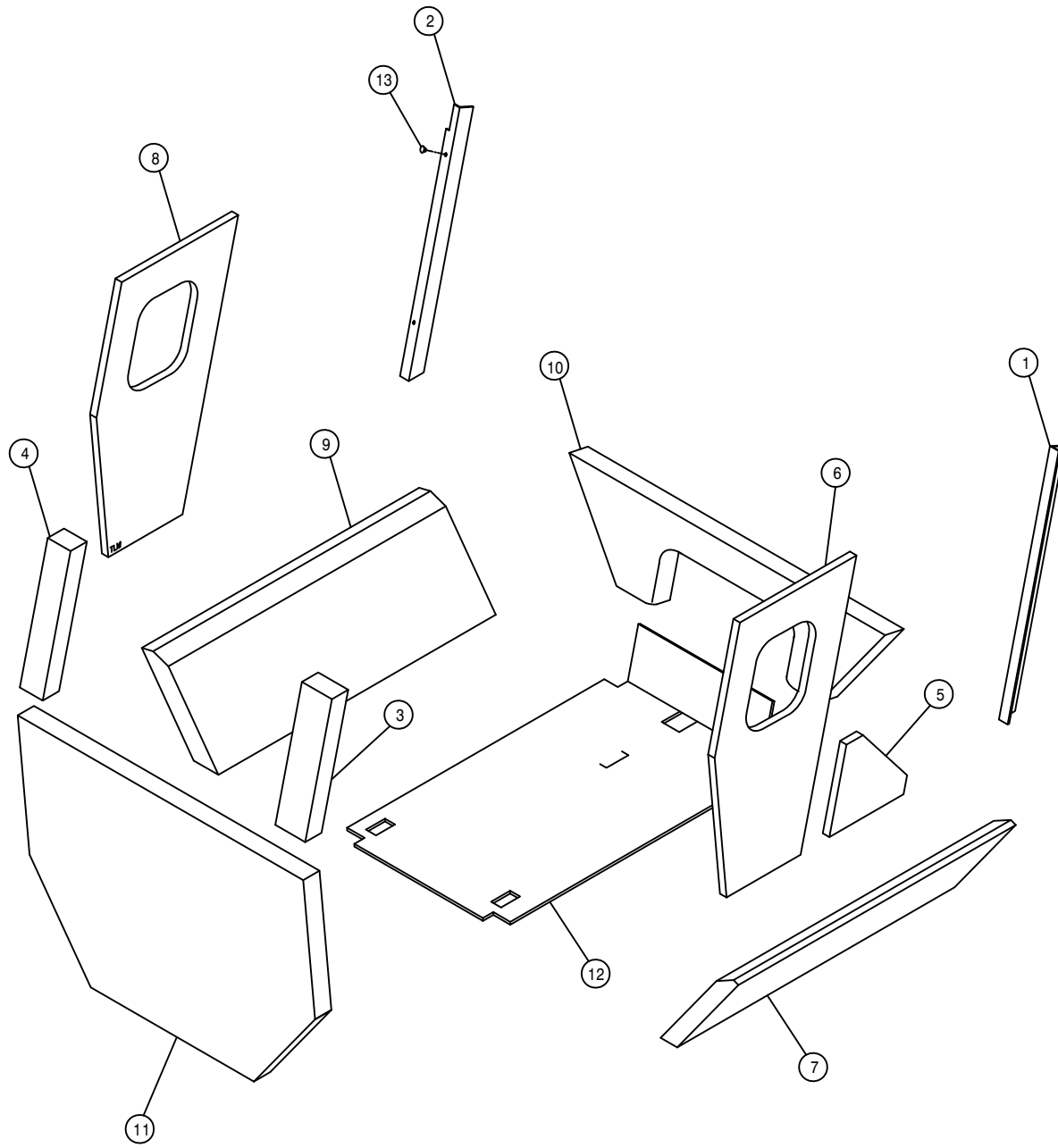
|    |    |        |                               |
|----|----|--------|-------------------------------|
| 1  | 12 | 193028 | PUSH-ON TRIM SEAL RS-130-FX   |
| 2  | 9  | 193044 | WINDOW WEATHERSTRIP 94        |
| 3  | 9  | 193045 | LOCK STRIP FOR 193044 94      |
| 4  | 1  | 342153 | LH DOOR WLD, 284 CAB 94       |
| 5  | 2  | 342163 | CAB DOOR LATCH SHIM, .06 94   |
| 6  | 1  | 342217 | DOOR HANDLE, 254/284 CAB 94   |
| 7  | 6  | 470165 | 10-32 NUTSERT .020-.100 MATL  |
| 8  | 1  | 470219 | CAB LOCK, LH #55              |
| 9  | 2  | 485052 | POP RIVET 1/8 X 3/8           |
| 10 | 1  | 658015 | FRONT SIDE CAB/DOOR GLASS 94  |
| 11 | 6  | 903710 | 10-32X1/2 PHIL PANHD MACH SCR |
| 12 | 1  | 470221 | GAS SPRING, 60LB 3.5 STROKE   |
| 13 | 2  | 910002 | 5/16UNC HEX NUT               |
| 14 | 2  | 920501 | 5/16 LOCK WASHER              |



AIR CONDITIONER ASSEMBLY

DET. QTY PART NO. DESCRIPTION

|    |    |        |                               |    |
|----|----|--------|-------------------------------|----|
| 1  | 1  | 291212 | RADIO                         | 94 |
| 2  | 1  | 291213 | SPEAKERS (PAIR)               | 94 |
| 3  | 1  | 291214 | ANTENNA                       | 94 |
| 4  | 1  | 291605 | INTERIOR LIGHT W/SWITCH       |    |
| 5  | 1  | 342181 | FRT A/C BLOWER MT ANG, CAB    | 94 |
| 6  | 1  | 342182 | REAR A/C BLOWER MT WLD, CAB   | 94 |
| 7  | 4  | 470087 | 3/8UNC HEX FLANGED LOCK NUT   |    |
| 8  | 5  | 470121 | 1/4UNC HEX FLANGED LOCK NUT   |    |
| 9  | 5  | 470122 | 1/4UNC X 1/2 FLANGED HEX BOLT |    |
| 10 | 9  | 472349 | 1/4 X 3/4 20THD-IN TEK TYPE   |    |
| 11 | 24 | 473966 | 6X3/4 SHT MTL SCR,FLT HD PHIL |    |
| 12 | 2  | 520055 | HOSE CLAMP NO 12 PLATED       |    |
| 13 | 1  | 601342 | HOSE, 5/8 X 192 HEATER        |    |
| 14 | 1  | 601350 | HOSE, 5/8 X 160" HEATER       |    |
| 15 | 1  | 657360 | CLIMATE CTRL, A/C & HTR R134A |    |
| 16 | 1  | 658300 | VINYL HEAD LINER              | 94 |
| 17 | 2  | 618556 | 1/4NPT-90-1/2 HOSE BARB,POLY  |    |
| 18 | 1  | 658313 | SEAL, AIR CONDITIONER         | 94 |
| 19 | 2  | 730016 | 1/4NPT ST EL, 90 DEG POLY     |    |
| 20 | 4  | 900128 | 3/8UNC X 3/4 HEX BOLT         |    |
| 21 | 1  | 657339 | CHARCOAL FILTER FOR 657333    |    |
| 22 | 1  | 657324 | FRESH AIR FILTER EAGLE        |    |
| 23 | 1  | 470067 | RUBBER GROMMET 1/4 ID         |    |
| 24 | 1  | 657353 | FAN ASSY, CLIMATE CTRL R134A  |    |
| 25 | 1  | 657354 | CONTROLLER ASSY, CLIMATE CTRL |    |



CAB FOAM

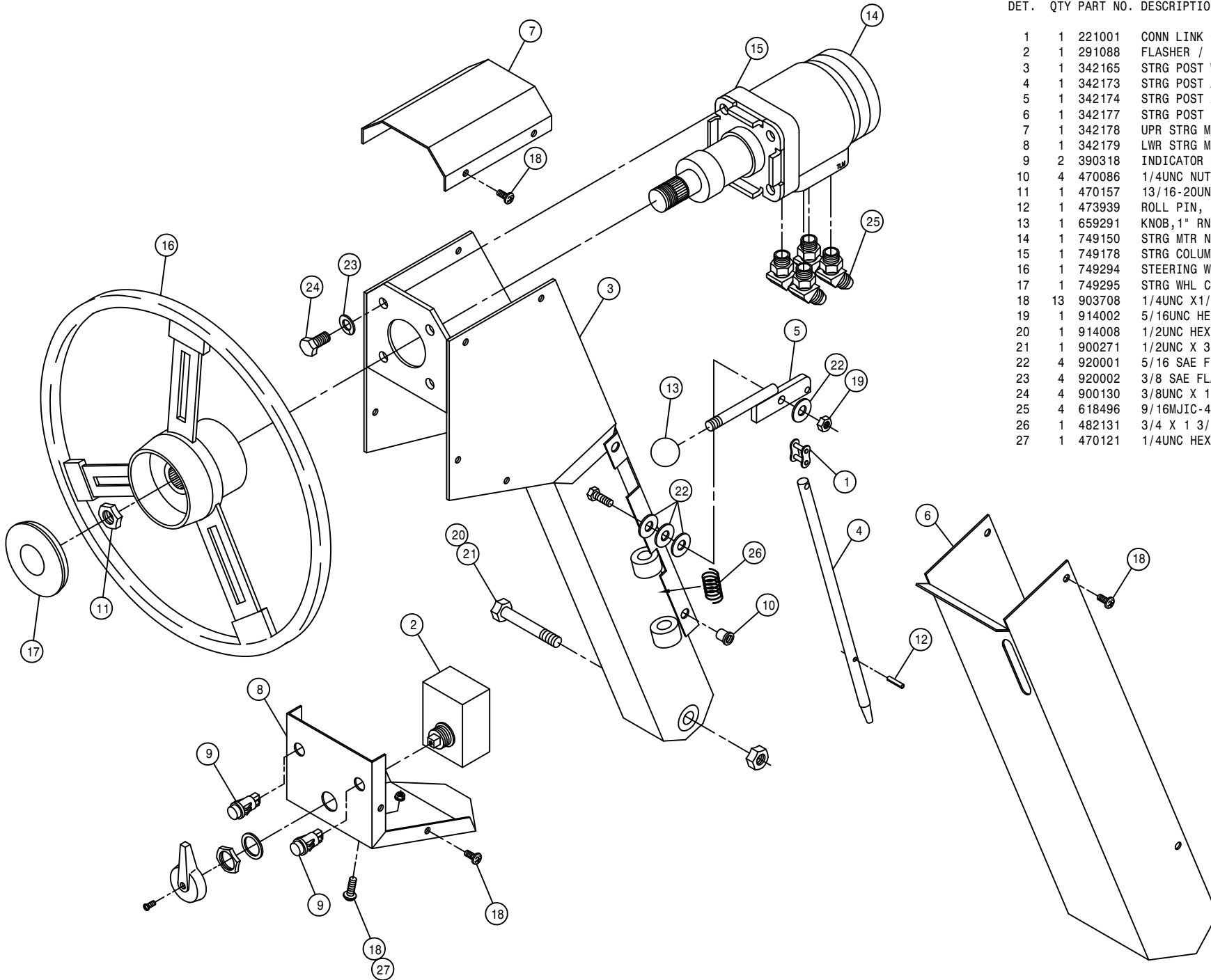
DET. QTY PART NO. DESCRIPTION

|    |   |        |                               |    |
|----|---|--------|-------------------------------|----|
| 1  | 1 | 658301 | VINYL POST COVER, RH FRONT    | 94 |
| 2  | 1 | 658302 | VINYL POST COVER, LH FRONT    | 94 |
| 3  | 1 | 658303 | VINYL POST COVER, RH REAR     | 94 |
| 4  | 1 | 658304 | VINYL POST COVER, LH REAR     | 94 |
| 5  | 1 | 658305 | VINYL SIDE PANEL, RH          | 94 |
| 6  | 1 | 658306 | VINYL SIDE PANEL, RH UPPER    | 94 |
| 7  | 1 | 658307 | VINYL SIDE PANEL, RH LOWER    | 94 |
| 8  | 1 | 658308 | VINYL SIDE PANEL, LH UPPER    | 94 |
| 9  | 1 | 658309 | VINYL SIDE PANEL, LH LOWER    | 94 |
| 10 | 1 | 658310 | VINYL FRONT COVER PANEL       | 94 |
| 11 | 1 | 658311 | VINYL REAR COVER PANEL        | 94 |
| 12 | 1 | 658316 | CAB FLOORMAT, 284             | 97 |
| 13 | 2 | 470225 | TRIM CLIP, 11/16 BLK NYL HEAD |    |

STEERING POST ASSEMBLY

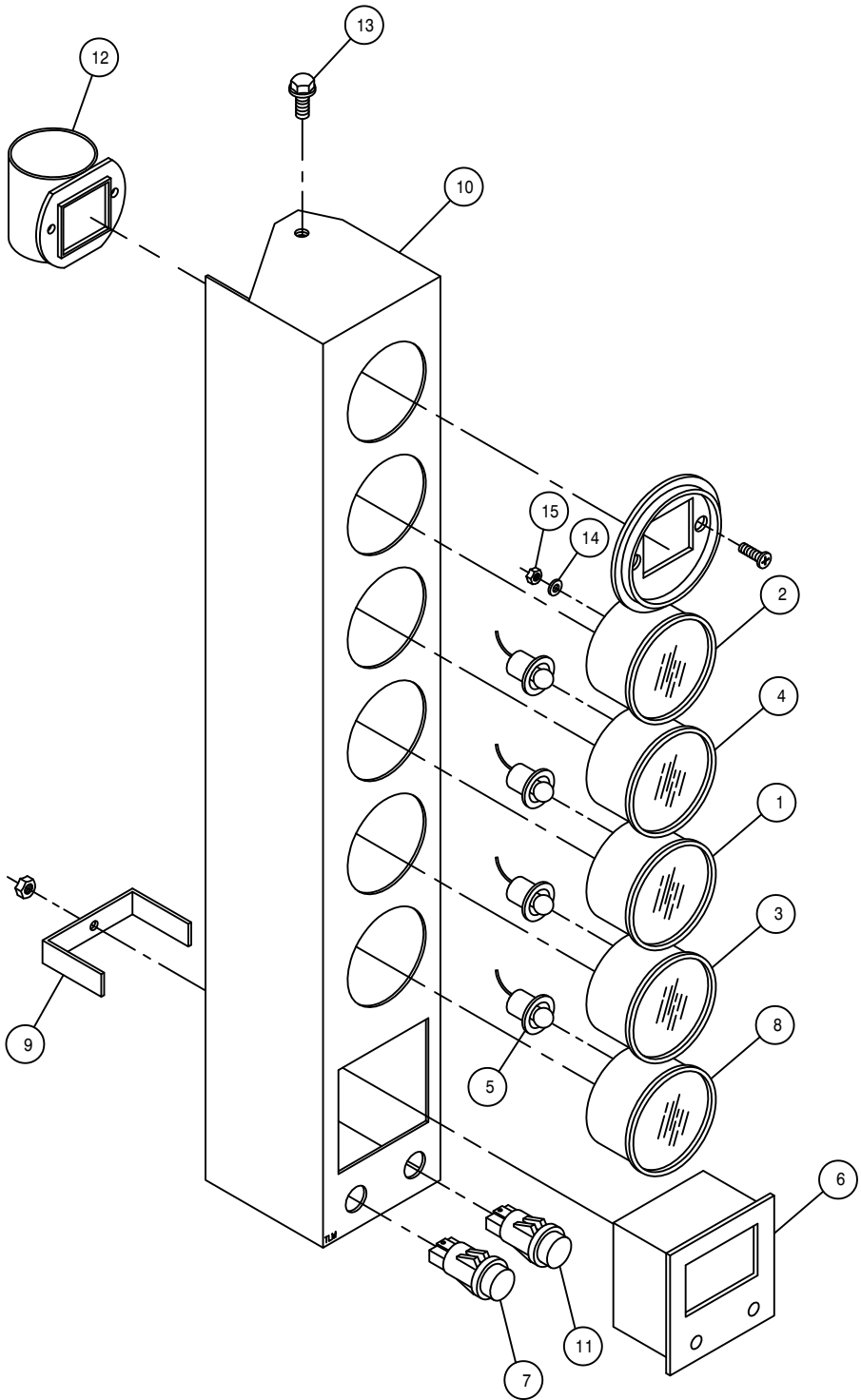
DET. QTY PART NO. DESCRIPTION

|    |    |        |                                |
|----|----|--------|--------------------------------|
| 1  | 1  | 221001 | CONN LINK CLIP TYPE RC50       |
| 2  | 1  | 291088 | FLASHER / TURN SIGNAL SWITCH   |
| 3  | 1  | 342165 | STRG POST WLD, 284 CAB 94      |
| 4  | 1  | 342173 | STRG POST ADJ PIN, 284 CAB 94  |
| 5  | 1  | 342174 | STRG POST ADJ PIN LEVER WLD94  |
| 6  | 1  | 342177 | STRG POST COVER, 284 CAB 94    |
| 7  | 1  | 342178 | UPR STRG MTR HSNG COVER 94     |
| 8  | 1  | 342179 | LWR STRG MTR HSNG COVER 94     |
| 9  | 2  | 390318 | INDICATOR LIGHT, RED           |
| 10 | 4  | 470086 | 1/4UNC NUTSERT .020-.100MATL   |
| 11 | 1  | 470157 | 13/16-20UNEF HEX NUT STRG WHL  |
| 12 | 1  | 473939 | ROLL PIN, 3/16DIA X 7/8        |
| 13 | 1  | 659291 | KNOB, 1" RND, BLK, 3/8-16      |
| 14 | 1  | 749150 | STRG MTR NON-LOAD REACT 1008   |
| 15 | 1  | 749178 | STRG COLUMN 2.5IN LONG         |
| 16 | 1  | 749294 | STEERING WHEEL, VIP 14"        |
| 17 | 1  | 749295 | STRG WHL CAP W/HAGIE EMBLEM    |
| 18 | 13 | 903708 | 1/4UNC X 1/2 PHIL PNHD MACHSCR |
| 19 | 1  | 914002 | 5/16UNC HEX STOVER NUT         |
| 20 | 1  | 914008 | 1/2UNC HEX STOVER NUT          |
| 21 | 1  | 900271 | 1/2UNC X 3 1/4 HEX BOLT        |
| 22 | 4  | 920001 | 5/16 SAE FLAT WASHER           |
| 23 | 4  | 920002 | 3/8 SAE FLAT WASHER            |
| 24 | 4  | 900130 | 3/8UNC X 1 1/4 HEX BOLT        |
| 25 | 4  | 618496 | 9/16MJIC-45-3/4MOR LBO         |
| 26 | 1  | 482131 | 3/4 X 1 3/4 COMPRN SPRING      |
| 27 | 1  | 470121 | 1/4UNC HEX FLANGE LOCK NUT     |



30

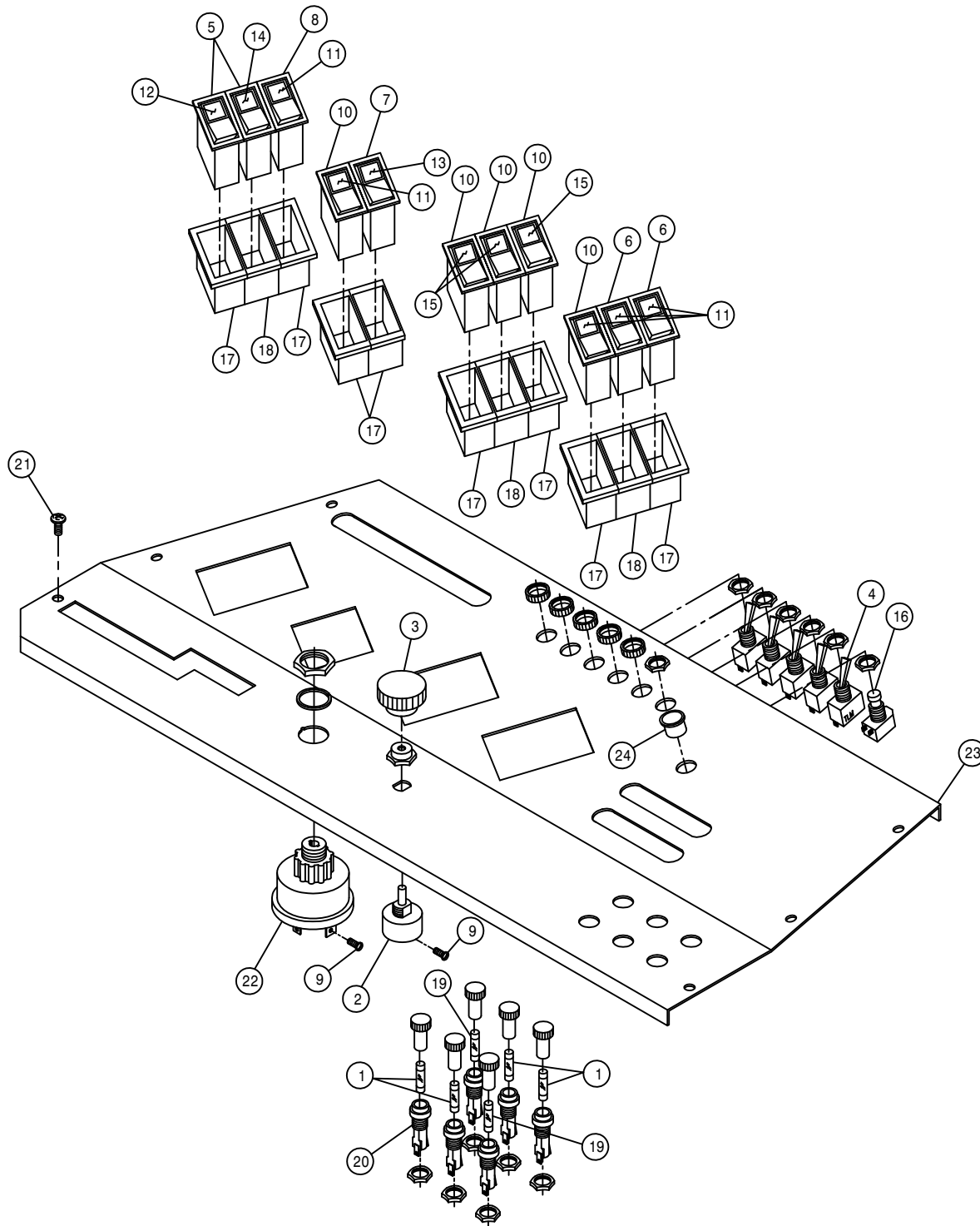
171030



INSTRUMENT PANEL ASSEMBLY

DET. QTY PART NO. DESCRIPTION

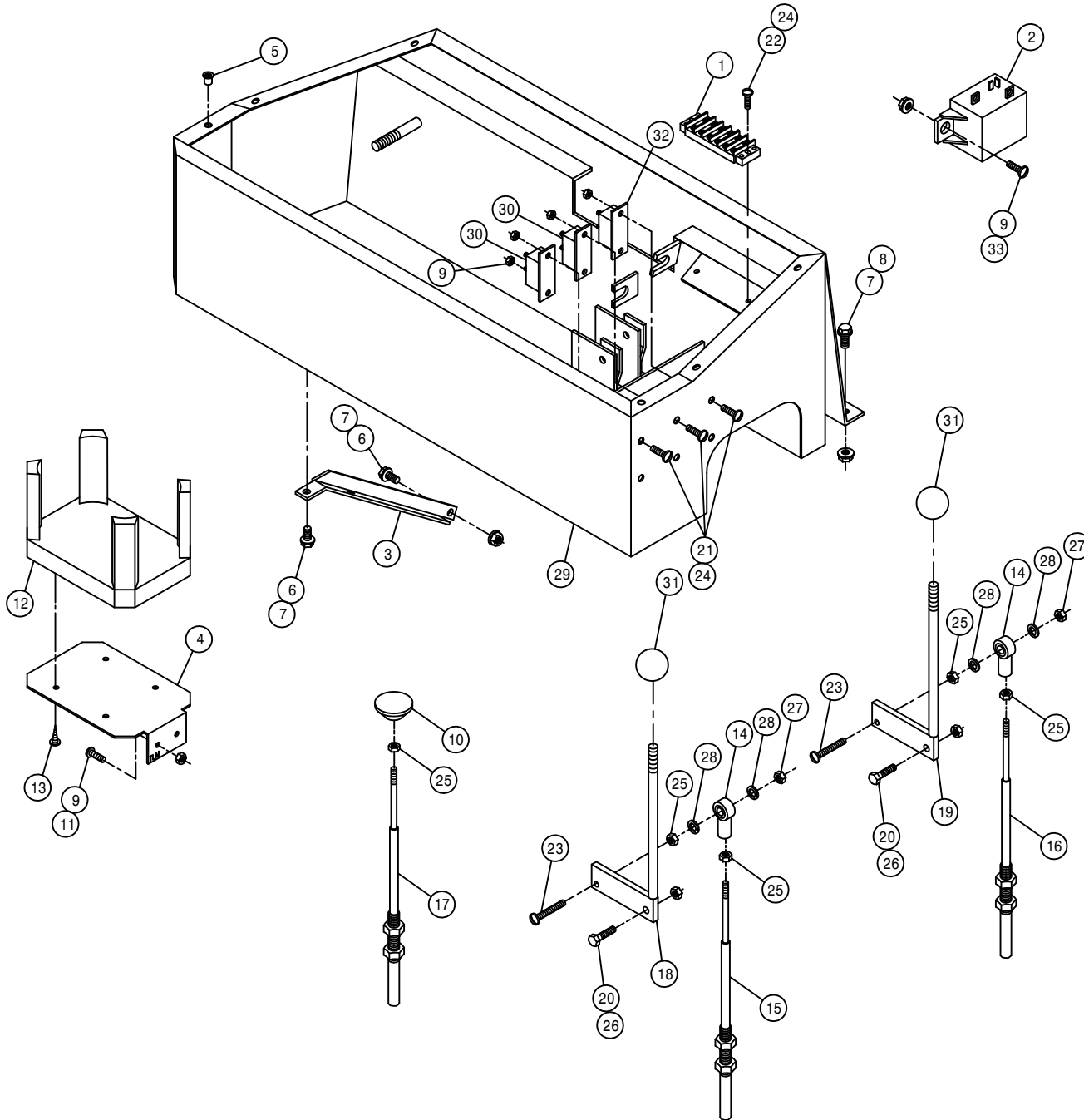
|    |   |        |                               |
|----|---|--------|-------------------------------|
| 1  | 1 | 290401 | FUEL GAUGE FOR 2.125 DIA HOLE |
| 2  | 1 | 291203 | HOUR METER                    |
| 3  | 1 | 291609 | OIL PRESS GAUGE, 80PSI        |
| 4  | 1 | 291611 | VOLTMETER, 8V TO 18V DC       |
| 5  | 4 | 291612 | LIGHT KIT FOR 2" GAUGE        |
| 6  | 1 | 291635 | DIGITAL MPH/RPM INDICATOR     |
| 7  | 1 | 291638 | INDICATOR LIGHT, GREEN        |
| 8  | 1 | 314436 | TEMP GA 100-280 DEG LIGHTED   |
| 9  | 1 | 342068 | DIGITAL MPH/RPM IND KEEPER 94 |
| 10 | 1 | 342186 | INSTRU HSNGL WLD, 284 CAB 94  |
| 11 | 1 | 390318 | INDICATOR LIGHT RED SNAP-IN   |
| 12 | 1 | 314901 | FILTER MINDER AIR RESTRICT GA |
| 13 | 2 | 470122 | 1/4UNC X 1/2 FLANGED HEX BOLT |
| 14 | 8 | 473802 | NO 8 INT TOOTH STARWASHER     |
| 15 | 8 | 910024 | #8-32 HEX NUT                 |



CONSOLE PANEL ASSEMBLY

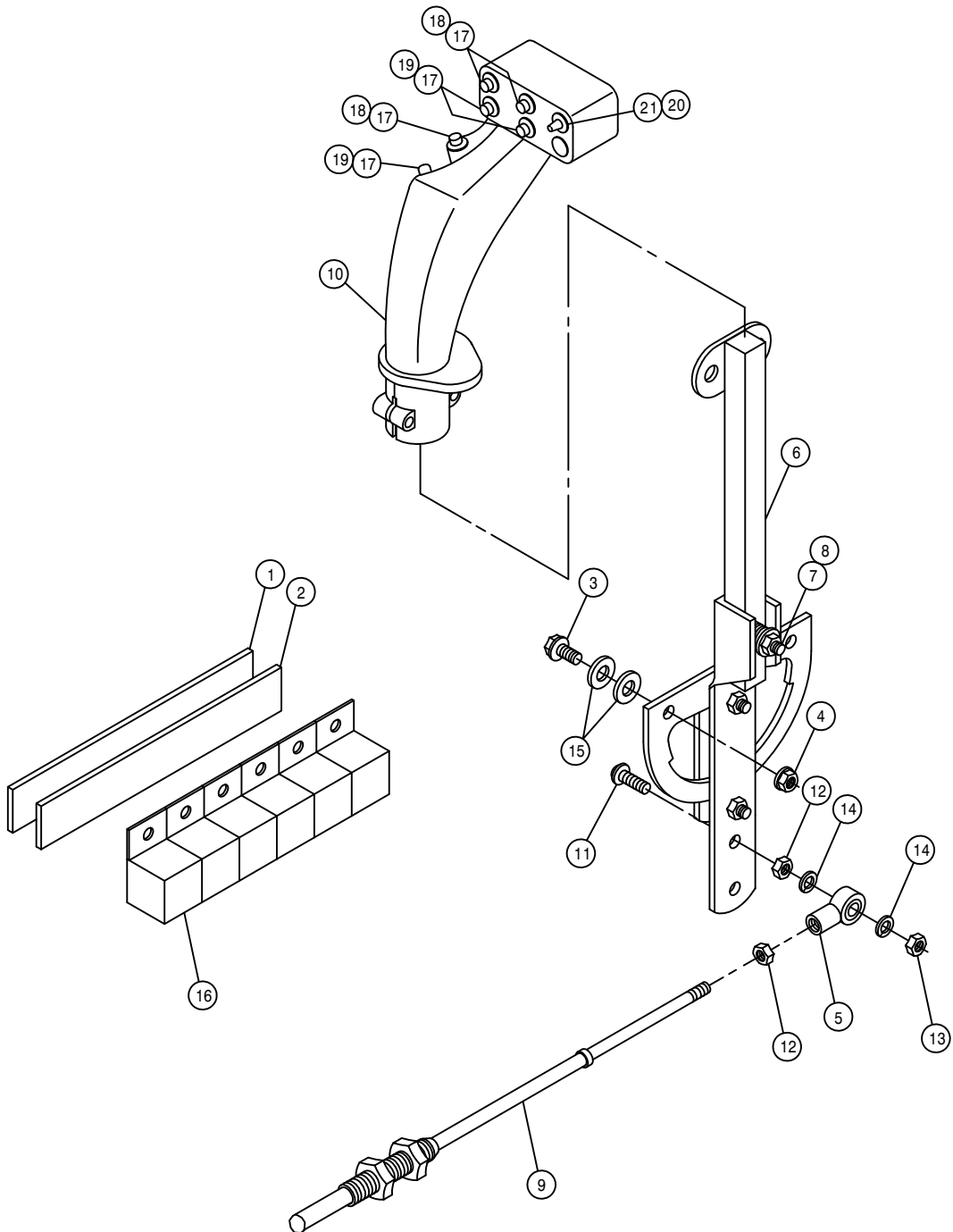
| DET. | QTY | PART NO. | DESCRIPTION                     |
|------|-----|----------|---------------------------------|
|      | 4   | 291602   | FUSE 10 AMP                     |
|      | 1   | 291606   | ROTARY HEADLAMP SWITCH          |
|      | 1   | 291607   | SWITCH KNOB FOR 291606          |
|      | 5   | 291608   | TOGGLE SWITCH, ON-OFF, UNLIT    |
|      | 2   | 291622   | SWITCH, 1P ON/OFF 511-003       |
|      | 2   | 291623   | SWITCH, 2P ON/OFF 511-015       |
|      | 1   | 291624   | SWITCH, 2P (ON)/OFF 511-130     |
|      | 1   | 291625   | SWITCH, 2P ON/ON 511-108        |
|      | 2   | 903844   | 8-32 X 1/2 SLT RD HD MACH SCR   |
|      | 5   | 291627   | SWITCH, 2P (ON)OFF (ON) 511-058 |
|      | 5   | 291628   | LENS, GREEN                     |
|      | 1   | 291629   | LENS, WIPER                     |
|      | 1   | 291630   | LENS, WINDSHIELD WASHER         |
|      | 1   | 291631   | LENS, HAZARD                    |
|      | 3   | 291632   | LENS, DIRECTION INDICATOR       |
|      | 1   | 291639   | PUSHBUTTON SWITCH, ON/OFF SPST  |
|      | 8   | 293246   | END BEZEL                       |
|      | 3   | 293247   | CENTER BEZEL                    |
|      | 2   | 298004   | 20 AMP FUSE SFE 20              |
|      | 6   | 298011   | FUSE HOLDER                     |
|      | 6   | 903708   | 1/4UNC X1/2 PHIL PNHD MACHSCR   |
|      | 1   | 321020   | IGN SWITCH 5 POLE               |
|      | 1   | 342189   | CONSOLE COVER PNL, 284 CAB 94   |
|      | 1   | 470224   | SNAP PLUG, BLK NYL, .50 DIA     |





CONSOLE ASSEMBLY

| DET. | QTY | PART NO. | DESCRIPTION                   |
|------|-----|----------|-------------------------------|
| 1    | 1   | 293093   | TERMINAL BLOCK 6 POS - 2 ROW  |
| 2    | 1   | 657371   | RELAY, 12 VOLT 75 AMP         |
| 3    | 1   | 342282   | CONSOLE BRACE 254/284 95      |
| 4    | 1   | 342216   | DRINK HOLDER MT BRKT 94       |
| 5    | 6   | 470086   | 1/4UNC NUTSERT .020-.100MATL  |
| 6    | 3   | 470118   | 1/4UNC X 3/4 FLANGED HEX BOLT |
| 7    | 5   | 470121   | 1/4UNC HEX FLANGED LOCK NUT   |
| 8    | 2   | 470122   | 1/4UNC X 1/2 FLANGED HEX BOLT |
| 9    | 8   | 470175   | #10-32 HEX FLANGED LOCK NUT   |
| 10   | 1   | 470190   | KNOB, 1 3/8" LIFT, BLK 10-32  |
| 11   | 2   | 903710   | MACH SCR 10-32X1/2 PHIL PANHD |
| 12   | 1   | 470214   | SPILLMASTER DRINK HOLDER      |
| 13   | 4   | 473902   | NO 8 X 1/2 PAN HD MET SC      |
| 14   | 2   | 473921   | BALL JOINT NO 10-32 THD       |
| 15   | 1   | 785063   | CTRL CABLE 10-32 2IN X 42 LG  |
| 16   | 1   | 785064   | CTRL CABLE 10-32 2IN X 53 LG  |
| 17   | 1   | 785065   | CTRL CABLE 10-32 4IN X 68 LG  |
| 18   | 1   | 785070   | SOLU PRESS CTRL LEVER WLD 94  |
| 19   | 1   | 785073   | AGIT CTRL LEVER WLD 94        |
| 20   | 2   | 900003   | 1/4UNC X 1 HEX BOLT           |
| 21   | 6   | 903812   | 6-32 X 1/2 SLT RD HD MACH SCR |
| 22   | 2   | 903814   | 6-32 X 3/4 SLT RD HD MACH SCR |
| 23   | 2   | 903893   | 10 32 X 1 SLT RD HD MACH SCR  |
| 24   | 8   | 910022   | #6-32 HEX NUT                 |
| 25   | 5   | 910027   | #10-32 HEX NUT                |
| 26   | 2   | 914000   | 1/4UNC HEX STOVER NUT         |
| 27   | 2   | 914027   | #10-32 HEX STOVER NUT         |
| 28   | 4   | 920510   | LOCK WASH NO 10               |
| 29   | 1   | 342191   | CONSOLE WLD, 284 CAB 94       |
| 30   | 2   | 291197   | CIRCUIT BREAKER, 30AMP        |
| 31   | 2   | 659291   | KNOB, 1" RND, BLK, 3/8-16     |
| 32   | 1   | 291024   | CIRCUIT BREAKER, 40AMP        |
| 33   | 2   | 903883   | 10-32 X 1/2 SLTRD HD MACH SCR |



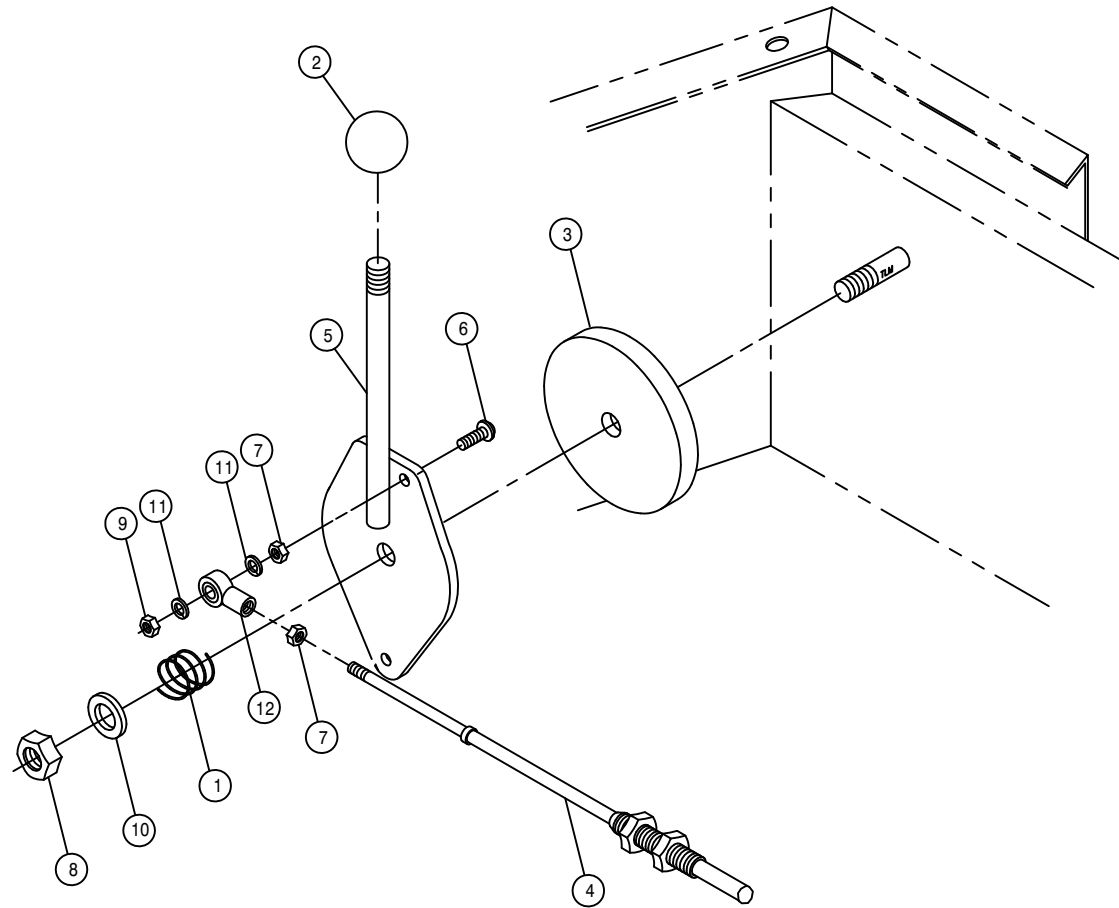
HYDROSTATIC LEVER ASSEMBLY

| DET. | QTY | PART NO. | DESCRIPTION                   |
|------|-----|----------|-------------------------------|
| 1    | 1   | 193038   | DUAL LOCK 1IN SJ3541 TYPE 400 |
| 2    | 1   | 193039   | DUAL LOCK 1IN SJ3542 TYPE 400 |
| 3    | 2   | 470118   | 1/4UNC X 3/4 FLANGE HEX BOLT  |
| 4    | 2   | 470121   | 1/4UNC HEX FLANGE LOCK NUT    |
| 5    | 1   | 473921   | BALL JOINT NO 10-32 THD       |
| 6    | 1   | 606907   | HYDST CTRL LEVER, 204-284 94  |
| 7    | 1   | 900005   | 1/4UNC X 1 1/2 HEX BOLT       |
| 8    | 1   | 914000   | 1/4UNC HEX STOVER NUT         |
| 9    | 1   | 785003   | CTRL CABLE 10-32 4IN X 112 LG |
| 10   | 1   | 785078   | FASSE EZ-3 CTRL HANDLE,284 96 |
| 11   | 1   | 903893   | 10-32 X 1" SLT RD HD MACH SCR |
| 12   | 2   | 910027   | 10-32 HEX NUT                 |
| 13   | 1   | 914027   | 10-32 HEX STOVER NUT          |
| 14   | 2   | 920510   | #10 LOCK WASHER               |
| 15   | 4   | 920000   | 1/4 SAE FLAT WASHER           |
| 16   | 6   | 291640   | RELAY FOR FASSE CTRL HANDLE   |
| 17   | 6   | 291650   | SWITCH,SPDT MOM MICRO         |
| 18   | 3   | 291651   | SWITCH BOOT, GRAY -FOR 291650 |
| 19   | 3   | 291652   | SWITCH BOOT, RED -FOR 291650  |
| 20   | 1   | 291654   | SWITCH BOOT, BLACK-FOR 291653 |
| 21   | 1   | 291653   | SWITCH, TOG SPDT 3POS STAT    |

THROTTLE LEVER ASSEMBLY

DET. QTY PART NO. DESCRIPTION

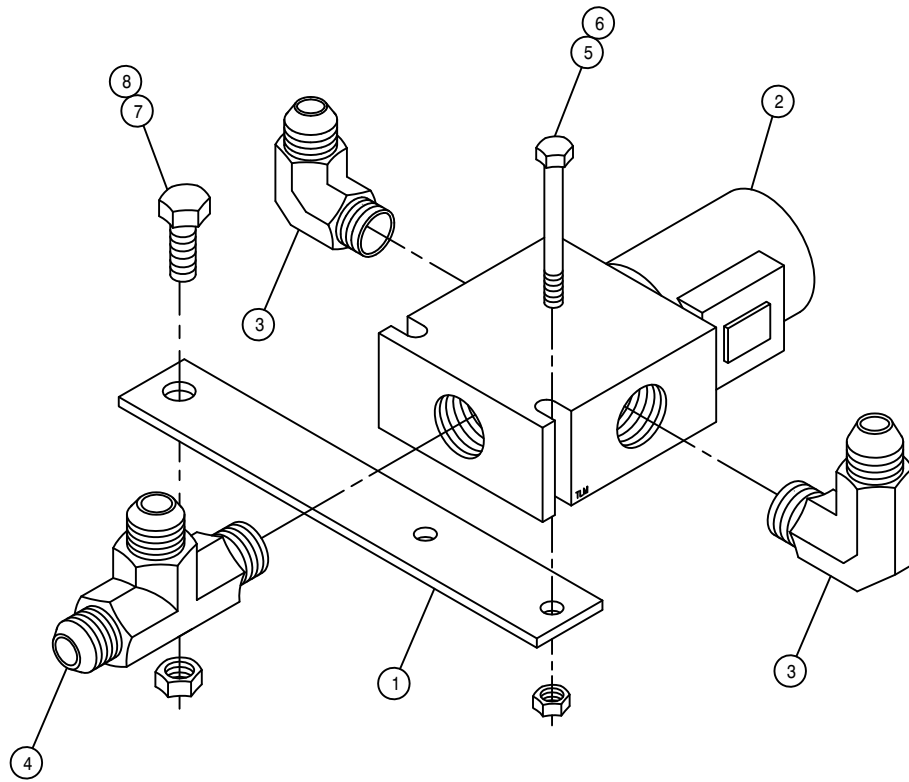
- 1 1 499001 SPRING HYDRO CONTROL
- 2 1 785007 KNOB,1 3/16" BALL,RED,3/8-16
- 3 1 785046 FRICTION DISC 3-333 X .38
- 4 1 785066 CTRL CABLE 10-32 4IN X 129 IN
- 5 1 785067 THROT LEVER WLD,GAS/DIESEL 94
- 6 1 903893 10-32 X 1" SLT RD HD MACH SCR
- 7 2 910027 10-32 HEX NUT
- 8 1 914004 3/8UNC HEX STOVER NUT
- 9 1 914027 10-32 HEX STOVER NUT
- 10 1 920002 3/8 SAE FLAT WASHER
- 11 2 920510 #10 LOCK WASHER
- 12 1 473921 BALL JOINT NO 10-32 THD

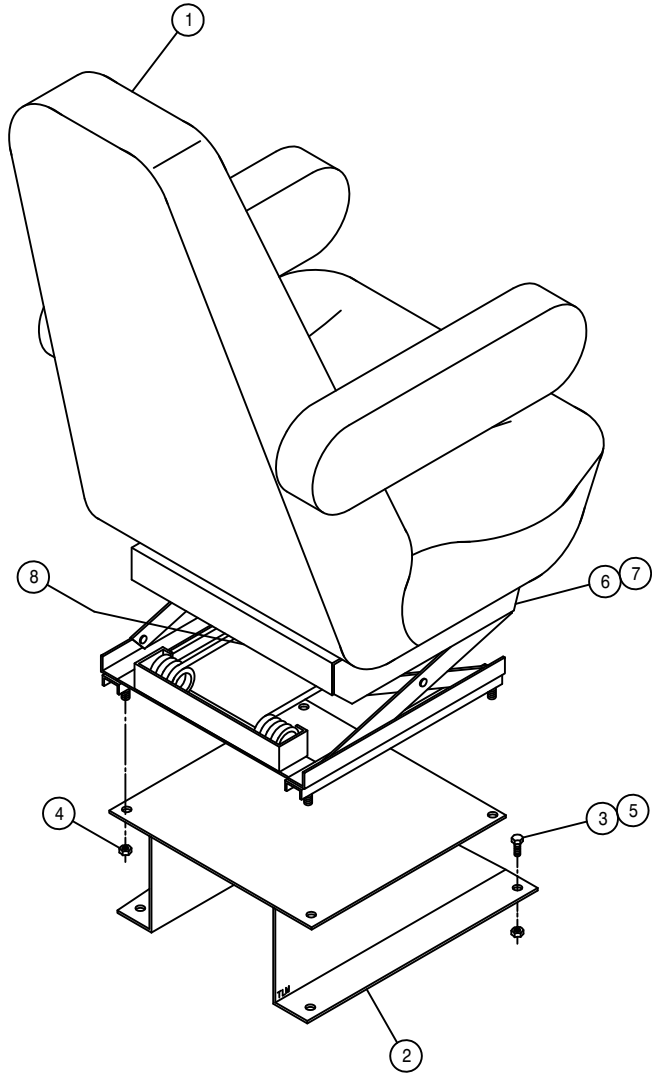


BRAKE SOLENOID ASSEMBLY

DET. QTY PART NO. DESCRIPTION

|   |   |        |                               |    |
|---|---|--------|-------------------------------|----|
| 1 | 1 | 342332 | PARK BRAKE SOL VLV MT         | 97 |
| 2 | 1 | 610302 | HYD SOLENOID VALVE 3WAY 12VDC |    |
| 3 | 2 | 611122 | 9/16MJIC-90-1/4MNPT LBO       |    |
| 4 | 1 | 618520 | 1/4MNPT RUN TEE-9/16MJIC      |    |
| 5 | 2 | 900006 | 1/4UNC X 1 3/4 HEX BOLT       |    |
| 6 | 2 | 914000 | 1/4UNC HEX STOVER NUT         |    |
| 7 | 1 | 900129 | 3/8UNC X 1" HEX BOLT          |    |
| 8 | 1 | 914004 | 3/8UNC HEX STOVER NUT         |    |

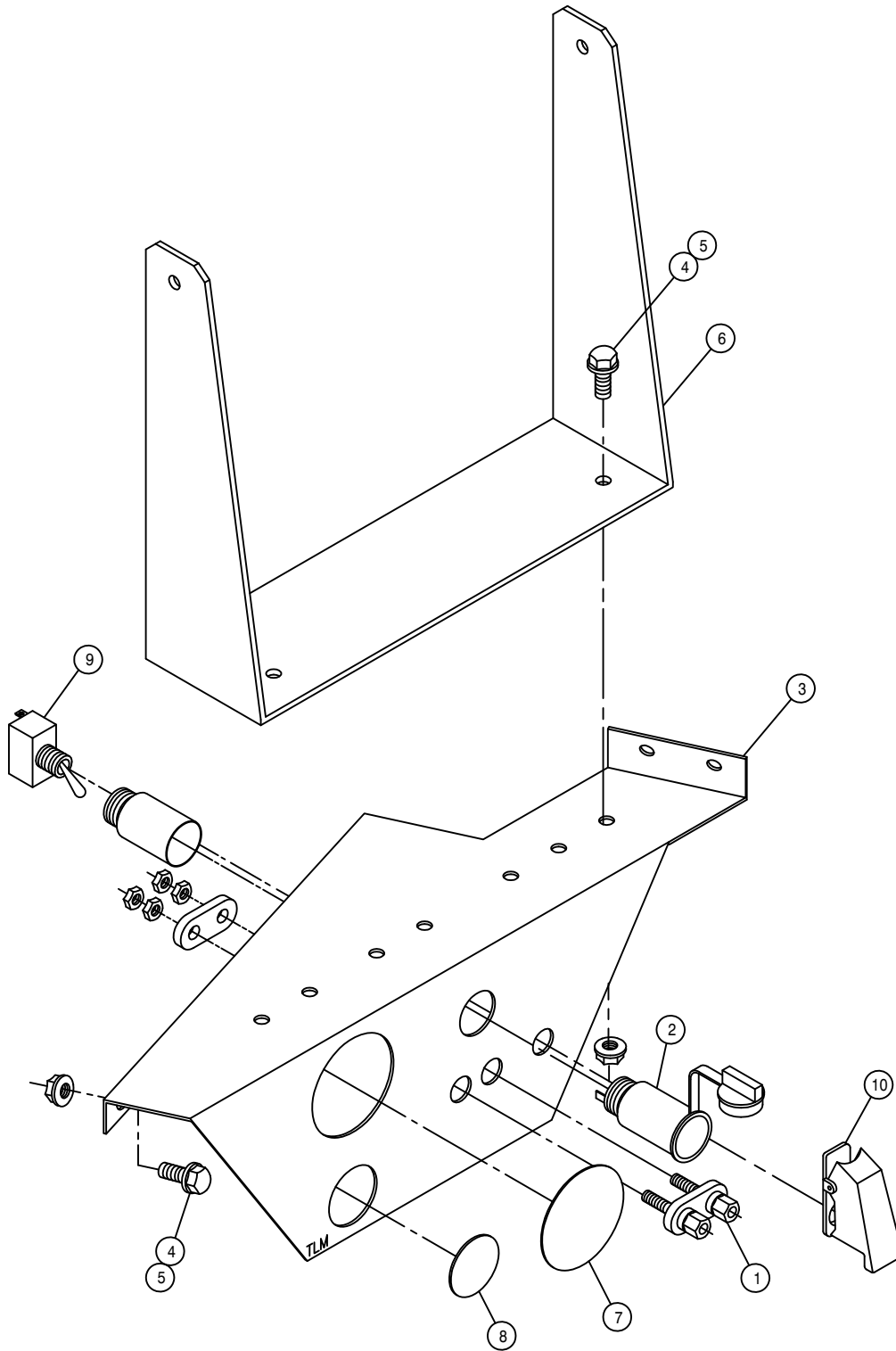




SEAT ASSEMBLY

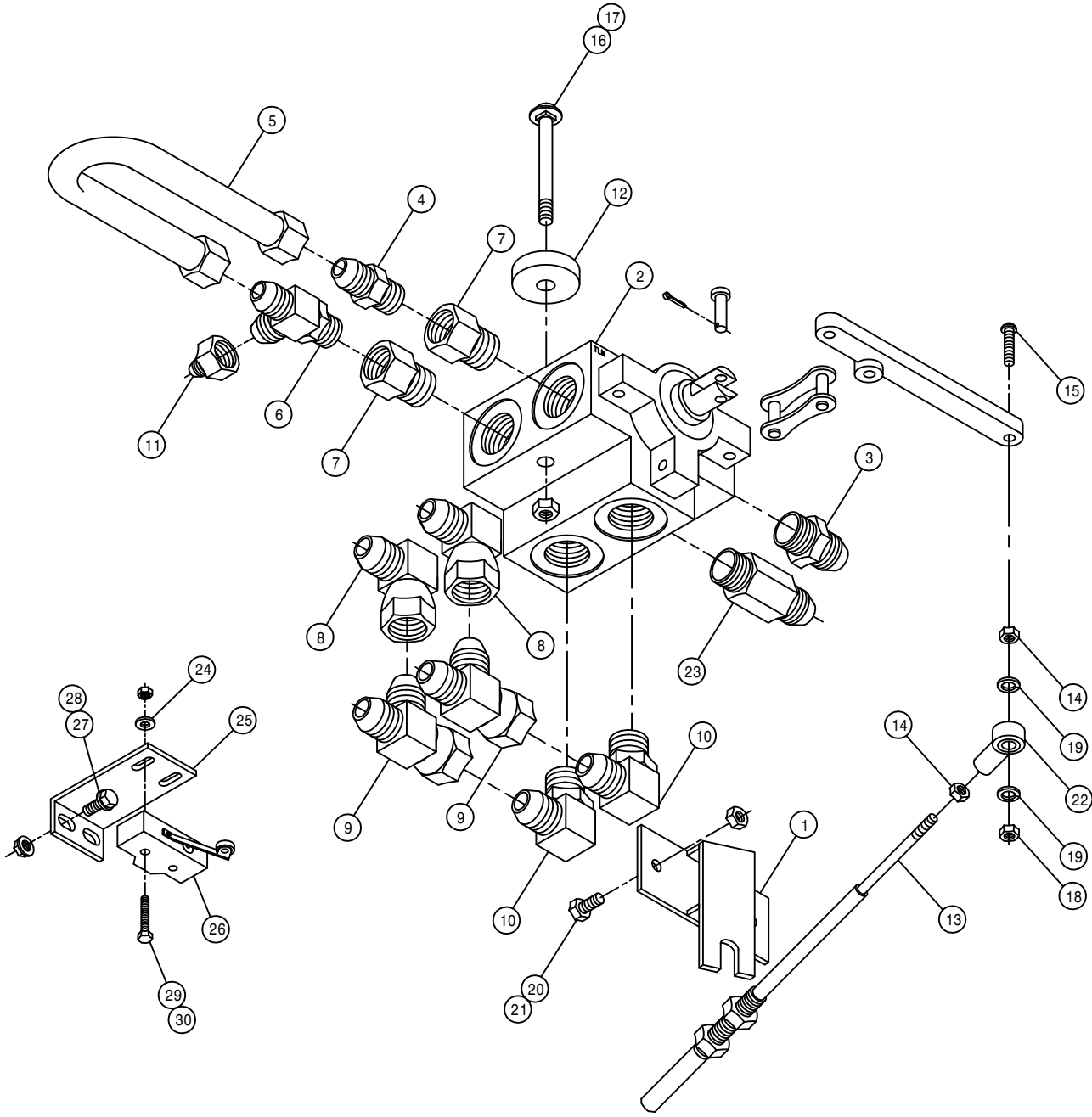
DET. QTY PART NO. DESCRIPTION

|   |   |        |                               |
|---|---|--------|-------------------------------|
| 1 | 1 | 330022 | SEAT,MAGNUM-100 AIR SUSPEND95 |
| 2 | 1 | 342090 | SEAT MT WELD, 254/284 95      |
| 3 | 4 | 900129 | 3/8UNC X 1" HEX BOLT          |
| 4 | 4 | 914002 | 5/16UNC HEX STOVER NUT        |
| 5 | 4 | 914004 | 3/8UNC HEX STOVER NUT         |
| 6 | 1 | 330024 | HEIGHT ADJ LATCH, SEAT 330022 |
| 7 | 1 | 330025 | ADJ LATCH SPRING, SEAT 330022 |
| 8 | 1 | 330023 | AIR BAG PKG, SEAT 330022      |



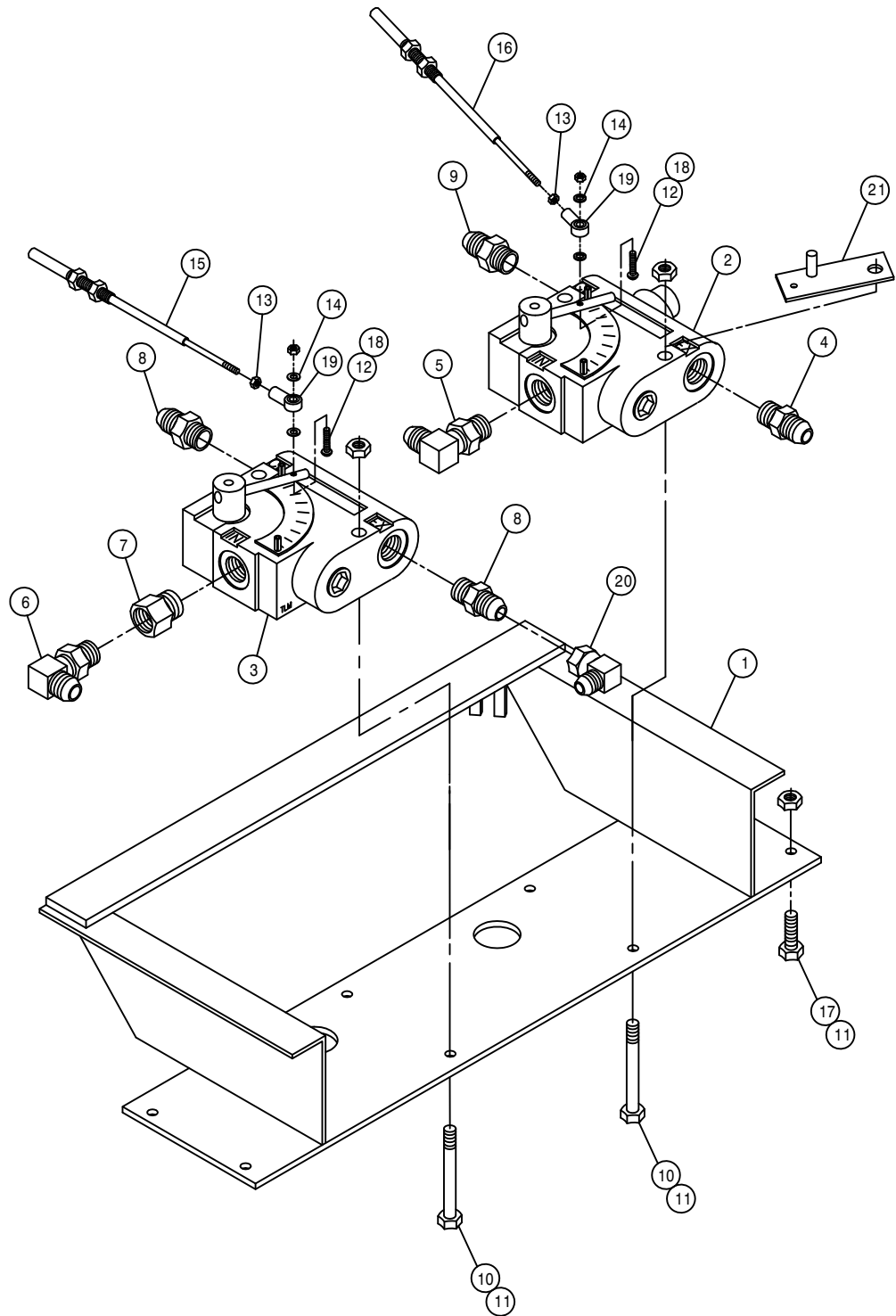
MONITOR MOUNTING BRACKET ASSEMBLY

| DET. | QTY | PART NO. | DESCRIPTION                  |
|------|-----|----------|------------------------------|
|      | 1   | 291647   | DUAL BINDING POSTS           |
|      | 1   | 291648   | POWER POINT RECEPTACLE       |
|      | 1   | 342215   | MONITOR MT, 284 CAB 94       |
|      | 6   | 470121   | 1/4UNC HEX FLANGE LOCK NUT   |
|      | 6   | 470122   | 1/4UNC X 1/2 FLANGE HEX BOLT |
|      | 1   | 690498   | CONSOLE MT, RAVEN 460 95     |
|      | 1   | 629728   | FINISH PLUG FOR 2.12 HOLE    |
|      | 1   | 629730   | FINISH PLUG FOR 1.25 HOLE    |
|      | 1   | 298012   | TOGGLE SWITCH                |
|      | 1   | 291655   | AIRCRAFT TOGGLE SWITCH GUARD |



FOUR-WHEEL DRIVE SELECTOR VALVE ASSEMBLY

| DET. | QTY | PART NO. | DESCRIPTION                   |
|------|-----|----------|-------------------------------|
|      |     |          | 89                            |
| 1    | 1   | 341861   | FWD CABLE MT WLD 280          |
| 2    | 1   | 606003   | GRESEN SELECTOR VALVE DS-12   |
| 3    | 1   | 611127   | 1 1/16MJIC-1 1/16MOR ADPTR    |
| 4    | 1   | 611126   | 7/8MJIC-7/8MOR ADPTR          |
| 5    | 1   | 614198   | FWD VALVE U-TUBE ASSY         |
| 6    | 1   | 618130   | 7/8MOR RUN TEE-7/8MJIC        |
| 7    | 2   | 618132   | 1 1/16MOR-7/8FOR ADPTR        |
| 8    | 2   | 618301   | 7/8MJIC-90-7/8FJIC SWIV LBO   |
| 9    | 2   | 618333   | 7/8FJIC SW RUN TEE-7/8MJIC    |
| 10   | 2   | 618535   | 7/8MJIC-90-1 1/16MOR LBO      |
| 11   | 1   | 618557   | 7/8FJIC-9/16MJIC ADPTR        |
| 12   | 2   | 748501   | RUBBER WASH .38 X .406 X 1.50 |
| 13   | 1   | 785065   | CTRL CABLE 10-32 4IN X 68 LG  |
| 14   | 2   | 910027   | 10-32 HEX NUT                 |
| 15   | 1   | 903893   | 10-32 X 1" SLT RD HD MACH SCR |
| 16   | 2   | 901136   | 3/8UNC X 3" CARR BOLT         |
| 17   | 2   | 914004   | 3/8UNC HEX STOVER NUT         |
| 18   | 1   | 914027   | 10-32 HEX STOVER NUT          |
| 19   | 2   | 920510   | #10 LOCK WASHER               |
| 20   | 2   | 470118   | 1/4UNC X 3/4 FLANGE HEX BOLT  |
| 21   | 2   | 470121   | 1/4UNC HEX FLANGE LOCK NUT    |
| 22   | 1   | 473921   | BALL JOINT NO 10-32 THD       |
| 23   | 1   | 607526   | FLOW CTRL VALVE,28GPM IN-LINE |
| 24   | 2   | 920011   | # 6 SAE FLAT WASHER           |
| 25   | 1   | 291646   | TRACT VLV MICRO SWITCH MT     |
| 26   | 1   | 293006   | MICRO SWITCH #BZ-2RL25551-A2  |
| 27   | 2   | 470118   | 1/4UNC X 3/4 FLANGE HEX BOLT  |
| 28   | 2   | 470121   | 1/4UNC HEX FLANGE LOCK NUT    |
| 29   | 2   | 473993   | 6-32 X 1 1/8 HH MACH SCR      |
| 30   | 2   | 910022   | 6-32 HEX NUT                  |



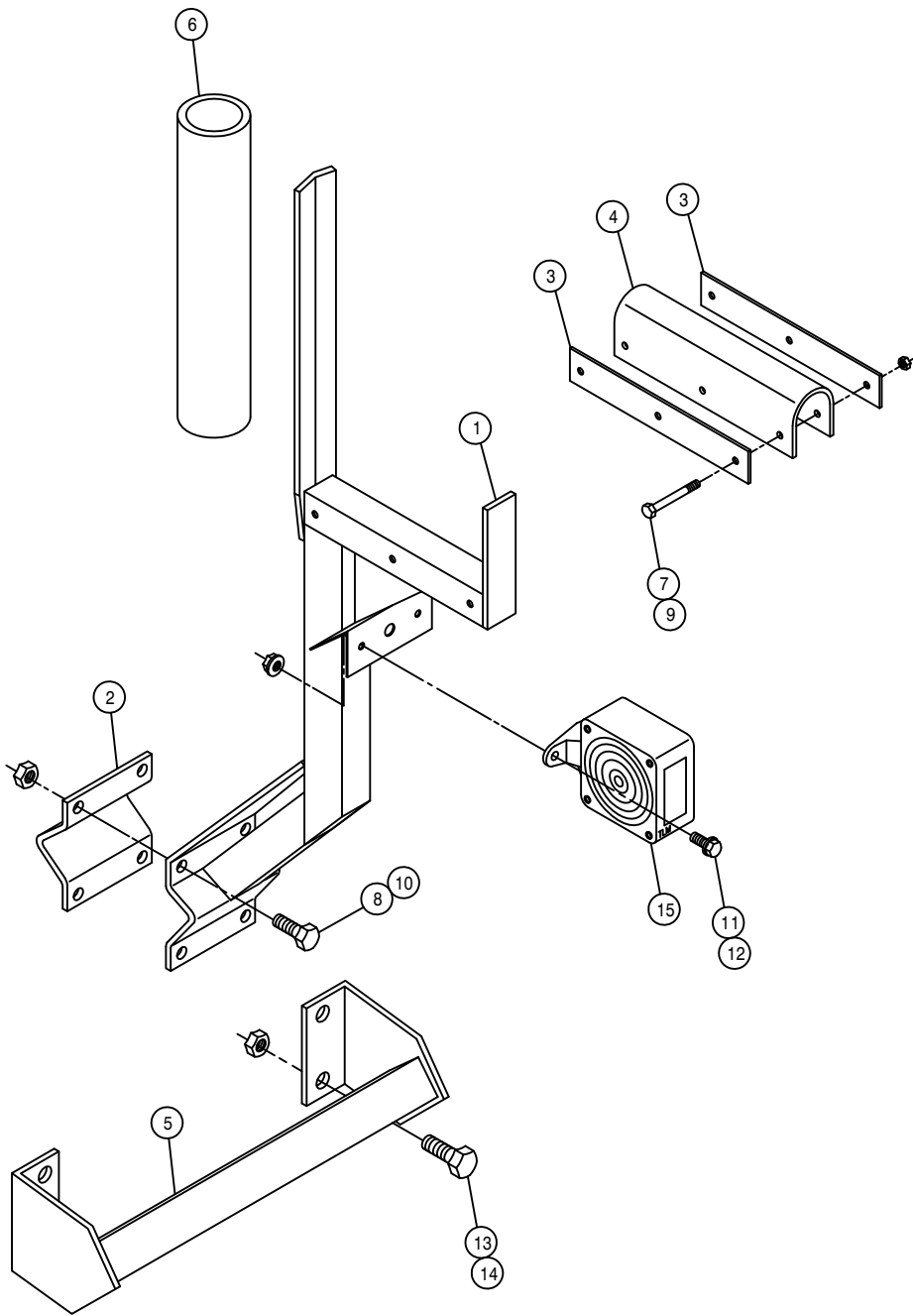
VARIABLE FLOW CONTROL ASSEMBLY

DET. QTY PART NO. DESCRIPTION

|    |   |        |                               |    |
|----|---|--------|-------------------------------|----|
| 1  | 1 | 342209 | SOLU VFC MT WLD               | 94 |
| 2  | 1 | 606818 | FLO CONT FCR51 0-16GPM 7/8FOR |    |
| 3  | 1 | 606827 | FLO CONT FC51 0-3 VARI 7/8FOR |    |
| 4  | 1 | 611126 | 7/8MJIC-7/8MOR ADPTR          |    |
| 5  | 1 | 611128 | 7/8MJIC-90-7/8MOR LBO         |    |
| 6  | 1 | 618119 | 9/16MJIC-90-9/16MOR LBO       |    |
| 7  | 1 | 618172 | 7/8MOR-9/16FOR ADPTR          |    |
| 8  | 2 | 618310 | 9/16MJIC-7/8MOR ADPTR         |    |
| 9  | 1 | 618327 | 3/4MJIC-7/8MOR ADPTR          |    |
| 10 | 4 | 900008 | 1/4UNC X 2 1/2 HEX BOLT       |    |
| 11 | 8 | 914000 | 1/4UNC HEX STOVER NUT         |    |
| 12 | 2 | 903893 | 10-32 X 1" SLT RD HD MACH SCR |    |
| 13 | 2 | 910027 | 10-32 HEX NUT                 |    |
| 14 | 4 | 920510 | #10 LOCK WASHER               |    |
| 15 | 1 | 785064 | CTRL CABLE 10-32 2IN X 53 LG  |    |
| 16 | 1 | 785063 | CTRL CABLE 10-32 2IN X 42 LG  |    |
| 17 | 4 | 470118 | 1/4UNC X 3/4 FLANGE HEX BOLT  |    |
| 18 | 2 | 914027 | 10-32 HEX STOVER NUT          |    |
| 19 | 2 | 473921 | BALL JOINT NO 10-32 THD       |    |
| 20 | 1 | 618618 | 9/16MJIC-90-9/16FJIC SWIV LBO |    |
| 21 | 1 | 342306 | SOLU PUMP VFC STOP WLD,9G 96  |    |

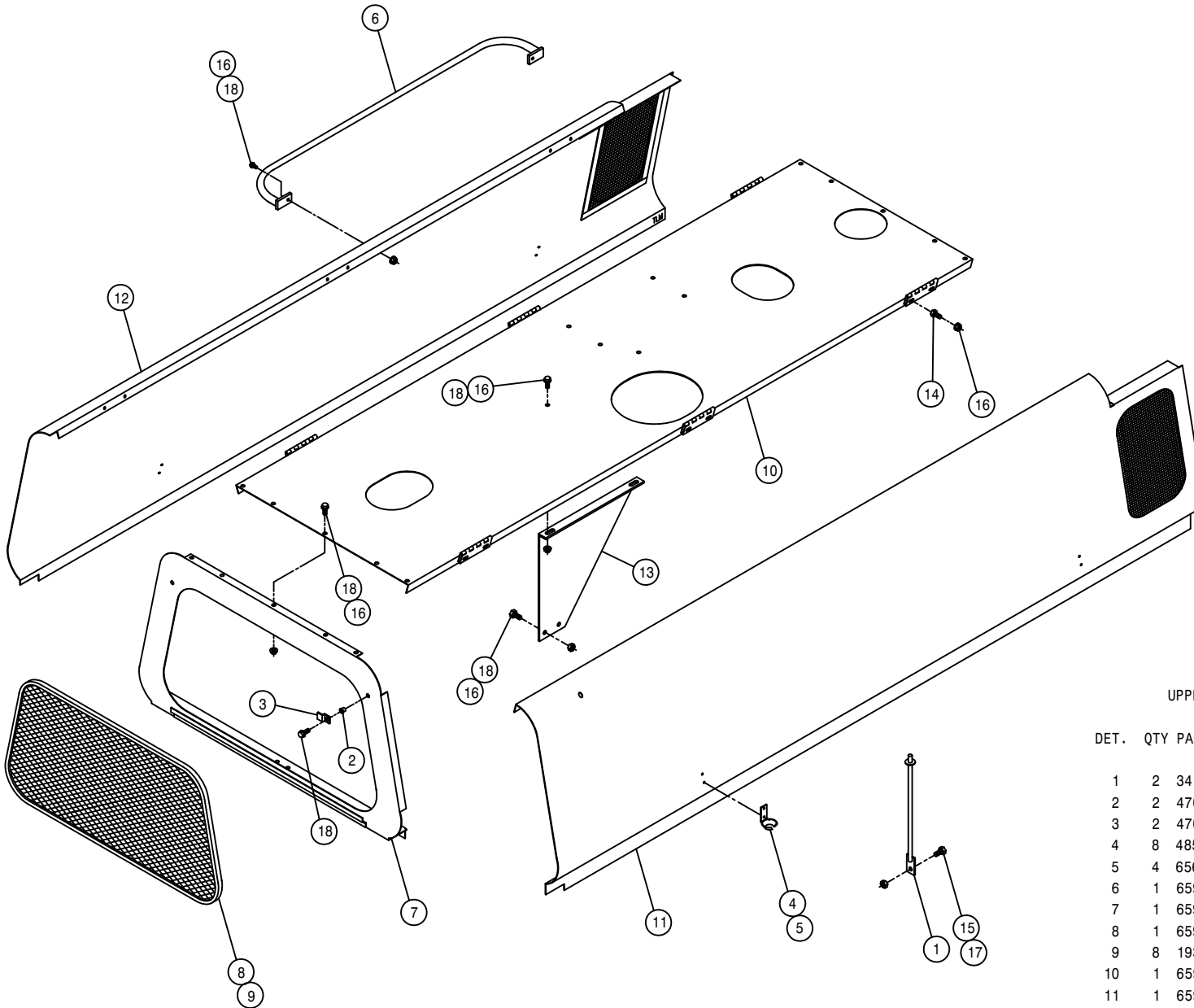
NOTE: DETAIL 21 IS USED WITH THE FLOMAX PUMP ASSEMBLY.





BOOM CRADLE ASSEMBLY

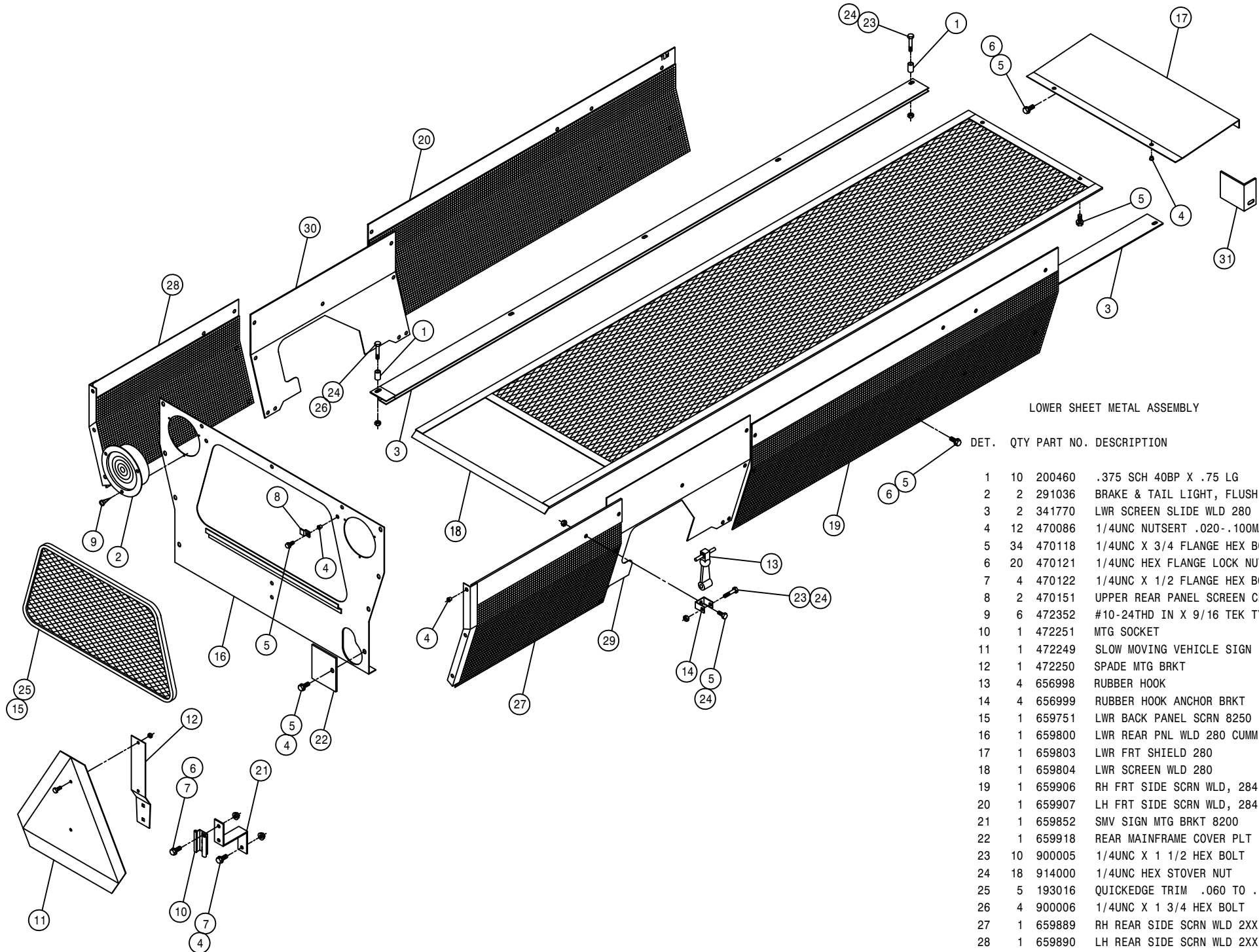
| DET. | QTY | PART NO. | DESCRIPTION                   |    |
|------|-----|----------|-------------------------------|----|
| 1    | 1   | 164245   | BOOM CRADLE WLD               | 96 |
| 2    | 1   | 164253   | BOOM CRADLE V-PLATE KEEPER    | 96 |
| 3    | 2   | 164254   | CRADLE CUSHION KEEPER         | 96 |
| 4    | 1   | 164256   | BOOM CRADLE CUSHION           | 96 |
| 5    | 1   | 164258   | BOOM CRADLE MT WLD            | 96 |
| 6    | 1   | 601184   | HOSE, 1 1/2 X 14 2BR BLK EPDM |    |
| 7    | 3   | 900008   | 1/4UNC X 2 1/2 HEX BOLT       |    |
| 8    | 4   | 900265   | 1/2UNC X 1 1/2 HEX BOLT       |    |
| 9    | 3   | 914000   | 1/4UNC HEX STOVER NUT         |    |
| 10   | 4   | 914008   | 1/2UNC HEX STOVER NUT         |    |
| 11   | 2   | 470121   | 1/4UNC HEX FLANGE LOCK NUT    |    |
| 12   | 2   | 470118   | 1/4UNC X 3/4 FLANGE HEX BOLT  |    |
| 13   | 4   | 900334   | 5/8UNC X 1 3/4 HEX BOLT       |    |
| 14   | 4   | 914010   | 5/8UNC HEX STOVER NUT         |    |
| 15   | 1   | 291604   | TURN SIGNAL LIGHT,PED MT, YEL |    |



UPPER SHEET METAL ASSEMBLY

DET. QTY PART NO. DESCRIPTION

|    |    |        |                               |
|----|----|--------|-------------------------------|
| 1  | 2  | 341356 | ENGINE HOOD PROP WLD 8240 82  |
| 2  | 2  | 470086 | 1/4UNC NUTSERT .020-.100MATL  |
| 3  | 2  | 470151 | UPPER REAR PANEL SCREEN CLIP  |
| 4  | 8  | 485053 | POP RIVET 3/16 X 3/8          |
| 5  | 4  | 656997 | RUBBER HOOK BRKT 473          |
| 6  | 1  | 659378 | RH ENG HOOD HANDRAIL WLD 647S |
| 7  | 1  | 659575 | UPPER REAR PANEL WLD 8240 82  |
| 8  | 1  | 659578 | UPPER REAR PANEL SCREEN 8240  |
| 9  | 8  | 193016 | QUICKEDGE TRIM .060 TO .170   |
| 10 | 1  | 659927 | MULLION WLD, 284 CUMM 97      |
| 11 | 1  | 659796 | RH ENGINE HOOD WLD 280 89     |
| 12 | 1  | 659797 | LH ENGINE HOOD WLD 280 89     |
| 13 | 1  | 659930 | MULLION SUPPORT BRKT, 284 97  |
| 14 | 12 | 900000 | 1/4UNC X 1/2 HEX BOLT         |
| 15 | 2  | 900128 | 3/8UNC X 3/4 HEX BOLT         |
| 16 | 28 | 470121 | 1/4UNC HEX FLANGE LOCK NUT    |
| 17 | 2  | 914004 | 3/8UNC HEX STOVER NUT         |
| 18 | 18 | 470118 | 1/4UNC X 3/4 FLANGE HEX BOLT  |



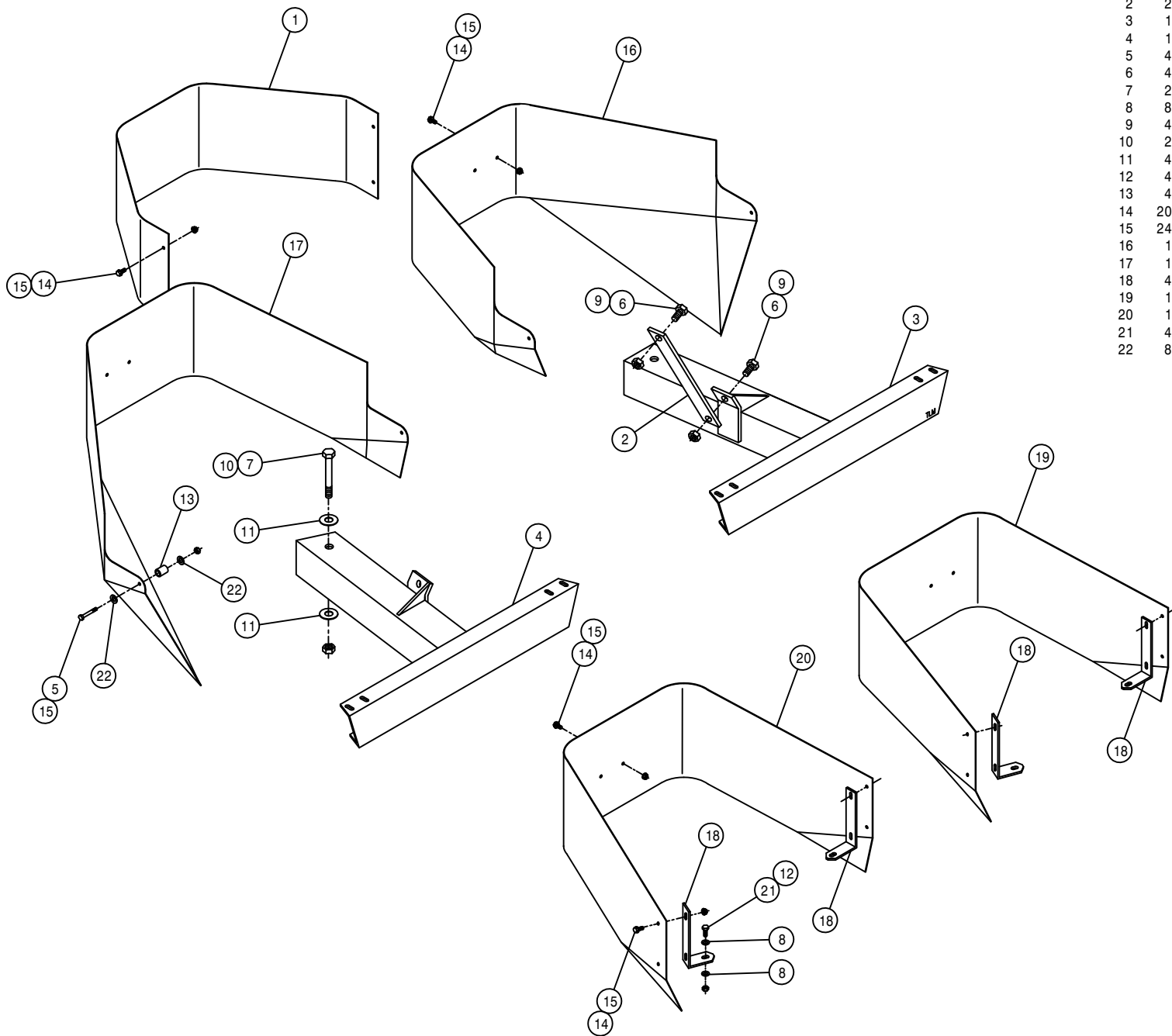
LOWER SHEET METAL ASSEMBLY

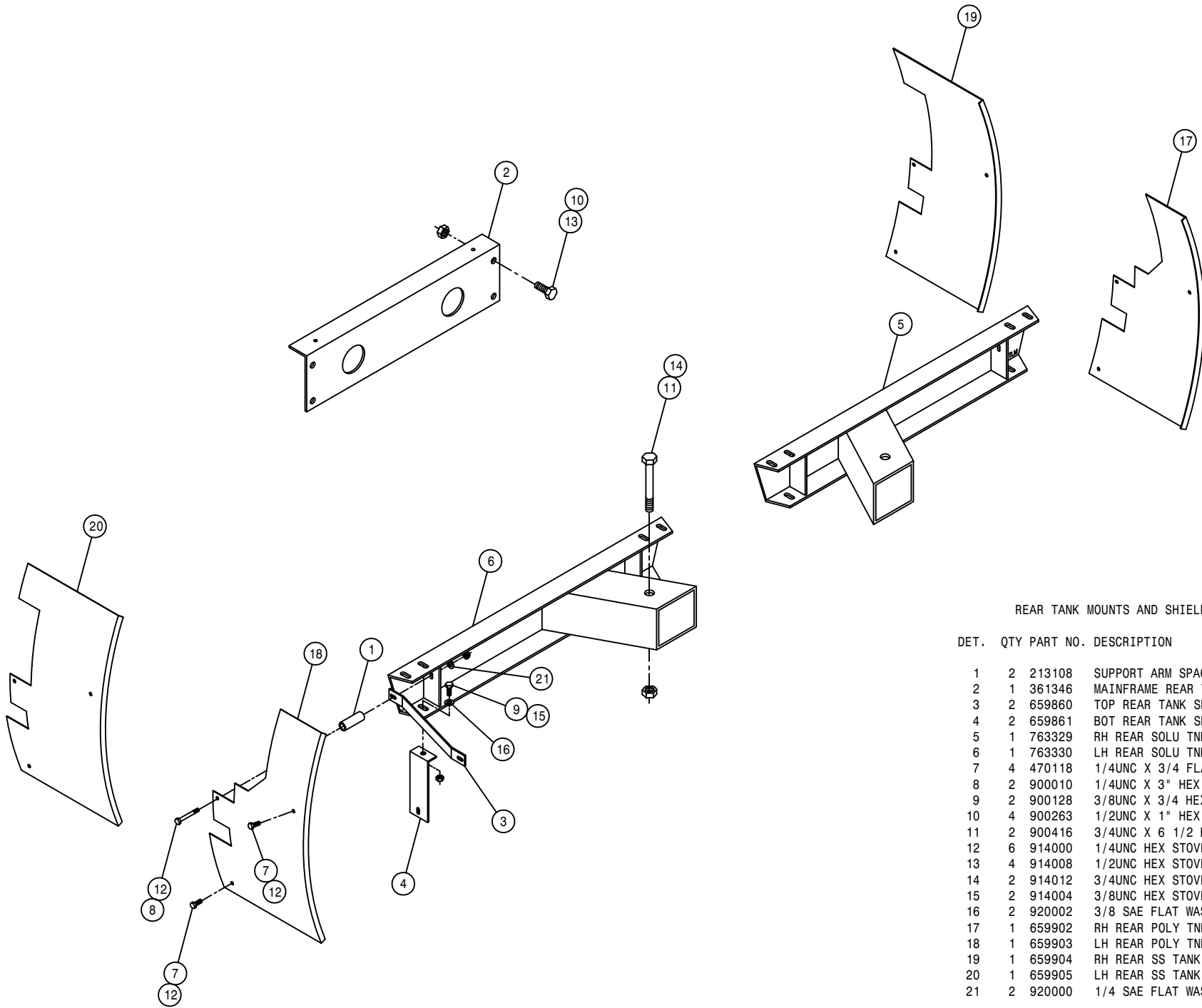
| DET. | QTY | PART NO. | DESCRIPTION                   |
|------|-----|----------|-------------------------------|
|      | 10  | 200460   | .375 SCH 40BP X .75 LG C/L    |
|      | 2   | 291036   | BRAKE & TAIL LIGHT, FLUSH MT  |
|      | 2   | 341770   | LWR SCREEN SLIDE WLD 280 89   |
|      | 12  | 470086   | 1/4UNC NUTSERT .020-.100MATL  |
|      | 34  | 470118   | 1/4UNC X 3/4 FLANGE HEX BOLT  |
|      | 20  | 470121   | 1/4UNC HEX FLANGE LOCK NUT    |
|      | 4   | 470122   | 1/4UNC X 1/2 FLANGE HEX BOLT  |
|      | 2   | 470151   | UPPER REAR PANEL SCREEN CLIP  |
|      | 6   | 472352   | #10-24THD IN X 9/16 TEK TYP 3 |
|      | 1   | 472251   | MTG SOCKET                    |
|      | 1   | 472249   | SLOW MOVING VEHICLE SIGN      |
|      | 1   | 472250   | SPADE MTG BRKT                |
|      | 4   | 656998   | RUBBER HOOK                   |
|      | 4   | 656999   | RUBBER HOOK ANCHOR BRKT       |
|      | 15  | 659751   | LWR BACK PANEL SCRNL 8250 86  |
|      | 16  | 659800   | LWR REAR PNL WLD 280 CUMM 89  |
|      | 17  | 659803   | LWR FRT SHIELD 280 89         |
|      | 18  | 659804   | LWR SCREEN WLD 280 89         |
|      | 19  | 659906   | RH FRT SIDE SCRNL WLD, 284 94 |
|      | 20  | 659907   | LH FRT SIDE SCRNL WLD, 284 94 |
|      | 21  | 659852   | SMV SIGN MTG BRKT 8200 89     |
|      | 22  | 659918   | REAR MAINFRAME COVER PLT 95   |
|      | 23  | 900005   | 1/4UNC X 1 1/2 HEX BOLT       |
|      | 18  | 914000   | 1/4UNC HEX STOVER NUT         |
|      | 5   | 193016   | QUICKEDGE TRIM .060 TO .170   |
|      | 4   | 900006   | 1/4UNC X 1 3/4 HEX BOLT       |
|      | 27  | 659889   | RH REAR SIDE SCRNL WLD 2XX 92 |
|      | 28  | 659890   | LH REAR SIDE SCRNL WLD 2XX 92 |
|      | 29  | 659895   | RH LWR SIDE SHIELD 200/280 92 |
|      | 30  | 659896   | LH LWR SIDE SHIELD 200/280 92 |
|      | 31  | 659917   | FRT MAINFRAME COVER PLT 95    |

FRONT TANK MOUNTS AND SHIELDS

DET. QTY PART NO. DESCRIPTION

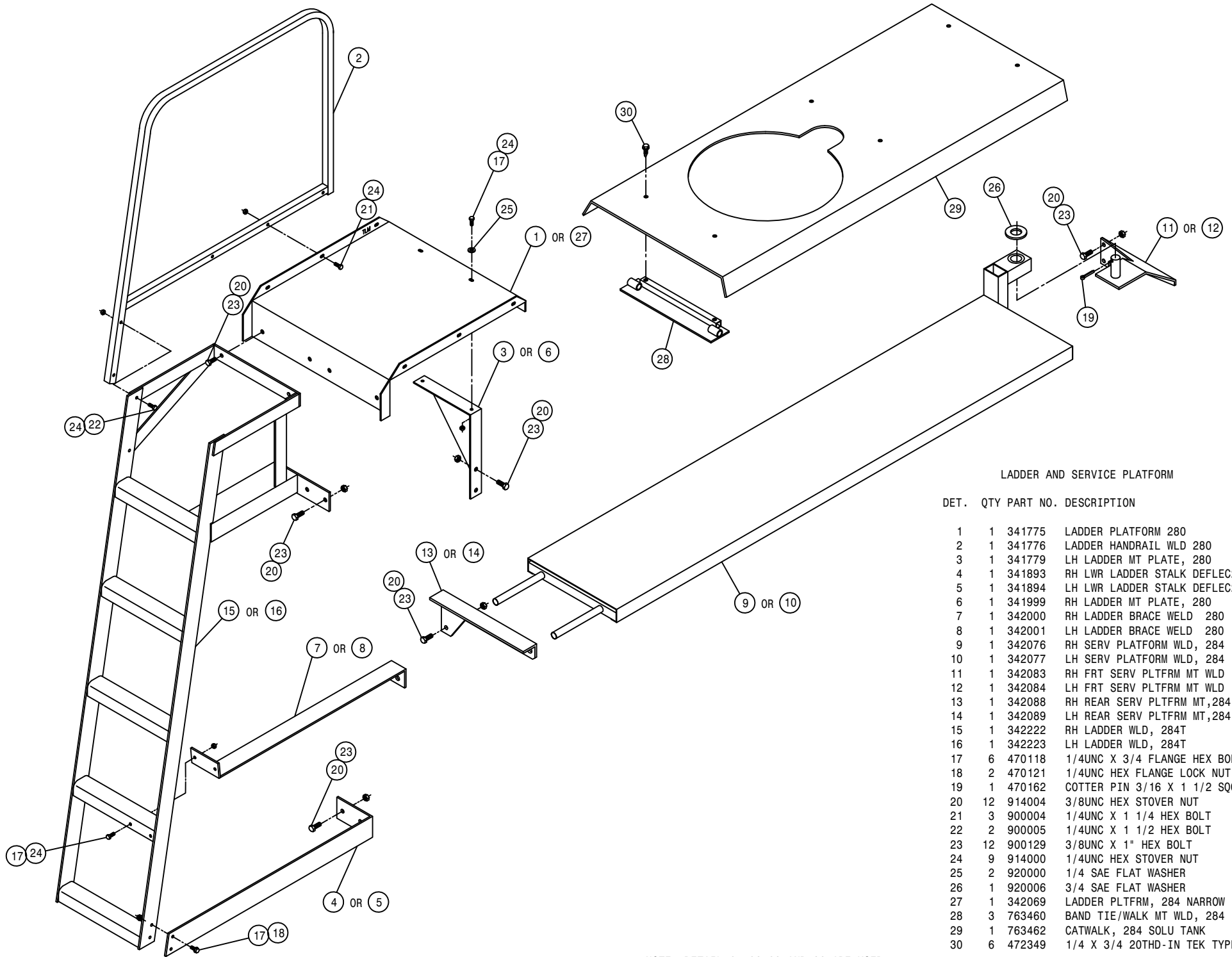
|    |    |        |                               |    |
|----|----|--------|-------------------------------|----|
| 1  | 1  | 659831 | LWR FRONT SHIELD 280          | 89 |
| 2  | 2  | 763453 | TANK SUPPORT ARM, 284T        | 94 |
| 3  | 1  | 763447 | RH FRT SOLU TANK MT WLD284    | 94 |
| 4  | 1  | 763448 | LH FRT SOLU TANK MT WLD284    | 94 |
| 5  | 4  | 900006 | 1/4UNC X 1 3/4 HEX BOLT       |    |
| 6  | 4  | 900333 | 5/8UNC X 1 1/2 HEX BOLT       |    |
| 7  | 2  | 900416 | 3/4UNC X 6 1/2 HEX BOLT       |    |
| 8  | 8  | 920002 | 3/8 SAE FLAT WASHER           |    |
| 9  | 4  | 914010 | 5/8UNC HEX STOVER NUT         |    |
| 10 | 2  | 914012 | 3/4UNC HEX STOVER NUT         |    |
| 11 | 4  | 920006 | 3/4 SAE FLAT WASHER           |    |
| 12 | 4  | 914004 | 3/8UNC HEX STOVER NUT         |    |
| 13 | 4  | 160621 | SPRING TIGHTENER HOOK BUSH    |    |
| 14 | 20 | 470118 | 1/4UNC X 3/4 FLANGE HEX BOLT  |    |
| 15 | 24 | 470121 | 1/4UNC HEX FLANGE LOCK NUT    |    |
| 16 | 1  | 659856 | RH FRT POLY TANK SHLD WLD 280 |    |
| 17 | 1  | 659857 | LH FRT POLY TANK SHLD WLD 280 |    |
| 18 | 4  | 659834 | FRT LEG SHIELD MTG BRKT280    | 89 |
| 19 | 1  | 659854 | RH FRT SS TANK SHIELD 280     | 90 |
| 20 | 1  | 659855 | LH FRT SS TANK SHIELD 280     | 90 |
| 21 | 4  | 900130 | 3/8UNC X 1 1/4 HEX BOLT       |    |
| 22 | 8  | 920000 | 1/4 SAE FLAT WASHER           |    |





REAR TANK MOUNTS AND SHIELDS

| DET. | QTY | PART NO. | DESCRIPTION                   |
|------|-----|----------|-------------------------------|
| 1    | 2   | 213108   | SUPPORT ARM SPACER            |
| 2    | 1   | 361346   | MAINFRAME REAR TIE ANGLE 280  |
| 3    | 2   | 659860   | TOP REAR TANK SHLD BRKT280 90 |
| 4    | 2   | 659861   | BOT REAR TANK SHLD BRKT280 90 |
| 5    | 1   | 763329   | RH REAR SOLU TNK MT WLD280 90 |
| 6    | 1   | 763330   | LH REAR SOLU TNK MT WLD280 90 |
| 7    | 4   | 470118   | 1/4UNC X 3/4 FLANGE HEX BOLT  |
| 8    | 2   | 900010   | 1/4UNC X 3" HEX BOLT          |
| 9    | 2   | 900128   | 3/8UNC X 3/4 HEX BOLT         |
| 10   | 4   | 900263   | 1/2UNC X 1" HEX BOLT          |
| 11   | 2   | 900416   | 3/4UNC X 6 1/2 HEX BOLT       |
| 12   | 6   | 914000   | 1/4UNC HEX STOVER NUT         |
| 13   | 4   | 914008   | 1/2UNC HEX STOVER NUT         |
| 14   | 2   | 914012   | 3/4UNC HEX STOVER NUT         |
| 15   | 2   | 914004   | 3/8UNC HEX STOVER NUT         |
| 16   | 2   | 920002   | 3/8 SAE FLAT WASHER           |
| 17   | 1   | 659902   | RH REAR POLY TNK SHIELD284 94 |
| 18   | 1   | 659903   | LH REAR POLY TNK SHIELD284 94 |
| 19   | 1   | 659904   | RH REAR SS TANK SHIELD 284 94 |
| 20   | 1   | 659905   | LH REAR SS TANK SHIELD 284 94 |
| 21   | 2   | 920000   | 1/4 SAE FLAT WASHER           |



LADDER AND SERVICE PLATFORM

| DET. | QTY | PART NO. | DESCRIPTION                   |                               |    |
|------|-----|----------|-------------------------------|-------------------------------|----|
|      | 1   | 341775   | LADDER PLATFORM 280           | 89                            |    |
|      | 1   | 341776   | LADDER HANDRAIL WLD 280       | 89                            |    |
|      | 1   | 341779   | LH LADDER MT PLATE, 280       | 89                            |    |
|      | 4   | 341893   | RH LWR LADDER STALK DEFLEC280 |                               |    |
|      | 5   | 341894   | LH LWR LADDER STALK DEFLEC280 |                               |    |
|      | 6   | 341999   | RH LADDER MT PLATE, 280       | 89                            |    |
|      | 7   | 342000   | RH LADDER BRACE WELD 280      | 92                            |    |
|      | 8   | 342001   | LH LADDER BRACE WELD 280      | 92                            |    |
|      | 9   | 342076   | RH SERV PLATFORM WLD, 284     | 95                            |    |
|      | 10  | 342077   | LH SERV PLATFORM WLD, 284     | 95                            |    |
|      | 11  | 342083   | RH FRT SERV PLTFRM MT WLD 95  |                               |    |
|      | 12  | 342084   | LH FRT SERV PLTFRM MT WLD 95  |                               |    |
|      | 13  | 342088   | RH REAR SERV PLTFRM MT, 284   | 95                            |    |
|      | 14  | 342089   | LH REAR SERV PLTFRM MT, 284   | 95                            |    |
|      | 15  | 342222   | RH LADDER WLD, 284T           | 94                            |    |
|      | 16  | 342223   | LH LADDER WLD, 284T           | 94                            |    |
|      | 17  | 6        | 470118                        | 1/4UNC X 3/4 FLANGE HEX BOLT  |    |
|      | 18  | 2        | 470121                        | 1/4UNC HEX FLANGE LOCK NUT    |    |
|      | 19  | 1        | 470162                        | COTTER PIN 3/16 X 1 1/2 SQCUT |    |
|      | 20  | 12       | 914004                        | 3/8UNC HEX STOVER NUT         |    |
|      | 21  | 3        | 900004                        | 1/4UNC X 1 1/4 HEX BOLT       |    |
|      | 22  | 2        | 900005                        | 1/4UNC X 1 1/2 HEX BOLT       |    |
|      | 23  | 12       | 900129                        | 3/8UNC X 1" HEX BOLT          |    |
|      | 24  | 9        | 914000                        | 1/4UNC HEX STOVER NUT         |    |
|      | 25  | 2        | 920000                        | 1/4 SAE FLAT WASHER           |    |
|      | 26  | 1        | 920006                        | 3/4 SAE FLAT WASHER           |    |
|      | 27  | 1        | 342069                        | LADDER PLTFRM, 284 NARROW     | 94 |
|      | 28  | 3        | 763460                        | BAND TIE/WALK MT WLD, 284     | 95 |
|      | 29  | 1        | 763462                        | CATWALK, 284 SOLU TANK        | 95 |
|      | 30  | 6        | 472349                        | 1/4 X 3/4 20THD-IN TEK TYPE   |    |

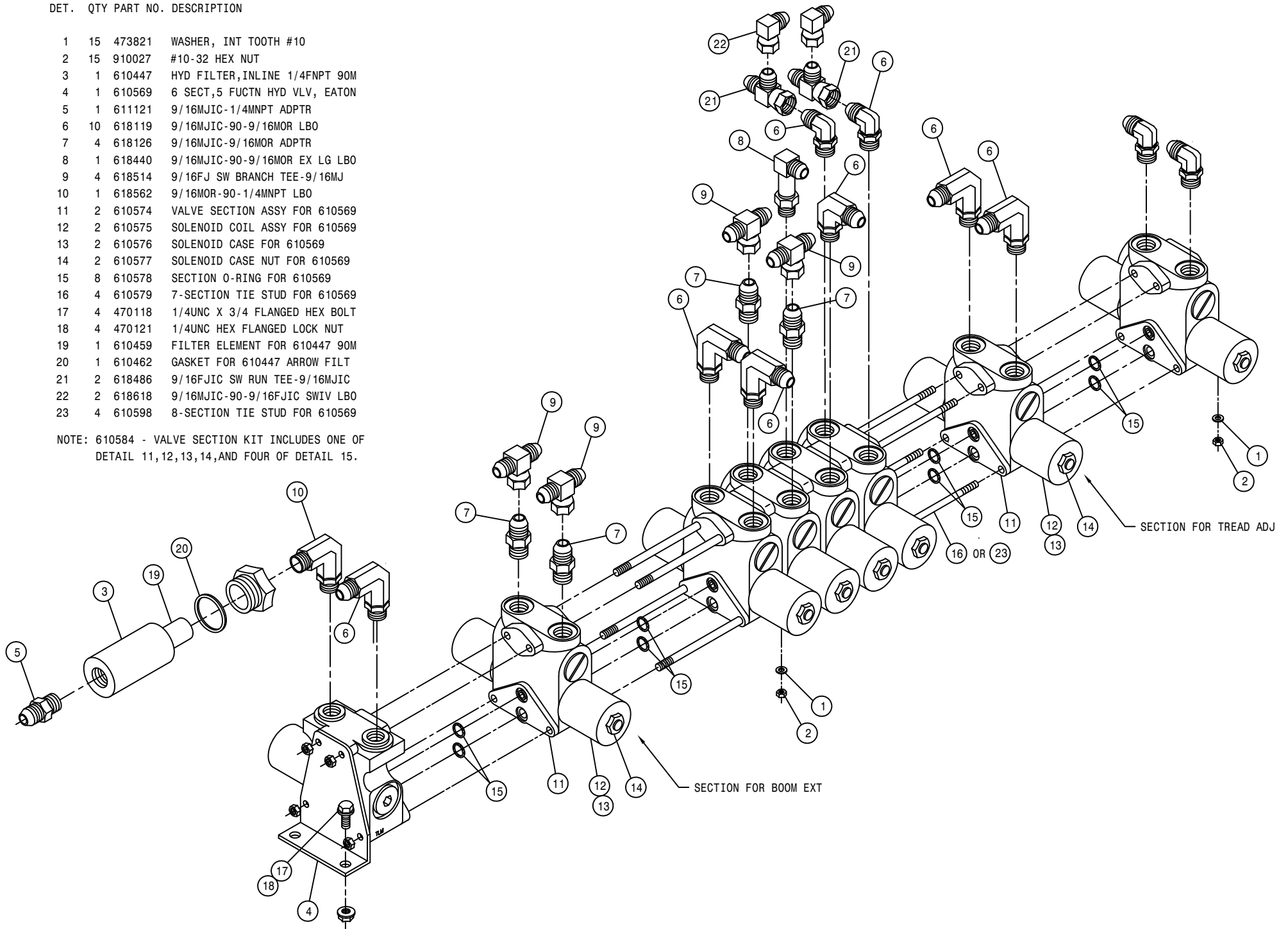
NOTE: DETAIL 27,28,29 AND 30 ARE USED WITH THE NARROW TREAD OPTION.

ELECTRIC BOOM VALVE ASSEMBLY

DET. QTY PART NO. DESCRIPTION

|    |    |        |                                |
|----|----|--------|--------------------------------|
| 1  | 15 | 473821 | WASHER, INT TOOTH #10          |
| 2  | 15 | 910027 | #10-32 HEX NUT                 |
| 3  | 1  | 610447 | HYD FILTER, INLINE 1/4FNPT 90M |
| 4  | 1  | 610569 | 6 SECT, 5 FUCTN HYD VLV, EATON |
| 5  | 1  | 611121 | 9/16MJIC-1/4MNPT ADPTR         |
| 6  | 10 | 618119 | 9/16MJIC-90-9/16MOR LBO        |
| 7  | 4  | 618126 | 9/16MJIC-9/16MOR ADPTR         |
| 8  | 1  | 618440 | 9/16MJIC-90-9/16MOR EX LG LBO  |
| 9  | 4  | 618514 | 9/16FJ SW BRANCH TEE-9/16MJ    |
| 10 | 1  | 618562 | 9/16MOR-90-1/4MNPT LBO         |
| 11 | 2  | 610574 | VALVE SECTION ASSY FOR 610569  |
| 12 | 2  | 610575 | SOLENOID COIL ASSY FOR 610569  |
| 13 | 2  | 610576 | SOLENOID CASE FOR 610569       |
| 14 | 2  | 610577 | SOLENOID CASE NUT FOR 610569   |
| 15 | 8  | 610578 | SECTION O-RING FOR 610569      |
| 16 | 4  | 610579 | 7-SECTION TIE STUD FOR 610569  |
| 17 | 4  | 470118 | 1/4UNC X 3/4 FLANGED HEX BOLT  |
| 18 | 4  | 470121 | 1/4UNC HEX FLANGED LOCK NUT    |
| 19 | 1  | 610459 | FILTER ELEMENT FOR 610447 90M  |
| 20 | 1  | 610462 | GASKET FOR 610447 ARROW FILT   |
| 21 | 2  | 618486 | 9/16FJIC SW RUN TEE-9/16MJIC   |
| 22 | 2  | 618618 | 9/16MJIC-90-9/16FJIC SWIV LBO  |
| 23 | 4  | 610598 | 8-SECTION TIE STUD FOR 610569  |

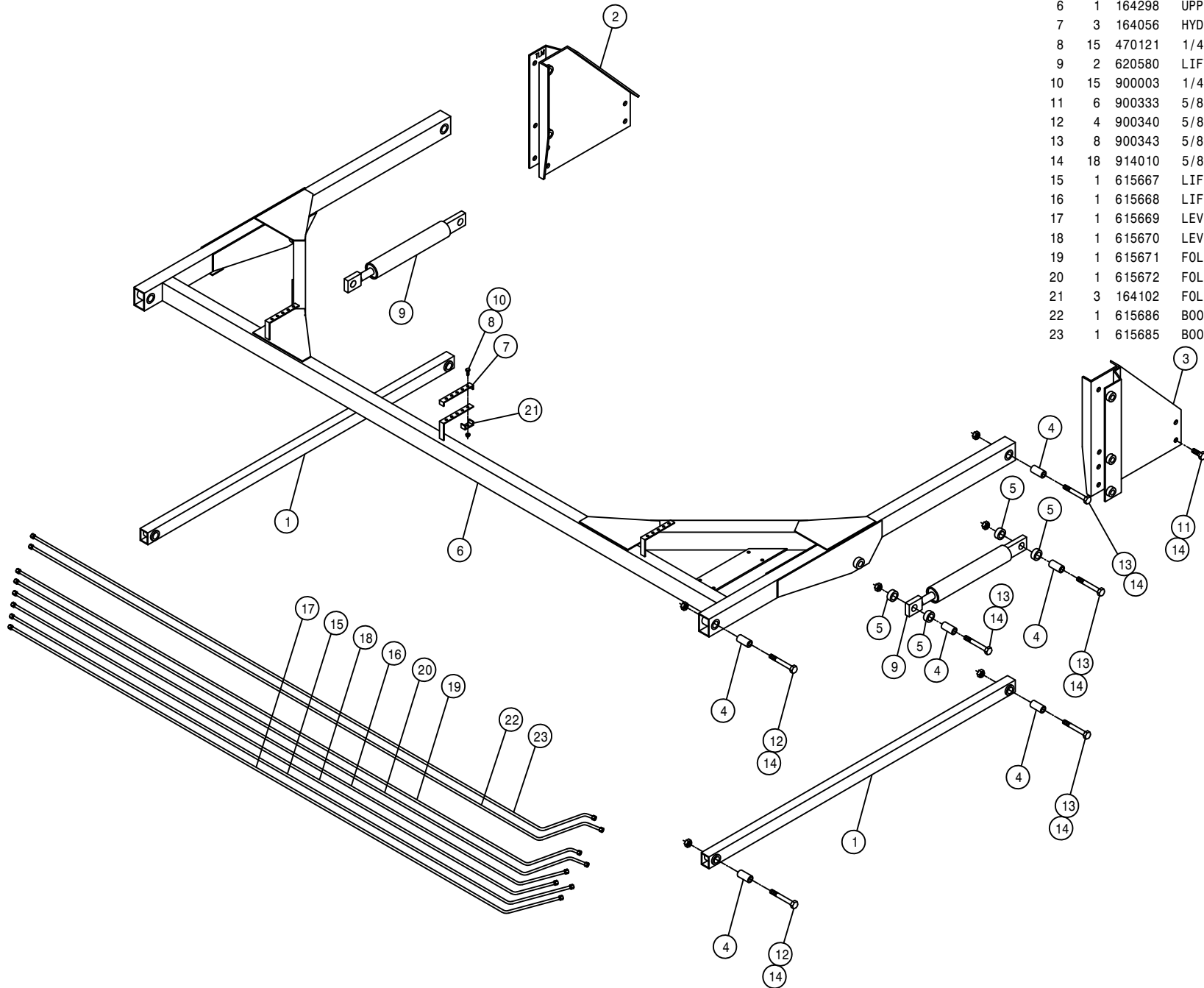
NOTE: 610584 - VALVE SECTION KIT INCLUDES ONE OF  
DETAIL 11,12,13,14,AND FOUR OF DETAIL 15.



LIFTARM ASSEMBLY

DET. QTY PART NO. DESCRIPTION

| DET. | QTY | PART NO. | DESCRIPTION                   |    |
|------|-----|----------|-------------------------------|----|
| 1    | 2   | 160471   | LWR LIFT ARM WLD 8540-8250    | 87 |
| 2    | 1   | 160495   | RH LIFT ARM MT WLD 280        | 89 |
| 3    | 1   | 160496   | LH LIFT ARM MT WLD 280        | 89 |
| 4    | 12  | 160691   | BUSH LIFT ARM LONG 470        |    |
| 5    | 8   | 160921   | BUSHING, CYL MT-LIFT ARMS5/8  |    |
| 6    | 1   | 164298   | UPPER LIFT ARM WLD, 284W      | 97 |
| 7    | 3   | 164056   | HYD TUBE KPR, UPR LIFT ARM    | 94 |
| 8    | 15  | 470121   | 1/4UNC HEX FLANGE LOCK NUT    |    |
| 9    | 2   | 620580   | LIFT CYL ASSY W/FTGS          | 96 |
| 10   | 15  | 900003   | 1/4UNC X 1" HEX BOLT          |    |
| 11   | 6   | 900333   | 5/8UNC X 1 1/2 HEX BOLT       |    |
| 12   | 4   | 900340   | 5/8UNC X 3 1/2 HEX BOLT       |    |
| 13   | 8   | 900343   | 5/8UNC X 4 1/2 HEX BOLT       |    |
| 14   | 18  | 914010   | 5/8UNC HEX STOVER NUT         |    |
| 15   | 1   | 615667   | LIFT HYD TUBE ASSY,UP 284W    | 95 |
| 16   | 1   | 615668   | LIFT HYD TUBE ASSY,DN 284W    | 95 |
| 17   | 1   | 615669   | LEV HYD TUBE ASSY,UP 284W     | 95 |
| 18   | 1   | 615670   | LEV HYD TUBE ASSY,DN 284W     | 95 |
| 19   | 1   | 615671   | FOLD HYD TUBE ASSY,IN 284W    | 95 |
| 20   | 1   | 615672   | FOLD HYD TUBE ASSY,OUT284W    | 95 |
| 21   | 3   | 164102   | FOLD BOOM HYD TUBE KPR        | 96 |
| 22   | 1   | 615686   | BOOM HYD TUBE ASSY,OUT 284W96 |    |
| 23   | 1   | 615685   | BOOM HYD TUBE ASSY,IN 284W96  |    |



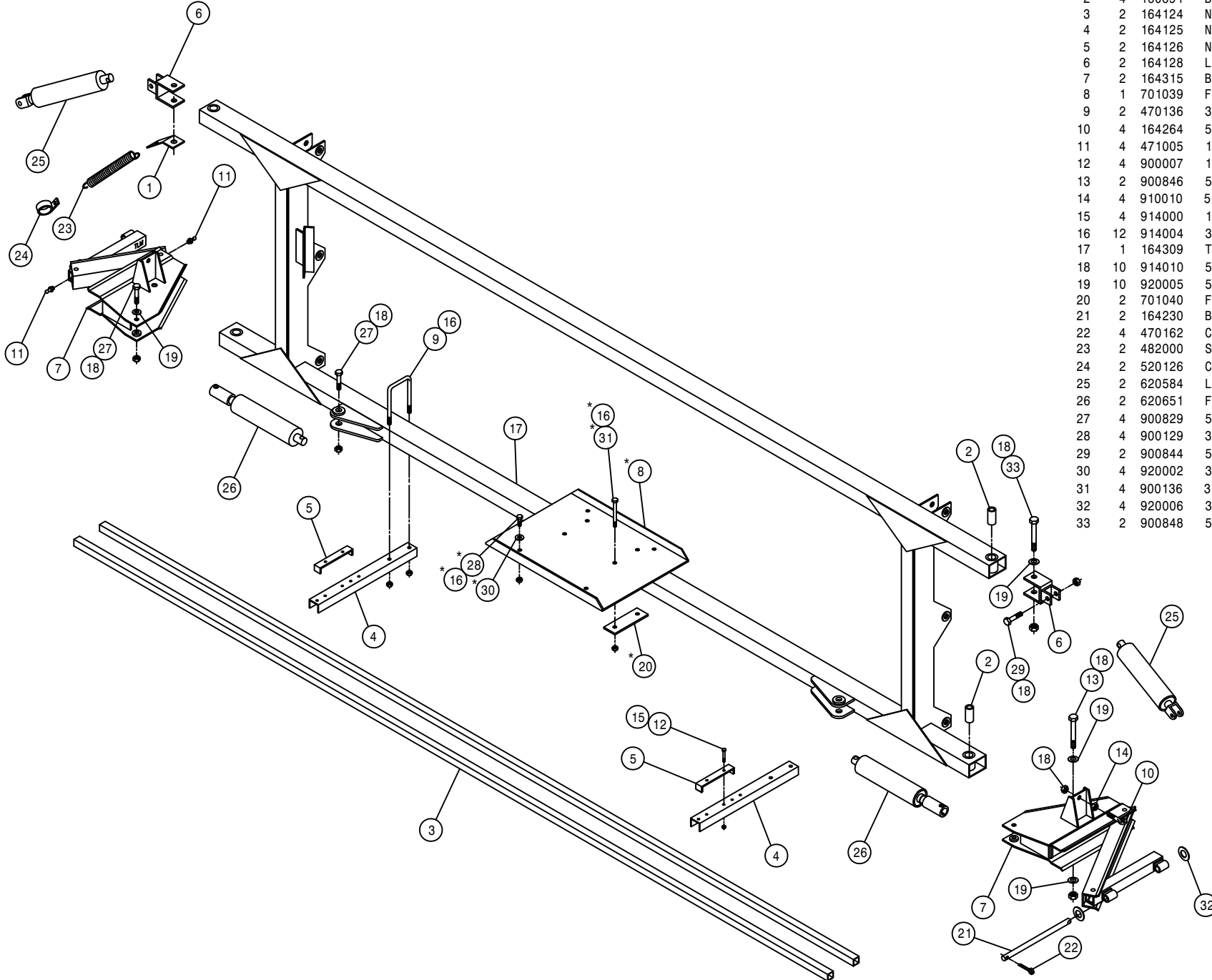


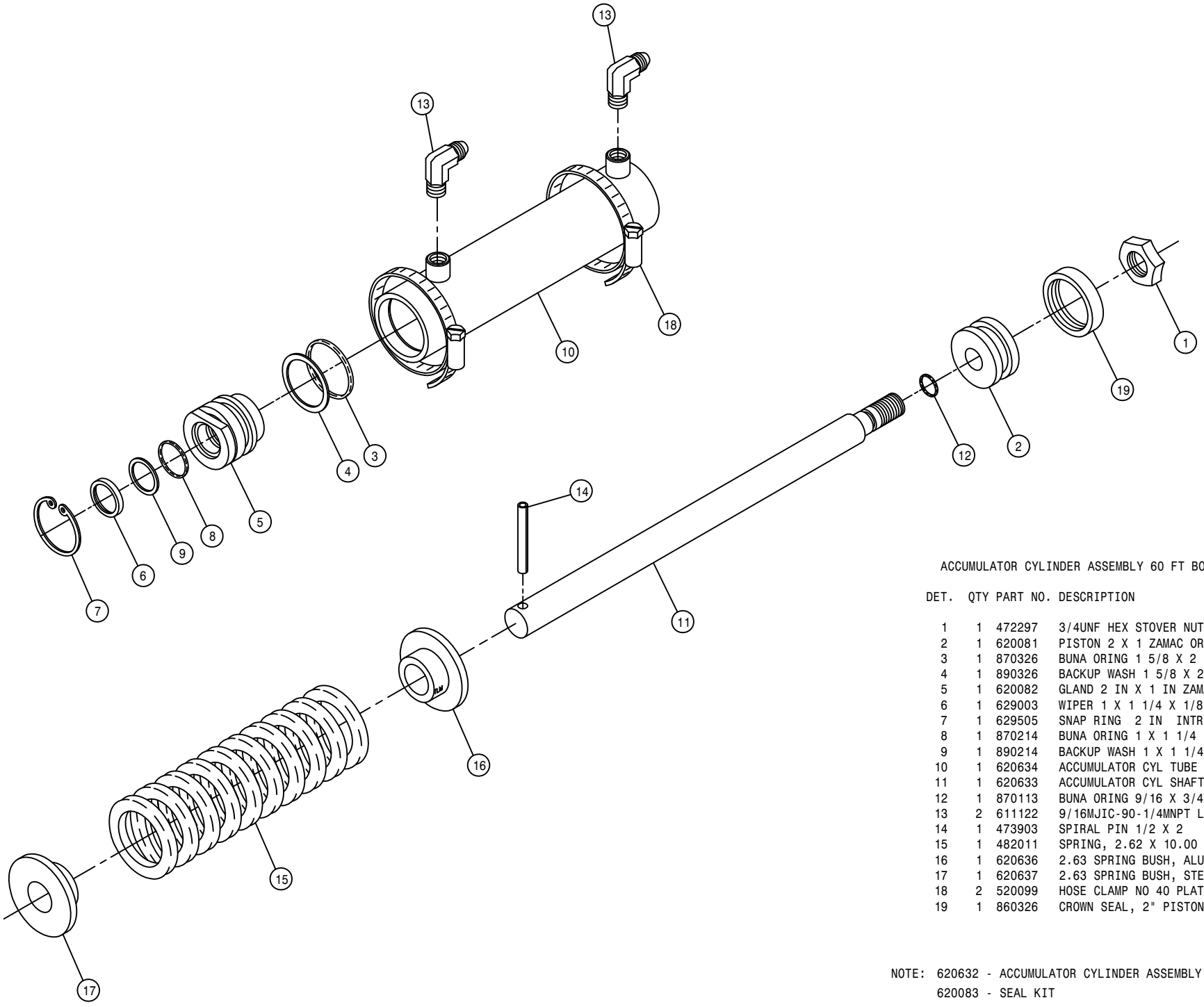
NOTE: DETAILS MARKED WITH A (\*) ARE USED WITH THE FOAM MARKER OPTION.

TRANSOM ASSEMBLY

DET. QTY PART NO. DESCRIPTION

| DET. | QTY | PART NO. | DESCRIPTION                     |
|------|-----|----------|---------------------------------|
| 1    | 2   | 160429   | FEEDER HOSE SUPPORT SPRING MT   |
| 2    | 4   | 160691   | BUSH LIFT ARM LONG 470          |
| 3    | 2   | 164124   | NOZL MT TUBE,254X-11, 284W 96   |
| 4    | 2   | 164125   | NOZL MT TUBE HANGER CHAN 96     |
| 5    | 2   | 164126   | NOZL MT TUBE CLAMP 254/284 96   |
| 6    | 2   | 164128   | LEVEL CYL PIVOT BRKT WLD 96     |
| 7    | 2   | 164315   | BOOM BREAKAWAY WLD 97           |
| 8    | 1   | 701039   | FOAM MARKER BASE CHAN,TRANSOM   |
| 9    | 2   | 470136   | 3/8UNC-3 1/16ID-3 SQ U-BOLT     |
| 10   | 4   | 164264   | 5/8UNC X 3" EYE BOLT            |
| 11   | 4   | 471005   | 1/4 28 X 1/2 GREASE ZERK        |
| 12   | 4   | 900007   | 1/4UNC X 2" HEX BOLT            |
| 13   | 2   | 900846   | 5/8UNC X 4 1/4 HEX BOLT GR8     |
| 14   | 4   | 910010   | 5/8UNC HEX NUT                  |
| 15   | 4   | 914000   | 1/4UNC HEX STOVER NUT           |
| 16   | 12  | 914004   | 3/8UNC HEX STOVER NUT           |
| 17   | 1   | 164309   | TRANSOM WLD, 284W 144TRD 97     |
| 18   | 10  | 914010   | 5/8UNC HEX STOVER NUT           |
| 19   | 10  | 920005   | 5/8 SAE FLAT WASHER             |
| 20   | 2   | 701040   | FOAM MARKER BASE KPR, TRANSOM   |
| 21   | 2   | 164230   | BOOM PIVOT PIN, .75 X 13.31 96  |
| 22   | 4   | 470162   | COTTER PIN 3/16 X 1 1/2 SQCUT   |
| 23   | 2   | 482000   | SPRING, .930D X 8.5LG, .072WIRE |
| 24   | 2   | 520126   | CUSH HOSE CLAMP 2IN X 5/8W      |
| 25   | 2   | 620584   | LEVEL CYL ASSY W/FTGS 96        |
| 26   | 2   | 620651   | FOLD CYL ASSY W/FTGS 97         |
| 27   | 4   | 900829   | 5/8UNC X 4" HEX BOLT GR8        |
| 28   | 4   | 900129   | 3/8UNC X 1" HEX BOLT            |
| 29   | 2   | 900844   | 5/8UNC X 2 3/4 HEX BOLT GR8     |
| 30   | 4   | 920002   | 3/8 SAE FLAT WASHER             |
| 31   | 4   | 900136   | 3/8UNC X 3" HEX BOLT            |
| 32   | 4   | 920006   | 3/4 SAE FLAT WASHER             |
| 33   | 2   | 900848   | 5/8UNC X 4 3/4 HEX BOLT GR8     |

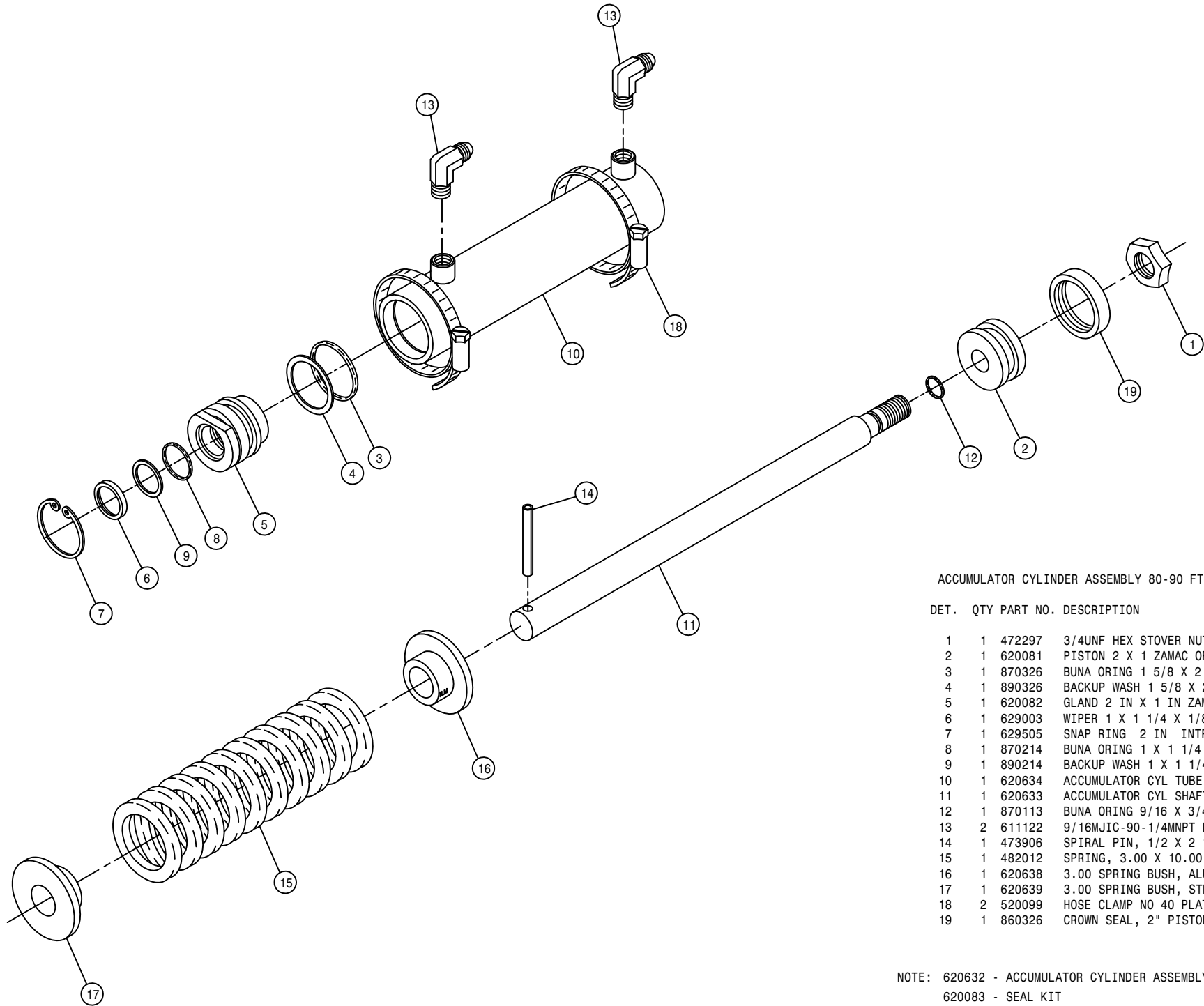




ACCUMULATOR CYLINDER ASSEMBLY 60 FT BOOM

| DET. | QTY | PART NO. | DESCRIPTION                   |
|------|-----|----------|-------------------------------|
| 1    | 1   | 472297   | 3/4UNF HEX STOVER NUT THIN    |
| 2    | 1   | 620081   | PISTON 2 X 1 ZAMAC ORING TYPE |
| 3    | 1   | 870326   | BUNA ORING 1 5/8 X 2          |
| 4    | 1   | 890326   | BACKUP WASH 1 5/8 X 2 LEATH   |
| 5    | 1   | 620082   | GLAND 2 IN X 1 IN ZAMAC       |
| 6    | 1   | 629003   | WIPER 1 X 1 1/4 X 1/8         |
| 7    | 1   | 629505   | SNAP RING 2 IN INTRN          |
| 8    | 1   | 870214   | BUNA ORING 1 X 1 1/4          |
| 9    | 1   | 890214   | BACKUP WASH 1 X 1 1/4 HT2022  |
| 10   | 1   | 620634   | ACCUMULATOR CYL TUBE WLD 96   |
| 11   | 1   | 620633   | ACCUMULATOR CYL SHAFT 96      |
| 12   | 1   | 870113   | BUNA ORING 9/16 X 3/4         |
| 13   | 2   | 611122   | 9/16MJIC-90-1/4MNPT LBO       |
| 14   | 1   | 473903   | SPIRAL PIN 1/2 X 2 640        |
| 15   | 1   | 482011   | SPRING, 2.62 X 10.00 COMPRSN  |
| 16   | 1   | 620636   | 2.63 SPRING BUSH, ALUM 96     |
| 17   | 1   | 620637   | 2.63 SPRING BUSH, STEEL 96    |
| 18   | 2   | 520099   | HOSE CLAMP NO 40 PLATED       |
| 19   | 1   | 860326   | CROWN SEAL, 2" PISTON, HYD    |

NOTE: 620632 - ACCUMULATOR CYLINDER ASSEMBLY 1-12  
 620083 - SEAL KIT



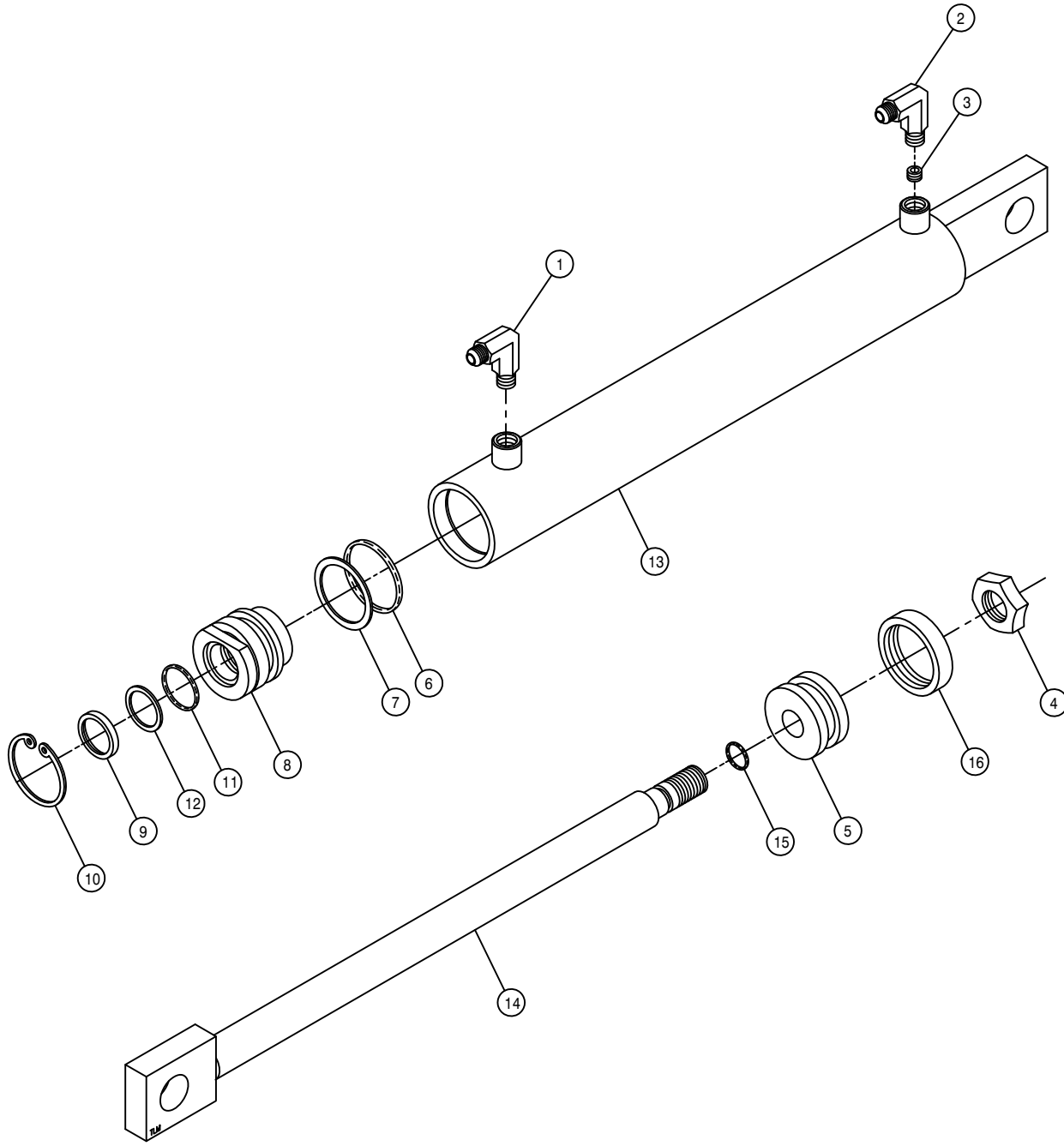
ACCUMULATOR CYLINDER ASSEMBLY 80-90 FT BOOM

DET. QTY PART NO. DESCRIPTION

|    |   |        |                               |
|----|---|--------|-------------------------------|
| 1  | 1 | 472297 | 3/4UNF HEX STOVER NUT THIN    |
| 2  | 1 | 620081 | PISTON 2 X 1 ZAMAC ORING TYPE |
| 3  | 1 | 870326 | BUNA ORING 1 5/8 X 2          |
| 4  | 1 | 890326 | BACKUP WASH 1 5/8 X 2 LEATH   |
| 5  | 1 | 620082 | GLAND 2 IN X 1 IN ZAMAC       |
| 6  | 1 | 629003 | WIPER 1 X 1 1/4 X 1/8         |
| 7  | 1 | 629505 | SNAP RING 2 IN INTRN          |
| 8  | 1 | 870214 | BUNA ORING 1 X 1 1/4          |
| 9  | 1 | 890214 | BACKUP WASH 1 X 1 1/4 HT2022  |
| 10 | 1 | 620634 | ACCUMULATOR CYL TUBE WLD 96   |
| 11 | 1 | 620633 | ACCUMULATOR CYL SHAFT 96      |
| 12 | 1 | 870113 | BUNA ORING 9/16 X 3/4         |
| 13 | 2 | 611122 | 9/16MJIC-90-1/4MNPT LBO       |
| 14 | 1 | 473906 | SPIRAL PIN, 1/2 X 2 1/2 LG    |
| 15 | 1 | 482012 | SPRING, 3.00 X 10.00 COMPRSN  |
| 16 | 1 | 620638 | 3.00 SPRING BUSH, ALUM 96     |
| 17 | 1 | 620639 | 3.00 SPRING BUSH, STEEL 96    |
| 18 | 2 | 520099 | HOSE CLAMP NO 40 PLATED       |
| 19 | 1 | 860326 | CROWN SEAL, 2" PISTON, HYD    |

NOTE: 620632 - ACCUMULATOR CYLINDER ASSEMBLY 1-12

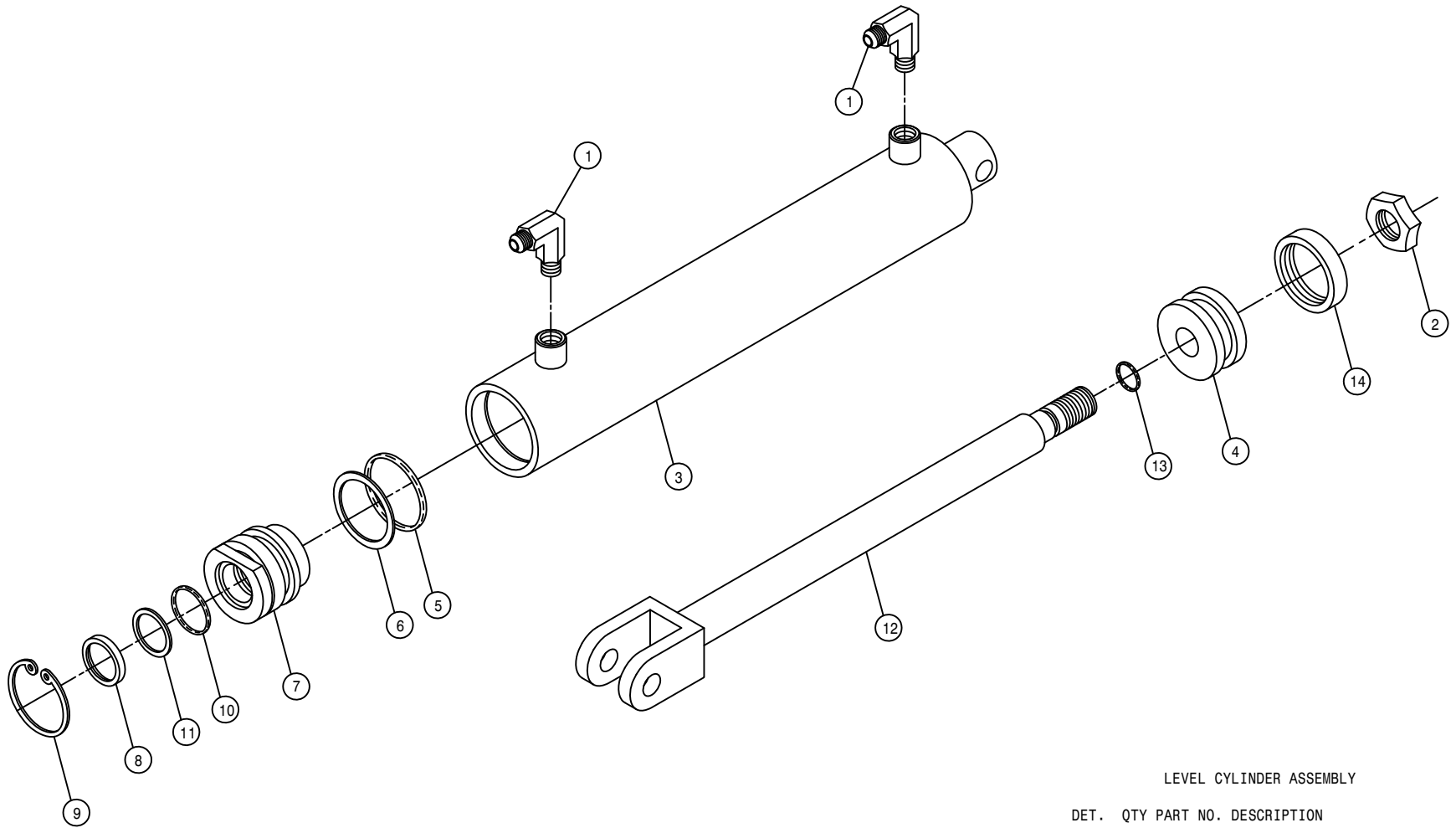
620083 - SEAL KIT



LIFT CYLINDER ASSEMBLY

| DET. | QTY | PART NO. | DESCRIPTION                   |
|------|-----|----------|-------------------------------|
| 1    | 1   | 611122   | 9/16MJIC-90-1/4MNPT LBO       |
| 2    | 1   | 440338   | 9/16 JIC W/90X1/4 NPT TAPPED  |
| 3    | 1   | 614366   | RESTRICTOR SCREW, .042 DIA    |
| 4    | 1   | 472297   | 3/4UNF HEX STOVER NUT THIN    |
| 5    | 1   | 620081   | PISTON 2 X 1 ZAMAC ORING TYPE |
| 6    | 1   | 870326   | BUNA ORING 1 5/8 X 2          |
| 7    | 1   | 890326   | BACKUP WASH 1 5/8 X 2 LEATH   |
| 8    | 1   | 620126   | GLAND 2.00 OD X 1.25 ID, ALUM |
| 9    | 1   | 629002   | WIPER 1 1/4 X 1 1/2 X 1/8     |
| 10   | 1   | 629505   | SNAP RING 2 IN INTRN          |
| 11   | 1   | 870218   | BUNA ORING 1 1/4 X 1 1/2      |
| 12   | 1   | 890218   | BACKUP WASH1 1/4X1 1/2 HT2022 |
| 13   | 1   | 620514   | LIFT CYL TUBE WLD 94          |
| 14   | 1   | 620582   | LIFT CYL SHAFT WLD HD 96      |
| 15   | 1   | 870113   | BUNA ORING 9/16 X 3/4         |
| 16   | 1   | 860326   | CROWN SEAL, 2" PISTON, HYD    |

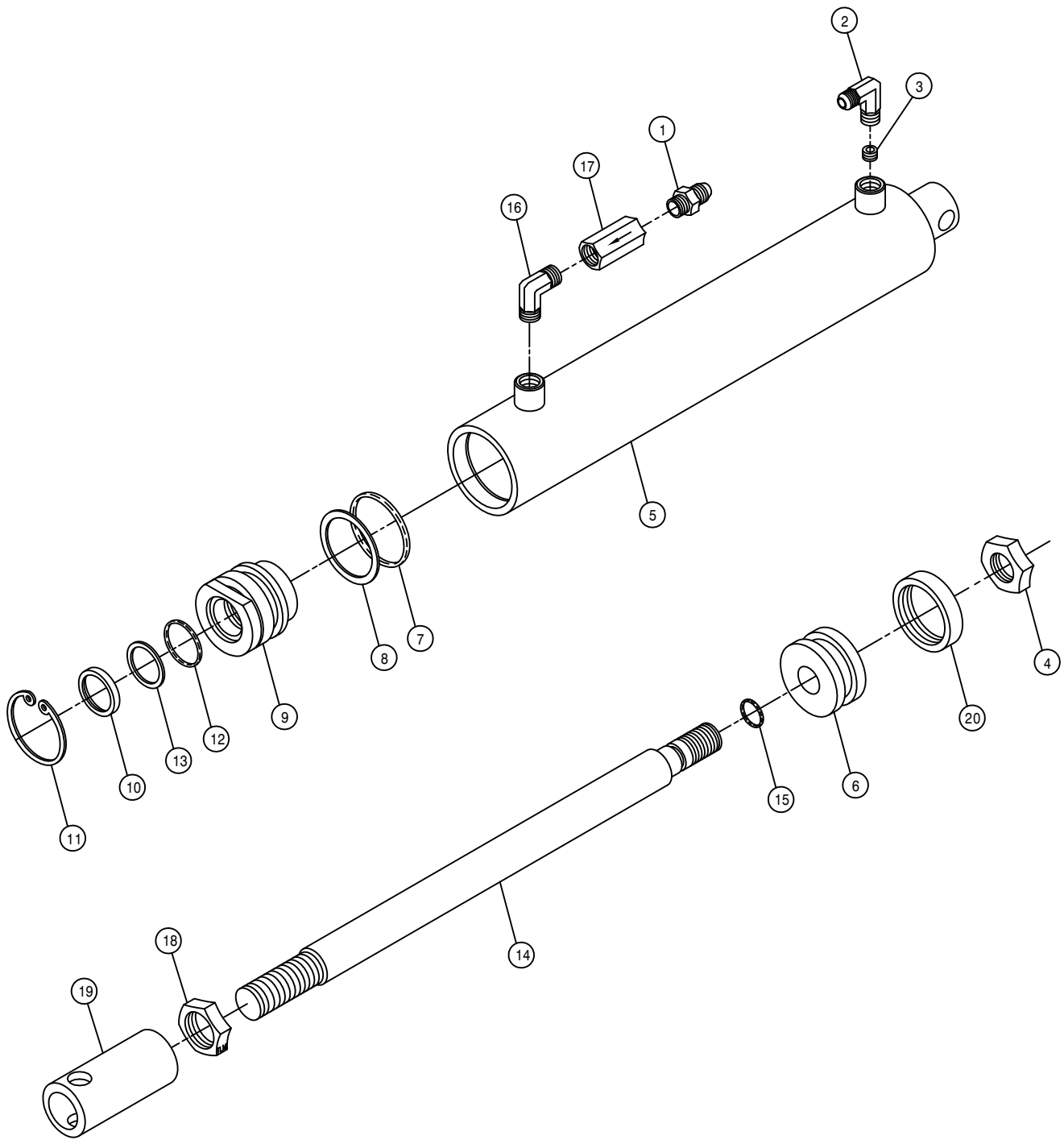
- NOTE: 1. 620581 - LIFT CYLINDER ASSEMBLY  
 2. 620580 - LIFT CYLINDER ASSEMBLY WITH FITTINGS  
 3. 614365 - RESTRICTOR ELBOW ASSEMBLY  
 4. 620132 - SEAL KIT



## LEVEL CYLINDER ASSEMBLY

| DET. | QTY | PART NO. | DESCRIPTION                   |
|------|-----|----------|-------------------------------|
| 1    | 2   | 611122   | 9/16MJIC-90-1/4MNPT LBO       |
| 2    | 1   | 472297   | 3/4UNF HEX STOVER NUT THIN    |
| 3    | 1   | 620586   | LEVEL CYL TUBE WLD 96         |
| 4    | 1   | 620081   | PISTON 2 X 1 ZAMAC ORING TYPE |
| 5    | 1   | 870326   | BUNA ORING 1 5/8 X 2          |
| 6    | 1   | 890326   | BACKUP WASH 1 5/8 X 2 LEATH   |
| 7    | 1   | 620082   | GLAND 2 IN X 1 IN ZAMAC       |
| 8    | 1   | 629003   | WIPER 1 X 1 1/4 X 1/8         |
| 9    | 1   | 629505   | SNAP RING 2 IN INTRN          |
| 10   | 1   | 870214   | BUNA ORING 1 X 1 1/4          |
| 11   | 1   | 890214   | BACKUP WASH 1 X 1 1/4 HT2022  |
| 12   | 1   | 620591   | LEVEL CYL SHAFT WLD 96        |
| 13   | 1   | 870113   | BUNA ORING 9/16 X 3/4         |
| 14   | 1   | 860326   | CROWN SEAL, 2" PISTON, HYD    |

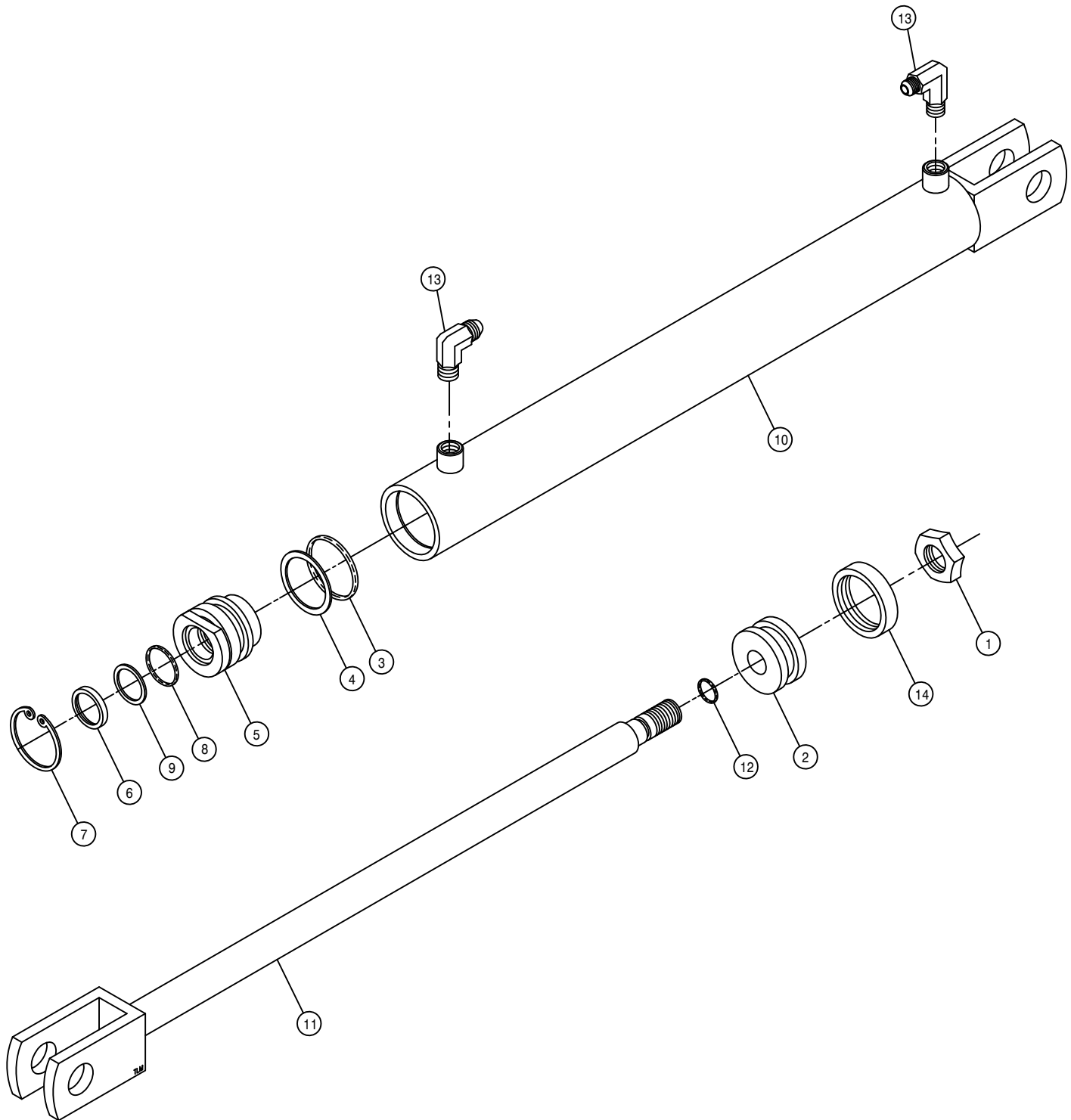
NOTE: 1. 620585 - LEVEL CLINDER ASSEMBLY  
 2. 620584 - LEVEL CYLINDER ASSEMBLY W/FTGS  
 3. 620083 - SEAL KIT



FOLD CYLINDER ASSEMBLY

| DET. | QTY | PART NO. | DESCRIPTION                    |
|------|-----|----------|--------------------------------|
|      | 1   | 618018   | 9/16MJIC-1/2MNPT ADPTR         |
|      | 1   | 440338   | 9/16 JIC W/90X1/4 NPT TAPPED   |
|      | 1   | 614366   | RESTRICTOR SCREW, .042 DIA     |
|      | 1   | 472297   | 3/4UNF HEX STOVER NUT THIN     |
|      | 5   | 620586   | LEVEL CYL TUBE WLD 96          |
|      | 6   | 620081   | PISTON 2 X 1 ZAMAC ORING TYPE  |
|      | 7   | 870326   | BUNA ORING 1 5/8 X 2           |
|      | 8   | 890326   | BACKUP WASH 1 5/8 X 2 LEATH    |
|      | 9   | 620082   | GLAND 2 IN X 1 IN ZAMAC        |
|      | 10  | 629003   | WIPER 1 X 1 1/4 X 1/8          |
|      | 11  | 629505   | SNAP RING 2 IN INTRN           |
|      | 12  | 870214   | BUNA ORING 1 X 1 1/4           |
|      | 13  | 890214   | BACKUP WASH 1 X 1 1/4 HT2022   |
|      | 14  | 620596   | FOLD CYL SHAFT 96              |
|      | 15  | 870113   | BUNA ORING 9/16 X 3/4          |
|      | 16  | 618633   | 1/2MNPT-90-1/4MNPT REDU LBO    |
|      | 17  | 610450   | RESTRICTOR .025 1-WAY, 1/2FNPT |
|      | 18  | 472322   | 7/8UNF HEX JAM NUT             |
|      | 19  | 620653   | FOLD CYL ADJ SLEEVE 97         |
|      | 20  | 860326   | CROWN SEAL, 2" PISTON, HYD     |

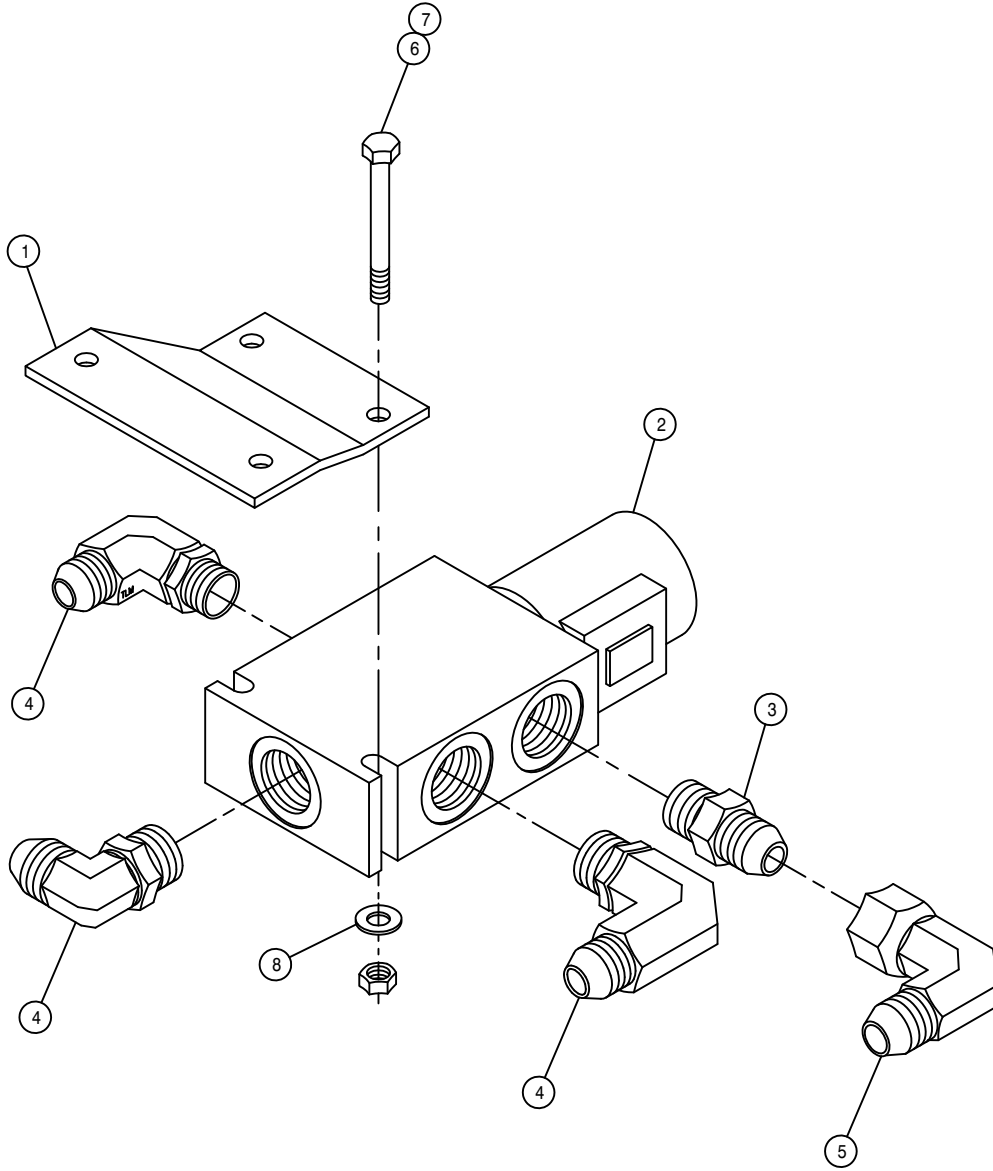
NOTE: 1. 620652 - FOLD CLINDER ASSEMBLY  
 2. 620651 - FOLD CYLINDER ASSEMBLY WITH FITTINGS  
 3. 614365 - RESTRICTOR ELBOW ASSEMBLY  
 4. 620083 - SEAL KIT



BOOM EXTENSION FOLD CYLINDER ASSEMBLY

| DET. | QTY | PART NO. | DESCRIPTION                   |
|------|-----|----------|-------------------------------|
|      | 1   | 472297   | 3/4UNF HEX STOVER NUT THIN    |
|      | 1   | 620081   | PISTON 2 X 1 ZAMAC ORING TYPE |
|      | 1   | 870326   | BUNA ORING 1 5/8 X 2          |
|      | 1   | 890326   | BACKUP WASH 1 5/8 X 2 LEATH   |
|      | 1   | 620082   | GLAND 2 IN X 1 IN ZAMAC       |
|      | 1   | 629003   | WIPER 1 X 1 1/4 X 1/8         |
|      | 1   | 629505   | SNAP RING 2 IN INTRN          |
|      | 1   | 870214   | BUNA ORING 1 X 1 1/4          |
|      | 1   | 890214   | BACKUP WASH 1 X 1 1/4 HT2022  |
|      | 1   | 620901   | TUBE WLD CC2016 D00 SRG 180   |
|      | 1   | 620905   | SHAFT WLD CC2016 D00 SRG180   |
|      | 1   | 870113   | BUNA ORING 9/16 X 3/4         |
|      | 2   | 614365   | RESTRICTOR ELBOW ASSY .042DIA |
|      | 1   | 860326   | CROWN SEAL, 2" PISTON, HYD    |

NOTE: 620900 - LIFT CYLINDER INCLUDES ITEMS 1-12.  
620083 - SEAL KIT

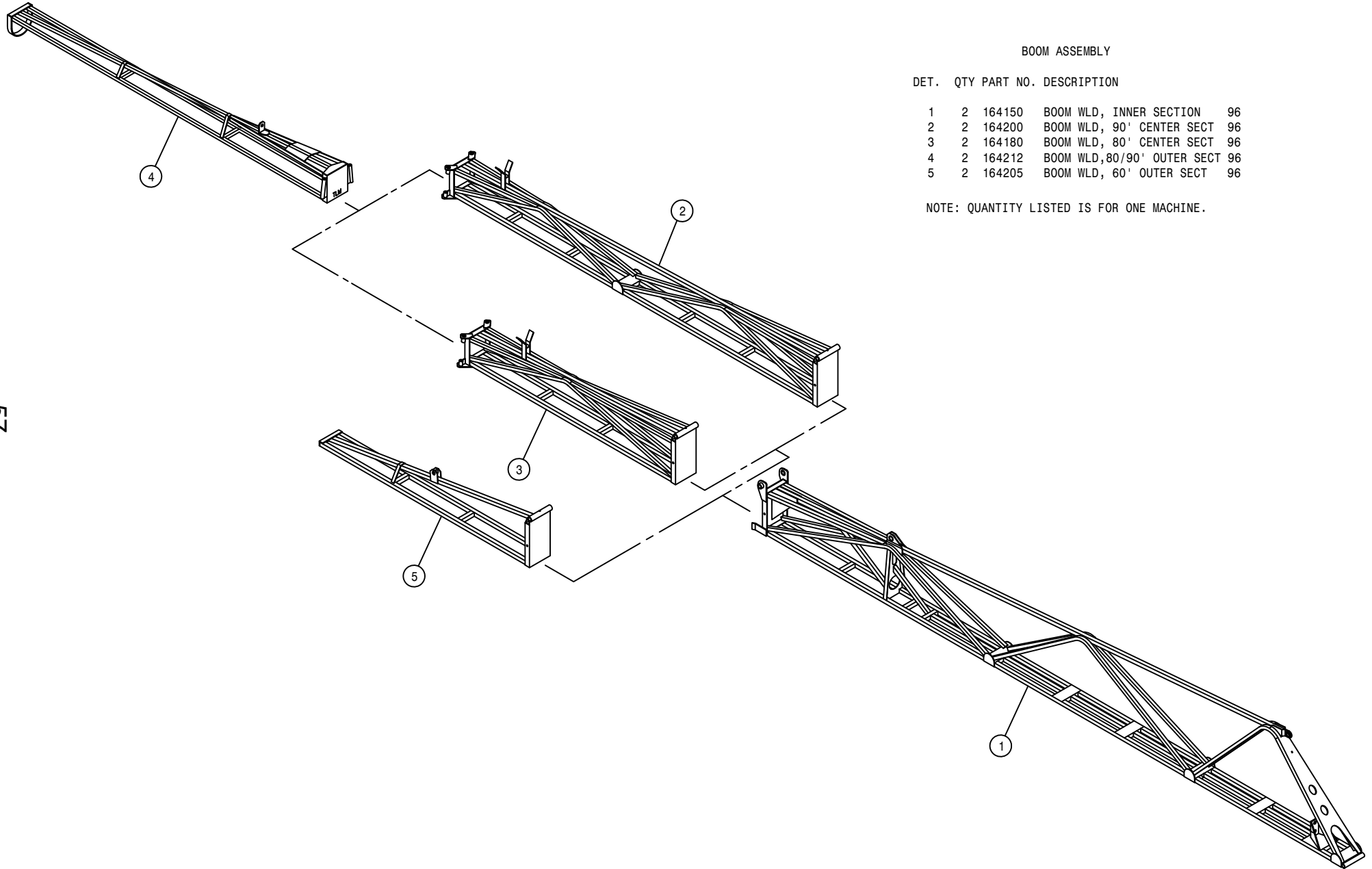


LIFT CYLINDER LOCK SOLENOID VALVE ASSEMBLY

DET. QTY PART NO. DESCRIPTION

|   |   |        |                               |    |
|---|---|--------|-------------------------------|----|
| 1 | 1 | 164305 | LIFT CYL LOCK SOL VLV MT      | 97 |
| 2 | 1 | 610628 | 4-WAY, 2-POSITION SOL VLV     |    |
| 3 | 1 | 618109 | 9/16MJIC-3/4MOR ADPTR         |    |
| 4 | 3 | 618115 | 9/16MJIC-90-3/4MOR LBO        |    |
| 5 | 1 | 618618 | 9/16MJIC-90-9/16FJIC SWIV LBO |    |
| 6 | 2 | 900006 | 1/4UNC X 1 3/4 HEX BOLT       |    |
| 7 | 2 | 914000 | 1/4UNC HEX STOVER NUT         |    |
| 8 | 2 | 920000 | 1/4 SAE FLAT WASHER           |    |

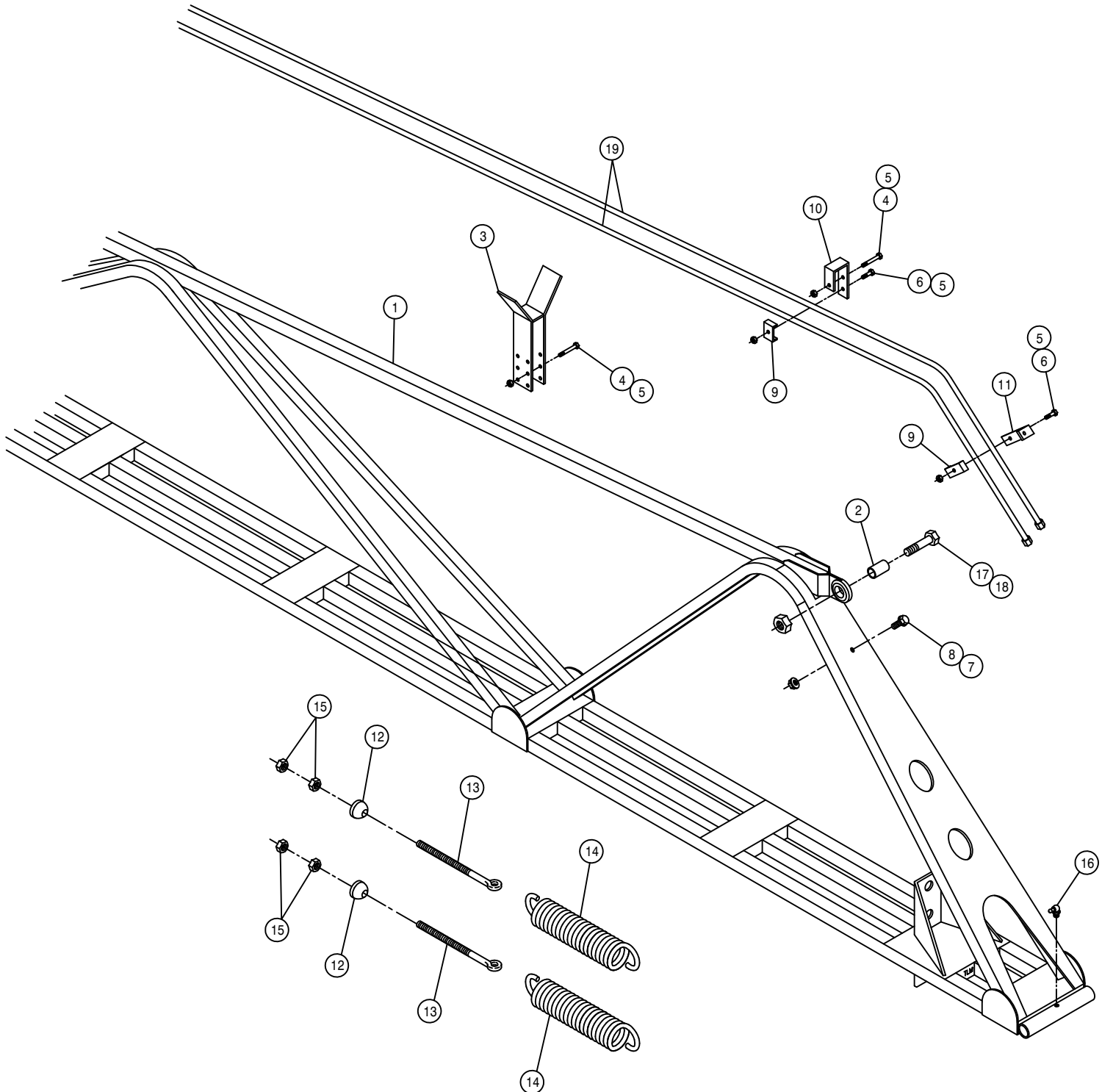




BOOM ASSEMBLY

| DET. | QTY | PART NO. | DESCRIPTION                |    |
|------|-----|----------|----------------------------|----|
| 1    | 2   | 164150   | BOOM WLD, INNER SECT       | 96 |
| 2    | 2   | 164200   | BOOM WLD, 90' CENTER SECT  | 96 |
| 3    | 2   | 164180   | BOOM WLD, 80' CENTER SECT  | 96 |
| 4    | 2   | 164212   | BOOM WLD,80/90' OUTER SECT | 96 |
| 5    | 2   | 164205   | BOOM WLD, 60' OUTER SECT   | 96 |

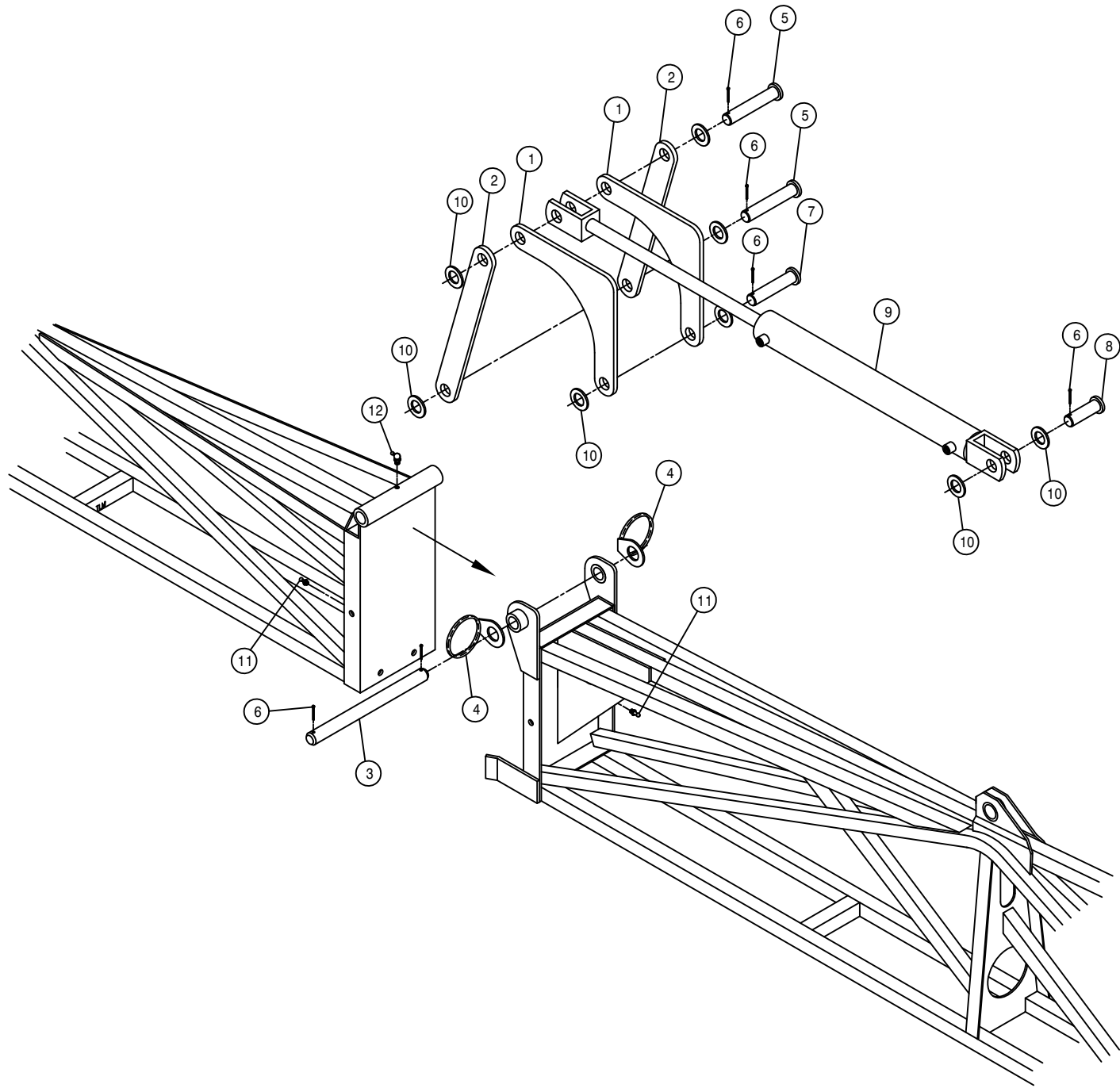
NOTE: QUANTITY LISTED IS FOR ONE MACHINE.



INNER BOOM ASSEMBLY

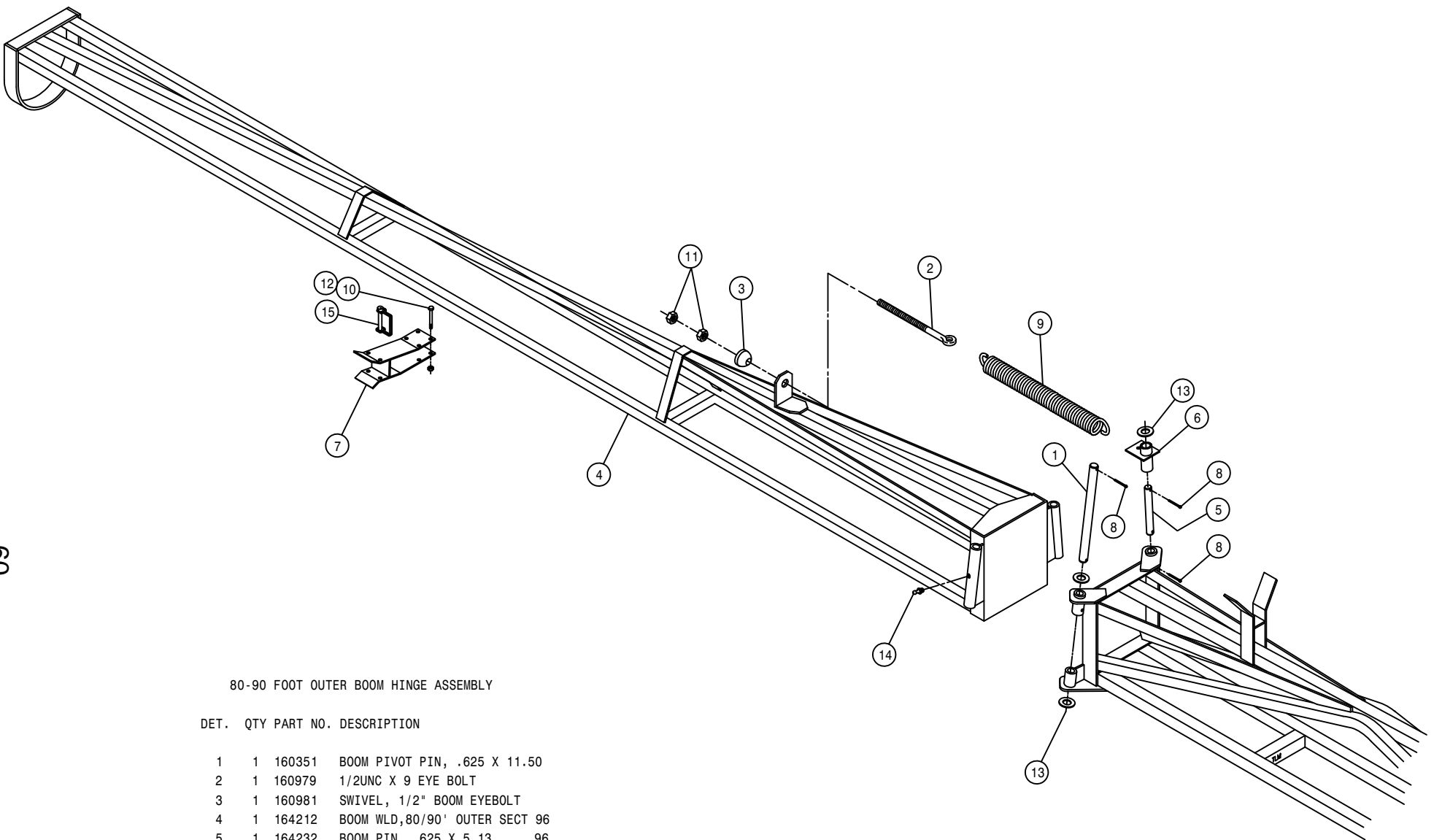
| DET. | QTY | PART NO. | DESCRIPTION                   |    |
|------|-----|----------|-------------------------------|----|
| 1    | 1   | 164150   | BOOM WLD, INNER SECTION       | 96 |
| 2    | 1   | 164227   | BOOM BALL JOINT BUSH          | 96 |
| 3    | 1   | 164266   | OUTER BOOM SUPP WLD,80/90'    | 96 |
| 4    | 7   | 900007   | 1/4UNC X 2" HEX BOLT          |    |
| 5    | 11  | 914000   | 1/4UNC HEX STOVER NUT         |    |
| 6    | 4   | 900003   | 1/4UNC X 1" HEX BOLT          |    |
| 7    | 1   | 470121   | 1/4UNC HEX FLANGE LOCK NUT    |    |
| 8    | 1   | 470118   | 1/4UNC X 3/4 FLANGE HEX BOLT  |    |
| 9    | 4   | 164102   | FOLD BOOM HYD TUBE KPR        | 96 |
| 10   | 3   | 164242   | HYD TUBE HANGER CLEVIS,BOOM96 |    |
| 11   | 1   | 164243   | HYD TUBE HANGER ANGLE,BOOM 96 |    |
| 12   | 2   | 164263   | SWIVEL, 5/8 BOOM EYEBOLT      |    |
| 13   | 2   | 164265   | 5/8UNC X 7 1/2 EYE BOLT       |    |
| 14   | 2   | 482014   | SPRING,3.25 X 11.50 EXTENSION |    |
| 15   | 4   | 910010   | 5/8UNC HEX NUT                |    |
| 16   | 1   | 471028   | GREASE ZERK, 1/4-28 90DEG     |    |
| 17   | 1   | 900844   | 5/8UNC X 2 3/4 HEX BOLT GR8   |    |
| 18   | 1   | 914010   | 5/8UNC HEX STOVER NUT         |    |
| 19   | 2   | 615684   | HYD TUBE ASSY,BOOM EXT FOLD96 |    |

NOTE: 60 FOOT BOOM USES ONE SPRING



80-90 FOOT BOOM HING PIVOT ASSEMBLY

| DET. | QTY | PART NO. | DESCRIPTION                    |
|------|-----|----------|--------------------------------|
| 1    | 2   | 164228   | FOLDING LINK, INNER BOOM 96    |
| 2    | 2   | 164229   | FOLDING LINK, BOOM CNTR SECT96 |
| 3    | 1   | 164231   | BOOM PIN, 1.00 X 11.88 96      |
| 4    | 2   | 438302   | HOSE SUPPORT RING WLD W/WASHER |
| 5    | 2   | 470155   | CLEVIS PIN, 1.00 X 4.00 PLT    |
| 6    | 6   | 470162   | COTTER PIN 3/16 X 1 1/2 SQCUT  |
| 7    | 1   | 472012   | CLEVIS PIN, 1.00 X 3.25 PLT    |
| 8    | 1   | 472270   | CLEVIS PIN, 1.00 X 2.50 PLT    |
| 9    | 1   | 620900   | CYL ASSY CC2016 D00 SRG 180    |
| 10   | 8   | 920008   | 1" SAE FLAT WASHER, PLATED     |
| 11   | 2   | 471005   | 1/4 28 X 1/2 GREASE ZERK       |
| 12   | 1   | 471028   | GREASE ZERK, 1/4-28 90DEG      |



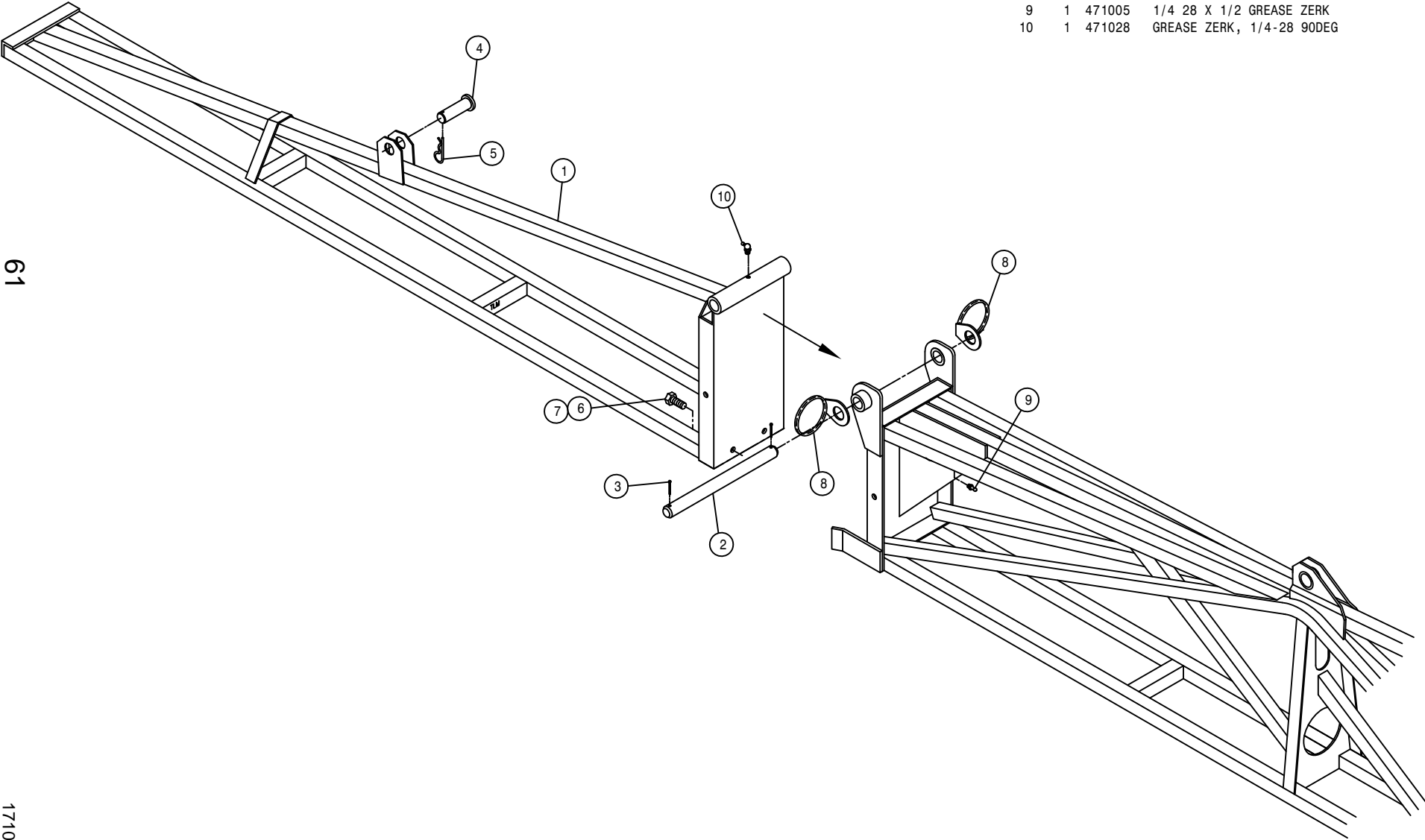
80-90 FOOT OUTER BOOM HINGE ASSEMBLY

DET. QTY PART NO. DESCRIPTION

|    |   |        |                               |
|----|---|--------|-------------------------------|
| 1  | 1 | 160351 | BOOM PIVOT PIN, .625 X 11.50  |
| 2  | 1 | 160979 | 1/2UNC X 9 EYE BOLT           |
| 3  | 1 | 160981 | SWIVEL, 1/2" BOOM EYEBOLT     |
| 4  | 1 | 164212 | BOOM WLD,80/90' OUTER SECT 96 |
| 5  | 1 | 164232 | BOOM PIN, .625 X 5.13 96      |
| 6  | 1 | 164233 | SPRING HOOK WLD,OUTER BOOM 96 |
| 7  | 1 | 164236 | OUTER BOOM SUPPORT WLD 96     |
| 8  | 4 | 470162 | COTTER PIN 3/16 X 1 1/2 SQCUT |
| 9  | 1 | 482013 | SPRING,2.50 X 17.00 EXTENSION |
| 10 | 4 | 900006 | 1/4UNC X 1 3/4 HEX BOLT       |
| 11 | 2 | 910008 | 1/2UNC HEX NUT                |
| 12 | 4 | 914000 | 1/4UNC HEX STOVER NUT         |
| 13 | 3 | 920005 | 5/8 FLAT WASH SAE             |
| 14 | 1 | 471005 | 1/4 28 X 1/2 GREASE ZERK      |
| 15 | 1 | 473895 | 1/4 X 1 3/4 LYNCH PIN         |

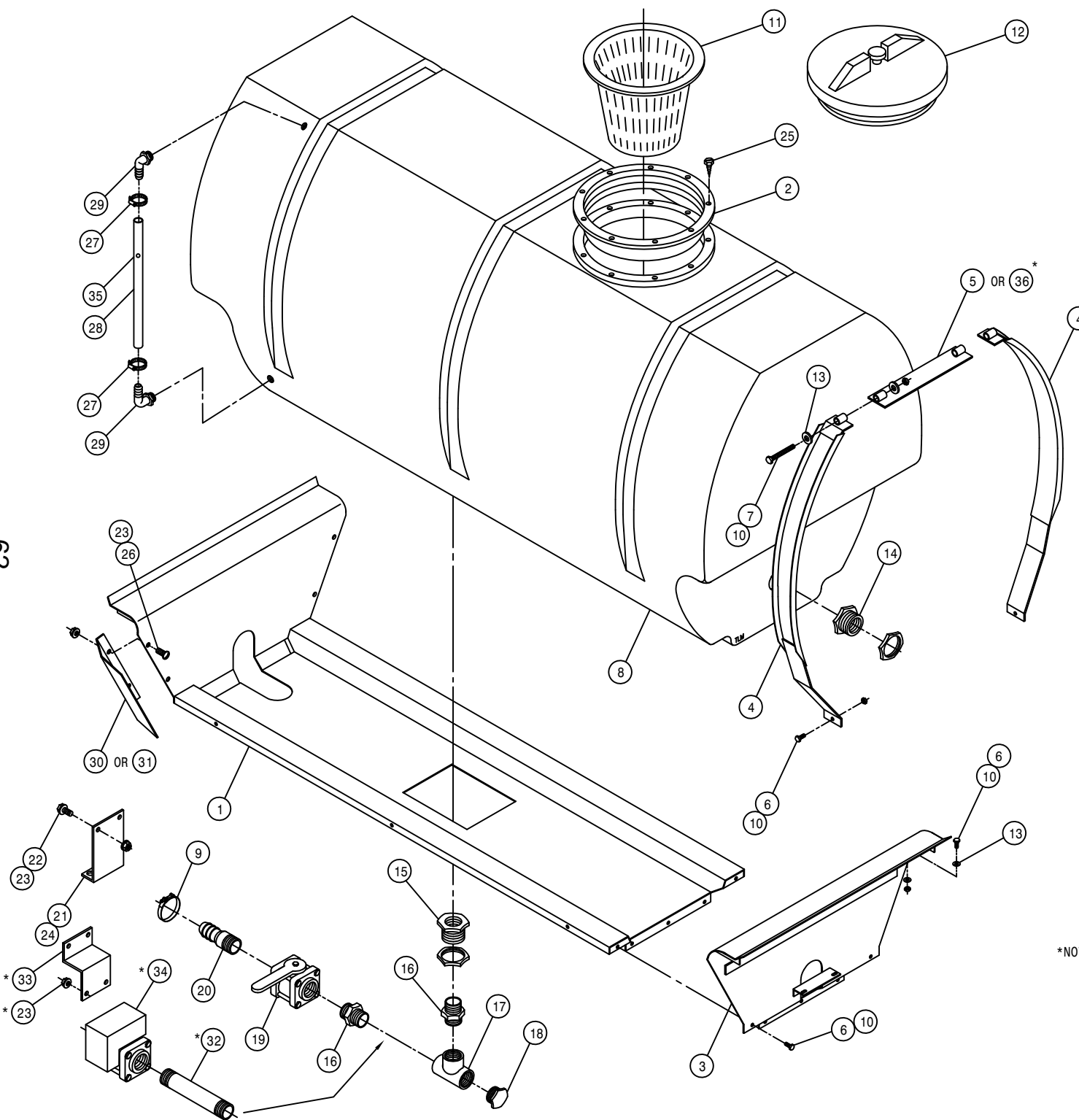
60 FOOT BOOM HINGE PIVOT ASSEMBLY

| DET. | QTY | PART NO. | DESCRIPTION                    |
|------|-----|----------|--------------------------------|
| 1    | 1   | 164205   | BOOM WLD, 60' OUTER SECT 96    |
| 2    | 1   | 164231   | BOOM PIN, 1.00 X 11.75 96      |
| 3    | 2   | 470162   | COTTER PIN 3/16 X 1 1/2 SQCUT  |
| 4    | 1   | 472276   | CLEVIS PIN, 1.00 X 2.00 PLT    |
| 5    | 1   | 611016   | HAIR PIN #6                    |
| 6    | 2   | 900128   | 3/8UNC X 3/4 HEX BOLT          |
| 7    | 2   | 914004   | 3/8UNC HEX STOVER NUT          |
| 8    | 2   | 438302   | HOSE SUPPORT RING WLD W/WASHER |
| 9    | 1   | 471005   | 1/4 28 X 1/2 GREASE ZERK       |
| 10   | 1   | 471028   | GREASE ZERK, 1/4-28 90DEG      |



61

171061



POLY 400 GALLON SOLUTION TANK ASSEMBLY

| DET. | QTY | PART NO. | DESCRIPTION                   |                               |
|------|-----|----------|-------------------------------|-------------------------------|
|      | 1   | 763434   | POLY TANK CRADLE WELD, 284 94 |                               |
|      | 2   | 763409   | 10" THD'D RING FOR TANK LID   |                               |
|      | 3   | 763340   | REAR POLY CRADLE MT WLD280 90 |                               |
|      | 4   | 763454   | TANK BAND WLD, 284 POLY 95    |                               |
|      | 5   | 763456   | TANK BAND TIE WLD,284 POLY 95 |                               |
|      | 6   | 900129   | 3/8UNC X 1 HEX BOLT           |                               |
|      | 7   | 906138   | 3/8UNC X 3 1/2 HEX BOLT FULL  |                               |
|      | 8   | 763440   | 400 GAL POLY SOLU TANK 94     |                               |
|      | 9   | 520133   | 1.81/2.06 T-BOLT HOSE CLAMP   |                               |
|      | 10  | 914004   | 3/8UNC HEX STOVER NUT         |                               |
|      | 11  | 763431   | 8" STRAINER BASKET, SOLU TANK |                               |
|      | 12  | 763408   | LID, THD'D W/VENT, POLY TANK  |                               |
|      | 13  | 920002   | WASH FLAT 3/8 SAE             |                               |
|      | 14  | 2        | 1.25 PLASTIC FTG ASSY POLYTNK |                               |
|      | 15  | 618604   | 1.50 PLASTIC FTG ASSY-POLYTNK |                               |
|      | 16  | 500028   | 1 1/2NPT PIPE NIPPLE, POLY    |                               |
|      | 17  | 500030   | 1 1/2"NPT PIPE TEE, POLY      |                               |
|      | 18  | 500031   | 1 1/2NPT PIPE PLUG, POLY      |                               |
|      | 19  | 696110   | BALL VALVE 1 1/2FNPT POLY     |                               |
|      | 20  | 500032   | 1 1/2NPT X 1 1/2 H BARB, POLY |                               |
|      | 21  | 763363   | SOLU HOSE SUPPORT 280 POLY 91 |                               |
|      | 22  | 470118   | 1/4UNC X 3/4 FLANGED HEX BOLT |                               |
|      | 23  | 470121   | 1/4UNC HEX FLANGED LOCK NUT   |                               |
|      | 24  | 470000   | CABLE TIE, 21" BLACK PLASTIC  |                               |
|      | 25  | 8        | 763410                        | S.S. SCREW FOR CAP RING       |
|      | 26  | 2        | 472269                        | 1/4UNCX1/2 FLT HD MACH SCREW  |
|      | 27  | 2        | 520069                        | HOSE CLAMP NO 6 PLATED        |
|      | 28  | 1        | 601245                        | HOSE, .50 X 42.00 SIGHT GAUGE |
|      | 29  | 2        | 618556                        | 1/4NPT-90-1/2 HOSE BARB,POLY  |
|      | 30  | 1        | 763436                        | RH SIGHT GAGE SHLD,POLY284 94 |
|      | 31  | 1        | 763437                        | LH SIGHT GAGE SHLD,POLY284 94 |
|      | 32  | 1        | 500029                        | 1 1/2NPT X 6 PIPE NIPPLE,POLY |
|      | 33  | 1        | 763445                        | ELECT SOLU VLV SUPPORT 94     |
|      | 34  | 1        | 696161                        | 1 1/2NPT ELECT SOLU VALVE     |
|      | 35  | 1        | 763446                        | RED POLYPROPYLENE BALL 25/64" |
|      | 36  | 3        | 763460                        | BAND TIE/WALK MT WLD, 284 95  |

\*NOTE: ITEMS 23,32,33, AND 34 ARE USED WITH THE ELECTRIC SOLUTION VALVE OPTION.

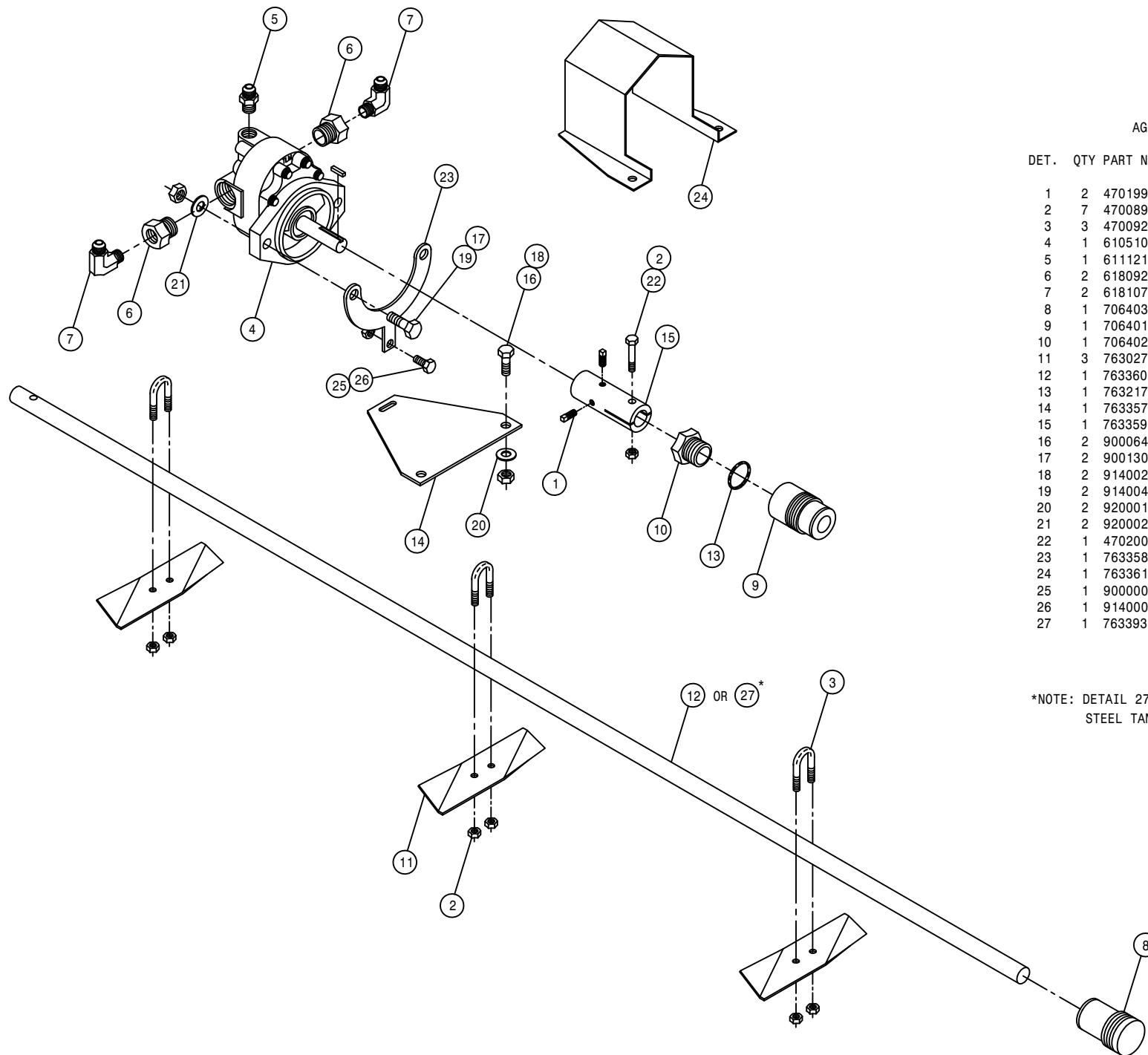
ITEM 36 IS USED WITH THE NARROW TREAD OPTION.

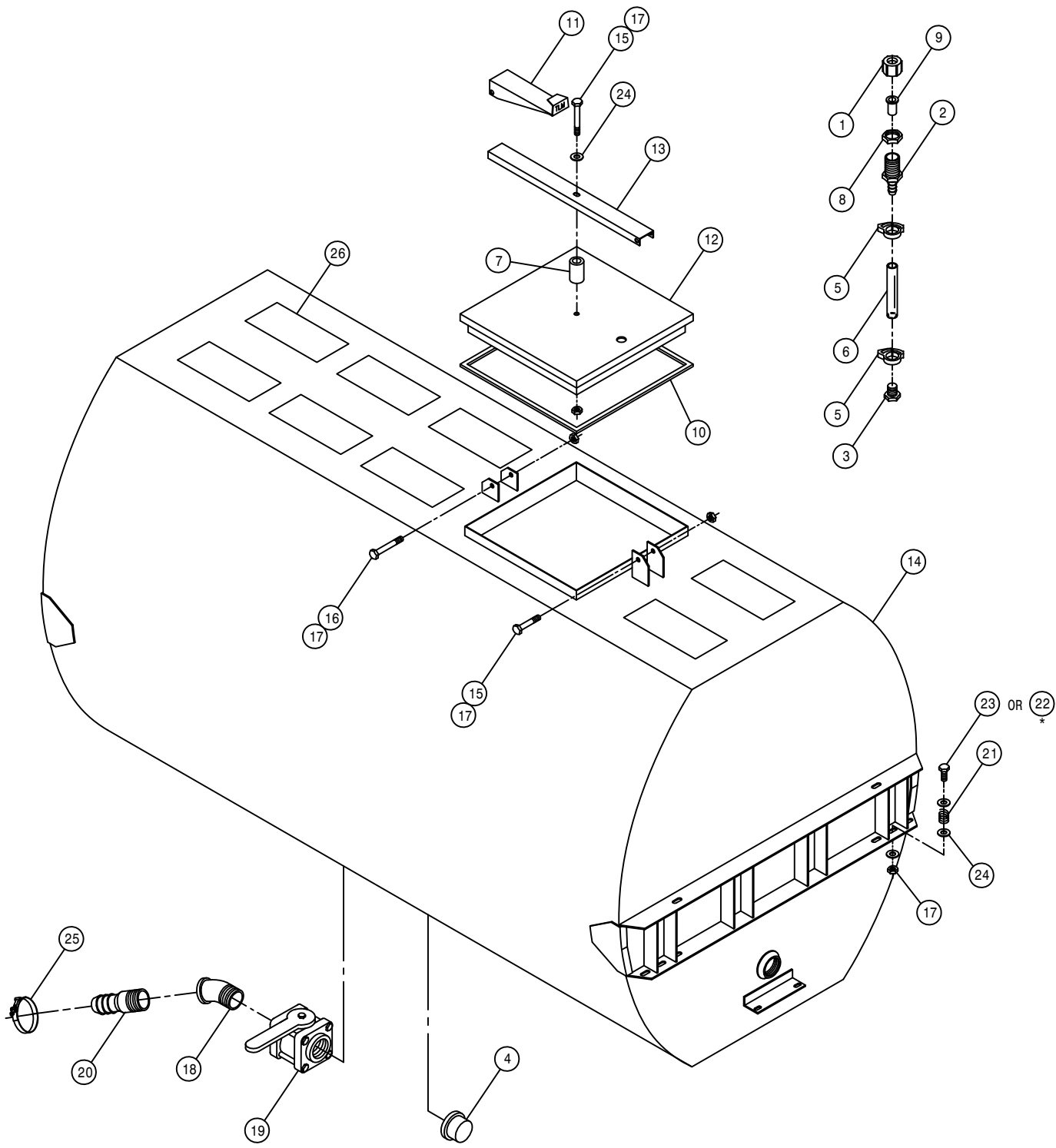
AGITATOR ASSEMBLY

DET. QTY PART NO. DESCRIPTION

|    |   |        |                               |    |
|----|---|--------|-------------------------------|----|
| 1  | 2 | 470199 | 1/4UNC X 3/8 SQHD CUP SET SCR |    |
| 2  | 7 | 470089 | 1/4UNC HEX LOC NUT NYL INS SS |    |
| 3  | 3 | 470092 | 1/4UNC-3/4ID-1 1/4 U-BOLT SS  |    |
| 4  | 1 | 610510 | CESSNA GEAR MOTOR 1.48CI      |    |
| 5  | 1 | 611121 | 9/16MJIC-1/4MNPT ADPTR        |    |
| 6  | 2 | 618092 | 1 1/16MOR-1/2FNPT ADPTR       |    |
| 7  | 2 | 618107 | 9/16MJIC-90-1/2MNPT LBO       |    |
| 8  | 1 | 706403 | FRT AGIT SHFT BRG, NYLON      |    |
| 9  | 1 | 706401 | REAR AGIT SHFT BRG, NYLON     |    |
| 10 | 1 | 706402 | AGIT SHFT GLAND NUT, NYLON    |    |
| 11 | 3 | 763027 | AGIT IMPELLER                 |    |
| 12 | 1 | 763360 | AGIT SHAFT 280                | 91 |
| 13 | 1 | 763217 | GLAND PACKING, 13 IN. LONG    |    |
| 14 | 1 | 763357 | AGIT MTR MT PLT CES 280       | 91 |
| 15 | 1 | 763359 | AGIT MTR CPLR 280             | 91 |
| 16 | 2 | 900064 | 5/16UNC X 3/4 HEX BOLT        |    |
| 17 | 2 | 900130 | 3/8UNC X 1 1/4 HEX BOLT       |    |
| 18 | 2 | 914002 | 5/16UNC HEX STOVER NUT        |    |
| 19 | 2 | 914004 | 3/8UNC HEX STOVER NUT         |    |
| 20 | 2 | 920001 | 5/16 SAE FLAT WASHER          |    |
| 21 | 2 | 920002 | 3/8 SAE FLAT WASHER           |    |
| 22 | 1 | 470200 | 1/4UNC X 1 3/4 HEX BOLT SS    |    |
| 23 | 1 | 763358 | AGIT MTR MT YOKE CES 280      | 91 |
| 24 | 1 | 763361 | AGIT CPLR SHIELD 280          | 91 |
| 25 | 1 | 900000 | 1/4UNC X 1/2 HEX BOLT         |    |
| 26 | 1 | 914000 | 1/4UNC HEX STOVER NUT         |    |
| 27 | 1 | 763393 | AGIT SHAFT 250                | 91 |

\*NOTE: DETAIL 27 IS USED WITH THE STAINLESS STEEL TANK OPTION.



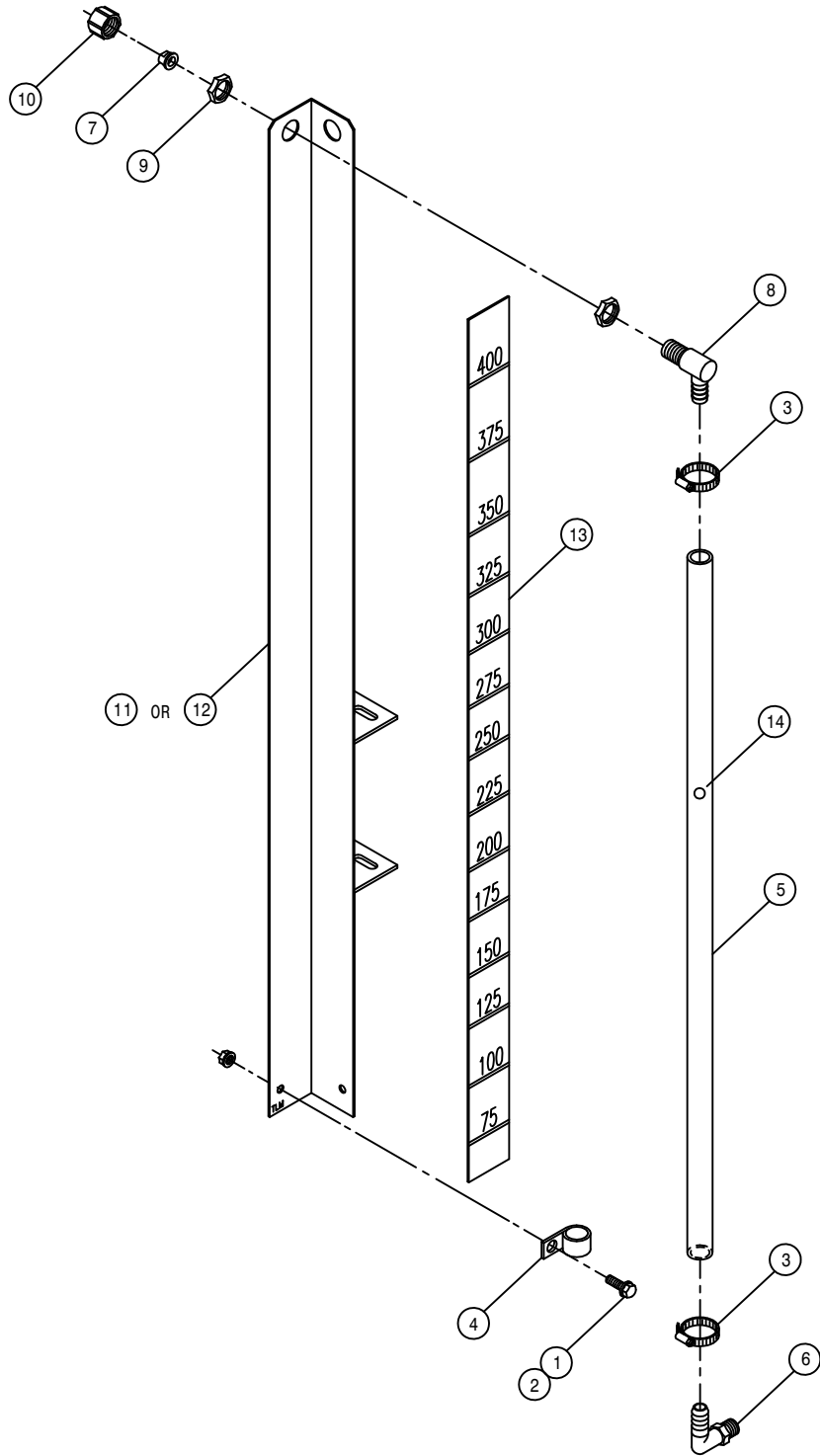


STAINLESS STEEL SOLUTION TANK ASSEMBLY

| DET. | QTY | PART NO. | DESCRIPTION                   |
|------|-----|----------|-------------------------------|
| 1    | 1   | 500005   | CAP NUT .688FPS NYLON         |
| 2    | 1   | 500006   | .38 H BARB X .69 MPS NYLON    |
| 3    | 1   | 500007   | FTG .12 MNPT HEX PLUG NYLON   |
| 4    | 1   | 507100   | PIPE CAP 1.50NPT              |
| 5    | 2   | 520003   | HOSE CLAMP NO 6 PLASTIC SNAP  |
| 6    | 1   | 601216   | SPRAY TNK VENT HOSE .38X3.50  |
| 7    | 1   | 601231   | HOSE, 3/4 X 2 HI PRESS EPDM   |
| 8    | 1   | 737858   | TEE AND EL NUT .688 FPS       |
| 9    | 1   | 738859   | STRAINER 50 MESH NYLON        |
| 10   | 1   | 760651   | TANK LID GSKT 647             |
| 11   | 1   | 763163   | SPRAY TANK LATCH HANDLE 647S  |
| 12   | 1   | 763164   | SPRAY TANK LID WLD 647S       |
| 13   | 1   | 763166   | TANK LID CHAN 647-S SIDE      |
| 14   | 1   | 763294   | SS SPRAY TANK WLD 400 GAL 280 |
| 15   | 2   | 900134   | 3/8UNC X 2 1/2 HEX BOLT       |
| 16   | 1   | 900138   | 3/8UNC X 3 1/2 HEX BOLT       |
| 17   | 7   | 914004   | 3/8UNC HEX STOVER NUT         |
| 18   | 1   | 507024   | BLK PIPE ST EL 45DEG 1.50NPT  |
| 19   | 1   | 696110   | BALL VALVE 1 1/2FNPT POLY     |
| 20   | 1   | 716003   | 1 1/2 X 1 1/2 HOSE BARB       |
| 21   | 2   | 499001   | SPRING HYDRO CONTROL          |
| 22   | 2   | 900129   | 3/8UNC X 1 HEX BOLT           |
| 23   | 2   | 900170   | 3/8UNC X 2 1/4 HEX BOLT       |
| 24   | 11  | 920002   | WASH FLAT 3/8 SAE             |
| 25   | 1   | 520133   | 1.81/2.06 T-BOLT HOSE CLAMP   |
| 26   | 8   | 659677   | 4X9 SAFETY WALK               |

\*NOTE: HARDWARE SHOWN IS FOR REAR OF SOLUTION TANK.  
FRONT SIDE USES DETAIL 22 AND NO SPRINGS.





SIGHT GAUGE HOSE ASSEMBLY

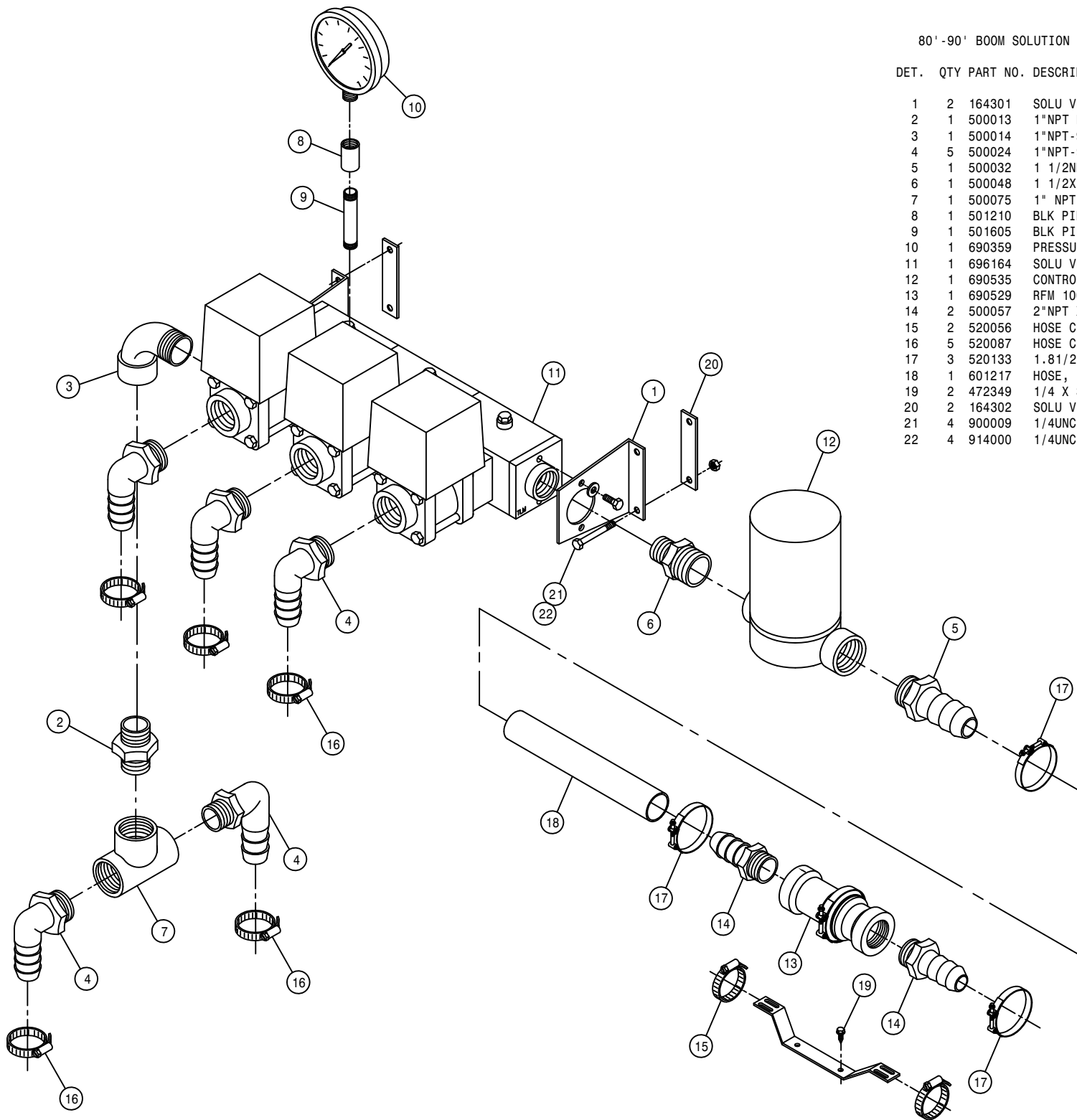
DET. QTY PART NO. DESCRIPTION

|    |   |        |                               |
|----|---|--------|-------------------------------|
| 1  | 1 | 470122 | 1/4UNC X 1/2 FLANGED HEX BOLT |
| 2  | 1 | 470121 | 1/4UNC HEX FLANGED LOCK NUT   |
| 3  | 2 | 520069 | HOSE CLAMP NO 6 PLATED        |
| 4  | 1 | 520117 | CUSH HOSE CLAMP 5/8D X 1/2W   |
| 5  | 1 | 601302 | HOSE, 1/2 X 52 SIGHT GAUGE    |
| 6  | 1 | 618556 | 1/4NPT-90-1/2 HOSE BARB,POLY  |
| 7  | 1 | 731109 | TIP,FS-9 80DEG NYL SNGL ORF   |
| 8  | 1 | 737856 | EL NOZL BODY .50 STEEL        |
| 9  | 1 | 737858 | TEE AND EL NUT .688 FPS       |
| 10 | 1 | 738866 | CAP NUT .688 FPS STEEL        |
| 11 | 1 | 763316 | RH SIGHT GAUGE MT WLD 280 89  |
| 12 | 1 | 763317 | LH SIGHT GAUGE MT WLD 280 89  |
| 13 | 1 | 650334 | DECAL,SS TANK SIGHT GAUGE 280 |
| 14 | 1 | 763446 | RED POLYPROPYLENE BALL 25/64" |

80' -90' BOOM SOLUTION SOLENOID ASSEMBLY

DET. QTY PART NO. DESCRIPTION

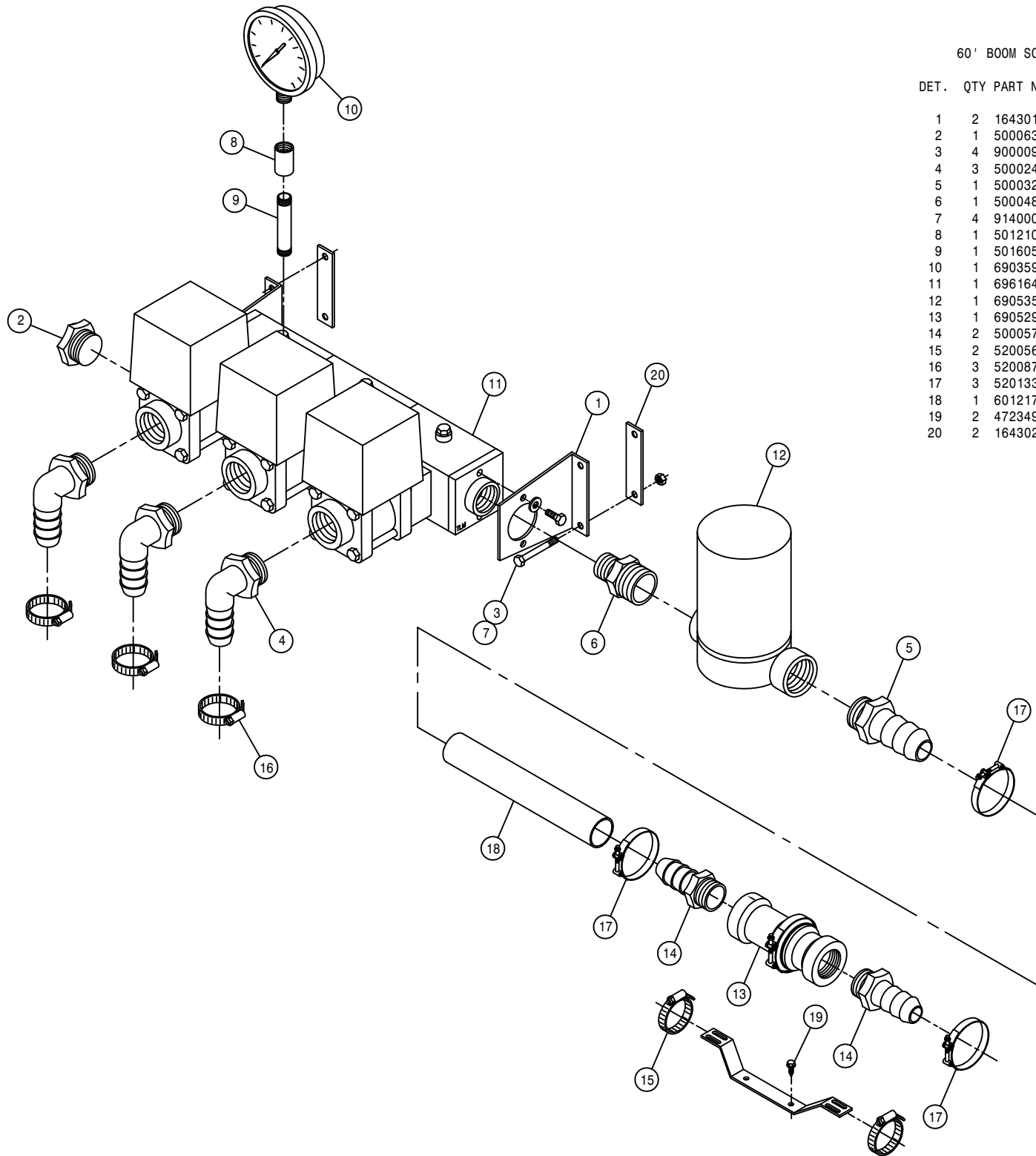
| DET. | QTY | PART NO. | DESCRIPTION                   |    |
|------|-----|----------|-------------------------------|----|
| 1    | 2   | 164301   | SOLU VLV MANIFOLD MT          | 97 |
| 2    | 1   | 500013   | 1"NPT HEX PIPE NIPPLE, POLY   |    |
| 3    | 1   | 500014   | 1"NPT-90 ST EL, POLY          |    |
| 4    | 5   | 500024   | 1"NPT-90-1"HOSE BARB, POLY    |    |
| 5    | 1   | 500032   | 1 1/2NPT X 1 1/2 H BARB, POLY |    |
| 6    | 1   | 500048   | 1 1/2X1"NPT REDU NIPPLE, POLY |    |
| 7    | 1   | 500075   | 1" NPT PIPE TEE, POLY         |    |
| 8    | 1   | 501210   | BLK PIPE CPLG .25NPT          |    |
| 9    | 1   | 501605   | BLK PIPE NIPPLE .25NPT-3.00   |    |
| 10   | 1   | 690359   | PRESSURE GA GLYCERI 100 PSI   |    |
| 11   | 1   | 696164   | SOLU VLV ASSY,3-SECT 1"NPT    |    |
| 12   | 1   | 690535   | CONTROL VALVE,1 1/2"POLY,RAVN |    |
| 13   | 1   | 690529   | RFM 100 FLOW METER, RAVN      |    |
| 14   | 2   | 500057   | 2"NPT X 1 1/2 H BARB, POLY    |    |
| 15   | 2   | 520056   | HOSE CLAMP NO 56 PLATED       |    |
| 16   | 5   | 520087   | HOSE CLAMP NO 20 PLATED       |    |
| 17   | 3   | 520133   | 1.81/2.06 T-BOLT HOSE CLAMP   |    |
| 18   | 1   | 601217   | HOSE, 1.50 X 24 2F1W EPDM     |    |
| 19   | 2   | 472349   | 1/4 X 3/4 20THD-IN TEK TYPE   |    |
| 20   | 2   | 164302   | SOLU VLV MANIFOLD MT KEEPER97 |    |
| 21   | 4   | 900009   | 1/4UNC X 2 3/4 HEX BOLT       |    |
| 22   | 4   | 914000   | 1/4UNC HEX STOVER NUT         |    |



60' BOOM SOLUTION SOLENOID ASSEMBLY

DET. QTY PART NO. DESCRIPTION

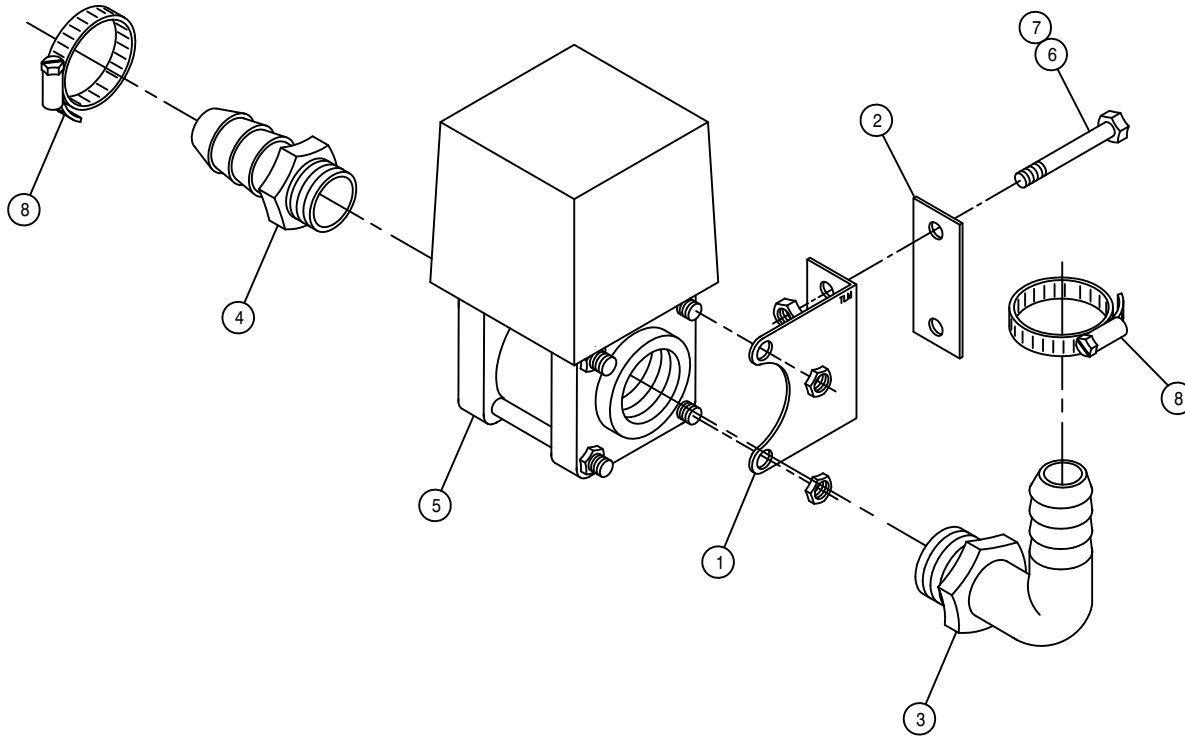
| DET. | QTY | PART NO. | DESCRIPTION                   |    |
|------|-----|----------|-------------------------------|----|
| 1    | 2   | 164301   | SOLU VLV MANIFOLD MT          | 97 |
| 2    | 1   | 500063   | 1"NPT PIPE PLUG, POLY         |    |
| 3    | 4   | 900009   | 1/4UNC X 2 3/4 HEX BOLT       |    |
| 4    | 3   | 500024   | 1"NPT-90-1"HOSE BARB, POLY    |    |
| 5    | 1   | 500032   | 1 1/2NPT X 1 1/2 H BARB, POLY |    |
| 6    | 1   | 500048   | 1 1/2X1"NPT REDU NIPPLE, POLY |    |
| 7    | 4   | 914000   | 1/4UNC HEX STOVER NUT         |    |
| 8    | 1   | 501210   | BLK PIPE CPLG .25NPT          |    |
| 9    | 1   | 501605   | BLK PIPE NIPPLE .25NPT-3.00   |    |
| 10   | 1   | 690359   | PRESSURE GA GLYCERI 100 PSI   |    |
| 11   | 1   | 696164   | SOLU VLV ASSY,3-SECT 1"NPT    |    |
| 12   | 1   | 690535   | CONTROL VALVE,1 1/2"POLY,RAVN |    |
| 13   | 1   | 690529   | RFM 100 FLOW METER, RAVEN     |    |
| 14   | 2   | 500057   | 2"NPT X 1 1/2 H BARB, POLY    |    |
| 15   | 2   | 520056   | HOSE CLAMP NO 56 PLATED       |    |
| 16   | 3   | 520087   | HOSE CLAMP NO 20 PLATED       |    |
| 17   | 3   | 520133   | 1.81/2.06 T-BOLT HOSE CLAMP   |    |
| 18   | 1   | 601217   | HOSE, 1.50 X 24 2F1W EPDM     |    |
| 19   | 2   | 472349   | 1/4 X 3/4 20THD-IN TEK TYPE   |    |
| 20   | 2   | 164302   | SOLU VLV MANIFOLD MT KEEPER97 |    |



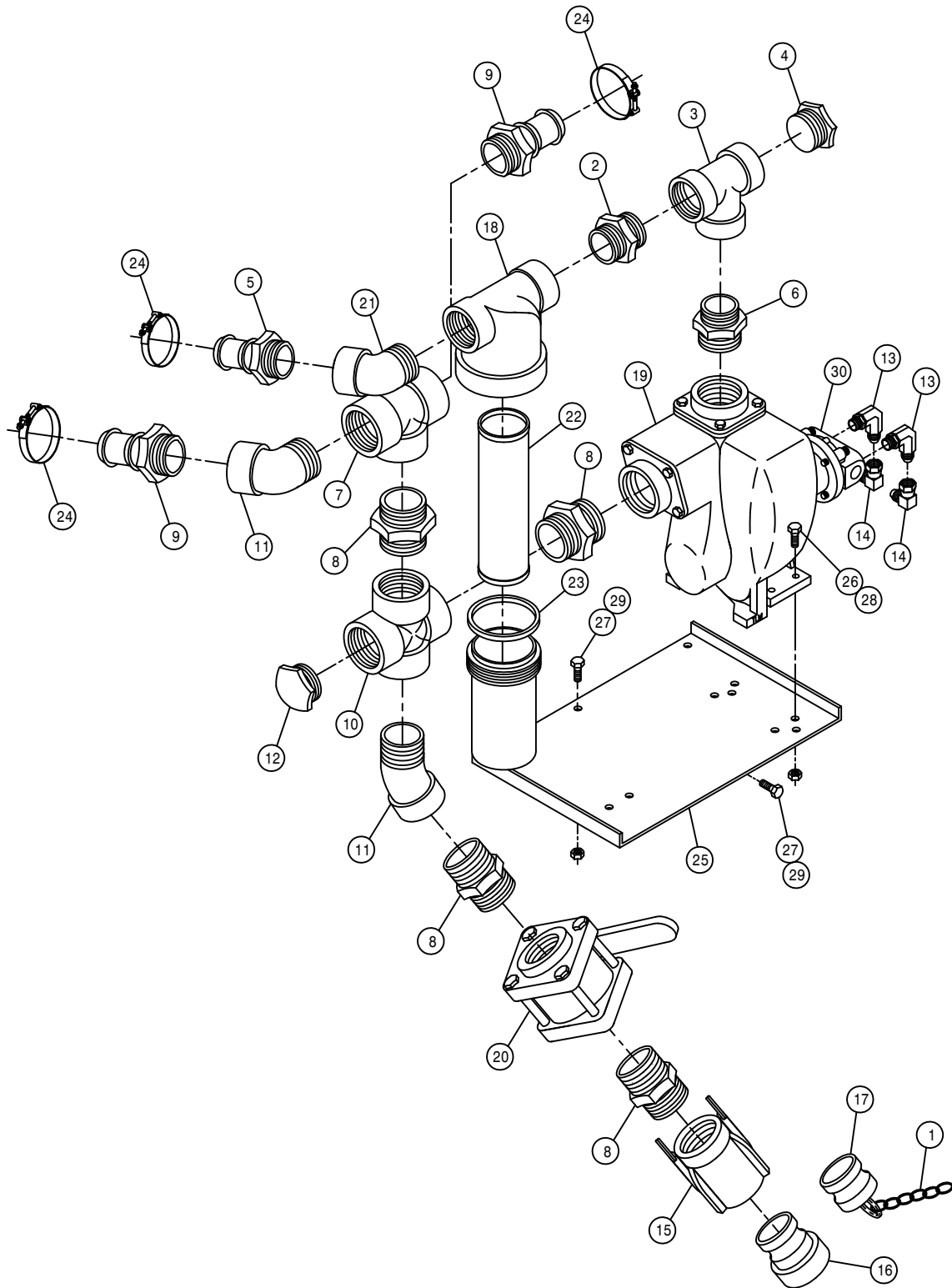
80' -90' OUTER BOOM SOLUTION SOLENOID

DET. QTY PART NO. DESCRIPTION

|   |   |        |                             |    |
|---|---|--------|-----------------------------|----|
| 1 | 1 | 164303 | SOLU VLV MT                 | 97 |
| 2 | 1 | 164304 | SOLU VLV MT KEEPER          | 97 |
| 3 | 1 | 500024 | 1"NPT-90-1"HOSE BARB, POLY  |    |
| 4 | 1 | 500074 | 1"NPT-1" HOSE BARB, POLY    |    |
| 5 | 1 | 696162 | 1" ELECT BALL VLV 344EC-2-1 |    |
| 6 | 2 | 900007 | 1/4UNC X 2" HEX BOLT        |    |
| 7 | 2 | 914000 | 1/4UNC HEX STOVER NUT       |    |
| 8 | 2 | 520087 | HOSE CLAMP NO 20 PLATED     |    |

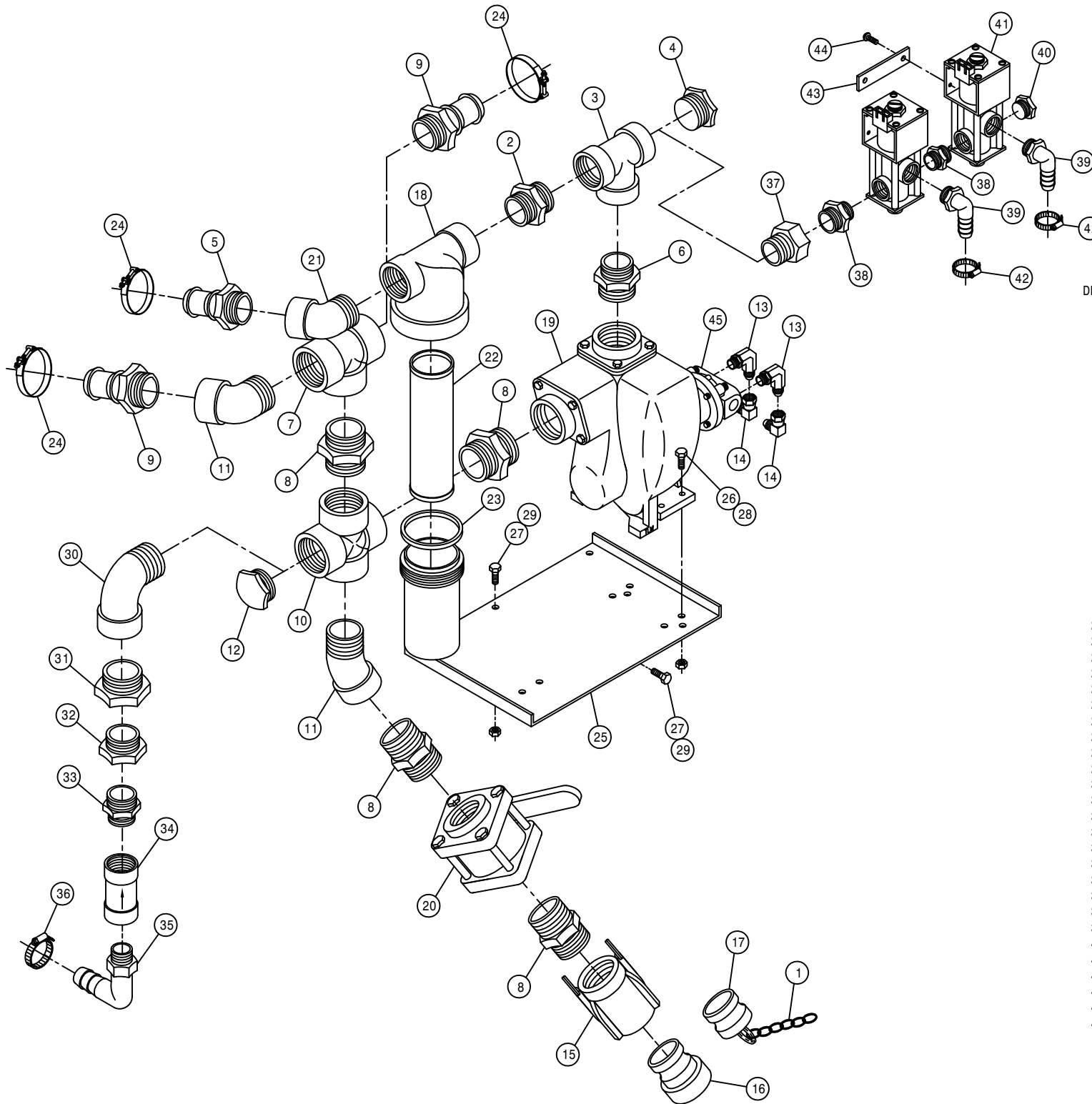






FLOMAX SOLUTION PUMP ASSEMBLY

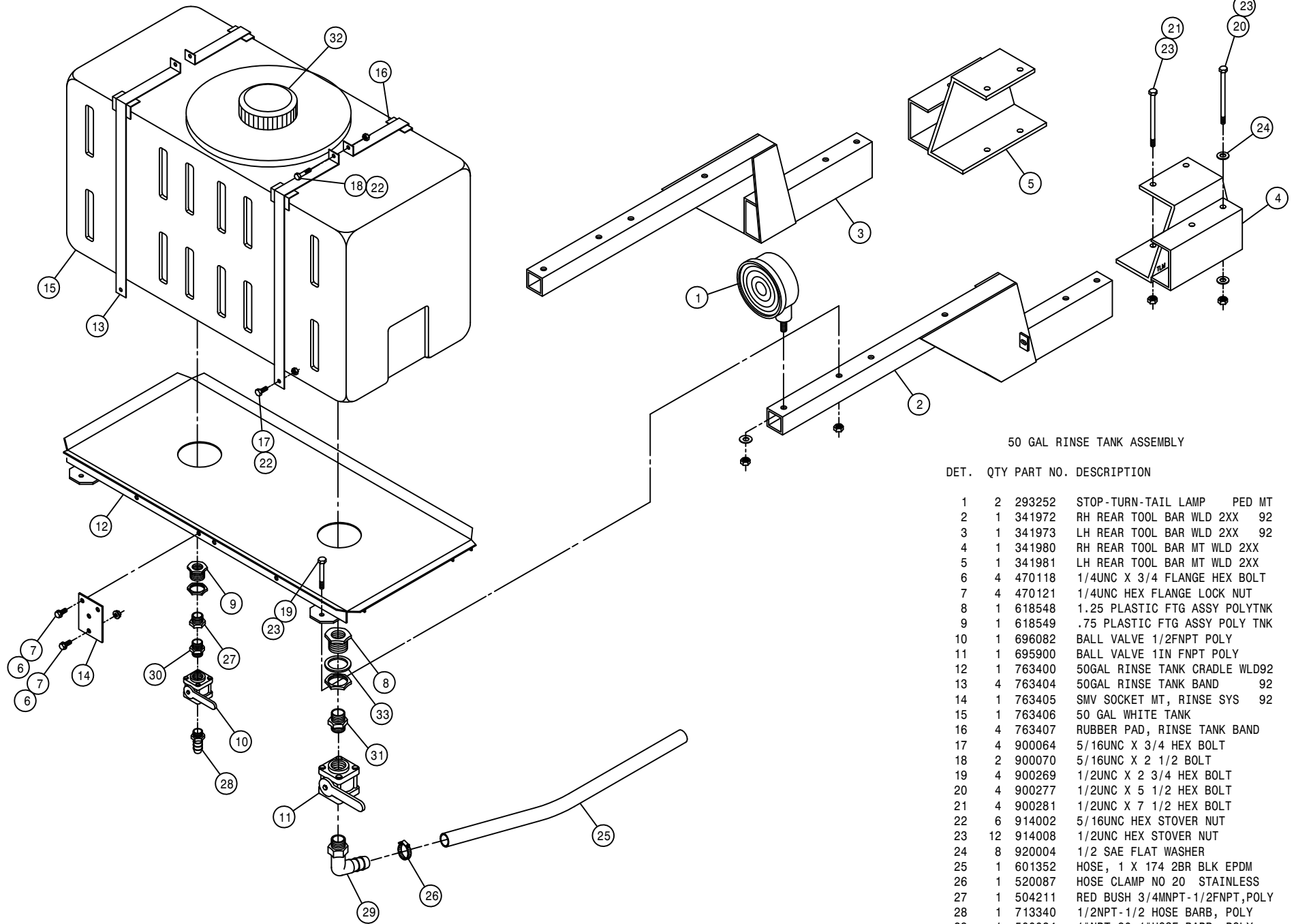
| DET. | QTY | PART NO. | DESCRIPTION                   |
|------|-----|----------|-------------------------------|
| 1    | 1   | 160986   | CHAIN, 12.00 LONG             |
| 2    | 1   | 500028   | 1 1/2NPT PIPE NIPPLE, POLY    |
| 3    | 1   | 500030   | 1 1/2"NPT PIPE TEE, POLY      |
| 4    | 1   | 500031   | 1 1/2NPT PIPE PLUG, POLY      |
| 5    | 1   | 500032   | 1 1/2NPT X 1 1/2 H BARB, POLY |
| 6    | 1   | 500038   | 2"X 1 1/2NPT REDU NIPPLE,POLY |
| 7    | 1   | 500055   | 2" NPT PIPE TEE, POLY         |
| 8    | 4   | 500056   | 2" NPT CLOSE HEX NIPPLE, POLY |
| 9    | 2   | 500057   | 2"NPT X 1 1/2 H BARB, POLY    |
| 10   | 1   | 500060   | 2"FNPT CROSS, POLY            |
| 11   | 2   | 500061   | 2"NPT-45 ST EL, POLY          |
| 12   | 1   | 500065   | 2"NPT PIPE PLUG, POLY         |
| 13   | 2   | 618241   | 3/4MJIC-90-3/4MOR LBO         |
| 14   | 2   | 618609   | 3/4MJIC-90-3/4FJIC SWIV LBO   |
| 15   | 1   | 690390   | 2.00 FEMALE NPT COUPLER       |
| 16   | 1   | 690391   | 2.00 FEMALE NPT ADPTR         |
| 17   | 1   | 690392   | ADPTR PLG FOR 2.00 NPT COUPLR |
| 18   | 1   | 690474   | 1 1/2 LINE STRAINER50M 150PSI |
| 19   | 1   | 690552   | FLOMAX 8, 2" PUMP             |
| 20   | 1   | 696134   | BALL VALVE 2IN FNPT POLY      |
| 21   | 1   | 500035   | 1 1/2NPT-45 ST EL, POLY       |
| 22   | 1   | 690475   | 50 MESH SCREEN FOR 690474     |
| 23   | 1   | 690476   | STRAINER GASKET FOR 690474    |
| 24   | 3   | 520133   | 1.81/2.06 T-BOLT HOSE CLAMP   |
| 25   | 1   | 690530   | 2" SOLU PUMP MT WLD           |
| 26   | 4   | 900066   | 5/16UNC X 1 1/4 HEX BOLT      |
| 27   | 3   | 900129   | 3/8UNC X 1" HEX BOLT          |
| 28   | 4   | 914002   | 5/16UNC HEX STOVER NUT        |
| 29   | 3   | 914004   | 3/8UNC HEX STOVER NUT         |
| 30   | 1   | 690573   | HYD MOTOR, FLOMAX HI-SPEED    |



FLOMAX SOLUTION PUMP ASSEMBLY WITH RINSE

DET. QTY PART NO. DESCRIPTION

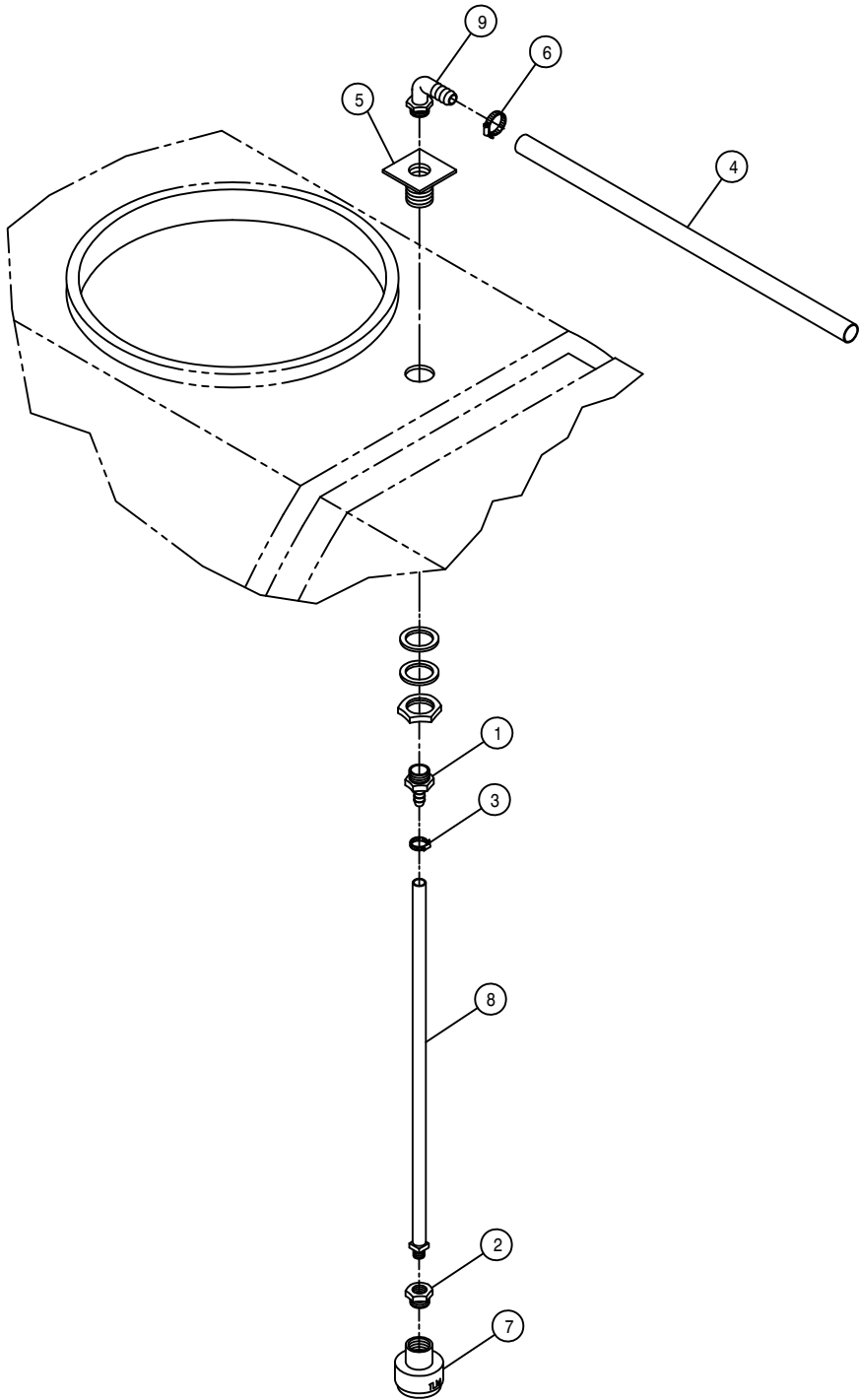
|    |   |        |                                 |
|----|---|--------|---------------------------------|
| 1  | 1 | 160986 | CHAIN, 12.00 LONG               |
| 2  | 1 | 500028 | 1 1/2NPT PIPE NIPPLE, POLY      |
| 3  | 1 | 500030 | 1 1/2"NPT PIPE TEE, POLY        |
| 4  | 1 | 500031 | 1 1/2NPT PIPE PLUG, POLY        |
| 5  | 1 | 500032 | 1 1/2NPT X 1 1/2 H BARB, POLY   |
| 6  | 1 | 500038 | 2" X 1 1/2NPT REDU NIPPLE, POLY |
| 7  | 1 | 500055 | 2" NPT PIPE TEE, POLY           |
| 8  | 4 | 500056 | 2" NPT CLOSE HEX NIPPLE, POLY   |
| 9  | 2 | 500057 | 2"NPT X 1 1/2 H BARB, POLY      |
| 10 | 1 | 500060 | 2"FNPT CROSS, POLY              |
| 11 | 2 | 500061 | 2"NPT-45 ST EL, POLY            |
| 12 | 1 | 500065 | 2"NPT PIPE PLUG, POLY           |
| 13 | 2 | 618241 | 3/4MJIC-90-3/4MOR LBO           |
| 14 | 2 | 618609 | 3/4MJIC-90-3/4FJIC SWIV LBO     |
| 15 | 1 | 690390 | 2.00 FEMALE NPT COUPLER         |
| 16 | 1 | 690391 | 2.00 FEMALE NPT ADPTR           |
| 17 | 1 | 690392 | ADPTR PLG FOR 2.00 NPT COUPLR   |
| 18 | 1 | 690474 | 1 1/2 LINE STRAINER50M 150PSI   |
| 19 | 1 | 690552 | FLOMAX 8, 2" PUMP               |
| 20 | 1 | 696134 | BALL VALVE 2IN FNPT POLY        |
| 21 | 1 | 500035 | 1 1/2NPT-45 ST EL, POLY         |
| 22 | 1 | 690475 | 50 MESH SCREEN FOR 690474       |
| 23 | 1 | 690476 | STRAINER GASKET FOR 690474      |
| 24 | 3 | 520133 | 1.81/2.06 T-BOLT HOSE CLAMP     |
| 25 | 1 | 690530 | 2" SOLU PUMP MT WLD             |
| 26 | 4 | 900066 | 5/16UNC X 1 1/4 HEX BOLT        |
| 27 | 3 | 900129 | 3/8UNC X 1" HEX BOLT            |
| 28 | 4 | 914002 | 5/16UNC HEX STOVER NUT          |
| 29 | 3 | 914004 | 3/8UNC HEX STOVER NUT           |
| 30 | 1 | 500053 | 2"NPT-90 ST EL, POLY            |
| 31 | 1 | 500071 | 2" X 1 1/2NPT REDU BUSH, POLY   |
| 32 | 1 | 500037 | 1 1/2"X 1 1/4NPT BUSH, POLY     |
| 33 | 1 | 500052 | 1 1/4 X 1NPT REDU NIPPLE, POLY  |
| 34 | 1 | 690488 | 1.00 CHECK VLV, SPRING LOADED   |
| 35 | 1 | 500024 | 1"NPT-90-1"HOSE BARB, POLY      |
| 36 | 1 | 520087 | HOSE CLAMP NO 20 STAINLESS      |
| 37 | 1 | 500040 | 1 1/2 X 3/4 NPT BUSH, POLY      |
| 38 | 2 | 690098 | 3/4NPT CLOSE NIPPLE, POLY       |
| 39 | 2 | 500047 | 1/2NPT-90-1/2 HOSE BARB, POLY   |
| 40 | 1 | 500043 | 3/4NPT PIPE PLUG, POLY          |
| 41 | 2 | 695952 | SOLUTION VALVE, AA144-1 VITON   |
| 42 | 2 | 520070 | HOSE CLAMP NO 8 STAINLESS       |
| 43 | 1 | 342014 | SOLENOID KEEPER, RINSE SYS      |
| 44 | 2 | 472199 | 10-24 X 1/2 RD HD MACH SCR      |
| 45 | 1 | 690573 | HYD MOTOR, FLOMAX HI-SPEED      |



50 GAL RINSE TANK ASSEMBLY

| DET. | QTY | PART NO. | DESCRIPTION                   |
|------|-----|----------|-------------------------------|
| 1    | 2   | 293252   | STOP-TURN-TAIL LAMP PED MT    |
| 2    | 1   | 341972   | RH REAR TOOL BAR WLD 2XX 92   |
| 3    | 1   | 341973   | LH REAR TOOL BAR WLD 2XX 92   |
| 4    | 1   | 341980   | RH REAR TOOL BAR MT WLD 2XX   |
| 5    | 1   | 341981   | LH REAR TOOL BAR MT WLD 2XX   |
| 6    | 4   | 470118   | 1/4UNC X 3/4 FLANGE HEX BOLT  |
| 7    | 4   | 470121   | 1/4UNC HEX FLANGE LOCK NUT    |
| 8    | 1   | 618548   | 1.25 PLASTIC FTG ASSY POLYTNK |
| 9    | 1   | 618549   | .75 PLASTIC FTG ASSY POLY TNK |
| 10   | 1   | 696082   | BALL VALVE 1/2FNPT POLY       |
| 11   | 1   | 695900   | BALL VALVE 1IN FNPT POLY      |
| 12   | 1   | 763400   | 50GAL RINSE TANK CRADLE WLD92 |
| 13   | 4   | 763404   | 50GAL RINSE TANK BAND 92      |
| 14   | 1   | 763405   | SMV SOCKET MT, RINSE SYS 92   |
| 15   | 1   | 763406   | 50 GAL WHITE TANK             |
| 16   | 4   | 763407   | RUBBER PAD, RINSE TANK BAND   |
| 17   | 4   | 900064   | 5/16UNC X 3/4 HEX BOLT        |
| 18   | 2   | 900070   | 5/16UNC X 2 1/2 BOLT          |
| 19   | 4   | 900269   | 1/2UNC X 2 3/4 HEX BOLT       |
| 20   | 4   | 900277   | 1/2UNC X 5 1/2 HEX BOLT       |
| 21   | 4   | 900281   | 1/2UNC X 7 1/2 HEX BOLT       |
| 22   | 6   | 914002   | 5/16UNC HEX STOVER NUT        |
| 23   | 12  | 914008   | 1/2UNC HEX STOVER NUT         |
| 24   | 8   | 920004   | 1/2 SAE FLAT WASHER           |
| 25   | 1   | 601352   | HOSE, 1 X 174 2BR BLK EPDM    |
| 26   | 1   | 520087   | HOSE CLAMP NO 20 STAINLESS    |
| 27   | 1   | 504211   | RED BUSH 3/4MNPT-1/2FNPT,POLY |
| 28   | 1   | 713340   | 1/2NPT-1/2 HOSE BARB, POLY    |
| 29   | 1   | 500024   | 1"NPT-90-1"HOSE BARB, POLY    |
| 30   | 1   | 503101   | 1/2NPT CLOSE NIPPLE, POLY     |
| 31   | 1   | 500052   | 1 1/4 X 1NPT REDU NIPPLE,POLY |
| 32   | 1   | 690511   | LID, RAVEN RINSE TANK 763406  |
| 33   | 1   | 763430   | 1 1/4 TANK FLANGE RUBBER SEAL |

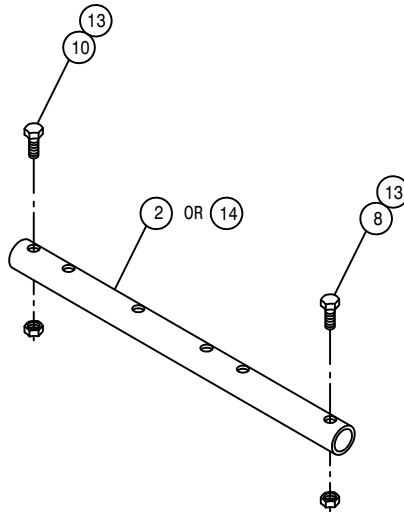
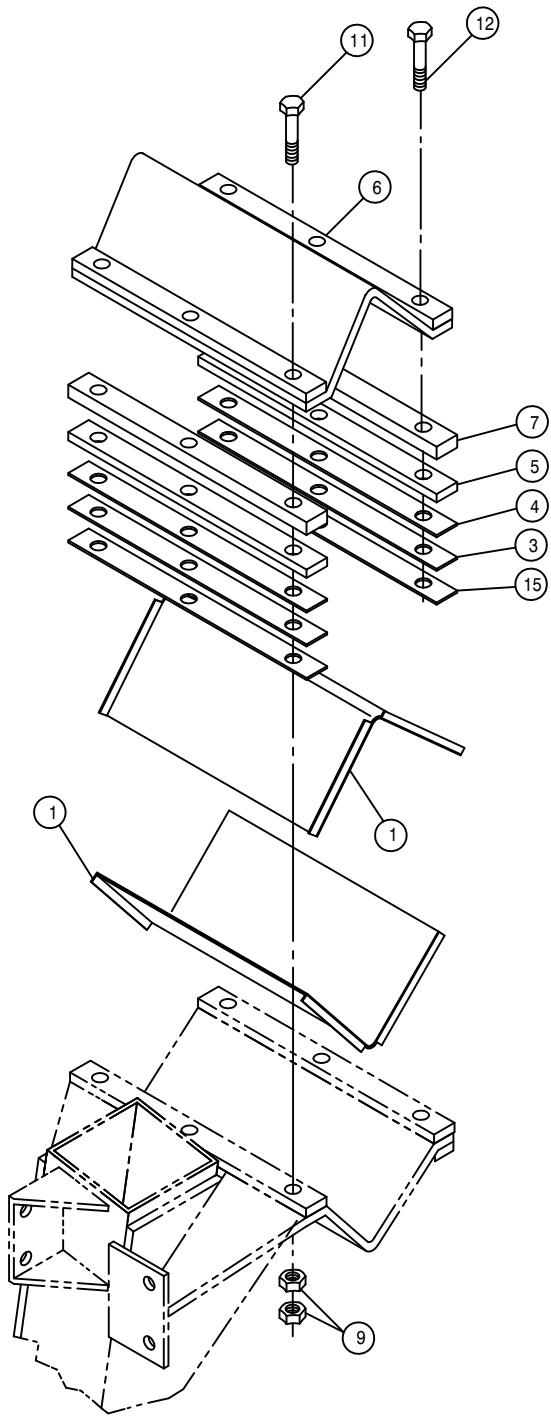




RINSE NOZZLE ASSEMBLY

DET. QTY PART NO. DESCRIPTION

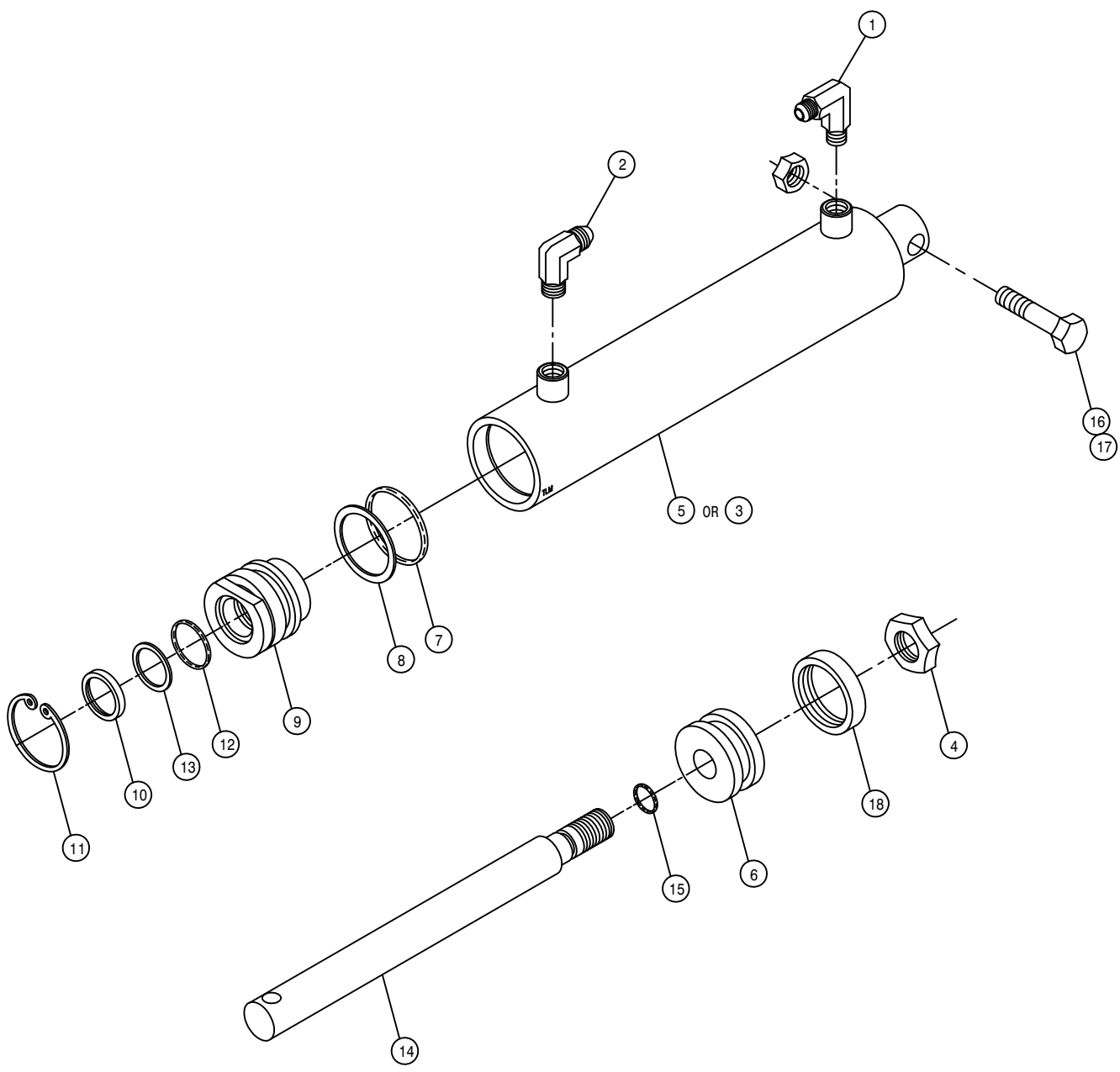
|   |   |        |                               |
|---|---|--------|-------------------------------|
| 1 | 1 | 500027 | 3/4NPT-3/8 HOSE BARB, POLY    |
| 2 | 1 | 504002 | RED BUSH 3/4 TO 1/4, POLY     |
| 3 | 1 | 520120 | HOSE CLAMP NO 4 PLATED MINI   |
| 4 | 1 | 601164 | HOSE, 1/2 X 117 1BR BLK EPD   |
| 5 | 1 | 618549 | .75 PLASTIC FTG ASSY POLY TNK |
| 6 | 1 | 520070 | HOSE CLAMP NO 8 PLATED        |
| 7 | 1 | 737873 | ROTARY NOZZLE, TEFLON         |
| 8 | 1 | 737821 | QUICK TEEJET HOSE DROP 24IN   |
| 9 | 1 | 500041 | 3/4NPT-90-1/2"HOSE BARB, POLY |



TREAD ADJUSTMENT ASSEMBLY

DET. QTY PART NO. DESCRIPTION

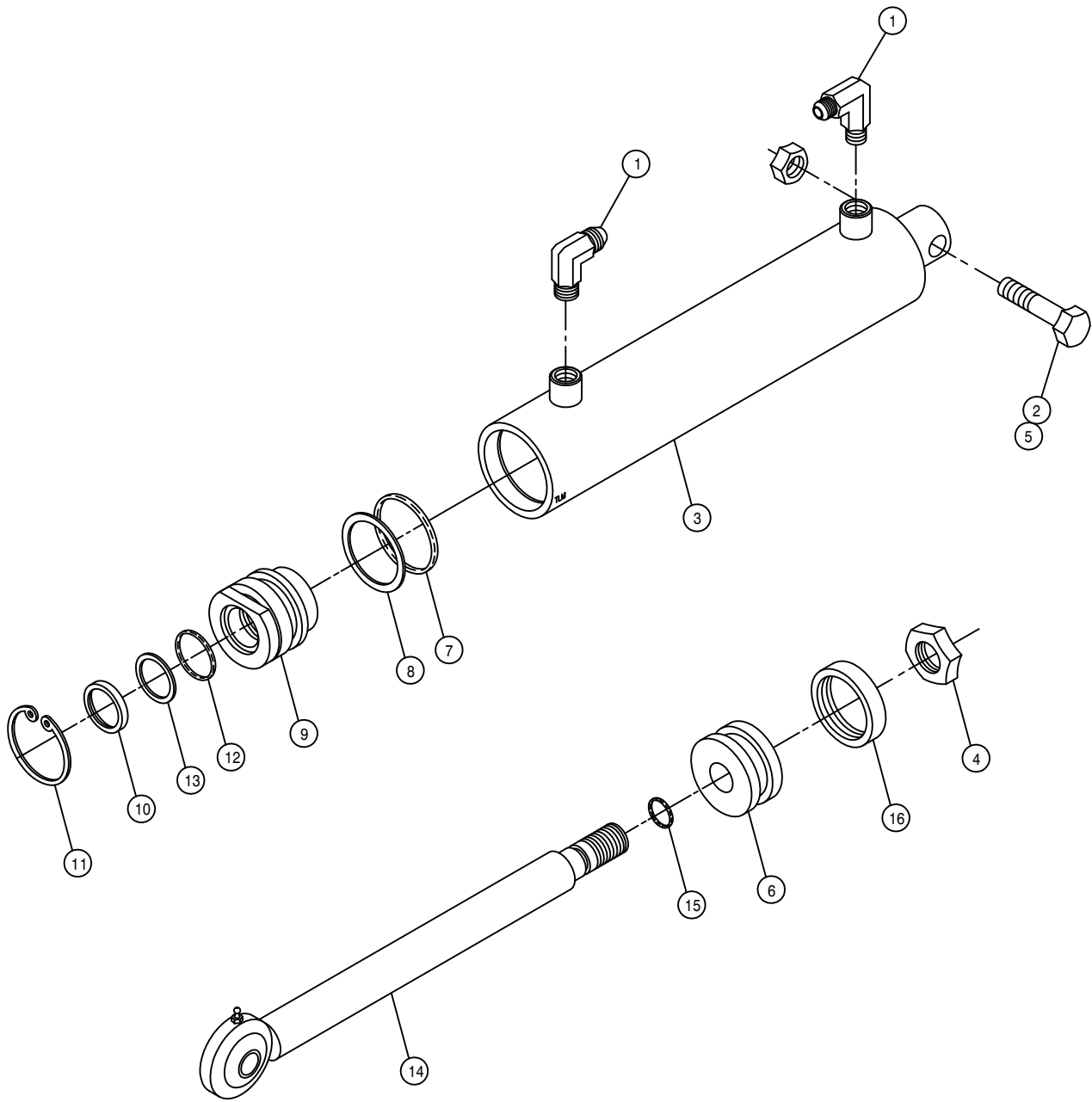
|    |    |        |                                |    |
|----|----|--------|--------------------------------|----|
| 1  | 2  | 358703 | TREAD ADJ XMBR BEARING ASSY    |    |
| 2  | 1  | 358747 | TREAD ADJ CYL EXT TUBE         | 94 |
| 3  | 2  | 358767 | .025 LEG MT SHIM, 284T         | 94 |
| 4  | 2  | 358752 | .074 LEG MT SHIM, 284T         | 94 |
| 5  | 2  | 358769 | .250 LEG MT SHIM, 284T         | 94 |
| 6  | 1  | 358759 | LEG MT V-PLT WLD, 284T         | 94 |
| 7  | 2  | 358766 | .375 LEG MT SPACER, 284T       | 94 |
| 8  | 1  | 900268 | 1/2UNC X 2 1/2 HEX BOLT        |    |
| 9  | 12 | 914811 | 5/8UNF HEX NUT GR8             |    |
| 10 | 1  | 900267 | 1/2UNC X 2" HEX BOLT           |    |
| 11 | 3  | 900837 | 5/8UNF X 3 1/2 HEX BOLT GR8    |    |
| 12 | 3  | 900838 | 5/8UNF X 4" HEX BOLT GR8       |    |
| 13 | 2  | 914008 | 1/2UNC HEX STOVER NUT          |    |
| 14 | 1  | 358802 | TREAD ADJ CYL EXT TUBE, 284W95 |    |
| 15 | 2  | 358768 | .037 LEG MT SHIM, 284T         | 94 |



TREAD ADJUSTMENT LEG CYLINDER ASSEMBLY

| DET. | QTY | PART NO. | DESCRIPTION                   |
|------|-----|----------|-------------------------------|
| 1    | 1   | 614710   | RESTRICTOR ELBOW ASSY .025DIA |
| 2    | 1   | 611122   | 9/16MJIC-90-1/4MNPT LBO       |
| 3    | 1   | 620119   | LH CYL TUBE WLD,LEG,TREAD ADJ |
| 4    | 1   | 472297   | 3/4UNF HEX STOVER NUT THIN    |
| 5    | 1   | 620118   | RH CYL TUBE WLD,LEG,TREAD ADJ |
| 6    | 1   | 620081   | PISTON 2 X 1 ZAMAC ORING TYPE |
| 7    | 1   | 870326   | BUNA ORING 1 5/8 X 2          |
| 8    | 1   | 890326   | BACKUP WASH 1 5/8 X 2 LEATH   |
| 9    | 1   | 620082   | GLAND 2 IN X 1 IN ZAMAC       |
| 10   | 1   | 629003   | WIPER 1 X 1 1/4 X 1/8         |
| 11   | 1   | 629505   | SNAP RING 2 IN INTRN          |
| 12   | 1   | 870214   | BUNA ORING 1 X 1 1/4          |
| 13   | 1   | 890214   | BACKUP WASH 1 X 1 1/4 HT2022  |
| 14   | 1   | 620111   | TREAD ADJ HYD LEG CYL SHAFT   |
| 15   | 1   | 870113   | BUNA ORING 9/16 X 3/4         |
| 16   | 1   | 900268   | 1/2UNC X 2 1/2 HEX BOLT       |
| 17   | 1   | 914008   | 1/2UNC HEX STOVER NUT         |
| 18   | 1   | 860326   | CROWN SEAL, 2" PISTON, HYD    |

NOTE: 1. 620120 - RH LEG TREAD ADJ CYLINDER ASSEMBLY  
 2. 620121 - LH LEG TREAD ADJ CYLINDER ASSEMBLY  
 3. 620083 - SEAL KIT

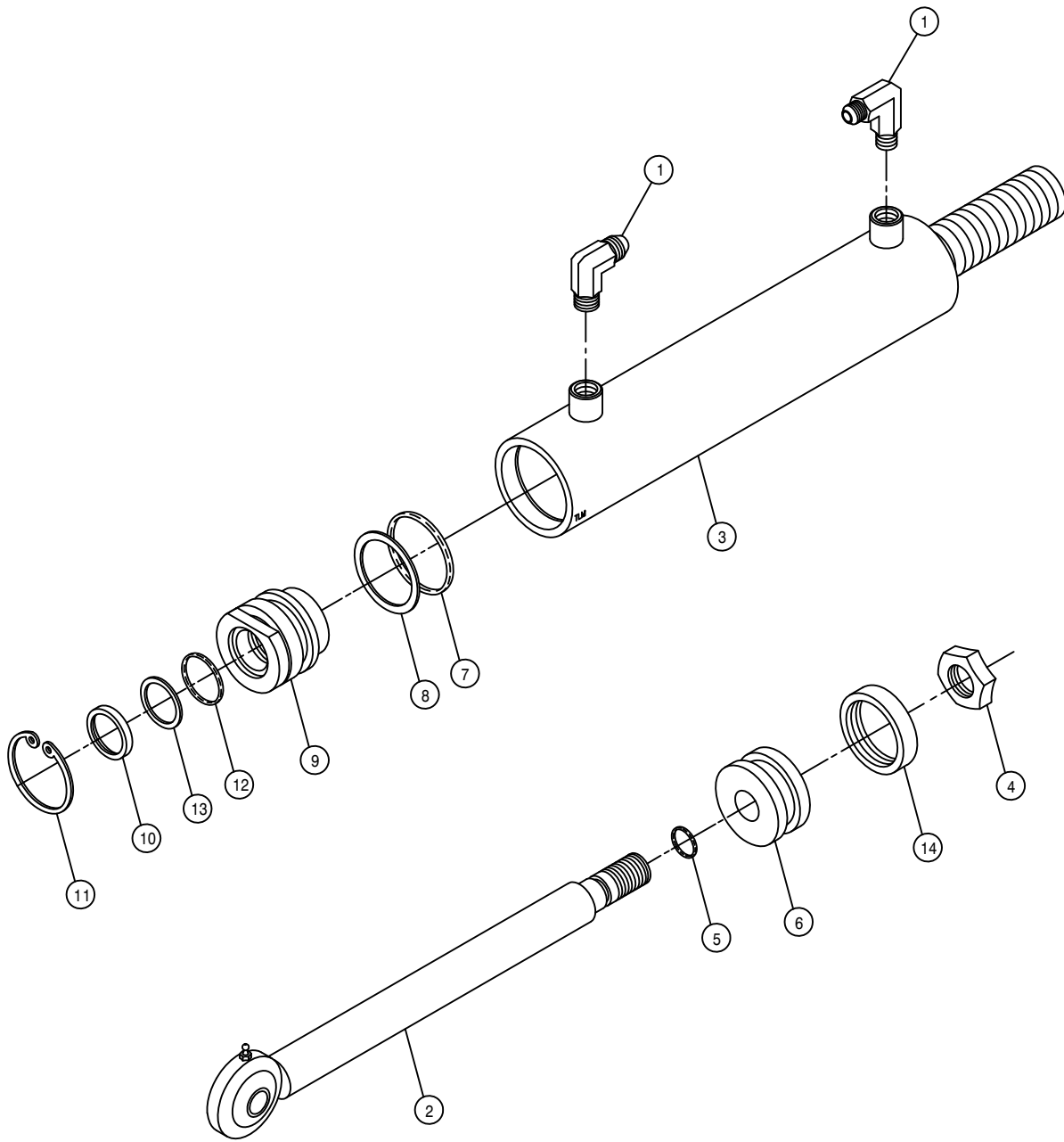


125" TIE ROD TREAD ADJ CYLINDER ASSEMBLY

DET. QTY PART NO. DESCRIPTION

|    |   |        |                               |
|----|---|--------|-------------------------------|
| 1  | 2 | 614710 | RESTRICTOR ELBOW ASSY .025DIA |
| 2  | 1 | 900268 | 1/2UNC X 2 1/2 HEX BOLT       |
| 3  | 1 | 620124 | CYL TUBE WLD,STRG, 125" TA 94 |
| 4  | 1 | 472297 | 3/4UNF HEX STOVER NUT THIN    |
| 5  | 1 | 914008 | 1/2UNC HEX STOVER NUT         |
| 6  | 1 | 620081 | PISTON 2 X 1 ZAMAC ORING TYPE |
| 7  | 1 | 870326 | BUNA ORING 1 5/8 X 2          |
| 8  | 1 | 890326 | BACKUP WASH 1 5/8 X 2 LEATH   |
| 9  | 1 | 620126 | GLAND 2.00 OD X 1.25 ID, ALUM |
| 10 | 1 | 629002 | WIPER 1 1/4 X 1 1/2 X 1/8     |
| 11 | 1 | 629505 | SNAP RING 2 IN INTRN          |
| 12 | 1 | 870218 | BUNA ORING 1 1/4 X 1 1/2      |
| 13 | 1 | 890218 | BACKUP WASH1 1/4X1 1/2 HT2022 |
| 14 | 1 | 620130 | CYL SHAFT WLD,STRG,TREADADJ94 |
| 15 | 1 | 870113 | BUNA ORING 9/16 X 3/4         |
| 16 | 1 | 860326 | CROWN SEAL, 2" PISTON, HYD    |

NOTE: 1. 620123 - 125" TREAD ADJ STEERING CYLINDER ASSEMBLY  
 2. 620132 - SEAL KIT



90" TIE ROD TREAD ADJ CYLINDER ASSEMBLY

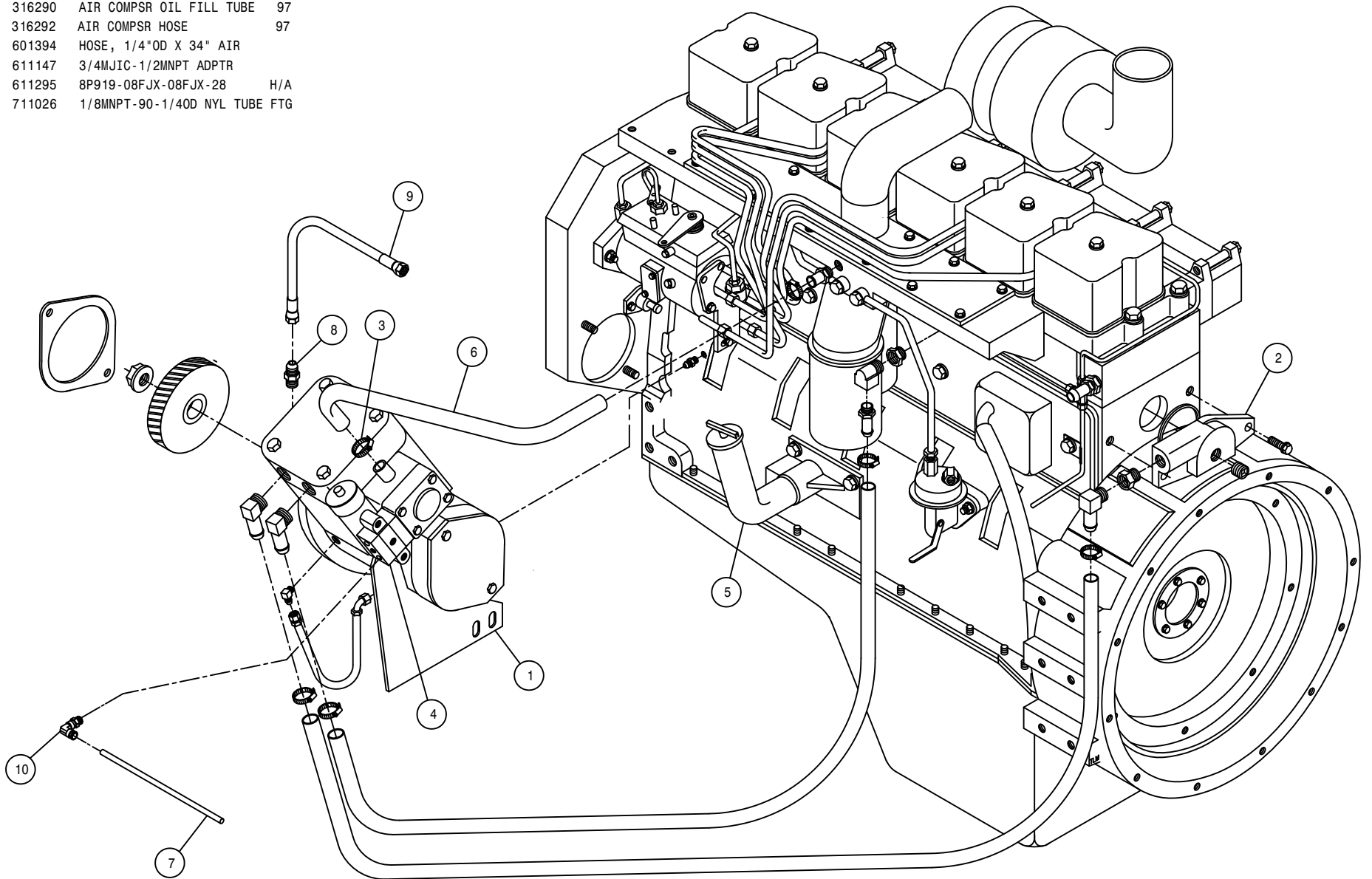
| DET. | QTY | PART NO. | DESCRIPTION                      |
|------|-----|----------|----------------------------------|
| 1    | 2   | 614710   | RESTRICTOR ELBOW ASSY .025DIA    |
| 2    | 1   | 620130   | CYL SHAFT WLD, STRG, TREADADJ94  |
| 3    | 1   | 620116   | TREAD ADJ STRG CYL TUBE WLD      |
| 4    | 1   | 472297   | 3/4UNF HEX STOVER NUT THIN       |
| 5    | 1   | 870113   | BUNA ORING 9/16 X 3/4            |
| 6    | 1   | 620081   | PISTON 2 X 1 ZAMAC ORING TYPE    |
| 7    | 1   | 870326   | BUNA ORING 1 5/8 X 2             |
| 8    | 1   | 890326   | BACKUP WASH 1 5/8 X 2 LEATH      |
| 9    | 1   | 620126   | GLAND 2.00 OD X 1.25 ID, ALUM    |
| 10   | 1   | 629002   | WIPER 1 1/4 X 1 1/2 X 1/8        |
| 11   | 1   | 629505   | SNAP RING 2 IN INTRN             |
| 12   | 1   | 870218   | BUNA ORING 1 1/4 X 1 1/2         |
| 13   | 1   | 890218   | BACKUP WASH 1 1/4 X 1 1/2 HT2022 |
| 14   | 1   | 860326   | CROWN SEAL, 2" PISTON, HYD       |

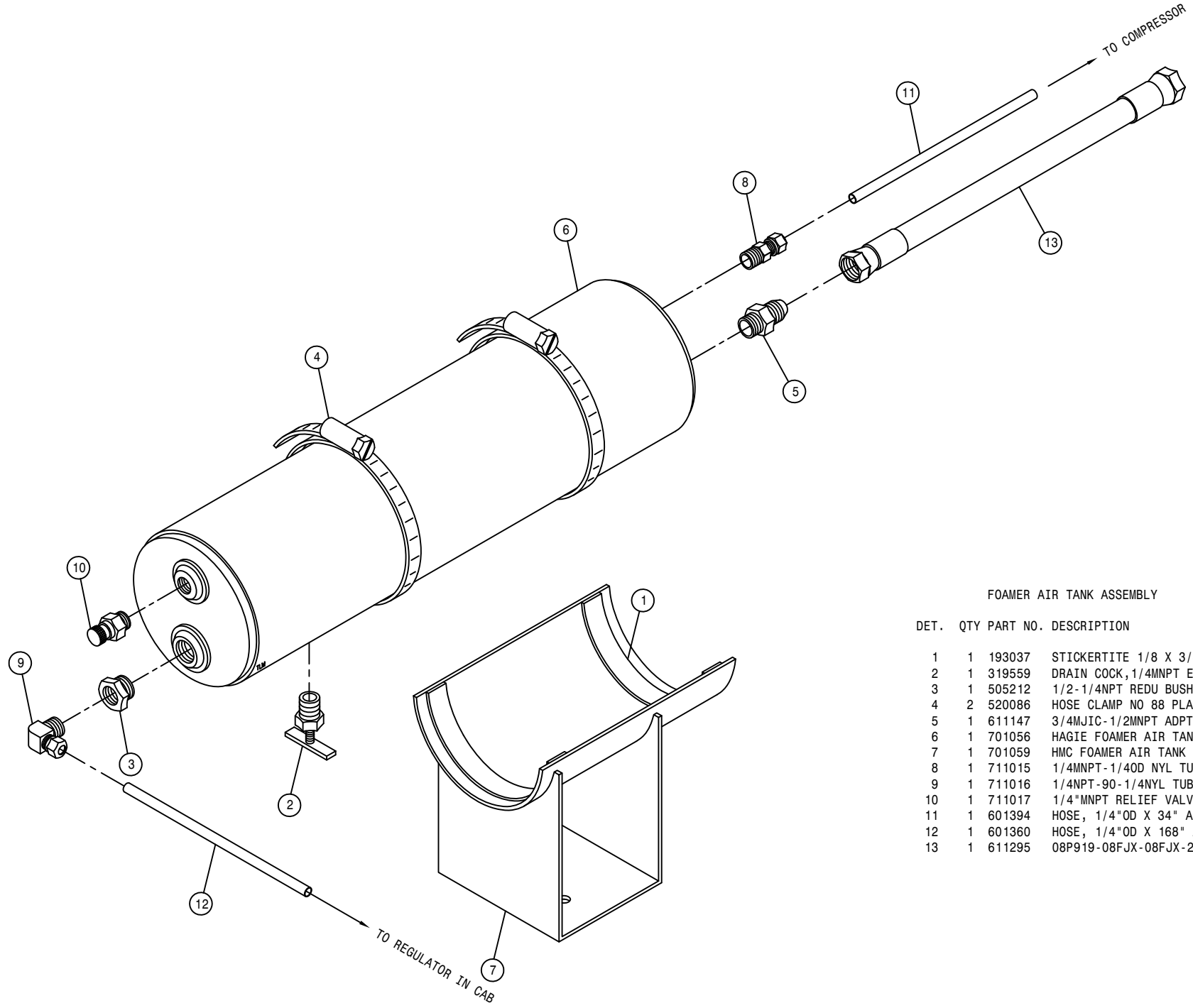
NOTE: 1. 620122 - 90" TREAD ADJ STEERING CYLINDER ASSEMBLY  
 2. 620132 - SEAL KIT

CUMMINS AIR COMPRESSOR OPTION

DET. QTY PART NO. DESCRIPTION

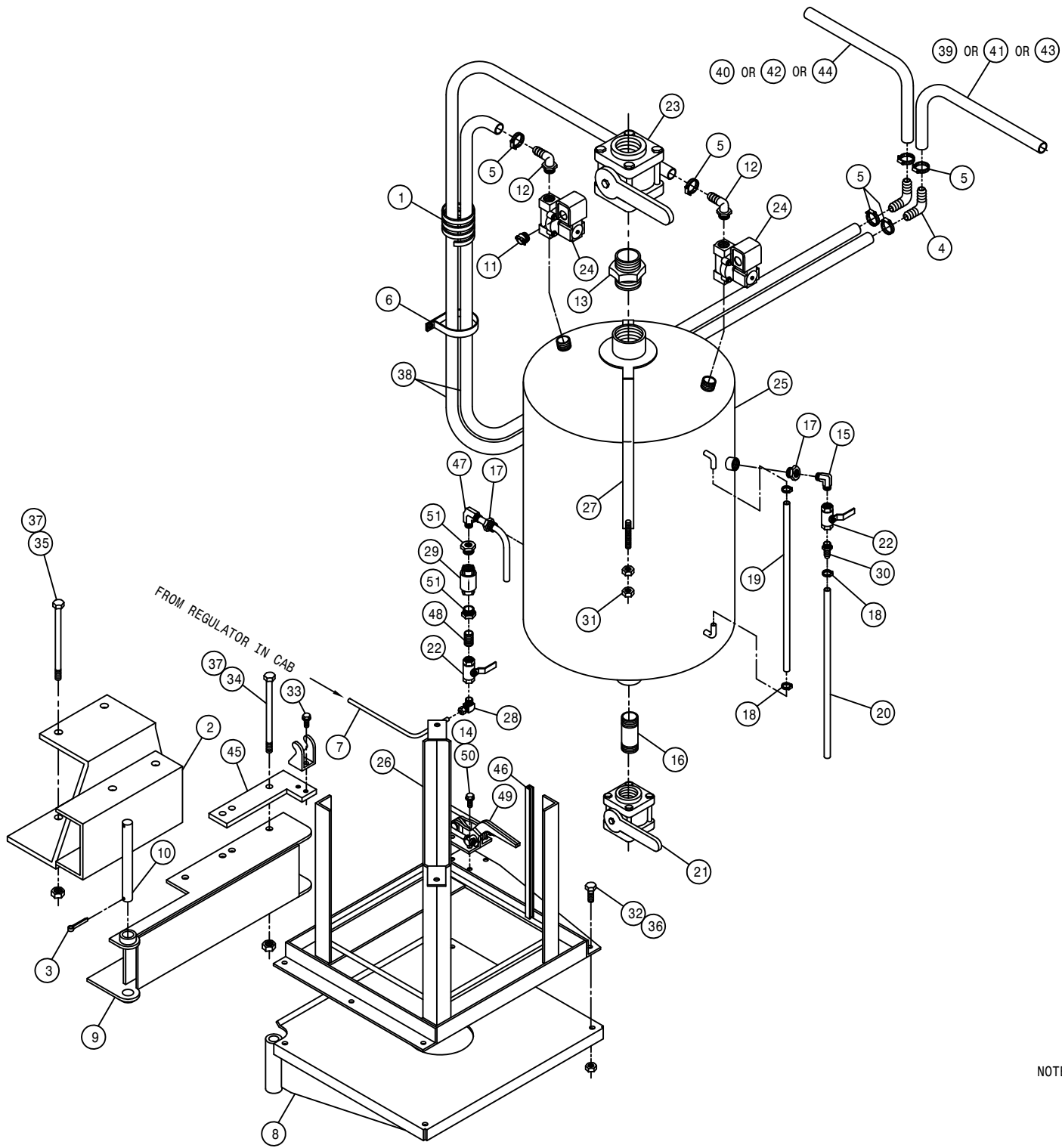
|    |   |        |                               |     |
|----|---|--------|-------------------------------|-----|
| 1  | 1 | 316287 | AIR COMPRESSOR, CUMM          | 97  |
| 2  | 1 | 316288 | AIR COMPSR TUBING             | 97  |
| 3  | 2 | 316293 | AIR COMPSR CLAMP              | 97  |
| 4  | 1 | 316289 | AIR COMPSR GOVENOR            | 97  |
| 5  | 1 | 316290 | AIR COMPSR OIL FILL TUBE      | 97  |
| 6  | 1 | 316292 | AIR COMPSR HOSE               | 97  |
| 7  | 1 | 601394 | HOSE, 1/4"OD X 34" AIR        |     |
| 8  | 1 | 611147 | 3/4MJIC-1/2MNPT ADPTR         |     |
| 9  | 1 | 611295 | 8P919-08FJX-08FJX-28          | H/A |
| 10 | 1 | 711026 | 1/8MNPT-90-1/4OD NYL TUBE FTG |     |





FOAMER AIR TANK ASSEMBLY

| DET. | QTY | PART NO. | DESCRIPTION                    |
|------|-----|----------|--------------------------------|
| 1    | 1   | 193037   | STICKERTITE 1/8 X 3/4          |
| 2    | 1   | 319559   | DRAIN COCK, 1/4MNPT EXT ST BRS |
| 3    | 1   | 505212   | 1/2-1/4NPT REDU BUSH, BRS      |
| 4    | 2   | 520086   | HOSE CLAMP NO 88 PLATED        |
| 5    | 1   | 611147   | 3/4MJIC-1/2MNPT ADPTR          |
| 6    | 1   | 701056   | HAGIE FOAMER AIR TANK WLD 95   |
| 7    | 1   | 701059   | HMC FOAMER AIR TANK MT WLD 95  |
| 8    | 1   | 711015   | 1/4MNPT-1/4OD NYL TUBE FTGBRS  |
| 9    | 1   | 711016   | 1/4NPT-90-1/4NYL TUBE FTG BRS  |
| 10   | 1   | 711017   | 1/4"MNPT RELIEF VALVE          |
| 11   | 1   | 601394   | HOSE, 1/4"OD X 34" AIR         |
| 12   | 1   | 601360   | HOSE, 1/4"OD X 168" AIR        |
| 13   | 1   | 611295   | 08P919-08FJX-08FJX-28 H/A      |

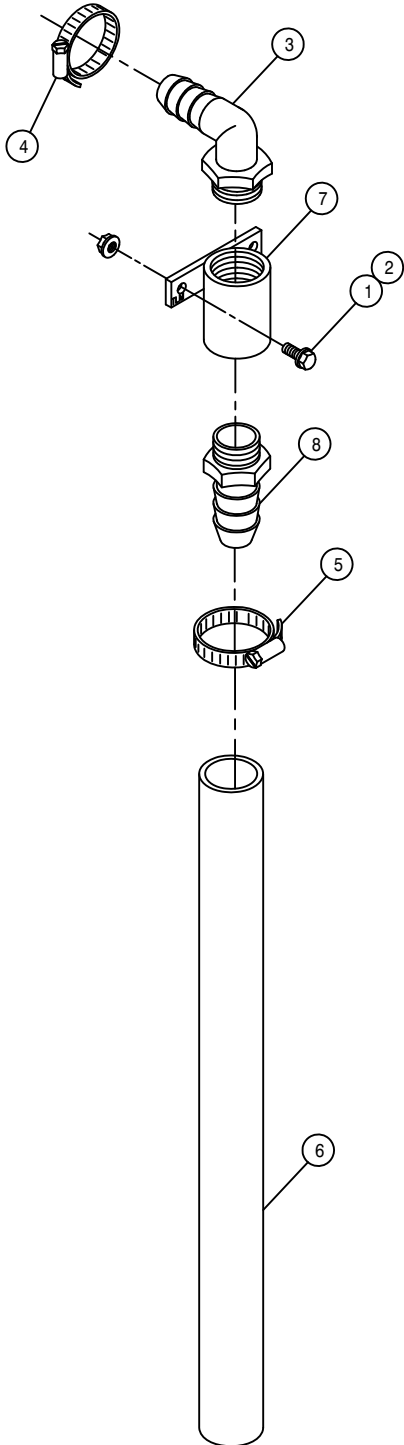


FOAM MARKER TANK ASSEMBLY

| DET. | QTY | PART NO. | DESCRIPTION                           |
|------|-----|----------|---------------------------------------|
| 1    | 2   | 193002   | SPIRAL PROTECTIVE WRAP, BLACK         |
| 2    | 1   | 341980   | RH REAR TOOL BAR MT WLD 2XX           |
| 3    | 2   | 470039   | COTTER PIN 3/16 X 1 1/4 SQCUT         |
| 4    | 2   | 500069   | 3/4-90-3/4 HOSE BARB, POLY            |
| 5    | 6   | 520055   | HOSE CLAMP NO 12 STAINLESS            |
| 6    | 1   | 520126   | CUSH HOSE CLAMP 2IN X 5/8W            |
| 7    | 1   | 601366   | HOSE, 1/4 X 192 AIR                   |
| 8    | 1   | 701043   | HAGIE FOAMER BASE WLD 95              |
| 9    | 1   | 701048   | HAGIE FOAMER BASE MT WLD 95           |
| 10   | 1   | 701055   | HMC FOAMER BASE PIVOT PIN 95          |
| 11   | 3   | 293056   | ROMEX CONNECTOR .50IN 2-SCR           |
| 12   | 2   | 500054   | 3/4NPT-90-3/4 HOSE BARB, POLY         |
| 13   | 1   | 500056   | 2" NPT CLOSE HEX NIPPLE, POLY         |
| 14   | 4   | 470233   | 5/16UNC X 3/4 FLANGE HEX BOLT         |
| 15   | 1   | 502705   | 1/4NPT-90-1/4NPT LBO, BRS             |
| 16   | 1   | 505202   | BLK PIPE NIPPLE 1.00NPT-2.00          |
| 17   | 2   | 505211   | 3/8-1/4NPT REDU BUSH, BRS             |
| 18   | 3   | 520120   | HOSE CLAMP NO 4 STAINLESS             |
| 19   | 1   | 601364   | HOSE, 3/8 X 16 CLEAR VINYL            |
| 20   | 1   | 601370   | HOSE, 3/8 X 30 CLEAR VINYL            |
| 21   | 1   | 695900   | BALL VALVE 1IN FNPT POLY              |
| 22   | 2   | 696120   | BALL VALVE, 1/4NPT, STEEL             |
| 23   | 1   | 696134   | BALL VALVE 2IN FNPT POLY              |
| 24   | 2   | 696163   | 3/4" ELECT SOLENOID VALVE             |
| 25   | 1   | 701091   | FOAM MARKER TANK, 20 GAL SS           |
| 26   | 1   | 701093   | FOAM MARKER TANK MT WLD               |
| 27   | 1   | 701099   | FOAM MARKER TANK STRAP WLD            |
| 28   | 1   | 711016   | 1/4NPT-90-1/4NPT TUBE FTG BRS         |
| 29   | 1   | 711050   | 3/4"FNPT CHECK VALVE S.S.             |
| 30   | 1   | 783304   | 1/4 NPT X 3/8 HOSE BARB, BRS          |
| 31   | 4   | 910004   | 3/8UNC HEX NUT                        |
| 32   | 4   | 900129   | 3/8UNC X 1" HEX BOLT                  |
| 33   | 2   | 470232   | 5/16UNC X 1/2 FLANGE HEX BOLT         |
| 34   | 2   | 900278   | 1/2UNC X 6" HEX BOLT                  |
| 35   | 2   | 900281   | 1/2UNC X 7 1/2 HEX BOLT               |
| 36   | 4   | 914004   | 3/8UNC HEX STOVER NUT                 |
| 37   | 4   | 914008   | 1/2UNC HEX STOVER NUT                 |
| 38   | 2   | 195908   | HOSE, 3/4ID-1/8W CLEAR VINYL X 168.00 |
| 39   | 1   | 195908   | HOSE, 3/4ID-1/8W CLEAR VINYL X 588.00 |
| 40   | 1   | 195908   | HOSE, 3/4ID-1/8W CLEAR VINYL X 612.00 |
| 41   | 1   | 195908   | HOSE, 3/4ID-1/8W CLEAR VINYL X 708.00 |
| 42   | 1   | 195908   | HOSE, 3/4ID-1/8W CLEAR VINYL X 732.00 |
| 43   | 1   | 195908   | HOSE, 3/4ID-1/8W CLEAR VINYL X 768.00 |
| 44   | 1   | 195908   | HOSE, 3/4ID-1/8W CLEAR VINYL X 792.00 |
| 45   | 1   | 701105   | FOAM MARKER TANK LATCH MT             |
| 46   | 8   | 193016   | QUICKEDGE TRIM .060 TO .170           |
| 47   | 1   | 701109   | SUB>701142:FOAMR DROP TUBE WLD        |
| 48   | 1   | 502707   | PIPE NIP, 1/4NPT HEX CLOSE, BRS       |
| 49   | 1   | 470238   | DE-STA-CO CLAMP, TC-341 LATCH         |
| 50   | 4   | 470113   | 5/16UNC HEX FLANGE LOCK NUT           |
| 51   | 2   | 507724   | REDU BUSH 3/4MNPT X 1/4FNPT, SS       |

NOTE: 1. DETAIL 39 AND 40 ARE USED WITH THE 60 FT BOOM.  
 2. DETAIL 41 AND 42 ARE USED WITH THE 80 FT BOOM.  
 3. DETAIL 43 AND 44 ARE USED WITH THE 90 FT BOOM.

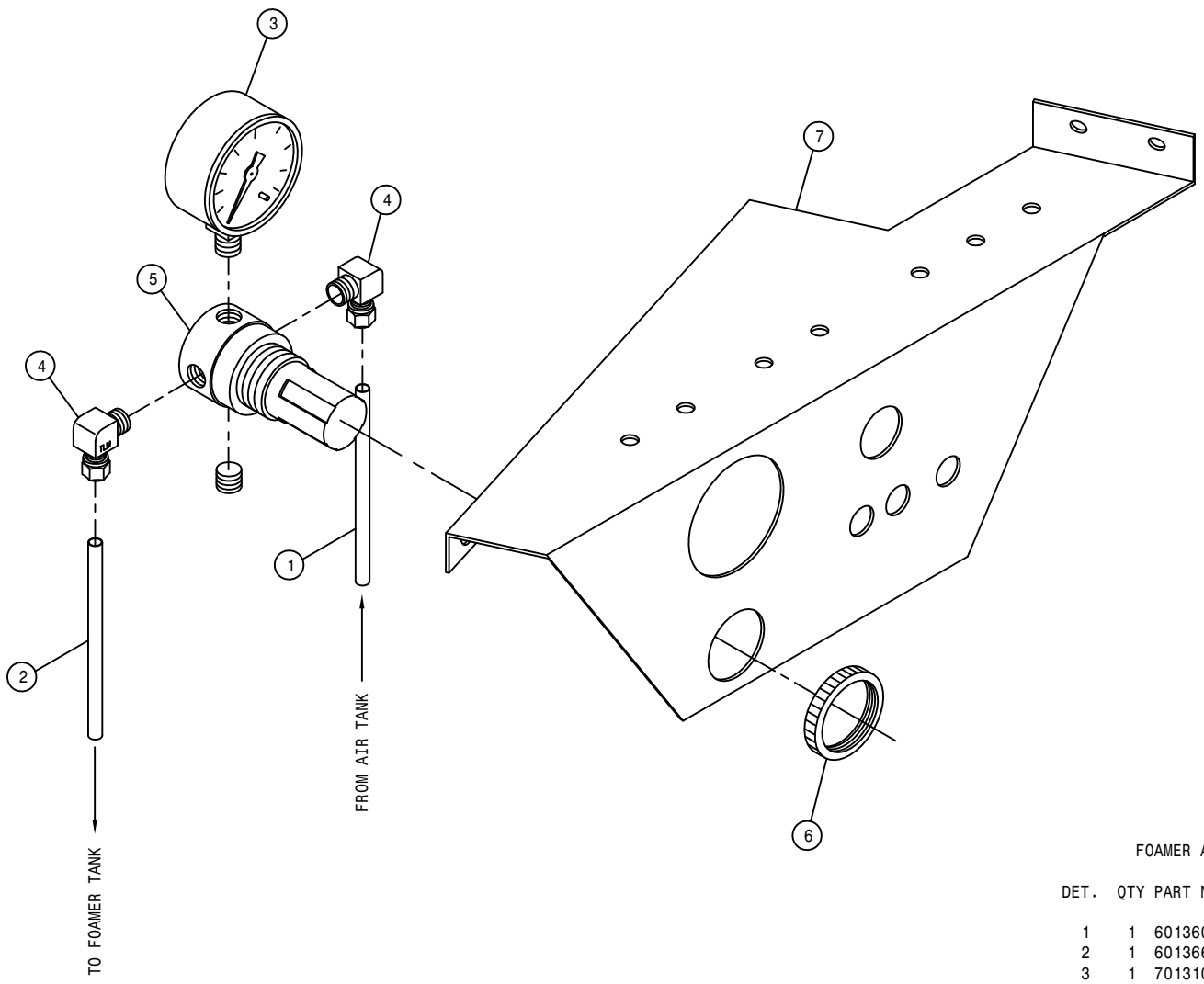




FOAMER DROP END ASSEMBLY

DET. QTY PART NO. DESCRIPTION

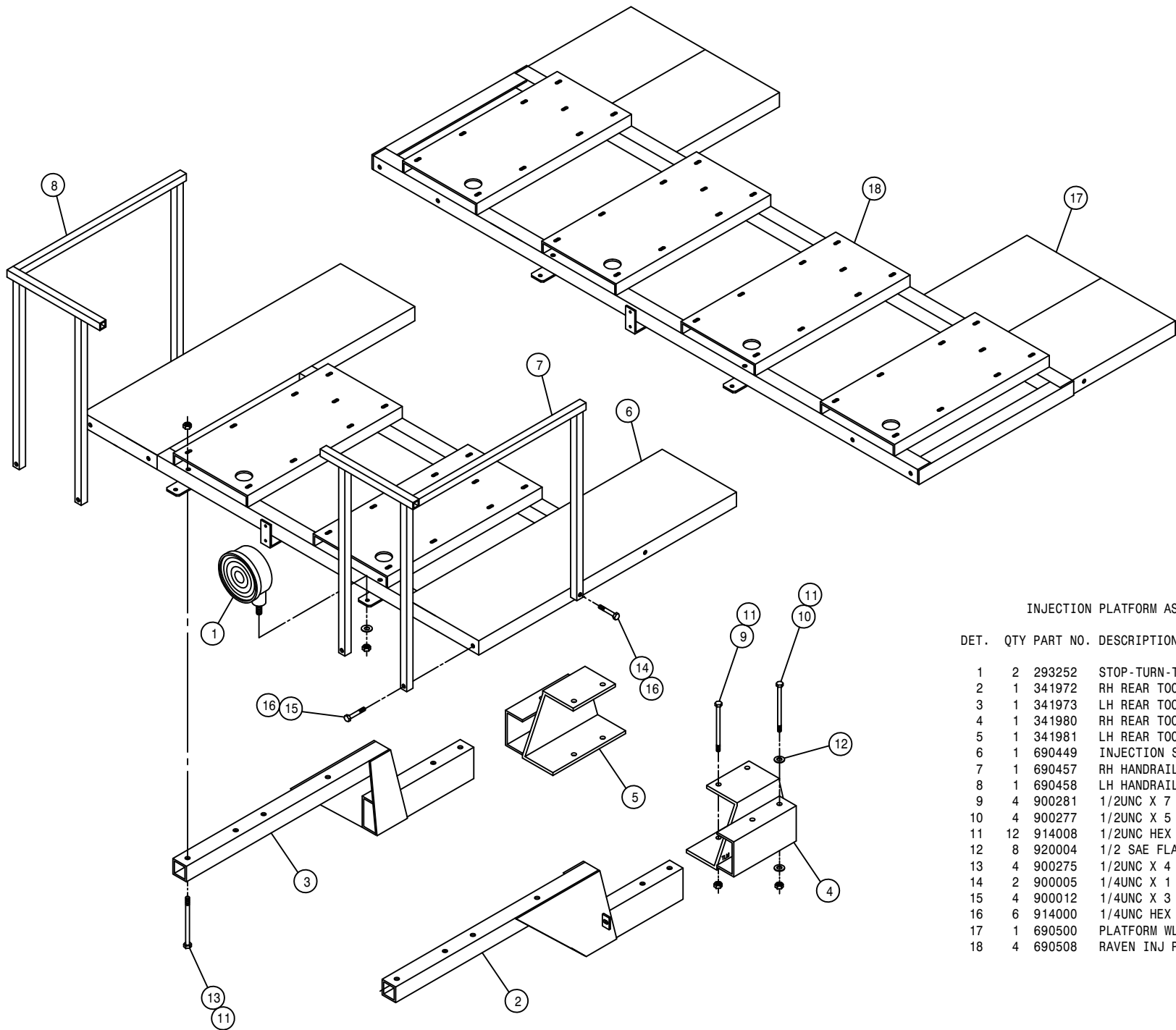
|   |   |        |                               |
|---|---|--------|-------------------------------|
| 1 | 2 | 470118 | 1/4UNC X 3/4 FLANGE HEX BOLT  |
| 2 | 2 | 470121 | 1/4UNC HEX FLANGE LOCK NUT    |
| 3 | 1 | 500067 | 1 NPT-90-3/4 HOSE BARB, POLY  |
| 4 | 1 | 520055 | HOSE CLAMP NO 12 STAINLESS    |
| 5 | 1 | 520085 | HOSE CLAMP NO 24 STAINLESS    |
| 6 | 1 | 601367 | HOSE, 1 1/4 X 24 2BR BLK EPDM |
| 7 | 1 | 701102 | FOAM MARKER DROP CPLR WELD    |
| 8 | 1 | 714561 | 1.00NPT-1.25 HOSE BARB        |



FOAMER AIR REGULATOR ASSEMBLY

DET. QTY PART NO. DESCRIPTION

|   |   |        |                               |
|---|---|--------|-------------------------------|
| 1 | 1 | 601360 | HOSE, 1/4"OD X 168" AIR       |
| 2 | 1 | 601366 | HOSE, 1/4"OD X 192" AIR       |
| 3 | 1 | 701310 | AIR PRESS GAUGE, 1/8"BOT      |
| 4 | 2 | 711016 | 1/4NPT-90-1/4NYL TUBE FTG BRS |
| 5 | 1 | 711019 | 1/4"MNPT AIR REGULATOR        |
| 6 | 1 | 711021 | 1 1/4-18 NUT,AIR REGULATOR MT |
| 7 | 1 | 342215 | MONITOR MT, 284 CAB           |



INJECTION PLATFORM ASSEMBLY

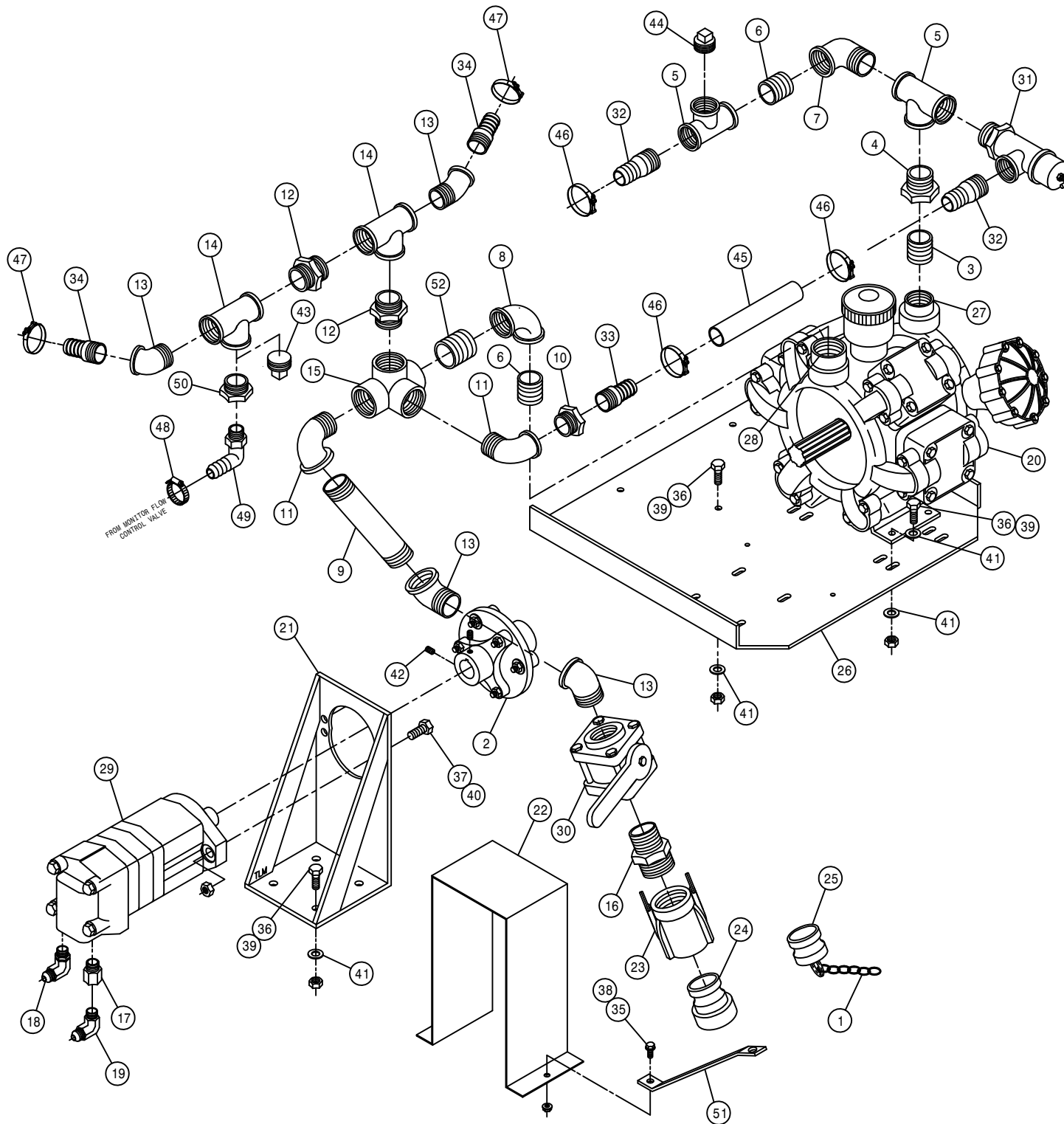
DET. QTY PART NO. DESCRIPTION

|    |    |        |                               |        |
|----|----|--------|-------------------------------|--------|
| 1  | 2  | 293252 | STOP-TURN-TAIL LAMP           | PED MT |
| 2  | 1  | 341972 | RH REAR TOOL BAR WLD 2XX      | 92     |
| 3  | 1  | 341973 | LH REAR TOOL BAR WLD 2XX      | 92     |
| 4  | 1  | 341980 | RH REAR TOOL BAR MT WLD 2XX   |        |
| 5  | 1  | 341981 | LH REAR TOOL BAR MT WLD 2XX   |        |
| 6  | 1  | 690449 | INJECTION SYS MT/PLATFORM WLD |        |
| 7  | 1  | 690457 | RH HANDRAIL WLD, INJ PLATFORM |        |
| 8  | 1  | 690458 | LH HANDRAIL WLD, INJ PLATFORM |        |
| 9  | 4  | 900281 | 1/2UNC X 7 1/2 HEX BOLT       |        |
| 10 | 4  | 900277 | 1/2UNC X 5 1/2 HEX BOLT       |        |
| 11 | 12 | 914008 | 1/2UNC HEX STOVER NUT         |        |
| 12 | 8  | 920004 | 1/2 SAE FLAT WASHER           |        |
| 13 | 4  | 900275 | 1/2UNC X 4 1/2 HEX BOLT       |        |
| 14 | 2  | 900005 | 1/4UNC X 1 1/2 HEX BOLT       |        |
| 15 | 4  | 900012 | 1/4UNC X 3 1/2 HEX BOLT       |        |
| 16 | 6  | 914000 | 1/4UNC HEX STOVER NUT         |        |
| 17 | 1  | 690500 | PLATFORM WLD, 3 & 4 UNIT SYS  |        |
| 18 | 4  | 690508 | RAVEN INJ PUMP/TANK MT CHAN   |        |

DET. QTY PART NO. DESCRIPTION

| DET. | QTY | PART NO. | DESCRIPTION                   |
|------|-----|----------|-------------------------------|
| 1    | 1   | 160986   | TWIN LOOP CHAIN 6 LINKS       |
| 2    | 1   | 314690   | FLEX COUPLER, 6 IN DISC 1981  |
| 3    | 1   | 505201   | CLOSE NIPPLE 1.00NPT          |
| 4    | 1   | 506005   | 1 1/4 TO 1 RED BUSH BLK MAL   |
| 5    | 2   | 506105   | BLK PIPE TEE 1.25NPT          |
| 6    | 2   | 506200   | CLOSE NIPPLE 1.25NPT          |
| 7    | 1   | 506410   | BLK PIPE ST EL 90DEG 1.25NPT  |
| 8    | 1   | 506415   | RED EL 90 1 1/2 TO 1 1/4 MAL  |
| 9    | 1   | 500029   | 1 1/2NPT X 6 PIPE NIPPLE,POLY |
| 10   | 1   | 500037   | 1 1/2"X 1 1/4NPT BUSH, POLY   |
| 11   | 2   | 500034   | 1 1/2NPT-90 ST EL, POLY       |
| 12   | 2   | 500028   | 1 1/2NPT PIPE NIPPLE, POLY    |
| 13   | 4   | 500035   | 1 1/2NPT-45 ST EL, POLY       |
| 14   | 2   | 500030   | 1 1/2"NPT PIPE TEE, POLY      |
| 15   | 1   | 507253   | BLK PIPE SIDE OUTLET TEE 1.50 |
| 16   | 1   | 500038   | 2"X 1 1/2NPT REDU NIPPLE,POLY |
| 17   | 1   | 618171   | 7/8MOR-3/4FOR ADPTR           |
| 18   | 1   | 618183   | 3/4MJIC-90-7/8MOR LBO         |
| 19   | 1   | 618241   | 3/4MJIC-90-3/4MOR LBO         |
| 20   | 1   | 690339   | HYPRO 230 DIAPHRAM PUMP       |
| 21   | 1   | 690353   | D150-D230 PUMP MTR MT WLD     |
| 22   | 1   | 690364   | D150-D230 PUMP CPLR SHLD      |
| 23   | 1   | 690390   | 2.00 FEMALE NPT COUPLER       |
| 24   | 1   | 690391   | 2.00 FEMALE NPT ADPTR         |
| 25   | 1   | 690392   | ADPTR PLG FOR 2.00 NPT COUPLR |
| 26   | 1   | 690414   | 230 HYPRO PUMP MT PLT 280 90  |
| 27   | 1   | 690417   | 1FNPT ADAPTER, HYPRO D230     |
| 28   | 1   | 690418   | 1 1/4FNPT ADAPTER, HYPRO D230 |
| 29   | 1   | 695985   | CHAR LYNN 2000 SER HYD MTR 79 |
| 30   | 1   | 696110   | BALL VALVE 1 1/2FNPT POLY     |
| 31   | 1   | 699702   | HAMILTON RELIEF VLV 200PSI    |
| 32   | 2   | 715660   | HOSE BARB 1 1/4NPT X 1 1/4    |
| 33   | 1   | 500033   | 1 1/4NPT X 1 1/4 H BARB, POLY |
| 34   | 2   | 500032   | 1 1/2NPT X 1 1/2 H BARB, POLY |
| 35   | 2   | 900003   | 1/4UNC X 1 HEX BOLT           |
| 36   | 12  | 900129   | 3/8UNC X 1 HEX BOLT           |
| 37   | 2   | 900265   | 1/2UNC X 1 1/2 HEX BOLT       |
| 38   | 2   | 914000   | 1/4UNC HEX STOVER NUT         |
| 39   | 12  | 914004   | 3/8UNC HEX STOVER NUT         |
| 40   | 2   | 914008   | 1/2UNC HEX STOVER NUT         |
| 41   | 16  | 920002   | WASH FLAT 3/8 SAE             |
| 42   | 2   | 470076   | SETScrew 5/16-18 X 1/2ALHDCUP |
| 43   | 1   | 500031   | 1 1/2NPT PIPE PLUG, POLY      |
| 44   | 1   | 506101   | PIPE PLUG 1.25NPT SQ HD       |
| 45   | 1   | 197120   | HOSE 1 1/4 2-FBR BR BLK EPDM  |
| 46   | 3   | 520132   | 1.62/1.87 T-BOLT HOSE CLAMP   |
| 47   | 2   | 520133   | 1.81/2.06 T-BOLT HOSE CLAMP   |
| 48   | 1   | 520087   | HOSE CLAMP NO 20 PLATED       |
| 49   | 1   | 500024   | 1"NPT-90-1"HOSE BARB, POLY    |
| 50   | 1   | 500036   | 1 1/2"X 1"NPT REDU BUSH, POLY |
| 51   | 1   | 690480   | VLV/CPLR SUPPORT,D230 PUMP 94 |
| 52   | 1   | 507019   | CLOSE NIPPLE 1.50NPT          |

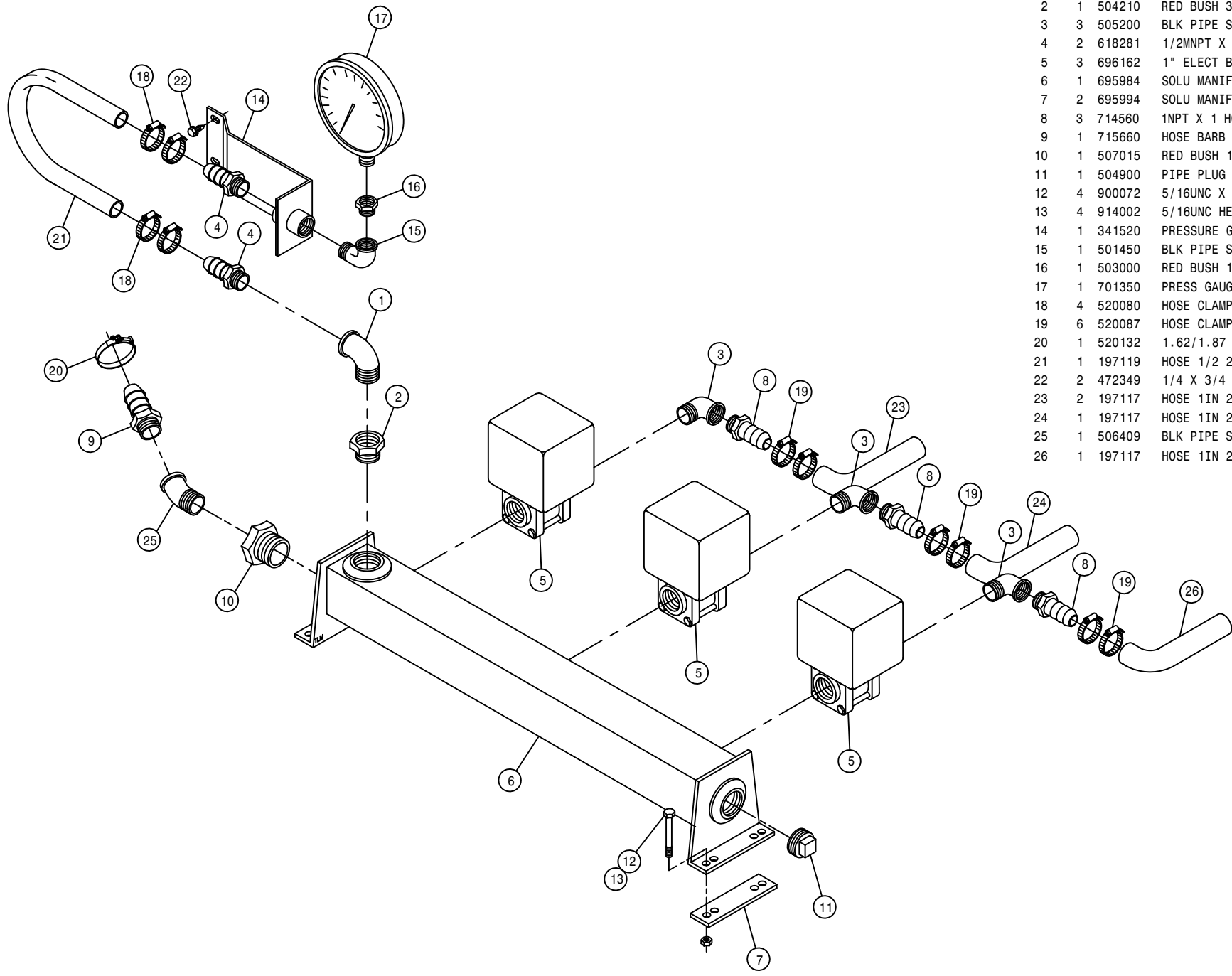
\*NOTE: ITEMS 48,49, AND 50 ARE USED WITH THE MONITOR OPTION.



HYPRO D230 HP MANIFOLD ASSEMBLY

DET. QTY PART NO. DESCRIPTION

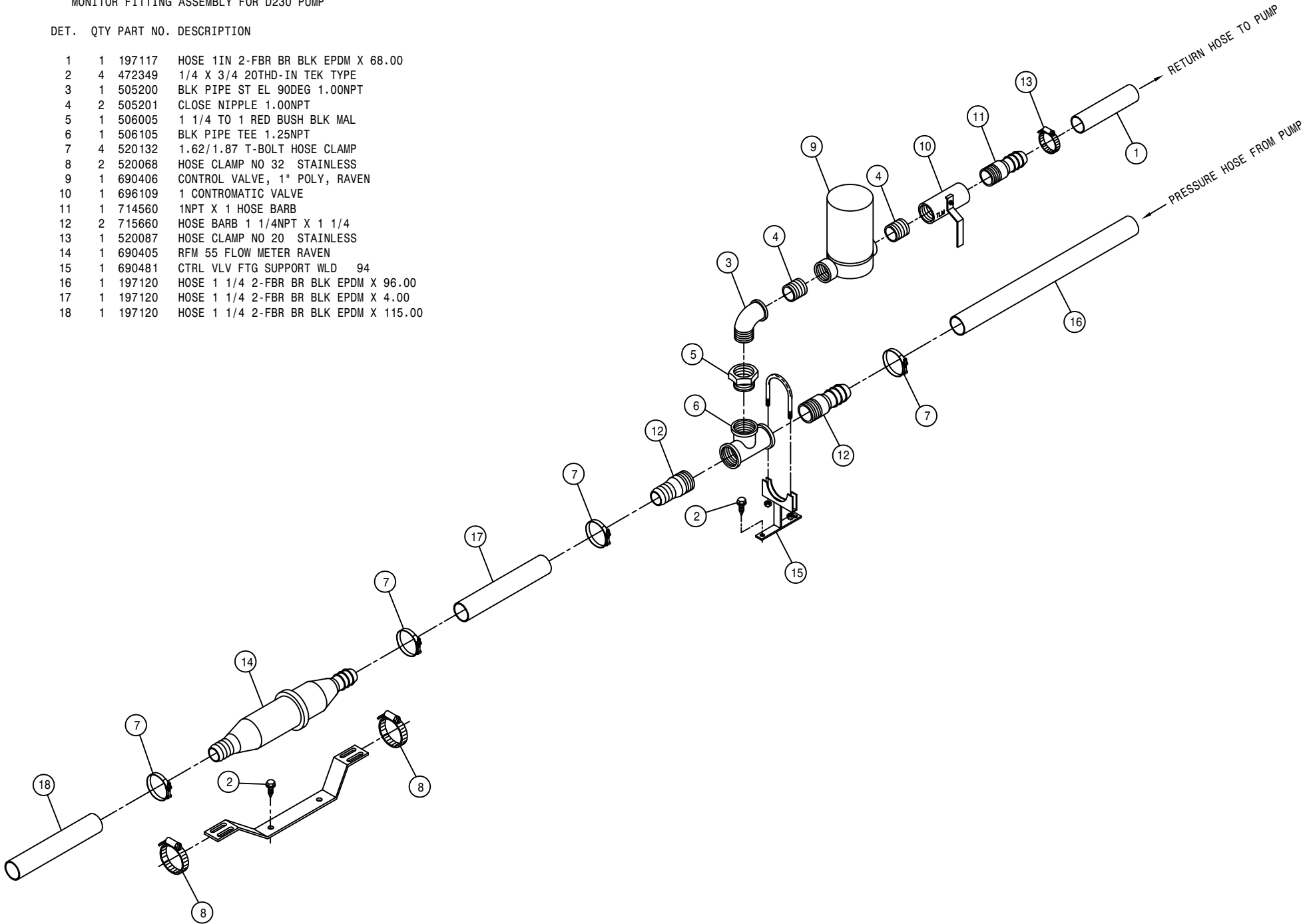
| DET. | QTY | PART NO. | DESCRIPTION                       |
|------|-----|----------|-----------------------------------|
| 1    | 1   | 503400   | BLK PIPE ST EL 90DEG .50NPT       |
| 2    | 1   | 504210   | RED BUSH 3/4 NPT X 1/2 NPT        |
| 3    | 3   | 505200   | BLK PIPE ST EL 90DEG 1.00NPT      |
| 4    | 2   | 618281   | 1/2MNPT X 1/2 HOSE INSERT         |
| 5    | 3   | 696162   | 1" ELECT BALL VLV 344EC-2-1       |
| 6    | 1   | 695984   | SOLU MANIF WLD D150-D230          |
| 7    | 2   | 695994   | SOLU MANIF KEEPER OPTION          |
| 8    | 3   | 714560   | 1NPT X 1 HOSE BARB                |
| 9    | 1   | 715660   | HOSE BARB 1 1/4NPT X 1 1/4        |
| 10   | 1   | 507015   | RED BUSH 1.50NPT - 1.25FNPT       |
| 11   | 1   | 504900   | PIPE PLUG .75NPT SQ HD            |
| 12   | 4   | 900072   | 5/16UNC X 3" HEX BOLT             |
| 13   | 4   | 914002   | 5/16UNC HEX STOVER NUT            |
| 14   | 1   | 341520   | PRESSURE GAUGE MT WLD 8240X11     |
| 15   | 1   | 501450   | BLK PIPE ST EL 90DEG .25NPT       |
| 16   | 1   | 503000   | RED BUSH 1/2 TO 1/4 BLK MAL       |
| 17   | 1   | 701350   | PRESS GAUGE 300LB BOT FILL        |
| 18   | 4   | 520080   | HOSE CLAMP NO 10 PLATED           |
| 19   | 6   | 520087   | HOSE CLAMP NO 20 PLATED           |
| 20   | 1   | 520132   | 1.62/1.87 T-BOLT HOSE CLAMP       |
| 21   | 1   | 197119   | HOSE 1/2 2-FBR BR BLK EPDM X 206" |
| 22   | 2   | 472349   | 1/4 X 3/4 20THD-IN TEK TYPE       |
| 23   | 2   | 197117   | HOSE 1IN 2-FBR BR BLK EPDM X 324" |
| 24   | 1   | 197117   | HOSE 1IN 2-FBR BR BLK EPDM X 36"  |
| 25   | 1   | 506409   | BLK PIPE ST EL 45DEG 1.25NPT      |
| 26   | 1   | 197117   | HOSE 1IN 2-FBR BR BLK EPDM X 252" |

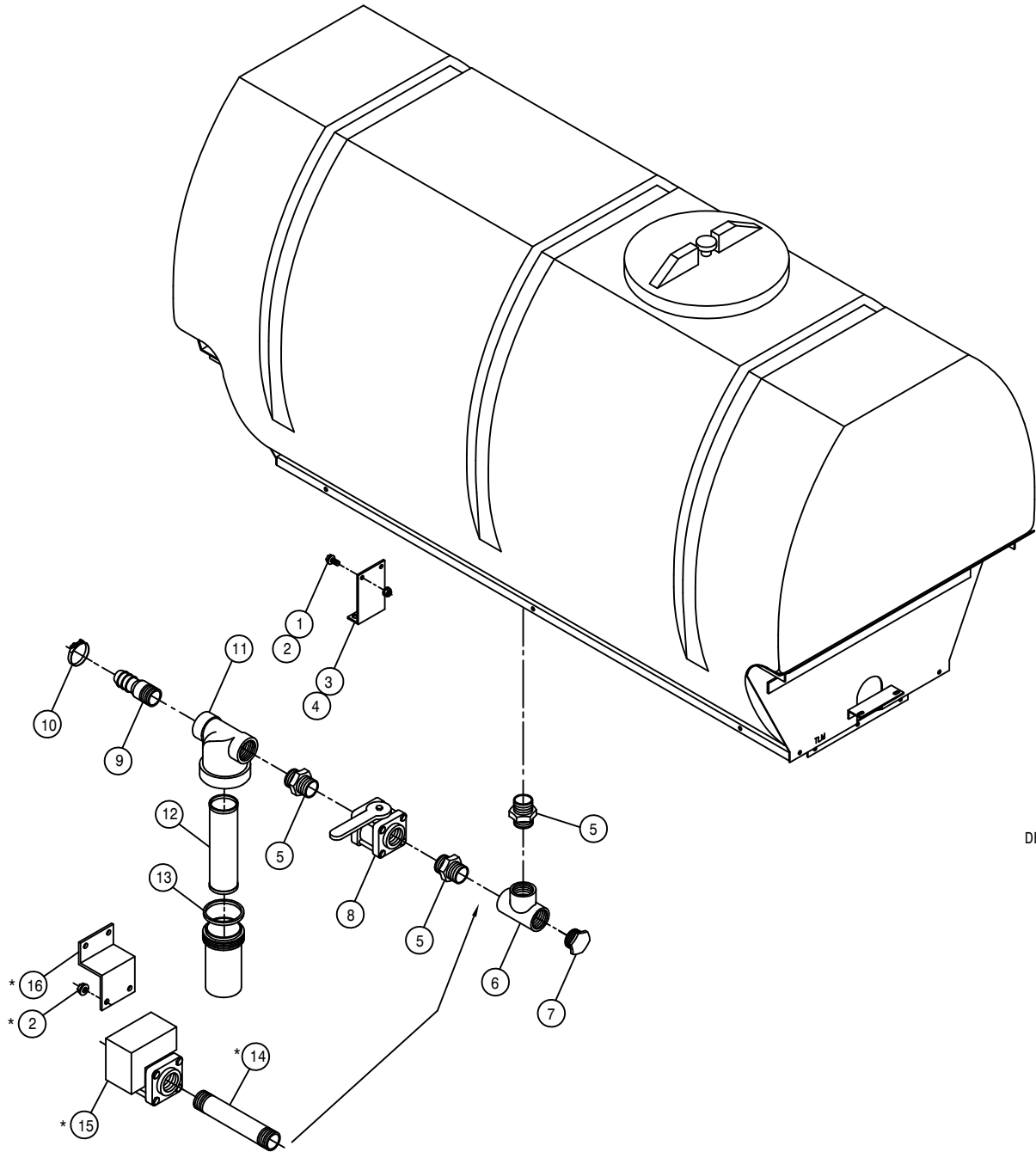


MONITOR FITTING ASSEMBLY FOR D230 PUMP

DET. QTY PART NO. DESCRIPTION

|    |   |        |                                       |
|----|---|--------|---------------------------------------|
| 1  | 1 | 197117 | HOSE 1IN 2-FBR BR BLK EPDM X 68.00    |
| 2  | 4 | 472349 | 1/4 X 3/4 20THD-IN TEK TYPE           |
| 3  | 1 | 505200 | BLK PIPE ST EL 90DEG 1.00NPT          |
| 4  | 2 | 505201 | CLOSE NIPPLE 1.00NPT                  |
| 5  | 1 | 506005 | 1 1/4 TO 1 RED BUSH BLK MAL           |
| 6  | 1 | 506105 | BLK PIPE TEE 1.25NPT                  |
| 7  | 4 | 520132 | 1.62/1.87 T-BOLT HOSE CLAMP           |
| 8  | 2 | 520068 | HOSE CLAMP NO 32 STAINLESS            |
| 9  | 1 | 690406 | CONTROL VALVE, 1" POLY, RAVEN         |
| 10 | 1 | 696109 | 1 CONTROMATIC VALVE                   |
| 11 | 1 | 714560 | 1NPT X 1 HOSE BARB                    |
| 12 | 2 | 715660 | HOSE BARB 1 1/4NPT X 1 1/4            |
| 13 | 1 | 520087 | HOSE CLAMP NO 20 STAINLESS            |
| 14 | 1 | 690405 | RFM 55 FLOW METER RAVEN               |
| 15 | 1 | 690481 | CTRL VLV FTG SUPPORT WLD 94           |
| 16 | 1 | 197120 | HOSE 1 1/4 2-FBR BR BLK EPDM X 96.00  |
| 17 | 1 | 197120 | HOSE 1 1/4 2-FBR BR BLK EPDM X 4.00   |
| 18 | 1 | 197120 | HOSE 1 1/4 2-FBR BR BLK EPDM X 115.00 |

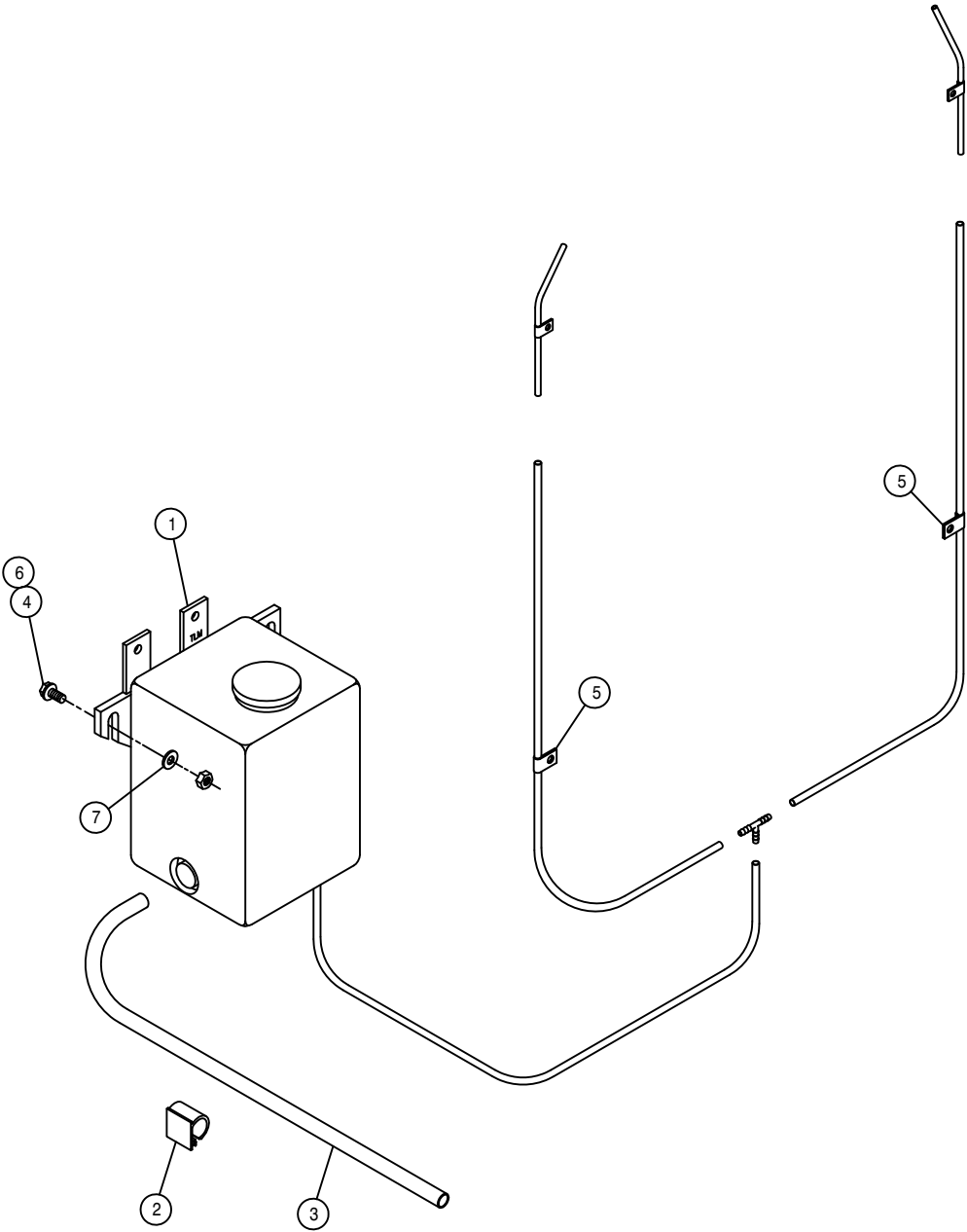




SOLUTION FILTER ASSEMBLY FOR D230 HP PUMP

| DET. | QTY | PART NO. | DESCRIPTION                          |
|------|-----|----------|--------------------------------------|
|      | 1   | 2        | 470118 1/4UNC X 3/4 FLANGE HEX BOLT  |
|      | 2   | 4        | 470121 1/4UNC HEX FLANGE LOCK NUT    |
|      | 3   | 1        | 763363 SOLU HOSE SUPPORT 280 POLY 91 |
|      | 4   | 1        | 470000 CABLE TIE, 21" BLACK PLASTIC  |
|      | 5   | 3        | 500028 1 1/2NPT PIPE NIPPLE, POLY    |
|      | 6   | 1        | 500030 1 1/2"NPT PIPE TEE, POLY      |
|      | 7   | 1        | 500031 1 1/2NPT PIPE PLUG, POLY      |
|      | 8   | 1        | 696110 BALL VALVE 1 1/2FNPT POLY     |
|      | 9   | 1        | 500032 1 1/2NPT X 1 1/2 H BARB, POLY |
|      | 10  | 1        | 520133 1.81/2.06 T-BOLT HOSE CLAMP   |
|      | 11  | 1        | 690474 1 1/2 LINE STRAINERSOM 150PSI |
|      | 12  | 1        | 690475 50 MESH SCREEN FOR 690474     |
|      | 13  | 1        | 690476 STRAINER GASKEN FOR 690474    |
|      | 14  | 1        | 500029 1 1/2NPT X 6 PIPE NIPPLE,POLY |
|      | 15  | 1        | 696161 1 1/2NPT ELECT SOLU VALVE     |
|      | 16  | 1        | 763445 ELECT SOLU VLV SUPPORT 94     |

\*NOTE: ITEMS 2, 14, 15, AND 16 ARE USED WITH ELECTRIC VALVE OPTION.



WINDSHIELD WASHER ASSEMBLY

DET. QTY PART NO. DESCRIPTION

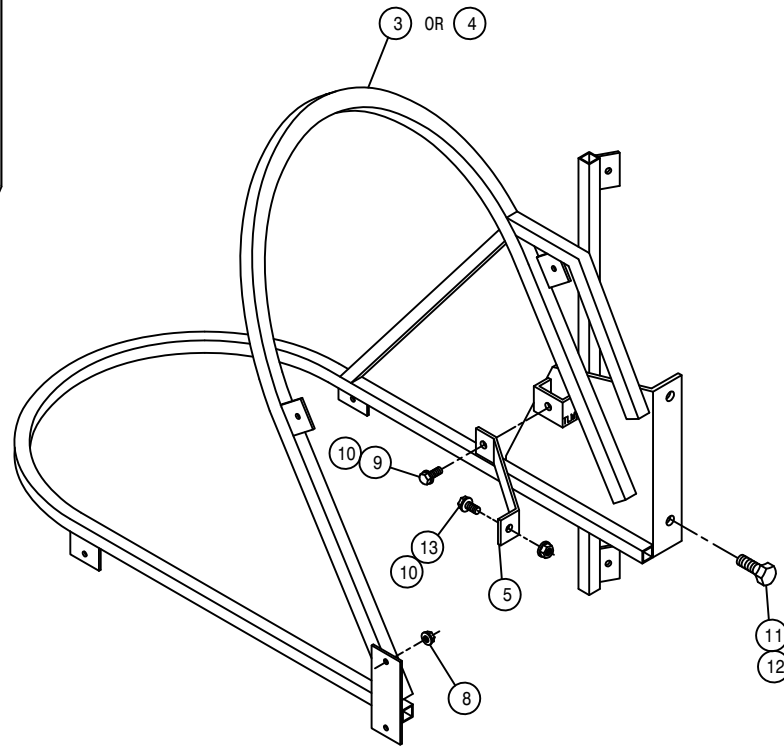
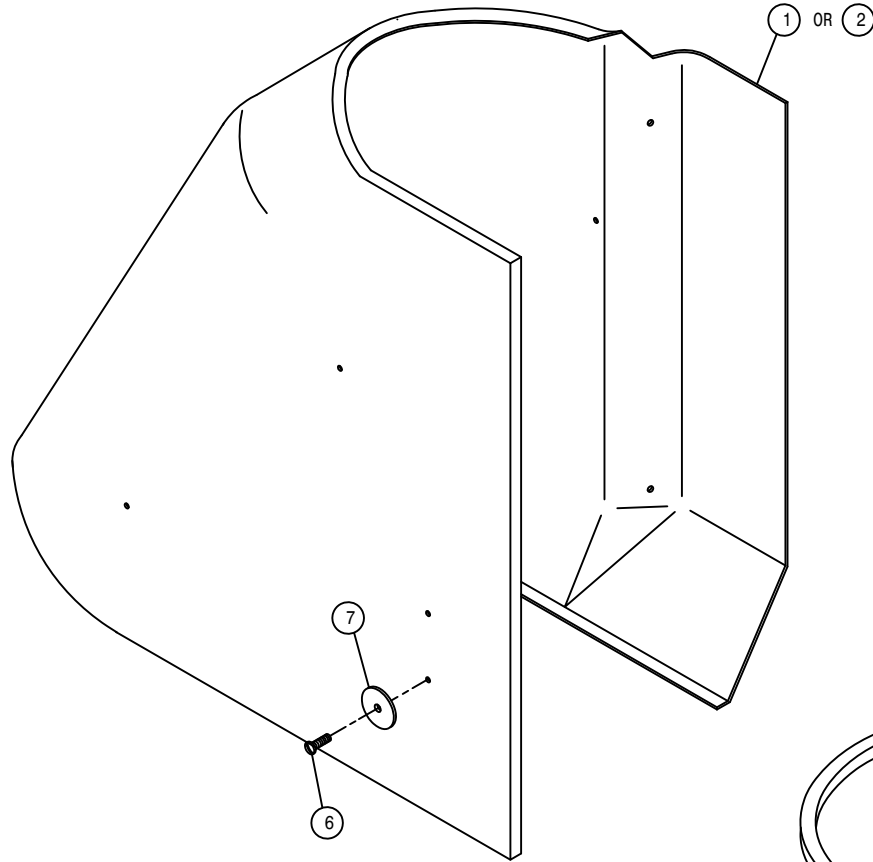
|   |   |        |                              |
|---|---|--------|------------------------------|
| 1 | 1 | 290002 | WINDSHIELD WASHER KIT        |
| 2 | 3 | 291645 | 3/8 WIRE CLAMP,ADHESIVE BACK |
| 3 | 5 | 299110 | WIRE FLEX GUARD .35 ID       |
| 4 | 3 | 470231 | 1/4UNC X 1 FLANGED HEX BOLT  |
| 5 | 2 | 520119 | CUSH HOSE CLAMP 3/16D X 1/2W |
| 6 | 3 | 914000 | 1/4UNC HEX STOVER NUT        |
| 7 | 3 | 920000 | 1/4 FLAT WASH SAE            |

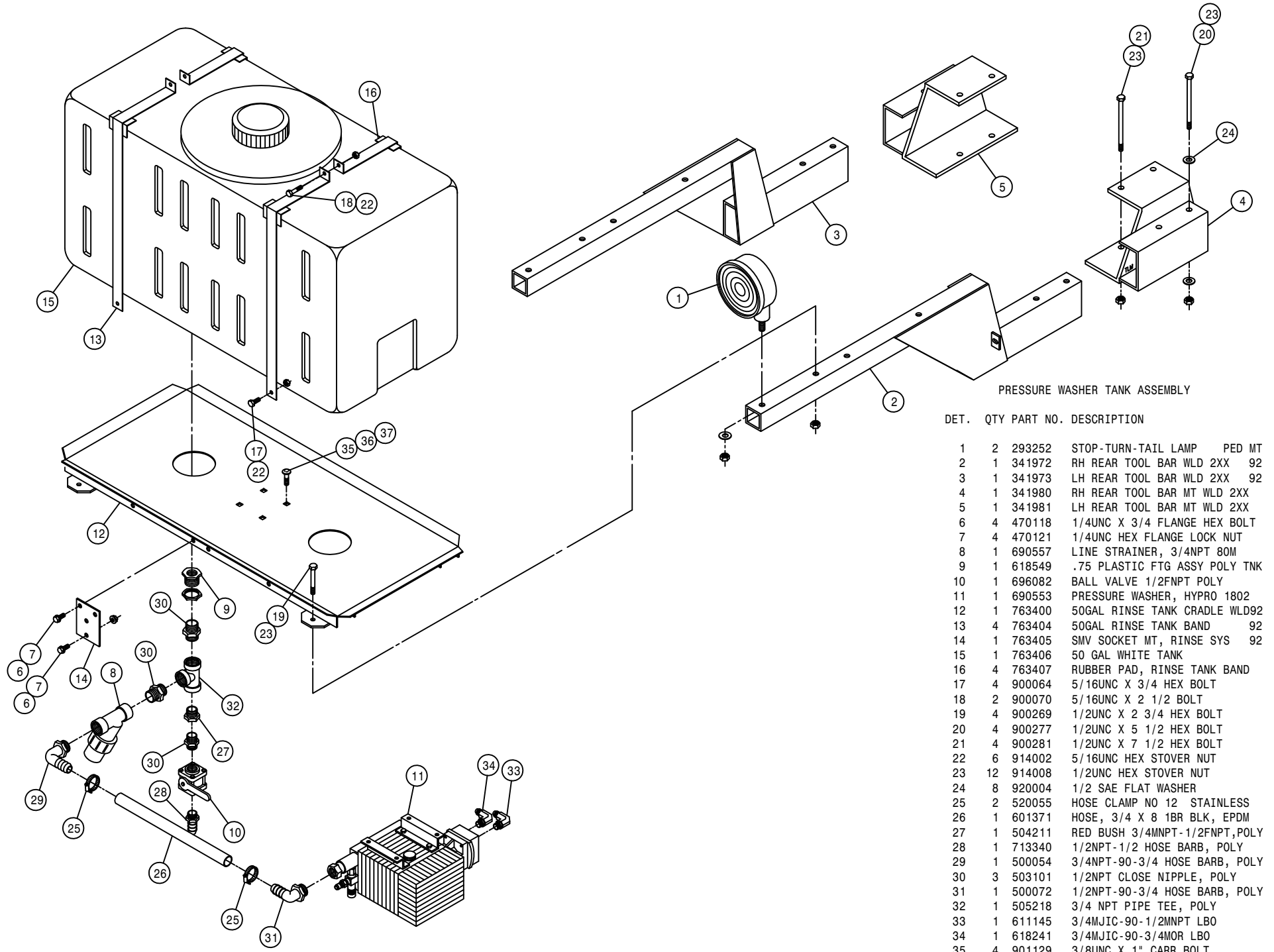


CROP SHIELD ASSEMBLY

DET. QTY PART NO. DESCRIPTION

| DET. | QTY | PART NO. | DESCRIPTION                   |
|------|-----|----------|-------------------------------|
| 1    | 1   | 662232   | RH POLY CROP SHIELD, 284      |
| 2    | 1   | 662233   | LH POLY CROP SHIELD, 284      |
| 3    | 1   | 662234   | RH POLY CROP SHIELD MT WLD284 |
| 4    | 1   | 662235   | LH POLY CROP SHIELD MT WLD284 |
| 5    | 1   | 662248   | POLY SHIELD MT BRACE, 284     |
| 6    | 8   | 472261   | 1/4UNC X 3/4 TRUSS HD BOLT    |
| 7    | 8   | 483013   | 1 1/2 X 1/4 X 16 GA WASHER    |
| 8    | 8   | 470121   | 1/4UNC HEX FLANGE LOCK NUT    |
| 9    | 1   | 900128   | 3/8UNC X 3/4 HEX BOLT         |
| 10   | 2   | 470087   | 3/8UNC HEX FLANGE LOCK NUT    |
| 11   | 2   | 900264   | 1/2UNC X 1 1/4 HEX BOLT       |
| 12   | 2   | 914008   | 1/2UNC HEX STOVER NUT         |
| 13   | 1   | 900130   | 3/8UNC X 1 1/4 HEX BOLT       |





PRESSURE WASHER TANK ASSEMBLY

| DET. | QTY | PART NO. | DESCRIPTION                   |
|------|-----|----------|-------------------------------|
| 1    | 2   | 293252   | STOP-TURN-TAIL LAMP PED MT    |
| 2    | 1   | 341972   | RH REAR TOOL BAR WLD 2XX 92   |
| 3    | 1   | 341973   | LH REAR TOOL BAR WLD 2XX 92   |
| 4    | 1   | 341980   | RH REAR TOOL BAR MT WLD 2XX   |
| 5    | 1   | 341981   | LH REAR TOOL BAR MT WLD 2XX   |
| 6    | 4   | 470118   | 1/4UNC X 3/4 FLANGE HEX BOLT  |
| 7    | 4   | 470121   | 1/4UNC HEX FLANGE LOCK NUT    |
| 8    | 1   | 690557   | LINE STRAINER, 3/4NPT 80M     |
| 9    | 1   | 618549   | .75 PLASTIC FTG ASSY POLY TNK |
| 10   | 1   | 696082   | BALL VALVE 1/2FNPT POLY       |
| 11   | 1   | 690553   | PRESSURE WASHER, HYPRO 1802   |
| 12   | 1   | 763400   | 50GAL RINSE TANK CRADLE WLD92 |
| 13   | 4   | 763404   | 50GAL RINSE TANK BAND 92      |
| 14   | 1   | 763405   | SMV SOCKET MT, RINSE SYS 92   |
| 15   | 1   | 763406   | 50 GAL WHITE TANK             |
| 16   | 4   | 763407   | RUBBER PAD, RINSE TANK BAND   |
| 17   | 4   | 900064   | 5/16UNC X 3/4 HEX BOLT        |
| 18   | 2   | 900070   | 5/16UNC X 2 1/2 BOLT          |
| 19   | 4   | 900269   | 1/2UNC X 2 3/4 HEX BOLT       |
| 20   | 4   | 900277   | 1/2UNC X 5 1/2 HEX BOLT       |
| 21   | 4   | 900281   | 1/2UNC X 7 1/2 HEX BOLT       |
| 22   | 6   | 914002   | 5/16UNC HEX STOVER NUT        |
| 23   | 12  | 914008   | 1/2UNC HEX STOVER NUT         |
| 24   | 8   | 920004   | 1/2 SAE FLAT WASHER           |
| 25   | 2   | 520055   | HOSE CLAMP NO 12 STAINLESS    |
| 26   | 1   | 601371   | HOSE, 3/4 X 8 1BR BLK, EPDM   |
| 27   | 1   | 504211   | RED BUSH 3/4MNPT-1/2FNPT,POLY |
| 28   | 1   | 713340   | 1/2NPT-1/2 HOSE BARB, POLY    |
| 29   | 1   | 500054   | 3/4NPT-90-3/4 HOSE BARB, POLY |
| 30   | 3   | 503101   | 1/2NPT CLOSE NIPPLE, POLY     |
| 31   | 1   | 500072   | 1/2NPT-90-3/4 HOSE BARB, POLY |
| 32   | 1   | 505218   | 3/4 NPT PIPE TEE, POLY        |
| 33   | 1   | 611145   | 3/4MJIC-90-1/2MNPT LBO        |
| 34   | 1   | 618241   | 3/4MJIC-90-3/4MOR LBO         |
| 35   | 4   | 901129   | 3/8UNC X 1" CARR BOLT         |
| 36   | 4   | 910004   | 3/8UNC HEX NUT                |
| 37   | 4   | 920502   | 3/8 LOCK WASHER               |

PRESSURE WASHER FLOW DIVIDER ASSEMBLY

DET. QTY PART NO. DESCRIPTION

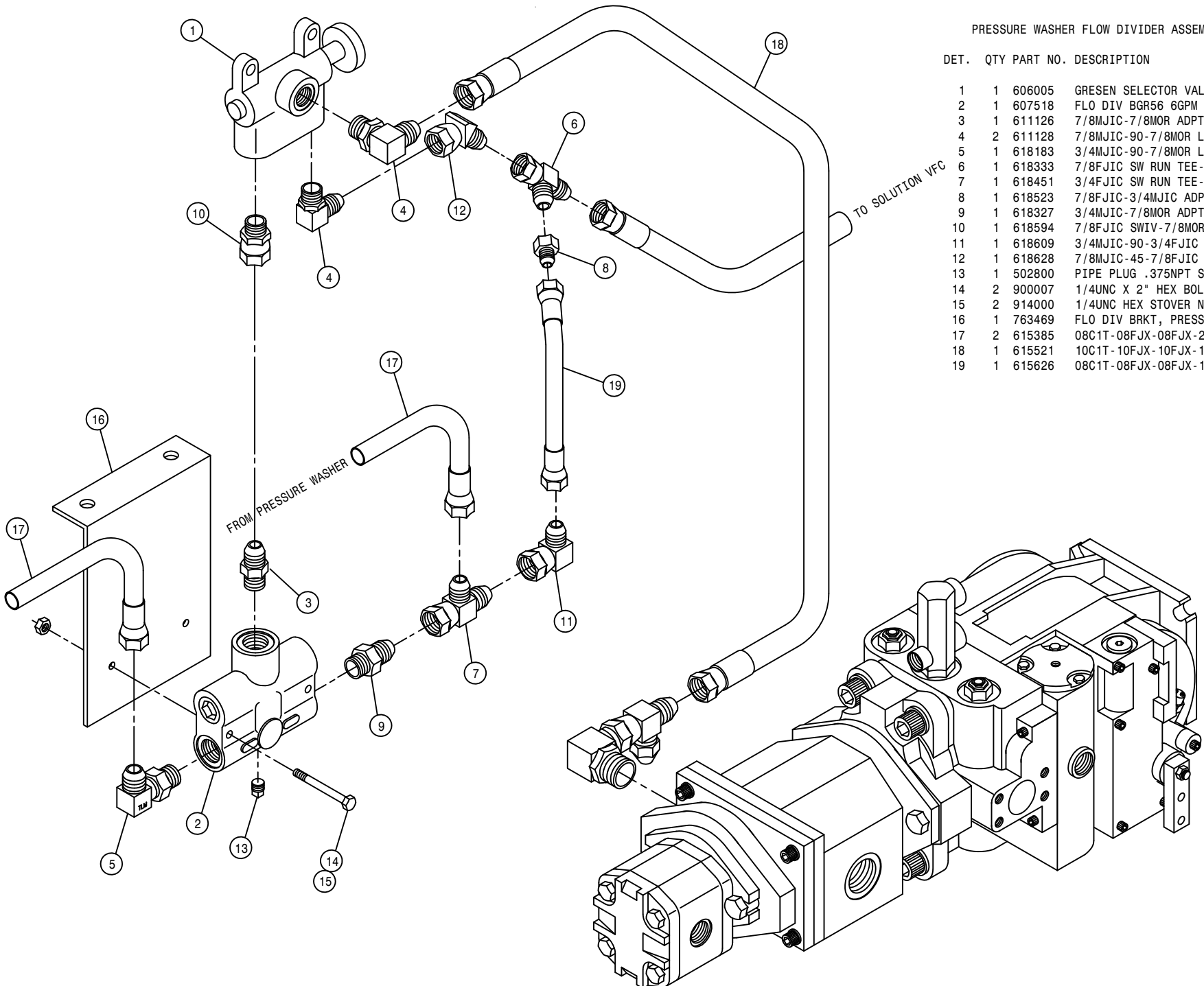
| DET. | QTY | PART NO. | DESCRIPTION                   |     |
|------|-----|----------|-------------------------------|-----|
| 1    | 1   | 606005   | GRESEN SELECTOR VALVE S-10    |     |
| 2    | 1   | 607518   | FLO DIV BGR56 6GPM PRI 7/8FOR |     |
| 3    | 1   | 611126   | 7/8MJIC-7/8MOR ADPTR          |     |
| 4    | 2   | 611128   | 7/8MJIC-90-7/8MOR LBO         |     |
| 5    | 1   | 618183   | 3/4MJIC-90-7/8MOR LBO         |     |
| 6    | 1   | 618333   | 7/8FJIC SW RUN TEE-7/8MJIC    |     |
| 7    | 1   | 618451   | 3/4FJIC SW RUN TEE-3/4MJIC    |     |
| 8    | 1   | 618523   | 7/8FJIC-3/4MJIC ADPTR         |     |
| 9    | 1   | 618327   | 3/4MJIC-7/8MOR ADPTR          |     |
| 10   | 1   | 618594   | 7/8FJIC SWIV-7/8MOR ADPTR     |     |
| 11   | 1   | 618609   | 3/4MJIC-90-3/4FJIC SWIV LBO   |     |
| 12   | 1   | 618628   | 7/8MJIC-45-7/8FJIC SWIV LBO   |     |
| 13   | 1   | 502800   | PIPE PLUG .375NPT SQ HD       |     |
| 14   | 2   | 900007   | 1/4UNC X 2" HEX BOLT          |     |
| 15   | 2   | 914000   | 1/4UNC HEX STOVER NUT         |     |
| 16   | 1   | 763469   | FLO DIV BRKT, PRESS WASHER    |     |
| 17   | 2   | 615385   | 08C1T-08FJX-08FJX-29          | H/A |
| 18   | 1   | 615521   | 10C1T-10FJX-10FJX-18          | H/A |
| 19   | 1   | 615626   | 08C1T-08FJX-08FJX-15          | H/A |

91

TO PRESSURE WASHER

FROM PRESSURE WASHER

TO SOLUTION VFC

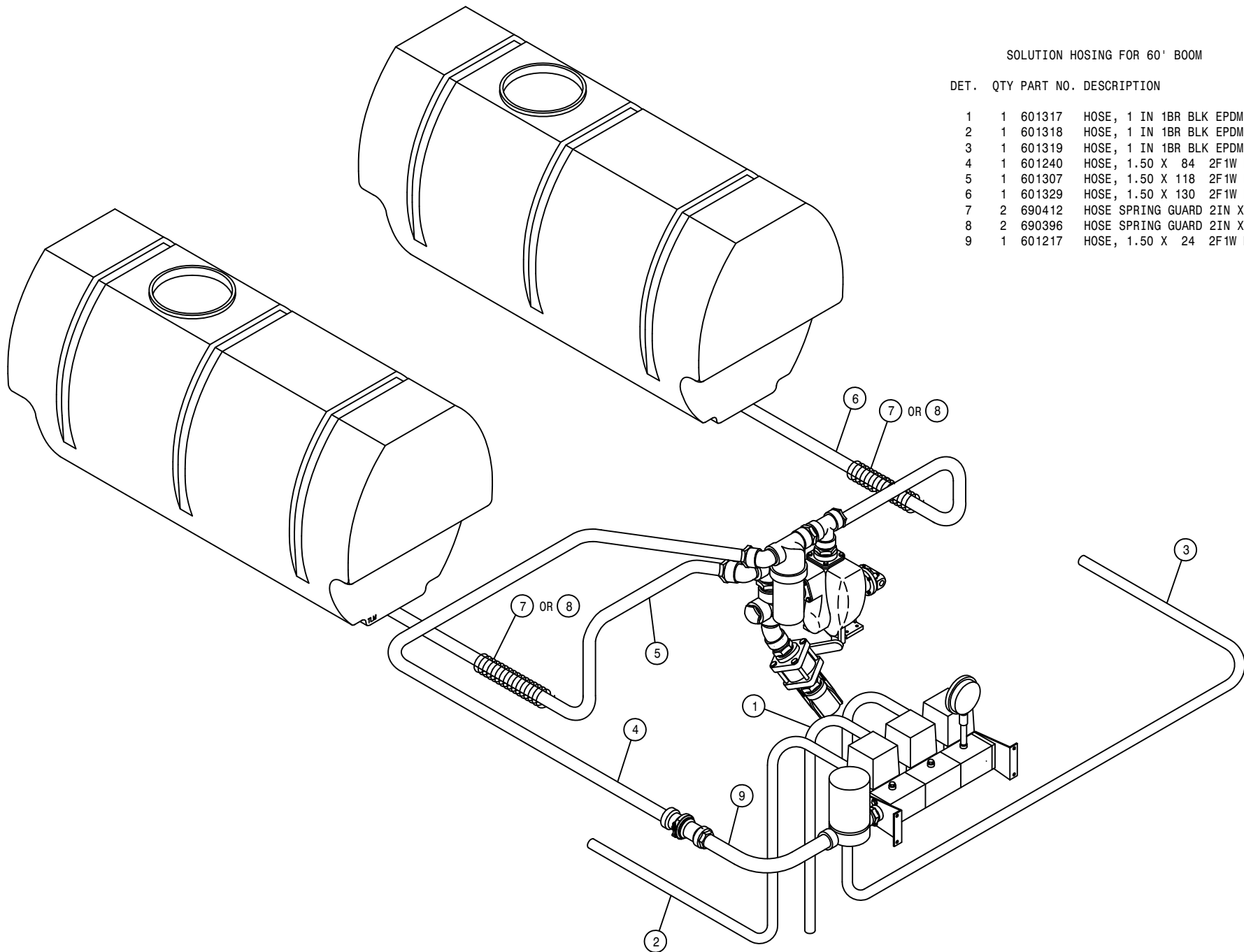


171091

SOLUTION HOISING FOR 60' BOOM

DET. QTY PART NO. DESCRIPTION

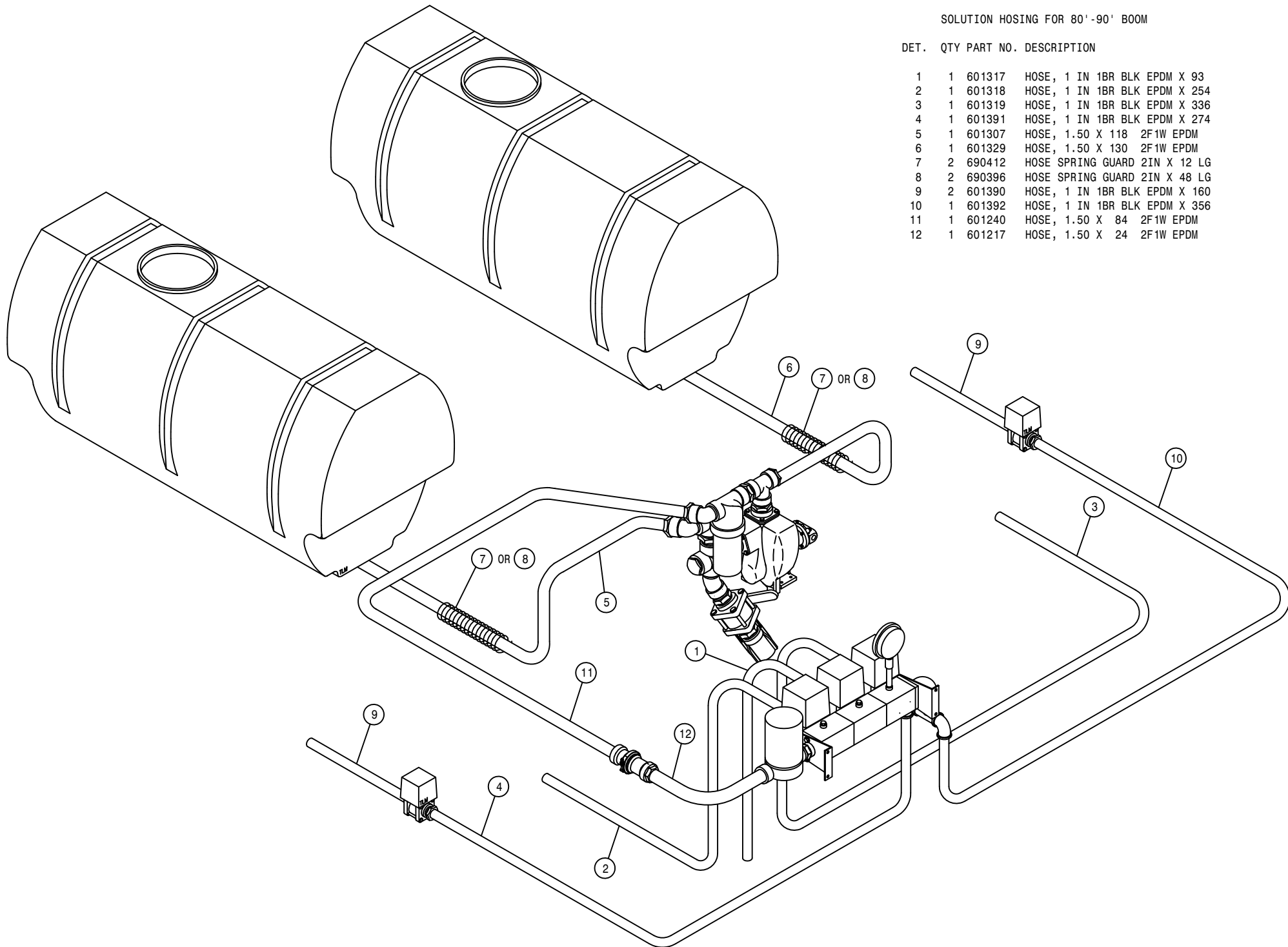
| DET. | QTY | PART NO. | DESCRIPTION                   |
|------|-----|----------|-------------------------------|
| 1    | 1   | 601317   | HOSE, 1 IN 1BR BLK EPDM X 93  |
| 2    | 1   | 601318   | HOSE, 1 IN 1BR BLK EPDM X 254 |
| 3    | 1   | 601319   | HOSE, 1 IN 1BR BLK EPDM X 336 |
| 4    | 1   | 601240   | HOSE, 1.50 X 84 2F1W EPDM     |
| 5    | 1   | 601307   | HOSE, 1.50 X 118 2F1W EPDM    |
| 6    | 1   | 601329   | HOSE, 1.50 X 130 2F1W EPDM    |
| 7    | 2   | 690412   | HOSE SPRING GUARD 2IN X 12 LG |
| 8    | 2   | 690396   | HOSE SPRING GUARD 2IN X 48 LG |
| 9    | 1   | 601217   | HOSE, 1.50 X 24 2F1W EPDM     |

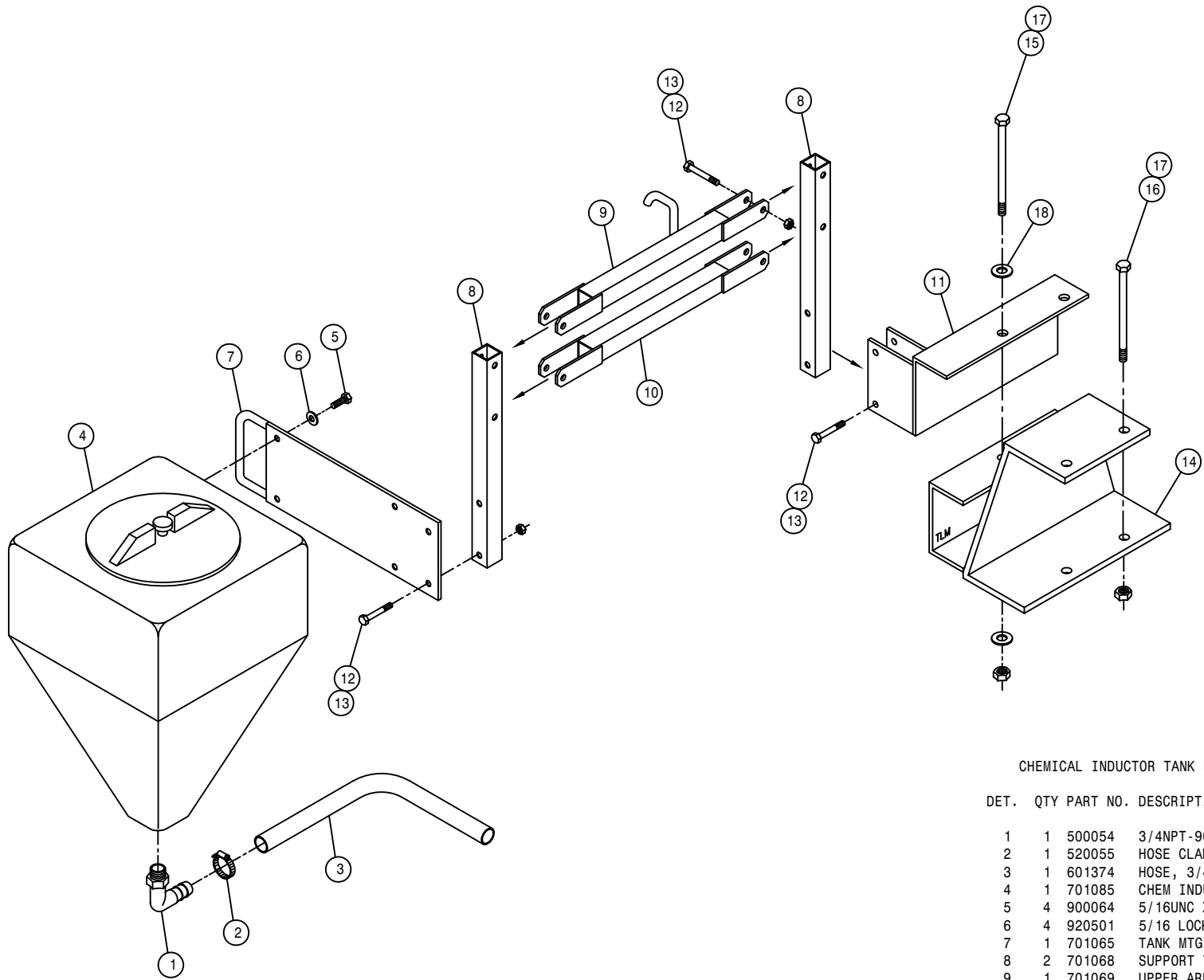


SOLUTION HOISING FOR 80' -90' BOOM

DET. QTY PART NO. DESCRIPTION

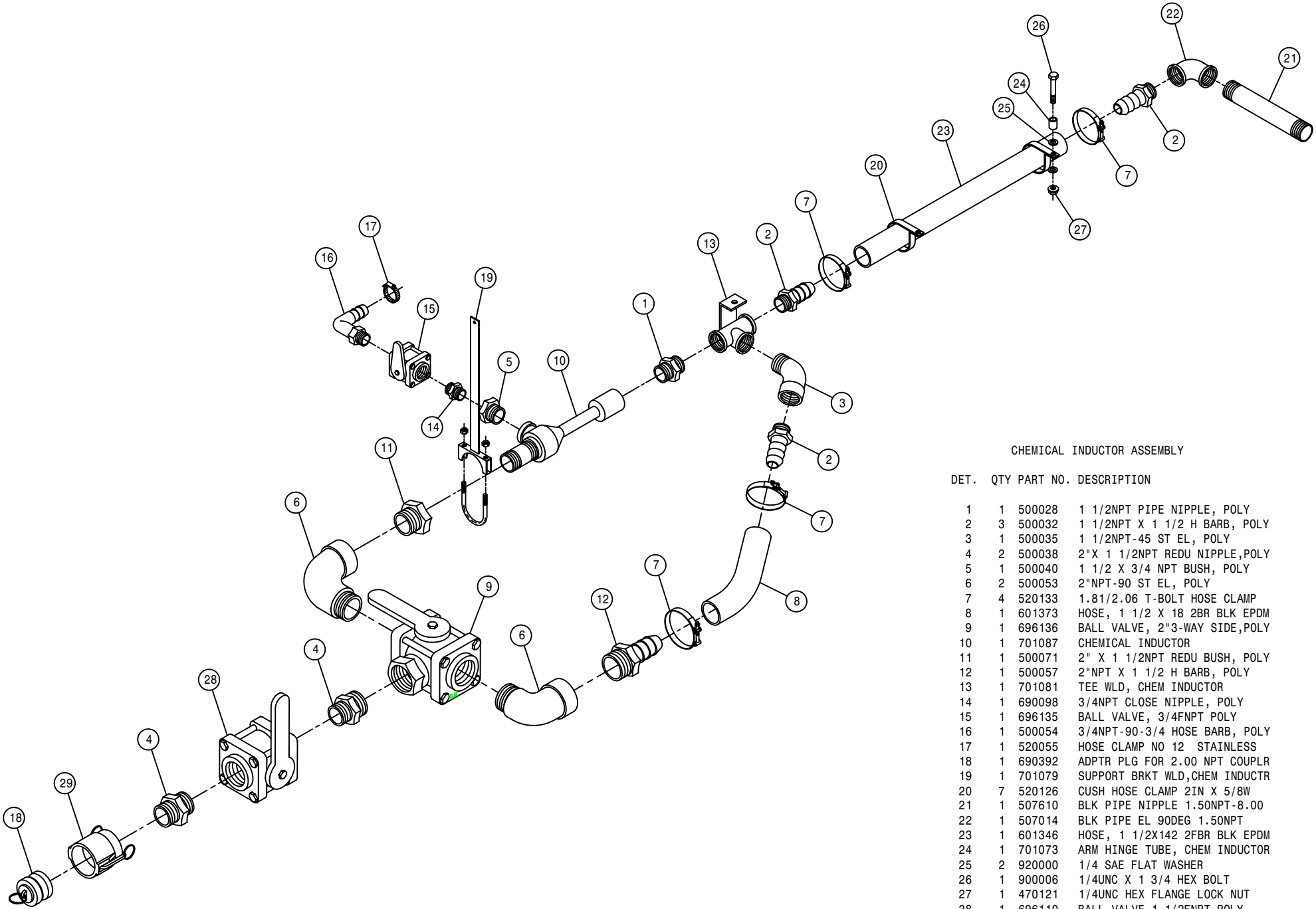
| DET. | QTY | PART NO. | DESCRIPTION                   |
|------|-----|----------|-------------------------------|
| 1    | 1   | 601317   | HOSE, 1 IN 1BR BLK EPDM X 93  |
| 2    | 1   | 601318   | HOSE, 1 IN 1BR BLK EPDM X 254 |
| 3    | 1   | 601319   | HOSE, 1 IN 1BR BLK EPDM X 336 |
| 4    | 1   | 601391   | HOSE, 1 IN 1BR BLK EPDM X 274 |
| 5    | 1   | 601307   | HOSE, 1.50 X 118 2F1W EPDM    |
| 6    | 1   | 601329   | HOSE, 1.50 X 130 2F1W EPDM    |
| 7    | 2   | 690412   | HOSE SPRING GUARD 2IN X 12 LG |
| 8    | 2   | 690396   | HOSE SPRING GUARD 2IN X 48 LG |
| 9    | 2   | 601390   | HOSE, 1 IN 1BR BLK EPDM X 160 |
| 10   | 1   | 601392   | HOSE, 1 IN 1BR BLK EPDM X 356 |
| 11   | 1   | 601240   | HOSE, 1.50 X 84 2F1W EPDM     |
| 12   | 1   | 601217   | HOSE, 1.50 X 24 2F1W EPDM     |





CHEMICAL INDUCTOR TANK MOUNT ASSEMBLY

| DET. | QTY | PART NO. | DESCRIPTION                    |
|------|-----|----------|--------------------------------|
| 1    | 1   | 500054   | 3/4NPT-90-3/4 HOSE BARB, POLY  |
| 2    | 1   | 520055   | HOSE CLAMP NO 12 STAINLESS     |
| 3    | 1   | 601374   | HOSE, 3/4 2FBR BLK EPDM X 35   |
| 4    | 1   | 701085   | CHEM INDUCTOR TANK, 4 GAL, SQ  |
| 5    | 4   | 900064   | 5/16UNC X 3/4 HEX BOLT         |
| 6    | 4   | 920501   | 5/16 LOCK WASHER               |
| 7    | 1   | 701065   | TANK MTG PLT WLD, CHEM INDUCTR |
| 8    | 2   | 701068   | SUPPORT TUBE, CHEM INDUCTOR    |
| 9    | 1   | 701069   | UPPER ARM WLD, CHEM INDUCTOR   |
| 10   | 1   | 701070   | LWR ARM WLD, CHEM INDUCTOR     |
| 11   | 1   | 701076   | ARM MT WLD, CHEM INDUCTOR      |
| 12   | 8   | 900068   | 5/16UNC X 1 3/4 HEX BOLT       |
| 13   | 8   | 914002   | 5/16UNC HEX STOVER NUT         |
| 14   | 1   | 341981   | LH REAR TOOL BAR MT WLD 2XX    |
| 15   | 2   | 900277   | 1/2UNC X 5 1/2 HEX BOLT        |
| 16   | 2   | 900281   | 1/2UNC X 7 1/2 HEX BOLT        |
| 17   | 4   | 914008   | 1/2UNC HEX STOVER NUT          |
| 18   | 4   | 920004   | 1/2 SAE FLAT WASHER            |



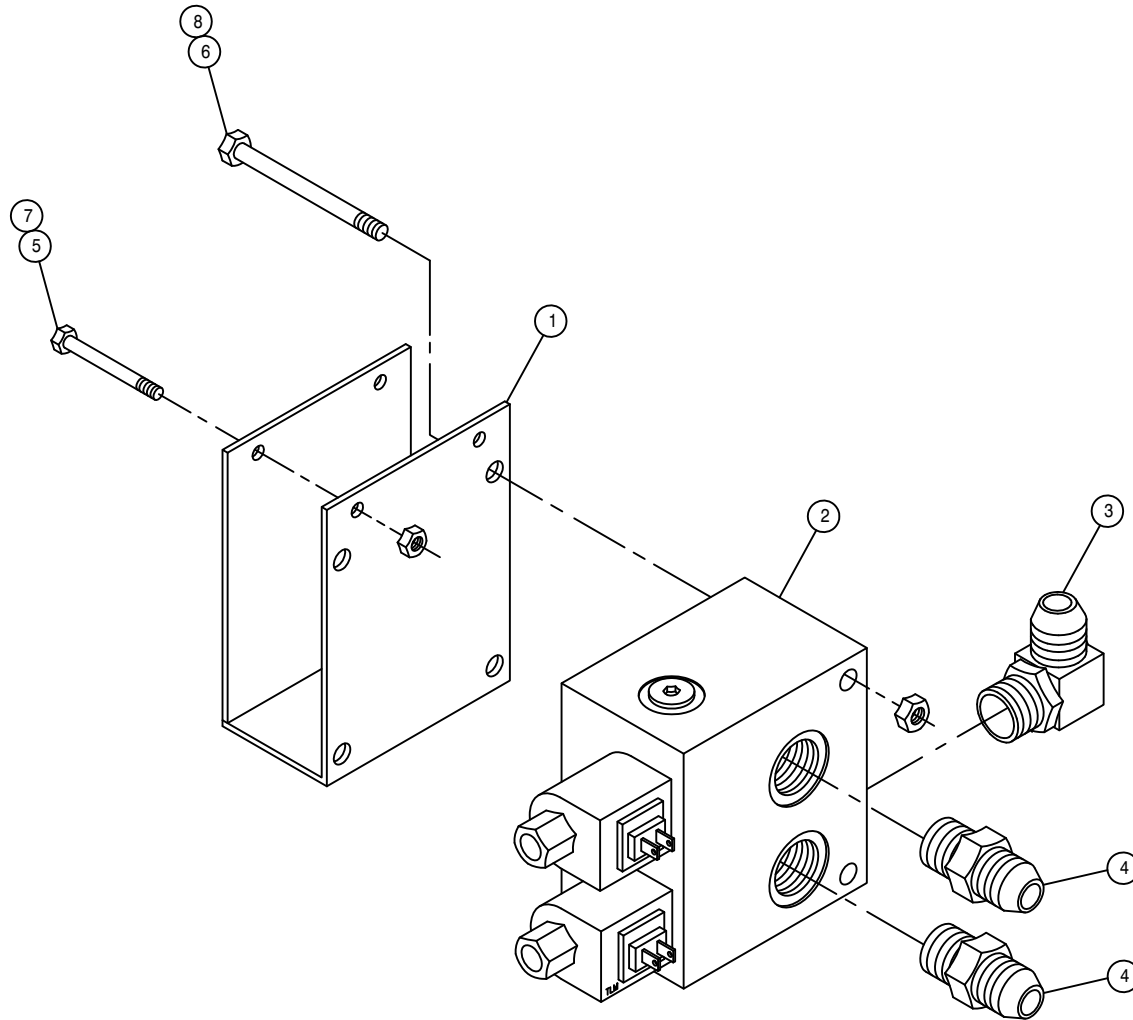
CHEMICAL INDUCTOR ASSEMBLY

| DET. | QTY | PART NO. | DESCRIPTION                     |
|------|-----|----------|---------------------------------|
| 1    | 1   | 500028   | 1 1/2NPT PIPE NIPPLE, POLY      |
| 2    | 3   | 500032   | 1 1/2NPT X 1 1/2 H BARB, POLY   |
| 3    | 1   | 500035   | 1 1/2NPT-45 ST EL, POLY         |
| 4    | 2   | 500038   | 2" X 1 1/2NPT REDU NIPPLE, POLY |
| 5    | 1   | 500040   | 1 1/2 X 3/4 NPT BUSH, POLY      |
| 6    | 2   | 500053   | 2"NPT-90 ST EL, POLY            |
| 7    | 4   | 520133   | 1.81/2.06 T-BOLT HOSE CLAMP     |
| 8    | 1   | 601373   | HOSE, 1 1/2 X 18 2BR BLK EPDM   |
| 9    | 1   | 696136   | BALL VALVE, 2"3-WAY SIDE, POLY  |
| 10   | 1   | 701087   | CHEMICAL INDUCTOR               |
| 11   | 1   | 500071   | 2" X 1 1/2NPT REDU BUSH, POLY   |
| 12   | 1   | 500057   | 2"NPT X 1 1/2 H BARB, POLY      |
| 13   | 1   | 701081   | TEE WLD, CHEM INDUCTOR          |
| 14   | 1   | 690098   | 3/4NPT CLOSE NIPPLE, POLY       |
| 15   | 1   | 696135   | BALL VALVE, 3/4FNPT POLY        |
| 16   | 1   | 500054   | 3/4NPT-90-3/4 HOSE BARB, POLY   |
| 17   | 1   | 520055   | HOSE CLAMP NO 12 STAINLESS      |
| 18   | 1   | 690392   | ADPTR PLG FOR 2.00 NPT COUPLR   |
| 19   | 1   | 701079   | SUPPORT BRKT WLD, CHEM INDUCTR  |
| 20   | 7   | 520126   | CUSH HOSE CLAMP 2IN X 5/8W      |
| 21   | 1   | 507610   | BLK PIPE NIPPLE 1.50NPT-8.00    |
| 22   | 1   | 507014   | BLK PIPE EL 90DEG 1.50NPT       |
| 23   | 1   | 601346   | HOSE, 1 1/2X142 2FBR BLK EPDM   |
| 24   | 1   | 701073   | ARM HINGE TUBE, CHEM INDUCTOR   |
| 25   | 2   | 920000   | 1/4 SAE FLAT WASHER             |
| 26   | 1   | 900006   | 1/4UNC X 1 3/4 HEX BOLT         |
| 27   | 1   | 470121   | 1/4UNC HEX FLANGE LOCK NUT      |
| 28   | 1   | 696110   | BALL VALVE 1 1/2FNPT POLY       |
| 29   | 1   | 690390   | 2.00 FEMALE NPT COUPLER         |

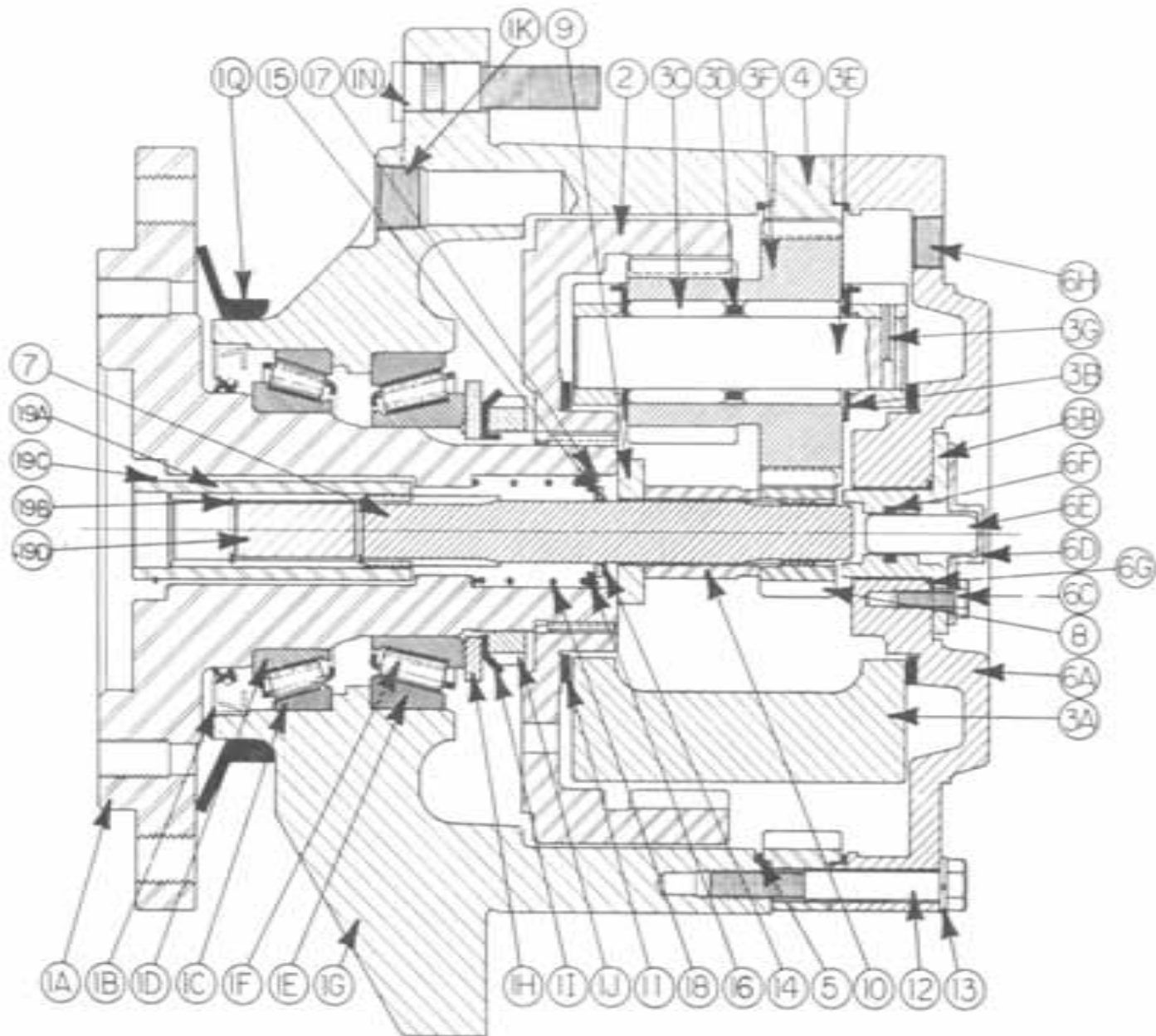
TRACTION VALVE ASSEMBLY

DET. QTY PART NO. DESCRIPTION

|   |   |        |                               |
|---|---|--------|-------------------------------|
| 1 | 1 | 342311 | TRACT VLV MT WLD,284 COMBO 96 |
| 2 | 1 | 610618 | POSITRACTION VLV,STL,88SP 60G |
| 3 | 1 | 618178 | 1 5/16MJIC-90-1 5/16MOR LBO   |
| 4 | 2 | 618308 | 1 1/16MJIC-1 5/16MOR ADPTR    |
| 5 | 2 | 900010 | 1/4UNC X 3" HEX BOLT          |
| 6 | 2 | 900075 | 5/16UNC X 3 3/4 HEX BOLT      |
| 7 | 2 | 914000 | 1/4UNC HEX STOVER NUT         |
| 8 | 2 | 914002 | 5/16UNC HEX STOVER NUT        |







CROSS SECTIONAL VIEW of W2B

WHEEL DRIVE ASSEMBLY - 610565

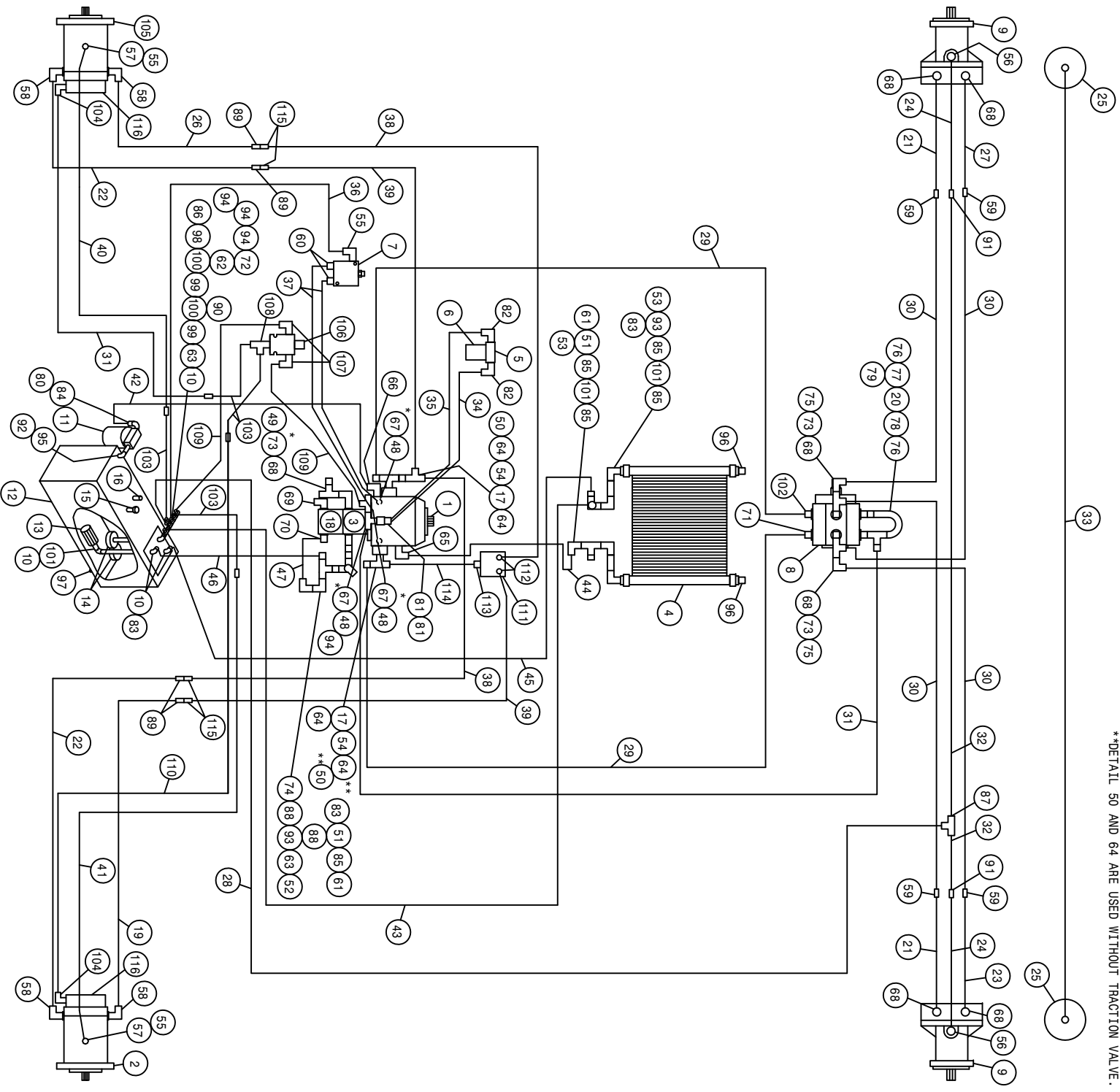
W2B2FZ328

| ITEMS | DESCRIPTION              | PART NO. | QTY. |
|-------|--------------------------|----------|------|
| 1     | HUB-SPINDLE SUB-ASSEMBLY | -----    |      |
| 1A    | SPINDLE                  | 610940   | 1    |
| 1B    | SEAL                     | 610941   | 1    |
| 1C    | BEARING CUP              | 610943   | 1    |
| 1D    | BEARING CONE             | 610942   | 1    |
| 1E    | BEARING CUP              | 610945   | 1    |
| 1F    | BEARING CONE             | 610944   | 1    |
| 1G    | HUB                      | -----    | 1    |
| 1H    | TANGED WASHER            | -----    | 1    |
| 1I    | LOCKWASHER               | 610946   | 1    |
| 1J    | LOCKNUT                  | 610947   | 1    |
| 1K    | MAGNETIC PIPE PLUG       | -----    | 2    |
| 1N    | STUD                     | 824054   | 9    |
| 1Q    | SEAL BOOT                | 610552   | 1    |
| 2     | INTERNAL GEAR            | 610948   | 1    |
| 3     | CARRIER ASSEMBLY         | -----    | 1    |
| 3A    | CARRIER                  | 610938   | 1    |
| 3B    | THRUST WASHER            | -----    | 6    |
| 3C    | NEEDLE ROLLER            | 610902   | 114  |
| 3D    | SPACER                   | -----    | 3    |
| 3E    | PLANET SHAFT             | -----    | 3    |
| 3F    | CLUSTER GEAR             | 610939   | 3    |
| 3G    | ROLL PIN                 | -----    | 3    |
| 4     | RING GEAR                | 610949   | 1    |
| 5     | O-RING                   | 610911   | 2    |
| 6     | COVER ASSEMBLY           | -----    | 1    |
| 6A    | COVER                    | -----    | 1    |
| 6B    | COVER CAP                | 610914   | 1    |
| 6C    | BOLT                     | 610150   | 4    |
| 6D    | DISCONNECT CAP           | 610901   | 1    |
| 6E    | DISCONNECT ROD           | 610915   | 1    |
| 6F    | O-RING                   | 610916   | 1    |
| 6G    | O-RING                   | 610917   | 1    |
| 6H    | PIPE PLUG                | -----    | 2    |
| 6J    | ID PLATE                 | -----    | 1    |
| 6K    | DRIVE SCREW              | -----    | 4    |
| 7     | INPUT SHAFT              | 610950   | 1    |
| 8     | INPUT GEAR               | -----    | 1    |
| 9     | THRUST SPACER            | -----    | 1    |
| 10    | THRUST SPACER            | -----    | 1    |
| 11    | THRUST WASHER            | -----    | 1    |
| 12    | BOLT                     | -----    | 2    |
| 13    | LOCKWASHER               | -----    | 20   |
| 14    | RETAINING RING           | 610936   | 1    |
| 15    | WASHER                   | -----    | 1    |
| 16    | SPACER                   | -----    | 1    |
| 17    | RETAINING RING           | -----    | 1    |
| 18    | SPRING                   | -----    | 1    |
| 19    | COUPLING SUB-ASSEMBLY    | -----    | 1    |
| 19A   | COUPLING                 | 610951   | 1    |
| 19B   | RETAINING RING           | 610954   | 2    |
| 19C   | RING                     | -----    | 1    |
| 19D   | ANTI-DISCONNECT SPACER   | -----    | 1    |

WHEEL DRIVE ASSEMBLY - 610568

W2B2FZ313

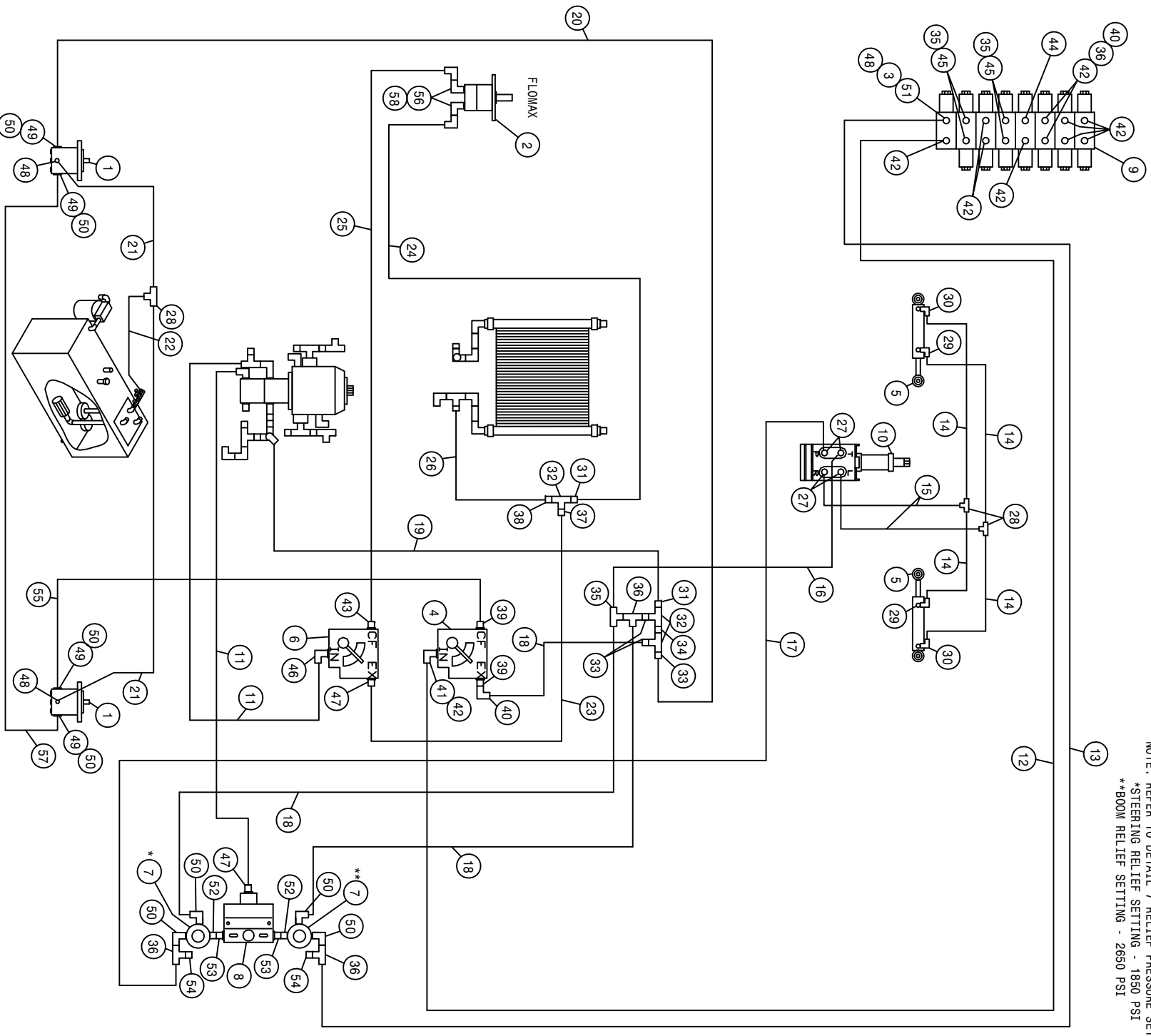
| ITEMS | DESCRIPTION              | PART NO. | QTY. |
|-------|--------------------------|----------|------|
| 1     | HUB-SPINDLE SUB-ASSEMBLY | -----    |      |
| 1A    | SPINDLE                  | 610940   | 1    |
| 1B    | SEAL                     | 610941   | 1    |
| 1C    | BEARING CUP              | 610943   | 1    |
| 1D    | BEARING CONE             | 610942   | 1    |
| 1E    | BEARING CUP              | 610945   | 1    |
| 1F    | BEARING CONE             | 610944   | 1    |
| 1G    | HUB                      | -----    | 1    |
| 1H    | TANGED WASHER            | -----    | 1    |
| 1I    | LOCKWASHER               | 610946   | 1    |
| 1J    | LOCKNUT                  | 610947   | 1    |
| 1K    | MAGNETIC PIPE PLUG       | -----    | 2    |
| 1N    | STUD                     | 824054   | 9    |
| 1Q    | SEAL BOOT                | 610552   | 1    |
| 2     | INTERNAL GEAR            | 610948   | 1    |
| 3     | CARRIER ASSEMBLY         | -----    | 1    |
| 3A    | CARRIER                  | 610938   | 1    |
| 3B    | THRUST WASHER            | -----    | 6    |
| 3C    | NEEDLE ROLLER            | 610902   | 114  |
| 3D    | SPACER                   | -----    | 3    |
| 3E    | PLANET SHAFT             | -----    | 3    |
| 3F    | CLUSTER GEAR             | 610939   | 3    |
| 3G    | ROLL PIN                 | -----    | 3    |
| 4     | RING GEAR                | 610949   | 1    |
| 5     | O-RING                   | 610911   | 2    |
| 6     | COVER ASSEMBLY           | -----    | 1    |
| 6A    | COVER                    | -----    | 1    |
| 6B    | COVER CAP                | 610914   | 1    |
| 6C    | BOLT                     | 610150   | 1    |
| 6D    | DISCONNECT CAP           | 610901   | 4    |
| 6E    | DISCONNECT ROD           | 610915   | 1    |
| 6F    | O-RING                   | 610916   | 1    |
| 6G    | O-RING                   | 610917   | 1    |
| 6H    | PIPE PLUG                | -----    | 2    |
| 6J    | ID PLATE                 | -----    | 1    |
| 6K    | DRIVE SCREW              | -----    | 4    |
| 7     | INPUT SHAFT              | 610953   | 1    |
| 8     | INPUT GEAR               | -----    | 1    |
| 9     | THRUST SPACER            | -----    | 1    |
| 10    | THRUST SPACER            | -----    | 1    |
| 11    | THRUST WASHER            | -----    | 1    |
| 12    | BOLT                     | -----    | 2    |
| 13    | LOCKWASHER               | -----    | 20   |
| 14    | RETAINING RING           | 610936   | 1    |
| 15    | WASHER                   | -----    | 1    |
| 16    | SPACER                   | -----    | 1    |
| 17    | RETAINING RING           | -----    | 1    |
| 18    | SPRING                   | -----    | 1    |
| 19    | COUPLING SUB-ASSEMBLY    | -----    | 1    |
| 19A   | COUPLING                 | 610951   | 1    |
| 19B   | RETAINING RING           | 610954   | 2    |
| 19C   | RING                     | -----    | 1    |
| 19D   | ANTI-DISCONNECT SPACER   | -----    | 1    |



\*NOTE:  
 REFER TO DETAIL 73 TO CHECK AUX. SYSTEM - 1850 PSI  
 REFER TO DETAIL 67 TO CHECK LIMIT SETTING - 4500 PSI  
 REFER TO DETAIL 67 TO CHECK CHARGE PRESSURE - 380 PSI  
 \*\*DETAIL 50 AND 64 ARE USED WITHOUT TRACTION VALVE.

284W 144 TRD HYD SCHEM 97  
REFERENCE DRAWING NO. 498516S1

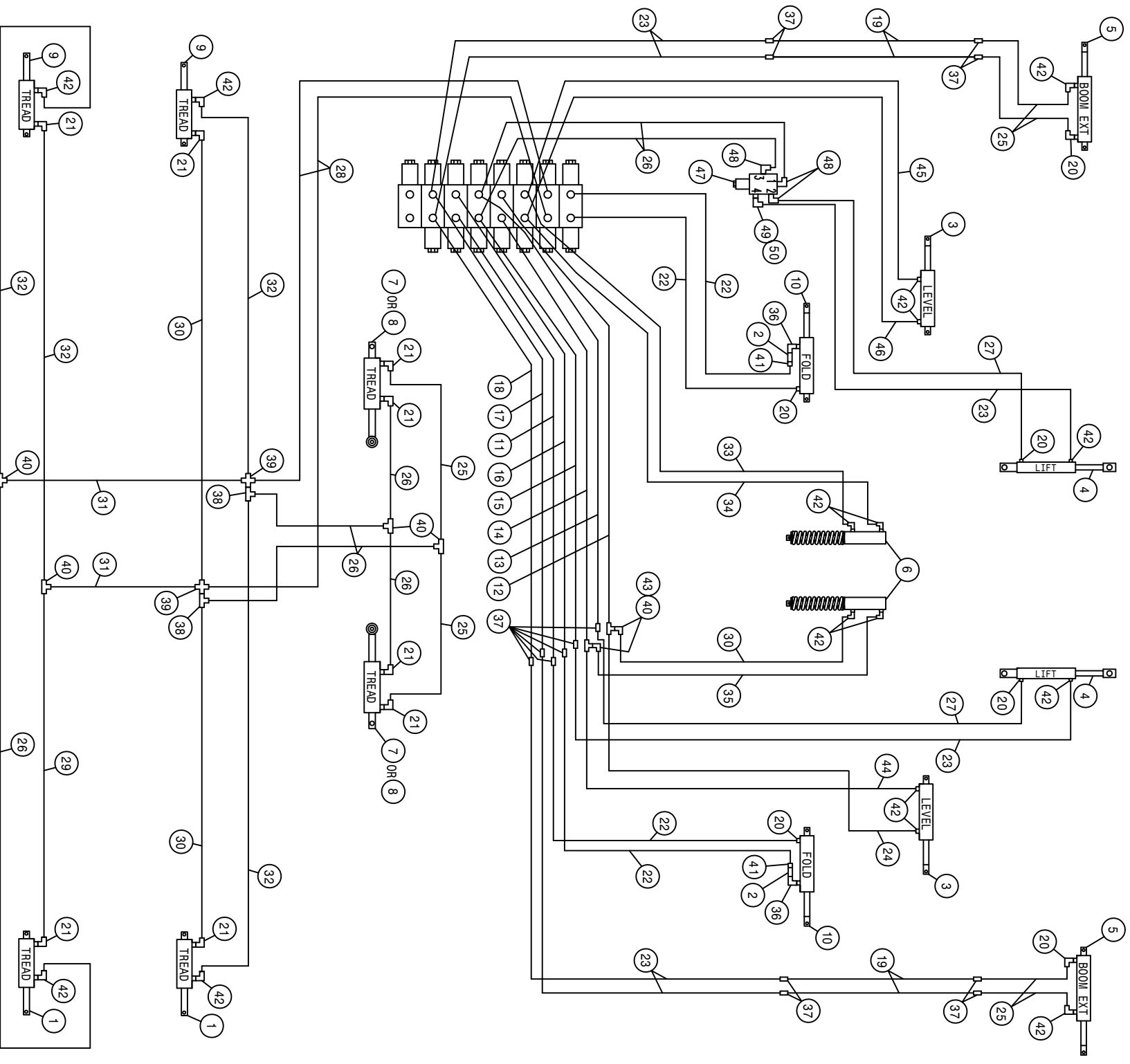
| DET. | QTY | PART NO. | DESCRIPTION                       | DET. | QTY | PART NO. | DESCRIPTION                     |
|------|-----|----------|-----------------------------------|------|-----|----------|---------------------------------|
| 1    | 1   | 606902   | SUND 100CC PUMP-B-MT W/FILT       | 59   | 4   | 618627   | 7/8MJIC-3/4JIC REDU UNION       |
| 2    | 1   | 610557   | SUND M35-3102 WHL MTR W/SHFT      | 60   | 2   | 618126   | 9/16MJIC-9/16MOR ADPTR          |
| 3    | 1   | 606897   | SUND GEAR PUMP 1.34CI SPLINED     | 61   | 2   | 716000   | 3/4 HOSE BARB-90-1MNP           |
| 4    | 1   | 618606   | OIL COOLER, BLISSFIELD 65027      | 62   | 1   | 504001   | RED BUSH 3/4 X 1/4 BLK MAL      |
| 5    | 1   | 605608   | HYD FILTER HEAD, DONALDSON        | 63   | 2   | 505213   | RED BUSH 1 X 3/4 BLK MAL        |
| 6    | 1   | 605609   | HYD FILTER ELEMENT, DONALDSON     | 64   | 4   | 618541   | 1 5/16FJIC-1 1/16MJIC ADPTR     |
| 7    | 1   | 610580   | REMOTE FLUSHING VALVE, SUND       | 65   | 1   | 618118   | 3/4 HOSE BARB-90-1 1/16MOR      |
| 8    | 1   | 606003   | GRESEN SELECTOR VALVE DS-12       | 66   | 1   | 618626   | 1 1/4 HOSE BARB-45-1 5/8MOR     |
| 9    | 2   | 610571   | SUND M35-3002 WHL MTR             | 67   | 3   | 618629   | 9/16MOR BRANCH TEE-9/16MJIC     |
| 10   | 4   | 505300   | BLK PIPE EL 90DEG 1.00NPT         | 68   | 7   | 618535   | 7/8MJIC-90-1 1/16MOR LBO        |
| 11   | 1   | 605601   | GRESEN FILTER 10 MICRON 40GPM     | 69   | 1   | 611128   | 7/8MJIC-90-7/8MOR LBO           |
| 12   | 1   | 760097   | OIL TANK WLD 8240 1982            | 70   | 1   | 618075   | 3/4 HOSE BARB-1 1/16MOR         |
| 13   | 1   | 605600   | MICHIGAN RESERVOIR FILTER         | 71   | 1   | 611127   | 1 1/16MJIC-1 1/16MOR ADPTR      |
| 14   | 2   | 605603   | LINE SUMP DIFFUSER                | 72   | 1   | 618520   | 1/4MNP RUN TEE-9/16MJIC         |
| 15   | 1   | 611052   | FILLER BREATHER 3/4NPT            | 73   | 3   | 618333   | 7/8FJIC SW RUN TEE-7/8MJIC      |
| 16   | 1   | 614453   | DIPSTICK, 8IN                     | 74   | 1   | 618090   | 1 5/16MOR-1FNPT ADPTR           |
| 17   | 2   | 618598   | 1" 4-BOLT FLG X 1 5/16 FOR        | 75   | 2   | 618301   | 7/8MJIC-90-7/8FJIC SWIV LBO     |
| 18   | 1   | 606891   | SUND GEAR PMP .52CI SPLINED       | 76   | 2   | 618132   | 1 1/16MOR-7/8FOR ADPTR          |
| 19   | 1   | 615706   | RH REAR LEG HYDTUBE ASSY28497     | 77   | 1   | 611126   | 7/8MJIC-7/8MOR ADPTR            |
| 20   | 1   | 614198   | FWD VALVE U-TUBE ASSY             | 78   | 1   | 618130   | 7/8MOR RUN TEE-7/8MJIC          |
| 21   | 2   | 615655   | FRT LEG INNER HYD TUBE ASY284     | 79   | 1   | 618557   | 7/8FJIC-9/16MJIC ADPTR          |
| 22   | 2   | 615705   | REAR LEG HYD TUBE ASSY 284 97     | 80   | 1   | 506410   | BLK PIPE ST EL 90DEG 1.25NPT    |
| 23   | 2   | 615657   | RH FRTLEG OUTR HYDTUBE ASY284     | 81   | 2   | 618327   | 3/4MJIC-7/8MOR ADPTR            |
| 24   | 2   | 615656   | FRT LEG CNTR HYD TUBE ASSY284     | 82   | 2   | 618474   | 3/4MJIC-90-1 1/16MOR LBO        |
| 25   | 2   | 620570   | HYD CYL LEG LEVEL 2.00 X 12       | 83   | 4   | 714560   | INPT X 1 HOSE BARB              |
| 26   | 1   | 615707   | LH REAR LEG HYDTUBE ASSY28497     | 84   | 1   | 715660   | HOSE BARB 1 1/4NPT X 1 1/4      |
| 27   | 1   | 615658   | LH FRTLEG OUTR HYDTUBE ASY284     | 85   | 5   | 505200   | BLK PIPE ST EL 90DEG 1.00NPT    |
| 28   | 1   | 614704   | 06CIT-06FJX-06FJX-156 H/A         | 86   | 1   | 618018   | 9/16MJIC-1/2MNP ADPTR           |
| 29   | 2   | 614724   | 12TWM-12FJX-12FJX-106 H/A         | 87   | 1   | 618019   | 9/16MJIC UNION TEE              |
| 30   | 4   | 615674   | 08C2AT-08FJX90-10FJX-80 H/A       | 88   | 2   | 505105   | 1MNP HEX PIPE NIPPLE STL        |
| 31   | 2   | 614101   | 04CIT-06FJX-06FJX-133 H/A         | 89   | 4   | 618640   | 1 5/16MJ-90-1 5/16FJ SWIV LBO   |
| 32   | 2   | 615673   | 06CIT-06FJX-08FJX90-70 H/A        | 90   | 1   | 713220   | HOSE BARB 3/4 NPT X 3/4         |
| 33   | 1   | 615666   | FRT LEG CYL HOSE, 284W 95         | 91   | 2   | 618314   | 3/4MJIC UNION                   |
| 34   | 1   | 616034   | 08CIT-08FJX-08FJX-17 H/A          | 92   | 1   | 506602   | PIPE NIPPLE 1 1/4NPT-2 1/2      |
| 35   | 1   | 615633   | 08CIT-08FJX-08FJX-23 H/A          | 93   | 2   | 505098   | SIDE OUTLET EL 90DEG 1.00NPT    |
| 36   | 1   | 616048   | 04CIT-06FJX-06FJX-35 H/A          | 94   | 4   | 618486   | 9/16FJIC SW RUN TEE-9/16MJIC    |
| 37   | 2   | 616043   | 04CIT-06FJX-06FJX-23 H/A          | 95   | 1   | 506303   | BLK PIPE EL 90DEG 1.25NPT       |
| 38   | 2   | 614723   | 12TWM-12MJ-12FJX90-80 H/A         | 96   | 2   | 505102   | PIPE PLUG 1.00NPT SQ HD         |
| 39   | 2   | 614722   | 12TWM-12MJ-12FJX90-70 H/A         | 97   | 1   | 501102   | 1/4 PIPE PLUG                   |
| 40   | 1   | 614549   | 06CIT-06FJX-06FJX-140 H/A         | 98   | 1   | 504210   | RED BUSH 3/4 NPT X 1/2 NPT      |
| 41   | 1   | 615449   | 06CIT-06FJX-06FJX-126 H/A         | 99   | 2   | 504702   | CLOSE NIPPLE .75NPT             |
| 42   | 1   | 601380   | HOSE, 1 1/4 X 35 1FBR-1SPI 100    | 100  | 2   | 504955   | BLK PIPE TEE .75NPT             |
| 43   | 1   | 601386   | HOSE, 3/4 X 100 1FBR-1SPI 101     | 101  | 3   | 505203   | BLK PIPE NIPPLE 1.00NPT-4.00    |
| 44   | 1   | 601385   | HOSE, 3/4 X 65 1FBR-1SPI 102      | 102  | 1   | 607526   | FLOW CTRL VALVE,28GPM IN-LINE   |
| 45   | 1   | 601387   | HOSE, 1" X 104 1FBR-1SPI 103      | 103  | 4   | 615676   | 06CIT-06FJX-06MJ-12 H/A         |
| 46   | 1   | 601381   | HOSE, 1 X 39 1FBR-1SPI 104        | 104  | 2   | 618114   | 9/16MJIC-90-7/16MOR LBO         |
| 47   | 1   | 601383   | HOSE, 3/4 X 8 1FBR-1SPI 105       | 105  | 1   | 610621   | SUND HYD MOTOR                  |
| 48   | 3   | 618531   | 9/16FJIC CAP NUT 106              | 106  | 1   | 610302   | HYD SOLENOID VALVE 3WAY 12VDC   |
| 49   | 1   | 618328   | 7/8FJIC CAP NUT 107               | 107  | 2   | 611122   | 9/16MJIC-90-1/4MNP LBO          |
| 50   | 2   | 618487   | 1 1/16FJ SW RUN TEE-1 1/16MJ 108  | 108  | 1   | 618520   | 1/4MNP RUN TEE-9/16MJIC         |
| 51   | 2   | 505101   | BLK PIPE TEE 1.00NPT 109          | 109  | 2   | 616056   | 04CIT-06FJX-06FJX-32 H/A        |
| 52   | 1   | 610300   | 3/4MJIC-3/4MNP ADPTR 110          | 110  | 1   | 614639   | 04CIT-06FJX-06FJX-126 H/A       |
| 53   | 2   | 714331   | 1 NPT X 3/4 HOSE BARB 111         | 111  | 2   | 610618   | POSITRACTION VLV, STL, 88SP 60G |
| 54   | 2   | 618599   | 1 5/16MOR BRANCH TEE-1 5/16MJ 112 | 112  | 2   | 618308   | 1 1/16MJIC-1 5/16MOR ADPTR      |
| 55   | 3   | 618119   | 9/16MJIC-90-9/16MOR LBO 113       | 113  | 1   | 618178   | 1 5/16MJIC-90-1 5/16MOR LBO     |
| 56   | 2   | 618183   | 3/4MJIC-90-7/8MOR LBO 114         | 114  | 1   | 615263   | 16TWM-16FJX-16FJX90L-18 H/A     |
| 57   | 2   | 618172   | 7/8MOR-9/16FOR ADPTR 115          | 115  | 4   | 618641   | 1 1/16FJIC-1 5/16MJIC ADPTR     |
| 58   | 4   | 618576   | 1 5/16MJIC-90-1 1/16MOR LBO 116   | 116  | 2   | 828092   | MICRO HYD BRAKE                 |



NOTE : REFER TO DETAIL 7 RELIEF PRESSURE SETTING.  
 \*\*STEERING RELIEF SETTING - 1850 PSI  
 \*\*BOOM RELIEF SETTING - 2650 PSI

284W 144 TRD HYD SCHEM 96  
REFERENCE DRAWING NO. 498516S2

| DET. | QTY | PART NO. | DESCRIPTION                    | DET. | QTY | PART NO. | DESCRIPTION                   |
|------|-----|----------|--------------------------------|------|-----|----------|-------------------------------|
| 1    | 2   | 610510   | CESSNA GEAR MOTOR 1.48CI       | 30   | 2   | 618338   | 9/16MJIC-45-1/4MNP LBO        |
| 2    | 1   | 690573   | HYD MOTOR, FLOWMAX HI-SPEED    | 31   | 2   | 611147   | 3/4MJIC-1/2MNP ADPTR          |
| 3    | 1   | 610447   | HYD FILTER, INLINE 1/4FNPT 90M | 32   | 3   | 503820   | BLK PIPE TEE .50NPT           |
| 4    | 1   | 606827   | FLO CONT FC51 0-3 VARI 7/8FOR  | 33   | 3   | 618018   | 9/16MJIC-1/2MNP ADPTR         |
| 5    | 2   | 620080   | STRG CYL ASSY 1.50 X 6.0 1985  | 34   | 1   | 503600   | CLOSE NIPPLE .50NPT           |
| 6    | 1   | 606818   | FLO CONT FCR51 0-16GPM 7/8FOR  | 35   | 5   | 618514   | 9/16FJ SW BRANCH TEE-9/16MJ   |
| 7    | 2   | 607512   | RELIEF VALVE, RL50, 1850 PSI   | 36   | 5   | 618486   | 9/16FJIC SW RUN TEE-9/16MJIC  |
| 8    | 1   | 607504   | FLO DIV B50 2-8GPM 7/8 FOR     | 37   | 1   | 618325   | 7/8MJIC-1/2MNP ADPTR          |
| 9    | 1   | 610569   | 6 SECT.5 FUCTN HYD VLV, EATON  | 38   | 1   | 712440   | 1/2 NPT X 3/4 HOSE BARB       |
| 10   | 1   | 749150   | STRG MTR NON-LOAD REACT        | 39   | 2   | 618310   | 9/16MJIC-7/8MOR ADPTR         |
| 11   | 1   | 614664   | 10C1T-10FJX-10FJX-98           | 40   | 3   | 618618   | 9/16MJIC-90-9/16FJIC SWIV LBO |
| 12   | 2   | 614693   | 06C1T-06FJX-06FJX-168          | 41   | 1   | 618172   | 7/8MOR-9/16FOR ADPTR          |
| 13   | 1   | 614159   | 04C1T-06FJX-06FJX-169          | 42   | 11  | 618119   | 9/16MJIC-90-9/16MOR LBO       |
| 14   | 4   | 614663   | 04C1T-06FJX-06FJX-16           | 43   | 1   | 618327   | 3/4MJIC-7/8MOR ADPTR          |
| 15   | 2   | 616028   | 04C1T-06FJX-06FJX-47           | 44   | 1   | 618440   | 9/16MJIC-90-9/16MOR EX LG LBO |
| 16   | 1   | 611204   | 04C1T-06FJX-06FJX-78           | 45   | 4   | 618126   | 9/16MJIC-9/16MOR ADPTR        |
| 17   | 1   | 616040   | 04C1T-06FJX-06FJX-67           | 46   | 1   | 611128   | 7/8MJIC-90-7/8MOR LBO         |
| 18   | 3   | 616026   | 04C1T-06FJX-06FJX-37           | 47   | 2   | 611126   | 7/8MJIC-7/8MOR ADPTR          |
| 19   | 1   | 616057   | 08C1T-08FJX-08FJX-88           | 48   | 3   | 611121   | 9/16MJIC-1/4MNP ADPTR         |
| 20   | 1   | 614549   | 06C1T-06FJX-06FJX-140          | 49   | 4   | 618092   | 1 1/16MOR-1/2FNPT ADPTR       |
| 21   | 2   | 614308   | 04C1T-06FJX-06FJX-109          | 50   | 8   | 618107   | 9/16MJIC-90-1/2MNP LBO        |
| 22   | 1   | 615452   | 06C1T-06FJX-06FJX-16           | 51   | 1   | 618562   | 9/16MOR-90-1/4MNP LBO         |
| 23   | 1   | 615521   | 10C1T-10FJX-10FJX-18           | 52   | 2   | 500000   | 1/2MNP HEX PIPE NIPPLE STL    |
| 24   | 1   | 615465   | 08C1T-08FJX-08FJX-33           | 53   | 2   | 618072   | 7/8MOR-1/2FNPT ADPTR          |
| 25   | 1   | 614662   | 08C1T-08FJX-08FJX-72           | 54   | 2   | 618531   | 9/16FJIC CAP NUT              |
| 26   | 1   | 601384   | HOSE, 3/4 X 40 1FBR-1SP1       | 55   | 1   | 615677   | 06C1T-06FJX-06FJX-180         |
| 27   | 4   | 618496   | 9/16MJIC-45-3/4MOR LBO         | 56   | 2   | 618241   | 3/4MJIC-90-3/4MOR LBO         |
| 28   | 3   | 618019   | 9/16MJIC UNION TEE             | 57   | 1   | 615678   | 06C1T-06FJX-06FJX-190         |
| 29   | 2   | 611122   | 9/16MJIC-90-1/4MNP LBO         | 58   | 2   | 618609   | 3/4MJIC-90-3/4FJIC SWIV LBO   |

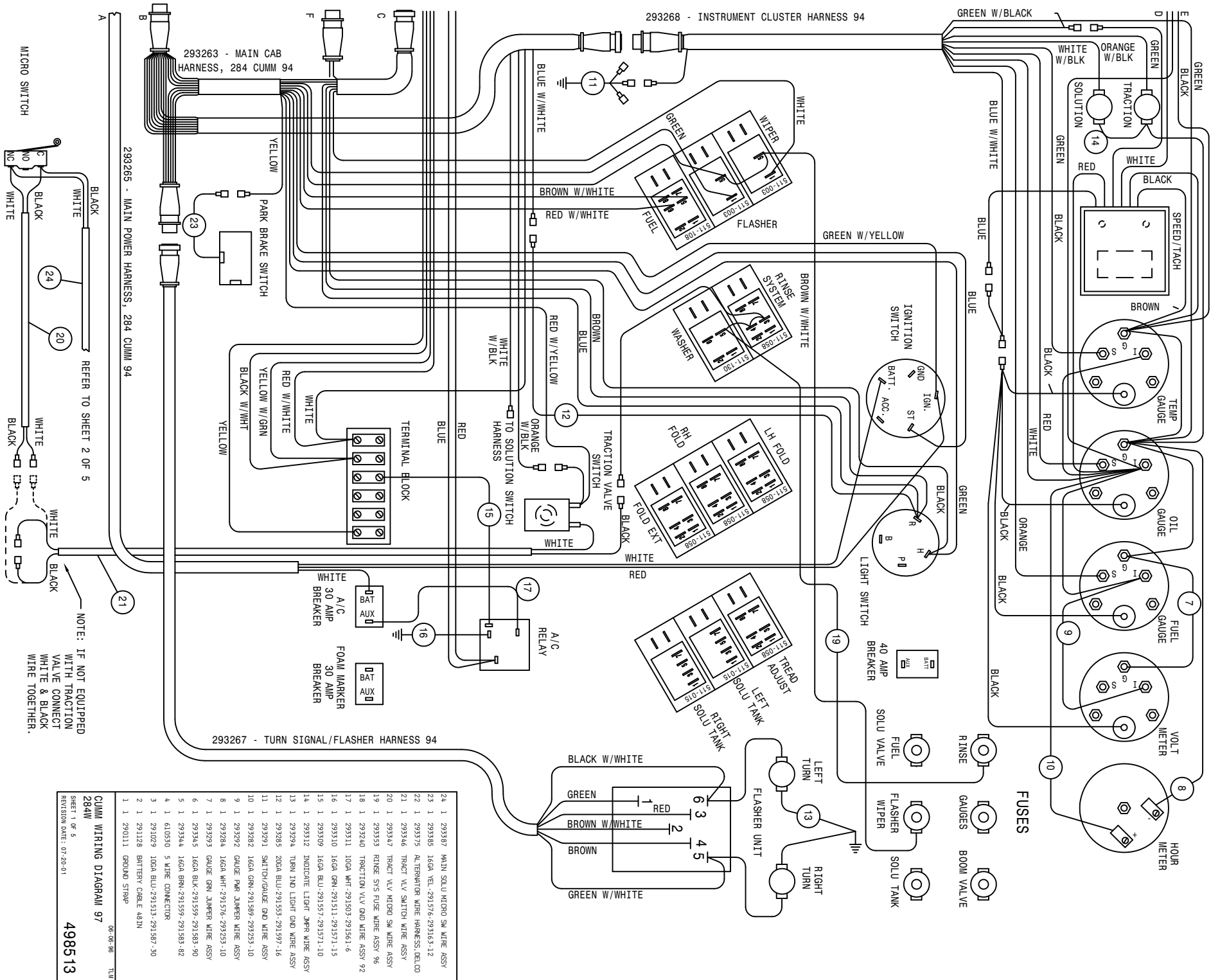




284W 144 TRD HYD SCHEM 96  
REFERENCE DRAWING NO. 498516S3

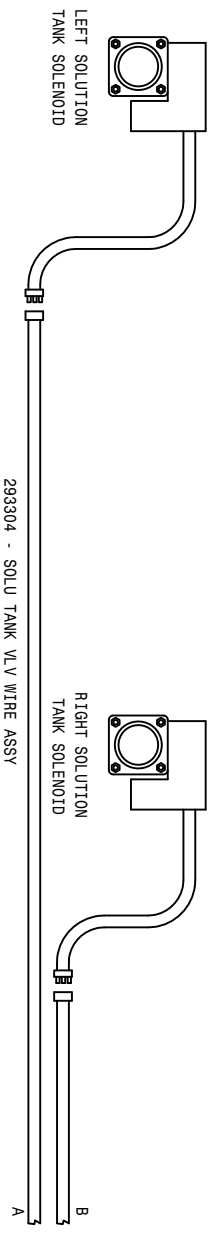
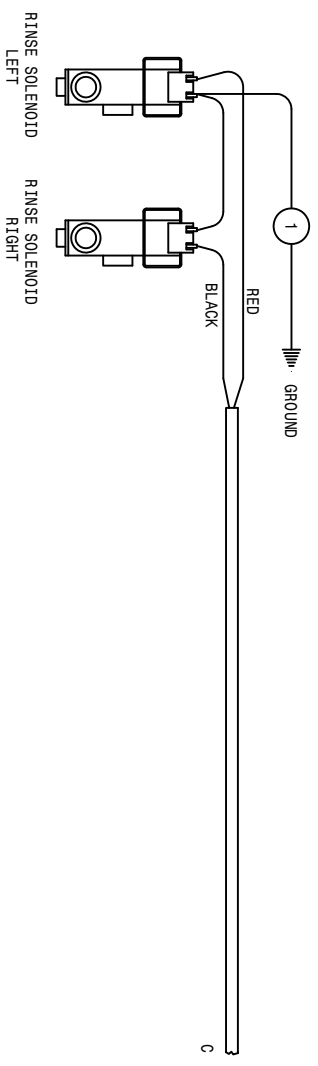
| DET. | QTY | PART NO. | DESCRIPTION                    | DET. | QTY | PART NO. | DESCRIPTION                   |
|------|-----|----------|--------------------------------|------|-----|----------|-------------------------------|
| 1    | 2   | 6201120  | CYL ASSY, RH LEG, TREAD ADJ 94 | 26   | 7   | 614663   | 04C1T-06FJX-06FJX-16          |
| 2    | 2   | 610450   | RESTRICTOR .025 1-WAY, 1/2FNPT | 27   | 2   | 615616   | 04C1T-06FJX-06FJX-65          |
| 3    | 2   | 620685   | LEVEL CYL ASSY, 2 X 10         | 28   | 2   | 611210   | 04C1T-06FJX-06FJX-156         |
| 4    | 2   | 620981   | LIFT CYL ASSY, 2 X 14 HD       | 29   | 1   | 616042   | 04C1T-06FJX-06FJX-13          |
| 5    | 2   | 620900   | CYL ASSY CC2016 D00 SRG 180    | 30   | 3   | 616049   | 04C1T-06FJX-06FJX-26          |
| 6    | 2   | 620632   | ACCUMULATOR CYL ASSY           | 31   | 2   | 614308   | 04C1T-06FJX-06FJX-109         |
| 7    | 2   | 620123   | CYL ASSY, STRG, 1.25" TREAD    | 32   | 4   | 616026   | 04C1T-06FJX-06FJX-37          |
| 8    | 2   | 620122   | CYL ASSY, STRG, 90" TREAD      | 33   | 1   | 616037   | 04C1T-06FJX-06FJX-29          |
| 9    | 2   | 620121   | CYL ASSY, LH LEG, TREAD ADJ 94 | 34   | 1   | 614713   | 04C1T-06FJX-06FJX-24          |
| 10   | 2   | 620652   | FOLD HYD TUBE ASSY, 2 X 10 IN  | 35   | 1   | 614712   | 04C1T-06FJX-06FJX-20          |
| 11   | 1   | 615671   | FOLD HYD TUBE ASSY, IN 284W    | 36   | 2   | 618633   | 1/2MNPJT-90-1/4MNPJT REDU LBO |
| 12   | 1   | 615669   | LEV HYD TUBE ASSY, UP 284W     | 37   | 14  | 619010   | 9/16MJIC UNION                |
| 13   | 1   | 615667   | LIFT HYD TUBE ASSY, UP 284W    | 38   | 2   | 618486   | 9/16FJIC SW RUN TEE-9/16MJIC  |
| 14   | 1   | 615670   | LEV HYD TUBE ASSY, DN 284W     | 39   | 2   | 618320   | 9/16MJIC UNION CROSS          |
| 15   | 1   | 615668   | LIFT HYD TUBE ASSY, DN 284W    | 40   | 6   | 618019   | 9/16MJIC UNION TEE            |
| 16   | 1   | 615672   | FOLD HYD TUBE ASSY, OUT 284W   | 41   | 2   | 618018   | 9/16MJIC-1/2MNPJT ADPTR       |
| 17   | 1   | 615686   | BOOM HYD TUBE ASSY, OUT 284W   | 42   | 16  | 611122   | 9/16MJIC-90-1/4MNPJT LBO      |
| 18   | 1   | 615685   | BOOM HYD TUBE ASSY, IN 284W    | 43   | 2   | 618618   | 9/16MJIC-90-9/16FJIC SWIV LBO |
| 19   | 4   | 615684   | HYD TUBE ASSY, BOOM EXT        | 44   | 1   | 614714   | 04C1T-06FJX-06FJX-34          |
| 20   | 6   | 614365   | RESTRICTOR ELBOW ASSY .042DIA  | 45   | 1   | 614715   | 04C1T-06FJX-06FJX-43          |
| 21   | 8   | 614710   | RESTRICTOR ELBOW ASSY .025DIA  | 46   | 1   | 616059   | 04C1T-06FJX-06FJX-33          |
| 22   | 4   | 615442   | 04C1T-06FJX-06FJX-55           | 47   | 1   | 610628   | 4-WAY, 2-POSITION SOL VLV     |
| 23   | 6   | 616040   | 04C1T-06FJX-06FJX-67           | 48   | 3   | 618115   | 9/16MJIC-90-3/4MOR LBO        |
| 24   | 1   | 616028   | 04C1T-06FJX-06FJX-47           | 49   | 1   | 618109   | 9/16MJIC-3/4MOR ADPTR         |
| 25   | 6   | 616043   | 04C1T-06FJX-06FJX-23           | 50   | 1   | 618618   | 9/16MJIC-90-9/16FJIC SWIV LBO |

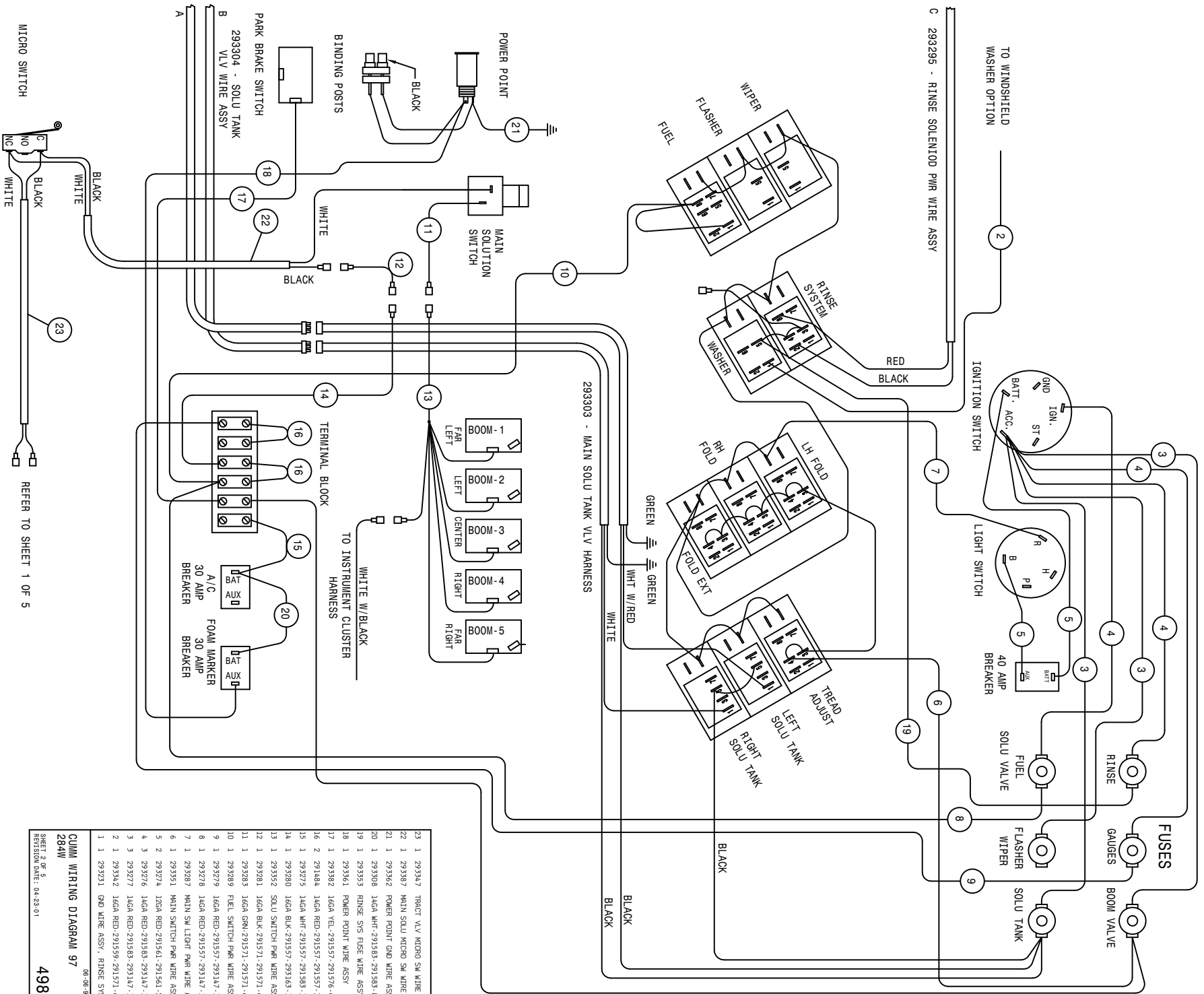




| NO | DESCRIPTION                          | QTY |
|----|--------------------------------------|-----|
| 24 | MAIN SOLU MICRO SM WIRE ASSY         | 1   |
| 23 | 16GA VEL-291516-291343-12            | 1   |
| 22 | 293375 ALTERNATOR WIRE HARNESS-DELO  | 1   |
| 21 | 293346 TRACT VLV SWITCH WIRE ASSY    | 1   |
| 20 | 293347 TRACT VLV MICRO SM WIRE ASSY  | 1   |
| 19 | 293355 RANGE SVS FUSE WIRE ASSY 96   | 1   |
| 18 | 293240 TRACTION VLV GND WIRE ASSY 92 | 1   |
| 17 | 293311 100A WFT-291503-291541-6      | 1   |
| 16 | 293310 16GA GRN-291511-291511-15     | 1   |
| 15 | 293309 16GA BLU-291517-291511-10     | 1   |
| 14 | 293312 INDICATE LIGHT 3PH WIRE ASSY  | 1   |
| 13 | 293294 TURN IND LIGHT GND WIRE ASSY  | 1   |
| 12 | 293285 200A BLU-291533-291597-16     | 1   |
| 11 | 293291 SWITCH/GAUGE GND WIRE ASSY    | 1   |
| 10 | 293282 16GA GRN-291589-293253-10     | 1   |
| 9  | 293292 GAUGE PAR JUMPER WIRE ASSY    | 1   |
| 8  | 293284 16GA WHT-291576-293253-10     | 1   |
| 7  | 293293 GAUGE GRN JUMPER WIRE ASSY    | 1   |
| 6  | 293345 16GA BLK-291559-291583-90     | 1   |
| 5  | 293344 16GA BRN-291559-291583-82     | 1   |
| 4  | 610330 5 WIRE CONNECTOR              | 1   |
| 3  | 291029 100A BLU-291513-291587-30     | 1   |
| 2  | 291128 BATTERY CABLE 48IN            | 1   |
| 1  | 290111 GROUND STRAP                  | 1   |

CUMM WIRING DIAGRAM 97  
 284V  
 SHEET 1 OF 5  
 REVISION DATE: 07-20-01  
 498513  
 06-06-98 TLM





|    |   |        |                                |
|----|---|--------|--------------------------------|
| 23 | 1 | 293347 | TRACT VLV MICRO SW WIRE ASSY   |
| 22 | 1 | 293387 | MAIN SOLU MICRO SW WIRE ASSY   |
| 21 | 1 | 293362 | POWER POINT GND WIRE ASSY      |
| 20 | 1 | 293308 | IGA WHT-291583-291583-8        |
| 19 | 1 | 293353 | RINSE SIS FUSE WIRE ASSY 96    |
| 18 | 1 | 293361 | POWER POINT WIRE ASSY          |
| 17 | 1 | 293382 | IGA YEL-291557-291576-46       |
| 16 | 2 | 291484 | IGA RED-291557-291557-3        |
| 15 | 1 | 293275 | IGA WHT-291557-291583-12       |
| 14 | 1 | 293280 | IGA BLK-291557-291563-12       |
| 13 | 1 | 293352 | SOLU SWITCH PWR WIRE ASSY 96   |
| 12 | 1 | 293281 | IGA BLK-291571-291571-45       |
| 11 | 1 | 293283 | IGA GRN-291571-291571-45       |
| 10 | 1 | 293289 | FUEL SWITCH PWR WIRE ASSY      |
| 9  | 1 | 293279 | IGA RED-291557-291571-19       |
| 8  | 1 | 293278 | IGA RED-291557-291571-19       |
| 7  | 1 | 293287 | MAIN SW LIGHT PWR WIRE ASSY 94 |
| 6  | 1 | 293351 | MAIN SWITCH PWR WIRE ASSY 96   |
| 5  | 2 | 293274 | IGA RED-291561-291561-25       |
| 4  | 3 | 293276 | IGA RED-291583-291571-14       |
| 3  | 3 | 293277 | IGA RED-291583-291571-18       |
| 2  | 1 | 293342 | IGA RED-291559-291571-48       |
| 1  | 1 | 293231 | GND WIRE ASSY, RINSE SYSTEM    |

CUMMINS WIRING DIAGRAM 97  
284W

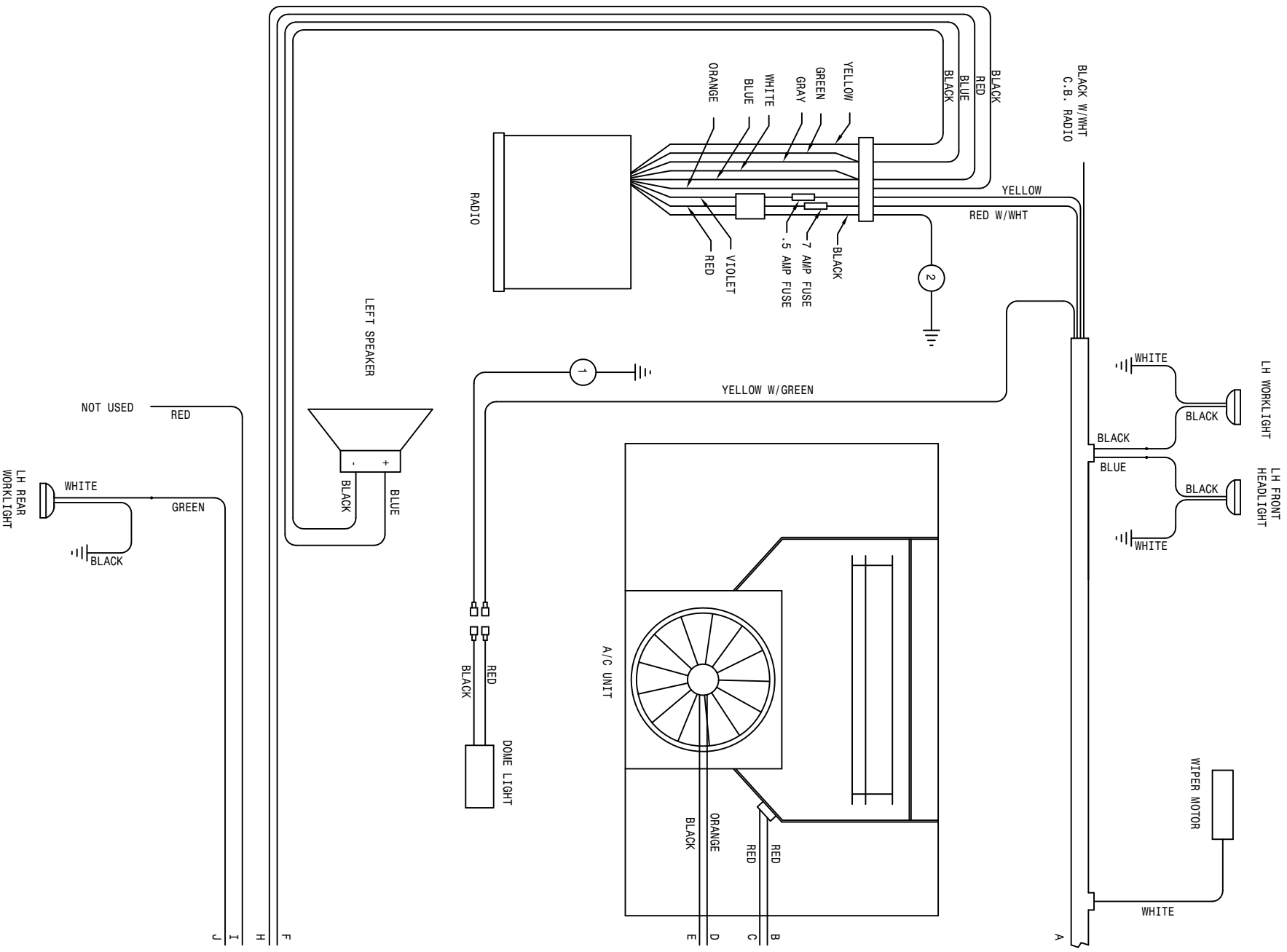
REVISION DATE: 04-23-01

498513

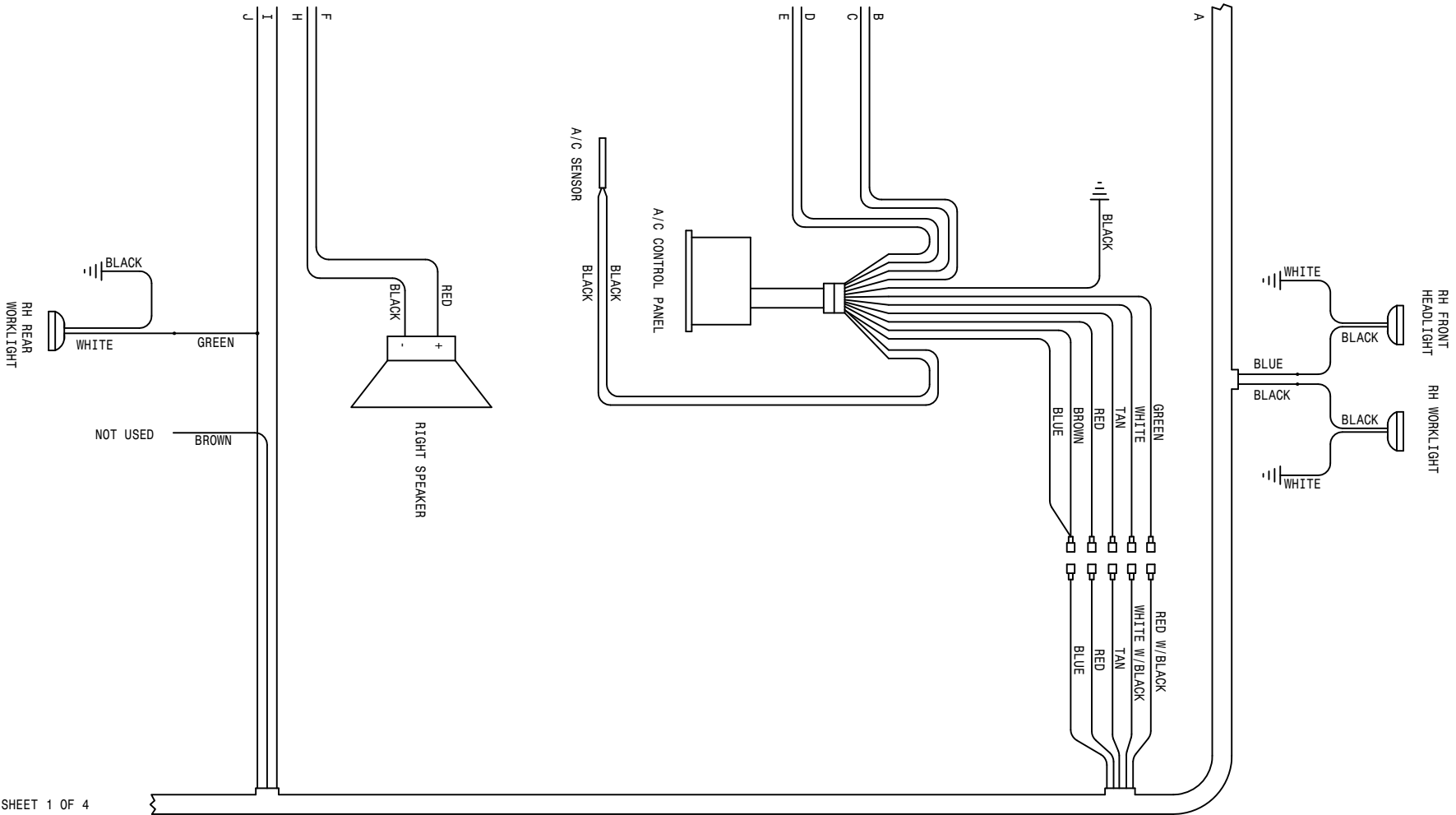
06-08-98 TLU







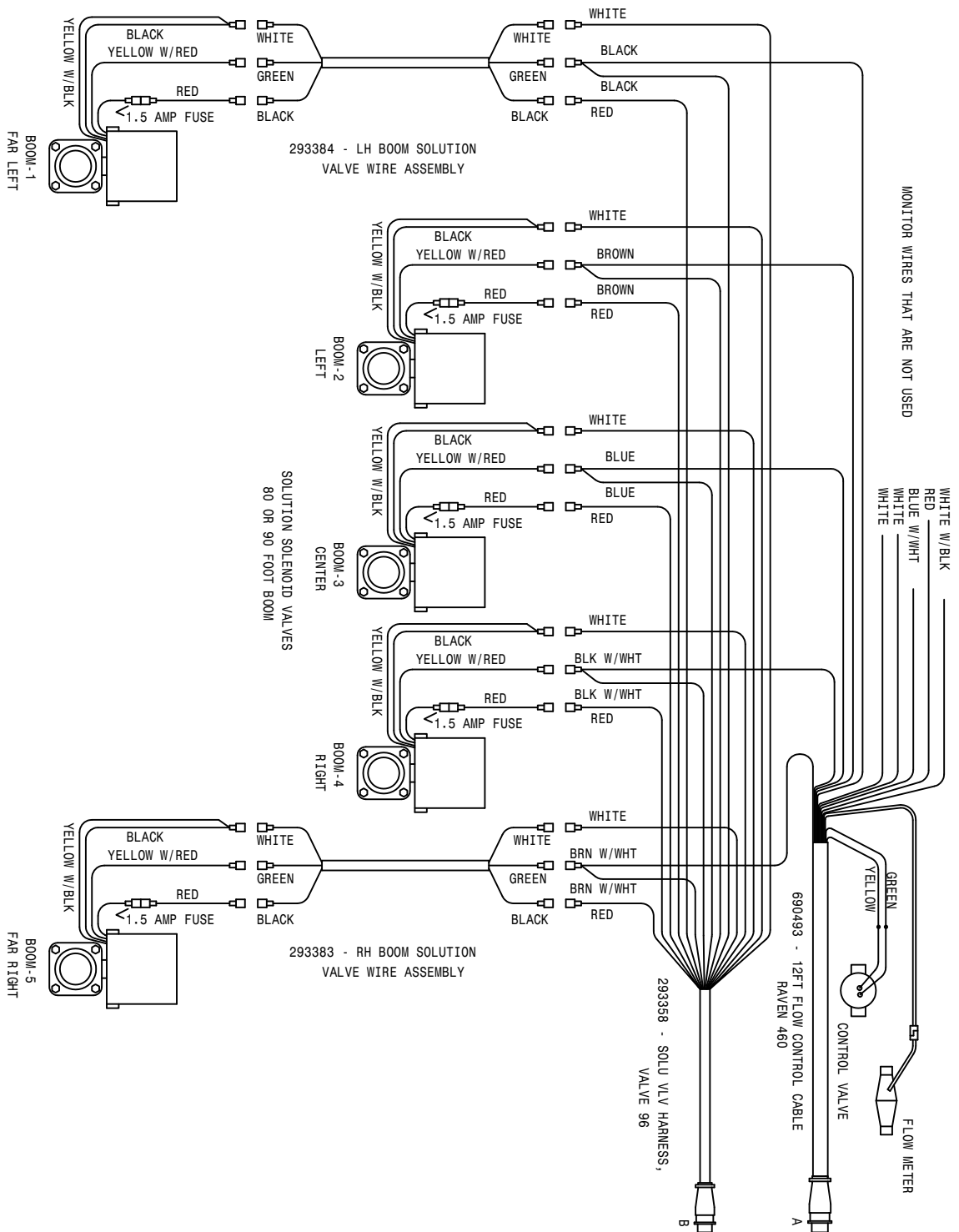
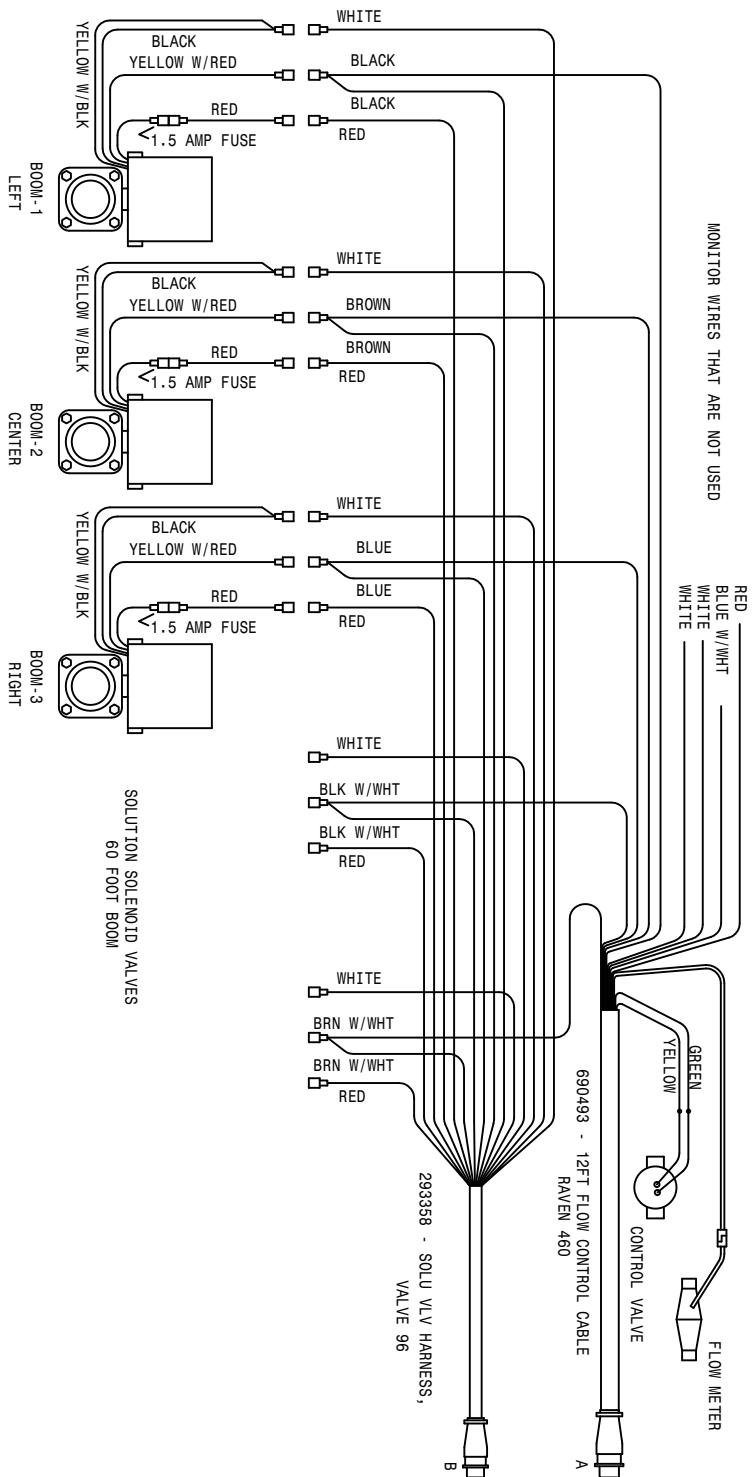


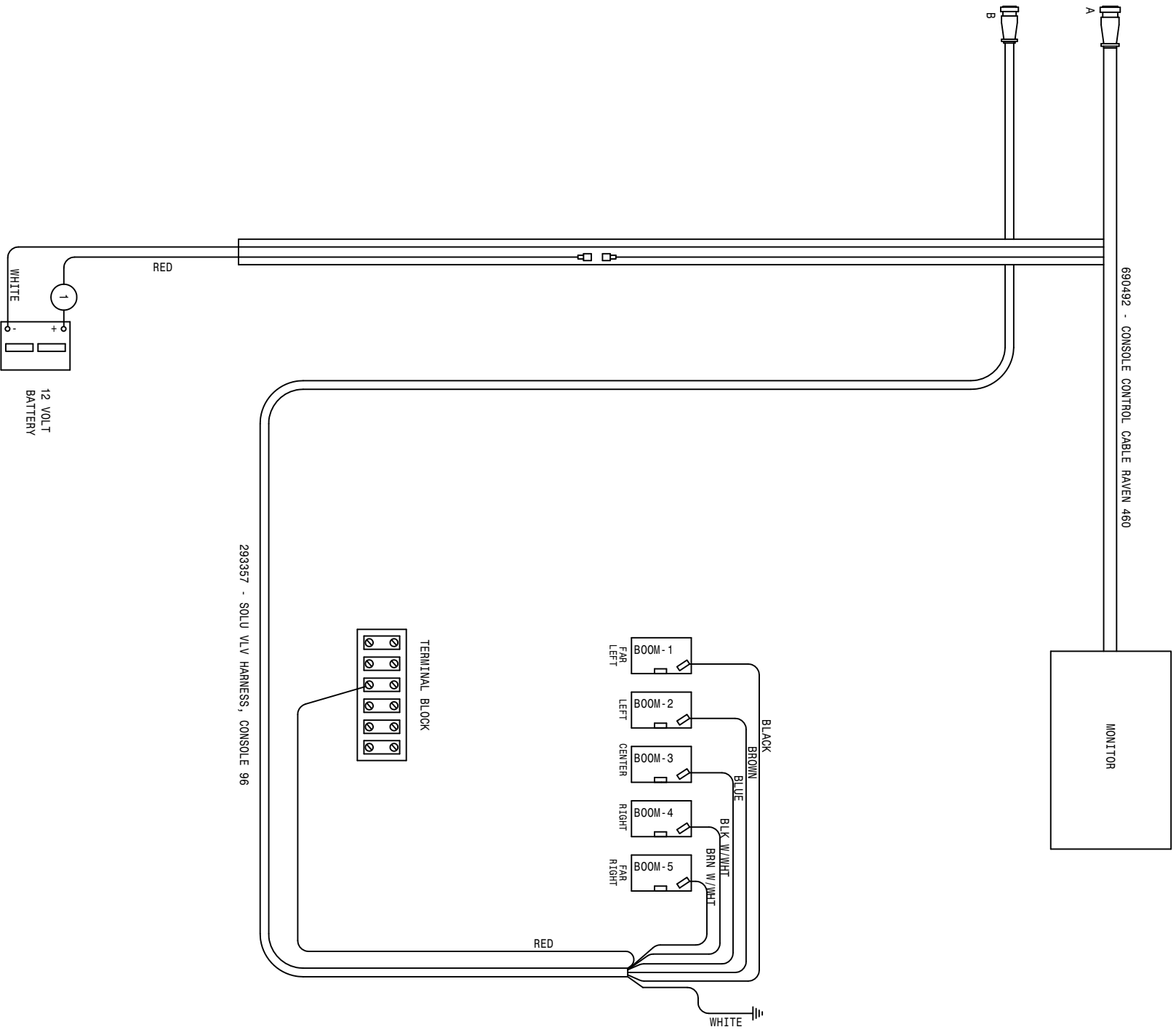


293266 - CAB WIRE HARNESS

REFER TO SHEET 1 OF 4

|                        |   |        |                           |
|------------------------|---|--------|---------------------------|
| 2                      | 1 | 293300 | 16GA BLK-291511-291571-18 |
| 1                      | 1 | 293299 | 16GA BLK-291511-291571-30 |
| CUMM WIRING DIAGRAM 97 |   |        |                           |
| 284W                   |   |        |                           |
| SHEET 4 OF 5           |   |        |                           |
| REVISION DATE:         |   |        |                           |
| 08-08-98 TUM           |   |        |                           |
| 498513                 |   |        |                           |





|                             |   |        |      |     |        |        |    |
|-----------------------------|---|--------|------|-----|--------|--------|----|
| 1                           | 1 | 293149 | 1AQA | RED | 291559 | 291590 | 26 |
| CUMM WIRING DIAGRAM 97      |   |        |      |     |        |        |    |
| SHEET 5 OF 5                |   |        |      |     |        |        |    |
| REVISION DATE: 06/21/98 TLU |   |        |      |     |        |        |    |
| 498513                      |   |        |      |     |        |        |    |

# NOTICE

---

The following page contains decals for the model 284.

These decals can be obtained from Hagie Mfg. Co. and should be used whenever your machine is repainted or when the decals become worn, weathered, or faded.

Special attention should be paid to decals involving personal safety. They have been attached for your protection.

**KEEP THEM IN PLACE.**

Contact: Hagie Manufacturing Co.  
Box 273  
Clarion, Iowa 50525

## 284 DECALS

| QTY. | PART NO. | DESCRIPTION                 | LOCATION                     |
|------|----------|-----------------------------|------------------------------|
| 1    | 650831   | EMERGENCY STOP DECAL        | ON LOWER LH FRONT CAB FOAM   |
| 1    | 650320   | EMERGENCY EXIT DECAL        | ON LOWER REAR OF EXIT WINDOW |
| 1    | 650335   | CONSOLE COVER PANEL DECAL   | ON CONSOLE SHEET METAL       |
| 1    | 650340   | PARK BRAKE DECAL            | NEAR PARK SWITCH             |
| 1    | 650822   | SOLUTION PUMP DECAL         | ON FRONT CROSSMEMBER         |
| 1    | 650847   | NO PASSENGER DECAL          | REAR CORNER OF CAB           |
| 2    | 650848   | SLIP OR FALL DECAL          | 2-ON EACH FUEL TANK          |
| 2    | 650849   | ENGINE FUEL DECAL           | NEAR EACH FUEL TANK NECK     |
| 2    | 650850   | CHEMICAL DECAL              | ON SOLUTION TANK LIDS        |
| 2    | 650851   | SHIELDS DECAL               | ON SIDE OF TOP ENGINE COVER  |
| 1    | 650852   | READ MANUAL DECAL           | ON LOWER LH FRONT CAB FOAM   |
| 1    | 650319   | NOTICE-FRT LEG CYL OIL      | ON TOP LH FRONT LEG          |
| 1    | 650326   | HAGIE DECAL                 | ON FRONT MAINFRAME SHIELD    |
| 2    | 650954   | DIESEL DECAL                | NEAR EACH FUEL NECK          |
| 1    | 650981   | COOLING SYSTEM DECAL        | NEAR RADIATOR CAP            |
| 1    | 650982   | ELECTRICAL DECAL            | RIGHT HAND SIDE OF OIL TANK  |
| 4    | 650985   | WHEEL BOLT TORQUE DECAL     | ON EACH WHEEL RIM            |
| 1    | 650323   | DECAL SET, HAGIE 284 STRIPE | ON EACH ENGINE HOOD          |
| 2    | 650324   | DECAL STRIPE, 3 X 72        | ON EACH TANK SHIELD          |
| 1    | 650329   | SPRAY CONTROL/TRAC DECAL    | ON INSTRUMENT PANEL          |
| 1    | 650334   | SS SIGHT GAUGE DECAL        | ON SIGHT GAUGE MOUNT         |
| 1    | 650336   | FOLD BOOM WARNING DECAL     | ON LOWER REAR OF EXIT WINDOW |
| 1    | 650337   | ELECTROCUTION HAZARD DECAL  | ON LOWER REAR OF EXIT WINDOW |
| 1    | 650339   | HYDRAULIC OIL INJ. DECAL    | ON LOWER REAR OF EXIT WINDOW |

ABBREVIATIONS

|                                    |                               |
|------------------------------------|-------------------------------|
| A/C - AIR CONDITIONER              | MT - MOUNT                    |
| ADPTR - ADAPTER                    | MTR - MOTOR                   |
| AGI - AGITATOR                     | P/N - PART NUMBER             |
| ALT - ALTERNATOR                   | PLT - PLATE                   |
| ASSY - ASSEMBLY                    | QTY - QUANTITY                |
| BRKT - BRACKET                     | RED - REDUCER                 |
| DET - DETAIL                       | REF - REFERENCE               |
| DISPL - DISPLACEMENT               | REST - RESTRICTOR             |
| EL - ELBOW                         | REQ - REQUIRED                |
| EXT - EXTENSION                    | SHFT - SHAFT                  |
| FLO - FLOW                         | SOL - SOLUTION                |
| FNPT - FEMALE NATIONAL PIPE THREAD | STRG - STEERING               |
| FOR - FEMALE O-RING                | ST - STREET                   |
| FRT - FRONT                        | SWIV - SWIVEL                 |
| HYD - HYDRAULIC                    | UNC - UNIFIED NATIONAL COURSE |
| HYDRO - HYDROSTATIC                | UNF - UNIFIED NATIONAL FINE   |
| LG - LONG                          | V - VOLT                      |
| LWR - LOWER                        | W/ - WITH                     |
| MJIC - MALE J.I.C.                 | WHL - WHEEL                   |
| MOR - MALE O-RING                  | WLD - WELDMENT                |

INDEX

-A-

ABBREVIATIONS.....117  
 ACCUMULATOR CYLINDER.....50,51  
 ADJUSTMENT, TREAD.....74  
 AGITATOR  
   IMPELLER.....63  
   SHAFT.....63  
   SHIELD.....63  
   SOLUTION.....63  
 AIR CLEANER.....12  
   BAND.....12  
   FILTER.....12  
   HOOD.....12  
   HOSE.....12  
 AIR CONDITIONER  
   BLOWER MOUNT.....28  
   COMPRESSOR.....10  
   COMPRESSOR MOUNT.....10  
   CONDENSOR.....10  
   CONTROL.....28  
   DRYER.....10  
   FILTER.....28  
   AIR SEAT.....26  
   ANTENNA, RADIO.....28  
   ARM,  
     TANK SUPPORT.....45  
   WIPER.....26

-B-

BALL VALVE.....62,64  
 BAND,  
   AIR CLEANER.....12  
   FUEL TANK.....24  
   TANK.....62  
 BATTERY.....13  
   BOX.....13  
   CABLE.....13,36  
   BELT.....5,10  
   BINDING POST.....38  
   BLADE,  
     FAN.....5  
     WIPER.....26  
   BLOCK, TERMINAL.....33  
   BOOM.....56,57,58,59,60  
   CONTROL VALVE.....47  
   CRADLE.....41  
   FEEDER.....50  
   PIVOT PIN.....49  
   SPRING.....57,59  
 BRACE,  
   LADDER.....46  
   LEG.....15

BRAKE SOLENOID.....36  
 BREAKAWAY.....49  
 BREAKER, CIRCUIT.....33  
 BREATHER.....25

-C-

CAB.....26  
   ROOF.....26  
 CABLE,  
   BATTERY.....13  
   CONTROL.....33,34,35,36,40  
   THROTTLE.....4  
   4WD.....39  
 CAP,  
   FUEL.....24  
   RADIATOR.....11  
   STEERING.....30  
   CATWALK.....46  
   CHECK VALVE.....71  
   CIRCUIT BREAKER.....33  
   COMPRESSOR, A/C.....10  
   CONDENSOR.....10  
   MOUNT.....10  
   CONSOLE.....33  
   COVER.....32  
   CONTROL HANDLE.....34  
   COOLER, OIL.....11  
   CRADLE.....62  
   BOOM.....41  
   CROP GUIDE.....14,17  
   CROPSHIELD.....89  
   CYLINDER,  
     ACCUMULATOR.....50,51  
     FOLD.....54,51  
     FRONT LEG.....18  
     LEVEL.....53  
     LIFT.....52  
     STEERING.....19  
     TREAD ADJUSTMENT.....75,76,77

-D-

DECALS.....116,117  
 DIAGRAM, WIRING.....106  
 DIFFUSER, LINE SUMP.....25  
 DIMMER SWITCH.....26  
 DIPSTICK.....25

DOOR.....27  
 HANDLE.....27  
 DRINK HOLDER.....33  
 DRIVE ASSEMBLY.....4  
 DRYER, A/C.....10

-E-

ELECTRIC SOLENOID VALVE..66,67,68  
 ENGINE.....4,5  
 HOOD.....42  
 MOUNTS.....4,5  
 EXHAUST PIPE.....12

-F-

FAN  
 BLADE.....5  
 SPACER.....5  
 FILTER,  
 AIR CLEANER.....12  
 AIR CONDITIONER.....28  
 FUEL.....4  
 HI-PRESS.....9  
 INLINE HYDRAULIC.....47  
 MICHIGAN.....25  
 MINDER.....31  
 OIL.....5,25  
 FLASHER LIGHT.....41  
 FLASHER SWITCH.....30  
 FLOORMAT.....29  
 FLOW CONTROL  
 VALVE.....66,67  
 VARIABLE.....40  
 FLOW DIVIDER.....7  
 FLOW METER.....66,67  
 FLUSHING VALVE.....8  
 FOAM.....11,29  
 FOAMER TANK.....80  
 FOLD CYLINDER.....49,54,55  
 FUEL

GLASS.....26,27  
 GLAND PACKING.....63  
 GRAB HANDLE.....26  
 GROUND STRAP.....4,13,26  
 GUARD, SPRING.....92,93  
 GUIDE, CROP.....17

-H-

HANDLE,  
 CONTROL.....34  
 DOOR.....27  
 GRAB.....26  
 HANDRAIL.....42  
 HEADLIGHT.....26  
 HEADLINER.....28  
 HEATER SOLENOID.....5  
 HEAT SHIELD.....11  
 HI-PRESS  
 FILTER.....9  
 MANIFOLD.....85  
 HOLDER, DRINK.....33  
 HOOD,  
 AIR CLEANER.....12  
 ENGINE.....42  
 HOOK, RUBBER.....42  
 HOSE, AIR CLEANER.....12  
 HOSEING, SOLUTION.....92,93  
 HOUR METER.....31  
 HUB, TORQUE.....14,15,94,96  
 HYDRAULIC  
 SCHEMATIC.....100  
 TANK.....25  
 TUBE.....14,15,48,57  
 HYPRO D-230 PUMP.....84

-I-

IMPELLER.....63  
 INDICATOR, MPH-RPM.....31  
 INLINE HYDRAULIC FILTER.....47  
 INTERIOR LIGHT.....28

-K-

KICK PANEL.....26  
 KNOB.....32,33

-G-

GAUGE,  
 FUEL.....31  
 OIL PRESSURE.....31  
 PRESSURE.....66,67  
 SIGHT.....62,65  
 TEMPERATURE.....31  
 GAS SPRING.....27

-L-

LADDER.....46  
 BRACE.....46  
 LEG,  
 BRACE.....15  
 CYLINDER.....20  
 FRONT.....14  
 REAR.....15  
 LEVEL CYLINDER.....49,53



LEVER,  
 HYDROSTATIC.....34  
 THROTTLE.....35  
 LID.....62,64  
 LIFTARM.....48  
 MOUNT.....48  
 SOLENOID, LOCK.....56  
 LIFT CYLINDER.....48,52  
 LIGHT,  
 HEAD.....26  
 INTERIOR.....28  
 SWITCH.....32  
 TURN SIGNAL.....41  
 LINE SUMP DIFFUSER.....25

-M-

MANIFOLD, HI-PRESS.....85  
 METER, HOUR.....31  
 MIRROR.....26  
 MOTOR  
 STEERING.....30  
 WHEEL.....14,15  
 WIPER.....26  
 MOUNT,  
 A/C BLOWER.....28  
 CONDENSOR.....10  
 ENGINE.....4,5  
 FLOW DIVIDER.....7  
 LIFTARM.....48  
 MONITOR.....33  
 RADIATOR.....11  
 RUBBER.....4,5,26  
 SOLUTION VFC.....40  
 TANK.....44  
 MUFFLER.....12  
 MULLION.....42

-N-

NOZZLE, RINSE.....73  
 NYLON SLEEVE.....14

-O-

OIL  
 COOLER.....11  
 FILTER.....5  
 PRESSURE GAUGE.....31  
 SENDER.....4  
 TANK.....25

-P-

PANEL, KICK.....26  
 PARK BRAKE SWITCH.....38

PIVOT PIN, BOOM.....49  
 PLATFORM, SERVICE.....46  
 POSITRACTION VALVE.....6,96  
 POWER POINT.....38  
 PRESSURE GAUGE.....66,67  
 PRESSURE WASHER.....90  
 PUMP,  
 HYPRO D-230.....84  
 SOLUTION.....70,71  
 SUNDSTRAND.....6

-R-

RADIATOR.....11  
 CAP.....11  
 HOSE.....5  
 MOUNT.....11  
 SCREEN.....11  
 SHROUD.....11  
 RADIO.....28  
 RECOVERY.....11  
 RELAY.....34  
 RELIEF VALVE.....7  
 RIM.....16  
 RINSE,  
 NOZZLE.....73  
 TANK.....72  
 ROOF, CAB.....26  
 RUBBER,  
 HOOK.....43  
 MOUNT.....4,5,26  
 WASHER.....7,39

-S-

SCHEMATIC, HYDRAULIC.....100  
 SCREEN.....43  
 RADIATOR.....11  
 SEAL BOOT.....14,15  
 SEAT.....37  
 SELECTOR VALVE, FUEL.....24  
 SENDER,  
 FUEL.....24  
 OIL.....4  
 TEMPERATURE.....5  
 SERVICE PLATFORM.....46  
 SHAFT, AGITATOR.....63  
 SHEETMETAL.....42,43  
 SHIELD,  
 AGITATOR.....63  
 HEAT.....11  
 SIDE.....43  
 TANK.....44,45  
 WHEEL MOTOR.....14,15  
 SHROUD, RADIATOR.....11

|                       |           |
|-----------------------|-----------|
| SIGHT GAUGE.....      | 62, 65    |
| SMV SIGN.....         | 43        |
| SOLENOID, HEATER..... | 43        |
| SOLUTION.....         | 5         |
| AGITATOR.....         | 63        |
| HOSING.....           | 92, 93    |
| PUMP.....             | 70, 71    |
| TANK.....             | 62, 64    |
| SPACER, FAN.....      | 5         |
| SPEAKER.....          | 28        |
| SPRING.....           | 35        |
| BOOM.....             | 57, 59    |
| GUARD.....            | 92, 93    |
| STALK GUIDE.....      | 17        |
| STEERING              |           |
| ARM.....              | 14        |
| CAB.....              | 30        |
| CYLINDER.....         | 19        |
| MOTOR.....            | 30        |
| PIVOT.....            | 22, 23    |
| POST.....             | 30        |
| WHEEL.....            | 30        |
| STRAINER.....         | 62        |
| STRAP, GROUND.....    | 4, 13, 26 |
| SUNDSTRAND PUMP.....  | 6         |
| SUPPORT ARM.....      | 45        |
| SWITCH                |           |
| DIMMER.....           | 26        |
| FLASHER.....          | 30        |
| LIGHT.....            | 32        |
| PARK BRAKE.....       | 38        |
| TOGGLE.....           | 32        |

-T-

|                     |        |
|---------------------|--------|
| TAILLIGHT.....      | 43     |
| TANK,               |        |
| BAND.....           | 62     |
| FUEL.....           | 24     |
| HYDRAULIC OIL.....  | 25     |
| LID.....            | 62, 64 |
| MOUNTS.....         | 44, 45 |
| RECOVERY.....       | 11     |
| RINSE.....          | 72     |
| SHIELD.....         | 44, 45 |
| SOLUTION.....       | 62, 64 |
| TEMPERATURE         |        |
| GAUGE.....          | 31     |
| SENDER.....         | 5      |
| TERMINAL BLOCK..... | 33     |
| THROTTLE            |        |
| CABLE.....          | 4      |
| LEVER.....          | 35     |
| TIE ANGLE.....      | 45     |
| TIE ROD.....        | 22, 23 |
| TIRE.....           | 16     |

|                        |            |
|------------------------|------------|
| TOGGLE SWITCH.....     | 32         |
| TORQUE HUB.....        | 14, 15, 97 |
| TRANSOM.....           | 49         |
| TREAD ADJUSTMENT.....  | 74         |
| CYLINDER.....          | 75, 76, 77 |
| TUBE,                  |            |
| HYDRAULIC.....         | 48, 57     |
| 4WD.....               | 39         |
| TURN SIGNAL LIGHT..... | 26         |

-V-

|                            |            |
|----------------------------|------------|
| VALVE,                     |            |
| BALL.....                  | 62, 64     |
| BOOM CONTROL.....          | 66, 67     |
| CHECK.....                 | 71         |
| ELECTRIC SOLUTION.....     | 62, 64     |
| FLOW CONTROL.....          | 66, 67, 86 |
| FLUSHING.....              | 8          |
| POSITRACTION.....          | 6          |
| RELIEF.....                | 7          |
| SOLUTION SOLENOID.....     | 66, 67, 68 |
| TRACTION.....              | 96         |
| 4WD.....                   | 39         |
| VARIABLE FLOW CONTROL..... | 40         |
| VOLTMETER.....             | 31         |

-W-

|                            |        |
|----------------------------|--------|
| WASHER, PRESSURE.....      | 90     |
| WEATHER STRIP, WINDOW..... | 26, 27 |
| WHEEL MOTOR.....           | 14, 15 |
| SHIELD.....                | 15     |
| WHEEL, STEERING.....       | 30     |
| WINDSHIELD WASHER.....     | 88     |
| WIPER                      |        |
| ARM.....                   | 26     |
| BLADE.....                 | 26     |
| MOTOR.....                 | 26     |
| WIRING DIAGRAM.....        | 106    |



