

PARTS MANUAL
FOR
HAGIE MODEL 280 HI-TRACTOR

HAGIE MANUFACTURING COMPANY

BOX 273 CLARION, IOWA 50525 (515) 532-2861

COVERS MACHINE SERIAL NUMBERS: 016409001 thru 016409100

05-90 493118
02-08

SPRAYER IDENTIFICATION

Each Hagie sprayer is identified by means of a frame serial number. This serial number denotes the model, the year in which it was built, and the number of the sprayer. As for further identification, the engine has a serial number and the planetary hubs have identification plates that describe the type of mount and gear ratio. To insure prompt, efficient service when ordering parts or requesting service repairs from Hagie Manufacturing Company, record the serial and identification numbers in the space provided below.

NOTE: Reference to left hand and right hand used throughout this manual refers to the position when seated in the operator's seat facing forward.

SPRAYER SERIAL NUMBER

ENGINE SERIAL NUMBER

PLANETARY HUB IDENTIFICATION NUMBERS

TABLE OF CONTENTS

ENGINE ASSEMBLIES 4-6

FLOW DIVIDER. 7

A/C AND RADIATOR. 8-9

AIR CLEANER AND EXHAUST PIPE.10

BATTERY11

LEG ASSEMBLIES. 12-13

TIE ROD ASSEMBLY.14

STEERING CYLINDER15

FUEL AND OIL TANKS. 16-17

OPERATOR STATION. 18-23

CONSOLE ASSEMBLY. 24-27

STEERING WHEEL ASSEMBLY28

INSTRUMENT PANEL ASSEMBLY29

FLOW DIVIDER AND SELECTOR VALVE 30-31

SHEET METAL 32-33

LADDER AND SERVICE PLATFORM ASSEMBLY.34

FRONT LEG CYLINDER.35

SOLUTION SYSTEM 36-41

TANK SHIELDS. 42-43

TIRE AND CROP GUIDES. 44-45

TRANSOM, BOOM AND LIFT COMPONENTS 46-51

SOLUTION HOUSING DIAGRAM.52

WHEEL DRIVE ASSEMBLY. 53-55

HYDRAULIC SCHEMATIC 56-57

ELECTRICAL SCHEMATIC. 58-59

DECALS. 60-61

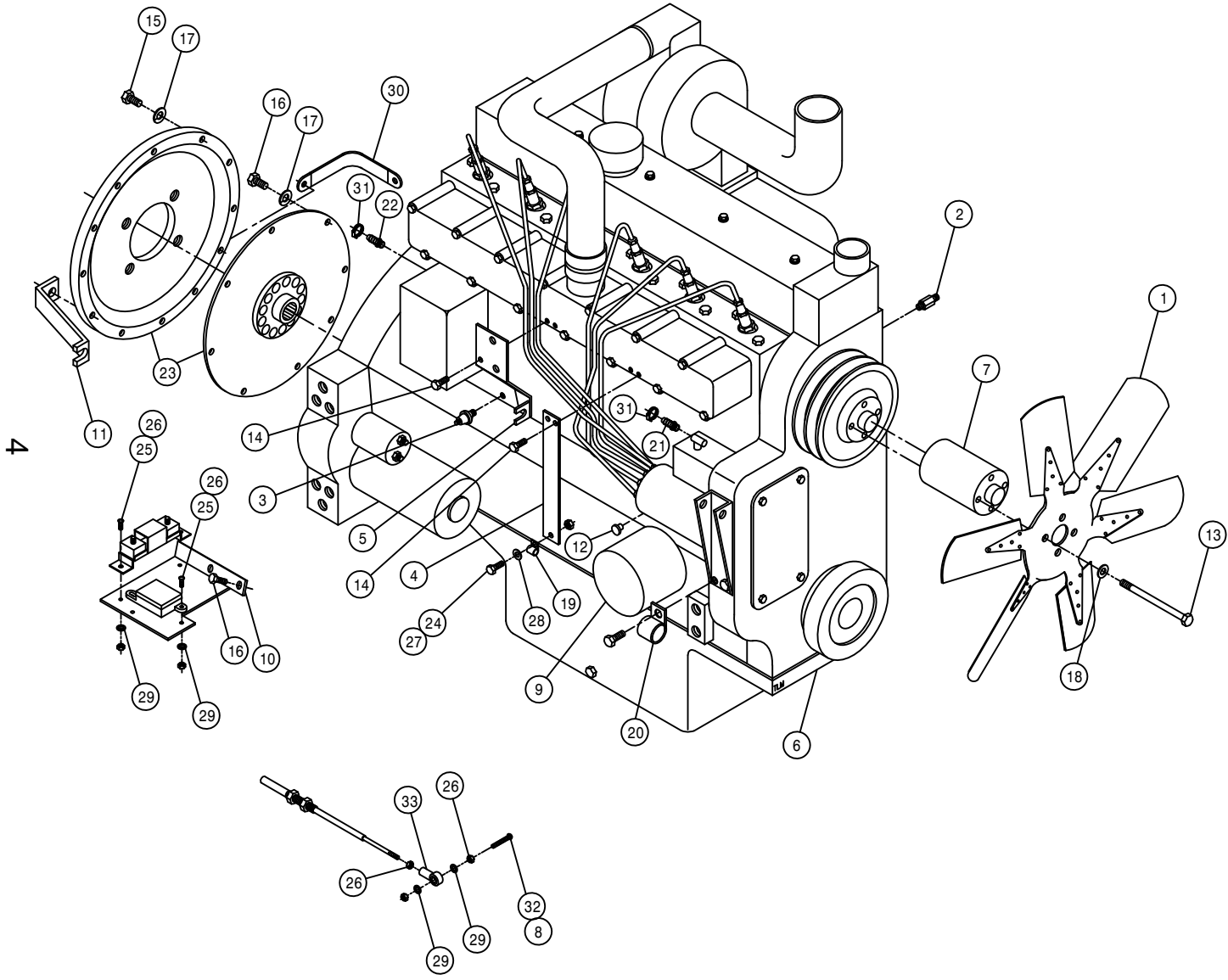
ABBREVIATIONS62

INDEX63

ENGINE ASSEMBLY

DET. QTY PART NO. DESCRIPTION

DET.	QTY	PART NO.	DESCRIPTION
1	1	314435	19 IN PLR FAN W/2.25 PITCH
2	1	314471	TEMP SENDR 280D 3/8NPT FOR GA
3	1	314788	OIL SENDER .125NPT PERK6.3544
4	1	316123	FUEL SHUTOFF CABLE MT ONAN
5	1	316124	THROTTLE CABLE MT WLD ONAN
6	1	316139	CUMMINS ENGINE
7	1	316142	FAN SPCR ONAN ENGINE
8	1	914027	NO 10-32 STOVER NUT
9	1	316141	OIL FILTER ONAN L634T ENG
10	1	316158	RESISTOR/FUSE MT 280 CUMM 89
11	1	316159	HYDST CABLE MT 280 CUMM 89
12	1	390486	THROT CABLE HOLDER
13	4	473774	HHBOLT 8MM X 1.25THD X 100MM
14	3	473781	HH BOLT 6MM X 1.00THD X 12MM
15	12	473792	HH BOLT 10MM X 1.50THD X 30MM
16	10	473793	HH BOLT 10MM X 20MM GR5 PL
17	20	473798	LOCKWASHER 10MM PL TB2
18	4	473804	8MM LOCKWASHER
19	1	520119	CUSHION HOSE CLAMP 3/16 IN
20	1	520121	CUSHION HOSE CLAMP 1 IN DIA
21	1	711001	1/8 NPT X 5/16 HOSE BARB
22	1	783303	HOSE BARB 1/4 NPT X 5/16 HOSE
23	1	800494	CUMM TO SUND DRIVE ASSY 14T
24	1	900002	1/4 UNC X 3/4 H BOLT GR5 PLT
25	4	903883	10-32 X 1/2 SLTRD HD MACH SCR
26	6	910027	HEX NUT NO 10-32
27	1	914000	1/4 UNC STOVER NUT
28	1	920000	1/4 FLAT WASH SAE
29	6	920510	LOCK WASH NO 10
30	1	290107	ENG TO GROUND STRAP 8 IN TB2
31	2	520120	HOSE CLAMP NO 4 MINIATURE PLT
32	1	903893	10 32 X 1 SLT RD HD MACH SCR
33	1	473921	BALL JOINT NO 10-32 THD

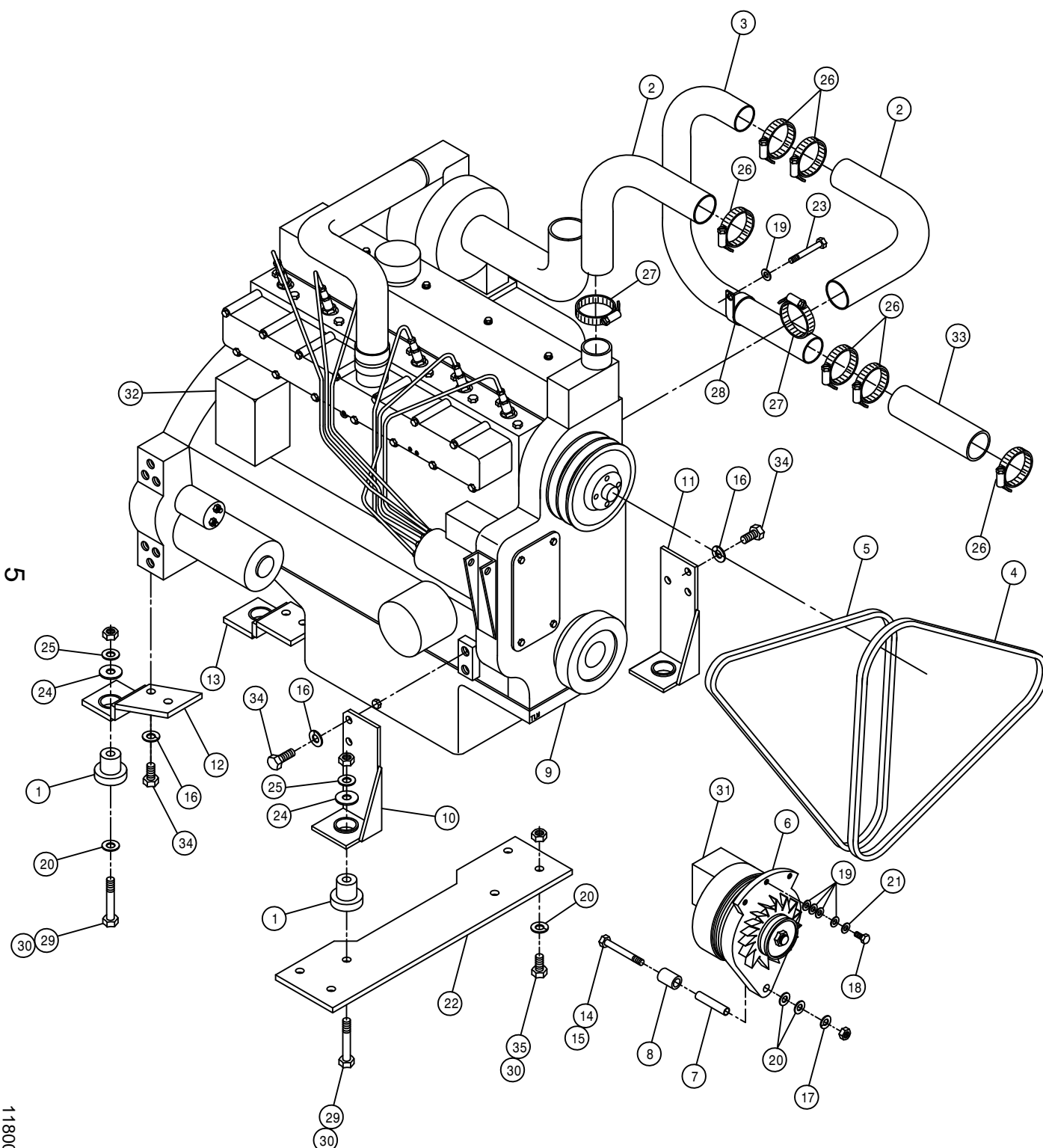


ENGINE ASSEMBLY

DET. QTY PART NO. DESCRIPTION

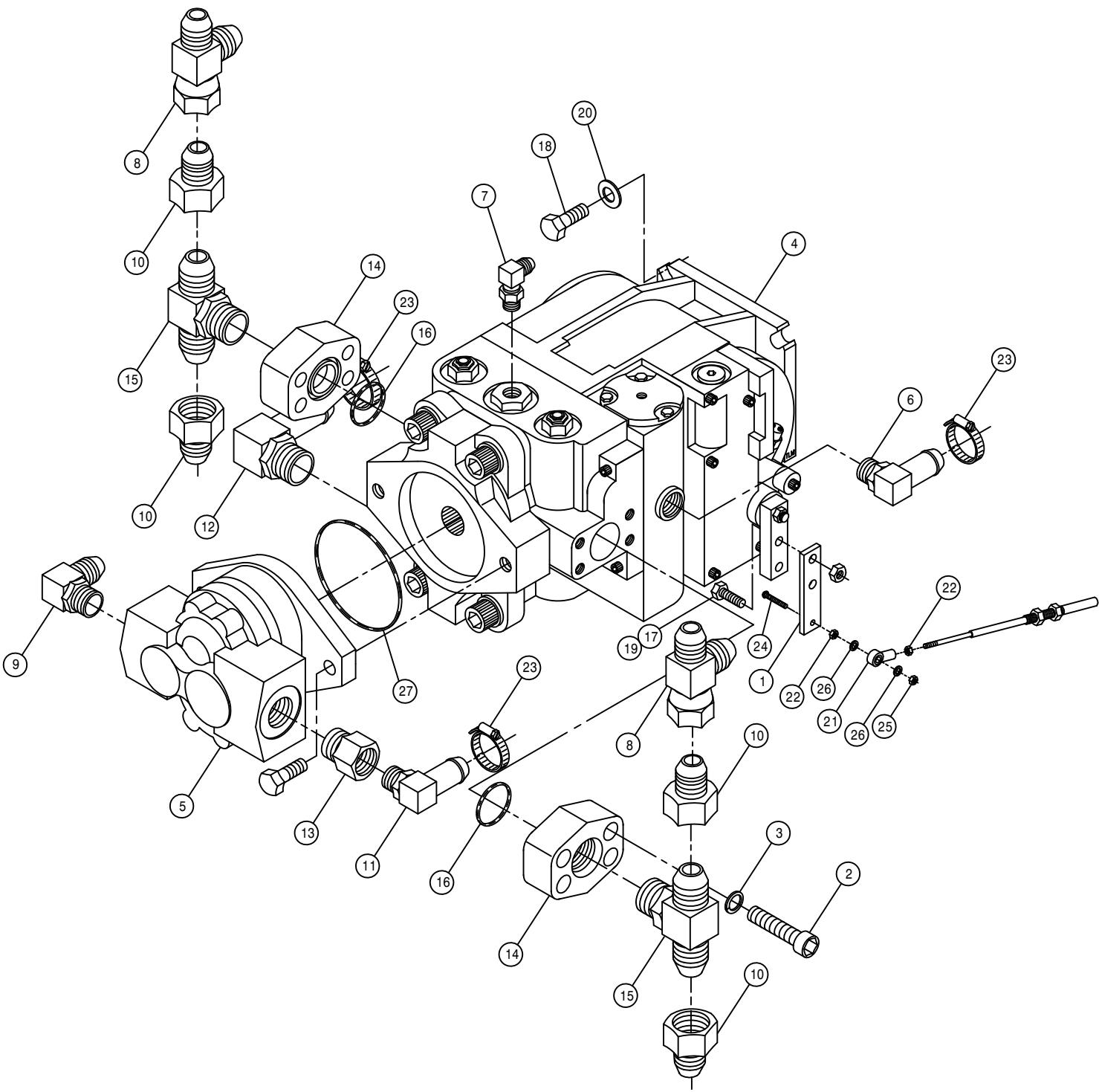
1	4	311032	ENG IS/LATOR 470 472 1978
2	2	314801	RAD HOSE GATES 20271
3	1	316144	LWR RAD TUBE ONAN 85
4	1	147018	BELT 7541 GATES
5	1	147014	BELT 7508
6	1	291487	72 AMP ALT W/ REGULATOR
7	1	316137	TUBE .50 OD X .035WA X 2.50LG
8	1	316138	TUBE .875 OD X .156 X 1.25LG
9	1	316139	CUMMINS ENGINE
10	1	316162	RH FRT MTR MT WLD CUMM 280 89
11	1	316163	LH FRT MTR MT WLD CUMM 280 89
12	1	316167	RH REAR MTR MT WLD CUMM 280
13	1	316168	LH REAR MTR MT WLD CUMM 280
14	1	473779	H NUT 10MM
15	1	473780	HH BOLT 10MM X 1.50THD X 90MM
16	9	473784	LOCKWASHER 12MM PL
17	1	473798	LOCKWASHER 10MM PL TB2
18	1	900065	5/16 UNC X 1 HEX BOLT
19	5	920001	5/16 FLAT WASHER SAE PLT
20	8	920004	1/2 FLAT WASHER SAE
21	1	920501	LOCK WASH 5/16
22	1	341773	MAINFRAME TIE PLATE CUMM 280
23	1	473823	HH BOLT 8MM X 1.25THD X 90MM
24	4	483037	FLAT WASH 5/8 REGULAR
25	4	483041	1/2 REGULAR FLAT WASH PLT
26	6	520067	HOSE CLAMP NO 28 PLATED
27	2	520068	HOSE CLAMP NO 32 PLATED
28	1	520123	CUSHION HOSE CLAMP 1 3/4 DIA
29	4	900269	1/2X2 3/4 HH BOLT GR5 PLATED
30	8	914008	1/2 UNC STOVER NUT
31	1	291499	VOLTAGE REG FOR 72 AMP ALT
32	1	316148	FUEL FILTER ONAN L643T ENG
33	1	601251	HOSE, 1.75 X 6.00
34	9	473783	HH BOLT 12MM X 1.75THD X 25MM
35	4	900265	1/2 X 1 1/2 HH BOLT GR 5 PL

5



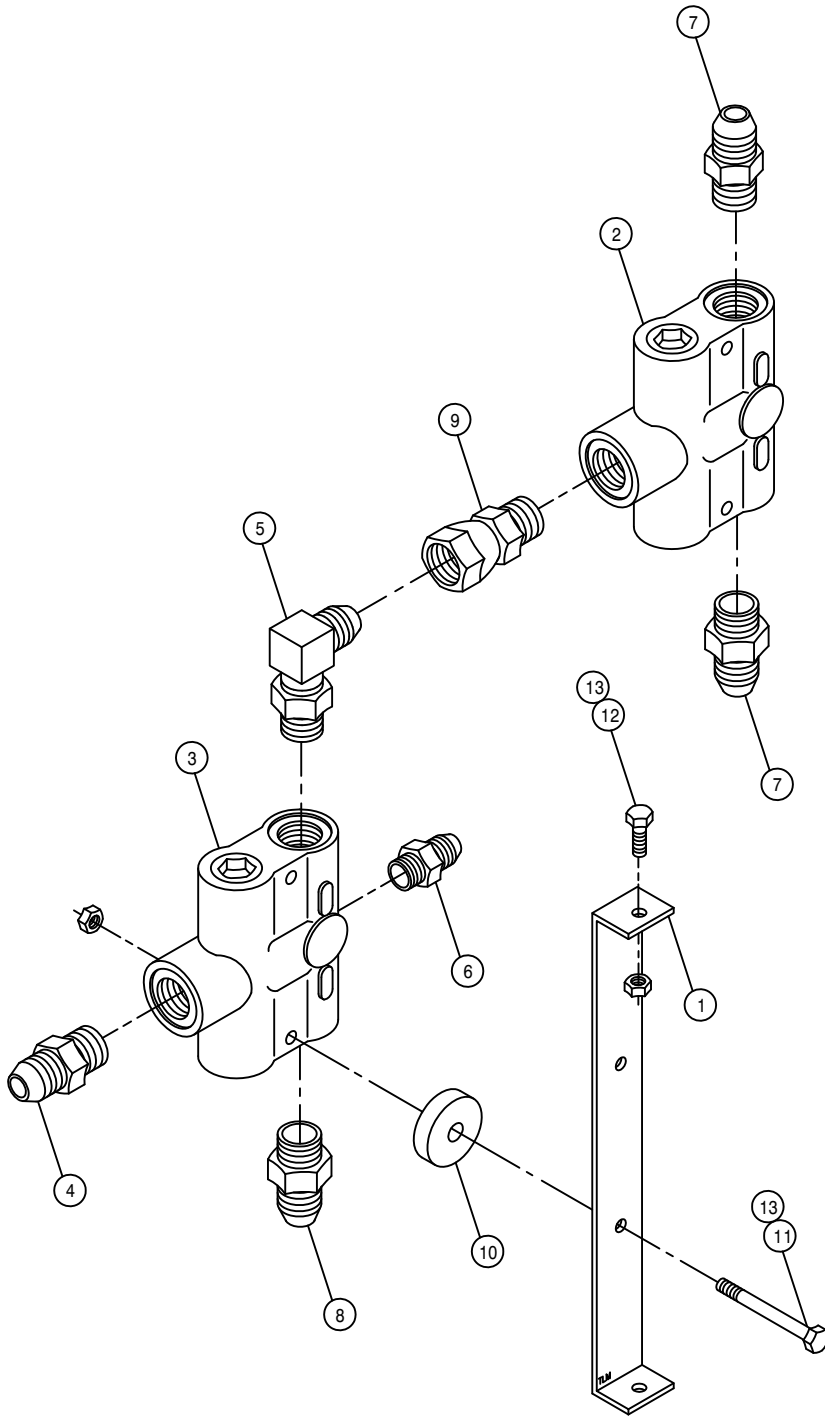
118005

9



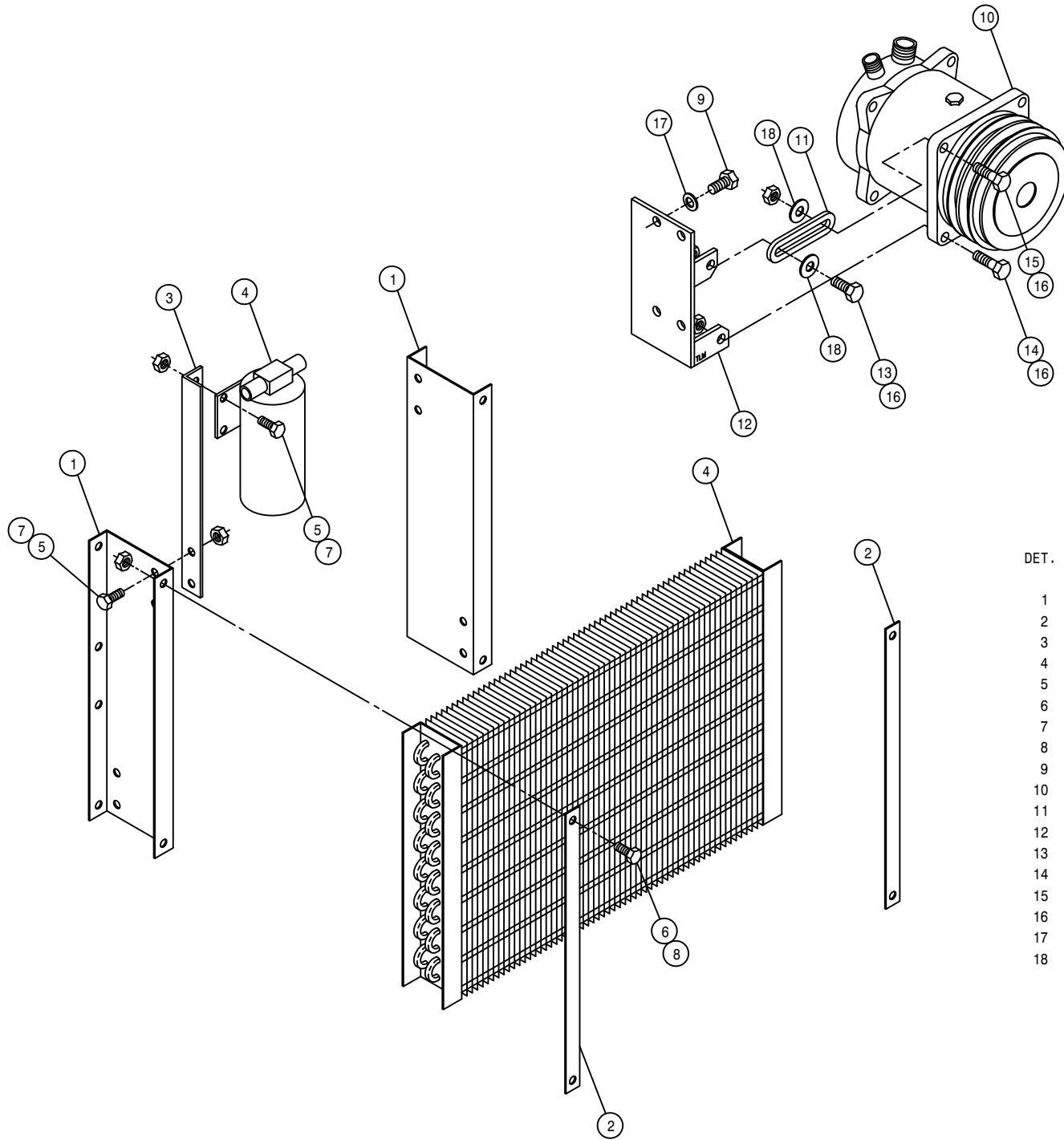
SUNDSTRAND PUMP ASSEMBLY

DET.	QTY	PART NO.	DESCRIPTION
1	1	316160	PUMP CONT LEVER EXT 280 CUMM
2	8	470188	7/16-14 X 1 1/2 SOCHD CAP SCR
3	8	470189	7/16 HC LOCK WASH FOR 618598
4	1	606884	SUND 75CC ECLIPSE PUMP B-MT
5	1	606885	CESSNA GEAR PUMP 1.78CI SPINE
6	1	618118	3/4 HOSE BARB-90-1 1/16MOR
7	1	618119	9/16MJIC-90-9/16MOR LBO
8	2	618487	1 1/16FJ SW RUN TEE-1 1/16MJ
9	1	618535	7/8MJIC-90-1 1/16MOR LBO
10	4	618541	1 5/16FJIC-1 1/16MJIC ADPTR
11	1	618563	1IN HOSE BARB-90-1 1/16MOR
12	1	618564	1IN HOSE BARB-90-1 5/16MOR
13	1	618595	1 5/8MOR-1 1/16FOR ADPTR
14	2	618598	1 IN 4-BOLT FLG X 1 5/16FOR
15	2	618599	1 5/16MOR BRANCH TEE-1 5/16MJ
16	2	870219	BUNA ORING 1 5/16 X 1 9/16
17	2	900003	1/4 UNC X 1 HEX BOLT
18	4	900265	1/2 X 1 1/2 HH BOLT GR 5 PL
19	2	914000	1/4 UNC STOVER NUT
20	4	920004	1/2 FLAT WASHER SAE
21	1	473921	BALL JOINT NO 10-32 THD
22	2	910027	HEX NUT NO 10 UNF
23	3	520087	HOSE CLAMP NO 20 PLATED
24	1	903893	10 32 X 1 SLT RD HD MACH SCR
25	1	914027	NO 10-32 STOVER NUT
26	2	920510	LOCK WASH NO 10
27	1	606870	O-RING FOR 606865 SUND B-MT



FLOW DIVIDER ASSEMBLY

DET.	QTY	PART NO.	DESCRIPTION	
	1	341774	FLOW DIVIDER MT 280	89
	2	607504	FLO DIV B50 2-8GPM 7/8 FOR	
	3	607518	FLO DIV BGR56 6GPM PRI 7/8FOR	
	4	611126	7/8MJIC-7/8MOR ADPTR	
	5	611128	7/8MJIC-90-7/8MOR LBO	
	6	618011	9/16MJIC-3/8MNPT ADPTR	
	7	618310	9/16MJIC-7/8MOR ADPTR	
	8	618327	3/4MJIC-7/8MOR ADPTR	
	9	618594	7/8FJIC SWIV-7/8MOR ADPTR	
	10	748500	RUBER WASH 3/8X1/4IDX1 1/2 OD	
	11	900008	1/4 UNC X 2 1/2 HEX BOLT	
	12	900002	1/4 UNC X 3/4 H BOLT GR5 PLT	
	13	914000	1/4 UNC STOVER NUT	



A/C COMPRESSOR PUMP ASSEMBLY

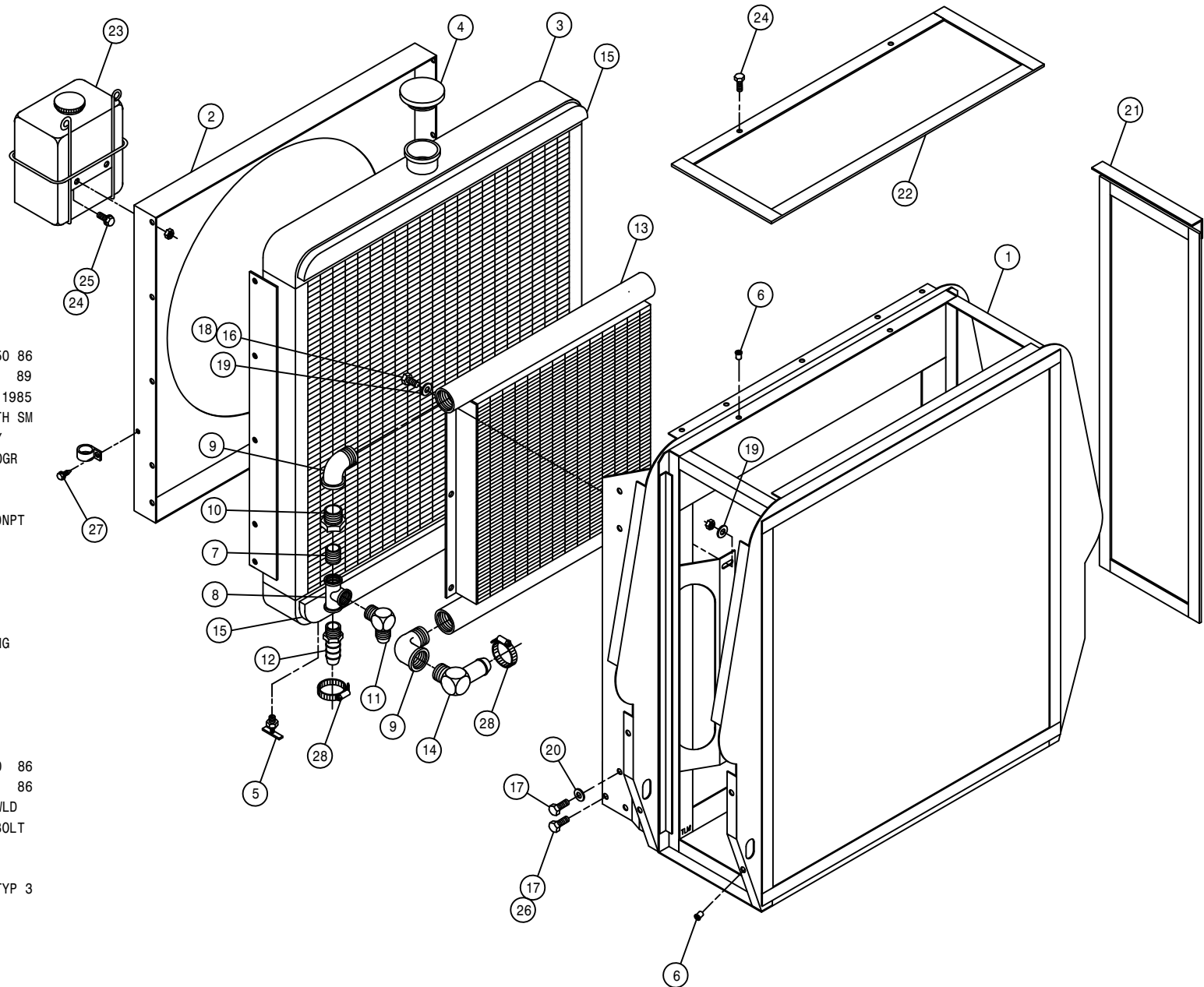
DET. QTY PART NO. DESCRIPTION

DET.	QTY	PART NO.	DESCRIPTION
1	2	314413	CONDENSER MT 8240 1982
2	2	314418	CONDENSOR KEEPER 8240 1982
3	1	314420	A/C DRYER MTG BRKT 8240
4	1	657309	CONDSR KIT,647S-SX,8240 1982
5	4	900002	1/4 UNC X 3/4 H BOLT GR5 PLT
6	4	900064	5/16 UNC X 3/4 HEX BOLT
7	4	914000	1/4 UNC STOVER NUT
8	4	914002	5/16 UNC STOVER NUT
9	4	473803	8 MM X 16 MM BOLT
10	1	657310	SANKYO A/C COMPRESSOR
11	2	657315	A/C COMPRESR ADJ TAB 8240
12	1	657330	A/C COMPRESR MT WLD ONAN 8250
13	2	900129	3/8 UNC X1IN HH BOLT
14	2	900130	3/8 UNC X 1 1/4 HEX BOLT
15	2	900131	3/8 UNC X 1 1/2 HH BOLT GR 5
16	6	914004	3/8 UNC STOVER NUT
17	4	473804	8MM LOCKWASHER
18	4	920002	WASH FLAT 3/8 SAE

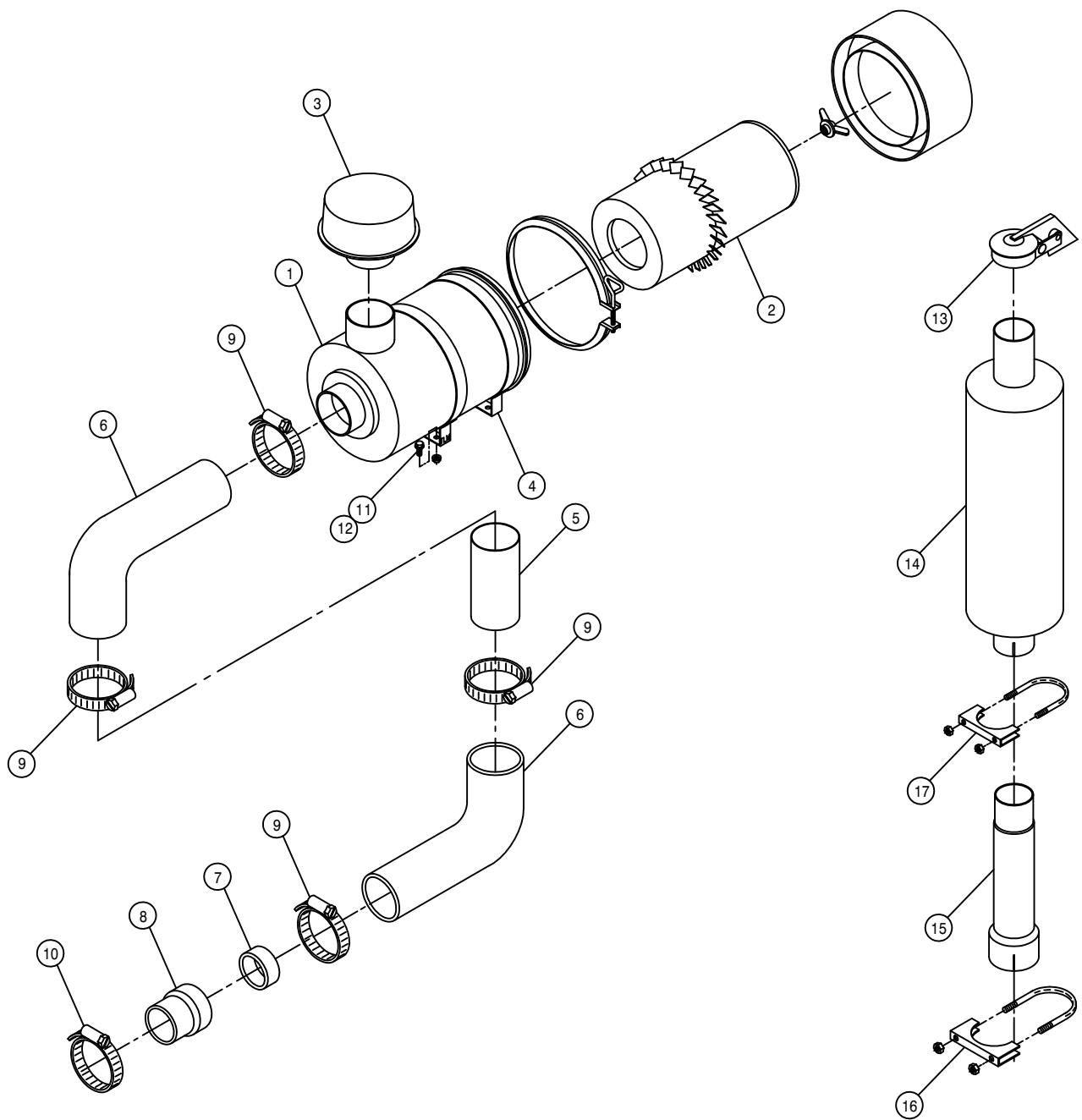
RADIATOR AND OIL COOLER ASSEMBLY

DET. QTY PART NO. DESCRIPTION

1	1	314477	RAD-OIL COOLER MT WLD 8250 86
2	1	314835	RADIATOR SHROUD 280 89
3	1	314791	RADIATOR LONG MFG 1985
4	1	319257	RAD CAP 7LB X 3/4FREE BRTH SM
5	1	319559	RADIATOR DRAIN COCK CHRY
6	10	470086	NUTSERT, 1/4UNC .020-.100GR
7	1	504702	CLOSE NIPPLE .75NPT
8	1	504955	BLK PIPE TEE .75NPT
9	2	505200	BLK PIPE ST EL 90DEG 1.00NPT
10	1	505213	RED BUSH 1 X 3/4 BLK MAL
11	1	618156	7/8MJIC-90-3/4MNPT LBO
12	1	713220	HOSE BARB 3/4 NPT X 3/4
13	1	618088	OIL COOLER BLISSFIELD
14	1	618138	1IN HOSE BARB-90-1MNPT
15	2	659579	FOAM, 2IN WIDE X 40IN LONG
16	6	900064	5/16 UNC X 3/4 HEX BOLT
17	14	900128	3/8 UNC X 3/4 HH BOLT
18	6	914002	5/16 UNC STOVER NUT
19	12	920001	5/16 FLAT WASHER SAE PLT
20	10	920002	WASH FLAT 3/8 SAE
21	2	314490	SIDE SCR N WLD INTAKE 8250 86
22	1	314495	TOP SCR N WLD INTAKE 8250 86
23	1	314767	RAD RECOVERY TANK & MTG WLD
24	4	470118	1/4 UNC X 3/4 FLANGED H BOLT
25	2	470121	1/4-20 FLANGED WHIZ NUT
26	4	914004	3/8 UNC STOVER NUT
27	1	472352	#10-24THD IN X 9/16 TEK TYP 3
28	2	520087	HOSE CLAMP NO 20 PLATED

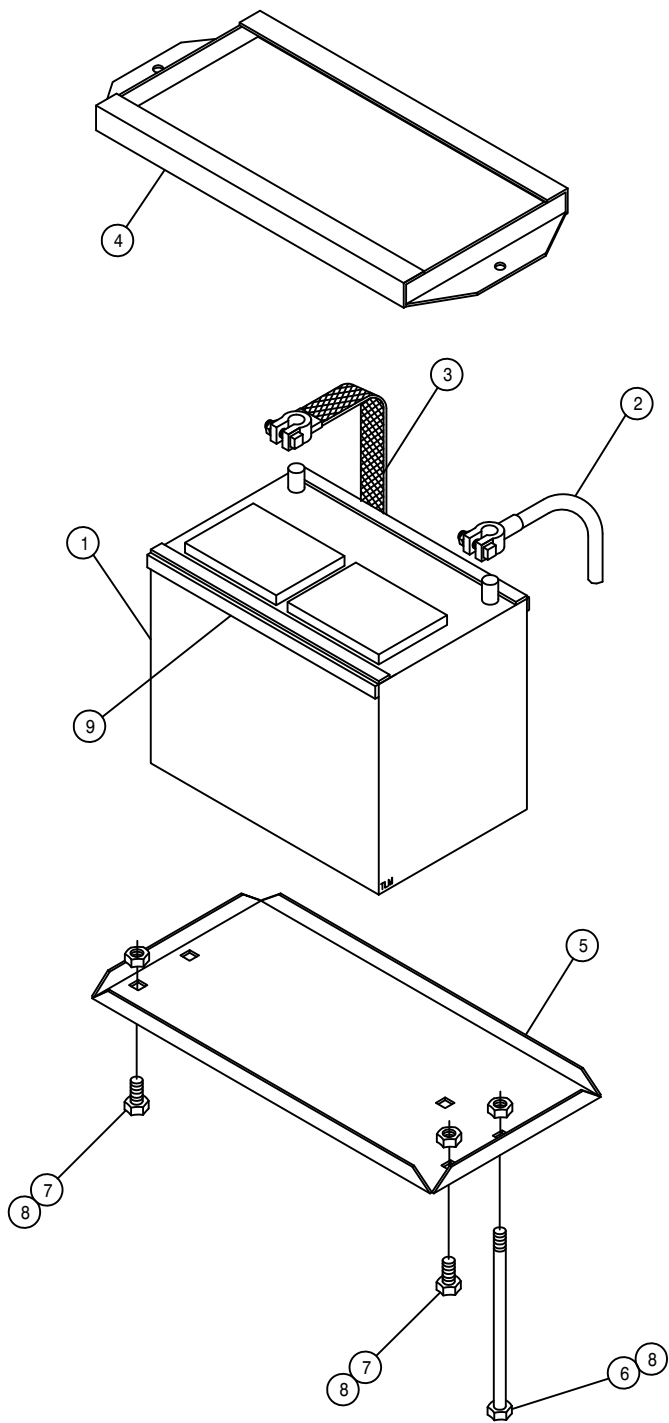


10



AIR CLEANER AND EXHAUST PIPE ASSEMBLY

DET.	QTY	PART NO.	DESCRIPTION
1	1	314528	AIR CLEANER 647 PERK
2	1	314543	AIR CLEANER ELEMENT PERK 6
3	1	314529	AIR STACK CAP 3IN PERK 6CY
4	2	314536	AIR CLEANER BAND 8IN DONALDSON
5	1	314628	AIR CLEANER TUBE 3.00 X 6.00
6	2	314731	AIR CLEANER HOSE 8240
7	1	316146	HOSE INSERT, AIR INTK ONAN
8	1	319293	RUBBER ADPTR 2 1/4IDX2 1/2
9	4	520052	HOSE CLAMP NO 52 PLATED
10	1	520099	HOSE CLAMP NO 40 PLATED
11	4	470118	1/4 UNC X 3/4 FLANGED H BOLT
12	4	470121	1/4-20 FLANGED WHIZ NUT
13	1	314537	2 1/2 ID RAIN CAP
14	1	314554	PERK MUFFLER SAWED 647
15	1	316147	EXHAUST PIPE ONAN 1986
16	1	470160	MUFFLER CLAMP 3.00 IN
17	1	472216	2.50 MUFFLER CLAMP .31 UNC



BATTERY BOX ASSEMBLY

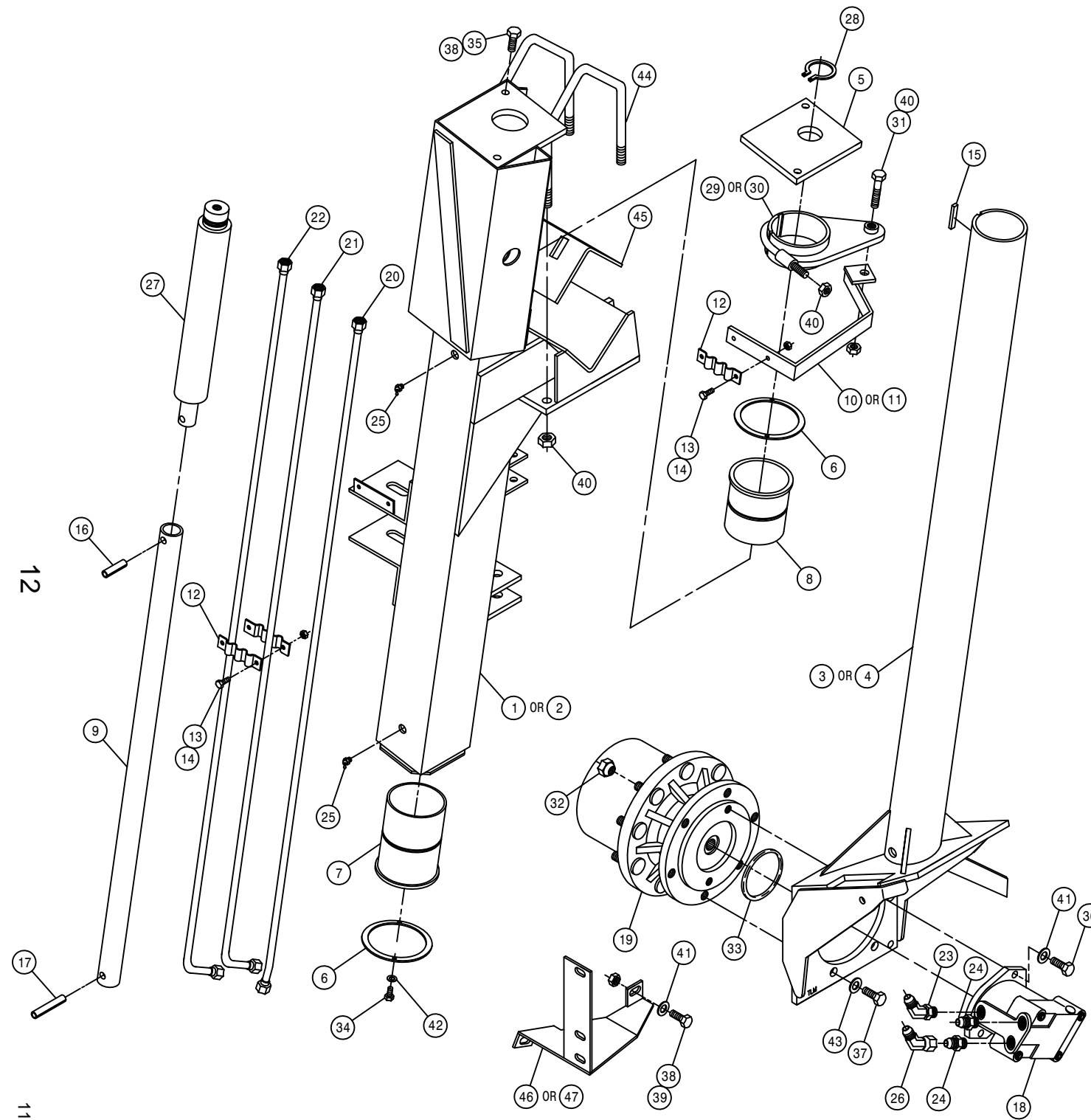
DET. QTY PART NO. DESCRIPTION

1	1	291122	BATTERY,575 AMP 160 RES
2	1	291128	BATTERY CABLE 48 IN
3	1	290111	GROUND STRAP
4	1	341322	BATTERY HOLD DOWN WLD 1981
5	1	361149	BATTERY BOX 8300-8400 1981
6	2	901150	3/8UNC X 9 CARR BOLT
7	2	900129	3/8UNC X 1 HEX BOLT
8	4	914004	3/8UNC HEX STOVER NUT
9	4	193022	STICKERTITE 1/4 X 3/4

FRONT LEG ASSEMBLY

DET. QTY PART NO. DESCRIPTION

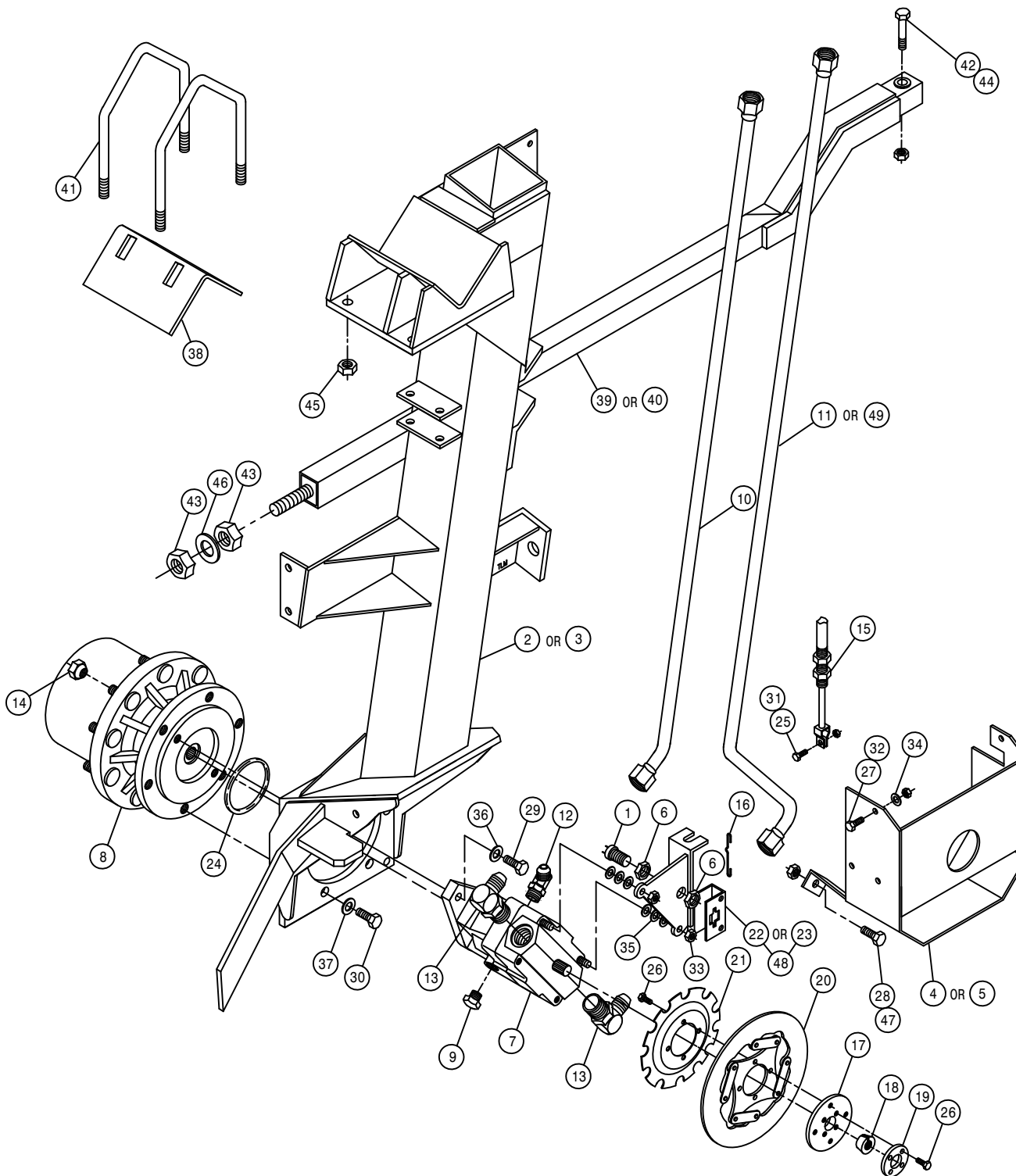
1	1	358604	RH FRT OUTER LEG WLD 280	90
2	1	358605	LH FRT OUTER LEG WLD 280	90
3	1	358535	RH FRT INNER LEG WLD 280	89
4	1	358536	LH FRT INNER LEG WLD 280	89
5	1	358562	LEG CYL MTG PLATE 280	89
6	2	358563	FRT LEG BRG KPR 280	89
7	1	358564	FRT LEG LWR NYL SLEEVE 280 89	
8	1	358565	FRT LEG UPR NYL SLEEVE 280 89	
9	1	358566	LEG CYL SHAFT EXTENSION 280 89	
10	1	358590	RH FRT LEG TUBE BRKT WLD 280	
11	1	358591	LH FRT LEG TUBE BRKT WLD 280	
12	3	358198	FT LEG CLAMP, 3 TUBE	647S
13	4	470118	1/4 UNC X 3/4 FLANGED H BOLT	
14	4	470121	1/4-20 FLANGED WHIZ NUT	
15	1	470185	KEY .25 X .375 X 2.00 LG	
16	1	473903	SPIRAL PIN 1/2 X 2	640
17	1	473904	SPIRAL PIN 1/2 X 3	640
18	1	610512	SUND M23 WHL MTR	
19	1	610515	TORQ HUB 18 TO 1 B-MT W1BFN	
20	1	614677	FRT LEG INNER HYD TUBE ASY280	
21	1	614678	FRT LEG CNTR HYD TUBE ASSY280	
22	1	614679	FRT LEG OUTER HYD TUBE ASY280	
23	1	618315	3/4MJIC-45-3/4MOR LBO	
24	2	618327	3/4MJIC-7/8MOR ADPTR	
25	2	471023	GREASE ZERK 1/4-28 X 45	
26	1	618590	3/4MJIC-45-3/4FJIC SWIV LBO	
27	1	620570	HYD CYL LEG LEVEL 2.00 X 12	
28	1	629515	SNAP RING 1 3/4 EXTRN HDUTY	
29	1	749250	RH STRG ARM WLD 280	89
30	1	749251	LH STRG ARM WLD 280	89
31	1	749269	STRG ARM BOLT 280	89
32	9	824052	WHEEL STUD NUT 1/2-20X60DEG	
33	1	870155	BUNA ORING 4 X 4 3/16	
34	4	900000	1/4 UNC X 1/2 HEX BOLT	
35	2	900264	1/2 UNC X 1 1/4 HEX BOLT	
36	2	900266	1/2 UNC X 1 3/4 HH BOLT	
37	6	900333	5/8 UNC X 1 1/2 HEX BOLT	
38	5	914008	1/2 UNC STOVER NUT	
39	3	900265	1/2 X 1 1/2 HH BOLT GR 5 PL	
40	6	914010	5/8 UNC STOVER NUT	
41	5	920004	1/2 FLAT WASHER SAE	
42	4	920500	LOCK WASH 1/4	
43	6	920505	LOCK WASH 5/8	
44	2	358426	U-BOLT .625UNC TRI BEND	
45	1	358567	UPPER LEG V-PLATE WLD 280 89	
46	1	662157	RH FRT MTG WLD FOR CROP GUIDE	
47	1	662156	LH FRT MTG WLD FOR CROP GUIDE	



12

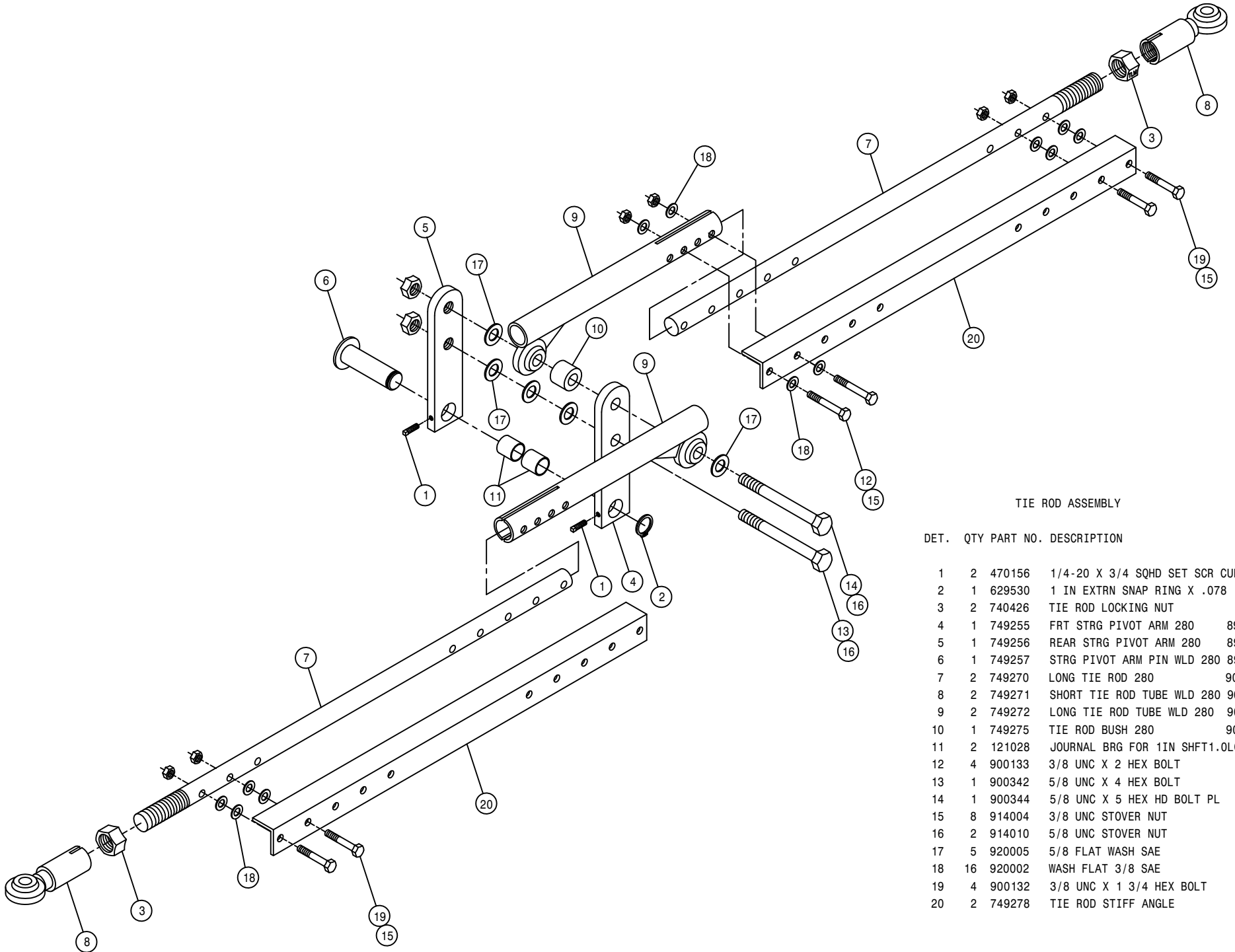
118012

REAR LEG ASSEMBLY



DET.	QTY	PART NO.	DESCRIPTION	
1	1	291206	SENSOR SPEEDO TACH	640
2	1	358613	RH REAR LEG WLD 280	90
3	1	358614	LH REAR LEG WLD 280	90
4	1	358596	RH REAR WHL MTR SHLD WLD	280
5	1	358597	LH REAR WHL MTR SHLD WLD	280
6	2	473061	3/4-16 TRUSEAL NUT	
7	1	610030	SUND WHL MTR EXTEN SHAFT 18	
8	1	610516	TORQ HUB 24 TO 1 B-MT W1BFN	
9	1	611159	3/4MOR PLUG	
10	1	614680	REAR LEG HYD TUBE ASSY	280
11	1	614681	RH REAR LEG HYD TUBE ASSY	280
12	1	618115	9/16MJIC-90-3/4MOR LBO	
13	2	618302	1 1/16MJIC-90-1 5/16MOR LBO	
14	1	824052	WHEEL STUD NUT 1/2-20X60DEG	
15	1	826926	190 IN BRAKE CABLE 470	
16	1	826929	CLIP BRAKE RETAINER	
17	1	826943	HUB, BRAKE MT	
18	1	826944	HUB, TAPER LOCK	
19	1	826945	HUB MOUNT, BRAKE	
20	1	826959	BRAKE DISC SUB ASSY	
21	1	826983	SENSOR DISC, 280 BRAKE FORMED	
22	1	828079	BRAKE SENSOR MT WLD LH	
23	1	828080	BRAKE SENSOR MT WLD RH	
24	1	870155	BUNA ORING 4 X 4 3/16	
25	1	900002	1/4 UNC X 3/4 H BOLT GR5 PLT	
26	8	900064	5/16 UNC X 3/4 HEX BOLT	
27	2	900130	3/8 UNC X 1 1/4 HEX BOLT	
28	2	900265	1/2 X 1 1/2 HH BOLT GR 5 PL	
29	2	900267	1/2 X 2 H H BOLT GR 5	
30	6	900333	5/8 UNC X 1 1/2 HEX BOLT	
31	1	914000	1/4 UNC STOVER NUT	
32	2	914004	3/8 UNC STOVER NUT	
33	2	914006	7/16 UNC STOVER NUT	
34	2	920002	WASH FLAT 3/8 SAE	
35	6	920003	7/16 FLATWASHER SAE	
36	2	920004	1/2 FLAT WASHER SAE	
37	6	920505	LOCK WASHER 5/8	
38	1	358567	UPPER LEG V-PLATE WLD 280	99
39	1	358619	RH LEG BRACE WLD 280	90
40	1	358620	LH LEG BRACE WLD 280	90
41	2	358426	U-BOLT .625UNC TRI BEND	
42	1	900410	H BOLT, 3/4UNC X 4 GR5 PLT	
43	2	910017	1 IN UNC HEX NUT PLATED	
44	2	914012	3/4 UNC STOVER NUT	
45	4	914010	5/8 UNC STOVER NUT	
46	1	920508	LOCK WASH 1 IN	
47	2	914008	1/2 UNC STOVER NUT	
48	2	826918	PARK BRAKE STATOR	
49	1	614682	LH REAR LEG HYD TUBE ASSY	280

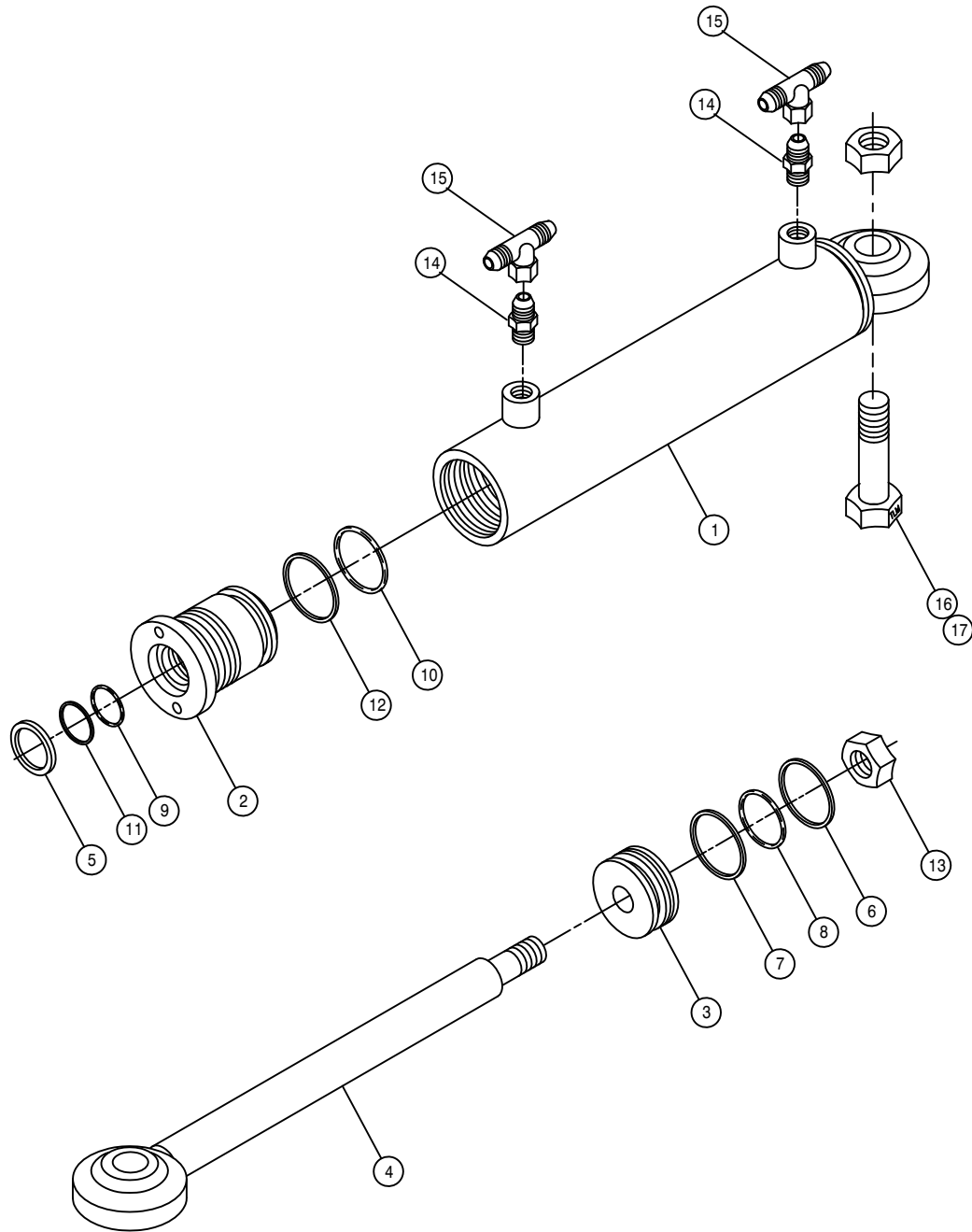
NOTE: ITEMS 1, 6, 21, AND 22 ARE USED ON THE RIGHT HAND LEG ASSEMBLY.



TIE ROD ASSEMBLY

DET. QTY PART NO. DESCRIPTION

DET.	QTY	PART NO.	DESCRIPTION
1	2	470156	1/4-20 X 3/4 SQHD SET SCR CUP
2	1	629530	1 IN EXTRN SNAP RING X .078
3	2	740426	TIE ROD LOCKING NUT
4	1	749255	FRT STRG PIVOT ARM 280 89
5	1	749256	REAR STRG PIVOT ARM 280 89
6	1	749257	STRG PIVOT ARM PIN WLD 280 89
7	2	749270	LONG TIE ROD 280 90
8	2	749271	SHORT TIE ROD TUBE WLD 280 90
9	2	749272	LONG TIE ROD TUBE WLD 280 90
10	1	749275	TIE ROD BUSH 280 90
11	2	121028	JOURNAL BRG FOR 1IN SHFT1.0LG
12	4	900133	3/8 UNC X 2 HEX BOLT
13	1	900342	5/8 UNC X 4 HEX BOLT
14	1	900344	5/8 UNC X 5 HEX HD BOLT PL
15	8	914004	3/8 UNC STOVER NUT
16	2	914010	5/8 UNC STOVER NUT
17	5	920005	5/8 FLAT WASH SAE
18	16	920002	WASH FLAT 3/8 SAE
19	4	900132	3/8 UNC X 1 3/4 HEX BOLT
20	2	749278	TIE ROD STIFF ANGLE



STEERING CYLINDER ASSEMBLY

DET.	QTY	PART NO.	DESCRIPTION
	1	620089	STRG CYL TUBE WLD 1.5 X 6. 85
	1	620109	GLAND HYD CYL 1.5 X .75 1985
	1	620129	PISTON HYD CYL 1.5 X .5 1985
	1	620148	STRG CYL SHAFT WLD
	1	629028	WIPER, 10D X 3/4ID X 1/8
	1	629616	SEAL, 1704-24 HT20550R POLYHON
	1	629618	WEAR RING, 1.5" HYD CYL
	1	870025	BUNA ORING 1 3/16 X 1 5/16
	1	870210	BUNA ORING 3/4 X 1
	1	870218	BUNA ORING 1 1/4 X 1 1/2
	1	890210	BACKUP WASH 3/4 X1 HT2022
	1	890218	BACKUP WASH1 1/4X1 1/2 HT2022
	1	914009	1/2UNF HEX STOVER NUT
	2	611121	9/16MJIC-1/4MNPT ADPTR
	2	618514	9/16FJ SW BRANCH TEE-9/16MJ
	1	900336	5/8UNC X 2 1/2 HEX BOLT
	1	914010	5/8UNC HEX STOVER NUT

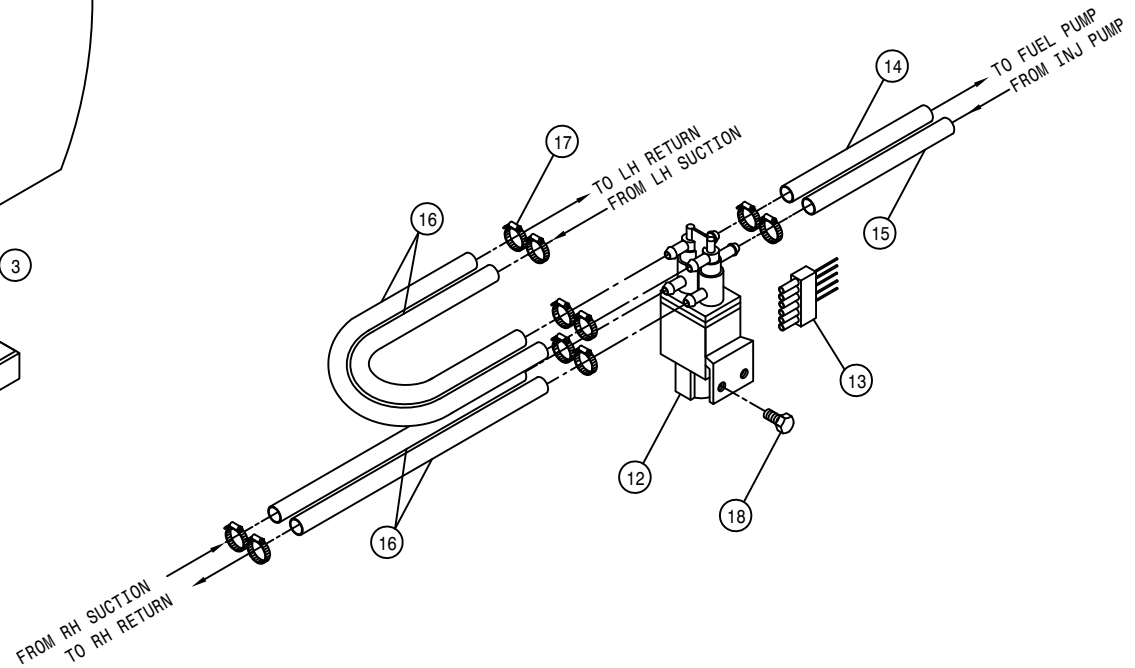
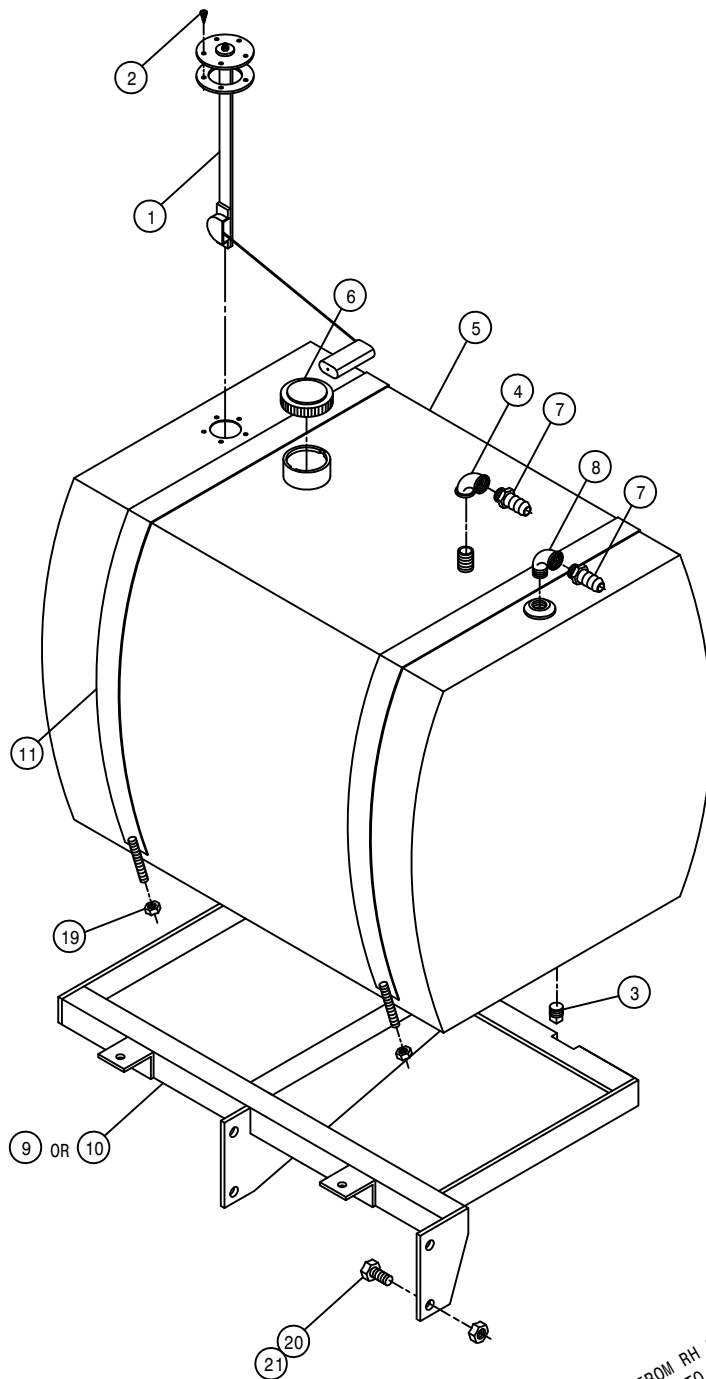
NOTE: 1. RIGHT CYLINDER ASSEMBLY IS SHOWN.
 FOR LEFT CYLINDER ASSEMBLY DELETE DETAIL
 14 AND 15 REPLACE WITH (2) 611122 - 9/16
 MJIC-90-1/4 MNPT ELBOW.

- 2 620080 - CYLINDER ASSEMBLY
- 3. 620998 - SEAL KIT

FUEL TANK ASSEMBLY

DET. QTY PART NO. DESCRIPTION

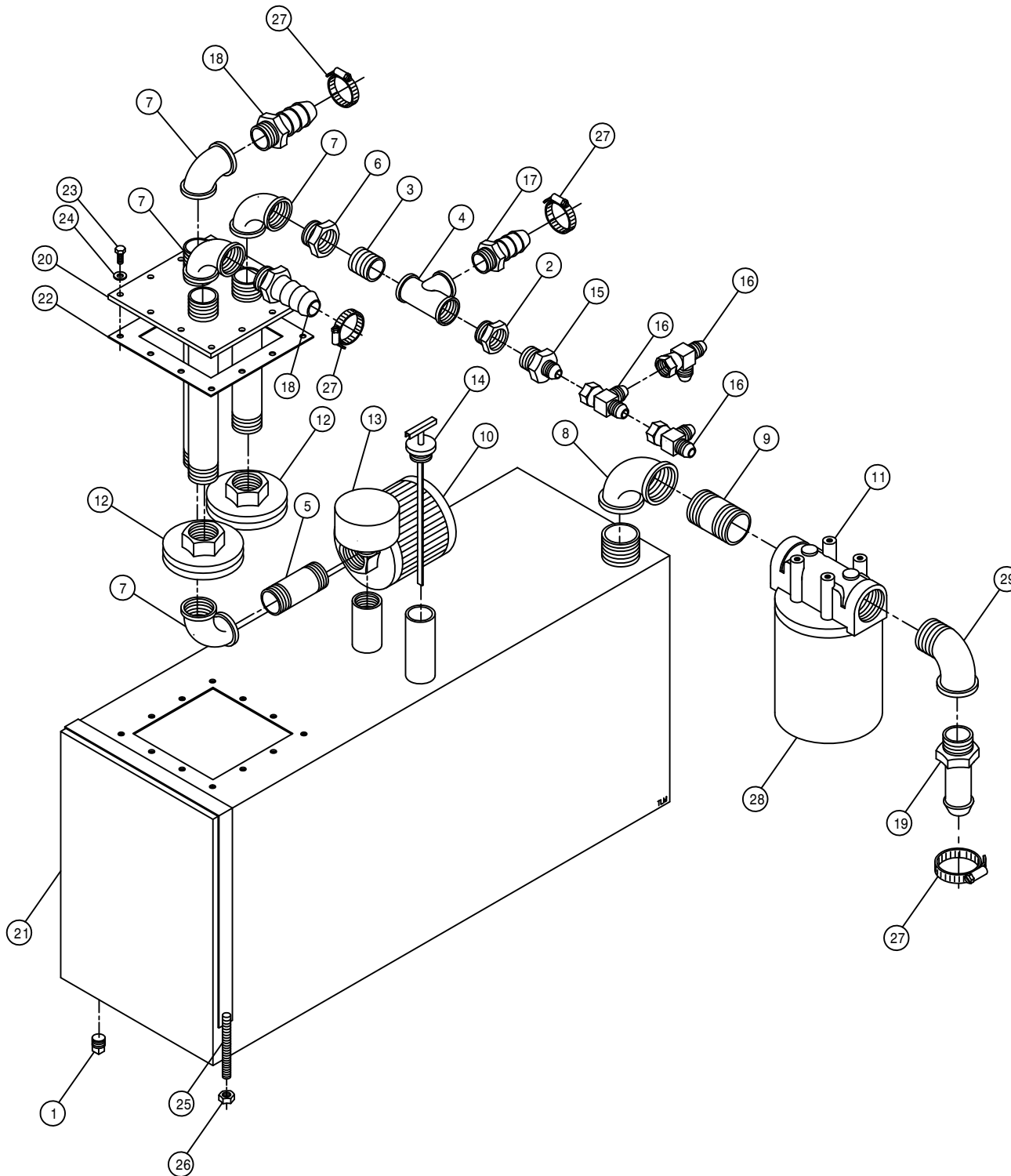
1	1	291428	FUEL SENDER 19 IN 470 PINTO
2	5	473902	NO 8 X 1/2 PAN HD MET SC 640
3	1	501102	1/4 PIPE PLUG
4	1	501451	BLK PIPE EL 90DEG .25NPT
5	1	760149	FUEL TANK WLD 200-280 90
6	1	761200	GAS CAP
7	2	783303	HOSE BARB 1/4 NPT X 5/16 HOSE
8	1	501450	BLK PIPE ST EL 90DEG .25NPT
9	1	760153	RH FUEL TNK MT WLD 200-280 90
10	1	760154	LH FUEL TNK MT WLD 200-280 90
11	2	760162	FUEL TANK BAND WLD 200-280 90
12	1	610529	FUEL SELECTOR VALVE W/RETURN
13	1	610530	5 WIRE CONNECTOR FOR 610529
14	1	601142	HOSE, 5/16 X 36 FUEL LINE
15	1	601191	HOSE, 5/16ID X 48 FUEL
16	4	601301	HOSE, 5/16 X 90IN FUEL LINE
17	10	520120	HOSE CLAMP NO 4 MINIATURE PLT
18	2	900064	5/16 UNC X 3/4 HEX BOLT
19	2	914004	3/8 UNC STOVER NUT
20	4	900264	1/2 UNC X 1 1/4 HEX BOLT
21	4	914008	1/2 UNC STOVER NUT



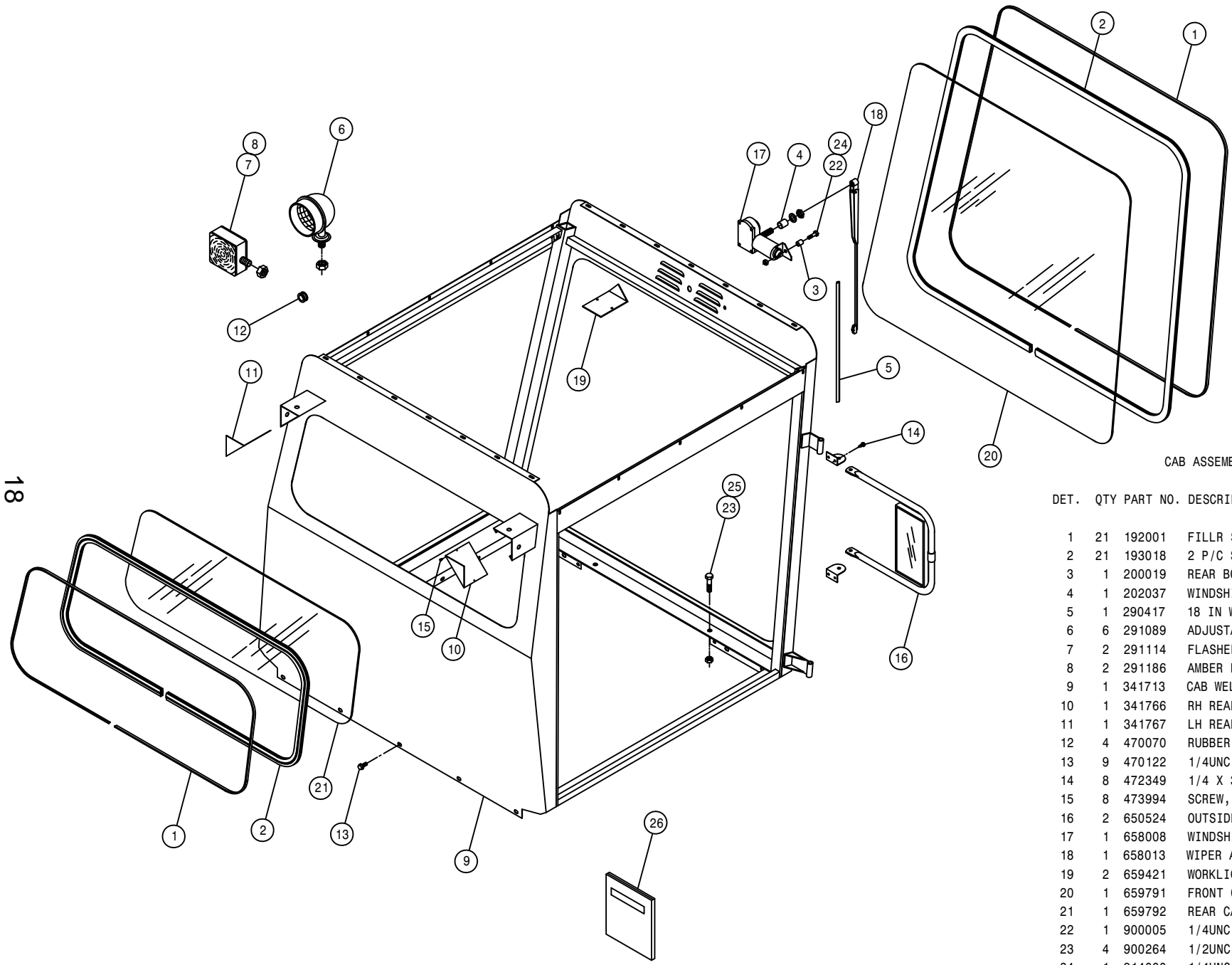
HYDRAULIC TANK ASSEMBLY

DET. QTY PART NO. DESCRIPTION

DET.	QTY	PART NO.	DESCRIPTION
1	1	501102	1/4 PIPE PLUG
2	1	504210	RED BUSH 3/4 NPT X 1/2 NPT
3	1	504702	CLOSE NIPPLE .75NPT
4	1	504955	BLK PIPE TEE .75NPT
5	1	505203	BLK PIPE NIPPLE 1.00NPT-4.00
6	1	505213	RED BUSH 1 X 3/4 BLK MAL
7	4	505300	BLK PIPE EL 90DEG 1.00NPT
8	1	506303	BLK PIPE EL 90DEG 1.25NPT
9	1	506602	PIPE NIPPLE 1 1/4NPT-2 1/2
10	1	605600	MICHIGAN RESERVOIR FILTER
11	1	605601	GRESEN FILTER 10 MICRON 40GPM
12	2	605603	LINE SUMP DIFFUSER
13	1	611052	FILLER BREATHER 3/4NPT
14	1	614453	DIPSTICK, 8IN
15	1	618018	9/16MJIC-1/2MNPT ADPTR
16	3	618486	9/16FJIC SW RUN TEE-9/16MJIC
17	1	713220	HOSE BARB 3/4 NPT X 3/4
18	2	714560	1NPT X 1 HOSE BARB
19	1	715664	1 1/4 NPT X 1 HOSE BARB
20	1	760090	RECIEVER PLT WLD 8240
21	1	760097	OIL TANK WLD 8240 1982
22	1	763039	HYD MTR MTG PLT GSKT
23	12	900064	5/16 UNC X 3/4 HEX BOLT
24	12	920001	5/16 FLAT WASHER SAE PLT
25	2	341360	OIL TANK STRAP WLD 8240 1982
26	4	914004	3/8 UNC STOVER NUT
27	4	520087	HOSE CLAMP NO 20 PLATED
28	1	605602	FILT ELEMENT 10MICRON 40GPM
29	1	506410	BLK PIPE ST EL 90DEG 1.25NPT



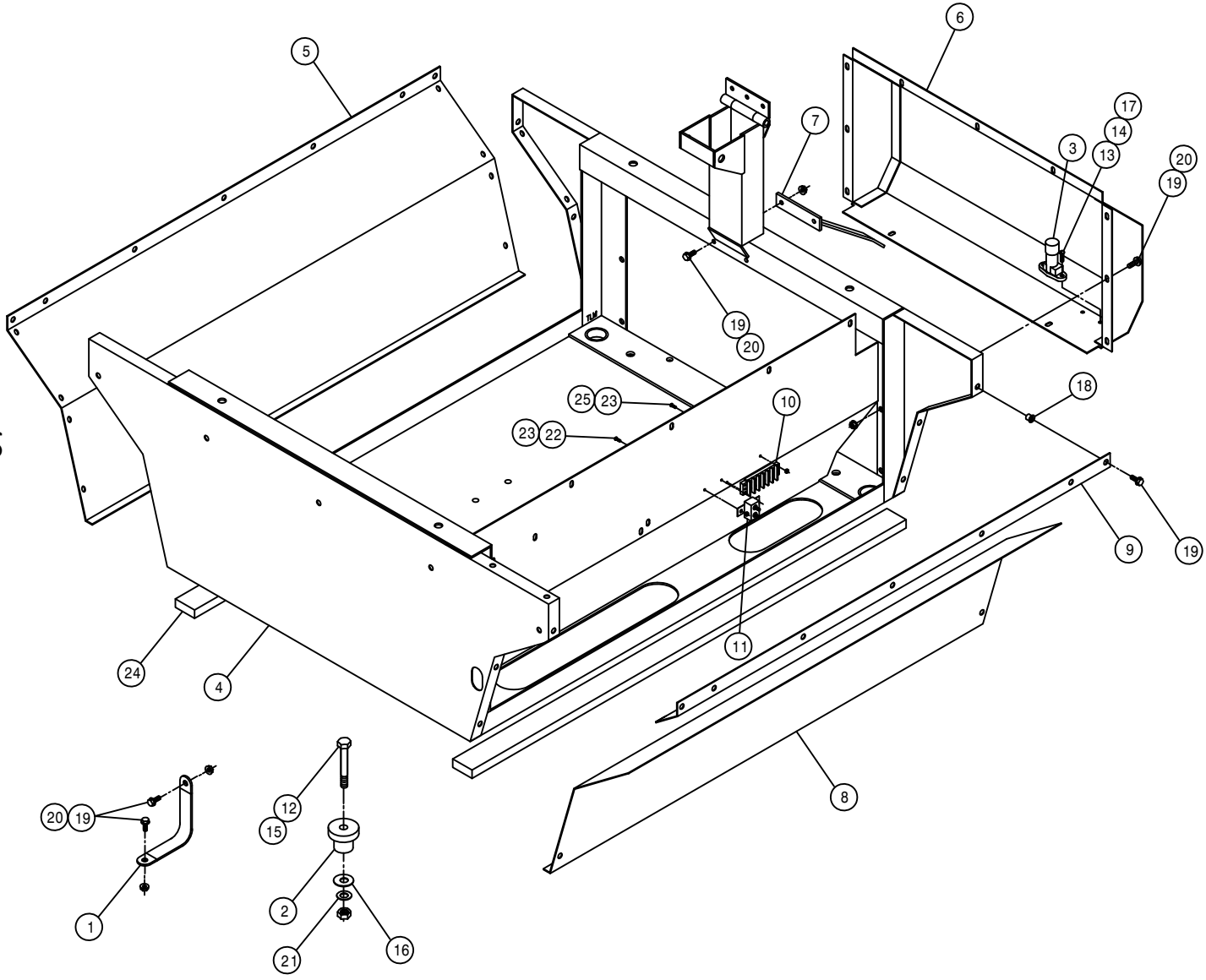
18



CAB ASSEMBLY

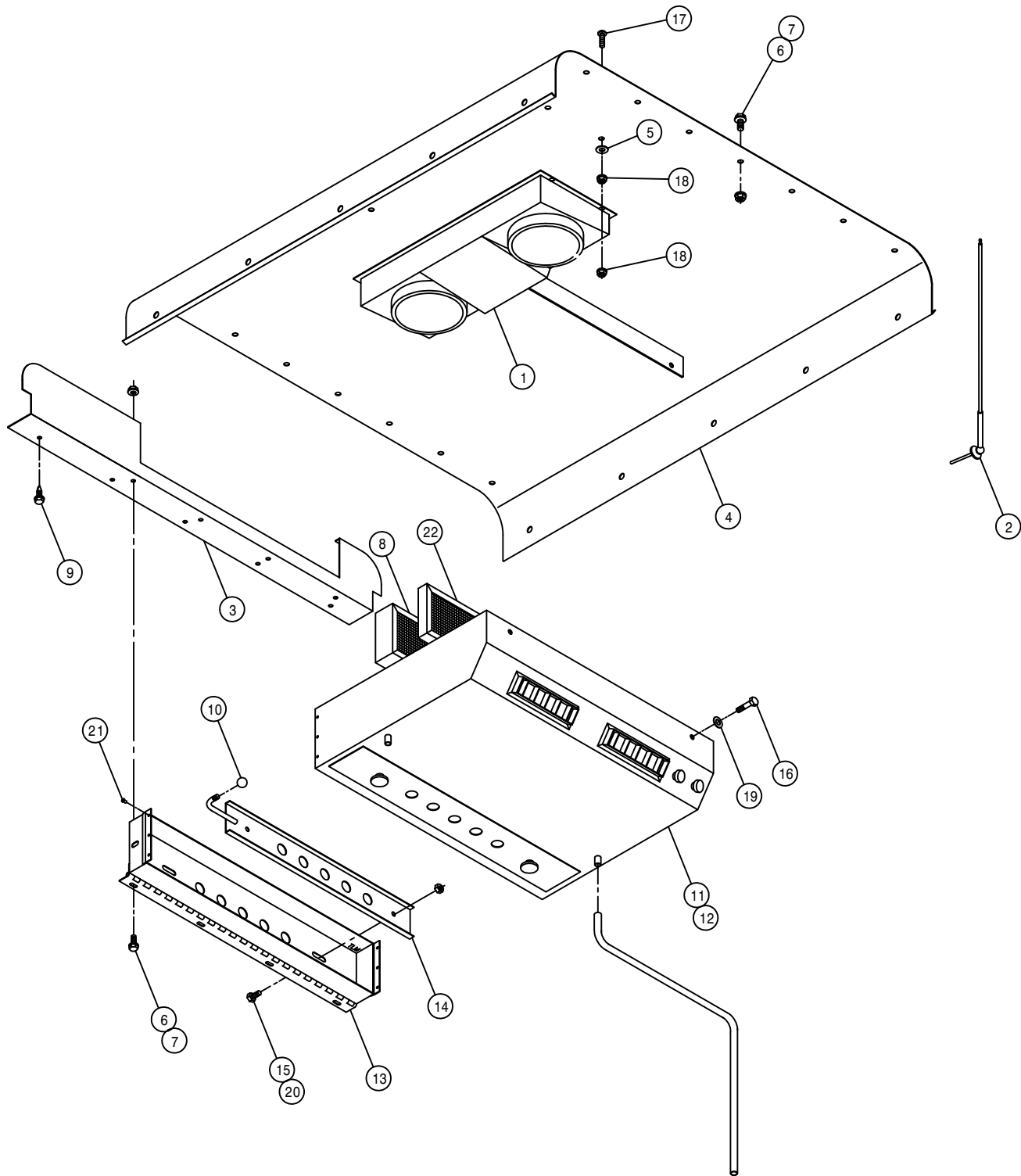
DET. QTY PART NO. DESCRIPTION

1	21	192001	FILLR STRIP FOR WEATHERSTRIP
2	21	193018	2 P/C SELF SEAL WEATHERSTRIP
3	1	200019	REAR BOOM SOL VALVE SPACER
4	1	202037	WINDSHIELD WIPER SPACER
5	1	290417	18 IN WIPER BLADE TB
6	6	291089	ADJUSTABLE LIGHT W/ GUARD
7	2	291114	FLASHER & SIDE MARKER LIGHT
8	2	291186	AMBER LENS FOR FLASHER 291114
9	1	341713	CAB WELDMENT 280 89
10	1	341766	RH REAR LIGHT BRKT COVER 280
11	1	341767	LH REAR LIGHT BRKT COVER 280
12	4	470070	RUBBER GROMMET 3/8 ID
13	9	470122	1/4UNC X 1/2 FLANGED HEX BOLT
14	8	472349	1/4 X 3/4 20THD-IN TEK TYPE
15	8	473994	SCREW, HH SHT MTL 6/32X 3/8AB
16	2	650524	OUTSIDE REAR VIEW MIRROR TB2
17	1	658008	WINDSHIELD WIPER MTR 640
18	1	658013	WIPER ARM 640
19	2	659421	WORKLIGHT BRKT COVER 8400
20	1	659791	FRONT CAB GLASS 280 89
21	1	659792	REAR CAB GLASS 280 89
22	1	900005	1/4UNC X 1 1/2 HEX BOLT
23	4	900264	1/2UNC X 1 1/4 HEX BOLT
24	1	914000	1/4UNC HEX STOVER NUT
25	4	914008	1/2UNC HEX STOVER NUT
26	1	341901	VINYL HANDBOOK TOTE



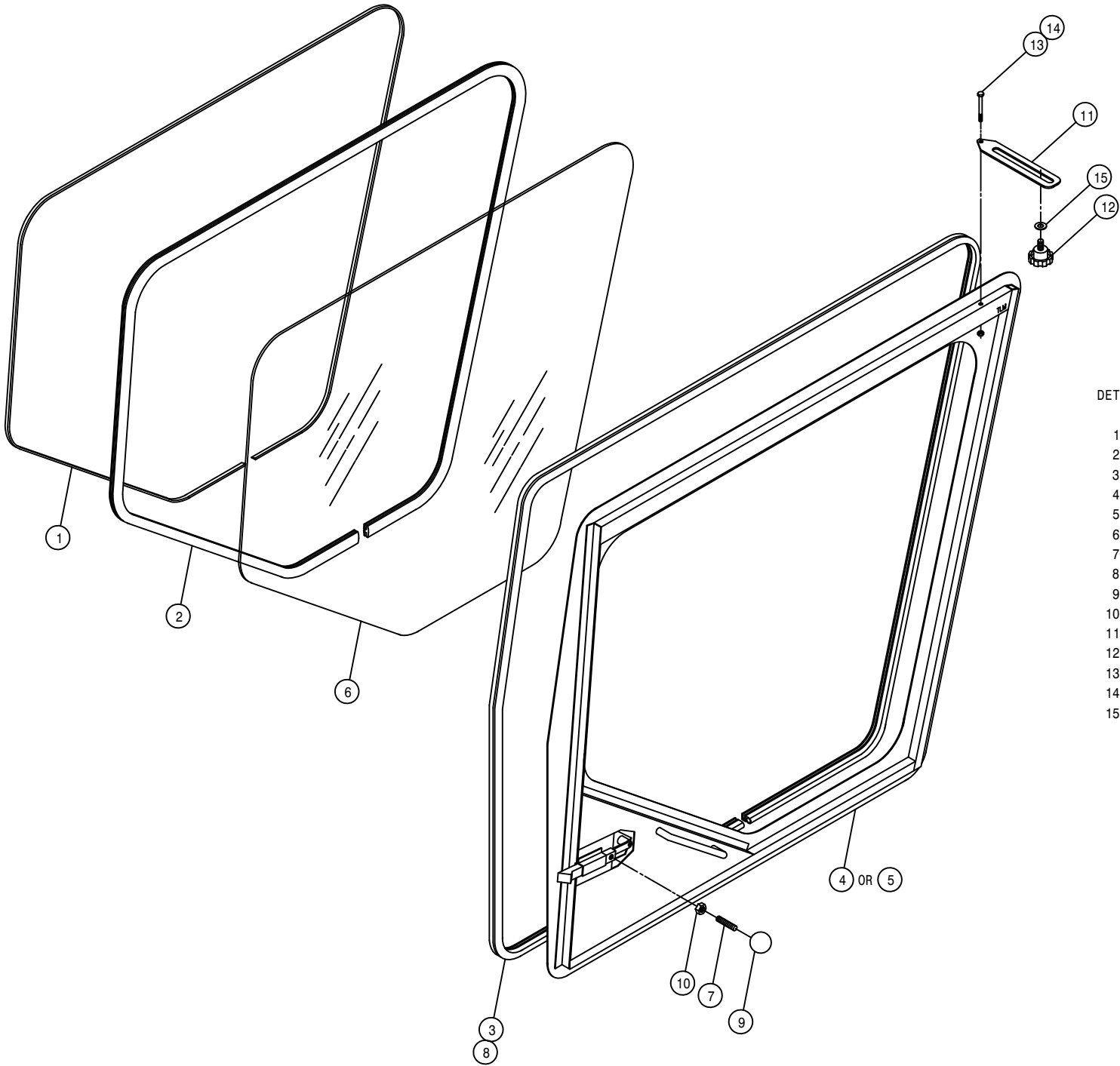
OPERATOR STATION ASSEMBLY

DET.	QTY	PART NO.	DESCRIPTION
1	1	290107	ENG TO GROUND STRAP 8 IN TB2
2	4	311032	ENG IS/LATOR 470 472 1978
3	1	290412	DIMMER SWITCH TB
4	1	341668	OP STN WLD 280 89
5	1	341699	OP STN OUTER PANEL 280 89
6	1	341700	OP STN BOOT WLD 280 89
7	1	341738	STRG POST BRACE WLD 280 89
8	1	341824	RH OP STN LOWER PANEL 200 89
9	1	341825	RH OP STN PANEL KPR WLD 200
10	1	293093	TERMINAL BLOCK 6 POS - 2 ROW
11	1	291197	CIRCUIT BREAKER, 30AMP
12	4	900269	1/2UNC X 2 3/4 HEX BOLT
13	2	903889	10-32 X 3/4 SLT RDHD MACH SCR
14	2	910027	#10-32 HEX NUT
15	4	914008	1/2UNC HEX STOVER NUT
16	4	483037	FLAT WASH 5/8 REGULAR
17	2	920510	LOCK WASH NO 10
18	29	470086	1/4UNC NUTSERT .020- .100MTL
19	40	470118	1/4UNC X 3/4 FLANGED HEX BOLT
20	13	470121	1/4UNC HEX FLANGED LOCK NUT
21	4	483041	1/2 REGULAR FLAT WASH PLT
22	2	903812	6-32 X 1/2 SLT RD HD MACH SCR
23	4	910022	#6-32 HEX NUT
24	1	659579	FOAM, 2IN WIDE X 40IN LONG
25	2	903814	6-32 X 3/4 SLT RD HD MACH SCR



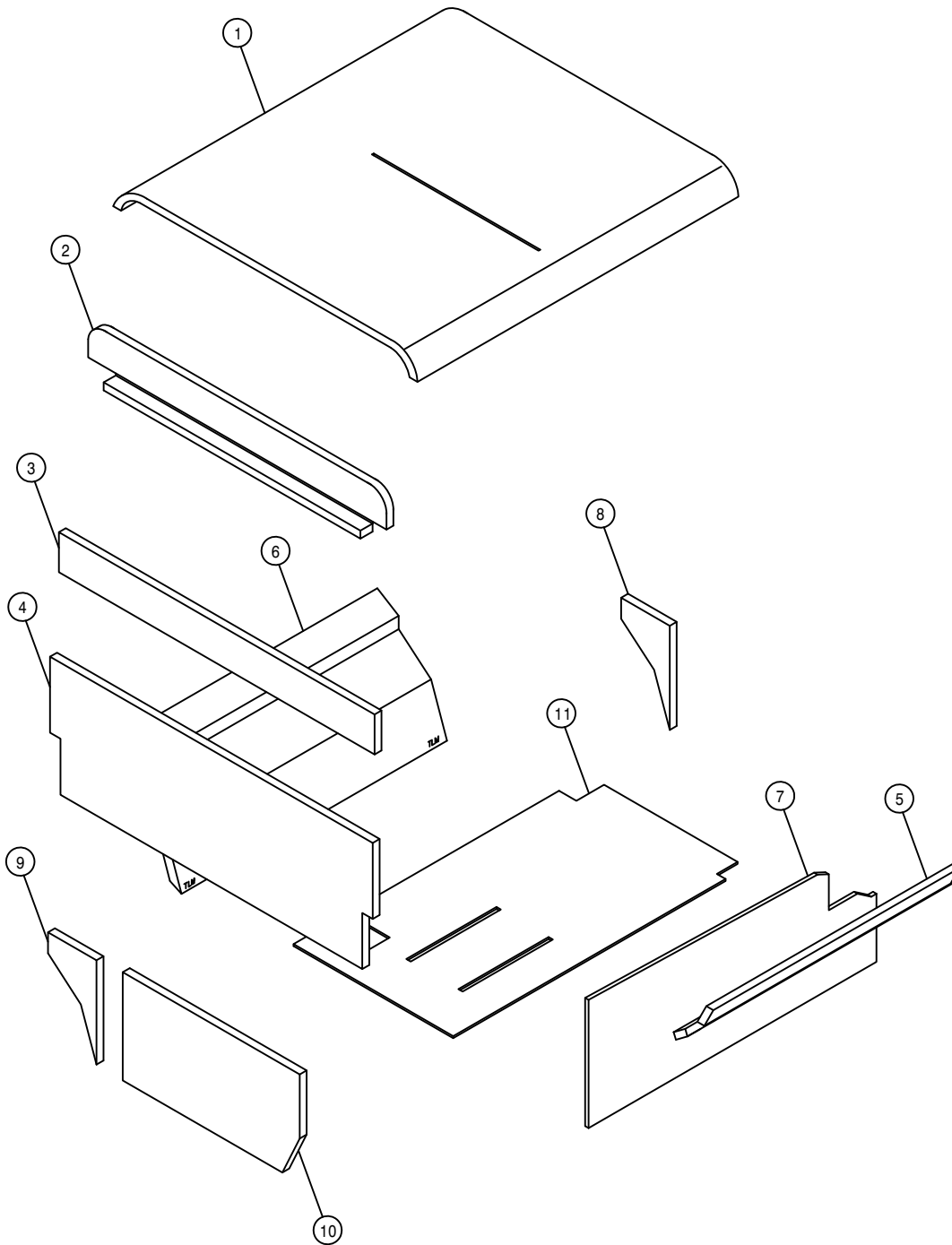
AIR CONDITIONER ASSEMBLY AND ROOF

DET.	QTY	PART NO.	DESCRIPTION
	1	291078	AM/FM/CASSETTE RADIO MAJESTIC
	1	291080	AM FM RADIO ANTENNA
	1	341741	A/C BLOWER HSNG MT 280 89
	1	341768	CAB ROOF WLD 280 89
	4	470191	RUBBER WASHER
	28	470121	1/4-20 FLANGED WHIZ NUT
	28	470118	1/4 UNC X 3/4 FLANGED H BOLT
	1	657324	FRESH AIR FILTER EAGLE
	5	472349	1/4 X 3/4 20THD-IN TEK TYPE
	1	659291	1 DIA BALL KNOB 3/8-16INSERT
	1	657303	A/C EVAPORATOR INSTALL KIT
	1	657333	A/C BLOWER & EVAPORATOR EAGLE
	1	659439	A/C BLOWER HSNG MT WLD 8400
	1	659442	A/C OUTSIDE AIR SLIDE WLD8400
	2	900000	1/4 UNC X 1/2 HEX BOLT
	2	900170	3/8 UNC X 2 1/4 HH BOLT
	4	903996	10-32 X 1 1/4 RD HD MACH SCR
	8	470175	FLG WHIZ NUT 10-32
	2	920002	WASH FLAT 3/8 SAE
	2	914000	1/4 UNC STOVER NUT
	6	485053	POP RIVET 3/16 X 3/8
	1	657339	CHARCOAL FILTER FOR 657333



DOOR ASSEMBLY

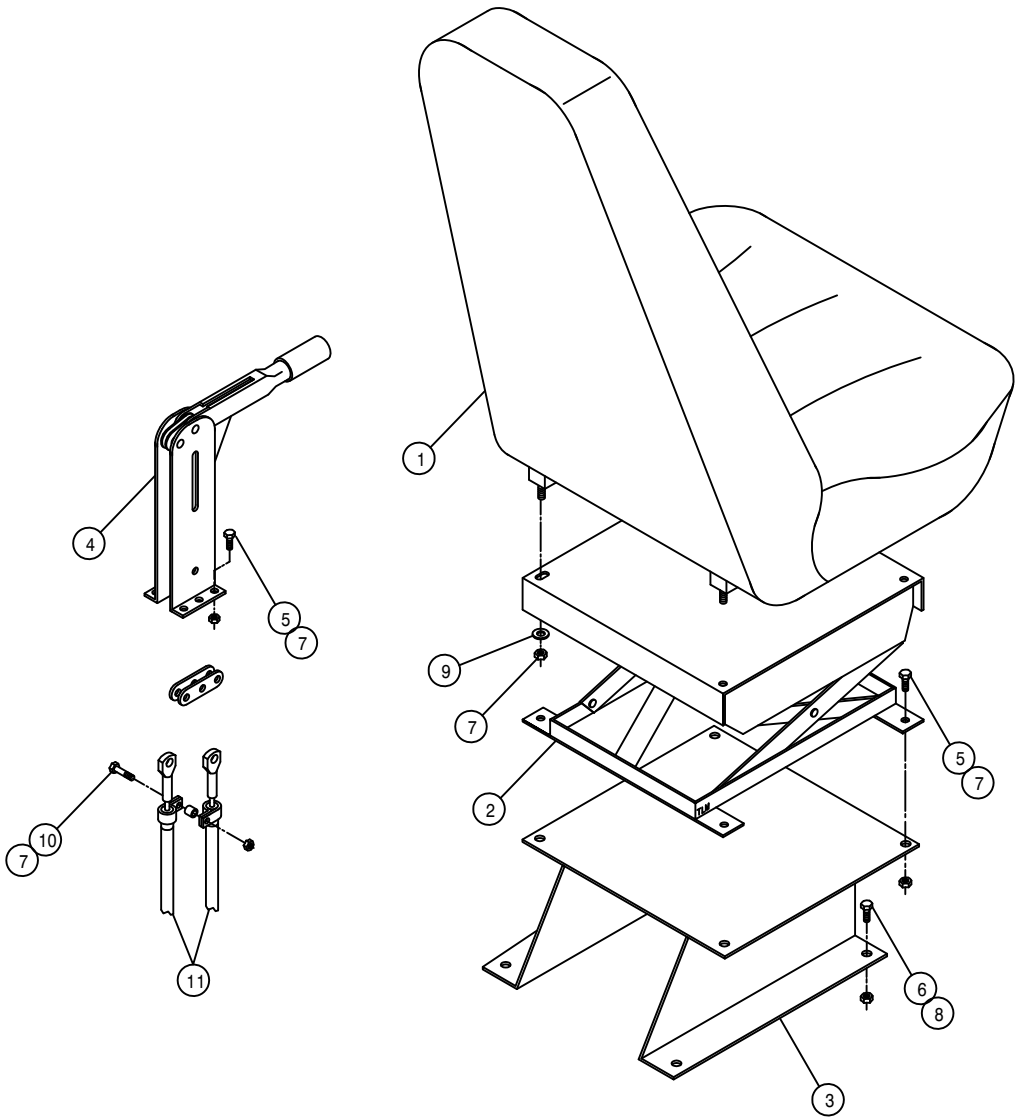
DET.	QTY	PART NO.	DESCRIPTION	
1	11	192001	FILLR STRIP FOR WEATHERSTRIP	
2	11	193018	2 P/C SELF SEAL WEATHERSTRIP	
3	13	193028	SNAPON SEAL ST20A	
4	1	341869	RH CAB DOOR WLD 280	90
5	1	341870	LH CAB DOOR WLD 280	90
6	1	341881	CAB DOOR GLASS 280	90
7	1	470077	3/8 UNC X 1 3/4 STUD GRSUNPLT	
8	2	485052	POP RIVET 1/8 X 3/8	
9	1	659292	1 7/8DIA BALL KNOB 3/8-16	
10	1	910004	NUT,HEX, 3/8UNC GRS PLT	
11	1	341688	DOOR CATCH SLIDE 280	89
12	1	470024	BLK PLASTIC KNOB 3/8UNC	STD
13	1	900023	BOLT 1/4 UNCX2 1/4 HH PLATED	
14	1	914000	1/4 UNC STOVER NUT	
15	1	920002	WASH FLAT 3/8 SAE	



CAB FOAM

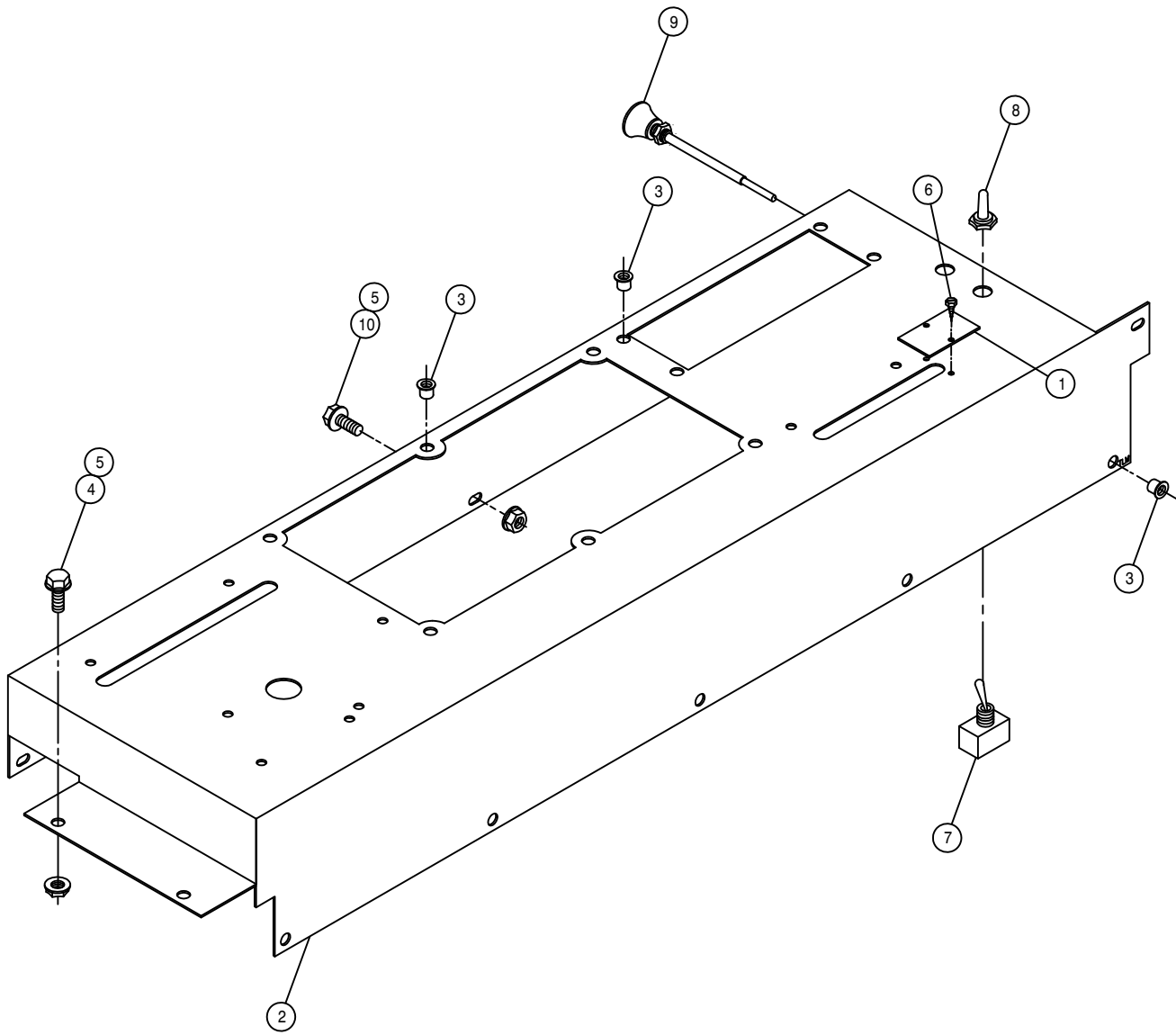
DET. QTY PART NO. DESCRIPTION

1	1	659836	CAB ROOF FOAM 280	89
2	1	659837	UPPER REAR CAB FOAM 280	89
3	1	659838	CNTR REAR CAB FOAM 280	89
4	1	659839	LWR REAR CAB FOAM 280	89
5	1	659840	RH SIDE PANEL FOAM 280	89
6	1	659841	LH SIDE PANEL FOAM 280	89
7	1	659842	CONSOLE SIDE PANEL FOAM280	89
8	1	659843	LWR LH FRT OP STN FOAM 280	89
9	1	659844	LWR LH REAR OP STN FOAM280	89
10	1	659845	REAR OP STN FOAM 280	89
11	1	659846	FLOOR MAT 280	89



SEAT AND BRAKE ASSEMBLY

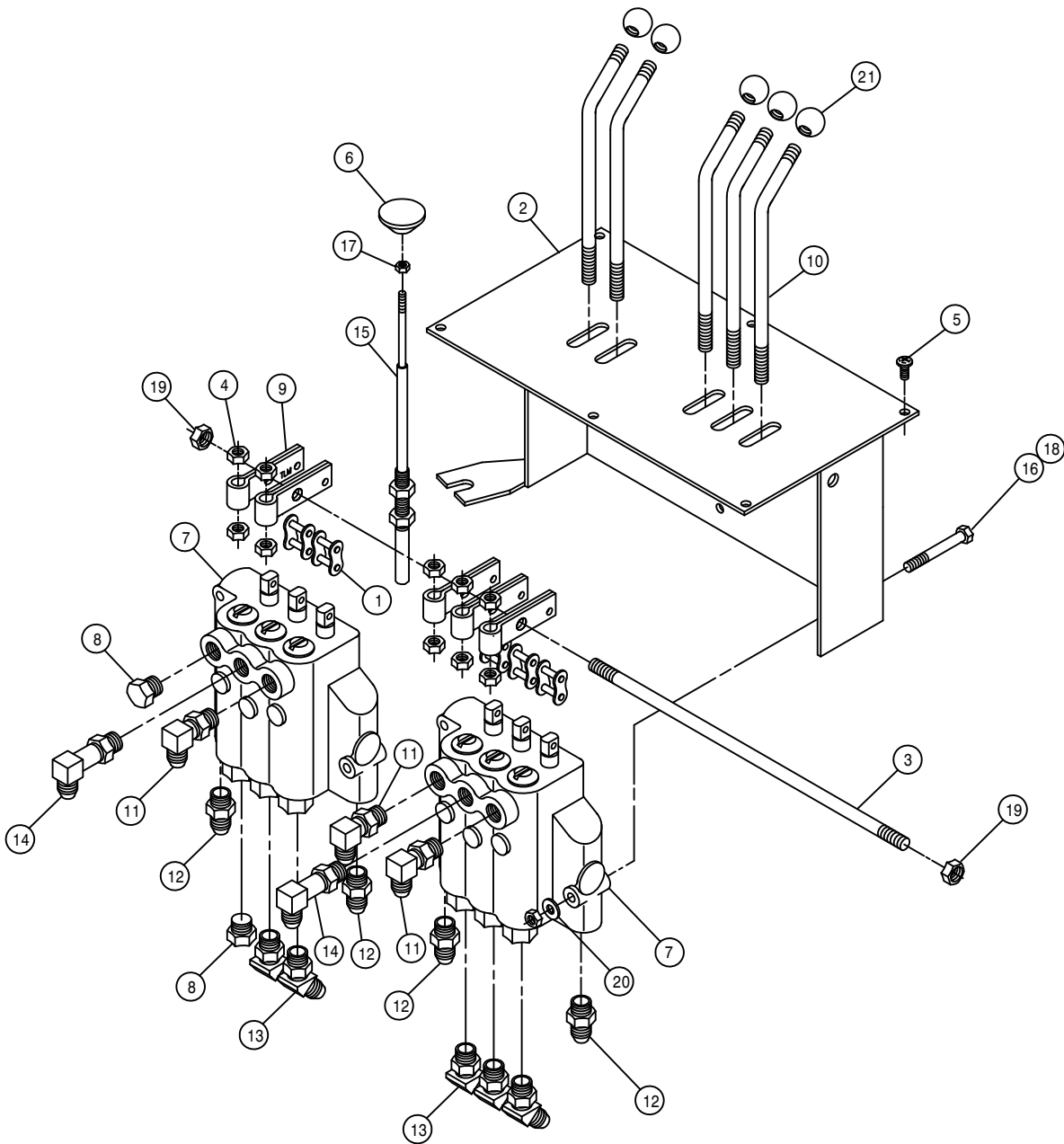
DET.	QTY	PART NO.	DESCRIPTION
	1	330014	TRIMLINE SEAT
	1	330015	SUSPENSION ASSY TRIMLINE SEAT
	1	341554	SEAT MT WLD TRIMLINE SEAT
	1	826108	BRAKE LEVER ASSY TB2
	8	900064	5/16 UNC X 3/4 HEX BOLT
	4	900129	3/8 UNC X1IN HH BOLT
	13	914002	5/16 UNC STOVER NUT
	4	914004	3/8 UNC STOVER NUT
	2	920001	5/16 FLAT WASHER SAE PLT
	1	900067	5/16UNCX1 1/2 HH BOLT
	2	826926	190 IN BRAKE CABLE 470



CONSOLE ASSEMBLY

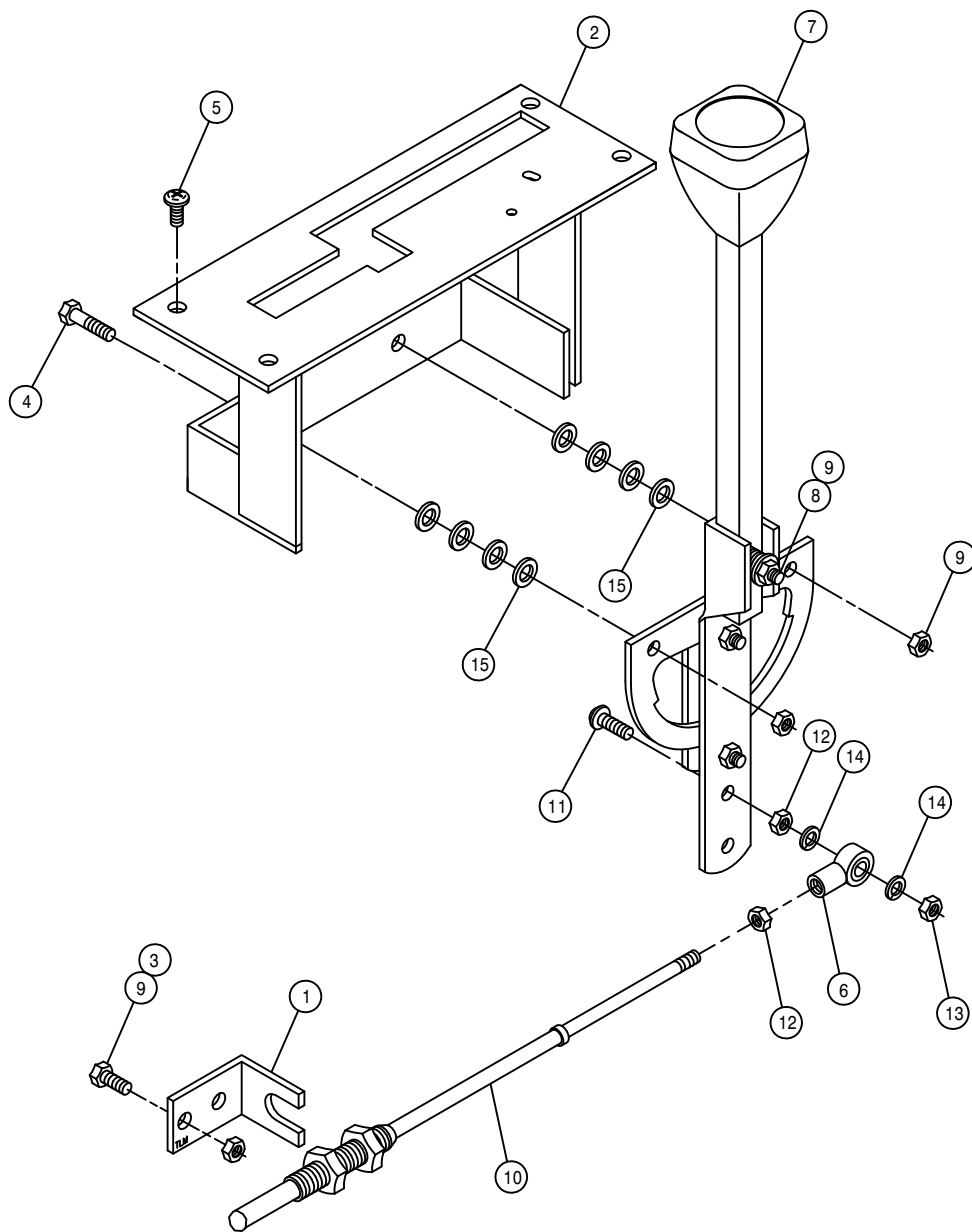
DET. QTY PART NO. DESCRIPTION

1	1	341626	THROT STOP ONAN
2	1	341704	CONSOLE WLDMT 280 89
3	15	470086	NUTSERT, 1/4UNC .020-.100GR
4	3	470118	1/4 UNC X 3/4 FLANGED H BOLT
5	7	470121	1/4-20 FLANGED WHIZ NUT
6	2	473994	SCREW, HH SHT MTL 6/32X 3/8AB
7	1	610412	TOGGLE SWITCH FOR FUEL VLV
8	1	470001	RUBBER BOOT W NUT FOR 298012
9	1	780101	CHOKE CONTROL 144 IN TB2
10	4	470122	1/4 - 20 X 1/2 FLANGED H BOLT



THREE SPOOL VALVE ASSEMBLY

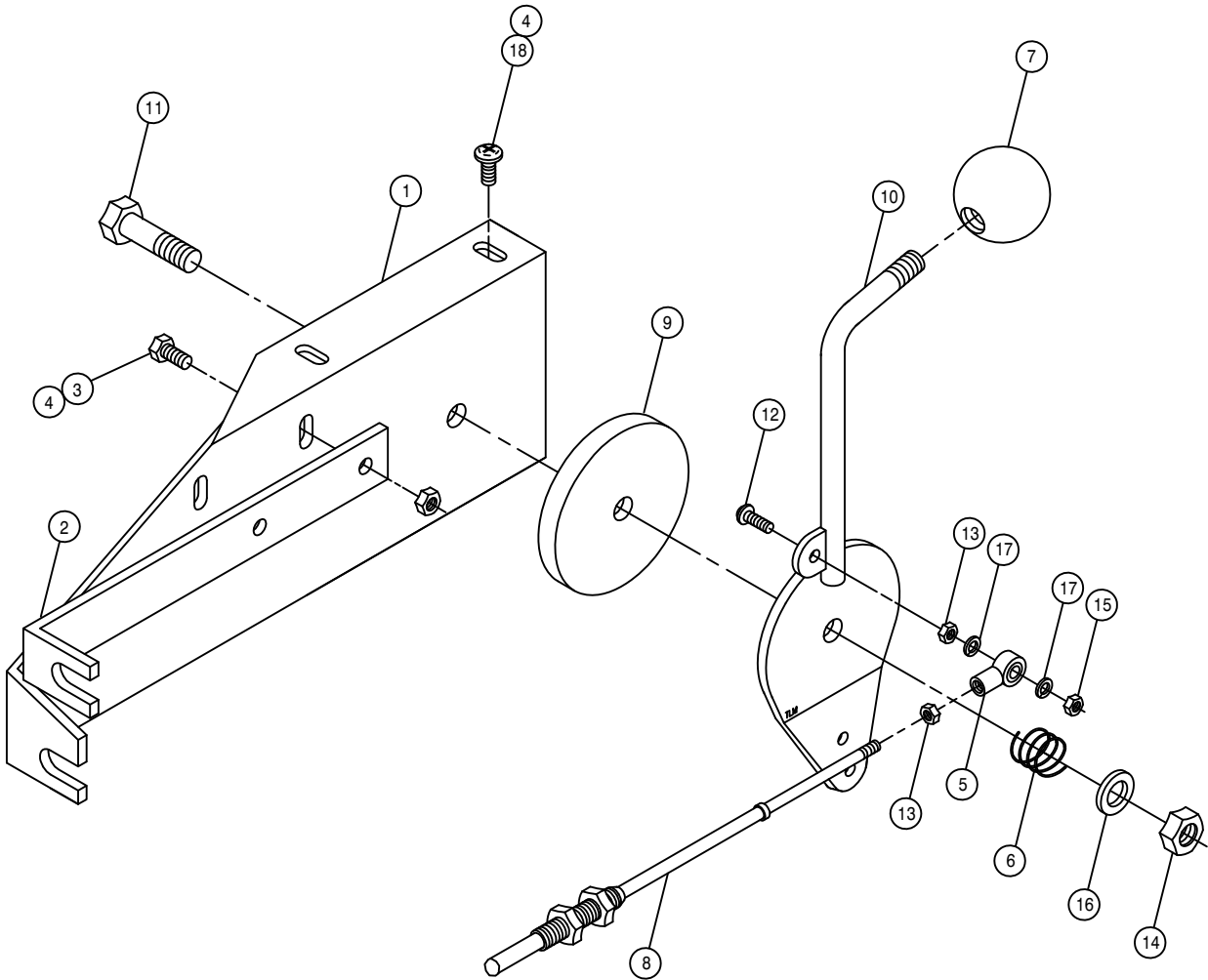
DET.	QTY	PART NO.	DESCRIPTION
1	5	221001	CONN LINK CLIP TYPE RC50
2	1	341706	VLV MT WLD 2-3SPL VLV 280 89
3	1	341710	3SPL VLV LEVER PIVOT ROD 280
4	10	470087	NUT, 3/8UNC WHIZ LOC
5	6	903708	MACH SCR 1/4-20X1/2 PHIL PNHD
6	1	470190	PUSH/PULL KNOB 10-32 1.38 DIA
7	2	606585	CESSNA 3SPL VALVE W/O RELIEF
8	2	610185	9/16MOR PLUG
9	5	615336	LINK, VALVE HANDLE, 2.35PL
10	5	615337	HANDLE, 2-3SPL VALVE, 647
11	3	618119	9/16MJIC-90-9/16MOR LBO
12	4	618126	9/16MJIC-9/16MOR ADPTR
13	5	618425	9/16MJIC-45-9/16MOR LBO
14	2	618440	9/16MJIC-90-9/16MOR EX LG LBO
15	1	785056	CTRL CABLE 10-32 4IN X 58 LG
16	4	900007	1/4 UNC X 2 HEX BOLT GR5 PLT
17	1	910027	HEX NUT NO 10 UNF
18	4	914000	1/4 UNC STOVER NUT
19	2	914004	3/8 UNC STOVER NUT
20	4	920000	1/4 FLAT WASH SAE
21	5	659291	1 DIA BALL KNOB 3/8-16INSERT



HYDROSTATIC LEVER ASSEMBLY

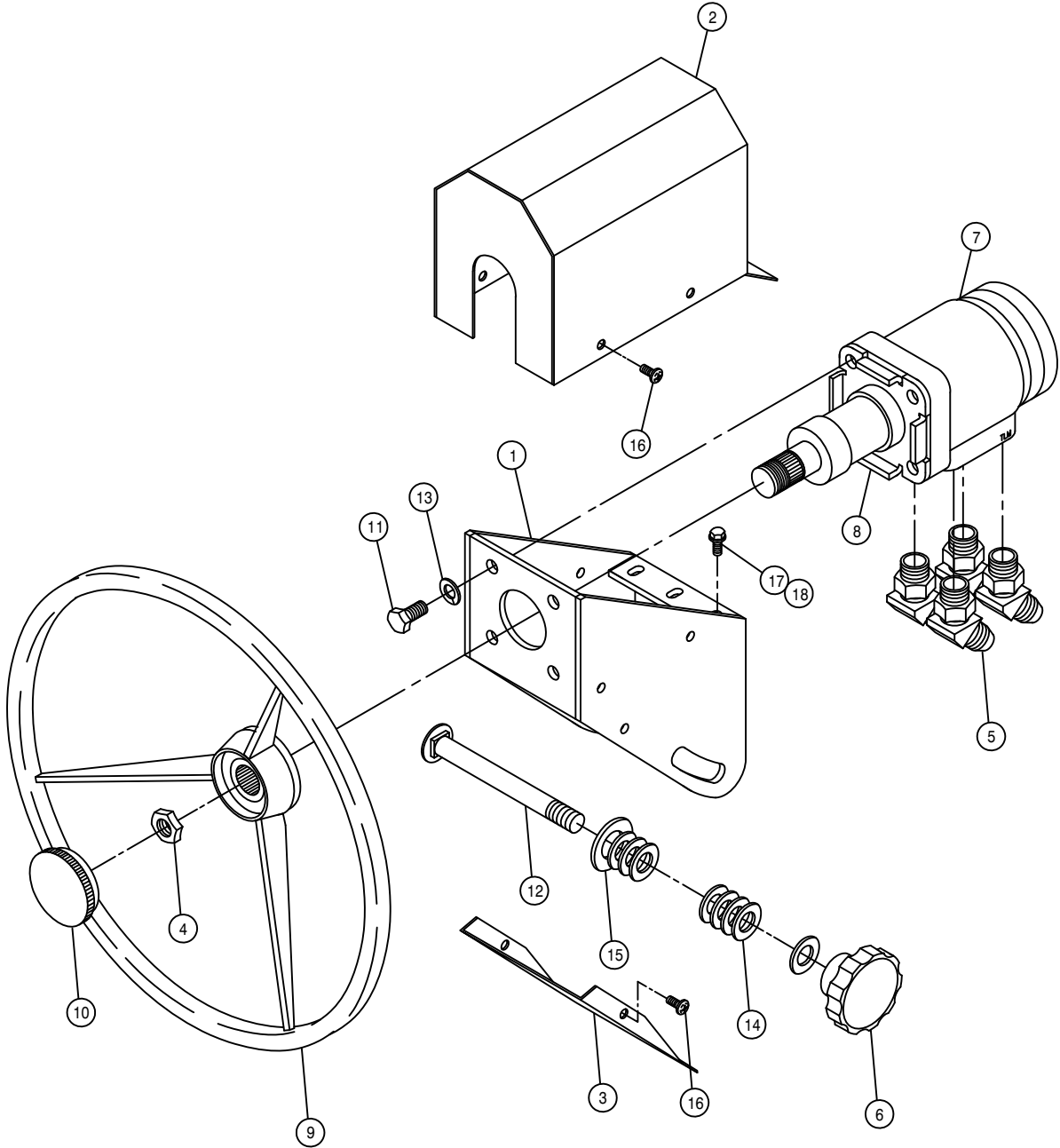
DET. QTY PART NO. DESCRIPTION

1	1	341188	CONSOLE THROT CABLE MT ANGLE
2	1	341501	HYDST CONT LEVER MT WLD 8540
3	2	900000	1/4 UNC X 1/2 HEX BOLT
4	2	900003	1/4 UNC X 1 HEX BOLT
5	4	903708	MACH SCR 1/4-20X1/2 PHIL PNHD
6	1	473921	BALL JOINT NO 10-32 THD
7	1	606864	HYDST CONTROL LEVER MODIFIED
8	1	900005	1/4 UNC X 1 1/2 HEX BOLT
9	5	914000	1/4 UNC X 1 1/2 HEX BOLT
10	1	785061	CTRL CABLE 10-32 4IN X 100 LG
11	1	903893	10 32 X 1 SLT RD HD MACH SCR
12	2	910027	HEX NUT NO 10 UNF
13	1	914027	NO 10-32 STOVER NUT
14	2	920510	LOCK WASH NO 10
15	8	920000	1/4 FLAT WASH SAE



THROTTLE LEVER ASSEMBLY

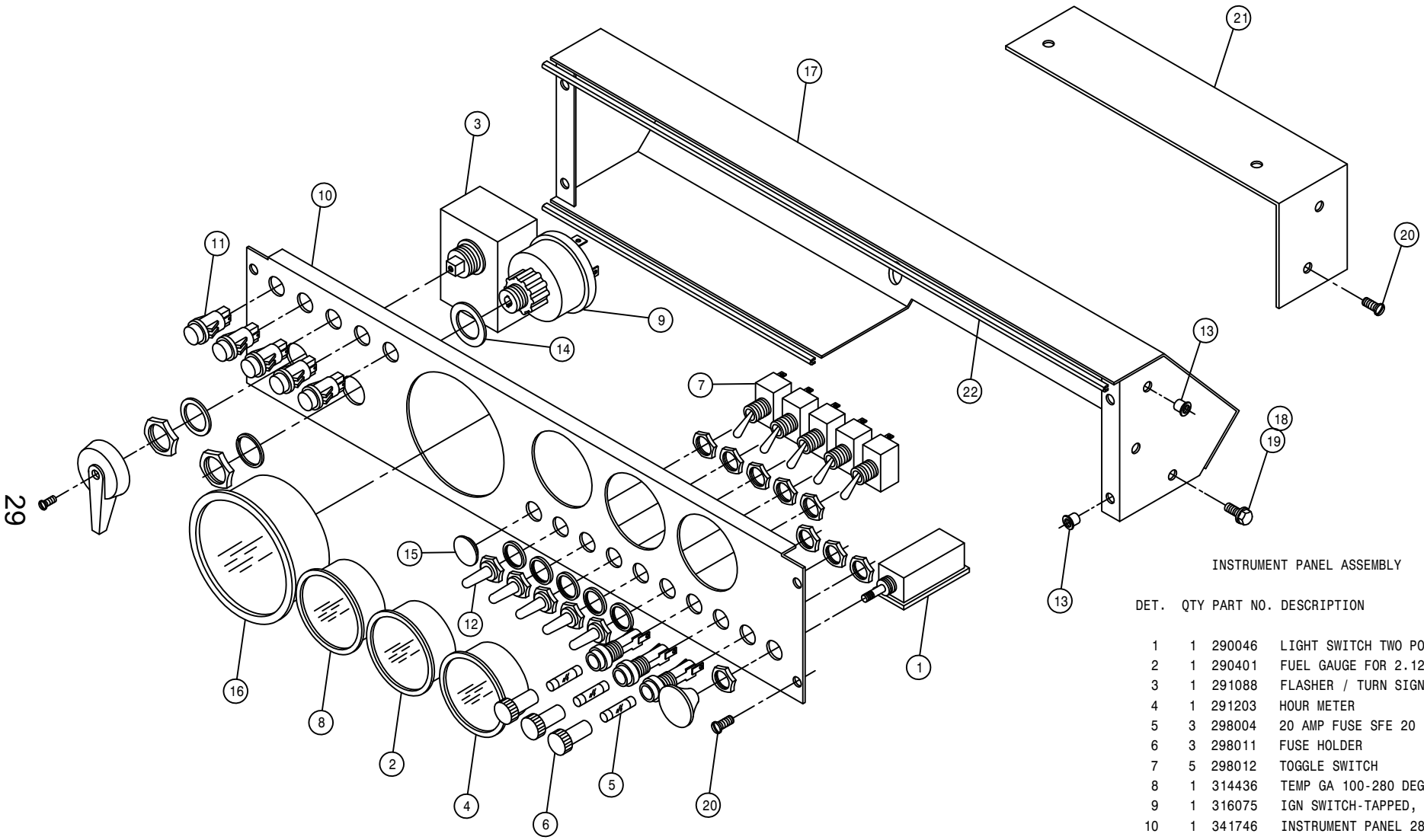
DET.	QTY	PART NO.	DESCRIPTION	
1	1	341689	THROTTLE LEVER MT 280	89
2	1	341690	THROTTLE CABLE MT 280 ONAN	89
3	2	470118	1/4 UNC X 3/4 FLANGED H BOLT	
4	4	470121	1/4-20 FLANGED WHIZ NUT	
5	1	473921	BALL JOINT NO 10-32 THD	
6	1	499001	SPRING	
7	1	659292	1 7/8DIA BALL KNOB 3/8-16	
8	1	785003	CTRL CABLE 10-32 4IN X 112 LG	
9	1	785046	FRICITION DISC 3-333 X .38	
10	1	785060	THROTTLE LEVER WLD ONAN	85
11	1	900170	3/8 UNC X 2 1/4 HH BOLT	
12	1	903893	10 32 X 1 SLT RD HD MACH SCR	
13	2	910027	HEX NUT NO 10 UNF	
14	1	914004	3/8 UNC STOVER NUT	
15	1	914027	NO 10-32 STOVER NUT	
16	1	920002	WASH FLAT 3/8 SAE	
17	2	920510	LOCK WASH NO 10	
18	2	903711	MACH SCR 1/4-20X3/4 PHIL PNHD	



STEERING WHEEL ASSEMBLY

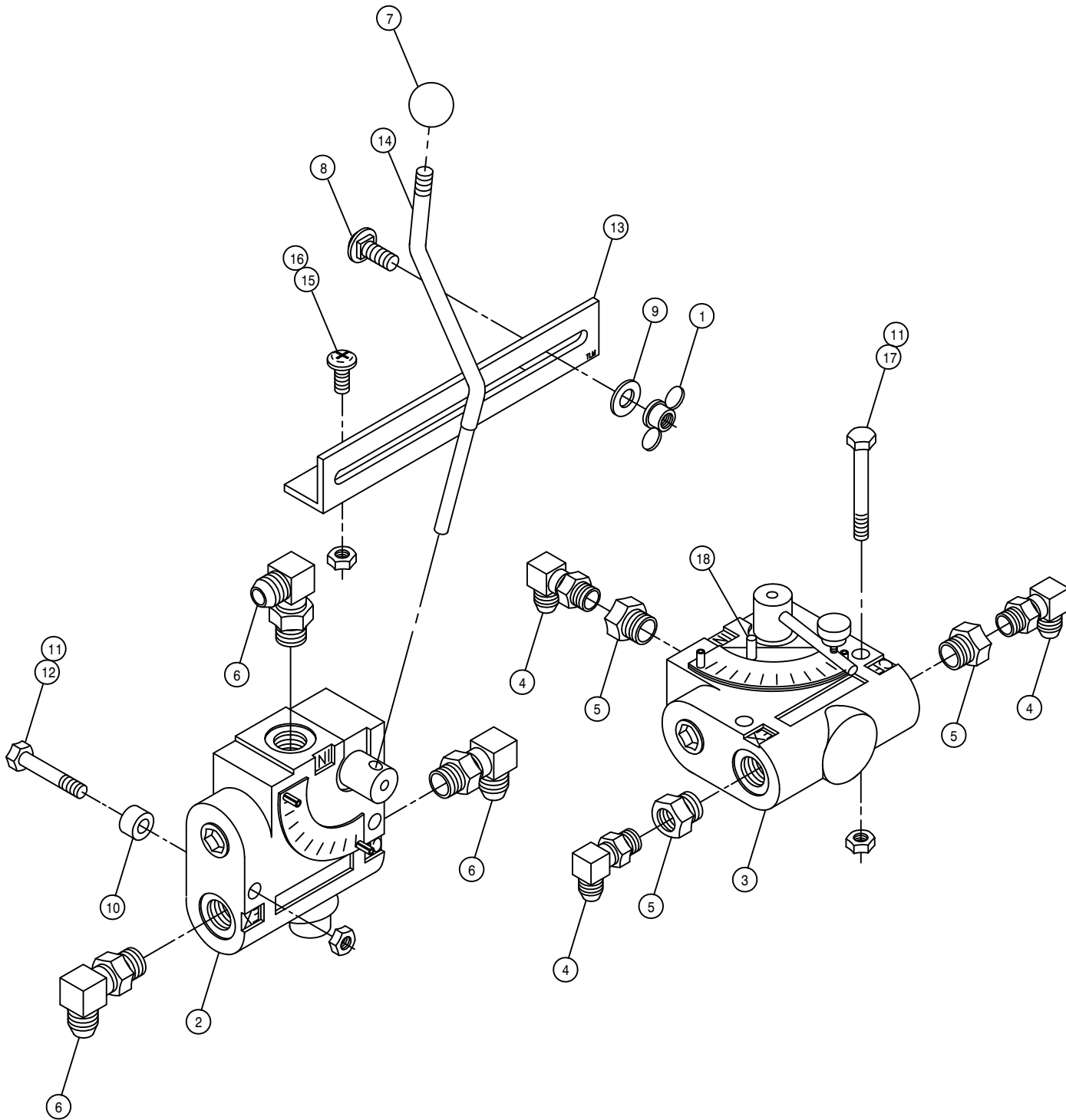
DET. QTY PART NO. DESCRIPTION

DET.	QTY	PART NO.	DESCRIPTION
1	1	341691	STRG MTR PIVOT HSNG WLD 280
2	1	341695	STRG MTR COVER WELD 280 89
3	1	341705	STRG MTR LWR COVER 280 89
4	1	470157	NUT 13/16-20 UNEF FOR 749245
5	4	618496	9/16MJIC-45-3/4MOR LBO
6	1	742502	STRG ADJ KNOB 440
7	1	749150	STRG MTR NON-LOAD REACT 1008
8	1	749178	STRG COLUMN 2.5IN LONG
9	1	749245	STRG WHL 14.0 DIA W/CAP
10	1	749244	STRG WHL CAP FOR 749245
11	4	900130	3/8 UNC X 1 1/4 HEX BOLT
12	1	901276	1/2 UNCX5 CARR HEAD BOLT
13	4	920002	WASH FLAT 3/8 SAE
14	8	920004	1/2 FLAT WASHER SAE
15	1	920005	5/8 FLAT WASH SAE
16	6	903708	MACH SCR 1/4-20X1/2 PHIL PNHD
17	3	470118	1/4 UNC X 3/4 FLANGED H BOLT
18	3	470121	1/4-20 FLANGED WHIZ NUT



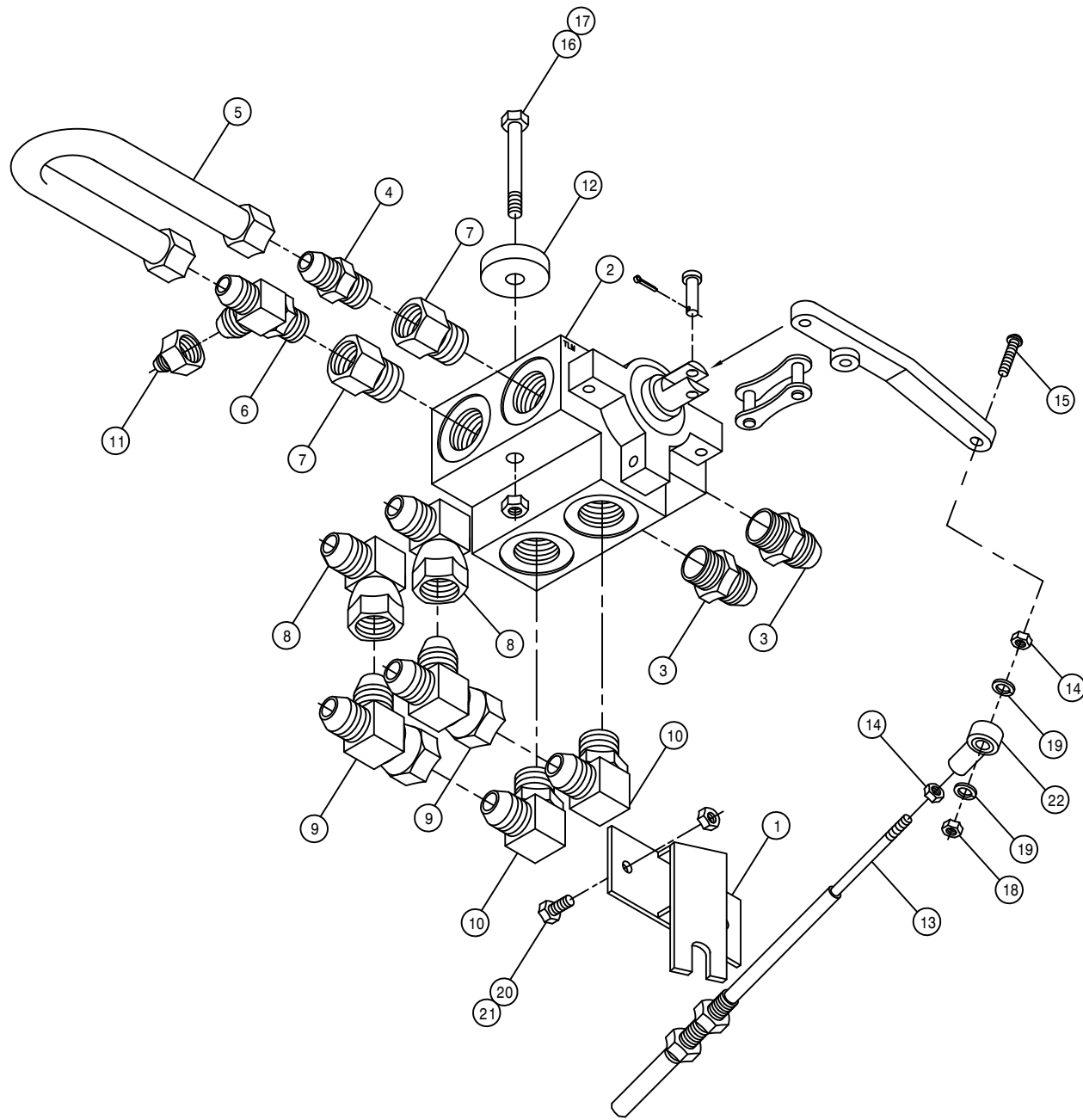
INSTRUMENT PANEL ASSEMBLY

DET.	QTY	PART NO.	DESCRIPTION
	1	290046	LIGHT SWITCH TWO POSITION
	1	290401	FUEL GAUGE FOR 2.125 DIA HOLE
	1	291088	FLASHER / TURN SIGNAL SWITCH
	1	291203	HOUR METER 640
	3	298004	20 AMP FUSE SFE 20
	3	298011	FUSE HOLDER
	5	298012	TOGGLE SWITCH
	1	314436	TEMP GA 100-280 DEG LIGHTED
	1	316075	IGN SWITCH-TAPPED, PERK
	1	341746	INSTRUMENT PANEL 280 89
	5	390318	INDICATOR LIGHT RED SNAP-IN
	5	470001	RUBBER BOOT W NUT FOR 298012
	6	470165	NUTSERT 10-32 .020-100 GR
	1	483031	MACH WASH 7/8 ID 1 3/8 OD
	1	658174	BUMPER PLUG FOR 640 CAB
	1	674000	MOTOROLA SPEEDOMETER
	1	341742	INSTRUMENT PANEL HSNG WLD 280
	1	470118	1/4 UNC X 3/4 FLANGED H BOLT
	1	470121	1/4-20 FLANGED WHIZ NUT
	6	903883	10-32 X 1/2 SLTRD HD MACH SCR
	1	341822	RAVEN CONSOLE MOUNT 89
	2	193011	EDGE GUARD, BLK



VARIABLE FLOW CONTROL ASSEMBLIES

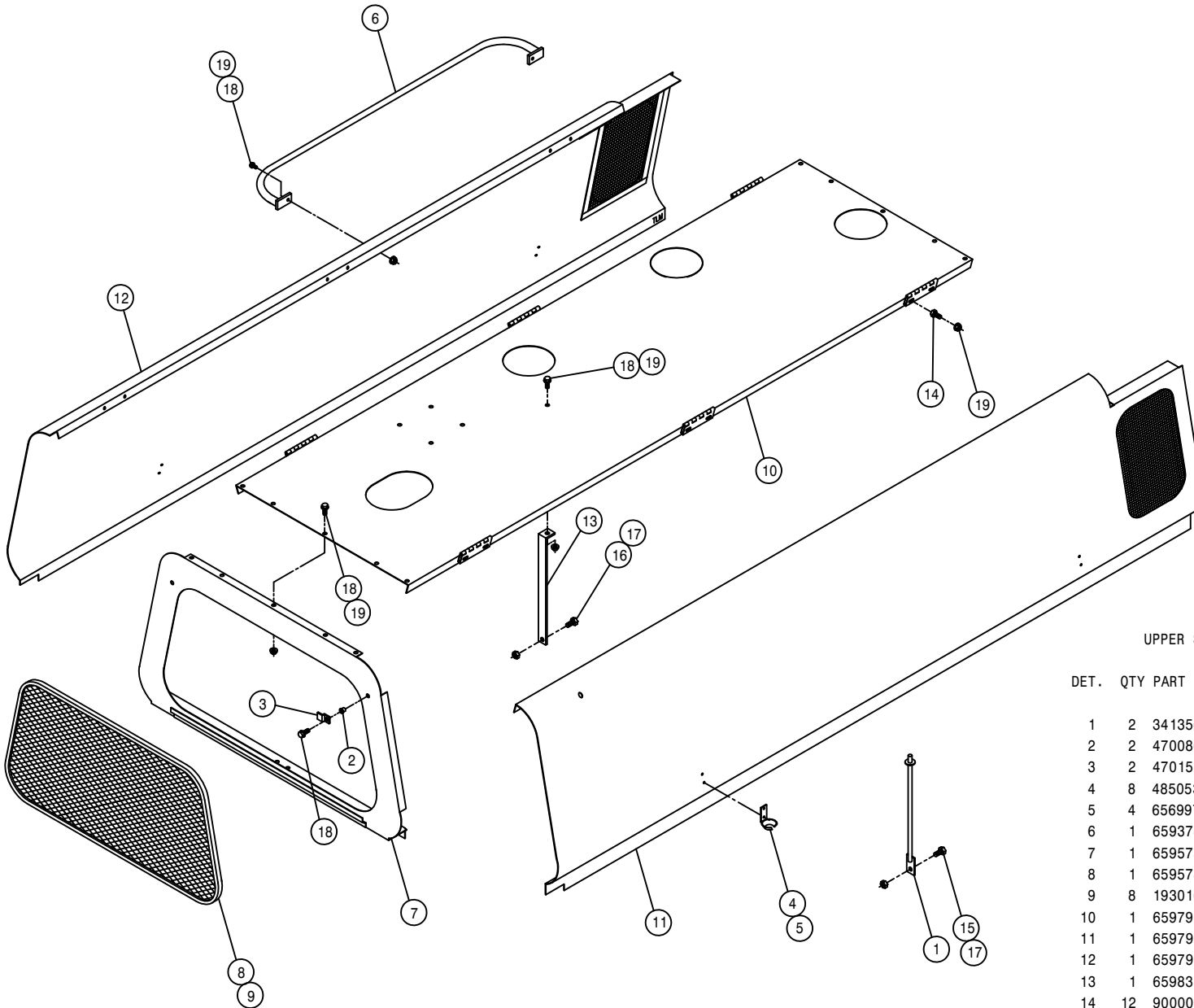
DET.	QTY	PART NO.	DESCRIPTION
1	1	473900	5/16 PLATED WING NUT 640
2	1	606818	FLO CONT FCR51 0-16GPM 7/8FOR
3	1	606827	FLO CONT FC51 0-3 VARI 7/8FOR
4	3	618119	9/16MJIC-90-9/16MOR LBO
5	3	618172	7/8MOR-9/16FOR ADPTR
6	3	618183	3/4MJIC-90-7/8MOR LBO
7	1	659291	1 DIA BALL KNOB 3/8-16INSERT
8	1	901064	5/16 UNC X 3/4 CARR BOLT
9	1	920002	WASH FLAT 3/8 SAE
10	2	310562	SAFETY SWITCH PLT BUSH
11	4	914000	1/4 UNC STOVER NUT
12	2	900009	1/4 UNC X 2 3/4 HEX BOLT
13	1	341711	VFC STOP BRKT 280 89
14	1	341712	SOLU PUMP VFC LEVER 280 89
15	2	903711	MACH SCR 1/4-20X3/4 PHIL PNHD
16	2	470121	1/4-20 FLANGED WHIZ NUT
17	2	900023	BOLT 1/4 UNC X 2 1/4 HH PLATED
18	1	341939	AGIT VFC STOP WLD



FOUR-WHEEL DRIVE SELECTOR VALVE ASSEMBLY

DET. QTY PART NO. DESCRIPTION

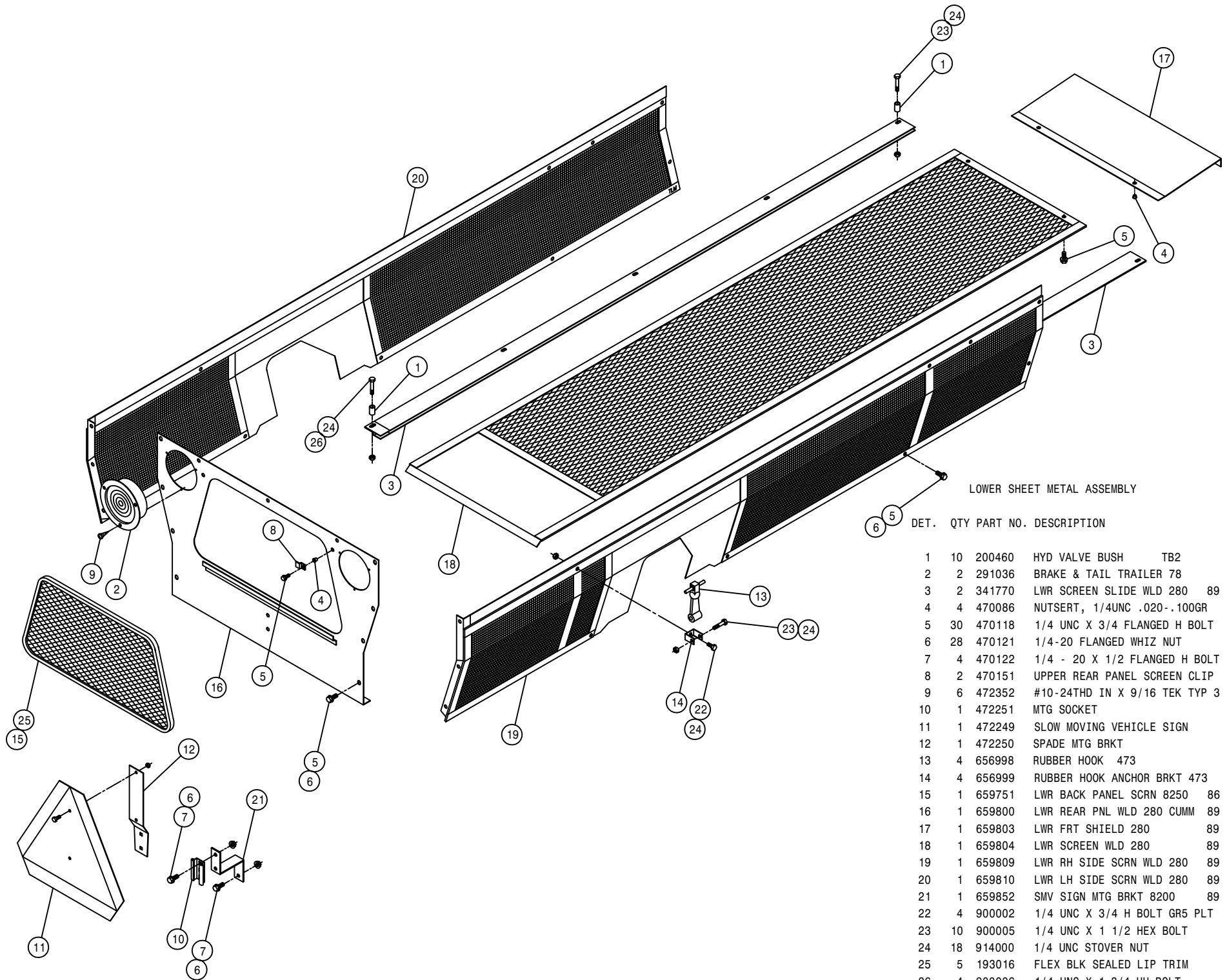
1	1	341861	FWD CABLE MT WLD 280	89
2	1	606003	GRESEN SELECTOR VALVE DS-12	
3	2	611127	1 1/16MJIC-1 1/16MOR ADPTR	
4	1	611126	7/8MJIC-7/8MOR ADPTR	
5	1	614198	FWD VALVE U-TUBE ASSY	
6	1	618130	7/8MOR RUN TEE-7/8MJIC	
7	2	618132	1 1/16MOR-7/8FOR ADPTR	
8	2	618301	7/8MJIC-90-7/8FJIC SWIV LBO	
9	2	618333	7/8FJIC SW RUN TEE-7/8MJIC	
10	2	618535	7/8MJIC-90-1 1/16MOR LBO	
11	1	618557	7/8FJIC-9/16MJIC ADPTR	
12	2	748501	RUBBER WASH .38 X .406 X 1.50	
13	1	785056	CTRL CABLE 10-32 4IN X 58 LG	
14	2	910027	HEX NUT NO 10 UNF	
15	1	903893	10 32 X 1 SLT RD HD MACH SCR	
16	2	900136	3/8 UNC X 3 HEX BOLT	
17	2	914004	3/8 UNC STOVER NUT	
18	1	914027	NO 10-32 STOVER NUT	
19	2	920510	LOCK WASH NO 10	
20	2	900002	1/4 UNC X 3/4 H BOLT GR5 PLT	
21	2	914000	1/4 UNC STOVER NUT	
22	1	473921	BALL JOINT NO 10-32 THD	



UPPER SHEET METAL ASSEMBLY

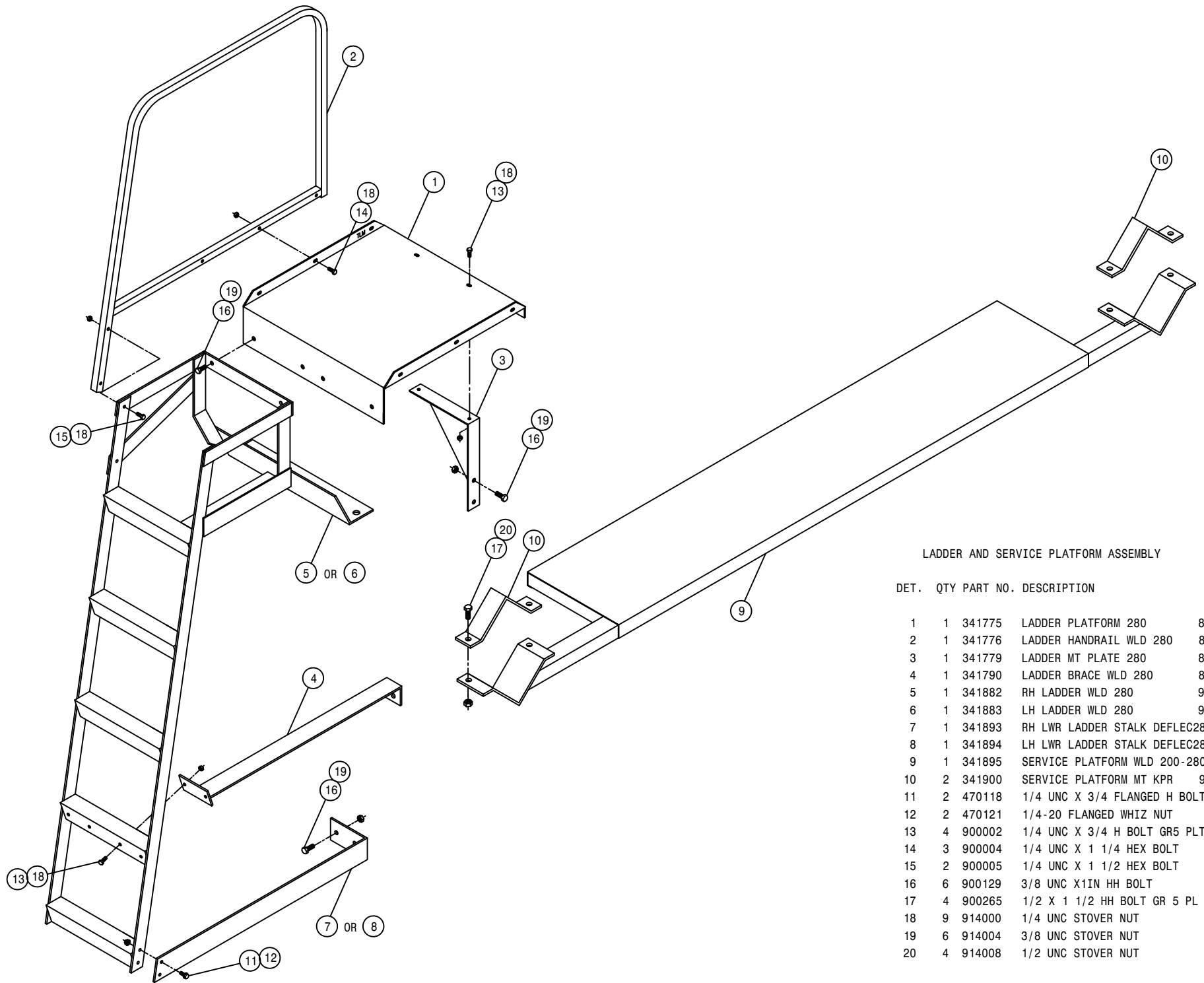
DET. QTY PART NO. DESCRIPTION

1	2	341356	ENGINE HOOD PROP WLD 8240	82
2	2	470086	NUTSERT, 1/4UNC .020-.100GR	
3	2	470151	UPPER REAR PANEL SCREEN CLIP	
4	8	485053	POP RIVET 3/16 X 3/8	
5	4	656997	RUBBER HOOK BRKT 473	
6	1	659378	RH ENG HOOD HANDRAIL WLD 647S	
7	1	659575	UPPER REAR PANEL WLD 8240 82	
8	1	659578	UPPER REAR PANEL SCREEN 8240	
9	8	193016	FLEX BLK SEALED LIP TRIM	
10	1	659794	MULLION WLD CUMM 280	89
11	1	659796	RH ENGINE HOOD WLD 280	89
12	1	659797	LH ENGINE HOOD WLD 280	89
13	1	659835	MULLION SUPPORT 200	89
14	12	900000	1/4 UNC X 1/2 HEX BOLT	
15	2	900128	3/8 UNCX3/4 HH BOLT	
16	1	900129	3/8 UNC X1IN HH BOLT	
17	3	914004	3/8 UNC STOVER NUT	
18	15	470118	1/4 UNC X 3/4 FLANGED H BOLT	
19	25	470121	1/4-20 FLANGED WHIZ NUT	



LOWER SHEET METAL ASSEMBLY

DET.	QTY	PART NO.	DESCRIPTION
1	10	200460	HYD VALVE BUSH TB2
2	2	291036	BRAKE & TAIL TRAILER 78
3	2	341770	LWR SCREEN SLIDE WLD 280 89
4	4	470086	NUTSERT, 1/4UNC .020-.100GR
5	30	470118	1/4 UNC X 3/4 FLANGED H BOLT
6	28	470121	1/4-20 FLANGED WHIZ NUT
7	4	470122	1/4 - 20 X 1/2 FLANGED H BOLT
8	2	470151	UPPER REAR PANEL SCREEN CLIP
9	6	472352	#10-24THD IN X 9/16 TEK TYP 3
10	1	472251	MTG SOCKET
11	1	472249	SLOW MOVING VEHICLE SIGN
12	1	472250	SPADE MTG BRKT
13	4	656998	RUBBER HOOK 473
14	4	656999	RUBBER HOOK ANCHOR BRKT 473
15	1	659751	LWR BACK PANEL SCR N 8250 86
16	1	659800	LWR REAR PNL WLD 280 CUMM 89
17	1	659803	LWR FRT SHIELD 280 89
18	1	659804	LWR SCREEN WLD 280 89
19	1	659809	LWR RH SIDE SCR N WLD 280 89
20	1	659810	LWR LH SIDE SCR N WLD 280 89
21	1	659852	SMV SIGN MTG BRKT 8200 89
22	4	900002	1/4 UNC X 3/4 H BOLT GR5 PLT
23	10	900005	1/4 UNC X 1 1/2 HEX BOLT
24	18	914000	1/4 UNC STOVER NUT
25	5	193016	FLEX BLK SEALED LIP TRIM
26	4	900006	1/4 UNC X 1 3/4 HH BOLT



LADDER AND SERVICE PLATFORM ASSEMBLY

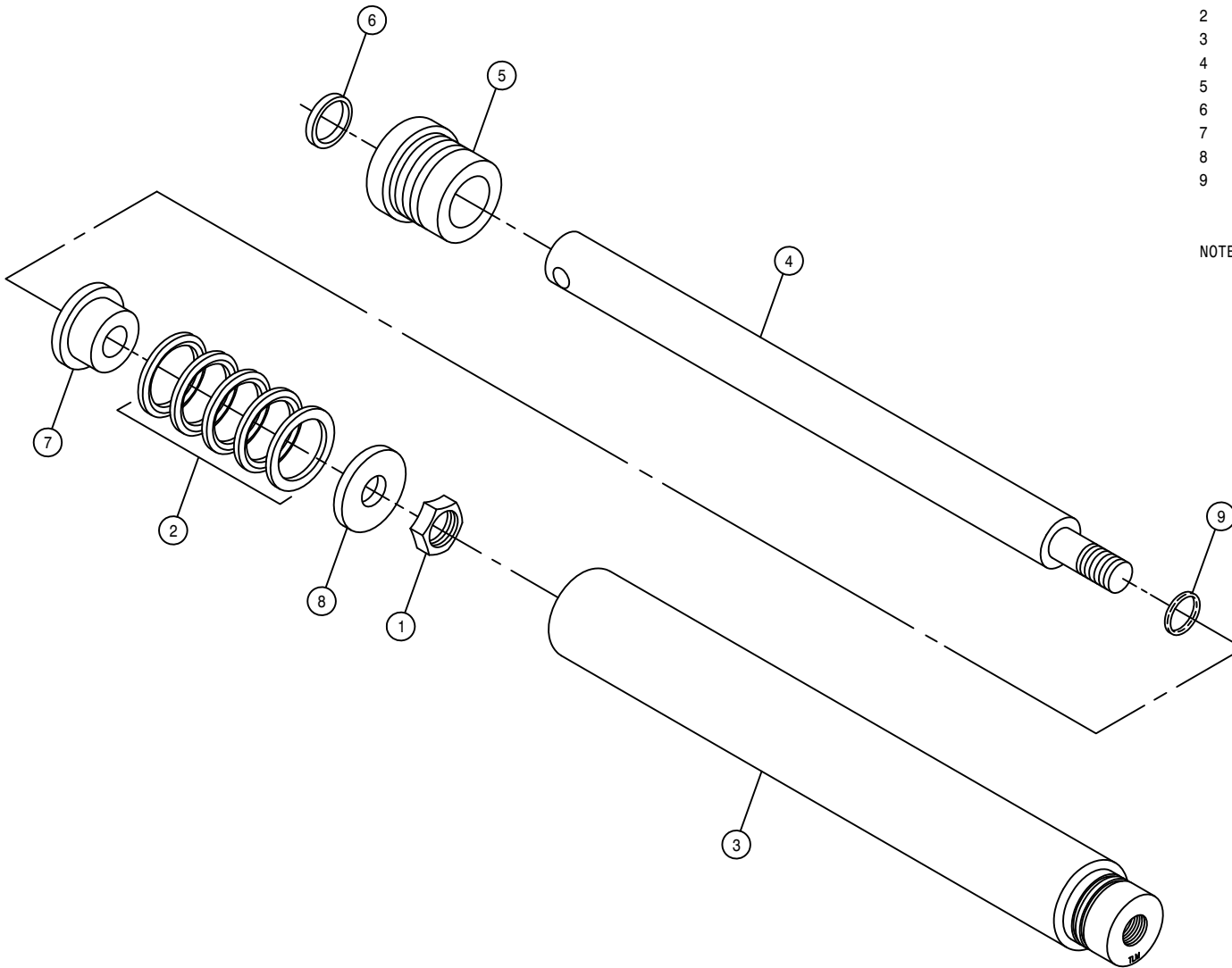
DET.	QTY	PART NO.	DESCRIPTION	
1	1	341775	LADDER PLATFORM 280	89
2	1	341776	LADDER HANDRAIL WLD 280	89
3	1	341779	LADDER MT PLATE 280	89
4	1	341790	LADDER BRACE WLD 280	89
5	1	341882	RH LADDER WLD 280	90
6	1	341883	LH LADDER WLD 280	90
7	1	341893	RH LWR LADDER STALK DEFLEC280	
8	1	341894	LH LWR LADDER STALK DEFLEC280	
9	1	341895	SERVICE PLATFORM WLD 200-280	
10	2	341900	SERVICE PLATFORM MT KPR	90
11	2	470118	1/4 UNC X 3/4 FLANGED H BOLT	
12	2	470121	1/4-20 FLANGED WHIZ NUT	
13	4	900002	1/4 UNC X 3/4 H BOLT GR5 PLT	
14	3	900004	1/4 UNC X 1 1/4 HEX BOLT	
15	2	900005	1/4 UNC X 1 1/2 HEX BOLT	
16	6	900129	3/8 UNC X1IN HH BOLT	
17	4	900265	1/2 X 1 1/2 HH BOLT GR 5 PL	
18	9	914000	1/4 UNC STOVER NUT	
19	6	914004	3/8 UNC STOVER NUT	
20	4	914008	1/2 UNC STOVER NUT	

FRONT LEG CYLINDER ASSEMBLY

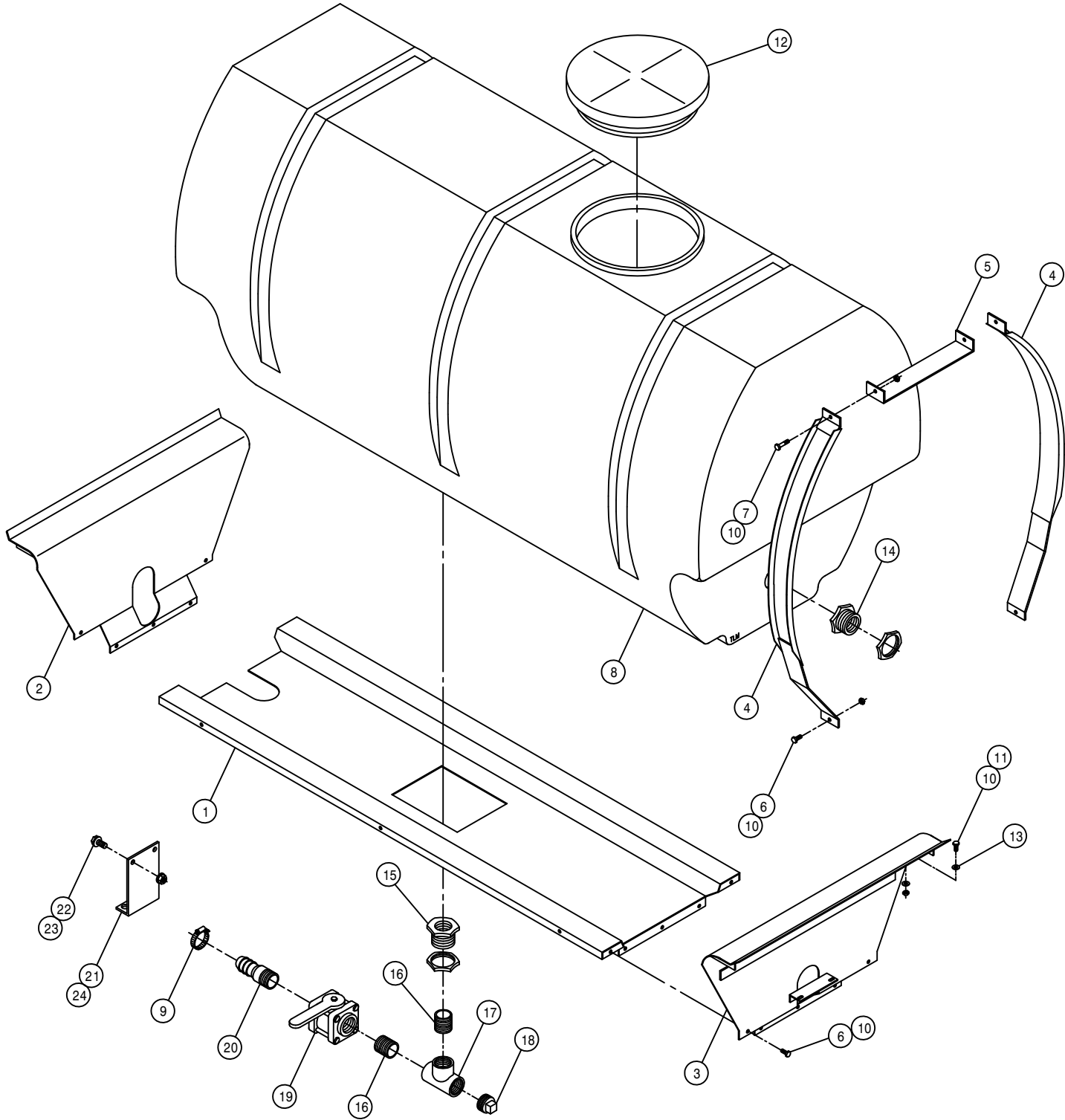
DET. QTY PART NO. DESCRIPTION

1	1	472297	3/4UNF HEX STOVER NUT THIN
2	1	620321	VEE PACK 1 1/2 X 2
3	1	620571	TUBE WLD
4	1	620573	SHAFT 1 1/4 X 17 3/8
5	1	620574	BRG HEAD 2 X 1 1/4
6	1	629002	WIPER 1 1/4 X 1 1/2 X 1/8
7	1	620578	PISTON 2 X 3/4 VPX
8	1	620579	RETAINER 2 X 3/4 X 1/4
9	1	870018	NEO ORING 3/4 X 7/8

NOTE: 620570 - CYLINDER ASSEMBLY
620575 - SEAL KIT

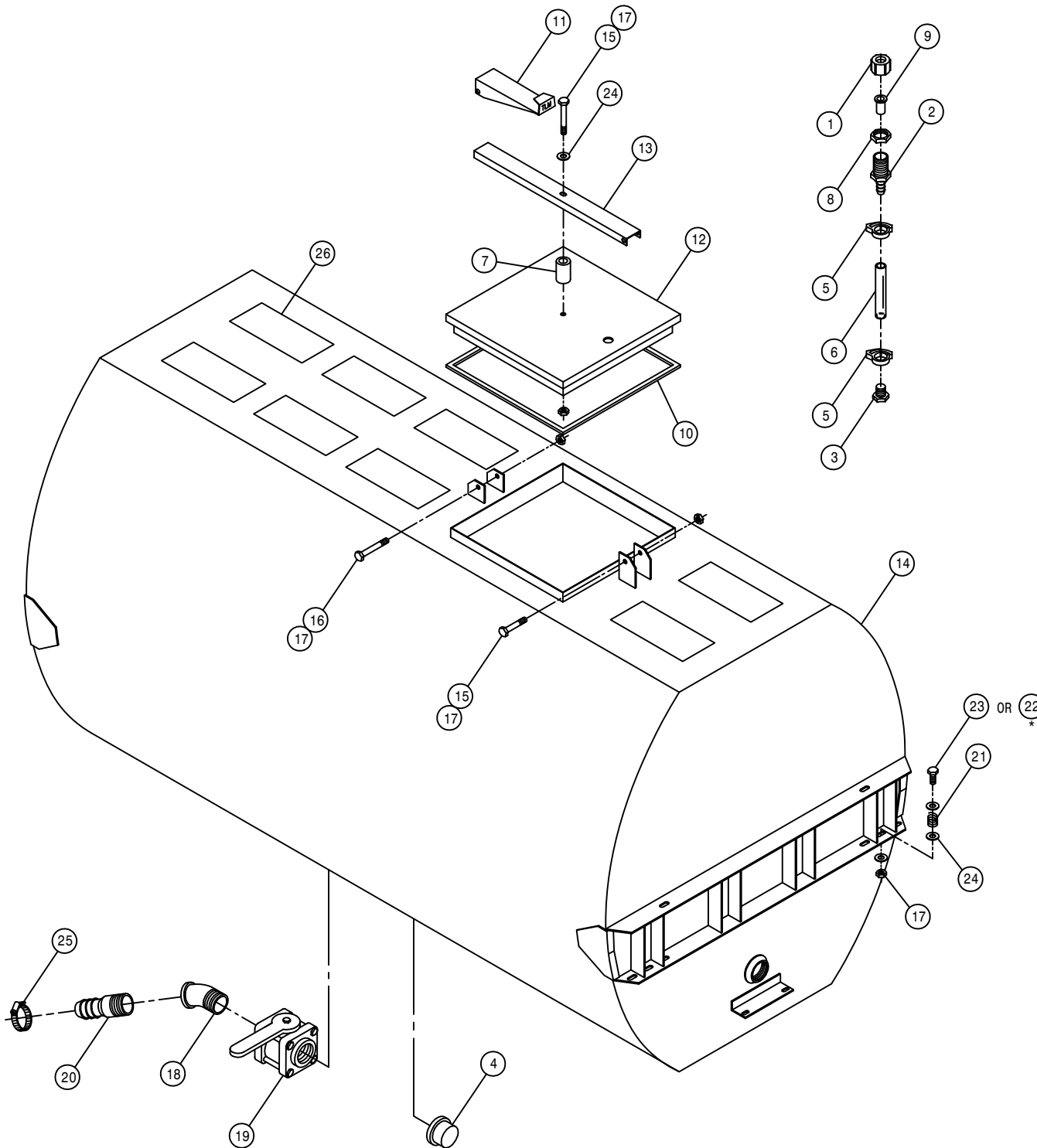


36



POLY 400 GALLON SOLUTION TANK ASSEMBLY

DET.	QTY	PART NO.	DESCRIPTION
	1	763335	POLY TANK CRADLE WLD 280 90
	2	763339	FRNT POLY CRADLE MT WLD280 90
	3	763340	REAR POLY CRADLE MT WLD280 90
	4	763349	TANK BAND WLD 280 400GAL POLY
	5	763353	TANK BAND BINDER 280 POLY
	6	900129	3/8 UNC X1IN HH BOLT
	7	900131	3/8 UNC X 1 1/2 HH BOLT GR 5
	8	763292	400 GALLON POLY TANK
	9	520067	HOSE CLAMP NO 28 PLATED
	10	914004	3/8 UNC STOVER NUT
	11	900128	3/8 UNC X 3/4 HH BOLT
	12	763259	LID, POLY SOLUTION TANK
	13	920002	WASH FLAT 3/8 SAE
	14	618548	1.25 PLASTIC FTG ASSY POLYTNK
	15	618604	1.50 PLASTIC FTG ASSY-POLYTNK
	16	507019	CLOSE NIPPLE 1.50NPT
	17	507250	BLK PIPE TEE 1.50NPT
	18	507400	PIPE PLUG 1.50NPT SQ HD
	19	696110	BALL VALVE 1 1/2FNPT POLY
	20	716003	1 1/2 X 1 1/2 HOSE BARB
	21	763363	SOLU HOSE SUPPORT 280 POLY 91
	22	470118	1/4UNC X 3/4 FLANGED HEX BOLT
	23	470121	1/4UNC HEX FLANGED LOCK NUT
	24	470154	RELEASABLE PLASTIC TIE11.88IN



STAINLESS STEEL SOLUTION TANK ASSEMBLY

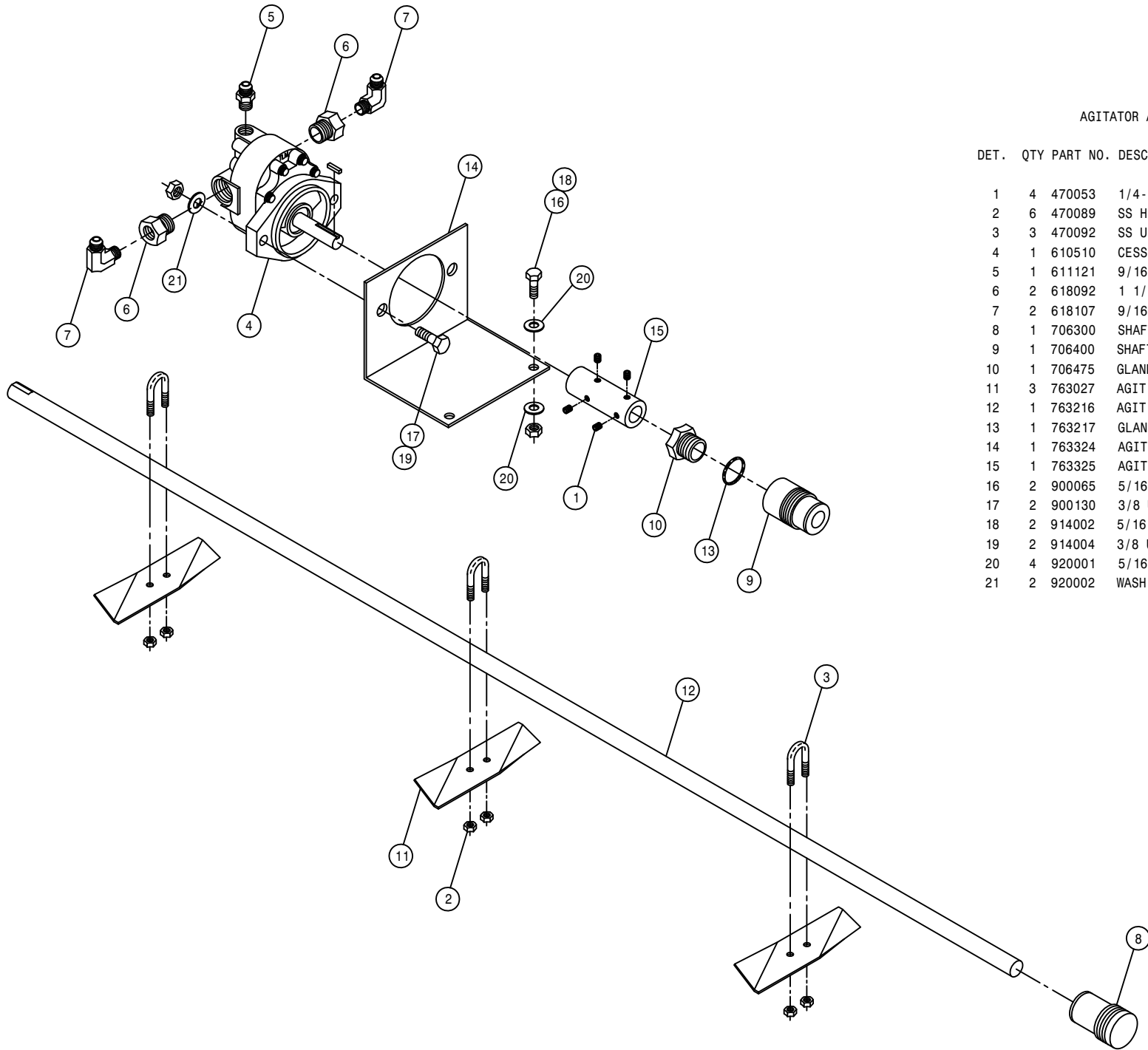
DET.	QTY	PART NO.	DESCRIPTION
1	1	500005	CAP NUT .688FPS NYLON
2	1	500006	.38 H BARB X .69 MPS NYLON
3	1	500007	FTG .12 MNPT HEX PLUG NYLON
4	1	507100	PIPE CAP 1.50NPT
5	2	520003	HOSE CLAMP NO 6 PLASTIC SNAP
6	1	601216	SPRAY TNK VENT HOSE .38X3.50
7	1	601231	HOSE, 3/4 X 2 HI PRESS EPDM
8	1	737858	TEE AND EL NUT .688 FPS
9	1	738859	STRAINER 50 MESH NYLON
10	1	760651	TANK LID GSKT 647
11	1	763163	SPRAY TANK LATCH HANDLE 647S
12	1	763164	SPRAY TANK LID WLD 647S
13	1	763166	TANK LID CHAN 647-S SIDE
14	1	763294	SS SPRAY TANK WLD 400 GAL 280
15	2	900134	3/8UNC X 2 1/2 HEX BOLT
16	1	900138	3/8UNC X 3 1/2 HEX BOLT
17	7	914004	3/8UNC HEX STOVER NUT
18	1	507024	BLK PIPE ST EL 45DEG 1.50NPT
19	1	696110	BALL VALVE 1 1/2FNPT POLY
20	1	716003	1 1/2 X 1 1/2 HOSE BARB
21	2	499001	SPRING HYDRO CONTROL
22	2	900129	3/8UNC X 1 HEX BOLT
23	2	900170	3/8UNC X 2 1/4 HEX BOLT
24	11	920002	WASH FLAT 3/8 SAE
25	1	520067	HOSE CLAMP NO 28 PLATED
26	8	659677	4X9 SAFETY WALK

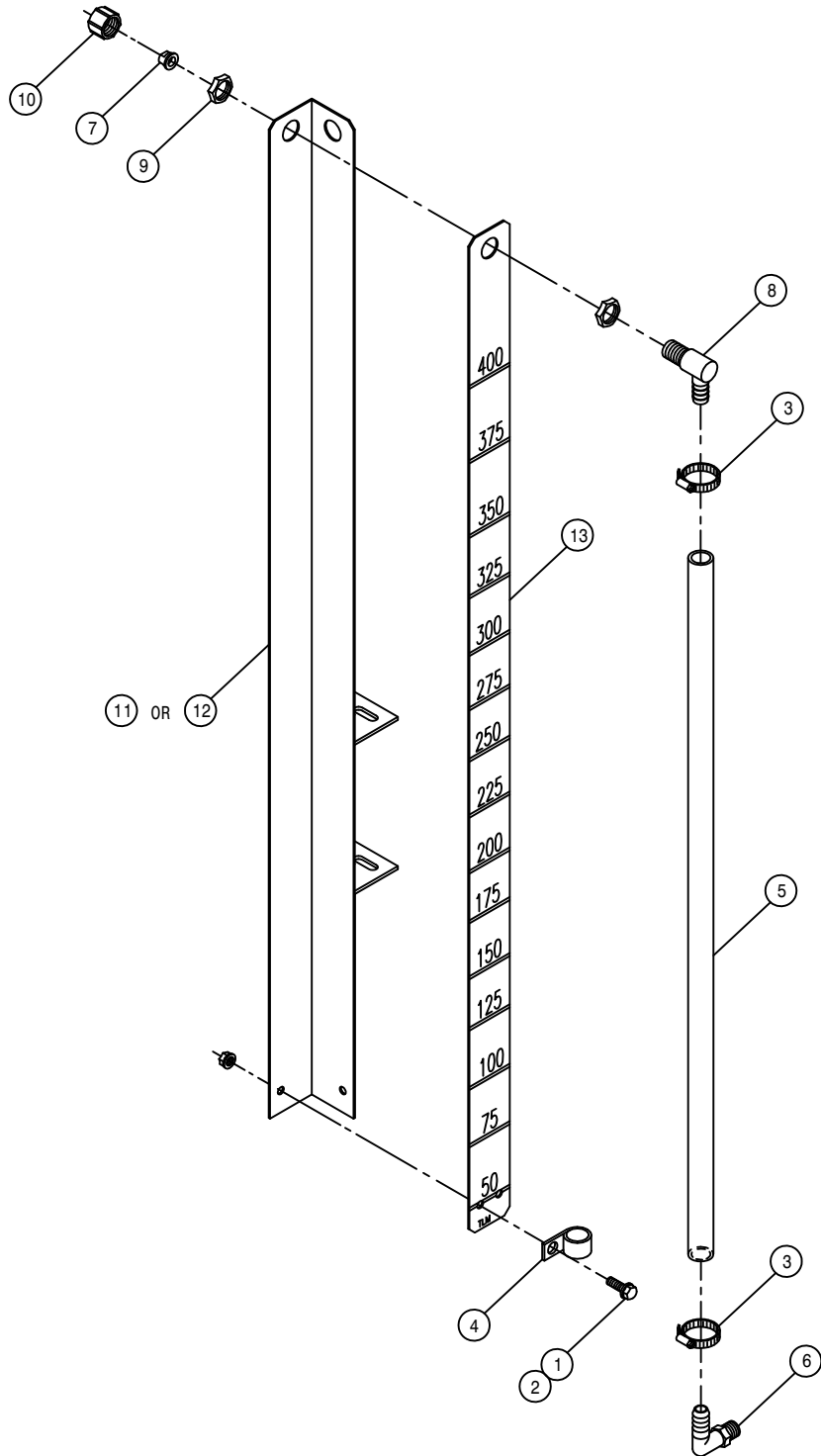
*NOTE: HARDWARE SHOWN IS FOR REAR OF SOLUTION TANK.
FRONT SIDE USES DETAIL 22 AND NO SPRINGS.

AGITATOR ASSEMBLY

DET. QTY PART NO. DESCRIPTION

DET.	QTY	PART NO.	DESCRIPTION	
1	4	470053	1/4-20X1/4 AL HD SET SC CUP	
2	6	470089	SS HEX NUT .25UNC LOCK	
3	3	470092	SS U BOLT .25UNC X1.25 X.75	
4	1	610510	CESSNA GEAR MOTOR 1.48CI	
5	1	611121	9/16MJIC-1/4MNPT ADPTR	
6	2	618092	1 1/16MOR-1/2FNPT ADPTR	
7	2	618107	9/16MJIC-90-1/2MNPT LBO	
8	1	706300	SHAFT BRG HSNB ASSY BLIND END	
9	1	706400	SHAFT BRG HSNB	
10	1	706475	GLAND NUT	
11	3	763027	AGIT IMPELLER	
12	1	763216	AGIT SHAFT 8370-80	
13	1	763217	GLAND PACKING 19 IN LONG	
14	1	763324	AGIT MOTOR MT CES 280	90
15	1	763325	AGIT MTR CPLR 280	90
16	2	900065	5/16 UNC X 1 HEX BOLT	
17	2	900130	3/8 UNC X 1 1/4 HEX BOLT	
18	2	914002	5/16 UNC STOVER NUT	
19	2	914004	3/8 UNC STOVER NUT	
20	4	920001	5/16 FLAT WASHER SAE PLT	
21	2	920002	WASH FLAT 3/8 SAE	





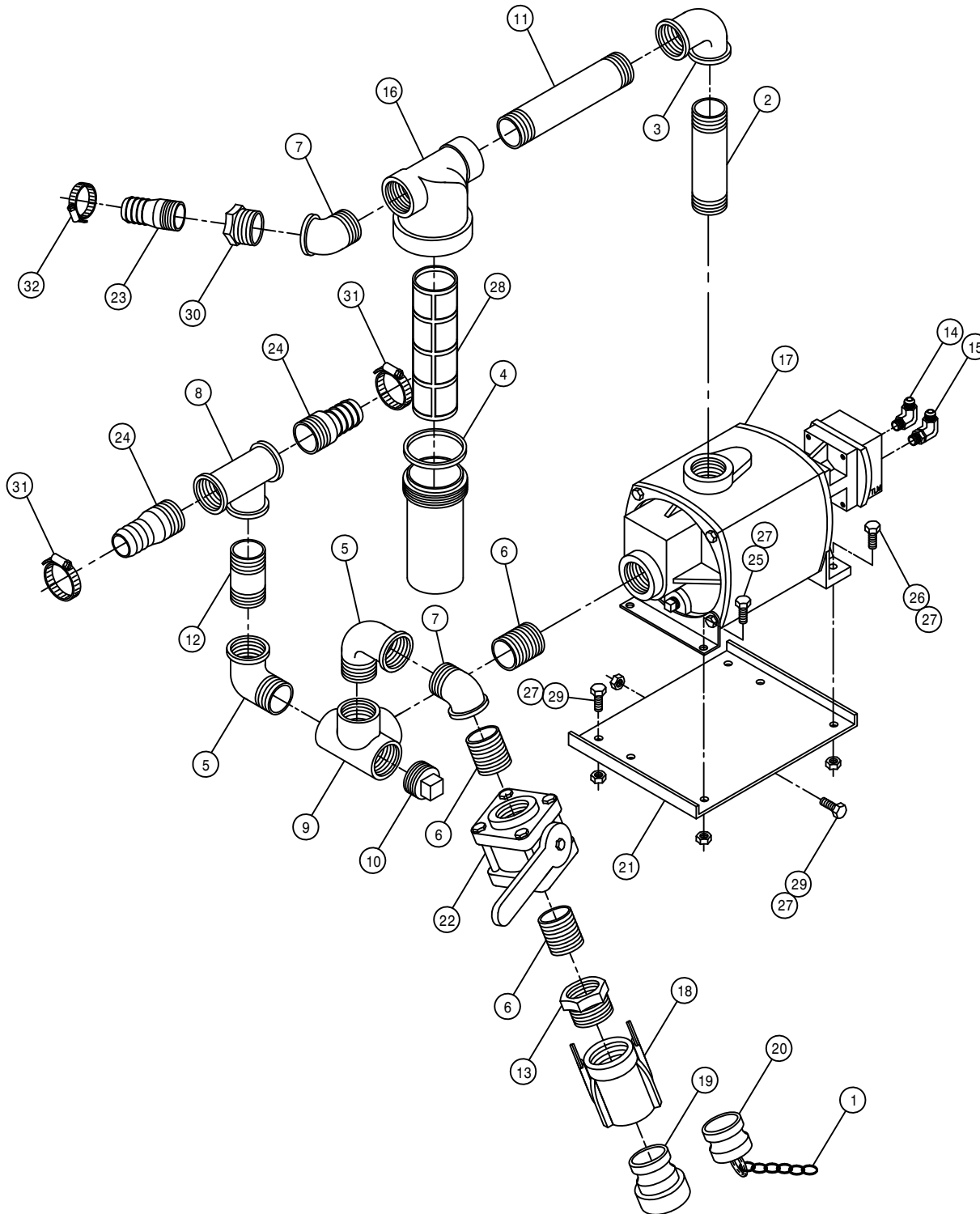
SIGHT GAUGE HOSE ASSEMBLY

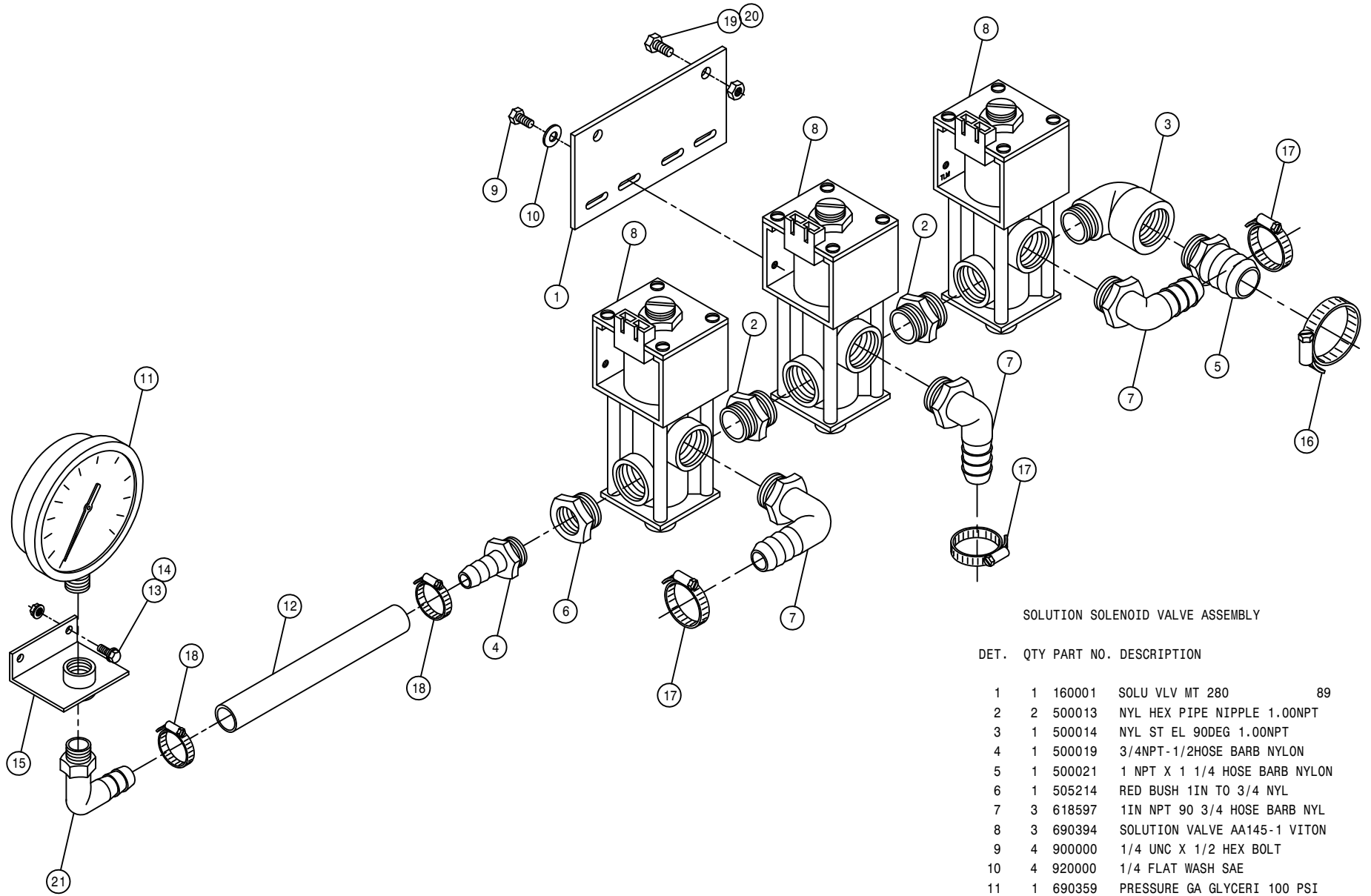
DET.	QTY	PART NO.	DESCRIPTION
1	1	470122	1/4 - 20 X 1/2 FLANGED H BOLT
2	1	470121	1/4-20 FLANGED WHIZ NUT
3	2	520069	HOSE CLAMP NO 6 PLATED
4	1	520117	CUSHION HOSE CLAMP 5/8 IN
5	1	601302	HOSE, 1/2 X 52 SIGHT GAUGE
6	1	618556	.25 NPT 90 X .50 HBARB NYLON
7	1	731109	TIP,FS-9 80DEG NYL SNGL ORF
8	1	737856	EL NOZL BODY .50 STEEL
9	1	737858	TEE AND EL NUT .688 FPS
10	1	738866	CAP NUT .688 FPS STEEL
11	1	763316	RH SIGHT GAUGE MT WLD 280 89
12	1	763317	LH SIGHT GAUGE MT WLD 280 89
13	1	763348	SIGHT GAUGE SCALE 280 SS 89

SOLUTION PUMP ASSEMBLY

DET. QTY PART NO. DESCRIPTION

1	1	160986	TWIN LOOP CHAIN 6 LINKS
2	1	507009	BLK PIPE NIPPLE 1.50NPT-6.00
3	1	507014	BLK PIPE EL 90DEG 1.50NPT
4	1	694021	GASKET FOR 690241 VITON
5	2	507018	BLK PIPE ST EL 90DEG 1.50NPT
6	3	507019	CLOSE NIPPLE 1.50NPT
7	2	507024	BLK PIPE ST EL 45DEG 1.50NPT
8	1	507250	BLK PIPE TEE 1.50NPT
9	1	507253	BLK PIPE SIDE OUTLET TEE 1.50
10	1	507400	PIPE PLUG 1.50NPT SQ HD
11	1	507610	BLK PIPE NIPPLE 1.50NPT-8.00
12	1	507613	BLK PIPE NIPPLE 1.50NPT-3.00
13	1	507717	RED BUSH 2 X 1 1/2
14	1	611145	3/4MJIC-90-1/2MNPT LBO
15	1	618241	3/4MJIC-90-3/4MOR LBO
16	1	690241	1 1/2 LINE STRAINER 50 MESH
17	1	690341	HYPRO CENTRIF PUMP 10GPM
18	1	690390	2.00 FEMALE NPT COUPLER
19	1	690391	2.00 FEMALE NPT ADPTR
20	1	690392	ADPTR PLG FOR 2.00 NPT COUPLR
21	1	690397	SOLU PUMP MT WLD 280 89
22	1	696110	BALL VALVE 1 1/2FNPT POLY
23	1	715660	HOSE BARB 1 1/4NPT X 1 1/4
24	2	716003	1 1/2 X 1 1/2 HOSE BARB
25	2	900128	3/8 UNC X 3/4 HH BOLT
26	2	900130	3/8 UNC X 1 1/4 HEX BOLT
27	7	914004	3/8 UNC STOVER NUT
28	1	694120	SS LINE STRAINER SCREEN 50M
29	3	900129	3/8 UNC X 1IN HH BOLT
30	1	507015	RED BUSH 1.50NPT - 1.25FNPT
31	2	520067	HOSE CLAMP NO 28 PLATED
32	1	520085	HOSE CLAMP NO 24 PLATED





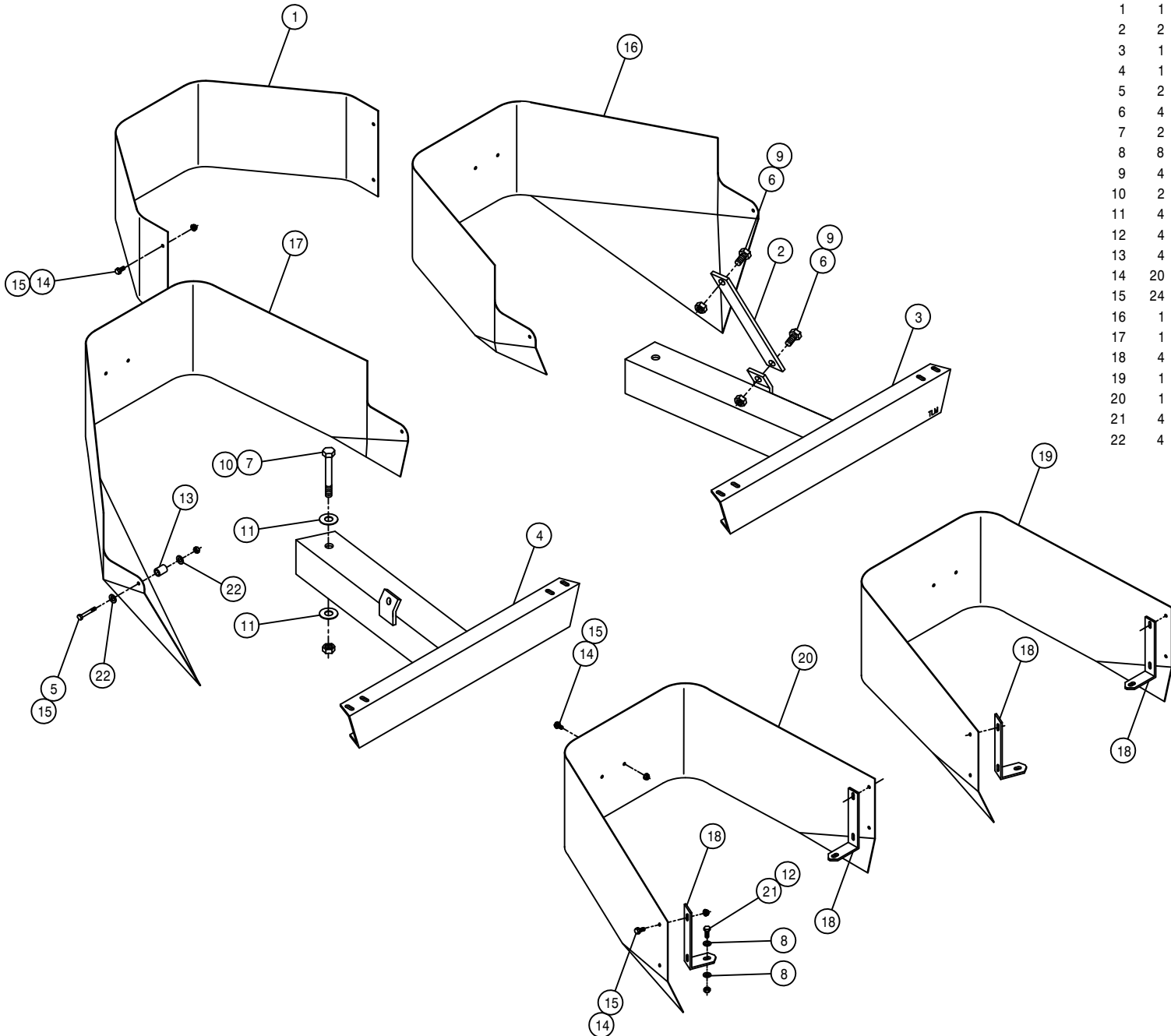
SOLUTION SOLENOID VALVE ASSEMBLY

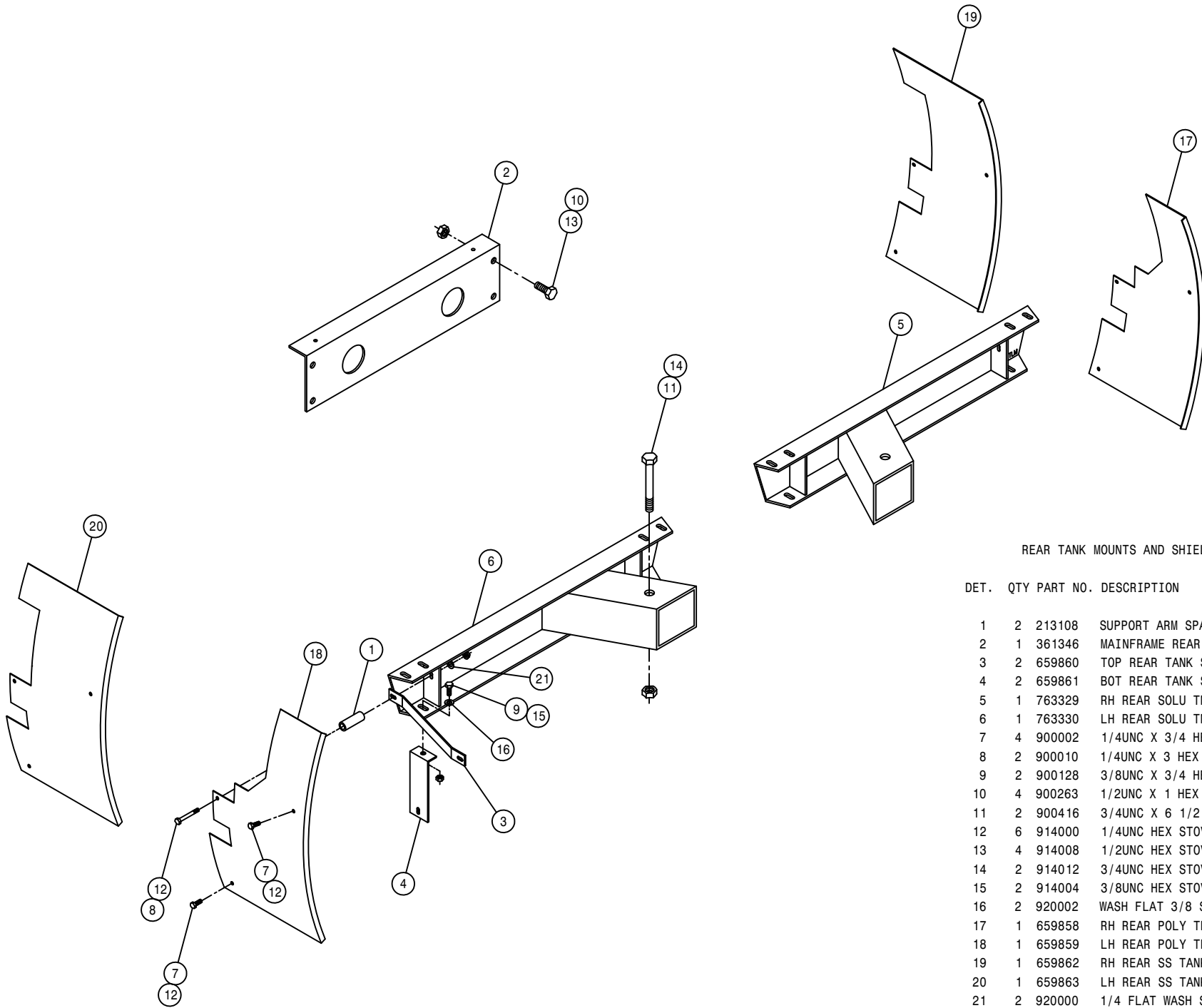
DET.	QTY	PART NO.	DESCRIPTION	
	1	160001	SOLU VLV MT 280	89
	2	500013	NYL HEX PIPE NIPPLE 1.00NPT	
	3	500014	NYL ST EL 90DEG 1.00NPT	
	4	500019	3/4NPT-1/2HOSE BARB NYLON	
	5	500021	1 NPT X 1 1/4 HOSE BARB NYLON	
	6	505214	RED BUSH 1IN TO 3/4 NYL	
	7	618597	1IN NPT 90 3/4 HOSE BARB NYL	
	8	690394	SOLUTION VALVE AA145-1 VITON	
	9	900000	1/4 UNC X 1/2 HEX BOLT	
	10	920000	1/4 FLAT WASH SAE	
	11	690359	PRESSURE GA GLYCERI 100 PSI	
	12	601308	HOSE, .50 1BR BLK EPDM X 8.00	
	13	470118	1/4 UNC X 3/4 FLANGED H BOLT	
	14	470121	1/4-20 FLANGED WHIZ NUT	
	15	160010	SOLU PRESS GA MT WLD 280	89
	16	520085	HOSE CLAMP NO 24 PLATED	
	17	520055	HOSE CLAMP NO 12 PLATED	
	18	520080	HOSE CLAMP NO 10 PLATED	
	19	900129	3/8 UNC X1IN HH BOLT	
	20	914004	3/8 UNC STOVER NUT	
	21	618556	.25 NPT 90 X .50 HBARB NYLON	

FRONT TANK MOUNTS AND SHIELDS

DET. QTY PART NO. DESCRIPTION

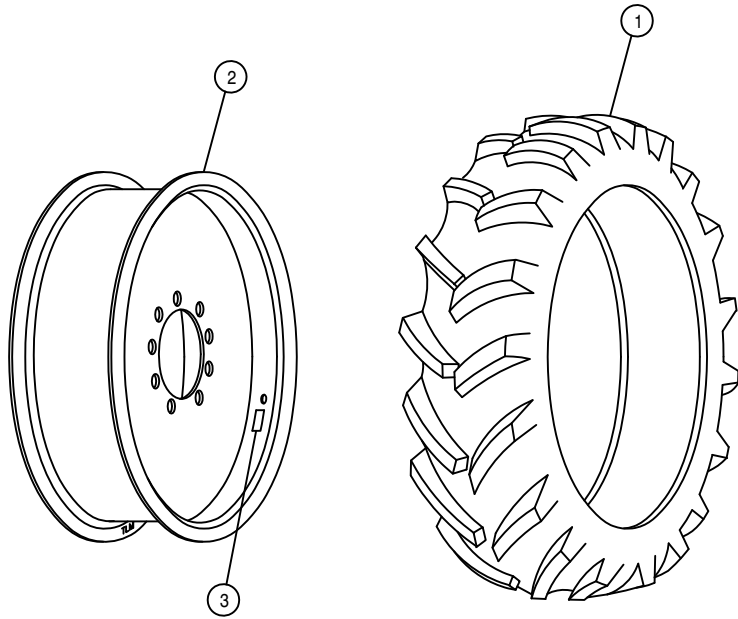
1	1	659831	LWR FRONT SHIELD 280	89
2	2	763315	TANK SUPPORT ARM 280	89
3	1	763326	RH FRT SOLU TANK MT WLD280	90
4	1	763327	LH FRT SOLU TANK MT WLD280	90
5	2	900006	1/4UNC X 1 3/4 HEX BOLT	
6	4	900333	5/8UNC X 1 1/2 HEX BOLT	
7	2	900416	3/4UNC X 6 1/2 HEX BOLT	
8	8	920002	WASH FLAT 3/8 SAE	
9	4	914010	5/8UNC HEX STOVER NUT	
10	2	914012	3/4UNC HEX STOVER NUT	
11	4	920006	3/4 FLAT WASH SAE	
12	4	914004	3/8UNC HEX STOVER NUT	
13	4	160621	SPRING TIGHTENER HOOK BUSH	
14	20	470118	1/4UNC X 3/4 FLANGED HEX BOLT	
15	24	470121	1/4UNC HEX FLANGED LOCK NUT	
16	1	659856	RH FRT POLY TANK SHLD WLD 280	
17	1	659857	LH FRT POLY TANK SHLD WLD 280	
18	4	659834	FRT LEG SHIELD MTG BRKT280	89
19	1	659854	RH FRT SS TANK SHIELD 280	90
20	1	659855	LH FRT SS TANK SHIELD 280	90
21	4	900130	3/8UNC X 1 1/4 HEX BOLT	
22	4	920000	1/4 FLAT WASH SAE	





REAR TANK MOUNTS AND SHIELDS

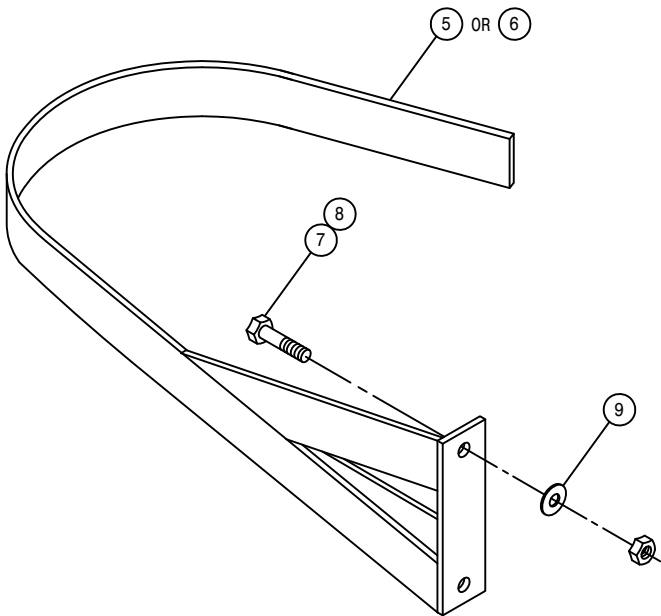
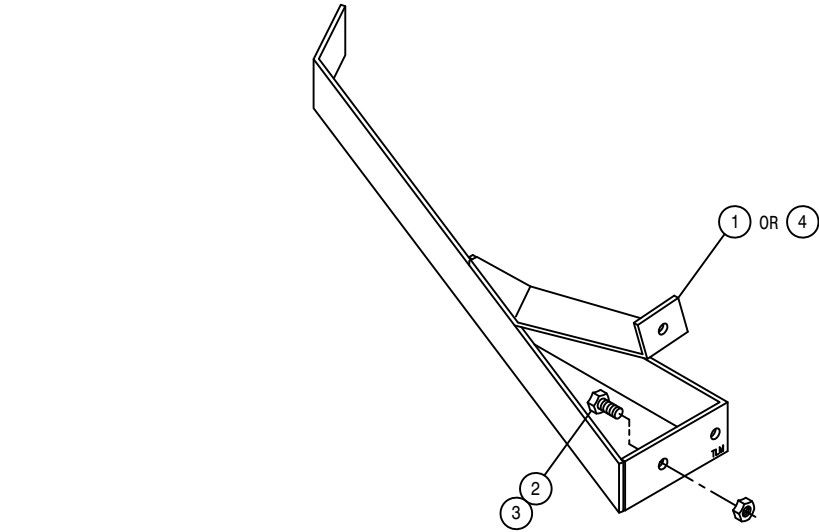
DET.	QTY	PART NO.	DESCRIPTION	
	1	2	213108	SUPPORT ARM SPACER
	2	1	361346	MAINFRAME REAR TIE ANGLE 280
	3	2	659860	TOP REAR TANK SHLD BRKT280 90
	4	2	659861	BOT REAR TANK SHLD BRKT280 90
	5	1	763329	RH REAR SOLU TNK MT WLD280 90
	6	1	763330	LH REAR SOLU TNK MT WLD280 90
	7	4	900002	1/4UNC X 3/4 HEX BOLT
	8	2	900010	1/4UNC X 3 HEX BOLT
	9	2	900128	3/8UNC X 3/4 HEX BOLT
	10	4	900263	1/2UNC X 1 HEX BOLT
	11	2	900416	3/4UNC X 6 1/2 HEX BOLT
	12	6	914000	1/4UNC HEX STOVER NUT
	13	4	914008	1/2UNC HEX STOVER NUT
	14	2	914012	3/4UNC HEX STOVER NUT
	15	2	914004	3/8UNC HEX STOVER NUT
	16	2	920002	WASH FLAT 3/8 SAE
	17	1	659858	RH REAR POLY TNK SHIELD280 90
	18	1	659859	LH REAR POLY TNK SHIELD280 90
	19	1	659862	RH REAR SS TANK SHIELD 280 90
	20	1	659863	LH REAR SS TANK SHIELD 280 90
	21	2	920000	1/4 FLAT WASH SAE



TIRE AND RIM ASSEMBLY

DET. QTY PART NO. DESCRIPTION

1	1	820001	12.4 X 28 4P TIRE TRACT F&R
2	1	820017	WHL WLD 12.4 X 28 SENSOR MT
3	1	650985	WHL BOLT TORQ DECAL 203854C



CROP GUIDES

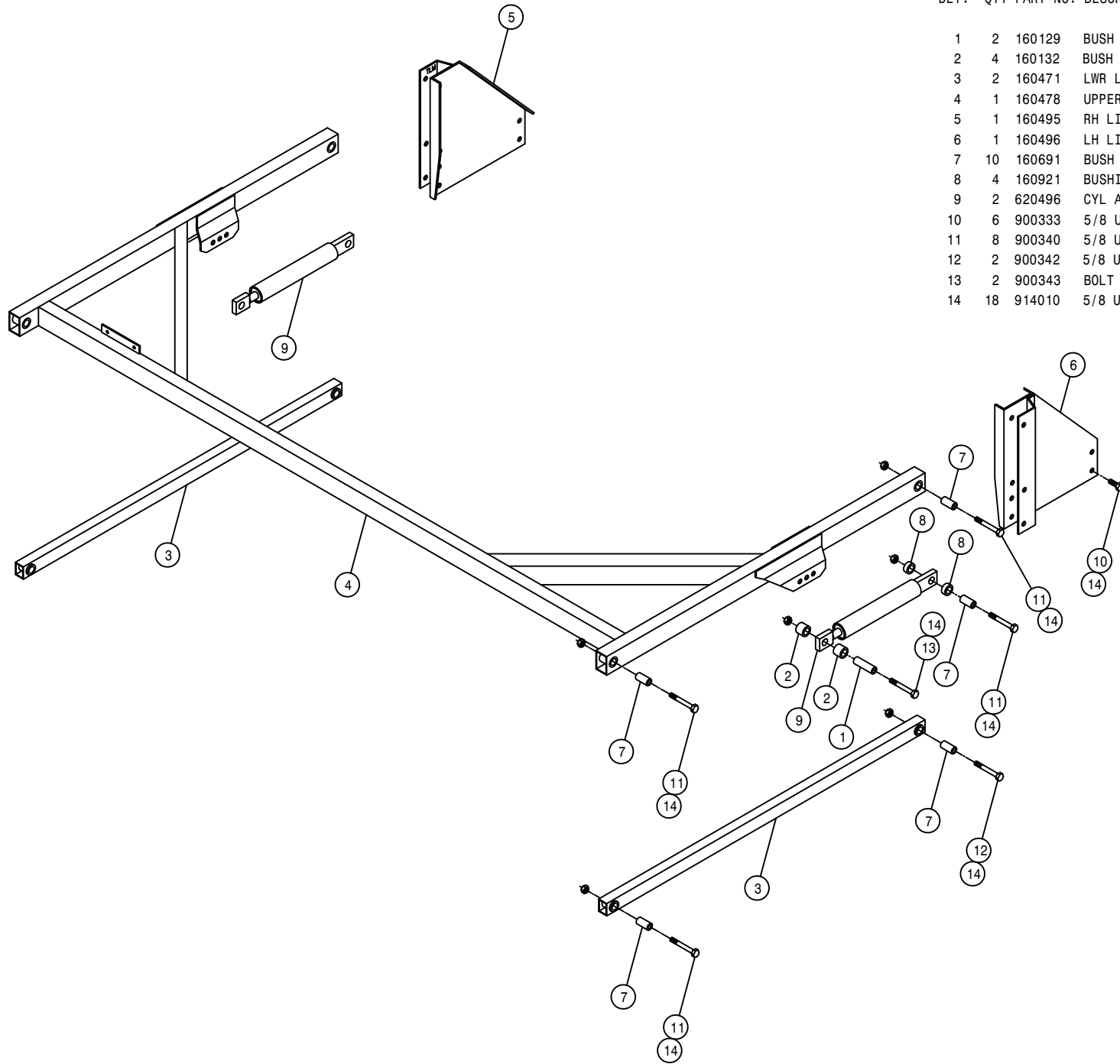
DET. QTY PART NO. DESCRIPTION

1	1	662217	RH REAR STALK GUIDE WLD280 89
2	2	900129	3/8 UNC X1IN HH BOLT
3	2	914004	3/8 UNC STOVER NUT
4	1	662218	LH REAR STALK GUIDE WLD280 89
5	1	662150	RH STALK GUIDE WLD 8240
6	1	662151	LH STALK GUIDE WLD 8240
7	2	900264	1/2 UNC X 1 1/4 HEX BOLT
8	2	914008	1/2 UNC STOVER NUT
9	2	920004	1/2 FLAT WASHER SAE

LIFTARM ASSEMBLY

DET. QTY PART NO. DESCRIPTION

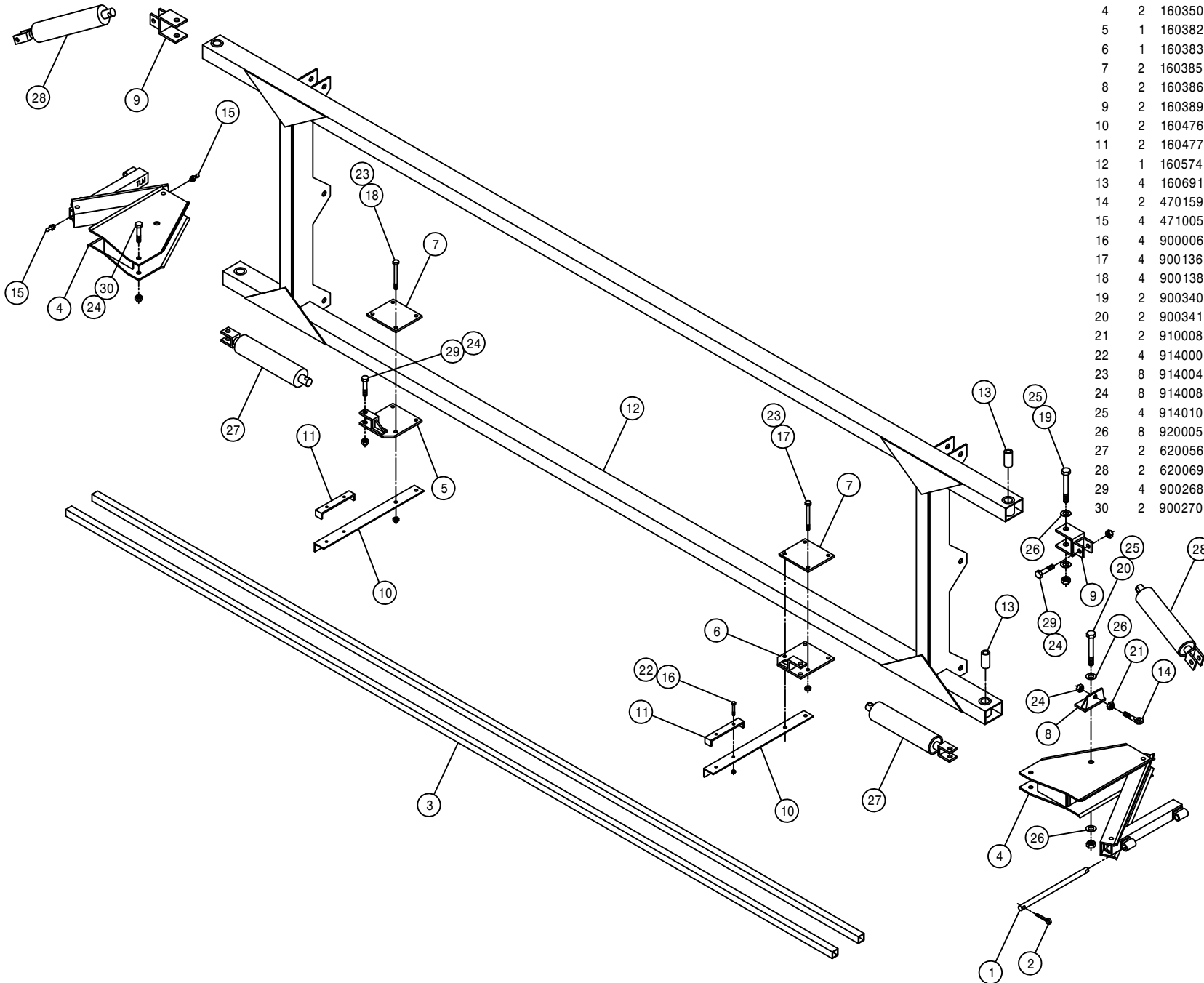
DET.	QTY	PART NO.	DESCRIPTION
1	2	160129	BUSH 1 OD X .63ID X 3.38
2	4	160132	BUSH 1 1/2OD X 1ID X 1 1/4
3	2	160471	LWR LIFT ARM WLD 8540-8250 87
4	1	160478	UPPER LIFT ARM WLD 280 89
5	1	160495	RH LIFT ARM MT WLD 280 89
6	1	160496	LH LIFT ARM MT WLD 280 89
7	10	160691	BUSH LIFT ARM LONG 470
8	4	160921	BUSHING, CYL MT-LIFT ARMS5/8
9	2	620496	CYL ASSY, BOOM LIFT W/RESTRIC
10	6	900333	5/8 UNC X 1 1/2 HEX BOLT
11	8	900340	5/8 UNC X 3 1/2 HEX BOLT
12	2	900342	5/8 UNC X 4 HEX BOLT
13	2	900343	BOLT 5/8 UNC X 4 1/2 HEX HD
14	18	914010	5/8 UNC STOVER NUT

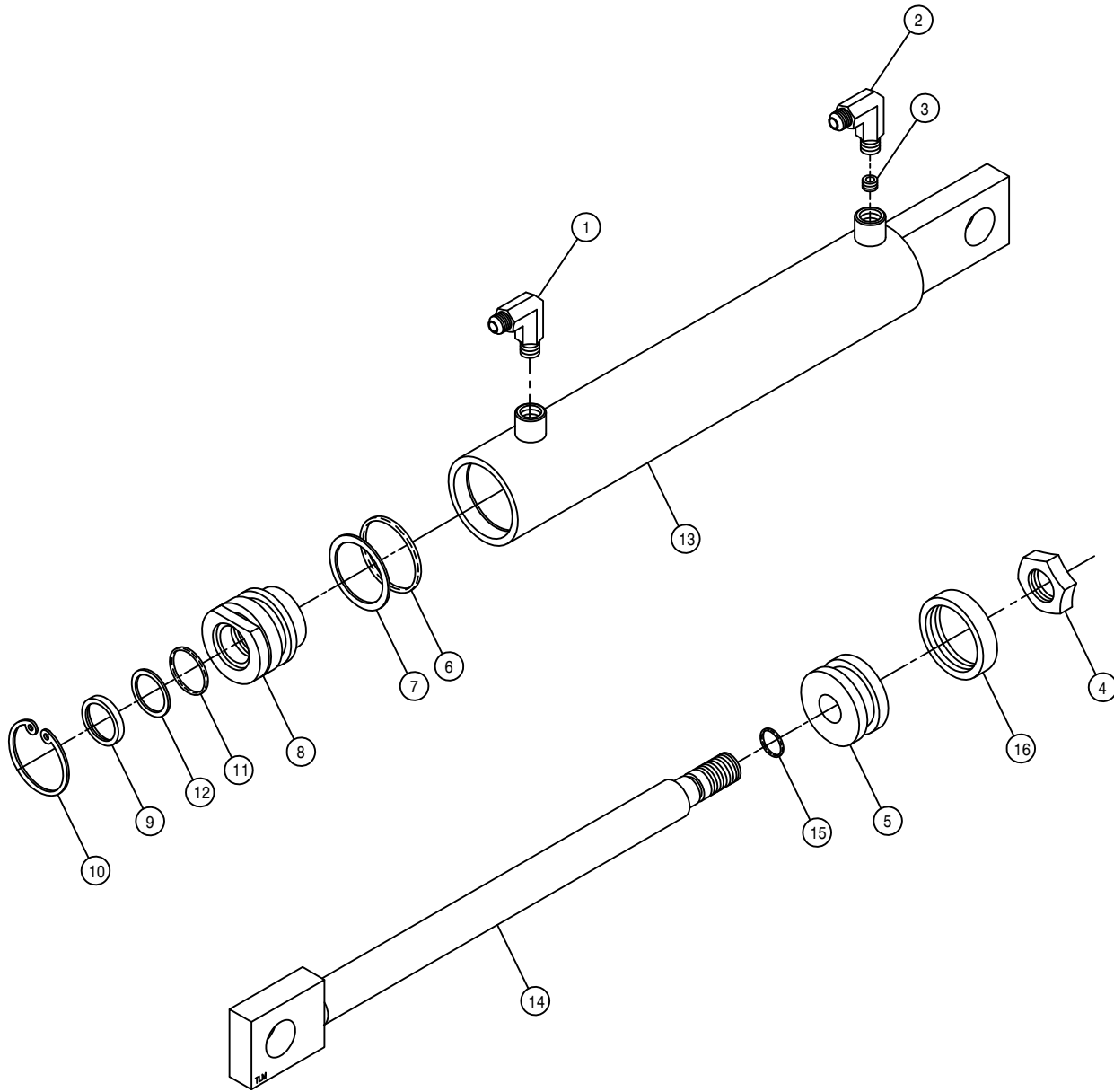


TRANSOM ASSEMBLY

DET. QTY PART NO. DESCRIPTION

DET.	QTY	PART NO.	DESCRIPTION
1	2	160351	BOOM PIVOT PIN 5/8 8540
2	4	475003	PIN COT 3/16 X 1 ZINC
3	2	160006	NOZL MT CENTER TUBE 120 TREAD
4	2	160350	BOOM BREAKAWAY WLD 8250 85
5	1	160382	RH FOLD CYL MT WLD 8540
6	1	160383	LH FOLD CYL MT WLD 8540
7	2	160385	FOLD CYL MT KPR 8540
8	2	160386	BRKWY SPRING BRKT WLD 8540
9	2	160389	LEVEL CYL PIVOT BRKT WLD 8540
10	2	160476	NOZL MT TUBE HANGER 8540 87
11	2	160477	NOZL MT TUBE CLAMP 8540 87
12	1	160574	TRANSOM WLD 280 89
13	4	160691	BUSH LIFT ARM LONG 470
14	2	470159	EYE BOLT, 1/2 UNC X 2 1/2
15	4	471005	1/4 28 X 1/2 GREASE ZERK
16	4	900006	1/4 UNC X 1 3/4 HH BOLT
17	4	900136	3/8 UNC X 3 HEX BOLT
18	4	900138	3/8 UNC X 3 1/2 HEX BOLT
19	2	900340	5/8 UNC X 3 1/2 HEX BOLT
20	2	900341	BOLT, 5/8UNC X 3 3/4 HHD GR5
21	2	910008	1/2 UNC HEX NUT
22	4	914000	1/4 UNC STOVER NUT
23	8	914004	3/8 UNC STOVER NUT
24	8	914008	1/2 UNC STOVER NUT
25	4	914010	5/8 UNC STOVER NUT
26	8	920005	5/8 FLAT WASH SAE
27	2	620056	CYL ASSY W/FTGS & RESTR 2IN
28	2	620069	CYL ASSY W/FTGS W/O RESTR 2IN
29	4	900268	1/2 UNC X 2 1/2 HEX BOLT
30	2	900270	1/2 UNC X 3 HEX BOLT

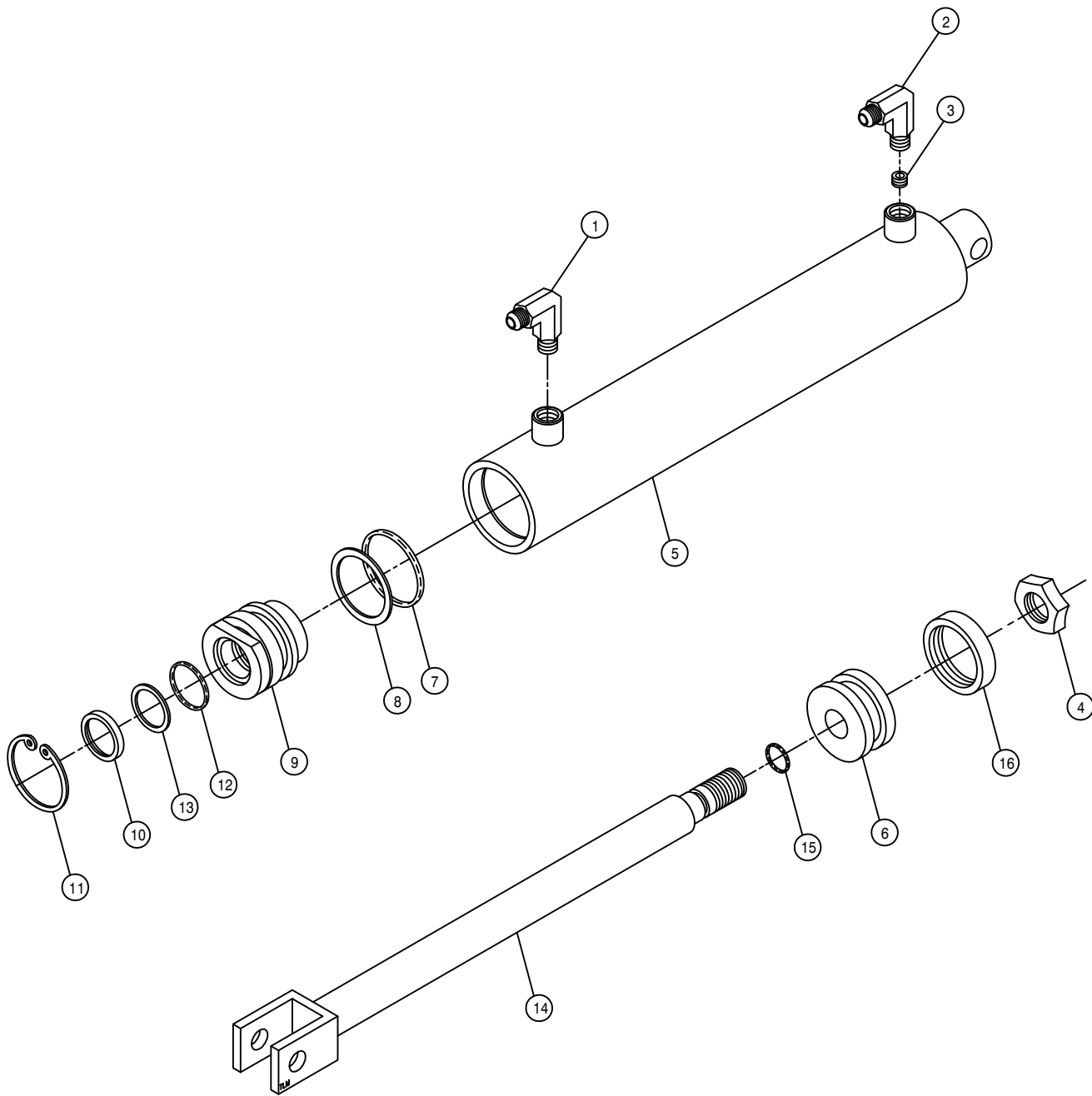




LIFT CYLINDER ASSEMBLY

DET.	QTY	PART NO.	DESCRIPTION
1	1	611122	9/16MJIC-90-1/4MNPT LBO
2	1	440338	9/16 JIC W/90X1/4 NPT TAPPED
3	1	614366	RESTRICTOR SCREW, .042 DIA
4	1	472297	3/4UNF HEX STOVER NUT THIN
5	1	620081	PISTON 2 X 1 ZAMAC ORING TYPE
6	1	870326	BUNA ORING 1 5/8 X 2
7	1	890326	BACKUP WASH 1 5/8 X 2 LEATH
8	1	620082	GLAND 2 IN X 1 IN ZAMAC
9	1	629003	WIPER 1 X 1 1/4 X 1/8
10	1	629505	SNAP RING 2 IN INTRN
11	1	870214	BUNA ORING 1 X 1 1/4
12	1	890214	BACKUP WASH 1 X 1 1/4 HT2022
13	1	620498	TUBE WLD LIFT CYL 1978
14	1	620505	SHAFT WLD LIFT CYL 640
15	1	870113	BUNA ORING 9/16 X 3/4
16	1	860326	CROWN SEAL, 2" PISTON, HYD

NOTE: 1. 620499 - CYLINDER ASSEMBLY
 2. 614365 - RESTRICTOR ELBOW ASSEMBLY
 3. 620083 - SEAL KIT



LEVEL AND FOLD CYLINDER ASSEMBLY

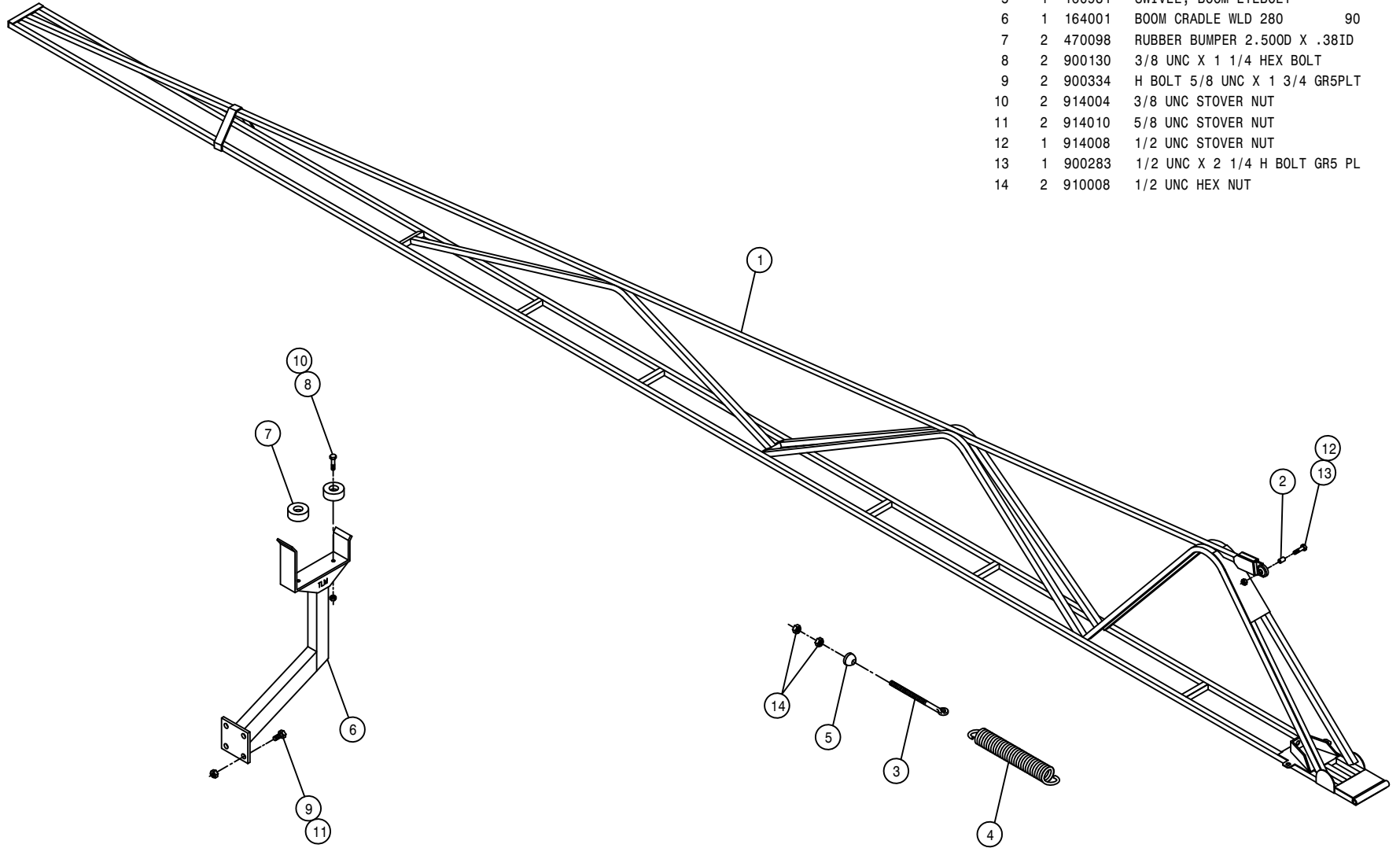
DET.	QTY	PART NO.	DESCRIPTION
1	1	611122	9/16MJIC-90-1/4MNPT LBO
2	1	440338	9/16 JIC W/90X1/4 NPT TAPPED
3	1	614366	RESTRICTOR SCREW, .042 DIA
4	1	472297	3/4UNF HEX STOVER NUT THIN
5	1	620053	TUBE WLD, 2IN FOLD & LEVEL
6	1	620081	PISTON 2 X 1 ZAMAC ORING TYPE
7	1	870326	BUNA ORING 1 5/8 X 2
8	1	890326	BACKUP WASH 1 5/8 X 2 LEATH
9	1	620082	GLAND 2 IN X 1 IN ZAMAC
10	1	629003	WIPER 1 X 1 1/4 X 1/8
11	1	629505	SNAP RING 2 IN INTRN
12	1	870214	BUNA ORING 1 X 1 1/4
13	1	890214	BACKUP WASH 1 X 1 1/4 HT2022
14	1	620093	SHAFT WLDMT, HAGIE BOOM CYL
15	1	870113	BUNA ORING 9/16 X 3/4
16	1	860326	CROWN SEAL, 2" PISTON, HYD

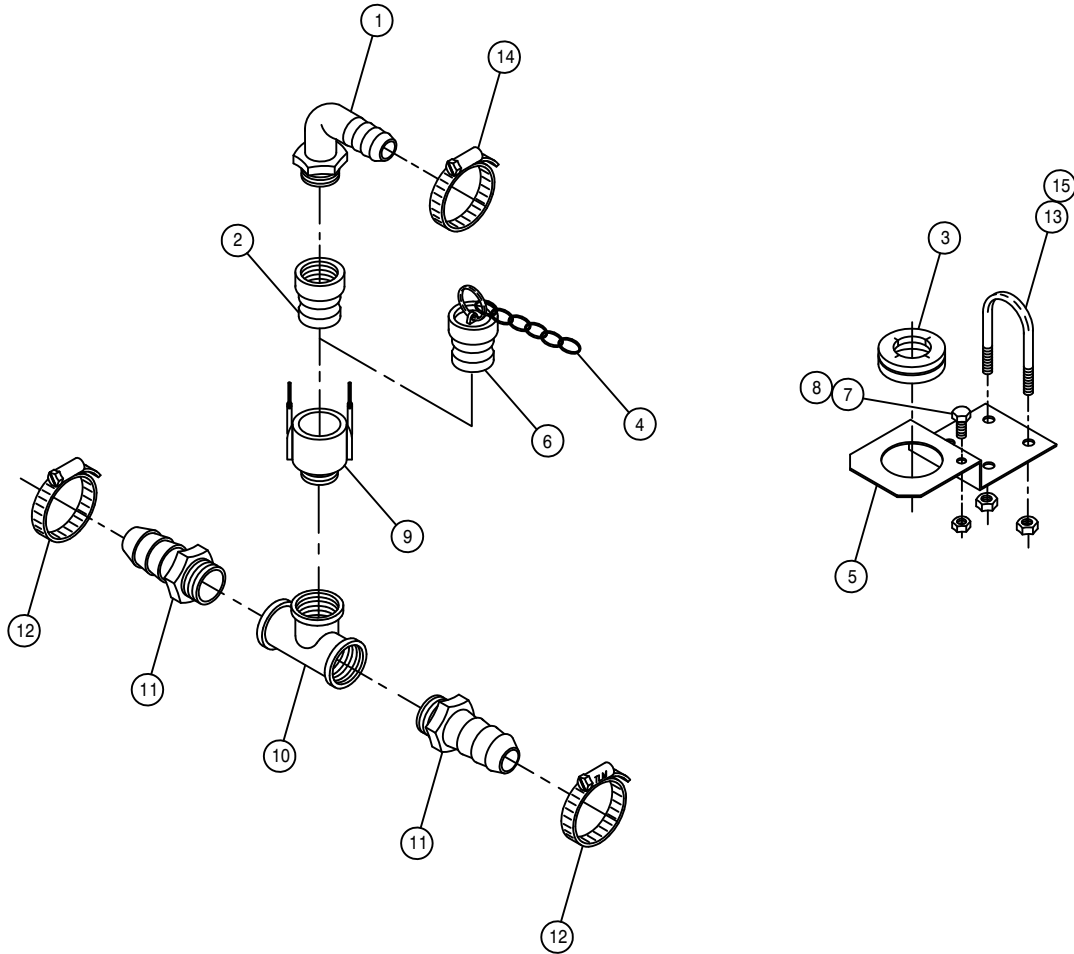
NOTE: 1. RESTRICTOR ELBOW ASSEMBLY USED WITH FOLD CYLINDER.
 2. 620052 - FOLD AND LEVEL CLINDER ASSEMBLY
 3. 620056 - FOLD CYLINDER ASSEMBLY WITH FITTINGS
 4. 620069 - LEVEL CYLINDER ASSEMBLY WITH FITTINGS
 5. 614365 - RESTRICTOR ELBOW ASSEMBLY
 6. 620083- SEAL KIT

BOOM AND CRADLE ASSEMBLY

DET. QTY PART NO. DESCRIPTION

1	1	160362	BOOM WLD 8540 - 8250
2	1	160455	BUSH .625 OD X 18GA WA X .94
3	1	160979	EYE BOLT, 1/2UNC X 9
4	1	160980	SPRING, BOOM BRKWAY
5	1	160981	SWIVEL, BOOM EYEBOLT
6	1	164001	BOOM CRADLE WLD 280 90
7	2	470098	RUBBER BUMPER 2.500D X .38ID
8	2	900130	3/8 UNC X 1 1/4 HEX BOLT
9	2	900334	H BOLT 5/8 UNC X 1 3/4 GR5PLT
10	2	914004	3/8 UNC STOVER NUT
11	2	914010	5/8 UNC STOVER NUT
12	1	914008	1/2 UNC STOVER NUT
13	1	900283	1/2 UNC X 2 1/4 H BOLT GR5 PL
14	2	910008	1/2 UNC HEX NUT





BOOM FEEDER TEE ASSEMBLY

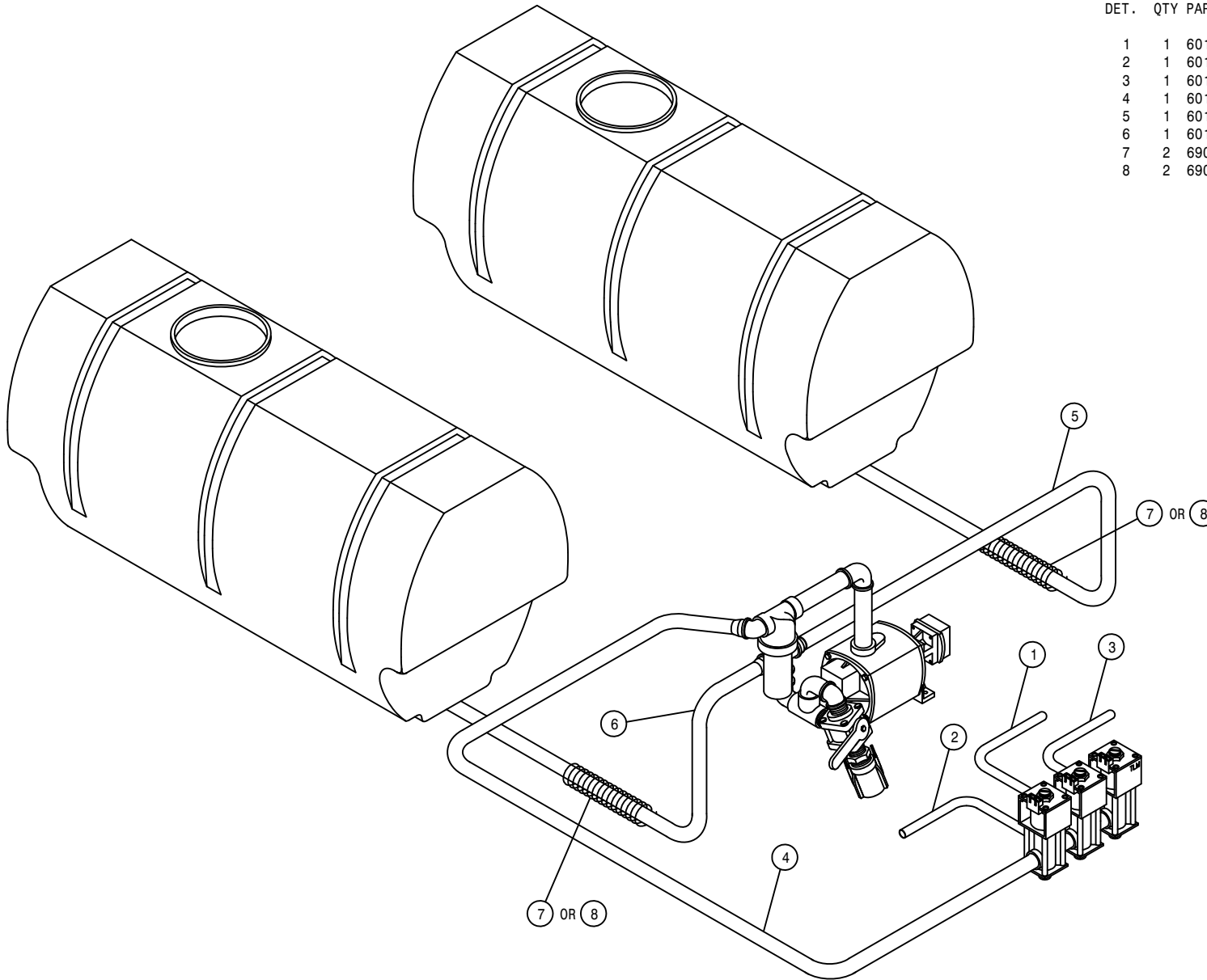
DET. QTY PART NO. DESCRIPTION

1	1	500020	3/4NPT-3/4HOSE BARB 90 NYLON
2	1	696202	QUICK CONNECT FEM ADPTR 3/4NP
3	1	160015	2.06ID GROMMET SLIT
4	1	160986	TWIN LOOP CHAIN 6 LINKS
5	1	160987	FEEDER T MTG BRKT 470 647
6	1	696204	QUICK CONNECT PLUG, 3/4
7	1	900002	1/4 UNC X 3/4 H BOLT GR5 PLT
8	1	914000	1/4 UNC STOVER NUT
9	1	696203	QUICK CONNECT CPLR MALE 3/4
10	1	505218	NYL PIPE TEE .75NPT
11	2	500019	3/4NPT-1/2HOSE BARB NYLON
12	2	520070	HOSE CLAMP NO 8 PLATED
13	2	470094	U BOLT .31UNC X 1.38BL X 3 LG
14	1	520055	HOSE CLAMP NO 12 PLATED
15	4	914002	5/16 UNC STOVER NUT

SOLUTION HOISING

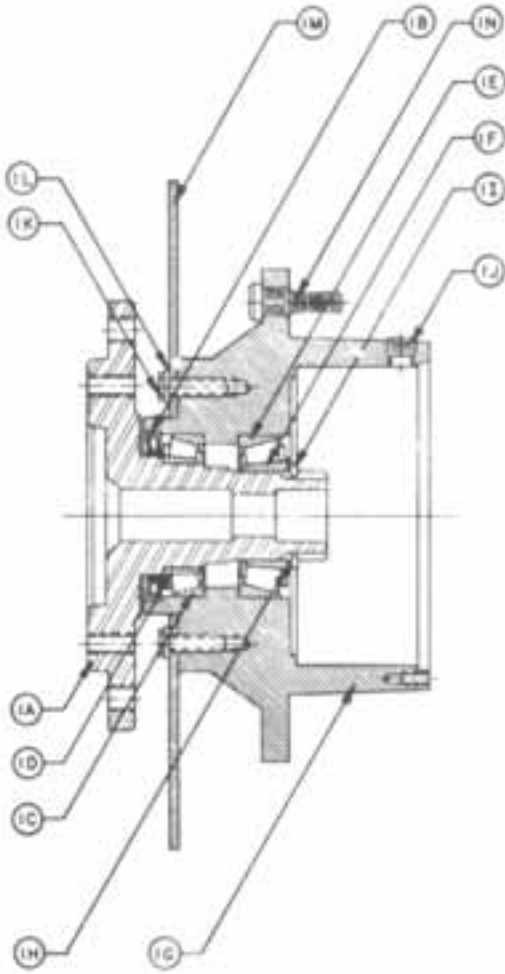
DET. QTY PART NO. DESCRIPTION

1	1	601172	HOSE, 3/4 X 75 1BR BLACK EPDM
2	1	601177	HOSE, 3/4 X 242 1BR BLK EPD
3	1	601239	HOSE, 3/4 X 324 1BR EPDM
4	1	601306	HOSE, 1.25 2BR BLK EPDM X 116
5	1	601307	HOSE, 1.50 X 118 2F1W EPDM
6	1	601310	HOSE, 1.50 2BR BLK EPDM X 100
7	2	690412	HOSE SPRING GUARD 2IN X 12 LG
8	2	690396	HOSE SPRING GUARD 2IN X 48 LG

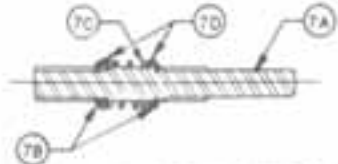


WHEEL DRIVE ASSEMBLY - 610516
W1BFN0324

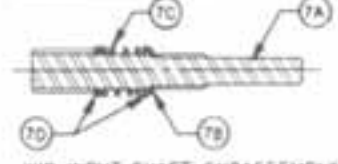
ITEMS	DESCRIPTION	PART NO.	QTY.
1	HUB-SPINDLE SUB-ASSEMBLY	-----	
1A	SPINDLE	610158	1
1B	SEAL	610519	1
1C	BEARING CUP	610520	1
1D	BEARING CONE	610521	1
1E	BEARING CUP	610907	1
1F	BEARING CONE	610908	1
1G	HUB	610522	1
1H	SPACER	610909	1
1I	RETAINER RING	610910	1
1J	PIPE PLUG	610147	2
1N	STUD	610523	9
2	INTERNAL GEAR	610148	1
3	CARRIER ASSEMBLY	610933	1
4	RING GEAR	610937	1
5	O-RING	610903	2
6	COVER ASSEMBLY	610155	1
6A	COVER	610149	1
6B	COVER CAP	610914	1
6C	BOLT	610150	4
6D	DISCONNECT CAP	610901	1
6E	DISCONNECT ROD	610915	1
6F	O-RING	610916	1
6G	O-RING	610917	1
6H	PIPE NIPPLE	610151	1
6I	ID PLATE	610152	1
7	INPUT SHAFT ASSEMBLY	610048	1
7A	INPUT SHAFT	610046	1
7B	RETAINING RING	610936	1
7C	SPRING	610145	1
7D	SPACER	610153	2
8	INPUT GEAR	610919	1
9	THRUST SPACER	610920	1
10	THRUST SPACER	610921	1
11	THRUST WASHER	610922	2
12	BOLT	610930	12
13	SHOULDER BOLT	610923	4
14	COUPLING	610037	1
16	FLAT WASHER	610049	16



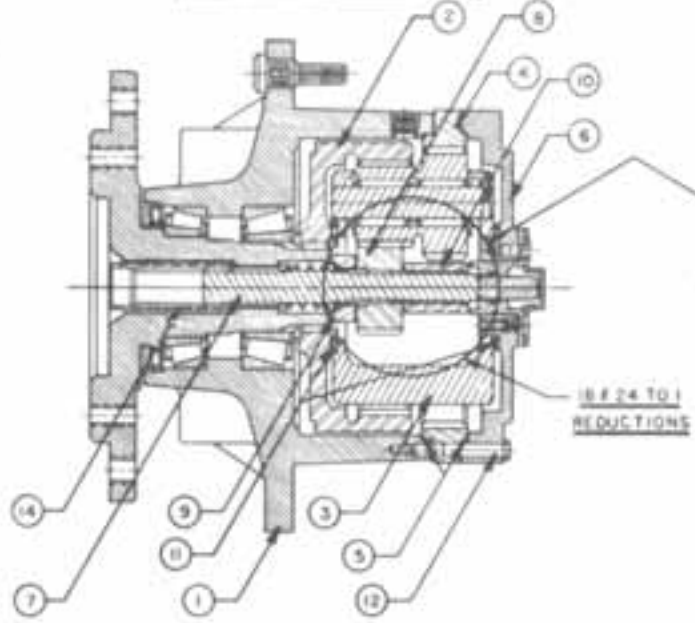
HUB-SPINDLE SUBASSEMBLY



WIA INPUT SHAFT SUBASSEMBLY



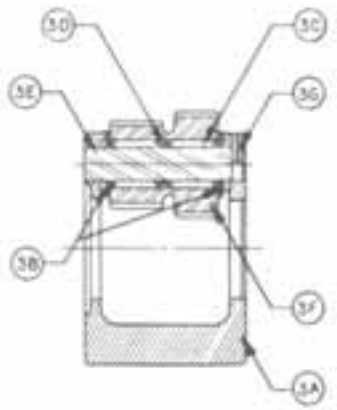
WIB INPUT SHAFT SUBASSEMBLY



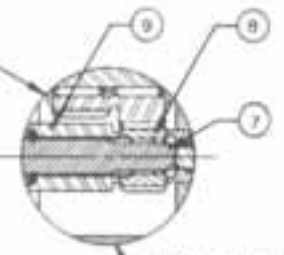
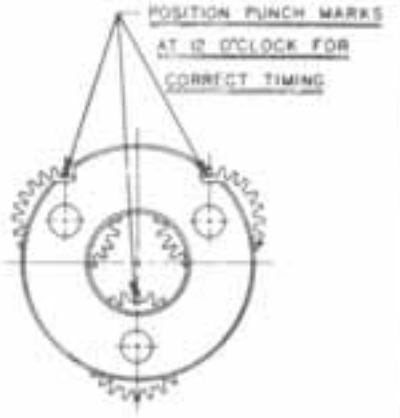
COMPLETE ASSEMBLY



VIEW OF SHOULDER BOLT

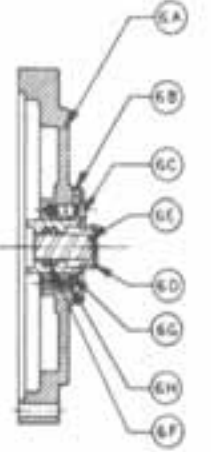


CARRIER SUBASSEMBLY



18 F 24 TO 1 REDUCTIONS

10 E 35 E 8 TO 1 REDUCTIONS



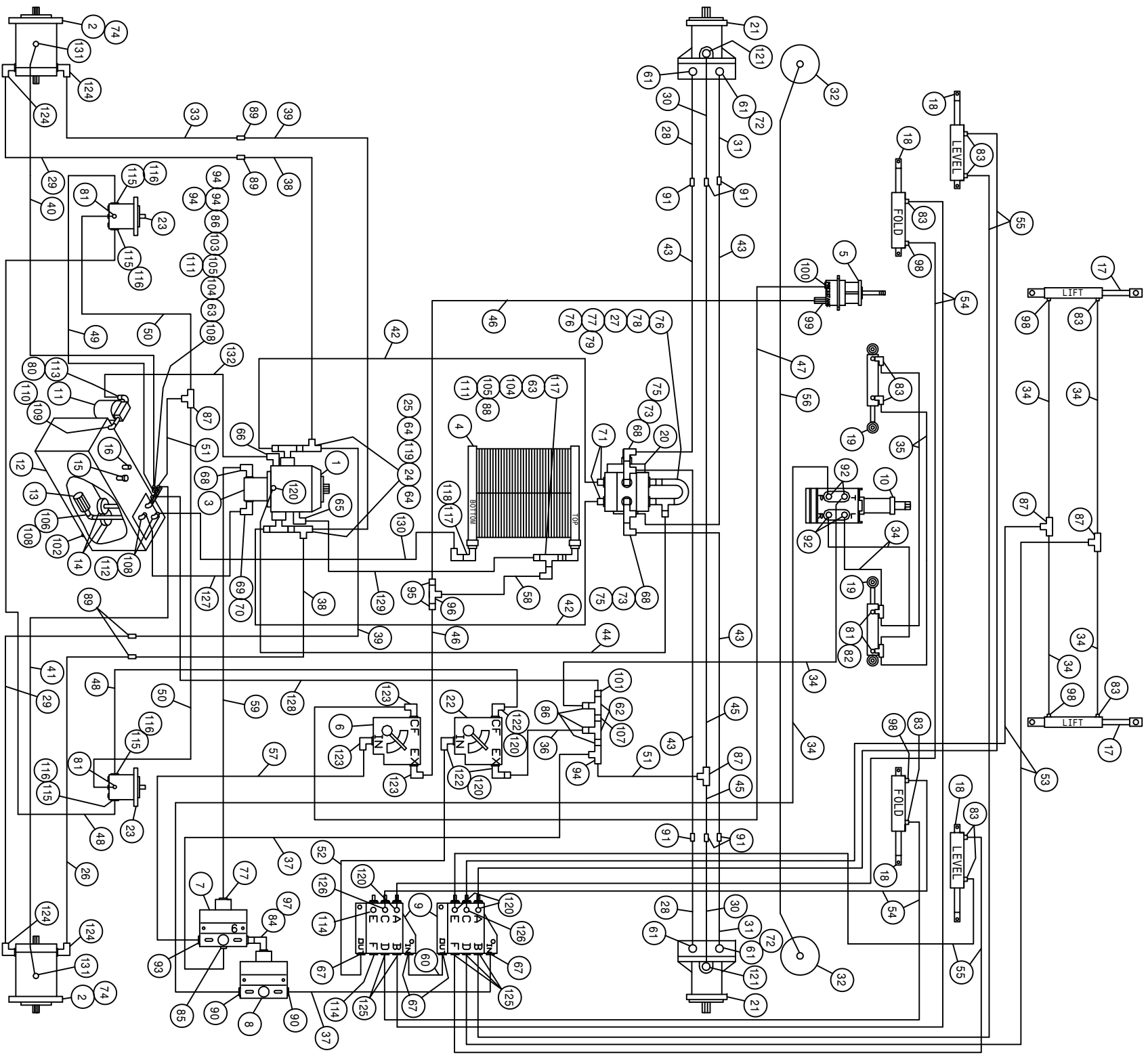
COVER SUBASSEMBLY

THIS DRAWING AND DESIGN IS THE PROPERTY OF / AND ALL PROPRIETARY RIGHTS ARE RESERVED TO / FAIRFIELD MFG. CO., INC. THE RECIPIENT AGREES NOT TO DISCLOSE TO ANY PERSON OR ORGANIZATION ANY INFORMATION REGARDING THE DESIGN OR MANUFACTURE OF THE ARTICLE REPRESENTED HEREON, OR USE SAME IN ANY WAY DETRIMENTAL TO THE INTERESTS OF FAIRFIELD MFG. CO., INC.

DRAFTERMAN Beck		DATE 10-8-73	FAIRFIELD MFG. Co., INC. LAFAYETTE, IND. 47305
CHECKER			
PROJECT ENG.			TITLE SERVICE LITERATURE
RELEASED			SCALE: DRAWING NO. WIA & WIB

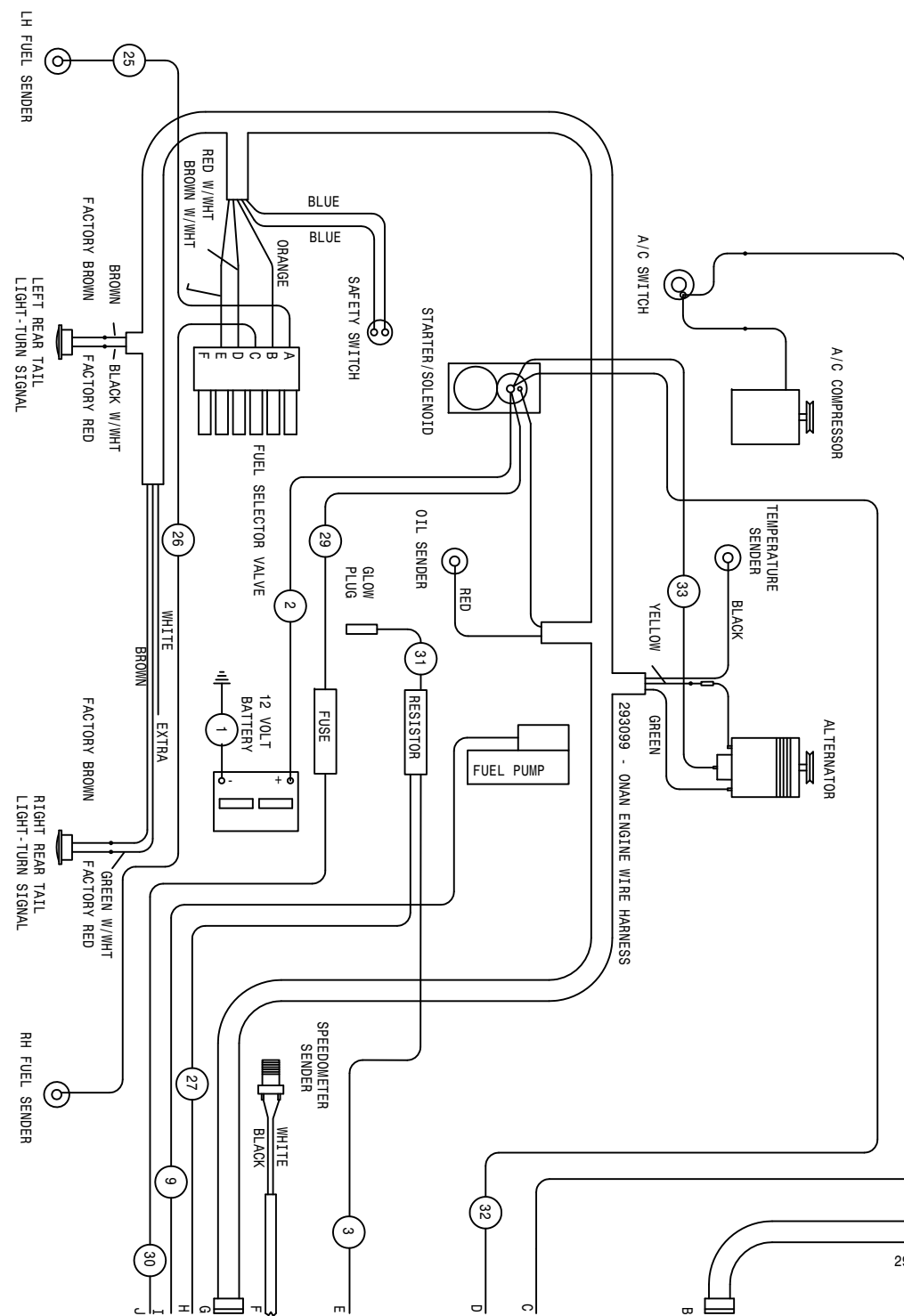
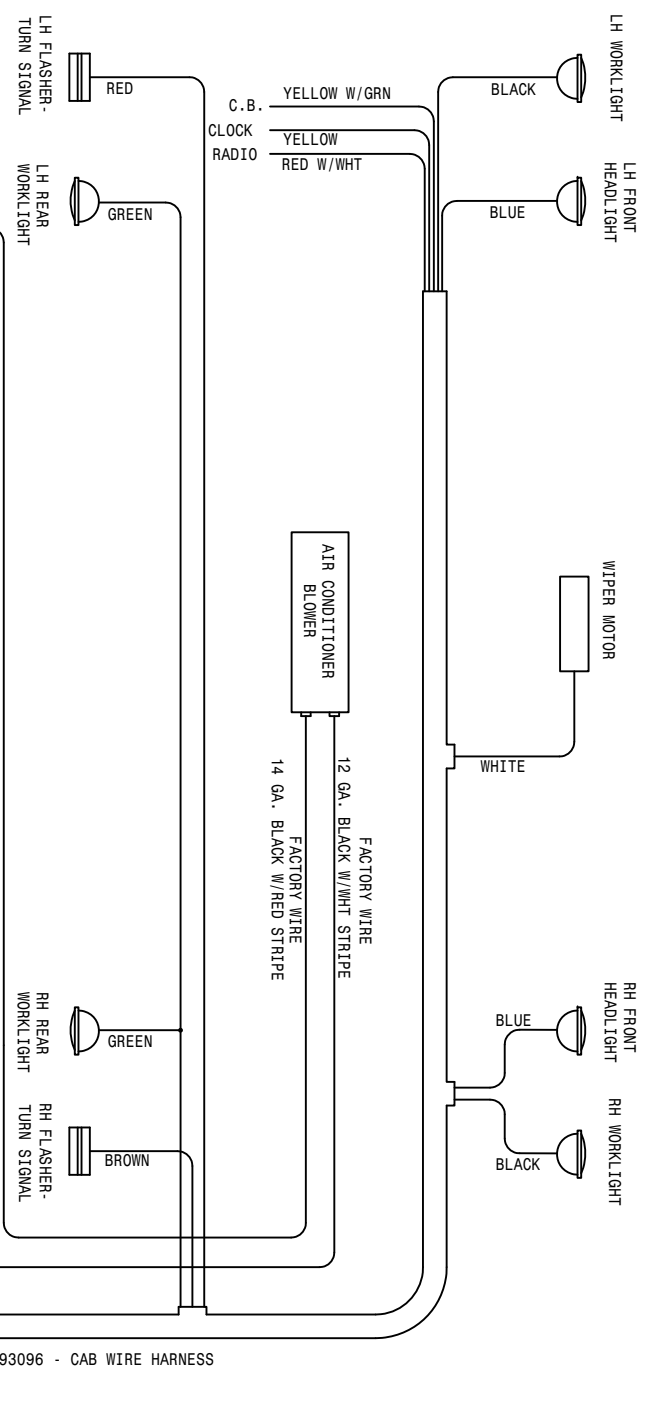
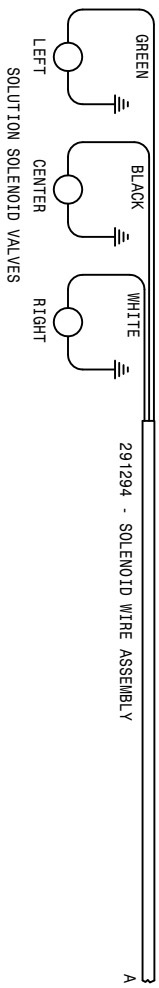
WHEEL DRIVE ASSEMBLY - 610515
W1BFN0318

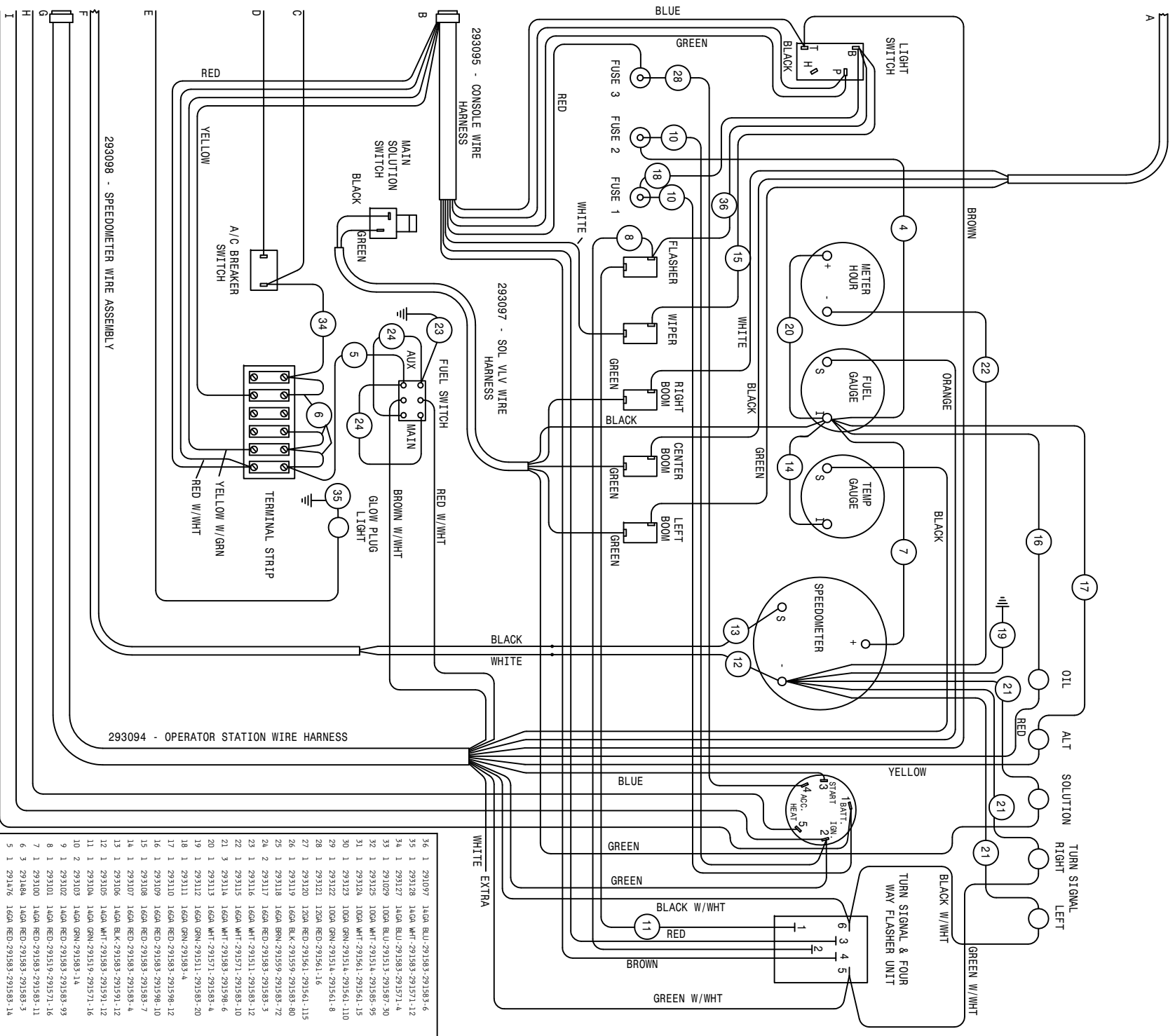
ITEMS	DESCRIPTION	PART NO.	QTY.
1	HUB-SPINDLE SUB-ASSEMBLY	-----	
1A	SPINDLE	610158	1
1B	SEAL	610519	1
1C	BEARING CUP	610520	1
1D	BEARING CONE	610521	1
1E	BEARING CUP	610907	1
1F	BEARING CONE	610908	1
1G	HUB	610522	1
1H	SPACER	610909	1
1I	RETAINER RING	610910	1
1J	PIPE PLUG	610147	2
1N	STUD	610523	9
2	INTERNAL GEAR	610148	1
3	CARRIER ASSEMBLY	610912	1
4	RING GEAR	610929	1
5	O-RING	610903	2
6	COVER ASSEMBLY	610155	1
6A	COVER	610149	1
6B	COVER CAP	610914	1
6C	BOLT	610150	4
6D	DISCONNECT CAP	610901	1
6E	DISCONNECT ROD	610915	1
6F	O-RING	610916	1
6G	O-RING	610917	1
6H	PIPE NIPPLE	610151	1
6I	ID PLATE	610152	1
7	INPUT SHAFT ASSEMBLY	610048	1
7A	INPUT SHAFT	610046	1
7B	RETAINING RING	610936	1
7C	SPRING	610145	1
7D	SPACER	610153	2
8	INPUT GEAR	610919	1
9	THRUST SPACER	610920	1
10	THRUST SPACER	610921	1
11	THRUST WASHER	610922	2
12	BOLT	610930	12
13	SHOULDER BOLT	610923	4
14	COUPLING	610037	1
16	FLAT WASHER	610049	16



280 FWD SS 400 GAL W/AGIT HYD SCHEM 89
REFERENCE DRAWING NO. 498299

DET.	QTY	PART NO.	DESCRIPTION	DET.	QTY	PART NO.	DESCRIPTION
1	1	606884	SUND 75CC ECLIPSE PUMP B-MT	67	4	618126	9/16MJIC-9/16MOR ADPTR
2	2	610030	SUND WHL MTR EXTEN SHAFT 18	68	3	618535	7/8MJIC-90-1 1/16MOR LBO
3	1	606885	CESSNA GEAR PUMP 1.78CI SPINE	69	1	618595	1 5/8MOR-1 1/16FOR ADPTR
4	1	618088	OTL COOLER BLISSFIELD	70	1	618563	1IN HOSE BARB-90-1 1/16MOR
5	1	690341	HYPRO CENTRIFF PUMP 10GPM	71	2	611127	1 1/16MJIC-1 1/16MOR ADPTR
6	1	606818	FLO CONT FOR51 0-16GPM 7/8FOR	72	2	618590	3/4MJIC-45-3/4F-JIC SWIV LBO
7	1	607514	FLO DIV BGR56 6GPM PRI 7/8FOR	73	2	618335	7/8FJIC SW RUN TEE-7/8MJIC
8	1	607504	FLO DIV B50 2-8GPM 7/8 FOR	74	2	611159	3/4MOR PLUG
9	2	606585	CESSNA 3SPL VALVE W/O RELIEF	75	2	618301	7/8MJIC-90-7/8FJIC SWIV LBO
10	1	749150	STRG MTR NON-LOAD REACT 1008	76	2	618132	1 1/16MOR-7/8FOR ADPTR
11	1	605601	GRESN FILTER 10 MICRON 40GPM	77	2	611126	7/8MJIC-7/8MOR ADPTR
12	1	760097	OTL TANK WLD 8240 1982	78	1	618130	7/8MOR RUN TEE 7/8MJIC
13	1	605600	MICHIGAN RESERVOIR FILTER	79	1	618557	7/8FJIC-9/16MJIC ADPTR
14	2	605603	LINE SUMP DIFFUSER	80	1	506410	BLK PIPE ST EL 90DEG 1.25NPT
15	1	611052	FILLER BREATHER 3/4NPT	81	4	611121	9/16MJIC-1/4NPT ADPTR
16	1	614453	DIPSTICK 8IN	82	2	618514	9/16FJ SW BRANCH TEE-9/16MJ
17	2	620499	LIFT CYLINDER 2.00 X 10.00	83	10	611122	9/16MJIC-90-1/4NPT LBO
18	4	620052	HYD CYL, 2IN FOLD & LEVEL	84	1	611128	7/8MJIC-90-7/8MOR LBO
19	2	620080	STRG CYL ASSY 1.50 X 6.0 1985	85	1	618011	9/16MJIC-3/8NPT ADPTR
20	1	606003	GRESN SELECTOR VALVE DS-12	86	4	618018	9/16MJIC-1/2NPT ADPTR
21	2	610512	SUND M23 WHL MTR	87	4	618019	9/16MJIC UNION TEE
22	2	606827	FLO CONT F051 0-3 VARI 7/8FOR	88	4	618156	7/8MJIC-90-3/4NPT LBO
23	2	610510	CESSNA GEAR MOTOR 1.48CI	89	2	618191	1 1/16MJ-90-1 1/16FJ SWIV LBO
24	2	618598	1 IN 4-BOLT FLG X 1 5/16FOR	90	2	618310	9/16MJIC-7/8MOR ADPTR
25	2	618487	1 1/16FJ SW RUN TEE-1 1/16MJ	91	6	618314	3/4MJIC UNION
26	1	614681	RH REAR LEG TUBE ASSY 280	92	4	618496	9/16MJIC-45-3/4MOR LBO
27	1	614198	FMD VALVE U-TUBE ASSY	93	1	618327	3/4MJIC-7/8MOR ADPTR
28	2	614677	FRT LEG INNER HYD TUBE ASY280	94	4	618486	9/16FJIC SW RUN TEE-9/16MJIC
29	2	614680	REAR LEG HYD TUBE ASSY 280	95	2	618523	7/8FJIC-3/4MJIC ADPTR
30	2	614679	FRT LEG OUTER HYD TUBE ASY280	96	1	618581	7/8MJIC UNION TEE
31	2	614678	FRT LEG CNTR HYD TUBE ASSY280	97	1	618594	7/8FJIC SWIV-7/8MOR ADPTR
32	2	620570	HYD CYL LEG LEVEL 2.00 X 12	98	4	614365	RESTRICTOR ELBOW ASSY .042DIA
33	1	614682	LH REAR LEG HYD TUBE ASSY 280	99	1	611145	3/4MJIC-90-1/2NPT LBO
34	8	611204	04C1T-06FJX-06FJX-78	100	1	618241	3/4MJIC-90-3/4MOR LBO
35	2	614663	04C1T-06FJX-06FJX-16	101	1	712440	1/2 NPT X 3/4 HOSE BARB
36	2	615442	04C1T-06FJX-06FJX-55	102	1	504210	1/4 PIPE PLUG
37	2	616026	04C1A-06FJX-06FJX-37	103	1	504102	RED BUSH 3/4 NPT X 1/2 NPT
38	2	614683	HOSE ASSY 60I M-F 4500P	104	2	504702	CLOSE NIPPLE .75NPT
39	2	614684	HOSE ASSY 70I M-F 4500P	105	2	504955	BLK PIPE TEE .75NPT
40	1	614549	06C1T-06FJX-06FJX-140	106	1	505203	BLK PIPE NIPPLE 1.00NPT-4.00
41	1	615449	06C1T-06FJX-06FJX-126	107	1	503600	CLOSE NIPPLE .50NPT
42	2	614685	HOSE ASSY 106I F-F 4500P	108	4	505300	BLK PIPE EL 90DEG 1.00NPT
43	4	614686	08C2AT-8FJX90-10FJX-70	109	1	506305	BLK PIPE EL 90DEG 1.25NPT
44	1	614101	04C1A-06FJX-06FJX-133	110	1	506602	PIPE NIPPLE 1 1/4NPT-2 1/2
45	1	615444	06C1T-06FJX-08FJX90-60	111	2	713220	HOSE BARB 3/4 NPT X 3/4
46	2	614382	08C1T-08FJX-08FJX-40	112	2	714560	INPT X 1 HOSE BARB
47	1	614662	08C1T-08FJX-08FJX-72	113	1	715664	1 1/4 NPT X 1 HOSE BARB
48	2	614159	04C1T-06FJX-06FJX-169	114	2	610185	9/16MOR PLUG
49	2	614571	06RLA-06FJX-06FJX-126	115	4	618092	1 1/16MOR-1/2FNPT ADPTR
50	2	611208	04C1A-06FJX-06FJX-98	116	4	618107	9/16MJIC-90-1/2NPT LBO
51	2	615452	06C1T-06FJX-06FJX-16	117	2	505200	BLK PIPE ST EL 90DEG 1.00NPT
52	1	616039	04C1A-06FJX-06FJX-19	118	1	618138	1IN HOSE BARB-90-1MNPT
53	2	611206	04C1T-6FJX-6FJX-66	119	2	618599	1 5/16MOR BRANCH TEE-1 5/16MJ
54	4	614098	04C1A-06FJX-06FJX-201	120	7	618119	9/16MJIC-90-9/16MOR LBO
55	4	614154	04C1T-06FJX-06FJX-221	121	2	618315	3/4MJIC-45-3/4MOR LBO
56	1	615614	FRT LEG CYL JUMPER HOSE280 89	122	3	618172	7/8MOR-9/16FOR ADPTR
57	1	615465	08C1T-08FJX-08FJX-33	123	3	618183	3/4MJIC-90-7/8MOR LBO
58	1	615511	10C1T-10FJX-10FJX-60	124	4	618302	1 1/16MJIC-90-1 5/16MOR LBO
59	1	614664	10C1T-10FJX-10FJX-91	125	5	618425	9/16MJIC-45-9/16MOR LBO
60	1	616042	04C1A-06FJX-06FJX-13	126	2	618440	9/16MJIC-90-9/16MOR EX LG LBO
61	4	618327	3/4MJIC-7/8MOR ADPTR	127	1	601256	HOSE, 1.00 2BR RED X 31 LG
62	2	503820	BLK PIPE TEE .50NPT	128	1	601304	HOSE, .75 2BR RED X 130 LG
63	2	505213	RED BUSH 1 X 3/4 BLK MAL	129	1	601112	HOSE, 3/4 X 84 2BR RED
64	4	618541	1 5/16FJIC-1 1/16MJIC ADPTR	130	1	601255	HOSE, 1.00 2BR RED X 104 LG
65	1	618118	3/4 HOSE BARB-90-1 1/16MOR	131	2	618115	9/16MJIC-90-3/4MOR LBO
66	1	618564	1IN HOSE BARB-90-1 5/16MOR	132	1	601117	HOSE, 1 X 37 2BR RED





36	1	293097	14GA	BLU	291583-291583-6
35	1	293128	14GA	WHT	291583-291571-12
34	1	293127	14GA	BLU	291583-291571-4
33	1	2931029	10GA	BLU	291513-291587-30
32	1	293125	10GA	WHT	291514-291585-95
31	1	293124	10GA	WHT	291561-291561-15
30	1	293123	10GA	GRN	291514-291561-100
29	1	293122	10GA	GRN	291514-291561-8
28	1	293121	12GA	RED	291561-16
27	1	293120	12GA	RED	291561-291561-115
26	1	293119	16GA	BLK	291583-291583-80
25	1	293118	16GA	BRN	291583-291583-72
24	2	293117	16GA	RED	291583-291583-3
23	1	293116	16GA	WHT	291511-291583-3
22	1	293115	16GA	WHT	291571-291583-10
21	3	293114	16GA	WHT	291583-291598-6
20	1	293113	16GA	WHT	291571-291583-4
19	1	293112	16GA	GRN	291511-291583-20
18	1	293111	16GA	GRN	291583-4
17	1	293110	16GA	RED	291583-291598-12
16	1	293109	16GA	RED	291583-291598-10
15	1	293108	16GA	RED	291583-291583-7
14	1	293107	16GA	RED	291583-291583-4
13	1	293106	14GA	BLK	291583-291591-12
12	1	293105	14GA	WHT	291583-291591-12
11	1	293104	14GA	GRN	291519-291571-16
10	2	293103	14GA	GRN	291583-14
9	1	293102	14GA	RED	291583-291583-99
8	1	293101	14GA	RED	291519-291571-16
7	1	293100	14GA	RED	291583-291583-11
6	3	293148	14GA	RED	291583-291583-3
5	1	293146	16GA	RED	291583-291583-14
4	1	293108	14GA	RED	291583-5
3	1	293189	10GA	GRN	291585-291585-105
2	1	293128	48"	BATTERY	CABLE
1	1	293111		GROUND	STRAP

280 CUMM WIRING DIAGRAM 89

REVISION DATE: 498310

NOTICE

The following page contains decals for the model 280.

These decals can be obtained from Hagie Mfg. Co. and should be used whenever your machine is repainted or when the decals become worn, weathered, or faded.

Special attention should be paid to decals involving personal safety. They have been attached for your protection.

KEEP THEM IN PLACE.

Contact: Hagie Manufacturing Co.
Box 273
Clarion, Iowa 50525

280 DECALS

QTY.	PART NO.	DESCRIPTION	LOCATION
1	650831	EMERGENCY STOP DECAL	ON CONSOLE SHEET METAL
1	650861	VENT SLIDE DECAL	ON AIR CONDITIONER CONSOLE
1	650983	CAUTION OPERATOR DECAL	ON FRONT CAB MOUNTING ANGLE
1	650814	PARK BRAKE DECAL	NEAR PARK BRAKE
1	650822	SOLUTION PUMP DECAL	ON FRONT CROSSMEMBER
4	650847	NO PASSENGER DECAL	2 - REAR CORNER OF CAB 2 - REAR OF FUEL TANK
4	650848	SLIP OR FALL DECAL	ON EACH FUEL TANK
2	650849	ENGINE FUEL DECAL	NEAR EACH FUEL TANK NECK
2	650850	CHEMICAL DECAL	ON SOLUTION TANK LIDS
2	650851	SHIELDS DECAL	ON SIDE OF TOP ENGINE COVER
1	650852	READ MANUAL DECAL	ON FRONT CAB MOUNTING ANGLE
1	650858	DO NOT USE ETHER DECAL	NEAR AIR CLEANER TUBE
1	650893	DIESEL START DECAL	ON CONSOLE SHEET METAL
2	650954	DIESEL DECAL	NEAR EACH FUEL NECK
1	650981	COOLING SYSTEM DECAL	NEAR RADIATOR CAP
1	650982	ELECTRICAL DECAL	RIGHT HAND SIDE OF OIL TANK
4	650985	WHEEL BOLT TORQUE DECAL	ON EACH WHEEL RIM

ABBREVIATIONS

A/C - AIR CONDITIONER	MT - MOUNT
ADPTR - ADAPTER	MTR - MOTOR
AGI - AGITATOR	P/N - PART NUMBER
ALT - ALTERNATOR	PLT - PLATE
ASSY - ASSEMBLY	QTY - QUANTITY
BRKT - BRACKET	RED - REDUCER
DET - DETAIL	REF - REFERENCE
DISPL - DISPLACEMENT	REST - RESTRICTOR
EL - ELBOW	REQ - REQUIRED
EXT - EXTENSION	SHFT - SHAFT
FLO - FLOW	SOL - SOLUTION
FNPT - FEMALE NATIONAL PIPE THREAD	STRG - STEERING
FOR - FEMALE O-RING	ST - STREET
FRT - FRONT	SWIV - SWIVEL
HYD - HYDRAULIC	UNC - UNIFIED NATIONAL COURSE
HYDRO - HYDROSTATIC	UNF - UNIFIED NATIONAL FINE
LG - LONG	V - VOLT
LWR - LOWER	W/ - WITH
MJIC - MALE J.I.C.	WHL - WHEEL
MOR - MALE O-RING	WLD - WELDMENT

-A-

ABBREVIATIONS.....63

AGITATOR

 COUPLER.....38

 IMPELLER.....38

 SHAFT.....38

AIR CLEANER.....10

 BAND.....10

 CAP.....10

 CLAMP.....10

 FILTER.....10

 HOSE.....10

AIR CONDITIONER

 BLOWER.....20

 COMPRESSOR.....8

 CONDENSER.....8

 DRYER.....8

 EVAPORATOR.....20

 FILTER.....20

 AIR INTAKE.....9

 SCREEN.....9

ALTERNATOR.....5

ANTENNA, RADIO.....20

ARM

 STEERING.....12

 TANK SUPPORT.....42

 WIPER.....18

-B-

BALL VALVE.....36, 37, 40

BAND

 AIR CLEANER.....10

 FUEL TANK.....16

 POLY TANK.....36

BATTERY.....11

 BOX.....11

 CABLE.....11

 HOLD DOWN.....11

BELT.....5

BINDER, TANK BAND.....36

BLADE, WIPER.....18

BLOCK, TERMINAL.....19

BLOWER

 AIR CONDITIONER.....20

 HOUSING.....20

BRACE

 LEG.....13

 STREERING POST.....19

BRACKET, A/C DRYER.....8

BRAKE

 CABLE.....13, 23

 CLIP RETAINER.....13

 DISC.....13

 HUB.....13

LEVER.....23

BREAKAWAY, BOOM.....47

BREAKER, CIRCUIT.....19

BREATHER.....17

BOOM.....50

 CRADLE.....50

 FEEDER TEE.....51

BOOT.....19

BUMPER, BOOM.....50

-C-

CAB.....18

 ROOF.....20

CABLE

 BATTERY.....11

 BRAKE.....13, 23

 CHOKE.....24

 CONTROL.....27, 31

 MOUNT, THROTTLE.....26

 4WD.....25

CAP

 AIR STACK.....10

 FUEL.....16

 RADIATOR.....9

 STEERING.....28

CESSNA

 PUMP.....6

 3-SPool VALVE.....25

 CHANNEL, TANK.....37

 CHOKE CABLE.....24

 CIRCUIT BREAKER.....19

CLAMP

 LEG.....12

 MUFFLER.....10

 COMPRESSOR

 AIR CONDITIONER.....8

 MOUNT.....8

 CONDENSER.....8

 MOUNT.....8

 CONSOLE.....24

 CONTROL, FLOW.....30

 COUPLER, AGITATOR.....38

 COVER

 STEERING.....28

 WORK LIGHT.....18

CRADLE

 BOOM.....50

 POLY TANK.....36

 CROP GUIDE MOUNT.....12

 CYLINDER

 FOLD.....47, 49

 LEG.....35

 LEVEL.....47, 49

 LIFT.....46, 48

 STEERING.....15

-D-

DECALS.....	60, 61
DEFLECTOR, STALK.....	34
DIFFUSER, LINE.....	17
DIMMER SWITCH.....	19
DIPSTICK.....	17
DISC	
BRAKE.....	13
FRICTION.....	27
SENSOR.....	13
DOOR.....	21
CATCH SLIDE.....	21
GLASS.....	21
DRAIN COCK.....	9
DRIVE ASSEMBLY.....	4
DRYER BRACKET.....	8

-E-

ELECTRICAL SCHEMATIC.....	60
ELEMENT	
AIR CLEANER.....	10
OIL FILTER.....	17
ENGINE.....	4, 5
HOOD.....	32
EVAPORATOR, A/C.....	20
EXHAUST PIPE.....	10
EXTENSION, CYLINDER SHAFT.....	12

-F-

FAN.....	4
SPACER.....	4
FEEDER TEE, BOOM.....	51
FILTER	
AIR CONDITIONER.....	20
FUEL.....	5
GRESSEN.....	16
MICHIGAN.....	16
OIL.....	4
FLASHER.....	18
SWITCH.....	29
FLOW CONTROL.....	30
FLOW DIVIDER.....	7
MOUNT.....	7
FOAM.....	9, 19, 22
FOLD CYLINDER.....	47, 49
FRICTION DISC.....	27
FRONT SHIELD.....	33
FUEL	
CAP.....	16
GAUGE.....	29
SELECTOR VALVE.....	16
SHUT-OFF MOUNT.....	4
FUEL TANK.....	16
MOUNT.....	16
SENDER.....	16

FUSE.....

29

-G-

GASKET	
OIL TANK.....	17
TANK LID.....	37
GAUGE	
FUEL.....	29
PRESSURE.....	41
SIGHT.....	39
TEMPERATURE.....	29
GLAND PACKING.....	38
GLASS	
CAB.....	18
OIL TANK.....	17
GRESSEN FILTER.....	17
GROUND STRAP.....	4, 11, 19
GUIDE, STALK.....	45

-H-

HAND BOOK TOTE.....	18
HANDLE, 3-SPPOOL VALVE.....	25
HANDRAIL.....	32
LADDER.....	32
HANGER, NOZZLE.....	47
HEADLIGHT.....	18
HOLD DOWN, BATTERY.....	11
HOLDER, THROTTLE CABLE.....	4
HOOD	
ENGINE.....	32
PROP.....	32
HOOK, RUBBER.....	32, 33
HOSE	
AIR CLEANER.....	10
RADIATOR.....	5
HOSING, SOLUTION.....	52
HOUR METER.....	29
HOUSING, BLOWER.....	20
HUB	
BRAKE.....	13
TORQUE.....	12, 13
HYDRAULIC	
LEG CYLINDER.....	12
SCHEMATIC.....	58
TUBE, LEG.....	12
HYDROSTATIC	
CABLE MOUNT.....	4
LEVER.....	26

-I-

IMPELLER, AGITATOR.....	38
INDICATOR LIGHT.....	29
INSTRUMENT PANEL.....	29
ISOLATOR.....	5, 19

-K-
KNOB.....21,25,27,28

MULLION.....32
SUPPORT.....32

-L-

-N-

LADDER.....34
HANDRAIL.....34
LATCH, TANK.....37
LEG

NOZZLE TUBE.....47

-O-

BRACE.....13
CLAMP.....12
CYLINDER, HYDRAULIC.....12,35
FRONT.....12
HYDRAULIC TUBE.....12
REAR.....13
U-BOLT.....12,13
LEVEL CYLINDER.....47,49
LEVER

OIL
COOLER.....9
FILTER.....4,17
SENDER.....4
OIL TANK.....17
GASKET.....17
STRAP.....17
OPERATOR STATION.....19

-P-

HYDROSTATIC.....26
THROTTLE.....27
VARIABLE FLOW CONTROL.....30
LID, SOLUTION TANK.....36,37
LIFTARM.....46
MOUNT.....46
LIFT CYLINDER.....46,48
LIGHT.....18
SWITCH.....29
LINE DIFFUSER.....17
LINK HANDLE.....25

PACKING, GLAND.....38
PANEL.....19
INSTRUMENT.....29
PIPE EXHAUST.....10
PIVOT, STEERING.....14
PIVOT PIN, BOOM.....47
PLATFORM, SERVICE.....34
POLY TANK.....36
PRESSURE GAUGE.....41
MOUNT.....41
PUMP
CESSNA.....6
SOLUTION.....40
SUNDSTRAND.....6

-M-

MAINFRAME, TIE PLATE.....5
MICHIGAN FILTER.....17
MIRROR.....18
MOTOR

-R-

MOUNT.....5
STEERING.....28
WHEEL.....12
WINDSHIELD WIPER.....18
MOUNT

RADIATOR.....9
CAP.....9
HOSE.....5
MOUNT.....9
RECOVERY TANK.....9
SHROUD.....9
RADIO.....20
ANTENNA.....20
RECEIVER PLATE.....17
REGULATOR, VOLTAGE.....5
RESISTOR MOUNT.....4
RETAINER, BRAKE.....13
RIM.....44
ROOF, CAB.....20
RUBBER HOOK.....32,33

-S-

CONDENSER.....8
CRADLE.....36
CROP GUIDE.....12
FLOW DIVIDER.....7
FUEL SHUT OFF.....4
FUEL TANK.....16
HYDROSTATIC CABLE.....4
LIFTARM.....46
MOTOR.....5
RADIATOR.....8
RESISTOR.....4
SEAT.....23
SENSOR.....13
THROTTLE CABLE.....4,26
MUFFLER.....10
CLAMP.....10

SCHEMATIC
ELECTRICAL.....60
HYDRAULIC.....58

SCREEN	
AIR INTAKE.....	9
LOWER.....	33
UPPER.....	32
SEAT.....	23
MOUNT.....	23
SENDER	
FUEL TANK.....	16
OIL.....	4
TEMPERATURE.....	4
SENSOR	
DISC.....	13
MOUNT.....	13
SPEEDOMETER.....	13
SELECTOR VALVE	
FUEL.....	16
GRESEN.....	31
SERVICE PLATFORM.....	34
SHAFT	
AGITATOR.....	38
CYLINDER EXTENSION.....	12
SHEET METAL.....	32
SHIELD	
FRONT.....	33
LOWER FRONT.....	42
TANK.....	42
WHEEL MOTOR.....	13
SHROUD, RADIATOR.....	9
SIGHT GAUGE.....	39
SCALE.....	39
SLEEVE, NYLON.....	12
SLIDE DOOR CATCH.....	21
S M V SIGN.....	33
SOLUTION	
HOSING.....	52
PUMP.....	40
TANK.....	37
VALVE.....	41
SPACER, FAN.....	4
SPEEDOMETER.....	29
SENSOR.....	13
SPRING, THROTTLE LEVER.....	27
STALK	
DEFLECTOR.....	34
GUIDE.....	45
STATION, OPERATOR.....	19
STEERING	
ADJUSTMENT KNOB.....	28
ARM.....	12
CAP.....	28
COLUMN.....	28
COVER.....	28
CYLINDER.....	15
MOTOR.....	28
PIVOT.....	14
TIE ROD.....	14
WHEEL.....	28
STOP, THROTTLE.....	24

STRAP	
GROUND.....	4, 11, 19
OIL TANK.....	17
SUNDSTRAND	
PUMP.....	5
WHEEL MOTOR.....	12, 13
SUPPORT, MULLION.....	32
SWITCH	
DIMMER.....	19
FLASHER.....	29
LIGHT.....	29
TOGGLE.....	24, 29

-T-

TAILLIGHT.....	33
TANK	
BAND.....	16, 36
BAND BINDER.....	36
CRADLE, POLY.....	36
FUEL.....	16
LATCH.....	37
LID GASKET.....	37
OIL.....	17
POLY.....	36
RADIATOR RECOVERY.....	9
SHIELD.....	42
SOLUTION.....	37
SUPPORT ARM.....	42
TEMPERATURE	
GAUGE.....	29
SENDER.....	4
TERMINAL BLOCK.....	19
THROTTLE	
CABLE.....	4
CABLE HOLDER.....	4
LEVER.....	27
STOP.....	24
TIE PLATE, MAINFRAME.....	5
TIE ROD, STEERING.....	14
TIRE.....	44
TOGGLE SWITCH.....	24, 29
TORQUE HUB.....	12, 13, 52
TOTE, HANDBOOK.....	18
TRANSOM.....	47
TUBE	
FOUR WHEEL DRIVE.....	31
HYDRAULIC.....	12, 13
-V-	
VALVE	
BALL.....	36, 37, 40
GRESEN SELECTOR.....	31
HANDLE LINK.....	25
SOLUTION.....	41
3-SPPOOL.....	25
VOLTAGE REGULATOR.....	5

WHEEL MOTOR	
SHIELD.....	13
SUNDSTRAND.....	12, 13
WHEEL, STEERING.....	28
WIPER	
ARM.....	18
BLADE.....	18
MOTOR.....	18
WORKLIGHT COVER.....	18

MEMORANDA
