

PARTS MANUAL
FOR
HAGIE MODEL 2101 HI-TRACTOR
SPRAYER – DETASSELER

HAGIE MANUFACTURING COMPANY

BOX 273 CLARION, IOWA 50525 (515) 532-2861

COVERS MACHINE SERIAL NUMBERS: U1460440001 thru U1460440100

12-03 493304
02-08

SPRAYER IDENTIFICATION

Each Hagie sprayer is identified by means of a frame serial number. This serial number denotes the model, the year in which it was built, and the number of the sprayer. As for further identification, the engine has a serial number and the planetary hubs have identification plates that describe the type of mount and gear ratio. To insure prompt, efficient service when ordering parts or requesting service repairs from Hagie Manufacturing Company, record the serial and identification numbers in the space provided below.

NOTE: Reference to left hand and right hand used throughout this manual refers to the position when seated in the operator's seat facing forward.

SPRAYER SERIAL NUMBER

ENGINE SERIAL NUMBER

PLANETARY HUB IDENTIFICATION NUMBERS

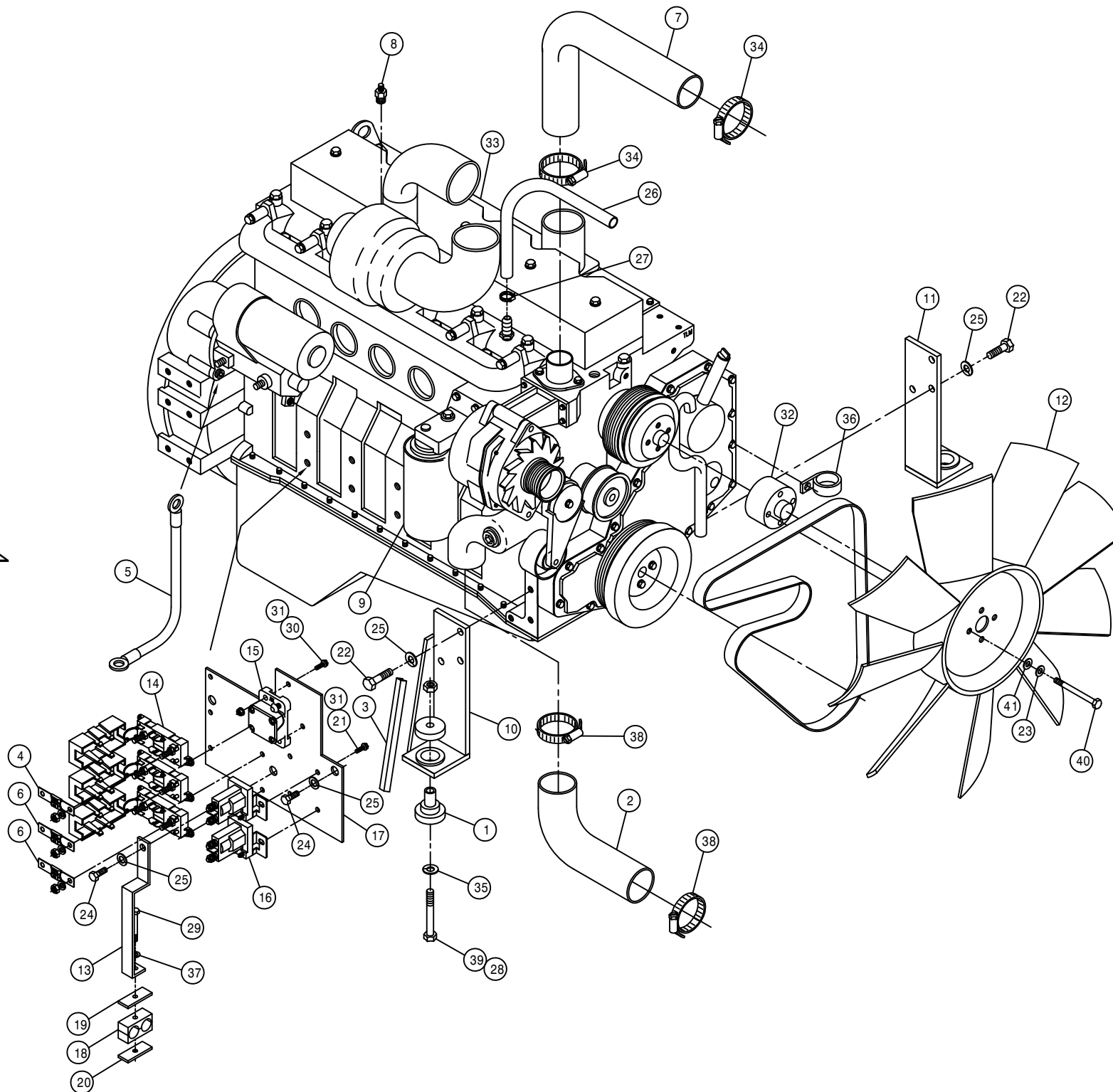
TABLE OF CONTENTS

ENGINE ASSEMBLY	4-7
AIR TANK ASSEMBLY	8-9
LOOP FLUSHING	10-11
WHEEL MOTOR VALVES.	12
VFC AND FLOW DIVIDER.	13-16
MOTOR CONTROL VALVE AND FILTER.	17-21
RADIATOR AND OIL COOLER ASSEMBLY.	22
OIL TANK ASSEMBLY	23
LEG ASSEMBLY.	24-31
STEERING CYLINDER	32-33
TIRE ASSEMBLY	34
RADIATOR RECOVERY TANK.	35
MUFFLER AND AIR CLEANER	36-37
CAB ASSEMBLY.	38-42
INSTRUMENT PANEL ASSEMBLY	43
CONSOLE ASSEMBLY.	44-46
SWITCH PANEL ASSEMBLY	47
SEAT.	48
WINDSHIELD WASHER AND FUSE BOX.	49-50
FOAM AIR REGULATOR.	51
SHEET METAL	52-53
LADDER.	54-55
FUEL TANK	56
SERVICE PLATFORM.	57
BOOM CRADLE	58-59
BATTERY	60
SOLUTION TANK	61-65
SOLUTION SOLENOID VALVE	66-71
QUICK FILL AND FENCE ROW.	72-74
FRESH WATER TANK	75
SOLUTION HOISING AND SOLUTION PUMP	76-81
REAR WHEEL NOZZLE.	82
TRANSON, BOOM, AND LIFT COMPONENTS.	83-96
BOOM SECTION LIGHTS	97
RINSE AND FOAMER TANK	98-101
TREAD ADJUSTMENT.	102-105
PRESSURE WASHER AND FLOW MAX 110.	106-108
RADAR AND INU PLATFORM OPTION	109-111
OUTRIGGER AND FOLD VALVE.	112-116
OUTRIGGER AND LIFT ASSEMBLY	117-122
CUTTER CASE DRAIN RETURN.	123
CUTTER AND QUAD HEADS	124-126
LS AND DEPTH COMMAND.	127-132
DECALS.	134-135
ELECTRICAL SCHEMATIC.	136-151
HYDRAULIC SCHEMATIC	152-173
ABBREVIATIONS	174
INDEX	175
PARTS ORDER FORM.	179

ENGINE ASSEMBLY

DET.	QTY	PART NO.	DESCRIPTION
1	2	311053	RUBBER MOUNT SET,SSB26-1000-1
2	1	314995	LWR RADIATOR HOSE 2101 03
3	2	193012	QUICKEDGE TRIM .135 TO .250
4	1	291003	FUSE, 150 AMP 32V DC
5	1	291531	GROUND CABLE, 15"
6	2	291813	FUSE, 125 AMP 32V DC
7	1	311075	RAD HOSE,1.75 X 23(52823 GDYR)
8	1	314836	TEMP SENDR 280D 1/2NPT FOR GA
9	1	316559	OIL FILTER, CUMMINS
10	1	316250	RH FRT ENG MT WLD, CUMM 94
11	1	316313	LH FRT ENG MT WLD, 284 CUMM 98
12	1	316551	FAN, 24" CUMM QSB205, 2101 03
13	1	316336	RH HYD TUBE MT, 2100 98
14	3	291814	FUSE HOLDER, HIGH AMP
15	1	291815	CIRCUIT BREAKER,100 AMP BUSS
16	2	291833	CONTACTOR RELAY,15VDC 100A
17	1	316557	ENGINE BREAKER MT PLT, 2101 03
18	1	470274	TUBE CLAMP BODY, .750-.750
19	1	470276	CLAMP COVER PLATE,SNGL, 2.55LG
20	1	470278	CLAMP WELD PLATE, SNGL, 2.75LG
21	10	470122	1/4UNC X 1/2 FLANGE HEX BOLT
22	5	473775	12MM-1.75 X 30MM HEX BOLT
23	4	473798	10MM LOCK WASHER
24	3	473783	12MM-1.75 X 25MM HEX BOLT
25	8	473784	12MM LOCK WASHER
26	1	601597	HOSE, 3/8 X 26 HEATER
27	1	520069	HOSE CLAMP NO 6 STAINLESS
28	2	914008	1/2UNC HEX STOVER NUT
29	1	900086	5/16UNC X 2 1/4 HEX BOLT
30	2	470118	1/4UNC X 3/4 FLANGE HEX BOLT
31	12	470121	1/4UNC HEX FLANGE LOCK NUT
32	1	316558	FAN SPACER, 3.00
33	1	316550	CUMM ENG, QSB5.9, 205@2500 CMPSR
34	2	520067	HOSE CLAMP NO 28 STAINLESS
35	2	920004	1/2 SAE FLAT WASHER
36	1	520126	CUSH HOSE CLAMP 2IN X 5/8W
37	1	920501	5/16 LOCK WASHER
38	2	520099	HOSE CLAMP NO 40 STAINLESS
39	2	900271	1/2UNC X 3 1/4 HEX BOLT
40	4	473769	10MM-1.50 X 100MM FLG HEX BOLT
41	4	473799	10MM FLAT WASHER

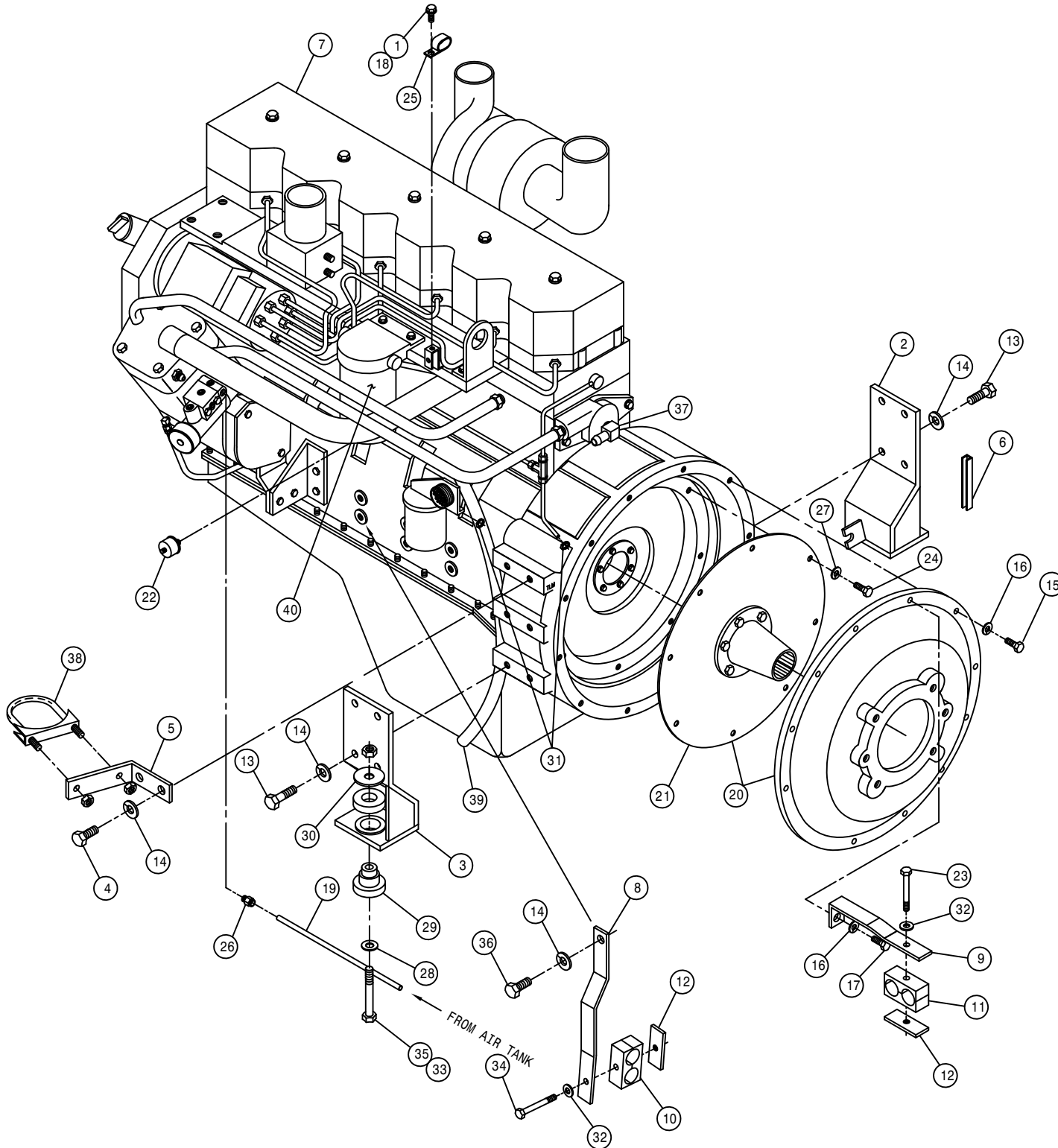
4



ENGINE ASSEMBLY

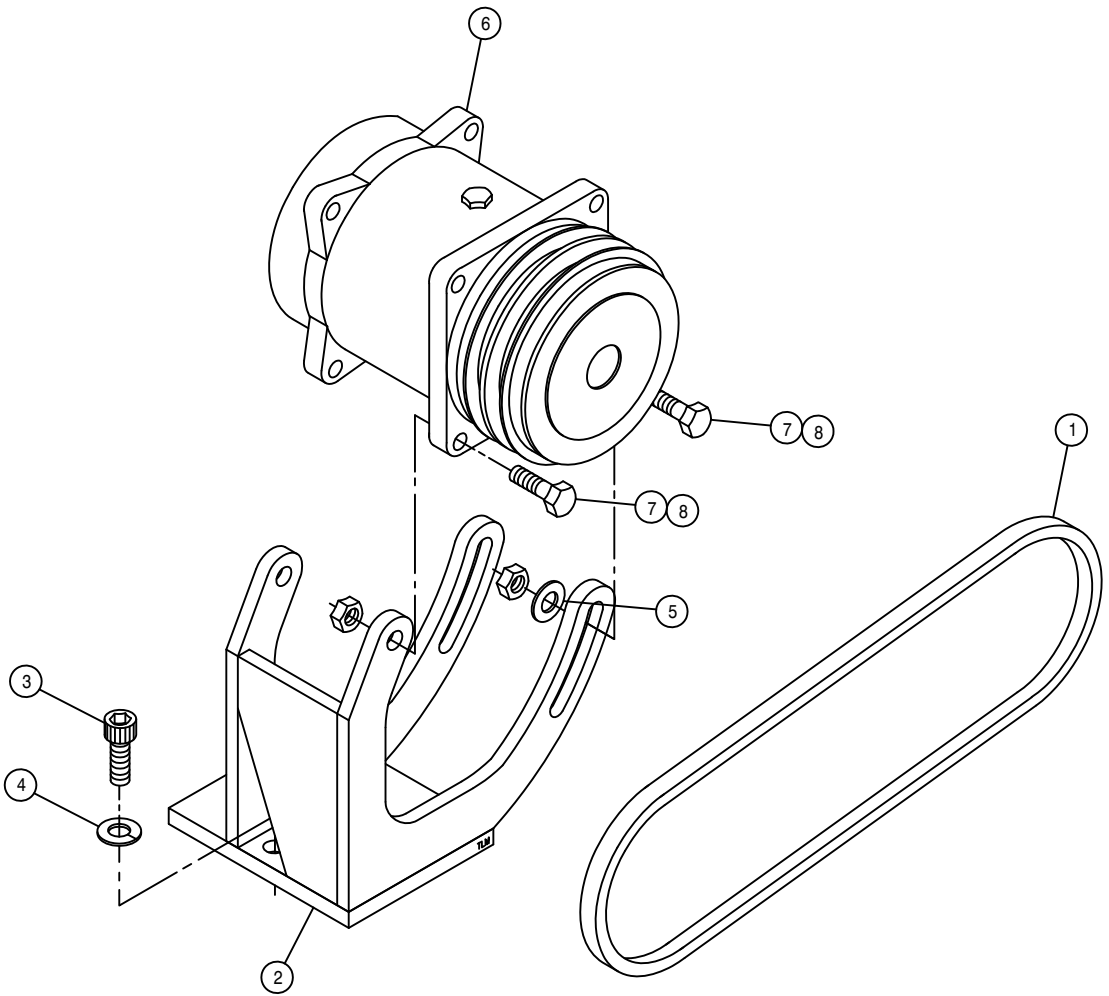
DET. QTY PART NO. DESCRIPTION

1	1	470122	1/4UNC X 1/2 FLANGE HEX BOLT
2	1	316252	RH REAR ENG MT WLD, CUMM 94
3	1	316253	LH REAR ENG MT WLD, CUMM 94
4	2	473783	12MM-1.75 X 25MM HEX BOLT
5	1	316556	LWR AIR TUBE BRKT,ENG 2101 03
6	2	193012	QUICKEDGE TRIM .135 TO .250
7	1	316550	CUMM ENG,QSB5.9,205@2500 CMPSR
8	1	316337	LH HYD TUBE MT, 2100 98
9	1	316338	REAR HYD TUBE MT, 2100 98
10	1	470274	TUBE CLAMP BODY, .750-.750
11	1	470275	TUBE CLAMP BODY,1.000-1.000
12	2	470278	CLAMP WELD PLATE, SNGL, 2.75LG
13	8	473775	12MM-1.75 X 30MM HEX BOLT
14	11	473784	12MM LOCK WASHER
15	11	473792	10MM-1.50 X 30MM HEX BOLT
16	12	473798	10MM LOCK WASHER
17	1	473818	10MM-1.50 X 40MM HEX BOLT
18	1	470121	1/4UNC HEX FLANGE LOCK NUT
19	1	601553	HOSE, 1/4 X 43 AIR
20	1	800502	PUMP DRIVE,DIRECT SAE#3/C 23T
21	1	800503	DRIVE DISK ASSY,11.5" 23T SPL
22	1	291674	OIL PRESS SENDER,125PSI,1/8NPT
23	1	900086	5/16UNC X 2 1/4 HEX BOLT
24	8	900128	3/8UNC X 3/4 HEX BOLT
25	1	520101	CUSH HOSE CLAMP, 1"D X 1/2W
26	1	711036	1/8MNPT-1/4 NYL TUBE FTG
27	8	920502	3/8 LOCK WASHER
28	4	920004	1/2 SAE FLAT WASHER
29	2	311054	RUBBER MOUNT SET, CB-2202-4
30	2	311055	REBOUND WASHER FOR 311054
31	2	520120	HOSE CLAMP NO 4 STAINLESS
32	2	920501	5/16 LOCK WASHER
33	2	914008	1/2UNC HEX STOVER NUT
34	1	900069	5/16UNC X 2" HEX BOLT
35	2	900271	1/2UNC X 3 1/4 HEX BOLT
36	1	473782	12MM-1.75 X 18MM HEX BOLT
37	1	711100	5/8 HOSE BARB-90-1/2MNPT BRS
38	1	470160	MUFFLER CLAMP 3.00 IN
39	1	601529	HOSE, 3/4 X 34 CLEAR VINYL
40	1	316373	FUEL/WATER SEPERATOR (316360)



5

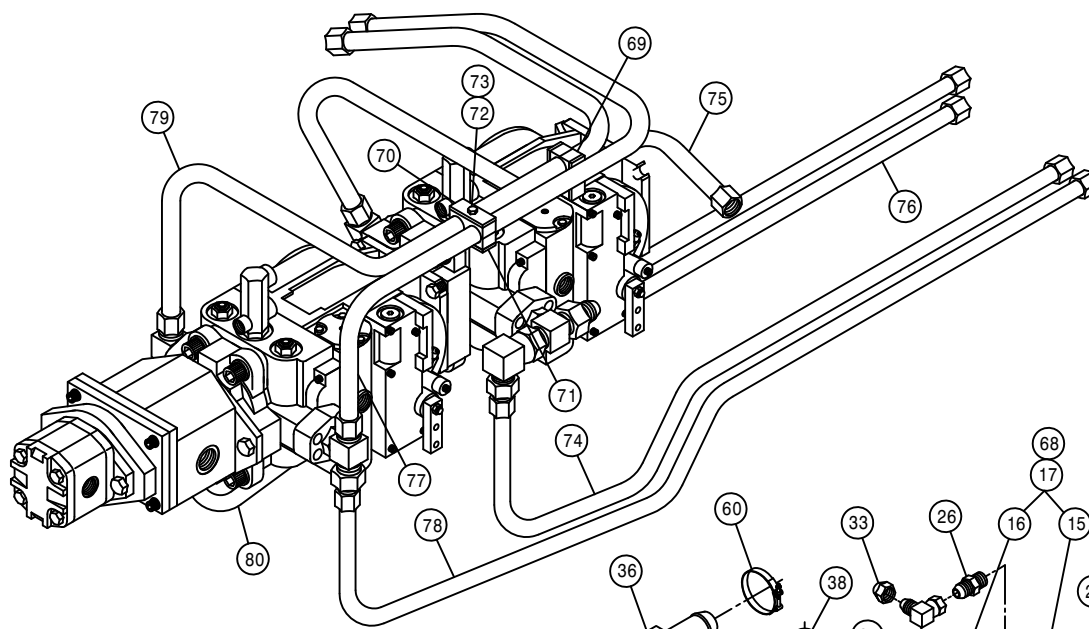
304005



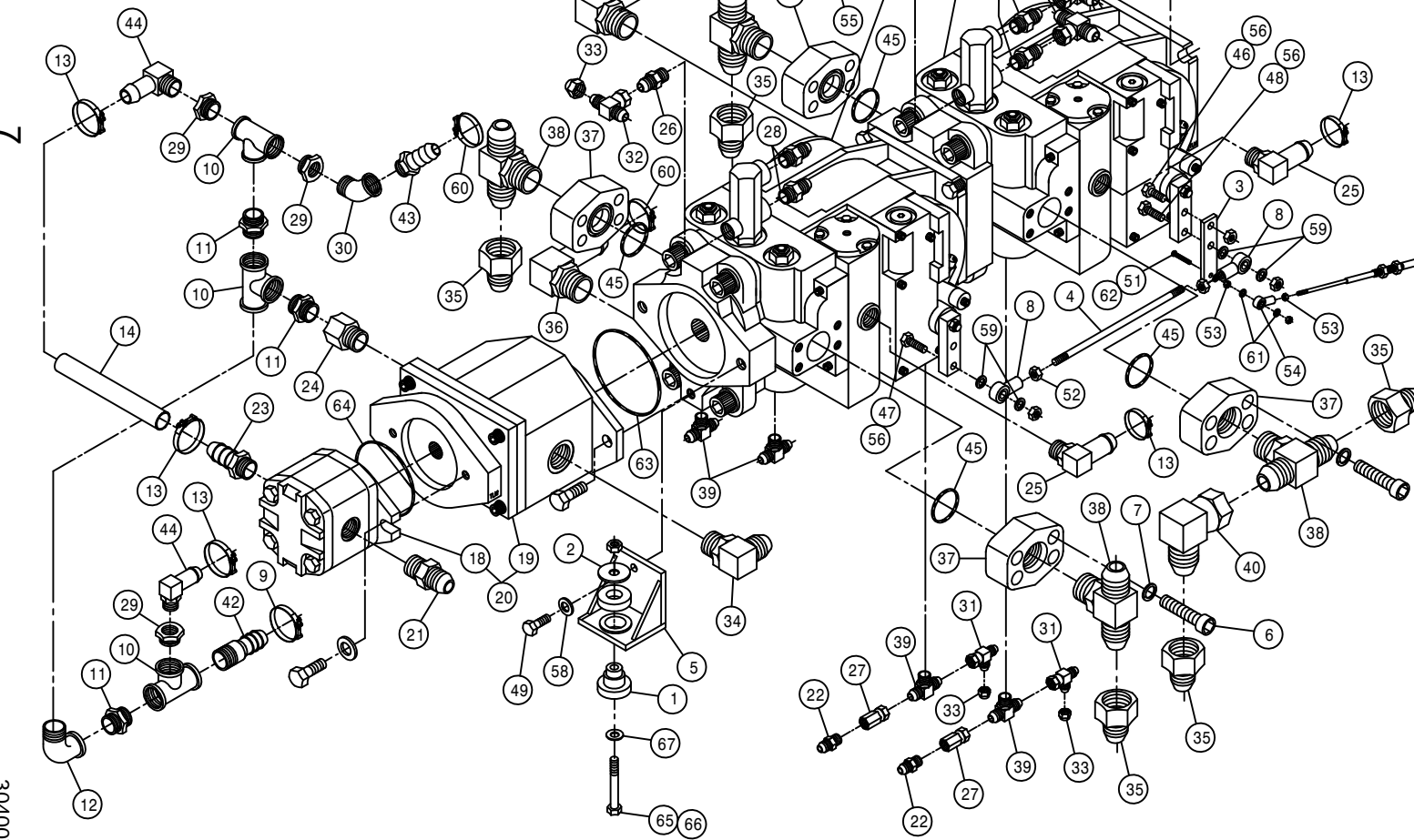
A/C COMPRESSOR PUMP ASSEMBLY

DET.	QTY	PART NO.	DESCRIPTION
	1	147049	BELT, 9425 GATES
	1	316522	A/C MTG BRKT WLD, STS 2002
	3	473844	10MM-1.50 X 30 SOC HD CAP SCR
	4	473798	10MM LOCK WASHER
	5	483043	3/8 REGULAR FLAT WASHER
	6	657403	A/C COMPSR, 180D PORTS TM15/12
	7	900131	3/8UNC X 1 1/2 HEX BOLT
	8	914004	3/8UNC HEX STOVER NUT

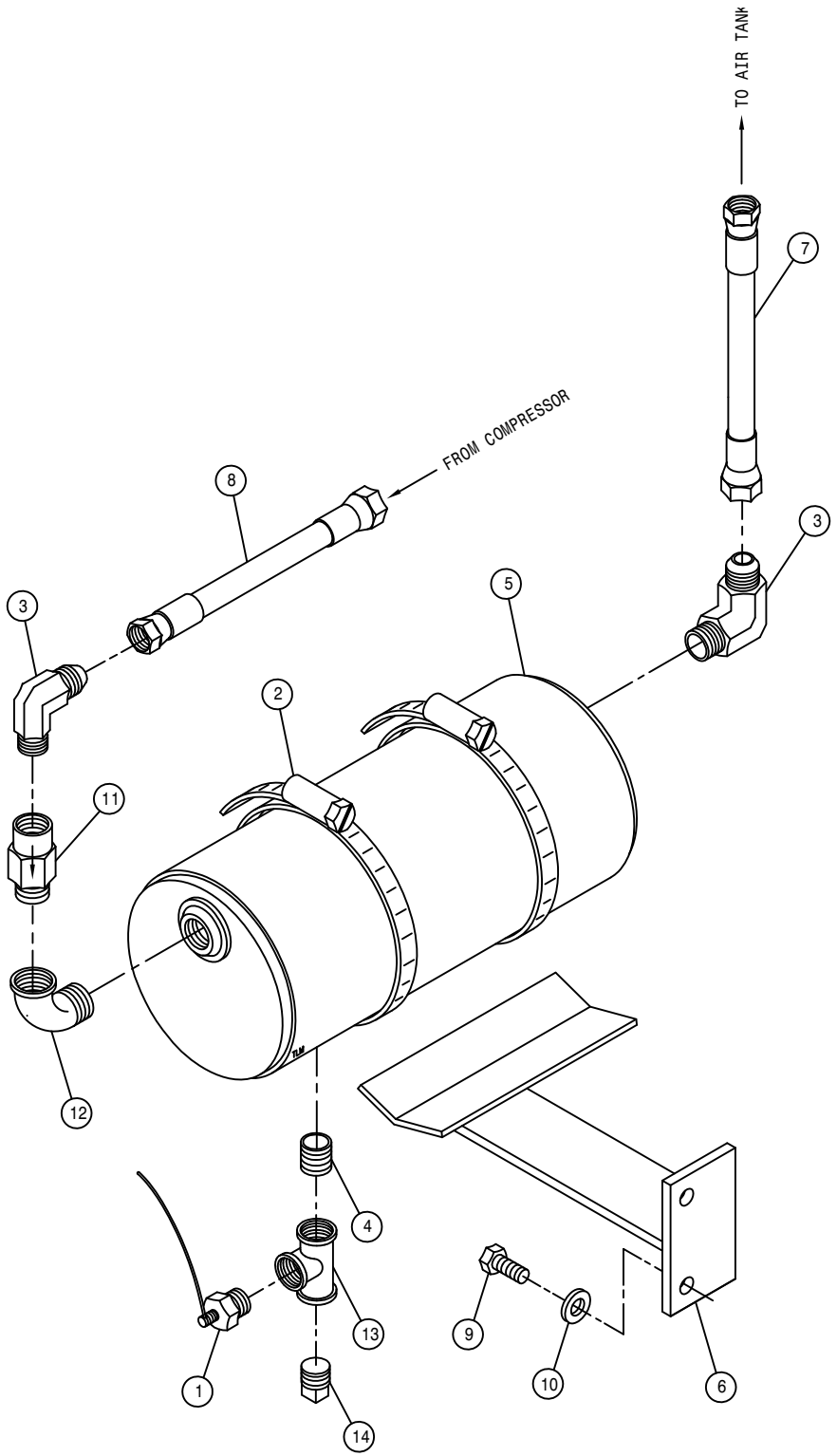
COMBO HYDROSTATIC PUMP ASSEMBLY



DET.	QTY	PART NO.	DESCRIPTION	DET.	QTY	PART NO.	DESCRIPTION
68	1	606950	O-RING, SUND 9004100-0480	1	1	311054	RUBBER MOUNT SET, CB-2202-4
69	2	470275	TUBE CLAMP BODY, 1.000-1.000	2	1	311055	REBOUND WASHER FOR 311054
70	2	470276	CLAMP COVER PLATE, SNGL, 2.55LG	3	1	316160	PUMP CONT LEVER EXT 280 CUMM
71	2	470278	CLAMP WELD PLATE, SNGL, 2.75LG	4	1	316335	HYDST PUMP CTRL ROD, 2100 98
72	2	900086	5/16UNC X 2 1/4 HEX BOLT	5	1	316341	AUX PUMP SUPP MT WLD, 2100 98
73	2	920501	5/16 LOCK WASHER	6	16	470188	7/16-14 X 1 3/4 SKTHD CAP SCR
74	1	615717	RH FRT PUMP LWR TUBEASSY210098	7	16	470189	7/16 HC LOCK WASH FOR 618598
75	1	615718	LH FRT PUMP UPR TUBEASSY210098	8	2	473998	BALL JOINT, 1/4-28 1/4BORE
76	1	615719	RH FRT PUMP LWR TUBEASSY210098	9	1	520132	1.62/1.87 T-BOLT HOSE CLAMP SS
77	1	615720	RH REAR PUMP UPR TUBE ASSY 98	10	3	506105	BLK PIPE TEE 1.25NPT
78	1	615721	RH REAR PUMP LWR TUBE ASSY 98	11	3	507026	1 1/4MNPT HEX PIPE NIPPLE STL
79	1	615722	LH REAR PUMP UPR TUBE ASSY 98	12	1	506410	BLK PIPE ST EL 90DEG 1.25NPT
80	1	615723	LH REAR PUMP LWR TUBE ASSY 98	13	5	520137	1.12/1.25 T-BOLT HOSE CLAMP

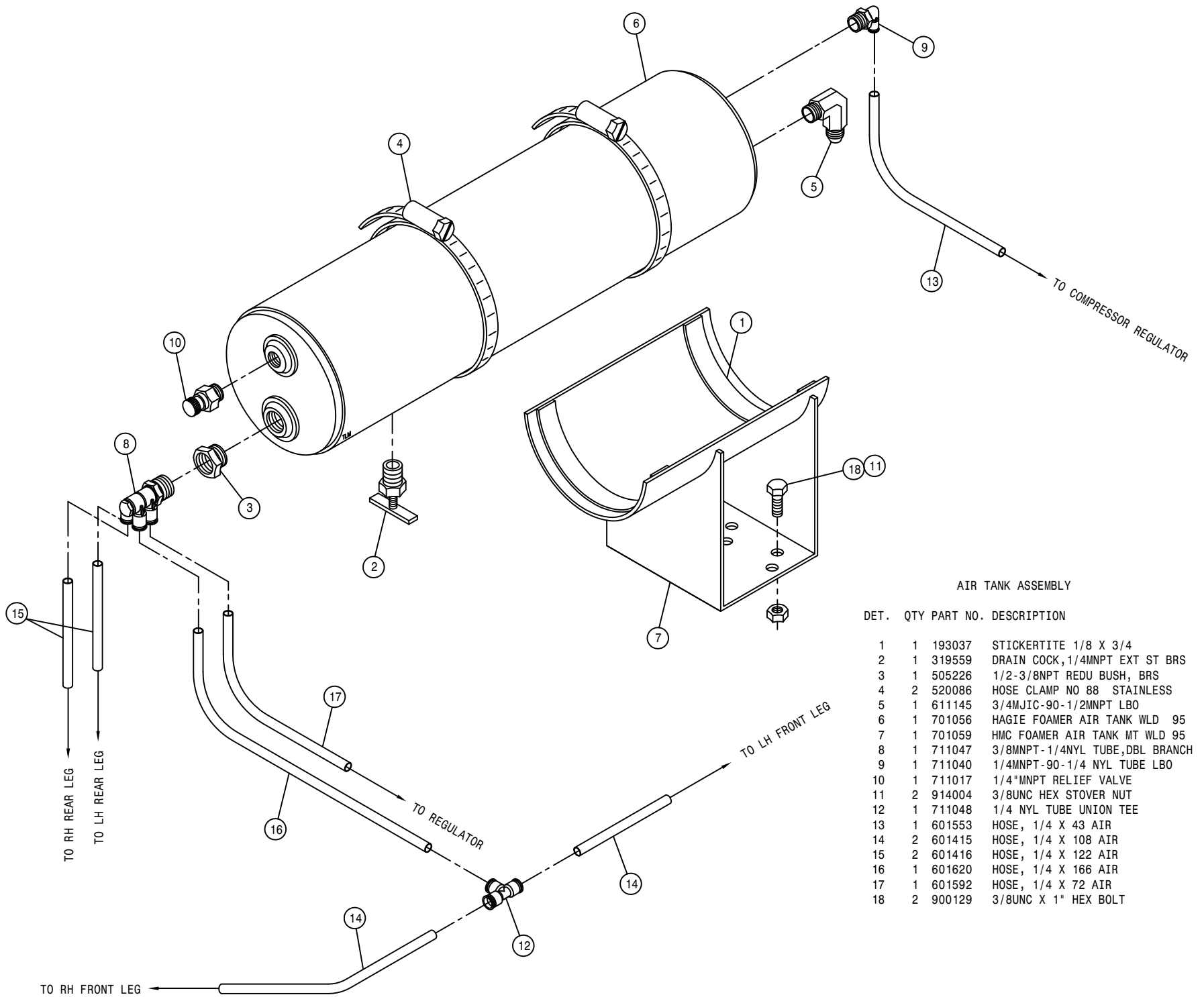


DET.	QTY	PART NO.	DESCRIPTION	DET.	QTY	PART NO.	DESCRIPTION
1	1	311054	RUBBER MOUNT SET, CB-2202-4	16	1	606947	SUND 75CC PUMP, C/B-MT
2	1	311055	REBOUND WASHER FOR 311054	17	1	606943	TANDEM PUMP, 606944 & 606947
3	1	316160	PUMP CONT LEVER EXT 280 CUMM	18	1	606929	SUND GEAR PUMP .66CI, SPLINED
4	1	316335	HYDST PUMP CTRL ROD, 2100 98	19	1	606938	SUND GEAR PUMP, 4.00CIR SPLINED
5	1	316341	AUX PUMP SUPP MT WLD, 2100 98	20	1	606937	TANDEM PUMP, 606929 & 606938
6	16	470188	7/16-14 X 1 3/4 SKTHD CAP SCR	21	1	611126	7/8MJIC-7/8MOR ADPTR
7	16	470189	7/16 HC LOCK WASH FOR 618598	22	2	614740	RESTRICTOR FTG ASSY, .050
8	2	473998	BALL JOINT, 1/4-28 1/4BORE	23	1	618075	3/4 HOSE BARB-1 1/16MOR
9	1	520132	1.62/1.87 T-BOLT HOSE CLAMP SS	24	1	618596	1 5/8MOR-1 1/4FNPT ADPTR
10	3	506105	BLK PIPE TEE 1.25NPT	25	2	618118	3/4 HOSE BARB-90-1 1/16MOR
11	3	507026	1 1/4MNPT HEX PIPE NIPPLE STL	26	2	618126	9/16MJIC-9/16MOR ADPTR
12	1	506410	BLK PIPE ST EL 90DEG 1.25NPT	27	2	618291	9/16FJX-1/4FNPT ADPTR
13	5	520137	1.12/1.25 T-BOLT HOSE CLAMP	28	4	618327	3/4MJIC-7/8MOR ADPTR
14	1	601399	HOSE, 3/4 X 13 1FBR-1SPI	29	3	506005	1 1/4 TO 1 RED BUSH BLK MAL
15	1	606944	SUND 75CC PUMP, C/C-MT	30	1	505110	BLK PIPE ST EL 45DEG 1.00NPT
16	1	606947	SUND 75CC PUMP, C/B-MT	31	2	618486	9/16FJIC SW RUN TEE-9/16MJIC
17	1	606943	TANDEM PUMP, 606944 & 606947	32	1	618514	9/16FJ SW BRANCH TEE-9/16MJ
18	1	606929	SUND GEAR PUMP .66CI, SPLINED	33	4	618531	9/16FJIC CAP NUT
19	1	606938	SUND GEAR PUMP, 4.00CIR SPLINED	34	1	618178	1 5/16MJIC-90-1 5/16MOR LBO
20	1	606937	TANDEM PUMP, 606929 & 606938	35	5	618541	1 5/16FJIC-1 1/16MJIC ADPTR
21	1	611126	7/8MJIC-7/8MOR ADPTR	36	2	618564	1IN HOSE BARB-90-1 5/16MOR
22	2	614740	RESTRICTOR FTG ASSY, .050	37	4	618598	1" 4-BOLT FLG X 1 5/16 FOR
23	1	618075	3/4 HOSE BARB-1 1/16MOR	38	4	618599	1 5/16MOR BRANCH TEE-1 5/16MJ
24	1	618596	1 5/8MOR-1 1/4FNPT ADPTR	39	4	618629	9/16MOR BRANCH TEE-9/16MJIC
25	2	618118	3/4 HOSE BARB-90-1 1/16MOR	40	1	618640	1 5/16MJ-90-1 5/16FJ SWIV LBO
26	2	618126	9/16MJIC-9/16MOR ADPTR	41	2	618643	3/4FJ SW BRANCH TEE-3/4MJ
27	2	618291	9/16FJX-1/4FNPT ADPTR	42	1	715660	HOSE BARB 1 1/4NPT X 1 1/4
28	4	618327	3/4MJIC-7/8MOR ADPTR	43	1	714560	1NPT X 1 HOSE BARB
29	3	506005	1 1/4 TO 1 RED BUSH BLK MAL	44	2	716000	3/4 HOSE BARB-90-1MNPT
30	1	505110	BLK PIPE ST EL 45DEG 1.00NPT	45	4	870219	BUNA ORING 1 5/16 X 1 9/16
31	2	618486	9/16FJIC SW RUN TEE-9/16MJIC	46	1	900003	1/4UNC X 1" HEX BOLT
32	1	618514	9/16FJ SW BRANCH TEE-9/16MJ	47	1	900004	1/4UNC X 1 1/4 HEX BOLT
33	4	618531	9/16FJIC CAP NUT	48	1	900005	1/4UNC X 1 1/2 HEX BOLT
34	1	618178	1 5/16MJIC-90-1 5/16MOR LBO	49	1	900263	1/2UNC X 1" HEX BOLT
35	5	618541	1 5/16FJIC-1 1/16MJIC ADPTR	50	4	900265	1/2UNC X 1 1/2 HEX BOLT
36	2	618564	1IN HOSE BARB-90-1 5/16MOR	51	1	903893	10-32 X 1" SLT RD HD MACH SCR
37	4	618598	1" 4-BOLT FLG X 1 5/16 FOR	52	2	910001	1/4UNF HEX NUT
38	4	618599	1 5/16MOR BRANCH TEE-1 5/16MJ	53	2	910027	10-32 HEX NUT
39	4	618629	9/16MOR BRANCH TEE-9/16MJIC	54	1	473921	BALL JOINT NO 10-32 THD
40	1	618640	1 5/16MJ-90-1 5/16FJ SWIV LBO	55	1	618618	9/16MJIC-90-9/16FJIC SWIV LBO
41	2	618643	3/4FJ SW BRANCH TEE-3/4MJ	56	3	914000	1/4UNC HEX STOVER NUT
42	1	715660	HOSE BARB 1 1/4NPT X 1 1/4	57	4	920004	1/2 SAE FLAT WASHER
43	1	714560	1NPT X 1 HOSE BARB	58	1	920504	1/2 LOCK WASHER
44	2	716000	3/4 HOSE BARB-90-1MNPT	59	4	920500	1/4 LOCK WASHER
45	4	870219	BUNA ORING 1 5/16 X 1 9/16	60	3	520138	1.38/1.56 T-BOLT HOSE CLAMP
46	1	900003	1/4UNC X 1" HEX BOLT	61	3	920510	#10 LOCK WASHER
47	1	900004	1/4UNC X 1 1/4 HEX BOLT	62	1	914027	10-32 HEX STOVER NUT
48	1	900005	1/4UNC X 1 1/2 HEX BOLT	63	1	606870	O-RING FOR 606865 SUND B-MT
49	1	900263	1/2UNC X 1" HEX BOLT	64	1	606924	O-RING FOR SUND A-MT
50	4	900265	1/2UNC X 1 1/2 HEX BOLT	65	1	900271	1/2UNC X 3 1/4 HEX BOLT
51	1	903893	10-32 X 1" SLT RD HD MACH SCR	66	1	914008	1/2UNC HEX STOVER NUT
52	2	910001	1/4UNF HEX NUT	67	1	920004	1/2 SAE FLAT WASHER
53	2	910027	10-32 HEX NUT				
54	1	473921	BALL JOINT NO 10-32 THD				
55	1	618618	9/16MJIC-90-9/16FJIC SWIV LBO				
56	3	914000	1/4UNC HEX STOVER NUT				
57	4	920004	1/2 SAE FLAT WASHER				
58	1	920504	1/2 LOCK WASHER				
59	4	920500	1/4 LOCK WASHER				
60	3	520138	1.38/1.56 T-BOLT HOSE CLAMP				
61	3	920510	#10 LOCK WASHER				
62	1	914027	10-32 HEX STOVER NUT				
63	1	606870	O-RING FOR 606865 SUND B-MT				
64	1	606924	O-RING FOR SUND A-MT				
65	1	900271	1/2UNC X 3 1/4 HEX BOLT				
66	1	914008	1/2UNC HEX STOVER NUT				
67	1	920004	1/2 SAE FLAT WASHER				



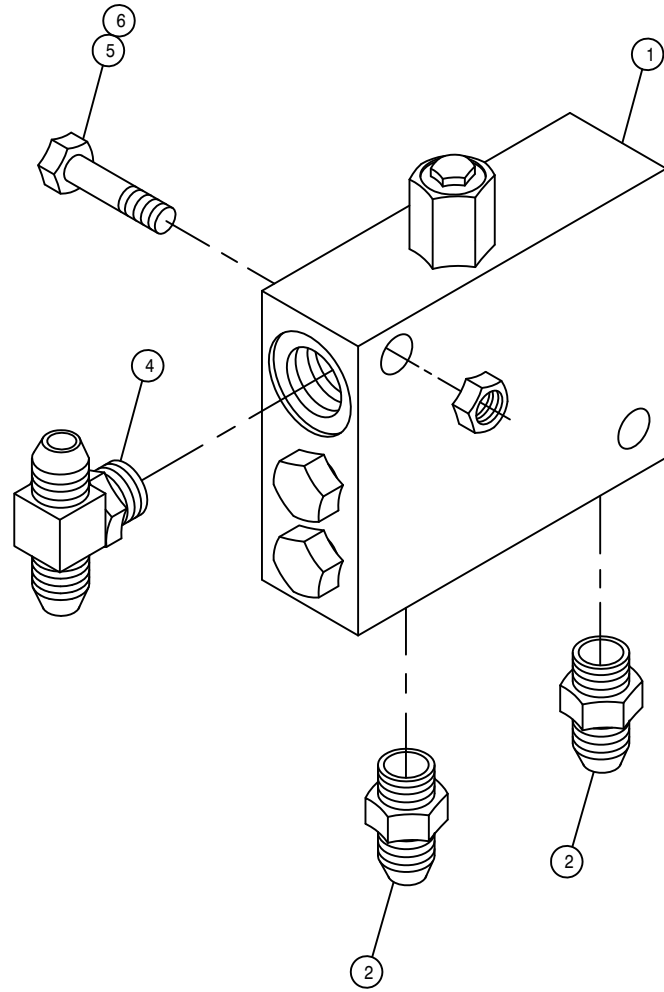
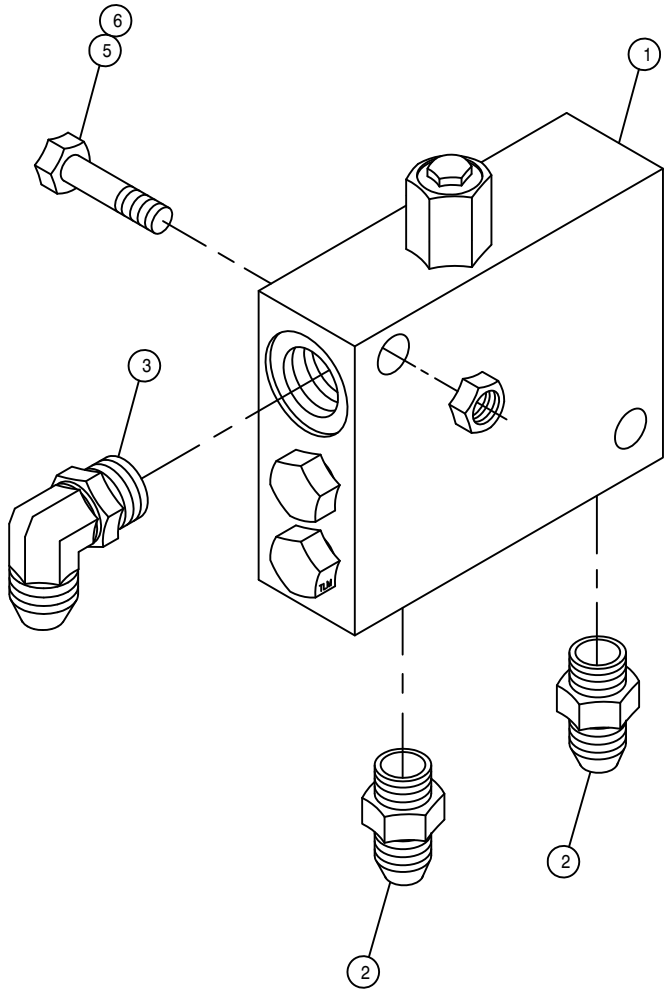
AIR WET TANK ASSEMBLY

DET.	QTY	PART NO.	DESCRIPTION	
	1	470266	DRAIN VALVE KIT, 1/4NPT	
	2	520086	HOSE CLAMP NO 88 STAINLESS	
	3	611145	3/4MJIC-90-1/2MNPT LBO	
	4	501601	CLOSE NIPPLE .25NPT	
	5	701115	WET TANK WLD	
	6	701220	WET TANK MT BRKT WLD,2101	98 03
	7	615624	06C1T-08FJX-08FJX-28	H/A
	8	611304	08P919-08FJX-10FJX-16	H/A
	9	473783	12MM-1.75 X 25MM HEX BOLT	
	10	473784	12MM LOCK WASHER	
	11	711032	CHECK VALVE, 1/2"FNPT-1/2"MNPT	
	12	503400	BLK PIPE ST EL 90DEG .50NPT	
	13	501101	BLK PIPE TEE .25NPT	
	14	501102	1/4 PIPE PLUG	



AIR TANK ASSEMBLY

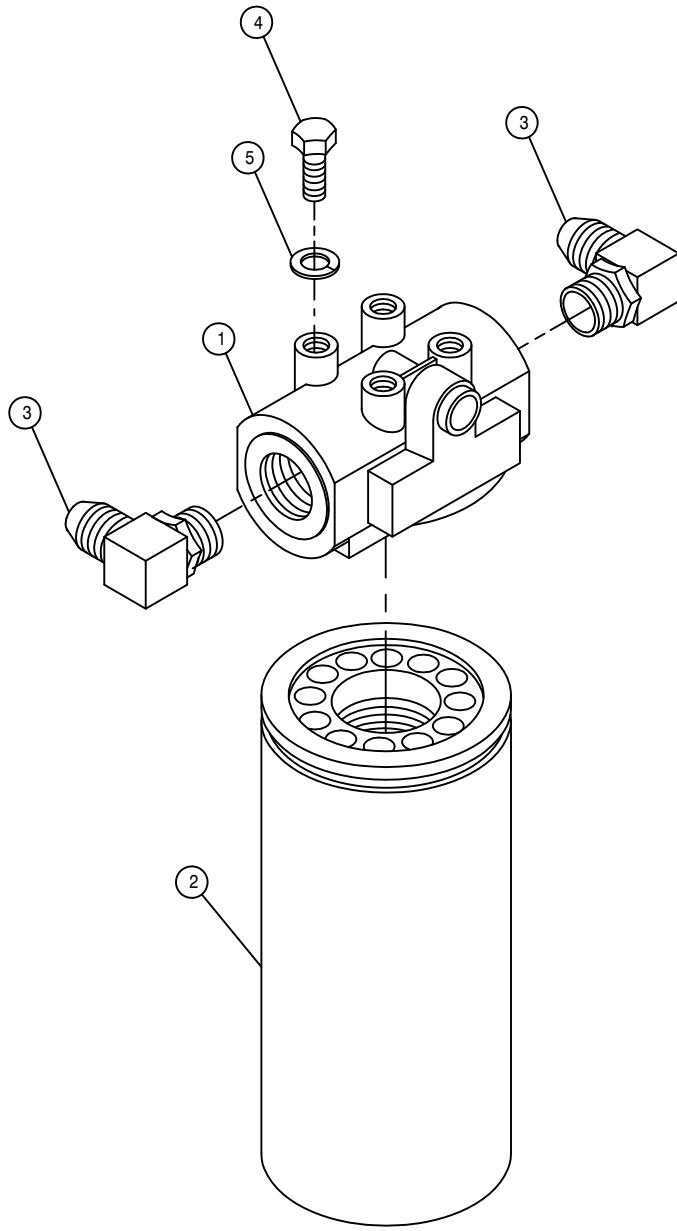
DET.	QTY	PART NO.	DESCRIPTION
	1	193037	STICKERTITE 1/8 X 3/4
	1	319559	DRAIN COCK, 1/4MNPT EXT ST BRS
	1	505226	1/2-3/8NPT REDU BUSH, BRS
	2	520086	HOSE CLAMP NO 88 STAINLESS
	1	611145	3/4MJIC-90-1/2MNPT LBO
	1	701056	HAGIE FOAMER AIR TANK WLD 95
	1	701059	HMC FOAMER AIR TANK MT WLD 95
	1	711047	3/8MNPT-1/4NYL TUBE, DBL BRANCH
	1	711040	1/4MNPT-90-1/4 NYL TUBE LBO
	1	711017	1/4"MNPT RELIEF VALVE
	2	914004	3/8UNC HEX STOVER NUT
	1	711048	1/4 NYL TUBE UNION TEE
	1	601553	HOSE, 1/4 X 43 AIR
	2	601415	HOSE, 1/4 X 108 AIR
	2	601416	HOSE, 1/4 X 122 AIR
	1	601620	HOSE, 1/4 X 166 AIR
	1	601592	HOSE, 1/4 X 72 AIR
	2	900129	3/8UNC X 1" HEX BOLT



LOOP FLUSHING VALVE ASSEMBLY

DET. QTY PART NO. DESCRIPTION

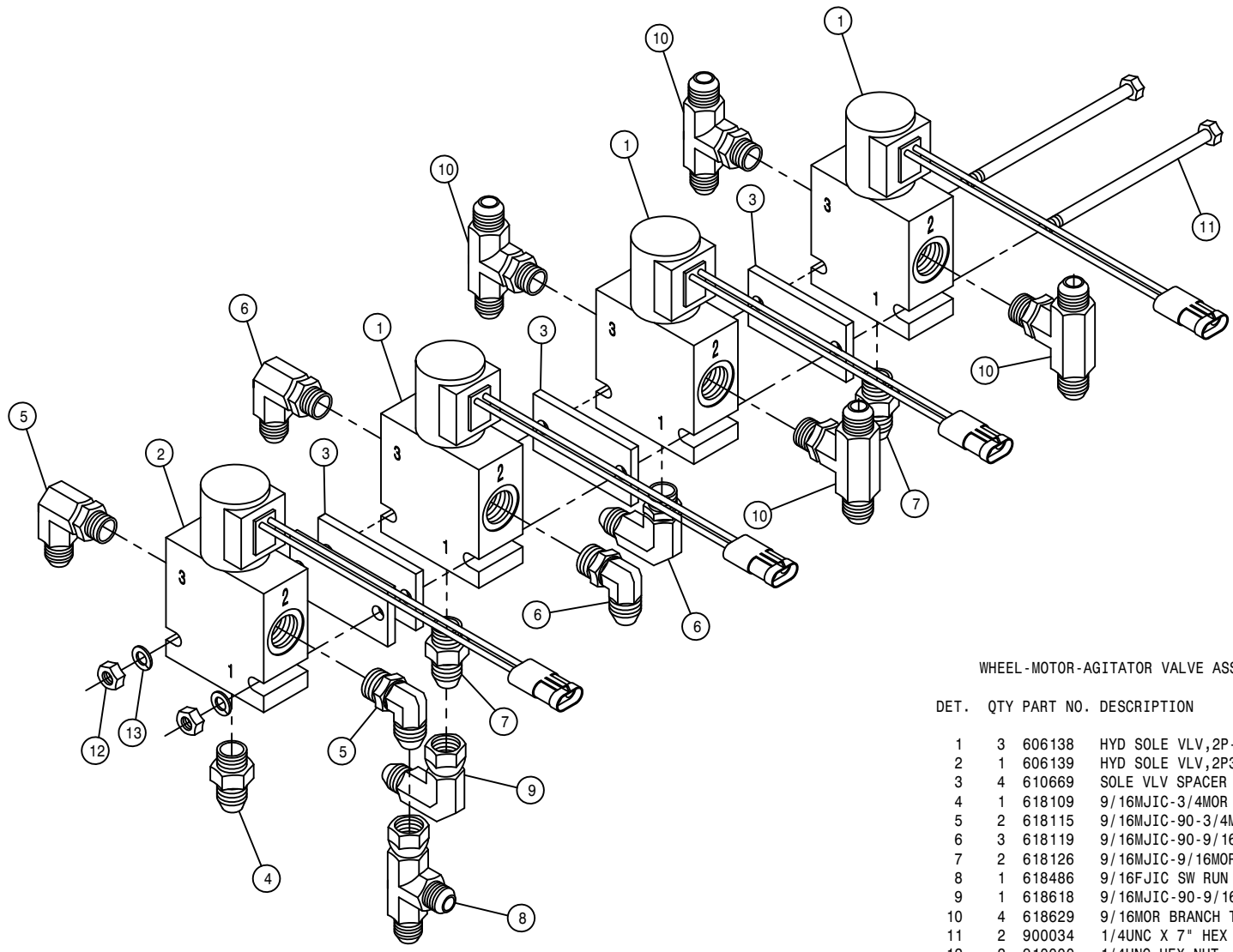
1	2	610580	REMOTE FLUSHING VALVE, SUND
2	4	618126	9/16MJC-9/16MOR ADPTR
3	1	618119	9/16MJC-90-9/16MOR LBO
4	1	618629	9/16MOR BRANCH TEE-9/16MJC
5	4	900133	3/8UNC X 2" HEX BOLT
6	4	914004	3/8UNC HEX STOVER NUT



HI-PRESS FILTER ASSEMBLY

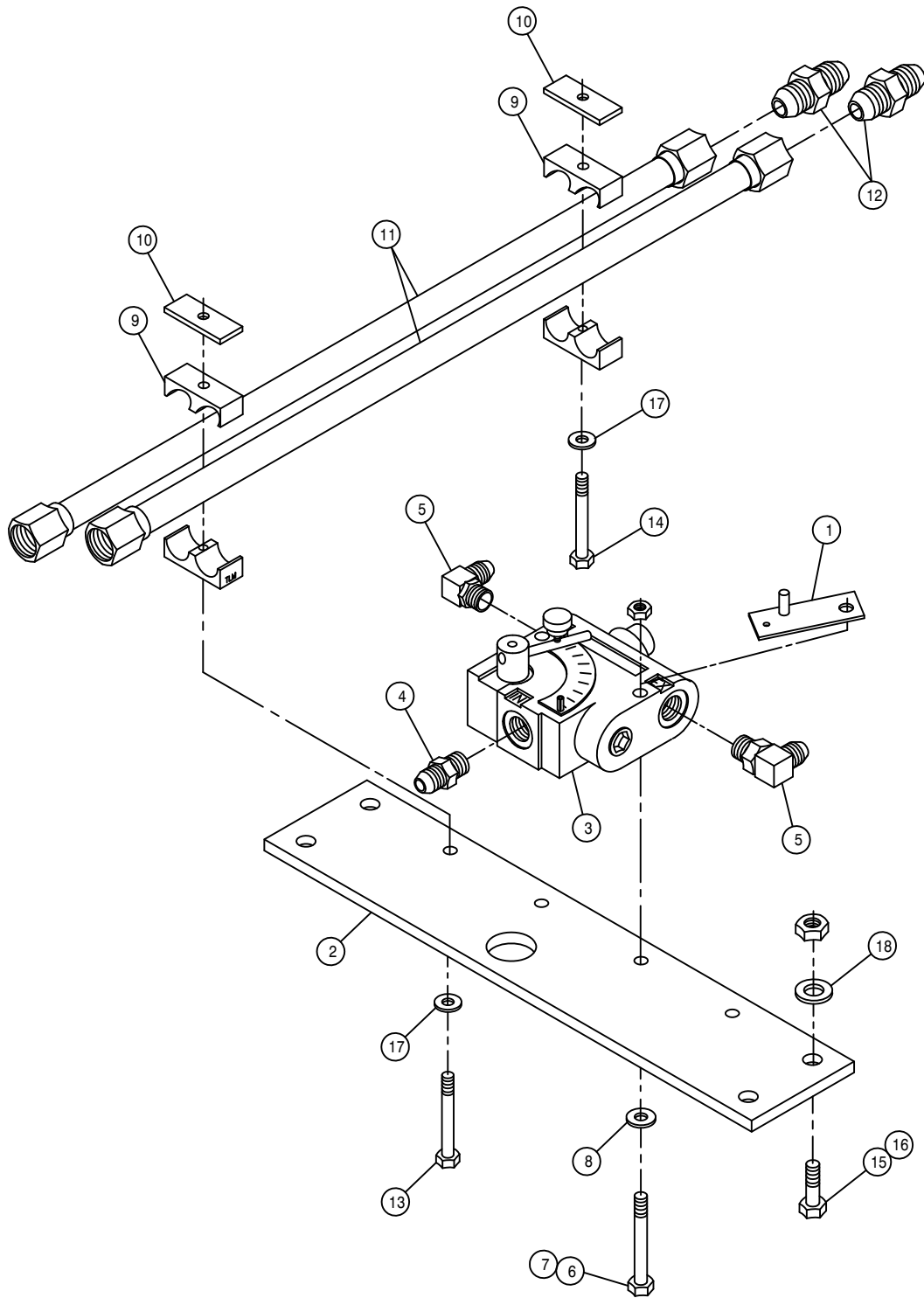
DET. QTY PART NO. DESCRIPTION

1	1	605608	HYD FILTER HEAD, DONALDSON
2	1	605609	HYD FILTER ELEMENT, DONALDSON
3	2	618474	3/4MJIC-90-1 1/16MOR LBO
4	4	900128	3/8UNC X 3/4 HEX BOLT
5	4	920502	3/8 LOCK WASHER



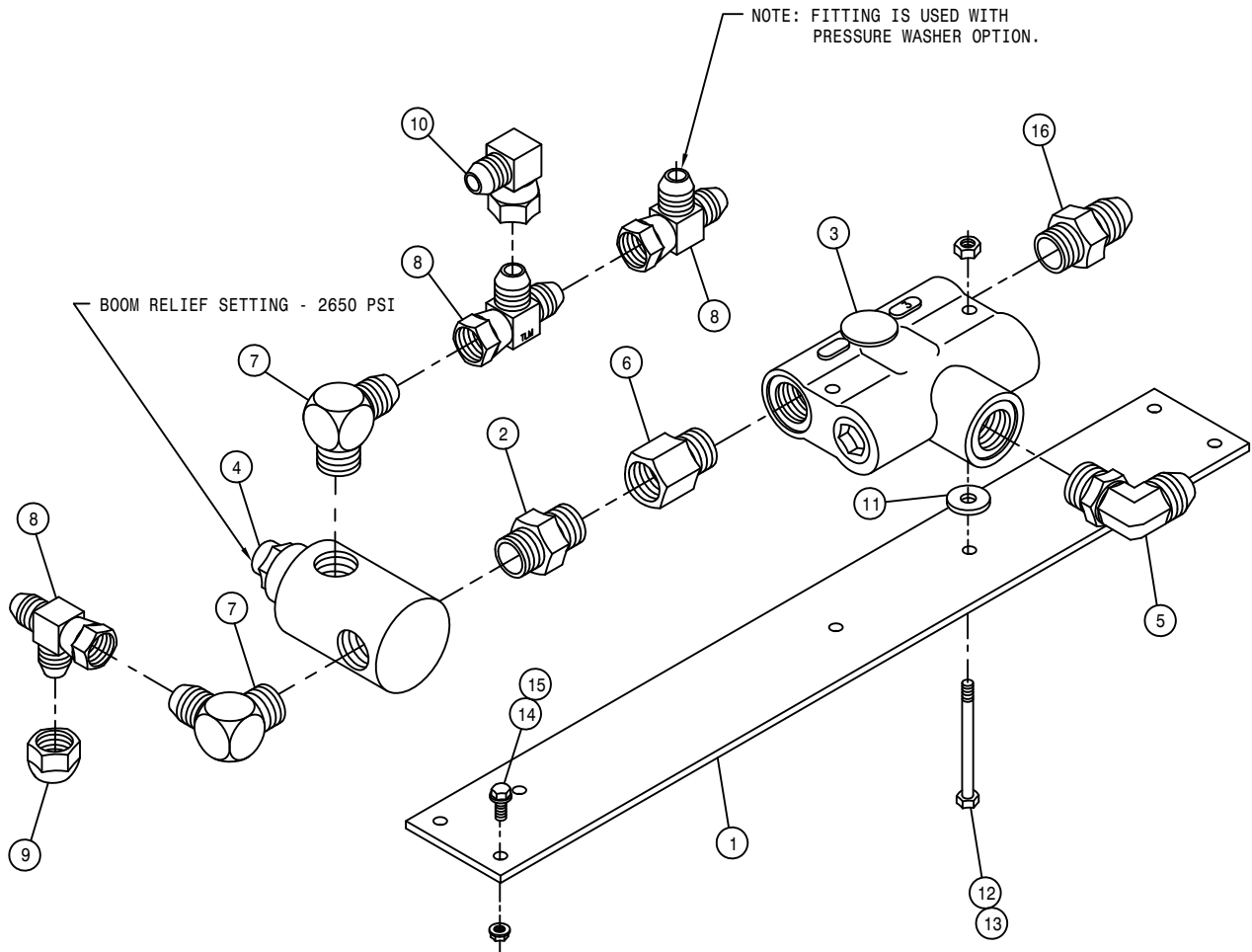
WHEEL-MOTOR-AGITATOR VALVE ASSEMBLY

DET.	QTY	PART NO.	DESCRIPTION
1	3	606138	HYD SOLE VLV,2P-3W,9/16FOR, WP
2	1	606139	HYD SOLE VLV,2P3W,3/4FOR, WP
3	4	610669	SOLE VLV SPACER
4	1	618109	9/16MJIC-3/4MOR ADPTR
5	2	618115	9/16MJIC-90-3/4MOR LBO
6	3	618119	9/16MJIC-90-9/16MOR LBO
7	2	618126	9/16MJIC-9/16MOR ADPTR
8	1	618486	9/16FJIC SW RUN TEE-9/16MJIC
9	1	618618	9/16MJIC-90-9/16FJIC SWIV LBO
10	4	618629	9/16MOR BRANCH TEE-9/16MJIC
11	2	900034	1/4UNC X 7" HEX BOLT
12	2	910000	1/4UNC HEX NUT
13	2	920500	1/4 LOCK WASHER



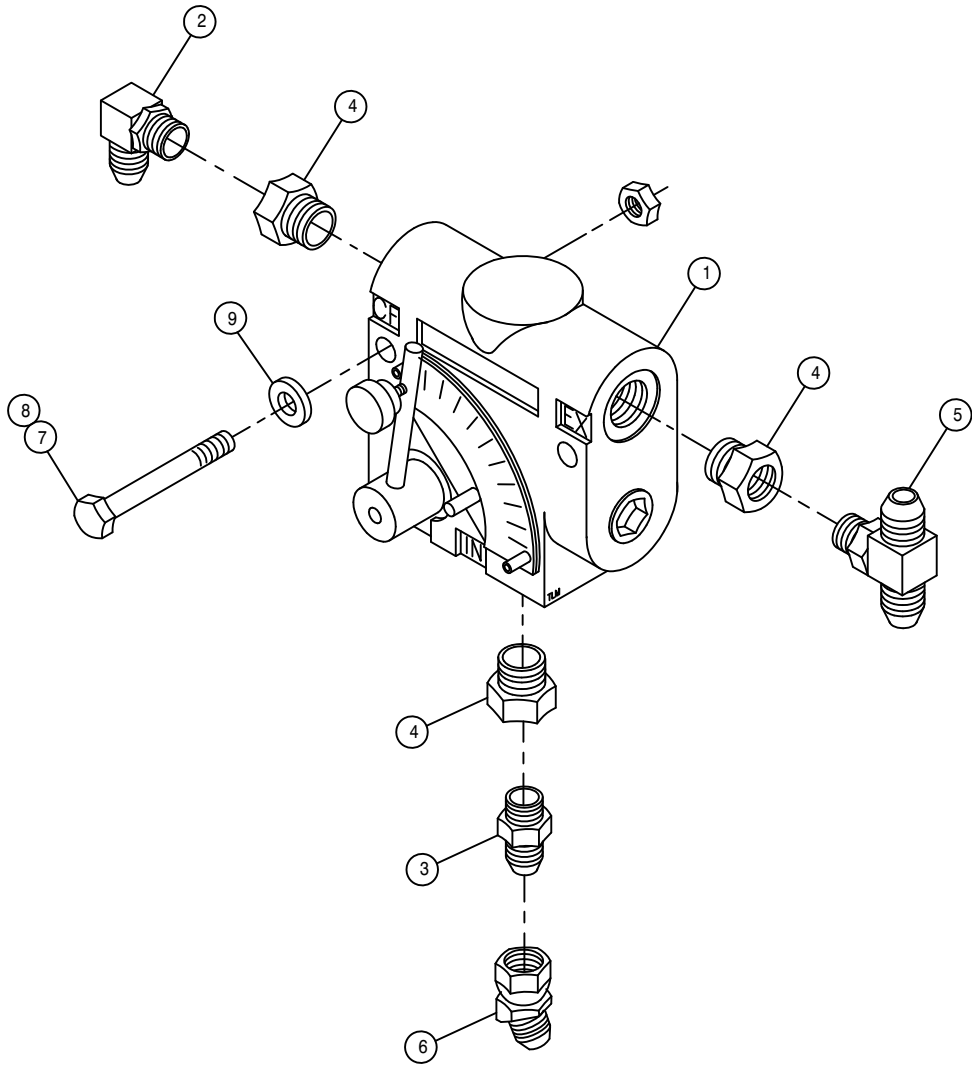
SOLUTION PUMP VARIABLE FLOW CONTROL ASSEMBLY

DET.	QTY	PART NO.	DESCRIPTION
1	1	342306	SOLU PUMP VFC STOP WLD,9G 96
2	1	361477	TIE PLT, 2100 98
3	1	606818	FLO CONT FCR51 0-16GPM 7/8FOR
4	1	611126	7/8MJIC-7/8MOR ADPTR
5	2	611128	7/8MJIC-90-7/8MOR LBO
6	2	900009	1/4UNC X 2 3/4 HEX BOLT
7	2	914000	1/4UNC HEX STOVER NUT
8	2	920000	1/4 SAE FLAT WASHER
9	4	470274	TUBE CLAMP BODY, .750-.750
10	4	470278	CLAMP WELD PLATE, SNGL, 2.75LG
11	4	615724	FRT MAIN HYD TUBE ASSY,2100 98
12	4	618177	1 1/16MJIC UNION
13	2	900069	5/16UNC X 2" HEX BOLT
14	2	900086	5/16UNC X 2 1/4 HEX BOLT
15	4	900265	1/2UNC X 1 1/2 HEX BOLT
16	4	914008	1/2UNC HEX STOVER NUT
17	4	920001	5/16 SAE FLAT WASHER
18	4	920004	1/2 SAE FLAT WASHER



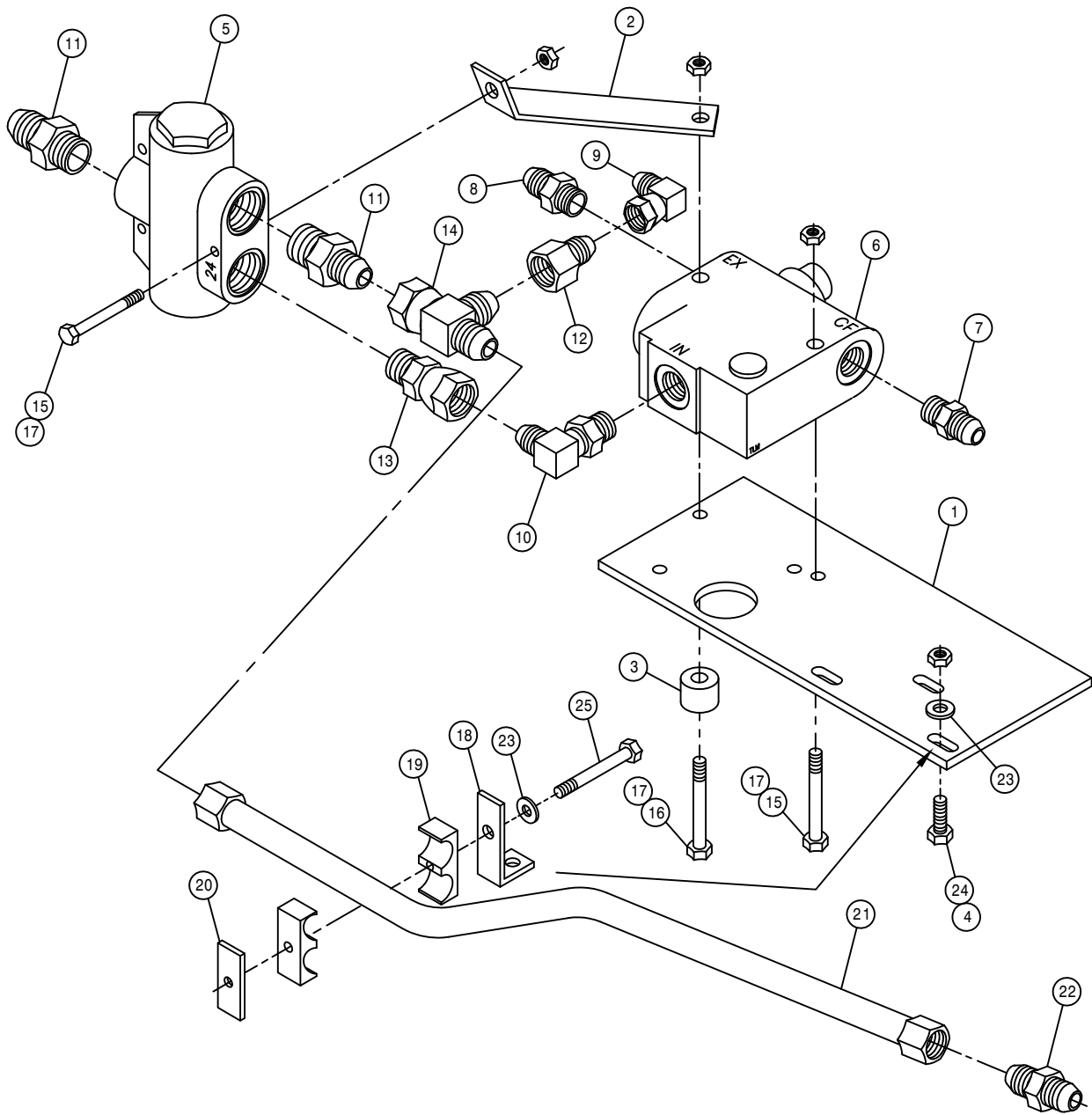
FLOW DIVIDER VALVE ASSEMBLY

DET.	QTY	PART NO.	DESCRIPTION
	1	361478	REAR FLOW DIV PLT, 2100 98
	2	500000	1/2MNPT HEX PIPE NIPPLE STL
	3	610307	FLO DIV BG53 3GPM PRI 7/8FOR
	4	607512	RELIEF VALVE, RL50, 1850 PSI
	5	611128	7/8MJIC-90-7/8MOR LBO
	6	618072	7/8MOR-1/2FNPT ADPTR
	7	618107	9/16MJIC-90-1/2MNPT LBO
	8	618486	9/16FJIC SW RUN TEE-9/16MJIC
	9	618531	9/16FJIC CAP NUT
	10	618618	9/16MJIC-90-9/16FJIC SWIV LBO
	11	748500	RUBER WASH 3/8X1/4IDX1 1/2 OD
	12	900008	1/4UNC X 2 1/2 HEX BOLT
	13	914000	1/4UNC HEX STOVER NUT
	14	470118	1/4UNC X 3/4 FLANGE HEX BOLT
	15	470121	1/4UNC HEX FLANGE LOCK NUT
	16	618310	9/16MJIC-7/8MOR ADPTR



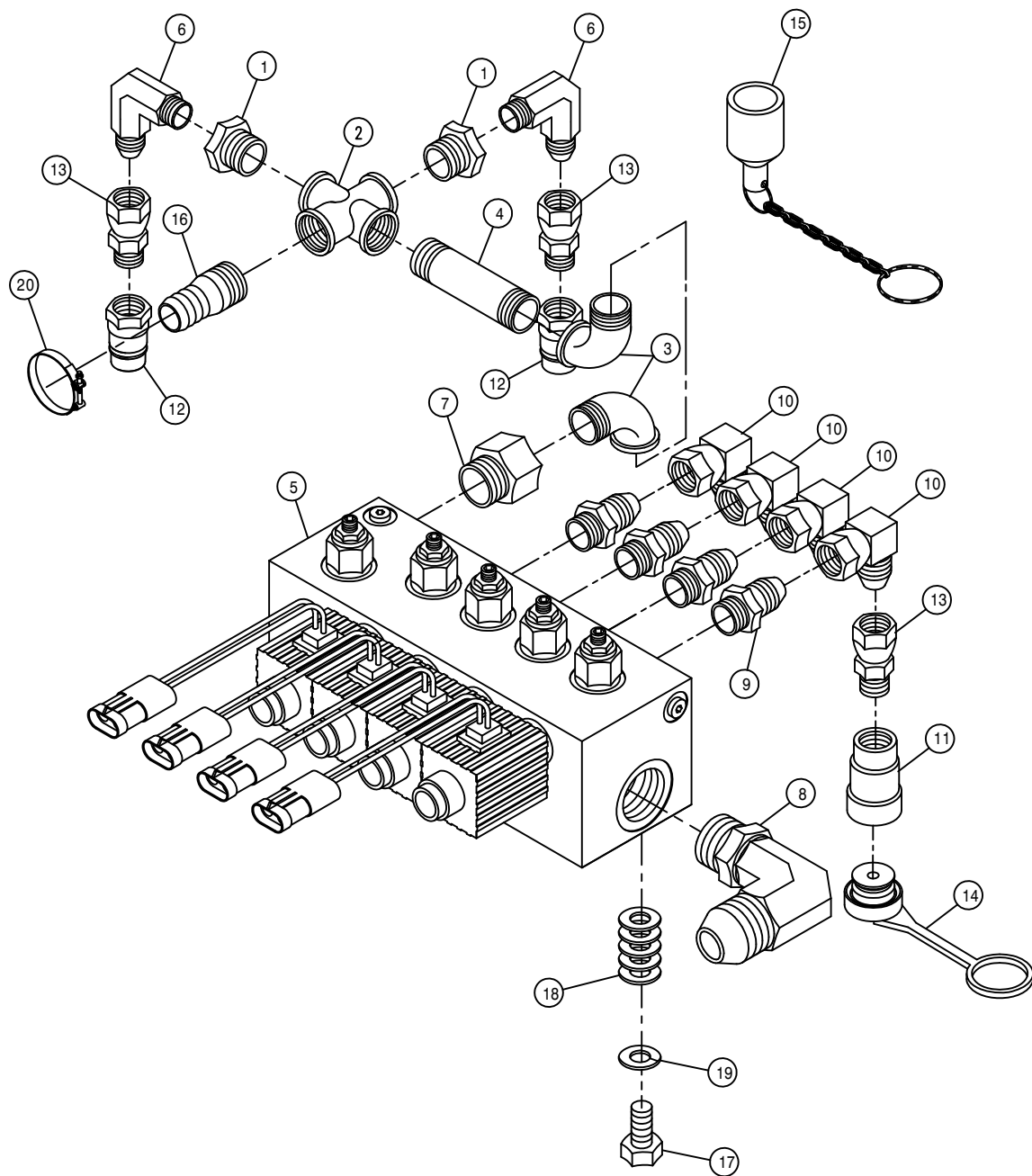
AGITATOR VARIABLE FLOW CONTROL ASSEMBLY

DET.	QTY	PART NO.	DESCRIPTION
1	1	606827	FLO CONT FC51 0-3 VARI 7/8FOR
2	1	618119	9/16MJIC-90-9/16MOR LBO
3	1	618126	9/16MJIC-9/16MOR ADPTR
4	3	618172	7/8MOR-9/16FOR ADPTR
5	1	618629	9/16MOR BRANCH TEE-9/16MJIC
6	1	618634	9/16MJIC-45-9/16FJIC SWIV LBO
7	2	900008	1/4UNC X 2 1/2 HEX BOLT
8	2	914000	1/4UNC HEX STOVER NUT
9	2	470212	1/4 BONDED SEALING WASH, SS



COMBO FLOW DIVIDER AND VFC ASSEMBLY

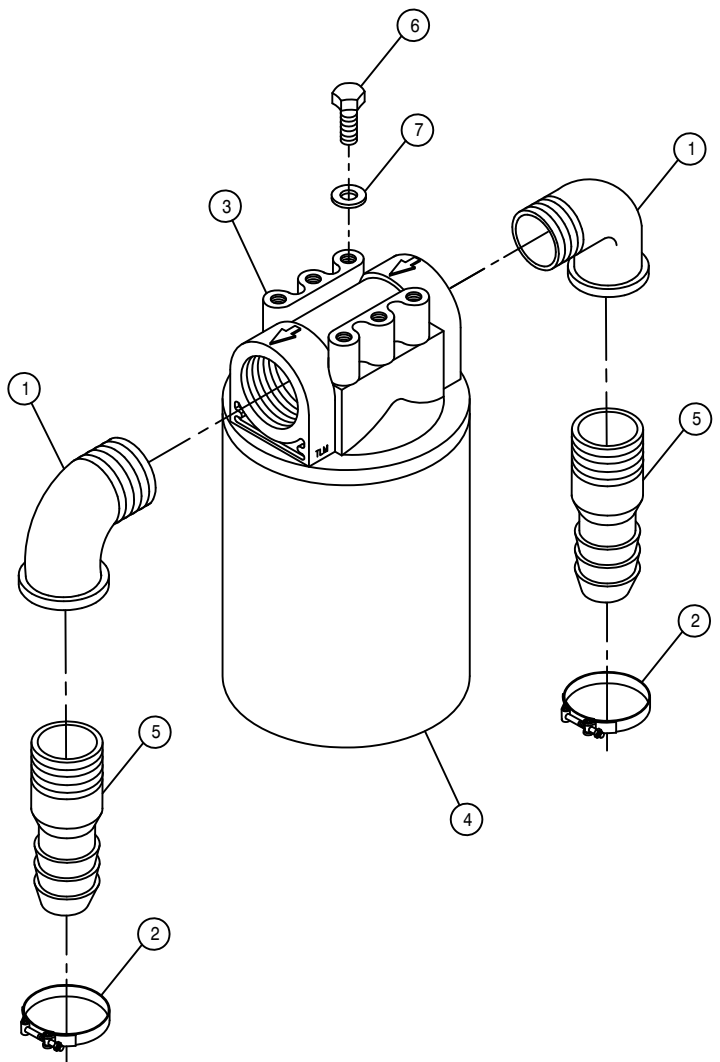
DET.	QTY	PART NO.	DESCRIPTION
	1	342665	FLOW DIVIDER MT PLT,2100 COMBO
	2	342666	FLOW DIV SUPP BRKT,2100 COMBO
	3	438453	VFC STOP, 280 COMBO
	4	914002	5/16UNC HEX STOVER NUT
	5	606836	FLO DIV BG424 24G PR,1 5/16FOR
	6	607510	FLO CONT FCR51 0-30VARI 7/8OR
	7	611126	7/8MJIC-7/8MOR ADPTR
	8	618189	1 1/16MJIC-7/8MOR ADPTR
	9	618191	1 1/16MJ-90-1 1/16FJ SWIV LBO
	10	618279	1 1/16MJIC-90-7/8MOR LBO
	11	2	618186 1 5/16MJIC-1 5/16MOR ADPTR
	12	1	618541 1 5/16FJIC-1 1/16MJIC ADPTR
	13	1	618718 1 5/16MOR-1 1/16FJIC SWIV
	14	1	618619 1 5/16FJ SW RUN TEE-1 5/16MJ
	15	2	900008 1/4UNC X 2 1/2 HEX BOLT
	16	1	900012 1/4UNC X 3 1/2 HEX BOLT
	17	3	914000 1/4UNC HEX STOVER NUT
	18	1	342667 HYD TUBE BRKT, 2100 COMBO
	19	1	470275 TUBE CLAMP BODY,1.000-1.000
	20	1	470278 CLAMP WELD PLATE, SNGL, 2.75LG
	21	1	615743 HYD TUBE ASSY, 2100 COMBO
	22	1	618577 1 5/16MJIC UNION
	23	4	920001 5/16 SAE FLAT WASHER
	24	3	900066 5/16UNC X 1 1/4 HEX BOLT
	25	1	900069 5/16UNC X 2" HEX BOLT



COMBO MOTOR CONTROL VALVE ASSEMBLY

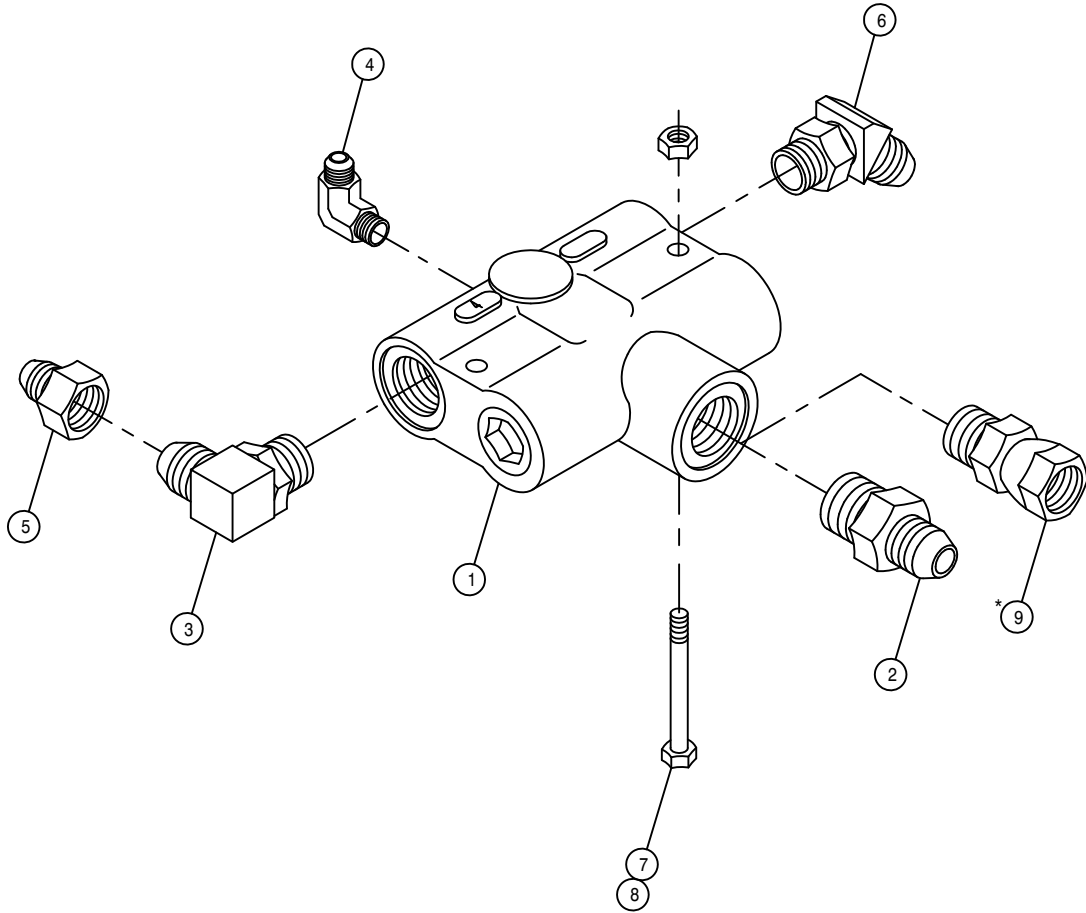
DET. QTY PART NO. DESCRIPTION

1	2	505005	RED BUSH 1 TO 1/2
2	1	505100	BLK PIPE CROSS 1.00NPT
3	2	505200	BLK PIPE ST EL 90DEG 1.00NPT
4	1	505210	BLK PIPE NIPPLE 1.00NPT-3.00
5	1	606034	MTR CONTROL ELECT VLV
6	2	611145	3/4MJIC-90-1/2MNPT LBO
7	1	618090	1 5/16MOR-1FNPT ADPTR
8	1	618178	1 5/16MJIC-90-1 5/16MOR LBO
9	4	618469	3/4MJIC-1 1/16MOR ADPTR
10	4	618609	3/4MJIC-90-3/4FJIC SWIV LBO
11	4	618621	HYD QUICK CPLR,FEMALE, .50FNPS
12	2	618622	HYD QUICK CPLR, MALE, .50FNPS
13	6	618623	3/4FJIC-SWIV-1/2MNPT
14	4	618635	RUBBER DUST PLUG, 618621/696
15	2	618636	RUBBER DUST CAP, 618622/697
16	1	714561	1.00NPT-1.25 HOSE BARB
17	2	900128	3/8UNC X 3/4 HEX BOLT
18	10	920002	3/8 SAE FLAT WASHER
19	2	920502	3/8 LOCK WASHER
20	1	520132	1.62/1.87 T-BOLT HOSE CLAMP SS



DETASSELER OPTION FILTER ASSEMBLY

DET.	QTY	PART NO.	DESCRIPTION
1	2	506410	BLK PIPE ST EL 90DEG 1.25NPT
2	2	520132	1.62/1.87 T-BOLT HOSE CLAMP SS
3	1	605601	PARKER FILTER ASSY,10M,1.25NPT
4	1	605602	PARKER FILTER ELEMENT,10MICRON
5	2	715660	HOSE BARB 1 1/4NPT X 1 1/4
6	4	900062	5/16UNC X 1/2 HEX BOLT
7	4	920501	5/16 LOCK WASHER

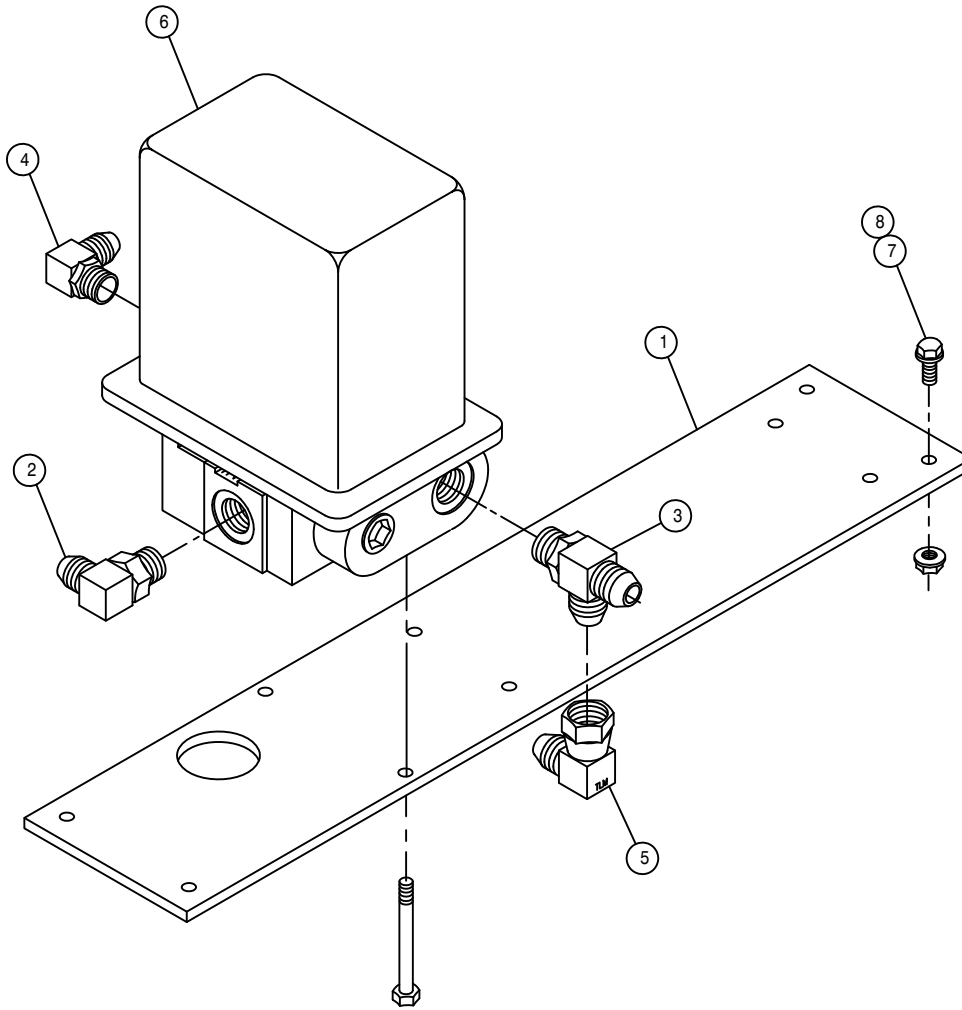


BGR56 FLOW DIVIDER ASSEMBLY

DET. QTY PART NO. DESCRIPTION

1	1	607528	FLO DIV BGR54 4GPM PRI 7/8FOR
2	1	611126	7/8MJIC-7/8MOR ADPTR
3	1	611128	7/8MJIC-90-7/8MOR LBO
4	1	618015	9/16MJIC-90-3/8MNPT LBO
5	1	618557	7/8FJIC-9/16MJIC ADPTR
6	1	618644	7/8MJIC-45-7/8MOR LBO
7	2	900008	1/4UNC X 2 1/2 HEX BOLT
8	2	914000	1/4UNC HEX STOVER NUT
9	1	618594	7/8FJIC SWIV-7/8MOR ADPTR

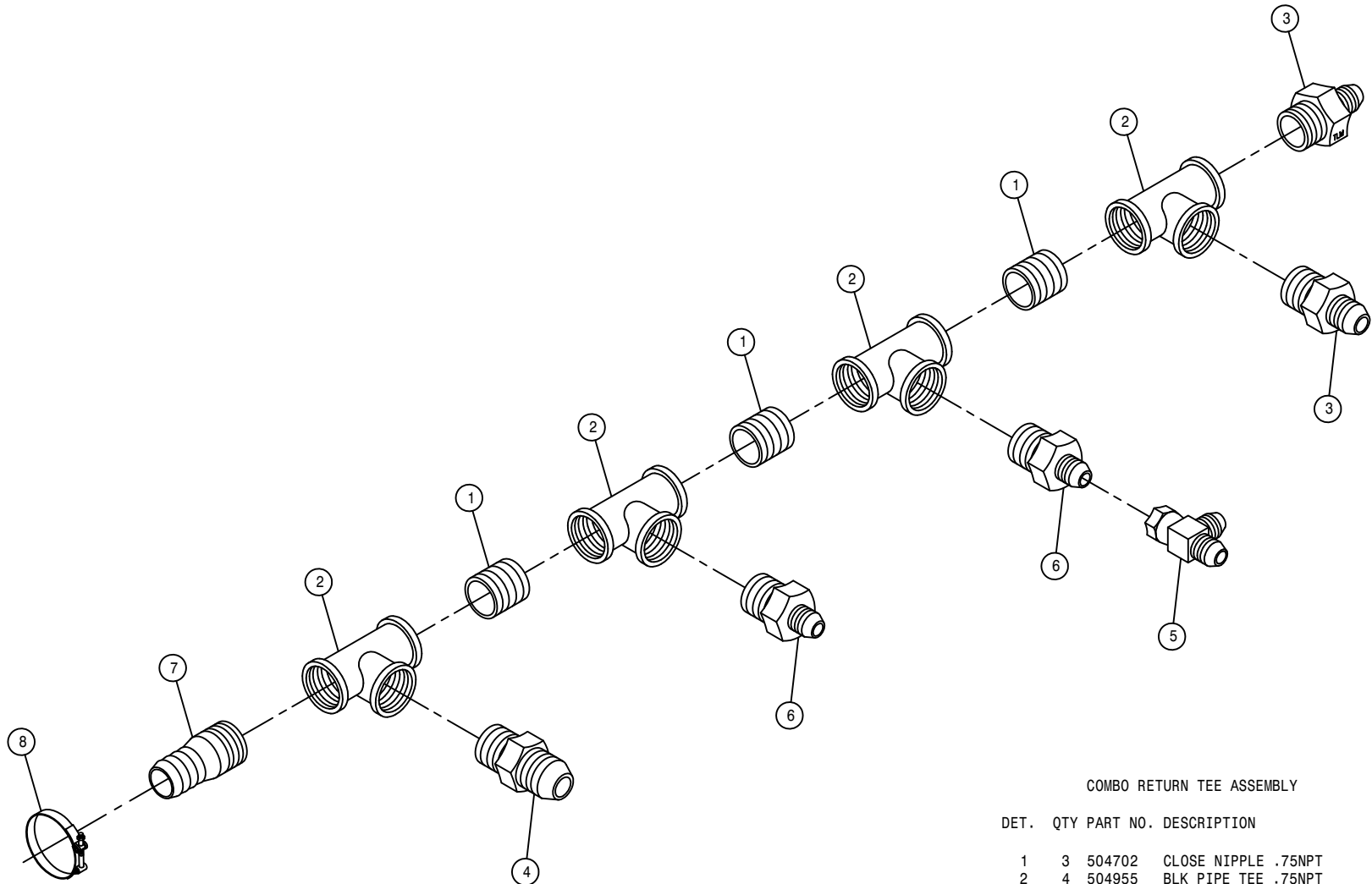
*NOTE: ITEM 9 IS USED WITH COMBO OPTION.



RAVEN HYDRAULIC CONTROL VALVE ASSEMBLY

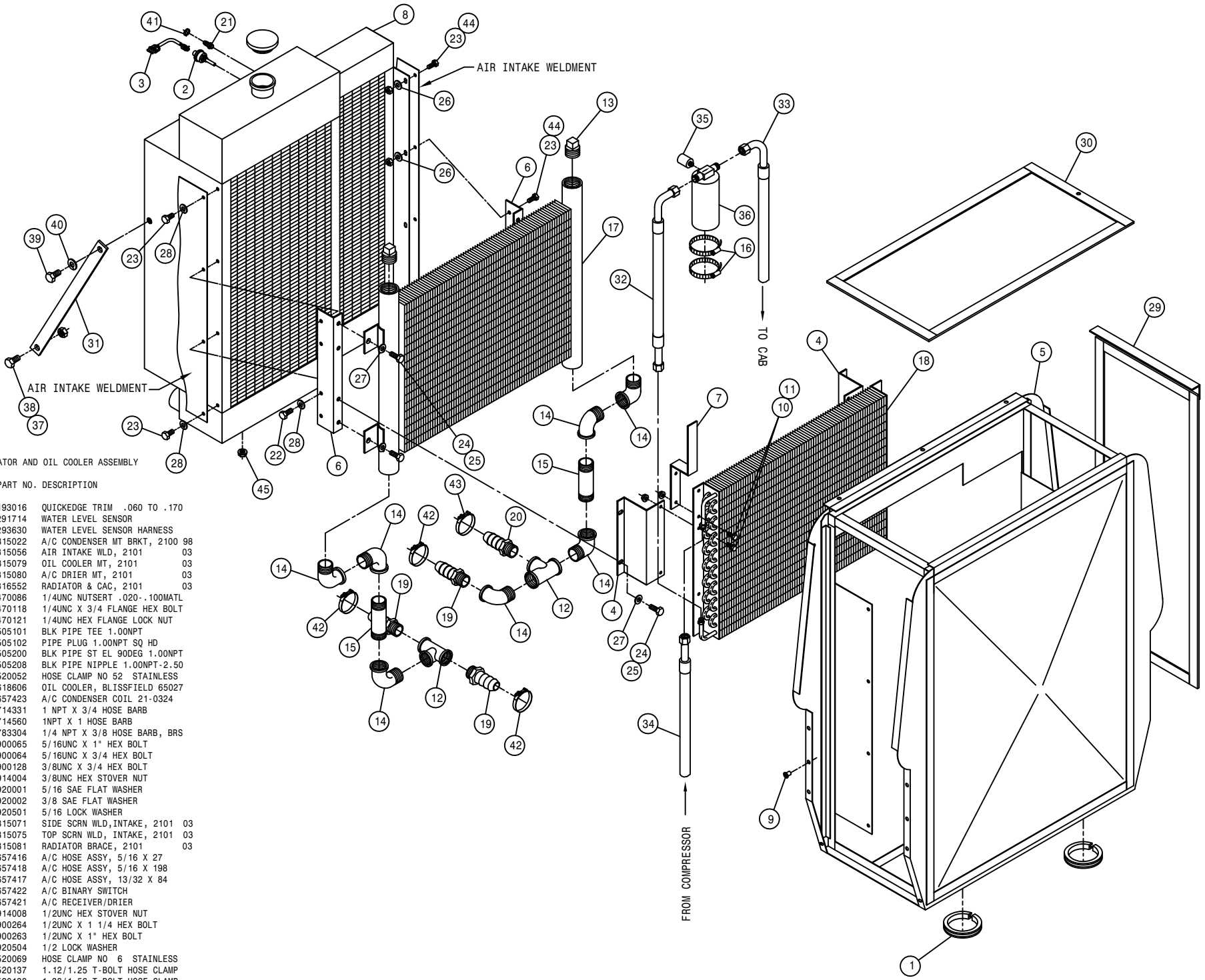
DET. QTY PART NO. DESCRIPTION

DET.	QTY	PART NO.	DESCRIPTION	
1	1	361476	ELECT VLV MTG PLT, 2100	98
2	1	611128	7/8MJIC-90-7/8MOR LBO	
3	1	618130	7/8MOR RUN TEE-7/8MJIC	
4	1	618183	3/4MJIC-90-7/8MOR LBO	
5	1	618301	7/8MJIC-90-7/8FJIC SWIV LBO	
6	1	690621	VALVE HYD CTRL, 16GPM RAVEN	
7	4	470118	1/4UNC X 3/4 FLANGE HEX BOLT	
8	4	470121	1/4UNC HEX FLANGE LOCK NUT	



COMBO RETURN TEE ASSEMBLY

DET.	QTY	PART NO.	DESCRIPTION
1	3	504702	CLOSE NIPPLE .75NPT
2	4	504955	BLK PIPE TEE .75NPT
3	2	610300	3/4MJIC-3/4MNPT ADPTR
4	1	618059	7/8MJIC-3/4MNPT ADPTR
5	1	618486	9/16MJIC SW RUN TEE-9/16MJIC
6	2	618642	9/16MJIC-3/4MNPT ADPTR
7	1	713220	HOSE BARB 3/4 NPT X 3/4
8	1	520137	1.12/1.25 T-BOLT HOSE CLAMP



RADIATOR AND OIL COOLER ASSEMBLY

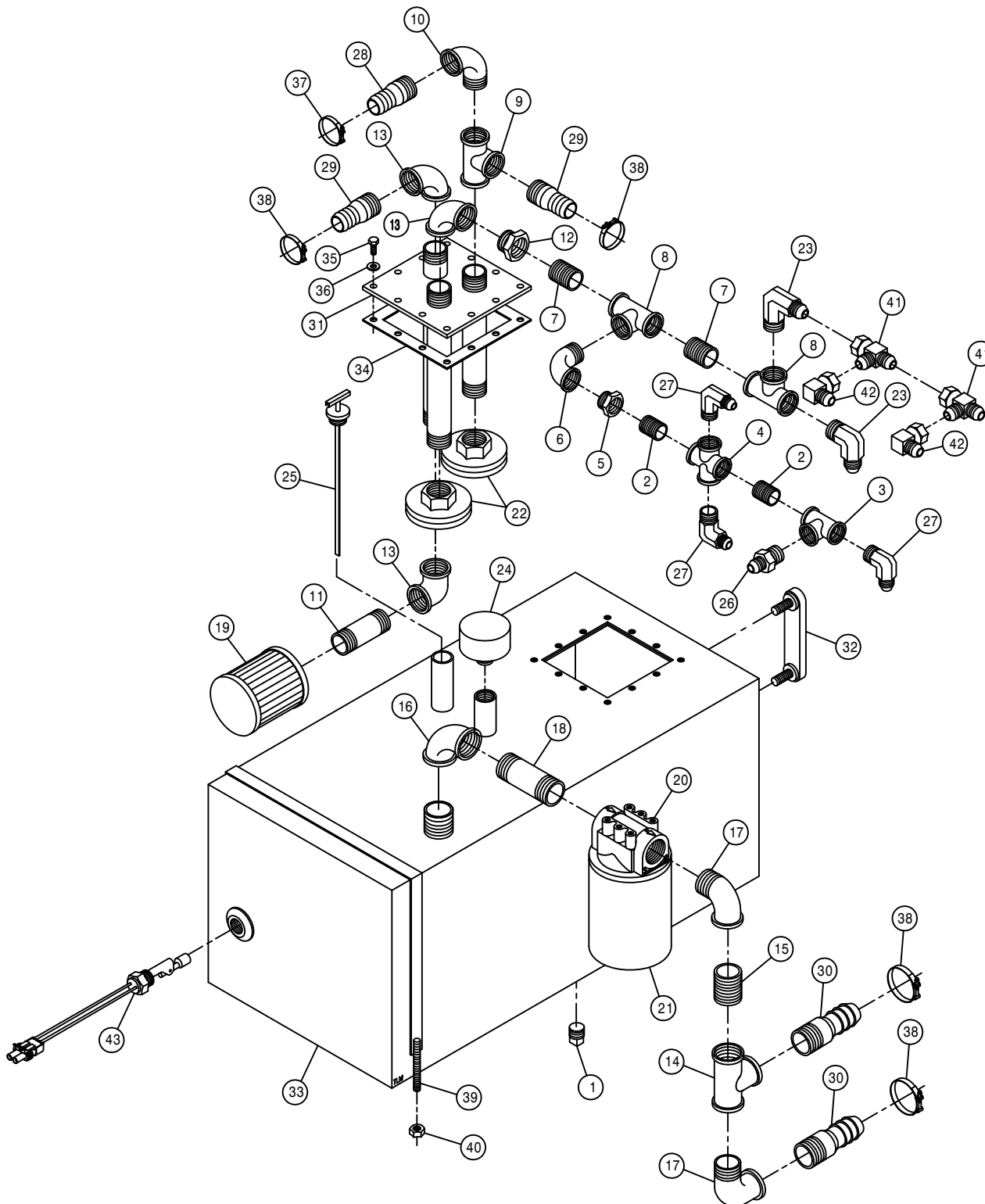
DET. QTY PART NO. DESCRIPTION

1	2	193016	QUICKEDGE TRIM .060 TO .170
2	1	291714	WATER LEVEL SENSOR
3	1	293630	WATER LEVEL SENSOR HARNESS
4	2	315022	A/C CONDENSER MT BRKT, 2100 98
5	1	315056	AIR INTAKE WLD, 2101 03
6	2	315079	OIL COOLER MT, 2101 03
7	1	315080	A/C DRIER MT, 2101 03
8	1	316552	RADIATOR & CAC, 2101 03
9	16	470086	1/4UNC NUTSERT .020-.100MATL
10	6	470118	1/4UNC X 3/4 FLANGE HEX BOLT
11	6	470121	1/4UNC HEX FLANGE LOCK NUT
12	2	505101	BLK PIPE TEE 1.00NPT
13	2	505102	PIPE PLUG 1.00NPT SQ HD
14	7	505200	BLK PIPE ST EL 90DEG 1.00NPT
15	2	505208	BLK PIPE NIPPLE 1.00NPT-2.50
16	2	520052	HOSE CLAMP NO 52 STAINLESS
17	1	618606	OIL COOLER, BLISSFIELD 65027
18	1	657423	A/C CONDENSER COIL 21-0324
19	3	714331	1 NPT X 3/4 HOSE BARB
20	1	714560	1NPT X 1 HOSE BARB
21	1	783304	1/4 NPT X 3/8 HOSE BARB, BRS
22	4	900065	5/16UNC X 1" HEX BOLT
23	4	900064	5/16UNC X 3/4 HEX BOLT
24	8	900128	3/8UNC X 3/4 HEX BOLT
25	8	914004	3/8UNC HEX STOVER NUT
26	4	920001	5/16 SAE FLAT WASHER
27	8	920002	3/8 SAE FLAT WASHER
28	4	920501	5/16 LOCK WASHER
29	2	315071	SIDE SCR N WLD, INTAKE, 2101 03
30	1	315075	TOP SCR N WLD, INTAKE, 2101 03
31	2	315081	RADIATOR BRACE, 2101 03
32	1	657416	A/C HOSE ASSY, 5/16 X 27
33	1	657418	A/C HOSE ASSY, 5/16 X 198
34	1	657417	A/C HOSE ASSY, 13/32 X 84
35	1	657422	A/C BINARY SWITCH
36	1	657421	A/C RECEIVER/DRIER
37	2	914008	1/2UNC HEX STOVER NUT
38	2	900264	1/2UNC X 1 1/4 HEX BOLT
39	2	900263	1/2UNC X 1" HEX BOLT
40	2	920504	1/2 LOCK WASHER
41	1	520069	HOSE CLAMP NO 6 STAINLESS
42	3	520137	1.12/1.25 T-BOLT HOSE CLAMP
43	1	520138	1.38/1.56 T-BOLT HOSE CLAMP
44	4	914002	5/16UNC HEX STOVER NUT
45	2	470360	1/2UNC HEX FLANGE LOCK NUT

COMBO HYDRAULIC TANK ASSEMBLY

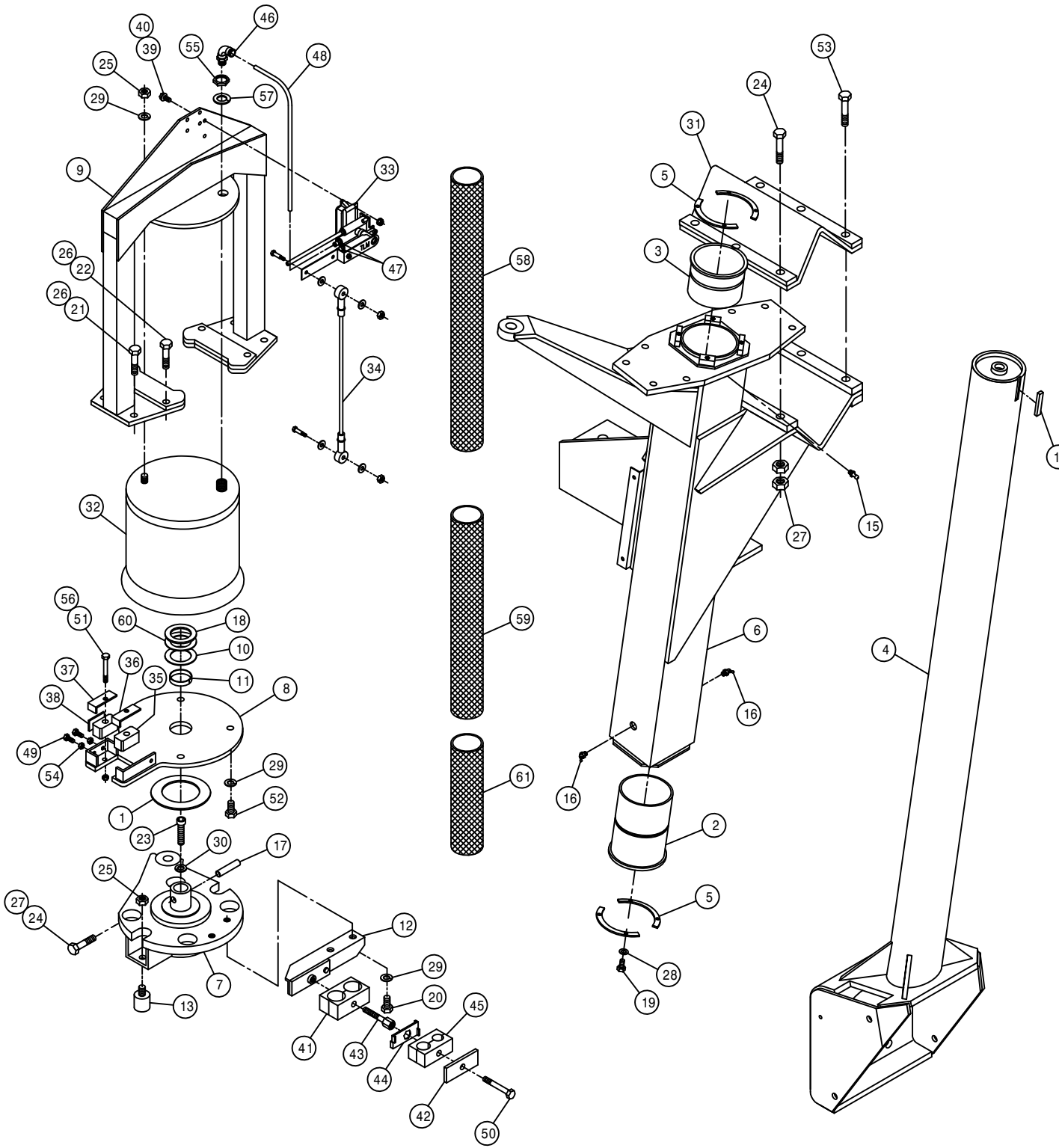
DET. QTY PART NO. DESCRIPTION

DET.	QTY	PART NO.	DESCRIPTION
1	1	470308	1/2MNPT DRAIN PLUG,AL HD,MAG
2	2	503600	CLOSE NIPPLE .50NPT
3	1	503820	BLK PIPE TEE .50NPT
4	1	503824	BLK PIPE CROSS .50NPT
5	1	504210	RED BUSH 3/4 NPT X 1/2 NPT
6	1	504610	BLK PIPE ST EL 90DEG .75NPT
7	2	504702	CLOSE NIPPLE .75NPT
8	2	504955	BLK PIPE TEE .75NPT
9	1	505101	BLK PIPE TEE 1.00NPT
10	1	505200	BLK PIPE ST EL 90DEG 1.00NPT
11	1	505203	BLK PIPE NIPPLE 1.00NPT-4.00
12	1	505213	RED BUSH 1 X 3/4 BLK MAL
13	3	505300	BLK PIPE EL 90DEG 1.00NPT
14	1	506105	BLK PIPE TEE 1.25NPT
15	1	506200	CLOSE NIPPLE 1.25NPT
16	1	506303	BLK PIPE EL 90DEG 1.25NPT
17	2	506410	BLK PIPE ST EL 90DEG 1.25NPT
18	1	506604	BLK PIPE NIPPLE 1.25NPT-4.00
19	1	605600	TANK FILTER, 100 MESH,1"FNPT
20	1	605601	PARKER FILTER ASSY,10M,1.25NPT
21	1	605602	PARKER FILTER ELEMENT,10MICRON
22	2	605603	LINE SUMP DIFFUSER
23	2	610305	3/4MJIC-90-3/4MNPT LBO
24	1	611052	FILLER BREATHER 3/4NPT
25	1	614453	DIPSTICK, 8IN
26	1	618018	9/16MJIC-1/2MNPT ADPTR
27	3	618107	9/16MJIC-90-1/2MNPT LBO
28	1	714331	1 NPT X 3/4 HOSE BARB
29	2	714560	1NPT X 1 HOSE BARB
30	2	715664	1 1/4 NPT X 1 HOSE BARB
31	1	760090	RECEIVER PLT WLD 8240
32	1	760177	SIGHT GAUGE W/TEMP, HYD TANK
33	1	760268	HYD TANK WLD, 2100 2002
34	1	763039	HYD MTR MTG PLT GSKT
35	12	900064	5/16UNC X 3/4 HEX BOLT
36	12	920001	5/16 SAE FLAT WASHER
37	1	520137	1.12/1.25 T-BOLT HOSE CLAMP
38	4	520138	1.38/1.56 T-BOLT HOSE CLAMP
39	2	760212	HYD TANK STRAP WLD, 2100 98
40	4	914004	3/8UNC HEX STOVER NUT
41	2	618451	3/4FJIC SW RUN TEE-3/4MJIC
42	2	618609	3/4MJIC-90-3/4FJIC SWIV LBO
43	1	470350	LIQUID LEVEL SWITCH ASSY,1/2NP



RIGHT FRONT LEG ASSEMBLY

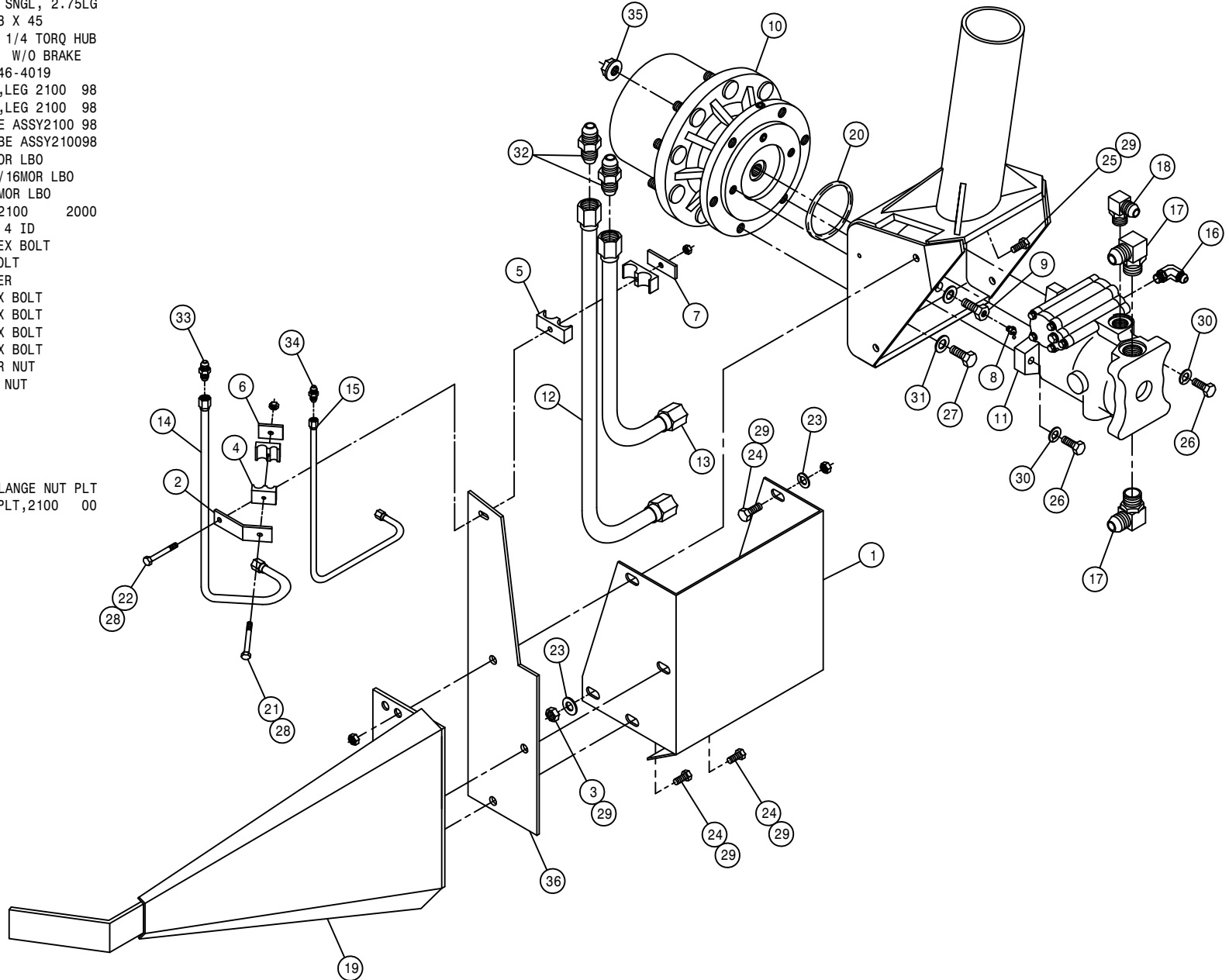
DET.	QTY	PART NO.	DESCRIPTION
1	1	127505	THRUST BEARING, FIBERGLIDE
2	1	358564	FRT LEG LWR NYL SLEEVE 280 89
3	1	358565	FRT LEG UPR NYL SLEEVE 280 89
4	1	359194	RF/LR INNER LEG WLD, 2100 02
5	4	358927	LWR BRG KPR, LEG 98
6	1	358954	RH FRT OUTER LEG WLD, 2100 99
7	1	358971	STEERING ARM WLD,RF/LR 2100 99
8	1	358980	AIR BAG MT WLD, RF/LR 2100 99
9	1	358985	AIR BAG ARCH WLD,RF/LR 2100 99
10	1	358994	LEG WASHER, NYLON 2100 99
11	1	358995	NYLON BEARING,LWR AB MT2100 99
12	1	358996	RH UPPER HOSE MT WELD, 2100 99
13	2	470259	URETHANE BUMPER,1.25D X 1.25L
14	1	470265	KEY, .250 X .375 X 1.88 LG
15	1	471005	1/4 28 X 1/2 GREASE ZERK
16	2	471023	GREASE ZERK 1/4-28 X 45
17	1	473906	SPIRAL PIN, 1/2 X 2 1/2 LG
18	1	483061	1.65 ID X 2.50 OD X .188T WASH
19	8	900064	5/16UNC X 3/4 HEX BOLT
20	2	900263	1/2UNC X 1" HEX BOLT
21	4	900265	1/2UNC X 1 1/2 HEX BOLT
22	4	900267	1/2UNC X 2" HEX BOLT
23	1	900390	5/8UNC X 2 1/2 SOCKET CAP SCR
24	4	900836	5/8UNF X 3 1/4 HEX BOLT GR8
25	3	910008	1/2UNC HEX NUT
26	8	914008	1/2UNC HEX STOVER NUT
27	14	914811	5/8UNF HEX NUT GR8
28	8	920501	5/16 LOCK WASHER
29	7	920504	1/2 LOCK WASHER
30	1	920505	5/8 LOCK WASHER
31	1	358759	LEG MT V-PLT WLD, 284T 94
32	1	358831	AIRIDE SPRING 98
33	1	358832	AIRIDE SPRING CTRL VALVE 98
34	1	358839	AIRIDE CTRL LINK KIT, 2100 99
35	2	358990	NYLON GUIDE, 2100 LEG 99
36	1	358991	INNER KEEPER,NYL GUIDE,2100 99
37	1	358992	OUTER KEEPER,NYL GUIDE,2100 99
38	1	358993	NYLON GUIDE BACK PLATE,2100 99
39	2	470118	1/4UNC X 3/4 FLANGE HEX BOLT
40	2	470121	1/4UNC HEX FLANGE LOCK NUT
41	1	470271	HOSE CLAMP BODY,1.181-1.181
42	1	470276	CLAMP COVER PLATE,SNGL, 2.55LG
43	1	470280	STACK BOLT, 5/16UNC X 1 3/4
44	1	470281	STACK BOLT SAFETY LOCK PLATE
45	1	470282	HOSE CLAMP BODY, .53-.78
46	1	711040	1/4MNPT-90-1/4 NYL TUBE LBO
47	2	711036	1/8MNPT-1/4 NYL TUBE FTG
48	1	601413	HOSE, 1/4 X 8 AIR
49	2	900065	5/16UNC X 1" HEX BOLT
50	1	900068	5/16UNC X 1 3/4 HEX BOLT
51	2	900069	5/16UNC X 2" HEX BOLT
52	4	900264	1/2UNC X 1 1/4 HEX BOLT
53	3	900837	5/8UNF X 3 1/2 HEX BOLT GR8
54	2	910002	5/16UNC HEX NUT
55	1	910013	3/4UNF HEX NUT
56	2	914002	5/16UNC HEX STOVER NUT
57	1	920506	3/4 LOCK WASHER
58	1	342637	NYL HOSE SLEEVE,2.96ID X 54.00
59	1	342335	NYL HOSE SLEEVE,2.64ID X 36.00
60	1	483063	1.65 ID X 2.50 OD X .074T WASH
61	1	342654	NYL HOSE SLEEVE,3.66ID X 24.00



RIGHT FRONT LEG ASSEMBLY

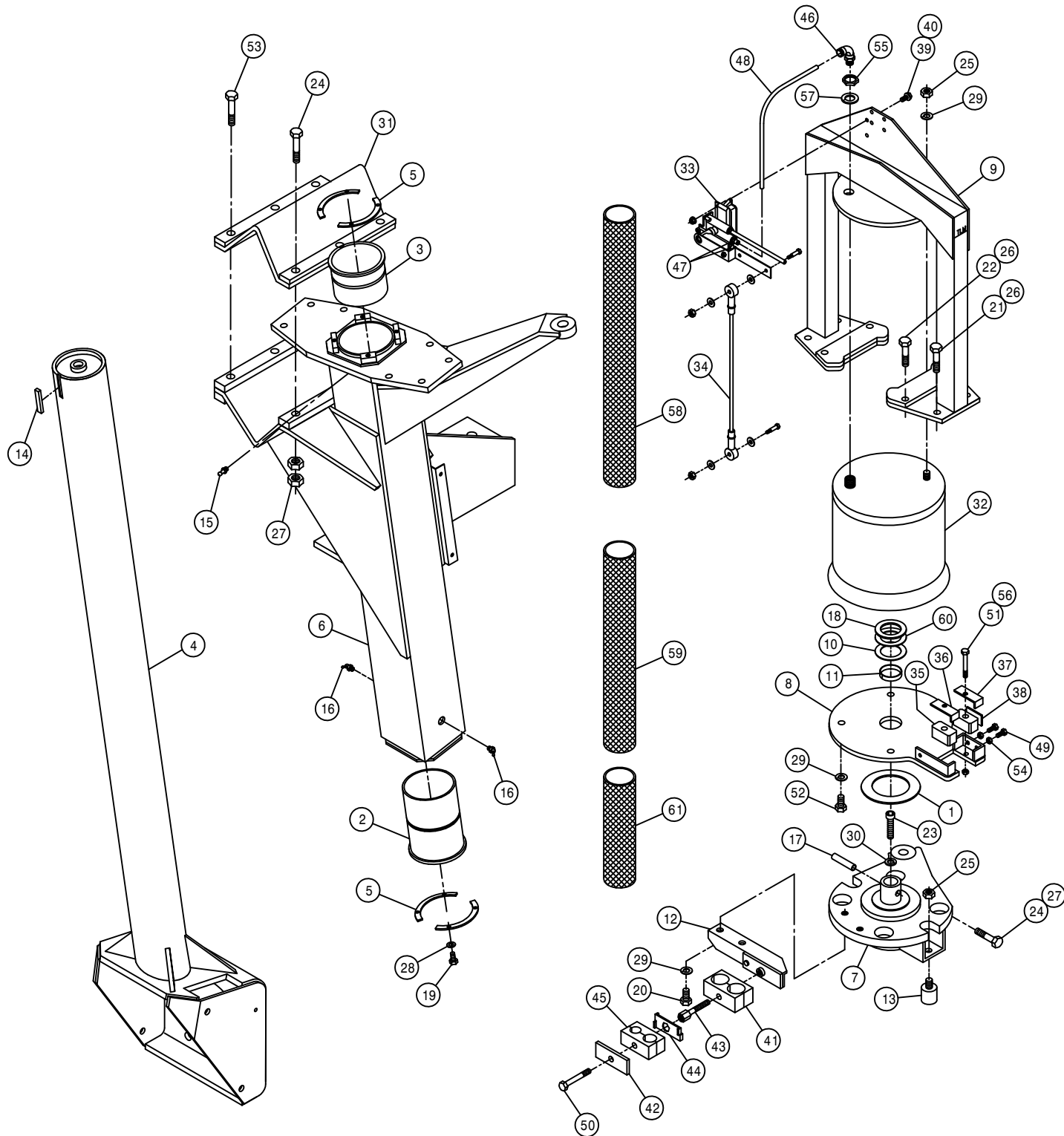
DET. QTY PART NO. DESCRIPTION

1	1	359185	WHL MTR SHLD, XP/2100	2002
2	1	358926	FRT LEG HYD TUBE BRKT, 2100	98
3	2	900263	1/2UNC X 1" HEX BOLT	
4	1	470272	TUBE CLAMP BODY, .375-.500	
5	1	470275	TUBE CLAMP BODY, 1.000-1.000	
6	1	470277	CLAMP WELD PLATE, SNGL, 2.15LG	
7	1	470278	CLAMP WELD PLATE, SNGL, 2.75LG	
8	1	471023	GREASE ZERK 1/4-28 X 45	
9	1	610013	ZERK BOLT, 5/8 X 1 1/4 TORQ HUB	
10	1	610800	TORQ HUB, 18.78:1 W/O BRAKE	
11	1	610637	SUND HYD MOTOR, M46-4019	
12	1	615708	LWR HYD TUBE ASSY, LEG 2100	98
13	1	615709	UPR HYD TUBE ASSY, LEG 2100	98
14	1	615710	RF/LR HYD DRN TUBE ASSY 2100	98
15	1	615712	RF/LR HYD CTRL TUBE ASSY 2100	98
16	1	618119	9/16MJIC-90-9/16MOR LBO	
17	2	618178	1 5/16MJIC-90-1 5/16MOR LBO	
18	1	618474	3/4MJIC-90-1 1/16MOR LBO	
19	1	662256	STALK GUIDE WLD, 2100	2000
20	1	870045	O-RING 4 1/8 OD X 4 ID	
21	1	900068	5/16UNC X 1 3/4 HEX BOLT	
22	1	900070	5/16UNC X 2 1/2 BOLT	
23	3	920004	1/2 SAE FLAT WASHER	
24	3	900264	1/2UNC X 1 1/4 HEX BOLT	
25	1	900265	1/2UNC X 1 1/2 HEX BOLT	
26	2	900266P	1/2UNC X 1 3/4 HEX BOLT	
27	5	900332P	5/8UNC X 1 1/4 HEX BOLT	
28	2	914002	5/16UNC HEX STOVER NUT	
29	6	914008	1/2UNC HEX STOVER NUT	
30	2	920504P	1/2 LOCK WASHER	
31	6	920505P	5/8 LOCK WASHER	
32	2	618577	1 5/16MJIC UNION	
33	1	618314	3/4MJIC UNION	
34	1	619010	9/16MJIC UNION	
35	9	470140	5/8UNF HEX SMTH FLANGE NUT PLT	
36	1	359014	FRT HYD TUBE MTG PLT, 2100	00



LEFT FRONT LEG ASSEMBLY

DET. QTY PART NO. DESCRIPTION



DET.	QTY	PART NO.	DESCRIPTION
1	1	127505	THRUST BEARING, FIBERGLIDE
2	1	358564	FRT LEG LWR NYL SLEEVE 280 89
3	1	358565	FRT LEG UPR NYL SLEEVE 280 89
4	1	359195	LF/RR INNER LEG WLD, 2100 02
5	4	358927	LWR BRG KPR, LEG 98
6	1	358955	LH FRT OUTER LEG WLD, 2100 99
7	1	358972	STEERING ARM WLD, LF/RR 2100 99
8	1	358981	AIR BAG MT WLD, LF/RR 2100 99
9	1	358986	AIR BAG ARCH WLD, LF/RR 2100 99
10	1	358994	LEG WASHER, NYLON 2100 99
11	1	358995	NYLON BEARING, LWR AB MT2100 99
12	1	358997	LH UPPER HOSE MT WELD, 2100 99
13	2	470259	URETHANE BUMPER, 1.25D X 1.25L
14	1	470265	KEY, .250 X .375 X 1.88 LG
15	1	471005	1/4 28 X 1/2 GREASE ZERK
16	2	471023	GREASE ZERK 1/4-28 X 45
17	1	473906	SPIRAL PIN, 1/2 X 2 1/2 LG
18	1	483061	1.65 ID X 2.50 OD X .188T WASH
19	8	900064	5/16UNC X 3/4 HEX BOLT
20	2	900263	1/2UNC X 1" HEX BOLT
21	4	900265	1/2UNC X 1 1/2 HEX BOLT
22	4	900267	1/2UNC X 2" HEX BOLT
23	1	900390	5/8UNC X 2 1/2 SOCKET CAP SCR
24	4	900836	5/8UNF X 3 1/4 HEX BOLT GR8
25	3	910008	1/2UNC HEX NUT
26	8	914008	1/2UNC HEX STOVER NUT
27	14	914811	5/8UNF HEX NUT GR8
28	8	920501	5/16 LOCK WASHER
29	7	920504	1/2 LOCK WASHER
30	1	920505	5/8 LOCK WASHER
31	1	358759	LEG MT V-PLT WLD, 284T 94
32	1	358831	AIRIDE SPRING 98
33	1	358832	AIRIDE SPRING CTRL VALVE 98
34	1	358839	AIRIDE CTRL LINK KIT, 2100 99
35	2	358990	NYLON GUIDE, 2100 LEG 99
36	1	358991	INNER KEEPER, NYL GUIDE, 2100 99
37	1	358992	OUTER KEEPER, NYL GUIDE, 2100 99
38	1	358993	NYLON GUIDE BACK PLATE, 2100 99
39	2	470118	1/4UNC X 3/4 FLANGE HEX BOLT
40	2	470121	1/4UNC HEX FLANGE LOCK NUT
41	1	470271	HOSE CLAMP BODY, 1.181-1.181
42	1	470276	CLAMP COVER PLATE, SNGL, 2.55LG
43	1	470280	STACK BOLT, 5/16UNC X 1 3/4
44	1	470281	STACK BOLT SAFETY LOCK PLATE
45	1	470282	HOSE CLAMP BODY, .53-.78
46	1	711040	1/4MNPT-90-1/4 NYL TUBE LBO
47	2	711036	1/8MNPT-1/4 NYL TUBE FTG
48	1	601413	HOSE, 1/4 X 8 AIR
49	2	900065	5/16UNC X 1" HEX BOLT
50	1	900068	5/16UNC X 1 3/4 HEX BOLT
51	2	900069	5/16UNC X 2" HEX BOLT
52	4	900264	1/2UNC X 1 1/4 HEX BOLT
53	3	900837	5/8UNF X 3 1/2 HEX BOLT GR8
54	2	910002	5/16UNC HEX NUT
55	1	910013	3/4UNF HEX NUT
56	2	914002	5/16UNC HEX STOVER NUT
57	1	920506	3/4 LOCK WASHER
58	1	342637	NYL HOSE SLEEVE, 2.96ID X 54.00
59	1	342335	NYL HOSE SLEEVE, 2.64ID X 36.00
60	1	483063	1.65 ID X 2.50 OD X .074T WASH
61	1	342654	NYL HOSE SLEEVE, 3.66ID X 24.00

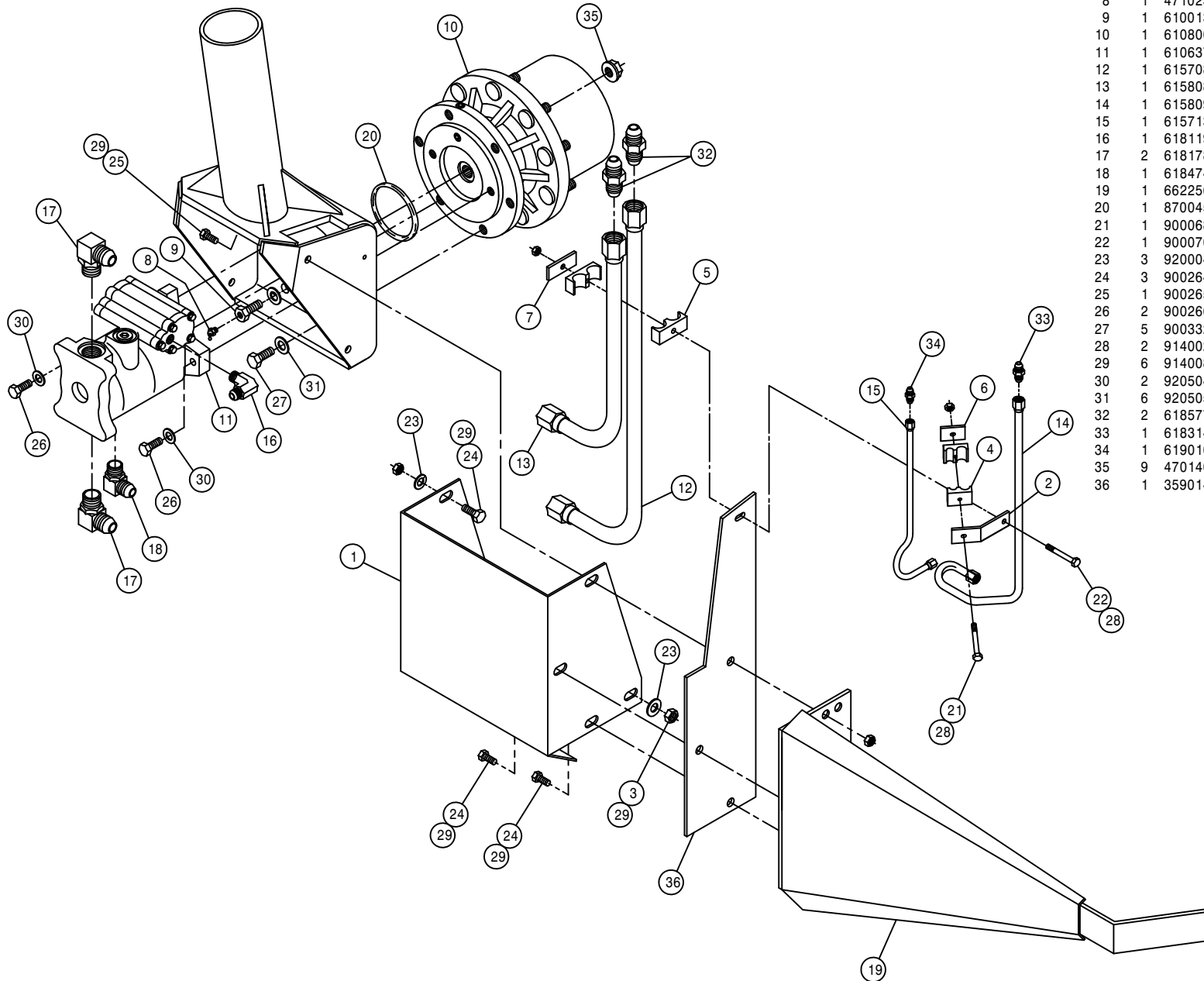
26

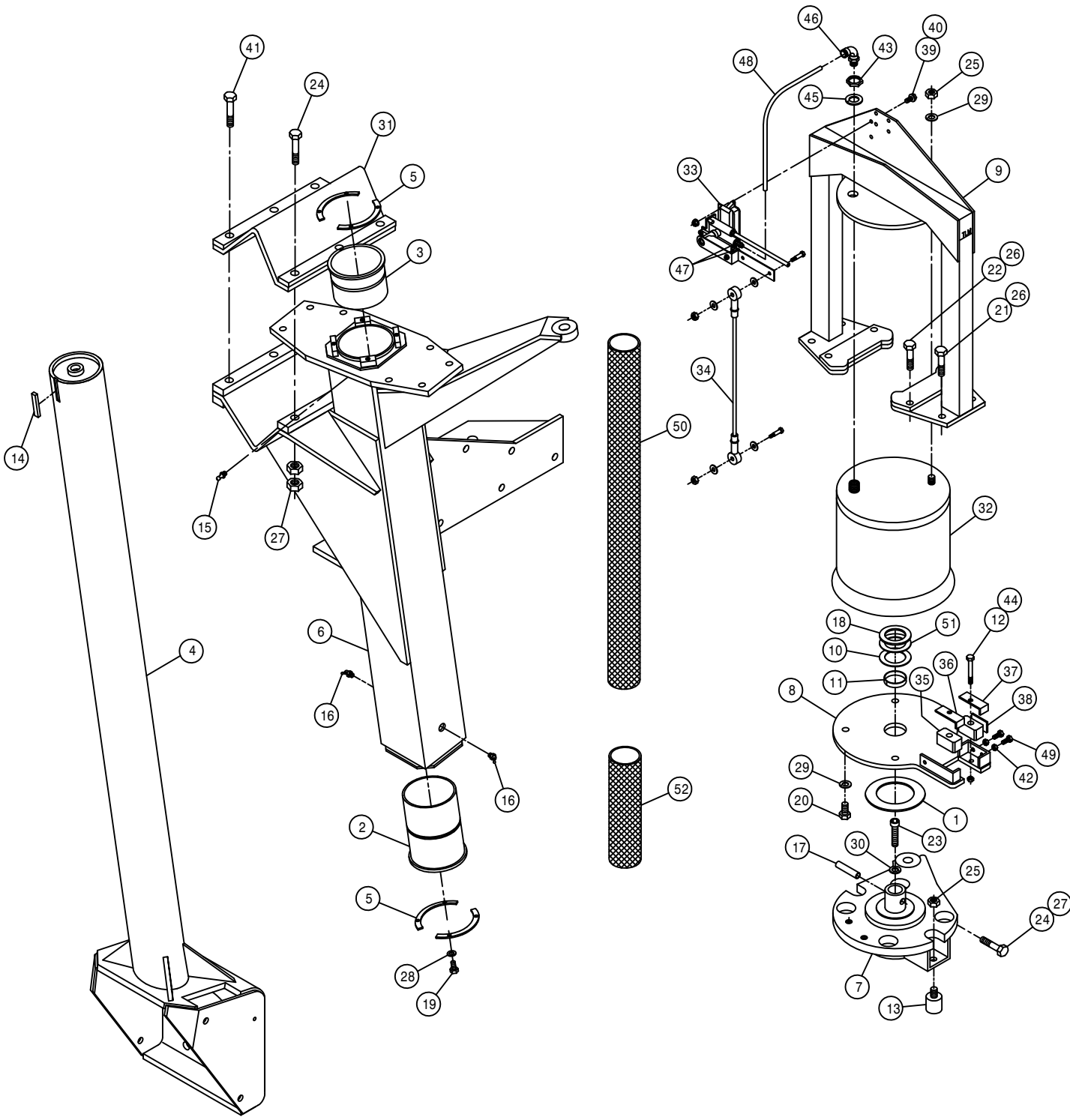
304026

LEFT FRONT LEG ASSEMBLY

DET. QTY PART NO. DESCRIPTION

1	1	359185	WHL MTR SHLD, XP/2100 2002
2	1	358926	FRT LEG HYD TUBE BRKT, 2100 98
3	2	900263	1/2UNC X 1" HEX BOLT
4	1	470272	TUBE CLAMP BODY, .375-.500
5	1	470275	TUBE CLAMP BODY, 1.000-1.000
6	1	470277	CLAMP WELD PLATE, SNGL, 2.15LG
7	1	470278	CLAMP WELD PLATE, SNGL, 2.75LG
8	1	471023	GREASE ZERK 1/4-28 X 45
9	1	610013	ZERK BOLT, 5/8 X 1 1/4 TORQ HUB
10	1	610800	TORQ HUB, 18.78:1 W/O BRAKE
11	1	610637	SUND HYD MOTOR, M46-4019
12	1	615708	LWR HYD TUBE ASSY, LEG 2100 98
13	1	615808	UPR HYD TUBE ASSY, LEG 2100 03
14	1	615809	LF/RR HYD DRN TUBE ASSY 2100 03
15	1	615713	LF/RR HYD CTRL TUBE ASSY 2100 98
16	1	618119	9/16MJIC-90-9/16MOR LBO
17	2	618178	1 5/16MJIC-90-1 5/16MOR LBO
18	1	618474	3/4MJIC-90-1 1/16MOR LBO
19	1	662256	STALK GUIDE WLD, 2100 2000
20	1	870045	O-RING 4 1/8 OD X 4 ID
21	1	900068	5/16UNC X 1 3/4 HEX BOLT
22	1	900070	5/16UNC X 2 1/2 BOLT
23	3	920004	1/2 SAE FLAT WASHER
24	3	900264	1/2UNC X 1 1/4 HEX BOLT
25	1	900265	1/2UNC X 1 1/2 HEX BOLT
26	2	900266P	1/2UNC X 1 3/4 HEX BOLT
27	5	900332P	5/8UNC X 1 1/4 HEX BOLT
28	2	914002	5/16UNC HEX STOVER NUT
29	6	914008	1/2UNC HEX STOVER NUT
30	2	920504P	1/2 LOCK WASHER
31	6	920505P	5/8 LOCK WASHER
32	2	618577	1 5/16MJIC UNION
33	1	618314	3/4MJIC UNION
34	1	619010	9/16MJIC UNION
35	9	470140	5/8UNF HEX SMTH FLANGE NUT PLT
36	1	359014	FRT HYD TUBE MTG PLT, 2100 00





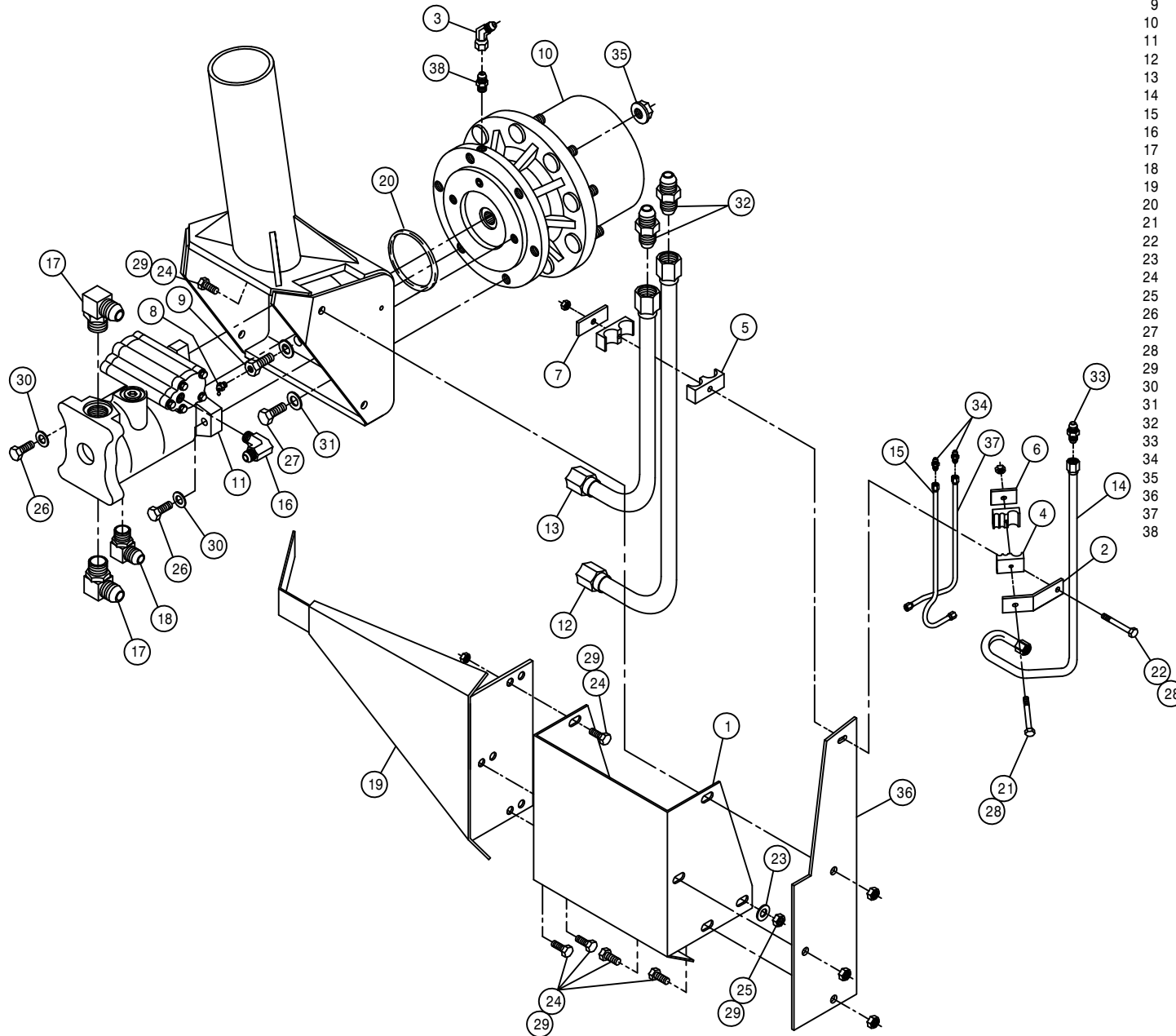
RIGHT REAR LEG ASSEMBLY

DET.	QTY	PART NO.	DESCRIPTION
1	1	483062	3.00 ID X 4.62 OD X .125T WASH
2	1	358564	FRT LEG LWR NYL SLEEVE 280 89
3	1	358565	FRT LEG UPR NYL SLEEVE 280 89
4	1	359195	LF/RR INNER LEG WLD, 2100 02
5	4	358927	LWR BRG KPR, LEG 98
6	1	358956	RH REAR OUTER LEG WLD,2100 99
7	1	358972	STEERING ARM WLD,LF/RR 2100 99
8	1	358981	AIR BAG MT WLD, LF/RR 2100 99
9	1	358986	AIR BAG ARCH WLD,LF/RR 2100 99
10	1	358994	LEG WASHER, NYLON 2100 99
11	1	358995	NYLON BEARING,LWR AB MT2100 99
12	2	900069	5/16UNC X 2" HEX BOLT
13	2	470259	URETHANE BUMPER,1.25D X 1.25L
14	1	470265	KEY, .250 X .375 X 1.88 LG
15	1	471005	1/4 28 X 1/2 GREASE ZERK
16	2	471023	GREASE ZERK 1/4-28 X 45
17	1	473906	SPIRAL PIN, 1/2 X 2 1/2 LG
18	1	483061	1.65 ID X 2.50 OD X .188T WASH
19	8	900064	5/16UNC X 3/4 HEX BOLT
20	4	900264	1/2UNC X 1 1/4 HEX BOLT
21	4	900265	1/2UNC X 1 1/2 HEX BOLT
22	4	900267	1/2UNC X 2" HEX BOLT
23	1	900390	5/8UNC X 2 1/2 SOCKET CAP SCR
24	4	900836	5/8UNF X 3 1/4 HEX BOLT GR8
25	3	910008	1/2UNC HEX NUT
26	8	914008	1/2UNC HEX STOVER NUT
27	14	914811	5/8UNF HEX NUT GR8
28	8	920501	5/16 LOCK WASHER
29	5	920504	1/2 LOCK WASHER
30	1	920505	5/8 LOCK WASHER
31	1	358759	LEG MT V-PLT WLD, 284T 94
32	1	358831	AIRIDE SPRING 98
33	1	358832	AIRIDE SPRING CTRL VALVE 98
34	1	358839	AIRIDE CTRL LINK KIT, 2100 99
35	2	358990	NYLON GUIDE, 2100 LEG 99
36	1	358991	INNER KEEPER,NYL GUIDE,2100 99
37	1	358992	OUTER KEEPER,NYL GUIDE,2100 99
38	1	358993	NYLON GUIDE BACK PLATE,2100 99
39	2	470118	1/4UNC X 3/4 FLANGE HEX BOLT
40	2	470121	1/4UNC HEX FLANGE LOCK NUT
41	3	900837	5/8UNF X 3 1/2 HEX BOLT GR8
42	2	910002	5/16UNC HEX NUT
43	1	910013	3/4UNF HEX NUT
44	2	914002	5/16UNC HEX STOVER NUT
45	1	920506	3/4 LOCK WASHER
46	1	711040	1/4MNPT-90-1/4 NYL TUBE LBO
47	2	711036	1/8MNPT-1/4 NYL TUBE FTG
48	1	601413	HOSE, 1/4 X 8 AIR
49	2	900065	5/16UNC X 1" HEX BOLT
50	1	342828	NYL HOSE SLEEVE,3.34ID X 65.00
51	1	483063	1.65 ID X 2.50 OD X .074T WASH
52	1	342654	NYL HOSE SLEEVE,3.66ID X 24.00

RIGHT REAR LEG ASSEMBLY

DET. QTY PART NO. DESCRIPTION

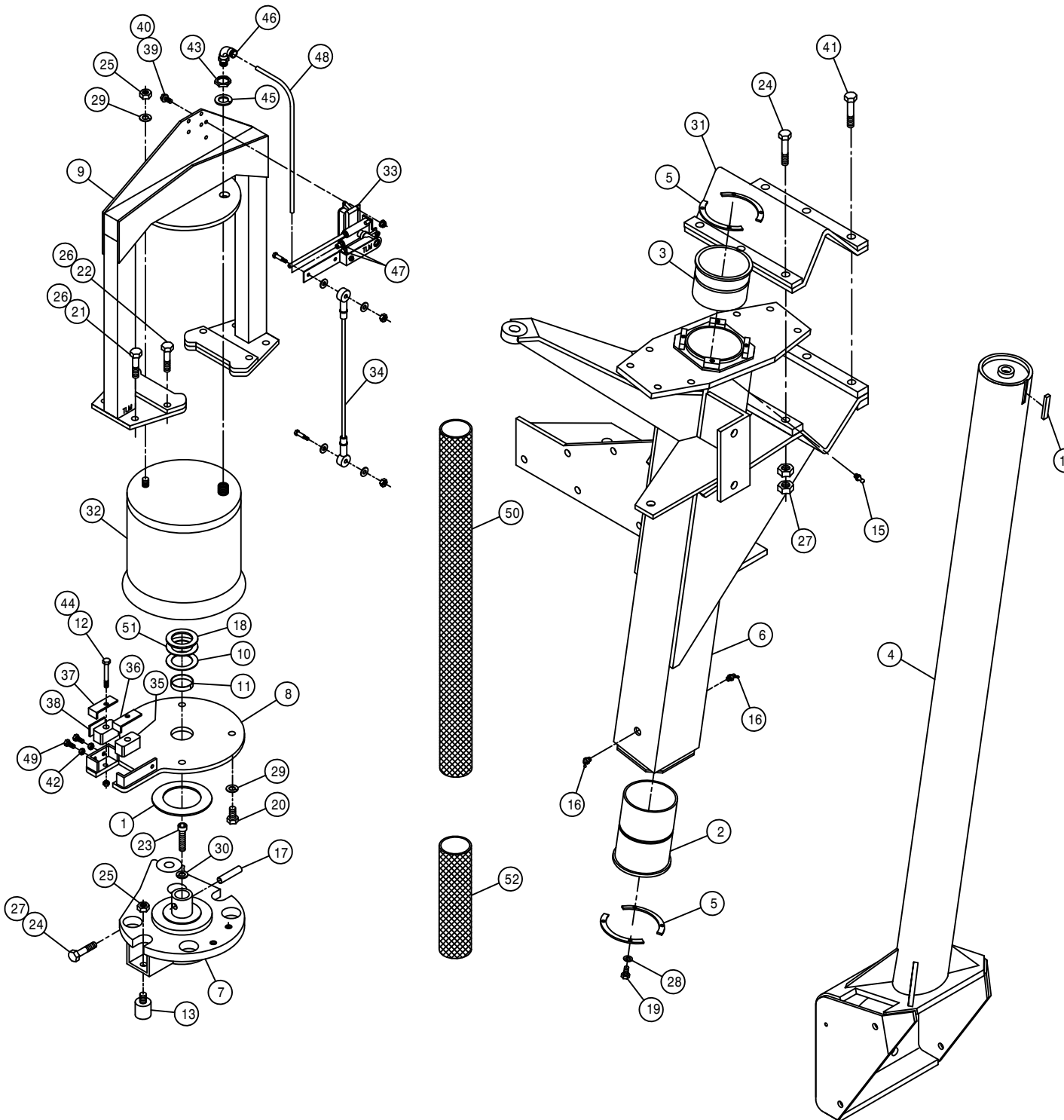
1	1	359185	WHL MTR SHLD, XP/2100	2002
2	1	358934	REAR LEG HYD TUBE BRKT,2100	98
3	1	618634	9/16MJIC-45-9/16FJIC SWIV LBO	
4	1	470273	TUBE CLAMP BODY, .375-.375-.500	
5	1	470275	TUBE CLAMP BODY,1.000-1.000	
6	1	470277	CLAMP WELD PLATE, SNGL, 2.15LG	
7	1	470278	CLAMP WELD PLATE, SNGL, 2.75LG	
8	1	471023	GREASE ZERK 1/4-28 X 45	
9	1	610013	ZERK BOLT,5/8 X 1 1/4 TORQ HUB	
10	1	610803	TORQ HUB, 24.40:1 W/BRAKE	
11	1	608000	SAUER HYD MOTOR, M46-4024	
12	1	615708	LWR HYD TUBE ASSY,LEG 2100	98
13	1	615808	UPR HYD TUBE ASSY,LEG 2100	03
14	1	615809	LF/RR HYD DRN TUBE ASSY2100	03
15	1	615713	LF/RR HYD CTRL TUBE ASSY2100	98
16	1	618119	9/16MJIC-90-9/16MOR LBO	
17	2	618178	1 5/16MJIC-90-1 5/16MOR LBO	
18	1	618474	3/4MJIC-90-1 1/16MOR LBO	
19	1	662256	STALK GUIDE WLD, 2100	2000
20	1	870045	O-RING 4 1/8 OD X 4 ID	
21	1	900068	5/16UNC X 1 3/4 HEX BOLT	
22	1	900070	5/16UNC X 2 1/2 BOLT	
23	2	920004	1/2 SAE FLAT WASHER	
24	6	900264	1/2UNC X 1 1/4 HEX BOLT	
25	2	900263	1/2UNC X 1" HEX BOLT	
26	2	900266P	1/2UNC X 1 3/4 HEX BOLT	
27	5	900332P	5/8UNC X 1 1/4 HEX BOLT	
28	2	914002	5/16UNC HEX STOVER NUT	
29	8	914008	1/2UNC HEX STOVER NUT	
30	2	920504P	1/2 LOCK WASHER	
31	6	920505P	5/8 LOCK WASHER	
32	2	618577	1 5/16MJIC UNION	
33	1	618314	3/4MJIC UNION	
34	2	619010	9/16MJIC UNION	
35	9	470140	5/8UNF HEX SMTH FLANGE NUT PLT	
36	1	359022	REAR HYD TUBE MTG PLT,2100	00
37	1	615815	RH HYD BRAKE TUBE ASSY,2101	04
38	1	618304	9/16MJIC-7/16MOR ADPTR	



LEFT REAR LEG ASSEMBLY

DET. QTY PART NO. DESCRIPTION

DET.	QTY	PART NO.	DESCRIPTION
1	1	483062	3.00 ID X 4.62 OD X .125T WASH
2	1	358564	FRT LEG LWR NYL SLEEVE 280 89
3	1	358565	FRT LEG UPR NYL SLEEVE 280 89
4	1	359194	RF/LR INNER LEG WLD, 2100 02
5	4	358927	LWR BRG KPR, LEG 98
6	1	358957	LH REAR OUTER LEG WLD,2100 99
7	1	358971	STEERING ARM WLD,RF/LR 2100 99
8	1	358980	AIR BAG MT WLD, RF/LR 2100 99
9	1	358985	AIR BAG ARCH WLD,RF/LR 2100 99
10	1	358994	LEG WASHER, NYLON 2100 99
11	1	358995	NYLON BEARING,LWR AB MT2100 99
12	2	900069	5/16UNC X 2" HEX BOLT
13	2	470259	URETHANE BUMPER,1.25D X 1.25L
14	1	470265	KEY, .250 X .375 X 1.88 LG
15	1	471005	1/4 28 X 1/2 GREASE ZERK
16	2	471023	GREASE ZERK 1/4-28 X 45
17	1	473906	SPIRAL PIN, 1/2 X 2 1/2 LG
18	1	483061	1.65 ID X 2.50 OD X .188T WASH
19	8	900064	5/16UNC X 3/4 HEX BOLT
20	4	900264	1/2UNC X 1 1/4 HEX BOLT
21	4	900265	1/2UNC X 1 1/2 HEX BOLT
22	4	900267	1/2UNC X 2" HEX BOLT
23	1	900390	5/8UNC X 2 1/2 SOCKET CAP SCR
24	4	900836	5/8UNF X 3 1/4 HEX BOLT GR8
25	3	910008	1/2UNC HEX NUT
26	8	914008	1/2UNC HEX STOVER NUT
27	14	914811	5/8UNF HEX NUT GR8
28	8	920501	5/16 LOCK WASHER
29	5	920504	1/2 LOCK WASHER
30	1	920505	5/8 LOCK WASHER
31	1	358759	LEG MT V-PLT WLD, 284T 94
32	1	358831	AIRIDE SPRING 98
33	1	358832	AIRIDE SPRING CTRL VALVE 98
34	1	358839	AIRRIDE CTRL LINK KIT, 2100 99
35	2	358990	NYLON GUIDE, 2100 LEG 99
36	1	358991	INNER KEEPER,NYL GUIDE,2100 99
37	1	358992	OUTER KEEPER,NYL GUIDE,2100 99
38	1	358993	NYLON GUIDE BACK PLATE,2100 99
39	2	470118	1/4UNC X 3/4 FLANGE HEX BOLT
40	2	470121	1/4UNC HEX FLANGE LOCK NUT
41	3	900837	5/8UNF X 3 1/2 HEX BOLT GR8
42	2	910002	5/16UNC HEX NUT
43	1	910013	3/4UNF HEX NUT
44	2	914002	5/16UNC HEX STOVER NUT
45	1	920506	3/4 LOCK WASHER
46	1	711040	1/4MNPT-90-1/4 NYL TUBE LBO
47	2	711036	1/8MNPT-1/4 NYL TUBE FTG
48	1	601413	HOSE, 1/4 X 8 AIR
49	2	900065	5/16UNC X 1" HEX BOLT
50	1	342828	NYL HOSE SLEEVE,3.34ID X 65.00
51	1	483063	1.65 ID X 2.50 OD X .074T WASH
52	1	342654	NYL HOSE SLEEVE,3.66ID X 24.00



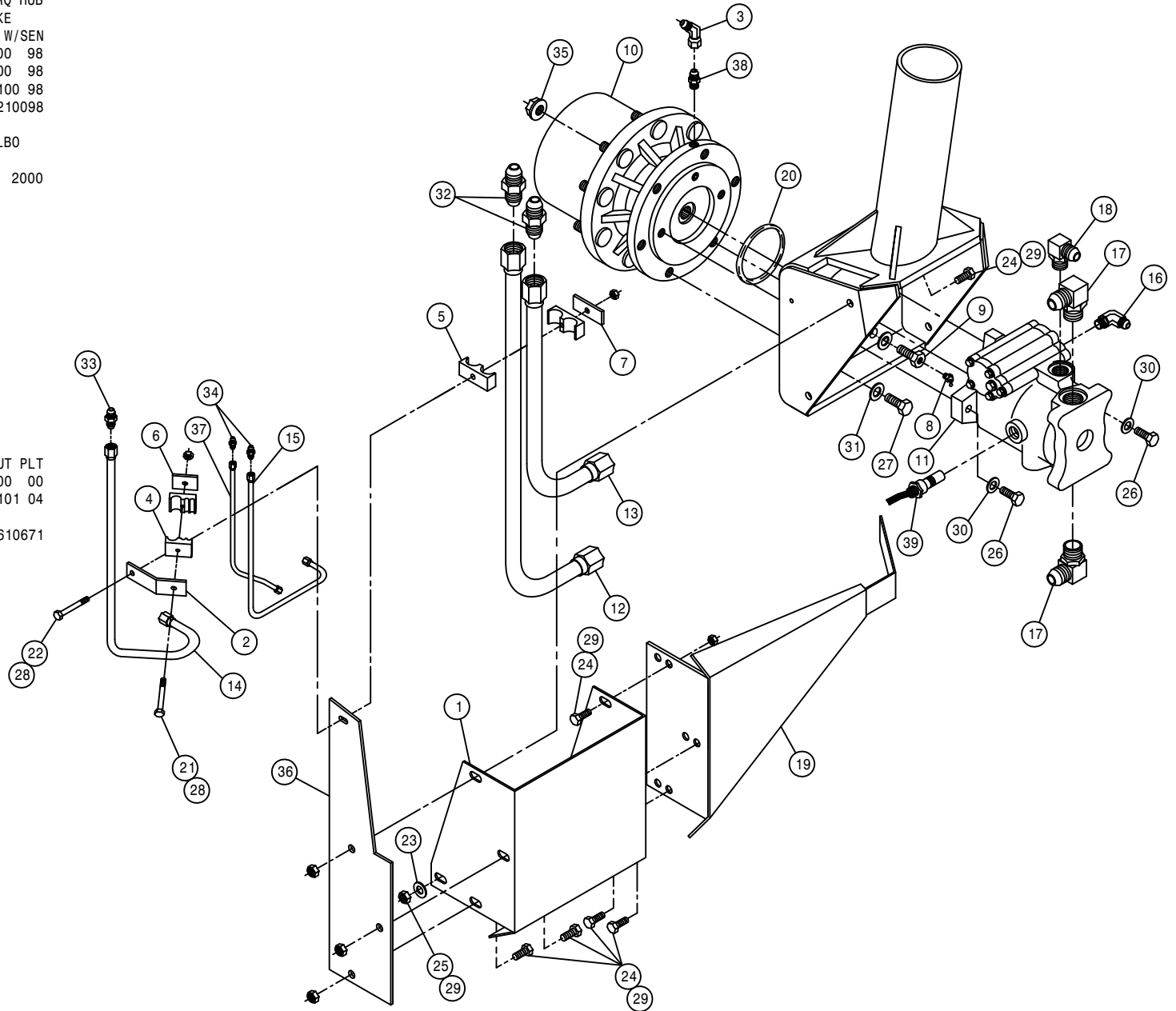
30

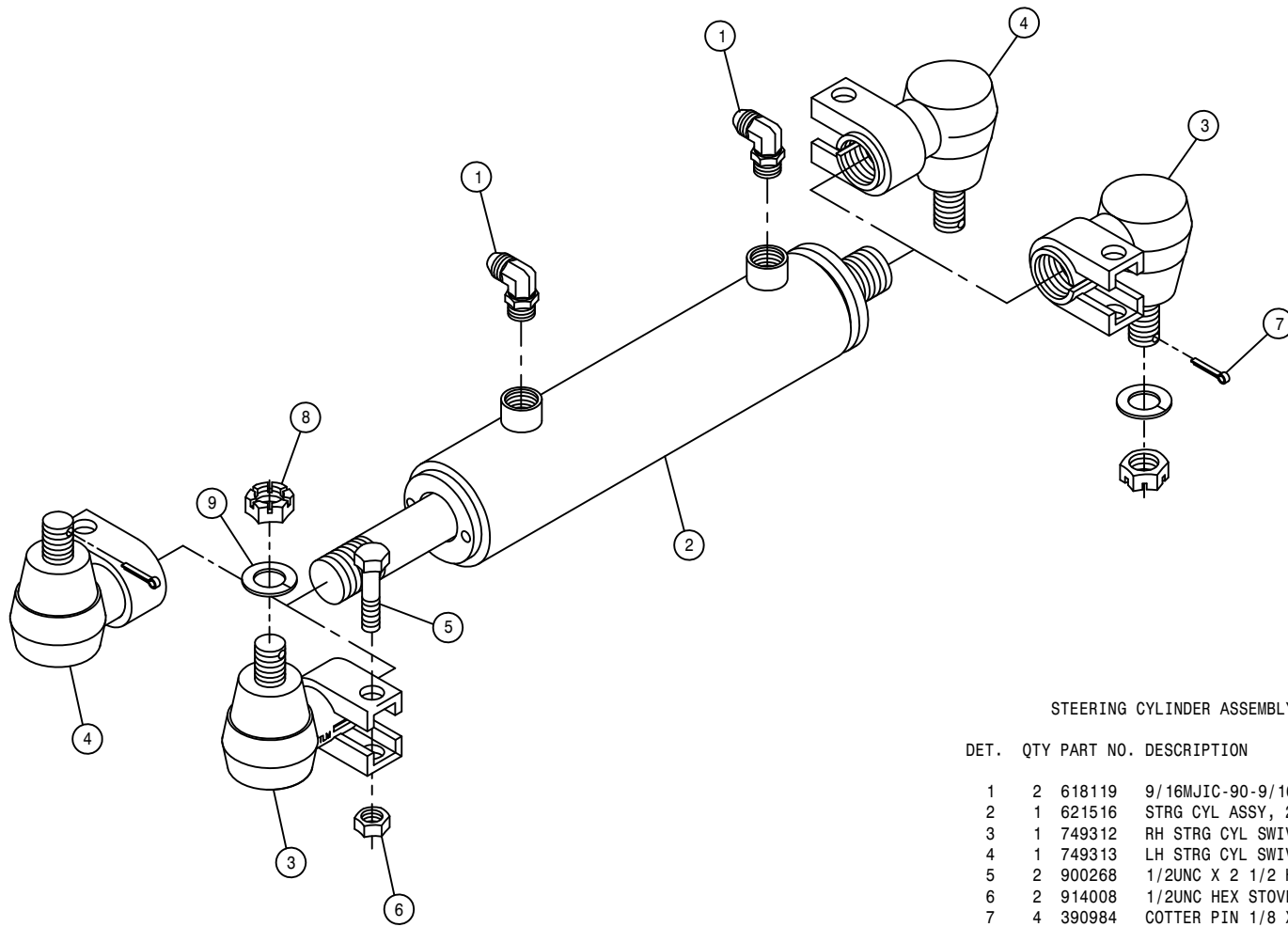
304030

LEFT REAR LEG ASSEMBLY

DET. QTY PART NO. DESCRIPTION

1	1	359185	WHL MTR SHLD, XP/2100	2002
2	1	358934	REAR LEG HYD TUBE BRKT,2100	98
3	1	618634	9/16MJIC-45-9/16FJIC SWIV LBO	
4	1	470273	TUBE CLAMP BODY,.375-.375-.500	
5	1	470275	TUBE CLAMP BODY,1.000-1.000	
6	1	470277	CLAMP WELD PLATE, SNGL, 2.15LG	
7	1	470278	CLAMP WELD PLATE, SNGL, 2.75LG	
8	1	471023	GREASE ZERK 1/4-28 X 45	
9	1	610013	ZERK BOLT,5/8 X 1 1/4 TORQ HUB	
10	1	610803	TORQ HUB, 24.40:1 W/BRAKE	
11	1	608003	SAUER HYD MOTOR,M46-4194 W/SEN	
12	1	615708	LWR HYD TUBE ASSY,LEG 2100	98
13	1	615709	UPR HYD TUBE ASSY,LEG 2100	98
14	1	615710	RF/LR HYD DRN TUBE ASSY2100	98
15	1	615712	RF/LR HYD CTRL TUBE ASSY2100	98
16	1	618119	9/16MJIC-90-9/16MOR LBO	
17	2	618178	1 5/16MJIC-90-1 5/16MOR LBO	
18	1	618474	3/4MJIC-90-1 1/16MOR LBO	
19	1	662256	STALK GUIDE WLD, 2100	2000
20	1	870045	O-RING 4 1/8 OD X 4 ID	
21	1	900068	5/16UNC X 1 3/4 HEX BOLT	
22	1	900070	5/16UNC X 2 1/2 BOLT	
23	2	920004	1/2 SAE FLAT WASHER	
24	6	900264	1/2UNC X 1 1/4 HEX BOLT	
25	2	900263	1/2UNC X 1" HEX BOLT	
26	2	900266P	1/2UNC X 1 3/4 HEX BOLT	
27	5	900332P	5/8UNC X 1 1/4 HEX BOLT	
28	2	914002	5/16UNC HEX STOVER NUT	
29	8	914008	1/2UNC HEX STOVER NUT	
30	2	920504P	1/2 LOCK WASHER	
31	6	920505P	5/8 LOCK WASHER	
32	2	618577	1 5/16MJIC UNION	
33	1	618314	3/4MJIC UNION	
34	2	619010	9/16MJIC UNION	
35	9	470140	5/8UNF HEX SMTH FLANGE NUT PLT	
36	1	359022	REAR HYD TUBE MTG PLT,2100	00
37	1	615814	LH HYD BRAKE TUBE ASSY,2101	04
38	1	618304	9/16MJIC-7/16MOR ADPTR	
39	1	610625	SENSOR,WHL MOTOR 610621/610671	

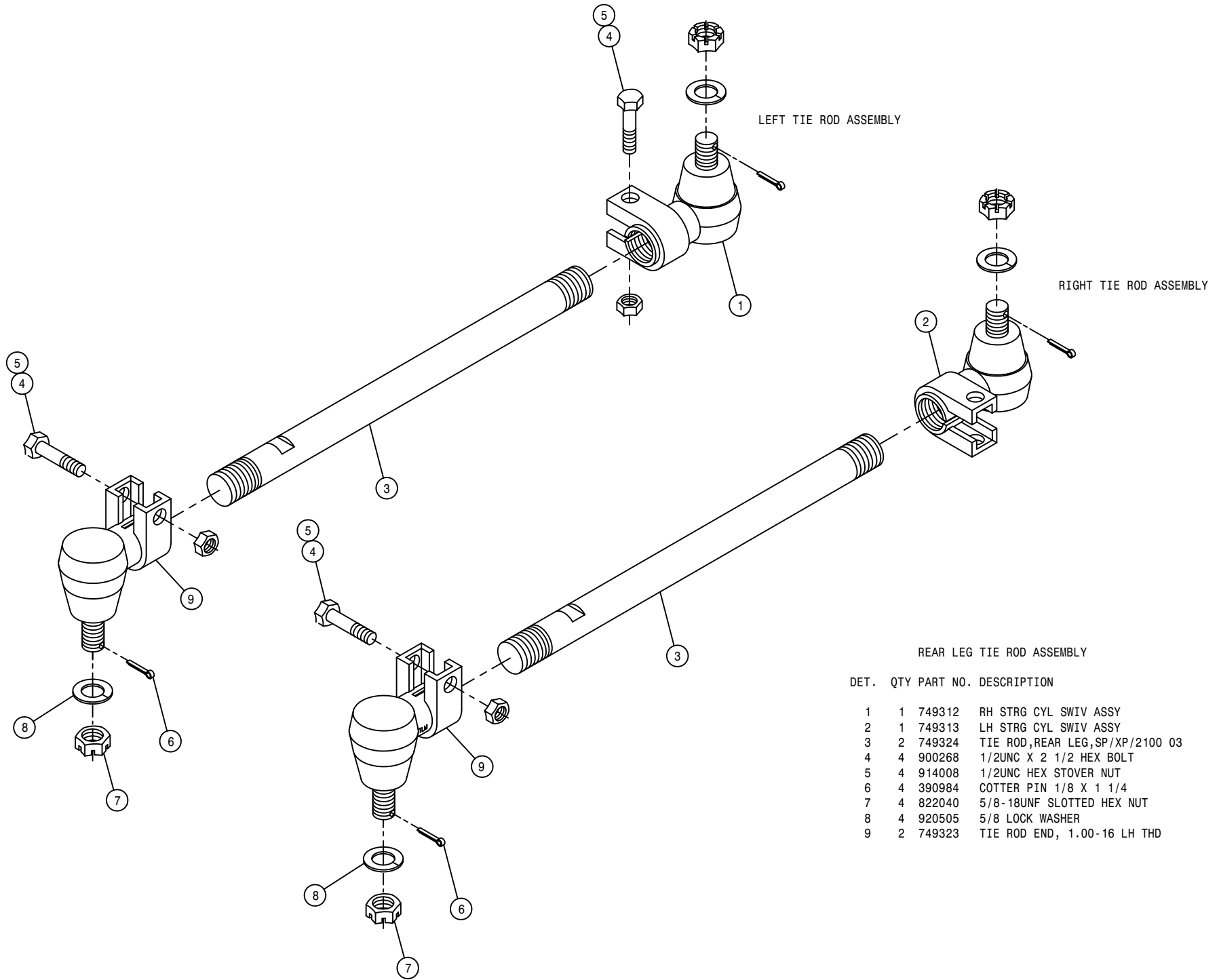




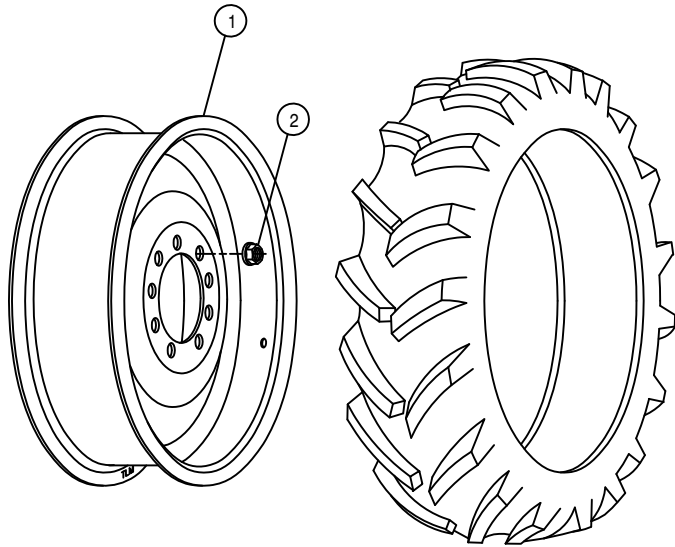
STEERING CYLINDER ASSEMBLY

DET.	QTY	PART NO.	DESCRIPTION
	1	2	618119 9/16MJIC-90-9/16MOR LBO
	2	1	621516 STRG CYL ASSY, 2100
	3	1	749312 RH STRG CYL SWIV ASSY
	4	1	749313 LH STRG CYL SWIV ASSY
	5	2	900268 1/2UNC X 2 1/2 HEX BOLT
	6	2	914008 1/2UNC HEX STOVER NUT
	7	4	390984 COTTER PIN 1/8 X 1 1/4
	8	2	822040 5/8-18UNF SLOTTED HEX NUT
	9	2	920505 5/8 LOCK WASHER
	NS	1	621517 REPAIR KIT, HYD CYL 621516

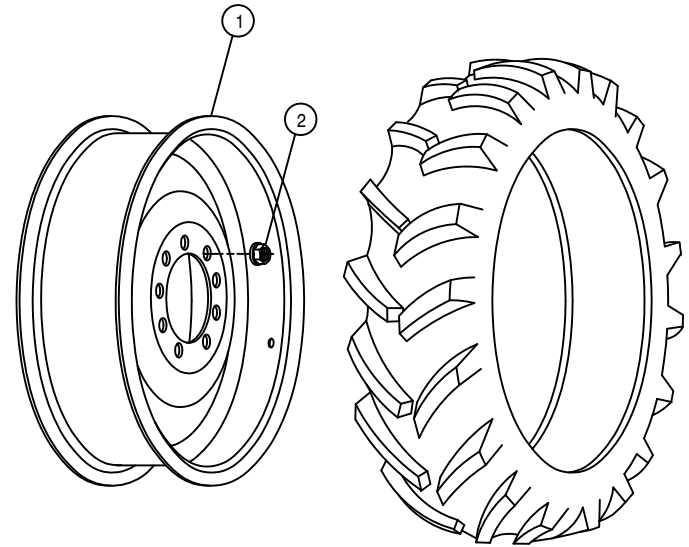
NOTE: 1. 621205 - RH STEERING CYLINDER ASSEMBLY W/CYL SWIV DET.3
 2. 621206 - LH STEERING CYLINDER ASSEMBLY W/CYL SWIV DET.4
 3. 621516 - STEERING CYLINDER ASSEMBLY W/O CYL SWIV



DET.	QTY	PART NO.	DESCRIPTION
1	1	749312	RH STRG CYL SWIV ASSY
2	1	749313	LH STRG CYL SWIV ASSY
3	2	749324	TIE ROD, REAR LEG, SP/XP/2100 03
4	4	900268	1/2UNC X 2 1/2 HEX BOLT
5	4	914008	1/2UNC HEX STOVER NUT
6	4	390984	COTTER PIN 1/8 X 1 1/4
7	4	822040	5/8-18UNF SLOTTED HEX NUT
8	4	920505	5/8 LOCK WASHER
9	2	749323	TIE ROD END, 1.00-16 LH THD



290/95R 34 *** RADIAL TIRE

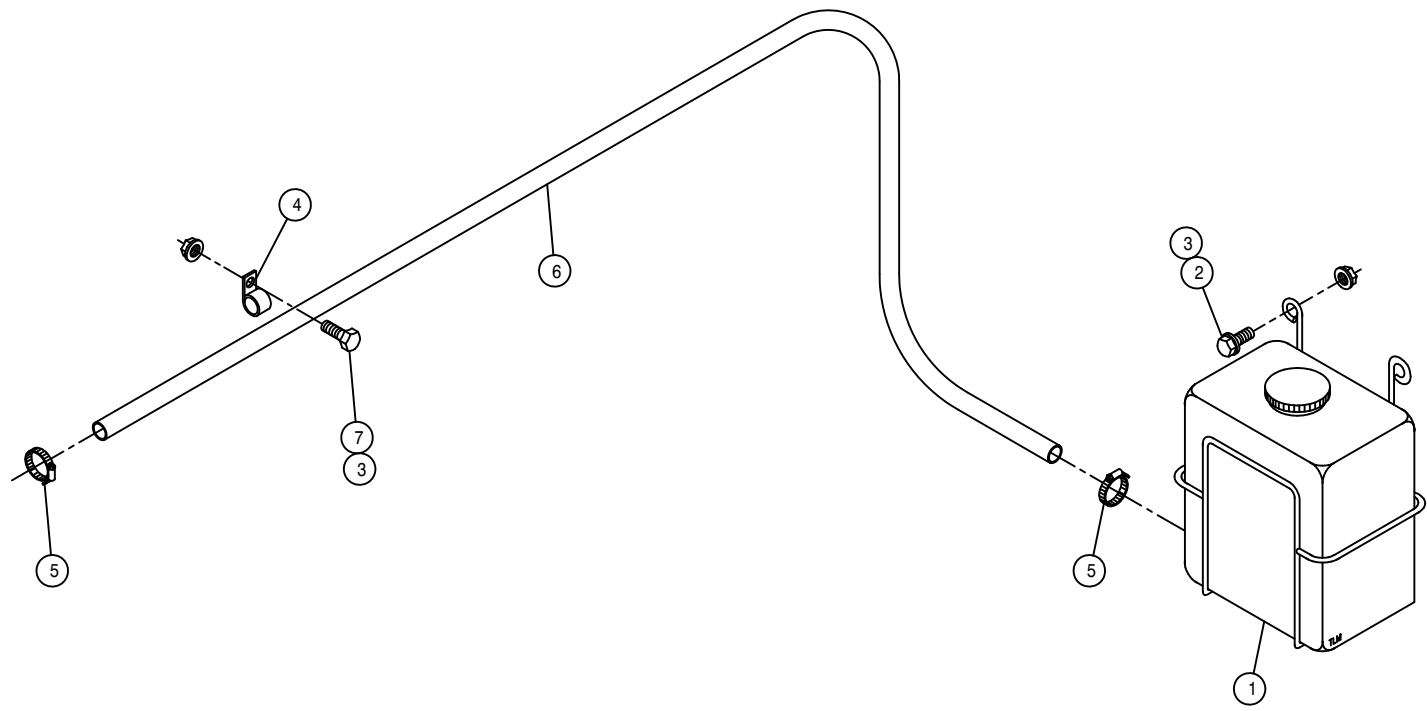


320/85R 34 *** RADIAL TIRE

TIRE AND RIM ASSEMBLIES

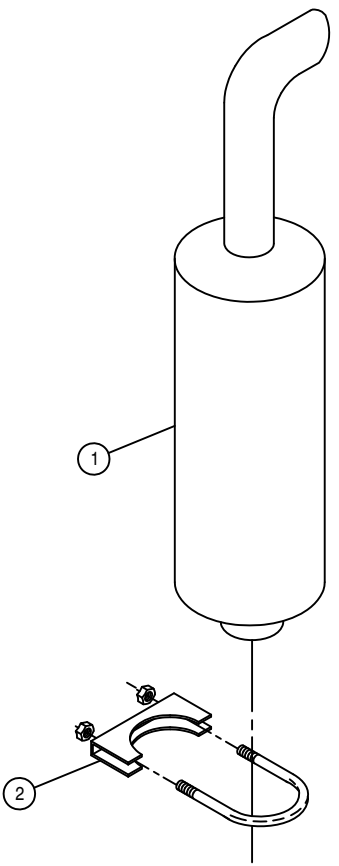
DET. QTY PART NO. DESCRIPTION

1	2	821042	RIM WLD, W10-34	98
2	18	470140	5/8UNF HEX SMTH FLANGE NUT PLT	



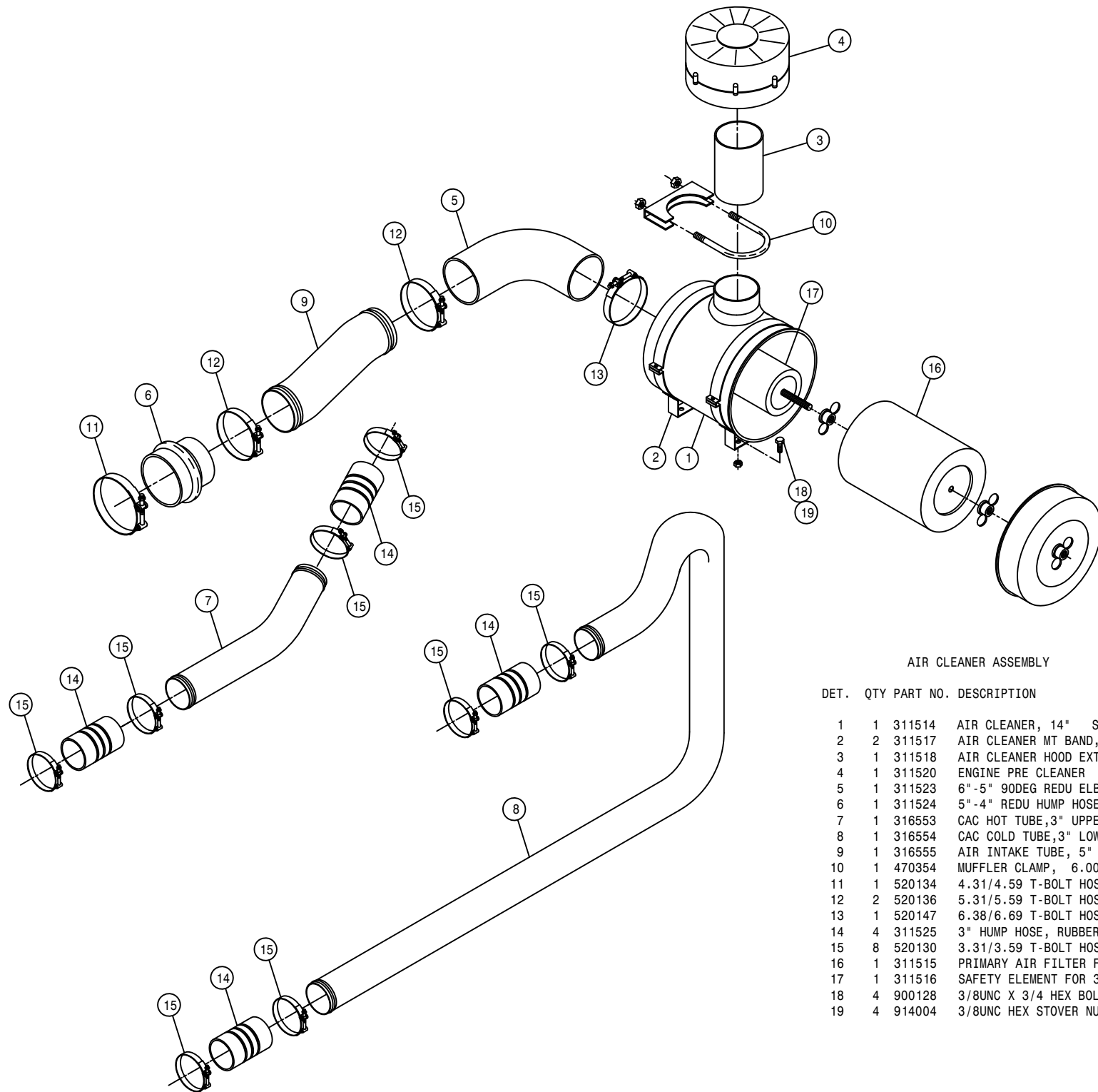
RADIATOR RECOVERY TANK ASSEMBLY

DET.	QTY	PART NO.	DESCRIPTION
	1	314767	RAD RECOVERY TANK & MTG WLD
	3	470118	1/4UNC X 3/4 FLANGE HEX BOLT
	7	470121	1/4UNC HEX FLANGE LOCK NUT
	4	520117	CUSH HOSE CLAMP 5/8D X 1/2W
	5	520120	HOSE CLAMP NO 4 STAINLESS
	1	601424	HOSE, 5/16 X 114 EPDM
	4	900002	1/4UNC X 3/4 HEX BOLT



MUFFLER ASSEMBLY

DET.	QTY	PART NO.	DESCRIPTION
1	1	316366	MUFFLER, 2100/STS10/STS12
2	1	470160	MUFFLER CLAMP 3.00 IN



AIR CLEANER ASSEMBLY

DET. QTY PART NO. DESCRIPTION

1	1	311514	AIR CLEANER, 14" STS 03
2	2	311517	AIR CLEANER MT BAND, 14" STS 03
3	1	311518	AIR CLEANER HOOD EXT, 6" X 8" LG
4	1	311520	ENGINE PRE CLEANER
5	1	311523	6"-5" 90DEG REDU ELBOW, RUBBER
6	1	311524	5"-4" REDU HUMP HOSE, RUBBER
7	1	316553	CAC HOT TUBE, 3" UPPER 2101 03
8	1	316554	CAC COLD TUBE, 3" LOWER 2101 03
9	1	316555	AIR INTAKE TUBE, 5" 2101 03
10	1	470354	MUFFLER CLAMP, 6.00
11	1	520134	4.31/4.59 T-BOLT HOSE CLAMP SS
12	2	520136	5.31/5.59 T-BOLT HOSE CLAMP SS
13	1	520147	6.38/6.69 T-BOLT HOSE CLAMP
14	4	311525	3" HUMP HOSE, RUBBER
15	8	520130	3.31/3.59 T-BOLT HOSE CLAMP SS
16	1	311515	PRIMARY AIR FILTER FOR 311514
17	1	311516	SAFETY ELEMENT FOR 311514
18	4	900128	3/8UNC X 3/4 HEX BOLT
19	4	914004	3/8UNC HEX STOVER NUT

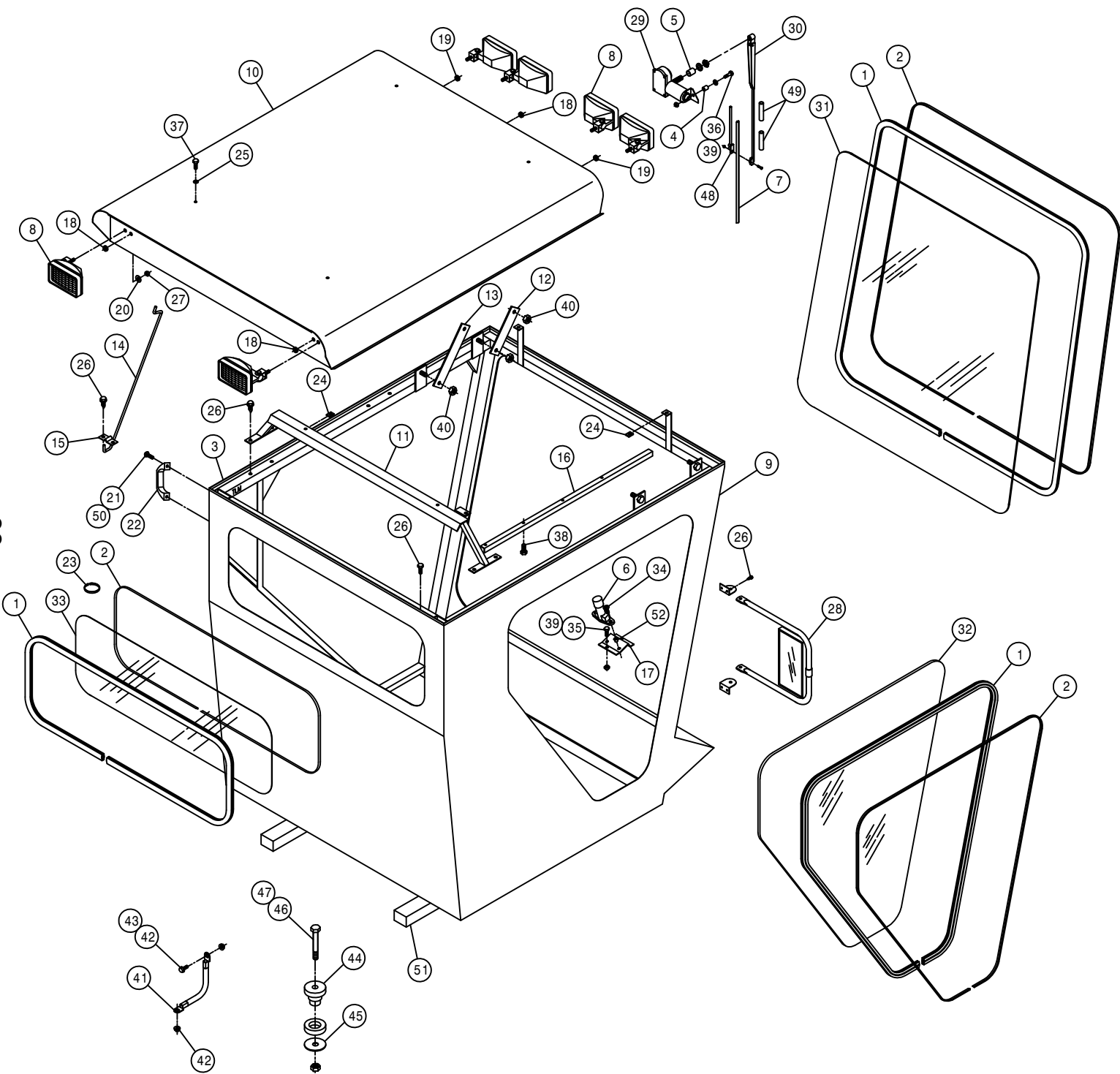
CAB ASSEMBLY

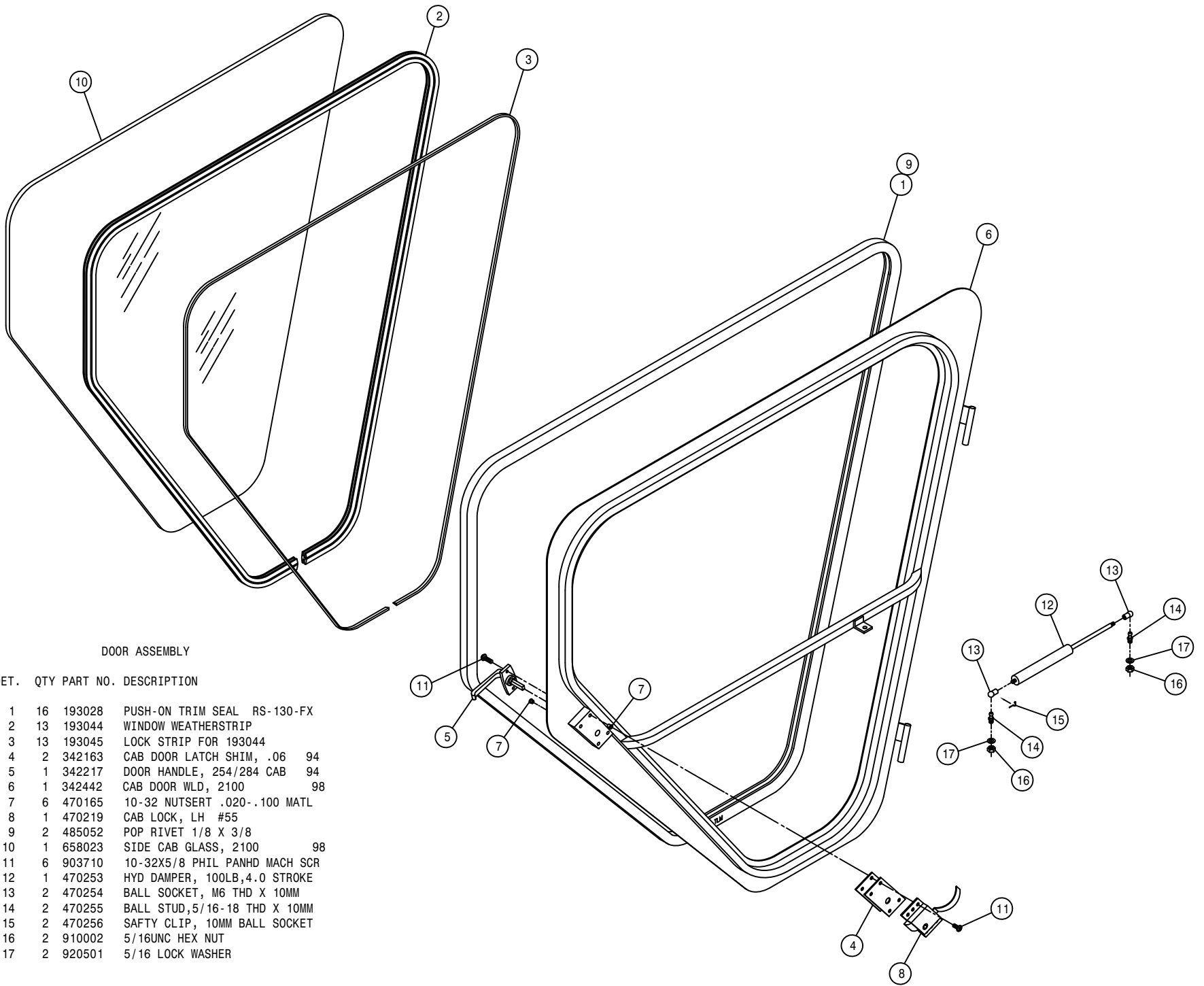
DET. QTY PART NO. DESCRIPTION

1	38	193044	WINDOW WEATHERSTRIP	
2	38	193045	LOCK STRIP FOR 193044	
3	19	193050	TRIM-LOCK SEAL, 250'	
4	1	200019	.25 SCH 40BP X 1.00 LG	C/L
5	1	202037	WINDSHIELD WIPER SPACER	
6	1	290412	DIMMER SWITCH	
7	1	290417	18" WIPER BLADE	
8	6	291603	HALOGEN WORKLAMP, SIDE MT 12V	
9	1	343247	CAB WELD, 2101	03
10	1	342403	CAB ROOF WLD, 2100	98
11	1	342414	REAR CAB ROOF MT WLD, 2100	98
12	2	342416	CAB ROOF 4" LINKAGE, 2100	98
13	2	342417	CAB ROOF 8" LINKAGE, 2100	98
14	1	342418	CAB ROOF PROP, 2100	98
15	1	342419	CAB ROOF PROP MT, 2100	
16	1	342420	HEAD LINER ANGLE, RH, 2100	98
17	1	342642	SOLU SWITCH ADPTR BRKT, 2100	98
18	3	470067	GROMMET, .250ID .125GW .375GD	
19	2	470070	GROMMET, .375ID .062GW .500GD	
20	6	470100	3/8 INT TOOTH LOCK WASHER	
21	2	470175	10-32 HEX FLANGE LOCK NUT	
22	1	470222	GRAB HANDLE, BLACK MOULDED	
23	1	470229	IDENTIFICATION TIE, WHITE	
24	4	470261	3/8UNC NUT, U-TAPPED SPRING	
25	4	470262	3/8 X 1" BONDED SEALING WASH	
26	15	472349	1/4 X 3/4 20THD-IN TEK TYPE	
27	6	473779	10MM-1.50 HEX NUT	
28	2	650524	OUTSIDE MIRROR W/MTG BRKT	
29	1	658008	WINDSHIELD WIPER MOTOR	
30	1	658013	WIPER ARM	
31	1	658022	FRONT CAB GLASS, 2100	98
32	1	658023	SIDE CAB GLASS, 2100	98
33	1	658024	REAR CAB GLASS, 2100	98
34	2	903708	1/4UNC X1/2 PHIL PNHD MACHSCR	
35	2	900003	1/4UNC X 1" HEX BOLT	
36	1	900005	1/4UNC X 1 1/2 HEX BOLT	
37	4	900129	3/8UNC X 1" HEX BOLT	
38	4	900263	1/2UNC X 1" HEX BOLT	
39	3	914000	1/4UNC HEX STOVER NUT	
40	8	914008	1/2UNC HEX STOVER NUT	
41	1	290107	GROUND CABLE, 8" X 4GA .406LUGS	
42	2	470087	3/8UNC HEX FLANGE LOCK NUT	
43	1	900128	3/8UNC X 3/4 HEX BOLT	
44	4	311051	RUBBER MOUNT, RB3-350	
45	4	311052	SNUBBING WASHER FOR 311051	
46	4	900829	5/8UNC X 4" HEX BOLT GR8	
47	4	914010	5/8UNC HEX STOVER NUT	
48	1	290003	WINDSHIELD WASHER NOZZLE KIT	
49	1	291569	3/8 X 6" HEAT SHRINK TUBE	
50	2	903883	10-32 X 1/2 SLT RDHD MACH SCR	
51	2	659704	FOAM, 2" THK X 2" WIDE X 42" LG	
52	2	470086	1/4UNC NUTSERT .020-.100MATL	

38

304038





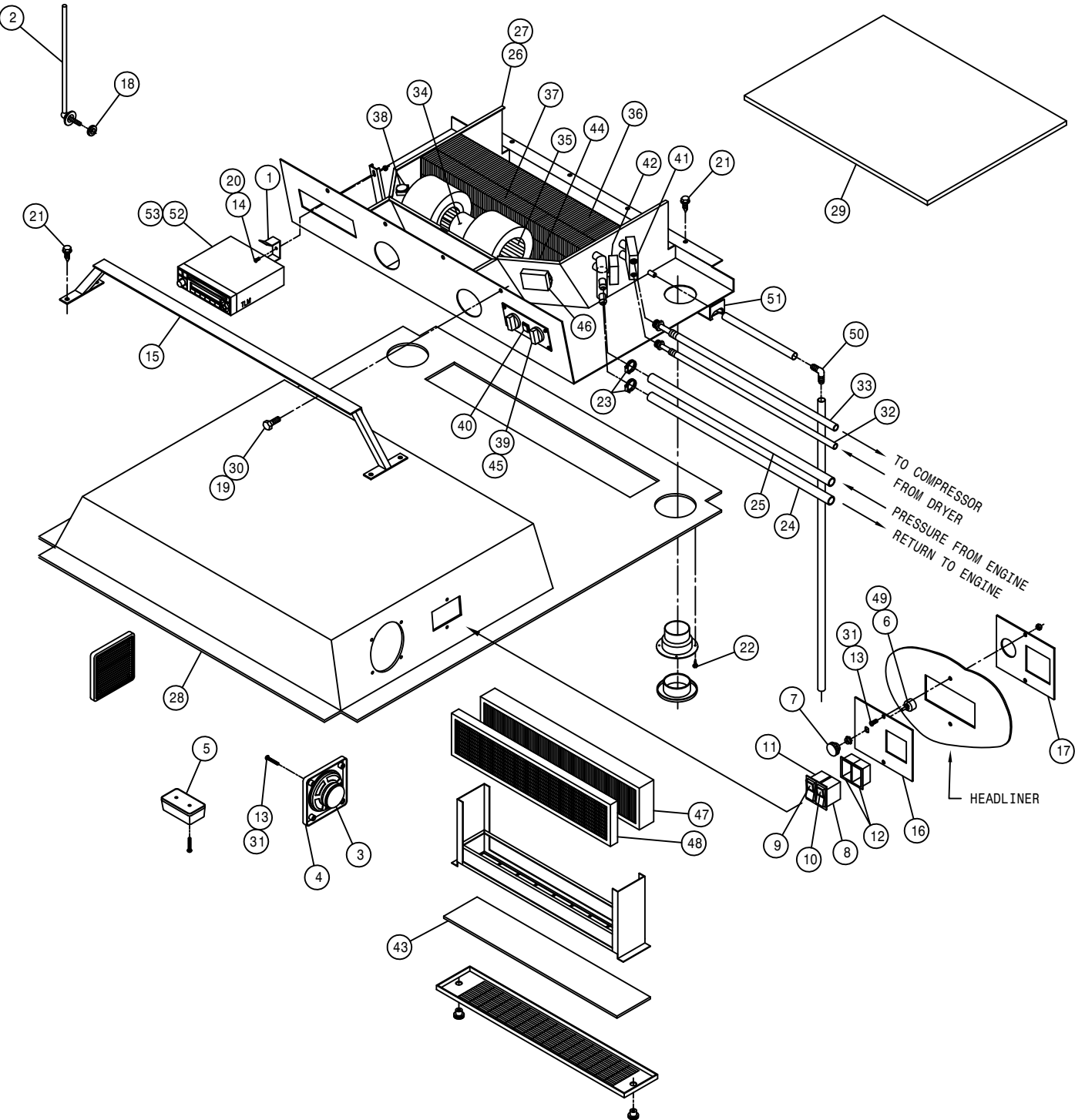
DOOR ASSEMBLY

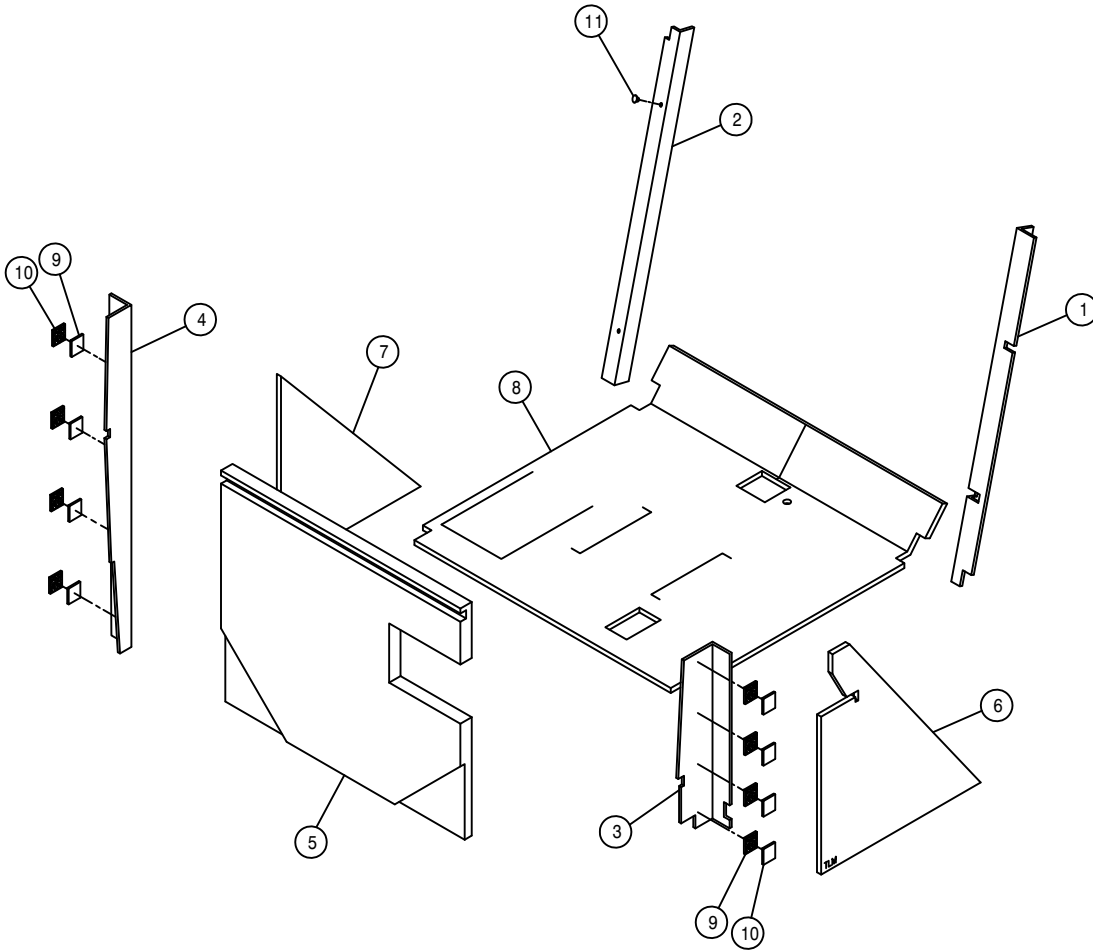
DET. QTY PART NO. DESCRIPTION

1	16	193028	PUSH-ON TRIM SEAL RS-130-FX
2	13	193044	WINDOW WEATHERSTRIP
3	13	193045	LOCK STRIP FOR 193044
4	2	342163	CAB DOOR LATCH SHIM, .06 94
5	1	342217	DOOR HANDLE, 254/284 CAB 94
6	1	342442	CAB DOOR WLD, 2100 98
7	6	470165	10-32 NUTSERT .020-.100 MATL
8	1	470219	CAB LOCK, LH #55
9	2	485052	POP RIVET 1/8 X 3/8
10	1	658023	SIDE CAB GLASS, 2100 98
11	6	903710	10-32X5/8 PHIL PANHD MACH SCR
12	1	470253	HYD DAMPER, 100LB,4.0 STROKE
13	2	470254	BALL SOCKET, M6 THD X 10MM
14	2	470255	BALL STUD,5/16-18 THD X 10MM
15	2	470256	SAFTY CLIP, 10MM BALL SOCKET
16	2	910002	5/16UNC HEX NUT
17	2	920501	5/16 LOCK WASHER

AIR CONDITIONER ASSEMBLY

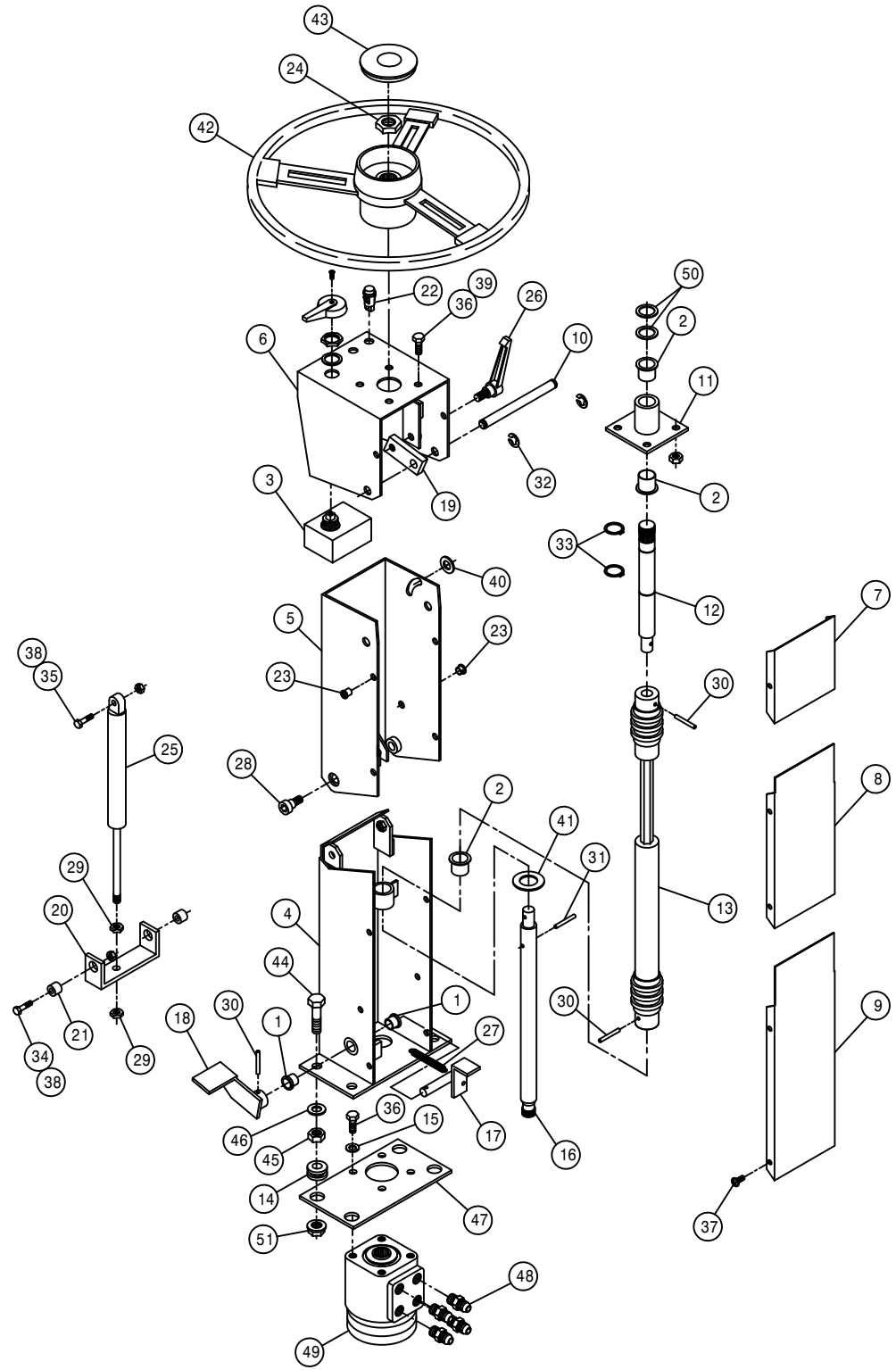
DET.	QTY	PART NO.	DESCRIPTION
1	1	291834	RADIO SUPPORT BRKT
2	1	291214	ANTENNA
3	2	291219	SPEAKER, 5 1/4"RD
4	2	291224	SPEAKER GRILLE, 6" BLACK MESH
5	1	291605	INTERIOR LIGHT W/SWITCH
6	1	291606	ROTARY HEADLAMP SWITCH
7	1	291607	SWITCH KNOB FOR 291606
8	1	291622	SWITCH, 1P ON/OFF 511-003
9	1	291630	LENS, WINDSHIELD WASHER, 594-701
10	1	291631	LENS, HAZARD 595-417
11	1	291678	SWITCH, 511-115
12	2	293246	END BEZEL, 594-802
13	10	903710	10-32X5/8 PHIL PANHD MACH SCR
14	1	903883	10-32 X 1/2 SLT RDHD MACH SCR
15	1	342411	REAR A/C BLWR MT WLD, 2100 98
16	1	342421	LIGHT SWITCH PANEL, 2100 98
17	1	342633	LIGHT SWITCH PANEL KPR, 2100 98
18	1	470067	GROMMET, .250ID .125GW .375GD
19	4	470087	3/8UNC HEX FLANGE LOCK NUT
20	1	470175	10-32 HEX FLANGE LOCK NUT
21	8	472349	1/4 X 3/4 20THD-IN TEK TYPE
22	24	473966	6X3/4 PHIL FLT HD SHT MTL SCR
23	2	520055	HOSE CLAMP NO 12 STAINLESS
24	1	601342	HOSE, 5/8 X 192 HEATER
25	1	601431	HOSE, 5/8 X 250 HEATER
26	1	657400	A/C & HTR ASSY, CAB R134A
27	1	657401	A/C HOSE KIT, EVAP R134A
28	1	658317	HEADLINER, 2100 98
29	1	658318	ROOF SEAL, AIR COND 2100
30	4	900128	3/8UNC X 3/4 HEX BOLT
31	10	914027	10-32 HEX STOVER NUT
32	1	657418	A/C HOSE ASSY, 5/16 X 198
33	1	657419	A/C HOSE ASSY, 1/2 X 198
34	1	657448	A/C BLOWER ASSY, 12V KENWAY
35	2	657405	A/C BLOWER WHEEL W/CLIP
36	1	657406	A/C EVAPORATOR COIL
37	1	657407	A/C HEATER COIL
38	1	657408	A/C THERMOSTAT
39	2	657409	A/C CONTROL KNOB
40	1	657410	A/C SWITCH, PUSH ON-OFF
41	1	657411	A/C EXPANSION VALVE
42	1	657412	A/C HEATER VALVE, 4-WAY MTRIZED
43	1	657413	A/C FILTER, RECIRCULATION
44	1	657414	A/C BLOWER DRIVE ASSY
45	2	657415	A/C POTENTIOMETER ASSY
46	1	657420	A/C VALVE MODULE ASSY
47	1	657424	A/C AIR FILTER
48	1	657425	A/C CHARCOAL AIR FILTER
49	1	903844	8-32 X 1/2 SLT RD HD MACH SCR
50	2	500098	1/2HB-90-1/2 HOSE BARB, POLY
51	2	342669	A/C DRAIN HOSE KEEPER
52	1	291835	RADIO, AM/FM/CD/WB CRC-5320
53	1	291836	WIRE HARNESS FOR 291835 RADIO





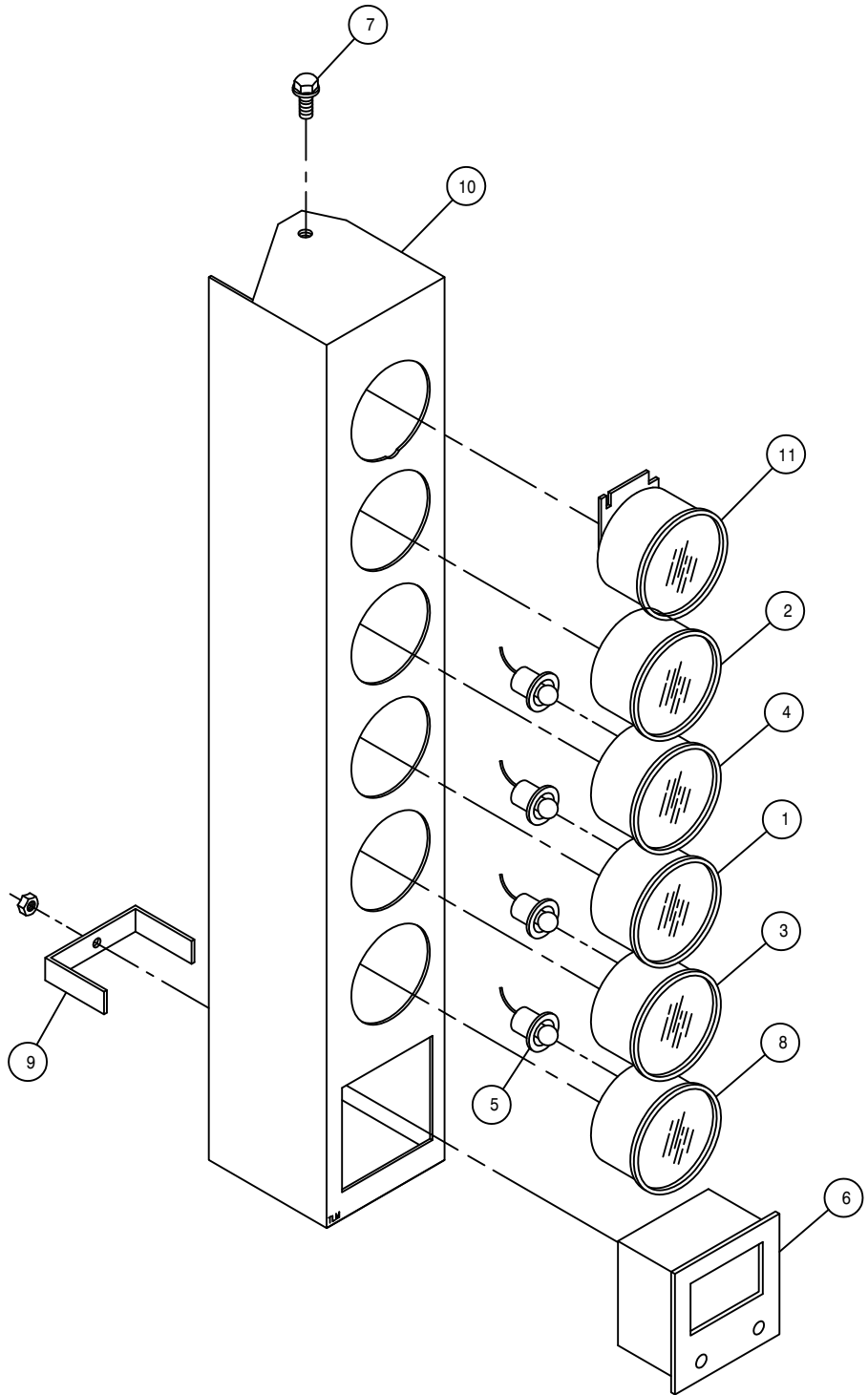
FOAM

DET.	QTY	PART NO.	DESCRIPTION
1	1	658329	POST COVER, RH FRONT, 2101 03
2	1	658320	POST COVER, LH FRONT 2100 98
3	1	658321	POST COVER, RH REAR 2100 98
4	1	658322	POST COVER, LH REAR 2100 98
5	1	658323	BACKPANEL, 2100 98
6	1	658324	SIDE PANEL, RH 2100 98
7	1	658325	SIDE PANEL, LH 2100 98
8	1	658326	FLOORMAT, 2100 98
9	8	471101	DUAL LOCK, 1.00 X 1.00 SJ3542
10	8	471100	DUAL LOCK, 1.00 X 1.00 SJ3541
11	2	470225	TRIM CLIP, 11/16 BLK NYL HEAD



STEERING POST ASSEMBLY

DET.	QTY	PART NO.	DESCRIPTION
	1	2	127502 NYLON FLANGE BRG
	2	3	127503 NYLINER FLG BRG, .875 ID
	3	1	291088 FLASHER / TURN SIGNAL SWITCH
	4	1	342450 LWR STRG COLUMN WLD, 2100 98
	5	1	342454 UPPER STRG COLUMN WLD, 2100 98
	6	1	342461 STRG WHL MT WLD, 2100 98
	7	1	342467 UPPER STRG COLUMN COVER, 2100 98
	8	1	342468 CNTR STRG COLUMN COVER, 2100 98
	9	1	342469 LWR STRG COLUMN SHLD
	10	1	342470 STRG COLUMN PIVOT PIN, 2100 98
	11	1	342471 STRG COL BRG HSNG WLD, 2100 98
	12	1	342474 UPPER STEERING SHAFT, 2100 98
	13	1	470285 DOUBLE UNIVERSAL JOINT DRIVER
	14	4	470346 GROMMET, .500ID .250GW, .812GD
	15	4	920502 3/8 LOCK WASHER
	16	1	342483 LWR STEERING SHAFT, 2100 98
	17	1	342484 FOOT PEDAL PIV PIN WLD, 2100 98
	18	1	342487 FOOT PEDAL WLD, 2100 98
	19	1	342490 STRG PIVOT LOCK, 2100 98
	20	1	342491 LWR AIR SHOCK PIVOT, 2100 98
	21	2	342492 LWR AIR SHOCK PIV BUSH, 2100 98
	22	2	390318 INDICATOR LIGHT, RED
	23	11	470086 1/4UNC NUTSERT .020-.100MATL
	24	1	470157 13/16-20UNEF HEX NUT STRG WHL
	25	1	470252 GAS SPRING, LOCKING 0350N
	26	1	470257 ADJ HANDLE, 3/8-16 STUD, BLACK
	27	1	470268 SPRING, EXTENSION, .50 X 1.75
	28	2	470283 3/8UNC 1/2 SCKT SHLDR BOLT
	29	2	473830 10MM-1.00 HEX JAM NUT
	30	3	473928 ROLL PIN, 3/16 X 1
	31	1	473936 ROLL PIN, 3/16 X 1 1/4
	32	2	629525 RING, RETAINING, .50DIA SHAFT
	33	2	629533 SNAP RING, 7/8 EXTRN
	34	2	900065 5/16UNC X 1" HEX BOLT
	35	1	900067 5/16UNC X 1 1/2 HEX BOLT
	36	8	900128 3/8UNC X 3/4 HEX BOLT
	37	10	903708 1/4UNC X 1/2 PHIL PNHD MACHSCR
	38	3	914002 5/16UNC HEX STOVER NUT
	39	4	914004 3/8UNC HEX STOVER NUT
	40	1	920002 3/8 SAE FLAT WASHER
	41	1	920007 7/8 SAE FLAT WASHER
	42	1	749294 STEERING WHEEL, VIP 14"
	43	1	749295 STRG WHL CAP W/HAGIE EMBLEM
	44	4	900267P 1/2UNC X 2" HEX BOLT
	45	4	470124P 1/2UNC HEX JAM NUT
	46	4	920004 1/2 SAE FLAT WASHER
	47	1	343211 STEERING MTR PLT, 284XP/2100 02
	48	4	618109 9/16MJIC-3/4MOR ADPTR
	49	1	749318 STRG MTR, 7.3CID, NON-LOAD 1031
	50	2	483031 1 3/8 X 7/8 X 18GA MACH WASHER
	51	4	470345P 1/2UNC HEX SMTH FLNG LOCK NUT



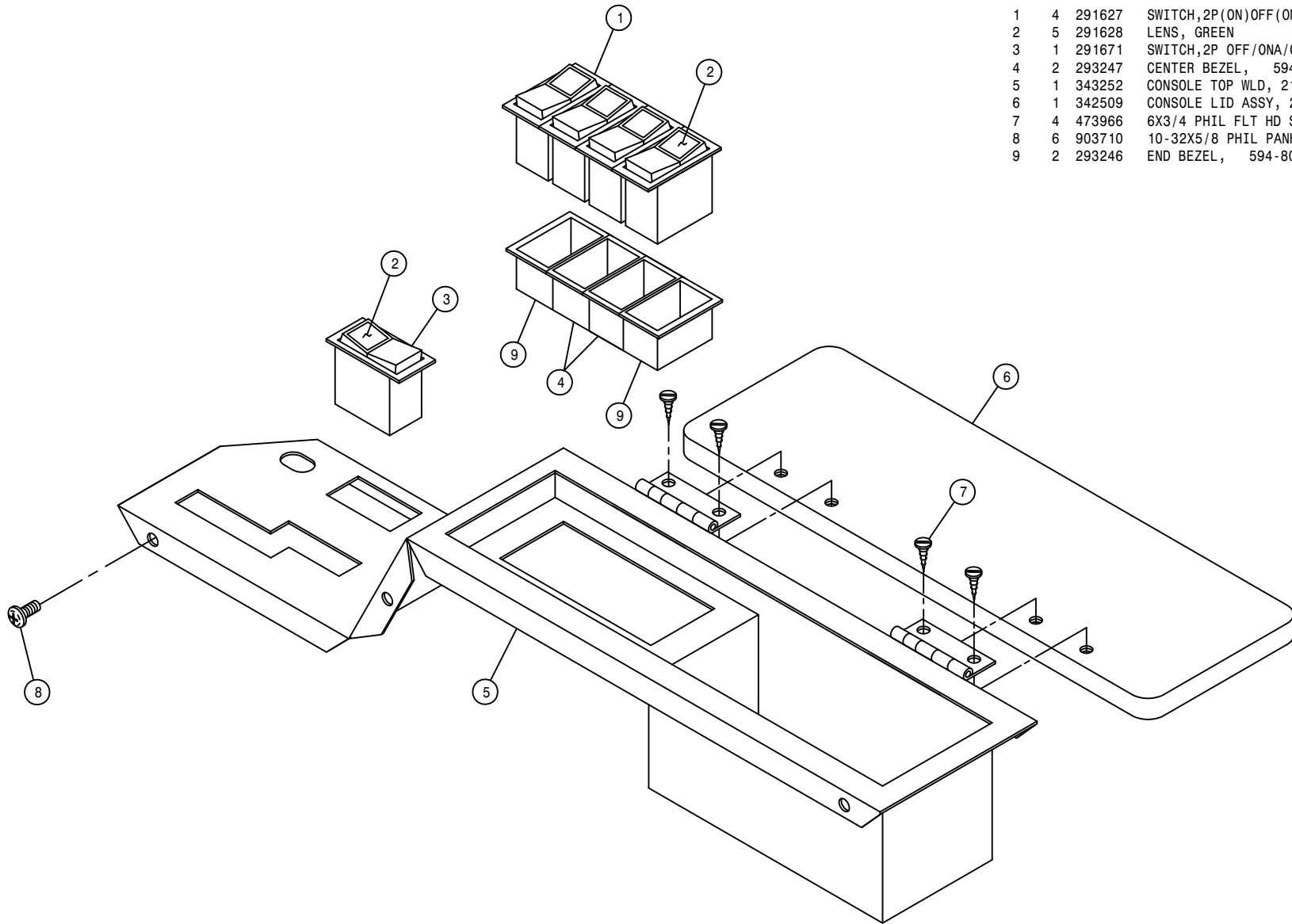
INSTRUMENT PANEL ASSEMBLY

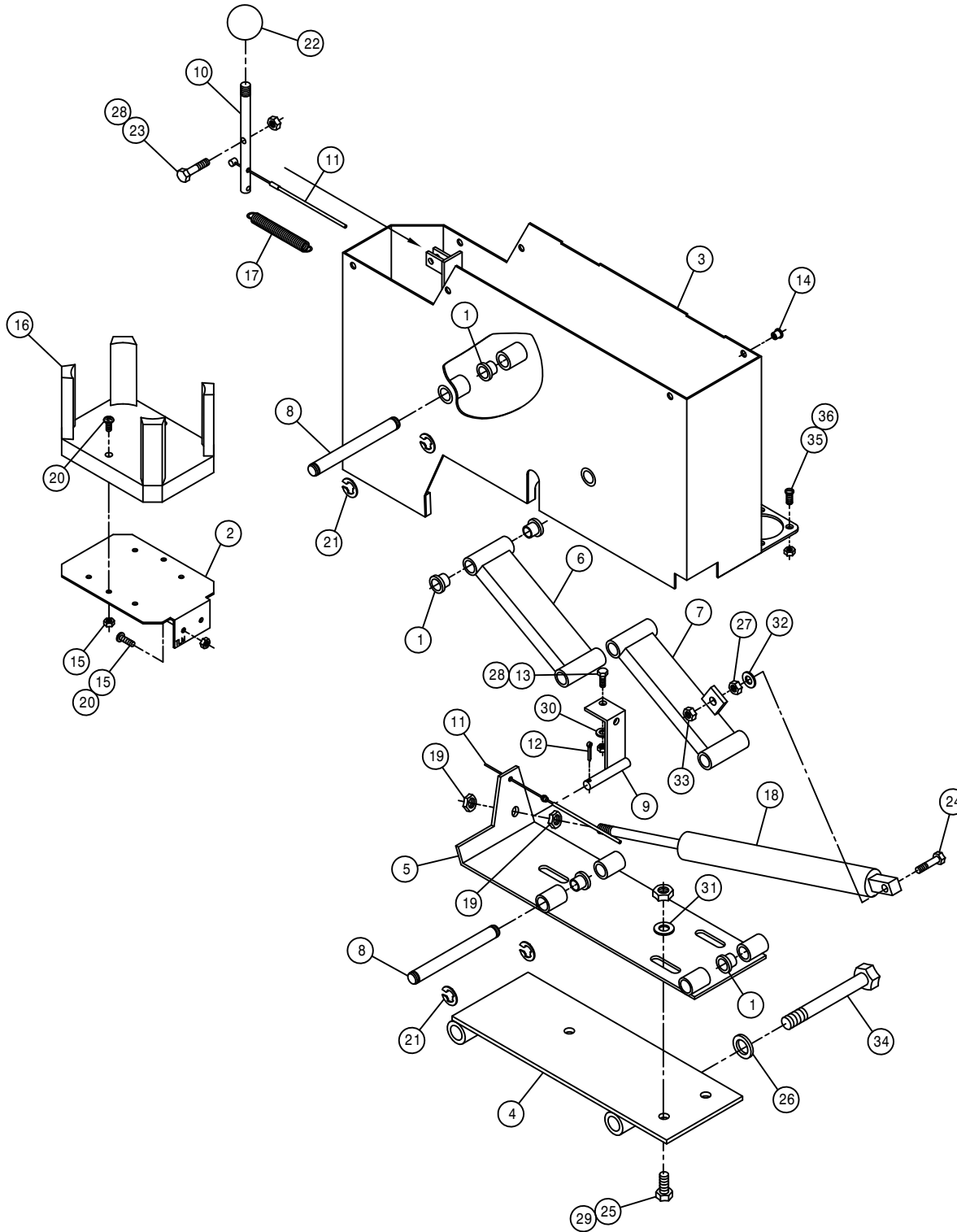
DET.	QTY	PART NO.	DESCRIPTION
1	1	290401	FUEL GAUGE FOR 2.125 DIA HOLE
2	1	291203	HOUR METER, 12/24VDC BLACK BEZ
3	1	291673	OIL PRESS GAUGE, 125PSI
4	1	291611	VOLTMETER, 8V TO 18V DC
5	4	291612	LIGHT KIT FOR 2" GAUGE
6	1	291635	DIGITAL MPH/RPM INDICATOR
7	2	470122	1/4UNC X 1/2 FLANGE HEX BOLT
8	1	314436	TEMP GA 100-280 DEG LIGHTED
9	1	342068	DIGITAL MPH/RPM IND KEEPER 94
10	1	343249	INSTRU HSNQ WLD, 2101 03
11	1	291853	ENG WARNING LIGHT CLUSTER, 2"

CONSOLE COVER ASSEMBLY

DET. QTY PART NO. DESCRIPTION

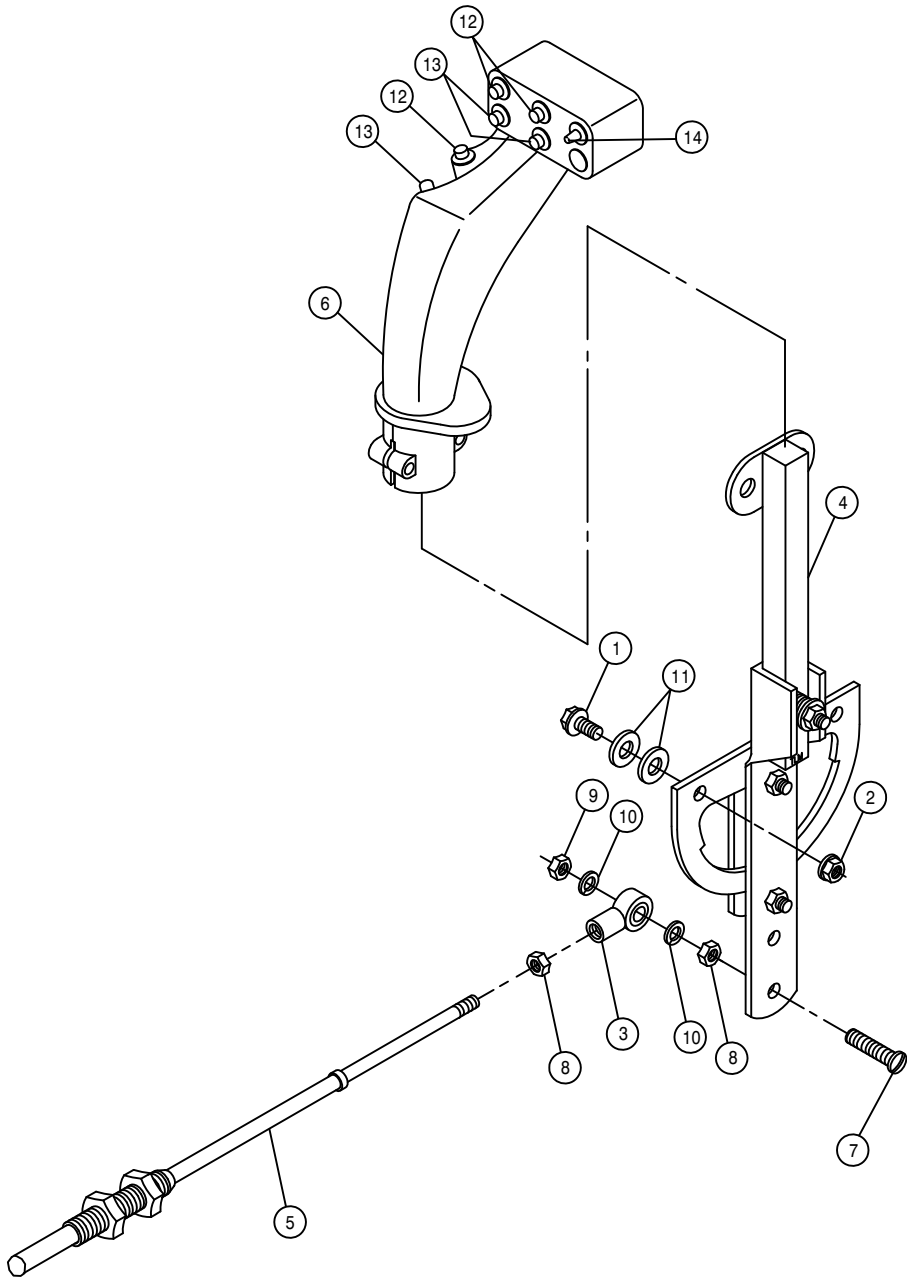
1	4	291627	SWITCH,2P(ON)OFF(ON) 511-058
2	5	291628	LENS, GREEN 596-650
3	1	291671	SWITCH,2P OFF/ONA/ONAB 511-138
4	2	293247	CENTER BEZEL, 594-801
5	1	343252	CONSOLE TOP WLD, 2101 03
6	1	342509	CONSOLE LID ASSY, 2100 98
7	4	473966	6X3/4 PHIL FLT HD SHT MTL SCR
8	6	903710	10-32X5/8 PHIL PANHD MACH SCR
9	2	293246	END BEZEL, 594-802





CONSOLE ASSEMBLY

DET.	QTY	PART NO.	DESCRIPTION
1	16	127504	NYLINER FLG BRG, .500 ID
2	1	342216	DRINK HOLDER MT BRKT 94
3	1	343254	CONSOLE WLD, 2101 03
4	1	342510	CONSOLE SEAT MT WLD, 2100 98
5	1	342513	LWR CONSOLE MTG PLT WLD2100 98
6	1	342516	FRT CONSOLE PIVOT BRKT WLD 98
7	1	342519	REAR CONSOLE PIVOT BRKT WLD 98
8	4	342522	CONSOLE PIN, 2100 98
9	1	342523	AIR SHOCK RELEASE WLD, 2100 98
10	1	342526	ADJ HANDLE, 2100 98
11	1	342527	CONSOLE ADJ CABLE ASSY,2100 98
12	1	470006	COTTER PIN 1/8 X 1
13	1	470118	1/4UNC X 3/4 FLANGE HEX BOLT
14	6	470165	10-32 NUTSERT .020-.100 MATL
15	4	470175	10-32 HEX FLANGE LOCK NUT
16	1	470214	SPILLMASTER DRINK HOLDER
17	1	470248	SPRING,EXPANSION .438 X 3.00
18	1	470251	GAS SPRING, LOCKING 0250N
19	2	473830	10MM-1.00 HEX JAM NUT
20	4	903710	10-32X5/8 PHIL PANHD MACH SCR
21	8	629525	RING, RETAINING, .50DIA SHAFT
22	1	659291	KNOB,1" RND,BLK, 3/8-16
23	1	900003	1/4UNC X 1" HEX BOLT
24	1	900067	5/16UNC X 1 1/2 HEX BOLT
25	3	900129	3/8UNC X 1" HEX BOLT
26	2	920505	5/8 LOCK WASHER
27	1	910002	5/16UNC HEX NUT
28	2	914000	1/4UNC HEX STOVER NUT
29	3	914004	3/8UNC HEX STOVER NUT
30	1	920000	1/4 SAE FLAT WASHER
31	3	920002	3/8 SAE FLAT WASHER
32	1	920001	5/16 SAE FLAT WASHER
33	1	914002	5/16UNC HEX STOVER NUT
34	2	900346	5/8UNC X 6" HEX BOLT
35	4	903812	6-32 X 1/2 SLT RD HD MACH SCR
36	4	910022	6-32 HEX NUT



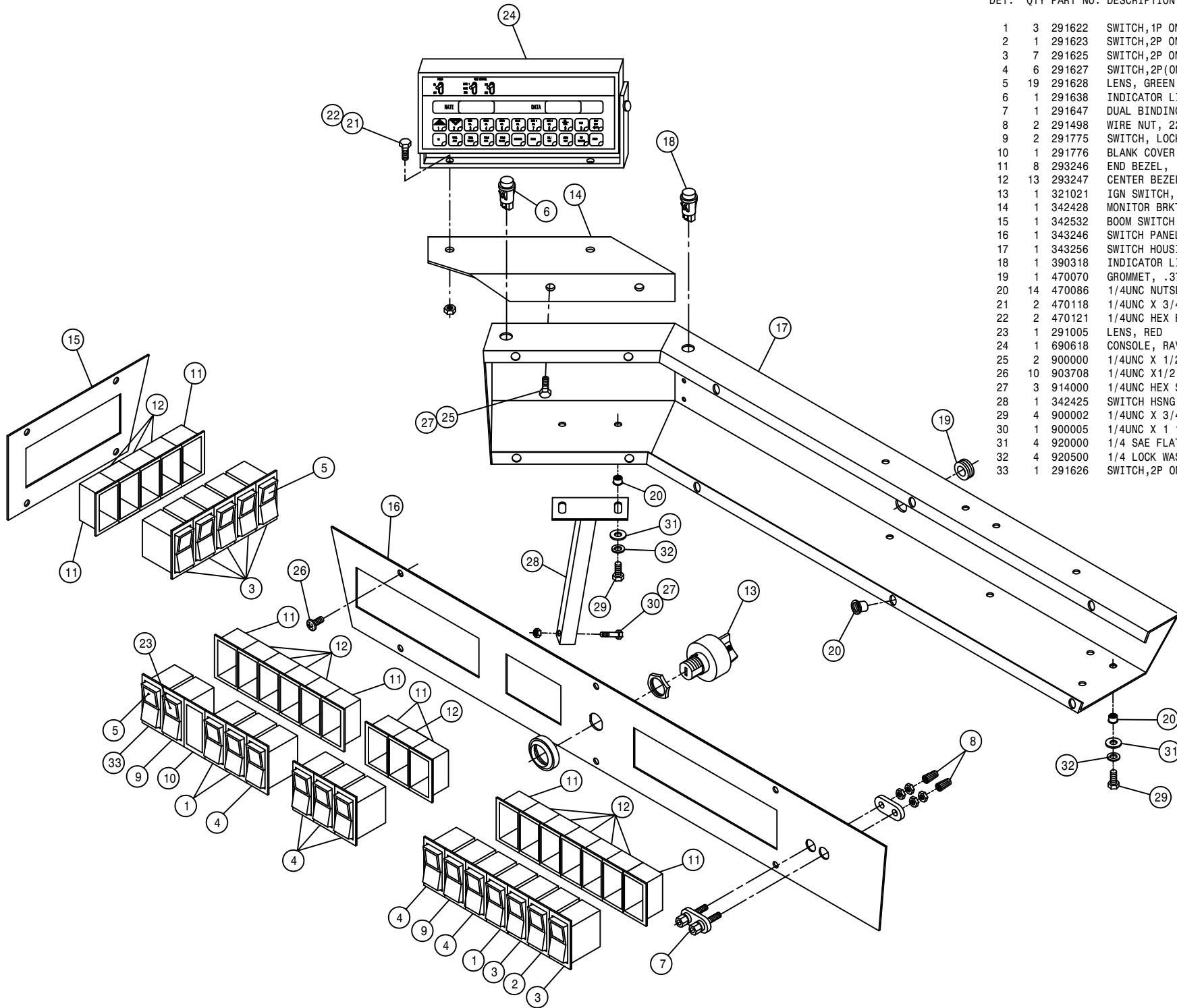
HYDROSTATIC LEVER ASSEMBLY

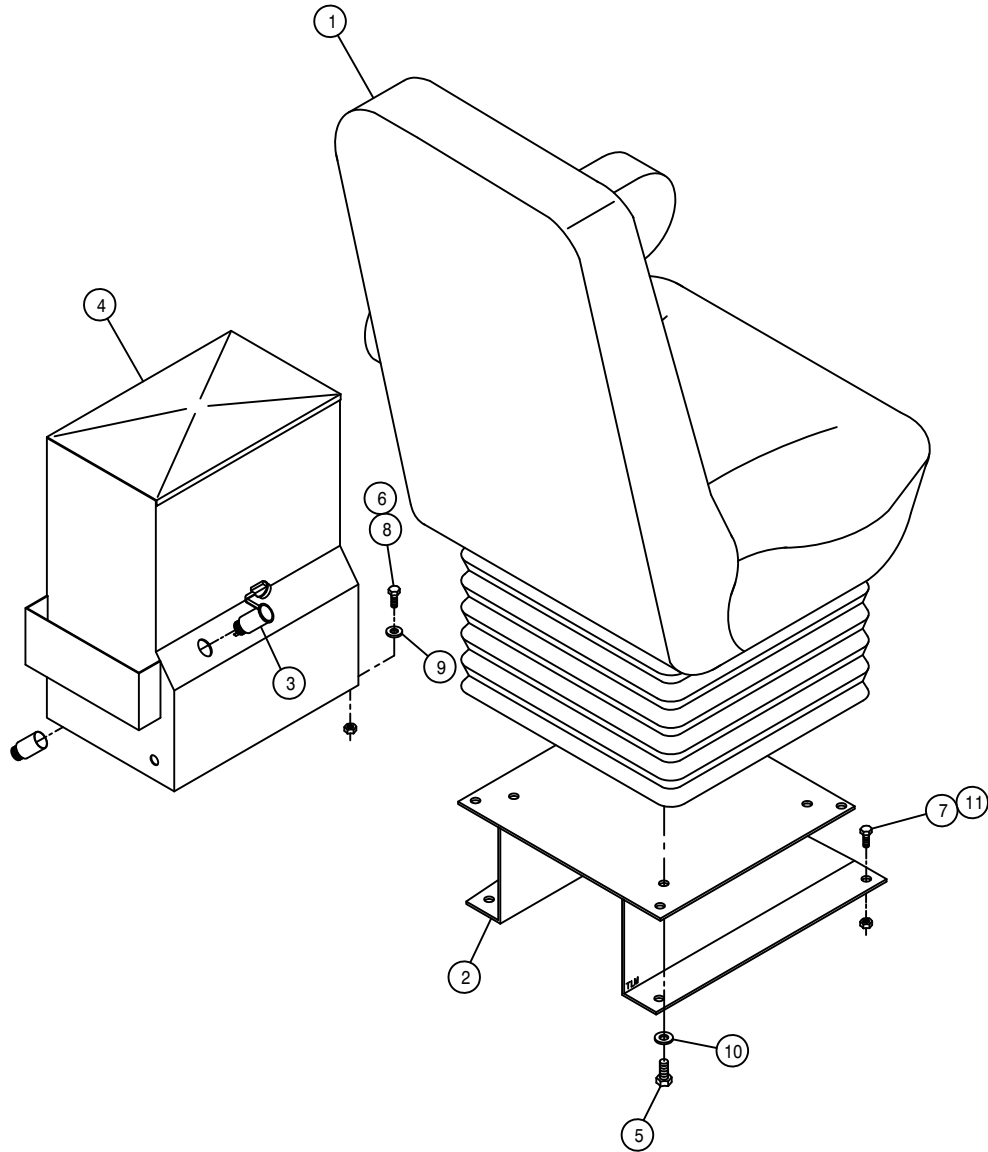
DET. QTY PART NO. DESCRIPTION

1	2	470118	1/4UNC X 3/4 FLANGE HEX BOLT
2	2	470121	1/4UNC HEX FLANGE LOCK NUT
3	1	473921	BALL JOINT NO 10-32 THD
4	1	342528	HYDST CTRL LEVER ASSY, 2100 98
5	1	785066	CTRL CABLE 10-32 4IN X 129 IN
6	1	785086	FASSE CTRL HANDLE, C12L4T28
7	1	903893	10-32 X 1" SLT RD HD MACH SCR
8	2	910027	10-32 HEX NUT
9	1	914027	10-32 HEX STOVER NUT
10	2	920510	#10 LOCK WASHER
11	4	920000	1/4 SAE FLAT WASHER
12	3	291884	SWITCH,PB 3TRM MOM 0, GRAY
13	3	291883	SWITCH,PB 3TRM MOM 0, RED
14	1	291653	SWITCH, TOG SPDT 3POS STAT

SWITCH PANEL ASSEMBLY

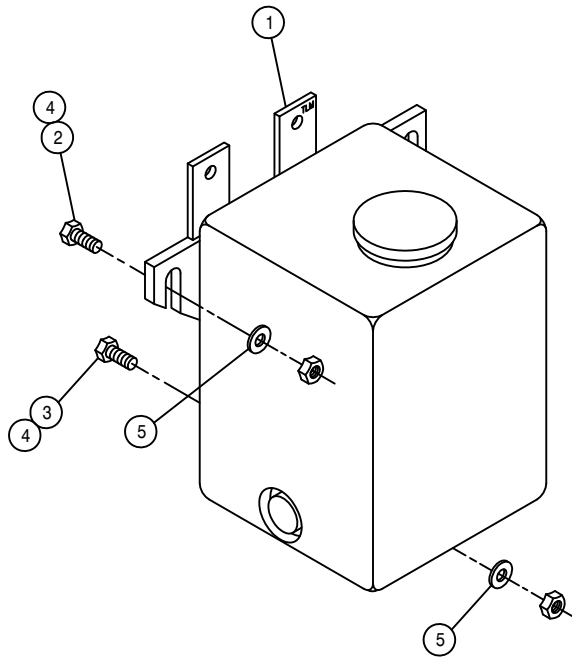
DET.	QTY	PART NO.	DESCRIPTION	
1	3	291622	SWITCH,1P ON/OFF	511-003
2	1	291623	SWITCH,2P ON/OFF	511-015
3	7	291625	SWITCH,2P ON/ON	511-108
4	6	291627	SWITCH,2P (ON)/OFF(OFF)	511-058
5	19	291628	LENS, GREEN	596-650
6	1	291638	INDICATOR LIGHT, GREEN	
7	1	291647	DUAL BINDING POSTS	
8	2	291498	WIRE NUT, 22-16GA GRAY	
9	2	291775	SWITCH, LOCK OFF/ON	511-172
10	1	291776	BLANK COVER, 596-273	
11	8	293246	END BEZEL, 594-802	
12	13	293247	CENTER BEZEL, 594-801	
13	1	321021	IGN SWITCH, NON-SEALED	
14	1	342428	MONITOR BRKT, 2100	98
15	1	342532	BOOM SWITCH PANEL, 2100	98
16	1	343246	SWITCH PANEL, 2101	03
17	1	343256	SWITCH HOUSING WLD, 2101	03
18	1	390318	INDICATOR LIGHT, RED	
19	1	470070	GROMMET, .375ID .062GW .500GD	
20	14	470086	1/4UNC NUTSERT .020-.100MATL	
21	2	470118	1/4UNC X 3/4 FLANGE HEX BOLT	
22	2	470121	1/4UNC HEX FLANGE LOCK NUT	
23	1	291005	LENS, RED	596-615
24	1	690618	CONSOLE, RAVEN 460 W/GPS PORT	
25	2	900000	1/4UNC X 1/2 HEX BOLT	
26	10	903708	1/4UNC X 1/2 PHIL PNHD MACHSCR	
27	3	914000	1/4UNC HEX STOVER NUT	
28	1	342425	SWITCH HSNQ SUPP WLD, 2100	98
29	4	900002	1/4UNC X 3/4 HEX BOLT	
30	1	900005	1/4UNC X 1 1/2 HEX BOLT	
31	4	920000	1/4 SAE FLAT WASHER	
32	4	920500	1/4 LOCK WASHER	
33	1	291626	SWITCH,2P ON/OFF/ON	511-053





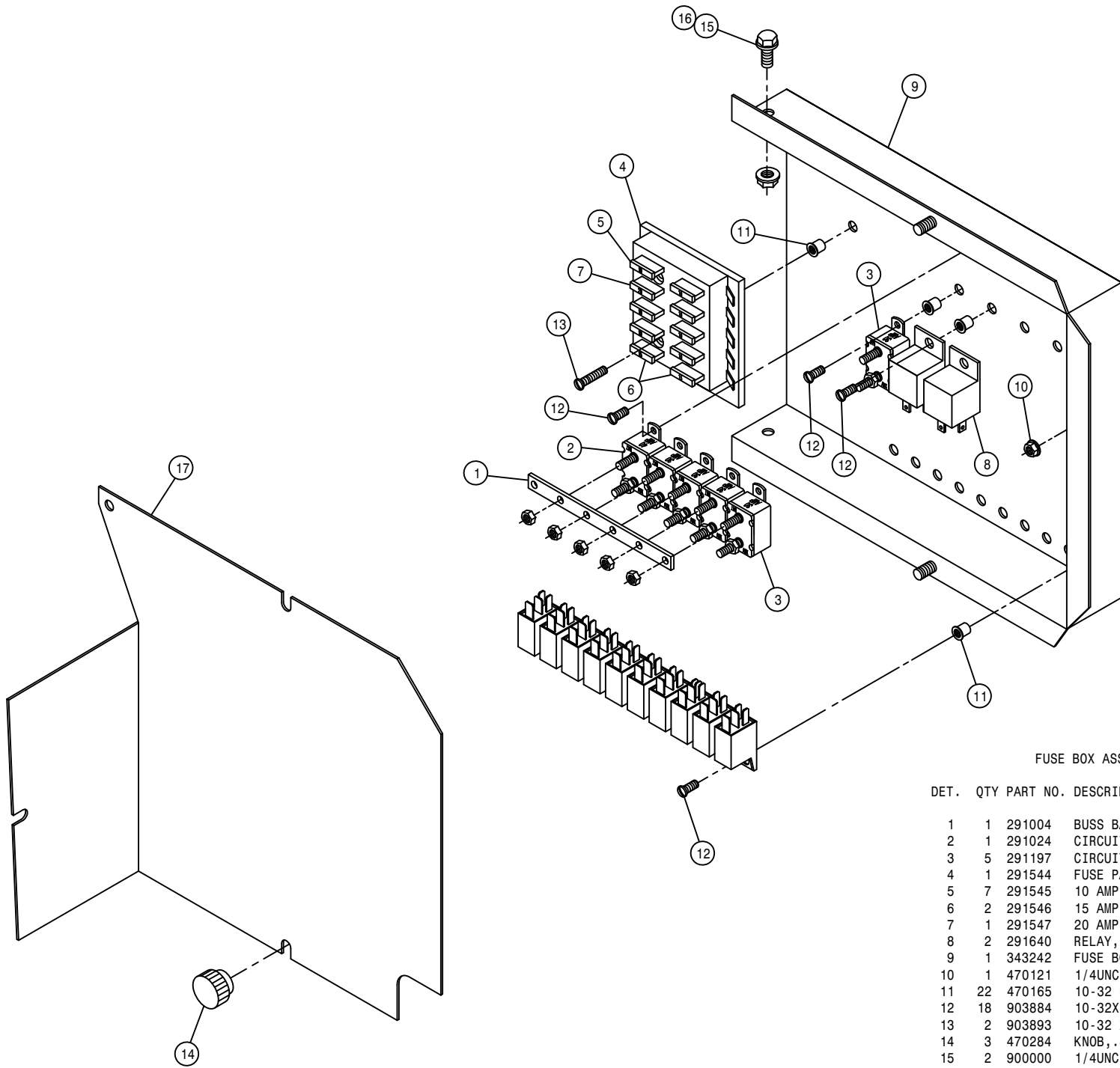
SEAT AND CONSOLE ASSEMBLY

DET.	QTY	PART NO.	DESCRIPTION	
1	1	330026	SEAT & AIR SUSP ASSY, 2100	98
2	1	342090	SEAT MT WELD, 254/284	95
3	1	291648	POWER POINT RECEPTACLE	
4	1	342432	LH CONSOLE WLD, 2100	98
5	4	473803	8MM-1.25 X 16MM HEX BOLT	
6	4	900002	1/4UNC X 3/4 HEX BOLT	
7	4	900129	3/8UNC X 1" HEX BOLT	
8	4	914000	1/4UNC HEX STOVER NUT	
9	4	920000	1/4 SAE FLAT WASHER	
10	4	920501	5/16 LOCK WASHER	
11	4	914004	3/8UNC HEX STOVER NUT	



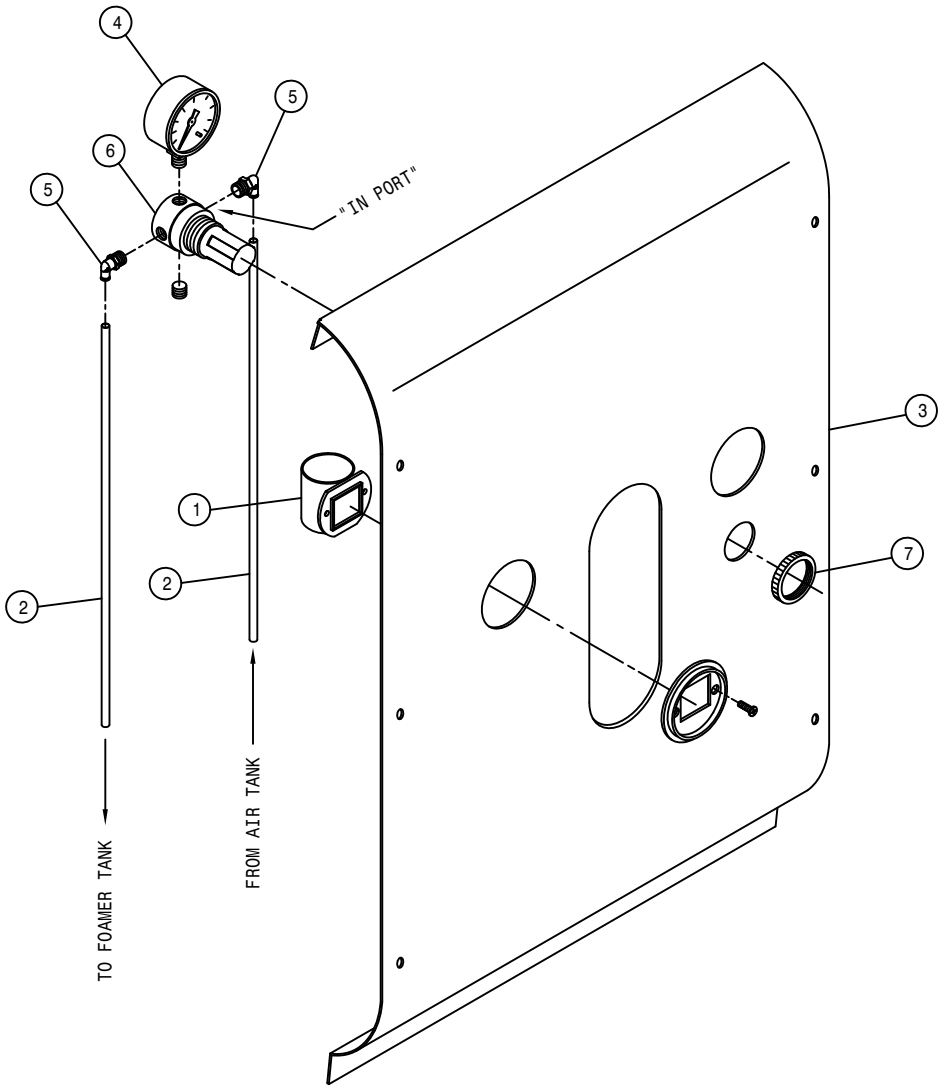
WINDSHIELD WASHER ASSEMBLY

DET.	QTY	PART NO.	DESCRIPTION
1	1	290004	WINDSHIELD WASHER TANK ASSY 98
2	2	900002	1/4UNC X 3/4 HEX BOLT
3	1	900004	1/4UNC X 1 1/4 HEX BOLT
4	3	914000	1/4UNC HEX STOVER NUT
5	3	920000	1/4 SAE FLAT WASHER



FUSE BOX ASSEMBLY

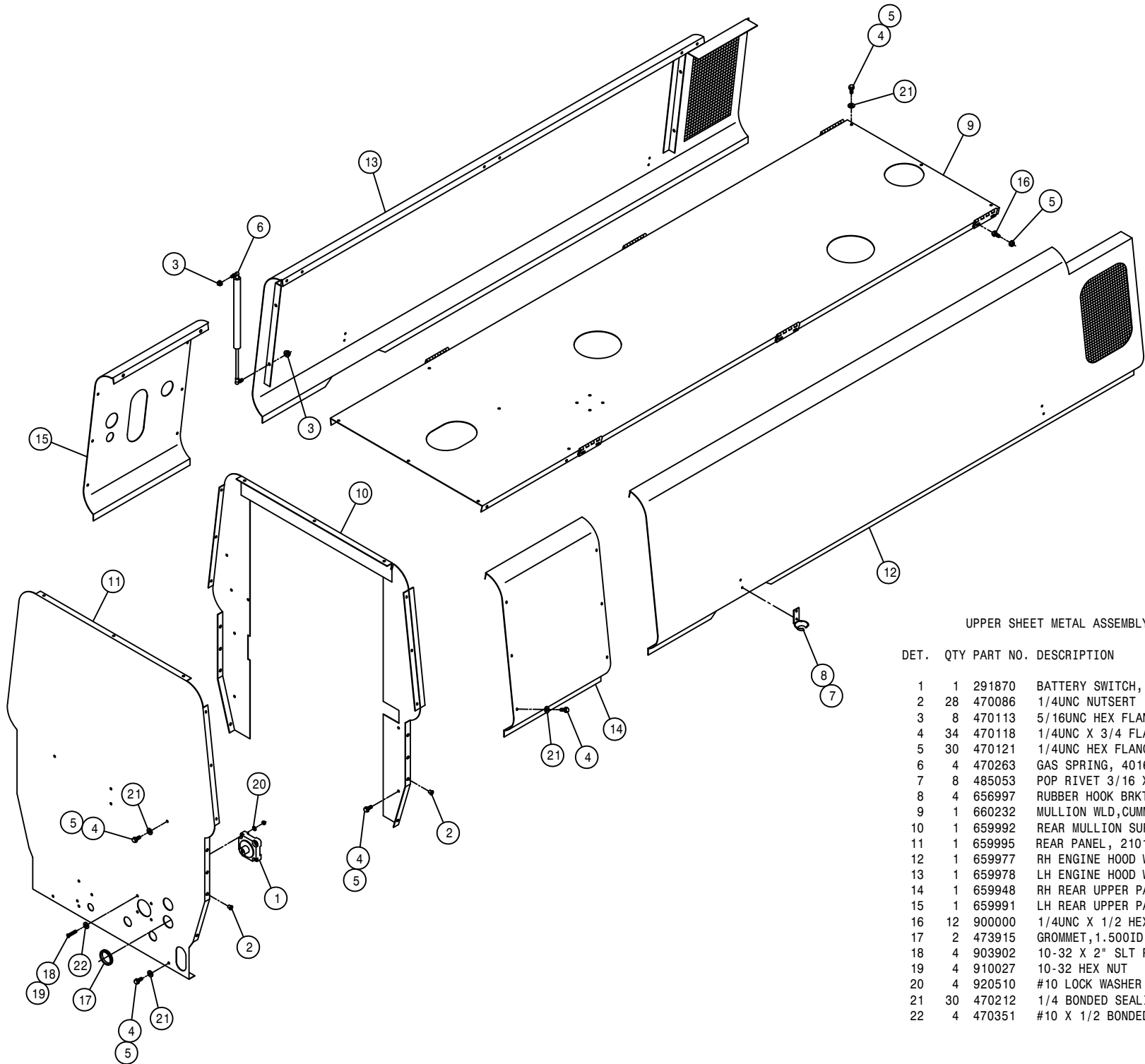
DET.	QTY	PART NO.	DESCRIPTION
1	1	291004	BUSS BAR,6 GANG CIRCUIT BREAKR
2	1	291024	CIRCUIT BREAKER,40AMP,INLINEMT
3	5	291197	CIRCUIT BREAKER,30AMP,INLINEMT
4	1	291544	FUSE PANEL,10 CIRCUIT,BLADE TP
5	7	291545	10 AMP FUSE,1/4"BLADE ATO/ATC
6	2	291546	15 AMP FUSE,1/4"BLADE ATO/ATC
7	1	291547	20 AMP FUSE,1/4"BLADE ATO/ATC
8	2	291640	RELAY, 12V 20/30AMP BOSCH
9	1	343242	FUSE BOX WLD, 2101/2101C 03
10	1	470121	1/4UNC HEX FLANGE LOCK NUT
11	22	470165	10-32 NUTSERT .020-.100 MATL
12	18	903884	10-32X3/8 PHIL PANHD MACH SCR
13	2	903893	10-32 X 1" SLT RD HD MACH SCR
14	3	470284	KNOB,.88 KNRLD,BLK,1/4-20
15	2	900000	1/4UNC X 1/2 HEX BOLT
16	2	914000	1/4UNC HEX STOVER NUT
17	1	342431	FUSE BOX COVER, 2100



FOAMER AIR REGULATOR ASSEMBLY

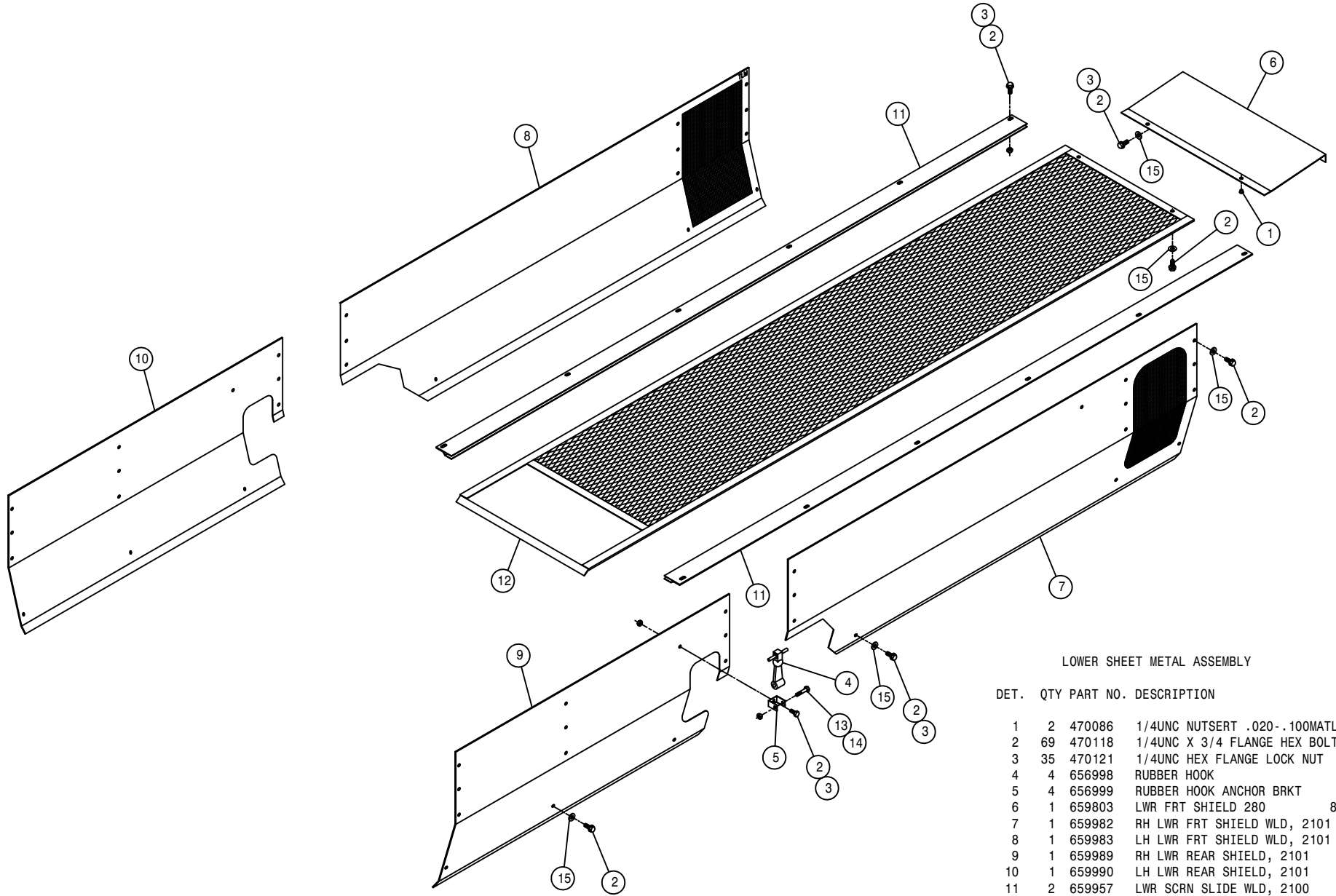
DET. QTY PART NO. DESCRIPTION

1	1	314901	FILTER MINDER AIR RESTRICT GA
2	2	601592	HOSE, 1/4 X 72 AIR
3	1	659991	LH REAR UPPER PANEL, 2101 03
4	1	701310	AIR PRESS GAUGE, 1/8"BOT
5	2	711040	1/4MNPT-90-1/4 NYL TUBE LBO
6	1	711019	1/4"MNPT AIR REGULATOR
7	1	711021	1 1/4-18 NUT,AIR REGULATOR MT



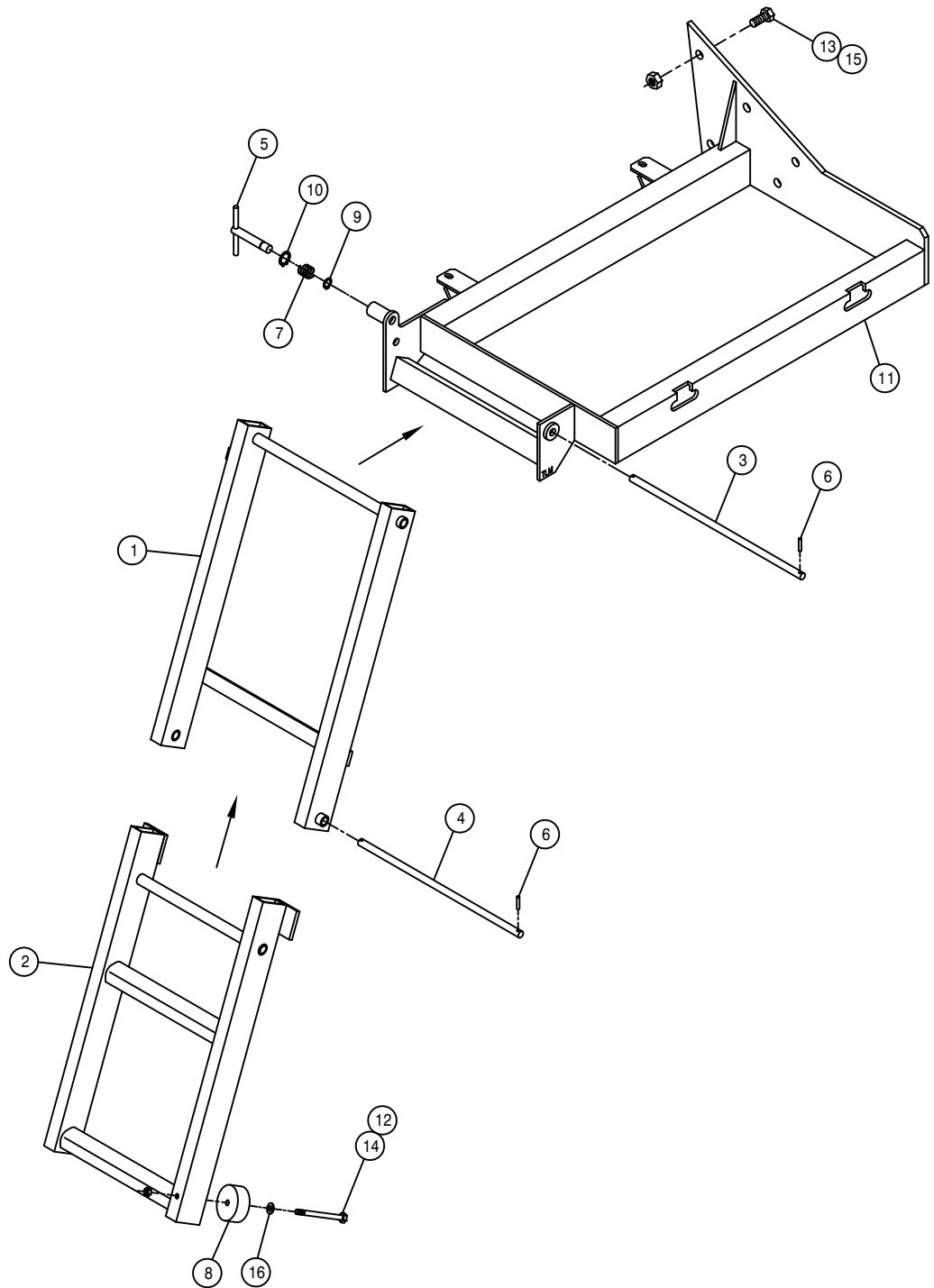
UPPER SHEET METAL ASSEMBLY

DET.	QTY	PART NO.	DESCRIPTION
1	1	291870	BATTERY SWITCH, ON/OFF(KEY)
2	28	470086	1/4UNC NUTSERT .020-.100MATL
3	8	470113	5/16UNC HEX FLANGE LOCK NUT
4	34	470118	1/4UNC X 3/4 FLANGE HEX BOLT
5	30	470121	1/4UNC HEX FLANGE LOCK NUT
6	4	470263	GAS SPRING, 4016 8.00 STROKE
7	8	485053	POP RIVET 3/16 X 3/8
8	4	656997	RUBBER HOOK BRKT
9	1	660232	MULLION WLD,CUMM,2101 COMBO 03
10	1	659992	REAR MULLION SUPP WLD, 2101 03
11	1	659995	REAR PANEL, 2101 03
12	1	659977	RH ENGINE HOOD WLD, 2101 03
13	1	659978	LH ENGINE HOOD WLD, 2101 03
14	1	659948	RH REAR UPPER PANEL, 2100 98
15	1	659991	LH REAR UPPER PANEL, 2101 03
16	12	900000	1/4UNC X 1/2 HEX BOLT
17	2	473915	GROMMET,1.500ID .062GW 1.750GD
18	4	903902	10-32 X 2" SLT RD HD MACH SCR
19	4	910027	10-32 HEX NUT
20	4	920510	#10 LOCK WASHER
21	30	470212	1/4 BONDED SEALING WASH, SS
22	4	470351	#10 X 1/2 BONDED SEALING WASH



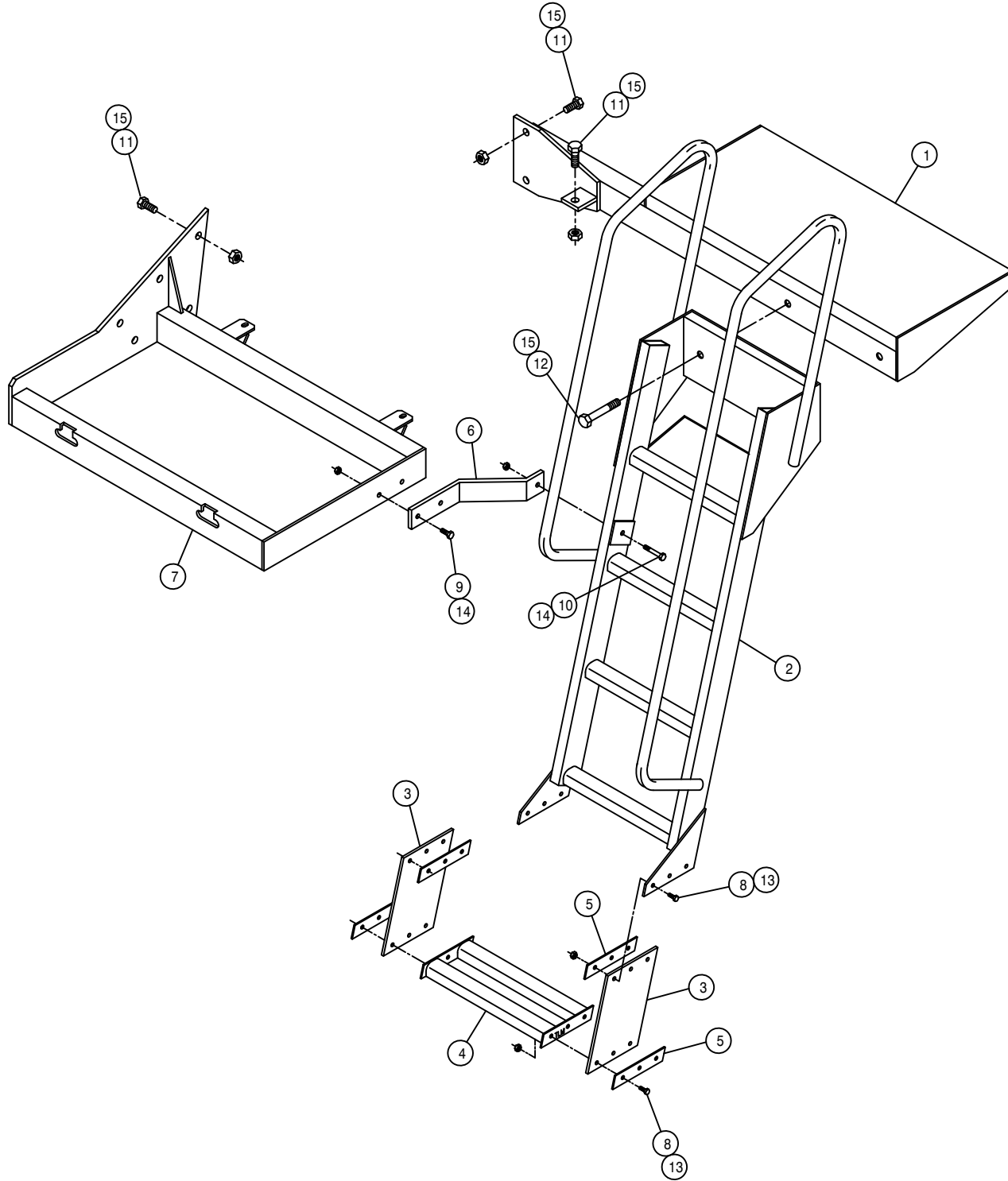
LOWER SHEET METAL ASSEMBLY

DET.	QTY	PART NO.	DESCRIPTION
	1	2 470086	1/4UNC NUTSERT .020-.100MATL
	2	69 470118	1/4UNC X 3/4 FLANGE HEX BOLT
	3	35 470121	1/4UNC HEX FLANGE LOCK NUT
	4	4 656998	RUBBER HOOK
	5	4 656999	RUBBER HOOK ANCHOR BRKT
	6	1 659803	LWR FRT SHIELD 280 89
	7	1 659982	RH LWR FRT SHIELD WLD, 2101 03
	8	1 659983	LH LWR FRT SHIELD WLD, 2101 03
	9	1 659989	RH LWR REAR SHIELD, 2101 03
	10	1 659990	LH LWR REAR SHIELD, 2101 03
	11	2 659957	LWR SCR N SLIDE WLD, 2100 98
	12	1 659960	LWR SCR N WLD, 2100 98
	13	4 900005	1/4UNC X 1 1/2 HEX BOLT
	14	4 914000	1/4UNC HEX STOVER NUT
	15	53 470212	1/4 BONDED SEALING WASH, SS



RIGHT FOLDING LADDER ASSEMBLY

DET.	QTY	PART NO.	DESCRIPTION
	1	342583	FOLD LDDR UPR SECT WLD,2100 98
	1	342589	FOLD LDDR LWR SECT WLD,2100 98
	1	342594	FOLD LADDER UPR PIVOT PIN 98
	1	342595	FOLD LADDER LWR PIVOT PIN 98
	1	342596	FOLD LDDR LOCK PIN WLD,2100 98
	4	473928	ROLL PIN, 3/16 X 1
	1	482131	3/4 X 1 3/4 COMPRSN SPRING
	1	470098	RUBBER BUMPER 2.500D X .38ID
	1	629534	SNAP RING, 9/16 EXTERNAL
	1	629535	SNAP RING, 3/4 INTERNAL
	1	760278	RH FUEL TANK MT WLD, 2101 03
	1	900072	5/16UNC X 3" HEX BOLT
	6	900334	5/8UNC X 1 3/4 HEX BOLT
	1	910002	5/16UNC HEX NUT
	6	914010	5/8UNC HEX STOVER NUT
	1	920001	5/16 SAE FLAT WASHER



LEFT LADDER ASSEMBLY

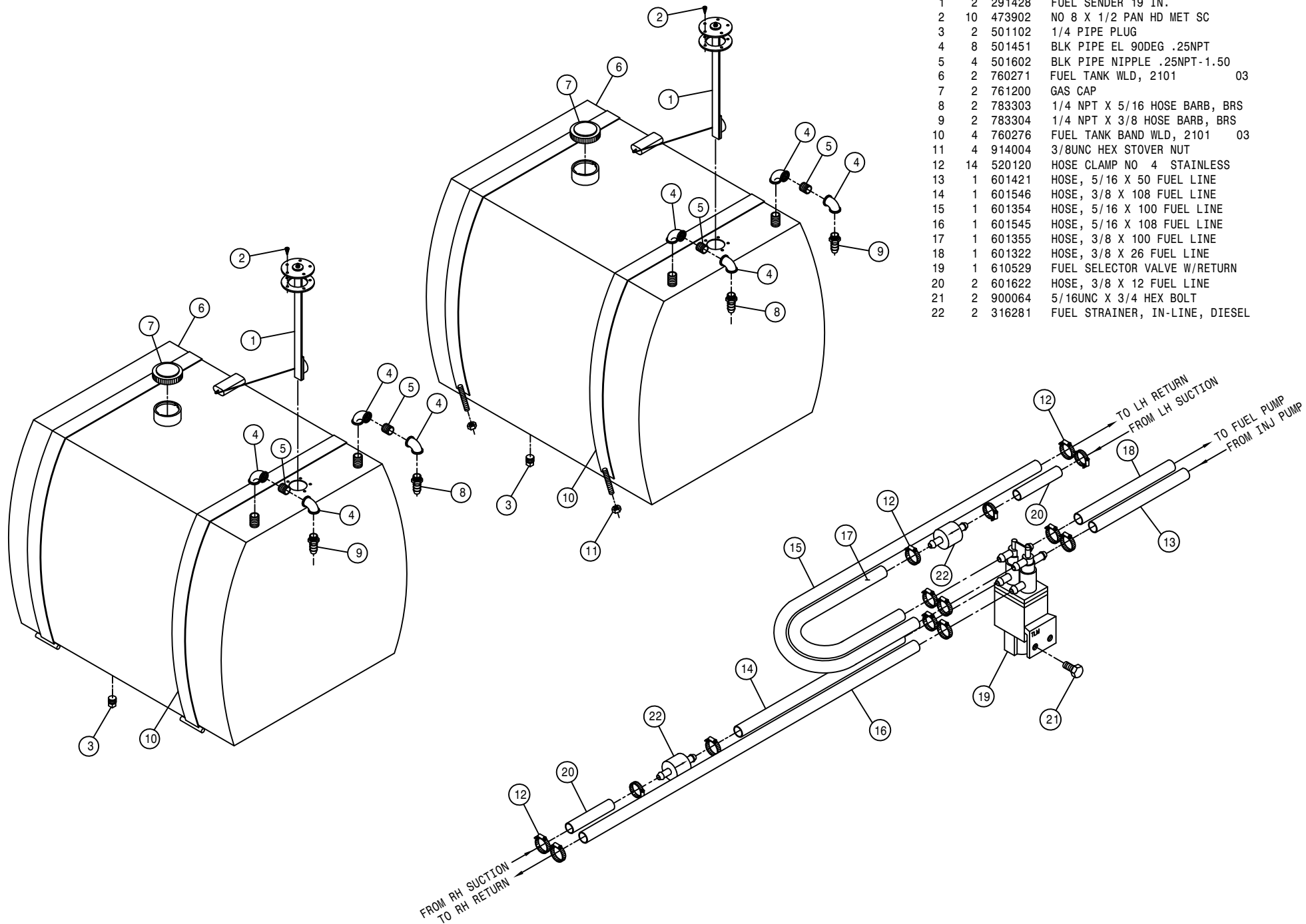
DET. QTY PART NO. DESCRIPTION

DET.	QTY	PART NO.	DESCRIPTION	
1	1	342599	LH LADDER MT WLD, 2100	98
2	1	342605	LH LADDER WLD, 2100	98
3	2	342614	LADDER SIDE, LWR STEP, 2100	98
4	1	342615	LADDER STEP WLD, 2100	98
5	4	342616	LWR STEP SIDE KEEPER, 2100	98
6	1	342618	LH LADDER SUPP BRKT, 2100	98
7	1	760279	LH FUEL TANK MT WLD, 2101	03
8	12	900065	5/16UNC X 1" HEX BOLT	
9	2	900130	3/8UNC X 1 1/4 HEX BOLT	
10	1	900133	3/8UNC X 2" HEX BOLT	
11	9	900334	5/8UNC X 1 3/4 HEX BOLT	
12	2	900829	5/8UNC X 4" HEX BOLT GR8	
13	12	914002	5/16UNC HEX STOVER NUT	
14	3	914004	3/8UNC HEX STOVER NUT	
15	11	914010	5/8UNC HEX STOVER NUT	

FUEL TANK ASSEMBLY

DET. QTY PART NO. DESCRIPTION

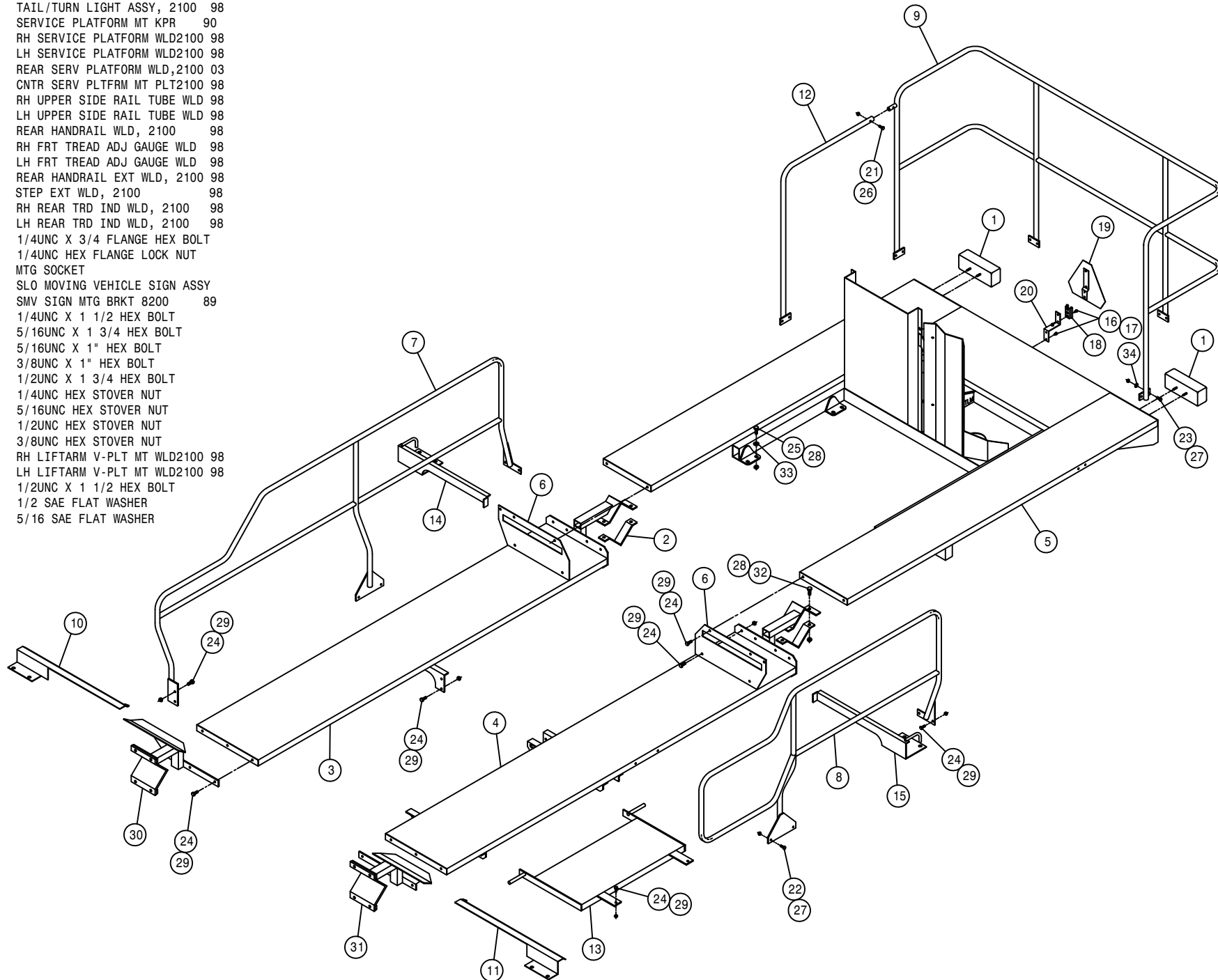
1	2	291428	FUEL SENDER 19 IN.	
2	10	473902	NO 8 X 1/2 PAN HD MET SC	
3	2	501102	1/4 PIPE PLUG	
4	8	501451	BLK PIPE EL 90DEG .25NPT	
5	4	501602	BLK PIPE NIPPLE .25NPT-1.50	
6	2	760271	FUEL TANK WLD, 2101	03
7	2	761200	GAS CAP	
8	2	783303	1/4 NPT X 5/16 HOSE BARB, BRS	
9	2	783304	1/4 NPT X 3/8 HOSE BARB, BRS	
10	4	760276	FUEL TANK BAND WLD, 2101	03
11	4	914004	3/8UNC HEX STOVER NUT	
12	14	520120	HOSE CLAMP NO 4 STAINLESS	
13	1	601421	HOSE, 5/16 X 50 FUEL LINE	
14	1	601546	HOSE, 3/8 X 108 FUEL LINE	
15	1	601354	HOSE, 5/16 X 100 FUEL LINE	
16	1	601545	HOSE, 5/16 X 108 FUEL LINE	
17	1	601355	HOSE, 3/8 X 100 FUEL LINE	
18	1	601322	HOSE, 3/8 X 26 FUEL LINE	
19	1	610529	FUEL SELECTOR VALVE W/RETURN	
20	2	601622	HOSE, 3/8 X 12 FUEL LINE	
21	2	900064	5/16UNC X 3/4 HEX BOLT	
22	2	316281	FUEL STRAINER, IN-LINE, DIESEL	

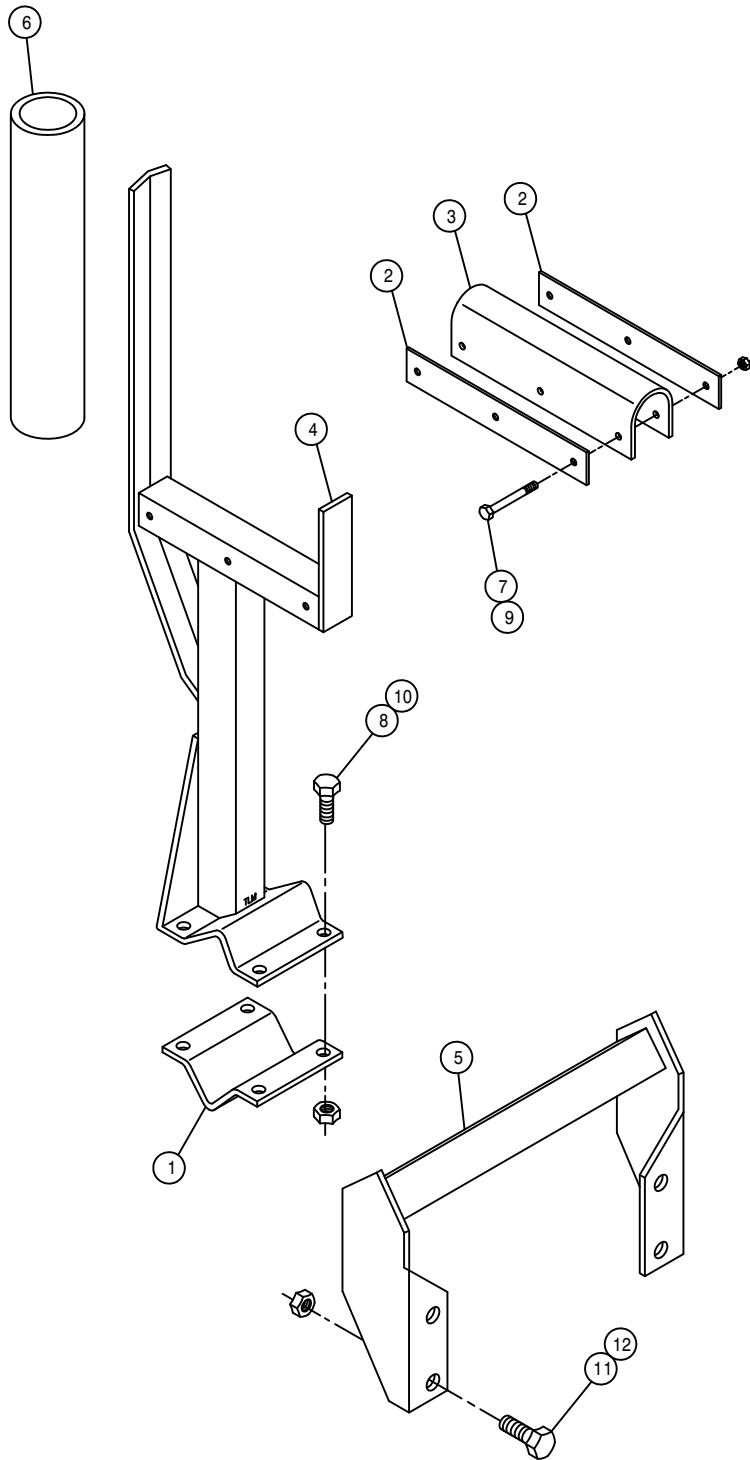


SERVICE PLATFORM ASSEMBLY

DET. QTY PART NO. DESCRIPTION

1	2	293403	TAIL/TURN LIGHT ASSY, 2100	98
2	2	341900	SERVICE PLATFORM MT KPR	90
3	1	342538	RH SERVICE PLATFORM WLD2100	98
4	1	342539	LH SERVICE PLATFORM WLD2100	98
5	1	343221	REAR SERV PLATFRM WLD,2100	03
6	2	342565	CNTR SERV PLTRFM MT PLT2100	98
7	1	342566	RH UPPER SIDE RAIL TUBE WLD	98
8	1	342567	LH UPPER SIDE RAIL TUBE WLD	98
9	1	342576	REAR HANDRAIL WLD, 2100	98
10	1	342626	RH FRT TREAD ADJ GAUGE WLD	98
11	1	342627	LH FRT TREAD ADJ GAUGE WLD	98
12	1	342641	REAR HANDRAIL EXT WLD, 2100	98
13	1	342645	STEP EXT WLD, 2100	98
14	1	342650	RH REAR TRD IND WLD, 2100	98
15	1	342651	LH REAR TRD IND WLD, 2100	98
16	4	470118	1/4UNC X 3/4 FLANGE HEX BOLT	
17	4	470121	1/4UNC HEX FLANGE LOCK NUT	
18	1	472251	MTG SOCKET	
19	1	656886	SLO MOVING VEHICLE SIGN ASSY	
20	1	659852	SMV SIGN MTG BRKT 8200	89
21	1	900005	1/4UNC X 1 1/2 HEX BOLT	
22	4	900068	5/16UNC X 1 3/4 HEX BOLT	
23	10	900065	5/16UNC X 1" HEX BOLT	
24	24	900129	3/8UNC X 1" HEX BOLT	
25	8	900266	1/2UNC X 1 3/4 HEX BOLT	
26	1	914000	1/4UNC HEX STOVER NUT	
27	14	914002	5/16UNC HEX STOVER NUT	
28	12	914008	1/2UNC HEX STOVER NUT	
29	24	914004	3/8UNC HEX STOVER NUT	
30	1	164364	RH LIFTARM V-PLT MT WLD2100	98
31	1	164365	LH LIFTARM V-PLT MT WLD2100	98
32	4	900265	1/2UNC X 1 1/2 HEX BOLT	
33	8	920004	1/2 SAE FLAT WASHER	
34	10	920001	5/16 SAE FLAT WASHER	

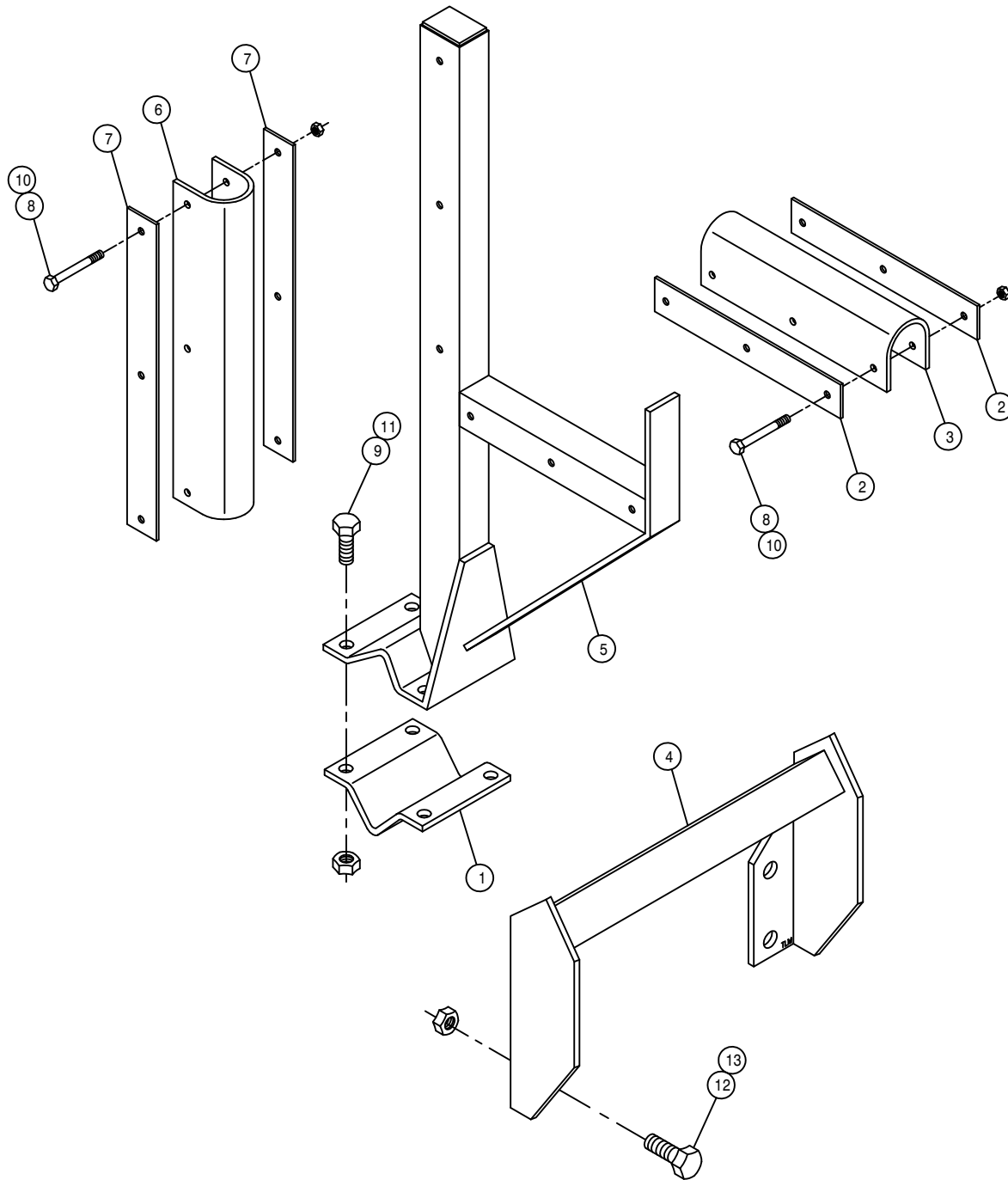




BOOM CRADLE ASSEMBLY

DET.	QTY	PART NO.	DESCRIPTION
1	2	164253	BOOM CRADLE V-PLATE KEEPER 96
2	4	164254	CRADLE CUSHION KEEPER 96
3	2	164256	BOOM CRADLE CUSHION 96
4	2	164372	BOOM CRADLE WLD, 2100 98
5	2	164376	BOOM CRADLE MT WLD, 2100 98
6	2	601184	HOSE, 1 1/2 X 14 2BR BLK EPDM
7	6	900008	1/4UNC X 2 1/2 HEX BOLT
8	8	900265	1/2UNC X 1 1/2 HEX BOLT
9	6	914000	1/4UNC HEX STOVER NUT
10	8	914008	1/2UNC HEX STOVER NUT
11	8	900334	5/8UNC X 1 3/4 HEX BOLT
12	8	914010	5/8UNC HEX STOVER NUT

NOTE: QUANTITY LISTED IS FOR ONE MACHINE.



154" TREAD ADJUST CRADLE ASSEMBLY

DET. QTY PART NO. DESCRIPTION

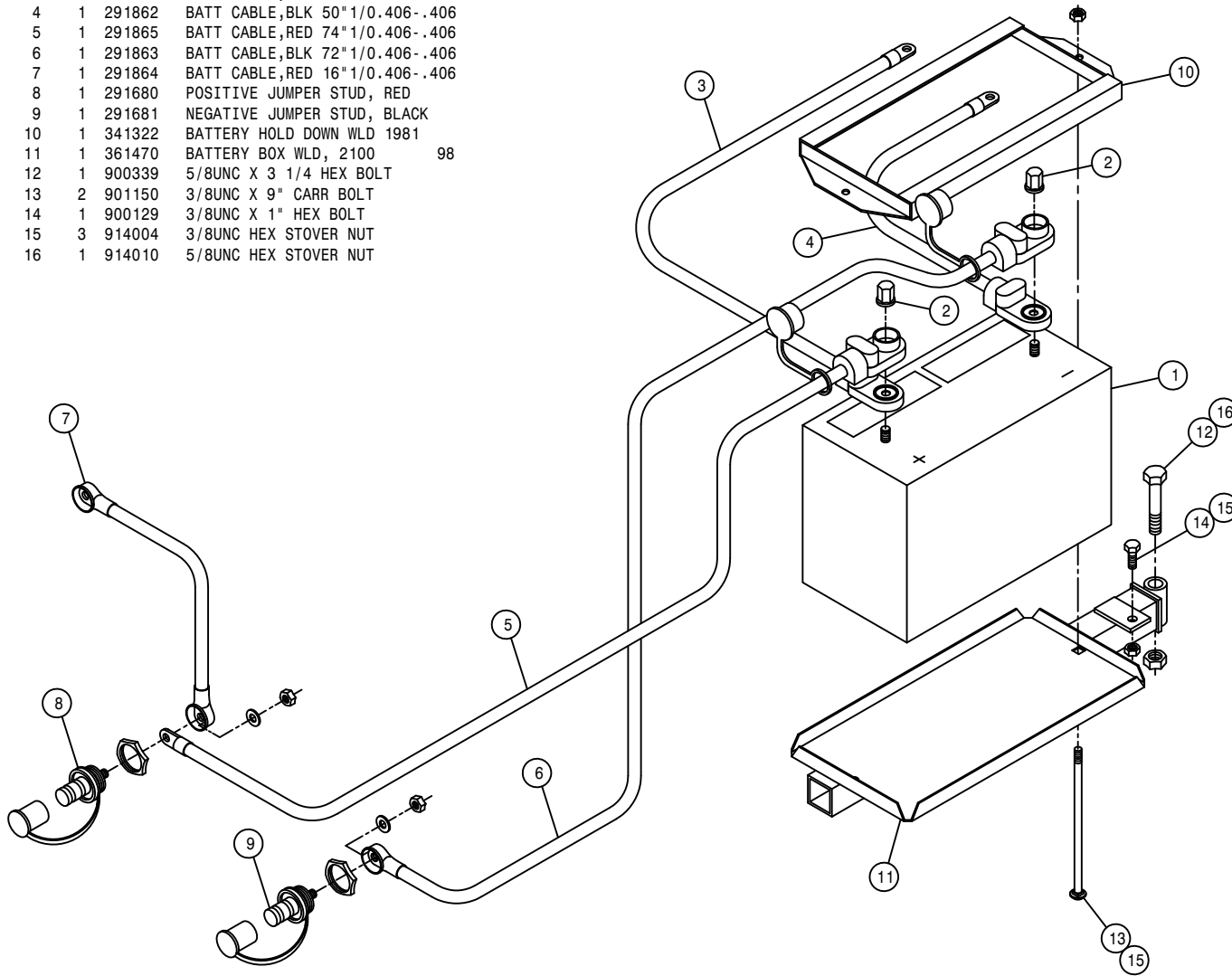
1	2	164253	BOOM CRADLE V-PLATE KEEPER	96
2	4	164254	CRADLE CUSHION KEEPER	96
3	2	164256	BOOM CRADLE CUSHION	96
4	2	164376	BOOM CRADLE MT WLD, 2100	98
5	2	164391	BOOM CRADLE WLD, 2100 154" TRD98	
6	2	164395	BOOM CRADLE CUSHION, LONG	98
7	4	164396	CUSHION CRADLE KEEPER, LONG	98
8	12	900008	1/4UNC X 2 1/2 HEX BOLT	
9	8	900265	1/2UNC X 1 1/2 HEX BOLT	
10	12	914000	1/4UNC HEX STOVER NUT	
11	8	914008	1/2UNC HEX STOVER NUT	
12	8	900334	5/8UNC X 1 3/4 HEX BOLT	
13	8	914010	5/8UNC HEX STOVER NUT	

NOTE: QUANTITY LISTED IS FOR ONE MACHINE.

BATTERY BOX ASSEMBLY

DET. QTY PART NO. DESCRIPTION

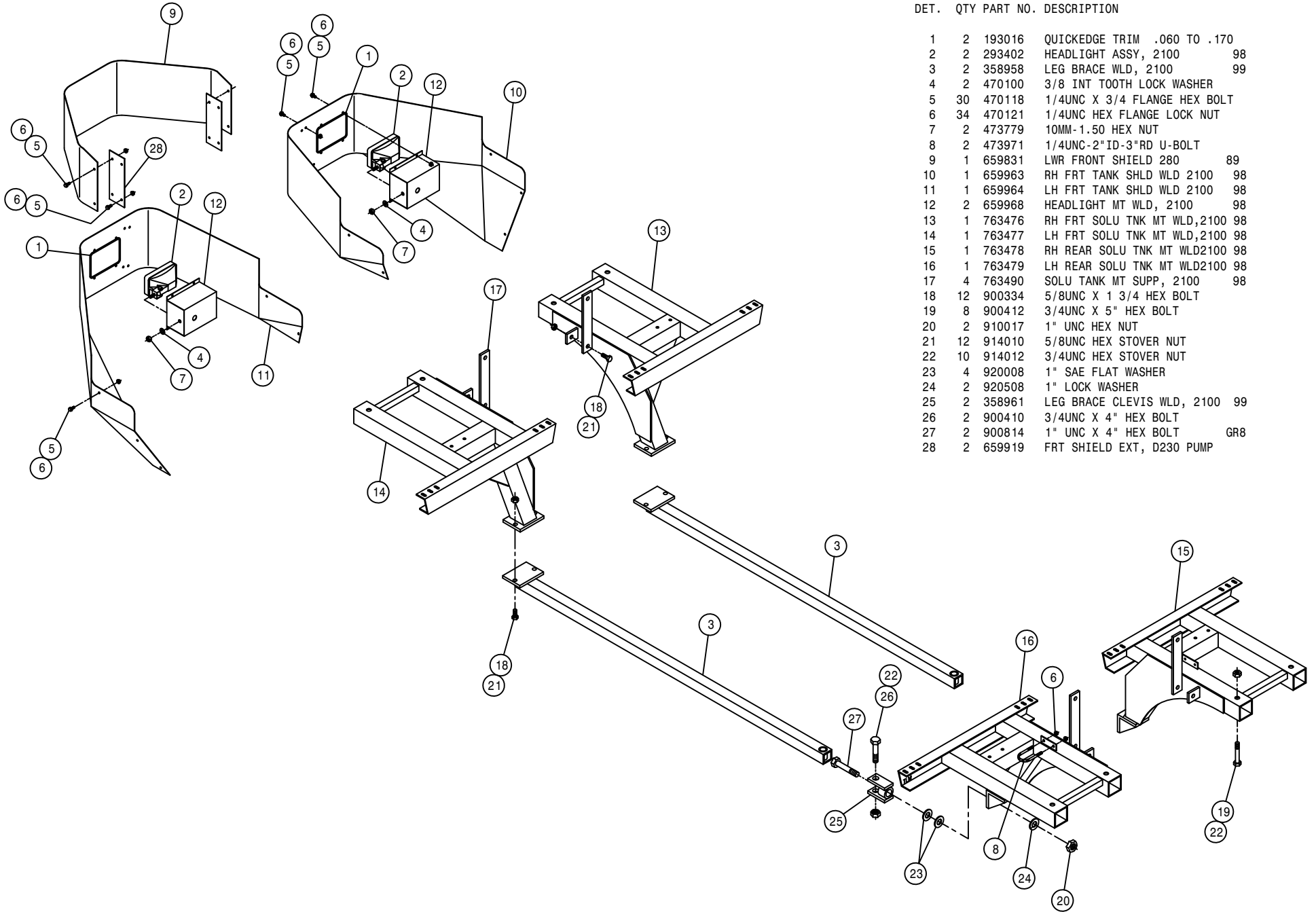
1	1	291300	BATTERY, 12V 1000CCA, STUD 31-5T
2	2	291205	BATTERY NUT, 3/8-16 SS CLSD CAP
3	1	291860	BATT CABLE, RED 50" 4GA. 343-.406
4	1	291862	BATT CABLE, BLK 50" 1/0. 406-.406
5	1	291865	BATT CABLE, RED 74" 1/0. 406-.406
6	1	291863	BATT CABLE, BLK 72" 1/0. 406-.406
7	1	291864	BATT CABLE, RED 16" 1/0. 406-.406
8	1	291680	POSITIVE JUMPER STUD, RED
9	1	291681	NEGATIVE JUMPER STUD, BLACK
10	1	341322	BATTERY HOLD DOWN WLD 1981
11	1	361470	BATTERY BOX WLD, 2100 98
12	1	900339	5/8UNC X 3 1/4 HEX BOLT
13	2	901150	3/8UNC X 9" CARR BOLT
14	1	900129	3/8UNC X 1" HEX BOLT
15	3	914004	3/8UNC HEX STOVER NUT
16	1	914010	5/8UNC HEX STOVER NUT

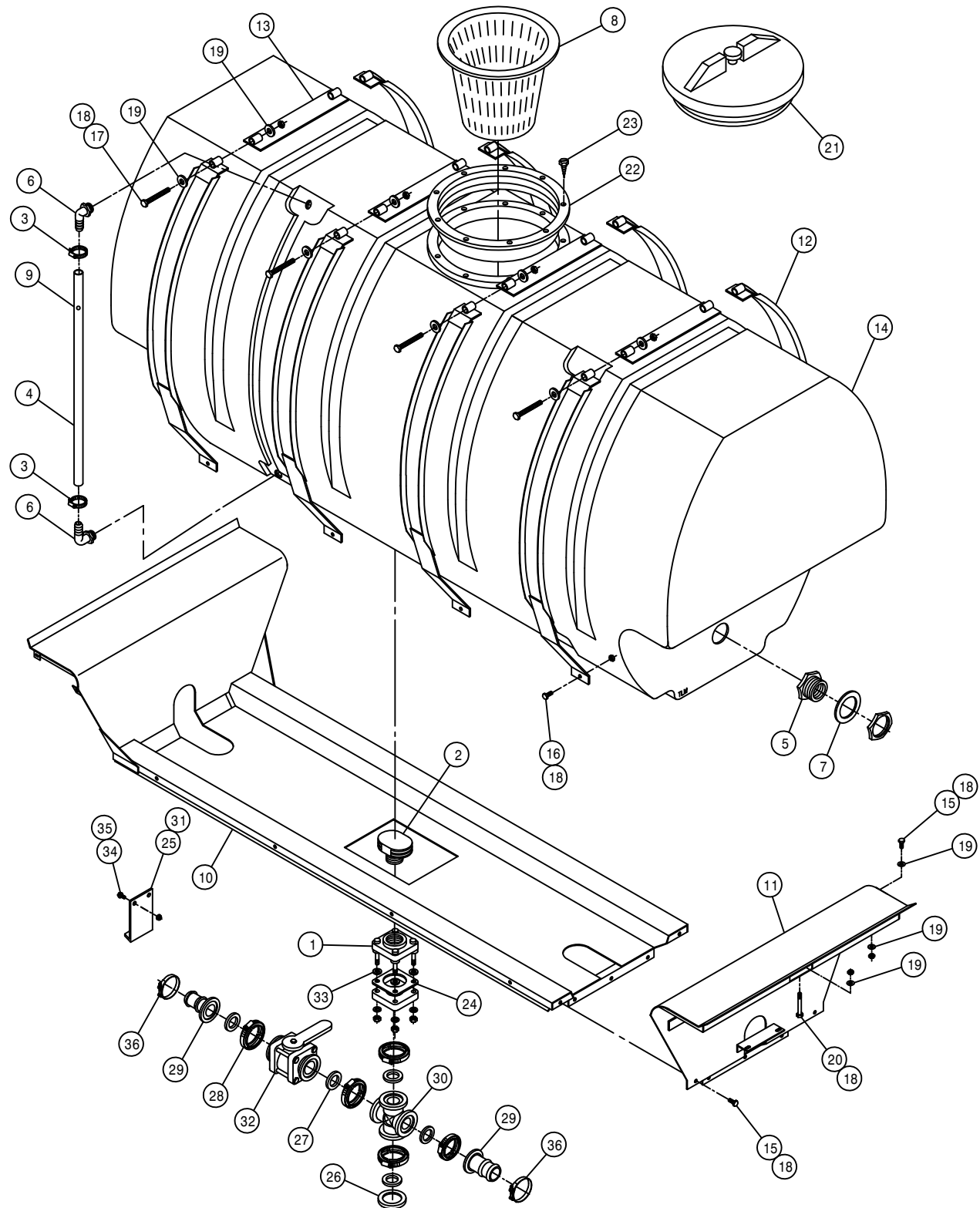


SOLUTION TANK MOUNTS AND SHIELDS

DET. QTY PART NO. DESCRIPTION

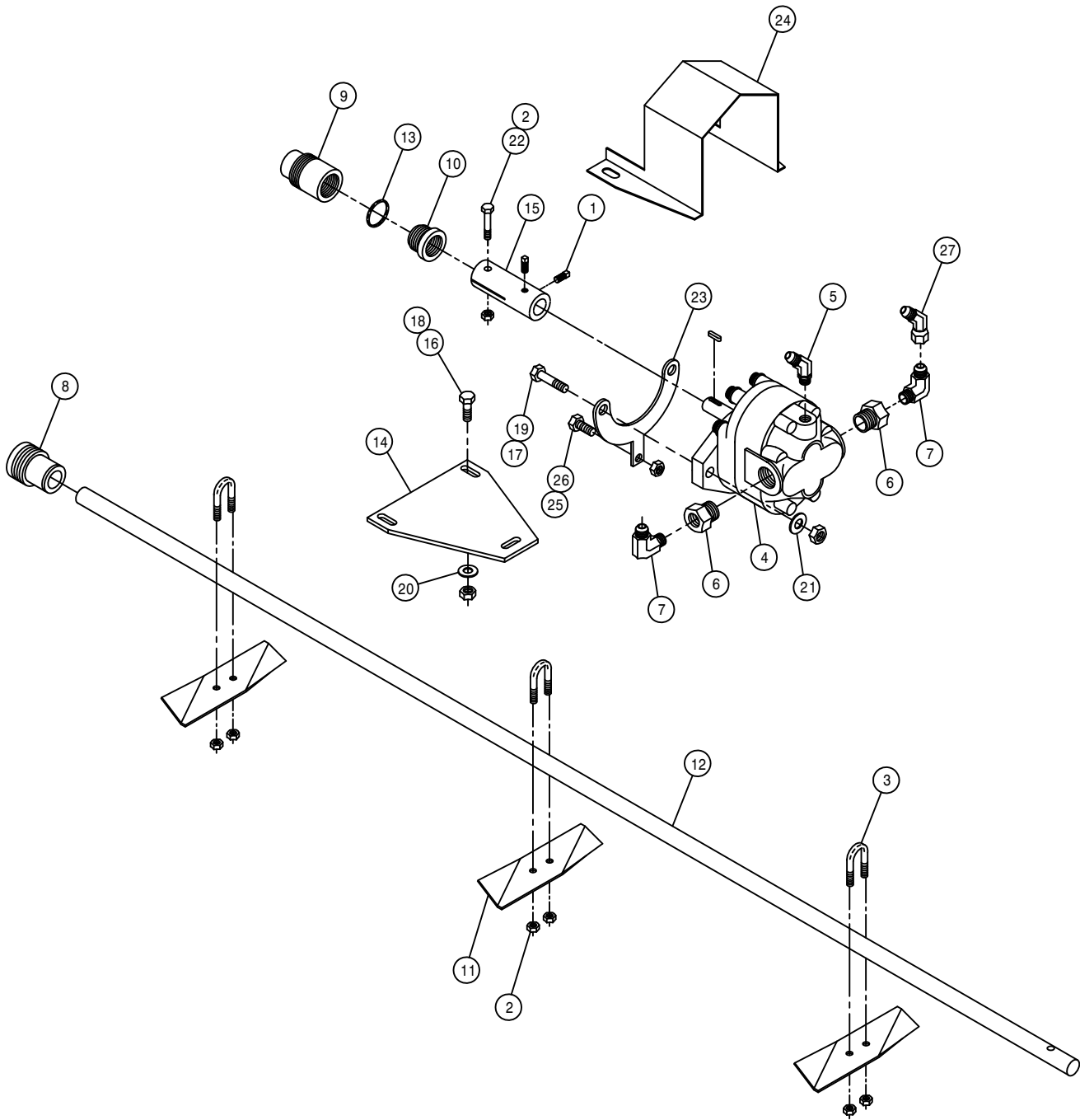
DET.	QTY	PART NO.	DESCRIPTION	
1	2	193016	QUICKEDGE TRIM .060 TO .170	
2	2	293402	HEADLIGHT ASSY, 2100	98
3	2	358958	LEG BRACE WLD, 2100	99
4	2	470100	3/8 INT TOOTH LOCK WASHER	
5	30	470118	1/4UNC X 3/4 FLANGE HEX BOLT	
6	34	470121	1/4UNC HEX FLANGE LOCK NUT	
7	2	473779	10MM-1.50 HEX NUT	
8	2	473971	1/4UNC-2"ID-3"RD U-BOLT	
9	1	659831	LWR FRONT SHIELD 280	89
10	1	659963	RH FRT TANK SHLD WLD 2100	98
11	1	659964	LH FRT TANK SHLD WLD 2100	98
12	2	659968	HEADLIGHT MT WLD, 2100	98
13	1	763476	RH FRT SOLU TNK MT WLD,2100	98
14	1	763477	LH FRT SOLU TNK MT WLD,2100	98
15	1	763478	RH REAR SOLU TNK MT WLD2100	98
16	1	763479	LH REAR SOLU TNK MT WLD2100	98
17	4	763490	SOLU TANK MT SUPP, 2100	98
18	12	900334	5/8UNC X 1 3/4 HEX BOLT	
19	8	900412	3/4UNC X 5" HEX BOLT	
20	2	910017	1" UNC HEX NUT	
21	12	914010	5/8UNC HEX STOVER NUT	
22	10	914012	3/4UNC HEX STOVER NUT	
23	4	920008	1" SAE FLAT WASHER	
24	2	920508	1" LOCK WASHER	
25	2	358961	LEG BRACE CLEVIS WLD, 2100	99
26	2	900410	3/4UNC X 4" HEX BOLT	
27	2	900814	1" UNC X 4" HEX BOLT	GR8
28	2	659919	FRT SHIELD EXT, D230 PUMP	





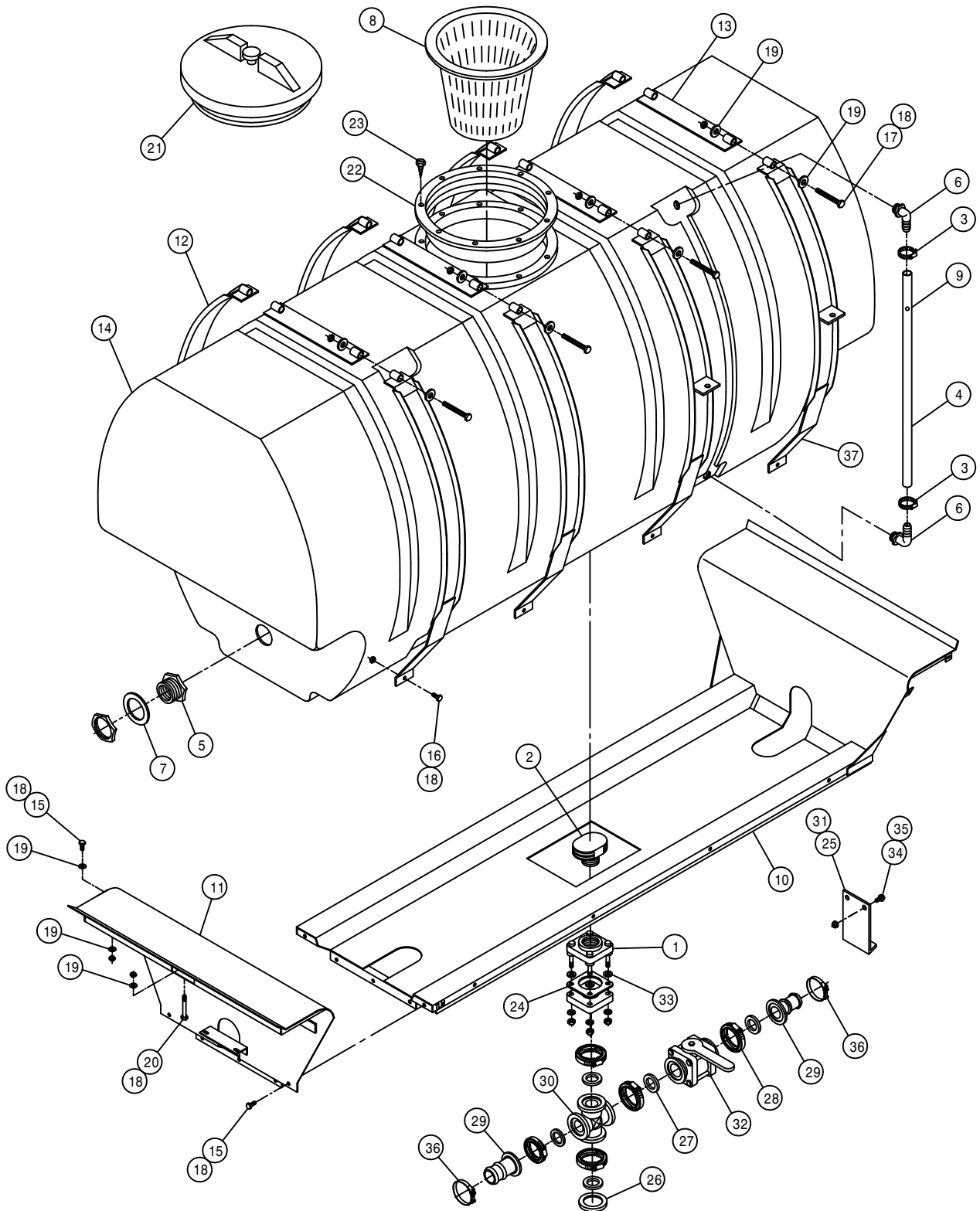
RIGHT POLY SOLUTION TANK ASSEMBLY

DET.	QTY	PART NO.	DESCRIPTION
	1	500179	2"FLG TANK FTG,BOTDRN BLT POLY
	1	500077	VENT CAP, 2" W/O SCREEN,POLY
	2	520069	HOSE CLAMP NO 6 STAINLESS
	1	601245	HOSE, 1/2 X 42 CLEAR VINYL
	2	618548	1.25 PLASTIC FTG ASSY POLYTNK
	2	618556	1/4NPT-90-1/2 HOSE BARB,POLY
	2	763430	1 1/4 TANK FLANGE RUBBER SEAL
	1	763431	8" STRAINER BASKET, SOLU TANK
	1	763446	RED POLYPROPYLENE BALL 25/64"
	1	763652	RH POLY TANK CRADLE WLD2101 04
	1	763502	REAR CRADLE MT WLD, 2100 98
	8	763507	TANK BAND WLD, 2100 POLY 98
	4	763511	TANK BAND TIE WLD, 2100 98
	1	763513	500 GAL POLY SOLU TANK 98
	13	900129	3/8UNC X 1" HEX BOLT
	8	900130	3/8UNC X 1 1/4 HEX BOLT
	8	906138	3/8UNC X 3 1/2 HEX BOLT FULL
	33	914004	3/8UNC HEX STOVER NUT
	36	920002	3/8 SAE FLAT WASHER
	4	900140	3/8UNC X 4" HEX BOLT
	1	763408	LID, THD'D W/VENT, POLY TANK
	1	763409	10" THD'D RING FOR TANK LID
	8	763410	S.S. SCREW FOR CAP RING
	1	500087	GASKET,2" TANK FLG 500076/179
	1	763363	SOLU HOSE SUPPORT 280 POLY 91
	1	500156	2" FLANGE CAP PLUG POLY
	5	500158	1 1/2" GASKET FOR 2" FLANGE
	5	500160	2" FLANGE CLAMP, S.S.
	2	500162	2" FLANGE-1 1/2 HOSE BARB POLY
	1	500176	2" FLANGE CROSS POLY
	1	470000	CABLE TIE, 21" BLACK PLASTIC
	1	696142	BALL VLV, 2" FLANGE
	4	500100	FOOT GASKET,2" FLG 500076/179
	2	470118	1/4UNC X 3/4 FLANGE HEX BOLT
	2	470121	1/4UNC HEX FLANGE LOCK NUT
	2	520133	1.81/2.06 T-BOLT HOSE CLAMP SS



RH POLY TANK AGITATOR ASSEMBLY

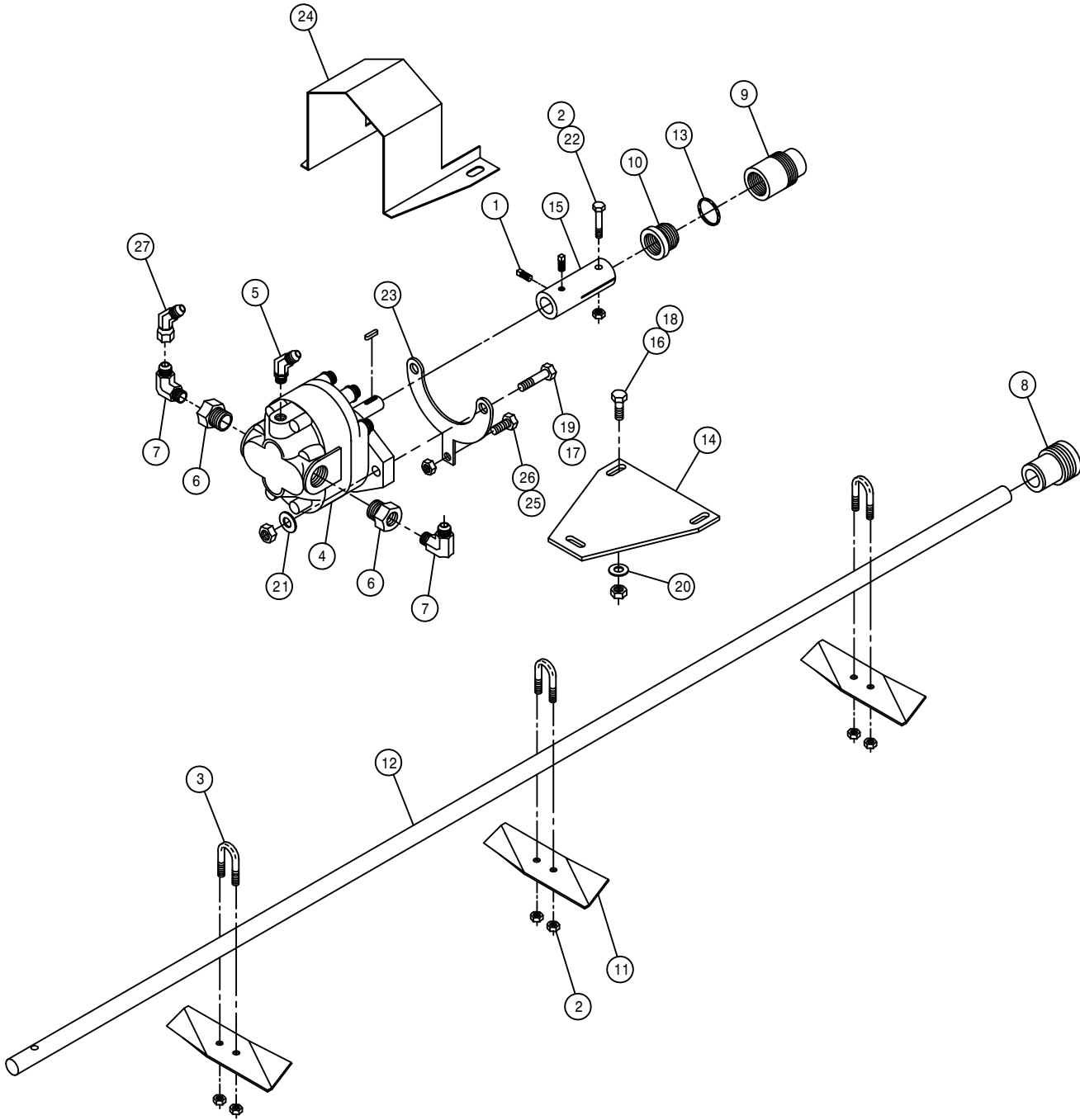
DET.	QTY	PART NO.	DESCRIPTION	
1	2	470199	1/4UNC X 3/8 SQHD CUP SET SCR	
2	7	470089	1/4UNC HEX LOC NUT NYL INS SS	
3	3	470092	1/4UNC-3/4ID-1 1/4 U-BOLT SS	
4	1	610510	CESSNA GEAR MOTOR 1.48CI	
5	1	618338	9/16MJIC-45-1/4MNPT LBO	
6	2	618092	1 1/16MOR-1/2FNPT ADPTR	
7	2	618107	9/16MJIC-90-1/2MNPT LBO	
8	1	706403	FRT AGIT SHFT BRG, NYLON	
9	1	706401	REAR AGIT SHFT BRG, NYLON	
10	1	706402	AGIT SHFT GLAND NUT, NYLON	
11	3	763027	AGIT IMPELLER	
12	1	763514	AGIT SHAFT, 2100	98
13	1	763217	GLAND PACKING, 13 IN. LONG	
14	1	763357	AGIT MTR MT PLT CES 280	91
15	1	763359	AGIT MTR CPLR 280	91
16	2	900064	5/16UNC X 3/4 HEX BOLT	
17	2	900130	3/8UNC X 1 1/4 HEX BOLT	
18	2	914002	5/16UNC HEX STOVER NUT	
19	2	914004	3/8UNC HEX STOVER NUT	
20	2	920001	5/16 SAE FLAT WASHER	
21	2	920002	3/8 SAE FLAT WASHER	
22	1	470200	1/4UNC X 1 3/4 HEX BOLT SS	
23	1	763358	AGIT MTR MT YOKE CES 280	91
24	1	763361	AGIT CPLR SHIELD 280	91
25	1	900000	1/4UNC X 1/2 HEX BOLT	
26	1	914000	1/4UNC HEX STOVER NUT	
27	1	618634	9/16MJIC-45-9/16FJIC SWIV LBO	



LEFT POLY SOLUTION TANK ASSEMBLY

DET. QTY PART NO. DESCRIPTION

1	1	500179	2"FLG TANK FTG,BOTDRN BLT POLY
2	1	500077	VENT CAP, 2" W/O SCREEN,POLY
3	2	520069	HOSE CLAMP NO 6 STAINLESS
4	1	601245	HOSE, 1/2 X 42 CLEAR VINYL
5	2	618548	1.25 PLASTIC FTG ASSY POLYTNK
6	2	618556	1/4NPT-90-1/2 HOSE BARB,POLY
7	2	763430	1 1/4 TANK FLANGE RUBBER SEAL
8	1	763431	8" STRAINER BASKET, SOLU TANK
9	1	763446	RED POLYPROPYLENE BALL 25/64"
10	1	763652	POLY TANK CRADLE WLD, 2101 04
11	1	763502	REAR CRADLE MT WLD, 2100 98
12	6	763507	TANK BAND WLD, 2100 POLY 98
13	4	763511	TANK BAND TIE WLD, 2100 98
14	1	763513	500 GAL POLY SOLU TANK 98
15	13	900129	3/8UNC X 1" HEX BOLT
16	8	900130	3/8UNC X 1 1/4 HEX BOLT
17	8	906138	3/8UNC X 3 1/2 HEX BOLT FULL
18	33	914004	3/8UNC HEX STOVER NUT
19	36	920002	3/8 SAE FLAT WASHER
20	4	900140	3/8UNC X 4" HEX BOLT
21	1	763408	LID, THD'D W/VENT, POLY TANK
22	1	763409	10" THD'D RING FOR TANK LID
23	8	763410	S.S. SCREW FOR CAP RING
24	1	500087	GASKET,2" TANK FLG 500076/179
25	1	763363	SOLU HOSE SUPPORT 280 POLY 91
26	1	500156	2" FLANGE CAP PLUG POLY
27	5	500158	1 1/2" GASKET FOR 2" FLANGE
28	5	500160	2" FLANGE CLAMP, S.S.
29	2	500162	2" FLANGE-1 1/2 HOSE BARB POLY
30	1	500176	2" FLANGE CROSS POLY
31	1	470000	CABLE TIE, 21" BLACK PLASTIC
32	1	696142	BALL VLV, 2" FLANGE
33	4	500100	FOOT GASKET,2" FLG 500076/179
34	2	470118	1/4UNC X 3/4 FLANGE HEX BOLT
35	2	470121	1/4UNC HEX FLANGE LOCK NUT
36	2	520133	1.81/2.06 T-BOLT HOSE CLAMP SS
37	2	763515	TANK BAND W/TAB WLD, 2100 98



LH POLY TANK AGITATOR ASSEMBLY

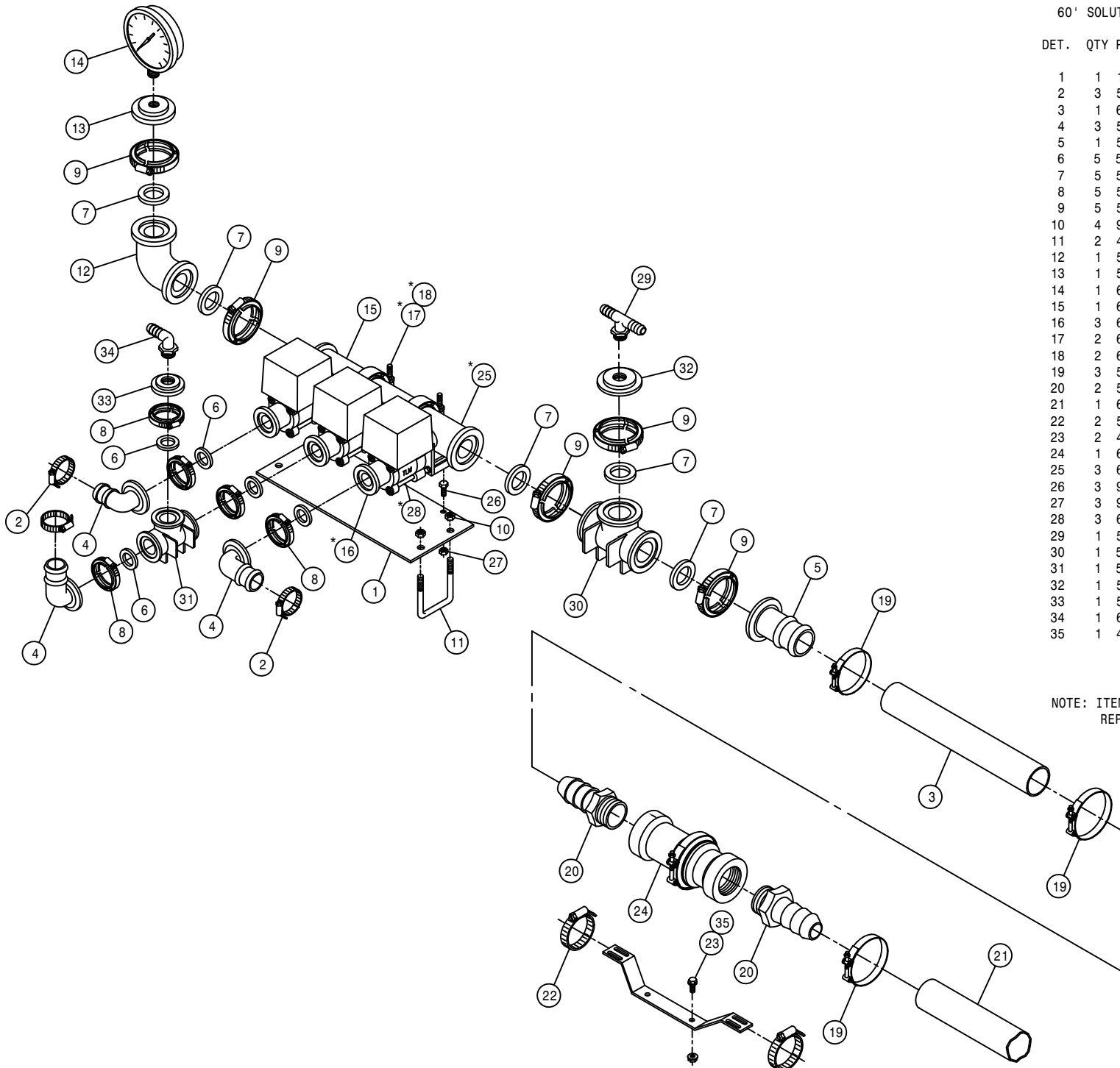
DET.	QTY	PART NO.	DESCRIPTION	
1	2	470199	1/4UNC X 3/8 SQHD CUP SET SCR	
2	7	470089	1/4UNC HEX LOC NUT NYL INS SS	
3	3	470092	1/4UNC-3/4ID-1 1/4 U-BOLT SS	
4	1	610510	CESSNA GEAR MOTOR 1.48CI	
5	1	618338	9/16MJIC-45-1/4MNPT LBO	
6	2	618092	1 1/16MOR-1/2FNPT ADPTR	
7	2	618107	9/16MJIC-90-1/2MNPT LBO	
8	1	706403	FRT AGIT SHFT BRG, NYLON	
9	1	706401	REAR AGIT SHFT BRG, NYLON	
10	1	706402	AGIT SHFT GLAND NUT, NYLON	
11	3	763027	AGIT IMPELLER	
12	1	763514	AGIT SHAFT, 2100	98
13	1	763217	GLAND PACKING, 13 IN. LONG	
14	1	763357	AGIT MTR MT PLT CES 280	91
15	1	763359	AGIT MTR CPLR 280	91
16	2	900064	5/16UNC X 3/4 HEX BOLT	
17	2	900130	3/8UNC X 1 1/4 HEX BOLT	
18	2	914002	5/16UNC HEX STOVER NUT	
19	2	914004	3/8UNC HEX STOVER NUT	
20	2	920001	5/16 SAE FLAT WASHER	
21	2	920002	3/8 SAE FLAT WASHER	
22	1	470200	1/4UNC X 1 3/4 HEX BOLT SS	
23	1	763358	AGIT MTR MT YOKE CES 280	91
24	1	763361	AGIT CPLR SHIELD 280	91
25	1	900000	1/4UNC X 1/2 HEX BOLT	
26	1	914000	1/4UNC HEX STOVER NUT	
27	1	618634	9/16MJIC-45-9/16FJIC SWIV LBO	

60' SOLUTION SOLENOID ASSEMBLY (STANDARD)

DET. QTY PART NO. DESCRIPTION

DET.	QTY	PART NO.	DESCRIPTION
1	1	164422	SOLU MANIF VLV MT, HIVOL
2	3	520090	HOSE CLAMP NO 16 STAINLESS
3	1	601451	HOSE, 2 X 69 2F-1W EPDM
4	3	500173	1" FLANGE-90-1" HOSE BARB POLY
5	1	500154	2" FLANGE-2" HOSE BARB POLY
6	5	500157	1" FLANGE GASKET EPDM
7	5	500158	1 1/2" GASKET FOR 2" FLANGE
8	5	500159	1" FLANGE CLAMP, S.S.
9	5	500160	2" FLANGE CLAMP, S.S.
10	4	914004	3/8UNC HEX STOVER NUT
11	2	470136	3/8UNC-3 1/16ID-3 SQ U-BOLT
12	1	500180	2" FLANGE-90-2" FLANGE LBO POLY
13	1	500181	2" FLANGE PLUG W/1/4" FNPT POLY
14	1	690359	PRESSURE GA GLYCERI 100 PSI
15	1	696178	ELECT 3-BALL VLV, 2" FLANGE TJET
16	3	696502	OUTLET FLG END-CAP FOR 696178
17	2	696503	O-RING, VLV FITTING FOR 696178
18	2	696504	CLAMP, VLV FITTING FOR 696178
19	3	520141	2.31/2.62 T-BOLT HOSE CLAMP SS
20	2	500058	2"NPT X 2" H BARB, POLY
21	1	601450	HOSE, 2 X 84 2F-1W EPDM
22	2	520056	HOSE CLAMP NO 56 STAINLESS
23	2	470118	1/4UNC X 3/4 FLANGE HEX BOLT
24	1	690529	RFM 100 FLOW METER, RAVEN
25	3	696501	FLANGE VLV TEE FOR 696178
26	3	900064	5/16UNC X 3/4 HEX BOLT
27	3	914002	5/16UNC HEX STOVER NUT
28	3	696500	450EC VLV W/FLG TEE FOR 696178
29	1	500119	1/2" NPT BR TEE-1/2" HBARB, POLY
30	1	500151	2" FLANGE TEE POLY
31	1	500175	1" FLANGE TEE POLY
32	1	500224	2" FLANGE PLUG W/1/2" FNPT POLY
33	1	500226	1" FLANGE PLUG W/1/4" FNPT POLY
34	1	618556	1/4NPT-90-1/2 HOSE BARB, POLY
35	1	470121	1/4UNC HEX FLANGE LOCK NUT

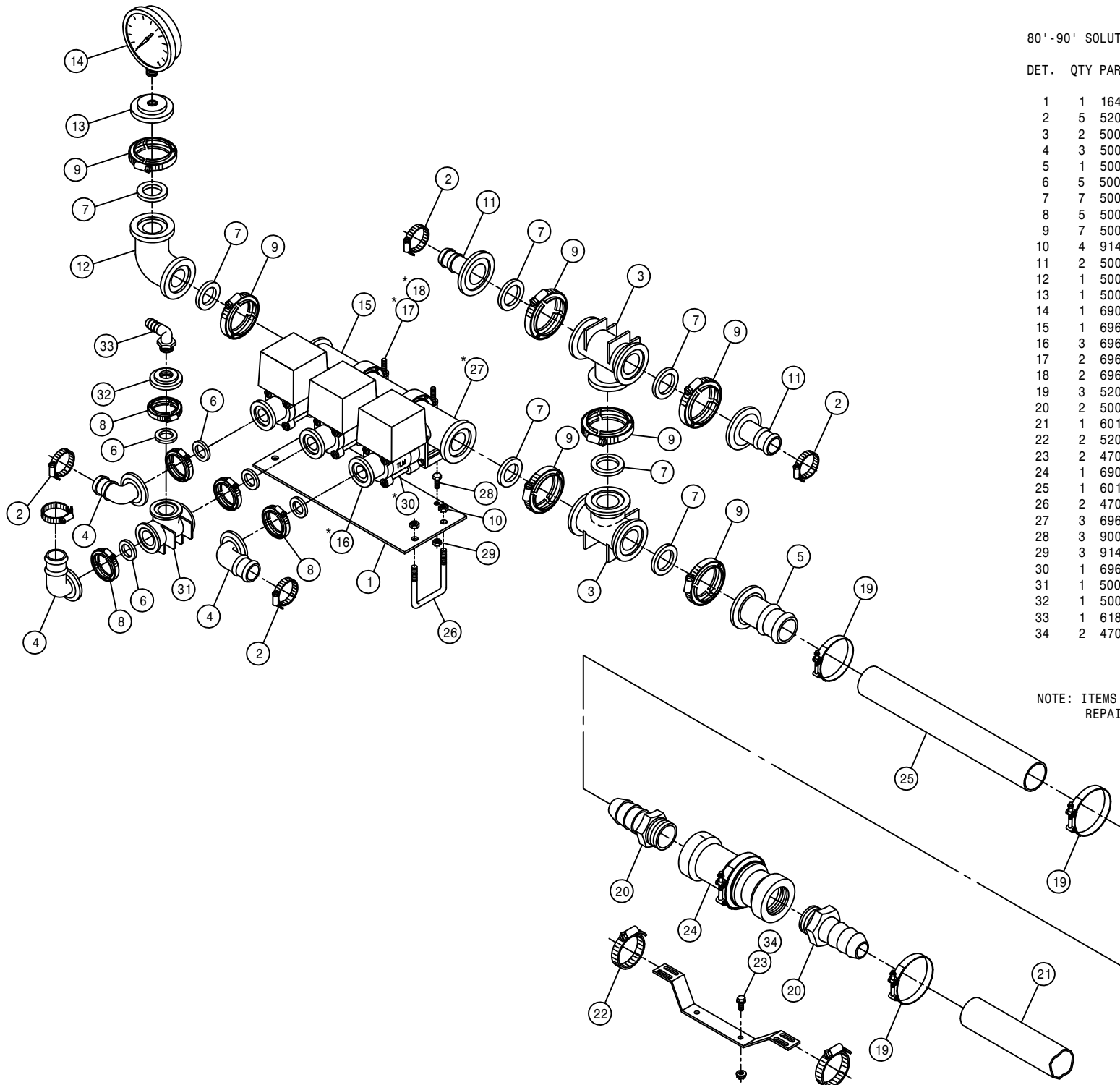
NOTE: ITEMS MARKED WITH A (*) ARE SOLUTION VALVE REPAIR PARTS.



80'-90' SOLUTION SOLENOID ASSEMBLY (STANDARD)

DET. QTY PART NO. DESCRIPTION

DET.	QTY	PART NO.	DESCRIPTION
1	1	164422	SOLU MANIF VLV MT, HIVOL
2	5	520090	HOSE CLAMP NO 16 STAINLESS
3	2	500151	2" FLANGE TEE POLY
4	3	500173	1" FLANGE-90-1" HOSE BARB POLY
5	1	500154	2" FLANGE-2" HOSE BARB POLY
6	5	500157	1" FLANGE GASKET EPDM
7	7	500158	1 1/2" GASKET FOR 2" FLANGE
8	5	500159	1" FLANGE CLAMP, S.S.
9	7	500160	2" FLANGE CLAMP, S.S.
10	4	914004	3/8UNC HEX STOVER NUT
11	2	500172	2" FLANGE-1" HOSE BARB POLY
12	1	500180	2"FLANGE-90-2"FLANGE LBO POLY
13	1	500181	2" FLANGE PLUG W/1/4"FNPT POLY
14	1	690359	PRESSURE GA GLYCERI 100 PSI
15	1	696178	ELECT 3-BALL VLV,2"FLANGE TJET
16	3	696502	OUTLET FLG END-CAP FOR 696178
17	2	696503	O-RING,VLV FITTING FOR 696178
18	2	696504	CLAMP,VLV FITTING FOR 696178
19	3	520141	2.31/2.62 T-BOLT HOSE CLAMP SS
20	2	500058	2"NPT X 2" H BARB, POLY
21	1	601450	HOSE, 2 X 84 2F-1W EPDM
22	2	520056	HOSE CLAMP NO 56 STAINLESS
23	2	470118	1/4UNC X 3/4 FLANGE HEX BOLT
24	1	690529	RFM 100 FLOW METER, RAVEN
25	1	601451	HOSE, 2 X 69 2F-1W EPDM
26	2	470136	3/8UNC-3 1/16ID-3 SQ U-BOLT
27	3	696501	FLANGE VLV TEE FOR 696178
28	3	900064	5/16UNC X 3/4 HEX BOLT
29	3	914002	5/16UNC HEX STOVER NUT
30	1	696500	450EC VLV W/FLG TEE FOR 696178
31	1	500175	1" FLANGE TEE POLY
32	1	500226	1" FLANGE PLUG W/1/4"FNPT POLY
33	1	618556	1/4NPT-90-1/2 HOSE BARB,POLY
34	2	470121	1/4UNC HEX FLANGE LOCK NUT

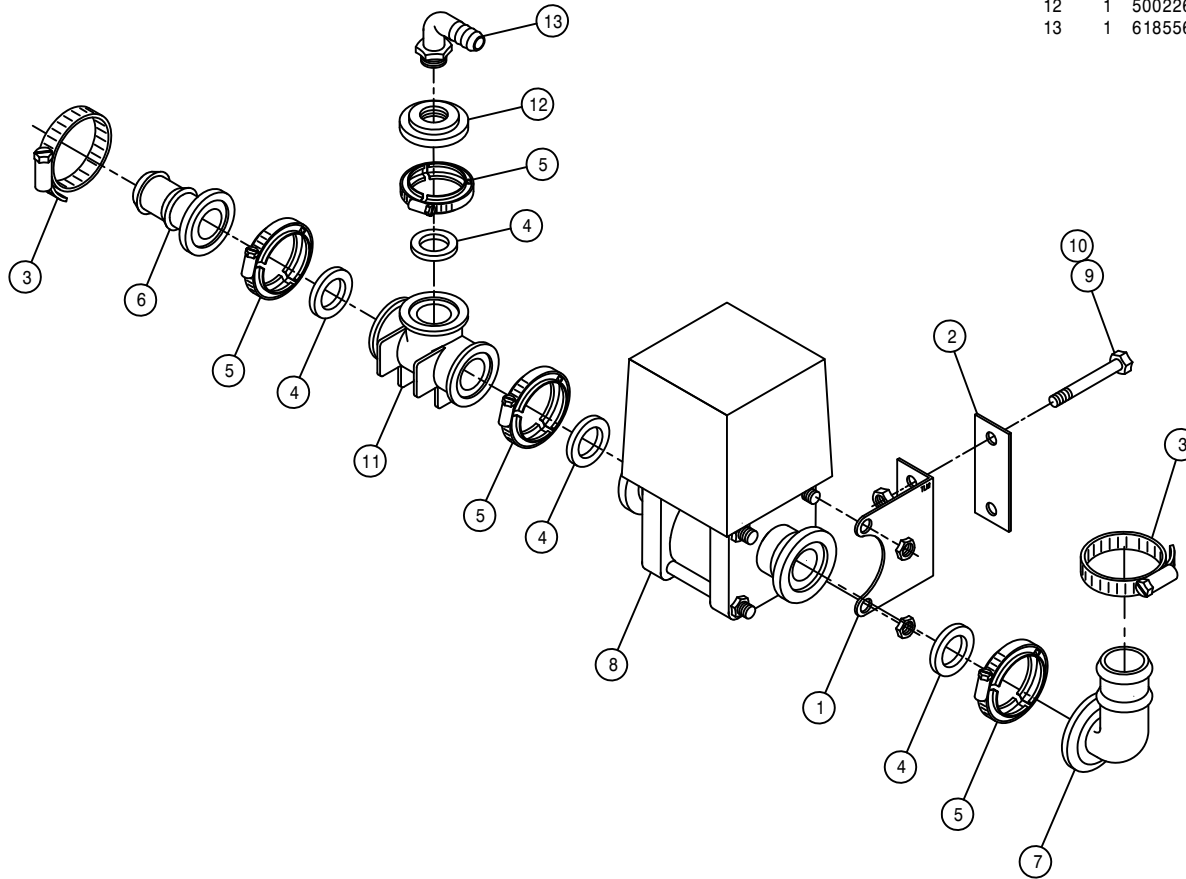


NOTE: ITEMS MARKED WITH A (*) ARE SOLUTION VALVE REPAIR PARTS.

80' -90' OUTER BOOM SOLENOID (STANDARD)

DET. QTY PART NO. DESCRIPTION

1	1	164303	SOLU VLV MT	97
2	1	164304	SOLU VLV MT KEEPER	97
3	2	520090	HOSE CLAMP NO 16 STAINLESS	
4	4	500157	1" FLANGE GASKET	EPDM
5	4	500159	1" FLANGE CLAMP, S.S.	
6	1	500171	1" FLANGE-1" HOSE BARB	POLY
7	1	500173	1" FLANGE-90-1" HOSE BARB	POLY
8	1	696177	ELECT BALL VLV,1"FLANGE	TJET
9	2	900007	1/4UNC X 2" HEX BOLT	
10	2	914000	1/4UNC HEX STOVER NUT	
11	1	500175	1" FLANGE TEE	POLY
12	1	500226	1" FLANGE PLUG W/1/4"FNPT	POLY
13	1	618556	1/4NPT-90-1/2 HOSE BARB,POLY	

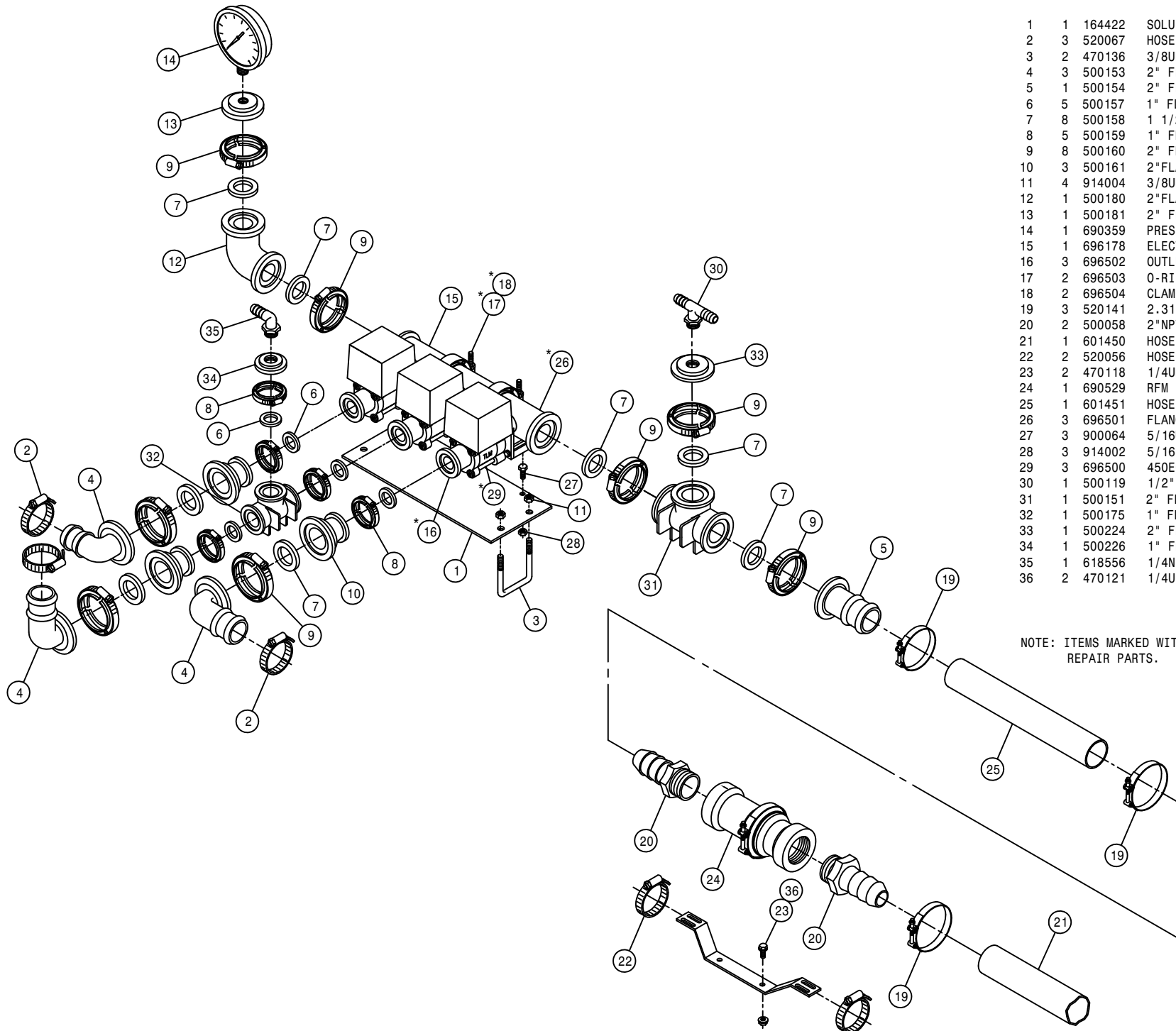


60' SOLUTION SOLENOID ASSEMBLY (HI-VOLUME)

DET. QTY PART NO. DESCRIPTION

1	1	164422	SOLU MANIF VLV MT, HIVOL
2	3	520067	HOSE CLAMP NO 28 STAINLESS
3	2	470136	3/8UNC-3 1/16ID-3 SQ U-BOLT
4	3	500153	2" FLANGE-90-1 1/2 HBARB POLY
5	1	500154	2" FLANGE-2" HOSE BARB POLY
6	5	500157	1" FLANGE GASKET EPDM
7	8	500158	1 1/2" GASKET FOR 2" FLANGE
8	5	500159	1" FLANGE CLAMP, S.S.
9	8	500160	2" FLANGE CLAMP, S.S.
10	3	500161	2"FLANGE-1"FLANGE COUPLER,POLY
11	4	914004	3/8UNC HEX STOVER NUT
12	1	500180	2"FLANGE-90-2"FLANGE LBO POLY
13	1	500181	2" FLANGE PLUG W/1/4"FNPT POLY
14	1	690359	PRESSURE GA GLYCERI 100 PSI
15	1	696178	ELECT 3-BALL VLV,2"FLANGE TJET
16	3	696502	OUTLET FLG END-CAP FOR 696178
17	2	696503	O-RING,VLV FITTING FOR 696178
18	2	696504	CLAMP,VLV FITTING FOR 696178
19	3	520141	2.31/2.62 T-BOLT HOSE CLAMP SS
20	2	500058	2"NPT X 2" H BARB, POLY
21	1	601450	HOSE, 2 X 84 2F-1W EPDM
22	2	520056	HOSE CLAMP NO 56 STAINLESS
23	2	470118	1/4UNC X 3/4 FLANGE HEX BOLT
24	1	690529	RFM 100 FLOW METER, RAVEN
25	1	601451	HOSE, 2 X 69 2F-1W EPDM
26	3	696501	FLANGE VLV TEE FOR 696178
27	3	900064	5/16UNC X 3/4 HEX BOLT
28	3	914002	5/16UNC HEX STOVER NUT
29	3	696500	450EC VLV W/FLG TEE FOR 696178
30	1	500119	1/2"NPT BR TEE-1/2"HBARB, POLY
31	1	500151	2" FLANGE TEE POLY
32	1	500175	1" FLANGE TEE POLY
33	1	500224	2" FLANGE PLUG W/1/2"FNPT POLY
34	1	500226	1" FLANGE PLUG W/1/4"FNPT POLY
35	1	618556	1/4NPT-90-1/2 HOSE BARB,POLY
36	2	470121	1/4UNC HEX FLANGE LOCK NUT

NOTE: ITEMS MARKED WITH A (*) ARE SOLUTION VALVE REPAIR PARTS.

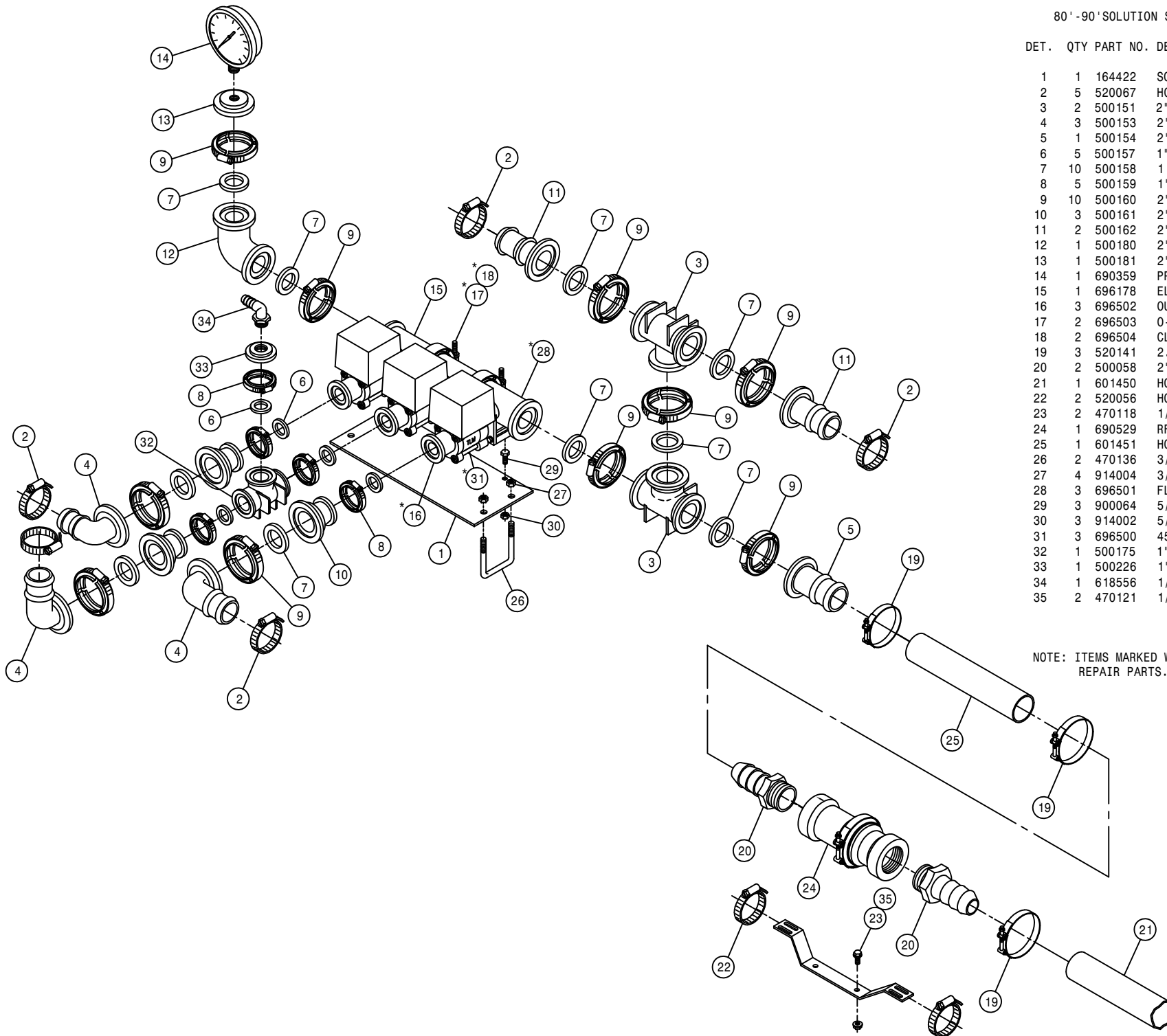


80'-90' SOLUTION SOLENOID (HI-VOLUME)

DET. QTY PART NO. DESCRIPTION

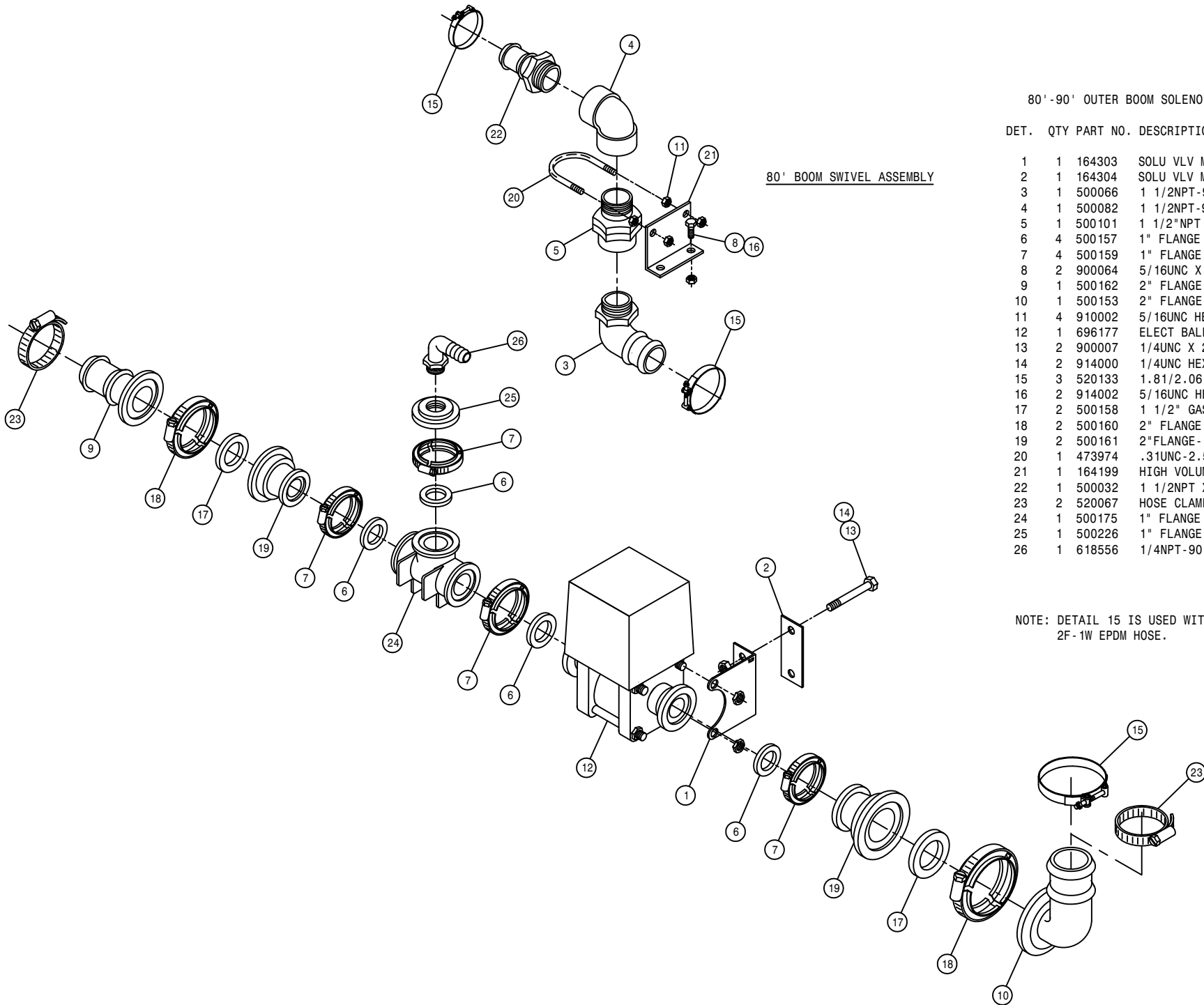
DET.	QTY	PART NO.	DESCRIPTION
1	1	164422	SOLU MANIF VLV MT, HIVOL
2	5	520067	HOSE CLAMP NO 28 STAINLESS
3	2	500151	2" FLANGE TEE POLY
4	3	500153	2" FLANGE-90-1 1/2 HBARB POLY
5	1	500154	2" FLANGE-2" HOSE BARB POLY
6	5	500157	1" FLANGE GASKET EPDM
7	10	500158	1 1/2" GASKET FOR 2" FLANGE
8	5	500159	1" FLANGE CLAMP, S.S.
9	10	500160	2" FLANGE CLAMP, S.S.
10	3	500161	2"FLANGE-1"FLANGE COUPLER,POLY
11	2	500162	2" FLANGE-1 1/2 HOSE BARB POLY
12	1	500180	2"FLANGE-90-2"FLANGE LBO POLY
13	1	500181	2" FLANGE PLUG W/1/4"FNPT POLY
14	1	690359	PRESSURE GA GLYCERI 100 PSI
15	1	696178	ELECT 3-BALL VLV,2"FLANGE TJET
16	3	696502	OUTLET FLG END-CAP FOR 696178
17	2	696503	O-RING,VLV FITTING FOR 696178
18	2	696504	CLAMP,VLV FITTING FOR 696178
19	3	520141	2.31/2.62 T-BOLT HOSE CLAMP SS
20	2	500058	2"NPT X 2" H BARB, POLY
21	1	601450	HOSE, 2 X 84 2F-1W EPDM
22	2	520056	HOSE CLAMP NO 56 STAINLESS
23	2	470118	1/4UNC X 3/4 FLANGE HEX BOLT
24	1	690529	RFM 100 FLOW METER, RAVEN
25	1	601451	HOSE, 2 X 69 2F-1W EPDM
26	2	470136	3/8UNC-3 1/16ID-3 SQ U-BOLT
27	4	914004	3/8UNC HEX STOVER NUT
28	3	696501	FLANGE VLV TEE FOR 696178
29	3	900064	5/16UNC X 3/4 HEX BOLT
30	3	914002	5/16UNC HEX STOVER NUT
31	3	696500	450EC VLV W/FLG TEE FOR 696178
32	1	500175	1" FLANGE TEE POLY
33	1	500226	1" FLANGE PLUG W/1/4"FNPT POLY
34	1	618556	1/4NPT-90-1/2 HOSE BARB,POLY
35	2	470121	1/4UNC HEX FLANGE LOCK NUT

NOTE: ITEMS MARKED WITH A (*) ARE SOLUTION VALVE REPAIR PARTS.



70

80' BOOM SWIVEL ASSEMBLY

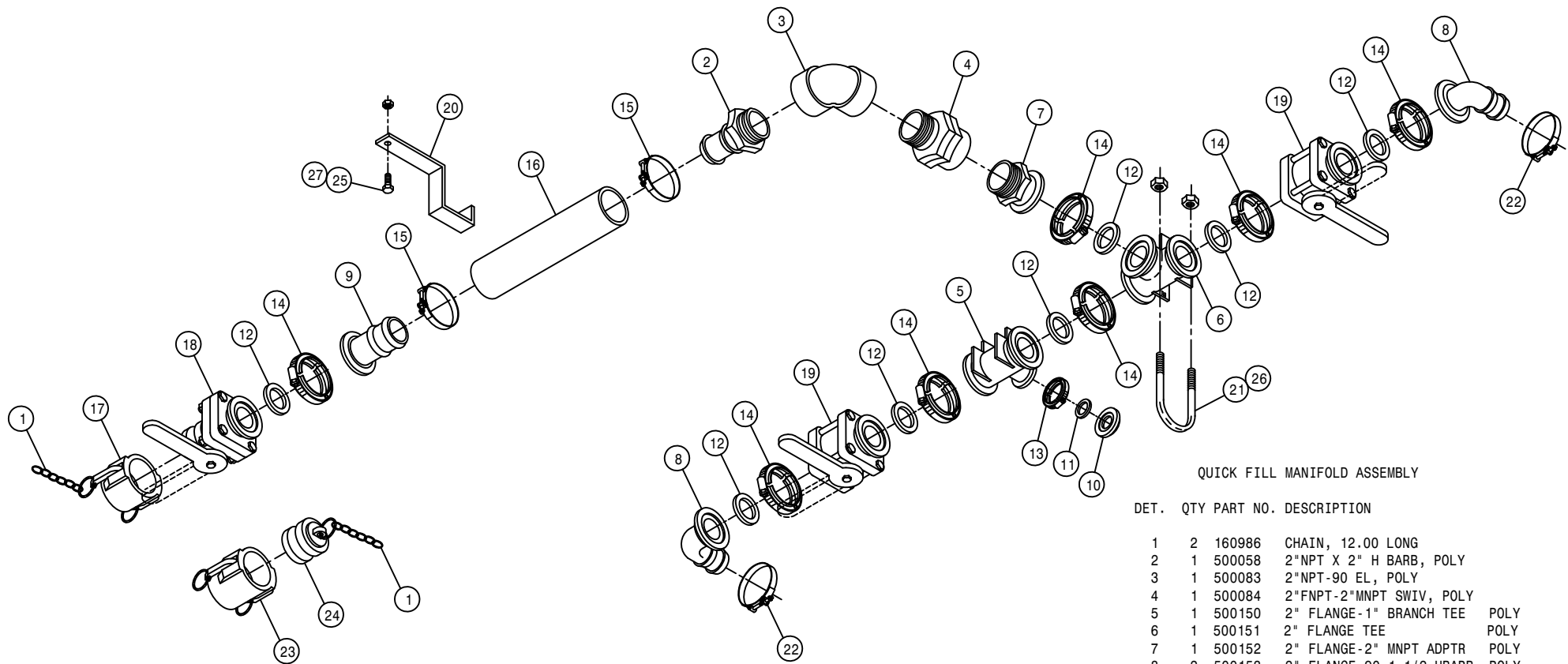


80' - 90' OUTER BOOM SOLENOID (HI-VOLUME)

DET. QTY PART NO. DESCRIPTION

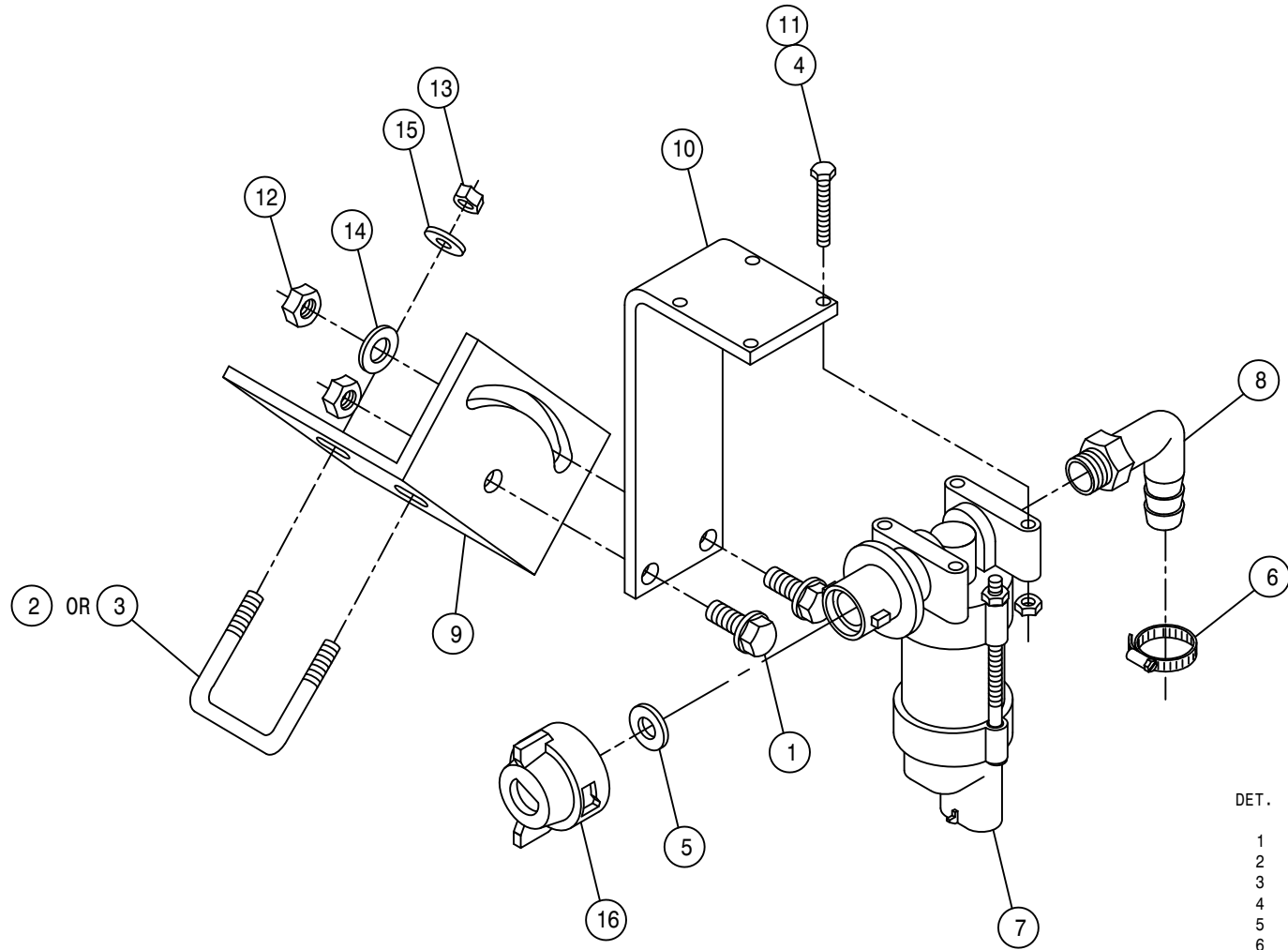
1	1	164303	SOLU VLV MT	97
2	1	164304	SOLU VLV MT KEEPER	97
3	1	500066	1 1/2NPT-90-1 1/2 H BARB POLY	
4	1	500082	1 1/2NPT-90 EL, POLY	
5	1	500101	1 1/2"NPT SWIVEL	POLY
6	4	500157	1" FLANGE GASKET	EPDM
7	4	500159	1" FLANGE CLAMP, S.S.	
8	2	900064	5/16UNC X 3/4 HEX BOLT	
9	1	500162	2" FLANGE-1 1/2 HOSE BARB POLY	
10	1	500153	2" FLANGE-90-1 1/2 HBARB POLY	
11	4	910002	5/16UNC HEX NUT	
12	1	696177	ELECT BALL VLV, 1" FLANGE	TJET
13	2	900007	1/4UNC X 2" HEX BOLT	
14	2	914000	1/4UNC HEX STOVER NUT	
15	3	520133	1.81/2.06 T-BOLT HOSE CLAMP SS	
16	2	914002	5/16UNC HEX STOVER NUT	
17	2	500158	1 1/2" GASKET FOR 2" FLANGE	
18	2	500160	2" FLANGE CLAMP, S.S.	
19	2	500161	2" FLANGE-1" FLANGE COUPLER, POLY	
20	1	473974	.31UNC-2.56ID-3.5 U-BOLT SS	
21	1	164199	HIGH VOLUME HOSE SWIVEL MT	
22	1	500032	1 1/2NPT X 1 1/2 H BARB, POLY	
23	2	520067	HOSE CLAMP NO 28 STAINLESS	
24	1	500175	1" FLANGE TEE	POLY
25	1	500226	1" FLANGE PLUG W/1/4" FNPT POLY	
26	1	618556	1/4NPT-90-1/2 HOSE BARB, POLY	

NOTE: DETAIL 15 IS USED WITH 1 1/2 I.D.
2F-1W EPDM HOSE.



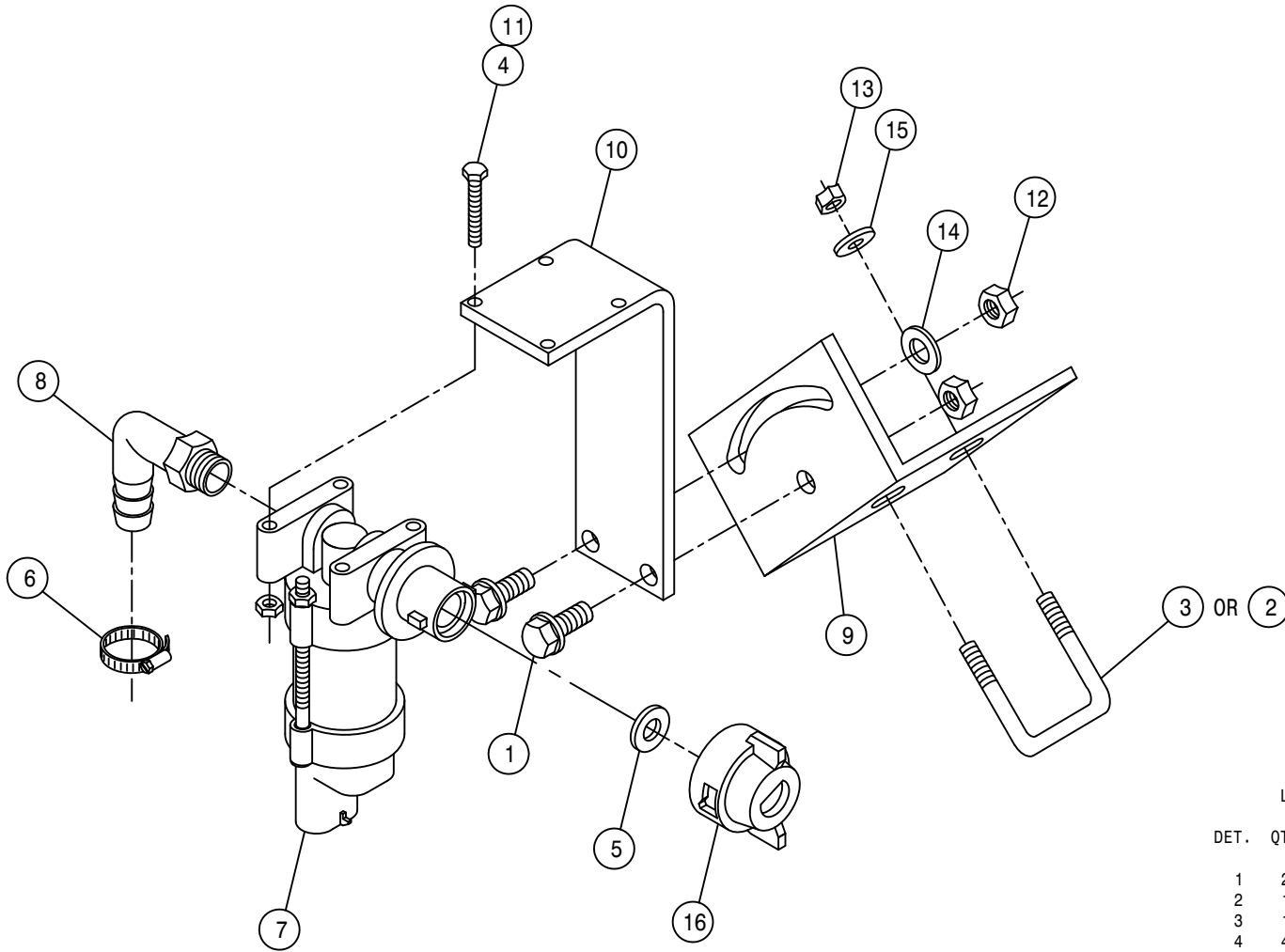
QUICK FILL MANIFOLD ASSEMBLY

DET.	QTY	PART NO.	DESCRIPTION
1	2	160986	CHAIN, 12.00 LONG
2	1	500058	2"NPT X 2" H BARB, POLY
3	1	500083	2"NPT-90 EL, POLY
4	1	500084	2"FNPT-2"MNPT SWIV, POLY
5	1	500150	2" FLANGE-1" BRANCH TEE POLY
6	1	500151	2" FLANGE TEE POLY
7	1	500152	2" FLANGE-2" MNPT ADPTR POLY
8	2	500153	2" FLANGE-90-1 1/2 HBARB POLY
9	1	500154	2" FLANGE-2" HOSE BARB POLY
10	1	500155	1" FLANGE CAP PLUG POLY
11	1	500157	1" FLANGE GASKET EPDM
12	7	500158	1 1/2" GASKET FOR 2" FLANGE
13	1	500159	1" FLANGE CLAMP, S.S.
14	7	500160	2" FLANGE CLAMP, S.S.
15	2	520141	2.31/2.62 T-BOLT HOSE CLAMP SS
16	1	601423	HOSE, 2 X 12 2F-1W EPDM
17	1	690623	CAP FOR 2.00 MALE COUPLER POLY
18	1	696141	BALL VLV,2"FLANGE/2"MALE ADPTR
19	2	696142	BALL VLV, 2" FLANGE
20	1	342620	QUICK FILL HOSE HANGER
21	2	472195	5/16UNC-2 11/16ID-3 9/16U-BOLT
22	2	520133	1.81/2.06 T-BOLT HOSE CLAMP SS
23	1	690390	2.00FNPT-FEMALE COUPLER POLY
24	1	690392	PLUG FOR 2.00 FEMALE COUPLER
25	1	900129	3/8UNC X 1" HEX BOLT
26	4	914002	5/16UNC HEX STOVER NUT
27	1	914004	3/8UNC HEX STOVER NUT



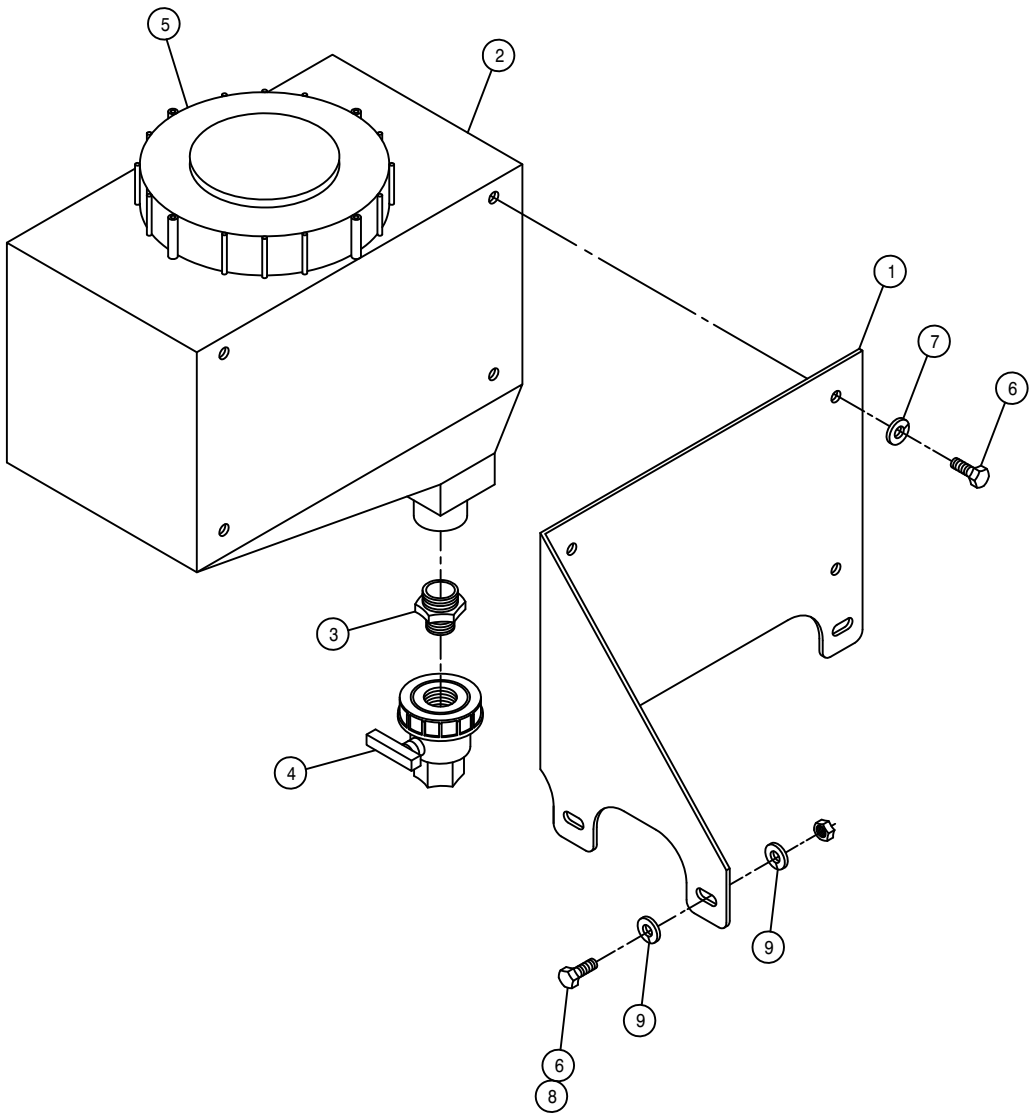
RIGHT FENCE ROW NOZZLE ASSEMBLY

DET.	QTY	PART NO.	DESCRIPTION
1	2	470118	1/4UNC X 3/4 FLANGE HEX BOLT
2	1	473973	.31UNC-1.31ID-2.0 SQ U-BOLT SS
3	1	473980	.31UNC-1.06ID-1.75SQ U-BOLT SS
4	4	473993	6-32 X 1 1/4 HH MACH SCR
5	1	737824	QUICK TEEJET SEAT GASKET
6	1	520070	HOSE CLAMP NO 8 STAINLESS
7	1	737875	NOZZLE BODY VALVE, 12VDC
8	1	618556	1/4NPT-90-1/2 HOSE BARB,POLY
9	1	737886	FENCE-ROW NOZZLE MT,284 01
10	1	737906	FENCE ROW NOZL BRKT
11	4	910022	6-32 HEX NUT
12	2	914000	1/4UNC HEX STOVER NUT
13	2	914002	5/16UNC HEX STOVER NUT
14	1	920000	1/4 SAE FLAT WASHER
15	2	920001	5/16 SAE FLAT WASHER
16	1	737822	CAP SET, YELLOW QUICK TEEJET



LEFT FENCE ROW NOZZLE ASSEMBLY

DET.	QTY	PART NO.	DESCRIPTION
	1	470118	1/4UNC X 3/4 FLANGE HEX BOLT
	2	473973	.31UNC-1.31ID-2.0 SQ U-BOLT SS
	3	473980	.31UNC-1.06ID-1.75SQ U-BOLT SS
	4	473993	6-32 X 1 1/4 HH MACH SCR
	5	737824	QUICK TEEJET SEAT GASKET
	6	520070	HOSE CLAMP NO 8 STAINLESS
	7	737875	NOZZLE BODY VALVE, 12VDC
	8	618556	1/4NPT-90-1/2 HOSE BARB,POLY
	9	737886	FENCE-ROW NOZZLE MT,284 01
	10	737906	FENCE ROW NOZL BRKT
	11	910022	6-32 HEX NUT
	12	914000	1/4UNC HEX STOVER NUT
	13	914002	5/16UNC HEX STOVER NUT
	14	920000	1/4 SAE FLAT WASHER
	15	920001	5/16 SAE FLAT WASHER
	16	737822	CAP SET, YELLOW QUICK TEEJET



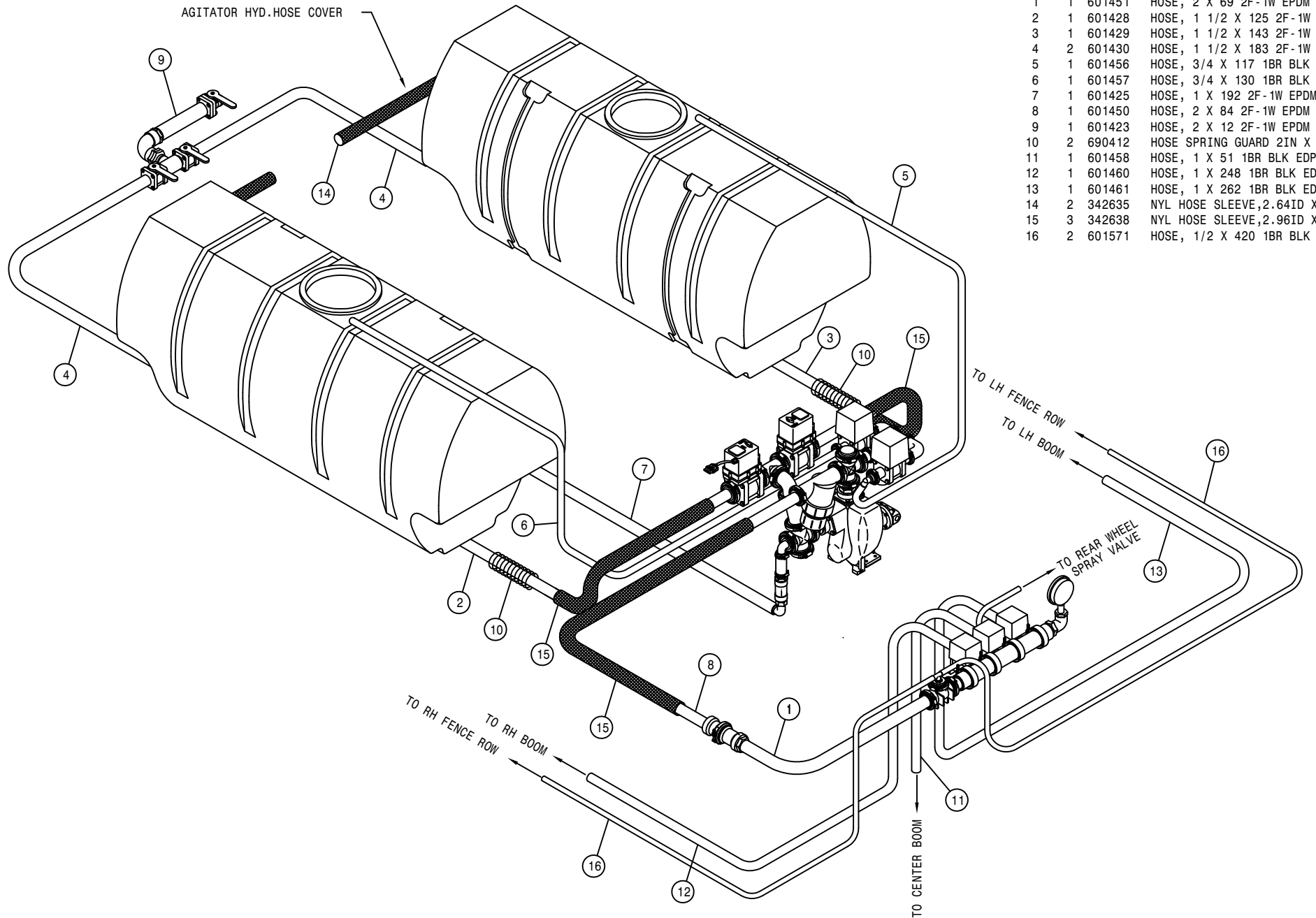
FRESH WATER TANK ASSEMBLY

DET.	QTY	PART NO.	DESCRIPTION
1	1	343264	FRESH WATER TANK MT, 2101 04
2	1	470318	RINSE TANK, 3 GAL SQ SAFETY
3	1	500124	3/4 X 1/2NPT REDU NIPPLE,POLY
4	1	696005	BALL VLV, .500NPT, 100PSI, POLY
5	1	470337	6" LID FOR 3 GAL TANK 470318
6	7	900064	5/16UNC X 3/4 HEX BOLT
7	4	920501	5/16 LOCK WASHER
8	3	914002	5/16UNC HEX STOVER NUT
9	6	920001	5/16 SAE FLAT WASHER

SOLUTION HOISING FOR 60' BOOM (STANDARD)

DET. QTY PART NO. DESCRIPTION

1	1	601451	HOSE, 2 X 69 2F-1W EPDM
2	1	601428	HOSE, 1 1/2 X 125 2F-1W EPDM
3	1	601429	HOSE, 1 1/2 X 143 2F-1W EPDM
4	2	601430	HOSE, 1 1/2 X 183 2F-1W EPDM
5	1	601456	HOSE, 3/4 X 117 1BR BLK EPDM
6	1	601457	HOSE, 3/4 X 130 1BR BLK EPDM
7	1	601425	HOSE, 1 X 192 2F-1W EPDM
8	1	601450	HOSE, 2 X 84 2F-1W EPDM
9	1	601423	HOSE, 2 X 12 2F-1W EPDM
10	2	690412	HOSE SPRING GUARD 2IN X 12 LG
11	1	601458	HOSE, 1 X 51 1BR BLK EPDM
12	1	601460	HOSE, 1 X 248 1BR BLK EPDM
13	1	601461	HOSE, 1 X 262 1BR BLK EPDM
14	2	342635	NYL HOSE SLEEVE,2.64ID X 60.00
15	3	342638	NYL HOSE SLEEVE,2.96ID X 65.00
16	2	601571	HOSE, 1/2 X 420 1BR BLK EPDM



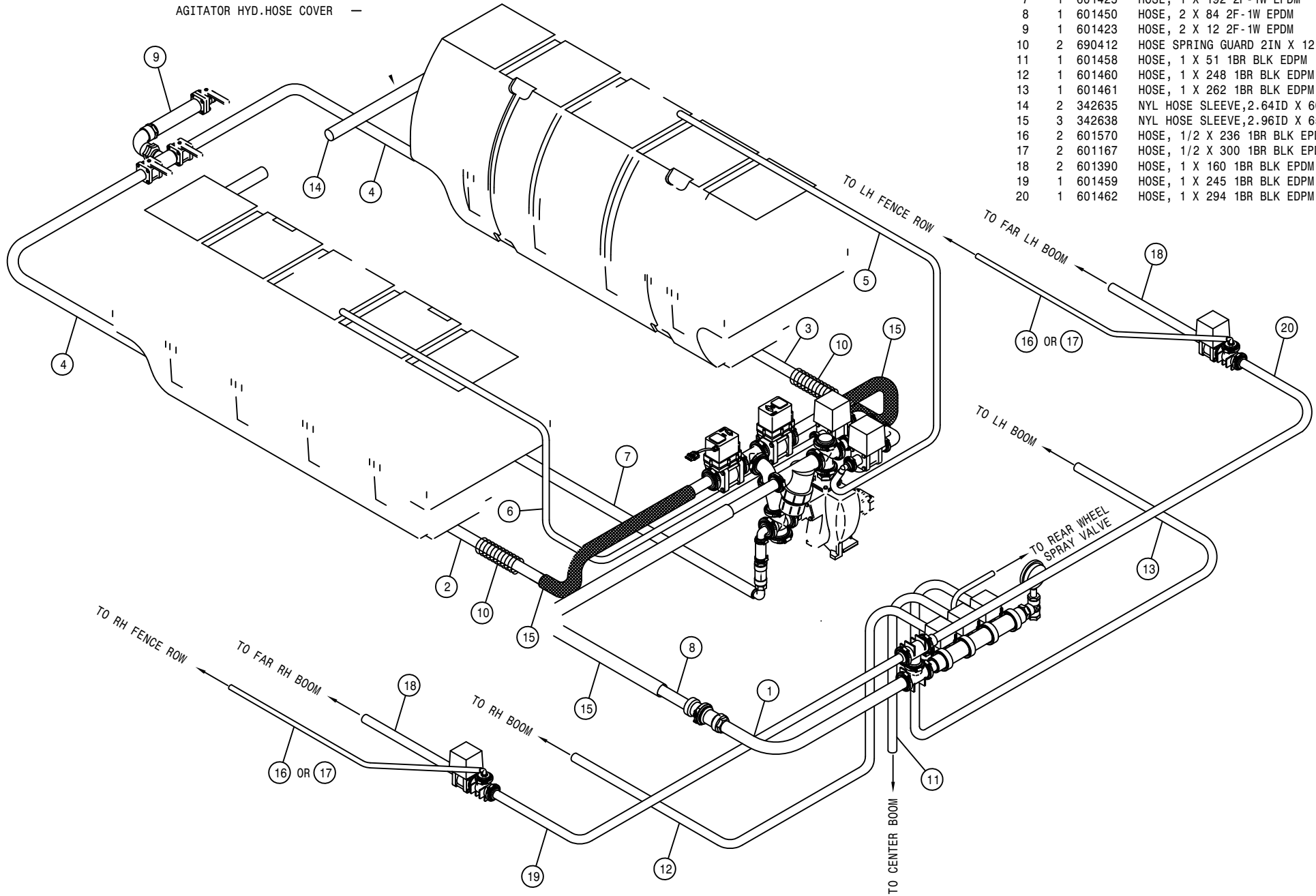
AGITATOR HYD. HOSE COVER

SOLUTION HOSEING FOR 80' -90' BOOM (STANDARD)

DET. QTY PART NO. DESCRIPTION

DET.	QTY	PART NO.	DESCRIPTION
1	1	601451	HOSE, 2 X 69 2F-1W EPDM
2	1	601428	HOSE, 1 1/2 X 125 2F-1W EPDM
3	1	601429	HOSE, 1 1/2 X 143 2F-1W EPDM
4	2	601430	HOSE, 1 1/2 X 183 2F-1W EPDM
5	1	601456	HOSE, 3/4 X 117 1BR BLK EPDM
6	1	601457	HOSE, 3/4 X 130 1BR BLK EPDM
7	1	601425	HOSE, 1 X 192 2F-1W EPDM
8	1	601450	HOSE, 2 X 84 2F-1W EPDM
9	1	601423	HOSE, 2 X 12 2F-1W EPDM
10	2	690412	HOSE SPRING GUARD 2IN X 12 LG
11	1	601458	HOSE, 1 X 51 1BR BLK EPDM
12	1	601460	HOSE, 1 X 248 1BR BLK EPDM
13	1	601461	HOSE, 1 X 262 1BR BLK EPDM
14	2	342635	NYL HOSE SLEEVE, 2.64ID X 60.00
15	3	342638	NYL HOSE SLEEVE, 2.96ID X 65.00
16	2	601570	HOSE, 1/2 X 236 1BR BLK EPDM
17	2	601167	HOSE, 1/2 X 300 1BR BLK EPDM
18	2	601390	HOSE, 1 X 160 1BR BLK EPDM
19	1	601459	HOSE, 1 X 245 1BR BLK EPDM
20	1	601462	HOSE, 1 X 294 1BR BLK EPDM

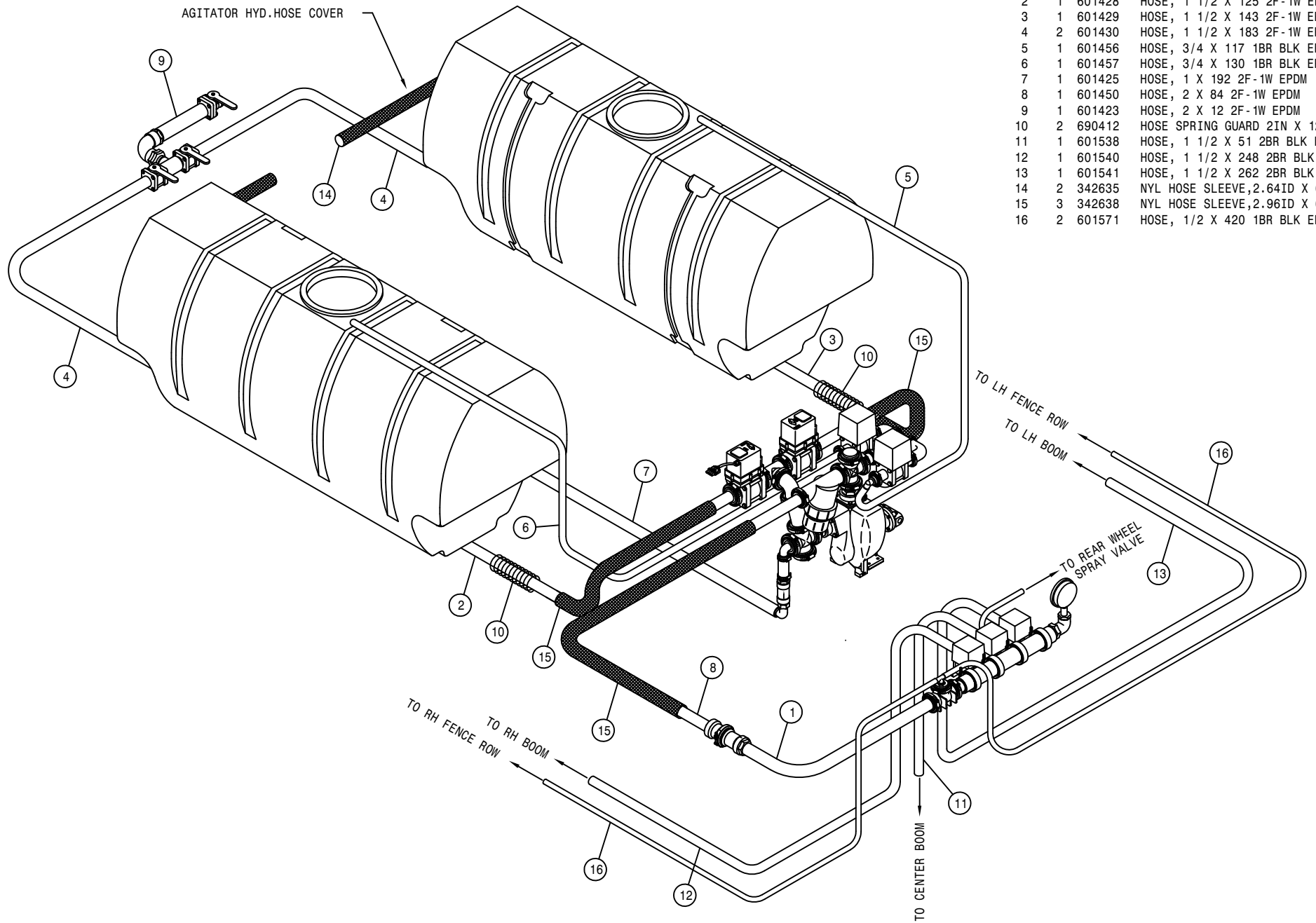
AGITATOR HYD. HOSE COVER —



SOLUTION HOISING FOR 60' BOOM (HI-VOLUME)

DET. QTY PART NO. DESCRIPTION

DET.	QTY	PART NO.	DESCRIPTION
1	1	601451	HOSE, 2 X 69 2F-1W EPDM
2	1	601428	HOSE, 1 1/2 X 125 2F-1W EPDM
3	1	601429	HOSE, 1 1/2 X 143 2F-1W EPDM
4	2	601430	HOSE, 1 1/2 X 183 2F-1W EPDM
5	1	601456	HOSE, 3/4 X 117 1BR BLK EPDM
6	1	601457	HOSE, 3/4 X 130 1BR BLK EPDM
7	1	601425	HOSE, 1 X 192 2F-1W EPDM
8	1	601450	HOSE, 2 X 84 2F-1W EPDM
9	1	601423	HOSE, 2 X 12 2F-1W EPDM
10	2	690412	HOSE SPRING GUARD 2IN X 12 LG
11	1	601538	HOSE, 1 1/2 X 51 2BR BLK EPDM
12	1	601540	HOSE, 1 1/2 X 248 2BR BLK EPDM
13	1	601541	HOSE, 1 1/2 X 262 2BR BLK EPDM
14	2	342635	NYL HOSE SLEEVE, 2.64ID X 60.00
15	3	342638	NYL HOSE SLEEVE, 2.96ID X 65.00
16	2	601571	HOSE, 1/2 X 420 1BR BLK EPDM

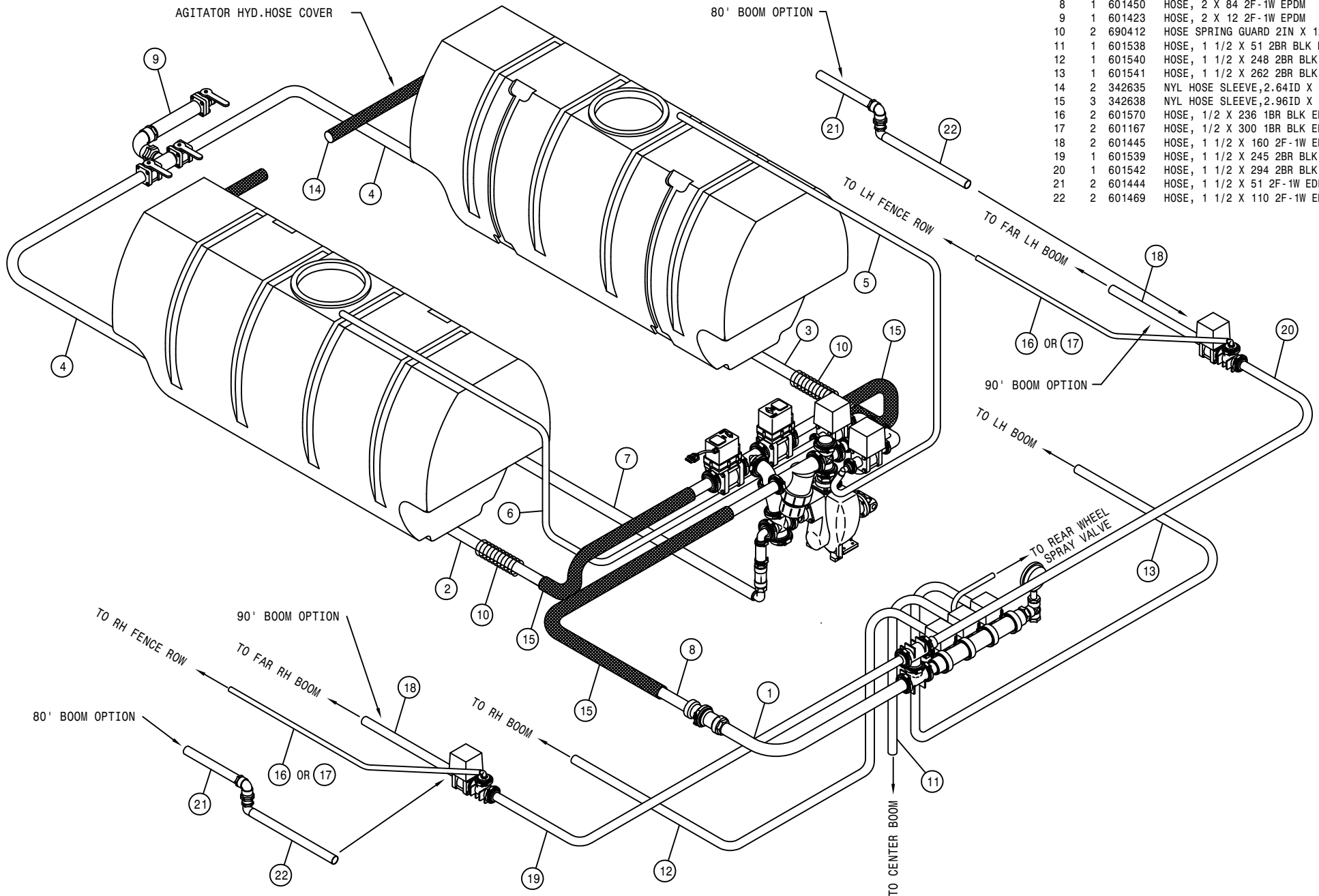


AGITATOR HYD. HOSE COVER

SOLUTION HOISING FOR 80'-90' BOOM (HI-VOLUME)

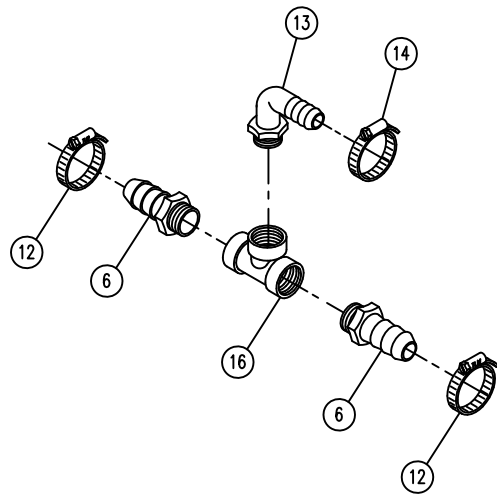
DET. QTY PART NO. DESCRIPTION

1	1	601451	HOSE, 2 X 69 2F-1W EPDM
2	1	601428	HOSE, 1 1/2 X 125 2F-1W EPDM
3	1	601429	HOSE, 1 1/2 X 143 2F-1W EPDM
4	2	601430	HOSE, 1 1/2 X 183 2F-1W EPDM
5	1	601456	HOSE, 3/4 X 117 1BR BLK EPDM
6	1	601457	HOSE, 3/4 X 130 1BR BLK EPDM
7	1	601425	HOSE, 1 X 192 2F-1W EPDM
8	1	601450	HOSE, 2 X 84 2F-1W EPDM
9	1	601423	HOSE, 2 X 12 2F-1W EPDM
10	2	690412	HOSE SPRING GUARD 2IN X 12 LG
11	1	601538	HOSE, 1 1/2 X 51 2BR BLK EPDM
12	1	601540	HOSE, 1 1/2 X 248 2BR BLK EPDM
13	1	601541	HOSE, 1 1/2 X 262 2BR BLK EPDM
14	2	342635	NYL HOSE SLEEVE, 2.64ID X 60.00
15	3	342638	NYL HOSE SLEEVE, 2.96ID X 65.00
16	2	601570	HOSE, 1/2 X 236 1BR BLK EPDM
17	2	601167	HOSE, 1/2 X 300 1BR BLK EPDM
18	2	601445	HOSE, 1 1/2 X 160 2F-1W EPDM
19	1	601539	HOSE, 1 1/2 X 245 2BR BLK EPDM
20	1	601542	HOSE, 1 1/2 X 294 2BR BLK EPDM
21	2	601444	HOSE, 1 1/2 X 51 2F-1W EPDM
22	2	601469	HOSE, 1 1/2 X 110 2F-1W EPDM

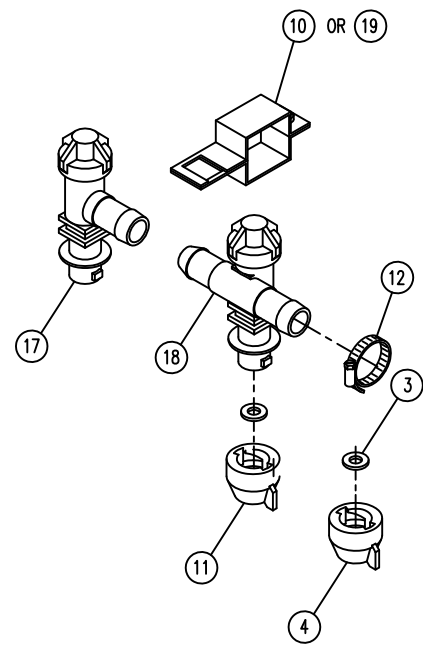


79

304079



FEEDER TEE ASSEMBLY (STANDARD VOLUME)



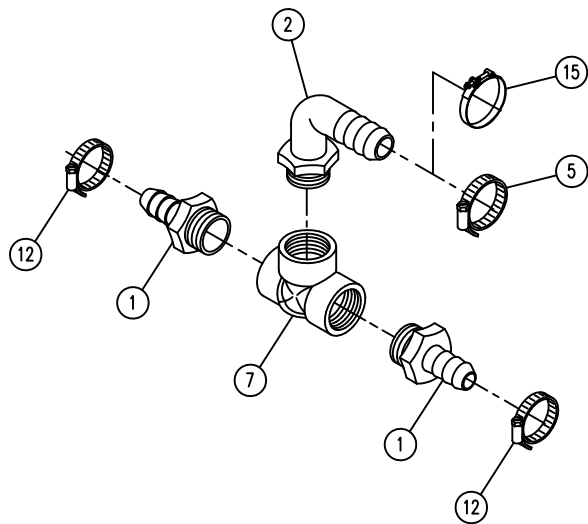
SINGLE TIP NOZZLE SPACING

BOOM FEEDER TEE ASSEMBLY

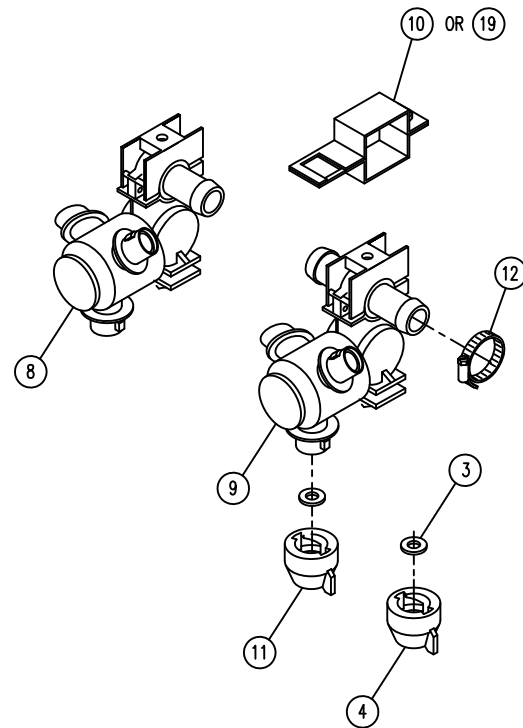
DET. QTY PART NO. DESCRIPTION

DET.	QTY	PART NO.	DESCRIPTION
1	2	500108	1"NPT-3/4" HOSE BARB POLY
2	1	500117	1"NPT-90-1 1/2"HOSE BARB, POLY
3	4	737824	QUICK TEEJET SEAT GASKET
4	2	737825	QUICK SHUT-OFF CAP
5	1	520067	HOSE CLAMP NO 28 STAINLESS
6	2	500022	3/4NPT-3/4HOSE BARB, POLY
7	1	500075	1" NPT PIPE TEE, POLY
8	1	737833	QUICK TJET LBO,3-TIP BODY .75
9	1	737834	QUICK TJET TEE,3-TIP BODY .75
10	2	737817	NOZL MT CLMP,1.00 SQ SS,Q-TJET
11	2	737822	CAP SET, YELLOW QUICK TEEJET
12	6	520055	HOSE CLAMP NO 12 STAINLESS
13	1	500026	3/4NPT-90-1"HOSE BARB, POLY
14	1	520090	HOSE CLAMP NO 16 STAINLESS
15	1	520133	1.81/2.06 T-BOLT HOSE CLAMP SS
16	1	505218	3/4 NPT PIPE TEE, POLY
17	1	737829	QUICK TJET LBO,1-TIP BODY .75
18	1	737830	QUICK TJET TEE,1-TIP BODY .75
19	2	737832	NOZL MT CLMP,1.25 SQ,SS Q-TJET

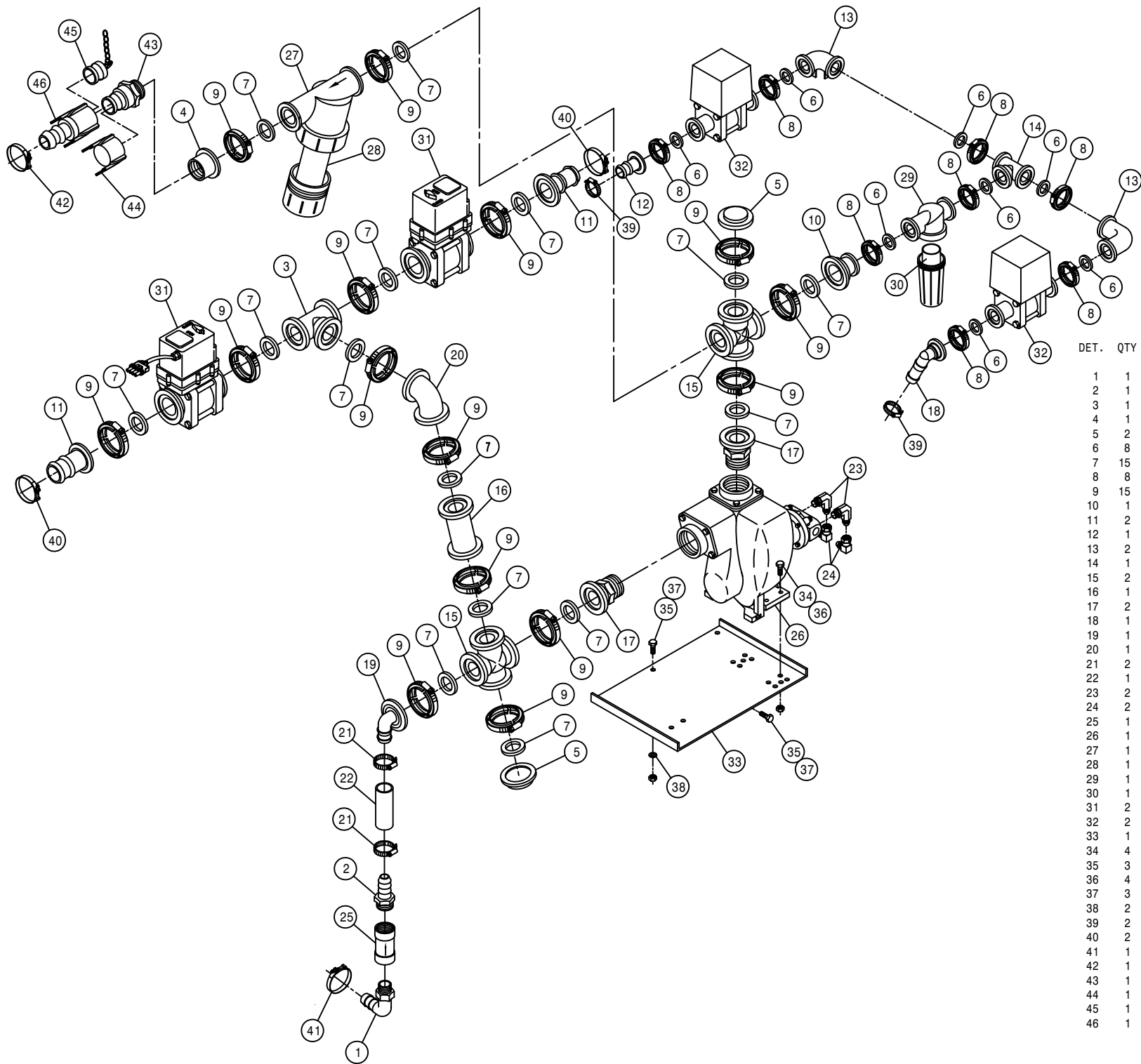
NOTE: DETAIL 15 IS USED WITH 1 1/2 I.D.
2F-1W EPDM HOSE.



FEEDER TEE ASSEMBLY (HIGH VOLUME)



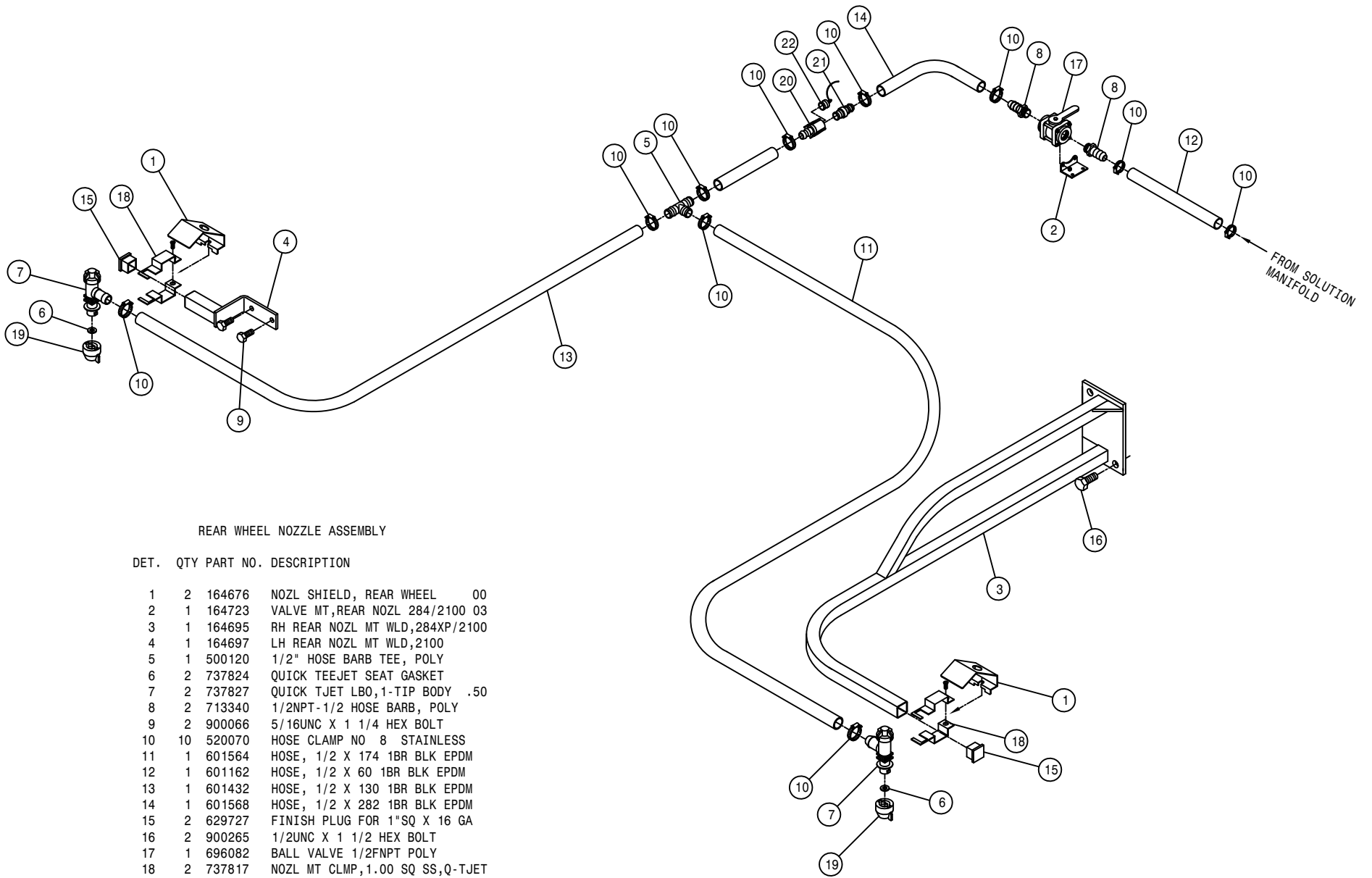
TRIPLE TIP NOZZLE SPACING



SOLUTION PUMP ASSEMBLY

DET. QTY PART NO. DESCRIPTION

1	1	500024	1"NPT-90-1"HOSE BARB, POLY
2	1	500074	1"NPT-1" HOSE BARB, POLY
3	1	500151	2" FLANGE TEE POLY
4	1	500183	2" FLANGE-2" FNPT ADPTR POLY
5	2	500156	2" FLANGE CAP PLUG POLY
6	8	500157	1" FLANGE GASKET EPDM
7	15	500158	1 1/2" GASKET FOR 2" FLANGE
8	8	500159	1" FLANGE CLAMP, S.S.
9	15	500160	2" FLANGE CLAMP, S.S.
10	1	500161	2"FLANGE-1"FLANGE COUPLER,POLY
11	2	500162	2" FLANGE-1 1/2 HOSE BARB POLY
12	1	500170	1" FLANGE-3/4" HOSE BARB POLY
13	2	500174	1" FLANGE-90-1" FLANGE LBOPOLY
14	1	500175	1" FLANGE TEE POLY
15	2	500176	2" FLANGE CROSS POLY
16	1	500177	2" FLANGE-2" FLANGE CPLR POLY
17	2	500182	2" FLANGE-2"MNPT ADPTR S.S.
18	1	500185	1"FLANGE-90-3/4"HOSE BARB POLY
19	1	500189	2" FLANGE-90-1" HOSE BARB POLY
20	1	500225	2"FLANGE-45-2"FLANGE LBO POLY
21	2	520087	HOSE CLAMP NO 20 STAINLESS
22	1	601463	HOSE, 1 X 4 2BR BLK EPDM
23	2	618241	3/4MJIC-90-3/4MOR LBO
24	2	618609	3/4MJIC-90-3/4FJIC SWIV LBO
25	1	690488	1.00 CHECK VLV, SPRING LOADED
26	1	690552	FLOMAX 8, 2" PUMP
27	1	690628	LINE "Y" STRAINER, 2" FLANGE
28	1	690629	50 MESH SCREEN FOR 690628
29	1	690660	LINE "T" STRAINER, 1" FLANGE
30	1	690661	50 MESH SCREEN FOR 690660
31	2	696176	ELECT BALL VLV,2"FLANGE BANJO
32	2	696177	ELECT BALL VLV,1"FLANGE TJET
33	1	690530	2" SOLU PUMP MT WLD 95
34	4	900066	5/16UNC X 1 1/4 HEX BOLT
35	3	900129	3/8UNC X 1" HEX BOLT
36	4	914002	5/16UNC HEX STOVER NUT
37	3	914004	3/8UNC HEX STOVER NUT
38	2	920002	3/8 SAE FLAT WASHER
39	2	520055	HOSE CLAMP NO 12 STAINLESS
40	2	520133	1.81/2.06 T-BOLT HOSE CLAMP SS
41	1	520138	1.38/1.56 T-BOLT HOSE CLAMP
42	1	520141	2.31/2.62 T-BOLT HOSE CLAMP SS
43	1	696201	ADAPTER, 2IN MALE FOR 696200
44	1	690623	CAP FOR 2.00 MALE COUPLER POLY
45	1	690392	PLUG FOR 2.00 FEMALE COUPLER
46	1	696210	2.00 HOSE BARB-FEMALE COUPLER



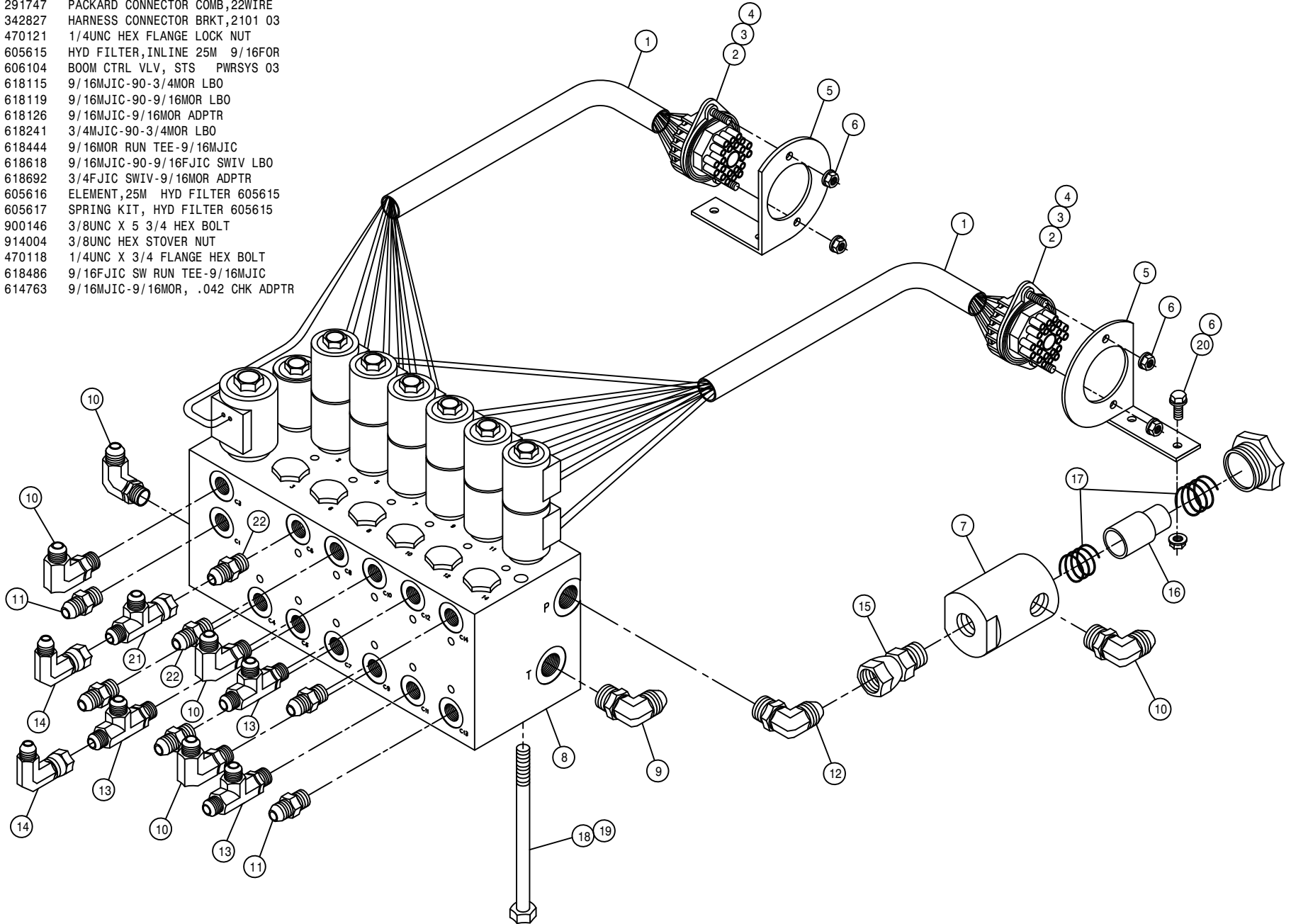
REAR WHEEL NOZZLE ASSEMBLY

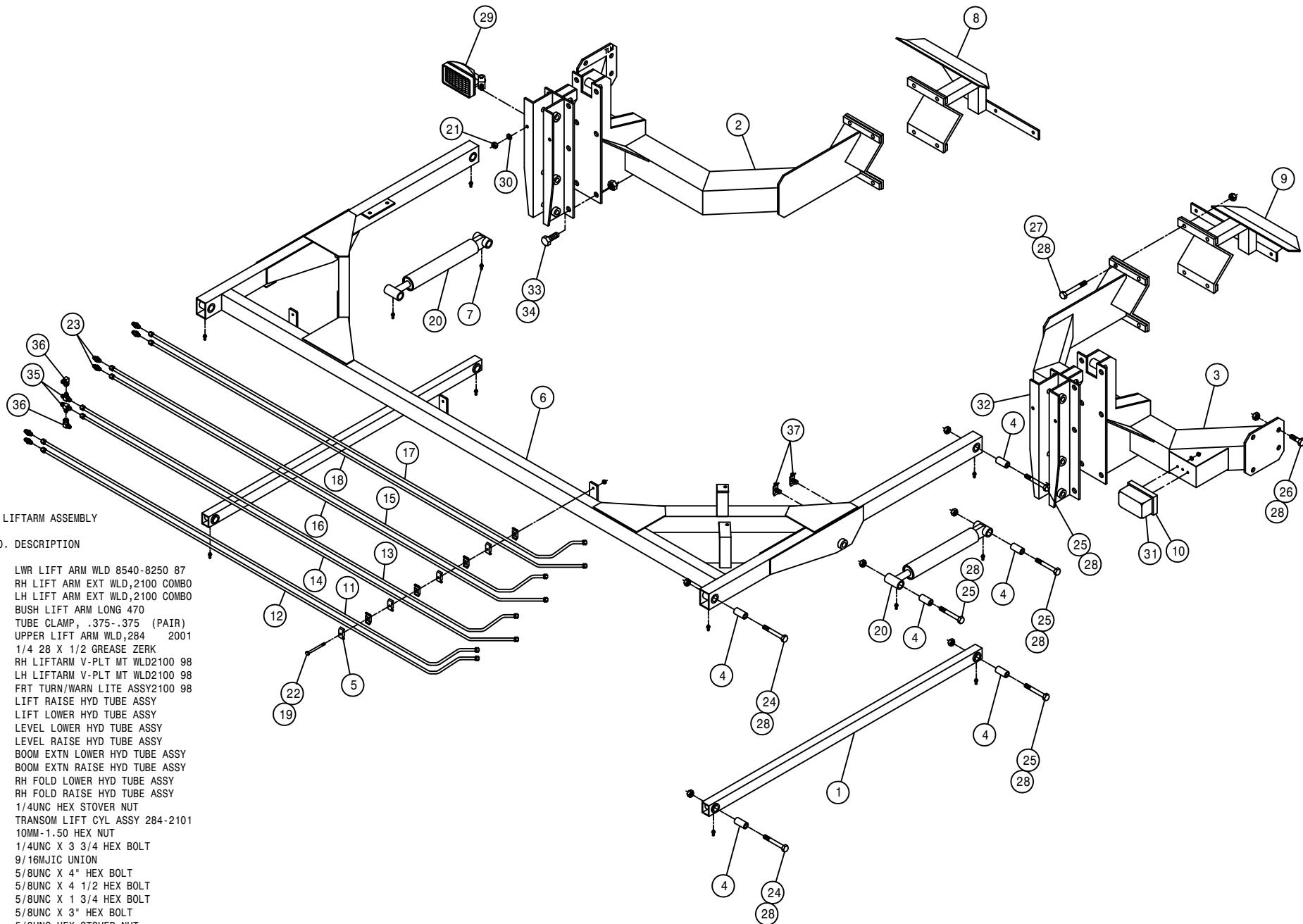
DET.	QTY	PART NO.	DESCRIPTION
1	2	164676	NOZL SHIELD, REAR WHEEL 00
2	1	164723	VALVE MT,REAR NOZL 284/2100 03
3	1	164695	RH REAR NOZL MT WLD,284XP/2100
4	1	164697	LH REAR NOZL MT WLD,2100
5	1	500120	1/2" HOSE BARB TEE, POLY
6	2	737824	QUICK TEEJET SEAT GASKET
7	2	737827	QUICK TJET LBO,1-TIP BODY .50
8	2	713340	1/2NPT-1/2 HOSE BARB, POLY
9	2	900066	5/16UNC X 1 1/4 HEX BOLT
10	10	520070	HOSE CLAMP NO 8 STAINLESS
11	1	601564	HOSE, 1/2 X 174 1BR BLK EPDM
12	1	601162	HOSE, 1/2 X 60 1BR BLK EPDM
13	1	601432	HOSE, 1/2 X 130 1BR BLK EPDM
14	1	601568	HOSE, 1/2 X 282 1BR BLK EPDM
15	2	629727	FINISH PLUG FOR 1"SQ X 16 GA
16	2	900265	1/2UNC X 1 1/2 HEX BOLT
17	1	696082	BALL VALVE 1/2FNPT POLY
18	2	737817	NOZL MT CLMP,1.00 SQ SS,Q-TJET
19	2	737822	CAP SET, YELLOW QUICK TEEJET
20	1	696233	.50 HOSE BARB-FEMALE COUPLER
21	1	696234	.50 HOSE BARB-MALE COUPLER
22	1	696204	PLUG FOR .50/.75 FEM COUPLER

BOOM CONTROL VALVE ASSEMBLY

DET. QTY PART NO. DESCRIPTION

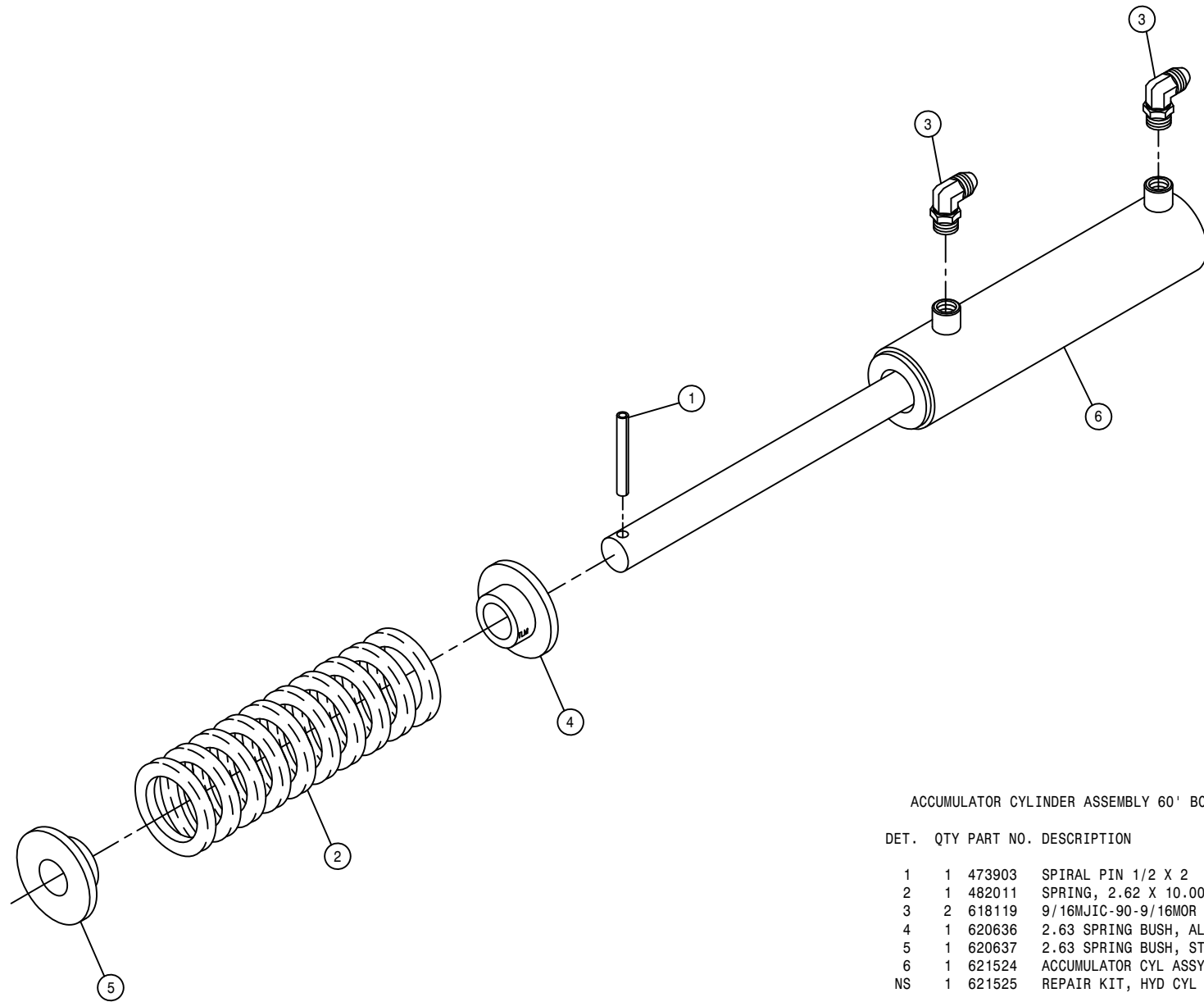
1	2	192514	1.00 ID CORRGTD LOOM, BLK POLY
2	16	291621	PACKARD CONNECT CAVITY PLUG
3	2	291746	PACKARD CONNECT, 22WIRE TOWER
4	4	291747	PACKARD CONNECTOR COMB, 22WIRE
5	2	342827	HARNESS CONNECTOR BRKT, 2101 03
6	8	470121	1/4UNC HEX FLANGE LOCK NUT
7	1	605615	HYD FILTER, INLINE 25M 9/16FOR
8	1	606104	BOOM CTRL VLV, STS PWRSYS 03
9	1	618115	9/16MJIC-90-3/4MOR LBO
10	5	618119	9/16MJIC-90-9/16MOR LBO
11	5	618126	9/16MJIC-9/16MOR ADPTR
12	1	618241	3/4MJIC-90-3/4MOR LBO
13	3	618444	9/16MOR RUN TEE-9/16MJIC
14	2	618618	9/16MJIC-90-9/16FJIC SWIV LBO
15	1	618692	3/4FJIC SWIV-9/16MOR ADPTR
16	1	605616	ELEMENT, 25M HYD FILTER 605615
17	1	605617	SPRING KIT, HYD FILTER 605615
18	2	900146	3/8UNC X 5 3/4 HEX BOLT
19	2	914004	3/8UNC HEX STOVER NUT
20	4	470118	1/4UNC X 3/4 FLANGE HEX BOLT
21	1	618486	9/16FJIC SW RUN TEE-9/16MJIC
22	2	614763	9/16MJIC-9/16MOR, .042 CHK ADPTR





COMBO LIFTARM ASSEMBLY

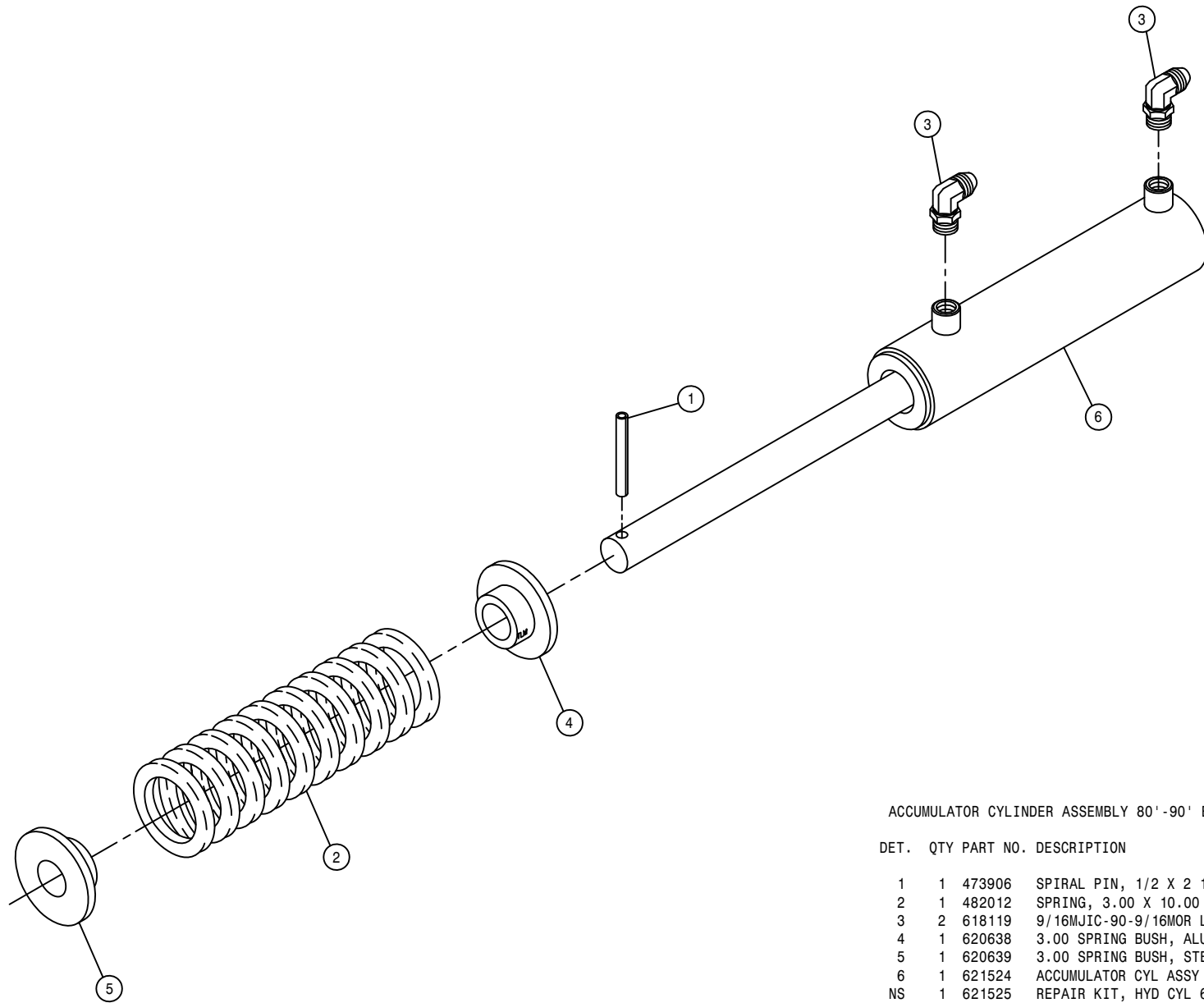
DET.	QTY	PART NO.	DESCRIPTION
1	2	160471	LWR LIFT ARM WLD 8540-8250 87
2	1	164405	RH LIFT ARM EXT WLD,2100 COMBO
3	1	164406	LH LIFT ARM EXT WLD,2100 COMBO
4	12	160691	BUSH LIFT ARM LONG 470
5	12	470287	TUBE CLAMP, .375-.375 (PAIR)
6	1	164651	UPPER LIFT ARM WLD,284 2001
7	12	471005	1/4 28 X 1/2 GREASE ZERK
8	1	164364	RH LIFTARM V-PLT MT WLD2100 98
9	1	164365	LH LIFTARM V-PLT MT WLD2100 98
10	2	293404	FRT TURN/WARN LITE ASSY2100 98
11	1	615761	LIFT RAISE HYD TUBE ASSY
12	1	615762	LIFT LOWER HYD TUBE ASSY
13	1	615764	LEVEL LOWER HYD TUBE ASSY
14	1	615763	LEVEL RAISE HYD TUBE ASSY
15	1	615767	BOOM EXTN LOWER HYD TUBE ASSY
16	1	615766	BOOM EXTN RAISE HYD TUBE ASSY
17	1	615769	RH FOLD LOWER HYD TUBE ASSY
18	1	615768	RH FOLD RAISE HYD TUBE ASSY
19	3	914000	1/4UNC HEX STOVER NUT
20	2	621207	TRANSOM LIFT CYL ASSY 284-2101
21	2	473779	10MM-1.50 HEX NUT
22	3	900013	1/4UNC X 3 3/4 HEX BOLT
23	6	619010	9/16MJIC UNION
24	4	900342	5/8UNC X 4" HEX BOLT
25	8	900343	5/8UNC X 4 1/2 HEX BOLT
26	8	900334	5/8UNC X 1 3/4 HEX BOLT
27	8	900338	5/8UNC X 3" HEX BOLT
28	28	914010	5/8UNC HEX STOVER NUT
29	2	293402	HEADLIGHT ASSY, 2100 98
30	2	470100	3/8 INT TOOTH LOCK WASHER
31	1	291669	YELLOW LENS FOR 291668
32	2	164414	LIFT ARM MT WLD, 2100 COMBO 99
33	12	900403	3/4UNC X 2" HEX BOLT
34	12	914012	3/4UNC HEX STOVER NUT
35	2	618019	9/16MJIC UNION TEE
36	2	618618	9/16MJIC-90-9/16FJIC SWIV LBO
37	2	470356	MTG CLIP, PACKARD CONNECTOR



ACCUMULATOR CYLINDER ASSEMBLY 60' BOOM

DET.	QTY	PART NO.	DESCRIPTION	
	1	473903	SPIRAL PIN 1/2 X 2	640
	1	482011	SPRING, 2.62 X 10.00 COMPRSN	
	2	618119	9/16MJCIC-90-9/16MOR LBO	
	4	620636	2.63 SPRING BUSH, ALUM	96
	5	620637	2.63 SPRING BUSH, STEEL	96
	6	621524	ACCUMULATOR CYL ASSY	
NS	1	621525	REPAIR KIT, HYD CYL 621524	

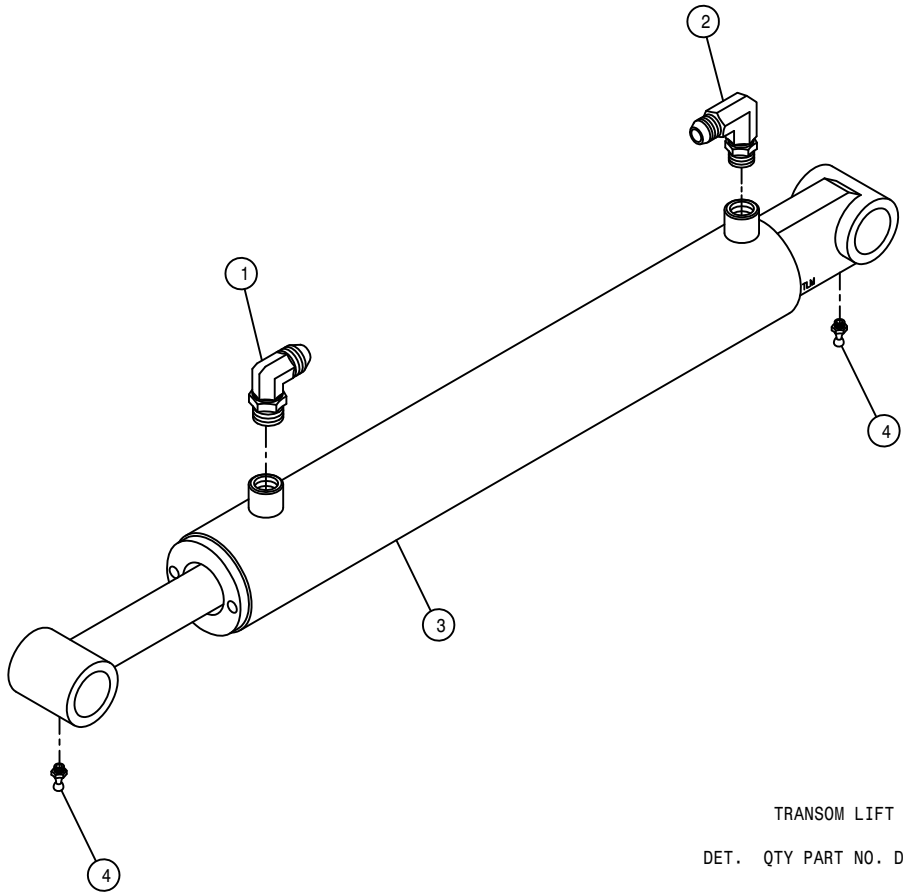
NOTE: 621211 - ACCUMULATOR CYLINDER ASSEMBLY



ACCUMULATOR CYLINDER ASSEMBLY 80' -90' BOOM

DET.	QTY	PART NO.	DESCRIPTION	
	1	473906	SPIRAL PIN, 1/2 X 2 1/2 LG	
	1	482012	SPRING, 3.00 X 10.00 COMPRSN	
	2	618119	9/16MJIC-90-9/16MOR LBO	
	1	620638	3.00 SPRING BUSH, ALUM	96
	1	620639	3.00 SPRING BUSH, STEEL	96
	1	621524	ACCUMULATOR CYL ASSY	
NS	1	621525	REPAIR KIT, HYD CYL 621524	

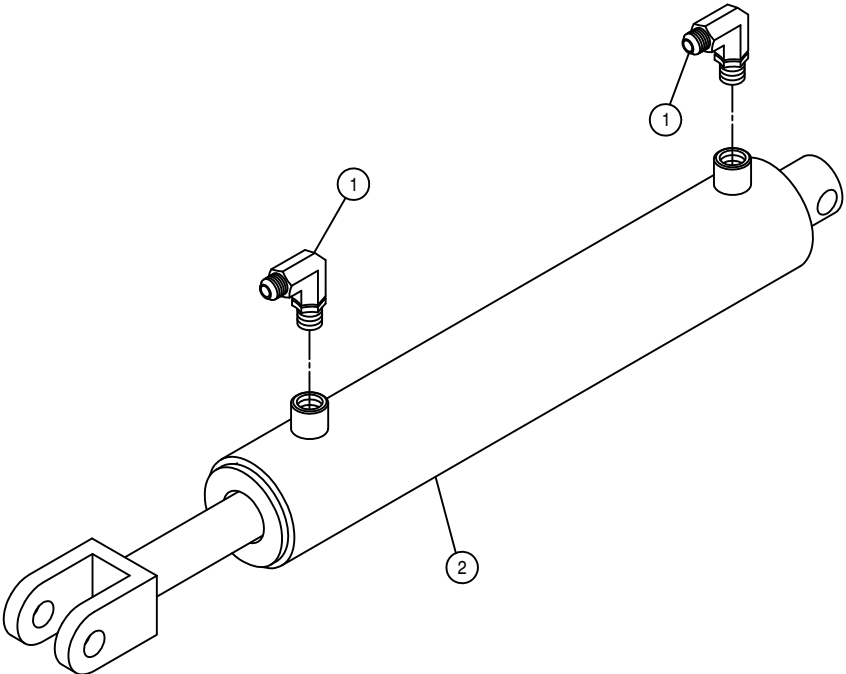
NOTE: 621212 - ACCUMULATOR CYLINDER ASSEMBLY



TRANSOM LIFT CYLINDER ASSEMBLY

DET.	QTY	PART NO.	DESCRIPTION
	1	618119	9/16MJIC-90-9/16MOR LBO
	1	618689	9/16MOR-90-9/16MJ .042 CHK VLV
	1	621518	TRANSOM LIFT CYL ASSY
	4	471005	1/4 28 X 1/2 GREASE ZERK
	NS	621519	REPAIR KIT, HYD CYL 621518

NOTE: 621207 - TRANSOM LIFT CYLINDER ASSEMBLY WITH FITTINGS

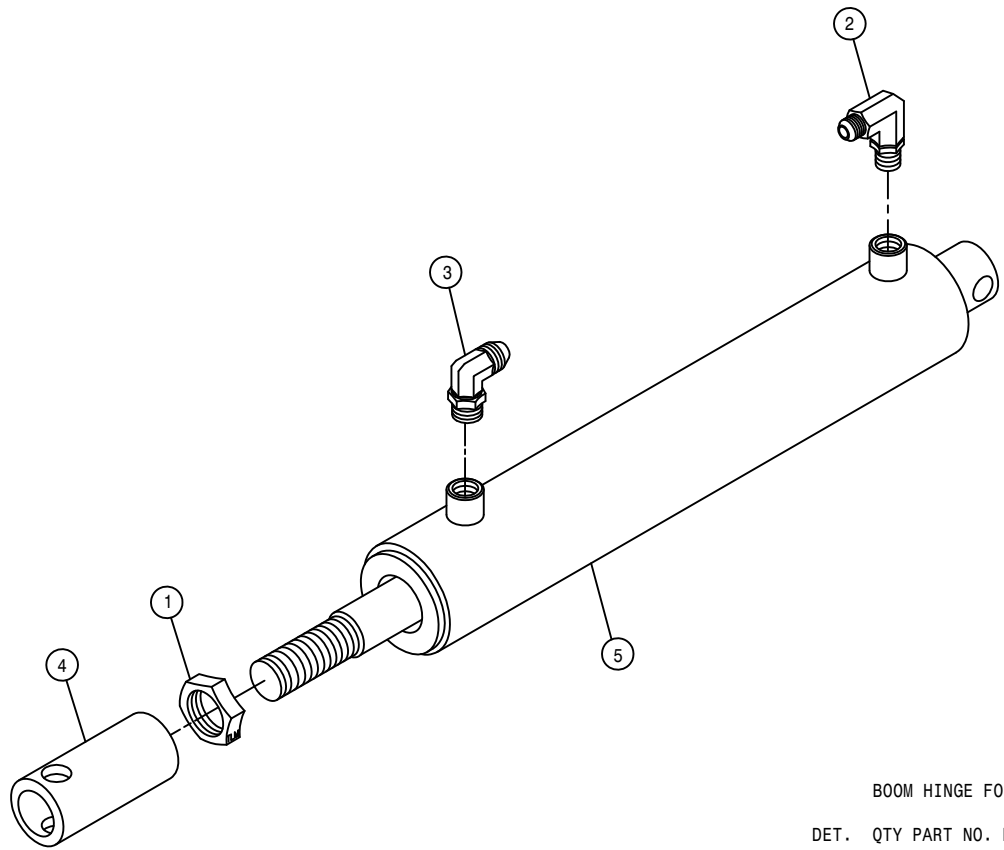


BOOM LEVEL CYLINDER ASSEMBLY

DET. QTY PART NO. DESCRIPTION

1	2	618119	9/16MJIC-90-9/16MOR LBO
2	1	621522	BOOM LEVEL CYL ASSY
NS	1	621523	REPAIR KIT, HYD CYL 621522

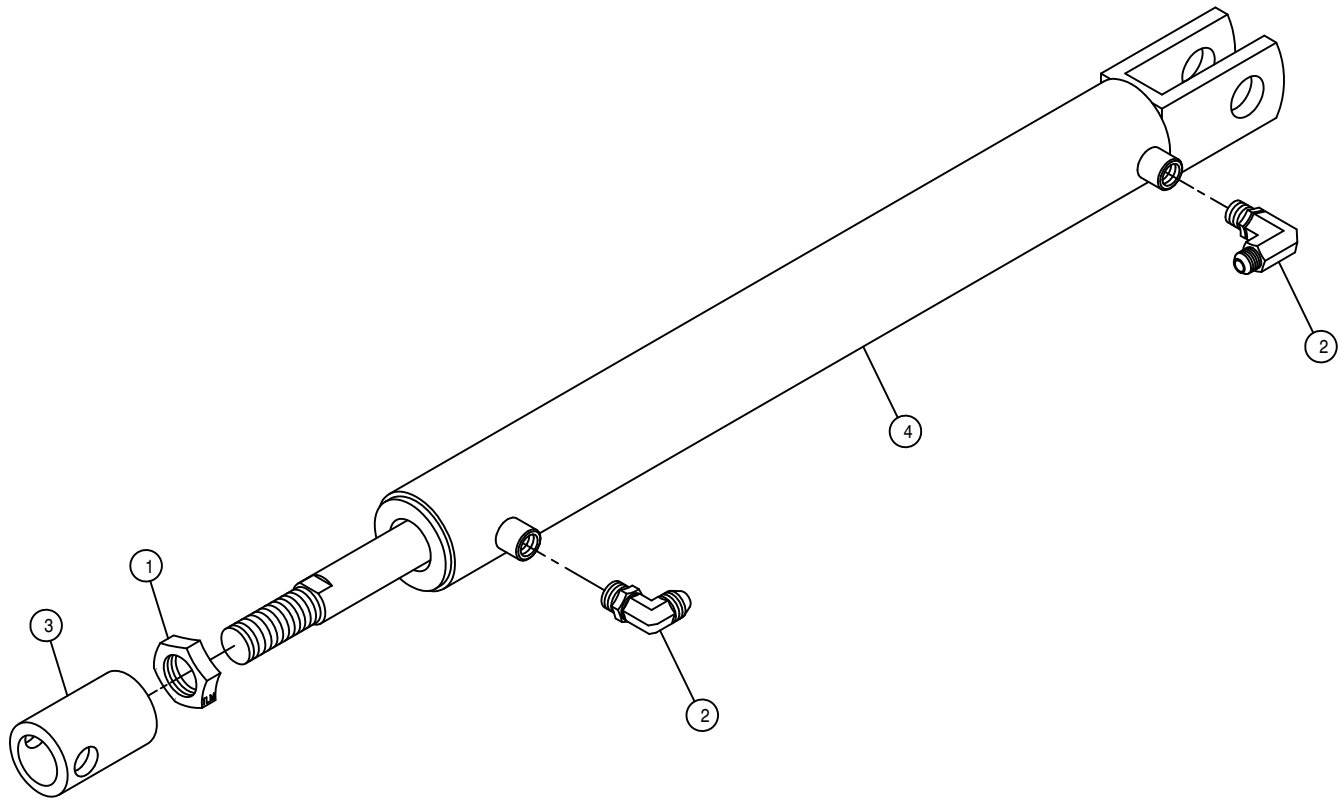
NOTE: 621210 - BOOM LEVEL CYLINDER ASSEMBLY WITH FITTINGS



BOOM HINGE FOLD CYLINDER ASSEMBLY

DET.	QTY	PART NO.	DESCRIPTION
	1	472322	7/8-14 UNF HEX JAM NUT
	1	614750	.042 ELBOW ASSY,9/16MOR 90D
	1	618688	9/16MOR-90-9/16MJ .025 CHK VLV
	1	620653	FOLD CYL ADJ SLEEVE 97
	1	621520	BOOM HINGE FOLD CYL ASSY
NS	1	621521	REPAIR KIT, HYD CYL 621520

NOTE: 621208 - BOOM HINGE FOLD CYLINDER ASSEMBLY WITH FITTINGS

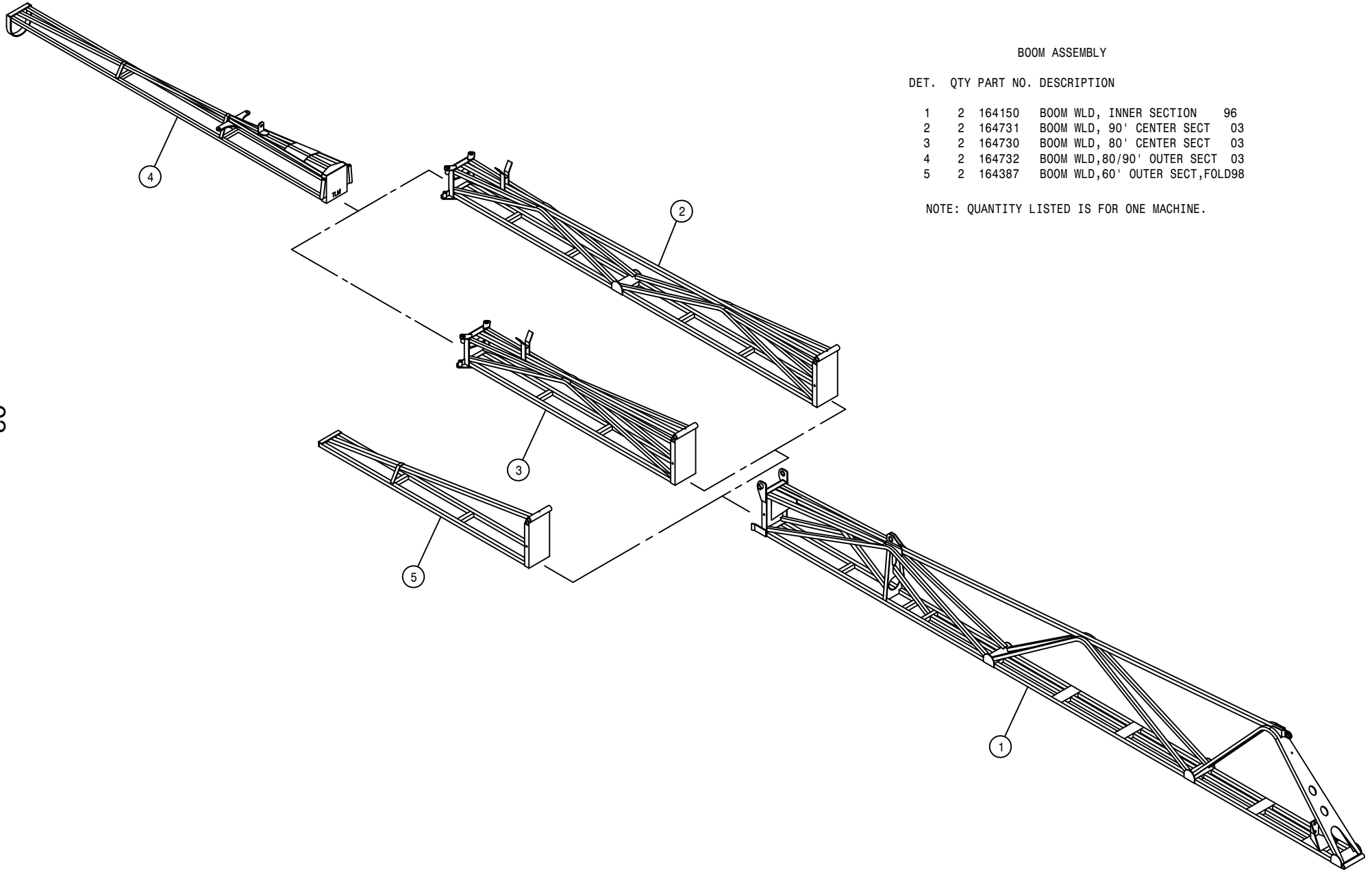


BOOM CENTER SECTION FOLD CYLINDER ASSEMBLY

DET. QTY PART NO. DESCRIPTION

1	1	472328	1" - 12 HEX JAM NUT
2	2	614750	.042 ELBOW ASSY, 9/16MOR 90D
3	1	620681	CENTER FOLD CYL ADJ SLEEVE 12T
4	1	621526	BOOM CNTR SECT CYL ASSY (12T)
NS	1	621527	REPAIR KIT, HYD CYL 621526

NOTE: 621213 - BOOM CNTR SECT FOLD CYLINDER ASSEMBLY WITH FITTINGS

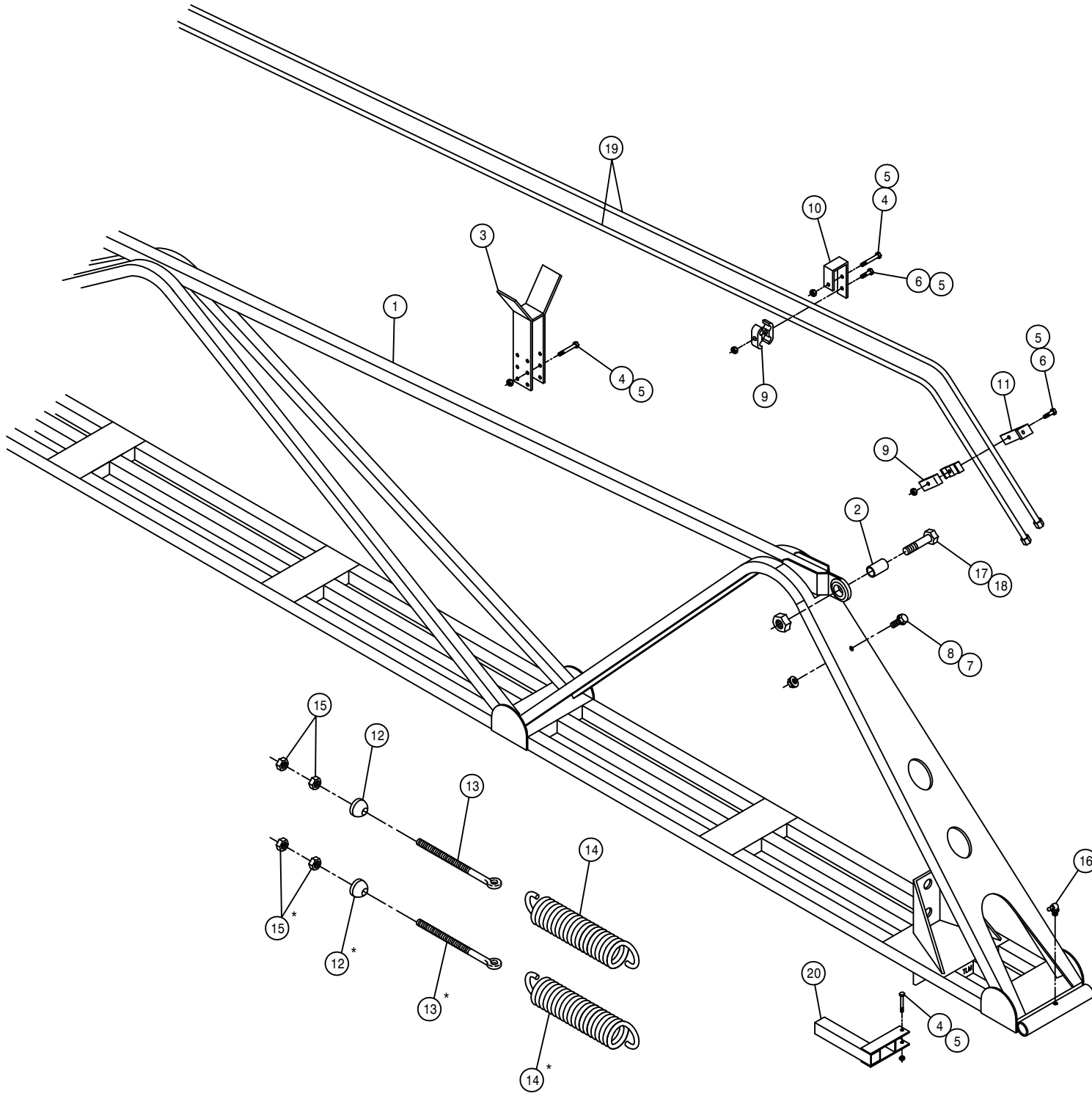


BOOM ASSEMBLY

DET. QTY PART NO. DESCRIPTION

1	2	164150	BOOM WLD, INNER SECTION	96
2	2	164731	BOOM WLD, 90' CENTER SECT	03
3	2	164730	BOOM WLD, 80' CENTER SECT	03
4	2	164732	BOOM WLD, 80/90' OUTER SECT	03
5	2	164387	BOOM WLD, 60' OUTER SECT, FOLD98	

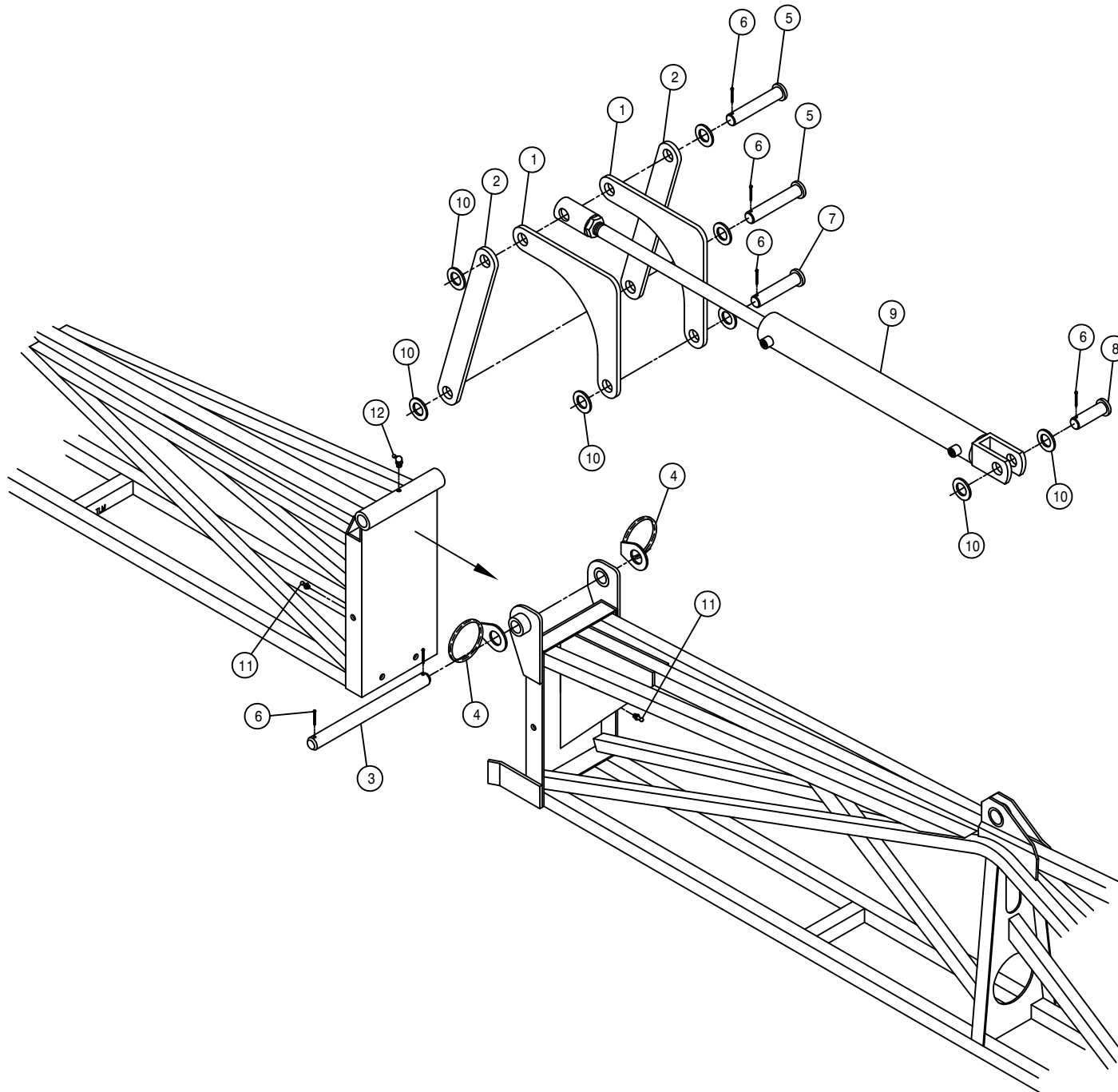
NOTE: QUANTITY LISTED IS FOR ONE MACHINE.



INNER BOOM ASSEMBLY

DET.	QTY	PART NO.	DESCRIPTION	
1	2	164150	BOOM WLD, INNER SECTION	96
2	2	164227	BOOM BALL JOINT BUSH	96
3	2	164266	OUTER BOOM SUPP WLD,80/90'	96
4	18	900007	1/4UNC X 2" HEX BOLT	
5	28	914000	1/4UNC HEX STOVER NUT	
6	10	900004	1/4UNC X 1 1/4 HEX BOLT	
7	2	470121	1/4UNC HEX FLANGE LOCK NUT	
8	2	470118	1/4UNC X 3/4 FLANGE HEX BOLT	
9	10	470287	TUBE CLAMP, .375-.375 (PAIR)	
10	8	164242	HYD TUBE HANGER CLEVIS,BOOM96	
11	2	164243	HYD TUBE HANGER ANGLE,BOOM 96	
12	4	164263	SWIVEL, 5/8 BOOM EYEBOLT	
13	4	164265	5/8UNC X 7 1/2 EYE BOLT	
14	4	482014	SPRING,3.25 X 11.50 EXTENSION	
15	8	910010	5/8UNC HEX NUT	
16	2	471028	GREASE ZERK, 1/4-28 90DEG	
17	2	900844	5/8UNC X 2 3/4 HEX BOLT GR8	
18	2	914010	5/8UNC HEX STOVER NUT	
19	4	615684	HYD TUBE ASSY,BOOM EXT FOLD96	
20	2	164275	NOZL MT WLD	96

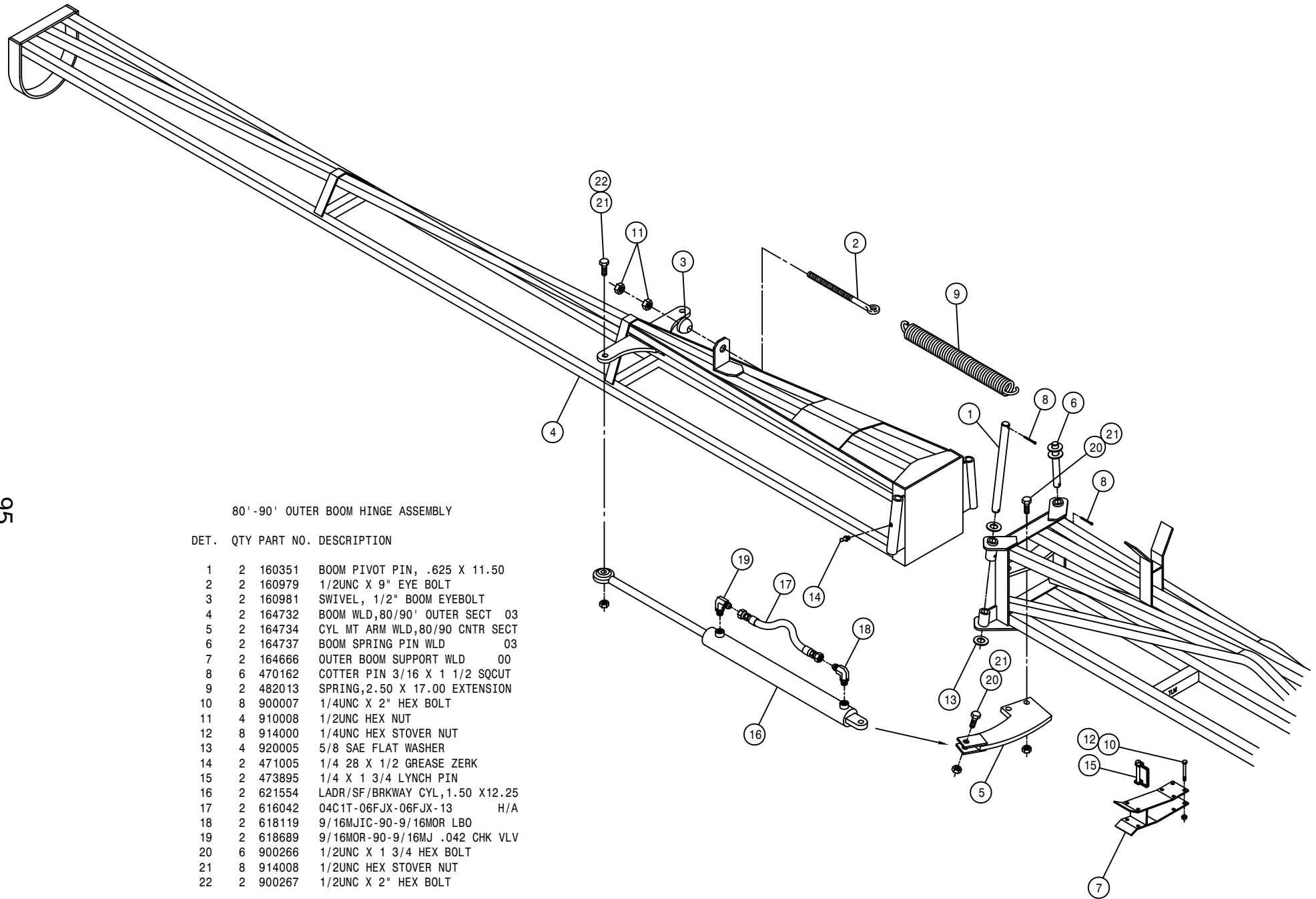
NOTE: QUANTITY LISTED IS FOR ONE MACHINE.
 *60 FOOT BOOM USES ONE SPRING SETUP.



80' -90' BOOM HINGE PIVOT ASSEMBLY

DET.	QTY	PART NO.	DESCRIPTION
	4	164228	FOLDING LINK, INNER BOOM 96
	4	164229	FOLDING LINK, BOOM CNTR SECT96
	2	164231	BOOM PIN, 1.00 X 11.75 96
	4	438302	HOSE SUPPORT RING WLD
	4	470155	CLEVIS PIN, 1.00 X 4.00 PLT
	12	470162	COTTER PIN 3/16 X 1 1/2 SQ CUT
	2	472012	CLEVIS PIN, 1.00 X 3.25 PLT
	2	472270	CLEVIS PIN, 1.00 X 2.50 PLT
	2	621213	BOOM CNTR SECT CYL ASSY(12T)04
	16	920008	1" SAE FLAT WASHER
	4	471005	1/4 28 X 1/2 GREASE ZERK
	2	471028	GREASE ZERK, 1/4-28 90DEG

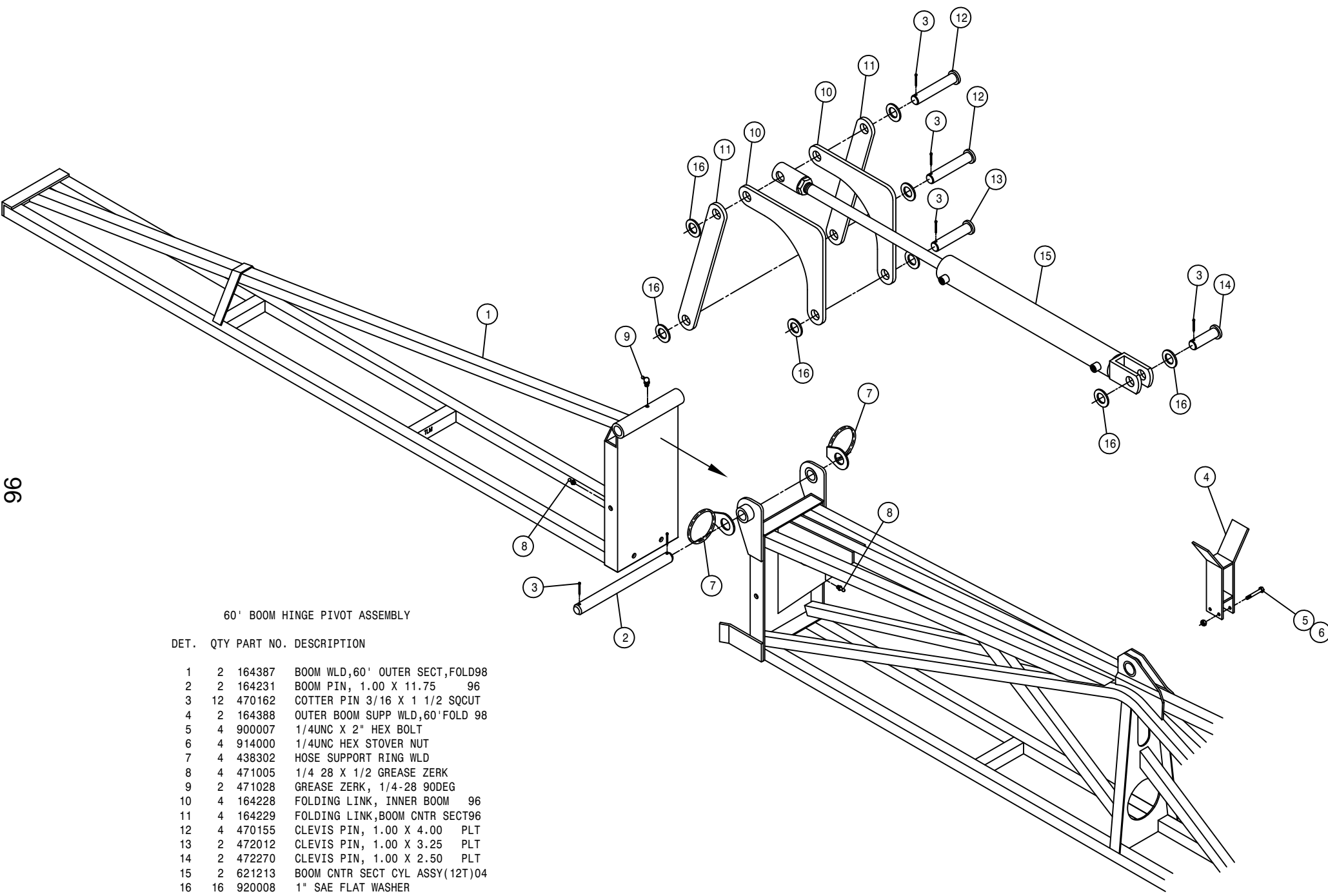
NOTE: QUANTITY LISTED IS FOR ONE MACHINE.



80'-90' OUTER BOOM HINGE ASSEMBLY

DET.	QTY	PART NO.	DESCRIPTION
1	2	160351	BOOM PIVOT PIN, .625 X 11.50
2	2	160979	1/2UNC X 9" EYE BOLT
3	2	160981	SWIVEL, 1/2" BOOM EYEBOLT
4	2	164732	BOOM WLD,80/90' OUTER SECT 03
5	2	164734	CYL MT ARM WLD,80/90 CNTR SECT
6	2	164737	BOOM SPRING PIN WLD 03
7	2	164666	OUTER BOOM SUPPORT WLD 00
8	6	470162	COTTER PIN 3/16 X 1 1/2 SQCUT
9	2	482013	SPRING,2.50 X 17.00 EXTENSION
10	8	900007	1/4UNC X 2" HEX BOLT
11	4	910008	1/2UNC HEX NUT
12	8	914000	1/4UNC HEX STOVER NUT
13	4	920005	5/8 SAE FLAT WASHER
14	2	471005	1/4 28 X 1/2 GREASE ZERK
15	2	473895	1/4 X 1 3/4 LYNCH PIN
16	2	621554	LADR/SF/BRKWAY CYL,1.50 X12.25
17	2	616042	O4C1T-06FJX-06FJX-13 H/A
18	2	618119	9/16MJIC-90-9/16MOR LBO
19	2	618689	9/16MOR-90-9/16MJ .042 CHK VLV
20	6	900266	1/2UNC X 1 3/4 HEX BOLT
21	8	914008	1/2UNC HEX STOVER NUT
22	2	900267	1/2UNC X 2" HEX BOLT

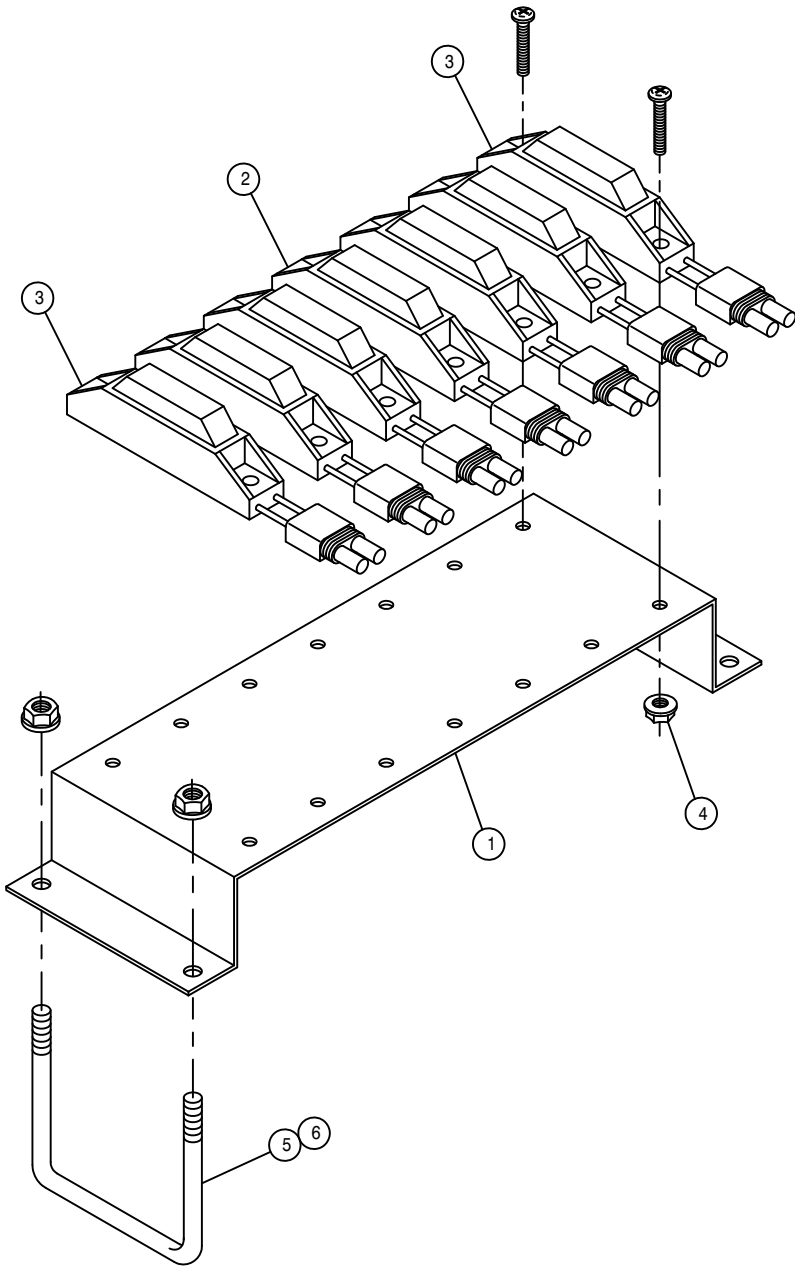
NOTE: 1. QUANTITY LISTED IS FOR ONE MACHINE.
 2. 621035 - BOOM BREAKAWAY CYLINDER ASSEMBLY.



60' BOOM HINGE PIVOT ASSEMBLY

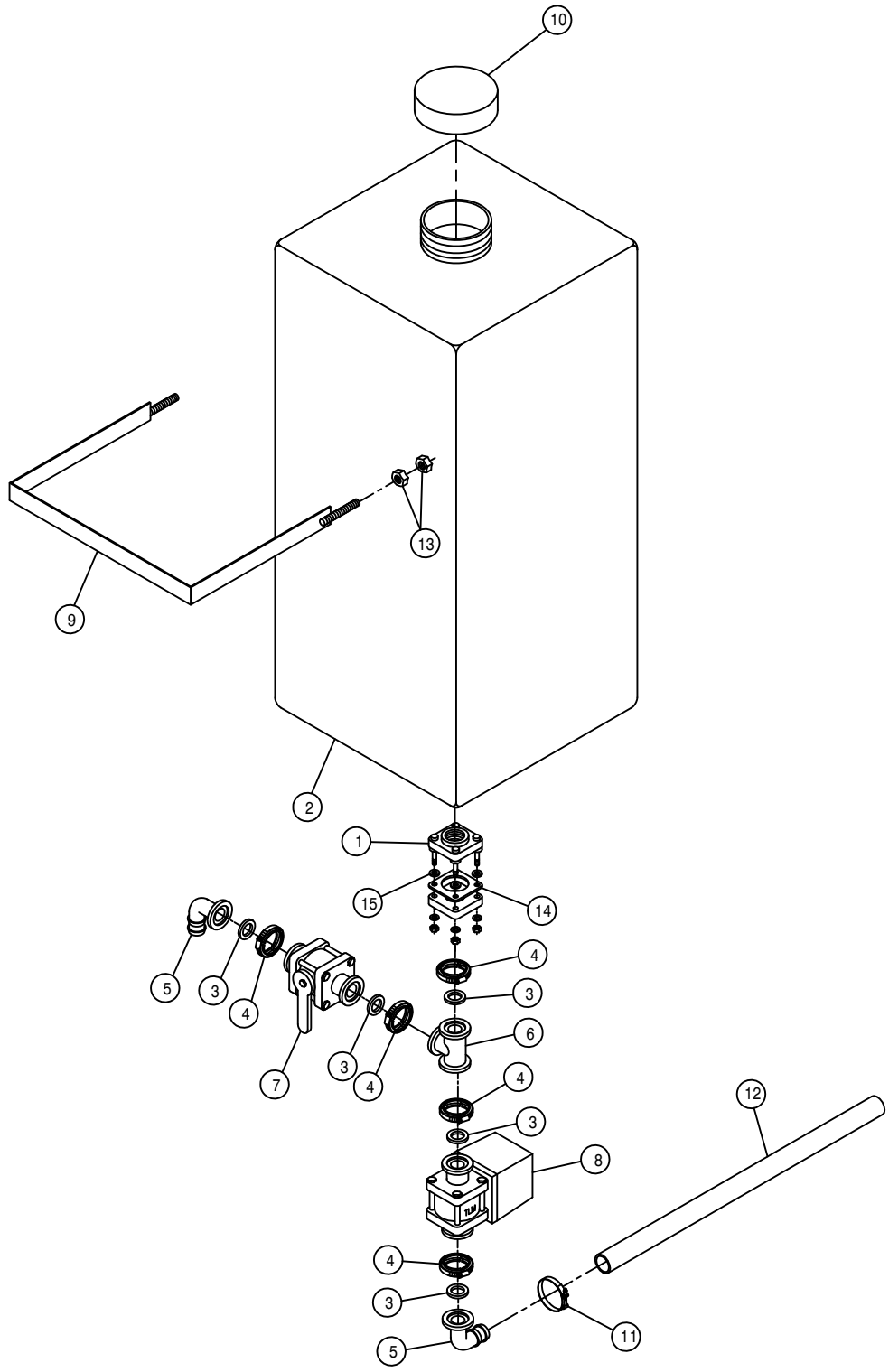
DET.	QTY	PART NO.	DESCRIPTION
	2	164387	BOOM WLD,60' OUTER SECT,FOLD98
	2	164231	BOOM PIN, 1.00 X 11.75 96
	12	470162	COTTER PIN 3/16 X 1 1/2 SQCUT
	2	164388	OUTER BOOM SUPP WLD,60' FOLD 98
	4	900007	1/4UNC X 2" HEX BOLT
	4	914000	1/4UNC HEX STOVER NUT
	4	438302	HOSE SUPPORT RING WLD
	4	471005	1/4 28 X 1/2 GREASE ZERK
	2	471028	GREASE ZERK, 1/4-28 90DEG
	4	164228	FOLDING LINK, INNER BOOM 96
	4	164229	FOLDING LINK,BOOM CNTR SECT96
	4	470155	CLEVIS PIN, 1.00 X 4.00 PLT
	2	472012	CLEVIS PIN, 1.00 X 3.25 PLT
	2	472270	CLEVIS PIN, 1.00 X 2.50 PLT
	2	621213	BOOM CNTR SECT CYL ASSY(12T)04
	16	920008	1" SAE FLAT WASHER

NOTE: QUANTITY LISTED IS FOR ONE MACHINE.



BOOM SECTION LIGHT ASSEMBLY

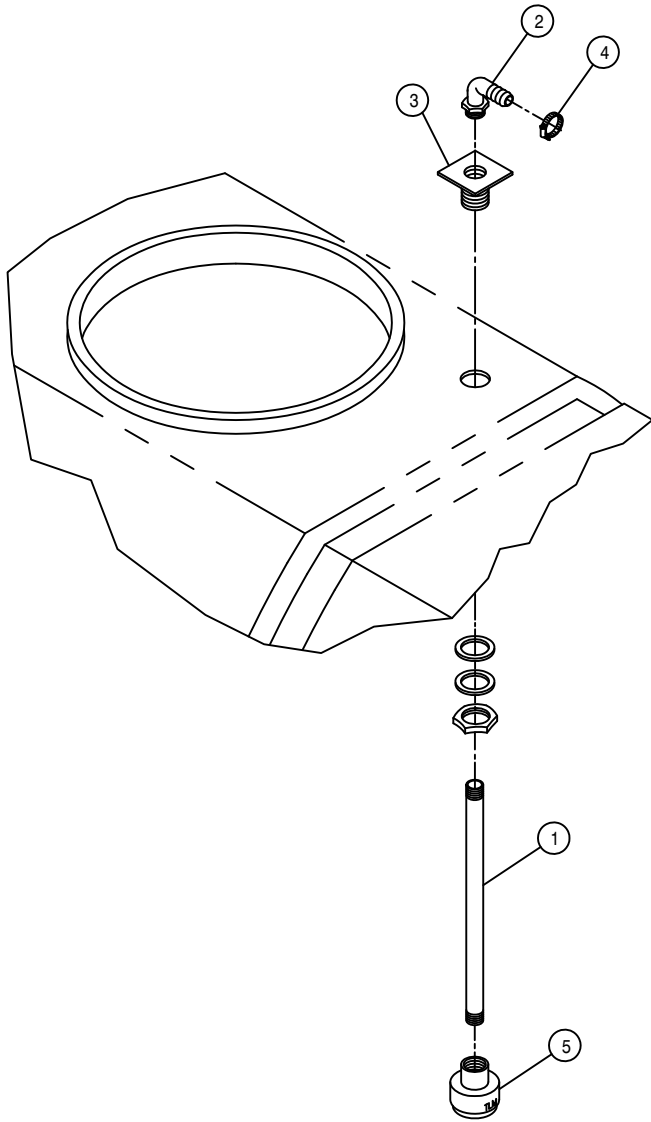
DET.	QTY	PART NO.	DESCRIPTION
1	1	164386	BOOM SECT ID LIGHT BRKT2100 98
2	5	293396	RED BOOM SECT ID LIGHT ASSY
3	2	293397	YELLOW BOOM SECT ID LIGHT ASSY
4	14	470175	10-32 HEX FLANGE LOCK NUT
5	2	473970	1/4UNC-1 1/16ID-2 3/4 U-BOLTSQ
6	4	470121	1/4UNC HEX FLANGE LOCK NUT



RINSE TANK ASSEMBLY

DET. QTY PART NO. DESCRIPTION

DET.	QTY	PART NO.	DESCRIPTION
1	1	500178	1"FLG TANK FTG,BOTDRN BLT POLY
2	1	763475	55 GAL TANK, RECTANGLE VERTICL
3	5	500157	1" FLANGE GASKET EPDM
4	5	500159	1" FLANGE CLAMP, S.S.
5	2	500173	1" FLANGE-90-1" HOSE BARB POLY
6	1	500175	1" FLANGE TEE POLY
7	1	696147	BALL VLV, 1" FLANGE
8	1	696177	ELECT BALL VLV,1"FLANGE TJET
9	1	342621	RINSE TANK BAND WLD, 2100 98
10	1	763474	LID, 55 GAL RINSE TANK 763475
11	1	520138	1.38/1.56 T-BOLT HOSE CLAMP
12	1	601425	HOSE, 1 X 192 2F-1W EPDM
13	4	910008	1/2UNC HEX NUT
14	1	500221	FULL GASKET,1" TANK FTG 500178
15	4	500222	FOOT GASKET,1" TANK FTG 500178



RINSE NOZZLE ASSEMBLY

DET.	QTY	PART NO.	DESCRIPTION
1	1	504850	CPVC PIPE NIPPLE .75NPT-24.00
2	2	500054	3/4NPT-90-3/4 HOSE BARB, POLY
3	2	618549	.75 PLASTIC FTG ASSY POLY TNK
4	2	520055	HOSE CLAMP NO 12 STAINLESS
5	2	737873	ROTARY NOZZLE, TEFLON

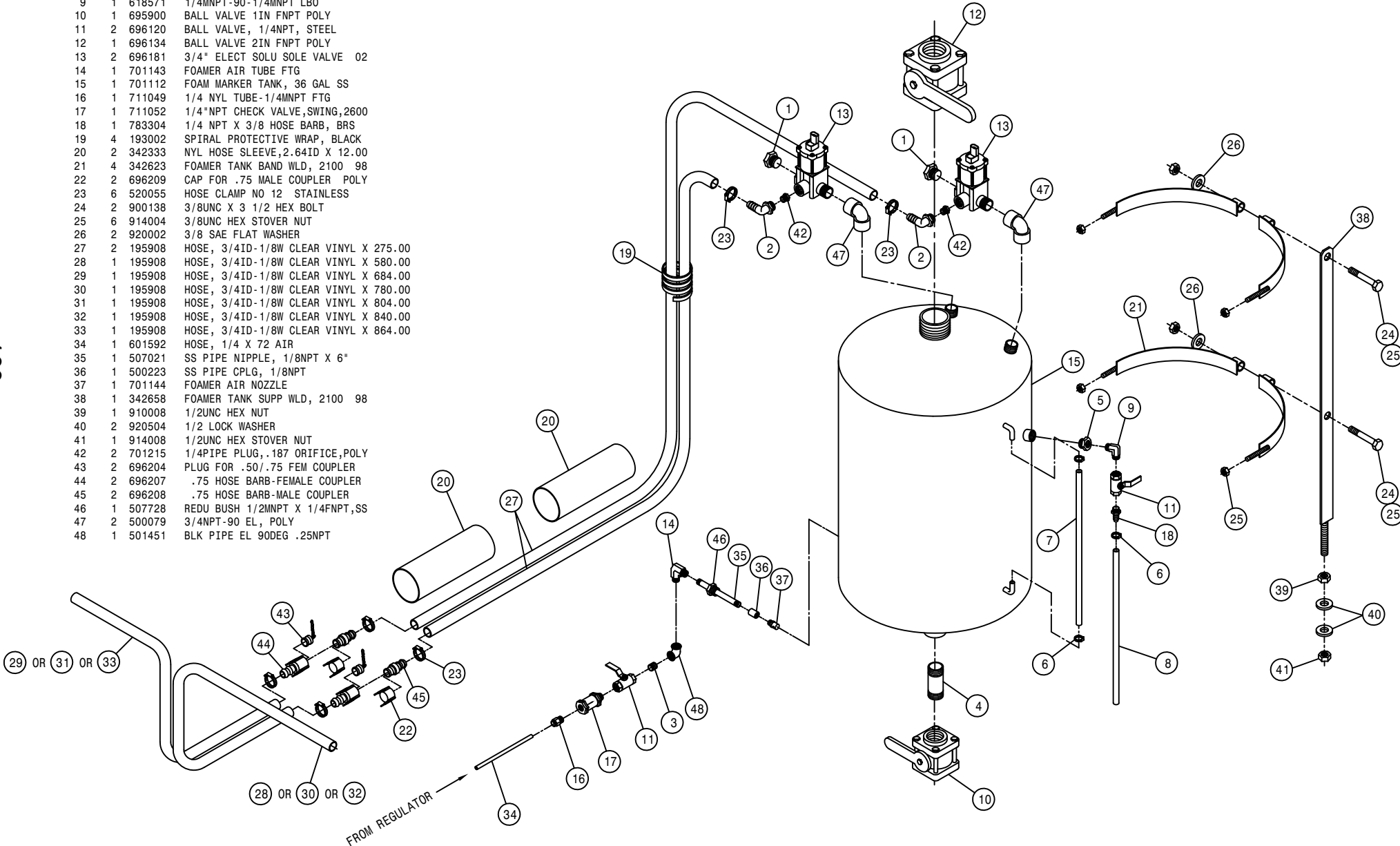
NOTE: QUANTITY LISTED IS FOR ONE MACHINE.

FOAM MARKER TANK ASSEMBLY

DET. QTY PART NO. DESCRIPTION

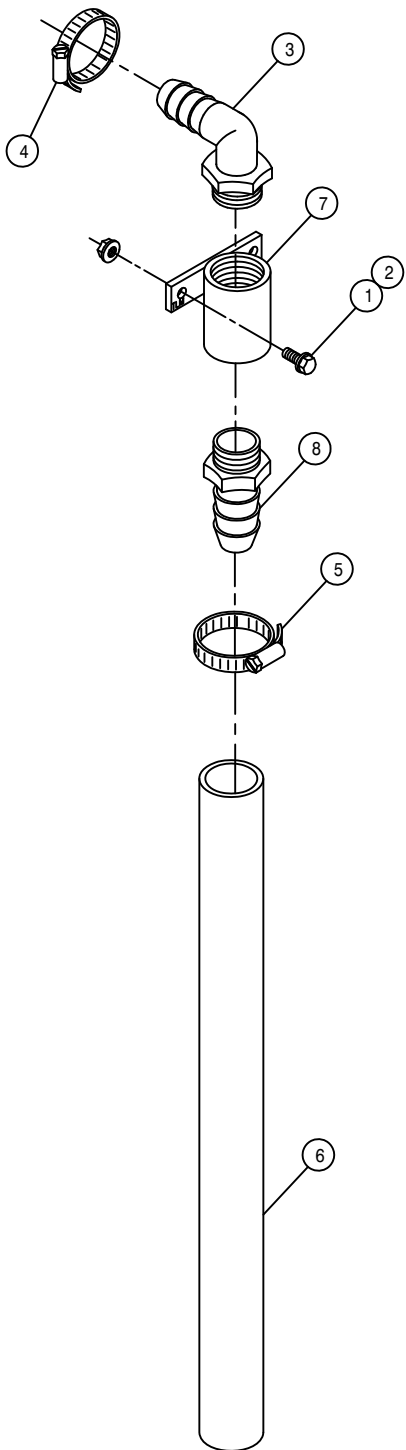
1	2	500043	3/4NPT PIPE PLUG, POLY
2	2	701214	1/2NPT-90-3/4HARB,1/4TAP,POLY
3	1	501601	CLOSE NIPPLE .25NPT
4	1	505205	BLK PIPE NIPPLE 1.00NPT-5.00
5	1	505211	3/8-1/4NPT REDU BUSH, BRS
6	3	520120	HOSE CLAMP NO 4 STAINLESS
7	1	601419	HOSE, 3/8 X 30 CLEAR VINYL
8	1	601420	HOSE, 3/8 X 48 CLEAR VINYL
9	1	618571	1/4MNPT-90-1/4MNPT LBO
10	1	695900	BALL VALVE 1IN FNPT POLY
11	2	696120	BALL VALVE, 1/4NPT, STEEL
12	1	696134	BALL VALVE 2IN FNPT POLY
13	2	696181	3/4" ELECT SOLU SOLE VALVE 02
14	1	701143	FOAMER AIR TUBE FTG
15	1	701112	FOAM MARKER TANK, 36 GAL SS
16	1	711049	1/4 NYL TUBE-1/4MNPT FTG
17	1	711052	1/4"NPT CHECK VALVE,SWING,2600
18	1	783304	1/4 NPT X 3/8 HOSE BARB, BRS
19	4	193002	SPIRAL PROTECTIVE WRAP, BLACK
20	2	342333	NYL HOSE SLEEVE,2.64ID X 12.00
21	4	342623	FOAMER TANK BAND WLD, 2100 98
22	2	696209	CAP FOR .75 MALE COUPLER POLY
23	6	520055	HOSE CLAMP NO 12 STAINLESS
24	2	900138	3/8UNC X 3 1/2 HEX BOLT
25	6	914004	3/8UNC HEX STOVER NUT
26	2	920002	3/8 SAE FLAT WASHER
27	2	195908	HOSE, 3/4ID-1/8W CLEAR VINYL X 275.00
28	1	195908	HOSE, 3/4ID-1/8W CLEAR VINYL X 580.00
29	1	195908	HOSE, 3/4ID-1/8W CLEAR VINYL X 684.00
30	1	195908	HOSE, 3/4ID-1/8W CLEAR VINYL X 780.00
31	1	195908	HOSE, 3/4ID-1/8W CLEAR VINYL X 804.00
32	1	195908	HOSE, 3/4ID-1/8W CLEAR VINYL X 840.00
33	1	195908	HOSE, 3/4ID-1/8W CLEAR VINYL X 864.00
34	1	601592	HOSE, 1/4 X 72 AIR
35	1	507021	SS PIPE NIPPLE, 1/8NPT X 6"
36	1	500223	SS PIPE CPLG, 1/8NPT
37	1	701144	FOAMER AIR NOZZLE
38	1	342658	FOAMER TANK SUPP WLD, 2100 98
39	1	910008	1/2UNC HEX NUT
40	2	920504	1/2 LOCK WASHER
41	1	914008	1/2UNC HEX STOVER NUT
42	2	701215	1/4PIPE PLUG, .187 ORIFICE,POLY
43	2	696204	PLUG FOR .50/.75 FEM COUPLER
44	2	696207	.75 HOSE BARB-FEMALE COUPLER
45	2	696208	.75 HOSE BARB-MALE COUPLER
46	1	507728	REDU BUSH 1/2MNPT X 1/4FNPT,SS
47	2	500079	3/4NPT-90 EL, POLY
48	1	501451	BLK PIPE EL 90DEG .25NPT

NOTE: 1. DETAIL 28 AND 29 ARE USED WITH THE 60 FT BOOM.
 2. DETAIL 30 AND 31 ARE USED WITH THE 80 FT BOOM.
 3. DETAIL 32 AND 33 ARE USED WITH THE 90 FT BOOM.



100

304100

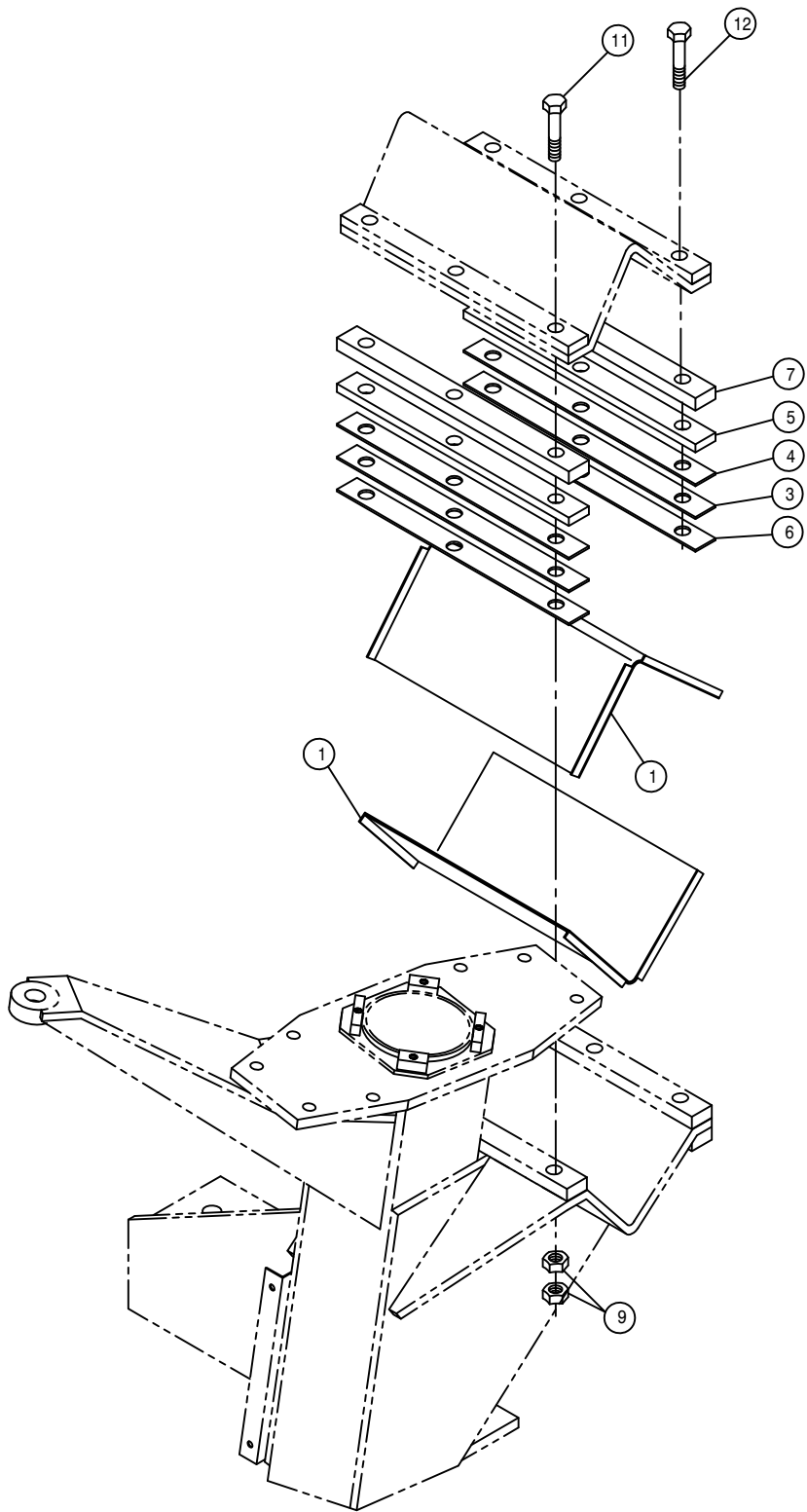


FOAMER DROP END ASSEMBLY

DET. QTY PART NO. DESCRIPTION

1	4	470118	1/4UNC X 3/4 FLANGE HEX BOLT
2	4	470121	1/4UNC HEX FLANGE LOCK NUT
3	2	500067	1 NPT-90-3/4 HOSE BARB, POLY
4	2	520055	HOSE CLAMP NO 12 STAINLESS
5	2	520085	HOSE CLAMP NO 24 STAINLESS
6	2	601367	HOSE, 1 1/4 X 24 2BR BLK EPDM
7	2	701102	FOAM MARKER DROP CPLR WELD
8	2	714561	1.00NPT-1.25 HOSE BARB

NOTE: QUANTITY LISTED IS FOR ONE MACHINE.

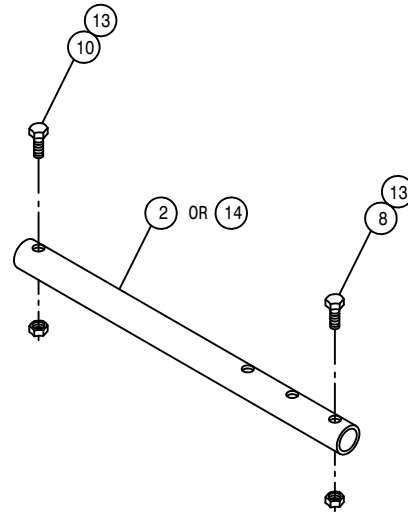


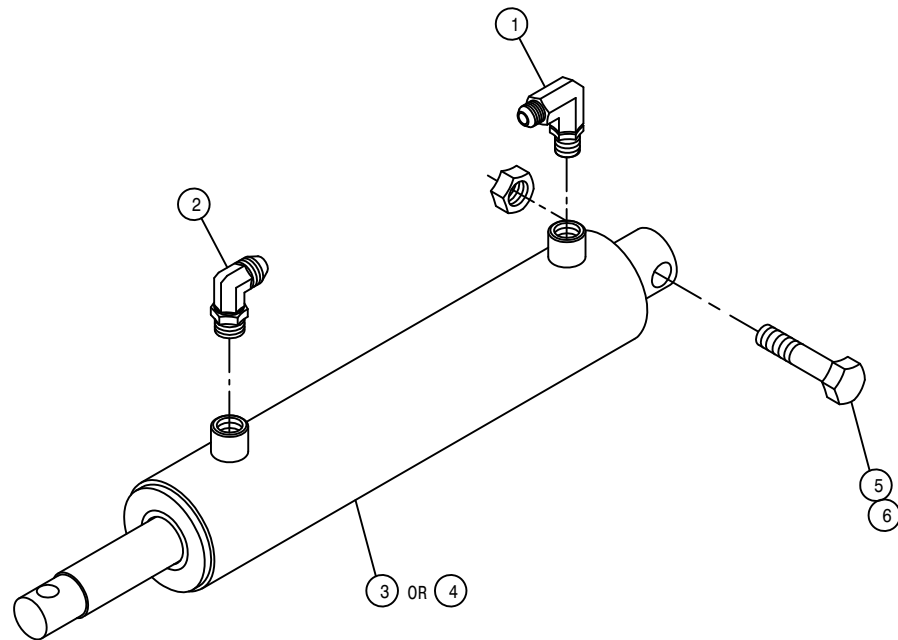
TREAD ADJUSTMENT ASSEMBLY

DET. QTY PART NO. DESCRIPTION

1	8	358703	TREAD ADJ XMBR BEARING ASSY	
2	4	358939	TREAD ADJ CYL EXT, 144" 2100 98	
3	16	358767	.025 LEG MT SHIM, 284T	94
4	4	358752	.074 LEG MT SHIM, 284T	94
5	8	358769	.250 LEG MT SHIM, 284T	94
6	8	358768	.037 LEG MT SHIM, 284T	94
7	8	358766	.375 LEG MT SPACER, 284T	94
8	4	900268	1/2UNC X 2 1/2 HEX BOLT	
9	48	914811	5/8UNF HEX NUT GR8	
10	4	900267	1/2UNC X 2" HEX BOLT	
11	12	900837	5/8UNF X 3 1/2 HEX BOLT GR8	
12	12	900838	5/8UNF X 4" HEX BOLT GR8	
13	8	914008	1/2UNC HEX STOVER NUT	
14	4	358944	TREAD ADJ CYL EXT, 154" 2100 98	

NOTE: QUANTITY LISTED IS FOR ONE MACHINE.



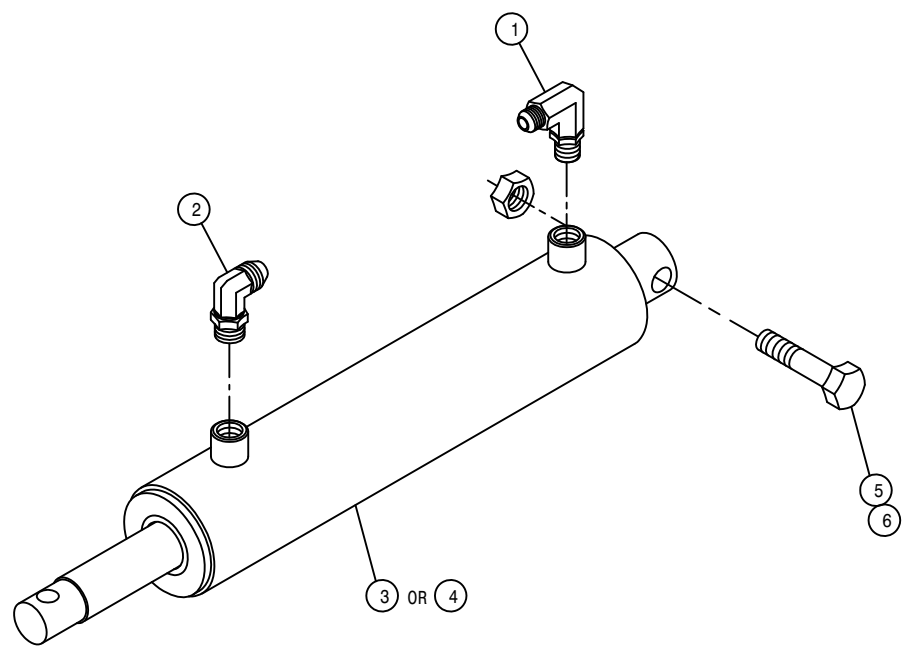


144" TREAD ADJUSTMENT LEG CYLINDER ASSEMBLY

DET. QTY PART NO. DESCRIPTION

1	1	614747	.025 ELBOW ASSY,9/16MOR 90D
2	1	618119	9/16MJIC-90-9/16MOR LBO
3	1	621536	LEG CYL,TRD ADJ,LH 284-RH 2100
4	1	621534	LEG CYL,TRD ADJ,RH 284-LH 2100
5	1	900268	1/2UNC X 2 1/2 HEX BOLT
6	1	914008	1/2UNC HEX STOVER NUT
NS	1	621535	REPAIR KIT, HYD CYL 621534
NS	1	621537	REPAIR KIT, HYD CYL 621536

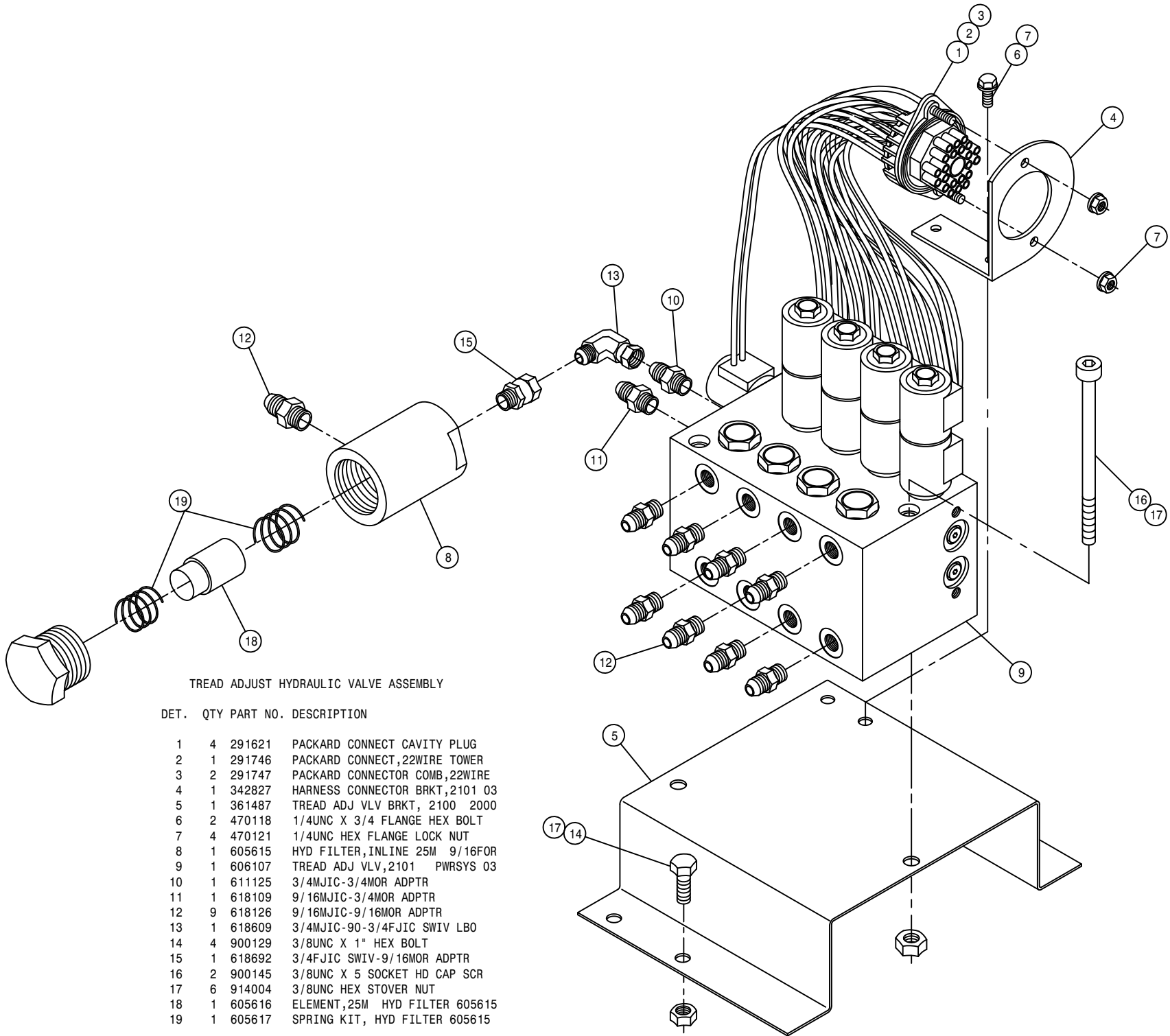
NOTE: 1. 621217 - RH LEG 144" TREAD ADJ CYLINDER ASSEMBLY WITH FITTINGS
 2. 621216 - LH LEG 144" TREAD ADJ CYLINDER ASSEMBLY WITH FITTINGS



154" TREAD ADJUSTMENT LEG CYLINDER ASSEMBLY

DET.	QTY	PART NO.	DESCRIPTION
1	1	614747	.025 ELBOW ASSY,9/16MOR 90D
2	1	618119	9/16MJIC-90-9/16MOR LBO
3	1	621538	LEG CYL ASSY,154RH TRD ADJ2100
4	1	621540	LEG CYL ASSY,154LH TRD ADJ2100
5	1	900268	1/2UNC X 2 1/2 HEX BOLT
6	1	914008	1/2UNC HEX STOVER NUT
7	1	621539	REPAIR KIT, HYD CYL 621538
8	1	621541	REPAIR KIT, HYD CYL 621540

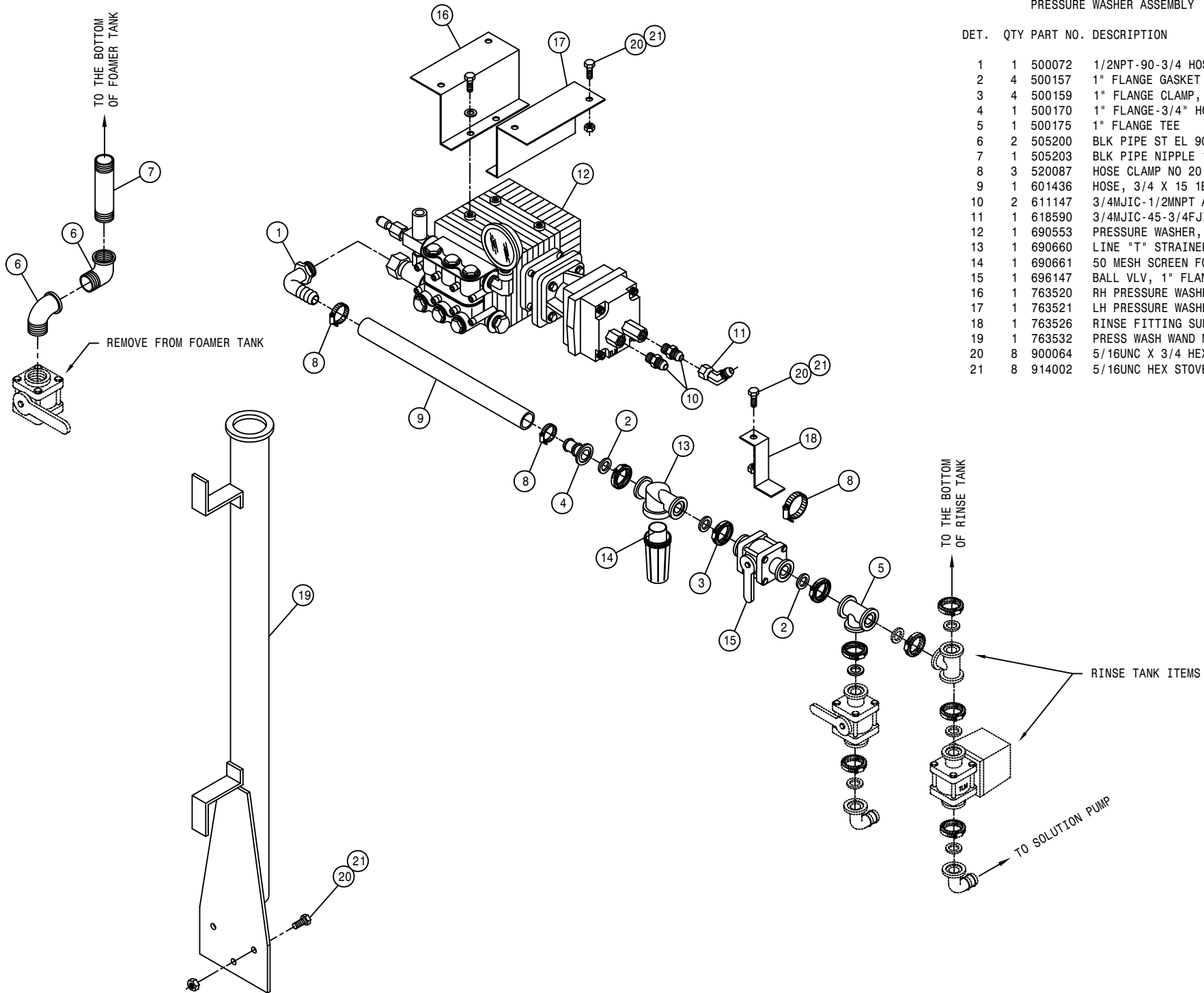
NOTE: 1. 621218 - RH LEG 154" TREAD ADJ CYLINDER ASSEMBLY WITH FITTINGS
 2. 621219 - LH LEG 154" TREAD ADJ CYLINDER ASSEMBLY WITH FITTINGS



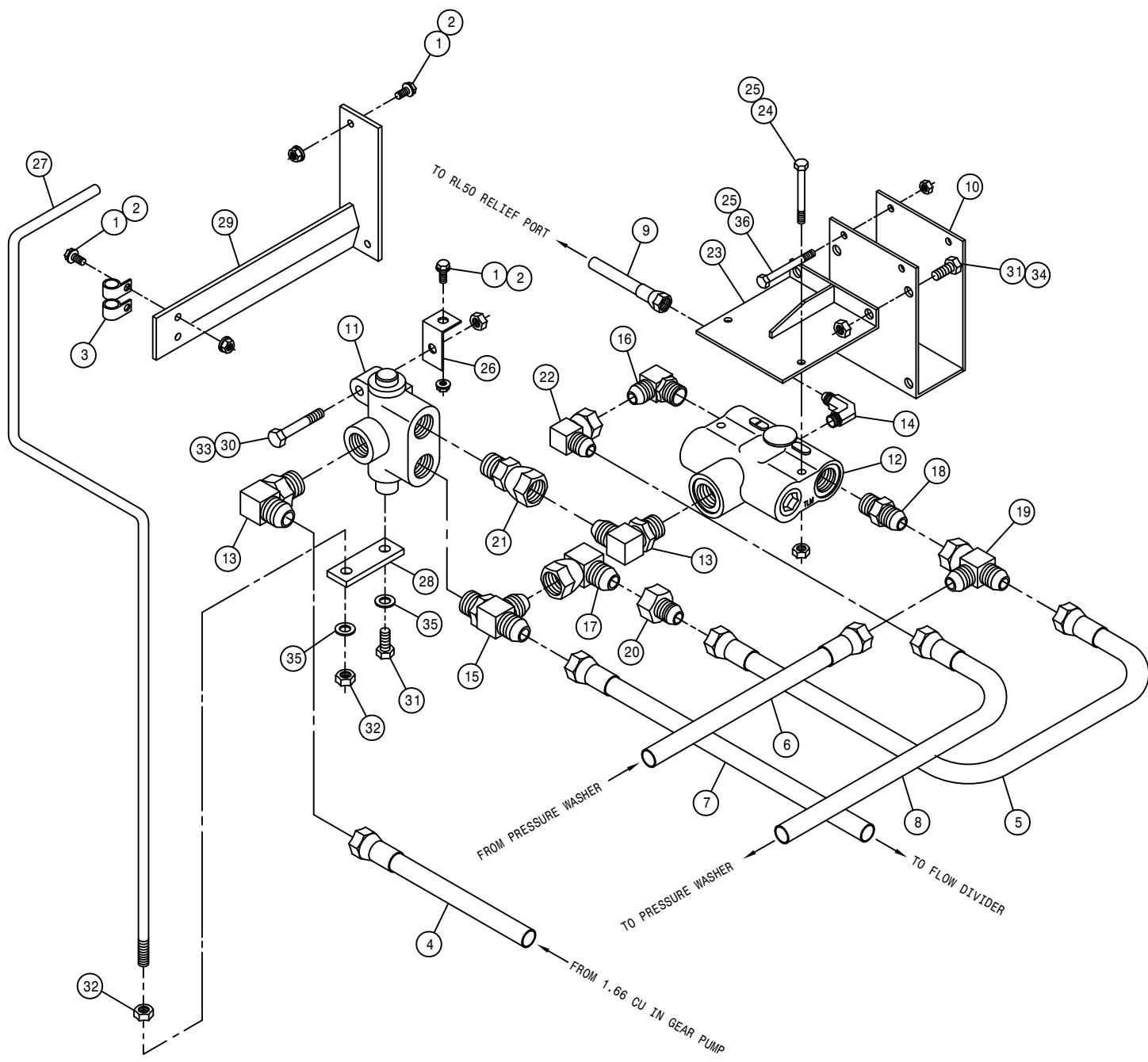
TREAD ADJUST HYDRAULIC VALVE ASSEMBLY

DET.	QTY	PART NO.	DESCRIPTION	
	1	4	291621	PACKARD CONNECT CAVITY PLUG
	1	291746	PACKARD CONNECT,22WIRE TOWER	
	2	291747	PACKARD CONNECTOR COMB,22WIRE	
	4	342827	HARNESS CONNECTOR BRKT,2101 03	
	5	361487	TREAD ADJ VLV BRKT, 2100 2000	
	6	2	470118	1/4UNC X 3/4 FLANGE HEX BOLT
	7	4	470121	1/4UNC HEX FLANGE LOCK NUT
	8	1	605615	HYD FILTER,INLINE 25M 9/16FOR
	9	1	606107	TREAD ADJ VLV,2101 PWRSYS 03
	10	1	611125	3/4MJIC-3/4MOR ADPTR
	11	1	618109	9/16MJIC-3/4MOR ADPTR
	12	9	618126	9/16MJIC-9/16MOR ADPTR
	13	1	618609	3/4MJIC-90-3/4FJIC SWIV LBO
	14	4	900129	3/8UNC X 1" HEX BOLT
	15	1	618692	3/4FJIC SWIV-9/16MOR ADPTR
	16	2	900145	3/8UNC X 5 SOCKET HD CAP SCR
	17	6	914004	3/8UNC HEX STOVER NUT
	18	1	605616	ELEMENT,25M HYD FILTER 605615
	19	1	605617	SPRING KIT, HYD FILTER 605615

PRESSURE WASHER ASSEMBLY

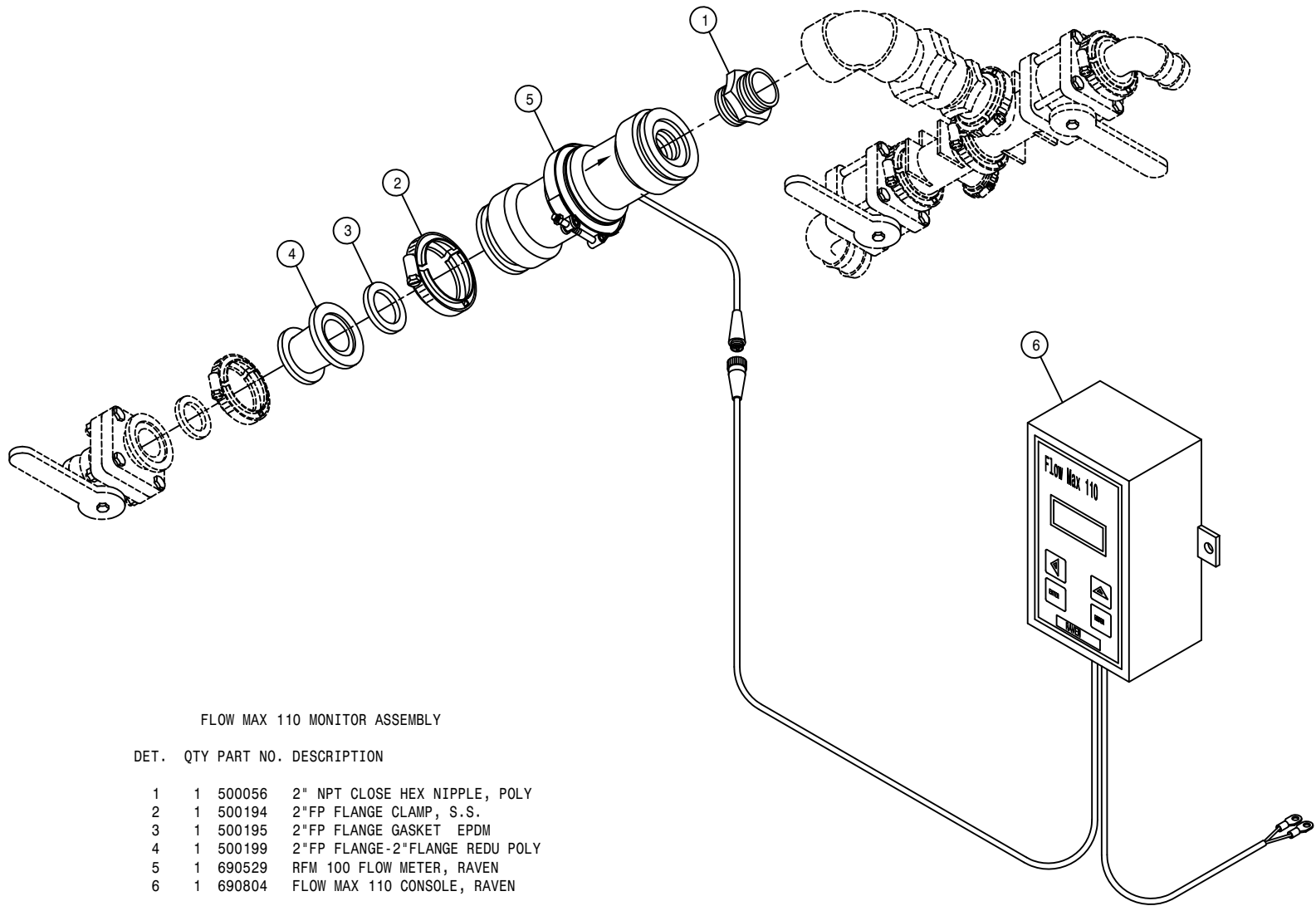


DET.	QTY	PART NO.	DESCRIPTION
1	1	500072	1/2NPT-90-3/4 HOSE BARB, POLY
2	4	500157	1" FLANGE GASKET EPDM
3	4	500159	1" FLANGE CLAMP, S.S.
4	1	500170	1" FLANGE-3/4" HOSE BARB POLY
5	1	500175	1" FLANGE TEE POLY
6	2	505200	BLK PIPE ST EL 90DEG 1.00NPT
7	1	505203	BLK PIPE NIPPLE 1.00NPT-4.00
8	3	520087	HOSE CLAMP NO 20 STAINLESS
9	1	601436	HOSE, 3/4 X 15 1BR BLK EPDM
10	2	611147	3/4MJIC-1/2MNPT ADPTR
11	1	618590	3/4MJIC-45-3/4FJIC SWIV LBO
12	1	690553	PRESSURE WASHER, HYPRO 1802
13	1	690660	LINE "T" STRAINER, 1" FLANGE
14	1	690661	50 MESH SCREEN FOR 690660
15	1	696147	BALL VLV, 1" FLANGE
16	1	763520	RH PRESSURE WASHER MT, 2100 98
17	1	763521	LH PRESSURE WASHER MT, 2100 98
18	1	763526	RINSE FITTING SUPP, WASH2100 98
19	1	763532	PRESS WASH WAND MT WLD, 2100 98
20	8	900064	5/16UNC X 3/4 HEX BOLT
21	8	914002	5/16UNC HEX STOVER NUT



PRESSURE WASHER FLOW DIVIDER ASSEMBLY

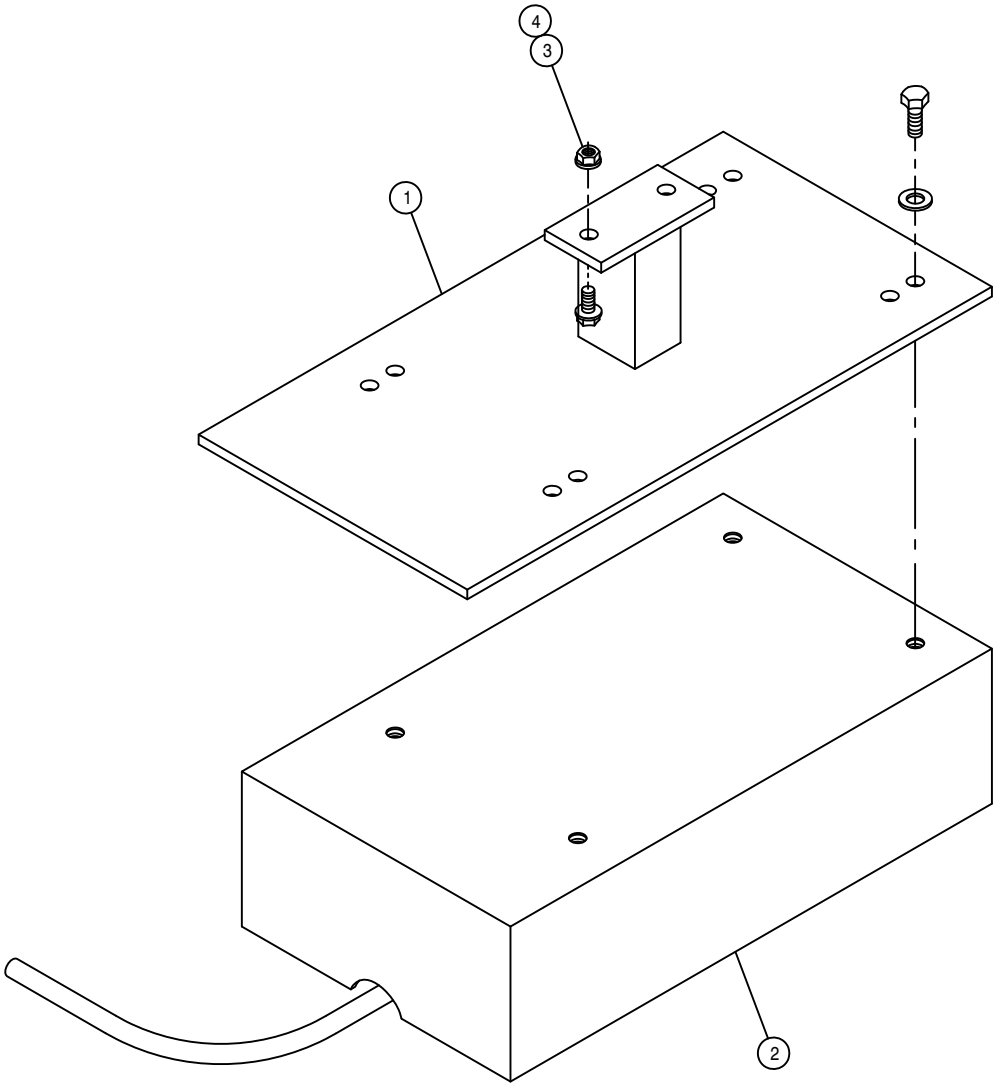
DET.	QTY	PART NO.	DESCRIPTION
1	5	470118	1/4UNC X 3/4 FLANGE HEX BOLT
2	5	470121	1/4UNC HEX FLANGE LOCK NUT
3	2	520118	CUSH HOSE CLAMP 1/2D X 1/2W
4	1	614744	10C2AT-10FJX-10FJX-18 H/A
5	1	615385	08C1T-08FJX-08FJX-29 H/A
6	1	615465	08C1T-08FJX-08FJX-33 H/A
7	1	615741	10C1T-10FJX-10FJX-38 H/A
8	1	615742	08C1T-08FJX-08FJX-36 H/A
9	1	616043	04C1T-06FJX-06FJX-23 H/A
10	1	342311	TRACT VLV MT WLD,284 COMBO 96
11	1	690625	SELECT VLV,PRESS WASH 2100 98
12	1	607518	FLO DIV BGR56 6GPM PRI 7/8FOR
13	2	611128	7/8MJIC-90-7/8MOR LBO
14	1	618015	9/16MJIC-90-3/8MNPT LBO
15	1	618130	7/8MOR RUN TEE-7/8MJIC
16	1	618183	3/4MJIC-90-7/8MOR LBO
17	1	618301	7/8MJIC-90-7/8FJIC SWIV LBO
18	1	618327	3/4MJIC-7/8MOR ADPTR
19	1	618451	3/4FJIC SW RUN TEE-3/4MJIC
20	1	618523	7/8FJIC-3/4MJIC ADPTR
21	1	618594	7/8FJIC SWIV-7/8MOR ADPTR
22	1	618609	3/4MJIC-90-3/4FJIC SWIV LBO
23	1	763522	FLO DIV MT WLD, WASHER 2100 98
24	2	900007	1/4UNC X 2" HEX BOLT
25	4	914000	1/4UNC HEX STOVER NUT
26	1	763525	SEL VLV MT,PRESS WASH 2100 98
27	1	763527	SEL VLV HANDLE, WASHER 2100 98
28	1	763528	VLV HANDLE BRKT,WASHER 2100 98
29	1	763529	VLV HANDLE SUPP WLD,WASH210098
30	1	900067	5/16UNC X 1 1/2 HEX BOLT
31	3	900128	3/8UNC X 3/4 HEX BOLT
32	2	910004	3/8UNC HEX NUT
33	1	914002	5/16UNC HEX STOVER NUT
34	2	914004	3/8UNC HEX STOVER NUT
35	2	920502	3/8 LOCK WASHER
36	2	900010	1/4UNC X 3" HEX BOLT



FLOW MAX 110 MONITOR ASSEMBLY

DET. QTY PART NO. DESCRIPTION

1	1	500056	2" NPT CLOSE HEX NIPPLE, POLY
2	1	500194	2"FP FLANGE CLAMP, S.S.
3	1	500195	2"FP FLANGE GASKET EPDM
4	1	500199	2"FP FLANGE-2"FLANGE REDU POLY
5	1	690529	RFM 100 FLOW METER, RAVEN
6	1	690804	FLOW MAX 110 CONSOLE, RAVEN



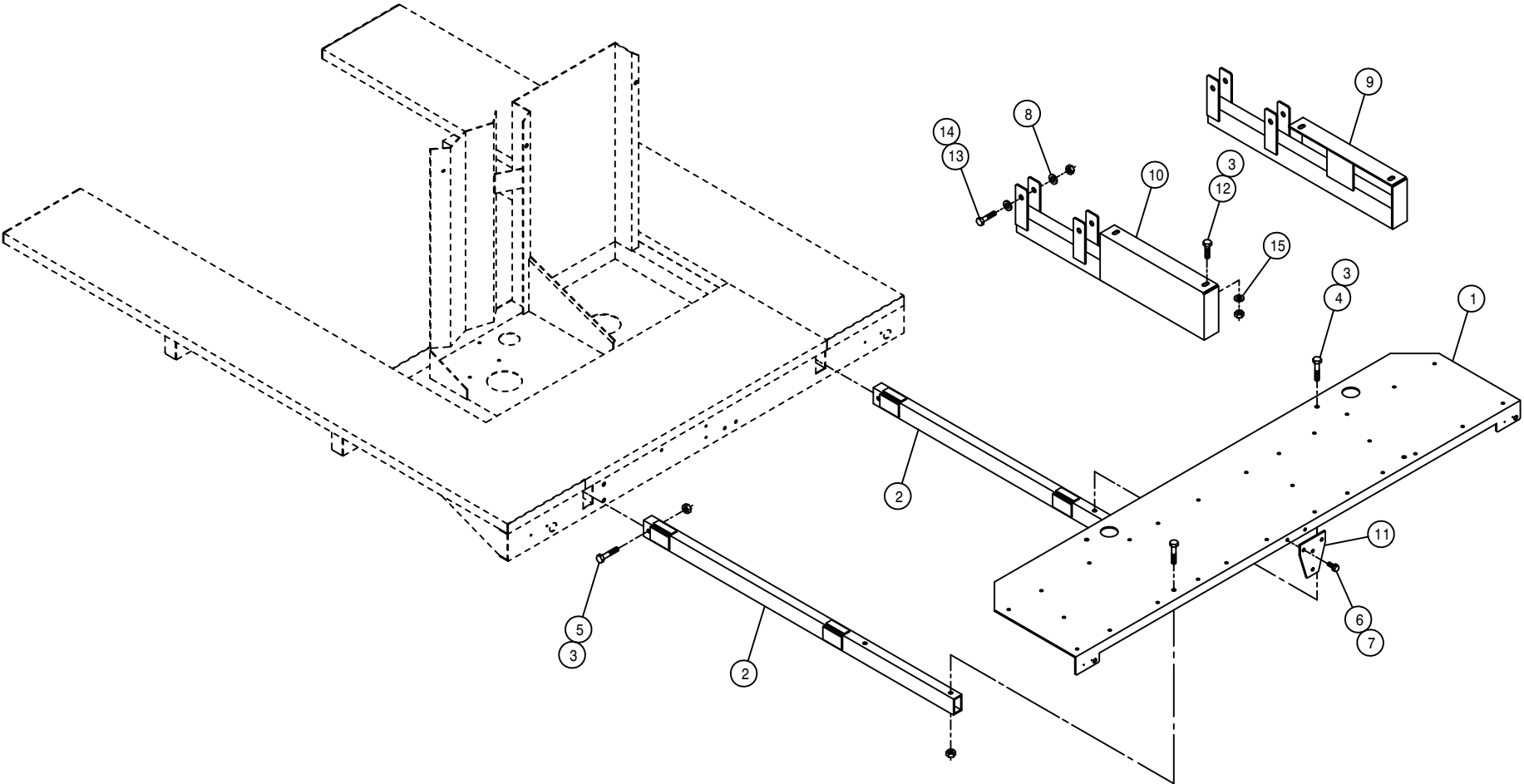
RADAR OPTION

DET.	QTY	PART NO.	DESCRIPTION
1	1	690462	RADAR MTG BRKT WLD, INJ SYS
2	1	690599	RAVEN RADAR UNIT W/CABLE
3	2	470118	1/4UNC X 3/4 FLANGE HEX BOLT
4	2	470121	1/4UNC HEX FLANGE LOCK NUT

INJECTION SYSTEM PLATFORM OPTION

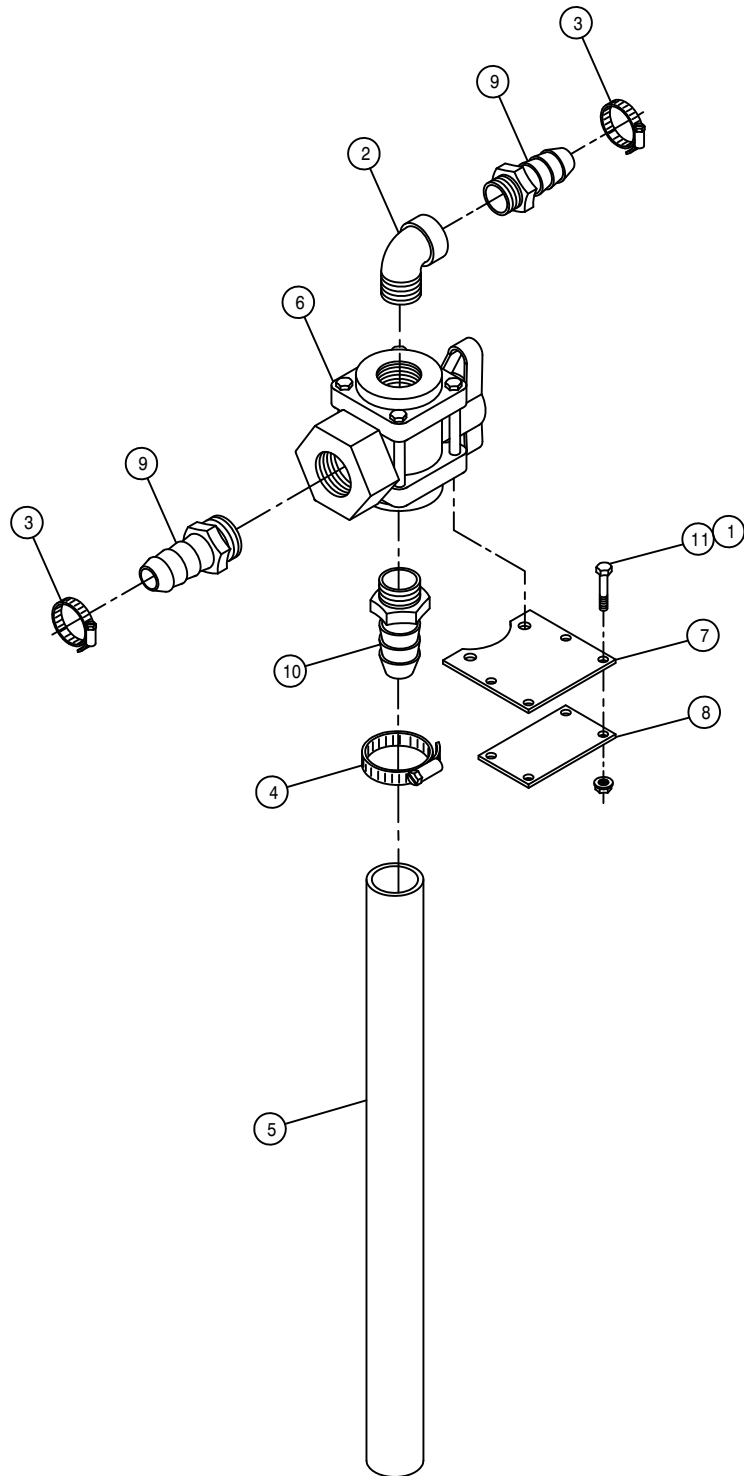
DET. QTY PART NO. DESCRIPTION

1	1	690637	INJ SYS PLATFORM WLD, 2100 99
2	2	690641	INJ SYS PLATFORM MT WLD, 2100
3	10	914008	1/2UNC HEX STOVER NUT
4	4	900272	1/2UNC X 3 1/2 HEX BOLT
5	2	900269	1/2UNC X 2 3/4 HEX BOLT
6	2	470118	1/4UNC X 3/4 FLANGE HEX BOLT
7	2	470121	1/4UNC HEX FLANGE LOCK NUT
8	8	483037	5/8 REGULAR FLAT WASHER
9	1	690921	RH INJ PLATFORM MT WLD,2101 04
10	1	690922	LH INJ PLATFORM MT WLD,2101 04
11	1	690928	SMV BRKT,INJ PLATFORM, 2101 04
12	4	900264	1/2UNC X 1 1/4 HEX BOLT
13	4	900340	5/8UNC X 3 1/2 HEX BOLT
14	4	914010	5/8UNC HEX STOVER NUT
15	4	920004	1/2 SAE FLAT WASHER



110

304110

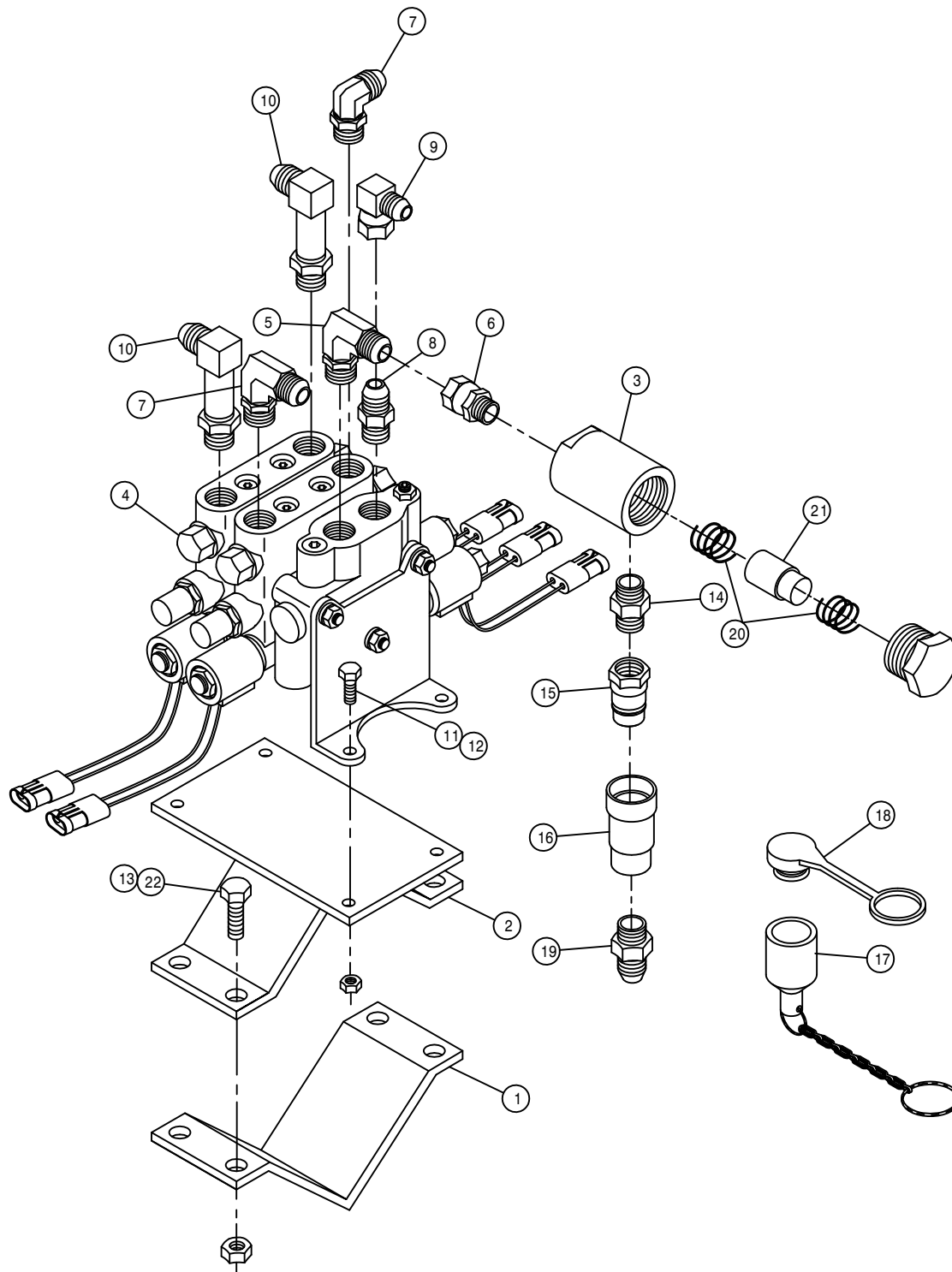


60'-80' FOAMER DIVERTER VALVE OPTION

DET. QTY PART NO. DESCRIPTION

1	8	470121	1/4UNC HEX FLANGE LOCK NUT
2	2	500014	1"NPT-90 ST EL, POLY
3	4	520055	HOSE CLAMP NO 12 STAINLESS
4	2	520085	HOSE CLAMP NO 24 STAINLESS
5	2	601367	HOSE, 1 1/4 X 24 2BR BLK EPDM
6	2	696133	BALL VLV, 1.00NP 3WAY-BOTT POLY
7	2	701152	FOAMER DIVERTER VALVE MT BRKT
8	2	701153	FOAMER DIVERTER VLV BRKT KEEP
9	4	714331	1 NPT X 3/4 HOSE BARB
10	2	714561	1.00NPT-1.25 HOSE BARB
11	8	900007	1/4UNC X 2" HEX BOLT

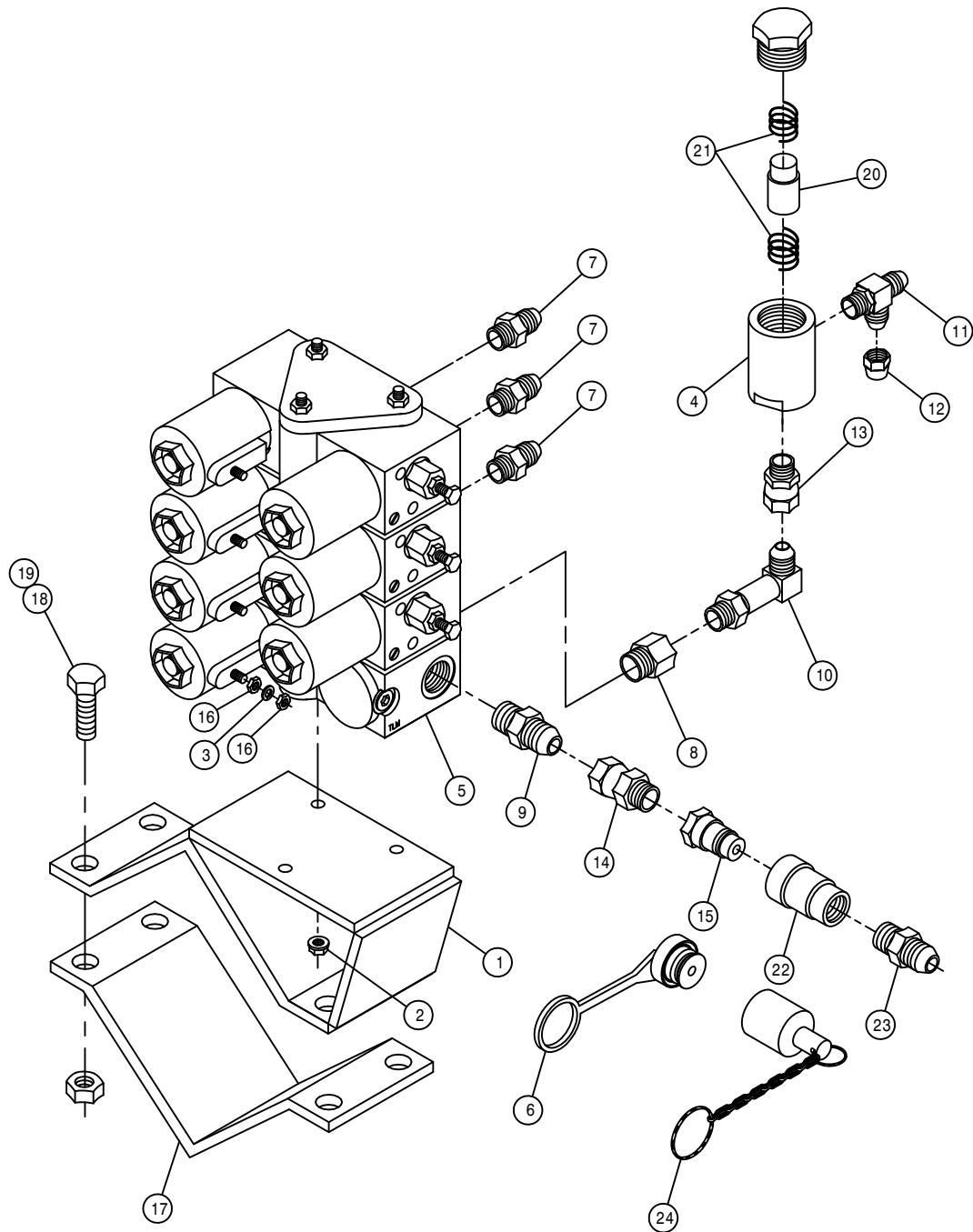
NOTE: QUANTITY LISTED IS FOR ONE MACHINE.



OURIGGER FOLD VALVE ASSEMBLY

DET. QTY PART NO. DESCRIPTION

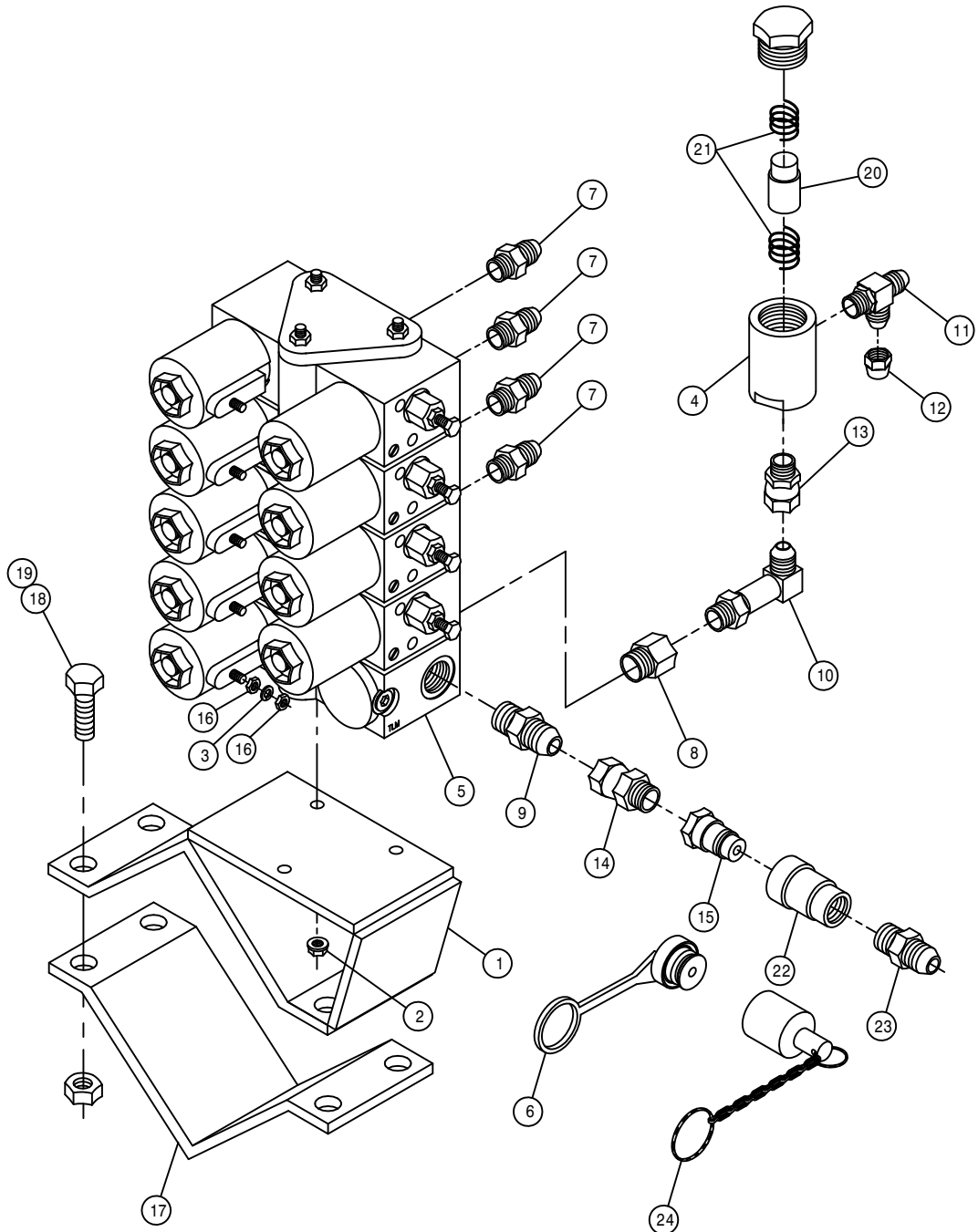
DET.	QTY	PART NO.	DESCRIPTION
1	1	438324	75IN OUTRGR BRACE CLAMP
2	1	438724	OUTRGR FOLD VLV MT WLD2100/STS
3	1	605615	HYD FILTER, INLINE 25M 9/16FOR
4	1	606090	BRAND HYD VALVE, 2-SECT SER 36
5	1	618183	3/4MJIC-90-7/8MOR LBO
6	1	618692	3/4FJIC SWIV-9/16MOR ADPTR
7	2	618115	9/16MJIC-90-3/4MOR LBO
8	1	618310	9/16MJIC-7/8MOR ADPTR
9	1	618618	9/16MJIC-90-9/16FJIC SWIV LBO
10	2	618709	9/16MJIC-90-3/4MOR EX LG LBO
11	4	900065	5/16UNC X 1" HEX BOLT
12	4	914002	5/16UNC HEX STOVER NUT
13	4	914008	1/2UNC HEX STOVER NUT
14	1	618345	9/16MOR-3/8MNPT ADPTR
15	1	618646	HYD QUICK CPLR, MALE .375NPS
16	1	618645	HYD QUICK CPLR, FEMALE .375NPS
17	1	618648	RUBBER DUST CAP, 3/8 (618646)
18	1	618647	RUBBER DUST PLUG, 3/8 (618645)
19	1	618011	9/16MJIC-3/8MNPT ADPTR
20	1	605616	ELEMENT, 25M HYD FILTER 605615
21	1	605617	SPRING KIT, HYD FILTER 605615
22	4	900265	1/2UNC X 1 1/2 HEX BOLT



COMBO 3-SECTION ELECTRIC VALVE ASSEMBLY

DET. QTY PART NO. DESCRIPTION

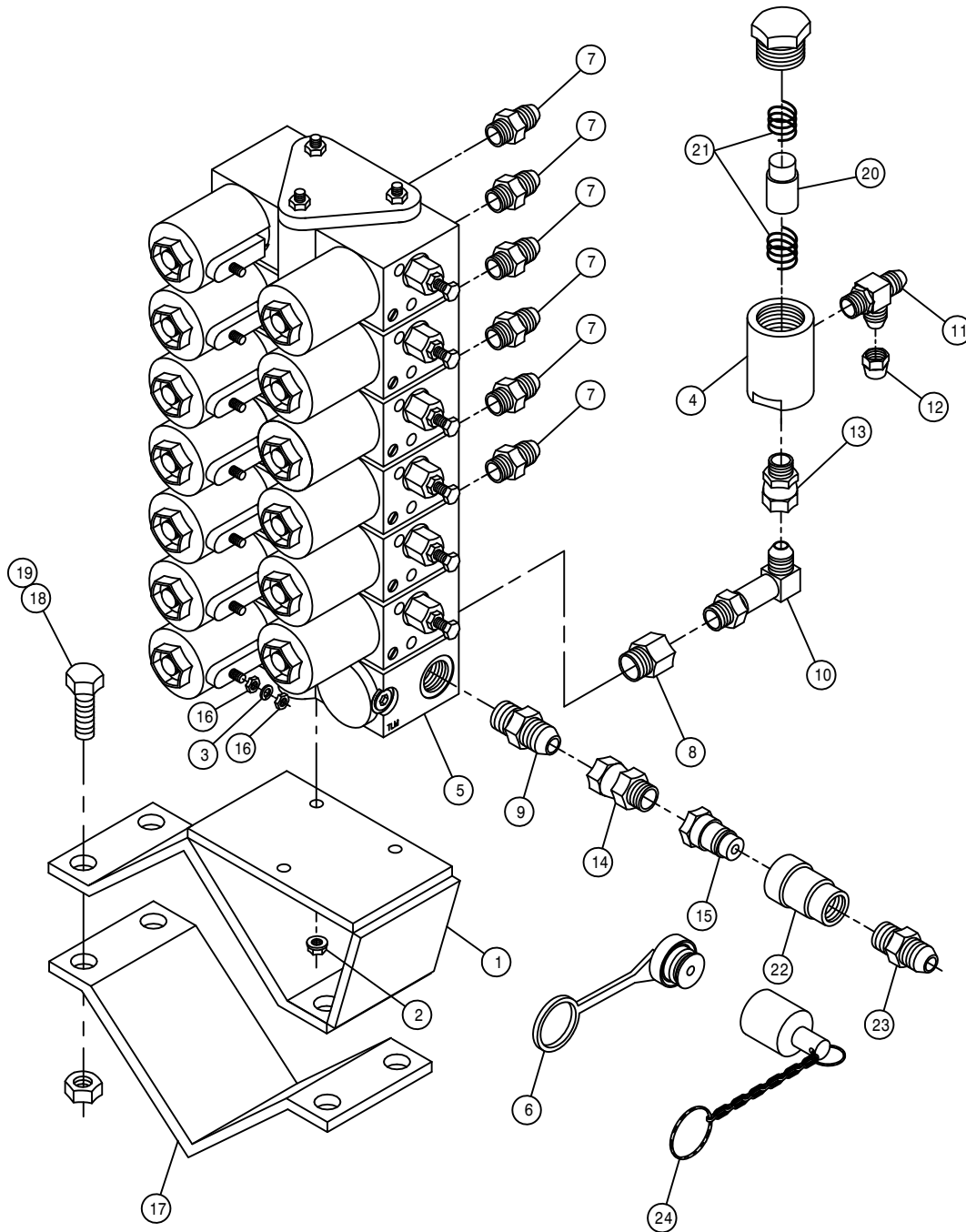
1	1	438614	ELECT VLV MT WLD, 2100 COMBO
2	3	470121	1/4UNC HEX FLANGE LOCK NUT
3	7	473821	#10 INT TOOTH WASHER
4	1	605615	HYD FILTER, INLINE 25M 9/16FOR
5	1	610532	ELECT HYD STACK VLV, 3 SECT
6	1	618647	RUBBER DUST PLUG, 3/8 (618645)
7	3	618126	9/16MJIC-9/16MOR ADPTR
8	1	618170	3/4MOR-9/16FOR ADPTR
9	1	618327	3/4MJIC-7/8MOR ADPTR
10	1	618440	9/16MJIC-90-9/16MOR EX LG LBO
11	1	618444	9/16MOR RUN TEE-9/16MJIC
12	1	618531	9/16FJIC CAP NUT
13	1	618668	9/16FJIC SWIV-9/16MOR ADPTR
14	1	618615	3/4FJIC-SWIV-3/8MNPT
15	1	618646	HYD QUICK CPLR, MALE .375NPS
16	14	910027	10-32 HEX NUT
17	1	438324	75IN OUTRGR BRACE CLAMP
18	4	900265	1/2UNC X 1 1/2 HEX BOLT
19	4	914008	1/2UNC HEX STOVER NUT
20	1	605616	ELEMENT, 25M HYD FILTER 605615
21	1	605617	SPRING KIT, HYD FILTER 605615
22	1	618645	HYD QUICK CPLR, FEMALE .375NPS
23	1	618462	3/4MJIC-3/8MNPT ADPTR
24	1	618648	RUBBER DUST CAP, 3/8 (618646)



COMBO 4-SECTION ELECTRIC VALVE ASSEMBLY

DET. QTY PART NO. DESCRIPTION

1	1	438614	ELECT VLV MT WLD, 2100 COMBO
2	3	470121	1/4UNC HEX FLANGE LOCK NUT
3	9	473821	#10 INT TOOTH WASHER
4	1	605615	HYD FILTER, INLINE 25M 9/16FOR
5	1	610613	ELECT HYD STACT VLV, 4 SECT
6	1	618647	RUBBER DUST PLUG, 3/8 (618645)
7	4	618126	9/16MJIC-9/16MOR ADPTR
8	1	618170	3/4MOR-9/16FOR ADPTR
9	1	618327	3/4MJIC-7/8MOR ADPTR
10	1	618440	9/16MJIC-90-9/16MOR EX LG LBO
11	1	618444	9/16MOR RUN TEE-9/16MJIC
12	1	618531	9/16FJIC CAP NUT
13	1	618668	9/16FJIC SWIV-9/16MOR ADPTR
14	1	618615	3/4FJIC-SWIV-3/8MNPT
15	1	618646	HYD QUICK CPLR, MALE .375NPS
16	18	910027	10-32 HEX NUT
17	1	438324	75IN OUTGR BRACE CLAMP
18	4	900265	1/2UNC X 1 1/2 HEX BOLT
19	4	914008	1/2UNC HEX STOVER NUT
20	1	605616	ELEMENT, 25M HYD FILTER 605615
21	1	605617	SPRING KIT, HYD FILTER 605615
22	1	618645	HYD QUICK CPLR, FEMALE .375NPS
23	1	618462	3/4MJIC-3/8MNPT ADPTR
24	1	618648	RUBBER DUST CAP, 3/8 (618646)

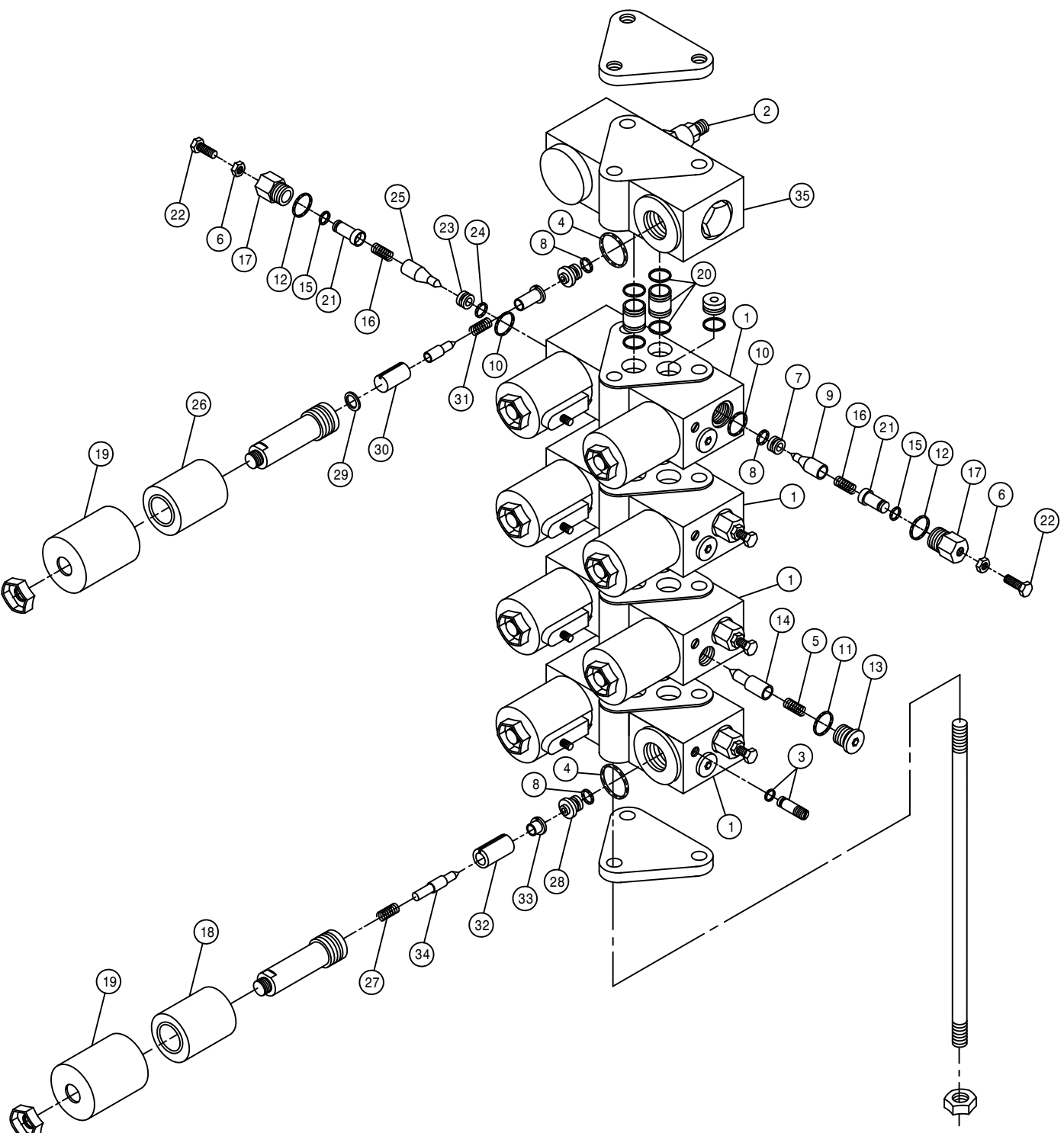


COMBO 6-SECTION ELECTRIC VALVE ASSEMBLY

DET. QTY PART NO. DESCRIPTION

1	1	438614	ELECT VLV MT WLD, 2100 COMBO
2	3	470121	1/4UNC HEX FLANGE LOCK NUT
3	13	473821	#10 INT TOOTH WASHER
4	1	605615	HYD FILTER, INLINE 25M 9/16FOR
5	1	610615	ELECT HYD STACT VLV, 6 SECT
6	1	618647	RUBBER DUST PLUG, 3/8 (618645)
7	6	618126	9/16MJIC-9/16MOR ADPTR
8	1	618170	3/4MOR-9/16FOR ADPTR
9	1	618327	3/4MJIC-7/8MOR ADPTR
10	1	618440	9/16MJIC-90-9/16MOR EX LG LBO
11	1	618444	9/16MOR RUN TEE-9/16MJIC
12	1	618531	9/16FJIC CAP NUT
13	1	618668	9/16FJIC SWIV-9/16MOR ADPTR
14	1	618615	3/4FJIC-SWIV-3/8MNPT
15	1	618646	HYD QUICK CPLR, MALE .375NPS
16	26	910027	10-32 HEX NUT
17	1	438324	75IN OUTRGR BRACE CLAMP
18	4	900265	1/2UNC X 1 1/2 HEX BOLT
19	4	914008	1/2UNC HEX STOVER NUT
20	1	605616	ELEMENT, 25M HYD FILTER 605615
21	1	605617	SPRING KIT, HYD FILTER 605615
22	1	618645	HYD QUICK CPLR, FEMALE .375NPS
23	1	618462	3/4MJIC-3/8MNPT ADPTR
24	1	618648	RUBBER DUST CAP, 3/8 (618646)

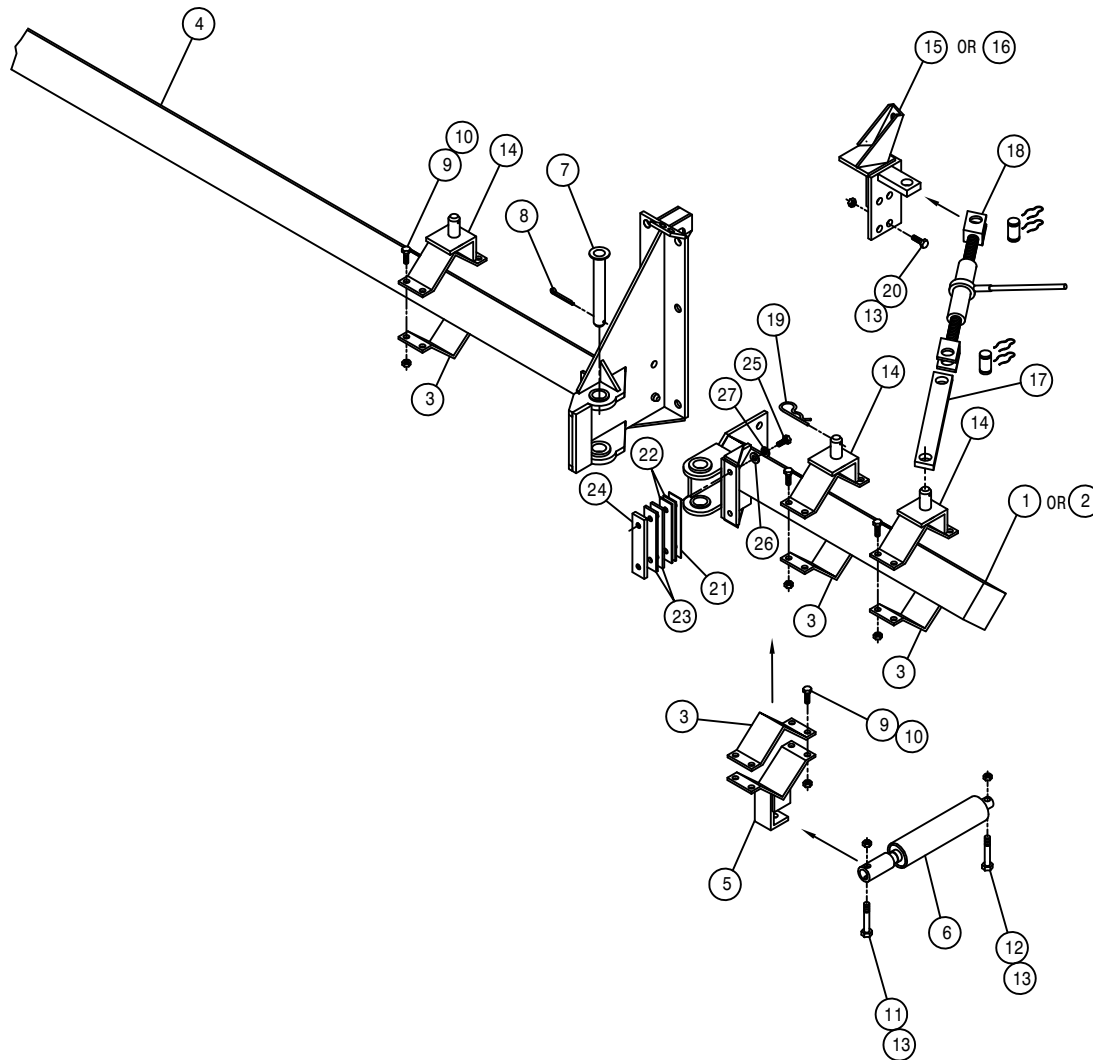
116



ELECTROHYDRAULIC VALVE

DET.	QTY	PART NO.	DESCRIPTION	
1	4	610533	UNBALANCED LOAD VALVE	89
2	1	610551	R.V. CARTRIDGE FOR 610532	90
3	8	610267	SEAL PLUG ASSY FOR 610257	
4	9	871019	ORING, 13/16 X 15/16 NEO 90D	
5	4	610491	SPRING AM-501-3-035 FOR610485	
6	8	910000	1/4UNC HEX NUT	
7	4	610488	ORIFICE PRESSED IN BLACK	
8	13	871010	ORING 1/4 X 3/8 VITON 90D	
9	4	610129	POPPET,ELECT VALVE,UNBAL LOAD	
10	8	870013	ORING, 7/16 X 9/16 NEO 70D	
11	4	871904	ORING, .351 X .072CS NEO 90D	
12	8	871906	ORING, .468ID X .078CS NEO 90D	
13	4	610130	PLUG, SAE4,ELECT VALVE,UNBAL	
14	4	610489	CHECK VLV POPPET	
15	8	871008	O-RING 3/16 X 5/16 90D	
16	8	610492	SPRING AM-570-3-126 FOR610485	
17	8	610453	VLV CAP	
18	8	610493	COIL FOR 610485	86
19	9	610113	COVER, ELECT VALVE, NON ADJ	
20	8	610534	THRU TUBE ASSY ELEC VLV	89
21	8	610452	ADJ VLV STOP	
22	8	900003	1/4UNC X 1" HEX BOLT	
23	4	610494	ORIFICE FOR 610485	
24	4	871056	O-RING	90D
25	4	610495	POPPET FOR 610485AM-570-3-654	
26	1	610076	COIL, ELECT STACK VALVE	
27	8	610127	SPRING,ELECT VALVE,UNBAL LOAD	
28	8	610108	ORIFICE 040, ELECT VALVE	
29	1	610084	WASHER, ELECT-HYD VALVE	
30	1	610112	ARMATURE, ELECT VALVE	
31	1	610110	SPRING, ELECT VALVE, NON ADJ	
32	8	610126	ARMATURE, ELECT VALVE, UNBAL	
33	8	610133	POLE PIECE,ELECT VALVE, UNBAL	
34	8	610490	POPPET FOR 610485AM-501-3-033	
35	1	610679	UNLOAD RELIEF VALVE	

304116

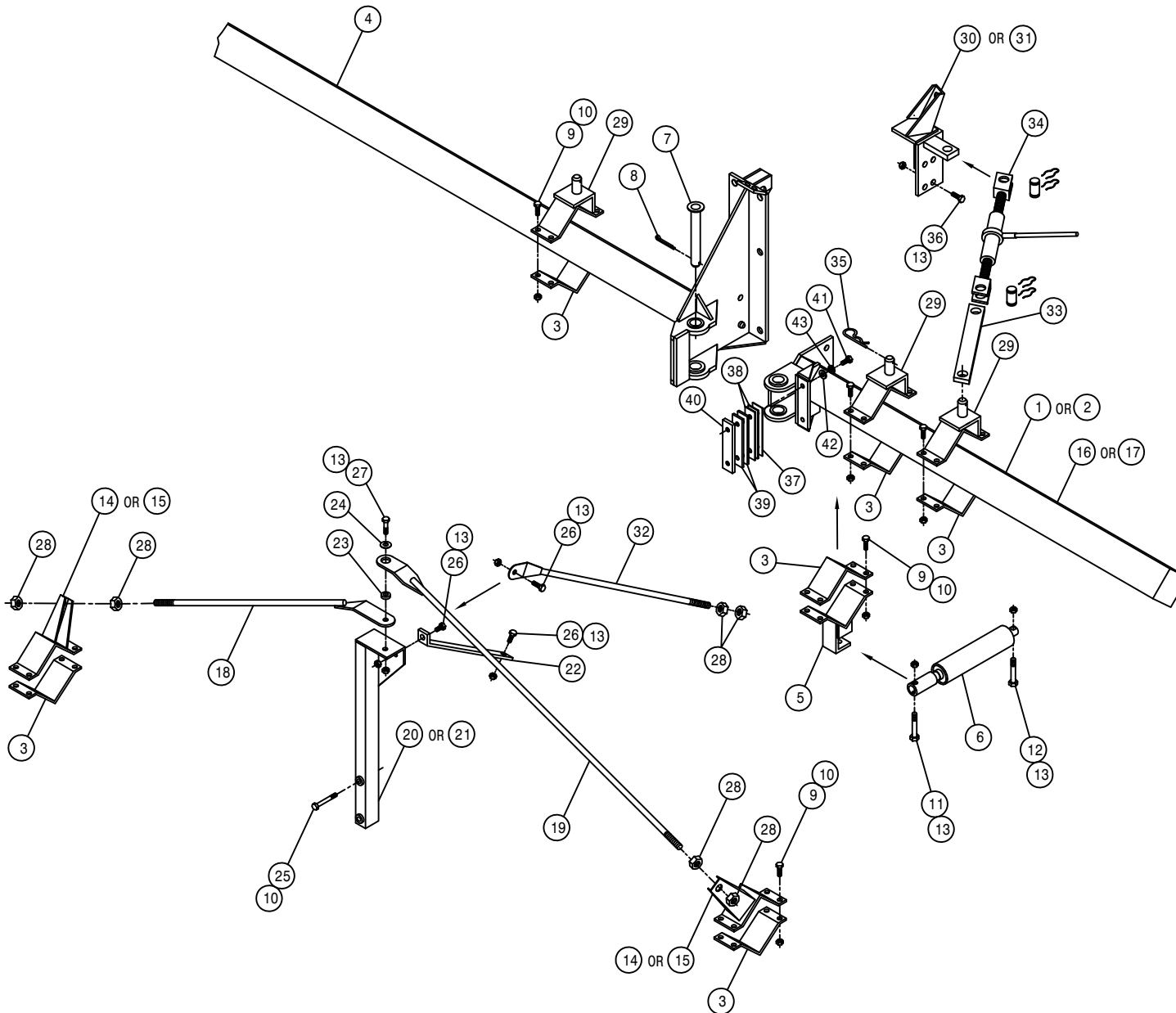


6-ROW 3-LIFT COMBO OUTRIGGER ASSEMBLY

DET.	QTY	PART NO.	DESCRIPTION
1	1	438705	RH 32IN OUTGR WLD 2100-ST512
2	1	438706	LH 32IN OUTGR WLD 2100-ST512
3	8	438324	75IN OUTGR BRACE CLAMP
4	1	438695	TOOLBAR WLD, 2100-ST512 COMBO
5	2	438610	OUTGR CYL MT WLD, 2100 COMBO
6	2	621209	OUTGR FOLD CYL ASSY,2100C 04
7	2	438283	OUTGR PIVOT PIN WLD 8200 86
8	2	470117	COTTER PIN 3/16 1 3/4 SQ CUT
9	32	900265	1/2UNC X 1 1/2 HEX BOLT
10	32	914008	1/2UNC HEX STOVER NUT
11	2	900338	5/8UNC X 3" HEX BOLT
12	2	900343	5/8UNC X 4 1/2 HEX BOLT
13	8	914010	5/8UNC HEX STOVER NUT
14	6	438397	STABILIZER PIN MT WLD 90
15	1	438651	RH OUTGR SUPP MT WLD,2100CMBO
16	1	438652	LH OUTGR SUPP MT WLD,2100CMBO
17	1	438656	OUTGR TRANSPORT BAR,2100COMBO
18	1	470299	RATCHET LOAD-BINDER
19	4	611016	HAIR PIN #6
20	4	900334	5/8UNC X 1 3/4 HEX BOLT
21	2	438700	TOOLBAR STOP SHIM, 16GA (.060)
22	4	438701	TOOLBAR STOP SHIM, 14GA (.075)
23	4	438702	TOOLBAR STOP SHIM, 11GA (.120)
24	2	438703	TOOLBAR STOP, 2100-ST512 COMBO
25	4	900130	3/8UNC X 1 1/4 HEX BOLT
26	4	920002	3/8 SAE FLAT WASHER
27	4	920502	3/8 LOCK WASHER

NOTE: QUANTITY LISTED IS FOR ONE MACHINE.

8-10 ROW 4-LIFT COMBO OUTRIGGER ASSEMBLY



DET.	QTY	PART NO.	DESCRIPTION
1	1	438707	RH 75IN OUTGR WLD 2100-ST512
2	1	438708	LH 75IN OUTGR WLD 2100-ST512
3	12	438324	75IN OUTGR BRACE CLAMP
4	1	438695	TOOLBAR WLD, 2100-ST512 COMBO
5	2	438610	OUTGR CYL MT WLD, 2100 COMBO
6	2	621209	OUTGR FOLD CYL ASSY,2100C 04
7	2	438283	OUTGR PIVOT PIN WLD 8200 86
8	2	470117	COTTER PIN 3/16 1 3/4 SQ CUT
9	48	900265	1/2UNC X 1 1/2 HEX BOLT
10	52	914008	1/2UNC HEX STOVER NUT
11	2	900338	5/8UNC X 3" HEX BOLT
12	2	900343	5/8UNC X 4 1/2 HEX BOLT
13	16	914010	5/8UNC HEX STOVER NUT
14	2	438362	RH OUTGR CLAMP WLD 200 89
15	2	438363	LH OUTGR CLAMP WLD 200 89
16	1	438709	RH 101IN OUTGR WLD 2100-ST512
17	1	438710	LH 101IN OUTGR WLD 2100-ST512
18	2	438664	OUTGR TIE BAR WLD 72"2100/STS
19	2	438544	OUTGR SUPP ROD WLD 50"10/12R
20	1	438595	RH OUTGR SUPP POST WLD284C 97
21	1	438596	LH OUTGR SUPP POST WLD284C 97
22	2	438609	OUTGR SUPP BRACE, 2100 COMBO
23	2	438541	BUSH, 1.00 OD X .656ID X .53
24	2	483037	5/8 REGULAR FLAT WASHER
25	4	900271	1/2UNC X 3 1/4 HEX BOLT
26	6	900333	5/8UNC X 1 1/2 HEX BOLT
27	2	900352	5/8UNC X 2 1/4 HEX BOLT
28	12	910012	3/4UNC HEX NUT
29	6	438397	STABILIZER PIN MT WLD 90
30	1	438651	RH OUTGR SUPP MT WLD,2100CMBO
31	1	438652	LH OUTGR SUPP MT WLD,2100CMBO
32	2	438654	TOOLBAR SUPP ROD WLD,2100COMBO
33	2	438656	OUTGR TRANSPORT BAR,2100COMBO
34	2	470299	RATCHET LOAD-BINDER
35	4	611016	HAIR PIN #6
36	4	900334	5/8UNC X 1 3/4 HEX BOLT
37	2	438700	TOOLBAR STOP SHIM, 16GA (.060)
38	4	438701	TOOLBAR STOP SHIM, 14GA (.075)
39	4	438702	TOOLBAR STOP SHIM, 11GA (.120)
40	2	438703	TOOLBAR STOP, 2100-ST512 COMBO
41	4	900130	3/8UNC X 1 1/4 HEX BOLT
42	4	920002	3/8 SAE FLAT WASHER
43	4	920502	3/8 LOCK WASHER

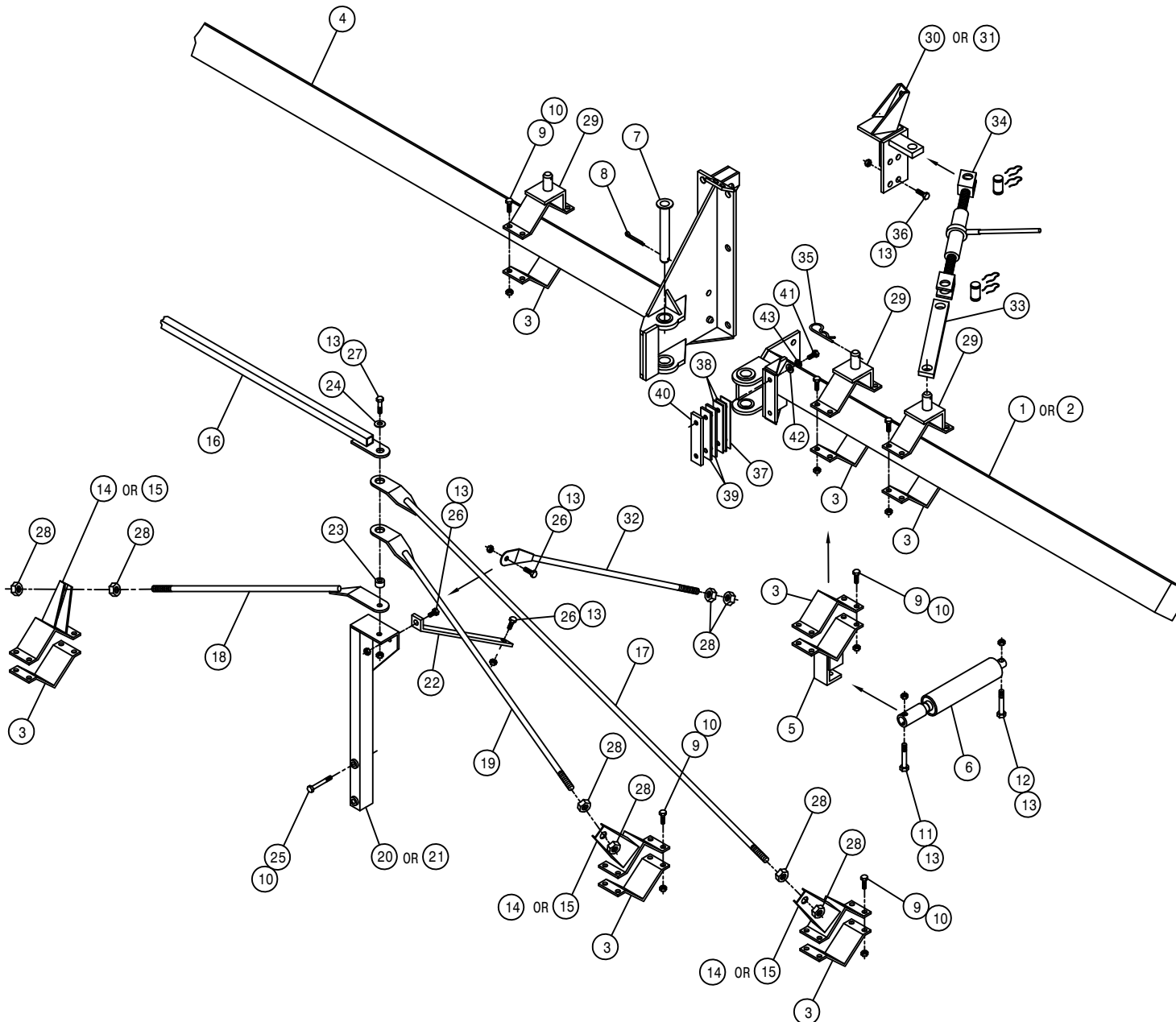
NOTE: QUANTITY LISTED IS FOR ONE MACHINE.

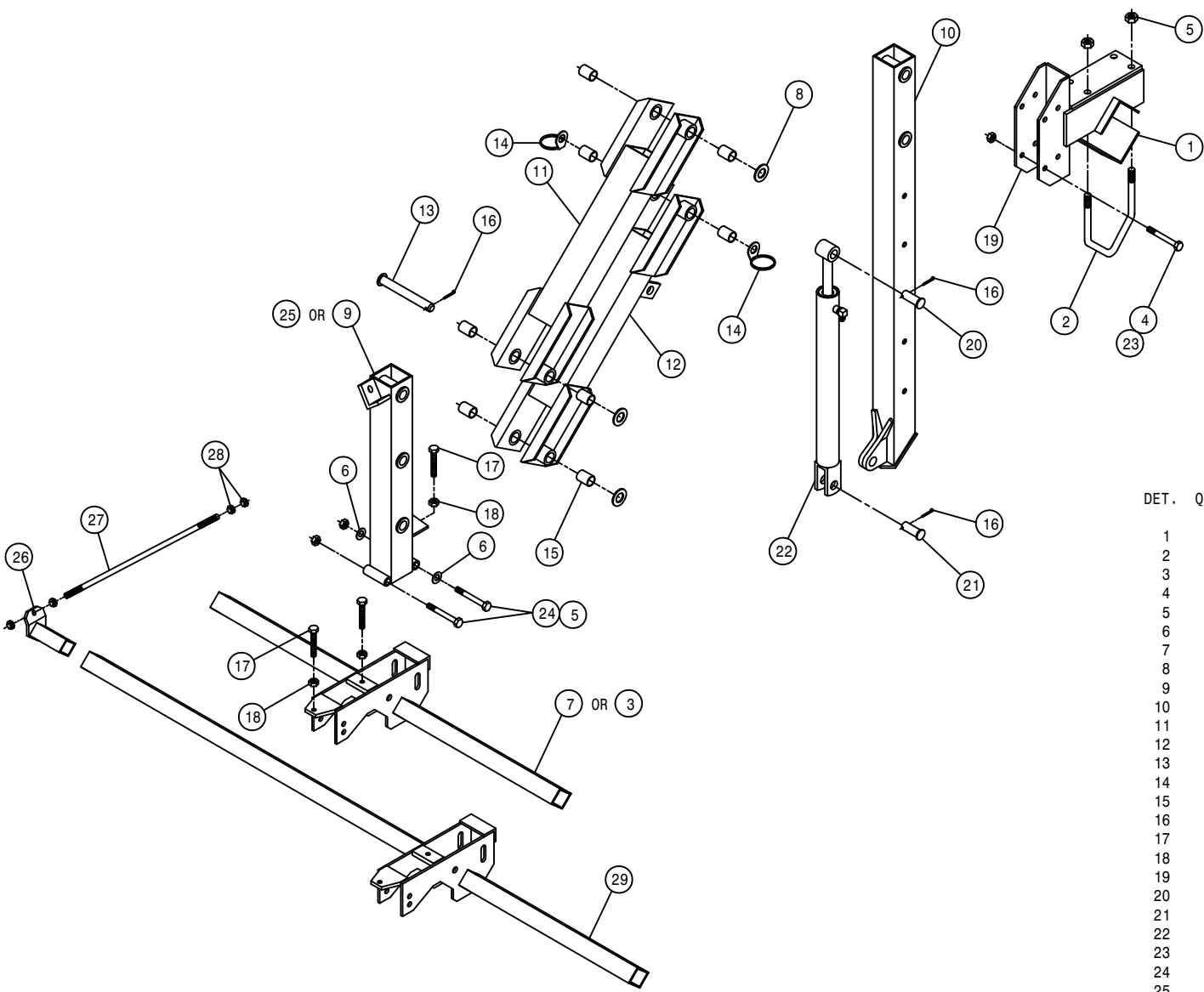
12-ROW 6-LIFT COMBO OUTRIGGER ASSEMBLY

DET. QTY PART NO. DESCRIPTION

1	1	438711	RH 133IN OUTGR WLD 2100-ST512
2	1	438712	LH 133IN OUTGR WLD 2100-ST512
3	14	438324	75IN OUTGR BRACE CLAMP
4	1	438695	TOOLBAR WLD, 2100-ST512 COMBO
5	2	438610	OUTGR CYL MT WLD, 2100 COMBO
6	2	621209	OUTGR FOLD CYL ASSY,2100C 04
7	2	438283	OUTGR PIVOT PIN WLD 8200 86
8	2	470117	COTTER PIN 3/16 1 3/4 SQ CUT
9	56	900265	1/2UNC X 1 1/2 HEX BOLT
10	60	914008	1/2UNC HEX STOVER NUT
11	2	900338	5/8UNC X 3" HEX BOLT
12	2	900343	5/8UNC X 4 1/2 HEX BOLT
13	16	914010	5/8UNC HEX STOVER NUT
14	3	438362	RH OUTGR CLAMP WLD 200 89
15	3	438363	LH OUTGR CLAMP WLD 200 89
16	1	438547	204 TIE TUBE WLD, 10/12R 96
17	2	438471	OUTGR SUPP ROD WLD 10-12R
18	2	438664	OUTGR TIE BAR WLD 72"2100/STS
19	2	438544	OUTGR SUPP ROD WLD 50"10/12R
20	1	438595	RH OUTGR SUPP POST WLD284C 97
21	1	438596	LH OUTGR SUPP POST WLD284C 97
22	2	438609	OUTGR SUPP BRACE, 2100 COMBO
23	2	438541	BUSH, 1.00 OD X .656ID X .53
24	2	483037	5/8 REGULAR FLAT WASHER
25	4	900271	1/2UNC X 3 1/4 HEX BOLT
26	6	900333	5/8UNC X 1 1/2 HEX BOLT
27	2	900352	5/8UNC X 2 1/4 HEX BOLT
28	16	910012	3/4UNC HEX NUT
29	6	438397	STABILIZER PIN MT WLD 90
30	1	438651	RH OUTGR SUPP MT WLD,2100CMBO
31	1	438652	LH OUTGR SUPP MT WLD,2100CMBO
32	2	438654	TOOLBAR SUPP ROD WLD,2100COMBO
33	2	438656	OUTGR TRANSPORT BAR,2100COMBO
34	2	470299	RATCHET LOAD-BINDER
35	2	611016	HAIR PIN #6
36	4	900334	5/8UNC X 1 3/4 HEX BOLT
37	2	438700	TOOLBAR STOP SHIM, 16GA (.060)
38	4	438701	TOOLBAR STOP SHIM, 14GA (.075)
39	4	438702	TOOLBAR STOP SHIM, 11GA (.120)
40	2	438703	TOOLBAR STOP, 2100-ST512 COMBO
41	4	900130	3/8UNC X 1 1/4 HEX BOLT
42	4	920002	3/8 SAE FLAT WASHER
43	4	920502	3/8 LOCK WASHER

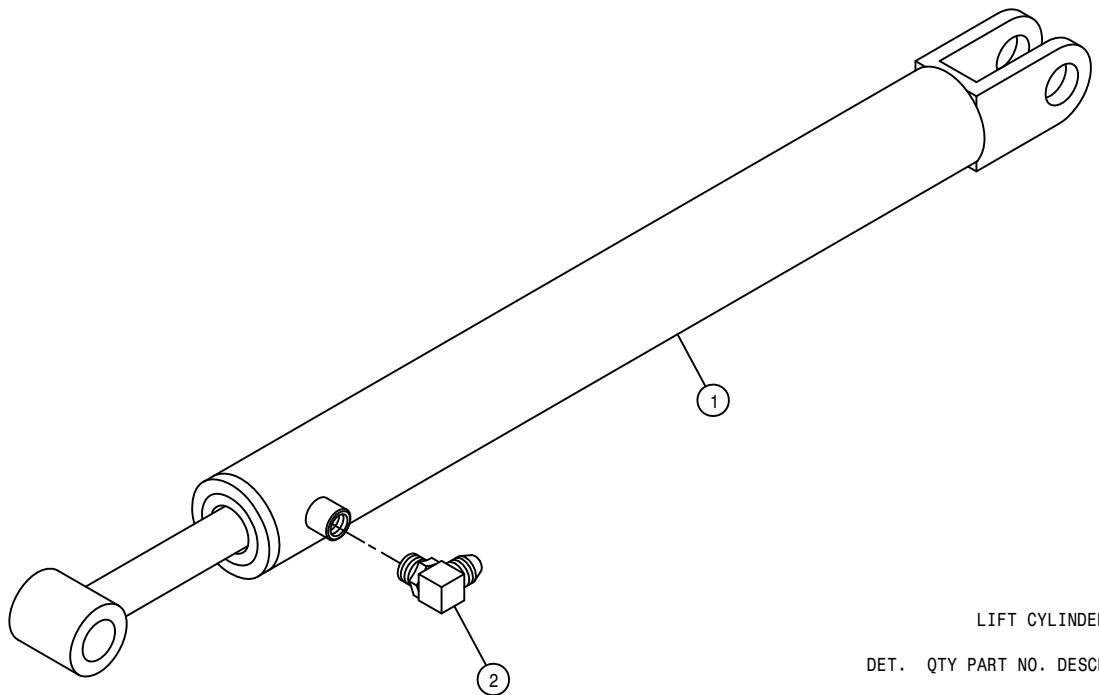
NOTE: QUANTITY LISTED IS FOR ONE MACHINE.





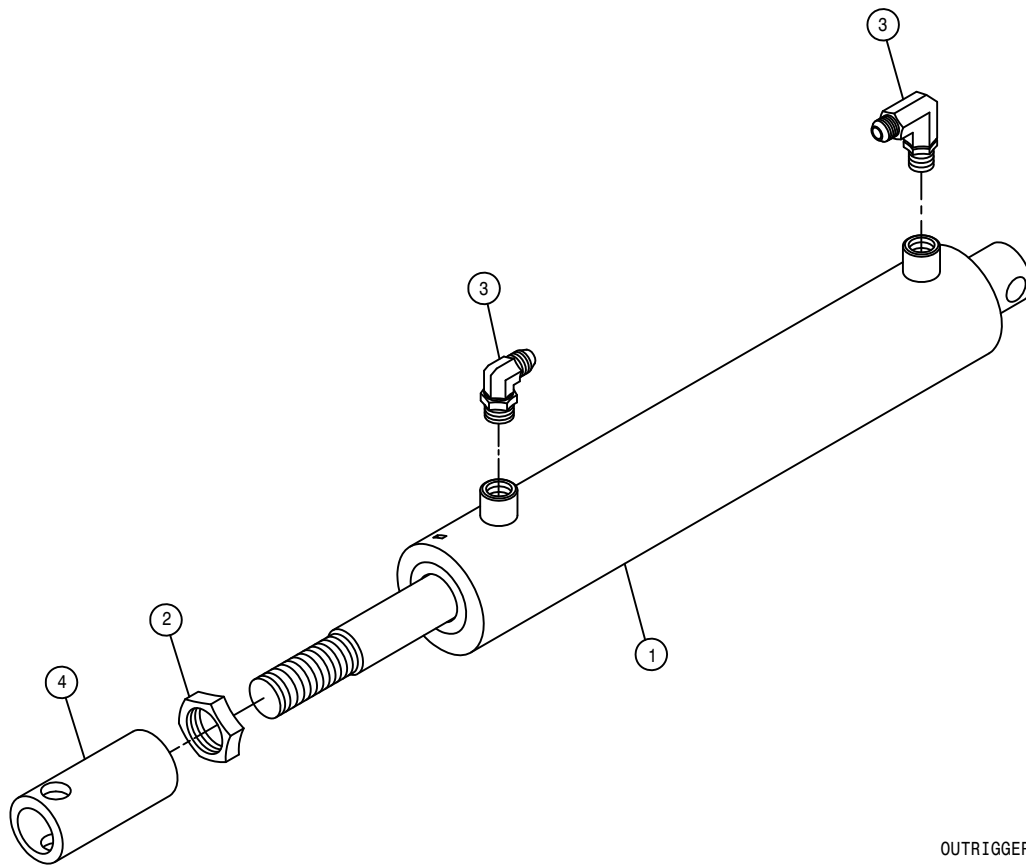
COMBO DETASSELER LIFT ASSEMBLY

DET.	QTY	PART NO.	DESCRIPTION
1	1	438292	TOOL BAR V-PLT WLD 8200 86
2	2	438293	5/8UNC X 6 1/4 CTR U-BOLT TRI
3	1	438478	TOOL BAR WLD 10-12R DETASSLR
4	4	914008	1/2UNC HEX STOVER NUT
5	6	914010	5/8UNC HEX STOVER NUT
6	2	920005	5/8 SAE FLAT WASHER
7	1	438194	TOOL BAR WLD DETAS 4-6R 83
8	3	920008	1" SAE FLAT WASHER
9	1	438245	TOOL BAR MT WLD,2-POS DETAS
10	1	438184	HOIST COL WLD DETAS LIFT 83
11	1	438294	UPPER LIFT ARM WLD 8200 86
12	1	438297	LWR LIFT ARM WLD 8200 86
13	4	438300	LIFT ARM PIVOT PIN WLD8200 86
14	2	438302	HOSE SUPPORT RING WLD
15	8	121025	JOURNAL BRG, 1.00 ID X 1.50 LG
16	6	470162	COTTER PIN 3/16 X 1 1/2 SQCUT
17	2	900538	1/2UNC X 3 1/2 HEX BOLT FULL
18	2	910008	1/2UNC HEX NUT
19	1	438367	HOIST COL MT BRKT WLD 200 90
20	1	472012	CLEVIS PIN, 1.00 X 3.25 PLT
21	1	472206	PICKER PIN 1 DIA X 2 1/4
22	1	621202	LIFT CYL ASSY, 1-WAY, DET 04
23	4	900275	1/2UNC X 4 1/2 HEX BOLT
24	2	900343	5/8UNC X 4 1/2 HEX BOLT
25	1	438749	TOOL BAR MT WLD,2-POS W/SUPP
26	1	438226	TOOL BAR SUPP WLD
27	1	438231	TOOL BAR SUPP ROD
28	4	910008	1/2UNC HEX NUT
29	1	438750	TOOL BAR WLD 10-12R 3-HD DET



LIFT CYLINDER ASSEMBLY

DET.	QTY	PART NO.	DESCRIPTION
1	1	621506	LIFT CYL ASSY 1W,DETASSELER
2	1	618119	9/16MJIC-90-9/16MOR LBO
NS	1	621507	REPAIR KIT, HYD CYL 621506



OUTRIGGER FOLD CYLINDER ASSEMBLY

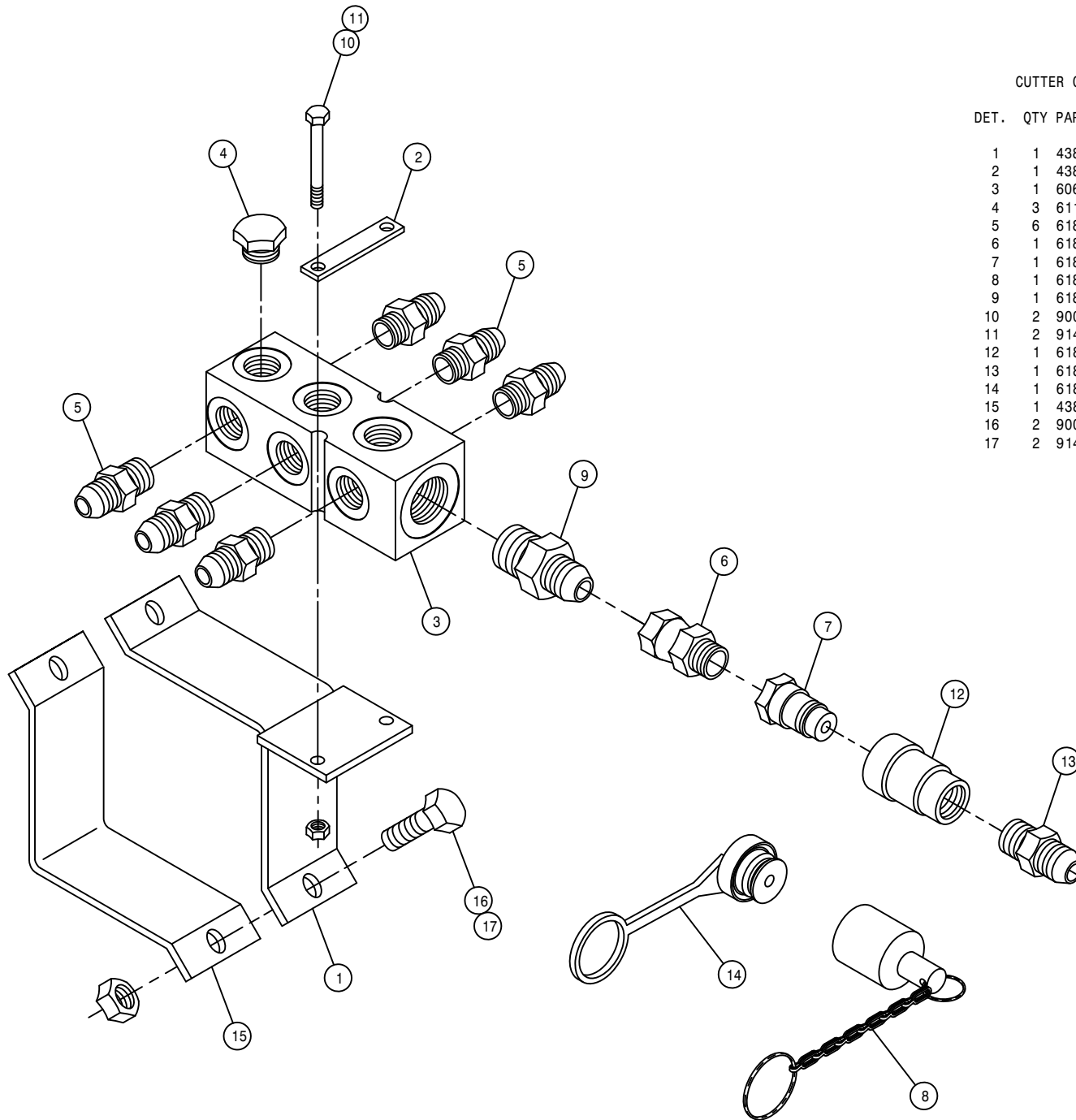
DET.	QTY	PART NO.	DESCRIPTION
	1	621520	BOOM HINGE FOLD CYL ASSY
	2	472322	7/8-14 UNF HEX JAM NUT
	3	614747	.025 ELBOW ASSY,9/16MOR 90D
	4	620653	FOLD CYL ADJ SLEEVE 97
	NS	621521	REPAIR KIT, HYD CYL 621520

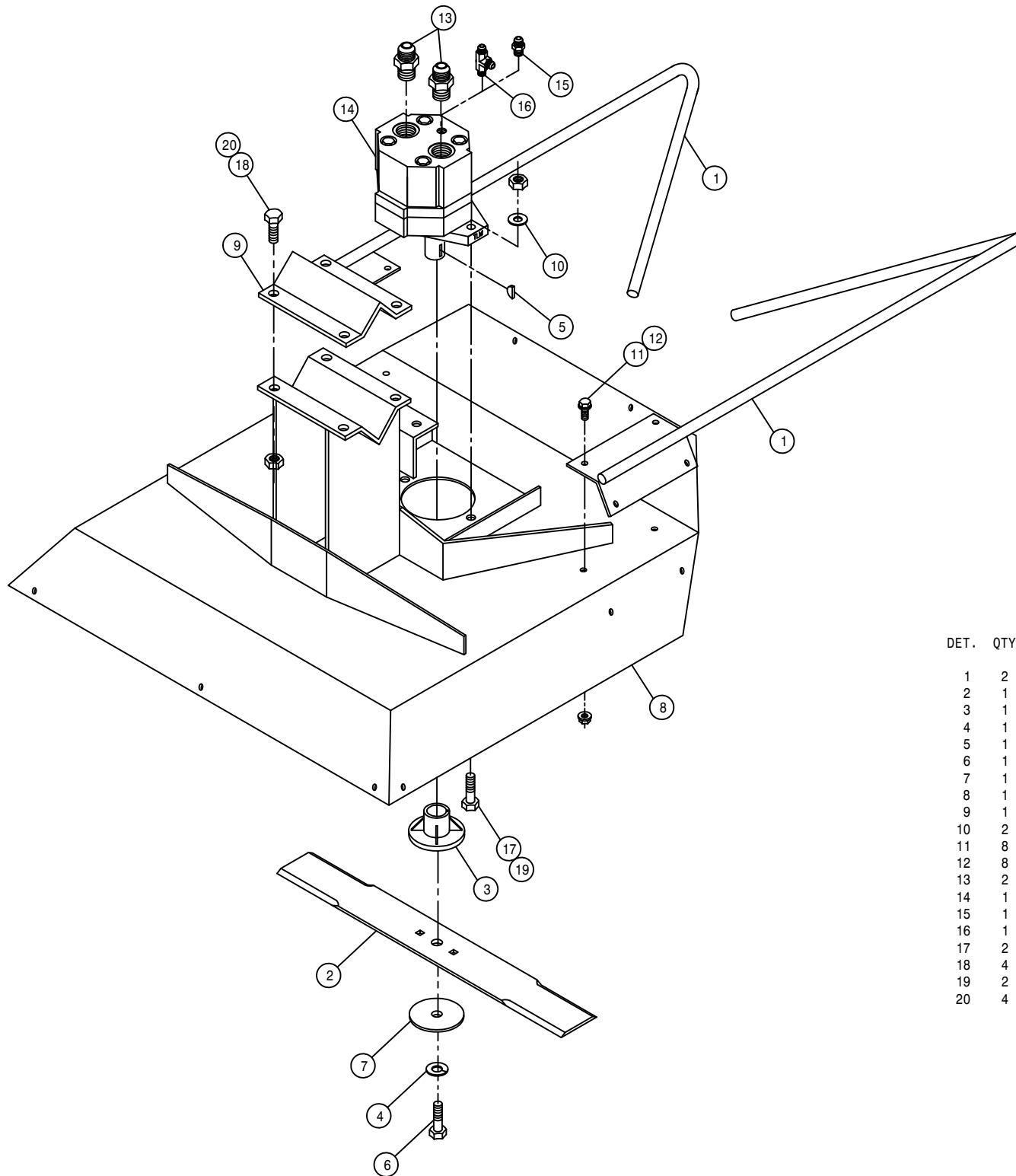
NOTE: 621209 - OUTRIGGER FOLD CYLINDER ASSEMBLY WITH FITTINGS

CUTTER CASE DRAIN MANIFOLD ASSEMBLY

DET. QTY PART NO. DESCRIPTION

DET.	QTY	PART NO.	DESCRIPTION
1	1	438726	CUTTER RETURN MANIFOLD MT WLD
2	1	438729	CUTTER RETURN MANIF MT KEEPER
3	1	606021	HYD RETURN MANIF,3/4FOR,9-PORT
4	3	611159	3/4MOR PLUG
5	6	618109	9/16MJIC-3/4MOR ADPTR
6	1	618615	3/4FJIC-SWIV-3/8MNPT
7	1	618646	HYD QUICK CPLR, MALE .375NPS
8	1	618648	RUBBER DUST CAP FOR 618646
9	1	618469	3/4MJIC-1 1/16MOR ADPTR
10	2	900009	1/4UNC X 2 3/4 HEX BOLT
11	2	914000	1/4UNC HEX STOVER NUT
12	1	618645	HYD QUICK CPLR,FEMALE .375NPS
13	1	618462	3/4MJIC-3/8MNPT ADPTR
14	1	618647	RUBBER DUST PLUG FOR 618645
15	1	438727	CUTTER RETURN MANIF MT V-PLT
16	2	900264	1/2UNC X 1 1/4 HEX BOLT
17	2	914008	1/2UNC HEX STOVER NUT





CUTTER HEAD ASSEMBLY

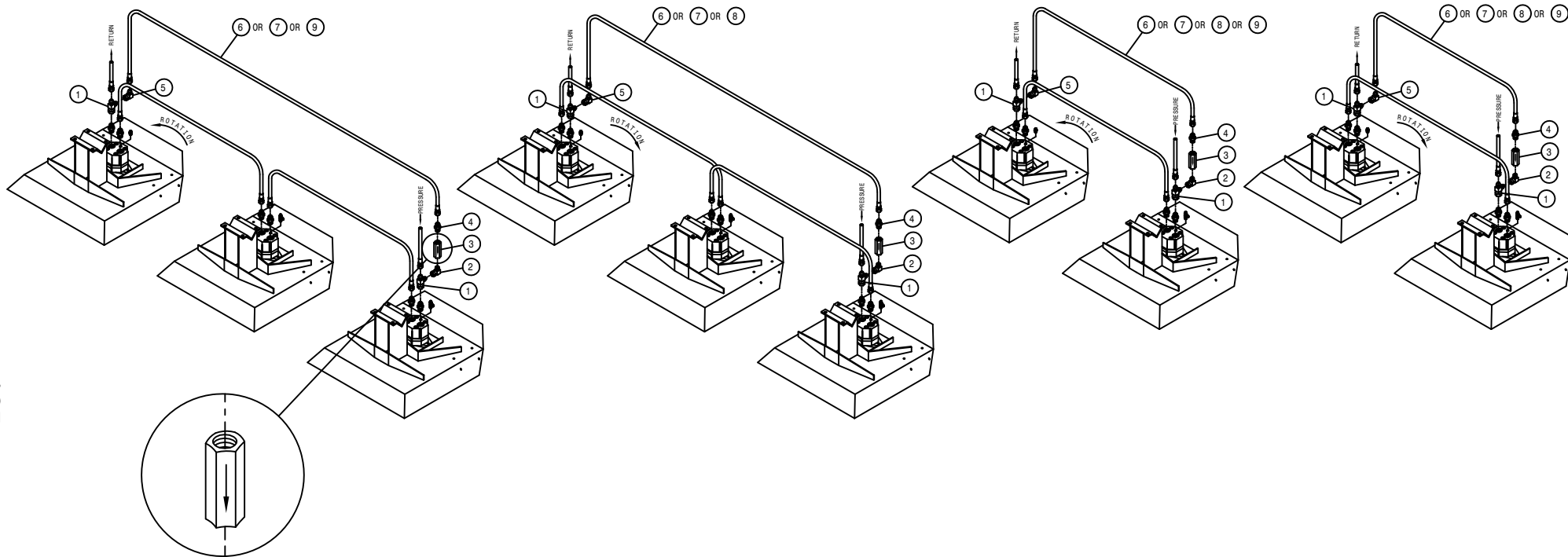
DET.	QTY	PART NO.	DESCRIPTION
	1	2	002215 CUTR STALK GUIDE WLD 8200 85
	2	1	002103 CUTR BLADE 18 IN
	3	1	002104 CLUTCH BODY BLADE
	4	1	002105 3/8 LOCK WASHER ZINC PLT
	5	1	002106 WOODRUFF KEY #6 .156 X .625
	6	1	002107 3/8UNF X 1 1/2 HEX BOLT CUTR
	7	1	002108 STEEL WASHER CUTTER BLADE
	8	1	002210 CUTR TOP WLD 8200 85
	9	1	410016 RLR HANGER V 473
	10	2	920002 3/8 SAE FLAT WASHER
	11	8	470118 1/4UNC X 3/4 FLANGE HEX BOLT
	12	8	470121 1/4UNC HEX FLANGE LOCK NUT
	13	2	611125 3/4MJIC-3/4MOR ADPTR
	14	1	610755 BARNES HYD MOTOR, D-SERIES 01
	15	1	618530 9/16MJIC-1/8MNPT ADPTR
	16	1	618546 1/8MNPT RUN TEE-9/16MJIC
	17	2	900130 3/8UNC X 1 1/4 HEX BOLT
	18	4	900265 1/2UNC X 1 1/2 HEX BOLT
	19	2	914004 3/8UNC HEX STOVER NUT
	20	4	914008 1/2UNC HEX STOVER NUT

LEFT SIDE OF OPERATOR

RIGHT SIDE OF OPERATOR

LEFT SIDE OF OPERATOR

RIGHT SIDE OF OPERATOR

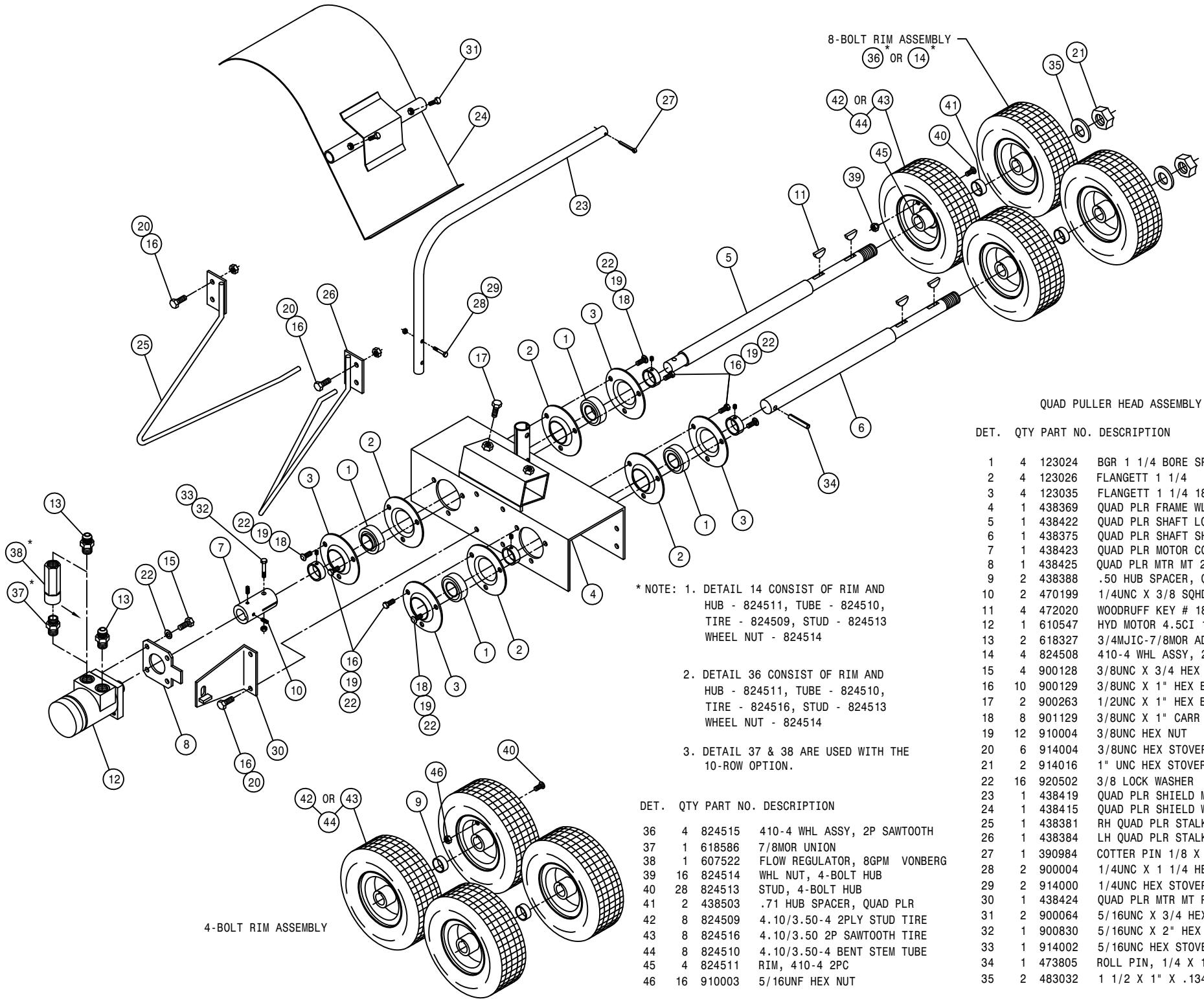


CUTTER CHECK VALVE HYDRAULIC SCHEMATIC

DET. QTY PART NO. DESCRIPTION

1	2	618451	3/4FJIC SW RUN TEE-3/4MJIC	
2	1	618620	3/4FJX-90-1/2MNPT ADPTR	
3	1	690338	LINE CHECK VALVE HYD .50NPT	
4	1	611147	3/4MJIC-1/2MNPT ADPTR	
5	1	618609	3/4MJIC-90-3/4FJIC SWIV LBO	
6	1	614375	08C1T-08FJX-08FJX-177	H/A
7	1	616057	08C1T-08FJX-08FJX-88	H/A
8	1	614368	08C1T-08FJX-08FJX-60	H/A
9	1	614384	08C1T-08FJX-08FJX-237	H/A

NOTE: LISTING IS FOR ONE GROUP OF CUTTER HEADS.



QUAD PULLER HEAD ASSEMBLY

DET.	QTY	PART NO.	DESCRIPTION
1	4	123024	BGR 1 1/4 BORE SPHERICL RELUB
2	4	123026	FLANGETT 1 1/4
3	4	123035	FLANGETT 1 1/4 180 DEG ZERK
4	1	438369	QUAD PLR FRAME WLD 200 90
5	1	438422	QUAD PLR SHAFT LONG 200 91
6	1	438375	QUAD PLR SHAFT SHORT 200 90
7	1	438423	QUAD PLR MOTOR COUPLER 200 91
8	1	438425	QUAD PLR MTR MT 200 91
9	2	438388	.50 HUB SPACER, QUAD PLR
10	2	470199	1/4UNC X 3/8 SQHD CUP SET SCR
11	4	472020	WOODRUFF KEY # 18 1/4 X 1 1/8
12	1	610547	HYD MOTOR 4.5GI 1IN SHFT
13	2	618327	3/4MJIC-7/8MOR ADPTR
14	4	824508	410-4 WHL ASSY, 2P STUD
15	4	900128	3/8UNC X 3/4 HEX BOLT
16	10	900129	3/8UNC X 1" HEX BOLT
17	2	900263	1/2UNC X 1" HEX BOLT
18	8	901129	3/8UNC X 1" CARR BOLT
19	12	910004	3/8UNC HEX NUT
20	6	914004	3/8UNC HEX STOVER NUT
21	2	914016	1" UNC HEX STOVER NUT
22	16	920502	3/8 LOCK WASHER
23	1	438419	QUAD PLR SHIELD MT TUBE 91
24	1	438415	QUAD PLR SHIELD WLD 200 91
25	1	438381	RH QUAD PLR STALK GUIDE WLD90
26	1	438384	LH QUAD PLR STALK GUIDE WLD90
27	1	390984	COTTER PIN 1/8 X 1 1/4
28	2	900004	1/4UNC X 1 1/4 HEX BOLT
29	2	914000	1/4UNC HEX STOVER NUT
30	1	438424	QUAD PLR MTR MT PLT WLD
31	2	900064	5/16UNC X 3/4 HEX BOLT
32	1	900830	5/16UNC X 2" HEX BOLT GR8
33	1	914002	5/16UNC HEX STOVER NUT
34	1	473805	ROLL PIN, 1/4 X 1 1/2
35	2	483032	1 1/2 X 1" X .134TH MACH WASH
36	4	824515	410-4 WHL ASSY, 2P SAWTOOTH
37	1	618586	7/8MOR UNION
38	1	607522	FLOW REGULATOR, 8GPM VONBERG
39	16	824514	WHL NUT, 4-BOLT HUB
40	28	824513	STUD, 4-BOLT HUB
41	2	438503	.71 HUB SPACER, QUAD PLR
42	8	824509	4.10/3.50-4 2PLY STUD TIRE
43	8	824516	4.10/3.50 2P SAWTOOTH TIRE
44	8	824510	4.10/3.50-4 BENT STEM TUBE
45	4	824511	RIM, 410-4 2PC
46	16	910003	5/16UNF HEX NUT

* NOTE: 1. DETAIL 14 CONSIST OF RIM AND HUB - 824511, TUBE - 824510, TIRE - 824509, STUD - 824513 WHEEL NUT - 824514

2. DETAIL 36 CONSIST OF RIM AND HUB - 824511, TUBE - 824510, TIRE - 824516, STUD - 824513 WHEEL NUT - 824514

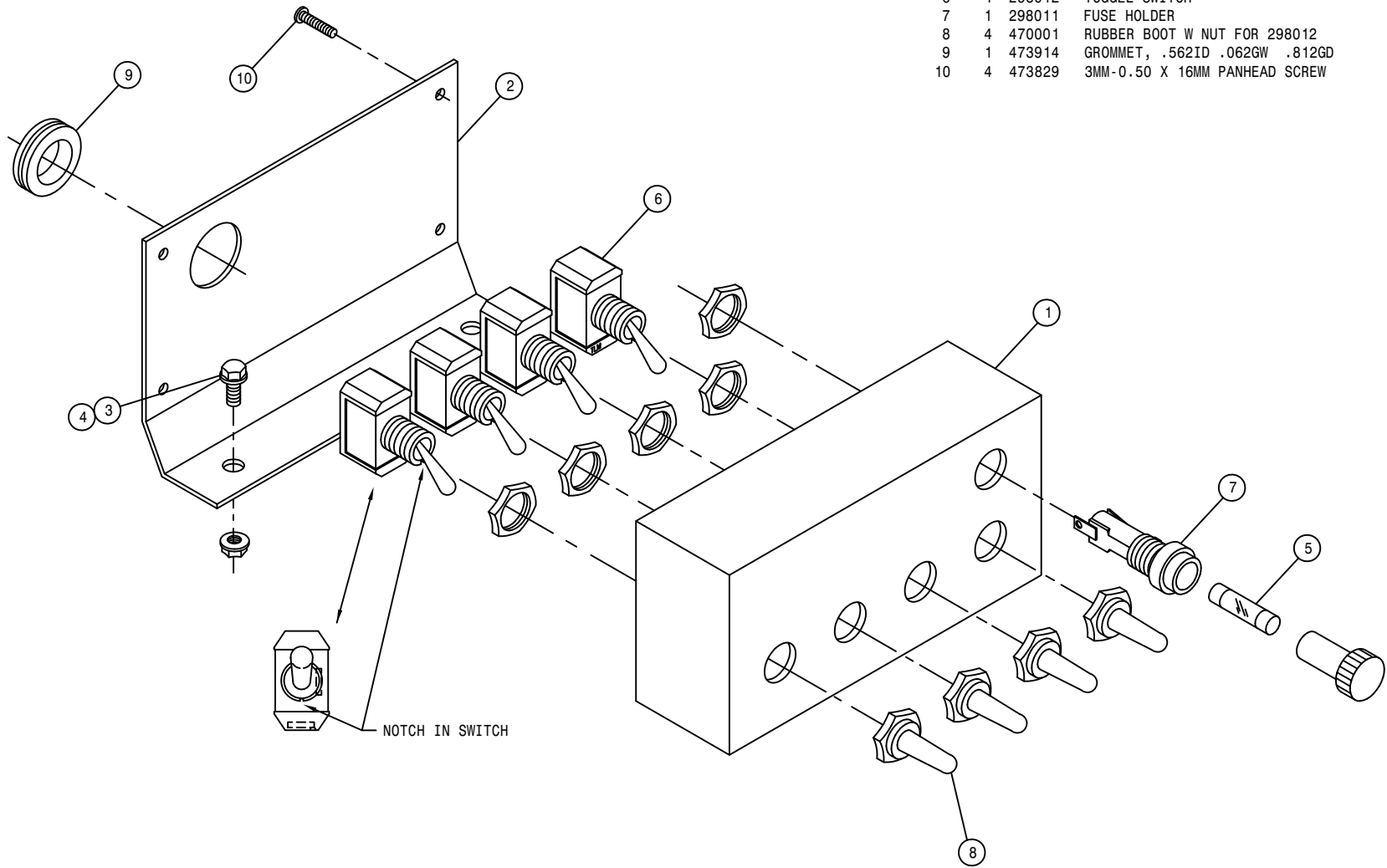
3. DETAIL 37 & 38 ARE USED WITH THE 10-ROW OPTION.

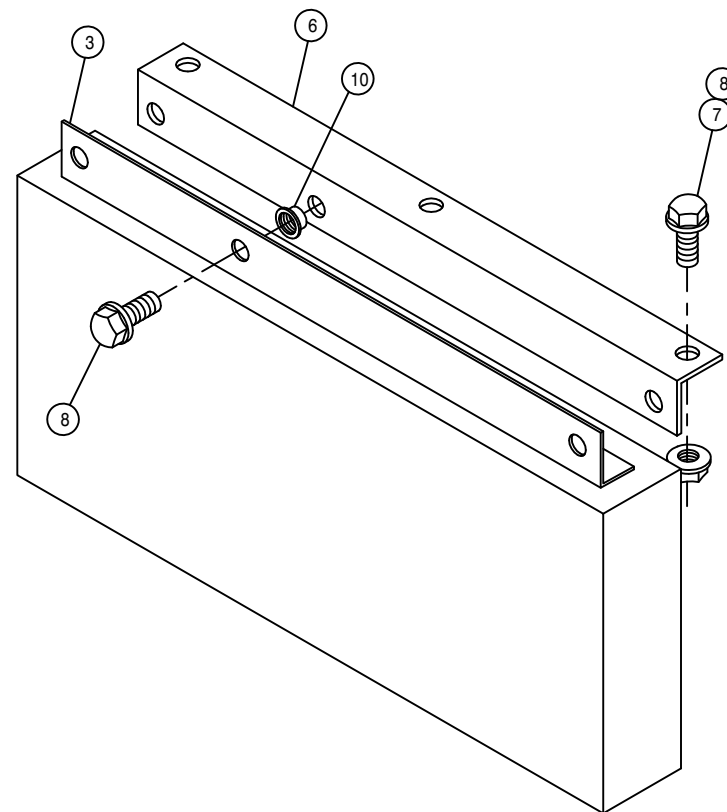
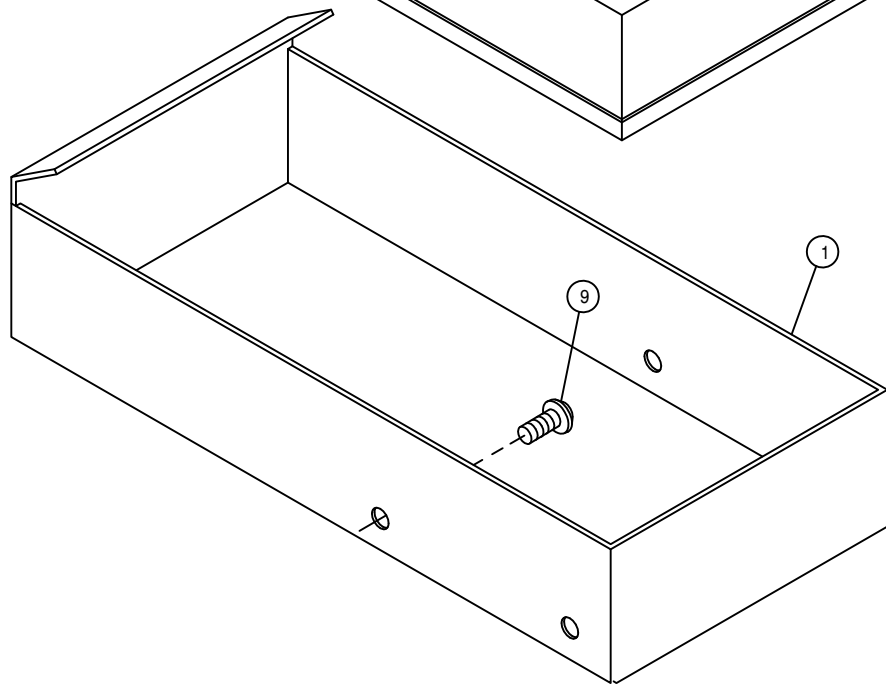
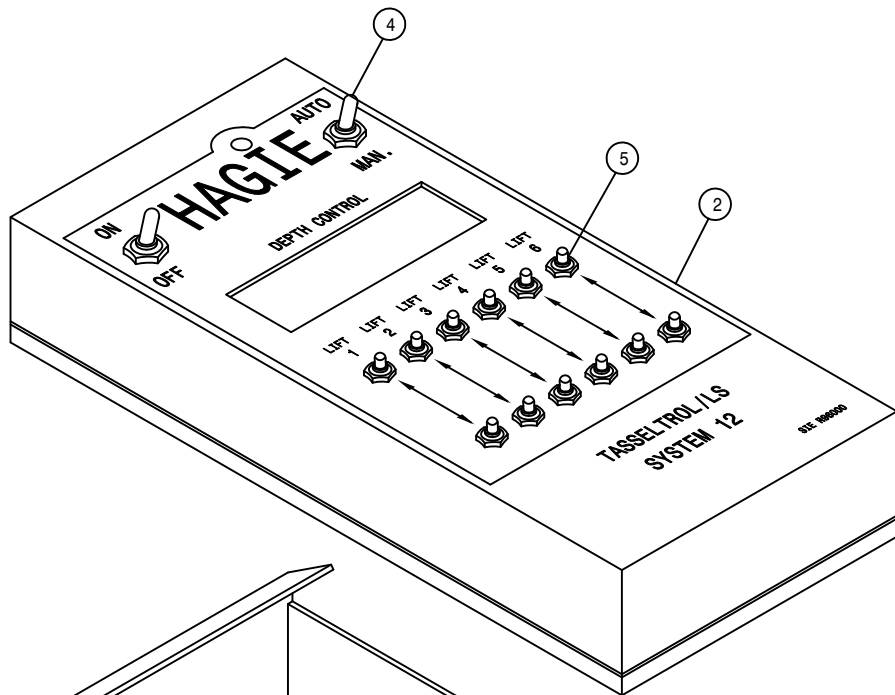
4-BOLT RIM ASSEMBLY

COMBO MOTOR CONTROL VALVE SWITCH ASSEMBLY

DET. QTY PART NO. DESCRIPTION

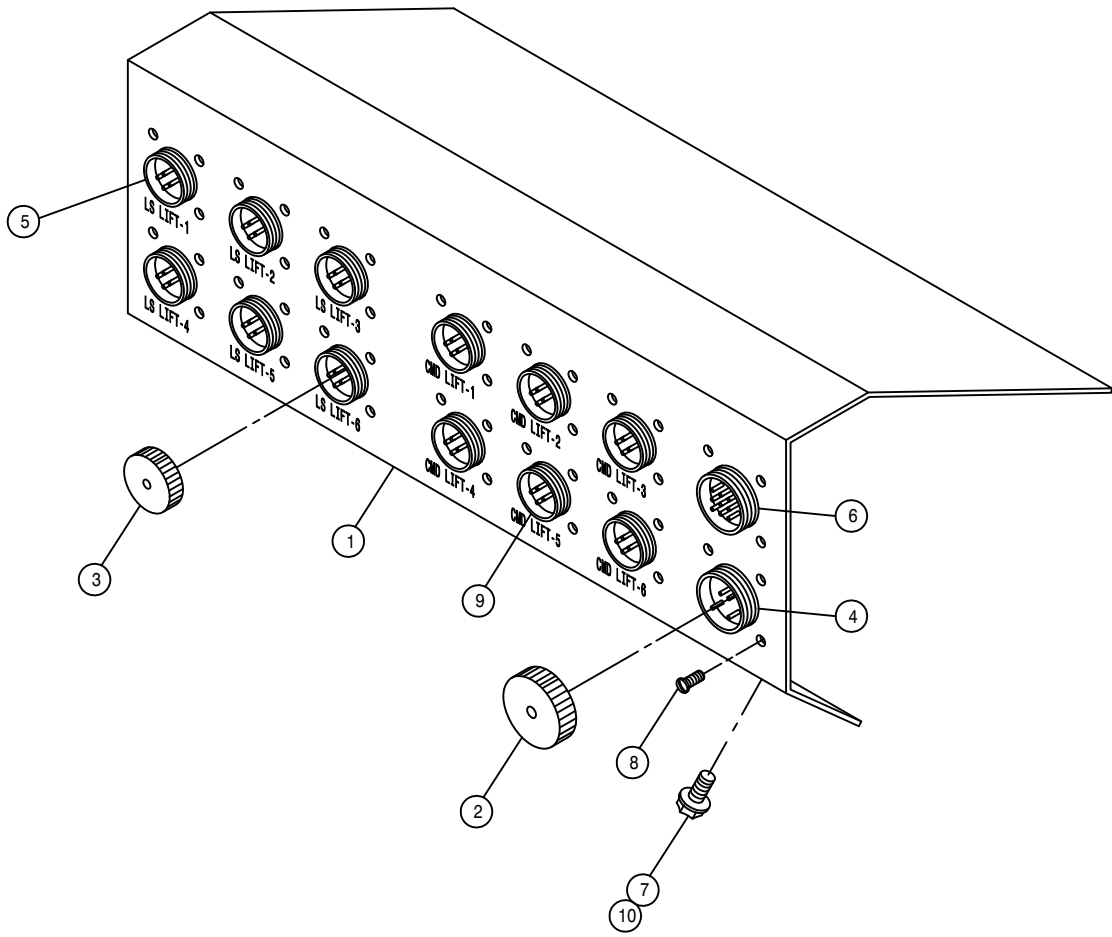
DET.	QTY	PART NO.	DESCRIPTION
1	1	002744	SWITCH BOX, DEPTH CMD
2	1	002923	SW BOX MT,MTR CTRL,2100 COMBO
3	2	470121	1/4UNC HEX FLANGE LOCK NUT
4	2	470122	1/4UNC X 1/2 FLANGE HEX BOLT
5	1	298004	20 AMP FUSE SFE 20
6	4	298012	TOGGLE SWITCH
7	1	298011	FUSE HOLDER
8	4	470001	RUBBER BOOT W NUT FOR 298012
9	1	473914	GROMMET, .562ID .062GW .812GD
10	4	473829	3MM-0.50 X 16MM PANHEAD SCREW





LS CONTROL BOX ASSEMBLY

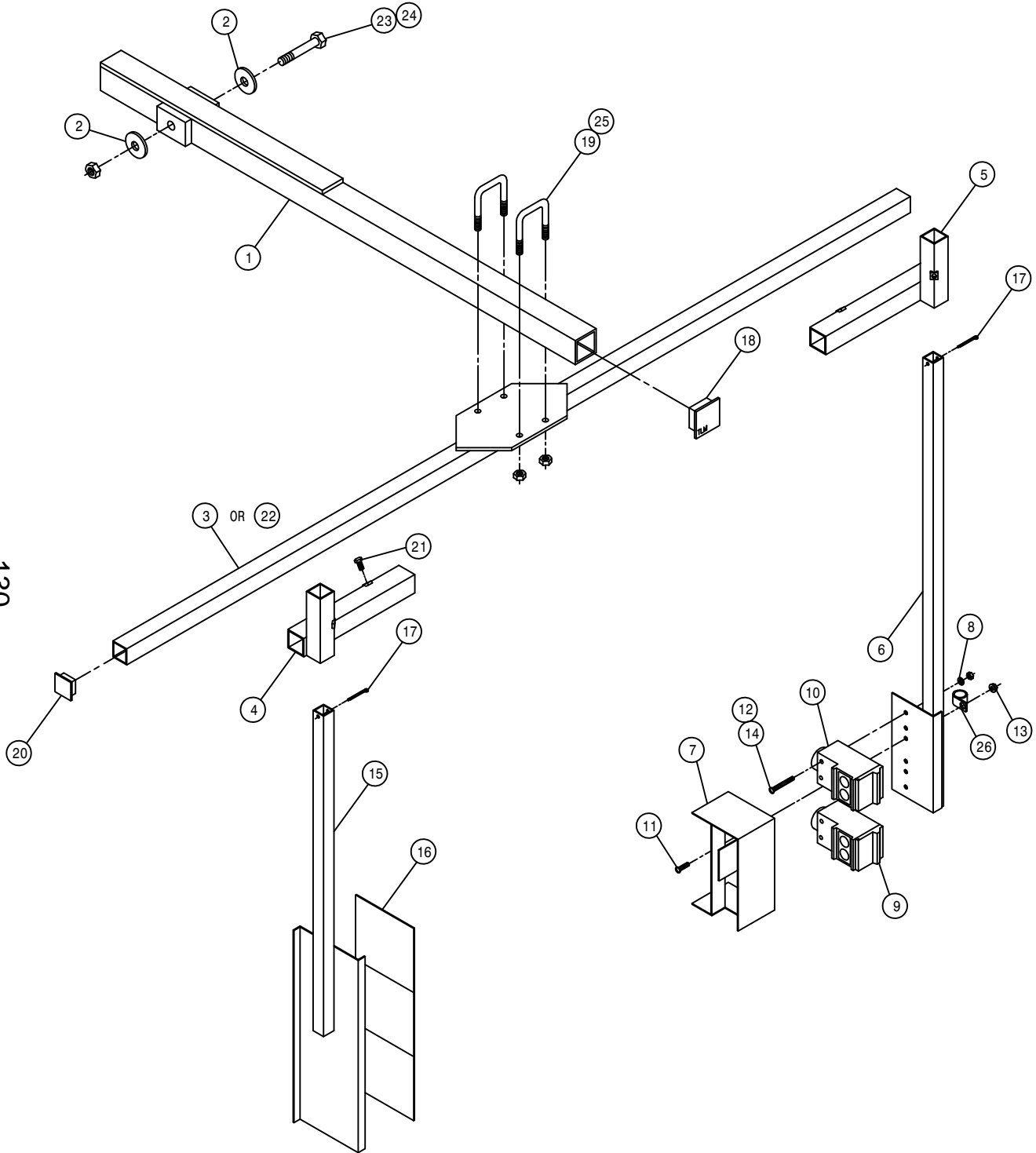
DET.	QTY	PART NO.	DESCRIPTION
	1	002903	LS CTRL 6L DISPLAY MT
	1	293373	LS CTRL 6L DISPLAY BOX ASSY
	1	293374	LS CTRL 6L CABLE BOX ASSY
	2	470001	RUBBER BOOT W NUT FOR 298012
	12	293255	SWITCH BOOT, PUSHBUTTON, 1/4-40
	1	002925	LS CTRL BOX MT, 2100 COMBO
	3	470121	1/4UNC HEX FLANGE LOCK NUT
	6	470122	1/4UNC X 1/2 FLANGE HEX BOLT
	2	903708	1/4UNC X 1/2 PHIL PNHD MACHSCR
	3	470086	1/4UNC NUTSERT .020-.10MATL



COMBO LS/DEPTH CMD RECEPTACLE ASSEMBLY

DET.	QTY	PART NO.	DESCRIPTION
1	1	002926	LS RECEPTACLE MT, 2100 COMBO
2	2	291688	CAP FPR #13 SHELL RECEPTACLE
3	12	293046	CAP FOR #11 SHELL RECEPTACLE
4	1	293483	5-6LS ELECT VLV JMPR WIRE ASSY
5	6	293484	LS JUMPER WIRE ASSY,2100 COMBO
6	1	293485	MAIN LS ELECT VLV WIRE ASSY
7	3	470122	1/4UNC X 1/2 FLANGE HEX BOLT
8	56	473932	6-32 X 3/8 PAN SELF TAP SCR
9	6	293479	129" WIRE ASSY,DEPTH CMD JMPR
10	3	470086	1/4UNC NUTSERT .020-.100MATL

130



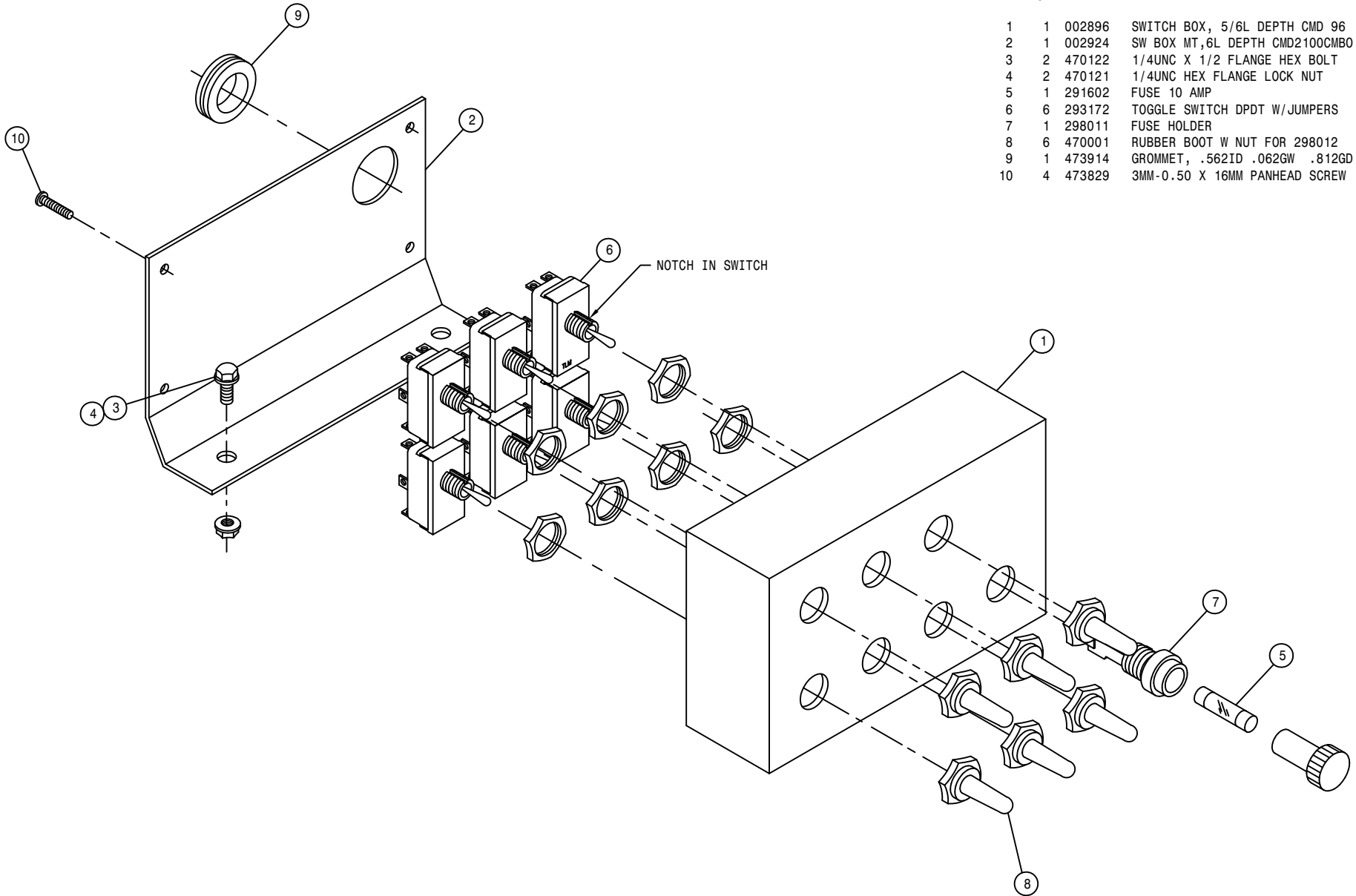
LS SENSOR ASSEMBLY

DET.	QTY	PART NO.	DESCRIPTION
1	1	002813	SENSOR ARM WELD 200 DET 92
2	2	002815	SENSOR ARM WASH, NYL
3	1	002709	LS CROSSTUBE WLD 90
4	1	002712	LS REFLECTOR SLIDE MT WLD 90
5	1	002713	LS SENSOR SLIDE MT WLD 90
6	1	002839	LS 42GRU PHOTOSW SENS MT WLD
7	1	002841	LS 42GRU SENSOR SHIELD WLD
8	4	920510	#10 LOCK WASHER
9	1	293258	LWR LS 9000 SENSOR ASSY, FEM
10	1	293259	UPR LS 9000 SENSOR ASSY, MALE
11	2	903883	10-32 X 1/2 SLT RDHD MACH SCR
12	4	910027	10-32 HEX NUT
13	2	470175	10-32 HEX FLANGE LOCK NUT
14	4	903902	10-32 X 2" SLT RD HD MACH SCR
15	1	002723	LS REFLECTOR MT WLD 90
16	3	650297	REFLECTIVE TAPE, 4 X 4, RTC4-4P
17	2	390984	COTTER PIN 1/8 X 1 1/4
18	1	473943	FINISH PLUG 1 1/2 SQ
19	2	473949	5/16UNC-1 9/16ID-1 15/16U-BOLT
20	2	629727	FINISH PLUG FOR 1 IN X 16 GA
21	4	900000	1/4UNC X 1/2 HEX BOLT
22	1	002834	LS CROSSTUBE WLD 10-12R 92
23	1	900275	1/2UNC X 4 1/2 HEX BOLT
24	1	914008	1/2UNC HEX STOVER NUT
25	4	914002	5/16UNC HEX STOVER NUT
26	1	520117	CUSH HOSE CLAMP 5/8D X 1/2W

6-LIFT, DEPTH COMMAND SWITCH ASSEMBLY

DET. QTY PART NO. DESCRIPTION

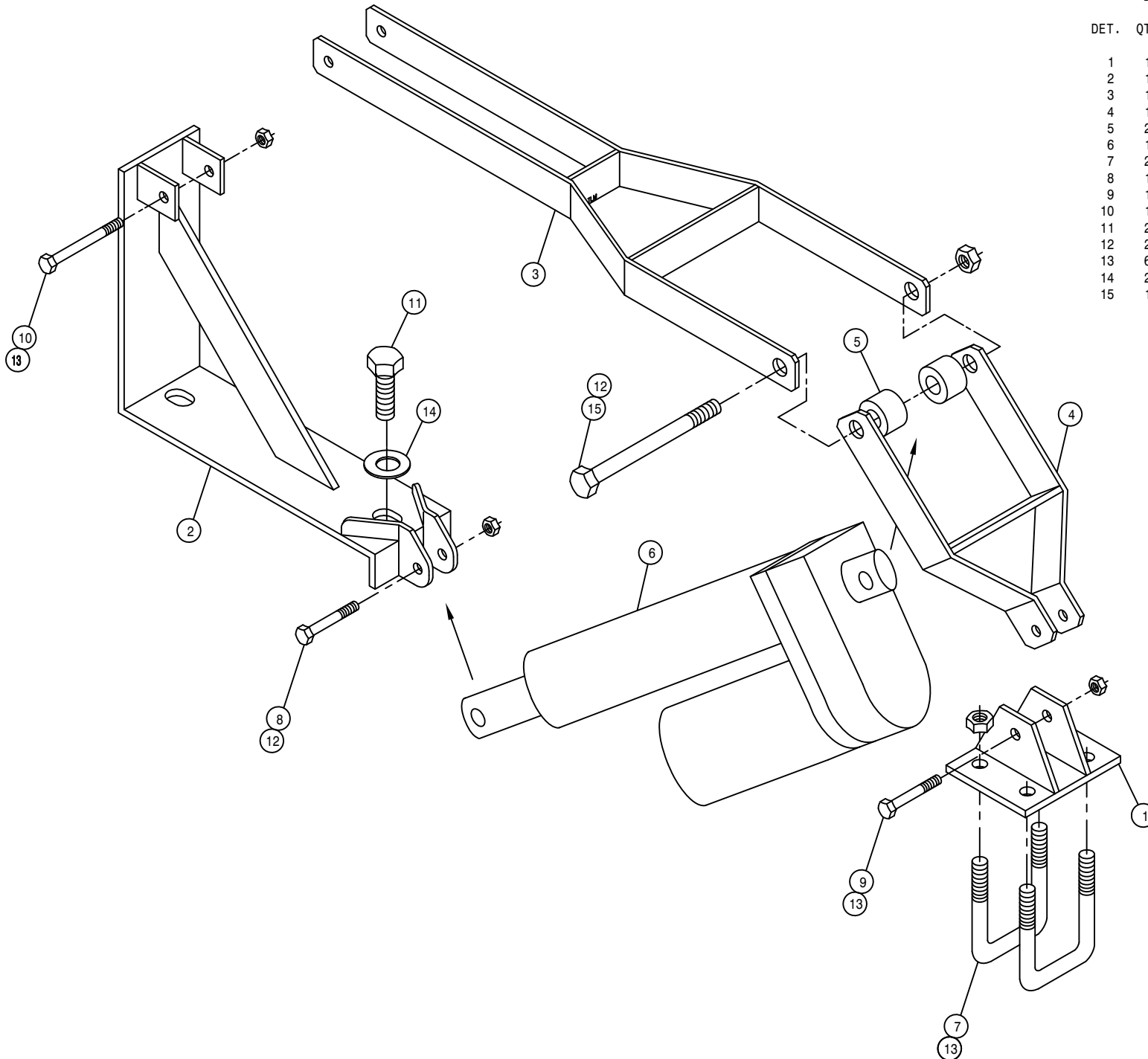
DET.	QTY	PART NO.	DESCRIPTION
1	1	002896	SWITCH BOX, 5/6L DEPTH CMD 96
2	1	002924	SW BOX MT,6L DEPTH CMD2100CMBO
3	2	470122	1/4UNC X 1/2 FLANGE HEX BOLT
4	2	470121	1/4UNC HEX FLANGE LOCK NUT
5	1	291602	FUSE 10 AMP
6	6	293172	TOGGLE SWITCH DPDT W/JUMPERS
7	1	298011	FUSE HOLDER
8	6	470001	RUBBER BOOT W NUT FOR 298012
9	1	473914	GROMMET, .562ID .062GW .812GD
10	4	473829	3MM-0.50 X 16MM PANHEAD SCREW



DEPTH COMMAND ACTUATOR ASSEMBLY

DET. QTY PART NO. DESCRIPTION

DET.	QTY	PART NO.	DESCRIPTION	
1	1	002849	HD DEPTH CMD ARM MT WLD	94
2	1	002846	HD DEPTH CMD MTG BRKT WLD	94
3	1	002851	HD DEPTH CMD UPR ARM WLD	94
4	1	002855	HD DEPTH CMD LWR ARM WLD	94
5	2	002858	HD DEPTH CMD ARM BUSH	94
6	1	291634	LINEAR ACTUATOR, ELECTRAK 2	
7	2	473949	5/16UNC-1 9/16ID-1 15/16U-BOLT	
8	1	900267	1/2UNC X 2" HEX BOLT	
9	1	900069	5/16UNC X 2" HEX BOLT	
10	1	900070	5/16UNC X 2 1/2 BOLT	
11	2	900263	1/2UNC X 1" HEX BOLT	
12	2	914008	1/2UNC HEX STOVER NUT	
13	6	914002	5/16UNC HEX STOVER NUT	
14	2	920004	1/2 SAE FLAT WASHER	
15	1	900275	1/2UNC X 4 1/2 HEX BOLT	



132

304132

This Page Intentionally Blank

NOTICE

The following page contains decals for the model 2101.

These decals can be obtained from Hagie Mfg. Co. and should be used whenever your machine is repainted or when the decals become worn, weathered, or faded.

Special attention should be paid to decals involving personal safety. They have been attached for your protection.

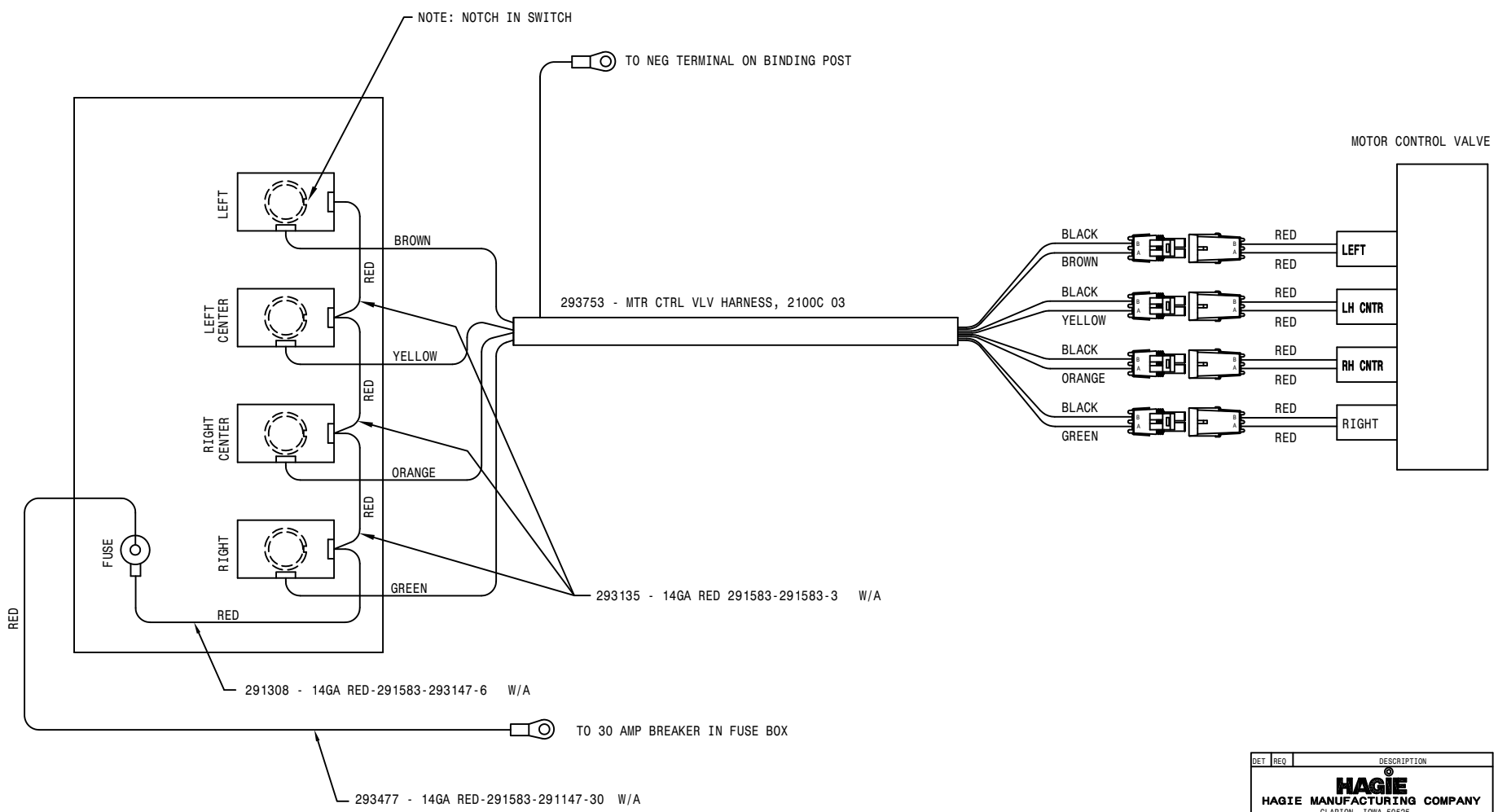
KEEP THEM IN PLACE.

Contact: Hagie Manufacturing Co.
Box 273
Clarion, Iowa 50525

2101 DECALS

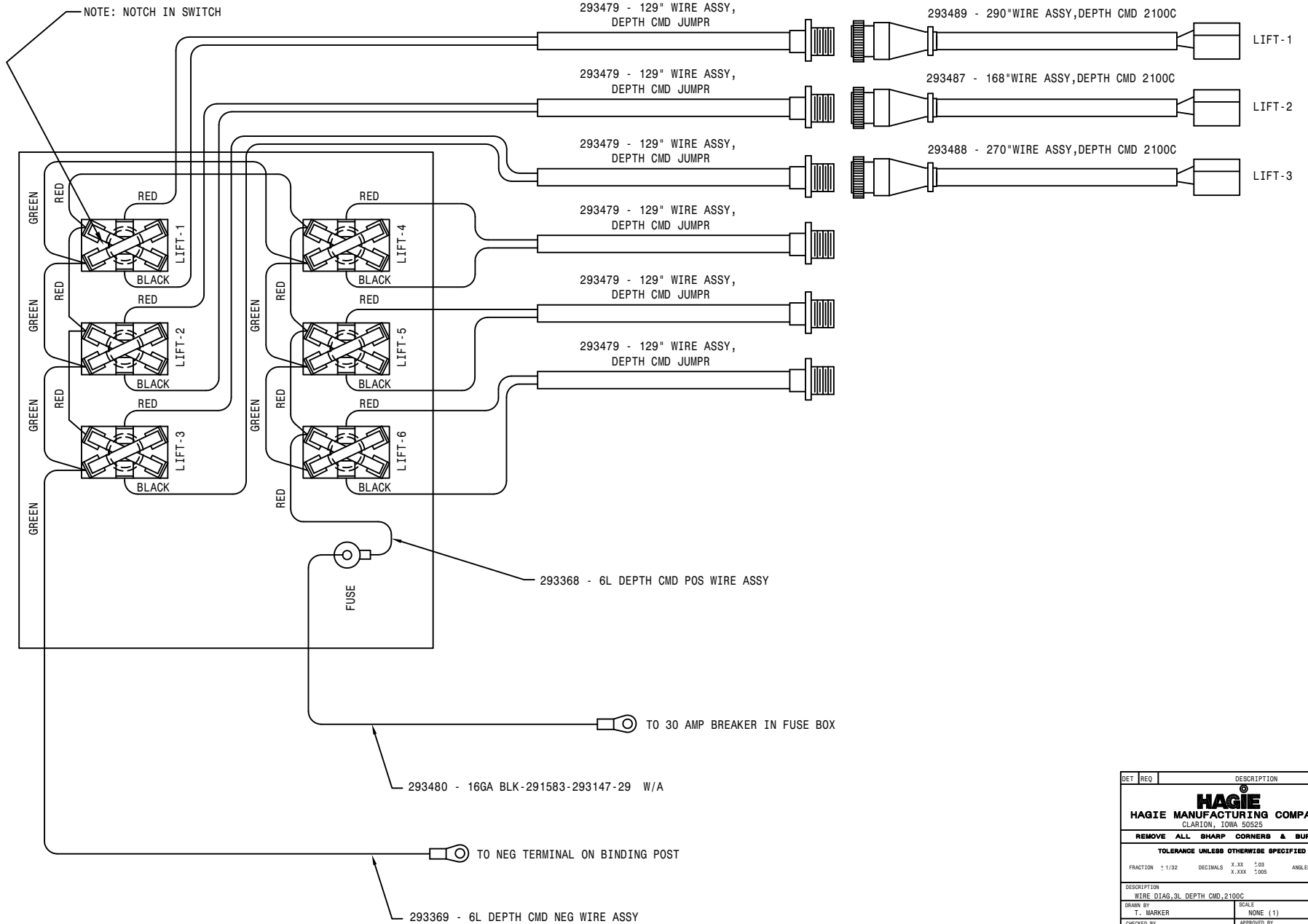
<u>QTY.</u>	<u>PART NO.</u>	<u>DESCRIPTION</u>	<u>LOCATION</u>
1	650108	MAIN SPRAY POWER DECAL	ON SWITCH PANEL HOUSING
1	650109	LOW HYDRAULIC OIL DECAL	ON SWITCH PANEL HOUSING
1	650303	CUTTER ROTATION DECAL	ON THE LOWER LEFT OF FRONT WINDOW
1	650308	LEFT L-CTR R-CTR RIGHT DECAL	ON MOTOR CONTROL VALVE BOX
1	650320	EMERGENCY EXIT DECAL	ON THE LOWER LEFT ON REAR WINDOW
1	650326	HAGIE DECAL	ON FRONT MAINFRAME SHIELD
1	650336	FOLD BOOM WARNING DECAL	ON RH SIDE WINDOW
1	650337	ELECTROCUTION HAZARD DECAL	ON RH SIDE WINDOW
1	650338	DEPTH CMD 6-LIFT DECAL	ON DEPTH COMMAND BOX
1	650339	HYDRAULIC OIL INJ. DECAL	ON STEERING POST
1	650340	PARK BRAKE DECAL	NEAR PARK SWITCH
1	650343	HYDROSTATIC CONTROL DECAL	ON CONSOLE
1	650345	BOOM CONTROL PANEL DECAL	ON SWITCH PANEL COVER
1	650347	NOTICE-R134A CHARGE DECAL	ON ENGINE NEAR A/C COMPRESSOR
1	650348	NOTICE-DRAIN AIR TANK DECAL	ON AIR TANK
1	650349	LIGHT SWITCH PANEL DECAL	ON SWITCH PANEL IN HEADLINER
1	650350	CAUTION, BOOSTER TERMINAL DECAL	ON LOWER BACK SHEET METAL
1	650351	AGITATION VFC DECAL	ON LOWER BACK SHEET METAL
2	650352	RH TREAD ADJ INDICATOR DECAL	1-ON RH FRONT INDICATOR MOUNT
2	650353	LH TREAD ADJ INDICATOR DECAL	1-ON LH REAR INDICATOR MOUNT
1	650357	LS DEPTH CTRL DECAL	ON RECEPTACLE MT
1	650367	AIR FILTER INSTRUCTION DECAL	ON ENGINE AIR FILTER END CAP
1	650369	FUSE BOX DECAL	1-ON RH REAR INDICATOR MOUNT ON FUSE BOX COVER
1	650370	SWITCH PANEL DECAL	ON SWITCH PANEL COVER
1	650371	TREAD ADJUST DECAL	ON CONSOLE
1	650372	MAIN ELECTRICAL DISCONNECT	NEAR DISCONNECT SWITCH
1	650374	DECAL SET, HAGIE 2101 STRIPE	ON EACH ENGINE HOOD
2	650819	DANGER, CUTTING BLADES DECAL	2-ON EACH CUTTER HEAD
1	650820	CAUTION, MOVING PARTS DECAL	1-ON EACH QUAD HEAD
1	650822	SOLUTION PUMP DECAL	ON FRONT MAINFRAME SHIELD
1	650831	EMERGENCY STOP DECAL	ON STEERING POST
1	650847	NO PASSENGER DECAL	ON LH REAR ON CAB
2	650848	SLIP OR FALL DECAL	ON BACK OF FUEL TANKS
2	650849	ENGINE FUEL DECAL	NEAR EACH FUEL TANK NECK
2	650850	CHEMICAL DECAL	ON TANK BAND TIE
2	650851	SHIELDS DECAL	ON LOWER REAR OF MAINFRAME
1	650852	READ MANUAL DECAL	ON LEFT CONSOLE TOP
1	650931	1 3/4 X 4 HAGIE DECAL	1-ON EACH QUAD HEAD
1	650954	DIESEL DECAL	NEAR EACH FUEL NECK
1	650955	SLOW ENGINE TO IDLE DECAL	ON THE LOWER LEFT OF FRONT WINDOW
1	650981	COOLING SYSTEM DECAL	NEAR RADIATOR CAP
1	650982	ELECTRICAL DECAL	ON ENGINE HOOD ABOVE BATTERY
4	650985	WHEEL BOLT TORQUE DECAL	ON EACH WHEEL RIM

136

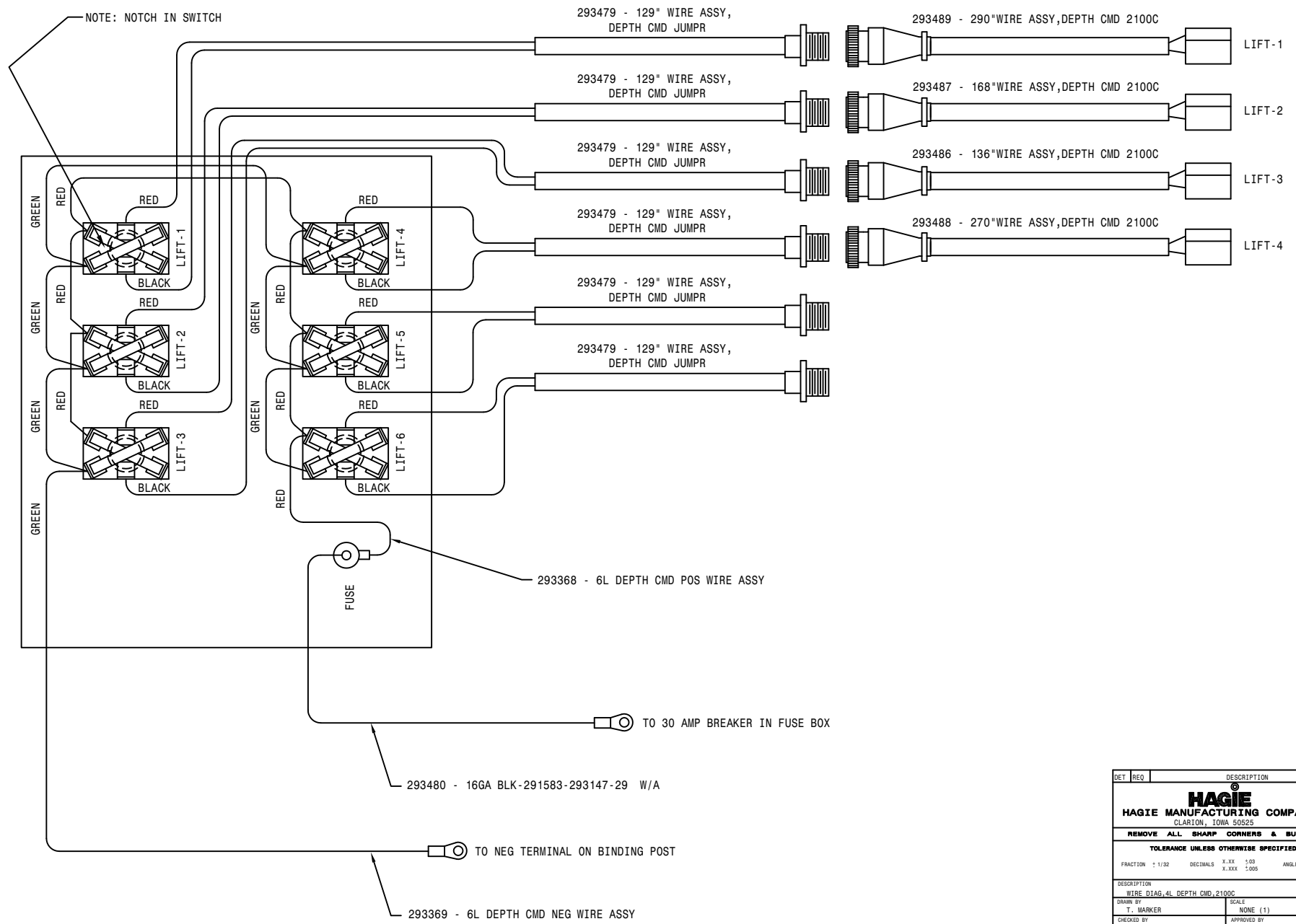


DET	REQ	DESCRIPTION
HAGIE HAGIE MANUFACTURING COMPANY CLARION, IOWA 50525		
REMOVE ALL SHARP CORNERS & BURRS		
TOLERANCE UNLESS OTHERWISE SPECIFIED		
FRACTION	DECIMALS	ANGLES
+ 1/32	X.XX ±03 X.XXX ±005	± °
DESCRIPTION		
WIRE DIAG, 2100 COMBO MTR CTRL_03		
DRAWN BY	SCALE	
T. MARKER	NONE (1)	
CHECKED BY	APPROVED BY	
DATE	DRAWING NUMBER	
11-20-02	498771	
SHEET	OF	

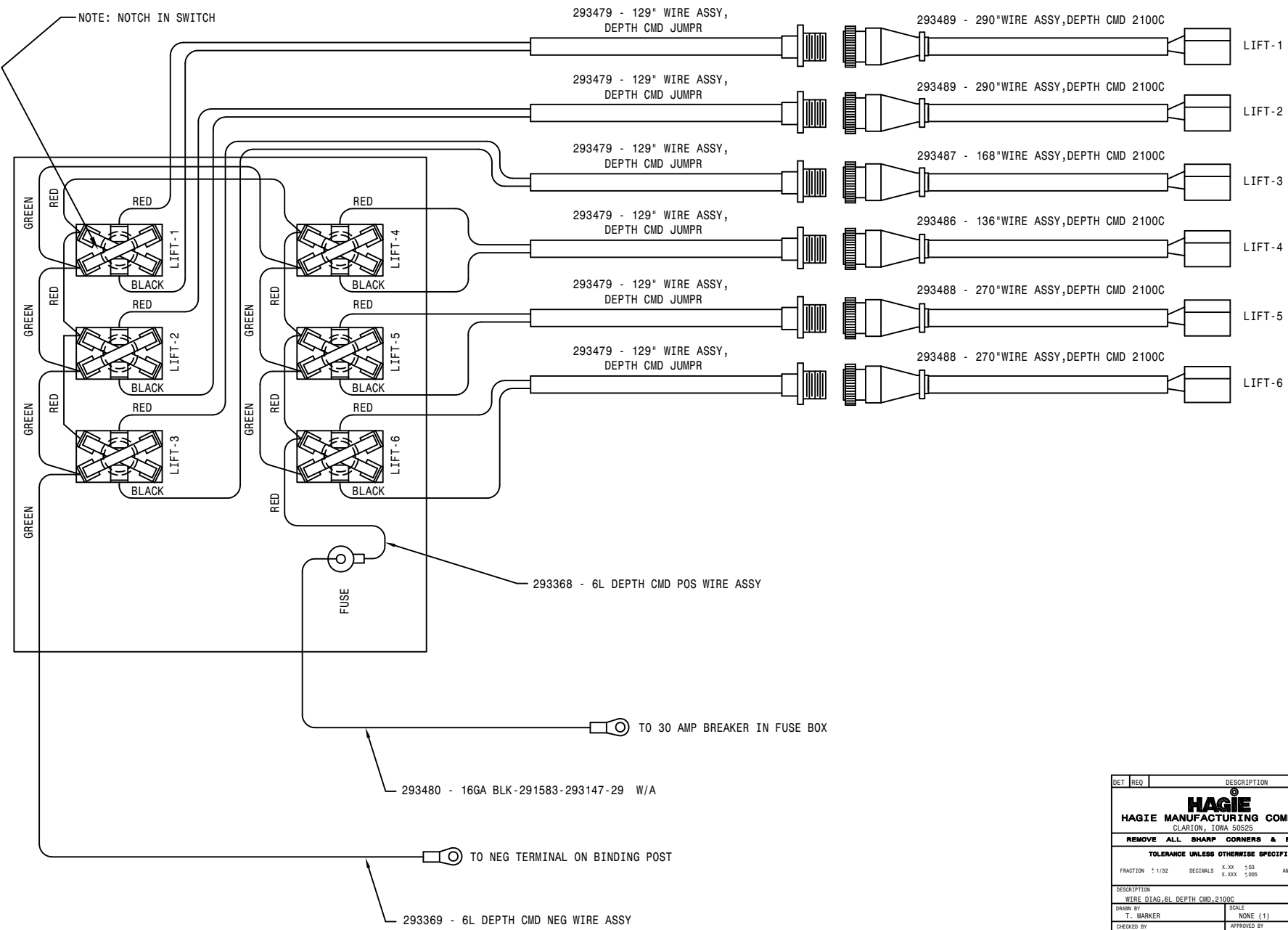
304136



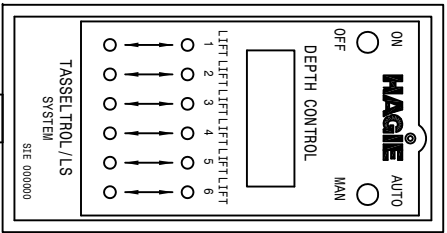
DET	REQ	DESCRIPTION
HAGIE HAGIE MANUFACTURING COMPANY CLARION, IOWA 50525		
REMOVE ALL SHARP CORNERS & BURRS		
TOLERANCE UNLESS OTHERWISE SPECIFIED		
FRACTION	DECIMALS	ANGLES
1/32	.005	± .5°
DESCRIPTION		
WIRE DIAG, 3L DEPTH CMD, 2100C		
DRAWN BY	T. MARKER	SCALE
		NONE (1)
CHECKED BY	APPROVED BY	
DATE	DRAWING NUMBER	
12-29-98	498572	
SHEET	OF	



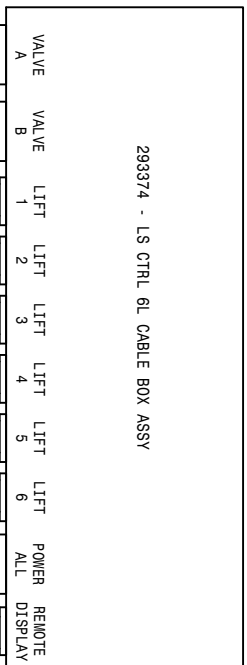
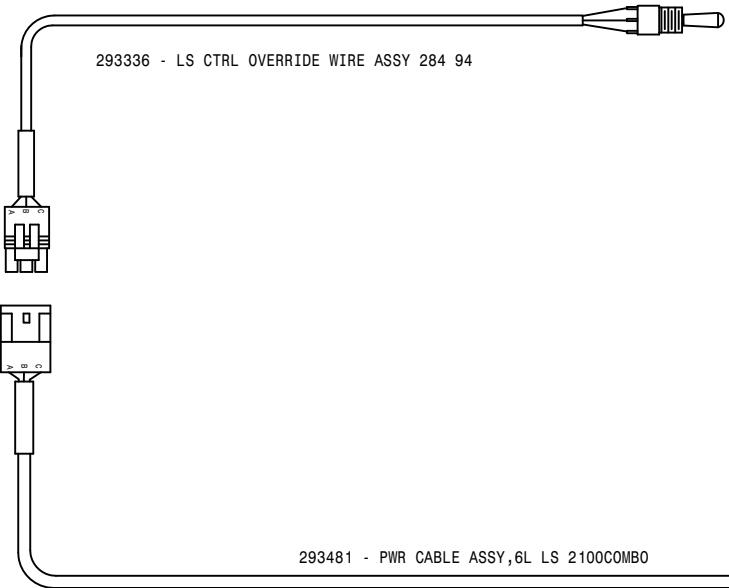
DET	REQ	DESCRIPTION
HAGIE HAGIE MANUFACTURING COMPANY <small>CLARION, IOWA 50525</small>		
REMOVE ALL SHARP CORNERS & BURRS		
TOLERANCE UNLESS OTHERWISE SPECIFIED		
FRACTION	± 1/32	DECIMALS X.XX ±.03 X.XXX ±.008
DESCRIPTION		SCALE
WIRE DIAG, 4L DEPTH CMD, 2100C		NONE (1)
DRAWN BY	T. MARKER	APPROVED BY
CHECKED BY		
DATE	12-29-98	DRAWING NUMBER
SHEET	OF	498573



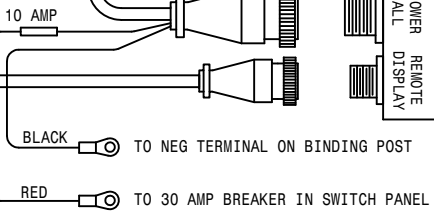
DET	REQ	DESCRIPTION
HAGIE HAGIE MANUFACTURING COMPANY CLARION, IOWA 50525		
REMOVE ALL SHARP CORNERS & BURRS		
TOLERANCE UNLESS OTHERWISE SPECIFIED		
FRACTION	1/32	DECIMALS
		X.XX ±.03
		X.XXX ±.005
DESCRIPTION	WIRE DIAG, 6L DEPTH CMD, 2100C	
DRAWN BY	T. MARKER	SCALE NONE (1)
CHECKED BY		APPROVED BY
DATE	12-29-98	DRAWING NUMBER
		498574
SHEET	OF	



293482 - DISPLAY CABLE ASSY, 6L LS 2100C



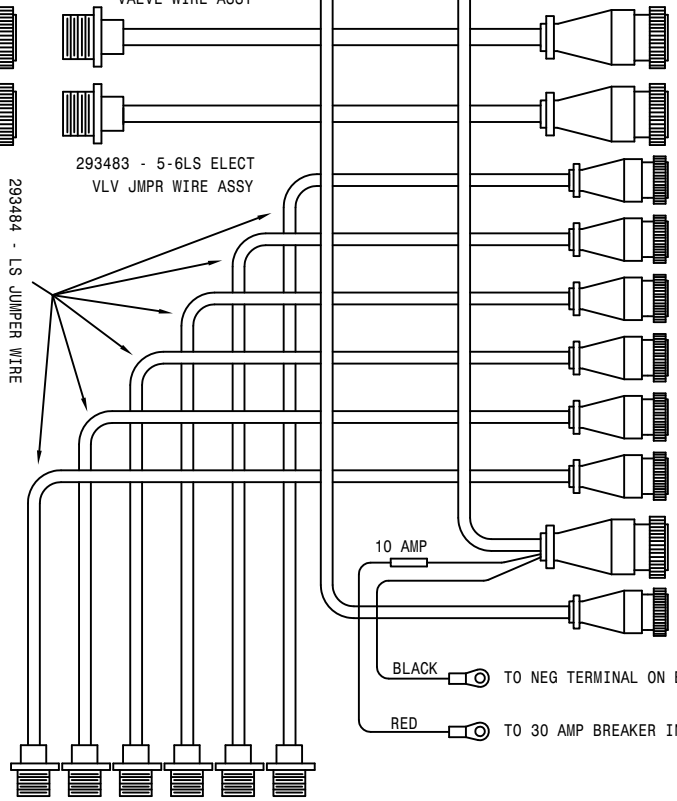
293374 - LS CTRL 6L CABLE BOX ASSY



293485 - MAIN LS ELECT VALVE WIRE ASSY

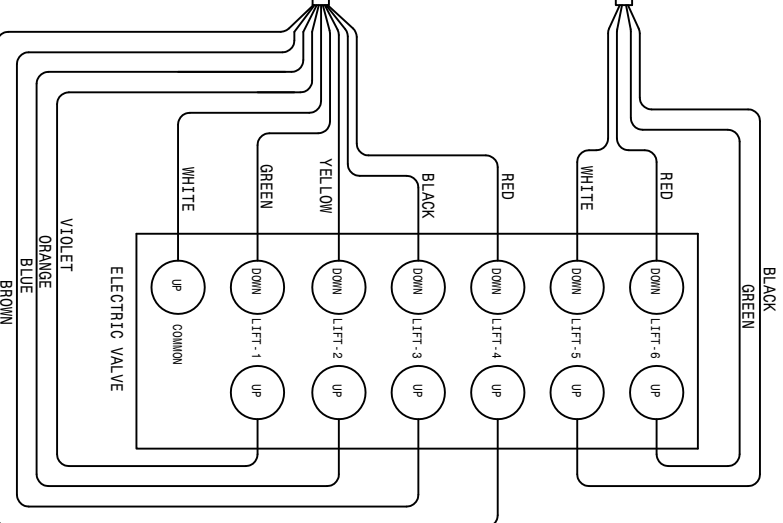
293483 - 5-6LS ELECT VLV JMPR WIRE ASSY

293484 - LS JUMPER WIRE ASSY, 2100 COMBO

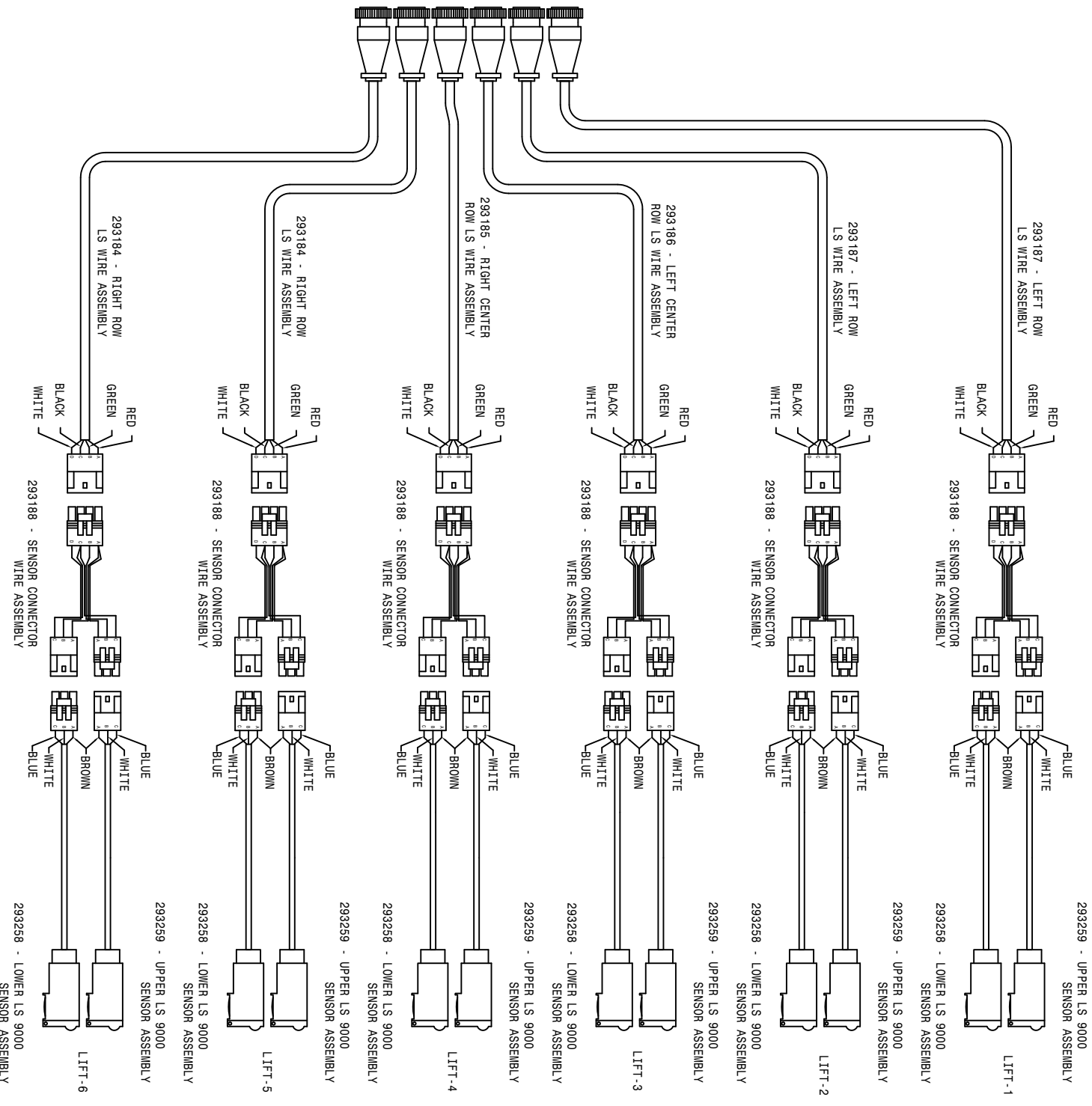


293491 - 5-6LS ELECT VALVE WIRE ASSY

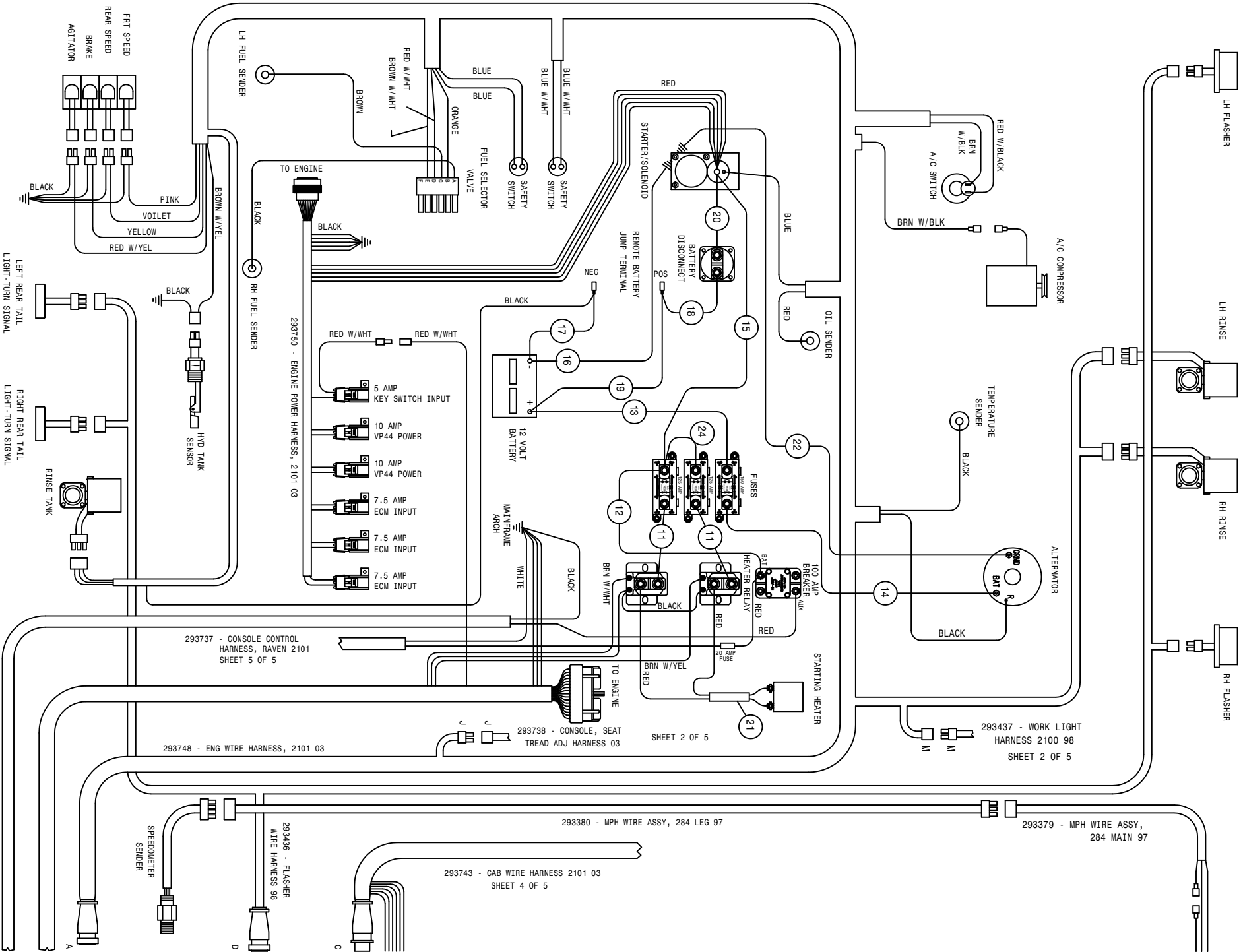
293492 - MAIN LS ELECT VALVE WIRE ASSY

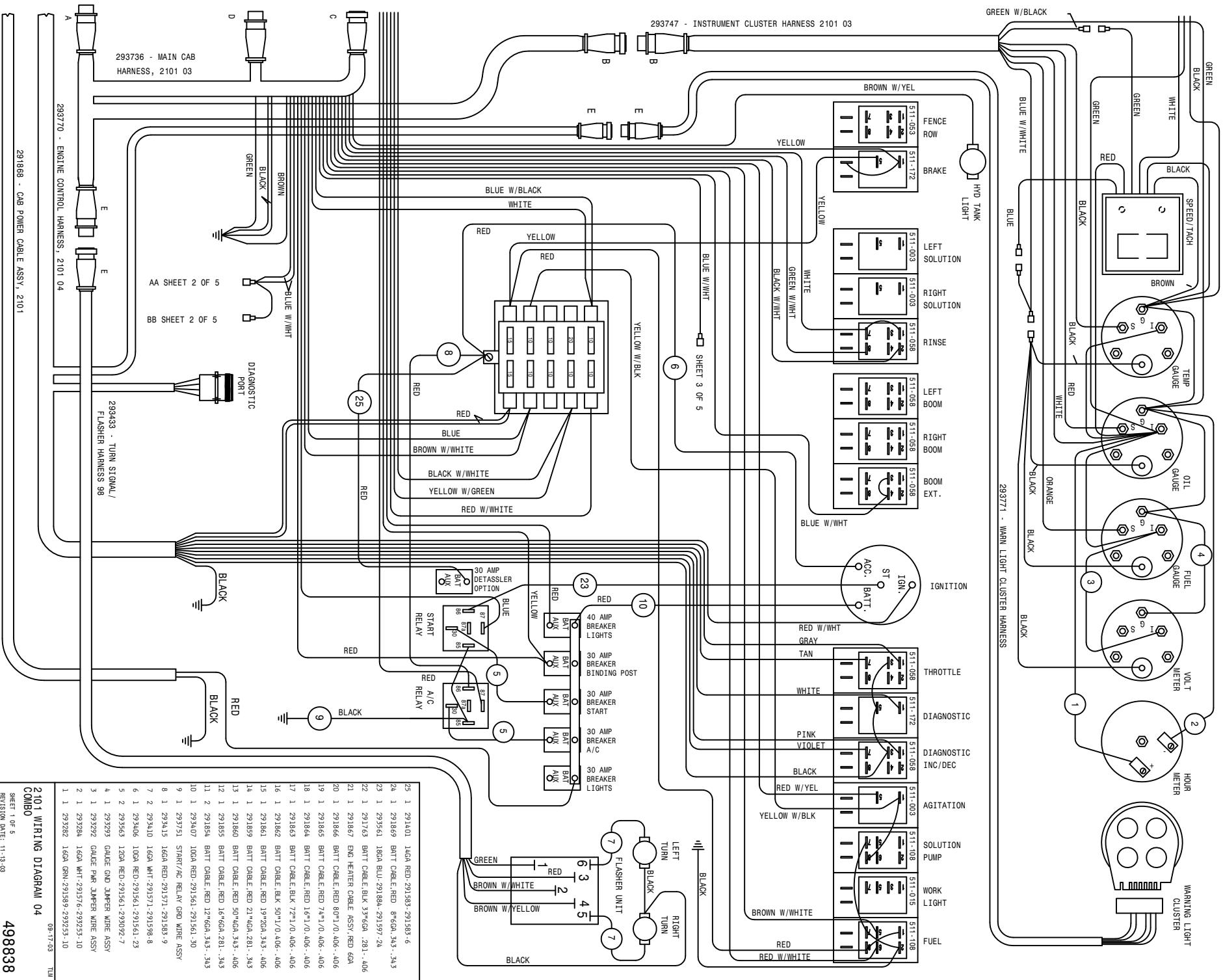


ELECTRIC VALVE



DEF	REV	DESCRIPTION
		HAGIE
		HAGIE MANUFACTURING COMPANY
		CLARION, IOWA 50523
		RESOLVE ALL SHAW CORNERS & BURNS
		TOLERANCE UNLESS OTHERWISE SPECIFIED
		FRACTION + 1/32 DECIMALS X.XX 1/8 ANGLES 1°
		FINISH K.XX 106
		REVISION
		DATE S.S.S.S. WIRE DATA 2/10/02 CORNO 99
		BY: JLABNER
		HALF
		APPROVED BY:
		DATE 12-28-98
		CONTROL NUMBER
		498575
		SHEET 00

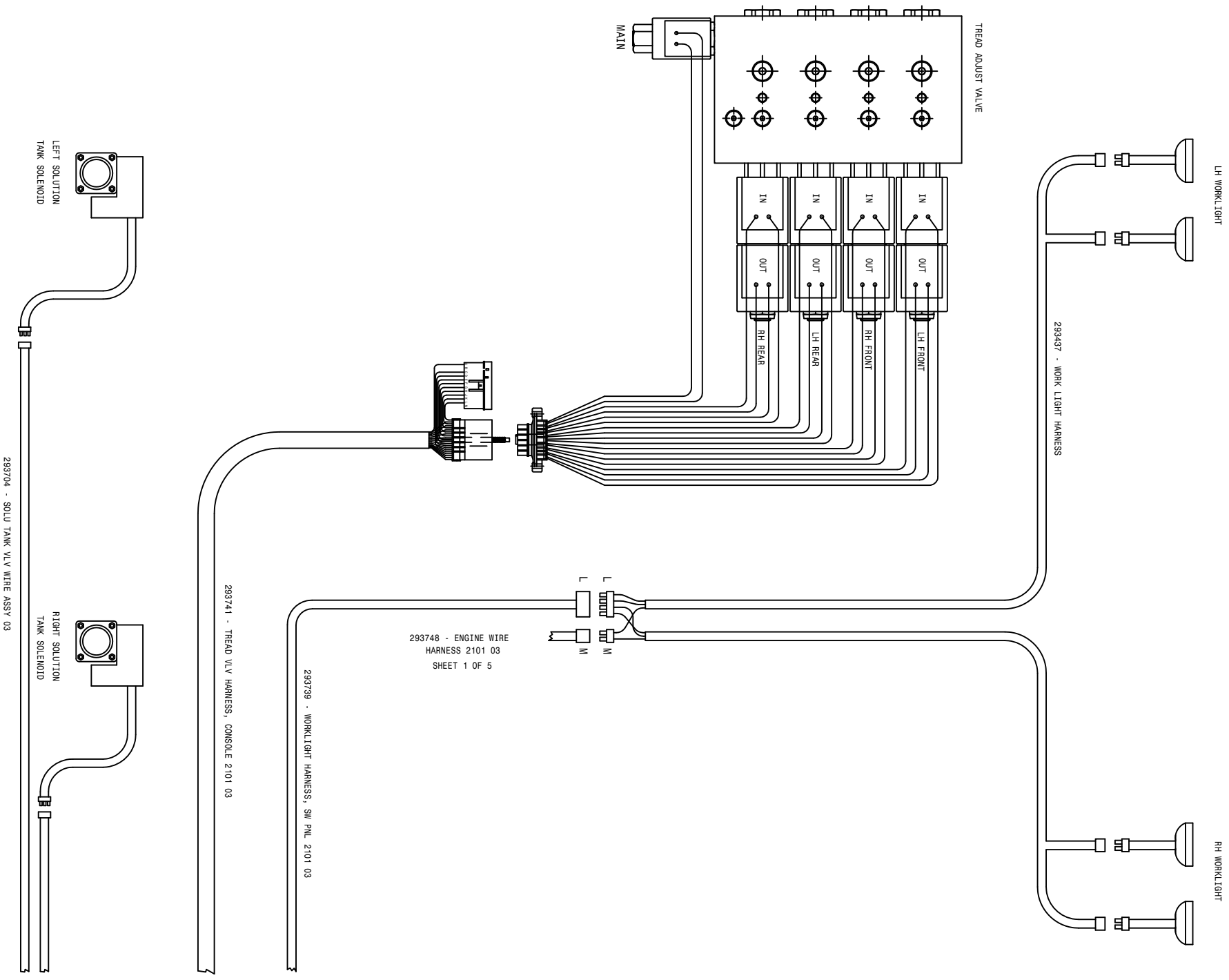




25	1	291401	16GA RED-291583-291583-6
24	1	291869	BATT CABLE RED 80%GA.343-.343
23	1	293561	16GA BLU-291884-291997-24
22	1	291763	BATT CABLE BLK 33%GA. 281-.406
21	1	291867	ENG HEATER CABLE ASSY RED 6GA
20	1	291866	BATT CABLE RED 80%1/0.406-.406
19	1	291865	BATT CABLE RED 74%1/0.406-.406
18	1	291864	BATT CABLE RED 16%1/0.406-.406
17	1	291863	BATT CABLE BLK 72%1/0.406-.406
16	1	291862	BATT CABLE BLK 50%1/0.406-.406
15	1	291861	BATT CABLE RED 19%2GA.343-.406
14	1	291859	BATT CABLE RED 21%GA.281-.343
13	1	291860	BATT CABLE RED 50%GA.343-.406
12	1	291855	BATT CABLE RED 16%GA.281-.343
11	2	291854	BATT CABLE RED 12%GA.343-.343
10	1	293407	10GA RED-291561-291561-30
9	1	293751	START/AC RELAY GND WIRE ASSY
8	1	293415	16GA RED-291571-291583-9
7	2	293293	GAUGE GND JUMPER WIRE ASSY
6	1	293406	10GA RED-291561-291561-23
5	2	293563	12GA RED-291561-293092-7
4	1	293292	GAUGE DMG JUMPER WIRE ASSY
3	1	293284	16GA WHT-291576-293235-10
2	1	293282	16GA GRN-291589-293235-10
1	1	293282	16GA GRN-291589-293235-10

2101 WIRING DIAGRAM 04
COMBO
SHEET 1 OF 5
REVISION DATE: 11-18-03

498838



HND TANK LIGHT

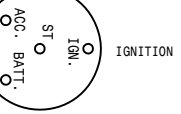
BROWN W/YELLOW

4

TO HARNESS 293745
SHEET 4 OF 5

GREEN

- FENCE ROW
- 511-172 BRAKE
- SPARE
- 511-003 LEFT SOLUTION
- 511-008 RIGHT SOLUTION
- 511-058 RINSE
- 511-058 LEFT BOOM
- 511-058 RIGHT BOOM
- 511-058 BOOM EXT.



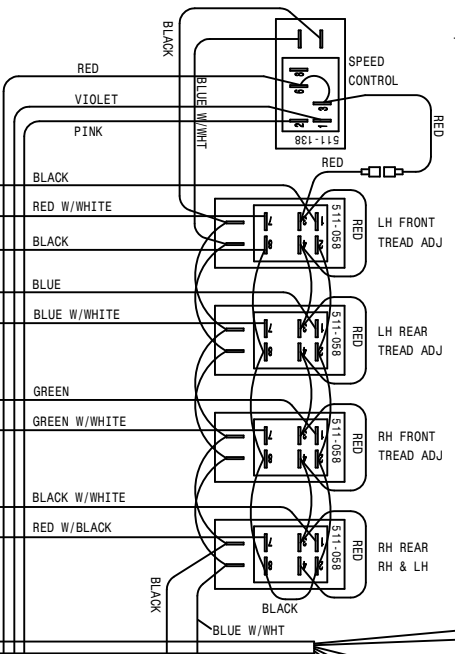
- 511-058 THROTTLE
- 511-172 DIAGNOSTIC
- 511-058 DIAGNOSTIC INC/DEC
- 511-008 AGITATION
- 511-108 SOLUTION PUMP
- 511-017 WORK LIGHT
- 511-108 FUEL

TO SOLUTION SWITCH
SHEET 5 OF 5

3

2

- 40 AMP BREAKER LIGHTS
- 30 AMP BREAKER BINDING POST
- 30 AMP BREAKER POWER POINT
- 30 AMP BREAKER A/C
- 30 AMP BREAKER LIGHTS



293740 - SOLU TANK VLV HARNESS 2101 03

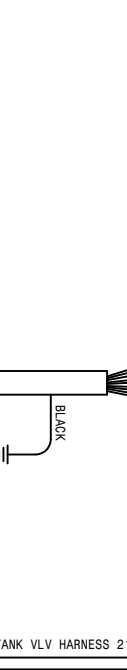
293738 - CONSOLE, SEAT, TRD ADJ HARNESS 03

293748 - ENG WIRE HARNESS 2101 03
SHEET 1 OF 5

POWER POINT

SEAT MOTOR

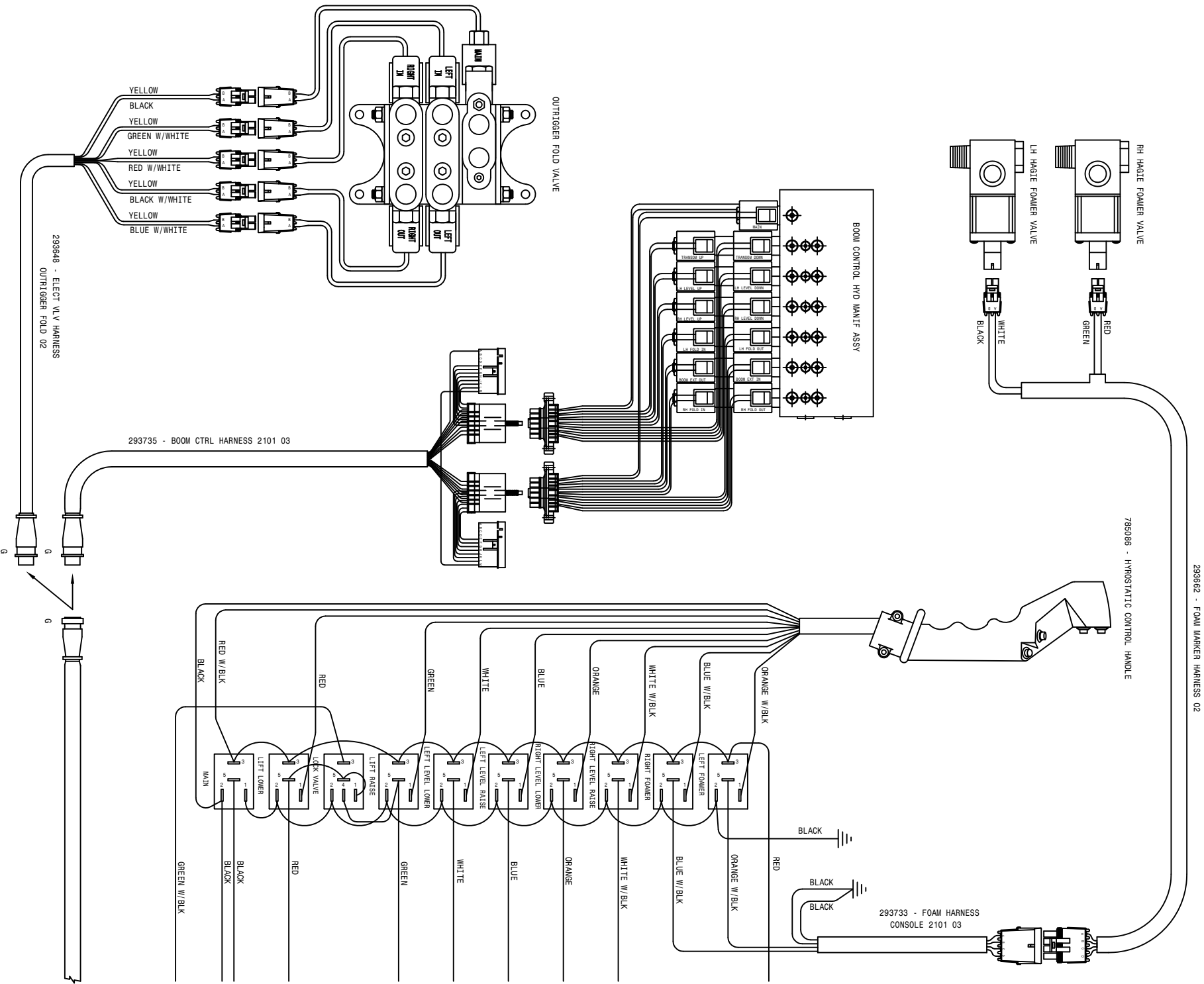
293704 - SOLU TANK VLV WIRE ASSY 03

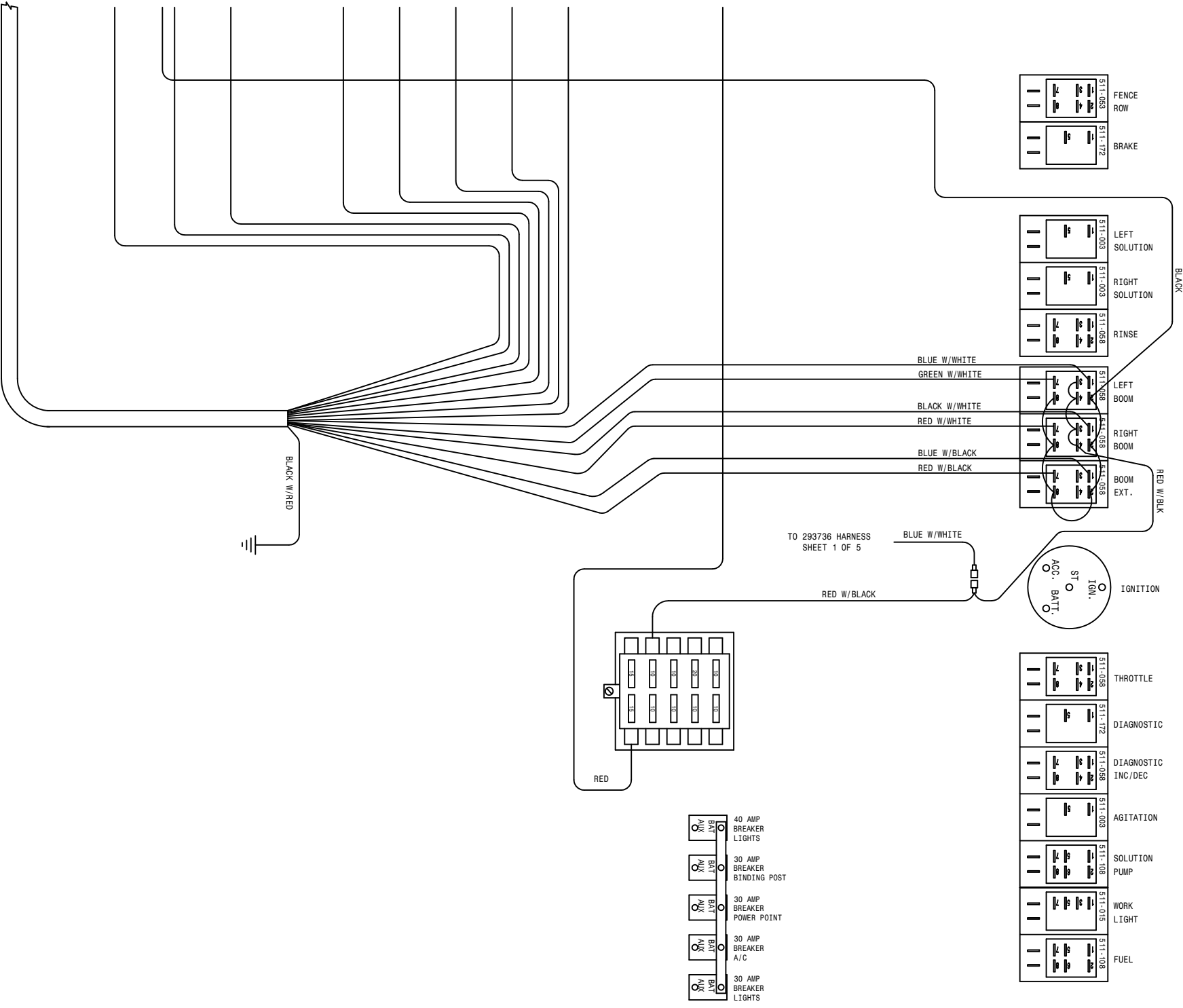


4	1	293499	1.6GA	BRN/YEL	291583-293147-28
3	1	293413	1.6GA	RED	291583-291583-15
2	1	293411	1.6GA	BLK	291511-291583-18
1	1	293423	OND	WIRE ASSY	FUSE BOX

2101 WIRING DIAGRAM 04
COMBO
SHEET 2 OF 5
REVISION DATE: 08-17-03 TLU

498338

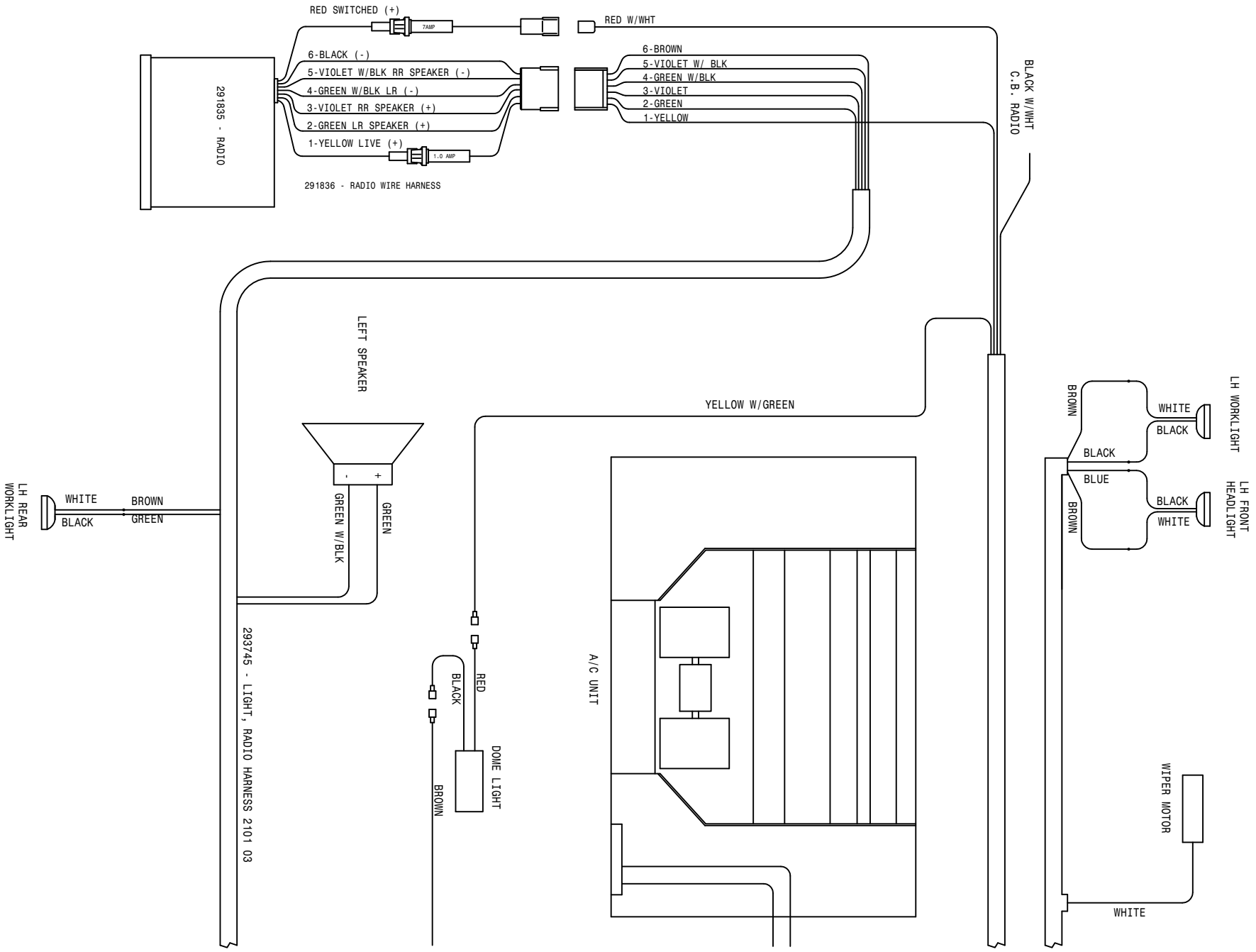


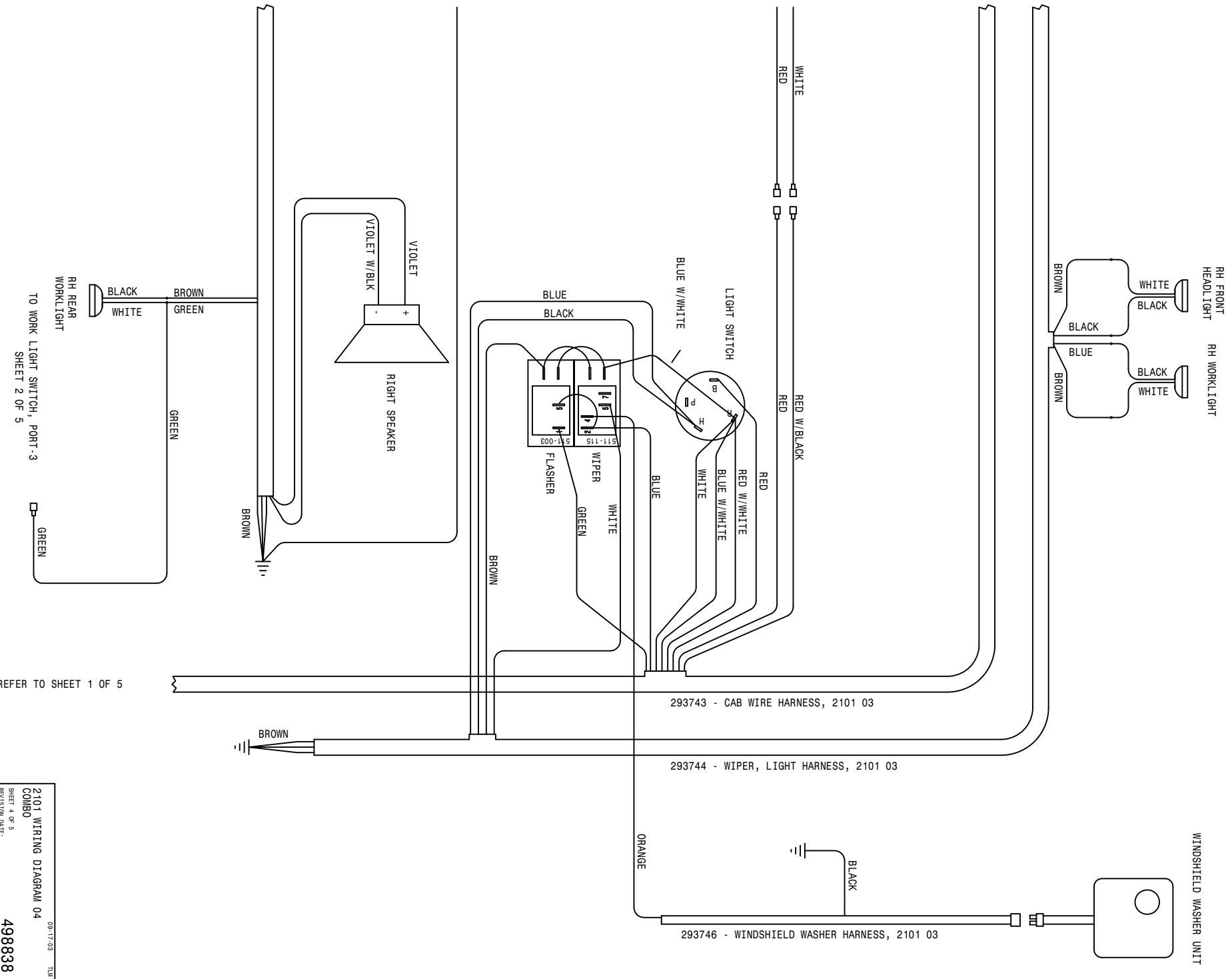


293734 - BOOM CTRL HARNESS, P/L, 2101

- 40 AMP BREAKER LIGHTS
- 30 AMP BREAKER BINDING POST
- 30 AMP BREAKER POWER POINT
- 30 AMP BREAKER A/C
- 30 AMP BREAKER LIGHTS

2101 WIRING DIAGRAM 04
 COMBO
 SHEET 3 OF 5
 REVISION DATE:
 08-17-03 TLM
 498838





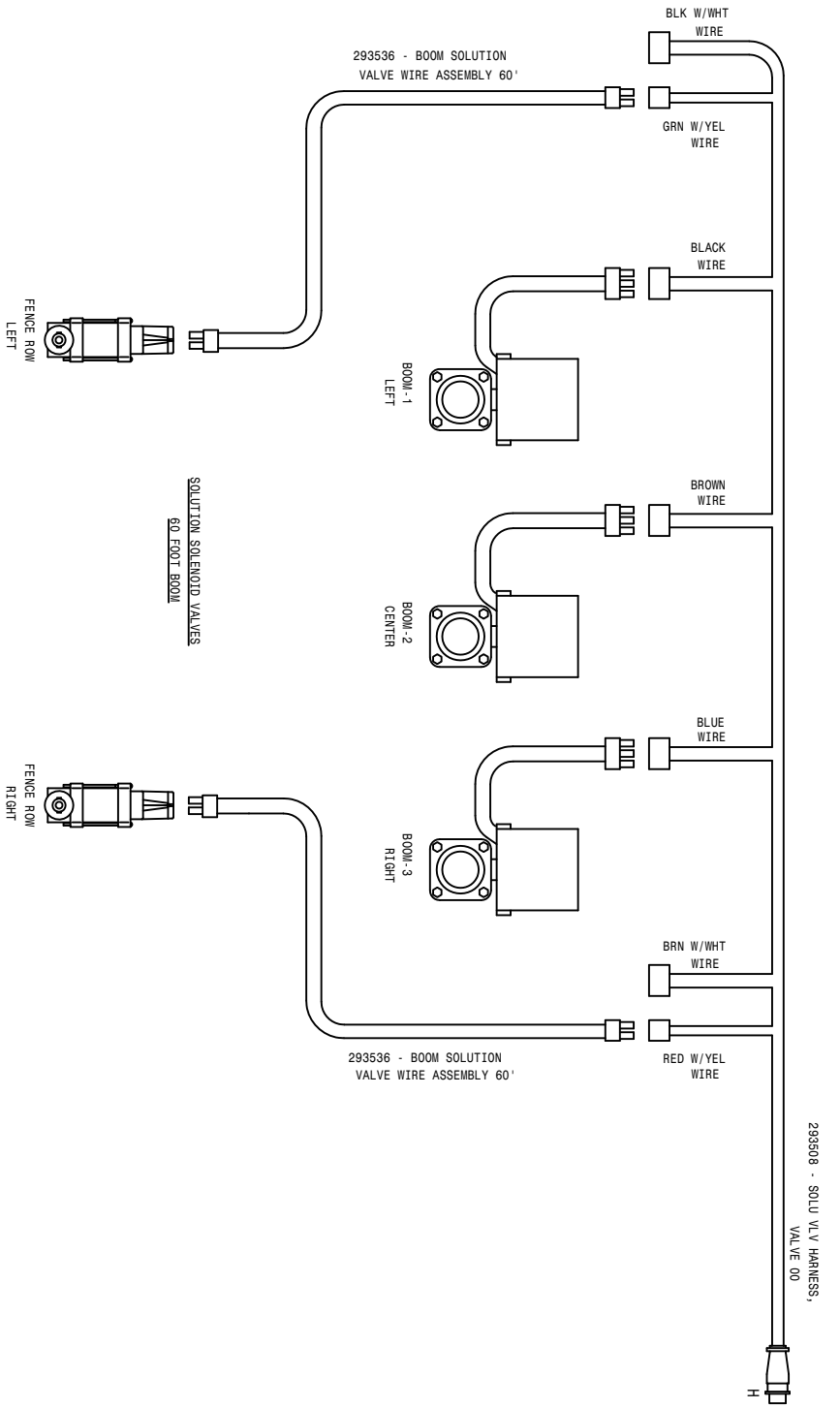
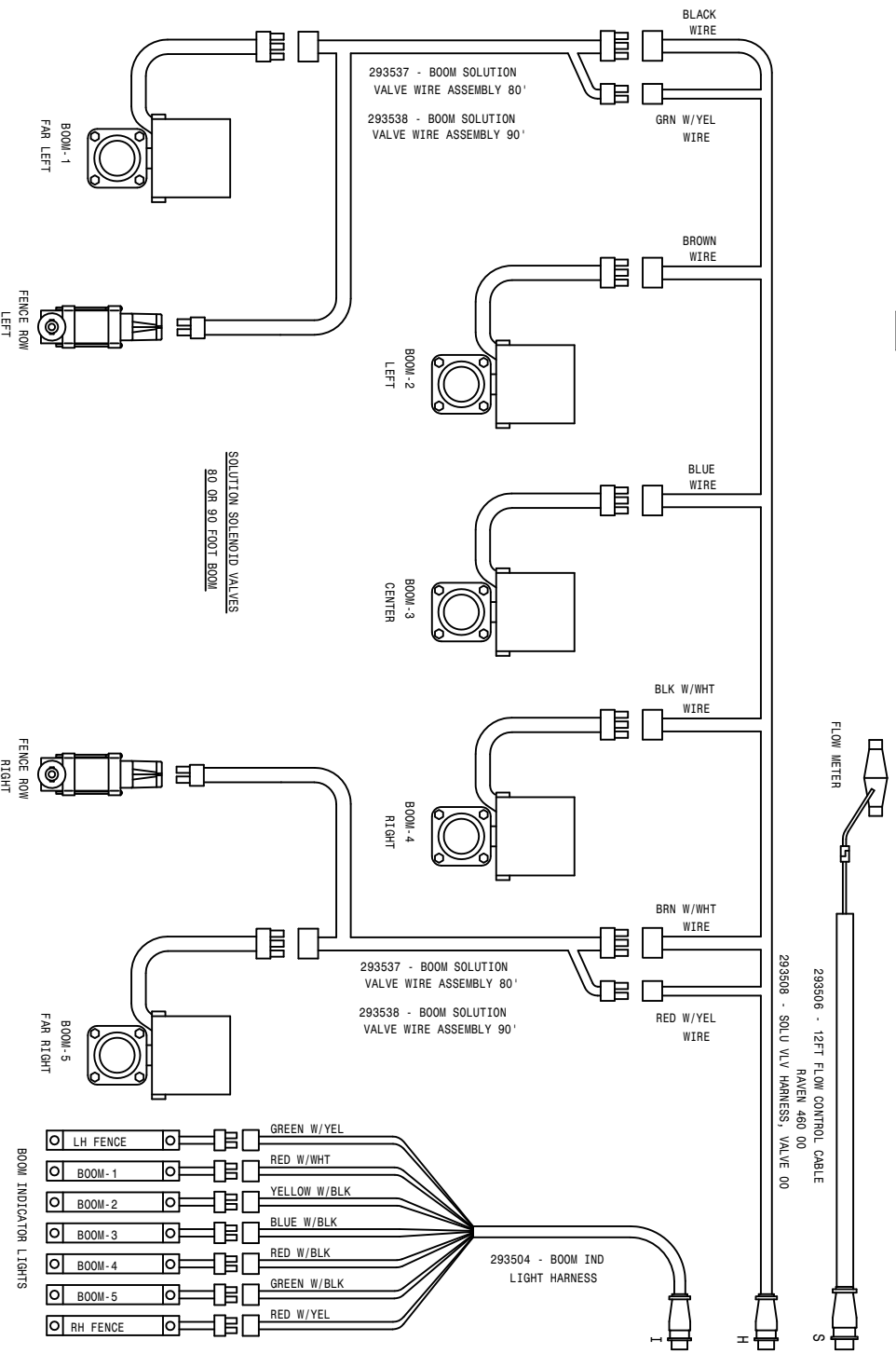
REFER TO SHEET 1 OF 5

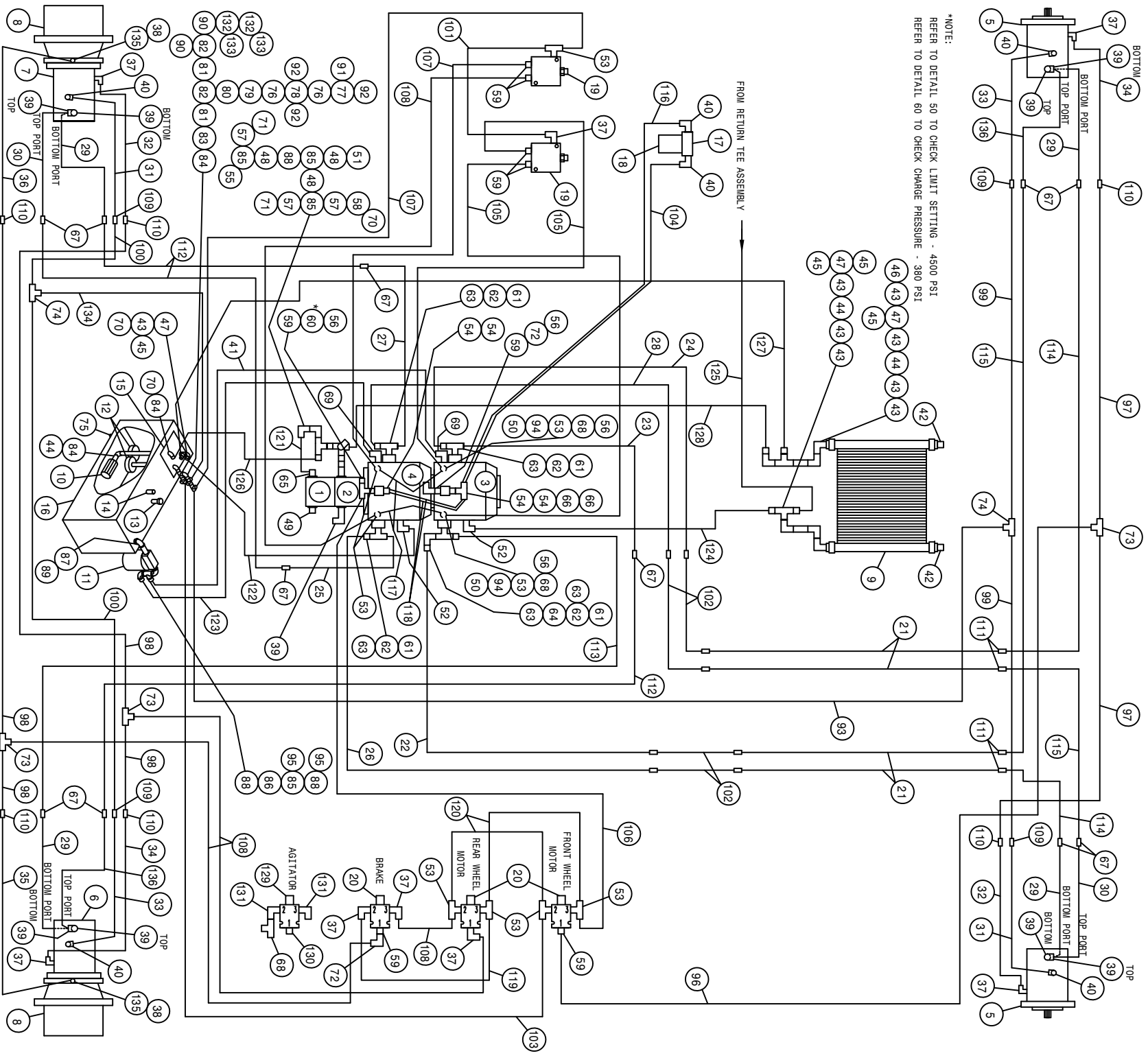
TO WORK LIGHT SWITCH, PORT-3
SHEET 2 OF 5

2101 WIRING DIAGRAM 04
COMBO
SHEET 4 OF 5
REVISION DATE:
498838

08-17-03 TLM

690409 - SENSOR ASSY (21 FT) RAVEN

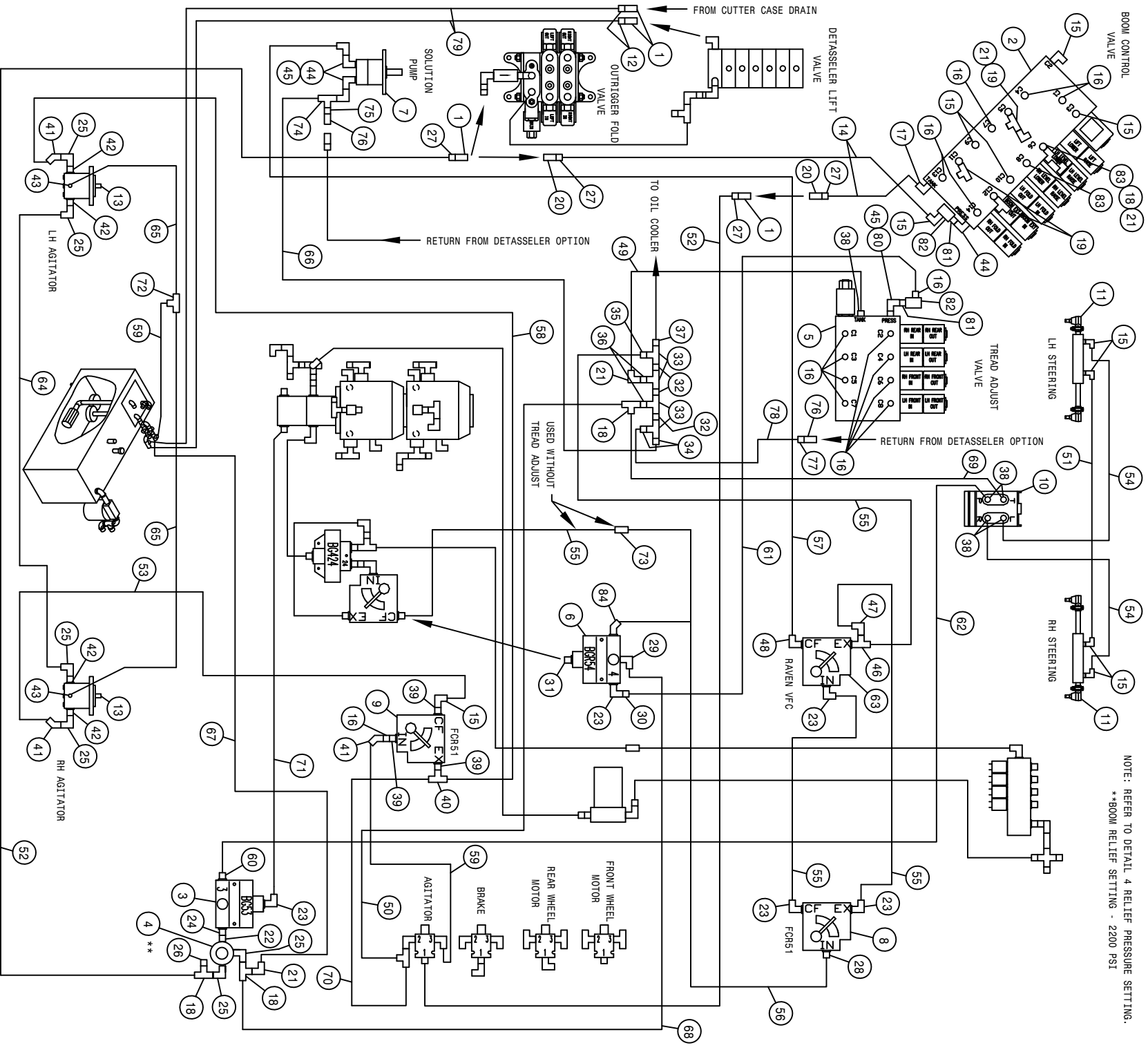




*NOTE:
 REFER TO DETAIL 50 TO CHECK LIMIT SETTINGS - 4500 PSI
 REFER TO DETAIL 60 TO CHECK CHANGE PRESSURE - 380 PSI

2101 COMBO HYDRAULIC SCHEMATIC 2004
 REFERENCE DRAWING NO. 498811S1

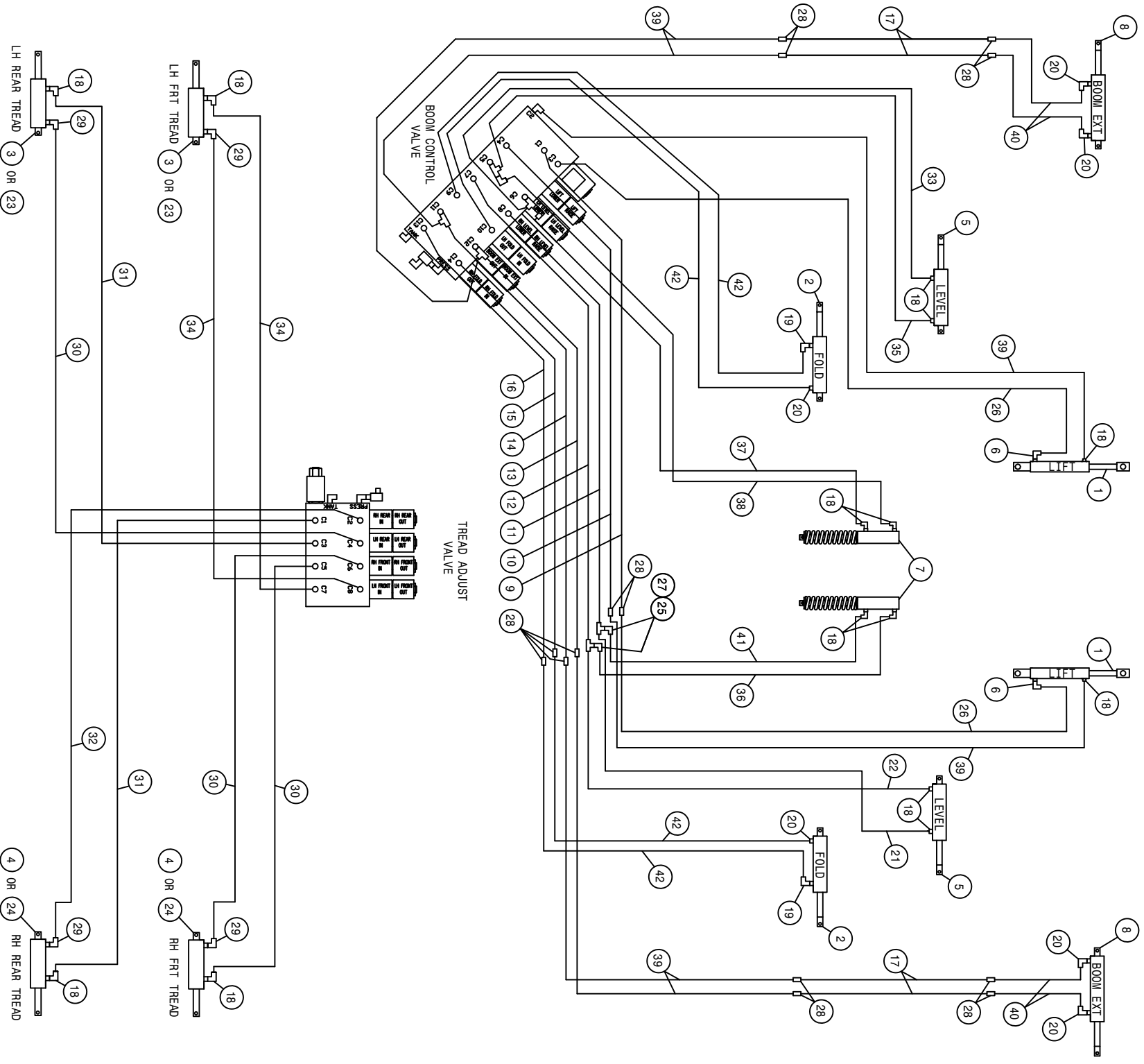
DET.	QTY	PART NO.	DESCRIPTION	DET.	QTY	PART NO.	DESCRIPTION
1	1	606929	SUND GEAR PUMP .66CI, SPLINED	70	3	714560	INPT X 1 HOSE BARB
2	1	606938	SUND GEAR PUMP, 4.00CIR SPLINED	71	2	716000	3/4 HOSE BARB-90-1/2INPT
3	1	606944	SUND 75CC PUMP,C/C-MT	72	2	618618	9/16MJIC-90-9/16FJIC SWIV LBO
4	1	606947	SUND 75CC PUMP,C/B-MT	73	3	618019	9/16MJIC UNION TEE
5	2	610637	SUND HYD MOTOR, M46-4019	74	2	618311	3/4MJIC UNION TEE
6	1	608000	SAUER HYD MOTOR, M46-4024	75	1	470308	1/2MNPT DRAIN PLUG, AL HD,MAG
7	1	608003	SAUER HYD MOTOR,M46-4194 W/SEN	76	2	503600	CLOSE NIPPLE .50NPT
8	2	610803	TORQ HUB, 24.40:1 W/BRAKE	77	1	503820	BLK PIPE TEE .50NPT
9	1	618606	OIL COOLER, BLISSFIELD 65027	78	1	503824	BLK PIPE CROSS .50NPT
10	1	605600	TANK FILTER, 100 MESH,1"FNPT	79	1	504210	RED BUSH 3/4 NPT X 1/2 NPT
11	1	605601	PARKER FILTER ASSY, 10M, 1.25NPT	80	1	504610	BLK PIPE ST EL 90DEG .75NPT
12	2	605603	LINE SUMP DIFUSER	81	2	504702	CLOSE NIPPLE .75NPT
13	1	611052	FILLER BREATHER 3/4NPT	82	2	504955	BLK PIPE TEE .75NPT
14	1	614453	DIPSTICK, 8IN	83	1	505213	RED BUSH 1 X 3/4 BLK MAL
15	1	760090	RECEIVER PLT WLD 8240	84	3	505300	BLK PIPE EL 90DEG 1.25NPT
16	1	760268	HYD TANK WLD, 2100	85	4	506105	BLK PIPE TEE 1.25NPT
17	1	605608	HYD FILTER HEAD, DONALDSON	86	1	506200	CLOSE NIPPLE 1.25NPT
18	1	610580	HYD FILTER ELEMENT, DONALDSON	87	1	506303	BLK PIPE ST EL 90DEG 1.25NPT
19	2	610580	REMOTE FLUSHING VALVE, SUND	88	3	506410	BLK PIPE NIPPLE 1.25NPT-4.00
20	3	606138	HYD SOLE VLV, 2P-3W, 9/16FOR, WP	89	1	506604	BLK PIPE NIPPLE 1.25NPT-4.00
21	4	615724	FRT MAIN HYD TUBE ASSY, 2100	90	2	610305	3/4MJIC-90-3/4MNPT LBO
22	1	615717	RH FRT PUMP LMR TUBEASSY210098	91	1	618018	9/16MJIC-1/2MNPT ADPTR
23	1	615718	LH FRT PUMP UPR TUBEASSY210098	92	3	618107	9/16MJIC-90-1/2MNPT LBO
24	1	615720	LH FRT PUMP LMR TUBEASSY210098	93	1	615737	08C2AT-08FJX-08FJX-198
25	1	615720	RH REAR PUMP UPR TUBE ASSY	94	2	618291	9/16FJX-1/4FNPT ADPTR
26	1	615721	RH REAR PUMP LMR TUBE ASSY	95	2	715664	1 1/4 NPT X 1 HOSE BARB
27	1	615722	LH REAR PUMP UPR TUBE ASSY	96	1	611246	04C1T-06FJX-06FJX-114
28	1	615723	LH REAR PUMP LMR TUBE ASSY	97	2	614152	04C1T-06FJX-06FJX-114
29	4	615708	UPR HYD TUBE ASSY, LEG 2100	98	4	614157	04C1T-06FJX-06FJX-101
30	2	615709	UPR HYD TUBE ASSY, LEG 2100	98	2	614546	08C1T-08FJX-08FJX-115
31	2	615710	RF/LR HYD DRN TUBE ASSY2100	98	2	614688	08C1T-08FJX-08FJX-108
32	2	615712	RF/LR HYD CTRL TUBE ASSY210098	101	2	614713	04C1T-06FJX-06FJX-24
33	2	615809	LF/RR HYD DRN TUBE ASSY2100	102	4	614734	12TWM-12MJ-12MJ-16
34	2	615713	LF/RR HYD CTRL TUBE ASSY210098	103	1	616026	04C1T-06FJX-06FJX-37
35	1	615815	RH HYD BRAKE TUBE ASSY, 2101	104	1	614383	08C1T-08FJX-08FJX-26
36	1	615814	LH HYD BRAKE TUBE ASSY, 2101	104	1	616037	04C1T-06FJX-06FJX-29
37	8	618119	9/16MJIC-90-9/16MOR LBO	105	2	616039	04C1T-06FJX-06FJX-19
38	2	618634	9/16MJIC-45-9/16FJIC SWIV LBO	107	2	616043	04C1T-06FJX-06FJX-23
39	9	618178	1 5/16MJIC-90-1 5/16MOR LBO	108	4	616049	04C1T-06FJX-06FJX-26
40	6	618474	3/4MJIC-90-1 1/16MOR LBO	109	4	618314	3/4MJIC UNION
41	1	601599	HOSE, 1 X 32 1FBR-1SPT	110	6	619010	9/16MJIC UNION
42	2	505102	PIPE PLUG 1.00NPT SQ HD	111	4	618177	1 1/16MJIC UNION
43	8	505200	BLK PIPE ST EL 90DEG 1.00NPT	112	3	614735	12TWM-16FJX-16FJX-75
44	1	505203	BLK PIPE NIPPLE 1.00NPT-4.00	113	1	614736	12TWM-12FJX90-16FJX-75
45	4	714531	1 NPT X 3/4 HOSE BARB	114	2	614737	12TWM-12FJX90-16FJX-99
46	1	714560	1NPT X 1 HOSE BARB	115	2	614738	12TWM-12FJX90-16FJX-114
47	3	505101	BLK PIPE TEE 1.00NPT	116	1	615626	08C1T-08FJX-08FJX-15
48	3	507026	1 1/4MNPT HEX PIPE NIPPLE STL	117	2	615734	04C2AT-06FJX-06FJX-11
49	1	611126	7/8MJIC-7/8MOR ADPTR	118	2	614739	08C1T-08FJX-08FJX90-16
50	2	614740	RESTRICTOR FTG ASSY, .050	119	1	614712	04C1T-06FJX-06FJX-20
51	1	618596	1 5/8MOR-1 1/4FNPT ADPTR	120	2	615725	04C1T-06FJX-06FJX-10
52	2	618118	3/4 HOSE BARB-90-1 1/16MOR	121	1	601399	HOSE, 3/4 X 13 1FBR-1SPT
53	9	618629	9/16MOR BRANCH TEE-9/16MJIC	122	1	601384	HOSE, 3/4 X 40 1FBR-1SPT
54	4	618327	3/4MJIC-7/8MOR ADPTR	123	1	601381	HOSE, 1 X 39 1FBR-1SPT
55	1	715660	HOSE BARB 1 1/4NPT X 1 1/4	124	1	601385	HOSE, 3/4 X 65 1FBR-1SPT
56	4	618531	9/16FJIC CAP NUT	125	1	601598	HOSE, 3/4 X 33 1FBR-1SPT
57	3	506005	1 1/4 TO 1 RED BUSH BLK MAL	126	1	601377	HOSE, 1 X 48 1FBR-1SPT
58	1	505110	BLK PIPE ST EL 45DEG 1.00NPT	127	1	601627	HOSE, 1 X 115 1FBR-1SPT
59	8	618126	9/16MJIC-9/16MOR ADPTR	128	1	601401	HOSE, 3/4 X 88 1FBR-1SPT
60	1	618514	9/16FJ SW BRANCH TEE-9/16MJ	129	1	606139	HYD SOLE VLV, 2P3W, 3/4FOR, WP
61	4	618598	1" 4-BOLT FLG X 1 5/16 FOR	130	1	618109	9/16MJIC-3/4MOR ADPTR
62	4	618599	1 5/16MOR BRANCH TEE-1 5/16MJ	131	2	618115	9/16MJIC-90-3/4MOR LBO
63	5	618541	1 5/16FJIC-1 1/16MJIC ADPTR	132	2	618451	3/4FJIC SW RUN TEE-3/4MJIC
64	1	618640	1 5/16MJ-90-1 5/16FJ SMIV LBO	133	2	618609	3/4MJIC-90-3/4FJIC SWIV LBO
65	1	618075	3/4 HOSE BARB-1 1/16MOR	134	2	615465	08C1T-08FJX-08FJX-33
66	2	618643	3/4FJ SW BRANCH TEE-3/4MJ	135	2	618304	9/16MJIC-7/16MOR ADPTR
67	11	618577	1 5/16MJIC UNION	136	2	615808	UPR HYD TUBE ASSY, LEG 2100
68	3	618486	9/16FJIC SW RUN TEE-9/16MJIC	137	2	505208	BLK PIPE NIPPLE 1.00NPT-2.50
69	2	618564	1IN HOSE BARB-90-1 5/16MOR				



NOTE: REFER TO DETAIL 4 RELIEF PRESSURE SETTING.
 **BOOM RELIEF SETTING - 2200 PSI

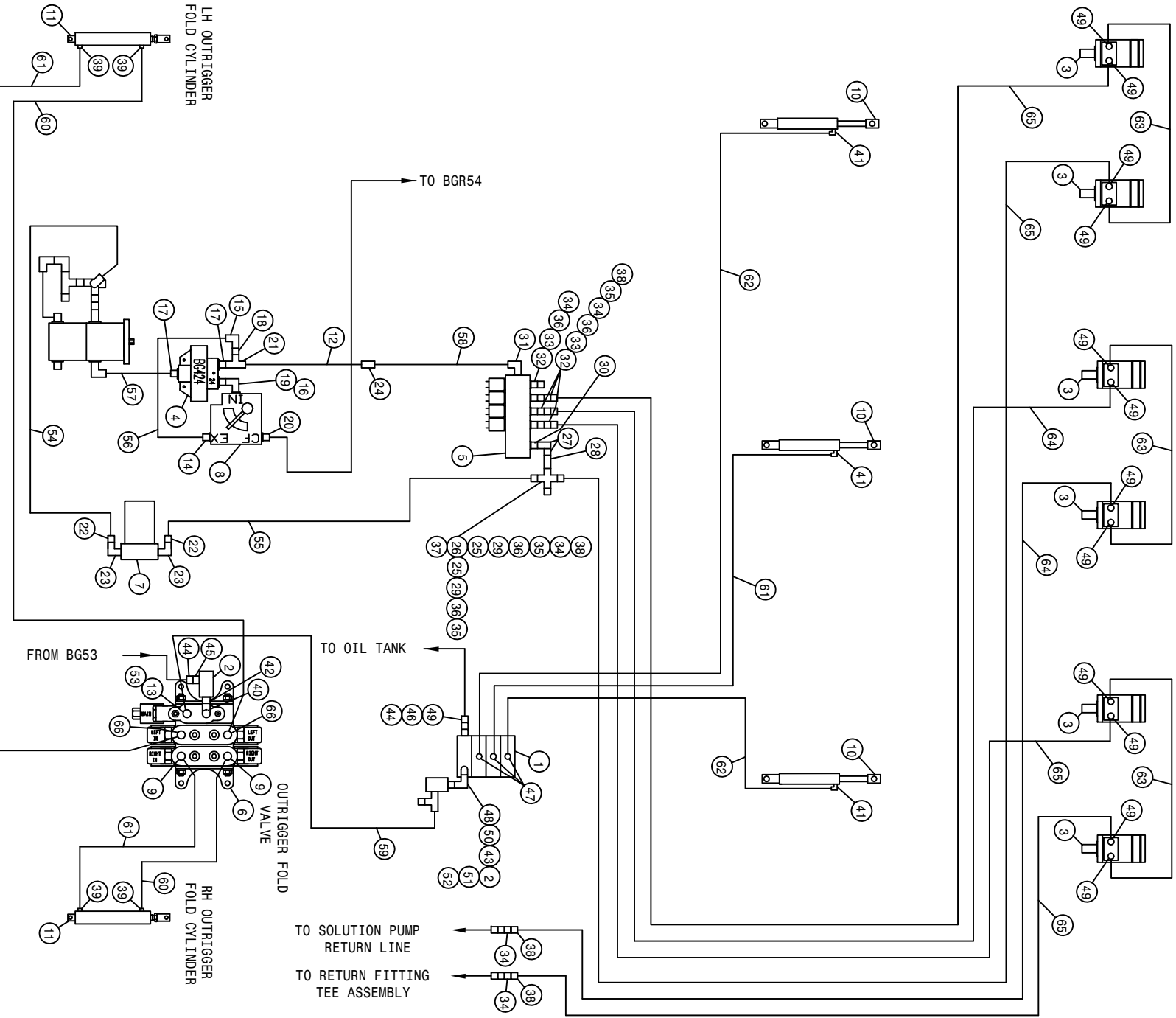
2101 COMBO HYDRAULIC SCHEMATIC 2004
REFERENCE DRAWING NO. 498811S2

DET.	QTY	PART NO.	DESCRIPTION	DET.	QTY	PART NO.	DESCRIPTION
1	4	618645	HYD QUICK CPLR,FEMALE .375NPS	43	618338	9/16MJIC-45-1/4MNPT LBO	
2	1	606104	BOOM CTRL VLV, STS PUMSYS 03	44	618241	3/4MJIC-90-3/4MOR LBO	
3	1	610307	FLO DIV BG53 3GPM PRI 7/8FOR	45	618609	3/4MJIC-90-3/4FJIC SWIV LBO	
4	1	607512	RELIEF VALVE, RL50, 1850 PSI	46	618130	7/8MOR RUN TEE-7/8MJIC	
5	1	606107	TREAD ADJ VLV,2101 PUMSYS 03	47	618301	7/8MJIC-90-7/8FJIC SWIV LBO	
6	1	607528	FLO DIV BGR54 4GPM PRI 7/8FOR	48	618183	3/4MJIC-90-7/8MOR LBO	
7	1	690573	HYD MOTOR, FLOMAX HI-SPEED	49	616037	04C1T-06FJX-06FJX-29	
8	1	606818	FLO CONT FCR51 0-16GPM 7/8FOR	50	614693	06C1T-06FJX-06FJX-168	
9	1	606827	FLO CONT FCS1 0-3 VARI 7/8FOR	51	611246	04C1T-06FJX-06FJX-174	
10	1	749318	STRG MTR,7.3CID,NON-LOAD 1031	52	616046	06C1T-06FJX-06FJX-230	
11	2	621516	STRG CYL ASSY, 2100	53	614549	06C1T-06FJX-06FJX-140	
12	2	618462	3/4MJIC-3/8MNPT ADPTR	54	614639	04C1T-06FJX-06FJX-126	
13	2	610510	CESSNA GEAR MOTOR 1.48CI	55	614732	10C2AT-10FJX-10FJX-29	
14	2	616044	06C1T-06FJX-06FJX-70	56	614555	08C1T-08FJX-10FJX-42	
15	10	618119	9/16MJIC-90-9/16MOR LBO	57	616057	08C1T-08FJX-08FJX-88	
16	15	618126	9/16MJIC-9/16MOR ADPTR	58	615348	06C1T-06FJX-06FJX-127	
17	1	618115	9/16MJIC-90-3/4MOR LBO	59	615401	06C1T-06FJX-06FJX-22	
18	4	618486	9/16FJIC SW RUN TEE-9/16MJIC	60	618310	9/16MJIC-7/8MOR ADPTR	
19	3	618444	9/16MOR RUN TEE-9/16MJIC	61	615728	04C1T-06FJX-06FJX-80	
20	2	618646	HYD QUICK CPLR, MALE .375NPS	62	615730	04C1T-06FJX-06FJX-150	
21	4	618618	9/16MJIC-90-9/16FJIC SWIV LBO	63	690621	VALVE HYD CTRL, 16GPM RAVEN	
22	1	500000	1/2MNPT HEX PIPE NIPPLE STL	64	615732	06C1T-06FJX-06FJX-194	
23	5	611128	7/8MJIC-90-7/8MOR LBO	65	615733	06C1T-06FJX-06FJX-101	
24	1	618072	7/8MOR-1/2FNPT ADPTR	66	615736	08C2AT-08FJX-08FJX-46	
25	6	618107	9/16MJIC-90-1/2MNPT LBO	67	615442	04C1T-06FJX-06FJX-55	
26	1	618531	9/16FJIC CAP NUT	68	616028	04C1T-06FJX-06FJX-47	
27	4	618011	9/16MJIC-3/8MNPT ADPTR	69	616049	04C1T-06FJX-06FJX-26	
28	1	611126	7/8MJIC-7/8MOR ADPTR	70	615621	06C1T-06FJX-06FJX-24	
29	1	618015	9/16MJIC-90-3/8MNPT LBO	71	614744	10C2AT-10FJX-10FJX-18	
30	1	618557	7/8FJIC-9/16MJIC ADPTR	72	618019	9/16MJIC UNION TEE	
31	1	618594	7/8FJIC SWIV-7/8MOR ADPTR	73	618456	7/8MJIC UNION	
32	3	504702	CLOSE NIPPLE .75NPT	74	618451	3/4FJIC SW RUN TEE-3/4MJIC	
33	4	504955	BLK PIPE TEE .75NPT	75	618623	3/4FJIC-SWIV-1/2MNPT	
34	2	610300	3/4MJIC-3/4MNPT ADPTR	76	618622	HYD QUICK CPLR, MALE, .50FNPS	
35	1	618059	7/8MJIC-3/4MNPT ADPTR	77	611147	3/4MJIC-1/2MNPT ADPTR	
36	2	618642	9/16MJIC-3/4MNPT ADPTR	78	614745	08C1T-08FJX-08FJX-66	
37	1	713220	HOSE BARB 3/4 NPT X 3/4	79	614746	08C1T-08FJX-08FJX-228	
38	5	618109	9/16MJIC-3/4MOR ADPTR	80	611125	3/4MJIC-3/4MOR ADPTR	
39	3	618172	7/8MOR-9/16FOR ADPTR	81	618692	3/4FJIC SWIV-9/16MOR ADPTR	
40	1	618629	9/16MOR BRANCH TEE-9/16MJIC	82	605615	HYD FILTER, INLINE 25M 9/16FOR	
41	3	618634	9/16MJIC-45-9/16FJIC SWIV LBO	83	614763	9/16MJIC-9/16MOR, .042 CHK ADPT	
42	4	618092	1 1/16MOR-1/2FNPT ADPTR	84	618644	7/8MJIC-45-7/8MOR LBO	



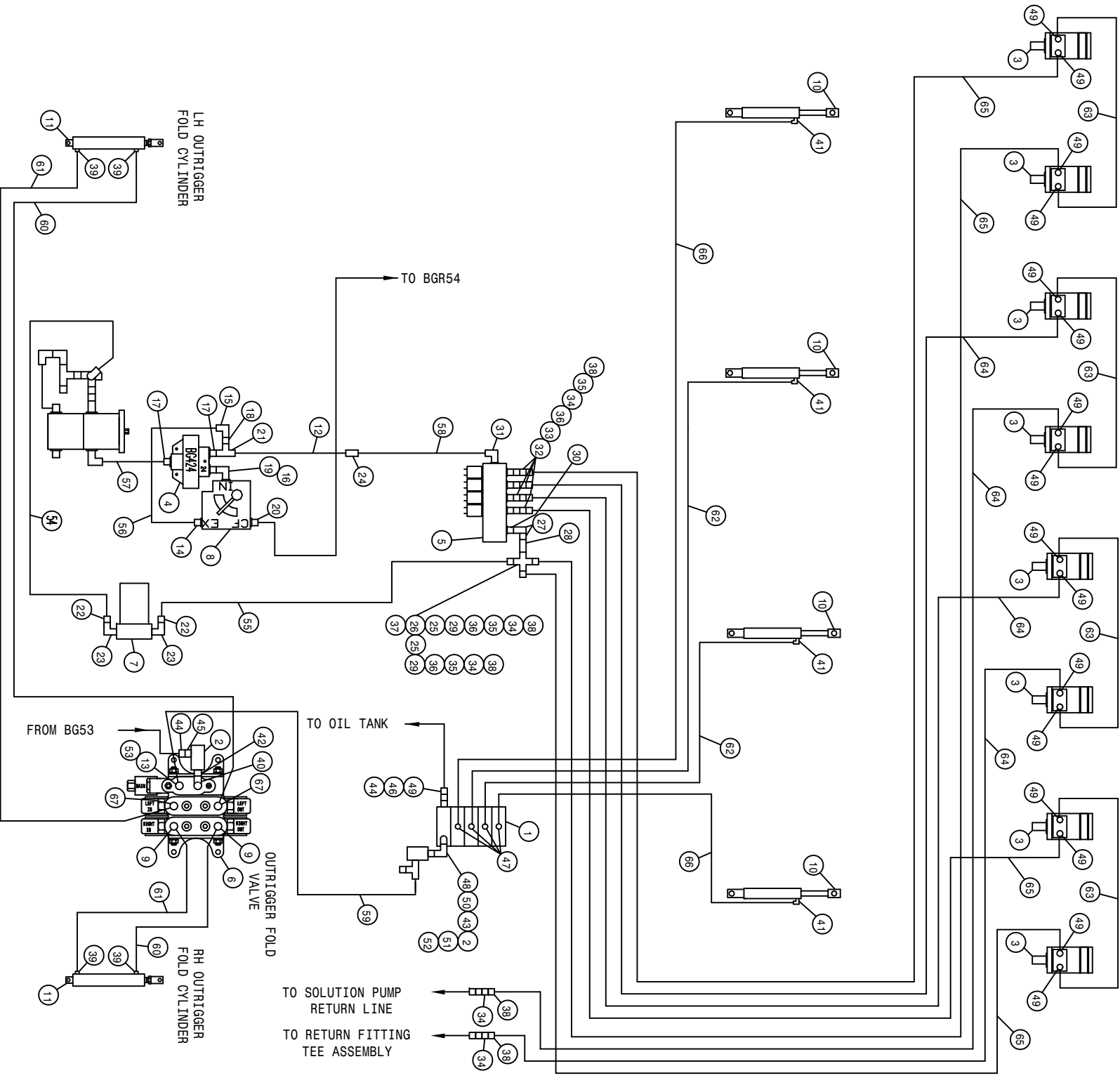
2101 COMBO HYDRAULIC SCHEMATIC 2004
REFERENCE DRAWING NO. 498811S3

DET.	QTY	PART NO.	DESCRIPTION	DET.	QTY	PART NO.	DESCRIPTION
1	2	621518	TRANSOM LIFT CYL ASSY	22	1	614714	04C1T-06FJX-06FJX-34
2	2	621520	BOOM HINGE FOLD CYL ASSY	23	2	621540	LEG CYL ASSY, 154LH TRD
3	2	621534	LEG CYL, TRD ADJ, RH 284-LH 2100	24	2	621538	LEG CYL ASSY, 154RH TRD
4	2	621536	LEG CYL, TRD ADJ, LH 284-RH 2100	25	2	618618	9/16MJIC-90-9/16FJIC SWIV LBO
5	2	621522	BOOM LEVEL CYL ASSY	26	2	616174	04C1T-06FJX-06FJX-70
6	2	618689	9/16MOR-90-9/16MJ .042 CHK VLV	27	2	618019	9/16MJIC UNION TEE
7	2	621524	ACCUMULATOR CYL ASSY	28	14	619010	9/16MJIC UNION
8	2	621526	BOOM CNTR SECT CYL ASSY(12T)	29	4	614747	.025 ELBOW ASSY, 9/16MOR 90D
9	1	615761	LIFT RAISE HYD TUBE ASSY	30	3	611204	04C1T-06FJX-06FJX-78
10	1	615762	LIFT LOWER HYD TUBE ASSY	31	2	614077	04C1T-06FJX-06FJX-88
11	1	615763	LEVEL RAISE HYD TUBE ASSY	32	1	615726	04C1T-06FJX-06FJX-73
12	1	615764	LEVEL LOWER HYD TUBE ASSY	33	1	615314	04C1T-06FJX-06FJX-50
13	1	615766	BOOM EXTN RAISE HYD TUBE ASSY	34	2	615729	04C1T-06FJX-06FJX-84
14	1	615767	BOOM EXTN LOWER HYD TUBE ASSY	35	1	616026	04C1T-06FJX-06FJX-37
15	1	615768	RH FOLD RAISE HYD TUBE ASSY	36	1	614712	04C1T-06FJX-06FJX-20
16	1	615769	RH FOLD LOWER HYD TUBE ASSY	37	1	614713	04C1T-06FJX-06FJX-24
17	4	615684	HYD TUBE ASSY, BOOM EXT FOLD96	38	1	616037	04C1T-06FJX-06FJX-29
18	14	618119	9/16MJIC-90-9/16MOR LBO	39	6	616040	04C1T-06FJX-06FJX-67
19	2	618688	9/16MOR-90-9/16MJ .025 CHK VLV	40	4	616043	04C1T-06FJX-06FJX-23
20	6	614750	.042 ELBOW ASSY, 9/16MOR 90D	41	1	616049	04C1T-06FJX-06FJX-26
21	1	616028	04C1T-06FJX-06FJX-47	42	4	615442	04C1T-06FJX-06FJX-55



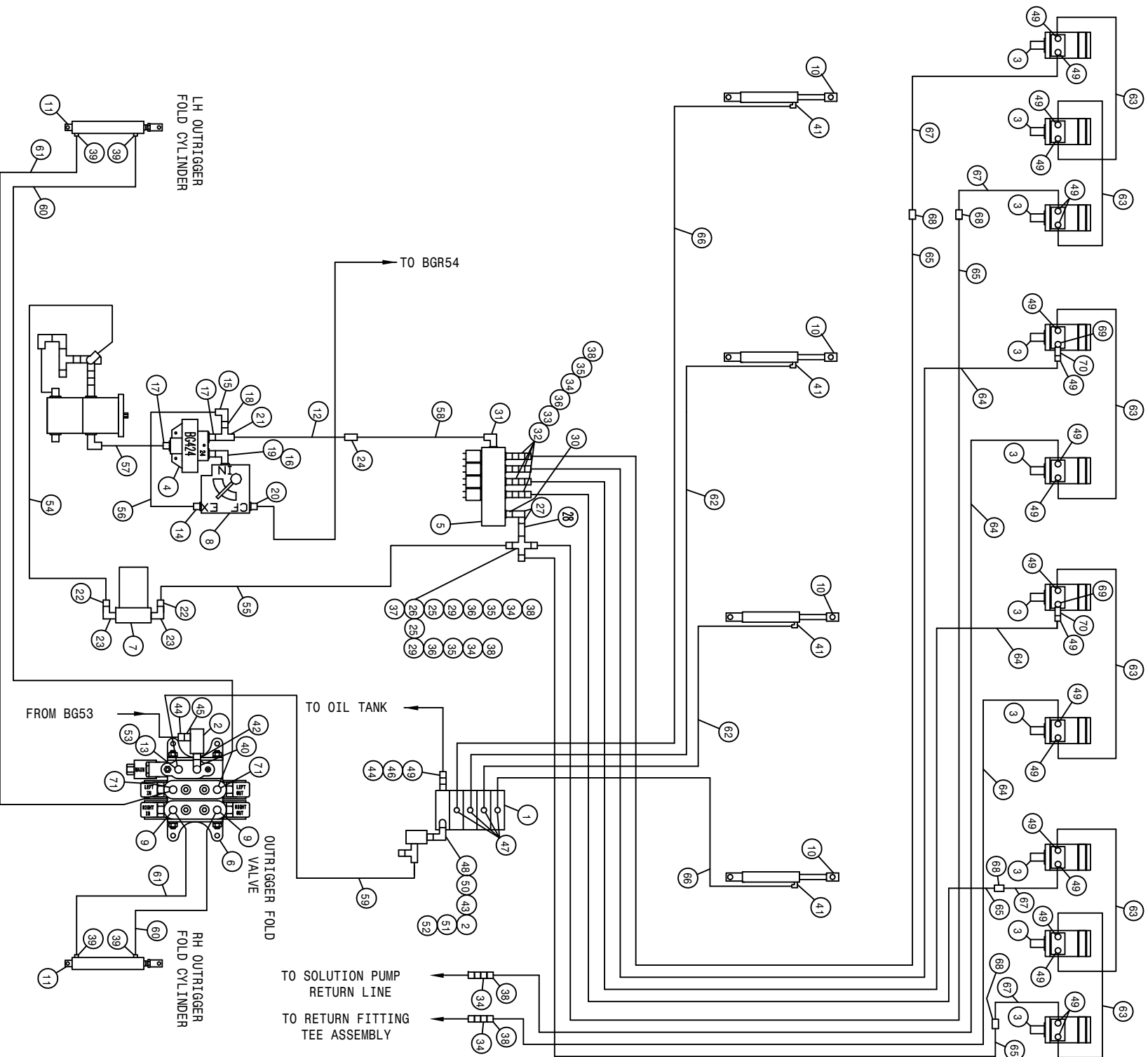
2101 COMBO 6R QUAD HYD SCHEM 2004
REFERENCE DRAWING NO. 498812

DET.	QTY	PART NO.	DESCRIPTION	DET.	QTY	PART NO.	DESCRIPTION
1	1	610532	ELECT HYD STACK VLV, 3 SECT	*34	7	618621	HYD QUICK CPLR, FEMALE, .50FNPS
2	2	605615	HYD FILTER, INLINE 25M 9/16FOR	*35	5	618622	HYD QUICK CPLR, MALE, .50FNPS
3	6	610547	HYD MOTOR 4.5CI 1IN SHFT	*36	6	618623	3/4FJIC-SWIV-1/2MNP
*4	1	606836	FLO DIV BG424 24G PR, 1 5/16FOR	*37	1	714561	1.00NPT-1.25 HOSE BARB
*5	1	606034	MTR CONTROL ELECT VLV	38	6	611147	3/4MJIC-1/2MNP ADPTR
6	1	606090	BRAND HYD VALVE, 2-SECT SER 36	39	4	614747	.025 ELBOW ASSY, 9/16MOR 90D
*7	1	605601	PARKER FILTER ASSY, 10M, 1.25NPT	40	1	618183	3/4MJIC-90-7/8MOR LBO
*8	1	607510	FLO CONT FCR51 0-30VARI 7/8OR	41	3	618119	9/16MJIC-90-9/16MOR LBO
9	2	618709	9/16MJIC-90-3/4MOR EX LG LBO	42	1	618692	3/4FJIC SWIV-9/16MOR ADPTR
10	3	621506	LIFT CYL ASSY 1W, DETASSELER	43	1	618668	9/16FJIC SWIV-9/16MOR ADPTR
11	2	615720	BOOM HINGE FOLD CYL ASSY	44	2	618646	HYD QUICK CPLR, MALE .375NPS
*12	1	615743	HYD TUBE ASSY, 2100 COMBO	99	1	618345	9/16MOR-3/8MNP ADPTR
13	1	618310	9/16MJIC-7/8MOR ADPTR	46	1	618615	3/4FJIC-SWIV-3/8MNP
*14	1	618189	1 1/16MJIC-7/8MOR ADPTR	47	3	618126	9/16MJIC-9/16MOR ADPTR
*15	1	618191	1 1/16MJ-90-1 1/16FJ SWIV LBO	48	1	618170	3/4MOR-9/16FOR ADPTR
*16	1	618279	1 1/16MJIC-90-7/8MOR LBO	49	13	618327	3/4MJIC-7/8MOR ADPTR
*17	2	618186	1 5/16MJIC-1 5/16MOR ADPTR	50	1	618440	9/16MJIC-90-9/16MOR EX LG LBO
*18	1	618541	1 5/16FJIC-1 1/16MJIC ADPTR	51	1	618444	9/16MOR RUN TEE-9/16MJIC
*19	1	618718	1 5/16MOR-1 1/16FJIC SWIV	52	1	618531	9/16FJIC CAP NUT
*20	1	611126	7/8MJIC-7/8MOR ADPTR	53	1	618618	9/16MJIC-90-9/16FJIC SWIV LBO
*21	1	618619	1 5/16FJ SW RUN TEE-1 5/16MJ	*54	1	601327	HOSE, 1 1/4 X 52 IFBR-1SP1
*22	2	715660	HOSE BARB 1 1/4NPT X 1 1/4	*55	1	615738	HOSE, 1 1/4 X 177 1FBR-1SP1
*23	2	506410	BLK PIPE ST EL 90DEG 1.25NPT	*56	1	615738	12C2AT-12FJX-12FJX-27
*24	1	618577	1 5/16MJIC UNION	*57	1	615739	16C2AT-16FJX-16FJX-17
*25	2	505005	RED BUSH 1 TO 1/2	*58	1	615740	16C2AT-16FJX-16FJX-118
*26	1	505100	BLK PIPE CROSS 1.00NPT	59	1	615621	06C1T-06FJX-06FJX-24
*27	2	505200	BLK PIPE ST EL 90DEG 1.00NPT	60	2	615727	04C1T-06FJX-06FJX-75
*28	1	505210	BLK PIPE NIPPLE 1.00NPT-3.00	61	3	614077	04C1T-06FJX-06FJX-88
*29	2	611145	3/4MJIC-90-1/2MNP LBO	62	2	614101	04C1T-06FJX-06FJX-133
*30	1	618090	1 5/16MOR-1FNPT ADPTR	63	3	616025	08C1T-08FJX-08FJX-50
*31	1	618178	1 5/16MJIC-90-1 5/16MOR LBO	64	2	614688	08C1T-08FJX-08FJX-108
*32	4	618469	3/4MJIC-1 1/16MOR ADPTR	65	4	614690	08C1T-08FJX-08FJX-192
*33	4	618609	3/4MJIC-90-3/4FJIC SWIV LBO	66	2	618115	9/16MJIC-90-3/4MOR LBO



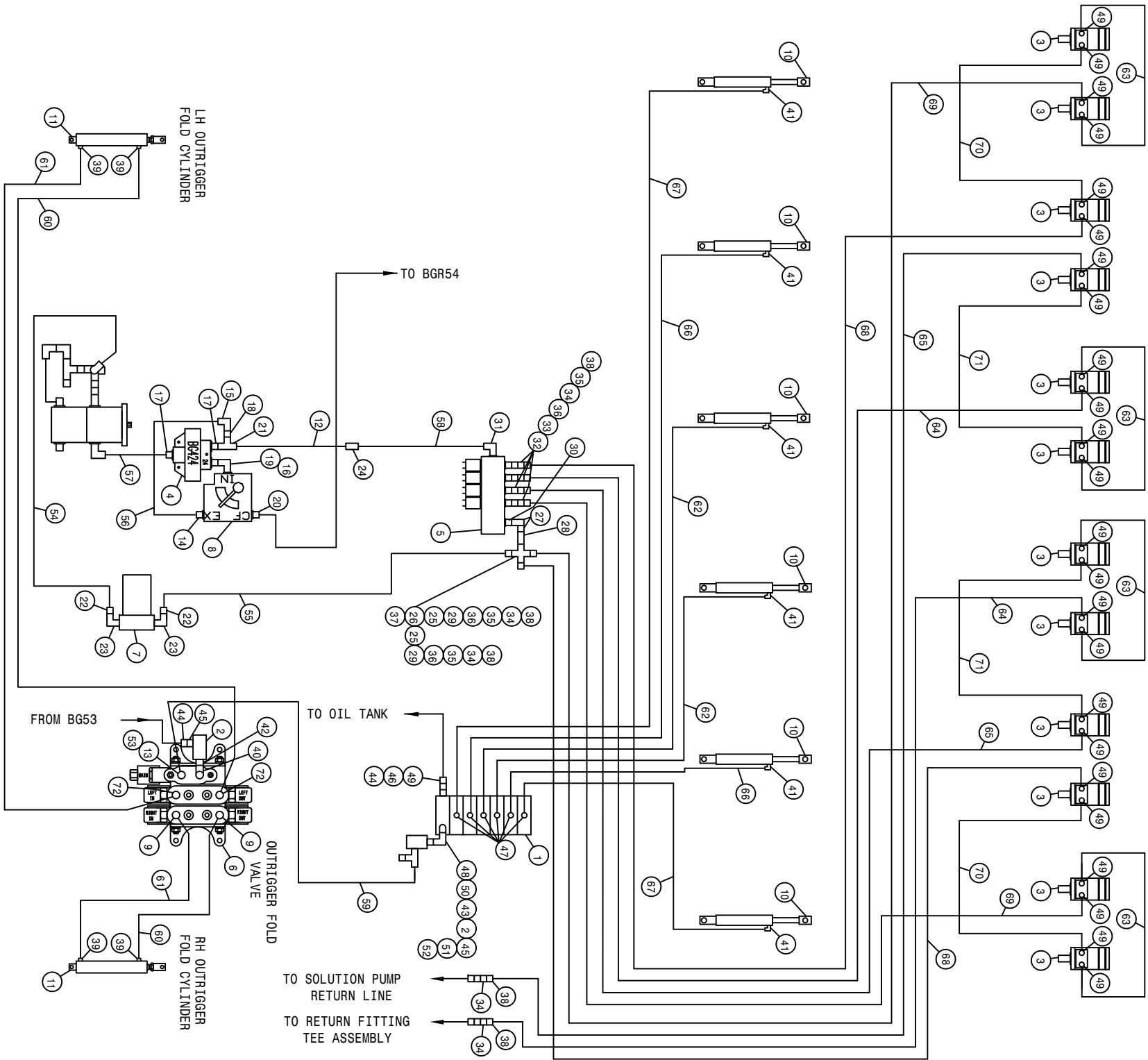
2101 COMBO 8R QUAD HYD SCHEM 2004
REFERENCE DRAWING NO. 498813

DET.	QTY	PART NO.	DESCRIPTION	DET.	QTY	PART NO.	DESCRIPTION
1	1	610613	ELECT HYD STACT VLV, 4 SECT	*35	6	618622	HYD QUICK CPLR, MALE, .50FNPS
2	2	605615	HYD FILTER, INLINE 25M 9/16FOR	*36	6	618623	3/4FJIC-SWIV-1/2MNPT
3	8	610547	HYD MOTOR 4.5CI 1IN SHFT	*37	1	714561	1.00NPT-1.25 HOSE BARB
*4	1	606836	FLO DIV BG424 24G PR, 1 5/16FOR	38	8	611147	3/4MJIC-1/2MNPT ADPTR
*5	1	606034	MTR CONTROL ELECT VLV	39	4	614747	.025 ELBOW ASSY, 9/16MOR 90D
*6	1	606090	BRAND HYD VALVE, 2-SECT SER 36	40	1	618183	3/4MJIC-90-7/8MOR LBO
*7	1	605601	PARKER FILTER ASSY, 10M, 1.25NPT	41	4	618119	9/16MJIC-90-9/16MOR LBO
*8	1	607510	FLO CONT FCR51 0-30VARI 7/8OR	42	1	618692	3/4FJIC SWIV-9/16MOR ADPTR
9	2	618709	9/16MJIC-90-3/4MOR EX LG LBO	43	1	618668	9/16FJIC SWIV-9/16MOR ADPTR
10	4	621506	LIFT CYL ASSY 1W, DETASSELER	44	2	618646	HYD QUICK CPLR, MALE .375NPS
11	2	621520	BOOM HINGE FOLD CYL ASSY	45	1	618345	9/16MOR-3/8MNPT ADPTR
*12	1	615743	HYD TUBE ASSY, 2100 COMBO	46	1	618615	3/4FJIC-SWIV-3/8MNPT
13	1	618310	9/16MJIC-7/8MOR ADPTR	47	4	618126	9/16MJIC-9/16MOR ADPTR
*14	1	618189	1 1/16MJIC-7/8MOR ADPTR	48	1	618170	3/4MOR-9/16FOR ADPTR
*15	1	618191	1 1/16MJ-90-1 1/16FJ SWIV LBO	49	17	618327	3/4MJIC-7/8MOR ADPTR
*16	1	618279	1 1/16MJIC-90-7/8MOR LBO	50	1	618440	9/16MJIC-90-9/16MOR EX LG LBO
*17	2	618186	1 5/16MJIC-1 5/16MOR ADPTR	51	1	618444	9/16MOR RUN TEE-9/16MJIC
*18	1	618541	1 5/16FJIC-1 1/16MJIC ADPTR	52	1	618531	9/16FJIC CAP NUT
*19	1	618718	1 5/16MOR-1 1/16FJIC SWIV	53	1	618618	9/16MJIC-90-9/16FJIC SWIV LBO
*20	1	611126	7/8MJIC-7/8MOR ADPTR	*54	1	601327	HOSE, 1 1/4 X 52 1FBR-1SPI
*21	1	618619	1 5/16FJ SW RUN TEE-1 5/16MJ	*55	1	601443	HOSE, 1 1/4 X 177 1FBR-1SPI
*22	2	715660	HOSE BARB 1 1/4NPT X 1 1/4	*56	1	615738	12C2AT-12FJX-12FJX-27
*23	2	506410	BLK PIPE ST EL 90DEG 1.25NPT	*57	1	615739	16C2AT-16FJX-16FJX-17
*24	1	618577	1 5/16MJIC UNION	58	1	615740	16C2AT-16FJX-16FJX-118
*25	2	505005	RED BUSH 1 TO 1/2	59	1	615621	06C1T-06FJX-06FJX-24
*26	1	505100	BLK PIPE CROSS 1.00NPT	60	2	615727	04C1T-06FJX-06FJX-75
*27	2	505200	BLK PIPE ST EL 90DEG 1.00NPT	61	2	614077	04C1T-06FJX-06FJX-88
*28	1	505210	BLK PIPE NIPPLE 1.00NPT-3.00	62	2	614101	04C1T-06FJX-06FJX-133
*29	2	611145	3/4MJIC-90-1/2MNPT LBO	63	4	616025	08C1T-08FJX-08FJX-50
*30	1	618090	1 5/16MOR-1FNPT ADPTR	64	4	614689	08C1T-08FJX-08FJX-120
*31	1	618178	1 5/16MJIC-90-1 5/16MOR LBO	65	4	614691	08C1T-08FJX-08FJX-220
*32	4	618469	3/4MJIC-1 1/16MOR ADPTR	66	2	611246	04C1T-06FJX-06FJX-174
*33	4	618609	3/4MJIC-90-3/4FJIC SWIV LBO	67	2	618115	9/16MJIC-90-3/4MOR LBO
*34	8	618621	HYD QUICK CPLR, FEMALE, .50FNPS				



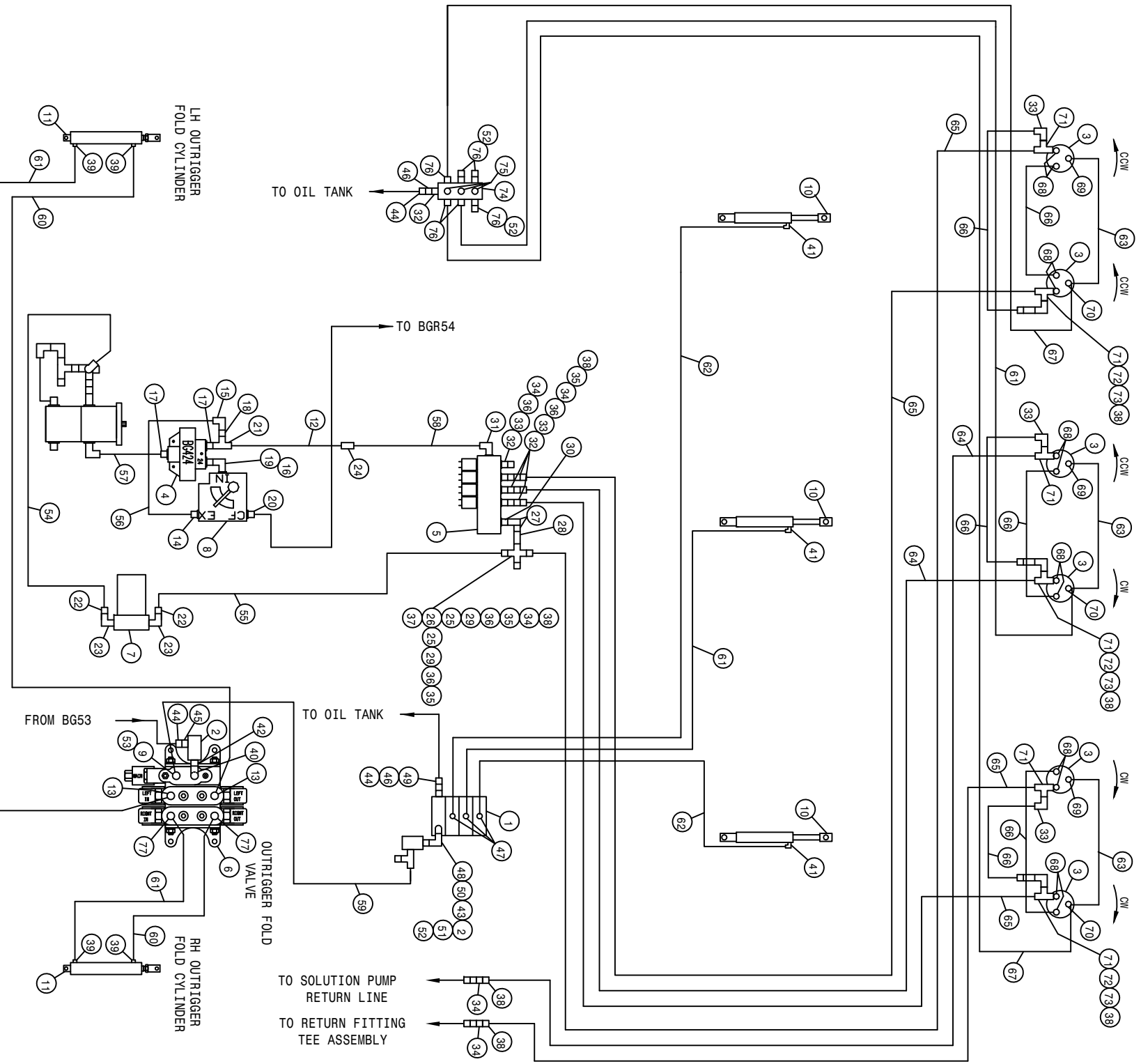
2101 COMBO 10R QUAD HYD SCHEM 2004
REFERENCE DRAWING NO. 498814

DET.	QTY	PART NO.	DESCRIPTION	DET.	QTY	PART NO.	DESCRIPTION
1	1	610613	ELECT HYD STACT VLV, 4 SECT	*37	1	714561	1.00NPT-1.25 HOSE BARB
2	2	605615	HYD FILTER,INLINE 25M 9/16FOR	38	8	611147	3/4MJIC-1/2MNPT ADPTR
3	10	610547	HYD MOTOR 4.5CI 1IN SHFT	39	4	614747	.025 ELBOW ASSY, 9/16MOR 90D
*4	1	606836	FLO DIV BG424 24G PR, 1 5/16FOR	40	1	618183	3/4MJIC-90-7/8MOR LBO
*5	1	606034	MTR CONTROL ELECT VLV	41	4	618119	9/16MJIC-90-9/16MOR LBO
6	1	606090	BRAND HYD VALVE, 2-SECT SER 36	42	1	618692	3/4FJIC SWIV-9/16MOR ADPTR
*7	1	605601	PARKER FILTER ASSY, 10M, 1.25NPT	43	1	618668	9/16FJIC SWIV-9/16MOR ADPTR
*8	1	607510	FLO CONT FOR51 0-30VARI 7/8OR	44	2	618646	HYD QUICK CPLR, MALE, .375NPS
9	2	618709	9/16MJIC-90-3/4MOR EX LG LBO	45	1	618345	9/16MOR-3/8MNPT ADPTR
10	4	621506	LIFT CYL ASSY 1W,DETASSELER	46	1	618615	3/4FJIC-SWIV-3/8MNPT
11	2	621520	BOOM HINGE FOLD CYL ASSY	47	4	618126	9/16MJIC-9/16MOR ADPTR
*12	1	615743	HYD TUBE ASSY, 2100 COMBO	99	1	618170	3/4MOR-9/16FOR ADPTR
13	1	618310	9/16MJIC-7/8MOR ADPTR	48	1	618327	3/4MJIC-7/8MOR ADPTR
*14	1	618189	1 1/16MJIC-7/8MOR ADPTR	50	1	618440	9/16MJIC-90-9/16MOR EX LG LBO
*15	1	618191	1 1/16MJ-90-1 1/16FJ SWIV LBO	51	1	618444	9/16MOR RUN TEE-9/16MJIC
*16	1	618279	1 1/16MJIC-90-7/8MOR LBO	52	1	618531	9/16FJIC CAP NUT
*17	2	618186	1 5/16MJIC-1 5/16MOR ADPTR	53	1	618618	9/16MJIC-90-9/16FJIC SWIV LBO
*18	1	618541	1 5/16FJIC-1 1/16MJIC ADPTR	*54	1	601327	HOSE, 1 1/4 X 52 1FBR-1SPI
*19	1	618718	1 5/16MOR-1 1/16FJIC SWIV	*55	1	601443	HOSE, 1 1/4 X 177 1FBR-1SPI
*20	1	611126	7/8MJIC-7/8MOR ADPTR	*56	1	615738	12C2AT-12FJX-12FJX-27
*21	1	618619	1 5/16FJ SW RUN TEE-1 5/16MJ	*57	1	615739	16C2AT-16FJX-16FJX-17
*22	2	715660	HOSE BARB 1 1/4NPT X 1 1/4	*58	1	615740	16C2AT-16FJX-16FJX-118
*23	2	506410	BLK PIPE ST EL 90DEG 1.25NPT	59	1	615621	06C1T-06FJX-06FJX-24
*24	1	618577	1 5/16MJIC UNION	60	2	615727	04C1T-06FJX-06FJX-75
*25	2	505005	RED BUSH 1 TO 1/2	61	2	614077	04C1T-06FJX-06FJX-88
*26	1	505100	BLK PIPE GROSS 1.00NPT	62	2	614101	04C1T-06FJX-06FJX-133
*27	2	505200	BLK PIPE ST EL 90DEG 1.00NPT	63	6	616025	08C1T-08FJX-08FJX-50
*28	1	505210	BLK PIPE NIPPLE 1.00NPT-3.00	64	4	614689	08C1T-08FJX-08FJX-120
*29	2	611145	3/4MJIC-90-1/2MNPT LBO	65	4	614691	08C1T-08FJX-08FJX-220
*30	1	618090	1 5/16MOR-1FNPT ADPTR	66	2	611246	04C1T-06FJX-06FJX-174
*31	1	618178	1 5/16MJIC-90-1 5/16MOR LBO	67	4	615385	08C1T-08FJX-08FJX-29
*32	4	618469	3/4MJIC-1 1/16MOR ADPTR	68	4	618314	3/4MJIC UNION
*33	4	618609	3/4MJIC-90-3/4FJIC SWIV LBO	69	2	618586	7/8MOR UNION
*34	8	618621	HYD QUICK CPLR, FEMALE, .50FNPS	70	2	607522	FLOW REGULATOR, 8GPM VONBERG
*35	6	618622	HYD QUICK CPLR, MALE, .50FNPS	71	2	618115	9/16MJIC-90-3/4MOR LBO
*36	6	618623	3/4FJIC-SWIV-1/2MNPT				



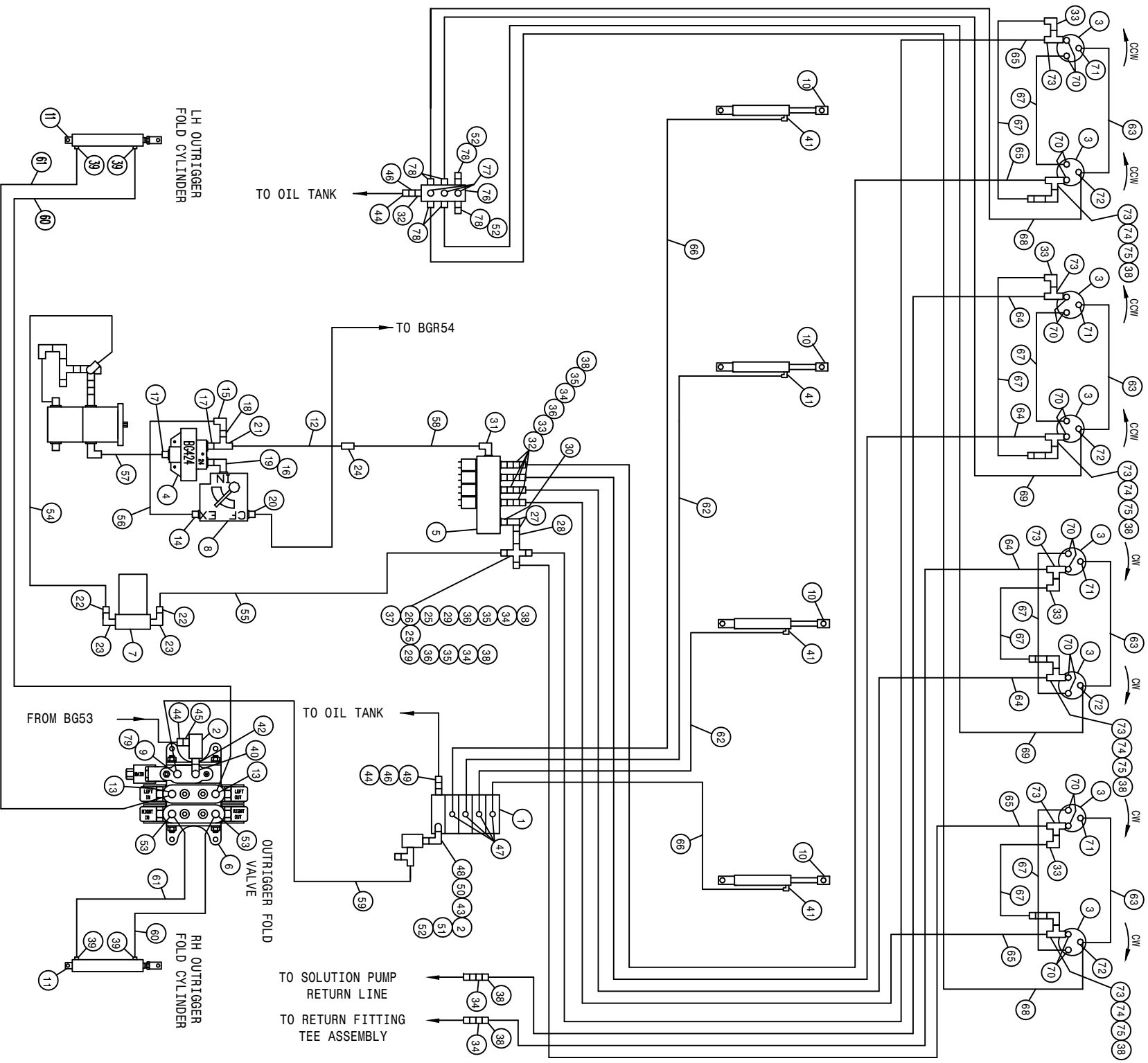
2101 COMBO 12R QUAD HYD SCHEM 2004
REFERENCE DRAWING NO. 498815

DET.	QTY	PART NO.	DESCRIPTION	DET.	QTY	PART NO.	DESCRIPTION
1	1	610615	ELECT HYD STACT VLV, 6 SECT	*37	1	714561	1.00NPT-1.25 HOSE BARB
2	2	605615	HYD FILTER, INLINE 25M 9/16FOR	38	8	611147	3/4MJIC-1/2MNPT ADPTR
3	12	610547	HYD MOTOR 4.5CI 1IN SHFT	39	4	614747	.025 ELBOW ASSY, 9/16MOR 90D
*4	1	606836	FLO DIV BG424 24G PR, 1 5/16FOR	40	1	618183	3/4MJIC-90-7/8MOR LBO
*5	1	606034	MTR CONTROL ELECT VLV	41	6	618119	9/16MJIC-90-9/16MOR LBO
6	1	606090	BRAND HYD VALVE, 2-SECT SER 36	42	1	618692	3/4FJIC SWIV-9/16MOR ADPTR
*7	1	605601	PARKER FILTER ASSY, 10M, 1.25NPT	43	1	618668	9/16FJIC SWIV-9/16MOR ADPTR
*8	1	607510	FLO CNTT FCR51 0-30VARI 7/8OR	44	2	618646	HYD QUICK CPLR, MALE .375NPS
9	2	618709	9/16MJIC-90-3/4MOR EX LG LBO	45	1	618345	9/16MOR-3/8MNPT ADPTR
10	6	621506	LIFT CYL ASSY 1W, DETASSELER	46	1	618615	3/4FJIC-SWIV-3/8MNPT
11	2	621520	BOOM HINGE FOLD CYL ASSY	47	6	618126	9/16MJIC-9/16MOR ADPTR
*12	1	615743	HYD TUBE ASSY, 2100 COMBO	48	1	618170	3/4MOR-9/16FOR ADPTR
13	1	618310	9/16MJIC-7/8MOR ADPTR	49	25	618327	3/4MJIC-7/8MOR ADPTR
*14	1	618189	1 1/16MJIC-7/8MOR ADPTR	50	1	618440	9/16MJIC-90-9/16MOR EX LG LBO
*15	1	618191	1 1/16MJ-90-1 1/16FJ SWIV LBO	51	1	618444	9/16MOR RUN TEE-9/16MJIC
*16	1	618279	1 1/16MJIC-90-7/8MOR LBO	52	1	618531	9/16FJIC CAP NUT
*17	2	618186	1 5/16MJIC-1 5/16MOR ADPTR	53	1	618618	9/16MJIC-90-9/16FJIC SWIV LBO
*18	1	618541	1 5/16FJIC-1 1/16MJIC ADPTR	*54	1	601327	HOSE, 1 1/4 X 52 IFBR-15PT
*19	1	618718	1 5/16MOR-1 1/16FJIC SWIV	*55	1	601443	HOSE, 1 1/4 X 177 IFBR-15PT
*20	1	611126	7/8MJIC-7/8MOR ADPTR	*56	1	615738	12C2AT-12FJX-12FJX-27
*21	1	618619	1 5/16FJ SW RUN TEE-1 5/16MJ	*57	1	615739	16C2AT-16FJX-16FJX-17
*22	2	715660	HOSE BARB 1 1/4NPT X 1 1/4	*58	1	615740	16C2AT-16FJX-16FJX-118
*23	2	506410	BLK PIPE ST EL 90DEG 1.25NPT	59	1	615621	06C1T-06FJX-06FJX-24
*24	1	618577	1 5/16MJIC UNION	60	2	615727	04C1T-06FJX-06FJX-75
*25	2	505005	RED BUSH 1 TO 1/2	61	2	614077	04C1T-06FJX-06FJX-88
*26	1	505100	BLK PIPE CROSS 1.00NPT	62	2	614101	04C1T-06FJX-06FJX-133
*27	2	505200	BLK PIPE ST EL 90DEG 1.00NPT	63	4	616025	08C1T-08FJX-08FJX-50
*28	1	505210	BLK PIPE NIPPLE 1.00NPT-3.00	64	2	614689	08C1T-08FJX-08FJX-120
*29	2	611145	3/4MJIC-90-1/2MNPT LBO	65	2	614691	08C1T-08FJX-08FJX-220
*30	1	618090	1 5/16MOR-1FNPT ADPTR	66	2	611246	04C1T-06FJX-06FJX-174
*31	1	618178	1 5/16MJIC-90-1 5/16MOR LBO	67	2	614377	04C1T-06FJX-06FJX-258
*32	4	618469	3/4MJIC-1 1/16MOR ADPTR	68	2	614378	08C1T-08FJX-08FJX-207
*33	4	618609	3/4MJIC-90-3/4FJIC SWIV LBO	69	2	614387	08C1T-08FJX-08FJX-267
*34	8	618621	HYD QUICK CPLR, FEMALE, .50FNPS	70	2	614690	08C1T-08FJX-08FJX-192
*35	6	618622	HYD QUICK CPLR, MALE, .50FNPS	71	2	614384	08C1T-08FJX-08FJX-237
*36	6	618623	3/4FJIC-SWIV-1/2MNPT	72	2	618115	9/16MJIC-90-3/4MOR LBO



2101 COMBO 6R CUTR HYD SCHEM 2004
REFERENCE DRAWING NO. 498816

DET.	QTY	PART NO.	DESCRIPTION	DET.	QTY	PART NO.	DESCRIPTION
1	1	610532	ELECT HYD STACK VLV, 3 SECT	40	1	618183	3/4MJC-90-7/8MOR LBO
2	2	605615	HYD FILTER, INLINE 25M 9/16FOR	41	3	618119	9/16MJC-90-9/16MOR LBO
3	6	610755	BARNES HYD MOTOR, D-SERIES 01	42	1	618692	3/4FJIC SWIV-9/16MOR ADPTR
*4	1	606836	FLO DIV BG424 24G PR.1 5/16FOR	43	1	618668	9/16FJIC SWIV-9/16MOR ADPTR
*5	1	606034	MTR CONTROL ELECT VLV	44	3	618646	HYD QUICK CPLR, MALE .375NPS
6	1	606090	BRAND HYD VALVE, 2-SECT SER 36	45	1	618345	9/16MOR-3/8MNP ADPTR
*7	1	605601	PARKER FILTER ASSY,10M,1.25NPT	46	2	618615	3/4FJIC-SWIV-3/8MNP
*8	1	607510	FLO CNT FCR51 0-30VARI 7/8OR	47	3	618126	9/16MJC-9/16MOR ADPTR
9	1	618310	9/16MJC-7/8MOR ADPTR	48	1	618170	3/4MOR-9/16FOR ADPTR
10	3	621506	LIFT CYL ASSY 1W,DETAASSELER	49	1	618327	3/4MJC-7/8MOR ADPTR
11	2	621520	BOOM HINGE FOLD CYL ASSY	50	1	618440	9/16MJC-90-9/16MOR EX LG LBO
*12	1	615743	HYD TUBE ASSY, 2100 COMBO	99	1	618444	9/16MOR RUN TEE-9/16MJC
13	2	618115	9/16MJC-90-3/4MOR LBO	52	4	618531	9/16FJIC CAP NUT
*14	1	618189	1 1/16MJC-7/8MOR ADPTR	53	1	618618	9/16MJC-90-9/16FJIC SWIV LBO
*15	1	618191	1 1/16MJ-90-1 1/16FJ SWIV LBO	*54	1	601327	HOSE, 1 1/4 X 52 1FBR-15PT
*16	1	618279	1 1/16MJC-90-7/8MOR LBO	*55	1	601443	HOSE, 1 1/4 X 177 1FBR-15PT
*17	2	618186	1 5/16MJC-1 5/16MOR ADPTR	*56	1	615738	12C2AT-12FJX-12FJX-27
*18	1	618541	1 5/16FJIC-1 1/16MJC ADPTR	*57	1	615739	16C2AT-16FJX-16FJX-17
*19	1	618718	1 5/16MOR-1 1/16FJIC SWIV	*58	1	615740	16C2AT-16FJX-16FJX-118
*20	1	611126	7/8MJC-7/8MOR ADPTR	59	1	615621	06C1T-06FJX-06FJX-24
*21	1	618619	1 5/16FJ SW RUN TEE-1 5/16MJ	60	2	615727	04C1T-06FJX-06FJX-75
*22	2	715660	HOSE BARB 1 1/4NPT X 1 1/4	61	4	614077	04C1T-06FJX-06FJX-88
*23	2	506410	BLK PIPE ST EL 90DEG 1.25NPT	62	2	614101	04C1T-06FJX-06FJX-133
*24	1	618577	1 5/16MJC UNION	63	3	611206	04C1T-06FJX-06FJX-66
*25	2	505005	RED BUSH 1 TO 1/2	64	2	614688	08C1T-08FJX-08FJX-108
*26	1	505100	BLK PIPE CROSS 1.00NPT	65	4	614690	08C1T-08FJX-08FJX-192
*27	2	505200	BLK PIPE ST EL 90DEG 1.00NPT	66	6	614368	08C1T-08FJX-08FJX-60
*28	1	505210	BLK PIPE NIPPLE 1.00NPT-3.00	67	2	611210	04C1T-06FJX-06FJX-156
*29	2	611145	3/4MJC-90-1/2MNP LBO	68	12	611125	3/4MJC-3/4MOR ADPTR
*30	1	618090	1 5/16MOR-1FNPT ADPTR	69	3	618530	9/16MJC-1/8MNP ADPTR
*31	1	618178	1 5/16MJC-90-1 5/16MOR LBO	70	3	618546	1/8MNP RUN TEE-9/16MJC
*32	5	618469	3/4MJC-1 1/16MOR ADPTR	71	6	618451	3/4FJIC SW RUN TEE-3/4MJC
*33	7	618609	3/4MJC-90-3/4FJIC SWIV LBO	72	3	618620	3/4FJX-90-1/2MNP ADPTR
*34	7	618621	HYD QUICK CPLR,FEMALE,.50FNPS	73	3	690338	LINE CHECK VALVE HYD .50NPT
*35	5	618622	HYD QUICK CPLR, MALE, .50FNPS	74	1	606021	HYD RETURN MANIF,3/4FOR,9-PORT
*36	6	618623	3/4FJIC-SWIV-1/2MNP	75	3	611159	3/4MOR PLUG
*37	1	714561	1.00NPT-1.25 HOSE BARB	76	6	618109	9/16MJC-3/4MOR ADPTR
38	9	611147	3/4MJC-1/2MNP ADPTR	77	2	618709	9/16MJC-90-3/4MOR EX LG LBO
39	4	614747	.025 ELBOW ASSY,9/16MOR 90D				



TO OIL TANK

TO BGR54

TO OIL TANK

TO SOLUTION PUMP
RETURN LINE

TO RETURN FITTING
TEE ASSEMBLY

LH OUTRIGGER
FOLD CYLINDER

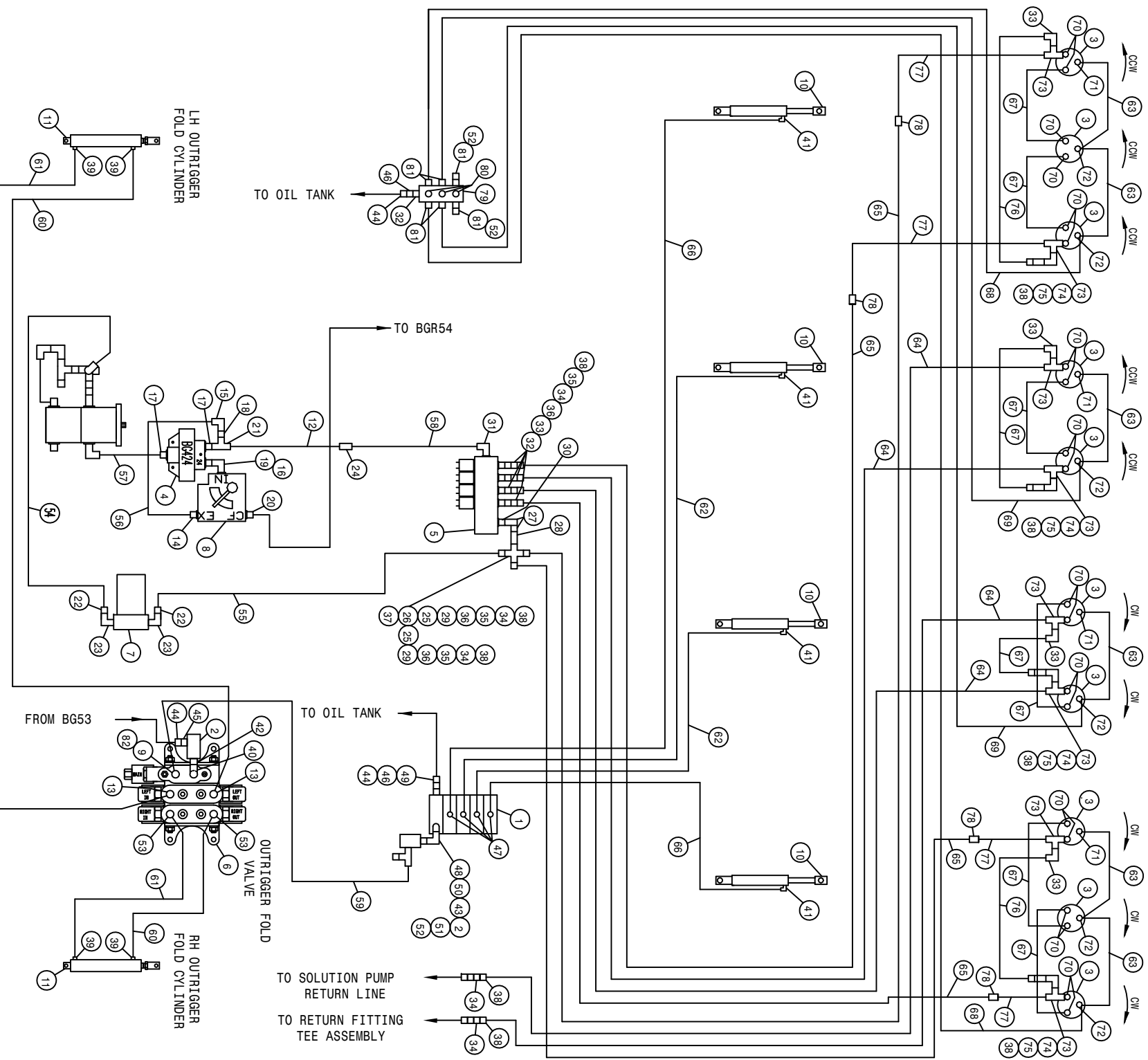
OUTRIGGER FOLD
VALVE

RH OUTRIGGER
FOLD CYLINDER

FROM BG53

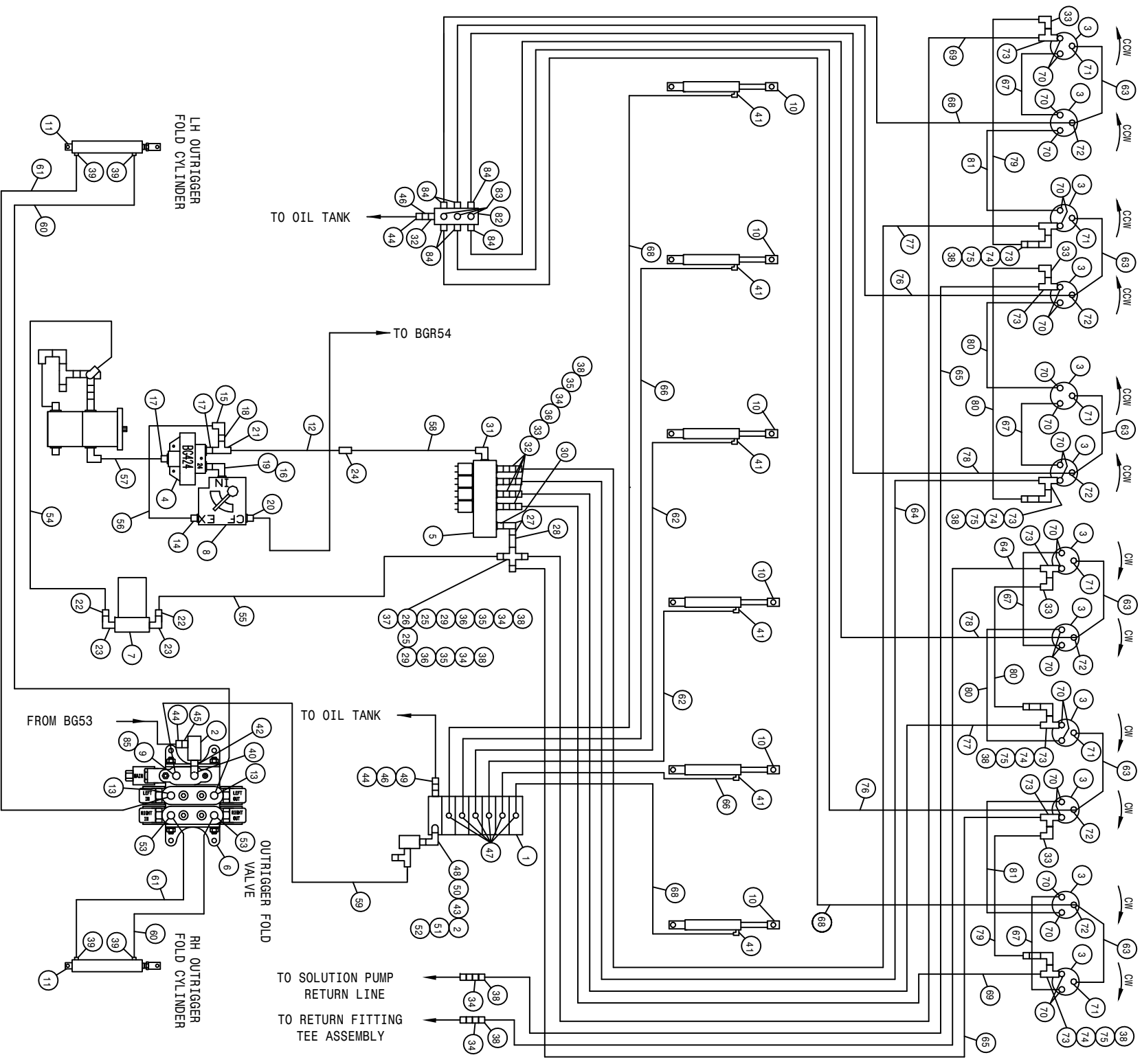
2101 COMBO 8R CUTR HYD SCHEM 04
REFERENCE DRAWING NO. 498817

DET.	QTY	PART NO.	DESCRIPTION	DET.	QTY	PART NO.	DESCRIPTION
1	1	610613	ELECT HYD STACT VLV, 4 SECT	41	4	618119	9/16MJIC-90-9/16MOR LBO
2	2	605615	HYD FILTER, INLINE 25M 9/16FOR	42	1	618692	3/4FJIC SWIV-9/16MOR ADPTR
3	8	610755	BARNES HYD MOTOR, D-SERIES 01	43	1	618668	9/16FJIC SWIV-9/16MOR ADPTR
*4	1	606836	FLO DIV BG424 24G PR,1 5/16FOR	44	3	618646	HYD QUICK CPLR, MALE, .375NPS
*5	1	606034	MTR CONTROL ELECT VLV	45	1	618345	9/16MOR-3/8MNPT ADPTR
6	1	606091	BRAND HYD VALVE, 2-SECT SER 36	46	2	618615	3/4FJIC-SWIV-3/8MNPT
*7	1	605601	PARKER FILTER ASSY,10M,1.25NPT	47	4	618126	9/16MJIC-9/16MOR ADPTR
*8	1	607510	FLO CONT FCR51 0-.50VARI 7/8OR	48	1	618170	3/4MOR-9/16FOR ADPTR
9	1	618310	9/16MJIC-7/8MOR ADPTR	49	1	618327	3/4MJIC-7/8MOR ADPTR
10	4	621506	LIFT CYL ASSY 1M,DETASSELER	50	1	618440	9/16MJIC-90-9/16MOR EX LG LBO
11	2	621520	BOOM HINGE FOLD CYL ASSY	51	1	618444	9/16MOR RUN TEE-9/16MJIC
*12	1	615743	HYD TUBE ASSY, 2100 COMBO	52	3	618531	9/16FJIC CAP NUT
13	2	618115	9/16MJIC-90-3/4MOR LBO	53	2	618709	9/16MJIC-90-3/4MOR EX LG LBO
*14	1	618189	1 1/16MJIC-7/8MOR ADPTR	*54	1	601327	HOSE, 1 1/4 X 52 1FBR-1SPI
*15	1	618191	1 1/16MJ-90-1 1/16FJ SWIV LBO	*55	1	601443	HOSE, 1 1/4 X 177 1FBR-1SPI
*16	1	618279	1 1/16MJIC-90-7/8MOR LBO	*56	1	615738	12C2AT-12FJX-12FJX-27
*17	2	618718	1 5/16MOR-1 1/16FJIC SWIV	*57	1	615739	16C2AT-16FJX-16FJX-17
*18	1	618541	1 5/16FJIC-1 1/16MJIC ADPTR	*58	1	615740	16C2AT-16FJX-16FJX-118
*19	1	618718	1 5/16MOR-1 1/16FJIC SWIV	59	1	615621	06C1T-06FJX-06FJX-24
*20	1	611126	7/8MJIC-7/8MOR ADPTR	60	2	615727	04C1T-06FJX-06FJX-75
*21	1	618619	1 5/16FJ SW RUN TEE-1 5/16MJ	61	2	614077	04C1T-06FJX-06FJX-88
*22	2	715660	HOSE BARB 1 1/4NPT X 1 1/4	62	2	614101	04C1T-06FJX-06FJX-133
*23	2	506410	BLK PIPE ST EL 90DEG 1.25NPT	63	4	611206	08C1T-08FJX-08FJX-66
*24	1	618577	1 5/16MJIC UNION	64	4	614689	08C1T-08FJX-08FJX-120
*25	2	505005	RED BUSH 1 TO 1/2	65	4	614691	08C1T-08FJX-08FJX-220
*26	1	505100	BLK PIPE CROSS 1.00NPT	66	2	611246	04C1T-06FJX-06FJX-174
*27	2	505200	BLK PIPE ST EL 90DEG 1.00NPT	67	8	614368	08C1T-08FJX-08FJX-60
*28	1	505210	BLK PIPE NIPPLE 1.00NPT-3.00	68	2	614154	04C1T-06FJX-06FJX-221
*29	2	611145	3/4MJIC-90-1/2MNPT LBO	69	2	611212	04C1T-06FJX-06FJX-164
*30	1	618090	1 5/16MOR-1FNPT ADPTR	70	16	611125	3/4MJIC-3/4MOR ADPTR
*31	1	618178	1 5/16MJIC-90-1 5/16MOR LBO	71	4	618530	9/16MJIC-1/8MNPT ADPTR
*32	5	618469	3/4MJIC-1 1/16MOR ADPTR	72	4	618546	1/8MNPT RUN TEE-9/16MJIC
*33	8	618609	3/4MJIC-90-3/4FJIC SWIV LBO	73	8	618451	3/4FJIC SW RUN TEE-3/4MJIC
*34	8	618621	HYD QUICK CPLR, FEMALE, .50FNPS	74	4	618620	3/4FJX-90-1/2MNPT ADPTR
*35	6	618622	HYD QUICK CPLR, MALE, .50FNPS	75	4	690338	LINE CHECK VALVE HYD .50NPT
*36	6	618623	3/4FJIC-SWIV-1/2MNPT	76	1	606021	HYD RETURN MANIF, 3/4FOR, 9-PORT
*37	1	714561	1.00NPT-1.25 HOSE BARB	77	3	611159	3/4MOR PLUG
38	12	611147	3/4MJIC-1/2MNPT ADPTR	78	6	618109	9/16MJIC-3/4MOR ADPTR
39	4	614747	.025 ELBOW ASSY, 9/16MOR 90D	79	1	618618	9/16MJIC-90-9/16FJIC SWIV LBO
40	1	618183	3/4MJIC-90-7/8MOR LBO				



2101 COMBO 10R CUTR HYD SCHEM 2004
REFERENCE DRAWING NO. 498818

DET.	QTY	PART NO.	DESCRIPTION	DET.	QTY	PART NO.	DESCRIPTION
1	1	610613	ELECT HYD STACT VLV, 4 SECT	42	1	618692	3/4FJIC SWIV-9/16MOR ADPTR
2	2	605615	HYD FILTER, INLINE 25M 9/16FOR	43	1	618668	9/16FJIC SWIV-9/16MOR ADPTR
3	10	610755	BARNES HYD MOTOR, D-SERIES 01	44	3	618646	HYD QUICK CPLR, MALE .375NPS
*4	1	606836	FLO DIV BG424 24G PR, 1 5/16FOR	45	1	618345	9/16MOR-3/8MNPT ADPTR
*5	1	606034	MTR CONTROL ELECT VLV	46	2	618615	3/4FJIC-SWIV-3/8MNPT
6	1	606090	BRAND HYD VALVE, 2-SECT SER 36	47	4	618126	9/16MJIC-9/16MOR ADPTR
*7	1	605601	PARKER FILTER ASSY, 10M, 1.25NPT	48	1	618170	3/4MOR-9/16FOR ADPTR
*8	1	607510	FLO CONT FCR51 0-30VARI 7/8OR	49	1	618327	3/4MJIC-7/8MOR ADPTR
9	1	618310	9/16MJIC-7/8MOR ADPTR	50	1	618440	9/16MJIC-90-9/16MOR EX LG LBO
10	4	621506	LIFT CYL ASSY 1M,DETASSELER	51	1	618444	9/16MOR RUN TEE-9/16MJIC
11	2	621520	BOOM HINGE FOLD CYL ASSY	52	3	618531	9/16FJIC CAP NUT
*12	1	615743	HYD TUBE ASSY, 2100 COMBO	53	2	618709	9/16MJIC-90-3/4MOR EX LG LBO
13	2	618115	9/16MJIC-90-3/4MOR LBO	54	1	601327	HOSE, 1 1/4 X 52 1FBR-1SPI
*14	1	618189	1 1/16MJIC-7/8MOR ADPTR	*55	1	601443	HOSE, 1 1/4 X 177 1FBR-1SPI
*15	1	618191	1 1/16MJ-90-1 1/16FJ SWIV LBO	*56	1	615738	12C2AT-12FJX-12FJX-27
*16	1	618279	1 1/16MJIC-90-7/8MOR LBO	*57	1	615739	16C2AT-16FJX-16FJX-17
*17	2	618186	1 5/16MJIC-1 5/16MOR ADPTR	*58	1	615740	16C2AT-16FJX-16FJX-118
*18	1	618541	1 5/16FJIC-1 1/16MJIC ADPTR	59	1	615621	06C1T-06FJX-06FJX-24
*19	1	618718	1 5/16MOR-1 1/16FJIC SWIV	60	2	615727	04C1T-06FJX-06FJX-75
*20	1	611126	7/8MJIC-7/8MOR ADPTR	61	2	614077	04C1T-06FJX-06FJX-88
*21	1	618619	1 5/16FJ SW RUN TEE-1 5/16MJ	62	2	614101	04C1T-06FJX-06FJX-133
*22	2	715660	HOSE BARB 1 1/4NPT X 1 1/4	63	6	611206	04C1T-06FJX-06FJX-66
*23	2	506410	BLK PIPE ST EL 90DEG 1.25NPT	64	4	614689	08C1T-08FJX-08FJX-120
*24	1	618577	1 5/16MJIC UNION	65	4	614691	08C1T-08FJX-08FJX-220
*25	2	505005	RED BUSH 1 TO 1/2	66	2	611246	04C1T-06FJX-06FJX-174
*26	1	505100	BLK PIPE CROSS 1.00NPT	67	8	614368	08C1T-08FJX-08FJX-60
*27	2	505200	BLK PIPE ST EL 90DEG 1.00NPT	68	2	614154	04C1T-06FJX-06FJX-221
*28	1	505210	BLK PIPE NIPPLE 1.00NPT-3.00	69	2	611212	04C1T-06FJX-06FJX-164
*29	2	611145	3/4MJIC-90-1/2MNPT LBO	70	20	611125	3/4MJIC-3/4MOR ADPTR
*30	1	618090	1 5/16MOR-1FNPT ADPTR	71	4	618530	9/16MJIC-1/8MNPT ADPTR
*31	1	618178	1 5/16MJIC-90-1 5/16MOR LBO	72	6	618546	1/8MNPT RUN TEE-9/16MJIC
*32	5	618469	3/4MJIC-1 1/16MOR ADPTR	73	8	618451	3/4FJIC SW RUN TEE-3/4MJIC
*33	8	618609	3/4MJIC-90-3/4FJIC SWIV LBO	74	4	618620	3/4FJX-90-1/2MNPT ADPTR
*34	8	618621	HYD QUICK CPLR, FEMALE, .50FNPS	75	4	690338	LINE CHECK VALVE HYD .50NPT
*35	6	618622	HYD QUICK CPLR, MALE, .50FNPS	76	2	616057	08C1T-08FJX-08FJX-88
*36	6	618623	3/4FJIC-SWIV-1/2MNPT	77	4	615385	08C1T-08FJX-08FJX-29
*37	1	714561	1.00NPT-1.25 HOSE BARB	78	4	618314	3/4MJIC UNION
38	12	611147	3/4MJIC-1/2MNPT ADPTR	79	1	606021	HYD RETURN MANIF, 3/4FOR, 9-PORT
39	4	614747	.025 ELBOW ASSY, 9/16MOR 90D	80	3	611159	3/4MOR PLUG
40	1	618183	3/4MJIC-90-7/8MOR LBO	81	6	618109	9/16MJIC-3/4MOR ADPTR
41	4	618119	9/16MJIC-90-9/16MOR LBO	82	1	618618	9/16MJIC-90-9/16FJIC SWIV LBO



2101 COMBO 12R CUTR HYD SCHEM 2004
REFERENCE DRAWING NO. 498819

DET.	QTY	PART NO.	DESCRIPTION	DET.	QTY	PART NO.	DESCRIPTION
1	1	610615	ELECT HYD STACT VLV, 6 SECT	44	3	618646	HYD QUICK CPLR, MALE .375NPS
2	2	605615	HYD FILTER, INLINE 25M 9/16FOR	45	1	618345	9/16MOR-3/8MNPT ADPTR
3	12	610755	BARNES HYD MOTOR, D-SERIES 01	46	2	618615	3/4FJIC-SWIV-3/8MNPT
*4	1	606836	FLO DIV BG424 24G PR,1 5/16FOR	47	6	618126	9/16MJIC-9/16MOR ADPTR
*5	1	606034	MTR CONTROL ELECT VLV	48	1	618170	3/4MOR-9/16FOR ADPTR
*6	1	606090	BRAND HYD VALVE, 2-SECT SER 36	49	1	618327	3/4MJIC-7/8MOR ADPTR
*7	1	605501	PARKER FILTER ASSY,10M,1.25NPT	50	1	618440	9/16MJIC-90-9/16MOR EX LG LBO
*8	1	607510	FLO COUNT FCR51 0-30VARI 7/8OR	51	1	618444	9/16MOR RUN TEE-9/16MJIC
9	1	618310	9/16MJIC-7/8MOR ADPTR	52	1	618531	9/16FJIC CAP NUT
10	6	621506	LIFT CYL ASSY 1M,DETASSELER	53	2	618709	9/16MJIC-90-3/4MOR EX LG LBO
11	2	621520	BOOM HINGE FOLD CYL ASSY	*54	1	601327	HOSE, 1 1/4 X 52 1FBR-1SPI
*12	1	615743	HYD TUBE ASSY, 2100 COMBO 99	*55	1	601443	HOSE, 1 1/4 X 177 1FBR-1SPI
*13	2	618115	9/16MJIC-90-3/4MOR LBO	*56	1	615738	12C2AT-12FJX-12FJX-27
*14	1	618189	1 1/16MJIC-7/8MOR ADPTR	*57	1	615739	16C2AT-16FJX-16FJX-17
*15	1	618191	1 1/16MJIC-90-1 1/16FJ SWIV LBO	*58	1	615740	16C2AT-16FJX-16FJX-118
*16	1	618279	1 1/16MJIC-90-7/8MOR LBO	59	1	615621	06C1T-06FJX-06FJX-24
*17	2	618186	1 5/16MJIC-1 5/16MOR ADPTR	60	2	615727	04C1T-06FJX-06FJX-75
*18	1	618541	1 5/16FJIC-1 1/16MJIC ADPTR	61	2	614077	04C1T-06FJX-06FJX-88
*19	1	618718	1 5/16MOR-1 1/16FJIC SWIV	62	2	614101	04C1T-06FJX-06FJX-135
*20	1	611126	7/8MJIC-7/8MOR ADPTR	63	6	611206	04C1T-06FJX-06FJX-66
*21	1	618619	1 5/16FJ SW RUN TEE-1 5/16MJ	64	2	614689	08C1T-08FJX-08FJX-120
*22	2	715660	HOSE BARB 1 1/4NPT X 1 1/4	65	2	614691	08C1T-08FJX-08FJX-220
*23	2	506410	BLK PIPE ST EL 90DEG 1.25NPT	66	2	611246	04C1T-06FJX-06FJX-174
*24	1	618577	1 5/16MJIC UNION	67	4	614368	08C1T-08FJX-08FJX-60
*25	2	505005	RED BUSH 1 TO 1/2	68	4	614377	04C1T-06FJX-08FJX-258
*26	1	505100	BLK PIPE CROSS 1.00NPT	69	2	614387	08C1T-08FJX-08FJX-267
*27	2	505200	BLK PIPE ST EL 90DEG 1.00NPT	70	24	611125	3/4MJIC-3/4MOR ADPTR
*28	1	505210	BLK PIPE NIPPLE 1.00NPT-3.00	71	6	618530	9/16MJIC-1/8MNPT ADPTR
*29	2	611145	3/4MJIC-90-1/2MNPT LBO	72	6	618546	1/8MNPT RUN TEE-9/16MJIC
*30	1	618090	1 5/16MOR-1FNPT ADPTR	73	8	618451	3/4FJIC SW RUN TEE-3/4MJIC
*31	1	618178	1 5/16MJIC-90-1 5/16MOR LBO	74	4	618620	3/4FJX-90-1/2MNPT ADPTR
*32	5	618469	3/4MJIC-1 1/16MOR ADPTR	75	4	690338	LINE CHECK VALVE HYD .50NPT
*33	8	618609	3/4MJIC-90-3/4FJIC SWIV LBO	76	2	614100	04C1T-06FJX-06FJX-211
*34	8	618621	HYD QUICK CPLR,FEMALE, .50FNPS	77	2	614378	08C1T-08FJX-08FJX-207
*35	6	618622	HYD QUICK CPLR, MALE, .50FNPS	78	2	614076	04C1T-06FJX-06FJX-119
*36	6	618623	3/4FJIC-SWIV-1/2MNPT	79	2	614375	08C1T-08FJX-08FJX-177
*37	1	714561	1.00NPT-1.25 HOSE BARB	80	4	614384	08C1T-08FJX-08FJX-237
38	12	611147	3/4MJIC-1/2MNPT ADPTR	81	2	614690	08C1T-08FJX-08FJX-192
39	4	614747	.025 ELBOW ASSY, 9/16MOR 90D	82	1	606021	HYD RETURN MANIF, 3/4FOR, 9-PORT
40	1	618183	3/4MJIC-90-7/8MOR LBO	83	3	611159	3/4MOR PLUG
41	6	618119	9/16MJIC-90-9/16MOR LBO	84	6	618109	9/16MJIC-3/4MOR ADPTR
42	1	618692	3/4FJIC SWIV-9/16MOR ADPTR	85	1	618618	9/16MJIC-90-9/16FJIC SWIV LBO
43	1	618668	9/16FJIC SWIV-9/16MOR ADPTR				

ABBREVIATIONS

A/C - AIR CONDITIONER	MT - MOUNT
ADPTR - ADAPTER	MTR - MOTOR
AGI - AGITATOR	P/N - PART NUMBER
ALT - ALTERNATOR	PLT - PLATE
ASSY - ASSEMBLY	QTY - QUANTITY
BRKT - BRACKET	RED - REDUCER
DET - DETAIL	REF - REFERENCE
DISPL - DISPLACEMENT	REST - RESTRICTOR
EL - ELBOW	REQ - REQUIRED
EXT - EXTENSION	SHFT - SHAFT
FLO - FLOW	SOL - SOLUTION
FNPT - FEMALE NATIONAL PIPE THREAD	STRG - STEERING
FOR - FEMALE O-RING	ST - STREET
FRT - FRONT	SWIV - SWIVEL
HYD - HYDRAULIC	UNC - UNIFIED NATIONAL COURSE
HYDRO - HYDROSTATIC	UNF - UNIFIED NATIONAL FINE
LG - LONG	V - VOLT
LWR - LOWER	W/ - WITH
MJIC - MALE J.I.C.	WHL - WHEEL
MOR - MALE O-RING	WLD - WELDMENT

INDEX

-A-

ABBREVIATIONS.....174
ACCUMULATOR CYLINDER.....86,87
AGITATOR
 IMPELLER.....63,65
 SHAFT.....63,65
 SHIELD.....63,65
 SOLUTION.....63,65
 VARIABLE FLOW CONTROL.....15
AIR BAG.....24,26,28,30
AIR CLEANER.....37
 BAND.....37
 FILTER.....37
 HOOD.....37
 HOSE.....37
AIR CONDITIONER.....40
 BLOWER.....40
 COMPRESSOR.....6
 CONDENSOR.....22
 DRYER.....22
 EVAPORATOR.....40
 FILTER.....40
AIR INTAKE.....22
AIR LINE.....9,51
AIR REGULATOR.....51
AIR SEAT.....48
AIR TANK.....8,9
ANTENNA.....40

-B-

BATTERY.....60
 BOX.....60
 CABLE.....60
 HOLD DOWN.....60
BEARING, LEG.....24,26,28,30
BELT.....4,6
BINDING POST.....47
BLADE, WIPER.....38
BLOWER MOTOR.....40
BOOM.....92,93,94,95,96
 CONTROL VALVE.....83
 CRADLE.....58,59
 HINGE.....94,95
 LIGHTS.....97
 SOLENOID.....66,67,69,70
 SPRING.....93
BOX FUSE.....50
BREAKAWAY.....85
BREAKER CIRCUIT.....4,50
BUMPER, LEG.....24,26,28,30

-C-

CAB.....38
 LIGHTS.....38,40
CABLE,
 BATTERY.....60
 GROUND.....4
 HYDROSTATIC.....46
CIRCUIT BREAKER.....4,50
CLAMP,
 AIR CLEANER.....37
 MUFFLER.....36
CONDENSOR.....22
CONSOLE.....44,48
CRADLE
 BOOM.....58,59
 SOLUTION TANK.....62,64
CROP GUIDE.....25,27,29,31
CUTTER HEAD.....124
CYLINDER
 ACCUMULATOR.....86,87
 FOLD.....90,91
 LEVEL.....89
 LIFT.....88,121
 STEERING.....32
TREAD ADJUST.....103,104

-D-

DECALS.....134
DEPTH COMMAND.....131
DIAGRAMS, WIRING.....136
DOOR.....39
 LATCH.....39
DRAIN VALVE.....8,9
DRINK HOLDER.....45
DRIVE DISK.....5
DYER, A/C.....22
BELT.....4,6

-E-

ENGINE.....4,5
 HOOD.....52
EXHAUST STACK.....36

-F-

FAN.....4
 SPACER.....4
FEEDER TEE.....80

FENCE ROW.....73,74
 FILTER,
 AIR CLEANER.....37
 AIR CONDITIONER.....40
 ENGINE.....4
 FUEL.....5
 HYDRAULIC.....11,18
 MINDER.....51
 FLOW DIVIDER.....14,16,19
 FLOW MAX 110.....108
 FLOW METER.....66,67,69,70
 FLUSHING VALVE.....10
 FOAM.....38,41
 FOAMER TANK.....100
 FOAMER VALVE.....111
 FOLD CYLINDER.....90,91
 FUEL,
 SELECTOR VALVE.....56
 TANK.....56
 TANK MOUNT.....54,55
 FUSE.....50
 BOX.....50

-G-

GAS SPRING.....42,45,52
 GAUGE
 AIR REGULATOR.....51
 OIL PRESSURE.....43
 PRESSURE.....51,66,67,69,70
 TEMPERATURE.....43
 TREAD ADJUST.....57
 GRAB HANDLE.....38
 GLASS.....38,39
 GROUND CABLE.....4
 GROUND STRAP.....38
 GUIDE, STALK.....25,27,29,31

-H-

HANDLE,
 DOOR.....39
 GRAB.....38
 HANDRAIL.....57
 HEAD, CUTTER.....124
 HEADLIGHT.....38,61
 HEADLINER.....40
 HEATER COIL.....40
 HINGE, BOOM.....94,96
 HOOD,
 AIR CLEANER.....37
 ENGINE.....52
 HOOK, RUBBER.....53
 HOSE, RADIATOR.....4
 HOSING, SOLUTION.....76,77,78,79
 HOUR METER.....43
 HUB, TORQUE.....25,27,29,31

HYDRAULIC
 DAMPER.....39
 FILTER.....11
 SOLENOID VALVE.....12
 SCHEMATIC.....152
 TANK.....23
 HYDROSTATIC
 CABLE.....46
 LEVER.....46

-I-

IGNITION SWITCH.....47
 INSTRUMENT PANEL.....43

-L-

LADDER.....54,55
 LATCH, DOOR.....39
 LEG,
 BEARING.....24,26,28,30
 BRACE.....61
 BUMPER.....24,26,28,30
 FRONT.....24,26
 REAR.....28,30
 LEVEL CYLINDER.....89
 LEVER,
 HYDROSTATIC.....46
 LIFTARM.....84
 LIFT CYLINDER.....88,121
 LIGHT,
 BOOM.....97
 CAB.....38,40
 SWITCH.....40
 LS CONTROL.....128,130

-M-

MIRROR.....38
 MOTOR
 BLOWER.....40
 CONTROL VALVE.....17
 STEERING.....42
 WHEEL.....25,27,29,31
 WIPER.....38
 MOUNT,
 CAB.....38
 MOTOR.....4,5
 PUMP.....7
 MUFFLER.....36
 CLAMP.....36
 MULLION.....52

-N-

NOZZLE, REAR WHEEL.....82
 NOZZLE, RINSE.....99

-0-

OIL
COOLER.....22
PRESSURE GAUGE.....43
SENDER.....5
TANK.....23
OUTRIGGER..... 117, 118, 119
FOLD VALVE.....112

-P-

PANEL, SWITCH.....47
POWER POINT.....48
PRESSURE
GAUGE.....51, 66, 67, 69, 70
WASHER.....106
PULLER, QUAD.....126
PUMP,
SOLUTION.....81
SUNDSTRAND.....7

-Q-

QUAD PULLER.....126
QUICK FILL.....72

-R-

RADAR.....109
RADIATOR.....22
HOSE.....4
RECOVERY TANK.....35
SHROUD.....22
RADIO.....40
RAVEN, VFC.....20
REAR WHEEL NOZZLE.....82
RELAY.....50
RELIEF VALVE.....14
RETURN TEE ASSEMBLY.....21
RIM.....34
RINSE
NOZZLE.....99
TANK.....98
RUBBER,
HOOK.....52
MOUNT.....4, 5, 7, 38

-S-

SCHEMATIC, HYDRAULIC.....152
SEAT.....48
SENDER,
OIL.....5
TEMPERATURE.....4
SERVICE PLATFORM.....57

SHEET METAL.....52, 53

SHIELD, TANK.....61
SHROUD, RADIATOR.....22
SIDERAIL.....57
SMV SIGN.....57
SOLENOID, BOOM.....66, 67, 68, 70, 71
SOLUTION

HOSING.....76, 77, 78, 79
PUMP.....81
TANK CRADLE.....62, 64
SPACER, FAN.....4
SPEAKER.....40
SPRING, GAS.....42, 45
STALK GUIDE.....25, 27, 29, 31
STEERING

COLUMN.....42
CYLINDER.....42
MOTOR.....42
WHEEL.....42
STRAINER,
SOLUTION.....62, 64
STRAP, GROUND.....38
SUNDSTRAND PUMP.....7
SWITCH,

IGNITION.....47
LIGHT.....40
PANEL.....47
SOLUTION.....38

-T-

TAILLIGHT.....57
TANK,
AIR.....8, 9
FOAMER.....100
FRESH WATER.....75
HYDRAULIC.....23
MOUNTS.....61
RADIATOR RECOVERY.....35
RINSE.....98
SHIELD.....61
SOLUTION.....62, 64
TEE, FEEDER.....80
TEMPERATURE
GAUGE.....43
SENDER.....4
TIE PLATE.....13
TIE ROD.....33
TIRE.....34
TRANSOM.....85
TREAD ADJUST.....102
CYLINDER.....103, 104
GAUGE.....57
VALVE.....105
TORQUE, HUB.....25, 27, 29, 31

-V-

VALVE,	
AIRBAG.....	25, 26, 28, 30
DETASSELER LIFT.....	113, 114
DIVERT FOAMER.....	111
DRAIN.....	8
ELECTRIC BOOM.....	83
FENCE ROW.....	73, 74
FLUSHING.....	10
FOLD, OUTRIGGER.....	112
FUEL SELECTOR.....	56
HYDRAULIC SOLENOID.....	12
MOTOR CONTROL.....	17
RELIEF.....	14
TREAD ADJUST.....	105
VARIABLE FLOW CONTROL.....	13, 15, 16
VOLTMETER.....	43

-W-

WASHER, PRESSURE.....	106
WHEEL MOTOR.....	25, 27, 29, 31
WHEEL, STEERING.....	42
WINDSHIELD WASHER.....	49
WIPER,	
BLADE.....	38
MOTOR.....	38
WINDSHIELD.....	38

